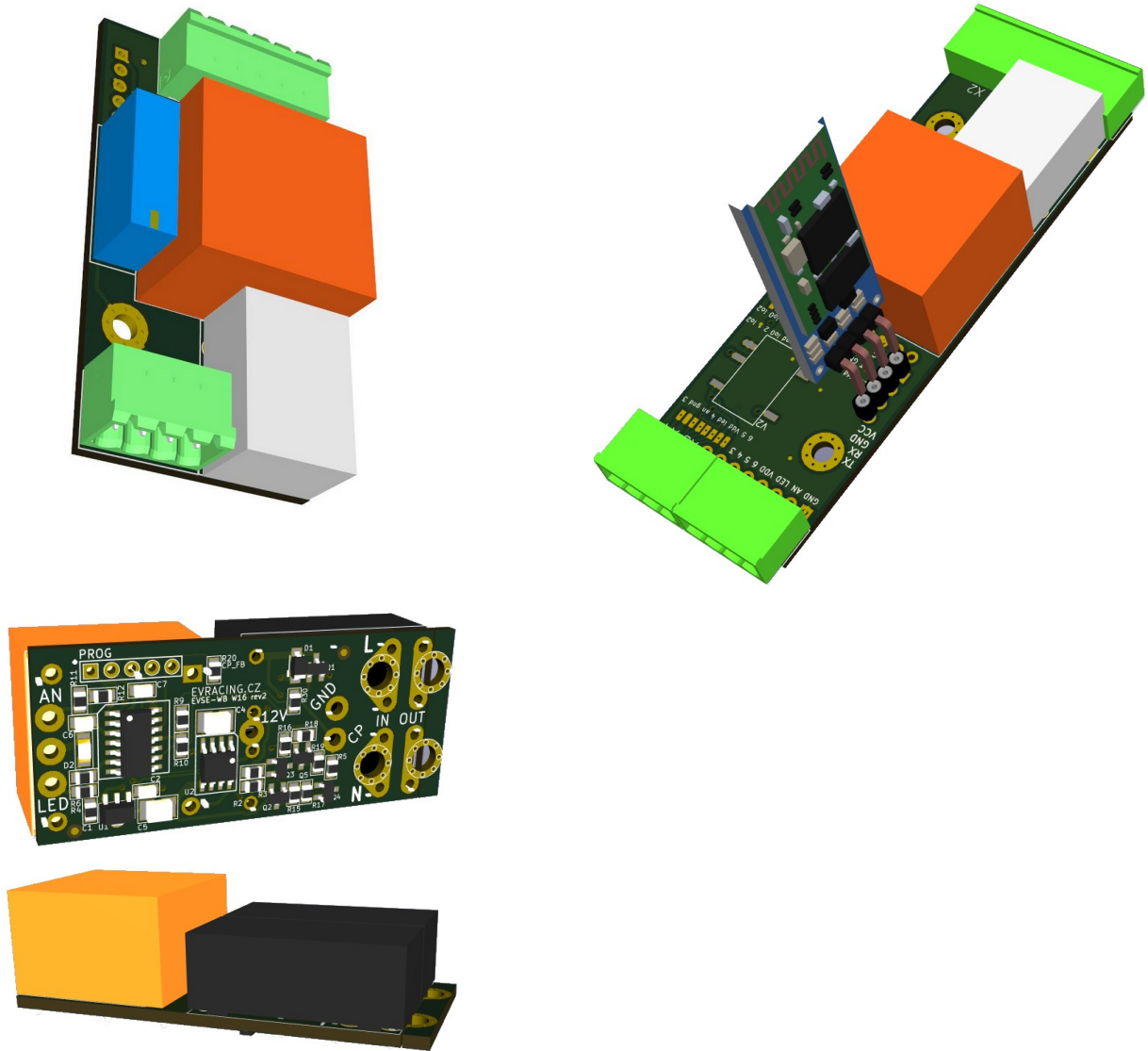


EVSE

Wallbox, DIN, W16

datasheet



*) these are 3D generated models, real product can look differently and have different accessories

Last document update: September 1, 2020

Table of Contents

Introduction.....	3
Read me first.....	3
Theory of operation.....	3
Compatibility.....	3
General description EVSE WB, DIN, W16.....	4
EVSE WB - board description.....	5
EVSE DIN - board description.....	7
EVSE W16 - board description.....	9
Customizations.....	11
Current limitation A – using PROG pin 5.....	11
Current limitation B – using PROG pin 4.....	11
Precise current setting with Analog Input.....	11
Current limitation based on PV production.....	11
Application examples.....	12
3phase wallbox with keyswitch and low tarif signal input.....	12
3phase wallbox including a cable and plug.....	12
32A EVSE with connector J1772.....	14
Recommended contactors.....	15
Using external 12V relay.....	15
Continuous EVSE current regulation using a pot (e.g. 6-32A).....	16
0 - 10V configuration.....	16
Cable selection guide.....	17
Customer solutions and projects.....	18
FAQ.....	19
1) How many PP resistors do I need?.....	19
2) EVSE does not work (config problem).....	19
3) LED indication explained.....	19
4) How to keep current settings after grid failure?.....	19
Advanced configuration.....	20
HC06 bluetooth module + Android app.....	20
Flashing new firmware.....	21
Bootloader mode.....	21
Troubleshooting.....	22
How to determine firmware version?.....	22
Analog input control.....	22
Firmware updates.....	26
Communication examples.....	28
Read holding registers example.....	28
Reading the data out with Python (USB – serial adapter).....	28

Introduction

EVSE stands for *electric vehicle supply equipment*. It is an element that supplies electric energy for the recharging of electric or plug-in vehicles.

Read me first

The EVSE board is supplied with default 32A settings (or 16A for EVSE W16). Please check the chapter “Customizations” for more information about further possibilities of changing maximum charging current. 220 Ohm R_{PP} is included with the kit (EVSE WB).

Theory of operation

Pilot signal duty cycle provided by EVSE defines maximum charging capacity. The car can define several states by pulling the pilot signal down to certain voltage levels (3V, 6V, 9V). Based on this feedback EVSE will trigger the relay for the vehicle to charge or evaluate the state as an error (electricity will not be provided to the output socket/connector).

For more information please check:

- http://en.wikipedia.org/wiki/IEC_62196
- http://en.wikipedia.org/wiki/SAE_J1772
- <https://github.com/kortas87/simple-evse/wiki> (<https://code.google.com/p/simple-evse/>)

Resistance PP-PE (max cable throughput)		
Resistance [ohm]	Current limit [A]	Wire cross-section [mm ²]
> 1500 *	6	--
1500	13	1.5
680	20	2.5
220	32	6
100	63	16
<100 **	80	—

* no resistor connected

** recommended ~50 Ohm

Compatibility

- Tesla Model S
- Nissan Leaf
- Mitsubishi iMiev (Peugeot iOn, Citroen cZero)
- Opel Ampera
- eGolf
- Mitsubishi Outlander PHEV
- Citroen Berlingo Electrique
- and others...

General description EVSE WB, DIN, W16

Parameters	
Supply voltage	90 – 265 VAC
Power consumption	<1W
AC/DC power	1W or 3W
Operating temperature	-20 to 80 °C
Protection index	IP00
Onboard resistor for external LED	1k
Vehicle compatibility	all vehicles according to IEC 62196
Connection options	HC06 bluetooth, UART-USB converter, wifi ESP8266, ethernet USR-TCP232/GSM, ...

All boards are based on the same software and hardware. Main differences between each other are described in this table:

EVSE	WB	DIN	W16	W50
DIN rail mounting	yes with 3D printed case *)	yes	no	yes
PP detection	yes	yes	no	yes
power relay	no	no	yes 2x16A **)	yes 4x50A
3phase	yes	yes	no **)	yes
fits inside Type2 or Type1	no	no	yes	no
wiring	easy	easy	medium	easy
supports vehicles	all	all	all	all
uart communication	yes	yes	yes	yes
in production	yes	yes	yes	late 2019

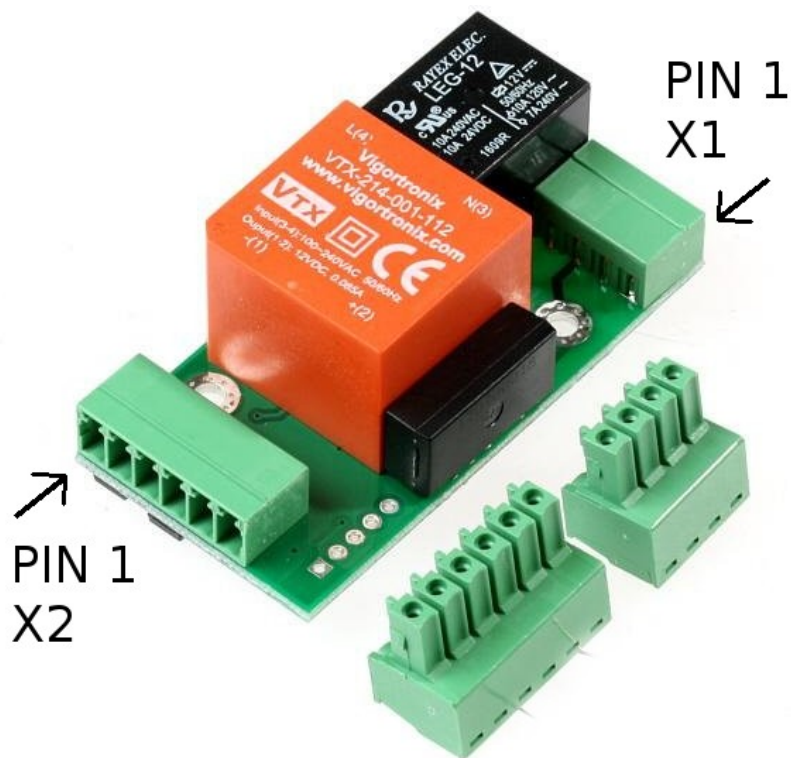
*) 3D data available on request

***) possible to change for 1x32A Panasonic relay with the same size or add another 2pcs 16A relay to get compact 11kW 3phase charger (wiring = difficult)

EVSE WB - board description

Parameters	
Dimension (without connectors)	60 x 30 x 25 mm
Mounting holes spacing	30 x 20 mm
Relay	5A 250V
Weight	80 g
Order code	EVSE-WB
Options	HC06 bluetooth, UART-USB converter

EVSE WB board has 2 connectors. 4-pin X1 for high voltage side and 6-pin for signaling wires and control purposes. There is also PROG connector used for flashing new firmware (ICSP), additional communication and can be further used for adjusting EVSE current (see “Customizations” chapter).



Picture 1: EVSE WB

X1 connector = 4pins		
pin	name	description
1: L	phase	230V power supply for EVSE board and external contactor
2: N	neutral	
3: PE	protection-earth	Ground reference
4: rel	relay output	This output drives coil of an external contactor Maximum allowed current is 3A.

X2 connector = 6pins		
pin	name	description
1: CP	control pilot	To vehicle connector
2: PP	proximity pilot	To vehicle connector
3: 5V	5V power output	Used as a power supply for external components (max 40mA)
4: GND	ground	Ground reference
5: LED	external LED	Includes 1k resistor onboard, connects to LED anode against ground
6: AN	analog input	Used for button or current sensor input

PROG connector = 5pin header		
pin	name	description
1	V _{PP}	ICSP** / RFU* [marked by rectangle] from Jan 2018 bootloader enable pin
2	V _{DD}	5 V
3	GND	Ground
4	DAT / TX	ICSP** / current boost / communication function
5	CLK / RX	ICSP** / current limit / communication function

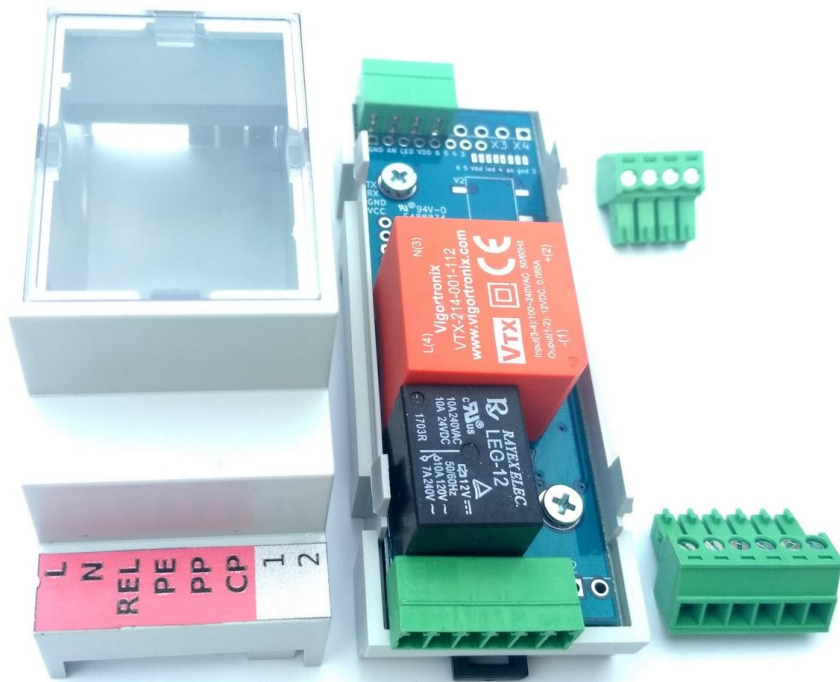
* reserved for future use

** firmware upgrade interface

EVSE DIN - board description

Parameters	
Dimension (without connectors)	86 x 29 x 25 mm
Mounting holes spacing	54 x 18 mm
Relay	5A 250V
Weight	85 g
Order code	EVSE-DIN
Options	RS485 driver, HC06 bluetooth, UART converter, 3W AC/DC

For the minimum installation you can only wire 6pin X1 connector (required: L,N,REL,PE,PP,CP).



Picture 2: EVSE DIN

X1 connector = 6pins		
pin	name	description
1: L	phase	230V power supply for EVSE board and external contactor
2: N	neutral	
3: rel	relay output	This output drives coil of an external contactor Maximum allowed current is 3A
4: PE	protection-earth	Ground reference
5: PP	proximity pilot	To vehicle connector
6: CP	control pilot	To vehicle connector

X2 connector = 2pins (OPTION)		
pin	name	description
1:1		function defined by extension module
2:2		function defined by extension module

X3 connector = 4pins		
pin	name	description
1: 5V	5V power output	Used as a power supply for external components (max 40mA)
2: LED	external LED	Includes 1k resistor onboard, connects to LED anode against ground
3: AN	analog input	Used for button or current sensor input
4: GND	ground	Ground reference

X4 connector = 4pins (OPTION)		
pin	name	description
1:3		function defined by extension module
2:4		function defined by extension module
3:5		function defined by extension module
4:6		function defined by extension module

PROG connector = 5pin header (OPTION)
same function as EVSE WB

UART connector = 4pin header (OPTION)
can be used for direct connection of HC06 (female header)

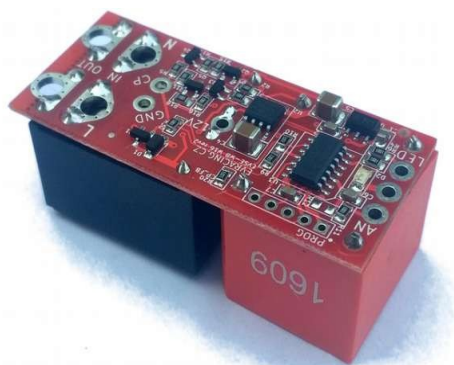
EVSE W16 - board description

Parameters	
Dimension rev2	59 (55) x 26 x 22 mm
Dimension rev3	58 x 25 x 20 mm
Relay (default)	2x16A 250V
Relay option 32A	1x32A
Weight	Approx. 50 g
Order code	EVSE-W16 (2x16A relay) EVSE-W16_32A (1x32A relay)
Options	HC06 bluetooth, USB-UART converter

EVSE-W16 is the smallest board and also includes power relays for 16A. It can be considered as a successor of the original Simple EVSE, but with improved CP driver to support all vehicles, new software and AC/DC + relay integration. Solderable terminals instead of plugs keep it smaller. It can be mounted in many kinds of small boxes including Type1 or Type2 female connectors.

EVSE-W16 rev3 (May 2020) is upgraded version with following advantages:

- better surge rating and optimized component layout
- integrated fuse and inrush current limiter
- option for 32A relay (one phase type1/type2 ~7kW charger)



Picture 3: EVSE W16 rev2 board



Picture 4: EVSE W16 rev3 board

pins overview		
pin	name	description
L in	phase	230V power supply for EVSE board + power input
N in	neutral	
L out	phase	switched power output for the EV connector
N out	neutral	
PE	protection-earth	= GND
CP	control pilot	To vehicle connector (Type1 or Type2)
LED	external LED	Includes 1k resistor onboard, connects to LED anode against ground
AN	analog input	Used for button or current sensor input
GND	ground	Ground reference (+ second GND between AN and LED), this is also PE reference
12V, -	relay coil contacts	can be used for adding relays for 3phase charger

PROG connector = 5pin header (OPTION)
same function as EVSE WB

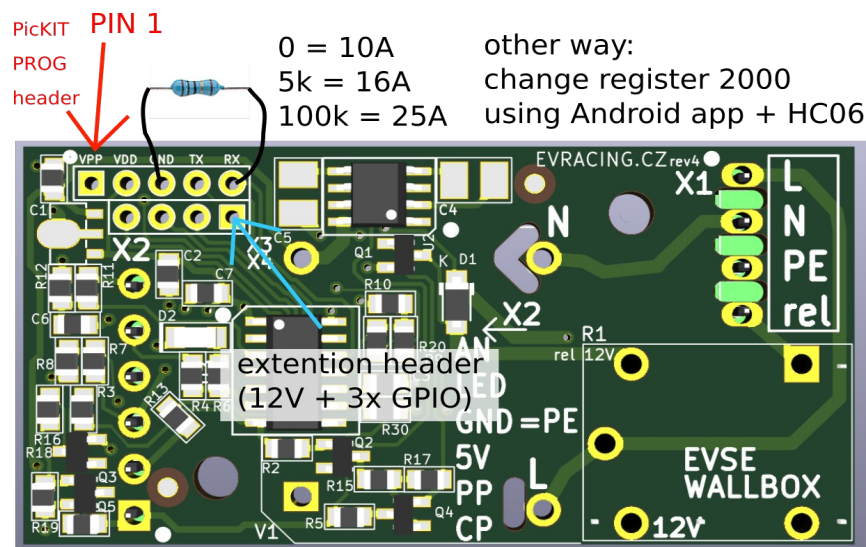
Customizations

Current limitation A – using PROG pin 5

Check the table for details of how you can set the maximum current. This settings will override PIN 4 settings.

PROG connector	connection	current limit
pin5 > 4.5 V	open (internal pull-up only)	32 A [default]
2.5 V < pin5 < 4.5 V	100-200k* resistor to GND	25 A
0.2 V < pin5 < 2.5 V	~3-20k* resistor to GND	16 A
pin5 < 0.2 V	tied to GND	10 A

* resistor value may differ since internal pull-up has no defined value from production (~50k supposed), in most cases 100k for 25A and 5k for 16A is recommended



Picture 7: PROG header location on EVSE-WB board

Current limitation B – using PROG pin 4

Check the table for details of how you can set the maximum current.

PROG connector	connection	current limit
pin4 > 4.5 V	open (internal pull-up only)	32 A [default]
2.5 V < pin4 < 4.5 V	100-200k* resistor to GND	48 A
0.2 V < pin4 < 2.5 V	~3-20k* resistor to GND	63 A
pin4 < 0.2 V	tied to GND	80 A

* resistor value may differ since internal pull-up has no defined value from production (~50k supposed), in most cases 5k for 63A and 100k for 48A is recommended

Precise current setting with Analog Input

Press and hold button connected to Analog input AN of for a few seconds until LED starts to blink rapidly. Then count LED blinks which correspond to number of ampers. Please note that this limit will be set until you reboot the EVSE (make a power cycle). Button is connected the way that it pulls the signal down to ground (level <1V).

Current limitation based on PV production

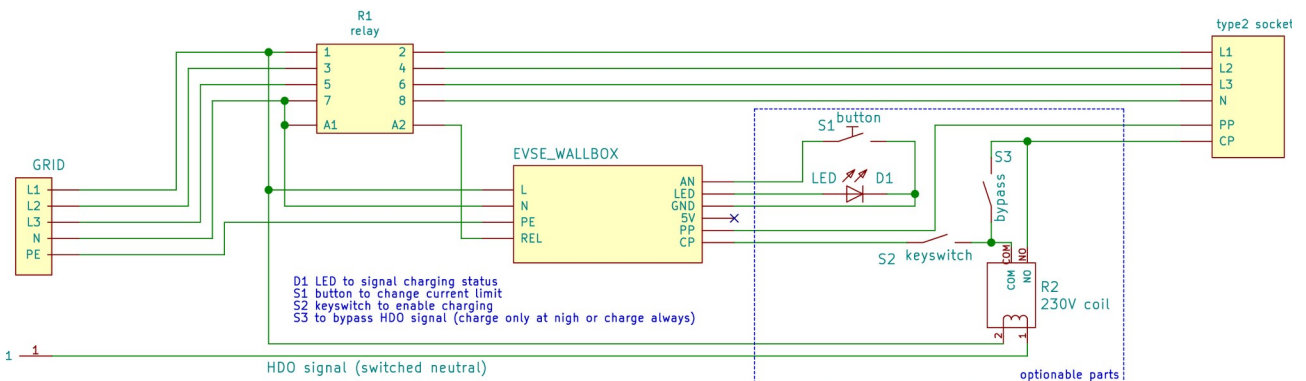
We recommend to use any kind of control system (smart home PLC, Beaglebone with RS485 and SDM630 electricity meter, SDS micro...) and control the EVSE current continuously either by voltage input AN, via data communication (UART/RS485), or simply in 2 or more steps by relay outputs (EVSE is off, EVSE current low, EVSE current high). Each system is different as well as customer needs.

Application examples

In these application examples we suppose that customer uses appropriate contactor with 230V coil. Please check section "Recommended contactors".

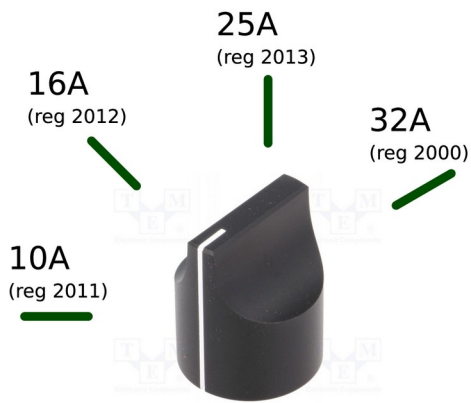
3phase wallbox with keyswitch and low tariff signal input

Keyswitch can be used to lock (disable) / unlock (enable) wallbox (access control).

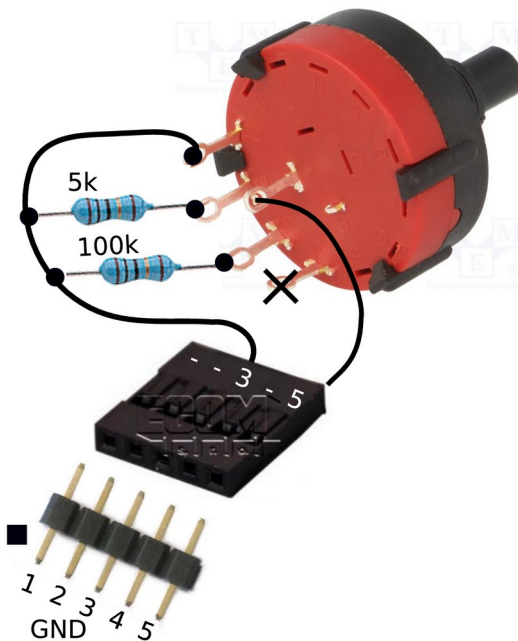


4position rotary switch details

Values 10/16/25/32 [A] can be customized.

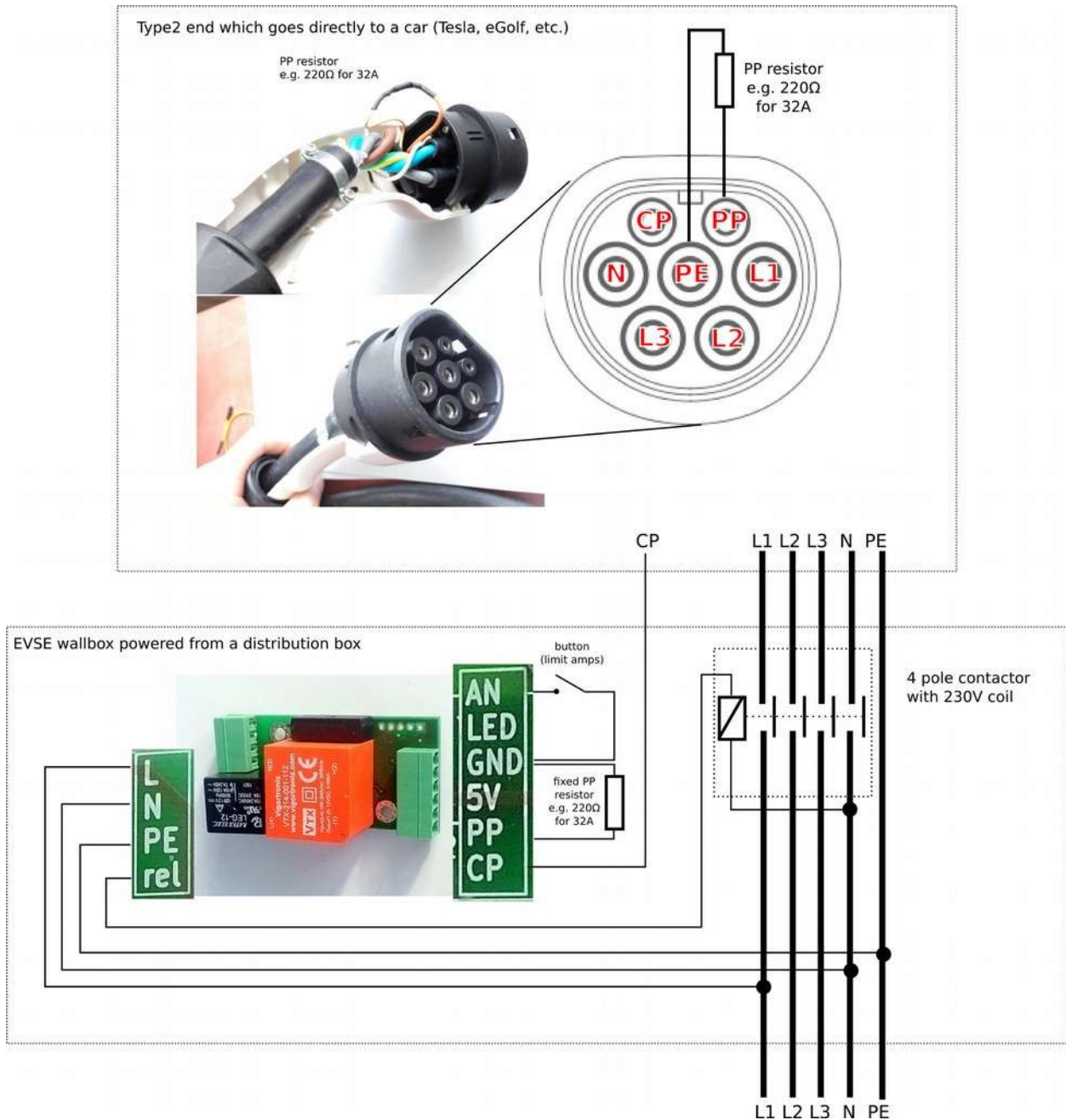


using PicKIT "PROG" HEADER
 EVSE-WB, EVSE-DIN, EVSE-W16, EVSE-W50...



3phase wallbox including a cable and plug

In this example we make 3 phase Wallbox using DSIEC-2E cable. PWM duty will be limited by the size of R_{PP} (refer to the *Theory of operation* chapter). If you do not connect any R_{PP} current will be limited to only 6A. If your EVSE includes a cable which is fixed then you can hard-wire R_{PP} resistor for cable's nominal value.



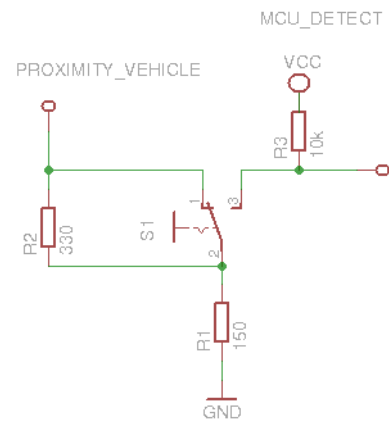
Picture 8: EVSE WB type2 fixed cable

32A EVSE with connector J1772

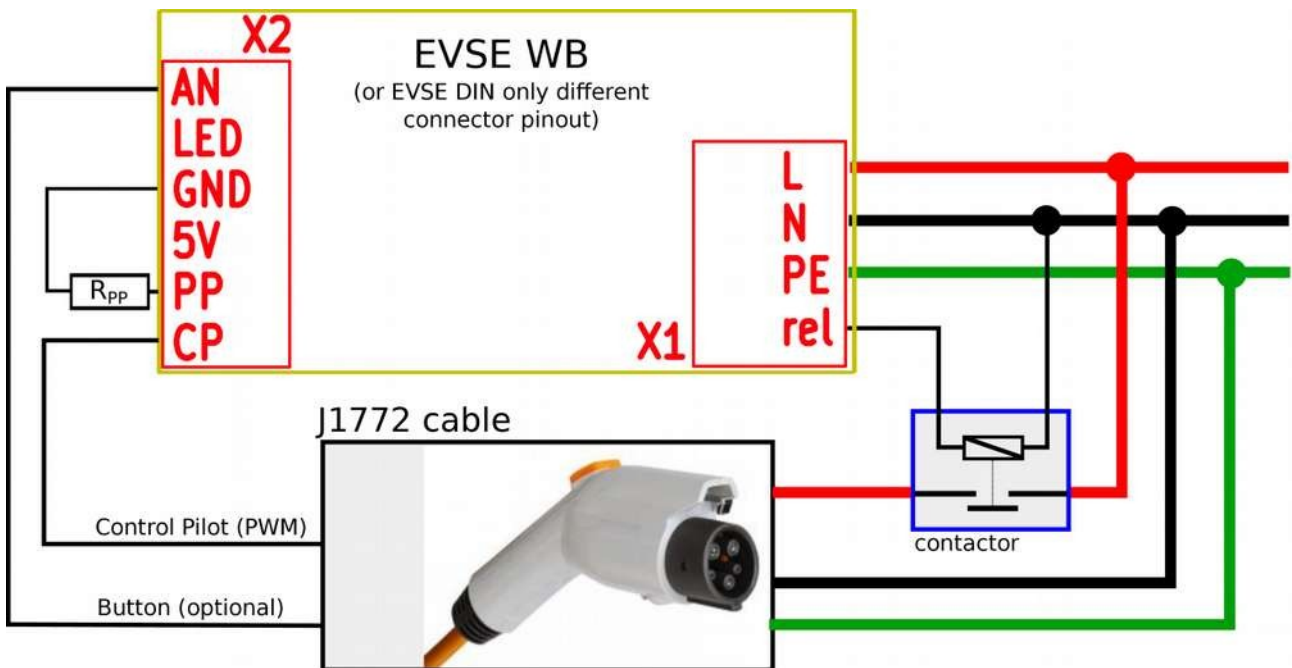
With EVSE Wallbox board you can quickly build a charging station for your Nissan Leaf 6.6kW or any other vehicle equipped with J1772 plug.

Optional Analog Input connection:

The internal J1772 connection allows to use S1 proximity button as an auxiliary button for EVSE. With the help of this button you can easily change charging current with the smallest step of 1A (see Features - Precise current setting).



Picture 9: J1772 proximity button connection detail



Picture 10: J1772 connector - signal and power wires

Recommended contactors

You should use relays / contactors equipped with 230V coil and connect them directly to the board connector X1. Here are some examples which relays can be used. The most common one (4pole contactor 25A) can be easily obtained in local electrical accessories shop (Conrad, K&V Elektro...)

- 3-phase, maximum current 20A (e.g. Tesla 11 kW):
Noark Ex9CH25 40, Elko VS420
- 3-phase, maximum current 40A (e.g. Tesla 16.5 / 22 kW, ZOE 22 kW):
Elko VS440, Eaton Z-SCH 230V/25-40
- 1-phase, maximum current 16-20A (e.g. Peugeot iOn 3 kW, Tesla 3-4kW):
Eaton Z-R230/S
- 1-phase, maximum current 40A (e.g. Nissan Leaf 6.6 kW):
RELPOL R40N
or use normal 4-pole contactor



Picture 12: 40A 1phase relay

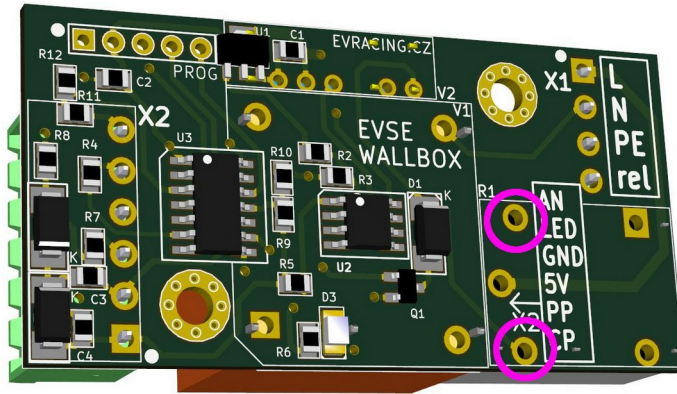


Picture 11: 20A 3phase relay

Using external 12V relay

In some cases it would be possible to use another 12V coil relay (maximum 0.8W coil consumption), however this approach requires desoldering of the original relay and is recommended only to advanced users. Automotive relays can handle sufficient currents however their voltage rating is not high enough.

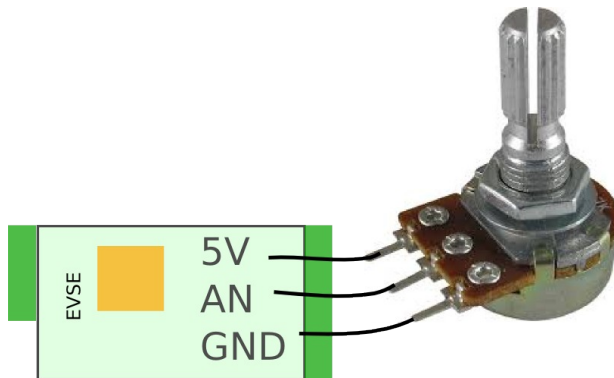
Pins marked by pink are connected to a 12V relay coil:



Picture 13: EVSE WB - connecting 12V relay directly

Continuous EVSE current regulation using a pot (e.g. 6-32A)

Use AN as EVSE voltage input and connect a potentiometer wiper. The other two terminals are to be connected to GND and 5V. Minimum 6A and maximum 32A can be adjusted in registers as needed.



- set 2003 = 0 analog input current regulation
- set 2000 = 32A maximum current (AN = 5V)
- set 2002 = 6A minimum current (AN = 0V)

See the register table for more details. If you do not know how to change register values, please check “Advanced configuration” chapter.

0 - 10V configuration

Add a 1k resistor R12. R11 is also 1k and it will create a divider 1:1. Please note that this setup is recommended to use only with I/O modules having **0-10V analog output galvanically isolated**.

Cable selection guide

rubber cables suitable for electric vehicles (type H07RN-F 450/750V)				
type	diameter [mm]	current [A]	weight [kg/m]	application
5G6 + 0,75	18-22	38	0.7	Type2 female 3phase charger, Type2 male to Type2 female extension cable
5G4 + 0.75	16-20	30	0.5	
5G2.5 + 0.75	13-17	20	0.4	
4G6	16-20	37	0.6	Type1 1phase charger, Type2 male to Type1 extension cable
3G6	14-18	40	0.4	Type1 or Type2 1phase charger with EVSE built into the connector *)

*) other variants: 3x2.5mm 1phase, 5x2.5mm 3phase

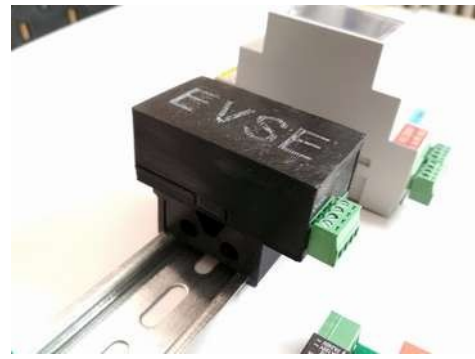


Picture 14: 3G6, 4G6, 5G2.5+0.75, 5G4+0.75, 5G6+0.75

Customer solutions and projects



Picture 16: EVSE WB in custom box with 4position current switch



Picture 15: 3D printer box for EVSE WB in comparison to EVSE DIN



Picture 17: Charging cable made with EVSE DIN together with 4pole contactor in a box

OpenWB Charge Controller

PV in Watt 2399	EVU Bezug in Watt -1394
Ladeleistung in Watt 0	SOC in % 59
Ladestatus 0	Ladeleistung Soll in A 0
Nachladen 1	Lastmanagement 1

Lademodus

Sofort Laden	Min + PV
Stop	Nur PV

Sofortladen A: 18

Save

Picture 18: SDM630 electric meter + EVSE DIN RS485, web interface (<http://openwb.de>)

EVSE Control

Charging...

Max. Current >>	9 A
Power	1.9 kW
Duration	0:56
Energy	0.03 kWh

Deactivate EVSE

Picture 19: Wifi interface for EVSE WB (<https://github.com/CurtRod/SimpleEVSE-WiFi>)

FAQ

1) How many PP resistors do I need?

As described in more detail above in the schematic (page 15), there must be one resistor in Type2 female (car side) and other resistor connected to an EVSE. Both are usually part of the extension cable Typ2 female (car side) to Type2 male (EVSE side). When using a fixed cable (not possible to disconnect from the EVSE) then the size of EVSE PP resistor can be “hardcoded” (modbus versions only, see register 2007 below) or a resistor of a fixed size have to be connected (usually 220 ohm for 32A cable).

2) EVSE does not work (config problem)

Make sure that the EVSE is not turned off (2005 configuration register). If the board does not respond at all, make sure the the UART parameters are correct (9600 baudrate, RX/TX+GND wired correctly). Did not the Modbus address change by accident (reg. 2001)?

Any kind of software / firmware / settings problem can be solved using a PicKIT and reprogramming the board from scratch using MPLAB IPE (do not forget to erase the chip too!). PicKIT 4 can be bought on Farnell (<https://uk.farnell.com/search?st=pickit%204>).

EVSE firmware is ready for download from this link:

http://evracing.cz/evse/evse-wallbox/fw_pickit/ .

Parameters and options:

- chip name is PIC16F1825
- “power target circuit from tool” (use 2-2.5V)
- “use high voltage program mode entry”
- pin1 (Vpp) is always marked (both on Pickit and the board too)
- if “power target circuit from tool” does not work, power the board externally
- when everything is ready, select HEX file “Browse” and click “Program”
- after successful programming you will see “Programming complete” in log window

3) LED indication explained

Using the pin LED you can directly connect LED to indicate EVSE status. The output includes 1k resistor. External LED has the same indication function as on-board LED.

LED	State description
	Normal operation:
1x fast + pause	pilot signal is steady +12V, no vehicle connected (can be customized – always ON)
2x fast + pause	PWM signal is generated, vehicle is present
1x long + pause	vehicle requested power, contactor is ON
20x fast in 0.5s	enter or leave current setting mode
1x each 0.3s	current setting mode – one more amper set
	Error states (no charging):
3x fast + pause	EVSE is disabled in software (FW >= 6)
4x fast + pause	Charging with ventilation is disabled (FW >= 13)
5x fast + pause	Pilot signal check failed (FW >= 11)
6x fast + pause	Residual current check failure (FW >= 16)

4) How to keep current settings after grid failure?

- see “advanced configuration” and enable communication (if necessary), see NOTE#1
- see HC06 bluetooth module + Android app
- set 2004 = 1 to save current set by button OR
- set 2000 = “desired amp value” to keep this maximum current every time

Advanced configuration

Beginning January 2018 all boards can be configured by MODBUS. By default MODBUS interface is disabled and old functions of PROG pins are kept. However you can enable it by grounding PIN4 and PIN5 of PROG connector while powering the board up please see NOTE#1 instead.

Physical layer is not galvanically isolated UART (0-5V) or optionable isolated RS485 EVSE DIN only.

The default device ID is 1 (can be changed in register 2001).

Some values can be then read or written over MODBUS protocol. PROG pin header is used for this purpose with following pinout:

PROG connector	connection
pin3	GND
pin4	TX
pin5	RX

This feature is useful for further development and testing with EVSE Wallbox board and can be also a great way to interface other devices such as Raspberry PI, Ethernet UART bridges (e.g. WIZnet or USB serial-to-ethernet boards), various WiFi modules etc.

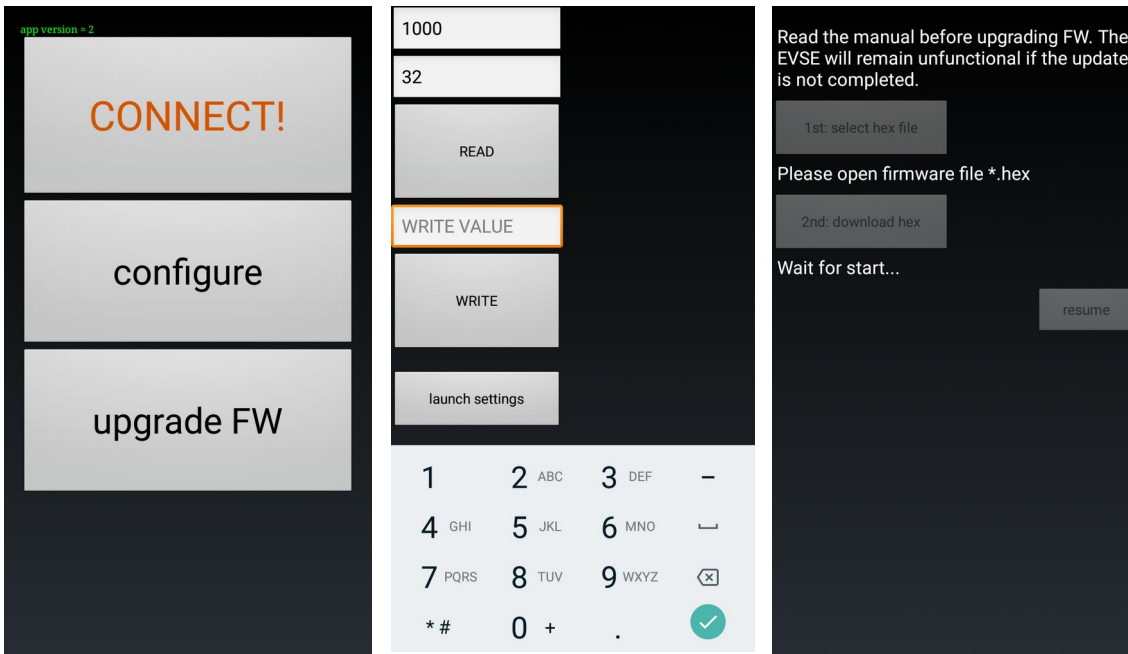
HC06 bluetooth module + Android app

Preferred way is to use HC06 Bluetooth converter and Android application developed for this purpose. By default the communication is disabled (see **NOTE#1** below register table), because the original analog functions of RX, TX pins are kept (for changing current by resistors).

You can download and install the app from here (*.apk extension): <http://evracing.cz/evse/evse-wallbox/>

HC06 is connected to PROG connector.

1. power up the board, HC06 should start blinking
2. pair your Android device with the adapter (default pin 1234)
3. open the EVSE app and choose the paired bluetooth adapter in its settings
4. hit connect button and wait for connection
5. read & write registers you need



Flashing new firmware

Flashing new firmware using Android phone is supported (with bluetooth adapter) on all EVSE DIN devices and on EVSE Wallbox devices only with “modbus firmware”. In order to flash new version of firmware bootloader mode must be enabled (last bit of the register 2005 - see the below).

Bootloader mode

If bootloader mode is activated the LED is solid on or off and it toggles when there is active communication. Bootloader mode can be turned off by changing the configuration register or it happens automatically after successful flashing of new firmware or there is a timeout of approximately 4 minutes.

When bootloader mode is activated, modbus slave address is set to 1.

~~The other way to enter bootloader mode is to keep analog input down when the device is booting (before powering on) for about 12 seconds (CHECK: or some more complicated way to prevent accidental bootloader turn on? CONCLUSION: if divider 1:1 used for AN => colision, result: this option disabled)~~

Bootloader change with board having initial revision 10: bootloader can be enabled by pulling MCLR (pin 1 PROG header) down for at least 12 seconds. This is needed for the case that software upgrade fails and there is no possibility to enable bootloader by changing the register.

Troubleshooting

If the download of a new firmware was not completed then you need to try it again, otherwise the board will not function properly. Last chance to fix badly programmed board is using PICKIT programmer (you can order PickKIT 4 on Farnell to get it fast).

How to determine firmware version?

If you power up the EVSE board and the LED is on for about 2 - 3 seconds you have Modbus firmware onboard and it is disabled. You can enable it this way NOTE#1. Firmware revision can be then read from register 1005.

Analog input control

Charging current can be changed based on analog input AN voltage (when register 2003 = 0). Minimum value is set in register 2002 and maximum in register 2000. Default supported range is 0 - 5V. Analog input is referenced to GND and is not isolated

Charging current (I_{PWM}) for the vehicle is calculated:

$$I_{PWM} = U_{AN} / 5 * I_{MAX}$$

Where U_{AN} is the voltage measured at the input AN and I_{MAX} is actual maximum current. Default is 32A, however it can be adjusted by settings or "current boost" / "current limit" feature or change in configuration register.

If the resulting current is smaller than 6A then the EVSE state will change to "pilot steady 12V" and vehicle stops charging. Minimum current can be also adjusted in the register.

Register table

Register address	R/W	def ault	Description
1000	R/W		Actual configured amps value (from reg 2002 to 80A)
1001	R		Actual amps value output
1002	R		Vehicle state: 1: ready 2: EV is present 3: charging 4: charging with ventilation 5: failure (e.g. diode check, RCD failure)
1003	R		6 / 13 / 20 / 32 / 63 / 80 A Maximum current limitation according to a cable based on PP resistor detection
1004	R/W		bit0 : turn off charging now bit1 : run selftest and RCD test procedure (approx 30s) bit2 : clear RCD error bit3 - bit15 : not used
1005	R		Firmware revision
1006	R		EVSE state 1: steady 12V 2: PWM is being generated (only if 1000 >= 6) 3: OFF, steady 12V
1007	R		EVSE status and fails bit0 : relay on/off bit1 : diode check fail bit2 : vent required fail bit3 : waiting for pilot release (error recovery delay) bit4 : RCD check error bit5 : bit6-bit15 : reserved
1008	R		Error timeout if > 0 then waiting for automatic clear
1009	R		Selftest timeout if > 0 then waiting for a selftest to complete
1010	R		reserved
...			...
2000	R/W	32	Default amps value after boot (max 80A, min 6A)

Register address	R/W	default	Description
2001	R/W	0	Function of PROG PIN 4 + 5, slave address (default 0: current limit or boost functions available) 0: analog inputs enabled > 0: MODBUS communication enabled This value also means the slave address.
2002	R/W	5	Minimum amps value, allowed 0 - 13 if set to 0 the EVSE will completely stop charging during analog input mode (2003 = 0) and AN = 0V
2003	R/W	1	Analog input config: 0: analog input current regulation, input 0 - 5V corresponds to the range: minimum amps --> default amps note that there is a weak pullup resistor enabled for this input (no input connected --> 5V) 1: each blink 1 amp step (default), starts from 0 2: each blink 2 amps step, starts from 0 3: each blink 3 amps step, starts from 0 10: each blink 10 amps step, starts from 0 11: mapping table: registers 2010 - 2017 1x blink = value from 2010 2x blink = value from 2011 ...
2004	R/W	0	Amps settings after power on (applies only to a changes made by the button), whether to save amps settings to eeprom each time it changes or not 0 - do not save amps value (default) 1 - save amps value to register 2000 every time it changes

Register address	R/W	def ault	Description
2005	R/W	1	<p>bit0: Enable button for current change (no sense when 2003 = 0) 0: disabled 1: enabled (default)</p> <p>bit1: Stop charging when button pressed 0: disabled (default) 1: enabled charging will automatically start after you manually unplug and plug the cable to the vehicle</p> <p>bit2: Pilot ready state LED 0: blinks once (default) 1: is always ON</p> <p>bit3: enable charging on vehicle status D (ventilation required) 0: vehicle status D charging is disabled 1: vehicle status D charging is enabled (default)</p> <p>bit4: enable RCD feedback on MCLR pin (pin 4) 0: disabled, no RCD connected (default) 1: enabled</p> <p>bit5: auto clear RCD error 0: disabled (default, power cycle needed) 1: enabled (clear RCD error after <30s min timeout)</p> <p>bit6: (rev16 and later) 0: AN internal pull-up enabled (default) 1: AN internal pull-up disabled</p> <p>bit7-12: reserved</p> <p>bit13: disable EVSE after charge (write 8192) bit14: disable EVSE (write 16384) bit15: enable bootloader mode (write 32768)</p> <p>NOTE: if both bit0 and bit1 are enabled then “interrupt charging” will have higher priority, when charging</p>
2006	R/W	0	<p>RFU: Current sharing mode is active (two or more EVSEs connected to a single breaker) 0 - charging current is half of the default current amps > 0: this amps value will be used</p>
2007	R/W	0	<p>PP detection 0: PP detection enabled (default) value > 0: detection disabled, fixed PP limit entered [A]</p>
2008	R/W		reserved
2009	R		Bootloader firmware revision
2010	R/W	6	Amps value 1
2011	R/W	10	Amps value 2
2012	R/W	16	Amps value 3
2013	R/W	25	Amps value 4

Register address	R/W	def ault	Description
2014	R/W	32	Amps value 5
2015	R/W	48	Amps value 6
2016	R/W	63	Amps value 7
2017	R/W	80	Amps value 8

Register addresses are in decimal format!

NOTE#1: By default MODBUS is NOT enabled, so the original analog input switches can be used (current limit and current boost functions). MODBUS can be enabled by pulling AN input down to GND while booting (= when you power the device up) at least 5 times within 3 seconds (button activated). This will change register 2001 to the value 1, but it will not save the value permanently. Value will be saved after first successful R/W operation over MODBUS (register number >=2000).

NOTE#2: You can restore default settings of all registers by saving a value 65535 to the register 2010

NOTE#3: Only functions 03 (Read Holding Registers) and 16 (Preset Multiple Registers) are implemented. For more details please check: <http://www.simplymodbus.ca/FAQ.htm>

RFU: reserved for future use

EVSE selftest:

- 1) turn on +12V (0 seconds)
- 2) turn on PWM generation, 5th second
- 3) enable 220R pp resistor (max 32A, 50% duty cycle), 10th second
- 4) turn on contactor (15th second)
- 5) RCD test procedure (if configured, 20th second, performs 500ms pulse on TEST-IN)
- 6) selftest finished after 30 seconds

Selftest counter (reg 1009)	Relay out	RCD test out	PP 220ohm	Action
300	off	off	off	Steady +12V CP signal
250	off	off	off	PWM 1kHz start, default duty cycle
200	off	off	ON	PWM duty cycle change to 50%
150	ON	off	ON	Relay activation
100-95	ON	ON	ON	Test output RCD enabled ~500ms
0	off	off	off	Steady +12V CP signal

NOTE: if equipped with RCD sensor, the test must finish with RCD error (LED blinks six times). RCD error must be cleared manually or by timeout (depending on config)

Firmware updates

2020-06-25 revision 17:

- stricter CP signal check (pilot low decision level, shorted diode)

2020-04-27 revision 16:

- added RCD feedback support for EVSE-WBDIN (e.g. Bender RCMB121 and others)
- added configuration bit for AN pullup (can be disabled)

2020-02-15 revision 15:

- added minimum pilot_high condition (fix for Metrel A 1532 – status E/F test)

2019-09-01 revision 13:

- possible to change LED behavior in pilot steady state
- diode check fail increased error recovery delay
- EVSE status vent / without vent

2019-04-26 revision 12:

- RX buffer limit fix (mainly for RS485 systems)

2018-12-10 revision 11:

- improved CP signal check (implements status E), requires feedback resistor 100k (rev3 board R20, rev2 board R13, DIN version R21)
- if you do not upgrade feedback resistor, do not use firmware 11+

2018-10-30 revision 10:

- fix evse status register 1002 initial value (probably caused problems in OpenWB)
- modbus timeout set to 5 steps

2018-08-28 revision 9:

- combined code for EVSE DIN 485 and EVSE WB (but 2 different hex files)
- uart communication fix (RX overflow error check)
- weak pullup disabled for PP detection pin
- modbus timeout set to 3 steps

2018-02-06 bootloader v3:

- fix: removed reconfiguration from bootloader code (causing rewriting reg 2002)

2017-11-18 bootloader v2:

- added possibility to turn bootloader on by hardware pin 1 (Vpp/MCLR)

2017-11-18 Androi app v2:

- fixed .hex file parser (firmware upgrade), always use latest app version for firmware flashing!

2017-10-31 revision 8:

- added “disable EVSE after charge” bit (register 2005)
- fixed issue with voltage AN input - now follows minimum amps and does not turn off

2017-06-23 revision 7:

- interrupt routine rewritten (modbus communication)
- correct vehicle status update, if pwm is not being generated
- modbus timeout set to 20 steps

2017-06-07 revision 6:

- new configuration bits, register 2005 (disable EVSE, interrupt charging, change current)
- error code signalization

2017-05-03 revision 5:

- fixed current limit based on cable PP resistor (and analog pin input)

2017-04-26 revision 4:

- fixed amps value from AI (e.g. for max 32A reached only 31A and 5V input)
- fixed minimum amps value (was not taken into account)

2017-04-21 revision 3:

- added bootloader (Android application)
- fixed bug with analog input not working while modbus enabled
- added control register 1004

2017-04-13 revision 2:

- changeable slave address in reg 2001
- stop charging button function reg 2005 (no timeout, but wait for unplug & plug), bitfield introduced for more possible options
- added register 1005 (firmware revision number)

2017-02-17 revision 1:

- initial version

Communication examples

Connection parameters: speed 9600, bytesize 8, stop bit 1, no parity, byte order Motorola.

Read holding registers example

01 03 03 E8 00 02 44 7B (request)

bytes	description
01	The slave address (always 01 unless changed by customer)
03	Function code (03 is for read holding registers function)
03 E8	The data address of the first register to read
00 02	The total number of registers requested.
44 7B	CRC-16 Modbus (cyclic redundancy check)

01 03 04 00 20 00 20 FA 21 (answer)

bytes	description
01	The slave address (always 01)
03	Function code (03 is for read holding registers function)
04	The number of data bytes to follow (2 registers x 2 bytes each = 4)
00 20	The contents of register 1000 (32A)
00 20	The contents of register 1001 (32A)
FA 21	CRC-16 Modbus (cyclic redundancy check)

Reading the data out with Python (USB – serial adapter)

You can use almost any MODBUS master utility for Windows / Linux / Mac. For common users we recommend using **QModBus** (<http://qmodbus.sourceforge.net/>). There is also QModMaster (<http://sourceforge.net/projects/qmodmaster/>) utility, but there may be a problem with write multiple registers function (there is bug in the software which causes register shift) - so use it carefully.

Advanced users can use Python / pymodbus (<https://github.com/bashwork/pymodbus>) for further development or similar libraries.

In following example we read out first 7 registers

```
#!/usr/bin/python3
from pymodbus.client.sync import ModbusSerialClient
client = ModbusSerialClient(method = "rtu", port="/dev/ttyUSB0", baudrate=9600,
stopbits=1, bytesize=8, timeout=1)
rq = client.read_holding_registers(1000,7,unit=1)
print(rq.registers)

#Reading the data out with Python (USB – serial adapter)
```