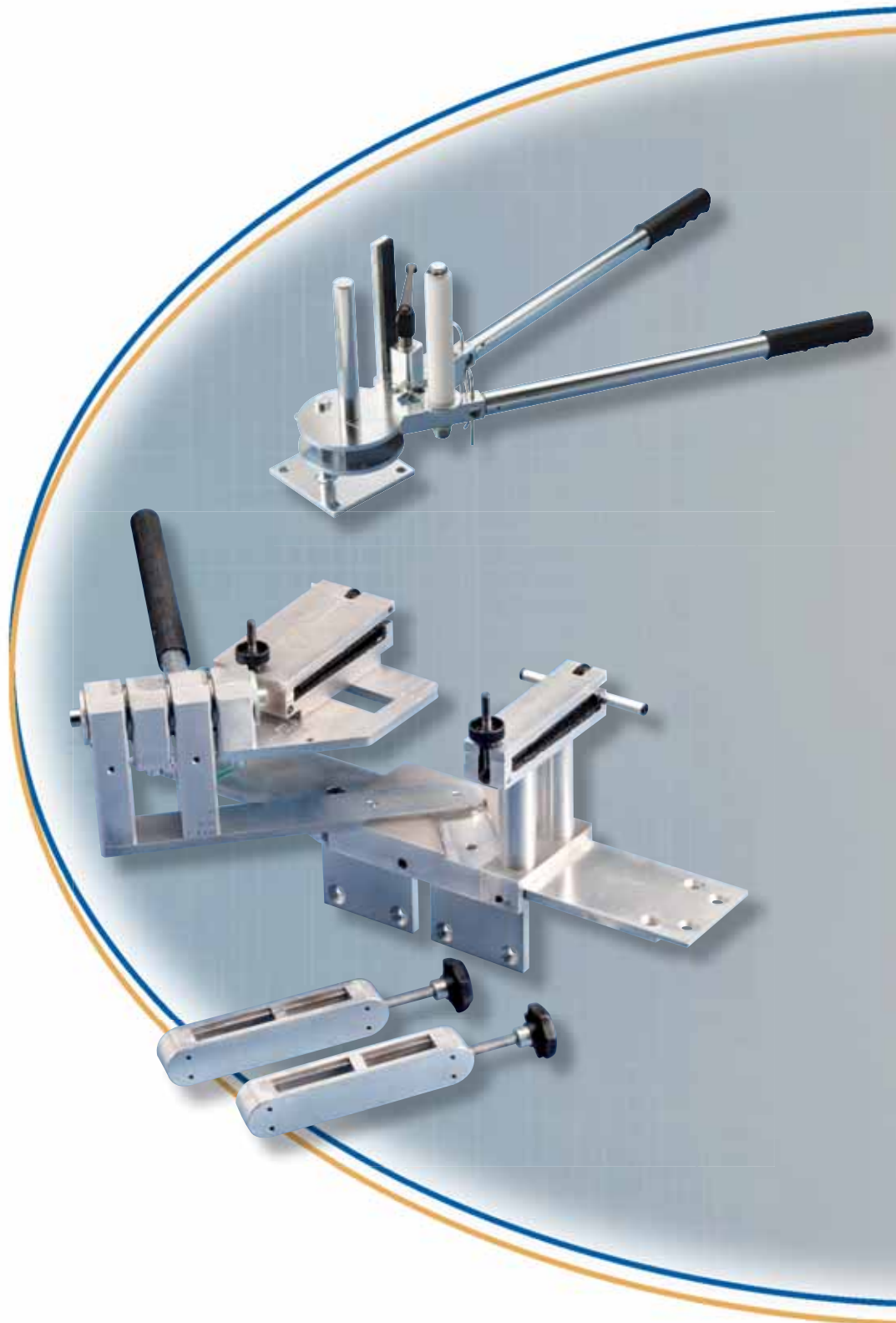


ERIFLEX®

ERIFLEX® FLEXIBAR **Folding & Bending Tools**



ERICO®

ERIFLEX® FLEXIBAR Folding Tools

ERIFLEX FLEXIBAR Folding Tool MFF



See on page 4

ERIFLEX FLEXIBAR Folding Tool U-shape - MFFU



See on page 5

ERIFLEX FLEXIBAR Folding Tool Fixed Vice - MFFV



See on page 5

ERIFLEX FLEXIBAR Folding Tool Rail - MFFR



See on page 6

ERIFLEX FLEXIBAR Folding Tool Clamp - MFFC



See on page 6

ERIFLEX FLEXIBAR Bending Tool

ERIFLEX FLEXIBAR Bending Tool HFBT



See on page 7

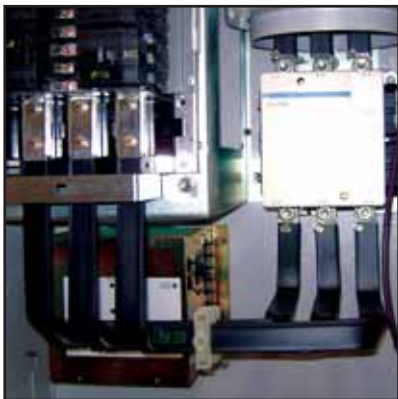
UNITED KINGDOM
52 Milford Road
Reading, Berkshire RG1 8LJ
United Kingdom
Phone 0808 2344 695
Fax 0808 2344 676

NORTH AMERICA
34600 Solon Road
Solon, Ohio 44139
United States of America
Phone 1-800-497-4304
Fax 1-800-944-4296

OTHER COUNTRIES
B.P. 31 - 42161 Andrézieux
Cedex
France
Phone 00 33 477 36 56 56
Fax 00 33 477 36 18 10

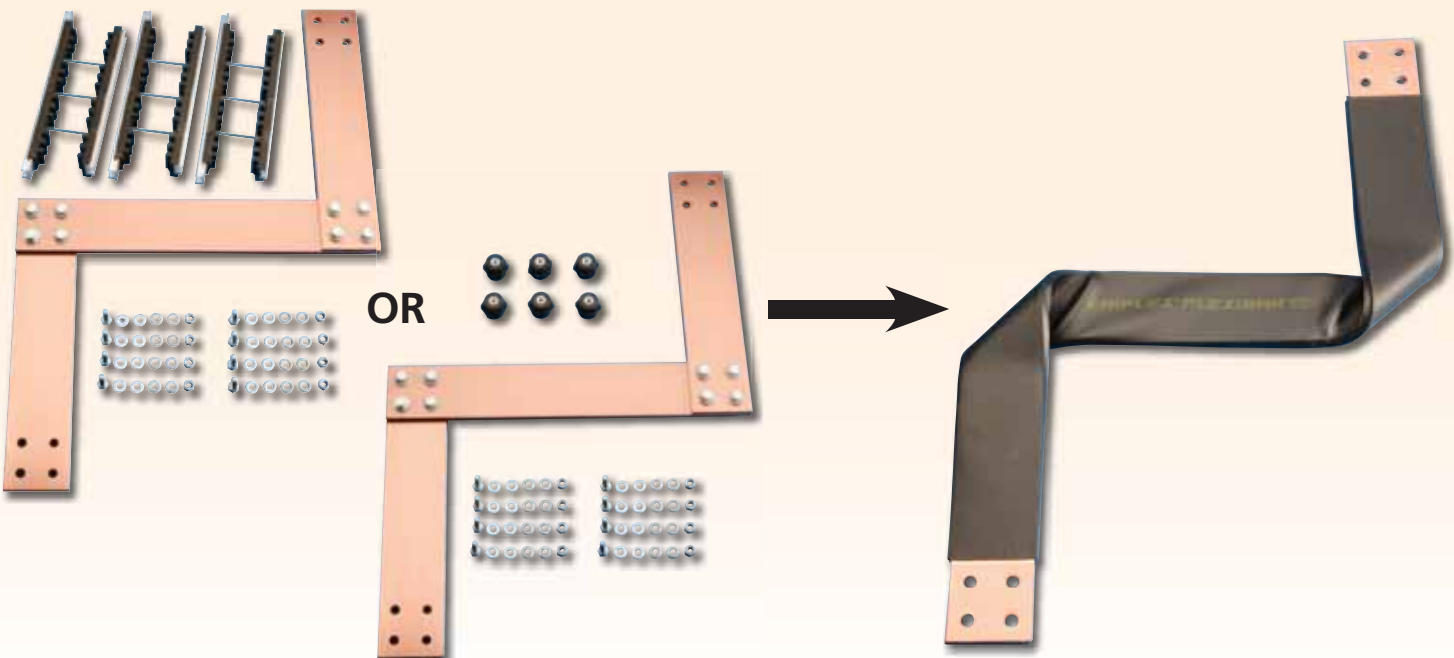
The Best Flexible Busbar

ERIFLEX® FLEXIBAR Standard and
ERIFLEX® FLEXIBAR SUMMUM



Improve your manufacturing and installation possibilities.

Significantly reduce your connections cost by using ERIFLEX FLEXIBAR and the new ERIFLEX FLEXIBAR folding and bending tools.






ERIFLEX® FLEXIBAR Folding Tool MFF



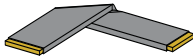
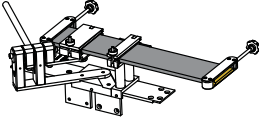
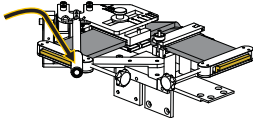
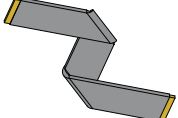
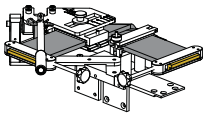
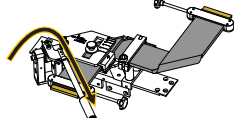
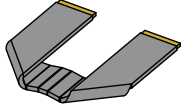
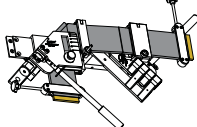
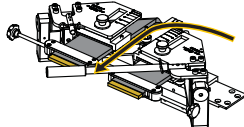
- ERIFLEX FLEXIBAR folds up to 10x120x1/12x100x1
- Folds quickly without insulation damage
- Multiple bending shapes: L - U - Z
- Easy to reproduce many shapes and sizes
- Significantly reduce ERIFLEX FLEXIBAR scrap
- Limits heavy ERIFLEX FLEXIBAR handling
- Quick and easy tool set up
- Universal tool for workshop or jobsite
- For ERIFLEX FLEXIBAR only

UNIQUE IN THE MARKET

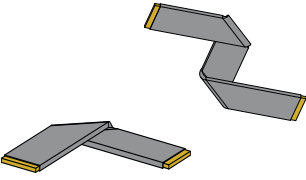
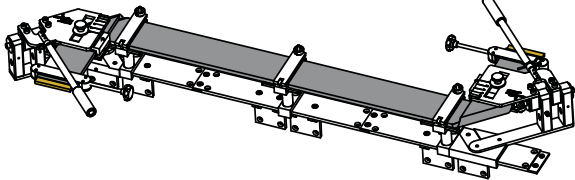
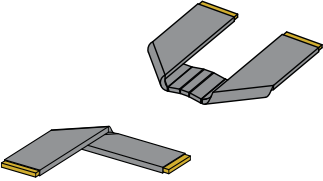
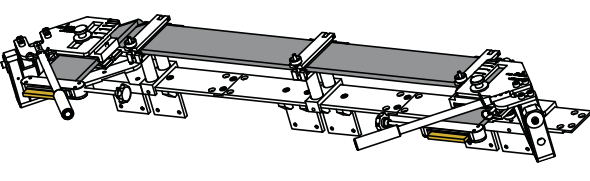
Part Number	Description			
558930	ERIFLEX FLEXIBAR Folding Tool MFF	1	20 kg	44 lbs

ERIFLEX® FLEXIBAR Folding Process

Over all dimensions: L 600 x W 305 x H 305 mm

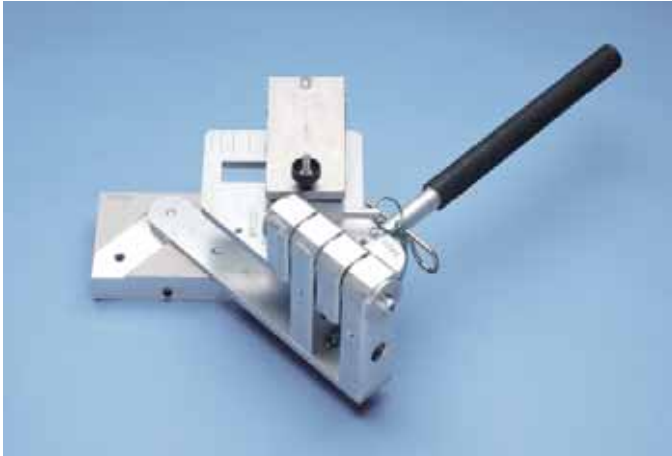
L Shape			
			Tool to Use
			558930 x1
Z Shape			
			Tool to Use
			558930 x1
U Shape			
			Tool (s) to Use
			558930 x1
			558931 x1

ERIFLEX® FLEXIBAR Long & Large Quantities

L + Z Shape					
			Tool to Use	L	Z
			558930	x1	x2
			558932	x2	x1
			558933	x2	x1
L + U Shape					
			Tool to Use	L	U
			558930	x1	x1
			558931		x1
			558932	x2	x2
			558933	x2	x2




ERIFLEX® FLEXIBAR Folding Tools

ERIFLEX® FLEXIBAR Folding Tool U-shape - MFFU



- Accessory to the MFF tool
- Use with the MFF tool for U-shape folding

Over all dimensions: L 355 x W 305 x H 205 mm




Part Number	Description			
558931	ERIFLEX FLEXIBAR Folding Tool U-Shape MFFU	1	9 kg	19,8 lbs

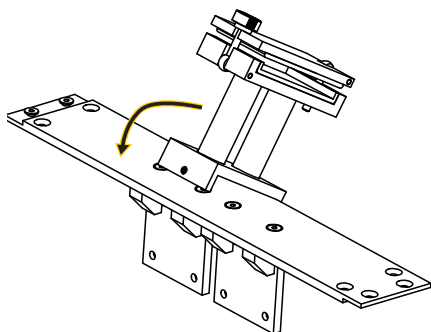
ERIFLEX® FLEXIBAR Folding Tool Fixed Vice - MFFV



- Accessory to the MFF tool
- Supports long ERIFLEX FLEXIBAR
- Allows easy folding of long ERIFLEX FLEXIBAR

Over all dimensions: L 170 x W 125 x H 205 mm

Part Number	Description			
558932	ERIFLEX FLEXIBAR Folding Tool Fixed Vice MFFV	1	2,2 kg	4,8 lbs






ERIFLEX® FLEXIBAR Folding Tools

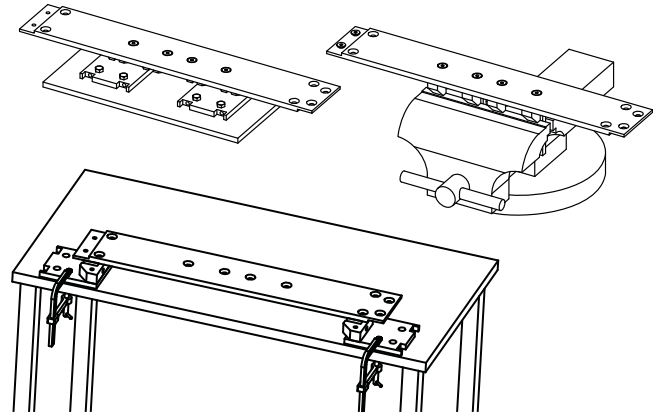
ERIFLEX® FLEXIBAR Folding Tool Rail - MFFR



Over all dimensions: L 600 x W 100 x H 120 mm

Part Number	Description			
558933	ERIFLEX FLEXIBAR Folding Tool Rail MFFR	1	6,4 kg	14,1 lbs




- Accessory to the MFF tool
- Assists with the assembly of the MFF and MFFU tools for long ERIFLEX FLEXIBAR
- Affix the folding tool to the workbench or vice



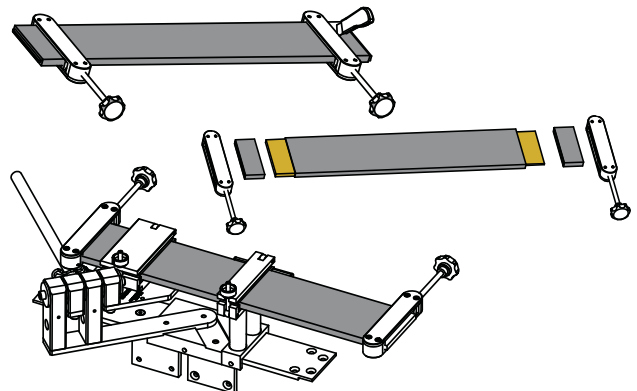
ERIFLEX® FLEXIBAR Folding Tool Clamp - MFFC



Over all dimensions: L 240 x W 50 x H 50 mm

Part Number	Description	ERIFLEX FLEXIBAR			
558934	ERIFLEX FLEXIBAR Folding Tool Clamp 63 MFFC	20 --> 63	2	0,45 kg	1 lbs
558935	ERIFLEX FLEXIBAR Folding Tool Clamp 120 MFFC	20 --> 120	2	0,535 kg	1,2 lbs

- Accessory to the MFF tool
- Prevents any ERIFLEX FLEXIBAR laminates from sliding during the folding operation
- Allows for quality palms on ERIFLEX FLEXIBAR ends
- Helps with insulation stripping on large ERIFLEX FLEXIBAR sizes



ERIFLEX® FLEXIBAR Bending Tool HFBT



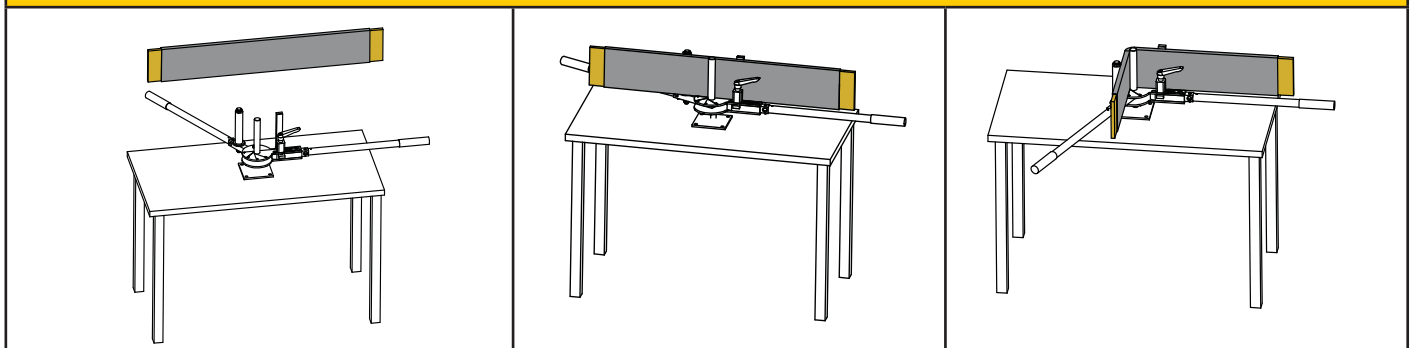
NEW

- ERIFLEX FLEXIBAR bends up to 10x120x1/12x100x1
- Bends quickly without insulation damage
- Limits heavy ERIFLEX FLEXIBAR handling
- Universal tool for workshop or jobsite
- Angle adjustment up to 180°
- Bending radius: 10 mm
- Compact tool in steel case

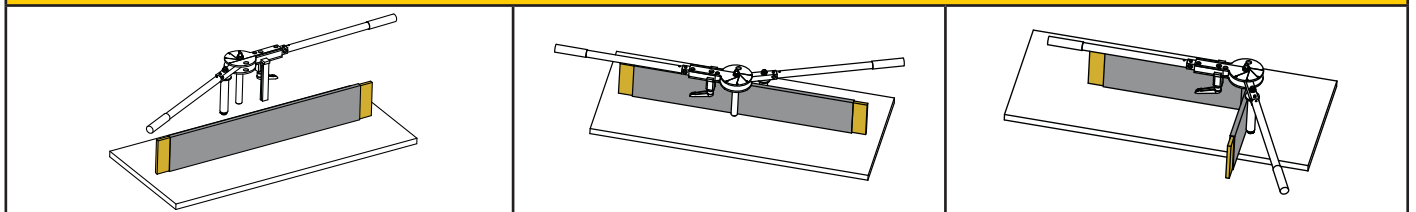
UNIQUE IN THE MARKET

Over all dimensions: L 345 x W 120 x H 215 mm

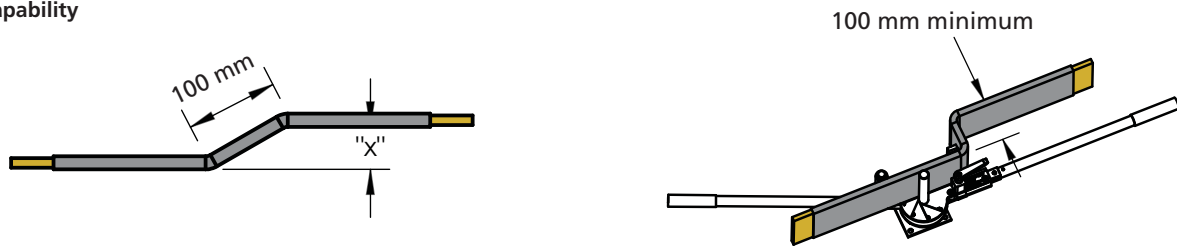
On Workbench






On Jobsite



Tool Capability



Part Number	Description			
558920	ERIFLEX FLEXIBAR Bending Tool	1	7 kg	15.4 lbs

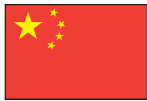
ERICO®



www.erico.com



AUSTRALIA
Phone 1-800-263-508
Fax 1-800-423-091



CHINA
Phone +86-21-3430-4878
Fax +86-21-5831-8177



HUNGARY
Phone 06-800-16538
Fax +39-0244-386-107



NORWAY
Phone 800-100-73
Fax 800-100-66



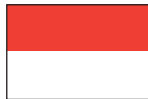
SWITZERLAND
Phone 0800-55-86-97
Fax 0800-55-96-15



BELGIUM
Phone 0800-757-48
Fax 0800-757-60



DENMARK
Phone 808-89-372
Fax 808-89-373



INDONESIA
Phone +62-21-575-0941
Fax +62-21-575-0942



POLAND
Phone +48-71-349-04-60
Fax +48-71-349-04-61



THAILAND
Phone +66-2-267-5776
Fax +66-2-636-6988



BRAZIL
Phone +55-11-3623-4333
Fax +55-11-3621-4066



FRANCE
Phone 0-800-901-793
Fax 0-800-902-024



ITALY
Phone 800-870-938
Fax 800-873-935



SINGAPORE
Phone +65-6-268-3433
Fax +65-6-268-1389



UNITED ARAB EMIRATES
Phone +971-4-881-7250
Fax +971-4-881-7270



CANADA
Phone +1-800-677-9089
Fax +1-800-677-8131



GERMANY
Phone 0-800-189-0272
Fax 0-800-189-0274



MEXICO
Phone +52-55-5260-5991
Fax +52-55-5260-3310



SPAIN
Phone 900-993-154
Fax 900-807-333



UNITED KINGDOM
Phone 0808-2344-670
Fax 0808-2344-676



CHILE
Phone +56-2-370-2908
Fax +56-2-369-5657



HONG KONG
Phone +852-2764-8808
Fax +852-2764-4486



NETHERLANDS
Phone 0800-0200-135
Fax 0800-0200-136



SWEDEN
Phone 020-790-908
Fax 020-798-964



UNITED STATES
Phone 1-800-753-9221
Fax +1-440-248-0723

WARNING

ERICO products shall be installed and used only as indicated in ERICO's product instruction sheets and training materials. Instruction sheets are available at www.erico.com and from your ERICO customer service representative. Improper installation, misuse, misapplication or other failure to completely follow ERICO's instructions and warnings may cause product malfunction, property damage, serious bodily injury and death.

WARRANTY

ERICO products are warranted to be free from defects in material and workmanship at the time of shipment. NO OTHER WARRANTY, WHETHER EXPRESS OR IMPLIED (INCLUDING ANY WARRANTY OF MERCHANTABILITY OR FITNESS FOR A PARTICULAR PURPOSE), SHALL EXIST IN CONNECTION WITH THE SALE OR USE OF ANY ERICO PRODUCTS. Claims for errors, shortages, defects or nonconformities ascertainable upon inspection must be made in writing within 5 days after Buyer's receipt of products. All other claims must be made in writing to ERICO within 6 months from the date of shipment or transport. Products claimed to be nonconforming or defective must, upon ERICO's prior written approval in accordance with its standard terms and procedures governing returns, promptly be returned to ERICO for inspection. Claims not made as provided above and within the applicable time period will be barred. ERICO shall in no event be responsible if the products have not been stored or used in accordance with its specifications and recommended procedures. ERICO will, at its option, either repair or replace nonconforming or defective products for which it is responsible or return the purchase price to the Buyer. THE FOREGOING STATES BUYER'S EXCLUSIVE REMEDY FOR ANY BREACH OF ERICO WARRANTY AND FOR ANY CLAIM, WHETHER SOUNDING IN CONTRACT, TORT OR NEGLIGENCE, FOR LOSS OR INJURY CAUSED BY THE SALE OR USE OF ANY PRODUCT.

LIMITATION OF LIABILITY

ERICO excludes all liability except such liability that is directly attributable to the willful or gross negligence of ERICO's employees. Should ERICO be held liable its liability shall in no event exceed the total purchase price under the contract. ERICO SHALL IN NO EVENT BE RESPONSIBLE FOR ANY LOSS OF BUSINESS OR PROFITS, DOWNTIME OR DELAY, LABOR, REPAIR OR MATERIAL COSTS OR ANY SIMILAR OR DISSIMILAR CONSEQUENTIAL LOSS OR DAMAGE INCURRED BY BUYER.

Copyright ©2011 ERICO International Corporation. All rights reserved.

CADDY, CADWELD, CRITEC, ERICO, ERIFLEX, ERITECH, and LENTON are registered trademarks of ERICO International Corporation.

P10648-WWEN

P107LT11WWEN

2.3M1011