

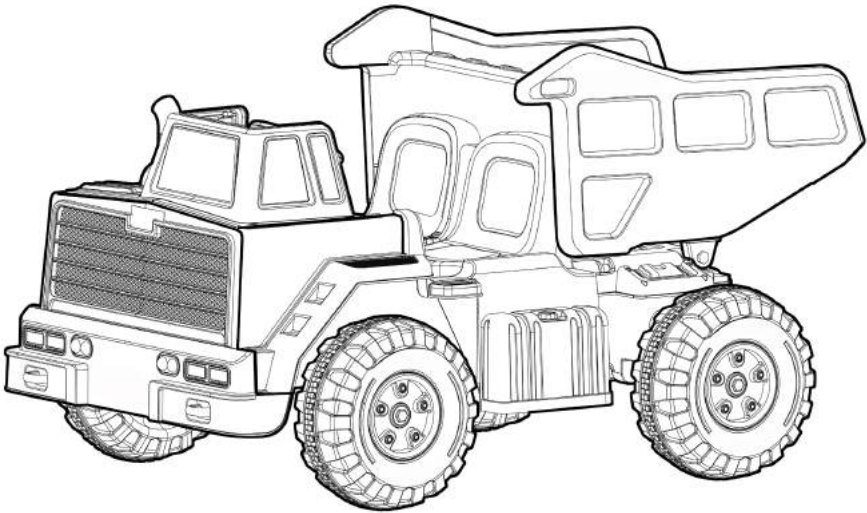


DYNACRAFT®

OWNER'S MANUAL

HOME DEPOT 12V DUMP TRUCK

THIS MANUAL CONTAINS IMPORTANT SAFETY, PERFORMANCE AND MAINTENANCE INFORMATION. READ THE MANUAL BEFORE TAKING YOUR FIRST RIDE OR ALLOWING YOUR CHILD TO RIDE YOUR NEW ELECTRIC RIDE-ON TOY. KEEP THE MANUAL HANDY FOR FUTURE REFERENCE.



DO NOT return this item to the store.

QUESTIONS OR COMMENTS?

1-800-288-1560



FOR AGES 3+

**MAXIMUM WEIGHT: TOTAL 130 lb (59 kg), 65 lb (29.5 kg)
PER SEAT**

NOTE: Illustrations in this manual are for reference purposes only and may not reflect the exact appearance of the actual product. Specifications are subject to change without notice.

TABLE OF CONTENTS

| | |
|--|----|
| A Introduction, Safety and Warnings | 2 |
| B Before You Begin Assembly | 6 |
| C Parts Diagram | 7 |
| D Assembly | 8 |
| E How to Use Your Vehicle | 17 |
| F Detailed Maintenance and Repair | 20 |
| G Troubleshooting Guide | 26 |
| H Warranty. | 29 |

ELECTRIC CAR SPECIFICATIONS

| | |
|-------------------------------|----------------------------|
| SUITABLE AGE. | 3+ |
| CAPACITY | Up to 130 lb (59 kg) |
| MAX SPEED | Low 2.5 MPH / High 5.0 MPH |
| CHARGER / INPUT. | AC120V / 60HZ |
| OUTPUT. | DC 12V / 1A |
| CHARGING | 12–18 Hours |
| BATTERY | 12V10AH, 1x Battery |
| SIZE OF CAR | 1480 x 934 x 809 mm |
| AVERAGE BATTERY LIFE. | 300 Charges |

INTRODUCTION, SAFETY AND WARNINGS

A

ABOUT THIS MANUAL: This manual was written to help you and your child get the most performance, comfort, enjoyment and safety when riding your new electric ride-on toy. It is important for you to understand your new electric ride-on toy. By reading this manual before you let your child go out on his/her first ride, you will know how to get the most from your new electric ride-on toy. It is also important that you or your child's first ride be in a controlled environment, away from cars, obstacles, and other riders.

⚠ GENERAL WARNING: Riding an electric ride-on toy can be a dangerous activity, even under the best of circumstances. Proper maintenance of your new ride-on toy is your responsibility and helps reduce the risk of injury. Certain conditions may cause components to fail without fault of the manufacturer. The ride-on toy can and is intended to move, and it is therefore possible to lose control, fall off and/or get into dangerous situations that no amount of care, instruction or expertise can eliminate. If such a thing does occur, your child can become seriously injured or die, even when using safety equipment and other safety precautions.

⚠ WARNING: To reduce risk of injury, adult supervision is required. Never use in roadways, near motor vehicles, on or near steep inclines or steps, swimming pools or other bodies of water; always wear shoes, and never allow more than two (2) riders.

⚠ WARNING: CHOKING HAZARD-Small parts not suitable for children under 3 years old.

RIDE AT YOUR OWN RISK AND ALWAYS USE COMMON SENSE.

This manual contains many warnings and cautions concerning the consequences of failing to inspect, maintain or properly use your electric ride-on toy. Because any fall can result in serious injury or even death, we do not repeat the warning of possible serious injury or death each time such a possibility is mentioned in this manual or the risk of falling leads to a warning.

ALWAYS USE PROPER RIDING ATTIRE.

Always wear appropriate clothing and shoes. Never ride barefoot or in sandals and make sure that shoelaces or other fasteners are tied and kept away from the wheels and drive system of the ride-on toy.

RIDER USE AND REQUIRED PARENTAL SUPERVISION

RIDERS MUST NOT EXCEED THE WEIGHT LIMIT OF 130 POUNDS (59 KG) AND MUST BE OVER 3 YEARS OLD. NEVER MORE THAN 2 CHILDREN TO RIDE THE VEHICLE SIMULTANEOUSLY.

The age grade for the electric ride-on toy is for 3 years and older. Just because your child is within the age and weight limitations specified for the electric ride-on toy, does not mean that his/her size is appropriate to fit or maintain control of the electric ride-on toy, or that he/she is capable of safely operating the electric ride-on toy. You are the best judge of whether you or your child can safely operate the electric ride-on toy; this includes determining whether your child is at the appropriate developmental stage for safe use of the electric ride-on toy. Any rider that is unable to fit comfortably on the electric ride-on toy should never attempt to ride it. A parent's decision to allow their child to use the electric ride-on toy should be based on the child's maturity, skill and their ability to follow rules. Remember that the electric ride-on toy is intended for use only by children who are, at a minimum, able to comfortably and safely operate it.

Children operating the electric ride-on toy should be supervised by an adult at all times. Parents should ensure that children only use the electric ride-on toy safely and within their age and physical limits.

This manual contains very important safety information. It is your responsibility to completely review this information and make sure that all riders understand all of the warnings, cautions, instructions and safety topics addressed in this manual and to assure that all riders are able to safely and responsibly use the electric ride-on toy. You should periodically review and reinforce all information in this manual with all riders, especially children. You should also regularly inspect and maintain your electric ride-on toy to ensure the safety of all riders. Make sure that your new electric ride-on toy is properly fitted to any child riding it; that it is in good repair and safe operating condition; that you and your child have gone over the use, operation and safety information in this manual; that you and your child have learned and understand what to do and what not to do with your new electric ride-on toy, including observing all applicable laws, rules and common sense.

Children should be made aware of all possible riding hazards and correct riding behavior before they ride the electric ride-on toy and should be supervised by an adult at all times. Please explain the following to them as often as necessary.

SAFE RIDING PRACTICES AND WARNINGS

- Check and obey all local laws or regulations which may be in effect in the locations where the electric ride-on toy may be used.
- Always wear appropriate clothing and shoes.
- Observe the age and weight limitations on the cover of this manual.
- Always stay seated while riding the electric ride-on toy. To stop you must take your foot off the foot pedal.
- Children must be supervised by an adult at all times to be safe.
- Always be alert and ride your electric ride-on toy defensively. Watch out for obstacles that could catch one of the electric ride-on toy's wheels or force you to turn suddenly and/or lose control. Be careful to avoid pedestrians, persons using other wheeled products (including roller or in-line skates, skateboards, scooters, bikes, etc.), children or animals who may enter your path. Always respect the rights and property of others.
- Do not activate the foot pedal unless you are seated in the vehicle and in a safe, outdoor environment that is suitable for riding your electric ride-on toy.
- Do not attempt or perform any stunts or tricks on the electric ride-on toy. It is not made to withstand such misuse and abuse.
- Keep both hands on the steering wheel at all times.
- Do not touch the motor on the electric ride-on toy when in use or directly after use as these parts can become extremely hot.
- Never allow more than two persons to ride the electric ride-on toy at one time and never try to tow anything.
- Do not use near steps, water, or swimming pools.
- Do not ride in wet weather.
- Never immerse the electric ride-on toy in water; electrical and drive components could be damaged by water or create other potentially unsafe conditions.
- Keep your fingers and other body parts away from the motor, steering system, wheels and all other moving components.
- Never hitch onto another vehicle or let yourself be pulled or pull anyone or anything while riding the electric ride-on toy.
- Ride only on smooth, flat, dry surfaces such as pavement or level ground without loose debris, such as sand, leaves, rocks or gravel. Water, mud, ice, bumpy, un-even, slick, or rough surfaces could impair traction and contribute to possible loss of control.
- Do not ride on or near hills or steep inclines. Ride only on level ground to avoid tip over.
- Avoid sharp turns, bumps, drainage grates, and other obstacles.
- Do not ride at night or where there is limited visibility.
- Do not ride indoors or on surfaces that could become damaged such as carpet or flooring.
- Do not ride on streets, around cars, or in foot or vehicle traffic.
- Regularly check the electric ride-on toy and its components. If any parts are broken or worn, do not ride the electric ride-on toy until you have fixed or replaced the broken or worn parts.

- Do not allow hands, feet, hair, body parts, clothing, or similar articles to come in contact with wheels or other moving parts.
- Before each cycle of operation, you must perform the preoperation checks specified in this manual or by the manufacturer, including:
 - That all guards and pads originally supplied by the manufacturer are in proper place and in serviceable condition;
 - That the area that the unit is to be operated in is safe and suitable for safe operation; and
 - That all safety labels are in place and understood by everyone, including the riders.
- Avoid sharp bumps, drainage grates, and sudden surface changes.


PRE-RIDE SAFETY CHECKLIST

- Check to make sure that all components are properly secured and are functioning according to the manufacturer's specifications.
- Components must be maintained and repaired and only with the manufacturer's authorized replacement parts. Installation should be performed only by adult, qualified personnel.

USING THE CHARGER

The charger should be examined regularly for damage to the cord, plug, enclosure and other parts. In the event such damage has occurred, the electric ride-on toy should not be charged until the charger has been repaired by qualified personnel or replaced. Use only the supplied, recommended charger.

- Always use caution when charging.
- The charger is not a toy and should be operated by an adult.
- Never operate the charger near flammable materials or liquids, and operate the charger in well-ventilated areas.
- Disconnect the charger and unplug it from the electric ride-on toy when not in use.
- Do not exceed the recommended charging time.
- Always disconnect the charger from the electric ride-on toy prior to wiping down or cleaning the electric ride-on toy with any liquid.

 WARNING: Never modify or alter the electrical system. Alterations could cause a fire or explosion resulting in serious injury or death and could also ruin the electrical system.

FAILURE TO HEED THE WARNINGS LISTED ABOVE INCREASES RISK OF POTENTIALLY SERIOUS INJURY. USE THE APPROPRIATE CAUTION WHEN RIDING AND ALWAYS WEAR APPROPRIATE CLOTHING AND SHOES.

BEFORE YOU BEGIN ASSEMBLY

WARNING:

Remove all packing and items from the display box.

ESTIMATED ASSEMBLY TIME

You should allow approximately 35 minutes for assembly, not including initial charging time. Initial charging can take approximately 18 hours. (see page 14–16 for charging information).

WARNING: DO NOT USE NON-ORIGINAL OR NON-RECOMMENDED PRODUCTS WITH YOUR ELECTRIC RIDE-ON TOY.

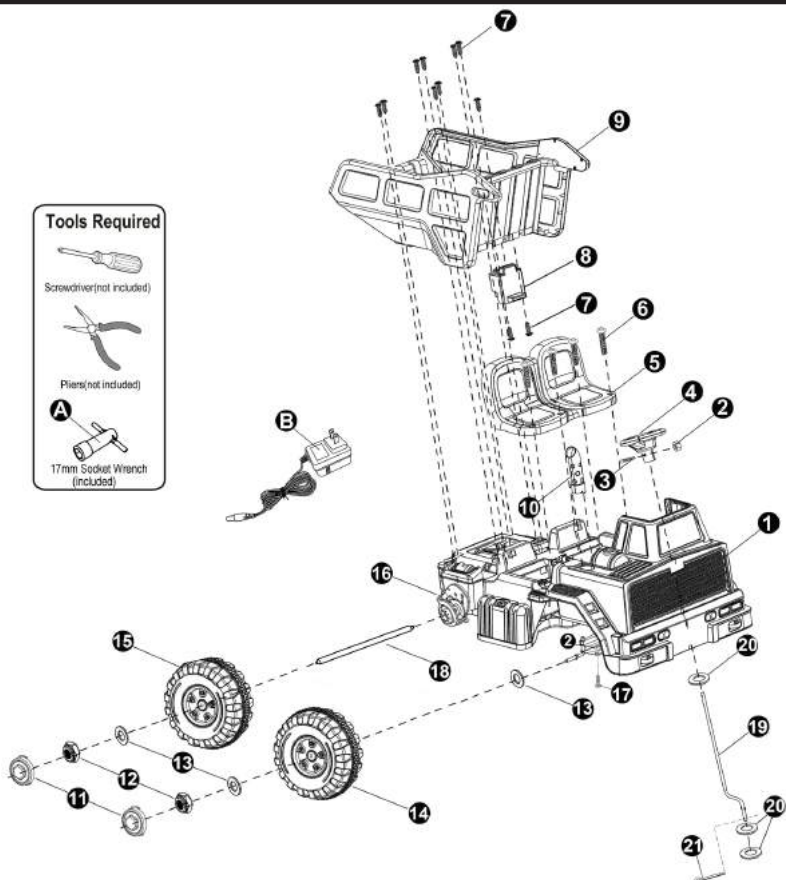
Altering of the original components or use of non-recommended replacement parts may or may not be compatible with the design and will void the warranty and may cause an unsafe condition resulting in serious injury or death.

If you experience a problem with this product, or are missing a part, please call us at **1-800-288-1560**, rather than return this product to the store.

Please identify all parts before assembly and save all packaging material until assembly is complete to ensure that no parts are discarded.

PARTS DIAGRAM

C



Note: Some parts shown are assembled on both sides of vehicle.

- | | |
|------------------------------|------------------------------|
| 1. Plastic Body Assembly x1 | 13. Ø12 Washer x6 |
| 2. M5 Nut x1 | 14. Front Wheel x2 |
| 3. M5 x 35 Machine Screw x1 | 15. Driving Wheel x2 |
| 4. Steering Wheel x1 | 16. Gear Box x2 |
| 5. Seat x1 | 17. M5 x 16 Machine Screw x1 |
| 6. M5 x 12 Machine Screw x4 | 18. Rear Axle x1 |
| 7. 4x16 Round Head Screw x11 | 19. Steering Column x1 |
| 8. Dump Lock Bracket x1 | 20. Ø10 Washer x3 |
| 9. Dump x1 | 21. Split Pin x1 |
| 10. Exhaust x1 | A. 17mm Socket Wrench x2 |
| 11. Axle Cap x4 | B. Charger x1 |
| 12. M10 Locknut x4 | |

ASSEMBLY

D

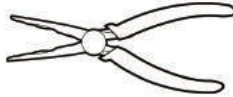
Your new vehicle requires adult assembly. Please set aside around 35 minutes for assembly. Please identify all parts before assembly and save all packaging material until assembly is completed to ensure that no parts are discarded.

TOOLS REQUIRED:

Phillips Screwdriver
(not included)



Needle-nose pliers
(not included)



17mm Socket Wrench
(included)

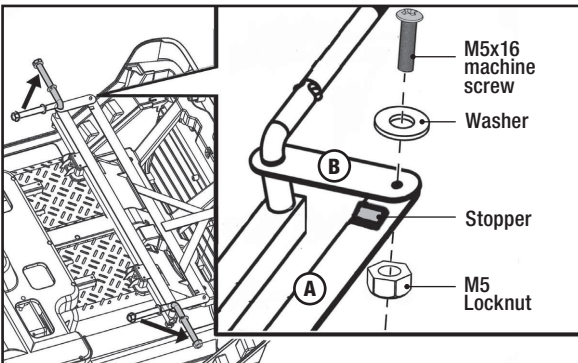


⚠ WARNING: Children can be harmed by small parts, sharp edges and sharp points in the vehicle's unassembled state, or by electrical items. In the unassembled state, this package contains small parts. Adult assembly is required; children should not handle parts, or help in assembly of the vehicle.

1. FRONT WHEEL AXLE ASSEMBLY

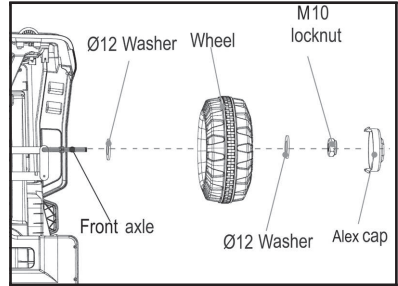
- Turn the vehicle body upside down and cut off the plastic ties on the front wheel axle with scissors.
- Remove the M5 screw, washer and nut from the front wheel axle.
- Rotate the wheel axle so that the axle is in the correct position as shown in diagram; then reinsert the M5 screw and the $\varnothing 5$ washer as shown, ensuring the washer is on the same side as the screw, make sure the M5 screw goes through the holes in the metal plates A and B (ensure plate B sites over plate A as shown in the diagram and indicated by a stopper, to avoid fingers being trapped while steering), and tighten securely with the nut under it.

NOTE: Do not over-tighten or the front wheels won't be very responsive.



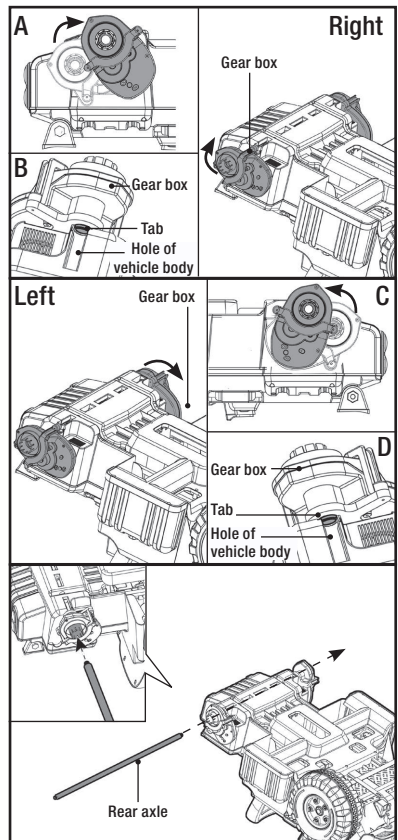
2. FRONT WHEEL ASSEMBLY

- Remove all parts from front wheel axle.
- Fit a $\varnothing 12$ washer onto the axle.
- Slide a wheel onto the axle.
- Fit another $\varnothing 12$ washer and M10 locknut onto the axle, then tighten it.
- **NOTE:** Do not over-tighten.
- Inert the axle cap.
- Repeat above operation for the front wheel on the other side.
- Front wheel should spin freely; if not, loosen nut slightly.



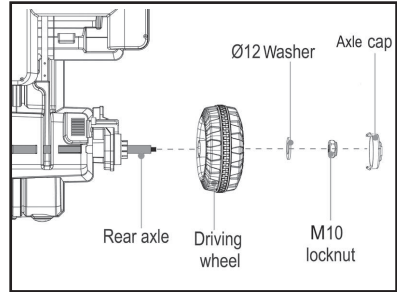
3. REAR AXLE ASSEMBLY

- Rotate the right gear box as shown, and ensure that the tabs in the right gear box bracket sit well inside the hole in the vehicle body.
- Rotate the left gear box as shown, and ensure that the tabs in the left gear box bracket sit well inside the hole in the vehicle body.
- Remove all parts from the rear axle.
- Insert the rear axle through the hole in the vehicle body as shown, and ensure that the rear axle is centered with left and right ends exposed the same distance outside of the vehicle body.



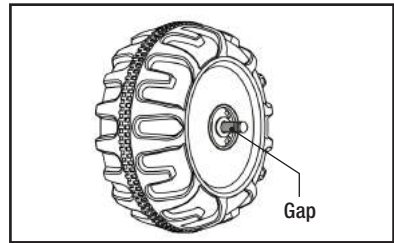
4. DRIVING WHEEL ASSEMBLY

- Slide the driving wheel onto rear axle and make it match up with the gear box.
- Insert a $\varnothing 12$ washer onto the axle.
- While holding the rear axle with a 17mm socket wrench, fit the M10 locknut to the end of the rear axle with another 17mm socket wrench. **DO NOT** over tighten; the rear axle ends are supposed to be exposed; 1-2 threads exposed can be OK.
- Insert the axle cap.
- Repeat above steps on the other side to install the other driving wheel.



IMPORTANT! CHECK WHEEL GAP

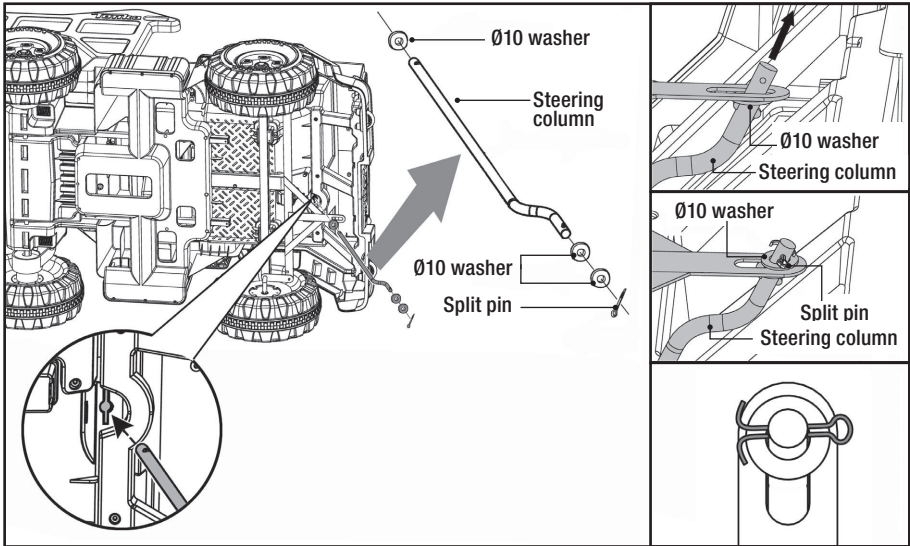
After assembling any wheel onto the axles, make sure to check the gap between the screw thread and the outside of the wheel (refer to the adjacent diagram). If the gap is too big, add two or three washers on the axle to the inside of the wheel. After tightening the nut on the outside of the wheel, please spin the wheel to check if the wheel spins smoothly. If the wheel gets caught or does not spin smoothly, the friction may cause damage to the motor. Try increasing the gap by removing one or two washers to ensure the wheel spins smoothly.



NOTE: If the wheel nuts are loose, the wheels will not engage the forward gear. Tighten the nut with the socket wrench.

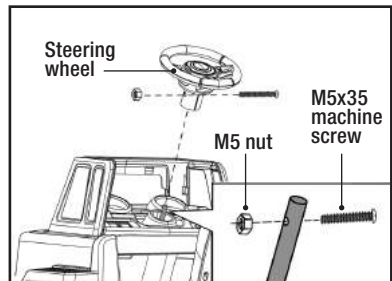
5. STEERING COLUMN ASSEMBLY

- Turn the vehicle on its side as shown in diagram.
- Slide a $\text{\O}10$ washer onto the steering column from the straight end.
- Insert the straight end of steering column shaft through the bottom hole in the front of the vehicle body until it sticks out of the hole in the dash.
- Insert the bent end of steering column through the hole in the front axle linkage.
- Fit a $\text{\O}10$ washer onto the bent end of the steering column.
- Then insert a split pin into the hole in the bent end of steering column, and split it using standard needle nose pliers.



6. STEERING WHEEL ASSEMBLY

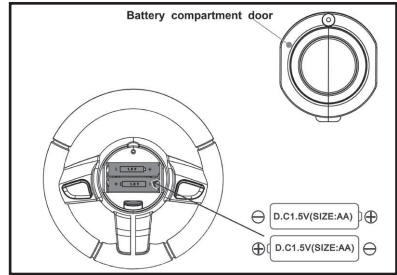
- Gently turn the vehicle body upright.
- Remove the M5 x 35 machine screw and M5 nut from the steering wheel with a screwdriver.
- Insert the steering wheel onto the end of the steering column, line up the hole in the steering wheel and the hole in the steering column, reinsert the M5 x 35 machine screw and M5 nut as shown and tighten securely with a screwdriver.



7. STEERING WHEEL BATTERIES INSTALLATION

NOTE: Batteries are not included.

- Loosen the screw in the steering wheel and remove the cover.
- Insert 2x1.5V size AA AM-3 or LR6 batteries as shown.
- Replace the cover and tighten the screw to secure it in place.



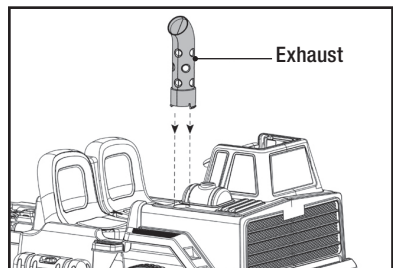
STEERING WHEEL BATTERY SAFETY INFORMATION:

Batteries may leak fluids that can cause chemical burn, injury or ruin your product. To avoid battery leakage:

- Install batteries correctly, observing the polarity (+/-) signs to avoid leakage.
- Do not mix old and new batteries.
- Do not mix batteries of different types: alkaline, standard (carbon-zinc) or rechargeable (NiMH).
- Remove the batteries from the battery compartment when the unit will not be used for an extended period of time.
- Always remove exhausted batteries from the battery compartment.
- Do not dispose of batteries in fire.
- Do not short circuit the supply terminals.
- Replace the batteries when the horn sounds become distorted.
- Non-rechargeable batteries should not be recharged.
- Use only batteries of the same or equivalent type as recommended.
- If rechargeable batteries are used, they should only be charged by an adult.
- Remove rechargeable batteries from the product before charging.
- Battery chargers used with toys must be examined regularly for damage to the cord, plug, enclosure and other parts. In the event that such damage is found, the toy must not be used with the battery charger until the damage has been repaired.

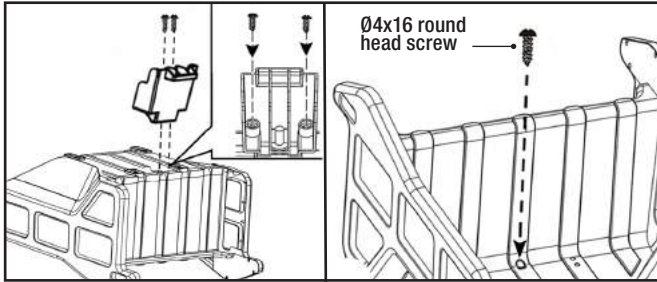
8. EXHAUST ASSEMBLY

- Turn the vehicle body upright
- Insert the exhaust into the hole in the hood and push until you hear it click into place.



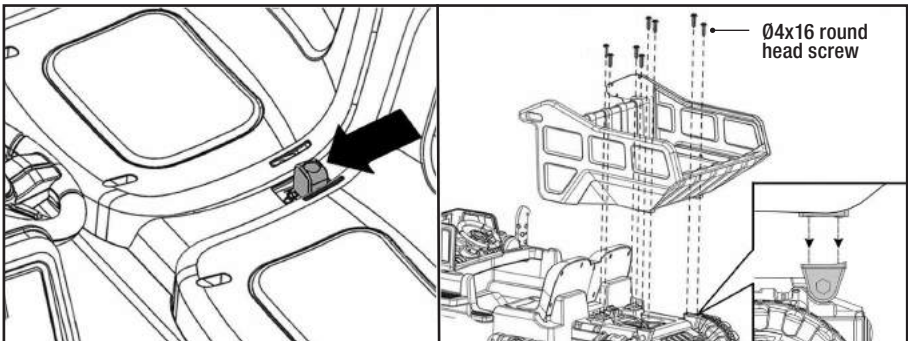
9. DUMP LOCK BRACKET ASSEMBLY

- Gently turn the dump upside down.
- Set the dump lock bracket as shown (align with three holes in the dump), and tighten with two $\text{\O}4 \times 16$ round head screws first.
- Turn the dump back to upright position, and tighten with another $\text{\O}4 \times 16$ round head screw as shown.



10. DUMP ASSEMBLY

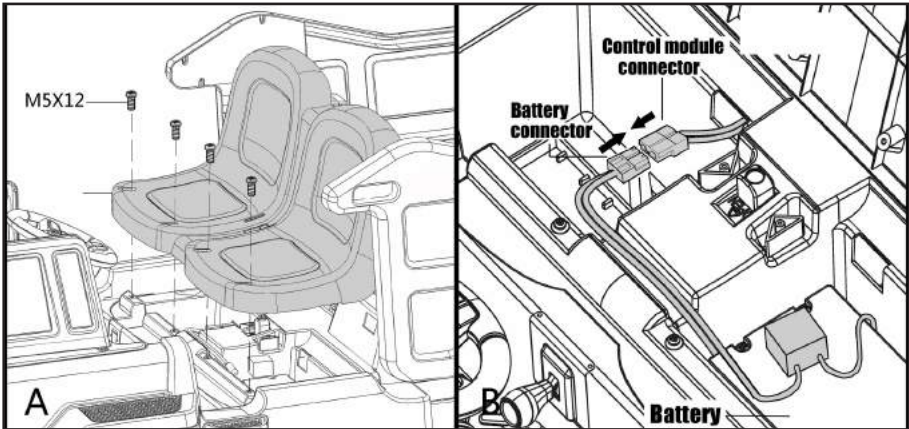
- Push and hold the dump lock (located between the seats) forward (into the riding position) so that the dump can be located horizontally over the truck body. Once dump is in place, you can release the lock.
- Fit the tabs on the bottom of the dump into the slots in the vehicle body as shown.
- Insert eight $\text{\O}4 \times 16$ round head screws, and tighten securely with a screwdriver.



11. POWER SUPPLY CONNECTION

NOTE: The battery is disconnected for shipment

- Unscrew the four screws on the seat with a screwdriver and remove the seat.
- Plug the battery connector into the control module connector, then reset the seat with four screws.



BATTERY CHARGING

IMPORTANT! Before first time use, charge the battery for at least 18 hours. Charge the battery for at least 12 hours after each use of the vehicle. Never charge the battery longer than 30 hours. Overcharging or undercharging the battery may shorten battery life and decrease vehicle running time.

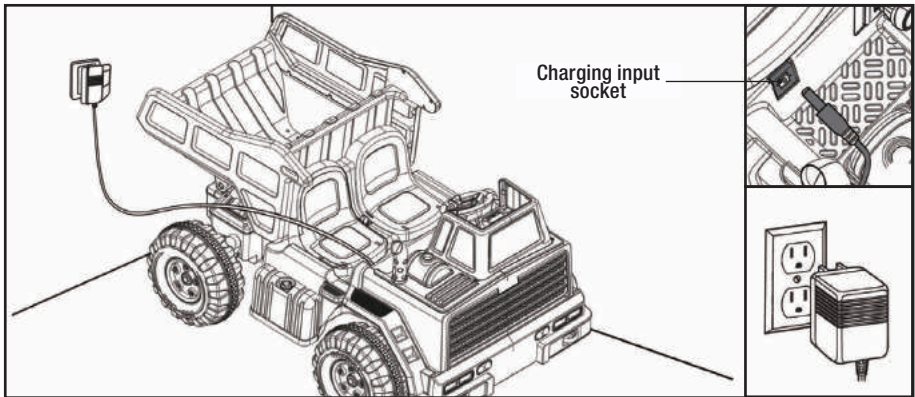
⚠ WARNING: The battery can fall out and injure a child if the vehicle tips over. Always use the battery retainer.

PREVENT FIRE

- Never modify the electrical system.
- Alterations could cause a fire resulting in serious injury and could also ruin the electrical system.
- Use of the wrong type battery or charger could cause a fire or explosion resulting in serious injury.
- Use of non-original components on this vehicle could cause overheating, fire or explosion.
- The battery must be handled by adults only.
- The battery is heavy and contains sulfuric acid (electrolyte).

- Dropping the battery could result in serious injury.
- Never allow children to charge the battery.
- Battery charging must be done by adults only. A child could be injured by the electricity involved in charging the battery.
- Never lift or carry the battery by the wires or connector, this can damage the battery and possibly cause a fire resulting in serious injury. Lift and carry the battery by the case only.
- Read the safety instructions on the battery.
- Examine the battery, charger and their connectors for excessive wear or damage each time you charge the battery.
- If damage or excessive wear is detected, do not use the charger or the battery until you have replaced the worn or damaged part.

⚠ CAUTION: Use the charger in dry locations only.



1. Plug the charger port into the input socket (the socket is under the seat).
2. Plug the charger plug into a wall outlet. The battery will begin charging.

NOTE: Red LED light indicates battery is charging and a green LED light indicates battery is fully charged. (If the lights on the charger do not light up, check the power to the outlets.)

IMPORTANT NOTE

- The battery must be upright while charging.
- The charger is not a toy.
- Do not short-circuit the battery.
- You do not need to remove the battery from your vehicle to recharge it.
- Before charging the battery, examine the battery case for cracks and other damage which may cause sulfuric acid (electrolyte) to leak during the charging process. If damage is detected, do not charge the battery or use it in your vehicle. Battery acid is very corrosive and can cause severe damage to surfaces it contacts.
- Use only an original charger (AC 120V 60Hz) with an output of DC 12V (1A) to charge your vehicle battery.
- **NOTE TO ADULTS:** Regularly examine the charger for damage to the cord, plug, housing or other parts that may result in the risk of fire, electric shock or injury.
- If your battery is old and will not accept a charge, do not leave it in the vehicle. Always remove a dead battery from the vehicle.
- After the first charge, recharge the battery for at least 12 hours after each use. Never charge the battery longer than 30 hours. Charge the battery after each use, regardless of how long the vehicle was used.
- Do not allow the battery to run down completely before charging.
- Charge the battery before storing the vehicle.
- Charge the battery at least once per month, even if the vehicle has not been used.

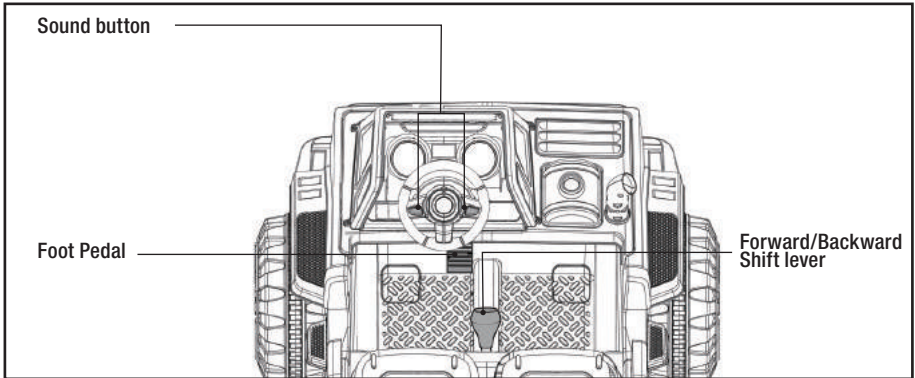
NOTE:

- This product has CHARGING PROTECTION: when charging, all the functions will be cut off.
- Initial charge - At least 18 hours, and never charge the battery longer than 30 hours.
- When the vehicle begins to run slowly, recharge the battery.
- After each use or once a month minimum recharge time 12 hours, less than 30 hours at most.

 **WARNING:** Use the charger in dry locations only.

HOW TO USE YOUR VEHICLE

E



FOOT PEDAL

To move the car, press the foot pedal down.

To stop, take your foot off the foot pedal.

FORWARD-BACKWARD SHIFT LEVER

To move the car forward at high speed, shift the lever to “High” position.

To move the car forward at low speed, shift the lever to “Low” position.

To move the car backward, shift the lever to “Backward” position.

SOUND BUTTON

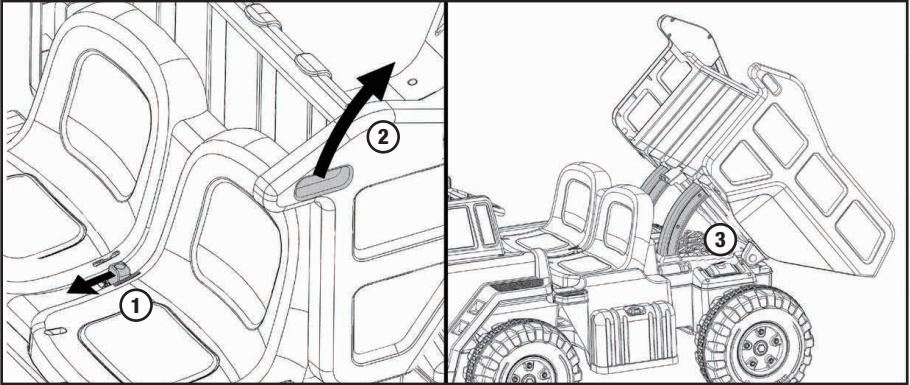
Press the sound buttons on the steering wheel to play sounds.

STOP

To stop the vehicle, you must take your foot off the pedal.

DUMP OPERATION INSTRUCTION

1. To tip the dump, use one hand to push the dump lock (which is located between the seats) forward (of riding position) and hold it until the dump tips, and at the same time use another hand to tip the dump.
2. After tipping the dump, to reset the dump back, make sure you hear the dump lock “click” into position for safety and use your hand to lift the dump again to re-check and assure the dump is safely locked into place.



⚠ WARNING:

- Maximum load weight on the dump is 5 kg (11 lb).
- No stepping on or in dump bed.
- No climbing on or in dump bed.
- To ensure safety, adult supervision is required when playing with the dump.
- Never ride in dump bed.

IMPORTANT

- Always stop vehicle when changing the direction to avoid damage to the gears and motor.
- This vehicle has an adjustable seat belt; please instruct children on how to fasten the seat belt before using.
- Do not let any child touch the wheels or be near them when the car is moving.
- To avoid accidents, please inspect the vehicle before riding to ensure that it is in proper working order and safe to ride.
- This toy has no brake; to stop, remove foot from foot pedal.
- Check all the screws, cap nuts and protective coverings regularly and tighten as required. Check plastic parts on a regular basis for cracks or broken pieces.
- Your new battery must be charged for at least 18 hours before you use it in your vehicle for the first time.
- Do not wash the vehicle with water; clean it with a cloth.

SAFETY PRECAUTIONS

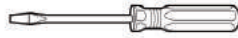
- The child must have adult supervision at all times.
- Do not ride on the road, footpaths, near pools, or bodies of water.
- Do not allow children under the recommended age to ride the vehicle; please refer to the age grading.
- Do not allow riders over the recommended weight rating or age grading to use the vehicle.
- To stop the vehicle, you must take your foot off the pedal.
- Charging should only be done by an adult.
- An adult must teach the child how to operate the vehicle.
- Do not ride on hills or slopes, in sand or on other soft, wet, or slippery surfaces.
- Do not use a different size battery. Use only original or recommended replacement batteries.
- The vehicle is designed to carry only maximum weight of 130lbs at a time. Never allow more than two riders or over-load the vehicle.
- This product should be assembled and checked by adults before use.

 WARNING: No brakes, please do not park or ride on any slopes or steep inclines.

DETAILED MAINTENANCE AND REPAIR

F

Disconnect power supply before conducting any maintenance procedures.



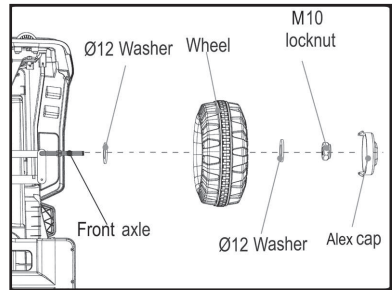
TOOLS REQUIRED:

Flat head Screwdriver
(not included)

17mm Socket Wrench
(included)

HOW TO REPLACE FRONT WHEEL

1. Remove the axle cap with a flat head screwdriver, by slipping along edge of cap and prying the cap open carefully.
2. Remove the M10 locknut with a 17mm socket wrench.
3. Remove the Ø12 washer .
4. Remove the wheel, then replace with a new wheel.
5. Remount the Ø12 washer, M10 locknut and securely tighten the wheel; then re-insert the axle cap.

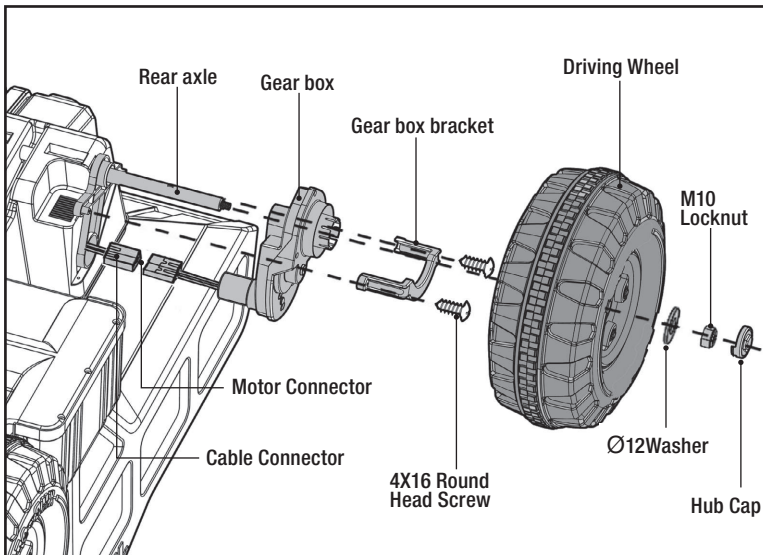


NOTE: Do not over-tighten.

IMPORTANT: Check wheel gap (see page 10).

HOW TO REPLACE REAR WHEEL AND GEAR BOX

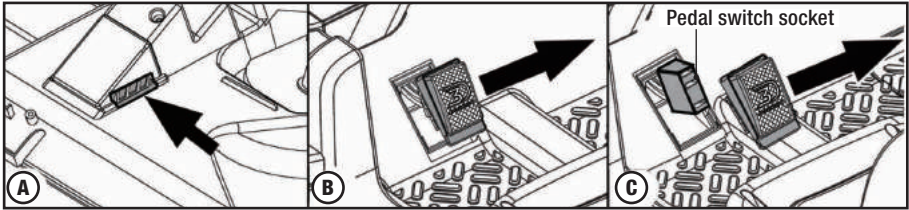
1. Remove the axle cap with a flat head screwdriver, by slipping along edge of cap and prying the cap open carefully.
 2. Remove the M10 locknut with a 17 mm socket wrench.
 3. Remove the Ø12 washer.
 4. Remove the driving wheel, and replace with new wheel.
- If you need to replace the gear box, please proceed to the next step.**
5. Unplug the power connector that is connected to the gear box.
 6. Remove the two 4x16 round head screws and the gear box bracket.
 7. Remove the gear box.
 8. Remount new gear box and rear wheel; refer to Rear Wheel Assembly steps on page 10



HOW TO REPLACE THE FOOT PEDAL

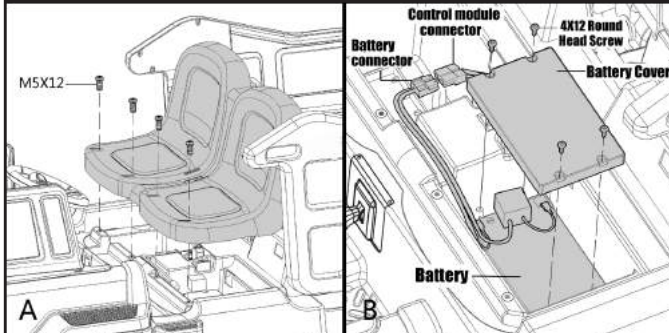
1. Turn the vehicle body on its side.
2. On the bottom of the vehicle, you will find a compartment which contains the foot pedal. Push the button on the side of the compartment as shown, to release the foot pedal (see Figure A).
3. Pull the foot pedal off from the other side of the vehicle (the foot pedal side in the cab) (see Figure B).
4. Disconnect the old foot pedal from the pedal switch socket (see Figure C).
5. Replace and re-connect the new foot pedal to the pedal switch socket (make sure to follow the indication in "Figure C" to ensure they are connected in the

right position), then re-insert the foot pedal into the foot pedal compartment on the deck of the vehicle (first make sure the tab on the foot pedal is being inserted into to slot as shown in the diagram), then push the foot pedal all the way in.

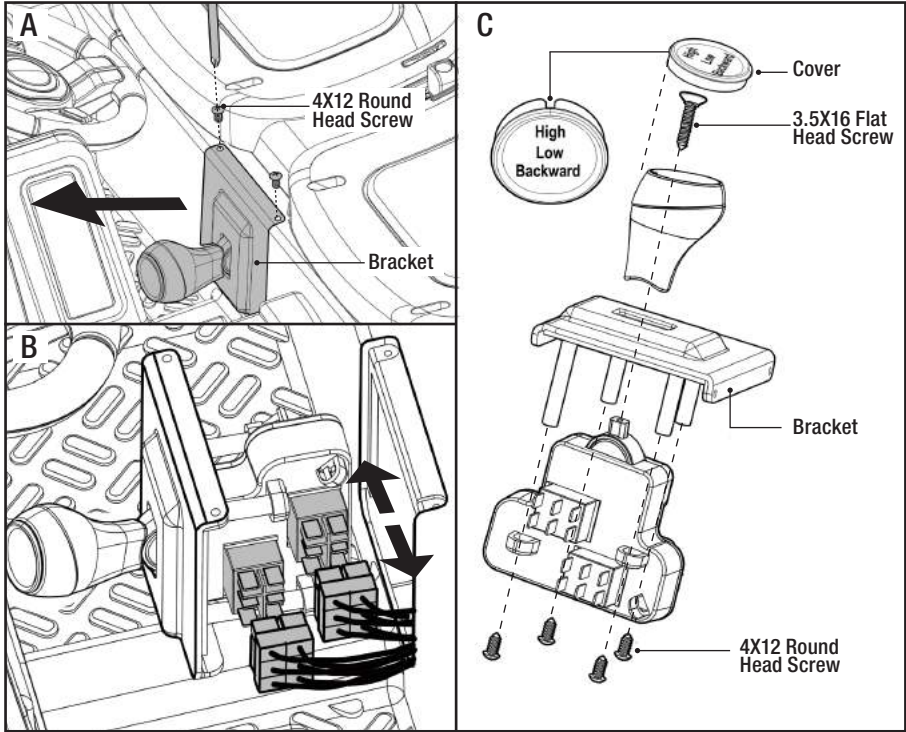


HOW TO REPLACE THE BATTERY

1. Unscrew the screws on the seat with a screwdriver and remove the seat by lifting up.
2. Use a screwdriver to remove the four screws and the battery cover.
3. Unplug the power connector (which is connected to the battery).
4. Carefully lift the dead battery out and replace it with a new one.
5. Replace the battery cover and secure it with the screws. Plug the power connector into the battery connector and replace the seat.



HOW TO REPLACE FORWARD-BACKWARD SHIFT LEVER

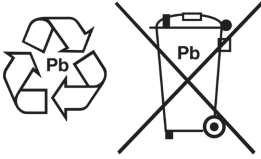


1. Unscrew the two 4x12 round head screws on the shift bracket with a screwdriver and remove the Forward-Backward Shifter body as shown (Diagram A).
2. Unplug the wire connectors from the Forward-Backward Switch Socket as shown (Diagram B) and lift the switch body out.
3. Unscrew the four 4x12 screw on the switch body with a screwdriver as shown (Diagram C).
4. Remove the shifter cover with a flat head screwdriver.
5. Unscrew the 3.5x16 screws with a screwdriver and remove the shift lever, then you can replace any part of the shift.

NOTE: Please make sure the wire connectors are connected correctly as original. Otherwise your forward direction will change to backward direction.

BATTERY CARE AND DISPOSAL

Do not store the battery in temperatures above 75° F (23.5° C) or below 32° F (0°C).



THIS PRODUCT CONTAINS SEALED LEAD ACID BATTERIES WHICH MUST BE RECYCLED IN ACCORDANCE TO YOUR LOCAL AND STATE LAWS. PLEASE CAREFULLY READ AND UNDERSTAND THE FOLLOWING DISPOSAL INSTRUCTIONS:

DISPOSAL: This product contains sealed lead acid batteries which must be disposed of or recycled in an environmentally safe manner. Do not dispose of the batteries in your household trash. Do not dispose of the batteries in a fire, as the battery may explode or leak. The incineration, disposal in landfill and/or placing sealed lead acid batteries with household trash is prohibited by law in most areas. Return exhausted batteries to a state or federal approved lead acid battery recycler or check with your local retailer of vehicle batteries. If you live in Florida or Minnesota, it is prohibited by law to throw away lead-acid batteries in the municipal waste stream.

⚠ WARNING:

- Do not mix old and new batteries. Do not mix alkaline, standard (carbon-zinc), or rechargeable (nickel-cadmium) batteries.
- Do not store the battery in temperatures above 75° F (23.5° C) or below 32° F (0°C).
- If a battery leak develops, avoid contact with the leaking acid and place the battery in a plastic bag. See instructions above for proper disposal. If acid comes into contact with skin or eyes, flush with cool water for at least 15 minutes and contact a physician.
- If a battery leak develops, avoid contact with the leaking acid and place the damaged battery in a plastic bag. See information above for proper disposal.
- If acid comes in contact with skin or eyes, flush with cool water for at least 15 minutes and call a physician.
- If acid is internally ingested, give water, milk of magnesia or egg whites immediately. Never give emetics or induce vomiting. Call a physician.

CARE

- Leaving the battery in a discharged condition will ruin it.
- Always remove an exhausted battery from the vehicle. Battery leakage and corrosion can damage the vehicle.
- Do not store the battery in temperatures above 75° F (23.5° C) or below 32° F (0°C).
- Use only a 12 volt (10Amp/Hr.) battery. Remember to charge the new battery for at least 18 hours before first use.
- Prevent the battery from moving freely inside the battery compartment. Always use the battery retainer to secure the battery in the battery compartment.
- Examine the battery, charger and their connectors for excessive wear or damage each time you charge the battery. If damage is detected, do not use the charger or the battery until you have replaced the worn or damaged part.

MAINTAINING YOUR VEHICLE

Occasionally use a lightweight oil to lubricate moving parts such as wheels and the steering linkages.

Park the vehicle indoors or cover it with a carpet to protect it from wet weather.

Keep the vehicle away from sources of heat, such as stoves and heaters. Plastic parts may melt.

ADULTS ONLY: Recharge the battery after each use. Recharge the battery at least once a month when the vehicle is not being used.

DO NOT wash the vehicle with a hose. **DO NOT** wash the vehicle with soap and water.

DO NOT drive the vehicle in rainy or snowy weather. Water will damage the motor, electrical system, and battery.

Clean the vehicle with a soft, dry cloth. To restore shine to plastic parts, use a non wax furniture polish. **DO NOT** use car wax. **DO NOT** use abrasive cleaners, or cleaners that contain ammonia or isopropyl alcohol.

DO NOT drive the vehicle in loose dirt, sand or fine gravel, which could damage moving parts, motors or the electric system.

 **CAUTION:** Charge the battery before storing your vehicle, otherwise the battery will be damaged.

ABOUT FUSES

Your vehicle is equipped with a safety in thermal fuse. The thermal fuse is a self-resetting safety device which automatically “trips” and shuts down operation of the vehicle if the vehicle is overloaded or the driving condition too severe. Once a fuse has “tripped”, remove your foot from the pedal and wait approximately 2 minutes before operating the vehicle again. To avoid repeated automatic shut-downs, do not overload the vehicle by exceeding the 130 lb (59 kg) maximum weight capacity or by towing anything behind the vehicle. Avoid severe driving conditions, such as driving up slopes or running into fixed objects, which can cause the wheels to stop spinning while power is still being supplied to the motor.

TROUBLESHOOTING GUIDE

G

| Problem | Possible Cause | Solution |
|----------------------|--------------------------|---|
| Vehicle does not run | Undercharged battery | <p>Charge the battery. A new battery should have been charged for at least 18 hours before using the vehicle for the first time. After first-time use, recharge the battery for at least 12 hours after each use. Never charge the battery longer than 30 hours.</p> <p>Check all connectors. Make sure the battery connector is tightly plugged into the charger connector, and that the charger is plugged into the wall outlet.</p> <p>Make sure that there is power flow to the wall outlet.</p> |
| | Tripped thermal fuse | <p>The thermal fuse may “trip” and shut down operation if the vehicle is overloaded or the driving conditions are too severe. Once a fuse has “tripped”, remove your foot from the pedal and wait approximately 2 minutes before operating the vehicle again. To avoid repeated automatic shutdowns, do not overload the vehicle by exceeding the 130 lb maximum weight capacity or by towing anything behind the vehicle. Do not drive up hills or run into fixed objects, which can cause the wheels to stop spinning while power is still being supplied to the motor.</p> |
| | Electrical switch damage | <p>The electrical switches can become corroded due to exposure to water or moisture, or can jam due to loose dirt, sand or gravel.</p> |
| | Dead battery | <p>Check all wires and connectors. Make sure the battery connector is tightly plugged into the control module connector and that there are no loose wires around the motor.</p> <p>If your battery is old or if you have not followed Battery Care instructions, your battery may be dead. Replace only with an original 12 Volt (10 Amp/Hr.) battery. Do not use non-original substitute parts.</p> |
| | Motor damage | <p>Visit the Dynacraft website and replace with a new motor. www.dynacraftwheels.com</p> |

| Problem | Possible Cause | Solution |
|---|--|---|
| Vehicle was running but suddenly stopped | Loose wires or connectors | Check all wires and connectors. Make sure the battery connector is tightly plugged into the control module connector, and that there are no loose wires around the motor. |
| | Tripped thermal fuse | The thermal fuse may “trip” and shut down operation if the vehicle is overloaded or the driving conditions too severe. Once a fuse has “tripped”, remove your foot from the pedal and wait approximately 2 minutes before operating the vehicle again. To avoid repeated automatic shutdowns, do not overload the vehicle by exceeding the 130 lbs maximum weight capacity or by towing anything behind the vehicle. Do not drive up hills or run into fixed objects, which can cause the wheels to stop spinning while power is still being supplied to the motor. |
| Short run time (Less than 15 minutes per charge) | Undercharged battery | Charge the battery. A new battery should have been charged for at least 18 hours before using the vehicle for the first time. After first-time use, recharge the battery for at least 12 hours after each use. Never charge the battery longer than 30 hours. Check all wires and connectors. Make sure the battery connector is tightly plugged into the control module connector, and that the charger is plugged into the wall. Make sure that there is power flow to the wall outlet. |
| | Overcharged battery | Do not charge the battery longer than 30 hours. If you suspect that your battery is damaged as a result of overcharging, change with one new original 12 Volt (10 Amp/Hr.) battery. Do not use non-original substitute parts. |
| | Battery is old and will not accept full charge | Even with proper care, a rechargeable battery does not last forever. Average battery life is 1 to 3 years depending on vehicle use and use conditions. Replace only with an original 12 Volt (10 Amp/Hr.) battery. Do not use non-original substitute parts. |
| | Motor damage | Visit the Dynacraft website and replace with a new motor. www.dynacraftwheels.com |
| | Tripped thermal fuse | The thermal fuse may “trip” and shut down operation if the vehicle is overloaded or the driving conditions are too severe. Once a fuse has “tripped”, remove your foot from the pedal and wait approximately 2 minutes before operating the vehicle again. To avoid repeated automatic shutdowns, do not overload the vehicle by exceeding the 130 lbs maximum weight capacity or by towing anything behind the vehicle. Do not drive up hills or run into fixed objects, which can cause the wheels to stop spinning while power is still being supplied to the motor. |
| | | |

| Problem | Possible Cause | Solution |
|---|---|---|
| Vehicle runs sluggishly | Undercharged battery | Charge the battery. A new battery should have been charged for at least 18 hours before using the vehicle for the first time. After first-time use, recharge the battery for at least 12 hours after each use. Never charge the battery longer than 30 hours. Check all connectors. Make sure the battery connector is tightly plugged into the charger connector, and that the charger is plugged into the wall outlet. Make sure that there is power flow to the wall outlet. |
| | Battery needs charging | Be sure to charge the battery after each use. |
| | Vehicle is overloaded | Make sure you do not overload the vehicle by allowing more than two riders at one time, exceeding the 130 lbs. maximum weight capacity, or by towing objects behind the vehicle. If the vehicle is overloaded, the thermal fuse may “trip”, and automatically shut down operation of the vehicle for approximately 2 minutes. Correct the condition that lead to the overload and adjust the driving conditions to prevent repeated automatic shutdowns. |
| | Driving conditions too stressful | Use only on level ground. |
| Sometimes the vehicle doesn't run, but other times it does | Loose wire or connector | Check all wires around the motors and all connectors to make sure they are tight. |
| The battery's thermal fuse constantly “trips”, but the vehicle is not overloaded and the driving conditions are not severe | Damaged battery | Replace with new battery. Replace only with an original 12 Volt (10 Amp/Hr.) battery. Do not use non-original substitute parts. |
| Charger gets warm during use | It is normal for some chargers to get warm during use and is not reason for concern | No action required. If your charger does not get warm during use, it does not mean that it is not working properly. |
| | Some chargers do not get warm during use | |
| Battery makes a sizzling or gurgling noise when charging | It is normal for some batteries to make noise and swell slightly while charging and is not reason for concern | No action required. If your battery does not make noise or swell slightly while charging, it does not mean that it is not working properly. |

WARRANTY

LIMITED WARRANTY

Subject to the following limitations, all electric ride-on toys manufactured for Dynacraft are warranted to the original purchaser to be free of defects in materials and workmanship for a period of one year from the date of purchase, except for six months on batteries.

No other express or implied warranty is given. Dynacraft will replace without charge those component parts that are determined by Dynacraft to be defective in materials or manufacture under normal use and service during the warranty period. The original purchaser will be responsible for any and all labor charges connected with the repair or replacement of component parts.

This Limited Warranty does not apply to normal wear and tear, such as to wheels/tires, cables, or other components that wear with use, nor to claimed defects, malfunctions, or failures that result from abuse, neglect, improper assembly, improper maintenance, lack of maintenance, improper storage alteration, modification, collision, crash, or misuse of the Dynacraft electric ride-on toys.

Dynacraft does not encourage stunting, trick riding, ramp riding, jumping, aggressive riding, riding on severe terrain, riding in severe climates, riding with heavy loads, commercial activities, or other similar activities; such use is inherently dangerous, can cause serious injury to the rider, and if done, it is with the rider and/or the rider's parent's express and implied assumption of the risk of such use, and Dynacraft shall not have any responsibility for any resulting break down of the ride-on toy or its components, or for any rider injuries that occur during such use.

Riding an electric ride-on toy can be inherently dangerous such that bodily injury or even death can occur, especially if the rider and/or the rider's parent does not perform the safety and maintenance checks recommended in this manual, if the rider does not wear a helmet, if the rider does not follow all applicable laws and rules, if the rider goes into traffic, rides double, or engages in aggressive, stunt or extreme terrain riding. Parents that allow their children to ride taking such actions will assume their own risk and the risk of injury to their children, and Dynacraft will not be responsible.

THE PURCHASE OF THIS ELECTRIC RIDE-ON TOY WILL CONFIRM THE BUYER'S AGREEMENT THAT DYNACRAFT'S LIABILITY UNDER THIS WARRANTY SHALL BE NO GREATER THAN THE AMOUNT OF THE ORIGINAL PURCHASE PRICE AND IN NO EVENT SHALL DYNACRAFT BE LIABLE FOR INCIDENTAL OR CONSEQUENTIAL DAMAGES.

This Limited Warranty will be void if the product is ever:

- used in a manner other than for recreation or transportation
- modified in anyway
- used as a rental

Dynacraft does not offer an extended warranty; if you have purchased an extended warranty, it must be honored by the store from which you purchased the ride-on toy or the appropriate party. For your records, keep your original sales receipt with this manual.

Dynacraft Customer Service

1-800-288-1560

7AM to 4PM Pacific Standard Time



**DO NOT return this item to the store.
Please call Dynacraft for assistance.**

Please have the following information available when you call:

Model Number: (sample: 8802-33)
Production Date: (sample: 03.03.2015)
Serial Number: (sample: DA0233HD00001)

**Having this information will be required and helps us handle
your call more effectively.**



DYNACRAFT®

Dynacraft BSC, Inc.
89 S. Kelly Rd., American Canyon, CA 94503
Call Toll Free 1-800-288-1560
Monday – Friday 7AM to 4PM PST
www.dynacraftwheels.com
©2017 All rights reserved

2017 Printed in China

BM095H