

IC-4GR Datasheet



Commercial metal 4GR

About

- + Use in enterprise applications for failover, temporary primary, remote office, POS backup, Industrial Internet access, 3G Sunset and more
- + 2x 2.4GHz WiFi
- + State-of-the-art cellular coverage spanning 5 4G LTE frequency bands with 3G fallback
- + Proven interoperability with major enterprise router and firewall vendors
- + Data plan options are available

Access Intwine Office Manager: rmp.intwineconnect.com

Intwine 4GR is an affordable, highly featured controller and router designed for critical business and enterprise applications. Teamed with Intwine Remote Management agent the 4GR makes it easy deploy, monitor, control, and automate disparate networks of devices from a single interface.

Drop-in installation without compromising the configuration of your existing firewall and router that supports traditional wired data networks like DSL, cable, or T1 for maximum network flexibility.

As an independent wireless gateway, the 4GR adds instant connectivity to communications infrastructure with a built-in 4G LTE modem, broadband service plan, and an embedded SIM.

The failover feature provides a secondary WAN connection, always ready to ensure network connectivity that seamlessly keeps your business online.

Includes GPIO support, out-of-band management of connected devices, and the ability to be a part of a PCI-DSS compliant solution for transaction processing.

Contact us to learn more
Engineers & sales representatives
are standing by.

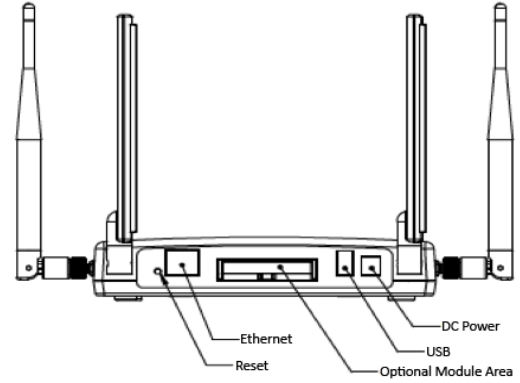
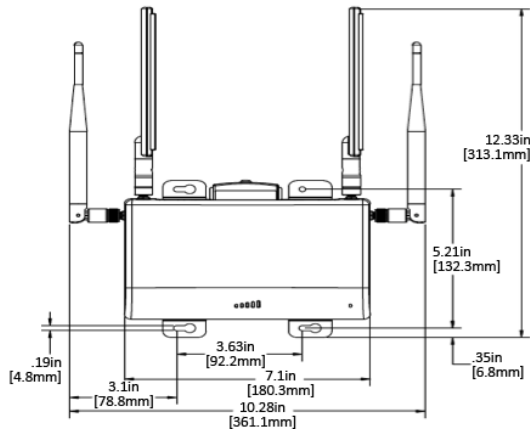
+1(216)314-2922

info@intwineconnect.com

intwineconnect.com/contact



Consumer plastic 4GR



Features

Platform

Processor	Cortex A8 (800MHz)
Flash Memory	eMMC (4GB)
DRAM Memory	DDR3(0.5GB@800MHz)

Interfaces

Ethernet	10/100/1000 mbps
USB	2.0 Type - A host
SIM	Micro SIM

Expansion Options

USNAP	See app notes
Board-to-Board	See app notes

Cellular Radio

Penta Band	700/700/850/AWS (1700/2100)/1900 MHz; FDD-Band (13,17,5,4,2)
Tri Band UMTS (WCDMA)	850/AWS (1700/2100)/1900 MHz; FDD-Band (5,4,2)
Quad Band GSM/GPRS/EDGE	850/900/1800/1900 MHz

Standard Antennas - Cellular/WiFi/ZigBee

SMA	50 Ohms
LTE (2)	2dBi, ultra-wide band, right angle dipole
WiFi (1)	1.8 dBi right angle dipole
ZigBee (1)	1.8 dBi right angle dipole

Power

Source	12VDC
Consumption	210mA@19.2VDC - Typical 380mA@19.2VDC - Peak

Mechanical - Residential

Dimensions	189.5x115x42mm
Enclosure	Plastic
Temperature	0 to +40°C operating

Mechanical - Commercial

Dimensions	189.5x115x42mm
Enclosure	Metal
Temperature	-40 to +55°C operating

Certifications

- + FCC certifications Part 15B and C
- + UL 60950
- + Industry Canada (IC)
- + CE (RF and Safety)
- + Verizon Wireless 4G LTE, 3G, Private Network
- + PTCRB
- + AT&T 4G LTE, 3G GSM

Assessories

- + 2 x multiband cellular antennas
- + 2 x 2.4GHz antennas
- + 12 VDC Power supply
- + Optional DIN or wall mounting brackets

Flexibility

- + Local web app for quick and easy installation & Intwine Office Manager for centralized control
- + Multi-carrier software defined radio
- + WiFi hotspot with customizable network credentials (SSID and password)
- + WPA and WPA2 with AES encryption for secure WiFi
- + Industry leading warranty, including software maintenance and accelerated hardware replacement

Onboard LAN Radio Specs

WiFi	802.11b/g/n - 2.4 GHz TX power: 17.3 dBm - max RX sensitivity: -96.3 dBm - max
Channels	1-11 - N.A 20/40 MHz
Bluetooth 4.0	RX sensitivity: -92.2 dBm typical TX power: 12.7 dBm typical
BLE	RX sensitivity: -93 dBm typical TX power: 12.5 dBm typical
802.15.4	RX sensitivity: -96 dBm max TX power: 23 dBm max