

ABB motion control products

Machine profile Vertical form fill seal

Vertical form fill seal machines

Overview

There are fundamentally two types of motion for Vertical Form Fill and Seal (VFFS) machines, though many variants of structure and control system approach exist.

Intermittent motion form fill seal

The typical machine is loaded with a continuous flat roll of plastic film, which has labelling or artwork applied to the interior or exterior of the film. The film is drawn to the back of a long hollow conical tube, which acts as a former. The film is formed around this conical shaped former to create a tube. The film is pulled downward around the outside of the tube and a vertical heat-sealing bar clamps onto the edges of the film, bonding the film by melting the seam edges together.

To start the bagging process, a horizontal sealing bar clamps across the bottom edge of the tube, bonding the film together, and cutting off any film below (previous bag). The sealed tube end is then lowered onto a precision weighing table or the correct weight of material is dispensed from above via a measuring system and the product to be bagged is dispensed through the long conical tube at the center of the bag.

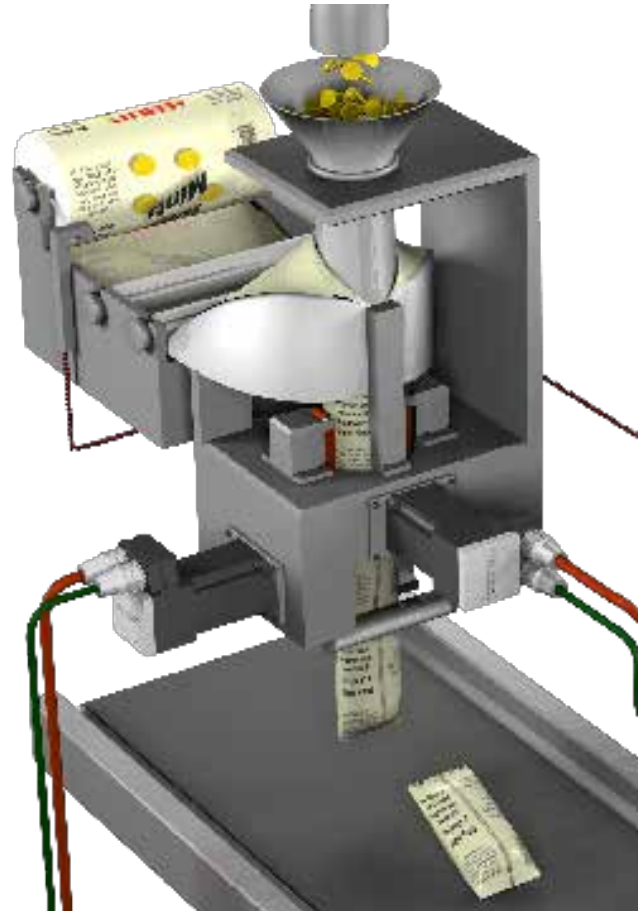
When the target weight of the product-filled bag is reached, the horizontal sealing bar seals the top of the bag, and simultaneously forms the bottom of the next bag above. This bag is then cut off from the tube and is now a sealed package which is dispensed.

During the final seal process the bag maybe filled with air or an inert gas. Inflating the bag helps reduce the crushing of fragile products, while inflating with an inert gas helps drive out oxygen and retards the growth of bacteria.

Continuous motion form fill seal

To maximise throughput the process runs continuously without stopping. To achieve this the sealer must move with the material during the seal/cut process. Common solutions use mechanical cams or a moving axis which will accelerate up to the speed of the material. When the sealer has synchronized with the belt speed (material) the jaws are closed which seals, crimps and cuts the material, the jaws are then opened. It now decelerates and reverses back to the starting position. The reverse move takes the form of an acceleration and a deceleration.

There are many combinations with which this can be achieved both mechanically and electrically. Some manufacturers have specific patents on their solutions. In essence, the Cam or Fly functions can be used to provide specific complex motion profiles to match any scenario the manufacturer requires.



Most machine manufacturers have a range of solutions, low cost intermittent to high performance continuous. As a result of cost / performance trade-offs, different controllers and motor technologies are used in each design, providing opportunity for one or all machine performance levels.

Examples of products packaged in this way (or similar)

- Crisps, peanuts and similar snacks
- Sweets
- Cereals and multigrain products
- Pharmaceuticals
- Liquids such as milk and juice can also be packaged in a similar process to fill and form cartons

VFFS machines employ a wide range of material types and are used across numerous markets including food, drinks, cosmetics, electronics, stationary, tobacco, chemical, medical, and pharmaceuticals.

Vertical form fill seal machines

Terminology

Film unwind

Unwinding of the film into the machine sometimes using an AC servo, variable frequency drive or DC motor.

Dancer arm / Accumulator

Is a free moving idling roller(s) that change position to the tension of the film. When tension is OK the roller stays in a neutral position. But if tension is too high or low the roller is moved from that position. The controller's task is to return the roller to the neutral position maintaining tension. In some cases a more complex accumulator is used to isolate the unwind from the varying film speed of the machine cycle.

Former

A metal tubular construction which wraps and forms the film into a vertical tube shape. The tube also acts as a chute for product to be dropped through into the bag being formed.

Sealing bar / rollers

Usually a thermal process for joining the film and creating a seal. Vertical sealing bar normally pneumatically operated but may be servo on some very high spec machines. Roller systems also exist.

Film registration

Used primarily when the film has graphics printed on and is used to compensate for film slippage and stretch. Adjustments are made to the film index servo end position based on the latched position of the film and actual servomotor position.

Cross sealing jaws

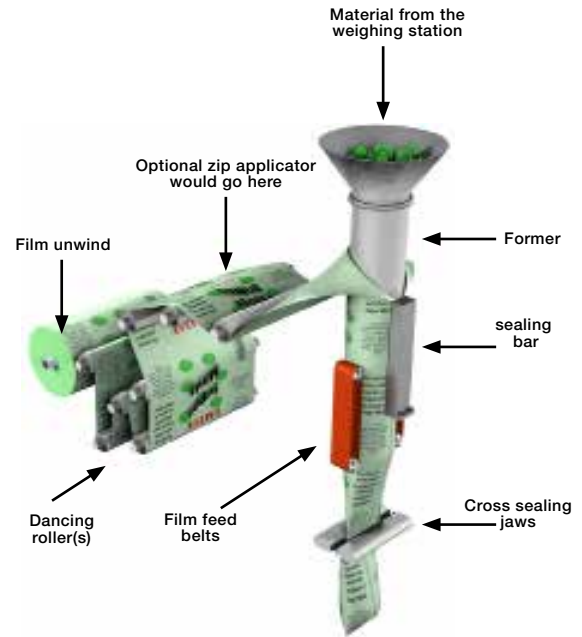
There are numerous types of cross sealing jaw and mechanical mechanisms that machine designers use. The main task is to seal and cut the bag. The jaws will normally contain a heating element and a knife which is normally fired pneumatically. Designers can use servomotors to close the jaws or closed loop induction.

Zip applicator (optional)

Is normally an independently controlled unit that can be retrofitted to an existing machine or ordered as an option. The zip strip is cut to length from a reel and then applied to the bagging material prior to the film reaching the former.

Multi head weigher

A multi-head weigher can generate precise measurements of product by controlling release of product from one or more chutes. This usually has a dedicated controller.



Typical motion functions required for all machine types



Homing



Registration control



IncR/A
(Relative/Absolute incremental move)

Typical motion required for continuous motion machines (high performance)



Electronic gearing



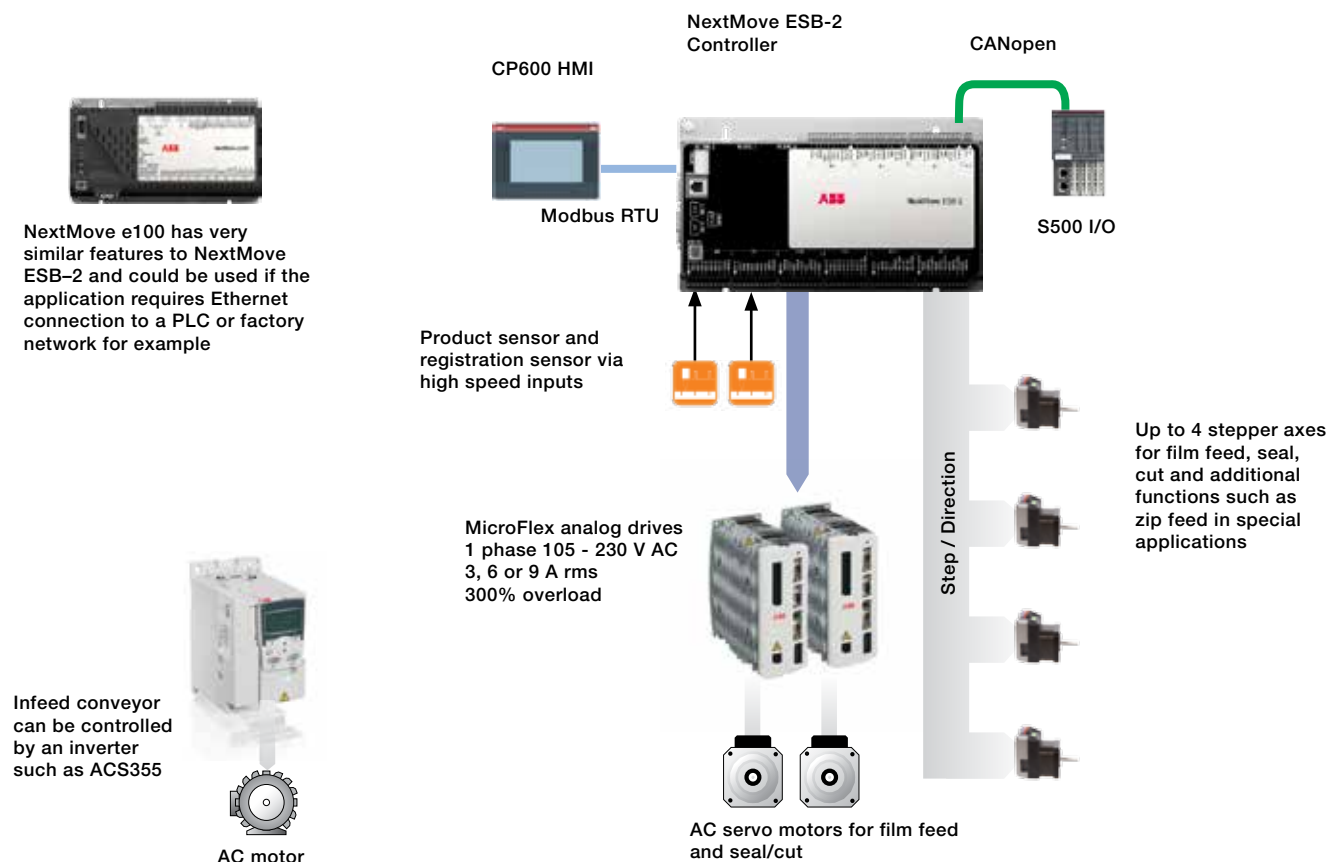
CAM motion



Flying shear motion

Vertical form fill seal

ABB Solution 1 & 2 - stepper and/or analog solutions



In principle, solutions could be based on either stepper, analog demand drives or a mix of the two. In both cases NextMove ESB-2 can be used. Alternatively, NextMove e100 can be considered if an upstream Ethernet connection is required.

Stepper solution, features and benefits

- Stepper solutions are usually the lowest cost and therefore entry level control solutions for intermittent machine types.
- Usually aimed at basic filling machines, often non-printed film with low throughput rates.

Analog servo solutions

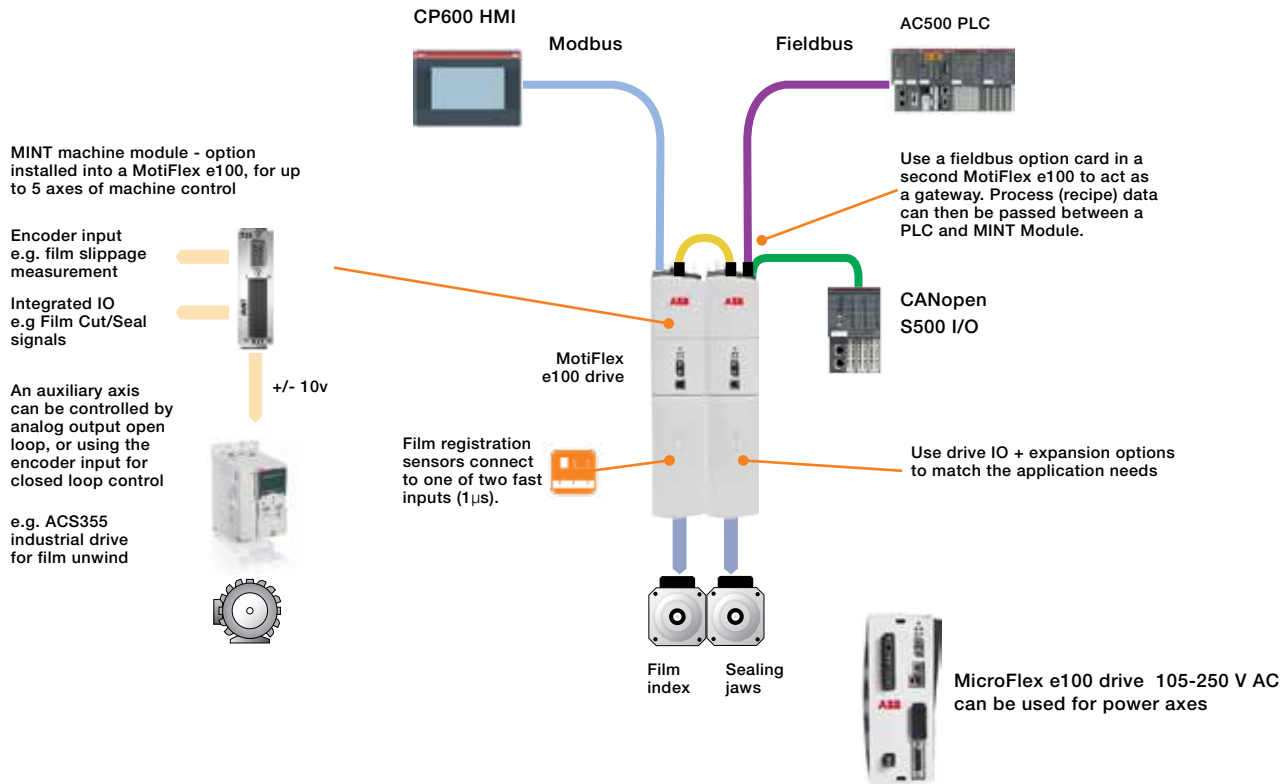
- Device costs are generally lower than Ethernet technology, but higher than stepper systems
- Used for mid-range throughput in the intermittent machines category
- Remember that we offer ABB Ethernet product lines for higher performance with the same software tools
- MicroFlex analog drive supports resolver or encoder types such as incremental ABZ with Halls and Baumer SSI.
- MicroFlex or ACS355 drives could be used for film unwind.

NextMove ESB-2 controller features and benefits

- NextMove ESB-2 features advanced stepper control which provide smooth velocity control over a wide frequency range with micro-stepper drives/motors.
- In addition, s-ramping control of stepper axes is supported to reduce jerk and hence film slip.
- Digital and analog IO built in for machine logic
- IO easily expanded by the CANopen interface
- 4 x stepper axes for additional auxiliary axes
- 4 x analog axes of control with +/-10 V demand and incremental ABZ encoder feedback (10 MHz quadrature)
- 4 x fast inputs (1µs) for position latch functions such as registration of film
- Recipe data can be stored on board the controller or CP600 HMI panel.
- A single, easy to use software tool, MINT Workbench for configuration and programming of NextMove and MicroFlex products.
- MINT is easy to program, and provides multi-tasking for performance and Events for critical tasks.
- No software licenses. MINT is no charge.

Vertical form fill seal

ABB Solution 3 - MotiFlex e100 drive and MINT multi-axis module



MINT machine module, features and benefits

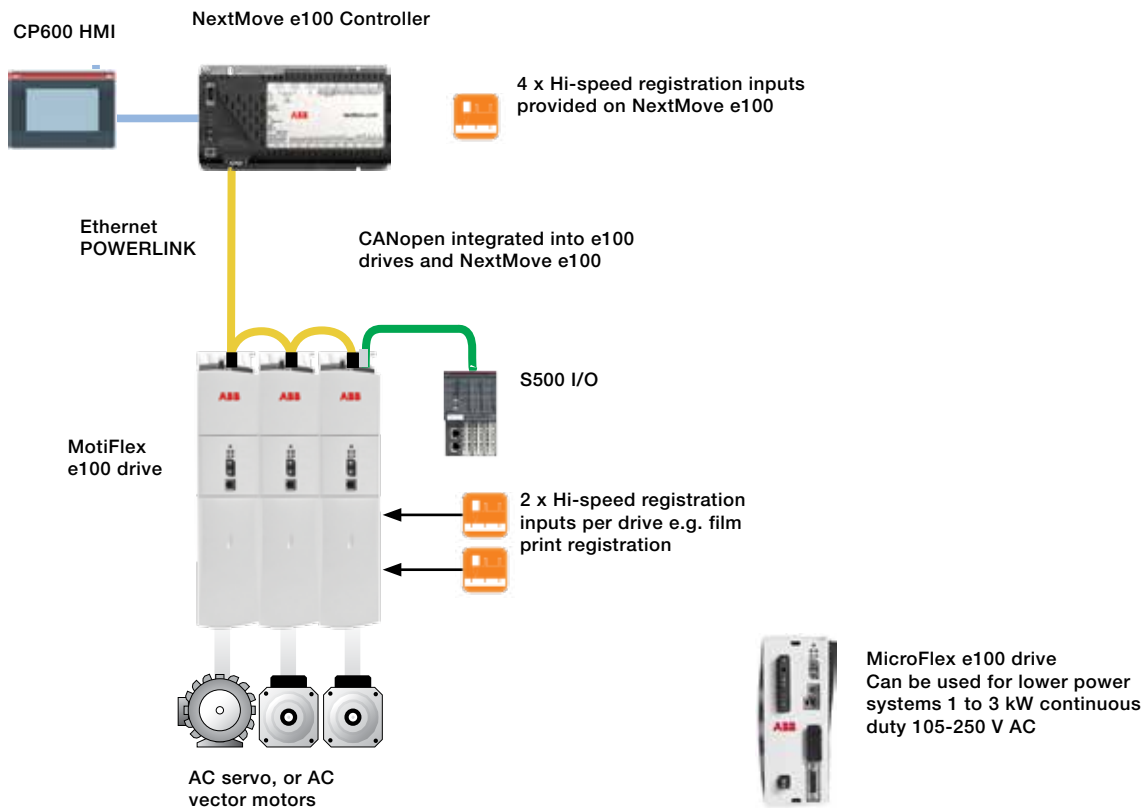
- Fast processing of a motion controller card dedicated to the machine core motion competence.
- 'Flying Shear' and 'Cam' motion functions for synchronous motion in continuous mode form fill seal machines.
- Recipe data can be stored in the MINT module NV-ram or on the CP600 HMI panel.
- Code on the MINT module can be written in a modular format and reused in machine variants or used in NextMove controllers on similar machines
- Space saving – no external motion controller.
- A common motion solution that can be interfaced to many PLC types where end-user PLC specification exists.
- MINT is easy to program, and provides multi-tasking for performance and Events for critical tasks.
- No software licenses. MINT is no charge.

MotiFlex e100 drives, features and benefits

- MotiFlex e100 has a wide input voltage range
- MotiFlex e100 is capable of linear or rotary motor control.
- MotiFlex e100 universal encoder input – flexibility of a wide choice of feedback devices. Secondary feedback can be added as an option.
- Use servomotors with absolute feedback to eliminate homing requirements, and reduce downtime after product jam or power cycles.
- Plug-in fieldbus cards can provide gateways to PLC's or other devices.
- DC bus system to absorb and reuse regenerative energy, with internal fuses and simple DC link bars.
- CANopen for IO expansion which can be used by the system or the drive itself.

Vertical form fill seal

ABB Solution 4 - e100 based system



e100 Ethernet solutions, features and benefits

- Significantly reduced wiring costs – one Ethernet cable replaces the analog demand (2 core + Shield), the simulated encoder (minimum 7 wires + shield) and the error reset signal.
- Pure digital demand – no ADC/DAC dependency, no drift noise or offsets.
- Multiple high-speed (1 μ s) latch inputs on each device, provide accurate film registration.
- CANopen IO expansion on drives and controller.
- e100 products can be commissioned over the POWERLINK connection via the motion controller.
- A single, easy to use tool, MINT Workbench software for configuration and programming of all e100 products.

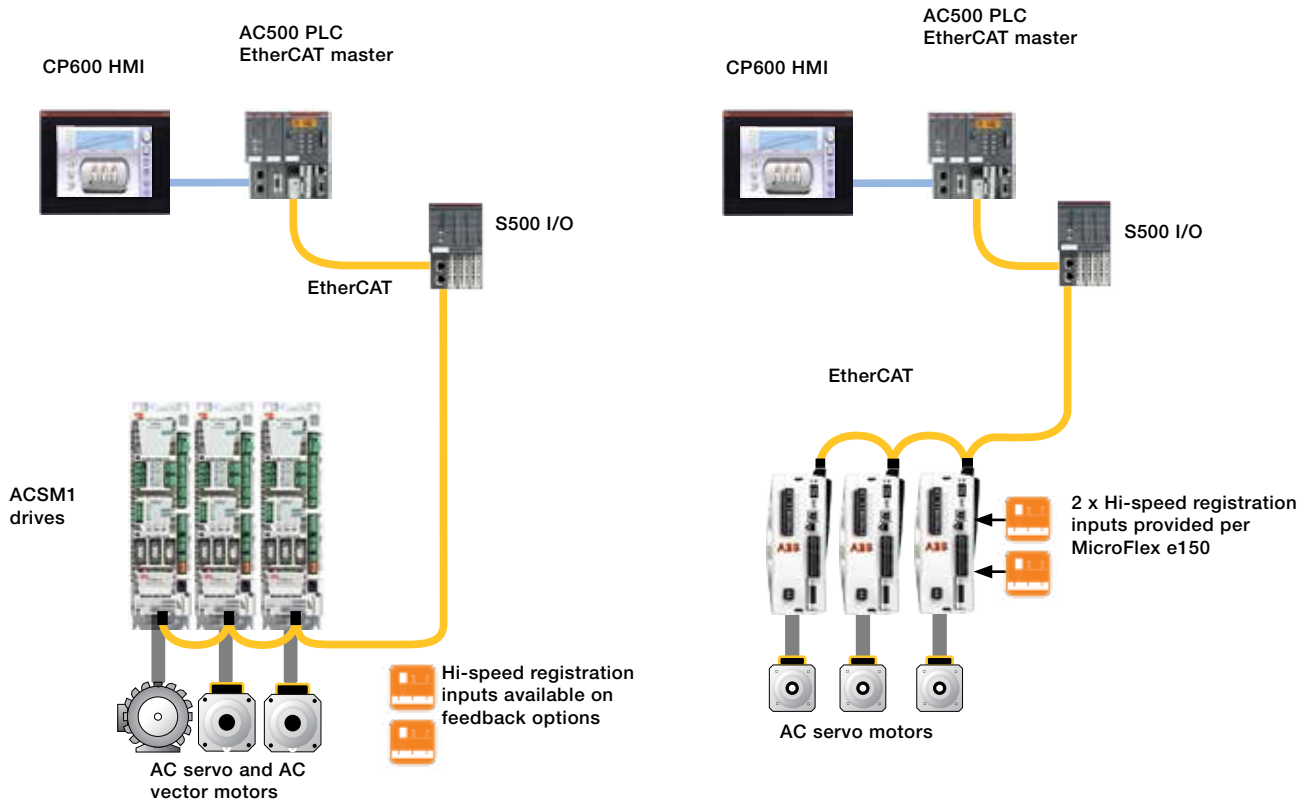
NextMove e100 controller features and benefits

NextMove e100 shares many of the MINT machine module benefits, is code compatible and provides additional integrated features including:

- Digital and analog IO for machine logic
- 4 stepper axes for additional auxiliary axes
- Control of up to 3 analog axes
- 3 x encoder inputs with position latch capability
- 4 x fast inputs (1 μ s)
- RS232/485 port for connection to HMI's, PLC's, and other devices
- CANopen expansion to a wide range of devices

Vertical form fill seal

ABB Solution 5 - AC500 PLCOpen solution



ACSM1 200- 500 V AC high power solution drives

MicroFlex e150 105-230 V AC mid power solution drives

AC500 PLC solutions, features and benefits

- PLC based solutions are increasingly popular in the packaging industry. Our AC500 PLCOpen motion functionality is one of the most capable of all PLC vendors.
- Scalable and modular architecture allows the solution to be tailored to the application
- Industry standard IEC61131-3 programming and PLCOpen motion function blocks are very popular in the packaging industry
- IO expansion by fieldbus or local expansion bus
- Many types of fieldbus and Ethernet technologies are supported

ACSM1 drive features and benefits

- Wide power range and 3 phase 240 - 480 V AC, up to 580 A
- Highly modular design, easily expanded
- Choice of resolver and encoder technologies
- DC bus sharing and line-regen option for energy efficiency
- Safe Torque Off (STO) SIL3 PL e
- Choice of fieldbus options including EtherCAT
- Use ACSM1 for higher power and/or supply voltage requirements. Some systems may require a mix of MicroFlex e150 and ACSM1. In these applications, EtherCAT should be the first choice.

MicroFlex e150 drive features and benefits

- 1 or 3 phase operation, 105 - 250 V AC
- 3, 6 and 9 A ratings
- Real-time EtherCAT control interface
- Universal encoder feedback supports many feedback types
- Servo performance with 300% overloads for dynamics
- e150 drives feature 2 x high-speed (1 μ s) latch inputs useful for registration
- Safe Torque Off (STO) SIL3 PL e

Vertical form fill seal Solutions

Vertical Form Fill Seal - Possible solutions

		Entry level machines	Mid range	High performance
Component	Controller	NextMove ESB-2		NextMove e100 MINT Module AC500 PLC[2] with PLCopen Motion
	Drives	DMS Steppers motors with integrated drive	MotiFlex e100 MicroFlex e100	MotiFlex e100 MicroFlex e100
	Motors	MicroFlex Analog BSM Servo Motors	BSM Servo Motors	
	HMI	KPD202-501 CP600	KPD202-501 CP600	CP600
	IO	CAN IO + Drive IO + Controller IO		CAN IO + Drive IO + Controller IO Various
	Other / optional	ACS355 for auxiliary axes, unwind, conveyor, etc. AC500 eCo PLC for logic and temperature control		ACS355 for auxiliary axes, unwind, conveyor, etc. AC500 eCo PLC for logic and temperature control
		AC500 eCo PLC for logic and temperature control		
	Safety	Jokab safety		Jokab safety / AC500S PLC

[1] As per ESB-2 but adds Ethernet support for machine networking.
 [2] PLCopen motion is increasingly popular as a standards based motion technology.
 [3] MINT motion module is a plug-in controller option for MotiFlex e100 (5 axes).

Solutions

The table above shows possible configurations that could be used to solve VFFS machines (and similar). In addition, our solution capabilities are developing all the time and alternatives may exist.

ABB benefits as a supplier

- World's leading drives manufactured by volume
- Global presence with support and service infrastructure
- A broad product offering including motion, servo drives and motors, industrial drives, PLC systems, safety products, robots and much more

Frequently Asked Questions

Can we use an ABB PLC?

You have the choice to use our PLC or the specified PLC for logic. With a MINT Machine module, there is the added advantage that the core motion program on the MINT Machine Module will stay the same making your job easier. The MINT code can be written generically so that any fieldbus module can be added giving you the flexibility to adapt to PLC requirements. **Process data can be sent to the MINT program such as length of bag, number of bags in the production cycle and reading data back such as the number of bags produced.**

Can I protect the machine program using my current solution?

No problem. In a MINT controller, you can do exactly the same by downloading just the executable file from within Workbench and not including the source file. The program can even be tied to the serial number of the unit for unauthorized cloning of the application.

What experiences does ABB have in this application?

We have motion control, drives and PLC experts who have worked and served this industry for many years, specifically developing product features to address this type of application.

Do we need to learn a new programming system?

MINT is a very simple intuitive language in 'real English' terminology. Our customers often praise the ease of use and rapid development after a very short learning curve. We offer demonstrations, training classes, and many MINT application notes relevant for examples. Alternatively, ABB also offers IEC61131 and PLCopen motion functions with the ABB AC500 PLC range and solution based on this platform with the advantages of an industry standard based programming method and class leading motion functions.

Available promotional literature

The ABB motion product family is fully supported with literature - data sheets, Q & A, pricing, and catalogs. Commercial collateral is available at www.abb.com/motion and www.abb.com/plc.

Visit www.abb.com/motion/solutions for examples and application animations including VFFS machines and application notes relating to this type of machine and motion functions.

US district sales offices

ARIZONA

PHOENIX

4211 S. 43RD PLACE
PHOENIX, AZ 85040
PHONE: 602-470-0407
FAX: 602-470-0464

ARKANSAS

CLARKSVILLE

706 WEST MAIN STREET
CLARKSVILLE, AR 72830
PHONE: 479-754-9108
FAX: 479-754-9205

CALIFORNIA

LOS ANGELES

6480 FLOTILLA STREET
COMMERCE, CA 90040
PHONE: 323-724-6771
FAX: 323-721-5859

HAYWARD

21056 FORBES STREET
HAYWARD, CA 94545
PHONE: 510-785-9900
FAX: 510-785-9910

COLORADO

DENVER

3855 FOREST STREET
DENVER, CO 80207
PHONE: 303-623-0127
FAX: 303-595-3772

CONNECTICUT

WALLINGFORD

65 SOUTH TURNPIKE ROAD
WALLINGFORD, CT 06492
PHONE: 203-269-1354
FAX: 203-269-5465

FLORIDA

TAMPA / PUERTO RICO / VIRGIN ISLANDS

3906 EAST 11TH AVENUE
TAMPA, FL 33605
PHONE: 813-248-5078
FAX: 813-241-9514

GEORGIA

ATLANTA

62 TECHNOLOGY DRIVE
ALPHARETTA, GA 30005
PHONE: 770-772-7000
FAX: 770-772-7200

ILLINOIS

CHICAGO

340 REMINGTON BOULEVARD
BOLINGBROOK, IL 60440
PHONE: 630-296-1400
FAX: 630-226-9420

INDIANA

INDIANAPOLIS

5525 W. MINNESOTA STREET
INDIANAPOLIS, IN 46241
PHONE: 317-246-5100
FAX: 317-246-5110

IOWA

DES MOINES

1943 HULL AVENUE
DES MOINES, IA 50313
PHONE: 515-263-6929
FAX: 515-263-6515

MARYLAND

BALTIMORE

7071A DORSEY RUN ROAD
ELKRIDGE, MD 20175
PHONE: 410-579-2135
FAX: 410-579-2677

MASSACHUSETTS

BOSTON

6 PULLMAN STREET
WORCESTER, MA 01606
PHONE: 508-854-0708
FAX: 508-854-0291

MICHIGAN

DETROIT

5993 PROGRESS DRIVE
STERLING HEIGHTS, MI 48312
PHONE: 586-978-9800
FAX: 586-978-9969

MINNESOTA

MINNEAPOLIS

21080 134TH AVE NORTH
ROGERS, MN 55374
PHONE: 763-426-3633
FAX: 763-428-4551

MISSOURI

ST. LOUIS

13678 LAKEFRONT DRIVE
EARTH CITY, MO 63045
PHONE: 314-373-3032
FAX: 314-373-3038

KANSAS CITY

9810 INDUSTRIAL BLVD.
LENEXA, KS 66215
PHONE: 816-587-0272
FAX: 816-587-3735

NEW YORK

AUBURN

ONE ELLIS DRIVE
AUBURN, NY 13021
PHONE: 315-255-3403
FAX: 315-253-9923

NORTH CAROLINA

GREENSBORO

1220 ROTHERWOOD ROAD
GREENSBORO, NC 27406
PHONE: 336-272-6104
FAX: 336-273-6628

OHIO

CINCINNATI

2929 CRESCENTVILLE ROAD
WEST CHESTER, OH 45069
PHONE: 513-771-2600
FAX: 513-772-2219

OHIO (continued)

CLEVELAND

8929 FREEWAY DRIVE
MACEDONIA, OH 44056
PHONE: 330-468-4777
FAX: 330-468-4778

OKLAHOMA

TULSA

5555 E. 71ST STREET SUITE 9100
TULSA, OK 74136
PHONE: 918-366-9320
FAX: 918-366-9338

OREGON

PORTLAND

12651 SE CAPPS ROAD
CLACKAMAS, OR 97015
PHONE: 503-691-9010
FAX: 503-691-9012

PENNSYLVANIA

PHILADELPHIA

1035 THOMAS BUSCH
MEMORIAL HIGHWAY
PENNSAUKEN, NJ 06110
PHONE: 856-661-1442
FAX: 856-663-6363

PITTSBURGH

159 PROMINENCE DRIVE
NEW KENSINGTON, PA 15068
PHONE: 724-889-0092
FAX: 724-889-0094

TENNESSEE

MEMPHIS

4000 WINCHESTER ROAD
MEMPHIS, TN 38118
PHONE: 901-365-2020
FAX: 901-365-3914

TEXAS

DALLAS

2920 114TH STREET SUITE 100
GRAND PRAIRIE, TX 75050
PHONE: 214-634-7271
FAX: 214-634-8874

HOUSTON

10355 W. UTILE YORK ROAD SUITE 300
HOUSTON, TX 77041
PHONE: 281-977-6500
FAX: 281-977-6510

UTAH

SALT LAKE CITY

2230 SOUTH MAIN STREET
SALT LAKE CITY, UT 84115
PHONE: 801-832-0127
FAX: 801-832-8911

WISCONSIN

MILWAUKEE

1960 SOUTH CALHOUN ROAD
NEW BERLIN, WI 53151
PHONE: 262-784-5940
FAX: 262-784-1215

Contact us

www.abb.com/motion
www.abb.com/drives
www.abb.com/plc
www.baldor.com

Scan the QR code
and access:



ABB Motion website
www.abb.com/motion



ABB PLC website
www.abb.com/plc



Baldor website
www.baldor.com

© Copyright 2014 ABB. All rights reserved.
Specifications subject to change without notice.

MOTION-PHPB02U-EN REV A EN 04/21/2014