



## CENTRIFUGAL COMPRESSORS

**RENEWAL PARTS**

Supersedes 160.73-RP2 (203)

Form 160.73-RP2 (305)

## STYLE "F" AND LATER MODELS

COMPRESSOR						
Compressor Model	Compressor Code	Compressor P/N	VGD	DWP (psig)	For Use With	TOOL KIT P/N
YDHF-39	P1	364-50103-201	N	235	R134a	364K50048-000
YDHF-40	P2	364-50103-202	N	235	R134a	364K50048-000
YDHF-42	P3	364-50103-203	N	235	R134a	364K50048-000
YDHF-44	P4	364-50103-204	N	235	R134a	364K50048-000
YDHF-41	P5	364-50300-202	N	235	R134a	364K50048-000
YDHF-52	Q7	364-50757-201	N	235	R134a	364K50048-000
YDHE-46	P6	364-50389-202	N	235	R134a	364K49275-000
YDHE-52	P7	364-50369-202	N	235	R134a	364K49275-000
YDHE-58	P8	364-51056-205	Y	235	R134a	364K51286-000
YDHE-62	P9	364-51056-205	Y	235	R134a	364K51286-000

## TABLES

<b>TABLE 1 - HF COMPRESSOR</b> (MODELS 39, 40, 42, & 44) .....	3	<b>TABLE 8 - VGD DEVICE COMMON PARTS</b> (MODELS 58 & 62) .....	41
<b>TABLE 2 - HF COMPRESSOR</b> (MODEL 41) .....	14	<b>TABLE 9 - HF COMPRESSOR</b> (MODEL 52) .....	46
<b>TABLE 3 - DEVICE PRE-ROTATION</b> (MODELS 39, 40, 41, 42, & 44) .....	23	<b>TABLE 10 - P &amp; Q COMPRESSOR</b> <b>OIL RESERVOIR PARTS</b> .....	53
<b>TABLE 4 - HE COMPRESSOR</b> (MODELS 46, & 52) .....	24	<b>TABLE 11 - P &amp; Q COMPRESSOR</b> <b>OIL FITTINGS</b> .....	55
<b>TABLE 5 - DEVICE PRE-ROTATION</b> (MODELS 46 & 52) .....	31	<b>TABLE 12 - GEAR SETS</b> .....	57
<b>TABLE 6 - HE COMPRESSOR</b> (MODELS 58 & 62) .....	32		
<b>TABLE 7 - DEVICE PRE-ROTATION</b> (MODELS 58 & 62) .....	40		

## FIGURES

<b>FIG. 1 - HF COMPRESSOR</b> (MODELS 39, 40, 42, & 44) .....	6	<b>FIG.18 - HE COMPRESSOR</b> (MODELS 46 &52) .....	29
<b>FIG. 2 - HF COMPRESSOR</b> (MODELS 39, 40, 42, & 44) .....	7	<b>FIG.19 - HE COMPRESSOR</b> (MODELS 46 &52) .....	30
<b>FIG. 3 - HF COMPRESSOR</b> (MODELS 39, 40, 42, & 44) .....	8	<b>FIG.20 - DEVICE PRE-ROTATION</b> (MODELS 46 & 52) .....	31
<b>FIG. 4 - HF COMPRESSOR</b> (MODELS 39, 40, 42, & 44) .....	9	<b>FIG.21 - HE COMPRESSOR</b> (MODELS 58 & 62) .....	36
<b>FIG. 5 - HF COMPRESSOR</b> (MODELS 39, 40, 42, & 44) .....	10	<b>FIG.22 - HE COMPRESSOR</b> (MODELS 58 & 62) .....	37
<b>FIG. 6 - HF COMPRESSOR</b> (MODELS 39, 40, 42, & 44) .....	11	<b>FIG.23 - HE COMPRESSOR</b> (MODELS 58 & 62) .....	38
<b>FIG. 7 - HF COMPRESSOR</b> (MODELS 39, 40, 42, & 44) .....	12	<b>FIG.24 - HE COMPRESSOR</b> (MODELS 58 & 62) .....	39
<b>FIG. 8 - HF COMPRESSOR</b> (MODELS 39, 40, 42, & 44) .....	13	<b>FIG.25 - DEVICE PRE-ROTATION</b> (MODELS 58 & 62) .....	40
<b>FIG. 9 - HF COMPRESSOR</b> (MODEL 41) .....	17	<b>FIG.26 - VGD DEVICE</b> (MODELS 58 & 62) .....	42
<b>FIG.10 - HF COMPRESSOR</b> (MODEL 41) .....	18	<b>FIG.27 - VGD DEVICE</b> (MODELS 58 & 62) .....	43
<b>FIG.11 - HF COMPRESSOR</b> (MODEL 41) .....	19	<b>FIG.28 - VGD DEVICE</b> (MODELS 58 & 62) .....	44
<b>FIG.12 - HF COMPRESSOR</b> (MODEL 41) .....	20	<b>FIG.29 - HF COMPRESSOR</b> (MODEL 52) .....	49
<b>FIG.13 - HF COMPRESSOR</b> (MODEL 41) .....	21	<b>FIG.30 - HF COMPRESSOR</b> (MODEL 52) .....	50
<b>FIG.14 - HF COMPRESSOR</b> (MODEL 41) .....	22	<b>FIG.31 - HF COMPRESSOR</b> (MODEL 52) .....	51
<b>FIG.15 - PRE-ROTATION PARTS</b> (HF MODELS 39, 40, 41, 42, & 44) .....	23	<b>FIG.32 - HF COMPRESSOR</b> (MODEL 52) .....	52
<b>FIG. 16 - HE COMPRESSOR</b> (MODELS 46 &52) .....	27	<b>FIG.33 - P &amp; Q COMPRESSOR</b> <b>OIL RESERVOIR</b> .....	54
<b>FIG.17 - HE COMPRESSOR</b> (MODELS 46 &52) .....	28	<b>FIG.34 - P &amp; Q COMPRESSOR</b> <b>OIL FITTINGS</b> .....	56

## HF MODELS – COMPRESSOR PARTS

**TABLE 1 - HF COMPRESSOR PARTS (MODELS 39, 40, 42, & 44)**

ITEM NO.	DESCRIPTION	QTY	PART NO.	REF. FIG. #
1	LEVER, PRV, MOTOR	1	064-49152-000	1
*2	BRG. H. S. – FORWARD THRUST	1	029-22936-000	1
*3	BRG. H. S. – FRONT	1	064-50065-000	2
*4	BRG. H. S. – REAR	1	064-50064-000	1
5	BRG. H. S. – REVERSE THRUST	1	029-22937-000	1
*6	BRG. L. S. – FRONT	1	064-50085-000	2
*7	BRG. L. S. – THRUST	1	029-22935-000	7
*8	BRG. L. S. – REAR	1	064-50084-000	1
9	BRG. ROD END	2	029-08343-000	9
10	SCREW	1	064-50052-000	2
11	BOLT SHLD SPL 1/4" - 20 X 1	1	064-28262-000	6
12	BOLT SHLD SPL 1/4" - 20 UNC	1	064-28282 000	6
13	BRACKET SUPPORT LOWER PRV	1	064-48851-000	7
14	CAP SEALING	2	028-05004-000	6
15	CLAMP TUBE 3/8" O.D.	1	023-05284-000	2
*16	COLLAR H.S. THRUST	1	064-49636-001	1
17	COLLAR IMPELLER CLAMP	1	029-22987-000	2
*18	COLLAR L.S. THRUST	1	064-49637-000	2
19	PLUG HEX HEAD	1	023-18282-000	5
20	CONNECTOR INSTRM 3/8" TUBE	4	023-12229-000	3, 2
21	COVER PRV SHAFT CONTROL	1	064-48861-000	7
22	DEVICE PRE-ROTATION			
	HF39	1	364-50102-001	
	HF40	1	364-50102-002	
	HF42	1	364-50102-003	
	HF44	1	364-50102-004	8
23	IMPELLER w/BAL. PISTON			
	HF39	1	364-50076-001	
	HF40	1	364-50077-001	
	HF42	1	364-50075-001	
	HF44	1	364-50078-001	2
24	SUPPORT ROTOR w/BRG. HOUSING	1	364-50094-000	1, 2, 3, 4
25	ELBOW FLARE HYDRAULIC 1/4" O.D.	1	023-20242-000	1
26	ELBOW FLARE HYDRAULIC 3/8" O.D.	2	023-18920-000	1
28	FILLPIECE PRE-ROTATION DEVICE			
	HF39, 42	1	064-49721-000	
	HF40, 44	2	064-49721-000	8
29	FILLPIECE PRE-ROTATION DEVICE			
	HF39, 42	1	064-49720-000	
	HF40, 44	–	–	8
30	GASKET 2 1/2" O.D. X 2" I.D. X 1/32"	1	064-47751-000	7
31	EVER, PRV, EXTERNAL	1	064-49725-000	7
32	LEVER, PRV, INTERNAL	1	064-49715-000	8
33	LINK EXTERNAL PRV	2	064-49716-000	6
34	PRV MOTOR ACTUATOR	1	375-49340-001	6
37	NUT FLARE HYDRAULIC 3/8" O.D.	2	023-09673-000	1
38	NUT HEX 1/4" - 20 UNC-2B	10	021-00450-000	6, 8
39	NUT HEX 3/8" - 24 UNC-2B	2	021-00474-000	8
40	ORIFICE H.S. OIL FEED	1	064-49650-000	1
41	PIN SLOT SPG 3/16" X 1/2"	1	029-04138-000	2
42	PIN DOWEL TAPPED 3/8" DIA.	2	029-18459-000	3

\* Included in Bearing Kit

† Included in O-Ring Kit

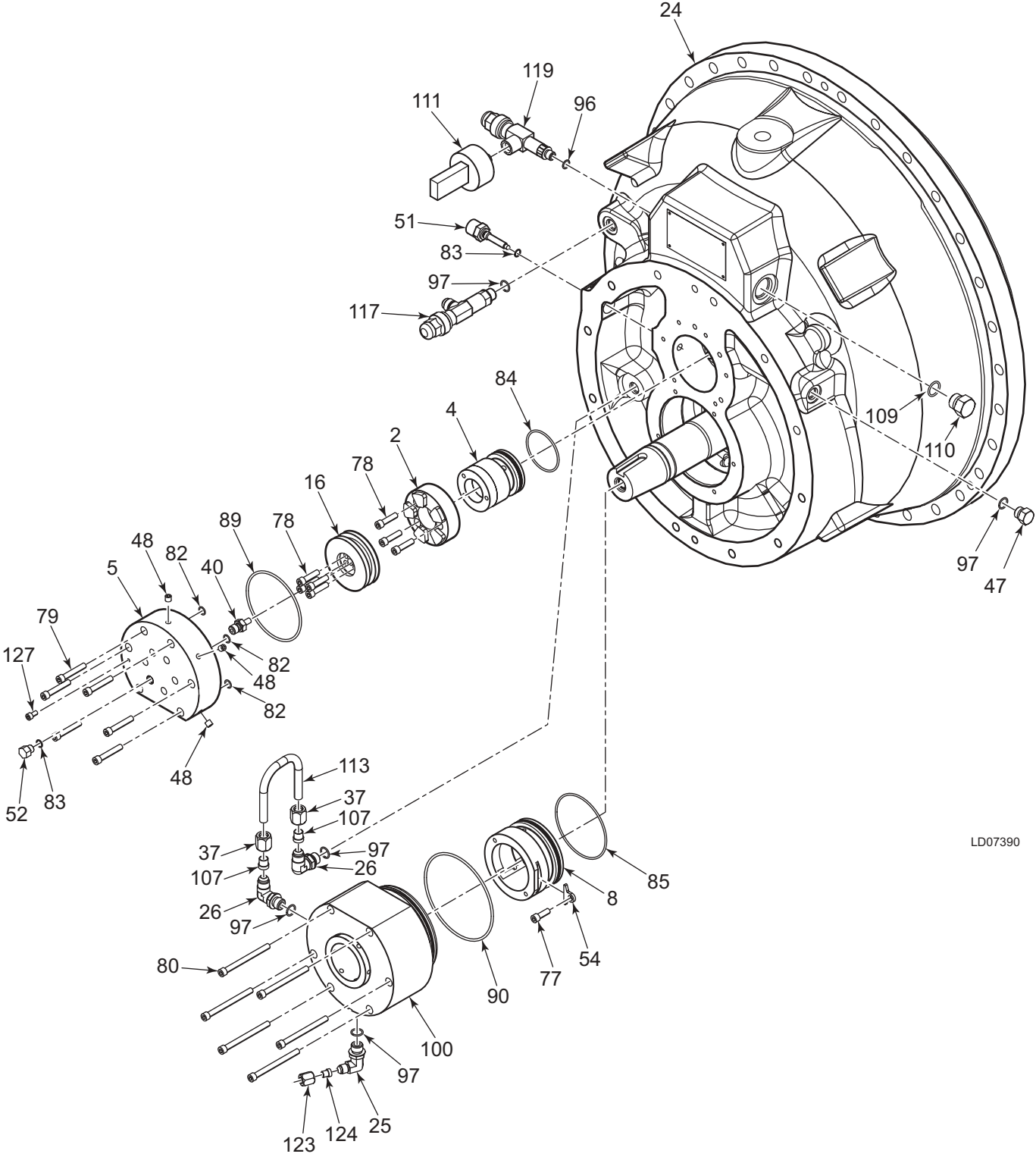
ITEM NO.	DESCRIPTION	QTY	PART NO.	REF. FIG. #
43	PLATE DIFFUSER			
	HF39	1	064-50067-000	
	HF40	1	064-50068-000	
	HF42	1	064-50066-000	
	HF44	1	064-50069-000	2
44	PLATE NOZZLE BASE			
	HF39	1	064-50090-000	
	HF40	1	064-50091-000	
	HF42	1	064-50089-000	
	HF44	1	064-50092-000	5
45	PLATE PRV SUPPORT			
	HF39, 42	1	064-49700-000	
	HF40, 44	1	064-49701-000	7, 8
46	PLUG HEX HEAD 7/16"	1	023-18279-000	5
47	PLUG HEX HEAD 9/16"	3	023-18962-000	1, 5, 6
48	PLUG PIPE FLUSH TYPE HEX			
	HF39, 42,44	3	023-05366-000	1
	HF40	-	-	-
49	PLUG PIPE 1/4" HEX SOCKET	2	023-01973-000	3
50	PRIMER LOCTITE (GRADE N)	-	013-01753-000	-
51	PROBE HF	1	025-34535-000	1
52	PLUG HEX HD	1	023-20217-000	1
53	RETAINER BALANCE PISTON SEAL	1	064-50086-000	2
54	RETAINER BEARING S STAGE TURBO	2	064-46886-000	1, 2
55	RETAINER EYE SEAL			
	HF39	1	064-50080-000	
	HF40	1	064-50081-000	
	HF42	1	064-50079-000	
	HF44	1	064-50082-000	
56	RING 5/8" X 17/64" I.D. X 5/8"	1	064-40009-000	6
57	RING BALANCE PISTON SEAL HF	1	064-50059-000	2
58	RING EYE SEAL			
	HF39	1	064-50061-000	
	HF40	1	064-50062-000	
	HF42	1	064-50060-000	
	HF44	1	064-50063-000	5
59	ROD ADJUSTABLE	1	064-49719-000	8
60	SCREW CAP HEX 1/4" - 20 UNC	3	021-01379-000	6
61	SCREW CAP HEX 1/4" - 20 UNC	4	021-01392-000	6, 8
62	SCREW CAP HEX 1/4" - 20 UNC	8	021-02578-000	2
63	SCREW CAP 12 PT HD 1/2"	2	021-13334-000	3
64	SCREW CAP 12 PT HD 1/2"	12	021-11597-000	7
65	SCREW CAP 12 PT HD 1/2"	32	021-11926-000	4
66	SCREW CAP 12 PT HD 1/2"	1	021-11998-000	7
67	SCREW CAP 12 PT HD 3/8"	12	021-11974-000	3
68	SCREW CAP 12 PT HD 3/8"	3	021-17052-000	8
69	SCREW CAP 12 PT HD 3/8"			
	HF39, 42	1	021-11956-000	
	HF40, 44	-	-	8
70	SCREW CAP 12 PT HD 3/8"			
	HF40, 44	2	021-30628-000	8
	HF39, 42	1	021-30628-000	8
71	SCREW CAP HEX 3/8" - 16 UNC	2	021-18901-000	7
72	SCREW SET HEX SOC CUP PT	1	021-03910-000	6
73	SCREW SHOULDER SOC HD	6	021-17557-000	2, 5
75	SCREW CAP HEX SOC HD #8	1	021-19153-000	2
76	SCREW CAP HEX HD 1/4"	12	021-29501-000	3

ITEM NO.	DESCRIPTION	QTY	PART NO.	REF. FIG. #
77	SCREW CAP HEX SOC HD 1/4"	2	021-01377-000	1, 2
78	SCREW CAP HEX SOC HD 1/4"	22	021-29576-000	1, 2, 5
79	SCREW CAP HEX SOC HD 1/4"	10	021-18994-000	1, 2
80	SCREW CAP HEX SOC HD 1/4"	6	021-30674-000	1
81	SCROLL HF			
	HF39	1	064-49642-000	
	HF40, 44	1	064-49643-000	
	HF42	1	064-49641-000	4, 6, 7
†82	O-RING 5/16" I.D.	3	028-12513-000	1
†83	O-RING .301" I.D.	2	028-12209-000	1
†84	O-RING 2" I.D.	3	028-14419-000	1, 2
†85	O-RING 3-1/4" I.D.	2	028-14420-000	1, 2
†86	O-RING 5-1/4" I.D.	1	028-14403-000	2
87	SEAL O-RING 1" I.D.	1	028-12201-000	7
88	SEAL O-RING 1-1/8" I.D.	2	028-12200-000	7
†89	O-RING 3-1/2" I.D.	1	028-14404-000	1
†90	O-RING 4-3/8" I.D.	1	028-13111-000	1
†91	O-RING 6" I.D.	1	028-14405-000	3
†92	O-RING			
	HF39, 42 12" I.D. HF40, 44 13" I.D.	1 1	028-14411-000 028-14412-000	5 5
†93	O-RING 20" I.D.	1	028-14413-000	4
†94	O-RING 19" I.D.	1	028-14414-000	7
†95	O-RING 22" I.D.	1	028-14406-000	4
†96	O-RING .351" I.D.	2	028-13832-000	1, 5
†97	O-RING .468" I.D. X .078"	8	028-12961-003	1, 5, 6
†98	O-RING .468" I.D. X .087"	1	028-12961-004	6
†99	O-RING 1.171" I.D.	1	028-12961-008	5
100	SEAL DOUBLE SHAFT	1	029-22938-000	1
	REPLACEMENT O-RING 2-1/8" O.D.	1	028-08681-000	1
104	PLUG, HEX HEAD 3/4"	1	023-18280-000	6
105	SHAFT CONTROL PRE-ROTATION DEVICE	1	364-29573-000	7
106	SHIELD	2	064-49638-000	3
107	SLEEVE FLARE HYDRAULIC 3/8" O.D.	2	023-10001-000	1
108	WASHER SPRING	1	064-50087-000	2
109	SEAL, O-RING, NEOPRENE	1	028-12961-006	1
110	PLUG, HEX HEAD 1-1/16"	1	023-18295-000	1
112	TUBE OIL DRAIN	1	064-49154-000	3
113	TUBE OIL FEED EXTERNAL	1	064-49619-000	1
114	TUBE OIL FEED INTERNAL	1	064-49621-000	3
115	TUBE OIL RETURN	1	064-49620-000	2
116	VALVE CHECK OIL 1/8" NPTE	1	022-04444-000	3
117	VALVE STOP ANGLE VERTICAL	1	022-09578-000	1
120	WASHER PLAIN 9/32" X 5/8"	4	021-05165-000	6
121	LOCKWASHER HEL SPRING 1/4"	2	021-05267-000	6
122	WASHER SPECIAL PRV	1	064-48503-000	7
123	NUT FLARE HYDRAULIC 1/4" O.D.	1	023-09670-000	1
124	SLEEVE FLARE HYDRAULIC 1/4" O.D.	1	023-10000-000	1
125	WASHER PLAIN 9/32" X 5/8"	12	021-01225-000	3
126	WASHER SPRING	1	064-50088-000	5
127	SCREW CAP HEX SOC HD	1	021-14461-000	1
128	RETAINER EYE SEAL HF	1	064-50106-000	5
129	GREASE POE	-	044-03199-000	-
131	SCREW SET HEX SOC CUP PT	-	021-00700-000	-
132	ORIFICE SET SCREW	-	064-51402-000	-

\* Included in Bearing Kit

† Included in O-Ring Kit

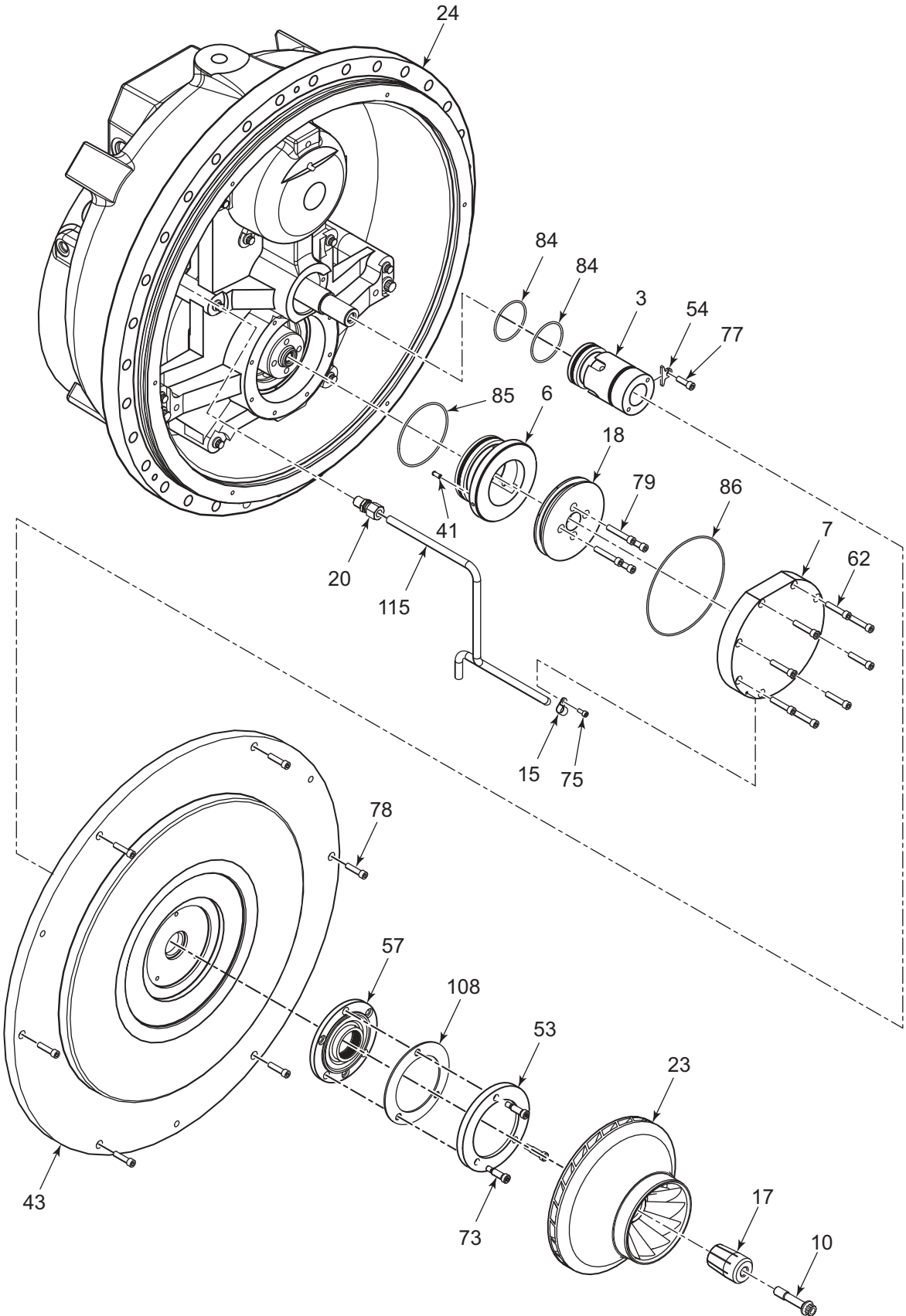
# HF COMPRESSOR MODELS HF 39, 40, 42, & 44



LD07390

FIG. 1 – HF COMPRESSOR (MODELS 39, 40, 42, & 44)

**HF COMPRESSOR  
MODELS HF 39, 40, 42, & 44**



**FIG. 2 – HF COMPRESSOR (MODELS 39, 40, 42, & 44)**

### HF COMPRESSOR MODELS HF 39, 40, 42, & 44

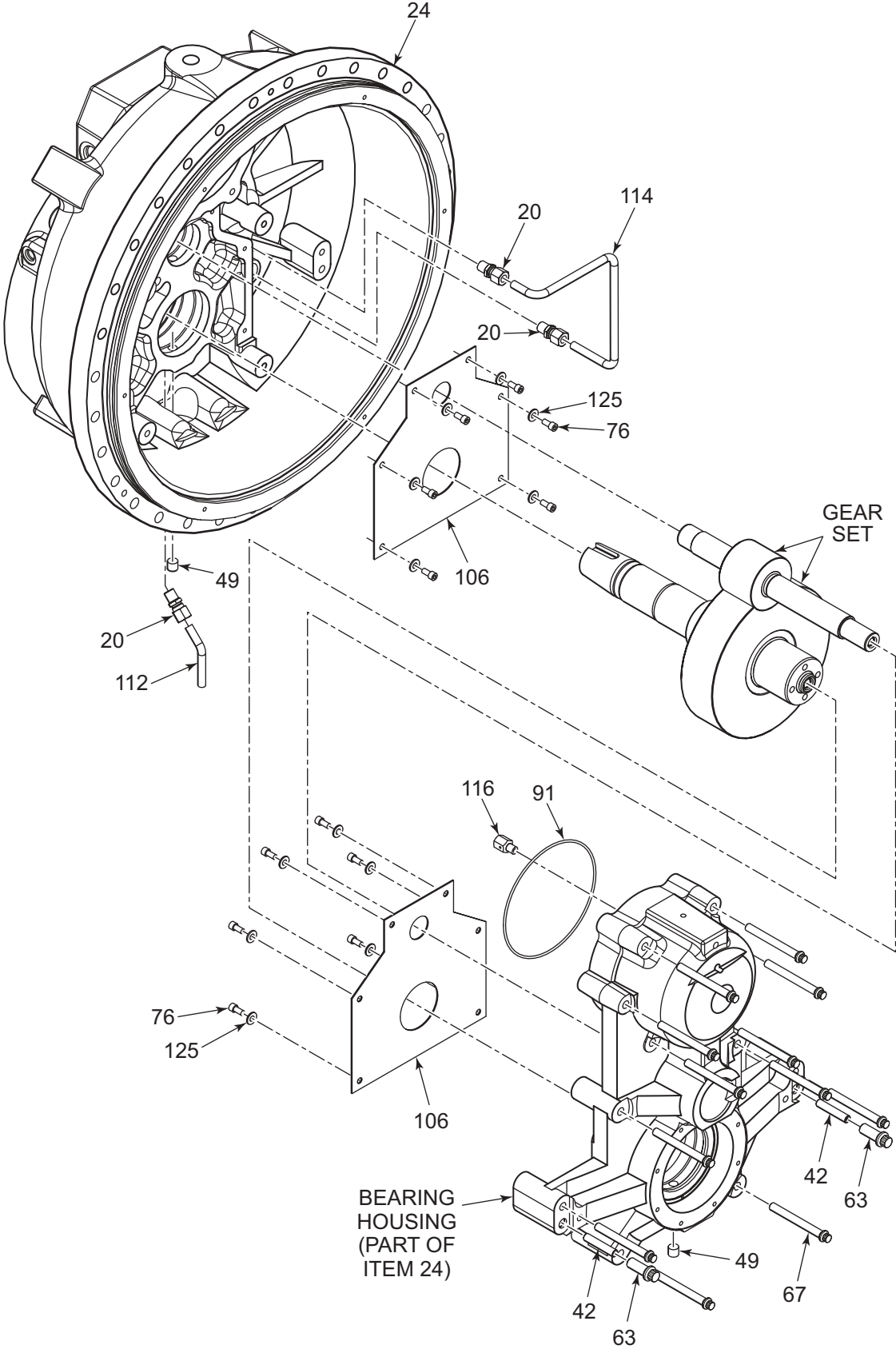


FIG. 3 – HF COMPRESSOR (MODELS 39, 40, 42, & 44)

LD07392



# HF COMPRESSOR MODELS HF 39, 40, 42, & 44

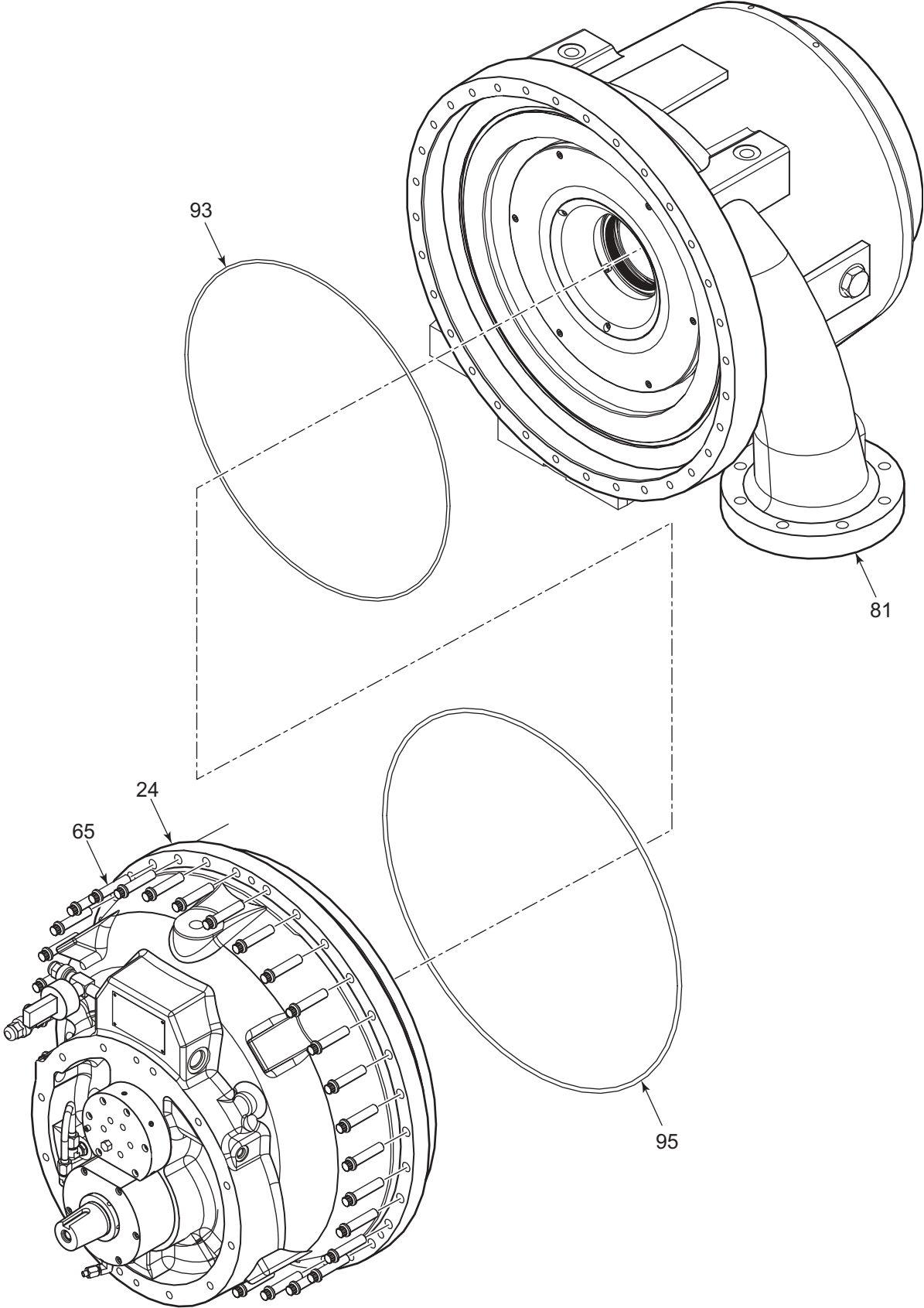
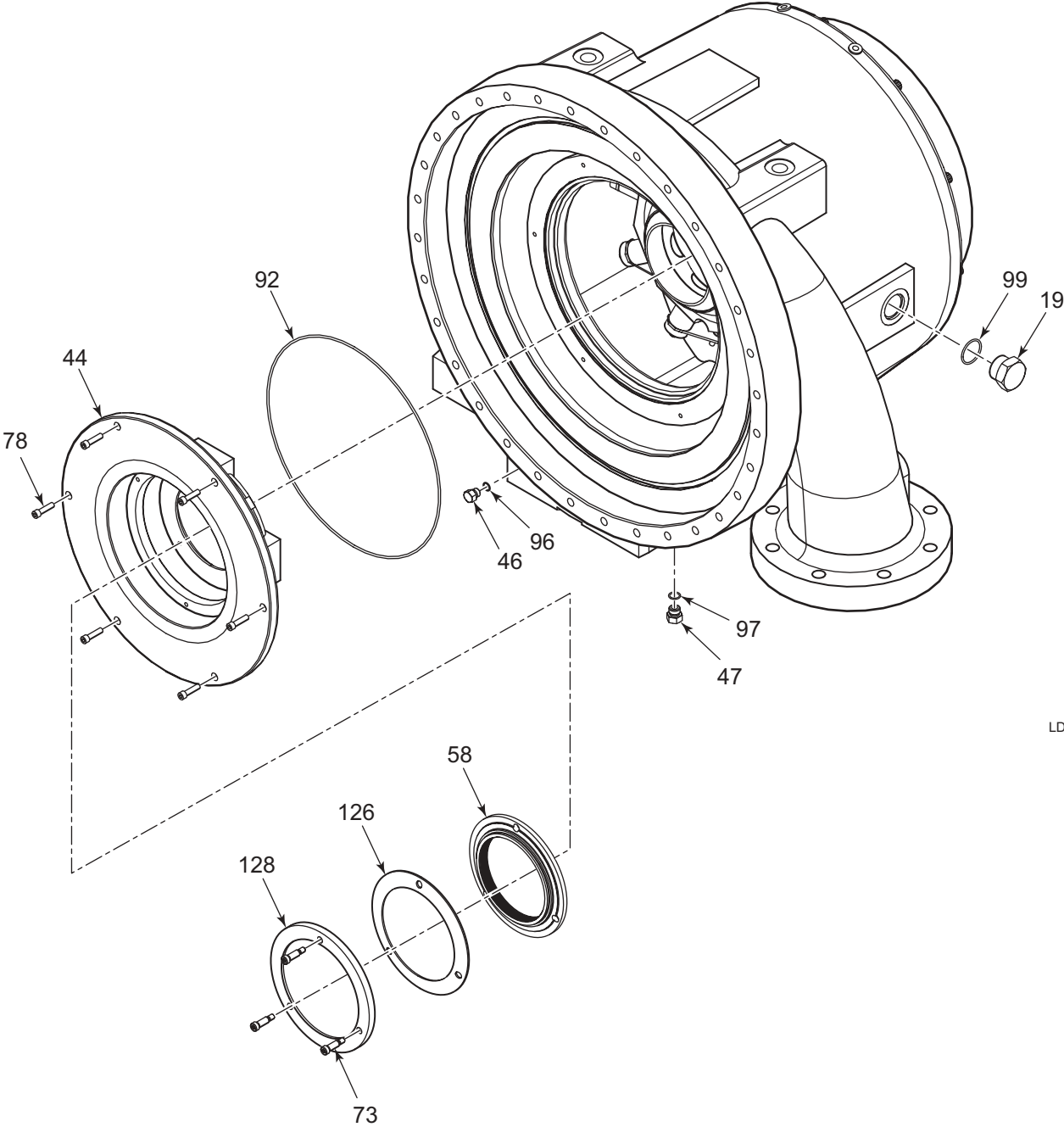


FIG. 4 – HF COMPRESSOR (MODELS 39, 40, 42, & 44)

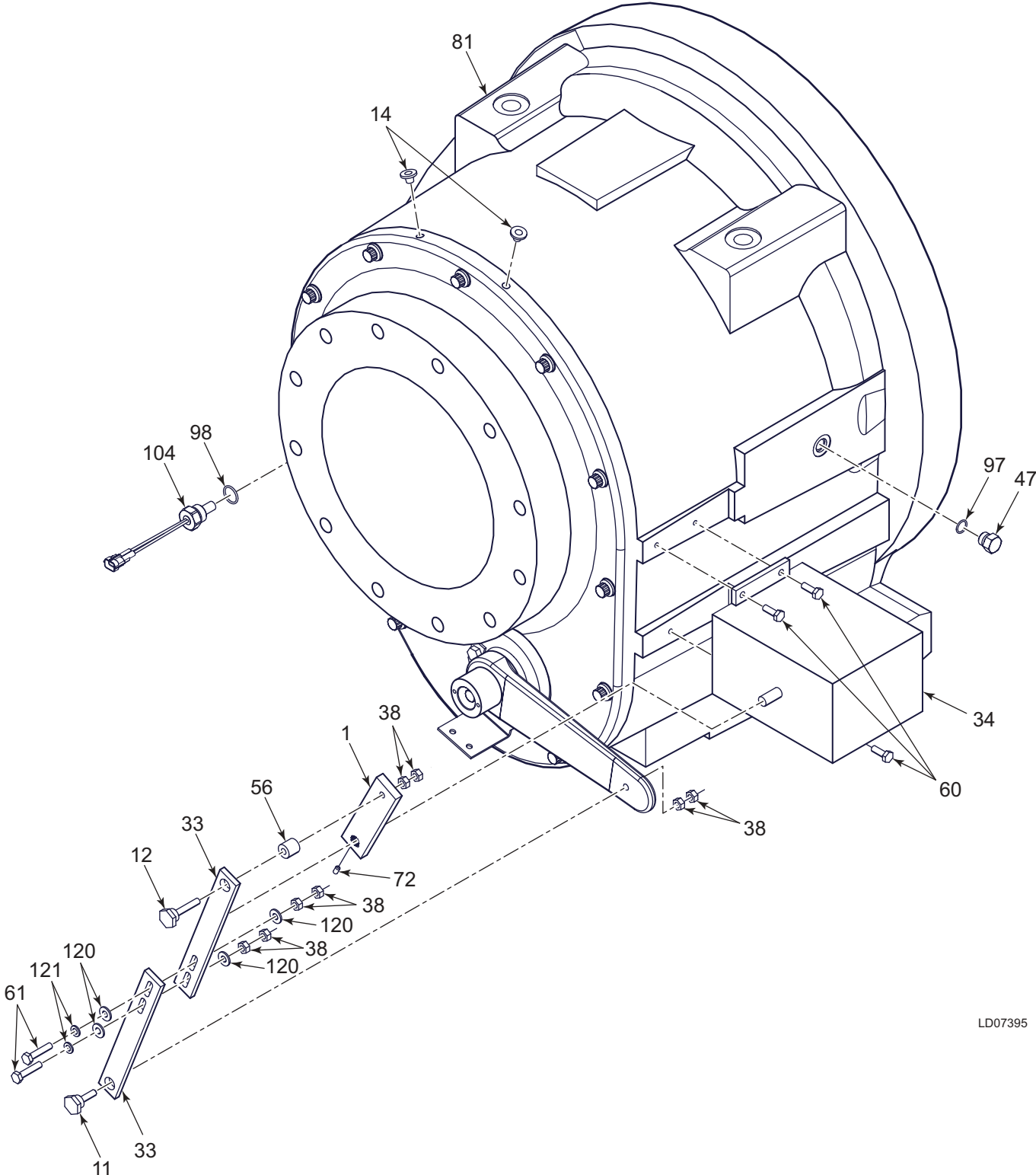
# HF COMPRESSOR MODELS HF 39, 40, 42, & 44



LD07799

FIG. 5 – HF COMPRESSOR (MODELS 39, 40, 42, & 44)

# HF COMPRESSOR MODELS HF 39, 40, 42, & 44



LD07395

FIG. 6 – HF COMPRESSOR (MODELS 39, 40, 42, & 44)

# HF COMPRESSOR MODELS HF 39, 40, 42, & 44

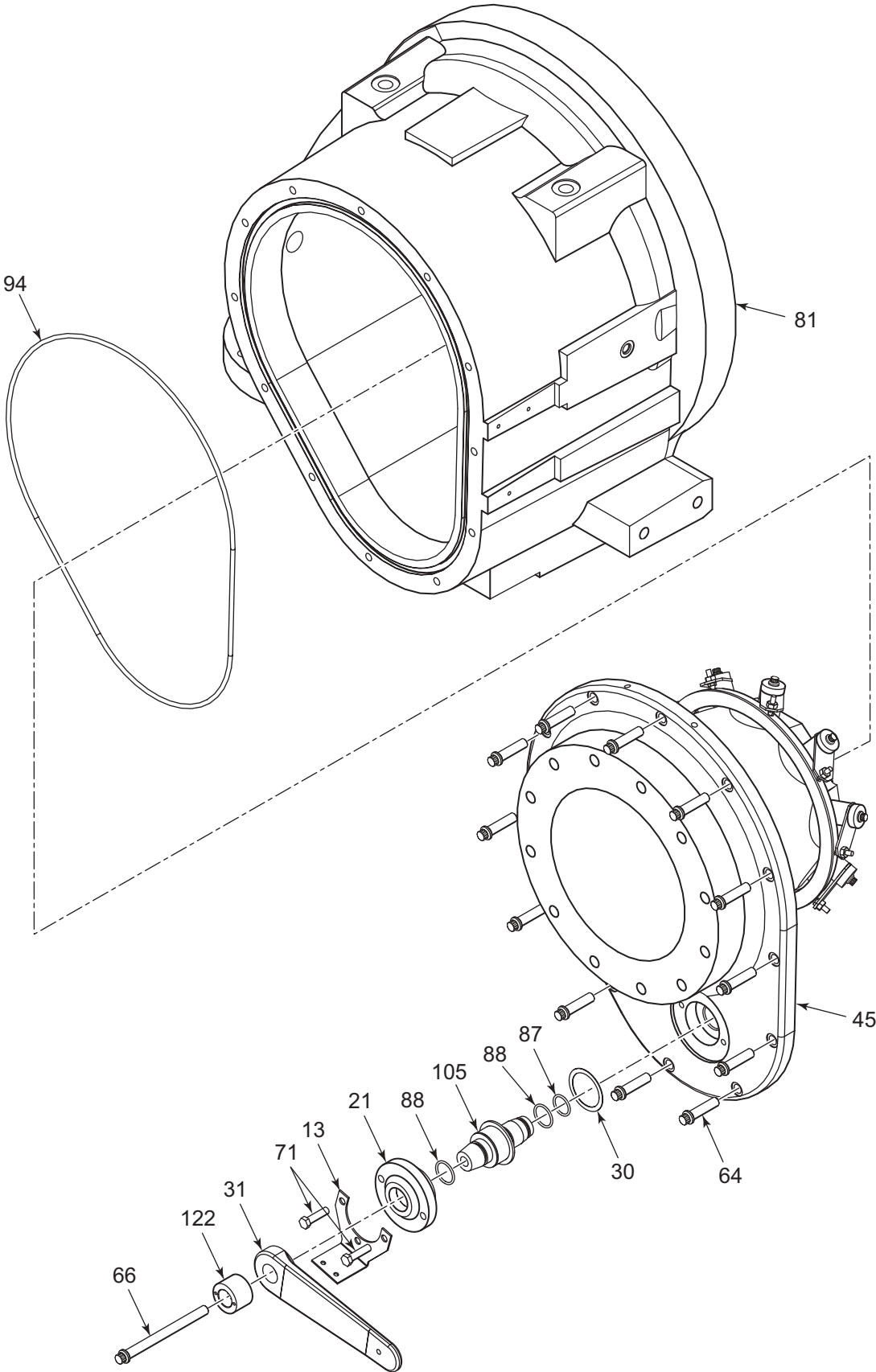
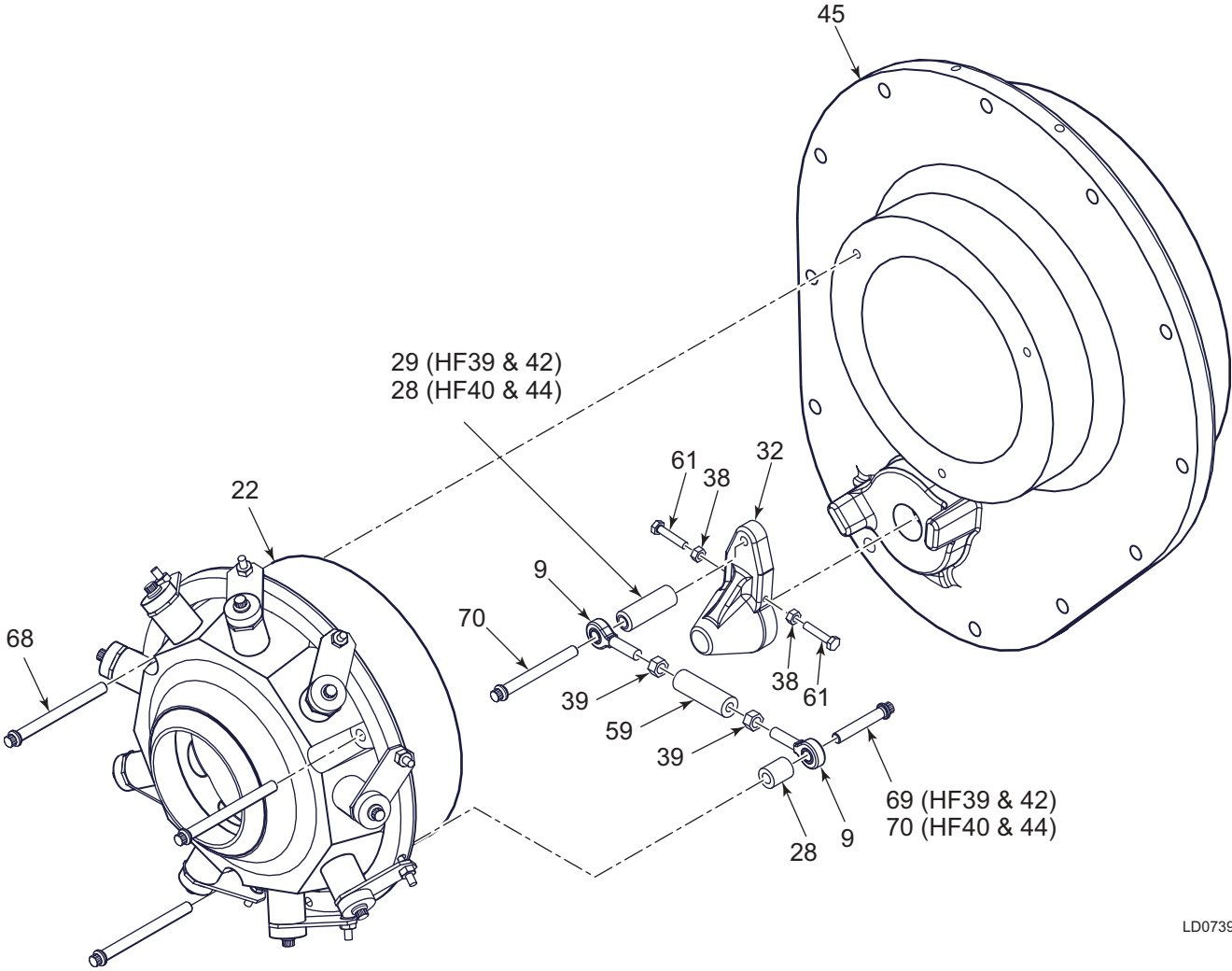


FIG. 7 – HF COMPRESSOR (MODELS 39, 40, 42, & 44)

# HF COMPRESSOR MODELS HF 39, 40, 42, & 44



LD07397

FIG. 8 – HF COMPRESSOR (MODELS 39, 40, 42, & 44)

## HF 41 MODELS – COMPRESSOR PARTS

**TABLE 2 - HF COMPRESSOR PARTS (MODEL 41)**

ITEM NO.	DESCRIPTION	QTY	PART NO.
1	PRV MOTOR ARM	1	064-49152-000
*2	BRG. H. S. – FORWARD THRUST	1	029-22936-000
*3	BRG. H. S. – FRONT	1	064-50065-000
*4	BRG. H. S. – REAR	1	064-50064-000
5	BRG. H. S. – REVERSE THRUST	1	029-22937-000
*6	BRG. L. S. – FRONT	1	064-50085-000
*7	BRG. L. S. – THRUST	1	029-22935-000
*8	BRG. L. S. – REAR	1	064-50084-000
9	BRG. ROD END	2	029-08343-000
10	SCREW	1	064-50052-000
11	BOLT SHLD SPL 1/4" - 20 X 1	1	064-28262-000
12	BOLT SHLD SPL 1/4" - 20 UNC	1	064-28282 000
13	BRACKET SUPPORT LOWER PRV	1	064-48851-000
15	CLAMP TUBE 3/8" O.D.	1	023-05284-000
*16	COLLAR H.S. THRUST	1	064-49636-001
17	COLLAR IMPELLER CLAMP	1	029-22987-000
*18	COLLAR L.S. THRUST	1	064-49637-000
19	PLUG HEX HEAD	2	023-18282-000
20	CONNECTOR INSTRM 3/8" TUBE	4	023-12229-000
21	COVER PRV SHAFT CONTROL	1	064-48861-000
22	DEVICE PRE-ROTATION	1	364-50332-000
23	IMPELLER W/BAL. PISTON	1	364-50304-001
24	SUPPORT ROTOR W/BRG. HOUSING	1	364-50094-000
25	ELBOW FLARE HYDRAULIC 1/4" O.D.	1	023-20242-000
26	ELBOW FLARE HYDRAULIC 3/8" O.D.	2	023-18920-000
28	FILLPIECE PRE-ROTATION DEVICE	1	064-12328-000
29	FILLPIECE PRE-ROTATION DEVICE	1	064-47518-000
30	GASKET 2 1/2" O.D. X 2" I.D. X 1/32"	1	064-47751-000
31	LEVER, PRV, EXTERNAL	1	064-49151-000
32	LEVER, PRV, INTERNAL	1	064-47482-006
33	LINK EXTERNAL PRV	2	064-428237-000
34	PRV MOTOR ACTUATOR	1	375-49340-001
37	NUT FLARE HYDRAULIC 3/8" O.D.	2	023-09673-000
38	NUT HEX 1/4" - 20 UNC-2B	10	021-00450-000
39	NUT HEX 3/8" - 24 UNC-2B	2	021-00474-000
40	ORIFICE H.S. OIL FEED	1	064-49650-000
41	PIN SLOT SPG 3/16" X 1/2"	1	029-04138-000
42	PIN DOWEL TAPPED 3/8" DIA.	3	029-18459-000
43	PLATE DIFFUSER	1	064-50301-000
44	PLATE NOZZLE BASE	1	064-50302-000
46	PLUG HEX HEAD 7/16"	2	023-18279-000
47	PLUG HEX HEAD 9/16"	3	023-18962-000
48	PLUG PIPE FLUSH TYPE HEX	2	023-05366-000
49	PLUG PIPE 1/4" HEX SOCKET	2	023-01973-000
51	PROBE HF	1	025-34535-000
52	PLUG HEX HD	1	023-20217-000
53	RETAINER BALANCE PISTON SEAL	1	064-50086-000

\* Included in Bearing Kit

† Included in O-Ring Kit

## HF 41 MODELS – COMPRESSOR PARTS (CON'T)

ITEM NO.	DESCRIPTION	QTY	PART NO.
54	RETAINER BEARING S STAGE TURBO	2	064-46886-000
56	RING 5/8" X 17/64" I.D. X 5/8"	1	064-40009-000
57	RING BALANCE PISTON SEAL HF	1	064-50059-000
58	RING EYE SEAL	1	064-50333-000
59	ROD ADJUSTABLE	1	064-10823-000
60	SCREW CAP HEX 1/4" - 20 UNC	3	021-01379-000
61	SCREW CAP HEX 1/4" - 20 UNC	3	021-01392-000
62	SCREW CAP HEX 1/4" - 20 UNC	8	021-02578-000
63	SCREW CAP 12 PT HD 1/2"	3	021-13334-000
64	LINK EXTRERNAL PRV	1	064-47581-000
65	SCREW CAP 12 PT HD 1/2"	32	021-11926-000
66	SCREW CAP 12 PT HD 1/2"	1	021-11998-000
67	SCREW CAP 12 PT HD 3/8"	1	021-11974-000
68	SCREW CAP 12 PT HD 3/8"	3	021-11595-000
69	SCREW CAP 12 PT HD 3/8"	1	021-11720-000
70	SCREW CAP 12 PT HD 3/8"	1	021-17618-000
71	SCREW CAP HEX 3/8" - 16 UNC	2	021-18901-000
72	SCREW SET HEX SOC CUP PT	1	021-03910-000
73	SCREW SHOULDER SOC HD	6	021-17557-000
75	SCREW CAP HEX SOC HD #8	1	021-19153-000
76	SCREW CAP HEX SOC HD 1/4"	12	021-29501-000
77	SCREW CAP HEX SOC HD 1/4"	2	021-01377-000
78	SCREW CAP HEX SOC HD 1/4"	8	021-03720-000
79	SCREW CAP HEX SOC HD 1/4"	10	021-18994-000
80	SCREW CAP HEX SOC HD 1/4"	6	021-30674-000
81	COMPRESSOR TURBO (HF41)	1	064-50300-200
†82	O-RING 5/16" I.D.	2	028-12513-000
†83	O-RING .301" I.D.	2	028-12209-000
†84	O-RING 2" I.D.	3	028-14419-000
†85	O-RING 3-1/4" I.D.	2	028-14420-000
†86	O-RING 5-1/4" I.D.	1	028-14403-000
87	SEAL O-RING 1" I.D.	1	028-12201-000
88	SEAL O-RING 1-1/8" I.D.	2	028-12200-000
†89	O-RING 3-1/2" I.D.	1	028-14404-000
†90	O-RING 4-3/8" I.D.	1	028-13111-000
†91	O-RING 6" I.D.	1	028-14405-000
†92	O-RING 18" ID X 18 1/4" O.D.	1	028-12257-000
†93	O-RING 19.719" ID	1	028-12227-000
†95	O-RING 22" I.D. X 22 1/2" O.D.+B136	1	028-14406-000
†96	O-RING .351" I.D.	2	028-13832-000
97	O-RING .468" I.D. X .078"	7	028-11195-000
†98	O-RING .468" I.D. X .087"	1	028-12961-004
†99	O-RING 1.171" I.D.	2	028-12961-008
100	SEAL DOUBLE SHAFT	1	029-22938-000
	PLUG, HEX HEAD 3/4"	1	023-18280-000
104	SENSOR TEMPERATURE 50,000 OHMS	1	025-33288-000
105	SHAFT CONTROL PRE-ROTATION DEVICE	1	364-29573-000

\* Included in Bearing Kit

† Included in O-Ring Kit

**HF 41 MODELS – COMPRESSOR PARTS (CON'T)**

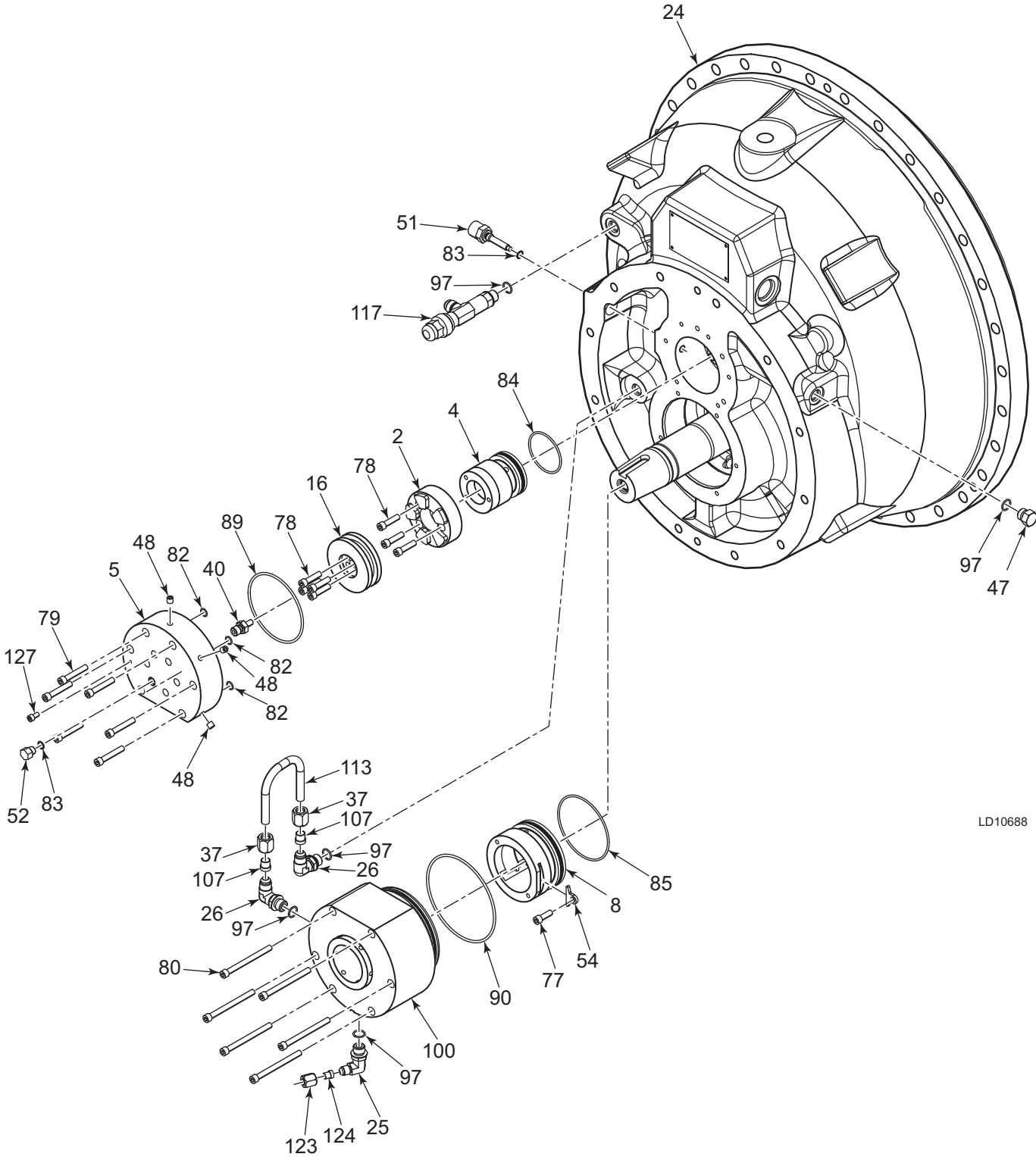
ITEM NO.	DESCRIPTION	QTY	PART NO.
106	SHIELD	2	064-49638-000
107	SLEEVE FLARE HYDRAULIC 3/8" O.D.	2	023-10001-000
108	WASHER SPRING	1	064-50087-000
112	TUBE OIL DRAIN	1	064-49154-000
113	TUBE OIL FEED EXTERNAL	1	064-49619-000
114	TUBE OIL FEED INTERNAL	1	064-49621-000
115	TUBE OIL RETURN	1	064-49620-000
116	VALVE CHECK OIL 1/8" NPTE	1	022-04444-000
117	VALVE STOP ANGLE VERTICAL	1	022-09578-000
120	WASHER PLAIN 9/32" X 5/8"	4	021-05165-000
121	LOCKWASHER HEL SPRING 1/4"	2	021-05267-000
122	WASHER SPECIAL PRV	1	064-48503-000
123	NUT FLARE HYDRAULIC 1/4" O.D.	1	023-09670-000
124	SLEEVE FLARE HYDRAULIC 1/4" O.D.	1	023-10000-000
125	WASHER PLAIN 9/32" X 5/8"	12	021-01225-000
126	WASHER SPRING	1	064-50088-000
127	SCREW CAP HEX SOC HD	1	021-14461-000
128	RETAINER EYE SEAL HF	1	064-50106-000
129	GREASE POE	-	044-03199-000
130	SCREW CAP HEX SOC HEAD 1/4"	-	021-29576-000
131	SCREW SET HEX SOC CUP PT.	-	021-00700-000
132	SCREW CAP HEX 1/4" - 20 UNC	1	021-11914-000
133	SEAL, O-RING NEOPRENE	-	028-12961-006

\* Included in Bearing Kit

† Included in O-Ring Kit



# HF 41 COMPRESSOR



LD10688

FIG. 9 – HF 41 COMPRESSOR

# HF 41 COMPRESSOR

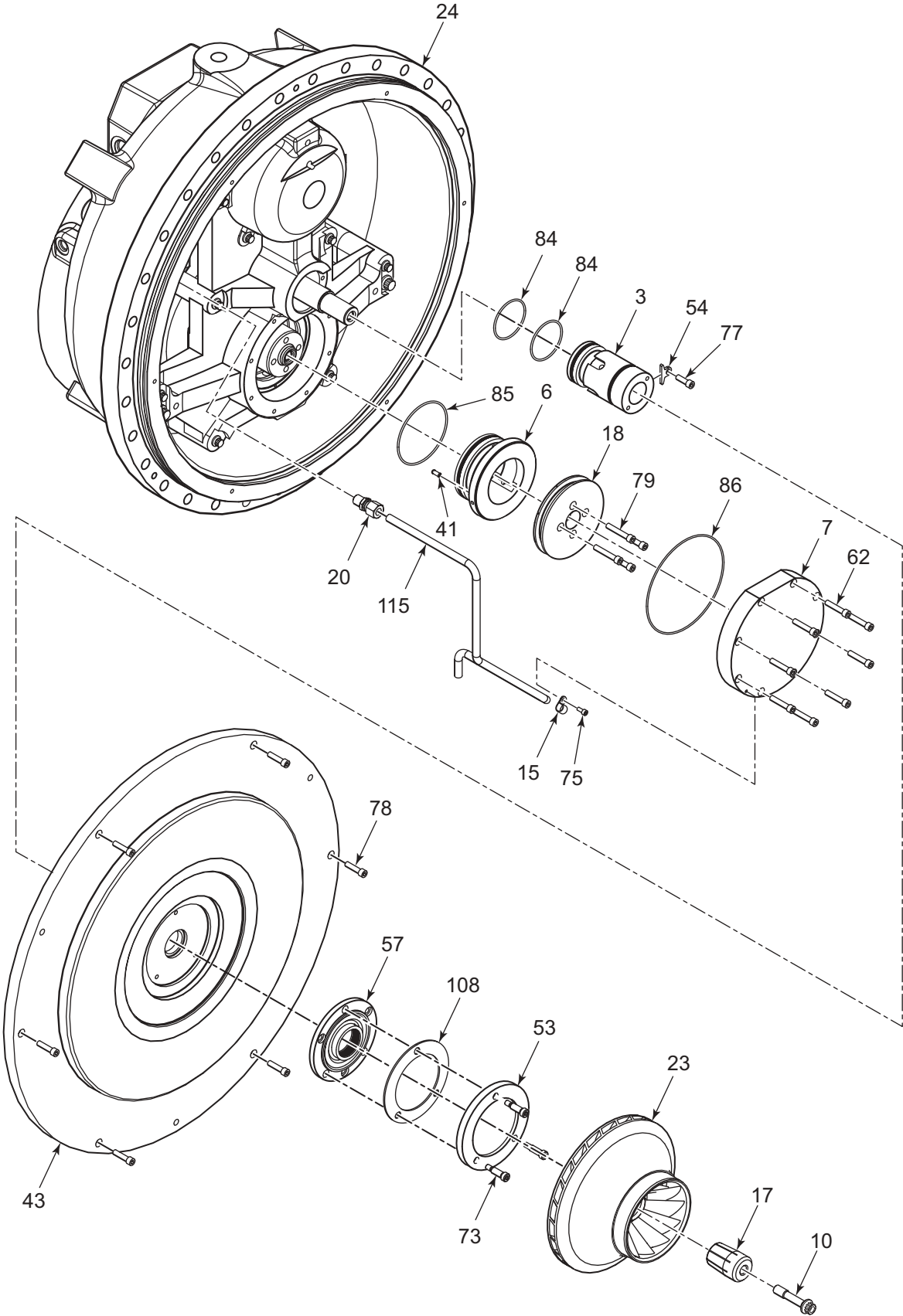


FIG. 10 - HF 41 COMPRESSOR

LD07391

# HF 41 COMPRESSOR

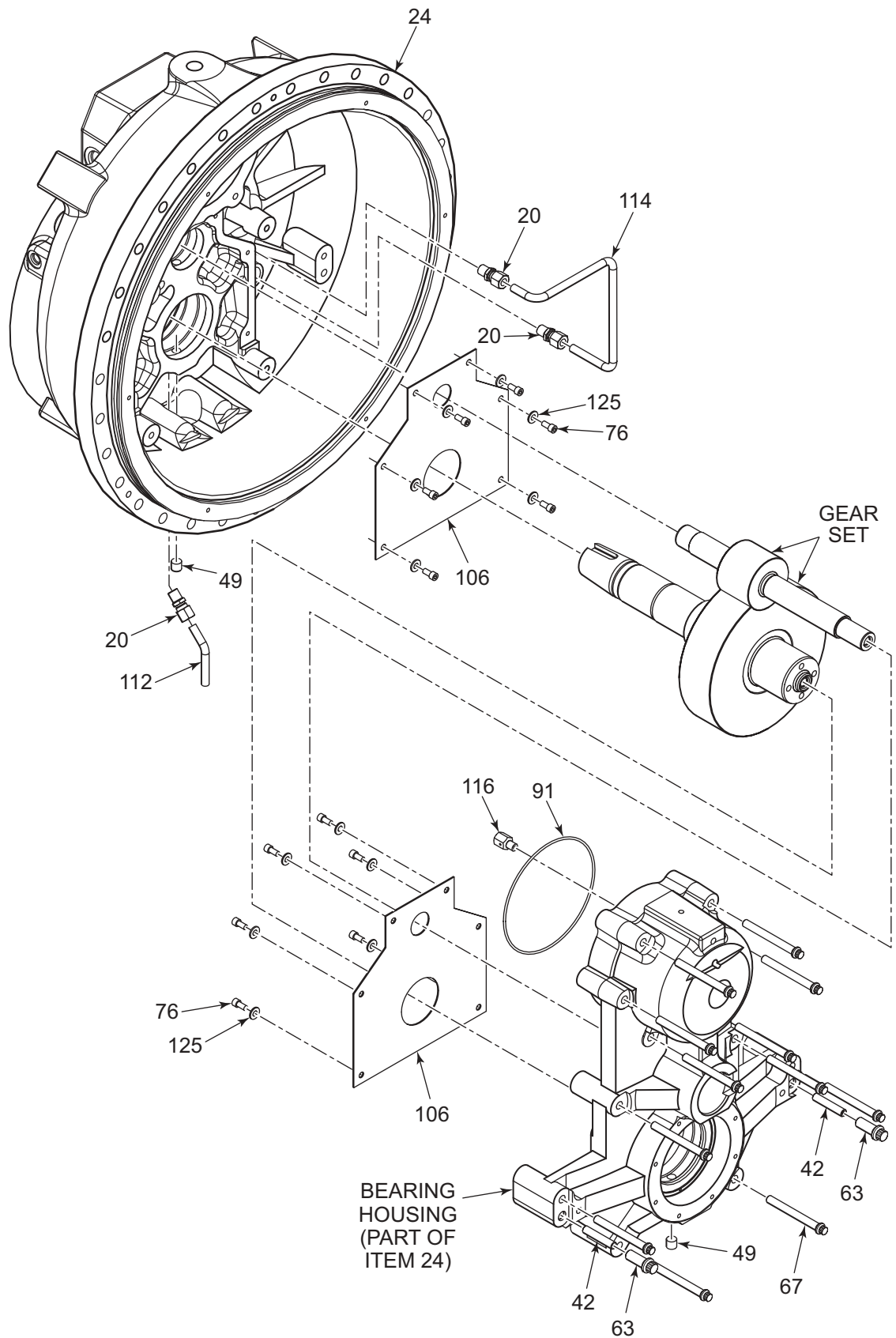
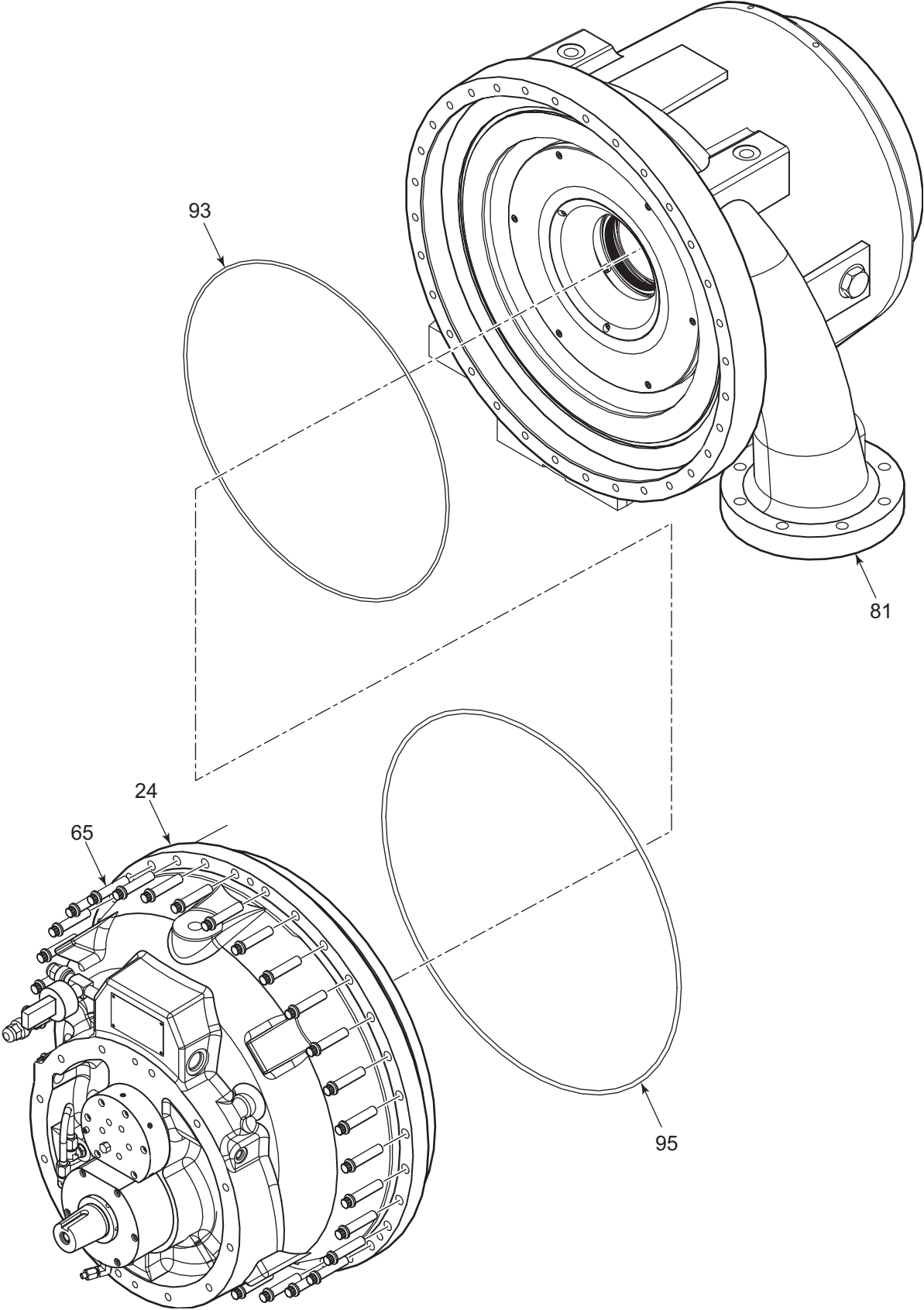


FIG. 11 - HF 41 COMPRESSOR

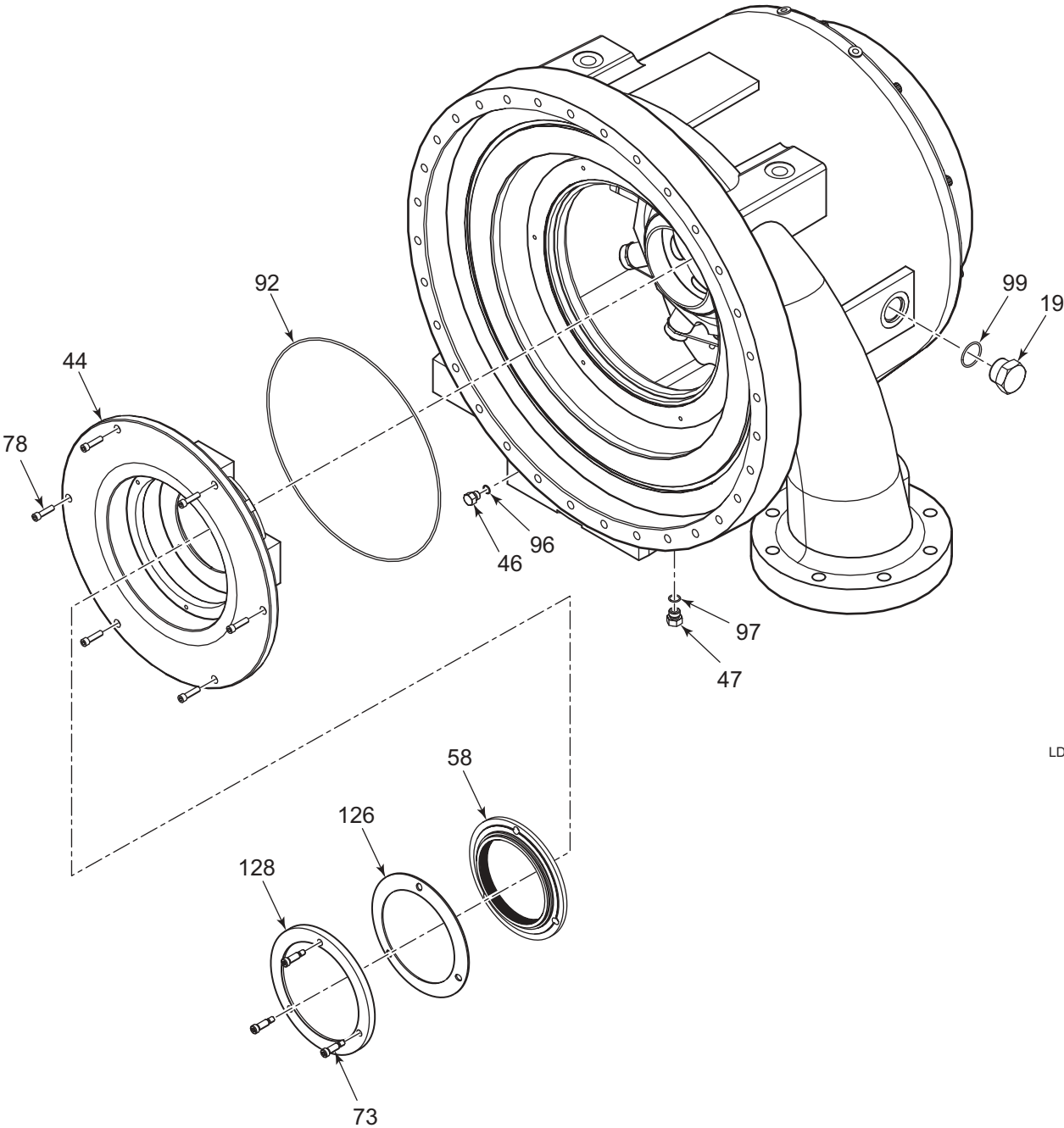
# HF 41 COMPRESSOR



LD07393

FIG. 12 - HF 41 COMPRESSOR

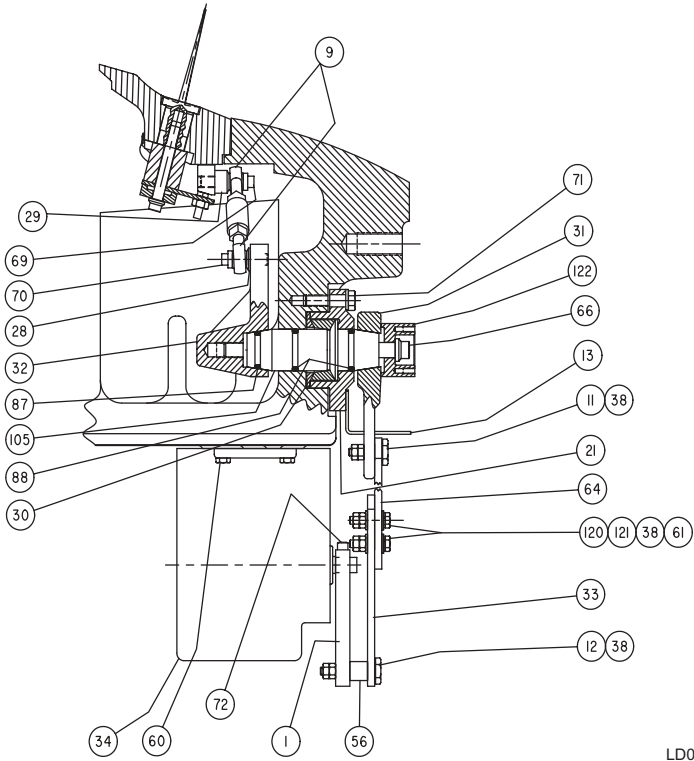
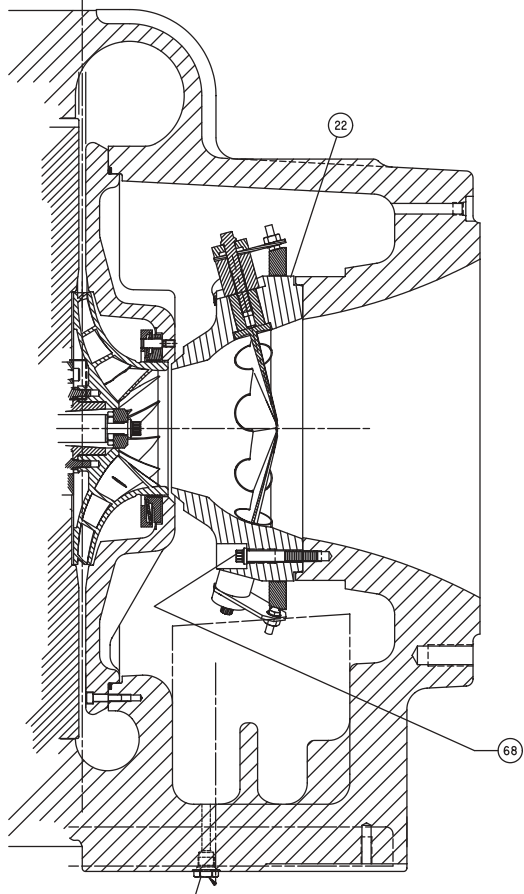
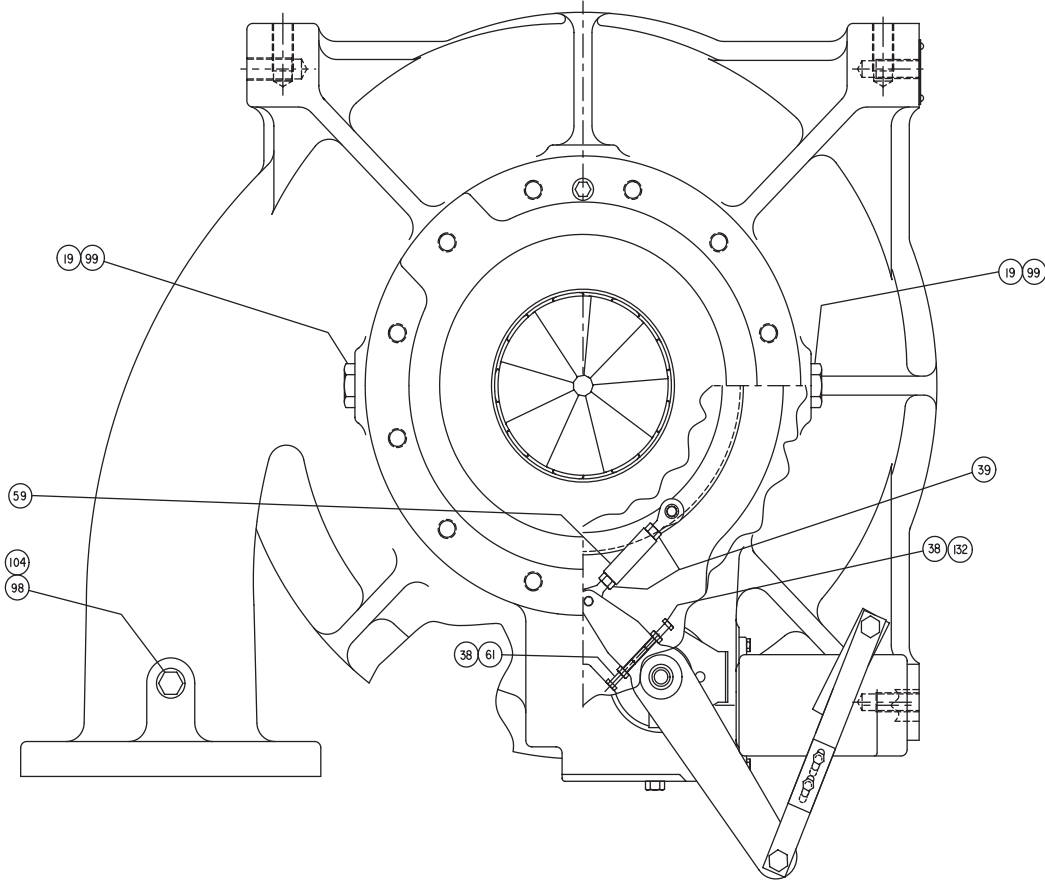
# HF 41 COMPRESSOR



LD07799

FIG. 13 - HF 41 COMPRESSOR

# HF 41 COMPRESSOR



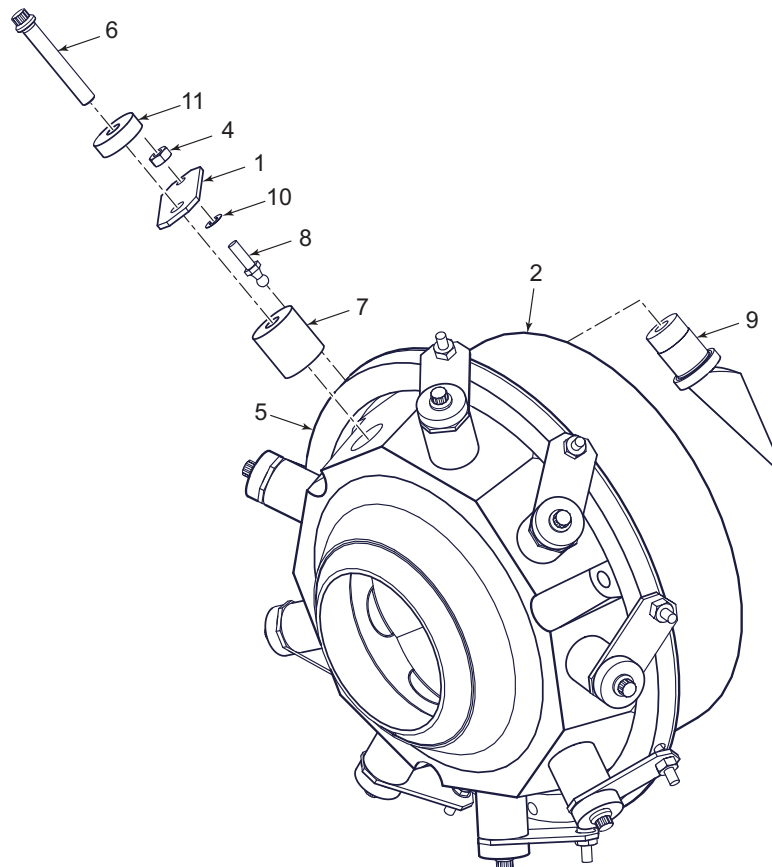
LD07800

FIG. 14 - HF 41 COMPRESSOR

## DEVICE PRE-ROTATION

**TABLE 3 - PRE-ROTATION PARTS (HF MODELS 39, 40, 41, 42, & 44)**

ITEM NO.	DESCRIPTION	QTY	PART NO.
	COMPLETE PRV DEVICE		
	HF39	1	364-50102-001
	HF40	1	364-50102-002
	HF41	1	364-50332-000
	HF42	1	364-50102-003
	HF44	1	364-50102-004
<b>1</b>	VANE ARM	9	064-47952-000
<b>2</b>	HOUSING PRE-ROTATION VANE		
	HF39	1	064-50096-000
	HF40	1	064-50097-000
	HF41	1	064-50303-000
	HF42	1	064-50095-000
	HF44	1	064-50098-000
<b>4</b>	NUT SELF LOCK 1/4" - 28 UNF	9	021-12943-000
<b>5</b>	RING VANE DRIVING		
	HF39, 40, 42, 44	1	064-49713-000
	HF41	1	064-50364-000
<b>6</b>	SCREW CAP 12 PT HD 3/8"	9	021-17245-000
<b>7</b>	SPACER ARM	9	064-49712-000
<b>8</b>	STUD BALL	9	029-15924-000
<b>9</b>	VANE PRE-ROTATION	9	029-22939-000
<b>10</b>	WASHER PLAIN	9	021-11973-000
<b>11</b>	WASHER	9	064-09289-000



LD07398

**FIG 15 - PRE-ROTATION PARTS (HF MODELS 39, 40, 41, 42, & 44)**

## HE MODELS – COMPRESSOR PARTS MODELS HE 46 & 52

TABLE 4 - HE COMPRESSOR PARTS (MODEL 46, 52)

Item	Description	HE 46		HE 52	
		Qty.	Part #	Qty.	Part #
1	SCREW CAP HEX SOC HD #8	3	021-18993-000	3	021-18993-000
2	PLUG HEX HD 1-5/16"	2	023-18282-000	2	023-18282-000
5	SUPPORT ROTOR W/BRG HSG	1	364-49150-000	1	364-49150-000
6	MOTOR ACTR 150 DEG	1	375-49340-101	1	375-49340-101
7	SCREW CAP HEX 1/4 -20UNC	3	021-01379-000	3	021-01379-000
*8	BRG H.S. REAR	1	064-49164-000	1	064-49164-000
*9	BRG L.S. REAR	1	064-49162-000	1	064-49162-000
*10	BRG L.S. FRONT	1	064-49161-000	1	064-49161-000
*11	BRG H.S. FORWARD THRUST	1	029-22451-000	1	029-22451-000
12	TUBE OIL DRAIN	1	064-49154-000	1	064-49154-000
*13	COLLAR H.S. THRUST	1	064-50392-001	1	064-50392-001
*14	COLLAR L.S. THRUST	1	064-49158-000	1	064-49158-000
15	COLLAR IMPR CLAMPING	1	064-48123-000	1	064-48123-000
16	SEAL DOUBLE SHAFT	1	029-22454-000	1	029-22454-000
17	BRG H.S. REVERSE THRUST	1	029-22452-000	1	029-22452-000
†18	SEAL, O-RING 7" ID X 7-1/4" OD X	1	028-12550-000	1	028 12550-000
20	COVER PRV SHAFT CONTROL	1	064-48861-000	1	064-48861-000
21	SHAFT CONTL PREROT DEVICE	1	364-29573-000	1	364-29573-000
22	TUBE OIL RETURN	1	064-49155-000	1	064-49155-000
23	SCREW CAP HEX 3/8" -16UNC	2	021-18901-000	2	021-18901-000
24	TUBE OIL FEED INTERNAL	1	064-49156-000	1	064-49156-000
25	PLUG, HEX HEAD 1-1/16"	1	023-18295-000	1	023-18295-000
26	O-RING, NEOPRENE	1	028-12961-006	1	028-12961-006
27	ORIFICE H.S. OIL FEED	1	064-49203-000	1	064-49203-000
28	WASHER, SPECIAL PRV	1	064-48503-000	1	064-48503-000
29	WASHER PLAIN 9/32" ID X 5/8" OD	4	021-05165-000	4	021-05165-000
30	TUBE OIL FEED EXTERNAL	1	064-49157-000	1	064-49157-000
31	SEALER GRADE AVV LOCTITE 086	-	013-01671-000	-	013-01671-000
32	SEALER REFRIGERANT PIPE	-	013-02894-000	-	013-02894-000
33	LEVER INTERNAL	1	064-47482-006	1	064-47482-006
34	LEVER PRV EXTERNAL	1	064-49151-000	1	064-49151-000
35	ARM MOTOR & PRV	1	064-49152-000	1	064-49152-000
36	WASHER SPRING	1	064-50350-000	1	064-50388-000
37	ROD ADJUSTABLE	1	064-49719-000	1	064-49719-000
38	LINK EXTERNAL PRV TL EA-	1	064-47581-000	1	064-47581-000
39	BRACKET SUPPORT LOWER PRV	1	064-48851-000	1	064-48851-000
40	RETNR BRG S STAGE TURBO	2	064-46886-000	2	064-46886-000
41	ELBOW FLARE HYDRAULIC 3/8" OD	1	023-18920-000	1	023-18920-000
42	CONNR INSTM 3/8" TUBE X	4	023-12229-000	4	023-12229-000
43	ELBOW FLARE HYDRAULIC 1/4 OD	1	023-09677-000	1	023-09677-000
44	SEAL O RING .351 ID X	2	028-13832-000	2	028-13832-000
45	PLUG HEX HEAD 3/4"	1	023-18280-000	1	023-18280-000

\* Included in Bearing Kit

† Included in O-Ring Kit



## HE MODELS – COMPRESSOR PARTS (CON'T)

### MODELS HE 46 & 52

Item	Description	HE 46		HE 52	
		Qty.	Part #	Qty.	Part #
46	IMPELLER	1	064-48061-001	1	064-50307-001
48	LINK EXTNL PRV & MOT T85	1	064-28237-000	1	064-28237-000
50	BOLT SHLD SPL 1/4" 20 UNC	1	064-28282-000	1	064-28282-000
51	PLUG PIPE 1/4" HEX SOCKET	2	023-01973-000	2	023-01973-000
54	BOLT SHLD SPL 1/4" -20 X 1	1	064-28262-000	1	064-28262-000
55	FILLPIECE PREROT DEVICE	1	064-12328-000	1	064-12328-000
56	BRG ROD END W/SST ISRT CHROME	2	029-08343-000	2	029-08343-000
57	SCREW CAP 12 PT HD 1/2"	1	021-11998-000	1	021-11998-000
58	SCREW CAP 12 PT HD 1/2"	3	021-11515-000	3	021-11515-000
59	SCREW CAP 12PT HD 3/8"	1	021-17618-000	1	021-17618-000
60	FILLPIECE .750 DIA X .500	1	064-47518-000	1	064-47518-000
61	SCREW CAP HEX SOC HD 1/4"	5	021-01377-000	5	021-01377-000
62	SCREW CAP 12PT HD 3/8"	1	021-11720-000	1	021-11720-000
63	PROBE HF	1	025-34535-000	1	025-34535-000
*65	BRG H.S. FRONT HD 46-61	1	064-49163-000	1	064-49163-000
66	SCREW CAP 12 PT HD 1/2"	32	021-11937-000	32	021-11937-000
67	PIN SLOT SPG 3/16" X 1/2"	1	029-04138-000	1	029-04138-000
†69	SEAL O-RING 24.462 ID X	1	028-13847-000	1	028-13847-000
†70	SEAL O-RING 4-1/8" ID X 4-3/8"	1	028-12205-000	1	028-12205-000
71	SCREW CAP HEX SOC HD 1/4"	36	021-18994-000	36	021-18994-000
†72	SEAL, O-RING	1	028-12257-000	1	028-15063-000
73	RING 5/8" LG X 17/64" ID X 5/8"	1	064-40009-000	1	064-40009-000
74	SCREW SET HEX SOC CUP PT	1	021-03910-000	1	021-03910-000
†75	SEAL O-RING 26.623 ID	1	028-13846-000	1	028-13846-000
76	WASHER SPRING	1	064-50188-000	1	064-50188-000
77	SCREW CAP 12 PT HD 3/8"	12	021-18788-000	12	021-18788-000
78	SEALER REMOVABLE THREAD	-	013-01678-000	-	013-01678-000
79	LK WASH HEL SPG 1/4" REG	2	021-05267-000	2	021-05267-000
80	NUT HEX 3/8" - 24 UNF-2B	2	021-00474-000	2	021-00474-000
81	NUT HEX 1/4" - 20 UNC-2B	10	021-00450-000	10	021-00450-000
82	PIN DOWEL TAPPED 3/8" DIA	2	029-18459-000	2	029-18459-000
83	SCREW CAP HEX 1/4" -20UNC	4	021-01392-000	4	021-01392-000
84	SCREW SHOULDER SOC HD	6	021-17557-000	6	021-17557-000
85	SCREW SET HEX SOC CUP PT	1	021-00774-000	1	021-00774-000
†86	SEAL O-RING 5/16" ID X	3	028-12513-000	3	028-12513-000
87	GASKET 2-1/2" OD X 2" ID X 1/32"	1	064-47751-000	1	064-47751-000
88	PLUG HEX HD 7/16"	1	023-18279-000	1	023-18279-000
89	VALVE CHECK OIL 1/8" NPTE	1	022-04444-000	1	022-04444-000
90	SCREW CAP HEX SOC HD 1/4"	6	021-02578-000	6	021-02578-000
91	VALVE STOP ANG VERTICAL	1	022-09578-000	1	022-09578-000
92	SEAL O-RING 5-5/8" ID X 5-7/8"	1	028-12258-000	1	028-12258-000
*93	BRG L.S. THRUST	1	029-22450-000	1	029-22450-000

\* Included in Bearing Kit

† Included in O-Ring Kit

## HE MODELS – COMPRESSOR PARTS (CON'T)

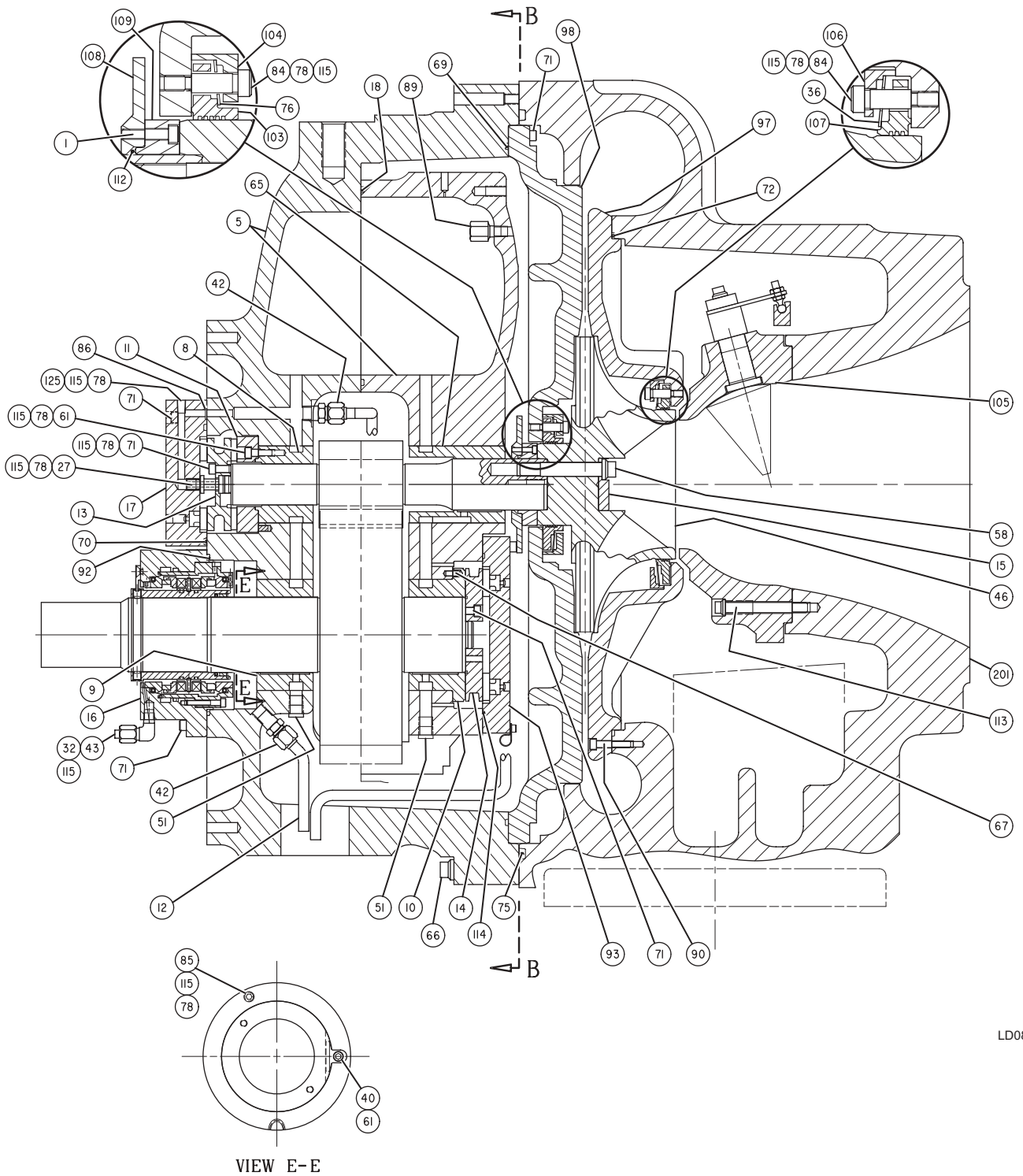
### MODELS HE 46 & 52

Item	Description	HE 46		HE 52	
		Qty.	Part #	Qty.	Part #
94	SEAL, O-RING 1-1/8" ID X 1/8"	2	028-12200-000	2	028-12200-000
95	SEAL, O-RING 1" ID X 1/8"	1	028-12201-000	1	028-12201-000
96	GREASE POE	-	044-03199-000	-	044-03199-000
97	PLATE NOZZLE BASE	1	064-50358-000	1	064-50309-000
98	PLATE DIFFUSER	1	064-50192-000	1	064-50308-000
103	RING BAL. PIST. SEAL	1	064-50187-000	1	064-50187-000
104	RETNR B.P. SEAL WASHER	1	064-50186-000	1	064-50186-000
105	DEVICE PRE-ROTATION	1	364-50383-002	1	364-50383-007
106	RETNR EYE SEAL WASHER	1	064-50349-000	1	064-50387-000
107	RING EYE SEAL	1	064-50348-000	1	064-50368-000
108	SLINGER OIL	1	064-49230-000	1	064-49230-000
109	PLATE SLINGER MTG	1	064-49231-000	1	064-49231-000
110	SLEEVE FLARE HYDRAULIC 3/8" OD	2	023-10001-000	2	023-10001-000
111	NUT FLARE HYDRAULIC 3/8" OD	2	023-09673-000	2	023-09673-000
112	SEAL O RING 1-3/4" ID X	1	028-05188-000	1	028-05188-000
113	SCREW CAP 12 PT HD 3/8"	3	021-11972-000	3	021-11972-000
114	SEAL O-RING 5-3/4" ID X 5-15/16"	1	028 13870-000	1	028-13870-000
115	PRIMER LOCQUIC GRADE N	-	013-01753-000	-	013-01753-000
116	SCREW SET HEX SOC CUP PT	1	021-00700-000	1	021-00700-000
117	SEAL O-RING NEOPRENE	2	028-12961-008	2	028-12961-008
118	SCREW CAP 12 PT HD 1/2"	2	021-13334-000	2	021-13334-000
119	SCREW CAP HEX SOC HD #8	1	021-19153-000	1	021-19153-000
120	CLAMP TUBE 3/8" OD	1	023-05284-000	1	023-05284-000
121	ELBOW FLARE HYDRAULIC 3/8" OD	1	023-18989-000	1	023-18989-000
122	SEAL, O-RING NEOPRENE	1	028-12961-004	1	028-12961-004
123	PLUG HEX HD	1	023-20217-000	1	023-20217-000
125	PLUG, PIPE, FLUSH TYPE HEX	3	023-05366-000	3	023-05366-000
128A	SEAL, O-RING .301 ID X .064	2	028-12209-000	2	028-12209-000
129	SCREW CAP HEX SOC HD #10	1	021-14461-000	1	021-14461-000
201	SCROLL ROTOR	1	064-50306-000	1	064-50237-000
202	PLUG HEX HD 9/16"	4	023-18962-000	4	023-18962-000
203	SEAL, O-RING NEOPRENE	7	028-12961-003	7	028-12961-003

\* Included in Bearing Kit

† Included in O-Ring Kit

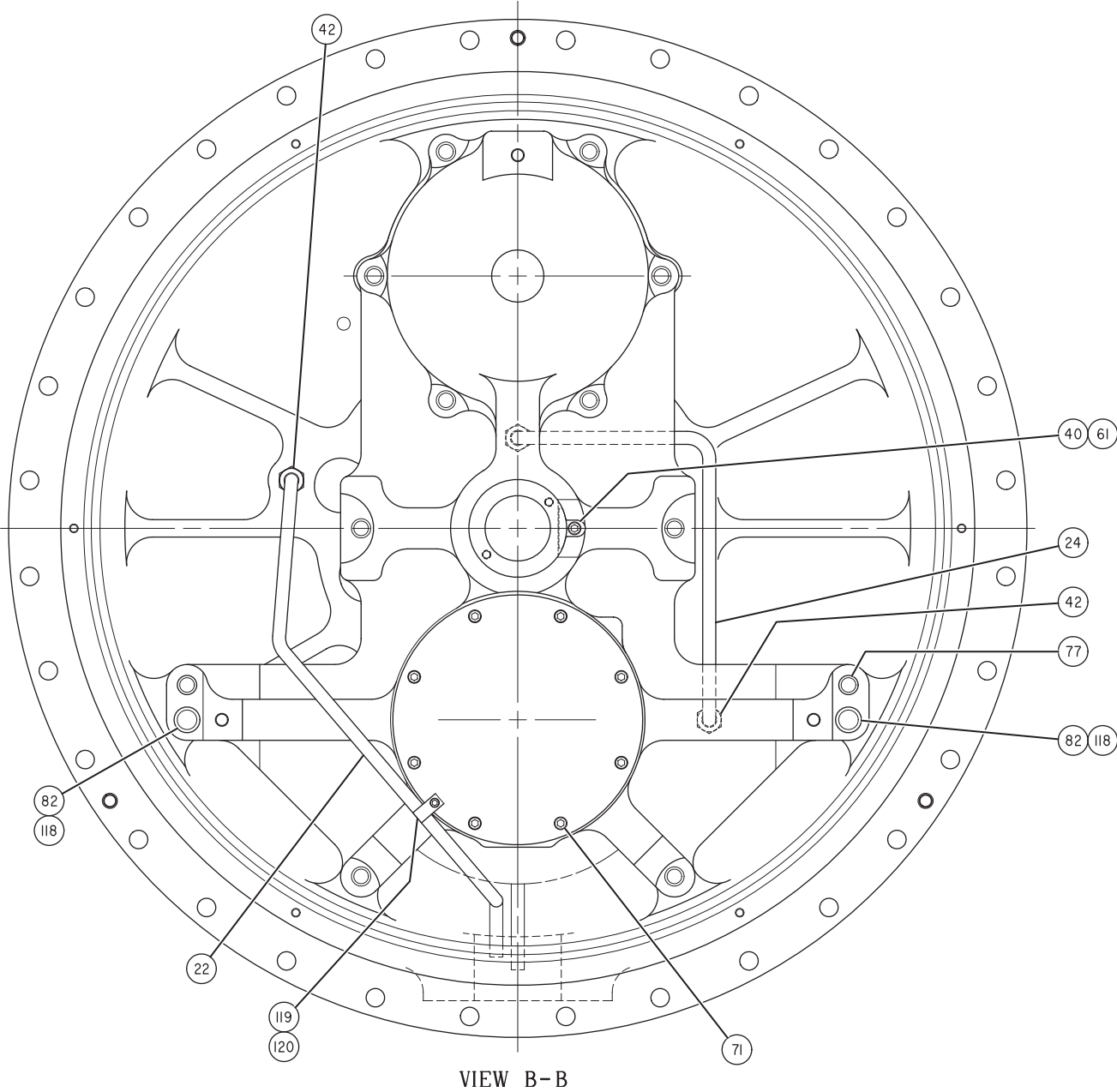
# HE COMPRESSOR MODELS HE 46 & 52



LD08737

**FIG. 16 - HE COMPRESSOR (MODELS 46 & 52)**

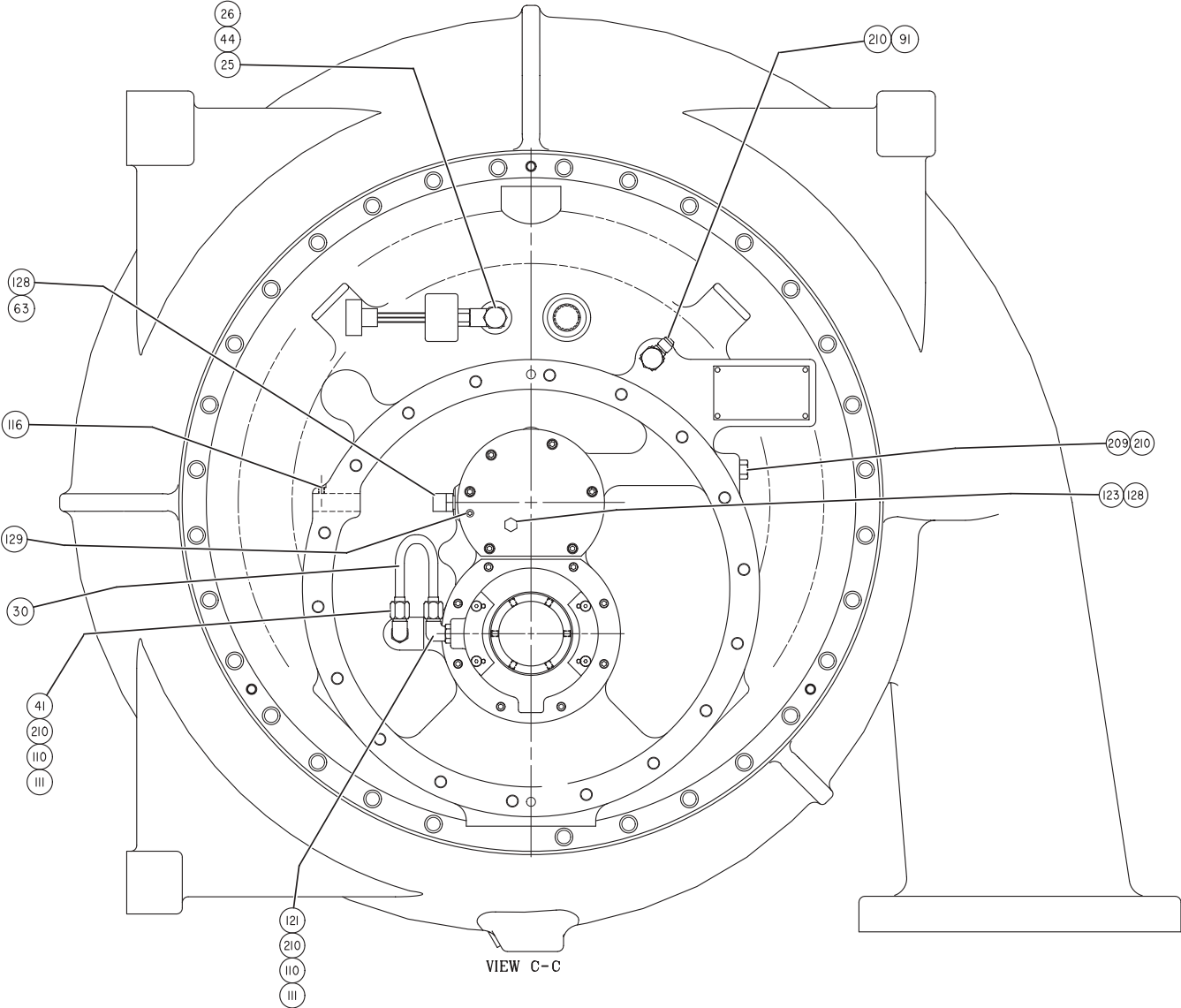
# HE COMPRESSOR MODELS HE 46 & 52



LD08738

FIG. 17 - HE COMPRESSOR (MODELS 46 & 52)

# HE COMPRESSOR MODELS HE 46 & 52



LD08739

FIG. 18 - HE COMPRESSOR (MODELS 46 & 52)

# HE COMPRESSOR MODELS HE 46, & 52

SECTION A-A

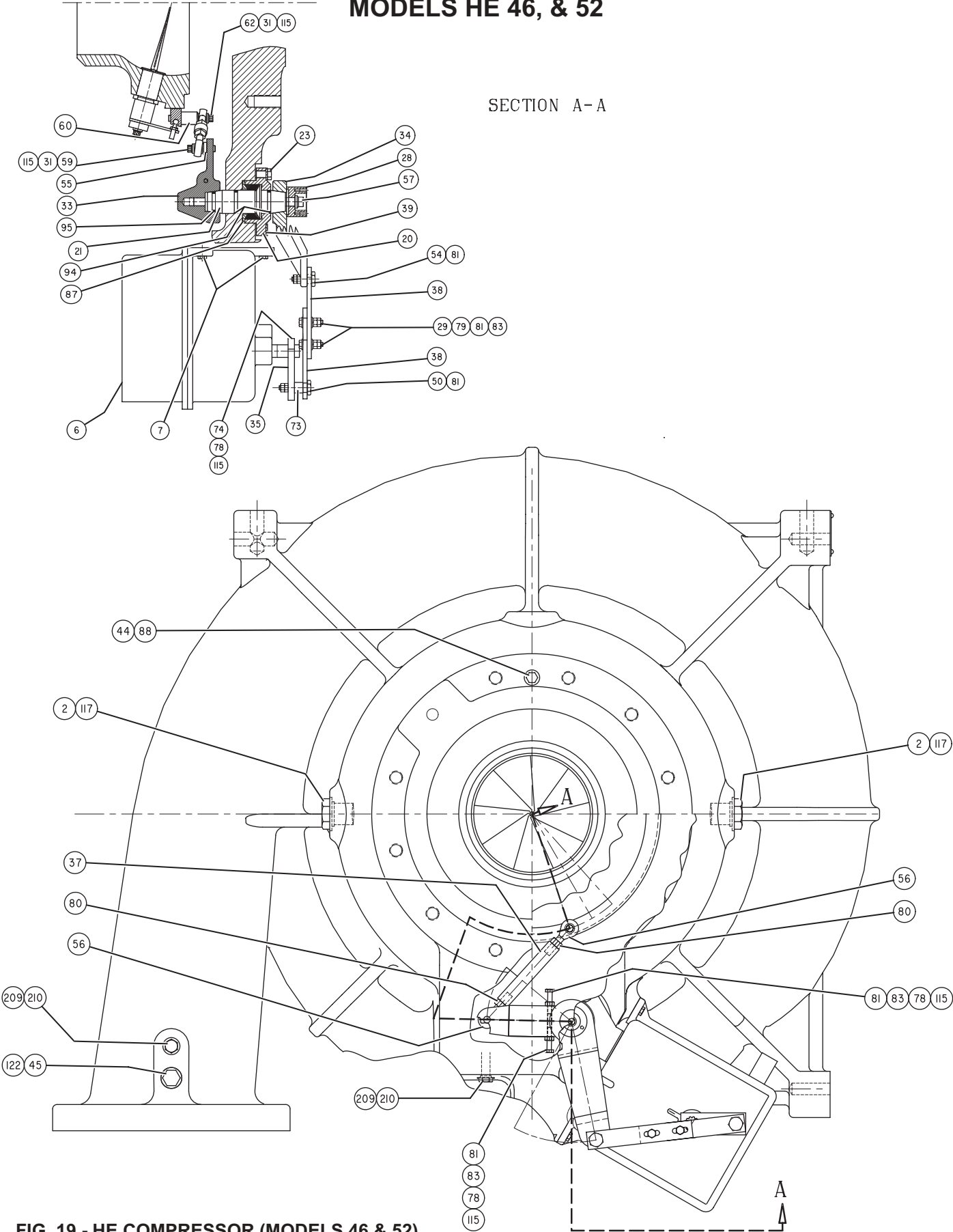


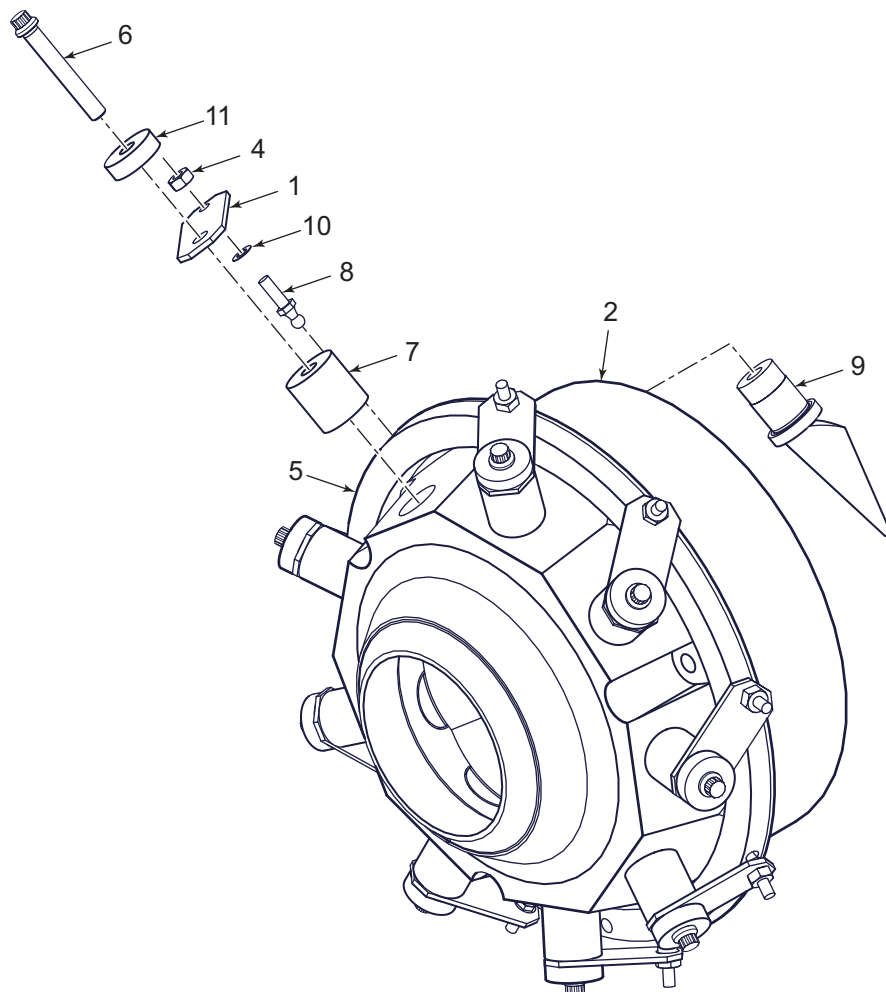
FIG. 19 - HE COMPRESSOR (MODELS 46 & 52)

LD08745

## DEVICE PRE-ROTATION MODELS HE 46, & 52

**TABLE 5 – DEVICE PRE-ROTATION (MODELS 46 & 52)**

ITEM NO.	DESCRIPTION	QTY	PART NO.
	COMPLETE PRV DEVICE		
	HE46	1	364-50383-002
	HE52	1	364-50383-007
<b>1</b>	VANE ARM	9	064-47952-000
<b>2</b>	HOUSING PRE-ROTATION VANE		
	HE46	1	064-50377-000
	HE52	1	064-50385-000
<b>4</b>	NUT SELF LOCK 1/4" - 28 UNF	9	021-12943-000
<b>5</b>	RING VANE DRIVING	1	064-47926-000
<b>6</b>	SCREW CAP 12 PT HD 3/8"	9	021-11959-000
<b>7</b>	SPACER ARM	9	064-49205-000
<b>8</b>	STUD BALL	9	029-15924-000
<b>9</b>	VANE PRE-ROTATION		
	HE46, AND 52	9	029-22449-000
<b>10</b>	WASHER PLAIN	9	021-11973-000
<b>11</b>	WASHER	9	064-09289-000



**FIG. 20 – DEVICE PRE-ROTATION (MODELS 46 & 52)**

## HE MODELS – COMPRESSOR PARTS

**TABLE 6 – HE COMPRESSOR PARTS (MODELS 58 & 62)**

Item	Description	HE 58		HE 62	
		Qty.	Part Number	Qty.	Part Number
1	SCREW CAP HEX SOC HD #8	3	021-18993-000	3	021-18993-000
2	PLUG HEX HD 1-5/16"	2	023-18282-000	2	023-18282-000
3	SEAL O-RING NEOPRENE	1	028-12961-001	6	021-29575-000
5	SUPPORT ROTOR W/BRG HSG	1	364-49150-000	1	364-49150-000
6	MOTOR ACTUATOR	1	375-49340-101	1	375-49340-101
7	SCREW CAP HEX 3/8" -16UNC	3	021-01379-000	3	021-01379-000
*8	BRG H.S. REAR	1	064-49164-000	1	064-49164-000
*9	BRG L.S. REAR	1	064-49162-000	1	064-49162-000
*10	BRG L.S. FRONT	1	064-49161-000	1	064-49161-000
*11	BRG H.S. FORWARD THRUST	1	029-22451-000	1	029-22451-000
12	TUBE OIL DRAIN	1	064-49154-000	1	064-49154-000
*13	COLLAR H.S. THRUST	1	064-50392-001	1	064-50392-001
*14	COLLAR L.S. THRUST	1	064-49158-000	1	064-49158-000
15	COLLAR IMPR CLAMPING	1	064-48123-000	1	064-48123-000
16	SEAL DOUBLE SHAFT	1	029-22454-000	1	029-22454-000
17	BRG H.S. REVERSE THRUST	1	029-22452-000	1	029-22452-000
†18	SEAL O-RING 7" ID X 7-1/4" OD X	1	028-12550-000	1	028-12550-000
20	COVER PRV SHAFT CONTROL	1	064-48861-000	1	064-48861-000
21	SHAFT CONTL PREROT DEVICE	1	364-50631-000	1	364-50631-000
22	TUBE OIL RETURN	1	064-49155-000	1	064-49155-000
23	SCREW CAP HEX 3/8" -16UNC	2	021-18901-000	2	021-18901-000
24	TUBE OIL FEED INTERNAL	1	064-49156-000	1	064 49156-000
25	PLUG, HEX HD 1-1/16"	1	023-18295-000	1	023-18295-000
26	SEAL, O-RING NEOPRENE	1	028-12961-006	1	028-12961-006
27	ORIFICE H.S. OIL FEED	1	064-49203-000	1	064-49203-000
28	SCREW CAP 12PT HD 5/16"	1	021-12197-000	1	021-12197-000
29	PIN SLOT SPG 1/4" X 3/4"	1	029-04750-000	1	029-04750-000
30	TUBE OIL FEED EXTERNAL	1	064-49157-000	1	064-49157-000
31	SEALER GRADE AVV LOCTITE 086		013-01671-000		013-01671-000
32	SEALER REFRIGERANT PIPE		013-02894-000		013-02894-000
33	LEVER PRV INTERNAL	1	064-51399-000	1	064-51399-000
34	LEVER EXTERNAL PRV	1	064-47872-000	1	064-47872-000
35	LEVER PRV MOTOR	1	064-51439-000	1	064-51439-000
37	ROD, ADJ FOR P. R. DEVICE	1	064-51051-000	1	064-51051-000
38	LINK EXTNL PRV & MOT T108	1	064-51438-000	1	064-51438-000
39	BRACKET SUPPORT LOWER PRV	1	064-48851-000	1	064-48851-000
40	RETNR BRG S STAGE TURBO	2	064-46886-000	2	064-46886-000
41	ELBOW FLARE HYDRAULIC 3/8" OD	1	023-18920-000	1	023-18920-000
42	CONNR INSTM 3/8" TUBE X	4	023-12229-000	4	023-12229-000
43	ELBOW FLARE HYDRAULIC 1/4" OD	1	023-09677-000	1	023-09677-000
44	SEAL O-RING .351 ID X	2	028-13832-000	2	028-13832-000
45	PLUG HEX HEAD 3/4"	1	023-18280-000	1	023-18280-000

\* Included in Bearing Kit      † Included in O-Ring Kit



## HE MODELS – COMPRESSOR PARTS (CON'T)

Item	Description	HE 58		HE 62	
		Qty.	Part Number	Qty.	Part Number
50	BOLT SHLD SPL 1/4" 20 UNC	1	064-28282-000	1	064-28282-000
51	PLUG PIPE 1/4" HEX SOCKET	2	023-01973-000	2	023-01973-000
54	BOLT SHLD SPL 1/4" -20 X 1	1	064-28262-000	1	064-28262-000
55	FILLPIECE PREROT DEVICE	1	064-12328-000	1	064-12328-000
56	BRG ROD END W/SST ISRT CHROME	2	029-08343-000	2	029-08343-000
57	SCREW CAP 12 PT HD 1/2"	1	021-31125-000	1	021-31125-000
58	SCREW CAP 12 PT HD 1/2"	3	021-17571-000	3	021-17571-000
59	SCREW CAP 12PT HD 3/8"	1	021-17618-000	1	021-17618-000
60	FILLPIECE PRETOT DEVICE	1	064-47518-000	1	064-47518-000
61	SCREW CAP HEX SOC HD 1/4"	5	021-01377-000	5	021-01377-000
62	SCREW CAP 12PT HD 3/8"	1	021-11220-000	1	021-11220-000
63	PROBE HF	1	025-34535-000	1	025-34535-000
*65	BRG H.S. FRONT	1	064-49163-000	1	064-49163-000
66	SCREW CAP 12 PT HD 1/2"	32	021-11937-000	32	021-11937-000
67	PIN SLOT SPG 3/16" X 1/2"	1	029-04138-000	1	029-04138-000
†69	SEAL O-RING 24.462 ID X	1	028-13847-000	1	028-13847-000
†70	SEAL O-RING 4-1/8" ID X 4-3/8"	1	028-12205-000	1	028-12205-000
71	SCREW CAP HEX SOC HD 1/4"	30	021-18994-000	30	021-18994-000
†72	SEAL O-RING 22" ID X 22-1/2" OD	1	028-14406-000	1	028-14406-000
73	SPACER	1	064-50611-000	1	064-50611-000
74	SCREW SET HEX SOC CUP PT	1	021-03910-000	1	021-03910-000
†75	SEAL, O-RING 26.623 ID X	1	028-13846-000	1	028-13846-000
76	WASHER SPRING HD 52-61 BALANCE	1	064-50191-000	1	064-50191-000
77	SCREW CAP 12 PT HD 3/8"	12	021-18788-000	12	021-18788-000
78	SEALER REMOVABLE THREAD	-	013-01678-000	-	013-01678-000
79	LOCKWASH HEL SPG 1/4" REG:	2	021-05267-000	2	021-05267-000
80	NUT HEX 3/8" - 24 UNF-2B:	2	021-00474-000	2	021-00474-000
81	NUT HEX 1/4" - 20 UNC-2B:	10	021-00450-000	10	021-00450-000
82	PIN DOWEL TAPPED 3/8" DIA	2	029-18459-000	2	029-18459-000
83	SCREW CAP HEX 1/4" -20UNC	4	021-13223-000	4	021-13223-000
84	SCREW SHOULDER SOC HD	6	021-17557-000	6	021-17557-000
85	SCREW SET HEX SOC CUP PT	1	021-00774-000	1	021-00774-000
†86	SEAL, O-RING 5/16" ID X	3	028-12513-000	3	028-12513-000
87	GASKET 2-1/2" OD X 2" ID X 1/32"	1	064-47751-000	1	064-47751-000
88	PLUG HEX HD 7/16"	1	023-18279-000	1	023-18279-000
89	VALVE CHECK OIL 1/8" NPTE	1	022-04444-000	1	022-04444-000
90	SCREW CAP HEX SOC HD 1/4"	6	021-02578-000	6	021-02578-000
91	VALVE STOP ANG VERTICAL	1	022-09578-000	1	022-09578-000
92	SEAL, O-RING 5-5/8" ID X 5-7/8"	1	028-12258-000	1	028-12258-000
*93	BRG L.S. THRUST HD 46-61	1	029-22450-000	1	029-22450-000
94	SEAL O-RING 1-1/8" ID X 1/8"	2	028-12200-000	2	028-12200-000
95	SEAL O-RING 1" ID X 1/8"	1	028-12201-000	1	028-12201-000
96	GREASE POE	-	044-03199-000	-	044-03199-000

\* Included in Bearing Kit

† Included in O-Ring Kit

## HE MODELS – COMPRESSOR PARTS (CON'T)

Item	Description	HE 58		HE 62	
		Qty.	Part Number	Qty.	Part Number
103	RING BAL PISTON SEAL	1	064-50189-000	1	064-50189-000
104	RETNR B.P. SEAL WASHER	1	064-50190-000	1	064-50190-000
108	SLINGER OIL	1	064-49230-000	1	064-49230-000
109	PLATE SLINGER MTG	1	064-49231-000	1	064-49231-000
110	SLEEVE FLARE HYDRAULIC 3/8" OD	2	023-10001-000	2	023-10001-000
111	NUT FLARE HYDRAULIC 3/8" OD	2	023-09673-000	2	023-09673-000
112	SEAL O RING 1-3/4" ID X	1	028-05188-000	1	028-05188-000
113	SCREW CAP 12 PT HD 3/8"	3	021-11972-000	3	021-11972-000
114	SEAL O RING 5-3/4" ID X 5-15/16"	1	028-13870-000	1	028-13870-000
115	PRIMER LOCQUIC GRADE N,	-	013-01753-000	-	013-01753-000
116	SCREW SET HEX SOC CUP PT	1	021-00700-000	1	021-00700-000
117	SEAL O-RING NEOPRENE	2	028-12961-008	2	028-12961-008
118	SCREW CAP 12 PT HD 1/2"	2	021 13334-000	2	021-13334-000
119	SCREW CAP HEX SOC HD #8	1	021-19153-000	1	021-19153-000
120	CLAMP TUBE 3/8" OD	1	023-05284-000	1	023-05284-000
121	ELBOW FLARE HYDRAULIC 3/8" OD	1	023-18989-000	1	023-18989-000
122	SEAL, O-RING NEOPRENE	1	028-12961-004	1	028-12961-004
123	PLUG HEX HD	1	023-20217-000	1	023-20217-000
125	PLUG, PIPE, FLUSH TYPE HEX	3	023-05366-000	3	023-05366-000
128	SEAL, O-RING .301 ID X .064	2	028-12209-000	2	028-12209-000
129	SCREW CAP HEX SOC HD #10	1	021-14461-000	1	021-14461-000
130	WIRING PRV MOTOR ACTUATOR	1	375-49340-103	1	375-49340-103
131	SHAFT CONTROL PREROT DEVICE	1	364-51220-000	1	364-51220-000
132A	LEVER PRV EXTERNAL	2	064-50613-000	2	064-50613-000
133a	SPACER	4	064-50612-000	4	064-50612-000
134	ROD, ADJ FOR P.R. DEVICE	1	064-47937-000	1	064-47937-000
135	LEVER INTERNAL VGD	1	064-51215-000	1	064-51215-000
136	HHCS 0.375-16 X 0.875 GR 5 BL	3	021-01470-000	3	021-01470-000
137A	NUT HEX 5/16" - 18UNC-2B	8	021-05628-000	8	021-05628-000
138A	SCREW CAP HEX SOC HD 3/8"	10	021-01486-000	10	021-01486-000
139A	SCREW CAP 12PT HD 5/16"	2	021-11142-000	2	021-11142-000
140	ARM MOTOR HE-58-62	1	064-51401-000	1	064-51401-000
141A	SCREW CAP 12 PT HD 1/2"	4	021-11926-000	4	021-11926-000
142	FILLPIECE PREROT DEVICE	1	064-10821-000	1	064-10821-000
143A	NUT HEX MACH SCR #10-32	4	021-08670-000	4	021-08670-000
144A	LOCKWASH HEL SPG #10 REG:	2	021-05265-000	2	021-05265-000
145A	SCREW CAP HEX SOC HD #10-32	2	021-31182-000	2	021-31182-000
146A	DOWEL PIN STR	2	029-24130-000	2	029-24130-000
147A	PLUG PRV ASSEMBLY	2	064-50632-000	2	064-50632-000
148A	SEAL, O-RING NEOPRENE	2	028-12961-005	2	028-12961-005
149	SEAL, O-RING 8.234 ID X	1	028-15078-000	1	028-15078-000
150	PLATE COVER HANDHOLE HA81-100	1	064-50139-000	1	064-50139-000
151	SCREW CAP 12 PT HD 3/8"	1	021-11720-000	1	021-11720-000

\* Included in Bearing Kit

† Included in O-Ring Kit

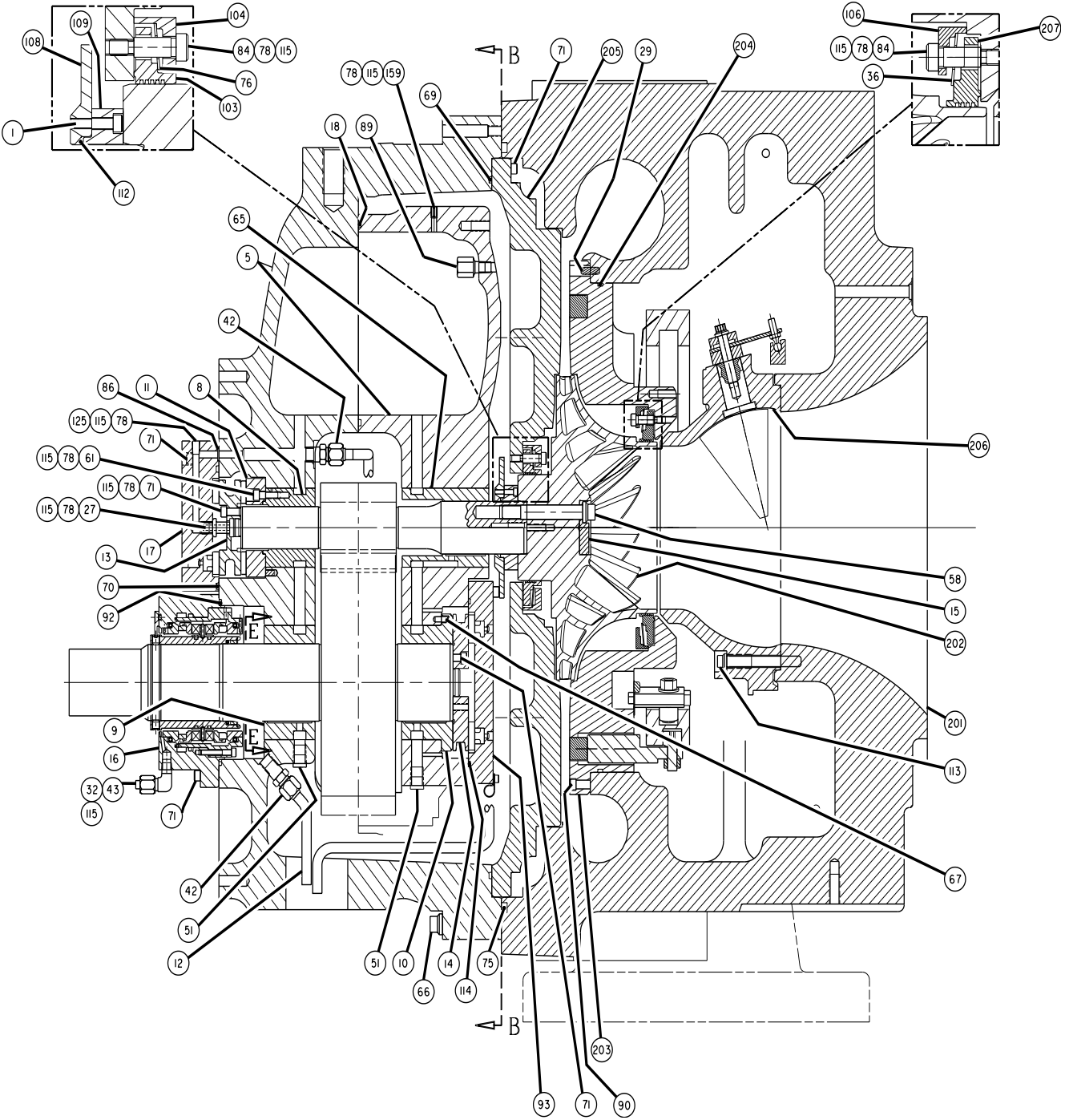
## HE MODELS – COMPRESSOR PARTS (CON'T)

Item	Description	HE 58		HE 62	
		Qty.	Part Number	Qty.	Part Number
152	SCREW CAP 12PT HD 1/2"	1	021-31600-000	1	021-31600-000
153	LINK EXTERNAL VGD HAH HG 65-73	1	064-50951-000	1	064-50951-000
155	BUSHING, GARLOCK 16DU12	1	029-24100-000	1	029-24100-000
156	SCREW CAP 12PT HD 5/16"	1	021-12202-000	1	021-12202-000
157	SPACER HAH, HG-65-73 VGD	1	064-51050-000	1	064-5150-000
158	TAG RING HE 58-62	1	064-51053-000	1	064-51053-000
159	ORIFICE SET SCREW	1	064-51402-000	1	064-51402-000
201	SCROLL ROTOR HE 58	1	064-50957-000	1	064-50957-000
202	IMPR EYE HARD COAT	1	064-50955-001	1	064-50956-001
203	PARTS COMM VGD DEVICE HE 58-62	1	364-51057-001	1	364-51057-001
204	SEAL, O-RING SPLICED	1	02815269-001	1	028-15270-000
205	PLATE DIFFUSER	1	064-51058-000	1	064-51059-000
206	DEVICE HE 58 PRE-ROTATION	1	364-50383-008	1	364-50383-009
207	RING EYE SEAL	1	064-51060-000	1	06451061-000
208	WASHER SPRING HD	5	023-18962-000	1	023-18962-000
209	PLUG HEX HD 9/16"	8	028-12961-003	4	028-12961-003
210	SEAL O-RING NEOPRENE	1	064-50959-000	7	064-50959-000

\* Included in Bearing Kit

† Included in O-Ring Kit

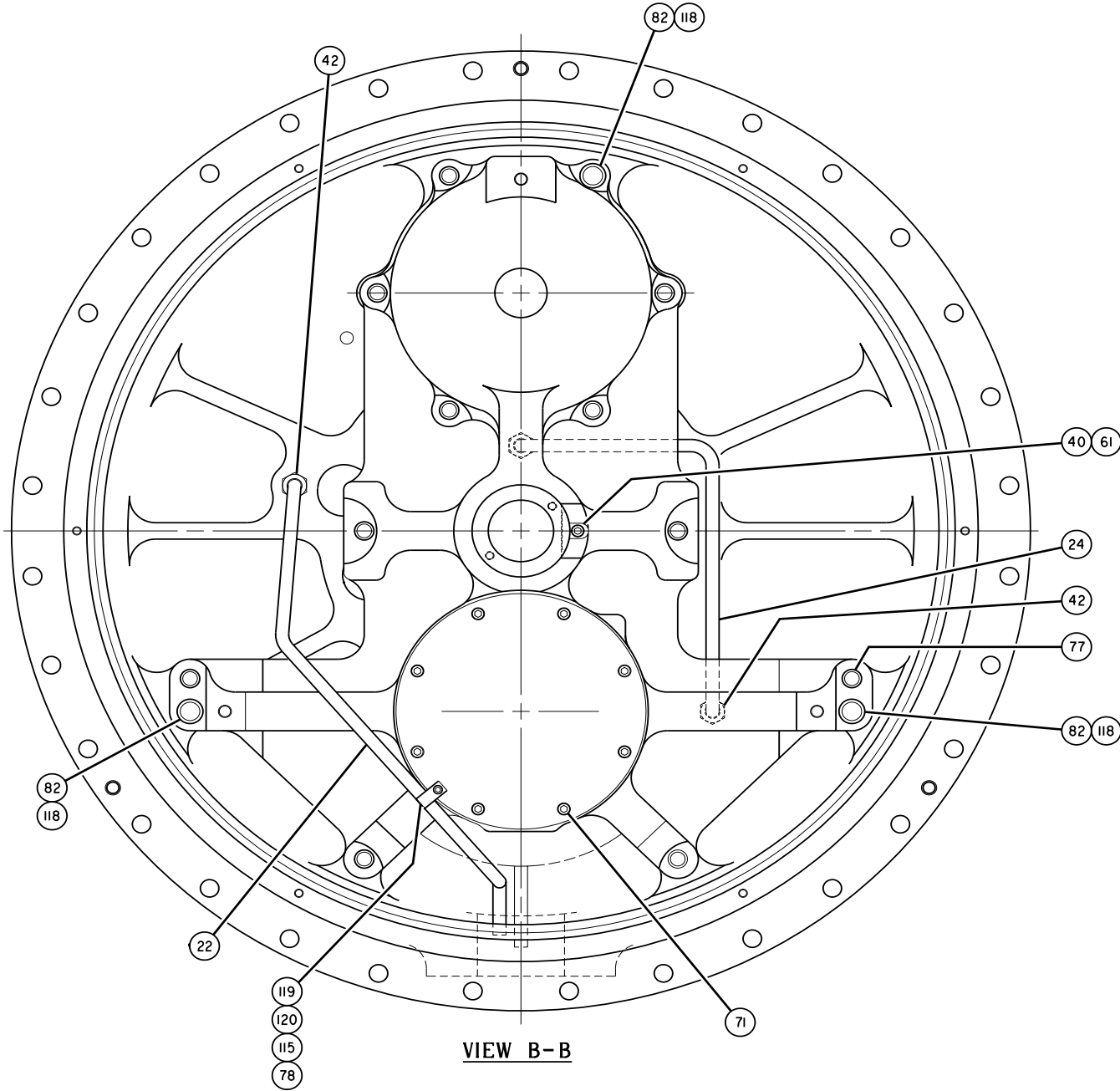
# HE COMPRESSOR MODELS HE 58, & 62



LD10693

FIG. 21 - HE COMPRESSOR (MODELS 58 & 62)

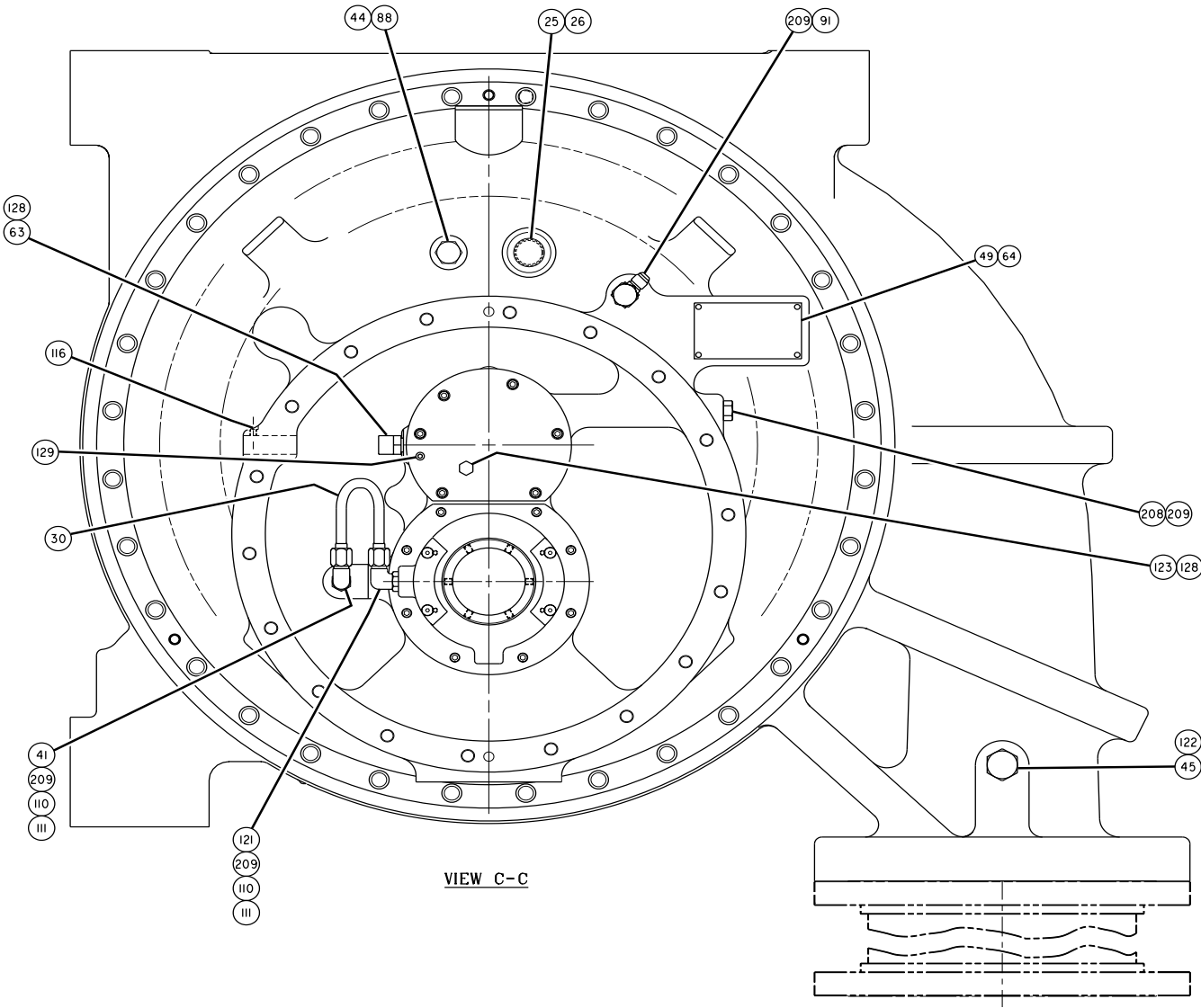
# HE COMPRESSOR MODELS HE 58, & 62



LD10694

FIG. 22 - HE COMPRESSOR (MODELS 58 & 62)

# HE COMPRESSOR MODELS HE 58, & 62



LD10695

FIG. 23 - HE COMPRESSOR (MODELS 58 & 62)

# HE COMPRESSOR MODELS HE 58, & 62

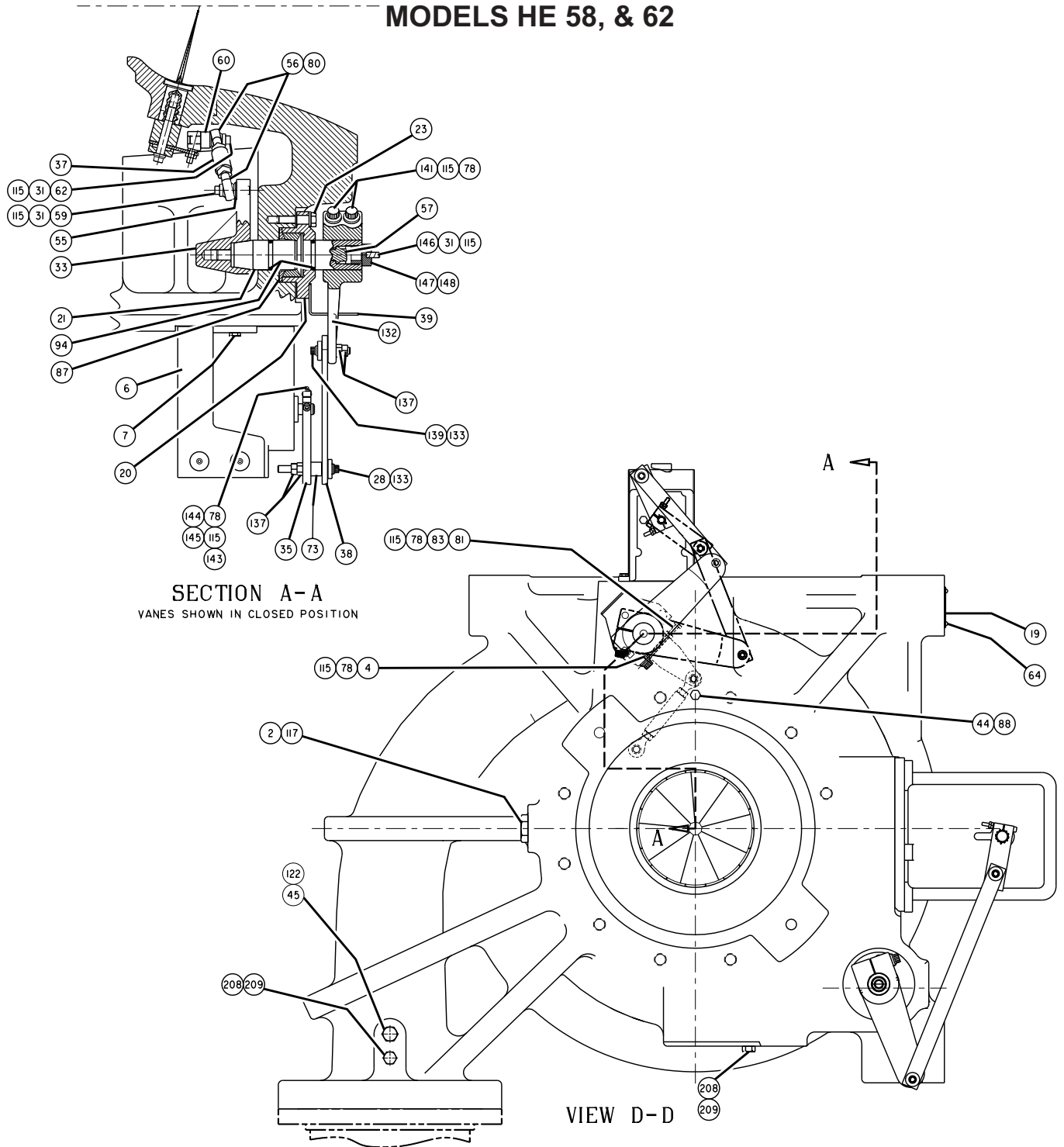
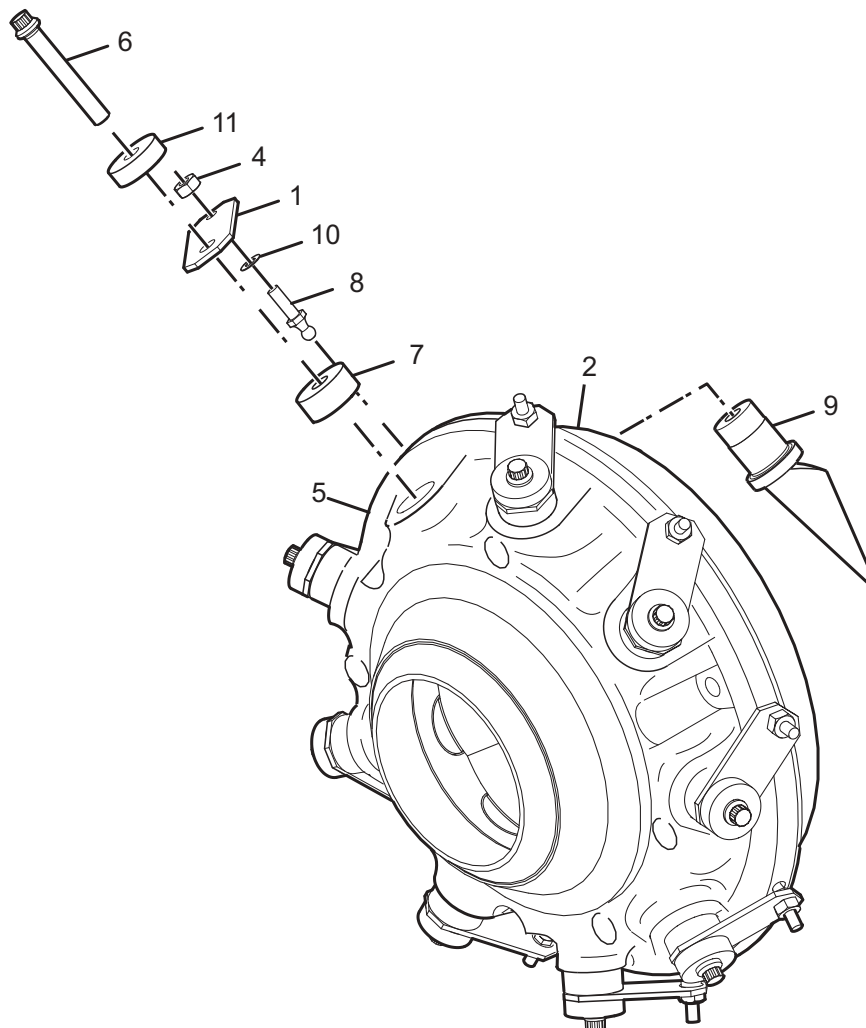


FIG. 24 - HE COMPRESSOR (MODELS 58 & 62)

## DEVICE PRE-ROTATION MODELS HE 58, & 62

TABLE 7 – DEVICE PRE-ROTATION (MODELS 58 &amp; 62)

Item	Description	HE 58		HE 62	
		Qty.	Part Number	Qty.	Part Number
	COMPLETE PRV ASSEMBLY	1	364-50451-002	1	364-50451-003
1	ARM VANE PRV HA50-73	9	064-47952-000	9	064-47952-000
2	HOUSING HD 46 PRE-ROTATION	1	064-50377-000	1	064-50385-000
4	NUT SELF LOCK 1/4" - 28UNF	9	021-12943-000	9	021-12943-000
5	RING VANE DRIVING HA50/57	1	064-47926-000	1	064-47926-000
6	SCREW CAP 12PT HD 3/8" -	9	021-11956-000	9	021-11956-000
7	SPACER ARM PRV HD 46/50	9	064-49205-000	9	064-49205-000
8	STUD BALL 1/4" -28 UNF W/	9	029-15924-000	9	029-15924-000
9	VANE PRE-ROTATION HD 46-50	9	029-22449-000	9	029-22449-000
10	WASHER PLAIN LT 17/64" ID 1/2"	10	021-11973-000	10	021-11973-000
11	WASHER SPL 25/64" ID X	9	064-09289-000	9	064-09289-000



LD08744

FIG. 25 – DEVICE PRE-ROTATION (MODELS 58 &amp; 62)

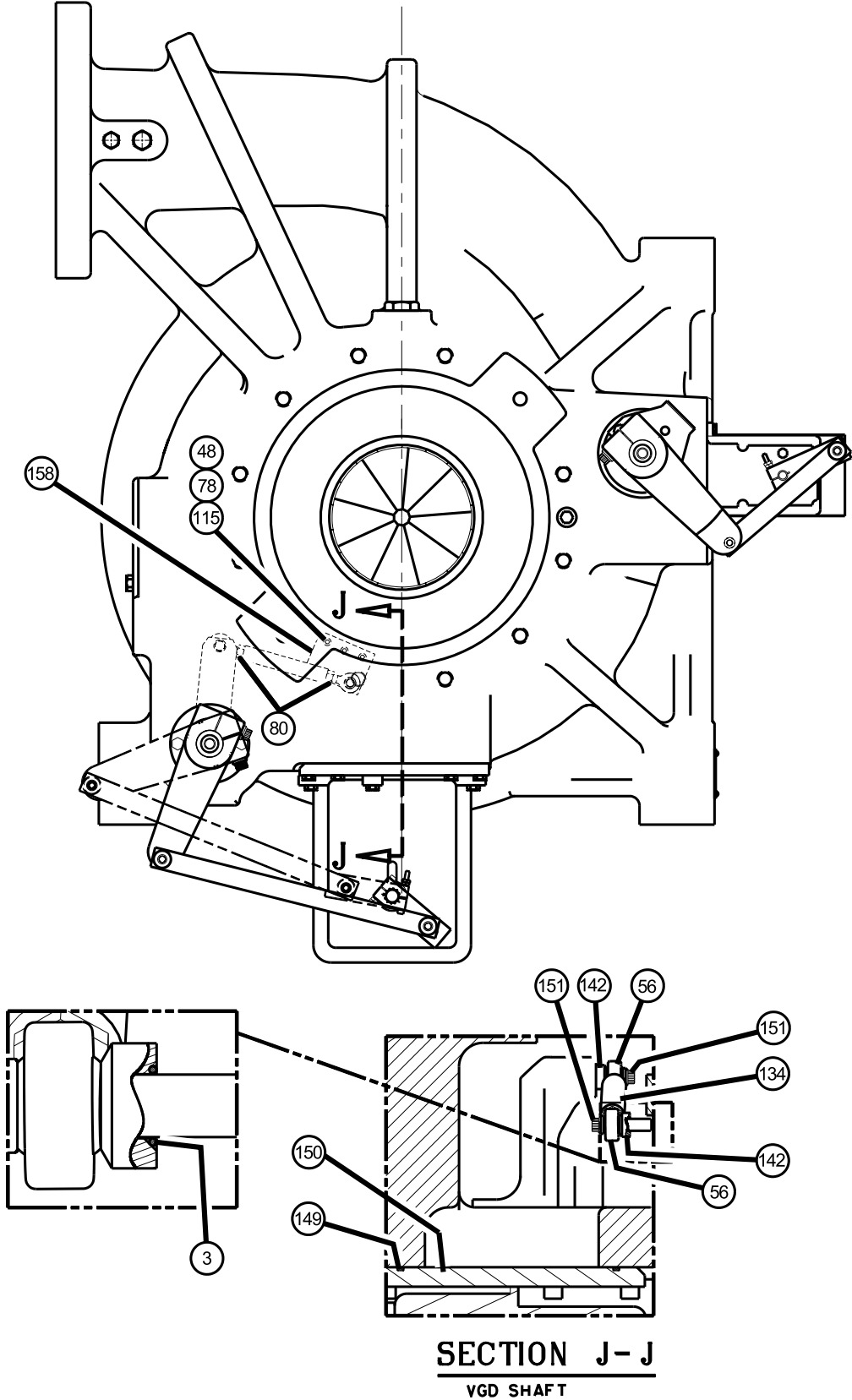


**VGD DEVICE  
MODELS HE 58 & 62  
PART NO. 364-51057-001**

**TABLE 8 – VGD DEVICE COMMON PARTS (MODELS 58 & 62)**

Item	Description	HE 58		HE 62	
		Qty.	Part Number	Qty.	Part Number
1	RING DIFFUSER HE 58-62 VGD	1	064-51435-000	1	064-51435-000
2	SCREW CAP HEX SOC HD 5/16"	6	021-31665-000	6	021-31665-000
3	PIN DRIVE HE 58-62	3	064-50961-000	3	064-50961-000
4	BEARING, MCGILL CF-3/4-B	3	029-24103-000	3	029-24103-000
5	NUT, HEX 3/8"-24 UNF-2B	6	021-00474-000	6	021-00474-000
6	SPACER VGD	3	064-5058-000	3	064-5058-000
7	BEARING, MCGILL CYR 1-3/8"	3	029-24104-000	3	029-24104-000
8	SCREW CAP HEX SOC HD 3/8"	3	021-01508-000	3	021-01508-000
9	WASHER PLAIN .384 ID X 5/8 OD	3	021-31155-000	3	021-31155-000
10	SUPPORT AXIAL BEARING	3	064-50469-000	3	064-50469-000
11	BEARING, MCGILL CFE-3/4-B	3	029-24102-000	3	029-24102-000
12	SCREW CAP HEX SOC HD	6	021-19223-000	6	021-19223-000
13	SCREW CAP HEX SOC HD 5/16"	1	021-31326-000	1	021-31326-000
14	WASHER PLAIN HARDENED 3/8 ID	2	021-31323-000	2	021-31323-000
15	WASHER CONICAL DISK	12	021-31324-000	12	021-31324-000
16	BUSHING, GARLOCK 16DU12	6	029-24100-000	6	029-24100-000
17	SCREW CAP HEX SOC HD 1/4"	1	021-02578-000	1	021-02578-000
18	SCREW SET HEX SOCKET 1/4"	1	021-31328-000	1	021-31328-000
19	PIN TENSIONER VGD DRIVE RING	1	064-50830-000	1	064-50830-000
20	BLOCK TENSIONER VGD DRIVE RING	1	064-50824-000	1	064-50824-000
21	SCREW SHOULDER SOC HD 5/16"	1	021-31322-000	1	021-31322-000
22	RING DRIVE HS58-62 VGD	1	064-51436-000	1	064-51436-000
23	PRIMER LOCQUIC GRADE N	.025	013-1753-000	.025	013-1753-000
24	SEALER REMOVABLE THREAD	.010	013-01678-000	.010	013-01678-000
25	SHIM BRCKT VGD SUPPORT BLOCK	6	064-51137-000	6	064-51137-000
26	WAHER PLAIN 13/32" ID X 13/16"	3	021-01274-000	3	021-01274-000

### VGD DEVICE MODELS HE 58, & 62



LD10710

FIG. 26 – VGD DEVICE (MODELS 58 & 62)

### VGD DEVICE MODELS HE 58, & 62

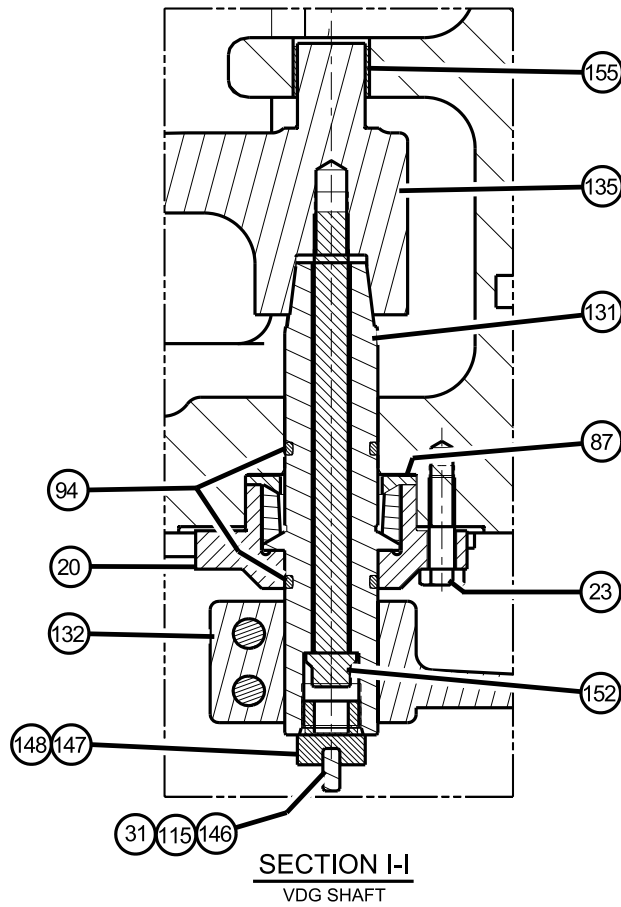
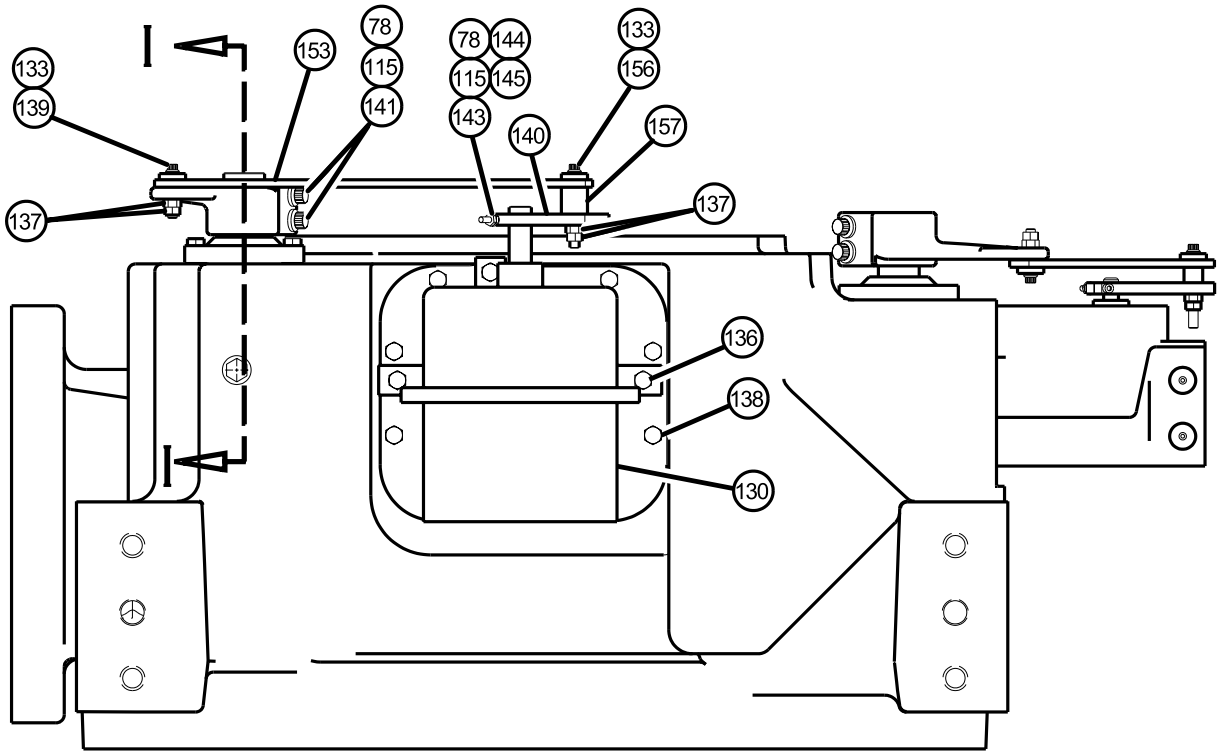


FIG. 27 – VGD DEVICE (MODELS 58 & 62)

# VGD DEVICE MODELS HE 58, & 62

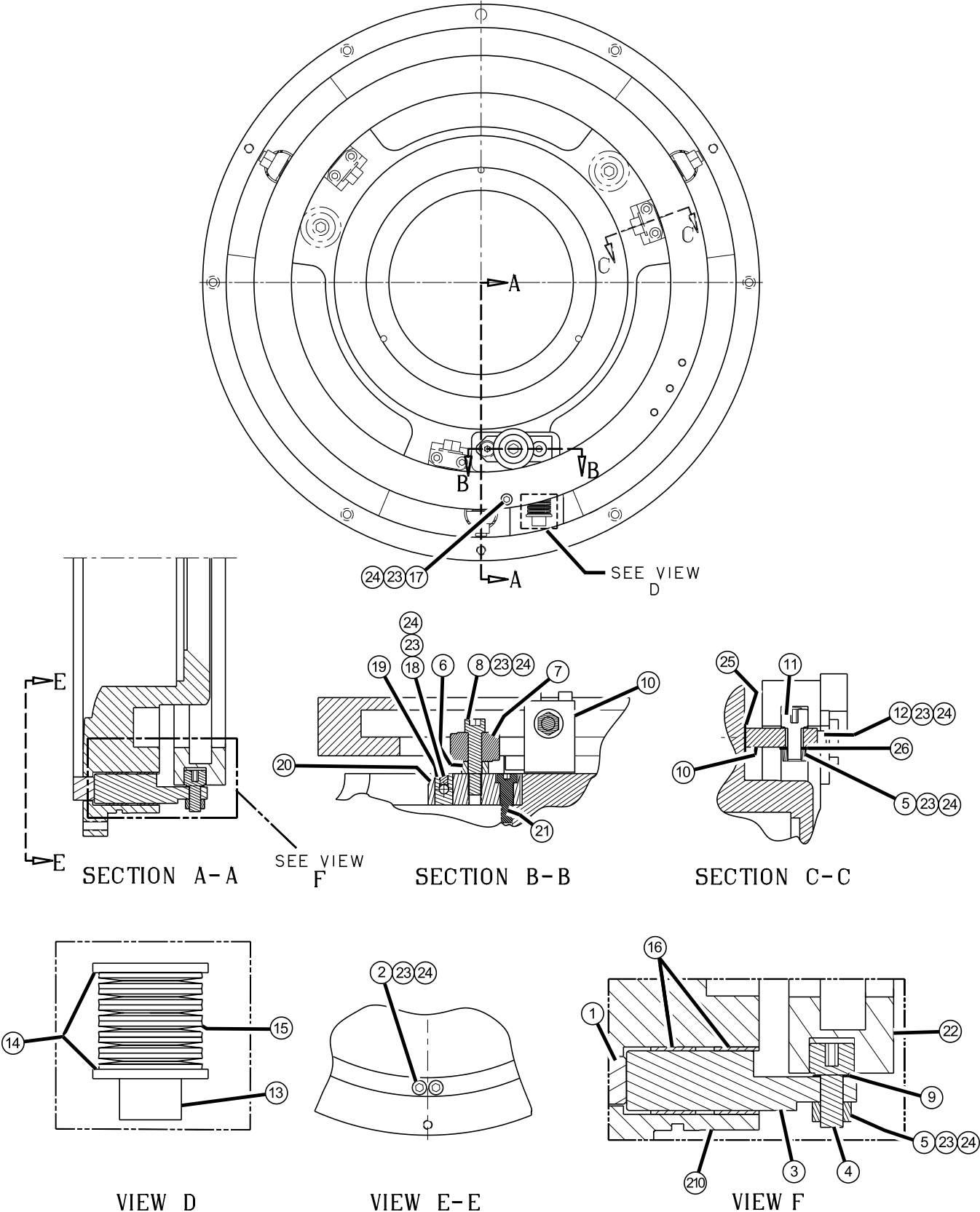


FIG. 28 – VGD DEVICE (MODELS 58 & 62)

LD10712

THIS PAGE IS INTENTIONALLY LEFT BLANK

## HF MODELS – COMPRESSOR PARTS

**TABLE 9 – HF COMPRESSOR PARTS (MODEL 52)**

Item	Description	HF 52	
		Qty.	Part Number
1	ARM MOTOR & PRV HD 46-61	1	064-49152-000
2	BRG. H.S. FORWARD THRUST HF	1	029-22936-000
3	BRG. H.S. FRONT HF	1	064-50065-000
4	BRG. H.S. REAR HF	1	064-50064-000
5	BRG. H.S. REVERSE THRUST HF	1	029-22937-000
6	BRG. L.S. FRONT HF	1	064-50085-000
7	BRG. L.S. THRUST HF	1	029-22935-000
8	BRG. L.S. REAR HF	1	064-50084-000
9	BRG. ROD END W/ SST ISRT CHROME	2	029-08343-000
10	SCREW SPECIAL	1	064-50052-000
11	BOLT SHLD SPL 1/4-20 X 1	1	064-28262-000
12	BOLT SHLD SPL 1/4 20 UNC	1	064-28282-000
13	BRACKET SUPPORT LOWER PRV	1	064-48851-000
14	LINK EXTNL PRV & MOT T85	1	064-28237-000
15	CLAMP TUBE 3/8" OD	1	023-05284-000
16	COLLAR H.S. THRUST HF	1	064-49636-001
17	COLLAR IMPELLER CLAMP HF	1	029-22987-000
18	COLLAR L.S. THRUST HF	1	064-49637-000
19	PLUG HEX HD 1-5/16"	2	023-18282-000
20	CONN R INSTM 3/8" TUBE OD	4	023-12229-000
21	COVER PRV SHAFT CONTROL	1	064-48861-000
22	DEVICE, PRE-ROTATION	1	364-50383-007
23	IMPR. 5.2 EYE HARD COAT HF 52	1	364-50752-001
24	SUPPORT ROTOR W/BEARING HSG	1	364-50094-000
25	ELBOW FLARE HYDRAULIC 1/4" OD	1	023-20242-000
26	ELBOW FLARE HYDRAULIC 3/8" OD	2	023-18920-000
27	ENAMEL CARIBBEAN BLUE	.125	013-01835-000
28	FILLPIECE PREROT DEVICE	1	064-12328-000
29	FILLPIECE .750 DIA. X .500	1	064-47518-000
30	GASKET 2-1/2" OD X 2" ID X 1/32"	1	064-47751-000
31	LEVER PRV EXTERNAL	1	064-49151-000
32	LEVER INTERNAL	1	064-47482-006
33	LEVER EXTERNAL PRV T1 EA.	1	064-47581-000
34	WIRING PRV MOTOR ACTUATOR	1	375-49340-101
37	NUT FLARE HYDRAULIC 3/8" OD	2	023-09673-000
38	NUT HEX 1/4"-20 UNC-2B	10	021-00450-000
39	NUT HEX 3/8"-24UNF-2B	2	021-00450-000
40	ORIFICE H.S. OIL FEED	1	064-49650-000
41	PIN SLOT SPG 3/16" X 1/2"	1	029-04138-000
42	PIN DOWEL TAPPED 3/8" DIA.	3	029-18459-000
43	PLATE DIFFUSER	1	064-50746-000
44	PLATE NOZZLE BASE		064-50309-000

\* Included in Bearing Kit

† Included in O-Ring Kit

## HF MODELS – COMPRESSOR PARTS (CON'T)

Item	Description	HF 52	
		Qty.	Part Number
45	SEAL, O-RING NEOPRENE	2	028-12961-008
46	PLUG HEX HD 7/16"	2	023-18279-000
47	PLUG HEX HD 9/16"	4	023-18962-000
48	PLUG, PIPE, FLUSH TYPE HEX	2	023-05366-000
49	PLUG, PIPE, 1/4" HEX SOCKET	2	023-01973-000
50	PRIMER LOCQUIC GRADE N	.026	013-01753-000
51	PROBE HF	1	025-34535-000
52	PLUG HEX HD	1	023-20217-000
53	RETNR B.P. SEAL WASHER	1	064-50747-000
54	RETNR BRG S STAGE TURBO	2	064-46866-000
55	SEAL DOUBLE SHAFT	1	029-22938-000
56	RING 5/8" LG X 17/64" ID X 5/8"	1	064-40009-000
57	RING BALANCE PISTON SEAL	1	064-50748-000
58	RING EYE SEAL	1	064-50368-000
59	ROD ADJUSTABLE	1	064-49719-000
60	SCREW CAP HEX 1/4"-20 UNC	3	021-01379-000
61	HHCS 0.250-20 X 1.250 GR 5 BL	4	021-01392-000
62	SCREW CAP HEX SOC HD 1/4"	14	021-02578-000
63	SCREW CAP 12 PT HD 1/2"	3	021-13334-000
65	SCREW CAP 12 PT HD 1/2"	32	021-11926-000
66	SCREW CAP 12 PT HD 1/2"	1	021-11998-000
67	SCREW CAP 12 PT HD 3/8"	11	021-11974-000
68	SCREW CAP 12 PT HD 3/8"	3	021-11972-000
69	SCREW CAP 12 PT HD 3/8"	1	021-17618-000
70	SCREW CAP 12 PT HD 3/8"	1	021-11720-000
71	HHCS 0.375-16 X 1.50 GR 5 ZN	2	021-18901-000
72	SCREW SET HEX SOC CUP PT	1	021-03910-000
73	SCREW SHOULDER SOC HD	6	021-17557-000
75	SCREW CAP SOC HD #8	1	021-19153-000
76	SCREW CAP HEX SOC HD 1/4"	12	021-29501-000
77	SCREW CAP HEX SOC HD 1/4"	2	021-01377-000
78	SCREW CAP HEX SOC HD 1/4"	13	021-29576-000
79	SCREW CAP HEX SOC HD 1/4"	10	021-18994-000
80	SCREW CAP HEX SOC HD 1/4"	6	021-30674-000
81	SCROLL ROTOR (SIDE & DOWN)	1	064-50753-000
*82	SEAL, O-RING 5/16" ID X	2	028-12513-000
*83	SEAL, O-RING .301 ID X .064	2	028-12209-000
*84	SEAL, O-RING 2 ID X 2-3/16" OD	3	028-14419-000
*85	SEAL, O-RING 3-1/4" ID X 3-7/16	2	028-14420-000
*86	SEAL, O-RING 5-1/4" ID X 5-7/16"	1	028-14403-000
*87	SEAL, O-RING 1" ID X 1/8"	1	028-12201-000
*88	SEAL, O-RING 1-1/8" ID X 1/8"	2	028-12200-000

\* Included in Bearing Kit

† Included in O-Ring Kit

## HF MODELS – COMPRESSOR PARTS (CON'T)

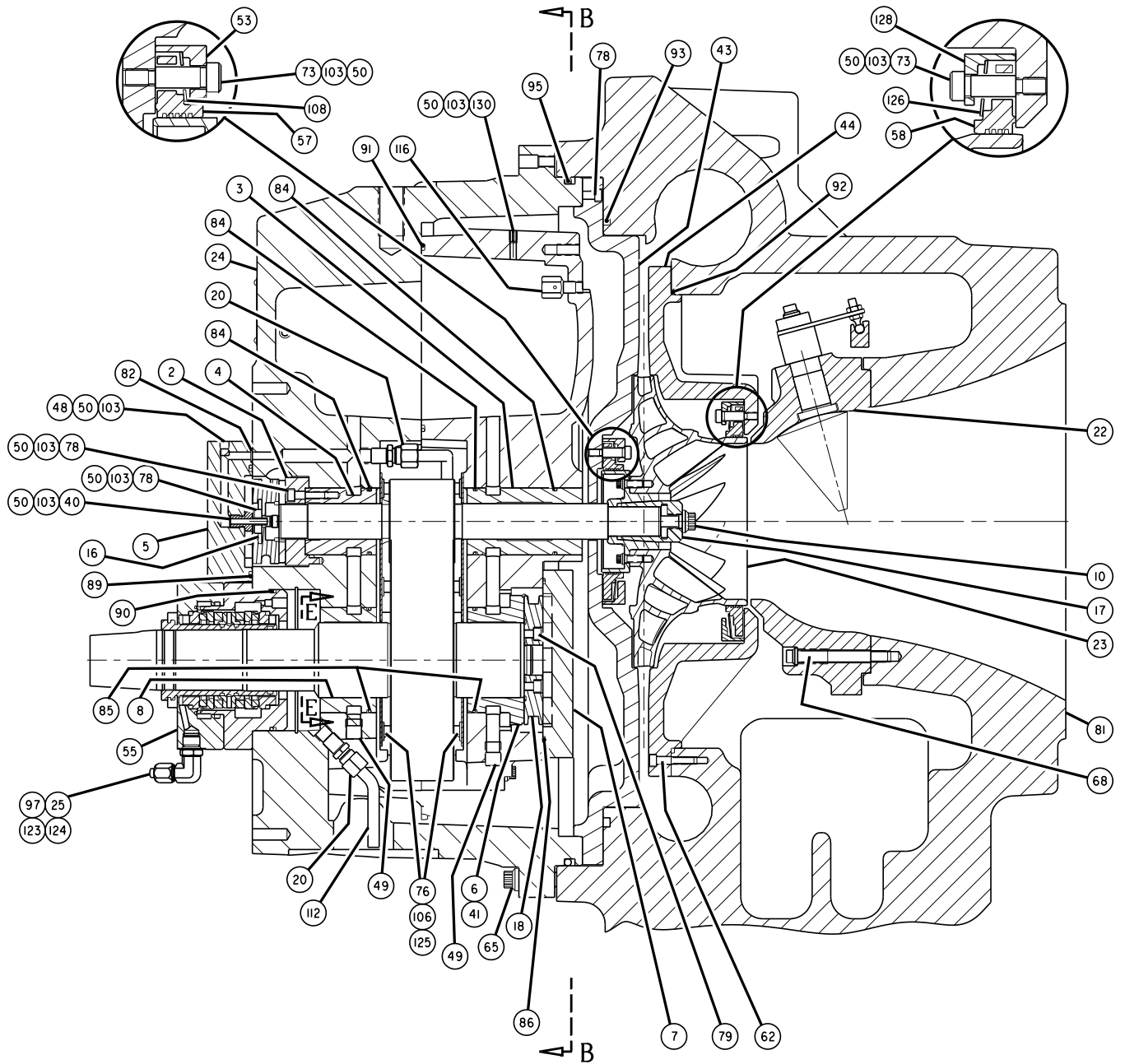
Item	Description	HF 52	
		Qty.	Part Number
*89	SEAL, O-RING 3-1/2" ID X 3-3/4"	1	028-14404-000
*90	SEAL, O-RING 4-3/8" ID X	1	028-13111-000
*91	SEAL, O-RING 6" ID X 6-1/4" OD	1	028-14405-000
*92	SEAL, O-RING 15" ID X 15-1/4" OD	1	028-15063-000
*93	SEAL, O-RING 20" ID X 20-3/8" OD	1	028-14413-000
*95	SEAL, O-RING 22" ID X 22-1/2" OD	1	028-14406-000
*96	SEAL, O-RING .351 OD X	2	028-13382-000
*97	SEAL, O-RING NEOPRENE	8	028-12961-003
*98	SEAL, O-RING NEOPRENE	1	028-12961-004
101	SEALER GRADE AVV LOCTITE 086	.003	013-01671-000
103	SEALER REMOVABLE THREAD	.023	013-01678-000
104	PLUG HEX HD 3/4"	1	023-18280-000
105	SHAFT CONTROL PREROT DEVICE	1	364-29573-000
106	SHIELD	2	064-49638-000
107	SLEEVE FLARE HYDRAULIC	2	023-10001-000
108	WASHER SPRING BAL. PISTON	1	064-50749-000
111	PLUG HEX HD 1-1/16"	1	023-18295-000
112	TUBE OIL DRAIN	1	064-49154-000
113	TUBE OIL FEED EXTERNAL	1	064-49619-000
114	TUBE OIL FEED INTERNAL	1	064-49621-000
115	TUBE OIL RETURN	1	064-49620-000
116	VALVE CHECK OIL 1/8" NPTE	1	022-04444-000
117	VALVE STOP ANGLE VERTICAL	1	022-09578-000
118	SCREW SET HEX SOC CUP PT	1	021-00700-000
119	SEAL, OORING NEOPRENE	1	028-12961-000
120	WASHER PLAIN 9/32" ID X 5/8" OD	4	021-05165-000
121	LOCKWASH HEL SPG 1/4" REG	2	021-05267-000
122	WASHER SPECIAL PRV	1	064-48503-000
123	NUT FLARE HYDRAULIC 1/4" OD	1	023-09670-000
124	SLEEVE FLARE HYDRAULIC 1/4" OD	1	023-10000-000
125	WASHER PLAIN 9/32" ID X 5/8" OD	12	021-01225-000
126	WASHER SPRING EYE	1	064-50388-000
127	SCREW CAP HEX SOC HD #10	1	021-14461-000
128	RETNR EYE SEAL WASHER	1	064-50387-000
129	GREASE POE	.015	044-03199-000
130	ORIFICE SET SCREW	1	064-51402-000

\* Included in Bearing Kit

† Included in O-Ring Kit



# HF COMPRESSOR MODEL 52



LD10697

FIG. 29 - HF COMPRESSOR (MODEL 52)

# HF COMPRESSOR MODEL 52

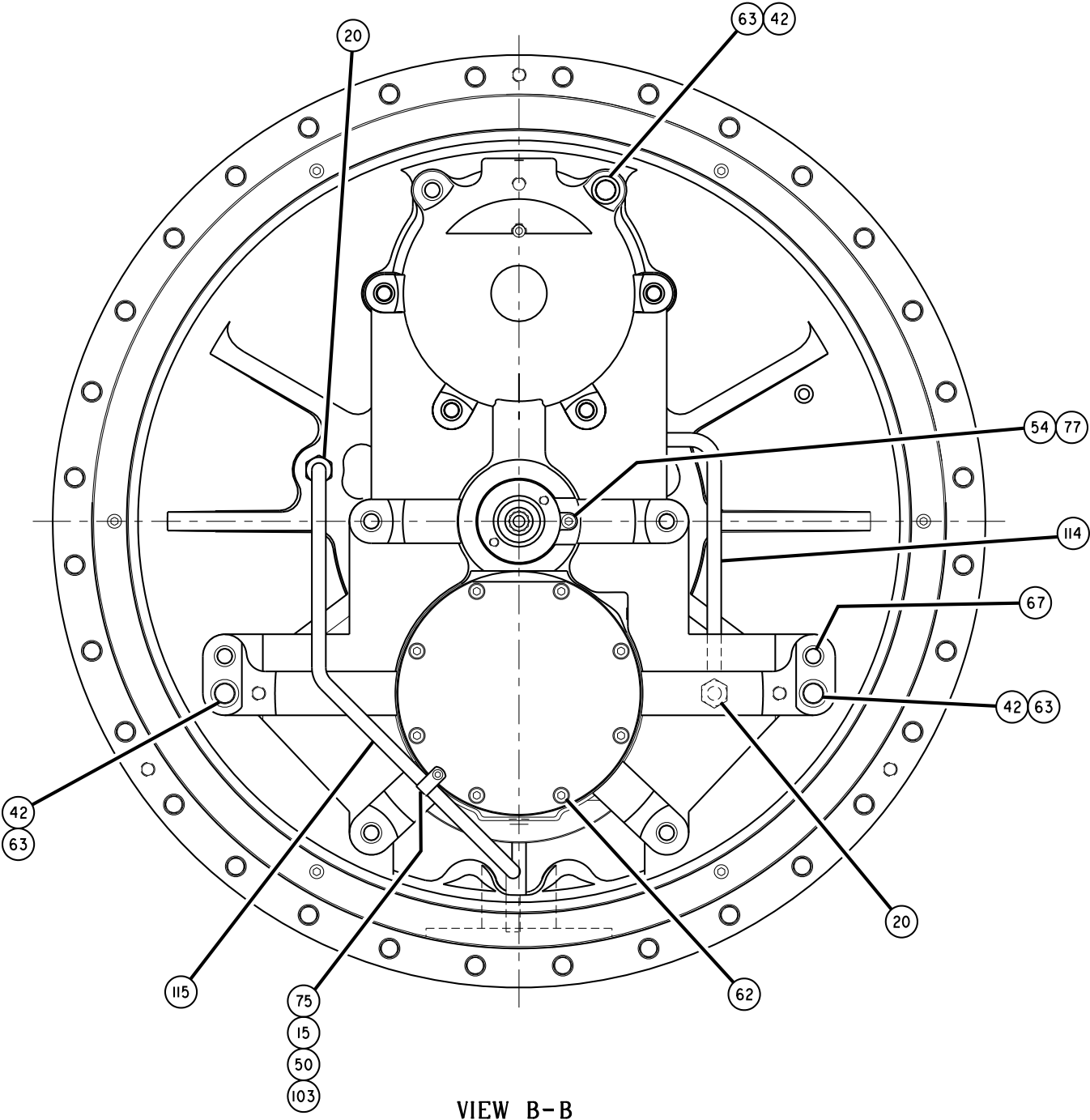


FIG. 30 - HF COMPRESSOR (MODEL 52)

LD10698

# HF COMPRESSOR MODEL 52

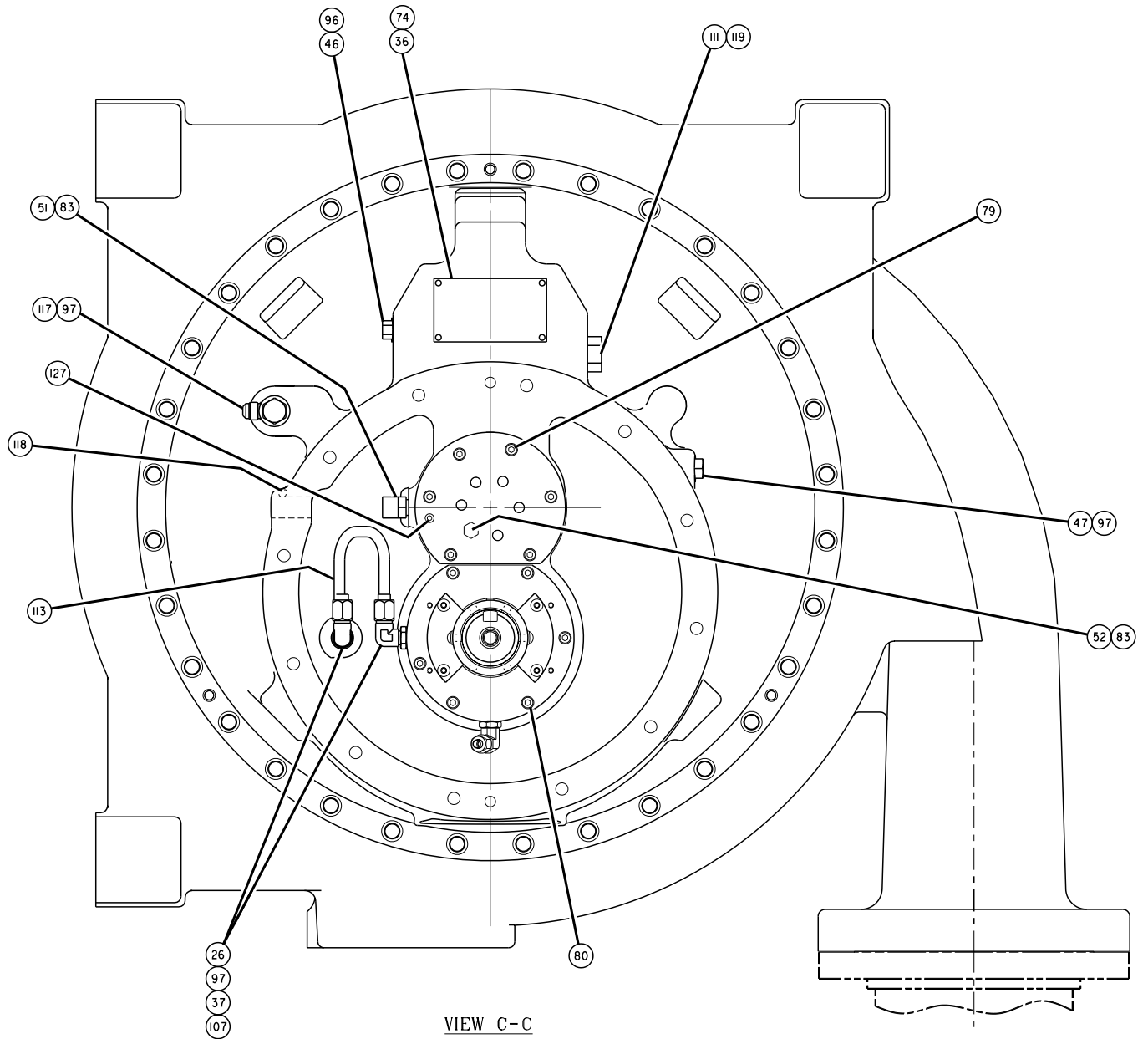


FIG. 31 - HF COMPRESSOR (MODEL 52)

# HF COMPRESSOR MODEL 52

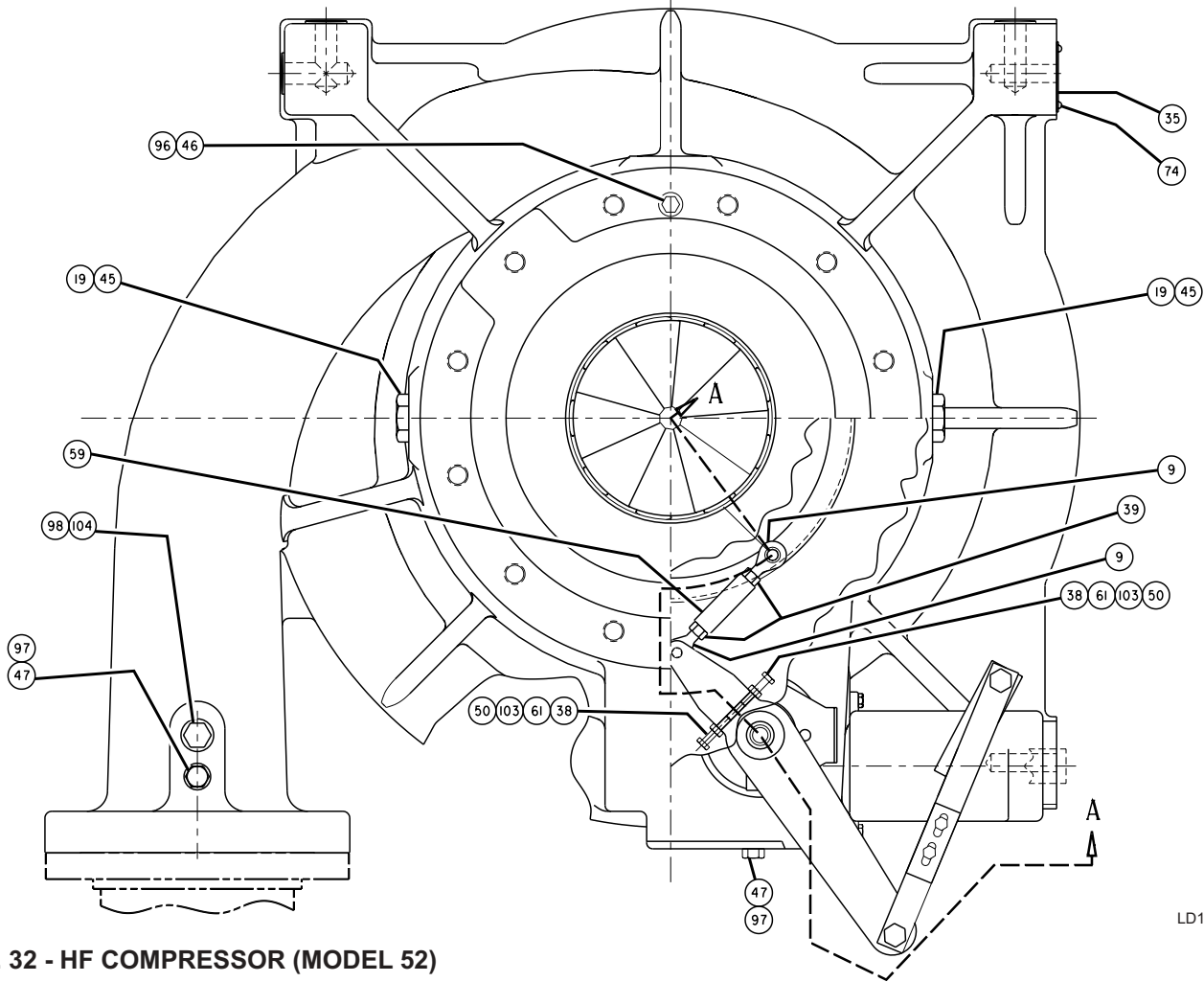
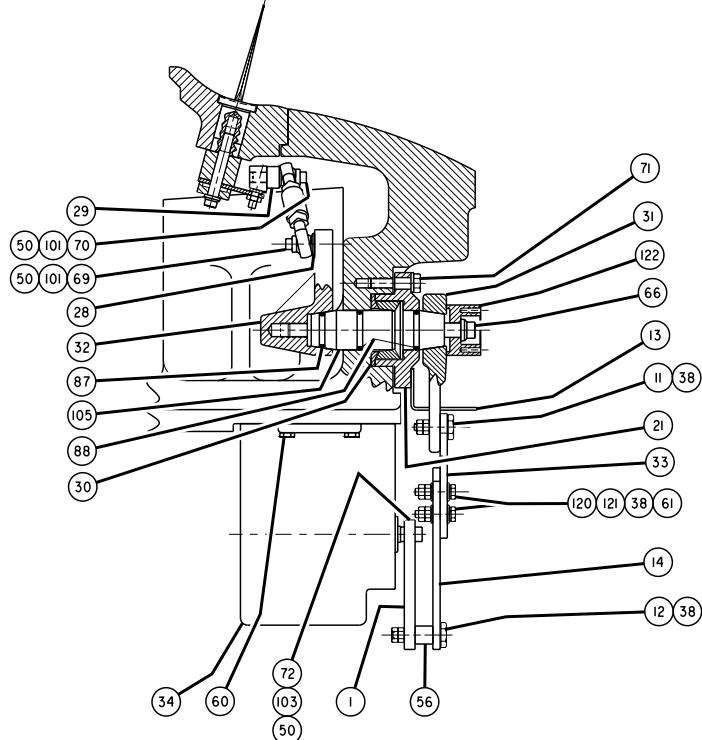


FIG. 32 - HF COMPRESSOR (MODEL 52)

LD10700

## P & Q COMPRESSOR OIL RESERVOIR PARTS

**TABLE 10 – P & Q COMPRESSOR OIL RESERVOIR PARTS**

Item	Description	Qty.	Part Number
2	PUMP OIL 20 GPM	1	026-37937-000
4	BLOCK OIL EDUCTOR	1	026-37553-000
5	HEATER ELEC IMMER 1000 W (P1 - P5 COMPRESSORS)	1	025-34523-000
	HEATER ELEC IMMER TY 3000 (P6 - P9 COMPRESSORS)	1	025-32909-000
6	VALVE STOP ANG VERTICAL	1	022-09578-000
7	VALVE STOP ANG VERTICAL	1	022-09577-000
8	VALVE STOP ANG VERTICAL	1	022-10054-000
9	CAGE LIQUID LEVEL SIGHT FRONT	1	026-37571-000
12	SENSOR TEMPERATURE 50,000 OHMS	1	025-33288-000
13	TERMINAL HV FUSED GLASS	3	025-32933-000
14	PLUG SIGHT 1-1/8" -18 UNEF-2A	2	026-35029-000
15	SEAL, O-RING NEOPRENE	2	028-12961-008
17	NUT HEX 1/4" - 20 UNC-2B:	4	021-00450-000
18	SCREW CAP HEX 3/8" -16UNC (P1 - P5 COMPRESSORS)	5	021-01497-000
	SCREW CAP HEX SOC HD 3/8" (P6 - P9 COMPRESSORS)	5	021-08946-000
19	SEAL, O RING 1-3/4" ID (P1 - P5 COMPRESSORS)	1	028-05188-000
	SEAL, O-RING NEOPRENE 2.337" ID (P6 - P9 COMPRESSORS)	1	028-12961-010
20	SEAL, O-RING NEOPRENE - 1.171" ID	1	028-12961-008
21	SEAL, O-RING NEOPRENE - .924" ID	1	028-12961-006
23	SEAL, O-RING NEOPRENE - .644" ID	1	028-12961-004
24A	SEAL, O-RING NEOPRENE - .468" ID	4	028-12961-003
25A	SEAL, O-RING NEOPRENE - .351" ID	4	028-12961-001
26	SEAL, O RING 5/8" ID X 3/32"	3	028-11999-000
27	SEAL, O RING 2-5/8" ID (P1 - P5 COMPRESSORS)	1	028-14469-000
	SEAL, O-RING 3-1/8" ID (P6 - P9 COMPRESSORS)	1	028-12597-000
28	SEAL, O-RING NEOPRENE - .487" ID	2	028-12961-035

# P & Q COMPRESSOR OIL RESERVOIR

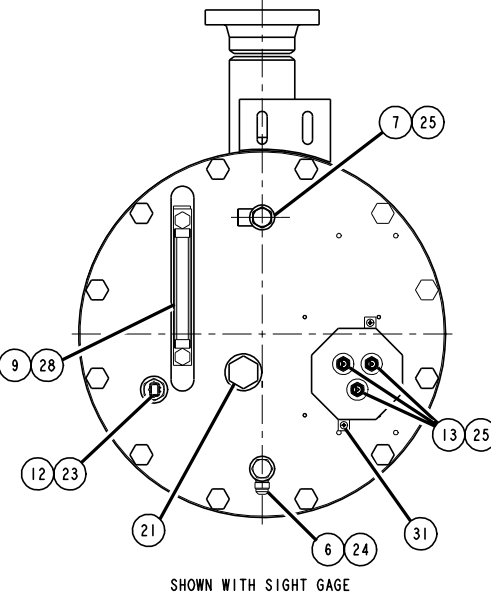
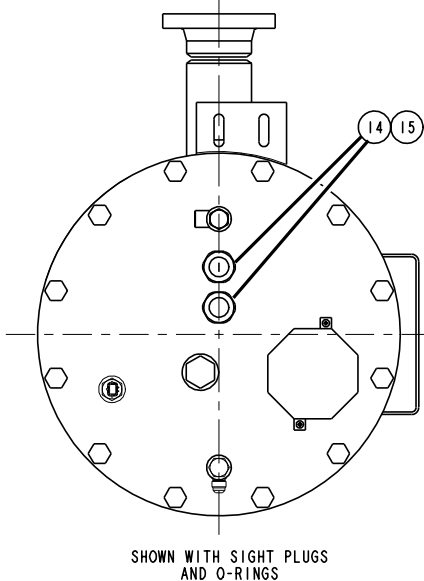
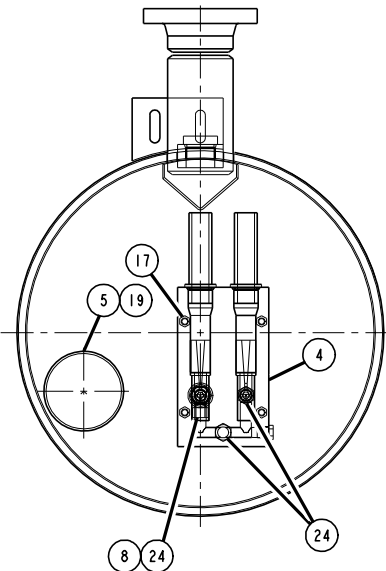
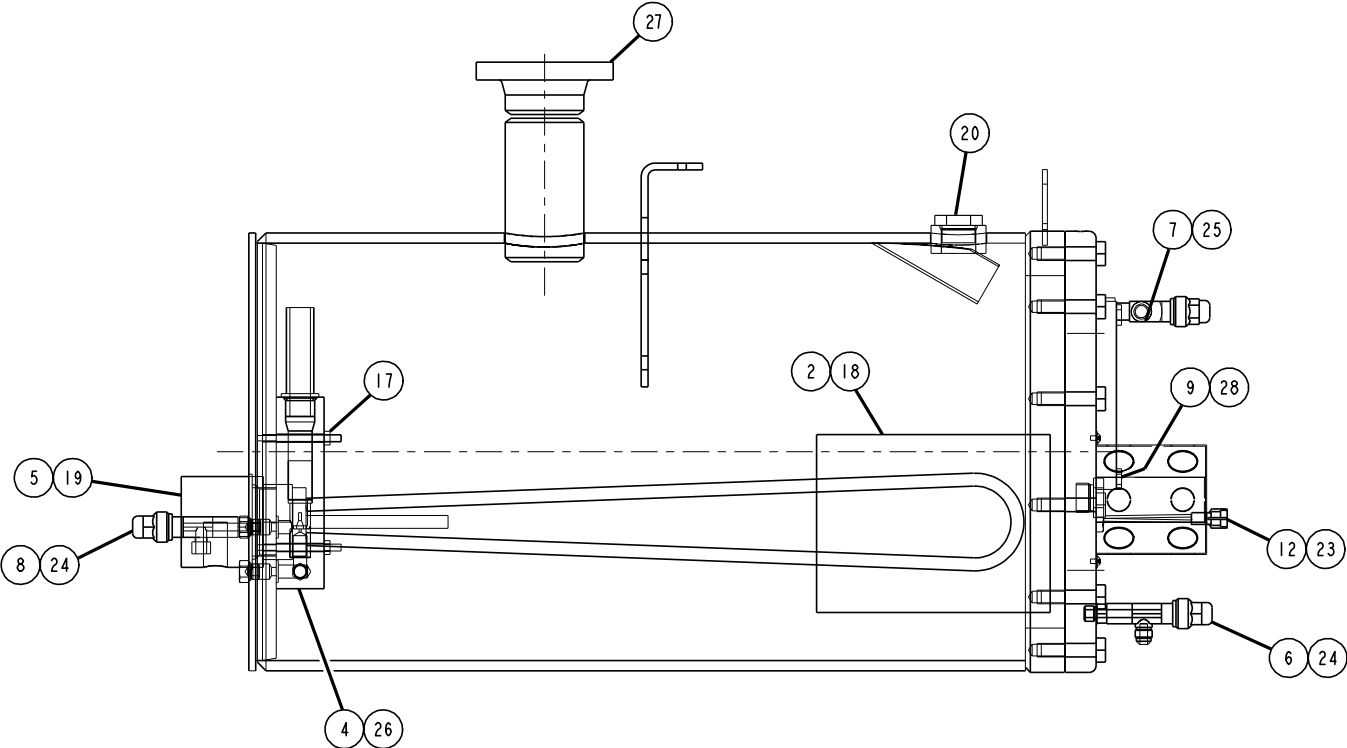


FIG. 33 – P & Q COMPRESSOR OIL RESERVOIR

LD08772

## P & Q COMPRESSOR OIL FITTINGS

**TABLE 11 – P & Q COMPRESSOR OIL FITTINGS**

Item	Description	Qty.	Part Number
1	VALVE STOP ANG VERTICAL	2	022 10046 000
2	SOLENOID, VALVE 3/8" ORFS NC	1	025 35150 001
4	VALVE STOP ANG VERTICAL	1	022 10047 000
5	TRANSDUCER PRESSURE	1	025 28678 006
6	ELBOW 3/8" O.D.TUBE 90 DEG MALE	2	023 18980 000
7	SLEEVE 3/8" O.D. TUBE	2	023 18978 000
8	NUT 3/8" O.D. TUBE	2	023 18977 000
9	SLEEVE 3/4" O.D. TUBE	6	023 18284 000
10	NUT 3/4" O.D. TUBE	6	023 18286 000
11	ELBOW 1" O.D. TUBE 90 DEG MALE	2	023 18292 000
12	SLEEVE 1" O.D. TUBE	2	023 18285 000
13	NUT 1" O.D. TUBE	2	023 18287 000
17	SEAL, O-RING NEOPRENE	1	028 12961 002
18	SEAL, O-RING NEOPRENE	1	028 12961 003
19	SEAL, O-RING NEOPRENE	3	028 12961 006
20	SEAL, O-RING NEOPRENE	2	028 12961 008
21	SEAL, O-RING NEOPRENE	3	028 12961 012
22	SEAL, O-RING NEOPRENE	6	028 12961 015
23	SEAL, O-RING NEOPRENE	2	028 12961 016
38	GASKET FLARE 3/8" OD TUBE	1	028 01258 000
39	CAP FLARE 3/8" OD TUBE	1	023 00977 000
42	SEAL, O-RING 2-5/8" ID (HF COMPRESSORS P1 - P5)	1	028 14469 000
	SEAL, O-RING 3-1/8" ID (HE COMPRESSORS P6 - P9)	1	028 12597 000

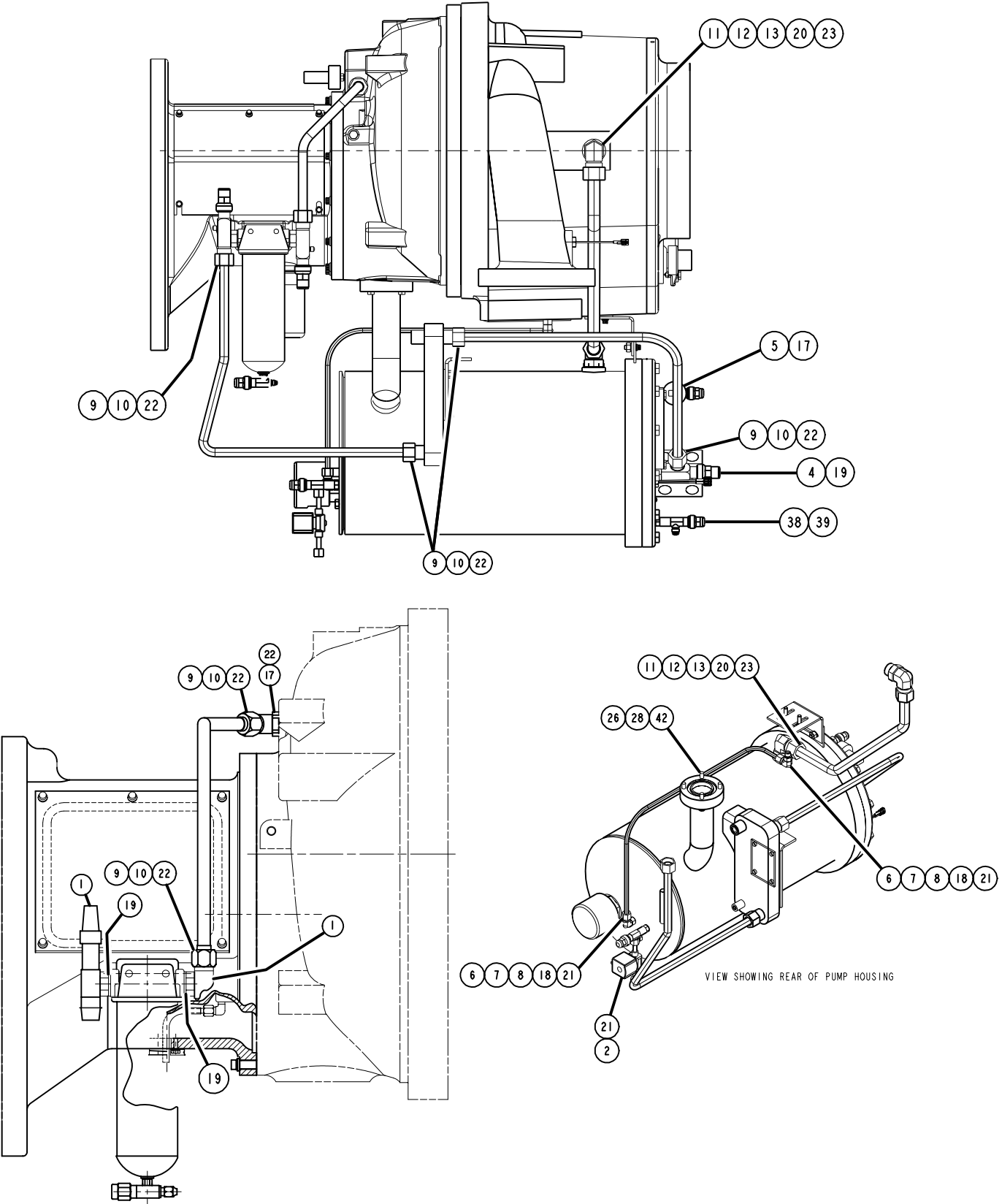


FIG. 34 – P & Q COMPRESSOR OIL FITTINGS



**GEAR SETS****TABLE 12 – HF & HE GEAR SETS**

<b>MODELS YDHF-39 - HF52</b>	
<b>SPEED CODE</b>	<b>PART NO.</b>
<b>WA</b>	029-14400-053
<b>WB</b>	029-14400-054
<b>WC</b>	029-14400-055
<b>WD</b>	029-14400-056
<b>WE</b>	029-14400-057
<b>WF</b>	029-14400-058
<b>WG</b>	029-14400-059
<b>WH</b>	029-14400-060
<b>WJ</b>	029-14400-061
<b>WK</b>	029-14400-062
<b>WL</b>	029-14400-063
<b>WM</b>	029-14400-064
<b>WN</b>	029-14400-065
<b>WP</b>	029-14400-066
<b>WQ</b>	029-14400-067
<b>WR</b>	029-14400-068
<b>WS</b>	029-14400-069
<b>WT</b>	029-14400-070
<b>WU</b>	029-14400-071
<b>WV</b>	029-14400-072
<b>WW</b>	029-14400-073
<b>WX</b>	029-14400-074
<b>WY</b>	029-14400-075
<b>WZ</b>	029-14400-076
<b>XA</b>	029-14400-077
<b>XB</b>	029-14400-078
<b>XC</b>	029-14400-079
<b>XD</b>	029-14400-080
<b>XE</b>	029-14400-081
<b>XF</b>	029-14400-082
<b>XG</b>	029-14400-083
<b>XH</b>	029-14400-084

<b>MODELS YDHE 46 - 67</b>	
<b>SPEED CODE</b>	<b>PART NO.</b>
<b>RA</b>	029-14400-150
<b>RB</b>	029-14400-151
<b>RC</b>	029-14400-152
<b>RD</b>	029-14400-153
<b>RE</b>	029-14400-154
<b>RF</b>	029-14400-155
<b>RG</b>	029-14400-156
<b>RH</b>	029-14400-157
<b>RI</b>	029-14400-158
<b>RJ</b>	029-14400-159
<b>RK</b>	029-14400-160
<b>RL</b>	029-14400-161
<b>RM</b>	029-14400-162
<b>RN</b>	029-14400-163
<b>RO</b>	029-14400-164
<b>RP</b>	029-14400-165
<b>RQ</b>	029-14400-166
<b>RR</b>	029-14400-167
<b>RS</b>	029-14400-168
<b>RT</b>	029-14400-169
<b>RU</b>	029-14400-170
<b>RV</b>	029-14400-171
<b>RW</b>	029-14400-172
<b>RX</b>	029-14400-173
<b>RY</b>	029-14400-174
<b>RZ</b>	029-14400-175
<b>SA</b>	029-14400-176
<b>SB</b>	029-14400-177
<b>SC</b>	029-14400-178
<b>SD</b>	029-14400-179
<b>SE</b>	029-14400-180
<b>SF</b>	029-14400-181
<b>SG</b>	029-14400-182
<b>SH</b>	029-14400-183

**HE 46 O-RING KIT  
PART NO. 464-49800-000**

Item †	Description	Qty.	Part Number
18	O-RING, 7" I.D.	1	028-12550-000
69	O-RING, 24.462" I.D.	1	028-13847-000
70	O-RING, 4-1/8" I.D.	1	028-12205-000
72	O-RING, 18" I.D.	1	028-12257-000
75	O-RING, 26.623" I.D.	1	028-13846-000
86	O-RING, 5/16" I.D.	4	028-12513-000

**HE 62 & 67 O-RING KIT  
PART NO. 464-50762-000**

Item †	Description	Qty.	Part Number
18	O-RING, 7" I.D.	1	028-12550-000
69	O-RING, 24.462" I.D.	1	028-13847-000
70	O-RING, 4 1/8" I.D.	1	028-12205-000
72	O-RING, 22" ID X 22-1/2" OD	1	028-14406-000
75	O-RING, 26.623" I.D.	1	028-13846-000
86	O-RING, 5/16" I.D.	3	028-12513-000

**HE BEARING KIT  
PART NO. 464-49801-000**

Item *	Description	Part Number
8	BEARING, H.S. – REAR	064-49164-000
9	BEARING, L.S. – REAR	064-49162-000
10	BEARING, L.S. – FRONT	064-49161-000
11	BEARING, H.S. – FORWARD THRUST	029-22451-000
13	COLLAR, H.S. – THRUST	064-50392-001
14	COLLAR, L.S. – THRUST	064-49158-000
65	BEARING, H.S. – FRONT	029-22450-000
93	BEARING, L.S. – THRUST	029-22450-000

**HF 39 & 42 O-RING KIT  
PART NO. 464-50180-000**

Item †	Description	Qty.	Part Number
82	O-RING, 5/16" I.D.	3	028-12513-000
83	O-RING, .301" I.D.	2	028-12209-000
84	O-RING, 2" I.D.	3	028-14419-000
85	O-RING, 3-1/4" I.D.	2	028-14420-000
86	O-RING, 5-1/4" I.D.	1	028-14403-000
89	O-RING, 3-1/2" I.D.	1	028-14404-000
90	O-RING, 4-3/8" I.D.	1	028-13111-000
91	O-RING, 6" I.D.	1	028-14405-000
92	O-RING, 12" I.D.	1	028-14411-000
93	O-RING, 20" I.D.	1	028-14413-000
94	O-RING, 19" I.D.	1	028-14414-000
95	O-RING, 22" I.D.	1	028-14406-000
96	O-RING, .351" I.D.	2	028-13832-000
97	O-RING, .468" I.D. X .078"	7	028-11195-000
98	O-RING, .468" I.D. X .087"	1	028-12961-004
99	O-RING, 1.171" I.D. X .116"	1	028-12961-008

**HF 40 & 44 O-RING KIT  
PART NO. 464-50155-000**

Item †	Description	Qty.	Part Number
82	O-RING, 5/16" I.D.	3	028-12513-000
83	O-RING, .301" I.D.	2	028-12209-000
84	O-RING, 2" I.D.	3	028-14419-000
85	O-RING, 3-1/4" I.D.	2	028-14420-000
86	O-RING, 5-1/4" I.D.	1	028-14403-000
89	O-RING, 3-1/2" I.D.	1	028-14404-000
90	O-RING, 4-3/8" I.D.	1	028-13111-000
91	O-RING, 6" I.D.	1	028-14405-000
92	O-RING, 13" I.D.	1	028-14412-000
93	O-RING, 20" I.D.	1	028-14413-000
94	O-RING, 19" I.D.	1	028-14414-000
95	O-RING, 22" I.D.	1	028-14406-000
96	O-RING, .351" I.D.	2	028-13832-000
97	O-RING, .468" I.D. X .078"	7	028-11195-000
98	O-RING, .468" I.D. X .087"	1	028-12961-004
99	O-RING, 1.171" I.D.	1	028-12961-008

**HF41 O-RING KIT  
PART NO. 464-50434-000**

Item †	Description	Qty.	Part Number
82	O-RING, 5/16" I.D.	3	028-12513-000
83	O-RING, .301" I.D.	2	028-12209-000
84	O-RING, 2" I.D.	3	028-14419-000
85	O-RING, 3-1/4" I.D.	2	028-14420-000
86	O-RING, 5-1/4" I.D.	1	028-14403-000
89	O-RING, 3-1/2" I.D.	1	028-14404-000
90	O-RING, 4-3/8" I.D.	1	028-13111-000
91	O-RING, 6" I.D.	1	028-12257-000
92	O-RING, 18" ID X 18 1/4" O.D.	1	028-12257-000
93	O-RING, 19.719" I.D.	1	028-12227-000
95	O-RING, 22" I.D.	1	028-14406-000
96	O-RING, .351" I.D.	2	028-13832-000
98	O-RING, .468" I.D. X .087"	1	028-12961-004
99	O-RING, 1.171" I.D. X .116"	1	028-12961-008

**HF 52 O-RING KIT  
PART NO. 464-50435-000**

Item †	Description	Qty.	Part Number
18	O-RING, 7" I.D.	1	028-12550-000
69	O-RING, 24.462" I.D.	1	028-13847-000
70	O-RING, 4 1/8" I.D.	1	028-12205-000
72	O-RING, 15" I.D.	1	028-15063-000
75	O-RING, 26.623" I.D.	1	028-13846-000
86	O-RING, 5/16" I.D.	3	028-12513-000

**HF BEARING KIT  
PART NO. 464-50154-000**

Item *	Description	Part Number
2	BEARING, H.S. – FORWARD THRUST	029-22936-000
3	BEARING, H.S. – FRONT	064-50065-000
4	BEARING, H.S. – REAR	064-50064-000
6	BEARING, L.S. – FRONT	064-50085-000
7	BEARING, L.S. – THRUST	029-22935-000
8	BEARING, L.S. – REAR	064-50084-000
16	COLLAR, H.S. – THRUST	064-49636-001
18	COLLAR, L.S. – THRUST	064-49637-000

## COMPOUNDS & ABRASIVES

Description	Part Number
CROCUS CLOTH	041-02729-000
GARNET PAPER 180 GRIT	041-10057-000
MOLYKOTE (2 OZ CAN)	364-21508-000
REMOVABLE THREAD SEALER	013-01678-000
PERMENT THREAD LOCKER	013-01671-000
REFRIGERANT PIPE SEALER	013-02894-000
PRIMER FOR THREAD SEALERS	013-01753-000

## 50 - 60 HERTZ MOTORS

Refer to motor nameplate for specific motor information.

**NOTES**

**NOTES**



P.O. Box 1592, York, Pennsylvania USA 17405-1592  
Copyright © by YORK International Corporation 2005  
Form 160.73-RP2 (305)  
Supersedes: 160.73-RP2 (203)

Tele. 800-861-1001  
[www.york.com](http://www.york.com)

Subject to change without notice. Printed in USA  
ALL RIGHTS RESERVED