



**HLA** *SNOW*

20 HP

30

40

50

60

70

80

90

100

110



## 1000 series snowblade

- 35 Degree Angle
- Available with manual or hydraulic angling
- Q-tach or direct fit to accept most makes of loaders
- Replaceable, Reversible Cutting Edge
- High Tensile AR400 Skid Shoes
- Spring-trip Moldboard
- Lateral Float
- Clearing width approx. 1.5' narrower when angled
- 54" - 78" Widths
- 20" High Mould board



### 20 - 35 HORSEPOWER

**MAX OPERATING WEIGHT: 3,000 lbs.**

2000

## 2000 series snowblade

- 35 Degree Angle
- Q-tach or direct fit to accept most makes of loaders
- Replaceable, Reversible Cutting Edge
- High Tensile AR400 Skid Shoes
- Spring-trip Moldboard
- Crossover relief valve
- Lateral Float
- Clearing width approx. 1.5' narrower when angled
- 5' - 8' Widths
- 24" High mould board



### 30 - 50 HORSEPOWER

**MAX OPERATING WEIGHT: 5,000 lbs.**

2500

## 2500 series snowpusher

- Double sidewall eliminates bulky brace
- Replaceable, reversible rubber cutting edge (non-tripping)
- High tensile AR400 adjustable steel skidbars
- 6' - 8' Widths
- 30" High mould board



### 30 - 50 HORSEPOWER

**MAX OPERATING WEIGHT: 5,000 lbs.**



# 3800 series snowpusher

- Double sidewall eliminates bulky brace
- Replaceable, reversible rubber cutting edge (non-tripping)
- High tensile AR400 adjustable steel skidbars
- 10' - 14' Widths
- 38" High mould board



**60 - 125 HORSEPOWER**

**MAX OPERATING WEIGHT: 20,000 lbs.**

## FEATURES



### Replaceable, Reversible Cutting Edge

Our cutting edges are designed to be easily replaceable and are reversible to give you twice the life.



### Adjustable Skid Shoes

Allow you to set cutting depth for optimum performance and prolonged cutting edge life.



### Mould Board Profile

Precision engineered curve rolls and folds snow. This reduces, sticking, side tracking and spill over.



### Crossover Relief Valve (2000 Series only)

Provides protection against hidden obstacles by redirecting hydraulic pressure, swinging the blade around hazards.



### Lateral Float

Allows blade to follow ground contours for better clearing performance.



### Spring-trip Mould Board Blade

Allows blade to trip back if struck by hidden object limiting damage.

## OPTIONS



### Snowblade Marker

Add this to your blade for better visibility and blade position awareness.



### Boron Cutting Edges

Boron long wearing reversible upgrades provide excellent cutting performance for use in mixed gravel, concrete and asphalt situations.

20 HP

30

40

50

60

70

80

90

100

110



3000

3200W

3500

# 3000

## series snowblade

- 35 Degree Angle
- Crossover Relief Valve
- Q-tach or direct fit to accept most makes of loaders
- Replaceable, Reversible Cutting Edge
- High Tensile AR400 Skid Shoes
- Adjustable Lateral Float
- Spring-trip Cutting Edge
- Clearing width approx. 1.5' narrower when angled
- 6' - 9' Widths
- 30" High mould board



## 30 - 80 HORSEPOWER

**MAX OPERATING WEIGHT: 10,000 lbs.**

# 3200W

## series snowwing

- 6' to 9' Main mouldboard widths
- Maximum clearing width 5' wider than main mouldboard width
- Minimum road transport width approx. 9" narrower than main mouldboard width
- Wings 30" deep/wide
- 30" high mouldboard
- 35° angle on main mouldboard
- Relief valve on main angle cylinders
- Qtach or direct fit to accept most makes of loaders
- Replaceable, reversible cutting edge
- High tensile AR400 Skid Shoes
- Adjustable lateral float
- Spring trip cutting edge on main mouldboard
- Relief valve on wings
- Floating edge on endplate
- Infinite wing adjustment from 0°-180°
- Actuator has 8200 in-lb. Torque at 3000 psi - **Patented**
- Tire Protection System - **Patented**



## 50 - 85 HORSEPOWER

**MAX OPERATING WEIGHT: 10,000 lbs.**

# 3500 series snowpusher



- Double sidewall eliminates bulky brace
- Replaceable, reversible steel spring-trip cutting edge
- High tensile adjustable steel skidbars
- 7' - 10' Widths
- 38" High mould board



**30 - 80 HORSEPOWER**

**MAX OPERATING WEIGHT: 15,000 lbs.**

## FEATURES



### Replaceable, Reversible Cutting Edge

Our cutting edges are designed to be easily replaceable and are reversible to give you twice the life.



### Adjustable Skid Shoes

Allow you to set cutting depth for optimum performance and prolonged cutting edge life.



### Mould Board Profile

Precision engineered curve rolls and folds snow. This reduces, sticking, side tracking and spill over.



### Crossover Relief Valve

Provides protection against hidden obstacles by redirecting hydraulic pressure, swinging the blade around hazards.



### Lateral Float

Allows blade to follow ground contours for better clearing performance.



### Spring-trip Mould Board Blade

Allows blade to trip back if struck by hidden object limiting damage.



### Floating End Plate Edge (3200W series Snowwing only)

Floating endplate edges follow surface contour for confident snow clearing.

## OPTIONS



### Snowblade Marker

Add this to your blade for better visibility and blade position awareness.



### Floating Blade Hinge

This option adds a mechanical float to the blade. This allows loaders that don't have a hydraulic float to better follow the surface contour. The float is designed to be simply locked out when not needed by rolling the blade forward.



### Flip Up End Plates

Our exclusive flip up endplates allow you to quickly and easily switch between angle blade and box blade. The end plates also feature spring trips and floating edges.



### Boron or Carbide Cutting Edges

Boron long wearing reversible upgrades provide excellent cutting performance for use in mixed gravel, concrete and asphalt situations. Carbide edges are designed for heavy commercial use, this non reversible cutting edge is suited for heavy duty clearing on concrete or asphalt.

20 HP

30

40

50

60

70

80

90

100

110



4000

4200W

4500

# 4000

## series snowblade



- 35 Degree Angle
- Crossover Relief Valve
- Q-tach or direct fit to accept most makes of loaders
- Replaceable, Reversible Cutting Edge
- High Tensile AR400 Skid Shoes
- Adjustable Lateral Float
- Spring-trip Cutting Edge
- Spring-trip Endplates (optional)
- Clearing width approx. 1.5' narrower when angled
- 9' - 14' Widths
- 34" High mould board



## 60 - 125 HORSEPOWER

MAX OPERATING WEIGHT: 25,000 lbs.

# 4200W

## series snowwing



- 8' to 14' Main mouldboard widths
- Maximum clearing width 6' wider than main mouldboard width
- Minimum road transport width approx. 9" narrower than main mouldboard width
- Wings 36" deep/wide
- 34" high mouldboard
- 35° angle on main mouldboard
- Relief valve on main angle cylinders
- Qtach or direct fit to accept most makes of loaders

- Replaceable, reversible cutting edge
- High tensile AR400 Skid Shoes
- Adjustable lateral float
- Spring trip cutting edge on main mouldboard
- Relief valve on wings
- Floating edge on endplate
- Infinite wing adjustment from 0°-180°
- Actuator has 15000 in-lb. Torque at 3000 psi - **Patented**
- Tire Protection System - **Patented**



## 80 - 150 HORSEPOWER

MAX OPERATING WEIGHT: 25,000 lbs.

# 4500

## series snowpusher



- Replaceable, Reversible Cutting Edge
- High Tensile AR400 Skid Shoes
- Q-tach or direct fit to accept most makes of loaders
- 30" Deep Spring Trip Endplate
- 10' - 12' Widths
- 34" High mould board



## 60 - 125 HORSEPOWER

MAX OPERATING WEIGHT: 25,000 lbs.



## FEATURES



### Replaceable, Reversible Cutting Edge

Our cutting edges are designed to be easily replaceable and are reversible to give you twice the life.



### Crossover Relief Valve

Provides protection against hidden obstacles by redirecting hydraulic pressure, swinging the blade around hazards.



### Floating End Plate Edge

Floating endplate edges follow surface contour for confident snow clearing.



### Skid Shoes

AR400 high tensile Skid Shoes for optimum performance and prolonged cutting edge life.



### Lateral Float

Allows blade to follow ground contours for better clearing performance.



### Spring Trip Endplates (4500 series Snowpusher only)

These HLA exclusive endplates give our box blades added protection and performance. Designed to move out of the way on impact and then spring back in place to keep on clearing.



### Mould Board Profile

Precision engineered curve rolls and folds snow. This reduces, sticking, side tracking and spill over.



### Spring-trip Mould Board Blade

Allows blade to trip back if struck by hidden object limiting damage.

## OPTIONS



### High Tensile Long Wear Skid Shoes

For heavy use situations we suggest our high tensile steel, long wear Skid Shoes. These provide excellent longevity and performance suited for heavy duty clearing on concrete or asphalt.



### Flip Up End Plates (4000 series Snowblade only)

Our exclusive flip up endplates allow you to quickly and easily switch between angle blade and box blade. The end plates also feature spring trips and floating edges.



### Snowblade Marker

Add this to your blade for better visibility and blade position awareness.



### Floating Blade Hinge

This option adds a mechanical float to the blade. This allows loaders that don't have a hydraulic float to better follow the surface contour. The float is designed to be simply locked out when not needed by rolling the blade forward.



### Boron or Carbide Cutting Edges

Boron long wearing reversible upgrades provide excellent cutting performance for use in mixed gravel, concrete and asphalt situations. Carbide edges are designed for heavy commercial use, this non reversible cutting edge is suited for heavy duty clearing on concrete or asphalt.

20 HP

30

40

50

60

70

80

90

100

110



5000

5500

52

# 5000

## series snowblade

- Replaceable, Reversible Cutting Edge
- High Tensile AR400 Skid Shoes
- Q-tach or direct fit to accept most makes of loaders
- 36" Deep Spring Trip Endplate (optional)
- Clearing width approx. 1.5' narrower when angled
- 10' - 16' Widths
- 42" High mould board



## 90 - 200 HORSEPOWER

**MAX OPERATING WEIGHT: 40,000 lbs.**

# 5200W

## series snowwing

- 9' to 16' Main mouldboard widths
- Maximum clearing width 6' wider than main mouldboard width
- Minimum road transport width approx. 9" narrower than main mouldboard width
- Wings 36" deep/wide
- 42" high mouldboard
- 35° angle on main mouldboard
- Relief valve on main angle cylinders
- Qtach or direct fit to accept most makes of loaders
- Replaceable, reversible cutting edge
- High tensile AR400 Skid Shoes
- Adjustable lateral float
- Spring trip cutting edge on main mouldboard
- Relief valve on wings
- Floating edge on endplate
- Infinite wing adjustment from 0°-180°
- Actuator has 15000 in-lb. Torque at 3000 psi - **Patented**
- Tire Protection System - **Patented**



## 110 - 200 HORSEPOWER

**MAX OPERATING WEIGHT: 40,000 lbs.**

# 5500

## series snowpusher

- Replaceable, Reversible Cutting Edge
- High Tensile AR400 Skid Shoes
- Q-tach or direct fit to accept most makes of loaders
- 36" Deep Spring Trip Endplate
- 12' - 16' Widths
- 42" High mould board



## 90 - 200 HORSEPOWER

**MAX OPERATING WEIGHT: 40,000 lbs.**





## FEATURES



### Replaceable, Reversible Cutting Edge

Our cutting edges are designed to be easily replaceable and are reversible to give you twice the life.



### Skid Shoes

AR400 high tensile Skid Shoes for optimum performance and prolonged cutting edge life.



### Mould Board Profile

Precision engineered curve rolls and folds snow. This reduces, sticking, side tracking and spill over.



### Crossover Relief Valve

Provides protection against hidden obstacles by redirecting hydraulic pressure, swinging the blade around hazards.



### Lateral Float

Allows blade to follow ground contours for better clearing performance.



### Spring-trip Mould Board Blade

Allows blade to trip back if struck by hidden object limiting damage.



### Floating End Plate Edge

Floating endplate edges follow surface contour for confident snow clearing.



### Spring Trip Endplates (5500 series Snowpusher only)

These HLA exclusive endplates give our box blades added protection and performance. Designed to move out of the way on impact and then spring back into place to keep on clearing.

## OPTIONS



### High Tensile Long Wear Skid Shoes

For heavy use situations we suggest our high tensile steel, long wear Skid Shoes. These provide excellent longevity and performance suited for heavy duty clearing on concrete or asphalt.



### Snowblade Marker

Add this to your blade for better visibility and blade position awareness.



### Boron or Carbide Cutting Edges

Boron long wearing reversible upgrades provide excellent cutting performance for use in mixed gravel, concrete and asphalt situations.



### Flip Up End Plates (5000 series Snowblade only)

Our exclusive flip up endplates allow you to quickly and easily switch between angle blade and box blade. The end plates also feature spring trips and floating edges.



### Floating Blade Hinge

This option adds a mechanical float to the blade. This allows loaders that don't have a hydraulic float to better follow the surface contour. The float is designed to be simply locked out when not needed by rolling the blade forward.

Carbide edges are designed for heavy commercial use, this non reversible cutting edge is suited for heavy duty clearing on concrete or asphalt.

# HLA SnowWing



## Box Blade

Traditional box blade



## Straight Blade

Up to 6' of extra clearing width when fully extended

## FEATURES



### Rotary Actuators - PATENTED

These rugged units come from the construction industry and deliver 38,700 in. lbs of torque to hold the wings in place.



### Floating End Plate Edges

Floating endplate edges follow the surface contour for confident snow clearing.



### 180° Rotation

Infinitely and independently adjustable, our wings are rugged enough to stay put and give you control of any situation.



### Crossover Relief Valve

Provides protection against hidden obstacles by redirecting hydraulic pressure, swinging the blade around hazards.



The Wingblade design allows you to handily change from a traditional box blade to a straight blade, with the added bonus of extra clearing width. But it doesn't stop there: the endplates are hydraulically-controlled and equipped with industry-proven rotary actuators, giving you rugged and limitless control within the massive 180 degree rotation. This means you can use your blade on an angle with one end open and the other parallel to the direction you are driving. This allows you to get closer to buildings and parking stones with less chance of damage and better clearing results. With the endplates in their full open position, the blade can be used as a reverse box blade allowing you to back drag snow for full clearing even in the tightest of spaces.



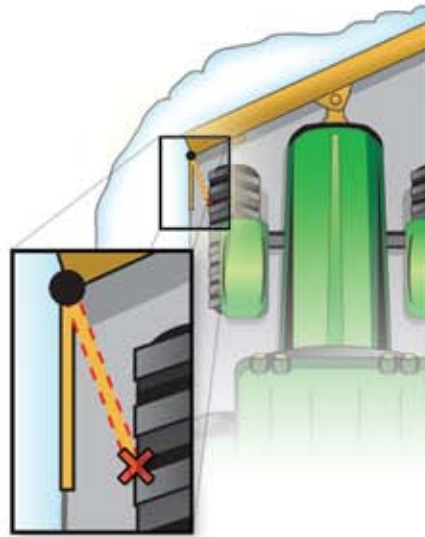
**Minimum Road Transfer Width**

Approx. 9" narrower than main mouldboard width. **PATENTED**



**Reverse Box Blade**

In full position



**Tire Protection System - PATENTED**

Our Tire Protection System means that you get the most out of your Snow Wing while keeping the air in your tires. The system automatically protects from unintended damaging collisions between your front tires and end plates. The end plates are automatically rotated away from the tires so the operator can focus on clearing snow and worry less about damaging equipment.



20 HP 30 40 50 60 70 80 90 100 HP



6-WAY BLADE

# SPEEDY BLADES

## 6-WAY



- Ideal sidewalk blade for compact tractors & skidsteers
- Reversible cutting edge with spring trip
- 35 Degree angle with cross over relief valve protection
- 29" High mouldboard with lateral float
- Boron and Carbide cutting edge optional



**30 - 80 HORSEPOWER**

**MAX OPERATING WEIGHT: 10,000 lbs.**



Scoop



V-Blade



Angle Blade (right & left)

# V-BLADE & HYDRAULIC V-BLADE

## V-Blade

- Replaceable Cutting Edge
- Q-tach or direct fit to accept most makes of loaders

## Hydraulic V-Blade

- Variable plowing widths between 48" & 72" (adjusts hydraulically)
- 24" high mouldboard
- Blade floats independently from loader mount
- Approx. weight: 740 lbs.



### Front Shoe

Front Shoe guides blade over obstacles, avoiding damage to equipment and property.



### Sliding Hinge

Sliding Hinge allows blade to follow contour of surface.

# UNDERCARRIAGE MOUNT

## features



### Power and Control

- Heavy duty parallel linkage for optimum lifting height
- Q-Tach from blade to undermount is standard
- Euro mount standard on the 3000 and 4000 series
- Industrial mount standard on the 5000 series
- Package includes all mounting hardware and hose kits
- Mounts available for most makes, call dealer for details
- Soft ride accumulator

### Parallel Vertical Lift

- Blade remains parallel to ground even at full angle and raised
- Extra height for piling snow



## MODELS

MODEL	PART#	WEIGHT
2000 Series	SB2000DM	400 lbs.
3000 Series	SB3000DM	580 lbs.
4000 Series	SB4000DM	1020 lbs.
5000 Series	SB5000DM	1860 lbs.

## SNOW BUCKET

- 38" Deep
- 32" High
- 60" to 120" Widths (6" increments)



**50 - 125 HORSEPOWER**

**MAX OPERATING WEIGHT: 20,000 lbs.**



**Heavy Duty Grating**

Allows extra visibility for the driver.



# SPECS & CAPABILITIES

## SNOWBLADES

**Part #      Width (in.)      Mould board Height (in.)      Weight (lbs.)**

### 1000 Series Snowblades

SB100054	54	20	300
SB100060	60	20	310
SB100066	66	20	325
SB100072	72	20	335
SB100078	78	20	345



**20-35 HP**

### 2000 Series Snowblades

SB200060	60	24	460
SB200072	72	24	490
SB200078	78	24	505
SB200084	84	24	535
SB200090	90	24	565
SB200096	96	24	595



**30-50 HP**

### 3000 Series Snowblades

SB300006	72	30	750
SB300007	84	30	900
SB300008	96	30	950
SB300009	108	30	1000



**30-80 HP**

### 4000 Series Snowblades

SB400009	108	34	1600
SB400010	120	34	1650
SB400012	144	34	1925
SB400014	168	34	2050



**60-125 HP**

### 5000 Series Snowblades

SB500010	120	42	2130
SB500012	144	42	2405
SB500014	168	42	2720
SB500016	192	42	2960



**90-200 HP**



## SNOWWING

**Part #      Width Closed (in.)      Width Open (in.)      Mould board Height (in.)      Weight (lbs.)**

### 3200W Series Snowwing

SB3200W611	72	132	30	1300
SB3200W712	84	144	30	1360
SB3200W813	96	156	30	1420
SB3200W914	108	168	30	1480



**50-85 HP**

### 4200W Series Snowwing

SB4200W814	93.5	165.5	34	2050
SB4200W915	108	180	34	2090
SB4200W1016	120	192	34	2140
SB4200W1218	144	216	34	2415
SB4200W1420	168	240	34	2540



**80-150 HP**

### 5200W Series Snowwing

SB5200W915	108	180	42	2950
SB5200W1016	120	192	42	3050
SB5200W1218	144	216	42	3320
SB5200W1420	168	240	42	3585
SB5200W1622	192	264	42	3855



**110-200 HP**



# SNOWPUSHERS

**Part #**      **Width (in.)**      **Mould board Height (in.)**      **Weight (lbs.)**

## 2500 Series Snowpushers

SP250072	72	30	525
SP250084	84	30	555
SP250096	96	30	595



**30-50 HP**

## 3500 Series Snowpushers

SP350007	84	38	805
SP350008	96	38	855
SP350009	108	38	905
SP350010	120	38	955



**30-80 HP**

## 3800 Series Snowpushers

SP380010	120	38	1350
SP380012	144	38	1450
SP380014	168	38	1550



**60-125 HP**

## 4500 Series Snowpushers

SP450010	120	34	1800
SP450012	144	34	2075



**60-125 HP**

## 5500 Series Snowpushers

SP550012	144	42	2900
SP550014	168	42	3165
SP550016	192	42	3400



**90-200 HP**

# SPECIALTY BLADES

**Part #**      **Width Closed (in.)**      **Mould board Height (in.)**      **Weight (lbs.)**

## V-Blade

VP48 (Std.)	48	24	405
VP54 (Std.)	54	24	420
VP60 (Std.)	60	24	435
VP4872 (Hyd.)	48-72 (variable)	24	740



**Part #**      **Width Straight (in.)**      **Width Veed (in.)**      **Width Scooped (in.)**      **Mould board Height (in.)**      **Weight (lbs.)**

## 6-Way Blade

SB3600V60	60	55	43	29	640
SB3600V66	66	60	48	29	715
SB3600V72	72	65	53	29	790
SB3600V78	78	70	58	29	865
SB3600V84	84	75	63	29	940



**30-80 HP**





**HORST**  
WELDING

8082 Road 129, R.R.#3  
Listowel, ON, Canada N4W 3G8  
Tel. (519) 291-4162  
Toll Free (866) 567-4162  
Fax (519) 291-5388  
sales@horstwelding.com

[www.horstwelding.com](http://www.horstwelding.com)

**Authorized Dealer:**



2012 HLA Attachments  
Catalog & Price List  
Edney Distributing Co., Inc. 2012

## Ordering Information

---

### To Determine Price

1. First determine Price Code by finding your particular loader or skidsteer model (in back of catalog)
2. Find your particular attachment
3. Use applicable Price Code

Example: For 72" Standard Material Bucket to fit JD 146 loader  
Price Code B  
Price would be \$1166.00

### To Order

1. Combine Part # of attachment with Part # of loader model

Example: For 72" Standard Material Bucket to Fit JD 146 loader  
Part # of bucket is MB72  
Part # of loader is JD146  
Join both numbers (attachment Part # first) to make Part# MB72JD146

### Note

To price HLA attachments less loader mounts, deduct \$128.00 from Price Code A

Although the information presented in this price list is believed to be accurate and reliable, no responsibility for inaccuracies can be assumed by Horst Welding.  
Horst Welding reserves the right at any time to change products, specifications or prices without prior notice.

Printed in Canada.

**Table of Contents**

<b>Index</b> . . . . .	<b>3</b>	<b>Miscellaneous Attachments</b> . . . . .	<b>37</b>
<b>Miscellaneous</b> . . . . .	<b>4</b>	Tilt Attachment . . . . .	37
Cutting Edge . . . . .	4	Three Point Hitch Adapter . . . . .	37
Hydraulics . . . . .	4	PTO Adapter 3 Point Hitch . . . . .	37
Replacement Parts . . . . .	4	Hydraulic Limb Saw . . . . .	38
Tines . . . . .	5	Backhoe - Big Arm Skidsteer . . . . .	38
<b>Adapters</b> . . . . .	<b>8</b>	Hydraulic Rotary Broom . . . . .	39
<b>Chuck Adapters</b> . . . . .	<b>11</b>	Hydraulic Hammer . . . . .	39
<b>Bale Spears</b> . . . . .	<b>12</b>	<b>Pallet Forks</b> . . . . .	<b>40</b>
Single Three Point Hitch Spear . . . . .	12	Bucket Pallet Fork . . . . .	40
Double Three Point Hitch Spear . . . . .	12	Light Duty Pallet Fork . . . . .	40
Single Prong Bucket Spear . . . . .	12	Heavy Duty Pallet Fork . . . . .	40
Double Prong Bucket Spear . . . . .	13	Heavy Duty Pallet Fork . . . . .	41
Single Prong Bale Spear . . . . .	13	Rotating Pallet Fork . . . . .	42
Double Prong Bale Spear . . . . .	14	Side Shift Pallet Fork . . . . .	42
Double Prong Bale Spear c/w Guard . . . . .	14	Log Grapple . . . . .	43
Three Prong Bale Spear . . . . .	14	Power Tine Pallet Fork . . . . .	43
Three Prong Bale Spear c/w Guard . . . . .	15	Pallet Fork Tine Extensions . . . . .	43
Three Prong Bale Spear c/w Adjustable Guard . . . . .	15	<b>Rubber Scrapers</b> . . . . .	<b>44</b>
Four Prong Bale Spear c/w Adjustable Guard . . . . .	15	Rubber Feed Alley Scraper . . . . .	44
<b>Bale Grapples</b> . . . . .	<b>16</b>	Heavy Duty Rubber Free Stall Scraper . . . . .	44
<b>Bale Slicer</b> . . . . .	<b>16</b>	<b>Side Discharge Buckets</b> . . . . .	<b>45</b>
<b>Manure Forks</b> . . . . .	<b>17</b>	<b>Silage Facers</b> . . . . .	<b>46</b>
<b>Stone Forks</b> . . . . .	<b>18</b>	<b>Silage Grapple Bucket</b> . . . . .	<b>47</b>
<b>Tooth Bars</b> . . . . .	<b>19</b>	<b>Silage Blades</b> . . . . .	<b>47</b>
<b>Tree Spades</b> . . . . .	<b>20</b>	<b>Dirt Blades</b> . . . . .	<b>48</b>
<b>Telescopic Boom Poles</b> . . . . .	<b>20</b>	<b>Weight Box 3 Point Hitch</b> . . . . .	<b>48</b>
<b>Buckets</b> . . . . .	<b>21</b>	<b>Snow Removal</b> . . . . .	<b>51</b>
Compact Utility Bucket . . . . .	21	V-Blade . . . . .	51
Low Profile Skidsteer Bucket . . . . .	22	3600 Series 6-Way Snow Blade . . . . .	51
Low Profile Skidsteer Bucket c/w Digging Teeth . . . . .	23	4600 Series 6-Way Snow Blade . . . . .	51
Standard Front End Loader Bucket . . . . .	24	1000 Series Snow Blade . . . . .	52
Standard Skidsteer Bucket . . . . .	25	2500 Series Snow Pusher . . . . .	52
High Volume Front End Loader Bucket . . . . .	26	3800 Series Snow Pusher . . . . .	53
High Volume Skidsteer Bucket . . . . .	27	2000 Series Snow Blade . . . . .	53
High Volume Skidsteer Snow Bucket . . . . .	28	3500 Series Snow Pusher . . . . .	54
Produce Skidsteer Bucket . . . . .	28	3000 Series Snow Blade . . . . .	54
Telescopic Handler Bucket . . . . .	29	3200 Series Snow Wing . . . . .	55
4 - In - 1 Bucket . . . . .	30	4500 Series Snow Pusher . . . . .	56
High Dump Bucket . . . . .	30	4000 Series Snow Blade . . . . .	56
<b>Grapples</b> . . . . .	<b>31</b>	4200 Series Snow Wing . . . . .	57
Debris Grapple Fork . . . . .	31	5500 Series Snow Pusher . . . . .	58
Scrap Grapple Bucket . . . . .	31	5000 Series Snow Blade . . . . .	58
Regular Utility Grapple Packages . . . . .	32	5200 Series Snow Wing . . . . .	59
Compact Utility Grapple . . . . .	34	Rear 3PH Mount . . . . .	60
Regular Utility Grapple . . . . .	34	Back Drag Option . . . . .	60
Large Utility Grapple . . . . .	34	<b>Skid Shoes &amp; Cutting Edges</b> . . . . .	<b>61</b>
Root Rake c/w Grapple . . . . .	35	<b>Undercarriage Tractor Mounts</b> . . . . .	<b>63</b>
Barrel Grapple . . . . .	36	<b>Undercarriage Order Mounting Codes</b> . . . . .	<b>64</b>
Skidsteer Rotating Utility Grapple . . . . .	36	<b>Loader Order Mounting Codes</b> . . . . .	<b>68</b>
		<b>Skidsteer Order Mounting Codes</b> . . . . .	<b>83</b>

# Miscellaneous

Cutting Edge	UOM	Part #	Price
1/2 X 4 Single Bevel Weld On Cutting Edge	ft	124CE	\$16.00
3/4 X 4 Single Bevel Weld On Cutting Edge	ft	344CE	\$22.00
3/4 X 6 Single Bevel Weld On Cutting Edge	ft	346CE	\$36.00
1 1/2 X 6 Dura-Blade Rubber Edge (Fits 2500 Series Pushers)	ft	16PUCE	\$64.00
1 1/2 X 10 Dura-Blade Rubber Edge (Fits 3800 Series Pushers)	ft	158PUCE	\$90.00
1 X 6 Poly Edge	ft	16PY	\$64.00
1 1/2 X 8 Poly Edge	ft	158PY	\$90.00

Hydraulics	UOM	Part #	Price
50/50 Flow Divider / Combiner Valve (40L/Min / 10.5 Gpm)	ea	FLDV40	\$205.00
Cross Over Relief Valve For Snow Blade Sae #8	ea	SB2000RV	\$237.00
2 1/2 X 8 Welded Cylinder Short (Used On 4-In-1 Bucket, 3-Point SS Bucket, 2000 & 3000 Series Blade 2006 & Later)	ea	CYL258S	\$250.00
2 1/2 X 8 Welded Cylinder Long (Used On Log Grapple, Ut Grapple, 3000 & 4000 Series Blade, 2000 Series Blade 2005 & Earlier)	ea	CYL258L	\$250.00
2 1/2 X 16 Welded Cylinder (Used On Backhoe Bucket)	ea	CYL2516	\$391.00
3 X 8 Welded Cylinder (Used On Under Mounts & Wingblades)	ea	CYL38	\$365.00
3 1/2 X 3 X 8 Welded Cylinder (Used On 5000 Series Under Mounts)	ea	CYL358L	\$564.00
3 X 16 Welded Cylinder (Used On Silage & 5000 Series Blade)	ea	CYL316	\$448.00
90" Hose Kit c/w Flat Faced Couplers	ea	HK90	\$237.00
12 Volt Single Electric Selector Valve Only/Less Wiring	ea	EDV612	\$384.00
12 Volt Double Electric Selector Valve Only/Less Wiring	ea	DEDV612	\$800.00
Single Electric Selector Valve Kit (Includes Wiring Kit & Switch) 12 V	ea	EDV6K12	\$551.00
Single Electric Selector Valve Kit (Includes Wiring Kit & Switch) 24 V	ea	EDV6K24	\$551.00
Double Electric Selector Valve Kit (Includes Wiring Kit & Switch) 12 V	ea	DEDV6K12	\$1,108.00
Double Electric Selector Valve Kit (Includes Wiring Kit & Switch) 24 V	ea	DEDV6K24	\$1,108.00

Replacement Parts	UOM	Part #	Price
Replacement Loader Pins (Most Sizes)	ea	LPI	\$20.00
Replacement Loader Pins With Grease Fittings (Most Sizes)	ea	LPIGR	\$39.00
Replacement JD 640 Latch Pin	ea	LPJD640	\$39.00
Replacement JD 640 Latch Pin Kit Complete	ea	LPKJD640	\$77.00
Replacement Rubber For Freestall Scrapers (All Sizes -Specify Width)	ea	RSR	\$231.00
Replacement Rubber For HD Freestall Scrapers (All Sizes -Specify Width)	ea	RSHR	\$692.00
Large Replacement Ripper Tooth	ea	RTLRL	\$45.00
Flex Pin For Large Ripper Tooth	ea	RTFP	\$13.00
Small Replacement Ripper Tooth (For Tooth Bar & Back Hoe)	ea	RTSR	\$13.00
Roll Pin For Small Ripper Tooth	ea	RTRP	\$3.00
Replacement Poly Wafer (For Hydraulic Rotary Broom)	ea	BRP26	\$23.00
Replacement Wire Wafer (For Hydraulic Rotary Broom)	ea	BRW26	\$31.00

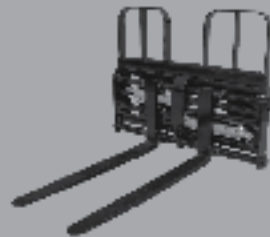
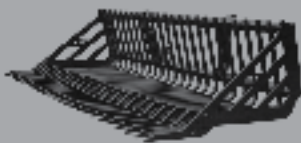
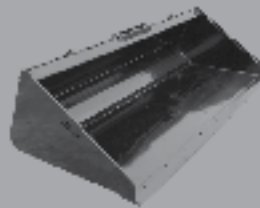
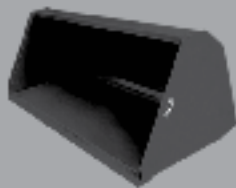
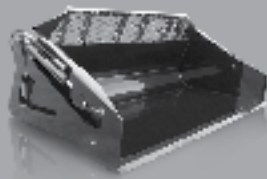
## Miscellaneous

Tines	UOM	Part #	Price
3/4" X 2" X 26" Flat Tine Used In LDF Manure Fork	ea	LDF226	\$71.00
3/4" X 2" X 34" Flat Tine Used In MFH Manure Fork	ea	MFH234	\$77.00
Bolt On Clip For Bucket Tine	ea	MFHUC	\$7.00
32" Conus I Cranked Kverneland Tine Used In LDFE Manure Fork	ea	MFEC32	\$72.00
32" Conus I Straight Kverneland Tine	ea	MFE32	\$72.00
35" Conus I Cranked Kverneland Tine Used In MFE Manure Fork	ea	MFE35	\$72.00
Conus I Sleeve	ea	MFESL	\$20.00
Conus I Nut	ea	MFENU	\$16.00
32" Conus II Straight Kverneland Tine Used In Bale Spear	ea	SDE32	\$84.00
39" Conus II Straight Kverneland Tine Used In Bale Spear	ea	SDE39	\$96.00
49" Conus II Straight Kverneland Tine Used In Bale Spear	ea	SDE49	\$116.00
55" Conus II Straight Kverneland Tine Used In Bale Spear	ea	SDE55	\$205.00
14" Stabilizer Tine Used In Bale Spear	ea	SDE16	\$58.00
Conus II Sleeve	ea	SDESL	\$20.00
Conus II Nut	ea	SDENU	\$26.00
39" Conus II Cranked Kverneland Tine Used In Stone Fork & Debris Grapple Fork	ea	SF39	\$122.00
36" Tine For LD35 Pallet Fork	ea	LD36	\$116.00
42" Tine For LD35 Pallet Fork	ea	LD42	\$122.00
36" Tine For HD20 Pallet Fork	ea	HD236	\$135.00
42" Tine For HD20 Pallet Fork	ea	HD242	\$154.00
48" Tine For HD20 Pallet Fork	ea	HD248	\$160.00
42" Tine For HD37 Pallet Fork	ea	HD342	\$205.00
48" Tine For HD37 Pallet Fork	ea	HD348	\$224.00
42" Tine For HD55 Pallet Fork	ea	HD542	\$212.00
48" Tine For HD55 Pallet Fork	ea	HD548	\$231.00
54" Tine For HD55 Pallet Fork	ea	HD554	\$301.00
48" Tine For HD95 Pallet Fork	ea	HD948	\$589.00
54" Tine For HD95 Pallet Fork	ea	HD954	\$666.00
60" Tine For HD95 Pallet Fork	ea	HD960	\$832.00
Latch Kit For All HD Pallet Fork Tines	ea	HDLK	\$32.00
6' Pallet Fork Tine Extensions (Fits HD37 & HD55 Forks)	ea	HDEX6	\$320.00
8' Pallet Fork Tine Extensions (Fits HD37 & HD55 Forks)	ea	HDEX8	\$429.00



HAVING ONLY ONE  
**ATTACHMENT**  
IS LIKE HAVING ONLY  
**ONE DRILL BIT**

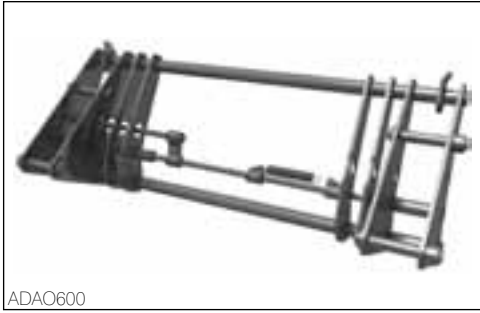




[hlaattachments.com](http://hlaattachments.com)

# Adapters

Build to spec adapters available: To accept choice of attach/to fit choice of loader.  
 Example: Attachment side JD 245/loader side JD 640. Call for pricing.



ADAO600

- Compatible to Euro tool carrier attachments such as the Alo / Quicke
- Convenient single handle release with spring return on lock pins
- Comes complete with new pins
- Approximate weight: 130 lbs

Euro Quick Fit Plate	UOM	Part #	Price Code			
			A	B	C	D
Euro Quick Fit Plate	ea	ADAO600	\$1,101.00	\$1,101.00	\$1,376.00	\$1,376.00
Optional Hydraulic Activated	ea	ADAO600CY	\$436.00			
Alo/Euro Weld On Kit	ea	WOKAO600	\$160.00			



HDQF15

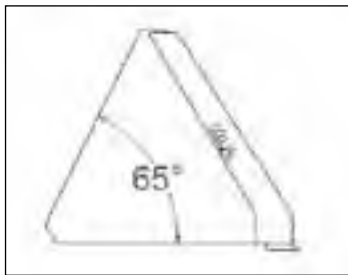
- Fast change of industrial attachments
- (Lever lock or optional hydraulic lock)
- Horizontal locking pins
- Comes complete with new pins
- Approximate weight: 325 lbs

Horst Industrial Quick Fit Plate (To Fit Tractor Loader Backhoe)	UOM	Part #	Price
Horst Industrial TLB Quick Fit Adapter Plate	ea	HDQF15	\$2,452.00
Horst Industrial TLB Quick Fit Adapter Plate (Hydraulic Activated)	ea	HDQF25	\$3,296.00
Factory Installed TLB Quick Fit Conversion	ea	BC15	\$1,824.00
Attachments To Fit Industrial TLB Quick Fit (Use Column D + \$154.00)	ea	HDQF	
Set of Industrial TLB Quick Fit Weld On Hooks	ea	WOKHDQF	\$724.00
Set of Industrial TLB Quick Fit Weld On Hooks (To Fit Profile Of Bucket Back)	ea	WOKHDQFB	\$1,018.00

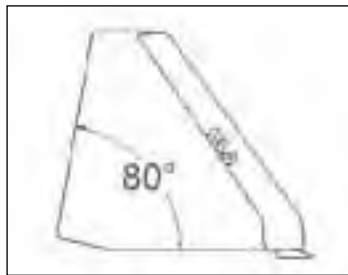


# Adapters

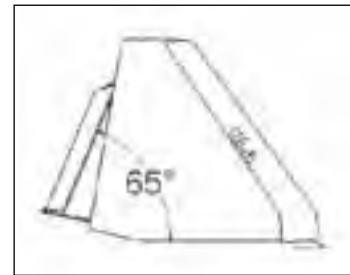
Universal quick fit plates are designed to work with 65° skidsteer slope buckets. If converting a front end loader bucket to accept the adapter, the weld-on kit must be welded on at 65° to achieve the correct roll back and dump.



Most standard skidsteer buckets



Most standard front end loader buckets



Placement of weld-on kit

Weld-on kits are one or two piece, depending on loader mount configuration.

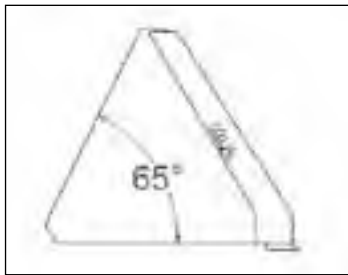


Weld-on Kits (applicable to Price Codes)	UOM	Part #	Price Code			
			A	B	C	D
Weld-on Kit	ea	WOK	\$218.00	\$340.00	\$384.00	\$538.00

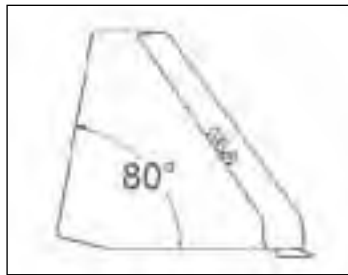
Weld-on Kits (NOT applicable to Price Codes)	UOM	Part #	Price
ALO QTach Weld-on Kit	ea	WOKAO600	\$160.00
ALO 500 Series QTach Weld-on Kit	ea	WOKAO500	\$167.00
Universal Skidsteer Weld-on Kit	ea	WOKBO500	\$160.00
Universal Skidsteer Weld-on Kit c/w 15° Kickout	ea	WOKBO500K	\$218.00
Universal Skidsteer Weld-on Kit Heavy Duty	ea	WOKBO500HD	\$295.00
Hardy 85DL QTach Weld-on Kit	ea	WOKHA85QT	\$167.00
Hardy 35 QTach Weld-on Kit	ea	WOKHA35QT	\$167.00
Horst QFit Weld-on Kit	ea	WOKHOQF	\$167.00

# Adapters

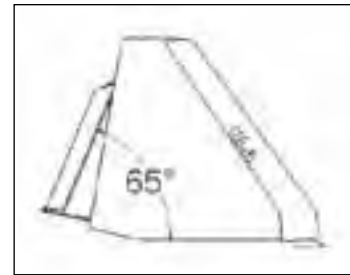
Universal quick fit plates are designed to work with 65° skidsteer slope buckets. If converting a front end loader bucket to accept the adapter, the weld-on kit must be welded on at 65° to achieve the correct roll back and dump.



Most standard skidsteer buckets



Most standard front end loader buckets



Placement of weld-on kit



BOQF10

- 3500 lbs capacity
- Compatible to universal skidsteer attachments
- Spring-loaded over-centre lever lock
- Comes complete with new pins
- Ideal for compact to mid-size loaders
- Approximate weight: 135 lbs

Regular Duty Universal Skidsteer Quick Fit Plate	UOM	Part #	Price Code			
			A	B	C	D
Regular Duty Universal Quick Fit Plate	ea	BOQF10	\$871.00	\$871.00	\$1,236.00	\$1,236.00
Optional Hydraulic Activated	ea	BOQF10CY	\$436.00			
Universal Skidsteer Weld-on Kit	ea	WOKBO500	\$160.00			



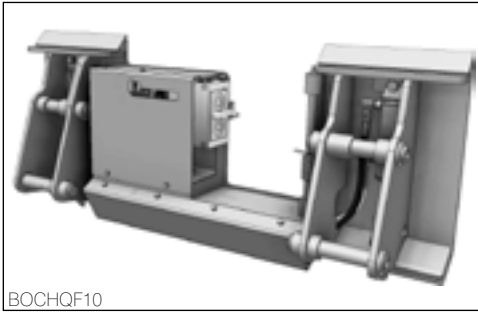
BOQF10H

- 5500 lbs capacity
- Same features as above regular duty
- Universal quick fit plate
- Ideal for mid-size to industrial loaders
- Comes complete with new pins
- Approximate weight: 250 lbs

Heavy Duty Universal Skidsteer Quick Fit Plate	UOM	Part #	Price Code			
			A	B	C	D
Heavy Duty Universal Quick Fit Plate	ea	BOQF10H	\$1,236.00	\$1,236.00	\$1,236.00	\$1,236.00
Optional Hydraulic Activated	ea	BOQF10CY	\$436.00			
Universal Skidsteer Weld-on Kit	ea	WOKBO500	\$160.00			
Optional 90" Hose Kit c/w Flat Faced Couplers	ea	HK90	\$237.00			

# Chuck Adapters

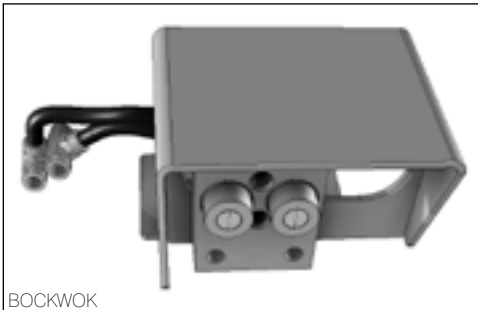
Universal skidsteer quick fit plate with hydraulic locking pins and the “chuck” feature of automatic 3rd function auxiliary engaging and disengaging



BOCHQF10

- 5500 lbs capacity
- Comes complete with new pins
- Ideal for all skidsteers and mid-size to industrial loaders
- Approximate weight: 325 lbs

HLA Chuck Adapter	UOM	Part #	Price Code			
			A	B	C	D
Universal Quick Fit Plate with “Chuck” Feature	ea	BOCHQF10	\$4,468.00	\$4,468.00	\$4,468.00	\$4,468.00



BOCKWOK

- Chuck receiver to add to tools and implements which accept the “Chuck ready” quick fit plates
- Can be factory installed or field installed on either HLA or other brand tools and implements
- Approximate weight: 35 lbs

HLA Chuck Receiver	UOM	Part #	Price
Chuck Receiver	ea	BOCKWOK	\$628.00

**NOTE:** To price an HLA product out of this catalog to be “Chuck Ready” add the part # BOCKWOK and the price of \$628.00 to your desired item.

# Bale Spears



SE3PH39

- Fits both CAT I & II
- Kverneland tine
- 2 stabilizer tines
- 2000 lbs capacity @ 24" L.C.
- Available with 39" or 49" tine
- Approximate weight: 77 lbs

Single Three Point Hitch Spear	UOM	Part #	Price
39" Tine (34" Useable Length)	ea	SE3PH39	\$314.00
49" Tine (44" Useable Length)	ea	SE3PH49	\$333.00



DE3PH39

- Fits both CAT I & II
- Kverneland tine
- Available with 39" or 49" tine
- Approximate weight: 106 lbs

Double Three Point Hitch Spear	UOM	Part #	Price
39" Tine (34" Useable Length)	ea	DE3PH39	\$461.00
49" Tine (44" Useable Length)	ea	DE3PH49	\$500.00



BS4039

- Kverneland tine
- 2000 lbs capacity @ 24" L.C.
- Adaptable to most buckets
- No tools or bolts needed
- Comes with chain & tightener
- Approximate weight: 90 lbs

Single Prong Bucket Spear	UOM	Part #	Price
39" Tine (34" Useable Length)	ea	BS4039	\$442.00



BSD4039

- Kverneland tines @ 30" spacing
- Same as above but with extra tine to handle large square bales
- Approximate weight: 120 lbs

Double Prong Bucket Spear	UOM	Part #	Price
39" Tine (34" Useable Length)	ea	BSD4039	\$615.00



SE5039

- Kverneland tine
- Easy stabbing & removal
- 2000 lbs capacity @ 24" L.C.
- Available with 39" or 49" tine
- Two stabilizer tines
- Approximate weight: 150 lbs

Single Prong Bale Spear (European Style)	UOM	Part #	Price Code			
			A	B	C	D
39" Tine (34" Useable Length)	ea	SE5039	\$500.00	\$622.00	\$666.00	\$820.00
49" Tine (44" Useable Length)	ea	SE5049	\$520.00	\$642.00	\$686.00	\$840.00

# Bale Spears



DE5039

- Kverneland tines @ 30" spacing
- Works well for either round bales or large square bales
- Not to be used for carrying 2 bales stacked on top of each other
- Available with 32", 39" or 49" tines
- Approximate weight: 180 lbs

Double Prong Bale Spear (European Style)	UOM	Part #	Price Code			
			A	B	C	D
32" Tine (27" Useable Length)	ea	DE5032	\$640.00	\$762.00	\$806.00	\$960.00
39" Tine (34" Useable Length)	ea	DE5039	\$664.00	\$786.00	\$830.00	\$984.00
49" Tine (44" Useable Length)	ea	DE5049	\$704.00	\$826.00	\$870.00	\$1,024.00



DE5539

- Same as above except with bolt-on guard
- Added protection for handling large square bales 2 high
- **Safety foot for roll over protection while in storage position**
- 50" overall height
- Available with 32", 39" or 49" tines
- Approximate weight: 290 lbs

Double Prong Bale Spear c/w Guard (European Style)	UOM	Part #	Price Code			
			A	B	C	D
32" Tine c/w Guard (27" Useable Length)	ea	DE5532	\$884.00	\$1,006.00	\$1,050.00	\$1,204.00
39" Tine c/w Guard (34" Useable Length)	ea	DE5539	\$908.00	\$1,030.00	\$1,074.00	\$1,228.00
49" Tine c/w Guard (44" Useable Length)	ea	DE5549	\$948.00	\$1,070.00	\$1,114.00	\$1,268.00
Bolt On Guard Only	ea	GU	\$244.00			



TE5039

- Kverneland tines @ 23" spacing
- Made to handle large 4' x 4' x 8' square bales
- Not to be used for carrying 2 bales stacked on top of each other
- Available with 32", 39" or 49" tines
- Approximate weight: 240 lbs

Three Prong Bale Spear (European Style)	UOM	Part #	Price Code			
			A	B	C	D
32" Tine (27" Useable Length)	ea	TE5032	\$788.00	\$910.00	\$954.00	\$1,108.00
39" Tine (34" Useable Length)	ea	TE5039	\$824.00	\$946.00	\$990.00	\$1,144.00
49" Tine (44" Useable Length)	ea	TE5049	\$884.00	\$1,006.00	\$1,050.00	\$1,204.00



TE5539

- Same as above except with bolt-on guard
- Added protection for handling large square bales 2 high
- **Safety foot for roll over protection while in storage position**
- 50" overall height
- Available with 32", 39" or 49" tines
- Approximate weight: 350 lbs

Three Prong Bale Spear c/w Guard (European Style)	UOM	Part #	Price Code			
			A	B	C	D
32" Tine c/w Guard (27" Useable Length)	ea	TE5532	\$1,032.00	\$1,154.00	\$1,198.00	\$1,352.00
39" Tine c/w Guard (34" Useable Length)	ea	TE5539	\$1,068.00	\$1,190.00	\$1,234.00	\$1,388.00
49" Tine c/w Guard (44" Useable Length)	ea	TE5549	\$1,128.00	\$1,250.00	\$1,294.00	\$1,448.00
Bolt On Guard Only	ea	GU	\$244.00			



TE55039

- 50" high frame with adjustable guard posts for safe handling of large square bales up to 3 high
- **Safety foot for roll over protection while in storage position**
- Extended height of 84"
- Retracted height of 50"
- Available with 32", 39" or 49" tines
- Approximate weight: 375 lbs

Three Prong Bale Spear c/w Adjustable Guard (European Style)	UOM	Part #	Price Code			
			A	B	C	D
32" Tine c/w Adj. Guard Posts (27" Useable Length)	ea	TE55032	\$1,210.00	\$1,332.00	\$1,376.00	\$1,530.00
39" Tine c/w Adj. Guard Posts (34" Useable Length)	ea	TE55039	\$1,246.00	\$1,368.00	\$1,412.00	\$1,566.00
49" Tine c/w Adj. Guard Posts (44" Useable Length)	ea	TE55049	\$1,306.00	\$1,428.00	\$1,472.00	\$1,626.00



FE5539

- Designed specifically for carrying large 4' x 4' x 8' square bales, 2 high
- **Safety foot for roll over protection while in storage position**
- Available with 39" or 49" tines
- Extended height of 84"
- Retracted height of 50"
- Frame width 66"
- Approximate weight: 460 lbs

Four Prong Bale Spear c/w Adjustable Guard (European Style)	UOM	Part #	Price Code			
			A	B	C	D
39" Tine c/w Guard (34" Useable Length)	ea	FE5539	\$1,408.00	\$1,530.00	\$1,574.00	\$1,728.00
49" Tine c/w Guard (44" Useable Length)	ea	FE5549	\$1,488.00	\$1,610.00	\$1,654.00	\$1,808.00

# Bale Grapples



BG3000

- Designed for gentle handling of heavy wrapped silage bales
- Includes standard 8" stroke implement cylinder
- Opens up to 71"
- Approximate weight: 575 lbs

Round Bale Grapple	UOM	Part #	Price Code			
			A	B	C	D
Round Bale Grapple c/w 3" x 8" Cylinder	ea	BG3000	\$2,004.00	\$2,126.00	\$2,170.00	\$2,324.00
Round Bale Grapple (Arm Only)	ea	BG3000A	\$608.00			
Optional 90" Hose Kit c/w Flat Faced Couplers	ea	HK90	\$237.00			



BG6000

- Same specs and design as round bale grapple with arms to accept square bales 4 - 6 ft long
- Opens up to 84"
- Approximate weight: 625 lbs

Square Bale Grapple	UOM	Part #	Price Code			
			A	B	C	D
Square Bale Grapple c/w 3" x 8" Cylinder	ea	BG6000	\$2,439.00	\$2,561.00	\$2,605.00	\$2,759.00
Square Bale Grapple (Arm Only)	ea	BG6000A	\$743.00			
Optional 90" Hose Kit c/w Flat Faced Couplers	ea	HK90	\$237.00			



BS72 Open



BS72 Closed

**NEW!**

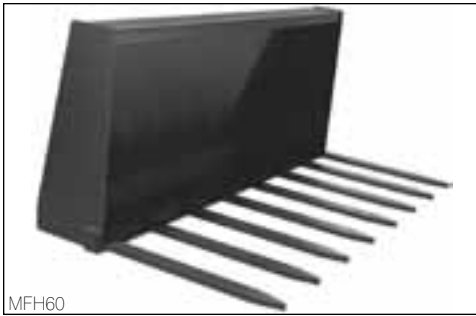
### Limited production for 2012

- Slice and remove plastic and mesh in one action
- Removes plastic and mesh on silage bales or mesh only on dry bales
- Slices all round bales up to 6 ft diameter
- Requires only one auxiliary outlet

Bale Slicer	UOM	Part #	Price Code			
			A	B	C	D
Bale Slicer	ea	BS72	\$6,471.00	\$6,593.00	\$6,637.00	\$6,791.00
Optional 90" Hose Kit c/w Flat Faced Couplers	ea	HK90	\$237.00			



# Manure Forks



MFH60

- LDF has 3/4" x 2" x 26" long tempered tines (19" useable length)
- MFH has 3/4" x 2" x 34" long tempered tines (24" useable length)
- Flat top acts as level indicator

Manure Fork (Flat Tine)	Weight in lbs	UOM	Part #	Price Code			
				A	B	C	D
42" Light Duty Manure Fork 6-Flat Tines	195	ea	LDF42		\$916.00		
48" Light Duty Manure Fork 7-Flat Tines	220	ea	LDF48	\$858.00	\$980.00		
48" Manure Fork 7-Flat Tines	375	ea	MFH48	\$909.00	\$1,031.00	\$1,075.00	\$1,229.00
54" Manure Fork 7-Flat Tines	408	ea	MFH54	\$960.00	\$1,082.00	\$1,126.00	\$1,280.00
60" Manure Fork 8-Flat Tines	440	ea	MFH60	\$1,044.00	\$1,166.00	\$1,210.00	\$1,364.00
66" Manure Fork 9-Flat Tines	475	ea	MFH66	\$1,133.00	\$1,255.00	\$1,299.00	\$1,453.00
72" Manure Fork 9-Flat Tines	510	ea	MFH72	\$1,216.00	\$1,338.00	\$1,382.00	\$1,536.00
84" Manure Fork 11-Flat Tines	595	ea	MFH84	\$1,383.00	\$1,505.00	\$1,549.00	\$1,703.00



MFE72

- LDFE 32" Conus I cranked Kverneland tines
- MFE 35" Conus I cranked Kverneland tines (31" useable length)
- Superior penetration
- Flat top acts as level indicator

Manure Fork (Cranked Kverneland Tine)	Weight in lbs	UOM	Part #	Price Code			
				A	B	C	D
42" Light Duty Manure Fork 6-Cranked Tines	130	ea	LDFE42		\$916.00		
48" Light Duty Manure Fork 7-Cranked Tines	145	ea	LDFE48	\$858.00	\$980.00		
48" Manure Fork 7-Cranked Tines	325	ea	MFE48	\$1,012.00	\$1,134.00	\$1,178.00	\$1,332.00
54" Manure Fork 7-Cranked Tines	355	ea	MFE54	\$1,082.00	\$1,204.00	\$1,248.00	\$1,402.00
60" Manure Fork 8-Cranked Tines	380	ea	MFE60	\$1,152.00	\$1,274.00	\$1,318.00	\$1,472.00
66" Manure Fork 9-Cranked Tines	410	ea	MFE66	\$1,255.00	\$1,377.00	\$1,421.00	\$1,575.00
72" Manure Fork 9-Cranked Tines	435	ea	MFE72	\$1,338.00	\$1,460.00	\$1,504.00	\$1,658.00
84" Manure Fork 11-Cranked Tines	500	ea	MFE84	\$1,498.00	\$1,620.00	\$1,664.00	\$1,818.00
96" Manure Fork 13-Cranked Tines	570	ea	MFE96	\$1,831.00	\$1,953.00	\$1,997.00	\$2,151.00

# Stone Forks



SFR70

- **Regular duty**
  - 1¼" shaft diameter
  - 3" tine spacing
  - Points are 5/8" thick, 400 Brinell high tensile steel
  - 23" high
  - 40" deep
- **Heavy duty**
  - 1¾" shaft diameter
  - 3¾" tine spacing
  - Points are ¾" thick, 400 Brinell high tensile steel
  - 31" high
  - 44" deep



Stone Fork (Retainer Style Tine)	Weight	UOM	Part #	Price Code			
Regular Duty	in lbs			A	B	C	D
55" Stone Fork Retainer Tine Regular Duty	515	ea	SFR55	\$1,690.00	\$1,812.00	\$1,856.00	\$2,010.00
62" Stone Fork Retainer Tine Regular Duty	565	ea	SFR62	\$1,844.00	\$1,966.00	\$2,010.00	\$2,164.00
70" Stone Fork Retainer Tine Regular Duty	615	ea	SFR70	\$2,016.00	\$2,138.00	\$2,182.00	\$2,336.00
77" Stone Fork Retainer Tine Regular Duty	665	ea	SFR77	\$2,170.00	\$2,292.00	\$2,336.00	\$2,490.00
84" Stone Fork Retainer Tine Regular Duty	715	ea	SFR84	\$2,330.00	\$2,452.00	\$2,496.00	\$2,650.00
92" Stone Fork Retainer Tine Regular Duty	765	ea	SFR92	\$2,496.00	\$2,618.00	\$2,662.00	\$2,816.00

Stone Fork (Retainer Style Tine)	Weight	UOM	Part #	Price Code			
Heavy Duty	in lbs			A	B	C	D
85" Stone Fork Retainer Tine Heavy Duty	1350	ea	SFRH85	\$3,098.00	\$3,220.00	\$3,264.00	\$3,418.00
90" Stone Fork Retainer Tine Heavy Duty	1410	ea	SFRH90	\$3,296.00	\$3,418.00	\$3,462.00	\$3,616.00
94" Stone Fork Retainer Tine Heavy Duty	1470	ea	SFRH94	\$3,488.00	\$3,610.00	\$3,654.00	\$3,808.00
98" Stone Fork Retainer Tine Heavy Duty	1530	ea	SFRH98	\$3,687.00	\$3,809.00	\$3,853.00	\$4,007.00
103" Stone Fork Retainer Tine Heavy Duty	1600	ea	SFRH103	\$3,885.00	\$4,007.00	\$4,051.00	\$4,205.00
108" Stone Fork Retainer Tine Heavy Duty	1670	ea	SFRH108	\$4,077.00	\$4,199.00	\$4,243.00	\$4,397.00



SF96

- 39" Conus II cranked Kverneland tines (32" useable length)
- Tines installed on 4" centres
- Ruggedly built
- Heavy 3 lb grating on back

Stone Fork (Cranked Kverneland Tine)	Weight	UOM	Part #	Price Code			
	in lbs			A	B	C	D
60" Stone Fork 18-Cranked Tines	515	ea	SF60	\$3,149.00	\$3,271.00	\$3,315.00	\$3,469.00
72" Stone Fork 21-Cranked Tines	595	ea	SF72	\$3,495.00	\$3,617.00	\$3,661.00	\$3,815.00
84" Stone Fork 24-Cranked Tines	670	ea	SF84	\$3,917.00	\$4,039.00	\$4,083.00	\$4,237.00
96" Stone Fork 27-Cranked Tines	745	ea	SF96	\$4,333.00	\$4,455.00	\$4,499.00	\$4,653.00
108" Stone Fork 30-Cranked Tines	820	ea	SF108	\$4,864.00	\$4,986.00	\$5,030.00	\$5,184.00

## Stone Forks



SFRL84

- 1¼" tine spacing
- Points are ½" thick, 400 Brinell high tensile steel
- 32" high
- 35½" deep
- Ideal for picking up both windrows of stones and loose stones in soil being prepared for seed beds

Stone Fork	Weight	UOM	Part #	Price Code			
				A	B	C	D
<b>Landscape with Power Rake</b>	<b>in lbs</b>						
72" Stone Fork (Landscape) w/ Power Rake	1100	ea	SFRL72	\$9,140.00	\$9,262.00	\$9,306.00	\$9,460.00
84" Stone Fork (Landscape) w/ Power Rake	1175	ea	SFRL84	\$9,338.00	\$9,460.00	\$9,504.00	\$9,658.00
96" Stone Fork (Landscape) w/ Power Rake	1250	ea	SFRL96	\$9,530.00	\$9,652.00	\$9,696.00	\$9,850.00
108" Stone Fork (Landscape) w/ Power Rake	1325	ea	SFRL108	\$9,728.00	\$9,850.00	\$9,894.00	\$10,048.00
Optional 90" Hose Kit c/w Flat Faced Couplers		ea	HK90	\$237.00			

## Tooth Bars



TB84

- Fits buckets with up to ¾" thick cutting edge and up to ¼" thick bucket floor
- With replacement points
- **Optional built to fit tooth bars. To order, copy and fill spec sheet from back of parts book. Append "SP" to part # below. Additional charge of \$96.00 for built-to-fit tooth bars.**

Tooth Bar Bolt-on (Universal Fit)	Length	Fits Buckets with Inside Measurement of	# of Teeth	UOM	Part #	Price
59½" Wide Bolt On Tooth Bar	59 ½"	60"	6	ea	TB60	\$493.00
65½" Wide Bolt On Tooth Bar	65 ½"	66"	7	ea	TB66	\$525.00
71½" Wide Bolt On Tooth Bar	71 ½"	72"	8	ea	TB72	\$544.00
77½" Wide Bolt On Tooth Bar	77 ½"	78"	8	ea	TB78	\$557.00
83½" Wide Bolt On Tooth Bar	83 ½"	84"	9	ea	TB84	\$576.00

# Tree Spades

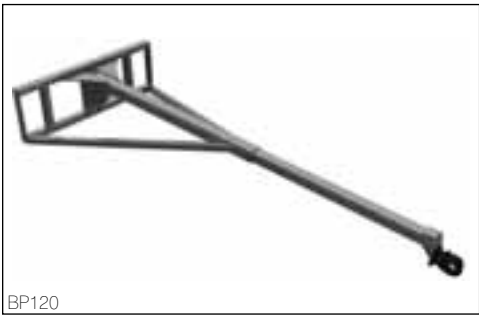


TS48

- Ideal for transplanting trees and shrubbery
- Scoop made from ¼" material
- 33" wide
- 48" deep
- Approximate weight: 390 lbs

Tree Spade	UOM	Part #	Price Code			
			A	B	C	D
Tree Spade (For Skidsteers Only)	ea	TS48	\$1,735.00			

# Telescopic Boom Poles



BP120

- 6 ft main boom with a 4 ft telescopic boom
- 3000 lbs capacity closed / 1500 lbs capacity extended
- Approximate weight: 320 lbs

Boom Pole Telescopic (Standard Activated)	Open	Closed	UOM	Part #	Price Code			
					A	B	C	D
Telescopic Boom Pole - Standard	10 ft	6 ft	ea	BP120	\$1,178.00	\$1,300.00	\$1,344.00	\$1,498.00



BPHA240

- 13½ ft main boom with a 6½ ft telescopic boom
- 3000 lbs capacity closed / 1500 lbs capacity extended
- Approximate weight: 610 lbs

Boom Pole Telescopic (Hydraulic Activated)	Open	Closed	UOM	Part #	Price Code			
					A	B	C	D
Telescopic Boom Pole - Hydraulic	20 ft	13½ ft	ea	BPHA240	\$2,285.00	\$2,407.00	\$2,451.00	\$2,605.00
Optional 90" Hose Kit c/w Flat Faced Couplers			ea	HK90	\$237.00			



MBC60

- 1/8" material, 3/16" end plates
- 1/2 X 4 bevelled cutting edge
- 18" deep, 19" high
- 80° slope on back of bucket

Add 1" to Inside Width column to calculate Outside Width of bucket

Compact Utility Bucket	Inside Width	Struck Cap - Level	SAE Cap - Heaped	Weight	UOM	Part #	Price Code			
							A	B	C	D
<b>Front End Loader</b>		<b>cu ft</b>	<b>cu ft</b>	<b>in lbs</b>						
42" Compact Utility Bucket	42"	5.2	6.6	130	ea	MBC42	\$557.00	\$679.00	\$723.00	
48" Compact Utility Bucket	48"	6.0	7.5	142	ea	MBC48	\$583.00	\$705.00	\$749.00	
54" Compact Utility Bucket	54"	6.7	8.5	155	ea	MBC54	\$621.00	\$743.00	\$787.00	
60" Compact Utility Bucket	60"	7.5	9.5	180	ea	MBC60	\$660.00	\$782.00	\$826.00	
66" Compact Utility Bucket	66"	8.2	10.5	198	ea	MBC66	\$685.00	\$807.00	\$851.00	
72" Compact Utility Bucket	72"	9.0	11.5	205	ea	MBC72	\$743.00	\$865.00	\$909.00	



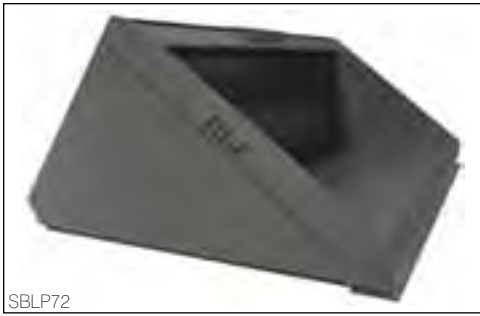
SBC48

- 1/8" material, 3/16" end plates
- 1/2 X 4 bevelled cutting edge
- 23" deep, 18" high
- 65° slope on back of bucket

Add 1" to Inside Width column to calculate Outside Width of bucket

Compact Utility Bucket	Inside Width	Struck Cap - Level	SAE Cap - Heaped	Weight	UOM	Part #	Price Code			
							A	B	C	D
<b>Skidsteer</b>		<b>cu ft</b>	<b>cu ft</b>	<b>in lbs</b>						
42" Compact Utility Bucket	42"	4.9	6.1	190	ea	SBC42	\$557.00	\$679.00	\$723.00	
48" Compact Utility Bucket	48"	5.7	7.2	210	ea	SBC48	\$583.00	\$705.00	\$749.00	
54" Compact Utility Bucket	54"	6.4	8.1	230	ea	SBC54	\$621.00	\$743.00	\$787.00	
60" Compact Utility Bucket	60"	7.1	9.0	250	ea	SBC60	\$660.00	\$782.00	\$826.00	
66" Compact Utility Bucket	66"	7.8	10.0	275	ea	SBC66	\$685.00	\$807.00	\$851.00	
72" Compact Utility Bucket	72"	8.5	10.9	290	ea	SBC72	\$743.00	\$865.00	\$909.00	

# Buckets



SBLP72

### Regular duty

- 3/16" Material, 1/4" end plates
- 3/4 X 4 bevelled cutting edge
- Reinforced top lip
- 31" deep, 19" high
- Lower back and longer base enables operator to see cutting edge of bucket

### Heavy duty

- 1/4" Material, 1/4" end plates
- 3/4 X 6 bevelled cutting edge
- Reinforced top lip
- 31" deep, 19" high
- Lower back and longer base enables operator to see cutting edge of bucket

Add 1 1/4" to Inside Width column to calculate Outside Width of bucket

Low Profile Skidsteer Bucket	Inside Width	Struck Cap	SAE Cap	Weight	Part #	Price Code			
		- Level	- Heaped			A	B	C	D
<b>Regular Duty</b>		<b>cu ft</b>	<b>cu ft</b>	<b>in lbs</b>					
48" RD Low Pro Skidsteer Bucket	48"	8.3	11.3	375	SBLP48	\$909.00	\$1,031.00		
54" RD Low Pro Skidsteer Bucket	54"	9.4	12.8	405	SBLP54	\$935.00	\$1,057.00		
60" RD Low Pro Skidsteer Bucket	60"	10.4	14.3	435	SBLP60	\$960.00	\$1,082.00		
66" RD Low Pro Skidsteer Bucket	66"	11.4	16.1	470	SBLP66	\$1,005.00	\$1,127.00		
72" RD Low Pro Skidsteer Bucket	72"	12.5	17.4	500	SBLP72	\$1,044.00	\$1,166.00		
78" RD Low Pro Skidsteer Bucket	78"	13.5	18.9	535	SBLP78	\$1,108.00	\$1,230.00		
84" RD Low Pro Skidsteer Bucket	84"	14.6	20.4	570	SBLP84	\$1,191.00	\$1,313.00		

Low Profile Skidsteer Bucket	Inside Width	Struck Cap	SAE Cap	Weight	Part #	Price Code			
		- Level	- Heaped			A	B	C	D
<b>Heavy Duty</b>		<b>cu ft</b>	<b>cu ft</b>	<b>in lbs</b>					
48" HD Low Pro Skidsteer Bucket	48"	8.3	11.3	460	SBLP48HD	\$1,095.00	\$1,217.00		
54" HD Low Pro Skidsteer Bucket	54"	9.4	12.8	485	SBLP54HD	\$1,184.00	\$1,306.00		
60" HD Low Pro Skidsteer Bucket	60"	10.4	14.3	515	SBLP60HD	\$1,261.00	\$1,383.00		
66" HD Low Pro Skidsteer Bucket	66"	11.4	16.1	540	SBLP66HD	\$1,357.00	\$1,479.00		
72" HD Low Pro Skidsteer Bucket	72"	12.5	17.4	565	SBLP72HD	\$1,434.00	\$1,556.00		
78" HD Low Pro Skidsteer Bucket	78"	13.5	18.9	590	SBLP78HD	\$1,517.00	\$1,639.00		
84" HD Low Pro Skidsteer Bucket	84"	14.6	20.4	615	SBLP84HD	\$1,600.00	\$1,722.00		



346CEB & 348CE



346CESB



RTMBK

Bucket Accessories	UOM	Part #	Price
3/4 X 6 Double Bevel Bolt On Cutting Edge c/w Bolts & Nuts	ft	346CEB	\$58.00
3/4 X 8 Double Bevel Bolt On Cutting Edge c/w Bolts & Nuts	ft	348CE	\$77.00
3/4 X 6 Single Bevel Serrated Bolt On Cutting Edge c/w Bolts & Nuts	ft	346CESB	\$71.00
Knock On Ripper Teeth c/w Weld On Adapter & Flex Pin	ea	RTMBK	\$52.00



SBLP72HDT8

### Regular duty

- 3/16" material, 1/4" end plates
- 3/4 X 4 bevelled cutting edge
- Reinforced top lip
- 31" deep, 19" high
- Lower back and longer base enables operator to see cutting edge of bucket

### Heavy duty

- 1/4" material, 1/4" end plates
- 3/4 X 6 bevelled cutting edge
- Reinforced top lip
- 31" deep, 19" high
- Lower back and longer base enables operator to see cutting edge of bucket

Add 1 1/4" to Inside Width column to calculate Outside Width of bucket

Low Profile Skidsteer Bucket c/w Digging Teeth	Inside Width	Struck Cap - Level	SAE Cap - Heaped	# of Digging Teeth	Weight	Part #	Price Code				
		cu ft	cu ft				A	B	C	D	
<b>Regular Duty</b>					in lbs						
48" RD Low Pro Skidsteer Bucket 6 - Digging Teeth	48"	8.3	11.3	6	415	SBLP48T6	\$1,152.00	\$1,274.00			
54" RD Low Pro Skidsteer Bucket 6 - Digging Teeth	54"	9.4	12.8	6	445	SBLP54T6	\$1,178.00	\$1,300.00			
60" RD Low Pro Skidsteer Bucket 7 - Digging Teeth	60"	10.4	14.3	7	480	SBLP60T7	\$1,248.00	\$1,370.00			
66" RD Low Pro Skidsteer Bucket 7 - Digging Teeth	66"	11.4	16.1	7	515	SBLP66T7	\$1,287.00	\$1,409.00			
72" RD Low Pro Skidsteer Bucket 8 - Digging Teeth	72"	12.5	17.4	8	550	SBLP72T8	\$1,370.00	\$1,492.00			
78" RD Low Pro Skidsteer Bucket 8 - Digging Teeth	78"	13.5	18.9	8	585	SBLP78T8	\$1,434.00	\$1,556.00			
84" RD Low Pro Skidsteer Bucket 9 - Digging Teeth	84"	14.6	20.4	9	630	SBLP84T9	\$1,575.00	\$1,697.00			

Low Profile Skidsteer Bucket c/w Digging Teeth	Inside Width	Struck Cap - Level	SAE Cap - Heaped	# of Digging Teeth	Weight	Part #	Price Code				
		cu ft	cu ft				A	B	C	D	
<b>Heavy Duty</b>					in lbs						
48" HD Low Pro Skidsteer Bucket 6 - Digging Teeth	48"	8.3	11.3	6	500	SBLP48HDT6	\$1,312.00	\$1,434.00			
54" HD Low Pro Skidsteer Bucket 6 - Digging Teeth	54"	9.4	12.8	6	525	SBLP54HDT6	\$1,415.00	\$1,537.00			
60" HD Low Pro Skidsteer Bucket 7 - Digging Teeth	60"	10.4	14.3	7	560	SBLP60HDT7	\$1,543.00	\$1,665.00			
66" HD Low Pro Skidsteer Bucket 7 - Digging Teeth	66"	11.4	16.1	7	585	SBLP66HDT7	\$1,645.00	\$1,767.00			
72" HD Low Pro Skidsteer Bucket 8 - Digging Teeth	72"	12.5	17.4	8	615	SBLP72HDT8	\$1,773.00	\$1,895.00			
78" HD Low Pro Skidsteer Bucket 8 - Digging Teeth	78"	13.5	18.9	8	640	SBLP78HDT8	\$1,863.00	\$1,985.00			
84" HD Low Pro Skidsteer Bucket 9 - Digging Teeth	84"	14.6	20.4	9	675	SBLP84HDT9	\$2,004.00	\$2,126.00			

# Buckets



MB84

### Regular duty

- 3/16" material, 1/4" end plates
- 3/4 X 4 bevelled cutting edge
- Reinforced top lip
- 29" deep, 25" high
- Reinforced round back and end plates for strength, easy filling & clean out
- Flat top acts as level indicator

### Heavy duty

- 1/4" material, 1/4" end plates
- 3/4 X 6 bevelled cutting edge
- Reinforced top lip
- 29" deep, 25" high
- Reinforced round back and end plates for strength, easy filling & clean out
- Flat top acts as level indicator

Add 1 1/4" to Inside Width column to calculate Outside Width of bucket

Standard Front End Loader Bucket	Inside Width	Struck Cap - Level	SAE Cap - Heaped	Weight	Part #	Price Code			
						A	B	C	D
<b>Regular Duty</b>		cu ft	cu ft	in lbs					
48" RD Standard Material Bucket	48"	11.2	13.9	335	MB48	\$909.00	\$1,031.00	\$1,075.00	\$1,229.00
54" RD Standard Material Bucket	54"	12.6	15.8	365	MB54	\$935.00	\$1,057.00	\$1,101.00	\$1,255.00
60" RD Standard Material Bucket	60"	14.0	17.6	395	MB60	\$960.00	\$1,082.00	\$1,126.00	\$1,280.00
66" RD Standard Material Bucket	66"	15.5	19.4	425	MB66	\$1,005.00	\$1,127.00	\$1,171.00	\$1,325.00
72" RD Standard Material Bucket	72"	16.9	21.3	455	MB72	\$1,044.00	\$1,166.00	\$1,210.00	\$1,364.00
78" RD Standard Material Bucket	78"	18.3	23.1	485	MB78	\$1,108.00	\$1,230.00	\$1,274.00	\$1,428.00
84" RD Standard Material Bucket	84"	19.7	24.9	520	MB84	\$1,191.00	\$1,313.00	\$1,357.00	\$1,511.00
90" RD Standard Material Bucket	90"	21.0	26.8	550	MB90	\$1,306.00	\$1,428.00	\$1,472.00	\$1,626.00
96" RD Standard Material Bucket	96"	22.5	28.6	580	MB96	\$1,344.00	\$1,466.00	\$1,510.00	\$1,664.00
108" RD Standard Material Bucket	108"	25.3	32.3	650	MB108	\$1,504.00	\$1,626.00	\$1,670.00	\$1,824.00

Standard Front End Loader Bucket	Inside Width	Struck Cap - Level	SAE Cap - Heaped	Weight	Part #	Price Code			
						A	B	C	D
<b>Heavy Duty</b>		cu ft	cu ft	in lbs					
48" HD Standard Material Bucket	48"	11.2	13.9	420	MB48HD	\$1,044.00	\$1,166.00	\$1,210.00	\$1,364.00
54" HD Standard Material Bucket	54"	12.6	15.8	455	MB54HD	\$1,140.00	\$1,262.00	\$1,306.00	\$1,460.00
60" HD Standard Material Bucket	60"	14.0	17.6	495	MB60HD	\$1,223.00	\$1,345.00	\$1,389.00	\$1,543.00
66" HD Standard Material Bucket	66"	15.5	19.4	525	MB66HD	\$1,325.00	\$1,447.00	\$1,491.00	\$1,645.00
72" HD Standard Material Bucket	72"	16.9	21.3	555	MB72HD	\$1,408.00	\$1,530.00	\$1,574.00	\$1,728.00
78" HD Standard Material Bucket	78"	18.3	23.1	590	MB78HD	\$1,472.00	\$1,594.00	\$1,638.00	\$1,792.00
84" HD Standard Material Bucket	84"	19.7	24.9	630	MB84HD	\$1,588.00	\$1,710.00	\$1,754.00	\$1,908.00
90" HD Standard Material Bucket	90"	21.0	26.8	670	MB90HD	\$1,684.00	\$1,806.00	\$1,850.00	\$2,004.00
96" HD Standard Material Bucket	96"	22.5	28.6	710	MB96HD	\$1,773.00	\$1,895.00	\$1,939.00	\$2,093.00
108" HD Standard Material Bucket	108"	25.3	32.3	790	MB108HD	\$2,228.00	\$2,350.00	\$2,394.00	\$2,548.00



346CEB & 348CE



346CESB



RTMBK

Bucket Accessories	UOM	Part #	Price
3/4 X 6 Double Bevel Bolt On Cutting Edge c/w Bolts & Nuts	ft	346CEB	\$58.00
3/4 X 8 Double Bevel Bolt On Cutting Edge c/w Bolts & Nuts	ft	348CE	\$77.00
3/4 X 6 Single Bevel Serrated Bolt On Cutting Edge c/w Bolts & Nuts	ft	346CESB	\$71.00
Knock On Ripper Teeth c/w Weld On Adapter & Flex Pin	ea	RTMBK	\$52.00





SB72

### Regular duty

- 3/16" material, 1/4" end plates
- 3/4 X 4 bevelled cutting edge
- Reinforced top lip
- 29" deep, 25" high
- Reinforced round back and end plates for strength, easy filling & clean out
- Flat top acts as level indicator

### Heavy duty

- 1/4" material, 1/4" end plates
- 3/4 X 6 bevelled cutting edge
- Reinforced top lip
- 29" deep, 25" high
- Reinforced round back and end plates for strength, easy filling & clean out
- Flat top acts as level indicator

Add 1 1/4" to Inside Width column to calculate Outside Width of bucket

Standard Skidsteer Bucket	Inside Width	Struck Cap - Level	SAE Cap - Heaped	Weight	Part #	Price Code			
						cu ft	cu ft	in lbs	A
<b>Regular Duty</b>									
48" RD Standard Skidsteer Bucket	48"	11.0	13.6	400	SB48	\$909.00	\$1,031.00	\$1,075.00	\$1,229.00
54" RD Standard Skidsteer Bucket	54"	12.3	15.4	430	SB54	\$935.00	\$1,057.00	\$1,101.00	\$1,255.00
60" RD Standard Skidsteer Bucket	60"	13.7	17.2	460	SB60	\$960.00	\$1,082.00	\$1,126.00	\$1,280.00
66" RD Standard Skidsteer Bucket	66"	15.0	19.0	495	SB66	\$1,005.00	\$1,127.00	\$1,171.00	\$1,325.00
72" RD Standard Skidsteer Bucket	72"	16.5	20.8	530	SB72	\$1,044.00	\$1,166.00	\$1,210.00	\$1,364.00
78" RD Standard Skidsteer Bucket	78"	17.8	22.5	560	SB78	\$1,108.00	\$1,230.00	\$1,274.00	\$1,428.00
84" RD Standard Skidsteer Bucket	84"	19.2	24.3	585	SB84	\$1,191.00	\$1,313.00	\$1,357.00	\$1,511.00
90" RD Standard Skidsteer Bucket	90"	20.6	26.1	610	SB90	\$1,306.00	\$1,428.00	\$1,472.00	\$1,626.00
96" RD Standard Skidsteer Bucket	96"	21.9	27.9	635	SB96	\$1,344.00	\$1,466.00	\$1,510.00	\$1,664.00

Standard Skidsteer Bucket	Inside Width	Struck Cap - Level	SAE Cap - Heaped	Weight	Part #	Price Code			
						cu ft	cu ft	in lbs	A
<b>Heavy Duty</b>									
48" HD Standard Skidsteer Bucket	48"	11.0	13.6	490	SB48HD	\$1,044.00	\$1,166.00	\$1,210.00	\$1,364.00
54" HD Standard Skidsteer Bucket	54"	12.3	15.4	535	SB54HD	\$1,140.00	\$1,262.00	\$1,306.00	\$1,460.00
60" HD Standard Skidsteer Bucket	60"	13.7	17.2	570	SB60HD	\$1,223.00	\$1,345.00	\$1,389.00	\$1,543.00
66" HD Standard Skidsteer Bucket	66"	15.0	19.0	610	SB66HD	\$1,325.00	\$1,447.00	\$1,491.00	\$1,645.00
72" HD Standard Skidsteer Bucket	72"	16.5	20.8	650	SB72HD	\$1,408.00	\$1,530.00	\$1,574.00	\$1,728.00
78" HD Standard Skidsteer Bucket	78"	17.8	22.5	695	SB78HD	\$1,472.00	\$1,594.00	\$1,638.00	\$1,792.00
84" HD Standard Skidsteer Bucket	84"	19.2	24.3	730	SB84HD	\$1,588.00	\$1,710.00	\$1,754.00	\$1,908.00
90" HD Standard Skidsteer Bucket	90"	20.6	26.1	765	SB90HD	\$1,684.00	\$1,806.00	\$1,850.00	\$2,004.00
96" HD Standard Skidsteer Bucket	96"	21.9	27.9	795	SB96HD	\$1,773.00	\$1,895.00	\$1,939.00	\$2,093.00



346CEB & 348CE



346CESB



RTMBK

Bucket Accessories	UOM	Part #	Price
3/4 X 6 Double Bevel Bolt On Cutting Edge c/w Bolts & Nuts	ft	346CEB	\$58.00
3/4 X 8 Double Bevel Bolt On Cutting Edge c/w Bolts & Nuts	ft	348CE	\$77.00
3/4 X 6 Single Bevel Serrated Bolt On Cutting Edge c/w Bolts & Nuts	ft	346CESB	\$71.00
Knock On Ripper Teeth c/w Weld On Adapter & Flex Pin	ea	RTMBK	\$52.00

# Buckets



MBHV84

### Regular duty

- 3/16" material, 1/4" end plates
- 3/4 X 4 bevelled cutting edge
- Reinforced top lip
- 35" deep, 31" high
- Reinforced round back and end plates for strength, easy filling & clean out
- Flat top acts as level indicator

### Heavy duty

- 1/4" material, 1/4" end plates
- 3/4 X 6 bevelled cutting edge
- Reinforced top lip
- 35" deep, 31" high
- Reinforced round back and end plates for strength, easy filling & clean out
- Flat top acts as level indicator

Add 1 1/4" to Inside Width column to calculate Outside Width of bucket

High Volume Front End Loader Bucket	Inside Width	Struck Cap - Level	SAE Cap - Heaped	Weight	Part #	Price Code			
		cu ft	cu ft	in lbs		A	B	C	D
60" RD HV Material Bucket	60"	22.7	27.2	450	MBHV60	\$1,127.00	\$1,249.00	\$1,293.00	\$1,447.00
66" RD HV Material Bucket	66"	25.0	30.0	480	MBHV66	\$1,191.00	\$1,313.00	\$1,357.00	\$1,511.00
72" RD HV Material Bucket	72"	27.3	32.9	510	MBHV72	\$1,236.00	\$1,358.00	\$1,402.00	\$1,556.00
78" RD HV Material Bucket	78"	29.5	35.7	540	MBHV78	\$1,344.00	\$1,466.00	\$1,510.00	\$1,664.00
84" RD HV Material Bucket	84"	31.8	38.5	575	MBHV84	\$1,472.00	\$1,594.00	\$1,638.00	\$1,792.00
96" RD HV Material Bucket	96"	36.3	44.2	635	MBHV96	\$1,639.00	\$1,761.00	\$1,805.00	\$1,959.00
108" RD HV Material Bucket	108"	40.9	49.9	695	MBHV108	\$2,157.00	\$2,279.00	\$2,323.00	\$2,477.00

High Volume Front End Loader Bucket	Inside Width	Struck Cap - Level	SAE Cap - Heaped	Weight	Part #	Price Code			
		cu ft	cu ft	in lbs		A	B	C	D
60" HD HV Material Bucket	60"	22.7	27.2	560	MBHV60HD	\$1,472.00	\$1,594.00	\$1,638.00	\$1,792.00
66" HD HV Material Bucket	66"	25.0	30.0	595	MBHV66HD	\$1,562.00	\$1,684.00	\$1,728.00	\$1,882.00
72" HD HV Material Bucket	72"	27.3	32.9	635	MBHV72HD	\$1,684.00	\$1,806.00	\$1,850.00	\$2,004.00
78" HD HV Material Bucket	78"	29.5	35.7	670	MBHV78HD	\$1,760.00	\$1,882.00	\$1,926.00	\$2,080.00
84" HD HV Material Bucket	84"	31.8	38.5	715	MBHV84HD	\$1,895.00	\$2,017.00	\$2,061.00	\$2,215.00
96" HD HV Material Bucket	96"	36.3	44.2	790	MBHV96HD	\$2,106.00	\$2,228.00	\$2,272.00	\$2,426.00
108" HD HV Material Bucket	108"	40.9	49.9	865	MBHV108HD	\$2,644.00	\$2,766.00	\$2,810.00	\$2,964.00



346CEB & 348CE



346CESB



RTMBK

Bucket Accessories	UOM	Part #	Price
3/4 X 6 Double Bevel Bolt On Cutting Edge c/w Bolts & Nuts	ft	346CEB	\$58.00
3/4 X 8 Double Bevel Bolt On Cutting Edge c/w Bolts & Nuts	ft	348CE	\$77.00
3/4 X 6 Single Bevel Serrated Bolt On Cutting Edge c/w Bolts & Nuts	ft	346CESB	\$71.00
Knock On Ripper Teeth c/w Weld On Adapter & Flex Pin	ea	RTMBK	\$52.00



SBHV84

### Regular duty

- 3/16" material, 1/4" end plates
- 3/4 X 4 bevelled cutting edge
- Reinforced top lip
- 35" deep, 31" high
- Reinforced round back and end plates for strength, easy filling & clean out
- Flat top acts as level indicator

### Heavy duty

- 1/4" material, 1/4" end plates
- 3/4 X 6 bevelled cutting edge
- Reinforced top lip
- 35" deep, 31" high
- Reinforced round back and end plates for strength, easy filling & clean out
- Flat top acts as level indicator

Add 1 1/4" to Inside Width column to calculate Outside Width of bucket

High Volume Skidsteer Bucket	Inside Width	Struck Cap - Level	SAE Cap - Heaped	Weight	Part #	Price Code			
						A	B	C	D
<b>Regular Duty</b>		cu ft	cu ft	in lbs					
60" RD HV Skidsteer Bucket	60"	20.8	25.5	600	SBHV60	\$1,127.00	\$1,249.00	\$1,293.00	\$1,447.00
66" RD HV Skidsteer Bucket	66"	22.9	28.1	630	SBHV66	\$1,191.00	\$1,313.00	\$1,357.00	\$1,511.00
72" RD HV Skidsteer Bucket	72"	25.0	30.8	660	SBHV72	\$1,236.00	\$1,358.00	\$1,402.00	\$1,556.00
78" RD HV Skidsteer Bucket	78"	27.1	33.5	710	SBHV78	\$1,344.00	\$1,466.00	\$1,510.00	\$1,664.00
84" RD HV Skidsteer Bucket	84"	29.1	36.1	760	SBHV84	\$1,472.00	\$1,594.00	\$1,638.00	\$1,792.00
96" RD HV Skidsteer Bucket	96"	33.3	41.5	800	SBHV96	\$1,639.00	\$1,761.00	\$1,805.00	\$1,959.00
108" RD HV Skidsteer Bucket	108"	37.5	46.8	840	SBHV108	\$2,157.00	\$2,279.00	\$2,323.00	\$2,477.00

High Volume Skidsteer Bucket	Inside Width	Struck Cap - Level	SAE Cap - Heaped	Weight	Part #	Price Code			
						A	B	C	D
<b>Heavy Duty</b>		cu ft	cu ft	in lbs					
60" HD HV Skidsteer Bucket	60"	20.8	25.5	750	SBHV60HD	\$1,472.00	\$1,594.00	\$1,638.00	\$1,792.00
66" HD HV Skidsteer Bucket	66"	22.9	28.1	800	SBHV66HD	\$1,562.00	\$1,684.00	\$1,728.00	\$1,882.00
72" HD HV Skidsteer Bucket	72"	25.0	30.8	820	SBHV72HD	\$1,684.00	\$1,806.00	\$1,850.00	\$2,004.00
78" HD HV Skidsteer Bucket	78"	27.1	33.5	890	SBHV78HD	\$1,760.00	\$1,882.00	\$1,926.00	\$2,080.00
84" HD HV Skidsteer Bucket	84"	29.1	36.1	950	SBHV84HD	\$1,895.00	\$2,017.00	\$2,061.00	\$2,215.00
96" HD HV Skidsteer Bucket	96"	33.3	41.5	1000	SBHV96HD	\$2,106.00	\$2,228.00	\$2,272.00	\$2,426.00
108" HD HV Skidsteer Bucket	108"	37.5	46.8	1050	SBHV108HD	\$2,644.00	\$2,766.00	\$2,810.00	\$2,964.00



346CEB & 348CE



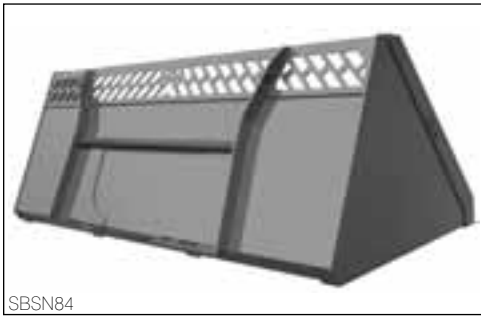
346CESB



RTMBK

Bucket Accessories	UOM	Part #	Price
3/4 X 6 Double Bevel Bolt On Cutting Edge c/w Bolts & Nuts	ft	346CEB	\$58.00
3/4 X 8 Double Bevel Bolt On Cutting Edge c/w Bolts & Nuts	ft	348CE	\$77.00
3/4 X 6 Single Bevel Serrated Bolt On Cutting Edge c/w Bolts & Nuts	ft	346CESB	\$71.00
Knock On Ripper Teeth c/w Weld On Adapter & Flex Pin	ea	RTMBK	\$52.00

# Buckets



SBSN84

- 3/16" material, 1/4" end plates
- 3/4 X 4 bevelled cutting edge
- Reinforced top lip
- 38" deep, 32" high
- Reinforced round back and end plates for strength, easy filling & clean out
- Flat top acts as level indicator

Add 1 1/4" to Inside Width column to calculate Outside Width of bucket

High Volume Skidsteer Snow Bucket	Inside Width	Struck Cap - Level	SAE Cap - Heaped	Weight	Part #	Price Code			
		cu ft	cu ft			in lbs	A	B	C
60" HV Snow Bucket	60"	23.6	29.0	590	SBSN60	\$1,242.00	\$1,364.00	\$1,408.00	\$1,562.00
66" HV Snow Bucket	66"	25.9	32.0	620	SBSN66	\$1,376.00	\$1,498.00	\$1,542.00	\$1,696.00
72" HV Snow Bucket	72"	28.3	35.1	655	SBSN72	\$1,479.00	\$1,601.00	\$1,645.00	\$1,799.00
78" HV Snow Bucket	78"	30.7	38.1	705	SBSN78	\$1,652.00	\$1,774.00	\$1,818.00	\$1,972.00
84" HV Snow Bucket	84"	33.0	41.2	740	SBSN84	\$1,812.00	\$1,934.00	\$1,978.00	\$2,132.00
90" HV Snow Bucket	90"	35.4	44.2	770	SBSN90	\$1,882.00	\$2,004.00	\$2,048.00	\$2,202.00
96" HV Snow Bucket	96"	37.7	47.3	805	SBSN96	\$2,036.00	\$2,158.00	\$2,202.00	\$2,356.00
108" HV Snow Bucket	108"	42.5	53.3	890	SBSN108	\$2,618.00	\$2,740.00	\$2,784.00	\$2,938.00
120" HV Snow Bucket	120"	47.2	59.4	1005	SBSN120	\$3,188.00	\$3,310.00	\$3,354.00	\$3,508.00



SBP72

- No sharp edges for gentle handling of produce
- Screened back for better visibility
- 34" deep, 31" high
- Made of the same material as standard bucket

Add 1 1/4" to Inside Width column to calculate Outside Width of bucket

Produce Skidsteer Bucket	Inside Width	Struck Cap - Level	SAE Cap - Heaped	Weight	UOM	Part #	Price Code			
		cu ft	cu ft				in lbs	A	B	C
60" Produce Skidsteer Bucket	60"	18.5	22.9	475	ea	SBP60	\$1,434.00	\$1,556.00		
66" Produce Skidsteer Bucket	66"	20.6	25.3	510	ea	SBP66	\$1,485.00	\$1,607.00		
72" Produce Skidsteer Bucket	72"	22.4	27.7	545	ea	SBP72	\$1,536.00	\$1,658.00		
78" Produce Skidsteer Bucket	78"	24.3	30.1	580	ea	SBP78	\$1,684.00	\$1,806.00		
84" Produce Skidsteer Bucket	84"	26.2	32.5	620	ea	SBP84	\$1,812.00	\$1,934.00		



Bucket Accessories	UOM	Part #	Price
3/4 X 6 Double Bevel Bolt On Cutting Edge c/w Bolts & Nuts	ft	346CEB	\$58.00
3/4 X 8 Double Bevel Bolt On Cutting Edge c/w Bolts & Nuts	ft	348CE	\$77.00
3/4 X 6 Single Bevel Serrated Bolt On Cutting Edge c/w Bolts & Nuts	ft	346CESB	\$71.00



THMB96

- 3/16" material, 1/4" end plates
- 3/4 X 6 bevelled cutting edge
- Reinforced top lip
- 43" deep, 35" high
- 3/4 x 8 bolt-on double bevel edge optional

Add 2" to Inside Width column to calculate Outside Width of bucket

Telescopic Handler Bucket Standard	Inside Width	Struck Cap - Level	SAE Cap - Heaped	Weight  in lbs	UOM	Part #	Price Code			
		cu yd	cu yd				A	B	C	D
84" Standard Telescopic Handler Bucket	84"	1.47	1.82	1175	ea	THMB84			\$3,405.00	\$3,559.00
96" Standard Telescopic Handler Bucket	96"	1.7	2.1	1265	ea	THMB96			\$3,872.00	\$4,026.00
108" Standard Telescopic Handler Bucket	108"	1.89	2.34	1355	ea	THMB108			\$4,346.00	\$4,500.00



THMBHV96

- 1/4" material, 1/4" end plates
- 3/4 X 6 bevelled cutting edge
- Reinforced top lip
- 47" deep, 42" high
- 3/4 x 8 bolt-on double bevel edge optional

Add 2" to Inside Width column to calculate Outside Width of bucket

Telescopic Handler Bucket High Volume	Inside Width	Struck Cap - Level	SAE Cap - Heaped	Weight  in lbs	UOM	Part #	Price Code			
		cu yd	cu yd				A	B	C	D
84" High Volume Telescopic Handler Bucket	84"	1.96	2.38	1430	ea	THMBHV84			\$3,994.00	\$4,148.00
96" High Volume Telescopic Handler Bucket	96"	2.2	2.7	1540	ea	THMBHV96			\$4,493.00	\$4,647.00
108" High Volume Telescopic Handler Bucket	108"	2.52	3.06	1660	ea	THMBHV108			\$4,999.00	\$5,153.00



Bucket Accessories	UOM	Part #	Price
3/4 X 6 Double Bevel Bolt On Cutting Edge c/w Bolts & Nuts	ft	346CEB	\$58.00
3/4 X 8 Double Bevel Bolt On Cutting Edge c/w Bolts & Nuts	ft	348CE	\$77.00
3/4 X 6 Single Bevel Serrated Bolt On Cutting Edge c/w Bolts & Nuts	ft	346CESB	\$71.00

# Buckets



FNO72

- Includes cylinders
- Main bucket material 1/4"
- 3/8" end plates
- 3/8" clam floor bottom
- 27" deep, 20" high

Add 2" to Inside Width column to calculate Outside Width of bucket

4 - In - 1 Bucket	Inside Width	Struck Cap - Level		SAE Cap - Heaped		Weight in lbs	Part #	Price Code			
		Skidsteer	Loader	Skidsteer	Loader			A	B	C	D
66" 4 - In - 1 Bucket	66"	10.6 cu ft	15.7 cu ft	12.8 cu ft	20.0 cu ft	635	FNO66	\$3,674.00	\$3,796.00	\$3,840.00	\$3,994.00
72" 4 - In - 1 Bucket	72"	11.6 cu ft	17.1 cu ft	15.1 cu ft	21.9 cu ft	680	FNO72	\$3,853.00	\$3,975.00	\$4,019.00	\$4,173.00
78" 4 - In - 1 Bucket	78"	12.5 cu ft	18.5 cu ft	16.4 cu ft	23.8 cu ft	720	FNO78	\$4,026.00	\$4,148.00	\$4,192.00	\$4,346.00
84" 4 - In - 1 Bucket	84"	13.5 cu ft	20.0 cu ft	17.7 cu ft	25.7 cu ft	770	FNO84	\$4,199.00	\$4,321.00	\$4,365.00	\$4,519.00
Optional 90" Hose Kit c/w Flat Faced Couplers							HK90	\$237.00			



HRB72 in lowered position



Bucket in dump position

- High dump bucket increases dump out height up to 48"
- Exclusive flat bottom bucket design allows for easier clean out & no capacity sacrifice

High Dump Bucket Standard	Outside Width	Struck Cap - Level	SAE Cap - Heaped	Weight in lbs	Part #	Price Code			
		cu ft	cu ft			A	B	C	D
60" High Dump Bucket	60"	17.9	23.2	875	HRB60	\$3,508.00	\$3,630.00	\$3,674.00	\$3,828.00
66" High Dump Bucket	66"	19.9	25.9	905	HRB66	\$3,751.00	\$3,873.00	\$3,917.00	\$4,071.00
72" High Dump Bucket	72"	21.9	28.7	935	HRB72	\$4,000.00	\$4,122.00	\$4,166.00	\$4,320.00
78" High Dump Bucket	78"	23.9	31.5	965	HRB78	\$4,237.00	\$4,359.00	\$4,403.00	\$4,557.00
84" High Dump Bucket	84"	25.9	34.3	995	HRB84	\$4,480.00	\$4,602.00	\$4,646.00	\$4,800.00
96" High Dump Bucket	96"	29.9	39.9	1055	HRB96	\$4,967.00	\$5,089.00	\$5,133.00	\$5,287.00

High Dump Bucket High Volume	Outside Width	Struck Cap - Level	SAE Cap - Heaped	Weight in lbs	Part #	Price Code			
		cu ft	cu ft			A	B	C	D
60" High Dump Bucket High Volume	60"	24.2	28.8	1005	HRBHV60	\$3,834.00	\$3,956.00	\$4,000.00	\$4,154.00
66" High Dump Bucket High Volume	66"	26.9	32.2	1040	HRBHV66	\$4,084.00	\$4,206.00	\$4,250.00	\$4,404.00
72" High Dump Bucket High Volume	72"	29.5	35.5	1075	HRBHV72	\$4,327.00	\$4,449.00	\$4,493.00	\$4,647.00
78" High Dump Bucket High Volume	78"	32.2	38.9	1110	HRBHV78	\$4,576.00	\$4,698.00	\$4,742.00	\$4,896.00
84" High Dump Bucket High Volume	84"	34.9	42.3	1145	HRBHV84	\$4,820.00	\$4,942.00	\$4,986.00	\$5,140.00
96" High Dump Bucket High Volume	96"	40.3	49.0	1215	HRBHV96	\$5,306.00	\$5,428.00	\$5,472.00	\$5,626.00
Optional 90" Hose Kit c/w Flat Faced Couplers					HK90	\$237.00			



SDB72

- Two independent grapples
- Replaceable tempered tines eliminate the need for a support bar at points which reduces lodging and jamming when emptying bucket
- Designed to pick-up brush and other debris while leaving the dirt
- 39" Conus II cranked Kverneland tines (32" usable length)
- Cylinders completely protected from debris
- Comes with cylinders

Debris Grapple Fork	Width	Weight in lbs	UOM	Part #	Price Code			
					A	B	C	D
66" Debris Grapple Fork - 11 Tines	66"	905	ea	SDB66	\$4,058.00	\$4,180.00	\$4,224.00	\$4,378.00
72" Debris Grapple Fork - 12 Tines	72"	945	ea	SDB72	\$4,231.00	\$4,353.00	\$4,397.00	\$4,551.00
78" Debris Grapple Fork - 13 Tines	78"	985	ea	SDB78	\$4,372.00	\$4,494.00	\$4,538.00	\$4,692.00
84" Debris Grapple Fork - 14 Tines	84"	1025	ea	SDB84	\$4,506.00	\$4,628.00	\$4,672.00	\$4,826.00
Optional 90" Hose Kit c/w Flat Faced Couplers			ea	HK90	\$237.00			



SGB66

- Two independent grapples
- Ideal for awkward abrasive loads
- 31" overall height
- 34" overall depth
- Comes with cylinders

Add 2" to Inside Width column to calculate Outside Width of bucket

Scrap Grapple Bucket	Inside Width	Struck Cap - Level cu ft	SAE Cap - Heaped cu ft	Weight in lbs	Part #	Price Code			
						A	B	C	D
<b>Skidsteer</b>									
54" Scrap Grapple Bucket	54"	11.9	15.3	660	SGB54	\$3,808.00	\$3,930.00	\$3,974.00	\$4,128.00
60" Scrap Grapple Bucket	60"	13.2	17.1	725	SGB60	\$3,917.00	\$4,039.00	\$4,083.00	\$4,237.00
66" Scrap Grapple Bucket	66"	14.5	18.9	785	SGB66	\$3,981.00	\$4,103.00	\$4,147.00	\$4,301.00
72" Scrap Grapple Bucket	72"	15.9	20.7	850	SGB72	\$4,052.00	\$4,174.00	\$4,218.00	\$4,372.00
78" Scrap Grapple Bucket	78"	17.2	22.5	920	SGB78	\$4,218.00	\$4,340.00	\$4,384.00	\$4,538.00
Optional 90" Hose Kit c/w Flat Faced Couplers					HK90	\$237.00			

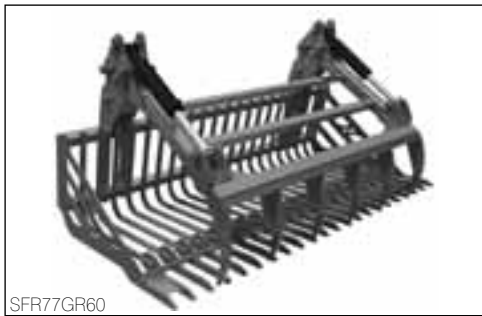
# Grapples



## Utility Grapple (Popular Package Pricing)

- Opens up to 70"
- Comes with cylinders

Manure Fork with Cranked Kverneland Tine	Weight	UOM	Part #	Price Code			
Regular Duty Grapple	in lbs			A	B	C	D
72" Manure Fork Kverneland Tines & GR60 Grapple	835	ea	MFE72GR60	\$2,938.00	\$3,060.00	\$3,104.00	\$3,258.00
84" Manure Fork Kverneland Tines & GR72 Grapple	920	ea	MFE84GR72	\$3,182.00	\$3,304.00	\$3,348.00	\$3,502.00
96" Manure Fork Kverneland Tines & GR84 Grapple	1010	ea	MFE96GR84	\$3,655.00	\$3,777.00	\$3,821.00	\$3,975.00
Optional 90" Hose Kit c/w Flat Faced Couplers		ea	HK90	\$237.00			



- Opens up to 70"
- Comes with cylinders

Stone Fork with Retainer Style Tine	Weight	UOM	Part #	Price Code			
Regular Duty Grapple	in lbs			A	B	C	D
77" Stone Fork Retainer Tine & GR60 Grapple	1065	ea	SFR77GR60	\$3,770.00	\$3,892.00	\$3,936.00	\$4,090.00
84" Stone Fork Retainer Tine & GR72 Grapple	1135	ea	SFR84GR72	\$4,014.00	\$4,136.00	\$4,180.00	\$4,334.00
92" Stone Fork Retainer Tine & GR84 Grapple	1205	ea	SFR92GR84	\$4,320.00	\$4,442.00	\$4,486.00	\$4,640.00
Optional 90" Hose Kit c/w Flat Faced Couplers		ea	HK90	\$237.00			



## Utility Grapple (Popular Package Pricing)



MB72GR60

- Opens up to 70"
- Comes with cylinders

Standard (Front End Loader) Bucket with Regular Duty Grapple	Weight	UOM	Part #	Price Code			
	in lbs			A	B	C	D
72" RD Standard Material Bucket & GR60 Grapple	855	ea	MB72GR60	\$2,644.00	\$2,766.00	\$2,810.00	\$2,964.00
84" RD Standard Material Bucket & GR72 Grapple	940	ea	MB84GR72	\$2,875.00	\$2,997.00	\$3,041.00	\$3,195.00
96" RD Standard Material Bucket & GR84 Grapple	1020	ea	MB96GR84	\$3,168.00	\$3,290.00	\$3,334.00	\$3,488.00
Optional 90" Hose Kit c/w Flat Faced Couplers		ea	HK90	\$237.00			



SB72GR60

- Opens up to 70"
- Comes with cylinders

Standard (Skidsteer) Bucket with Regular Duty Grapple	Weight	UOM	Part #	Price Code			
	in lbs			A	B	C	D
72" RD Standard Skidsteer Bucket & GR60 Grapple	930	ea	SB72GR60	\$2,644.00	\$2,766.00	\$2,810.00	\$2,964.00
84" RD Standard Skidsteer Bucket & GR72 Grapple	1005	ea	SB84GR72	\$2,875.00	\$2,997.00	\$3,041.00	\$3,195.00
96" RD Standard Skidsteer Bucket & GR84 Grapple	1075	ea	SB96GR84	\$3,168.00	\$3,290.00	\$3,334.00	\$3,488.00
Optional 90" Hose Kit c/w Flat Faced Couplers		ea	HK90	\$237.00			

# Grapples



GRC48 (fork not included)

## Utility Grapple (Individual Pricing)

- To be fitted on light-duty manure forks
- Heavy duty welded cylinder
- Opens up to 37½"

For "Package Pricing" add price of light duty manure fork

Compact Utility Grapple	Width	Weight	UOM	Part #	Price
42" Grapple Only To Fit 42" Fork c/w Cylinders	42"	85 lbs	ea	GRC42	<b>\$852.00</b>
48" Grapple Only To Fit 48" Fork c/w Cylinders	48"	132 lbs	ea	GRC48	<b>\$896.00</b>



GR60 (fork not included)



GR60 (bucket not included)

- Can be fitted to forks or buckets
- Opens wide enough to handle round bales
- Works equally well on other materials such as manure, etc.
- Opens up to 70"

For "Package Pricing" add price of your desired bucket or fork

Regular Utility Grapple	Width	Weight	UOM	Part #	Price
60" Grapple Only To Fit 72" Fork Or Bucket c/w Cylinders	60"	400 lbs	ea	GR60	<b>\$1,600.00</b>
72" Grapple Only To Fit 84" Fork Or Bucket c/w Cylinders	72"	420 lbs	ea	GR72	<b>\$1,684.00</b>
84" Grapple Only To Fit 96" Fork Or Bucket c/w Cylinders	84"	440 lbs	ea	GR84	<b>\$1,824.00</b>
Optional 90" Hose Kit c/w Flat Faced Couplers				HK90	<b>\$237.00</b>



GRL84 (bucket not included)

- Can be fitted to larger forks or buckets
- Specific heavy duty design for handling large round and square bales
- Opens up to 72"
- Removeable / bolt-on mounting posts

For "Package Pricing" add price of your desired bucket or fork

Large Utility Grapple	Width	Weight	UOM	Part #	Price
72" Grapple Only To Fit 84" Fork Or Bucket c/w Cylinders	72"	590 lbs	ea	GRL72	<b>\$2,336.00</b>
84" Grapple Only To Fit 96" Fork Or Bucket c/w Cylinders	84"	600 lbs	ea	GRL84	<b>\$2,477.00</b>



RRGLD60

- Light weight with rugged design for compact loaders
- 28" overall height when closed
- 7 3/8" centre to centre tine spacing
- Points are 1/2" thick, commercial steel

Light Duty Root Rake c/w Grapple For Compact Loaders	Weight in lbs	UOM	Part #	Price Code			
				A	B	C	D
48" Light Duty Root Rake c/w Grapple	385	ea	RRGLD48	\$2,349.00	\$2,471.00		
54" Light Duty Root Rake c/w Grapple	400	ea	RRGLD54	\$2,503.00	\$2,625.00		
60" Light Duty Root Rake c/w Grapple	410	ea	RRGLD60	\$2,656.00	\$2,778.00		
66" Light Duty Root Rake c/w Grapple	425	ea	RRGLD66	\$2,900.00	\$3,022.00		



RRG78

- Two independent grapples for complete clamping on awkward loads
- 34" overall height when closed
- Points are 1/2" thick, 400 Brinell high tensile steel
- 7 3/8" centre to centre tine spacing

Root Rake c/w Grapple	Weight in lbs	UOM	Part #	Price Code			
				A	B	C	D
66" Root Rake c/w Grapple	885	ea	RRG66	\$3,860.00	\$3,982.00	\$4,026.00	\$4,180.00
78" Root Rake c/w Grapple	970	ea	RRG78	\$4,263.00	\$4,385.00	\$4,429.00	\$4,583.00
Optional 90" Hose Kit c/w Flat Faced Couplers		ea	HK90	\$237.00			

# Grapples



BG8500

- Hydraulic barrel clamp for handling 45 gallon drums
- Available with or without 180 degree rotator for dumping and emptying drums

Barrel Grapple	Weight	UOM	Part #	Price Code			
	in lbs			A	B	C	D
Barrel Grapple c/w 3" x 8" Cylinder	420	ea	BG8000	\$3,066.00	\$3,188.00	\$3,232.00	\$3,386.00
Barrel Grapple With 180 Degree Rotator (c/w Electric Selector Valve & Cylinders)	700	ea	BG8500	\$7,213.00	\$7,335.00	\$7,379.00	\$7,533.00
Optional 90" Hose Kit c/w Flat Faced Couplers		ea	HK90	\$237.00			



SS0204RUG

- 360° continuous rotation
- Ideal for decorative stone placement etc.
- Up to 3500 lbs lift capacity
- 36" opening

Skidsteer Rotating Utility Grapple	Weight	UOM	Part #	Price
Skidsteer Rotating Utility Grapple	750 lbs	ea	SS0204RUG	\$10,272.00
Optional 90" Hose Kit c/w Flat Faced Couplers		ea	HK90	\$237.00

# Miscellaneous Attachments



TAUN

- Mounts between skidsteers and buckets with a universal hitch
- Tilts 18° left and right

Tilt Attachment	Weight	UOM	Part #	Price
Universal Tilt Attachment	425 lbs	ea	TAUN	\$3,482.00



3PHA

- Adapter attaches to loader then allows you to hook up to 3 point hitch equipment
- Bottom two arms slide for easy hook-up

Three Point Hitch Adapter	Weight in lbs	UOM	Part #	Price Code			
				A	B	C	D
Three Point Hitch Adapter	210	ea	3PHA	\$704.00	\$826.00	\$870.00	\$1,024.00



PTOHF

- Ideal for brush cutters & snow blowers etc.
- 50-60 HP output (**30-40 gpm high flow required**)
- Category 1 & 2 compatible
- Complete with adjustable top link
- **Includes high flow hose & coupler kit**

PTO Adapter 3 Point Hitch Skidsteer	UOM	Part #	Price Code			
			A	B	C	D
Three Point Hitch Skidsteer PTO Adapter High Flow	ea	PTOHF	\$3,642.00			
Three Point Hitch Skidsteer PTO Adapter Regular Flow	ea	PTORF	\$3,642.00			

# Miscellaneous Attachments



HLS1224

- Cut tree limbs from the safety of your skidsteer or tractor
- Automatic chain oiler
- Standard bar length 24"
- Standard Stihl drive used for easy replacement of bars and chain
- 12 ft reach
- Approximate weight: 380 lbs

Hydraulic Limb Saw	Weight	UOM	Part #	Price Code			
	in lbs			A	B	C	D
Hydraulic Limb Saw (12' reach / 24" blade)	380	ea	HLS1224	\$3,591.00	\$3,713.00	\$3,757.00	\$3,911.00
Optional 90" Hose Kit c/w Flat Faced Couplers		ea	HK90	\$237.00			



BH600 & SHBT12

- QTach to most skidsteer loaders
- 6 ft digging depth
- 140° swing
- Standard with cylinders and electric valve to make it operational with one auxiliary outlet
- Second boom mount on side of frame for digging along side foundations etc.

Choose bucket size and add to backhoe to achieve correct pricing.

Backhoe - Big Arm Skidsteer	Weight	UOM	Part #	Price Code			
	in lbs			A	B	C	D
Backhoe - Less Bucket	435	ea	BH600	\$4,314.00			
Optional 90" Hose Kit c/w Flat Faced Couplers		ea	HK90	\$237.00			

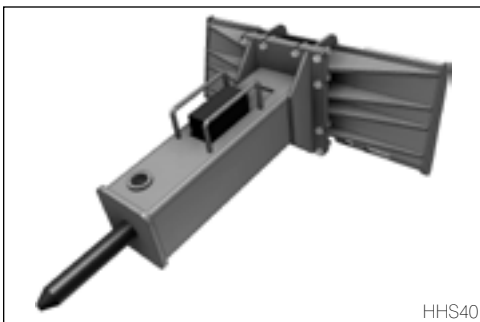
Buckets - Big Arm Skidsteer	Weight	UOM	Part #	Price
9" Bucket for Big Arm Backhoe c/w Teeth	92 lbs	ea	SHBT09	\$711.00
12" Bucket for Big Arm Backhoe c/w Teeth	101 lbs	ea	SHBT12	\$756.00
15" Bucket for Big Arm Backhoe c/w Teeth	110 lbs	ea	SHBT15	\$807.00
18" Bucket for Big Arm Backhoe c/w Teeth	119 lbs	ea	SHBT18	\$871.00
20" Bucket for Big Arm Backhoe c/w Teeth	125 lbs	ea	SHBT20	\$916.00
9" Bucket for Big Arm Backhoe Less Teeth	80 lbs	ea	SHB09	\$621.00
12" Bucket for Big Arm Backhoe Less Teeth	89 lbs	ea	SHB12	\$679.00
15" Bucket for Big Arm Backhoe Less Teeth	98 lbs	ea	SHB15	\$724.00
18" Bucket for Big Arm Backhoe Less Teeth	107 lbs	ea	SHB18	\$781.00
20" Bucket for Big Arm Backhoe Less Teeth	113 lbs	ea	SHB20	\$820.00

# Miscellaneous Attachments



- Unique lateral and forward float
- Gauge wheels
- Includes electric selector valve and hoses to the auxiliary outlets
- 26" diameter wafers poly/steel
- Angles 30° right and left
- Direct motor drive on broom

Hydraulic Rotary Broom	Weight in lbs	UOM	Part #	Price Code			
				A	B	C	D
72" Wide Sweeper	955	ea	BR72	\$6,279.00	\$6,401.00	\$6,445.00	\$6,599.00
84" Wide Sweeper	1070	ea	BR84	\$6,605.00	\$6,727.00	\$6,771.00	\$6,925.00



- Boltless design using a seamless steel casing with welded ends eliminates need for bolts - which can loosen or break over time
- Polymer isolators absorb the initial shock and recoil
- Nitrogen power cell allows the hammer to run at lower flow settings which reduces wear

Hydraulic Hammer	Max Energy / Blow	Required Flow	Blows / Min	Tool Dia	Weight	UOM	Part #	Price
Hydraulic Hammer	550 ft lbs	8-21 GPM	550 - 1250	2.6	505 lbs	ea	HHS40	\$13,690.00
Hydraulic Hammer	750 ft lbs	12-25 GPM	650 - 1400	2.75	575 lbs	ea	HHS50	\$14,509.00
Hydraulic Hammer	850 ft lbs	14-30 GPM	550 - 1200	3.0	725 lbs	ea	HHS60	\$15,783.00

# Pallet Forks



BFT6544 (bucket not included)

- Adaptable to most buckets
- No tools or bolts needed

Bucket Pallet Fork	Size	Weight	UOM	Part #	Price
1000 LB Bucket Pallet Fork c/w Hardware	3" x 2" x 32" Long	120 lbs	set	BFT3532	\$404.00
2000 LB Bucket Pallet Fork c/w Hardware	4" x 2" x 44" Long	170 lbs	set	BFT6544	\$519.00



LD3542

- Made for compact tractors
- 1" X 3" solid fork lift tines
- Sliding adjustable - shaft type
- 1 1/4" diameter shaft
- 1200 lbs capacity @ 24" L.C.
- C/w guard
- 50" wide carriage

Light Duty Pallet Fork For Compact Tractors	Tine Length	UOM	Part #	Price Code			
				A	B	C	D
Light Duty Pallet Fork c/w Guard	36"	ea	LD3536	\$687.00	\$809.00		
Light Duty Pallet Fork c/w Guard	42"	ea	LD3542	\$699.00	\$821.00		
Carriage Only c/w Guard Less Tines		ea	LD35	\$455.00	\$577.00		



HD2042

- 1 1/2" X 3 1/8" class II hook type
- Solid fork lift tines
- 2000 lbs capacity @ 24" L.C.
- C/w guard
- 50" wide carriage

Heavy Duty Pallet Fork 2000 LB Capacity	Tine Length	Weight in lbs	UOM	Part #	Price Code			
					A	B	C	D
Heavy Duty Pallet Fork c/w Guard	36"	300	ea	HD2036	\$757.00	\$879.00		
Heavy Duty Pallet Fork c/w Guard	42"	315	ea	HD2042	\$795.00	\$917.00		
Heavy Duty Pallet Fork c/w Guard	48"	300	ea	HD2048	\$807.00	\$929.00		
Carriage Only c/w Guard Less Tines			ea	HD20	\$487.00	\$609.00		





HD3748

- 1¼" X 4" class II hook type solid fork lift tines
- 3700 lbs capacity @ 24" L.C.
- C/w guard
- 50" wide carriage
- Sliding adjustable
- Tines can be locked in any position

Heavy Duty Pallet Fork	Tine Length	Weight	UOM	Part #	Price Code			
3700 LB Capacity		in lbs			A	B	C	D
Heavy Duty Pallet Fork c/w Guard	42"	405	ea	HD3742	\$922.00	\$1,044.00	\$1,088.00	\$1,242.00
Heavy Duty Pallet Fork c/w Guard	48"	425	ea	HD3748	\$960.00	\$1,082.00	\$1,126.00	\$1,280.00
Carriage Only c/w Guard Less Tines			ea	HD37	\$512.00	\$634.00	\$678.00	\$832.00



HD5548

- 1½" X 4" class II hook type solid fork lift tines
- 5500 lbs capacity @24" L.C.
- C/w guard
- 50" wide carriage
- Sliding adjustable
- Tines can be locked in any position

Heavy Duty Pallet Fork	Tine Length	Weight	Part #	Price Code			
5500 LB Capacity		in lbs		A	B	C	D
Heavy Duty Pallet Fork c/w Guard	42"	465	HD5542	\$1,039.00	\$1,161.00	\$1,205.00	\$1,359.00
Heavy Duty Pallet Fork c/w Guard	48"	485	HD5548	\$1,077.00	\$1,199.00	\$1,243.00	\$1,397.00
Heavy Duty Pallet Fork c/w Guard	54"	505	HD5554	\$1,217.00	\$1,339.00	\$1,383.00	\$1,537.00
Carriage Only c/w Guard Less Tines			HD55	\$615.00	\$737.00	\$781.00	\$935.00



HD9548

- 1¾" X 5" class III hook type solid fork lift tines
- 7500 lbs capacity @ 24" L.C.
- C/w guard
- 50" wide carriage
- Sliding adjustable
- Tines can be locked in any position

Heavy Duty Pallet Fork	Tine Length	Weight	Part #	Price Code			
7500 LB Capacity		in lbs		A	B	C	D
Heavy Duty Pallet Fork c/w Guard	48"	675	HD9548	\$1,927.00	\$2,049.00	\$2,093.00	\$2,247.00
Heavy Duty Pallet Fork c/w Guard	54"	705	HD9554	\$2,081.00	\$2,203.00	\$2,247.00	\$2,401.00
Heavy Duty Pallet Fork c/w Guard	60"	735	HD9560	\$2,413.00	\$2,535.00	\$2,579.00	\$2,733.00
Carriage Only c/w Guard Less Tines			HD95	\$749.00	\$871.00	\$915.00	\$1,069.00

# Pallet Forks



HDR5548

- Rotation is powered by a cylinder for smooth and contoured operation
- Adjustable tines
- Rotates 180° for a full dump to the left

Rotating Pallet Fork	Tine Length	Weight in lbs	Part #	Price Code			
				A	B	C	D
2000 lbs Rotating Pallet Fork	42"	575	HDR2042	\$3,150.00	\$3,272.00	\$3,316.00	\$3,470.00
3700 lbs Rotating Pallet Fork	42"	680	HDR3742	\$4,250.00	\$4,372.00	\$4,416.00	\$4,570.00
3700 lbs Rotating Pallet Fork	48"	700	HDR3748	\$4,288.00	\$4,410.00	\$4,454.00	\$4,608.00
5500 lbs Rotating Pallet Fork	42"	740	HDR5542	\$4,668.00	\$4,790.00	\$4,834.00	\$4,988.00
5500 lbs Rotating Pallet Fork	48"	760	HDR5548	\$4,706.00	\$4,828.00	\$4,872.00	\$5,026.00
5500 lbs Rotating Pallet Fork	54"	780	HDR5554	\$4,846.00	\$4,968.00	\$5,012.00	\$5,166.00
2000 lbs Carriage Only Less Tines			HDR20	\$2,842.00	\$2,964.00	\$3,008.00	\$3,162.00
3700 lbs Carriage Only Less Tines			HDR37	\$3,840.00	\$3,962.00	\$4,006.00	\$4,160.00
5500 lbs Carriage Only Less Tines			HDR55	\$4,244.00	\$4,366.00	\$4,410.00	\$4,564.00
Optional 90" Hose Kit c/w Flat Faced Couplers			HK90	\$237.00			



HDS5548

- Hydraulic carriage side shift
- 16" travel (8" right or left)
- Adjustable tines

Side Shift Pallet Fork	Tine Length	Weight in lbs	Part #	Price Code			
				A	B	C	D
2000 lbs Side Shift Pallet Fork	42"	665	HDS2042	\$3,048.00	\$3,170.00	\$3,214.00	\$3,368.00
3700 lbs Side Shift Pallet Fork	42"	770	HDS3742	\$3,086.00	\$3,208.00	\$3,252.00	\$3,406.00
3700 lbs Side Shift Pallet Fork	48"	790	HDS3748	\$3,124.00	\$3,246.00	\$3,290.00	\$3,444.00
5500 lbs Side Shift Pallet Fork	42"	830	HDS5542	\$3,279.00	\$3,401.00	\$3,445.00	\$3,599.00
5500 lbs Side Shift Pallet Fork	48"	850	HDS5548	\$3,317.00	\$3,439.00	\$3,483.00	\$3,637.00
5500 lbs Side Shift Pallet Fork	54"	870	HDS5554	\$3,457.00	\$3,579.00	\$3,623.00	\$3,777.00
2000 lbs Carriage Only Less Tines			HDS20	\$2,740.00	\$2,862.00	\$2,906.00	\$3,060.00
3700 lbs Carriage Only Less Tines			HDS37	\$2,676.00	\$2,798.00	\$2,842.00	\$2,996.00
5500 lbs Carriage Only Less Tines			HDS55	\$2,855.00	\$2,977.00	\$3,021.00	\$3,175.00
Optional 90" Hose Kit c/w Flat Faced Couplers			HK90	\$237.00			



LG7542

- Grapple version of HD7542 pallet fork
- 42" solid fork lift tines
- 5500 lbs capacity
- C/w HD Cylinders

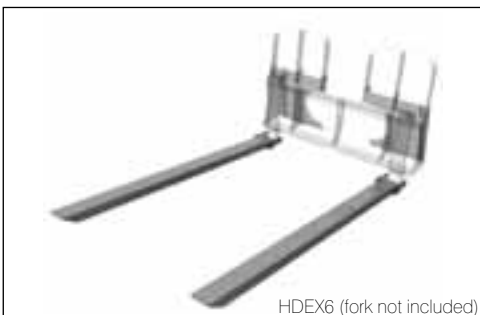
Log Grapple	Weight	Part #	Price Code			
	in lbs		A	B	C	D
Log Grapple Mounted On HD75 Pallet Fork c/w Cylinders & 42" Tines	750	LG7542	\$2,626.00	\$2,748.00	\$2,792.00	\$2,946.00
Carriage & Grapple Only Less Tines		LG75	\$2,202.00	\$2,324.00	\$2,368.00	\$2,522.00
Optional Mesh Guard		LGGU	\$410.00			
Optional 90" Hose Kit c/w Flat Faced Couplers		HK90	\$237.00			



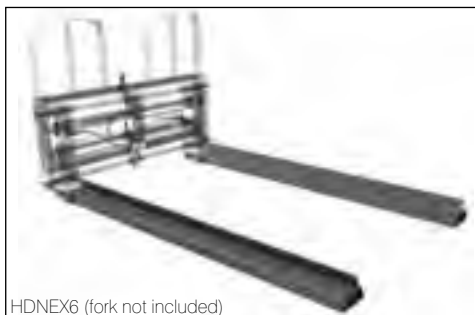
HDN5548

- Hydraulic sliding tines
- Ideal for clamping (Such as a root ball in nurseries etc.)
- Hydraulic powered tines move in and out equally

Power Tine Pallet Fork	Tine Length	Weight	Part #	Price Code			
		in lbs		A	B	C	D
3700 lbs Power Tine Pallet Fork	42"	480	HDN3742	\$2,792.00	\$2,914.00	\$2,958.00	\$3,112.00
3700 lbs Power Tine Pallet Fork	48"	500	HDN3748	\$2,816.00	\$2,938.00	\$2,982.00	\$3,136.00
5500 lbs Power Tine Pallet Fork	42"	540	HDN5542	\$2,997.00	\$3,119.00	\$3,163.00	\$3,317.00
5500 lbs Power Tine Pallet Fork	48"	560	HDN5548	\$3,047.00	\$3,169.00	\$3,213.00	\$3,367.00
5500 lbs Power Tine Pallet Fork	54"	570	HDN5554	\$3,073.00	\$3,195.00	\$3,239.00	\$3,393.00
3700 lbs Carriage Only Less Tines			HDN37	\$2,272.00	\$2,394.00	\$2,438.00	\$2,592.00
5500 lbs Carriage Only Less Tines			HDN55	\$2,471.00	\$2,593.00	\$2,637.00	\$2,791.00
Optional 90" Hose Kit c/w Flat Faced Couplers			HK90	\$237.00			



HDEX6 (fork not included)



HDNEX6 (fork not included)

### Standard Extensions

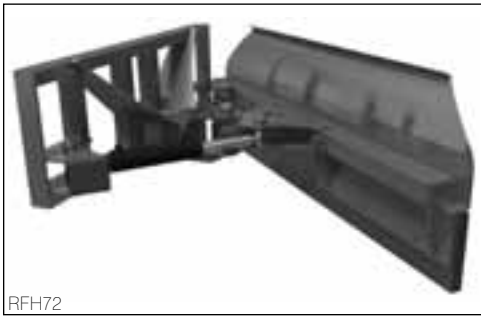
- Fits HD37 & HD55 forks

### Nursery extensions

- With angle pad for gentle clamping of root balls, etc

Pallet Fork Tine Extensions	Weight	UOM	Part #	Price
6' Standard Pallet Fork Tine Extensions	200 lbs	set	HDEX6	\$640.00
8' Standard Pallet Fork Tine Extensions	270 lbs	set	HDEX8	\$858.00
6' Nursery Pallet Fork Tine Extensions	210 lbs	set	HDNEX6	\$634.00
7' Nursery Pallet Fork Tine Extensions	240 lbs	set	HDNEX7	\$736.00

# Rubber Scrapers



RFH72

- Power angle
- Easy on concrete or tiled floor mangers
- 24" high
- Angles 45° either direction

Rubber Feed Alley Scraper	Weight	Part #	Price Code			
	in lbs		A	B	C	D
60" Wide Rubber Feed Alley Scraper	385	RFH60	\$2,541.00	\$2,663.00	\$2,707.00	\$2,861.00
72" Wide Rubber Feed Alley Scraper	425	RFH72	\$2,580.00	\$2,702.00	\$2,746.00	\$2,900.00
84" Wide Rubber Feed Alley Scraper	465	RFH84	\$2,618.00	\$2,740.00	\$2,784.00	\$2,938.00
Optional 90" Hose Kit c/w Flat Faced Couplers		HK90	\$237.00			



RSH60

- Heavy duty rubber for longer life
- Deeper scraper for more volume and smoother operation
- Enclosed frame with splash plate

Heavy Duty Rubber Free Stall Scraper	Weight	Part #	Price Code			
	in lbs		A	B	C	D
60" Rubber Free Stall Scraper HD Standard	240	RSH60	\$1,434.00	\$1,556.00	\$1,600.00	\$1,754.00
72" Rubber Free Stall Scraper HD Standard	260	RSH72	\$1,549.00	\$1,671.00	\$1,715.00	\$1,869.00
84" Rubber Free Stall Scraper HD Standard	280	RSH84	\$1,658.00	\$1,780.00	\$1,824.00	\$1,978.00
96" Rubber Free Stall Scraper HD Standard	300	RSH96	\$1,824.00	\$1,946.00	\$1,990.00	\$2,144.00



RSBDH84

- Similar to above but with back drag feature
- Allows clean-out of corners

Heavy Duty Rubber Free Stall Scraper	Weight	Part #	Price Code			
	in lbs		A	B	C	D
<b>Back Drag</b>						
60" Rubber Free Stall Scraper HD Back Drag	380	RSBDH60	\$1,824.00	\$1,946.00	\$1,990.00	\$2,144.00
72" Rubber Free Stall Scraper HD Back Drag	420	RSBDH72	\$1,972.00	\$2,094.00	\$2,138.00	\$2,292.00
84" Rubber Free Stall Scraper HD Back Drag	460	RSBDH84	\$2,100.00	\$2,222.00	\$2,266.00	\$2,420.00
96" Rubber Free Stall Scraper HD Back Drag	500	RSBDH96	\$2,304.00	\$2,426.00	\$2,470.00	\$2,624.00

# Side Discharge Buckets



SS72

- **Minimum 12 GPM required**
- Hydraulic drive (coupled direct)
- Beater to prevent bridging
- 12" wide belt c/w 3/4" cleat
- Discharge from both sides of machine
- Guide on belt for true tracking
- 10 ga material
- 42" high
- Two hydraulic motors on discharge belt (72" & 84" only)

For Outside Width add 1" to Inside Width column.

Side Discharge Sawdust Bucket	Inside Width	Heaped Capacity Approx	Weight in lbs	Part #	Price Code			
					A	B	C	D
60" Side Discharge - Sawdust	60"	1-2/3 cu yd	910	SS60	\$5,863.00	\$5,985.00	\$6,029.00	\$6,183.00
72" Side Discharge - Sawdust	72"	2 cu yd	1080	SS72	\$6,247.00	\$6,369.00	\$6,413.00	\$6,567.00
84" Side Discharge - Sawdust	84"	2-1/3 cu yd	1250	SS84	\$7,028.00	\$7,150.00	\$7,194.00	\$7,348.00
Optional 90" Hose Kit c/w Flat Faced Couplers				HK90	\$237.00			
3 Point Hitch Mounting c/w Tilting Cylinder - Price Code A + \$698.00								



SSB72

- **Minimum 12 GPM required**
- Made of same material as sawdust bucket
- Baffle brace and beater to improve flow and keep weight off of belt
- 32" high
- Two hydraulic motors on discharge belt (72" & 84" only)

For Outside Width add 1" to Inside Width column.

Side Discharge Sand Bucket	Inside Width	Heaped Capacity Approx	Weight in lbs	Part #	Price Code			
					A	B	C	D
60" Side Discharge - Sand	60"	2/3 cu yd	860	SSB60	\$6,183.00	\$6,305.00	\$6,349.00	\$6,503.00
72" Side Discharge - Sand	72"	1 cu yd	1080	SSB72	\$6,580.00	\$6,702.00	\$6,746.00	\$6,900.00
84" Side Discharge - Sand	84"	1-1/3 cu yd	1250	SSB84	\$6,983.00	\$7,105.00	\$7,149.00	\$7,303.00
Optional 90" Hose Kit c/w Flat Faced Couplers				HK90	\$237.00			
3-Point Hitch Mount c/w Tilting Cylinder - Price Code A + \$698.00								

# Silage Facers



SBF72

- Minimum 20 GPM required
- Facing drum mounted on a 4 ft frame
- 400 Brinell high tensile steel teeth on drum

Silage Facer - Frame Mount	Weight	Part #	Price Code			
	in lbs		A	B	C	D
72" Silage Bunk Facer	660	SBF72	\$6,394.00	\$6,516.00	\$6,560.00	\$6,714.00
84" Silage Bunk Facer	770	SBF84	\$6,701.00	\$6,823.00	\$6,867.00	\$7,021.00
96" Silage Bunk Facer	890	SBF96	\$7,021.00	\$7,143.00	\$7,187.00	\$7,341.00
Optional 90" Hose Kit c/w Flat Faced Couplers		HK90	\$237.00			



MBHVSBF84S

- Minimum 20 GPM required
- Facing drum mounted on bucket
- High tensile steel teeth on drum

For Outside Width add 2" to Inside Width column.

Silage Facer - Bucket Mount	Inside Width	Struck Cap - Level	Heaped Cap - Approx	Weight in lbs	Part #	Price Code			
		cu ft	cu ft			A	B	C	D
72" Silage Facer/Bucket Mounted	72"	28.5	35.6	990	MBHVSBF72S	\$8,455.00	\$8,577.00	\$8,621.00	\$8,775.00
84" Silage Facer/Bucket Mounted	84"	33.3	41.6	1100	MBHVSBF84S	\$8,871.00	\$8,993.00	\$9,037.00	\$9,191.00
96" Silage Facer/Bucket Mounted	96"	38.1	47.5	1210	MBHVSBF96S	\$9,447.00	\$9,569.00	\$9,613.00	\$9,767.00
96" Silage Facer Mounted On Telehandler Bucket	96"	54.0	59.4	1975	THMBF96S				\$11,456.00
Optional 90" Hose Kit c/w Flat Faced Couplers					HK90	\$237.00			

# Silage Blades



MBHVSG84

- Heavy duty grapple integrated into the bucket design
- Strategic pivoting arc design on the grapple for more power and less disturbance of the bunk silo face
- 3 X 16 cylinders with 1½" diameter pins
- 2" diameter pivot pins on grapple

For Outside Width add 2" to Inside Width column.

Silage Grapple Bucket	Inside Width	Struck Cap - Level	Heaped Cap - Approx	Weight in lbs	Part #	Price Code			
		cu ft	cu ft			A	B	C	D
72" Silage Grapple Bucket	72"	29.4	37.2	1425	MBHVSG72	\$6,138.00	\$6,260.00	\$6,304.00	\$6,458.00
84" Silage Grapple Bucket	84"	34.3	43.4	1600	MBHVSG84	\$6,567.00	\$6,689.00	\$6,733.00	\$6,887.00
96" Silage Grapple Bucket	96"	39.2	49.6	1775	MBHVSG96	\$7,309.00	\$7,431.00	\$7,475.00	\$7,629.00
96" Telehandler Silage Grapple Bucket	96"	62.8	81.0	2100	THMBHVSG96			\$8,352.00	\$8,506.00
Optional 90" Hose Kit c/w Flat Faced Couplers					HK90	\$237.00			



FB14

- For front wheel assist tractors only
- Use 5000 Series undercarriage blade mounts—Page 63
- Heavy duty construction with two angle cylinders
- Reversible cutting edge
- 58" high blade  
(34" high mould board)  
(24" high mesh guard)
- 3 X 16 cylinders with 1½" diameter pins

Silage Blade	Weight	Part #	Price Code				3PH Mount
	in lbs		A	B	C	D	
10' Front Silage Blade	2050	FB10	\$8,756.00	\$8,878.00	\$8,922.00	\$9,076.00	\$9,332.00
12' Front Silage Blade	2350	FB12	\$9,076.00	\$9,198.00	\$9,242.00	\$9,396.00	\$9,652.00
14' Front Silage Blade	2650	FB14	\$9,466.00	\$9,588.00	\$9,632.00	\$9,786.00	\$10,042.00
Optional 90" Hose Kit c/w Flat Faced Couplers		HK90	\$237.00				

# Dirt Blades



DB72 with standard power tilt

- Ideal for skidsteers and front end loaders
- Heavy duty construction with two angle cylinders
- Reversible cutting edge
- 24" high mould board
- **Standard:** Blade oscillates 5° hydraulically either way for side levelling (Includes electric selector valve)
- Bolt-on skid shoes

Heavy Duty Dirt Blade	Weight	Part #	Price Code			
	in lbs		A	B	C	D
72" Dirt Blade c/w Power Tilt	910	DB72	\$4,736.00	\$4,858.00	\$4,902.00	\$5,056.00
84" Dirt Blade c/w Power Tilt	1010	DB84	\$5,146.00	\$5,268.00	\$5,312.00	\$5,466.00
96" Dirt Blade c/w Power Tilt	1110	DB96	\$5,549.00	\$5,671.00	\$5,715.00	\$5,869.00
Optional 90" Hose Kit c/w Flat Faced Couplers		HK90	\$237.00			



3PHWB838

- Comes with cross bar for quick-hitch system
- Bolt-on top lip for ease of filling
- 5 cu. ft. CAT II
- 8.38 cu. ft. CAT II

3 Point Hitch Weight Box	Weight	UOM	Part #	Price
Weight Box Cat II 5 cu ft	215 lbs	ea	3PHWB500	\$1,108.00
Weight Box Cat II 8.38 cu ft	360 lbs	ea	3PHWB838	\$1,383.00



# HLA SNOW



***SnowBlade***



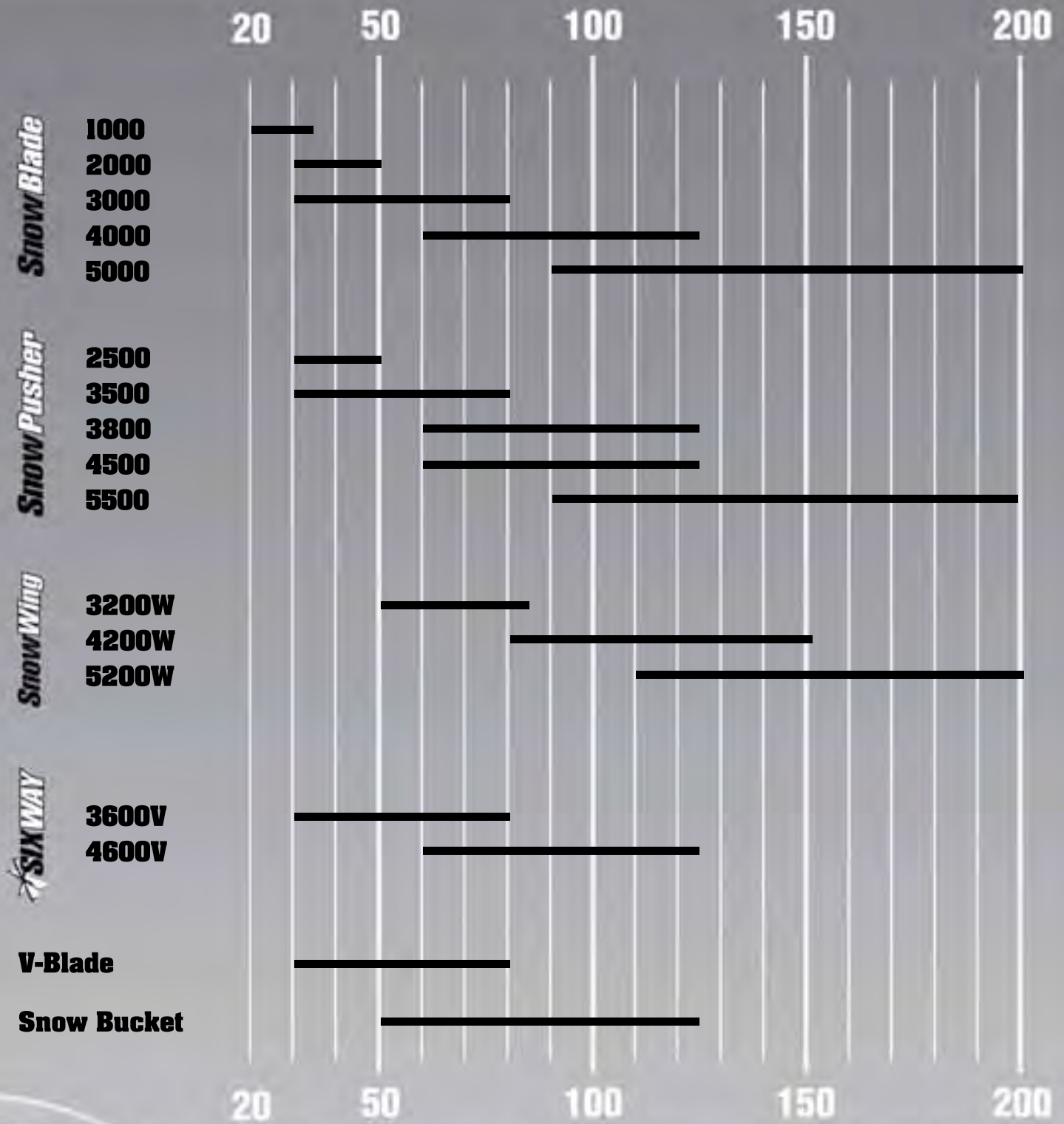
***SnowPusher***



***SnowWing***

[hlasnow.com](http://hlasnow.com)

# Required Horse Power



# Snow Removal - V-Blade



VP48

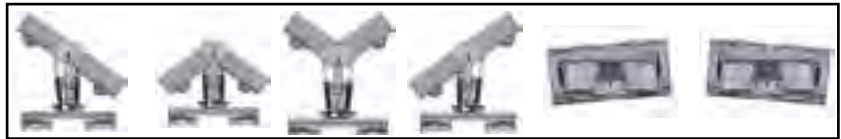
- 24" high mould board
- Available with or without 6" side flares
- Blade floats independent from loader mount
- Approximate weight: 420 lbs

V-Blade	Part #	Price Code			
		A	B	C	D
48" Wide V-Blade	VP48	\$2,548.00	\$2,670.00	\$2,714.00	\$2,868.00
54" Wide V-Blade	VP54	\$2,656.00	\$2,778.00	\$2,822.00	\$2,976.00
60" Wide V-Blade	VP60	\$2,727.00	\$2,849.00	\$2,893.00	\$3,047.00
48" Replacement Cutting Edge Kit - c/w Nose Pc	VPCE48	\$506.00			
54" Replacement Cutting Edge Kit - c/w Nose Pc	VPCE54	\$519.00			
60" Replacement Cutting Edge Kit - c/w Nose Pc	VPCE60	\$544.00			



SB3600V60

- Ideal sidewalk blade for compact tractors and skidsteers
- Reversible cutting edge with spring trip
- 35° angle with cross-over relief valve protection
- 30" high mould board with lateral float



3600 Series 6-Way Snow Blade	Weight	Part #	Price Code			
Max Operating Weight 10,000 lbs (30 - 80 HP)	in lbs		A	B	C	D
54" 6-Way Snow Blade	565	SB3600V54	\$4,538.00	\$4,660.00	\$4,704.00	\$4,858.00
60" 6-Way Snow Blade	640	SB3600V60	\$4,736.00	\$4,858.00	\$4,902.00	\$5,056.00
66" 6-Way Snow Blade	715	SB3600V66	\$4,941.00	\$5,063.00	\$5,107.00	\$5,261.00
72" 6-Way Snow Blade	790	SB3600V72	\$5,146.00	\$5,268.00	\$5,312.00	\$5,466.00
78" 6-Way Snow Blade	865	SB3600V78	\$5,402.00	\$5,524.00	\$5,568.00	\$5,722.00
84" 6-Way Snow Blade	940	SB3600V84	\$5,556.00	\$5,678.00	\$5,722.00	\$5,876.00
Optional 90" Hose Kit c/w Flat Faced Couplers		HK90	\$237.00			



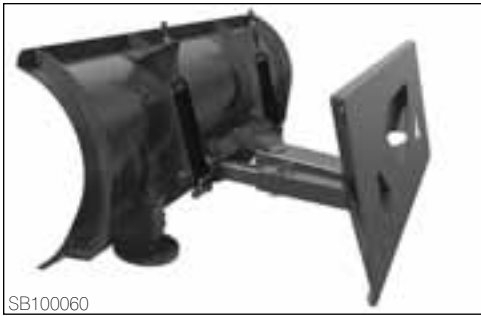
SB4600V09

- Ideal for small roadways & driveways
- Reversible cutting edge with spring trip
- 35° angle with cross-over relief valve protection
- 34" high mould board with lateral float



4600 Series 6-Way Snow Blade	Weight	Part #	Price Code			
Max Operating Weight 25,000 lbs (60 - 125 HP)	in lbs		A	B	C	D
96" 6-Way Snow Blade	1325	SB4600V08	\$7,783.00	\$7,905.00	\$7,949.00	\$8,103.00
108" 6-Way Snow Blade	1450	SB4600V09	\$8,276.00	\$8,398.00	\$8,442.00	\$8,596.00
120" 6-Way Snow Blade	1575	SB4600V10	\$8,775.00	\$8,897.00	\$8,941.00	\$9,095.00
144" 6-Way Snow Blade	1700	SB4600V12	\$9,773.00	\$9,895.00	\$9,939.00	\$10,093.00
Optional 90" Hose Kit c/w Flat Faced Couplers		HK90	\$237.00			

# Snow Removal - 1000 & 2000 Series



SB100060

- Spring trip on mould board
- 20" high mould board
- Lateral float
- 35° manual angle either direction (hydraulic optional)
- Reversible cutting edge
- Adjustable skid shoes



1000 Series Snow Blade	Weight in lbs	Part #	Price Code			
			A	B	C	D
<b>Max Operating Weight 3,000 lbs (20 - 35 HP)</b>						
42" Snow Blade	280	SB100042	\$1,972.00	\$2,094.00	\$2,138.00	\$2,292.00
48" Snow Blade	290	SB100048	\$2,036.00	\$2,158.00	\$2,202.00	\$2,356.00
54" Snow Blade	300	SB100054	\$2,093.00	\$2,215.00	\$2,259.00	\$2,413.00
60" Snow Blade	310	SB100060	\$2,157.00	\$2,279.00	\$2,323.00	\$2,477.00
66" Snow Blade	325	SB100066	\$2,215.00	\$2,337.00	\$2,381.00	\$2,535.00
72" Snow Blade	335	SB100072	\$2,285.00	\$2,407.00	\$2,451.00	\$2,605.00
78" Snow Blade	345	SB100078	\$2,343.00	\$2,465.00	\$2,509.00	\$2,663.00
84" Snow Blade	375	SB100084	\$2,471.00	\$2,593.00	\$2,637.00	\$2,791.00
90" Snow Blade	385	SB100090	\$2,554.00	\$2,676.00	\$2,720.00	\$2,874.00
Optional Hydraulic Angle Kit		SB1000CYLK	\$276.00			
Optional 90" Hose Kit c/w Flat Faced Couplers		HK90	\$237.00			



SP250072

- 1½" X 6" dura-blade rubber edge (mounted fixed)
- Slim brace design for reduced material build-up
- 30" high
- 30" useable depth
- Adjustable / replaceable skid bars



Backdrag Option—pg 60



2500 Series Snow Pusher	Weight in lbs	Part #	Price Code			
			A	B	C	D
<b>Max Operating Weight 5,000 lbs (30 - 50 HP)</b>						
72" Snow Pusher	525	SP250072	\$1,863.00	\$1,985.00	\$2,029.00	\$2,183.00
84" Snow Pusher	555	SP250084	\$2,151.00	\$2,273.00	\$2,317.00	\$2,471.00
96" Snow Pusher	595	SP250096	\$2,368.00	\$2,490.00	\$2,534.00	\$2,688.00
Bucket Edge Mount Add "B" to Part # & Use Price Code B						

# Snow Removal - 2000 & 3800 Series



SP380010

- AR400 material skid plates
- 1½" X 10" dura-blade rubber cutting edge mounted fixed
- Fixed end plates
- Boxed channel for added strength
- Slim brace design for reduced material build-up



3800 Series Snow Pusher	Weight	Part #	Price Code			
	in lbs		A	B	C	D
<b>Max Operating Weight 20,000 lbs (60 - 125 HP)</b>						
10' Snow Pusher	1350	SP380010	\$5,773.00			
12' Snow Pusher	1450	SP380012	\$6,304.00			
14' Snow Pusher	1550	SP380014	\$6,778.00			



SB200072

- Spring trip on mould board
- 24" high mould board
- Lateral float
- One angle cylinder
- Hydraulic 35° angle either direction
- Reversible cutting edge
- Adjustable skid shoes
- Cross-over relief valve protection



2000 Series Snow Blade	Weight	Part #	Price Code			
	in lbs		A	B	C	D
<b>Max Operating Weight 5,000 lbs (30 - 50 HP)</b>						
60" Snow Blade	460	SB200060	\$3,264.00	\$3,386.00	\$3,430.00	\$3,584.00
72" Snow Blade	490	SB200072	\$3,463.00	\$3,585.00	\$3,629.00	\$3,783.00
78" Snow Blade	505	SB200078	\$3,540.00	\$3,662.00	\$3,706.00	\$3,860.00
84" Snow Blade	535	SB200084	\$3,648.00	\$3,770.00	\$3,814.00	\$3,968.00
90" Snow Blade	565	SB200090	\$3,770.00	\$3,892.00	\$3,936.00	\$4,090.00
96" Snow Blade	595	SB200096	\$3,885.00	\$4,007.00	\$4,051.00	\$4,205.00

2000 Series Snow Blade Options	UOM	Part #	Price
5/8 X 6 Heat-Treated Boron Edge (Additional Cost)	ft	126CEBO	\$16.00
90" Hose Kit c/w Flat Faced Couplers (Skidsteer Mounts Only)	ea	HK90	\$237.00
Snow Blade Marker (See Info On Page 61)	ea	SBM27	\$77.00
2000 Series Under Carriage Tractor Mount (See Info On Page 63)	ea	SB2000DM	\$2,189.00
Factory Installation Of Under Carriage Mount Available When Tractor Supplied (Most Tractors)	ea	SB4000IN	\$692.00

# Snow Removal - 3000 Series



SP350007

- Steel spring trip cutting edge
- Slim brace design for reduced material build-up
- 38" high
- 36" useable depth
- Adjustable / replaceable skid bars



Backdrag Option – pg 60



3500 Series Snow Pusher	Weight	Part #	Price Code			
Max Operating Weight 15,000 lbs (30 - 80 HP)	in lbs		A	B	C	D
7' Snow Pusher	805	SP350007	\$2,874.00	\$2,996.00	\$3,040.00	\$3,194.00
8' Snow Pusher	855	SP350008	\$3,149.00	\$3,271.00	\$3,315.00	\$3,469.00
9' Snow Pusher	905	SP350009	\$3,424.00	\$3,546.00	\$3,590.00	\$3,744.00
10' Snow Pusher	955	SP350010	\$3,700.00	\$3,822.00	\$3,866.00	\$4,020.00
12' Snow Pusher	1050	SP350012	\$4,384.00	\$4,506.00	\$4,550.00	\$4,704.00

Bucket Edge Mount Add "B" To Part # & Use Price Code B



SB300008

- Spring trip on cutting edge
- 30" high mouldboard
- Lateral float
- Two angle cylinders
- Hydraulic 35° angle either direction
- Reversible cutting edge
- Adjustable skid shoes
- Cross-over relief valve protection



3000 Series Snow Blade	Weight	Part #	Price Code			
Max Operating Weight 10,000 lbs (30 - 80 HP)	in lbs		A	B	C	D
6' Snow Blade	750	SB300006	\$4,263.00	\$4,385.00	\$4,429.00	\$4,583.00
7' Snow Blade	900	SB300007	\$4,512.00	\$4,634.00	\$4,678.00	\$4,832.00
8' Snow Blade	950	SB300008	\$4,756.00	\$4,878.00	\$4,922.00	\$5,076.00
9' Snow Blade	1000	SB300009	\$5,088.00	\$5,210.00	\$5,254.00	\$5,408.00



SB3000EP open



SB3000EP closed

- Convert your snow blade into a box scraper
- Unique spring trip feature cushions and relieves stress to main mould board
- Floating edge on bottom of end plate fully encloses box

Spring Trip End Plates - 3000 Series	Weight	UOM	Part #	Price
Manual Flip Up Spring Trip End Plates 24" Deep	400 lbs	ea	SB3000EP	\$2,292.00

(3000 Series Requires Mounting Hardware When Not Factory Installed)

# Snow Removal - 3000 Series



SB3200W611



- Comes with double electric selector valve kit
- Spring trip on cutting edge
- 30" high mould board
- Lateral float
- Two angle cylinders
- Hydraulic 35° angle either direction
- Reversible cutting edge
- Adjustable skid shoes
- Cross over relief valve protection
- Maximum clearing width 5' wider than main mould board width
- Wings 30" deep / wide

## Patent features

- Hydraulic rotary actuators on wing pivots— infinite wing adjustment from 0° to 180°
- Front tire protector



3200 Series Snow Wing	Width		Weight in lbs	Part #	Price Code				Front 3 PH
	Closed	Open			A	B	C	D	
3200 Series Snow Wing	6'	11'	1300	SB3200W611	\$9,639.00	\$9,761.00	\$9,805.00	\$9,959.00	\$10,215.00
3200 Series Snow Wing	7'	12'	1360	SB3200W712	\$10,010.00	\$10,132.00	\$10,176.00	\$10,330.00	\$10,586.00
3200 Series Snow Wing	8'	13'	1420	SB3200W813	\$10,368.00	\$10,490.00	\$10,534.00	\$10,688.00	\$10,944.00
3200 Series Snow Wing	9'	14'	1480	SB3200W914	\$10,733.00	\$10,855.00	\$10,899.00	\$11,053.00	\$11,309.00

3000 Series Snow Blade Options	UOM	Part #	Price
5/8 X 6 Heat-Treated Boron Edge (Additional Cost)	ft	126CEBO	\$16.00
Floating Blade Hinge c/w Down Pressure Stop (N/A When Mounted On HLA Undercarriage Tractor Mounts)	ea	SB3000FBH	\$903.00
90" Hose Kit c/w Flat Faced Couplers (Skidsteer Mounts Only)	ea	HK90	\$237.00
Snow Blade Marker (See Info On Page 61)	ea	SBM27	\$77.00
3000 Series Under Carriage Tractor Mount (See Info On Page 63)	ea	SB3000DM	\$5,223.00
Factory Installation Of Under Carriage Mount Available When Tractor Supplied (Most Tractors)	ea	SB4000IN	\$692.00

# Snow Removal - 4000 Series



SP450010

- 34" high mould board
- Spring trip on cutting edge
- Spring trip on end plate
- Bucket edge mount or QTach available
- Skid shoes



4500 Series Snow Pusher	Weight	Part #	Price Code			
Max Operating Weight 25,000 lbs (60 - 125 HP)	in lbs		A	B	C	D
10' Snow Pusher	1800	SP450010	\$6,855.00			
12' Snow Pusher	2075	SP450012	\$7,348.00			
14' Snow Pusher	2350	SP450014	\$7,847.00			



SB400012

- Spring trip on cutting edge
- 34" high mould board
- Lateral float
- Two angle cylinders
- 35° angle either direction
- Reversible cutting edge
- Skid shoes
- Cross-over relief valve protection
- Heavy duty construction



4000 Series Snow Blade	Weight	Part #	Price Code				Front 3PH
Max Operating Weight 25,000 lbs (60 - 125 HP)	in lbs		A	B	C	D	
9' Snow Blade	1600	SB400009	\$6,893.00	\$7,015.00	\$7,059.00	\$7,213.00	\$7,469.00
10' Snow Blade	1650	SB400010	\$7,226.00	\$7,348.00	\$7,392.00	\$7,546.00	\$7,802.00
12' Snow Blade	1925	SB400012	\$7,783.00	\$7,905.00	\$7,949.00	\$8,103.00	\$8,359.00
14' Snow Blade	2050	SB400014	\$9,453.00	\$9,575.00	\$9,619.00	\$9,773.00	\$10,029.00



SB4000EP open



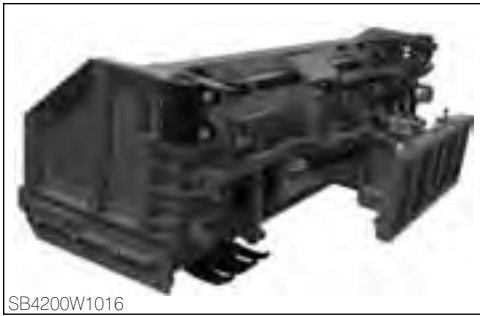
SB4000EP closed

- Convert your snow blade into a box scraper
- Unique spring trip feature cushions and relieves stress to main mould board
- Floating edge on bottom of end plate fully encloses box

Spring Trip End Plates - 4000 Series	Weight	UOM	Part #	Price
Manual Flip Up Spring Trip End Plates 24" Deep	520 lbs	ea	SB4000EP	\$2,612.00



# Snow Removal - 4000 Series



SB4200W1016



- **New Feature For 2012— Nitrate rods on angle cylinders**
- **Comes with double electric selector valve kit**
- Spring trip on cutting edge
- 30" high mould board
- Lateral float
- Two angle cylinders
- Hydraulic 35° angle either direction
- Reversible cutting edge
- Skid shoes
- Cross-over relief valve protection
- Maximum clearing width 6' wider than main mould board width
- Wings 36" deep / wide
- Heavy duty construction

## Patent features

- Hydraulic rotary actuators on wing pivots— infinite wing adjustment from 0° to 180°
- Front tire protector



4200 Series Snow Wing	Width		Weight in lbs	Part #	Price Code				Front 3 PH
	Closed	Open			A	B	C	D	
<b>Max Operating Weight 25,000 lbs (80 - 150 HP)</b>									
4200 Series Snow Wing	7' 9½"	13' 9½"	2050	SB4200W814	\$13,927.00	\$14,049.00	\$14,093.00	\$14,247.00	\$14,503.00
4200 Series Snow Wing	9'	15'	2090	SB4200W915	\$14,068.00	\$14,190.00	\$14,234.00	\$14,388.00	\$14,644.00
4200 Series Snow Wing	10'	16'	2140	SB4200W1016	\$14,394.00	\$14,516.00	\$14,560.00	\$14,714.00	\$14,970.00
4200 Series Snow Wing	12'	18'	2415	SB4200W1218	\$14,919.00	\$15,041.00	\$15,085.00	\$15,239.00	\$15,495.00
4200 Series Snow Wing	14'	20'	2540	SB4200W1420	\$16,506.00	\$16,628.00	\$16,672.00	\$16,826.00	\$17,082.00

4000 Series Snow Blade Options	UOM	Part #	Price
5/8 X 8 Heat-Treated Boron Edge (Additional Cost)	ft	588CEBO	\$32.00
3/4 X 6 Carbide-Tipped Cutting Edge (Additional Cost)	per 4 ft	346CCE	\$506.00
Long-Wearing Highway Skid-Shoe (Additional Cost)	ea	LWHSK	\$58.00
Floating Blade Hinge c/w Down Pressure Stop (N/A When Mounted On HLA Undercarriage Tractor Mounts)	ea	SB4000FBH	\$1,037.00
90" Hose Kit c/w Flat Faced Couplers (Skidsteer Mounts Only)	ea	HK90	\$237.00
Snow Blade Marker (See Info On Page 61)	ea	SBM27	\$77.00
4000 Series Under Carriage Tractor Mount (See Info On Page 63)	ea	SB4000DM	\$6,439.00
Factory Installation Of Under Carriage Mount Available When Tractor Supplied (Most Tractors)	ea	SB4000IN	\$692.00

# Snow Removal - 5000 Series



SP550012

- 42" high mould board
- Spring trip on cutting edge
- Spring trip on end plate
- Bucket edge mount or QTach available
- Skid shoes



5500 Series Snow Pusher	Weight	Part #	Price Code			
Max Operating Weight 40,000 lbs (90 - 200 HP)	in lbs		A	B	C	D
12' Snow Pusher	2900	SP550012	\$9,536.00			
14' Snow Pusher	3165	SP550014	\$10,317.00			
16' Snow Pusher	3400	SP550016	\$11,079.00			



SB500012

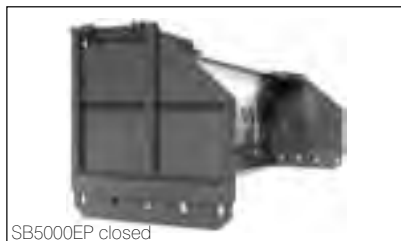
- **New Feature For 2012– Nitrate rods on angle cylinders**
- Spring trip on cutting edge
- 42" high mould board
- Lateral float
- Two 3 x 16 angle cylinders
- 35° angle either direction
- Reversible cutting edge
- Skid shoes
- Cross-over relief valve protection
- Heavy duty construction on mould board framework and tripping edge



5000 Series Snow Blade	Weight	Part #	Price Code				Front 3 PH
Max Operating Weight 40,000 lbs (90 - 200 HP)	in lbs		A	B	C	D	
10' Snow Blade	2130	SB500010	\$10,157.00	\$10,279.00	\$10,323.00	\$10,477.00	\$10,733.00
12' Snow Blade	2405	SB500012	\$10,157.00	\$10,279.00	\$10,323.00	\$10,477.00	\$10,733.00
14' Snow Blade	2720	SB500014	\$11,712.00	\$11,834.00	\$11,878.00	\$12,032.00	\$12,288.00
16' Snow Blade	2960	SB500016	\$13,268.00	\$13,390.00	\$13,434.00	\$13,588.00	\$13,844.00



SB5000EP open



SB5000EP closed

- Convert your snow blade into a box scraper
- Unique spring trip feature cushions and relieves stress to main mould board
- Floating edge on bottom of end plate fully encloses box

Spring Trip End Plates - 5000 Series	Weight	UOM	Part #	Price
Manual Flip Up Spring Trip End Plates 30" Deep	780 lbs	ea	SB5000EP	\$3,399.00

# Snow Removal - 5000 Series



SB5200W1016



- **New Feature For 2012– Nitrate rods on angle cylinders**
- **Comes with double electric selector valve kit**
- Spring-trip on cutting edge
- 42" high mould board
- Lateral float
- Two 3 x 16 angle cylinders
- 35° angle either direction
- Skid shoes
- Cross-over relief valve protection
- Reversible cutting edge
- Heavy duty construction on mould board, framework and tripping edge
- Maximum clearing width 6' wider than main mould board width
- Wings 36" deep / wide



## Patent features

- Hydraulic rotary actuators on wing pivots— infinite wing adjustment from 0° to 180°
- Front tire protector

5200 Series Snow Wing	Width		Weight in lbs	Part #	Price Code				Front 3 PH
	Closed	Open			A	B	C	D	
<b>Max Operating Weight 40,000 lbs (110 - 200 HP)</b>									
5200 Series Snow Wing	9'	15'	2950	SB5200W915	\$16,986.00	\$17,108.00	\$17,152.00	\$17,306.00	\$17,562.00
5200 Series Snow Wing	10'	16'	3050	SB5200W1016	\$17,600.00	\$17,722.00	\$17,766.00	\$17,920.00	\$18,176.00
5200 Series Snow Wing	12'	18'	3320	SB5200W1218	\$19,156.00	\$19,278.00	\$19,322.00	\$19,476.00	\$19,732.00
5200 Series Snow Wing	14'	20'	3585	SB5200W1420	\$20,711.00	\$20,833.00	\$20,877.00	\$21,031.00	\$21,287.00
5200 Series Snow Wing	16'	22'	3855	SB5200W1622	\$22,266.00	\$22,388.00	\$22,432.00	\$22,586.00	\$22,842.00

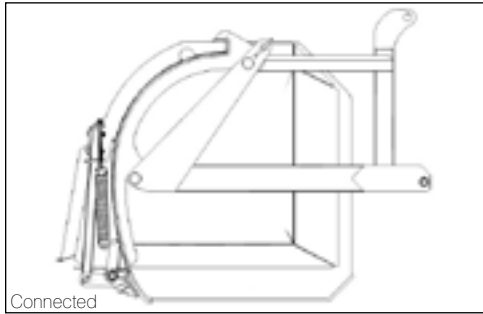
5000 Series Snow Blade Options	UOM	Part #	Price
5/8 X 8 Heat-Treated Boron Edge (Additional Cost)	ft	588CEBO	\$32.00
3/4 X 6 Carbide-Tipped Cutting Edge (Additional Cost)	per 4 ft	346CCE	\$506.00
Long-Wearing Highway Skid-Shoe (Additional Cost)	ea	LWHSK	\$58.00
Floating Blade Hinge c/w Down Pressure Stop (N/A When Mounted On HLA Undercarriage Tractor Mounts)	ea	SB5000FBH	\$1,178.00
90" Hose Kit c/w Flat Faced Couplers (Skidsteer Mounts Only)	ea	HK90	\$237.00
Snow Blade Marker (See Info On Page 61)	ea	SBM27	\$77.00
5000 Series Under Carriage Tractor Mount (See Info On Page 63)	ea	SB5000DM	\$7,546.00
Factory Installation Of Under Carriage Mount Available When Tractor Supplied (Most Tractors)	ea	SB4000IN	\$692.00

# Snow Removal - 2500 & 3500 Series Options

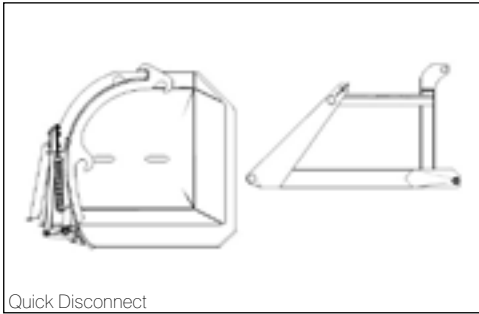


SP3500RT3PH on a SP35008

- Utilize your pusher as a pull unit
- Available on all 2500 & 3500 pushers
- Ideal for cleaning away from doors & loading docks
- SP2500 fits both Cat I & II
- SP3500 fits Cat II
- Approximate weight: 375 lbs



Connected



Quick Disconnect

- Quick disconnect and the pusher can be latched onto a front end loader

Rear 3PH Mount	UOM	Part #	Price
Optional For 2500 Series Pusher	ea	SP2500RT3PH	\$1,274.00
Optional For 3500 Series Pusher	ea	SP3500RT3PH	\$1,344.00



SP25006BDK



SP35007BDK



- Add backdrag option to your 2500 or 3500 Series pusher
- Ideal for back dragging away from doors and loading docks
- Steel edge on back drag

Back Drag Option	Weight	UOM	Part #	Price
72" 2500 Series Back Drag Option	160 lbs	ea	SP25006BDK	\$429.00
84" 2500 Series Back Drag Option	185 lbs	ea	SP25007BDK	\$493.00
96" 2500 Series Back Drag Option	210 lbs	ea	SP25008BDK	\$557.00
84" 3500 Series Back Drag Option	235 lbs	ea	SP35007BDK	\$525.00
96" 3500 Series Back Drag Option	265 lbs	ea	SP35008BDK	\$589.00
108" 3500 Series Back Drag Option	290 lbs	ea	SP35009BDK	\$660.00
120" 3500 Series Back Drag Option	325 lbs	ea	SP350010BDK	\$724.00
144" 3500 Series Back Drag Option	370 lbs	ea	SP350012BDK	\$852.00

# Skid Shoes & Cutting Edges



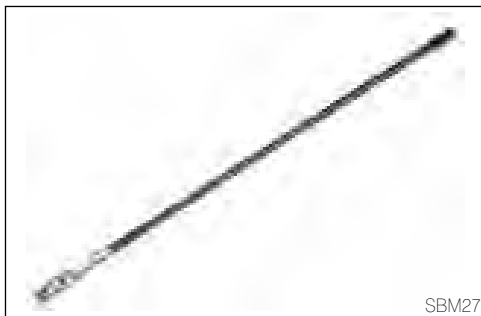
LWHSKP

- Available only for 4000, 4200W, 5000 & 5200W series blades
- Long wearing properties for extended life span

Replacement Skid Shoes - 4000 & 5000 Series	UOM	Part #	Price
4000 & 5000 Long Wear Highway Skid Shoe (Whole Goods Pricing with Blade)	ea	LWHSK	\$58.00
4000 & 5000 Long Wear Highway Skid Shoe (Parts Pricing)	ea	LWHSKP	\$192.00

Replacement Steel Cutting Edge - SB1000 to SP3500 Series c/w Hardware	UOM	Part #	Price
1/2" x 6" Carbon Cutting Edge (Standard) (Parts Pricing)	ft	126CE	\$39.00
5/8 x 6 Heat Treated (Boron) Cutting Edge (Whole Goods Pricing with Blade)	ft	126CEBO	\$16.00
5/8 x 6 Heat Treated (Boron) Cutting Edge (Parts Pricing)	ft	126CEBOP	\$52.00

Replacement Steel Cutting Edge - SB4000 to SP5500 Series c/w Hardware	UOM	Part #	Price
5/8 x 8 Carbon Cutting Edge (Standard) (Parts Pricing)	ft	588CE	\$58.00
5/8 x 8 Heat Treated (Boron) Cutting Edge (Whole Goods Pricing with Blade)	ft	588CEBO	\$32.00
5/8 x 8 Heat Treated (Boron) Cutting Edge (Parts Pricing)	ft	588CEBOP	\$84.00
3/4 x 6 Carbide Tipped Cutting Edge (Whole Goods Pricing with Blade)	per 4 ft	346CCE	\$506.00
3/4 x 6 Carbide Tipped Cutting Edge (Parts Pricing)	per 4 ft	346CCEP	\$736.00



SBM27

- 27" High
- Can be mounted on most blades
- (Will not adapt to manual flip up end plates)

Snow Blade Markers	UOM	Part #	Price
Snow Blade Markers	ea	SBM27	\$77.00

Replacement Cutting Edge & Skid Shoes	UOM	Part #	Price
1 1/2 X 6 Dura-Blade Rubber Edge (Fits 2500 Series Pusher)	ft	16PUCE	\$64.00
1 1/2 X 10 Dura-Blade Rubber Edge (Fits 3800 Series Pusher)	ft	158PUCE	\$90.00
Skidshoes To Fit 1000 & 2000 Series Blades	ea	SB1006	\$84.00
Skidshoes To Fit 3000 Series Blades	ea	SB1249	\$96.00
Skidshoes To Fit 4000, 4500, 5000, 5500, Snow Wing Series Blades	ea	SB1075	\$148.00
Spring For All Edge Trip Blades (3/8" Coil X 1 7/8" OD X 12" Extension Spring)	ea	11-1515	\$45.00
Eye Bolt & Nut For Spring (5/8" X 7")	ea	11-1516	\$13.00

# Valve Configurations / Options

## Radio Remote Controls - For Snow Wing Blade

- Remotely operate your Snow Wing Blade from your cab (no switches or levers needed)
- Requires only one hydraulic auxiliary and one electric connection to power remote valve
- Factory installation required - order with Snow Wing Blade
- Comes in lieu of double selector valve kit

Radio Remote Control - Snow Wing	UOM	Part #	Price
Radio Remote Control	ea	RRC3V12	\$2,087.00

## Radio Remote Controls - For 6-Way Snow Blade

- Remotely operate your 6-Way Snow Blade from your cab (no switches or levers needed)
- Requires only one hydraulic auxiliary and one electric connection to power remote valve
- Factory installation required - order with 6-Way Snow Blade
- Comes in lieu of double selector valve kit

Radio Remote Control - 6 Way Blade	UOM	Part #	Price
Radio Remote Control	ea	RRC2V12	\$1,773.00

## Electrical Wiring Kit (8 or 14 Pin) - For Skidsteers

- To connect into your OEM skidsteer auxiliary electric controls

Electrical Wiring Kit	UOM	Part #	Price
8 Pin to Fit ASV Skidsteers	ea	EWK8ASV	\$308.00
8 Pin to Fit Caterpillar Skidsteers	ea	EWK8CAT	\$308.00
14 Pin to Fit Case Skidsteers	ea	EWK14CA	\$308.00
14 Pin to Fit John Deere Skidsteers	ea	EWK14JD	\$308.00
14 Pin to Fit Kubota Skidsteers	ea	EWK14KU	\$308.00
14 Pin to Fit New Holland Skidsteers	ea	EWK14NH	\$308.00

# Undercarriage Tractor Mounts

- Heavy duty parallel linkage for raising and lowering blade for optimum lifting height
- Quick-attach from blade to under mount is a standard feature using the Euro tool carrier on the 3000 & 4000 series
- The JRB 416 quick attach is used on the 5000 series
- Under mount package includes all mounting hardware and hose kits
- Soft ride accumulator is a standard feature on 3000/4000 & 5000 series



To order and price blades fitting to 2000 Series under mount:  
Choose desired blade part # and add mounting part #HLA2000, which is Price Code A

2000 Series Snow Blade Mounts	Weight	UOM	Part #	Price
2000 Series Snow Blade Mount	400 lbs	ea	SB2000DM	\$2,189.00



To order and price blades fitting to 3000 & 4000 Series under mount:  
Choose desired blade part # and add mounting part #AO600, which is Price Code A  
To fit the Euro carrier

3000 & 4000 Series Snow Blade Mounts	Weight	UOM	Part #	Price
3000 Series Snow Blade Mount	580 lbs	ea	SB3000DM	\$5,223.00
4000 Series Snow Blade Mount	1020 lbs	ea	SB4000DM	\$6,439.00



To order and price blades fitting to 5000 Series under mount:  
Choose desired blade part # and add mounting part #JRB416, which is Price Code D + \$410.00

5000 Series Snow Blade Mounts	Weight	UOM	Part #	Price
5000 Series Snow Blade Mount	1860 lbs	ea	SB5000DM	\$7,546.00



**Example:** For a 12 ft 4000 Series blade to fit JD 7210  
Blade part# SB400012AO600  
Under mount part # SB4000DMJD7210

Factory blade installation available when tractor supplied

Factory Installation	UOM	Part #	Price
Factory Blade Installation - Most Installations	ea	SB4000IN	\$692.00



- Eliminate over-width issues by loading your HLA snow blade on our Horst carrier and tow it from site to site
- Quick disconnect—load and reconnect in minutes
- 20.5 x 8-10 12 ply highway rated tires
- Fenders
- Road signal light kit
- Approximate weight: 1050 lbs

Snow Blade Carrier	UOM	Part #	Price
Snow Blade Carrier	ea	SBC145	\$3,802.00

# Undercarriage Order Mounting Codes

2000 Series Blade Mounts	
Model #	Part #
<b>Case IH</b>	
Case IH Farmall 31	SB2000DMCIFAR31
<b>John Deere</b>	
John Deere 2520	SB2000DMJD2520
John Deere 3320	SB2000DMJD3720
John Deere 3520	SB2000DMJD3720
John Deere 3720	SB2000DMJD3720
John Deere 4320	SB2000DMJD4320
John Deere 4410	SB2000DMJD3720
John Deere 4520	SB2000DMJD4320
John Deere 4600	SB2000DMJD4600
John Deere 4610	SB2000DMJD4600
John Deere 4720	SB2000DMJD4320
<b>Kioti</b>	
Kioti DK35	SB2000DMKIDK35
<b>Kubota</b>	
Kubota L3830	SB2000DMKUL3830
Kubota L3940	SB2000DMKUL3940
Kubota L4240	SB2000DMKUL3940
Kubota L4630	SB2000DMKUL3940
Kubota L5240	SB2000DMKUL3940
Kubota L5740	SB2000DMKUL3940
<b>Massey Ferguson</b>	
Massey Ferguson 1635	SB2000DMMF1635
Massey Ferguson 1643	SB2000DMMF1643
<b>Montana</b>	
Montana R2844	SB2000DMMTR3644
Montana R3644	SB2000DMMTR3644
<b>New Holland</b>	
New Holland 3050	SB2000DMNH3050
<b>3000 Series Blade Mounts</b>	
Model #	Part #
<b>Agco</b>	
Agco LT85A Tier 3 Engine, No Suspension	SB3000DMMF5425T3
<b>Case IH</b>	
Case IH JX75	SB3000DMCIJX75
Case IH JX80	SB3000DMCIJX75
Case IH JX85	SB3000DMCIJX75
Case IH 85U Farmall	SB3000DMNHT5040
Case IH JX95	SB3000DMCIJX75
Case IH 95U Farmall	SB3000DMNHT5040
Case IH Farmall 95	SB3000DMCIFM95
Case IH JX100U	SB3000DMNHTL90
Case IH 105U Farmall	SB3000DMNHT5040
Case IH JX1100U	SB3000DMCIJX1100U
<b>John Deere</b>	
John Deere 4720	SB3000DMJD4320
John Deere 5083E	SB3000DMJD5525
John Deere 5085M	SB3000DMJD5095M

John Deere 5093E	SB3000DMJD5525
John Deere 5095M	SB3000DMJD5095M
John Deere 5101E	SB3000DMJD5525
John Deere 5225	SB3000DMJD5525
John Deere 5300	SB3000DMJD5300
John Deere 5420	SB3000DMJD5300
John Deere 5425	SB3000DMJD5525
John Deere 5525	SB3000DMJD5525
John Deere 5603	SB3000DMJD5525
John Deere 5625	SB3000DMJD5525

Kubota	
Kubota L4330	SB3000DMKUL5030
Kubota L4660	SB3000DMKUL5030
Kubota L4850	SB3000DMKUL4850
Kubota L5030	SB3000DMKUL5030
Kubota MX5100	SB3000DMKUL5030
Kubota M6800	SB3000DMKUM9540
Kubota M7040	SB3000DMKUM7040

McCormick	
McCormick CX90	SB3000DMMCCX105
McCormick CX95	SB3000DMMCCX105
McCormick CX105	SB3000DMMCCX105

Massey Ferguson	
MF 3635	SB3000DMMF3645
MF 3645	SB3000DMMF3645
MF 5425 Tier 3 Engine, No Suspension	SB3000DMMF5425T3
MF 5445 Tier 3 Engine, VISI Cab, No Suspension	SB3000DMMF5425VT3
MF 5445 Tier 3 Engine, No Suspension	SB3000DMMF5425T3
MF 5455 Tier 3 Engine, VISI Cab, No Suspension	SB3000DMMF5425VT3
MF 5455 Tier 3 Engine, No Suspension	SB3000DMMF5425T3

New Holland	
New Holland TN60DA	SB3000DMNHTN60D
New Holland TN75DA	SB3000DMNHTN60D
New Holland TL90	SB3000DMNHTL90
New Holland TL90A	SB3000DMCIJX1100U
New Holland T4030 Deluxe	SB3000DMNHTN60D
New Holland T4050 Deluxe	SB3000DMNHTN60D
New Holland 4060	SB3000DMNH4060
New Holland T5040	SB3000DMNHT5040
New Holland T5050	SB3000DMNHT5040
New Holland T5060	SB3000DMNHT5040

4000 Series Blade Mounts	
Model #	Part #
<b>Agco</b>	
Agco LT85A Tier 3 Engine, No Suspension	SB4000DMMF5455T3
Agco LT90	SB4000DMAGLT90
Agco LT95A Tier 3 Engine, No Suspension	SB4000DMMF5455T3
Agco RT120A Tier 3 Engine	SB4000DMAGRT120AT3
Agco RT120A Tier 3 Engine, With Suspension	SB4000DMAGRT120AT3S
Agco RT130	SB4000DMAGRT130
Agco RT140A Tier 3 Engine	SB4000DMAGRT120AT3
Agco RT155A Tier 3 Engine	SB4000DMAGRT120AT3
Agco 9435	SB4000DMMF9435

Case IH	
Case IH JX75	SB4000DMCIJX75



# Undercarriage Order Mounting Codes

Case IH JX100U	SB4000DMNHTL90
Case IH MX100	SB4000DMCIMX120
Case IH MXU100	SB4000DMCIMXU125
Case IH 105U Farmall	SB4000DMNHT5060
Case IH Maxxum 110	SB4000DMCIMXU125
Case IH MX110	SB4000DMCIMX120
Case IH MX110C	SB4000DMCIMX100C
Case IH MXU110	SB4000DMCIMXU125
Case IH Maxxum 115	SB4000DMCIMXU125
Case IH MXU115	SB4000DMCIMXU125
Case IH Maxxum 120	SB4000DMCIMXU125
Case IH MX120	SB4000DMCIMX120
Case IH 125 Puma	SB4000DMCIPU140
Case IH Maxxum 125	SB4000DMCIMXU125
Case IH MXU125	SB4000DMCIMXU125
Case IH MXU130	SB4000DMCIMXU125
Case IH MX135	SB4000DMCIMX120
Case IH MXU135	SB4000DMCIMXU125
Case IH 140 Puma	SB4000DMCIPU140
Case IH MX150	SB4000DMCIMX150
Case IH 155 Puma	SB4000DMCIPU140
Case IH 165 Puma	SB4000DMCIPU165
Case IH MX170	SB4000DMCIMX150
Case IT MXM175	SB4000DMNHTM190
Case IH 180 Puma	SB4000DMCIPU165
Case IH JX1100U	SB4000DMCIJX1100U
Case IH 2096	SB4000DMCI2096
Case IH 4240	SB4000DMCI4240
Case IH 5240	SB4000DMCI5240
Case IH 7110	SB4000DMCI7120
Case IH 7120	SB4000DMCI7120
Case IH 7220	SB4000DMCI7120
Case IH 7230	SB4000DMCI7120
Case IH 8930	SB4000DMCI7120

## Challenger

Challenger MT525B Tier 3 Engine, No Suspension	SB4000DMAGRT120AT3
Challenger MT525B Tier 3 Engine with Suspension	SB4000DMAGRT120AT3S

## Fendt

Fendt 410	SB4000DMFT410
-----------	---------------

## John Deere

John Deere 2955	SB4000DMJD2955
John Deere 3055	SB4000DMJD2955
John Deere 3155	SB4000DMJD2955
John Deere 3255	SB4000DMJD2955
John Deere 4250	SB4000DMJD4455
John Deere 4455	SB4000DMJD4455
John Deere 4650	SB4000DMJD4960
John Deere 4755	SB4000DMJD4955
John Deere 4850	SB4000DMJD4850
John Deere 4955	SB4000DMJD4955
John Deere 4960	SB4000DMJD4960
John Deere All 6000 Series	SB4000DMJD6000
John Deere All 6010 Series	SB4000DMJD6000
John Deere All 6020 Series	SB4000DMJD6000
John Deere 6100D	SB4000DMJD6130D
John Deere 6115D	SB4000DMJD6130D
John Deere 6130D	SB4000DMJD6130D
John Deere 6140D	SB4000DMJD6130D
John Deere 6430	SB4000DMJD6000

John Deere 7130	SB4000DMJD7220
John Deere 7210	SB4000DMJD7210
John Deere 7220	SB4000DMJD7220
John Deere 7230	SB4000DMJD7220
John Deere 7320	SB4000DMJD7220
John Deere 7330	SB4000DMJD7330
John Deere 7410	SB4000DMJD7210
John Deere 7420	SB4000DMJD7330
John Deere 7430	SB4000DMJD7330
John Deere 7510	SB4000DMJD7210
John Deere 7520	SB4000DMJD7330
John Deere 7610	SB4000DMJD7610
John Deere 7630	SB4000DMJD7920
John Deere 7700	SB4000DMJD7610
John Deere 7710	SB4000DMJD7610
John Deere 7720	SB4000DMJD7920
John Deere 7800	SB4000DMJD7610
John Deere 7810	SB4000DMJD7610

## Kubota

Kubota M95S	SB4000DMKUM105
Kubota M95X	SB4000DMKUM108X
Kubota M96S 2007 - Current	SB4000DMKUM108X
Kubota M100X	SB4000DMKUM100X
Kubota M105S	SB4000DMKUM105
Kubota M105X	SB4000DMKUM105
Kubota M108S 2007 - Current	SB4000DMKUM108X
Kubota M108X 2008 Model	SB4000DMKUM108X
Kubota M110	SB4000DMKUM110
Kubota M110X	SB4000DMKUM100X
Kubota M120	SB4000DMKUM110
Kubota M125X	SB4000DMKUM110
Kubota M126X	SB4000DMKUM126X
Kubota M135X	SB4000DMKUM126X
Kubota M135X With Suspension	SB4000DMKUM135XSP
Kubota M8200	SB4000DMKUM9540
Kubota M8540	SB4000DMKUM9540
Kubota M9000	SB4000DMKUM9540
Kubota M9540	SB4000DMKUM9540

## Landini

Landini Blizzard 85	SB4000DMLABL85
Landini Ghibli 90	SB4000DMLAVI105
Landini Vision 105	SB4000DMLAVI105
Landini Landpower 145TDI	SB4000DMLALP145TDI
Landini Landpower 165TDI	SB4000DMLALP145TDI

## McCormick

McCormick MC100	SB4000DMCIMX100C
McCormick MC120	SB4000DMC120
McCormick MTX120	SB4000DMCIMX120
McCormick MTX135	SB4000DMCIMX120
McCormick MTX145	SB4000DMCIMX120
McCormick MTX150	SB4000DMCIMX120

## Massey Ferguson

MF 5435 Tier 3 Engine, VISI CAB, No Suspension	SB4000DMMF5445VT3
MF 5435 Tier 3 Engine, No Suspension	SB4000DMMF5455T3
MF 5445 Tier 3 Engine, VISI CAB, No Suspension	SB4000DMMF5445VT3
MF 5445 Tier 3 Engine, No Suspension	SB4000DMMF5455T3
MF 5455 Tier 3 Engine, VISI CAB, No Suspension	SB4000DMMF5445VT3

# Undercarriage Order Mounting Codes

MF 5455 Tier 3 Engine, No Suspension	SB4000DMMF5455T3
MF 5460 Not for Tier 3 engines	SB4000DMMF5470
MF 5460 Tier 3 Engine, No Suspension	SB4000DMMF5455T3
MF 5465 Tier 3 Engine, No Suspension	SB4000DMMF5465T3
MF 5465 Tier 3 Engine, With Suspension	SB4000DMMF5465T3S
MF 5470 Not for Tier 3 engines	SB4000DMMF5470
MF 5475 Tier 3 Engine, No Suspension	SB4000DMMF5465T3
MF 5475 Tier 3 Engine, With Suspension	SB4000DMMF5465T3S
MF 5480 Tier 3 Engine, No Suspension	SB4000DMMF5455T3
MF 5485 Tier 3 Engine, No Suspension	SB4000DMMF5465T3
MF 5485 Tier 3 Engine, With Suspension	SB4000DMMF5465T3S
MF 6255 Not for Tier 3 engines	SB4000DMMF6255
MF 6265 Not for Tier 3 engines	SB4000DMMF6255
MF 6270 Not for Tier 3 engines	SB4000DMMF6255
MF 6280 Not for Tier 3 engines	SB4000DMMF6255
MF 6290 Not for Tier 3 engines	SB4000DMMF6255
MF 6465 Not for Tier 3 engines	SB4000DMMF6255
MF 6475 Not for Tier 3 engines	SB4000DMMF6255
MF 6480 Not for Tier 3 engines	SB4000DMMF6255
MF 6485 Not for Tier 3 engines	SB4000DMMF6255
MF 6490 Not for Tier 3 engines	SB4000DMMF6255
MF 6490 Tier 3 Engine, No Suspension	SB4000DMAGRT120AT3
MF 6490 Tier 3 Engine, With Suspension	SB4000DMAGRT120AT3S
MF 6495 Tier 3 Engine, No Suspension	SB4000DMAGRT120AT3
MF 6495 Tier 3 Engine, With Suspension	SB4000DMAGRT120AT3S
MF 6497 Tier 3 Engine, No Suspension	SB4000DMAGRT120AT3
MF 6497 Tier 3 Engine, With Suspension	SB4000DMAGRT120AT3S
MF 6499 Tier 3 Engine, No Suspension	SB4000DMAGRT120AT3
MF 6499 Tier 3 Engine, With Suspension	SB4000DMAGRT120AT3S
MF 7465 Not for Tier 3 engines	SB4000DMMF6255
MF 7475 Not for Tier 3 engines	SB4000DMMF6255
MF 7480 Not for Tier 3 engines	SB4000DMMF6255
MF 7485 Not for Tier 3 engines	SB4000DMMF6255
MF 7485 Tier 3 Engine, No Suspension	SB4000DMAGRT120AT3
MF 7485 Tier 3 Engine, With Suspension	SB4000DMAGRT120AT3S
MF 7490 Not for Tier 3 engines	SB4000DMMF6255
MF 7490 Tier 3 Engine, No Suspension	SB4000DMAGRT120AT3
MF 7490 Tier 3 Engine, With Suspension	SB4000DMAGRT120AT3S
MF 7495 Not for Tier 3 engines	SB4000DMMF6255
MF 7495 Tier 3 Engine, No Suspension	SB4000DMAGRT120AT3
MF 7495 Tier 3 Engine, With Suspension	SB4000DMAGRT120AT3S
MF 7499 Tier 3 Engine, No Suspension	SB4000DMAGRT120AT3
MF 7499 Tier 3 Engine, With Suspension	SB4000DMAGRT120AT3S
MF 8220	SB4000DMMF8250
MF 8250	SB4000DMMF8250

New Holland	
New Holland TL90	SB4000DMNHTL90
New Holland TL90A	SB4000DMCIJX1100U
New Holland TS100	SB4000DMNHTS110
New Holland TS100A	SB4000DMCIMXU125
New Holland TS110	SB4000DMNHTS110
New Holland TS110A	SB4000DMCIMXU125
New Holland TS115	SB4000DMCIMXU125
New Holland TS115A	SB4000DMCIMXU125
New Holland TM120	SB4000DMNHTM155
New Holland TM125	SB4000DMNHTM155
New Holland TS125A	SB4000DMCIMXU125
New Holland TS130A	SB4000DMCIMXU125
New Holland TS135A	SB4000DMCIMXU125
New Holland TM155	SB4000DMNHTM155

New Holland T5060	SB4000DMNHT5060
New Holland T5070	SB4000DMNHT5060
New Holland T6020	SB4000DMCIMXU125
New Holland T6030	SB4000DMCIMXU125
New Holland T6050	SB4000DMCIMXU125
New Holland T7040 No Suspension	SB4000DMNHT7060
New Holland T7040 With Suspension	SB4000DMNHT7060SP
New Holland T7060 No Suspension	SB4000DMNHT7060
New Holland T7060 With Suspension	SB4000DMNHT7060SP
New Holland 7740	SB4000DMNH7740
New Holland 8160	SB4000DMNH8160
New Holland 8260	SB4000DMNH8160
New Holland 8360	SB4000DMNH8160
New Holland 8560	SB4000DMNH8160
New Holland TV145	SB4000DMNHTV145
New Holland TV6070	SB4000DMNHTV145

Valtra	
Valtra N101	SB4000DMVAN101
Valtra N111	SB4000DMVAN101
Valtra M130	SB4000DMVAM130

5000 Series Blade Mounts	
Model #	Part #
<b>Case IH</b>	
Case IH MX180 No Suspension	SB5000DMCIMX210
Case IH Puma 195	SB5000DMCIPU195
Case IH 195 Puma	SB5000DMCIPU195
Case IH 195 Puma With Suspension	SB5000DMCIPU195
Case IH MX210 No Suspension	SB5000DMCIMX210
Case IH 210 Puma	SB5000DMCIPU195
Case IH 210 Puma With Suspension	SB5000DMCIPU195
Case IH MX 215 No Suspension	SB5000DMCIMA215
Case IH MX 215 With Suspension	SB5000DMCIMA215S
Case IH Magnum 215 No Suspension	SB5000DMCIMA215
Case IH Magnum 215 With Suspension	SB5000DMCIMA215S
Case IH Magnum 230 No Suspension	SB5000DMCIMA260
Case IH Magnum 230 With Suspension	SB5000DMCIMA260S
Case IH MX230 No Suspension	SB5000DMCIMX210
Case IH Magnum 245 No Suspension	SB5000DMCIMA215
Case IH Magnum 245 With Suspension	SB5000DMCIMA215S
Case IH MX255 No Suspension	SB5000DMCIMX210
Case IH Magnum 260 No Suspension	SB5000DMCIMA260
Case IH Magnum 260 With Suspension	SB5000DMCIMA260S
Case IH MX275 With Suspension	SB5000DMCIMA215S
Case IH MX285 No Suspension	SB5000DMCIMX210
Case IH 7230	SB5000DMCI7250
Case IH 7240	SB5000DMCI7250
Case IH 7250	SB5000DMCI7250

Fendt	
Fendt 922	SB5000DMFT922
Fendt 924 2008 - Current	SB5000DMFT922
Fendt 927	SB5000DMFT922
Fendt 930 2008 - Current	SB5000DMFT922
Fendt 933	SB5000DMFT922
Fendt 936	SB5000DMFT922

# Undercarriage Order Mounting Codes

<b>John Deere</b>	
John Deere 7200R No Suspension	SB5000DMJD7200R
John Deere 7215R No Suspension	SB5000DMJD7200R
John Deere 7230R No Suspension	SB5000DMJD7200R
John Deere 7820	SB5000DMJD7920
John Deere 7830	SB5000DMJD7920
John Deere 7920	SB5000DMJD7920
John Deere 7930	SB5000DMJD7920
John Deere 8000 Series	SB5000DMJD8000
John Deere 8010 Series	SB5000DMJD8000
John Deere 8020 Series	SB5000DMJD8000
John Deere 8030 Series No Suspension	SB5000DMJD8030
John Deere 8225R No Suspension	SB5000DMJD8030
John Deere 8245R	SB5000DMJD8030

<b>Massey Ferguson</b>	
MF7499 Tier 3 Engine, No Suspension	SB5000DMAGRT120AT3
MF7499 Tier 3 Engine, With Suspension	SB5000DMAGRT120AT3S
MF 8450 With Suspension	SB5000DMMF8450S
MF 8680 With Suspension	SB5000DMMF8680S

<b>New Holland</b>	
New Holland TM190	SB5000DMNHTM190
New Holland TG245 No Suspension	SB5000DMNHT8030
New Holland TG255 With Suspension	SB5000DMNHT8030SP
New Holland TG275 No Suspension	SB5000DMNHT8030
New Holland T7040	SB5000DMNHT7060
New Holland T7040 With Suspension	SB5000DMNHT7060SP
New Holland T7060	SB5000DMNHT7060
New Holland T7060 With Suspension	SB5000DMNHT7060SP
New Holland T8010 No Suspension	SB5000DMNHT8030
New Holland T8010 With Suspension	SB5000DMNHT8030SP
New Holland T8020 No Suspension	SB5000DMNHT8030
New Holland T8020 With Suspension	SB5000DMNHT8030SP
New Holland T8030 No Suspension	SB5000DMNHT8030
New Holland T8030 With Suspension	SB5000DMNHT8030SP
New Holland 8670 Super Steer	SB5000DMNH8670
New Holland 8770 Super Steer	SB5000DMNH8670
New Holland 8870 Super Steer	SB5000DMNH8670
New Holland 8970 Standard Axle	SB5000DMNH8970

# Loader Order Mounting Codes

Aeroquip	Part #	Price Code
Direct	AERO	B

Agco	Part #	Price Code
<b>Quick Attach Mounts</b>		
676 QTach	AG676	B
884 Pin Style QTach	AG680	B

Direct To Loader Boom Mounts		
SL44 Direct	MF1464	B
SL46 Direct	AGSL46	B
SL46A Direct	AGSL46A	B
SL48A Direct	MF1530	B
680 Direct	AG680	B
884 Direct	AG884	B

Agrotech	Part #	Price Code
Direct	ROBIN	C

Allied - FarmKing	Part #	Price Code
<b>Quick Attach Mounts</b>		
95 QTach	AL195	B
195 QTach	AL195	B
295 QTach	AL295	B
390 QTach	AL394	B
394 QTach	AL394	B
395 QTach	AL395Q	B
495 QTach	AL595Q	B
590 QTach	AL594	B
594 QTach	AL594	B
595 QTach	AL595Q	B
694 QTach	AL694Q	B
695 QTach	AL595Q	B
795 QTach	AL795Q	B
894 QTach	AL894	C
895 QTach	AL895	C
2495 Euro QTach	AL2595	A
2595 Euro QTach	AL2595	A
2795 Euro QTach	AL2595	A
2895 Euro QTach	AL2595	A

Direct To Loader Boom Mounts		
95 Direct	AL195	B
180 Direct	AL180	B
195 Direct	AL195	B
295 Direct	AL295	B
300 Direct	AL300	B
350 Direct	AL350	B
380 Direct	AL394	B
390 Direct	AL394	B
394 Direct	AL394	B
395 Direct	AL395	B
450 Direct	AL450	B
500 Direct	AL500	B
580 Direct	AL594	B
584 Direct	AL594	B
495 Direct	AL595	B
590 Direct	AL594	B
594 Direct	AL594	B
595 Direct	AL595	B
600 Direct	AL600	B
660 Direct	AL600	B

Allied - FarmKing (cont)	Part #	Price Code
694 Direct	AL694	B
695 Direct	AL595	B
760 Direct	AL760	B
790 Direct	AL794	B
794 Direct	AL794	B
795 Direct	AL795	B
2595 Direct	AL2595D	B
2596 Direct	AL2596D	B
2895 Direct	AL2895D	B

Allis Chalmers	Part #	Price Code
<b>Direct To Loader Boom Mounts</b>		
400 Direct	AC400	B
417 Direct	AC400	B
460 Direct	AC460	B
500 Direct	AC500	B
517 Direct	AC517	B
519 Direct	AC519	B

Alo	Part #	Price Code
<b>Quick Attach Mounts</b>		
300 Series QTach (new style)	AO600	A
400 Series QTach (new style)	AO600	A
500 Series QTach (old style)	AO500	B
600 Series QTach (new style)	AO600	A
700 Series QTach (new style)	AO600	A
900 Series QTach (new style)	AO600	A
Q Series QTach	AO600	A

Direct To Loader Boom Mounts		
310 Direct	AO340	B
340 Direct	AO340	B
345 Direct	AO345	B
415 Direct	AO660	B
465 Direct	AO675	B
500 Series Direct	AO660	B
620 Direct	AO660	B
640 Direct	AO660	B
660 Direct	AO660	B
670 Direct	AO660	B
675 Direct	AO675	B
690UM Direct	AO690UM	B
690US Direct	AO690US	B
710 Direct	AO660	B
720 Direct	AO660	B
740 Direct	AO660	B
750 Direct	AO660	B
755UM Direct	AO675	B
760 Direct	AO660	B
770UM Direct	AO675	B
770US Direct	AO675	B
790 Direct	AO790	B
910 Direct	AO660	B
920 Direct	AO660	B
930 Direct	AO660	B
940 Direct	AO660	B
960UM Direct	AO675	B
960US Direct	AO675	B
970UM Direct	AO675	B
970US Direct	AO675	B

# Loader Order Mounting Codes

Alo (cont)	Part #	Price Code
980UM Direct	AO675	B
980US Direct	AO675	B
990 Direct	AO990	B
Q20 DM Direct	AOQ55DM	B
Q20 DS Direct	AOQ40US	B
Q20 US Direct	AOQ40US	B
Q25 DM Direct	AOQ55DM	B
Q25 DS Direct	AOQ40US	B
Q25 US Direct	AOQ40US	B
Q30 DM Direct	AOQ55DM	B
Q30 DS Direct	AOQ40US	B
Q30 US Direct	AOQ40US	B
Q35 DM Direct	AOQ55DM	B
Q35 DS Direct	AOQ40US	B
Q35 US Direct	AOQ40US	B
Q40 DM Direct	AOQ55DM	B
Q40 US Direct	AOQ40US	B
Q45 DM Direct	AOQ55DM	B
Q45 US Direct	AOQ40US	B
Q50 DM Direct	AOQ55DM	B
Q50 US Direct	AOQ40US	B
Q55 DM Direct	AOQ55DM	B
Q55 UM Direct	AOQ55DM	B
Q55 US Direct	AOQ40US	B
Q60 DM Direct	AOQ55DM	B
Q65 DM Direct	AOQ55DM	B
Q75 DM Direct	AOQ55DM	B
1080 Direct	AO675	B

Belarus	Part #	Price Code
<b>Direct To Loader Boom Mounts</b>		
PK4 Direct	BEPK4	B
B-500 Direct	BEB500	B
700 Direct	BE700	B
1310 Direct	BE1310	B

Bobcat	Part #	Price Code
<b>Quick Attach Mounts</b>		
V417 QTach	BO500	A
V518 QTach	BO518	C
V623 QTach	BO518	C
V723 QTach	BO518	C
<b>Direct To Loader Boom Mounts</b>		
6TL Direct	BO6TL	B
7TL Direct	BO6TL	B
8TL Direct	BO8TL	B
V417 Direct	BOV417	C

Branson	Part #	Price Code
<b>Quick Attach Mounts</b>		
BL10 QTach	BRBL10A	B
BL10A QTach	BRBL10A	B
BL20A QTach	BRBL10A	B

Bush Hog	Part #	Price Code
<b>Quick Attach Mounts</b>		
M346 QTach	BHM346Q	C
M446 QTach	BHM346Q	C
M546 QTach	BHM346Q	C

Bush Hog (cont)	Part #	Price Code
M646 QTach	BHM346Q	C
2425 QTach (pin style)	BH2400	B
2426 QTach	BH2426Q	C
2446 QTach	BH2426Q	C
2846 QTach	BH2426Q	C
3225 QTach (pin style)	BH3226	B
3226 QTach	BH3226Q	C

Direct To Loader Boom Mounts		
2400 Direct	BH2400	B
2425 Direct	BH2400	B
2846 Direct	BH2846D	B
3225 Direct	BH3226	B
3226 Direct	BH3226	B
3400 Direct	BH2400	B
3450 Direct	BH3226	B

Case	Part #	Price Code
<b>Quick Attach Mounts</b>		
21D QTach	LW50Q	D+154
221D QTach	CA321DQ	D+154
321D QTach	CA321DQ	D+154
521D JRB QTach	JRB416	D+410
521E JRB QTach	JRB416	D+410
621D JRB QTach	JRB416	D+410
621E JRB QTach	JRB416	D+410
TX742 QTach	ST8042	D+154
TX842 QTach	ST8042	D+154
TX945 QTach	ST8042	D+154
FFC QTach	CAFFC	D+154

Direct To Loader Boom Mounts		
W24 Direct	CAW24	D+154
54L Direct	CA54L	B
55 Direct	CA55	C
56L Direct	CA56	B
58L Direct	CA56	B
60 Direct	CA60	B
65 Direct	CA65	B
66L Direct	CA56	B
90 Direct	CA90	B
96L Direct	CA96L	B
480ELL Direct	CA480ELL	D
521D XT Direct	CA521EXT	D+154
521E XT Direct	CA521EXT	D+154
521D ZBAR Direct	NHLW110	D+154
521E ZBAR Direct	NHLW110	D+154
570LXT Direct	CA580L	D
570L Direct	CA580L	D
570MXT Direct	CA580L	D
580B Direct	CA580B	D
580C Direct	CA580C	D
580D Direct	CA580C	D
580K Direct	CA580K	D
580L Direct	CA580L	D
580LXT Direct	CA580L	D
580M Direct	CA580L	D
580 Super E Direct	CA580E	D
580SM Direct	CA580L	D
590L Direct	CA580L	D

# Loader Order Mounting Codes

Case (cont)	Part #	Price Code
590SM Direct	CA580L	D
621D ZBAR Direct	CA621EZ	D+154
621D XT Direct	CA621EXT	D+154
621E ZBAR Direct	CA621EZ	D+154
621E XT Direct	CA621EXT	D+154
775 Direct	CA775	B

Case IH	Part #	Price Code
<b>Quick Attach Mounts</b>		
LX114 Skidsteer QTach	BO500	A
LX118 Skidsteer QTach	BO500	A
LX132 Skidsteer QTach	BO500	A
LX152 Skidsteer QTach	BO500	A
LX156 QTach	AO600	A
LX162 QTach	AO600	A
LX172 QTach	AO600	A
LX232 Skidsteer QTach	BO500	A
LX252 Skidsteer QTach	BO500	A
L300 QTach	CI510Q	A
LX340 Skidsteer QTach	BO500	A
L350 Skidsteer QTach	BO500	A
LX350 Skidsteer QTach	BO500	A
L360 Skidsteer QTach	BO500	A
LX360 Skidsteer QTach	BO500	A
L400 - L750 QTach	AO600	A
510 QTach	CI510Q	A
520 QTach	CI510Q	A
L650 QTach	AO600	A
LX700 Series QTach	AO600	A
L700 Series QTach	AO600	A
710 QTach	CI710Q	B
720 QTach	CI710Q	B
2250 QTach	IH2250	B
2255 QTach	IH2250	B
<b>Direct To Loader Boom Mounts</b>		
LX110 Direct	NH10LA	B
LX112 Direct	NH12LA	B
LX114 Direct	CILX114	B
LX116 Direct	NH17LA	B
LX118 Direct	NH17LA	B
L130 Direct	FO7308	B
LX132 Direct	CILX132	B
LX152 Direct	CILX132	B
L160 Direct	NH17LA	B
LX156 Direct	CILX162	B
LX162 Direct	CILX162	B
LX172 Direct	CILX162	B
LX232 Direct	CILX232	B
LX252 Direct	CILX232	B
L300 Direct	CI510	B
L340 Direct	NH240TL	B
LX340 Direct	NH240TL	B
L350 Direct	NH250TL	B
LX350 Direct	NH250TL	B
L360 Direct	NH250TL	B
L400 NSL Direct	CIL500NSL	B
L405 NSL Direct	CIL405NSL	B
L500 SL Direct	CIL500SL	B
L500 NSL Direct	CIL500NSL	B
L505 Direct	CIL500SL	B
510 Direct	CI510	B

Case IH (cont)	Part #	Price Code
520 Direct	CI510	B
L550 NSL Direct	CIL500SL	B
L550 SL Direct	CIL500SL	B
555 Direct	CI555	B
L650 Direct	CIL650	B
L720 Direct	AOQ55DM	B
LX720 Direct	AOQ55DM	B
L730 Direct	AOQ55DM	B
LX730 Direct	AOQ55DM	B
L740 Direct	AOQ55DM	B
LX740 Direct	AOQ55DM	B
L750 Direct (Quicke)	AOQ55DM	B
LX750 Direct	AOQ55DM	B
L760 Direct	AOQ55DM	B
LX760 Direct	AOQ55DM	B
L770 Direct	AOQ55DM	B
LX770 Direct	AOQ55DM	B
1501 Direct	IH1501	C
1550 Direct	IH1501	C
1850 Direct	IH2200	B
2000 Direct	IH2000	B
2200 Direct	IH2200	B
2250 Direct	IH2250	B
2255 Direct	IH2250	B
2350 Direct	IH2250	B
2355 Direct	CI2355	B
2500 Direct	IH2500	B
3200 Direct	IH3200	B

Caterpillar	Part #	Price Code
<b>Quick Attach Mounts</b>		
IT12 QTach	CAIT24	D+154
IT14 QTach	CAIT24	D+154
IT18 QTach	CAIT24	D+154
IT24 QTach	CAIT24	D+154
IT28 QTach	CAIT24	D+154
IT38G QTach	CAIT38G	D+410
TH220B QTach	CAIT24	D+154
TH330B QTach	CAIT24	D+154
TH350B QTach	CAIT24	D+154
TH360B QTach	CAIT24	D+154
TH407 QTach	CAIT24	D+154
IT416 QTach	CAIT24	D+154
IT420 QTach	CAIT24	D+154
IT424 QTach	CAIT24	D+154
TH460B QTach	CAIT24	D+154
TH560B QTach	CAIT24	D+154
TH580B QTach	CAIT24	D+154
TL642 QTach	CAIT24	D+154
902 QTach	CA902	A
906 QTach	CA902	A
908 QTach	CA902	A
TL943 QTach	CAIT24	D+154
Cat Fusion QTach	CAFU	D+410
<b>Direct To Loader Boom Mounts</b>		
414E Direct	CA416	D+154
416D Direct	CA416	D+154
420D Direct	CA416	D+154
424D Direct	CA416	D+154
426C Direct	CA416	D+154
428D Direct	CA416	D+154

# Loader Order Mounting Codes

Caterpillar (cont)	Part #	Price Code
430D Direct	CA416	D+154
938G Direct	CA938G	D+154
950C Direct	CA950	D+154

Century	Part #	Price Code
<b>Quick Attach Mounts</b>		
Century 50 QTach	CE50	A
Century 50HL QTach	BO500	A

Challenger (Caterpillar)	Part #	Price Code
<b>Quick Attach Mounts</b>		
72B QTach	AO600	A
ML72 QTach	AO600	A
73B QTach	AO600	A
74B QTach	AO600	A
ML75 QTach	AO600	A
77B QTach	AO600	A
ML77 QTach	AO600	A
92B QTach	AO600	A
ML92 QTach	AO600	A
93B QTach	AO600	A
94B QTach	AO600	A
ML94 QTach	AO600	A
ML96 QTach	AO600	A
97B QTach	AO600	A
ML97 QTach	AO600	A
98B QTach	AO600	A
ML98 QTach	AO600	A
99B QTach	AO600	A

Cub Cadet	Part #	Price Code
<b>Quick Attach Mounts</b>		
CL200 QTach	CCCL200Q	B
<b>Direct To Loader Boom Mounts</b>		
CL100 Direct	CCCL100	B
CL200 Direct	CCCL200	B
CL300 Direct	CCCL300	B
417 Direct	CC417	B
476 Direct	CC476	B

David Brown	Part #	Price Code
<b>Direct To Loader Boom Mounts</b>		
LF8H Direct	DBLF8H	C
LF12 Direct	DBLF8H	C
55 Direct	DB55	B
74L Direct	DB74L	B
990 Direct	DB990	B
995 Direct	DB995	B

Degelman (Dieci)	Part #	Price Code
<b>Quick Attach Mounts</b>		
Apollo 25.6 QTach	DCAO	D
Dedalus 30.7 QTach	DCAGP	D+154
Zeus 33.11 QTach	DCAGP	D+154
Pegasus 35.16 QTach	DCRNR	D+154
Zeus 37.7 QTach	DCAGP	D+154
Zeus 38.10 QTach	DCAGP	D+154
Runner 40.13 QTach	DCRNR	D+154
Icarus 40.17 QTach	DCRNR	D+154

Degelman (Dieci) (cont)	Part #	Price Code
Pegasus 40.25 QTach	DCRNR	D+154
Agri Plus 40.7H QTach	DCAGP	D+154
Samson 45.8 QTach	DCRNR	D+154
Pegasus 50.21 QTach	DCRNR	D+154
Pegasus 60.16 QTach	DCRNR	D+154
Samson 70.10 QTach	DCSMSN	D+154

Deutz Allis	Part #	Price Code
<b>Direct To Loader Boom Mounts</b>		
455 Direct	DA455	B
455R Direct	DA455	B
456 Direct	DA455	B
465 Direct	DA455	B
466 Direct	DA455	B
475 Direct	DA455	B
Fiat Allis 840 Direct	FA840	D

Duall	Part #	Price Code
<b>Quick Attach Mounts</b>		
115 QTach	DU115	B
215 QTach	DU115	B

Dunham Lehr	Part #	Price Code
<b>Direct To Loader Boom Mounts</b>		
22 Direct	DL22	C
24 Direct	DL24	B

Farmhand	Part #	Price Code
<b>Quick Attach Mounts</b>		
XL740 QTach	FHXL740	B
XL940 QTach	FHXL740	B
<b>Direct To Loader Boom Mounts</b>		
F258 Direct	FH258	B
490 Direct	FH490	B

Fendt	Part #	Price Code
<b>Quick Attach Mounts</b>		
QTach	FAO600	A
North American QTach	FNAO600	A
555 QTach	AO600	A
655 Qtach	AO600	A
<b>Direct To Loader Boom Mounts</b>		
555 Direct	AOQ55DM	B
655 Direct	AOQ55DM	B

Force	Part #	Price Code
<b>Quick Attach Mounts</b>		
4045 QTach	BO500	A
<b>Direct To Loader Boom Mounts</b>		
4045 Direct	FC4045	B

Ford (Ag)	Part #	Price Code
<b>Quick Attach Mounts</b>		
256 QTach	FO276	C
276 QTach	FO276	C
7210 QTach	FO7310Q	B
7309 QTach	FO7310Q	B
7310 QTach	FO7310Q	B

# Loader Order Mounting Codes

Ford Ag (cont)	Part #	Price Code
7312 QTach	FO7411Q	C
7314 QTach	FO7411Q	C
7410 QTach	FO7310Q	B
7411 QTach	FO7411Q	C
7412 QTach	FO7411Q	C
7413 QTach	FO7411Q	C
7414 QTach	FO276	C
7511 QTach	FO7411Q	C
9030 QTach	FO276	C

Direct To Loader Boom Mounts		
A62 Direct	FOA62	D
276 Direct	FO276D	C
340 Direct	FO340B	B
340A Direct	FO340B	B
340B Direct	FO340B	B
345C Direct	FO345D	D
345D Direct	FO345D	D
455 Direct	FO455	B
730 Direct	FO730	B
768 Direct	FO770	B
768A Direct	FO770	B
768B Direct	FO770	B
770A Direct	FO770	B
770B Direct	FO770	B
771 Compact Direct	FO770	B
772 Direct	FO772	B
775 Direct	FO775	B
776 Direct	FO772	B
777A Direct	FO777A	B
777B Direct	FO777B	B
777F Direct	FO777F	B
7106 Direct	FO7308	B
7108 Direct	FO7108	B
7109 Direct	FO7109	B
7209 Direct	FO7310	B
7210 Direct	FO7310	B
7308 Direct	FO7308	B
7309 Direct	FO7310	B
7310 Direct	FO7310	B
7312 Direct	FO7312	B
7410 Direct	FO7310	B
7411 Direct	FO7411D	B
7412 Direct	FO7411D	B
7413 Direct	FO7411D	B
7511 Direct	FO7411D	B
7414D Direct	FO7414D	B
7500 Direct	FO7500	B

Ford (Industrial)	Part #	Price Code
Direct To Loader Boom Mounts		
LB110 Ind Direct	FO575E	D
LB190 Ind Direct	FO575E	D
340 Direct	FO340B	B
340A Direct	FO340B	B
340B Direct	FO340B	B
345C Direct	FO345D	D
345D Direct	FO345D	D
445A Ind Direct	FO445A	C
445C Ind Direct	FO445C	C
445D Ind Direct	FO445D	C

Ford Industrial (cont)	Part #	Price Code
455 Ind Direct	FO455IND	D
533 Ind Direct	FO533	D
545 Ind Direct	FO545	D
545C Ind Direct	FO545C	D
545D Ind Direct	FO545D	D
550 Ind Direct	FO555A	D
555 Ind Direct	FO555A	D
555A Ind Direct	FO555A	D
555B Ind Direct	FO555B	D
555C Ind Direct	FO555D	D
555D Ind Direct	FO555D	D
555E Ind Direct	FO575E	D
575E Ind Direct	FO575E	D
575D Ind Direct	FO555D	D
655A Ind Direct	FO555A	D
655C Ind Direct	FO555D	D
655D Ind Direct	FO555D	D
655E Ind Direct	FO575E	D
675D Ind Direct	FO555D	D
675E Ind Direct	FO575E	D
735 Ind Direct	FO735	B
744 Ind Direct	FO744	B
745 Ind Direct	FO745	B
4500 Ind Direct	FO4500	B

Freeman	Part #	Price Code
Direct To Loader Boom Mounts		
3000 Direct	FR3000	C
4000 Direct	FR4000	B

Frey	Part #	Price Code
Quick Attach Mounts		
QTach	HOQF	A
190A QTach	FRE750	A
360 QTach	FRE750	A
500 QTach	FRE750	A
ML665 Euro QTach	AO600	A
ML665 Skidsteer QTach	BO500	A
750 QTach	FRE750	A
HR1100 Euro Qtach	AO600	A
HR1100 Skidsteer QTach	BO500	A
HR1120 Euro QTach	AO600	A
HR1120 Skidsteer QTach	BO500	A
HR1130 Euro QTach	AO600	A
HR1130 Skidsteer QTach	BO500	A
ML6130 Euro QTach	AO600	A
ML6130 Skidsteer QTach	BO500	A

Direct To Loader Boom Mounts		
20 Direct	FRE160	A
40 Direct	FRE180	A
160 Direct	FRE160	A
180 Direct	FRE180	A
200 Direct	FRE200	A
280 Direct	FRE280	A
ML360 Direct	FREML500	A
460 Direct	FRE460	A
461 Direct	FRE461	A
465 Direct	FREHR1100	A



# Loader Order Mounting Codes

Frey (cont)	Part #	Price Code
ML500 Direct	FREML500	A
560 Direct	FRE460	A
565 Direct	FREHR1100	A
ML665 Direct	FREML665	A
ML750 Direct	FRE750	A
60-10 Direct	FRE280	A
75-10 Direct	FRE460	A
75-20 Direct	FRE7520	A
75-30 Direct	FRE7520	A
80-10 Direct	FRE8010	A
80-10N Direct	FRE8010	A
85-10 Direct	FRE460	A
80-30 Direct	FRE7520	A
85-20 Direct	FRE7520	A
85-30 Direct	FRE7520	A
HR1100 Direct	FREHR1100	A
HR1120 Direct	FREHR1100	A
HR1130 Direct	FREHR1100	A
ML6130 Direct	FREML665	A

Gehl	Part #	Price Code
<b>Quick Attach Mounts</b>		
RS 6-34 Dynattach	GEDY519	C
AWS 36 QTach	GE480	D+154
RS 6-42 Dynattach	GEDY642	C
RS 8-42 Dynattach	GEDY642	C
RS 8-44 Dynattach	GEDY642	C
AWS 46 QTach	GE680	D+154
RS 5-19 Dynattach	GEDY519	C
480 QTach	GE480	D+154
680 QTach	GE460	D+154

Great Bend	Part #	Price Code
<b>Quick Attach Mounts</b>		
M110 QTach	GB870Q	B
330 QTach	GB870Q	B
360 QTach	GB870Q	B
440 QTach	GB870Q	B
660 QTach	GB870Q	B
760 QTach	GB870Q	B
770 QTach	GB870Q	B
860 QTach	GB870Q	B
870 QTach	GB870Q	B
880 QTach	GB870Q	B
2140 QTach	GB870Q	B
2144 QTach	GB870Q	B
2157 QTach	GB870Q	B
2166 QTach	GB870Q	B
3424 Qtach	GB870Q	B
<b>Direct To Loader Boom Mounts</b>		
660 Direct	GB660	B
880 Direct	GB880	B
2805 Direct	GB2805	B

Hardy	Part #	Price Code
<b>Quick Attach Mounts</b>		
25 QTach	HA35QT	C
35 QTach	HA35QT	C
45 QTach	HA85QT	C

Hardy (cont)	Part #	Price Code
55 QTach	HA85QT	C
65 QTach	HA85QT	C
85DL QTach	HA85QT	C
105 QTach	HA85QT	C
115 QTach	HA85QT	C
135 QTach	HA85QT	C

Direct To Loader Boom Mounts		
45 Direct	HA55DL	B
55DL Direct	HA55DL	B
65DL Direct	HA65DL	B
65ST Direct	HA65ST	B
HUNIK 100 Direct	HAHU100	B
80 Direct	HA80	B
85DL Direct	HA85DL	B
85ST Direct	HA85ST	B
100 Direct	HA100	B
105DL Direct	HA115DL	B
115DL Direct	HA115DL	B

Hesston	Part #	Price Code
<b>Direct To Loader Boom Mounts</b>		
315 Direct	DA455	B
L335 Direct	DA455	B
L330 Direct	HD330	B

Hornet	Part #	Price Code
Direct	ROBIN	C

Horst	Part #	Price Code
<b>Quick Attach Mounts</b>		
Quick Fit	HOQF	A
Ind Quick Fit (tractor loader backhoe)	HDQF	D+154
Ind Quick Fit (wheel loader)	HDQFWL	D+410

Hyundai	Part #	Price Code
<b>Quick Attach Mounts</b>		
HL730TM-3 QTach	HYHL740TM7	D+410
HL730TM-7 QTach	HYHL740TM7	D+410
HL740TM-3 QTach	HYHL740TM7	D+410
HL740TM-7 QTach	HYHL740TM7	D+410

Direct To Loader Boom Mounts		
HL730-3 Z-BAR Direct	HYHL7303	D+154
HL730-7A Z-Bar Direct	HYHL7303	D+154
HL740-3 Z-Bar Direct	HYHL7403	D+154
HL740-7A Z-Bar Direct	HYHL7403	D+154
HL750 Z-Bar Direct	HYHL750	D+154
HL757-7A Z-Bar Direct	HYHL7577	D+154
HL760 Z-Bar Direct	HYHL760	D+154
HL760-7A Z-Bar Direct	HYHL7607	D+154
HL770 Z-Bar Direct	HYHL770	D+154
HL770-7A Z-Bar Direct	HYHL7707	D+154

Ingersoll-Rand	Part #	Price Code
<b>Quick Attach Mounts</b>		
VR843 QTach	IRVR843	D+154

# Loader Order Mounting Codes

JCB	Part #	Price Code
<b>Quick Attach Mounts</b>		
210 QTach	JC212	D
212 QTach	JC212	D
214 Site Master QTach	JC214Q	D
411HT QTach	JC416	D+154
416 QTach	JC416	D+154
426 QTach	JC416	D+154
436 QTach	JC416	D+154
504B QTach	JC526	D
505-19 QTach	JC530B	D
505-22 QTach	JC530B	D
506 QTach	JC508	D
508 QTach	JC508	D
510-40 Qtach	JC530B	D
520 QTach	JC520	D
530 QTach	JC530B	D
530B QTach	JC530B	D
540 QTach	JC530B	D
MIDlcx QTach	BO500	A
<b>Direct To Loader Boom Mounts</b>		
3CX Direct	JC214	C
214 Direct	JC214	C
215 Direct	JC215	C
2145 Direct	JC2145	C

JLG	Part #	Price Code
<b>Quick Attach Mounts</b>		
JLG G5-19 QTach	JLG623	D+154
JLG G6-23 QTach	JLG623	D+154

John Deere (Ag)	Part #	Price Code
<b>Quick Attach Mounts</b>		
H120 QTach	JD440	A
200 CX QTach	JD440	A
200 X QTach	JD440	A
210 QTach	JD440	A
240 QTach	JD245	A
245 QTach	JD245	A
260 QTach	JD245	A
265 QTach	JD245	A
280 QTach	JD280	B
300 CX QTach	JD440	A
300 X QTach	JD440	A
400 CX QTach	JD440	A
400 X QTach	JD440	A
410 QTach	JD440	A
419 QTach	JD440	A
420 QTach	JD440	A
430 QTach	JD440	A
440 QTach	JD440	A
460 QTach	JD440	A
H480 QTach	JDH480	C
520 QTach	JD540	A
521 QTach	JD540	A
540 QTach	JD540	A
540 SL QTach	JD540	A
541 QTach	JD540	A
542 QTach	JD540	A

John Deere Ag (cont)	Part #	Price Code
553 (Global Carrier) QTach	AO600	A
553 (500 Style Carrier) QTach	JD540	A
553 (Skidsteer Carrier) QTach	BO500	A
563 (Global Carrier) QTach	AO600	A
563 (500 Style Carrier) QTach	JD540	A
563 (600 Style Carrier) QTach	JD640	C
563 (Skidsteer Carrier) QTach	BO500	A
620 QTach	JD640	C
640 QTach	JD640	C
673 (Global Carrier) QTach	AO600	A
673 (600 Style Carrier) QTach	JD640	C
673 (Skidsteer Carrier) QTach	BO500	A
720 QTach	JD640	C
725 QTach	JD640	C
740 QTach	JD640	C
741 (Global Carrier) QTach	AO600	A
741 (700 Style Carrier) QTach	JD640	C
746 (Global Carrier) QTach	AO600	A
746 (800 Style Carrier) QTach	JD840	C
746 (700 Style Carrier) QTach	JD640	C
840 QTach	JD840	C
843 QTach	JD840	C
3200 Telehandler QTach	JD3400	D
3400 Telehandler QTach	JD3400	D
3800 Telehandler QTach	JD3400	D

Direct To Loader Boom Mounts		
36 Direct	JD36	C
37 Direct	JD37	C
38 Direct	JD38	C
45 Direct	JD45	B
46A Direct	JD46A	C
47 Direct	JD46A	C
48 Direct	JD48	C
58 Direct	JD48	C
67 Direct	JD67	B
70 Direct	JD70	B
70A Direct	JD70	B
75 Direct	JD75	B
80 Direct	JD80	B
100 Direct	JD100	B
110 Direct	JD110	B
143 Direct	JD143	C
145 Direct	JD145	B
146 Direct	JD146	B
148 Direct	JD146	B
158 Direct	JD146	B
175 Direct	JD175	B
200X Direct	JD300X	B
200CX Direct	JD300X	B
245 Direct	JD245D	B
265 Direct	JD265	B
300 Direct	JD300X	B
300CX Direct	JD400X	B
300X Direct	JD300X	B
400CX Direct	JD400X	B
400X Direct	JD400X	B
419 Direct	JD419D	B
420 Direct	JD419D	B
440 Direct	JD440D	B
H480 Direct	JDH480D	C

# Loader Order Mounting Codes

John Deere Ag (cont)	Part #	Price Code
520 NSL Direct	JD540D	B
521 NSL Direct	JD540D	B
522 Direct	JD540D	B
540 NSL Direct	JD540D	B
540 SL Direct	JD541SL	B
541 NSL Direct	JD541SL	B
541 SL Direct	JD541SL	B
542 NSL Direct	JD541SL	B
542 SL Direct	JD541SL	B
553 Direct	JD553D	B
563 NSL Direct	JD563	B
563 SL Direct	JD563	B
620 NSL Direct	JD620NSL	B
620 SL Direct	JD620SL	B
640 NSL Direct	JD620NSL	B
640 SL Direct	JD620SL	B
673 NSL Direct	JD563	B
673 SL Direct	JD563	B
720 NSL Direct	JD620NSL	B
720 SL Direct	JD620SL	B
725 NSL Direct	JD620NSL	B
725 SL Direct	JD620SL	B
740 NSL Direct	JD620NSL	B
740 SL Direct	JD620SL	B
741 NSL Direct	JD741	C
741 SL Direct	JD741	C
746 Direct	JD741	C
840 Direct	JD843D	C
843 Direct	JD843D	C

John Deere (Industrial)	Part #	Price Code
<b>Quick Attach Mounts</b>		
TL110 Ind QTach	BO500	A
210C Ind QTach	JD210C	D
244E QTach	JD244EQ	D+154
244J QTach	JD244J	D+154
304H QTach	JD244J	D+154
304J QTach	JD244J	D+154
310G Ind QTach	JRBE	D+154
310SG Ind QTach	JRBE	D+154
310J Ind QTach	JRBE	D+154
310SJ TC Ind QTach	JRBE	D+154
344H Ind QTach	VOL50Q	D+154
344J Ind QTach	VOL50Q	D+154
410G Ind QTach	JRBE	D+154
410J Ind QTach	JRBE	D+154
444H Ind QTach	JRB416	D+410
444J Ind QTach	JRB416	D+410
444K Ind QTach	JRB416	D+410
444J Highvis QTach	VOL50Q	D+154
444K Highvis QTach	VOL50Q	D+154
524K Highvis QTach	VOL50Q	D+154
544E Ind QTach	JRB416	D+410
544G Ind QTach	JRB416	D+410
544H Ind QTach	JRB416	D+410
544J Ind QTach	JRB416	D+410
544J Highvis QTach	VOL50Q	D+154
544K Highvis QTach	VOL50Q	D+154
624J Ind QTach	JRB416	D+410
624K Ind QTach	JRB416	D+410

John Deere Ind (cont)	Part #	Price Code
624J Highvis QTach	VOL50Q	D+154
624K Highvis QTach	VOL50Q	D+154
<b>Direct To Loader Boom Mounts</b>		
48 Ind Direct	JD48IND	C
TL110 Ind Direct	JDTL110	B
210C Ind Direct	JD310C	D
210LE Ind Direct	JD310SG	D
210LJ Ind Direct	JD310SG	D
244E Ind Direct	JD244E	D
300 Ind Direct	JD300	C
300D Ind Direct	JD310C	D
310C Ind Direct	JD310C	D
310D Ind Direct	JD310C	D
310E Direct (0-#881678)	JD310E	D
310E Direct (#881678-End)	JD310SG	D
310SE Direct (0-#881678)	JD310E	D
310SE Direct (#881679- End)	JD310SG	D
310SG Ind Direct	JD310SG	D
310G Ind Direct	JD310SG	D
310J Ind Direct	JD310SG	D
310SJ Ind Direct	JD310SG	D
310SJ TC Ind Direct	JD310SG	D
315C Ind Direct	JD310C	D
315D Ind Direct	JD310C	D
315SE Direct (0-#881678)	JD310E	D
315SE Direct (#881679- End)	JD310SG	D
315SG Direct	JD310SG	D
315SJ Direct	JD310SG	D
344E Ind Direct	JD344E	D
344G Ind Direct	JD344G	D
344H Ind Direct	JD344J	D+154
344J Ind Direct	JD344J	D+154
401C Direct	JD401C	D
410C Ind Direct	JD310C	D
410D Ind Direct	JD310C	D
410E Direct (0-#881678)	JD310E	D
410G Direct	JD310SG	D
410J Direct	JD310SG	D
444 Ind Direct	JD544B	D
444C Ind Direct	JD544B	D
444D Ind Direct	JD544B	D
444E Ind Direct	JD444E	D
444G Ind Direct	JD444G	D
444H Z-BAR Direct	JD444H	D
444J POWERLLEL Direct	JD444JP	D
444J Z-BAR Direct	JD444H	D
444K Direct	JD444H	D
444K POWERLLEL Direct	JD444JP	D
510 Ind Direct	JD510	D
510C Ind Direct	JD310C	D
510D Ind Direct	JD310C	D
544A Ind Direct	JD544A	D
544B Ind Direct	JD544B	D
544D Ind Direct	JD544B	D
544E Ind Direct	JD544E	D
544G Ind Direct	JD544G	D
610C Ind Direct	JD310C	D
624E Ind Direct	JD624E	D
624G Ind Direct	JD624G	D
644B Ind Direct	JD644B	D
644G Ind Direct	JD644G	D

# Loader Order Mounting Codes

John Deere Ind (cont)	Part #	Price Code
644H Ind Direct	JD644H	D
724J Ind Direct	JD724J	D
7310 Ind Direct	JD7310	D

JRB	Part #	Price Code
<b>Quick Attach Mounts</b>		
JRB Deere E Series QTach	JRBE	D+154
JRB 416 Series QTach	JRB416	D+410
JRB 418 Series QTach	JRB418	D+410

Kioti	Part #	Price Code
<b>Direct To Loader Boom Mounts</b>		
102 Direct	KI102	B
KL120 Direct	KIKL120	B
KL130 Direct	KIKL120	B
KL351 Direct	KIKL401	B
KL401 Direct	KIKL401	B
KL402 Direct	KIKL401	B
KL451 Direct	KIKL451	B
1210 Direct	KI1210D	B
1450 Direct	KI1590	B
1470 Direct	KI1590	B
1590 Direct	KI1590	B
1590 QTach	BO500	A
1595 Direct	KI1590	B
1730 Direct	KI1730	B

KMW	Part #	Price Code
<b>Direct To Loader Boom Mounts</b>		
65 Direct	KM65	C
K76 Direct	KM130	B
K78 Direct	KM130	B
K88 Direct	KM130	B
130 Direct	KM130	B
132 Direct	KM132	B
145 Direct	KM130	B
345 Direct	KM130	B
350 Direct	KM350	B
400 Direct	KM400	B
K500 Direct	KM130	B
520 Direct	KM130	B
600 Direct	KM600	B
K760 Direct	KM130	B
775 Direct	KM775	B

Komatsu	Part #	Price Code
<b>Quick Attach Mounts</b>		
WA80 QTach	KSWA80	D+154
WA100 QTach	KSWA100	D+154
<b>Direct To Loader Boom Mounts</b>		
WA50-3 Direct	KSWA503	D
WB140-2 Direct	KSWB140	D
WB150-2 Direct	KSWB140	D
WA180-3 Direct	KSWA1803	D
WA320-5 Direct	KSWA3205	D
WA320-6 Direct	KSWA3205	D

Koyker	Part #	Price Code
<b>Quick Attach Mounts</b>		
140 Skidsteer QTach	BO500	A
145 Skidsteer QTach	BO500	A
155 Skidsteer QTach	BO500	A
180 Skidsteer QTach	BO500	A
185 Skidsteer QTach	BO500	A

Direct To Loader Boom Mounts		
160 Direct	KKR160	B

Kubota	Part #	Price Code
<b>Quick Attach Mounts</b>		
B26TLB Skidsteer QTach	BO500	A
L39 Skidsteer QTach	BO500	A
M59TLB Skidsteer QTach	BO500	A
M310 Euro QTach	AO600	A
R310 QTach	KU310Q	C
M340 Euro QTach	AO600	A
LA403 QTach (pin style)	KULA403	B
R410 QTach	KU410	C
M415 Euro QTach	AO600	A
R420 QTach	KU410	C
R510 QTach	KU410	C
R520 QTach	KU410	C
M540 Euro QTach	AO600	A
M560 QTach	AO500	B
M720 Euro QTach	AO600	A
LA724 Skidsteer QTach	BO500	A
LA852 QTach	KULA852	B
M940 Euro QTach	AO600	A
TL1000 Skidsteer QTach	BO500	A
1001 QTach (pin style)	KU1001	B
1001 QTach (hook style)	KU1001Q	B
1002 QTach (pin style)	KU1001	B
1002 QTach (hook style)	KU1001Q	B
TL1150 Skidsteer QTach	BO500	A
LA1153 Euro QTach	AO600	A
LA1153 Skidsteer QTach	BO500	A
1251 Kubota QTach	KU1251Q	B
LA1301 Kubota QTach	KU1251Q	B
LA1353 Skidsteer QTach	BO500	A
M1423 Euro QTach	AO600	A
LA1601 Euro QTach	AO600	A
1601 Kubota QTach	KU1251Q	B
LA1601 Skidsteer QTach	BO500	A
TL1709 Skidsteer QTach	BO500	A
LA2253 Euro QTach	AO600	A
LA2253 Skidsteer QTach	BO500	A

Direct To Loader Boom Mounts		
B20 Direct	KU421A	B
Q20 DM Direct	AOQ55DM	B
22 Direct	KU22	B
Q30 DM Direct	AOQ55DM	B
L35 Direct	KUL35	B
Q35 DM Direct	AOQ55DM	B
Q45 DM Direct	AOQ55DM	B
Q50 DM Direct	AOQ55DM	B
Q55 DM Direct	AOQ55DM	B
LA203 Direct	KULA240	C
LA210 Direct	KULA210	C

# Loader Order Mounting Codes

Kubota (cont)	Part #	Price Code
LA211 Direct	KULA210	C
LA240 Direct	KULA240	C
LA243 Direct	KULA240	C
300 Direct	KU300	B
300A Direct	KU300	B
BF300 Direct	KUBF300	B
LA300B Direct	KULA300B	B
LA301 Direct	KU301	B
LA302 Direct	KU301	B
LA304 Direct	KULA304	B
R310 Direct	KU310	C
BF350 Direct	KU350A	B
LA350 Direct	KU350	B
LA350A Direct	KULA350A	B
L352 Direct	KUL352	B
LA364 Direct	KULA304	B
BF400 Direct	KULA450	B
LA400 Direct	KU400	B
LA401 Direct	KULA480	B
LA402 Direct	KULA480	B
LA403 Direct	KULA403	B
R410 Direct	KU420	C
R420 Direct	KU420	C
TL420 Direct	KU421A	B
TL421A Direct	KU421A	B
LA450 Direct	KULA450	B
LA452S Direct	KULA480	B
LA463 Direct	KULA463	B
LA480 Direct	KULA480	B
LA481 Direct	KULA480	B
LA482 Direct	KULA480	B
490 Direct	KU490	B
K490 Direct	KUK490	B
BF500 Direct	KULA450	B
LA504 Direct	KULA504	B
LA513 Direct	KU513	B
LA514 Direct	KU513	B
R520 Direct	KUR520	C
LA524 Direct	KU513	B
530 Direct	KM132	B
LA650 Direct	KULA650	B
LA680 Direct	KULA650	B
LA681 Direct	KULA650	B
LA682 Direct	KULA480	B
LB702 Direct	KULA480	B
LA703 Direct	KULA703	B
TL720 Direct	KUL35	B
LA723 Direct	KULA723	B
LA724 Direct	KULA724	B
760 Direct	AO660	B
790 Direct	KM132	B
795 Direct	KM132	B
796 Direct	KM132	B
BF800 Direct	KU800	B
LA844 Direct	KULA724	B
850 Direct	KU850	B
LA852 Direct	KULA852	B
LA852-1 Direct	KULA852	B
LA853 Direct	KULA853	B
LA854 Direct	KULA724	B
890 Direct	KU890	B

Kubota (cont)	Part #	Price Code
900 Direct	KU900	B
BF900 Direct	KU900	B
LA950 Direct	KULA950	B
M1000 Direct	KUM1000	B
1001 Direct	KU1001	B
1002 Direct	KU1001	B
TL1150 Direct	KUTL1150	B
LA1153 Direct	KULA1153	B
LA1153E Direct	KULA1153	B
1251 Direct	KU1251	B
TL1350 Direct	KUTL1350	B
LA1353E Direct	KULA1153	B
LA1403E Direct	KULA1153	B
LA1640A Direct	KU1640A	B
L1720 Direct	KUL1720	B
1810 Direct	KU1810	B
M7500DT Direct	KU1810	B

Leon	Part #	Price Code
<b>Quick Attach Mounts</b>		
700 QTach	LE700Q	B
800 QTach	LE700Q	B
<b>Direct To Loader Boom Mounts</b>		
600 Direct	LE600	B
636 Direct	LE690	B
650 Direct	LE650	B
690 Direct	LE690	B
695 Direct	LE695	B
707 Direct	LE707	B

Long	Part #	Price Code
<b>Direct To Loader Boom Mounts</b>		
5140M Direct	LG5140M	B

LS (Leading Solutions)	Part #	Price Code
<b>Direct To Loader Boom Mounts</b>		
LL2100 Direct	KIKL120	B

Mahindra	Part #	Price Code
<b>Direct To Loader Boom Mounts</b>		
ML102 Direct	MHML102	B
ML105 Direct	MHML102	B
ML106 Direct	MHML106	B
ML110 Direct	MHML106	B

Manitou	Part #	Price Code
<b>Quick Attach Mounts</b>		
Manitou QTach	MAQT	C
MLT523 QTach	MA523Q	C

Massey Ferguson (Ag)	Part #	Price Code
<b>Quick Attach Mounts</b>		
DL130 Pin Style QTach	MFDL260	B
DL130 Skidsteer QTach	BO500	A
L210 Pin Style QTach	MFDL260	B
L210 Skidsteer QTach	BO500	A
236 QTach	MF236	B
DL250 Pin Style QTach	MFDL260	B
DL250 Skidsteer QTach	BO500	A

# Loader Order Mounting Codes

MF Ag (cont)	Part #	Price Code
DL260 Pin Style QTach	MFDL260	B
DL260 Skidsteer QTach	BO500	A
836 QTach	MF236	B
930 QTach	AO600	A
935 QTach	AO600	A
940 QTach	AO600	A
945 QTach	AO600	A
950 QTach	AO600	A
955 QTach	AO600	A
965 QTach	AO600	A
975 QTach	AO600	A
985 QTach	AO600	A
1040 QTach	FNAO600	A
1050 QTach	FNAO600	A
1055 Hook Type QTach	FNAO600	A
1055 Skidsteer QTach	BO500	A
1060 QTach	FNAO600	A
1065 QTach	FNAO600	A
1070 QTach	FNAO600	A
1080 QTach	FNAO600	A
1525 QTach (pin style)	MF1525	B
1530 QTach (universal QTach)	BO500	A
1532 QTach (universal QTach)	BO500	A
<b>Direct To Loader Boom Mounts</b>		
SL48A Direct	MF1530	B
L80 Direct	MF1464	B
L90 Direct	MF1464	B
L100 Direct	MF1466	B
DL100 Direct	MF2350	B
DL120 Direct	AGSL46A	B
DL130 Direct	MFDL260	B
L210 Direct	MFDL260	B
232 Direct	MF232	B
235 Direct	MF235	B
236 Direct	MF236	B
238 Direct	MF838	B
246 Direct	MF246	B
DL250 Direct	MFDL260	B
256 Direct	MF256	B
DL260 Direct	MFDL260	B
DL280 Direct	MFDL280	B
300 Direct	MF300	B
832 Direct	MF838	B
836 Direct	MF236	B
838 Direct	MF838	B
848 Direct	MF246	B
884 Direct	MF884	B
930 Direct	AOQ55DM	B
932 Direct	MF838	B
935 Direct	AOQ55DM	B
938 Direct	MF938	B
940 Direct	AOQ55DM	B
945 Direct	AOQ55DM	B
950 Direct	AOQ55DM	B
955 Direct	AOQ55DM	B
965 Direct	AOQ55DM	B
1016 Direct	MF1016	B
1032 Direct	MF838	B
1036 Direct	MF1038	B
1038 Direct	MF1038	B
1040 Direct	MF1040	B
1048 Direct	MF1038	B

MF Ag (cont)	Part #	Price Code
1050 Direct	MF1040	B
1055 Direct	MF1530	B
1060 Direct	MF1038	B
1244 Direct	MF1464	B
1246 Direct	MF1466	B
1464 Direct	MF1464	B
1466 Direct	MF1466	B
1515 Direct	MF1464	B
1520 Direct	MF1464	B
1525 Direct	MF1525	B
1530 Direct	MF1530	B
2350 Direct	MF2350	B

Massey Ferguson (Industrial)	Part #	Price Code
<b>Direct To Loader Boom Mounts</b>		
30 Ind Direct	MF30	B
30B Ind Direct	MF30B	B
32 Ind Direct	MF32	B
32A Ind Direct	MF32A	B
34 Ind Direct	MF34	B
34A Ind Direct	MF34A	B
35A Ind Direct	MF35A	B
40 Direct	MF40	B
40 Ind Direct	MF40IND	B
40B Direct	MF40B	B
40E Direct	MF40E	B
50A Direct	MF50A	B
50C Ind Direct	MF50C	B
50E Ind Direct	MF50E	D
50EX Ind Direct	MF50E	D
50HX Ind Direct	MF50E	D
60 Ind Direct	MF60	B
99 Direct	MF100	C
100 Ind Direct	MF100	C
102 Ind Direct	MF102	B
200 Ind Direct	MF200	B
203 Ind Direct	MF102	B
640 Ind & Fermecc Direct	MF50E	D
650 Ind & Fermecc Direct	MF50E	D
660 Ind & Fermecc Direct	MF50E	D
740 Ind & Fermecc Direct	MF50E	D
2200 Ind Direct	MF2200	B

Mels	Part #	Price Code
QTach	MEQT	B

Merlo	Part #	Price Code
<b>Quick Attach Mounts</b>		
ZM2 QTach	MERZM2	D+154
ZM3 QTach	MERZM3	D+154
ZM2&3 QTach	MERZM23	D+410

New Holland (Ag)	Part #	Price Code
<b>Quick Attach Mounts</b>		
16LA QTach	BO500	A
17LA QTach	BO500	A
18LA QTach	BO500	A
32LA QTach	BO500	A
33LA QTach	BO500	A
46LB QTach	BO500	A

# Loader Order Mounting Codes

New Holland Ag (cont)	Part #	Price Code
LW50 QTach	NHLW50Q	D+410
LW50.B QTach	NHLW50Q	D+410
52LA QTach	BO500	A
52LB QTach	BO500	A
52LC QTach	BO500	A
56LB QTach	AO600	A
62LB QTach	AO600	A
72LB QTach	AO600	A
82LB QTach	NH7614	C
84LB QTach	NH7614	C
240TL Skidsteer QTach	BO500	A
250TL Skidsteer QTach	BO500	A
260TL Skidsteer QTach	BO500	A
270TL Skidsteer QTach	BO500	A
LM410 QTach	NHLM410Q	D
LM415A QTach	MAQT	C
LM430 QTach	JC530B	D
LM435A QTach	MAQT	C
LM445A QTach	MAQT	C
LM640 QTach	JC530B	D
800TL Series QTach	AO600	A
LM840 QTach	JC530B	D
LM850 QTach	JC530B	D
LM860 QTach	JC530B	D
LM5040 QTach (Manitou style)	MAQT	C
LM5060 QTach (Manitou style)	MAQT	C
LM5080 QTach (Manitou style)	MAQT	C
7614 QTach	NH7614	C
<b>Direct To Loader Boom Mounts</b>		
10LA Direct	NH10LA	B
12LA Direct	NH12LA	B
14LA Direct	NH14LA	B
15LA Direct	NH14LA	B
16LA Direct	NH17LA	B
17LA Direct	NH17LA	B
18LA Direct	NH17LA	B
32LA SL Direct	NH32LA	B
32LA NSL Direct	NH32LANSL	B
32LC Direct	NH32LC	B
33LA SL Direct	NH32LA	B
33LA NSL Direct	NH32LANSL	B
52LA Direct	NH52LA	B
52LC Direct	NH52LC	B
56LB Direct	CILX162	B
62LB Direct	CILX162	B
72LB Direct	CILX162	B
100TL Direct	FO7308	B
110TL Direct	FO7308	B
210TL Direct	NH10LA	B
230TL Direct	NH12LA	B
240TL Direct	NH240TL	B
250TL Direct	NH250TL	B
260TL Direct	NH250TL	B
270TL Direct	NH250TL	B
620TL Direct	FO7310	B
810TL Direct	AOQ55DM	B
820TL Direct	AOQ55DM	B
830TL Direct	AOQ55DM	B
840TL Direct	AOQ55DM	B
850TL Direct	AOQ55DM	B
860TL Direct	AOQ55DM	B
7614 Direct	NH7614D	B

New Holland (Industrial)	Part #	Price Code
<b>Quick Attach Mounts</b>		
LW50.B TC Skidsteer QTach	BO500	A
LW80.B TC Skidsteer QTach	BO500	A
LW80.B Hook Style QTach	NHLW80	D+410
U80 FFC QTach	CAFFC	D+154
U80B FFC QTach	CAFFC	D+154
B90B FFC QTach	CAFFC	D+154
LB90.B FFC QTach	CAFFC	D+154
LW90 JRB QTach	JRB416	D+410
B95 FFC QTach	CAFFC	D+154
B95BTC FFC QTach	CAFFC	D+154
B95BLR FFC QTach	CAFFC	D+154
B95LR FFC QTach	CAFFC	D+154
B110 FFC QTach	CAFFC	D+154
B110B FFC QTach	CAFFC	D+154
LB110.B FFC QTach	CAFFC	D+154
LW110 JRB QTach	JRB416	D+410
LW110.B JRB QTach	JRB416	D+410
W110 JRB QTach	JRB416	D+410
LW110.B TC JRB QTach	JRB416	D+410
W110 TC JRB QTach	JRB416	D+410
LW130 JRB QTach	JRB416	D+410
LW130 TC JRB QTach	JRB416	D+410
LW130.B JRB QTach	JRB416	D+410
W130 JRB QTach	JRB416	D+410
LW130.B TC JRB QTach	JRB416	D+410
W130 TC JRB QTach	JRB416	D+410
LW170 JRB QTach	JRB416	D+410
LW170 TC JRB QTach	JRB416	D+410
LW170.B JRB QTach	JRB416	D+410
W170B JRB QTach	JRB416	D+410
LW170.B TC JRB QTach	JRB416	D+410
W170B TC JRB QTach	JRB416	D+410
LW190 JRB QTach	JRB418	D+410
LW190.B JRB QTach	JRB418	D+410
W190B JRB QTach	JRB418	D+410
<b>Direct To Loader Boom Mounts</b>		
LB75 Ind Direct	FO575E	D
LB75.B Direct	FO575E	D
LV80 Direct	CA580L	D
U80 Direct	CA580L	D
U80B Direct	CA580L	D
B90B Direct	NHB95B	D
LB90 Ind Direct	FO575E	D
LB90.B Direct	NHB95B	D
LW90 Direct	NHLW110	D
B95 Ind Direct	NHB95B	D
B95B Direct	NHB95B	D
B95TC Direct	NHB95TC	D
B95BTC Direct	NHB95B	D
B95BLR Direct	NHB95B	D
B95LR Direct	NHB95B	D
LB95 Direct	FO575E	D
B110 Direct	NHB95B	D
B110B Direct	NHB95B	D
LB110.B Direct	NHB95B	D
LB110 Ind Direct	FO575E	D
LW110 Direct	NHLW110	D
W110 Direct	NHLW110	D

# Loader Order Mounting Codes

New Holland Ind (cont)	Part #	Price Code
W110B ZBAR Direct	NHW110	D
W110 TC Direct	CA521EXT	D+154
W110B TC Direct	CA521EXT	D+154
B115 Direct	NHB95TC	D
LB115 Ind Direct	NHLB115	C
LW130B TC Direct	CA621EXT	D+154
LW130B ZBAR Direct	CA621EZ	D+154
W130 ZBAR Direct	CA621EZ	D+154
W130B ZBAR Direct	CA621EZ	D+154
W130B TC Direct	CA621EXT	D+154
LB190 Ind Direct	FO575E	D
345D Ind Direct	FO345D	D

Predator	Part #	Price Code
425 Direct	PR425	B

Reist	Part #	Price Code
QTach	REQT	A

Robin	Part #	Price Code
Direct	ROBIN	C

Schaeff	Part #	Price Code
<b>Quick Attach Mounts</b>		
821 QTach	TX824	D+154
823 QTach	TX824	D+154
824 QTach	TX824	D+154
831 QTach	TX824	D+154
832 QTach	TX824	D+154
SKL833 QTach	TX844	D+154
844 QTach	TX844	D+154

Schaffer	Part #	Price Code
<b>Quick Attach Mounts</b>		
2000 Series QTach	SC3000	D
3000 Series QTach	SC3000	D
4000 Series QTach	SC4000	D
9000 Series QTach	SC4000	D

Schwartz	Part #	Price Code
<b>Quick Attach Mounts</b>		
1020X QTach	FO7310	B
1040 QTach	FO7310	B

Direct To Loader Boom Mounts		
920 Direct	FO7310	B
940 Direct	FO7109	B
1250 Direct	FO770	B
1300 Direct	FO772	B
1400 Direct	FO772	B

Sky Trak	Part #	Price Code
<b>Quick Attach Mounts</b>		
6036 QTach	ST8042	D+154
6042 QTach	ST8042	D+154
8042 QTach	ST8042	D+154
10042 QTach	ST8042	D+154
10054 QTach	ST8042	D+154

Smythe	Part #	Price Code
QTach	SMQT	A

Steiner	Part #	Price Code
Steiner	ST430	C

Stoll	Part #	Price Code
<b>Quick Attach Mounts</b>		
FS10 QTach	AO600	A
FZ10 QTach	AO600	A
FS20 QTach	AO600	A
FZ20 QTach	AO600	A
F30 QTach	AO600	A
FS30 QTach	AO600	A
FZ30 QTach	AO600	A
FS40 QTach	AO600	A
FZ40 QTach	AO600	A
FS50 QTach	AO600	A
FZ50 QTach	AO600	A
FS60 QTach	AO600	A
FZ60 QTach	AO600	A
FS80 QTach	AO600	A
FZ80 QTach	AO600	A

Direct To Loader Boom Mounts		
F4 Direct	STF30	B
F5 Direct	STF30	B
F8 Direct	STF30	B
F10 Direct	STF30	B
FS10 Direct	STFZ10	B
FZ10 Direct	STFZ10	B
F15 Direct	STF30	B
FS20 Direct	STFZ10	B
FZ20 Direct	STFZ10	B
FS30 Direct	STFZ30	B
FZ30 Direct	STFZ30	B
F30 Direct	STF30	B
FS40 Direct	STFZ30	B
FZ40 Direct	STFZ30	B
FS50 Direct	STFZ30	B
FZ50 Direct	STFZ30	B
FZ50 Wide Direct	STFZ50W	B
FS60 Direct	STFZ30	B
FZ60 Direct	STFZ30	B
FE650 Direct	STF30	B
FE750 Direct	STF30	B
FE850 Direct	STF30	B

Takeuchi	Part #	Price Code
<b>Quick Attach Mounts</b>		
TW65 QTach	TKTW65	D+154

Terex	Part #	Price Code
<b>Quick Attach Mounts</b>		
TX51-19 QTach	TX5119	D
TL60 QTach	BO500	A
TL65 QTach	BO500	A
TX66-41 QTach	TX5119	D
TL70 QTach	BO500	A
TL80 QTach	TX844	D+154
TL100 QTach	TX844	D+154
TL120 QTach	TX844	D+154
SKL160 QTach	TXSKL160Q	D+154



# Loader Order Mounting Codes

Terex (cont)	Part #	Price Code
SKL200 QTach	TXSKL160Q	D+154
SKL260 QTach	TXSKL160Q	D+154
SKS633 QTach	TX824	D+154
SKS634 QTach	TX824	D+154
TX760 QTach	JRBE	D+154
SKL821 QTach	TX824	D+154
SKL823 QTach	TX824	D+154
SKL824 QTach	TX824	D+154
SKL831 QTach	TX824	D+154
SKL832 QTach	TX824	D+154
SKL833 QTach	TX844	D+154
SKL834 QTach	TX844	D+154
SKL835 QTach	TX844	D+154
SKL841 QTach	TX844	D+154
SKL843 QTach	TX844	D+154
SKL844 QTach	TX844	D+154
SKL851 QTach	TX844	D+154
SKL853 QTach	TX844	D+154
SKL854 QTach	TX844	D+154
SKL863 QTach	TXSKL863Q	D+154
<b>Direct To Loader Boom Mounts</b>		
51-19 Direct	TX5119D	D
TL 65 Direct	TXTL65	D
TL 70 Direct	TXTL65	D
TL 80 Direct	TXTL80	D
TL 100 Direct	TXTL100	D
TL 120 Direct	TXTL100	D
SKS 631 Direct	TXTL65	D
SKS 633 Direct	TXTL65	D
SKS 634 Direct	TXTL65	D
TX760 Direct	TX760B	D
SKL 821 Direct	TXTL65	D
SKL 823 Direct	TXTL65	D
SKL 824 Direct	TXTL65	D
SKL 831 Direct	TXTL65	D
SKL 832 Direct	TXTL65	D
SKL 833 Direct	TXTL80	D
SKL 834 Direct	TXTL80	D
SKL 835 Direct	TXTL100	D
SKL 841 Direct	TXTL100	D
SKL 843 Direct	TXTL100	D
SKL 844 Direct	TXTL100	D
SKL 851 Direct	TXTL100	D
SKL 853 Direct	TXTL100	D
SKL 854 Direct	TXTL100	D
TX860 Direct	TX760B	D
SKL 861 Direct	TXSKL861	D+410
SKL 861A Direct	TXSKL863	D+410
SKL 861B Direct	TXSKL863	D+410
SKL 863 Direct	TXSKL863	D+410
SKL 871 Direct	TXSKL863	D+410
SKL 873 Direct	TXSKL873	D+410
SKL 873 HL Direct	TXSKL863	D+410
SKL 877 Direct	TXSKL863	D+410
<b>Tym</b>		
<b>Quick Attach Mounts</b>		
LT200 QTach	BO500	A
LT300 QTach	BO500	A
LT400 QTach	TYMLT400	A

Tym (cont)	Part #	Price Code
LT451 QTach	TYMLT400	A
LT600 QTach	TYMLT400	A
LT700 QTach	TYMLT400	A
<b>Direct To Loader Boom Mounts</b>		
T90 Direct	TYMT90	B
<b>Universal</b>		
<b>Part #</b>		
<b>Price Code</b>		
UN9000 Direct	FRE8010	A
<b>Valtra</b>		
<b>Part #</b>		
<b>Price Code</b>		
<b>Direct To Loader Boom Mounts</b>		
1080 Direct	AO675	B
<b>Versatile</b>		
<b>Part #</b>		
<b>Price Code</b>		
<b>Quick Attach Mounts</b>		
256 QTach	FO276	C
276 QTach	FO276	C
NH7614 QTach	NH7614	C
<b>Direct To Loader Boom Mounts</b>		
150 Direct	FO150	C
276 Direct	FO276D	C
<b>Volvo</b>		
<b>Part #</b>		
<b>Price Code</b>		
<b>Quick Attach Mounts</b>		
L20 Ind QTach	VOL20Q	D+154
L25 Ind QTach	VOL20Q	D+154
L30 Ind QTach	VOL30Q	D+154
L30B PRO Ind QTach	VOL30Q	D+154
L35 Ind QTach	VOL30Q	D+154
L35B PRO Ind QTach	VOL30Q	D+154
L50 Ind QTach	VOL50Q	D+154
BL70 Ind QTach	VOL50Q	D+154
L70 Ind QTach	VOL50Q	D+154
L90 Ind QTach	VOL50Q	D+154
L110 Ind QTach	VOL50Q	D+154
L120 Ind QTach	VOL50Q	D+154
L150 Ind QTach	VOL180Q	D+410
L180 Ind QTach	VOL180Q	D+410
<b>Direct To Loader Boom Mounts</b>		
BL70 Ind Direct	VOBL70	D
<b>Westendorf</b>		
<b>Part #</b>		
<b>Price Code</b>		
<b>Quick Attach Mounts</b>		
WL-21 Qtach	WE20Q	A
WL-22 Qtach	WE20Q	A
WL-23 Qtach	WE20Q	A
WW-24 Qtach	WE20Q	A
TA-26 Qtach	WE20Q	A
WL-27 Qtach	WE20Q	A
WL-28 Qtach	WE20Q	A
TA-29 Qtach	WE20Q	A
WL-30 Qtach	WE40Q	A
WL-40 Qtach	WE40Q	A
WL-42 Qtach	WE40Q	A
WL-44 Qtach	WE40Q	A
TA-45 Qtach	WE40Q	A
TA-46 Qtach	WE40Q	A

# Loader Order Mounting Codes

Westendorf (cont)	Part #	Price Code
TA-48 Qtach	WE40Q	A
WL-60 Qtach	WE40Q	A
WL-61 Qtach	WE40Q	A
WL-64 Qtach	WE40Q	A
TA-76 Qtach	WE70Q	A
TA-77 Qtach	WE70Q	A
WL-357 Qtach	WE40Q	A
XTA-400 Qtach	WE40Q	A
WL-457 Qtach	WE40Q	A
WL-467 Qtach	WE70Q	A
WL-576 Qtach	WE70Q	A
XTA-700 Qtach	WE70Q	A

Direct To Loader Boom Mounts		
WL21 Direct	WEWL21D	B
TA26 Direct	WETA26	B

White	Part #	Price Code
Direct To Loader Boom Mounts		
120 Direct	KM130	B
130 Direct	KM130	B
132 Direct	KM132	B
140 Direct	KM130	B
1170 Direct	WH1170	B
1514 Direct	WH1514	B
1522 Direct	WH1522	C
1524 Direct	WH1524	B
1534 Cockshutt Direct	KM130	B
1730 Direct	WH1730	B

Wilmar	Part #	Price Code
Quick Attach Mounts		
4500 QTach	BO500	A
4550 QTach	BO500	A

Woods	Part #	Price Code
Quick Attach Mounts		
LC96 QTach	BO500	A
LC102 QTach	BO500	A
LC108 QTach	BO500	A
110 QTach	WO215	B
115 QTach	WO215	B
200 QTach	WO215	B
205 QTach	WO215	B
210 QTach	WO215	B
215 QTach	WO215	B
255 QTach	WO215	B
260 QTach	WO215	B
275 QTach	WO215	B
305 QTach	WO215	B
310 QTach	WO215	B
1016 QTach	BO500	A
1020 QTach	BO500	A
1027 QTach	BO500	A

Direct To Loader Boom Mounts		
LF138 Direct	WOLF138	B
LF156 Direct	WOLF138	B
LC96 Direct	WOLC96	C

Woods (cont)	Part #	Price Code
1008 Direct	WO1008	B
1020 Direct	WO1020	B
1027 Direct	WO1020	B
3100 Direct	WO3100	B

Zetor	Part #	Price Code
Quick Attach Mounts		
FL-231-100 QTach	AO600	A
FL-231-101 QTach	AO600	A

# Skidsteer Order Mounting Codes

ASV	Part #	Price Code
<b>Quick Attach Mounts</b>		
RC30 QTach	ASV30Q	B
RC50 QTach	BO500	A
RC60 QTach	BO500	A
<b>Direct To Loader Boom Mounts</b>		
RC30 Direct	ASV30D	B
RC50 Direct (0 - #RSC02286)	ASVRC50	B
RC50 Direct (#RSC02287 - END)	ASVPT60	B
PT50 Direct	ASVPT60	B
RC60 Direct	ASVPT60	B
PT60 Direct	ASVPT60	B
<b>Bobcat</b>		
Part #	Price Code	
<b>Quick Attach Mounts</b>		
MT55 QTach	BO463	A
S70 QTach	BO463	A
440 QTach	BO440	B
443 QTach	BO440	B
450 QTach	BO440	B
453 QTach	BO440	B
463 QTach	BO463	A
465 QTach	BO500	A
500 thru 800 Series QTach	BO500	A
943 QTach	BO943	B
963-G Series QTach	BO500	A
975 QTach	BO975	B
985 QTach	BO975	B
<b>Direct To Loader Boom Mounts</b>		
773 Direct (Double Cylinder)	BOT190	C
825 Direct	BO825	B
943 Direct	BO953D	B
953 Direct	BO953D	B
975 Direct	BO975D	C
T140 Direct	BOT140	C
T190 Direct	BOT190	C
<b>Bulldog</b>		
Part #	Price Code	
<b>Quick Attach Mounts</b>		
B4230CS1 QTach	BD4230CS1	A
<b>Case IH</b>		
Part #	Price Code	
<b>Quick Attach Mounts</b>		
40XT QTach	BO500	A
60XT QTach	BO500	A
70XT QTach	BO500	A
75XT QTach	BO500	A
85XT QTach	BO500	A
95XT QTach	BO500	A
435 QTach	BO500	A
SR130 QTach	BO500	A
SR150 QTach	BO500	A
SR175 QTach	BO500	A
SV185 QTach	BO500	A
SR200 QTach	BO500	A
SR220 QTach	BO500	A
SR250 QTach	BO500	A
SV250 QTach	BO500	A
TR270 QTach	BO500	A

Case IH (cont)	Part #	Price Code
SV300 QTach	BO500	A
TV380 QTach	BO500	A
1530 QTach	CI1530	B
1740 QTach	CI1740	B
1816C QTach	CI1816C	B
1818 ToolTach	CI1818T	B
1825 ToolTach	CI1818T	B
1830 QTach	CI1830	B
1830 ToolTach	CI1835T	B
1835 ToolTach	CI1835T	B
1838 QTach	BO500	A
1840 QTach	BO500	A
1840 ToolTach	CI1835T	B
1845 ToolTach	CI1845T	B
1845C QTach	BO500	A
<b>Direct To Loader Boom Mounts</b>		
40XT Direct	CI40XT	B
60XT Direct	CI40XT	B
70XT Direct	CI40XT	B
75XT Direct	CI85XT	B
85XT Direct	CI85XT	B
90XT Direct	CI85XT	B
95XT Direct	CI85XT	B
SR175 Direct	CISV185	B
SV185 Direct	CISV185	B
SR200 Direct	CISV185	B
SR220 Direct	CISV185	B
SR250 Direct	CISV185	B
SV250 Direct	CISV185	B
TR270 Direct	CISV185	B
SV300 Direct	CISV185	B
TV380 Direct	CISV185	B
410 Direct	CI440	B
420 Direct	CI440	B
420CT Direct	CI440	B
430 Direct	CI440	B
435 Direct	CI445	B
435CT Direct	CI445	B
440 Direct	CI440	B
440CT Direct	CI440	B
445CT Direct	CI445	B
445 Direct	CI445	B
450 Direct	CI445	B
450CT Direct	CI445	B
1818 Direct	CI1818D	B
1825 Direct	CI1825D	B
1830 Direct	CI1835D	B
1835 Direct	CI1835D	B
1838 Direct	CI1838D	B
1840 Direct	CI1840D	B
1845 Direct	CI1845D	B
<b>Caterpillar</b>		
Part #	Price Code	
<b>Quick Attach Mounts</b>		
All 200 Series QTach	BO500	A

# Skidsteer Order Mounting Codes

Ford	Part #	Price Code
<b>Quick Attach Mounts</b>		
CL45 QTach	TH133	B
CL55 QTach	TH233	B
Gehl	Part #	Price Code
<b>Quick Attach Mounts</b>		
Avantage AL20 QTach	GEAL20	A
3410 QTach	GE3610	B
3510 QTach	GE3610	B
3610 QTach	GE3610	B
3615 QTach	GE3610	B
3635 QTach	BO500	A
SL3635 QTach	BO500	A
3725 QTach	GE3825	B
3825 QTach	GE3825	B
3935 QTach	BO500	A
SL3935 QTach	BO500	A
4300 QTach	GE4300	B
4510 QTach	GE4610	B
4610 QTach	GE4610	B
4615 QTach	GE4610	B
4625 QTach	BO500	A
4625 QTach (Old Style)	GE4625	B
4635 QTach	BO500	A
4635 QTach (Old Style)	GE4625	B
4640 QTach	BO500	A
4835 QTach	BO500	A
4835 QTach (Old Style)	GE4625	B
4840 QTach	BO500	A
5620 QTach	BO500	A
5620 QTach (Old Style)	GE4625	B
5625 QTach	BO500	A
5625 QTach (Old Style)	GE4625	B
5635 QTach	BO500	A
5635 QTach (Old Style)	GE4625	B
5640 QTach	BO500	A
6625 QTach	BO500	A
6625 QTach (Old Style)	GE4625	B
6635 DXT QTach	BO500	A
6635 DXT QTach (Old Style)	GE4625	B
6635 SXT QTach	BO500	A
6635 SXT QTach (Old Style)	GE4625	B
6640 QTach	BO500	A
<b>Direct To Loader Boom Mounts</b>		
3310 Direct	GE3410D	B
3410 Direct	GE3410D	B
3510 Direct	GE3410D	B
3515 Direct	GE3410D	B
3610 Direct	GE3410D	B
3615 Direct	GE3410D	B
3825 Direct	GE3825D	B
3935 Direct	GE3935D	B
4610 Direct	GE4610D	C
4625 Direct	GE4625D	C
4635 Direct	GE4840	C
4640 Direct	GE4840	C
4840 Direct	GE4840	C

Gehl (cont)	Part #	Price Code
4835 Direct	GE4840	C
5240 Direct	GE4840	C
5635 Direct	GE6640	C
5640 Direct	GE6640	C
6640 Direct	GE6640	C

JCB	Part #	Price Code
<b>Quick Attach Mounts</b>		
165 QTach	BO500	A
185 QTach	BO500	A
1105 QTach	BO500	A
1110 QTach	BO500	A

John Deere	Part #	Price Code
<b>Quick Attach Mounts</b>		
240 QTach	BO500	A
250 QTach	BO500	A
260 QTach	BO500	A
270 QTach	BO500	A
280 QTach	BO500	A
313 QTach	BO500	A
315 QTach	BO500	A
CT315 QTach	BO500	A
317 QTach	BO500	A
318D QTach	BO500	A
319D QTach	BO500	A
320 QTach	BO500	A
320D QTach	BO500	A
323D QTach	BO500	A
325 QTach	BO500	A
326D QTach	BO500	A
328 QTach	BO500	A
328D QTach	BO500	A
329D QTach	BO500	A
332 QTach	BO500	A
332D QTach	BO500	A
CT332 QTach	BO500	A
333D QTach	BO500	A
375 QTach	NH250	B
570 QTach	NH455	B
575 QTach	NH455	B
675 QTach	NH555	A
675B QTach	NH555	A
3375 QTach	NH250	B
4475 QTach	BO500	A
5575 QTach	BO500	A
6675 QTach	BO500	A
7775 QTach	BO500	A
8875 QTach	BO500	A

<b>Direct To Loader Boom Mounts</b>		
240 Direct	JD317	B
250 Direct	JD317	B
260 Direct	JD260	B
270 Direct	JD260	B
280 Direct	JD260	B
317 Direct	JD317	B
318D Direct	JD318D	B
319D Direct	JD318D	B
320D Direct	JD318D	B

# Skidsteer Order Mounting Codes

John Deere (cont)	Part #	Price Code
320 Direct	JD317	B
323D Direct	JD318D	B
325 Direct	JD260	B
328 Direct	JD260	B
332 Direct	JD260	B
575 Direct	NH455D	C
6675 Direct	NH160	B

Komatsu	Part #	Price Code
<b>Quick Attach Mounts</b>		
SK815 QTach	BO500	A
SK820 QTach	BO500	A
<b>Direct To Loader Boom Mounts</b>		
SK815-5 Direct	KOMSK820	C
SK820-5 Direct	KOMSK820	C
SK1026-5 Direct	KOMSK1026	C

New Holland	Part #	Price Code
<b>Quick Attach Mounts</b>		
L35 QTach	NH555	B
L120 QTach	NH250	B
LS120 QTach	NH250	B
L125 QTach	NH250	B
LS125 QTach	NH250	B
LS Series 140-190 QTach	BO500	A
L213 QTach	BO500	A
L215 QTach	BO500	A
L218 QTach	BO500	A
L220 QTach	BO500	A
L223 QTach	BO500	A
L225 QTach (2011 & Newer)	BO500	A
C227 QTach	BO500	A
L230 QTach	BO500	A
C232 QTach	BO500	A
C238 QTach	BO500	A
L250 QTach	NH250	B
L255 QTach	NH250	B
L325 QTach	NH455	B
L425 QTach	NH455	B
L445 QTach	NH455	B
L454 QTach	NH455	B
L455 QTach	NH455	B
L465 QTach	BO500	A
LX465 QTach	BO500	A
LX485 QTach	BO500	A
L553 QTach	NH555	B
L555 QTach	NH555	B
L565 QTach	BO500	A
LX565 QTach	BO500	A
LX665 QTach	BO500	A
L775 QTach	NH555	B
L781 QTach	NH555	B
L783 QTach	NH555	B
L785 QTach	NH555	B
L865 QTach	BO500	A
LX865 QTach	BO500	A
LX885 QTach	BO500	A
LX985 QTach	BO500	A

New Holland (cont)	Part #	Price Code
<b>Direct To Loader Boom Mounts</b>		
L35 Direct	NH785	C
L140 Direct	NH140	B
LS140 Direct	NH140	B
L150 Direct	NH140	B
LS150 Direct	NH140	B
LS160 Direct	NH160	B
LS170 Direct	NH160	B
L175 Direct	NH160	B
L180 Direct	NH160	B
LS180 Direct	NH160	B
LS180.B Direct	NH160	B
L185 Direct	NH160	B
L190 Direct	NH160	B
LS190 Direct	NH160	B
LS190.B Direct	NH160	B
L218 Direct	CISV185	B
L220 Direct	CISV185	B
L223 Direct	CISV185	B
L225 Direct (2011 & Newer)	CISV185	B
C227 Direct	CISV185	B
C232 Direct	CISV185	B
C238 Direct	CISV185	B
L230 Direct	CISV185	B
250 Direct	NH250D	B
455 Direct	NH455D	C
L465 Direct	NH140	B
LX465 Direct	NH140	B
LX485 Direct	NH140	B
553 Direct	NH555D	C
555 Direct	NH555D	C
LX565 Direct	NH160	B
LX665 Direct	NH160	B
L775 Direct	NH785	C
L781 Direct	NH785	C
L783 Direct	NH785	C
L785 Direct	NH785	C
LX885 Direct	NH160	B

Mustang	Part #	Price Code
<b>Quick Attach Mounts</b>		
342 QTach	MU442	B
345 QTach	MU442	B
440 QTach	MU442	B
441 QTach	MU442	B
442 QTach	MU442	B
445 QTach	MU442	B
552 QTach	MU442	B
930 QTach	MU442	B
930A QTach	MU442	B
940 QTach	MU442	B
960 QTach	MU442	B
1200 QTach	MU442	B
1700 QTach	MU442	B
2040 Mustang QTach	MU442	B
2040 Universal QTach	BO500	A
2050 Mustang QTach	MU442	B
2050 Universal QTach	BO500	A
2060 Mustang QTach	MU442	B

# Skidsteer Order Mounting Codes

<b>Mustang (cont)</b>	<b>Part #</b>	<b>Price Code</b>
<b>Direct To Loader Boom Mounts</b>		
2060 Universal QTach	BO500	A
2070 Mustang QTach	MU442	B
2070 Universal QTach	BO500	A
940 Direct	MU940	C
<b>Ramrod</b>	<b>Part #</b>	<b>Price Code</b>
<b>Quick Attach Mounts</b>		
800 QTach	RR800	A
<b>Terex</b>	<b>Part #</b>	<b>Price Code</b>
<b>Direct To Loader Boom Mounts</b>		
PT30 Direct (0 - DTA05000)	ASV30D	B
PT30 Direct (DTA05001 – END)	TXPT30	C
<b>Thomas</b>	<b>Part #</b>	<b>Price Code</b>
<b>Quick Attach Mounts</b>		
T95 QTach	BO500	A
103S QTach	BO500	A
T105 QTach	BO500	A
T115 QTach	BO500	A
133 QTach	TH133	B
133S QTach	BO500	A
135 QTach	BO500	A
153 QTach	BO500	A
170 QTach	TH233	B
173 QTach (Old Style)	TH233	B
173 QTach (New Style)	BO500	A
233 QTach	TH233	B
243 QTach	BO500	A
245 HDK QTach	BO500	A
1220 QTach	TH1220	B
Pro Tuff 1300 QTach	BO500	A
Pro Tuff 2200 QTach	BO500	A
<b>Direct To Loader Boom Mounts</b>		
133 Direct	TH133D	C
135 Direct	TH135D	C
<b>Volvo</b>	<b>Part #</b>	<b>Price Code</b>
<b>Quick Attach Mounts</b>		
QTach	BO500	A

Return form to the applicable C&B office you are working with.  
 Batavia 1 (888) 852-7406  
 Carlisle 1 (717) 249-9384

Dealer: \_\_\_\_\_  
 Name: \_\_\_\_\_  
 Phone # \_\_\_\_\_  
 Fax # \_\_\_\_\_

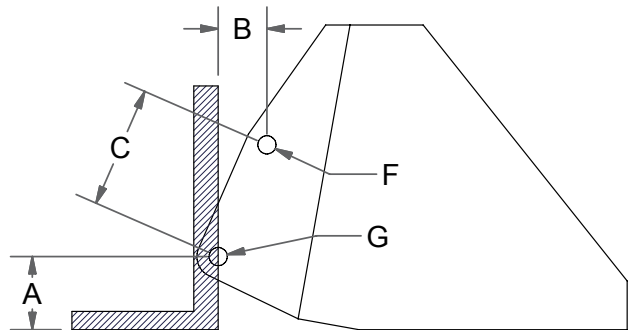
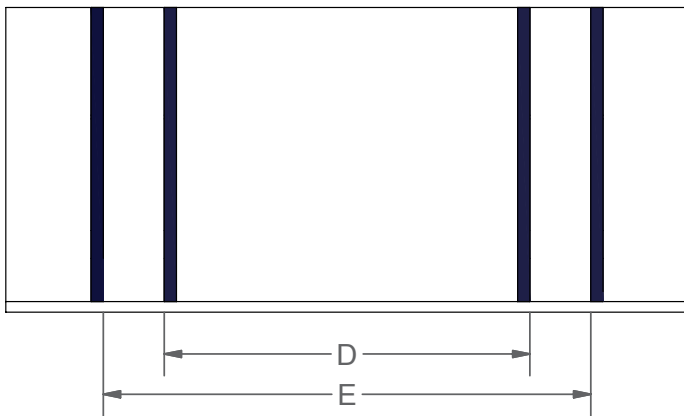
## Direct Pin-On Specs

Note: Dimensions must be taken from loader/skidsteer bucket. The following measurements are required

Loader Model # \_\_\_\_\_

Please verify where your measurements were taken:

- From loader bucket  
 From other attachment



- a) Bottom pin to ground \_\_\_\_\_
- b) Pin lead \_\_\_\_\_ Note: Pin lead must be taken 90° to ground or bottom of bucket
- c) Pin centres \_\_\_\_\_
- d) Inside hitchplates \_\_\_\_\_
- e) Outside hitchplates \_\_\_\_\_
- f) Top pin diameter \_\_\_\_\_
- g) Bottom pin diameter \_\_\_\_\_

## Bolt-on Toothbar Specs

- a) \_\_\_\_\_
- b) \_\_\_\_\_
- c) \_\_\_\_\_
- d) \_\_\_\_\_
- e) \_\_\_\_\_
- f) \_\_\_\_\_

