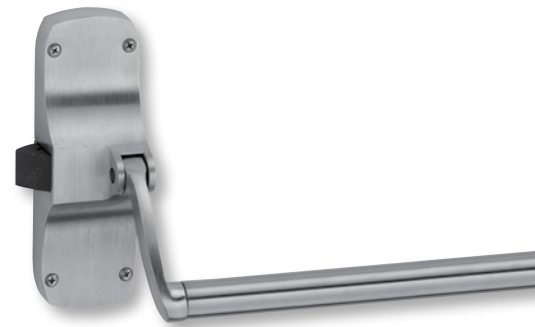


VON DUPRIN®

Price book 6

Effective February 4, 2019



This price list supersedes and cancels all previous price lists. Prices shown are subject to change without notice.

Administrative Offices

1076 Lakeshore Road East
Mississauga, Ontario L5E 1E4
Allegion.ca

Placing orders

You can place orders with Allegion via the fax number or email listed below:

Fax#: 1-800-209-4734

Email: canada.orders.service@allegion.com

Customer Care

Our Customer Care Representatives are available for questions or assistance.

You can reach them at **800-900-4734**

Technical Product Support

canada.techservices@allegion.com

| | |
|--|-------|
| Sales Policy | 3 |
| General Terms and Conditions of Sale and Service | 4-7 |
| Finishes | 8 |
| Standard Lever Suites | 9 |
| M Collection Levers | 10 |
| General Information | 11 |
| How to Order | 12-13 |
| Special Products | 14-18 |

Exit Devices

| | |
|---------------------------|-------|
| 22 Series | 20-24 |
| 33A/35A Series | 25-38 |
| 44 Series | 38A |
| 55 Series | 39-45 |
| 88 Series | 46-52 |
| 98/99 Series | 53-70 |
| XP98/XP99 Series | 71-76 |
| XP98/XP99 Series | 77 |
| 94/95 INPACT Series | 78-83 |
| 2670 Guard-X Series | 84-85 |

Exit Device Options

| | |
|--|------------------------|
| -2 - Double Cylinder | 66, 75 |
| -2SI - Double Cylinder with Security Indicator | 66, 75 |
| AM - Anti-Microbial Finish | 38, 68 |
| AX - Accessible Device | 24, 38, 66, 75, 83 |
| CD - Cylinder Dogging | 35, 66, 75 |
| CDSI - Cylinder Dogging w/Indicator | 35, 66, 75 |
| CI - Cylinder Dogging Indicator | 66, 75 |
| CON - Connectors | 24, 38, 70, 73, 108 |
| Crossbar Options | 52 |
| CS - Cable System | 37, 68 |
| CX - Chexit | 37, 70, 77 |
| DI - Dogging Indicator | 66, 75 |
| E - Electric Unlocking | 38, 52, 70 |
| EL - Electric Latch Retraction | 36, 69, 76 |
| Flush Transom | 52 |
| HDSI - Hex Dogging w/ Indicator | 35, 66, 75 |
| HH - Hurricane | 35, 66 |
| INS - Insculclad or Applied Panel | 36, 67 |
| LBR - Less Bottom Rod | 24, 38, 67, 79 |
| LD - Less Dogging | 24, 35, 66, 75 |
| LX - Latchbolt Monitoring | 24, 26, 36, 69, 76, 83 |
| PL - Pullman Latches | 37, 52, 67 |
| PN - Pneumatic | 35, 69 |
| QEL - Quiet Electric Latch Retraction | 36, 69, 76, 83 |
| RX - Request to Exit | 24, 36, 52, 69, 76 |
| SD - Special Center Case Dogging | 69, 75, 76, 66 |
| SG - Safety Glow | 35, 67 |
| SS - Signal Switch | 36, 69, 83, 88 |
| Touchbar Options | 67 |
| WH - Weep Holes | 35, 68 |
| WS - Windstorm | 66 |

Exit Locks - Latching Hardware

| | |
|---------------|-------|
| GUARD-X | 84-85 |
|---------------|-------|

Accessories

| | |
|-------------------------------|--------|
| Dummy Cross Bars | 88-88 |
| Strikes | 89 |
| Trims | 90-94 |
| Control Trims | 95-96 |
| Cylinder Controls | 97 |
| Cover Plates | 98 |
| Cylinders | 98 |
| Glass Bead Kits | 98 |
| Mullions | 99-100 |
| Rod and Latch Guards | 100 |
| Mortise Locks | 100 |
| 237 Two Point Latch | 101 |
| Extension Rod Kits | 102 |
| One Piece Top Rod Kits | 102 |
| Security Screw Packages | 103 |
| Sex Bolts | 104 |

Electrical Products

| | |
|---|---------|
| Alarm Kits/Mortise Locks | 106 |
| Switches/Delayed Exit System/Interface Boxes/Relays | 107 |
| Allegion Connect/Electric Power Transfers | 108 |
| Power Supplies | 109 |
| Electric Strikes | 110-112 |
| Monitor Strikes/Schlage Electronic Trim | 112 |

Parts

| | |
|--|---------|
| Numerical Index | 114-117 |
| 22 Series | 118-119 |
| 33A/35A Series | 120-125 |
| 33/3550AWDC Series | 126 |
| 330/350 Series | 127 |
| 55 Series | 128-130 |
| 88 Series | 131-136 |
| 98/99 Series | 137-142 |
| 98/9949 Series | 143 |
| 98/9950WDC Series | 144 |
| XP98/99 Series | 145 |
| 94/95 INPACT Series | 146 |
| 7500 Series Mortise Lock | 147 |
| Controls | 148-150 |
| Trims | 151-156 |
| Mullions | 157 |
| Screw Packs/ Shims/ Miscellaneous | 158 |
| Maintenance Kit and Replacement Packages | 159 |
| Electric Strikes | 160-164 |
| Electric Parts | 164-166 |
| GUARD-X | 167 |
| Service Replacement Items | 168 |
| Part Number Cross Reference | 169-170 |
| Wiring Diagrams | 171 |

Sales Policy

General: The Company will comply with applicable laws and regulations in effect on the date of the Company's proposal as they may apply to the manufacture of the Equipment. Compliance with any local governmental laws or regulations relating to the location, use or operation of the Equipment, or its use in conjunction with other equipment, shall be the sole responsibility of the Purchaser.

Title and Risk of Loss: Title and risk of loss or damage to the Equipment shall pass to the Purchaser upon tender of delivery F.O.B. manufacturing facility unless otherwise agreed upon by the parties, except that a security interest in the Equipment shall remain in the Company, regardless of mode of attachment to realty or other property, until full payment has been made therefor. Purchaser agrees upon request to do all things and acts necessary to perfect and maintain said security interest and shall protect Company's interest by adequately insuring the Equipment against loss or damage from any cause wherein the Company shall be named as an additional insured.

Minimum Charge: Minimum invoice is \$50.00 net product value, excluding freight charges.

Non-Standard and Special Items: Contact factory for availability and price of non-standard finishes and special items not listed in this price book. Additional charges may be accrued for product modification or engineering services.

Additional charges may be necessary for furnished material for doors, frames, and rabbeted frames, other than standard. Submit door and frame detail if quotation is desired 1-3/4" and 2-1/4" are considered standard.

Purchase Authorization: Prior credit approval will be required from all purchasers. Possession of this price book does not imply the right to purchase from Von Duprin, Inc. Authorized Von Duprin, Inc. distributors will be required to maintain a minimum of \$25,000.00 in net purchases per year to be maintained as a direct factory account.

Patents: The Company shall defend any suit or proceeding brought against the Purchaser and shall pay any adverse judgment entered therein so far as such suit or proceeding is based upon a claim that the use of the Equipment manufactured by the Company, and furnished under this contract constitutes infringement of any patent of the United States of America, providing the Company is promptly notified in writing and given authority, information and assistance for defense of same; and the Company shall, at its option, procure for the Purchaser the right to continue to use said Equipment, or to modify it so that it becomes non-infringing, or to replace the same with non-infringing equipment, or to remove said Equipment and to refund the purchase price. The foregoing shall not be construed to include any agreement by the Company to accept any liability whatsoever in respect to patents for inventions including more than the Equipment furnished hereunder, or in respect of patents for methods and processes to be carried out with the aid of said Equipment. The foregoing states the entire liability of the Company with regard to patent infringement.

Terms and Conditions

Allegion Canada Inc. General Terms and Conditions of Sale and Service

1. GENERAL/ACCEPTANCE. (a) This Agreement contains the only terms and conditions by which Company will quote and sell Deliverables to Customer; (b) The terms "purchase order" or "order" for the purposes of this Agreement include the term "request for quotation," as appropriate; (c) This Agreement supersedes all pre-printed or boilerplate terms and conditions set forth in any purchase order issued by Customer; (d) No reference herein to Customer's purchase order will in any way incorporate different or additional terms and conditions, all of which Company hereby expressly objects to; (e) **ANY ACCEPTANCE BY COMPANY OF CUSTOMER'S PURCHASE ORDER IS EXPRESSLY CONDITIONED ON THE CUSTOMER'S ASSENT TO AND ACCEPTANCE OF THE TERMS AND CONDITIONS CONTAINED IN THIS AGREEMENT;** (f) Company reserves the right to decline any order, in whole or in part, for any reason.

2. ORDERS.

a. Order Processing. When Customer wishes to place an order for Deliverables, it will deliver to Company a purchase order. All such purchase orders must (i) be in a written format acceptable to Company, (ii) be legible, (iii) include a purchase order number, (iv) include Customer's account number, part number and pricing (v) include, if applicable, any special factory instructions, and requested specifications regarding a particular finish, handing, design, backset, or strike, and (vi) reference any applicable pricing discounts under an ongoing buying program or based on a written quote from Company, along with the applicable buying program number or quotation number.

b. Minimum Orders. In the event the order value does not meet any required minimum net Deliverable value of \$250.00, Company may, at its sole discretion, (i) apply a minimum order charge; (ii) reject the order, or (iii) waive the requirement, provided that the waiver of a requirement for one order shall not constitute a waiver of the requirement for any future orders.

c. Acceptance of Purchase Orders. Company will endeavor to (i) acknowledge receipt of each purchase order issued in accordance with this Agreement, and (ii) notify Customer whether Company accepts or rejects the purchase order. If Company fails to accept or reject a purchase order within a reasonable time period, such failure to respond will be deemed a rejection of the entire order.

d. Changes to Order/ Cancellation of Orders. Customer acknowledges that (i) requesting a Change Order may cause a delay in the scheduled shipment date, a longer lead time or result in a new scheduled shipment date; (ii) Orders for stocked (core items) cannot be changed; (iii) Changes to non-stocked product orders will be allowed only in instances where the material has not yet been scheduled into production and/or assembly has begun. Any handling charge resulting from an authorized change order will be billed to the Customer; (iv) If Customer cancels an order or portion of an order that includes deliverables that have been manufactured and prepped for shipping, a 50% restocking fee will apply; and (v) Customer cannot change or cancel credential orders, reader orders, biometrics orders or any non-cataloged, special, Custom or nonstandard items once they have been placed and will be subject to a cancellation charge of 100% of the acknowledged price.

3. PRICES, INVOICES AND PAYMENT.

a. Prices. The prices in Company's Price Book are subject to change at any time, without notice to Customer. Company may charge Customer additional amounts if Customer requests special packing, marking, shipment, product modification, or engineering services. Oral prices specified by Company are null and void. Quote numbers must be referenced on Customer's purchase order in order for the Company's quoted pricing to apply. Orders that do not reference a quote number will receive buy program pricing or book net pricing. Quoted prices are for those specific products quoted for a specified job, and are subject to the Price Book in effect at the time the quote was issued by Company.

b. Taxes. Prices do not include any present or future federal, provincial, or local property, license, privilege, sales, use, excise, gross receipts, or other like taxes or assessments which may result from transactions or any services performed in connection therewith and such taxes or other charges are the responsibility of Customer.

c. Payment Terms. Company will deliver to Customer an invoice with each shipment of Deliverables hereunder. Customer will pay all invoiced amounts within 35 days of the invoice date. Past due invoices will be subject to a late payment service charge of 1.5% per month on any overdue unpaid balance, equivalent to 18% per annum, or the maximum rate permitted by law, whichever is less. Customer shall reimburse Company for all costs of collection, including, without limitation, reasonable attorneys' fees, for any overdue amount owed by Customer to Company, and such collection costs shall also be subject to interest charges.

4. QUOTATIONS.

a. Project Quotations. Project or new construction quotes are restricted to the specific project quoted for the quantities referenced on the quote. Company reserves the right to require proof of sale of Company products for any quoted project.

b. Stock Quotations. Deliverables fulfilling stock quotations may only be used for the stocking of the Customer's shelves. Deliverables purchased under Stock Quotations can be redistributed to other Customer branch locations or re-sold to other resellers or used for aftermarket sales, end-user annual contracts or sold over the counter to any walk in trade.

c. General. All quotes are subject to this Agreement, unless otherwise specified by Company, and are subject

to change at any time prior to Company's acceptance of a purchase order referencing the applicable quote number. Company, its representatives and employees reserve the right, in their sole discretion and for any reason, to refuse a Customer's request to quote a price other than the standard list price, regardless of whether Company or its representatives or employees have previously quoted discounted prices to the Customer on some or all of its orders. Deliverables purchased under a Quote shall only be for resale in Canada, unless otherwise approved in writing by Company.

5. SECURITY INTEREST. Customer grants Company, and Company retains, a purchase money security interest and lien on any and all of Customer's rights, title and interest in each Deliverable sold by Company to Customer, wherever located, until the invoice for the applicable Deliverable(s) is paid in full, including any late charges and costs of collection.

Customer authorizes Company to, and will assist Company in, taking all necessary steps to perfect and maintain Company's interest in such Deliverables.

6. CREDIT TERMS. Unless Customer pre-pays all of its purchase orders in advance, its purchase orders will be subject to the credit limit and other terms of credit ("Credit Terms") set forth in Company's credit application, which Credit Terms Customer acknowledges are subject to change by Company at any time. Company reserves the right to request payment in advance of shipment or any order or to request adequate assurances for Customer's payment of an order and may withhold or stop shipment, without any liability to Company, until Customer submits payment or adequate assurance of payment.

7. RESALE OF DELIVERABLES. Customer agrees and warrants that it will offer Company products in support of Company-written specifications and will maintain sufficient inventory to adequately support End Users, installers, and/or general contractors' needs. Deliverables purchased under a Quote as referenced in Section 4 of this Agreement and by a non-standard pricing program approved by Company in writing may only be resold by Customer in Canada, unless otherwise stated in writing by Company. Customer may implement an MSRP or resale pricing program at any time. Failure to comply with such programs will be considered a material breach of this Agreement, and will entitle Company to immediately terminate this Agreement and/or Customer's ability to distribute Company's products or benefit from other pricing, discounts, rebates or other programs offered by Company. Customer shall, at its own expense, gain and maintain sufficient knowledge of the industry and products competitive with Deliverables so as to be able to (a) explain in detail to End Users, installers, and/or general contractors the differences between the Deliverables and competing products, (b) ensure that an adequate number of trained, capable and qualified technical personnel with sufficient knowledge of the Deliverables and who have obtained all necessary licenses and permits are available to assist End Users, installers, and/or general contractors, and (c) respond to such End Users, installers, and/or general contractors with respect to the general operation and use of the Deliverables including, but not limited to,

(1) acting as a liaison between the End Users, installers and/or general contractors and Company in matters requiring Company participation, (2) providing general product information and configuration support on standard protocols and features, (3) collecting relevant technical problem identification information, and (4) posting and distributing any warranty information concerning the Products in accordance with Company's instructions. Customer is responsible for all service and support resulting from the re-sale of any Deliverable to End-Users, installers and/or general contractors, examples of which may include, but are not limited to, support activities such as installation, initialization, software set-up, training, trouble-shooting, technical support and field service. In the event Customer is unwilling or unable to perform said support activities, Company reserves the right to recover from Customer any and all expenses incurred by Company to resolve the aforementioned End-User, installer and/or general contractor issues. Technical product training is recommended for Customer in order to fully service and support Deliverables purchased from Company that are resold to End-Users, installers and/or general contractors.

8. DEFAULT. If Customer is in default of payment or otherwise with respect to any purchase order or other contract with Company, Company shall have the right, in addition to all other legal remedies and without prejudice to any of its right hereunder, to defer further shipments under that or any other purchase order until such default is corrected and to declare all outstanding bills of Customer to be immediately due and payable.

9. INSPECTION AND DELIVERY.

a. Inspection. Customer will inspect all Deliverables immediately after receiving them. Customer will be deemed to have accepted the Deliverables unless Customer notifies Company in writing of any nonconformance within 10 from the date of delivery of receipt of material and provides Company written evidence reasonably documenting that nonconformance. Inspection of Deliverables at Company's facility is not permitted.

b. Delivery. Delivery schedules for Deliverables are based upon current production capacities, material or component availability, and inventory, and may be changed by Company as conditions require. Delivery schedules for services are based upon Company's prompt receipt of, and prompt access to, Customer's equipment and all information necessary to complete the services. In no event will any delivery date be construed as falling within the meaning of "time is of the essence." Partial delivery shall be accepted by Customer and paid for at the price and on the terms stated herein. Any partial delivery shall constitute a separate sale, and payment shall be separately made when due. If any part of a delivery hereunder is not delivered by Company in accordance with Customer's purchase order, this Agreement shall not be affected thereby.

10. TITLE & RISK OF LOSS. Unless otherwise specified by Company, (i) where the Customer is located in Canada, all Deliverables will be sold "Uniform Commercial Code, FOB MISSISSAUGA or FOB EDMONTON, Company's Distribution centre"; title and risk of loss will pass to Customer upon delivery to the carrier at Company's Distribution centre. Customer agrees, upon request, to do all things and acts necessary to protect Company's interest by adequately insuring the Deliverables against loss or damage from any cause and to have Company named as an additional insured as well as to perfect any security interest pursuant to Section 5 herein.

11. SHIPPING & SHIPPING PROGRAMS.

a. Freight Charges. Company will ship all Deliverables in accordance with Company's freight shipment guidelines or Customer programs provided by Company. b. Packing and Marking. Company will pack, mark, and ship Deliverables according to its standard procedures for shipment, unless the parties agree, in writing, that Company will comply with any special instructions provided by Customer. Special instructions may result in an increased price.

12. CLAIMS. All claims must be submitted in writing to Company as follows: (i) All claims for prices must be submitted within thirty-five (35) days from date of invoice; (ii) All claims regarding Deliverable quantity or incorrect orders must be submitted within ten (10) days from delivery of the order; (iii) All claims for damage to Deliverables (while in the care, custody, and control of Company) must be submitted within thirty-five (35) days from the date of invoice; (iv) All claims for loss or damage to Deliverables while in the care, custody,

Terms and Conditions

and/or control of a carrier will be the responsibility of Customer, unless otherwise agreed by the parties.

13. PRODUCT CHANGES. Company's policy is one of ongoing update and revision, accordingly Company reserves the right to change, without notice, the design of, or the process of manufacturing, the Deliverables covered by this Agreement.

14. PRODUCT RETURNS. Unless otherwise agreed by the parties in writing, Deliverables that are correctly furnished by Company per the purchase order may not be returned unless Customer receives written authorization from Company. If returns are authorized by Company, a return merchandise authorization ("RMA") number must be provided by Company. Deliverables identified under such RMA must be returned to Company within 90 days of issuance of the RMA. Such RMA number and any accompanying RMA documents, the original invoice number, and a written explanation for the return must be included with the returned Deliverables in order for Company to inspect and approve a credit for the return. For warranty returns, a credit in the amount of the original purchase price will only be issued if, after Company's receipt and inspection of the returned Deliverables, Company confirms, in its sole discretion, the defect is valid and approves the return. For non-warranty returns, (a) in the event Company approves such a return, a credit will be made to Customer's account in the amount of the original purchase price less freight and a handling charge of 25% of the net material on the original invoice for stocked product and 50% of the net material on the original invoice for non-stocked product; and (b) Only Deliverables that are new, current, standard, non-obsolete, non-specially manufactured, unused, in their original condition as at the time of sale by Company to Customer, in their original packaging and in Customer's inventory less than 180 days from the date of shipment by the Company may be considered by Company for return. Such credit will only be issued if, after Company's receipt and inspection of Deliverables, Company approves the return. The amount of final credit will be determined upon receipt at the factory and following Company's inspection and analysis of the condition of the returned material. Company retains the right to deny credit to anyone for any reason.

15. CONFIDENTIAL INFORMATION.

a. Non-Use And Non-Disclosure. Customer shall not use the Confidential Information of the Company except for the purpose of performing its obligations under this Agreement or exercising the rights granted herein (the "Purpose"). Customer shall protect Confidential Information of the Company from disclosure and unauthorized use in the same manner that it protects its own Confidential Information, but in no event shall such standard of care be less than reasonable care. Customer may disclose Confidential Information of the Company only to its employees who require such information for the Purpose and who are subject to confidentiality obligations at least as protective as those set forth herein. b. Proprietary Information and Advice. (a) All designs, data, and specifications provided by Company are proprietary and may not be disclosed or reused by Customer without the prior written consent of Company; (b) Company assumes no obligation or liability for any advice given by Company, the results obtained, or damages incurred as a result of such advice, and all such advice is given and accepted at Customer's risk. c. Return. Upon the termination or expiration of this Agreement or upon the request of the Company, the Customer agrees to end all further use of, to immediately return to the Company the original version of, and to delete or destroy all copies of, any and all Confidential Information of the Company.

16. TRADEMARKS.

Except as agreed to by Company in writing, Customer agrees not to (a) use Company's name in any form of publicity; or (b) use, create, register or market, directly or indirectly, in whole or in part, Company's names, logos, brands, or any other trademarks, or names that are now or may hereafter be owned by Company, as part of Customer's corporate or business name, as part of an internet domain name, uniform resource locator (URL), or in any way connected with Customer's business, trade address or other designations. Upon termination of this Agreement, any use of Company's trademarks or names will be immediately discontinued.

17. LIMITED WARRANTY.

COMPANY MAKES NO OTHER WARRANTIES EXCEPT THOSE STATED IN COMPANY'S LIMITED WARRANTY IN EFFECT ON THE DATE COMPANY ACCEPTS EACH APPLICABLE PURCHASE ORDER ("LIMITED WARRANTY"). THE LIMITED WARRANTY MAY BE FOUND IN THE APPLICABLE PRICE BOOK AND ON THE ALLEGION CUSTOMER WEBSITE, WHICH TERMS ARE EXPRESSLY INCORPORATED HEREIN BY REFERENCE. COMPANY WILL MAIL CUSTOMER A HARD COPY OF THIS WARRANTY UPON CUSTOMER'S WRITTEN REQUEST. IN THE EVENT THAT CERTAIN DELIVERABLE WARRANTIES ARE NOT FURNISHED BY THE COMPANY TO CUSTOMER, COMPANY WARRANTS ONLY TO CUSTOMER THAT THE DELIVERABLES WILL BE FREE FROM DEFECTS IN MATERIAL AND WORKMANSHIP FOR A PERIOD OF 12 MONTHS FROM THE DATE OF SHIPMENT OF THE DELIVERABLES. COMPANY'S SOLE OBLIGATION UNDER THIS WARRANTY IS LIMITED TO REPAIRING OR REPLACING, AT COMPANY'S OPTION, THE DEFECTIVE DELIVERABLE, PROVIDED WRITTEN NOTICE OF THE DEFECT OR NONCONFORMANCE IS PROVIDED BY CUSTOMER WITHIN 30 DAYS OF DISCOVERY OF THE DEFECT OR NONCONFORMANCE. COMPANY DISCLAIMS ALL OTHER WARRANTIES, EXPRESS OR IMPLIED, WITH RESPECT TO THE DELIVERABLES, INCLUDING BUT NOT LIMITED TO, ANY IMPLIED WARRANTIES OF NON-INFRINGEMENT, MERCHANTABILITY, OR FITNESS FOR A PARTICULAR PURPOSE. a. Exclusions. The provisions of this Limited Warranty do not apply to Deliverables that: (A) are not the proper size for the application; (B) are not installed in accordance with Company's published installation instructions; (C) are installed with improper or incorrect parts and/or are used for purposes for which they are not designed or intended; (D) have been repaired or altered without the Company's prior written consent; (E) have been subjected to misuse, abuse, negligence or accident; (F) have been improperly stored, installed, maintained or operated; (G) have been used in violation of written instructions provided by Company to Customer; (H) have been subjected to improper temperature, humidity, or other environmental conditions, or (I) have been affected by normal wear and tear. In addition, the provisions of this Limited Warranty do not apply to any defects or issues with the design or performance of equipment or products not manufactured by Company, nor does it apply to any code compliance or permit requirements for the assembly, installation, erection or construction of any goods. Company is not responsible for loss or damage resulting from use

of Deliverables in conjunction with parts or systems not manufactured by Company. Accessories or products furnished by the Company, but manufactured by others, shall carry whatever warranty the manufacturers have conveyed to the Company and which can be passed to Customer. b. Services. Company warrants that its services will be free from defects in material and workmanship for a period of 12 months from the date of completion of the particular items of service. Company's sole obligation under this service warranty is limited to repair or reperformance, at its option of the service, provided however, if repair or reperformance is either impractical or impossible, the Company will refund to Customer that portion of the price paid to Company for any defective service, provided written notice of the defect or nonconformance is provided by Customer within 30 days of discovery of the nonconformance. c. Notification. Customer agrees to immediately notify Company in writing if any claim is made against Customer for any damages caused by any modules, parts, products, service or other Deliverables which may be the direct result of any defect in the manufacture of such aforementioned products. Customer agrees to cooperate with Company and its counsel in the defense of such claim and Customer agrees not to settle such claim without Company's written consent. If Customer fails to notify Company of such claim or fails to cooperate in such defense as aforesaid, then Company shall be discharged from any obligations under this Section and shall have no further liability to Customer.

d. Exceptions. The following costs and expenses are not covered by the provisions of these limited warranties: (i) labor costs for the removal and reinstallation of Deliverables or other manufacturer's products; (ii) shipping and freight expenses required to return Deliverables to Company; (iii) normal maintenance; and (iv) economic losses. In addition, the provisions of this warranty are not applicable to anything other than defects in Company's material (products only) or workmanship.

18. LIMITATION OF REMEDIES.

CUSTOMER'S EXCLUSIVE AND SOLE REMEDY ON ACCOUNT OF, OR IN RESPECT OF, THE FURNISHING OF NON-CONFORMING DELIVERABLES, SHALL BE TO (A) SECURE REPAIR OR REPLACEMENT OF THE PRODUCTS; OR (B) SECURE REPAIR OR REPERFORMANCE OF THE SERVICES OR TO OBTAIN A REFUND OF THE PRICE PAID FOR THE DEFECTIVE SERVICE, ALL AT COMPANY'S OPTION. IN NO EVENT WILL THE COMPANY'S MAXIMUM LIABILITY EXCEED THE SELLING PRICE FOR THE DELIVERABLE. THE WARRANTY, OBLIGATIONS AND LIABILITIES OF COMPANY (INCLUDING ITS SUPPLIERS) AND THE RIGHTS AND REMEDIES OF CUSTOMER ARE EXCLUSIVE AND ARE IN LIEU OF AND CUSTOMER HEREBY WAIVES AND RELEASES ALL OTHER WARRANTIES, OBLIGATIONS, REPRESENTATIONS OR LIABILITIES EXPRESS OR IMPLIED ARISING BY LAW, IN CONTRACT, TORT (INCLUDING NEGLIGENCE OR STRICT LIABILITY) OR OTHERWISE, INCLUDING BUT NOT LIMITED TO (I) ANY IMPLIED WARRANTY OF MERCHANTABILITY OR FITNESS FOR A PARTICULAR PURPOSE OR ANY WARRANTY IMPLIED THROUGH COURSE OF PERFORMANCE, COURSE OF DEALING, OR USAGE OF TRADE OR (II) CLAIMS ARISING OUT OF THE NEGLIGENCE OF COMPANY OR COMPANY'S SUPPLIERS OR (III) ANY OTHER CLAIM ARISING OUT OF, CONNECTED WITH, OR RESULTING FROM THE PERFORMANCE OF COMPANY OR FROM THE DESIGN, MANUFACTURE, SALE, REPAIR, LEASE OR USE OF THE DELIVERABLE, OR ANY COMPONENT THEREOF, DELIVERED OR RENDERED HEREUNDER OR OTHERWISE.

19. INDEMNIFICATION AND LIMITATION OF LIABILITY.

a) Customer shall indemnify, defend and hold Company, and its officers, directors, employees, customers, Affiliates, suppliers, users and agents, (collectively the "Indemnitees") harmless from and against any and all damages, claims, losses, expenses, costs, obligations, liabilities, including without limiting the generality of the foregoing, liabilities for court costs and attorneys' fees, suffered directly or indirectly by an Indemnitee by reason of, or arising out of any injury, death or loss to any person, or injury to any property (collectively, "Damages"), received or sustained by any person(s) or property, arising out of, occasioned by, attributable or related to i) any breach of any representation or warranty made by Customer, its officers, directors, employees, affiliates, users, agents, representatives or customers to Company or any third party, (ii) any failure by Customer to perform or fulfill any of its covenants, acts and/or omissions to Company or to any third party, or (iii) any litigation, proceeding or claim by any third party relating in any way to the obligations of Customer and/or the Deliverables sold by Company to Customer hereunder. Customer shall not consummate any settlement of any indemnified claim without the Indemnitees' prior written consent. Customer's obligation to indemnify Indemnitees will continue in full force and effect notwithstanding the termination or expiration of any order under this Agreement. In any claim against an Indemnitee by an employee of Customer or any subcontractor or anyone directly or indirectly employed by any of them or anyone for whose acts they may be liable, the indemnification obligations set forth in this Section shall not be limited in any way by or for Customer or any subcontractor under any applicable worker's compensation act, disability or other employee benefit act. This provision shall survive termination of any order or Agreement. **IN NO EVENT WILL COMPANY, ITS OFFICERS, DIRECTORS, EMPLOYEES, CUSTOMERS, AFFILIATES, USERS AND AGENTS, (NOR COMPANY'S SUPPLIERS) BE LIABLE FOR ANY INCIDENTAL, CONSEQUENTIAL, INDIRECT, SPECIAL, OR PUNITIVE DAMAGES OF ANY KIND OR NATURE UNDER ANY CIRCUMSTANCES INCLUDING, BUT NOT LIMITED TO, LOSS OF USE OF THE PRODUCTS, SERVICE INTERRUPTION, LOSS OF PROFITS, LOSS OF REVENUE, LOSS OF INTEREST, LOST GOODWILL, LOSS OF DATA, WORK STOPPAGE, IMPAIRMENT OF OTHER GOODS, LOSS BY REASON OF SHUTDOWN OR NON-OPERATION, INCREASED EXPENSES OF OPERATION, OR CLAIMS OF CUSTOMER'S CUSTOMERS, OR ANY OTHER LOSSES OR DAMAGES ARISING OUT OF ANY LACK OR LOSS OF USE OF THE DELIVERABLES WHETHER BASED ON CONTRACT, WARRANTY, TORT (INCLUDING, BUT NOT LIMITED TO, STRICT LIABILITY OR NEGLIGENCE), PATENT INFRINGEMENT, OR OTHERWISE, EVEN IF ADVISED OF THE POSSIBILITY OF SUCH DAMAGES.** b) **INTELLECTUAL PROPERTY INDEMNITY.** Company makes no representation or warranty to the Customer that the Deliverables shall not infringe any intellectual property rights including, without limitations, claims arising from patent, copyright, trademark, trade secret, or other intellectual property infringement. Customer agrees to hold Company harmless from and defend the Company against any such claim of intellectual property infringement, including any Damages resulting from that claim, the cost of complying with any preliminary or permanent injunction, and all other costs of defense (including the attorneys' fees and costs), in connection with the foregoing. c) To the extent that applicable law does not permit any limitations set out in this Agreement, such limitation shall not be applied or invoked. Nothing in this Agreement will be interpreted to disclaim

Terms and Conditions

liability of Company or the Indemnitees for gross negligence or willful misconduct. The limitations of remedy and liability herein shall not be interpreted to affect Company's obligations, if any, for claims for (i) property damage, (ii) personal injury, or (iii) wrongful death asserted by persons who are not parties to or beneficiaries of this Agreement. Further, the limitations of remedy and liability herein shall not be interpreted to limit Company's or Customer's right, if permitted by applicable law, to assert a claim for contribution among joint tortfeasors in connection with a claim by a person who is not a party to this Agreement.

20. CERTIFICATIONS.

Certification of Deliverables for compliance with UL, cUL and ANSI standards are tested and performed by third-party independent laboratories. Any field modification or alteration of certified Deliverables will void certification and Company is not liable to Customer to certify any modified or altered Deliverable.

21. TERM FOR CLAIMS.

NO ACTION ARISING OUT OF ANY CLAIMED BREACH OF THIS AGREEMENT BY COMPANY MAY BE BROUGHT BY CUSTOMER MORE THAN ONE (1) YEAR AFTER THE CAUSE OF ACTION HAS ARISEN.

22. CONSUMER PRODUCTS

WITH RESPECT TO "CONSUMER PRODUCTS", THE FOLLOWING STATEMENTS ARE MADE. (A) SOME PROVINCES MAY NOT ALLOW LIMITATIONS ON HOW LONG AN IMPLIED WARRANTY LASTS, SO THE ABOVE LIMITATION MAY NOT APPLY TO YOU; (B) IF ANY IMPLIED WARRANTY IS PROVIDED UNDER THE APPLICABLE PROVINCIAL LAW, IT IS LIMITED TO THE DURATION OF THE WARRANTY PROVIDED IN SECTION 17 ABOVE. (C) SOME PROVINCES MAY NOT ALLOW THE EXCLUSION OR LIMITATION OF INCIDENTAL OR CONSEQUENTIAL DAMAGES, SO THE ABOVE LIMITATION OR EXCLUSION MAY NOT APPLY TO YOU; AND (D) THIS WARRANTY GIVES YOU SPECIFIC LEGAL RIGHTS AND YOU MAY ALSO HAVE OTHER RIGHTS WHICH VARY DEPENDING ON THE PROVINCE.

23. FORCE MAJEURE/EXCUSABLE DELAY.

Any delay or failure of Company to perform its obligations hereunder will be excused to the extent that it is caused by an event or occurrence beyond Company's control such as, by way of example and not by way of limitation, acts of God, acts by any governmental authority (whether valid or invalid), governmental laws and regulations not presently in effect, fires, floods, windstorms, explosions, riots, natural disasters, wars, sabotage, accidents, labor problems (including, without limitation, lockouts, strikes, and slowdowns) at Company's facility, its source plant or their suppliers, inability to obtain power, material, labor equipment, or transportation, or court injunction or order. The delivery date will be extended for a time equal to that of the delay and the schedule for Company's performance will be deemed adjusted to that effect.

24. ENTIRE AGREEMENT AND AMENDMENT.

This Agreement, together with the attachments, exhibits, webpages, or supplements specifically referenced and incorporated herein, constitute the entire agreement between Company and Customer with respect to the matters contained herein and supersede all previous communications, representations, or agreements, either oral or written between Company and Customer. No agreement or understanding varying or expanding this Agreement will be binding upon either party unless it is in writing and signed by a duly authorized representative of each party hereto.

25. CONFLICTS.

In the event of any conflict or inconsistency between the terms of any agreement, or any part of an agreement or the various documents (including, but not limited to, electronic documents) between Company and Customer, unless the parties agree otherwise in writing, the various components of the agreements shall be given the following precedence (in descending order of precedence): a) any master agreement or long term agreement between Company and Customer; b) any specific terms, conditions and/or warranties of the individual products or Deliverables; c) the terms and conditions of this Agreement, and d) any purchase order.

26. UNSATISFACTORY CREDIT/TERMINATION FOR INSOLVENCY OR DEFAULT.

Customer shall furnish Company with statements evidencing Customer's financial condition as Company may, from time to time, reasonably request, and shall notify Company immediately of any and all events that may have a material adverse effect on Customer's business or financial condition. If Company determines, in its sole discretion, that Customer's financial condition or creditworthiness is inadequate or unsatisfactory, then in addition to Company's other rights, Company may without liability or penalty, take any of the following actions: (i) modify the payment terms for any outstanding and/or future purchases; (ii) cancel any previously accepted orders; (iii) delay any further shipment of Deliverables to Customer; or (iv) any combination of the above. Company may immediately terminate an order from Customer by giving written notice to Customer in the event of the happening of any of the following or any other comparable event: (i) insolvency of the Customer; (ii) filing of a petition in bankruptcy by or against the Customer; (iii) appointment of a receiver or trustee for the Customer; (iv) execution of an assignment for the benefit of creditors by the Customer, all of which will allow Company to demand reclamation of all affected orders; (v) Customer ceases or threatens to cease to trade; (vi) Company determines that Customer does not meet or no longer meets the credit requirements of Company or Customer's credit account is closed; (vii) any Customer violation of law, specifically including, without limitation, those laws set forth in this Agreement; or (viii) Customer breaches any provision of this Agreement. In the event of termination in accordance with this section, Company will not be obligated to accept any existing or additional orders from Customer and Company will be released from its obligation to deliver under orders accepted prior to such termination. The rejection or termination of any order by Company will not entitle Customer to any termination or severance compensation, or to any payment in respect to any goodwill established by Customer, or render Company liable for damages on account of the loss of prospective profits, or on

account of any loss, expenditure, investment or obligation incurred or made by Customer. No action taken under this Section 26 by Company (nor any failure of Company to act under this Section 27) will constitute a waiver by Company of any of its rights to enforce Customer's obligations, including the obligation of Customer to make payments as required under this Agreement. Upon termination of any order, all amounts owed by Customer to Company will become immediately due and payable, whether or not otherwise then due or payable.

27. CREDIT RISK ON RESALE OF DELIVERABLES.

Customer is responsible for all credit risks with respect to, and for collecting payment for, all Deliverables sold to third parties (including End Users, installers, and/or general contractors) whether or not Customer has made full payment to Company for such Deliverables. The inability of Customer to collect payment for any Deliverable shall not affect Customer's obligation to pay Company for any Deliverable.

28. GOVERNING LAW; VENUE; AND EXPENSES.

Any dispute or claim relating to this Agreement shall be governed by and construed according to the laws of the Province of Ontario and not by the provisions of the 1980 United Nations Convention on the International Sale of Goods. Customer agrees to pay for all expenses (including, but not limited to, collection costs, court costs and attorneys' fees) incurred by Company in enforcing the obligations of Customer under this Agreement.

29. RELATIONSHIP OF THE PARTIES.

Nothing in this Agreement or any other document creates an employment, partnership, joint venture, or agency relationship between Company and Customer, including that of franchisee/franchisor. No party will have any power or authority to enter into any commitment on behalf of or otherwise bind the any other party on any matter. No employee of Customer will be deemed to be an employee of Company. If any provision of this Agreement is deemed to create a franchise relationship or business opportunity between the Parties, then Company may terminate this Agreement or the Parties shall negotiate in good faith to modify this Agreement so as to effect the original intent of the Parties as closely as possible in a mutually acceptable manner in order that the transactions contemplated hereby are consummated as a reseller agreement and not a franchise or business opportunity agreement.

30. SETOFF.

Customer does not have the right to setoff or to back charge against any amounts which become payable to Company under this Agreement or otherwise. Company will not accept responsibility for backcharges for the cost of material or labor by Customer or any third party.

31. ELECTRONIC COMMUNICATIONS AND ELECTRONIC SIGNATURES.

Both parties expressly agree to electronic transactions and acknowledge that documents they sign electronically will bind them to the same extent as a paper signature. Customer represents and warrants to Company that only employees authorized to bind Customer legally shall electronically sign any document under this Agreement. Customer shall comply with any method of electronic communication/payment processing specified by Company, including electronic funds transfer, pay-on-receipt processes/systems, order transmission, releases, electronic signature, and electronic communication systems, including, without limitation, the use of electronic data interchange ("EDI") portals. Notwithstanding the foregoing, e-mails, even those containing a signature block of one of Company's representatives, shall not constitute a signed writing.

32. COMPLIANCE WITH APPLICABLE LAWS.

a. General. Company and Customer will comply with all applicable provincial laws, regulations, codes, ordinances and orders that pertain to the Deliverables. b. The Customer acknowledges and agrees that: (i) it shall not violate applicable laws and regulations in performing its duties under this Agreement; (ii) it does not and shall not engage in any conduct that shall violate any applicable anti-bribery or anti-corruption laws or regulations; (iii) it (and its owners, officers, directors, employees and agents) shall not pay, offer, promise or authorize the payment of, either directly or indirectly, anything of value (including but not limited to cash, gifts and entertainment) to (a) any government official or employee of any government; (b) any official or employee of any department, agency, or instrumentality of a government; (c) any employee of any corporation or entity owned or controlled by a government; (d) any family member of such officials or employees; (e) any political party, party official, or political candidate; or (f) any other persons, owners, officers, directors, employees and agents of any corporation or entity; to improperly or illegally assist in obtaining or retaining business (including but not limited to any contracts, avoidance of duties or reduction of tariffs, reduction of taxes or to obtain money owed, or to obtain regulatory approval) or for the purpose of causing, soliciting or inducing the sale and purchase of the Deliverables by any party, and (iv) it has full knowledge of and will comply with the Company's Code of Conduct for Business Partners as set forth on the ALLEGION customer website, **WHICH IS HEREBY INCORPORATED BY REFERENCE.** c. The Customer shall indemnify and hold the Company harmless from any claim, demand, expense or cost arising from any breach of this Article. d. The Customer shall permit the Company to conduct an audit or review of the Customer's financial books and records and business operations at such other times that the Company considers it necessary to confirm compliance with this provision. Such audit may be conducted by representatives of the Company or, at the Company's sole discretion, by a certified public accounting firm selected by the Company. The Customer shall cooperate with any inquiries from the Company's Ethics & Compliance Group. e. A violation of this provision constitutes a material breach of this Agreement and the Company may terminate this Agreement immediately, with no opportunity to cure, in accordance with Section 26 of this Agreement. f. Notwithstanding the foregoing provisions of this Section 32, (i) Company is not responsible for obtaining or maintaining any permits for the performance of services or the verification or compliance with any code requirements relative to the performance of services, (ii) to the extent any sale of Deliverables pursuant to this Agreement may require approval of the Canadian Government, Company's obligations under this Agreement are conditioned upon the grant of such approval and upon compliance by Customer with any restrictions imposed by the Canadian Government in connection with such approval, and (iii) in the event the Deliverables are to be used in a nuclear facility, the Customer shall, prior to such use, arrange for insurance or governmental indemnity protecting Company against liability. The Customer

Terms and Conditions

hereby releases and agrees to indemnify Company and its suppliers for any nuclear damage including, but not limited to, loss of use, in any manner arising out of the nuclear incident, whether alleged to be due, in whole or in part by Company or its suppliers. g.No Inducements. Each party represents to each other that neither it nor any person acting on its behalf has, in contravention of any applicable law, given or offered to give or will give or offer to give, any sum of money or other material consideration to any person, directly or indirectly, as an inducement to obtain business hereunder or to influence the granting of licenses or other governmental permissions to enter into this Agreement or perform obligations hereunder. Ethical Business Conduct. Customer shall adopt and comply with Company's Business Partner Code of Conduct which is EXPRESSLY INCORPORATED HEREIN BY REFERENCE.

33. REPRESENTATIONS AND WARRANTIES.

Customer represents, warrants and covenants to Company that: (a) it has the right, power, and authority to enter into this Agreement and fully perform its obligations hereunder; (b) it has all necessary rights in and to its respective Content and Marks for use within the scope of this Agreement, including the licenses granted herein; and (c) it complies, and at all times shall comply, with all laws, rules, and regulations in effect that are applicable to its performance under this Agreement, including obtaining all such approvals and/or permits as may be required hereunder.

34. NO THIRD-PARTY BENEFICIARY.

Each party is entering into this Agreement solely based on the representations contained herein for its own purposes and not for the benefit of any third party.

35. NOTICES AND CHANGE OF ADDRESS.

All notices or other communications under this Agreement shall be in writing and delivered in person, or sent by receipted courier, express mail, e-mail, or postage prepaid certified or registered mail, addressed to the party for whom it is intended, at the addresses set forth in this Agreement. Either party may change its address for notice by giving written notice to the other party. Any notice or other communication shall be deemed given no later than the date actually received. Notice by courier, express mail, certified mail, or registered mail shall be deemed given on the date it is officially recorded as delivered and, in the absence of such record of delivery, it shall be rebuttably presumed to have been delivered on the third Business Day after it was deposited. Notices sent by e-mail require tangible confirmation of receipt from addressee.

36. ASSIGNMENT.

Customer may not assign this Agreement without the prior written consent of Company. Company may assign its rights and delegate its duties under this Agreement, without the prior consent of Customer, to an Affiliate, or to a third party in the event of a spin-off, merger, business combination, consolidation or sale of all, or substantially all, of its assets or business that are related to this Agreement. The rights and duties in this Agreement shall bind and inure to the benefit of any such assignee.

37. SEVERABILITY.

If any provision of this Agreement is held to be invalid, illegal, or unenforceable under any statute, regulation, ordinance, executive order, or other rule of law, that provision will be deemed severed to the extent necessary to comply with such statute, regulation, ordinance, order, or rule. In the event such provision is deemed severed, the parties will negotiate in good faith to arrive at an alternative arrangement approximating the original business objective of the parties. The remaining terms and conditions of this Agreement will remain in effect.

38. NO IMPLIED WAIVER.

The failure of either party at any time to require performance by the other party of any provision of this Agreement will in no way affect the right to require such performance at any time thereafter, nor will the waiver of either party of a breach of any provision of this Agreement constitute a waiver of any succeeding breach of the same or any other provision.

39. MISCELLANEOUS.

(a) This Agreement does not make either party the agent or legal representative of the other party. Neither party is authorized to create any obligation on behalf of the other party including, but not limited to, the obligation for payment of any service or warranty obligation hereunder; (b) The rights and remedies herein reserved to Company are cumulative and additional to any other rights and remedies provided at law or equity; (c) The official text of this Agreement is in the English language. If this Agreement is translated into another language, the English text will govern any question with respect to interpretation; (d) The headings in this Agreement are for convenience of reference only and do not affect the meaning of this Agreement in any manner.

DEFINITIONS.

Capitalized terms have the meanings set forth in this Section, or in the Section in which they first appear in this Agreement. "Agreement" means these Allegion Terms and Conditions of Sale and Service, together with any applicable Allegion program agreements or other documents referenced herein or therein.

"Affiliate" means any Person that directly or indirectly, through one or more intermediaries, controls, is controlled by, or is under common control with, the Company. The term "control" (including the terms "controlled by" and "under common control with") means the possession, directly or indirectly, of the power to direct or cause the direction of the management and policies of a Person, whether through the ownership of voting securities, by contract or otherwise.

"Business Day" means any day except Saturday, Sunday or any other day on which commercial banks located in Canada are authorized or required by Law to be closed for business.

"Company" means Allegion Canada Inc. (also referred to herein as "Allegion" or any subsidiary or affiliate thereof. Allegion Canada Inc. and/or its subsidiary or affiliates will be severally but not jointly liable under the Agreement. "Company Marks" refers to the Marks of Company.

"Confidential Information" shall mean any and all information provided by either party to the other party pertaining to the disclosing party's business. Confidential Information shall include, but not be limited to, any bidding lists, formulae for products, manufacturing processes, production techniques, packaging processes, methods, research materials, ideas, marketing plans and related materials, quality standards, test results and data, apparatus, engineering drawings, contract documents, computer software, hardware, or firmware, business activities information such as financial information, reports, projections, books and records, customer and supplier information, and operations, customer and supplier lists and data, specifications, know how, and other Proprietary Information or Trade Secrets (as defined herein) that either party may furnish to the other party. Confidential Information shall not include information that:

(a) is or becomes publicly known if such public knowledge or disclosure is not the result of any act or failure to act on the part of the receiving party; (b) is, at the time of disclosure, already known to the Receiving Party without utilizing the Confidential Information; (c) is information disclosed to the Receiving Party by a third party which is not to the Receiving Party's knowledge, after inquiry of the third party, under a duty of confidentiality to the Disclosing Party; or (d) is independently developed by the Receiving Party without the use of Confidential Information. The Receiving Party shall have the burden of proof as to prior knowledge and absence of breach.

Confidential Information may be furnished in any tangible or intangible form including, but not limited to, writings, drawings, computer and other electronic media, logic diagrams, component specifications, graphs, prototypes, samples, or verbal communications and regardless of whether such information is marked or designated as "confidential." For the avoidance of doubt, all information, knowledge or data disclosed by Company to Customer, regardless of whether disclosed in written, tangible, oral, visual or other form, including, without limitation, sample products, equipment, software, or other objects or material, provided by Company to Customer, and all information, knowledge or data which was obtained by Customer from visits to Company's facilities, shall be considered "Confidential Information" under this Agreement.

"Content" means all information (including without limitation any text, music, sound, photographs, video, graphics, data or software), in any medium, on a particular Company Web page or Website or in Marketing Materials.

"Customer" means the purchaser of Deliverables from Company.

"Deliverables" means any good or service or both purchased by Customer from Company under these General Terms and Conditions of Sale and Service.

"End Users" means the purchaser that (a) has acquired a Deliverable from Customer for (i) its own and its Affiliate's/Affiliates' internal use and not for resale, remarketing or distribution or (ii) incorporation into its own products and (b) is an individual or entity, other than any federal, state or local agency, office or division.

"IP" means all intellectual property and industrial property rights comprising or relating to/of the following: (a) Patents; (b) Trademarks; (c) internet domain names, whether or not Trademarks, registered by any authorized private registrar or Governmental Authority, web addresses, web pages, website and URLs; (d) works of authorship, expressions, designs and design registrations, whether or not copyrightable, including copyrights and copyrightable works, software and firmware, application programming interfaces, architecture, files, records, schematics, data, data files, and databases and other specifications and documentation; (e) Trade Secrets; and

(f) all other intellectual property and industrial property rights, and all rights, interests and protections that are associated with, equivalent or similar to, or required for the exercise of, any of the foregoing, however arising, in each case whether registered or unregistered and including all registrations and applications for, and renewals or extensions of, such rights or forms of protection pursuant to the Laws of any jurisdiction throughout in any part of the world.

"Marketing Materials" means all marketing brochures, buckslips, pamphlets, emails, text, call scripts or other material, whether in printed format, audio or audiovisual format, or in any other format, that contain any (i) Content relating to the Company Deliverables or (ii) Company Marks.

"Marks" means collectively the domain names, trademarks, trade names, service marks, trade dress, logos, and the like used or provided by either party for use in connection with this Agreement.

"Patents" means all patents (including all reissues, divisionals, provisionals, continuations and continuations-in-part, re-examinations, renewals, substitutions and extensions thereof), patent applications, and other patent rights and any other Governmental Authority-issued indicia of invention ownership (including inventor's certificates, petty patents and patent utility models). "Person" means a person or entity.

"Price Books" mean Company's current Price Book in effect for the applicable Deliverable being purchased by Customer.

"Trade Secrets" means and includes business or technical information of either party, including processes, formulas, devices, techniques, compilations and other material that a party attempts to maintain in secret and that derive commercial value for such party from not being generally known to the public or readily ascertainable through independent development or reverse engineering.

Finishes

See device finish pages for available finishes offered for each device.

| BHMA | US | Description | BHMA | US | Description |
|------|----------|--|---------|----------|---|
| 605 | US3 | Brass, Polished | 628 | US28 | Aluminum, Anodized |
| | US3A | Brass, Polished - no lacquer | 629 | US32 | Stainless Steel, Polished |
| 606 | US4 | Brass, Satin | 630 | US32D | Stainless Steel, Satin |
| | US4A | Brass Satin - no lacquer | | US32D-AM | Stainless Steel, Satin with Antimicrobial Coating |
| 611 | US9 | Bronze, Polished | 689 | SP28 | Aluminum, Sprayed |
| 612 | US10 | Bronze, Satin | 693 | SPBLK | Black, Painted (not flat powder) |
| 613 | US10B | Bronze, Oil-Rubbed Satin | 695 | SP313 | Sprayed Duranodic |
| 619 | US15 | Nickel, Satin | 710 | 313 | Duranodic Dark Bronze |
| 625 | US26 | Chrome, Polished | 711/622 | 315/US19 | Flat Black |
| 626 | US26D | Chrome, Satin | | 643E | Aged Bronze |
| | US26D-AM | Chrome, Satin with Antimicrobial Coating | | | |

SPLIT FINISHES:

When split finish is desired, the finish listed first is understood to be the finish on the trim/control on the outside of door.

TOUCHBAR TRIM FINISHES:

When purchased as part of a device, optional touchbar trims are furnished at no additional charge. See device finish page for available finishes per device.

SPECIAL FINISHES

Optional powder coat finishes available on 33A, 35A, 55, 88, 94, 95, 98, 99, XP98 and XP99 Series devices. To have a specific color matched and powder coat availability please contact:

TIGER Drylac U.S.A., Inc.

1100 Commons Blvd.

Reading, PA 19605 USA

800-243-8148

www.tiger-coatings.us

Powder coat must be selected from Tiger Drylac **Series 38 or 49**.

Please specify **both** the full powder coat product number and the RAL number when placing your order with Von Duprin. **Example: 49/15320 RAL 1015**

CUSTOM GRAPHICS

Custom logo or unique artwork on push bar trim is available. Must provide a graphic file of artwork to be applied. The graphic should be native (not scaled) and must not exceed 16"x2". File format should be in Photoshop or .TIFF file format. The graphic file should be emailed to VDI_Specials@allegion.com. Contact customer care for more details.

List add \$94/device plus non-discountable \$250 set-up charge per order.

SPECIAL FINISH PRICING

33A, 35A, 94, 95, 98, 99, XP98, XP99 devices24% list add to US28 price

22 devices24% list add to SP28 price, special finishes limited to 622, 706, 691, and 693

55 and 88 devices24% list add to US4 price

Steel Mullions24% list add to SP28 price

For other finishes not listed in this pricebook, consult factory for pricing.

REFERENCE

Devices ordered in US28 and US32D will be supplied with Trims in US26D unless SS levers are specified.

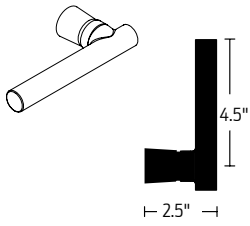
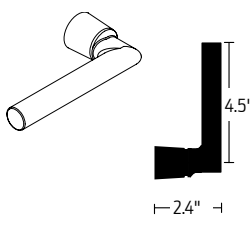
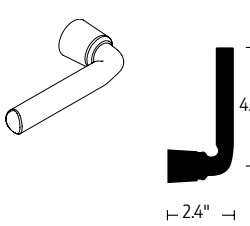
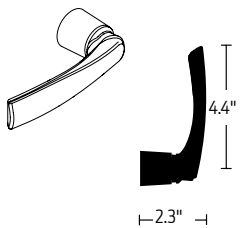
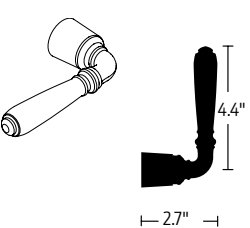
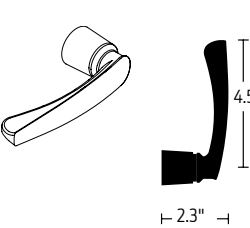
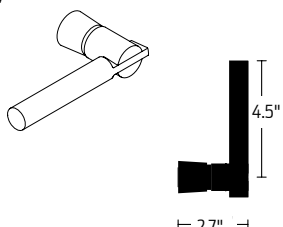
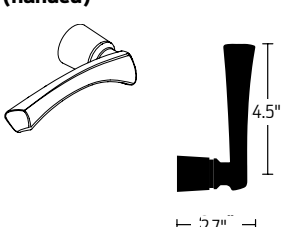
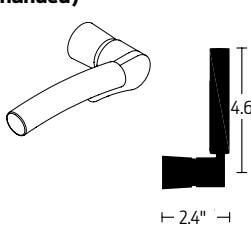
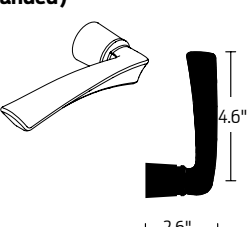
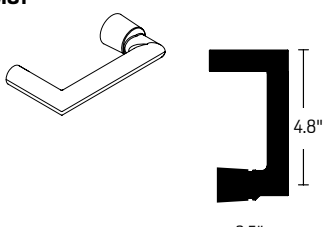
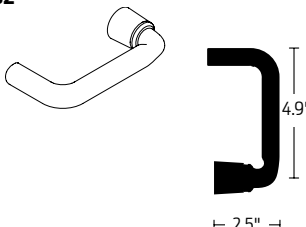
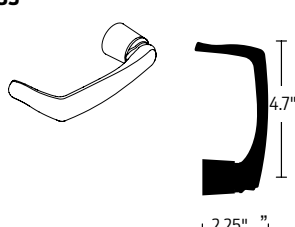

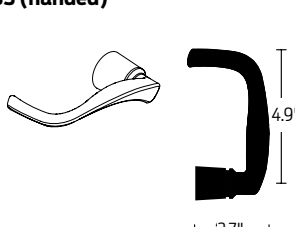
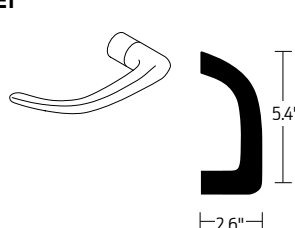
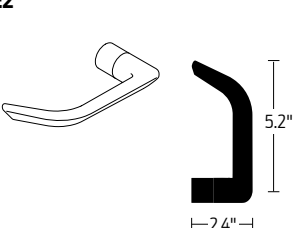
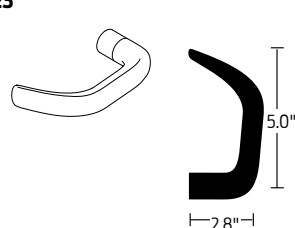
Standard Lever Suites

| Von Duprin Exit Devices 33A/35A, 94/95, 98/99 | L-Lock | ND | AL | S | F/FA |
|---|---|---|--|---|--|
| 01  | 01  | | | | |
| 02  | 02  | | | | |
| 03  | 03  | Tubular  | | | |
| 05  | 05  | | | | |
| 06  | 06  | Rhodes  | Saturn  | Saturn  | Elan  |
| 07  | 07  | Athens  | Jupiter  | Jupiter  | Jazz  |
| 12  | 12  | | | | Manhattan  |
| 17  | 17  | Sparta  | Neptune  | Neptune  | |
| 18  | 18  | | | | |
| Latitude  | Latitude  | Latitude  | | | Latitude  |
| Longitude  | Longitude  | Longitude  | | | |
| 16  | Omega  | Omega  | Omega  | | |
| Asti  | Asti  | | | Flair  | Flair  |
| Merano  | Merano  | | | | Merano  |
| Accent  | Accent  | | | | Accent  |

Note: Table shows matching lever styles among brands for suiting purposes.

M Collection Levers

Von Duprin 98/99, 94/95, 33A/35A
Schlage L, LT

| | | |
|---|--|--|
| <p>M51</p>  <p>4.5" 2.5"</p> | <p>M52</p>  <p>4.5" 2.4"</p> | <p>M53</p>  <p>4.4" 2.4"</p> |
| <p>M54</p>  <p>4.4" 2.3"</p> | <p>M55</p>  <p>4.4" 2.7"</p> | <p>M56</p>  <p>4.5" 2.3"</p> |
| <p>M57</p>  <p>4.5" 2.7"</p> | <p>M61 (handed)</p>  <p>4.5" 2.7"</p> | <p>M62 (handed)</p>  <p>4.6" 2.4"</p> |
| <p>M63 (handed)</p>  <p>4.6" 2.6"</p> | <p>M81</p>  <p>4.8" 2.5"</p> | <p>M82</p>  <p>4.9" 2.5"</p> |
| <p>M83</p>  <p>4.7" 2.25"</p> | <p>M84</p>  <p>5.1" 2.2"</p> | <p>M85 (handed)</p>  <p>4.9" 2.7"</p> |
| <p>ME1</p>  <p>5.4" 2.6"</p> | <p>ME2</p>  <p>5.2" 2.4"</p> | <p>ME3</p>  <p>5.0" 2.8"</p> |

General Information

DOOR WIDTHS

EXIT DEVICES for door widths exceeding 4'0" are custom applications. Door width is assumed 3'0" unless specified otherwise. Specify the exact door width and consult factory for price or see page 17.

DOOR THICKNESS

EXIT DEVICES are furnished at prices listed for door thicknesses of 1-3/4" and 2-1/4" with standard centerlines. Other door thicknesses and/or offset installations may require additional charges for the device, trim, control and/or strike. Consult factory for price or see pages 15, 16, and 17.

DOOR HEIGHTS/DEVICE CENTERLINE

SURFACE VERTICAL ROD DEVICES are furnished at prices listed for door heights up to 7'0". For heights above 7'0", extension rods are furnished at prices shown on page 102. For doors higher than 10'0" or when centerline is other than standard, specify exact height and/or centerline. Consult factory for price or see device page. ADA centerline of 37" is available at no additional charge, must be specified. Door height is assumed 7'0" unless specified otherwise.

CONCEALED VERTICAL ROD DEVICES are furnished at prices listed for door heights 6'8" to 8'4" on touch bar devices, and up to 8'0" on crossbar devices. For extension rods up to 10'0", see page 102 for prices. For heights other than this or when centerline is other than standard, specify exact height. Consult factory for price or see device page. Door height is assumed 7'0" unless specified otherwise.

HANDING

DEVICES: Furnished RHR when handing is not specified.
LEVER TRIMS: Trims are furnished RHR when handing is not specified.

CYLINDERS

We do not offer custom keying.

MARKING CARTONS

Markings (e.g., door locations, stock reference numbers) on acknowledgements and individual product cartons will be provided at no additional charge.

SUBSTITUTION OF OUTSIDE TRIM OR STRIKES

When standard is not desired, deduct price of standard and add price of item used. Check catalog for compatibility. Refer to device Product Catalogs for specific door application strike requirements.

ELECTRIC ACCESSORIES

When specifying Electrical Products, consult Product Catalog or factory to insure all required accessories have been specified.

PRODUCT CATALOGS

Refer to the Product Catalogs for required accessories and specific requirements.

LEVER DESIGNS

- The #06 lever is furnished standard.
- Optional lever designs, #01, #02, #03, #05, #07, #12, #16, #17, #18, Accent, Asti, Merano are available at no additional charge.
- Optional Stainless Steel levers, 03 SS, 06 SS, 17 SS, Latitude SS and Longitude SS are available at no additional charge.
- Optional Brass levers, Latitude and Longitude are available at no additional charge.
- Optional Knurled Levers available on #02, 03, 07, and 17 Lever designs. M51, M52, and M81 lever designs can be supplied Knurled as a Special. Refer to Device pages for Levers offered per device.

How to Order

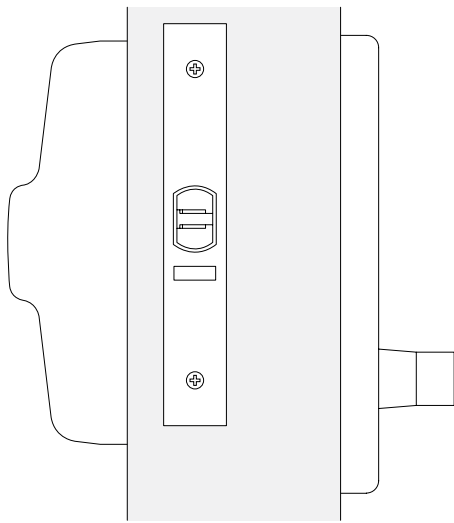
Sequence Example

| | | EL | 98 | 27 | L | F | = | US26D | 3' | RHR | LBR | US26D | 996/ US26D | 299F/ 06 | SNB | HM | |
|--|---|---|--|-------------------|---|---|---|-------|----|-----|-----|-------|---------------|-------------|-----|----|--|
| Prefixes | | | | | | | | | | | | | | | | | |
| None | Standard | | | | | | | | | | | | | | | | |
| AX | Accessible Device | RX | Request to Exit | | | | | | | | | | | | | | |
| CD | Cylinder Dogging - Panic Only | RX2 | Double Request to Exit | | | | | | | | | | | | | | |
| CX | Chexit | SD | Special Dogging - Panic Only | | | | | | | | | | | | | | |
| E | Electric Locking Mortise/Lever | | | | | | | | | | | | | | | | |
| EL | Electric Latch Retraction | SS | Signal Switch | | | | | | | | | | | | | | |
| HH | Hurricane Device | WS | Windstorm (FEMA rated) | | | | | | | | | | | | | | |
| LX | Latch Bolt Monitoring | | | | | | | | | | | | | | | | |
| PL | Pullman Latch | | | | | | | | | | | | | | | | |
| PN | Pneumatic Latch Retraction | XP | Heavy Protection - Rim | | | | | | | | | | | | | | |
| QEL | Quiet Electric Latch Retraction | | | | | | | | | | | | | | | | |
| Device Series | | | | | | | | | | | | | | | | | |
| 22 | Push Bar Device | 88 | Cross Bar Device | | | | | | | | | | | | | | |
| 33A/35A | Push Bar Device | 94/95 | Recessed Device | | | | | | | | | | | | | | |
| 44 | Cross Bar Device | 98/99 | Push Bar Device | | | | | | | | | | | | | | |
| 55 | Cross Bar Device | | | | | | | | | | | | | | | | |
| Device Type | | | | | | | | | | | | | | | | | |
| None | Rim Device | | | | | | | | | | | | | | | | |
| 27 | Surface Mounted Vertical Rod Device | | | | | | | | | | | | | | | | |
| 47 | Concealed Vertical Rod Device | | | | | | | | | | | | | | | | |
| 47WDC | Concealed Vertical Rod Wood Door Device | | | | | | | | | | | | | | | | |
| 48 | Concealed Vertical Rod Device | | | | | | | | | | | | | | | | |
| 49 | Concealed Vertical Cable Device (see CVC how to order form) | | | | | | | | | | | | | | | | |
| 50WDC | Concealed Vertical Cable Wood Door Device | | | | | | | | | | | | | | | | |
| 57 | Three-Point Latch Device | | | | | | | | | | | | | | | | |
| 75 | Mortise Lock Device | | | | | | | | | | | | | | | | |
| Trim Functions | | | | | | | | | | | | | | | | | |
| XX | AD Trim (to come from client) | L-NL | Lever, Rigid - Night Latch | | | | | | | | | | | | | | |
| DT | Dummy Trim | NL | Night Latch | | | | | | | | | | | | | | |
| EO | Exit Only | NL-OP | Night Latch Cylinder Assembly, Optional Pull | | | | | | | | | | | | | | |
| HL | Hospital Pull Trim | TL | Turn Lever | | | | | | | | | | | | | | |
| K | Knob | TL-BE | Turn Lever - Blank Escutcheon | | | | | | | | | | | | | | |
| K-BE | Knob - Blank Escutcheon | | | | | | | | | | | | | | | | |
| K-DT | Knob, Rigid - Dummy Trim | TP | Thumbpiece | | | | | | | | | | | | | | |
| K-NL | Knob, Rigid - Night Latch | TP-BE | Thumbpiece - Blank Escutcheon | | | | | | | | | | | | | | |
| L | Lever (Classroom) | | | | | | | | | | | | | | | | |
| L-BE | Lever - Blank Escutcheon | | | | | | | | | | | | | | | | |
| L-DT | Lever, Rigid - Dummy Trim | | | | | | | | | | | | | | | | |
| Rating | | | | | | | | | | | | | | | | | |
| F | Fire Exit hardware | Blank | Panic Exit Hardware | | | | | | | | | | | | | | |
| Suffix | | | | | | | | | | | | | | | | | |
| -2 | Double Cylinder | -2SI | Double Cylinder with Security Indicator | | | | | | | | | | | | | | |
| Finish | | | | | | | | | | | | | | | | | |
| US3, US4, US10, US15, US26, US26D, US26D-AM, US28, US32D, US32D-AM, 313, 315 | | | | | | | | | | | | | | | | | |
| Door Width | | Door Thickness | | | | | | | | | | | | | | | |
| 3' | Standard Default | 1-3/4" | Standard | | | | | | | | | | | | | | |
| 4' | | 2-1/4" | Optional | | | | | | | | | | | | | | |
| 2' | | | | | | | | | | | | | | | | | |
| Handing | | LHR | | Left Hand Reverse | | | | | | | | | | | | | |
| RHR | Right Hand Reverse | | | | | | | | | | | | | | | | |
| Less Bottom Rod/Cable | | LBR-AFL | | LBR with Fire Pin | | | | | | | | | | | | | |
| LBR | Less Bottom Rod | LBL-AFL | | LBL with Fire Pin | | | | | | | | | | | | | |
| LBL | Less Bottom Cable | | | | | | | | | | | | | | | | |
| Trim Options/Finish | | See trim options/finish for each series | | | | | | | | | | | | | | | |
| Trim Options/Finish | | See trim options for each series | | | | | | | | | | | | | | | |
| Lever Style | | | | | | | | | | | | | | | | | |
| 06 | Standard Default | | | | | | | | | | | | | | | | |
| Optional Levers available | | | | | | | | | | | | | | | | | |
| Accessories | | SEC | | Security Screws | | | | | | | | | | | | | |
| CYL | Cylinder | SLM | | SLM Blocking | | | | | | | | | | | | | |
| GBK | Glass Bead Kit | | | | | | | | | | | | | | | | |
| SNB | Sex Bolts | | | | | | | | | | | | | | | | |
| Other Information | | | | | | | | | | | | | | | | | |
| Touchbar Options | | BRAILLE (Vision impaired touchpad, Raised letter, and Braille), PUSH (Touchbar trim embossed "PUSH") RSS (Red silk-screened lettered touchbar trim), KN (Knurled Touchbar), SG (Safety Glow) | | | | | | | | | | | | | | | |
| Miscellaneous | | CE (CE Labeled), LCP (Less Cover Plate), 10WDA (#10WDA Cover Plate), RAT REL (Ratchet Release Assy), WH (Weep Holes) | | | | | | | | | | | | | | | |
| Door Material | | AL (Aluminum Door), HM (Hollow Metal), WD (Wood Door), CP (Composite Door) INS2 (Insulclad - 1/2"), INS4 (Insulclad - 1/4"), SC (Steelcraft, HH Device Only) | | | | | | | | | | | | | | | |
| Door Application | | D (Double Egress), P (Pair of Doors), S (Single Door) | | | | | | | | | | | | | | | |

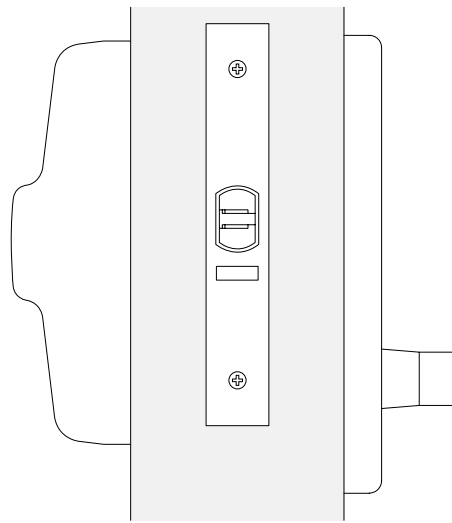
Note: Not all options are listed. Not all options are available on all series. See the specific series pages for complete options available. Please contact customer care for questions.

Prices subject to change without notice.

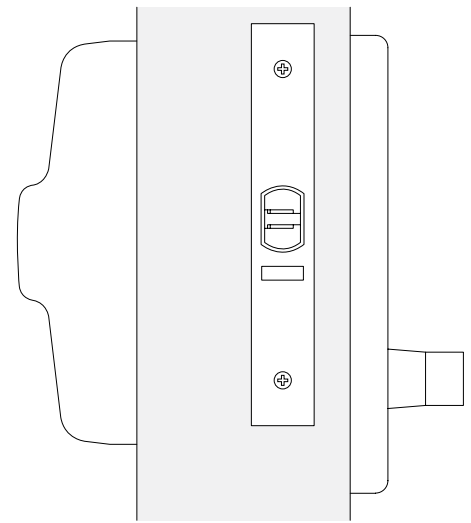
Mortise Lock Order Form (for door thickness between 2 1/4" - 4 1/2")



**Mortise lock
towards device (Push) side**



**Mortise lock
centered**



**Mortise lock
towards trim (Pull) side**

1. Select mortise lock position (using illustration above). Please check box in left column to indicate lock location.

| | |
|--|---|
| | Push side. Please provide centerline dimension from push side . |
| | Center. Please provide centerline dimension from center . |
| | Pull side. Please provide centerline dimension from pull side . |

2. Specify door thickness.

| | |
|--|--|
| | Please provide door thickness in box to the left. |
|--|--|

3. Specify mortise lock configuration (5575 / 8875 / 98/9975 / -F). Example: 9875-EO x 3' x US26D.

| | |
|--|--|
| | |
|--|--|

Products to be supplied:

| | | |
|---|---|---|
| <p>Mortise device - lock towards device (push) side</p> <ul style="list-style-type: none"> - Special strike - Special screw pack - Special trim (if not EO) | <p>Mortise device - lock centered</p> <ul style="list-style-type: none"> - Special device - Special strike - Special trim (if not EO) | <p>Mortise device - lock towards trim (pull) side</p> <ul style="list-style-type: none"> - Special device |
|---|---|---|

Special Order Products

Prices subject to change without notice.

Special Order Products

Door Thickness - Devices Only

Prices shown are for a door thickness over 2-1/4" up to 4-1/4".

Trims for a door thickness other than standard are priced separately on pages 16 and 17.

NOTE: Other special door and frame conditions may require additional charges. Consult factory for pricing.

| Model | Description | List Add | Notes |
|---------------------|---|----------|---|
| 22 Series | | | |
| 22 | No specials are available on the 22 Series. | n/a | |
| 55 Series | | | |
| 55 | Rim Device | 86 | Special Screw Pack |
| 5575/5575-F | Mortise Device, Lock towards device (push) side | 274 | Special Device Special Screw Package Special Trim (if not EO) |
| | Mortise Device, Lock centered | 526 | Special Device Special Strike Special Trim (if not EO) |
| | Mortise Device, Lock towards trim (pull) side | 506 | Special Device |
| 5547/5547WDC/-F | Concealed Vertical Rod Device | 86 | Special Screw Pack |
| 88 Series | | | |
| 88/88-F | Rim device with sexbolts | 86 | Special Screw Pack |
| 8875/8875-F | Mortise Device, Lock towards device (push) side | 267 | Special Strike Special Screw Package Special Trim (if not EO) |
| | Mortise Device, Lock centered | 510 | Special Device Special Strike Special Trim (if not EO) |
| | Mortise Device, Lock towards trim (pull) side | 235 | Special Device Special Screw Package |
| 98/99 Series | | | |
| 98/9975/-F | Mortise Device Lock towards Device(Push) Side | 274 | Special Strike Special Screw Package Special Trim (if not EO) |
| | Mortise Device Lock Centered | 526 | Special Device Special Strike Special Trim (if not EO) |
| | Mortise Device Lock towards Trim(Pull) Side | 243 | Special Device Special Screw Package |

Location of Mortise Lock must be provided when ordering.

Prices subject to change without notice.

Special Order Products

Door Thickness - Trims Only

Prices shown are for a door thickness over 2-1/4" up to 4-1/4". See specific product below for maximum door thickness. Devices for a door thickness other than standard are priced separately on page 15.

NOTE: Other special door and frame conditions may require additional charges. Consult factory for pricing.

| Model | Description | List Add | Special Items Required |
|----------------------------|--------------------------------------|----------|---------------------------|
| 33A/35A Series Trim | | | |
| 386DT and NL | Dummy or Night Latch Trim | 86 | Screw Pack for Device |
| 388 | Night Latch Cylinder Trim - 33A/35A | 86 | Screw Pack for Device |
| 550DT | Dummy Trim | 86 | Screw Pack |
| 392-6 | Dummy Trim | 86 | Screw Pack |
| 55 Series Trim | | | |
| 550DT | Dummy Trim | 86 | Screw Pack |
| 555NL/556NL | Night Latch Trim | 86 | Screw Pack |
| 555NL-CA/556NL-CA | Night Latch Cylinder Assembly | 86 | Screw Pack |
| 110MD-NL/WD-NL | Night Latch Cylinder Assembly | 86 | Screw Pack |
| 88 Series Trim | | | |
| 880EO, DT or NL | Exit Only, Dummy or Night Latch Trim | 86 | Screw Pack |
| 880/608TP/TP-BE | Thumbpiece, up to 3-1/4" | 233 | Thumbpiece and Screw Pack |
| | Thumbpiece, over 3-1/4" up to 4-1/4" | 390 | Thumbpiece and Screw Pack |
| 880/606K/K-BE/K-NL | Knob, up to 4-1/4" | 295 | Spindle and Screw Pack |
| 880K-DT | Knob Dummy | 86 | Screw Pack |
| 608DT or NL | Dummy or Night Latch Trim | 86 | Screw Pack |
| 606K-DT | Knob Dummy | 86 | Screw Pack |
| 98/99 Series Trim | | | |
| 990EO, DT or NL | Exit Only, Dummy or Night Latch Trim | 86 | Screw Pack |
| 696/697DT or NL | Dummy or Night Latch Trim | 86 | Screw Pack |
| 990/696/697TP/TP-BE | Thumbpiece, up to 4-1/4" | 242 | Thumbpiece and Screw Pack |
| 996K/K-BE/K-NL | Knob | 285 | Spindle and Screw Pack |
| 996K-DT | Knob Dummy | 86 | Screw Pack |
| 996EO | Exit Only Plate | 161 | Screw Pack and Studs |
| 996L/L-BE | Lever up to 4" | 506 | Finger and Studs |
| 996L-NL | Night Latch Lever up to 4" | 102 | Studs |
| 996L-DT | Lever Dummy up to 4" | 102 | Screw Pack |
| 392-7 | Dummy Trim | 83 | Screw Pack |

Prices subject to change without notice.

Special Order Products

Door Thickness - Controls Only

Prices shown are for a door thickness over 2-1/4" up to 4-1/4".

Devices for a door thickness other than standard are priced separately on page 15.

NOTE: Other special door and frame conditions may require additional charges. Consult factory for pricing.

| Model | Description | List Add | Special Items Required |
|-----------------|---|----------|---------------------------|
| Controls | | | |
| 371L/LBE | Lever | 306 | Cam and Screw Pack |
| 373L/L-BE | Lever, up to 3-3/8" dr for 88L | 84 | Screw Pack |
| | Lever, over 3-3/8" up to 4-1/4" for 88L | 410 | Spindle and Screw Pack |
| | Lever, up to 2-11/16" for 8827L | 84 | Screw Pack |
| | Lever, over 2-11/16" up to 4-1/4" for 8827L | 410 | Spindle and Screw Pack |
| | Lever, up to 3-5/8" for 8875L | 84 | Screw Pack |
| | Lever, over 3-5/8" up to 4-1/4" for 8875L | 410 | Spindle and Screw Pack |
| 373L-DT | Lever Dummy | 84 | Screw Pack |
| 375L/L-BE | Lever, up to 3-5/8" for 5575L | 84 | Screw Pack |
| | Lever, over 3-5/8" up to 4-1/4" for 5575L | 410 | Spindle and Screw Pack |
| 375L-DT | Lever Dummy | 84 | Screw Pack |
| 378L/L-BE | Lever | 306 | Cam and Screw Pack |
| 379L/L-BE | Lever | 410 | Spindle and Screw Pack |
| 374T/T-BE | Thumbturn | 239 | Rod Member and Screw Pack |
| 376T/T-BE | Thumbturn | 428 | Rod Cam and Screw Pack |
| 376T-WDC/T-BE | Thumbturn | 428 | Rod Member and Screw Pack |
| 377T/T-BE | Thumbturn, 2" door | 228 | Rod Cam and Screw Pack |
| 377T/T-BE | Thumbturn, over 2 1/4" door | 428 | Rod Cam and Screw Pack |

Door Width - Devices Only

Prices shown are for a door widths over 4' up to 6'.

| Model | Description | List Add | Notes |
|---------------------------|------------------------------|----------|-----------------------------|
| 33/35/98/99 Series | | | |
| > 4' up to 5' | All finishes | 213 | Device will ship less label |
| 33/35/98/99 Series | | | |
| > 5' up to 6' | All finishes | 292 | Device will ship less label |
| 55 or 88 Series | | | |
| > 4' up to 5' | US26D or US26 | 260 | Device will ship less label |
| > 4' up to 5' | US3, US4, US10, US10B, SPBLK | 408 | Device will ship less label |
| 55 or 88 Series | | | |
| > 5' up to 6' | US26D or US26 | 341 | Device will ship less label |
| > 5' up to 6' | US3, US4, US10, US10B, SPBLK | 492 | Device will ship less label |

Note: Device will be supplied with a 49" reinforcement crossbar kit. Actual crossbar length is 54".

Note: Device will be supplied with a 61" reinforcement crossbar kit. Actual crossbar length is 66".

Prices subject to change without notice.

Special Order Products

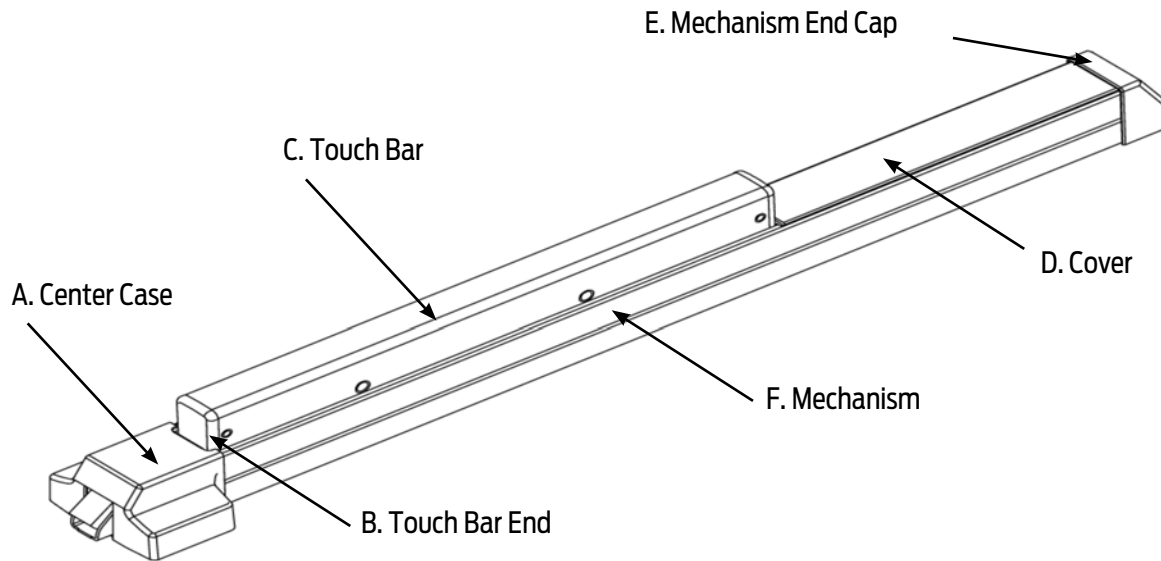
| | List Add | Notes |
|---|----------|--|
| Special Device Types | | |
| Modified New York Special - Lever at 45 13/16" | 522 | 5547 Hollow Metal and Aluminum Doors Only |
| Modified California Special - Centerline at 38" | 504 | 5547WDC Only |
| Balanced Door - 3' Device with 4' Mechanism Case | 87 | 33/35/98/99 Series |
| Special Trims | | |
| 990 with 697 Pull | 77 | |
| Special Electric Strike | | |
| 6221/6223/6226 with "A" Back Box | 82 | |
| Special Mullion | | |
| Aluminum Mullions >10' up to 11' | 819 | 5654/5754 |
| Steel Mullions >10' up to 14' | 548 | 1654/4754/4854/4954/9854/9954 |
| Special Centerline (other than 39-11/16") | | |
| Steel Mullion | 95 | |
| Aluminum Mullion | 422 | |
| ADA centerline height of 37" is available at no additional charge, must be specified. | | |

Prices subject to change without notice.

Exit Devices

Prices subject to change without notice.

22 Series - Finish Chart



Standard Finishes

| Color | US Number | BHMA Number | A, B, E | C-Touch Bar Trim Finishes | D, F |
|--------------------------|-----------|-------------|--|-------------------------------|-------------|
| Sprayed Aluminum | SP28 | 689 | (A) Powder Coat (B, E) Molded Plastic | Sprayed Aluminum SP28, 689 | Powder Coat |
| Duranodic Dark Bronze | SP313 | 695 | (A) Powder Coat (B, E) Molded Plastic | Powder Coat SP313, 695 | Powder Coat |

22 Series Sex Bolt Quantities

| Application | Sex Bolt 425 (Optional) | With 499 Strike 425 Sex Bolt (Optional) | 325 Sex Bolts For SV Latches (Supplied) |
|---|-------------------------|---|---|
| EO (exit only device) | 6 | 8 | 4 |
| NLOP Device with 110 MD/WD | 6 | 8 | 4 |
| EO Device with 230EO trim | 2 | 4 | 4 |
| K, KBE, DT or NL Device with 210 trim | 2 | 4 | 4 |
| L, LBE, TP or TPBE Device with 230 trim | 2 | 4 | 4 |

Note: Sex bolts are supplied for use on wood and composite fire doors.

Prices subject to change without notice.

 Indicates products that have EPD documentation available and meet LEED v4.

22 Series - Summary (continued)

| | |
|------------------------|-------------------------|
| CE (CE Labeled) | CON (Connectors) |
|------------------------|-------------------------|

Door Material

| | | | |
|---------------------------|--------------------------|-----------------------|----------------------------|
| AL (Aluminum Door) | HM (Hollow Metal) | WD (Wood Door) | CP (Composite Door) |
|---------------------------|--------------------------|-----------------------|----------------------------|

Door Thickness

| | | |
|--------------------------------|-------------------------|---------------------------------|
| 1.3/4 (1-3/4" Standard) | 2 (2" Thickness) | 2.1/4 (2-1/4" Thickness) |
|--------------------------------|-------------------------|---------------------------------|

Door Application

| | | |
|--------------------------|--------------------------|------------------------|
| D (Double Egress) | P (Pair of Doors) | S (Single Door) |
|--------------------------|--------------------------|------------------------|

Prices subject to change without notice.

 Indicates products that have EPD documentation available and meet LEED v4.

3' Devices are priced complete with standard trim and strike(s), 4' add \$11 list.
Cylinders and sex bolts are not included in price unless noted.

EXIT HARDWARE

Rim Devices

(Price includes 299 Strike)

| | SP28 SP313 | Weight lbs. | | Standard Trim |
|--------------------------------|---------------|-------------|----|---------------|
| | | 3' | 4' | |
| 22EO | 465 | 11 | 14 | – |
| 22DT | 518 | 12 | 16 | 210DT |
| 22NL | 526 | 12 | 16 | 210NL |
| 22NL-OP | 590 | 12 | 15 | 110MD/WD |
| 22K (includes cylinder) | 704 | 13 | 16 | 210K |
| 22K-BE | 704 | 13 | 16 | 210K-BE |
| 22L | 700 | 14 | 17 | 230L |
| 22L-BE | 700 | 14 | 17 | 230L-BE |
| 22TP | 699 | 14 | 16 | 230TP |
| 22TP-BE | 699 | 14 | 16 | 230TP-BE |

FIRE EXIT HARDWARE

Rim Devices

(Price includes 299F Strike for single door applications.)

(For double door applications the 499F Strike will be supplied at an additional **\$96 list add**).

| 22EO-F | 578 | 12 | 14 | – |
|----------------------------------|-----|----|----|----------|
| 22NL-F | 639 | 12 | 15 | 210NL |
| 22NL-OP-F | 703 | 13 | 15 | 110MD/WD |
| 22K-F (includes cylinder) | 817 | 13 | 16 | 210K |
| 22K-BE-F | 817 | 13 | 16 | 210K-BE |
| 22L-F | 813 | 14 | 17 | 230L |
| 22L-BE-F | 813 | 14 | 17 | 230L-BE |
| 22TP-F | 812 | 13 | 17 | 230TP |
| 22TP-BE-F | 812 | 13 | 17 | 230TP-BE |

EXIT HARDWARE

Surface Vertical Rod Devices

(Price includes 299, 248L-4, 304L Strikes and Sex Bolts for Latches)

| 2227EO | 803 | 16 | 17 | – |
|----------------------------------|------|----|----|----------|
| 2227DT | 856 | 17 | 19 | 210DT |
| 2227NL | 864 | 16 | 19 | 210NL |
| 2227NL-OP | 928 | 17 | 18 | 110MD/WD |
| 2227K (includes cylinder) | 1042 | 16 | 21 | 210K |
| 2227K-BE | 1042 | 16 | 21 | 210K-BE |
| 2227L | 1038 | 16 | 21 | 230L |
| 2227L-BE | 1038 | 16 | 21 | 230L-BE |
| 2227TP | 1037 | 18 | 21 | 230TP |
| 2227TP-BE | 1037 | 18 | 21 | 230TP-BE |

FIRE EXIT HARDWARE

Surface Vertical Rod Devices

(Price includes 299F, 304L Strikes and Sex Bolts for Latches)

| 2227EO-F | 1030 | 15 | 17 | – |
|------------------------------------|------|----|----|----------|
| 2227NL-F | 1091 | 17 | 18 | 210NL |
| 2227NL-OP-F | 1155 | 16 | 18 | 110MD/WD |
| 2227K-F (includes cylinder) | 1269 | 16 | 20 | 210K |
| 2227K-BE-F | 1269 | 16 | 20 | 210K-BE |
| 2227L-F | 1265 | 16 | 21 | 230L |
| 2227L-BE-F | 1265 | 16 | 21 | 230L-BE |
| 2227TP-F | 1264 | 18 | 21 | 230TP |
| 2227TP-BE-F | 1264 | 18 | 21 | 230TP-BE |

Prices subject to change without notice.

 Indicates products that have EPD documentation available and meet LEED v4.

22 Series - Options

Dogging Not for use with Fire Exit Hardware

Prefix

List Add

| | | |
|-----------|--|----|
| LD | Less Dogging for 22 Series Panic devices | 44 |
|-----------|--|----|

Less Bottom Rod

Suffix

| | | |
|------------|---|-----|
| LBR | Available with UL Fire Label at no additional charge on 2227-F Devices. LBR Devices must be ordered in pairs of Vertical Rod Devices. | N/C |
|------------|---|-----|

Accessible Device

Prefix

List Add

| | | |
|-----------|--|----|
| AX | Accessible device compliant with the California Building Code (Section 11B-309.4) requirement for 5 lb. maximum operational force. Available on AX22, AX22-F Rim, AX2227-LBR, AX2227-LBR-F. Trim functions available EO, DT, NL, L, and LBE. | 23 |
|-----------|--|----|

Exit Alarm

Prefix

List Add

| | | |
|------------|--|-----|
| ALK | Exit Alarm available on 22 series Panic and Fire Devices. Price includes switch - "RX" switch, "LX" is optional at no additional charge. For vertical rod tampering monitoring on Surface Vertical Devices, specify device with LX (Latch Bolt Monitor Switch). To order Less Switch, Deduct \$227 list. 9 volt battery included. | 532 |
|------------|--|-----|

Switches (available on all 22 Series Devices)

Prefix

List Add

| | | |
|-----------------|--|-----|
| RX | Request to Exit | 242 |
| WP-RX | Waterproof Request to Exit | 348 |
| RX-LC | Request to Exit Low Current | 280 |
| RX-2 | Request to Exit Double Switch | 300 |
| LX | Latchbolt Monitoring | 242 |
| LX-LC | Latchbolt Monitoring Low Current | 280 |
| LX-RX | Request to Exit / Latchbolt Monitoring combination | 365 |
| LX-RX-LC | Request to Exit / Latchbolt Monitoring combination Low Current | 437 |

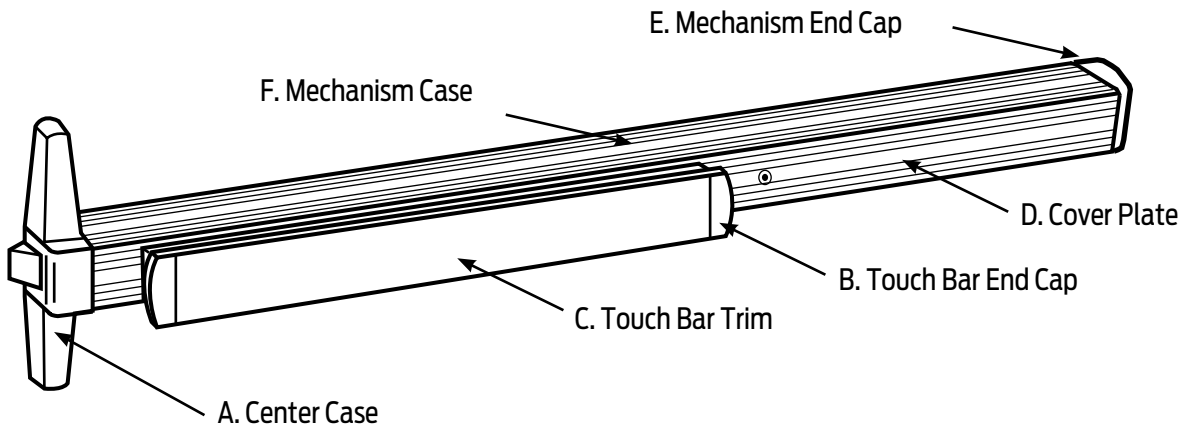
Connectors

Suffix

List Add

| | | |
|------------|--|-----|
| CON | Cross-category solution using interconnect components for electrified options. Available with ALK, LX, LXLC, LXX, LXXLC, RX and RXLC switches. | N/C |
|------------|--|-----|

Finish Chart - 33A/35A Series



Standard Finishes

| Color | US Number | BHMA Number | A, B, E | C -Touch Bar Trim Finishes | D, F |
|-----------------------------|-----------|-------------|--|--|------------------------|
| Bright Brass | US3 | 605 | (A) Buffed Anodized (Dull) (B, E) Bright Brass | Bright Brass US3, 605 | Buffed Anodized |
| Satin Brass | US4 | 606 | (A) Anodized (B,E) Bright Brass | Satin Brass US4, 606 | Anodized |
| Satin Bronze | US10 | 612 | Plated/Anodized | Satin Bronze US10, 725 | Anodized |
| Satin Bronze, Oil-Rubbed | US10B | 613 | (A) Powder Coat (B, E) Oil-Rubbed | Oil Rubbed, US10B | Powder Coat |
| Satin Nickel | US15 | 619 | Plated, Clear Powder Coat | Satin Stainless Steel US32D, 630 | Anodized |
| Polished Chrome | US26 | 625 | Plated | Bright Stainless Steel US32, 629 | Buffed Anodized |
| Satin Chrome | US26D | 626 | Plated | Satin Stainless Steel US32D, 630 | Anodized |
| Satin Chrome, Antimicrobial | US26D-AM | 626AM | AM Clear over Chrome | AM Clear over Satin Stainless Steel US32D, 630 | AM Clear over Anodized |
| Anodized Aluminum | US28 | 628 | (A, B) Anodized (E) Plated | Satin Stainless Steel US32D, 630 | Anodized |
| Duranodic Dark Bronze | 313 | 710 | Powder Coat | Powder Coat 313, 710 | Powder Coat |
| Black | 315 | 711 | Powder Coat | Powder Coat 315, 711 | Powder Coat |
| Aged Bronze, 643E | -- | -- | (A) Aged Bronze, No Relief (B, E) Relieved Aged Bronze | Relieved Aged Bronze | Aged Bronze No Relief |

US15 available on 35A only

Special Finishes

| Color | US Number | BHMA Number | A, B, E | C -Touch Bar Trim Finishes | D, F |
|---------------|-----------|-------------|-------------|----------------------------|-----------------|
| Bright Bronze | US9 | 611 | Plated | Bright Bronze US9, 611 | Buffed Anodized |
| Powder Coat | RAL # * | -- | Powder Coat | Powder Coat | Powder Coat |

* See Finish page for optional RAL color information.

33A/35A Series Sex Bolt Quantities

| Application | 425 Sex Bolts (Supplied) | For Latches 325 Sex Bolts (Supplied) |
|------------------------------------|--------------------------|--------------------------------------|
| EO (exit only device) | 2 | 4 |
| DT device with 550 trim | 2 | 4 |
| NLOP device with 388 trim | 2 | 4 |
| 3327A or 3347A TLOP with 374T trim | 2 | 2 |

Prices subject to change without notice.

 Indicates products that have EPD documentation available and meet LEED v4.

33A/35A Series - Summary

EXIT HARDWARE

Type of Device **33A** (Grooved) **35A** (Smooth)

None (Rim) **27A** (Surface Vertical Rod) **47A / 48A** (Concealed Vertical Rod) **49A** (Concealed Vertical Cable)
50WDC (Wood Door Concealed Vertical Cable)

Function

EO (Exit Only) **DT** (Dummy Trim) **L** (Lever-06 Standard) **LDT** (Lever-Dummy Trim)
NL (Night Latch-Key Retracts) **NLOP** (Night Latch, Opt. Pull) **TLOP** (Turn Lever, Opt. Pull) **TL** (Turn Lever)
LBE (Lever-Blank Escutcheon) **TLBE** (Turn Lever - Blank Escutcheon) **T** (Thumbturn) **TBE** (Thumbturn - Blank Escutcheon)

Rating

None (Panic Exit Device) - **F** (Fire Exit Device)

Device Finish

US3 (Bright Brass) **US4** (Satin Brass) **US10** (Satin Bronze) **US10B** (Satin Bronze-Oil Rubbed)
US26 (Bright Chrome) **US26D** (Satin Chrome) **US28** (Anodized Aluminum) **313** (Duranodic Dark Bronze)
315 (Black) **US26D-AM** (Antimicrobial) **US15** (Satin Nickel - 35 series only)

Device Length (Feet and Inches)

2' (2' Device for 2' Door - Vertical Device only) **3'** (3' Device for 2' 4" - 3' Door) **4'** (4' Device for 2' 10" - 4' Door)

Device Handing

RHR (Right Hand Reverse) **LHR** (Left Hand Reverse)

Touch Bar Trim Options

RSS (Emergency Exit- US32D only) **PUSH** (Embossed - Push) **SG** (Safety Glow) **KN** (Knurled) **BRAILLE** (Braille)
WH (Drainage/Weep holes in Mechanism Case - 3' device will have 5 holes - 6" spacing, 4' device will have 7 holes - 6" spacing)

Touch Bar Finish

US3 (Bright Brass) **US4** (Satin Brass) **US10** (Satin Bronze) **US10B** (Satin Bronze-Oil Rubbed)
US32 (Bright Stainless) **US32D** (Satin Stainless) **313** (Duranodic Dark Bronze) **315** (Black)
340 (Photoluminescent)

Dogging Options

CD (Cylinder Dogging - Panic Only) **HD** (Hex Dogging) **LD** (Less Dogging)
CDSI (Cylinder Dogging w/Indicator) **HDSI** (Hex Dogging w/ Indicator)

Switch Options

LX (Latchbolt Monitoring) **LXLC** (LBM Low Current) **RX** (Request to Exit) **RXLC** (Request to Exit Low Current)
RX2 (Request to Exit Double Switch) **LXRX** (LBM Request to Exit) **LXRXLC** (LBM Request to Exit Low Current)
WP-RX (Waterproof Request to Exit)

Electric Options

| | | |
|--------------------------------------|---------------------------------------|---|
| CX (Chexit - Controlled Exit) | CX-RCM (Remote Chexit Module) | ES (Pullman Latch for Electric Strike) |
| FS (Fail Safe) | FSE (Fail Secure) | QEL (Quiet Electric Latch Retraction) |
| SS (Signal Switch) | EL (Electric Latch Retraction) | |

Device Options

| | | | |
|---------------------------------|--------------------------------------|-----------------------------------|--|
| HH (Hurricane) | CYL (Include Cylinder) | PL (Include Pullman Latch) | GBK (Include GBK) |
| ALK (Standard Alarm Kit) | SEC (Include Security Screws) | AX (Accessible Device) | PN (Pneumatic Latch Retraction) |

Rods For Surface / Concealed Vertical Devices only

| | | |
|------------------------------|------------------------------|--|
| OPR (1 piece Top Rod) | LBR (Less Bottom Rod) | LBRAFL (LBR with Aux. Fire Pin) |
|------------------------------|------------------------------|--|

Strike Series

| | | | |
|-------------------------------------|---|------------------------------|-----------------------|
| LS (Less Strike) | LTS (Less Top Strike) | 1439 (Std. Rim) | 249 (Std. CVC) |
| 260U (Opt. SV Flush Transom) | 260UF (Opt. SV Fire Flush Transom) | 264 (Opt. Rim or SV) | 266 (Std. SV) |
| 283 (Opt. CV - Wood Frame) | 299, 1410, 1606, 1609 (Opt. Rim) | 299F (Std. SV Fire) | 338 (Std. CV) |
| 499F (Std. SV Fire LBR) | 150 (Std. CVC-WDC) | 1439F (Opt. Rim Fire) | |

Bottom Strike Series

| | | | |
|----------------------------------|---------------------------|-----------------------|-----------------------|
| LBS (Less Bottom Strike) | 248L-4 (Surface) | 304L (Mortise) | 349 (Std. CVC) |
| 385A (Adjustable Mortise) | 450 (Std. CVC-WDC) | | |

Strike Finish

| | | | |
|--------------------------------|-----------------------------|-----------------------------|--|
| US3 (Bright Brass) | US4 (Satin Brass) | US10 (Satin Bronze) | US10B (Satin Bronze-Oil Rubbed) |
| US19 (Flat Black) | US26 (Bright Chrome) | US26D (Satin Chrome) | US32 (Bright Stainless) |
| US32D (Satin Stainless) | MD (e-Moly) | SP313 (Dark Bronze) | SP10 (Satin Bronze) |

Trim Options

| | | | |
|-----------------------|------------------------------------|-------------------------------------|--|
| LT (Less Trim) | 386 (Standard DT / NL Trim) | 550 (Opt. Offset Dummy Trim) | 392-6 (Opt. Wire Pull Dummy Trim) |
| | | | 388 (Night Latch Cylinder Trim) |

Trim/ControlFinish

| | | | |
|-----------------------------|-----------------------------|------------------------------|--|
| US3 (Bright Brass) | US4 (Satin Brass) | US10 (Satin Bronze) | US10B (Satin Bronze-Oil Rubbed) |
| US26 (Bright Chrome) | US26D (Satin Chrome) | SPBLK (Black Painted) | US26D-AM (Antimicrobial) |

Control Options

| | | | |
|-------------------------------------|--------------------------------------|---|---------------------------------------|
| LC (Less Control) | 360 (Lever Control) | E360 (360 Elec. Unlocking) | 360T (Thumbturn Control - Rim) |
| E360T (360T Elec. Unlocking) | 374T (Thumbturn Control - SV) | 376T (Thumbturn Control - CV) | 376T WDC (376T for Wood Door) |
| E374T (374T Elec. Unlocking) | E376T (376T Elec. Unlocking) | E376T-WDC (376T-WDC Elec. Unlocking) | |

Prices subject to change without notice.

 Indicates products that have EPD documentation available and meet LEED v4.

33A/35A Series - Summary (continued)

Control Lever Styles 06 Lever Standard

| | | |
|---|-------------------------------|---|
| ACC (Accent Lever) | AST (Asti Lever) | MER (Merona Lever) |
| 03K (03 Knurled Lever) | 06K (06 Knurled Lever) | 01, 02, 03, 05, 06, 07, 12, 16, 17, 18 (Levers) |
| LAT (Latitude) | LON (Longitude) | 03 SS, 06 SS, 17 SS, LAT SS, LON SS, M57, M62 (Stainless Steel Levers) |
| M51, M52, M53, M54, M55, M56, M61, M63, M81, M82, M83, M84, M85, ME1, ME2, ME3 | | |

Electric / Monitor Strike

| | | | |
|---|---|--------------------------------------|--------------------------------------|
| OTH (Other Mfg Strike) | 4263T1 (Rim Monitor Strike) | 4268T1 (Rim Monitor Strike) | 4690T2 (For 33/3547A-F) |
| 4690-1T2 (for 33/3547A Non - Fire) | 6111 (Rim W/Mull 33/3527A LBR) | 6112 (33/35A Rim single door) | 6113 (33/35A Rim single door) |
| 6114 (33/35A Rim NL function) | 6121 (33/35A Rim Double Door no Mullion) | 6213 (Used with 33/3547A LBR) | |

CHEXIT Options

| | | |
|-----------------------------------|-----------------------------------|-----------------------------|
| B15 (BOCA 15 Second Delay) | 0 (0 Second Delay) | 15 (15 Second Delay) |
| 30 (Second Delay) | M15 (15 Second Mute Delay) | INF (Infinite Delay) |

Misc

| | | | |
|-------------------------|----------------------------------|-----------------------------------|----------------------------------|
| CE (CE Labeled) | LCP (Less Cover Plate) | 10WDA (#10WDA Cover Plate) | 33A (33A-WDA Cover Plate) |
| CON (Connectors) | 50WDC (50WDC Cover Plate) | | |

Door Material

| | | | |
|--------------------------------|--------------------------------|-----------------------|----------------------------|
| AL (Aluminum Door) | HM (Hollow Metal) | WD (Wood Door) | CP (Composite Door) |
| INS2 (Insulclad - 1/2") | INS4 (Insulclad - 1/4") | | |

Door Thickness

| | | |
|--------------------------------|-------------------------|---------------------------------|
| 1.3/4 (1-3/4" Standard) | 2 (2" Thickness) | 2.1/4 (2-1/4" Thickness) |
|--------------------------------|-------------------------|---------------------------------|

Door Application

| | | |
|--------------------------|--------------------------|------------------------|
| D (Double Egress) | P (Pair of Doors) | S (Single Door) |
|--------------------------|--------------------------|------------------------|

Mullion Application

| | | |
|--|--|---|
| 1654 (HM, used w/ 2 - 1606 Strikes) | 4754 (HM, used w/ 2 - 4263 Monitor Strikes) | 5654 (AL, used w/ 2 - 299 Strikes) |
| 4954 (HM, used w/2 - 299/264 Strikes) | 4854 (HM, used with a 299 & 6111ES) | 5754 (AL, 1408 Strike Installed) |

APPLICATION NOTE FOR 2' DEVICE :

Available on Surface and Concealed Vertical (panic and fire).

When vertical rod devices are used on both doors of a pair, operation of the inactive door (smaller door) will not disengage the active door, creating a potential safety issue for those using the inactive door during an emergency. In addition, standard hex or cylinder dogging is not available. Dogging is not available for this application on 33/3527A/47/49A/50A-WDC devices.

For pairs of doors using one 2' door Von Duprin recommends the following hardware combinations listed below for optimum safety in an emergency.

1. Surface or Concealed Vertical device on the 2' door (inactive) and a mortise device on the larger door (active). This combination is used primarily on Hollow Metal door applications only.
2. Automatic Flush Bolt on the 2' door (inactive) and a Surface or Concealed Vertical device on the larger door (active).

NOTE: The 2' door width is not available with any Electrical, Chexit, Hurricane or Windstorm options.

Prices subject to change without notice.

 Indicates products that have EPD documentation available and meet LEED v4.

Devices - 33A/35A Series

3' Devices are priced complete with standard trim, strike(s) and sex bolts. 4' add \$18 list. Cylinders are not included in price.

EXIT HARDWARE

Rim Devices

(Price includes 1439 Strike for ALF applications).
(For HMF and WDF applications the 299 strike is supplied at \$84 list deduct).

| | US26D | US28 | 313 | US10 | US4/4A | US3/3A US15 US26 643E | 315 | US10B | Weight lbs. | | Standard Trim/Control |
|---------------|-------|------|------|------|--------|--------------------------------|------|-------|-------------|----|--------------------------|
| | | | | | | | | | 3' | 4' | |
| 33A/35A-EO | 1673 | 1355 | 1359 | 1404 | 1404 | 1753 | 2107 | 1651 | 12 | 14 | - |
| 33A/35A-DT | 2011 | 1693 | 1697 | 1879 | 1742 | 2153 | 2445 | 1989 | 15 | 18 | 386DT |
| 33A/35A-NL | 2270 | 1952 | 1956 | 2141 | 2001 | 2458 | 2704 | 2248 | 16 | 18 | 386NL* |
| 33A/35A-NL-OP | 1966 | 1648 | 1652 | 1831 | 1678 | 2046 | 2400 | 1944 | 15 | 16 | 388 |
| 33A/35A-L | 2358 | 2040 | 2044 | 2124 | 1998 | 2496 | 2792 | 2336 | 17 | 19 | 360L** |
| 33A/35A-L-BE | 2324 | 2006 | 2010 | 2097 | 1952 | 2455 | 2758 | 2302 | 17 | 19 | 360L-BE** |
| 33A/35A-L-DT | 2305 | 1987 | 1991 | 2072 | 1942 | 2438 | 2739 | 2283 | 17 | 19 | 360L-DT** |
| 33A/35A-TL | 2384 | 2066 | 2070 | 2154 | 2015 | 2522 | 2818 | 2362 | 17 | 19 | 360T** |
| 33A/35A-TL-BE | 2349 | 2031 | 2035 | 2124 | 1977 | 2483 | 2783 | 2327 | 17 | 19 | 360T-BE** |
| 33A/35A-T | 2384 | 2066 | 2070 | 2154 | 2015 | 2522 | 2818 | 2362 | 17 | 19 | 360T** |
| 33A/35A-T-BE | 2349 | 2031 | 2035 | 2124 | 1977 | 2483 | 2783 | 2327 | 17 | 19 | 360T-BE** |

FIRE EXIT HARDWARE

Rim Devices

(Price includes 299F Strike for single door applications only.)
(For double door applications the 499F Strike will be supplied at an additional \$102 list add).

| | | | | | | | | | | | |
|-----------------|------|------|------|------|------|------|------|------|----|----|-----------|
| 33A/35A-EO-F | 1775 | 1457 | 1461 | 1506 | 1506 | 1855 | 2209 | 1753 | 12 | 14 | - |
| 33A/35A-NL-F | 2372 | 2054 | 2058 | 2243 | 2103 | 2560 | 2806 | 2350 | 16 | 18 | 386NL* |
| 33A/35A-NL-OP-F | 2068 | 1750 | 1754 | 1933 | 1780 | 2148 | 2502 | 2046 | 15 | 16 | 388 |
| 33A/35A-L-F | 2460 | 2142 | 2146 | 2226 | 2100 | 2598 | 2894 | 2438 | 17 | 19 | 360L** |
| 33A/35A-L-BE-F | 2426 | 2108 | 2112 | 2199 | 2054 | 2557 | 2860 | 2404 | 17 | 19 | 360L-BE** |
| 33A/35A-TL-F | 2486 | 2168 | 2172 | 2256 | 2117 | 2624 | 2920 | 2464 | 17 | 19 | 360T** |
| 33A/35A-TL-BE-F | 2451 | 2133 | 2137 | 2226 | 2079 | 2585 | 2885 | 2429 | 17 | 19 | 360T-BE** |
| 33A/35A-T-F | 2486 | 2168 | 2172 | 2256 | 2117 | 2624 | 2920 | 2464 | 17 | 19 | 360T** |
| 33A/35A-T-BE-F | 2451 | 2133 | 2137 | 2226 | 2079 | 2585 | 2885 | 2429 | 17 | 19 | 360T-BE** |

33A/35A Rim Notes:

- * **Handing** - the 386NL series trim is handed and not field reversible. Please specify handing, RHR or LHR.
- ** **Wood Doors** - 33A-WDA cover plate is required for the 360 series control and will be supplied at an additional, \$50 list add.
- Finish** - US3A, US4A, consult factory for lead time.
- Finish** - US15 finish available on series 35A only.
- Finish** - US10B finish has 313 finish device with US10B parts.

Prices subject to change without notice.

 Indicates products that have EPD documentation available and meet LEED v4.

33A/35A Series - Devices (continued)

3' Devices are priced complete with standard trim, strike(s) and sex bolts.
 2' add \$75 list , 4' add \$18 list.
 Cylinders are not included in price.

EXIT HARDWARE

Surface Vertical Rod Devices

(Price includes 266, 248L-4 and 304L Strikes)

| | US26D | US28 | 313 | US10 | US4/4A | US3/3A US15 US26 643E | 315 | US10B | Weight lbs. | | | Standard Trim/Control |
|-----------------|-------|------|------|------|--------|--------------------------------|------|-------|----------------|----|----|--------------------------|
| | | | | | | | | | 2' | 3' | 4' | |
| 33A/3527A-EO | 2317 | 1979 | 2034 | 2054 | 2043 | 2408 | 2890 | 2468 | 13 | 16 | 19 | - |
| 33A/3527A-DT | 2655 | 2317 | 2372 | 2529 | 2381 | 2808 | 3228 | 2806 | 16 | 19 | 22 | 386DT |
| 33A/3527A-NL | 2914 | 2576 | 2631 | 2791 | 2640 | 3113 | 3487 | 3065 | 17 | 20 | 23 | 386NL* |
| 33A/3527A-NL-OP | 2610 | 2272 | 2327 | 2481 | 2317 | 2701 | 3183 | 2761 | 17 | 19 | 21 | 388 |
| 33A/3527A-L | 3002 | 2664 | 2719 | 2774 | 2637 | 3151 | 3575 | 3153 | 16 | 19 | 22 | 360L** |
| 33A/3527A-L-BE | 2968 | 2630 | 2685 | 2747 | 2591 | 3110 | 3541 | 3119 | 16 | 19 | 22 | 360L-BE** |
| 33A/3527A-L-DT | 2949 | 2611 | 2666 | 2722 | 2581 | 3093 | 3522 | 3100 | 16 | 19 | 22 | 360L-DT** |
| 33A/3527A-TL | 3366 | 3028 | 3083 | 3279 | 2992 | 3577 | 3939 | 3517 | 19 | 22 | 25 | 386DT/374T** |
| 33A/3527A-TL-BE | 3331 | 2993 | 3048 | 3249 | 2954 | 3538 | 3904 | 3482 | 19 | 22 | 25 | 386DT/374T-BE** |
| 33A/3527A-T | 3028 | 2690 | 2745 | 2804 | 2654 | 3177 | 3601 | 3179 | 19 | 22 | 25 | 360T** |
| 33A/3527A-T-BE | 2993 | 2655 | 2710 | 2774 | 2616 | 3138 | 3566 | 3144 | 19 | 22 | 25 | 360T-BE** |

FIRE EXIT HARDWARE

Surface Vertical Rod Devices

(Price includes 299F and 304L Strikes)

| | | | | | | | | | | | | |
|-------------------|------|------|------|------|------|------|------|------|----|----|----|-----------------|
| 33A/3527A-EO-F | 2393 | 2025 | 2086 | 2109 | 2094 | 2493 | 2939 | 2556 | 13 | 16 | 19 | - |
| 33A/3527A-NL-F | 2990 | 2622 | 2683 | 2846 | 2691 | 3198 | 3536 | 3153 | 17 | 20 | 23 | 386NL* |
| 33A/3527A-NL-OP-F | 2686 | 2318 | 2379 | 2536 | 2368 | 2786 | 3232 | 2849 | 13 | 16 | 19 | 388 |
| 33A/3527A-L-F | 3078 | 2710 | 2771 | 2829 | 2688 | 3236 | 3624 | 3241 | 16 | 19 | 22 | 360L** |
| 33A/3527A-L-BE-F | 3044 | 2676 | 2737 | 2802 | 2642 | 3195 | 3590 | 3207 | 16 | 19 | 22 | 360L-BE** |
| 33A/3527A-TL-F | 3442 | 3074 | 3135 | 3334 | 3043 | 3662 | 3988 | 3605 | 18 | 22 | 25 | 386DT/374T** |
| 33A/3527A-TL-BE-F | 3407 | 3039 | 3100 | 3304 | 3005 | 3623 | 3953 | 3570 | 18 | 22 | 25 | 386DT/374T-BE** |
| 33A/3527A-T-F | 3104 | 2736 | 2797 | 2859 | 2705 | 3262 | 3650 | 3267 | 18 | 22 | 25 | 360T** |
| 33A/3527A-T-BE-F | 3069 | 2701 | 2762 | 2829 | 2667 | 3223 | 3615 | 3232 | 18 | 22 | 25 | 360T-BE** |

33A/3527A Notes:

- * **Handing** - the 386NL series trim is handed and not field reversible. Please specify handing, RHR or LHR.
- ** **Wood Doors** - 33A-WDA cover plate is required for the 360 series control and 10WDA for 370 series controls and will be supplied at an additional, **\$50 list add**.
- Finish** - US3A, US4A, consult factory for lead time.
- Finish** - US15 finish available on series 35A only.
- Finish** - US10B finish has 313 finish device with US10B parts.

**3' Devices are priced complete with standard trim, strike(s) and sex bolts.
2' add \$75 list, 4' add \$18 list.
Cylinders are not included in price.**

EXIT HARDWARE

Concealed Vertical Rod Devices

(Price includes 338 and 385A Strikes)

| | US26D | US28 | 313 | US10 | US4/4A | US3/3A US15 US26 643E | 315 | US10B | Weight lbs. | | | Standard Control | Trim/ |
|------------------------|-------|------|------|------|--------|--------------------------------|------|-------|----------------|----|----|---------------------|-------|
| | | | | | | | | | 2' | 3' | 4' | | |
| 33A/3547A-EO | 2377 | 1994 | 2037 | 2084 | 2084 | 2463 | 2897 | 2482 | 12 | 16 | 18 | - | |
| 33A/3547A-DT | 2715 | 2332 | 2375 | 2559 | 2422 | 2863 | 3235 | 2820 | 16 | 19 | 22 | 386DT | |
| 33A/3547A-NL | 2974 | 2591 | 2634 | 2821 | 2681 | 3168 | 3494 | 3079 | 18 | 20 | 22 | 386NL* | |
| 33A/3547A-NL-OP | 2670 | 2287 | 2330 | 2511 | 2358 | 2756 | 3190 | 2775 | 17 | 19 | 21 | 388 | |
| 33A/3547A-L | 3062 | 2679 | 2722 | 2804 | 2678 | 3206 | 3582 | 3167 | 16 | 19 | 22 | 360L** | |
| 33A/3547A-L-BE | 3028 | 2645 | 2688 | 2777 | 2632 | 3165 | 3548 | 3133 | 16 | 19 | 22 | 360L-BE** | |
| 33A/3547A-L-DT | 3009 | 2626 | 2669 | 2752 | 2622 | 3148 | 3529 | 3114 | 16 | 19 | 22 | 360L-DT** | |
| 33A/3547A-TL | 3426 | 3043 | 3086 | 3309 | 3033 | 3632 | 3946 | 3531 | 20 | 22 | 24 | 386DT/376T** | |
| 33A/3547A-TL-BE | 3391 | 3008 | 3051 | 3279 | 2995 | 3593 | 3911 | 3496 | 20 | 22 | 24 | 386DT/376T-BE** | |
| 33A/3547A-T | 3088 | 2705 | 2748 | 2834 | 2695 | 3232 | 3608 | 3193 | 20 | 22 | 24 | 360T** | |
| 33A/3547A-T-BE | 3053 | 2670 | 2713 | 2804 | 2657 | 3193 | 3573 | 3158 | 20 | 22 | 24 | 360T-BE** | |

FIRE EXIT HARDWARE

Concealed Vertical Rod Devices

(Price includes 338 and 385A Strikes)

| | | | | | | | | | | | | | |
|--------------------------|------|------|------|------|------|------|------|------|----|----|----|-----------------|--|
| 33A/3547A-EO-F | 2480 | 2118 | 2151 | 2219 | 2219 | 2569 | 3010 | 2624 | 14 | 16 | 18 | - | |
| 33A/3547A-NL-F | 3077 | 2715 | 2748 | 2956 | 2816 | 3274 | 3607 | 3221 | 18 | 20 | 22 | 386NL* | |
| 33A/3547A-NL-OP-F | 2773 | 2411 | 2444 | 2646 | 2493 | 2862 | 3303 | 2917 | 14 | 16 | 18 | 388 | |
| 33A/3547A-L-F | 3165 | 2803 | 2836 | 2939 | 2813 | 3312 | 3695 | 3309 | 16 | 19 | 22 | 360L** | |
| 33A/3547A-L-BE-F | 3131 | 2769 | 2802 | 2912 | 2767 | 3271 | 3661 | 3275 | 16 | 19 | 22 | 360L-BE** | |
| 33A/3547A-TL-F | 3529 | 3167 | 3200 | 3444 | 3168 | 3738 | 4059 | 3673 | 20 | 22 | 24 | 386DT/376T** | |
| 33A/3547A-TL-BE-F | 3494 | 3132 | 3165 | 3414 | 3130 | 3699 | 4024 | 3638 | 20 | 22 | 24 | 386DT/376T-BE** | |
| 33A/3547A-T-F | 3191 | 2829 | 2862 | 2969 | 2830 | 3338 | 3721 | 3335 | 20 | 22 | 24 | 360T** | |
| 33A/3547A-T-BE-F | 3156 | 2794 | 2827 | 2939 | 2792 | 3299 | 3686 | 3300 | 20 | 22 | 24 | 360T-BE** | |

33A/3547A Notes:

- * **Handing** - the 386NL series trim is handed and not field reversible. Please specify handing, RHR or LHR.
- ** **Wood Doors** - 33A-WDA cover plate is required for the 360 series control and 10WDA for 370 series controls and will be supplied at an additional, **\$50 list add**.
- Finish** - US3A, US4A, consult factory for lead time.
- Finish** - US15 finish available on series 35A only.
- Finish** - US10B finish has 313 finish device with US10B parts.

33A/35A Series - Devices

3' Devices are priced complete with standard trim, strike(s) and sex bolts.
 2' add \$75 list, 4' add \$18 list.
 Cylinders are not included in price.

EXIT HARDWARE

Concealed Vertical Rod Devices

(Price includes 338 and 385A Strikes)
 For Hollow Metal doors

| | US26D | US28 | 313 | US10 | US4/4A | US3/3A US15 US26 643E | 315 | US10B | Weight lbs. | | | Standard Trim/Control |
|-----------------|-------|------|------|------|--------|--------------------------------|------|-------|----------------|----|----|--------------------------|
| | | | | | | | | | 2' | 3' | 4' | |
| 33A/3548A-EO | 2657 | 2274 | 2316 | 2364 | 2364 | 2743 | 3177 | 2761 | 14 | 16 | 18 | - |
| 33A/3548A-DT | 2995 | 2612 | 2654 | 2839 | 2702 | 3143 | 3515 | 3099 | 16 | 19 | 22 | 386DT |
| 33A/3548A-NL | 3254 | 2871 | 2913 | 3101 | 2961 | 3448 | 3774 | 3358 | 18 | 20 | 22 | 386NL* |
| 33A/3548A-NL-OP | 2950 | 2567 | 2609 | 2791 | 2638 | 3036 | 3470 | 3054 | 17 | 19 | 21 | 388 |
| 33A/3548A-L | 3342 | 2959 | 3001 | 3084 | 2958 | 3486 | 3862 | 3446 | 16 | 19 | 22 | 360L |
| 33A/3548A-L-BE | 3308 | 2925 | 2967 | 3057 | 2912 | 3445 | 3828 | 3412 | 16 | 19 | 22 | 360L-BE |
| 33A/3548A-L-DT | 3289 | 2906 | 2948 | 3032 | 2902 | 3428 | 3809 | 3393 | 16 | 19 | 22 | 360L-DT |
| 33A/3548A-TL | 3706 | 3323 | 3365 | 3589 | 3313 | 3912 | 4226 | 3810 | 20 | 22 | 24 | 386DT/376T |
| 33A/3548A-TL-BE | 3671 | 3288 | 3330 | 3559 | 3275 | 3873 | 4191 | 3775 | 20 | 22 | 24 | 386DT/376T-BE |
| 33A/3548A-T | 3368 | 2985 | 3027 | 3114 | 2975 | 3512 | 3888 | 3472 | 20 | 22 | 24 | 360T |
| 33A/3548A-T-BE | 3333 | 2950 | 2992 | 3084 | 2937 | 3473 | 3853 | 3437 | 20 | 22 | 24 | 360T-BE |

FIRE EXIT HARDWARE

Concealed Vertical Rod Devices

(Price includes 338 and 385A Strikes)
 For Hollow Metal doors

| | | | | | | | | | | | | |
|-------------------|------|------|------|------|------|------|------|------|----|----|----|---------------|
| 33A/3548A-EO-F | 2759 | 2397 | 2431 | 2499 | 2499 | 2848 | 3290 | 2904 | 14 | 16 | 18 | - |
| 33A/3548A-NL-F | 3356 | 2994 | 3028 | 3236 | 3096 | 3553 | 3887 | 3501 | 18 | 20 | 22 | 386NL* |
| 33A/3548A-NL-OP-F | 3052 | 2690 | 2724 | 2926 | 2773 | 3141 | 3583 | 3197 | 14 | 16 | 18 | 388 |
| 33A/3548A-L-F | 3444 | 3082 | 3116 | 3219 | 3093 | 3591 | 3975 | 3589 | 16 | 19 | 22 | 360L |
| 33A/3548A-L-BE-F | 3410 | 3048 | 3082 | 3192 | 3047 | 3550 | 3941 | 3555 | 16 | 19 | 22 | 360L-BE |
| 33A/3548A-TL-F | 3808 | 3446 | 3480 | 3724 | 3448 | 4017 | 4339 | 3953 | 20 | 22 | 24 | 386DT/376T |
| 33A/3548A-TL-BE-F | 3773 | 3411 | 3445 | 3694 | 3410 | 3978 | 4304 | 3918 | 20 | 22 | 24 | 386DT/376T-BE |
| 33A/3548A-T-F | 3470 | 3108 | 3142 | 3249 | 3110 | 3617 | 4001 | 3615 | 20 | 22 | 24 | 360T-BE |
| 33A/3548A-T-BE-F | 3435 | 3073 | 3107 | 3219 | 3072 | 3578 | 3966 | 3580 | 20 | 22 | 24 | 360T-BE |

33A/3548A Notes:

- * **Handing** - the 386NL series trim is handed and not field reversible. Please specify handing, RHR or LHR.
- Finish** - US3A, US4A, consult factory for lead time.
- Finish** - US15 finish available on series 35A only.
- Finish** - US10B finish has 313 finish device with US10B parts.

**3' Devices are priced complete with standard trim, strike(s) and sex bolts where shown.
2' add \$75 list, 4' add \$18 list.
Cylinders are not included in price.**

For Concealed Vertical Cable Devices prices shown are for Door Opening Heights 6'0" -10'0"

EXIT HARDWARE

Concealed Vertical Cable Devices

(Price includes 249 and 349 Strikes)
For Hollow Metal doors

| | US26D | US28 | 313 | US10 | US4/4A | US3/3A US15 US26 643E | 315 | US10B | Weight lbs. | | | Standard Trim/Control |
|------------------------|-------|------|------|------|--------|--------------------------------|------|-------|----------------|----|----|--------------------------|
| | | | | | | | | | 2' | 3' | 4' | |
| 33A/3549A-EO | 2393 | 2008 | 2040 | 2099 | 2099 | 2480 | 2916 | 2514 | 12 | 16 | 18 | - |
| 33A/3549A-DT | 2731 | 2346 | 2378 | 2574 | 2437 | 2880 | 3254 | 2852 | 16 | 19 | 22 | 386DT |
| 33A/3549A-NL | 2990 | 2605 | 2637 | 2836 | 2696 | 3185 | 3513 | 3111 | 18 | 20 | 22 | 386NL* |
| 33A/3549A-NL-OP | 2686 | 2301 | 2333 | 2526 | 2373 | 2773 | 3209 | 2807 | 17 | 19 | 21 | 388 |
| 33A/3549A-L | 3078 | 2693 | 2725 | 2819 | 2693 | 3223 | 3601 | 3199 | 16 | 19 | 22 | 360L |
| 33A/3549A-L-BE | 3044 | 2659 | 2691 | 2792 | 2647 | 3182 | 3567 | 3165 | 16 | 19 | 22 | 360L-BE |
| 33A/3549A-L-DT | 3025 | 2640 | 2672 | 2767 | 2637 | 3165 | 3548 | 3146 | 16 | 19 | 22 | 360L-DT |
| 33A/3549A-T | 3104 | 2719 | 2751 | 2849 | 2710 | 3249 | 3627 | 3225 | 20 | 22 | 24 | 360T |
| 33A/3549A-T-BE | 3069 | 2684 | 2716 | 2819 | 2672 | 3210 | 3592 | 3190 | 20 | 22 | 24 | 360T-BE |

FIRE EXIT HARDWARE

Concealed Vertical Cable Devices

(Price includes 249 and 349 Strikes)
For Hollow Metal doors

| | | | | | | | | | | | | |
|--------------------------|------|------|------|------|------|------|------|------|----|----|----|---------|
| 33A/3549A-EO-F | 2498 | 2113 | 2145 | 2204 | 2204 | 2585 | 3021 | 2619 | 14 | 16 | 18 | - |
| 33A/3549A-NL-F | 3095 | 2710 | 2742 | 2941 | 2801 | 3290 | 3618 | 3216 | 18 | 20 | 22 | 386NL* |
| 33A/3549A-NL-OP-F | 2791 | 2406 | 2438 | 2631 | 2478 | 2878 | 3314 | 2912 | 14 | 16 | 18 | 388 |
| 33A/3549A-L-F | 3183 | 2798 | 2830 | 2924 | 2798 | 3328 | 3706 | 3304 | 16 | 19 | 22 | 360L |
| 33A/3549A-L-BE-F | 3149 | 2764 | 2796 | 2897 | 2752 | 3287 | 3672 | 3270 | 16 | 19 | 22 | 360L-BE |
| 33A/3549A-T-F | 3209 | 2824 | 2856 | 2954 | 2815 | 3354 | 3732 | 3330 | 20 | 22 | 24 | 360T |
| 33A/3549A-T-BE-F | 3174 | 2789 | 2821 | 2924 | 2777 | 3315 | 3697 | 3295 | 20 | 22 | 24 | 360T-BE |

33A/3549A Notes:

- * **Handing** - The 386NL series trim is handed and not field reversible. Please specify handing, RHR or LHR.
- Finish** - US3A, US4A, consult factory for lead time.
- Finish** - US15 finish available on series 35A only.
- Finish** - US10B finish has 313 finish device with US10B parts.
- Door Opening Height** - Specify door opening height if other than the default.
For door opening heights more than 10', consult factory.

For Concealed Vertical Cable Devices - Less Cable System (LCS) Deduct \$965 List

| Nominal Door Opening Height | | Top Cable | Bottom Cable |
|-----------------------------|-------------|-----------|--------------|
| 72" - 82" | 6' - 6'10" | 47250398 | 47250403 |
| *>82" - 96" | *6'10" - 8' | 47250175 | 47250178 |
| >96" - 110" | >8' - 9'2" | 47250176 | 47250179 |
| >110" - 120" | >9'2" - 10' | 47250177 | 47250180 |

*Default door opening height

Prices subject to change without notice.

 Indicates products that have EPD documentation available and meet LEED v4.

33A/35A Series - Devices

3' Devices are priced complete with standard trim, strike(s) and sex bolts.
 2' add \$75 list, 4' add \$18 list.
 Cylinders are not included in price.

EXIT HARDWARE

Wood Door Concealed Vertical Cable Devices

(Price includes 150 and 450 Strikes, Sex Bolts, and Scalp Plate)

| | US26D | US28 | 313 | US10 | US4/4A | US3/3A US15 US26 643E | 315 | US10B | Weight lbs. | | | Standard Trim/Control |
|---------------------|-------|------|------|------|--------|--------------------------------|------|-------|-------------|----|----|-----------------------|
| | | | | | | | | | 2' | 3' | 4' | |
| 33A/3550A-WDC-EO | 2371 | 2144 | 2306 | 2390 | 2468 | 2637 | 2986 | 2844 | 12 | 16 | 18 | — |
| 33A/3550A-WDC-DT | 2709 | 2482 | 2644 | 2865 | 2806 | 3037 | 3324 | 3182 | 16 | 19 | 22 | 386DT |
| 33A/3550A-WDC-NL | 2968 | 2741 | 2903 | 3127 | 3065 | 3342 | 3583 | 3441 | 18 | 20 | 22 | 386NL* |
| 33A/3550A-WDC-NL-OP | 2664 | 2437 | 2599 | 2817 | 2742 | 2930 | 3279 | 3137 | 17 | 19 | 21 | 388 |
| 33A/3550A-WDC-L | 3106 | 2879 | 3041 | 3160 | 3112 | 3430 | 3721 | 3579 | 16 | 19 | 22 | 360L/33A-WDA |
| 33A/3550A-WDC-L-BE | 3072 | 2845 | 3007 | 3133 | 3066 | 3389 | 3687 | 3545 | 16 | 19 | 22 | 360L-BE/33A-WDA |
| 33A/3550A-WDC-L-DT | 3053 | 2826 | 2988 | 3108 | 3056 | 3372 | 3668 | 3526 | 16 | 19 | 22 | 360L-DT/33A-WDA |
| 33A/3550A-WDC-T | 3132 | 2905 | 3067 | 3190 | 3129 | 3456 | 3747 | 3605 | 20 | 22 | 24 | 360T/33A-WDA |
| 33A/3550A-WDC-T-BE | 3097 | 2870 | 3032 | 3160 | 3091 | 3417 | 3712 | 3570 | 20 | 22 | 24 | 360T-BE/33A-WDA |

For Devices Less Cable System (LCS) Deduct \$1105 List

FIRE EXIT HARDWARE

Wood Door Concealed Vertical Cable Devices

(Price includes 150 and 450 Strikes, Sex Bolts, and Scalp Plate)

| | | | | | | | | | | | | |
|-----------------------|------|------|------|------|------|------|------|------|----|----|----|-----------------|
| 33A/3550A-WDC-EO-F | 2671 | 2444 | 2606 | 2690 | 2768 | 2937 | 3286 | 3144 | 14 | 16 | 18 | — |
| 33A/3550A-WDC-NL-F | 3268 | 3041 | 3203 | 3427 | 3365 | 3642 | 3883 | 3741 | 18 | 20 | 22 | 386NL* |
| 33A/3550A-WDC-NL-OP-F | 2964 | 2737 | 2899 | 3117 | 3042 | 3230 | 3579 | 3437 | 14 | 16 | 18 | 388 |
| 33A/3550A-WDC-L-F | 3406 | 3179 | 3341 | 3460 | 3412 | 3730 | 4021 | 3879 | 16 | 19 | 22 | 360L/33A-WDA |
| 33A/3550A-WDC-L-BE-F | 3372 | 3145 | 3307 | 3433 | 3366 | 3689 | 3987 | 3845 | 16 | 19 | 22 | 360L-BE/33A-WDA |
| 33A/3550A-WDC-T-F | 3432 | 3205 | 3367 | 3490 | 3429 | 3756 | 4047 | 3905 | 20 | 22 | 24 | 360T/33A-WDA |
| 33A/3550A-WDC-T-BE-F | 3397 | 3170 | 3332 | 3460 | 3391 | 3717 | 4012 | 3870 | 20 | 22 | 24 | 360T-BE/33A-WDA |

For Devices Less Cable System (LCS) Deduct \$1405 List

33A/3550A-WDC Notes:

- * **Handing** - the 386NL series trim is handed and not field reversible. Please specify handing, RHR or LHR.
- Finish** - US3A, US4A, consult factory for lead time.
- Finish** - US15 finish available on series 35A only.
- Finish** - US10B finish has 313 finish device with US10B parts.
- Door Opening Height** - must be specified when placing an order.
- Other heights over 10' are available, consult factory for lead time.
- Non-standard Center Lines or Threshold installed** - consult customer support.

| Standard Door Opening Height Range | Top Cable | Bottom Cable |
|------------------------------------|-----------|--------------|
| 6'8" - 7'0" | 24648180 | 24647265 |
| 7'1" - 8'0" | 24647273 | 24647265 |
| 8'1" - 9'0" | 24647281 | 24647265 |
| 9'1" - 10'0" | 24647299 | 24647265 |

Prices subject to change without notice.

 Indicates products that have EPD documentation available and meet LEED v4.

Cylinder Dogging

(Not for use with Fire Exit Hardware)

| Prefix | | List Add |
|--------|-------------------------------------|----------|
| CD | Standard Baseplate Cylinder Dogging | 94 |
| LD | Less Dogging | 44 |
| CDSI | Cylinder Dogging w/ Indicator | 310 |
| HDSI | Hex Dogging w/ Indicator | 223 |

Pneumatic Devices

| Prefix | | List Add | |
|--------------|--------------------------|-------------------|------------|
| PN | Pneumatic | 1373 | |
| Accessories | | Order Part Number | Each Price |
| PNT-1 | Pneumatic Power Transfer | 012014-36 | 601 |
| PN Connector | Pneumatic Connector | 051827-00 | 37 |
| PN Tubing | 25' length | 051828-00 | 24 |
| | 50' length | 051823-00 | 32 |
| | 100' length | 051824-00 | 54 |
| | 200' length | 051825-00 | 103 |

Pushbar Options

| Suffix | | List Add |
|---------|--|----------|
| BRAILLE | Vision Impaired Touchpad, Raised Letters and Braille (US32D) Specify handing, RHR or LHR. Standard reads "Caution Stairwell." Optional up to 20 alpha / numeric characters on single line, consult factory. | 121 |
| PUSH | Brass, Bronze and Stainless Touchbar trims embossed "PUSH". Specify handing, RHR or LHR. No additional charge when specified with device. | NC |
| RSS | Red Silkscreened Touchbar trims (Standard on SS devices). "Emergency Exit Only, Push to Open and Sound Alarm" No additional charge when specified with device. Specify handing, RHR or LHR. | NC |
| KN | Knurled Touchpad No additional charge when specified with device. | NC |
| SG | Safety Glow feature - for 3' device | 442 |
| | Safety Glow feature - for 4' device | 460 |

Weep Holes

| Suffix | | List Add |
|--------|--|----------|
| WH | Drainage (Weep) Holes in Mechanism Case 3' device will have 5 holes - 6" spacing, 4' device will have 7 holes | 86 |

Hurricane Device

| Prefix | | List Add |
|--------|---|----------|
| HH | 33/3547A-F Device with Standard Strikes | N/C |

Door Thickness >2-1/4" - 4 1/4"

| Suffix | | List Add |
|-------------------------------------|--|----------|
| Door Thickness > 2-1/4" - <= 4 1/4" | 33A/35A with EO (exit only no trim) | 86 |
| | 33A/35A with DT (386), NL (386) or NL-OP (388) | 172 |
| | 33A/35A with L, L-BE, T, T-BE (360, 360T) | 212 |
| | 33A/35A with L-DT (360) | 170 |

Von Duprin Remote Undogging and Remote Monitoring Kit

- Modular Retrofit Kit for 98/99 and 33A/35A Series Devices
- Access control managed via an IP or RSI/ RS-485 connection to the gateway through Allegion software alliance members.

** Please note, ENGAGE cloud based management not available.**

- Consult your access control software provider for pricing and specific scope of support.

For details regarding the configurations that are available, please see page 266 of the Schlage Electronics Price Book.

Prices subject to change without notice.

 Indicates products that have EPD documentation available and meet LEED v4.

33A/35A Series - Options

Insulclad or Applied Panel

(Not available for fire door applications)

| Suffix | | List Add |
|--------------------|--|----------|
| INS-2 | 1/2" Panel - for 33/3547A devices. Order part number 050399 | 65 |
| INS-4 | 1/4" Panel - for 33/3547A devices. Order part number 050398 | 65 |
| INS-2-KIT-33/3549A | 1/2" Panel - for 33/3549A devices. Order part number 2412277 | 65 |
| INS-4-KIT-33/3549A | 1/4" Panel - for 33/3549A devices. Order part number 2412293 | 65 |

Electric Latch Retraction

See 33A/35A Product Catalog for required accessory equipment

| Device Prefix | Description | List Add |
|---------------|---|----------|
| EL | Electric Latch Retraction (LD only) | 894 |
| HD-EL | Electric Latch Retraction with Hex Dogging feature (Panic Only) | 894 |
| QEL | Quiet Electric Latch Retraction (LD only) | 887 |
| HD-QEL | Quiet Electric Latch Retraction with Hex Dogging feature (Panic Only) | 887 |

EL Conversion Kits

(Field Conversion Kits for Electric Latch Retraction)

| | | |
|---|--|------|
| EL Conversion Kit - 3' / 4' | Order part number 050070 / 050078 | 1043 |
| EL Conversion Kit - w/Connectors - 3' / 4' | Order part number 050853 / 050854 | 1043 |
| HD-EL Conversion Kit - 3' / 4' | Order part number 050384 / 050385 (Panic Only) | 1043 |
| HD-EL Conversion Kit - w/Connectors - 3' / 4' | Order part number 050855 / 050856 (Panic Only) | 1043 |

QEL Conversion Kits

(Field Conversion Kits for Quiet Electric Latch Retraction)

Baseplate Conversion Kits (For Fire-rated Devices sold before October 2014, and for replacing existing EL device)

| | | |
|--|--|-----|
| QEL Baseplate Conversion Kit - 3' / 4' | Order part number 958003 / 040065 | 932 |
| QEL Baseplate Conversion Kit - w/Connectors - 3' / 4' | Order part number 040063 / 040066 | 932 |
| HD-QEL Baseplate Conversion Kit - 3' / 4' | Order part number 958004 / 040067 (Panic Only) | 932 |
| HD-QEL Baseplate Conversion Kit - w/Connectors - 3' / 4' | Order part number 040064 / 040068 (Panic Only) | 932 |

Modular Conversion Kits (For Panic Devices, and for Fire-rated Devices sold after October 2014)

| | | |
|--|---------------------------------------|-----|
| QEL Modular Conversion Kit | Order part number 114317 | 887 |
| QEL Modular Conversion Kit w/Connectors | Order part number 040061 | 887 |
| HD-QEL Modular Conversion Kit | Order part number 958002 (Panic Only) | 887 |
| HD-QEL Modular Conversion Kit w/Connectors | Order part number 040062 (Panic Only) | 887 |

Exit Alarm

Suffix

| Suffix | | List Add |
|--------|--|----------|
| ALK | Exit Alarm available on 33A, 35A series Panic and Fire Devices. Price includes switch - "RX" switch, "LX" is optional at no additional charge. For vertical rod tampering monitoring on Surface Vertical Devices, specify device with LX (Latch Bolt Monitor Switch). To order Less Switch, Deduct \$242 list. 9 volt battery included. | 599 |

Switches

(available on all 33A/35A Series Devices)

| Prefix | | List Add |
|------------|--|----------|
| RX | Request to Exit | 242 |
| WP-RX | Waterproof Request to Exit | 348 |
| RX-LC | Request to Exit Low Current | 280 |
| RX-2 | Request to Exit Double Switch | 300 |
| RX-AUX | RX to RX-2 Conversion - Order part number 050271. | 250 |
| * LX | Latchbolt Monitoring | 242 |
| * LX-LC | Latchbolt Monitoring Low Current | 280 |
| * LX-RX | Request to Exit / Latchbolt Monitoring combination | 365 |
| * LX-RX-LC | Request to Exit / Latchbolt Monitoring combination Low Current | 437 |
| SS | Signal Switch - for Rim and Vertical Rod Devices | 494 |

* For 33/3549A and 33/3550A-WDC, LX switch monitors trim input or electric dogging of EL/QEL devices. LX switch does not monitor latch condition.
See page 107 for field-installed switch kit part numbers.

Prices subject to change without notice.

 Indicates products that have EPD documentation available and meet LEED v4.

Options - 33A/35A Series

Pullman Latches

(Not for use with Fire Exit Hardware)

| Prefix | | List Add |
|--------------------------|---|----------|
| PL | 33A/3527A Device PL Top and PL Bottom | 252 |
| (Not available with LBR) | 33A/3547A Device PL Top and PL Bottom | 352 |
| ES | 33A/3527A Device LBR with PL Top Latch for electric strike application. | 126 |
| | 33A/3547A Device LBR with PL Top Latch for electric strike application. | 176 |

NOTE: A Panic LBR device is one point latching not two point. Security of the opening may be compromised.

49 Cable System

(Door Type and Door Opening Height and Finish must be specified when ordering)

| Prefix Suffix | | List Add |
|----------------|--|---|
| CS | Complete Cable System Includes: Top and Bottom Strikes, Latches, Centerslides, Cables and Mounting Packs | Door Opening Heights - 6'0" to 10'0" 965 |
| CS LBL | Cable System - Less Bottom Latch Includes: Top Strike, Top Latch, Top Cable, Centerslides, Mounting Packs | Door Opening Heights - 6'0" to 10'0" 901 |
| CS LBL - 49AFL | Cable System - Less Bottom Latch - with Fire Pin Kit Includes: Top Strike, Top Latch, Top Cable, Centerslides, Mounting Packs and Fire Pin Kit | Door Opening Heights - 6'0" to 10'0" 1059 |

For door opening heights less than 6'10" and more than 10', consult factory.
Consult customer support for non-standard center lines or if a threshold is installed.

50 WDC Cable System

(Door Type and Door Height and Finish must be specified when ordering)

| Prefix | Suffix | | List Price |
|--------|--------|---|------------|
| CS | | Complete Cable System Includes: Top and Bottom Latches, Strikes, Cables, Centerslide, Mounting Packs | 1105 |
| CS | F | Fire-Rated Complete Cable System Includes: Top and Bottom Latches, Strikes, Cables, Centerslide, Mounting Packs, Fire kit | 1405 |
| CS | LBL | Cable System - Less Bottom Latch Includes: Top Latch, Strike, Cable, Centerslide, Mounting Packs | 1054 |
| CS | LBL-F | Fire-Rated Cable System - Less Bottom Latch Includes: Top Latch, Strike, Cable, Centerslide, Mounting Packs, Fire kit, Fire Pin kit | 1390 |

Chexit

(available on all 33A/35A Series Devices)

| Prefix | | List Add |
|--------------------|--|----------|
| CX | Chexit – Controlled Exit Device (15 Second Delay furnished standard) Chexit 33A/35A devices are only available with functions EO, DT, L-DT, L-BE x E360, T-BE x E360T DT Function requires an electric strike to access opening. For CX33/3527A panic and fire devices, two Rod Guards (RGO) supplied standard. Add \$564 list per device. For doors over 7' additional RGO's will be added as needed to protect the rods. For each additional RGO, add \$282 List . For latch protection, latch guards (LGO) found on page 100 can be ordered separately. | 1758 |
| CX Options: | RCM Remote Chexit Module | 251 |
| | * RCM KIT-33A Less Module - specify part number 040198-00 and finish. | 251 |
| | * RCM KIT-35A Less Module - specify part number 040199-00 and finish. | 251 |
| | 0 Delay 0 Second Delay | 129 |
| | ** 30 Delay 30 Second Delay | 129 |
| | √ BOCA-15 Delay 15 second delay with BOCA Modification | 129 |
| | √** BOCA-30 Delay 30 second delay with BOCA Modification | 129 |
| | √** Other Delays 2-60 Seconds in 2 Second Intervals or infinite delay | 173 |

* 15 second Module sold separately, specify part number 040086.

**Over 15 second delay requires a letter of approval from the authority having local jurisdiction over the premises prior to the installation of the device.

Allegation cannot grant such approval nor does it warrant local jurisdiction compliance.

√ Consult factory for lead time.

Chexit is not available with any electrical options (EL, QEL, PN).

Chexit is not available with any switches (RX, RXLC, RX2, WPRX, LX, LXLC, LXX, LXXLC)

Prices subject to change without notice.

 Indicates products that have EPD documentation available and meet LEED v4.

33A/35A Series - Options

Accessible Device

| Prefix | | List Add |
|--------|--|----------|
| AX | Accessible device compliant with the California Building Code (Section 11B-309.4) requirement for 5 lb. maximum operational force. Available on AX33/35A, AX33/35A-F Rim, AX33/3549A LBL and LBL-AFL. Trim functions available EO, DT, NL, L, LBE, LDT, T, and TBE. EL option available. Not available with QEL or CX. | 60 |

Connectors

| Suffix | | List Add |
|--------|---|----------|
| CON | Cross-category solution using interconnect components for electrified options. Available with ALK, LX, LXLC, LXR, LXRXC, RX and RXLC switches, CX, EL and QEL | N/C |

Electric Unlocking

| Prefix | | List Add |
|--------|--|----------|
| E360 | Electric Unlocking of outside Lever or Thumbturn Controls (BE Trim Only), 360L-BE, 360T-BE 24VDC furnished standard. 12VDC available, consult factory for lead time. Specify Fail Secure (FSE) or Fail Safe (FS). Prefix Lever or Thumbturn Control with "E" Example: E360L-BE E376T-BE and E376T-BE available, consult factory for lead time. | 599 |

Less Bottom Rod/Less Bottom Latch

| Suffix | | List Add |
|-----------------|---|-------------------|
| LBR | Less bottom rod available with UL Fire Label at no additional charge on 33/3527A-F and 33/3547A-F LBR devices must be ordered in pairs of vertical rod devices. | N/C |
| | | Deduct |
| | Less bottom rod panic 33/3527A | 112 |
| | Less bottom rod panic 33/3547A | 120 |
| | | List Price |
| LBR-KIT | Fire Latch Kit, complete auxiliary bolt field replacement kit. Order part number 050171-32 | 446 |
| | | Deduct |
| LBL | Less bottom latch available on 33/3549A and 33/3550A-WDC (Panic) LBL Only | 120 |
| | 33/3549A-F LBL and 33/3550A-WDC-F LBL devices must be ordered in pairs of vertical latch devices with one Fire Pin Kit per pair. LBL Only | |
| | | Deduct |
| | First Leaf - 33/3549A-F LBL and 33/3550A-WDC-F LBL | 120 |
| | | Add |
| | Second Leaf - 33/3549A-F LBL and 33/3550A-WDC-F LBL LBL Only with Fire Pin Kit | 27 |
| | | List Price |
| 49 Fire Pin Kit | 49 Fire Pin Kit, complete auxiliary bolt field replacement kit. Order part number 051860-32 | 147 |

Anti-Microbial Finish

| Suffix | | List Add |
|--------|---|----------|
| AM | Antimicrobial Coating available in US26D and US32D, use suffix-AM when ordering. Example US26D-AM | |
| | For Device with or without Trim | 66 |
| | For Trim Only (US26D-AM) | 31 |

Quiet Mechanical

| Prefix | | List Add |
|--------|--|----------|
| QM | Controls motion to reduce operational noise. The QM device option provides damper-controlled re-latching. Available on 33A/35A rim and 33/3527A devices. Compatible with most of the device options including QEL, EL, AX, RX, and CD. Not available with CX and LX. | 185 |

Prices subject to change without notice.

 Indicates products that have EPD documentation available and meet LEED v4.

Devices - 44 Series

Devices are priced complete with standard trim and strikes.
Cylinders are not included in price unless noted.

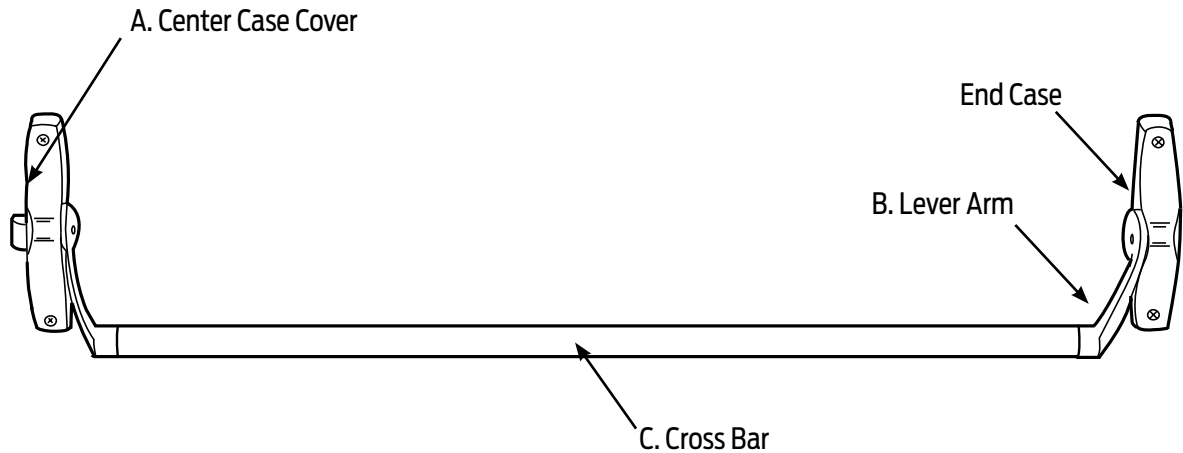
44 DEVICE EXIT HARDWARE

| <i>Description</i> | <i>Finish</i> | <i>List Add</i> |
|--------------------|---------------|-----------------|
| 44EO | 689 | 252 |
| 44NL | 689 | 393 |
| 44TP | 689 | 416 |

Note: Device supplied with 48" crossbar, which can be field sized.

Prices subject to change without notice.

Finish Chart - 55 Series



Standard Finishes

| Color | US Number | BHMA Number | A, B | C |
|------------------------------|-----------|-------------|--------------------------|----------------------------------|
| Bright Brass | US3 | 605 | Buffed Brass, Clear Coat | Buffed Brass, Clear Coat |
| Satin Brass | US4 | 606 | Satin Brass, Clear Coat | Satin Brass, Clear Coat |
| Satin Bronze | US10 | 612 | Plated, Clear Coat | Plated, Clear Coat |
| Satin Bronze, Oil-Rubbed | US10B | 613 | Oil-Rubbed | Oil-Rubbed |
| Polished Chrome | US26 | 625 | Plated | Bright Stainless Steel US32, 629 |
| Satin Chrome | US26D | 626 | Plated | Satin Stainless Steel US32D, 630 |
| Satin Chrome - Antimicrobial | US26D-AM | 626-AM | AM Clear over Chrome | AM Clear over Stainless |
| Aged Bronze | 643E | - | Aged Bronze, Relieved | Aged Bronze, no Relief |

Special Finishes

| Color | US Number | BHMA Number | A, B | C |
|---------------------------|-----------|-------------|--------------|----------------------|
| Bright Brass - no Lacquer | US3A | - | Buffed Brass | Bright Brass US3A |
| Satin Brass - no Lacquer | US4A | - | Satin Brass | Satin Brass US4A |
| Painted Black | SPBLK | - | Painted | Painted Black, SPBLK |

55 Series Sex Bolt Quantities

| Application | 625 Sex Bolts (Supplied) |
|------------------------------|--------------------------|
| 55 and 5547WDC | 4 |
| 5547 and 5575 | 2 |
| 5547 EO, DT, NL on Wood Door | 4 |

Prices subject to change without notice.

55 Series - Summary

EXIT HARDWARE

Type of Device

| | | | |
|-------------------|------------------------------|---------------------------------|---------------------------------------|
| None (Rim) | 5547 (Conc. Vertical) | 5547WDC (Conc. Vert. WD) | 5575 (Mortise Lock, FS or FSE) |
|-------------------|------------------------------|---------------------------------|---------------------------------------|

Function

| | | | |
|--------------------------------------|---|-------------------------------------|-------------------------------|
| EO (Exit Only) | DT (Dummy Trim) | L (Lever-06 Standard) | LDT (Lever-Dummy Trim) |
| NL (Night Latch-Key Retracts) | NLOP (Night Latch, Opt. Pull) | TLOP (Turn Lever, Opt. Pull) | TL (Turn Lever) |
| LBE (Lever-Blank Escutcheon) | TLBE (Turn Lever - Blank Escutcheon) | | |

Rating

| | |
|---------------------------------|------------------------------|
| None (Panic Exit Device) | -F (Fire Exit Device) |
|---------------------------------|------------------------------|

Device Finish

| | | | |
|-----------------------------|--|------------------------------|-----------------------------|
| US3 (Bright Brass) | US4 (Satin Brass) | US10 (Satin Bronze) | US26 (Bright Chrome) |
| US26D (Satin Chrome) | US10B (Satin Bronze-Oil Rubbed) | SPBLK (Black Painted) | |

Device Handing

| | |
|---------------------------------|--------------------------------|
| RHR (Right Hand Reverse) | LHR (Left Hand Reverse) |
|---------------------------------|--------------------------------|

Cross Bar Options

| | |
|----------------------------------|---------------------|
| RCB (Reinforced Crossbar) | KN (Knurled) |
|----------------------------------|---------------------|

Switch Options

| |
|-----------------------------|
| RX (Request to Exit) |
|-----------------------------|

Electric Options

| | |
|---|---|
| E (Electric Locking- Mortise, FS or FSE) | ES (Pullman Latch for Electric Strike) |
|---|---|

Device Options

| | |
|-------------------------------|-----------------------------------|
| CYL (Include Cylinder) | SLM (Include SLM Blocking) |
|-------------------------------|-----------------------------------|

Rods For Concealed Vertical Devices only

| |
|------------------------------|
| LBR (Less Bottom Rod) |
|------------------------------|

Strike Series

| | | | |
|---|----------------------------------|----------------------------|----------------------------------|
| LS (Less Strike) | LTS (Less Top Strike) | 1409 (Std. 55 Rim) | 472U (Opt. 5547WDC 1-3/4) |
| 473U (Opt. 5547WDC 2-1/4) | 264 (Opt. Rim or SV) | 471U (Std. CV 5547) | 575 (Std. 5575 Mortise) |
| 299, 1410, 1606, 1609 (Opt. Rim) | 575-2 (Opt. 5575 Mortise) | 338 (Std. CV 5547) | 576A (Opt. 5575 1-3/4) |
| 576B (Opt. 5575 2-1/4) | | | |

Bottom Strike Series

| | | | |
|---------------------------------|-------------------------------|-----------------------------|------------------------|
| LBS (Less Bottom Strike) | 301L (Standard 5547-F) | 304L (Standard 5547) | 385A (Optional) |
|---------------------------------|-------------------------------|-----------------------------|------------------------|

Prices subject to change without notice.

Strike and Mortise Finish

| | | | |
|--------------------------------------|--|------------------------------|--|
| US3 (Bright Brass) | US4 (Satin Brass) | US10 (Satin Bronze) | US10B (Satin Bronze-Oil Rubbed) |
| US19 (Flat Black) | MD (e-Moly) | SP313 (Dark Bronze) | US32 (Bright Stainless) |
| US32D (Satin Stainless) | US26 (Bright Chrome, N/A 5575) | SP10 (Sprayed Bronze) | US26D (Satin Chrome, N/A 5575) |
| US9A (Pol. Bronze-no Lacquer) | US10A (Satin Bronze-no Lacquer) | | |

Trim Options

| | | | |
|--|---------------------------------------|--|--|
| LT (Less Trim) | 550DT (Dummy Trim) | 555NL (Night Latch - HM) | 556NL (Night Latch - WD) |
| 555NL-CA (Night Latch w/Cyl-HM) | LCA (Less Cylinder Assy) | 609DT (Dummy Trim) | 556NL-CA (Night Latch w/Cyl-WD) |
| 376L (std. 5547 Lever) | 376L-BE (Lvr-Blank Escutcheon) | 376WDC-L (5547 Lever) | 376WDC-LBE (LBE for Wood Door) |
| 379L (std. 55 Lever) | 379L-BE (Lvr-Blank Escutcheon) | 110WD-NL (Night Latch w/Cyl-WD) | E376L-BE (E-Trim) |
| 110MD-NL (Night Latch w/Cyl-HM) | | | E379L-BE (E-Trim) |
| | | | E376WDC-L-BE (E-Trim) |

Trim/Control Finish

| | | | |
|--------------------------------------|-----------------------------|-----------------------------|--|
| US3 (Bright Brass) | US4 (Satin Brass) | US10 (Satin Bronze) | US10B (Satin Bronze-Oil Rubbed) |
| US9A (Pol. Bronze-no Lacquer) | US26D (Satin Chrome) | US26 (Bright Chrome) | US10A (Satin Bronze-no Lacquer) |

Control Options

| | | | |
|--------------------------------------|-----------------------------------|-----------------------------------|--|
| LC (Less Control) | 371 (Lever Control - 5547) | 375 (Lever Control - 5575) | 376T (Thumbturn Control - 5547) |
| 376T WDC (376T for Wood Door) | 379L (Rim) | | |

Control Lever Styles 06 Lever Standard

| | | |
|-------------------------------|-------------------------------|--|
| 03K (03 Knurled Lever) | 06K (06 Knurled Lever) | 01, 02, 03, 06, 07, 12, 17 (Levers) |
|-------------------------------|-------------------------------|--|

Mortise Locks

| | | |
|-----------------------|--------------------------------|-----------------------------------|
| LL (Less Lock) | 7500 (Standard Mortise) | E7500 (Electric Unlocking) |
|-----------------------|--------------------------------|-----------------------------------|

Mortise Lock E7500

Specify **FS** (Fail Safe) or **FSE** (Fail Secure) **24VDC** standard, specify 12VDC if required.
DC standard, specify **AC** if required.

Mortise Lock Finish

| | | | |
|--|--------------------------------------|--------------------------------|--|
| US3 (Bright Brass) | US4 (Satin Brass) | US10 (Satin Bronze) | US10B (Satin Bronze-Oil Rubbed) |
| US10A (Satin Bronze-no Lacquer) | US9A (Pol. Bronze-no Lacquer) | US32D (Satin Stainless) | US32 (Bright Stainless) |

Prices subject to change without notice.

55 Series - Summary (continued)

Misc

| | |
|----------------------------|----------------------|
| 10WDA (#10WDA Cover Plate) | 589 (WD Cover Plate) |
|----------------------------|----------------------|

Door Material

| | | | |
|--------------------|-------------------|----------------|---------------------|
| AL (Aluminum Door) | HM (Hollow Metal) | WD (Wood Door) | CP (Composite Door) |
|--------------------|-------------------|----------------|---------------------|

Door Thickness

| | | |
|-------------------------|------------------|--------------------------|
| 1.3/4 (1-3/4" Standard) | 2 (2" Thickness) | 2.1/4 (2-1/4" Thickness) |
|-------------------------|------------------|--------------------------|

Door Application

| | | |
|-------------------|-------------------|-----------------|
| D (Double Egress) | P (Pair of Doors) | S (Single Door) |
|-------------------|-------------------|-----------------|

Prices subject to change without notice.

Devices - 55 Series

Devices are priced complete with standard trim, strikes, and sex bolts.
Cylinders are not included in price.

EXIT HARDWARE

Rim Devices

(Price includes 1409 Strike)

| | US26D | US10B | US10 | US4/4A | US3/3A US26 643E | SPBLK | Weight lbs. | Standard Trim/Control/Cover Plate |
|----------------|-------|-------|------|--------|------------------------|-------|----------------|--------------------------------------|
| 55EO | 2694 | 2675 | 2520 | 2409 | 2922 | 2922 | 8 | – |
| 55DT | 3192 | 3173 | 3018 | 2824 | 3434 | 3434 | 10 | 550DT |
| 55NL | 3317 | 3298 | 3143 | 2941 | 3561 | 3561 | 11 | 550DT/110MD/WD |
| 55NL-OP | 2819 | 2800 | 2645 | 2526 | 3049 | 3049 | 11 | 110MD/WD |
| 55L | 3546 | 3527 | 3284 | 3173 | 3890 | 3774 | 13 | 379L* |
| 55L-BE | 3513 | 3494 | 3256 | 3145 | 3849 | 3741 | 13 | 379L-BE* |

EXIT HARDWARE

Concealed Vertical Rod Devices

(Price includes 471U and 304L Strikes)

| | | | | | | | | |
|--------------------|------|------|------|------|------|------|----|---------------|
| 5547EO | 3295 | 3508 | 3160 | 3062 | 3676 | 3676 | 14 | – |
| 5547DT | 3793 | 4006 | 3658 | 3477 | 4188 | 4188 | 16 | 550DT |
| 5547NL | 4028 | 4241 | 3904 | 3661 | 4428 | 4428 | 16 | 555NL |
| 5547NL-OP | 3648 | 3861 | 3514 | 3368 | 4039 | 4039 | 16 | 555CA |
| ** 5547L | 4146 | 4359 | 4011 | 3814 | 4584 | 4527 | 17 | 376L |
| ** 5547L-BE | 4113 | 4326 | 3978 | 3780 | 4552 | 4494 | 17 | 376L-BE |
| 5547TL | 4504 | 4717 | 4408 | 4088 | 4957 | 4899 | 19 | 550DT/376T |
| 5547TL-BE | 4469 | 4682 | 4378 | 4050 | 4918 | 4864 | 19 | 550DT/376T-BE |

FIRE EXIT HARDWARE

Concealed Vertical Rod Devices

HOLLOW METAL DOORS ONLY

(Price includes 301L Strike)

| | | | | | | | | |
|--------------------|------|------|------|------|------|------|----|--------------|
| 5547EO-F | 3503 | 3700 | 3498 | 3402 | 3877 | 3877 | 15 | – |
| 5547L-F | 4214 | 4411 | 4295 | 4013 | 4646 | 4588 | 18 | 371L |
| 5547L-BE-F | 4179 | 4376 | 4218 | 3975 | 4607 | 4553 | 18 | 371L-BE |
| 5547L-TL-F | 4565 | 4762 | 4634 | 4306 | 5034 | 4976 | 19 | 609DT/376T |
| 5547TL-BE-F | 4530 | 4727 | 4604 | 4268 | 4995 | 4941 | 19 | 609DT/376-BE |

55 Series Notes:

Handing - 55 Series devices are handed and field reversible. RHR handing is furnished standard when handing is not specified. Lever trim is handed and not field reversible, specify handing RHR or LHR.

* **55 Rim** - for solid wood doors the #10 WDA cover plate is supplied at an additional **\$50 list add**.

** **5547L** - minimum control centerline of lever or thumbturn is 49-7/8" and the minimum stile width is 1-3/4".

5547L - if standard mounting height is required use 5547L-F x 371L

5547-F - Flush transom installation, specify #900614 Release Bracket, **\$117 list add** per device.

Finish - US3A, US4A, SPBLK consult factory for lead time.

Prices subject to change without notice.

55 Series - Devices (continued)

Devices are priced complete with standard trim, strikes, and sex bolts.
Cylinders are not included in price.

EXIT HARDWARE

Wood Door Concealed Vertical Rod Devices

(Price includes 338 and 304L Strikes and Scalp Plate)

| | US26D | US10B | US10 | US4/4A | US3/3A US26 643E | SPBLK | Weight lbs. | Standard Trim/Control/Cover Plate |
|-----------------|-------|-------|------|--------|------------------------|-------|----------------|--------------------------------------|
| 5547WDC-EO | 3771 | 3873 | 3253 | 3146 | 3997 | 3997 | 14 | – |
| 5547WDC-DT | 4269 | 4371 | 3751 | 3561 | 4509 | 4509 | 16 | 550DT |
| 5547WDC-NL | 4504 | 4606 | 3997 | 3745 | 4749 | 4749 | 16 | 556NL |
| 5547WDC-NL-OP | 4124 | 4226 | 3607 | 3452 | 4360 | 4360 | 16 | 556CA |
| ** 5547WDC-L | 4672 | 4774 | 4154 | 3948 | 4955 | 4898 | 17 | 376WDC-L/10WDA |
| ** 5547WDC-L-BE | 4639 | 4741 | 4121 | 3914 | 4923 | 4865 | 17 | 376WDC-L-BE/10WDA |
| 5547WDC-TL | 5030 | 5132 | 4551 | 4222 | 5328 | 5270 | 19 | 550DT/376WDC-T/10WDA |
| 5547WDC-TL-BE | 4995 | 5097 | 4521 | 4184 | 5289 | 5235 | 19 | 550DT/376WDC-T-BE/10WDA |

FIRE EXIT HARDWARE

Wood Door Concealed Vertical Rod Devices

(Price includes 338 and 304L Strikes and Scalp Plate)

| | | | | | | | | |
|-------------------|------|------|------|------|------|------|----|-------------------------|
| 5547WDC-EO-F | 3791 | 4017 | 3579 | 3477 | 4018 | 4018 | 14 | – |
| 5547WDC-NL-F | 4524 | 4750 | 4323 | 4076 | 4770 | 4770 | 16 | 556NL |
| 5547WDC-NL-OP-F | 4144 | 4370 | 3933 | 3783 | 4381 | 4381 | 16 | 556CA |
| ** 5547WDC-L-F | 4692 | 4918 | 4480 | 4279 | 4976 | 4919 | 18 | 376WDC-L/10WDA |
| ** 5547WDC-L-BE-F | 4659 | 4885 | 4447 | 4245 | 4944 | 4886 | 18 | 376WDC-L-BE/10WDA |
| 5547WDC-TL-F | 5050 | 5276 | 4877 | 4553 | 5349 | 5291 | 19 | 550DT/376WDC-T/10WDA |
| 5547WDC-TL-BE-F | 5015 | 5241 | 4847 | 4515 | 5310 | 5256 | 19 | 550DT/376WDC-T-BE/10WDA |

5547WDC Series Notes:

Handing - 55 Series devices are handed and field reversible. RHR handing is furnished standard when handing is not specified.

Lever trim is handed and not field reversible, specify handing RHR or LHR.

** 5547WDC-L-F - minimum centerline 45-13/16".

Wood Frame applications - specify 472U (1 3/4" Dr.) or 473U (2 1/4" Dr.) Top Strike.

Finish - US3A, US4A, SPBLK consult factory for lead time.

Prices subject to change without notice.

Devices - 55 Series

Devices are priced complete with standard trim, strikes, and sex bolts.
Cylinders are not included in price.

EXIT HARDWARE

Mortise Lock Devices

(Price includes 575 Strike)

| | US26D | US10B | US10 | US4/4A | US3/3A US26 643E | SPBLK | Weight lbs. | Standard Trim/Control/Cover Plate |
|-----------------|-------|-------|------|--------|------------------------|-------|----------------|--------------------------------------|
| 5575EO | 2535 | 3071 | 2407 | 2298 | 2946 | 2946 | 12 | – |
| 5575DT | 3033 | 3569 | 2905 | 2713 | 3458 | 3458 | 15 | 550DT |
| 5575NL | 3033 | 3569 | 2905 | 2713 | 3458 | 3458 | 15 | 550DT |
| 5575L | 3378 | 3914 | 3375 | 3045 | 3906 | 3789 | 15 | 375L* |
| 5575L-BE | 3343 | 3879 | 3342 | 3005 | 3864 | 3754 | 15 | 375L-BE* |
| 5575L-DT | 3324 | 3860 | 3324 | 2991 | 3850 | 3735 | 15 | 375L-DT* |

FIRE EXIT HARDWARE

Mortise Lock Devices

(Price includes 575 Strike)

| | US26D | US10B | US10 | US4/4A | US3/3A US26 643E | SPBLK | Weight lbs. | Standard Trim/Control/Cover Plate |
|-------------------|-------|-------|------|--------|------------------------|-------|----------------|--------------------------------------|
| 5575EO-F | 2741 | 3076 | 2579 | 2521 | 3158 | 3158 | 12 | – |
| 5575NL-F | 3239 | 3574 | 3077 | 2936 | 3670 | 3670 | 15 | 550DT |
| 5575L-F | 3584 | 3919 | 3547 | 3268 | 4118 | 4001 | 15 | 375L* |
| 5575L-BE-F | 3549 | 3884 | 3514 | 3228 | 4076 | 3966 | 15 | 375L-BE* |

5575 Notes:

Handing - 55 Series devices are handed and field reversible. RHR handing is furnished standard when handing is not specified.

Lever trim is handed and not field reversible, specify handing RHR or LHR.

Door Thickness 2 1/4" - for wood door is a Special Order Product Consult factory for lead time

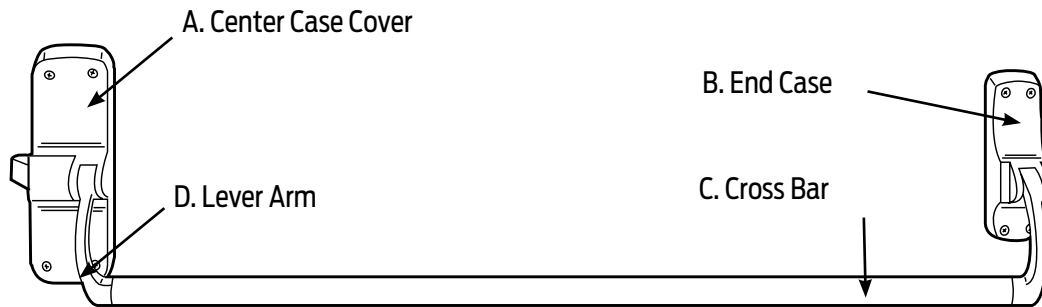
* **Wood Doors** - 589 cover plate is required for 5575 devices on wood doors and will be supplied at an additional price. Refer to page 98 for price by finish.

Finish - US3A, US4A, SPBLK consult factory for lead time.

Options for the 55 Series can be found on page 52.

Prices subject to change without notice.

88 Series - Finish Chart



Standard Finishes

| Color | US Number | BHMA Number | A, B, D | C - Cross Bar Finishes |
|--------------------------|-----------|-------------|--------------------------|----------------------------------|
| Bright Brass | US3 | 605 | Buffed Brass, Clear Coat | Buffed Brass, Clear Coat |
| Satin Brass | US4 | 606 | Satin Brass, Clear Coat | Satin Brass, Clear Coat |
| Satin Bronze | US10 | 612 | Plated/ Anodized | Satin Bronze US10 |
| Satin Bronze, Oil-Rubbed | US10B | 613 | Oil-Rubbed | Oil Rubbed, US10B, 613 |
| Polished Chrome | US26 | 625 | Plated | Bright Stainless Steel US32, 629 |
| Satin Chrome | US26D | 626 | Plated | Satin Stainless Steel US32D, 630 |
| Black | SPBLK | 693 | Powder Coat | Powder Coat, SPBLK, 693 |
| Aged Bronze | 643E | - | Aged Bronze, Relieved | Aged Bronze, no Relief |

Special Finishes

| Color | US Number | BHMA Number | A, B, D | C - Touch Bar Trim Finishes |
|------------------------------|-----------|-------------|----------------------|---------------------------------------|
| Bright Brass- no Lacquer | US3A | - | Buffed Brass | Bright Brass US3A |
| Satin Brass- no Lacquer | US4A | - | Satin Brass | Satin Brass US4A |
| Satin Chrome - Antimicrobial | US26D-AM | 626-AM | AM Clear over Plated | AM - Clear over Satin Stainless Steel |

Note: On a Fire Device "A" = Stainless Steel Substrate

88 Series Sex Bolt Quantities

| Application | 425 Sex Bolts (Optional) | For Composite or Wood Fire Doors 425 Sex Bolts (Supplied) |
|----------------------------------|--------------------------|---|
| 88 or 8875 with Trim | 4 | 4 |
| 88 or 8875 EO (exit device only) | 8 | 8 |
| 8827 with trim | 12 | 12 |
| 8827 EO (exit device only) | 16 | 16 |
| 8847 | 4 | 4 |

Prices subject to change without notice.

Summary - 88 Series

Type of Device

| | | | |
|-------------------|----------------------------------|------------------------------------|--------------------------|
| None (Rim) | 27 (Surface Vertical Rod) | 47 (Concealed Vertical Rod) | 75 (Mortise Lock) |
|-------------------|----------------------------------|------------------------------------|--------------------------|

Function

| | | | |
|--|---|---|-------------------------------|
| EO (Exit Only) | DT (Dummy Trim) | L (Lever-06 Standard) | LDT (Lever-Dummy Trim) |
| NL (Night Latch-Key Retracts) | NLOP (Night Latch, Opt. Pull) | TLOP (Turn Lever - Opt. Pull) | TL (Turn Lever) |
| K (Knob) | KNL (Knob Night Latch) | KBE (Knob Blank Escutcheon) | KDT (Knob Dummy) |
| TP (Thumbpiece) | LBE (Lever - Blank Escutcheon) | TLBE (Turn Lever - Blank Escutcheon) | |
| TPNL (Thumbpiece - Night Latch) | TPBE (Thumbpiece - Blank Escutcheon) | | |

Rating

| | |
|---------------------------------|-------------------------------|
| None (Panic Exit Device) | - F (Fire Exit Device) |
|---------------------------------|-------------------------------|

Device / Crossbar Finish

| | | | |
|----------------------------|----------------------------------|-----------------------------|--------------------------------|
| US3 (Bright Brass) | US3A (US3 - No Lacquer) | US4 (Satin Brass) | US4A (US4 - No Lacquer) |
| US10 (Satin Bronze) | US10B (Brass, Oil Rubbed) | US26 (Bright Chrome) | US26D (Satin Chrome) |
| SPBLK (Black) | | | |

Device Handing

| | |
|---------------------------------|--------------------------------|
| RHR (Right Hand Reverse) | LHR (Left Hand Reverse) |
|---------------------------------|--------------------------------|

Cross Bar Options

| | |
|----------------------------------|---------------------|
| RCB (Reinforced Crossbar) | KN (Knurled) |
|----------------------------------|---------------------|

Switch Options

| |
|-----------------------------|
| RX (Request to Exit) |
|-----------------------------|

Electric Options

| |
|-------------------------------|
| E (Electric Unlocking) |
|-------------------------------|

Device Options

| | | | |
|--------------------------------|-----------------------------------|-----------------------------------|---|
| HH (Hurricane) | CYL (Include Cylinder) | PL (Include Pullman Latch) | SEC (Include Security Screws) |
| SNB (Include Sex Bolts) | SLM (Include SLM Blocking) | FL (8847-F Device) | FL (8827-F, not UL Fire application) |

Rods For Surface / Concealed Vertical Devices only

| | | | |
|------------------------------|------------------------------|----------------------------------|-----------------------------|
| OPR (1 piece Top Rod) | LBR (Less Bottom Rod) | RG-27 (Rod / Latch Guard) | RGO (Rod Guard Only) |
|------------------------------|------------------------------|----------------------------------|-----------------------------|

Strike Series

| | | | |
|-------------------------------|-------------------------------|--------------------------------|--|
| LS (Less Strike) | LTS (Less Top Strike) | 264 (Opt. Rim) | 260U/UF (Opt. SV Flush Transom) |
| 268 (Std. 88 Fire) | 299 (Std. 88 Rim) | 575 (Std. 8875 Mortise) | 575-2 (Opt. 8875 Mortise) |
| 576A (Opt. 8875 1-3/4) | 576B (Opt. 8875 2-1/4) | 1409 (Opt. 88 Rim) | 1410, 1606, 1609, 1610 (Opt. Rim) |

Prices subject to change without notice.

88 Series - Summary (continued)

| Bottom Strike Series | | | |
|--|-----------------------------------|--|--|
| LBS (Less Bottom Strike) | 248L-4 (Surface) | 301L / 304L (Mortise) | 385A (Adjustable Mortise) |
| Strike Finish | | | |
| US3 (Bright Brass) | US4 (Satin Brass) | US10 (Satin Bronze) | US10B (Satin Bronze-Oil Rubbed) |
| US19 (Flat Black) | US26 (Bright Chrome) | US26D (Satin Chrome) | US32 (Bright Stainless) |
| US32D (Satin Stainless) | MD (e-Moly) | SP313 (Dark Bronze) | |
| Trim Options | | | |
| LT (Less Trim) | 606 / 608 (Opt. Trim) | 880 (Std. Trim) | 880SA (Std. Vert. Surface Applied) |
| 110MD / 110WD (Std. on NL-OP) | 216D (Cylinder Anchor) | 880WDF (Std. 88-F Rim wood / composite door) | |
| Trim Finish | | | |
| US3 / 3A (Bright Brass) | US4 / 4A (Satin Brass) | US10 (Satin Bronze) | US10B (Satin Bronze-Oil Rubbed) |
| US26 (Bright Chrome) | US26D (Satin Chrome) | SPBLK (Black Painted) | |
| Control Options | | | |
| LC (Less Control) | 371 (Lever - 8847-F) | 373 (Lever - 88 Rim, 8827 / 8875) | 376T (Thumbturn Control -CV) |
| 377T (Thumbturn - 8827) | | | |
| Control <small>Lever Styles 06 Lever Standard</small> | | | |
| 03K (03 Knurled Lever) | 06K (06 Knurled Lever) | 01, 02, 03, 06, 07, 12, 17 (Levers) | |
| Control Finish | | | |
| US3 (Bright Brass) | US4 (Satin Brass) | US10 (Satin Bronze) | US10B (Satin Bronze-Oil Rubbed) |
| US26 (Bright Chrome) | US26D (Satin Chrome) | SPBLK (Black Painted) | |
| Mortise Lock E7500 | | | |
| 7500 (Standard Mortise Lock) | E7500 (Electric Unlocking) | LL (Less Lock) | DC standard, specify AC if required. |
| 24VDC standard, specify 12VDC if required. | | Specify FS (Fail Safe) or FSE (Fail Secure) | |
| Mortise Lock Finish | | | |
| US3/ 3A (Bright Brass) | US4 / 4A (Satin Brass) | US10 (Satin Bronze) | US10B (Satin Bronze-Oil Rubbed) |
| US32D (Satin Stainless) | SPBLK (Black) | US19 (Flat Black) | US32 (Bright Stainless) |
| Misc | | | |
| LCP (Less Cover Plate) | 10WDA (#10WDA Cover Plate) | 889R / 889M / 889V (373L w / Sexbolts Cover Plates) | |
| Door Material | | | |
| AL (Aluminum Door) | HM (Hollow Metal) | WD (Wood Door) | CP (Composite Door) |
| Door Thickness | | | |
| 1.3/4 (1-3/4" Standard) | 2 (2" Thickness) | 2.1/4 (2-1/4" Thickness) | |
| Door Application | | | |
| D (Double Egress) | P (Pair of Doors) | S (Single Door) | |
| MSV / MCV (Mortise Surface / Concealed Vert.) | | | |

Prices subject to change without notice.

Devices - 88 Series

Devices are priced complete with standard trim and strikes.
Cylinders and sex bolts are not included in price.

EXIT HARDWARE

Rim Devices

(Price includes 299 Strike)

| | US26D | US10B | US10 | US4/4A | US3/3A US15 US26 643E | SPBLK | Weight lbs. | Standard Trim/Control |
|---------|-------|-------|------|--------|--------------------------------|-------|----------------|--------------------------|
| ** 88EO | 1406 | 1566 | 1447 | 1366 | 1739 | 1739 | 11 | - |
| 88DT | 1662 | 1841 | 1774 | 1565 | 2071 | 2071 | 13 | 880DT-R |
| 88NL | 1681 | 1862 | 1798 | 1577 | 2096 | 2096 | 13 | 880NL-R |
| 88TP | 1689 | 1868 | 1843 | 1635 | 2138 | 2138 | 14 | 880TP-R |
| 88TP-BE | 1689 | 1868 | 1843 | 1635 | 2138 | 2138 | 14 | 880TP-BE-R |
| 88K | 1738 | 1922 | 1867 | 1635 | 2163 | 2163 | 13 | 880K-R |
| 88K-BE | 1738 | 1922 | 1867 | 1635 | 2163 | 2163 | 13 | 880K-BE-R |
| 88K-DT | 1738 | 1922 | 1867 | 1635 | 2163 | 2163 | 13 | 880K-DT-R |
| 88K-NL | 1738 | 1922 | 1867 | 1635 | 2163 | 2163 | 13 | 880K-NL-R |
| 88L | 2059 | 2219 | 2010 | 1929 | 2508 | 2392 | 14 | 373L* |
| 88L-BE | 2026 | 2186 | 1976 | 1895 | 2469 | 2359 | 14 | 373L-BE* |
| 88L-DT | 2010 | 2170 | 1954 | 1873 | 2450 | 2343 | 14 | 373L-DT* |

FIRE EXIT HARDWARE

Rim Devices

(Price includes 268 Strike)

| | | | | | | | | |
|-----------|------|------|------|------|------|------|----|------------|
| ** 88EO-F | 1769 | 1993 | 1747 | 1665 | 2216 | 2216 | 11 | - |
| 88NL-F | 2044 | 2289 | 2098 | 1876 | 2573 | 2573 | 13 | 880NL-R |
| 88TP-F | 2052 | 2295 | 2143 | 1934 | 2615 | 2615 | 13 | 880TP-R |
| 88TP-BE-F | 2052 | 2295 | 2143 | 1934 | 2615 | 2615 | 13 | 880TP-BE-R |
| 88K-F | 2101 | 2349 | 2167 | 1934 | 2640 | 2640 | 13 | 880K-R |
| 88K-BE-F | 2101 | 2349 | 2167 | 1934 | 2640 | 2640 | 13 | 880K-BE-R |
| 88K-NL-F | 2101 | 2349 | 2167 | 1934 | 2640 | 2640 | 13 | 880K-NL-R |
| 88L-F | 2422 | 2646 | 2310 | 2228 | 2985 | 2869 | 14 | 373L* |
| 88L-BE-F | 2389 | 2613 | 2276 | 2194 | 2946 | 2836 | 14 | 373L-BE* |

88 Rim Notes:

Handing - 88-F Rim and all devices specified with lever trim are handed and not field reversible, specify handing RHR or LHR.

Finish - US15, US3A, US4A, consult factory for lead time.

- * **Composite Doors** - 889 cover plate is required for sex bolt applications using 373 lever controls and will be supplied at an additional price. Refer to page 98 for price by finish.

** **Cylinder Plate for NLOP Function** - included with EO device.

Prices subject to change without notice.

88 Series - Devices (continued)

Devices are priced complete with standard trim and strikes.
Cylinders and sex bolts are not included in price unless noted.

EXIT HARDWARE

Surface Vertical Rod Devices

(Price includes 299, 248L-4, and 304L Strikes)

| | US26D | US10B | US10 | US4/4A | US3/3A US15 US26 643E | SPBLK | Weight lbs. | Standard Trim/Control |
|-----------|-------|-------|------|--------|--------------------------------|-------|----------------|--------------------------|
| 8827EO | 1989 | 2167 | 1919 | 1810 | 2323 | 2323 | 13 | - |
| 8827DT | 2245 | 2442 | 2246 | 2009 | 2655 | 2655 | 17 | 880DT-V&M |
| 8827TP | 2272 | 2469 | 2315 | 2079 | 2722 | 2722 | 17 | 880TP-V |
| 8827TP-BE | 2272 | 2469 | 2315 | 2079 | 2722 | 2722 | 17 | 880TP-BE-V |
| 8827TP-NL | 2272 | 2469 | 2315 | 2079 | 2722 | 2722 | 17 | 880TP-V |
| 8827K | 2321 | 2523 | 2339 | 2079 | 2747 | 2747 | 17 | 880K-V |
| 8827K-BE | 2321 | 2523 | 2339 | 2079 | 2747 | 2747 | 17 | 880K-BE-V |
| 8827K-DT | 2321 | 2523 | 2339 | 2079 | 2747 | 2747 | 17 | 880K-DT-V |
| 8827K-NL | 2321 | 2523 | 2339 | 2079 | 2747 | 2747 | 17 | 880K-V |
| 8827L | 2642 | 2820 | 2482 | 2373 | 3092 | 2976 | 17 | 373L* |
| 8827L-BE | 2609 | 2787 | 2448 | 2339 | 3053 | 2943 | 17 | 373L-BE* |
| 8827L-DT | 2593 | 2771 | 2426 | 2317 | 3034 | 2927 | 17 | 373L-DT* |
| 8827TL | 2956 | 3153 | 2996 | 2620 | 3424 | 3366 | 20 | 880DT-V&M/377T** |
| 8827TL-BE | 2921 | 3118 | 2966 | 2582 | 3385 | 3331 | 20 | 880DT-V&M/377T-BE** |

FIRE EXIT HARDWARE

Surface Vertical Rod Devices

(Price includes 304L Strike)

| | | | | | | | | |
|-------------|------|------|------|------|------|------|----|---------------------|
| 8827EO-F | 2714 | 2830 | 2567 | 2461 | 3047 | 3047 | 14 | - |
| 8827TP-F | 2997 | 3132 | 2963 | 2730 | 3446 | 3446 | 18 | 880TP-V |
| 8827TP-BE-F | 2997 | 3132 | 2963 | 2730 | 3446 | 3446 | 18 | 880TP-V |
| 8827TP-NL-F | 2997 | 3132 | 2963 | 2730 | 3446 | 3446 | 18 | 880TP-BE-V |
| 8827K-F | 3046 | 3186 | 2987 | 2730 | 3471 | 3471 | 17 | 880K-V |
| 8827K-BE-F | 3046 | 3186 | 2987 | 2730 | 3471 | 3471 | 17 | 880K-BE-V |
| 8827K-NL-F | 3046 | 3186 | 2987 | 2730 | 3471 | 3471 | 17 | 880K-V |
| 8827L-F | 3367 | 3483 | 3130 | 3024 | 3816 | 3700 | 19 | 373L* |
| 8827L-BE-F | 3334 | 3450 | 3096 | 2990 | 3777 | 3667 | 19 | 373L-BE* |
| 8827TL-F | 3681 | 3816 | 3644 | 3271 | 4148 | 4090 | 20 | 880DT-V&M/377T** |
| 8827TL-BE-F | 3646 | 3781 | 3614 | 3233 | 4109 | 4055 | 20 | 880DT-V&M/377T-BE** |

8827 Notes:

Handing - Lever trim is handed and not field reversible, specify handing RHR or LHR.

Finish - US15, US3A, US4A, consult factory for lead time.

* **Composite Doors** - 889 cover plate is required for sex bolt applications using 373 lever controls and will be supplied at an additional price. Refer to page 98 for price by finish.

** **Wood Doors** - 10WDA cover plate is required for the 370 series controls and will be supplied at an additional, **\$50 list add.**

Prices subject to change without notice.

Devices are priced complete with standard trim and strikes.
Cylinders and sex bolts are not included in price.

FIRE EXIT HARDWARE

Concealed Vertical Rod Devices

(Price includes 301L Strike)

Hollow Metal Doors Only

| | US26D | US10B | US10 | US4/4A | US3/3A US15 US26 643E | SPBLK | Weight lbs. | Standard Trim/Control |
|-------------|-------|-------|------|--------|--------------------------------|-------|----------------|--------------------------|
| 8847EO-F | 2361 | 2483 | 2322 | 2238 | 2769 | 2769 | 12 | - |
| 8847L-F | 3072 | 3194 | 3119 | 2849 | 3538 | 3480 | 17 | 371L |
| 8847L-BE-F | 3037 | 3159 | 3042 | 2811 | 3499 | 3445 | 17 | 371L-BE |
| 8847TL-F | 3328 | 3469 | 3399 | 3048 | 3870 | 3812 | 18 | 880DT-V-SA/376T** |
| 8847TL-BE-F | 3293 | 3434 | 3369 | 3010 | 3831 | 3777 | 18 | 880DT-V-SA/376T-BE** |

EXIT HARDWARE

Mortise Lock Devices

(Price includes 575 Strike)

| | | | | | | | | |
|-----------|------|------|------|------|------|------|----|------------|
| 8875EO | 1890 | 2176 | 1946 | 1866 | 2232 | 2232 | 13 | - |
| 8875DT | 2146 | 2451 | 2273 | 2065 | 2564 | 2564 | 15 | 880DT-V&M |
| 8875NL | 2165 | 2472 | 2297 | 2077 | 2589 | 2589 | 15 | 880NL-M |
| 8875TP | 2173 | 2478 | 2342 | 2135 | 2631 | 2631 | 16 | 880TP-M |
| 8875TP-BE | 2173 | 2478 | 2342 | 2135 | 2631 | 2631 | 16 | 880TP-BE-M |
| 8875K | 2222 | 2532 | 2366 | 2135 | 2656 | 2656 | 15 | 880K-M |
| 8875K-BE | 2222 | 2532 | 2366 | 2135 | 2656 | 2656 | 15 | 880K-BE-M |
| 8875K-DT | 2222 | 2532 | 2366 | 2135 | 2656 | 2656 | 15 | 880K-DT-M |
| 8875L | 2543 | 2829 | 2509 | 2429 | 3001 | 2885 | 16 | 373L* |
| 8875L-BE | 2510 | 2796 | 2475 | 2395 | 2962 | 2852 | 16 | 373L-BE* |
| 8875L-DT | 2494 | 2780 | 2453 | 2373 | 2943 | 2836 | 16 | 373L-DT* |

FIRE EXIT HARDWARE

Mortise Lock Devices

(Price includes 575 Strike)

| | | | | | | | | |
|-------------|------|------|------|------|------|------|----|------------|
| 8875EO-F | 2041 | 2627 | 2099 | 2020 | 2399 | 2399 | 13 | - |
| 8875NL-F | 2316 | 2923 | 2450 | 2231 | 2756 | 2756 | 15 | 880NL-M |
| 8875TP-F | 2324 | 2929 | 2495 | 2289 | 2798 | 2798 | 16 | 880TP-M |
| 8875TP-BE-F | 2324 | 2929 | 2495 | 2289 | 2798 | 2798 | 16 | 880TP-BE-M |
| 8875K-F | 2373 | 2983 | 2519 | 2289 | 2823 | 2823 | 15 | 880K-M |
| 8875K-BE-F | 2373 | 2983 | 2519 | 2289 | 2823 | 2823 | 15 | 880K-BE-M |
| 8875L-F | 2694 | 3280 | 2662 | 2583 | 3168 | 3052 | 16 | 373L* |
| 8875L-BE-F | 2661 | 3247 | 2628 | 2549 | 3129 | 3019 | 16 | 373L-BE* |

8847/8875 Notes:

Handing - 8847-F, 8875, 8875-F and all devices specified with lever trim are handed and not field reversible, specify handing RHR or LHR.

Finish - US15, US3A, US4A, consult factory for lead time.

Dogging - 8847-F device is available with dogging less fire label at no additional charge. Specify 8847-F w/dogging. Consult factory for lead time.

* **Composite Doors** - 889 cover plate is required for sex bolt applications using 373 lever controls and will be supplied at an additional price.

Refer to page 98 for price by finish.

** **Wood Doors** - 10WDA cover plate is required for the 370 series controls and will be supplied at an additional, **\$50 list add.**

Prices subject to change without notice.

55/88 Series - Options

Crossbar Options

| <i>Suffix</i> | | List Add |
|---------------|---------------------|-----------------|
| RCB | Reinforced Crossbar | 102 |
| KN | Knurled Crossbar | 117 |

Pullman Latches

| <i>Prefix</i> | | List Add |
|---------------|--|-----------------|
| PL | 8827 Device PL Top and PL Bottom (Non-Fire Device only) | 218 |
| ES | ES Pullman Top Latch for 5547 Device (Metal doors, LBR only) | 263 |

Flush Transom Installation

(Available on 8827-F and 8847-F)

| <i>Prefix</i> | | List Add |
|---------------|--|-----------------|
| FL | 8827-F Device (Not a UL Fire Exit Hardware listed application) | 386 |
| FL | 8847-F Device | 94 |

Electric Unlocking

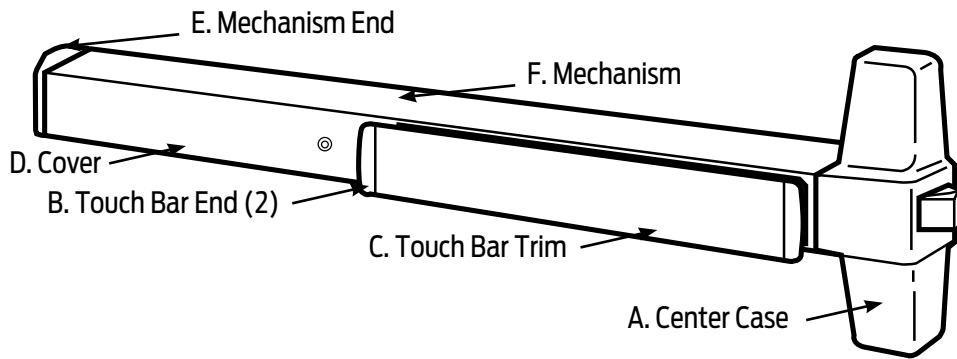
| <i>Prefix</i> | | List Add |
|--|---|-----------------|
| E Electric Unlocking ("BE" Lever Trim Only) | Available on the following Mortise Lock Devices: 5575 Series: 5575L-BE, 5575L-BE-F 8875 Series: 8875K or K-BE, 8875KF or K-BE-F, 8875L-BE, 8875L-BE-F, 8875TP or TP-BE, 8875TP-F or TP-BE-F Specify Fail Secure (FSE) or Fail Safe (FS) . For 24VAC installation a SO-24 Rectifier Kit will be supplied at an additional \$41 list add . | 599 |
| E Electric Unlocking ("BE" Trim Only) | Available on the following Lever or Thumbturn Controls. 55 Series: 371L-BE, 376L-BE, 376WDC-L-BE, 379L-BE, 376T-BE, 376WDC-T-BE 88 Series: 371L-BE, 373L-BE, 376T-BE, 377T-BE 24VDC furnished standard. Prefix Lever or Thumbturn Control with "E" . Example: E371L-BE | 599 |

Switches

| <i>Prefix</i> | | List Add |
|---------------|--|-----------------|
| RX | Crossbar monitor switch in end case. Factory Install Only. | 242 |

Prices subject to change without notice.

Finish Chart - 98/99 Series



Standard Finishes

| Color | US Number | BHMA Number | A, B, E | C -Touch Bar Trim Finishes | D, F |
|--------------------------|-----------|-------------|---|----------------------------------|------------------------|
| Bright Brass | US3 | 605 | Bright Brass | Bright Brass US3, 605 | Buffed Anodized |
| Satin Brass | US4 | 606 | Satin Brass | Satin Brass US4, 606 | Anodized |
| Satin Bronze | US10 | 612 | Plated/Anodized | Satin Bronze US10, 725 | Anodized |
| Satin Bronze, Oil-Rubbed | US10B | 613 | Oil-Rubbed | Oil-Rubbed, US10B | Powder Coat |
| Satin Nickel | US15 | 619 | Plated, Clear Powder Coat | Satin Stainless Steel US32D, 630 | Anodized |
| Polished Chrome | US26 | 625 | Plated | Bright Stainless Steel US32, 629 | Buffed Anodized |
| Satin Chrome | US26D | 626 | Plated | Satin Stainless Steel US32D, 630 | Anodized |
| Anodized Aluminum | US28 | 628 | Powder Coat | Satin Stainless Steel US32D, 630 | Anodized |
| Satin Stainless Steel | US32D | 630 | Stainless Steel | Satin Stainless Steel US32D, 630 | Anodized |
| Duranodic Dark Bronze | 313 | 710 | Powder Coat | Powder Coat 313, 710 | Powder Coat |
| Black | 315 | 711 | Powder Coat | Powder Coat 315, 711 | Powder Coat |
| Aged Bronze, 643E | -- | -- | (A) Aged Bronze, No Relief (B, E) Relieved Aged Bronze | Relieved Aged Bronze | Aged Bronze, No Relief |

US32D and US15 finishes available on Series 98 only.

Special Finishes

| Color | US Number | BHMA Number | A, B, E | C -Touch Bar Trim Finishes | D, F |
|--------------------------------------|-----------|-------------|-------------------------------|--|------------------------|
| Bright Bronze | US9 | 611 | Plated | Bright Bronze US9, 611 | Buffed Anodized |
| Satin Chrome, Antimicrobial | US26D-AM | 626-AM | AM Clear over Chrome | AM Clear over Satin Stainless Steel US32D, 630 | AM Clear over Anodized |
| Satin Stainless Steel, Antimicrobial | US32D-AM | 630-AM | AM Clear over Stainless Steel | AM Clear over Satin Stainless Steel US32D, 630 | AM Clear over Anodized |
| Powder Coat | RAL # * | -- | Powder Coat | Powder Coat | Powder Coat |

* See Finish page for optional RAL color information.

FINISH NOTES:

US32D and US15 finishes available on Series 98 only.

Devices ordered in US28 and US32D will be supplied with Trims in US26D.

98/99 Series Sex Bolt Quantities

| Application | Sex Bolt 325 (Supplied) | 425 Sex Bolt (Supplied) | 425 Sex Bolt (Optional) | 825 Sex Bolt (Supplied) |
|---|-------------------------|-------------------------|-------------------------|-------------------------|
| DT, EO, NL, TP, K or L Device with trim | | | 2 | |
| 99 NLOP Device with 110MD/WD | | | 6 | |
| 9927 NLOP Device with 110MD/WD | | | 6 | |
| 99 EO Device (exit device only) | | | 6 | |
| 9927 EO Device (exit device only) | | | 6 | |
| 9947 EO Device (exit device only) | | | 6 | |
| 99-F Wood Door with trim | | | | 2 |
| Windstorm Device | 12 | 6 | | |

Prices subject to change without notice.

 Indicates products that have EPD documentation available and meet LEED v4.

98/99 Series - Summary

Type of Device

| | | | |
|---|--|---------------------------------------|--------------------------------------|
| None (Rim) | 27 (Surface Vertical Rod) | 57 (Surface Three Point Latch) | 75 (Mortise Lock) |
| 47 / 48 (Concealed Vertical Rod) | 47 WDC (Wood Door Concealed Vertical Rod) | | 49 (Concealed Vertical Cable) |
| 50WDC (Wood Door Concealed Vertical Cable) | | | |

Function

| | | | |
|--------------------------------------|--------------------------------------|---|-------------------------------|
| EO (Exit Only) | DT (Dummy Trim) | L (Lever-06 Standard) | LDT (Lever-Dummy Trim) |
| NL (Night Latch-Key Retracts) | NLOP (Night Latch, Opt. Pull) | LNL (Lever-Night Latch) | TL (Turn Lever) |
| HL (Hospital Latch) | K (Knob) | KBE (Knob Blank Escutcheon) | KDT (Knob Dummy) |
| KNL (Knob Night Latch) | LBE (Lever-Blank Escutcheon) | TLBE (Turn Lever - Blank Escutcheon) | |
| TP (Thumbpiece) | TLOP (Turn Lever, Opt. Pull) | TPBE (Thumbpiece - Blank Escutcheon) | |

Rating

| | |
|---------------------------------|-------------------------------|
| None (Panic Exit Device) | - F (Fire Exit Device) |
|---------------------------------|-------------------------------|

Device Finish

| | | | |
|---|-----------------------------|---|------------------------------------|
| US3 (Bright Brass) | US4 (Satin Brass) | US10 (Satin Bronze) | US28 (Anodized Aluminum) |
| US26 (Bright Chrome) | US26D (Satin Chrome) | US26D-AM (Antimicrobial) | 313 (Duranodic Dark Bronze) |
| 315 (Black) | 643E (Aged Bronze) | US10B (Satin Bronze- Oil Rubbed) | |
| US32D / 32D-AM (Satin Stainless Steel) & US15 (Satin Nickel) 98 Series only | | | |

Device Length (Feet and Inches)

| | | |
|--|---|--|
| 2' (2' Device for 2' Door - Vertical Device only) | 3' (3' Device for 2' 4" - 3' Door) | 4' (4' Device for 2' 10" - 4' Door) |
|--|---|--|

Device Handing

| | |
|---------------------------------|--------------------------------|
| RHR (Right Hand Reverse) | LHR (Left Hand Reverse) |
|---------------------------------|--------------------------------|

Touch Bar Trim Options

| | | | | |
|--|-------------------------------|-------------------------|---------------------|--------------------------|
| RSS (Emergency Exit- US32D only) | PUSH (Embossed - Push) | SG (Safety Glow) | KN (Knurled) | BRAILLE (Braille) |
| WH (Drainage/Weep Holes in Mechanism Case - 3' device will have 4 holes - 6" spacing, 4' device will have 6 holes - 6" spacing) | | | | |

Touch Bar Finish

| | | | |
|--------------------------------|-------------------------------|--------------------------------|------------------------------------|
| US3 (Bright Brass) | US4 (Satin Brass) | US10 (Satin Bronze) | US19 (Flat Black) |
| US32 (Bright Stainless) | 340 (Photoluminescent) | US32D (Satin Stainless) | 313 (Duranodic Dark Bronze) |

Dogging Options

| | | | |
|---|-----------------------------|--|--|
| CD (Cylinder Dogging - Panic Only) | HD (Hex Dogging) | LD (Less Dogging) | CI (Cylinder Dogging Indicator) |
| DI (Dogging Indicator) | SD (Special Dogging) | CDSI (Cylinder Dogging w/Indicator) | HDSI (Hex Dogging w/Indicator) |

Switch Options

| | | | |
|--|-----------------------------------|---|---|
| LX (Latchbolt Monitoring) | LXLC (LBM Low Current) | RX (Request to Exit) | RXLC (Request to Exit Low Current) |
| RX2 (Request to Exit Double Switch) | LXRX (LBM Request to Exit) | LXRXLC (LBM Request to Exit Low Current) | |
| WP-RX (Waterproof Request to Exit) | | | |

Prices subject to change without notice.

 Indicates products that have EPD documentation available and meet LEED v4.

Electric Options

| | | | |
|---|--|----------------------------------|---------------------------------|
| EL (Electric Latch Retraction) | FS (Fail Safe) | E (Electric Mortise Lock) | ES (Electric Strike) |
| FSE (Fail Secure) | CX (Chexit - Controlled Exit) | CXR (CX-RCM) | ALK (Standard Alarm Kit) |
| SS (Signal Switch, Rim or Mortise) | QEL (Quiet Electric Latch Retraction) | | |

Device Options

| | | | |
|--------------------------------------|--|------------------------|-------------------------------|
| HHCX (Hurricane CX) | HHCXR (Hurricane CX-RCM) | HH (Hurricane) | WS (Windstorm) |
| PL (Include Pullman Latch) | AX (Accessible Device) | SNB (Sex Bolts) | GBK (Include GBK) |
| -2 (Double Cylinder) | SLM (Include SLM Blocking) | PN (Pneumatic) | CYL (Include Cylinder) |
| SEC (Include Security Screws) | -2S1 (Cylinder Dogging with Security Indicator) | | |

Rods For Surface / Concealed Vertical Devices only

| | | | |
|--|--------------------------------|--|------------------------------|
| OPR (1 piece Top Rod) | LBL (Less Bottom Cable) | LBLAFL (LBL with Aux. Fire Pin) | LBR (Less Bottom Rod) |
| LBRAFL (LBR with Aux. Fire Pin) | | | |

Strike Series

| | | | |
|--------------------------------|-----------------------------------|--|---------------------------------------|
| LS (Less Strike) | LTS (Less Top Strike) | 260U / 260UF (Opt. SV Flush Transom) | 249 (Std. 49) |
| 264 (Opt. Rim or SV) | 283 (Opt. CV - Wood Frame) | 299 / 299F (Std. SV) | 338 (Std. CV) |
| 499F (Std. SV Fire LBR) | 575 / 575-2 (Std. Mortise) | 576A (Mortise, pairs 1-3/4 Dr) | 576B (Mortise, pairs 2-1/4 Dr) |
| | | 1409, 1410, 1439, 1606, 1609 (Opt. Rim) | |

Bottom Strike Series

| | | | | |
|---------------------------------|-------------------------|-----------------------|----------------------|----------------------------------|
| LBS (Less Bottom Strike) | 248L-4 (Surface) | 304L (Mortise) | 349 (Std. 49) | 385A (Adjustable Mortise) |
|---------------------------------|-------------------------|-----------------------|----------------------|----------------------------------|

Strike Finish

| | | | |
|--------------------------------|-----------------------------|------------------------------|--|
| US3 (Bright Brass) | US4 (Satin Brass) | US10 (Satin Bronze) | US10B (Satin Bronze-Oil Rubbed) |
| US19 (Flat Black) | US26 (Bright Chrome) | US26D (Satin Chrome) | US32 (Bright Stainless) |
| US32D (Satin Stainless) | MD (e-Moly) | SP10 (Sprayed Bronze) | SP313 (Dark Bronze) |

Trim Options

| | | | |
|---------------------------------------|---------------------------------------|---------------------------------|--------------------------------------|
| LT (Less Trim) | RX996 (Request to Exit 996) | VR910 (Vandal Resistant) | 110MD / 110WD (Std. on NL-OP) |
| 392-7 (Opt. Pull Dummy Trim) | 990 (Std. Rim) | 996 (Std. Lever Trim) | E996 (Electric 996) |
| 697 / 697WDF (Opt. Lever Trim) | 696 / 696WDF (Opt. Lever Trim) | | |

Trim / Control / Mortise Finish

| | | | |
|--------------------------------|------------------------------------|---------------------------------|--|
| US3 (Bright Brass) | US4 (Satin Brass) | US10 (Satin Bronze) | US10B (Satin Bronze-Oil Rubbed) |
| US26 (Bright Chrome) | US26D (Satin Chrome) | SPBLK (Black Painted) | 313 (Duranodic Dark Bronze) |
| US15 (Satin Nickel) | US19 (Flat Black - 98/9975) | US26D-AM (Antimicrobial) | US32 (Bright Stainless) |
| US32D (Satin Stainless) | | | |

Control Options

| | | |
|--------------------------|--------------------------------------|---|
| LC (Less Control) | 374T (Thumbturn Control - SV) | 376T / 376T WDC (Thumbturn Control - CV) |
|--------------------------|--------------------------------------|---|

Prices subject to change without notice.

 Indicates products that have EPD documentation available and meet LEED v4.

98/99 Series - Summary (continued)

Trim Lever Styles 06 Lever Standard

| | | | |
|---|-------------------------------|--|-----------------------------|
| ACC (Accent Lever) | AST (Asti Lever) | MER (Merona Lever) | STA (St. Anne Lever) |
| 03K (03 Knurled Lever) | 06K (06 Knurled Lever) | 01, 02, 03, 05, 06, 07, 12, 16, 17, 18 (Levers) | |
| 03 SS, 06 SS, 17 SS, LAT SS, LON SS, M57, M62 (Stainless Steel Levers) | | LAT (Latitude) | LON (Longitude) |
| M51, M52, M53, M54, M55, M56, M61, M63, M81, M82, M83, M84, M85, ME1, ME2, ME3 | | | |

Mortise Lock

| | | | |
|--|--------------------------------|-------------------------------|---------------------------------|
| LL (Less Lock) | 7500 (Standard Mortise) | SS7500 (Signal Switch) | 7500-2 (Double Cylinder) |
| E7500 (Electric Unlocking specify FS - Fail Safe or FSE - Fail Secure, 12V or 24V and AC or DC) | | | |

Chexit Options

| | | | |
|-----------------------------------|------------------------------|-----------------------------------|-----------------------------|
| B15 (BOCA 15 Second Delay) | 0 (0 Second Delay) | 15 (15 Second Delay) | 30 (30 Second Delay) |
| LRG (Less Rod Guards) | RGO (Rod Guards Only) | M15 (15 Second Mute Delay) | INF (Infinite Delay) |

Misc

| | | |
|---------------------------------------|-------------------------------|-----------------------------------|
| CE (CE Labeled) | LCP (Less Cover Plate) | 10WDA (#10WDA Cover Plate) |
| RAT REL (Ratchet Release Assy) | 10CABLE (10' Cable) | CON (Connectors) |

Door Material

| | | | |
|---------------------------------|---------------------------------|--|----------------------------|
| AL (Aluminum Door) | HM (Hollow Metal) | WD (Wood Door) | CP (Composite Door) |
| CLAD2 (Insulclad - 1/2") | CLAD4 (Insulclad - 1/4") | SC (Steelcraft, HH Device Only) | |

Door Thickness

| | | |
|--------------------------------|-------------------------|---------------------------------|
| 1.3/4 (1-3/4" Standard) | 2 (2" Thickness) | 2.1/4 (2-1/4" Thickness) |
|--------------------------------|-------------------------|---------------------------------|

Door Application

| | | |
|--------------------------|--------------------------|------------------------|
| D (Double Egress) | P (Pair of Doors) | S (Single Door) |
|--------------------------|--------------------------|------------------------|

APPLICATION NOTE FOR 2' DEVICE:

Available on Surface and Concealed Vertical (panic and fire).

When vertical rod devices are used on both doors of a pair, operation of the inactive door (smaller door) will not disengage the active door, creating a potential safety issue for those using the inactive door during an emergency. In addition, standard hex or cylinder dogging is not available. If dogging is required, special center case dogging is available for 98/9927/47 devices. Prefix device with "SD".

For pairs of doors using one 2' door Von Duprin recommends the following hardware combinations listed below for optimum safety in an emergency.

1. Surface or Concealed Vertical device on the 2' door (inactive) and a mortise device on the larger door (active). This combination is used primarily on Hollow Metal door applications only.
2. Automatic Flush Bolt on the 2' door (inactive) and a Surface or Concealed Vertical device on the larger door (active).

NOTE: The 2' door width is not available with any Electrical, Chexit, Hurricane, Pneumatic or Windstorm options.

Devices - 98/99 Series

**3' Devices are priced complete with standard trim and strike(s).
4' add \$18 list.
Cylinders and sex bolts are not included in price unless noted.**

EXIT HARDWARE

Rim Devices

(Price includes 299 Strike)

| | US26D | US28 | US32D | 313 | US10 | US4/4A | US3/3A | 315 | US10B | Weight lbs | | Standard Trim/Control |
|-------------------|-------|------|-------|------|------|--------|----------------------|------|-------|------------|----|-----------------------|
| | | | | | | | US15 US26 643E | | | 3' | 4' | |
| 98/99EO | 1356 | 1199 | 1379 | 1258 | 1375 | 1393 | 1579 | 1936 | 1545 | 14 | 17 | - |
| 98/99DT | 1603 | 1446 | 1626 | 1523 | 1640 | 1592 | 1855 | 2201 | 1810 | 17 | 19 | 990DT |
| 98/99NL | 1621 | 1464 | 1644 | 1531 | 1651 | 1609 | 1862 | 2209 | 1818 | 17 | 19 | 990NL-R&V |
| 98/99NL-OP | 1481 | 1324 | 1504 | 1383 | 1500 | 1510 | 1706 | 2063 | 1670 | 15 | 18 | 110MD/WD |
| 98/99TP | 1709 | 1552 | 1732 | 1622 | 1726 | 1685 | 1960 | 2300 | 1909 | 16 | 20 | 990TP-R&V |
| 98/99TP-BE | 1709 | 1552 | 1732 | 1622 | 1726 | 1685 | 1960 | 2300 | 1909 | 16 | 20 | 990TP-BE-R&V |
| 98/99K | 1780 | 1623 | 1803 | 1705 | 1882 | 1765 | 2122 | 2383 | 1992 | 18 | 21 | 996K-R&V |
| 98/99K-BE | 1780 | 1623 | 1803 | 1705 | 1882 | 1765 | 2122 | 2383 | 1992 | 18 | 21 | 996K-BE-R&V |
| 98/99K-DT | 1770 | 1613 | 1793 | 1689 | 1866 | 1757 | 2100 | 2367 | 1976 | 18 | 21 | 996K-DT-R&V |
| 98/99K-NL | 1770 | 1613 | 1793 | 1689 | 1866 | 1757 | 2100 | 2367 | 1976 | 18 | 21 | 996K-NL-R&V |
| 98/99L | 1928 | 1771 | 1951 | 1845 | 1972 | 1930 | 2246 | 2523 | 2132 | 19 | 21 | 996L-R&V |
| 98/99L-BE | 1928 | 1771 | 1951 | 1845 | 1972 | 1930 | 2246 | 2523 | 2132 | 19 | 21 | 996L-BE-R&V |
| 98/99L-DT | 1801 | 1644 | 1824 | 1718 | 1887 | 1830 | 2112 | 2396 | 2005 | 19 | 21 | 996L-DT-R&V |
| 98/99L-NL | 1801 | 1644 | 1824 | 1718 | 1887 | 1830 | 2112 | 2396 | 2005 | 19 | 21 | 996L-NL-R&V |

FIRE EXIT HARDWARE

Rim Devices

(Price includes 299F Strike for single door applications only.)

(For double door applications, the 499F Strike will be supplied at an additional \$102 list add.)

| | | | | | | | | | | | | |
|---------------------|------|------|------|------|------|------|------|------|------|----|----|--------------|
| 98/99EO-F | 1510 | 1404 | 1563 | 1491 | 1566 | 1644 | 1781 | 2159 | 1832 | 10 | 13 | - |
| 98/99NL-F | 1775 | 1669 | 1828 | 1764 | 1842 | 1860 | 2064 | 2432 | 2105 | 14 | 16 | 990NL-R&V |
| 98/99NL-OP-F | 1635 | 1529 | 1688 | 1616 | 1691 | 1761 | 1908 | 2286 | 1957 | 11 | 14 | 110MD/WD |
| 98/99TP-F | 1863 | 1757 | 1916 | 1855 | 1917 | 1936 | 2162 | 2523 | 2196 | 15 | 17 | 990TP-R&V |
| 98/99TP-BE-F | 1863 | 1757 | 1916 | 1855 | 1917 | 1936 | 2162 | 2523 | 2196 | 15 | 17 | 990TP-BE-R&V |
| 98/99K-F | 1934 | 1828 | 1987 | 1938 | 2073 | 2016 | 2324 | 2606 | 2279 | 18 | 19 | 996K-R&V |
| 98/99K-BE-F | 1934 | 1828 | 1987 | 1938 | 2073 | 2016 | 2324 | 2606 | 2279 | 18 | 19 | 996K-BE-R&V |
| 98/99K-NL-F | 1924 | 1818 | 1977 | 1922 | 2057 | 2008 | 2302 | 2590 | 2263 | 18 | 19 | 996K-NL-R&V |
| 98/99L-F | 2082 | 1976 | 2135 | 2078 | 2163 | 2181 | 2448 | 2746 | 2419 | 16 | 18 | 996L-R&V |
| 98/99L-BE-F | 2082 | 1976 | 2135 | 2078 | 2163 | 2181 | 2448 | 2746 | 2419 | 16 | 18 | 996L-BE-R&V |
| 98/99L-NL-F | 1955 | 1849 | 2008 | 1951 | 2078 | 2081 | 2314 | 2619 | 2292 | 16 | 18 | 996L-NL-R&V |

98/99 Rim Notes:

Finish - US32D and US15 finishes available on Series 98 only.

Finish - US3A, US4A, consult factory for lead time.

Finish - US10B finish has 313 finish device with US10B parts.

DT not available on fire rated exits.

Prices subject to change without notice.

 Indicates products that have EPD documentation available and meet LEED v4.

98/99 Series - Devices (continued)

3' Devices are priced complete with standard trim and strike(s).
 2' add \$75 list, 4' add \$18 list.
 Cylinders and sex bolts are not included in price unless noted.

EXIT HARDWARE

Surface Vertical Rod Devices

(Price includes 299, 248L-4, 304L Strikes and Sex Bolts for Latches)

| | US26D | US28 | US32D | 313 | US10 | US4/4A | US3/3A | 315 | US10B | Weight lbs. | | | Standard Trim/Control /Cover Plate |
|--------------|-------|------|-------|------|------|--------|----------------|------|-------|-------------|----|----|------------------------------------|
| | | | | | | | US15 US26 643E | | | 2' | 3' | 4' | |
| 98/9927EO | 1960 | 1788 | 2069 | 1909 | 1990 | 2041 | 2237 | 2616 | 2325 | 16 | 18 | 20 | - |
| 98/9927DT | 2207 | 2035 | 2316 | 2174 | 2255 | 2240 | 2513 | 2881 | 2590 | 16 | 19 | 22 | 990DT |
| 98/9927NL | 2225 | 2053 | 2334 | 2182 | 2266 | 2257 | 2520 | 2889 | 2598 | 16 | 19 | 22 | 990NL-R&V |
| 98/9927NL-OP | 2085 | 1913 | 2194 | 2034 | 2115 | 2158 | 2364 | 2743 | 2450 | 16 | 19 | 22 | 110MD/WD |
| 98/9927TP | 2313 | 2141 | 2422 | 2273 | 2341 | 2333 | 2618 | 2980 | 2689 | 17 | 20 | 23 | 990TP-R&V |
| 98/9927TP-BE | 2313 | 2141 | 2422 | 2273 | 2341 | 2333 | 2618 | 2980 | 2689 | 17 | 20 | 23 | 990TP-BE-R&V |
| 98/9927K | 2384 | 2212 | 2493 | 2356 | 2497 | 2413 | 2780 | 3063 | 2772 | 20 | 22 | 24 | 996K-R&V |
| 98/9927K-BE | 2384 | 2212 | 2493 | 2356 | 2497 | 2413 | 2780 | 3063 | 2772 | 20 | 22 | 24 | 996K-BE-R&V |
| 98/9927K-DT | 2374 | 2202 | 2483 | 2340 | 2481 | 2405 | 2758 | 3047 | 2756 | 20 | 22 | 24 | 996K-DT-R&V |
| 98/9927K-NL | 2374 | 2202 | 2483 | 2340 | 2481 | 2405 | 2758 | 3047 | 2756 | 20 | 22 | 24 | 996K-NL-R&V |
| 98/9927L | 2532 | 2360 | 2641 | 2496 | 2587 | 2578 | 2904 | 3203 | 2912 | 20 | 22 | 24 | 996L-R&V |
| 98/9927L-BE | 2532 | 2360 | 2641 | 2496 | 2587 | 2578 | 2904 | 3203 | 2912 | 20 | 22 | 24 | 996L-BE-R&V |
| 98/9927L-DT | 2405 | 2233 | 2514 | 2369 | 2502 | 2478 | 2770 | 3076 | 2785 | 20 | 22 | 24 | 996L-DT-R&V |
| 98/9927L-NL | 2405 | 2233 | 2514 | 2369 | 2502 | 2478 | 2770 | 3076 | 2785 | 20 | 22 | 24 | 996L-NL-R&V |
| 98/9927TL | 2918 | 2746 | 3027 | 2885 | 3005 | 2851 | 3282 | 3592 | 3301 | 22 | 24 | 26 | 990DT/374T* |
| 98/9927TL-BE | 2883 | 2711 | 2992 | 2850 | 2975 | 2813 | 3243 | 3557 | 3266 | 22 | 24 | 26 | 990DT/374T-BE* |

FIRE EXIT HARDWARE

Surface Vertical Rod Devices

(Price includes 299F, 304L Strikes and Sex Bolts for Latches)

| | | | | | | | | | | | | | |
|----------------|------|------|------|------|------|------|------|------|------|----|----|----|----------------|
| 98/9927EO-F | 2228 | 2071 | 2343 | 2201 | 2274 | 2357 | 2540 | 2882 | 2698 | 13 | 16 | 19 | - |
| 98/9927NL-F | 2493 | 2336 | 2608 | 2474 | 2550 | 2573 | 2823 | 3155 | 2971 | 19 | 20 | 21 | 990NL-R&V |
| 98/9927NL-OP-F | 2353 | 2196 | 2468 | 2326 | 2399 | 2474 | 2667 | 3009 | 2823 | 19 | 20 | 21 | 110MD/WD |
| 98/9927TP-F | 2581 | 2424 | 2696 | 2565 | 2625 | 2649 | 2921 | 3246 | 3062 | 17 | 19 | 21 | 990TP-R&V |
| 98/9927TP-BE-F | 2581 | 2424 | 2696 | 2565 | 2625 | 2649 | 2921 | 3246 | 3062 | 17 | 19 | 21 | 990TP-BE-R&V |
| 98/9927K-F | 2652 | 2495 | 2767 | 2648 | 2781 | 2729 | 3083 | 3329 | 3145 | 21 | 22 | 23 | 996K-R&V |
| 98/9927K-BE-F | 2652 | 2495 | 2767 | 2648 | 2781 | 2729 | 3083 | 3329 | 3145 | 21 | 22 | 23 | 996K-BE-R&V |
| 98/9927K-NL-F | 2642 | 2485 | 2757 | 2632 | 2765 | 2721 | 3061 | 3313 | 3129 | 21 | 22 | 23 | 996K-NL-R&V |
| 98/9927L-F | 2800 | 2643 | 2915 | 2788 | 2871 | 2894 | 3207 | 3469 | 3285 | 19 | 22 | 25 | 996L-R&V |
| 98/9927L-BE-F | 2800 | 2643 | 2915 | 2788 | 2871 | 2894 | 3207 | 3469 | 3285 | 19 | 22 | 25 | 996L-BE-R&V |
| 98/9927L-NL-F | 2673 | 2516 | 2788 | 2661 | 2786 | 2794 | 3073 | 3342 | 3158 | 19 | 22 | 25 | 996L-NL-R&V |
| 98/9927TL-F | 3186 | 3029 | 3301 | 3177 | 3289 | 3167 | 3585 | 3858 | 3674 | 19 | 22 | 25 | 990DT/374T* |
| 98/9927TL-BE-F | 3151 | 2994 | 3266 | 3142 | 3259 | 3129 | 3546 | 3823 | 3639 | 19 | 22 | 25 | 990DT/374T-BE* |

98/9927 Notes:

Finish - US32D and US15 finishes available on Series 98 only.

Finish - US3A, US4A, consult factory for lead time.

Finish - US10B finish has 313 finish device with US10B parts.

* **Wood Doors** - 10WDA cover plate is required for the 370 series controls and will be supplied at an additional, **\$50 list add**.

Prices subject to change without notice.

 Indicates products that have EPD documentation available and meet LEED v4.

**3' Devices are priced complete with standard trim and strike(s).
2' add \$75 list, 4' add \$18 list.
Cylinders and sex bolts are not include in price unless noted.**

EXIT HARDWARE

Concealed Vertical Rod Devices

(Price includes 338 and 385A Strikes)

| | US26D | US28 | US32D | 313 | US10 | US4/4A | US3/3A | 315 | US10B | Weight lbs. | | | Standard Trim/Control /Cover Plate |
|--------------|-------|------|-------|------|------|--------|----------------|------|-------|-------------|----|----|------------------------------------|
| | | | | | | | US15 US26 643E | | | 2' | 3' | 4' | |
| 98/9947EO | 2064 | 1832 | 2109 | 1980 | 2069 | 2145 | 2261 | 2679 | 2412 | 15 | 17 | 19 | - |
| 98/9947DT | 2311 | 2079 | 2356 | 2245 | 2334 | 2344 | 2537 | 2944 | 2677 | 15 | 19 | 23 | 990DT |
| 98/9947NL | 2329 | 2097 | 2374 | 2253 | 2345 | 2361 | 2544 | 2952 | 2685 | 15 | 19 | 23 | 990NL-R&V |
| 98/9947NL-OP | 2189 | 1957 | 2234 | 2105 | 2194 | 2262 | 2388 | 2806 | 2537 | 15 | 19 | 23 | 110MD/WD |
| 98/9947TP | 2417 | 2185 | 2462 | 2344 | 2420 | 2437 | 2642 | 3043 | 2776 | 16 | 19 | 22 | 990TP-R&V |
| 98/9947TP-BE | 2417 | 2185 | 2462 | 2344 | 2420 | 2437 | 2642 | 3043 | 2776 | 16 | 19 | 22 | 990TP-BE-R&V |
| 98/9947K | 2488 | 2256 | 2533 | 2427 | 2576 | 2517 | 2804 | 3126 | 2859 | 17 | 21 | 25 | 996K-R&V |
| 98/9947K-BE | 2488 | 2256 | 2533 | 2427 | 2576 | 2517 | 2804 | 3126 | 2859 | 17 | 21 | 25 | 996K-BE-R&V |
| 98/9947K-DT | 2478 | 2246 | 2523 | 2411 | 2560 | 2509 | 2782 | 3110 | 2843 | 17 | 21 | 25 | 996K-DT-R&V |
| 98/9947K-NL | 2478 | 2246 | 2523 | 2411 | 2560 | 2509 | 2782 | 3110 | 2843 | 17 | 21 | 25 | 996K-NL-R&V |
| 98/9947L | 2636 | 2404 | 2681 | 2567 | 2666 | 2682 | 2928 | 3266 | 2999 | 21 | 23 | 25 | 996L-R&V |
| 98/9947L-BE | 2636 | 2404 | 2681 | 2567 | 2666 | 2682 | 2928 | 3266 | 2999 | 21 | 23 | 25 | 996L-BE-R&V |
| 98/9947L-DT | 2509 | 2277 | 2554 | 2440 | 2581 | 2582 | 2794 | 3139 | 2872 | 21 | 23 | 25 | 996L-DT-R&V |
| 98/9947L-NL | 2509 | 2277 | 2554 | 2440 | 2581 | 2582 | 2794 | 3139 | 2872 | 21 | 23 | 25 | 996L-NL-R&V |
| 98/9947TL | 3022 | 2790 | 3067 | 2956 | 3084 | 2955 | 3306 | 3655 | 3388 | 21 | 23 | 25 | 990DT/376T* |
| 98/9947TL-BE | 2987 | 2755 | 3032 | 2921 | 3054 | 2917 | 3267 | 3620 | 3353 | 21 | 23 | 25 | 990DT/376T-BE* |

FIRE EXIT HARDWARE

Concealed Vertical Rod Devices

(Price includes 338 and 385A Strikes)

| | | | | | | | | | | | | | |
|----------------|------|------|------|------|------|------|------|------|------|----|----|----|----------------|
| 98/9947EO-F | 2331 | 2123 | 2405 | 2348 | 2426 | 2518 | 2705 | 3032 | 2868 | 15 | 17 | 19 | - |
| 98/9947NL-F | 2596 | 2388 | 2670 | 2621 | 2702 | 2734 | 2988 | 3305 | 3141 | 15 | 19 | 23 | 990NL-R&V |
| 98/9947NL-OP-F | 2456 | 2248 | 2530 | 2473 | 2551 | 2635 | 2832 | 3159 | 2993 | 15 | 19 | 23 | 110MD |
| 98/9947TP-F | 2684 | 2476 | 2758 | 2712 | 2777 | 2810 | 3086 | 3396 | 3232 | 16 | 19 | 22 | 990TP-R&V |
| 98/9947TP-BE-F | 2684 | 2476 | 2758 | 2712 | 2777 | 2810 | 3086 | 3396 | 3232 | 16 | 19 | 22 | 990TP-BE-R&V |
| 98/9947K-F | 2755 | 2547 | 2829 | 2795 | 2933 | 2890 | 3248 | 3479 | 3315 | 17 | 21 | 25 | 996K-R&V |
| 98/9947K-BE-F | 2755 | 2547 | 2829 | 2795 | 2933 | 2890 | 3248 | 3479 | 3315 | 17 | 21 | 25 | 996K-BE-R&V |
| 98/9947K-NL-F | 2745 | 2537 | 2819 | 2779 | 2917 | 2882 | 3226 | 3463 | 3299 | 17 | 21 | 25 | 996K-NL-R&V |
| 98/9947L-F | 2903 | 2695 | 2977 | 2935 | 3023 | 3055 | 3372 | 3619 | 3455 | 21 | 23 | 25 | 996L-R&V |
| 98/9947L-BE-F | 2903 | 2695 | 2977 | 2935 | 3023 | 3055 | 3372 | 3619 | 3455 | 21 | 23 | 25 | 996L-BE-R&V |
| 98/9947L-NL-F | 2776 | 2568 | 2850 | 2808 | 2938 | 2955 | 3238 | 3492 | 3328 | 21 | 23 | 25 | 996L-NL-R&V |
| 98/9947TL-F | 3289 | 3081 | 3363 | 3324 | 3441 | 3328 | 3750 | 4008 | 3844 | 21 | 23 | 25 | 990DT/376T* |
| 98/9947TL-BE-F | 3254 | 3046 | 3328 | 3289 | 3411 | 3290 | 3711 | 3973 | 3809 | 21 | 23 | 25 | 990DT/376T-BE* |

98/9947 Notes:

Finish - US32D and US15 finishes available on Series 98 only.

Finish - US3A, US4A, consult factory for lead time.

Finish - US10B finish has 313 finish device with US10B parts.

* **Wood Doors** - 10WDA cover plate is required for the 370 series controls and will be supplied at an additional, **\$50 list add.**

Prices subject to change without notice.

 Indicates products that have EPD documentation available and meet LEED v4.

98/99 Series - Devices (continued)

3' Devices are priced complete with standard trim and strike(s).
 2' add \$75 list, 4' add \$18 list.
 Cylinders and sex bolts are not include in price unless noted

EXIT HARDWARE

Wood Door Concealed Vertical Rod Devices

(Price includes 338 and 385A Strikes, Sex Bolts, and 8" Scalp Plate)

| | US26D | US28 | US32D | 313 | US10 | US4/4A | US3/3A | US15 | 315 | US10B | Weight lbs. | | | Standard Trim/Control |
|------------------|-------|------|-------|------|------|--------|--------------|------|------|-------|-------------|----|----|--------------------------|
| | | | | | | | US26 643E | | | | 2' | 3' | 4' | |
| 98/9947WDC-EO | 2276 | 2043 | 2332 | 2214 | 2299 | 2380 | 2556 | 2475 | 2911 | 2619 | 15 | 17 | 19 | - |
| 98/9947WDC-DT | 2523 | 2290 | 2579 | 2479 | 2564 | 2579 | 2832 | 2751 | 3176 | 2884 | 15 | 19 | 23 | 990DT |
| 98/9947WDC-NL | 2541 | 2308 | 2597 | 2487 | 2575 | 2596 | 2839 | 2758 | 3184 | 2892 | 15 | 19 | 23 | 990NL-R&V |
| 98/9947WDC-NL-OP | 2401 | 2168 | 2457 | 2339 | 2424 | 2497 | 2683 | 2602 | 3038 | 2744 | 15 | 19 | 23 | 110WD |
| 98/9947WDC-TP | 2629 | 2396 | 2685 | 2578 | 2650 | 2672 | 2937 | 2856 | 3275 | 2983 | 16 | 19 | 22 | 990TP-R&V |
| 98/9947WDC-TP-BE | 2629 | 2396 | 2685 | 2578 | 2650 | 2672 | 2937 | 2856 | 3275 | 2983 | 16 | 19 | 22 | 990TP-BE-R&V |
| 98/9947WDC-K | 2700 | 2467 | 2756 | 2661 | 2806 | 2752 | 3099 | 3018 | 3358 | 3066 | 17 | 21 | 25 | 996K-R&V |
| 98/9947WDC-K-BE | 2700 | 2467 | 2756 | 2661 | 2806 | 2752 | 3099 | 3018 | 3358 | 3066 | 17 | 21 | 25 | 996K-BE-R&V |
| 98/9947WDC-K-DT | 2690 | 2457 | 2746 | 2645 | 2790 | 2744 | 3077 | 2996 | 3342 | 3050 | 17 | 21 | 25 | 996K-DT-R&V |
| 98/9947WDC-K-NL | 2690 | 2457 | 2746 | 2645 | 2790 | 2744 | 3077 | 2996 | 3342 | 3050 | 17 | 21 | 25 | 996K-NL-R&V |
| 98/9947WDC-L | 2848 | 2615 | 2904 | 2801 | 2896 | 2917 | 3223 | 3142 | 3498 | 3206 | 21 | 23 | 25 | 996L-R&V |
| 98/9947WDC-L-BE | 2848 | 2615 | 2904 | 2801 | 2896 | 2917 | 3223 | 3142 | 3498 | 3206 | 21 | 23 | 25 | 996L-BE-R&V |
| 98/9947WDC-L-DT | 2721 | 2488 | 2777 | 2674 | 2811 | 2817 | 3089 | 3008 | 3371 | 3079 | 21 | 23 | 25 | 996L-DT-R&V |
| 98/9947WDC-L-NL | 2721 | 2488 | 2777 | 2674 | 2811 | 2817 | 3089 | 3008 | 3371 | 3079 | 21 | 23 | 25 | 996L-NL-R&V |
| 98/9947WDC-TL | 3284 | 3051 | 3340 | 3240 | 3364 | 3240 | 3651 | 3570 | 3937 | 3645 | 21 | 23 | 25 | 990DT/376WDC-T/10WDA* |
| 98/9947WDC-TL-BE | 3249 | 3016 | 3305 | 3205 | 3334 | 3202 | 3612 | 3531 | 3902 | 3610 | 21 | 23 | 25 | 990DT/376WDC-T-BE/10WDA* |

FIRE EXIT HARDWARE

Wood Door Concealed Vertical Rod Devices

(Price includes 338 and 385A Strikes, Sex Bolts and 8" Scalp Plate)

| | | | | | | | | | | | | | | |
|--------------------|------|------|------|------|------|------|------|------|------|------|----|----|----|--------------------------|
| 98/9947WDC-EO-F | 2633 | 2369 | 2708 | 2568 | 2670 | 2763 | 2966 | 2885 | 3256 | 3059 | 15 | 17 | 19 | - |
| 98/9947WDC-NL-F | 2898 | 2634 | 2973 | 2841 | 2946 | 2979 | 3249 | 3168 | 3529 | 3332 | 15 | 19 | 23 | 990NL-R&V |
| 98/9947WDC-NL-OP-F | 2758 | 2494 | 2833 | 2693 | 2795 | 2880 | 3093 | 3012 | 3383 | 3184 | 15 | 19 | 23 | 110WD |
| 98/9947WDC-TP-F | 2986 | 2722 | 3061 | 2932 | 3021 | 3055 | 3347 | 3266 | 3620 | 3423 | 16 | 19 | 22 | 990TP-R&V |
| 98/9947WDC-TP-BE-F | 2986 | 2722 | 3061 | 2932 | 3021 | 3055 | 3347 | 3266 | 3620 | 3423 | 16 | 19 | 22 | 990TP-BE-R&V |
| 98/9947WDC-K-F | 3057 | 2793 | 3132 | 3015 | 3177 | 3135 | 3509 | 3428 | 3703 | 3506 | 17 | 21 | 25 | 996K-R&V |
| 98/9947WDC-K-BE-F | 3057 | 2793 | 3132 | 3015 | 3177 | 3135 | 3509 | 3428 | 3703 | 3506 | 17 | 21 | 25 | 996K-BE-R&V |
| 98/9947WDC-K-NL-F | 3047 | 2783 | 3122 | 2999 | 3161 | 3127 | 3487 | 3406 | 3687 | 3490 | 17 | 21 | 25 | 996K-NL-R&V |
| 98/9947WDC-L-F | 3205 | 2941 | 3280 | 3155 | 3267 | 3300 | 3633 | 3552 | 3843 | 3646 | 21 | 23 | 25 | 996L-R&V |
| 98/9947WDC-L-BE-F | 3205 | 2941 | 3280 | 3155 | 3267 | 3300 | 3633 | 3552 | 3843 | 3646 | 21 | 23 | 25 | 996L-BE-R&V |
| 98/9947WDC-L-NL-F | 3078 | 2814 | 3153 | 3028 | 3182 | 3200 | 3499 | 3418 | 3716 | 3519 | 21 | 23 | 25 | 996L-NL-R&V |
| 98/9947WDC-TL-F | 3641 | 3377 | 3716 | 3594 | 3735 | 3623 | 4061 | 3980 | 4282 | 4085 | 21 | 23 | 25 | 990DT/376WDC-T/10WDA* |
| 98/9947WDC-TL-BE-F | 3606 | 3342 | 3681 | 3559 | 3705 | 3585 | 4022 | 3941 | 4247 | 4050 | 21 | 23 | 25 | 990DT/376WDC-T-BE/10WDA* |

98/9947WDC Notes:

Finish - US32D and US15 finishes available on Series 98 only.

Finish - US3A, US4A, consult factory for lead time.

Finish - US10B finish has 313 finish device with US10B parts.

***Wood Frame Applications** - the 283 Strike or WDF must be specified. Specify door thickness.

Prices subject to change without notice.

 Indicates products that have EPD documentation available and meet LEED v4.

**3' Devices are priced complete with standard trim and strike(s).
2' add \$75 list, 4' add \$18 list.
Cylinders and sex bolts are not included in price unless noted.**

EXIT HARDWARE

Concealed Vertical Rod Devices

(Price includes 338 and 385A Strikes)

| | US26D | US28 | US32D | 313 | US10 | US4/4A | US3/3A US15 US26 643E | 315 | US10B | Weight lbs. | | | Standard Trim/Control |
|--------------|-------|------|-------|------|------|--------|--------------------------------|------|-------|-------------|----|----|--------------------------|
| | | | | | | | | | | 2' | 3' | 4' | |
| 98/9948EO | 2344 | 2111 | 2389 | 2260 | 2349 | 2424 | 2540 | 2958 | 2691 | 15 | 17 | 19 | - |
| 98/9948DT | 2591 | 2358 | 2636 | 2525 | 2614 | 2623 | 2816 | 3223 | 2956 | 15 | 19 | 23 | 990DT |
| 98/9948NL | 2609 | 2376 | 2654 | 2533 | 2625 | 2640 | 2823 | 3231 | 2964 | 15 | 19 | 23 | 990NL-R&V |
| 98/9948NL-OP | 2469 | 2236 | 2514 | 2385 | 2474 | 2541 | 2667 | 3085 | 2816 | 15 | 19 | 23 | 110MD |
| 98/9948TP | 2697 | 2464 | 2742 | 2624 | 2700 | 2716 | 2921 | 3322 | 3055 | 16 | 19 | 22 | 990TP-R&V |
| 98/9948TP-BE | 2697 | 2464 | 2742 | 2624 | 2700 | 2716 | 2921 | 3322 | 3055 | 16 | 19 | 22 | 990TP-BE-R&V |
| 98/9948K | 2768 | 2535 | 2813 | 2707 | 2856 | 2796 | 3083 | 3405 | 3138 | 17 | 21 | 25 | 996K-R&V |
| 98/9948K-BE | 2768 | 2535 | 2813 | 2707 | 2856 | 2796 | 3083 | 3405 | 3138 | 17 | 21 | 25 | 996K-BE-R&V |
| 98/9948K-DT | 2758 | 2525 | 2803 | 2691 | 2840 | 2788 | 3061 | 3389 | 3122 | 17 | 21 | 25 | 996K-DT-R&V |
| 98/9948K-NL | 2758 | 2525 | 2803 | 2691 | 2840 | 2788 | 3061 | 3389 | 3122 | 17 | 21 | 25 | 996K-NL-R&V |
| 98/9948L | 2916 | 2683 | 2961 | 2847 | 2946 | 2961 | 3207 | 3545 | 3278 | 21 | 23 | 25 | 996L-R&V |
| 98/9948L-BE | 2916 | 2683 | 2961 | 2847 | 2946 | 2961 | 3207 | 3545 | 3278 | 21 | 23 | 25 | 996L-BE-R&V |
| 98/9948L-DT | 2789 | 2556 | 2834 | 2720 | 2861 | 2861 | 3073 | 3418 | 3151 | 21 | 23 | 25 | 996L-DT-R&V |
| 98/9948L-NL | 2789 | 2556 | 2834 | 2720 | 2861 | 2861 | 3073 | 3418 | 3151 | 21 | 23 | 25 | 996L-NL-R&V |
| 98/9948TL | 3302 | 3069 | 3347 | 3236 | 3364 | 3234 | 3585 | 3934 | 3667 | 21 | 23 | 25 | 990DT/376T |
| 98/9948TL-BE | 3267 | 3034 | 3312 | 3201 | 3334 | 3196 | 3546 | 3899 | 3632 | 21 | 23 | 25 | 990DT/376T-BE |

FIRE EXIT HARDWARE

Concealed Vertical Rod Devices

(Price includes 338 and 385A Strikes)

| | | | | | | | | | | | | | |
|----------------|------|------|------|------|------|------|------|------|------|----|----|----|---------------|
| 98/9948EO-F | 2611 | 2403 | 2685 | 2627 | 2706 | 2798 | 2984 | 3312 | 3148 | 15 | 17 | 19 | - |
| 98/9948NL-F | 2876 | 2668 | 2950 | 2900 | 2982 | 3014 | 3267 | 3585 | 3421 | 15 | 19 | 23 | 990NL-R&V |
| 98/9948NL-OP-F | 2736 | 2528 | 2810 | 2752 | 2831 | 2915 | 3111 | 3439 | 3273 | 15 | 19 | 23 | 110MD |
| 98/9948TP-F | 2964 | 2756 | 3038 | 2991 | 3057 | 3090 | 3365 | 3676 | 3512 | 16 | 19 | 22 | 990TP-R&V |
| 98/9948TP-BE-F | 2964 | 2756 | 3038 | 2991 | 3057 | 3090 | 3365 | 3676 | 3512 | 16 | 19 | 22 | 990TP-BE-R&V |
| 98/9948K-F | 3035 | 2827 | 3109 | 3074 | 3213 | 3170 | 3527 | 3759 | 3595 | 17 | 21 | 25 | 996K-R&V |
| 98/9948K-BE-F | 3035 | 2827 | 3109 | 3074 | 3213 | 3170 | 3527 | 3759 | 3595 | 17 | 21 | 25 | 996K-BE-R&V |
| 98/9948K-NL-F | 3025 | 2817 | 3099 | 3058 | 3197 | 3162 | 3505 | 3743 | 3579 | 17 | 21 | 25 | 996K-NL-R&V |
| 98/9948L-F | 3183 | 2975 | 3257 | 3214 | 3303 | 3335 | 3651 | 3899 | 3735 | 21 | 23 | 25 | 996L-R&V |
| 98/9948L-BE-F | 3183 | 2975 | 3257 | 3214 | 3303 | 3335 | 3651 | 3899 | 3735 | 21 | 23 | 25 | 996L-BE-R&V |
| 98/9948L-NL-F | 3056 | 2848 | 3130 | 3087 | 3218 | 3235 | 3517 | 3772 | 3608 | 21 | 23 | 25 | 996L-NL-R&V |
| 98/9948TL-F | 3569 | 3361 | 3643 | 3603 | 3721 | 3608 | 4029 | 4288 | 4124 | 21 | 23 | 25 | 990DT/376T |
| 98/9948TL-BE-F | 3534 | 3326 | 3608 | 3568 | 3691 | 3570 | 3990 | 4253 | 4089 | 21 | 23 | 25 | 990DT/376T-BE |

98/9948 Notes:

Finish - US32D and US15 finishes available on Series 98 only.

Finish - US3A, US4A, consult factory for lead time.

Finish - US10B finish has 313 finish device with US10B parts.

Prices subject to change without notice.

 Indicates products that have EPD documentation available and meet LEED v4.

98/99 Series - Devices (continued)

3' Devices are priced complete with standard trim and strike(s).
 4' add \$18 list.
 Cylinders and sex bolts are not included in price unless noted.

EXIT HARDWARE

Surface Three Point Latch Devices

(Price includes 299(2), 248L-4, 304L Strikes and Sex Bolts for Latches)

| | US26D | US28 | US32D | 313 | US10 | US4/4A | US3/3A US15 US26 643E | 315 | US10B | Weight lbs. | | Standard Trim/Control |
|--------------|-------|------|-------|------|------|--------|--------------------------------|------|-------|----------------|----|--------------------------|
| | | | | | | | | | | 3' | 4' | |
| 98/9957EO | 2628 | 2342 | 2797 | 2540 | 2718 | 2817 | 3034 | 3242 | 3095 | 17 | 20 | - |
| 98/9957DT | 2875 | 2589 | 3044 | 2805 | 2983 | 3016 | 3310 | 3507 | 3360 | 21 | 23 | 990DT |
| 98/9957NL | 2893 | 2607 | 3062 | 2813 | 2994 | 3033 | 3317 | 3515 | 3368 | 21 | 22 | 990NL-R&V |
| 98/9957NL-OP | 2753 | 2467 | 2922 | 2665 | 2843 | 2934 | 3161 | 3369 | 3220 | 21 | 22 | 110MD/WD |
| 98/9957TP | 2981 | 2695 | 3150 | 2904 | 3069 | 3109 | 3415 | 3606 | 3459 | 20 | 22 | 990TP-R&V |
| 98/9957TP-BE | 2981 | 2695 | 3150 | 2904 | 3069 | 3109 | 3415 | 3606 | 3459 | 20 | 22 | 990TP-BE-R&V |
| 98/9957K | 3052 | 2766 | 3221 | 2987 | 3225 | 3189 | 3577 | 3689 | 3542 | 23 | 24 | 996K-R&V |
| 98/9957K-BE | 3052 | 2766 | 3221 | 2987 | 3225 | 3189 | 3577 | 3689 | 3542 | 23 | 24 | 996K-BE-R&V |
| 98/9957K-DT | 3042 | 2756 | 3211 | 2971 | 3209 | 3181 | 3555 | 3673 | 3526 | 23 | 24 | 996K-DT-R&V |
| 98/9957K-NL | 3042 | 2756 | 3211 | 2971 | 3209 | 3181 | 3555 | 3673 | 3526 | 23 | 24 | 996K-NL-R&V |
| 98/9957L | 3200 | 2914 | 3369 | 3127 | 3315 | 3354 | 3701 | 3829 | 3682 | 23 | 26 | 996L-R&V |
| 98/9957L-BE | 3200 | 2914 | 3369 | 3127 | 3315 | 3354 | 3701 | 3829 | 3682 | 23 | 26 | 996L-BE-R&V |
| 98/9957L-DT | 3073 | 2787 | 3242 | 3000 | 3230 | 3254 | 3567 | 3702 | 3555 | 23 | 26 | 996L-DT-R&V |
| 98/9957L-NL | 3073 | 2787 | 3242 | 3000 | 3230 | 3254 | 3567 | 3702 | 3555 | 23 | 26 | 996L-NL-R&V |
| 98/9957TL | 3586 | 3300 | 3755 | 3516 | 3733 | 3627 | 4079 | 4218 | 4071 | 23 | 26 | 990DT/374T* |
| 98/9957TL-BE | 3551 | 3265 | 3720 | 3481 | 3703 | 3589 | 4040 | 4183 | 4036 | 23 | 26 | 990DT/374T-BE* |

FIRE EXIT HARDWARE

Surface Three Point Latch Devices

(Price includes 299F(2), 304L Strikes and Sex Bolts for Latches)

| | | | | | | | | | | | | |
|----------------|------|------|------|------|------|------|------|------|------|----|----|----------------|
| 98/9957EO-F | 2801 | 2528 | 2965 | 2765 | 2951 | 3050 | 3060 | 3454 | 3380 | 18 | 19 | - |
| 98/9957NL-F | 3066 | 2793 | 3230 | 3038 | 3227 | 3266 | 3343 | 3727 | 3653 | 19 | 22 | 990NL-R&V |
| 98/9957NL-OP-F | 2926 | 2653 | 3090 | 2890 | 3076 | 3167 | 3187 | 3581 | 3505 | 19 | 22 | 110MD/WD |
| 98/9957TP-F | 3154 | 2881 | 3318 | 3129 | 3302 | 3342 | 3441 | 3818 | 3744 | 20 | 23 | 990TP-R&V |
| 98/9957TP-BE-F | 3154 | 2881 | 3318 | 3129 | 3302 | 3342 | 3441 | 3818 | 3744 | 20 | 23 | 990TP-BE-R&V |
| 98/9957K-F | 3225 | 2952 | 3389 | 3212 | 3458 | 3422 | 3603 | 3901 | 3827 | 22 | 24 | 996K-R&V |
| 98/9957K-BE-F | 3225 | 2952 | 3389 | 3212 | 3458 | 3422 | 3603 | 3901 | 3827 | 22 | 24 | 996K-BE-R&V |
| 98/9957K-NL-F | 3215 | 2942 | 3379 | 3196 | 3442 | 3414 | 3581 | 3885 | 3811 | 22 | 24 | 996K-NL-R&V |
| 98/9957L-F | 3373 | 3100 | 3537 | 3352 | 3548 | 3587 | 3727 | 4041 | 3967 | 22 | 24 | 996L-R&V |
| 98/9957L-BE-F | 3373 | 3100 | 3537 | 3352 | 3548 | 3587 | 3727 | 4041 | 3967 | 22 | 24 | 996L-BE-R&V |
| 98/9957L-NL-F | 3246 | 2973 | 3410 | 3225 | 3463 | 3487 | 3593 | 3914 | 3840 | 22 | 24 | 996L-NL-R&V |
| 98/9957TL-F | 3759 | 3486 | 3923 | 3741 | 3966 | 3860 | 4105 | 4430 | 4356 | 22 | 24 | 990DT/374T* |
| 98/9957TL-BE-F | 3724 | 3451 | 3888 | 3706 | 3936 | 3822 | 4066 | 4395 | 4321 | 22 | 24 | 990DT/374T-BE* |

98/9957 Notes:

Finish - US32D and US15 finishes available on Series 98 only.

Finish - US3A, US4A, consult factory for lead time.

Finish - US10B finish has 313 finish device with US10B parts.

* **Wood Doors** - 10WDA cover plate is required for the 370 series controls and will be supplied at an additional \$50 list add.

Prices subject to change without notice.

 Indicates products that have EPD documentation available and meet LEED v4.

**3' Devices are priced complete with standard trim and strike(s).
4' add \$18 list.
Cylinders and sex bolts are not included in price unless noted.**

EXIT HARDWARE

Mortise Lock Devices

(Prices includes 575 Strike)

| | US26D | US28 | US32D | 313 | US10 | US4/4A | US3/3A US26 643E | US15 | 315 | US10B | Weight lbs. | | Standard Trim/Control |
|---------------------|-------|------|-------|------|------|--------|------------------------|------|------|-------|----------------|----|--------------------------|
| | | | | | | | | | | | 3' | 4' | |
| 98/9975EO | 1917 | 1748 | 1962 | 1811 | 1972 | 1972 | 2196 | 2176 | 2513 | 2077 | 15 | 18 | - |
| 98/9975HL | 2116 | 1947 | 2161 | 2018 | 2179 | 2179 | 2403 | | | | 18 | 20 | - |
| 98/9975DT | 2164 | 1995 | 2209 | 2076 | 2237 | 2171 | 2472 | 2452 | 2778 | 2342 | 19 | 21 | 990DT |
| 98/9975NL | 2182 | 2013 | 2227 | 2084 | 2248 | 2188 | 2479 | 2459 | 2786 | 2350 | 19 | 21 | 990NL-M |
| 98/9975TP | 2270 | 2101 | 2315 | 2175 | 2323 | 2264 | 2577 | 2557 | 2877 | 2441 | 18 | 20 | 990TP-M |
| 98/9975TP-BE | 2270 | 2101 | 2315 | 2175 | 2323 | 2264 | 2577 | 2557 | 2877 | 2441 | 18 | 20 | 990TP-BE-M |
| 98/9975K | 2341 | 2172 | 2386 | 2258 | 2479 | 2344 | 2739 | 2719 | 2960 | 2524 | 21 | 22 | 996K-M |
| 98/9975K-BE | 2341 | 2172 | 2386 | 2258 | 2479 | 2344 | 2739 | 2719 | 2960 | 2524 | 21 | 22 | 996K-BE-M |
| 98/9975K-DT | 2331 | 2162 | 2376 | 2242 | 2463 | 2336 | 2717 | 2697 | 2944 | 2508 | 21 | 22 | 996K-DT-M |
| 98/9975K-NL | 2331 | 2162 | 2376 | 2242 | 2463 | 2336 | 2717 | 2697 | 2944 | 2508 | 21 | 22 | 996K-NL-M |
| 98/9975L | 2489 | 2320 | 2534 | 2398 | 2569 | 2509 | 2863 | 2843 | 3100 | 2664 | 21 | 23 | 996L-M |
| 98/9975L-BE | 2489 | 2320 | 2534 | 2398 | 2569 | 2509 | 2863 | 2843 | 3100 | 2664 | 21 | 23 | 996L-BE-M |
| 98/9975L-DT | 2362 | 2193 | 2407 | 2271 | 2484 | 2409 | 2729 | 2709 | 2973 | 2537 | 21 | 23 | 996L-DT-M |
| 98/9975L-NL | 2362 | 2193 | 2407 | 2271 | 2484 | 2409 | 2729 | 2709 | 2973 | 2537 | 21 | 23 | 996L-NL-M |

FIRE EXIT HARDWARE

Mortise Lock Devices

(Prices includes 575 Strike)

| | | | | | | | | | | | | | |
|-----------------------|------|------|------|------|------|------|------|------|------|------|----|----|------------|
| 98/9975EO-F | 2106 | 1960 | 2180 | 2040 | 2181 | 2181 | 2406 | 2386 | 2727 | 2360 | 15 | 19 | - |
| 98/9975HL-F | 2305 | 2159 | 2379 | 2247 | 2388 | 2388 | 2613 | | | | 17 | 20 | - |
| 98/9975NL-F | 2371 | 2225 | 2445 | 2313 | 2457 | 2397 | 2689 | 2669 | 3000 | 2633 | 18 | 21 | 990NL-M |
| 98/9975TP-F | 2459 | 2313 | 2533 | 2404 | 2532 | 2473 | 2787 | 2767 | 3091 | 2724 | 19 | 21 | 990TP-M |
| 98/9975TP-BE-F | 2459 | 2313 | 2533 | 2404 | 2532 | 2473 | 2787 | 2767 | 3091 | 2724 | 19 | 21 | 990TP-BE-M |
| 98/9975K-F | 2530 | 2384 | 2604 | 2487 | 2688 | 2553 | 2949 | 2929 | 3174 | 2807 | 20 | 23 | 996K-M |
| 98/9975K-BE-F | 2530 | 2384 | 2604 | 2487 | 2688 | 2553 | 2949 | 2929 | 3174 | 2807 | 20 | 23 | 996K-BE-M |
| 98/9975K-NL-F | 2520 | 2374 | 2594 | 2471 | 2672 | 2545 | 2927 | 2907 | 3158 | 2791 | 20 | 23 | 996K-NL-M |
| 98/9975L-F | 2678 | 2532 | 2752 | 2627 | 2778 | 2718 | 3073 | 3053 | 3314 | 2947 | 20 | 23 | 996L-M |
| 98/9975L-BE-F | 2678 | 2532 | 2752 | 2627 | 2778 | 2718 | 3073 | 3053 | 3314 | 2947 | 20 | 23 | 996L-BE-M |
| 98/9975L-NL-F | 2551 | 2405 | 2625 | 2500 | 2693 | 2618 | 2939 | 2919 | 3187 | 2820 | 20 | 23 | 996L-NL-M |

98/9975 Notes:

Finish - US32D and US15 finishes available on Series 98 only.

Finish - US3A, US4A, consult factory for lead time.

Finish - US10B finish has 313 finish device with US10B parts.

Prices subject to change without notice.

 Indicates products that have EPD documentation available and meet LEED v4.

98/99 Series - Devices (continued)

3' Devices are priced complete with standard trim and strike(s).
2' add \$75 list, 4' add \$18 list.

Cylinders and sex bolts are not included in price unless noted.

For Concealed Vertical Cable Devices prices shown are for Door Opening Heights 6'0" to 10'0"

EXIT HARDWARE

Concealed Vertical Cable Devices

(Price includes 249 and 349 Strikes)

| | US26D | US28 | US32D | 313 | US10 | US4/4A | US3/3A US15 US26 643E | 315 | US10B | Weight lbs. | | | Standard Trim |
|--------------|-------|------|-------|------|------|--------|--------------------------------|------|-------|-------------|----|----|------------------|
| | | | | | | | | | | 2' | 3' | 4' | |
| 98/9949E0 | 2077 | 1843 | 2122 | 1994 | 2083 | 2157 | 2275 | 2698 | 2457 | 15 | 17 | 19 | - |
| 98/9949DT | 2324 | 2090 | 2369 | 2259 | 2348 | 2356 | 2551 | 2963 | 2722 | 15 | 19 | 23 | 990DT |
| 98/9949NL | 2342 | 2108 | 2387 | 2267 | 2359 | 2373 | 2558 | 2971 | 2730 | 15 | 19 | 23 | 990NL-R/V |
| 98/9949NL-OP | 2202 | 1968 | 2247 | 2119 | 2208 | 2274 | 2402 | 2825 | 2582 | 15 | 19 | 23 | 110MD |
| 98/9949TP | 2430 | 2196 | 2475 | 2358 | 2434 | 2449 | 2656 | 3062 | 2821 | 16 | 19 | 22 | 990TP-R/V |
| 98/9949TP-BE | 2430 | 2196 | 2475 | 2358 | 2434 | 2449 | 2656 | 3062 | 2821 | 16 | 19 | 22 | 990TP-BE-R/V |
| 98/9949K | 2501 | 2267 | 2546 | 2441 | 2590 | 2529 | 2818 | 3145 | 2904 | 21 | 23 | 25 | 996K-R/V |
| 98/9949K-BE | 2501 | 2267 | 2546 | 2441 | 2590 | 2529 | 2818 | 3145 | 2904 | 21 | 23 | 25 | 996K-BE-R/V |
| 98/9949K-DT | 2491 | 2257 | 2536 | 2425 | 2574 | 2521 | 2796 | 3129 | 2888 | 21 | 23 | 25 | 996K-DT-R/V |
| 98/9949K-NL | 2491 | 2257 | 2536 | 2425 | 2574 | 2521 | 2796 | 3129 | 2888 | 21 | 23 | 25 | 996K-NL-R/V |
| 98/9949L | 2649 | 2415 | 2694 | 2581 | 2680 | 2694 | 2942 | 3285 | 3044 | 21 | 23 | 25 | 996L-R/V |
| 98/9949L-BE | 2649 | 2415 | 2694 | 2581 | 2680 | 2694 | 2942 | 3285 | 3044 | 21 | 23 | 25 | 996L-BE-R/V |
| 98/9949L-DT | 2522 | 2288 | 2567 | 2454 | 2595 | 2594 | 2808 | 3158 | 2917 | 21 | 23 | 25 | 996L-DT-R/V |
| 98/9949L-NL | 2522 | 2288 | 2567 | 2454 | 2595 | 2594 | 2808 | 3158 | 2917 | 21 | 23 | 25 | 996L-NL-R/V |

FIRE EXIT HARDWARE

Concealed Vertical Cable Devices

(Price includes 249 and 349 Strikes)

| | | | | | | | | | | | | | |
|----------------|------|------|------|------|------|------|------|------|------|----|----|----|--------------|
| 98/9949E0-F | 2253 | 2019 | 2298 | 2170 | 2259 | 2333 | 2451 | 2874 | 2633 | 15 | 17 | 19 | - |
| 98/9949NL-F | 2518 | 2284 | 2563 | 2443 | 2535 | 2549 | 2734 | 3147 | 2906 | 15 | 19 | 23 | 990NL-R/V |
| 98/9949NL-OP-F | 2378 | 2144 | 2423 | 2295 | 2384 | 2450 | 2578 | 3001 | 2758 | 15 | 19 | 23 | 110MD |
| 98/9949TP-F | 2606 | 2372 | 2651 | 2534 | 2610 | 2625 | 2832 | 3238 | 2997 | 16 | 19 | 22 | 990TP-R/V |
| 98/9949TP-BE-F | 2606 | 2372 | 2651 | 2534 | 2610 | 2625 | 2832 | 3238 | 2997 | 16 | 19 | 22 | 990TP-BE-R/V |
| 98/9949K-F | 2677 | 2443 | 2722 | 2617 | 2766 | 2705 | 2994 | 3321 | 3080 | 21 | 23 | 25 | 996K-R/V |
| 98/9949K-BE-F | 2677 | 2443 | 2722 | 2617 | 2766 | 2705 | 2994 | 3321 | 3080 | 21 | 23 | 25 | 996K-BE-R/V |
| 98/9949K-NL-F | 2667 | 2433 | 2712 | 2601 | 2750 | 2697 | 2972 | 3305 | 3064 | 21 | 23 | 25 | 996K-NL-R/V |
| 98/9949L-F | 2825 | 2591 | 2870 | 2757 | 2856 | 2870 | 3118 | 3461 | 3220 | 21 | 23 | 25 | 996L-R/V |
| 98/9949L-BE-F | 2825 | 2591 | 2870 | 2757 | 2856 | 2870 | 3118 | 3461 | 3220 | 21 | 23 | 25 | 996L-BE-R/V |
| 98/9949L-NL-F | 2698 | 2464 | 2743 | 2630 | 2771 | 2770 | 2984 | 3334 | 3093 | 21 | 23 | 25 | 996L-NL-R/V |

98/9949 Notes:

Finish - US32D and US15 finishes available on Series 98 only.

Finish - US3A, US4A, consult factory for lead time.

Finish - US10B finish has 313 finish device with US10B parts.

Door Opening Height - Specify door opening height if other than default.

For door opening heights more than 10', consult factory.

For Concealed Vertical Cable Devices - Less Cable System (LCS) Deduct \$965 LIST

| Nominal Door Opening Height | | Top Cable | Bottom Cable |
|-----------------------------|-------------|-----------|--------------|
| 72"-82" | 6' - 6'10" | 47250398 | 47250403 |
| *>82"-96" | *6'10" - 8' | 47250175 | 47250178 |
| >96" - 110" | >8' - 9'2" | 47250176 | 47250179 |
| >110" - 120" | >9'2" - 10' | 47250177 | 47250180 |

*Default door opening height

Prices subject to change without notice.

 Indicates products that have EPD documentation available and meet LEED v4.

**3' Devices are priced complete with standard trim and strike(s).
2' add \$75 list, 4' add \$18 list.
Cylinders are not included in price unless noted.**

EXIT HARDWARE

Wood Door Concealed Vertical Cable Devices

(Price includes 150 and 450 Strikes, Sex Bolts and Scalp Plate)

| | US26D | US28 | US32D | 313 | US10 | US4/4A | US3/3A US15 US26 643E | 315 | US10B | Weight lbs. | | | Standard Trim/ Control |
|-------------------------|-------|------|-------|------|------|--------|--------------------------------|------|-------|-------------|----|----|---------------------------|
| | | | | | | | | | | 2' | 3' | 4' | |
| 98/9950WDC-EO | 2204 | 1976 | 2257 | 2139 | 2222 | 2300 | 2470 | 2818 | 2636 | 15 | 17 | 19 | — |
| 98/9950WDC-DT | 2451 | 2223 | 2504 | 2404 | 2487 | 2499 | 2746 | 3083 | 2901 | 15 | 19 | 23 | 990DT |
| 98/9950WDC-NL | 2469 | 2241 | 2522 | 2412 | 2498 | 2516 | 2753 | 3091 | 2909 | 15 | 19 | 23 | 990NL-R&V |
| 98/9950WDC-NL-OP | 2329 | 2101 | 2382 | 2264 | 2347 | 2417 | 2597 | 2945 | 2761 | 15 | 19 | 23 | 110WD |
| 98/9950WDC-TP | 2557 | 2329 | 2610 | 2503 | 2573 | 2592 | 2851 | 3182 | 3000 | 16 | 19 | 22 | 990TP-R&V |
| 98/9950WDC-TP-BE | 2557 | 2329 | 2610 | 2503 | 2573 | 2592 | 2851 | 3182 | 3000 | 16 | 19 | 22 | 990TP-BE-R&V |
| 98/9950WDC-K | 2628 | 2400 | 2681 | 2586 | 2729 | 2672 | 3013 | 3265 | 3083 | 17 | 21 | 25 | 996K-R&V |
| 98/9950WDC-K-BE | 2628 | 2400 | 2681 | 2586 | 2729 | 2672 | 3013 | 3265 | 3083 | 17 | 21 | 25 | 996K-BE-R&V |
| 98/9950WDC-K-DT | 2618 | 2390 | 2671 | 2570 | 2713 | 2664 | 2991 | 3249 | 3067 | 17 | 21 | 25 | 996K-DT-R&V |
| 98/9950WDC-K-NL | 2618 | 2390 | 2671 | 2570 | 2713 | 2664 | 2991 | 3249 | 3067 | 17 | 21 | 25 | 996K-NL-R&V |
| 98/9950WDC-L | 2776 | 2548 | 2829 | 2726 | 2819 | 2837 | 3137 | 3405 | 3223 | 21 | 23 | 25 | 996L-R&V |
| 98/9950WDC-L-BE | 2776 | 2548 | 2829 | 2726 | 2819 | 2837 | 3137 | 3405 | 3223 | 21 | 23 | 25 | 996L-BE-R&V |
| 98/9950WDC-L-DT | 2649 | 2421 | 2702 | 2599 | 2734 | 2737 | 3003 | 3278 | 3096 | 21 | 23 | 25 | 996L-DT-R&V |
| 98/9950WDC-L-NL | 2649 | 2421 | 2702 | 2599 | 2734 | 2737 | 3003 | 3278 | 3096 | 21 | 23 | 25 | 996L-NL-R&V |

For Devices Less Cable System (LCS) Deduct \$1105 List

FIRE EXIT HARDWARE

Wood Door Concealed Vertical Cable Devices

(Price includes 150 and 450 Strikes, Sex Bolts and Scalp Plate)

| | | | | | | | | | | | | | |
|---------------------------|------|------|------|------|------|------|------|------|------|----|----|----|--------------|
| 98/9950WDC-EO-F | 2504 | 2276 | 2557 | 2439 | 2522 | 2600 | 2770 | 3118 | 2936 | 15 | 17 | 19 | — |
| 98/9950WDC-NL-F | 2769 | 2541 | 2822 | 2712 | 2798 | 2816 | 3053 | 3391 | 3209 | 15 | 19 | 23 | 990NL-R&V |
| 98/9950WDC-NL-OP-F | 2629 | 2401 | 2682 | 2564 | 2647 | 2717 | 2897 | 3245 | 3061 | 15 | 19 | 23 | 110WD |
| 98/9950WDC-TP-BE-F | 2857 | 2629 | 2910 | 2803 | 2873 | 2892 | 3151 | 3482 | 3300 | 16 | 19 | 22 | 990TP-R&V |
| 98/9950WDC-TP-F | 2857 | 2629 | 2910 | 2803 | 2873 | 2892 | 3151 | 3482 | 3300 | 16 | 19 | 22 | 990TP-BE-R&V |
| 98/9950WDC-K-F | 2928 | 2700 | 2981 | 2886 | 3029 | 2972 | 3313 | 3565 | 3383 | 17 | 21 | 25 | 996K-R&V |
| 98/9950WDC-K-BE-F | 2928 | 2700 | 2981 | 2886 | 3029 | 2972 | 3313 | 3565 | 3383 | 17 | 21 | 25 | 996K-BE-R&V |
| 98/9950WDC-K-NL-F | 2918 | 2690 | 2971 | 2870 | 3013 | 2964 | 3291 | 3549 | 3367 | 17 | 21 | 25 | 996K-NL-R&V |
| 98/9950WDC-L-F | 3076 | 2848 | 3129 | 3026 | 3119 | 3137 | 3437 | 3705 | 3523 | 21 | 23 | 25 | 996L-R&V |
| 98/9950WDC-L-BE-F | 3076 | 2848 | 3129 | 3026 | 3119 | 3137 | 3437 | 3705 | 3523 | 21 | 23 | 25 | 996L-BE-R&V |
| 98/9950WDC-L-NL-F | 2949 | 2721 | 3002 | 2899 | 3034 | 3037 | 3303 | 3578 | 3396 | 21 | 23 | 25 | 996L-NL-R&V |

For Devices - Less Cable System (LCS) Deduct \$1405 List

98/9950WDC Notes:

Finish - US32D and US15 finishes available on Series 98 only.

Finish - US3A, US4A, consult factory for lead time.

Finish - US10B finish has 313 finish device with US10B parts.

Door Opening Height - must be specified when placing an order. Other heights over 10' are available, consult factory for lead time.

Non-Standard Center Lines or Threshold installed - consult customer support.

| Standard Door Opening Height Range | Top Cable | Bottom Cable |
|------------------------------------|-----------|--------------|
| 6'8" - 7'0" | 24648180 | 24647265 |
| 7'1" - 8'0" | 24647273 | 24647265 |
| 8'1" - 9'0" | 24647281 | 24647265 |
| 9'1" - 10'0" | 24647299 | 24647265 |

Prices subject to change without notice.

 Indicates products that have EPD documentation available and meet LEED v4.

98/99 Series - Options

Accessible Device

| Prefix | | List Add |
|-----------|---|----------|
| AX | Accessible device compliant with the California Building Code (Section 11B-309.4) requirement for 5 lb. maximum operation force. Available on AX98/99, AX98/99-F Rim, AX98/9949 LBL, LBL-AFL, AX98/9927-LBR, AX98/9927-LBR-F, 98/9950WDC-LBL, 98/9950WDC-LBL-F. Trim functions available EO, DT, NL, L, LBE, LDT and LNL. EL option available. Not available with QEL or CX | 60 |

Cylinder Dogging

Not for use with Fire Exit Hardware

| Prefix | | List Add |
|--------------|---|----------|
| CD | Standard Baseplate Cylinder dogging available on all 98/99 Series Panic Devices excluding the 2' device. | 94 |
| CD-CX | Center case dogging available on all Chexit 98/99 Rim/27/47/48/49/57 Panic Devices. Specify handling. | 428 |
| CI | Cylinder Dogging Indicator available on all 98/99 Series Panic Devices Not available with EL/QEL electrical option, Chexit device or the 2' device. | 258 |
| DI | Dogging indicator available on all 98/99 Series Panic Devices excluding the 2' device. | 243 |
| LD | Less Dogging available on all 98/99 Series Panic Devices. | 44 |
| CDSI | Cylinder Dogging w/ Indicator | 310 |
| HDSI | Hex Dogging w/ Indicator | 223 |
| SD | Special center case dogging available on 98/99 Rim/27/57/47/48/49/50WDC Panic Devices ONLY. Can be used with the "EL and QEL" option. Refer to page 69 for pricing. Specify handling. | 396 |

Double Cylinder

| Suffix | | List Add |
|------------------|--|----------|
| -2 | 98/99 Rim | 323 |
| | 98/9975 Mortise Device (includes 7500-2 lock) Double Cylinder application available with TP, TP-BE, K, K-BE, L, & L-BE functions only. Specify handling. | 519 |
| -2SI | Double Cylinder with Security Indicator available on 98/99 Rim only. Rim cylinder sold separately. Cylinder with T-Turn available from Schlage, order part # XB 11-979 Double Cylinder application with Security Indicator available with TP, TP-BE, K, K-BE, L, & L-BE functions only. Specify handling. | 541 |
| 971220-00 | Lock/Unlock label only, order part number 971220-00. | 10 |

Hurricane Device

Hurricane devices are listed with Steelcraft doors. Contact factory for specific requirements.

List add prices are for the strike price adjustment only. Mullions are priced separately on page 99.

| Prefix | | List Add |
|-----------|---|--|
| HH | Available on the following 98/99 Series Panic Devices: 98/99 Rim x 9954 Mullion w/299-F (order mullion as "blank") 98/9957 w/299-F Strike 98/9927 w/299-F Strike 98/9975 Device with Standard Strike 98/9947-F Device with Standard Strikes 98/9949 Device with Standard Strikes Less trim requires sexbolts | 16 32 16 NC NC NC 72 |

Windstorm Devices

Windstorm devices are certified to comply with ICC 500 Standard for the Design and Construction of Storm Shelters, and the Federal Emergency Management Agency's publication FEMA 361 — Design and Construction Guidance for Community Safety.

Windstorm devices are listed with Steelcraft Paladin doors for tornado listings and Steelcraft "H" Series doors for Hurricane listings.

| Prefix | | List Add |
|-----------|--|----------|
| WS | Available on the 98/9927/57 Series Devices - Specify Handling (Not available with EL option and LNL/NL trim function) QEL is available. For Replacement Parts, contact Customer Care 877-671-7011 | 1272 |

Door Applications For WS98/9927 - 8'0" x 8'0" Pairs (swing same direction) 4'0" x 8'0" Single (non-fire rated only) Flush Hollow Metal. UL - FEMA 361 certified.

For WS98/9957 - 4'0" x 8'0" Single (fire and non-fire rated) Flush Hollow Metal. UL-FEMA 361 certified.

Miami-Dade Co. / FBC will list compliance to: TAS 201, TAS 202, TAS 203.

Design Load Rating: +150/-150 PSF (245 MPH Wind Zone)

Enhanced Hurricane Protection (EHPA) ASTM E1996 / ANSI/ICC 500 (245 MPH Wind Zone) / UL - ANSI/ICC 500 certified of F5 - Tornado applications.

Prices subject to change without notice.

 Indicates products that have EPD documentation available and meet LEED v4.

Insulclad or Applied Panel

Not available for fire door applications

| Suffix | | List Add |
|----------------|--|----------|
| INS-2 | 1/2" Panel - for 98/9947 devices. | 153 |
| INS-4 | 1/4" Panel - for 98/9947 devices. | 253 |
| INS-2 KIT-9947 | 1/2" Panel Kit - for 98/9947 devices - order part number 051841-00 | 153 |
| INS-4 KIT-9947 | 1/4" Panel Kit - for 98/9947 devices - order part number 051842-00 | 253 |
| INS-2 | 1/2" Panel - for 98/9949 devices. | 153 |
| INS-4 | 1/4" Panel - for 98/9949 devices. | 253 |
| INS-2 KIT-9949 | 1/2" Panel Kit - for 98/9949 devices - order part number 24122285 | 153 |
| INS-4 KIT-9949 | 1/4" Panel Kit - for 98/9949 devices - order part number 24122327 | 253 |

Less Bottom Rod/Less Bottom Latch

| Suffix | | | |
|-----------------|--|-------------------|----------------------|
| LBR | Less bottom rod with UL Fire Label 98/9927-F, 98/9947-F and 98/9947WDC-F Devices. LBR fire-rated devices must be ordered in pairs of vertical rod devices. | | NC |
| | | Deduct | |
| | Less bottom rod, Panic 98/9927 | | 112 |
| | Less bottom rod, Panic 98/9947, 98/9947WDC | | 120 |
| | | List Price | |
| LBR KIT | Fire Latch Kit, complete auxiliary bolt field replacement kit. Order part number 050171-32 | | 446 |
| LBL | Less bottom latch available on 98/9949A and 98/9950WDC (Panic) | LBL Only | Deduct 120 |
| | 98/9949-F LBL and 98/9950WDC-F-LBL devices must be ordered in pairs of vertical latch devices with one Fire Pin Kit per pair: First Leaf - 98/9949-F LBL and 98/9950WDC-F-LB LBL Only | LBL Only | Deduct 120 |
| | Second Leaf - 98/9949-F LBL and 98/9950WDC-F-LBL LBL Only with Fire Pin Kit | | Add 27 |
| | | List Price | |
| 49 Fire Pin Kit | 49 Fire Pin Kit, complete auxiliary bolt field replacement kit. Order part number 051860-32 | | 147 |

Pullman Latches

Not available for fire door applications

| Prefix | | List Add |
|--------|---|------------|
| PL | 98/9927 Device PL Top and PL Bottom 98/9947 Device PL Top and PL Bottom | 238 338 |
| ES | 98/9927 Panic Device LBR with PL top Latch for electric strike application. 98/9947 Panic Device LBR with PL top Latch for electric strike application. CAUTION: A Panic LBR device is only a one point latching instead of two point. Security of the opening may be compromised. | 119 169 |

Touchbar Options

| Suffix | | List Add |
|---------|---|------------|
| BRAILLE | Vision Impaired Touchpad, Raised Letters and Braille (US32D) Standard copy "Caution Stairwell." Other copy up to 20 alpha/numeric characters, one line, available, consult factory. Specify handling. | 121 |
| PUSH | Brass, Bronze and Stainless Touchbar trims embossed "PUSH." No additional charge when specified with device. Specify handling. | NC |
| RSS | Red silk-screened lettered Touchbar trims (as standard on SS devices). "Emergency Exit Only, Push to Open and Sound Alarm" No additional charge when specified with device. Specify handling. | NC |
| KN | Knurled Touchpad No additional charge when specified with device. | NC |
| SG | Safety Glow feature - for 3' device Safety Glow feature - for 4' device | 442 460 |

CUSTOM GRAPHICS available on pushbar trim. See page 8 for details.

Prices subject to change without notice.

 Indicates products that have EPD documentation available and meet LEED v4.

98/99 Series - Options (continued)

Weep Holes

| Suffix | | List Add |
|-----------|--|----------|
| WH | Drainage (Weep) Holes in Mechanism Case 3' device will have 4 holes - 6" spacing, 4' device will have 6 holes - 6" spacing CAUTION: A Panic LBR device is only a one point latching instead of two point. Security of the opening may be compromised. | 86 |

49 Cable System

(Door Type Door Opening Height and Finish must be specified when ordering)

| Prefix | Suffix | | List Add |
|-----------|--------------------|--|---|
| CS | | Complete Cable System - Includes: Top and Bottom Strikes, Latches, Centerslides, Cables and Mounting Packs | Door Opening Heights - 6'0" to 10'0" 965 |
| CS | LBL | Cable System - Less Bottom Latch Includes: Top Strike, Top Latch, Top Cable, Centerslides, Mounting Packs | Door Opening Heights - 6'0" to 10'0" 901 |
| CS | LBL - 49AFL | Cable System - Less Bottom Latch - with Fire Pin Kit Includes: Top Strike, Top Latch, Top Cable, Centerslides, Mounting Packs and Fire Pin Kit | Door Opening Heights - 6'0" to 10'0" 1059 |

50 WDC Cable System

(Door Type and Door Height and Finish must be specified when ordering)

| Prefix | Suffix | | List Price |
|-----------|--------------|---|------------|
| CS | | Complete Cable System Includes: Top and Bottom Latches, Strikes, Cables, Centerslide, Mounting Packs | 1105 |
| CS | F | Fire-Rated Complete Cable System Includes: Top and Bottom Latches, Strikes, Cables, Centerslide, Mounting Packs, Fire kit | 1405 |
| CS | LBL | Cable System - Less Bottom Latch Includes: Top Latch, Strike, Cable, Centerslide, Mounting Packs | 1054 |
| CS | LBL-F | Fire-Rated Cable System - Less Bottom Latch Includes: Top Latch, Strike, Cable, Centerslide, Mounting Packs, Fire kit, Fire Pin kit | 1390 |

Anti-Microbial Finish

| Suffix | | List Add |
|-----------|--|----------|
| AM | Antimicrobial Coating available in US26D and US32D, use suffix-AM when ordering. Example US26D-AM | |
| | For Device with or without Trim | 66 |
| | For Trim Only (US26D-AM) | 31 |

Door Thickness >2-1/4" - 4 1/4"

| Suffix | | List Add |
|--|--|----------|
| Door Thickness > 2-1/4" - <= 4 1/4" | 98/99 Rim, 98/9947/47WDC, 98/9948, 98/9949, 98/9950WDC devices EO (exit only no trim) with sex bolts. | 86 |
| | 98/99 Rim, 98/9947/47WDC, 98/9948, 98/9949, 98/9950WDC devices NL-OP (with 110NL cylinder control) with sex bolts. | 173 |
| | 98/99 Rim, 98/9947/47WDC, 98/9948, 98/9949, 98/9950WDC devices NL-OP (with 110NL cylinder control) NO sex bolts. | 86 |
| | 98/9927, 98/9957 devices EO (exit only no trim). | 86 |
| | 98/9927, 98/9957 devices NL-OP (with 110NL cylinder control) | 173 |

Von Duprin Remote Undogging and Remote Monitoring Kit

- Modular Retrofit Kit for 98/99 and 33A/35A Series Devices
 - Access control managed via an IP or RS1/ RS-485 connection to the gateway through Allegion software alliance members.
 - ** Please note, ENGAGE cloud based management not available.**
 - Consult your access control software provider for pricing and specific scope of support.
- For details regarding the configurations that are available, please see page 266 of the Schlage Electronics Price Book.

Prices subject to change without notice.

 Indicates products that have EPD documentation available and meet LEED v4.

Pneumatic Devices

| Prefix | | | List Add |
|--------------|--------------------------|-------------------|------------|
| PN | Pneumatic | | 1373 |
| Accessories | | Order Part Number | Each Price |
| PNT-1 | Pneumatic Power Transfer | 012014-36 | 601 |
| PN Connector | Pneumatic Connector | 051827-00 | 37 |
| PN Tubing | 25' length | 051828-00 | 24 |
| | 50' length | 051823-00 | 32 |
| | 100' length | 051824-00 | 54 |
| | 200' length | 051825-00 | 103 |

Electric Latch Retraction See 98/99 Product Catalog for required accessory equipment

| Device Prefix | Description | List Add |
|---------------|---|----------|
| EL | Electric Latch Retraction (LD only - N/A on 2' Devices) | 894 |
| HD-EL | Electric Latch Retraction with Hex Dogging feature (Panic Only) | 894 |
| SD-EL | Special center case dogging available with "EL" option on 98/99 Rim/27/57/47/48/49/50 panic devices. SPECIFY HANDING | 1290 |
| QEL | Quiet Electric Latch Retraction (LD only) | 887 |
| HD-QEL | Quiet Electric Latch Retraction with Hex Dogging feature (Panic Only) | 887 |
| SD-QEL | Special center case dogging available with "QEL" option on 98/99 Rim/27/57/47/48/49/50 panic devices. SPECIFY HANDING | 1283 |

EL Conversion Kits (Field Conversion Kits for Electric Latch Retraction)

| | | |
|---|--|------|
| EL Conversion Kit - 3' / 4' | Order part number 050070 / 050078 | 1043 |
| EL Conversion Kit - w/Connectors - 3' / 4' | Order part number 050853 / 050854 | 1043 |
| HD-EL Conversion Kit - 3' / 4' | Order part number 050384 / 050385 (Panic Only) | 1043 |
| HD-EL Conversion Kit - w/Connectors - 3' / 4' | Order part number 050855 / 050856 (Panic Only) | 1043 |

QEL Conversion Kits (Field Conversion Kits for Quiet Electric Latch Retraction)

Baseplate Conversion Kits (For Fire-rated Devices sold before October 2014, and for replacing existing EL device)

| | | |
|---|--|-----|
| QEL Baseplate Conversion Kit - 3' / 4' | Order part number 958003 / 040065 | 932 |
| QEL Baseplate Conversion Kit - w/Connectors - 3' / 4' | Order part number 040063 / 040066 | 932 |
| HD-QEL Baseplate Conversion Kit - 3' / 4' | Order part number 958004 / 040067 (Panic Only) | 932 |
| HD-QEL Baseplate Conversion Kit - w/Connectors - 3' / 4' | Order part number 040064 / 040068 (Panic Only) | 932 |
| Modular Conversion Kits (For Panic Devices, and for Fire-rated Devices sold after October 2014) | | |
| QEL Modular Conversion Kit | Order part number 114317 | 887 |
| QEL Modular Conversion Kit w/Connectors | Order part number 040061 | 887 |
| HD-QEL Modular Conversion Kit | Order part number 958002 (Panic Only) | 887 |
| HD-QEL Modular Conversion Kit w/Connectors | Order part number 040062 (Panic Only) | 887 |

Exit Alarm

| Suffix | | List Add |
|--------|---|----------|
| ALK | Exit Alarm available on 98/99 series Panic and Fire Devices. Price includes switch - "RX" switch, "LX" is optional at no additional charge. For vertical rod tampering monitoring on Surface Vertical Devices, specify device with LX (Latch Bolt Monitor Switch). To order Less Switch, Deduct \$227 list. 9 volt battery included. | 599 |

Switches

| Prefix | | List Add |
|------------|--|----------|
| RX | Request to Exit - available on all 98/99 Series Devices | 242 |
| RX-LC | Request to Exit Low Current - available on all 98/99 Series Devices | 280 |
| RX-2 | Request to Exit Double Switch - available on all 98/99 Series Devices | 300 |
| RX-AUX | RX to RX-2 Conversion - Order part number 050271 | 250 |
| WP-RX | Waterproof Request to Exit - available on all 98/99 Series Devices | 348 |
| * LX | Latchbolt Monitoring - available on all 98/99 Series Devices except 98/9975 - use 557500. | 242 |
| * LX-LC | Latchbolt Monitoring Low Current - available on all 98/99 Series Devices except 98/9975. | 280 |
| * LX-RX | Request to Exit/Latchbolt Monitoring combination available on all 98/99 Series Devices except 98/9975. | 365 |
| * LX-RX-LC | Request to Exit/Latchbolt Monitoring combination Low Current available on all 98/99 Series Devices except 98/9975. | 437 |
| SS | Signal Switch - for Rim and Vertical Rod Devices -Specify Handing. (N/A on QEL) | 494 |
| | Signal Switch - for Mortise Device (includes SS7500 lock) - Specify Handing. (N/A on QEL and CX) | 736 |

* For Latchbolt monitoring on **98/9975 Mortise Devices** specify the SS7500 lock and **add \$242 list** per device.

For 98/9949, LX switch monitors trim input or electric dogging of EL/QEL devices. LX switch does not monitor latch condition. See page 107 for field-installed switch kit part numbers.

Prices subject to change without notice.

 Indicates products that have EPD documentation available and meet LEED v4.

98/99 Series - Options (continued)

Electric Unlocking

| Prefix | | List Add |
|-------------|---|------------------------------------|
| E | Electric Unlocking of outside trim - for all 98/9975 Mortise Devices. Available with TP, K, or L functions only (N/A with NL trim) "AC" current requires 12 or 24VAC-SO rectifier kit. Add \$41 list per device. Specify FAIL SECURE (FSE) or FAIL SAFE (FS). | 599 |
| E996 | Electric Unlocking of outside E996 Trim - for 98/99 rim, mortise, surface vertical and concealed vertical devices. Available with L or LBE functions only. Specify handing. Available standard in 12 or 24VDC, Fail Safe (FS) and Fail Secure (FSE). Can also be converted in the field. See Page 93 for pricing and optional lever designs. | 599 |
| | RETROFIT KITS FOR EXISTING 996L TRIM | |
| | 996 R/V/C Conversion to E Kit | Order part number 050672-00 667 |
| | 996 Mort Conversion to E Kit | Order part number 050673-00 693 |

Chexit

| Prefix | | List Add |
|------------------------|---|-----------------|
| CX | Chexit – Controlled Exit Device - available on all 98/99 Series Devices (CON STANDARD) 15 Second Delay furnished standard. DT Function requires an electric strike to access opening. For CX98/9927 and CX98/9957 panic and fire devices, two Rod Guards (RGO) supplied standard. Add \$564 list per device. (LBR add \$282 for RG10) For doors over 7' additional RGO's will be added as needed to protect the rods. For each additional RGO, add \$282 List. For latch protection, latch guards (LGO) found on page 100 can be ordered separately. | 1758 |
| Chexit Options: | | List Add |
| | RCM Remote Chexit Module | 251 |
| | * RCM KIT-98 Less Module - specify part number 040199 and finish. | 251 |
| | * RCM KIT-99 Less Module - specify part number 040198 and finish. | 251 |
| | 0 Delay 0 Second Delay | 129 |
| | **30 Delay 30 Second Delay | 129 |
| | BOCA-15 Delay 15 second delay with BOCA Modification | 129 |
| | **BOCA-30 Delay 30 second delay with BOCA Modification | 129 |
| | **Other Delays 2-60 Seconds in 2 second intervals or infinite delay | 173 |

* 15 second Module sold separately. Specify part number **040086**.

**** Over 15 second delay requires a letter of approval from the authority having local jurisdiction over the premises prior to the installation of the device. Allegion cannot grant such approval nor does it warrant local jurisdiction compliance.**

Chexit is not available with any electrical options (EL, QEL, PN).

Chexit is not available with any switches (RX, RXLC, RX2, WPRX, LX, LXLC, LXR, LXRXL, SS)

French alarm device sign - order 969122C-00

Connectors

| Suffix | | List Add |
|------------|--|----------|
| CON | Cross-category solution using common interconnect components for electrified options. Available with ALK, LX, LXLC, LXR, LXRXL, RX and RXLC switches, EL, QEL, CX, E996, E7500, SS7500 | N/C |

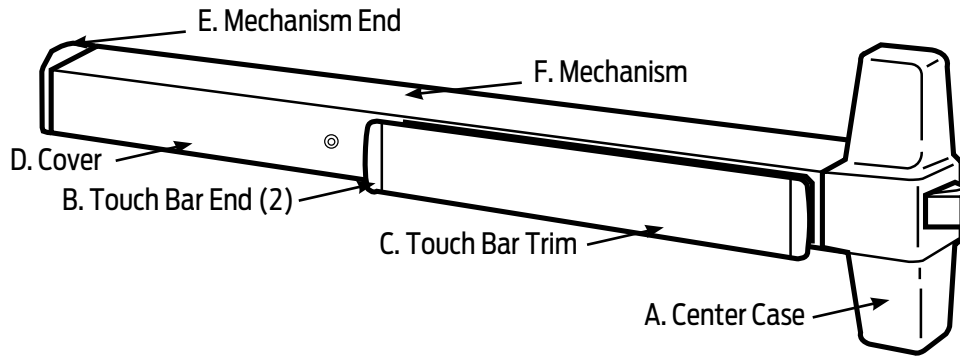
Quiet Mechanical

| Prefix | | List Add |
|-----------|---|----------|
| QM | Controls motion to reduce operational noise. The QM device option provides damper-controlled re-latching. Available on 98/99 rim and 98/9927 devices. Compatible with most of the device options including QEL, EL, AX, RX, and CD. Not available with CX and LX. | 185 |

Prices subject to change without notice.

 Indicates products that have EPD documentation available and meet LEED v4.

Finish Chart - XP98/XP99 Series



Standard Finishes

| Color | US Number | BHMA Number | A, B, E | C -Touch Bar Trim Finishes | D, F |
|-----------------------|-----------|-------------|---------------------------|----------------------------------|-----------------|
| Bright Brass | US3 | 605 | Bright Brass | Bright Brass US3, 605 | Buffed Anodized |
| Satin Brass | US4 | 606 | Satin Brass | Satin Brass US4, 606 | Anodized |
| Satin Bronze | US10 | 612 | Plated/Anodized | Satin Bronze US10, 725 | Anodized |
| Satin Nickel | US15 | 619 | Plated, Clear Powder Coat | Satin Stainless Steel US32D, 630 | Anodized |
| Polished Chrome | US26 | 625 | Plated | Bright Stainless Steel US32, 629 | Buffed Anodized |
| Satin Chrome | US26D | 626 | Powder Coat | Satin Stainless Steel US32D, 630 | Anodized |
| Anodized Aluminum | US28 | 628 | Powder Coat | Satin Stainless Steel US32D, 630 | Anodized |
| Satin Stainless Steel | US32D | 630 | Stainless Steel | Satin Stainless Steel US32D, 630 | Anodized |
| Duranodic Dark Bronze | 313 | 710 | Powder Coat | Powder Coat 313, 710 | Powder Coat |
| Black | 315 | 711 | Powder Coat | Powder Coat 315, 711 | Powder Coat |

US15 and US32D available on XP98 Series only.

Special Finishes

| Color | US Number | BHMA Number | A, B, E | C -Touch Bar Trim Finishes | D, F |
|--------------------------------------|-----------|-------------|-------------------------------|---|------------------------|
| Bright Bronze | US9 | 611 | Plated | Bright Bronze US9, 611 | Buffed Anodized |
| Satin Bronze, Oil-Rubbed | US10B | 613 | Oil-Rubbed | Oil-Rubbed, US10B | Powder Coat |
| Satin Chrome, Antimicrobial | US26D-AM | 626-AM | AM Clear over Chrome | AM Clear over Satin Stainless Steel US32D, 630 | AM Clear over Anodized |
| Satin Stainless Steel, Antimicrobial | US32D-AM | 630-AM | AM Clear over Stainless Steel | AM Clear over Satin Stainless Steel US32D, 630 | AM Clear over Anodized |
| Powder Coat | RAL # * | -- | Powder Coat | Satin Stainless Steel US32D, 630 (unless specified to match device) | Powder Coat |

* See Finish page for optional RAL color information.

FINISH NOTES:

US15, US32D, US32D-AM available on XP98 Series only.

XP98 / XP99 Series Sex Bolt Quantities

| Application | 425 Sex Bolt (Optional) | 825 Sex Bolt (Supplied) |
|---|-------------------------|-------------------------|
| DT, EO, NL, TP, K or L Device with trim | 2 | |
| 99 NLOP Device with 110MD/WD | 6 | |
| 99 EO Device (exit device only) | 6 | |
| 99-F Wood Door with trim | | 2 |

Prices subject to change without notice.

Indicates products that have EPD documentation available and meet LEED v4.

XP98/XP99 Series - Summary

Type of Device

Rim

Function

| | | | |
|--------------------------------------|---|-------------------------------|-------------------------------------|
| EO (Exit Only) | DT (Dummy Trim) | L (Lever-06 Standard) | LBE (Lever-Blank Escutcheon) |
| NL (Night Latch-Key Retracts) | NLOP (Night Latch, Opt. Pull) | LDT (Lever-Dummy Trim) | LNL (Lever-Night Latch) |
| TP (Thumbpiece) | TPBE (Thumbpiece - Blank Escutcheon) | K (Knob) | KBE (Knob Blank Escutcheon) |
| | | KDT (Knob Dummy) | KNL (Knob Night Latch) |

Rating

None (Panic Exit Device) **- F** (Fire Exit Device)

Device Finish

| | | | |
|---|------------------------------------|-----------------------------|---|
| US3 (Bright Brass) | US4 (Satin Brass) | US9 (Bright Bronze) | US10 (Satin Bronze) |
| US10B (Satin Bronze-Oil Rubbed) | US26 (Bright Chrome) | US26D (Satin Chrome) | US26D-AM (Antimicrobial) |
| US28 (Anodized Aluminum) | 313 (Duranodic Dark Bronze) | 315 (Black) | 643E (Aged Bronze) |
| US32D / US32D-AM (Satin Stainless Steel) & US15 (Satin Nickel) XP98 Series only | | | US10B (Satin Bronze- Oil Rubbed) |

Device Length (Feet and Inches)

3' (3' Device for 2' 4" - 3' Door) **4'** (4' Device for 2' 10" - 4' Door)

Device Handing

RHR (Right Hand Reverse) **LHR** (Left Hand Reverse)

Touch Bar Trim Options

RSS (Emergency Exit- US32D only) **EMB** (Embossed - Push) **BR** (Braille - US32D only) **KN** (Knurled)

SG (Safety Glow)

Touch Bar Finish

US3 (Bright Brass) **US4** (Satin Brass) **US10** (Satin Bronze) **US19** (Flat Black)

US32 (Bright Stainless) **US32D-AM** (Antimicrobial) **US32D** (Satin Stainless) **313** (Duranodic Dark Bronze)

US10B (Satin Bronze-Oil Rubbed)

Dogging Options

CD (Cylinder Dogging - Panic Only) **DI** (Dogging Indicator) **CI** (Cylinder Dogging Indicator)

LD (Less Dogging Kit) **HDSI** (Hex Dogging w/Indicator) **CDSI** (Cylinder Dogging w/Indicator) **SD** (Center Case Dogging)

Switch Options

RX (Request to Exit) **RXLC** (RX Low Current) **RX2** (RX Double Switch) **WP-RX** (Waterproof RX)

LXLC (LBM Low Current) **LXRXL** (LBM RX Low Current)

Electric Options

EL (Electric Latch Retraction) **QEL** (Quiet Electric Latch Retraction)

(continued) **Summary - XP98/99 Series** 

Device Options

| | | | |
|--|-----------------------------------|--------------------------------------|--|
| AX (Accessible Device) | ALK (Exit Alarm) | CX (Chexit - Controlled Exit) | CX-RCM (Chexit - Remote Module) |
| -2 (Double Cylinder) | CON (Connectors) | CYL (Include Cylinder) | GBK (Include Glass Bead Kit) |
| SEC (Include Security Screws) | SLM (Include SLM Blocking) | SNB (Include Sexbolts) | |
| WH (Drainage/Weep Holes in Mechanism Case - 3' device will have 4 holes - 6" spacing, 4' device will have 6 holes - 6" spacing) | | | |

CHEXIT Options

| | | | |
|-----------------------------|-----------------------------------|-----------------------------------|--|
| 15 (15 Second Delay) | B15 (BOCA 15 Second Delay) | M15 (15 Second Mute Delay) | 0 (0 Second Delay) |
| 30 (30 Second Delay) | B30 (BOCA 30 Second Delay) | INF (Infinite Delay) | 2-60 Seconds (2 second intervals) |

Strike Series

| | | |
|-------------------------|--------------------------------|---------------------------|
| LS (Less Strike) | 909 (Std. Panic & Fire) | 954 (Opt. Mullion) |
|-------------------------|--------------------------------|---------------------------|

Strike Finish

| |
|--------------------------|
| US19 (Flat Black) |
|--------------------------|

Trim Options

| | | | |
|---------------------------------------|------------------------------|---------------------------------|---------------------------------------|
| LT (Less Trim) | 996 (Std. Lever Trim) | VR910 (Vandal Resistant) | 110MD / 110WD (Std. on NL-OP) |
| 392-7 (Opt. Pull Dummy Trim) | 990 (Std. Rim) | E996 (Electric 996) | 696 / 696WDF (Opt. Lever Trim) |
| 697 / 697WDF (Opt. Lever Trim) | | | |

Trim Finish

| | | | |
|-----------------------------|-----------------------------|------------------------------|--|
| US3 (Bright Brass) | US4 (Satin Brass) | US10 (Satin Bronze) | US10B (Satin Bronze-Oil Rubbed) |
| US26 (Bright Chrome) | US26D (Satin Chrome) | SPBLK (Black Painted) | 313 (Duranodic Dark Bronze) |
| US15 (Satin Nickel) | | | |

Trim Lever Styles 06 Lever Standard

| | | |
|--|-------------------------------|--|
| ACC (Accent Lever) | AST (Asti Lever) | MER (Merona Lever) |
| 03K (03 Knurled Lever) | 06K (06 Knurled Lever) | 01, 02, 03, 05, 06, 07, 12, 16, 17, 18 (Levers) |
| 03 SS, 06 SS, 17 SS, Latitude SS, Longitude SS, M57, M62 (Stainless Steel Levers) | | LAT (Latitude) |
| M51, M52, M53, M54, M55, M56, M61, M63, M81, M82, M83, M84, M85, ME1, ME2, ME3 | | LON (Longitude) |

Door Material

| | | | |
|---------------------------|--------------------------|-----------------------|----------------------------|
| AL (Aluminum Door) | HM (Hollow Metal) | WD (Wood Door) | CP (Composite Door) |
|---------------------------|--------------------------|-----------------------|----------------------------|

Door Thickness

| | | |
|--------------------------------|-------------------------|---------------------------------|
| 1.3/4 (1-3/4" Standard) | 2 (2" Thickness) | 2.1/4 (2-1/4" Thickness) |
|--------------------------------|-------------------------|---------------------------------|

Door Application

| | |
|---------------------------------------|------------------------|
| P (Pair of Doors with Mullion) | S (Single Door) |
|---------------------------------------|------------------------|

Prices subject to change without notice.

 Indicates products that have EPD documentation available and meet LEED v4.

XP98/XP99 Series - Devices

3' Devices are priced complete with standard trim and strike(s),
4' add \$18 list.

Cylinders and sex bolts are not included in price unless noted.

EXIT HARDWARE

Rim Devices

(Prices includes 909 Strike)

| | US26D | US28 | US32D | 313 | US10 | US4/4A | US3/3A | 315 | US10B | Wt. lbs. | | Standard Trim/Control |
|--------------|-------|------|-------|------|------|--------|----------------|------|-------|----------|----|-----------------------|
| | | | | | | | US15 US26 643E | | | 3' | 4' | |
| XP98/99EO | 1507 | 1336 | 1530 | 1400 | 1526 | 1548 | 1753 | 2147 | 1717 | 14 | 17 | - |
| XP98/99DT | 1754 | 1583 | 1777 | 1665 | 1791 | 1747 | 2029 | 2412 | 1982 | 17 | 19 | 990DT |
| XP98/99NL | 1772 | 1601 | 1795 | 1673 | 1802 | 1764 | 2036 | 2420 | 1990 | 17 | 19 | 990NL-R&V |
| XP98/99NL-OP | 1632 | 1461 | 1655 | 1525 | 1651 | 1665 | 1880 | 2274 | 1842 | 15 | 18 | 110MD/WD |
| XP98/99TP | 1860 | 1689 | 1883 | 1764 | 1877 | 1840 | 2134 | 2511 | 2081 | 16 | 20 | 990TP-R&V |
| XP98/99TP-BE | 1860 | 1689 | 1883 | 1764 | 1877 | 1840 | 2134 | 2511 | 2081 | 16 | 20 | 990TP-BE-R&V |
| XP98/99K | 1931 | 1760 | 1954 | 1847 | 2033 | 1920 | 2296 | 2594 | 2164 | 18 | 21 | 996K-R&V |
| XP98/99K-BE | 1931 | 1760 | 1954 | 1847 | 2033 | 1920 | 2296 | 2594 | 2164 | 18 | 21 | 996K-BE-R&V |
| XP98/99K-DT | 1921 | 1750 | 1944 | 1831 | 2017 | 1912 | 2274 | 2578 | 2148 | 18 | 21 | 996K-DT-R&V |
| XP98/99K-NL | 1921 | 1750 | 1944 | 1831 | 2017 | 1912 | 2274 | 2578 | 2148 | 18 | 21 | 996K-NL-R&V |
| XP98/99L | 2079 | 1908 | 2102 | 1987 | 2123 | 2085 | 2420 | 2734 | 2304 | 19 | 21 | 996L-R&V |
| XP98/99L-BE | 2079 | 1908 | 2102 | 1987 | 2123 | 2085 | 2420 | 2734 | 2304 | 18 | 21 | 996L-BE-R&V |
| XP98/99L-DT | 1952 | 1781 | 1975 | 1860 | 2038 | 1985 | 2286 | 2607 | 2177 | 18 | 21 | 996L-DT-R&V |
| XP98/99L-NL | 1952 | 1781 | 1975 | 1860 | 2038 | 1985 | 2286 | 2607 | 2177 | 18 | 21 | 996L-NL-R&V |

FIRE EXIT HARDWARE

Rim Devices

(Price includes 909 Strike for single door applications.)

(For double door applications, the 954 Strike will be supplied at an additional \$102 list add.)

| | | | | | | | | | | | | |
|----------------|------|------|------|------|------|------|------|------|------|----|----|--------------|
| XP98/99EO-F | 1658 | 1538 | 1716 | 1639 | 1721 | 1806 | 1962 | 2375 | 2015 | 13 | 16 | - |
| XP98/99NL-F | 1923 | 1803 | 1981 | 1912 | 1997 | 2022 | 2245 | 2648 | 2288 | 16 | 18 | 990NL-R&V |
| XP98/99NL-OP-F | 1783 | 1663 | 1841 | 1764 | 1846 | 1923 | 2089 | 2502 | 2140 | 14 | 17 | 110MD/WD |
| XP98/99TP-F | 2011 | 1891 | 2069 | 2003 | 2072 | 2098 | 2343 | 2739 | 2379 | 17 | 19 | 990TP-R&V |
| XP98/99TP-BE-F | 2011 | 1891 | 2069 | 2003 | 2072 | 2098 | 2343 | 2739 | 2379 | 17 | 19 | 990TP-BE-R&V |
| XP98/99K-F | 2082 | 1962 | 2140 | 2086 | 2228 | 2178 | 2505 | 2822 | 2462 | 19 | 20 | 996K-R&V |
| XP98/99K-BE-F | 2082 | 1962 | 2140 | 2086 | 2228 | 2178 | 2505 | 2822 | 2462 | 19 | 20 | 996K-BE-R&V |
| XP98/99K-NL-F | 2072 | 1952 | 2130 | 2070 | 2212 | 2170 | 2483 | 2806 | 2446 | 19 | 20 | 996K-NL-R&V |
| XP98/99L-F | 2230 | 2110 | 2288 | 2226 | 2318 | 2343 | 2629 | 2962 | 2602 | 18 | 20 | 996L-R&V |
| XP98/99L-BE-F | 2230 | 2110 | 2288 | 2226 | 2318 | 2343 | 2629 | 2962 | 2602 | 18 | 20 | 996L-BE-R&V |
| XP98/99L-NL-F | 2103 | 1983 | 2161 | 2099 | 2233 | 2243 | 2495 | 2835 | 2475 | 18 | 20 | 996L-NL-R&V |

XP98/99 Notes:

Finish - US32D and US15 finishes available on Series 98 only.

Finish - US3A, US4A, consult factory for lead time.

Finish - US10B finish has 313 finish device with US10B parts.

Prices subject to change without notice.

 Indicates products that have EPD documentation available and meet LEED v4.

Accessible Device

| Prefix | | List Add |
|--------|--|----------|
| AX | AX Accessible device compliant with the California Building Code (Section 11B-309.4) requirement for 5 lb. maximum operation force. EL option available. | 60 |

Cylinder Dogging

(Not for use with Fire Exit Hardware)

| Prefix | | List Add |
|--------|--|----------|
| CD | Standard Baseplate Cylinder dogging available. | 94 |
| CI | Cylinder Dogging Indicator. Not available with EL/QEL electrical option. | 258 |
| CDSI | Cylinder Dogging Indicator w/Indicator | 310 |
| DI | Dogging indicator | 243 |
| HDSI | Hex Dogging w/Indicator | 223 |
| LD | Less Dogging | 44 |
| SD | Special center case dogging available on Panic Devices ONLY. Can be used with the "EL" option. Specify handling. | 396 |

Double Cylinder

| Prefix | | List Add |
|-----------|--|----------|
| -2 | Double Cylinder Option available for TP, K & L functions on XP98/99 RIM Devices. Specify handling. | 323 |
| -2SI | Double Cylinder with Security Indicator. Rim cylinder sold separately. Cylinder with T-Turn available from Schlage, order part # XB 11-979 Double cylinder with security indicator available with TP, TP-BE, K, K-BE, L, & L-BE functions only. Specify handling. | 541 |
| 971220-00 | Lock/Unlock label only, order part number 971220-00. | 10 |

Touchbar Options

| Suffix | | List Add |
|---------|--|------------|
| BRAILLE | Vision Impaired Touchpad, Raised Letters and Braille (US32D) Standard copy "Caution Stairwell." Other copy up to 20 alpha/numeric characters, one line, available, consult factory. Specify handling. | 121 |
| PUSH | Brass, Bronze and Stainless Touchbar trims embossed "PUSH." No additional charge when specified with device. Specify handling. | NC |
| RSS | Red silk-screened lettered Touchbar trims (as standard on SS devices). "Emergency Exit Only, Push to Open and Sound Alarm" No additional charge when specified with device. Specify handling. | NC |
| KN | Knurled Touchpad No additional charge when specified with device. | NC |
| SG | Safety Glow feature - for 3' device Safety Glow feature - for 4' device | 442 460 |

CUSTOM GRAPHICS available on pushbar trim. See page 8 for details.

Weep Holes

| Suffix | | List Add |
|--------|---|----------|
| WH | Drainage (Weep) Holes in Mechanism Case 3' device will have 4 holes - 6" spacing, 4' device will have 6 holes - 6" spacing | 86 |

Anti-Microbial Finish

| Suffix | | List Add |
|--------|---|----------|
| AM | Antimicrobial coating available in US26D, use prefix-AM when ordering. Example US26D-AM *US32D-AM available only on 98 series devices) | |
| | For Device with or without Trim | 66 |
| | For Trim Only (US26D-AM) | 31 |

Prices subject to change without notice.

 Indicates products that have EPD documentation available and meet LEED v4.

XP98/XP99 Series - Options (continued)

Electric Latch Retraction See XP98/99 Product Catalog for required accessory equipment

| Device Prefix | Description | List Add |
|---------------|---|----------|
| EL | Electric Latch Retraction (LD only) | 894 |
| HD-EL | Electric Latch Retraction with Hex Dogging feature (Panic Only) | 894 |
| SD-EL | Special center case dogging available with "EL" option on 98/99 Rim/27/57/47/48/49/50 panic devices. SPECIFY HANDING | 1290 |
| QEL | Quiet Electric Latch Retraction (LD only) | 887 |
| HD-QEL | Quiet Electric Latch Retraction with Hex Dogging feature (Panic Only) | 887 |
| SD-QEL | Special center case dogging available with "QEL" option on 98/99 Rim/27/57/47/48/49/50 panic devices. SPECIFY HANDING | 1283 |

EL Conversion Kits (Field Conversion Kits for Electric Latch Retraction)

| | | |
|---|--|------|
| EL Conversion Kit - 3' / 4' | Order part number 050070 / 050078 | 1043 |
| EL Conversion Kit - w/Connectors - 3' / 4' | Order part number 050853 / 050854 | 1043 |
| HD-EL Conversion Kit - 3' / 4' | Order part number 050384 / 050385 (Panic Only) | 1043 |
| HD-EL Conversion Kit - w/Connectors - 3' / 4' | Order part number 050855 / 050856 (Panic Only) | 1043 |

QEL Conversion Kits (Field Conversion Kits for Quiet Electric Latch Retraction)

Baseplate Conversion Kits (For Fire-rated Devices sold before October 2014, and for replacing existing EL device)

| | | |
|---|--|-----|
| QEL Baseplate Conversion Kit - 3' /4' | Order part number 958003 / 040065 | 932 |
| QEL Baseplate Conversion Kit - w/Connectors - 3' /4' | Order part number 040063 / 040066 | 932 |
| HD-QEL Baseplate Conversion Kit - 3' /4' | Order part number 958004 / 040067 (Panic Only) | 932 |
| HD-QEL Baseplate Conversion Kit - w/Connectors - 3' /4' | Order part number 040064 / 040068 (Panic Only) | 932 |

Modular Conversion Kits (For Panic Devices, and for Fire-rated Devices sold after October 2014)

| | | |
|--|---------------------------------------|-----|
| QEL Modular Conversion Kit | Order part number 114317 | 887 |
| QEL Modular Conversion Kit w/Connectors | Order part number 040061 | 887 |
| HD-QEL Modular Conversion Kit | Order part number 958002 (Panic Only) | 887 |
| HD-QEL Modular Conversion Kit w/Connectors | Order part number 040062 (Panic Only) | 887 |

Exit Alarm

| Suffix | | List Add |
|--------|---|----------|
| ALK | Exit Alarm Price includes switch - "RX" switch, "LXLC" is optional at no additional charge. To order Less Switch, Deduct \$242 list. 9 volt battery included. | 599 |

Switches

| Prefix | | List Add |
|----------|--|----------|
| RX | Request to Exit | 242 |
| RX-LC | Request to Exit Low Current | 280 |
| RX-2 | Request to Exit Double Switch | 300 |
| RX-AUX | RX to RX-2 Conversion - Order part number 050271. | 250 |
| WP-RX | Waterproof Request to Exit | 348 |
| LX-LC | Latchbolt Monitoring Low Current | 280 |
| LX-RX-LC | Request to Exit / Latchbolt Monitoring combination Low Current | 437 |

See page 107 for field-installed RX switches. (N/A on LX-LC)
LX and LX-RX not available on XP devices.

Prices subject to change without notice.

 Indicates products that have EPD documentation available and meet LEED v4.

Options - XP98/99 Series

Electric Unlocking

| Prefix | | List Add |
|-------------|--|------------------------------------|
| E996 | E996 Electric Unlocking of outside E996 Trim - for XP98/99 rim devices. Available with L or LBE functions only. Specify Handing Available 24VDC, Fail Safe (FS) and Fail Secure (FSE). Can also be converted in the field. See Page 93 for pricing and optional lever designs. | 590 |
| | RETROFIT KITS FOR EXISTING 996L TRIM | |
| | 996 R/V/C Conversion to E Kit | Order part number 050672-00 667 |
| | 996 Mort Conversion to E Kit | Order part number 050673-00 693 |

Chexit

| Prefix | | List Add |
|------------------------|---|-----------------|
| CX | Chexit – Controlled Exit Device 15 Second Delay furnished standard. | 1758 |
| Chexit Options: | | List Add |
| | RCM Remote Chexit Module | 251 |
| | * RCM KIT-98 Less Module - specify part number 040199 and finish. | 251 |
| | * RCM KIT-99 Less Module - specify part number 040198 and finish. | 251 |
| | 0 Delay 0 Second Delay | 129 |
| | **30 Delay 30 Second Delay | 129 |
| | BOCA-15 Delay 15 second delay with BOCA Modification | 129 |
| | **BOCA-30 Delay 30 second delay with BOCA Modification | 129 |
| | **Other Delays 2-60 Seconds in 2 second intervals or infinite delay | 173 |

* 15 second Module sold separately. Specify part number **040086**.

**** Over 15 second delay requires a letter of approval from the authority having local jurisdiction over the premises prior to the installation of the device. Allegion cannot grant such approval nor does it warrant local jurisdiction compliance.**

Chexit is not available with any electrical options (EL, QEL, PN).

Chexit is not available with any switches (RX, RXLC, RX2, WPRX, LX, LXLC, LXX, LXXLC, SS)

Connectors

| Suffix | | List Add |
|------------|--|----------|
| CON | Cross-category solution using interconnect components for electrified options. Available with ALK, LXLC, RX and RXLC switches. | N/C |

XP98/99 Retrofit Kits

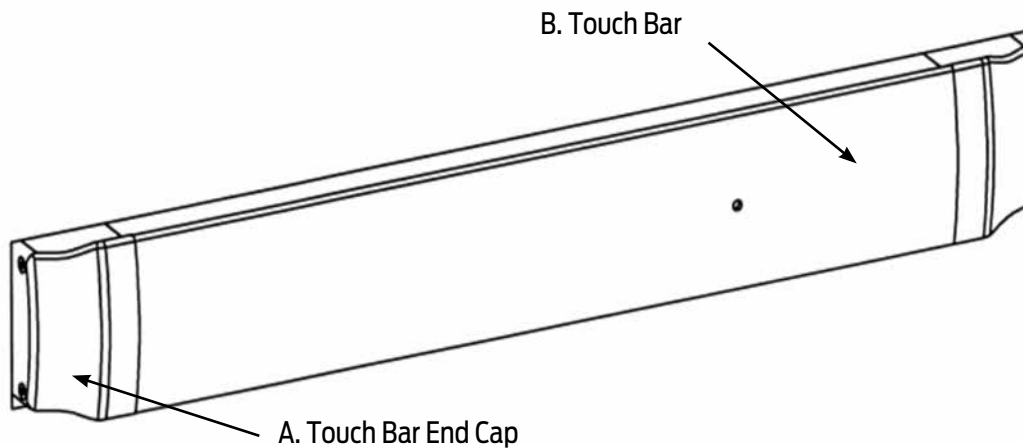
| Model | Description | US26D | 313 315 US28 | US3 US15 US26 | US32D | US4 US10 |
|-----------------|---|-------|--------------------|---------------------|-------|-------------|
| XP99-909 | 98/99 Series Device conversion to XP with 909 strike. Order part number 050676 - Specify finish. | 945 | 912 | 1041 | 980 | 938 |
| XP99-954 | 98/99 Series Device conversion to XP with 954 strike. Order part number 050675 - Specify finish. | 1047 | 1014 | 1121 | 1081 | 1041 |

Door Thickness >2-1/4" - 4 1/4"

| Suffix | | List Add |
|--|--|----------|
| Door Thickness > 2-1/4" - <= 4 1/4" | XP98/99 Rim devices EO (exit only no trim) with sex bolts. | 86 |
| | XP98/99 Rim devices NL-OP (with 110NL cylinder control) with sex bolts. | 172 |
| | XP98/99 Rim devices NL-OP (with 110NL cylinder control) NO sex bolts. | 86 |

Prices subject to change without notice.

94/95 INPACT Series - Finish Chart



Standard Finishes

| Color | US Number | BHMA Number | A | B -Touch Bar Finishes* |
|-----------------------------|-----------|-------------|------------------------------|-----------------------------|
| Bright Brass | US3 | 605 | Powder Coat - Black 315, 622 | Bright Brass US3 |
| Satin Brass | US4 | 606 | Powder Coat - Black 315, 622 | Satin Brass US4 |
| Satin Bronze | US10 | 612 | Powder Coat - Black 315, 622 | Satin Bronze US10 |
| Polished Chrome | US26 | 625 | Powder Coat - Black 315, 622 | Bright Stainless Steel US32 |
| Satin Chrome | US26D | 626 | Powder Coat - Black 315, 622 | Satin Stainless Steel US32D |
| Anodized Aluminum | US28 | 628 | Powder Coat - Black 315, 622 | Satin Stainless Steel US32D |
| Duranodic Dark Bronze | 313 | 710 | Powder Coat - Black 315, 622 | Powder Coat 313, 710 |
| Satin Chrome, Antimicrobial | US26D-AM | 626-AM | AM Clear over 622 | AM Clear over Anodized |

* Anodized Equivalent
No Sex Bolts are needed for the **94/95 Series** device.

Prices subject to change without notice.

Summary - 94/95 INPACT Series

EXIT HARDWARE

Type of Device

94/9547 (Concealed Vertical Rod) 94/9548 (Concealed Vertical Rod) 94/9575 (Mortise Lock)

Function

EO (Exit Only) DT (Dummy Trim) L (Lever-06 Standard) LDT (Lever-Dummy Trim)
 NL (Night Latch-Key Retracts) LBE (Lever-Blank Escutcheon) TL (Turn Lever) TLBE (Turn Lever - Blank Escutcheon)
 TLOP (Turn Lever, Opt. Pull)

Rating

None (Panic Exit Device) - F (Fire Exit Device)

Device Finish

US3 (Bright Brass) US4 (Satin Brass) US10 (Satin Bronze) US26 (Bright Chrome)
 US26D (Satin Chrome) US28 (Anodized Aluminum) 313 (Duranodic Dark Bronze) US26D-AM (Antimicrobial)

Device Handing

RHR (Right Hand Reverse) LHR (Left Hand Reverse)

Switch Options

LX (Latchbolt Monitoring)

Electric Options

QEL (Quiet Electric Latch Retraction)

Device Options

CYL (Include Cylinder) PL (Pullman Latch w/ES Strike) AX (Accessible Device)

Rods For Surface / Concealed Vertical Devices only

LBR (Less Bottom Rod) LBRAFL (LBR with Aux. Fire Pin)

Strike Series

LS (Less Strike) LTS (Less Top Strike) 575 (Std. Mortise) 575-2 (Opt. Mortise)
 576A/576B (Opt. Mortise) 338 (Std. Concealed Vertical Rod)

Bottom Strike Series

LBS (Less Bottom Strike) 304L (Mortise) 385A (Adjustable Mortise)

Strike Finish

US3 (Bright Brass) US4 (Satin Brass) US10 (Satin Bronze) US10B (Satin Bronze-Oil Rubbed)
 US19 (Flat Black) US32 (Bright Stainless) US32D (Satin Stainless) MD (e-Moly)

Trim Options

LT (Less Trim) 550 (Opt. Offset Dummy Trim) 392-7 (Opt. Wire Pull Trim)

Prices subject to change without notice.

94/95 INPACT Series - Summary (continued)

Trim Lever Styles 06 Lever Standard

03, 06, 07, 12, 17 (Levers)

Trim / Control Finish

| | | | |
|------------------------------|-----------------------------|----------------------------------|--|
| US3 (Bright Brass) | US4 (Satin Brass) | US10 (Satin Bronze) | US10B (Satin Bronze-Oil Rubbed) |
| US19 (Flat Black) | US26 (Bright Chrome) | US26D (Satin Chrome) | SP28 (Sprayed Lacquer Aluminum) |
| SPBLK (Black Painted) | SP313 (Dark Bronze) | US26D-AM (Anti-Microbial) | |

Control Options

| | | |
|--------------------------|--------------------------------------|-----------------------------|
| LC (Less Control) | 376T (Thumbturn Control - CV) | 940L (Lever Control) |
|--------------------------|--------------------------------------|-----------------------------|

Control Lever Styles 06 Lever Standard

| | | | |
|------------------------------------|------------------------------------|-------------------------------|-------------------------------|
| 03, 06, 07, 12, 17 (Levers) | AST (Asti Lever) | ACC (Accent Lever) | MER (Meronia Lever) |
| | 01, 02, 05, 16, 18 (Levers) | 03K (03 Knurled Lever) | 06K (06 Knurled Lever) |

03 SS, 06 SS, 17 SS, LAT SS, LON SS, M57, M62 (Stainless Steel Levers)

M51, M52, M53, M54, M55, M56, M61, M63, M81, M82, M83, M84, M85, ME1, ME2, ME3

Door / Frame Material

HM (Hollow Metal)

Door Thickness

1.3/4 (1-3/4" Standard)

Door Application

| | | |
|--------------------------|--------------------------|------------------------|
| D (Double Egress) | P (Pair of Doors) | S (Single Door) |
|--------------------------|--------------------------|------------------------|

Mortise Lock

| | | |
|-----------------------|-----------------|---------------|
| LL (Less Lock) | SS7500IN | 7500IN |
|-----------------------|-----------------|---------------|

Mortise Lock Finish

| | | | |
|---------------------------|--------------------------------|--------------------------------|--|
| US3 (Bright Brass) | US4 (Satin Brass) | US10 (Satin Bronze) | US10B (Satin Bronze-Oil Rubbed) |
| US19 (Flat Black) | US32 (Bright Stainless) | US32D (Satin Stainless) | SP28 (Sprayed Lacquer Aluminum) |

Prices subject to change without notice.

Devices - 94/95 INPACT Series

Devices 3' to 4' are priced complete with standard trim, and strike(s).
Cylinders are not included in price.

EXIT HARDWARE

Concealed Vertical Rod Devices

(Prices includes 338 and 385 Strikes)

| | US26D | US28 | 313 | US10 | US4 | US3 US26 | Weight lbs. | Standard Trim/Control |
|--------------|-------|------|------|------|------|-------------|----------------|--------------------------|
| 94/9547EO | 1663 | 1560 | 1586 | 1670 | 1744 | 1855 | 17 | – |
| 94/9547DT | 2161 | 2058 | 2084 | 2168 | 2159 | 2367 | 19 | 550DT |
| 94/9547L | 2318 | 2215 | 2260 | 2373 | 2399 | 2591 | 22 | 940L |
| 94/9547L-BE | 2318 | 2215 | 2260 | 2373 | 2399 | 2591 | 22 | 940L-BE |
| 94/9547L-DT | 2400 | 2297 | 2346 | 2453 | 2481 | 2638 | 22 | 940L-DT |
| 94/9547TL | 2872 | 2769 | 2795 | 2918 | 2770 | 3136 | 22 | 550DT/376T |
| 94/9547TL-BE | 2837 | 2734 | 2760 | 2888 | 2732 | 3097 | 22 | 550DT/376T-BE |

FIRE EXIT HARDWARE

Concealed Vertical Rod Devices

(Price includes 338 and 385A strikes)

| | | | | | | | | |
|----------------|------|------|------|------|------|------|----|---------------|
| 94/9547EO-F | 1920 | 1824 | 1874 | 1950 | 2031 | 2204 | 17 | – |
| 94/9547L-F | 2575 | 2479 | 2548 | 2653 | 2686 | 2940 | 22 | 940L |
| 94/9547L-BE-F | 2575 | 2479 | 2548 | 2653 | 2686 | 2940 | 22 | 940L-BE |
| 94/9547TL-F | 3129 | 3033 | 3083 | 3198 | 3057 | 3485 | 22 | 550DT/376T |
| 94/9547TL-BE-F | 3094 | 2998 | 3048 | 3168 | 3019 | 3446 | 22 | 550DT/376T-BE |

EXIT HARDWARE

Concealed Vertical Rod Devices

(Prices includes 338 and 385 Strikes)

| | | | | | | | | |
|--------------|------|------|------|------|------|------|----|---------------|
| 94/9548EO | 1905 | 1801 | 1827 | 1910 | 1986 | 2097 | 17 | – |
| 94/9548DT | 2403 | 2299 | 2325 | 2408 | 2401 | 2609 | 19 | 550DT |
| 94/9548L | 2560 | 2456 | 2501 | 2613 | 2641 | 2833 | 22 | 940L |
| 94/9548L-BE | 2560 | 2456 | 2501 | 2613 | 2641 | 2833 | 22 | 940L-BE |
| 94/9548L-DT | 2642 | 2538 | 2587 | 2693 | 2723 | 2880 | 22 | 940L-DT |
| 94/9548TL | 3114 | 3010 | 3036 | 3158 | 3012 | 3378 | 22 | 550DT/376T |
| 94/9548TL-BE | 3079 | 2975 | 3001 | 3128 | 2974 | 3339 | 22 | 550DT/376T-BE |

FIRE EXIT HARDWARE

Concealed Vertical Rod Devices

(Price includes 338 and 385A strikes)

| | | | | | | | | |
|----------------|------|------|------|------|------|------|----|---------------|
| 94/9548EO-F | 2162 | 2066 | 2115 | 2192 | 2272 | 2446 | 17 | – |
| 94/9548L-F | 2817 | 2721 | 2789 | 2895 | 2927 | 3182 | 22 | 940L |
| 94/9548L-BE-F | 2817 | 2721 | 2789 | 2895 | 2927 | 3182 | 22 | 940L-BE |
| 94/9548TL-F | 3371 | 3275 | 3324 | 3440 | 3298 | 3727 | 22 | 550DT/376T |
| 94/9548TL-BE-F | 3336 | 3240 | 3289 | 3410 | 3260 | 3688 | 22 | 550DT/376T-BE |

Prices subject to change without notice.

94/95 INPACT Series - Devices (continued)

Devices 3' to 4' are priced complete with standard trim, and strike(s).
Cylinders are not included in price.

EXIT HARDWARE

Mortise Lock Devices

(Price includes 575 strike)

| | US26D | US28 | 313 | US10 | US4 | US3 US26 | Weight lbs. | Standard Trim/Control |
|--------------------|-------|------|------|------|------|-------------|----------------|--------------------------|
| 94/9575EO | 2022 | 1917 | 1971 | 2050 | 2127 | 2237 | 17 | – |
| 94/9575DT | 2520 | 2415 | 2469 | 2548 | 2542 | 2749 | 19 | 550DT |
| 94/9575NL | 2520 | 2415 | 2469 | 2548 | 2542 | 2749 | 22 | 550DT |
| 94/9575L | 2677 | 2572 | 2645 | 2753 | 2782 | 2973 | 22 | 940L |
| 94/9575L-BE | 2677 | 2572 | 2645 | 2753 | 2782 | 2973 | 22 | 940L-BE |
| 94/9575L-DT | 2759 | 2654 | 2731 | 2833 | 2864 | 3020 | 22 | 940L-DT |

FIRE EXIT HARDWARE

Mortise Lock Devices

(Price includes 575 strike)

| | | | | | | | | |
|----------------------|------|------|------|------|------|------|----|---------|
| 94/9575EO-F | 2286 | 2192 | 2261 | 2336 | 2420 | 2591 | 17 | – |
| 94/9575NL-F | 2784 | 2690 | 2759 | 2834 | 2835 | 3103 | 22 | 550DT |
| 94/9575L-F | 2941 | 2847 | 2935 | 3039 | 3075 | 3327 | 22 | 940L |
| 94/9575L-BE-F | 2941 | 2847 | 2935 | 3039 | 3075 | 3327 | 22 | 940L-BE |

Prices subject to change without notice.

Options - 94/95 INPACT Series

Available on all 94 / 95 Series unless noted

Device Length

| | | List Add |
|-----------------------------------|----------------|----------|
| 2' 6" up to 2' 9.7/8" Door | Add per Device | 149 |

Accessible Device

| <i>Prefix</i> | | List Add |
|---------------|--|----------|
| AX | Accessible device compliant with the California Building Code (Section 11B-309.4) requirement for 5 lb. maximum operation force. Available on AX94/9547 and AX94/9547-F. Trim functions available EO, DT, NL, L, LBE, LDT and LNL. Not available with QEL. | 60 |

Less Bottom Rod

| <i>Suffix</i> | | List Add |
|----------------|--|----------|
| LBR | Less Bottom Rod available with UL Fire Label at no additional charge on 94/9547-F Devices. LBR devices must be ordered pairs of vertical rod devices | N/C |
| LBR KIT | Fire Latch Kit, complete auxiliary bolt field replacement kit. Order part number 050171-32 | 446 |

Electric Latch Retraction

See 98/99 Product Catalog for required accessory equipment

| <i>Prefix</i> | | List Add |
|------------------------------|---|----------|
| QEL | Quiet Electric Latch Retraction - available on all 98/99 Series Devices | 887 |
| QEL Modular Conv. Kit | Order part number 958005-00 | 887 |

Signal Switch

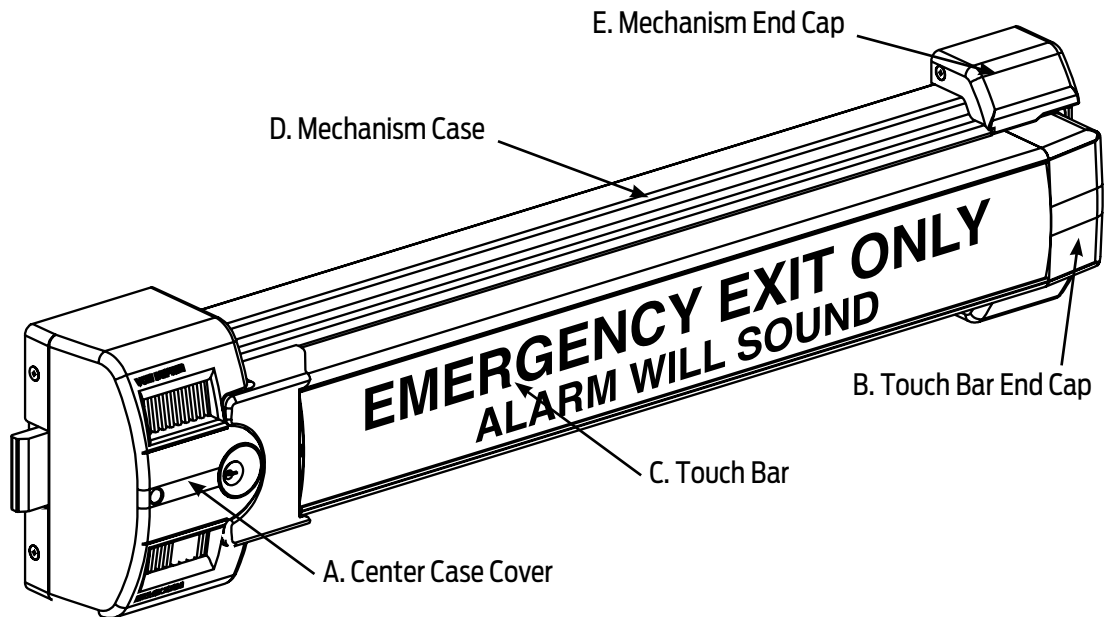
| | | List Add |
|-----------|---|----------|
| SS | 94/9575 Signal Switch feature on Mortise Device (includes SS7500-IN lock) - Specify Handing | 242 |

Switches

| <i>Prefix</i> | | List Add |
|---------------|--|----------|
| LX | Latchbolt Monitoring. Order part number 050226-00 for field replacement. | 242 |

Prices subject to change without notice.

2670 Guard-X Series - Finish Chart



Standard Finishes

| Color | US Number | BHMA Number | A | B, E | C - Touch Bar Finishes | D |
|-----------------------|-----------|-------------|-------------|------------------|----------------------------------|-------------|
| Anodized Aluminum | US28 | 628 | Powder Coat | Plastic - Silver | Satin Stainless Steel US32D, 630 | Anodized |
| Duranodic Dark Bronze | 313 | 710 | Powder Coat | Plastic - Brown | Duranodic Dark Bronze 313, 710 | Powder Coat |
| Black | 315 | 711 | Powder Coat | Plastic - Black | Black 315, 711 | Powder Coat |

2670 Series Sex Bolt Quantities

| Application | Sex Bolt 325 (Optional) |
|---------------|-------------------------|
| Aluminum Door | 6 |

Prices subject to change without notice.

Summary - 2670 Guard-X Series

| | | |
|--|-----------------------------|---------------------------|
| Type of Device | | |
| 2670 | | |
| Device Finish | | |
| US28 (Anodized Aluminum) | 313 (Duranodic Dark Bronze) | 315 (Black) |
| Device Length | | |
| 36" to 48" Door Width | | |
| Device Handing | | |
| RHR (Right Hand Reverse) | LHR (Left Hand Reverse) | |
| Device Options | | |
| SNB (6 - # 325 Sex Bolts recommended for Alum doors) | CYL (3216 Rim Cylinder) | |
| Pushpad Sign | | |
| ENG (English w/Braille Standard) | FR (French) | SP (Spanish) |
| Strike Series | | |
| LS (Less Strike) | 267 (Standard) | 2609 (Double Door Strike) |
| Strike Finish | | |
| US19 (Flat Black) | | |
| Trim Options | | |
| LT (Less Trim) | 210DT (Dummy Pull Trim) | 230DT (Dummy Pull Trim) |
| Trim Finish | | |
| SP28 (Laquer Sprayed Aluminum) | SP313 (Dark Bronze) | |
| Door Thickness | | |
| 1.3/4 (1-3/4" Standard) | | |

2670 Guard-X Series - Devices

Locks are priced complete with strike, screw pack, and battery.
Rim cylinders and Sex Bolts are not included and must be ordered separately.

(Price includes 267 strike)

| Model No. | Description | US28 | 313 | 315 | Wt. lbs. |
|-----------|-------------------------|------|-----|-----|----------|
| 2670 | (36" to 48" Door Width) | 609 | 609 | 609 | 15 |

2670 Notes:

Pushpad Sign furnished in English w/Braille standard. French and Spanish language available at no additional charge.

Accessories:

| Model No. | Description | US19 | SP28 | SP313 | US26D | US10B |
|----------------|--------------------------------|------|------|-------|-------|-------|
| PT790 | 9-Volt External Power Supply | 173 | - | - | - | - |
| 210DT x 050140 | Dummy Pull Trim and Screw Pack | - | 71 | 71 | - | - |
| 230DT x 050140 | Dummy Pull Trim and Screw Pack | - | 130 | 130 | - | - |
| 3216 | Rim Cylinder | - | - | - | 86 | 86 |
| 2609 | Double Door Strike | 108 | - | - | - | - |
| 267 | 267 Strike Pkg | 36 | - | - | - | - |

Prices subject to change without notice.

Notes

Prices subject to change without notice.

Accessories

Prices subject to change without notice.

Dummy Cross Bars / Touch Bars

Dummy Cross Bars

Dummy cross bar priced complete with sex bolts.

| Model No. | Description | US26D | US10B | US10 | US4 | US3 US26 643E SPBLK |
|-----------|---------------------------------|-------|-------|------|------|------------------------------|
| 55DU | 55 series device dummy crossbar | 1798 | 1798 | 2101 | 1693 | 2240 |
| 88DU | 88 series device dummy crossbar | 918 | 918 | 957 | 770 | 1075 |

Dummy Touch Bars

3' dummy touch bar priced complete with sex bolts.

4' add \$18 list.

| Model No. | Description | US26D | US28 | US32D | 313 | US4 US10 | US3 US26 643E | 315 | US15 |
|-----------|--------------------------------------|-------|------|-------|-----|-------------|---------------------|------|------|
| 330 | 33A/99 series device dummy touch bar | 776 | 642 | – | 663 | 694 | 776 | 1410 | – |
| 350 | 35A/98 series device dummy touch bar | 776 | 642 | 818 | 663 | 694 | 776 | 1410 | 776 |

Switch Option

| Prefix | | List Add |
|--------|--|----------|
| RX | Request to Exit Switch. Available for 330, 350, 55DU, 88DU. | 242 |
| RX-2 | Double RX - Request to Exit Switch. Available for 330, 350. | 300 |
| WP-RX | Waterproof Request to Exit - Available for 330, 350. | 348 |
| RX-AUX | Convert existing RX switch to RX-2 switch. Order part number 050271-00. Available for 330, 350 | 250 |
| SS | Signal Switch. Available for 330/350. Specify handing RHR or LHR. | 494 |

Dummy Cross Bar and Touch Bar Notes:

Back to Back Mounting - available on 330, 350 when used with outside trim. Finished fasteners supplied at **\$15.00 list add.**

Finish - US32D available on 350 series only.

Antimicrobial coating is available in US26D (US26D-AM) and US32D-AM (350 series only) finishes, **\$66 list add.**

Prices subject to change without notice.

Rim Strikes

| Model No. | Description | Standard | | Optional | | | | | | Wt. lbs. |
|------------|---|--------------|------|----------|-------|----------------|-----|------|------|----------|
| | | Non Finished | US19 | US26D | US32D | US4 US10 US10B | US3 | US26 | US32 | |
| 264 | 22/88/98/99, 98/9957 Panic - Optional | - | 98 | 114 | - | - | - | - | - | 0.25 |
| 268 | 88 Fire - Standard | - | 121 | - | 143 | 162 | 171 | - | 171 | 0.38 |
| 299 | 22/88/98/99, 98/9957 Panic - Standard | - | 59 | 71 | - | 71 | 92 | 92 | - | 0.30 |
| 299F | 22/98/99 Fire, 98/9957 Fire - Standard | - | 75 | - | 99 | 116 | 133 | - | 133 | 0.30 |
| 499F | 22/98/99 Fire w/9954 Mullion - Standard | - | 177 | - | 184 | - | - | - | - | 0.45 |
| 1408 | Panic w/5754 Mullion - Standard | 266 | - | - | - | - | - | - | - | 0.30 |
| 1409 | 55 Panic - Standard/22 - Optional | 143 | - | - | - | - | - | - | - | 0.30 |
| 1410 | Panic, Integral Stop - Optional | 143 | - | - | - | - | - | - | - | 0.30 |
| 1439 | 33A/35A Panic - Standard/22 - Optional | - | 143 | - | - | - | - | - | - | 0.30 |
| 1439F | 33A/35A-F - Optional | - | 149 | - | - | - | - | - | - | - |
| 1606 | Panic, Sgl or Pr w/1654 Mullion - Optional (non handed) | 71 | - | - | - | - | - | - | - | 0.20 |
| **1609 | Panic - Optional | - | 98 | 110 | - | 110 | 118 | 118 | - | 0.30 |
| **1610 | 88 Panic, Stock HM Doors - Optional | - | 98 | 110 | - | 110 | 118 | 118 | - | 0.30 |
| 267 | 2670 GUARD-X - Standard | - | 36 | - | - | - | - | - | - | - |
| 2609 | 2670 GUARD-X, Pairs - Optional | - | 108 | - | - | - | - | - | - | - |
| 909 | XP98/99 - Standard | - | 75 | - | - | - | - | - | - | 0.30 |
| 954 | XP98/99 Mullion - Optional | - | 177 | - | - | - | - | - | - | 0.45 |
| 050996-622 | 299F Strike Adapter | - | 157 | - | - | - | - | - | - | - |

** 1609 and 1610 must be used with coordinator. Not a UL Fire Exit Hardware listed application.

Vertical Rod Top Strikes

| | | | | | | | | | | |
|--------|--|----|-----|-----|-----|-----|-----|-----|-----|------|
| 150 | 33/3550AWDC/98/9950WDC includes shims and fasteners | 42 | - | - | - | - | - | - | - | - |
| 249 | 33/3549A/98/9949 includes shims and fasteners | 43 | - | - | - | - | - | - | - | - |
| 260U | 22/33A/35A/88/98/9927/57 Panic, Flush Transom | - | 98 | 110 | - | 110 | 133 | 133 | - | 0.30 |
| 260U-F | 22/33A/88/98/9927/57 Fire Flush Transom | - | - | - | 273 | - | - | - | - | 0.00 |
| 264 | 22/33A/35A/88/98/9927/57 Panic - Optional | - | 98 | 114 | - | - | - | - | - | 0.25 |
| 266 | 33/3527A Panic - Standard | - | 110 | - | 121 | 138 | 155 | - | 155 | 0.25 |
| 283 | 33A/35A/98/9947WDC, Wood Frames - specify door thickness | 62 | - | - | - | - | - | - | - | 0.10 |
| 299 | 22/88/98/9927/57 Panic - Standard | - | 59 | 71 | - | 71 | 92 | 92 | - | 0.30 |
| 299F | 22/98/9927 Fire - Standard | - | 75 | - | 99 | 116 | 133 | - | 133 | 0.30 |
| 338 | 33A/35A/98/9947 and WDC - Standard | 62 | - | - | 0 | - | - | - | - | 0.35 |
| 499F | 33/3527A/98/9927 LBR Fire, Pairs - Standard | - | 177 | - | 184 | - | - | - | - | 0.45 |
| 471U | 5547 Panic, HM Frame - Standard | 59 | - | - | - | - | - | - | - | 0.10 |
| 472U | 5547WDC, 1-3/4" Dr, WD Frame - Standard | - | 59 | 61 | - | 63 | 82 | 82 | - | 0.10 |
| 473U | 5547WDC, 2-1/4" Dr, WD Frame - Standard | - | 59 | 61 | - | 63 | 82 | 82 | - | 0.10 |

Vertical Rod Bottom Strikes

| | | | | | | | | | | |
|--------|--|-----|---|---|---|---|---|---|---|------|
| 248L-4 | 22/33A/35A/98/9927, 98/9957 Panic - Standard | 56 | - | - | - | - | - | - | - | 0.15 |
| 301L | 55/8847 Fire - Standard | 129 | - | - | - | - | - | - | - | 0.35 |
| 304L | 22/33A/35A/98/9927, 98/9957 - Standard | 56 | - | - | - | - | - | - | - | 0.25 |
| 349 | 33/3594A/98/9949 includes anchors and fasteners | 24 | - | - | - | - | - | - | - | - |
| * 385A | 33A/35A/98/9947/48 and WDC - Standard | 120 | - | - | - | - | - | - | - | 0.80 |
| 450 | 33/3550AWDC/98/9950WDC includes anchor and fasteners | 23 | - | - | - | - | - | - | - | - |

* The 385A is recommended over the 304L for wood door applications based on it's adjustability.

Mortise Lock Strikes

| | | | | | | | | | | |
|-------|---|-----|---|---|-----|-----|-----|---|-----|------|
| 575 | 55/88/98/9975 - Standard | 45 | - | - | 62 | 118 | 135 | - | 135 | 0.20 |
| 575-2 | 55/88/99/9875, Pairs 1-3/4" Dr - Optional | 45 | - | - | 62 | 118 | 135 | - | 135 | 0.20 |
| 576A | 55/88/98/9975, Pairs 1-3/4" Dr - Optional | 121 | - | - | 129 | 146 | 161 | - | 161 | 0.20 |
| 576B | 55/88/99/9875, Pairs 2-1/4" Dr - Optional | 121 | - | - | 129 | 146 | 161 | - | 161 | 0.20 |

Prices subject to change without notice.

Trims

For other possible trim applications not shown, consult Von Duprin.

22 Series Trim

| Model No. | Description | SP28 SP313 | US26D US10B | Wt. lbs. |
|------------------|---|---------------|----------------|----------|
| STANDARD: | | | | |
| 210DT | Dummy Trim | 53 | – | 1.3 |
| 210NL | Night Latch | 61 | – | 1.4 |
| 210K | Knob | 239 | – | 1.8 |
| 230L | Lever (06 standard - 03, 17 optional) | 235 | – | 2.0 |
| 230TP | Thumbpiece | 234 | – | 2.5 |
| OPTIONAL: | | | | |
| 210K-BE | Knob, Blank Escutcheon | 239 | – | 1.8 |
| 230EO | Exit Only Trim Plate | 98 | – | 1.0 |
| 230DT | Dummy Trim | 108 | – | 2.1 |
| 230NL | Night Latch | 119 | – | 2.2 |
| 230L-BE | Lever, Blank Escutcheon | 235 | – | 2.0 |
| 230TP-BE | Thumbpiece, Blank Escutcheon | 234 | – | 2.5 |
| 110MD-NL | Night Latch Cylinder Assembly - HM Door | – | 125 | 0.4 |
| 110WD-NL | Night Latch Cylinder Assembly - WD Door | – | 125 | 0.4 |

33A/35A Series Trim

| Model No. | Description | US26D | SPBLK US10B | US10 | US4 | US3 US15 US26 643E | Wt. lbs. |
|------------------|---|-------|----------------|------|-----|-----------------------------|----------|
| STANDARD: | | | | | | | |
| 386DT | Dummy Trim | 338 | 338 | 475 | 338 | 400 | 2.7 |
| 386NL | Night Latch - Specify handing | 597 | 597 | 737 | 597 | 705 | 3.5 |
| 388 | Night Latch Cylinder Trim | 293 | 293 | 427 | 274 | 293 | 1.0 |
| OPTIONAL: | | | | | | | |
| 550DT | Dummy Trim - only available with 388 cyl. trim (Rim only) | 498 | 498 | 498 | 415 | 512 | 2.0 |
| 392-6 | Dummy Offset Pull | 207 | – | – | – | – | 1.0 |

33A/35A Trim Notes:

Finish - Antimicrobial coating is available in US26D (US26D-AM) finish, **\$31 list add.**

Prices subject to change without notice.

For other possible trim applications not shown, consult Von Duprin.

55 Series Trim

| Model No. | Description | US26D | US10B | US10 | US4 | US3 US26 SPBLK 643E | Wt. lbs. |
|------------------|--|-------|-------|------|-----|------------------------------|----------|
| STANDARD: | | | | | | | |
| 550DT | Dummy Trim | 498 | 498 | 498 | 415 | 512 | 2.0 |
| 555NL | Night Latch Trim - HM Door | 733 | 733 | 744 | 599 | 752 | 2.0 |
| 556NL | Night Latch Trim - WD Door (handed) | 733 | 733 | 744 | 599 | 752 | 2.0 |
| 609DT | Dummy Trim | 351 | 351 | 386 | 293 | 388 | 2.5 |
| 110MD-NL | Night Latch Cylinder Assembly - HM Door | 125 | 125 | 125 | 117 | 127 | 1.0 |
| 110WD-NL | Night Latch Cylinder Assembly - WD Door | 125 | 125 | 125 | 117 | 127 | 1.0 |
| 555NL-CA | Night Latch Cylinder Assembly - HM Door | 353 | 353 | 354 | 306 | 363 | 1.0 |
| 556NL-CA | Night Latch Cylinder Assembly - WD Door (non-handed) | 353 | 353 | 354 | 306 | 363 | 1.0 |

88 Series Trim

Specify device type when ordering (example: 880TP-V)

| Model No. | Description | Device Type | US26D | US10B | US10 | US4 | US3 US26 SPBLK 643E | Wt. lbs. |
|------------------|------------------------------|----------------|-------|-------|------|-----|------------------------------|----------|
| STANDARD: | | | | | | | | |
| 880EO | Exit Only Trim Plate | R or V&M | 198 | 210 | 241 | 141 | 245 | 1.0 |
| 880DT | Dummy Trim | R, V&M or V-SA | 256 | 275 | 327 | 199 | 332 | 2.9 |
| 880NL | Night Latch | R or M | 275 | 296 | 351 | 211 | 357 | 2.9 |
| 880TP | Thumbpiece | R, V, or M | 283 | 302 | 396 | 269 | 399 | 2.1 |
| 880TP-BE | Thumbpiece, Blank Escutcheon | R, V, or M | 283 | 302 | 396 | 269 | 399 | 2.1 |
| 880K | Knob | R, V, or M | 332 | 356 | 420 | 269 | 424 | 2.7 |
| 880K-BE | Knob, Blank Escutcheon | R, V, or M | 332 | 356 | 420 | 269 | 424 | 2.7 |
| 880K-DT | Knob, Dummy | R, V, or M | 332 | 356 | 420 | 269 | 424 | 2.7 |
| 880K-NL | Knob, Night Latch | R only | 332 | 356 | 420 | 269 | 424 | 2.7 |
| OPTIONAL: | | | | | | | | |
| 608DT | Dummy Trim | - | 360 | 360 | 439 | 283 | 444 | 2.5 |
| 608NL | Night Latch | R or M | 360 | 360 | 439 | 283 | 444 | 2.5 |
| 608TP | Thumbpiece | R, V or M | 387 | 387 | 473 | 302 | 474 | 2.9 |
| 608TP-BE | Thumbpiece, Blank Escutcheon | R or M&V | 387 | 387 | 473 | 302 | 474 | 2.8 |
| 606K | Knob | - | 403 | 403 | 428 | 333 | 432 | 2.4 |
| 606K-BE | Knob, Blank Escutcheon | - | 403 | 403 | 428 | 333 | 432 | 2.4 |
| 606K-DT | Knob, Dummy | - | 403 | 403 | 428 | 333 | 432 | 2.4 |

55/88 Trim Notes:

880 Trim - when used with 88-F Rim devices on wood or composite doors use trim suffix "WDF" (no additional charge) ex. 880WDF-EO

Prices subject to change without notice.

Trims (continued)

For other possible trim applications not shown, consult Von Duprin.

98/99 Series Trim

Specify device type when ordering (example: 990TP-R)

| Model No. | Description | Device Type | US26D | SP313 US10B | SPBLK | US10 | US4 | US3 US15 US26 643E | Weight lbs. |
|------------------|-------------------------------------|-------------|------------|-------------|------------|------------|------------|--------------------|-------------|
| STANDARD: | | | | | | | | | |
| 990EO | Exit Only Trim Plate | - | 159 | 165 | 165 | 207 | 137 | 186 | 1.1 |
| 990EO-w/CH | Exit Only with Cylinder Hole | - | 182 | 190 | 190 | 237 | 158 | 214 | |
| 990DT | Dummy Trim | - | 247 | 265 | 265 | 265 | 199 | 276 | 2.8 |
| 990NL | Night Latch | R&V or M | 265 | 273 | 273 | 276 | 216 | 283 | 2.9 |
| 990TP | Thumbpiece | R&V or M | 353 | 364 | 364 | 351 | 292 | 381 | 2.1 |
| 990TP-BE | Thumbpiece, Blank Escutcheon | R&V or M | 353 | 364 | 364 | 351 | 292 | 381 | 2.1 |
| 996K | Knob | R&V or M | 424 | 447 | 447 | 507 | 372 | 543 | 4.1 |
| 996K-BE | Knob, Blank Escutcheon | R&V or M | 424 | 447 | 447 | 507 | 372 | 543 | 4.1 |
| 996K-DT | Knob, Dummy | - | 414 | 431 | 431 | 491 | 364 | 521 | 4.1 |
| 996K-NL | Knob, Night Latch | R&V or M | 414 | 431 | 431 | 491 | 364 | 521 | 4.1 |
| 110MD-NL | Night Latch Cyl. Assy, MD Dr | - | 125 | - | 127 | 125 | 117 | 127 | 0.4 |
| 110WD-NL | Night Latch Cyl. Assy, WD Dr | - | 125 | 125 | 127 | 125 | 117 | 127 | 0.4 |

OPTIONAL:

| | | | | | | | | | |
|----------|------------------------------|----------|-----|-----|-----|-----|-----|-----|-----|
| 696DT | Dummy Trim | - | 383 | 383 | 383 | 366 | 298 | 424 | 2.5 |
| 696NL | Night Latch | R&V or M | 414 | 414 | 414 | 399 | 332 | 450 | 2.5 |
| 696TP | Thumbpiece | R&V or M | 469 | 445 | 445 | 465 | 376 | 539 | 2.9 |
| 696TP-BE | Thumbpiece, Blank Escutcheon | R&V or M | 469 | 445 | 445 | 465 | 376 | 539 | 2.9 |
| 697DT | Dummy Trim | - | 383 | 383 | 383 | 366 | 298 | 424 | 2.5 |
| 697NL | Night Latch | R&V or M | 414 | 414 | 414 | 399 | 332 | 450 | 2.5 |
| 697TP | Thumbpiece | R&V or M | 469 | 445 | 445 | 465 | 376 | 539 | 2.9 |
| 697TP-BE | Thumbpiece, Blank Escutcheon | R&V or M | 469 | 445 | 445 | 465 | 376 | 539 | 2.9 |
| 996EO | Exit Only Trim Plate | R&V or M | 327 | 337 | 337 | 381 | 322 | 399 | - |
| 392-7 | Dummy Wire Pull | - | 225 | - | - | - | - | - | 1.0 |

696/697 Trim Notes:

Wood or Composite Fire Labeled Doors - when using 696/697 trims with 98/99-F Rim Fire devices use trim suffix "WDF", ex. 696WDF
No additional charge.

Anti-Microbial Finish

| Suffix | | List Add |
|--------|---|----------|
| AM | Antimicrobial Coating available in US26D, use suffix-AM when ordering. Example US26D-AM | 31 |

Door Thickness >2-1/4" - 4 1/4"

| Suffix | | List Add |
|-------------------------------------|----------------------|----------|
| Door Thickness > 2-1/4" - <= 4 1/4" | 110NL-MD or 110NL-WD | 86 |

Prices subject to change without notice.

For other possible trim applications not shown, consult Von Duprin.

98/99 Series Trim

Specify device type when ordering (example: 996L-R)

| Model No. | Description | Device Type | US26D | *US32 *US32D | SP313 US10B | SPBLK | US10 | US4 | US3 US15 US26 643E | Weight lbs. |
|---|-------------------------|-------------|-------|-----------------|----------------|-------|------|-----|-----------------------------|----------------|
| Lever Trim with Standard Lever Designs | | | | | | | | | | |
| 996L | Lever | R&V or M | 572 | 688 | 587 | 587 | 597 | 537 | 667 | 3.8 |
| 996L-BE | Lever, Blank Escutcheon | R&V or M | 572 | 688 | 587 | 587 | 597 | 537 | 667 | 3.8 |
| 996L-DT** | Lever, Dummy | - | 445 | 553 | 460 | 460 | 512 | 437 | 533 | 3.8 |
| 996L-NL | Lever, Night Latch | R&V or M | 445 | 553 | 460 | 460 | 512 | 437 | 533 | 3.8 |

* US32D lever furnished with US15 trim plate. US32 lever furnished with US26 trim plate. Please see stainless steel lever designs below.

Lever Trim with M Collection Lever Designs

| | | | | | | | | | | |
|-----------|-------------------------|----------|-----|-----|-----|-----|-----|-----|-----|-----|
| 996L | Lever | R&V or M | 686 | 686 | 686 | 686 | 686 | 686 | 686 | 3.8 |
| 996L-BE | Lever, Blank Escutcheon | R&V or M | 686 | 686 | 686 | 686 | 686 | 686 | 686 | 3.8 |
| 996L-DT** | Lever, Dummy | - | 551 | 551 | 551 | 551 | 551 | 551 | 551 | 3.8 |
| 996L-NL | Lever, Night Latch | R&V or M | 551 | 551 | 551 | 551 | 551 | 551 | 551 | 3.8 |

* US32D lever furnished with US15 trim plate. US32 lever furnished with US26 trim plate.

**DT not recommended for fire rated devices.

Lever Designs

Suffix

| | |
|---------------------|---|
| Standard | 06 Lever Design - furnished standard. Optional Lever Designs - 01, 02, 03, 05, 07,12,16,17,18, Accent (ACC), Asti (AST), Merano (MER), Latitude (LAT), Longitude (LON) *Stainless Steel Levers - 03-SS, 06-SS, 17-SS, Latitude-SS (LAT-SS), Longitude-SS (LON-SS) are available in US32D or US32. |
| M Collection | M51, M52, M53, M54, M55, M56, M57, M61, M62, M63, M81, M82, M83, M84, M85, ME1, ME2, ME3. *Stainless Steel Levers - M57 and M62 lever designs available in stainless steel only. |
| Handing | Field reversible and furnished RHR if not specified on all lever designs except 12, AST, MER, ACC, M61, M62, M63, M85. Specify handing RHR or LHR for lever designs 12, AST, MER, ACC, M61, M62, M63, M85, ME1, ME2. |

Knurled Lever

Suffix

| Suffix | List Add |
|--------|---|
| KN | Available standard on 02, 03, 06, 07, and 17 lever designs. Specify suffix KN (06-KN). Available for special order on M51, M52, and M81 lever designs. Specify suffix KN (M51-KN). |
| | 102 154 |

Anti-Microbial Finish

Suffix

| Suffix | List Add |
|--------|---|
| AM | Antimicrobial Coating available in US26D, use suffix-AM when ordering. Example US26D-AM |
| | 31 |

Electric Unlocking

Prefix

| Prefix | List Add |
|--------|--|
| E | Electric Unlocking of outside E996 Trim - for 98/99 rim, mortise, surface vertical and concealed vertical devices. Available with L or LBE functions only. Specify handing. Available standard in 12 or 24VDC, Fail Safe (FS) and Fail Secure (FSE). Can also be converted in the field. |
| | 599 |
| | RETROFIT KITS FOR EXISTING 996L TRIM |
| | 996 R/V/C Conversion to E Kit 996 Mort Conversion to E Kit |
| | Order part number 050672-00 Order part number 050673-00 |
| | List Each 667 693 |

Switch

Prefix

| Prefix | List Add |
|--------|---|
| RX | Request to exit available for 996L trim option for use with 98/99 devices. Specify trim "RX996" (L, L-BE trim only) |
| | 242 |

Connectors

Suffix

| Suffix | List Add |
|--------|---|
| CON | Cross-category solution using common interconnect components for electrified options. Available with E996 trim. |
| | N/C |

Quiet Mechanical

Prefix

| Prefix | List Add |
|--------|--|
| QM | Controls motion to reduce operational noise. The QM trim option provides damper-controlled lever return. Available on 996L/LBE - R/V/M. Not available with E996 and RX996. |
| | 185 |

Prices subject to change without notice.

Trims (continued)

For other possible trim applications not shown, consult Von Duprin.

94/95 Series Controls

| Model No. | Description | US26D | US10B SP313 SPBLK | US10 | US4 | US3 US26 643E |
|--|-------------------------|-------|-------------------------|------|-----|---------------------|
| Lever Control with Standard Lever Designs | | | | | | |
| 940L** | Lever | 655 | 674 | 703 | 655 | 736 |
| 940L-BE | Lever, Blank Escutcheon | 655 | 674 | 703 | 655 | 736 |
| 940L-DT | Lever, Dummy | 737 | 760 | 783 | 737 | 783 |
| Lever Control with M Collection Lever Designs | | | | | | |
| 940L** | Lever | 754 | 754 | 754 | 754 | 754 |
| 940L-BE | Lever, Blank Escutcheon | 754 | 754 | 754 | 754 | 754 |
| 940L-DT | Lever, Dummy | 800 | 800 | 800 | 800 | 800 |

**L-NL function is obtained with field conversion of L function.

Lever Designs

Suffix

| | |
|---------------------|--|
| Standard | 06 Lever Design - furnished standard. Optional Lever Designs - 01, 02, 03, 05, 07,12,16,17,18, Accent (ACC), Asti (AST), Merano (MER), Latitude (LAT), Longitude (LON) *Stainless Steel Levers - 03-SS, 06-SS, 17-SS, Latitude-SS (LAT-SS), Longitude-SS (LON-SS) are available in US32D or US32 as a special order. |
| M Collection | M51, M52, M53, M54, M55, M56, M57, M61, M62, M63, M81, M82, M83, M84, M85, ME1, ME2, ME3. *Stainless Steel Levers - M57 and M62 lever designs available in stainless steel only. |
| Handing | Field reversible and furnished RHR if not specified on all lever designs except 12, AST, MER, ACC, M61, M62, M63, M85. Specify handing RHR or LHR for lever designs 12, AST, MER, ACC, M61, M62, M63, M85, ME1, ME2. |

Knurled Lever

Suffix

| | | List Add |
|-----------|---|----------|
| KN | Available standard on 02, 03, 06, 07, and 17 lever designs. Specify suffix KN (06-KN). | 102 |
| | Available for special order on M51, M52, and M81 lever designs. Specify suffix KN (M51-KN). | 154 |

Anti-Microbial Finish

Suffix

| | | List Add |
|-----------|---|----------|
| AM | Antimicrobial Coating available in US26D, use suffix-AM when ordering. Example US26D-AM | 31 |

Prices subject to change without notice.

Control Trims

360 Series

| Model No. | Description | US10B US26D SPBLK | *US32 *US32D | US10 | US4 | US3 US26 643E | US15 | Weight lbs. |
|---|--|-------------------------|-----------------|------|-----|---------------------|------|----------------|
| Lever Trim with Standard Lever Designs | | | | | | | | |
| 360L** | Lever, Key unlocks - 33/35A Rim, 33/3527A, 33/3547A | 685 | 763 | 720 | 594 | 743 | 743 | 3 |
| 360L-BE | Lever, Blank Escutcheon - 33/35A Rim, 33/3527A, 33/3547A | 651 | 722 | 693 | 548 | 702 | 702 | 5 |
| 360L-DT | Lever, Dummy - 33/35A Rim, 33/3527A, 33/3547A | 632 | 703 | 668 | 538 | 685 | 685 | 5 |
| Lever Trim with M Collection Lever Designs | | | | | | | | |
| 360L** | Lever, Key unlocks - 33/35A Rim, 33/3527A, 33/3547A | 761 | 761 | 761 | 761 | 761 | 761 | 3 |
| 360L-BE | Lever, Blank Escutcheon - 33/35A Rim, 33/3527A, 33/3547A | 720 | 720 | 720 | 720 | 720 | 720 | 5 |
| 360L-DT | Lever, Dummy - 33/35A Rim, 33/3527A, 33/3547A | 702 | 702 | 702 | 702 | 702 | 702 | 5 |

Finish - *US32D lever furnished with US15 trim plate. US32 lever furnished with US26 trim plate.
US15 control trim for use on 35A series device only.

**L-NL function is obtained with a field conversion of L function

Standard Lever Designs

| Suffix | Description |
|---|---|
| Standard | 06 (furnished standard when lever design is not specified) |
| Optional-360 | 01, 02, 03, *03-SS, 05, *06-SS, 07,12, 16, 17, *17-SS, 18, Accent (ACC), Asti (AST), Merano (MER), Latitude (LAT), *LAT-SS, Longitude (LON), *LON-SS. |
| Optional-E360 | 01, 02, 03, 05, 07, 12, 16, 17, Lattitude (LAT), |
| Optional **Special Order-E360 | *03-SS, *06-SS, *17-SS, 18, Accent (ACC), Asti (AST), *LAT-SS, Longitude (LON), *LON-SS, Merano (MER). |
| Optional **Special Order-643E Finish | 18, Accent (ACC), Asti (AST), Merano (MER). |

M Collection Lever Designs

| Suffix | Description |
|---|---|
| Optional-360 | M51, M52, M53, M54, M55, M56, *M57, M61, *M62, M63, M81, M82, M83, M84, M85, ME1, ME2, ME3 |
| Optional -E360 | M51, M52, M53, M54, M55, M56, *M57, M61, *M62, M63, M81, M82, M83, M84, M85, ME1, ME2, ME3, |
| Optional **Special Order-643E Finish | M51, M52, M53, M54, M55, M56, *M57, M61, *M62, M63, M81, M82, M83, M84, M85. |

*Stainless Steel Levers (SS) - are available in US32D or US32.US15 control trim for use on 35A series device only.

**Consult factory for lead time.

| | |
|----------------|---|
| Handing | Handing is field reversible and furnished RHR if not specified on all lever designs except 12, AST, MER, ACC, M61, M62, M63, M85. Specify handing RHR or LHR for lever designs 12, AST, MER, ACC, M61, M62, M63, M85, ME1, ME2 |
|----------------|---|

Knurled Lever

| Suffix | List Add |
|-----------|---|
| KN | Available standard on 03, 06, M51, M52, M81 lever designs. Specify suffix KN (06-KN). Available for special order on 02, 17 lever designs. Specify suffix KN (02-KN). Consult factory for lead time. |
| | 102 154 |

Anti-Microbial Finish

| Suffix | List Add |
|-----------|--|
| AM | US26D-AM - Antimicrobial Coating on US26D finish available standard. US32D-AM - Antimicrobial Coating on US32D finish available for special order on lever designs 03-SS, 06-SS, 17-SS, LAT-SS, LON-SS, M57, M62. |
| | 31 31 |

Solid Wood or Composite Doors

| Suffix | List Add |
|---------------|--|
| 33-WDA | Required when used on solid wood or composite doors. |
| | 50 |

Electric Unlocking

| Prefix | List Add |
|----------|--|
| E | Electric Unlocking of outside trim for use on all device types except mortise lock devices. Must be furnished LBE functions only. Specify handing. Prefix trim "E" (example E360). Specify Fail Safe (FS) or Fail Secure (FSE). 24VDC furnished standard, 12VDC available through special order. Consult factory for lead time. |
| | 599 |

Prices subject to change without notice.

Control Trims

370 Series

| Model No. | Description | US10B US26D SPBLK | US10 | US4 | US3 US26 643E | US15 | Weight lbs. |
|-------------|---|-------------------------|------|-----|---------------------|------|----------------|
| 371L | Lever, Key unlocks - 5547/8847-F | 711 | 797 | 611 | 769 | — | 5 |
| 371L-BE | Lever, Blank Escutcheon - 5547/8847-F | 676 | 720 | 573 | 730 | — | 5 |
| 373L | Lever, Key unlocks - 88 Rim, 8827/8875 | 653 | 563 | 563 | 769 | — | 3 |
| 373L-BE | Lever, Blank Escutcheon - 88 Rim, 8827/8875 | 620 | 529 | 529 | 730 | — | 5 |
| 373L-DT | Lever, Dummy - 88 Rim, 8827/8875 | 604 | 507 | 507 | 711 | — | 4 |
| 375L | Lever, Key unlocks - 5575 | 843 | 968 | 747 | 960 | — | 4 |
| 375L-BE | Lever, Blank Escutcheon - 5575 | 808 | 935 | 707 | 918 | — | 6 |
| 375L-DT | Lever, Dummy - 5575 | 789 | 917 | 693 | 904 | — | 5 |
| 376L | Lever, Key unlocks - 5547 | 851 | 851 | 752 | 908 | — | — |
| 376L-BE | Lever, Blank Escutcheon - 5547/8847-F | 818 | 818 | 718 | 876 | — | — |
| 376WDC-L | Lever, WD - Key unlocks - 5547WDC | 851 | 851 | 752 | 908 | — | — |
| 376WDC-L-BE | Lever, WD, Blank Escutcheon - 5547WDC | 818 | 818 | 718 | 876 | — | — |
| 378L | Lever, Key Unlocks - 237 | 711 | 750 | 611 | 769 | — | 5 |
| 378L-BE | Lever, Blank Escutcheon - 237 | 676 | 720 | 573 | 730 | — | 5 |
| 379L | Lever, Key Unlocks - 55 Rim | 852 | 764 | 764 | 968 | — | — |
| 379L-BE | Lever, Blank Escutcheon - 55 Rim | 819 | 736 | 736 | 927 | — | — |

Lever Designs

| Suffix | Description |
|---------------------------------|--|
| Standard | 06 (furnished standard when lever design is not specified) |
| Optional | 01, 02, 03, 07, 12, 16, 17 |
| Optional * Special Order | 05, 18, ASTI |
| *Consult factory for lead time. | |
| Handing | Requires handing, specify RHR or LHR. |

Knurled Lever

| Suffix | List Add |
|--------|--|
| KN | Available standard on 02, 03, 06, 07, and 17 lever designs. Specify suffix KN (06-KN). 102 |

Anti-Microbial Finish

| Suffix | List Add |
|--------|--|
| AM | Antimicrobial Coating available in US26D, use suffix-AM when ordering. Example US26D-AM 31 |

Solid Wood or Composite Doors

| Suffix | List Add |
|--------|---|
| 10WDA | Required when used on solid wood or composite doors. 50 |

Electric Unlocking

| Prefix | List Add |
|--------|--|
| E | Electric Unlocking of outside trim for use on all device types except mortise lock devices. Available for 373. For all other 370 Controls, available through special order. Must be furnished LBE functions only. Specify handing. Prefix trim "E" (example E373). Specify Fail Safe (FS) or Fail Secure (FSE). 24VDC furnished standard, 12VDC available through special order. Consult factory for lead time. 599 |

Prices subject to change without notice.

Cylinder Controls

Thumbturns

| Model No. | Description | US10B US26D SPBLK | US10 | US4 | US3 US26 643E | US15 | Weight lbs. |
|--------------------|---|-------------------------|------|-----|---------------------|------|----------------|
| 360T | Thumbturn - 33/35A Rim | 711 | 750 | 611 | 769 | 769 | 4 |
| 360T-BE | Thumbturn, Blank Escutcheon - 33/35A Rim | 676 | 720 | 573 | 730 | 730 | 4 |
| 374T | Thumbturn - 33/3527A, 98/9927 | 711 | 750 | 611 | 769 | 769 | 5 |
| 374T-BE | Thumbturn, Blank Escutcheon - 33/3527A, 98/9927 | 676 | 720 | 573 | 730 | 730 | 5 |
| 376T | Thumbturn - 33/3547A, 5547, 8847 | 711 | 750 | 611 | 769 | 769 | 4 |
| 376T-BE | Thumbturn, Blank Escutcheon - 33/3547A, 5547, 8847 | 676 | 720 | 573 | 730 | 730 | 4 |
| 376WDC-T | Thumbturn, WD - 33A/35A/55/98/9947WDC | 711 | 750 | 611 | 769 | 769 | 4 |
| 376WDC-T-BE | Thumbturn, Blank Escut., WD - 33A/35A/55/98/9947WDC | 676 | 720 | 573 | 730 | 730 | 4 |
| 377T | Thumbturn - 8827, WS98/9927 | 711 | 750 | 611 | 769 | — | 4 |
| 377T-BE | Thumbturn, Blank Escutcheon - 8827 | 676 | 720 | 573 | 730 | — | 4 |

Anti-Microbial Finish

| Suffix | List Add |
|---|----------|
| AM Antimicrobial Coating available in US26D, use suffix-AM when ordering. Example US26D-AM | 31 |

Solid Wood or Composite Doors

| Suffix | List Add |
|---|----------|
| 10WDA Required with 370 series lever control trim when used on solid wood or composite doors. | 50 |
| 33-WDA Required with 360 series lever control trim when used on solid wood or composite doors. | 50 |

Electric Unlocking

| Prefix | List Add |
|--|----------|
| E E360/E370 Cylinder Controls - Electric Unlocking of outside trim for use on all vertical device types. Must be furnished T-BE or TL-BE functions only. Specify Fail Safe (FS) and Fail Secure (FSE). 24VDC furnished. Consult factory for lead time. standard, 12VDC available through special order. | 599 |

Blank Plates

| Model No. | Description | US10B US26D SPBLK | US10 | US4 | US3 US26 643E | US15 |
|--------------|---|-------------------------|------|-----|---------------------|------|
| 360EO | Blank Plate - 33A/35A Rim, 33/3527A, 33/3547A | 332 | 348 | 285 | 358 | 358 |
| 373EO | Blank Plate - 88, 8827, 8875 | 332 | 348 | 285 | 358 | — |
| 374EO | Blank Plate - 33/3527A, 98/9927 | 332 | 348 | 285 | 358 | 358 |
| 376EO | Blank Plate - 3347, 8847 | 332 | 348 | 285 | 358 | 358 |

Prices subject to change without notice.

Cover Plates

| Model No. | Description | SP28 SP313 | US10B US26D | US32D | US10 | US4 | US3 SPBLK US26 US15 US19 |
|-----------|--|---------------|----------------|-------|------|-----|--------------------------------------|
| 10WDA | 370 Series Controls on Wood Doors | — | 50 | — | 50 | 50 | 50 |
| 33A-WDA | 360 Series Controls on Wood Doors | — | 50 | — | 50 | 50 | 50 |
| 5547WDC | 5547WDC Scalp Plate | — | 154 | 154 | 159 | 154 | 162 |
| 9947WDC | 9947WDC Scalp Plate | — | 62 | 39 | 62 | 62 | 162 |
| 50WDC | 33A/35A/98/9950WDC Cover Plate | 62 | — | 62 | 62 | 62 | 62 |
| 229 | 22 Rim Device | 101 | — | — | — | — | — |
| 589 | 5575L Device on Wood Doors | — | 153 | — | 208 | 179 | 192 |
| 882 | 88 Rim Device | — | 150 | — | — | 130 | 168 |
| 887 | 88 Rim/8827 Pairs with ANSI 161 door cutout | — | 150 | — | — | 130 | — |
| 888 | 8875 or 8827 with ANSI 161 door cutout | — | 150 | — | — | 130 | — |
| 889 | 373L Control with Sexbolts - specify device type R, M or V | — | 226 | — | 230 | 216 | 239 |
| 997 | 98/99 Rim Device | 101 | — | — | 101 | 101 | — |
| 998 | 994L Trim retrofit Plate | — | 91 | — | 72 | 72 | 117 |

Cylinders

| Model No. | Description | US4 US10 US10B US26D | Weight lbs. |
|-----------|----------------------------------|----------------------------|----------------|
| 3215 | Mortise 1-1/4" - 20-001 XQ11-949 | 86 | 0.7 |
| 3216 | Rim | 86 | 0.6 |

Note: Custom keying is not available

Glass Bead Kits

| Model No. | Description | Sprayed finish to Match US4, US10, US19, SP28, SP313 | Wt. lbs. |
|-------------------|--|--|----------|
| 98/99GBK-R/M | 1/4" 98/99 Rim/Mortise | 67 | 2.2 |
| 98/99GBK-CV | 1/4" 98/99 Concealed Vertical | 67 | 2.2 |
| 98/99GBK-CV-WDC | 1/4" 98/99 Concealed Vertical for Wood Doors | 67 | |
| 98/99GBK-SV | 1/4" 98/99 Surface Vertical | 95 | 2.4 |
| 98/99GBK-R-499F | 1/4" 98/99 Rim used with 499-F Strike | 95 | 3.6 |
| XP98/99GBK-R/M | 1/4" XP98/99 Rim/Mortise | 108 | |
| XP98/999GBK-R-954 | 1/4" XP98/99 Rim used with 954 Strike | 108 | |
| 33A/35A-GBK-R | 1/4" 33A/35A Rim | 67 | |
| 33A/35A-GBK-SV | 1/4" 33A/35A Surface Vertical | 95 | |
| 33A/35A-GBK-CV | 1/4" 33A/35A Concealed Vertical | 67 | |
| 22GBK-R | 1/4" 22 Rim | 67 | 2.2 |
| 22GBK-SV | 1/4" 22 Surface Vertical | 95 | 2.4 |
| 22GBK-R-499F | 1/4" 22 Rim used with 499-F Strike | 95 | 3.6 |

Prices subject to change without notice.

Von Duprin Mullions are furnished for flat sills.
 Strikes are not included except where indicated.
 When required, strikes should be ordered with devices.

Steel Mullions

| Model No. | Description | With KR option | | SP28 SP313 | Weight lbs. |
|-----------|--|------------------------|------------------------|---------------|----------------|
| | | For Openings Up To: | For Openings Up To: | | |
| 1654 | Prepped for two 1606 Strikes - If 1606 strikes are not specified on your order, two 1606 strikes will be added per mullion. Each 1606 strike is \$67 list. | 7' 2" | 7' 6" | 579 | 28 |
| | | 8' 2" | 8' 6" | 626 | 33 |
| | | 10' 2" | 10' 6" | 724 | 41 |
| 4754 | Prepped for two 4263 Monitor Strikes | 7' 2" | 7' 6" | 801 | 30 |
| | | 8' 2" | 8' 6" | 848 | 35 |
| | | 10' 2" | 10' 6" | 940 | 43 |
| 4854 | Prepped for one 299 strike and one 6111 Electric Strike. Advise Handing of Electric Strike Prep. | 7' 2" | 7' 6" | 801 | 30 |
| | | 8' 2" | 8' 6" | 848 | 35 |
| | | 10' 2" | 10' 6" | 940 | 43 |
| 4954 | Prepped for two 299 Strikes | 7' 2" | 7' 6" | 579 | 28 |
| | | 8' 2" | 8' 6" | 626 | 33 |
| | | 10' 2" | 10' 6" | 724 | 41 |
| 4954-XP | Prepped for two 909 Strikes, for the XP device. | 7' 2" | 7' 6" | 579 | 28 |
| | | 8' 2" | 8' 6" | 626 | 33 |
| | | 10' 2" | 10' 6" | 724 | 41 |
| * 9854 | Prepped for one 499F and one 6111 Electric Strike or one 268 Strike and one 6111 Electric Strike. Advise handing of Electric Strike Prep. | 7' 3" | 7' 5" | 1117 | 32 |
| | | 8' 3" | 8' 5" | 1164 | 40 |
| | | 10' 3" | 10' 5" | 1260 | 48 |
| * 9954 | Prepped for two 499F or 268 Strikes | 7' 3" | 7' 5" | 898 | 33 |
| | | 8' 3" | 8' 5" | 944 | 38 |
| | | 10' 3" | 10' 5" | 1038 | 46 |
| 9954-XP | Prepped for two 954 Strikes, for the XP device. | 7' 3" | 7' 5" | 898 | 33 |
| | | 8' 3" | 8' 5" | 944 | 38 |
| | | 10' 3" | 10' 5" | 1038 | 46 |

* When used with 22, 98 or 99 Series Rim Devices and 499F strikes are not ordered with devices, two 499F strikes per 9954 and one per 9854 will be added. Each 499F strike is **\$177 list.**

Aluminum Mullions

Furnished with Stabilizers and Weatherstripping

| Model No. | Description | For Openings Up To: | US4, US10 | | Weight lbs. |
|-----------|---|------------------------|--------------|------|----------------|
| | | | US28 313 | 315 | |
| 5654 | Prepped for two 299 Strikes | 7' 2" | 1343 | 1613 | 17 |
| | | 8' 2" | 1436 | 1705 | 20 |
| | | 10' 2" | 1705 | 2017 | 25 |
| 5654-XP | Prepped for two 909 Strikes, for the XP device. | 7' 2" | 1343 | 1613 | 17 |
| | | 8' 2" | 1436 | 1705 | 20 |
| | | 10' 2" | 1705 | 2017 | 25 |
| 5754 | Prepped for a 1408 Double Strike Price includes strike. Note: If 5754 is ordered w/device - Specify device L/strike | 7' 2" | 1610 | 1881 | 17 |
| | | 8' 2" | 1697 | 1971 | 20 |
| | | 10' 2" | 1881 | 1977 | 25 |

REFERENCE NOTES:

Mullions are furnished standard for 7'0 doors when door height is not specified.

Blank Mullions (without strike preparation) are available at the same price as standard Mullions.

The 9854 and 9954 are U.L. Fire approved for heights up to 8'0" with 22-F and 88-F Rim Device. For door heights over 8'0" mullion is furnished less U.L. label.

The 9854 and 9954 are U.L. Fire approved for heights up to 10'0" with 98/99-F Rim Device. For door heights over 10'0" mullion is furnished less U.L. label.

ADA centerline height of 37" is available at no additional charge, must be specified.

Special Centerlines (other than 39-11/16") or **Special Length** mullions, see page 18 for pricing.

Prices subject to change without notice.

Mullions (continued)

Steel Mullion Options and Accessories

SP28
SP313

| Model No. | Description | |
|---------------|--|-----|
| KR | Keyed Removable option - Prefix Mullion model with "KR" | |
| | KR1654/4954 List Add to Mullion price | 485 |
| | KR98/9954/4754/4854 List Add to Mullion price | 534 |
| KR54 | Keyed Removable Kit for 1654 and 4954 Mullions | 485 |
| KR54-F | Keyed Removable Kit for 98/9954/4754/4854 Mullion | 534 |
| MT54 | Wall Mounted Storage Kit "specify part number 050581" | 154 |
| 154 | Mullion Stabilizers (set of four, 2 attaches to the mullion and 2 to the door) | 94 |

Aluminum Mullion Accessories

Part Number
All
Finishes

| | | |
|---|-----------|----|
| Mullion Angle Bracket - For Narrow Transom Bars | 050092-00 | 56 |
|---|-----------|----|

Rod and Latch Guard

For use with all Von Duprin Surface Vertical rod devices.
Specify Handing.

| Model No. | Description | Part Number | US32D |
|----------------|--------------------------------------|----------------------------------|-------|
| RG-27 | Rod and Latch Guard | 050061-32 (RHR), 050062-32 (LHR) | 452 |
| RG-27-3 | Rod and Latch Guard Extended 3' Door | 050261-32 (RHR), 050262-32 (LHR) | 941 |
| RG-27-4 | Rod And Latch Guard Extended 4' Door | 050263-32 (RHR), 050264-32 (LHR) | 1217 |
| RGO | Rod Guard Only | 050066-32 (NON-HANDED) | 282 |
| LGO | Latch Guard Only | 050067-32 (RHR), 050068-32 (LHR) | 165 |
| LGO-3 | Latch Guard Only Extended 3' Door | 050265-32 (RHR), 050266-32 (LHR) | 671 |
| LGO-4 | Latch Guard Only Extended 4' Door | 050267-32 (RHR), 050268-32 (LHR) | 941 |

Mortise Locks

For panic and fire-rated mortise lock devices

| Model No. | Description | US32D | US3, US4, US19, US10, US10B, US32 | Weight lbs. |
|----------------|------------------------------|-------|--|----------------|
| 7500 | Standard Mortise Lock | 642 | 662 | 3.5 |
| 7500-2 | Double Cylinder Mortise Lock | 838 | 858 | 3.5 |
| 7500-IN | INPACT Device Mortise Lock | 797 | 818 | 3.5 |

Prices subject to change without notice.

237 Two Point Latch

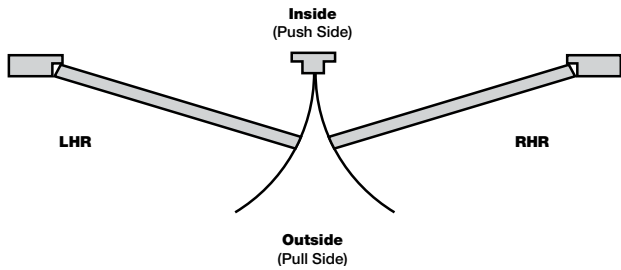
Price includes 304L Strike. Cylinders are not included.
Can not be used on doors requiring panic or fire exit hardware.

UL Listing: Two-and Three-point Locks and Latches (for Fire Doors) – UL 10 C.
 Rating: 3HR Pairs (Double Egress), 90 Min. Pairs (Swing Same Direction), Door Size: 8'0 x 8'0 Pairs (Hollow Metal only)
Windstorm Rating: UL-FEMA 320 and 361 certified: 4'0 x 8'0 Single Doors (Non-fire-rated) Hollow Metal, 8'0 x 8'0 Pairs Hollow Metal. **UL-ANSI/ICC 500** certified for F5 Tornado applications.
 These products are listed with Steelcraft PW14 Series door for Tornado Listings.

Outswing Door (RHR and LHR)

| Function | Model No. | Push | Pull | US10B | US10 | US4 | US3 |
|-------------------|----------------|--------|-----------|-------|------|------|------|
| | | | | US26D | US10 | US4 | US26 |
| Exit Only | 237EO | 237 BE | None | 2673 | 2673 | 2566 | 2734 |
| Class room | 237L | 237 BE | 378 w/cyl | 3382 | 3422 | 3179 | 3504 |
| Passage | 237L-BE | 237 BE | 378 BE | 3348 | 3393 | 3136 | 3463 |
| Storeroom | 237L-NL | 237 BE | 378 NL | 3382 | 3422 | 3179 | 3504 |

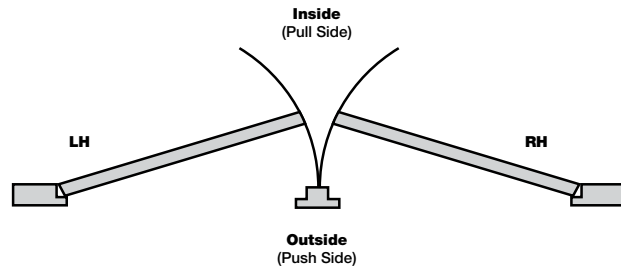
- Windstorm-rated 237 outswing only
- If cylinder is required on push side, add suffix "C" to model #. (e.g. 237EO-C)
- Cylinder (mortise 3215) not included in pricing.
- The #06 Lever is furnished standard.
- Optional lever designs, #03 and #17 are available at no additional charge



Inswing Door (RH and LH)

| Function | Model No. | Push | Pull | US10B | US10 | US4 | US3 |
|-------------------|----------------|-----------|--------|-------|------|------|------|
| | | | | US26D | US10 | US4 | US26 |
| Exit Only | 237EO | None | 237 BE | 2673 | 2673 | 2566 | 2734 |
| Class room | 237L | 378 w/cyl | 237 BE | 3382 | 3422 | 3179 | 3504 |
| Passage | 237L-BE | 378 BE | 237 BE | 3348 | 3393 | 3136 | 3463 |
| Storeroom | 237L-NL | 378-NL | 237 BE | 3382 | 3422 | 3179 | 3504 |

- Windstorm-rated 237 outswing only
- If cylinder is required on pull side, add suffix "C" to model #. (e.g. 237EO-C)
- Cylinder (mortise 3215) not included in pricing.
- The #06 Lever is furnished standard.
- Optional lever designs, #03 and #17 are available at no additional charge.



How to order:

Model _____
 EO / L / L-BE / L-NL

Handing _____
 LHR / RHR / LH / RH

Lever Style _____
 03 / 06 / 17

Finish _____
 US3 / US4 / US10 / US10B / US26 / US26D

Prices subject to change without notice.

Extension Rod Kits

| Model | Description | List Price All Finishes |
|-----------------|---|----------------------------|
| ER-12-88 | 12" Extension Rod for 8827 | 28 |
| ER-24-88 | 24" Extension Rod for 8827 | 28 |
| ER-36-22/33A/99 | 36" Extension Rod for 2227, 3327A, 3527A, 9827, 9857, 9927, 9957 | 28 |
| ER-12-WS | 12" Extension Rod for WS98/9927 | 28 |
| ER-ADJ10-55/88 | Adjustable Extension Rod, over 8' up to 10' for 5547, 5547WDC, 8847 | 28 |
| ER-ADJ10-33A/99 | Adjustable Extension Rod, 8'4" - 10' for 3347A, 3348A, 3547A, 3548A, 9847, 9847WDC, 9848, 9947, 9947WDC, 9948 | 28 |
| ER-ADJ9.8-94 | Adjustable Extension Rod, over 8' up to 9'8" for 9447, 9547 | 28 |

Extension Rod Kits (for non-standard door heights)

**Fire rated devices over 8' may be provided less UL label based on the door application.
Caution: Other special door and frame conditions may require additional charges. Consult factory**

| Model | Description | UnFinished | US15 | | US10 | US4 | US3 | | 643E SPBLK |
|-------------------|---|------------|----------------|--------------|------|-----|--------------|-----|---------------|
| | | | US26D US32D | 313 US10B | | | US26 US32 | 315 | |
| ER-36-88 | 36" Extension Rod for 8827 | — | 86 | 132 | 97 | 83 | 296 | — | 296 |
| ER-48-88 | 48" Extension Rod for 8827 | — | 101 | 147 | 117 | 97 | 311 | — | 311 |
| ER-60-33A | 60" Extension Rod for 3327A, 3527A | — | 262 | 262 | 304 | 296 | 316 | 316 | — |
| ER-60-99 | 60" Extension Rod for 9827, 9857, 9927, 9957 | — | 135 | 135 | 250 | 165 | 264 | 264 | — |
| ER-ADJ11.8-33A/99 | Adjustable Extension Rod, 10' - 11'8" for 3347A, 3547A, 9847, 9847WDC, 9848, 9947, 9947WDC, 9948 | 93 | — | — | — | — | — | — | — |
| ER-ADJ13.4-33A/99 | Adjustable Extension Rod 11'8" - 13'4" for 3347A, 3547A, 9847, 9847WDC, 9848, 9947, 9947WDC, 9948 | 105 | — | — | — | — | — | — | — |
| ER-ADJ15-33A/99 | Adjustable Extension Rod, 13'4" - 15' for 3347A, 3547A, 9847, 9847WDC, 9848, 9947, 9947WDC, 9948 | 105 | — | — | — | — | — | — | — |
| ER-ADJ12-5547 | Adjustable Extension Rod 10' - 12' for 5547 | 92 | — | — | — | — | — | — | — |
| ER-ADJ14-5547 | Adjustable Extension Rod 12' - 14' for 5547 | 92 | — | — | — | — | — | — | — |
| ER-ADJ16-5547 | Adjustable Extension Rod, 14' - 16' for 5547 | 92 | — | — | — | — | — | — | — |
| ER-ADJ12-5547WDC | Adjustable Extension Rod 10' - 12' for 5547WDC | 203 | — | — | — | — | — | — | — |
| ER-ADJ14-5547WDC | Adjustable Extension Rod 12' - 14' for 5547WDC | 203 | — | — | — | — | — | — | — |
| ER-ADJ16-5547WDC | Adjustable Extension Rod, 14' - 16' for 5547WDC | 203 | — | — | — | — | — | — | — |
| ER-ADJ12-5547F | Adjustable Extension Rod 10' - 12' for 5547-F, 8847-F | 195 | — | — | — | — | — | — | — |
| ER-ADJ14-5547F | Adjustable Extension Rod 12' - 14' for 5547-F, 8847-F | 195 | — | — | — | — | — | — | — |
| ER-ADJ16-5547F | Adjustable Extension Rod, 14' - 16' for 5547-F, 8847-F | 195 | — | — | — | — | — | — | — |

One Piece Top Rod Kits

**Fire rated devices over 8' may be provided less UL label based on the door application.
Caution: Other special door and frame conditions may require additional charges. Consult factory.**

| Model | Description | US26D | 313 | US10 | US4 | US3 | | SPBLK |
|----------|---|-------|-----|------|-----|------|-----|-------|
| | | | | | | US26 | 315 | |
| OP-8-88 | 8 - for door heights up to 8' for 8827 | 130 | 185 | 201 | 201 | 403 | — | 403 |
| OP-8-99 | 8 - for door heights up to 8' for 9827, 9857, 9927, 9957 | 225 | 225 | 144 | 114 | 225 | 225 | — |
| OP-10-99 | 10' - for door heights up to 10' for 9827, 9857, 9927, 9957 | 249 | 249 | 157 | 138 | 244 | 244 | — |
| OP-12-99 | 12 - for door heights up to 12' for 9827, 9857, 9927, 9957 | 264 | 264 | 175 | 162 | 274 | 274 | — |

Prices subject to change without notice.

Security Screw Packages

Security Screws are pin-in-socket type and require special hex wrenches

| | All Finishes | Wrench Model# Required |
|----------------------------------|--------------|------------------------|
| Devices | | |
| 22/22-F Rim | 15 | 2 |
| 2227/2227-F | 51 | 2 |
| 33A/35A Rim | 26 | 2 |
| 33A/3527A | 69 | 2 |
| 33/3547A/47A-F | 38 | 2 |
| 88/88-F Rim/8875/75-F | 44 | 2 |
| 8827 | 67 | 2 |
| 8827-F | 99 | 2 |
| 8847-F | 52 | 2 |
| 98/99/99-F/98-F Rim/98/9975/75-F | 52 | 2 |
| 98/9927/27-F | 62 | 2 |
| 98/9947/47-F and WDC | 50 | 2 |

| | | |
|---------------------------|----|---|
| Trims and Controls | | |
| 230/880/990 | 13 | 2 |
| 230/990x330/350 | 44 | 2 |
| 386/360L-DTx330/350 | 20 | 2 |
| 371/373 | 29 | 2 |
| 374/376/377 | 13 | 2 |
| 696/697 | 12 | 2 |
| 696/697x330/350 | 26 | 2 |

| | | |
|-----------------------------------|----|---|
| Mechanical Strikes | | |
| 1439/1606/248L-4/264/266/299/299F | 13 | 2 |
| 1408 | 24 | 2 |
| 268 | 21 | 2 |
| 338 | 11 | 2 |
| 385A | 9 | 2 |
| 499F | 39 | 2 |
| 575/576 | 12 | 2 |

| | | |
|----------------------------------|----|------|
| Other Mechanical Products | | |
| 330/350 Pushbar | 26 | 2 |
| 1654/4954 Mullion | 37 | 2 |
| 5654/5754 Mullion | 19 | 2 |
| 9954 Mullion | 85 | 2, 4 |
| 154 Mullion Stabilizer | 30 | 2 |
| 7500 Lock | 12 | 2 |

| | | |
|------------------------------------|----|---|
| Electrical Products | | |
| 4263/4570/4582/4690 Monitor Strike | 12 | 2 |
| 4570/4690 Monitor Strike | 12 | 2 |
| 4670 Monitor Strike | 12 | 2 |
| 6211-16/6222-26 Electric Strike | 11 | 2 |
| EPT | 62 | 2 |

Wrenches (One set of required wrenches charged per order unless specified otherwise)

| Model No. | Description | Part Number | List Each |
|-----------|--------------------------|-------------|-----------|
| #1 | 1/8" Hex - #6 Screw | 010060-00 | 19 |
| #2 | 5/32" Hex - #8-1/4 Screw | 010059-00 | 19 |
| #3 | 7/32" Hex - 3/8 Screw | 010061-00 | 19 |
| #4 | 3/16" Hex - 5/16 Screw | 010062-00 | 19 |

Prices subject to change without notice.

Sex Bolts

Machine screws are supplied with the Device. (Finish 605, 606, 612, 622, 630, 695)

| Model No. | Thread Size | | List Price |
|---------------|-------------|--------------|------------|
| 425 | 10-24 | Package of 2 | 24 |
| 625 (A, B, C) | 12-24 | Package of 2 | 24 |
| 325 | 1/4-20 | Package of 2 | 24 |
| 525 | 12-24 | Package of 2 | 24 |
| 825 (A, B) | 10-24 | Package of 2 | 24 |

REFERENCE NOTES:

625 and 825 sexbolts furnished standard for 1 3/4" thick door. Specify 2 1/4" if required.

SLM Blocking Mounting Packages

For use with devices on doors with special high density blocking material.
Blocking material must be UL or Warnock Hersey approved.

| Type | Unfinished | US3, US4, US10B US32D, US32 |
|---|------------|--------------------------------|
| 98/99 Rim | 21 | — |
| 9827/9927 | 28 | — |
| 9875/9975/9847WDC/9947WDC/9850WDC/9950WDC | 12 | — |
| 88 Rim | — | 32 |
| 8827 | — | 58 |
| 8875 | — | 32 |
| 5547WDC | — | 39 |
| RG-27 | 28 | — |
| RGO | 12 | — |
| LGO | 12 | — |

Prices subject to change without notice.

Electrical Products

Prices subject to change without notice.

Alarm Kits

| Model No. | US15 | SP28 SP313 | US4 US28 US10 313 | US32D | US3 US26 315 | Weight lbs. |
|-----------|------|---------------|----------------------------|-------|--------------------|----------------|
| 22 ALK | — | 532 | — | — | — | 2.2 |
| 33A-ALK | — | — | 599 | — | 599 | 1.1 |
| 35A-ALK | 599 | — | 599 | — | 599 | 1.1 |
| 98 ALK | 599 | — | 599 | 632 | 599 | 1.1 |
| 99 ALK | — | — | 599 | — | 599 | 1.1 |

OPTIONS:

Connector (CON) is a cross-category solution using common interconnect components for electrified options. Available for ALK at no additional charge. Specify CON.

REFERENCE NOTES:

Above prices include switch kit - "RX" is standard, "LX" is optional at no charge. To order "Less Switch", **deduct \$242 list**. When ordering alarm kits separate from devices, the 3' device kit is furnished standard. Specify 4' if required, no additional charge. The "EI" External Inhibit feature is standard on the ALK at no additional charge.

Not available with EL/QEL
Not available on 2' Devices

Mortise Locks

| Model No. | Description | US32D | US3, US4, US19, US10, US10B, US32 | Wt. lbs. |
|-----------|------------------------------------|-------|--|----------|
| 7500 | Standard Mortise Lock | 642 | 662 | 3.5 |
| 7500-2 | Double Cylinder Mortise Lock | 838 | 858 | 3.5 |
| 7500-IN | INPACT Device Mortise Lock | 797 | 818 | 3.5 |
| E7500 | Electric Unlocking Mortise Lock | 1241 | 1261 | 3.5 |
| SS7500 | Signal Switch Mortise Lock | 884 | 904 | 3.5 |
| SS7500-IN | 94/9575 Signal Switch Mortise Lock | 1037 | 1060 | 3.5 |

E7500 Notes:

Voltage/Current - furnished standard 24VDC if not specified. 12VDC available at no additional charge. AC requires SO-12 or SO-24 Rectifier Kit, specify voltage/current 24VAC or 12VAC, **\$41 list add**.

Fail Mode - specify FAIL-SECURE (FSE) or FAIL SAFE (FS).

Functions - available for use with "TP", "K" or "L" functions only.

Connector (CON) - is a cross-category solution using common interconnect components for electrified options. Available for E7500 and SS7500 at no additional charge. Specify CON.

See catalog section on SS7500 or E7500 for required accessory equipment.

Prices subject to change without notice.

Switches

| Model No. | Part No. | List Price Non-Finished |
|--|-----------|----------------------------|
| RX Switch Kit | 050251-00 | 242 |
| WPRX Waterproof Switch Kit | 051881-00 | 348 |
| RX-LC Switch Kit | 050281-00 | 280 |
| RX-2 Switch Kit | 050270-00 | 300 |
| RX-Aux Switch Kit | 050271-00 | 250 |
| LX Switch Kit 3' Device (N/A on XP devices) | 050254-00 | 242 |
| LX Switch Kit 4' Device (N/A on XP devices) | 050255-00 | 242 |
| LX-LC Switch Kit 3' Device | 050283-00 | 280 |
| LX-LC Switch Kit 4' Device | 050285-00 | 280 |
| EL-LX Switch Kit | 050247-00 | 242 |
| EL-LX-LC Switch Kit | 050287-00 | 280 |
| LX-RX Switch Kit 3' Device | 050256-00 | 365 |
| LX-RX Switch Kit 4' Device | 050257-00 | 365 |
| LX-RX-LC Switch Kit 3' Device^a | 050289-00 | 437 |
| LX-RX-LC Switch Kit 4' Device | 050291-00 | 437 |
| EL-LX-RX Switch Kit | 050259-00 | 365 |
| EL-LX-RX-LC Switch Kit | 050293-00 | 437 |
| LX 94/95 Switch Kit (After 4/2005) | 050226-00 | 242 |

Note: Switch kits not available on XP devices

Delayed Exit System

Designed to meet NFPA 101 "Special Locking Arrangement" applications

Note: A complete system requires several components not included with controller. Consult catalog for details.

| Model No. | Description | List Price |
|---|--|------------|
| * DE5300 | Logic Controller 15 Second Delay furnished standard. | 943 |
| * OVER 15 SECOND DELAY REQUIRES A LETTER OF APPROVAL FROM THE AUTHORITY HAVING LOCAL JURISDICTION OVER THE PREMISES PRIOR TO THE INSTALLATION OF THE DEVICE. ALLEGION CANNOT GRANT SUCH APPROVAL NOR DOES IT WARRANT LOCAL JURISDICTION COMPLIANCE. | | |
| ✓ 0 Delay | 0 Second Delay | 129 |
| ✓ 30 Delay | 30 Second Delay | 129 |
| ✓ BOCA-15 Delay | 15 second delay with BOCA Modification | 129 |
| ✓ BOCA-30 Delay | 30 second delay with BOCA Modification | 129 |

✓ Consult factory for lead time.

Interface Boxes/Relays

| Model No. | | List Price |
|----------------------------------|---|-------------------------------|
| JB7 | Enclosure with terminal strip. Optional relays are available for factory or field installation | 638 |
| Factory Installed | | List add per Interface Box |
| R1 | 24VDC SPDT | 277 |
| R2 | 24VDC DPDT | 277 |
| R3 | 24VDC DPDT Delay on Make Time Delay | 456 |
| R4 | 24VDC DPDT Delay on Break Time Delay | 456 |
| Parts (Field Installable) | | Each Price |
| Relay Kit R5 | 24VDC SPDT. | 277 |
| Relay Kit R6 | 24VDC DPDT. | 277 |
| Relay Kit R7 | 24VDC DPDT. Delay on Make Time Delay | 456 |
| Relay Kit R8 | 24VDC DPDT. Delay on Break Time Delay | 456 |

Prices subject to change without notice.

Allegion Connect - Wire Harnesses

| Model No. | Description | Part # | Net Price* |
|---|-------------------|-----------|------------|
| Harnesses with Molex Connectors on both ends | | | |
| CON-6 | 6" Wire Harness | 106190-00 | 10.51 |
| CON-12 | 12" Wire Harness | 106191-00 | 13.98 |
| CON-26 | 26" Wire Harness | 106192-00 | 15.66 |
| CON-32 | 32" Wire Harness | 106193-00 | 16.89 |
| CON-38 | 38" Wire Harness | 106194-00 | 17.44 |
| CON-44 | 44" Wire Harness | 106195-00 | 18.01 |
| CON-50 | 50" Wire Harness | 106196-00 | 18.56 |
| CON-192 | 192" Wire Harness | 106197-00 | 44.18 |

| | | | |
|--|-------------------|-----------|-------|
| Harnesses with Molex Connectors on one end, crimped pins on the other end | | | |
| CON-6P | 6" Wire Harness | 106201-00 | 13.42 |
| CON-12P | 12" Wire Harness | 106202-00 | 16.89 |
| CON-26P | 26" Wire Harness | 106203-00 | 18.56 |
| CON-32P | 32" Wire Harness | 106204-00 | 19.80 |
| CON-38P | 38" Wire Harness | 106205-00 | 20.35 |
| CON-44P | 44" Wire Harness | 106206-00 | 20.92 |
| CON-50P | 50" Wire Harness | 106207-00 | 21.47 |
| CON-192P | 192" Wire Harness | 106208-00 | 46.52 |

| | | | |
|--|-----------------------------------|-----------|-------|
| Harnesses with Molex Connectors on one end, stripped leads on the other | | | |
| CON-6W | 6" Wire Extension to power supply | 106210-00 | 13.42 |

| | | | |
|--------------------|---|-----------|--------|
| Service Kit | | | |
| CON-KIT | Connector Service Kit-contains: - 100 each of male and female terminals - 10 each of male connector 4-pin and 8-pin - 10 each of female connector 4-pin and 8-pin - 1 extraction tool | 050823-00 | 110.48 |

* Prices shown are non-discountable

Electric Power Transfers

| Model No. | | SP28 | SP313 | Weight lbs. |
|-----------|--|------|-------|-------------|
| EPT 2 | Two 18 gauge wires | 457 | 457 | 2.5 |
| EPT 10 | Ten 24 gauge wires | 484 | 484 | 2.5 |
| BAA | "Buy America Act" compliant EPT option will be labeled as "Assembled in the U.S.A. with U.S. and foreign materials" | N/C | | |
| CON | Connector (CON) is a cross category solution using common interconnect components for electrified options. Available for EPT10. Specify CON. | 11 | 11 | |

Prices subject to change without notice.

Standard Features

- UL294 Listed for Access Control
- Class 2 rated power limited output *
- Universal 120-240 VAC Input
- Regulated and filtered DC outputs
- AC input, battery and DC output LED indicators
- Plug and play connectors for optional distribution boards
- AC input status indication on outside cover
- AC monitoring
- 14" H x 12" W x 4" D enclosure

* PS906 is Class 2 when used with 900-8P option board

1. Select Power Supply

| Model | Description | List Price |
|-----------------|--|------------|
| PS902 | Base Power Supply (2A @ 12/24 VDC- field selectable) (approx. weight: 9 lbs) -PS902 is able to accept a total of one optional distribution board, plus one fire alarm relay along with one battery backup board and up to two 7A/hr batteries | 265 |
| PS904 | Base Power Supply (4A @ 12/24 VDC- field selectable) (approx. weight: 11 lbs) - PS904 is able to accept a total of two optional distribution boards, plus one fire alarm relay along with one battery backup board and up to two 7A/hr batteries | 505 |
| PS906 | Base Power Supply (6A @ 12/24 VDC- field selectable) (approx. weight: 7 lbs) - PS906 is able to accept a total of one fire alarm relay plus three optional distribution boards or two optional boards with battery backup board and two 7A/hr batteries | 783 |
| PS914 | Base Power Supply (4A w/ 16A inrush @ 12/24 VDC- field selectable) (approx. weight: 9 lbs) - PS914 is able to accept a total of two optional boards, plus one fire alarm relay along with one battery backup board and two 7A/hr batteries | 733 |
| PS914RFK | The PS914RFK allows the retrofit of the PS914 into an existing PS873 cabinet. | 858 |
| BAA | "Buy America Act" compliant power supply option will be labeled as "Assembled in the U.S.A. with U.S. and foreign materials" | 40.40 |

When specifying power supply with "EL" or "QEL" Electric Latch Retraction devices, the 2RS is furnished when board option is not specified.

2. Select Optional Distribution Board with or without FA (Fire Alarm Relay)

| Model | Description | Part # | List Price |
|-------------------|--|-------------|------------|
| 900-4R | Independently controlled relays | 44489912-00 | 177 |
| 900-4R-FA | Independently controlled relays with FA | | 241 |
| 900-2RS | 2 Relay board output | 44489896-00 | 164 |
| 900-2RS-FA | 2 Relay board output with FA | | 228 |
| 900-4RL | 4 Relay board integrated logic for controlling security interlocks, auto operators and time delays | 44489920-00 | 485 |
| 900-4RL-FA | 4 Relay board integrated logic for controlling security interlocks, auto operators and time delays with FA | | 548 |
| 900-8F | 8 fuse protected outputs | 44489946-00 | 63 |
| 900-8F-FA | 8 fuse protected outputs with FA | | 127 |
| 900-8P | 8 PTC protected outputs | 44489938-00 | 63 |
| 900-8P-FA | 8 PTC protected outputs with FA | | 127 |
| 900-BBK | Battery Backup Kit (includes two 7A/hr batteries) | 44489961-00 | 253 |
| 900-BB | Battery Backup board only (sold separately) | 44489953-00 | 127 |
| 900-BAT | Batteries only - (two 7A/hr batteries, sold separately) | 44487155-00 | 127 |

* For field installation, use model number. Example: 900-2RS.

3. Select Other Power Supply Options

| Model | Description | Part # | List Price |
|---------------|--|-------------|------------|
| 900-FA | Fire Alarm Relay (EIR) module is a plug-in relay to provide an interface with fire or other emergency override systems PS902: may be installed directly on power supply or may be used with optional distribution boards PS904, PS906, PS914: must be used with optional distribution boards. If an optional board is not listed the 900-8F-FA will be provided. | 44487247-00 | 64 |
| 900-KL | Key Lock Cover (not available with BAA) | 44486850-00 | 40.40 |

Note: PS902, PS904, PS 906 and PS914 power supplies require connection to AC line voltage. Installation and all electrical connections (high and low voltage) should be performed by a qualified electrical contractor.

Prices subject to change without notice.

Electric Strikes

How to Order:

| Model | Power failure mode | Optional Dual switch | Voltage | Optional Rectifier kit | Optional Shim | Finish | Optional Buzzer | Allegion connect |
|---------------------|--------------------|-------------------------|--------------|--|------------------|----------------------|--|------------------|
| 1 | 2 | 3 | 4 | 5 | 6 | 7 | 8 | 9 |
| Specify for: | 6100 6200 | 6100 6200 | 6100 6200 | 4200 5100 6100 6200 6300 6400 | 6100 6300 | 5100 6100 6200 | 4200 5100 6100 6200 6300 6400 | 6100 6200 |

4200 Series Electric Strikes for cylindrical and deadlatch locks

Features

- Field selectable fail-safe/fail-secure without disassembly
- Dual voltage: 12 VDC at 200 mA / 24 VDC at 100 mA
- Compatible with all Schlage and Falcon cylindrical locks as well as cylindrical and deadlatch locks of many other manufacturers
- Meets ANSI/BHMA 156.31 Grade 1 endurance & dynamic strength
- Meets ANSI/BHMA 156.31 Grade 2 static strength

| Model | Fire Rated | Throw | Hollow Metal | Wood | Alumi-num | Single | Mullion Pair | BHMA 630 US32D |
|--|-------------------------|-----------|--------------|------|-----------|--------|--|----------------|
| 4211 | | 1/2"-3/4" | ■ | ■ | ■ | ■ | Shallow 1-3/8" backbox depth | 187 |
| 4212 | | 1/2"-5/8" | ■ | ■ | ■ | ■ | Includes latchbolt monitor. Shallow backbox. | 225 |
| Options (please specify): Sold Separately | | | | | | | | |
| S012 | Rectifier Kit | | | | | | Converts 12 VAC to 12 VDC | 41 |
| S024 | Rectifier Kit | | | | | | Converts 24 VAC to 24 VDC | 41 |
| EB | Entry Buzzer | | | | | | Use in fail-secure applications | 40 |
| 090110 | Faceplate, Round Corner | | | | | | Additional faceplate option, square corner is standard in the box, both in BHMA 630/US32D satin stainless steel finish | 18 |

Refer to the Electric Strike Parts section for a complete list of available parts.

5100 Series Electric Strike for cylindrical and deadlatch locks

Features

- Adjustable keeper improves fit on tight door preps
- Field selectable fail-safe/fail-secure
- Dual voltage: 12 VDC at 380 mA / 24 VDC at 190 mA
- Compatible with Schlage and Falcon cylindrical and deadlatch locks including those of many other manufacturers
- Meets ANSI/BHMA 156.31 Grade 1 endurance & dynamic strength
- Meets ANSI/BHMA 156.31 Grade 2 static strength
- UL 1034 burglary-resistant

| Model | Fire Rated | Throw | Hollow Metal | Wood | Alumi-num | Single | Mullion Pair | BHMA 689 US SP28 | BHMA 622 US19 | BHMA 695 US SP313 |
|--|---------------|-----------|--------------|------|-----------|--------|--|------------------|---------------|-------------------|
| 5100-3FP | | 1/2"-5/8" | ■ | ■ | ■ | ■ | 3 faceplates included with hardware for an all-in-one boxed solution | 243 | 243 | 243 |
| Options (please specify): Sold Separately | | | | | | | | | | |
| S012 | Rectifier Kit | | | | | | Converts 12 VAC to 12 VDC | 41 | | |
| S024 | Rectifier Kit | | | | | | Converts 24 VAC to 24 VDC | 41 | | |
| EB | Entry Buzzer | | | | | | Use in fail-secure applications | 40 | | |

Refer to the Electric Strike Parts section for a complete list of available parts.

Prices subject to change without notice.

6100 Series Electric Strikes for rim exit devices

Features

- Furnished standard in fail secure configuration unless specified fail safe (see options)
- 24 VDC supplied standard if not specified otherwise (see options)
- Compatible with Von Duprin and Falcon rim exit devices and those of many other manufacturers
- UL10C fire rated (fail secure only)
- UL1034 burglary-resistant

| Model | Fire Rated | Throw | Hollow Metal | Wood | Alumi-num | Single | Mullion Pair | | BHMA 605 US3 | BHMA 606 US4 | BHMA 612 US10 | BHMA 613 US10B | BHMA 629 US32 | BHMA 630 US32D |
|-------|------------|-------|--------------|------|-----------|--------|--------------|--|--------------|--------------|---------------|----------------|---------------|----------------|
| 6111 | ■ | 3/4" | ■ | ■ | ■ | ■ | ■ | Can use with vertical rod exit devices | 1004 | 851 | 879 | 879 | 910 | 841 |
| 6112 | ■ | 3/4" | ■ | ■ | ■ | ■ | ■ | Designed to replace FA 310-5 with minor frame modification | 964 | 787 | 834 | 834 | 807 | 787 |
| 6113 | ■ | 3/4" | ■ | ■ | ■ | ■ | ■ | Retrofits VD 3011, 3021 | 990 | 841 | 855 | 855 | 855 | 841 |
| 6114 | ■ | 3/4" | ■ | ■ | ■ | ■ | ■ | Surface applied for use with rim nightlatch devices | 945 | 855 | 892 | 892 | 825 | 814 |
| 6121 | ■ | 3/4" | ■ | ■ | ■ | ■ | * | *For rim exit devices on double doors without mullion | 1496 | 1172 | 1281 | 1281 | 1267 | 1172 |

For Options please see list under 6200 Series section.
Also, refer to the Electric Strike Parts section for a complete list of available parts.

6200 Series Electric Strikes for mortise or cylindrical locks

Features

- Furnished standard in fail secure configuration unless specified fail safe (see options)
- 24 VDC supplied standard if not specified otherwise (see options)
- Compatible with mortise (without deadbolt) and cylindrical lock applications except where noted
- ANSI/BHMA 156.31 Grade 1: 6211, 6211AL and 6211WF
- UL10C fire rated (fail secure only)
- UL1034 burglary-resistant

| Model | Fire Rated | Throw | Hollow Metal | Wood | Alumi-num | Single | Mullion Pair | | BHMA 605 US3 | BHMA 606 US4 | BHMA 612 US10 | BHMA 613 US10B | BHMA 629 US32 | BHMA 630 US32D |
|--------|------------|-------|--------------|------|-----------|--------|--------------|---|--------------|--------------|---------------|----------------|---------------|----------------|
| 6210 | ■ | 3/4" | ■ | ■ | ■ | ■ | ■ | Mortise only. Includes strike pocket inserts for deadlocking triggers | 941 | 766 | 840 | 840 | 871 | 766 |
| 6211 | ■ | 3/4" | ■ | ■ | ■ | ■ | ■ | Retrofits VD 3140 or FA 712 | 852 | 730 | 766 | 766 | 732 | 722 |
| 6211AL | ■ | 3/4" | ■ | ■ | ■ | ■ | ■ | Retrofits FA 722 | 901 | 750 | 813 | 813 | 758 | 750 |
| 6211WF | ■ | 3/4" | ■ | ■ | ■ | ■ | ■ | Retrofits FA 732 with minor frame modification | 852 | 730 | 766 | 766 | 732 | 730 |
| 6212 | ■ | 3/4" | ■ | ■ | ■ | ■ | ■ | Fits modified ANSI 115.2 cutout. Retrofits VD 3146. | 957 | 855 | 906 | 906 | 914 | 855 |
| 6212WF | ■ | 3/4" | ■ | ■ | ■ | ■ | ■ | | 957 | 855 | 906 | 906 | 914 | 855 |
| 6213 | ■ | 3/4" | ■ | ■ | ■ | ■ | ■ | Retrofits VD 3041, 3042, 3061 and 3062 | 964 | 823 | 859 | 859 | 859 | 823 |
| 6214 | ■ | 3/4" | ■ | ■ | ■ | ■ | ■ | Retrofits FA 310-2 3/4 | 964 | 929 | 965 | 965 | 956 | 940 |
| 6215 | ■ | 3/4" | ■ | ■ | ■ | ■ | ■ | Retrofits FA 310-2 | 965 | 843 | 892 | 892 | 855 | 842 |
| 6216 | ■ | 3/4" | ■ | ■ | ■ | ■ | ■ | Retrofits FA 310-3-1. For mortise with manually operated deadbolt - 1" throw. | 1333 | 1070 | 1121 | 1121 | 1081 | 1070 |
| 6221 | ■ | 3/4" | ■ | ■ | ■ | ■ | ■ | Retrofits VD 3071 and 3072. 4-3/4" minimum stile required | 1048 | 945 | 996 | 996 | 1016 | 945 |
| 6222 | ■ | 3/4" | ■ | ■ | ■ | ■ | ■ | Retrofits FA 310-2 3/4 OB | 1467 | 1195 | 1243 | 1243 | 1195 | 1195 |
| 6223 | ■ | 3/4" | ■ | ■ | ■ | ■ | ■ | Retrofits VD 3091 and 3092. 4-3/4" minimum stile required | 964 | 805 | 859 | 859 | 859 | 805 |
| 6224 | ■ | 3/4" | ■ | ■ | ■ | ■ | ■ | Retrofits FA 310-2 3/4. For door thicknesses 1-3/4" or 2-1/4" | 1125 | 941 | 978 | 978 | 968 | 952 |
| 6224AL | ■ | 3/4" | ■ | ■ | ■ | ■ | ■ | Retrofits FA 310-2RF. For door thicknesses 1-3/4" or 2-1/4" | 1161 | 965 | 1021 | 1021 | 978 | 965 |
| 6225 | ■ | 3/4" | ■ | ■ | ■ | ■ | ■ | Retrofits FA 310-2 OB | 1269 | 1128 | 1172 | 1172 | 1195 | 1128 |
| 6226 | ■ | 3/4" | ■ | ■ | ■ | ■ | ■ | Retrofits FA 310-2. For door thicknesses 1-3/4" or 2-1/4" | 964 | 805 | 851 | 851 | 815 | 805 |

Options (please specify):

| | | | |
|-------|----------------------------------|--|-----|
| FS | Fail Safe | Fail secure (FSE) is standard unless FS is specified | 39 |
| DS | Dual monitor switch | For latch bolt and lock status. Not available on 6221, 6222 & 6225 | 191 |
| DS-LC | Low current dual monitor switch | For latch bolt and lock status. 50 mA or less at 24 VDC | 191 |
| S012 | Rectifier Kit | Converts 12 VAC to 12 VDC (For 16 VAC current, use S024 rectifier kit) | 41 |
| S024 | Rectifier Kit | Converts 24 VAC to 24 VDC | 41 |
| SHIM | Shim for blade stop applications | Available as specified item with 6111 and 6113 only | 161 |
| EB | Entry Buzzer | Use in fail-secure applications | 40 |
| CON | Allegion Connect | 6" wire extension harness connector | N/C |

Refer to the Electric Strike Parts section for a complete list of available parts.

Electric Strikes

6300 Series Surface Mount Electric Strike for rim exit devices

Features

- Dual voltage: 12 VDC at 500 mA / 24 VDC at 240 mA
- Compatible with most rim exit devices
- UL 1034, UL 294, CSFM
- UL 10C 3-hour fire rated (fail secure only)

| Model | Fire Rated | Throw | Hollow Metal | Wood | Alumi-num | Single | Mullion Pair | | BHMA 630 US32D |
|-------|------------|------------|--------------|------|-----------|--------|--------------|------------------------------|----------------|
| 6300 | ■ | up to 3/4" | ■ | ■ | ■ | ■ | ■ | No cut, surface mount design | 723 |

Options (please specify):

| | | | |
|------|--|--------------------------------|----|
| SHIM | Shim for blade stop applications | Part 050804-00 sold separately | 61 |
| S012 | Rectifier Kit Converts 12 VAC to 12 VDC | | 41 |
| S024 | Rectifier Kit Converts 24 VAC to 24 VDC | | 41 |
| EB | Entry Buzzer Use in fail-secure applications | | 40 |

Included with strike: two plug-in voltage connectors, mounting template, spacer plate, mounting screws, and hex wrench.

Refer to the Electric Strike Parts section for a complete list of available parts.

6400 Series Modular Electric Strike for mortise or cylindrical locks

Features

- Dual voltage: 12 VDC at 375 mA / 24 VDC at 190 mA
- Modular options fit cylindrical and nearly any mortise lock.
- Includes movable deadbolt keeper, plug and deadlatch ramp inserts.
- ANSI/BHMA 156.31 Grade 1
- UL 1034, UL 294, CSFM
- 3-hour fire rated to UL 10C (fail secure only)

| Model | Fire Rated | Throw | Hollow Metal | Wood | Alumi-num | Single | Mullion Pair | | BHMA 630 US32D |
|-------|------------|------------|--------------|------|-----------|--------|--------------|---|----------------|
| 6400 | ■ | up to 3/4" | ■ | ■ | ■ | ■ | ■ | Up to 1" deadbolt throw (as night latch only) | 545 |

Options (please specify):

| | | | |
|--------|--|--|----|
| LM6400 | Latch Monitor | Optional plug-in latch monitor can be added in the field | 54 |
| S012 | Rectifier Kit Converts 12 VAC to 12 VDC | | 41 |
| S024 | Rectifier Kit Converts 24 VAC to 24 VDC | | 41 |
| EB | Entry Buzzer Use in fail-secure applications | | 40 |

Included with strike: two plug-in voltage connectors, self-adhesive template for frame cuts, trim filler plate, mounting tabs and shims, as well as tamper-resistant screws with a security driver bit.

Refer to the Electric Strike Parts section for a complete list of available parts.

Monitor Strikes

| Model No. | | US26D | US10B | US4 US10 | US3 US26 | Weight lbs. |
|-----------|---|-------|-------|----------|----------|-------------|
| 4263-T1 | For Rim type exit device as per catalog | 388 | 388 | 373 | 411 | 2.1 |
| 4263-T3 | For Rim type exit device as per catalog | 388 | 388 | 373 | 411 | 2.1 |
| 4268-T1 | For Rim type exit device as per catalog | 510 | 510 | 510 | 538 | 2 |
| 4582-T1 | For Mortise Locks as per catalog - specify handing | 427 | 427 | 388 | 448 | 2 |
| 4582-T2 | For Mortise Locks as per catalog - specify handing | 427 | 427 | 388 | 448 | 2 |
| 4570-T1 | For Cylindrical/Mortise Locks as per catalog | 427 | 427 | 388 | 448 | 2 |
| 4670-T1 | For Cylindrical Locks as per catalog | 388 | 388 | 373 | 411 | 2 |
| 4690-T2 | For Single 3347A, 3547A, 9847, and 9947 | 620 | 620 | 561 | 643 | 2.1 |
| 4690-T2-1 | Special Twin for 3347A and 3547A Device (2 1/4" cc) | 1146 | 1146 | 1047 | 1146 | 2 |

Schlage® Electronic Exit Trim

AD Series Electronic Exit Trim is available on XP98/99 and Series 98/99 for rim, mortise, surface vertical, and concealed vertical rod/concealed vertical cable, and Series 22/22F for rim and surface vertical rod devices. For AD-300/400 network trim the Von Duprin RX-LC switch (part #050281) must be used or the warranty is void.

Four communication options:

- AD-200 993 Offline, access rights stored on lock.
- AD-250 993 Offline, access rights on stored magnetic stripe credential.
- AD-300 993 Networked Hardwire Locks
- AD-400 993 Networked Wireless Locks

For complete pricing information refer to Schlage Electronic Security Price Book #010056.

NOTE: CVR/CVC trim is available only on metal doors.

Prices subject to change without notice.



Von Duprin Parts Prices

Prices subject to change without notice.

Index

| | |
|---|---------|
| Numerical Index..... | 114-117 |
| 22 Series..... | 118-119 |
| 33A/35A Series..... | 120-124 |
| 33A/3549A Series..... | 125 |
| 33/3550AWDC Series..... | 126 |
| 330/350 Series..... | 127 |
| 55 Series..... | 128-130 |
| 88 Series..... | 131-136 |
| 98/99 Series..... | 137-142 |
| 98/9949 Series..... | 143 |
| 98/9950WDC Series..... | 144 |
| XP98/99 Series..... | 145 |
| INPACT Series 94/95..... | 146 |
| 7500 Mortise Lock..... | 147 |
| Controls Series 360/370..... | 148-150 |
| Trims..... | 151-156 |
| Mullions..... | 157 |
| Screw Packs/ Shims/ Miscellaneous..... | 158 |
| Maintenance Kit and Replacement Packages..... | 159 |
| Electric Strikes..... | 160-163 |
| Electric Accessories..... | 164-166 |
| GUARD-X..... | 167 |
| Service Replacement Items..... | 168 |
| Part Number Cross Reference..... | 169-170 |

Numerical Index

| <u>Part No.</u> | <u>Page</u> | <u>Part No.</u> | <u>Page</u> | <u>Part No.</u> | <u>Page</u> | <u>Part No.</u> | <u>Page</u> | <u>Part No.</u> | <u>Page</u> | <u>Part No.</u> | <u>Page</u> |
|-----------------|-------------|-----------------|-------------|-----------------|---------------|-----------------|---------------|-----------------|---------------|-----------------|-------------|
| 010055 | 163 | 040079 | 138 | 050006 | 148, 153 | 050046 | 159 | 050128 | 122, 141 | 050192 | 128 |
| 010057 | 163 | 040080 | 138 | 050007 | 148, 153 | 050047 | 122, 141 | 050130 | 157 | 050193 | 128 |
| 010058 | 163 | 040081 | 138 | 050008 | 148, 153 | 050048 | 122, 141 | 050132 | 120, 138 | 050194 | 128 |
| 010059 | 158 | 040082 | 138 | 050009 | 148, 153 | 050053 | 130 | 050133 | 120, 127 | 050195 | 128 |
| 010060 | 158 | 040083 | 138 | 050010 | 148, 153 | 050054 | 157 | 050134 | 138 | 050196 | 129 |
| 010061 | 158 | 040084 | 138 | 050011 | 161 | 050070 | 164 | 050135 | 157 | 050197 | 129 |
| 010062 | 158 | 040085 | 138 | 050012 | 148, 153 | 050071 | 137 | 050136 | 129 | 050198 | 129 |
| 012014 | 164 | 040086 | 165 | 050013 | 148, 153 | 050072 | 137 | 050137 | 129 | 050199 | 129 |
| 032114 | 152 | 040087 | 165 | 050014 | 120, 127, 139 | 050073 | 137 | 050139 | 129 | 050200 | 131 |
| 033022 | 134 | 040088 | 165 | 050015 | 161 | 050078 | 164 | 050140 | 127, 151, 154 | 050201 | 131 |
| 033024 | 168 | 040089 | 165 | 050016 | 161 | 050090 | 119, 141, 168 | 050141 | 127, 151, 154 | 050202 | 131 |
| 040000 | 129 | 040091 | 165 | 050017 | 148, 153 | 050091 | 119, 141, 168 | 050142 | 127, 156 | 050209 | 133 |
| 040001 | 129 | 040092 | 165 | 050018 | 161 | 050093 | 136 | 050143 | 127, 156 | 050210 | 133 |
| 040061 | 164 | 040093 | 138 | 050019 | 132 | 050096 | 130 | 050148 | 151 | 050211 | 133 |
| 040062 | 164 | 040094 | 138 | 050020 | 137 | 050101 | 131 | 050154 | 168 | 050212 | 147 |
| 040063 | 164 | 040169 | 165 | 050021 | 137 | 050102 | 131 | 050155 | 168 | 050213 | 147 |
| 040064 | 164 | 040170 | 165 | 050022 | 137 | 050103 | 131 | 050156 | 150, 151, 154 | 050214 | 147 |
| 040065 | 164 | 040171 | 156 | 050023 | 137 | 050104 | 131 | 050157 | 168 | 050215 | 147 |
| 040066 | 164 | 040188 | 165 | 050024 | 137 | 050105 | 128 | 050168 | 157 | 050218 | 168 |
| 040067 | 164 | 040189 | 165 | 050025 | 137 | 050106 | 131 | 050169 | 157 | 050226 | 165 |
| 040068 | 164 | 040191 | 140, 165 | 050026 | 137 | 050107 | 131 | 050171 | 122, 141 | 050237 | 163 |
| 040070 | 120 | 040192 | 165 | 050027 | 137 | 050108 | 131 | 050183 | 128 | 050239 | 163 |
| 040071 | 120 | 040193 | 165 | 050028 | 137 | 050109 | 120, 127 | 050184 | 128 | 050240 | 163 |
| 040072 | 120 | 040198 | 140, 165 | 050029 | 137 | 050110 | 130 | 050185 | 128 | 050241 | 157 |
| 040073 | 120 | 040199 | 140, 165 | 050030 | 137 | 050112 | 129 | 050186 | 128 | 050242 | 163 |
| 040074 | 120 | 050001 | 148, 153 | 050031 | 162 | 050114 | 120, 138 | 050187 | 128 | 050247 | 165 |
| 040075 | 120 | 050002 | 148, 153 | 050032 | 162 | 050115 | 120, 138 | 050188 | 128 | 050251 | 165 |
| 040076 | 120 | 050003 | 148, 153 | 050033 | 162 | 050117 | 120, 138 | 050189 | 128 | 050254 | 165 |
| 040077 | 120 | 050004 | 129, 133 | 050034 | 163 | 050122 | 168 | 050190 | 157 | 050255 | 165 |
| 040078 | 138 | 050005 | 129, 133 | 050036 | 130 | 050124 | 168 | 050191 | 128 | 050256 | 165 |

Prices subject to change without notice.

Numerical Index

| Part No. | Page | Part No. | Page | Part No. | Page | Part No. | Page | Part No. | Page | Part No. | Page |
|----------|---------------|----------|----------|----------|--------------------|----------|---------------|----------|----------|------------|---------------|
| 050257 | 165 | 050406 | 120 | 050479 | 135 | 050559 | 137 | 050655 | 123, 142 | 050885 | 137 |
| 050259 | 165 | 050407 | 120 | 050480 | 135 | 050560 | 137 | 050656 | 130 | 050886 | 137 |
| 050260 | 132 | 050409 | 131 | 050481 | 135 | 050562 | 137 | 050660 | 136 | 050939 | 163 |
| 050270 | 165 | 050410 | 131 | 050482 | 136 | 050563 | 137 | 050661 | 136 | 050940 | 163 |
| 050271 | 165 | 050411 | 131 | 050483 | 120 | 050564 | 138 | 050662 | 136 | 050941 | 163 |
| 050273 | 132 | 050412 | 131 | 050484 | 120 | 050565 | 138 | 050663 | 136 | 050942 | 163 |
| 050274 | 132 | 050413 | 131 | 050485 | 120 | 050566 | 119, 141 | 050671 | 155, 166 | 050943 | 163 |
| 050275 | 132 | 050414 | 131 | 050486 | 121 | 050569 | 138 | 050672 | 155, 166 | 050996-622 | 158 |
| 050276 | 132 | 050415 | 131 | 050487 | 121 | 050570 | 138 | 050673 | 155, 166 | 051701 | 136 |
| 050277 | 135 | 050416 | 131 | 050488 | 121 | 050572 | 138 | 050675 | 145 | 051703 | 136 |
| 050278 | 130, 135 | 050417 | 131 | 050489 | 121 | 050573 | 138 | 050676 | 145 | 051704 | 130 |
| 050279 | 135 | 050418 | 131 | 050491 | 121, 140 | 050574 | 142 | 050689 | 145 | 051705 | 130, 136 |
| 050281 | 165 | 050419 | 131 | 050492 | 122, 141, 146 | 050575 | 142 | 050690 | 145 | 051707 | 130 |
| 050285 | 165 | 050420 | 131 | 050493 | 122, 141, 146 | 050576 | 150 | 050691 | 145 | 051802 | 142 |
| 050286 | 165 | 050421 | 131 | 050494 | 122, 141 | 050579 | 150, 155 | 050692 | 145 | 051804 | 119 |
| 050287 | 165 | 050422 | 131 | 050495 | 122, 141 | 050580 | 157 | 050699 | 163 | 051807 | 123 |
| 050289 | 165 | 050423 | 131 | 050496 | 122 | 050581 | 157 | 050709 | 168 | 051808 | 123, 142, 146 |
| 050291 | 165 | 050424 | 131 | 050497 | 132 | 050582 | 142 | 050732 | 153 | 051810 | 142 |
| 050293 | 165 | 050425 | 131 | 050498 | 132 | 050583 | 142 | 050733 | 153 | 051811 | 123 |
| 050327 | 135 | 050426 | 131 | 050499 | 132 | 050584 | 151 | 050734 | 153 | 051823 | 164 |
| 050328 | 135 | 050427 | 131 | 050500 | 132 | 050585 | 146 | 050735 | 153 | 051824 | 164 |
| 050330 | 157 | 050428 | 131 | 050501 | 132 | 050587 | 150 | 050736 | 153 | 051825 | 164 |
| 050331 | 132, 133 | 050429 | 131 | 050502 | 132 | 050588 | 138 | 050737 | 153 | 051826 | 164 |
| 050332 | 128 | 050430 | 131 | 050503 | 132 | 050589 | 138 | 050738 | 153 | 051827 | 164 |
| 050333 | 128, 129 | 050431 | 131 | 050504 | 132 | 050592 | 149 | 050739 | 153 | 051828 | 164 |
| 050334 | 128 | 050432 | 131 | 050505 | 132 | 050593 | 149 | 050740 | 153 | 051841 | 142 |
| 050335 | 157 | 050433 | 131 | 050506 | 132 | 050595 | 149 | 050741 | 153 | 051842 | 142 |
| 050352 | 128 | 050434 | 131 | 050508 | 132 | 050596 | 149 | 050742 | 153 | 051860 | 125 |
| 050353 | 128 | 050435 | 134 | 050509 | 122, 141 | 050597 | 149 | 050743 | 166 | 051861 | 149 |
| 050354 | 128 | 050436 | 134 | 050512 | 123, 142 | 050598 | 149 | 050744 | 166 | 051862 | 154 |
| 050355 | 128 | 050437 | 134 | 050513 | 123, 142 | 050599 | 150 | 050749 | 163 | 051863 | 149 |
| 050356 | 128 | 050438 | 134 | 050514 | 123, 142 | 050600 | 150 | 050750 | 148 | 051864 | 154 |
| 050357 | 128 | 050439 | 134 | 050515 | 123, 142 | 050601 | 150 | 050751 | 148 | 051865 | 149 |
| 050358 | 129 | 050440 | 134 | 050516 | 122, 141 | 050602 | 150 | 050752 | 148 | 051866 | 154 |
| 050359 | 129 | 050441 | 134 | 050519 | 123 | 050603 | 150 | 050753 | 148 | 051867 | 149 |
| 050360 | 129 | 050442 | 134 | 050520 | 123 | 050604 | 150 | 050754 | 148 | 051868 | 154 |
| 050362 | 129 | 050443 | 134 | 050522 | 122, 141 | 050605 | 150 | 050755 | 148 | 051869 | 149 |
| 050363 | 129 | 050444 | 134 | 050523 | 122, 141 | 050606 | 150 | 050756 | 148 | 051870 | 154 |
| 050364 | 129 | 050445 | 134 | 050524 | 120, 127, 139 | 050607 | 150 | 050757 | 148 | 051871 | 148 |
| 050366 | 129 | 050446 | 133 | 050525 | 166 | 050608 | 150 | 050758 | 148 | 051872 | 153 |
| 050367 | 130 | 050447 | 131 | 050526 | 150, 151, 157 | 050609 | 150 | 050759 | 148 | 051873 | 148 |
| 050368 | 130 | 050448 | 133 | 050529 | 118, 120, 138 | 050611 | 150, 151, 155 | 050760 | 148 | 051874 | 153 |
| 050369 | 130 | 050449 | 133 | 050531 | 121, 140, 164 | 050612 | 150 | 050761 | 148 | 051881 | 165 |
| 050370 | 130 | 050451 | 134 | 050532 | 121, 140, 164 | 050613 | 150, 152 | 050762 | 148 | 051883 | 137 |
| 050371 | 157 | 050452 | 134 | 050533 | 140, 165 | 050614 | 150, 152 | 050763 | 148 | 051884 | 137 |
| 050372 | 130 | 050453 | 136 | 050534 | 121, 140, 164 | 050615 | 150 | 050764 | 148 | 051914 | 149 |
| 050373 | 130 | 050454 | 136 | 050535 | 121, 140, 164 | 050616 | 150 | 050765 | 148 | 051915 | 154 |
| 050374 | 130 | 050455 | 136 | 050536 | 121, 140, 164 | 050619 | 150 | 050766 | 138 | 051916 | 149 |
| 050379 | 167 | 050456 | 136 | 050537 | 121, 140, 164 | 050621 | 150 | 050767 | 138 | 051917 | 154 |
| 050381 | 157 | 050457 | 130, 136 | 050538 | 121, 140, 164 | 050622 | 123, 142 | 050768 | 138 | 051918 | 149 |
| 050383 | 157 | 050458 | 130, 136 | 050539 | 121, 140, 164 | 050623 | 123, 142 | 050769 | 138 | 051919 | 154 |
| 050384 | 164 | 050459 | 129, 133 | 050540 | 121, 140, 147, 164 | 050624 | 123, 142 | 050770 | 138 | 051920 | 148 |
| 050385 | 164 | 050460 | 135 | 050541 | 122, 140, 164 | 050631 | 130 | 050771 | 138 | 051921 | 154 |
| 050386 | 137 | 050461 | 135 | 050542 | 122, 140, 164 | 050632 | 130 | 050772 | 138 | 051922 | 149 |
| 050387 | 137 | 050462 | 135 | 050543 | 122, 140, 164 | 050633 | 130 | 050773 | 138 | 051923 | 154 |
| 050388 | 137 | 050463 | 135 | 050544 | 122, 140, 165 | 050634 | 130, 136 | 050803 | 163 | 051924 | 149 |
| 050389 | 137 | 050464 | 135 | 050545 | 122, 140, 165 | 050635 | 130, 136 | 050804 | 163 | 051925 | 154 |
| 050390 | 157 | 050465 | 135 | 050546 | 119, 122, 141 | 050636 | 130, 136 | 050805 | 162, 163 | 051926 | 149 |
| 050391 | 157 | 050466 | 135 | 050547 | 119, 142 | 050639 | 130 | 050813 | 151 | 051927 | 154 |
| 050392 | 157 | 050467 | 135 | 050548 | 137 | 050640 | 130 | 050814 | 155 | 051928 | 149 |
| 050393 | 132 | 050468 | 135 | 050549 | 137 | 050641 | 130 | 050819 | 163 | 051929 | 154 |
| 050397 | 168 | 050469 | 135 | 050550 | 137 | 050642 | 142 | 050823 | 166 | 051930 | 149 |
| 050398 | 124 | 050471 | 135 | 050551 | 137 | 050643 | 123 | 050831 | 137 | 051931 | 154 |
| 050399 | 124 | 050472 | 135 | 050552 | 137 | 050644 | 142 | 050832 | 137 | 051932 | 149 |
| 050400 | 119, 122, 141 | 050473 | 135 | 050553 | 137 | 050645 | 123 | 050853 | 164 | 051933 | 154 |
| 050401 | 119, 122, 141 | 050474 | 120 | 050554 | 137 | 050650 | 123, 142 | 050854 | 164 | 051934 | 149 |
| 050402 | 119, 122, 141 | 050475 | 120 | 050555 | 137 | 050651 | 123, 142 | 050855 | 164 | 051935 | 154 |
| 050403 | 120 | 050476 | 134 | 050556 | 137 | 050652 | 123, 142 | 050856 | 164 | 051936 | 149 |
| 050404 | 120 | 050477 | 134 | 050557 | 137 | 050653 | 123, 142 | 050883 | 137 | 051937 | 154 |
| 050405 | 120 | 050478 | 135 | 050558 | 137 | 050654 | 123, 142 | 050884 | 137 | 051938 | 149 |

Prices subject to change without notice.

Numerical Index

| Part No. | Page | Part No. | Page | Part No. | Page | Part No. | Page | Part No. | Page | Part No. | Page |
|----------|-------------------------|----------|-------------------------|----------|---------------|----------|----------|----------|----------|-----------|---------------|
| 051939 | 154 | 090075 | 119, 142 | 106190 | 166 | 111719 | 160 | 112767 | 161 | 114845 | 154 |
| 090001 | 132 | 090076 | 119, 122, 141, 159 | 106191 | 166 | 111720 | 160 | 112768 | 161 | 114846 | 149 |
| 090002 | 132 | 090077 | 118 | 106192 | 166 | 111721 | 160 | 112769 | 161 | 114847 | 154 |
| 090003 | 134 | 090079 | 118, 138 | 106193 | 166 | 111722 | 160 | 112770 | 161 | 114848 | 149 |
| 090004 | 134 | 090080 | 134 | 106194 | 166 | 111723 | 160 | 112771 | 161 | 114849 | 154 |
| 090005 | 118, 121, 129, 134, 140 | 090081 | 129, 134 | 106195 | 166 | 111724 | 160 | 112772 | 160 | 114850 | 149 |
| 090006 | 134 | 090082 | 134 | 106196 | 166 | 111725 | 160 | 112773 | 160 | 114851 | 154 |
| 090007 | 134 | 090083 | 134 | 106197 | 166 | 111726 | 160 | 112774 | 160 | 114852 | 149 |
| 090008 | 129, 134 | 090084 | 168 | 106198 | 164 | 111727 | 161 | 112775 | 160 | 114853 | 154 |
| 090009 | 132 | 090085 | 118, 121, 129, 134, 140 | 106201 | 166 | 111728 | 161 | 112776 | 160 | 114984 | 138 |
| 090010 | 136 | 090088 | 140 | 106202 | 166 | 111729 | 161 | 112777 | 160 | 116549 | 164 |
| 090011 | 130, 136 | 090090 | 150 | 106203 | 166 | 111730 | 161 | 112778 | 160 | 116717 | 165 |
| 090012 | 133 | 090091 | 150 | 106204 | 166 | 111731 | 161 | 112779 | 160 | 117000 | 120 |
| 090013 | 133 | 090092 | 150 | 106205 | 166 | 111732 | 161 | 112780 | 161 | 661481 | 158 |
| 090014 | 133 | 090093 | 150 | 106206 | 166 | 111733 | 161 | 112781 | 161 | 900241 | 141 |
| 090015 | 132 | 090094 | 150 | 106207 | 166 | 111734 | 161 | 112782 | 161 | 900242 | 141 |
| 090016 | 133 | 090095 | 150 | 106208 | 166 | 111735 | 161 | 112783 | 161 | 900252 | 158 |
| 090017 | 132 | 090096 | 150 | 106210 | 166 | 111736 | 161 | 112784 | 160 | 900253 | 158 |
| 090018 | 130, 136 | 090097 | 150 | 106222 | 124, 142, 146 | 111737 | 161 | 112785 | 160 | 900254 | 158 |
| 090020 | 129, 134 | 090098 | 150 | 107765 | 135 | 111738 | 161 | 112835 | 167 | 900263 | 158 |
| 090021 | 129, 134 | 090099 | 150 | 108490 | 168 | 111739 | 161 | 112843 | 148 | 900281 | 158 |
| 090022 | 128 | 090100 | 150 | 108493 | 168 | 111740 | 161 | 112844 | 167 | 900284 | 158 |
| 090023 | 128 | 090101 | 150 | 108705 | 152 | 111741 | 161 | 112845 | 167 | 900285 | 158 |
| 090024 | 128, 129 | 090102 | 150 | 109012 | 118 | 111742 | 161 | 112868 | 123, 141 | 900288 | 162 |
| 090025 | 128 | 090103 | 150, 151, 154 | 109111 | 150 | 111743 | 160 | 113100 | 138 | 900289 | 158 |
| 090026 | 128, 129 | 090104 | 151 | 109112 | 148 | 111744 | 160 | 113101 | 138 | 900290 | 162 |
| 090027 | 129 | 090105 | 151 | 109113 | 168 | 111745 | 160 | 113232 | 163 | 900292 | 163 |
| 090028 | 129 | 090106 | 151 | 109115 | 148 | 111746 | 160 | 113781 | 140, 165 | 900297 | 145 |
| 090029 | 129 | 090107 | 118, 120, 138, 146, 159 | 109118 | 168 | 111747 | 160 | 113782 | 140, 165 | 900344 | 163 |
| 090030 | 130 | 159 | | 109126 | 148 | 111748 | 160 | 113853 | 132 | 900345 | 162, 163 |
| 090031 | 120, 138, 159 | 090108 | 158 | 109127 | 148 | 111749 | 160 | 114140 | 147 | 900347 | 163 |
| 090032 | 130 | 090110 | 162 | 109130 | 156 | 111750 | 160 | 114141 | 130, 135 | 900390 | 146 |
| 090033 | 130 | 090114 | 162 | 109132 | 148 | 111751 | 160 | 114294 | 147 | 900392 | 118 |
| 090034 | 130 | 090599 | 145 | 109133 | 148 | 111752 | 160 | 114317 | 164 | 900393 | 118 |
| 090035 | 130 | 090600 | 145 | 109324 | 123, 141, 146 | 111753 | 160 | 114320 | 164 | 900397 | 118 |
| 090036 | 120, 166 | 090601 | 145 | 109347 | 147 | 111754 | 160 | 114810 | 148 | 900400 | 157 |
| 090037 | 121, 140 | 090602 | 145 | 109361 | 119 | 111755 | 160 | 114811 | 154 | 900402 | 157 |
| 090038 | 119, 121, 140 | 090794 | 145 | 109362 | 119 | 111756 | 160 | 114812 | 148 | 900409 | 157 |
| 090039 | 119, 121, 140 | 090795 | 145 | 109366 | 148 | 111757 | 160 | 114813 | 154 | 900410 | 157 |
| 090040 | 119, 120, 121, 140 | 090796 | 145 | 109367 | 148 | 111758 | 160 | 114814 | 149 | 900411 | 157 |
| 090041 | 119, 121, 140 | 090797 | 145 | 109369 | 156 | 111759 | 161 | 114815 | 154 | 900413 | 157 |
| 090042 | 119, 121, 140 | 090943 | 165 | 109773 | 147 | 111760 | 161 | 114816 | 149 | 900416-00 | 120, 138 |
| 090043 | 119, 121, 140 | 091030 | 168 | 109871 | 151 | 111761 | 161 | 114817 | 154 | 900424 | 145 |
| 090044 | 119, 121, 140 | 091031 | 168 | 109872 | 151 | 111762 | 161 | 114818 | 149 | 900425 | 145 |
| 090047 | 127 | 091032 | 168 | 109873 | 151 | 111763 | 161 | 114819 | 154 | 900426 | 145 |
| 090048 | 119, 127, 140 | 091061 | 168 | 109879 | 151 | 111764 | 161 | 114820 | 149 | 900427 | 145 |
| 090049 | 120, 127, 139, 159 | 091080 | 168 | 109915 | 118 | 111765 | 161 | 114821 | 154 | 900501 | 135 |
| 090050 | 128 | 091082 | 168 | 110343 | 151 | 111766 | 161 | 114822 | 149 | 900502 | 130, 135 |
| 090051 | 128, 129 | 091091 | 158 | 110360 | 165 | 111813 | 160 | 114823 | 154 | 900503 | 132, 133, 134 |
| 090052 | 129 | 100315 | 130 | 110388 | 121, 140, 164 | 111814 | 160 | 114824 | 149 | 900504 | 132, 133, 134 |
| 090053 | 129 | 100316 | 130 | 110537 | 155 | 111869 | 155 | 114825 | 154 | 900505 | 132, 133, 134 |
| 090054 | 119, 123, 142 | 100741 | 130, 136 | 110544 | 152 | 111943 | 147 | 114826 | 149 | 900506 | 132, 133, 134 |
| 090056 | 119, 122, 141, 159 | 101023 | 137 | 110547 | 152 | 112063 | 119, 142 | 114827 | 154 | 900507 | 128, 129 |
| 090057 | 119, 122, 141 | 101024 | 137 | 110744 | 147 | 112409 | 138 | 114828 | 149 | 900508 | 128 |
| 090059 | 123, 141, 159 | 101025 | 142 | 110768 | 155 | 112455 | 138 | 114829 | 154 | 900509 | 129 |
| 090060 | 168 | 101026 | 142 | 110769 | 155 | 112456 | 138 | 114830 | 149 | 900512 | 128, 129 |
| 090061 | 123, 141 | 101030 | 166 | 111244 | 160 | 112462 | 155 | 114831 | 154 | 900514 | 128, 129 |
| 090062 | 168 | 101212 | 152 | 111246 | 160 | 112754 | 160 | 114832 | 149 | 900521 | 141 |
| 090063 | 123, 141 | 103865 | 134 | 111247 | 160 | 112755 | 160 | 114833 | 154 | 900522 | 141 |
| 090064 | 123, 141 | 103866 | 129 | 111250 | 160 | 112756 | 161 | 114834 | 149 | 900523 | 141 |
| 090065 | 119, 123, 141, 159 | 105100 | 166 | 111251 | 160 | 112757 | 161 | 114835 | 154 | 900524 | 141 |
| 090066 | 123, 141 | 105140 | 136 | 111264 | 160 | 112758 | 161 | 114836 | 149 | 900531 | 152 |
| 090067 | 119, 124, 142 | 105144 | 130 | 111711 | 160 | 112759 | 161 | 114837 | 154 | 900532 | 147, 158 |
| 090068 | 119, 124, 142 | 105952 | 123 | 111712 | 160 | 112760 | 160 | 114838 | 149 | 900533 | 152 |
| 090069 | 124, 142 | 105987 | 157 | 111713 | 160 | 112761 | 160 | 114839 | 154 | 900534 | 136 |
| 090070 | 124, 142 | 105988 | 157 | 111714 | 160 | 112762 | 160 | 114840 | 149 | 900539 | 128 |
| 090071 | 123, 142 | 106181 | 147 | 111715 | 161 | 112763 | 160 | 114841 | 154 | 900541 | 130, 136 |
| 090072 | 123, 142 | 106182 | 166 | 111716 | 161 | 112764 | 161 | 114842 | 149 | 900542 | 152 |
| 090073 | 159 | 106183 | 166 | 111717 | 161 | 112765 | 161 | 114843 | 154 | 900555 | 150 |
| 090074 | 118, 138, 159 | 106187 | 164 | 111718 | 161 | 112766 | 161 | 114844 | 149 | 900556 | 150 |

Prices subject to change without notice.

Numerical Index

| Part No. | Page | Part No. | Page | Part No. | Page | Part No. | Page | Part No. | Page | Part No. | Page |
|----------|--------------------|----------|---------------|----------|----------|----------|---------------|-------------|---------------|-------------|----------|
| 900558 | 148 | 958002 | 164 | 965712 | 157 | 970139 | 153 | 971659 | 146 | COVER.114 | 167 |
| 900559 | 148 | 958003 | 164 | 965713 | 157 | 970159 | 153, 155 | 971664 | 146 | COVER.115 | 167 |
| 900564 | 168 | 958004 | 164 | 965714 | 157 | 970188 | 147 | 971706 | 146 | COVER.116 | 167 |
| 900565 | 123 | 958005 | 164 | 966268 | 118 | 970271 | 162 | 971709 | 146 | COVER.121 | 167 |
| 900569 | 168 | 959055 | 152 | 966671 | 158 | 970272 | 162 | 971710 | 146 | COVER.122 | 167 |
| 900576 | 130, 135 | 959056 | 152 | 966985 | 152 | 970274 | 162 | 971712 | 146 | ECAP.105 | 167 |
| 900581 | 151 | 959560 | 152 | 967269 | 158 | 970276 | 162 | 971763 | 146 | ECAP.115 | 146 |
| 900582 | 148 | 959563 | 152 | 967291 | 152 | 970278 | 162 | 971764 | 146 | KIT.1001 | 146 |
| 900583 | 168 | 959575 | 152, 155, 156 | 967329 | 156 | 970280 | 162 | 971765 | 146 | KIT.1002 | 146 |
| 900584 | 163 | 959603 | 152, 155, 156 | 967333 | 158 | 970300 | 162 | 971766 | 146 | PBKIT.1001 | 118 |
| 900589 | 119, 122, 141 | 959952 | 158 | 967341 | 136 | 970301 | 162 | 971822 | 147 | PBKIT.1002 | 118 |
| 900597 | 120, 139 | 959953 | 158 | 967480 | 150 | 970302 | 162 | 971832 | 147 | PBKIT.1003 | 118 |
| 900610 | 132 | 960003 | 152 | 967704 | 166 | 970303 | 162 | 972466 | 152, 155, 156 | PBKIT.1004 | 118 |
| 900613 | 132 | 960012 | 158 | 968112 | 168 | 970305 | 162 | 972467 | 152, 155, 156 | PCB.10018 | 167 |
| 900614 | 130, 135 | 960060 | 152 | 968116 | 168 | 970306 | 162 | 972471 | 164 | PCB.10019 | 167 |
| 900615 | 133 | 960109 | 152 | 968201 | 151, 155 | 970310 | 162 | 972549 | 147 | PCB.10020 | 167 |
| 900619 | 120 | 960316 | 152 | 968592 | 118 | 970318 | 147 | 990132 | 163 | PIPE.101 | 167 |
| 900620 | 124, 142 | 960317 | 152 | 968595 | 118 | 970321 | 158 | 990637 | 166 | PKGMTG.1001 | 146 |
| 900622 | 150 | 960676 | 152 | 968596 | 118 | 970323 | 158 | 23946429 | 125, 143 | PKGMTG.1002 | 167 |
| 900624 | 151 | 960689 | 152 | 968603 | 118 | 970384 | 163 | 23946437 | 125, 143 | PKGMTG.1003 | 167 |
| 900626 | 146 | 960902 | 152, 156 | 968645 | 157 | 970387 | 163 | 23946445 | 143 | PKGMTG.1004 | 162 |
| 900760 | 152 | 960921 | 156 | 968668 | 147 | 970388 | 163 | 23946460 | 125 | PKGMTG.1005 | 162 |
| 900761 | 152 | 961047 | 157 | 968694 | 156 | 970407 | 162 | 24052979 | 125, 143 | PKGSCR.1001 | 167 |
| 900771 | 152 | 961084 | 158 | 968713 | 163 | 970412 | 163 | 24086860 | 137 | PKGSCR.1003 | 162 |
| 900772 | 152 | 961180 | 152 | 968716 | 162 | 970415 | 162 | 24086894 | 137 | PKGSCR.1004 | 162 |
| 900776 | 152 | 961267 | 153, 155, 156 | 968748 | 147 | 970472 | 158 | 24090110 | 125, 143 | PKGSRV.1007 | 159 |
| 900782 | 152 | 961280 | 152 | 968761 | 147 | 970488 | 153, 155, 156 | 24090128 | 125, 143 | PKGSRV.1010 | 159 |
| 900783 | 152 | 961530 | 158 | 968763 | 147 | 970491 | 156 | 24090136 | 125 | PKGSRV.1011 | 159 |
| 900784 | 152 | 963011 | 153 | 968765 | 147 | 970531 | 147 | 24090144 | 143 | PKGSRV.1012 | 159 |
| 900807 | 150 | 963074 | 158 | 968766 | 147 | 970546 | 147 | 24090706 | 125, 143 | PKGSRV.1013 | 159 |
| 900808 | 150 | 963080 | 147 | 968770 | 147 | 970594 | 166 | 24230914 | 125, 143 | PKGSRV.1015 | 159 |
| 900809 | 150 | 963105 | 155 | 968773 | 147 | 970735 | 147 | 24231516 | 125 | PKGSRV.1016 | 159 |
| 900810 | 150 | 963150 | 168 | 968793 | 147 | 970861 | 147 | 24231516 | 143 | PKGSRV.1018 | 130, 159 |
| 900820 | 158 | 963196 | 153 | 968883 | 153 | 970862 | 147 | 24647265 | 126, 144 | PKGSRV.1019 | 159 |
| 900835 | 127 | 963579 | 153, 155 | 968888 | 118 | 970872 | 147 | 24647273 | 126, 144 | PKGSRV.1020 | 159 |
| 900836 | 127 | 963581 | 152 | 968918 | 156 | 970978 | 124, 142 | 24647281 | 126, 144 | PKGSRV.1022 | 159 |
| 900839 | 156 | 963584 | 168 | 968935 | 147 | 970979 | 151 | 24647299 | 126, 144 | PKGSRV.1023 | 159 |
| 900840 | 156 | 963585 | 168 | 968938 | 134 | 971010 | 158 | 24648180 | 126, 144 | PKGSRV.1024 | 159 |
| 900847 | 158 | 963703 | 153, 156 | 968939 | 147 | 971012 | 155 | 24685505 | 126, 144 | RODASY.121 | 146 |
| 900848 | 158 | 963704 | 153, 156 | 969012 | 155 | 971015 | 155 | 24685554 | 144 | RODASY.122 | 146 |
| 900849 | 158 | 963712 | 168 | 969089 | 147 | 971132 | 155 | 24685562 | 126 | SIGN-1 | 166 |
| 900850 | 119, 122, 135, 141 | 963767 | 155 | 969091 | 156 | 971187 | 157 | 44487155 | 166 | SIGN.1001 | 167 |
| 900852 | 135 | 963873 | 168 | 969092 | 156 | 971198 | 162 | 44489870 | 166 | SIGN.1002 | 167 |
| 900853 | 155 | 963902 | 168 | 969107 | 147 | 971212 | 157 | 47250175 | 125, 143 | SIGN.1003 | 167 |
| 900856 | 120, 141 | 963905 | 168 | 969126 | 118 | 971245 | 151 | 47250176 | 125, 143 | | |
| 900870 | 162 | 963909 | 168 | 969127 | 118 | 971249 | 151 | 47250177 | 125, 143 | | |
| 900871 | 141 | 963954 | 147 | 969140 | 151 | 971257 | 151 | 47250178 | 125, 143 | | |
| 900881 | 162 | 963984 | 147 | 969157 | 151 | 971259 | 151 | 47250179 | 125, 143 | | |
| 900882 | 162 | 964013 | 119 | 969280 | 158 | 971312 | 157 | 47250180 | 125, 143 | | |
| 900883 | 150 | 964019 | 163 | 969349 | 166 | 971313 | 157 | 47250398 | 125, 143 | | |
| 900884 | 150 | 964035 | 147 | 969350 | 166 | 971316 | 157 | 47250403 | 125, 143 | | |
| 900885 | 162 | 964037 | 163 | 969352 | 151 | 971320 | 147 | 47250968 | 125, 143 | | |
| 900888 | 158 | 964070 | 162 | 969353 | 153, 155 | 971328 | 157 | 47259557 | 125 | | |
| 900892 | 120, 138 | 964097 | 155 | 969354 | 166 | 971340 | 157 | 47259560 | 124, 142 | | |
| 900894 | 151 | 964183 | 155 | 969364 | 147 | 971385 | 162 | 47260610 | 142 | | |
| 900898 | 142 | 964190 | 162 | 969545 | 155 | 971415 | 162 | 48968820 | 126, 144 | | |
| 900901 | 168 | 964285 | 155 | 969584 | 162 | 971417 | 162 | 48968838 | 126, 144 | | |
| 900919 | 119, 142 | 964330 | 147 | 969610 | 147 | 971440 | 155 | 48968861 | 144 | | |
| 900920 | 155 | 964334 | 151 | 969889 | 138, 168 | 971470 | 118 | 48968879 | 126 | | |
| 900954 | 155 | 964353 | 155 | 969903 | 151 | 971471 | 118 | 48968887 | 126, 144 | | |
| 900955 | 151 | 964355 | 156 | 969904 | 151 | 971497 | 151 | 48973291 | 144 | | |
| 900966 | 162 | 964375 | 168 | 969906 | 151 | 971556 | 166 | 48973309 | 126 | | |
| 900973 | 122 | 964390 | 147 | 969908 | 151 | 971557 | 166 | 49000391 | 126, 144 | | |
| 900978 | 166 | 965130 | 156 | 969909 | 151 | 971573 | 155 | 49000409 | 126, 144 | | |
| 900980 | 122, 141 | 965226 | 153, 155 | 969910 | 151 | 971585 | 155 | 472529557 | 142 | | |
| 900981 | 118 | 965237 | 153, 155 | 970035 | 118 | 971592 | 118 | BRKT.121 | 167 | | |
| 945521 | 158 | 965310 | 152 | 970036 | 118 | 971593 | 152 | BRKT.131 | 146 | | |
| 952820 | 152 | 965312 | 152 | 970117 | 155 | 971614 | 168 | CABLE.10038 | 155, 166 | | |
| 956760 | 152, 155 | 965317 | 152 | 970137 | 153 | 971655 | 146 | CASE.107 | 118, 146 | | |
| 957901 | 120 | 965568 | 153 | 970138 | 153 | 971656 | 146 | COVER.109 | 167 | | |

Prices subject to change without notice.

22 Series - Parts

| Description | Part. No. | List Price | |
|--|------------|--------------|-------------|
| | | Non-Finished | SP28, SP313 |
| Center Case | | | |
| 22 Rim Center Case Less Cover | 109012 | 285.00 | – |
| 22-F Center Case Less Cover | 109915 | 285.00 | – |
| 2227/27-F Center Case Less Cover | CASE.107 | 229.00 | – |
| 22/22-F Center Case Cover | 968603 | – | 53.00 |
| 2227/27-F Center Case Cover | 968888 | – | 53.00 |
| 22 Center Case Cover Screw Pkg/4 | 090077 | 10.00 | – |
| 22 Series Mounting Package | 900392 | 23.00 | – |
| 2227 Mounting Package | 900393 | 30.00 | – |
| Control Link Pin Kit (with Retaining Ring) | 050529 | 12.00 | – |
| Control Link Pin Ret. Ring Pkg/10 | 090107 | 12.00 | – |
| NL Drive Screw Pkg/10 | 090074 | 19.00 | – |
| 2227 Latchbolt Pin Pkg/10 | 090079 | 12.00 | – |
| 22 Pushbar Stop | 965409 | 12.00 | – |
| Mechanism Case | | | |
| 22 End Cap Kit | 900981 | 19.00 | – |
| 22 End Cap Kit (Metal) | 900397 | 29.00 | – |
| 22/2227 Cover Plate - 3' Dr | 968595 | – | 51.00 |
| 22/2227 Cover Plate - 4' Dr | 968596 | – | 51.00 |
| 22-F/2227-F Cover Plate - 4' Dr | 969126 | – | 51.00 |
| 22-F/2227-F Cover Plate - 3' Dr | 969127 | – | 51.00 |
| 22 ALK Cover Plate - 3' Dr | 971470 | – | 51.00 |
| 22 ALK Cover Plate - 4' Dr | 971471 | – | 51.00 |
| 22 Mechanism Case - 3' Dr | 970035 | – | 183.00 |
| 22 Mechanism Case - 4' Dr | 970036 | – | 193.00 |
| 227 Dog Key 5/32" Pkg/2 | 090005 | 19.00 | – |
| 227 Dog Key 5/32" Pkg/10 | 090085 | 69.00 | – |
| Cover Plate Bearing Insert | 968592 | 12.00 | – |
| Touch Bar Cover Bearing Insert | 966268 | 12.00 | – |
| Push Bar | | | |
| 22 Series Push Bar - 3' Dr SP28 | PBKIT.1001 | – | 184.00 |
| 22 Series Push Bar - 3' Dr SP313 | PBKIT.1002 | – | 184.00 |
| 22 Series Push Bar - 4' Dr SP28 | PBKIT.1003 | – | 195.00 |
| 22 Series Push Bar - 4' Dr SP313 | PBKIT.1004 | – | 195.00 |

Prices subject to change without notice.

| Description | Part. No. | List Price | |
|--------------------------------|-----------|--------------|-------------|
| | | Non-Finished | SP28, SP313 |
| Baseplate | | | |
| Baseplate Bumper Pkg/4 | 090038 | 11 | - |
| Baseplate Return Spring Pkg/10 | 090039 | 12 | - |
| Dogging Shaft Pkg/2 | 090040 | 12 | - |
| Dogging Spring Pkg/2 | 090041 | 11.00 | - |
| Dogging Adaptor Spring Pkg/2 | 090042 | 15.00 | - |
| Dogging Adaptor Pkg/2 | 090043 | 12.00 | - |
| Dogging Hook Pkg/2 | 090044 | 12.00 | - |
| Baseplate Bearing Strip Pkg/2 | 090048 | 12.00 | - |
| 3/8 x 3/16 x 3/32 Washer | 964013 | 12.00 | - |

Vertical Latches

| | | | |
|--|--------|--------|--------|
| * 2227 Bottom Latch Retrofit Kit | 050090 | - | 141.00 |
| * 2227 Top Latch Retrofit Kit | 050091 | - | 141.00 |
| ** 2227 Bottom Latch Kit Less Cover | 050401 | 141.00 | - |
| ** 2227 Top Latch Kit Less Cover | 050400 | 141.00 | - |
| 2227 PL Latch Kit Less Cover | 050402 | 141.00 | - |
| 2227 Latch Case Cover | 050566 | - | 52.00 |
| 2227 Latch Case Cover Screw Pkg | 900850 | - | 12.00 |
| ** 2227 Latch Case Mtg. Bracket Kit | 050546 | 28.00 | - |
| 2227 Top Latch Compression Spring Pkg/10 | 090056 | 12.00 | - |
| 2227 Top Latch Spring Pkg/10 | 090057 | 12.00 | - |
| 2227 Bolt Return Spring Pkg/10 | 090065 | 12.00 | - |
| 2227 Top Latch Aux. Bolt Spring Pkg/10 | 090076 | 12.00 | - |
| ** 2227 Latch Case Screw Pkg 1-3/4" Door | 900589 | 12.00 | - |

* For Devices shipped before October 1998

** Devices Shipped after October 1998

Vertical Rods

| | | | |
|--|--------|-------|--------|
| 2227 Top Vertical Rod | 109361 | - | 105.00 |
| 2227 Bottom Vertical Rod | 109362 | - | 105.00 |
| 2227 Extension Rod 36" Kit | 051804 | - | 28.00 |
| 2227 Rod Guide Package | 112063 | - | 51.00 |
| 2227 Rod Guide Mtg. Package | 900919 | - | 12.00 |
| 2227 Rod Connector - Latch Pkg/2 | 090067 | 19.00 | - |
| 2227 Rod Connector - Center Case Pkg/2 | 090068 | 19.00 | - |
| 2227 Top or Bottom Rod Connector | 050547 | 10.00 | - |
| 2227 Rod Extension Connector Pkg/4 | 090075 | 13.00 | - |
| 2227 Rod Roll Pin Pkg/10 | 090054 | 13.00 | - |

Prices subject to change without notice.

33A/35A Series - Parts

| Description | Part. No. | Non-Finished | List Price | | | | | US3, US15, US26, 315 |
|---|-----------------|--------------|------------|--------|--------|--------|--------|-------------------------------|
| | | | US28 | US26D | 313 | US10 | US4 | |
| Center Case | | | | | | | | |
| 33A/35A Rim Center Case Kit L/Cover | 050403 | 326.00 | - | - | - | - | - | - |
| 33/3527A Center Case Kit L/Cover | 050404 | 326.00 | - | - | - | - | - | - |
| 33/3547A Center Case Kit L/Cover | 050405 | 326.00 | - | - | - | - | - | - |
| 33A/35A-F Rim Center Case Kit L/Cover | 117000 | 437.00 | - | - | - | - | - | - |
| 33A/35A Rim Center Case Cover Kit | 050483 | - | 52.00 | 93.00 | 67.00 | 61.00 | 61.00 | 121.00 |
| 33/3527A Center Case Cover Kit | 050484 | - | 52.00 | 93.00 | 67.00 | 61.00 | 61.00 | 121.00 |
| 33/3547A/49A Center Case Cover Kit | 050485 | - | 52.00 | 93.00 | 67.00 | 61.00 | 61.00 | 121.00 |
| 33/35A Center Case Cover Screws | 900892 | - | 12.00 | 12.00 | 12.00 | 12.00 | 12.00 | 12.00 |
| Control Link Pin Kit (w/Retaining Ring) | 050529 | 12.00 | - | - | - | - | - | - |
| Control Link Pin Retaining Ring Pkg/10 | 090107 | 12.00 | - | - | - | - | - | - |
| Control Link Pin Pkg/10 | 090031 | 15.00 | - | - | - | - | - | - |
| 33A/35A Device Mtg Package - 1 3/4" - 2 1/4" Dr | 900619 | 12.00 | - | - | - | - | - | - |
| 33/3547A Wood Door Mtg Package | 900856 | 12.00 | - | - | - | - | - | - |
| Cover Plate / Conversion Kits | | | | | | | | |
| 33A Hex Dog Conversion Kit | 050114 | - | 71.00 | - | 71.00 | 71.00 | 71.00 | 71.00 |
| 35A Hex Dog Conversion Kit | 050117 | - | 71.00 | - | 71.00 | 71.00 | 71.00 | 71.00 |
| 33A CD Conversion Kit | 050115 | - | 94.00 | - | 94.00 | 94.00 | 94.00 | 94.00 |
| 35A CD Conversion Kit | 050132 | - | 94.00 | - | 94.00 | 94.00 | 94.00 | 94.00 |
| 33A CDSI Kit 3'/4' | 040070/040071 | - | 310.00 | 310.00 | 310.00 | 310.00 | 310.00 | 310.00 |
| 33A HDSI Kit 3'/4' | 040072/040073 | - | 223.00 | 223.00 | 223.00 | 223.00 | 223.00 | 223.00 |
| 35A CDSI Kit 3'/4' | 040074/040075 | - | 310.00 | 310.00 | 310.00 | 310.00 | 310.00 | 310.00 |
| 35A HDSI Kit 3'/4' | 040076/040077 | - | 223.00 | 223.00 | 223.00 | 223.00 | 223.00 | 223.00 |
| CDSI/HDSI Configuration Pkg | 900416-00 | 16.00 | - | - | - | - | - | - |
| 33A Fire or Less Dogging Cover Plate Kit | 050133 | - | 44.00 | - | 44.00 | 44.00 | 44.00 | 44.00 |
| 35A Fire or Less Dogging Cover Plate Kit | 050109 | - | 44.00 | - | 44.00 | 44.00 | 44.00 | 44.00 |
| 33A ALK Cover Plate Kit | 050406 | - | 104.00 | - | 104.00 | 104.00 | 104.00 | 104.00 |
| 35A ALK Cover Plate Kit | 050407 | - | 104.00 | - | 104.00 | 104.00 | 104.00 | 104.00 |
| 33A Center Case Cover Plate (1.42") | 050474 | - | 28.00 | - | 28.00 | 28.00 | 28.00 | 28.00 |
| 35A Center Case Cover Plate (1.42") | 050475 | - | 28.00 | - | 28.00 | 28.00 | 28.00 | 28.00 |
| Cover Plate Anti-Rattle Spring Pkg/10 | 090036 | 12.00 | - | - | - | - | - | - |
| Dogging Shaft Pkg/2 | 090040 | 12.00 | - | - | - | - | - | - |
| End Cap | | | | | | | | |
| 33A/35A Impact Resistant End Cap Kit | 050014 | - | 79.00 | 86.00 | 79.00 | 97.00 | 87.00 | 87.00 |
| 33A/35A Impact Resistant End Cap Scr Pkg | 900597 | - | - | 12.00 | 12.00 | 15.00 | 12.00 | 12.00 |
| 33A/35A Impact Resistant End Cap Bracket | 050524 | 11.00 | - | - | - | - | - | - |
| 33A/35A-F Impact Resistant End Cap Kit | 957901 | - | 75.00 | 83.00 | 75.00 | 93.00 | 84.00 | 84.00 |
| Push Bar | | | | | | | | |
| * 33A/35A Push Bar Retrofit Kit - 3' Dr | See Note | - | 202.00 | 239.00 | 219.00 | 326.00 | 316.00 | 373.00 |
| * 33A/35A Push Bar Retrofit Kit - 4' Dr | See Note | - | 217.00 | 262.00 | 235.00 | 341.00 | 326.00 | 386.00 |
| 33A/35A Push Bar Guide Pkg/10 | 090049 | 13.00 | - | - | - | - | - | - |

* **Note:** To order, specify device type, size, finish. Example: PBKIT 33A 3' US28
 ✓ US15 finish available with Series 35A, only

Items in **Bold print** indicate same part number is used for the old 33/35 series devices.

Prices subject to change without notice.

(continued) **Parts - 33A/35A Series**

| Description | Part. No. | Non-Finished | List Price | | | | | US3, ✓US15, US26, 315 |
|---|---------------|--------------|------------|-------|--------|--------|--------|--------------------------------|
| | | | US28 | US26D | 313 | US10 | US4 | |
| Mechanism Case | | | | | | | | |
| 33A Mechanism Case - 3' Dr | 050486 | - | 141.00 | - | 176.00 | 176.00 | 176.00 | 200.00 |
| 33A Mechanism Case - 4' Dr | 050487 | - | 200.00 | - | 230.00 | 230.00 | 230.00 | 260.00 |
| 35A Mechanism Case - 3' Dr | 050488 | - | 141.00 | - | 176.00 | 176.00 | 176.00 | 200.00 |
| 35A Mechanism Case - 4' Dr | 050489 | - | 200.00 | - | 230.00 | 230.00 | 230.00 | 260.00 |
| CD/SS Cylinder Mtg Kit | 107813 | - | - | 58.00 | 61.00 | 61.00 | 61.00 | 67.00 |
| CD/SS Cylinder Locating Washer Pkg | 050490 | 15.00 | - | - | - | - | - | - |
| CD/SS Mortise Cylinder Collar Pkg | 050525 | - | - | 44.00 | 44.00 | 52.00 | 44.00 | 52.00 |
| CD/SS Cylinder Lock Nut Pkg | 050526 | 13.00 | - | - | - | - | - | - |
| CD Actuator Pkg/2 | 090045 | 12.00 | - | - | - | - | - | - |
| * CD Dogging Plug Pkg/2 | 090046 | 11.00 | - | - | - | - | - | - |
| 227 Dog Key 5/32" Pkg/2 | 090005 | 19.00 | - | - | - | - | - | - |
| 227 Dog Key 5/32" Pkg/10 | 090085 | 69.00 | - | - | - | - | - | - |
| Mechanism Case Brkt Kit | 050530 | 10.00 | - | - | - | - | - | - |
| Mechanism Case Brkt Screw Pkg/10 | 090073 | 10.00 | - | - | - | - | - | - |
| 33A/35A Device Mtg Pkg 1 3/4" - 2 1/4" Door | 900619 | 12.00 | - | - | - | - | - | - |
| 33A/35A Device Mtg Pkg 2 1/4" - 2 3/4" | 900380 | 30.00 | - | - | - | - | - | - |
| 33A/35A Device Mtg Pkg 2 3/4" - 3 1/4" | 900429 | 85.00 | - | - | - | - | - | - |
| 33A/35A Device Mtg Pkg 3 1/4" - 4 1/4" | 900430 | 85.00 | - | - | - | - | - | - |
| 33/3547A Wood Door Mtg Pkg | 900856 | 11.00 | - | - | - | - | - | - |

* Devices shipped after July 1997

Baseplate

| | | | | | | | | |
|--------------------------------|---------------|--------|---|---|---|---|---|---|
| Shock Absorber Pkg | 050491 | 30.00 | - | - | - | - | - | - |
| Baseplate Screw Pkg/10 | 090037 | 11.00 | - | - | - | - | - | - |
| Baseplate Bumper Pkg/4 | 090038 | 11.00 | - | - | - | - | - | - |
| Baseplate Return Spring Pkg/10 | 090039 | 12.00 | - | - | - | - | - | - |
| Dogging Shaft Pkg/2 | 090040 | 12.00 | - | - | - | - | - | - |
| Dogging Spring Pkg/2 | 090041 | 11.00 | - | - | - | - | - | - |
| Dogging Adaptor Spring Pkg/2 | 090042 | 15.00 | - | - | - | - | - | - |
| Dogging Adaptor Pkg/2 | 090043 | 12.00 | - | - | - | - | - | - |
| Dogging Hook Pkg/2 | 090044 | 12.00 | - | - | - | - | - | - |
| 227 Dog Key 5/32" Pkg/2 | 090005 | 19.00 | - | - | - | - | - | - |
| 227 Dog Key 5/32" Pkg/10 | 090085 | 69.00 | - | - | - | - | - | - |
| EL Dogging Rod Kit - 3' | 050531 | 58.00 | - | - | - | - | - | - |
| EL Dogging Rod Kit - 4' | 050532 | 58.00 | - | - | - | - | - | - |
| EL 6' Cable and Connector | 110388 | 45.00 | - | - | - | - | - | - |
| EL Potted Circuit Breaker | 050534 | 296.00 | - | - | - | - | - | - |
| EL Solenoid/Plunger | 050535 | 327.00 | - | - | - | - | - | - |
| HD-EL Solenoid | 050536 | 327.00 | - | - | - | - | - | - |
| HD-EL Solenoid Plunger | 050537 | 120.00 | - | - | - | - | - | - |
| EL Dogging Rod Retainer | 050538 | 13.00 | - | - | - | - | - | - |
| EL Receptacle Connector | 050539 | 12.00 | - | - | - | - | - | - |
| EL Female Terminal | 050540 | 12.00 | - | - | - | - | - | - |

✓ US15 finish available with Series 35A, only

Items in **Bold print** indicate same part number is used for the old 33/35 Series devices.

Prices subject to change without notice.

33A/35A Series - Parts (continued)

| Description | Part. No. | Non-Finished | List Price | | | | | US3, ✓US15, US26, 315 |
|--|---------------|--------------|------------|--------|-------|-------|-------|--------------------------------|
| | | | US28 | US26D | 313 | US10 | US4 | |
| Baseplate (continued) | | | | | | | | |
| HD-EL Dog Screw | 050541 | 15.00 | - | - | - | - | - | - |
| HD-EL Solenoid Bracket | 050542 | 26.00 | - | - | - | - | - | - |
| HD-EL Dogging Spring | 050543 | 15.00 | - | - | - | - | - | - |
| SS Cable | 050544 | 132.00 | - | - | - | - | - | - |
| SS Housing | 050545 | 441.00 | - | - | - | - | - | - |
| Vertical Latches | | | | | | | | |
| 33/3527A Top Latch Kit Less Cover | 050400 | 141.00 | - | - | - | - | - | - |
| 33/3527A Bottom Latch Kit Less Cover | 050401 | 141.00 | - | - | - | - | - | - |
| 33/3527A Pullman Latch Kit Less Cover | 050402 | 141.00 | - | - | - | - | - | - |
| 33/3547A Top Latch Kit | 050492 | 274.00 | - | - | - | - | - | - |
| 33/3547A Bottom Latch Kit | 050493 | 222.00 | - | - | - | - | - | - |
| ES33/3547A Top Latch Kit | 050128 | 200.00 | - | - | - | - | - | - |
| * 33/3548A Top Latch Kit-(non EL) | 050494 | 400.00 | - | - | - | - | - | - |
| * EL33/3548A Top Latch Kit | 050516 | 378.00 | - | - | - | - | - | - |
| * 33/3548A Bottom Latch Kit | 050495 | 430.00 | - | - | - | - | - | - |
| 33/3548A Latch Retrofit Kit-(non EL) | 050047 | 670.00 | - | - | - | - | - | - |
| 33/3548A-F Latch Retrofit Kit-(non EL) | 050048 | 670.00 | - | - | - | - | - | - |
| EL33/3548A Latch Retrofit Kit | 050522 | 670.00 | - | - | - | - | - | - |
| EL33/3548A-F Latch Retrofit Kit | 050523 | 670.00 | - | - | - | - | - | - |
| 33/3527A Latch Cover Kit w/Screws | 050496 | - | 75.00 | 127.00 | 84.00 | 75.00 | 75.00 | 129.00 |
| 33/3527A Latch Cover Screw Pkg | 900850 | - | 12.00 | 12.00 | 12.00 | 12.00 | 12.00 | 12.00 |
| 33/3527A Top Latch Compression Spring Pkg/10 | 090056 | 12.00 | - | - | - | - | - | - |
| 33/3527A PL Top Latch Spring Pkg/10 | 090057 | 12.00 | - | - | - | - | - | - |
| 33/3527A Top Latch Aux. Bolt Spring Pkg/10 | 090076 | 12.00 | - | - | - | - | - | - |
| 33/3527A-F AFL Strike Hole Plug | 050509 | 11.00 | - | - | - | - | - | - |
| 33/3527A Latch Mtg Bracket Kit | 050546 | 28.00 | - | - | - | - | - | - |
| 33/3527A Latch Screw Pkg | 900589 | 12.00 | - | - | - | - | - | - |
| 33/3527A-F LBR Latch Mounting Package | 900980 | 11.00 | - | - | - | - | - | - |
| LBR Fire Latch/Strike Kit | 050171 | 446.00 | - | - | - | - | - | - |
| LBR Strike Plug & Screw Package | 900973 | 12.00 | - | - | - | - | - | - |

* For service replacement only. Refer to Retrofit Kits 050047, 050048, 050522 and 050523 to convert 33/3547, 33/3547A Device to 33/3548 OR 33A/3548A.

✓ US15 finish available with Series 35A, only

Items in **Bold print** indicate same part number is used for the old 33/35 Series devices.

Prices subject to change without notice.

(continued) **Parts - 33A/35A Series**

| Description | Part. No. | Non-Finished | List Price | | | | | US3, US15, US26, 315 |
|--|---------------|--------------|------------|-----------------|--------|--------|--------|-------------------------------|
| | | | US28 | ✓US32D US26D | 313 | US10 | US4 | |
| Vertical Latches | | | | | | | | |
| 33/3547A Latch Mounting Bracket Kit | 109324 | 54.00 | - | - | - | - | - | - |
| 33/3548A Latch Mounting Bracket Kit | 112868 | 61.00 | - | - | - | - | - | - |
| 33/3547A Latch Brkt Mtg. Screw (Latch) Pkg/6 | 090059 | 12.00 | - | - | - | - | - | - |
| 33/3547A Latch Brkt Mtg. Screw (Door) Pkg/6 | 090061 | 12.00 | - | - | - | - | - | - |
| 33/3547A/48A Latch Linkage Pin Retaining Ring Pkg/10 | 090063 | 12.00 | - | - | - | - | - | - |
| 33/3547A Latch Link Pin Pkg/10 | 090064 | 12.00 | - | - | - | - | - | - |
| 33/3547A Bolt Return Spring Pkg/10 | 090065 | 12.00 | - | - | - | - | - | - |
| 33/3547A Top Latch Compression Spring Pkg/10 | 090066 | 11.00 | - | - | - | - | - | - |
| 33/3547A Rod Connecting Screw-Latch Pkg/2 | 090071 | 15.00 | - | - | - | - | - | - |
| 33/3548A Rod Connecting Screw-Latch Pkg/2 | 090072 | 15.00 | - | - | - | - | - | - |
| Vertical Rods | | | | | | | | |
| 3327A Top Rod Kit | 050512 | - | 77.00 | - | 89.00 | 105.00 | 105.00 | 105.00 |
| 3527A Top Rod Kit | 050513 | - | 77.00 | 89.00 | 89.00 | 105.00 | 105.00 | 105.00 |
| 3327A Bottom Rod Kit | 050514 | - | 77.00 | - | 89.00 | 105.00 | 105.00 | 105.00 |
| 3527A Bottom Rod Kit | 050515 | - | 77.00 | - | 89.00 | 105.00 | 105.00 | 105.00 |
| 33/3547A/48A Adj. Top Rod Kit - 6'8"-8'4" Dr | 050519 | 89.00 | - | - | - | - | - | - |
| 33/3547A/48A Bottom Rod Kit | 050520 | 89.00 | - | - | - | - | - | - |
| 3327A One Piece Top Rod Kit - 8' | 050650 | - | 225.00 | 225.00 | 225.00 | 144.00 | 114.00 | 225.00 |
| 3327A One Piece Top Rod Kit - 10' | 050651 | - | 249.00 | 249.00 | 249.00 | 157.00 | 138.00 | 244.00 |
| 3327A One Piece Top Rod Kit - 12' | 050652 | - | 264.00 | 264.00 | 264.00 | 175.00 | 162.00 | 274.00 |
| 3527A One Piece Top Rod Kit - 8' | 050653 | - | 225.00 | 225.00 | 225.00 | 144.00 | 114.00 | 225.00 |
| 3527A One Piece Top Rod Kit - 10' | 050654 | - | 249.00 | 249.00 | 249.00 | 157.00 | 138.00 | 244.00 |
| 3527A One Piece Top Rod Kit - 12' | 050655 | - | 264.00 | 264.00 | 264.00 | 175.00 | 162.00 | 274.00 |
| 3327A Extension Rod 36" Kit | 051807 | - | 28.00 | 28.00 | 28.00 | 28.00 | 28.00 | 28.00 |
| 3527A Extension Rod 36" Kit | 051811 | - | 28.00 | 28.00 | 28.00 | 28.00 | 28.00 | 28.00 |
| 3327A Extension Rod 60" Kit | 050643 | - | 250.00 | - | 250.00 | 292.00 | 284.00 | 305.00 |
| 3527A Extension Rod 60" Kit | 050645 | - | 250.00 | - | 250.00 | 292.00 | 284.00 | 305.00 |
| 33/3547A/48A Extension Rod Kit - Adj 8'4"-10' | 051808 | 28.00 | - | - | - | - | - | - |
| 33/3547A/48A Extension Rod Kit - Adj 10'-11'8" | 050622 | 93.00 | - | - | - | - | - | - |
| 33/3547A/48A Extension Rod Kit - Adj 11'8"-13'4" | 050623 | 93.00 | - | - | - | - | - | - |
| 33/3547A/48A Extension Rod Kit - Adj 13'4"-15' | 050624 | 105.00 | - | - | - | - | - | - |
| 33/3527A Rod Guide Pkg | 105952 | - | 79.00 | 117.00 | 82.00 | 82.00 | 82.00 | 117.00 |
| 33/3527A Rod Guide Mtg Pkg | 900565 | 12.00 | - | - | - | - | - | - |
| 33/3527A Rod Roll Pin Pkg/10 | 090054 | 13.00 | - | - | - | - | - | - |

Items in **Bold print** indicate same part number is used for the old 33/35 Series devices.

Prices subject to change without notice.

33A/35A Series - Parts (continued)

| Description | Part. No. | Non-Finished | US28 | List Price | | | | US3, ✓US15, US26, 315 |
|---------------------------------------|---------------|--------------|--------|-----------------|--------|--------|--------|--------------------------------|
| | | | | ✓US32D US26D | 313 | US10 | US4 | |
| Vertical Rods (continued) | | | | | | | | |
| 33/3527A Rod Connector-Latch Pkg/2 | 090067 | 19.00 | - | - | - | - | - | - |
| 33/3527A Rod Connector-C/Case Pkg/2 | 090068 | 19.00 | - | - | - | - | - | - |
| 33/3547A Ratchet Release Pkg | 106222 | - | 132.00 | - | 132.00 | 132.00 | 132.00 | - |
| 33/3547A Ratchet Release Spacer 1/8" | 970978 | - | 20.00 | - | 20.00 | 20.00 | 20.00 | - |
| 33/3547A Ratchet Lever Spring Pkg/2 | 090069 | 11.00 | - | - | - | - | - | - |
| 33/3547A Ratchet Release Screw Pkg/2 | 090070 | 15.00 | - | - | - | - | - | - |
| 33/3547A Rod Adjusting Pkg | 900620 | 20.00 | - | - | - | - | - | - |
| 33/3547A 1/4" Insulclad Kit 1 3/4" Dr | 050398 | 65.00 | - | - | - | - | - | - |
| 33/3547A 1/2" Insulclad Kit 1 3/4" Dr | 050399 | 65.00 | - | - | - | - | - | - |

✓ US15 and US32D finish available with Series 35A, only

Quiet Mechanical Retrofit Kits

| | | | | | | | | |
|---------------------------------------|----------|--------|---|---|---|---|---|---|
| QM Rim Device Kit (98/99, 33A/35A) | 47259560 | 185.00 | - | - | - | - | - | - |
| QM SVR Device Kit (98/9927, 33/3527A) | 47263418 | 185.00 | - | - | - | - | - | - |

Items in **Bold print** indicate same part number is used for the old 33/35 series devices.

Prices subject to change without notice.

Parts - 33A/3549A Series

| Description | Non-Finished | List Price |
|--------------------------|--------------|------------|
| Vertical Latches | | |
| 49 Top Latch Assembly | 24090110 | 248.00 |
| 49 Bottom Latch Assembly | 24090128 | 268.00 |
| 49 LBL-AFL Fire Pin Kit | 051860 | 147.00 |

Centerslide Kits

| | | |
|-------------------------|----------|--------|
| 33/3549 Centerslide Kit | 24090136 | 381.00 |
|-------------------------|----------|--------|

49 Cable*

| | | | |
|--|-------------------------------------|----------|--------|
| Top Cable Assembly | Door Opening Heights 6'0" to 6'10" | 47250398 | 216.00 |
| Top Cable Assembly | Door Opening Heights 6'10" to 8'0" | 47250175 | 216.00 |
| Top Cable Assembly | Door Opening Heights >8'0" to 9'2" | 47250176 | 216.00 |
| Top Cable Assembly | Door Opening Heights >9'2" to 10'4" | 47250177 | 216.00 |
| Bottom Cable Assembly | Door Opening Heights 6'0" to 6'10" | 47250403 | 216.00 |
| Bottom Cable Assembly | Door Opening Heights 6'10" to 8'0" | 47250178 | 216.00 |
| Bottom Cable Assembly | Door Opening Heights >8'0" to 9'2" | 47250179 | 216.00 |
| Bottom Cable Assembly | Door Opening Heights >9'2" to 10'4" | 47250180 | 216.00 |
| Replacement Cable Kit (10' core wire, end fitting, and sizing templates) | | 47250968 | 89.00 |

For door opening heights more than 10', consult factory.

Consult customer support for non-standard center lines or if a threshold is installed.

* For Complete 49 Cable System kits, see Page 37.

Mounting Packages

| | | |
|--|----------|--------|
| 49 Bottom Mounting Package | 23946437 | 105.00 |
| 49 Top Mounting Package | 23946429 | 94.00 |
| 33/3549A HM/AL Centerside Mounting Package | 23946460 | 105.00 |

Misc.

| | | |
|--------------------------------|----------|--------|
| Cable Removal Tool - qty 1 | 24052979 | 14.00 |
| Cable Removal Tool - Pkg/10 | 24090706 | 114.00 |
| 338 Filler Plate | 24230914 | 85.00 |
| Spacer Block Kit 3/4" undercut | 24231516 | 29.00 |
| Damper Assembly 996 | 47259557 | 60.00 |

Prices subject to change without notice.

33/3550AWDC Series - Parts

| Description | Part. No. | List Price |
|--|-----------|------------|
| Vertical Latches | | |
| Top Latch Kit with mounting pack | 48968820 | 348.00 |
| Bottom Latch Kit with mounting pack | 48968838 | 291.00 |
| Centerslide Kits | | |
| 3350A-WDC Centerslide kit with mounting pack | 48973309 | 571.00 |
| Fire Kits | | |
| 33/3550AWDC-F Fire Kit (fire barrier, intumescent for scalp plate and barrier, mounting packs) | 48968879 | 296.00 |
| Mounting Kit | | |
| Top, Bottom, and centerslide Mounting Pkg | 24685505 | 29.00 |
| Top Latch Mounting Kit | 49000409 | 12.00 |
| Bottom Latch Mounting Kit | 49000391 | 12.00 |
| Cables | | |
| TOP CABLE 6'8"-7'0" WDC | 24648180 | 52.00 |
| TOP CABLE 7'1"-8'0" WDC | 24647273 | 52.00 |
| TOP CABLE 8'1"-9'0" WDC | 24647281 | 59.00 |
| TOP CABLE 9'1"-10'0" WDC | 24647299 | 59.00 |
| BOTTOM CABLE WDC | 24647265 | 52.00 |
| Fire Pin Kit | | |
| 50WDC Fire pin Kit (current fire pin, fire pin sleeve, fire pin strike) | 48968887 | 157.00 |
| Lift Finger Kit | | |
| 3350AWDC Lift Finger Kit | 24685562 | 87.00 |

Prices subject to change without notice.

Parts - 330/350 Series

| Description | Part. No. | Non-Finished | List Price | | | | | US3, US26, 315 |
|---|-----------|--------------|------------|--------|--------|--------|--------|----------------|
| | | | US28 | US26D | 313 | US10 | US4 | |
| End Cap | | | | | | | | |
| 330/350 End Cap Kit for Lock Stile | 050014 | - | 79.00 | 86.00 | 79.00 | 97.00 | 87.00 | 87.00 |
| RX330/350 End Cap Mtg Bracket for Lock Stile | 050524 | 11.00 | - | - | - | - | - | - |
| Push Bar | | | | | | | | |
| * 33A/35A Push Bar Retrofit Kit - 3' Dr | See Note | - | 202.00 | 239.00 | 219.00 | 326.00 | 316.00 | 373.00 |
| * 33A/35A Push Bar Retrofit Kit - 4' Dr | See Note | - | 217.00 | 262.00 | 235.00 | 341.00 | 326.00 | 386.00 |
| 33A/35A Push Bar Guide Pkg/10 | 090049 | 13.00 | - | - | - | - | - | - |
| * Note: To order, specify device type, size, finish. Example: PBKIT 33A 3' US28 Push Bar Assemblies are for the SS & RX 330/350 only. Push bars can not be replaced on the standard 330/350 Dummy Push Bar. | | | | | | | | |
| 33A Fire or Less Dogging Cover Plate Kit | 050133 | - | 44.00 | - | 44.00 | 44.00 | 44.00 | 44.00 |
| 35A Fire or Less Dogging Cover Plate Kit | 050109 | - | 44.00 | - | 44.00 | 44.00 | 44.00 | 44.00 |
| RX/SS 330/350 Spacer Pkg/2 | 090047 | 26.00 | - | - | - | - | - | - |
| RX/SS 330/350 Baseplate Bearing Strip Pkg/2 | 090048 | 12.00 | - | - | - | - | - | - |
| Screw Packs | | | | | | | | |
| 330/350 Push Bar 1 3/4" Door | 900835 | 12.00 | - | - | - | - | - | - |
| 330/350 Push Bar 2 1/4" Door | 900836 | 12.00 | - | - | - | - | - | - |
| 230/990DT x 330/350 1 3/4" Dr | 050140 | - | - | 15.00 | 15.00 | 15.00 | 15.00 | 15.00 |
| 230/990DT x 330/350 2 1/4" Dr | 050141 | - | - | 15.00 | 15.00 | 15.00 | 15.00 | 15.00 |
| 696/697DT x 330/350 1 3/4" Dr | 050142 | - | - | 15.00 | 15.00 | 15.00 | 15.00 | 15.00 |
| 696/697DT x 330/350 2 1/4" Dr | 050143 | - | - | 15.00 | 15.00 | 15.00 | 15.00 | 15.00 |

Prices subject to change without notice.

55 Series - Parts

| Description | Part. No. | Non-Finished | List Price | | | US3, US26, SPBLK |
|--|-----------|--------------|--------------|--------|--------|------------------|
| | | | US10B, US26D | US10 | US4 | |
| Center Case Kits (includes mounting screws) | | | | | | |
| 55EO Center Case Kit | 050183 | - | 815.00 | 880.00 | 815.00 | 1,035.00 |
| 55NL Center Case Kit | 050184 | - | 873.00 | 986.00 | 873.00 | 1,093.00 |
| 5575 Center Case RHR Kit | 050185 | - | 519.00 | 579.00 | 519.00 | 662.00 |
| 5575 Center Case LHR Kit | 050186 | - | 519.00 | 579.00 | 519.00 | 662.00 |
| 5575-F Center Case RHR Kit | 050187 | - | 577.00 | 640.00 | 577.00 | 722.00 |
| 5575-F Center Case LHR Kit | 050188 | - | 577.00 | 640.00 | 577.00 | 722.00 |
| 5547 RHR Center Case Kit | 050189 | - | 519.00 | 579.00 | 519.00 | 662.00 |
| 5547 LHR Center Case Kit | 050191 | - | 519.00 | 579.00 | 519.00 | 662.00 |
| 5547-F RHR Center Case Kit | 050192 | - | 577.00 | 640.00 | 577.00 | 722.00 |
| 5547-F LHR Center Case Kit | 050193 | - | 577.00 | 640.00 | 577.00 | 722.00 |
| 5547WDC RHR Center Case Kit | 050194 | - | 577.00 | 640.00 | 577.00 | 722.00 |
| 5547WDC LHR Center Case Kit | 050195 | - | 577.00 | 640.00 | 577.00 | 722.00 |

Center Case Parts - Rim

| | | | | | | |
|--|--------|--------|-------|-------|-------|-------|
| 55CK-NL Conversion Kit (Order Trim Separate) | 050105 | 53.00 | - | - | - | - |
| 55 Rim Backplate w/Screws | 050332 | - | 70.00 | 75.00 | 70.00 | 75.00 |
| 55 Case Bushing | 050333 | 15.00 | - | - | - | - |
| 55 Rim Spring Clip w/Screws | 050334 | 22.00 | - | - | - | - |
| 55 Rim Latch Bolt w/Axle and Spring | 050352 | 153.00 | - | - | - | - |
| 55 Rim Latch Bolt Axle | 050353 | 12.00 | - | - | - | - |
| 55 Rim Latch Bolt Spring | 050354 | 12.00 | - | - | - | - |
| 55NL CAM RH | 050355 | 35.00 | - | - | - | - |
| 55NL CAM LH | 050356 | 35.00 | - | - | - | - |
| 55 Axle Retainer Pkg/2 | 090023 | 27.00 | - | - | - | - |
| 55 Spring Anchor Screw Pkg/10 | 090024 | 12.00 | - | - | - | - |
| 55 Backplate Screw Pkg/10 | 090025 | 12.00 | - | - | - | - |
| 55 Rim Center Case Retaining Screw Pkg/2 | 090022 | 44.00 | - | - | - | - |
| 55 Rim Center Case Retaining Screw Pkg/10 | 090050 | 196.00 | - | - | - | - |
| 55 Rim Center Case Mounting Pkg | 900507 | - | 12.00 | 12.00 | 12.00 | 12.00 |
| 55 Rim 2" Dr SNB Mounting Pkg | 900512 | - | 12.00 | 12.00 | 12.00 | 12.00 |

Center Case Parts - 5547

| | | | | | | |
|-------------------------------|--------|--------|-------|-------|-------|-------|
| 5547 Control Lever | 050357 | 49.00 | - | - | - | - |
| 55 Retaining Screw Pkg/10 | 090051 | 196.00 | - | - | - | - |
| 55 Retaining Screw Pkg/2 | 090026 | 44.00 | - | - | - | - |
| 55 Case Bushing | 050333 | 15.00 | - | - | - | - |
| 5547 Center Case Mounting Pkg | 900508 | - | 12.00 | 12.00 | 12.00 | 12.00 |
| 5547 2" Dr SNB Mounting Pkg | 900514 | - | 12.00 | 12.00 | 12.00 | 12.00 |
| 5547 Blind Fastener Package | 900539 | 45.00 | - | - | - | - |

Prices subject to change without notice.

| Description | Part. No. | Non-Finished | List Price | | | US3, US26, SPBLK |
|--|-----------|--------------|--------------|--------|--------|------------------|
| | | | US10B, US26D | US10 | US4 | |
| Center Case Kits – 5547-F/5547WDC/5575/5575-F | | | | | | |
| 5547-F/47WDC/75/75F Lift Member | 050360 | 105.00 | – | – | – | – |
| 5547-F/47WDC Lift Member Channel | 050359 | 39.00 | – | – | – | – |
| 5547/47-F Latch Release Spring | 050362 | 12.00 | – | – | – | – |
| 5547-F/47WDC Spring Anchor | 050363 | 15.00 | – | – | – | – |
| 5547-F/47WDC Lift Member Lever | 050358 | 51.00 | – | – | – | – |
| 55 Case Bushing | 050333 | 15.00 | – | – | – | – |
| 55 Retaining Screw Pkg/10 | 090051 | 196.00 | – | – | – | – |
| 55 Retaining Screw Pkg/2 | 090026 | 44.00 | – | – | – | – |
| 55 Spring Anchor Screw Pkg/10 | 090024 | 10.00 | – | – | – | – |
| Lift Member Guide Screw Pkg/10 | 090027 | 10.00 | – | – | – | – |
| 5547-F/5575/75-F Center Case Mounting Pkg | 900509 | – | 12.00 | 12.00 | 12.00 | 12.00 |
| 5547WDC Center Case Mounting Pkg | 900507 | – | 12.00 | 12.00 | 12.00 | 12.00 |
| 5547WDC 2" Dr SNB Mounting Pkg | 900512 | – | 12.00 | 12.00 | 12.00 | 12.00 |
| 5547/75 2" Dr SNB Mounting Pkg | 900514 | – | 12.00 | 12.00 | 12.00 | 12.00 |
| Crossbars | | | | | | |
| 42" Standard Crossbar Kit | 050004 | – | 219.00 | 224.00 | 219.00 | 231.00 |
| 42" Knurled Crossbar Kit | 050005 | – | 353.00 | 359.00 | 353.00 | 381.00 |
| 37" Crossbar Reinforcement Kit | 050459 | 118.00 | – | – | – | – |
| End Case | | | | | | |
| 55R/5575/5547 RHR End Case Kit | 050196 | – | 350.00 | 381.00 | 350.00 | 496.00 |
| 55R/5575/5547 LHR End Case Kit | 050197 | – | 350.00 | 381.00 | 350.00 | 496.00 |
| 5547/75-F RHR End Case Kit | 050198 | – | 350.00 | 381.00 | 350.00 | 496.00 |
| 5547/75-F LHR End Case Kit | 050199 | – | 350.00 | 381.00 | 350.00 | 496.00 |
| RX5547/75/-F LHR End Case Kit | 040000 | – | 660.00 | 692.00 | 660.00 | 810.00 |
| RX5547/75/-F RHR End Case Kit | 040001 | – | 660.00 | 692.00 | 660.00 | 810.00 |
| 55 Series End Case Backplate | 050364 | 15.00 | – | – | – | – |
| 55 Retaining Screw Pkg/10 | 090051 | 196.00 | – | – | – | – |
| 55 Retaining Screw Pkg/2 | 090026 | 44.00 | – | – | – | – |
| 55 End Case Spring Pkg/20 | 090052 | 77.00 | – | – | – | – |
| 55 End Case Spring Pkg/4 | 090028 | 37.00 | – | – | – | – |
| 55 End Case Spring Lever | 050366 | 44.00 | – | – | – | – |
| 55 Series End Case Mounting Pkg | 900507 | – | 12.00 | 12.00 | 12.00 | 12.00 |
| Lever Arms | | | | | | |
| 55 R/M/CV LH Lever Arm Kit | 050112 | – | 375.00 | 400.00 | 326.00 | 429.00 |
| 55 R/M/CV RH Lever Arm Kit | 050136 | – | 375.00 | 400.00 | 326.00 | 429.00 |
| 5547-F/75-F LH Lever Arm Kit | 050137 | – | 375.00 | 400.00 | 326.00 | 429.00 |
| 5547-F/75-F RH Lever Arm Kit | 050139 | – | 375.00 | 400.00 | 326.00 | 429.00 |
| 55 Wedgetite Screw Pkg/2 | 090008 | 10.00 | – | – | – | – |
| 55 Wedgetite Screw Pkg/30 | 090081 | 51.00 | – | – | – | – |
| Crossbar Tube Attaching Wedge Pkg/2 | 090020 | 12.00 | – | – | – | – |
| Crossbar Tube Attaching Ring Pkg/2 | 090021 | 15.00 | – | – | – | – |
| 55 Dog Screw Pkg/2 | 090029 | 22.00 | – | – | – | – |
| 55 Dog Screw Pkg/10 | 090053 | 70.00 | – | – | – | – |
| 227 Dog Key 5/32" Pkg/2 | 090005 | 19.00 | – | – | – | – |
| 227 Dog Key 5/32" Hex Pkg/10 | 090085 | 69.00 | – | – | – | – |
| 55 Series Special Hex Key (Reversing Pkg) | 103866 | 12.00 | – | – | – | – |

Prices subject to change without notice.

55 Series - Parts (continued)

| Description | Part. No. | Non-Finished | List Price | | | |
|--|-------------|--------------|--------------|--------|--------|------------------|
| | | | US10B, US26D | US10 | US4 | US3, US26, SPBLK |
| Vertical Latches | | | | | | |
| 5547-F Soffit Latch Kit | 114141 | 198.00 | - | - | - | - |
| 5547-F Release Guide Cover w/Screws | 050278 | - | 196.00 | 196.00 | 196.00 | 266.00 |
| 5547/47WDC Bottom Bracket Guide | 050370 | 82.00 | - | - | - | - |
| 5547 Rod Connector Rivet Pkg/10 | 090011 | 10.00 | - | - | - | - |
| 5547WDC Top Plate Screw Pkg Pkg/10 | 090033 | 13.00 | - | - | - | - |
| 5547-F Plunger Release Brkt Screws Pkg/10 | 090034 | - | 20.00 | 35.00 | 20.00 | 20.00 |
| 5547-F Flush Tran. Release Screws Pkg/10 | 090035 | - | 15.00 | 15.00 | 15.00 | 15.00 |
| 5547/47WDC Top Plate | 100316 | 119.00 | - | - | - | - |
| 5547 Soffit Latch Mounting Pkg | 900502 | 10.00 | - | - | - | - |
| 5547-F Plunger Release Bracket | 900576 | - | 81.00 | 81.00 | 81.00 | 81.00 |
| 5547-F Flush Transom Release Brkt w/Screws | 900614 | - | 117.00 | 117.00 | 117.00 | 117.00 |
| 5547-F Top Latch Release Screws Pkg/20 | PKGSRV.1018 | 12.00 | - | - | - | - |
| Vertical Rods | | | | | | |
| 5547 Top Rod Kit 6'8"-8' Door | 050053 | 382.00 | - | - | - | - |
| 5547-F Top Rod Kit 6'8"-8' Door | 050457 | - | 382.00 | 382.00 | 382.00 | 382.00 |
| 5547WDC Top Rod Kit 6'8"-8' Door | 050110 | 382.00 | - | - | - | - |
| ES5547 Top Latch/Rod Serv Kit | 050656 | 431.00 | - | - | - | - |
| 5547 Top Rod Kit 8'-10' Door | 050372 | 406.00 | - | - | - | - |
| 5547-F Top Rod Kit 8'-10' Door | 050373 | - | 406.00 | 406.00 | 406.00 | 406.00 |
| 5547WDC Top Rod Kit 8'-10' Door | 050374 | 406.00 | - | - | - | - |
| 5547 Bottom Rod Kit | 050036 | 382.00 | - | - | - | - |
| 5547-F Bottom Rod Kit | 050458 | 382.00 | - | - | - | - |
| 5547WDC Bottom Rod Kit | 050096 | 382.00 | - | - | - | - |
| 5547 Extension Rod Kit 8'-10' Door | 051704 | 28.00 | - | - | - | - |
| 5547-F Extension Rod Kit 8'-10' Door | 051705 | 28.00 | - | - | - | - |
| 5547WDC Extension Rod Kit 8'-10' Door | 051707 | 28.00 | - | - | - | - |
| 5547 Extension Rod Kit 10'-12' Door | 050631 | 92.00 | - | - | - | - |
| 5547-F Extension Rod Kit 10'-12' Door | 050634 | 195.00 | - | - | - | - |
| 5547WDC Extension Rod Kit 10'-12' Door | 050639 | 195.00 | - | - | - | - |
| 5547 Extension Rod Kit 12'-14' Door | 050632 | 92.00 | - | - | - | - |
| 5547-F Extension Rod Kit 12'-14' Door | 050635 | 195.00 | - | - | - | - |
| 5547WDC Extension Rod Kit 12'-14' Door | 050640 | 203.00 | - | - | - | - |
| 5547 Extension Rod Kit 14'-16' Door | 050633 | 92.00 | - | - | - | - |
| 5547-F Extension Rod Kit 14'-16' Door | 050636 | 195.00 | - | - | - | - |
| 5547WDC Extension Rod Kit 14'-16' Door | 050641 | 195.00 | - | - | - | - |
| 5547 Rod Control Housing | 050367 | 347.00 | - | - | - | - |
| 5547 Top Rod Connector w/Pin | 050368 | 47.00 | - | - | - | - |
| 5547 Bottom Rod Connector w/Pin | 050369 | 44.00 | - | - | - | - |
| 5547-F Rod Guide Mounting Screws Pkg/10 | 090018 | 10.00 | - | - | - | - |
| 5547 Rod Connector Pin Pkg/2 | 090030 | 13.00 | - | - | - | - |
| 5547 Top Rod 1/8 x 5/8 Roll Pin Pkg/10 | 090032 | 10.00 | - | - | - | - |
| 5547WDC Latch Control | 100315 | 370.00 | - | - | - | - |
| 5547-F Bottom Guide Package | 100741 | 82.00 | - | - | - | - |
| 5547-F Rod Guide Package | 105144 | 15.00 | - | - | - | - |
| 5547-F Rod Set Mounting Package | 900541 | 10.00 | - | - | - | - |

Prices subject to change without notice.

Parts - 88 Series

| Description | Part. No. | Non-Finished | List Price | | | US3, US26, SPBLK |
|--|-----------|--------------|--------------|--------|--------|------------------|
| | | | US10B, US26D | US10 | US4 | |
| Backplate Conversion Kits | | | | | | |
| 88CK-NL Converts TP,K to NL - Panic | 050101 | - | 54.00 | 56.00 | 50.00 | 58.00 |
| 88CK-TP Converts EO,DT,NL,K to TP - Panic | 050102 | - | 67.00 | 71.00 | 63.00 | 77.00 |
| 88CK-K/L Converts EO,DT,NL,TP to K or L - Panic | 050103 | - | 116.00 | 120.00 | 112.00 | 129.00 |
| 88CK-NL-F Converts TP,K to NL - Fire | 050106 | - | 61.00 | 62.00 | 59.00 | 63.00 |
| 88CK-TP-F Converts EO,DT,NL,K to TP - Fire | 050107 | - | 77.00 | 81.00 | 67.00 | 87.00 |
| 88CK-K/L-F Converts EO,DT,NL,TP to K or L - Fire | 050108 | - | 116.00 | 120.00 | 114.00 | 129.00 |
| 8827CK-TP Converts EO,DT,K to TP - Panic or Fire | 050104 | 208.00 | - | - | - | - |
| 8827CK-K/L-K/L-F Converts EO,DT,TP to K or L - Panic or Fire | 050200 | 207.00 | - | - | - | - |
| 8827CK-K-NL/K-NL-F | 050201 | 231.00 | - | - | - | - |
| 8827CK-TP-NL/TP-NL-F | 050202 | 210.00 | - | - | - | - |
| 8827CK-EO/DT/TL | 050447 | 35.00 | - | - | - | - |

Center Case Kits (includes mounting screws)

| | | | | | | |
|---------------------------------|--------|---|--------|----------|----------|----------|
| 88EO/DT/NL Rim Center Case Kit | 050409 | - | 676.00 | 708.00 | 568.00 | 739.00 |
| 88TP Rim Center Case Kit | 050410 | - | 676.00 | 708.00 | 568.00 | 739.00 |
| 88K/L RHR Center Case Kit | 050411 | - | 676.00 | 708.00 | 568.00 | 739.00 |
| 88K/L LHR Center Case Kit | 050412 | - | 676.00 | 708.00 | 568.00 | 739.00 |
| 8875 RHR Center Case Kit | 050413 | - | 543.00 | 557.00 | 452.00 | 593.00 |
| 8875 LHR Center Case Kit | 050414 | - | 543.00 | 557.00 | 452.00 | 593.00 |
| 8827EO/DT/TL Center Case Kit | 050415 | - | 358.00 | 366.00 | 334.00 | 392.00 |
| 8827TP Center Case Kit | 050416 | - | 476.00 | 486.00 | 415.00 | 496.00 |
| 8827K/L Center Case Kit | 050417 | - | 597.00 | 625.00 | 510.00 | 649.00 |
| 8827TP-NL Center Case Kit | 050418 | - | 476.00 | 486.00 | 415.00 | 496.00 |
| 8827K-NL Center Case Kit | 050419 | - | 597.00 | 625.00 | 510.00 | 649.00 |
| 8875-F RHR Center Case Kit | 050420 | - | 625.00 | 656.00 | 513.00 | 679.00 |
| 8875-F LHR Center Case Kit | 050421 | - | 625.00 | 656.00 | 513.00 | 679.00 |
| 8847-F RHR Center Case Kit | 050422 | - | 625.00 | 656.00 | 513.00 | 679.00 |
| 8847-F LHR Center Case Kit | 050423 | - | 625.00 | 656.00 | 513.00 | 679.00 |
| 88EO-F/NL-F RHR Center Case Kit | 050424 | - | 850.00 | 1,006.00 | 1,006.00 | 1,063.00 |
| 88EO-F/NL-F LHR Center Case Kit | 050425 | - | 850.00 | 1,006.00 | 1,006.00 | 1,063.00 |

Center Case Kits (includes mounting screws)

| | | | | | | |
|-------------------------------|--------|---|--------|----------|----------|----------|
| 88TP-F RHR Center Case Kit | 050426 | - | 882.00 | 1,045.00 | 1,045.00 | 1,104.00 |
| 88TP-F LHR Center Case Kit | 050427 | - | 882.00 | 1,045.00 | 1,045.00 | 1,104.00 |
| 88K/L-F RHR Center Case Kit | 050428 | - | 882.00 | 1,045.00 | 1,045.00 | 1,104.00 |
| 88K/L-F LHR Center Case Kit | 050429 | - | 882.00 | 1,045.00 | 1,045.00 | 1,104.00 |
| 8827EO-F/TL-F Center Case Kit | 050430 | - | 462.00 | 478.00 | 382.00 | 501.00 |
| 8827TP-F Center Case Kit | 050431 | - | 670.00 | 701.00 | 558.00 | 733.00 |
| 8827K/L-F Center Case Kit | 050432 | - | 703.00 | 736.00 | 593.00 | 768.00 |
| 8827TP-NL-F Center Case Kit | 050433 | - | 649.00 | 681.00 | 533.00 | 707.00 |
| 8827K-NL-F Center Case Kit | 050434 | - | 717.00 | 736.00 | 600.00 | 783.00 |

Prices subject to change without notice.

88 Series - Parts (continued)

| Description | Part. No. | Non-Finished | List Price | | | US3, US26, SPBLK |
|--|-----------|--------------|--------------|-------|-------|------------------|
| | | | US10B, US26D | US10 | US4 | |
| Center Case Parts - Rim | | | | | | |
| * 88 Thumbpiece Lift Replacement Kit | 050019 | 77.00 | - | - | - | - |
| 88 Rim Auxiliary Backplate | 050260 | - | 49.00 | 51.00 | 49.00 | 51.00 |
| 88-F Master Cam RH | 050273 | 67.00 | - | - | - | - |
| 88-F Master Cam LH | 050274 | 67.00 | - | - | - | - |
| 88-F Auxiliary Bolt RH | 050275 | 54.00 | - | - | - | - |
| 88-F Auxiliary Bolt LH | 050276 | 54.00 | - | - | - | - |
| 88 Cylinder Anchor Plate | 050331 | 11.00 | - | - | - | - |
| 88 Latchbolt w/Axle Kit | 050497 | 79.00 | - | - | - | - |
| 88-F Latchbolt w/Axle Kit | 050498 | 82.00 | - | - | - | - |
| 88 Rim Latch Retainer Plate | 050499 | 12.00 | - | - | - | - |
| 88 Rim Latch Tail, Spring, Rivet Kit | 050500 | 51.00 | - | - | - | - |
| 88 Rim Latch Tail Spring Pkg/10 | 050393 | 11.00 | - | - | - | - |
| 88 Rim Master Cam | 050501 | 28.00 | - | - | - | - |
| 88NL Cylinder Cam | 050502 | 31.00 | - | - | - | - |
| 88NL-F Cylinder Cam | 050503 | 28.00 | - | - | - | - |
| 88K/L-F Knob Cam Lift | 050504 | 47.00 | - | - | - | - |
| 88K/L-F Cylinder Cam | 050505 | 28.00 | - | - | - | - |
| 88K/L-F Knob Cam Bracket | 050506 | 94.00 | - | - | - | - |
| 88TP/-F Cylinder Cam | 050508 | 15.00 | - | - | - | - |
| 88 Rim Latch Bolt Axle Pkg/4 | 090001 | 12.00 | - | - | - | - |
| 88 Rim Center Case Rivet Pkg/10 | 090002 | 12.00 | - | - | - | - |
| 88-F Rim Gravity Dog Spring Pkg/5 | 090009 | 12.00 | - | - | - | - |
| 88K/L-F Retaining Ring Pkg/10 | 090015 | 12.00 | - | - | - | - |
| 88-F Auxiliary Bolt Return Spring Pkg/5 | 090017 | 12.00 | - | - | - | - |
| Hex Socket Wrench 5/32" | 113853 | 9.00 | - | - | - | - |
| 88 C/C or E/C Mtg Pkg (CS and MS) | 900503 | - | 13.00 | 13.00 | 13.00 | 13.00 |
| 88 C/C or E/C Mtg Pkg (CS Screws) | 900504 | - | 12.00 | 12.00 | 12.00 | 12.00 |
| 88 C/C or E/C Mtg Pkg (MS Scr 1-3/4" Dr) | 900505 | - | 11.00 | 11.00 | 11.00 | 11.00 |
| 88 C/C or E/C Mtg Pkg (MS Scr 2-1/4" Dr) | 900506 | - | 11.00 | 11.00 | 11.00 | 11.00 |
| 88 Rim Latch Retainer Plate Screw Pkg/10 | 900610 | 12.00 | - | - | - | - |
| 88 Backplate Screw Pkg/4 | 900613 | 12.00 | - | - | - | - |

* For 88TP/TP-F devices shipped after June 2000. For devices shipped before June 2000, replace 050102 for 88TP or 050107 for 88TP-F.

Prices subject to change without notice.

| Description | Part. No. | Non-Finished | List Price | | | |
|---|-----------|--------------|--------------|--------|--------|------------------|
| | | | US10B, US26D | US10 | US4 | US3, US26, SPBLK |
| Center Case Parts - Surface Vertical | | | | | | |
| 88 Cylinder Anchor Plate | 050331 | 11.00 | - | - | - | - |
| 8827/27-F Rod Control | 050446 | 94.00 | - | - | - | - |
| 8827K/K-NL/TP/TP-NL/-F Cylinder Cam | 050448 | 28.00 | - | - | - | - |
| 8827K/K-NL/-F Knob Hub | 050449 | 105.00 | - | - | - | - |
| 8827K-NL/TP-NL Backplate Pin Pkg/2 | 090012 | 22.00 | - | - | - | - |
| 8827/27-F Rod Control Pin Pkg/2 | 090016 | 12.00 | - | - | - | - |
| 88 C/C or E/C Mtg Pkg (CS and MS) | 900503 | - | 13.00 | 13.00 | 13.00 | 13.00 |
| 88 C/C or E/C Mtg Pkg (CS Screws) | 900504 | - | 12.00 | 12.00 | 12.00 | 12.00 |
| 88 C/C or E/C Mtg Pkg (MS Scr 1-3/4" Dr) | 900505 | - | 11.00 | 11.00 | 11.00 | 11.00 |
| 88 C/C or E/C Mtg Pkg (MS Scr 2-1/4" Dr) | 900506 | - | 11.00 | 11.00 | 11.00 | 11.00 |
| 8827 Backplate Screw Pkg | 900615 | 12.00 | - | - | - | - |
| Center Case Parts - Concealed Vertical/Mortise | | | | | | |
| 8847-F/75/75-F Latch Control LH | 050209 | 186.00 | - | - | - | - |
| 8847-F/75/75-F Latch Control RH | 050210 | 186.00 | - | - | - | - |
| 8847-F/75/75-F Backplate w/Screws | 050211 | 14.00 | - | - | - | - |
| 88 Cylinder Anchor Plate | 050331 | 11.00 | - | - | - | - |
| 8847/75-F Flat Point Set Screw Pkg/5 | 090013 | 14.00 | - | - | - | - |
| 8847-F/75/75-F C/Case Spring Pkg/2 | 090014 | 12.00 | - | - | - | - |
| 88 C/C or E/C Mtg Pkg (CS and MS) | 900503 | - | 13.00 | 13.00 | 13.00 | 13.00 |
| 88 C/C or E/C Mtg Pkg (CS Screws) | 900504 | - | 12.00 | 12.00 | 12.00 | 12.00 |
| 88 C/C or E/C Mtg Pkg (MS Scr 1-3/4" Dr) | 900505 | - | 11.00 | 11.00 | 11.00 | 11.00 |
| 88 C/C or E/C Mtg Pkg (MS Scr 2-1/4" Dr) | 900506 | - | 11.00 | 11.00 | 11.00 | 11.00 |
| 8827 Backplate Screw Pkg | 900615 | 12.00 | - | - | - | - |
| Crossbars | | | | | | |
| 42" Standard Crossbar Kit | 050004 | - | 219.00 | 224.00 | 219.00 | 231.00 |
| 42" Knurled Crossbar Kit | 050005 | - | 351.00 | 358.00 | 351.00 | 380.00 |
| 37" Crossbar Reinforcement Kit | 050459 | 118.00 | - | - | - | - |

Prices subject to change without notice.

88 Series - Parts (continued)

| Description | Part. No. | Non-Finished | List Price | | | |
|--|-----------|--------------|--------------|--------|--------|------------------|
| | | | US10B, US26D | US10 | US4 | US3, US26, SPBLK |
| End Case | | | | | | |
| 88 R/M/V End Case Kit | 050435 | – | 231.00 | 250.00 | 196.00 | 266.00 |
| 8827-F/8875-F/8847-F End Case Kit | 050436 | – | 313.00 | 325.00 | 264.00 | 348.00 |
| 88-F Rim End Case Kit | 050437 | – | 274.00 | 295.00 | 231.00 | 320.00 |
| 88 RX Subminiature Switch | 968938 | 32.00 | – | – | – | – |
| 88 End Case Spring Pkg/10 | 090080 | 51.00 | – | – | – | – |
| 88 End Case Spring Pkg/2 | 090003 | 13.00 | – | – | – | – |
| 88 End Case Spring Stop Kit | 050451 | 15.00 | – | – | – | – |
| 88-F End Case Spring Stop Kit | 050452 | 15.00 | – | – | – | – |
| 88/88-F End Case Spring Tube | 050476 | 12.00 | – | – | – | – |
| 88/88-F Spring Tube Bracket w/Screws Kit | 050477 | 12.00 | – | – | – | – |
| 88 C/C or E/C Mtg Pkg (CS and MS) | 900503 | – | 13.00 | 13.00 | 13.00 | 13.00 |
| 88 C/C or E/C Mtg Pkg (CS Screws) | 900504 | – | 12.00 | 12.00 | 12.00 | 12.00 |
| 88 C/C or E/C Mtg Pkg (MS Scr 1-3/4" Dr) | 900505 | – | 11.00 | 11.00 | 11.00 | 11.00 |
| 88 C/C or E/C Mtg Pkg (MS Scr 2-1/4" Dr) | 900506 | – | 11.00 | 11.00 | 11.00 | 11.00 |

Lever Arms

| | | | | | | |
|-------------------------------------|--------|--------|--------|--------|--------|--------|
| 88 R/M/V RH Lever Arm Kit | 050438 | – | 183.00 | 192.00 | 154.00 | 196.00 |
| 88 R/M/V LH Lever Arm Kit | 050439 | – | 183.00 | 192.00 | 154.00 | 196.00 |
| 88-F Rim RH Lever Arm Kit | 050440 | – | 249.00 | 255.00 | 219.00 | 264.00 |
| 88-F Rim LH Lever Arm Kit | 050441 | – | 249.00 | 255.00 | 219.00 | 264.00 |
| 8827-F/47-F RH Lever Arm Kit | 050442 | – | 249.00 | 255.00 | 219.00 | 264.00 |
| 8827-F/47-F LH Lever Arm Kit | 050443 | – | 249.00 | 255.00 | 219.00 | 264.00 |
| 8875-F RH Lever Arm Kit | 050444 | – | 249.00 | 255.00 | 219.00 | 264.00 |
| 8875-F LH Lever Arm Kit | 050445 | – | 249.00 | 255.00 | 219.00 | 264.00 |
| Axle Security Pin Pkg/50 | 033022 | 53.00 | – | – | – | – |
| Axle Security Pin Pkg/10 | 090007 | 15.00 | – | – | – | – |
| Dog Screw Pkg/2 | 090004 | 20.00 | – | – | – | – |
| Dog Screw Pkg/10 | 090083 | 71.00 | – | – | – | – |
| 227 Dog Key 5/32" Pkg/2 | 090005 | 19.00 | – | – | – | – |
| 227 Dog Key 5/32" Pkg/10 | 090085 | 69.00 | – | – | – | – |
| Lever Arm Axles Pkg/2 | 090006 | 31.00 | – | – | – | – |
| Lever Arm Axles Pkg/10 | 090082 | 141.00 | – | – | – | – |
| Wedgetite Screw Pkg/2 | 090008 | 10.00 | – | – | – | – |
| Wedgetite Screws Pkg/30 | 090081 | 51.00 | – | – | – | – |
| Crossbar Tube Attaching Wedge Pkg/2 | 090020 | 12.00 | – | – | – | – |
| Crossbar Tube Attaching Ring Pkg/2 | 090021 | 15.00 | – | – | – | – |
| 88 Lever Arm Axle Package | 103865 | 67.00 | – | – | – | – |

Prices subject to change without notice.

| Description | Part. No. | Non-Finished | List Price | | | |
|---|-----------|--------------|--------------|--------|--------|------------------|
| | | | US10B, US26D | US10 | US4 | US3, US26, SPBLK |
| Vertical Latches | | | | | | |
| 8827 LR Top Latch Kit Less Cover | 050460 | 199.00 | - | - | - | - |
| 8827 LR Bottom Latch Kit Less Cover | 050461 | 199.00 | - | - | - | - |
| 8827-F Top Latch Kit Less Cover | 050462 | 228.00 | - | - | - | - |
| 8827-F Bottom Latch Kit Less Cover | 050463 | 228.00 | - | - | - | - |
| 8827 PL Top Latch Kit Less Cover | 050471 | 132.00 | - | - | - | - |
| 8827 PL Bottom Latch Kit Less Cover | 050472 | 132.00 | - | - | - | - |
| 8827-F/47-F Soffit Latch Kit | 114141 | 198.00 | - | - | - | - |
| 8827 LR Top Latch Kit w/Cover | 050466 | - | 294.00 | 304.00 | 294.00 | 314.00 |
| 8827 LR Bottom Latch Kit w/Cover | 050467 | - | 294.00 | 304.00 | 294.00 | 314.00 |
| 8827-F Top Latch Kit w/Cover | 050468 | - | 360.00 | 374.00 | 355.00 | 406.00 |
| 8827-F Bottom Latch Kit w/Cover | 050469 | - | 360.00 | 374.00 | 355.00 | 406.00 |
| 8827 PL Top Latch Kit w/Cover | 050473 | - | 228.00 | 235.00 | 220.00 | 272.00 |
| 8827 PL Bottom Latch Kit w/Cover | 050479 | - | 228.00 | 235.00 | 220.00 | 272.00 |
| 8827-F Flush Transom Latch Kit w/Cover | 050480 | - | 374.00 | 403.00 | 374.00 | 417.00 |
| 8827 Latch Cover Kit | 050464 | - | 82.00 | 89.00 | 82.00 | 105.00 |
| 8827-F Top Latch Cover Kit | 050465 | - | 127.00 | 132.00 | 119.00 | 169.00 |
| 8827-F Flush Transom Latch Cover Kit | 050481 | - | 177.00 | 184.00 | 177.00 | 198.00 |
| 8827 Latch Special Chassis Nut | 050277 | 12.00 | - | - | - | - |
| 8847-F Release Guide Cover w/Screws | 050278 | - | 196.00 | 196.00 | 196.00 | 266.00 |
| 8827 LR Top Rod Connector | 050279 | 15.00 | - | - | - | - |
| 8827 LR Bottom Rod Connector | 050327 | 15.00 | - | - | - | - |
| 8827 Chassis Tie Rod | 050328 | 12.00 | - | - | - | - |
| 8827-F Special Chassis Hex Stud | 050478 | 12.00 | - | - | - | - |
| 8827-F Plunger Release Bracket | 107765 | - | 70.00 | 70.00 | 61.00 | 70.00 |
| 8827 Latch Case Mounting Package | 900501 | 10.00 | - | - | - | - |
| 8827/47-F Soffit Latch Mounting Package | 900502 | 10.00 | - | - | - | - |
| 8847-F Plunger Release Bracket Package | 900576 | - | 81.00 | 81.00 | 81.00 | 81.00 |
| 8847-F Flush Transom Release Brkt Pkg | 900614 | - | 117.00 | 117.00 | 117.00 | 117.00 |
| 8827 Latch Case Cover Screw Package | 900850 | - | 12.00 | 12.00 | 12.00 | 12.00 |
| 8827-F Flush Transom Latch Screw Pkg | 900852 | - | 31.00 | 31.00 | 31.00 | 31.00 |

Prices subject to change without notice.

88 Series - Parts (continued)

| Description | Part. No. | Non-Finished | List Price | | | | US3, US26, SPBLK |
|---|-----------|--------------|------------|--------|--------|--------|------------------|
| | | | US26D | US10B | US10 | US4 | |
| Vertical Rods | | | | | | | |
| 8827 Top Rod Kit | 050453 | - | 105.00 | 105.00 | 121.00 | 105.00 | 134.00 |
| 8827-F Top Rod Kit | 050454 | - | 105.00 | 105.00 | 121.00 | 105.00 | 134.00 |
| 8827 Bottom Rod Kit | 050455 | - | 105.00 | 105.00 | 121.00 | 105.00 | 134.00 |
| 8827-F Bottom Rod Kit | 050456 | - | 105.00 | 105.00 | 121.00 | 105.00 | 134.00 |
| 8847-F Top Rod Kit - 6'8"-8' Door | 050457 | - | 382.00 | 382.00 | 382.00 | 382.00 | 382.00 |
| 8847-F Bottom Rod Kit | 050458 | 382.00 | - | - | - | - | - |
| 8827 One Piece Top Rod - 8' | 050662 | - | 130.00 | 185.00 | 201.00 | 162.00 | 403.00 |
| 8827-F One Piece Top Rod - 8' | 050663 | - | 130.00 | 185.00 | 201.00 | 162.00 | 403.00 |
| 8827 12" Extension Rod Kit | 051701 | - | 28.00 | 28.00 | 28.00 | 28.00 | 28.00 |
| 8827 24" Extension Rod Kit | 051703 | - | 28.00 | 28.00 | 28.00 | 28.00 | 28.00 |
| 8827 36" Extension Rod Kit | 050660 | - | 86.00 | 132.00 | 97.00 | 83.00 | 296.00 |
| 8827 48" Extension Rod Kit | 050661 | - | 101.00 | 147.00 | 117.00 | 97.00 | 311.00 |
| 8847-F Extension Rod Kit - 8'-10' Door | 051705 | 28.00 | - | - | - | - | - |
| 8847-F Extension Rod Kit - 10'-12' Door | 050634 | 195.00 | - | - | - | - | - |
| 8847-F Extension Rod Kit - 12'-14' Door | 050635 | 195.00 | - | - | - | - | - |
| 8847-F Extension Rod Kit - 14'-16' Door | 050636 | 195.00 | - | - | - | - | - |
| 8827 Extension Rod Coupling | 050093 | 15.00 | - | - | - | - | - |
| 8827 Rod Guide Kit | 050482 | - | 77.00 | 77.00 | 79.00 | 75.00 | 79.00 |
| 8827/27-F Bottom Rod Roll Pin Pkg/10 | 090010 | 13.00 | - | - | - | - | - |
| 8847/47-F Rod Connector Rivet Pkg/10 | 090011 | 10.00 | - | - | - | - | - |
| 8847-F Rod Guide Mtg. Screws Pkg/10 | 090018 | 10.00 | - | - | - | - | - |
| 8847-F Bottom Guide Package | 100741 | 82.00 | - | - | - | - | - |
| 8847-F Rod Guide Kit | 105140 | 22.00 | - | - | - | - | - |
| 8827 Rod Guide Mounting Package | 900534 | - | 12.00 | 12.00 | 19.00 | 12.00 | 19.00 |
| 8847-F Rod Set Mounting Package | 900541 | 10.00 | - | - | - | - | - |
| 8827 PL Top Rod Connector | 967341 | 13.00 | - | - | - | - | - |

Prices subject to change without notice.

Parts - 98/99 Series

| Description | Part. No. | Non-Finished | List Price | | | | | US3, ✓US15, US26, 643E |
|--|-----------|--------------|----------------------|---------|---------|---------|---------|---------------------------------|
| | | | US28, 313, 315 | US26D | ✓US32D | US10 | US4 | |
| Center Case | | | | | | | | |
| 98/99 Rim Center Case Kit Less Cover | 050020 | 438.00 | - | - | - | - | - | - |
| 98/99-F Rim Center Case Kit Less Cover | 050026 | 459.00 | - | - | - | - | - | - |
| 98/9927/-F Center Case Kit Less Cover | 050021 | 237.00 | - | - | - | - | - | - |
| 98/9947/48/-F Center Case Kit Less Cover | 050022 | 607.00 | - | - | - | - | - | - |
| 98/9975/-F Center Case Kit Less Cover | 050023 | 170.00 | - | - | - | - | - | - |
| 98/99-2 RHR Center Case Kit Less Cover | 050024 | 753.00 | - | - | - | - | - | - |
| 98/99-2 LHR Center Case Kit Less Cover | 050025 | 753.00 | - | - | - | - | - | - |
| 98/99-F-2 RHR Center Case Kit Less Cover | 050027 | 763.00 | - | - | - | - | - | - |
| 98/99-F-2 LHR Center Case Kit Less Cover | 050028 | 763.00 | - | - | - | - | - | - |
| 98/9975-2 RHR Center Case Kit Less Cover | 050029 | 293.00 | - | - | - | - | - | - |
| 98/9975-2 LHR Center Case Kit Less Cover | 050030 | 293.00 | - | - | - | - | - | - |
| SD98/99/57 RHR Rim Center Case Kit Less Cover | 050548 | 733.00 | - | - | - | - | - | - |
| SD98/99/57 LHR Rim Center Case Kit Less Cover | 050549 | 733.00 | - | - | - | - | - | - |
| SD98/9927 RHR Center Case Kit Less Cover | 050550 | 539.00 | - | - | - | - | - | - |
| SD98/9927 LHR Center Case Kit Less Cover | 050551 | 539.00 | - | - | - | - | - | - |
| SD98/9947/48/49 RHR Center Case Kit Less Cover | 050552 | 753.00 | - | - | - | - | - | - |
| SD98/9947/48/49 LHR Center Case Kit Less Cover | 050553 | 753.00 | - | - | - | - | - | - |
| WS98/9927 Center Case RHR Less Cover | 101024 | 438.00 | - | - | - | - | - | - |
| WS98/9927 Center Case LHR Less Cover | 101023 | 438.00 | - | - | - | - | - | - |
| WS98/9957 Center Case RHR Less Cover | 24086894 | 438.00 | - | - | - | - | - | - |
| WS98/9957 Center Case LHR Less Cover | 24086860 | 438.00 | - | - | - | - | - | - |
| SD98/99 Rim Conversion Kit RHR | 050386 | - | 1058.00 | 1114.00 | 1157.00 | 1157.00 | 1114.00 | 1168.00 |
| SD98/99 Rim Conversion Kit LHR | 050387 | - | 1058.00 | 1114.00 | 1157.00 | 1157.00 | 1114.00 | 1168.00 |
| 98/99-2 Conversion Kit RHR | 050388 | - | 1058.00 | 1114.00 | 1157.00 | 1157.00 | 1114.00 | 1168.00 |
| 98/99-2 Conversion Kit LHR | 050389 | - | 1058.00 | 1114.00 | 1157.00 | 1157.00 | 1114.00 | 1168.00 |
| 98/99-F-2 Conversion Kit RHR | 050886 | - | 1239.00 | 1295.00 | 1338.00 | 1338.00 | 1295.00 | 1349.00 |
| 98/99-F-2 Conversion Kit LHR | 050885 | - | 1239.00 | 1295.00 | 1338.00 | 1338.00 | 1295.00 | 1349.00 |
| 98/99-2SI Conversion Kit RHR | 051883 | - | 1300.00 | 1357.00 | 1398.00 | 1398.00 | 1357.00 | 1411.00 |
| 98/99-2SI Conversion Kit LHR | 051884 | - | 1300.00 | 1357.00 | 1398.00 | 1398.00 | 1357.00 | 1411.00 |
| 98/99-F-2SI Conversion Kit RHR | 050884 | - | 1481.00 | 1538.00 | 1579.00 | 1579.00 | 1538.00 | 1592.00 |
| 98/99-F-2SI Conversion Kit LHR | 050883 | - | 1481.00 | 1538.00 | 1579.00 | 1579.00 | 1538.00 | 1592.00 |
| 98/99-2SI Center Case Cover Kit RHR | 050831 | - | 184.00 | 214.00 | 241.00 | 214.00 | 214.00 | 255.00 |
| 98/99-2SI Center Case Cover Kit LHR | 050832 | - | 184.00 | 214.00 | 241.00 | 214.00 | 214.00 | 255.00 |
| 98/99/-F Center Case Cover Kit | 050071 | - | 138.00 | 199.00 | 208.00 | 199.00 | 199.00 | 228.00 |
| 98/9927/27-F Center Case Cover Kit | 050072 | - | 138.00 | 199.00 | 208.00 | 199.00 | 199.00 | 228.00 |
| 98/9947/47/49/75/75-F Center Case Cover Kit | 050073 | - | 138.00 | 199.00 | 208.00 | 199.00 | 199.00 | 228.00 |
| 98/9957/-F Center Case Cover Kit | 050554 | - | 138.00 | 199.00 | 208.00 | 199.00 | 199.00 | 228.00 |
| 98/99-2/SD RHR Center Case Cover Kit | 050555 | - | 179.00 | 208.00 | 233.00 | 208.00 | 208.00 | 249.00 |
| 98/99-2/SD LHR Center Case Cover Kit | 050556 | - | 179.00 | 208.00 | 233.00 | 208.00 | 208.00 | 249.00 |
| 98/9975-2 RHR Center Case Cover Kit | 050557 | - | 179.00 | 208.00 | 233.00 | 208.00 | 208.00 | 249.00 |
| 98/9975-2 LHR Center Case Cover Kit | 050558 | - | 179.00 | 208.00 | 233.00 | 208.00 | 208.00 | 249.00 |
| CX-CD/SD98/9927 RHR Center Case Cover Kit | 050559 | - | 179.00 | 208.00 | 233.00 | 208.00 | 208.00 | 249.00 |
| CX-CD/SD98/9927 LHR Center Case Cover Kit | 050560 | - | 179.00 | 208.00 | 233.00 | 208.00 | 208.00 | 249.00 |
| CX-CD/SD98/9947 RHR Center Case Cover Kit | 050562 | - | 179.00 | 208.00 | 233.00 | 208.00 | 208.00 | 249.00 |
| CX-CD/SD98/9947 LHR Center Case Cover Kit | 050563 | - | 179.00 | 208.00 | 233.00 | 208.00 | 208.00 | 249.00 |

For Antimicrobial Finishes add \$7.00 to list. ✓ US32D AND US15 finishes available with Series 98 only.

Prices subject to change without notice.

98/99 Series - Parts (continued)

| Description | Part. No. | Non-Finished | List Price | | | | | |
|--|-----------|--------------|----------------------|--------|--------|--------|--------|---------------------------------|
| | | | US28, 313, 315 | US26D | ✓US32D | US10 | US4 | US3, ✓US15, US26, 643E |
| Center Case (continued) | | | | | | | | |
| Control Link Pin Kit (w/Retaining Ring) | 050529 | 12.00 | - | - | - | - | - | - |
| Control Link Pin Retaining Ring Pkg/10 | 090107 | 12.00 | - | - | - | - | - | - |
| Control Link Pin Pkg/10 | 090031 | 15.00 | - | - | - | - | - | - |
| NL Drive Screw Pkg/10 | 090074 | 19.00 | - | - | - | - | - | - |
| Latchbolt Pin Pkg/10 | 090079 | 12.00 | - | - | - | - | - | - |
| Center Case Cover Bracket | 050564 | 15.00 | - | - | - | - | - | - |
| Center Case Reinforcing Bracket | 050565 | 15.00 | - | - | - | - | - | - |
| CD-CX/SD Cylinder Dog Housing | 112409 | - | 141.00 | 141.00 | - | 141.00 | - | 141.00 |
| CX-CD/SD Cylinder Dog Bracket Kit LHR | 112456 | 77.00 | - | - | - | - | - | - |
| CX-CD/SD Cylinder Dog Bracket Kit RHR | 112455 | 77.00 | - | - | - | - | - | - |
| 98/99-2 Rim Cylinder Adaptor | 114984 | - | 132.00 | 132.00 | 132.00 | 132.00 | 132.00 | 132.00 |
| 98/9975-2 LHR Cylinder Adaptor | 113100 | - | 209.00 | 209.00 | 209.00 | 209.00 | 209.00 | 209.00 |
| 98/9975-2 RHR Cylinder Adaptor | 113101 | - | 209.00 | 209.00 | 209.00 | 209.00 | 209.00 | 209.00 |
| Center Case Cover Screws | 900892 | - | 12.00 | - | 12.00 | 12.00 | 12.00 | - |
| Center Case Cover Bearing Insert-Bracket | 969889 | 12.00 | - | - | - | - | - | - |

Cover Plate / Conversion Kits

| | | | | | | | | |
|---|---------------|-------|--------|--------|--------|--------|--------|--------|
| 99 Hex Dog Conversion Kit fits 3' to 4' | 050114 | - | 71.00 | - | - | 71.00 | 71.00 | 71.00 |
| 98 Hex Dog Conversion Kit fits 3' to 4' | 050117 | - | 71.00 | - | 71.00 | 71.00 | 71.00 | 71.00 |
| 99 CD Conversion Kit fits 3' to 4' | 050115 | - | 94.00 | - | - | 94.00 | 94.00 | 94.00 |
| 98 CD Conversion Kit fits 3' to 4' | 050132 | - | 94.00 | - | 94.00 | 94.00 | 94.00 | 94.00 |
| 98 CDSI Kit 3' / 4' | 040078/040079 | - | 310.00 | 310.00 | 310.00 | 310.00 | 310.00 | 310.00 |
| 98 HDSI Kit 3' / 4' | 040080/040081 | - | 223.00 | 223.00 | 223.00 | 223.00 | 223.00 | 223.00 |
| 99 CDSI Kit 3' / 4' | 040082/040083 | - | 310.00 | 310.00 | - | 310.00 | 310.00 | 310.00 |
| 99 HDSI Kit 3' / 4' | 040084/040085 | - | 223.00 | 223.00 | - | 223.00 | 223.00 | 223.00 |
| CDSI/HDSI Configuration Pkg | 900416-00 | 16.00 | - | - | - | - | - | - |
| 99 Fire or Less Dogging Cover Plate Kit fits 3' to 4' | 050589 | - | 44.00 | - | - | 44.00 | 44.00 | 44.00 |
| 98 Fire or Less Dogging Cover Plate Kit fits 3' to 4' | 050588 | - | 44.00 | - | 44.00 | 44.00 | 44.00 | 44.00 |
| 99 ALK Cover Plate Kit fits 3' to 4' | 050569 | - | 104.00 | - | - | 104.00 | 104.00 | 104.00 |
| 98 ALK Cover Plate Kit fits 3' to 4' | 050570 | - | 104.00 | - | - | 104.00 | 104.00 | 104.00 |
| CX99 Cover Plate Kit fits 3' to 4' - Ordered before 8/17/2015 | 050572 | - | 104.00 | - | - | 104.00 | 104.00 | 104.00 |
| CX98 Cover Plate Kit fits 3' to 4' - Ordered before 8/17/2015 | 050573 | - | 104.00 | - | 104.00 | 104.00 | 104.00 | 104.00 |
| CX99 Cover Plate Kit fits 3' to 4' - Ordered after 8/17/2015 | 040093 | - | 104.00 | - | - | 104.00 | 104.00 | 104.00 |
| CX98 Cover Plate Kit fits 3' to 4' - Ordered after 8/17/2015 | 040094 | - | 104.00 | - | 104.00 | 104.00 | 104.00 | 104.00 |
| 99 CI Kit 3' | 050770 | - | 264.00 | - | - | 264.00 | 264.00 | 264.00 |
| 98 CI Kit 3' | 050771 | - | 264.00 | - | 264.00 | 264.00 | 264.00 | 264.00 |
| 99 CI Kit 4' | 050772 | - | 264.00 | - | - | 264.00 | 264.00 | 264.00 |
| 98 CI Kit 4' | 050773 | - | 264.00 | - | 264.00 | 264.00 | 264.00 | 264.00 |
| 99 DI Kit 3' | 050766 | - | 243.00 | - | - | 243.00 | 243.00 | 243.00 |
| 98 DI Kit 3' | 050767 | - | 243.00 | - | 243.00 | 243.00 | 243.00 | 243.00 |
| 99 DI Kit 4' | 050768 | - | 243.00 | - | - | 243.00 | 243.00 | 243.00 |
| 98 DI Kit 4' | 050769 | - | 243.00 | - | 243.00 | 243.00 | 243.00 | 243.00 |
| 98/9947WDC Conversion Kit - Panic Only | 050134 | - | 337.00 | - | 272.00 | 277.00 | 308.00 | 370.00 |

✓ US32D AND US15 finishes available with Series 98 only.
For Antimicrobial Finishes add \$7.00 to list.

Prices subject to change without notice.

(continued) **Parts - 98/99 Series**

List Price

US3,
✓US15,
US26,
315,
643e

| Description | Part. No. | Non-Finished | US28, 313 | US26D | ✓US32D | US10 | US4 | |
|--|-----------|--------------|--------------|-------|--------|-------|-------|-------|
| End Cap | | | | | | | | |
| 98/99 Impact Resistant End Cap Kit | 050014 | - | 79.00 | 86.00 | 97.00 | 97.00 | 87.00 | 87.00 |
| 98/99 Impact Resistant End Cap Scr Pkg | 900597 | - | - | 12.00 | 12.00 | 15.00 | 12.00 | 12.00 |
| 98/99 Impact Resistant End Cap Bracket | 050524 | 11.00 | - | - | - | - | - | - |

Push Bar

| | | | | | | | | |
|---------------------------------------|----------|-------|--------|--------|--------|--------|--------|--------|
| * 98/99 Push Bar Retrofit Kit - 3' Dr | See Note | - | 202.00 | 239.00 | 363.00 | 326.00 | 316.00 | 373.00 |
| * 98/99 Push Bar Retrofit Kit - 4' Dr | See Note | - | 217.00 | 262.00 | 378.00 | 341.00 | 326.00 | 386.00 |
| 98/99 Push Bar Guide Pkg/10 | 090049 | 13.00 | - | - | - | - | - | - |

* To order, specify device type, size, finish. Example: PBKIT 99 3' US28

| Mechanism Case | Part. No. | Non-Finished | SP313, 315, US28, | US26D | ✓US32D | US10 | US4 | US3, ✓US15, US26 |
|---|-----------|--------------|-------------------------|-------|--------|--------|--------|------------------------|
| 99 Series Mechanism Case - 3' Door | 968144 | - | 141.00 | - | - | 176.00 | 176.00 | 200.00 |
| 99 Series Mechanism Case - 4' Door | 968146 | - | 200.00 | - | - | 230.00 | 230.00 | 260.00 |
| 98 Series Mechanism Case - 3' Door | 970191 | - | 141.00 | - | 183.00 | 176.00 | 176.00 | 200.00 |
| 98 Series Mechanism Case - 4' Door | 970192 | - | 200.00 | - | 245.00 | 230.00 | 230.00 | 260.00 |
| CD/SS Cylinder Mtg Kit | 107813 | - | - | 58.00 | - | 61.00 | 61.00 | 67.00 |
| CD/SS Cylinder Locating Washer Pkg | 050490 | 15.00 | - | - | - | - | - | - |
| CD/SS Mortise Cylinder Collar Pkg | 050525 | - | - | 44.00 | - | 52.00 | 44.00 | 52.00 |
| CD/SS Cylinder Lock Nut Pkg | 050526 | 13.00 | - | - | - | - | - | - |
| CD Actuator Pkg/2 | 090045 | 12.00 | - | - | - | - | - | - |
| CD Dogging Plug Pkg/2 | 090046 | 11.00 | - | - | - | - | - | - |
| 227 Dog Key 5/32" Pkg/10 | 090085 | 69.00 | - | - | - | - | - | - |
| Mechanism Case Brkt Screw Pkg/10 | 090073 | 10.00 | - | - | - | - | - | - |
| 98/99 Rim/75 98/9927-F Mtg. Pkg. 1 3/4"-2 1/4" Dr | 900561 | 12.00 | - | - | - | - | - | - |
| 98/99 Rim, 98/9927-F Mtg. Pkg. >2 1/4"-2 3/4" Dr | 900424 | 85.00 | - | - | - | - | - | - |
| 98/99 Rim, 98/9927-F Mtg. Pkg. >2 3/4"-3 1/4" Dr | 900425 | 85.00 | - | - | - | - | - | - |
| 98/99 Rim, 98/9927-F Mtg. Pkg. >3 1/4"-3 3/4" Dr | 900426 | 85.00 | - | - | - | - | - | - |
| 98/99 Rim, 98/9927-F Mtg. Pkg. >3 3/4"-4 1/4" Dr | 900427 | 85.00 | - | - | - | - | - | - |
| 98/9927/27-F Mtg. Pkg. 2 1/4" Door | 900568 | 12.00 | - | - | - | - | - | - |

✓ US32D AND US15 finishes available with Series 98 only.
For Antimicrobial Finishes add \$7.00 list

Prices subject to change without notice.

98/99 Series - Parts (continued)

| Description | Part. No. | Non-Finished | List Price | |
|--|-----------|--------------|------------------------|-----------------|
| | | | US28, 313 US10, US4 | US3, US26, 643E |
| Baseplate | | | | |
| Shock Absorber Pkg | 050491 | 30.00 | - | - |
| Baseplate Screw Pkg/10 | 090037 | 11.00 | - | - |
| Baseplate Bumper Pkg/4 | 090038 | 11.00 | - | - |
| Baseplate Return Spring Pkg/10 | 090039 | 12.00 | - | - |
| Hex Dogging Shaft Pkg/2 | 090040 | 12.00 | - | - |
| Dogging Spring Pkg/2 | 090041 | 11.00 | - | - |
| Dogging Adaptor Spring Pkg/2 | 090042 | 15.00 | - | - |
| Dogging Adaptor Pkg/2 | 090043 | 12.00 | - | - |
| Dogging Hook Pkg/2 | 090044 | 12.00 | - | - |
| Baseplate Bearing Strip Pkg/2 | 090048 | 12.00 | - | - |
| 227 Dog Key 5/32" Pkg/2 | 090005 | 19.00 | - | - |
| 227 Dog Key 5/32" Pkg/10 | 090085 | 69.00 | - | - |
| 98/9927-F LBR Latch Spring Pkg/10 | 090088 | 20.00 | - | - |
| EL Dogging Rod Kit - 3' | 050531 | 58.00 | - | - |
| EL Dogging Rod Kit - 4' | 050532 | 58.00 | - | - |
| EL 6' Cable and Connector | 110388 | 45.00 | - | - |
| EL Potted Circuit Breaker | 050534 | 296.00 | - | - |
| EL Solenoid/Plunger | 050535 | 327.00 | - | - |
| HD-EL Solenoid | 050536 | 327.00 | - | - |
| HD-EL Solenoid Plunger | 050537 | 120.00 | - | - |
| EL Dogging Rod Retainer | 050538 | 13.00 | - | - |
| EL Receptacle Connector | 050539 | 12.00 | - | - |
| EL Female Terminal | 050540 | 12.00 | - | - |
| HD-EL Dog Screw | 050541 | 15.00 | - | - |
| HD-EL Solenoid Bracket | 050542 | 26.00 | - | - |
| HD-EL Dogging Spring | 050543 | 15.00 | - | - |
| SS Cable | 050544 | 132.00 | - | - |
| SS Housing | 050545 | 441.00 | - | - |
| CX99-RCM Kit Less Module - Ordered after 8/17/2015 | 040198 | - | 250.00 | - |
| CX98-RCM Kit Less Module - Ordered after 8/17/2015 | 040199 | - | 250.00 | - |
| CX Solenoid & Plunger | 050533 | 293.00 | - | - |
| Chexit Wiring Assembly - Ordered after 8/17/2015 | 040191 | 191.00 | - | - |
| Sign 15 Second - Chexit/DE5300 | 113781 | 56.00 | - | - |
| Sign 30 Second - Chexit/DE5300 | 113782 | 60.00 | - | - |

Prices subject to change without notice.

(continued) **Parts - 98/99 Series**

| Description | Part. No. | Non-Finished | List Price | | | | | |
|--|-----------|--------------|------------|--------|--------|----------|-----------|------------------------|
| | | | US28 | US26D | ✓US32D | 313, 315 | US4, US10 | US3, ✓US15, US26, 643e |
| Vertical Latches | | | | | | | | |
| * 98/9927/98/9957 Top Latch Retrofit Kit W/SNB | 050091 | - | 141.00 | 141.00 | 141.00 | 141.00 | 141.00 | 141.00 |
| * 98/9927/98/9957 Bottom Latch Retrofit Kit W/SNB | 050090 | - | 141.00 | 141.00 | 141.00 | 141.00 | 141.00 | 141.00 |
| 98/9927/98/9957 Top Latch Kit Less Cover | 050400 | 141.00 | - | - | - | - | - | - |
| 98/9927/98/9957 Bottom Latch Kit Less Cover | 050401 | 141.00 | - | - | - | - | - | - |
| 98/9927/98/9957 Pullman Latch Kit Less Cover | 050402 | 141.00 | - | - | - | - | - | - |
| 98/9947 Top Latch Kit | 050492 | 274.00 | - | - | - | - | - | - |
| 98/9947 Bottom Latch Kit | 050493 | 222.00 | - | - | - | - | - | - |
| ES98/9947 Top Latch Kit | 050128 | 200.00 | - | - | - | - | - | - |
| ** 98/9948 Top Latch Kit - (non EL) | 050494 | 400.00 | - | - | - | - | - | - |
| ** EL98/9948 Top Latch Kit | 050516 | 378.00 | - | - | - | - | - | - |
| ** 98/9948 Bottom Latch Kit | 050495 | 430.00 | - | - | - | - | - | - |
| 98/9948 Latch Retrofit Kit - (non EL) | 050047 | 670.00 | - | - | - | - | - | - |
| 98/9948-F Latch Retrofit Kit - (non EL) | 050048 | 670.00 | - | - | - | - | - | - |
| EL98/9948 Latch Retrofit Kit | 050522 | 670.00 | - | - | - | - | - | - |
| EL98/9948-F Latch Retrofit Kit | 050523 | 670.00 | - | - | - | - | - | - |
| 98/9927/98/9957/27-F Latch Case Cover Kit | 050566 | - | 52.00 | 67.00 | - | 52.00 | 61.00 | 71.00 |
| 98/9927/98/9957/27-F Latch Cover Screw Pkg. | 900850 | - | - | 12.00 | 12.00 | 12.00 | 12.00 | 12.00 |
| 98/9927/98/9957 Top Latch Compression Spring Pkg/10 | 090056 | 12.00 | - | - | - | - | - | - |
| 98/9927/98/9957 Top Latch Spring Pkg/10 | 090057 | 12.00 | - | - | - | - | - | - |
| 98/9927/98/9957 Bolt Return Spring Pkg/10 | 090065 | 12.00 | - | - | - | - | - | - |
| 98/9927/98/9957 Top Latch Aux. Bolt Spring Pkg/10 | 090076 | 12.00 | - | - | - | - | - | - |
| LBR Fire Latch/Strike Kit | 050171 | 446.00 | - | - | - | - | - | - |
| 98/9927/98/9957-F AFL Strike Hole Plug | 050509 | 11.00 | - | - | - | - | - | - |
| 98/9927/98/9957 Latch Mtg Bracket Kit | 050546 | 28.00 | - | - | - | - | - | - |
| 98/9927/98/9957 Std 1-3/4"-2-1/4" Latch Mtg Pkg/4 | 900589 | 12.00 | - | - | - | - | - | - |
| 98/9927/98/9957 Latch Mtg. Pkg/2 for >2-1/4" - 2-3/4" Dr | 900521 | 85.00 | - | - | - | - | - | - |
| 98/9927/98/9957 Latch Mtg. Pkg/2 for >2-3/4" - 3-1/4" Dr | 900522 | 85.00 | - | - | - | - | - | - |
| 98/9927/98/9957 Latch Mtg. Pkg/2 for >3-1/4" - 3-3/4" Dr | 900523 | 112.00 | - | - | - | - | - | - |
| 98/9927/98/9957 Latch Mtg. Pkg/2 for >3-3/4" - 4-1/4" Dr | 900524 | 112.00 | - | - | - | - | - | - |
| 98/9927/98/9957-F LBR Latch Mounting Package | 900980 | 11.00 | - | - | - | - | - | - |
| WS98/9927 Soffit Release Bracket Package | 900241 | 30.00 | - | - | - | - | - | - |
| WS98/9927 Latch Mounting Package | 900242 | - | - | - | 29.00 | 29.00 | 29.00 | 29.00 |
| 98/9947 Latch Mounting Bracket Kit | 109324 | 54.00 | - | - | - | - | - | - |
| ** 98/9948 Latch Mounting Bracket Kit | 112868 | 61.00 | - | - | - | - | - | - |
| 98/9947 Latch Brkt Mtg. Screw (Latch) Pkg/6 | 090059 | 12.00 | - | - | - | - | - | - |
| 98/9947 Latch Brkt Mtg. Screw (Door) Pkg/6 | 090061 | 12.00 | - | - | - | - | - | - |
| 98/9947/48 Latch Linkage Pin Retaining Ring Pkg/10 | 090063 | 12.00 | - | - | - | - | - | - |
| 98/9947 Latch Link Pin Pkg/10 | 090064 | 12.00 | - | - | - | - | - | - |
| 98/9947 Bolt Return Spring Pkg/10 | 090065 | 12.00 | - | - | - | - | - | - |
| 98/9947 Top Latch Compression Spring Pkg/10 | 090066 | 11.00 | - | - | - | - | - | - |
| 98/9947WDC/WDC-F Auxiliary Mtg. Package | 900856 | 12.00 | - | - | - | - | - | - |
| 98/9947WDC Offset Link Pkg | 900871 | 12.00 | - | - | - | - | - | - |
| 98/9927 RG/Latch Mtg. Pkg 2-1/4" - 2-3/4" | 900527 | - | - | 101.00 | - | 122.00 | 160.00 | - |
| 98/9927 RG/Latch Mtg. Pkg 2-3/4" - 3-1/4" | 900528 | - | - | 101.00 | - | 122.00 | 160.00 | - |
| 98/9927 RG/Latch Mtg. Pkg 3-1/4" - 3-3/4" | 900529 | - | - | 122.00 | - | 144.00 | 176.00 | - |
| 98/9927 RG/Latch Mtg. Pkg 3-3/4" - 4-1/4" | 900530 | - | - | 122.00 | - | 144.00 | 176.00 | - |

* For Devices shipped before October, 1998

**For service replacement only. Refer to Retrofit Kits 050047, 050048, 050522 and 050523 to convert 98/9947 Device to 98/9948.

✓ US32D AND US15 finishes available with Series 98 only.

Prices subject to change without notice.

98/99 Series - Parts (continued)

List Price

| Description | Part. No. | Non-Finished | List Price | | | | | | | | | |
|--|-----------|--------------|------------|--------|--------|--------|--------|--------|--------|-----------------|--------|--------|
| | | | US28 | US26D | ✓US32D | 313 | 315 | US10 | US4 | US3, US26, 643E | ✓US15 | |
| Vertical Rods | | | | | | | | | | | | |
| 9927/9957 Top Rod Kit | 050512 | - | 77.00 | - | - | 89.00 | 105.00 | 105.00 | 105.00 | 105.00 | 105.00 | 105.00 |
| 9827/9857 Top Rod Kit | 050513 | - | 77.00 | - | 89.00 | 89.00 | 105.00 | 105.00 | 105.00 | 105.00 | 105.00 | 105.00 |
| WS98/9927 Top Rod | 101025 | - | - | - | 157.00 | 157.00 | 157.00 | 157.00 | 335.00 | 335.00 | 335.00 | 335.00 |
| 9927/9957 Bottom Rod Kit | 050514 | - | 77.00 | - | - | 89.00 | 105.00 | 105.00 | 105.00 | 105.00 | 105.00 | 105.00 |
| 9827/9857 Bottom Rod Kit | 050515 | - | 77.00 | - | 89.00 | 89.00 | 105.00 | 105.00 | 105.00 | 105.00 | 105.00 | 105.00 |
| WS98/9927 Bottom Rod | 101026 | - | - | - | 157.00 | 157.00 | 157.00 | 157.00 | 335.00 | 335.00 | 335.00 | 335.00 |
| 98/9947/48 Adj. Top Rod Kit - 6'8"-8'4" Dr | 050574 | 89.00 | - | - | - | - | - | - | - | - | - | - |
| 98/9947/48 Bottom Rod Kit | 050575 | 89.00 | - | - | - | - | - | - | - | - | - | - |
| 98/9947WDC Top Rod - 6'8"-8'4" Dr | 050582 | 154.00 | - | - | - | - | - | - | - | - | - | - |
| 98/9947WDC Bottom Rod | 050583 | 154.00 | - | - | - | - | - | - | - | - | - | - |
| 9927/9957 One Piece Top Rod Kit - 8' | 050650 | - | 225.00 | 225.00 | - | 225.00 | 225.00 | 144.00 | 114.00 | 225.00 | 225.00 | 225.00 |
| 9927/9957 One Piece Top Rod Kit - 10' | 050651 | - | 249.00 | 249.00 | - | 249.00 | 244.00 | 157.00 | 138.00 | 244.00 | 244.00 | 244.00 |
| 9927/9957 One Piece Top Rod Kit - 12' | 050652 | - | 264.00 | 264.00 | - | 264.00 | 274.00 | 175.00 | 162.00 | 274.00 | 274.00 | 274.00 |
| 9827/9857 One Piece Top Rod Kit - 8' | 050653 | - | 225.00 | 225.00 | 225.00 | 225.00 | 225.00 | 144.00 | 114.00 | 225.00 | 225.00 | 225.00 |
| 9827/9857 One Piece Top Rod Kit - 10' | 050654 | - | 249.00 | 249.00 | 249.00 | 249.00 | 244.00 | 157.00 | 138.00 | 244.00 | 244.00 | 244.00 |
| 9827/9857 One Piece Top Rod Kit - 12' | 050655 | - | 264.00 | 264.00 | 264.00 | 264.00 | 274.00 | 175.00 | 162.00 | 274.00 | 274.00 | 274.00 |
| 9927/9957 Extension Rod 36" Kit | 051802 | - | 28.00 | 28.00 | - | 28.00 | 28.00 | 28.00 | 28.00 | 28.00 | 28.00 | 28.00 |
| 9827/9857 Extension Rod 36" Kit | 051810 | - | 28.00 | 28.00 | 28.00 | 28.00 | 28.00 | 28.00 | 28.00 | 28.00 | 28.00 | 28.00 |
| 9927/9957 Extension Rod 60" Kit | 050642 | - | 131.00 | 131.00 | - | 131.00 | 244.00 | 242.00 | 160.00 | 252.00 | 252.00 | 252.00 |
| 9827/9857 Extension Rod 60" Kit | 050644 | - | 131.00 | 131.00 | 135.00 | 135.00 | 264.00 | 250.00 | 165.00 | 264.00 | 135.00 | 135.00 |
| WS98/9927/57 Extension Rod | 051812 | - | 28.00 | 28.00 | 28.00 | 28.00 | 28.00 | 28.00 | 28.00 | 28.00 | 28.00 | 28.00 |
| 98/9947/48 Extension Rod Kit - Adj 8'4"-10' | 051808 | 28.00 | - | - | - | - | - | - | - | - | - | - |
| 98/9947/48 Extension Rod Kit - Adj 10'-11'8" | 050622 | 93.00 | - | - | - | - | - | - | - | - | - | - |
| 98/9947/48 Extension Rod Kit - Adj 11'8"-13'4" | 050623 | 93.00 | - | - | - | - | - | - | - | - | - | - |
| 98/9947/48 Extension Rod Kit - Adj 13'4"-15' | 050624 | 105.00 | - | - | - | - | - | - | - | - | - | - |
| 98/9927/98/9957-F Rod Guide Assembly | 112063 | - | 51.00 | 61.00 | 61.00 | 51.00 | 51.00 | 81.00 | 81.00 | 121.00 | 121.00 | 121.00 |
| 98/9927/98/9957-F Rod Guide Mtg. Package | 900919 | - | - | 12.00 | 12.00 | 12.00 | 12.00 | 12.00 | 12.00 | 12.00 | 12.00 | 12.00 |
| 98/9927/98/9957 Rod Roll Pin Pkg/10 | 090054 | 13.00 | - | - | - | - | - | - | - | - | - | - |
| 98/9927/98/9957 Rod Connector-Latch Pkg/2 | 090067 | 19.00 | - | - | - | - | - | - | - | - | - | - |
| 98/9927/98/9957 Rod Connector-C/Case Pkg/2 | 090068 | 19.00 | - | - | - | - | - | - | - | - | - | - |
| 98/9927/98/9957 Top or Bottom Rod Connector | 050547 | 10.00 | - | - | - | - | - | - | - | - | - | - |
| * 98/9947 Rod Connecting Screw Pkg/2 | 090071 | 15.00 | - | - | - | - | - | - | - | - | - | - |
| 98/9948 Rod Connecting Screw Pkg/2 | 090072 | 15.00 | - | - | - | - | - | - | - | - | - | - |
| 98/9927/98/9957 Rod Extension Connector Pkg/4 | 090075 | 13.00 | - | - | - | - | - | - | - | - | - | - |
| 98/9947 Ratchet Release Kit | 106222 | - | 132.00 | - | 132.00 | 132.00 | 132.00 | 132.00 | 132.00 | - | - | - |
| 98/9947 Ratchet Release Spacer 1/8" | 970978 | - | 20.00 | - | 20.00 | 20.00 | - | 20.00 | 20.00 | - | - | - |
| 98/9947 Ratchet Lever Spring Pkg/2 | 090069 | 11.00 | - | - | - | - | - | - | - | - | - | - |
| 98/9947 Ratchet Release Screw Pkg/2 | 090070 | 15.00 | - | - | - | - | - | - | - | - | - | - |
| 98/9947 Rod Adjusting Package | 900620 | 20.00 | - | - | - | - | - | - | - | - | - | - |
| 98/9947 Adjusting Screw LBR Package | 900898 | 12.00 | - | - | - | - | - | - | - | - | - | - |
| 98/9947 1/2" Insulclad Kit | 051841 | 153.00 | - | - | - | - | - | - | - | - | - | - |
| 98/9947 1/4" Insulclad Kit | 051842 | 253.00 | - | - | - | - | - | - | - | - | - | - |

* For Devices shipped after July, 1997

✓ US32D AND US15 finishes available with Series 98 only.

Quiet Mechanical Retrofit Kits

| | | | | | | | | | | | |
|---------------------------------------|-----------|--------|---|---|---|---|---|---|---|---|---|
| QM Rim Device Kit (98/99, 33A/35A) | 47259560 | 185.00 | - | - | - | - | - | - | - | - | - |
| QM SVR device kit (98/9927, 33/3527A) | 47263418 | 185.00 | - | - | - | - | - | - | - | - | - |
| QM 996 -R/V trim Kit | 47260610 | 215.00 | - | - | - | - | - | - | - | - | - |
| Damper Assembly, 996 | 472529557 | 60.00 | - | - | - | - | - | - | - | - | - |

Prices subject to change without notice.

(continued) **Parts - 98/9949 Series**

| Description | Part No. | List Price |
|--------------------------|----------|------------|
| Vertical Latches | | |
| 49 Top Latch Assembly | 24090110 | 248.00 |
| 49 Bottom Latch Assembly | 24090128 | 268.00 |

Centerslide Kits

| | | |
|-------------------------|----------|--------|
| 98/9949 Centerslide Kit | 24090144 | 381.00 |
|-------------------------|----------|--------|

49 Cable*

| | | | |
|--|-------------------------------------|----------|--------|
| Top Cable Assembly | Door Opening Heights 6'0" to 6'10" | 47250398 | 216.00 |
| Top Cable Assembly | Door Opening Heights 6'10" to 8'0" | 47250175 | 216.00 |
| Top Cable Assembly | Door Opening Heights >8'0" to 9'2" | 47250176 | 216.00 |
| Top Cable Assembly | Door Opening Heights >9'2" to 10'4" | 47250177 | 216.00 |
| Bottom Cable Assembly | Door Opening Heights 6'0" to 6'10" | 47250403 | 216.00 |
| Bottom Cable Assembly | Door Opening Heights 6'10" to 8'0" | 47250178 | 216.00 |
| Bottom Cable Assembly | Door Opening Heights >8'0" to 9'2" | 47250179 | 216.00 |
| Bottom Cable Assembly | Door Opening Heights >9'2" to 10'4" | 47250180 | 216.00 |
| Replacement Cable Kit (10' core wire, end fitting, and sizing templates) | | 47250968 | 89.00 |

For door opening heights more than 10', consult factory.
Consult customer support for non-standard center lines or if a threshold is installed.

* For Complete 49 Cable System kits, see Page 68.

Mounting Packages

| | | |
|------------------------------------|----------|--------|
| 49 Bottom Mounting Package | 23946437 | 105.00 |
| 49 Top Mounting Package | 23946429 | 94.00 |
| 98/9949 HM/AL Centerslide Mounting | 23946445 | 105.00 |

Misc.

| | | |
|--------------------------------|----------|--------|
| Cable Removal Tool - qty 1 | 24052979 | 14.00 |
| Cable Removal Tool - Pkg/10 | 24090706 | 114.00 |
| 338 Filler Plate | 24230914 | 85.00 |
| Spacer Block Kit 3/4" undercut | 24231516 | 29.00 |

Prices subject to change without notice.

98/9950WDC Series - Parts

| Description | Part. No. | List Price |
|---|-----------|------------|
| Vertical Latches | | |
| Top Latch Kit with mounting pack | 48968820 | 348.00 |
| Bottom Latch Kit with mounting pack | 48968838 | 291.00 |
| Centerslide Kits | | |
| 9950WDC Centerslide kit with mounting pack | 48973291 | 571.00 |
| Fire Kits | | |
| 98/9950WDC-F Fire Kit (fire barrier, intumescent for scalp plate and barrier, mounting packs) | 48968861 | 231.00 |
| Mounting Kit | | |
| Top ,Bottom, and centerslide Mounting Pkg | 24685505 | 29.00 |
| Top Latch Mounting Kit | 49000409 | 12.00 |
| Bottom Latch Mounting Kit | 49000391 | 12.00 |
| Cables | | |
| TOP CABLE 6'8"-7'0" WDC | 24648180 | 52.00 |
| TOP CABLE 7'1"-8'0" WDC | 24647273 | 52.00 |
| TOP CABLE 8'1"-9'0" WDC | 24647281 | 59.00 |
| TOP CABLE 9'1"-10'0" WDC | 24647299 | 59.00 |
| BOTTOM CABLE WDC | 24647265 | 52.00 |
| Fire Pin Kit | | |
| 50WDC Fire pin Kit (current fire pin , fire pin sleeve, fire pin strike) | 48968887 | 157.00 |
| Lift Finger Kit | | |
| 98/9950WDC Finger Kit | 47258386 | 69.00 |
| 98/9950WDC Lift Finger Retrofit Kit | 47260629 | 144.00 |

Prices subject to change without notice.

Parts - XP98/99 Series

| Description | Part. No. | Non-Finished | US28, 313, 315 | List Price | | | | | US3, ✓US15, US26 |
|--|-----------|--------------|----------------------|------------|---------|---------|---------|---------|------------------------|
| | | | | US26D | US32D | US10 | US4 | | |
| Center Case | | | | | | | | | |
| XP98/99R Center Case Kit Less Cover | 050689 | 487.00 | - | - | - | - | - | - | - |
| XP98/99R/-F Center Case Kit Less Cover | 050690 | 506.00 | - | - | - | - | - | - | - |
| XP98/99/-F Center Case Cover Kit | 050691 | - | - | 199.00 | 209.00 | 199.00 | 199.00 | 228.00 | - |
| XP98/99/-F Center Case Cover Bracket | 050692 | 27.00 | - | - | - | - | - | - | - |
| Retrofit Kits | | | | | | | | | |
| XP99-909 | 050676 | - | 912.00 | 945.00 | 980.00 | 938.00 | 938.00 | 1041.00 | - |
| XP99-954 | 050675 | - | 1014.00 | 1047.00 | 1081.00 | 1041.00 | 1041.00 | 1121.00 | - |
| XP98/99 Retrofit Kit Mounting Package | 900297 | 21.00 | - | - | - | - | - | - | - |
| XP98/99-2SI Conversion Kit RHR | 090599 | - | 1430.00 | 1492.00 | 1538.00 | 1538.00 | 1492.00 | 1553.00 | - |
| XP98/99-2SI Conversion Kit LHR | 090600 | - | 1430.00 | 1492.00 | 1538.00 | 1538.00 | 1492.00 | 1553.00 | - |
| XP98/99-2 Conversion Kit RHR | 090601 | - | 1163.00 | 1226.00 | 1273.00 | 1273.00 | 1226.00 | 1285.00 | - |
| XP98/99-2 Conversion Kit LHR | 090602 | - | 1163.00 | 1226.00 | 1273.00 | 1273.00 | 1226.00 | 1285.00 | - |
| XP98/99-F-2SI Conversion Kit RHR | 090794 | - | 1611.00 | 1673.00 | 1719.00 | 1719.00 | 1673.00 | 1734.00 | - |
| XP98/99-F-2SI Conversion Kit LHR | 090795 | - | 1611.00 | 1673.00 | 1719.00 | 1719.00 | 1673.00 | 1734.00 | - |
| XP98/99-F-2 Conversion Kit RHR | 090796 | - | 1344.00 | 1407.00 | 1454.00 | 1454.00 | 1407.00 | 1467.00 | - |
| XP98/99-F-2 Conversion Kit LHR | 090797 | - | 1344.00 | 1407.00 | 1454.00 | 1454.00 | 1407.00 | 1467.00 | - |
| Mechanism Case | | | | | | | | | |
| XP98/99 Rim Mtg. Pkg for >2-1/4" - 2-3/4" Dr | 900424 | 85.00 | - | - | - | - | - | - | - |
| XP98/99 Rim Mtg. Pkg for >2-3/4" - 3-1/4" Dr | 900425 | 85.00 | - | - | - | - | - | - | - |
| XP98/99 Rim Mtg. Pkg for >3-1/4" - 3-3/4" Dr | 900426 | 85.00 | - | - | - | - | - | - | - |
| XP98/99 Rim Mtg. Pkg for >3-3/4" - 4-1/4" Dr | 900427 | 85.00 | - | - | - | - | - | - | - |

US32D AND US15 finishes available with XP98 only.

✓ US15 finish available with Series 35 and 98 controls only

Prices subject to change without notice.

94/95 INPACT Series - Parts

| Description | Part. No. | Non-Finished |
|---|-----------|--------------|
| Center Case | | |
| 94/9547/48/75 Center Case | CASE.107 | 229.00 |
| Control Link Pin Kit (w/Retaining Ring) | 050585 | 11.00 |
| Control Link Pin Retaining Ring Pkg/10 | 090107 | 12.00 |
| Main Control Link | 971712 | 15.00 |
| 940 Tail Piece Mounting Pkg | 900390 | 21.00 |

| Description | Part. No. | Non-Finished | List Price | | | | | |
|-------------|-----------|--------------|------------|------|-------|-----|------|-----|
| | | | US19 | US28 | US26D | 313 | US10 | US4 |

Mechanism Case

| | | | | | | | | | |
|--------------------------------|--------------|-------|-------|--------|--------|--------|--------|--------|--------|
| 94/9547/48/75 End Cap Package | ECAP.115 | - | 94.00 | - | - | - | - | - | - |
| INPACT Device Mounting Package | PKG.MTG.1001 | 31.00 | - | - | - | - | - | - | - |
| 9547/48/75-F Pushpad | 971655 | - | - | - | - | - | - | - | 313.00 |
| 9447/48/75-F Pushpad | 971656 | - | - | - | - | - | - | - | 313.00 |
| Dogging Clip | 971659 | 36.00 | - | - | - | - | - | - | - |
| Dogging Clip Spring | 971664 | 12.00 | - | - | - | - | - | - | - |
| 9547/48/75 Pushpad | 971763 | - | - | 235.00 | 265.00 | 252.00 | 291.00 | 280.00 | - |
| 9447/48/75 Pushpad | 971764 | - | - | 235.00 | 265.00 | 252.00 | 291.00 | 280.00 | - |
| 9547/48-F/75-F Pushpad | 971765 | - | - | 235.00 | 265.00 | 252.00 | 291.00 | 280.00 | - |
| 9447/48-F/75-F Pushpad | 971766 | - | - | 235.00 | 265.00 | 252.00 | 291.00 | 280.00 | - |
| Baseplate Link Pin | 971706 | 15.00 | - | - | - | - | - | - | - |
| 9547/48/75 Pushpad | 971709 | - | - | - | - | - | - | - | 313.00 |
| 9447/48/75 Pushpad | 971710 | - | - | - | - | - | - | - | 313.00 |
| 94/95 EL Kit Hardware | 900626 | 37.00 | - | - | - | - | - | - | - |
| 94/95 Dogging Bracket Assembly | BRKT.131 | 52.00 | - | - | - | - | - | - | - |

| Description | Part. No. | Non-Finished | List Price | | | |
|-------------|-----------|--------------|------------|-----|------|-----|
| | | | US28 | 313 | US10 | US4 |

Vertical Rod and Latches

| | | | | | | |
|-----------------------------------|------------|--------|--------|--------|--------|--------|
| 94/9547/-F Rod Adjustment Kit | KIT.1001 | 29.00 | - | - | - | - |
| 94/9547/-F Rod Adj. Kit - LBR | KIT.1002 | 19.00 | - | - | - | - |
| 94/9547/-F Top Rod Kit | RODASY.121 | 89.00 | - | - | - | - |
| 94/9547/-F Bottom Rod Kit | RODASY.122 | 89.00 | - | - | - | - |
| 94/9547/-F Extension Rod Kit | 051808 | 28.00 | - | - | - | - |
| 94/9547/-F Top Latch Kit | 050492 | 274.00 | - | - | - | - |
| 94/9547/-F Bottom Latch Kit | 050493 | 222.00 | - | - | - | - |
| 94/9547/-F Ratchet Release Kit | 106222 | - | 132.00 | 132.00 | 132.00 | 132.00 |
| 94/9547/-F Latch Mtg. Bracket Kit | 109324 | 54.00 | - | - | - | - |

Prices subject to change without notice.

Parts - 7500 Series Mortise Lock

| Description | Part. No. | Non-Finished | List Price | | | | |
|--|-----------|--------------|------------|------------------|--------|--------|--------|
| | | | US32D | US4, US10B, US19 | US10 | US3 | US32 |
| * E7500 Solenoid Replacement Kit 12VDC FSE | 050212 | 236.00 | - | - | - | - | - |
| * E7500 Solenoid Replacement Kit 12VDC FS | 050213 | 236.00 | - | - | - | - | - |
| * E7500 Solenoid Replacement Kit 24VDC FSE | 050214 | 236.00 | - | - | - | - | - |
| * E7500 Solenoid Replacement Kit 24VDC FS | 050215 | 236.00 | - | - | - | - | - |
| E/SS7500 Female Terminal | 050540 | 12.00 | - | - | - | - | - |
| 7500 Auxiliary Bolt Link Sub-Assembly | 109347 | 38.00 | - | - | - | - | - |
| E7500 Hook-up Wire Assy | 114140 | 62.00 | - | - | - | - | - |
| SS7500 Wire Harness Switch Sub-Assembly | 114294 | 101.00 | - | - | - | - | - |
| 7500 Latchbolt and Faceplate Sub-Assembly | 109773 | 69.00 | - | - | - | - | - |
| E7500 Switch Connector Assembly | 110744 | 126.00 | - | - | - | - | - |
| 7500-2 Cylinder Plug Assembly | 111943 | 183.00 | - | - | - | - | - |
| 7500 Lock Mounting Pkg | 900532 | - | 12.00 | 12.00 | 12.00 | 12.00 | - |
| 7500 Scalp Plate - 8-32 x 3/8" FPHMS | 963080 | - | 12.00 | 12.00 | 12.00 | 12.00 | - |
| 7500 Hsg. Cover - 8-32 x 3/8" UFPHMS | 964330 | 12.00 | - | - | - | - | - |
| 7500 Housing 8-32 x 3/8" PPH TF | 964390 | 7.50 | - | - | - | - | - |
| 7500 Cyl. Set - 8-32 x 2" Fill SHMS | 963954 | 12.00 | - | - | - | - | - |
| #8 SAE Flat Washer | 963984 | 12.00 | - | - | - | - | - |
| E7500 FSE Roll Pin - 3/32 x 9/16" | 964035 | 12.00 | - | - | - | - | - |
| 7500 Auxiliary Bolt | 968668 | 51.00 | - | - | - | - | - |
| 7500 Deadlocking Spring | 968748 | 12.00 | - | - | - | - | - |
| 7500 Trim Bolt Retractor | 968761 | 12.00 | - | - | - | - | - |
| 7500 Thumb Latch Lift | 968763 | 12.00 | - | - | - | - | - |
| 7500 Knob Cam | 968765 | 39.00 | - | - | - | - | - |
| 7500 Scalp Plate | 968766 | - | 125.00 | - | - | - | 187.00 |
| 7500 Scalp Plate | 970872 | - | - | 129.00 | 129.00 | 187.00 | - |
| E/SS7500 Switch Insulator | 968770 | 12.00 | - | - | - | - | - |
| 7500 Deadlock Release Arm | 968773 | 28.00 | - | - | - | - | - |
| 7500 Auxiliary Bolt Spring | 968935 | 12.00 | - | - | - | - | - |
| 7500 Latchbolt Collar | 968939 | 27.00 | - | - | - | - | - |
| 7500 Latch Return Spring | 969089 | 12.00 | - | - | - | - | - |
| E7500 FSE Torsion Spring | 969107 | 12.00 | - | - | - | - | - |
| 7500 Trim Lock Slide Spring | 969364 | 12.00 | - | - | - | - | - |
| 7500 Latch Return Spring Guide | 969610 | 12.00 | - | - | - | - | - |
| 7500 Trim Lock Spring Guide | 970188 | 12.00 | - | - | - | - | - |
| 7500 Crossbar Input Arm | 970318 | 27.00 | - | - | - | - | - |
| E7500 FS Trim Lock Slide Spring | 970546 | 12.00 | - | - | - | - | - |
| 7500 Stem Support | 970735 | 12.00 | - | - | - | - | - |
| E7500 Lever Screw | 970861 | 15.00 | - | - | - | - | - |
| E7500 Lever Spacer | 970862 | 12.00 | - | - | - | - | - |
| E7500 FS Trim Lock Lever | 972549 | 13.00 | - | - | - | - | - |
| E7500 Solenoid Spring | 971320 | 11.00 | - | - | - | - | - |
| 7500 Housing Cover | 971822 | 49.00 | - | - | - | - | - |
| 7500 Trim Lock Actuator | 968793 | 12.00 | - | - | - | - | - |
| 7500-2 Trim Lock Actuator | 970531 | 30.00 | - | - | - | - | - |
| 7500-IN Rod Connector | 971832 | 75.00 | - | - | - | - | - |
| CONN 7500 Adapter Harness | 106181 | 30.00 | - | - | - | - | - |

*For Mortise Lock shipped after 1992. For Mortise Locks shipped before 1992, entire Lock must be replaced

Prices subject to change without notice.

360/370 Series Controls - Parts

| Description | Model | Part. No. | Non-Finished | List Price | | | | |
|---------------------------------|-----------------|-----------|--------------|-----------------|--------|--------|---------------------------------|---------------|
| | | | | US10B, US26D | US4 | US10 | US3, US15, US26, SPBLK | US32 US32D |
| Rod Member Kit 1 3/4" Door | 371 | 109126 | 117.00 | - | - | - | - | - |
| Rod Member Kit 2 1/4" Door | 371 | 109127 | 117.00 | - | - | - | - | - |
| Rod Member Kit 1 3/4" Door | 377 | 109132 | - | 141.00 | 141.00 | 164.00 | 187.00 | - |
| Rod Member Kit 2 1/4" Door | 377 | 109133 | - | 141.00 | 141.00 | 164.00 | 187.00 | - |
| Rod Member Kit 1 3/4" Door | 374 | 109366 | - | 196.00 | 196.00 | 196.00 | 250.00 | - |
| Rod Member Kit 2 1/4" Door | 374 | 109367 | - | 196.00 | 196.00 | 196.00 | 250.00 | - |
| Rod Member Kit 1 3/4" Door | 376 | 109112 | 75.00 | - | - | - | - | - |
| Rod Member Kit 2" Door | 376 | 900582 | - | 138.00 | 138.00 | 138.00 | 138.00 | - |
| Rod Member Kit 2 1/4" Door | 376 | 109115 | 138.00 | - | - | - | - | - |
| Rod Member Kit 1 3/4" - 2" Door | 376WDC | 900558 | 129.00 | - | - | - | - | - |
| Rod Member Kit 2 1/4" Door | 376WDC | 900559 | 187.00 | - | - | - | - | - |
| Rod Member Kit 1 3/4" Door | 237 | 112843 | 105.00 | - | - | - | - | - |
| | | | | | | | | |
| #01 Lever Kit | 360 | 050001 | - | 209.00 | 209.00 | 235.00 | 284.00 | - |
| #02 Lever Kit | 360 | 050002 | - | 209.00 | 209.00 | 235.00 | 284.00 | - |
| #03 Lever Kit | 360 | 050003 | - | 209.00 | 209.00 | 235.00 | 284.00 | - |
| #05 Lever Kit | 360 | 050008 | - | 209.00 | 209.00 | 235.00 | 284.00 | - |
| #06 Lever Kit | 360 | 050006 | - | 209.00 | 209.00 | 235.00 | 284.00 | - |
| #07 Lever Kit | 360 | 050007 | - | 209.00 | 209.00 | 235.00 | 284.00 | - |
| #12 Lever RHR Kit | 360 | 050012 | - | 209.00 | 209.00 | 235.00 | 284.00 | - |
| #12 Lever LHR Kit | 360 | 050013 | - | 209.00 | 209.00 | 235.00 | 284.00 | - |
| #16 Lever Kit | 360 | 050009 | - | 209.00 | 209.00 | 235.00 | 284.00 | - |
| #17 Lever Kit | 360 | 050017 | - | 209.00 | 209.00 | 235.00 | 284.00 | - |
| #18 Lever Kit | 360 | 050010 | - | 209.00 | 209.00 | 235.00 | 284.00 | - |
| #01 Lever Kit | 371/373/375/378 | 050750 | - | 209.00 | 209.00 | 235.00 | 284.00 | - |
| #01 DT Lever Kit | 373/375 | 050751 | - | 209.00 | 209.00 | 235.00 | 284.00 | - |
| #02 Lever Kit | 371/373/375/378 | 050752 | - | 209.00 | 209.00 | 235.00 | 284.00 | - |
| #02 DT Lever Kit | 373/375 | 050753 | - | 209.00 | 209.00 | 235.00 | 284.00 | - |
| #03 Lever Kit | 371/373/375/378 | 050754 | - | 209.00 | 209.00 | 235.00 | 284.00 | - |
| #03 DT Lever Kit | 373/375 | 050755 | - | 209.00 | 209.00 | 235.00 | 284.00 | - |
| #06 Lever Kit | 371/373/375/378 | 050756 | - | 209.00 | 209.00 | 235.00 | 284.00 | - |
| #06 DT Lever Kit | 373/375 | 050757 | - | 209.00 | 209.00 | 235.00 | 284.00 | - |
| #07 Lever Kit | 371/373/375/378 | 050758 | - | 209.00 | 209.00 | 235.00 | 284.00 | - |
| #07 DT Lever Kit | 373/375 | 050759 | - | 209.00 | 209.00 | 235.00 | 284.00 | - |
| #17 Lever Kit | 371/373/375/378 | 050760 | - | 209.00 | 209.00 | 235.00 | 284.00 | - |
| #17 DT Lever Kit | 373/375 | 050761 | - | 209.00 | 209.00 | 235.00 | 284.00 | - |
| #12 Lever RHR Kit | 371/373/375/378 | 050762 | - | 209.00 | 209.00 | 235.00 | 284.00 | - |
| #12 DT Lever RHR Kit | 373/375 | 050763 | - | 209.00 | 209.00 | 235.00 | 284.00 | - |
| #12 Lever LHR Kit | 371/373/375/378 | 050764 | - | 209.00 | 209.00 | 235.00 | 284.00 | - |
| #12 DT Lever LHR Kit | 373/375 | 050765 | - | 209.00 | 209.00 | 235.00 | 284.00 | - |
| LAT Lever Kit | 360 | 051871 | - | 209.00 | 209.00 | 235.00 | 284.00 | - |
| LON Lever Kit | 360 | 051873 | - | 209.00 | 209.00 | 235.00 | 284.00 | - |
| M51 Lever Kit | 360 | 114810 | - | 305.00 | 305.00 | 305.00 | 305.00 | - |
| M51 Lever Kit | 360 | 114812 | - | - | - | - | - | 305.00 |
| M52 Lever Kit | 360 | 051920 | - | 305.00 | 305.00 | 305.00 | 305.00 | - |

✓ US15 finish available with Series 35 and 98 controls, only.

Prices subject to change without notice.

(continued) **Parts - 360/370 Series Controls**

| Description | Model | Part. No. | Non-Finished | List Price | | | | |
|------------------|-----------------|-----------|--------------|-----------------|--------|--------|---------------------------------|---------------|
| | | | | US10B, US26D | US4 | US10 | US3, US15, US26, SPBLK | US32 US32D |
| M52 Lever Kit | 360 | 051922 | - | - | - | - | - | 305.00 |
| M53 Lever Kit | 360 | 051928 | - | 305.00 | 305.00 | 305.00 | 305.00 | - |
| M53 Lever Kit | 360 | 051930 | - | - | - | - | - | 305.00 |
| M54 Lever Kit | 360 | 114826 | - | 305.00 | 305.00 | 305.00 | 305.00 | - |
| M54 Lever Kit | 360 | 114828 | - | - | - | - | - | 305.00 |
| M55 Lever Kit | 360 | 051936 | - | 305.00 | 305.00 | 305.00 | 305.00 | - |
| M55 Lever Kit | 360 | 051938 | - | - | - | - | - | 305.00 |
| M56 Lever Kit | 360 | 114822 | - | 305.00 | 305.00 | 305.00 | 305.00 | - |
| M56 Lever Kit | 360 | 114824 | - | - | - | - | - | 305.00 |
| M57 Lever Kit | 360 | 051914 | - | - | - | - | - | 305.00 |
| M61LH Lever Kit | 360 | 114814 | - | 305.00 | 305.00 | 305.00 | 305.00 | - |
| M61LH Lever Kit | 360 | 114816 | - | - | - | - | - | 305.00 |
| M61RH Lever Kit | 360 | 114818 | - | 305.00 | 305.00 | 305.00 | 305.00 | - |
| M61RH Lever Kit | 360 | 114820 | - | - | - | - | - | 305.00 |
| M62LH Lever Kit | 360 | 051916 | - | - | - | - | - | 305.00 |
| M62RH Lever Kit | 360 | 051918 | - | - | - | - | - | 305.00 |
| M63LH Lever Kit | 360 | 114842 | - | 305.00 | 305.00 | 305.00 | 305.00 | - |
| M63LH Lever Kit | 360 | 114844 | - | - | - | - | - | 305.00 |
| M63RH Lever Kit | 360 | 114846 | - | 305.00 | 305.00 | 305.00 | 305.00 | - |
| M63RH Lever Kit | 360 | 114848 | - | - | - | - | - | 305.00 |
| M81 Lever Kit | 360 | 051924 | - | 305.00 | 305.00 | 305.00 | 305.00 | - |
| M81 Lever Kit | 360 | 051926 | - | - | - | - | - | 305.00 |
| M82 Lever Kit | 360 | 051932 | - | 305.00 | 305.00 | 305.00 | 305.00 | - |
| M82 Lever Kit | 360 | 051934 | - | - | - | - | - | 305.00 |
| M83 Lever Kit | 360 | 114830 | - | 305.00 | 305.00 | 305.00 | 305.00 | - |
| M83 Lever Kit | 360 | 114832 | - | - | - | - | - | 305.00 |
| M84 Lever Kit | 360 | 114850 | - | 305.00 | 305.00 | 305.00 | 305.00 | - |
| M84 Lever Kit | 360 | 114852 | - | - | - | - | - | 305.00 |
| M85LH Lever Kit | 360 | 114834 | - | 305.00 | 305.00 | 305.00 | 305.00 | - |
| M85LH Lever Kit | 360 | 114836 | - | - | - | - | - | 305.00 |
| M85RH Lever Kit | 360 | 114838 | - | 305.00 | 305.00 | 305.00 | 305.00 | - |
| M85RH Lever Kit | 360 | 114840 | - | - | - | - | - | 305.00 |
| #03 SS Lever Kit | 360 | 051861 | - | - | - | - | - | 284.00 |
| #06 SS Lever Kit | 360 | 051863 | - | - | - | - | - | 284.00 |
| #17 SS Lever Kit | 360 | 051865 | - | - | - | - | - | 284.00 |
| LAT SS Lever Kit | 360 | 051867 | - | - | - | - | - | 284.00 |
| LON SS Lever Kit | 360 | 051869 | - | - | - | - | - | 284.00 |
| Thumbturn Kit | 374/376/377 | 050592 | - | 200.00 | 200.00 | 200.00 | 308.00 | - |
| Thumbturn Kit | 360 | 050593 | - | 200.00 | 200.00 | 200.00 | 308.00 | - |
| Backplate | 360 | 050595 | 20.00 | - | - | - | - | - |
| Backplate LHR | 371/3/4/5/6/7/8 | 050596 | 20.00 | - | - | - | - | - |
| Backplate RHR | 371/3/4/5/6/7/8 | 050597 | 20.00 | - | - | - | - | - |
| Backplate LDT | 373/375 | 050598 | 20.00 | - | - | - | - | - |

✓ US15 finish available with Series 35 and 98 controls, only.

Prices subject to change without notice.

360/370 Series Controls - Parts (continued)

| Description | Model | Part. No. | Non-Finished | US10B, US26D | US4 | US10, US19, SPBLK | US3, US26 |
|---------------------------------------|---------------------|-----------|--------------|--------------|-------|-------------------|-----------|
| NL Cylinder Plate | 371/3/4/5/6/7/8 | 050599 | 15.00 | - | - | - | - |
| TL Cylinder Plate | 371/3/4/5/6/7/8 | 050600 | 15.00 | - | - | - | - |
| Cylinder Lock Nut & Washer | 371/3/4/5/6/7/8 | 109111 | 20.00 | - | - | - | - |
| Cylinder Locknut | 360 | 050526 | 13.00 | - | - | - | - |
| Cylinder Lock Pkg/2 | 371/3/4/5/6/7/8 | 090090 | 12.00 | - | - | - | - |
| Cylinder Auxiliary Package | 360 | 900622 | 28.00 | - | - | - | - |
| Lever Adjustment Block | 371/3/4/5/6/7/8 | 050576 | 12.00 | - | - | - | - |
| Lever Bushing | 360L | 050579 | 12.00 | - | - | - | - |
| Lever Bushing | 371/373/375/378 | 050601 | 12.00 | - | - | - | - |
| Lever Control Spring LHR Pkg/4 | 371/373/375/378 | 090091 | 15.00 | - | - | - | - |
| Lever Control Spring RHR Pkg/4 | 371/373/375/378 | 090092 | 15.00 | - | - | - | - |
| Lever Return Spring Pkg/2 | 360L/L-BE | 090093 | 15.00 | - | - | - | - |
| Lever Shaft Lock | 371/373/375/378 | 050602 | 12.00 | - | - | - | - |
| Lever Spindle | 373 | 967480 | 12.00 | - | - | - | - |
| Lever Stop Block | 373/375 | 050603 | 12.00 | - | - | - | - |
| Mounting Stud Pkg/2 | 360 | 090094 | 12.00 | - | - | - | - |
| Mounting Stud Pkg/2 | 371/373/378 | 090095 | 12.00 | - | - | - | - |
| Mounting Stud Pkg/2 | 374/376/377 | 090096 | 12.00 | - | - | - | - |
| Cam - Input | 360L/L-BE | 050604 | 11.00 | - | - | - | - |
| Cam - Output | 360 | 050605 | 31.00 | - | - | - | - |
| Cam - Vertical Rod | 371/374/376/377 | 050606 | 28.00 | - | - | - | - |
| Cam Retaining Screw (Pkg/4) | 371/373/375/378 | 090097 | 12.00 | - | - | - | - |
| Dogging Spring and Guide Kit | 371/3/4/5/6/7/8 | 050607 | 12.00 | - | - | - | - |
| Locking Member | 360 | 050608 | 37.00 | - | - | - | - |
| Mortise Adaptor | 373/375 | 050609 | 47.00 | - | - | - | - |
| Pin - Spirol 3/32 x 19/32 Pkg/4 | 373/375 | 090098 | 12.00 | - | - | - | - |
| Shear Pin Kit | 360 | 050611 | 12.00 | - | - | - | - |
| Pine Tree Clip Pkg/10 | 360 | 090099 | 11.00 | - | - | - | - |
| Rub Plate | 374/377 | 050612 | - | 75.00 | 81.00 | 81.00 | 81.00 |
| Short Arm Hex Wrench 1/8" | 374/377 | 050613 | 13.00 | - | - | - | - |
| Short Hex Key 3/32" | 371/376 | 050614 | 12.00 | - | - | - | - |
| Socket Set Screw 1/4-20 x 1/4 | 374/377 | 090100 | 12.00 | - | - | - | - |
| Socket Set Screw 10-32 x 1/4 Pkg/10 | 360 | 090101 | 12.00 | - | - | - | - |
| Spring - Locking Torsion | 360 | 050615 | 9.00 | - | - | - | - |
| Tailpiece | 360 | 050587 | 10.00 | - | - | - | - |
| Tailpiece Guide Pkg/10 | 360 | 050156 | 19.00 | - | - | - | - |
| Thumbturn Control Spring & Washer Kit | 374/376/377 | 050616 | 15.00 | - | - | - | - |
| Thumbturn Sleeve | 374/376/377 | 050619 | 39.00 | - | - | - | - |
| Washer - Bearing | 371/3/4/5/6/7/8 | 050621 | 28.00 | - | - | - | - |
| Washer - Locking Pkg/10 | 371/373/375 | 090102 | 12.00 | - | - | - | - |
| Washer - Wave Spring Pkg/10 | 360/371/373/375/378 | 090103 | 11.00 | - | - | - | - |
| Screw Package 1 3/4" Dr | 371/373/378 | 900807 | - | 20.00 | 20.00 | 20.00 | 20.00 |
| Screw Package 2 1/4" Dr | 371/373/378 | 900808 | - | 28.00 | 28.00 | 28.00 | 28.00 |
| Screw Package 1 3/4" Dr | 374/376/377 | 900809 | - | 20.00 | 20.00 | 20.00 | 20.00 |
| Screw Package 2 1/4" Dr | 374/376/377 | 900810 | - | 28.00 | 28.00 | 28.00 | 28.00 |
| Screw Package 1 3/4" Dr | 375 | 900883 | - | 20.00 | 20.00 | 20.00 | 20.00 |
| Screw Package 2 1/4" Dr | 375 | 900884 | - | 28.00 | 28.00 | 28.00 | 28.00 |
| WDC Cover Plate 1 3/4" | 376T-WDC | 900555 | - | 48.00 | 61.00 | 48.00 | 113.00 |
| WDC Cover Plate 2 1/4" | 376T-WDC | 900556 | - | 48.00 | 61.00 | 48.00 | 113.00 |

Prices subject to change without notice.

| Description | Part. No. | List Price | |
|---|-----------|--------------|-------------|
| | | Non-Finished | SP28, SP313 |
| 210/230 Series Trims | | | |
| 230DT x 330/350 Screw Package 1 3/4" Dr | 050140 | — | 15.00 |
| 230DT x 330/350 Screw Package 2 1/4" Dr | 050141 | — | 15.00 |
| ** 230L Shearpin Replacement Kit Pkg/10 | 050148 | 35.00 | — |
| 230L Cylinder Locknut | 050526 | 13.00 | — |
| 210K Bracket & Booster Assembly | 109871 | 63.00 | — |
| 210K Spiral Cam Sub-Assembly | 109872 | 47.00 | — |
| 210K Cylinder Knob Sub-Assembly | 109873 | — | 117.00 |
| 210K Trim Sub-Assembly | 109879 | — | 119.00 |
| 210K Rose, Hub and Cap Assy | 110343 | — | 39.00 |
| 230L Tailpiece Auxiliary | 900894 | 19.00 | — |
| 210K Wave Spring Washer Pkg/10 | 090103 | 11.00 | — |
| ** 230L Retaining Ring | 964334 | 12.00 | — |
| 210/230 Cylinder Retaining Cup | 968201 | 19.00 | — |
| 210/230 Cylinder Cup & Tailpiece Lead Pkg | 900581 | 12.00 | — |
| 210/230 Tailpiece Guide Lead Pkg/10 | 050156 | 19.00 | — |
| 210K Knob Spacer | 969140 | 15.00 | — |
| 210K Knob | 969157 | — | 31.00 |
| 210K-BE Knob | 969352 | — | 20.00 |
| 230TP Cam | 969903 | 12.00 | — |
| 230TP Slider | 969904 | 12.00 | — |
| 230TP Locking Cam | 969906 | 12.00 | — |
| 230TP Locking Cam Latch | 969908 | 19.00 | — |
| 230TP Compression Spring | 969909 | 12.00 | — |
| 230TP Thumbpiece | 969910 | — | 70.00 |
| 210K/L Spindle Shaft | 970979 | 12.00 | — |
| 230L Stud | 971245 | 13.00 | — |
| 230L Cylinder Collar | 971249 | — | 24.00 |
| ** 230L Lever Cam | 971257 | 18.00 | — |
| 230L Locking Plunger | 971497 | 12.00 | — |
| 230L Locking Slider | 971259 | 9.00 | — |
| * 230L Lever Cam | 050813 | 12.00 | — |
| * 230L Shear Pin Kit w/ Retaining Pin | 050611 | 12.00 | — |

* For 230L trim shipped after 3/3/14
 ** For 230L trim shipped before 3/3/14

| Description | Part. No. | List Price | |
|-----------------------------------|-----------|--------------|--|
| | | Non-Finished | |
| 386/388 Series Trims | | | |
| 386 Housing Retainer Pkg/2 | 090104 | 11.00 | |
| 386/388 Cylinder Retainer Pkg | 900624 | 19.00 | |
| 386 Mounting Stud Kit | 050584 | 13.00 | |
| 386 Mounting Stud Set Screw Pkg/2 | 090105 | 9.00 | |
| 388 Mounting Stud Pkg/2 | 090106 | 13.00 | |
| 392-6 Mounting Package | 900955 | 13.00 | |

Prices subject to change without notice.

Trims - Parts (continued)

| Description | Part. No. | Non-Finished | List Price | | | | US3, US26, SPBLK |
|--|-----------|--------------|------------|--------|--------|--------|------------------------|
| | | | US26D | US10B | US10 | US4 | |
| 550/110 Series Trims | | | | | | | |
| 555/556 Cylinder Disc & Cam Assembly | 101212 | 183.00 | - | - | - | - | - |
| 550/555/556 Pull Bar Assembly | 108705 | - | 222.00 | 230.00 | 294.00 | 222.00 | 294.00 |
| 550DT Screw Package | 900760 | - | 52.00 | 52.00 | 52.00 | 52.00 | 52.00 |
| 555NL Screw Package | 900761 | 52.00 | - | - | - | - | - |
| 556NL Screw Package | 900784 | - | 13.00 | 13.00 | 13.00 | 13.00 | 13.00 |
| 556 Rod Member | 952820 | 121.00 | - | - | - | - | - |
| 550/555/556 Special Cylinder Screw - 1 3/4" Door | 959055 | 12.00 | - | - | - | - | - |
| 550/555/556 Special Cylinder Screw - 2 1/4" Door | 959056 | 12.00 | - | - | - | - | - |
| 550/555/556 Hex Stud | 959560 | 12.00 | - | - | - | - | - |
| 555 Cylinder Latch Release RH | 959563 | 47.00 | - | - | - | - | - |
| 555NL-MD Cylinder Spacer Collar - 1 3/4" Door | 960003 | 28.00 | - | - | - | - | - |
| 110NL Cylinder Spacer Collar | 960060 | 47.00 | - | - | - | - | - |
| 555 Cylinder Latch Release LH | 960109 | 47.00 | - | - | - | - | - |
| 110NL-WD Cylinder Spacer Collar | 960316 | 47.00 | - | - | - | - | - |
| 555NL Cylinder Spacer Collar - 2 1/4" Door | 960317 | 28.00 | - | - | - | - | - |
| 556NL Cylinder Spacer Collar - 1 3/4" Door | 960676 | 28.00 | - | - | - | - | - |
| 556NL Cylinder Spacer Collar - 2 1/4" Door | 960689 | 28.00 | - | - | - | - | - |
| 550/555/556 Sex Bolt Extension | 960902 | 13.00 | - | - | - | - | - |
| 110NL Cylinder Assembly Countersink Washer | 961180 | 13.00 | - | - | - | - | - |
| 555NL Cylinder Assembly Cylinder Base | 961280 | - | 54.00 | 53.00 | 53.00 | 49.00 | 53.00 |
| 1/8" Short Arm Hex Wrench | 050613 | 13.00 | - | - | - | - | - |
| 556 3/32 Short Hex Key | 050614 | 12.00 | - | - | - | - | - |
| 550/555/556 Socket Set Screw | 963581 | 12.00 | - | - | - | - | - |
| 550/555/556 Pull Base | 965310 | - | 75.00 | 75.00 | 82.00 | 75.00 | 82.00 |
| 555/556 Cylinder Pull Base | 965312 | - | 58.00 | 58.00 | 69.00 | 53.00 | 69.00 |
| 550/555/556 Cylinder Hole Cover | 965317 | - | 54.00 | 54.00 | 84.00 | 54.00 | 84.00 |
| 556NL Cylinder Assembly Cylinder Base | 966985 | - | 121.00 | 121.00 | 141.00 | 121.00 | 141.00 |
| 110NL-MD Cylinder Collar | 967291 | - | 51.00 | 51.00 | 58.00 | 51.00 | 58.00 |
| 110NL Cylinder Assembly Cylinder Disc | 971593 | 69.00 | - | - | - | - | - |

880/606/608 Series Trims *

| | | | | | | | |
|-------------------------------------|--------|-------|--------|--------|--------|--------|--------|
| 216D Cylinder Anchor Plate 880 Trim | 032114 | 17.00 | - | - | - | - | - |
| 606K/880K Orbit Knob Assembly | 110544 | - | 177.00 | 177.00 | 177.00 | 177.00 | 266.00 |
| 606K/880K Orbit Knob Assembly (DT) | 110547 | - | 177.00 | 177.00 | 177.00 | 177.00 | 266.00 |
| 880 Screw Package 2 1/4" Dr | 900531 | - | 20.00 | 29.00 | 20.00 | 20.00 | 20.00 |
| 880 Screw Package 1 3/4" Dr | 900533 | - | 12.00 | 28.00 | 13.00 | 13.00 | 13.00 |
| 880-V Screw Package Trim | 900542 | 12.00 | - | - | - | - | - |
| 880 Screw Package (Bottom Stud) | 900771 | - | 12.00 | 12.00 | 12.00 | 12.00 | 12.00 |
| 880DT-V SA Screw Package | 900783 | - | 15.00 | 15.00 | 15.00 | 15.00 | 15.00 |
| 606DT/NL/TP Screw Package | 900772 | - | 12.00 | 12.00 | 12.00 | 12.00 | 12.00 |
| 606K/606K-DT Screw Package | 900782 | - | 15.00 | 15.00 | 15.00 | 15.00 | 15.00 |
| 608 Screw Package | 900776 | - | 13.00 | 13.00 | 13.00 | 13.00 | 13.00 |
| 880 Series Hex Stud | 956760 | 12.00 | - | - | - | - | - |
| 880 Pull Grip | 972467 | - | - | 127.00 | - | 105.00 | 169.00 |
| 880 Pull Grip | 972466 | - | 127.00 | - | - | - | - |
| 880-M/V Thumbpiece | 959575 | - | 67.00 | 67.00 | 61.00 | 61.00 | 94.00 |
| 880 Thumbpiece Axle | 959603 | 12.00 | - | - | - | - | - |

* For Trims shipped after October 1989. Otherwise, see service replacement page 168.

Prices subject to change without notice.

| Description | Part. No. | Non-Finished | List Price | | | | | US3, US15, US26, *US32 SPBLK |
|----------------------------------|-----------|--------------|------------------|-------|-------|-------|-------|--|
| | | | US26D, *US32D | US10B | US10 | US4 | | |
| 880/606/608 Series Trims* | | | | | | | | |
| 880-M Cylinder Collar | 961267 | - | 44.00 | 44.00 | 52.00 | 44.00 | 52.00 | |
| 880DT-V-SA 12-24 x 1/2" UFPHMS | 963011 | 11.00 | - | - | - | - | - | |
| 606K/880K Roll Pin (3-32 x 7/8) | 963196 | 11.00 | - | - | - | - | - | |
| 880NL/DT 12-24 x 3/8" UFPHMS | 963579 | 12.00 | - | - | - | - | - | |
| 606K/880K 3/8" Lockwasher | 963703 | 11.00 | - | - | - | - | - | |
| 606K/880K-DT/K-NL Hex Nut | 963704 | 11.00 | - | - | - | - | - | |
| 880-R Cylinder Collar | 965226 | - | 44.00 | 44.00 | 52.00 | 44.00 | 52.00 | |
| 880 TP Bracket Screw | 965237 | 11.00 | - | - | - | - | - | |
| 606/880 DT Spindle Lock | 965568 | 11.00 | - | - | - | - | - | |
| Extended Spindle - 880K | 968883 | 193.00 | - | - | - | - | - | |
| 880TP Thumbpiece Bracket | 969353 | 12.00 | - | - | - | - | - | |
| 880K Booster Body | 970137 | 31.00 | - | - | - | - | - | |
| 880K Booster Torsion Spring | 970138 | 11.00 | - | - | - | - | - | |
| 880K Booster Spacer | 970139 | 11.00 | - | - | - | - | - | |
| 880K Flange Bearing - 880K | 970159 | 13.00 | - | - | - | - | - | |
| 608/880TP-R Thumbpiece | 970488 | - | 67.00 | 67.00 | 94.00 | 61.00 | 94.00 | |

* For Trims shipped after October 1989. Otherwise, see service replacement page 168.

990/996 Series Trim

| | | | | | | | |
|---|--------|---|--------|--------|--------|--------|--------|
| #01 Lever - 992 RMV/994/996 L-DT/L-NL | 050001 | - | 209.00 | 209.00 | 235.00 | 209.00 | 284.00 |
| #02 Lever - 992 RMV/994/996 L-DT/L-NL | 050002 | - | 209.00 | 209.00 | 235.00 | 209.00 | 284.00 |
| #03 Lever - 992 RMV/994/996 L-DT/L-NL | 050003 | - | 209.00 | 209.00 | 235.00 | 209.00 | 284.00 |
| #05 Lever - 992 RMV/994/996 L-DT/L-NL | 050008 | - | 209.00 | 209.00 | 235.00 | 209.00 | 284.00 |
| #06 Lever - 992 RMV/994/996 L-DT/L-NL | 050006 | - | 209.00 | 209.00 | 235.00 | 209.00 | 284.00 |
| #07 Lever - 992 RMV/994/996 L-DT/L-NL | 050007 | - | 209.00 | 209.00 | 235.00 | 209.00 | 284.00 |
| #12 Lever - 992 RMV/994/996 L-DT/L-NL (RHR) | 050012 | - | 209.00 | 209.00 | 235.00 | 209.00 | 284.00 |
| #12 Lever - 992 RMV/994/996 L-DT/L-NL (LHR) | 050013 | - | 209.00 | 209.00 | 235.00 | 209.00 | 284.00 |
| #16 Lever - 992 RMV/994/996 L-DT/L-NL | 050009 | - | 209.00 | 209.00 | 235.00 | 209.00 | 284.00 |
| #17 Lever - 992 RMV/994/996 L-DT/L-NL | 050017 | - | 209.00 | 209.00 | 235.00 | 209.00 | 284.00 |
| #18 Lever - 992 RMV/994/996 L-DT/L-NL | 050010 | - | 209.00 | 209.00 | 235.00 | 209.00 | 284.00 |
| #01 Lever - 994/996 RMV L/L-BE | 050732 | - | 209.00 | 209.00 | 235.00 | 209.00 | 284.00 |
| #02 Lever - 994/996 RMV L/L-BE | 050733 | - | 209.00 | 209.00 | 235.00 | 209.00 | 284.00 |
| #03 Lever - 994/996 RMV L/L-BE | 050734 | - | 209.00 | 209.00 | 235.00 | 209.00 | 284.00 |
| #05 Lever - 994/996 RMV L/L-BE | 050735 | - | 209.00 | 209.00 | 235.00 | 209.00 | 284.00 |
| #06 Lever - 994/996 RMV L/L-BE | 050736 | - | 209.00 | 209.00 | 235.00 | 209.00 | 284.00 |
| #07 Lever - 994/996 RMV L/L-BE | 050737 | - | 209.00 | 209.00 | 235.00 | 209.00 | 284.00 |
| #12 Lever - 994/996 RMV L/L-BE RHR | 050738 | - | 209.00 | 209.00 | 235.00 | 209.00 | 284.00 |
| #12 Lever - 994/996 RMV L/L-BE LHR | 050739 | - | 209.00 | 209.00 | 235.00 | 209.00 | 284.00 |
| #16 Lever - 994/996 RMV L/L-BE | 050740 | - | 209.00 | 209.00 | 235.00 | 209.00 | 284.00 |
| #17 Lever - 994/996 RMV L/L-BE | 050741 | - | 209.00 | 209.00 | 235.00 | 209.00 | 284.00 |
| #18 Lever - 994/996 RMV L/L-BE | 050742 | - | 209.00 | 209.00 | 235.00 | 209.00 | 284.00 |
| LON Lever - 996 RMV L/L-BE/L-DT/L-NL | 051874 | - | 209.00 | 209.00 | 235.00 | 209.00 | 284.00 |
| LAT Lever - 996L RMV L/L-BE/L-DT/L-NL | 051872 | - | 209.00 | 209.00 | 235.00 | 209.00 | 284.00 |

✓ US15 finish available with device series 98 trims

Prices subject to change without notice.

Trims - Parts (continued)

| Description | Part. No. | Non-Finished | List Price | | | | | US3, US15, US26, SPBLK | US32 US32D |
|---|-----------|--------------|------------|--------|--------|--------|--------|---------------------------------|---------------|
| | | | US26D | US10B | US10 | US4 | US4 | | |
| 990/996 Series Trim (continued) | | | | | | | | | |
| M51 Lever Kit - 996 RMV | 114811 | - | 305.00 | 305.00 | 305.00 | 305.00 | 305.00 | - | |
| M51 Lever Kit - 996 RMV | 114813 | - | - | - | - | - | - | 305.00 | |
| M52 Lever Kit - 996 RMV | 051921 | - | 305.00 | 305.00 | 305.00 | 305.00 | 305.00 | - | |
| M52 Lever Kit - 996 RMV | 051923 | - | - | - | - | - | - | 305.00 | |
| M53 Lever Kit - 996 RMV | 051929 | - | 305.00 | 305.00 | 305.00 | 305.00 | 305.00 | - | |
| M53 Lever Kit - 996 RMV | 051931 | - | - | - | - | - | - | 305.00 | |
| M54 Lever Kit - 996 RMV | 114827 | - | 305.00 | 305.00 | 305.00 | 305.00 | 305.00 | - | |
| M54 Lever Kit - 996 RMV | 114829 | - | - | - | - | - | - | 305.00 | |
| M55 Lever Kit - 996 RMV | 051937 | - | 305.00 | 305.00 | 305.00 | 305.00 | 305.00 | - | |
| M55 Lever Kit - 996 RMV | 051939 | - | - | - | - | - | - | 305.00 | |
| M56 Lever Kit - 996 RMV | 114823 | - | 305.00 | 305.00 | 305.00 | 305.00 | 305.00 | - | |
| M56 Lever Kit - 996 RMV | 114825 | - | - | - | - | - | - | 305.00 | |
| M57 Lever Kit - 996 RMV | 051915 | - | - | - | - | - | - | 305.00 | |
| M61LH Lever Kit - 996 RMV | 114815 | - | 305.00 | 305.00 | 305.00 | 305.00 | 305.00 | - | |
| M61LH Lever Kit - 996 RMV | 114817 | - | - | - | - | - | - | 290.00 | |
| M61RH Lever Kit - 996 RMV | 114819 | - | 305.00 | 305.00 | 305.00 | 305.00 | 305.00 | - | |
| M61RH Lever Kit - 996 RMV | 114821 | - | - | - | - | - | - | 305.00 | |
| M62LH Lever Kit - 996 RMV | 051917 | - | - | - | - | - | - | 305.00 | |
| M62RH Lever Kit - 996 RMV | 051919 | - | - | - | - | - | - | 305.00 | |
| M63LH Lever Kit - 996 RMV | 114843 | - | 305.00 | 305.00 | 305.00 | 305.00 | 305.00 | - | |
| M63LH Lever Kit - 996 RMV | 114845 | - | - | - | - | - | - | 305.00 | |
| M63RH Lever Kit - 996 RMV | 114847 | - | 305.00 | 305.00 | 305.00 | 305.00 | 305.00 | - | |
| M63RH Lever Kit - 996 RMV | 114849 | - | - | - | - | - | - | 305.00 | |
| M81 Lever Kit - 996 RMV | 051925 | - | 305.00 | 305.00 | 305.00 | 305.00 | 305.00 | - | |
| M81 Lever Kit - 996 RMV | 051927 | - | - | - | - | - | - | 305.00 | |
| M82 Lever Kit - 996 RMV | 051933 | - | 305.00 | 305.00 | 305.00 | 305.00 | 305.00 | - | |
| M82 Lever Kit - 996 RMV | 051935 | - | - | - | - | - | - | 305.00 | |
| M83 Lever Kit - 996 RMV | 114831 | - | 305.00 | 305.00 | 305.00 | 305.00 | 305.00 | - | |
| M83 Lever Kit - 996 RMV | 114833 | - | - | - | - | - | - | 305.00 | |
| M84 Lever Kit - 996 RMV | 114851 | - | 305.00 | 305.00 | 305.00 | 305.00 | 305.00 | - | |
| M84 Lever Kit - 996 RMV | 114853 | - | - | - | - | - | - | 305.00 | |
| M85LH Lever Kit - 996 RMV | 114835 | - | 305.00 | 305.00 | 305.00 | 305.00 | 305.00 | - | |
| M85LH Lever Kit - 996 RMV | 114837 | - | - | - | - | - | - | 305.00 | |
| M85RH Lever Kit - 996 RMV | 114839 | - | 305.00 | 305.00 | 305.00 | 305.00 | 305.00 | - | |
| M85RH Lever Kit - 996 RMV | 114841 | - | - | - | - | - | - | 305.00 | |
| #03 SS Lever Kit - 996L | 051862 | - | - | - | - | - | - | 284.00 | |
| #06 SS Lever Kit - 996L | 051864 | - | - | - | - | - | - | 284.00 | |
| #17 SS Lever Kit - 996L | 051866 | - | - | - | - | - | - | 284.00 | |
| LON SS Lever Kit - 996L | 051870 | - | - | - | - | - | - | 284.00 | |
| LAT SS Lever Kit - 996L | 051868 | - | - | - | - | - | 284.00 | 284.00 | |
| 990 x 330/350 Screw Package 1 3/4" Door | 050140 | - | 15.00 | 15.00 | 15.00 | 15.00 | 15.00 | - | |
| 990 x 330/350 Screw Package 2 1/4" Door | 050141 | - | 15.00 | 15.00 | 15.00 | 15.00 | 15.00 | - | |
| Tailpiece Guide Lead Kit Pkg/10 | 050156 | 19.00 | - | - | - | - | - | - | |
| Wave Spring Washer - 992L Pkg/10 | 090103 | 11.00 | - | - | - | - | - | - | |

✓ US15 finish available with device series 98 trims

Prices subject to change without notice.

| Description | Part. No. | List Price Non-Finished | List Price | | | | | | US3, US15, US26, SPBLK | US32 US32D |
|--|------------|----------------------------|------------|--------|--------|--------|--------|-----|---------------------------------|---------------|
| | | | US26D | US10B | US10 | US4 | US4 | US4 | | |
| 990/996 Series Trim (continued) | | | | | | | | | | |
| Orbit Knob Assembly - 991K | 110537 | - | 119.00 | 141.00 | 192.00 | 159.00 | 203.00 | - | - | - |
| Slider Sub-Assembly - 991K-R/V | 110768 | 125.00 | - | - | - | - | - | - | - | - |
| Slider Sub-Assembly - 992L-R/V | 110769 | 138.00 | - | - | - | - | - | - | - | - |
| Slider Sub-Assembly - 994/996L-R/V | 111869 | 159.00 | - | - | - | - | - | - | - | - |
| Slider Sub-Assembly - 994/996L-M | 112462 | 159.00 | - | - | - | - | - | - | - | - |
| 990 Screw Package 1 3/4" - 2 1/4" Door | 900853 | - | 28.00 | 28.00 | 28.00 | 28.00 | 28.00 | - | - | - |
| 991/992/994/996 Screw Package | 900920 | 12.00 | - | - | - | - | - | - | - | - |
| Cam-996 | 971132 | 35.00 | - | - | - | - | - | - | - | - |
| 392-7 Mounting Pack | 900954 | - | 13.00 | - | - | - | - | - | - | - |
| Hex Stud - 990 Trim | 956760 | 12.00 | - | - | - | - | - | - | - | - |
| Pull Grip - 990 | 972467 | - | - | 127.00 | - | 105.00 | 169.00 | - | - | - |
| Pull Grip - 990 | 972466 | - | 127.00 | - | - | - | - | - | - | - |
| Thumbpiece - 696/990-M | 959575 | - | 67.00 | 67.00 | 61.00 | 61.00 | 94.00 | - | - | - |
| Thumbpiece Axle - 696/990 | 959603 | 12.00 | - | - | - | - | - | - | - | - |
| Cylinder Collar - 696/990-M | 961267 | - | 44.00 | 44.00 | 52.00 | 44.00 | 52.00 | - | - | - |
| Flat Washer - 992K-DT/NL/BE/992L | 963105 | 13.00 | - | - | - | - | - | - | - | - |
| 12-24 x 3/8" UFPHMS - 990NL/DT | 963579 | 12.00 | - | - | - | - | - | - | - | - |
| Retaining Ring - 991K | 963767 | 12.00 | - | - | - | - | - | - | - | - |
| Retaining Ring - 992L | 964097 | 12.00 | - | - | - | - | - | - | - | - |
| 10-24 x 1/2" Socket Set Cap Screw | 964183 | 12.00 | - | - | - | - | - | - | - | - |
| Retaining Ring - 991K-DT/NL/BE/992L | 964285 | 12.00 | - | - | - | - | - | - | - | - |
| 1/4-20 x 5/8" Socket Set Screw | 964353 | 12.00 | - | - | - | - | - | - | - | - |
| Cylinder Collar - 990-R | 965226 | - | 44.00 | 44.00 | 52.00 | 44.00 | 52.00 | - | - | - |
| TP Bracket Screw - 990TP | 965237 | 11.00 | - | - | - | - | - | - | - | - |
| Cylinder Retaining Cup - 990/996 Trim | 968201 | 19.00 | - | - | - | - | - | - | - | - |
| Spring - 991K | 969012 | 12.00 | - | - | - | - | - | - | - | - |
| Thumbpiece Bracket - 990TP | 969353 | 12.00 | - | - | - | - | - | - | - | - |
| R&V Finger - 991K/992L | 969545 | 15.00 | - | - | - | - | - | - | - | - |
| DT Yoke - 991K/992L (DT and NL) | 970117 | 81.00 | - | - | - | - | - | - | - | - |
| Flange Bearing - 991K | 970159 | 13.00 | - | - | - | - | - | - | - | - |
| Thumbpiece - 990TP-R | 970488 | - | 67.00 | 67.00 | 94.00 | 61.00 | 94.00 | - | - | - |
| Slider Sub-Assembly - 992L-M | 971012 | 138.00 | - | - | - | - | - | - | - | - |
| DT Cam Pin - 992/994/996 | 971015 | 13.00 | - | - | - | - | - | - | - | - |
| Hex Stud - 991K/992L | 971440 | 12.00 | - | - | - | - | - | - | - | - |
| Lift Spring - 992/994 | 971573 | 7.50 | - | - | - | - | - | - | - | - |
| Shear Pin Kit - 992/994/996 w/retaining ring | 050611 | 12.00 | - | - | - | - | - | - | - | - |
| Mounting Stud - 994/996 | 971585 | 12.00 | - | - | - | - | - | - | - | - |
| E996 Mort Conv to E Kit | 050673 | 693.00 | - | - | - | - | - | - | - | - |
| E996 R/VC Conv to E Kit | 050672 | 667.00 | - | - | - | - | - | - | - | - |
| E996 Locking Mech Kit (includes solenoid) | 050671 | 417.00 | - | - | - | - | - | - | - | - |
| E996 Wire Harness (Cable) | CABLE10038 | 43.00 | - | - | - | - | - | - | - | - |
| E996 Solenoid Kit | 050814 | 112.00 | - | - | - | - | - | - | - | - |
| Lever Bushing | 050579 | 12.00 | - | - | - | - | - | - | - | - |

✓ US15 finish available with device series 98 trims, only.

Prices subject to change without notice.

Trims - Parts (continued)

| Description | Part. No. | Non-Finished | List Price | | | | US3, US26, SPBLK |
|--|-----------|--------------|------------|-----------------|--------|--------|------------------------|
| | | | US26D | SP313, US10B | US10 | US4 | |
| Optional Trim | | | | | | | |
| 696/697DT x 330/350 Screw Package 1 3/4" Dr | 050142 | - | 15.00 | 15.00 | 15.00 | 15.00 | 15.00 |
| 696/697DT x 330/350 Screw Package 2 1/4" Dr | 050143 | - | 15.00 | 15.00 | 15.00 | 15.00 | 15.00 |
| 696/697 Cylinder Hardware Assembly 1 3/4" Dr | 109369 | - | 94.00 | 94.00 | 141.00 | 121.00 | 160.00 |
| 696/697 Cylinder Hardware Assembly 2 1/4" Dr | 109130 | - | 94.00 | 94.00 | 141.00 | 121.00 | 160.00 |
| 696/697 Screw Package 1 3/4" Door | 900839 | - | 12.00 | 12.00 | 12.00 | 12.00 | 12.00 |
| 696/697 Screw Package 2 1/4" Door | 900840 | - | 12.00 | 12.00 | 12.00 | 12.00 | 12.00 |
| Pull Grip - 608/696 Trim | 972467 | - | - | 127.00 | - | 105.00 | 169.00 |
| Pull Grip - 608/696 Trim | 972466 | - | 127.00 | - | - | - | - |
| Thumbpiece - 608 Trim | 959575 | - | 67.00 | 67.00 | 61.00 | 61.00 | 94.00 |
| Thumbpiece Axle - 608 Trim | 959603 | 12.00 | - | - | - | - | - |
| Sex Bolt Extension - 606/608 Trim | 960902 | 13.00 | - | - | - | - | - |
| Thumbpiece Bracket - 608TP-R/V | 960921 | 22.00 | - | - | - | - | - |
| 3/8" Lockwasher - 606K | 963703 | 11.00 | - | 11.00 | - | - | - |
| Hex Nut - 606K-DT/K-NL | 963704 | 11.00 | - | - | - | - | - |
| 1/4-20 3/4" Socket Set Screw | 964355 | 12.00 | - | - | - | - | - |
| Thumbpiece Bracket - 608TP-M | 965130 | 49.00 | - | - | - | - | - |
| Sex Bolt Head - 606/608 Trim | 967329 | - | 15.00 | 15.00 | 15.00 | 15.00 | 15.00 |
| Pull Grip - 697 Trim | 968694 | - | 215.00 | 215.00 | 215.00 | 215.00 | 250.00 |
| Sex Bolt Head - 696/697 Trim | 968918 | - | 15.00 | 15.00 | 15.00 | 15.00 | 15.00 |
| Hex Stud - 696/697 Trim | 969091 | 12.00 | - | - | - | - | - |
| Sex Bolt Extension - 696/697 Trim | 969092 | 15.00 | - | - | - | - | - |
| Thumbpiece - 608TP-R | 970488 | - | 67.00 | 67.00 | 94.00 | 61.00 | 94.00 |
| Thumbpiece - 696/697-R/V | 970491 | - | 67.00 | 67.00 | 94.00 | 61.00 | 94.00 |
| 334 Cylinder Collar | 961267 | - | 44.00 | 44.00 | 52.00 | 44.00 | 52.00 |
| 940 Trim Cam Service Kit | 040171 | 126.00 | - | - | - | - | - |
| 940 Tail Oiece Mounting Package | 900390 | 21.00 | - | - | - | - | - |

Prices subject to change without notice.

Parts - Mullions

| Description | Part. No. | List Price | | |
|--|-----------|--------------|-------------|----------------------|
| | | Non-Finished | SP28, SP313 | US4, US10, US28, 313 |
| 5654/5754 Fitting Set | 050130 | - | - | 187.00 |
| 5654/5754 Top Fitting & Cover | 050135 | - | - | 114.00 |
| KR54 Retrofit Kit | 050168 | - | 485.00 | - |
| KR54-F Retrofit Kit | 050169 | - | 533.00 | - |
| 5654/5754 Bottom Fitting | 050190 | - | - | 114.00 |
| 9954 Fitting Set | 050241 | - | 354.00 | - |
| 1654/4954 Fitting Set | 050330 | - | 137.00 | - |
| 1654/4954 Top Fitting & Cover | 050335 | - | 69.00 | - |
| 4754/4854 Fitting Set | 050371 | - | 277.00 | - |
| 4754/4854 Top Electrical Fitting & Cover | 050381 | - | 211.00 | - |
| 9854 Top Mullion Fitting Kit | 050383 | - | 211.00 | - |
| 1654/4754/4854/4954 Bottom Fitting | 050390 | - | 67.00 | - |
| 9854/9954 Top Fitting & Cover | 050391 | - | 177.00 | - |
| 98/9954 Bottom Fitting & Cover | 050392 | - | 177.00 | - |
| KR Mullion Cylinder Lock Nut | 050526 | 13.00 | - | - |
| Weatherstripping (10') Use 2 Per Mullion | 050580 | 29.00 | - | - |
| Mullion (Top) Screw Package | 900400 | 17.00 | - | - |
| Mullion (Bottom) Screw Package | 900402 | 24.00 | - | - |
| KR1654/4954 Mullion Mounting Package | 900409 | - | 72.00 | - |
| KR9854/9954 Mullion Mounting Package | 900410 | - | 60.00 | - |
| 9954 (Bottom) Screw Package | 900411 | 24.00 | - | - |
| 9954 (Top) Screw Package | 900413 | 24.00 | - | - |
| 4754/4854/4954 Top Fitting Cover | 961047 | - | 20.00 | - |
| 5654 Mullion Edging - 7' | 965712 | - | - | 63.00 |
| 5654 Mullion Edging - 8' | 965713 | - | - | 70.00 |
| 5654 Mullion Edging - 10' | 965714 | - | - | 79.00 |
| 9954 Top Fitting Cover | 968645 | - | 20.00 | - |
| KR Inner Mullion Back Cover Plate | 971187 | - | 24.00 | - |
| KR Shim Plate | 971212 | 12.00 | - | - |
| KR-F Shim Plate | 971313 | - | 43.00 | - |
| KR9954 Top Fitting | 971312 | - | 119.00 | - |
| KR9854/9954 Fusible Spacer | 971316 | - | 61.00 | - |
| KR Mullion Cylinder Locking Washer | 971328 | 17.00 | - | - |
| KR1654/4954 Top Fitting | 971340 | - | 104.00 | - |
| MT54 Wall Mounted Storage Kit | 050581 | - | 154.00 | - |
| Female Receptacle Wire Assy | 105988 | 75.00 | - | - |
| Male Receptacle Wire Assy | 105987 | 86.00 | - | - |
| Mullion Stabilizers | 050054 | - | 94.00 | - |

Prices subject to change without notice.

Screw Packs/ Shims/ Miscellaneous

| Description | Part. No. | Non-Finished | List Price | | | |
|---|------------|--------------|------------|--------|-----------------------|------------------------------|
| | | | US32D | US10 | US3, US4, US10B, US32 | SP28, SP313, SP4, SP10, US19 |
| Shims | | | | | | |
| Shim 1409 Strike | 959953 | 16.00 | - | - | - | - |
| Shim 1606 Strike | 961084 | 21.00 | - | - | - | - |
| Shim 248L-4 Strike | 969280 | 13.00 | - | - | - | - |
| Shim 264/299F/499F Strike | 945521 | 12.00 | - | - | - | - |
| Shim 266 Strike | 967333 | - | 50.00 | - | 50.00 | - |
| Shim 299 Strike | 970321 | 12.00 | - | - | - | - |
| Shim 268 Strike Auxilliary Bolt | 967269 | 13.00 | - | - | - | - |
| 909 Strike Shim Pkg/4 | 090108 | 67.00 | - | - | - | - |
| Mullion Stabilizer Shim | 961530 | 12.00 | - | - | - | - |
| 99 Hinge Stile Shim | 971010 | - | - | - | - | 50.00 |
| Screw Packs | | | | | | |
| Screw Package 268/472/473 | 900252 | 13.00 | - | - | - | - |
| Screw Package 1408 | 900253 | 13.00 | - | - | - | - |
| Screw Package 1409/1410/1439 | 900254 | 16.00 | - | - | - | - |
| Screw Package 248L-4/264/266/1606 | 900263 | 13.00 | 13.00 | - | 13.00 | - |
| Screw Package 4263/4582 | 900281 | - | 14.00 | - | 14.00 | - |
| Screw Package 4268 | 900284 | - | 13.00 | 20.00 | 13.00 | - |
| Screw Package 338 | 900285 | 13.00 | - | - | - | - |
| Screw Package 499-F | 900289 | 16.00 | - | - | - | - |
| Screw Package 575/575-2/576/4690 | 900532 | - | 13.00 | 13.00 | 13.00 | - |
| Screw Package 889 Cover Plate | 900820 | - | 16.00 | 16.00 | 16.00 | - |
| Screw Package 99GBK-R x 499F 1 3/4" Dr | 900847 | - | 21.00 | 21.00 | 21.00 | - |
| Screw Package 99GBK-R x 499F 2 1/4" Dr | 900848 | - | 21.00 | 21.00 | 21.00 | - |
| Screw Package 99GBK-R/M/V | 900849 | 20.00 | - | - | - | - |
| Screw Package RG27 | 900888 | 14.00 | - | - | - | - |
| Miscellaneous | | | | | | |
| DL Lubricant 1 oz. | 091091 | 12.00 | - | - | - | - |
| Monitor Strike Spacer Plate - 4263/4268 | 966671 | 16.00 | - | - | - | - |
| Strike Hook 499-F | 661481 | - | 128.00 | 128.00 | 128.00 | - |
| Strike Lockdown Plate 299 | 970323 | 13.00 | - | - | - | - |
| Strike Pop Rivet 1409/1439 | 963074 | 12.00 | - | - | - | - |
| Strike Hook 499-F | 661481 | - | 128.00 | 128.00 | 128.00 | - |
| Strike Pop Rivet 1409/1439 | 963074 | 12.00 | - | - | - | - |
| 1409 Adjusting Block | 959952 | 16.00 | - | - | - | - |
| 1409/1410 Wear Strip | 960012 | 26.00 | - | - | - | - |
| Latch Guard Mounting Bracket | 970472 | 16.00 | - | - | - | - |
| Security Screw Hex Key 5/32" | 010059 | 20.00 | - | - | - | - |
| Security Screw Hex Key 1/8" | 010060 | 20.00 | - | - | - | - |
| Security Screw Hex Key 7/32" | 010061 | 20.00 | - | - | - | - |
| Security Screw Hex Key 3/16" | 010062 | 20.00 | - | - | - | - |
| 299F Strike Adapter | 050996-622 | - | - | - | - | 167.00 |

Prices subject to change without notice.

Maintenance Kit and Replacement Packages

| Description | Part. No. | List Price |
|---|-------------|------------|
| 98/99 Maintenance Kit | 050046 | 1141.00 |
| Control Link Pin Pkg/10 | 090031 | 14.00 |
| 33/35/98/99 Touch Bar Guide Pkg/10 | 090049 | 13.00 |
| NL Drive Screw Pkg/10 | 090074 | 19.00 |
| 98/9927/27-F Auxiliary Bolt Spring Pkg/10 | 090076 | 12.00 |
| Bolt Return Spring Pkg/10 | 090065 | 12.00 |
| #10 External Tooth Lock Washer Pkg/10 | PKGSRV.1007 | 13.00 |
| Top Latch Compression Spring Pkg/10 | 090056 | 12.00 |
| Truarc Retaining Ring T5304-18 Pkg/10 | 090107 | 12.00 |
| Shear Pin - 360/992/994/996 Pkg/50 | PKGSRV.1010 | 61.00 |
| 992L Lift Spring Pkg/20 | PKGSRV.1011 | 23.00 |
| 1/4-20 Hex Stud - 991/992 Pkg/10 | PKGSRV.1012 | 29.00 |
| Truarc Retaining Ring 5160-42 Pkg/10 | PKGSRV.1013 | 19.00 |
| 10-32 X 1/4" UFPHMS w/Nylock Pkg/6 | 090059 | 12.00 |
| 10-24 x 3/4" PPHMS Pkg/10 | PKGSRV.1015 | 13.00 |
| 10-24 x 1" PPHMS Pkg/20 | PKGSRV.1016 | 15.00 |
| 8-32 X 1/4" UFPHMS Pkg/20 | PKGSRV.1018 | 12.00 |
| LBR Latch Mtg Screw Pkg/10 | PKGSRV.1019 | 14.00 |
| 1/4-20 X 3/4" UFPHMS Pkg/10 | PKGSRV.1020 | 20.00 |
| 10-24 X 1 3/8" PPHMS Pkg/20 | PKGSRV.1022 | 20.00 |
| 10-24 X 3/4" FPHMS Pkg/10 | PKGSRV.1023 | 13.00 |
| 99 Cover Retaining Clip Pkg/10 | PKGSRV.1024 | 13.00 |
| 12-24 1/2" Hex Wshr Hd Tapping Screw Pkg/10 | 090073 | 10.00 |

Prices subject to change without notice.

Electric Strike - Parts

| Description | Part. No. | List Price |
|--|-----------|------------|
| Box Assemblies | | |
| 6111, 6113, 6213 12VDC FS Box Assembly | 111743 | 382.00 |
| 6111, 6113, 6213 12VDC FSE Box Assembly | 111744 | 382.00 |
| 6111, 6113, 6213 24VDC FS Box Assembly | 111745 | 382.00 |
| 6111, 6113, 6213 24VDC FSE Box Assembly | 111746 | 382.00 |
| 6111, 6113, 6213 12VDC FS DS Box Assembly | 111747 | 554.00 |
| 6111, 6113, 6213 12VDC FSE DS Box Assembly | 111748 | 554.00 |
| 6111, 6113, 6213 24VDC FS DS Box Assembly | 111749 | 554.00 |
| 6111, 6113, 6213 24VDC FSE DS Box Assembly | 111750 | 554.00 |
| 6111, 6113, 6213 12VDC FS DS-LC Box Assembly | 112772 | 554.00 |
| 6111, 6113, 6213 12VDC FSE DS-LC Box Assembly | 112773 | 554.00 |
| 6111, 6113, 6213 24VDC FS DS-LC Box Assembly | 112774 | 554.00 |
| 6111, 6113, 6213 24VDC FSE DS-LC Box Assembly | 112775 | 554.00 |
| 6112, 6121 12VDC FS Box Assembly | 111751 | 373.00 |
| 6112, 6121 12VDC FSE Box Assembly | 111752 | 373.00 |
| 6112, 6121 24VDC FS Box Assembly | 111753 | 373.00 |
| 6112, 6121 24VDC FSE Box Assembly | 111754 | 373.00 |
| 6112, 6121 12VDC FS DS Box Assembly | 111755 | 543.00 |
| 6112, 6121 12VDC FSE DS Box Assembly | 111756 | 543.00 |
| 6112, 6121 24VDC FS DS Box Assembly | 111757 | 543.00 |
| 6112, 6121 24VDC FSE DS Box Assembly | 111758 | 543.00 |
| 6112, 6121 12VDC FS DS-LC Box Assembly | 112776 | 543.00 |
| 6112, 6121 12VDC FSE DS-LC Box Assembly | 112777 | 543.00 |
| 6112, 6121 24VDC FS DS-LC Box Assembly | 112778 | 543.00 |
| 6112, 6121 24VDC FSE DS-LC Box Assembly | 112779 | 543.00 |
| 6114, 6214/15, 6222/24/24AL/25/26 12VDC FS Box Assembly | 111719 | 420.00 |
| 6114, 6214/15, 6222/24/24AL/25/26 12VDC FSE Box Assembly | 111720 | 420.00 |
| 6114, 6214/15, 6222/24/24AL/25/26 24VDC FS Box Assembly | 111721 | 420.00 |
| 6114, 6214/15, 6222/24/24AL/25/26 24VDC FSE Box Assembly | 111722 | 420.00 |
| 6114, 6214/15, 6224/24AL/26 12VDC FS DS Box Assembly | 111723 | 594.00 |
| 6114, 6214/15, 6224/24AL/26 12VDC FSE DS Box Assembly | 111724 | 594.00 |
| 6114, 6214/15, 6224/24AL/26 24VDC FS DS Box Assembly | 111725 | 594.00 |
| 6114, 6214/15, 6224/24AL/26 24VDC FSE DS Box Assembly | 111726 | 594.00 |
| 6114, 6214/15/24/24AL/26 12VDC FS DS-LC Box Assembly | 112760 | 594.00 |
| 6114, 6214/15/24/24AL/26 12VDC FSE DS-LC Box Assembly | 112761 | 594.00 |
| 6114, 6214/15/24/24AL/26 24VDC FS DS-LC Box Assembly | 112762 | 594.00 |
| 6114, 6214/15/24/24AL/26 24VDC FSE DS-LC Box Assembly | 112763 | 594.00 |
| 6210 12VDC FS Box Assembly | 111244 | 621.00 |
| 6210 12VDC FSE Box Assembly | 111246 | 381.00 |
| 6210 24VDC FS Box Assembly | 111247 | 431.00 |
| 6210 24VDC FSE Box Assembly | 111250 | 313.00 |
| 6210 12VDC FS DS Box Assembly | 111251 | 791.00 |
| 6210 12VDC FSE DS Box Assembly | 111264 | 553.00 |
| 6210 24VDC FS DS Box Assembly | 111813 | 608.00 |
| 6210 24VDC FSE DS Box Assembly | 111814 | 608.00 |
| 6210 12VDC FS DS-LC Box Assembly | 112754 | 561.00 |
| 6210 12VDC FSE DS-LC Box Assembly | 112755 | 561.00 |
| 6210 24VDC FS DS-LC Box Assembly | 112784 | 561.00 |
| 6210 24VDC FSE DS-LC Box Assembly | 112785 | 561.00 |
| 6211, 6211AL, 6212 12VDC FS Box Assembly | 111711 | 359.00 |
| 6211, 6211AL, 6212 12VDC FSE Box Assembly | 111712 | 359.00 |
| 6211, 6211AL, 6212 24VDC FS Box Assembly | 111713 | 359.00 |
| 6211, 6211AL, 6212 24VDC FSE Box Assembly | 111714 | 359.00 |

Prices subject to change without notice.

| Description | Part. No. | List Price |
|---|------------------|-------------------|
| 6211, 6211AL, 6212 12VDC FS DS Box Assembly | 111715 | 534.00 |
| 6211, 6211AL, 6212 12VDC FSE DS Box Assembly | 111716 | 534.00 |
| 6211, 6211AL, 6212 24VDC FS DS Box Assembly | 111717 | 534.00 |
| 6211, 6211AL, 6212 24VDC FSE DS Box Assembly | 111718 | 534.00 |
| 6211WF, 6212WF 12VDC FS Box Assembly | 111727 | 381.00 |
| 6211WF, 6212WF 12VDC FSE Box Assembly | 111728 | 381.00 |
| 6211WF, 6212WF 24VDC FS Box Assembly | 111729 | 381.00 |
| 6211WF, 6212WF 24VDC FSE Box Assembly | 111730 | 381.00 |
| 6211WF, 6212WF 12VDC FS DS Box Assembly | 111731 | 553.00 |
| 6211WF, 6212WF 12VDC FSE DS Box Assembly | 111732 | 553.00 |
| 6211WF, 6212WF 24VDC FS DS Box Assembly | 111733 | 553.00 |
| 6211WF, 6212WF 24VDC FSE DS Box Assembly | 111734 | 553.00 |
| 6211WF, 6212WF 12VDC FS DS-LC Box Assembly | 112764 | 553.00 |
| 6211WF, 6212WF 12VDC FSE DS-LC Box Assembly | 112765 | 553.00 |
| 6211WF, 6212WF 24VDC FS DS-LC Box Assembly | 112766 | 553.00 |
| 6211WF, 6212WF 24VDC FSE DS-LC Box Assembly | 112767 | 553.00 |
| 6211, 6211AL, 6212 12VDC FS DS-LC Box Assembly | 112756 | 534.00 |
| 6211, 6211AL, 6212 12VDC FSE DS-LC Box Assembly | 112757 | 534.00 |
| 6211, 6211AL, 6212 24VDC FS DS-LC Box Assembly | 112758 | 534.00 |
| 6211, 6211AL, 6212 24VDC FSE DS-LC Box Assembly | 112759 | 534.00 |
| 6216 12VDC FS Box Assembly | 111759 | 382.00 |
| 6216 12VDC FSE Box Assembly | 111760 | 382.00 |
| 6216 24VDC FS Box Assembly | 111761 | 382.00 |
| 6216 24VDC FSE Box Assembly | 111762 | 382.00 |
| 6216 12VDC FS DS Box Assembly | 111763 | 554.00 |
| 6216 12VDC FSE DS Box Assembly | 111764 | 554.00 |
| 6216 24VDC FS DS Box Assembly | 111765 | 554.00 |
| 6216 24VDC FSE DS Box Assembly | 111766 | 554.00 |
| 6216 12VDC FS DS-LC Box Assembly | 112780 | 554.00 |
| 6216 12VDC FSE DS-LC Box Assembly | 112781 | 554.00 |
| 6216 24VDC FS DS-LC Box Assembly | 112782 | 554.00 |
| 6216 24VDC FSE DS-LC Box Assembly | 112783 | 554.00 |
| 6221, 6223 12VDC FS Box Assembly | 111735 | 392.00 |
| 6221, 6223 12VDC FSE Box Assembly | 111736 | 392.00 |
| 6221, 6223 24VDC FS Box Assembly | 111737 | 392.00 |
| 6221, 6223 24VDC FSE Box Assembly | 111738 | 392.00 |
| 6223 12VDC FS DS Box Assembly | 111739 | 567.00 |
| 6223 12VDC FSE DS Box Assembly | 111740 | 567.00 |
| 6223 24VDC FS DS Box Assembly | 111741 | 567.00 |
| 6223 24VDC FSE DS Box Assembly | 111742 | 567.00 |
| 6223 12VDC FS DS-LC Box Assembly | 112768 | 567.00 |
| 6223 12VDC FSE DS-LC Box Assembly | 112769 | 567.00 |
| 6223 24VDC FS DS-LC Box Assembly | 112770 | 567.00 |
| 6223 24VDC FSE DS-LC Box Assembly | 112771 | 567.00 |
| Dual Monitor Switch Replacement Kits | | |
| 6100, 6200 DS Replacement Kit Type A – Standard Back Box | 050011 | 215.00 |
| 6100, 6200 DS Replacement Kit Type B – Special Back Box | 050015 | 215.00 |
| 6100, 6200 DS-LC Replacement Kit Type A – Standard Back Box | 050016 | 215.00 |
| 6100, 6200 DS-LC Replacement Kit Type B – Special Back Box | 050018 | 215.00 |

Prices subject to change without notice.

Electric Strike - Parts (continued)

| Description | Part. No. | 622, 689, 695 | US32D | List Price | | | |
|--|-----------|------------------|--------|----------------|--------|--------|--------|
| | | | | US10, US10B | US4 | US3 | US32 |
| Faceplates | | | | | | | |
| 4200 Faceplate, Round Corner | 090110 | – | 18.00 | – | – | – | – |
| 4200 Faceplate, Square Corner | 090114 | – | 18.00 | – | – | – | – |
| 5100 Faceplate Package - Standard 4 7/8" | 050031 | 26.00 | – | – | – | – | – |
| 5100 Faceplate Package - Round Corner 4 7/8" | 050032 | 26.00 | – | – | – | – | – |
| 5100 Faceplate Package – Long 7 15/16" | 050033 | 26.00 | – | – | – | – | – |
| 6111 Faceplate | 970271 | – | 392.00 | 432.00 | 392.00 | 536.00 | 450.00 |
| 6112, 6121 Faceplate | 970303 | – | 357.00 | 461.00 | 357.00 | 544.00 | 317.00 |
| 6113 Faceplate | 970280 | – | 388.00 | 403.00 | 388.00 | 527.00 | 403.00 |
| 6114 Faceplate | 970300 | – | 323.00 | 400.00 | 364.00 | 450.00 | 337.00 |
| 6210 Faceplate | 971198 | – | 269.00 | 378.00 | 269.00 | 429.00 | 364.00 |
| 6211AL Faceplate | 970272 | – | 341.00 | 400.00 | 341.00 | 482.00 | 348.00 |
| 6211, 6211WF Faceplate | 968716 | – | 283.00 | 321.00 | 283.00 | 404.00 | 286.00 |
| 6212, 6212WF Faceplate | 969584 | – | 404.00 | 452.00 | 404.00 | 497.00 | 459.00 |
| 6213 Faceplate | 970278 | – | 374.00 | 407.00 | 374.00 | 502.00 | 407.00 |
| 6214 Faceplate | 971417 | – | 442.00 | 469.00 | 430.00 | 600.00 | 461.00 |
| 6215 Faceplate | 971415 | – | 356.00 | 400.00 | 356.00 | 469.00 | 364.00 |
| 6216 Large Faceplate Insert | 970407 | – | 105.00 | 121.00 | 105.00 | 146.00 | 127.00 |
| 6216 Small Faceplate Insert | 970415 | – | 105.00 | 121.00 | 105.00 | 146.00 | 127.00 |
| 6216 Faceplate Less Inserts | 971385 | – | 487.00 | 511.00 | 487.00 | 687.00 | 473.00 |
| 6221 Faceplate | 970276 | – | 474.00 | 521.00 | 474.00 | 568.00 | 540.00 |
| 6222 Faceplate | 970305 | – | 685.00 | 728.00 | 685.00 | 929.00 | 685.00 |
| 6223 Faceplate | 970274 | – | 341.00 | 393.00 | 341.00 | 491.00 | 393.00 |
| 6224 Faceplate | 970302 | – | 456.00 | 477.00 | 442.00 | 612.00 | 471.00 |
| 6224AL Faceplate | 970310 | – | 469.00 | 519.00 | 469.00 | 650.00 | 477.00 |
| 6225 Faceplate | 970306 | – | 620.00 | 657.00 | 620.00 | 748.00 | 685.00 |
| 6226 Faceplate | 970301 | – | 317.00 | 360.00 | 317.00 | 465.00 | 326.00 |

| Description | Part. No. | Non-Finished | US32D | List Price | | | |
|--|-------------|--------------|-------|----------------|-------|-------|-------|
| | | | | US10, US10B | US4 | US3 | US32 |
| Screw & Mounting Packages | | | | | | | |
| 4200 Hardware Kit (includes: mounting tab hardware, mounting screws, allen wrench and diode) | 050805 | 15.00 | – | – | – | – | – |
| 5100 Mounting Package | PKGMTG.1004 | – | 13.00 | – | – | – | – |
| 5100 Mounting Package (Black) | PKGMTG.1005 | 13.00 | – | – | – | – | – |
| 5100 Series Screw Package | PKGSCR.1003 | – | 13.00 | – | – | – | – |
| 5100 Series Screw Package (Black) | PKGSCR.1004 | 13.00 | – | – | – | – | – |
| 6111, 6113 Screw Package | 900870 | – | 11.00 | 11.00 | 11.00 | 11.00 | 11.00 |
| 6112, 6121 Screw Package | 900881 | – | 12.00 | 13.00 | 13.00 | 13.00 | 13.00 |
| 6114 Screw Package | 900882 | – | 12.00 | 13.00 | 13.00 | 13.00 | 13.00 |
| 6210 Strike Pocket Insert Mounting Package | 900966 | 10.00 | – | – | – | – | – |
| 6210/11/13/14/16, 6222/24/25/26 Screw Package | 900288 | – | 13.00 | 13.00 | 13.00 | 13.00 | 13.00 |
| 6211WF, 6212WF, 6221/23 Screw Package | 900885 | – | 11.00 | 11.00 | 11.00 | 11.00 | 11.00 |
| 6212 Screw Package | 900290 | – | 12.00 | 12.00 | 12.00 | 12.00 | 12.00 |
| 6216 Inserts and Screw Package | 900345 | 255.00 | – | – | – | – | – |
| Screw: 8-32 x 3/8" PPHMS | 964070 | 10.00 | – | – | – | – | – |
| Screw: 6-32 x 3/8" PPHMS Type 2A | 964190 | 10.00 | – | – | – | – | – |

Prices subject to change without notice.

(continued) **Parts - Electric Strike**

| Description | Part. No. | List Price |
|--|-----------|------------|
| Solenoid Parts | | |
| 5100 Solenoid Kit 12/24VDC | 050034 | 73.00 |
| 6100, 6200 Series Solenoid Kit 12VDC (FS & FSE) | 050237 | 112.00 |
| 6100, 6200 Series Solenoid Kit 16 VDC (FS & FSE) | 050239 | 112.00 |
| 6100, 6200 Series Solenoid Kit 24VDC (FS & FSE) | 050240 | 112.00 |
| 6100, 6200 Series Solenoid Kit 28VDC | 050699 | 109.00 |
| Solenoid Spring | 968713 | 12.00 |
| Solenoid Washer | 964037 | 10.00 |

| Spring Kits | | |
|---|--------|-------|
| 6111/13, 6213, 6221/23 Spring Kit | 050942 | 34.00 |
| 6112/14/21, 6214/15/22/24/24AL/25/26 Spring Kit | 050943 | 34.00 |
| 6210 Spring Kit | 050940 | 40.00 |
| 6211/12 Spring Kit | 050939 | 34.00 |
| 6216 Spring Kit | 050941 | 40.00 |

| Description | Part. No. | Non-Finished | List Price | | |
|--|-----------|--------------|----------------------------------|--------|--------|
| | | | US4, US10, US10B, US32D | US3 | US32 |
| Miscellaneous Hardware | | | | | |
| #8 Ext. Tooth Lock Washer | 964019 | 10.00 | - | - | - |
| 4200 Hardware Kit (includes: mounting tab hardware, mounting screws, allen wrench and diode) | 050805 | 15.00 | - | - | - |
| Entry Buzzer (FSE application only) | 050242 | 40.00 | - | - | - |
| 12 VAC to 12 VDC Rectifier Kit | 010057 | 40.00 | - | - | - |
| 24 VAC to 24 VDC Rectifier Kit | 010058 | 40.00 | - | - | - |
| 6100, 6200 Series DS-LC Switch & Clip Assembly | 113232 | 171.00 | - | - | - |
| 6111, 6113 Shim for blade stop applications (Specify finish) | 010055 | 161.00 | - | - | - |
| 6113 Frame Insert Package | 900347 | 10.00 | - | - | - |
| 6121 Housing Cover (Specify Finish) | 970412 | | 353.00 | 465.00 | 474.00 |
| 6210 Auxiliary Bolt Plate Package | 900584 | 38.00 | - | - | - |
| 6212 Strike Pocket Insert/Mounting Tab | 900292 | 28.00 | - | - | - |
| 6216 Inserts and Screw Package | 900345 | 255.00 | - | - | - |
| 6300, 6400 Cable (Pigtail) Kit | 050803 | 49.00 | - | - | - |
| 6300 Strike Shim Kit for blade stop applications | 050804 | 61.00 | - | - | - |
| 6100, 6200 (9100) Filler Bracket Kit | 050749 | 52.00 | - | - | - |
| Connector | 990132 | 11.00 | - | - | - |
| DS Tripper Extension & Connector | 900344 | 28.00 | - | - | - |
| DS Tripper Extension | 970384 | 11.00 | - | - | - |
| FS Slider (Except 6211WF/6212WF/6221/6223) | 970388 | 34.00 | - | - | - |
| FSE Slider (Except 6211WF/6212WF/6221/6223) | 970387 | 34.00 | - | - | - |
| 6400 Hardware Kit | 050819 | 80.00 | - | - | - |

Prices subject to change without notice.

Electric - Parts

| Description | Part. No. | List Price |
|---|-----------|------------|
| Electric Latch Retraction | | |
| EL Dogging Rod - 3' | 050531 | 58.00 |
| EL Dogging Rod - 4' | 050532 | 58.00 |
| EL Dogging Rod Retainer | 050538 | 13.00 |
| EL Solenoid & Plunger | 050535 | 327.00 |
| HD-EL Solenoid | 050536 | 327.00 |
| HD-EL Solenoid Plunger | 050537 | 120.00 |
| EL Plunger Bracket-94/95 | 972471 | 29.00 |
| Pulse Width Module | 050534 | 296.00 |
| EL 6' Cable and Connector | 110388 | 45.00 |
| EL Receptacle Connector | 050539 | 12.00 |
| EL Female Terminal | 050540 | 12.00 |
| HD-EL Dog Screw | 050541 | 15.00 |
| HD-EL Dogging Spring | 050543 | 15.00 |
| HD-EL Solenoid Bracket | 050542 | 26.00 |
| QEL Cable Package | 114320 | 11.00 |
| QEL Extended Cable Assembly | 116549 | 56.00 |
| QEL CON E7500 Adapter Harness | 106187 | 13.00 |
| Connector QEL Modified Harness | 106198 | 11.00 |
| EL Conversion Kit 3' | 050070 | 1043.00 |
| EL Conversion Kit 4' | 050078 | 1043.00 |
| EL Conversion Kit w/Connectors 3' | 050853 | 1043.00 |
| EL Conversion Kit w/Connectors 4' | 050854 | 1043.00 |
| HD-EL Conversion Kit 3' | 050384 | 1043.00 |
| HD-EL Conversion Kit 4' | 050385 | 1043.00 |
| HD-EL Conversion Kit w/Connectors 3' | 050855 | 1043.00 |
| HD-EL Conversion Kit w/Connectors 4' | 050856 | 1043.00 |
| QEL Modular Conversion Kit | 114317 | 887.00 |
| QEL Modular Conversion Kit w/Connectors | 040061 | 887.00 |
| HD-QEL Modular Conversion Kit | 958002 | 887.00 |
| HD-QEL Modular Conversion Kit w/Connectors | 040062 | 887.00 |
| QEL Baseplate Conversion Kit 3' | 958003 | 932.00 |
| QEL Baseplate Conversion Kit 4' | 040065 | 932.00 |
| QEL Baseplate Conversion Kit w/Connectors 3' | 040063 | 932.00 |
| QEL Baseplate Conversion Kit 4' | 040066 | 932.00 |
| HD-QEL Baseplate Conversion Kit 3' | 958004 | 932.00 |
| HD-QEL Baseplate Conversion Kit 4' | 040067 | 932.00 |
| HD-QEL Baseplate Conversion Kit w/Connectors 3' | 040064 | 932.00 |
| HD-QEL Baseplate Conversion Kit 4' | 040068 | 932.00 |
| QEL 94/95 Inpact Conversion Kit | 958005 | 887.00 |
| Pneumatic Latch Retraction | | |
| Pneumatic Power Transfer | 012014 | 601.00 |
| Pneumatic Tubing - 25' | 051828 | 24.00 |
| Pneumatic Tubing - 50' | 051823 | 32.00 |
| Pneumatic Tubing - 100' | 051824 | 54.00 |
| Pneumatic Tubing - 200' | 051825 | 103.00 |
| Pneumatic Solenoid Kit | 051826 | 824.00 |
| Pneumatic Adapter Kit - LCN 1/4" Tube | 051827 | 37.00 |

Prices subject to change without notice.

| Description | Part. No. | List Price |
|---|-----------|------------|
| Chexit | | |
| Chexit PCB Kit - 15 second release - Ordered after 8/17/2015 | 040086 | 996.00 |
| Chexit PCB Kit - 30 second release - Ordered after 8/17/2015 | 040088 | 1126.00 |
| Chexit PCB KIT - 0 Second Delay release - Ordered after 8/17/2015 | 040089 | 1126.00 |
| Chexit PCB Kit - 15 Second Boca release - Ordered after 8/17/2015 | 040091 | 1126.00 |
| Chexit PCB Kit - Infinite Release | 040087 | 1126.00 |
| DE5300/RCM PCB Kit - 15 Second release | 090943 | 948.00 |
| DE5300/RCM Key Switch Assy | 040169 | 119.00 |
| RCM/DE5300 Cable Kit | 040188 | 110.00 |
| CX99-RCM Kit Less Module - Ordered after 8/17/2015 | 040198 | 250.00 |
| CX98-RCM Kit Less Module - Ordered after 8/17/2015 | 040199 | 250.00 |
| CX-RCM Cable Assy - Ordered after 8/17/2015 | 040092 | 67.00 |
| CX Solenoid & Plunger | 050533 | 293.00 |
| Chexit Wiring Assembly - Ordered after 8/17/2015 | 040191 | 191.00 |
| Sign 15 Second - Chexit/DE5300 | 113781 | 56.00 |
| Sign 30 Second - Chexit/DE5300 | 113782 | 60.00 |
| CX Motor Cable Kit - Ordered after 8/17/2015 | 040192 | 10.00 |
| CX Trim Device Cable Kit - Ordered after 8/17/2015 | 040193 | 22.00 |
| CX RX Switch Assembly Kit - Ordered after 8/17/2015 | 116717 | 229.00 |
| CX Key Switch Assy 3' Device - Ordered after 8/17/2015 | 040170 | 115.00 |
| CX Key Switch Assy 4' Device - Ordered after 8/17/2015 | 040189 | 115.00 |
| CX Wire Guard - Ordered after 8/17/2015 | 970012 | 43.00 |

| Description | Part. No. | List Price Non-Finished |
|--|-----------|----------------------------|
| Switch | | |
| LX-RX 94/95 Switch Wire Assembly (R/Y/B) | 110360 | 110.00 |
| SS Cable | 050544 | 132.00 |
| SS Housing | 050545 | 441.00 |
| RX Switch Assy | 050251 | 242.00 |
| RX-LC Switch Assy | 050281 | 280.00 |
| RX-2 Switch Assy | 050270 | 300.00 |
| RX-Aux Switch Assy | 050271 | 250.00 |
| WP-RX-2 Aux Switch Assy | 051881 | 348.00 |
| LX Switch Assy 3' | 050254 | 242.00 |
| LX Switch Assy 4' | 050255 | 242.00 |
| LX-LC Switch Assy 3' | 050283 | 280.00 |
| LX-LC Switch Assy 4' | 050285 | 280.00 |
| LX-RX Switch Assy 3' | 050256 | 365.00 |
| LX-RX Switch Assy 4' | 050257 | 365.00 |
| LX-RX-LC Switch Assy 3' | 050289 | 437.00 |
| LX-RX-LC Switch Assy 4' | 050291 | 437.00 |
| EL-LX Switch Assy | 050247 | 242.00 |
| EL-LX-LC Switch Assy | 050287 | 280.00 |
| EL-LX-RX Switch Assy | 050259 | 365.00 |
| EL-LX-RX-LC Switch Assy | 050293 | 437.00 |
| 94/95 Inpact LX Switch Kit | 050226 | 242.00 |

Prices subject to change without notice.

Electric - Parts (continued)

| Description | Part. No. | List Price Non-Finished | SP28, SP313 |
|---|-------------|----------------------------|----------------|
| E360 Controls | | | |
| E360 FSE SOLENOID KIT | 050743 | 612.00 | - |
| E360 FS SOLENOID KIT | 050744 | 612.00 | - |
| E996 Trims | | | |
| E996 Mort Conv to E Kit | 050673 | 693.00 | - |
| E996 R/VC Conv to E Kit | 050672 | 667.00 | - |
| E996 Locking Mech Kit | 050671 | 417.00 | - |
| E996 Wire Harness | CABLE.10038 | 43.00 | - |
| CON E996 Adapter Harness | 106183 | 31.00 | - |
| Alarm Kit | | | |
| ALK PCB Assembly | 101030 | 459.00 | - |
| ALK Cylinder Collar - 22 | 967704 | - | 22.00 |
| ALK Cylinder Collar - 33A/35A/98/99 | 050525 | - | 44.00 |
| ALK Sign | SIGN-1 | 23.00 | - |
| ALK Arming Label | 969349 | 12.00 | - |
| ALK Disarming Label | 969350 | 12.00 | - |
| ALK Retainer Nut | 969354 | 23.00 | - |
| ALK Cylinder Spacer | 970594 | 15.00 | - |
| ALK Switch Actuator | 971556 | 20.00 | - |
| ALK Cylinder Bracket | 971557 | 13.00 | - |
| ALK Battery | 990637 | 22.00 | - |
| CON ALK/5599 Adapter Harness | 106182 | 12.00 | - |
| Cover Plate Anti-Rattle Spring Pkg/10 | 090036 | 12.00 | - |
| Allegion Connect - Wire Harnesses | | | |
| | | Net Price* | |
| | | Non-Finished | |
| CON-6: Wire Harness, Molex Conn-Both Ends | 106190 | 10.51 | - |
| CON-12: Wire Harness, Molex Conn-Both Ends | 106191 | 13.98 | - |
| CON-26: Wire Harness, Molex Conn-Both Ends | 106192 | 15.66 | - |
| CON-32: Wire Harness, Molex Conn-Both Ends | 106193 | 16.89 | - |
| CON-38: Wire Harness, Molex Conn-Both Ends | 106194 | 17.44 | - |
| CON-44: Wire Harness, Molex Conn-Both Ends | 106195 | 18.01 | - |
| CON-50: Wire Harness, Molex Conn-Both Ends | 106196 | 18.56 | - |
| CON-192: Wire Harness, Molex Conn-Both Ends | 106197 | 44.18 | - |
| CON-6P: Wire Harness, Molex Conn, Crimped Pin | 106201 | 13.42 | - |
| CON-12P: Wire Harness, Molex Conn, Crimped Pin | 106202 | 16.89 | - |
| CON-26P: Wire Harness, Molex Conn, Crimped Pin | 106203 | 18.56 | - |
| CON-32P: Wire Harness, Molex Conn, Crimped Pin | 106204 | 19.80 | - |
| CON-38P: Wire Harness, Molex Conn, Crimped Pin | 106205 | 20.35 | - |
| CON-44P: Wire Harness, Molex Conn, Crimped Pin | 106206 | 20.92 | - |
| CON-50P: Wire Harness, Molex Conn, Crimped Pin | 106207 | 21.47 | - |
| CON-192P: Wire Harness, Molex Conn, Crimped Pin | 106208 | 46.52 | - |
| CON-6W: Wire Extension to power supply | 106210 | 13.42 | - |
| CON-Kit, Connector Service Kit | 050823 | 110.48 | - |
| Miscellaneous | | | |
| | | List Price | |
| | | Non-Finished | |
| Switch Cover Assy - 4000 Monitor Strikes | 105100 | 129.00 | - |
| EPT Filler Kit | 900978 | - | 27.00 |
| 900-BAT Power Supply Batteries | 44487155 | 116.00 | - |
| PS914 Enclosure Door Label | 44489870 | 4.50 | - |

*Net price - no discounts apply

Prices subject to change without notice.

Parts - 26 Series GUARD-X/237 Two Point Latch

Guard-X 26 Series

| Description | Part. No. | Non-Finished | List Price | |
|------------------------------------|-------------|--------------|-------------|-------------|
| | | | BLACK, US19 | SP28, SP313 |
| 2670 Lockside Cover Kit SP28 | COVER.109 | - | - | 182.00 |
| 2670 Lockside Cover Kit US19 | COVER.122 | - | 182.00 | - |
| 2670 Lockside Cover Kit SP313 | COVER.121 | - | - | 182.00 |
| 2670 Hingeside Cover Kit - Silver | COVER.114 | - | - | 47.00 |
| 2670 Hingeside Cover Kit - Black | COVER.115 | - | 47.00 | - |
| 2670 Hingeside Cover Kit - Brown | COVER.116 | - | - | 47.00 |
| 2670 Endcap Kit | ECAP.105 | - | 27.00 | - |
| 2670 PCB Kit Field - English | PCB.10018 | 246.00 | - | - |
| 2670 PCB Kit Field - Spanish | PCB.10019 | 246.00 | - | - |
| 2670 PCB Kit Field - French | PCB.10020 | 246.00 | - | - |
| Alarm Sign - French | SIGN.1001 | 63.00 | - | - |
| Alarm Sign - Spanish | SIGN.1002 | 63.00 | - | - |
| Alarm Sign - English | SIGN.1003 | 63.00 | - | - |
| Cylinder Retaining Bracket Kit | BRKT.121 | 36.00 | - | - |
| Lightpipe Kit | PIPE.101 | 28.00 | - | - |
| 2670 Cylinder Tailpiece Extension | 050379 | 10.00 | - | - |
| 2670 Device Mounting Package US28 | PKGMTG.1002 | - | - | 31.00 |
| 2670 Device Mounting Package Black | PKGMTG.1003 | - | 31.00 | - |
| 2670 Cover Screw Kit SP28 | PKGSCR.1001 | 10.00 | - | - |

237 Two Point Latch

| Description | Part. No. | Non-Finished | List Price | | | | |
|----------------------------|-----------|--------------|------------|--------|--------|--------|--------|
| | | | US32D | US10B | US10 | US4 | US32 |
| 237 Top Rod Assembly | 112845 | - | 456.00 | 464.00 | 419.00 | 526.00 | 507.00 |
| 237 Bottom Rod Assembly | 112844 | 137.00 | - | - | - | - | - |
| 237 Mounting Plate Package | 112835 | - | 14.00 | 14.00 | 14.00 | 37.00 | 14.00 |

Prices subject to change without notice.

Service Replacement - Parts

| Description | Part. No. | Non-Finished | List Price | | | |
|--|-----------|--------------|--------------|--------|--------|-----------|
| | | | US10B, US26D | US10 | US4 | US3, US26 |
| 7500-880TP Retrofit Kit | 050122 | - | 67.00 | 67.00 | 67.00 | 67.00 |
| End Cap Mtg. Brkt. Screw (Pkg of 30) | 090060 | 51.00 | - | - | - | - |
| Old Style Hex Dogging Retrofit Kit | 050709 | 67.00 | - | - | - | - |
| Old Style 227 Dog Key 5/32" (Pkg of 10) | 090084 | 69.00 | - | - | - | - |
| 34/58 Thumb Latch Lift Spring (Pkg of 5) | 091030 | 67.00 | - | - | - | - |
| 34/58 Dog Lock Spring (Pkg of 10) | 091031 | 120.00 | - | - | - | - |
| 34/58 Auxiliary Bolt Spring (Pkg of 10) | 091032 | 199.00 | - | - | - | - |
| 66 Dog Screw (Pkg of 10) | 091061 | 141.00 | - | - | - | - |
| 222 Dog Key 7/32" (Pkg of 10) | 091080 | 94.00 | - | - | - | - |
| Wedgetite Screw - Fine Thread (Pkg of 10) | 091082 | 63.00 | - | - | - | - |
| 370 Series 6-32 x 1/4 UFPHMS | 963150 | 12.00 | - | - | - | - |
| 370 Series 1/4-20 x 1 Set Screw | 963584 | 12.00 | - | - | - | - |
| 33/3527 Bottom Rod Roll Pin | 963585 | 12.00 | - | - | - | - |
| SS333NL Backplate Screw 8-32 x 3/8" PPHMS | 963712 | 12.00 | - | - | - | - |
| 10-24 x 1/2" UFPHMS Epoxy Lock | 963873 | 12.00 | - | - | - | - |
| 370 Series 6-32 x 7/16" PPHMS | 963902 | 12.00 | - | - | - | - |
| 333/337 1/4-20 x 2 Socket Set Screw | 963905 | 12.00 | - | - | - | - |
| 370 Series #10 Flat Washer | 964375 | 12.00 | - | - | - | - |
| Cover Bearing Insert - Old Style | 969889 | 12.00 | - | - | - | - |
| 334/333/337/3308 Sex Bolt Extension | 971614 | 13.00 | - | - | - | - |
| 992L-DT OR NL Conversion Kit | 050154 | 119.00 | - | - | - | - |
| 992L Replacement Cam Kit w/Slider | 050155 | 119.00 | - | - | - | - |
| 992L Replacement Cam Kit Less Slider | 050157 | 49.00 | - | - | - | - |
| Note Original ship date on Parts listed below | | | | | | |
| EL Solenoid Replacement Kit | 050218 | 665.00 | - | - | - | - |
| For EL Devices shipped before January 1987 | | | | | | |
| Orbit Knob Assy - 606K/880K Trim | 108490 | - | 203.00 | 203.00 | 203.00 | 203.00 |
| Orbit Knob Assy - 606K-DT/880K-DT Trim | 108493 | - | 203.00 | 203.00 | 203.00 | 203.00 |
| 880 Knob Booster Spring Assembly | 033024 | 49.00 | - | - | - | - |
| For Trims shipped before October 1989 | | | | | | |
| #22 Hitch Pin - Hex/CD Dogging old style | 963909 | 12.00 | - | - | - | - |
| Dogging Shaft - Hex Dogging Old Style | 968112 | 15.00 | - | - | - | - |
| CD Actuator Arm - Cylinder Dogg Old Style | 968116 | 13.00 | - | - | - | - |
| For Devices shipped before July 1997 | | | | | | |
| 7500-373L Retrofit Kit | 050124 | 20.00 | - | - | - | - |
| For Devices shipped before August 1997 | | | | | | |
| 22/98/9927/-F Btm Latch/Brkt Repl. Kit | 050090 | - | 141.00 | 141.00 | 141.00 | 141.00 |
| 22/98/9927/-F Top Latch/Brkt Repl. Kit | 050091 | - | 141.00 | 141.00 | 141.00 | 141.00 |
| 22/98/9927/27-F Latch Mtg. Screws 1 3/4" Dr | 900564 | 12.00 | - | - | - | - |
| 22/98/9927/27-F Latch Mtg. Screws 2 1/4" Dr | 900569 | 12.00 | - | - | - | - |
| For Devices shipped before October 1998 | | | | | | |
| Mechanism End Cap Screw Package | 900901 | - | 12.00 | 15.00 | 12.00 | 12.00 |
| RX 330/350 Old Style End Cap Mtg. Bracket for Lock Stile | 050397 | 12.00 | - | - | - | - |
| For Devices shipped before January 2002 | | | | | | |
| 47 Btm Latch Spirol Pin (Pkg of 10) | 090062 | 15.00 | - | - | - | - |
| For Devices shipped before April 2003 | | | | | | |
| 376WDC Rod member Kit 1 3/4" | 109113 | 129.00 | - | - | - | - |
| 376WDC Rod Member Kit 2" Door | 900583 | - | 138.00 | 138.00 | 138.00 | 138.00 |
| 376WDC Rod Member Kit 2 1/4" Door | 109118 | 181.00 | - | - | - | - |
| For Controls shipped before January 2008 | | | | | | |

Prices subject to change without notice.

Part Number Cross Reference

| OLD P/N | NEW P/N | OLD P/N | NEW P/N | OLD P/N | NEW P/N | OLD P/N | NEW P/N |
|---------|---------|---------|---------|---------|------------|---------|-------------|
| 213 | 050342 | 101801 | 050456 | 106769 | 050316 | 111942 | 050193 |
| 011214 | 050338 | 101907 | 050418 | 106769 | 050318 | 111948 | 113100 |
| 011223 | 050343 | 102274 | 050139 | 106769 | 050324 | 111949 | 050506 |
| 011224 | 050339 | 102277 | 050137 | 106769 | 050326 | 111950 | 050504 |
| 011233 | 050340 | 102551 | 050036 | 106780 | 050493 | 112342 | 050575 |
| 011234 | 050336 | 102676 | 050462 | 107021 | 050750 | 112461 | 111869 |
| 011243 | 050341 | 102681 | 050463 | 107023 | 050592 | 112727 | 050491 |
| 011244 | 050337 | 102685 | 050432 | 107682 | 050451 | 112906 | 050494 |
| 011253 | 050350 | 102691 | 050430 | 107798 | 050456 | 112907 | 050495 |
| 011254 | 050346 | 102694 | 050431 | 108327 | 050402 | 112910 | 050583 |
| 011263 | 050351 | 102701 | 050446 | 108360 | 050513 | 112915 | 050535 |
| 011264 | 050347 | 102703 | 050202 | 108361 | 050515 | 112924 | 050401 |
| 011273 | 050348 | 102930 | 114141 | 108994 | PBKIT.1001 | 112925 | 050400 |
| 011274 | 050344 | 103234 | 050455 | 108994 | PBKIT.1002 | 113004 | 050732 |
| 011283 | 050349 | 104154 | 050411 | 108995 | PBKIT.1003 | 113005 | 050733 |
| 011284 | 050345 | 104164 | 050428 | 108995 | PBKIT.1004 | 113006 | 050734 |
| 050361 | 050360 | 104165 | 050429 | 109041 | 050537 | 113007 | 050736 |
| 061420 | 050005 | 104367 | 050210 | 109160 | 050128 | 113078 | 050737 |
| 062370 | 050459 | 104759 | 050053 | 109759 | 050492 | 113079 | 050738 |
| 090058 | 090065 | 105020 | 050457 | 109760 | 050754 | 113080 | 050739 |
| 100511 | 050200 | 105163 | 050110 | 109811 | 900620 | 113081 | 050741 |
| 100693 | 050209 | 105641 | 050096 | 109826 | 050366 | 113125 | 050548 |
| 100729 | 050439 | 105666 | 050458 | 109861 | 050357 | 113126 | 050549 |
| 100744 | 050438 | 106118 | 050440 | 110007 | 050531 | 113129 | 050550 |
| 100751 | 050497 | 106122 | 050441 | 110008 | 050532 | 113130 | 050551 |
| 100999 | 050442 | 106144 | 050372 | 110051 | 050401 | 113133 | 050552 |
| 101000 | 050443 | 106145 | 050374 | 110052 | 050400 | 113134 | 050553 |
| 101011 | 050201 | 106147 | 050373 | 110058 | 050402 | 114169 | 050516 |
| 101134 | 050112 | 106174 | 050437 | 110163 | 050756 | 945501 | 090001 |
| 101137 | 050136 | 106180 | 050452 | 110165 | 050757 | 950522 | 090012 |
| 101149 | 050368 | 106708 | 050295 | 110375 | 050574 | 951081 | 050476 |
| 101190 | 050367 | 106708 | 050296 | 110416 | 050582 | 951780 | 090013 |
| 101444 | 050444 | 106708 | 050297 | 110472 | 050544 | 951960 | 050501 |
| 101445 | 050445 | 106708 | 050298 | 110525 | 110769 | 951970 | 050502 |
| 101590 | 050498 | 106708 | 050303 | 110573 | 050512 | 952400 | 050448 |
| 101593 | 050424 | 106708 | 050304 | 110574 | 050514 | 952530 | 050447 |
| 101594 | 050425 | 106708 | 050305 | 110658 | 050545 | 956011 | PKGSRV.1018 |
| 101598 | 050426 | 106708 | 050306 | 110740 | 050536 | 956520 | 090020 |
| 101599 | 050427 | 106725 | 050299 | 110741 | 050534 | 957750 | 050278 |
| 101648 | 050482 | 106725 | 050300 | 110767 | 971012 | 958643 | 090014 |
| 101662 | 050409 | 106725 | 050301 | 110783 | 971012 | 959098 | 113853 |
| 101665 | 050410 | 106725 | 050302 | 110845 | 113098 | 959122 | 972466 |
| 101686 | 050413 | 106725 | 050307 | 111645 | 050752 | 959707 | 971593 |
| 101689 | 050414 | 106725 | 050308 | 111651 | 050758 | 959850 | 050352 |
| 101695 | 050420 | 106725 | 050309 | 111657 | 050760 | 959853 | 050353 |
| 101695 | 050422 | 106725 | 050310 | 111669 | 050762 | 959957 | 050355 |
| 101698 | 050421 | 106847 | 050412 | 111675 | 050764 | 959958 | 050332 |
| 101698 | 050423 | 106763 | 050311 | 111795 | 101030 | 959969 | 050364 |
| 101701 | 050417 | 106763 | 050313 | 111931 | 050197 | 959986 | 050333 |
| 101704 | 050419 | 106763 | 050319 | 111932 | 050196 | 959990 | 090023 |
| 101707 | 050415 | 106763 | 050321 | 111933 | 050189 | 959991 | 050356 |
| 101710 | 050416 | 106765 | 050312 | 111934 | 050191 | 959995 | 050334 |
| 101713 | 050435 | 106765 | 050314 | 111935 | 050184 | 960049 | 090030 |
| 101716 | 050436 | 106765 | 050320 | 111936 | 050183 | 960303 | 970488 |
| 101750 | 050460 | 106765 | 050322 | 111937 | 050198 | 960345 | 050503 |
| 101751 | 050461 | 106767 | 050315 | 111938 | 050199 | 960548 | 050464 |
| 101752 | 050471 | 106767 | 050317 | 111940 | 050195 | 101777 | 050455 |
| 101753 | 050472 | 106767 | 050323 | 111941 | 050192 | 960578 | 050327 |

Prices subject to change without notice.

Part Number Cross Reference

| OLD P/N | NEW P/N | OLD P/N | NEW P/N | OLD P/N | NEW P/N | OLD P/N | NEW P/N |
|---------|---------|---------|---------|---------|---------|---------|-------------|
| 960581 | 050453 | 966384 | 050607 | 969582 | 090076 | 971267 | 050525 |
| 960652 | 050277 | 966450 | 971614 | 969816 | 050601 | 971308 | 090038 |
| 960675 | 050499 | 966897 | 050541 | 969836 | 050555 | 971326 | 050538 |
| 960756 | 050211 | 967032 | 050490 | 969837 | 050555 | 971348 | 090088 |
| 960856 | 050260 | 967116 | 90069 | 969838 | 050556 | 971351 | 090039 |
| 961152 | 050369 | 967151 | 051705 | 969839 | 050556 | 971367 | 090047 |
| 961206 | 050465 | 967154 | 051707 | 969855 | 050566 | 971424 | 050275 |
| 961218 | 050478 | 967224 | 090011 | 969864 | 050564 | 971425 | 050276 |
| 961628 | 050453 | 967448 | 090064 | 969925 | 972466 | 971483 | 050566 |
| 961814 | 050272 | 967481 | 090097 | 969987 | 050530 | 971492 | 090040 |
| 961988 | 900614 | 967482 | 050607 | 969994 | 050474 | 971495 | 090043 |
| 963011 | 900502 | 967484 | 050599 | 969995 | 050475 | 971496 | 090045 |
| 963019 | 090035 | 967489 | 050606 | 970079 | 90048 | 971507 | 090031 |
| 963094 | 090024 | 967490 | 050609 | 970086 | 050555 | 971507 | 050585 |
| 963096 | 090025 | 967492 | 050600 | 970087 | 050555 | 971537 | 090072 |
| 963098 | 900610 | 967493 | 050602 | 970088 | 050556 | 971560 | 050406 |
| 963099 | 090002 | 967495 | 090096 | 970089 | 050556 | 971561 | 050407 |
| 963100 | 050613 | 967496 | 090090 | 970126 | 970387 | 971562 | 050570 |
| 963103 | 090015 | 967502 | 050354 | 970148 | 970388 | 971564 | 050569 |
| 963128 | 090059 | 967616 | 050328 | 970173 | 968694 | 971567 | 050546 |
| 963130 | 090032 | 967622 | 050454 | 970180 | 971556 | 971568 | 050481 |
| 963155 | 090061 | 967623 | 050454 | 970181 | 971557 | 971583 | 050611 |
| 963193 | 090016 | 967644 | 050598 | 970184 | 050621 | 971583 | PKGSRV.1010 |
| 963512 | 090100 | 967648 | 050612 | 970193 | 050488 | 971584 | 090070 |
| 963531 | 050614 | 967673 | 090095 | 970194 | 050489 | 971625 | 050554 |
| 963585 | 090010 | 967736 | 050004 | 970206 | 050554 | 971627 | 050559 |
| 963712 | 900613 | 967738 | 050004 | 970207 | 050554 | 971628 | 050560 |
| 963750 | 090018 | 967826 | 090065 | 970208 | 050554 | 971629 | 050562 |
| 963757 | 090103 | 967968 | 090062 | 970368 | 050547 | 971630 | 050562 |
| 963760 | 090098 | 968503 | 050508 | 970441 | 090074 | 971631 | 050563 |
| 963789 | 090027 | 968638 | 050486 | 970527 | 050557 | 971632 | 050563 |
| 963935 | 090054 | 968639 | 050487 | 970528 | 050558 | 971635 | 050397 |
| 964041 | 090077 | 968762 | 968793 | 970547 | 971822 | 971638 | 050565 |
| 964066 | 090107 | 968833 | 050449 | 970549 | 900588 | 971781 | 050559 |
| 964085 | 090063 | 968834 | 090056 | 970567 | 050616 | 971782 | 050560 |
| 964154 | 090102 | 968862 | 050597 | 970597 | 050557 | 971796 | 050507 |
| 964358 | 900541 | 968863 | 050596 | 970598 | 050557 | 971837 | 090046 |
| 964360 | 090034 | 968868 | 050619 | 970599 | 050557 | 971838 | 090044 |
| 964363 | 050509 | 968957 | 090057 | 970601 | 050558 | 971910 | 050524 |
| 964390 | 090037 | 968964 | 090058 | 970602 | 050558 | 971974 | 050526 |
| 964395 | | 968969 | 090067 | 970603 | 050558 | 971993 | 090049 |
| 964557 | 090073 | 969199 | 050361 | 970719 | 090036 | 971493 | 090041 |
| 965278 | 050360 | 969219 | 050603 | 970771 | 090068 | 971494 | 090042 |
| 965279 | 050359 | 969235 | 050542 | 970815 | 050576 | 990592 | 050540 |
| 965294 | 090033 | 969244 | 050543 | 970817 | 050358 | 990598 | 050539 |
| 965300 | 050362 | 969252 | 090071 | 970863 | 972549 | 990598 | 050539 |
| 965301 | 050363 | 969295 | 971010 | 970873 | 970872 | | |
| 965322 | 090009 | 969297 | 090075 | 970909 | 050500 | | |
| 965325 | 050273 | 969300 | 661481 | 970911 | 050559 | | |
| 965326 | 050274 | 969400 | 969889 | 970912 | 050559 | | |
| 965335 | 090017 | 969369 | 050477 | 970914 | 050560 | | |
| 965506 | 050505 | 969400 | 969889 | 970915 | 050560 | | |
| 965676 | 090021 | 969467 | 090079 | 971050 | 090066 | | |
| 965916 | 090092 | 969855 | 050566 | 971052 | 050562 | | |
| 965917 | 090091 | 969864 | 050564 | 971053 | 050562 | | |
| 965996 | 050331 | 969506 | 050566 | 971055 | 050563 | | |
| 106767 | 050325 | 111939 | 050194 | 960577 | 050279 | | |
| 966165 | 050370 | 969520 | 050529 | 971056 | 050563 | | |

Prices subject to change without notice.

Wiring Diagrams

A library of common wiring diagrams are available at no-charge for use in single and double door applications utilizing various configurations of Allegion door hardware products. These diagrams and much more can be accessed through our Knowledge Center tool at <http://kc.allegion.com/>, simply click on the link Common wiring diagrams.

Custom Wiring Diagrams

When common wiring diagrams do not meet the needs of the job requirements, Allegion offers a service to purchase custom wiring diagrams.

- Standard drawings: Will be priced at NET \$250 per drawing.

How to Request a Quote for a Custom Wiring Diagram

- Custom wiring diagrams can only be ordered by and shipped to current Allegion Channel Partners
- Wiring Diagram Request Forms can be obtained by:
 - Sending an email request to canada.techservices@allegion.com
 - Using the form located on page 173
- Once completed, email the completed request form to canada.techservices@allegion.com for processing
 - Be sure and include the following information to prevent delays to the request:
 - Hardware list with complete part numbers/nomenclature
 - Detailed Theory of operation for all openings
- Will be reviewed for clarity upon receipt
- Once all clarifications are resolved, NET pricing, and lead time will be assigned and communicated to the requestor within 1 business day
- A purchase order must be received for the wiring diagrams to be produced
 - Send the completed PO to canada.techservices@allegion.com
- Lead time is 5 business days from time PO is received for 5 or less drawings. 6 or more drawings will have longer lead times
- Changes to the original request after a quote approval may incur additional charges and affect lead time
- Completed custom wiring diagrams will be emailed to the requestor

Technical Services:

| Service | Service Commitment | Rate |
|-----------------------------|---|---------------|
| Phone/Email inquiry | 1st contact 2 hours | N/A |
| Drawing Request (5 or less) | 5 business days | \$250/drawing |
| Site Inspection | 10 business days (includes report) | \$250/hr. |
| Product Evaluation | 3 business days from receipt of product | N/C |
| In Field Inspection | 5 business days from request | \$250/hr. |
| On-Site Emergency | next day | \$250/hr. |

Prices subject to change without notice.

ELECTRICAL DRAWING REQUEST FORM



| | | | |
|------------------------------|-----------------------|------------------------|--------------|
| Rep/Distributor Name: | | Job Name: | |
| Contact Name: | | Phone: | Fax: |
| P.O.# | | Date: | |
| Select Drawing Type - | Riser: | Point to Point: | Both: |
| Door Type: | | Door Number: | |
| Fire Rated Opening: | Double Egress: | Single: | Pair: |

| Specify all electrical hardware: | Quantity: |
|----------------------------------|-----------|
| Power Supply | |
| Maglock/Elec. Strike | |
| Card Reader/Keypad | |
| Controller/Console | |
| Keyswitch | |
| Push Button | |
| Auto Operator | |
| Actuator | |
| Closer/Holder | |
| Exit Device | |
| Power Transfer | |
| Door Contact | |
| Other | |

Specify daytime operation:

Push Side:

Pull Side:

Specify nighttime operation:

Push Side:

Pull Side:

Provide a sketch of the door opening if positioning of hardware is pertinent:

Warranty

Warranty: The Company warrants that the product manufactured by it and delivered hereunder will be free of defects in material and workmanship for a period as follows: (1) exit devices and trim for 36 months from the date of placing the product in operation or for 42 months from the date of shipment; (2) electric strikes for 5 years on mechanical components and 1 year on electrical components including the solenoid and wiring from the date of installation; and (3) electrified exit devices and other electrified products for 12 months from the date of placing the product in operation or 18 months from the date of shipment, whichever shall first occur. The Purchaser shall be obligated to promptly report any failure to conform to this limited warranty, in writing, to the Company within said limited warranty period, whereupon the Company shall, at its option, correct such nonconformity, by suitable repair to such product or, furnish a replacement part F.O.B. point of shipment; provided the Purchaser has stored, installed, maintained and operated such product in accordance with good industry practices and has complied with specific recommendations of the Company. Accessories or product furnished by the Company, but manufactured by others, shall carry whatever warranty the manufacturers have conveyed to the Company and which can be passed on to the Purchaser. The Company shall not be liable for any repairs, replacements, or adjustments to the product or any costs of labor performed by the Purchaser or others without the Company's prior written approval.

The effects of corrosion, erosion and normal wear and tear are specifically excluded from this limited warranty. Performance warranties are limited to those specifically stated within the Company's proposal. Unless responsibility for meeting such performance warranties are limited to specified shop or field tests, the Company's obligation shall be to correct in the manner and for the period of time provided above.

The Company makes no other warranty or representation of any kind whatsoever, expressed or implied, except that of title, and all implied warranties of merchantability and fitness for a particular purpose, are hereby disclaimed. No agent, representative, dealer, or employee of Company has the authority to increase or alter the obligations of this limited warranty.

Correction by the Company of nonconformities whether patent or latent, in the manner and for the period of time provided above, shall constitute fulfillment of all liabilities of the Company for such nonconformities, whether based on contract, warranty, negligence, indemnity, strict liability or otherwise with respect to or arising out of such Equipment.

The Purchaser shall not operate product which is considered to be defective, without first notifying the Company in writing of its intention to do so. Any such use of product will be at the Purchaser's sole risk and liability and will not be covered by this limited warranty.

Customer Care: 800-900-4734

RMA requests (Return Material Authorization) are to be directed to Von Duprin, 1076 Lakeshore Road East, Mississauga, ON L5E 1E4 . Attn: Customer Service.

About Allegion

Allegion (NYSE: ALLE) creates peace of mind by pioneering safety and security. As a \$2 billion provider of security solutions for homes and businesses, Allegion employs more than 8,000 people and sells products in more than 120 countries across the world. Allegion comprises 27 global brands, including strategic brands CISA®, Interflex®, LCN®, Schlage® and Von Duprin®.

For more, visit www.allegion.ca

KRYPTONITE ■ LCN ■  ■ STEELCRAFT ■ VON DUPRIN