

200RB 5T5MVLCLC

200RB SERIES REFRIGERANT SOLENOID VALVES

The 200RB is a pilot-operated, 2-way, normally closed valve used for liquid, discharge, or suction gas refrigerant service.

FEATURES

- Single coil family fits all valve sizes
- Extended ends for easy installation (standard)
- PTFE O-ring for superior external sealing
- Available in 7 port sizes
- Optional manual stem or mounting stud
- Bi-Directional operation either factory assembled or convert with kit KS-30293 (except 200RB 7 & 9)
- Field serviceable parts available

SPECIFICATIONS

Maximum Fluid Temperature..... 250°F (121°C)
 Maximum Working Pressure..... 680 psig (47 bar)
 Minimum Operating Pressure Drop 2 psi (0.15 bar)
 *Maximum Operating Pressure Differential 300 psig (21 bar)
 UL/CUL File Number MP604
 Canadian CRN 0C21506.513467890YTN

* MOPD based on AC applications. Consult application engineer for DC applications.

MODEL NUMBER NOMENCLATURE - Example: 200RB 3T3BFVLC

VALVE SERIES	DESIGN SERIES	PORT SIZE	CONNECTION TYPE	CONNECTION SIZE	VALVE CONFIGURATION	*COIL	SEQUENTIAL IDENTIFIER	CUSTOMER SPECIAL	PACK TYPE
200R	B	3	T	3	BF	VLC			
Pilot-Operated Normally Closed Refrigerant Solenoid Valves	Piston Design	In 1/16"	F = SAE S = ODF Short T = ODF Extended Ends	In 1/8"	BF = Bi-Directional (Heat Pump) M = Manual Opening Stem T = Mounting Stud (Omit for Std. Valve)	VLC = Valve Less Coil For Valves with Coil See Coil Nomenclature on Coil Catalog Page	Blank Thru -99	G = Customer Special (Omit for Std.)	B1 = Bulk Pack (Omit for Individual Pack)

* Valves in catalog are shipped without solenoid coils (VLC = Valve Less Coil). See coil pages for coil selection and a complete list of voltage options.

200RB SERIES REFRIGERANT SOLENOID VALVES

VALVE CONFIG.	PORT SIZE (IN)	CONN. SIZE & TYPE (IN)	EXTD. ENDS	NOMINAL LIQUID CAPACITY - TONS (kW)									MODEL NUMBER	ITEM NUMBER
				R-22	R-134a	R-290	R-404A / R-507	R-407C	R-410A	R-448A / R-449A	R-450A / R-513A	R-744		
Standard	1/8	1/4 SAE	—	3.6 (12.7)	2.7 (9.6)	3.8 (13.4)	2.3 (8.2)	3.4 (11.9)	3.4 (11.9)	3.6 (12.7)	2.5 (8.7)	8.2 (28.7)	200RB 2F2VLC	053104
		1/4 ODF	Yes										200RB 2T2VLC	053105
		3/8 SAE	—										200RB 2F3VLC	062611
		3/8 ODF	Yes										200RB 2T3VLC	053106
	3/16	1/4 ODF	Yes	4.8 (16.9)	3.6 (12.7)	5.0 (17.6)	3.1 (10.9)	4.5 (15.9)	4.5 (15.8)	4.8 (17.0)	3.3 (11.6)	10.9 (38.2)	200RB 3T2VLC	049608
		3/8 SAE	—										200RB 3F3VLC	052726
		3/8 ODF	Yes										200RB 3T3VLC	049609
		1/2 SAE	—										200RB 3F4VLC	052727
		1/2 ODF	Yes										200RB 3T4VLC	049692
	1/4	3/8 SAE	—	8.0 (28.0)	6.0 (21.1)	8.3 (29.2)	5.1 (18.0)	7.5 (26.3)	7.5 (26.4)	8.0 (28.1)	5.5 (19.3)	18.0 (63.3)	200RB 4F3VLC	047506
		3/8 ODF X 1/2 ODM	—										200RB 4S3VLC	047511
		3/8 ODF	Yes										200RB 4T3VLC	047517
		1/2 ODF X 5/8 ODM	—										200RB 4S4VLC	047516
		1/2 ODF	Yes										200RB 4T4VLC	047518
5/8 ODF		Yes	200RB 4T5VLC										058950	

REFRIGERANT SOLENOID VALVES

200RB SERIES

200RB SERIES REFRIGERANT SOLENOID VALVES (CONTINUED)

VALVE CONFIG.	PORT SIZE (IN)	CONN. SIZE & TYPE (IN)	EXTD. ENDS	NOMINAL LIQUID CAPACITY - TONS (kW)									MODEL NUMBER	ITEM NUMBER	
				R-22	R-134a	R-290	R-404A / R-507	R-407C	R-410A	R-448A / R-449A	R-450A / R-513A	R-744			
Standard	5/16	3/8 ODF	Yes	8.2 (28.9)	6.2 (21.8)	8.6 (30.1)	5.3 (18.6)	7.7 (27.2)	7.7 (26.4)	8.3 (29.0)	5.7 (19.9)	18.7 (65.5)	200RB 5T3VLC	061227	
		1/2 SAE	—										200RB 5F4VLC	047519	
	5/16	1/2 ODF X 5/8 ODM	—	8.2 (28.9)	6.2 (21.8)	8.6 (30.1)	5.3 (18.6)	7.7 (27.2)	7.7 (26.4)	8.3 (29.0)	5.7 (19.9)	18.7 (65.5)	200RB 5S4VLC	047524	
		1/2 ODF	Yes										200RB 5T4VLC	057206	
		5/8 SAE	—										200RB 5F5VLC	059729	
		5/8 ODF	—										200RB 5S5VLC	049201	
		5/8 ODF	Yes										200RB 5T5VLC	059730	
	3/8	1/2 ODF X 5/8 ODM	—	9.5 (33.3)	7.2 (25.2)	9.9 (34.7)	6.1 (21.5)	8.9 (31.4)	8.9 (31.3)	9.5 (33.5)	6.5 (23.0)	21.5 (75.6)	200RB 6S4VLC	047537	
		1/2 ODF	Yes										200RB 6T4VLC	047544	
		5/8 SAE	—										200RB 6F5VLC	059732	
		5/8 ODF	—										200RB 6S5VLC	047540	
	7/16	5/8 ODF X 7/8 ODM	—	17.0 (59.8)	12.7 (44.6)	—	11.1 (39.0)	16.2 (57.0)	15.7 (55.2)	17.1 (60.0)	11.7 (41.2)	37.7 (132.3)	200RB 7S5VLC	064037	
		5/8 ODF	Yes			—							200RB 7T5VLC	064063	
		7/8 ODF	Yes			—							200RB 7T7VLC	064282	
	9/16	7/8 ODF	—	29.5 (103.8)	22.5 (79.1)	—	18.3 (64.2)	28.0 (98.3)	27.7 (97.6)	29.6 (104.2)	20.3 (71.5)	67.7 (238.0)	200RB 9T7VLC	064645	
		1-1/8 ODF	Yes			—							200RB 9T9VLC	064767	
	Bi-Directional	3/16	3/8 ODF	Yes	4.8 (17.0)	4.4 (15.6)	5.0 (17.6)	3.2 (11.3)	4.5 (16.0)	4.5 (15.8)	5.6 (19.6)	3.3 (11.6)	10.9 (38.2)	200RB 3T3BFVLC	009689
		1/4	3/8 ODF	Yes	5.6 (19.8)	5.3 (18.6)	5.8 (20.4)	3.7 (13.1)	5.3 (18.8)	7.5 (26.4)	9.2 (32.4)	5.5 (19.3)	18.0 (63.3)	200RB 4T3BFVLC	009690
		5/16	1/2 ODF	Yes	8.2 (29.0)	7.8 (27.7)	8.6 (30.2)	5.4 (19.1)	7.8 (27.6)	7.7 (26.4)	9.5 (33.5)	5.7 (19.9)	18.7 (65.5)	200RB 5T4BFVLC	009692
			5/8 ODF	Yes										200RB 5T5BFVLC	009693
3/8	5/8 ODF	Yes	10.0 (35.4)	9.4 (33.4)	9.9 (34.8)	6.5 (23.0)	9.5 (33.6)	8.9 (31.3)	11.0 (38.7)	6.5 (23.0)	21.5 (75.6)	200RB 6T5BFVLC	009694		
Mounting Stud	1/8	1/4 ODF	Yes	3.6 (12.7)	2.7 (9.6)	3.8 (13.4)	2.3 (8.2)	3.4 (11.9)	3.4 (11.9)	3.6 (12.7)	2.5 (8.7)	8.2 (28.7)	200RB 2T2TVLC	053236	
		3/8 ODF	Yes										200RB 2T3TVLC	054170	
	3/16	3/8 SAE	—	4.8 (16.9)	3.6 (12.7)	5.0 (17.6)	3.1 (10.9)	4.5 (15.9)	4.5 (15.8)	4.8 (17.0)	3.3 (11.6)	10.9 (38.2)	200RB 3F3TVLC	056438	
		3/8 ODF	Yes										200RB 3T3TVLC	049585	
	1/4	1/2 SAE	—	8.0 (28.0)	6.0 (21.1)	8.3 (29.2)	5.1 (18.0)	7.5 (26.3)	7.5 (26.4)	8.0 (28.1)	5.5 (19.3)	18.0 (63.3)	200RB 3F4TVLC	055855	
		3/8 SAE	—										200RB 4F3TVLC	047508	
		3/8 ODF X 1/2 ODM	—										200RB 4S3TVLC	047513	
		3/8 ODF	Yes										200RB 4T3TVLC	049162	
		1/2 ODF X 5/8 ODM	—										200RB 4S4TVLC	047515	
		1/2 ODF	Yes										200RB 4T4TVLC	049163	
		5/8 ODF	Yes										200RB 4T5TVLC	058045	
	5/16	3/8 ODF	Yes	8.2 (28.9)	6.2 (21.8)	8.6 (30.1)	5.3 (18.6)	7.7 (27.2)	7.7 (26.4)	8.3 (29.0)	5.7 (19.9)	18.7 (65.5)	200RB 5T3TVLC	054323	
		1/2 SAE	—										200RB 5F4TVLC	047521	
		1/2 ODF X 5/8 ODM	—										200RB 5S4TVLC	047526	
		1/2 ODF	Yes										200RB 5T4TVLC	049164	
		5/8 SAE	—										200RB 5F5TVLC	047523	
		5/8 ODF	—										200RB 5S5TVLC	047528	
	3/8	5/8 ODF	Yes	9.5 (33.3)	7.2 (25.2)	9.9 (34.7)	6.1 (21.5)	8.9 (31.4)	8.9 (31.3)	9.5 (33.5)	6.5 (23.0)	21.5 (75.6)	200RB 5T5TVLC	049165	
		1/2 SAE	—										200RB 6F4TVLC	047531	
		1/2 ODF X 5/8 ODM	—										200RB 6S4TVLC	047539	
1/2 ODF		Yes	200RB 6T4TVLC										047546		
5/8 SAE		—	200RB 6F5TVLC										047534		
5/8 ODF		—	200RB 6S5TVLC										047542		
5/8 ODF	Yes	200RB 6T5TVLC	047548												

200RB SERIES REFRIGERANT SOLENOID VALVES (CONTINUED)

VALVE CONFIG.	PORT SIZE (IN)	CONN. SIZE & TYPE (IN)	EXTD. ENDS	NOMINAL LIQUID CAPACITY - TONS (kW)									MODEL NUMBER	ITEM NUMBER
				R-22	R-134a	R-290	R-404A / R-507	R-407C	R-410A	R-448A / R-449A	R-450A / R-513A	R-744		
Mounting Stud	7/16	5/8 ODF	—	17.0 (59.8)	12.7 (44.6)	—	11.1 (39.0)	16.2 (57.0)	15.7 (55.2)	17.1 (60.0)	11.7 (41.2)	37.7 (132.3)	200RB 7T5TVLC	064562
		7/8 ODF	Yes			—							200RB 7T7TVLC	064284
	9/16	5/8 ODF	Yes	29.5 (103.8)	22.5 (79.1)	—	18.3 (64.2)	28.0 (98.3)	27.7 (97.6)	29.6 (104.2)	20.3 (71.5)	67.7 (238.0)	200RB 9T5TVLC	064764
		7/8 ODF	Yes			—							200RB 9T7TVLC	064766
		1-1/8 ODF	Yes			—							200RB 9T9TVLC	064769
Manual Opening Stem	3/16	3/8 ODF	—	4.8 (16.9)	3.6 (12.7)	5.0 (17.6)	3.1 (10.9)	4.5 (15.9)	4.5 (15.8)	4.8 (17.0)	3.3 (11.6)	10.9 (38.2)	200RB 3T3MVLC	065620
		1/2 ODF	—										200RB 3T4MVLC	065621
	1/4	3/8 SAE	—	8.0 (28.0)	6.0 (21.1)	8.3 (29.2)	5.1 (18.0)	7.5 (26.3)	7.5 (26.4)	8.0 (28.1)	5.5 (19.3)	18.0 (63.3)	200RB 4F3MVLC	047507
		3/8 ODF X 1/2 ODM	—										200RB 4S3MVLC	047512
		3/8 ODF	Yes										200RB 4T3MVLC	049186
		1/2 ODF X 5/8 ODM	—										200RB 4S4MVLC	047514
		1/2 ODF	Yes										200RB 4T4MVLC	049187
		5/8 ODF	Yes										200RB 4T5MVLC	056518
	5/16	1/2 SAE	—	8.2 (28.9)	6.2 (21.8)	8.6 (30.1)	5.3 (18.6)	7.7 (27.2)	7.7 (26.4)	8.3 (29.0)	5.7 (19.9)	18.7 (65.5)	200RB 5F4MVLC	047520
		1/2 ODF X 5/8 ODM	—										200RB 5S4MVLC	047525
		1/2 ODF	Yes										200RB 5T4MVLC	049188
		5/8 SAE	—										200RB 5F5MVLC	047522
		5/8 ODF	—										200RB 5S5MVLC	047527
		5/8 ODF	Yes										200RB 5T5MVLC	049189
	3/8	1/2 SAE	—	9.5 (33.3)	7.2 (25.2)	9.9 (34.7)	6.1 (21.5)	8.9 (31.4)	8.9 (31.3)	9.5 (33.5)	6.5 (23.0)	21.5 (75.6)	200RB 6F4MVLC	047530
		1/2 ODF X 5/8 ODM	—										200RB 6S4MVLC	047538
		1/2 ODF	Yes										200RB 6T4MVLC	047545
		5/8 SAE	—										200RB 6F5MVLC	047533
		5/8 ODF	—										200RB 6S5MVLC	047541
		5/8 ODF	Yes										200RB 6T5MVLC	047547
	7/16	5/8 ODF	Yes	17.0 (59.8)	12.7 (44.6)	—	11.1 (39.0)	16.2 (57.0)	15.7 (55.2)	17.1 (60.0)	11.7 (41.2)	37.7 (132.3)	200RB 7T5MVLC	064267
		7/8 ODF	Yes										200RB 7T7MVLC	064283
	9/16	5/8 ODF	Yes	29.5 (103.8)	22.5 (79.1)	—	18.3 (64.2)	28.0 (98.3)	27.7 (97.6)	29.6 (104.2)	20.3 (71.5)	67.7 (238.0)	200RB 9T5MVLC	064763
7/8 ODF		Yes	200RB 9T7MVLC										064765	
	1 1/8 ODF	Yes										200RB 9T9MVLC	064768	

Capacities based on 100°F liquid and 40°F saturated evaporator per ARI standard 760-87. All ratings are based on largest connection size.



Detailed product drawings

Extended capacity tables



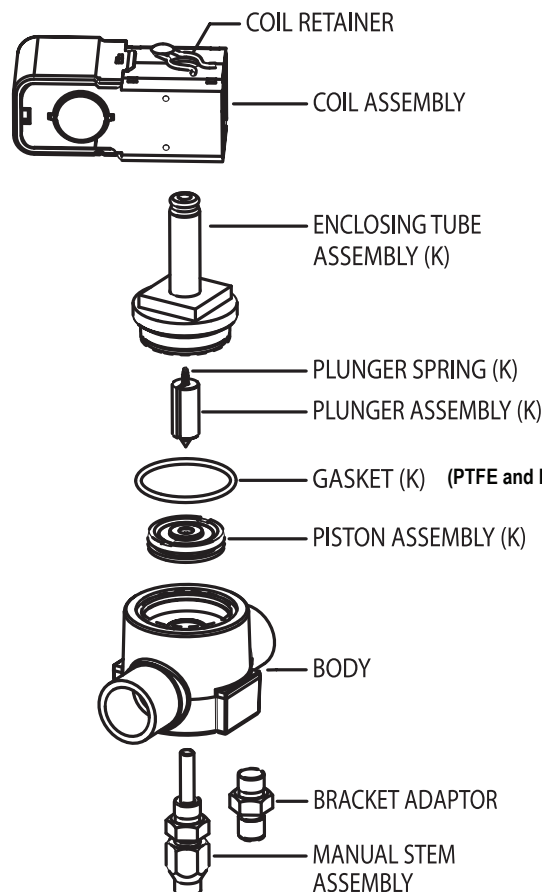
EXPLODED VIEW & PARTS KIT DATA

200RB SERIES PART KITS

DESCRIPTION	MODEL NUMBER	ITEM NUMBER
Complete Kits		
Complete Valve Repair Kit (K) for 200RB/RD 2 - 200RB/RD 6	KS-30115	049194
Complete Valve Repair Kit (K) for 200RB/RD 7	KS-30354	064263
Complete Valve Repair Kit (K) for 200RB/RD 9	KS-30362	064825
Manual Opener Kits		
Solenoid Valve Manual Opener Kit 200RB 3	KS-30377	065695
Solenoid Valve Manual Opener Kit 200RB 4 - 200RB 6	KS-30117	053959
Solenoid Valve Manual Opener Kit 200RB 7	KS-30361	064831
Solenoid Valve Manual Opener Kit 200RB 9	KS-30364	064832
Gasket Kits		
Gasket Kit for 200RB/RD 7	KG-00002	064262
Gasket Kit for 200RB/RD 9	KG-00003	064830
Gasket Kit for 200RB/RD 2 - 200RB/RD 6 and 500RB, 12 PTFE and 12 Neoprene O-Rings	KG-10025	049190
Bi-Directional Kit		
Bi-Directional Flow Valve Kit for 200RB/RD 2 - 200RB/RD 6	KS-30293	056431
Tool Kit		
Magnetic Solenoid Tool closes a normally closed solenoid valve in the de-energized state, incorporates a spanner wrench for easy disassembly of solenoid valve series 100RB, 200RB, 240RA and provides an orifice to manually adjust opening stem.	SOLENOID TOOL	066019

VALVE REPAIR KIT

(K) indicates part is supplied in valve repair kit.



Replace with same gasket color and material; discard other