

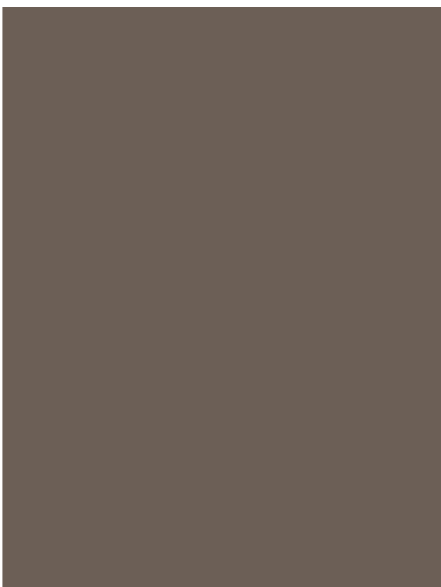
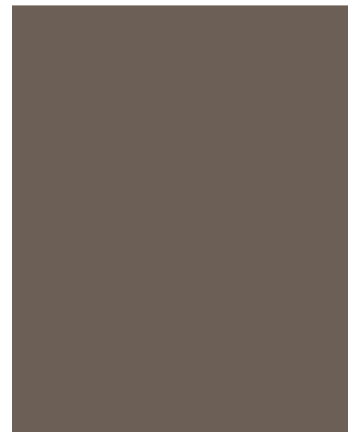
GEHL

Form No.
913271
Revision B
September
2007

RS6-34

Telescopic Handler

Beginning with serial number 21101



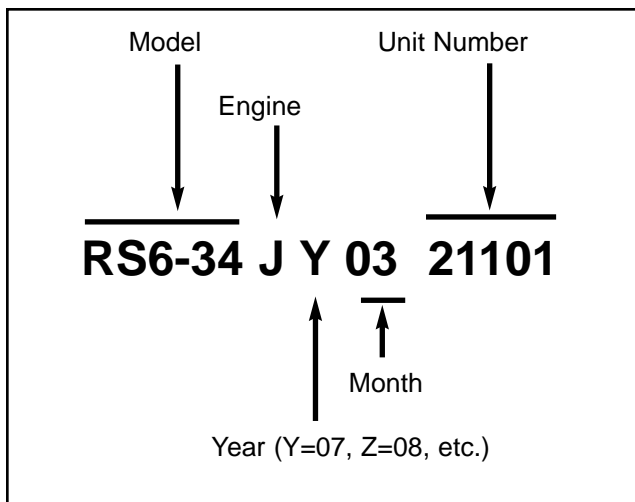
Parts Manual

NOTE: *This parts manual identifies both standard and optional features for this model. Depending on the features of the machine, some of the items identified in the parts lists may, or may not be included with your machine.*

The table of contents pages show the page location of various component groups on the machine.

When ordering service parts, specify the correct part number, full description, quantity required, and the unit model and serial number.

Model and serial numbers for this unit are stamped on a plate located inside the operator's station. The serial number is also stamped on the top front frame. The following reference shows the breakdown of the serial number:



“Right” and “left” are determined from a position sitting on the seat and facing forward.

Gehl Company reserves the right to make changes or improvements in the design or construction of any part of the unit without incurring the obligation to install such changes on any unit previously delivered.

Grease fittings and common attaching hardware, such as cotter pins, set screws, woodruff keys, screws, nuts, etc., are included in the parts list, indented below the part it is (they are) associated with, but may NOT be illustrated, except where a particular routing or special fastening arrangement MUST be maintained. The hardware listed is for mounting purposes and is NOT included when the part is ordered for replacement.

Part numbers for standard hardware are listed indented under the component being fastened.

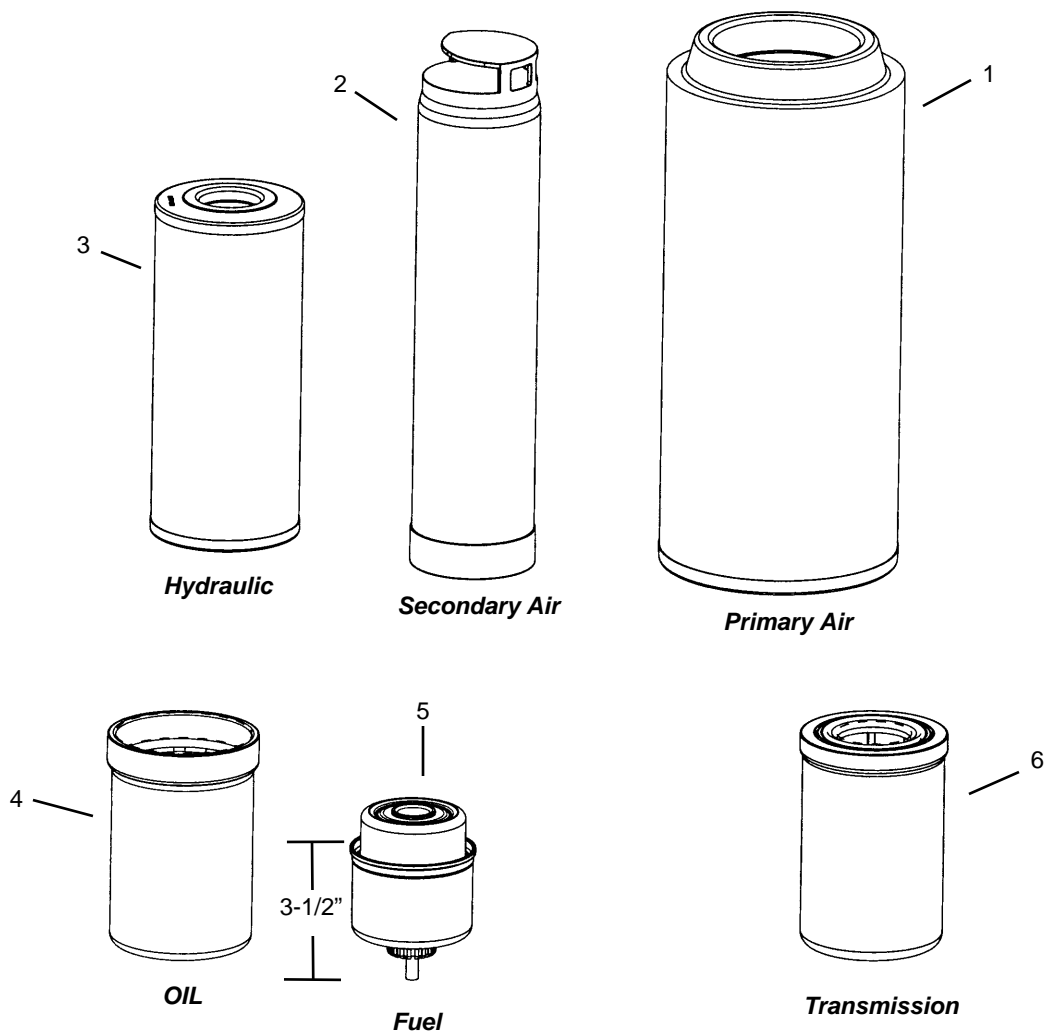
A complete listing of part numbers for attaching washers/nuts used on this machine is included in the table on the facing page. Refer to the abbreviations list on the facing page for descriptions.

Standard attaching hardware torque values are provided on the inside back cover. Unless otherwise specified, all cap screws are Grade 5, cadmium or zinc plated; hexagon nuts for Grade 5 cap screws or bolts are Grade 5.

	Page
INTRODUCTION	
Table of Contents	1
Filters	4
DECALS	
General Information	6
New Application	6
Decal Locations	6
CAB	
Cab and Covers (Standard)	12
Glass - Front and Rear Window Group (Option)	14
Wipers	16
Glass - Top and Left Window (Option)	18
Door	20
Instruments, Switches and Fuses	22
Heater (Option)	24
Steering Column and Shifter Group	26
Seat	28
Cab Components - Tri-Function Controls (Option)	30
Brake and Accelerator Pedals	32
Cab Mounts	34
CHASSIS	
Hydraulic Tank Group	36
Fuel Tank Group	38
Battery Group	40
Hoods and Covers	42
Front and Rear Lights	44
PERSONAL WORK PLATFORM	
Boom Components	46
Chassis Components	47
Radio Remote Transmitter and Receiver	48
ENGINE	
External Components	50
Radiator and Cooler Group	52
Air Intake Group	54
Exhaust Group	56
TRANSMISSION	
External Components	58
Converter Housing Group	60
Case and Plate Group	62
Torque Converter Group	64
Gear Group	66
<i>(Transmission continued on next page.)</i>	

	Page
<i>(Transmission continued.)</i>	
Drive Pump Group68
Charge Pump Group69
Reverse Idler Group70
Forward and Reverse Group72
Third Shaft Group74
First and Second Shaft Group76
Output Shaft Group78
Control Group79
Drive Plate Group80
Modulation Valve Group81
 AXLE	
External Components82
Front Axle - Steer Cylinder and Tie Rods Group84
Rear Axle - Steer Cylinder and Tie Rods Group85
Front Axle - Differential Housing Group86
Rear Axle - Differential Housing Group87
Front Axle - Brake Group88
Rear Axle - Brake Group89
Front Axle - Outer End Group90
Front Axle - Differential Group92
Rear Axle - Outer End Group94
Rear Axle - Differential Group96
 BOOM	
Outer Boom Section98
Intermediate Boom Section100
Inner Boom Section102
Dynattach Bracket Assembly104
 HYDRAULIC SYSTEMS	
Hydraulic Pump and Joystick Relief/Flowdivider Group106
Steer Motor and Select Valve Group108
Brake Valve Group110
Brake and Steering Circuit112
Main Hydraulic Valve and Hoses114
Main Hydraulic Valve - Dual Controls (Standard)116
Main Valve with Tri-Function Control (Option) - Standard Hydraulics118
Main Valve with Tri-Function Control (Option) and Auxiliary Hydraulics120
Main Valve with Radio Remote (Option)122
Dual Controls - Standard124
Dual Controls with only Auxiliary Hydraulics (Option)126
Dual Controls with only PWP (Option)128
Dual Controls with PWP and Auxiliary Hydraulics (Option)130
Dual Controls with Radio Remote (Option)132
Dual Controls with Radio Remote and Auxiliary Hydraulics (Option)134
<i>(Hydraulic Systems continued on next page.)</i>	

	Page
<i>(Hydraulic Systems continued.)</i>	
Tri-Function Control (Option) with only PWP	136
Tri-Function Control (Option) with PWP and Auxiliary Hydraulics	138
Tri-Function Control (Option) with Radio Remote	140
Tri-Function Control (Option) with Radio Remote and Auxiliary Hydraulics	142
Hydraulic Circuits	144
Frame Level Circuit	144
Lift Circuit	146
Tilt / Slave Circuit	148
Boom Extend Circuit	150
Auxiliary Hydraulics Circuit	152
 HYDRAULIC COMPONENTS	
Hydraulic Pump	154
Joystick Relief - Flowdivider	155
Main Hydraulic Valve	156
PWP Valve	158
Steer Select Valve	159
Steer Motor	160
Brake Valve	161
Radio Remote (Option) Manifold	162
Controller - Tilt/Frame Level	164
Controller - Lift/Extend	166
Controller - Tri-Function (Option)	168
Controller - Auxiliary Hydraulics (Option)	170
Frame Level Cylinder	172
Lift Cylinder	174
Slave Cylinder	176
Tilt Cylinder	178
Boom Extend Cylinder	180
Fork Shift Cylinder	182
Rotating Carriage Cylinder	183
 ATTACHMENTS	
Carriage Forks	184
Standard Carriage	186
Fork Shift Carriage	188
Rotating Carriage	190
Truss Boom	192
180 Degree Swing Platform	194
Work Platform	196
Bucket	198
 INDEXES	
Index	200
Numerical Index	206



RS6-34 Telescopic Handler

Filters

All

Ref. No.	Part No.	Description	Qty. Req.	Ref. No.	Part No.	Description	Qty. Req.
01	137498	PRIMARY AIR FILTER (<i>outer</i>)	1	05	L98978	FUEL FILTER (<i>99hp engine</i>)	1
02	137501	SECONDARY AIR FILTER (<i>inner</i>) . .	1	06	L99184	TRANSMISSION FILTER	1
03	L97489	HYDRAULIC FILTER	1				
04 ^a	102173	ENGINE OIL FILTER	1				

a Use Dust Seal P/N 102742 as needed.

GENERAL INFORMATION



ALWAYS follow the safety precautions on decals. Replace decals if they are damaged, or if the unit is repainted. If repainting, be sure that all applicable decals are affixed in their proper locations.

Decal locations information is provided to assist in the proper selection and application of new decals, in the event original decals become damaged or the machine is repainted.

For correct replacement of decals, compare the location illustrations to your machine before starting to refinish the unit. Check off each required decal using the illustration reference number to find the part number, description and quantity in the list. Refer to the appropriate illustration for replacement locations.

NEW DECAL APPLICATION

Before applying the new decals, surfaces must be free from dirt, dust, grease and other foreign material. To apply a solid-formed decal, remove the smaller portion of the decal backing paper and apply this part of the exposed adhesive backing to the clean surface while maintaining proper position and alignment. Slowly peel off the other portion of the backing paper while applying hand pressure to smooth-out decal surface. To apply a die-cut decal, first remove the backing paper. Then, properly orient and position the decal onto the clean mounting surface. After the decal is firmly applied and smoothly pressed down, remove the front covering paper.

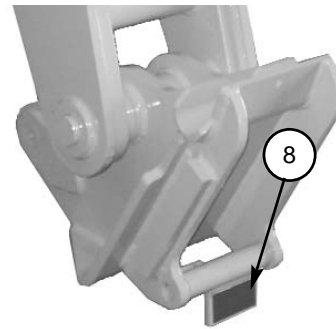
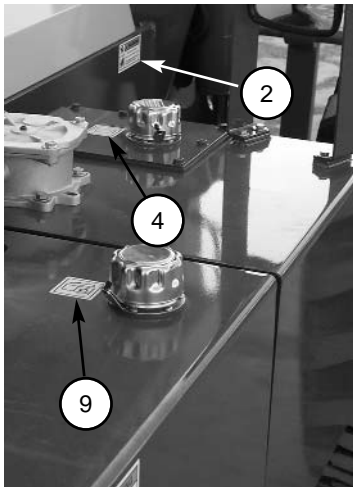
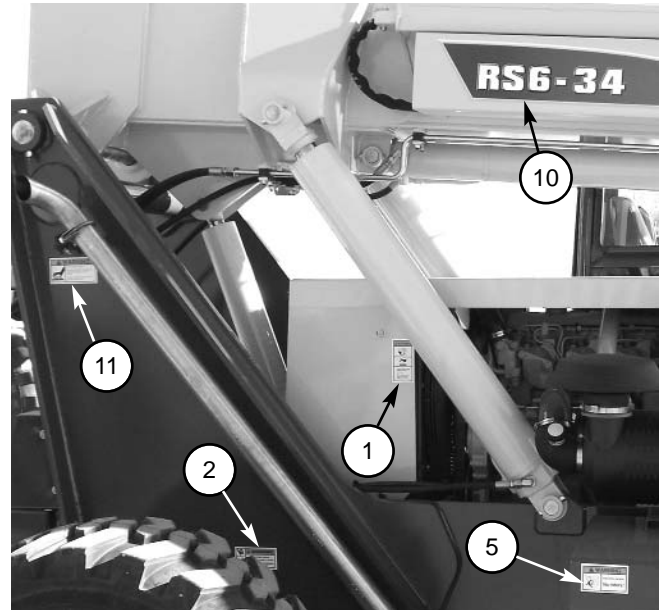
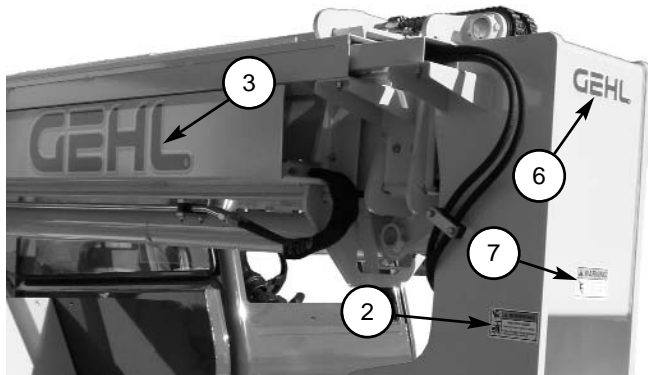
PAINT FINISH

Use this list to order paint for refinishing:

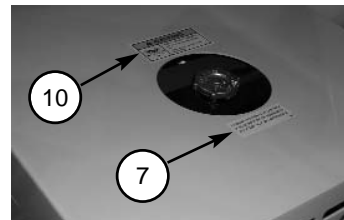
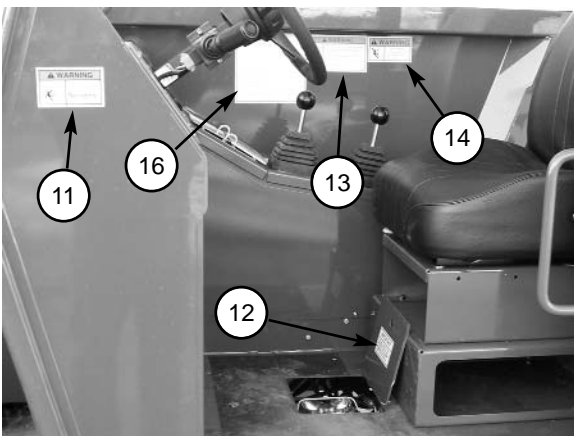
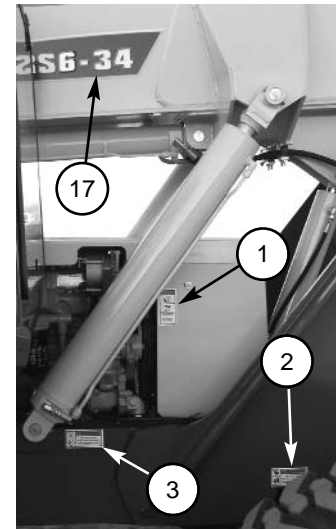
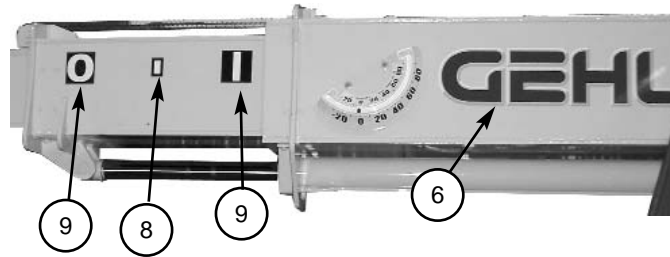
167788	One Gallon Yellow
167789	6 (12 oz. Spray Cans) Yellow
167754	One Gallon Gun-Metal Gray
167755	6 (12 oz. Spray Cans) Gun-Metal Gray

Boom Attachment Decals

L65927	WARNING - PINCH POINT
L65348	WARNING - WINCH
L66042	WARNING - TRUSS BOOM TILT



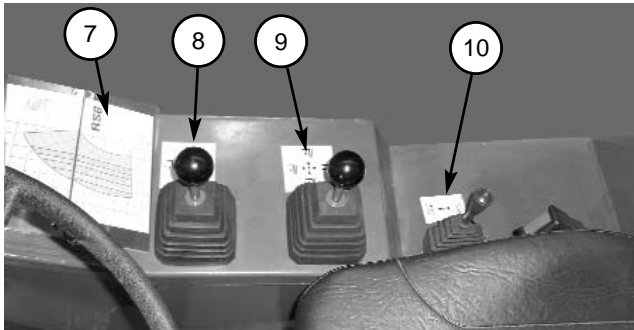
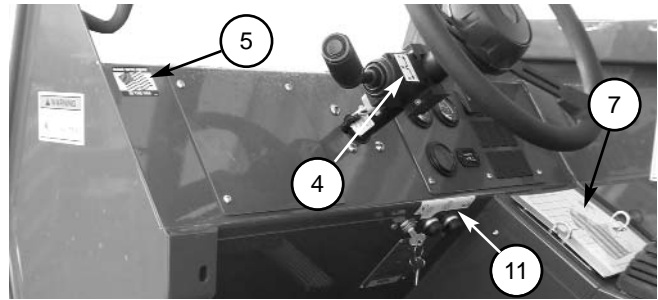
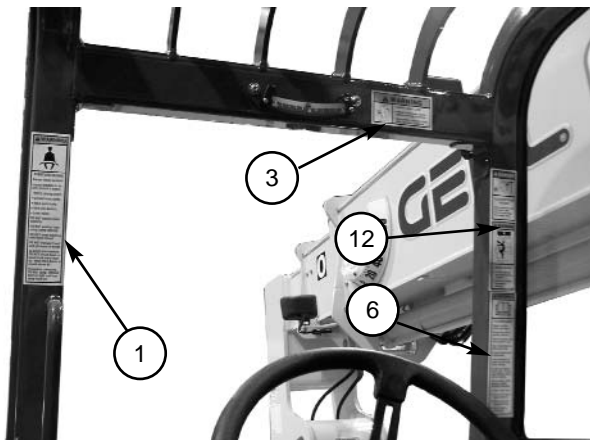
Ref. No.	Part No.	Description	Qty. Req.	Ref. No.	Part No.	Description	Qty. Req.
01	L70305	DANGER-HANDS OUT	AR	07	L65928	DANGER-PERSONNEL INJURY . AR (units without PWP)	AR
02	L65927	WARNING-PINCH POINT	AR	08	L66613	DYNATTACH UNLOCKED	AR
03	184069	GEHL, 6-3/4"	AR	09	137634	DIESEL FUEL	AR
04	137632	HYDRAULIC OIL FILL	AR	10	104872	RS6-34, RIGHT HAND	AR
05	L65932	WARNING-NO RIDERS	AR	11	L65942	HOT SURFACE	AR
06	102026	GEHL, 2"	AR				



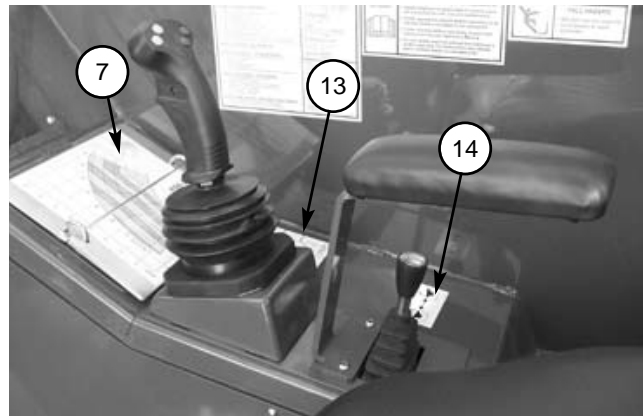
RS6-34 Telescopic Handler

Decals Frame and Boom

Ref. No.	Part No.	Description	Qty. Req.	Ref. No.	Part No.	Description	Qty. Req.
01	L70305	DANGER-HANDS OUT	AR	10	072798	COOLANT UNDER PRESSURE. . .	1
02	L65927	WARNING-PINCH POINT	AR	11	L65932	WARNING-NO RIDERS.	AR
03	L65933	WARNING-JUMP START	AR	12	L63474	BRAKE FLUID	AR
04	102027	GEHL, 5"	AR	13	100359	OPERATOR MANUAL WARNING. .	1
05	L65937	DYNATTACH DIAGRAM	AR	14	L65928	DANGER-PERSONNEL INJURY . AR	
06	184069	GEHL, 6-3/4"	AR			<i>(units without PWP)</i>	
07	056859	ANTI-FREEZE	AR	16	103229	LUBE CHART	1
08	L62583	HALF ZONE MARKER	5	17	104871	RS6-34 LEFT HAND	1
09	L67718	NO. "0" EXTENSION MARKER . . .	1				
	L67719	NO. "1" EXTENSION MARKER . . .	1				
	L67720	NO. "2" EXTENSION MARKER . . .	1				
	L67721	NO. "3" EXTENSION MARKER . . .	1				
	L67722	NO. "4" EXTENSION MARKER . . .	1				
	L67723	NO. "5" EXTENSION MARKER . . .	1				



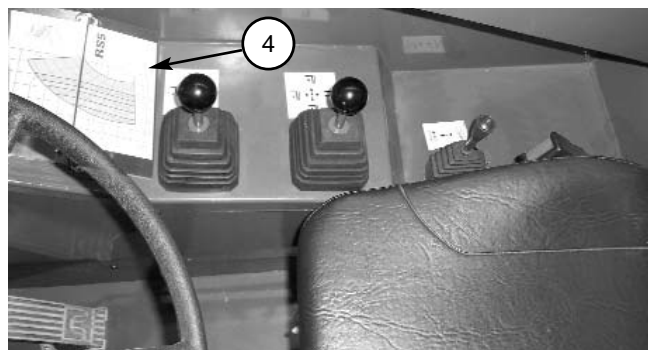
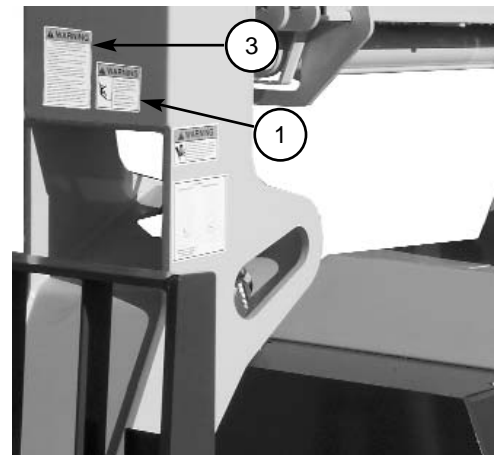
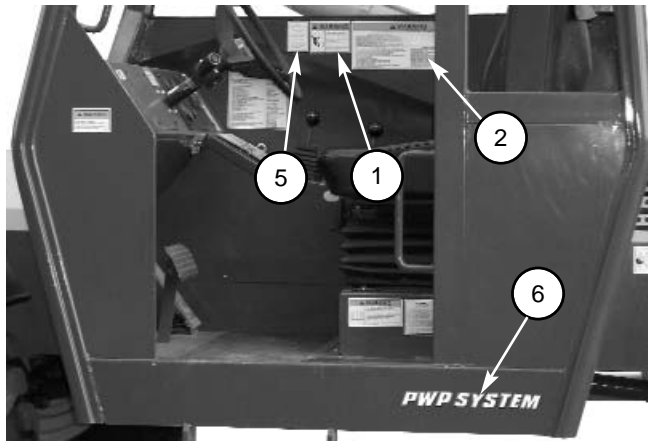
Dual Hydraulic Controllers (Standard)



Tri-function Hydraulic Controllers (Option)

DECAL LOCATIONS - OPERATOR STATION

Ref. No.	Part No.	Description	Qty. Req.	Ref. No.	Part No.	Description	Qty. Req.
01	L70306	WARNING-TILT HAZZARD	1	08	L63632	ATTACHMENT TILT/FRAME LVL . .	1
		/GENERAL OPERATOR		09	L63631	BOOM CONTROL	1
02	L65930	WARNING-MACHINE LEVEL	1	10	102718	AUX. HYD. CONTROL (<i>optional</i>) . .	1
03	L65926	WARNING-CARRY LOAD LOW	1	11	102717	IGNITION/START/HORN.	1
04	L68295	F-N-R SHIFT	1	12	L70307	DANGER-HIGH VOLTAGE	1
05	140516	MADE IN U.S.A.	1			/MOVING PARTS	
06	101506	WARNING-PARK BRAKE	1				
		/SEAT BELT					
		-- LOAD CHARTS--					
07	104875	STANDARD CARRIAGE	1	13	104215	JOYSTICK CONTROL	1
	104876	ROTATING CARRIAGE	1	14	L63311	SWAY CONTROL	1
	104877	BUCKET LOAD CHART	1	00	L71378	VALVE ADJUSTMENT.	1
	104878	TRUSS BOOM LOAD CHART	1			(<i>not shown - attaches to pilot valve</i>)	
	104879	WINCH LOAD CHART	1				
	104880	PWP LOAD CHART	1				



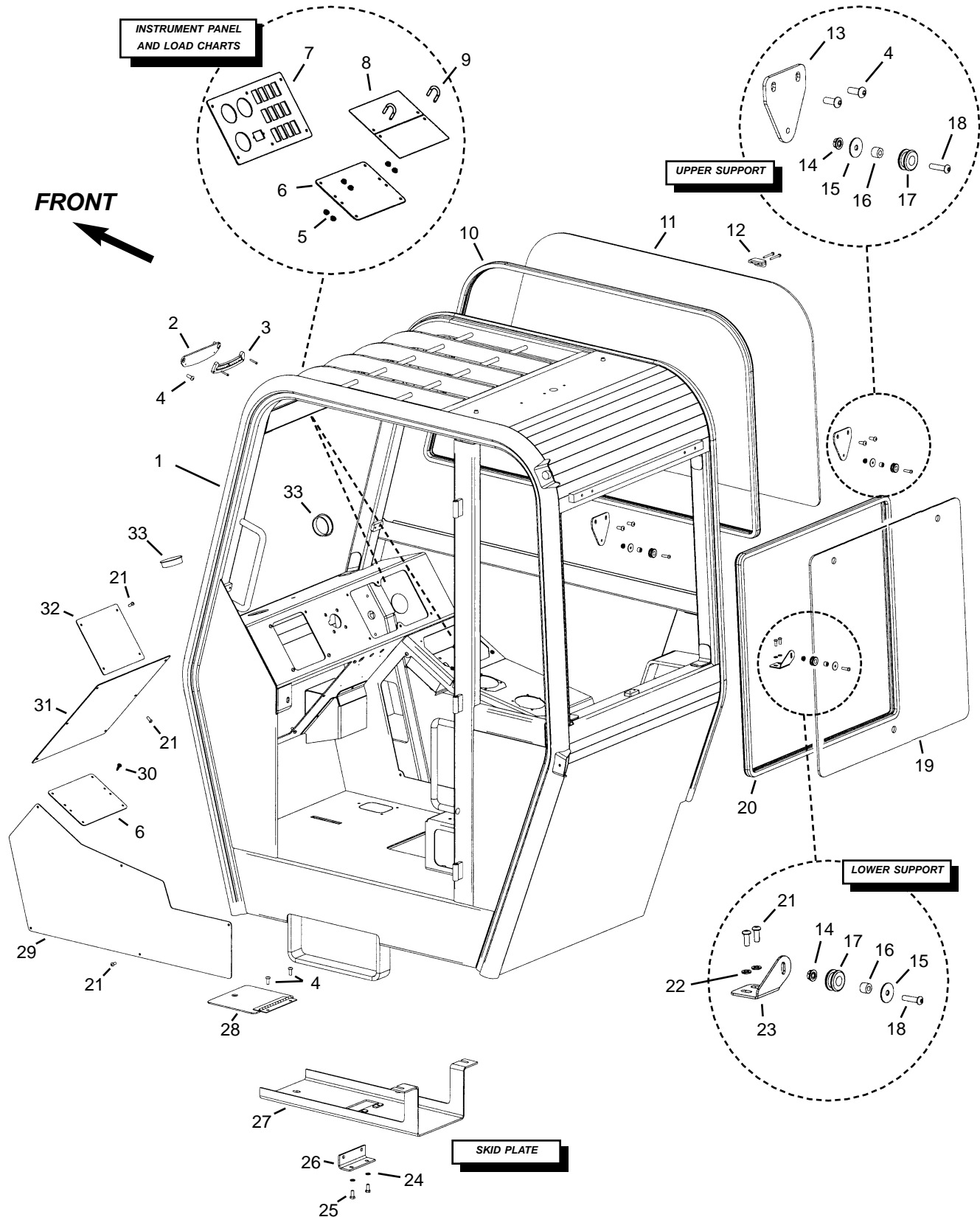
DECAL LOCATIONS - PWP EQUIPPED UNITS

Ref. No.	Part No.	Description	Qty. Req.	Ref. No.	Part No.	Description	Qty. Req.
01	L71554	WARNING-PERSONNEL LIFT . . .	AR	04	104880	PWP LOAD CHART	AR
02	L71555	WARNING-WORK PLATFORM . . .	AR	05	102969	PWP SWITCH	AR
		/RULES		06	103028	PWP SYSTEM	AR
03	L71700	PERSONNEL LIFT SAFETY	AR				
		/RULES					

Cab

Cab and Covers (Standard)

RS6-34 Telescopic Handler



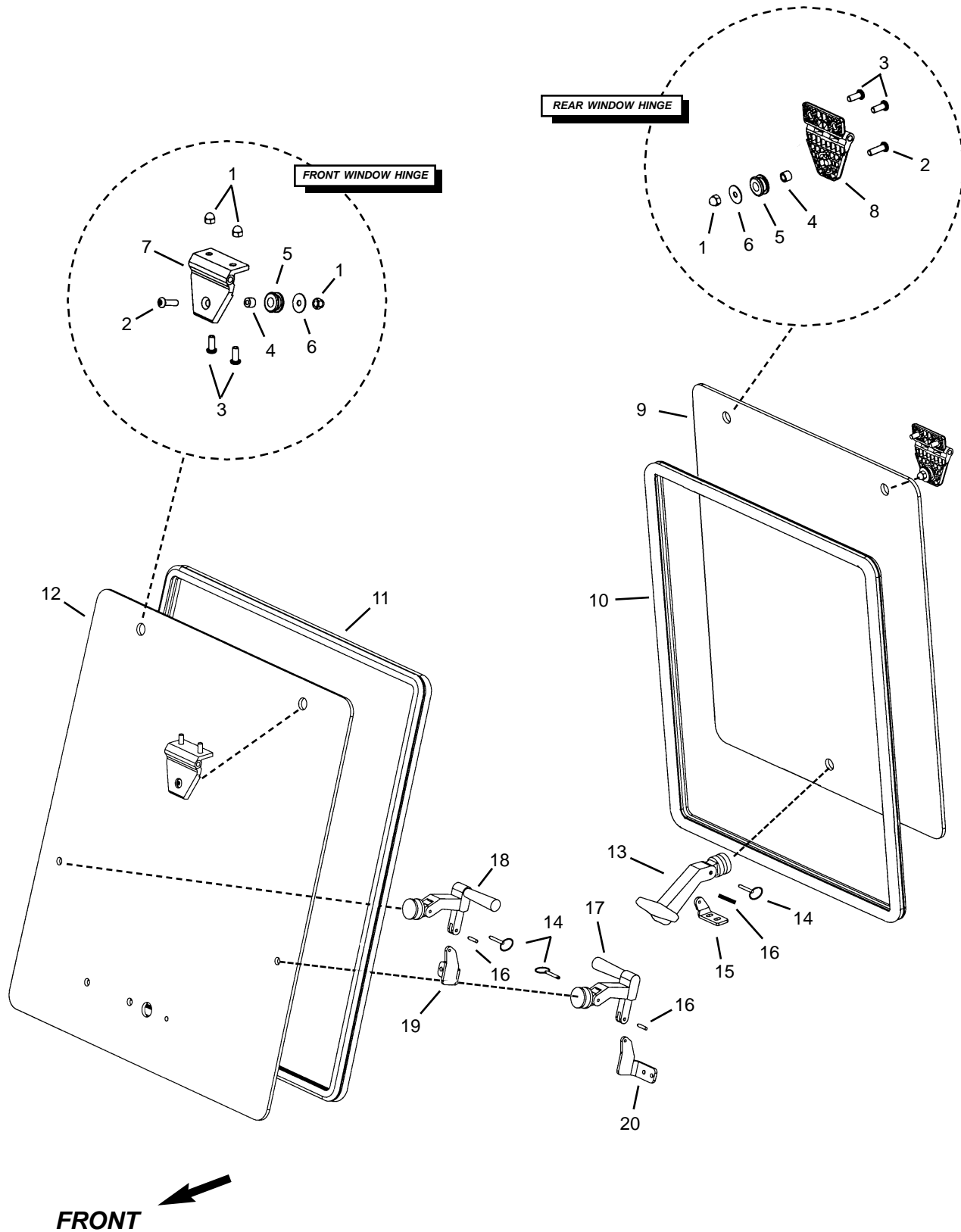
RS6-34 Telescopic Handler

Cab

Cab and Covers (Standard)

Ref. No.	Part No.	Description	Qty. Req.	Ref. No.	Part No.	Description	Qty. Req.
01	103089	CAB WELDMENT	1	24	654024	5/16" LOCK WASHER	2
02	L69297	PLATE, INCLMT MOUNT	1	25	650486	5/16"-18X3/4" BOLT	2
03	L66011	INDICATOR/FRAME LEVEL	1	26	103371	HANGER BRACKET	1
	L50417	#8-32X1" SCREW	2	27	103370	SKID PLATE	1
04	L52025	5/16"-18X3/4" BUTT. HD BOLT	4	28	102778	MASTER CYLINDER COVER	1
05	L50051	1/4"-20 WHIZ LOCK NUT	AR	29	102769	COVER, HYD. CONTROLLERS	1
06	102692	COVER, FUSE PANEL	1	30	101550	1/4"-20 SELF THREADING BOLT	4
07 ^b	102882	PANEL, DASH	1	31 ^a	102728	PANEL, HEATER	1
08 ^c	L63634	LOAD CHART PLATE	2	32 ^a	102727	PANEL, DASH COVER	1
09	L63887	1/4"-20 U-BOLT	1	33 ^d	L63813	HOLE PLUG, 2-1/2" DIA.	AR
10	103022	BULB SEAL, RIGHT WINDOW	1				
11	103021	GLASS, RIGHT HAND	1			-- ITEMS NOT SHOWN--	
	103675	SCREEN (<i>option</i>)		00	102646	HARNES, CANOPY	1
12	L500057	CLIP, WINDOW	2	00	L54002	TREAD STRIP, 6" WIDE (4 FT.)	AR
	L500055	SCREW, FLANGE	4	00	L71305	PLUG (<i>top of cab</i>)	2
13	102880	MOUNT, REAR GLASS UPPER	2				
14	L50051	1/4"-20 WHIZ NUT	3				
15	L500022	WASHER, FLAT (BLACK)	3	<i>a</i>		<i>Use when not equipped with a heater.</i>	
16	L500020	BUSHING, NYLON	3	<i>b</i>		<i>Refer to Instrument Panel and Switches section on the next page for information regarding switches and gauges.</i>	
17	L500021	GROMMET, 1/2"ID X 1/4"GROOVE	3	<i>c</i>		<i>Refer to Decal section for load chart decals.</i>	
18	L52024	1/4"-20X1" BUTT. HD BOLT	3				
19	103023	GLASS, REAR	1				
20	103024	BULB SEAL, REAR WINDOW	1				
21	L50202	1/4"-20X5/8" BUTTN HD	AR				
22	L50139	1/4" LOCK WASHER	2				
23	102881	MOUNT, REAR GLASS LOWER	1				

Glass - Front and Rear Window Group (Option)

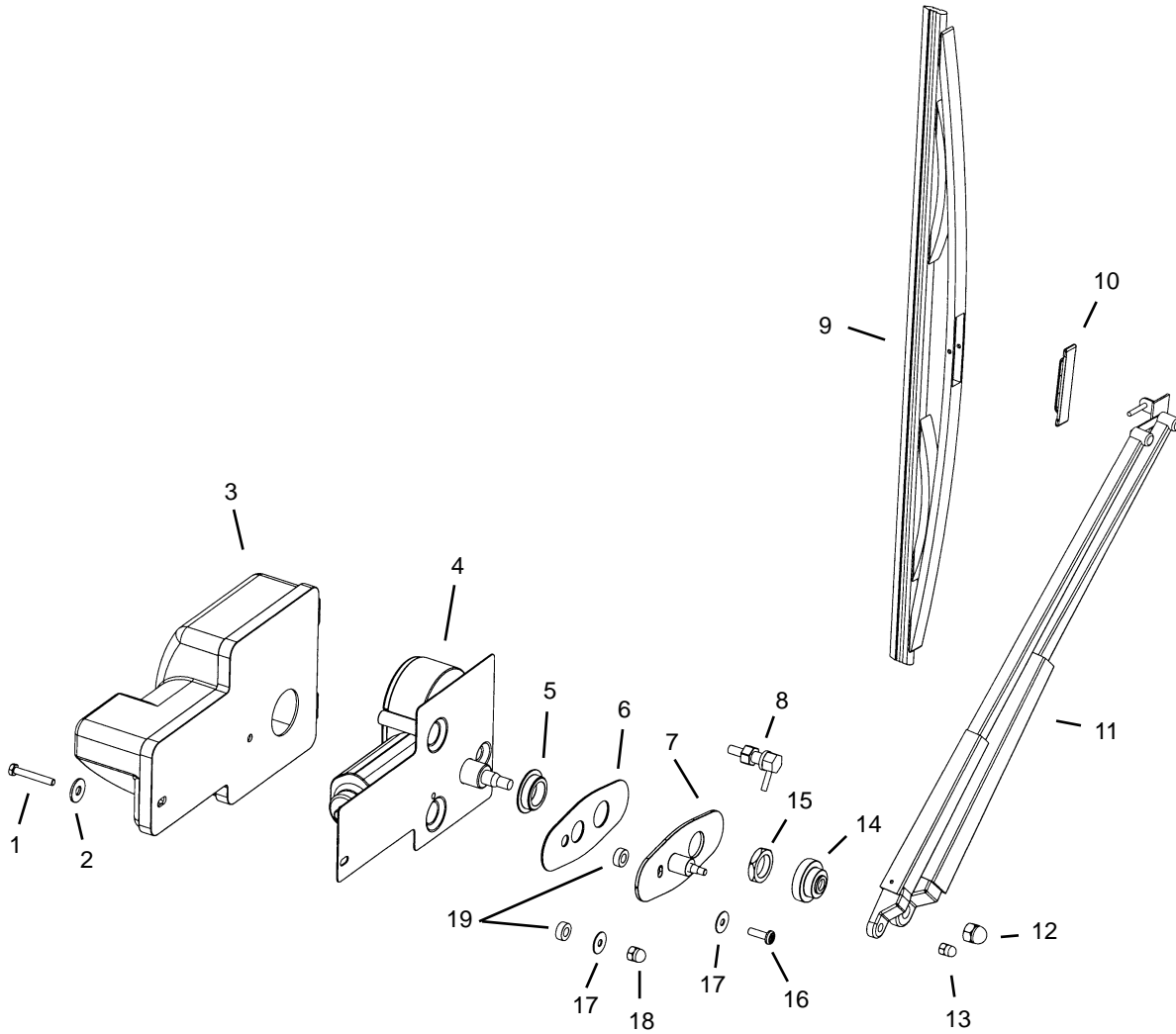


RS6-34 Telescopic Handler

Cab

Glass - Front and Rear Window Group (Option)

Ref. No.	Part No.	Description	Qty. Req.	Ref. No.	Part No.	Description	Qty. Req.
01	L500038	5/16"-18 ACCORN NUT	AR	15 ^a	104846	MOUNT, REAR WINDOW LATCH .	1
02	651639	5/16"-18X1" BUTTN HD BOLT	4	16	L500019	PIN, ROLL - 3/16"x1/2"	3
03	651640	5/16"-18X3/4" BUTTN HD BOLT . . .	8	17	L500028	HOLD OPEN, L-STYLE	1
04	L500042	BUSHING, STEEL	4	18	L500027	HOLD OPEN, L-STYLE	1
05	L500021	GROMMET, 1/2"IDX1/4"GROOVE .	6	19 ^a	103029	MOUNT, WIND. HOLD OPEN (RH)	1
06	651641	5/16" FLAT WASHER (BLACK)	4	20 ^a	102722	MOUNT, WIND. HOLD OPEN (LH).	1
07	L500111	HINGE, FRONT WINDOW	2				
08	L500024	HINGE, PLASTIC (<i>rear window</i>) . . .	1				
09	103023	GLASS, REAR	1	<i>a</i>	<i>Use the parts listed below to fasten mount to frame:</i>		
10	103024	BULB SEAL, REAR GLASS	1	00	650863	1/4" FLAT WASHER	AR
11	103022	BULB SEAL, FRONT GLASS	1	00	654002	1/4" LOCK WASHER	AR
12	103019	GLASS, FRONT	1	00	L50202	1/4"-20X5/8" BUTTN HD BOLT . .	AR
13	101727	HOLD OPEN, T-STYLE	1				
14	L500025	PIN, QUICK DETATCH	4				

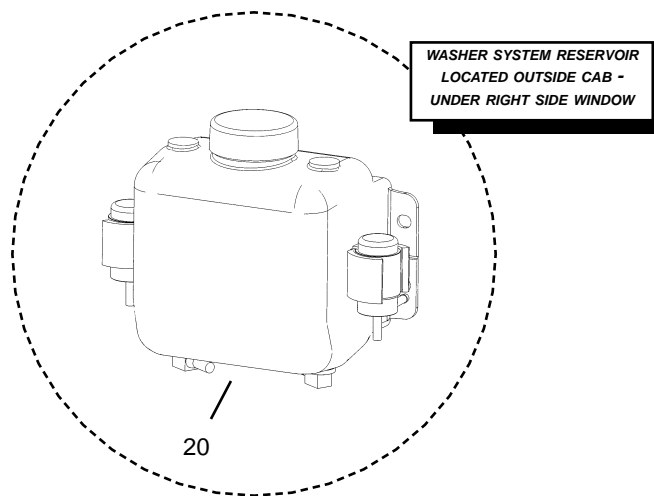


RS6-34 Telescopic Handler

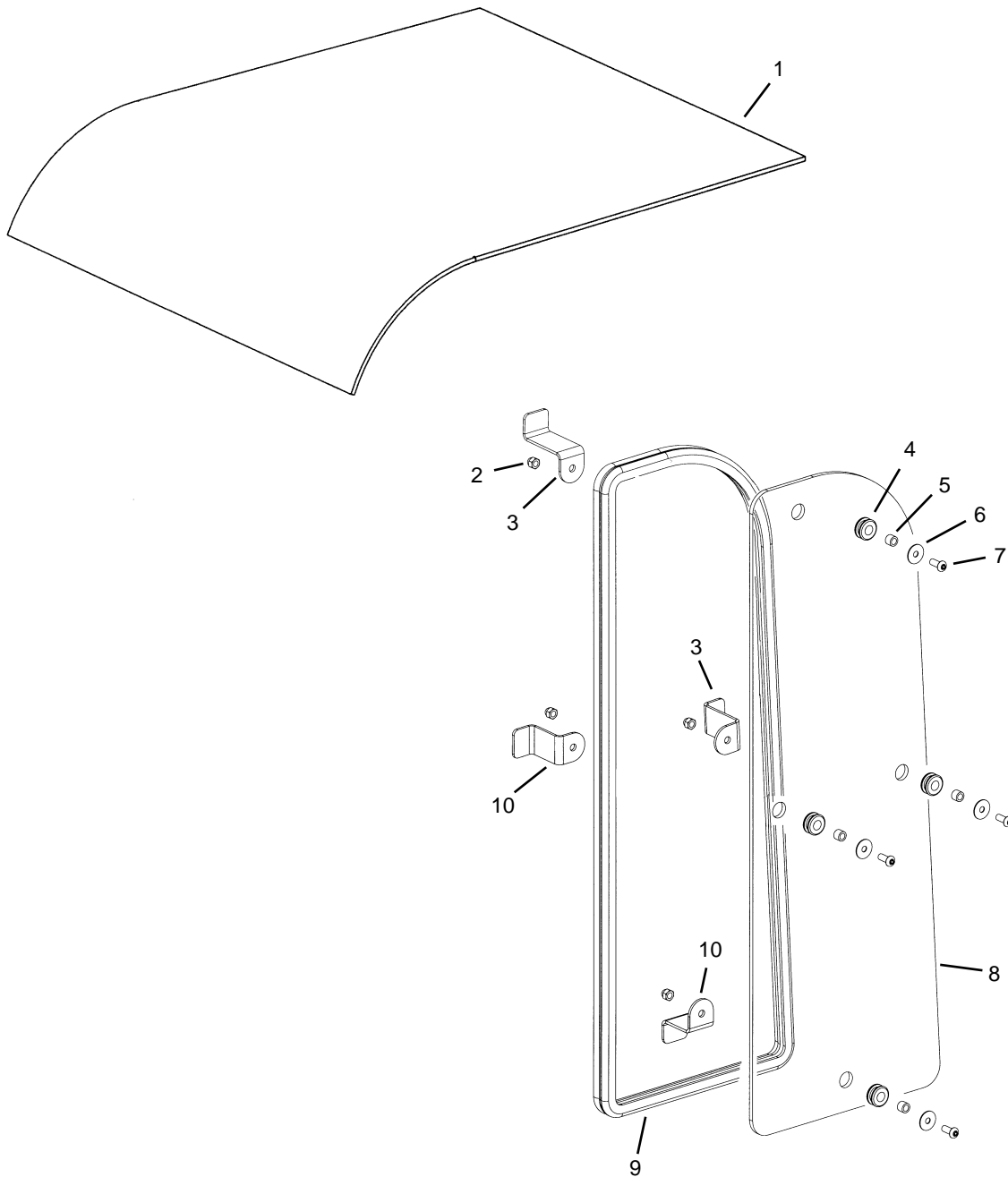
Cab

Wipers (Option)

Ref. No.	Part No.	Description	Qty. Req.	Ref. No.	Part No.	Description	Qty. Req.
Note: unless otherwise indicated, the following parts are used on the top and front windows.				16	L500711	SCREW / M5 16mm	1
01	L500718	BOLT / 10-24x1.25 HEX GR5	1	17	101717	WASHER, #10 WEATHERTITE . . .	2
02	L500001	WASHER/BLK NYLON	1	18	L500004	NUT/ACORN #10-24 BLK	1
03	L500696	COVER WIPER MOTOR	1	19 ^c	L500694	BUSHING / NYLON	2
04	L500695	WIPER MOTOR / TRICO	1	20	101495	BOTTLE, DUAL -PUMP WASHER . .	1
05 ^c	L500708	TOWER SEAL / TRICO WIPER . . .	1	-- ITEMS NOT SHOWN --			
06	L500701	GASKET / PANTO ADAPTER	1	(Windshield Wiper Harness)			
07	L500719	PANTO ADAPTER PLATE	1	00	103179	HARNESS, TOP WIPER	1
08	L500099	ADAPTOR/WET ARM	1	00	103180	HARNESS, FRONT WIPER	1
09	102913	WIPER BLADE (16")	1	(Windshield Washer System)			
10	L500707	ADAPTER / PIN LOCK	1	00	102925	HARNESS, WASHER BOTTLE . . .	1
11	L500702	WIPER ARM	1	00	103013	TUBING, WASHER (15-1/2')	1
	102912	<i>Note a (15-12")</i>					
		<i>Note b (18-1/2")</i>					
12	L500700	M8 / ACORN NUT	1				
13	L500706	M5 / ACORN NUT	1				
14	L500709	RAIN SHIELD	1	a	<i>Used for front window</i>		
15	L500697	M18 / NUT	1	b	<i>Used for top window</i>		
				c	<i>Not used on top window</i>		



Glass - Top and Left Window (Option)



FRONT

RS6-34 Telescopic Handler

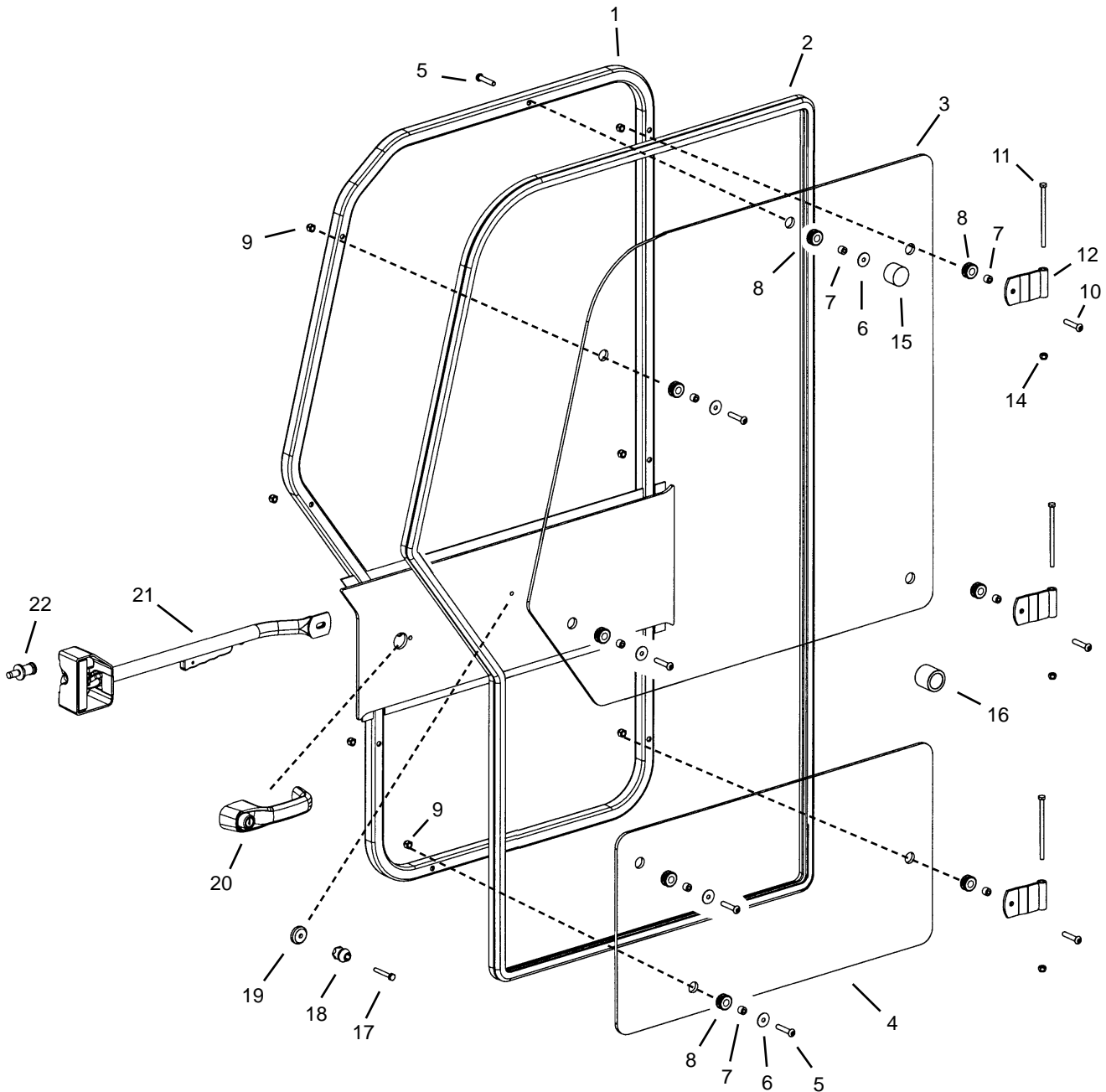
Cab

Glass - Top and Left Window (Option)

Ref. No.	Part No.	Description	Qty. Req.	Ref. No.	Part No.	Description	Qty. Req.
01 ^a	103027	GLASS, TOP	1	08	103025	GLASS, LEFT REAR.	1
02	L500038	5/16"-18 ACCORN NUT	AR	09	103026	BULB SEAL, LEFT GLASS.	1
03	102711	WINDOW MOUNT.	2	10	102712	WINDOW MOUNT.	2
04	L500021	GROMMET, 1/2"IDX1/4"GROOVE . 4					
05	L500042	BUSHING, STEEL	4				
06	651641	5/16" FLAT WASHER (BLACK). . . . 4					
07	651639	5/16"-18X1" BUTTN HD BOLT 4					
				a	<i>Use P/N L500607 Adhesive Kit to attach top glass to cab.</i>		

Cab
Door (Option)

RS6-34 Telescopic Handler



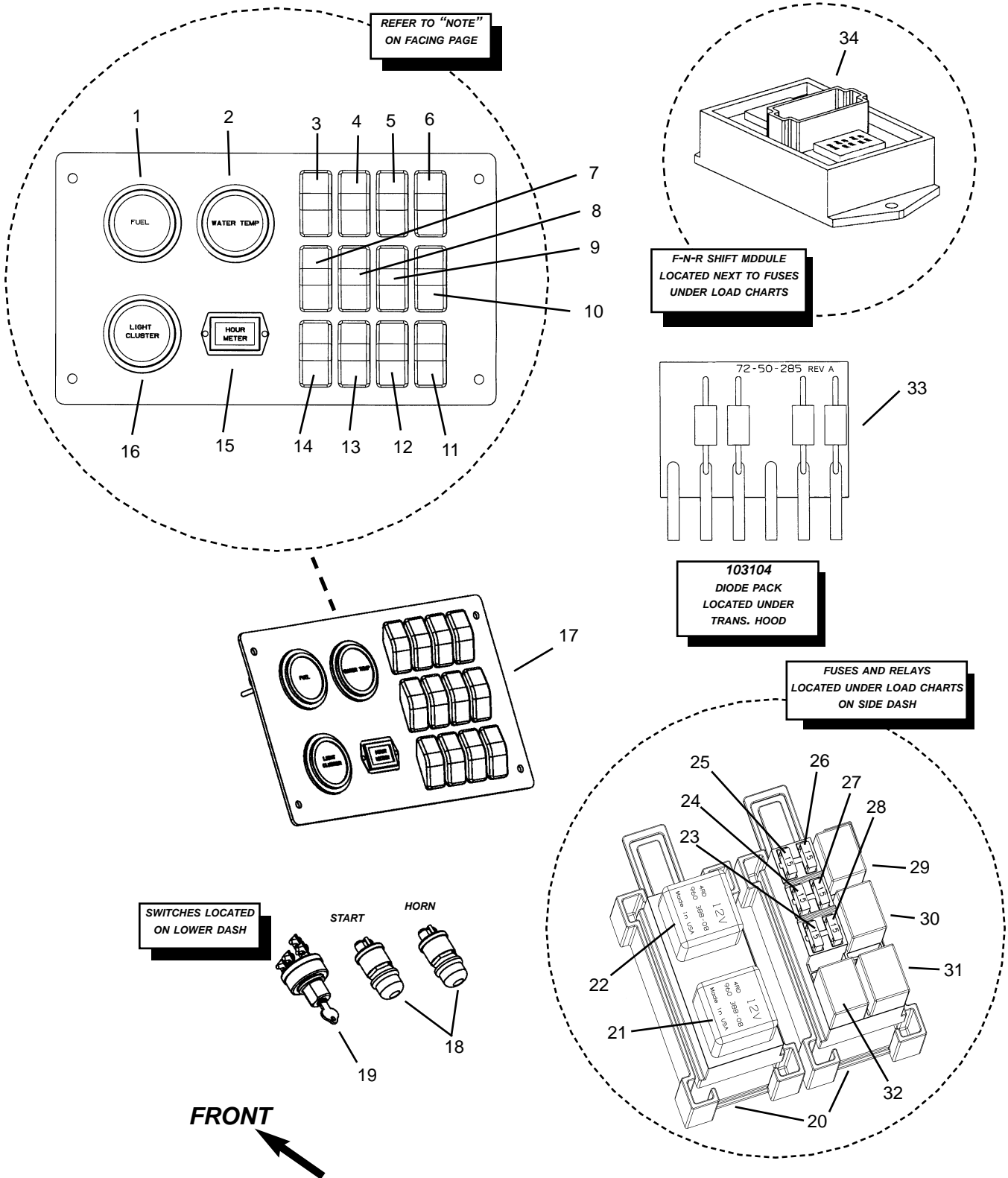
FRONT ←

RS6-34 Telescopic Handler

Cab Door (Option)

Ref. No.	Part No.	Description	Qty. Req.	Ref. No.	Part No.	Description	Qty. Req.
00	103014	CAB DOOR 1 <i>(includes items 1-10, 12 and 15)</i>		19	101719	GLASS MOUNT 1	
				20	102948	HANDLE, EXT. DOOR LOCKING .. 1	
					101792	KEY ONLY 1	
01	102874	WELDMENT, CAB DOOR FRAME . 1		21	102886	LATCH RELEASE, INTERIOR 1	
02	102705	BULB SEAL, DOOR FRAME 1			651635	1/4-20X1-1/4" FLAT HD SCREW .. 2	
03	102680	GLASS, UPPER DOOR 1			L50202	1/4-20X5/8" BUTTN HD BOLT 1	
04	102681	GLASS, LOWER DOOR 1			651636	M6-1X12 8.8 BOLT..... 2	
05	651638	5/16"-18X1-3/4" BUTTN HD BOLT . 5			L500022	FLAT WASHER (BLACK)..... 1	
06	651641	5/16" FLAT WASHER (BLACK).... 5			L520003	1/4"-20 NYLON INSERT NUT 2	
07	L500042	BUSHING, STEEL 8			L70069	1/2" HOLE PLUG 2	
08	L500021	GROMMET, 1/2"IDX1/4"GROOVE . 8		22	101436	STRIKER 1	
09	L500038	5/16"-18 ACCORN NUT (BLACK) .. 7			654028	7/16" LOCK WASHER 1	
10	651643	5/16"-18X2" BUTTN HD BOLT 3			654046	7/16" FLAT WASHER 1	
11	650730	3/8"X5" BOLT. 3			L50979	7/16"-14 NUT 1	
12	102901	WELDMENT, DOOR HINGE 3					
14	L520005	3/8" NYLON INSERT NUT 3					
15	102928	BUMPER, DOOR 1		00	L70069	1/2" PLUG 1 <i>(access hole for door handle)</i>	
16	L500036	HOLD OPEN/DOOR (SET) 1 <i>(includes item #18) [mounts to cab]</i>					
17	650588	1/4"-20x1-1/2" BOLT 1					
18	NSS	HOLD OPEN/DOOR STUD 1 <i>(included with item #16 as a set)</i>					

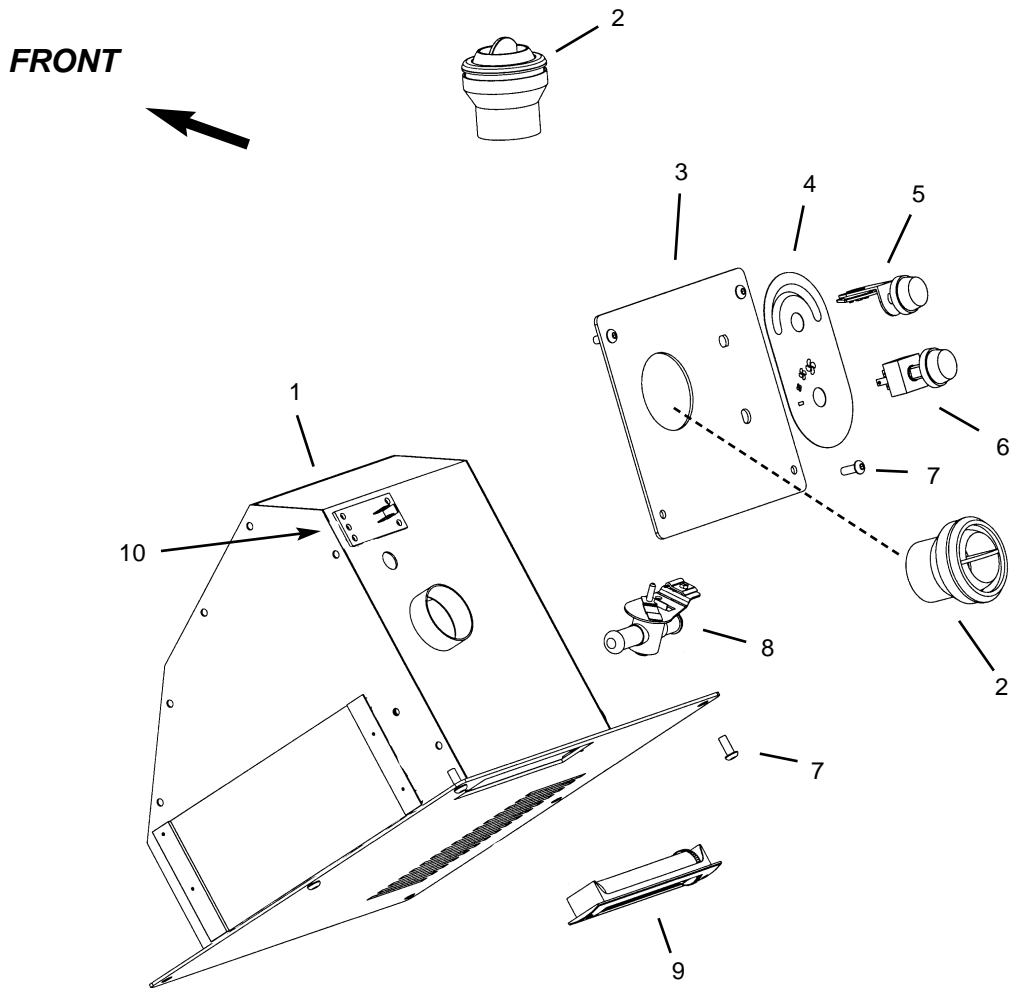
Instuments, Switches and Fuses



Ref. No.	Part No.	Description	Qty. Req.	Ref. No.	Part No.	Description	Qty. Req.
01 ^c	L63640	GAUGE, FUEL	1	29	103100	MICRO RELAY, 20 AMP	1
02 ^c	L66437	GAUGE, WATER TEMP.	1	30	103100	MICRO RELAY, 20 AMP	1
03	L71075	SWITCH, STEER MODE.	1	31	103100	MICRO RELAY, 20 AMP	1
04	101278	SWITCH, ENGINE FAULT.	1	32	103100	MICRO RELAY, 20 AMP	1
05	L71086	SWITCH, CLUTCH CUT OUT.	1	33	103104	DIODE PACK, 4 DIODES	1
06	L71074	SWITCH, PARK BRAKE	1			(included with item 00 103265 wire harness below)	
07	L71082	SWITCH, LIGHTS	1	34	101877	MODULE, F-N-R SHIFTER.	1
08	L71084	SWITCH, TURN SIGNALS	1			-- ITEMS NOT SHOWN --	
09	L71077	SWITCH, HAZARD LIGHTS	1	00	103265	WIRE HARNESS, FRAME	1
10	L71691	SWITCH, PWP	1			(includes the following diode and fuse):	
11 ^a	NA	OPTIONAL SWITCH	1		103104	DIODE PACK, 4 DIODES.	1
12	L71081	SWITCH, ETHER	1			(located under chassis cover just in front of transmission)	
13	L71076	SWITCH, WIPER/WASHER	1		L500225	60 AMP MAXI FUSE	1
14	L71076	SWITCH, WIPER/WASHER	1			(located near engine starter)	
15	072340	GAUGE, HOUR METER	1	00	L630004	GROUND STRAP	1
16	L63610	GAUGE, LIGHT CLUSTER	1	00	105580	TRI-FUNCTION WIRE HARNESS	1
17	102882	PANEL, DASH.	1			(when equipped with F3 option)	
		(does not include switches or gauges)		a		Use P/N L71088 Switch Hole Plug to cover hole when switches are not present.	
18	L41848	SWITCH, PUSH BUTTON.	2	b		Not all connections or terminals are shown in this illustration. The fuse and relay blocks as shown are located under the load chart panel on the side dash.	
19	089069	SWITCH, IGNITION w/KEY.	1				
	089070	KEY ONLY	1	c		Back light kit #103227; for illuminating gauges.	
20 ^b	102646	HARNESS, CANOPY	1				
21	L70075	CHANGE OVER RELAY 20 AMP	1				
22	L70075	CHANGE OVER RELAY 20 AMP	1				
23	103099	FUSE, MINI 15 AMP	1				
24	103221	FUSE, MINI 25 AMP	1				
25	103221	FUSE, MINI 25 AMP	1				
26	103221	FUSE, MINI 25 AMP	1				
27	103099	FUSE, MINI 15 AMP	1				
28	103099	FUSE, MINI 15 AMP	1				

Note: Switches shown in the illustration or listed on this page are for reference purposes only. Your machine might be configured differently or might not include all of the options shown.

FUSE AND RELAY REFERENCE	
21	(Relay #2) - 20 AMP change-over relay - PARK BRAKE
22	(Relay #1) - 20 AMP change-over relay - IGNITION
23	(Fuse #2) - 15 AMP fuse - (IGNITION) - transmission, park brake, PWP, steer select, injector
24	(Fuse #4) - 25 AMP fuse - (IGNITION) - heater, gauges
25	(Fuse #6) - 25 AMP fuse - (IGNITION) - front wiper motor
26	(Fuse #5) - 25 AMP fuse - (IGNITION) - top wiper motor
27	(Fuse #3) - 15 AMP fuse - (IGNITION) - lights, ether, clutch cutout
28	(Fuse #1) - 15 AMP fuse - (BATTERY) - ignition switch, horn, brake lights, backup alarm
29	(Relay) - 20 AMP micro relay - top wiper
30	(Relay) - 20 AMP micro relay - lights
31	(Relay) - 20 AMP micro relay - bulb check
32	(Relay) - 20 AMP micro relay - front wiper



RS6-34 Telescopic Handler

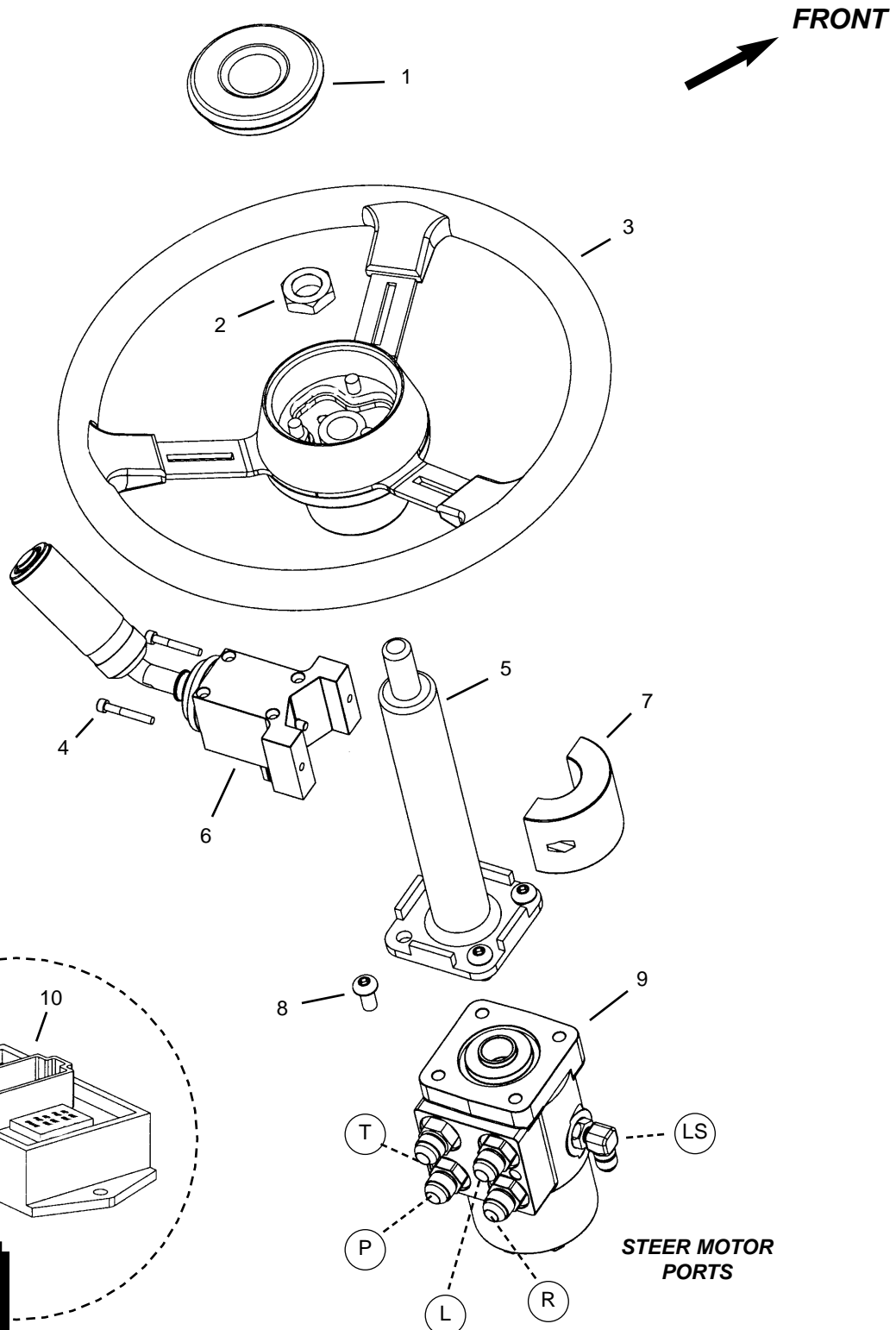
Cab Heater (Option)

Ref. No.	Part No.	Description	Qty. Req.	Ref. No.	Part No.	Description	Qty. Req.
01	102907	HEATER ASSEMBLY	1	06	136305	SWITCH, VARIABLE SPEED	1
		<i>(includes 2 and 5-9)</i>		07	L50202	1/4"-20X5/8" BUTTN HD BOLT	10
	103033	BLOWER MOTOR <i>(only)</i>	1	08	L500163	VAVLE, WATER	1
02	L63545	GRILL, DEFROSTER	2	09	137503	LOUVER	1
03	102944	INSTRUMENT PANEL.	1	10	L500143	RESISTOR BLOCK.	1
04	102945	DECAL, HEAT CONTROL.	1				
05	103036	CONTROL, TEMPERATURE	1				
	L99983	KNOB ONLY	AR				
						-- ITEMS NOT SHOWN--	
				00	NSS	5/8" HEATER HOSE (10')	1
				00	L500161	HEATER HOSE CLAMP.	AR

Cab

Steering Column and Shifter Group

RS6-34 Telescopic Handler

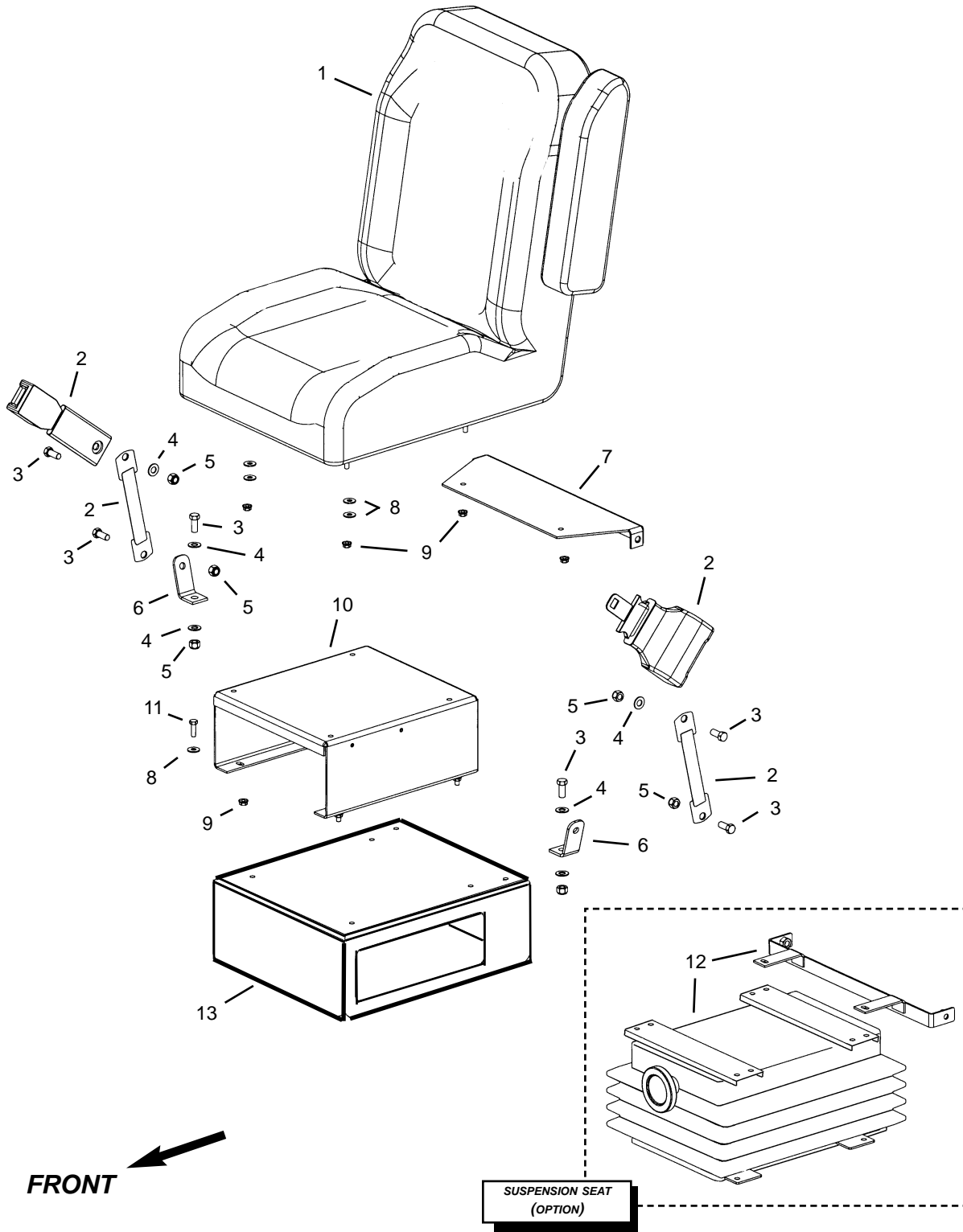


RS6-34 Telescopic Handler

Cab

Steering Column and Shifter Group

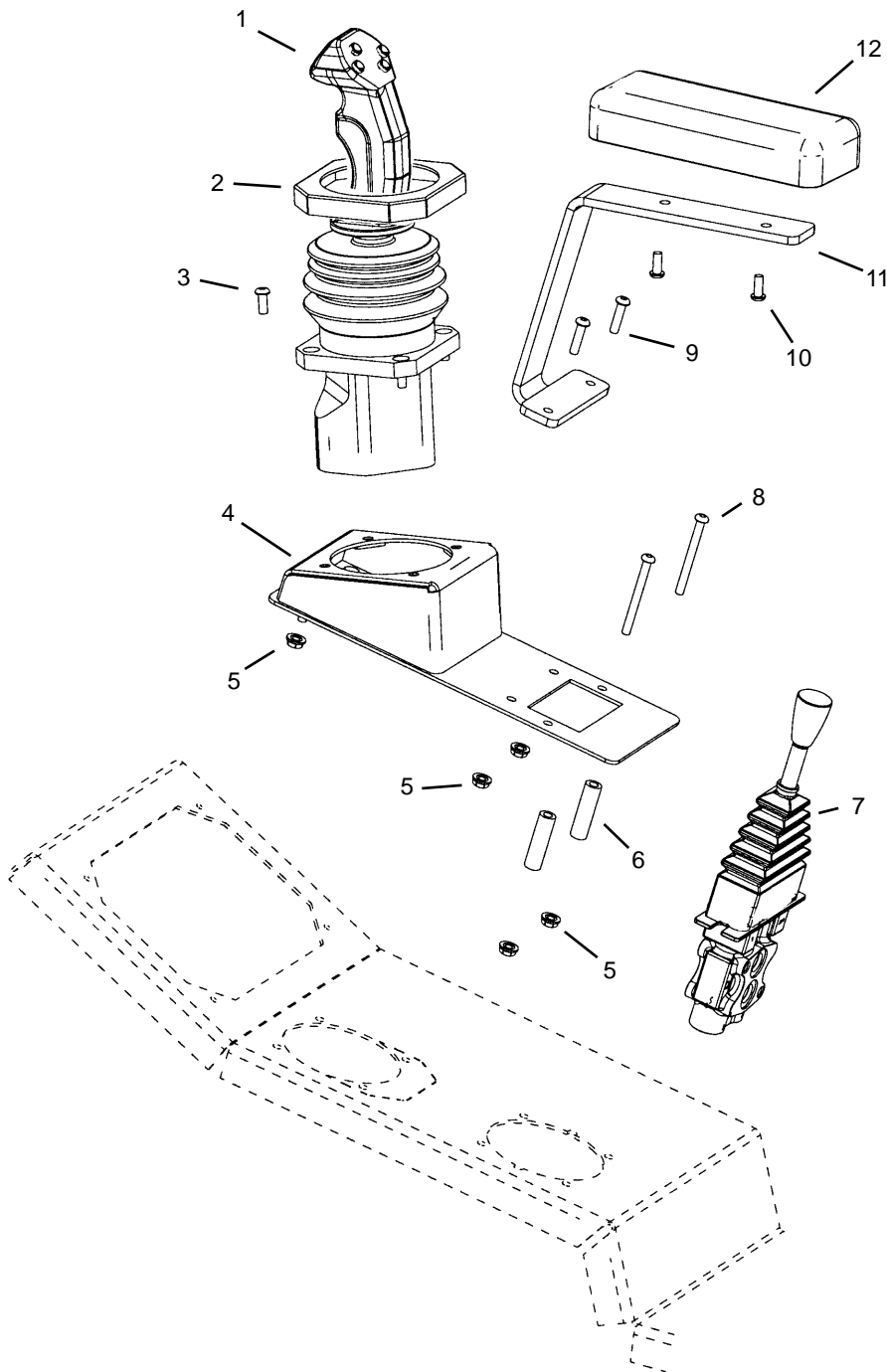
Ref. No.	Part No.	Description	Qty. Req.	Ref. No.	Part No.	Description	Qty. Req.
01	103359	CAP, STEERING WHEEL	1	07	105236	CLAMP, SHIFTER(<i>included w/ #6</i>) .	1
02	L41261	NUT, STEERING WHEEL	1	08	L52026	3/8"-16X1-1/4" BUTTN HD BOLT . .	4
03	L69595	STEERING WHEEL	1	09	101882	MOTOR, STEER	1
04	L50101	M5X.8X35mm HX SKTHD BOLT . .	2	10	101877	MODULE, F-N-R SHIFTER.	1
05	102783	COLUMN, STEERING.	1	102649	WIRE HARNESS, FNR SHIFTER. .	1	
06	L68772	F-N-R/1-2-3 SHIFTER (<i>includes #7</i>)	1			(<i>not shown</i>)	
	L99425	BOOT	1				



RS6-34 Telescopic Handler

Cab Seat

Ref. No.	Part No.	Description	Qty. Req.	Ref. No.	Part No.	Description	Qty. Req.
01	100135	SEAT, OPERATOR (w/armrest)	1	10 ^a	100071	SEAT RISER	1
	L99454	ARM REST (only)	1	11	L50823	5/16"-18X1" BOLT	AR
02	L70634	SEAT BELT	1	12 ^b	L68496	BELLOWS, SUSPENSION SEAT	1
		(includes tethers)				(includes seatbelt / tether bracket)	
03	L510041	7/16"-20X1" BOLT	AR	13	103195	PEDESTAL / BOLT ON SEAT	1
04	L50196	7/16" FLAT WASHER	AR				
05	L50517	7/16"-20 NYLON INSERT NUT	AR				
06	L70212	BRACKET, TETHER	2	a		<i>Used for standard seat only. Not used with suspension seat option.</i>	
07 ^a	L70201	MOUNT, SEAT BELT	1				
08	L50141	5/16" FLAT WASHER	AR				
09	L50056	5/6"-18 NYLON INSERT NUT	AR	b		<i>Used for suspension seat option only.</i>	



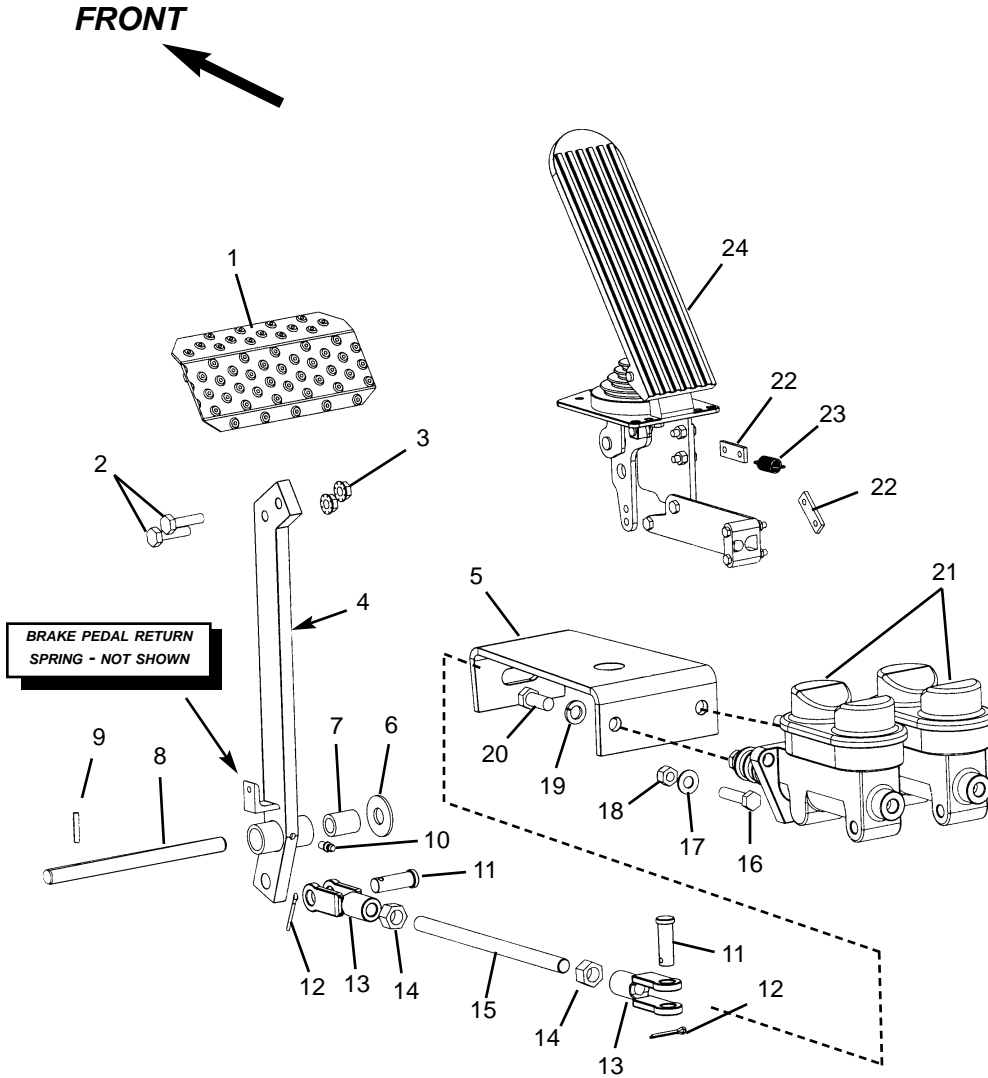
RS6-34 Telescopic Handler

Cab

Cab Components - Tri-Function Controls (Option)

Ref. No.	Part No.	Description	Qty. Req.	Ref. No.	Part No.	Description	Qty. Req.
01	L71346	CONTROLLER, 4 BTN/W TRIG . . .	1	08	104219	1/4"-20X2-1/2" BTN HD BOLT	2
02	104304	BEZEL, JOYSTICK	1	09	L52024	1/4"-20X1" BTN HD BOLT	2
		<i>(included with item 1)</i>		10	L52022	1/4"-20X5/8" BTN HD BOLT	2
03	L50202	1/4"-20X5/8" BTN HD BOLT	AR	11	103708	BRACKET, ARM REST	1
04	103582	JOYSTICK MOUNT	1	12	L69756	PAD, ARM REST	1
05	L50051	1/4"-20 FLANGE LOCK NUT	AR				
06	104214	SPACER, LEVEL CONTROLLER . . .	2				
07	103264	CONTROLLER, LEVEL	1				
						-- ITEMS NOT SHOWN --	
				00	105580	TRI-FUNCTION WIRE HARNESS . .	1

Brake and Accelerator Pedals



RS6-34 Telescopic Handler

Cab

Brake and Accelerator Pedals

Ref. No.	Part No.	Description	Qty. Req.	Ref. No.	Part No.	Description	Qty. Req.
01	L63230	PAD, BRAKE PEDAL	1	19	L50150	7/16" LOCK WASHER	2
02	L50235	5/16"-18X1-1/4" BOLT	2	20	L510041	7/16"-20X1" BOLT	2
03	L50056	5/16"-18 FLANGE NUT	2	21	L63363	VALVE, BRAKE MASTER CYL.	2
04	102785	BRAKE LEVER ASSEMBLY	1	22	L63629	BRACKET, THROTTLE RETRN	2
		<i>(includes item 7)</i>		23	L62926	SPRING, CABLE TENSION	1
05	102530	BRAKE LINKAGE, WLDMNT	1	24	L68641	PEDAL, ACCELERATOR	1
06	L50151	1/2" FLAT WASHER	1		L52024	1/4"-20X1" BUTTN HD BOLT	3
07	L48179	BRONZE BUSHING	2		L50051	1/4"-20 FLANGE NUT	3
		<i>(included with item 4)</i>			L98865	BOOT	1
08	102529	PIN, BRAKE LEVER PIVOT	1				
09	L50628	ROLL PIN, .19X1	1				
10	L10465	ZERK, GREASE 1/4"-28	1				
11	L44859	PIN, CLEVIS 1/2"X27/64"	2	00	L63420	THROTTLE CABLE	1
12	L50607	1/8"X1" COTTER PIN	2		L64664	COUPLER <i>(John Deere)</i>	1
13	L580005	YOKE, CLEVIS 1/2"-13	2		L64663	THROTTLE ROD <i>(John Deere)</i>	1
14	L50072	1/2"-13 NUT	2				
15	102534	ROD, BRAKE VALVE	1				
16	L50261	3/8"-16X1-1/2" BOLT	6	00	L561004	RETURN SPRING <i>(brake lever)</i>	1
17	L50145	3/8" FLAT WASHER	6			<i>(attaches to item 4)</i>	
18	L520005	3/8"-16 NYLON INSERT NUT	6				

-- ITEMS NOT SHOWN--

(Throttle)

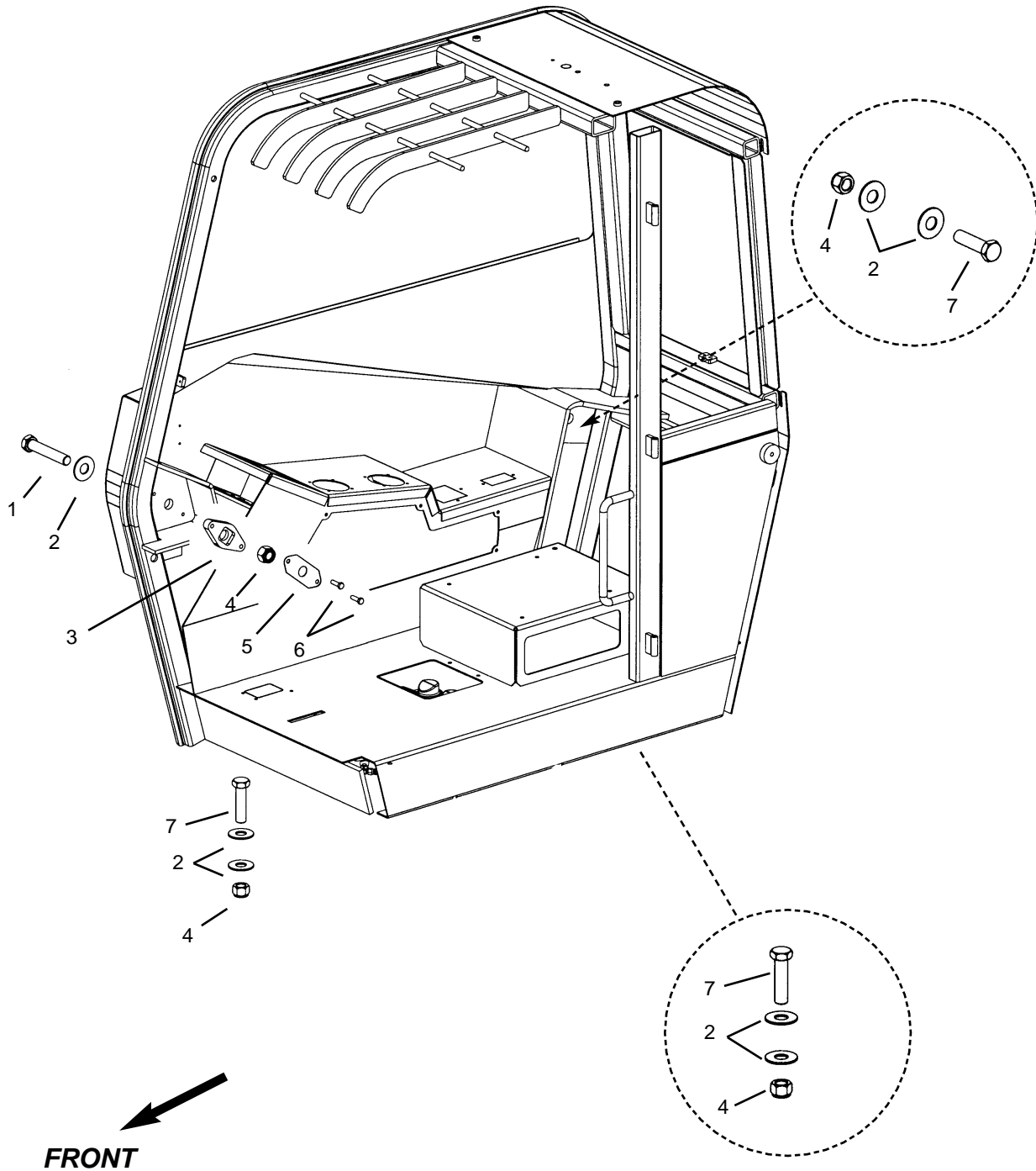
00	L63420	THROTTLE CABLE	1
	L64664	COUPLER <i>(John Deere)</i>	1
	L64663	THROTTLE ROD <i>(John Deere)</i>	1

(Brake)

00	L561004	RETURN SPRING <i>(brake lever)</i>	1
		<i>(attaches to item 4)</i>	

Cab
Cab Mounts

RS6-34 Telescopic Handler

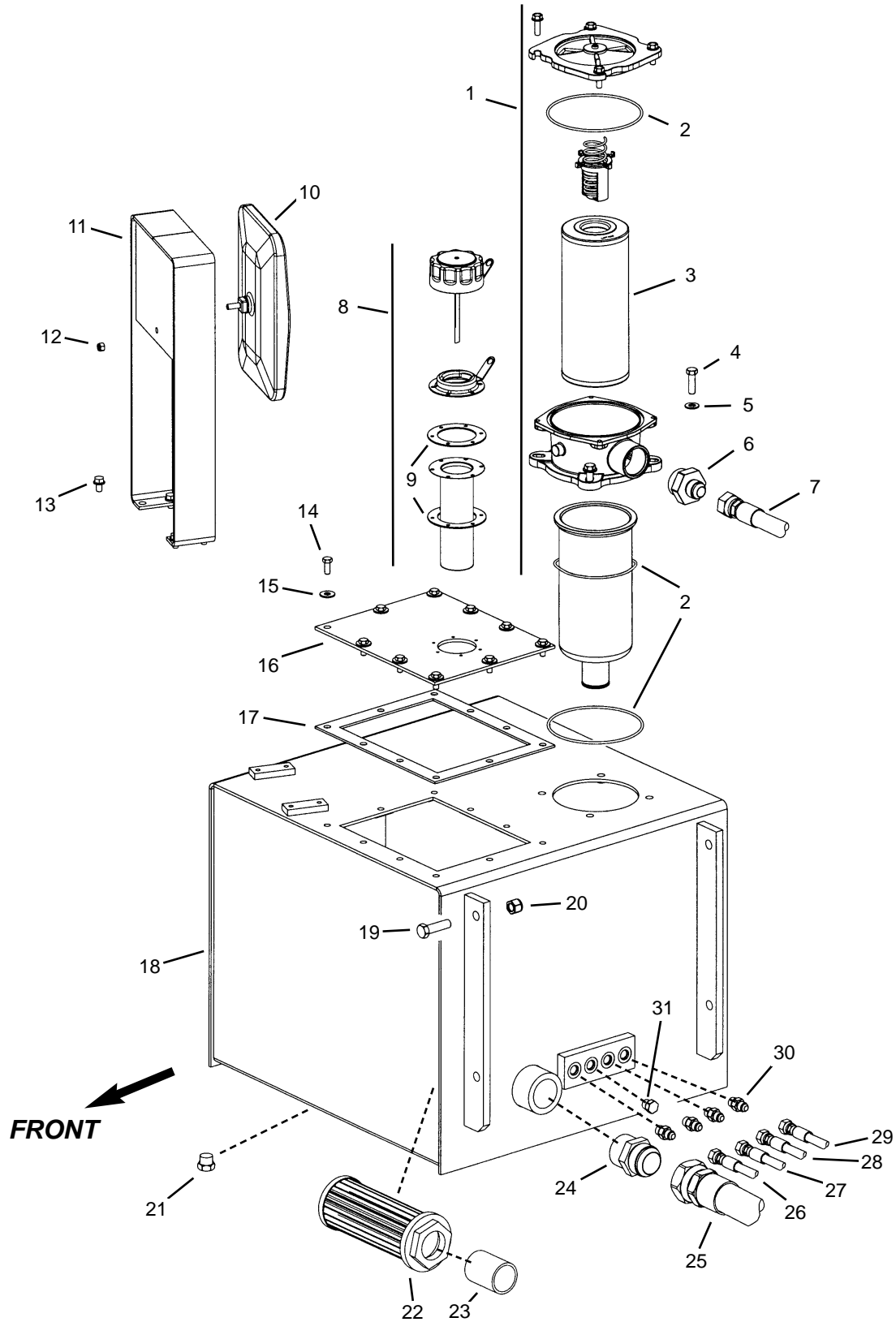


Ref. No.	Part No.	Description	Qty. Req.	Ref. No.	Part No.	Description	Qty. Req.
01	102780	1"-8X3" GR8 BOLT	1	07	102780	1"-8X3" GR8 BOLT	3
02	102782	1" SAE FLAT WASHER	7				
03	102741	RETAINER, CANOPY NUT	1				
04	102781	1"-8 CLASS C LOCK NUT	4				
05	101667	WASHER, CANOPY NUT	1				
06	L50403	3/8"-16X1-1/4" BOLT	2				
						-- ITEMS NOT SHOWN--	
				00	L63813	HOLE PLUG, 2-1/2" DIA <i>(plugs hole in cab where side bolt attaches)</i>	1

Chassis

Hydraulic Tank Group

RS6-34 Telescopic Handler



RS6-34 Telescopic Handler

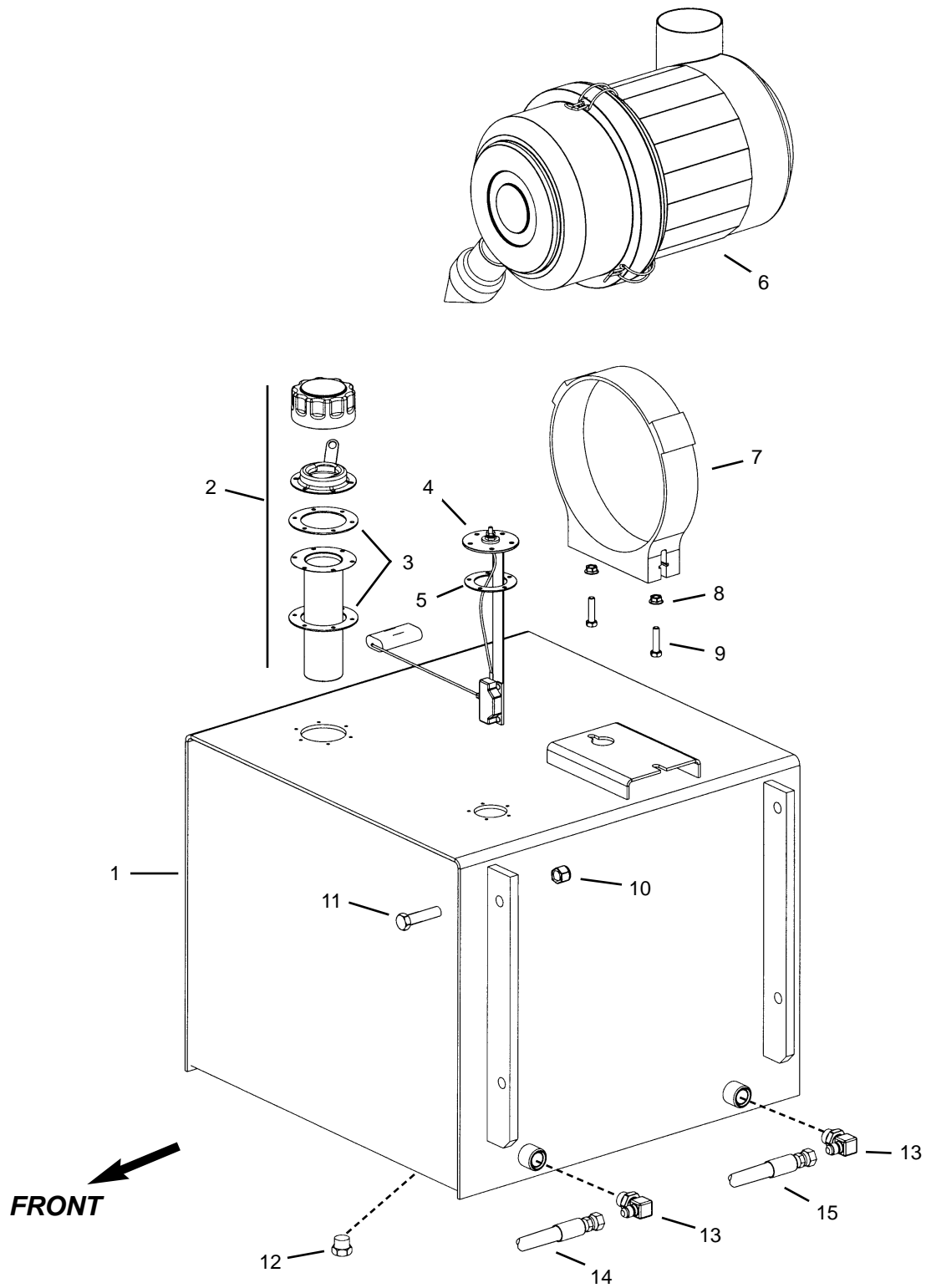
Chassis Hydraulic Tank Group

Ref. No.	Part No.	Description	Qty. Req.	Ref. No.	Part No.	Description	Qty. Req.
01	101879	ASSEMBLY, IN-TANK FILTER. 1 <i>(includes items 1-3)</i>	1	18	103224	HYDRAULIC TANK WELDMENT . . . 1 <i>(includes items 22 and 23)</i>	1
02	102965	SEAL KIT <i>(three o-rings)</i> 1	1	19	L50286	1/2"-13X1-3/4" BOLT 4	4
03	L97489	HYDRAULIC FILTER ELEMENT. . . 1	1	20	L520019	1/2"-13 NYLON INSERT NUT 4	4
04	L50403	3/8"-16X1-1/14" BOLT 4	4	21	L446025	PLUG, -8ORM SAE 1	1
05	L50145	3/8" FLAT WASHER 4	4	22	L49327	STRAINER, HYD. OIL. 1	1
06	L277944	ADAP, -20ORM -12JICM. 1	1	23	L61620	1-1/2" THREADED PIPE 1	1
07	L63406	HOSE, -12 A12/DS12 114" 1	1	24	L441010	ADAP, -24NPTM -24JICM. 1	1
08	L63215	CAP ASSEMBLY, HYDRAULIC. . . . 1 <i>(includes item 9)</i>	1	25	L63309	HOSE, -24 A24/A24 35" 1	1
09	L99163	GASKET, FILLER NECK. 2	2	26	103315	HOSE, -4 A6/DS6 60" 1	1
10	L63756	MIRROR, CONVEX 6-1/2"X10". . . . 1	1	27 ^a	103318	HOSE, -6 A6/DS6 52" 1	1
11	103991	BRACKET, MIRROR 1	1	28	L68805	HOSE, -6 A6/DS8 70" 1	1
12	L520003	1/4"-20 NYLON INSERT NUT. 1	1	29	103368	HOSE, -6 A6/DS6 52" 1	1
13	081379	5/16"x1/2" LOCK BOLT 4	4	30	L444002	ADAP, -6ORM -6JICM AR	AR
14	L50230	5/16"-18x3/4" BOLT 10	10	31 ^b	L446048	PLUG, -6ORM SAE 1	1
15	L50141	5/16" FLAT WASHER 10	10				
16	L65142	PLATE, HYDRAULIC TANK COVR. 1	1				
17	L65144	GASKET, RUBBER 1	1				

*a Used on unit equipped with PWP.
b Used when unit is not equipped with PWP.*

HOSE LOCATOR

07	HYDRAULIC FILTER	MAIN VALVE "OUT"
25	HYDRAULIC TANK	HYDRAULIC PUMP "IN"
26	HYDRAULIC TANK RETURN	JOYSTICK
27 ^a	HYDRAULIC TANK RETURN	PWP VALVE "T"
28	HYDRAULIC TANK RETURN	STEER MOTOR "T"
29	HYDRAULIC TANK RETURN	FLOW DIVIDER "T"

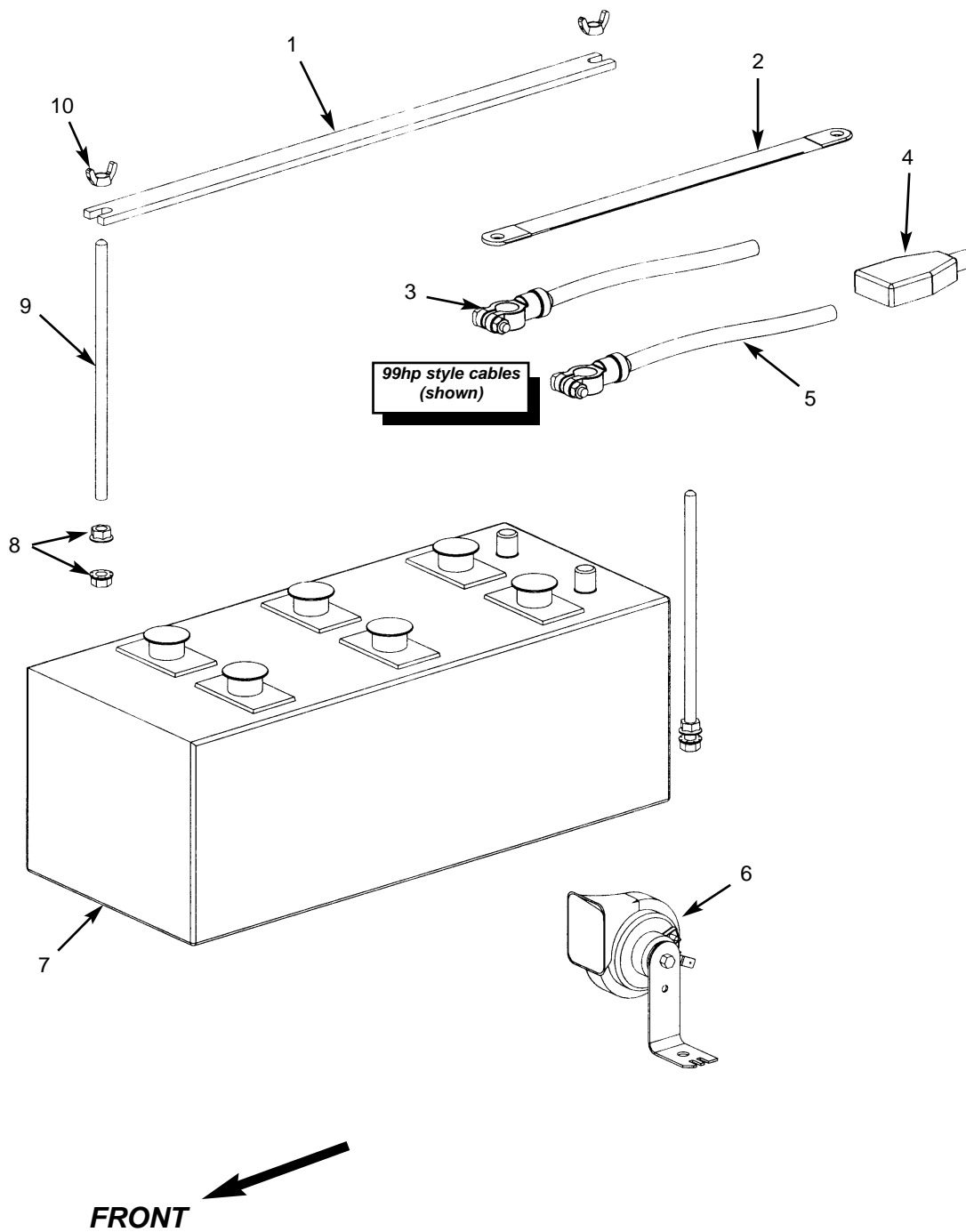


RS6-34 Telescopic Handler

Chassis Fuel Tank Group

Ref. No.	Part No.	Description	Qty. Req.	Ref. No.	Part No.	Description	Qty. Req.
01	103223	FUEL TANK WELDMENT	1	08	L50056	5/16"-18 WHIZ LOCK NUT	2
02	104303	CAP, FUEL ASSEMBLY.	1	09	L50235	5/16"-18X1-1/25" BOLT	2
		<i>(includes item 3)</i>		10	L520019	1/2"-13 NYLON INSERT NUT	4
03	L99163	GASKET, FILLER NECK.	1	11	L50286	1/2"-13X1-3/4" BOLT	4
		<i>(includes 2 gaskets)</i>		12	L446025	PLUG, -8ORM SAE	1
04 ^a	L61867	SENDER, FUEL LEVEL	1	13	L445005	ADAP, -8ORM -6JICM 90 DEG	2
	L50418	#10-32X1/2" RD MACH SCREW	5	14	L68619	HOSE, -6 K6/XX 73" <i>(Fuel Supply)</i>	1
05	L41854	GASKET, FUEL SENDER.	1	15	102861	HOSE, -4 K6/XX 73" <i>(Fuel Return)</i>	1
06 ^b	136383	AIR CLEANER ASSEMBLY.	1				
07	136443	CLAMP, AIR CLEANER MOUNT.	1				

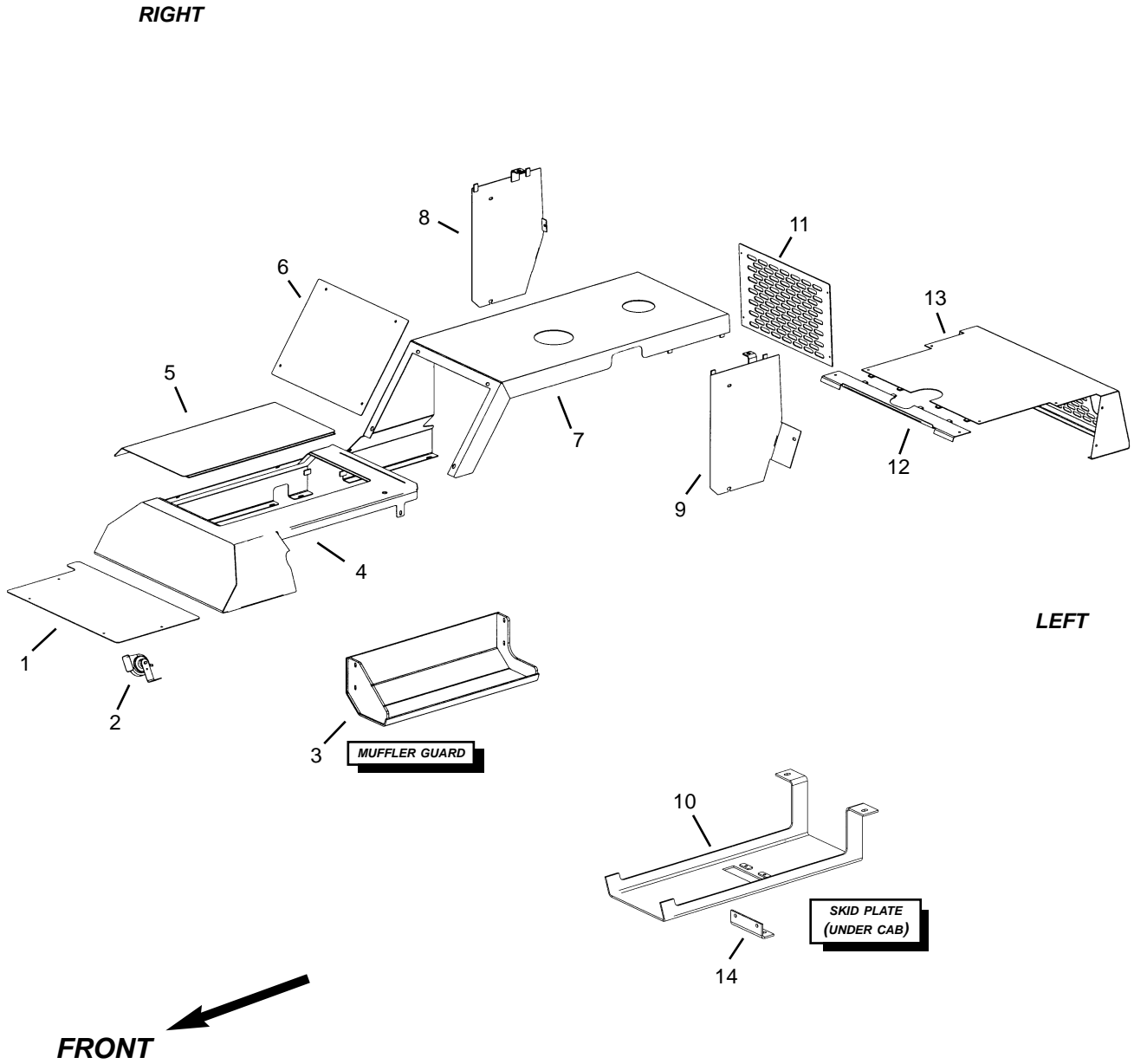
a Includes gasket; item #5
b Refer to **Engine Air Intake Group** for individual air cleaner components.



RS6-34 Telescopic Handler

Chassis Battery Group

Ref. No.	Part No.	Description	Qty. Req.	Ref. No.	Part No.	Description	Qty. Req.
01	L63334	BAR, BATTERY HOLD DOWN	1	06	L41847	HORN, 12V ELEC B2I.	1
02	L630004	GROUND STRAP, 14GA.X14"	1	07	NSS	BATTERY, 4DLT TYPE	1
03	L630001	CABLE, NEG. BATTERY.	1	08	L50061	3/8"-16 FLANGE NUT	4
04	L630003	BOOT, RUBBER	1	09	L70146	ROD, BATTERY HOLD DOWN. . . .	2
05	L63248	CABLE, POS. BATTERY.	1	10	L530003	3/8"-16 WING NUT	2

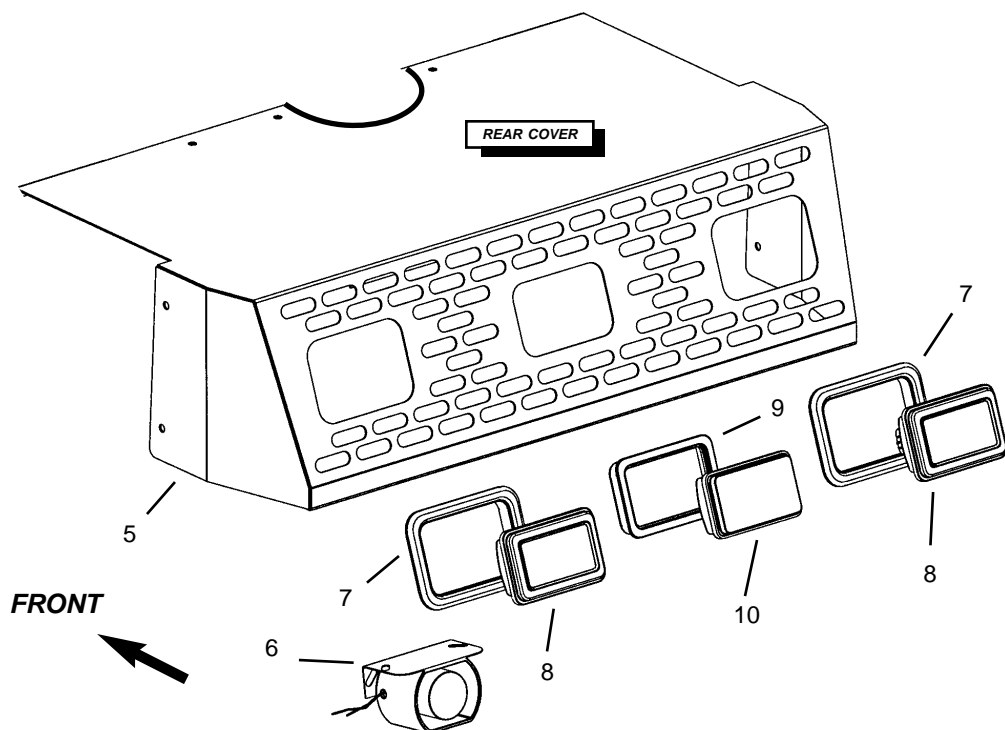
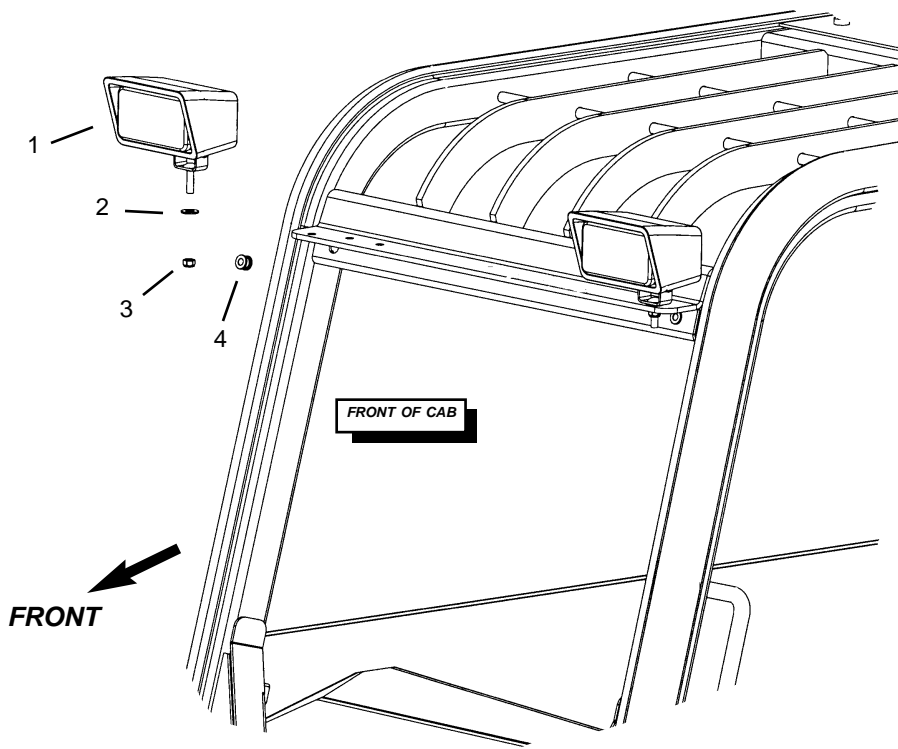


RS6-34 Telescopic Handler

Chassis Hoods and Covers

Ref. No.	Part No.	Description	Qty. Req.	Ref. No.	Part No.	Description	Qty. Req.
01	L68866	FRONT COVER.....	1	08	L68186	RADIATOR PANEL (<i>right</i>).....	1
	L52025	5/16"-18X3/4" BOLT.....	4		L50141	5/16" FLAT WASHER.....	2
	L530004	FASTENER RETAINED NUT.....	4		L50230	5/16"-18X3/4" BOLT.....	2
02	L41847	HORN, 12V.....	1		L530004	FASTENER RETAINED NUT.....	1
	L50228	5/16"-18X1/2" BOLT.....	1	09	L68185	RADIATOR PANEL (<i>left</i>).....	1
03	L67756	MUFFLER GUARD.....	1		L50141	5/16" FLAT WASHER.....	2
	L50442	3/8"X1-1/4" BOLT.....	4		L50230	5/16"-18X3/4" BOLT.....	2
04	103268	HOOD/TRANS COVER.....	1		L530004	FASTENER RETAINED NUT.....	1
	L50056	5/16"-18 WHIZ NUT.....	1	10	103370	SKID PLATE.....	1
	L50141	5/16" FLAT WASHER.....	5	11	L68171	GRILLE, RADIATOR.....	1
	L50230	5/16"-18X3/4" BOLT.....	6		L68133	SCREW, CAPTIVE.....	4
	L530004	FASTENER RETAINED NUT.....	5		L68134	RETAINER, SCREW.....	4
05	L68200	COVER, BATTERY ACCESS.....	1		L68135	RECEPTACLE, SCREW.....	4
06	103270	COVER, FUEL FILTER ACCESS..	1	12	L68182	REAR HOOD EXTENSION.....	1
	L52025	5/16"-18X3/4" BOLT.....	4		L50141	5/16" FLAT WASHER.....	2
	L50141	5/16" FLAT WASHER.....	4		L50230	5/16"-18X3/4" BOLT.....	2
07	103273	HOOD, ENGINE COVER.....	1		L530004	FASTENER RETAINED NUT.....	1
	L50056	5/16"-18 WHIZ NUT.....	6	13	103199	REAR HOOD.....	1
	L50141	5/16" FLAT WASHER.....	6		L50141	5/16" FLAT WASHER.....	8
	L50230	5/16"-18X3/4" BOLT.....	4		L50230	5/16"-18X3/4" BOLT.....	8
	L530004	FASTENER RETAINED NUT.....	2		L530004	FASTENER RETAINED NUT.....	8
	L50823	5/16"-18x1" BOLT.....	2	14	103371	BRACKET.....	1

Front and Rear Lights

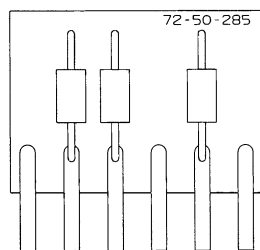


RS6-34 Telescopic Handler

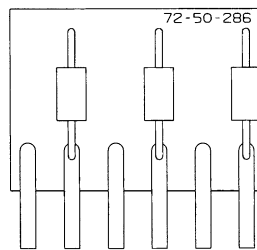
Chassis Front and Rear Lights

Ref. No.	Part No.	Description	Qty. Req.	Ref. No.	Part No.	Description	Qty. Req.
01	L70039	HEAD LIGHT	2	00	L63894	TURN SIGNAL FLASHER	1
02	L50145	3/8" FLAT WASHER	2			<i>(located under dash through joystick access cover)</i>	
03	L520005	3/8"-16 NYLON INSERT NUT	2	00	L70241	HARNESS, HEAD LIGHT	2
04	101712	GROMMET, 5/8"	2			<i>(dash to head lights)</i>	
05	103199	HOOD, REAR	1	00	103192	GROMMET 13/16"	2
06	L70200	BACKUP ALARM	1			<i>(under dash for head light harness)</i>	
	L50230	5/16-18X3/4" BOLT	2	a		<i>Standard wire harness, used when not equipped with turn signals.</i>	
	L50056	5/16"-18 NUT	2	b		<i>Used with optional light package for units equipped with turn signals. Wire harness 102647 is not used when unit is equipped with turn signals.</i>	
	L50141	5/16" FLAT WASHER	2				
07	L500339	BEZEL, RUBBER	2				
		<i>(included with item #08)</i>					
08	L70701	LIGHT, BRAKE/TURN	2				
		<i>(includes item #07 bezel)</i>					
09	L500606	BEZEL, RUBBER	1				
		<i>(included with item #10)</i>					
10	L71595	LIGHT, HALOGEN BACKUP	1				
		<i>(includes item #09 bezel)</i>					
	100102	JUMPER WIRE, BACKUP LIGHT	1				
		-- ITEMS NOT SHOWN --					
00 ^a	102647	WIRE HARNESS, REAR LIGHTS	1				
00 ^b	102572	HARNESS, LIGHT PACKAGE	1				
		<i>(dash to rear lights - includes the following diodes:)</i>					
	103101	DIODE PACK <i>(see below)</i>	1				
	L500748	DIODE PACK <i>(see below)</i>	1				
	L500747	CLEAR COVER, DIODE PACK	2				

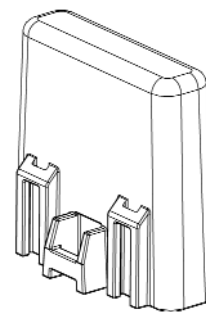
*Note: Refer to the **Outer Boom - Front Section** for the work lights and wire harness associated with the boom.*



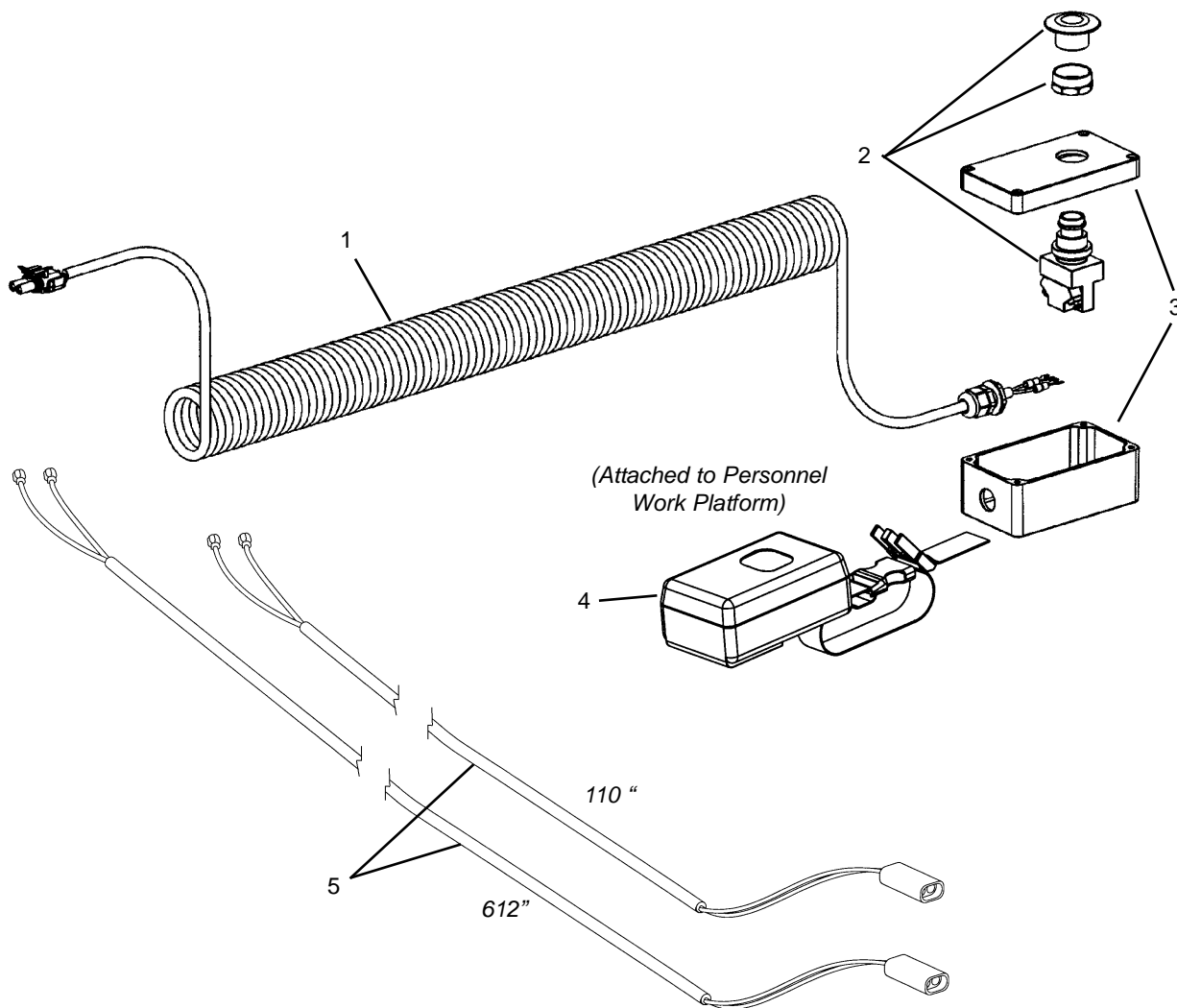
103101
DIODE PACK
LOCATED NEAR
REAR LIGHTS



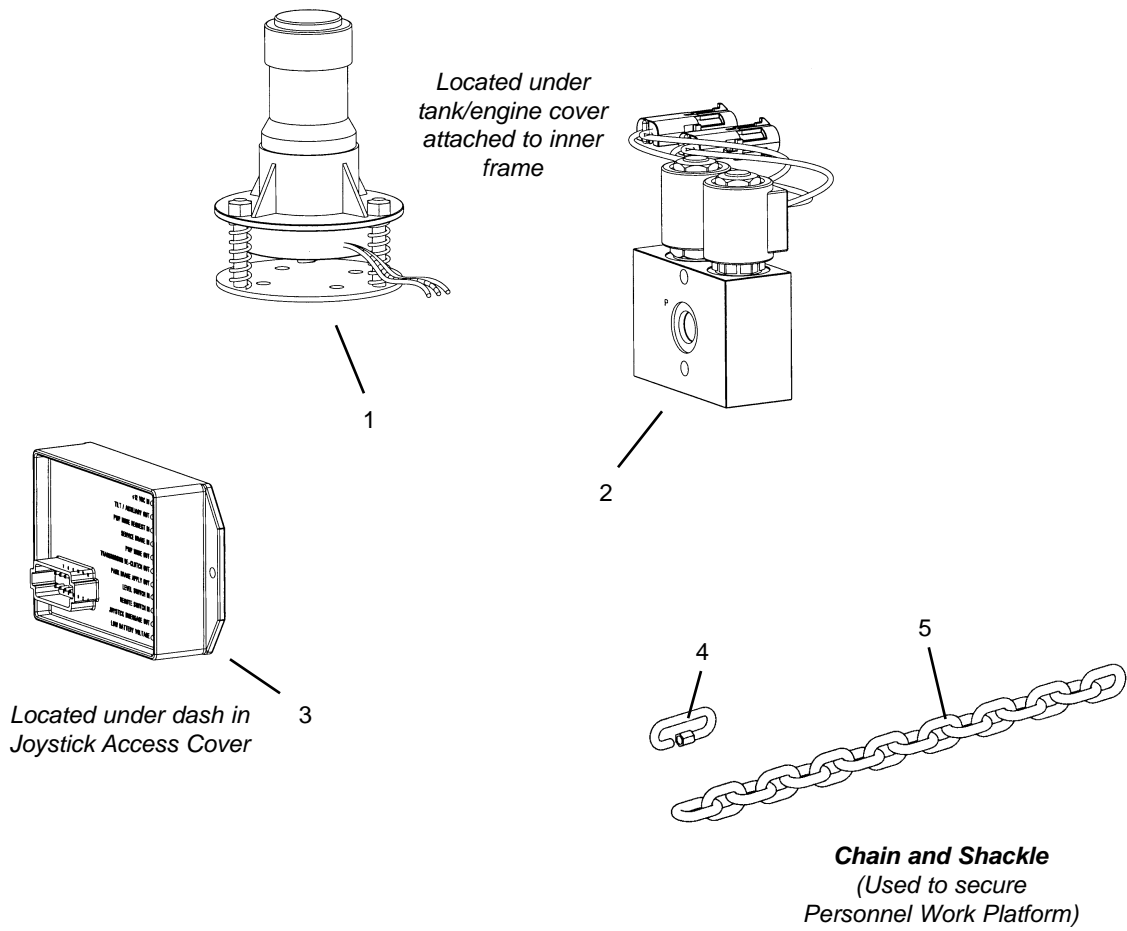
L500748
DIODE PACK
LOCATED UNDER DASH
NEAR SWITCHES



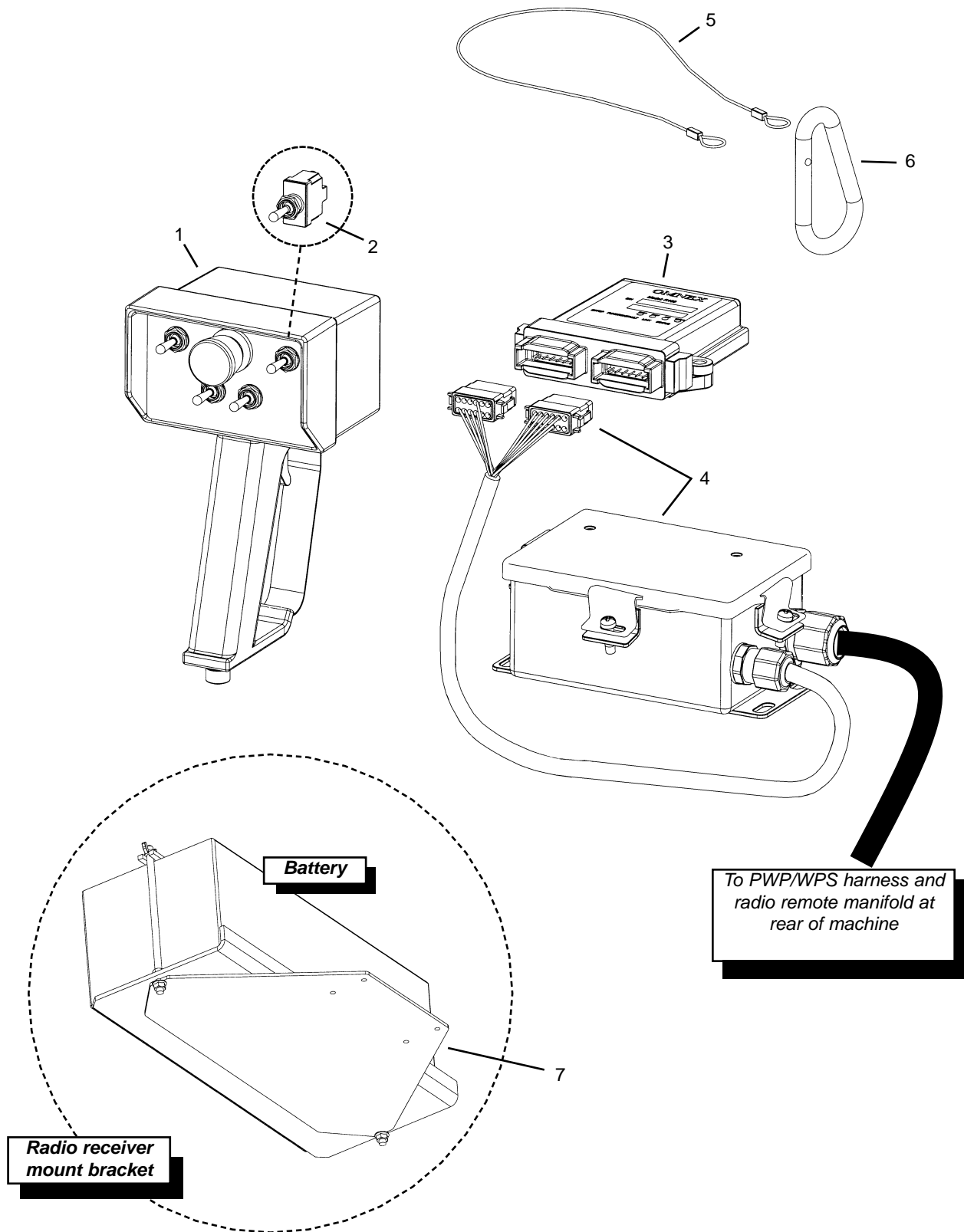
L500747
DIODE PACK
CLEAR COVER



Ref. No.	Part No.	Description	Qty. Req.	Ref. No.	Part No.	Description	Qty. Req.
00	L71729	REMOTE SWITCH W/CABLE. 1 (Includes item 1-4)	1	04	L71750	REMOTE SWITCH POUCH 1	1
01	102408	CABLE ASSEMBLY 1	1	05	L71732	REMOTE SWITCH HARNESS 1 (Consists of two cables)	1
02	L71726	REMOTE STOP SWITCH 1	1				
03	L71725	REMOTE SWITCH ENCLOSURE. . 1	1				



Ref. No.	Part No.	Description	Qty. Req.	Ref. No.	Part No.	Description	Qty. Req.
01	L71553	LEVEL SENSOR	1			-- ITEMS NOT SHOWN --	
02	102321	MANIFOLD, PWP JOYSTICK	1	00	L71691	PWP SWITCH (located on dash) . . .	1
03	104078	PWP CONTROL MODULE	1	00	104064	PWP WIRE HARNESS	1
04 ^a	L71752	5/16" CHAIN SHACKLE	1			(under dash)	
05 ^a	L71751	5/16" CHAIN GR40 16 LINKS	1				
				a		Chain shackle and chain are used to secure the Personnel Work Platform.	



RS6-34 Telescopic Handler

Personal Work Platform

Radio Remote (Option) - Transmitter and Receiver

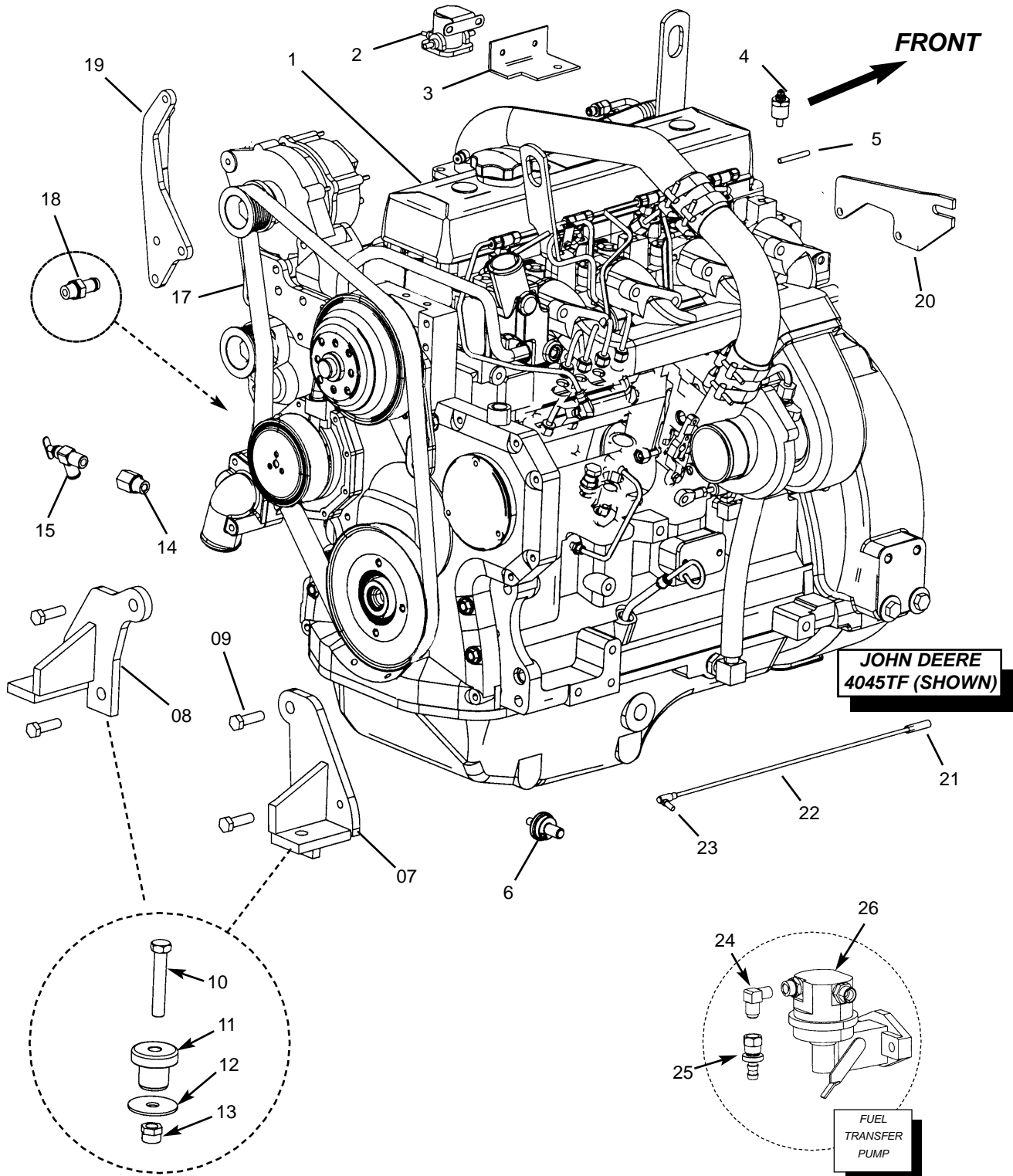
Ref. No.	Part No.	Description	Qty. Req.	Ref. No.	Part No.	Description	Qty. Req.
00	103414	COMPLETE, RADIO REMOTE	1				
		<i>(Includes all items shown)</i>					
01 _a	103479	REMOTE TRANSMITTER.	1	00	102968	DECAL/ REMOTE TRANSMITTER.	1
02	103482	SWITCH, TOGGLE 3 POS. MIL . . .	4	00	103424	WIRE HARNESS.	1
03	NSS	REMOTE RECEIVER	1			<i>(to existing PWP wire harness)</i>	
04	NSS	ENCLOSURE / CIRCUIT BOARD. . .	1				
05	103475	LANYARD <i>(wire cable)</i>	1	a		<i>Requires programming; refer to "Radio Remote Operators manual" included with the Radio Remote Control at the time of purchase.</i>	
06	103476	SNAP RING, LANYARD.	1				
07	103994	BRACKET, RECEIVER MOUNT . . .	1				
	L50209	1/4"X1/2" BOLT	2				
	L50051	1/4" WHIZNUT.	2				

-- ITEMS NOT SHOWN --

Engine

External Components

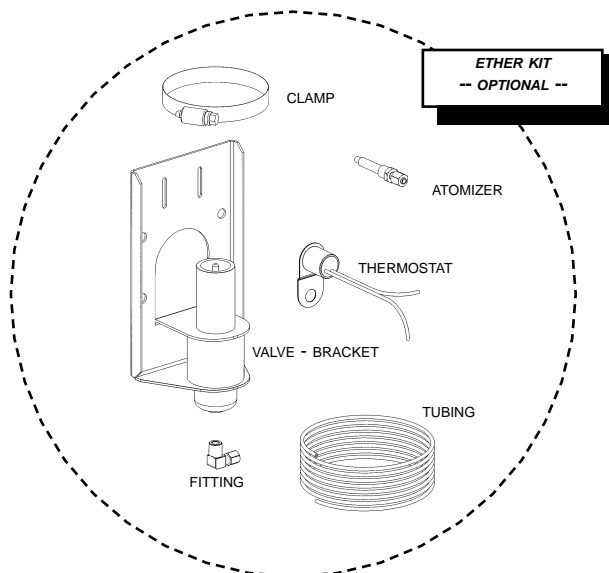
RS6-34 Telescopic Handler



RS6-34 Telescopic Handler

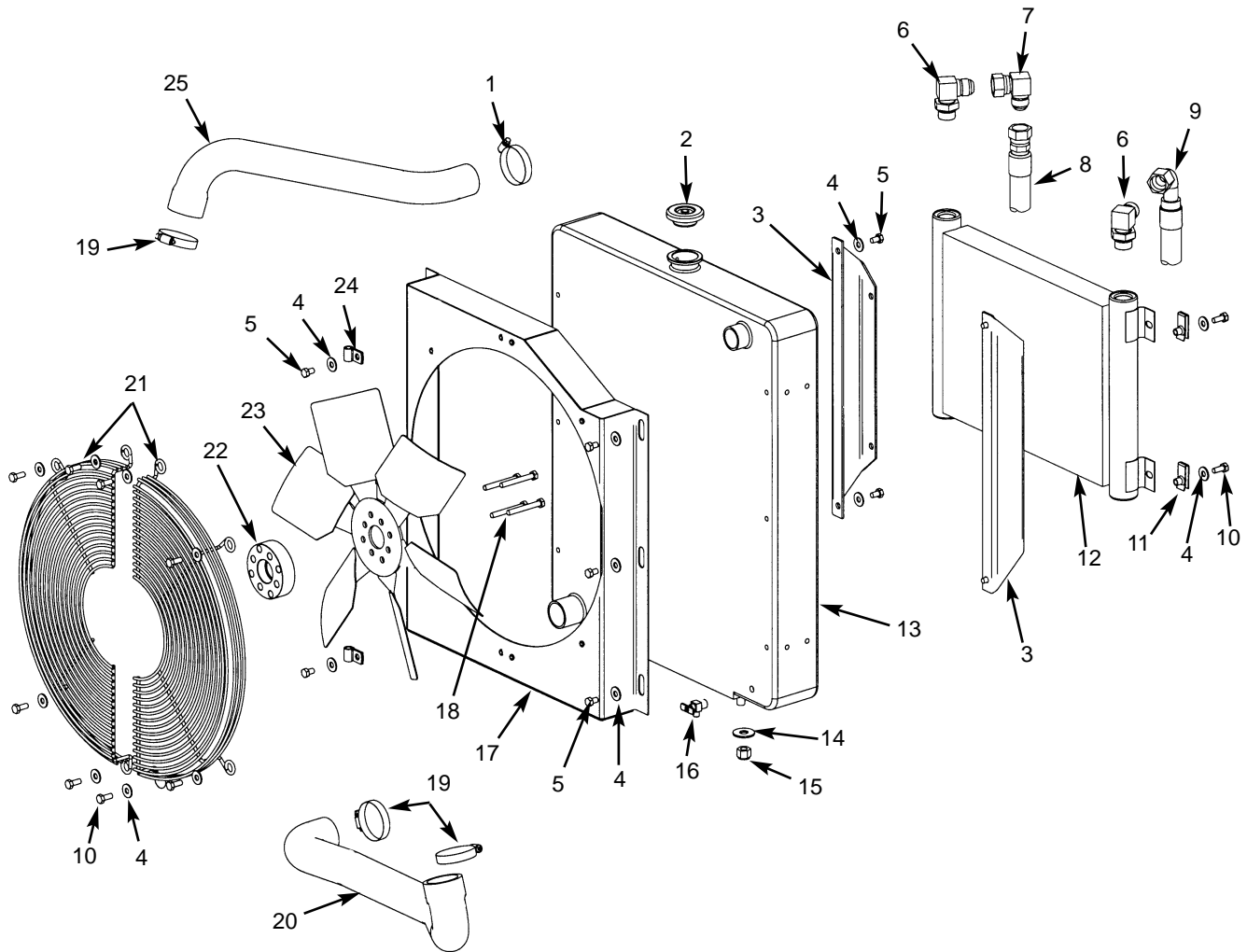
Engine External Components

Ref. No.	Part No.	Description	Qty. Req.	Ref. No.	Part No.	Description	Qty. Req.
01	NSS	ENGINE, JD 4045T	1				
02	L41179	RELAY, ENGINE STARTER	1				
03	L68571	MOUNT, RELAY	1				
04	L64437	SENDER, WATER TEMP	1				
05	L69166	FUEL LINE TUBE	1				
06	103626	SENDER, OIL PRESSURE	1				
07	L68596	ENGINE MOUNT (<i>right</i>)	1				
08	L68595	ENGINE MOUNT (<i>left</i>)	1				
09	L50305	M16-2X35M BOLT GR8.8	4				
10	L50319	5/8"-11X3-1/2" BOLT	2				
11	L64124	MOUNT, VIBRATION ISOLATOR	2				
12	L64197	WASHER, ISOLATOR MOUNT	2				
13	L520007	5/8"-11 NYLON INSERT NUT	2				
14	L69718	ADAP, M18 -6NPTF STR	1				
15	L68592	SHUTOFF, MANUAL/WATER	1				
17	L68613	FAN BELT	1				
18 ^c	L447005	ADAP, M18 10 BEAD STR	1				
19	L68604	BRACKET, ALTERNATOR	1				
20	105281	BRACKET, THROTTLE	1				
21	L64664	COUPLER, ROD TO CABLE	1				
	L50050	#10-32 NUT	2				
22	L64663	ROD, THROTTLE EXTEND	1				
23	L580009	BALL JOINT #10-32	1				
	L50050	#10-32 NUT	1				
24	104340	ADAP, 5MJ -2MP90	1				
25	104341	ADAP, -6 PUSHON -5FEM JIC	1				
26	NSS	FUEL TRANSFER PUMP	1				
						-- ITEMS NOT SHOWN --	
				00	L65570	ENGINE BLOCK HEATER (<i>opt.</i>)	1
						(Throttle Cable)	
				00	L63420	CABLE, THROTTLE	1
						(Ether - Optional)	
				00	102926	HARNESS, ETHER KIT	1
						<i>(includes 21" BLU/WHT jumper wire)</i>	
				00 ^a	L70629	ETHER KIT (<i>optional</i>)	1
						<i>(includes: thermostat, atomizer, valve bracket, fitting, clamp and tubing. Does not include ether canister.)</i>	
				00	L71081	SWITCH, ROCKER (<i>ether</i>)	1
						<i>(located in dash panel)</i>	
						(Fuel Line)	
				00	L68619	HOSE, 3/8" X 73" (<i>supply</i>)	1
				00	102861	HOSE, 1/4" X 73" (<i>return</i>)	1
				a		<i>Thermostat is located on engine block, and switch is located on dash.</i>	



Engine
Radiator and Cooler Group

RS6-34 Telescopic Handler



FRONT

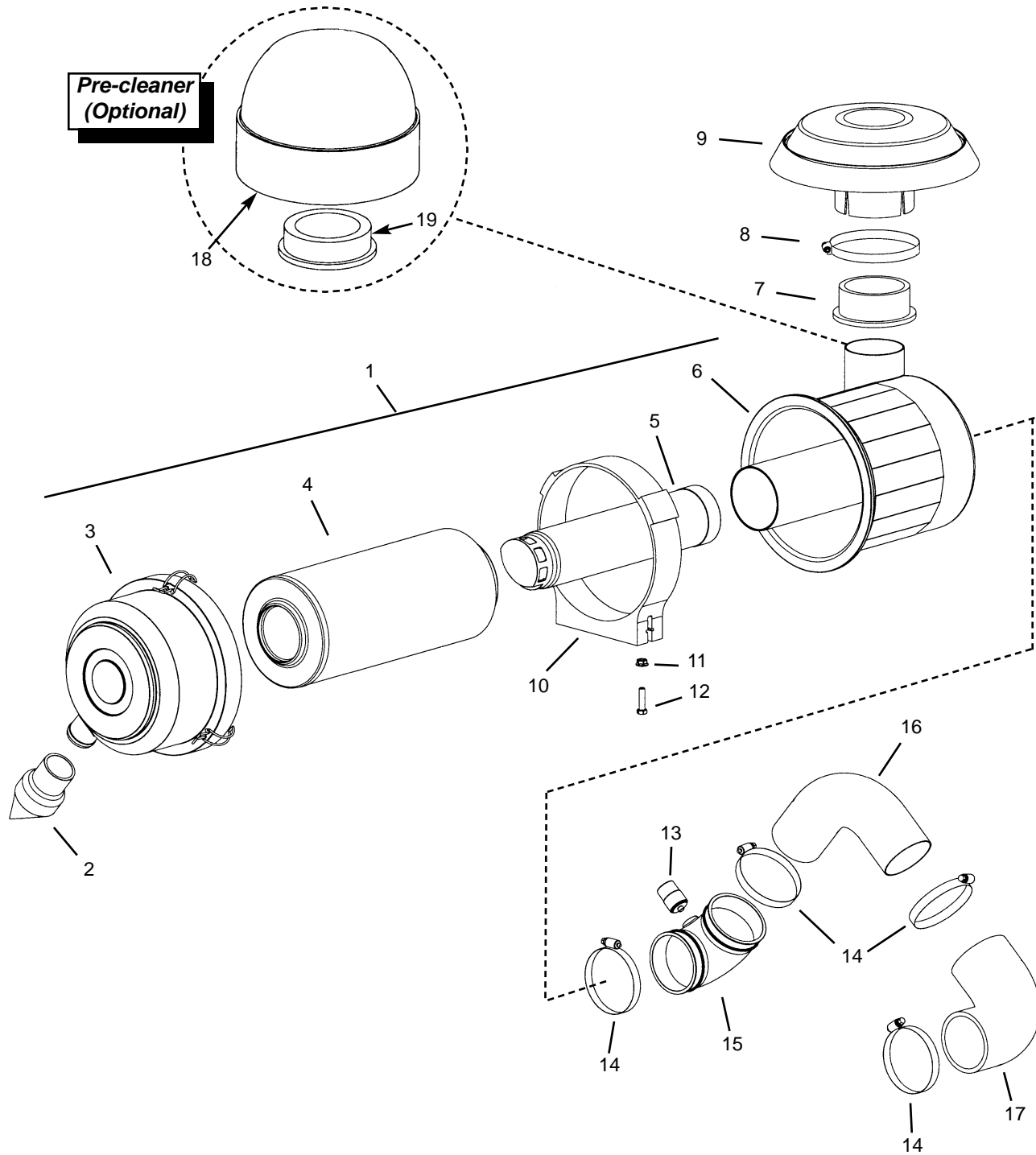
RS6-34 Telescopic Handler

Engine Radiator and Cooler Group

Ref. No.	Part No.	Description	Qty. Req.	Ref. No.	Part No.	Description	Qty. Req.
01	L76084	HOSE CLAMP	1	15	L520019	1/2"-13 NYLON INSERT NUT	2
02	102063	RADIATOR CAP (10 LB.)	1	16	L40805	VALVE, DRAIN COCK	1
03	L63356	COOLER MOUNT	2	17	L67589	SHROUD WELDMENT	1
04	L50141	5/16" FLAT WASHER	AR	18	L50677	M8X1.25X45MM BOLT	4
05	L50228	5/16"-18X1/2" BOLT	AR	19	L76020	HOSE CLAMP	3
06	L445001	ADAP, -12ORM -12JICM 90 DEG	2	20	L68580	LOWER RADIATOR HOSE	1
07	L446020	ADAP -12JICFS -12JICM 90 DEG	1	21		FAN GUARD (HALF)	2
08	L63406	HOSE -12 A12/DS12 114"	1		L63665	(STANDARD) (Shown)	
09	L63399	HOSE -12 DS12/A12 82"	1		L67751	(WITH A/C)	
10	L50230	5/16"-18X3/4" BOLT	AR	22	L66709	FAN SPACER 1"	1
11	L530004	5/16" NUT RETAINING CLIP	4	23	L66265	FAN, 18"	1
12	L66119	COOLER/HEAT-EXCHANGER	1	24	L47212	VINYL CLAMP 3/8" HOSE	2
13	L45934	RADIATOR (includes item #2)	1	25	L68539	UPPER RADIATOR HOSE	1
14	L50151	1/2" FLAT WASHER	2				

HOSE LOCATOR

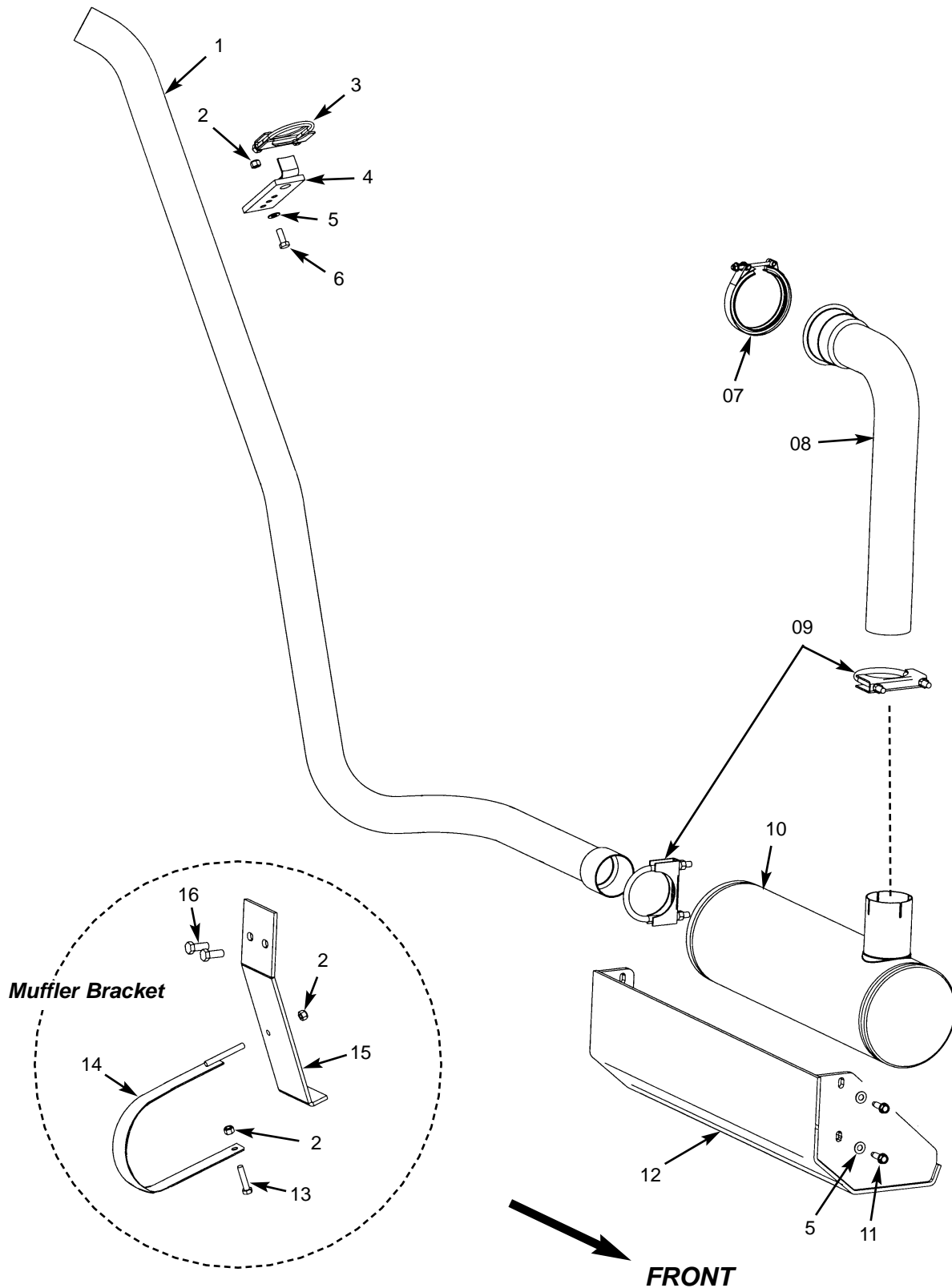
07	TRANSMISSION (top right side - near filter)	TRANSMISSION COOLER "RIGHT SIDE"
09	TRANSMISSION (left side - just under hyd. pump)	TRANSMISSION COOLER "LEFT SIDE"



RS6-34 Telescopic Handler

Engine Air Intake Group

Ref. No.	Part No.	Description	Qty. Req.	Ref. No.	Part No.	Description	Qty. Req.
01	136383	AIR CLEANER ASSEMBLY 1 <i>(Includes items 1-6, does not include item10)</i>		10	136443	CLAMP, AIR CLEANER MOUNT . . . 1	
02	137659	EJECTOR/DUST 1		11	L50056	5/16"-18 WHIZ LOCK NUT 2	
03	NSS	END CAP 1		12	L50235	5/16"-18X1-1/25" BOLT 2	
04	137498	PRIMARY AIR FILTER 1		13	183629	GAUGE, AIR RESTRICTION 1	
05	137501	SECONDARY AIR FILTER 1		14	L51099	CLAMP, #52 SAE 4	
06	NSS	HOUSING 1		15	136686	ELBOW, RUBBER 90 DEG. 1	
07	103088	REDUCER, 3.84' TO 3.25" 1		16	L67657	ELBOW, METAL 3" OD 90DEG. . . . 1	
08	L51781	CLAMP, #72 SAE 1		17	L120041	ELBOW, RUBBER 3" ID 90 DEG . . 2	
09	L64863	CAP, AIR INLET <i>(standard)</i> 1		18	101926	PRE-CLEANER <i>(optional)</i> 1	
				19	102974	REDUCER, RUBBER 4"-3.25" 1	



RS6-34 Telescopic Handler

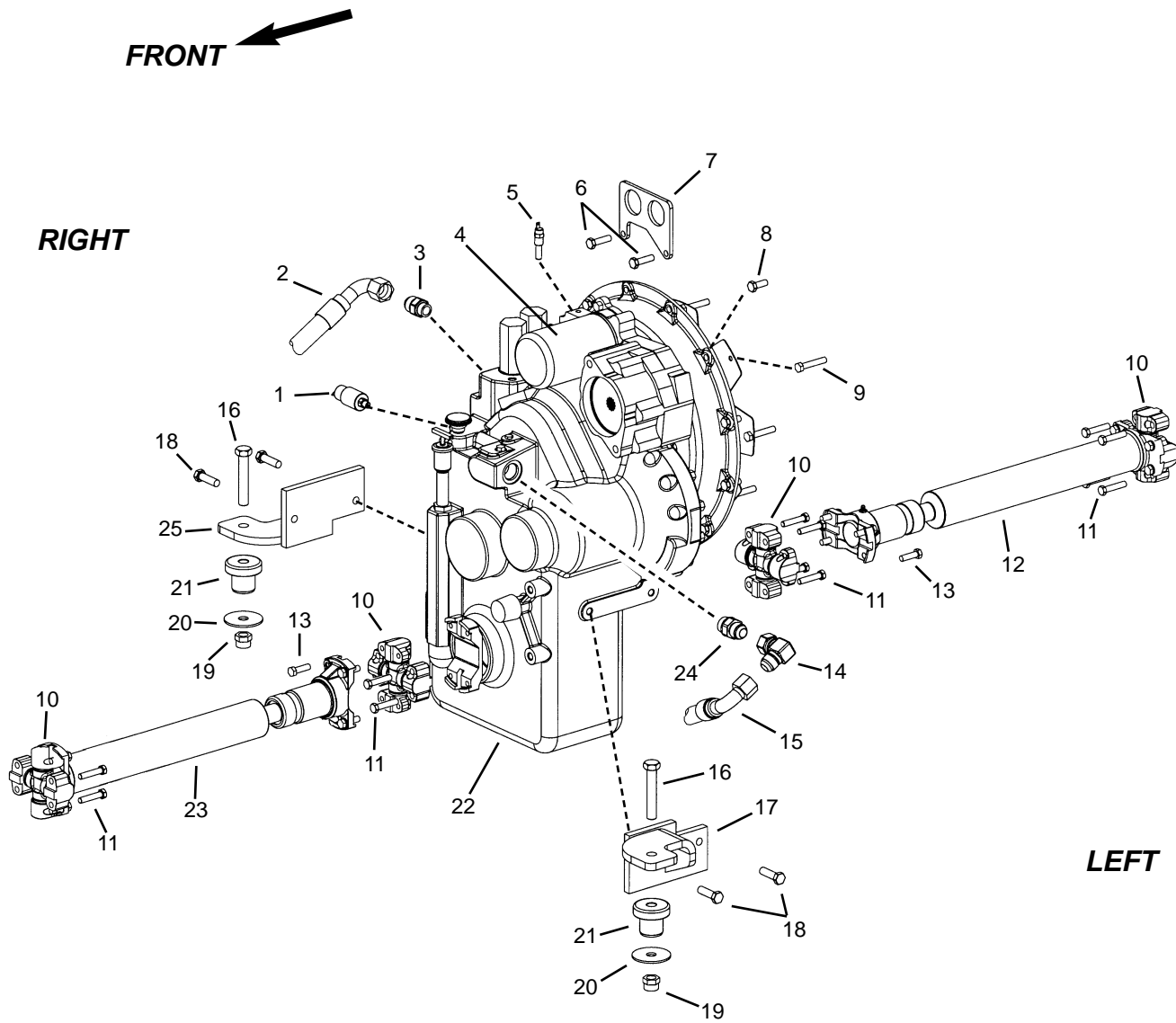
Engine Exhaust Group

Ref. No.	Part No.	Description	Qty. Req.	Ref. No.	Part No.	Description	Qty. Req.
01	102433	TAILPIPE.....	1	09	L60492	3" MUFFLER CLAMP	1
02	L520005	3/8"-16 NYLON INSERT NUT ...	AR	10	L64821	MUFFLER	1
03	L120047	MUFFLER CLAMP (2-1/2" CLAMP)	1	11	L50442	3/8"-16X1-1/4" SELF TAP BOLT ...	4
04	L64764	TAILPIPE HANGER.....	1	12	L67756	MUFFLER GUARD	1
05	L50145	3/8" FLAT WASHER.....	AR	13	L50836	3/8"-16X1-3/4" BOLT	1
06	L50367	3/8"-16X1" BOLT	AR	14	L61021	MUFFLER STRAP.....	1
07	L99434	TURBO CLAMP.....	1	15	L64572	MUFFLER BRACKET	1
08	L68544	EXHAUST PIPE	1	16	L50705	M12 1.75X30mm BOLT.....	2

Transmission

External Components

RS6-34 Telescopic Handler



RS6-34 Telescopic Handler

Transmission External Components Group

Ref. No.	Part No.	Description	Qty. Req.	Ref. No.	Part No.	Description	Qty. Req.
01	104425	SWITCH, REVERSE PRESSURE . 1 <i>(activates back-up alarm)</i>	1	13 ^b	650965	3/8"-24X1-1/4" GR 8 BOLT 8	8
	L444070	ADAP, -3ORM <i>(not shown)</i> 1	1		L50147	3/8" LOCK WASHER 8	8
02	L63406	HOSE, -12 DS12/A12 114" 1	1	14	L446020	ADAP, -12JICM -12JICFS 90 DEG . 1	1
03	L444007	ADAP, -10ORM -12JICM STR 1	1	15	L63399	HOSE, -12 DS12/A12 82" 1	1
04	L99184	FILTER, TRANSMISSION OIL 1	1	16	L50319	5/8"-11X3-1/2" BOLT 2	2
05	L66965	SENDER, TEMP 250 DEGREE . . . 1	1	17	L68531	TRANS MOUNT <i>(left)</i> 1	1
06 ^d	L50727	M10X1.5X35mm 2	2	18	L50704	M12X1.75X40mm BOLT 4	4
07 ^e	102450	BRACKET, HARNESS MOUNT . . . 1	1	19	L520007	5/8"-11 NYLON INSERT NUT 2	2
08	L50952	M10X1.5X25mm 10	10	20	L64197	WASHER, ISOLATOR MOUNT . . . 2	2
09 ^c	L50833	3/8"-24X2" GRADE 8 BOLT 8	8	21	L64124	MOUNT, VIBRATION ISOLATOR . . 2	2
10	L99182	UNIVERSAL JOINT 4 <i>(includes bolts)</i>	4	22	102654	TRANSMISSION, 1106 T12000 . . . 1	1
11 ^a	L50468	3/8"-24X1-3/4" GR8 BOLT 16	16	23	L68562	DRIVESHAFT, FRONT 1	1
12	L68563	DRIVESHAFT, REAR 1	1	24	L444001	ADAP, -12ORM -12JICM STR. . . . 1	1
				25	L68533	TRANS. MOUNT <i>(right)</i> 1	1

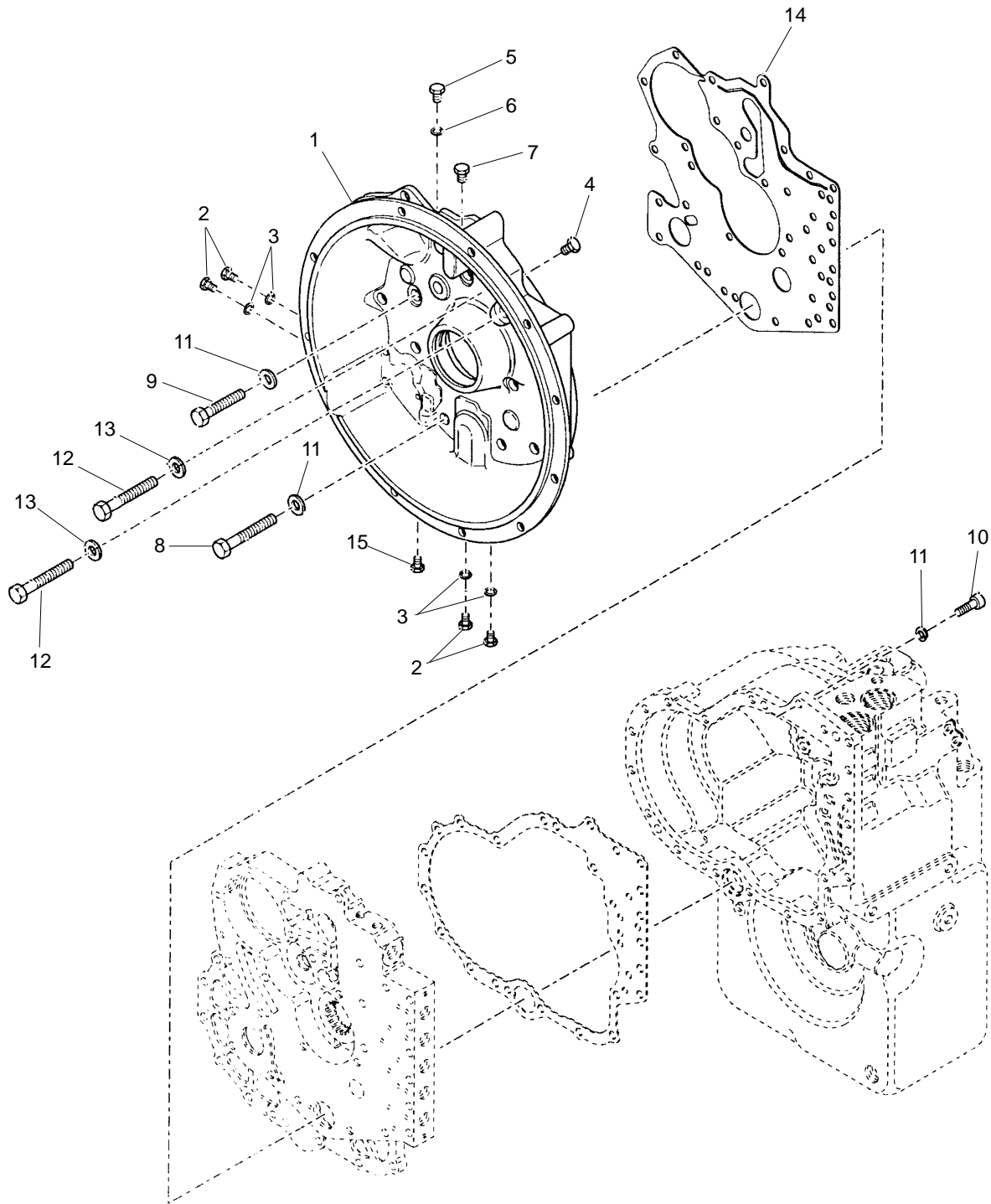
- a Used to fasten universal joint to transmission and to axle yokes.
- b Used to fasten universal joint to driveshaft.
- c Used to fasten flex plate to flywheel.
- d Used to fasten wire harness bracket to transmission
- e Used with 115 hp TIER II engine with electronic throttle pedal. For 99 hp TIER II engine with manual throttle pedal substitute Throttle cable bracket P/N 105281.

HOSE LOCATOR

02	TRANSMISSION <i>(top right side - near filter)</i>	TRANSMISSION COOLER "RIGHT SIDE"
15	TRANSMISSION <i>(left side - just under hyd. pump)</i>	TRANSMISSION COOLER "LEFT SIDE"

Transmission Converter Housing Group

RS6-34 Telescopic Handler



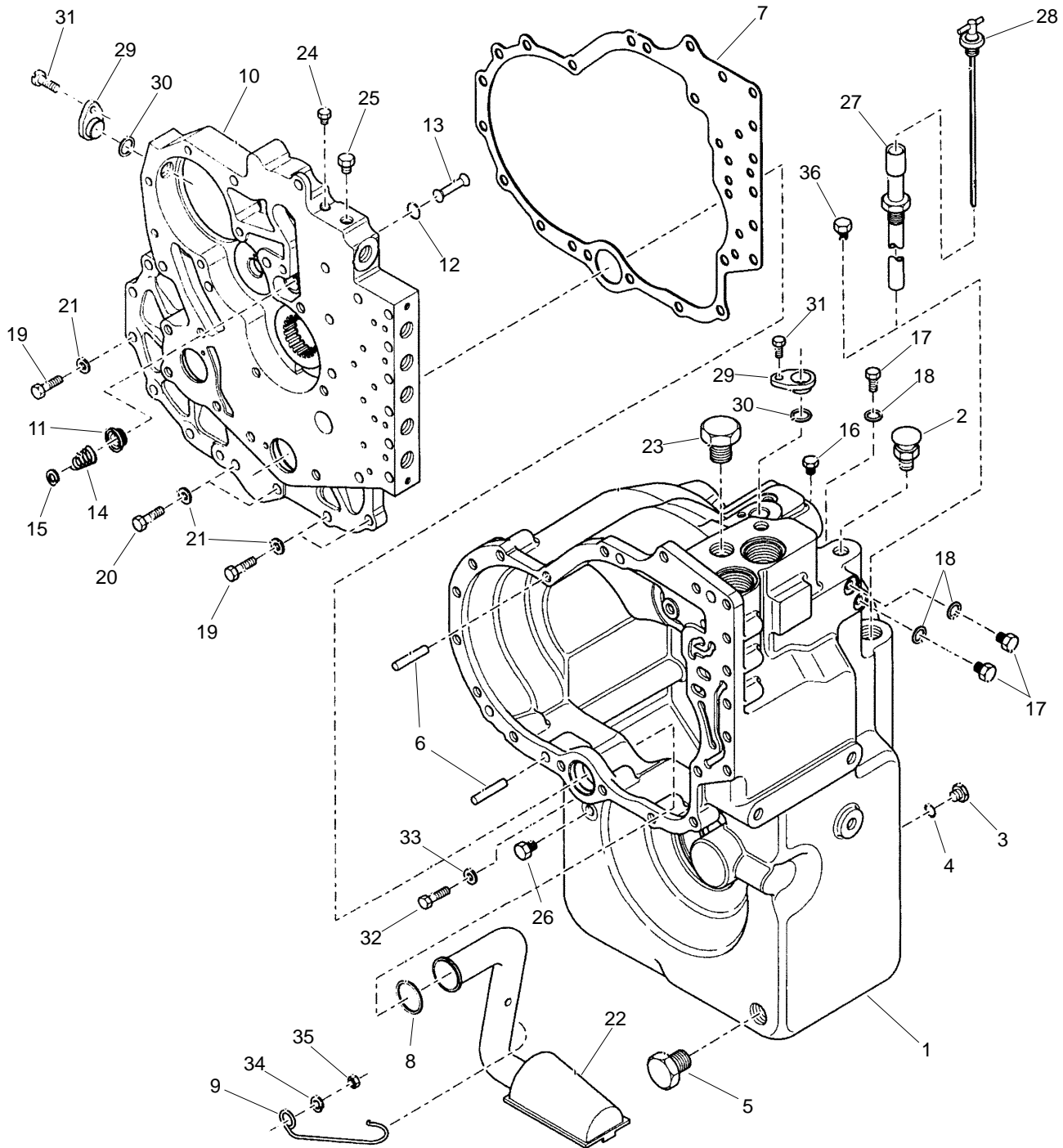
RS6-34 Telescopic Handler

Transmission Converter Housing Group

Ref. No.	Part No.	Description	Qty. Req.	Ref. No.	Part No.	Description	Qty. Req.
01	L99286	HOUSING/CONVERTER	1	07	L99262	PLUG	1
02	NSS	PLUG <i>(includes item 3)</i>	4	08	L99285	SCREW	6
03	L99284	O-Ring/Plug <i>(part of item 2)</i>	4	09	L99260	SCREW	3
04	L99246	PLUG	1	10	L99261	SCREW	1
05	NSS	PLUG <i>(includes item 6)</i>	1	11	L99029	WASHER/LOCK	10
06	L99284	O-Ring/Plug <i>(part of item 5)</i>	1	12	L99260	SCREW	13
				13	L99029	WASHER/LOCK	13
				14	L98938	GASKET/HSG. TO PLATE.	1
				15	L99249	PLUG/TEMP PICKUP	1

Transmission Case and Plate Group

RS6-34 Telescopic Handler



RS6-34 Telescopic Handler

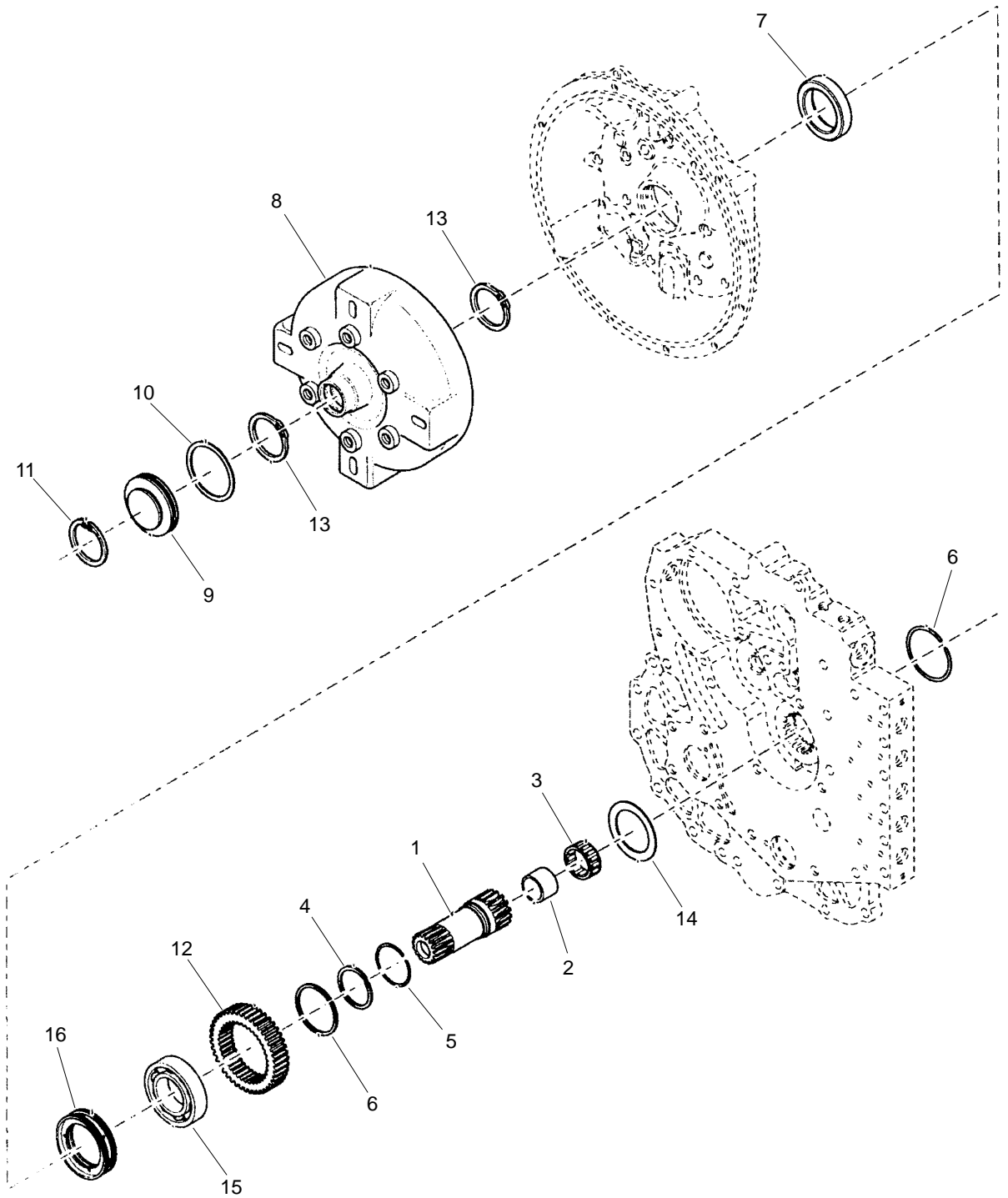
Transmission Case and Plate Group

Ref. No.	Part No.	Description	Qty. Req.	Ref. No.	Part No.	Description	Qty. Req.
01	NSS	CASE-TRANSMISSION	1	18	L99284	O-RING/PLUG	3
02	L94824	BREATHER/AIR	1	19	L99018	SCREW	7
03	L99251	PLUG	2	20	L99045	SCREW	2
		<i>(includes item 4)</i>		21	L99029	WASHER/LOCK	9
04	L99013	O-RING/PLUG	2	22	L98184	ASSY/TUBE & SCREEN	1
		<i>(part of item item 3)</i>		23	L99274	PLUG	1
05	L99253	PLUG/MAGNETIC DRAIN	1	24	L99246	PLUG	1
06	L98927	PIN/DOWEL PLATE TO CASE	2	25	L99262	PLUG	1
07	L98926	GASKET/PLATE TO CASE	1	26	L99270	PLUG	1
08	L98185	RING/TUBE SEAL	1	27	L98734	TUBE/TRANS DIPSTICK	1
09	L98176	CLIP/OIL TUBE RETAINER	1	28	L98735	TRANS DIPSTICK TUBE	1
10	102949	PLATE, SPACER	1	29	L99287	PLUG	2
11	L98935	SEAT/SAFETY VALVE	1	30	L99312	O-RING	2
12	L98932	SNAP RING	1	31	L99288	SCREW	2
13	L98226	POPPET/SAFETY VALVE	1	32	L99285	SCREW	1
14	L98218	SPRING	1	33	L99294	WASHER/SEAL	1
15	L98217	WASHER/POPPET	1	34	L99295	WASHER/SCREW	1
16	L99246	PLUG	1	35	L99296	NUT	1
17	NSS	PLUG	3				

Transmission

Torque Converter Group

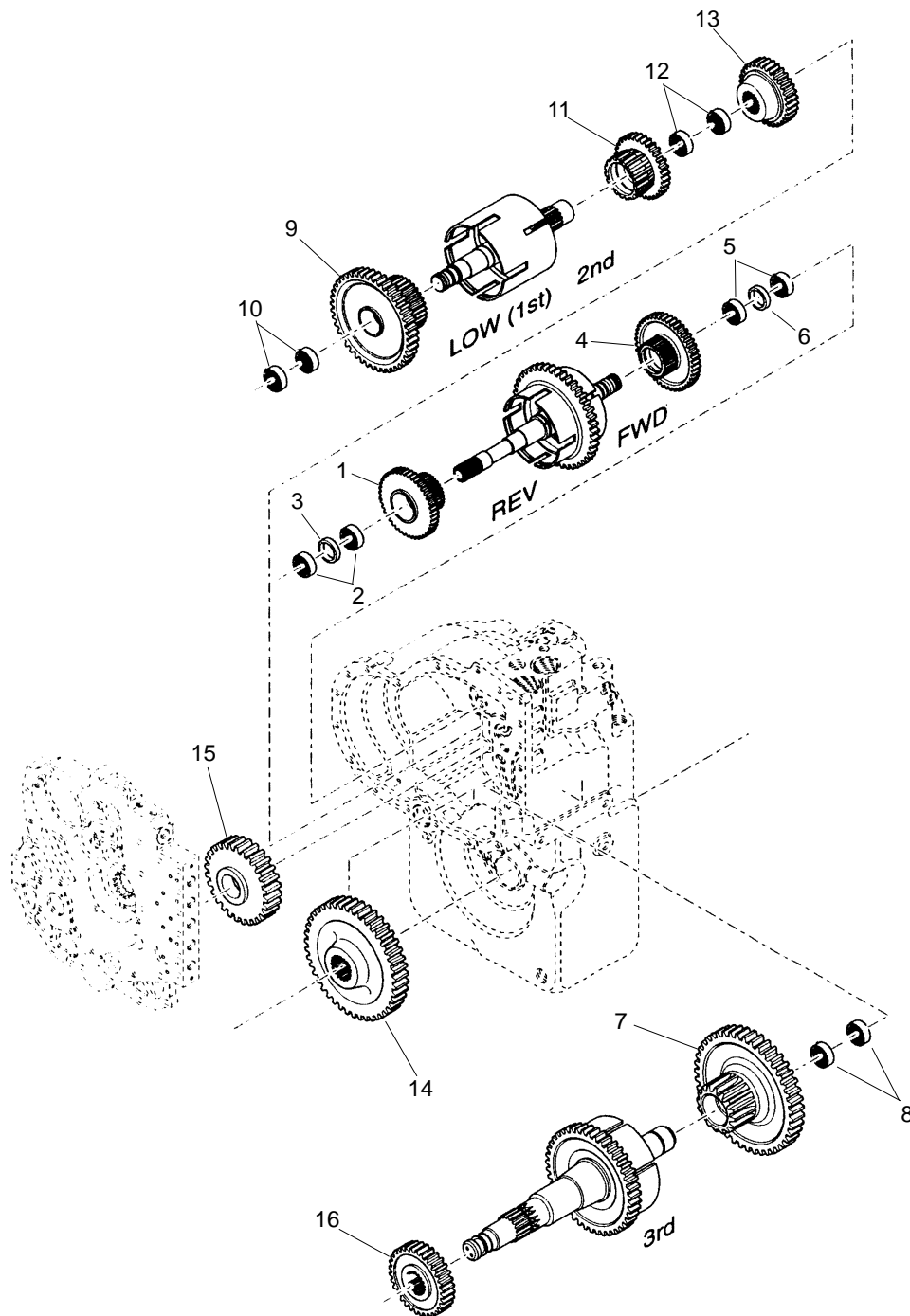
RS6-34 Telescopic Handler



RS6-34 Telescopic Handler

Transmission Torque Converter Group

Ref. No.	Part No.	Description	Qty. Req.	Ref. No.	Part No.	Description	Qty. Req.
01	L98203	ASSY/STATOR SUPPORT	1	09	L98189	PLUG/BORE	1
02	L98204	BUSHING	1	10	L97525	O-RING/BORE PLUG	1
03	L98197	BEARING/FRONT	1	11	L97526	RING/RET. BORE PLUG	1
04	L98201	RING/PISTON	1	12	L98199	IMPELLER/HUB GEAR	1
05	L98202	EXPANDER/RING	1	13	L98191	SNAP RING/IMPELLER HUB	2
06	L98200	RING/SNAP	2	14	L98205	WASHER/HUB GEAR	1
07	L98194	SEAL/OIL CONV. HSG.	1	15	L98198	BEARING/TORQUE CONVERTER. 1	
08	L99313	ASSY/TORQUE CONVERTER	1	16	L98196	RING/OIL DISTRIBUTOR	1



RS6-34 Telescopic Handler

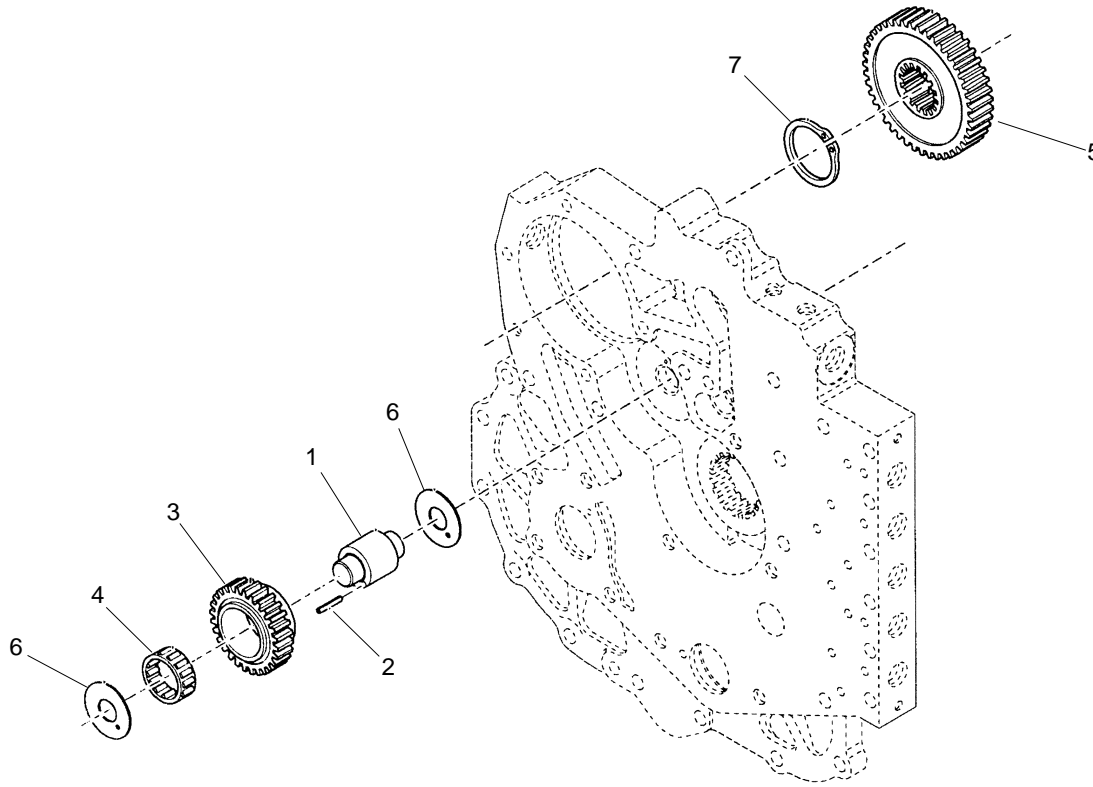
Transmission Gear Group

Ref. No.	Part No.	Description	Qty. Req.	Ref. No.	Part No.	Description	Qty. Req.
01	NSS	ASSY/REV. GEAR & BEARING . . . 1 <i>(includes ittems 2 and 3)</i>	1	08	L500480	BEARING-3RD CLUTCH GEAR . . . 2 <i>(part of item 7)</i>	2
02	L98253	BEARING/NEEDLE 2 <i>(part of item 1)</i>	2	09	L98968	1st CLUTCH GEAR/BRG. ASSY . . . 1 <i>(includes item 9)</i>	1
03	L98254	SPACER/CLUTCH GEAR 1 <i>(part of item 1)</i>	1	10	L98253	BEARING/NEEDLE 2 <i>(part of item 9)</i>	2
04	NSS	ASSY/FOR. GEAR & BEARING . . . 1 <i>(includes items 5 and 6)</i>	1	11	L98276	2nd CLUTCH GEAR/BRG. ASSY . . 1 <i>(includes item 12)</i>	1
05	L98253	BEARING/NEEDLE 2 <i>(part of item 4)</i>	2	12	L98253	BEARING/NEEDLE 2 <i>(part of item 11)</i>	2
06	L98254	SPACER/CLUTCH GEAR 1 <i>(part of item 4)</i>	1	13	L98277	GEAR/THIRD DRIVEN - 18T 1	1
07	L500407	ASY. 3RD CLUTCH GEAR 1 <i>(includes item 8)</i>	1	14	L98284	GEAR/OUTPUT SHAFT - 40T 1	1
				15	L98955	GEAR/REVERSE IDLER - 28T 1	1
				16	L500409	GEAR/FIRST DRIVEN - 27T 1	1

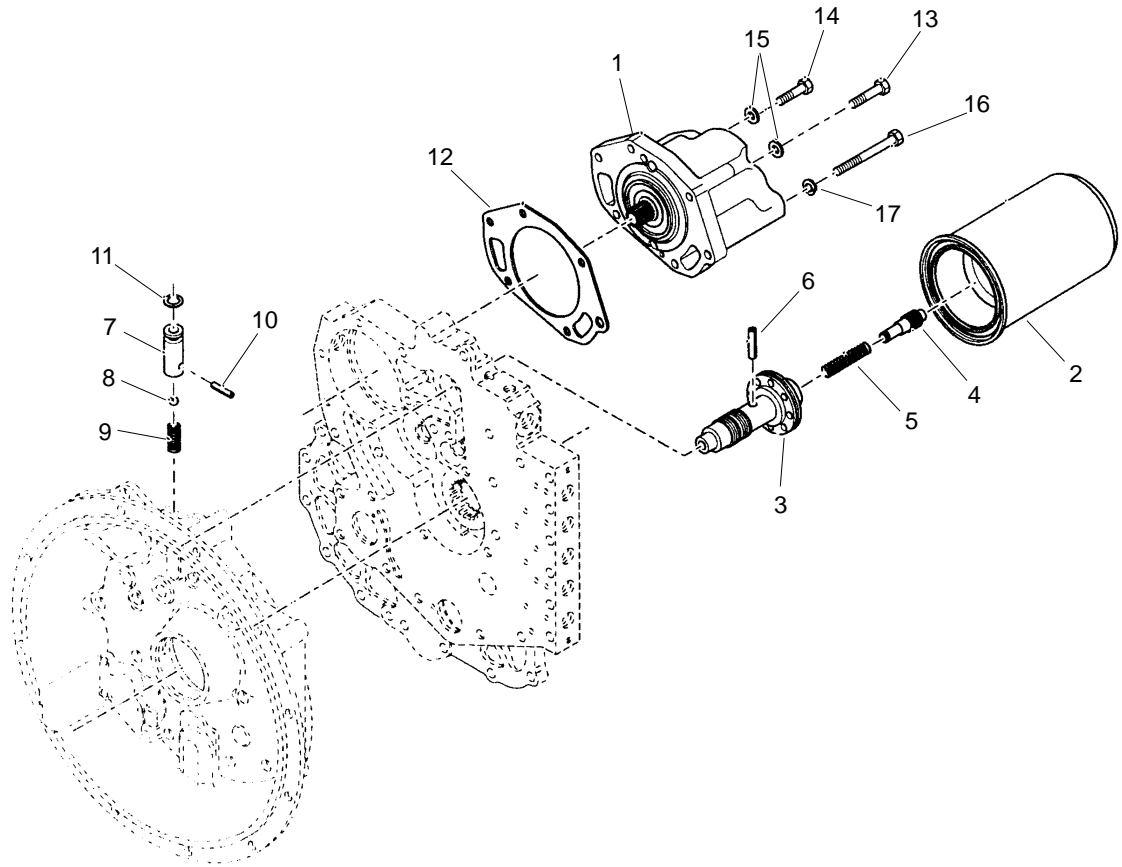
Transmission

Drive Pump Group

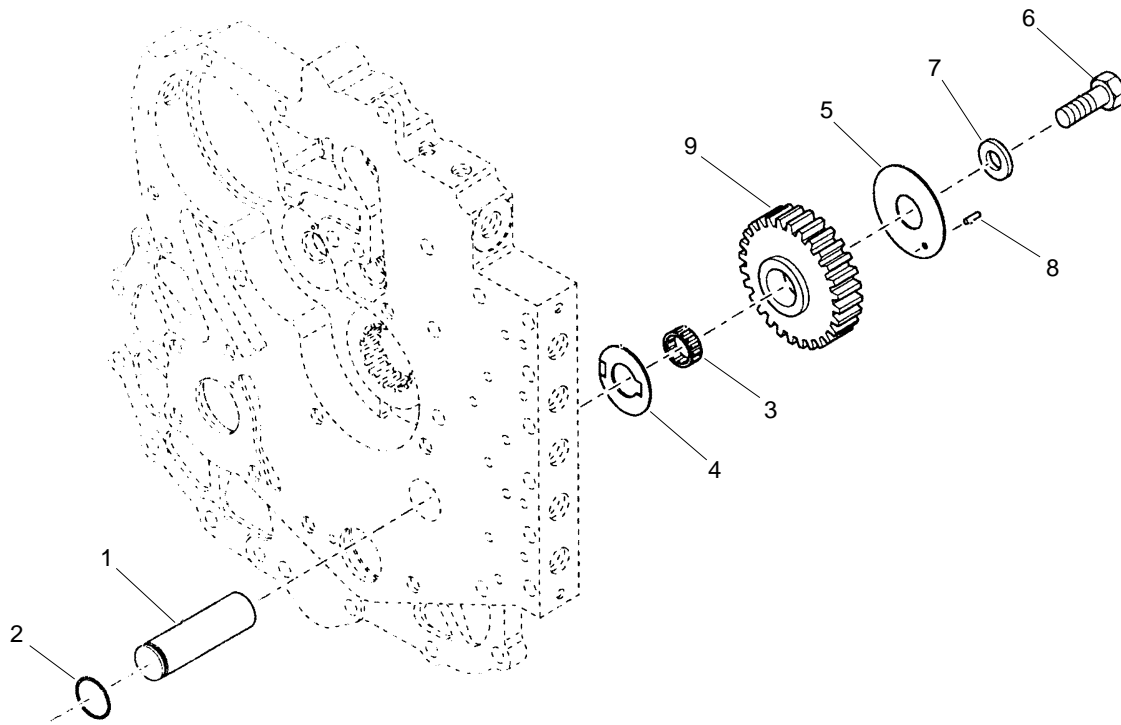
RS6-34 Telescopic Handler



Ref. No.	Part No.	Description	Qty. Req.	Ref. No.	Part No.	Description	Qty. Req.
01	L98945	IDLER/SHAFT & PIN	1	04	L98943	BEARING/IDLER GEAR	1
		<i>(includes item 2)</i>		05	L98211	GEAR/DRIVE	1
02	L98947	ROLL PIN	1	06	L98942	WASHER/THRUST	2
		<i>(part of item 1)</i>		07	L98212	RING/SNAP	1
03	L98944	GEAR/IDLER,PUMP DRIVE	1				



Ref. No.	Part No.	Description	Qty. Req.	Ref. No.	Part No.	Description	Qty. Req.
01	L98220	PUMP/T12000 CHARGE.	1	11	L98948	O-RING	1
02	L99184	ASSY/ HYDRAULIC SPIN FILTER .	1	12	L98219	GASKET/CHARGE PUMP	1
03	L98953	SLEEVE.....	1	13	L99025	SCREW	4
04	L98950	PISTON.....	1	14	L99023	SCREW	1
05	L98951	SPRING.....	1	15	L99020	WASHER/LOCK	5
06	L98224	PIN/CLARK TRANS.	1	16	L99027	SCREW	1
07	L98949	ASSY/BALL CHECK VALVE	1	17	L99029	WASHER/LOCK	1
		<i>(includes items 8 thru 11)</i>					
08	L98215	BALL	1			--ITEMS NOT SHOWN--	
09	L98216	SPRING.....	1	00	L98954	ASSY/FILTER MOUNT	1
10	L98214	PIN.....	1			<i>(includes items 3-6)</i>	



RS6-34 Telescopic Handler

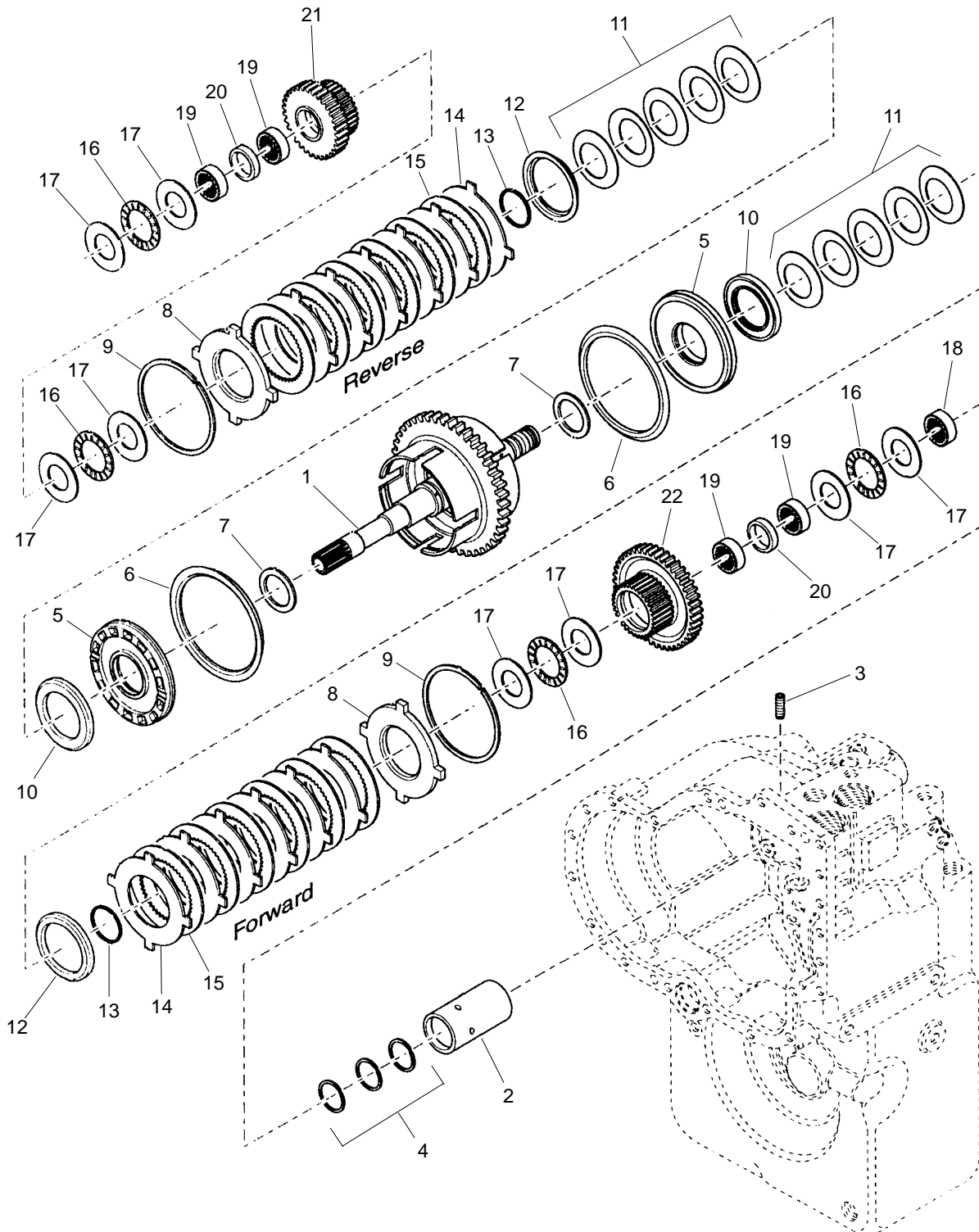
Transmission *Reverse Idler Group*

Ref. No.	Part No.	Description	Qty. Req.	Ref. No.	Part No.	Description	Qty. Req.
01	L98229	SHAFT IDLER & PILOT	1	05	L98232	END PLATE	1
02	L98228	RING/SNAP	1	06	L99031	CAPSCREW	1
03	L98231	BEARING/REV IDLR GEAR	1	07	L99032	WASHER	1
04	L98230	WASHER/THRUST	1	08	L98233	END PLATE	1

Transmission

Forward and Reverse Group

RS6-34 Telescopic Handler



RS6-34 Telescopic Handler

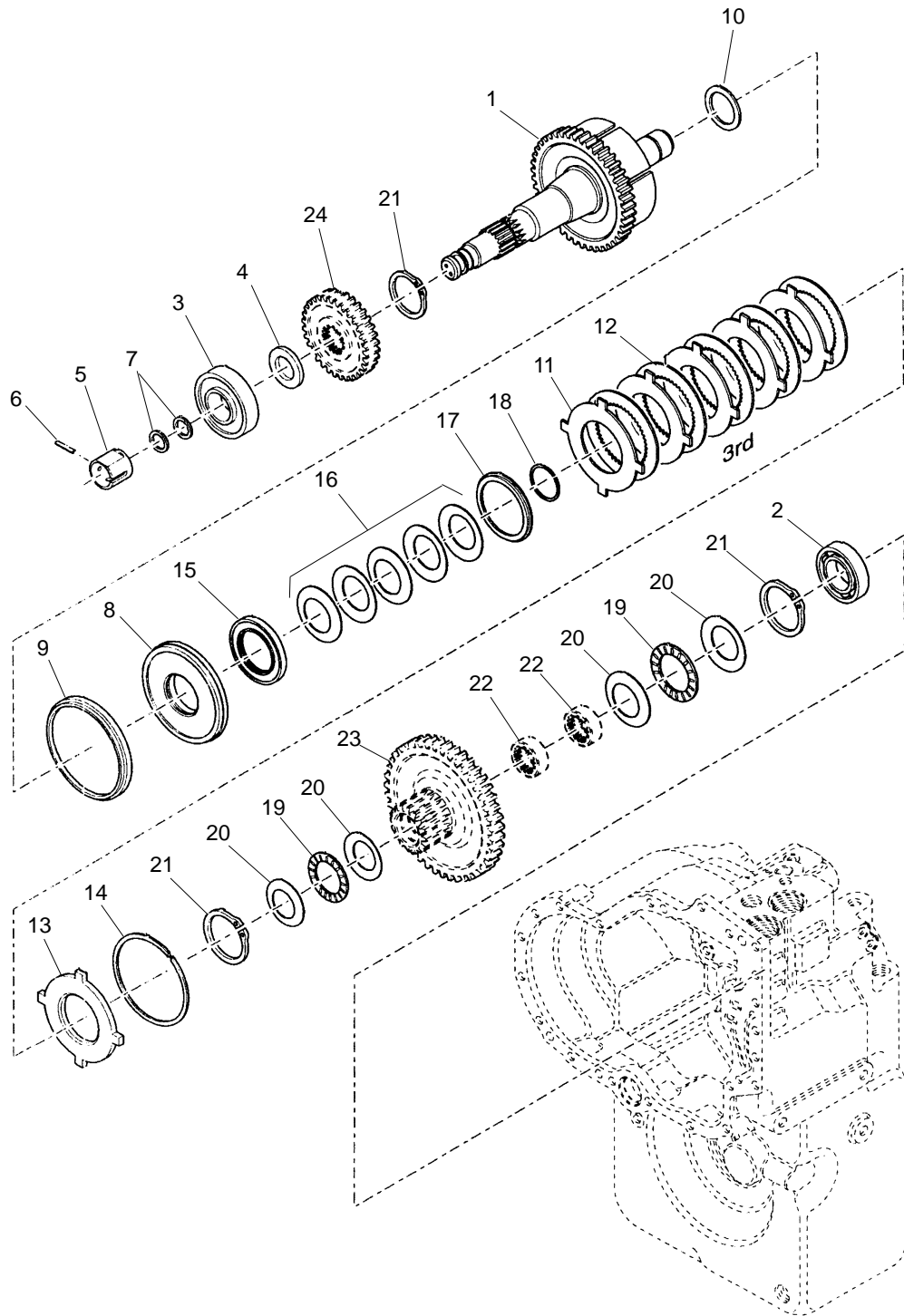
Transmission Forward and Reverse Group

Ref. No.	Part No.	Description	Qty. Req.	Ref. No.	Part No.	Description	Qty. Req.
01	L98248	ASY/TURB SHFT DRUM & PLUG .	1	12	L98242	RETAINER.....	2
02	L98251	SLEEVE/OIL DISTRIBUTOR.....	1	13	L98241	RETAINER/SNAP RING	2
03	L98252	SCREW	1	14	L98240	CLUTCH/OUTER FWD.....	12
04	L98250	RING/PISTON	3	15	L98239	CLUTCH/INNER FWD.....	12
05	L99278	ASY/PISTON.....	2	16	L98236	BEARING.....	4
		<i>(includes items 6 and 7)</i>		17	L98235	WASHER/THRUST	8
06	L98246	SEAL/OUTER PISTON	2	18	L98249	BEARING/REAR	1
		<i>(part of item 5)</i>		19	L98253	BEARING/CLUTCH GEAR	4
07	L98247	SEAL/INNER PISTON.....	2	20	L98254	SPACER/CLUTCH GEAR.....	2
		<i>(part of item 5)</i>		21	L98962	ASSY/REV. AND BRG.	1
08	L98238	PLATE/END.....	2			<i>(includes items 19 and 20)</i>	
09	L98237	RING/SNAP	2	22	L98255	ASSY/FOR. GEAR AND BRG.	1
10	L98244	PLATE/WEAR	2			<i>(includes items 19 and 20)</i>	
11	L98961	ASY/DISC SPRING Pkg 5.....	2				

Transmission

Third Shaft Group

RS6-34 Telescopic Handler



RS6-34 Telescopic Handler

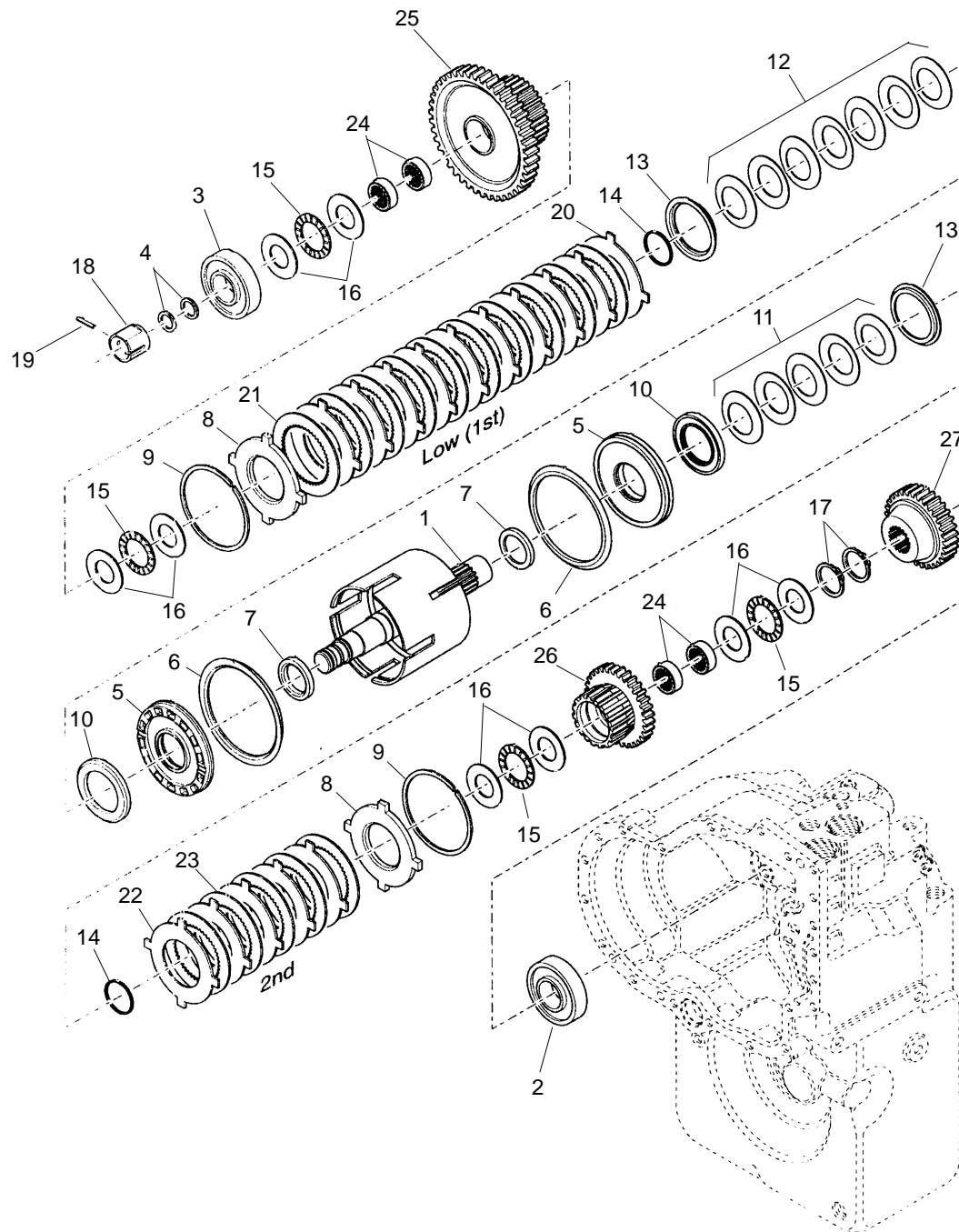
Transmission Third Shaft Group

Ref. No.	Part No.	Description	Qty. Req.	Ref. No.	Part No.	Description	Qty. Req.
01	L500410	ASY-3RD SHAFT, DRUM & PLUG .	1	13	L98238	PLATE/END	1
02	L500411	BEARING-ROLLER	1	14	L98237	RING/SNAP	1
03	L500273	ASSY/BEARING & SEAL	1	15	L98244	RING/SNAP	1
04	L500412	WASHER-BEARING SUPPORT . . .	1	16	L98961	ASY/DISC SPRG PKG 5	1
05	L98258	SLEEVE/OIL DISTRIBUTOR	1	17	L98242	RETAINER	1
06	L98257	SCREW/SLEEVE LOCK	1	18	L98241	RETAINER/SNAP RING	1
07	L98250	RING/PISTON	2	19	L500413	BEARING-THRUST NEEDLE	2
08	L99279	ASSY/CLTCH PISTON & BALL . . .	1	20	L500414	WASHER/CLTCH GEAR THRUST .	4
09	L98246	SEAL/OUTER PISTON	1	21	L99696	RING/SNAP	3
10	L98247	SEAL/INNER PISTON	1	22	L500408	BEARING-3RD CLUTCH GEAR . . .	2
11	L98240	CLUTCH/OUTER FWD	5	23	L500407	ASY. 3RD CLUTCH GEAR	1
12	L98239	CLUTCH/INNER FWD	5	24	L500408	GEAR-FIRST DRIVEN	1

Transmission

First and Second Shaft Group

RS6-34 Telescopic Handler



RS6-34 Telescopic Handler

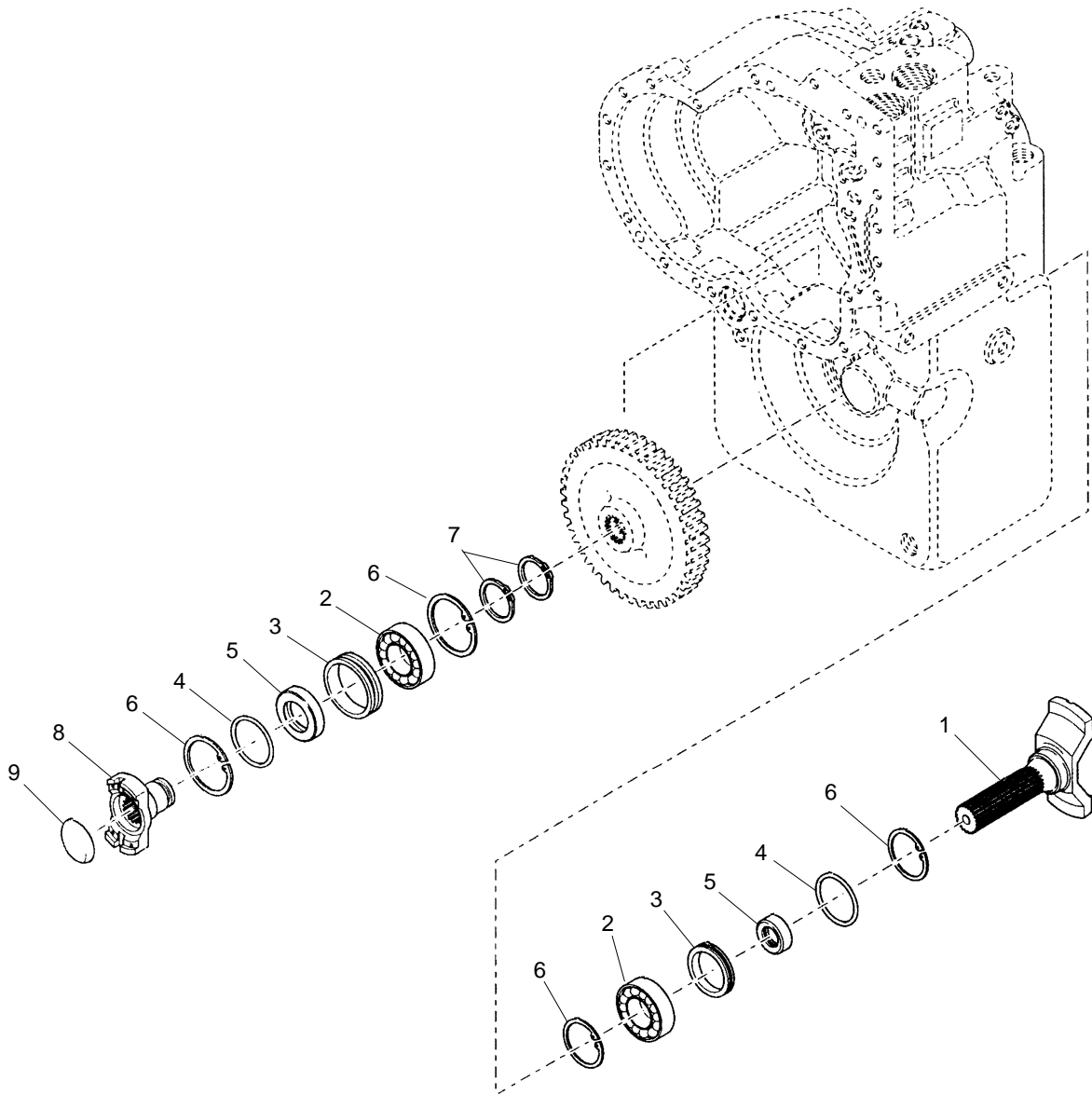
Transmission First and Second Shaft Group

Ref. No.	Part No.	Description	Qty. Req.	Ref. No.	Part No.	Description	Qty. Req.
01	L98274	ASY-1ST 2ND SHAFT.....	1	16	L98235	WASHER/THRUST.....	8
02	L98275	BEARING/REAR.....	1	17	L98260	RING/SNAP.....	2
03	L500273	ASSY/BEARING & SEAL.....	1	18	L98272	SLEEVE/OIL DISTRIBUTOR.....	1
04	L98250	RING/PISTON.....	2	19	L98257	SCREW/SLEEVE LOCK.....	1
05	L99038	PISTON/CLUTCH & SEALS.....	2	20	L98240	CLUTCH/OUTER FWD.....	10
06	L98246	SEAL/OUTER PISTON.....	2	21	L98239	CLUTCH/INNER FWD.....	10
07	L98247	SEAL/INNER PISTON.....	2	22	L98240	CLUTCH/OUTER FWD.....	5
08	L98238	PLATE/END.....	2	23	L98239	CLUTCH/INNER FWD.....	5
09	L98237	RING/SNAP.....	2	24	L98253	BEARING/CLUTCH GEAR.....	4
10	L98244	PLATE/WEAR.....	2	25	L98968	1ST CLUTCH GEAR/BRG ASSY ..	1
11	L98961	ASSY/DISC SPRG PKG 5.....	1			<i>(includes item 24)</i>	
12	L98967	SPRING/DISC ASSY PKG (7).....	1	26	L98276	2ND CLUTCH GEAR/BRG ASSY ..	1
13	L98242	RETAINER.....	2			<i>(includes item 24)</i>	
14	L98241	RETAINER/SNAP RING.....	2	27	L98277	GEAR/3RD DRIVEN.....	1
15	L98236	BEARING.....	4				

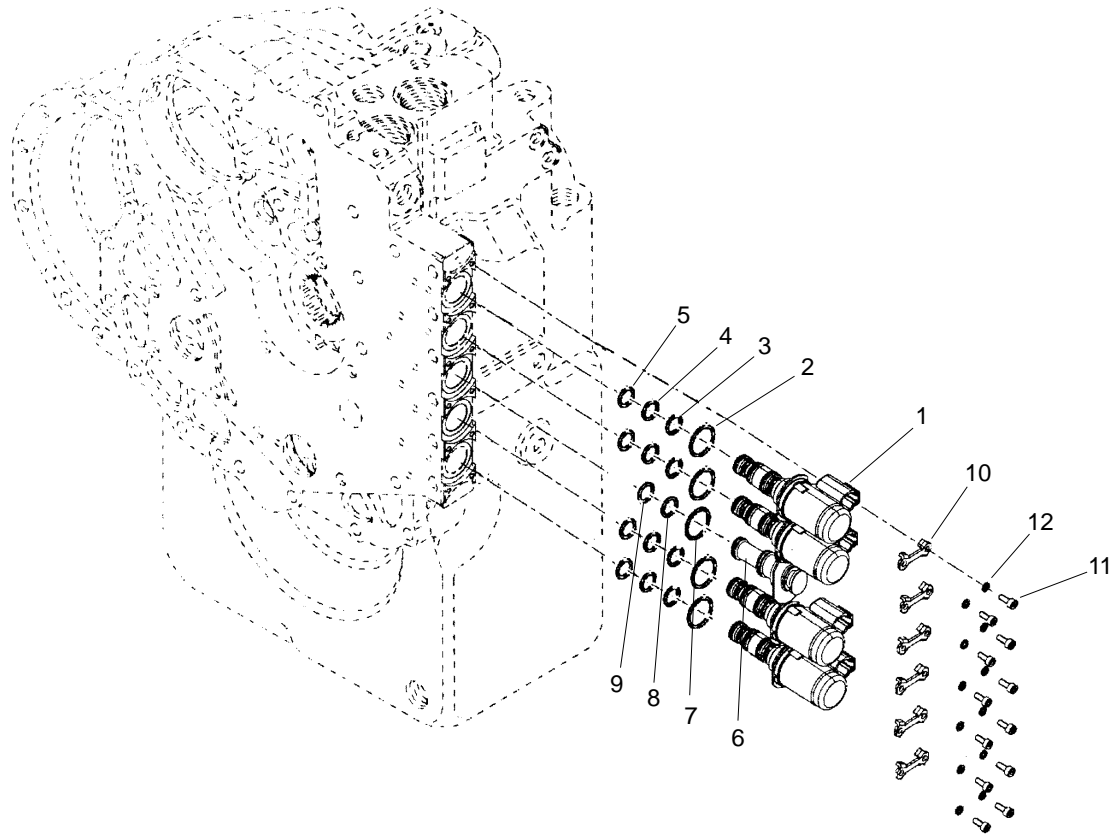
Transmission

Output Shaft Group

RS6-34 Telescopic Handler



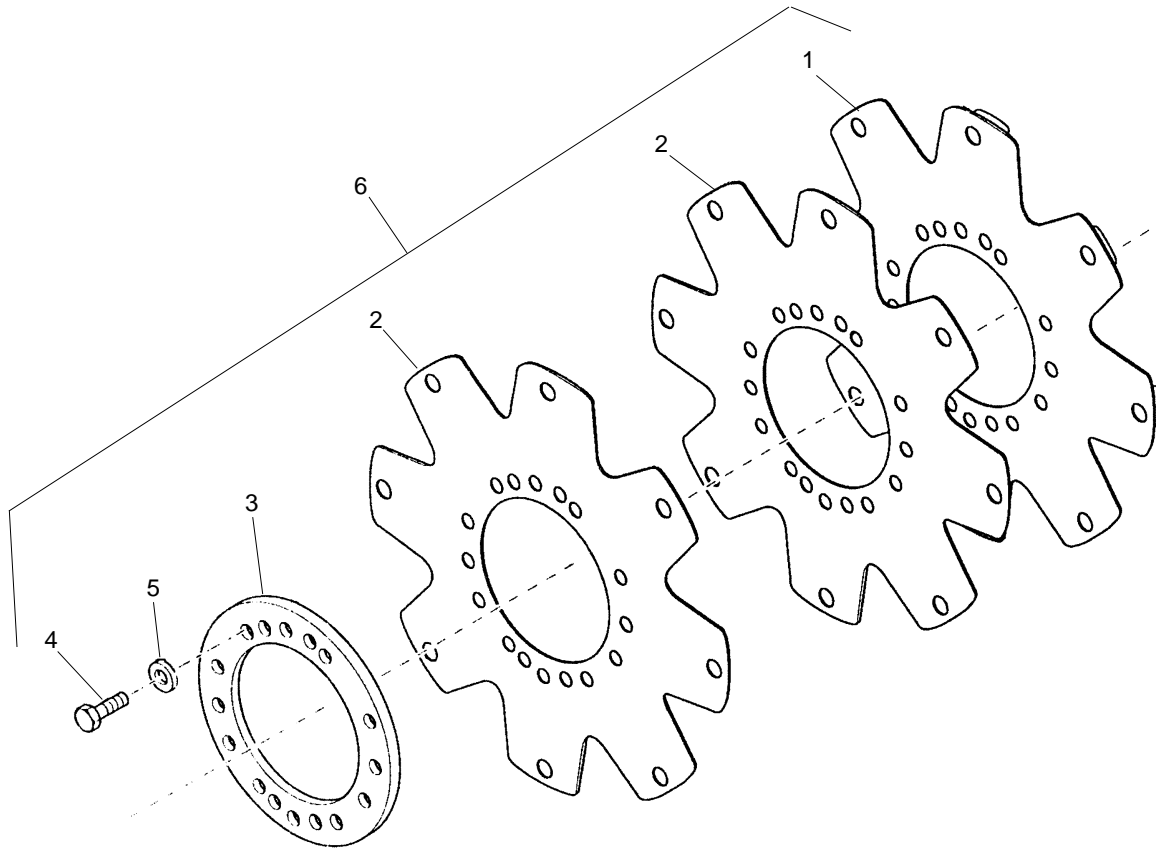
Ref. No.	Part No.	Description	Qty. Req.	Ref. No.	Part No.	Description	Qty. Req.
01	L500274	SHAFT/OUTPUT	1	06	L98264	RING/SNAP	4
02	L98282	BEARING/SHAFT	2	07	L98266	RING/SNAP	2
03	L98281	SLEEVE/OIL SEAL	2	08	L98279	FLANGE/OUTPUT & PLUG ASSY	1
04	L98268	O-RING/SLEEVE	2	09	L98278	PLUG/FLANGE	1
05	L96053	SEAL/OUTPUT SHAFT OIL	2				



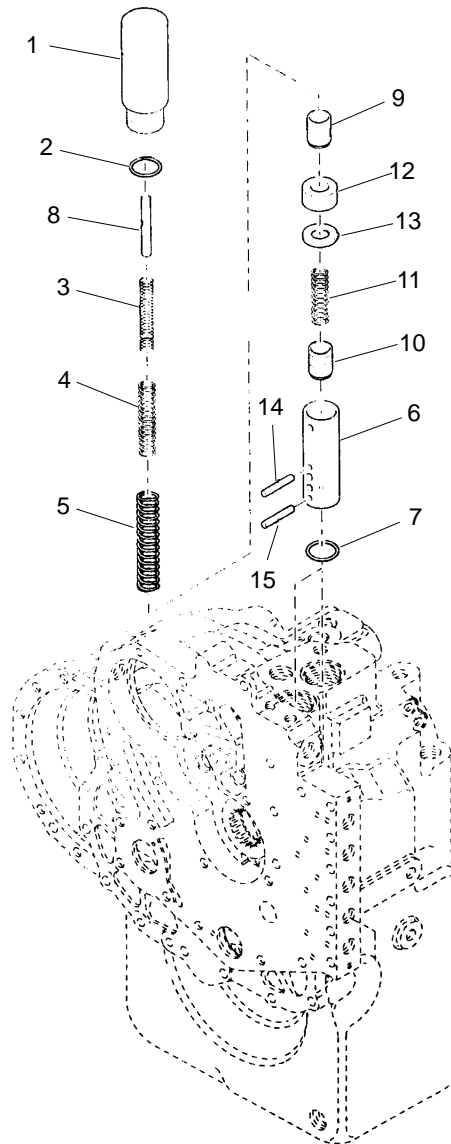
Ref. No.	Part No.	Description	Qty. Req.	Ref. No.	Part No.	Description	Qty. Req.
01	102950	SOLENOID, W / DEUTSCH CON. <i>(includes items 2 thru 5)</i>	4	07	102956	O-RING, 18.0 X 2.20MM <i>(included with item 6)</i>	1
02	102951	O-RING, 21.5 X 1.5MM <i>(included with item 1)</i>	4	08	102952	O-RING, 15.1 X 1.60MM <i>(included with item 6)</i>	1
03	102952	O-RING, 15.1 X 1.60MM <i>(included with item 1)</i>	4	09	102954	O-RING, 12.1 X 1.60MM <i>(included with item 6)</i>	1
04	102953	O-RING, 14.1 X 1.60MM <i>(included with item 1)</i>	4	10	102957	CLAMP, SOLENOID	6
05	102954	O-RING, 12.1 X 1.60MM <i>(included with item 1)</i>	4	11	102958	CAPSCREW	12
06	102955	PLUG, SOLENOID BORE <i>(includes items 7, 8 and 9)</i>	1	12	102959	WASHER, PLAIN	12

Transmission
Drive Plate Group

RS6-34 Telescopic Handler



Ref. No.	Part No.	Description	Qty. Req.	Ref. No.	Part No.	Description	Qty. Req.
01	NSS	ASSY/DRIVE PLATE..... 1 <i>(included in item 6)</i>	1	04	L99785	SCREW/DRIVE PLATE MNTG 6	6
02	NSS	DRIVE PLATE 2 <i>(included in item 6)</i>	2	05	L99030	LOCKWASHER/DRIVEPLATE 6	6
03	L98316	RING/DRIVE PLATE BACKING ... 1	1	06	L98317	KIT/DRIVE PLATE ASSY 1 <i>(includes items 1 thru 5)</i>	1

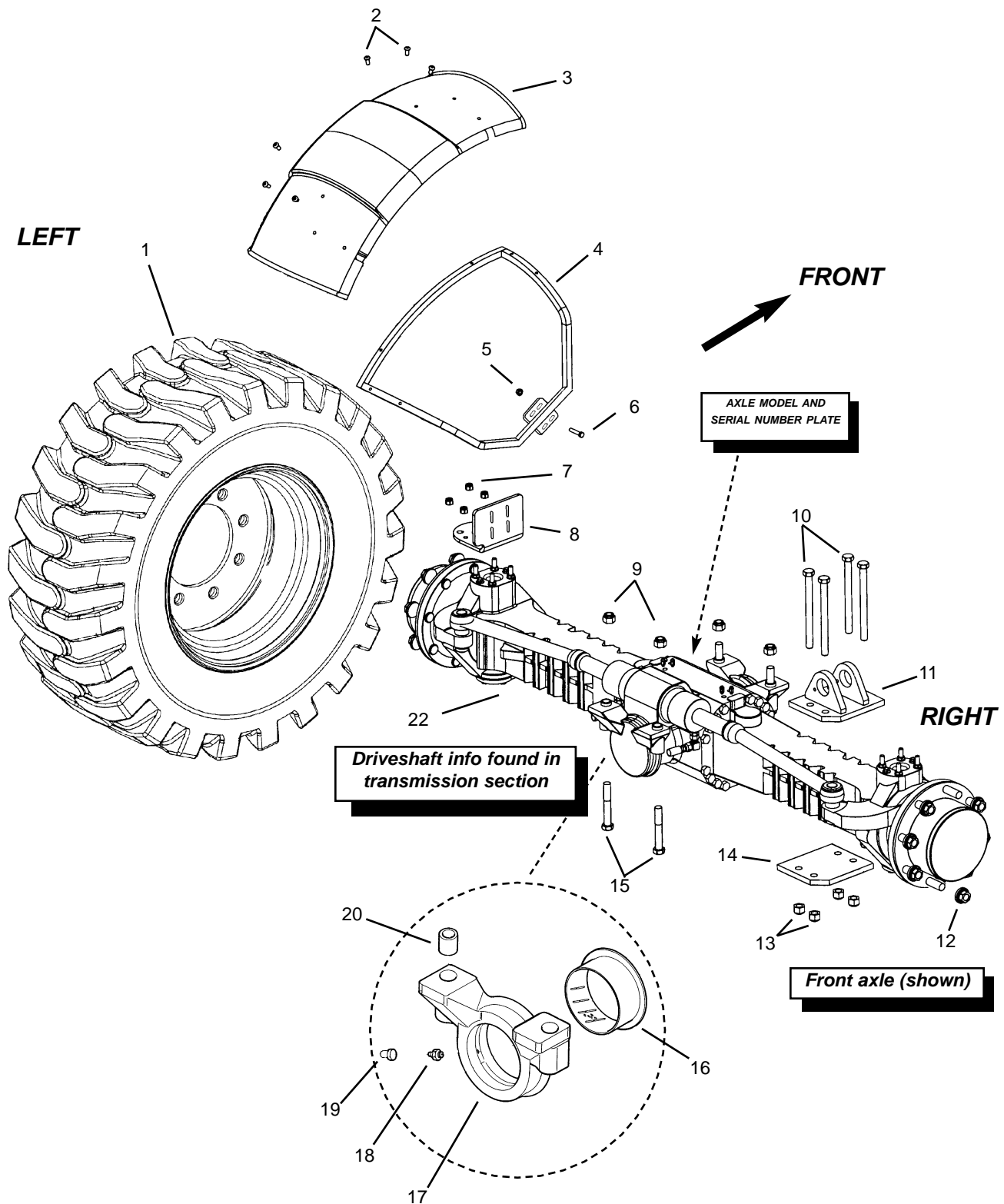


Ref. No.	Part No.	Description	Qty. Req.	Ref. No.	Part No.	Description	Qty. Req.
01	L98291	HOUSING MODULATOR VALVE	1	09	L98303	SPOOL ACCUMULATOR	1
02	L98292	O-RING	1	10	L98958	SPOOL	1
03	L98294	SPRING INNER	1	11	L98300	SPRING	1
04	L98295	SPRING MIDDLE	1	12	L98302	RETAINER	1
05	L98304	SPRING OUTER	1	13	L98301	SPACER	1
06	L98298	SLEEVE-MODULATION VALVE	1	14	L98956	PIN-UPPER	1
07	L98307	O-RING	1	15	L98957	PIN-LOWER	1
08	L98293	PIN STOP	1				

Axle

External Components

RS6-34 Telescopic Handler



RS6-34 Telescopic Handler

Axle *External Components*

Ref. No.	Part No.	Description	Qty. Req.	Ref. No.	Part No.	Description	Qty. Req.
01	NSS	TIRE AND WHEEL ASY	AR	11	L68878	FRAME LEVEL MNT (<i>front axle</i>) . . .	1
	L63222	VALVE STEM	1	12	L69734	M22-1.5 WHEEL NUT	AR
	L45049	TIRE, 15.00X19.5 12 PLY	1	13	L50084	3/4"-10 GR8 LOCK NUT	8
	L68875	WHEEL ONLY (<i>for tire L45049</i>)	1	14	L68876	PLATE, FRAME LEVEL	1
	L67499	TIRE, 405/70R 20XM27	1	15	651543	M20-2.50X130 C10.9 BOLT	4
	L68884	WHEEL ONLY (<i>for tire L67499</i>)	1	16	L500543	THRUST BUSHING	2
	L67502	TIRE, 9.00R 20XMINE D2	1	17	L500544	SUPPORT	2
	L67504	WHEEL ONLY (<i>for tire L67502</i>)	1	18	L98355	GREASE FITTING	2
02 ^a	L50253	3/8"-16 BUTTON HD BOLT	6	19	L500496	PLUG	2
03 ^a	L99951	FENDER	1	20	L500542	REDUCTION BUSING	4
04 ^a	103322	FENDER MOUNT	1	21	NA	0
05 ^a	L50061	3/8"-16 FLANGE LOCK NUT	4	22 ^b		AXLE ASSEMBLY, 212	
06 ^a	L50367	3/8"-16X1" BOLT	4		102668	FRONT (<i>with internal park brake</i>) . .	1
07 ^a	102587	NUT	4		L68849	REAR	1
08 ^a	103314	FENDER MOUNT	1				
09	L50201	M20-2.5 CLASS 10 LOCK NUT	4				
10	L50712	3/4"-10X9" GR8 BOLT	8				

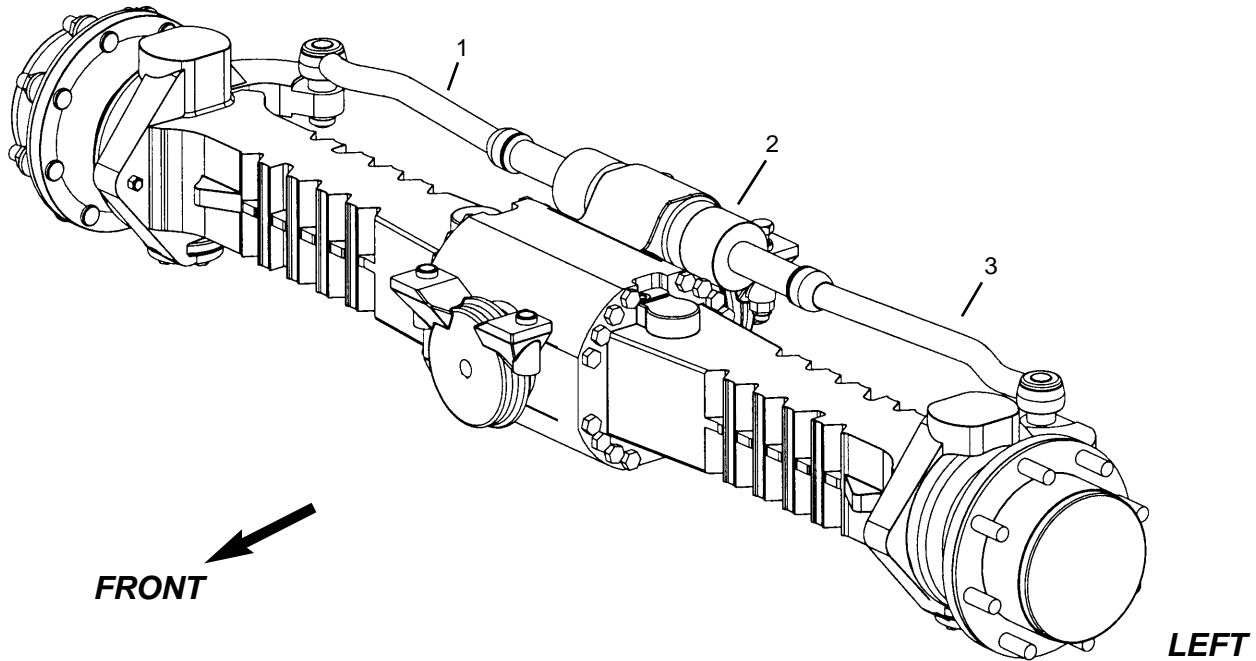
a Available only on the left side of the front axle.
b Does not include any other items shown in illustration.

Axle

RS6-34 Telescopic Handler

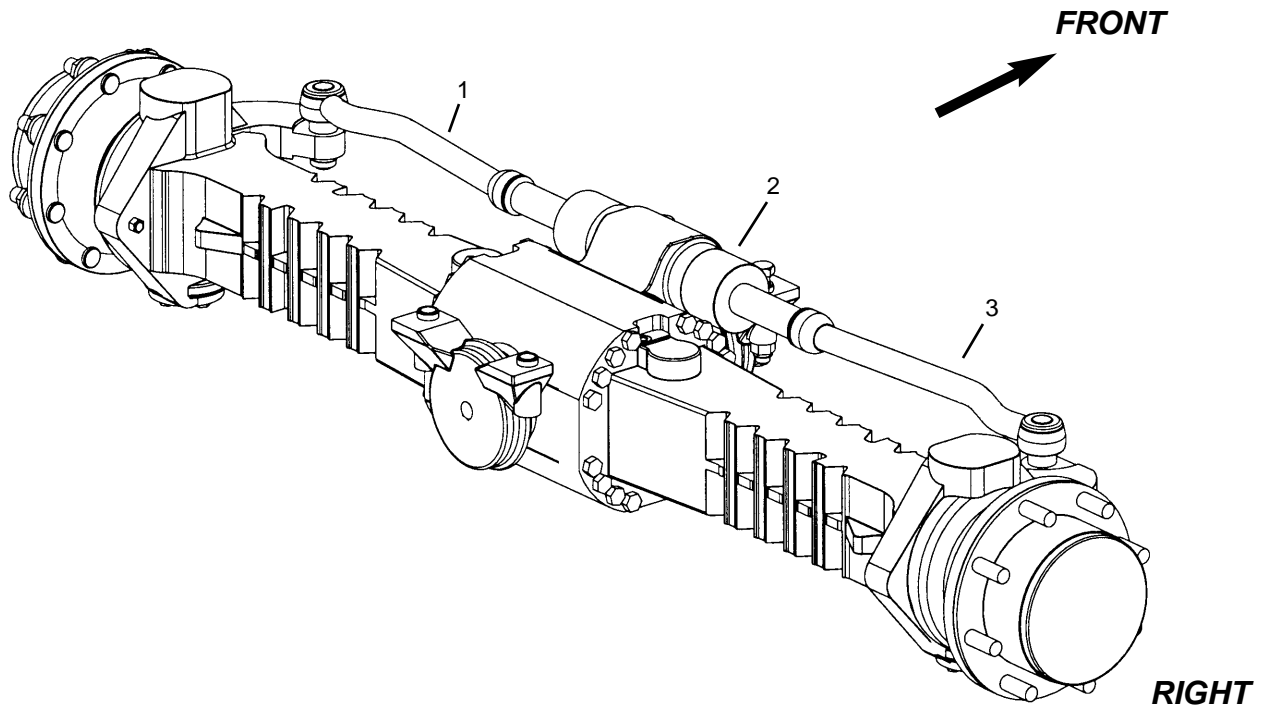
Front Axle - Steer Cylinder and Tie Rods Group

RIGHT



Ref. No.	Part No.	Description	Qty. Req.	Ref. No.	Part No.	Description	Qty. Req.
01	L500546	ARTICULATED TIE ROD	1	03 ^a	L500541	ARTICULATED TIE ROD	1
		(Right [Front Axle], Left [Rear Axle])				(Left [Front Axle], Right [Rear Axle])	
02	L500540	STEER CYLINDER	1				
	L500539	STEER CYLINDER BOLT	4	a	L99969	Nut and pin kit for tie rod	
	L500943	SEAL KIT	1				

LEFT

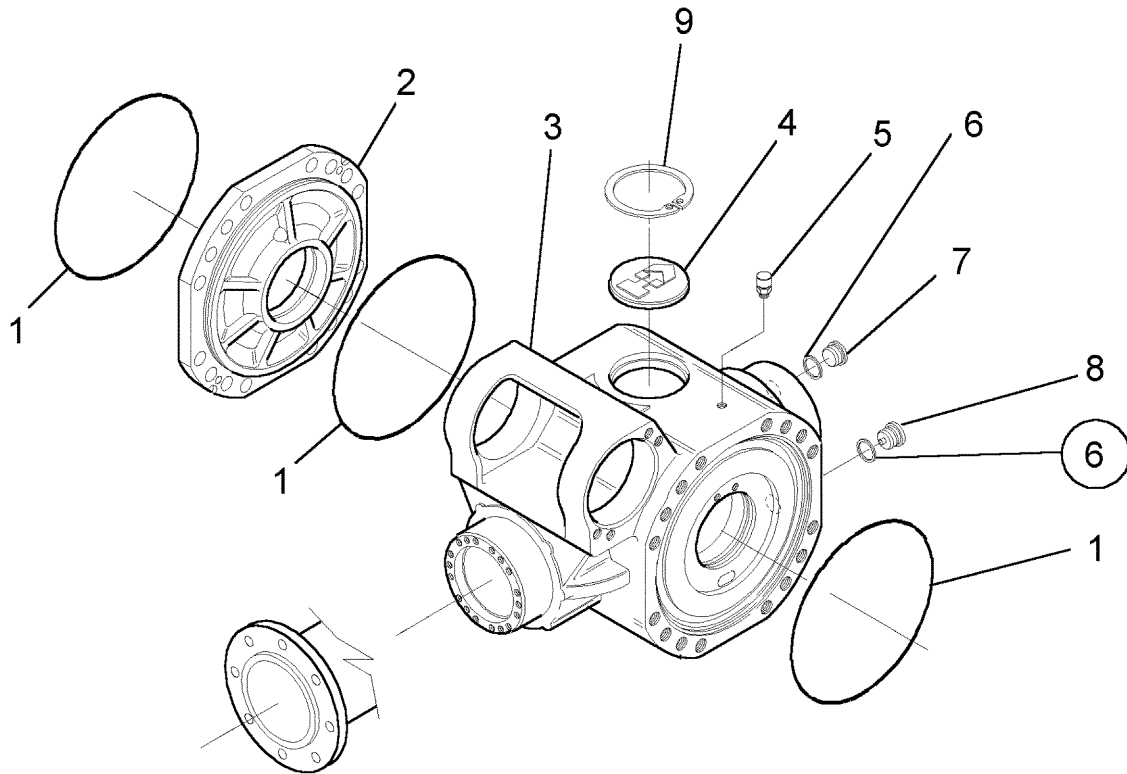


Ref. No.	Part No.	Description	Qty. Req.	Ref. No.	Part No.	Description	Qty. Req.
01	L500546	ARTICULATED TIE ROD	1	03 ^a	L500541	ARTICULATED TIE ROD	1
		(Right [Front Axle], Left [Rear Axle])				(Left [Front Axle], Right [Rear Axle])	
02	L500540	STEER CYLINDER	1				
	L500539	STEER CYLINDER BOLT	4	a	L99969	Nut and pin kit for tie rod	
	L500943	SEAL KIT	1				

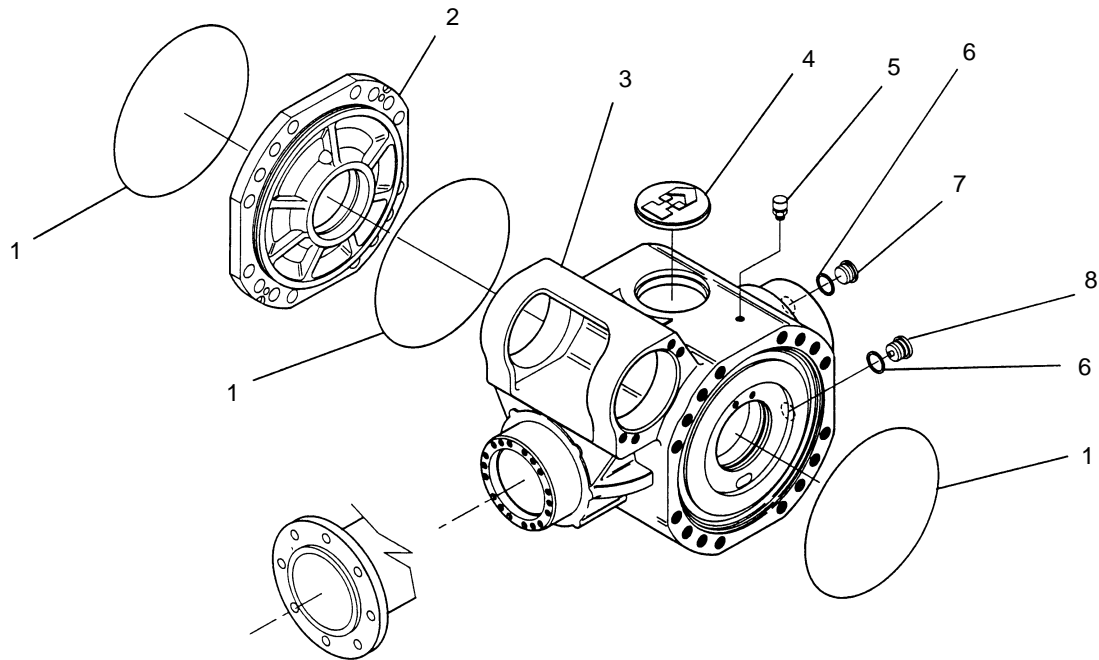
Axle

RS6-34 Telescopic Handler

Front Axle - Differential Housing Group



Ref. No.	Part No.	Description	Qty. Req.	Ref. No.	Part No.	Description	Qty. Req.
01	L98417	O-RING	3	06	NA	0
02	L500451	INTERMEDIATE COVER	1	07	102575	PLUG.....	1
03	102573	HOUSING	1	08	102576	MAGNETIC PLUG.....	1
04	102574	COVER	1	09	L98373	SNAP RING.....	1
05	L500454	VENT.....	1				

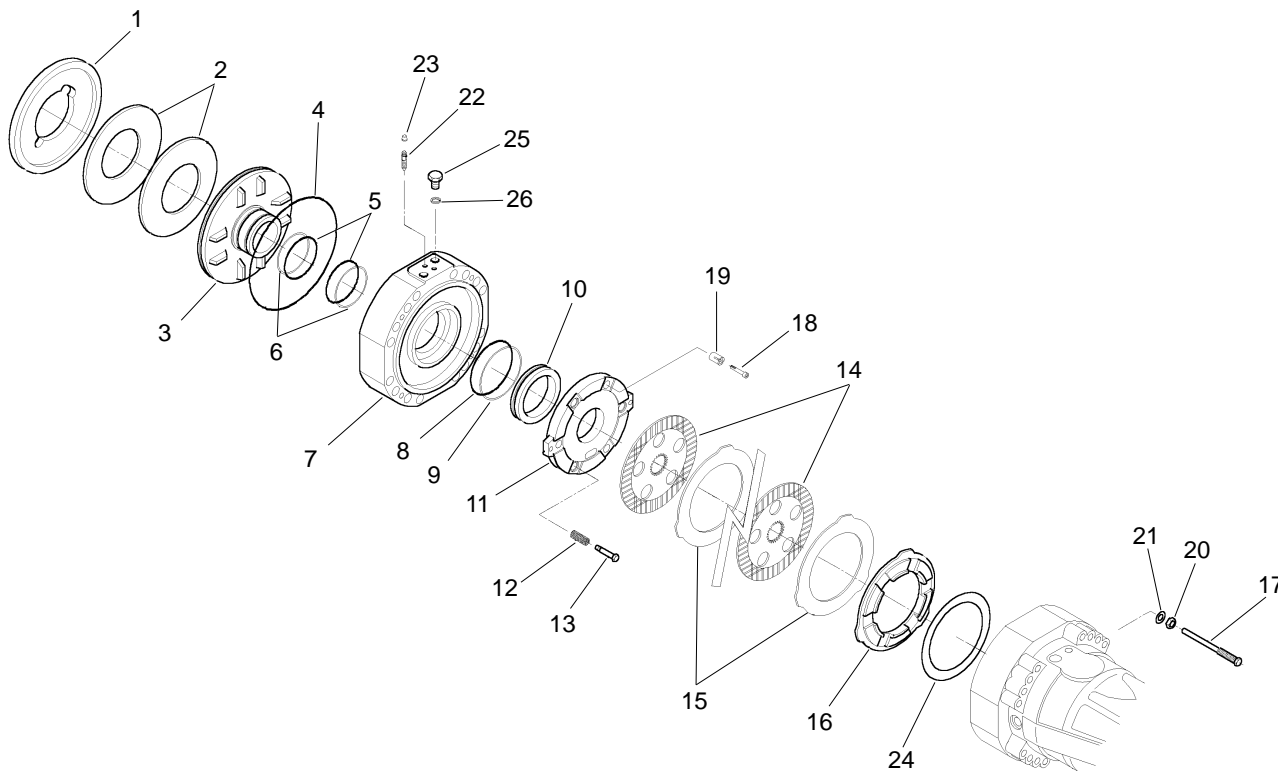


Ref. No.	Part No.	Description	Qty. Req.	Ref. No.	Part No.	Description	Qty. Req.
01	L98417	O-RING	3	05	L500454	VENT	1
02	L500451	INTERMEDIATE COVER	1	06	L500455	SEAL WASHER	2
03	L500452	HOUSING	1	07	L98318	PLUG	1
04	L500453	COVER	1	08	L500456	MAGNETIC PLUG.....	1

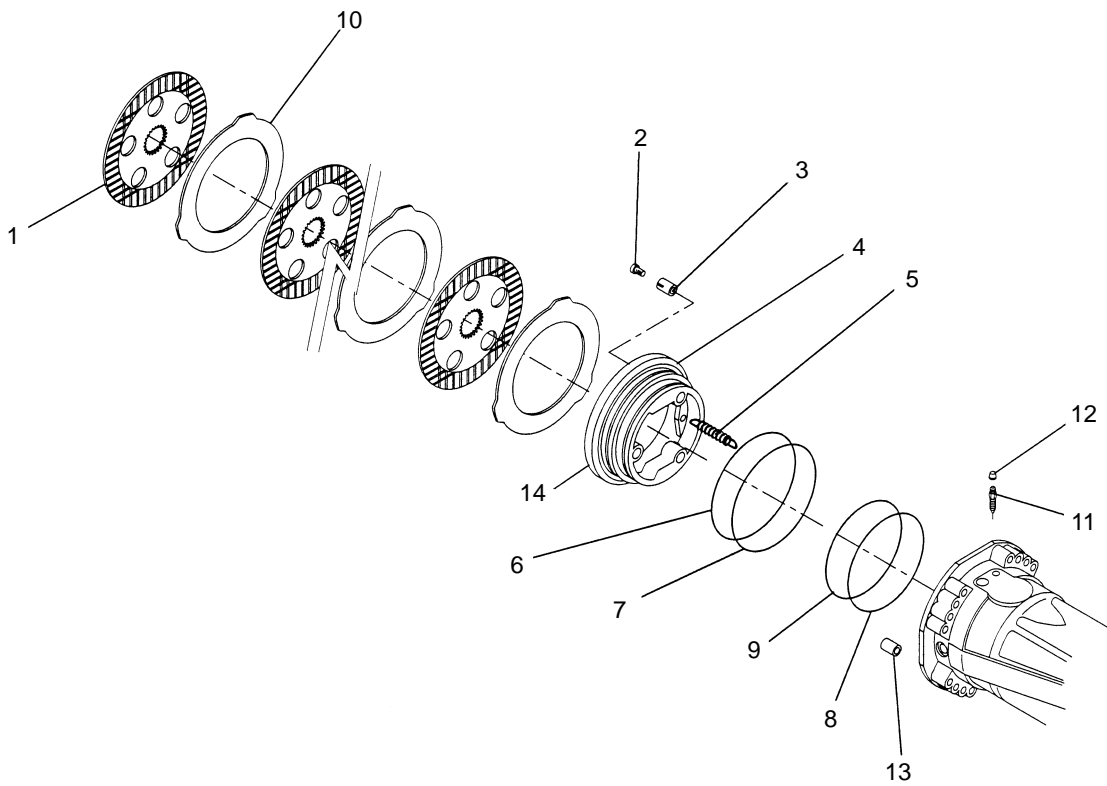
Axle

Front Axle - Brake Group

RS6-34 Telescopic Handler



Ref. No.	Part No.	Description	Qty. Req.	Ref. No.	Part No.	Description	Qty. Req.
01	102617	SPACER	2	15	L500536	INTERMEDIATE BRAKE DISC	6
02	102618	SPRING	4	16	103390	SPACER	2
03	102619	PISTON	2	17	103391	BOLT	4
04	102620	O-RING	2	18	103392	ADJUSTING BOLT	6
05	102621	O-RING	4	19	102632	SPRING	6
06	102622	BACKUP RING	4	20	102633	NUT	4
07	102623	COVER	2	21	102634	LOCK WASHER	4
08	L98368	O-RING	2	22	L98430	BLEEDING BOLT	4
09	102624	BACKUP RING	2	23	L500496	PLUG	4
10	102625	PISTON	2	24	102635	SHIM	2
11	102626	INTERMEDIATE BRAKE DISC	2		102636	SHIM	2
12	102627	SPRING	6		102637	SHIM	2
13	102628	ADJUSTING BOLT	6	25	102638	BOLT	4
14	L500527	BRAKE DISC	6	26	102639	SEAL WASHER	4

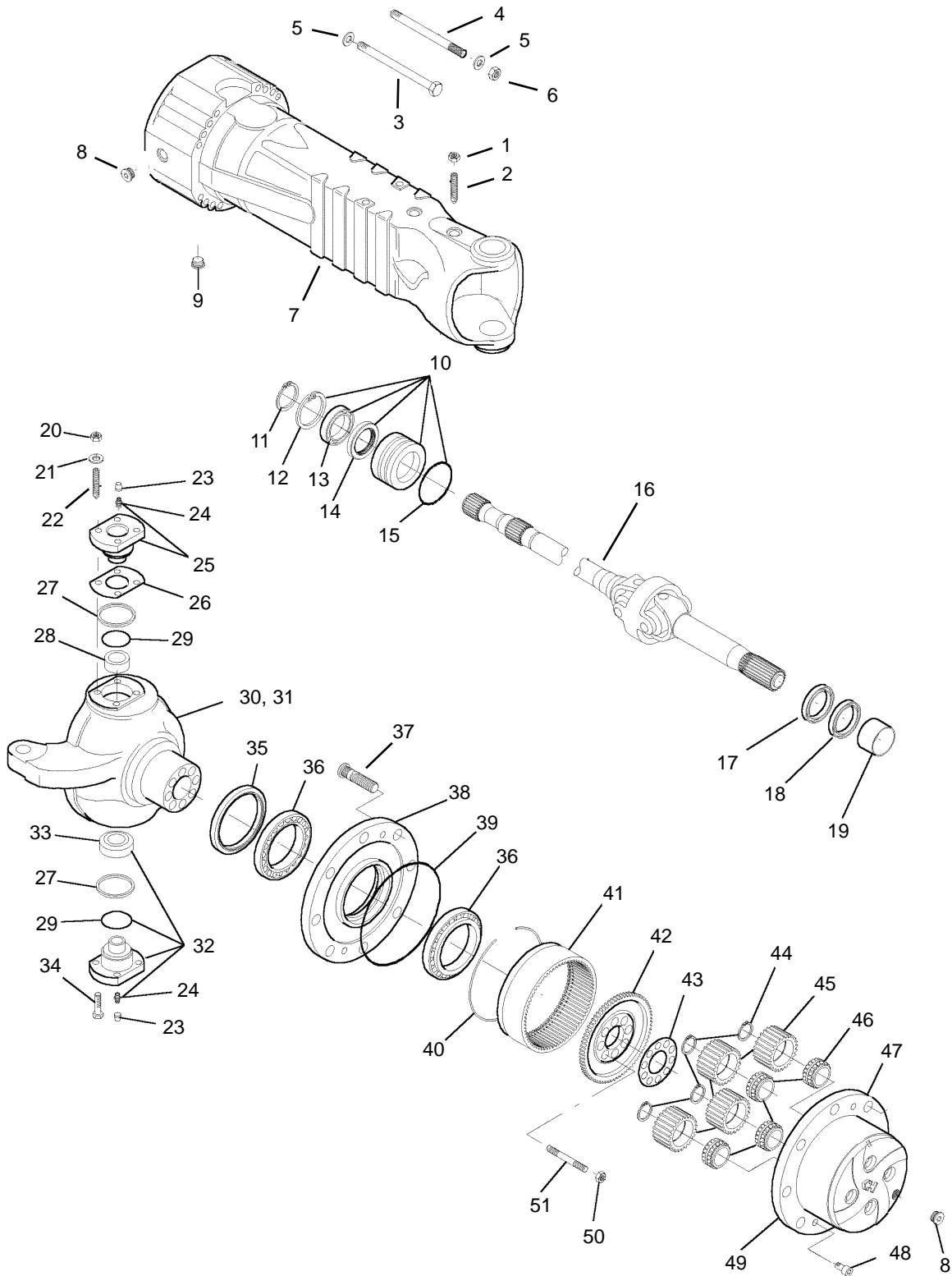


Ref. No.	Part No.	Description	Qty. Req.	Ref. No.	Part No.	Description	Qty. Req.
01	L500527	BRAKE DISC	6	09	L500535	O-RING	2
02	L500528	ADJUSTING BOLT	6	10	L500536	INTERMEDIATE BRAKE DISC	8
03	L500529	SPRING	6	11	L98430	BLEEDING BOLT	2
04	NSS	PISTON	2	12	L500496	PLUG	2
05	L500531	SPRING	6	13	L500537	DOWEL	2
06	L500532	BACK-UP RING	2	14	L500538	PISTON	2
07	L500533	O-RING	2			(includes items 4-9)	
08	L500534	BACK-UP RING	2				

Axle

RS6-34 Telescopic Handler

Front Axle - Outer End Group



RS6-34 Telescopic Handler

Axle

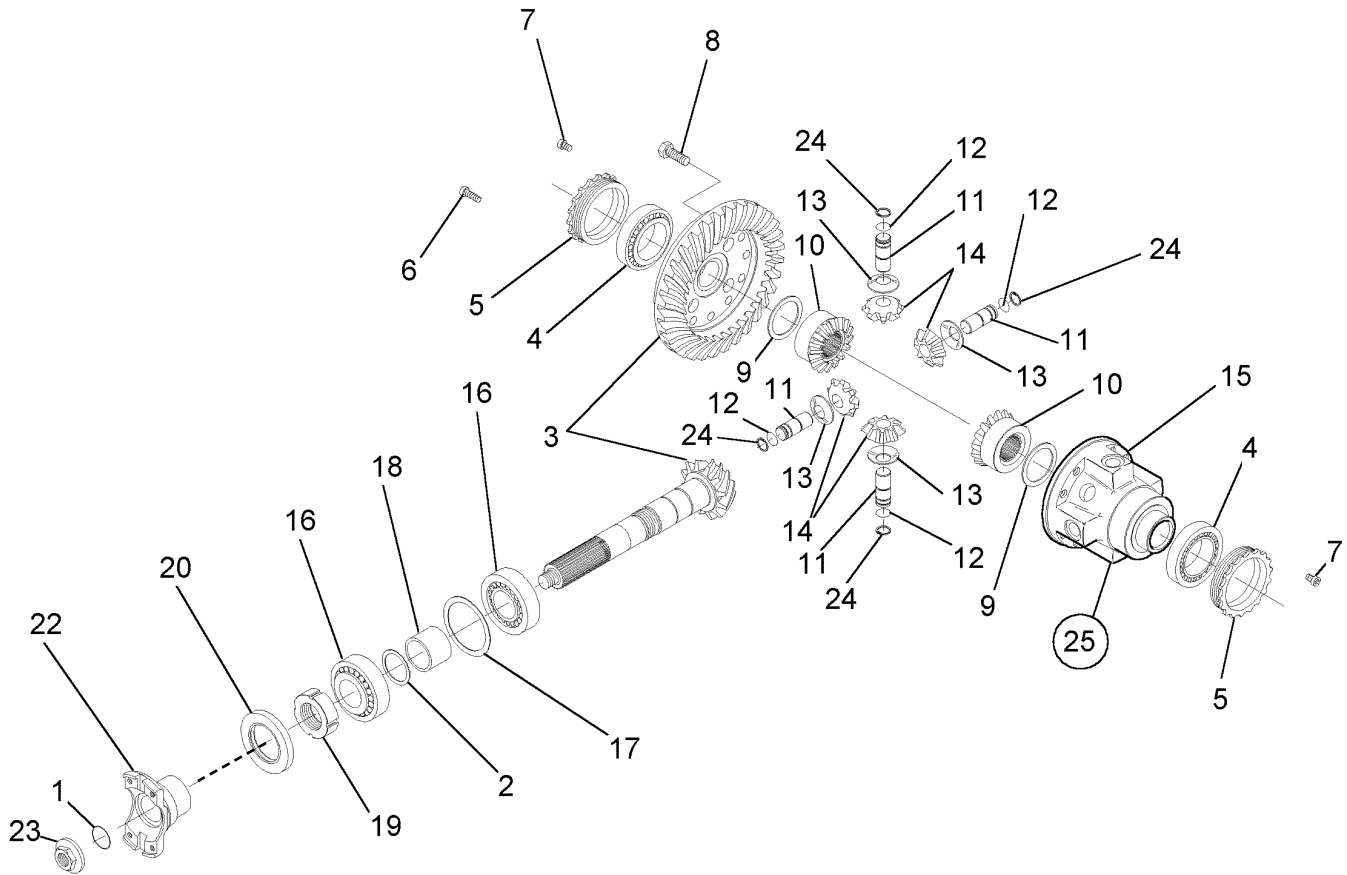
Front Axle - Outer End Group

Ref. No.	Part No.	Description	Qty. Req.	Ref. No.	Part No.	Description	Qty. Req.
01	L500483	NUT	2	27	NSS	<i>(not used on this axle)</i>	0
02	L500484	BOLT	2	28	103396	BUSHING	2
03	103394	BOLT	24	29	L500499	SEAL	4
04	102614	STUD	8	30	L500501	STEERING CASE (LF AND RR) ...	1
05	L500487	WASHER	32			<i>(includes item 19)</i>	
06	102615	NUT	8	31	L500504	STEERING CASE (RF and LR) ...	1
07	103393	AXLE CASE	2			<i>(includes item 19)</i>	
08	102575	PLUG	4	32	L500498	PIVOT PIN <i>(set)</i>	2
09	102576	MAGNET PLUG	2	33	L500500	BEARING	2
10	L500488	REDUCTION BUSHING <i>(set)</i>	2	34	L500494	BOLT	12
11	L98372	SNAP RING	2	35	L500505	SEAL	2
12	L98373	SNAP RING	2	36	L500506	BEARING	4
13	L98371	BALL BEARING	2	37	102601	WHEEL STUD	AR
14	L500489	SEAL	2	38	L500508	WHEEL HUB	2
15	L500490	O-RING	2	39	L98417	O-RING	2
16	103395	JOINT	2	40	L500519	SNAP RING	2
17	NSS	<i>(included as part of item 18)</i>	0	41	L500509	RING GEAR	2
18	102595	SEAL/DUST EXCLUDER	2	42	L500510	RING GEAR SUPPORT	2
19	L500492	THRUST BUSHING	2	43	L500522	LOCKING PLATE	2
20	102587	NUT	5	44	L500511	SNAP RING	8
21	102583	WASHER	8	45	L500512	PLANET GEAR	8
22	102893	STUD	8	46	L500513	BEARING	8
23	L500496	PLUG	4	47	103399	PLANET GEAR CARRIER	2
24	L98355	GREASE FITTING	4	48	L500515	COUNTERSUNK BOLT	4
25	103398	PIVOT PIN	2	49	103401	PLANET GEAR CARRIER	2
26	L500523	SHIM	2			<i>(includes items 41-48)</i>	
	L500524	SHIM	2	50	L500518	NUT	16
	L500525	SHIM	2	51	L500517	STUD	16

Axle

Front Axle - Differential Group

RS6-34 Telescopic Handler



RS6-34 Telescopic Handler

Axle

Front Axle - Differential Group

Ref. No.	Part No.	Description	Qty. Req.	Ref. No.	Part No.	Description	Qty. Req.
01	L500457	O-RING	1	14		DIFFERENTIAL PINION GEAR	
02	L500459	SHIM	1		L500473	<i>Note a</i>	4
	L500460	SHIM	1		105266	<i>Note b</i> (DIFF. SIDE GEAR KIT) ...	1
	L500461	SHIM	1	15	L500474	DIFFERENTIAL CARRIER	1
	L500462	SHIM	1	16	L500475	TAPER ROLLER BEARING	2
03	L500463	BEVEL GEAR SET	1	17	L98404	SHIM	1
04	L98380	TAPER ROLLER BEARING	2		L98406	SHIM	1
05	L500464	RING NUT	2		L500476	SHIM	1
06	L500465	CYLINDER BOLT	4		L500477	SHIM	1
07	L500466	CYLINDER BOLT	2	18	L500478	SPACER	1
08	L500467	BOLT	12	19	L98396	RING NUT	1
09	L500468	FRICTION WASHER	2	20	L98395	SEAL	1
10		DIFFERENTIAL SIDE GEAR		22	102863	FLANGE	1
	L500469	<i>Note a</i>	2	23	L500480	NUT	1
	105266	<i>Note b</i> (DIFF. SIDE GEAR KIT) ...	1	24	L500481	SNAP RING	4
11	103402	PIN	4				
12	L500471	SNAP RING	4				
13	L500472	FRICTION WASHER	4				

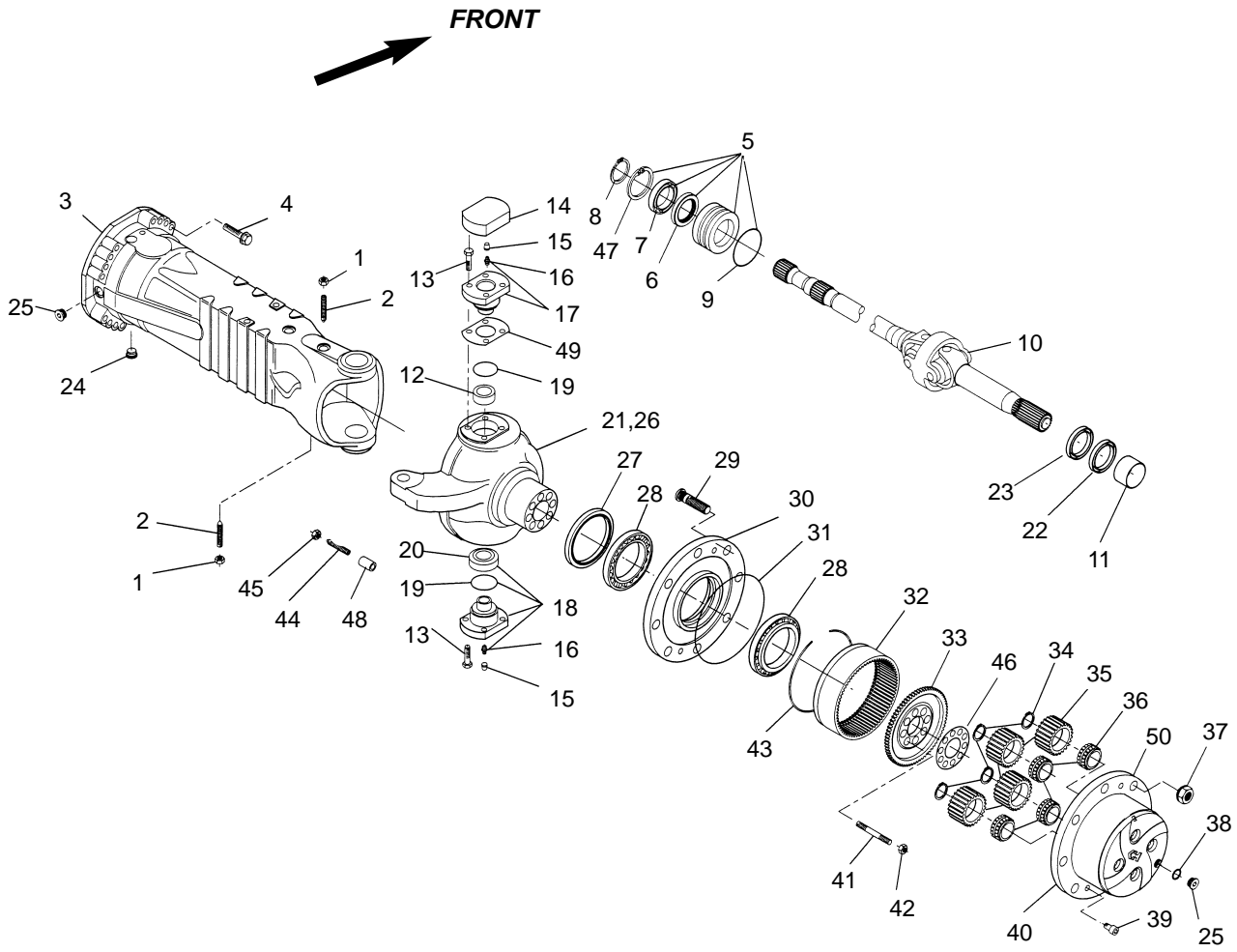
a For axle SN I-ITA-728844 and before.

b For axle SN I-ITA-728845 and up; Differential Gear Kit #105266 includes 2 of item #10 (L500469) and 4 of item #14 (L500473).

Axle

RS6-34 Telescopic Handler

Rear Axle - Outer End Group



RS6-34 Telescopic Handler

Axle

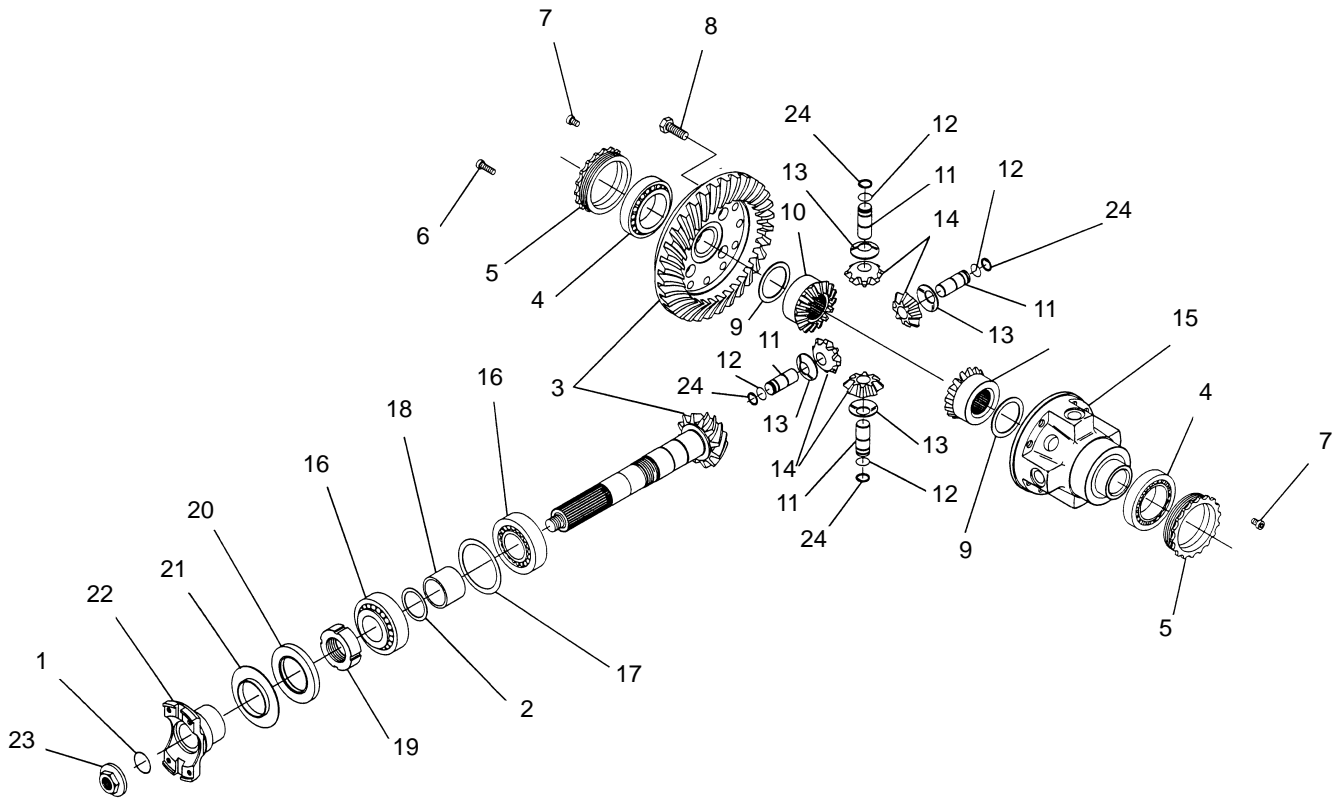
Rear Axle - Outer End Group

Ref. No.	Part No.	Description	Qty. Req.	Ref. No.	Part No.	Description	Qty. Req.
01	L500483	NUT	2	25	L98318	PLUG	4
02	L500484	STEERING ADJUST BOLT	2	26	L500504	STEERING CASE - RF/LR	1
03	L500485	AXLE CASE	2			<i>(includes item 11)</i>	
04	L500486	BOLT	32	27	L500505	SEAL	2
05	L500488	REDUCTION BUSHING	2	28	L500506	BEARING	4
		<i>(includes items 6-9, and 47)</i>		29	L500507	WHEEL STUD	16
06	L500489	SEAL	2	30	L500508	WHEEL HUB	2
07	L98371	BALL BEARING	2	31	L98417	O-RING	2
07	L98372	SNAP RING	2	32	L500509	RING GEAR	2
09	L500490	O-RING	2	33	L500510	RING GEAR SUPPORT	2
10	L500491	JOINT	2	34	L500511	SNAP RING	8
11	L500492	THRUST BUSHING	2	35	L500512	PLANET GEAR	8
		<i>(included with items 21 and 26)</i>		36	L500513	BEARING	8
12	L500493	OUTER RACE	2	37	L69734	WHEEL NUT	16
13	L500494	BOLT	20	38	L500455	SEAL WASHER	6
14	L500495	COVER	2	39	L500515	COUNTERSUNK BOLT	4
15	L500496	PLUG	4	40	L500516	PLANET GEAT CARRIER	2
16	L98355	GREASE FITTING	2	41	L500517	STUD	16
17	L500497	PIVOT PIN	2	42	L500518	NUT	16
		<i>(includes item 16)</i>		43	L500519	SNAP RING	2
18	L500498	PIVOT PIN	2	44	L500554	ADJUSTING BOLT	4
		<i>(includes items 16, 19 and 20)</i>		45	L500521	NUT	4
19	L500499	SEAL	2	46	L500522	LOCKING PLATE	2
20	L500500	ARTICULATION	2	47	L98373	SNAP RING	2
21	L500501	STEERING CASE - LF/RR	1	48	L500555	SPACER	2
		<i>(includes item 11)</i>		49	L500523	SHIM - .15mm	2
22	L500502	SEAL	2		L500524	SHIM - .20mm	2
23	L500503	DUST EXCLUDER	2		L500525	SHIM - .50mm	2
24	L500456	MAGNETIC PLUG	2	50	103401	PLANET GEAR CARRIER	2
						<i>(includes items 32-36, 40-41)</i>	

Axle

RS6-34 Telescopic Handler

Rear Axle - Differential Group



RS6-34 Telescopic Handler

Axle

Rear Axle - Differential Group

Ref. No.	Part No.	Description	Qty. Req.	Ref. No.	Part No.	Description	Qty. Req.
01	L500457	O-RING	1	14		DIFFERENTIAL PINION GEAR	
02	L500458	SHIM	1		L500473	<i>Note a</i>	4
	L500459	SHIM	1		105266	<i>Note b</i> (DIFF. SIDE GEAR KIT) ...	1
	L500460	SHIM	1	15	L500474	DIFFERENTIAL CARRIER	1
	L500461	SHIM	1	16	L500771	TAPER ROLLER BEARING	2
	L500462	SHIM	1	17	L98404	SHIM	1
03	L500463	BEVEL GEAR SET	1		L98406	SHIM	1
04	L98380	TAPER ROLLER BEARING	2		L500476	SHIM	1
05	L500464	RING NUT	2		L500477	SHIM	1
06	L500465	CYLINDER BOLT	4	18	L500478	SPACER	1
07	L500466	CYLINDER BOLT	2	19	L98396	RING NUT	1
08	L500467	BOLT	12	20	L98395	SEAL	1
09	L500468	FRICITION WASHER	2	21	L98394	COVERPLATE	1
10		DIFFERENTIAL SIDE GEAR		22	L500479	FLANGE	1
	L500469	<i>Note a</i>	2	23	L500480	NUT	1
	105266	<i>Note b</i> (DIFF. SIDE GEAR KIT) ...	1	24	L500481	SNAP RING	4
11	L500470	PIN W/CLIP (<i>includes item 12</i>) ...	4				
12	L500471	SNAP RING	4				
13	L500472	FRICITION WASHER	4				

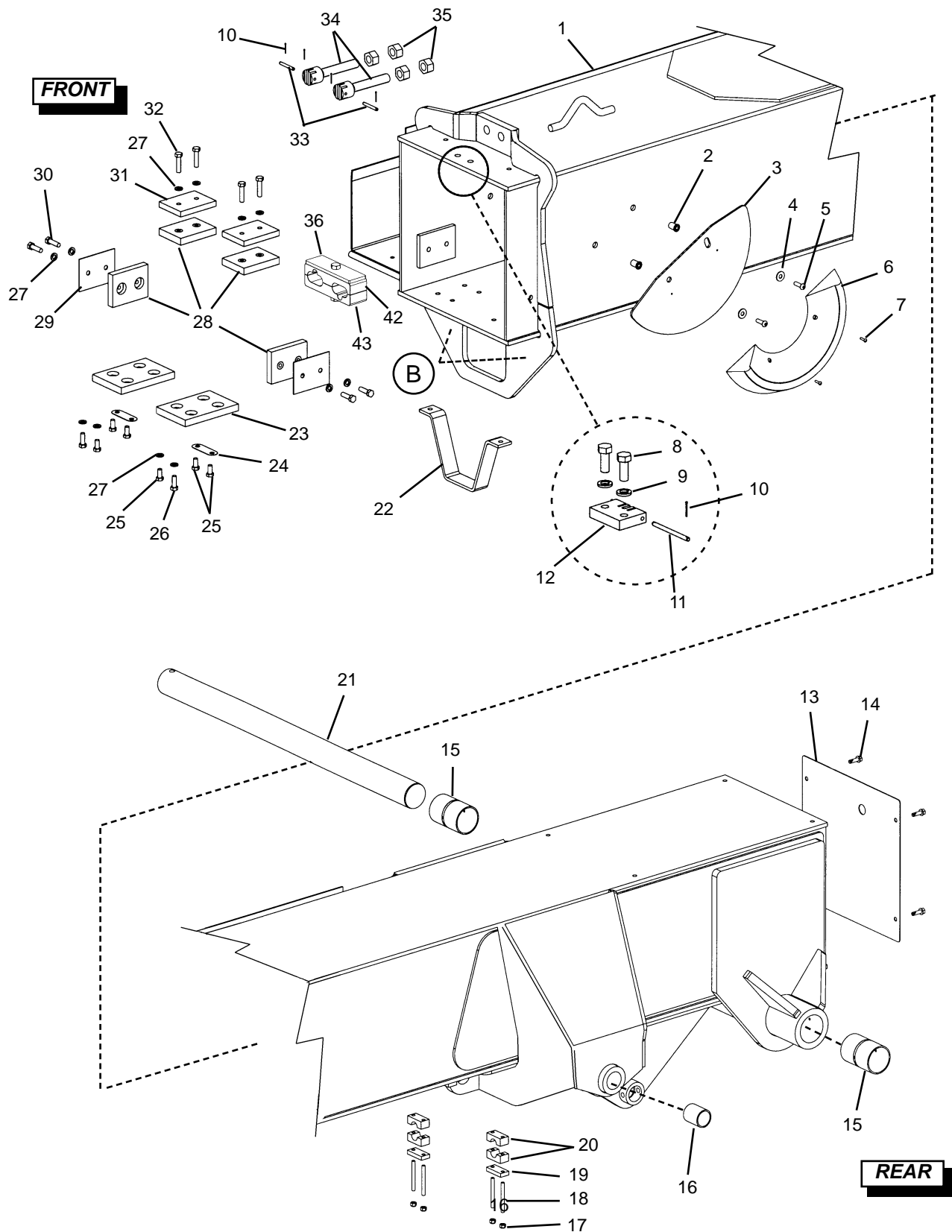
a For axle SN I-ITA-728826 and before.

b For axle SN I-ITA-728827 and up; Differential Gear Kit #105266 includes 2 of item #10 (L500469) and 4 of item #14 (L500473).

Boom

Outer Boom Section

RS6-34 Telescopic Handler

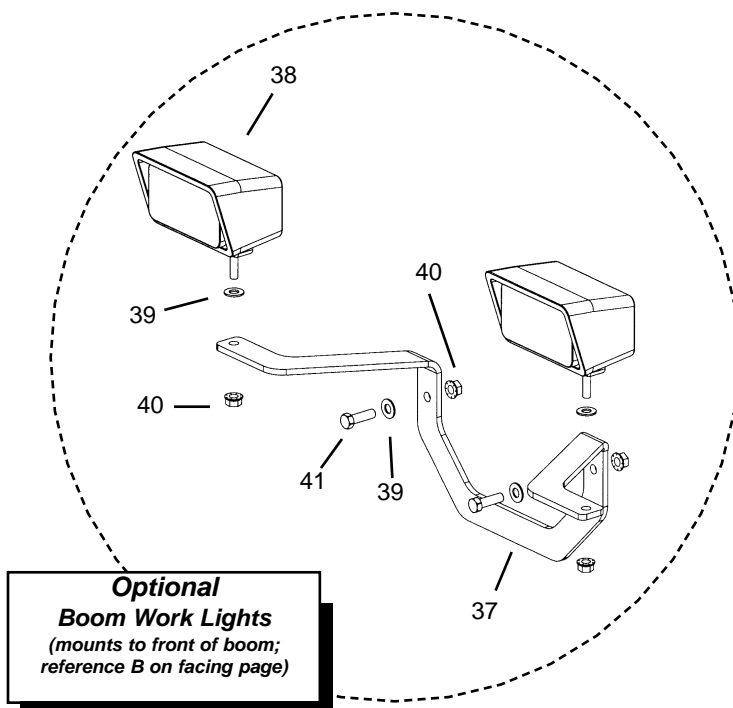


Ref. No.	Part No.	Description	Qty. Req.	Ref. No.	Part No.	Description	Qty. Req.
01	L68350	OUTER SECT. WELDMNT	1	24	L62715	FLAT-BOLT LOCK	2
02	L70242	5/16"-18 NUTSERT	2	25	L50251	3/8"-16X3/4" BOLT	6
03	L65640	PLATE, BOOM ANGLE IND.	1	26	L50367	3/8"-16X1" BOLT	2
04	L50141	5/16" FLAT WASHER	2	27	L50147	3/8" LOCK WASHER	12
05	L52048	5/16"-18X1" BTNHD BOLT	2	28	L61709	SLIDE PAD 5/8"X3"X4"	4
06	L65638	INCLINOMETER-ANGLE IND.	1	29	L62733	SHIM .06"X3"X4"	2
07	L50491	#8X5/8" RND HD MACH.SCREW	2	30	L50403	3/8"-16X1-1/4" BOLT	4
08	L50380	1/2"-20X1-1/4" BOLT	2	31	L64143	SHIM 1/2"X3"X4"	2
09	L50152	1/2" LOCK WASHER	2	32	L50261	3/8"-16X1-1/2" BOLT	4
10	L50612	PIN, COTTER 1/16"X3/4"	6	33	L63167	PIN, CLEVIS ADJUSTMENT	2
11	L63169	PIN, OUTER BOOM CLEVIS	1	34 ^a	L63166	CLEVIS, CHAIN ADJUSTMENT	2
12	L63173	CLEVIS, OUTER BOOM	1	35	L50086	3/4"-10 NUT	4
13	L63131	REAR OUTER COVER	1	36	L71748	TOP CLAMP PLATE	1
14	L50226	5/16"-18X1" SELF TAP SCREW	4	37 ^b	103333	BRACKET, LIGHT MOUNT	1
15	L68006	BUSHING 2.5IDX2.75ODX4"	2	38 ^b	L70040	WORKLIGHT	2
16	L63017	LIFT CYL. PIVOT BUSHING	2	39 ^b	L50145	3/8" FLAT WASHER	4
17	L520004	5/16"-18 NYLON INSERT NUT	4	40 ^b	L50061	3/8"-16 WHIZ LOCK NUT	4
18	L50878	5/16"-18X3" STUD	4	41 ^b	L50403	3/8"-16X1-1/4" BOLT	2
19	L68358	CUSHION TOP PLATE	2	42	103330	CLAMP, BOOM HOSES	AR
20	L68348	.88 HOSE CUSHION SINGLE	4	43	103331	CLAMP, BOOM W/INSERT	AR
21	L63099	PIN, PIVOT PIN	1				
	L50462	CAPSCREW 1/2-13X5	1				
	L520019	NYLON INSERT NUT 1/2-13	1				
22	L63694	EXT. CYL. BRACKET	1	00 ^b	L70462	WIRE HARNESS, WORKLIGHT	1
	L50367	3/8"-16X1" BOLT	2				
	L50147	3/8" LOCK WASHER	2				
23	L61708	SLIDE PAD 5/8"X4"X6"	2				

--- ITEMS NOT SHOWN ---

00^b L70462 WIRE HARNESS, WORKLIGHT . . . 1

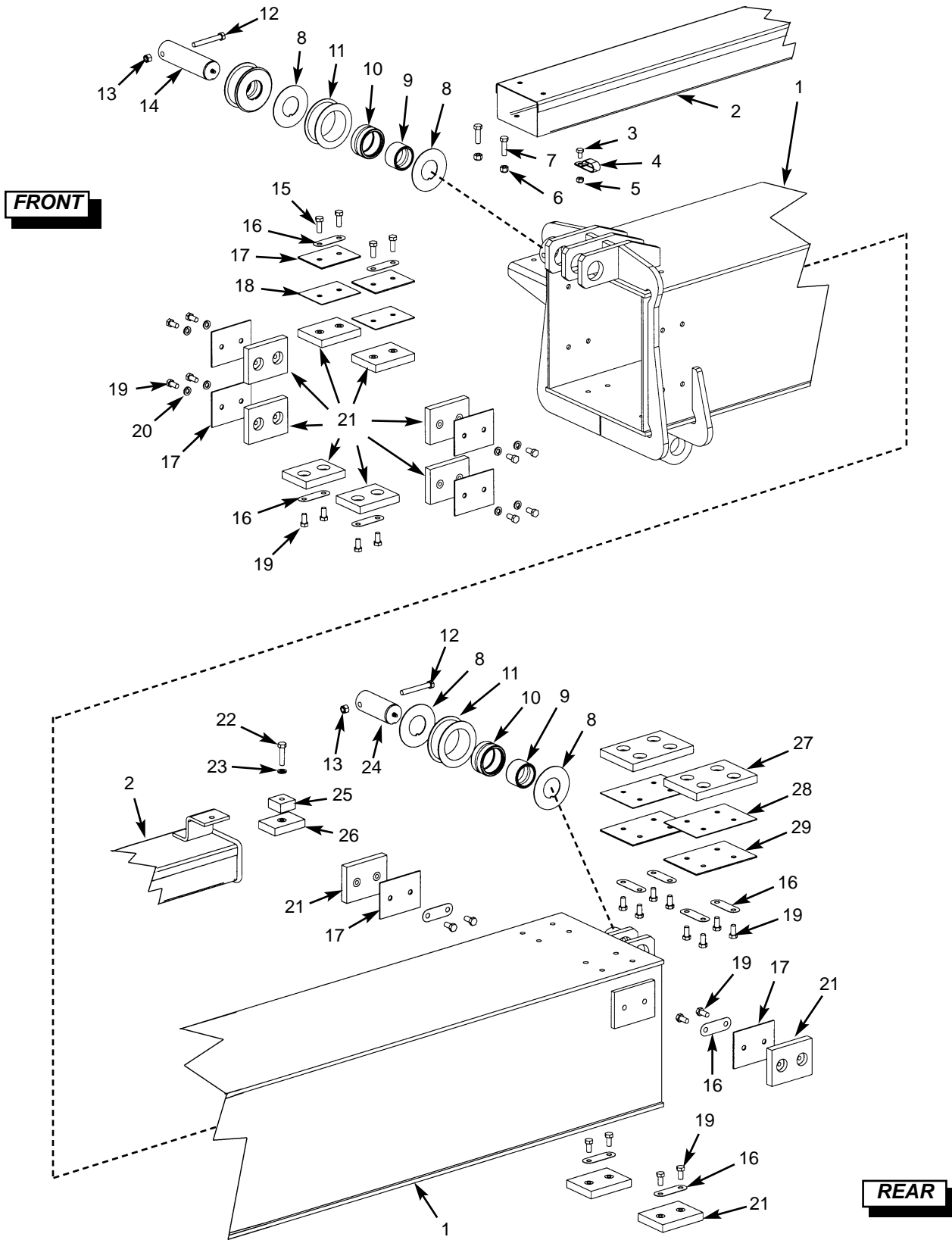
*a Refer to Inner Boom Section for boom chains.
b When equipped with Optional Boom Work Lights.
(Refer to illustration below.)*



Boom

Intermediate Boom Section

RS6-34 Telescopic Handler



RS6-34 Telescopic Handler

Boom

Intermediate Boom Section

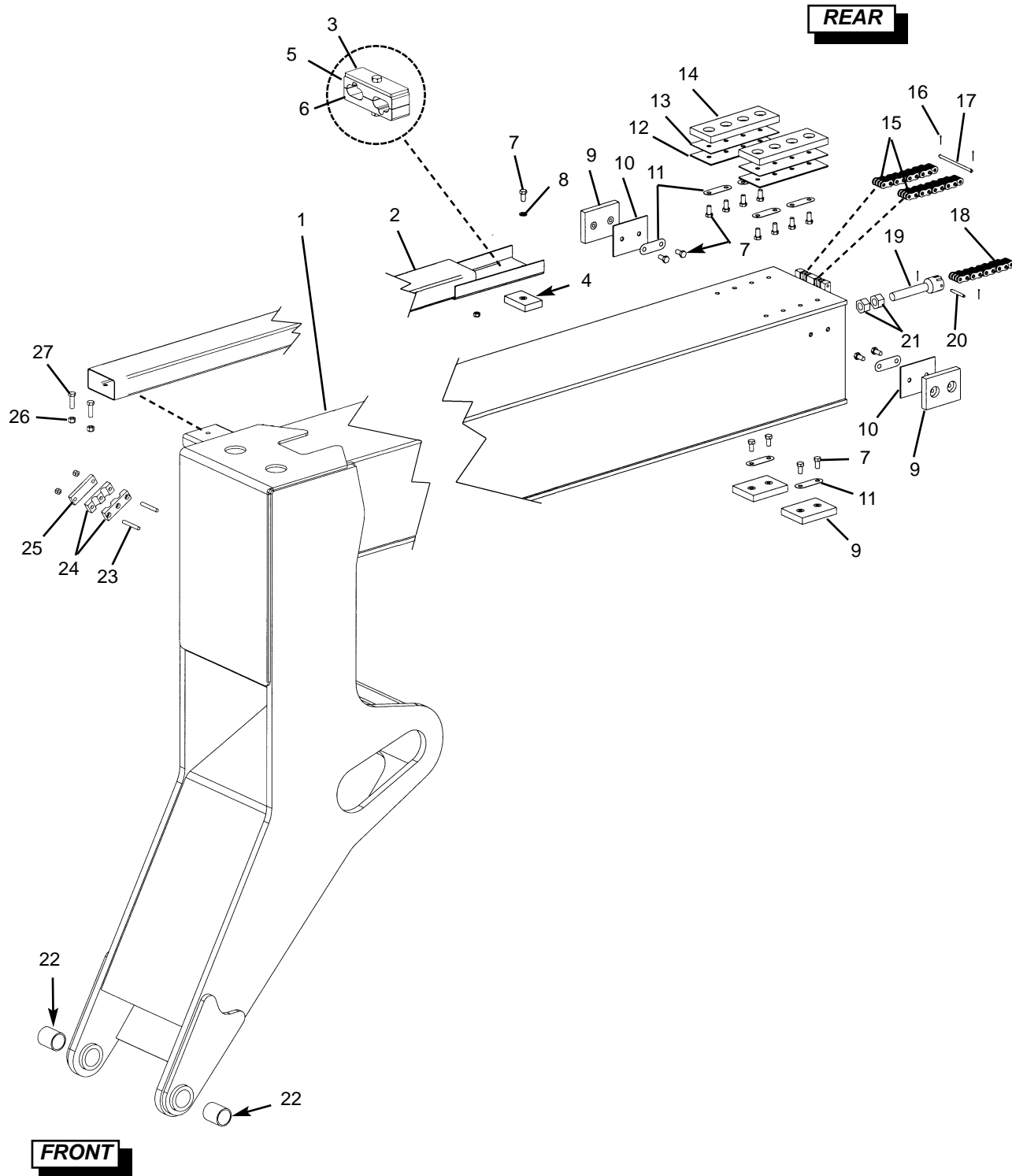
Ref. No.	Part No.	Description	Qty. Req.	Ref. No.	Part No.	Description	Qty. Req.
01	L68744	INTERMEDIATE SECT WLDMNT..	1	16	L62715	FLAT-BOLT LOCK	12
02	L63006	TRAY, INTERMEDIATE	1	17	L62734	SHIM, .105"X3"X4"	8
03	L50228	5/16"-18X1/2" BOLT	1	18	L62733	SHIM, .06"X3"X4"	2
04	L50207	CLAMP, VINLYL .69 DBL	1	19	L50251	3/8"-16X3/4" BOLT	28
05	L520004	5/16"X18 NYLON INSERT NUT ...	1	20	L50147	3/8" LOCK WASHER	8
06	L520005	3/8"-16 NYLON INSERT NUT	2	21	L61709	SLIDE PAD, 5/8"X3"X4"	12
07	L52026	3/8"-16X1-1/4" BOLT	2	22	L50261	3/8"-16X1-1/2" BOLT	1
08	L68697	WASHER, CHAIN SHEAVE	6	23	L50147	3/8" LOCK WASHER	1
09	L63158	RING, BEARING-INNER	3	24	L68696	PIN, REAR SHEAVE	1
10	L63157	BEARING, BOOM SHEAVE	3	25	L63239	SPACER, TRAY BRACKET	1
11	L63153	SHEAVE, CHAIN	3	26	L61699	SLIDE PAD, 2"X3"	1
12	L50273	3/8"-16X2-3/4" BOLT	2	27	L61708	SLIDE PAD, 5/8"X4"X6"	2
13	L520005	3/8"-16 NYLON INSERT NUT	2	28	L62731	SHIM, .06"X4"X6"	2
14	L68695	PIN, FRONT SHEAVE	1	29	L62732	SHIM, .105"X4"X6"	2
15	L50367	3/8"-16X1" BOLT	4				

Note: Refer to Inner Boom Section for boom chains.

Boom

Inner Boom Section

RS6-34 Telescopic Handler



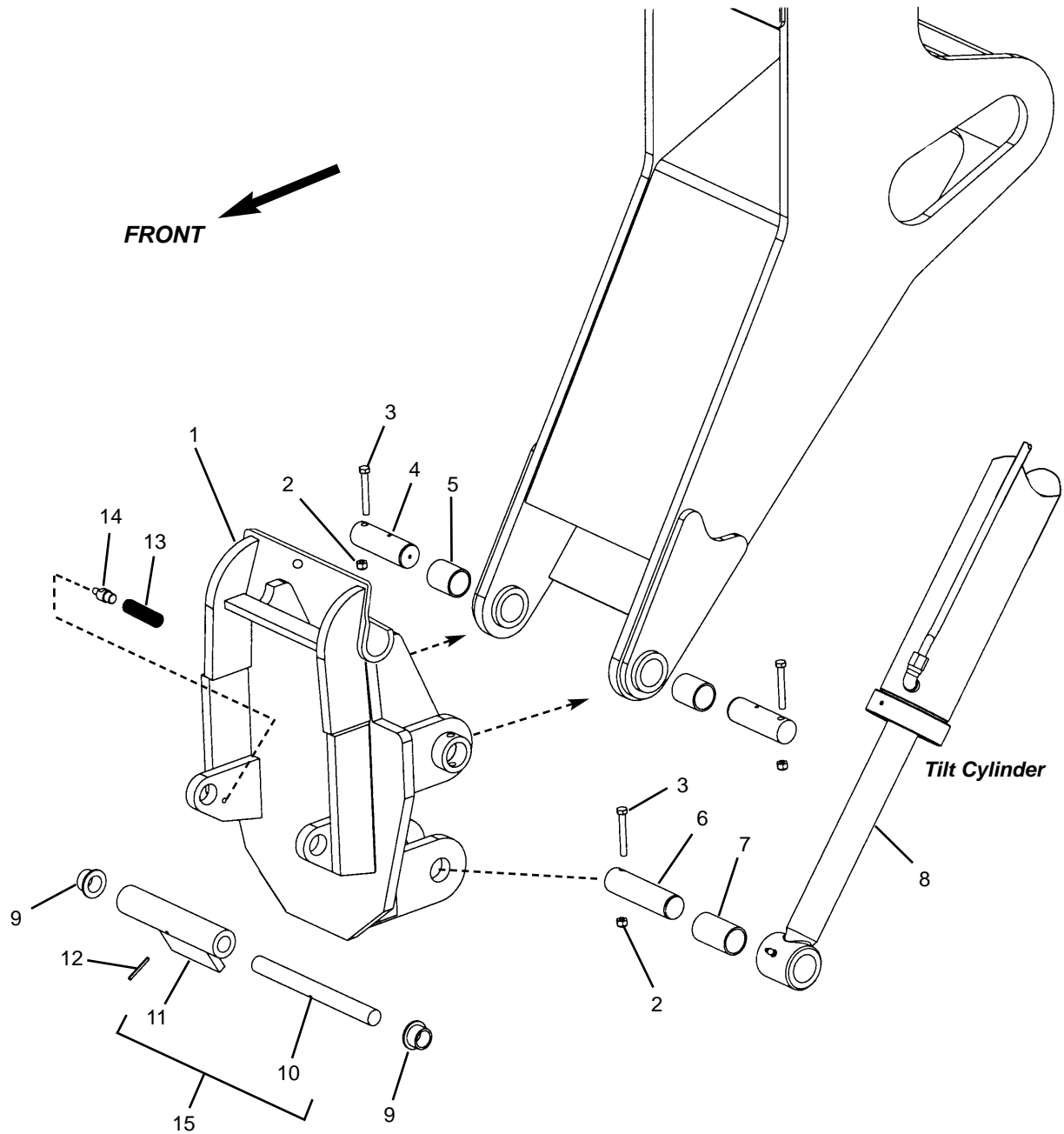
RS6-34 Telescopic Handler

Boom Inner Boom Section

Ref. No.	Part No.	Description	Qty. Req.	Ref. No.	Part No.	Description	Qty. Req.
01	L68762	INNER BOOM WELDMENT	1	20	L63167	PIN, CLEVIS ADJUSTMENT	1
02	L63005	HOSE TRAY, INNER BOOM	1	21	L50086	3/4"-10 NUT	2
03	L71748	TOP PLATE, HOSE CLAMP	1	22	L63017	BUSHING	2
04	L61699	SLIDE PAD 2"x3"	1	23	L50877	5/16"-18X2-1/4" STUD	2
05	103330	CLAMP, BOOM HOSES	1	24	L63716	CUSHION, HOSE-TWIN .68	2
06	103331	CLAMP, BOOM W/INSERT	1	25	L63715	PLATE, TWIN CUSHION TOP	1
07	L50251	3/8"-16X3/4" BOLT	17	26	L520005	3/8"-16 NYLON INSERT NUT	2
08	L50147	3/8" LOCK WASHER	1	27	L52026	3/8"-1-1/4" BOLT	2
09	L61709	SLIDE PAD 5/8"x3"x4"	4				
10	L62734	SHIM .105"x3"x4"	2				
11	L62715	FLAT-BOLT LOCK	8	a	<i>Attaches from the rear of the inner boom to the chain adjustment clevis¹ located on the front of the outer boom section. (Refer to Outer Boom Section, item #34, chain adjustment clevis.)</i>		
12	L66783	SHIM .105"x3"x8"	2				
13	L66782	SHIM .06"x3"x8"	2				
14	L66780	SLIDE PAD 3"x8"	2				
15 ^a	L63156	CHAIN, BOOM LEAF	2	b	<i>Attaches from item #19 (chain adjustment clevis) to outer boom clevis. (Refer to Outer Boom Section, item #12, outer boom clevis.)</i>		
16	L50612	PIN, COTTER 1/16"x3/4"	4				
17	L63168	PIN, INNER BOOM CLEVIS	1				
18 ^b	L63156	CHAIN, BOOM LEAF	1				
19	L63166	CLEVIS, CHAIN ADJUSTMENT	1				

Boom
Dynattach® Bracket Assembly

RS6-34 Telescopic Handler



RS6-34 Telescopic Handler

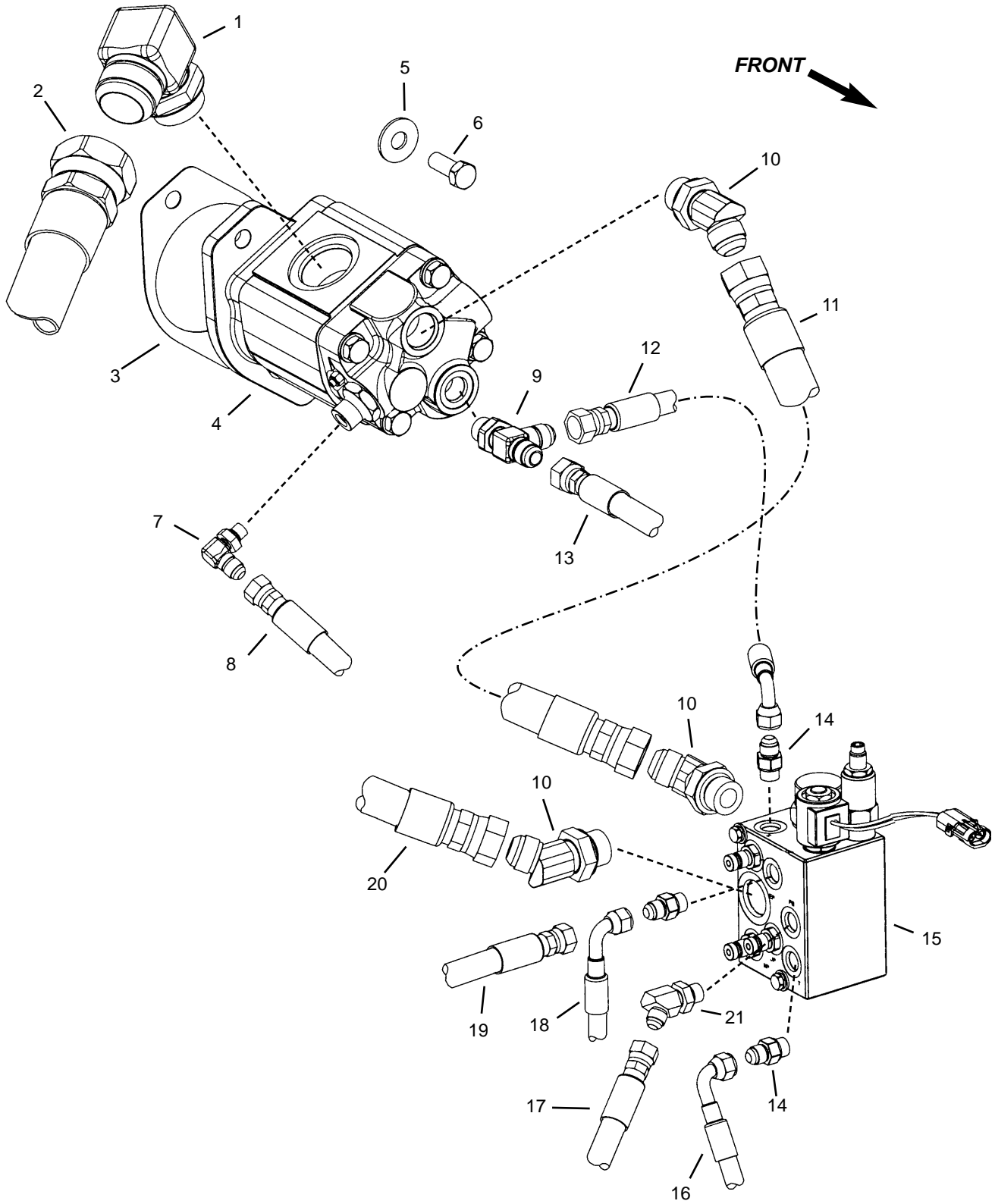
Boom

Dynattach® Bracket Assembly

Ref. No.	Part No.	Description	Qty. Req.	Ref. No.	Part No.	Description	Qty. Req.
01	L98700	DYANATTACH WELDMNT	1	12	L50646	3/16"X1-3/4" ROLL PIN	1
02	L520005	3/8"-16 NYLON INSERT NUT	3	13	L65097	LOCK SPRING	1
03	L50273	3/8"-16X2-3/4" BOLT	3	14	L65098	SPRING MOUNT	1
04	L63274	PIN, TAPPED 1-1/2" DIA.	2	15	L63957	LOCK AND PIN ASSEMBLY	1
05	L63017	BUSHING	2			(includes items 10-11)	
06	L63272	PIN, TILT CYL.(ROD END)	1			-- ITEMS NOT SHOWN --	
07	L63018	BUSHING, TILT CYL (ROD END)	1	00	L66613	DECAL, DYNATTACH UNLOCKED 1	1
08	104128	TILT CYLINDER	1			(adheres to item #11)	
09	L66456	BUSHING, LOCK PIN	2				
10 ^a	NSS	PIN, DYNATTACH LOCK	1				
11 ^a	NSS	DYNATTACH LOCK WLDMNT	1				

a Not sold seperately, order item #15

Hydraulic Pump and Joystick Relief/Flowdivider Group



RS6-34 Telescopic Handler

Hydraulics

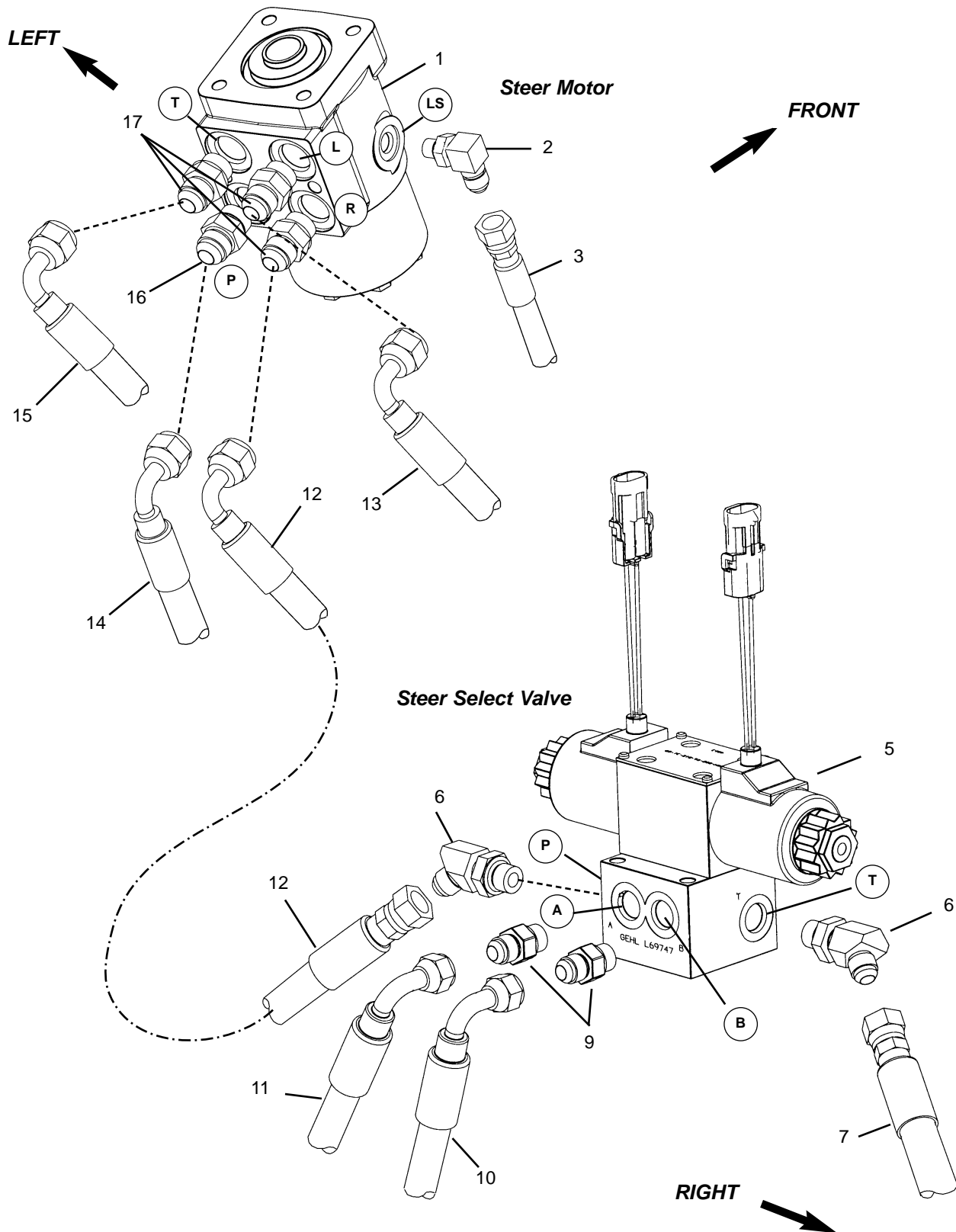
Hydraulic Pump and Joystick Relief/Flowdivider Group

Ref. No.	Part No.	Description	Qty. Req.	Ref. No.	Part No.	Description	Qty. Req.
01	L445014	ADAP, -20ORM -24JICM 90DEG . . .	1	14	L444002	ADAP, -6ORM -6JICM STR	AR
02	L63309	HOSE, -24 A24/A24 35"	1	15	102313	FLOW DIVIDER.	1
03	L46865	GASKET, HYD PUMP	1	16	103318	HOSE, -6 A6/DS6 52"	1
04 ^a	103130	HYDRAULIC PUMP	1	17	103317	HOSE, -6 A6/A6 28"	1
05	L50184	1/2" FLAT WASHER	2	18 ^b	103318	HOSE, -4 A6/DS6 52"	1
06	L50283	1/2"-13X1-1/4" BOLT	2	19 ^c	L63381	HOSE, -4A6/A6 15"	1
07	L62842	ADAP, -4ORM -6JICM 90 DEG	1	20	L63406	HOSE, -12 A12/DS12 114"	1
08	L69930	HOSE, -4 A6/A6 46"	1	21	L445004	ADAP, -6ORM -6JICM 45 DEG	1
09	L64660	ADAP, -8 RUN TEE	1	a	<i>Refer to Hydraulic Components section for more information.</i>		
10	L445012	ADAP, -12ORM -12JICM 45 DEG . . .	3	b	<i>Standard (not equipped with PWP).</i>		
11	L68802	HOSE, -12 A12/A12 17"	1	c	<i>Option (when equipped with PWP).</i>		
12	102836	HOSE, -6 A8/DS6 19"	1				
13	L63384	HOSE, -6 A8/DS8 40"	1				

HOSE LOCATOR

02	HYDRAULIC PUMP	HYDRAULIC TANK
08	HYDRAULIC PUMP	STEER MOTOR PORT "LS"
11	HYDRAULIC PUMP	FLOW DIVIDER PORT "IN"
12	HYDRAULIC PUMP	FLOW DIVIDER PORT "S"
13	HYDRAULIC PUMP	STEER MOTOR PORT "P"
16	FLOW DIVIDER PORT "T"	HYDRAULIC TANK RETURN MANIFOLD
17	FLOW DIVIDER PORT "PB"	FRONT AXLE "PB" (LEFT SIDE)
18 ^b	FLOW DIVIDER PORT "J"	JOYSTICKS
19 ^c	FLOW DIVIDER PORT "J"	PWP PORT "P"
20	FLOW DIVIDER PORT "EF"	MAIN VALVE PORT (FRONT LEFT)

Steer Motor and Select Valve Group



RS6-34 Telescopic Handler

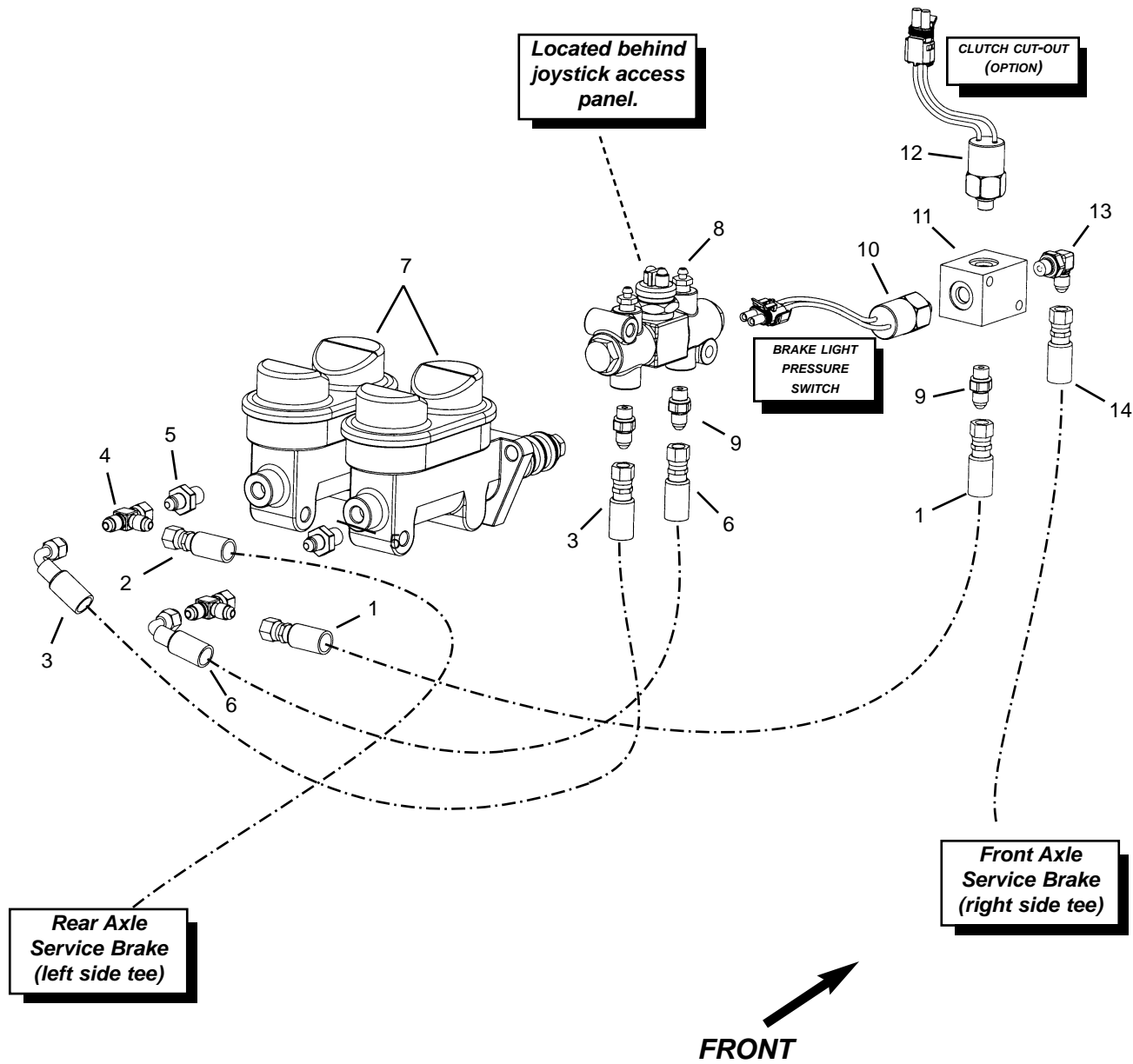
Hydraulics

Steer Motor and Select Valve Group

Ref. No.	Part No.	Description	Qty. Req.	Ref. No.	Part No.	Description	Qty. Req.
01	101882	STEER MOTOR	1	10	L69936	HOSE, -6 A8/DS6 100"	1
02	L62842	ADAP, -4ORM -6JICM 90 DEG.	1	11	L69936	HOSE, -6 A8/DS6 100"	1
03	L69930	HOSE, -4 A6/A6 46"	1	12	L63383	HOSE, -6 A6/DS8 52"	1
05	L69747	VALVE, STEER SELECT	1	13	L63387	HOSE, -6 A8/DS8 67"	1
	L50535	1/4"-20X3" BOLT	2	14	L63384	HOSE, -6 A8/DS8 40"	1
	L520003	1/4"-20 NYLON INSERT NUT	2	15	L68805	HOSE, -6 A6/DS6 70"	1
06	L445004	ADAP, -6ORM -6JICM 45 DEG.	2	16	L64524	VALVE, CHECK, -8ORM	1
07	103319	HOSE, -6 A8/A6 22"	1	17	L444004	ADAP, -8ORM -8JICM STR.	3
09	L444002	ADAP, -6ORM -6JICM STR.	2				

HOSE LOCATOR

03	STEER MOTOR PORT "LS"	HYDRAULIC PUMP
07	STEER SELECT VALVE PORT "T"	STEER CYLINDER, FRONT AXLE RIGHT SIDE
10	STEER SELECT VALVE PORT "B"	STEER CYLINDER, REAR AXLE RIGHT SIDE
11	STEER SELECT VALVE PORT "A"	STEER CYLINDER, REAR AXLE LEFT SIDE
12	STEER MOTOR PORT "R"	STEER SELECT VALVE PORT "P"
13	STEER MOTOR PORT "L"	STEER CYLINDER, FRONT AXLE LEFT SIDE
14	STEER MOTOR PORT "P"	HYDRAULIC PUMP
15	STEER MOTOR PORT "T"	HYDRAULIC TANK RETURN MANIFOLD



RS6-34 Telescopic Handler

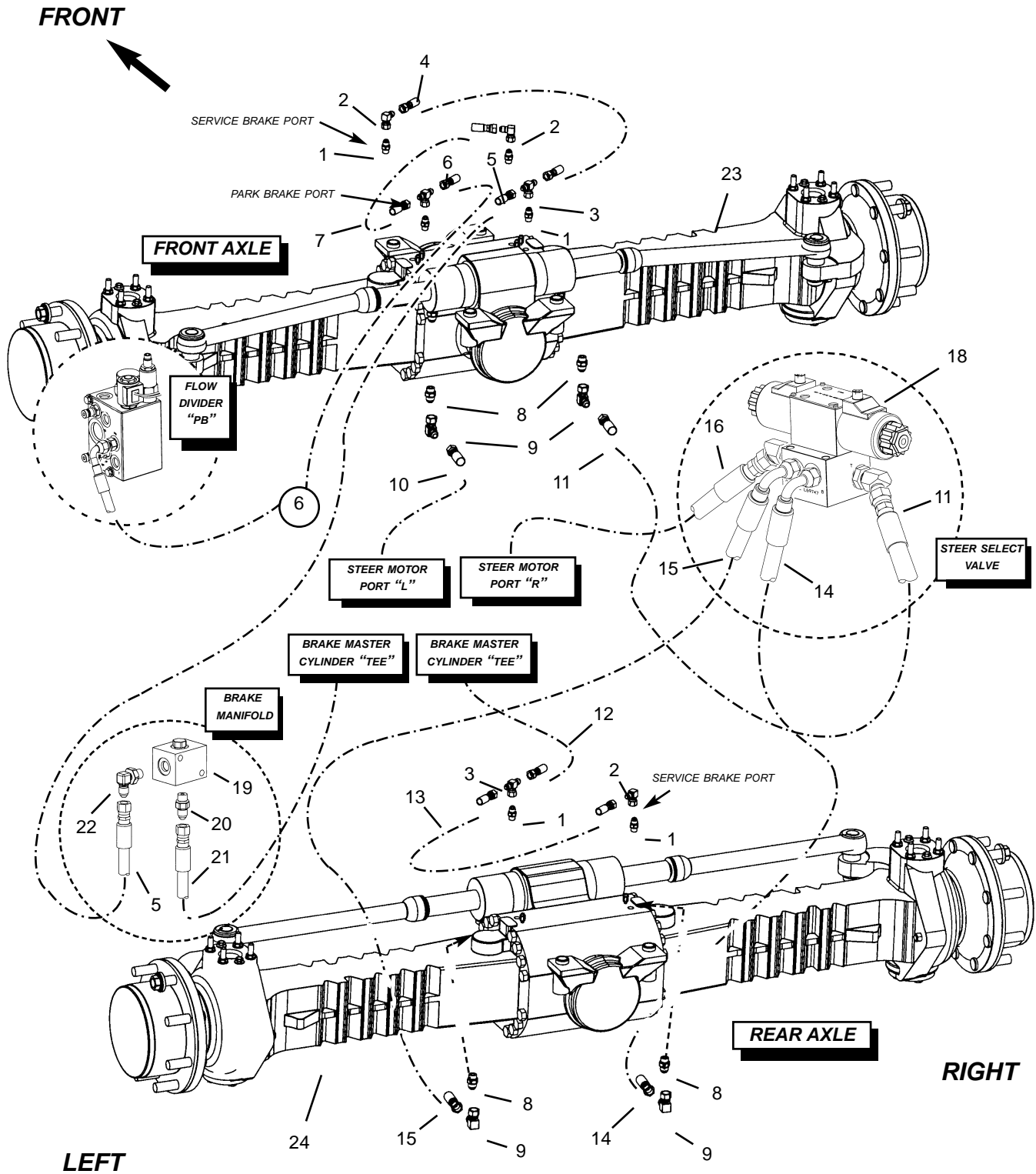
Hydraulics Brake Valve Group

Ref. No.	Part No.	Description	Qty. Req.	Ref. No.	Part No.	Description	Qty. Req.
01	101320	HOSE, -4 A4/A4 45"	1	13	L51591	ADAP, -40RM -4JICM 90 DEG	3
02	102840	HOSE, -4 A4/A6 90"	1	14	103320	HOSE, -4 A4/A6 40"	1
03	L63651	HOSE, -4 A4/DM4 17"	1				
04	L446044	ADAP, -4 SWIVEL TEE	2			-- ITEMS NOT SHOWN--	
05	L62741	ADAP, HYDROMAX -4JICM STR	2	00	L66162	WIRE, 16ga. 6"	1
06	L63651	HOSE, -4 A4/DM4 17"	1			(ground wire for item #8)	
07	L63363	VALVE, MASTER CYLINDER	2	00 ^b	L60986	PLUG, -4ORM SAE	1
08	L63564	SWITCH, DIFF. PRESSURE	1				
09	L444005	ADAP, -4ORM -4JICM STR	AR				
10	104428	SWITCH, PRESSURE 150 PSI.	1	a		Used when unit is equipped with Clutch Cut-Out option.	
11	L70428	MANIFOLD, BRAKE LINE.	1				
12 ^a	104428	SWITCH, PRESSURE 150 PSI.	1	b		Used when unit is not equipped with Clutch Cut-Out option. Plug is used in place of pressure switch.	

Hydraulics

Brake and Steering Circuit

RS6-34 Telescopic Handler



RS6-34 Telescopic Handler

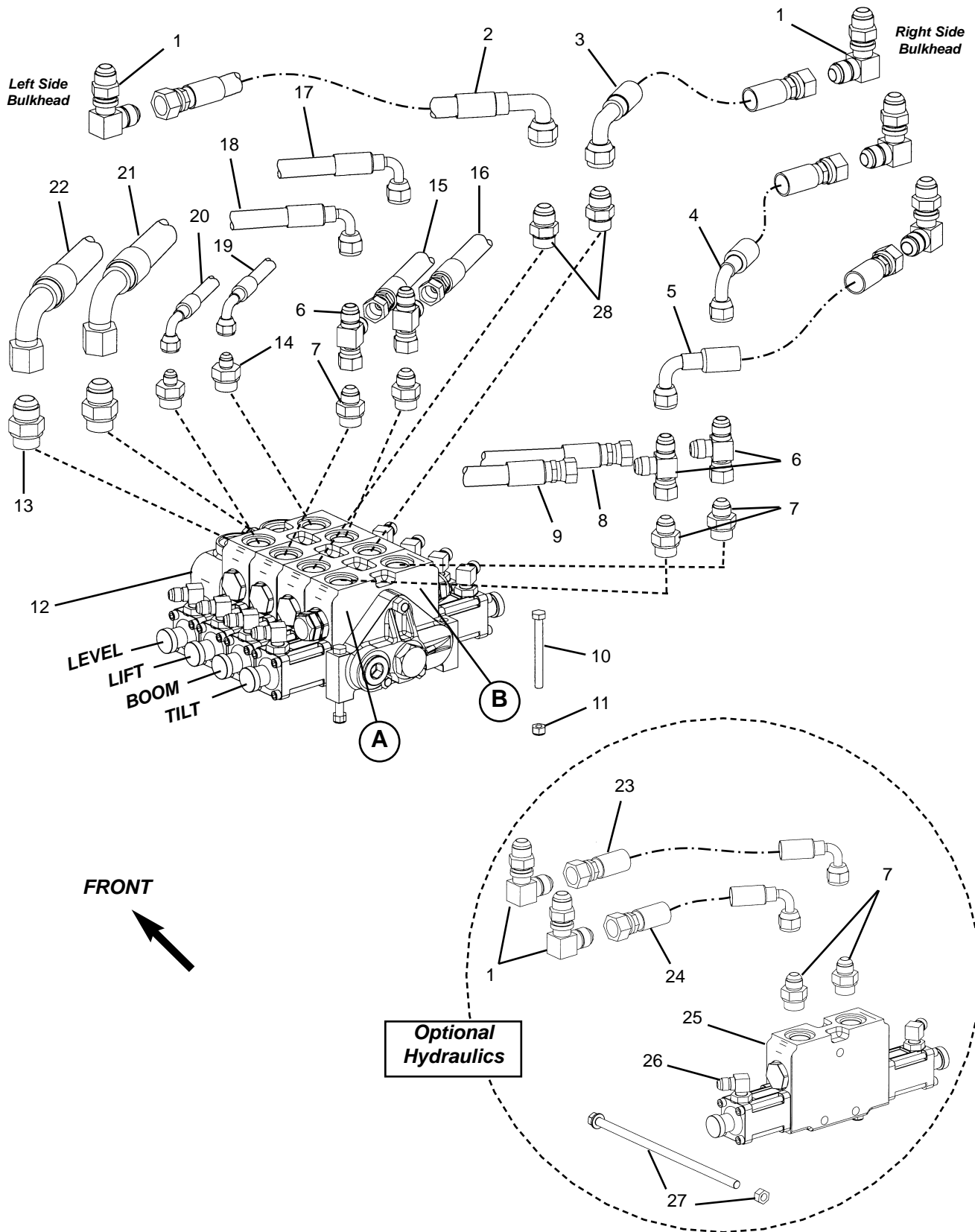
Hydraulics Brake and Steering Circuit

Ref. No.	Part No.	Description	Qty. Req.	Ref. No.	Part No.	Description	Qty. Req.
01	L66139	ADAP, M14X1.5ORM -6JICM	6	13	L69928	HOSE, -4 A6/A6 25"	1
02	L60653	ADAP, -6JICFS -6JICM 90	3	14	L69936	HOSE, -6 A6/A8 100"	1
03	P471370	ADAP, -6 SWIVEL TEE	3	15	L69936	HOSE, -6 A6/A8 100"	1
04	L69928	HOSE, -4 A6/A6 25"	1	16	L63383	HOSE, -6 A6/DS8 52"	1
05	103320	HOSE, -4 A6/A4 40"	1	18	L69747	VALVE, STEER SELECT	1
06	103317	HOSE, -6 A6/A6 28"	1	19	L70428	MANIFOLD, BRAKE LINE	1
07	L69928	HOSE, -4 A6/A6 25"	1	20	L445005	ADAP, -4ORM -4JJICM STR	AR
08	100011	ADAP, M18 ORM - 8JICM STR	4	21	102837	HOSE, -4 A4/A4 52"	1
09	L446017	ADAP, -8JICFS -8JICM 90	4	22	L51591	ADAP, -40RM -4JICM 90 DEG	1
10	L63387	HOSE, -6 A8/DS8 67"	1	23	102668	AXLE, FRONT (w/ int. park brake)	1
11	103319	HOSE, -6 A8/A6 22"	1	24	L68849	AXLE, REAR	1
12	102840	HOSE, -4 A4/A6 90"	1				

Hydraulics

RS6-34 Telescopic Handler

Main Hydraulic Valve and Hoses



RS6-34 Telescopic Handler

Hydraulics

Main Hydraulic Valve and Hoses

Ref. No.	Part No.	Description	Qty. Req.	Ref. No.	Part No.	Description	Qty. Req.
01 ^a	L443011	ADAP, BLKHEAD 90 -10JICM.	4	17	L68807	HOSE, -6 A8/DS8 54"	1
02	L68814	HOSE, -8 A10/DS10 15"	1	18	L68808	HOSE, -6 A8/DS8 48"	1
03	L68814	HOSE, -8 A10/DS10 15"	1	19	L68809	HOSE, -4 A6/DS6 136"	1
04	L68816	HOSE, -8 A10/DS8 14"	1	20	L68809	HOSE, -4 A6/DS6 136"	1
05	L68815	HOSE, -8 A10/DS8 17"	1	21	L63406	HOSE, -12 A12/DS12 114"	1
06	L446026	ADAP, -8JICFS -8JICM RUN T.	4	22	L63406	HOSE, -12 A12/DS12 114"	1
07 ^a	L444008	ADAP, -10ORM -8JICM.	4	23	L68815	HOSE, -8 A10/DS8 17"	1
08	L68817	HOSE, -6 A8/A8 26"	1	24	L68816	HOSE, -8 A10/DS8 14"	1
09	L63407	HOSE, -6 A8/A8 48"	1	25	L68778	KIT, VALVE SECTION <i>(includes item #27)</i>	1
10	L50895	5/16"-18X3" BOLT	3				
11	L520004	5/16"-18 NYLON INSERT NUT.	3	26 ^b	L445003	ADAP, -6ORM -6JICM 90 DEG . . AR	
12	L68694	VALVE, MAIN CONTROL (V20)	1	27	NSS	BOLT KIT <i>(included with item #25)</i> .	1
13	L444001	ADAP, -12ORM -12JICM STR.	2	28	L444010	ADAP, -10ORM -10JICM.	2
14	L60253	ADAP, -10ORM -6JICM STR.	2				
15	L63407	HOSE, -6 A8/A8 48"	1				
16	L63407	HOSE, -6 A8/A8 48"	1				

a Add (2) to quantity when unit is equipped with optional hydraulics

b When equipped with Tri-Function joystick use
 (1) L444002 ADAP. -6ORM -6JICM STR
 (1) L445003 ADAP. -6ORM -6JICM 90 DEG.

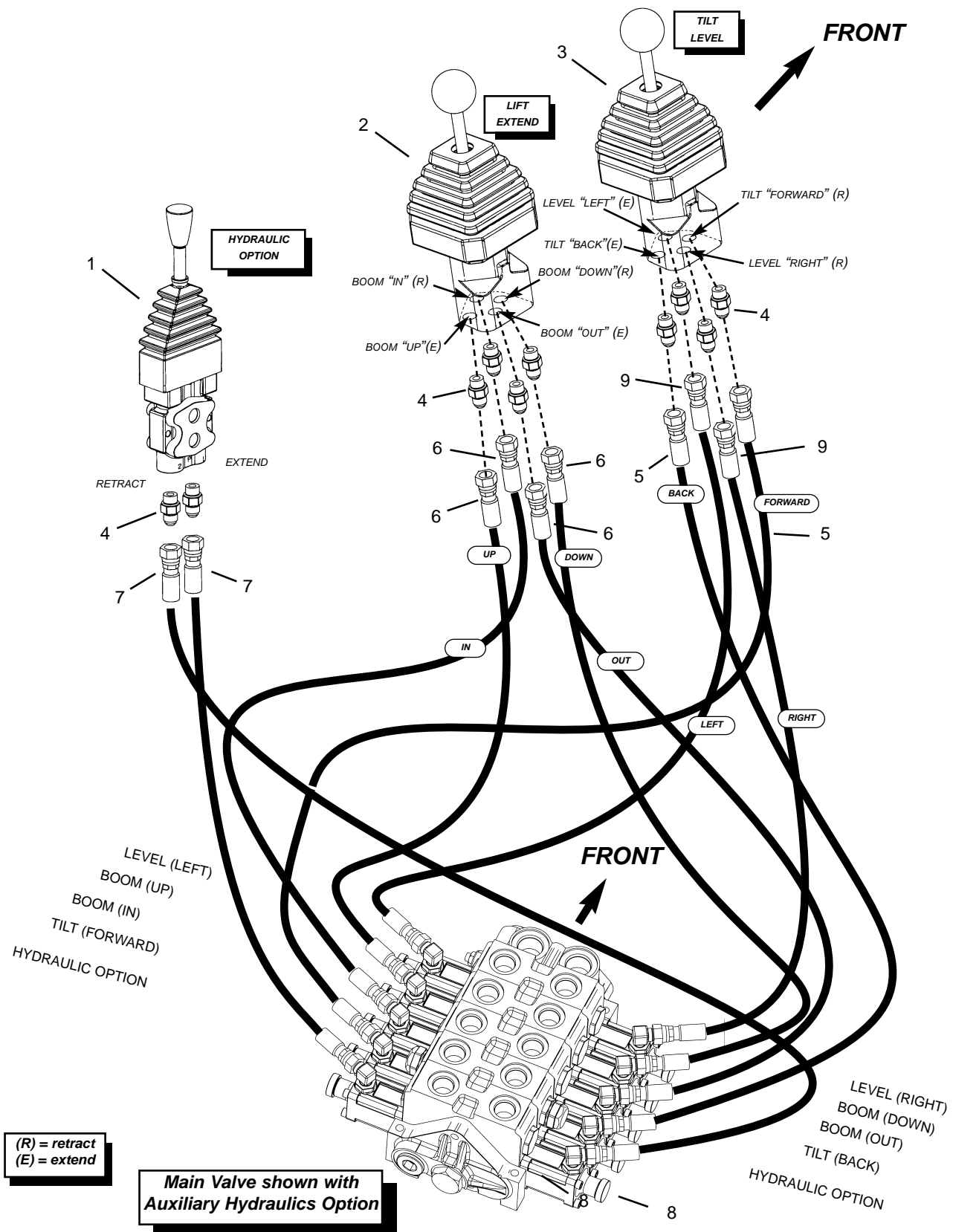
HOSE LOCATOR

02	MAIN VALVE SECTION 3 PORT "A"	BULKHEAD FITTING TO (BOOM EXTEND)
03	MAIN VALVE SECTION 3 PORT "B"	BULKHEAD FITTING TO (BOOM RETRACT)
04	MAIN VALVE SECTION 4 PORT "B"	BULKHEAD FITTING TO (TILT CYL. RETRACT)
05	MAIN VALVE SECTION 4 PORT "A"	BULKHEAD FITTING TO (TILT CYL. EXTEND)
08	MAIN VALVE SECTION 4 PORT "B"	SLAVE CYLINDER (BOTTOM-RETRACT)
09	MAIN VALVE SECTION 4 PORT "A"	SLAVE CYLINDER (TOP-EXTEND)
15	MAIN VALVE SECTION 2 PORT "A"	LIFT CYLINDER (RIGHT) (OUTSIDE-EXTEND)
16	MAIN VALVE SECTION 2 PORT "B"	LIFT CYLINDER (RIGHT) (INSIDE-RETRACT)
17	MAIN VALVE SECTION 2 PORT "B"	LIFT CYLINDER (LEFT) (OUTSIDE-RETRACT)
18	MAIN VALVE SECTION 2 PORT "A"	LIFT CYLINDER (LEFT) (INSIDE-EXTEND)
19	MAIN VALVE SECTION 1 PORT "B"	LEVEL CYLINDER (OUTSIDE-RETRACT)
20	MAIN VALVE SECTION 1 PORT "A"	LEVEL CYLINDER (INSIDE-EXTEND)
21	MAIN VALVE "IN"	FLOW DIVIDER PORT "EF"
22	MAIN VALVE "OUT"	HYDRAULIC TANK (FILTER COVER FITTING)
23	OPTIONAL HYD. SECTION PORT "B"	BULKHEAD FITTING TO (OPTION - RETRACT)
24	OPTIONAL HYD. SECTION PORT "A"	BULKHEAD FITTING TO (OPTION - EXTEND)

Hydraulics

RS6-34 Telescopic Handler

Main Hydraulic Valve - Dual Controls (Standard)



RS6-34 Telescopic Handler

Hydraulics

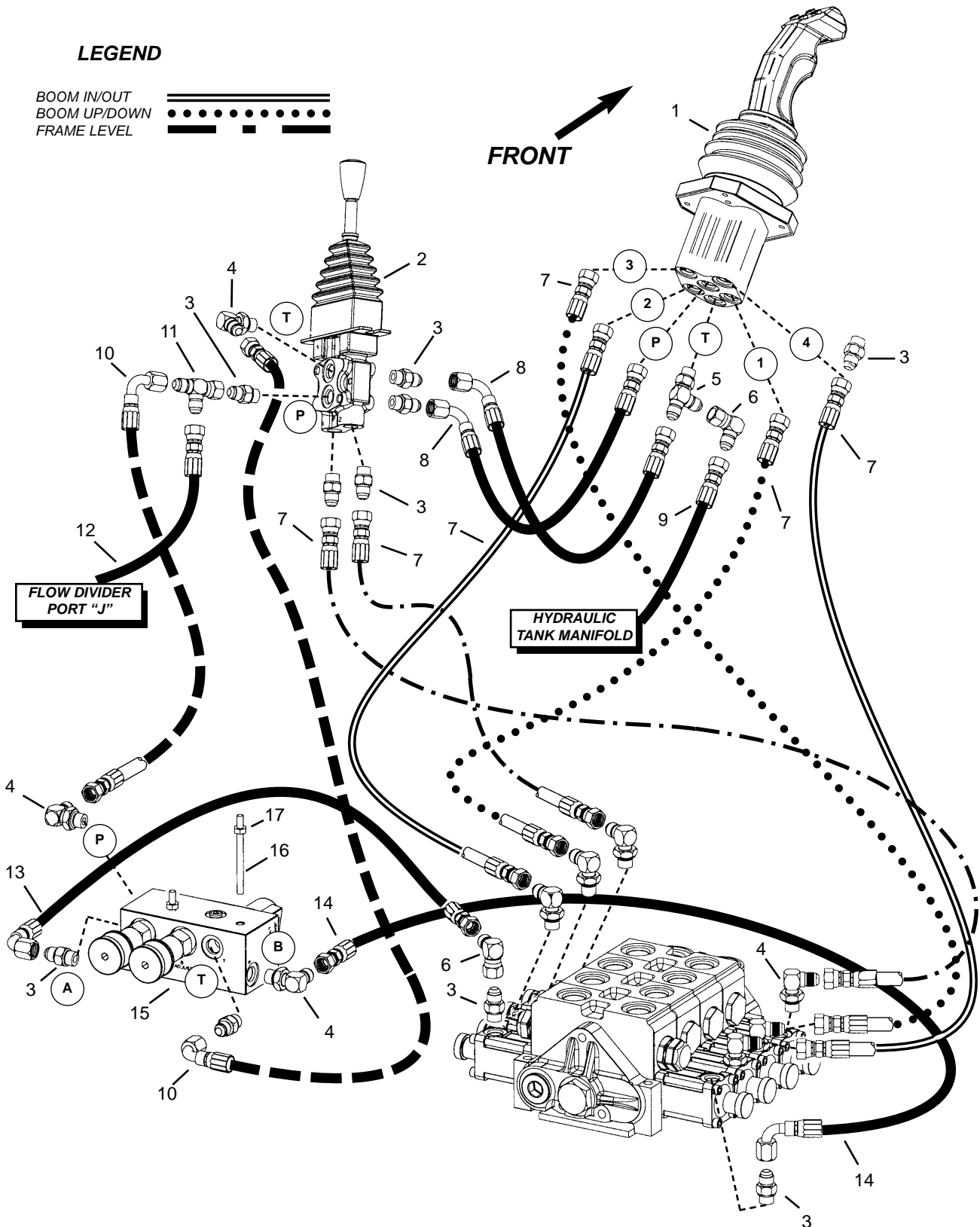
Main Hydraulic Valve - Dual Controls (Standard)

Ref. No.	Part No.	Description	Qty. Req.	Ref. No.	Part No.	Description	Qty. Req.
01	103264	CONTROLLER, AUX. HYD	1	08 ^a	L68694	MAIN VALVE	1
02	103263	CONTROLLER, LIFT/EXTEND	1	09	L64275	HOSE, -4 A6/A6 102"	2
03	103262	CONTROLLER, TILT/LEVEL	1				
04	L444002	ADAP, -6ORM -6JICM STR	AR				
05	L68811	HOSE, -4 A6/A6 108"	2	a		<i>The illustration on the facing page shows the (optional) auxiliary hydraulic work section with the main valve. Refer to Hydraulic Components section for more information.</i>	
06	L68810	HOSE, -4 A6/A6 96"	4				
07	L68810	HOSE, -4 A6/A6 96"	2				

Hydraulics

RS6-34 Telescopic Handler

Main Valve with Tri-Function Control (Option) - Standard Hydraulics



RS6-34 Telescopic Handler

Hydraulics

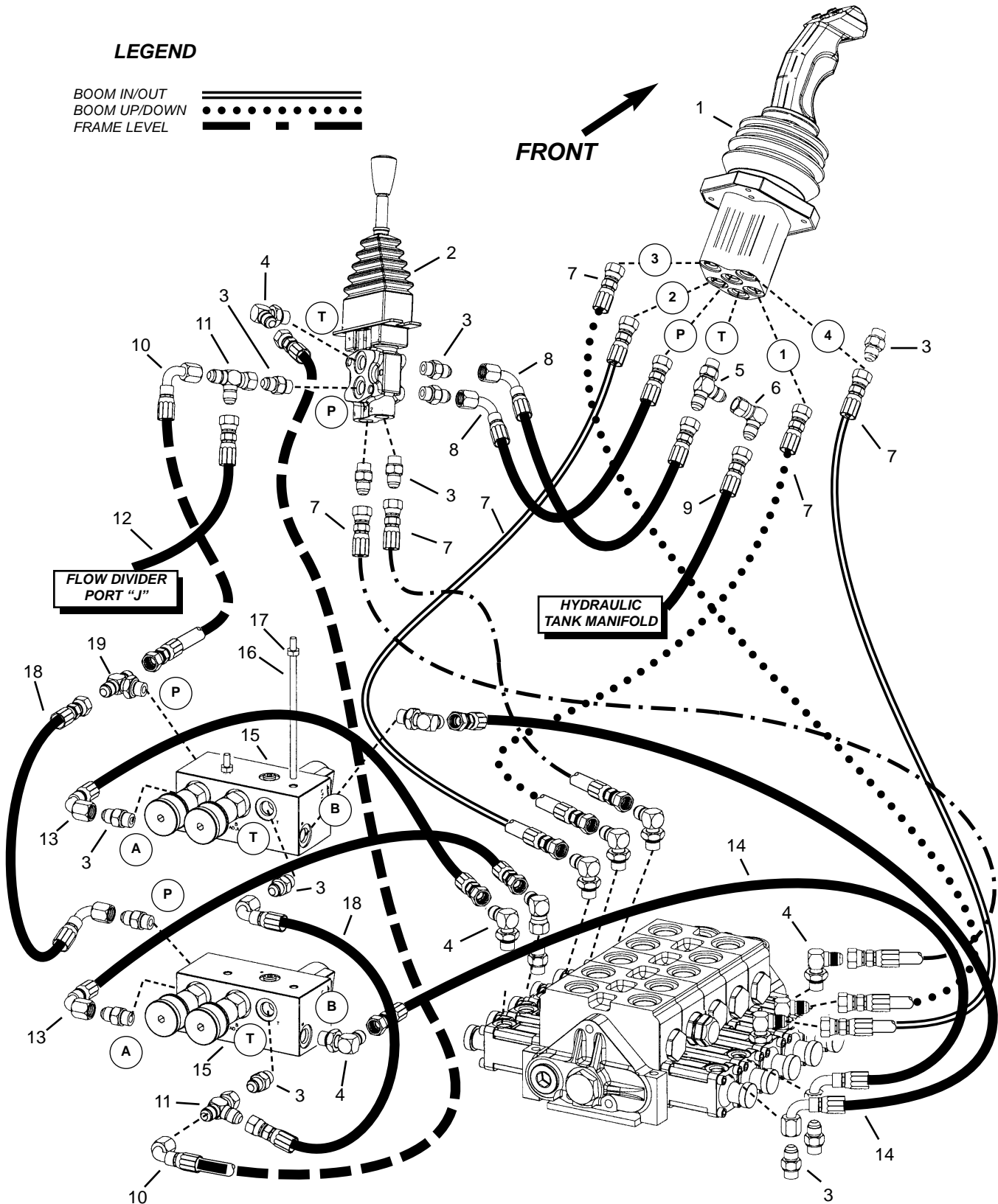
Main Valve with Tri-Function Control (Option) - Standard Hydraulics

Ref. No.	Part No.	Description	Qty. Req.	Ref. No.	Part No.	Description	Qty. Req.
01	L71346	CONTROLLER, TRI-FUNCTION. . .	1	11	L446049	ADAP, -6JICM -6JICFS RUN TEE .	1
02	103264	CONTROLLER, FRAME LEVEL. . .	1	12	103318	HOSE, -4 A6/DS6 52"	1
03	L444002	ADAP, -6ORM -6JICM STR.	14	13	L69904	HOSE, -4 A6/DS6 20"	1
04	L445003	ADAP, -6ORM -6JICM 90 ⁰	9	14	102843	HOSE, -4 A6/DS6 35"	1
05	L81233	ADAP, -6ORM -6JICM RUN TEE . .	1	15	L71339	PILOT APPLY MANIFOLD.	1
06	L60653	ADAP, -6JICM -6JICFS 90 ⁰	2	16	L50741	STUD, 1/4"X3-1/4".	2
07	L68810	HOSE, -6 A6/A6 96"	6	17	L50051	NUT, 1/4"-20 WHIZ NUT	2
08	L69903	HOSE, -4 A6/DS6 17"	2				
09	103315	HOSE, -4 A6/A6 60"	1				
10	102831	HOSE, -4 A6/DS6 102"	2				
						-- ITEMS NOT SHOWN --	
				00	105580	TRI-FUNCTION WIRE HARNESS .	1
				00	L62761	1/4" MALE ELEC. CONNECTOR . .	8

Hydraulics

RS6-34 Telescopic Handler

Main Valve with Tri-Function Control (Option) with Auxiliary Hydraulics



RS6-34 Telescopic Handler

Hydraulics

Main Valve with Tri-Function Control (Option) with Auxiliary Hydraulics

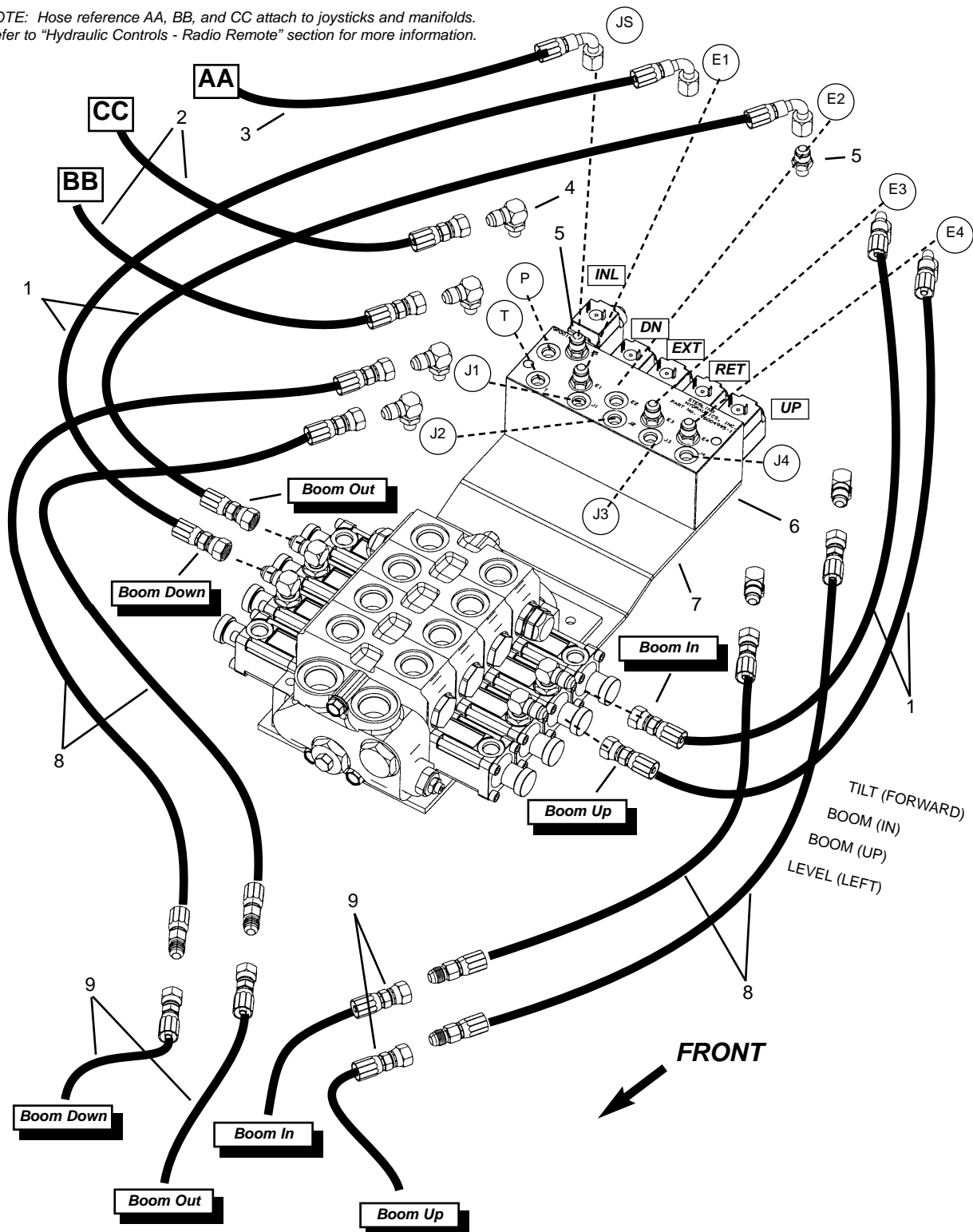
Ref. No.	Part No.	Description	Qty. Req.	Ref. No.	Part No.	Description	Qty. Req.
01	L71346	CONTROLLER, TRI-FUNCTION. . .	1	13	L69904	HOSE, -4 A6/DS6 20"	2
02	103264	CONTROLLER, FRAME LEVEL. . .	1	14	102843	HOSE, -4 A6/DS6 35"	2
03	L444002	ADAP, -6ORM -6JICM STR.	19	15	L71339	PILOT APPLY MANIFOLD.	2
04	L445003	ADAP, -6ORM -6JICM 90 ⁰	10	16	L50745	STUD, 1/4"X5-3/4".	2
05	L81233	ADAP, -6ORM -6JICM RUN TEE . .	1	17	L50051	NUT, 1/4"-20 WHIZ NUT	2
06	L60653	ADAP, -6JICM -6JICFS 90 ⁰	1	18	105593	HOSE, -4 A6/DS6 12"	2
07	L68810	HOSE, -6 A6/A6 96"	6	19	L51762	ADAP, -6ORM -6JICM B TEE	1
08	L69903	HOSE, -4 A6/DS6 17"	2				
09	103315	HOSE, -4 A6/A6 60"	1				
10	102831	HOSE, -4 A6/DS6 102"	2				
11	L446049	ADAP, -6JICM -6JICFS RUN TEE .	2				
12	103318	HOSE, -4 A6/DS6 52"	1				
						-- ITEMS NOT SHOWN --	
				00	105580	TRI-FUNCTION WIRE HARNESS .	1

Hydraulics

RS6-34 Telescopic Handler

Main Valve with Radio Remote (Option)

NOTE: Hose reference AA, BB, and CC attach to joysticks and manifolds.
Refer to "Hydraulic Controls - Radio Remote" section for more information.

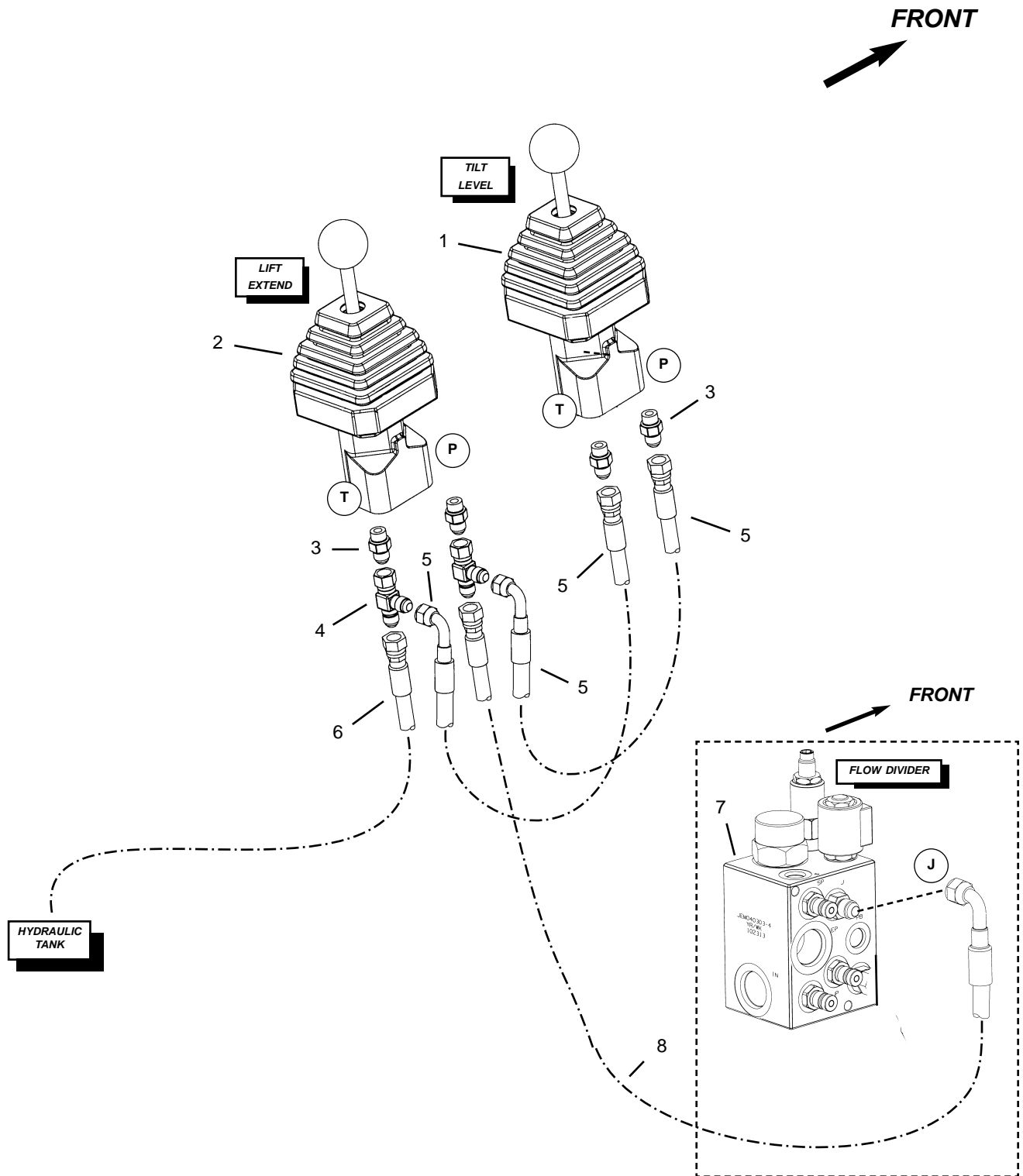


RS6-34 Telescopic Handler

Hydraulics

Main Valve with Radio Remote (Option)

Ref. No.	Part No.	Description	Qty. Req.	Ref. No.	Part No.	Description	Qty. Req.
01	L68804	HOSE, -4 A6/DS6 26"	4	06	103413	MANIFOLD, RADIO REMOTE	1
02	L69905	HOSE, -6 A6/A6 130"	2	07	103425	MOUNT, RADIO REMOTE	1
03	103505	HOSE, -4 H6/DS6 109"	1	08	L69902	HOSE, -6 A6/H6 20"	4
04	L62842	ADAP, -4ORM -6JICM 90°	6	09	L68810	HOSE, -4 A6/A6 96"	4
05	L444012	ADAP, -4ORM -6JICM STR.	5				



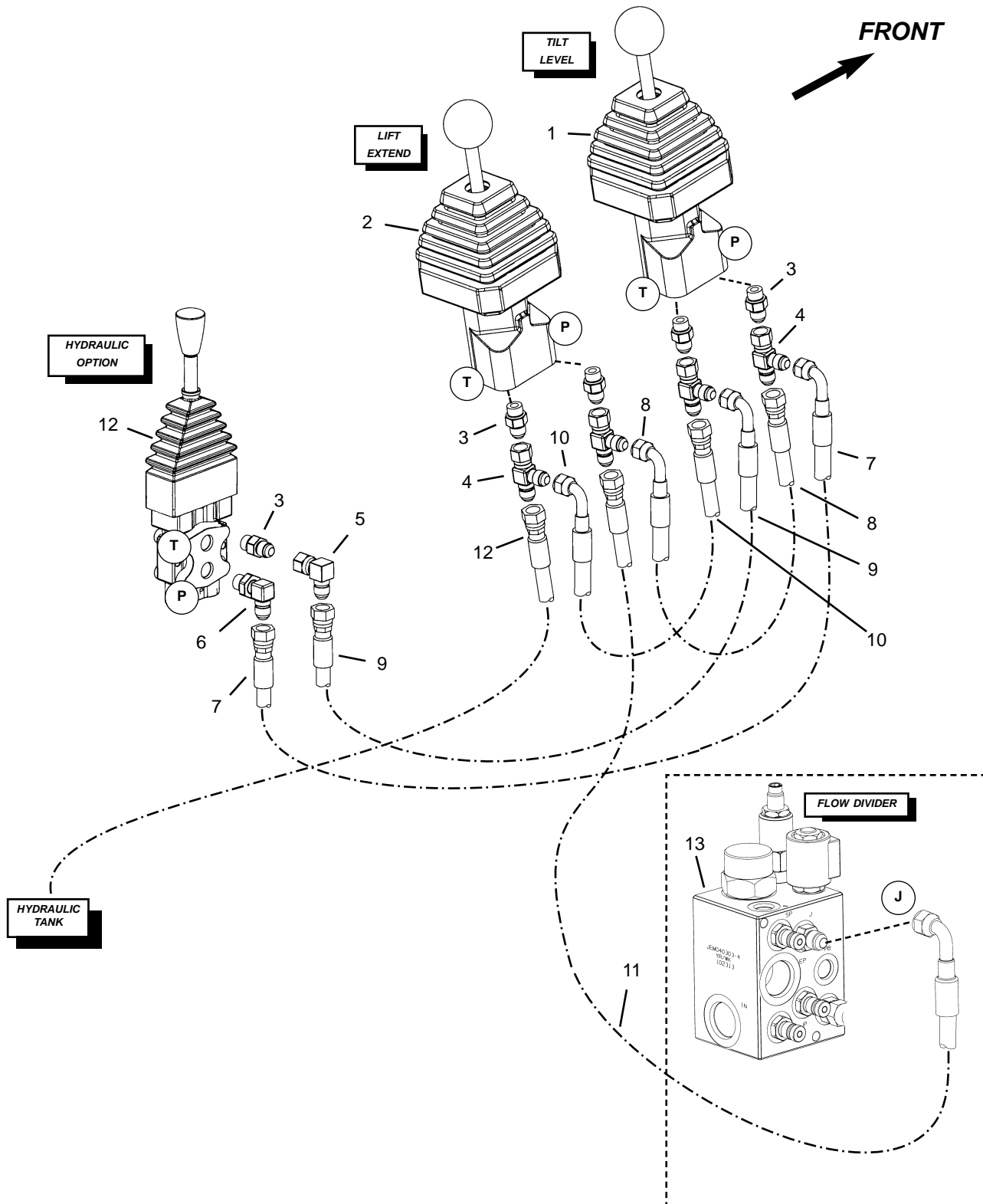
RS6-34 Telescopic Handler

Hydraulics

Dual Controls - Standard

Ref. No.	Part No.	Description	Qty. Req.	Ref. No.	Part No.	Description	Qty. Req.
01	103262	CONTROLLER, TILT/LEVEL.....	1	05	L69903	HOSE, -4 A6/DS6 17".....	AR
02	103263	CONTROLLER, LIFT/EXTEND....	1	06	103315	HOSE, -4 A6/A6 60".....	1
03	L444002	ADAP, -6ORM -6JICM STR.....	4	07	102313	MANIFOLD, JOYSTICK RELIEF...	1
04	L446049	ADAP, -6 SWVL RUN TEE.....	AR	08	103318	HOSE, -4 A6/DS6 52".....	1

Dual Controls with only Auxiliary Hydraulics (Option)



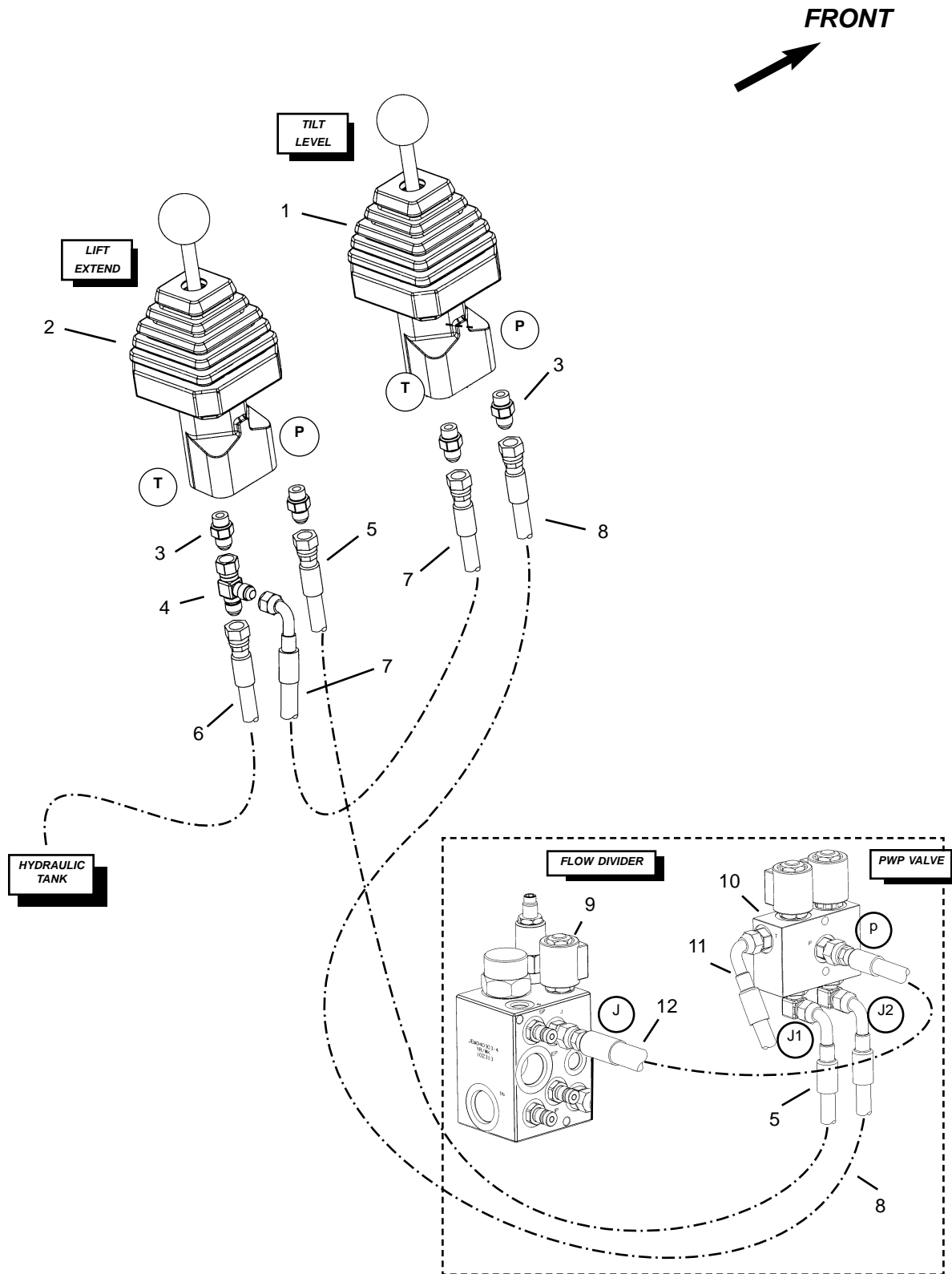
RS6-34 Telescopic Handler

Hydraulics

Dual Controls with only Auxiliary Hydraulics (Option)

Ref. No.	Part No.	Description	Qty. Req.	Ref. No.	Part No.	Description	Qty. Req.
01	103262	CONTROLLER, TILT/LEVEL	1	08	L69903	HOSE, -4 A6/DS6 17"	1
02	103263	CONTROLLER, LIFT/EXTEND	1	09	L69904	HOSE, -4 A6/DS6 20"	1
03	L444002	ADAP, -6ORM -6JICM STR	AR	10	L69903	HOSE, -4 A6/DS6 17"	1
04	L446049	ADAP, -6 SWIVEL RUN TEE	AR	11	103318	HOSE, -4 A6/DS6 52"	1
05	L60653	ADAP, -6JICM -6JICFS 90 DEG	AR	12	103264	CONTROLLER, AUX. HYD.	1
06	L445003	ADAP, -6ORM -6JICM 90 DEG	AR	13	102313	MANIFOLD, JOYSTICK RELIEF	1
07	L69904	HOSE, -4 A6/DS6 20"	1				

Dual Controls with only PWP (Option)

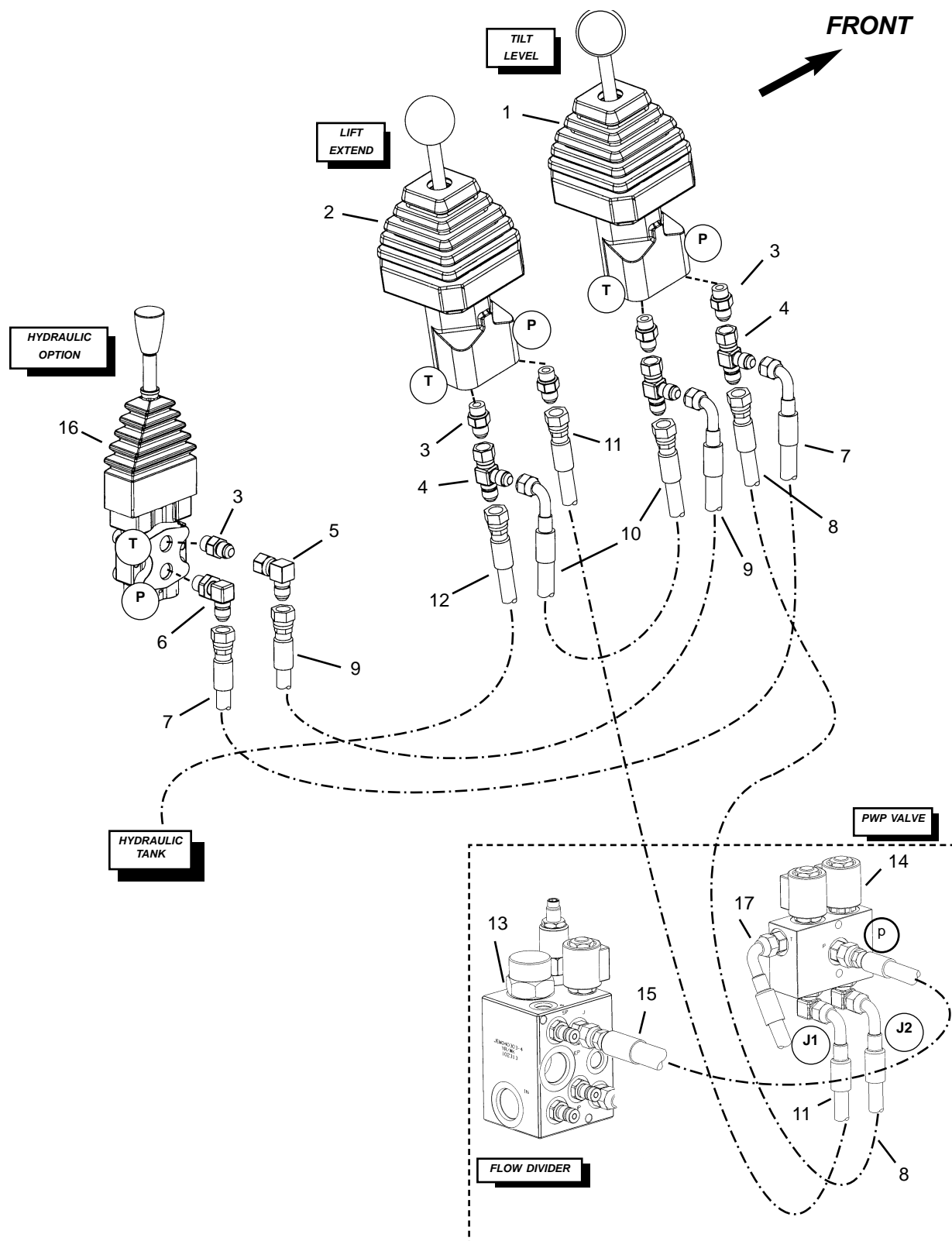


RS6-34 Telescopic Handler

Hydraulics

Dual Controls with only PWP (Option)

Ref. No.	Part No.	Description	Qty. Req.	Ref. No.	Part No.	Description	Qty. Req.
01	103262	CONTROLLER, TILT/LEVEL	1	08	103318	HOSE, -4 A6/DS6 52"	1
02	103263	CONTROLLER, LIFT/EXTEND	1	09	102313	MANIFOLD, JOYSTICK RELIEF	1
03	L444002	ADAP, -6ORM -6JICM STR AR		10	102321	MANIFOLD, PWP JOYSTICK	1
04	L446049	ADAP, -6 SWIVEL RUN TEE AR		11	103318	HOSE, -4 A6/DS6 52"	1
05	103318	HOSE, -4 A6/DS6 52"	1			<i>(to hydraulic tank)</i>	
06	103315	HOSE, -4 A6/A6 60"	1	12	L63381	HOSE, -4 A6/DS6 15"	1
07	L69903	HOSE, -4 A6/DS6 17"	1				



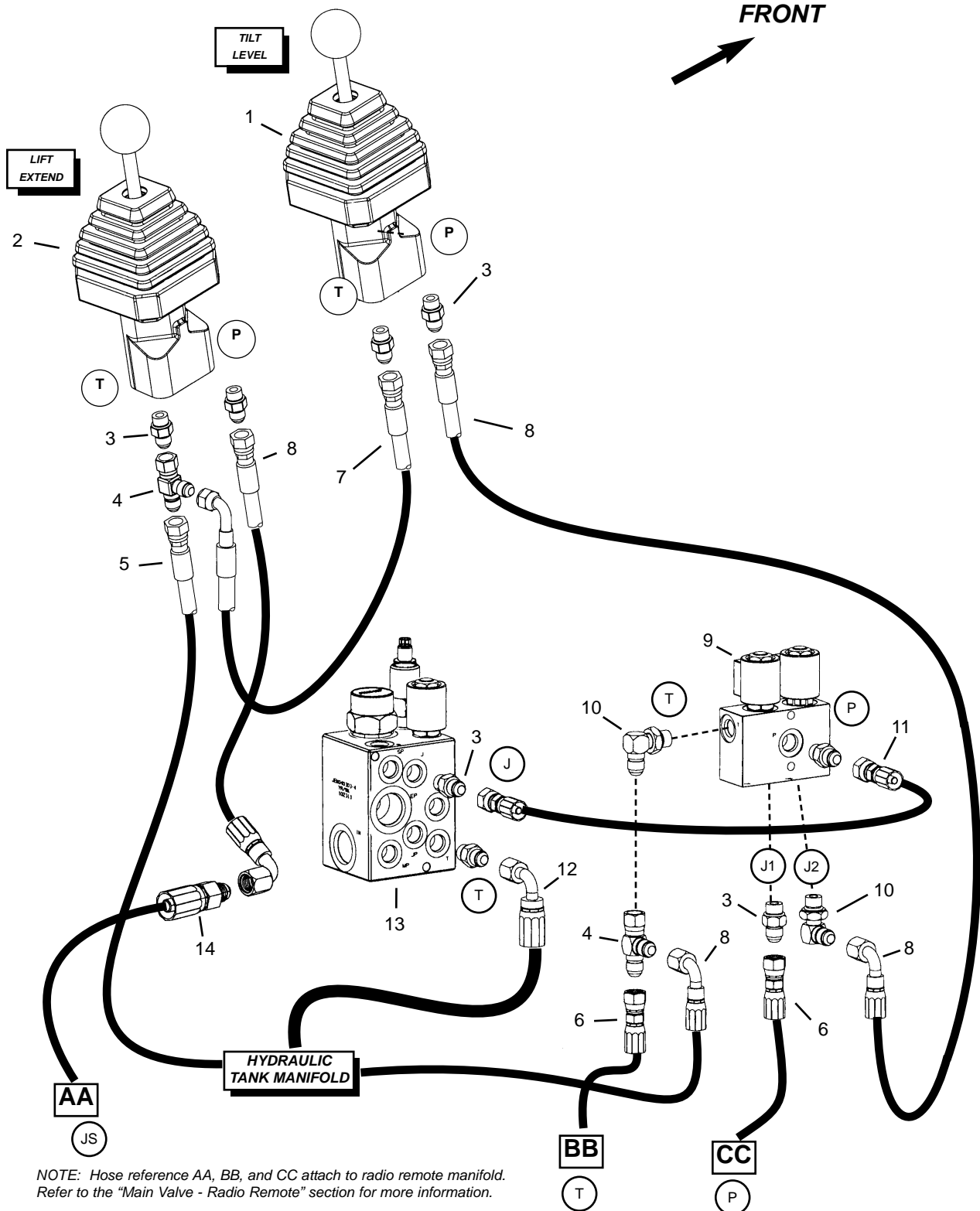
RS6-34 Telescopic Handler

Hydraulics

Dual Controls with PWP and Auxiliary Hydraulics (Option)

Ref. No.	Part No.	Description	Qty. Req.	Ref. No.	Part No.	Description	Qty. Req.
01	103262	CONTROLLER, TILT/LEVEL.....	1	10	L69903	HOSE, -4 A6/DS6 17"	1
02	103263	CONTROLLER, LIFT/EXTEND....	1	11	103318	HOSE, -4 A6/DS6 52"	1
03	L444002	ADAP, -6ORM -6JICM STR	AR	12	103315	HOSE, -4 A6/A6 60"	1
04	L446049	ADAP, -6 SWIVEL RUN TEE	AR	13	102313	MANIFOLD, JOYSTICK RELIEF...	1
05	L60653	ADAP, -6JICM -6JICFS 90 DEG .	AR	14	102321	MANIFOLD, PWP JOYSTICK	1
06	L445003	ADAP, -6ORM -6JICM 90 DEG .	AR	15	L63381	HOSE, -4 A6/A6 15"	1
07	L69904	HOSE, -4 A6/DS6 20"	1	16	103264	CONTROLLER, AUX. HYD.....	1
08	103318	HOSE, -4 A6/DS6 52"	1	17	103318	HOSE, -4 A6/DS6 52"	1
09	L69904	HOSE, -4 A6/DS6 20"	1			<i>(to hydraulic tank)</i>	

Dual Controls with Radio Remote (Option)



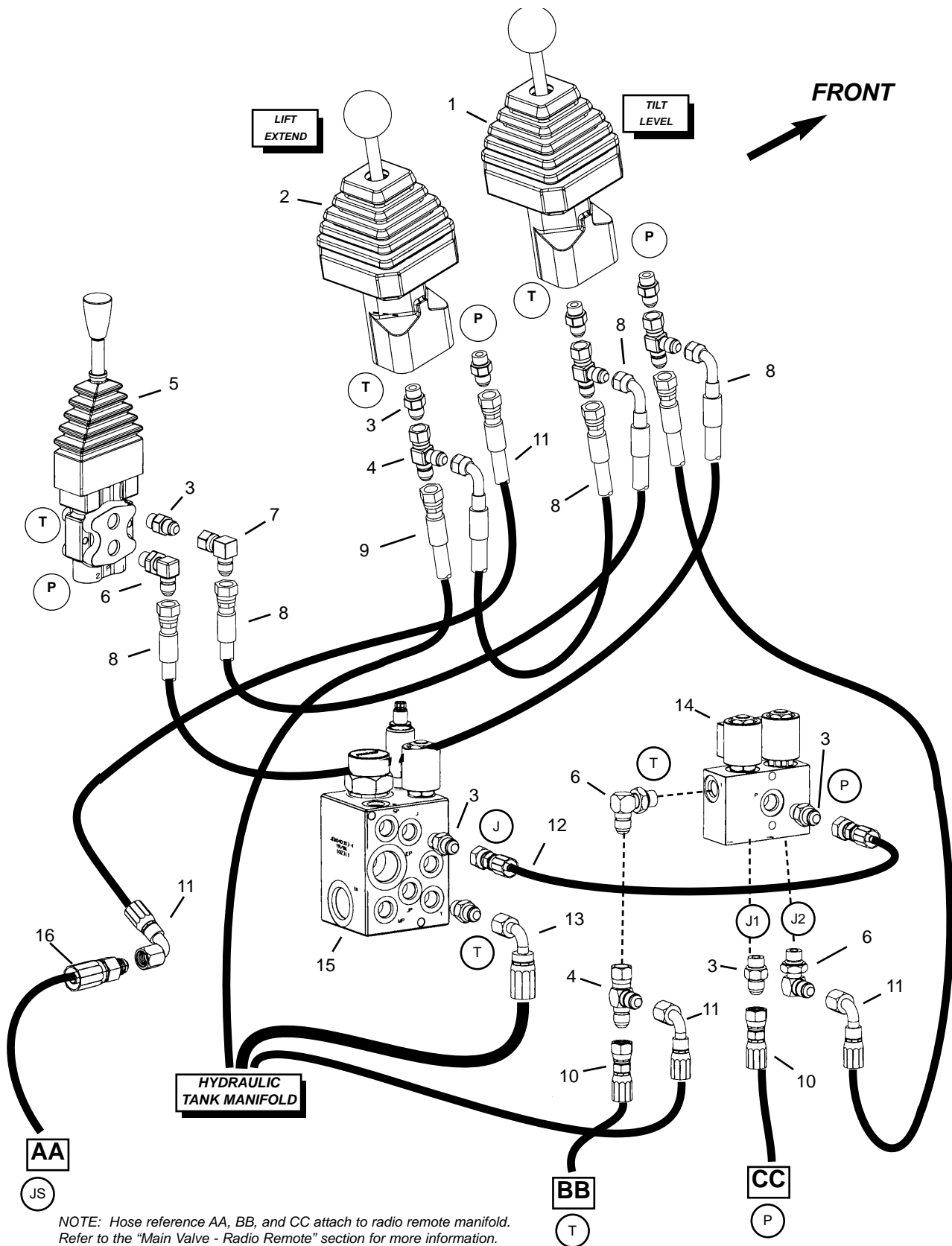
NOTE: Hose reference AA, BB, and CC attach to radio remote manifold. Refer to the "Main Valve - Radio Remote" section for more information.

RS6-34 Telescopic Handler

Hydraulics

Dual Controls with Radio Remote (Option)

Ref. No.	Part No.	Description	Qty. Req.	Ref. No.	Part No.	Description	Qty. Req.
01	103262	CONTROLLER, TILT/LEVEL.....	1	08	103318	HOSE, -4 A6/DS6 52".....	3
02	103263	CONTROLLER, LIFT/EXTEND....	1	09	102321	MANIFOLD, PWP JOYSTICK.....	1
03	L444002	ADAP, -6ORM -6JICM STR.....	8	10	L445003	ADAP, -6ORM -6JICM 90°.....	2
04	L446049	ADAP, -6 SWIVEL RUN TEE.....	2	11	L63381	HOSE, -4 A6/A6 15".....	1
05	103315	HOSE, -4 A6/A6 60".....	1	12	103368	HOSE, -6 A6/DS6 52".....	1
06	L69905	HOSE, -4 A6/DS6 130".....	2	13	102313	MANIFOLD, JOYSTICK RELIEF...	1
07	L69904	HOSE, -4 A6/DS6 20".....	1	14	103505	HOSE, -4 H6/DS6 109".....	1



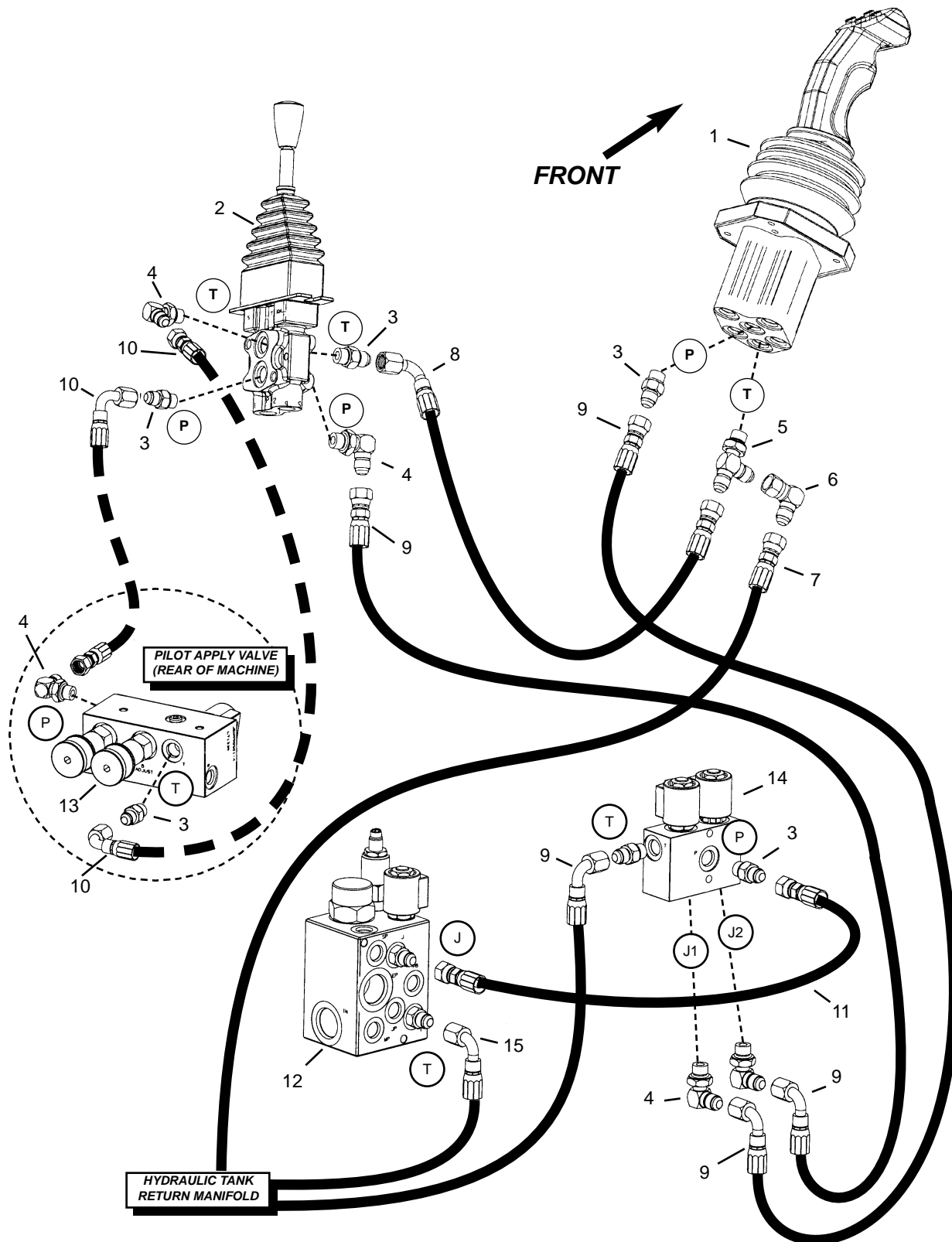
NOTE: Hose reference AA, BB, and CC attach to radio remote manifold. Refer to the "Main Valve - Radio Remote" section for more information.

RS6-34 Telescopic Handler

Hydraulics

Dual Controls with Radio Remote and Auxiliary Hydraulics (Option)

Ref. No.	Part No.	Description	Qty. Req.	Ref. No.	Part No.	Description	Qty. Req.
01	103262	CONTROLLER, TILT/LEVEL.....	1	09	103315	HOSE, -4 A6/A6 60"	1
02	103263	CONTROLLER, LIFT/EXTEND....	1	10	L69905	HOSE, -4 A6/A6 130"	2
03	L444002	ADAP, -6ORM -6JICM STR.....	9	11	103318	HOSE, -4 A6/DS6 52"	3
04	L446049	ADAP, -6 SWIVEL RUN TEE.....	2	12	L63381	HOSE, -4 A6/A6 15"	1
05	103264	CONTROLLER, AUX. HYD.....	1	13	103368	HOSE, -6 A6/DS6 52"	1
06	L445003	ADAP, -6ORM -6JICM 90°	3	14	102321	MANIFOLD, PWP JOYSTICK.....	1
07	L60653	ADAP, -6ORM -6JICFS 90°.....	1	15	102313	MANIFOLD, JOYSTICK RELIEF...	1
08	L69904	HOSE, -4 A6/DS6 20"	3	16	103505	HOSE, H6/DS6 109"	1

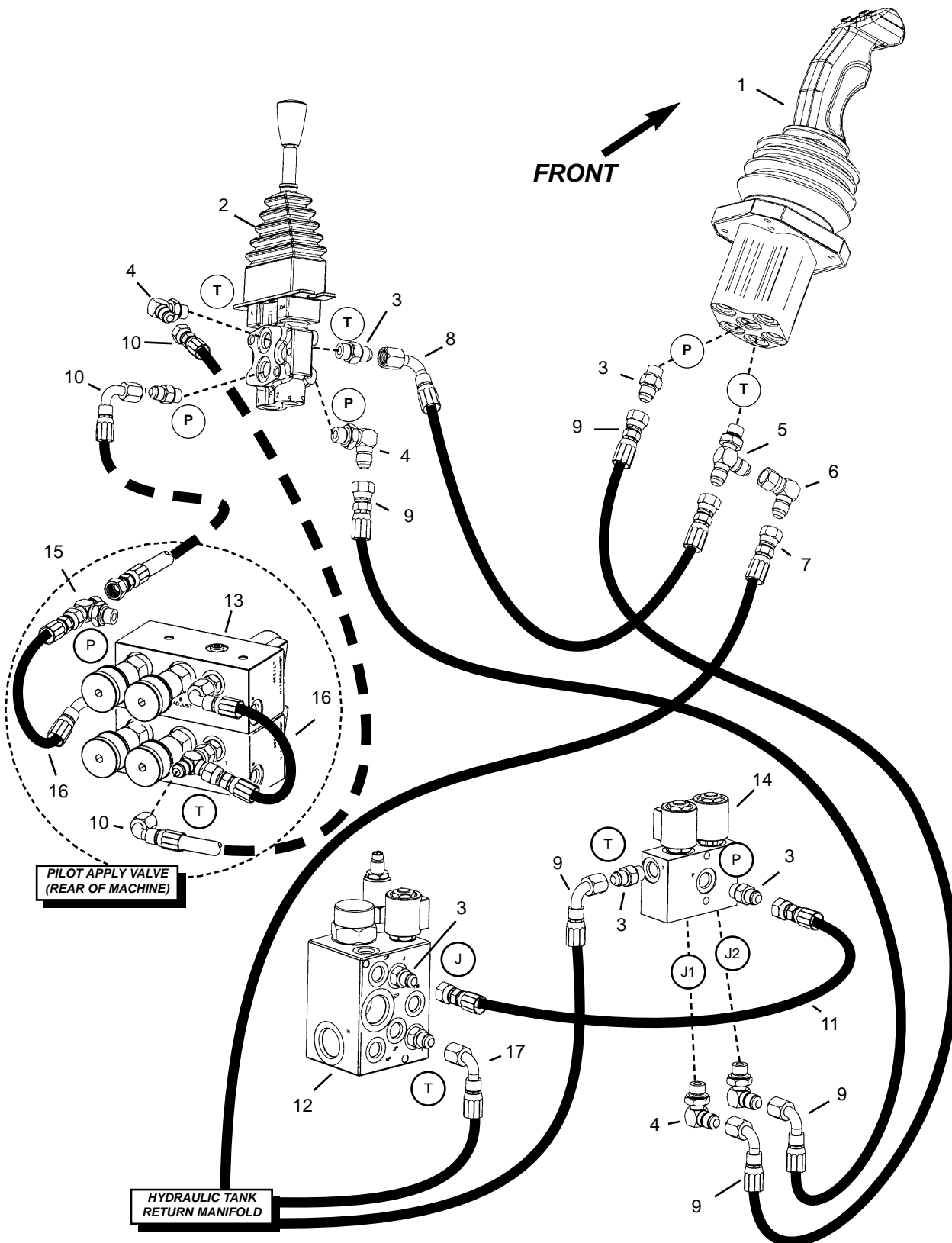


RS6-34 Telescopic Handler

Hydraulics

Tri-Function Control (Option) with only PWP

Ref. No.	Part No.	Description	Qty. Req.	Ref. No.	Part No.	Description	Qty. Req.
01	L71346	CONTROLLER, TRI-FUNCTION. . .	1	10	102831	HOSE, -4 A6/DS6 102"	2
02	103264	CONTROLLER, FRAME LEVEL. . .	1	11	L63381	HOSE, -4 A6/DS6 15"	1
03	L444002	ADAP, -6ORM -6JICM STR.	8	12	102313	MANIFOLD, JOYSTICK RELIEF. . .	1
04	L445003	ADAP, -6ORM -6JICM 90 ⁰	5	13	L71339	PILOT APPLY MANIFOLD.	1
05	L81233	ADAP, -6ORM -6JICM RUN TEE . .	1	14	102321	MANIFOLD, PWP JOYSTICK	1
06	L60653	ADAP, -6JICM -6JICFS 90 ⁰	1	15	103368	HOSE, -6 A6/DS6 52"	
07	103315	HOSE, -4 A6/A6 60"	1				
08	L69903	HOSE, -4 A6/DS6 17"	1				
09	103318	HOSE, -4 A6/DS6 52"	3				
						-- ITEMS NOT SHOWN --	
				00	105580	TRI-FUNCTION WIRE HARNESS . .	1

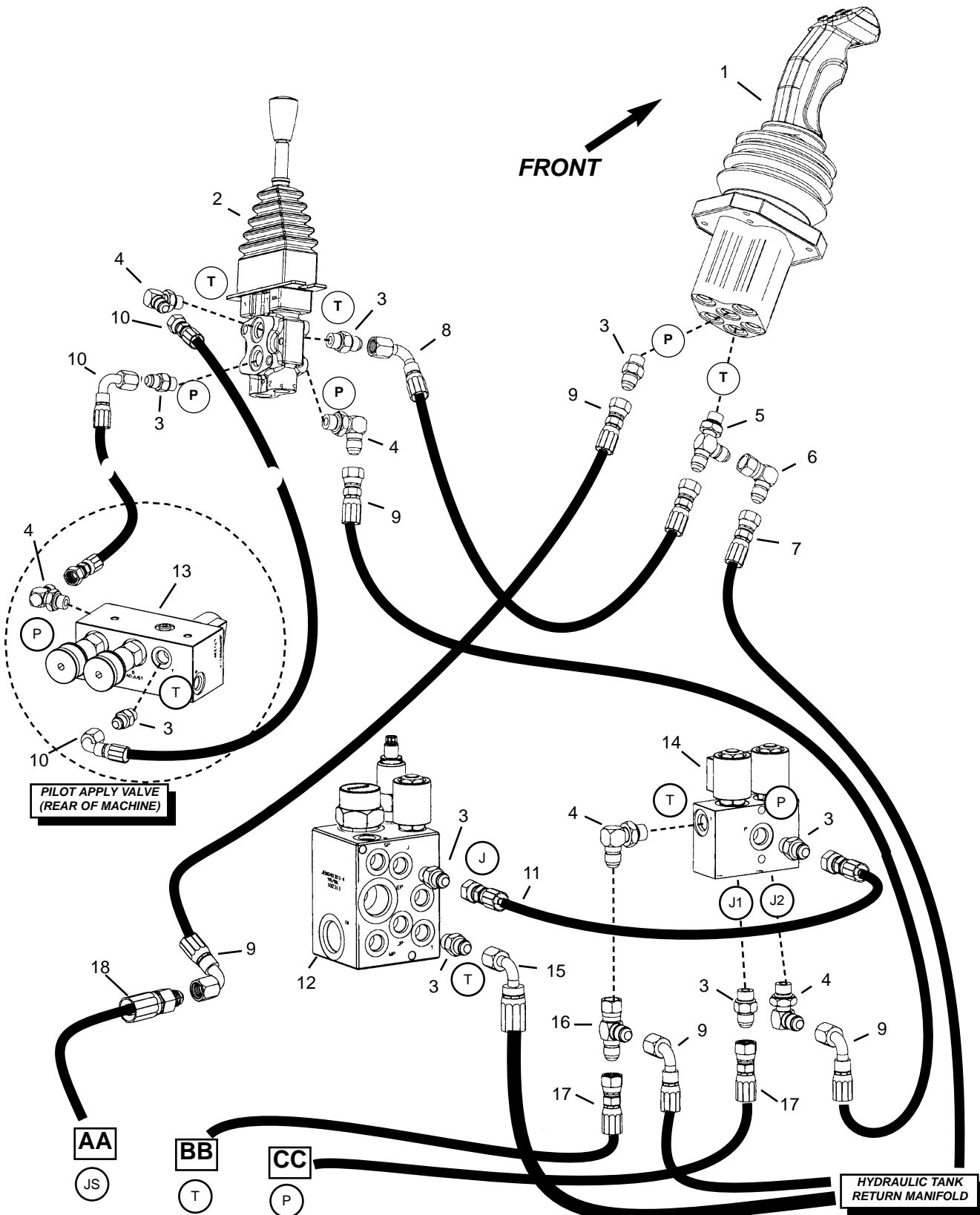


RS6-34 Telescopic Handler

Hydraulics

Tri-Function Control (Option) with PWP and Auxiliary Hydraulics

Ref. No.	Part No.	Description	Qty. Req.	Ref. No.	Part No.	Description	Qty. Req.
01	L71346	CONTROLLER, TRI-FUNCTION...	1	11	L63381	HOSE, -4 A6/DS6 15"	1
02	103264	CONTROLLER, FRAME LEVEL...	1	12	102313	MANIFOLD, JOYSTICK RELIEF...	1
03	L444002	ADAP, -6ORM -6JICM STR.	8	13	L71339	PILOT APPLY MANIFOLD.	1
04	L445003	ADAP, -6ORM -6JICM 90 ⁰	5	14	102321	MANIFOLD, PWP JOYSTICK	1
05	L81233	ADAP, -6ORM -6JICM RUN TEE ..	1	15	L51762	ADAP, -6ORM -6JICM B TEE	1
06	L60653	ADAP, -6JICM -6JICFS 90 ⁰	1	16	105593	HOSE, -4 A6/DS6 12"	2
07	103315	HOSE, -4 A6/A6 60"	1	17	103368	HOSE, -6 A6/DS6 52"	1
08	L69903	HOSE, -4 A6/DS6 17"	1				
09	103318	HOSE, -4 A6/DS6 52"	3				
10	102831	HOSE, -4 A6/DS6 102"	2				
						-- ITEMS NOT SHOWN --	
				00	105580	TRI-FUNCTION WIRE HARNESS .	1



**PILOT APPLY VALVE
(REAR OF MACHINE)**

**HYDRAULIC TANK
RETURN MANIFOLD**

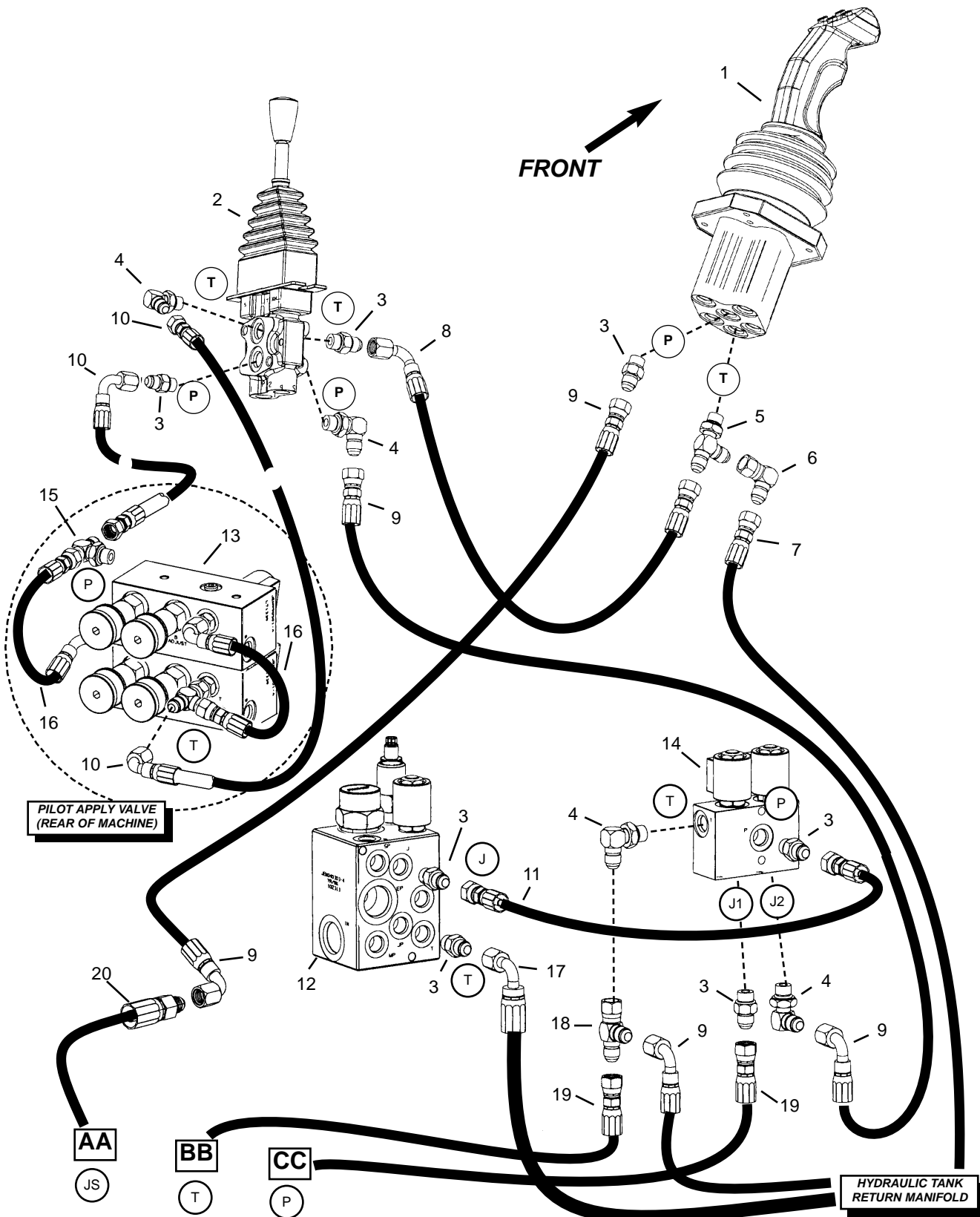
NOTE: Hose reference AA, BB, and CC attach to radio remote manifold. Refer to the "Main Valve - Radio Remote" section for more information.

RS6-34 Telescopic Handler

Hydraulics

Tri-Function Control (Option) with Radio Remote

Ref. No.	Part No.	Description	Qty. Req.	Ref. No.	Part No.	Description	Qty. Req.
01	L71346	CONTROLLER, TRI-FUNCTION. . .	1	12	102313	MANIFOLD, JOYSTICK RELIEF. . .	1
02	103264	CONTROLLER, FRAME LEVEL. . .	1	13	L71339	PILOT APPLY MANIFOLD.	2
03	L444002	ADAP, -6ORM -6JICM STR.	7	14	102321	MANIFOLD, PWP JOYSTICK.	1
04	L445003	ADAP, -6ORM -6JICM 90 ⁰	4	15	103368	HOSE, -6 A6/DS6 52"	1
05	L81233	ADAP, -6ORM -6JICM RUN TEE . .	1	16	L446049	ADAP, -6JICM -6JICFS R TEE . . .	1
06	L60653	ADAP, -6JICM -6JICFS 90 ⁰	1	17	L69905	HOSE, -4 A6/A6 130"	2
07	103315	HOSE, -4 A6/A6 60"	1	18	103505	HOSE, -4 H6/DS6 109"	1
08	L69903	HOSE, -4 A6/DS6 17"	1				
09	103318	HOSE, -4 A6/DS6 52"	3				
10	102831	HOSE, -4 A6/DS6 102"	2				
11	L63381	HOSE, -4 A6/DS6 15"	1				
						-- ITEMS NOT SHOWN --	
				00	105580	TRI-FUNCTION WIRE HARNESS . .	1



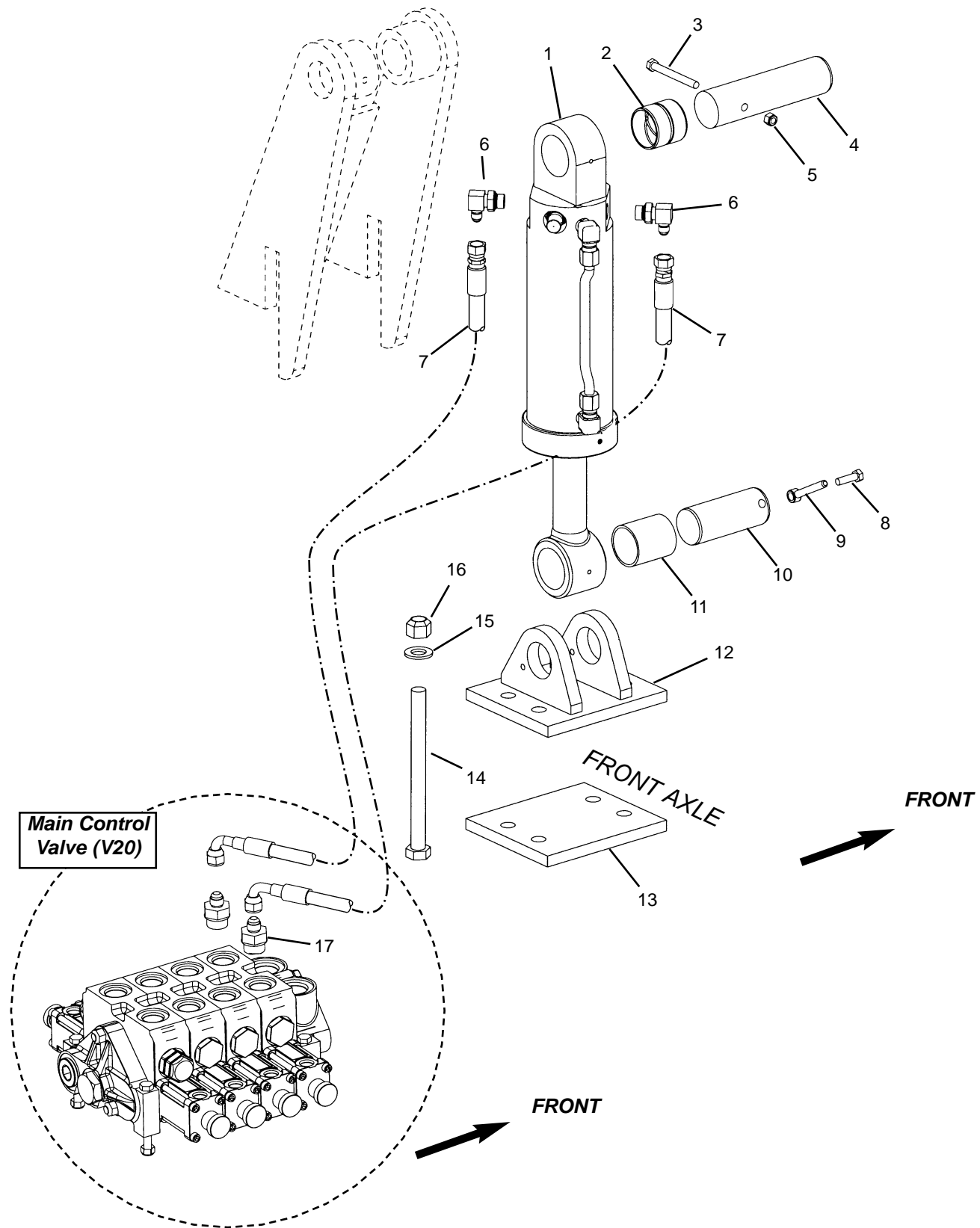
NOTE: Hose reference AA, BB, and CC attach to radio remote manifold. Refer to the "Main Valve - Radio Remote" section for more information.

RS6-34 Telescopic Handler

Hydraulics

Tri-Function Control (Option) with Radio Remote and Auxiliary Hydraulics

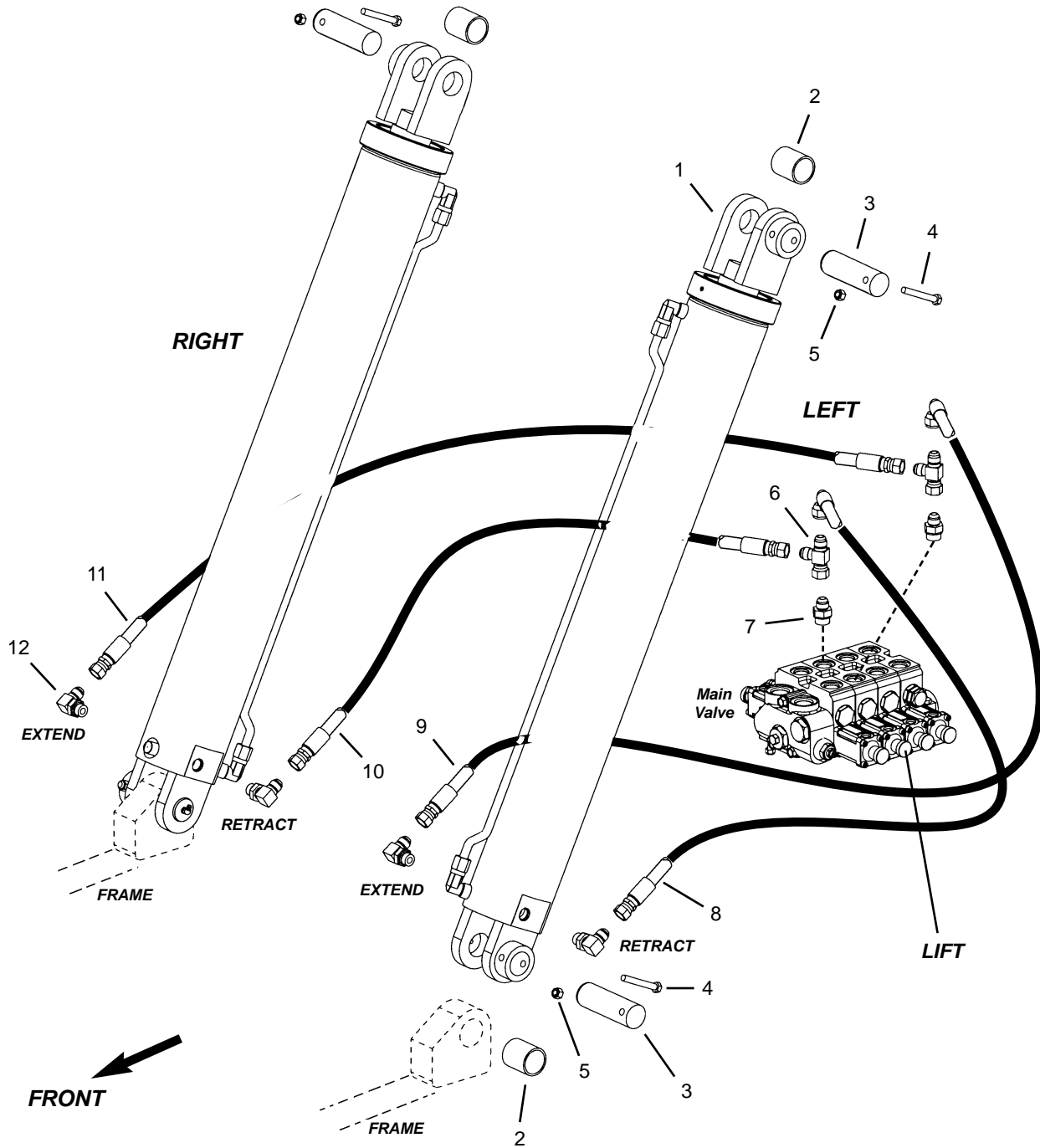
Ref. No.	Part No.	Description	Qty. Req.	Ref. No.	Part No.	Description	Qty. Req.
01	L71346	CONTROLLER, TRI-FUNCTION...	1	13	L71339	PILOT APPLY MANIFOLD.....	2
02	103264	CONTROLLER, FRAME LEVEL...	1	14	102321	MANIFOLD, PWP JOYSTICK.....	1
03	L444002	ADAP, -6ORM -6JICM STR.....	7	15	L51762	ADAP, -6ORM -6JICM B TEE.....	1
04	L445003	ADAP, -6ORM -6JICM 90 ⁰	4	16	105593	HOSE, -4 A6/DS6 12".....	2
05	L81233	ADAP, -6ORM -6JICM RUN TEE..	1	17	103368	HOSE, -6 A6/DS6 52".....	1
06	L60653	ADAP, -6JICM -6JICFS 90 ⁰	1	18	L446049	ADAP, -6JICM -6JICFS R TEE...	1
07	103315	HOSE, -4 A6/A6 60".....	1	19	L69905	HOSE, -4 A6/A6 130".....	2
08	L69903	HOSE, -4 A6/DS6 17".....	1	20	103505	HOSE, -4 H6/DS6 109".....	1
09	103318	HOSE, -4 A6/DS6 52".....	3				
10	102831	HOSE, -4 A6/DS6 102".....	2				
11	L63381	HOSE, -4 A6/DS6 15".....	1				
12	102313	MANIFOLD, JOYSTICK RELIEF...	1				
						-- ITEMS NOT SHOWN --	
				00	105580	TRI-FUNCTION WIRE HARNESS .	1



RS6-34 Telescopic Handler

Hydraulics Frame Level Circuit

Ref. No.	Part No.	Description	Qty. Req.	Ref. No.	Part No.	Description	Qty. Req.
01	<i>Note a</i>	LEVEL CYLINDER	1	11	L63016	BRONZE BEARING	1
02	L64367	BRONZE BEARING	1	12	L68878	FRAME LEVEL MOUNT	1
03	L50277	3/8"-16X3-1/2" BOLT	1	13	L68876	PLATE, FRAME LEVEL.....	1
04	L63276	PIN, CYLINDER (BASE END).....	1	14	L50712	3/4"-10X9" GR8 BOLT.....	4
05	L520005	3/8"-16 NYLON INSERT NUT.....	1	15	L50157	3/4" FLAT WASHER	4
06	L68794	ADAP, W/ORIFICE -8ORM -6JICM.	2	16	L50084	3/4"-10 STOVER NUT.....	4
07	L68809	HOSE, -4 A6/DS6 136".....	2	17	L60253	ADAP, -10ORM -6JICM.....	2
08	L50403	3/8"-16X1-1/4' BOLT	1				
09	L68881	LOCK, PIVOT PIN.....	1	<i>a</i>	<i>Refer to the Hydraulic Component section for a listing of cylinders and parts.</i>		
10	L68882	PIVOT PIN (ROD END).....	1				



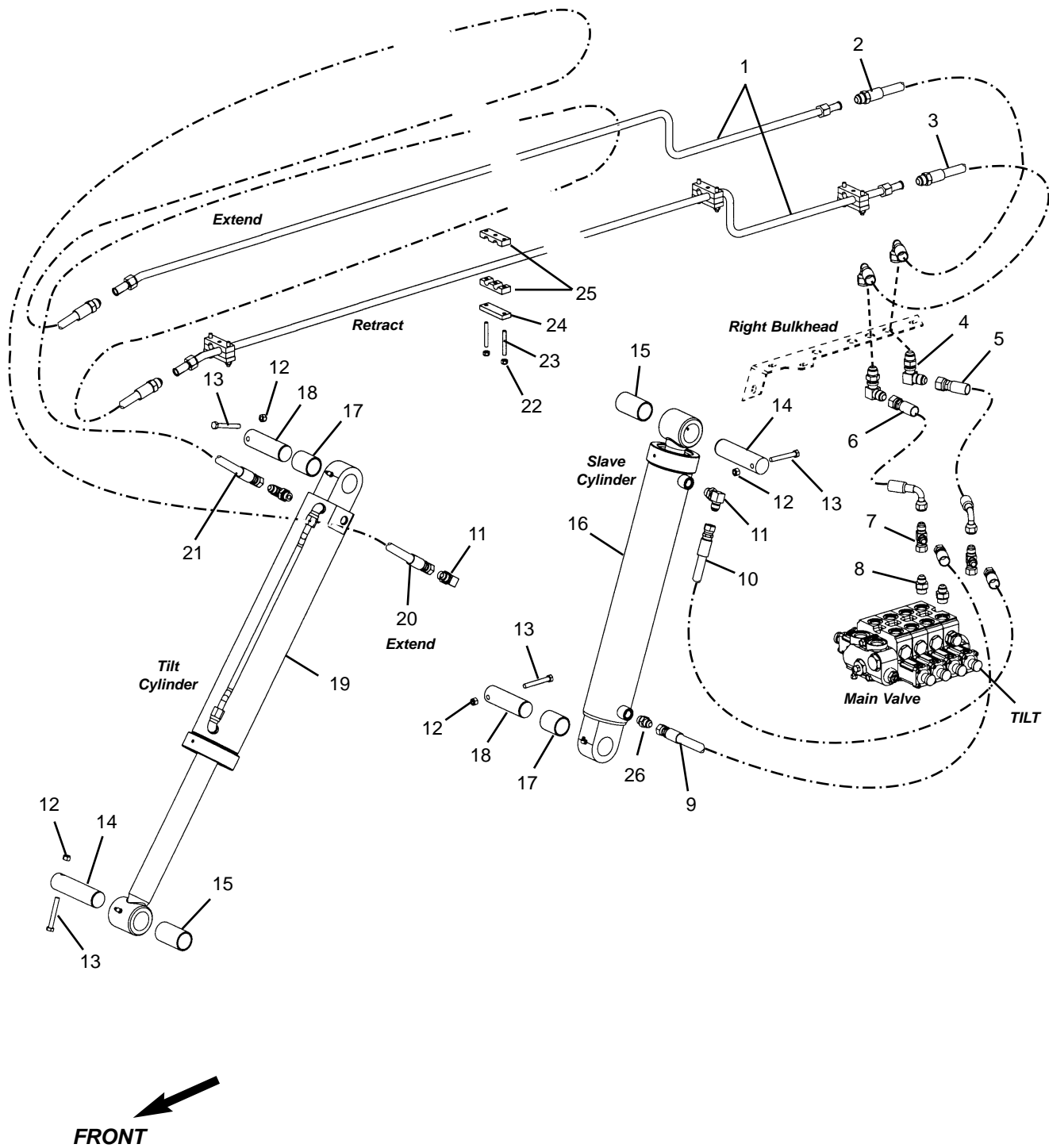
RS6-34 Telescopic Handler

Hydraulics

Lift Circuit

Ref. No.	Part No.	Description	Qty. Req.	Ref. No.	Part No.	Description	Qty. Req.
01	<i>Note a</i>	LIFT CYLINDER	2	07	L444008	ADAP -10ORM -8JICM STR	2
02	L63017	BRONZE BUSHING	4	08	L68807	HOSE, -6 A8/DS8 54"	1
03	L63274	PIN, LIFT CYLINDER	4	09	L68808	HOSE, -6 A8/DS8 48"	1
04	L50273	3/8"-16X2-3/4" BOLT	4	10	L63407	HOSE, -6 A8/A8 48"	1
05	L520005	3/8"-16 NYLON INSERT NUT	4	11	L63407	HOSE, -6 A8/A8 48"	1
06	L446026	ADAP -8JICFS -8JICM RUN TEE	2	12	L445002	ADAP -8ORM -8JICM 90 DEG	4

a Refer to the Hydraulic Component section for a listing of cylinders and parts.



RS6-34 Telescopic Handler

Hydraulics Tilt / Slave Circuit

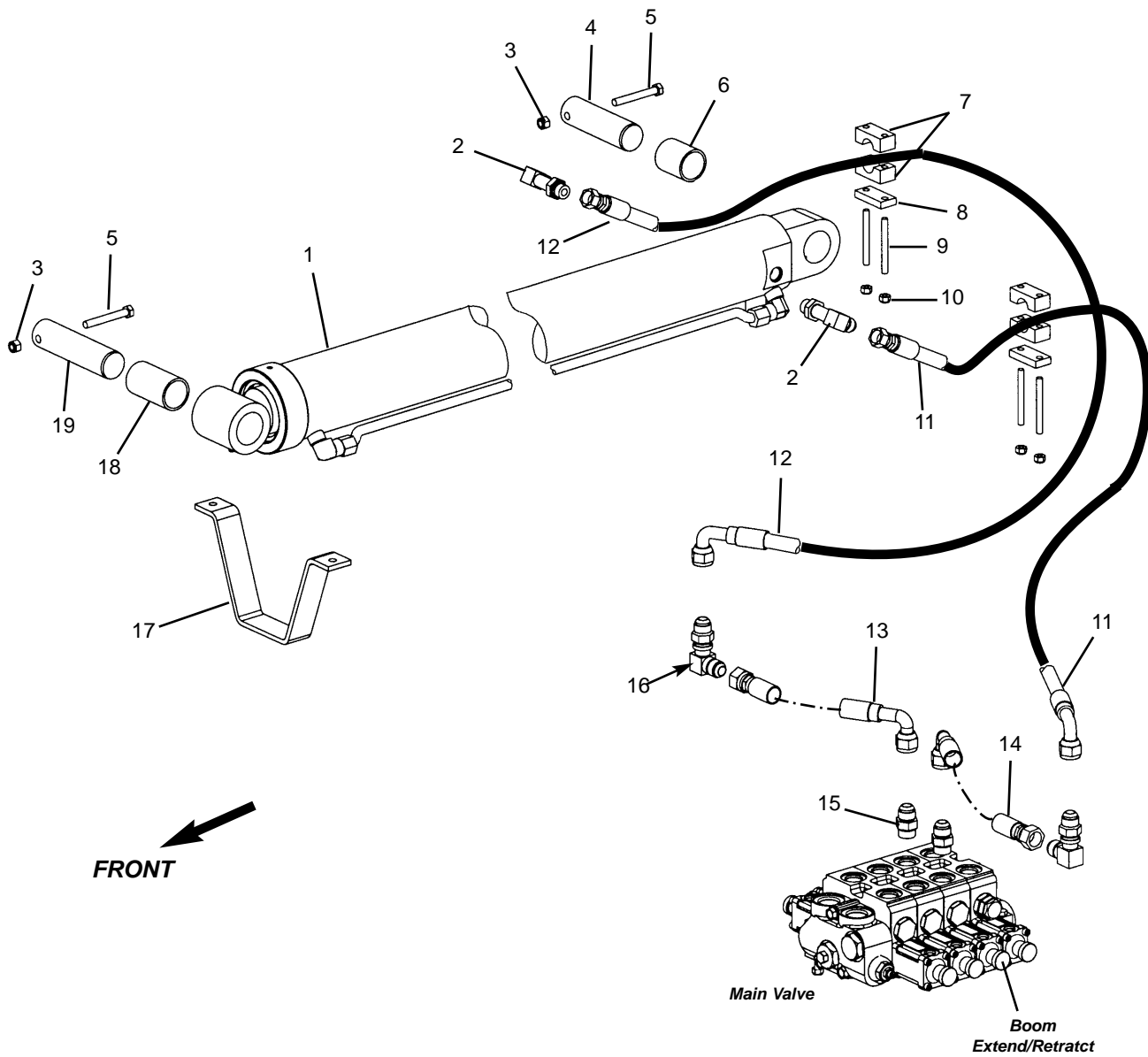
Ref. No.	Part No.	Description	Qty. Req.	Ref. No.	Part No.	Description	Qty. Req.
01	L68351	TUBE, TILT/AUX	2	21 ^b	L68374	HOSE, -6 A8/H10 322"	1
02	L68239	HOSE, -8 H10/DS10 54"	1	22	L520004	5/16"-18 NYLON INSERT NUT	8
03	L68239	HOSE, -8 H10/DS10 54"	1	23	L50877	5/16"-18X2-1/4" STUD.	8
04	L443011	ADAP, -10JICM BLKHEAD 90DEG . 2		24	L63715	PLATE, TWIN CUSHION.	8
05	L68815	HOSE, -8 A10/DS8 17"	1	25	L68039	5/8" DOUBLE TUBE CUSHION . . 16	
06	L68816	HOSE, -8 A10/DS8 14"	1	26	L445013	ADAP, -8ORM -8JICM 45 DEG . . . 1	
07	L446026	ADAP, -8JICFS -8JICM RUN TEE . 2					
08	L444008	ADAP, -10ORM -8JICM	2				
09	L68817	HOSE, -6 A8/A8 26"	1				
10	L63407	HOSE -6 A8/A8 48"	1				
11	L445002	ADAP, -8ORM -8JICM 90 DEG . . . 3		00	L50207	VINYL CLAMP	2
12	L520005	3/8"-16 NYLON INSERT NUT	4	00	L50228	5/16"-18X1/2" BOLT	2
13	L50273	3/8"-16X2-3/4" BOLT	4	00	L520004	5/16"-18 NYLON INSERT NUT . . . 2	
14	L63272	PIN, CYLINDER (<i>rod end</i>).	2				
15	L63018	BUSHING BUSHING (<i>rod end</i>). . . . 2					
16	Note a	CYLINDER, SLAVE	1	a		Refer to the Hydraulic Component section for a listing of cylinders and parts.	
17	L63017	BUSHING (<i>base end</i>)	2				
18	L63273	PIN, CYLINDER BUSH. (<i>base end</i>) 2		b		Used with protective fabric sleeve part number L500784.	
19	Note a	CYLINDER, TILT	1				
20 ^b	L68374	HOSE, -6 A8/H10 322"	1				

--- ITEMS NOT SHOWN ---

Hydraulics

Boom Extend Circuit

RS6-34 Telescopic Handler



RS6-34 Telescopic Handler

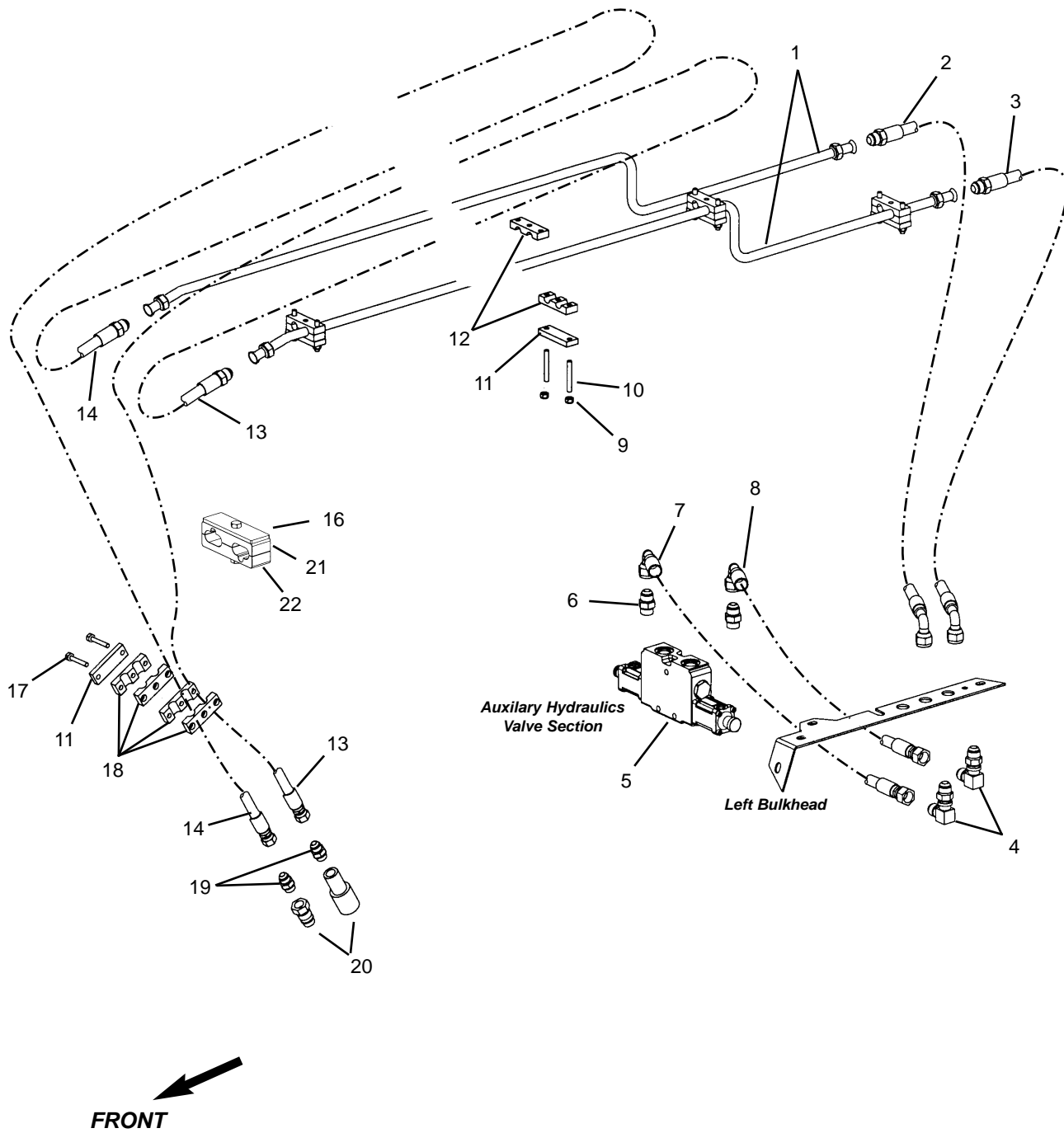
Hydraulics Boom Extend Circuit

Ref. No.	Part No.	Description	Qty. Req.	Ref. No.	Part No.	Description	Qty. Req.
01	<i>Note a</i>	CYLINDER, EXTEND	1	14	L68814	HOSE, -8 A10/DS10 15"	1
02	L443022	ADAP, -8ORM -8JICM 90 LONG.	2	15	L444010	ADAP, -10ORM -10JICM.	2
03	L520005	3/8"-16 NYLON INSERT NUT	2	16	L443011	ADAP, -10JICM 90 BLKHEAD.	2
04	L63273	PIN, CYLINDER (<i>base end</i>)	1	17	L63694	EXTEND CYL. BRACKET.	1
05	L50273	3/8"-16X2-3/4" BOLT	2		L50367	3/8"-16X1" BOLT	2
06	L63017	BUSHING (<i>base end</i>)	1		L50147	3/8" LOCK WASHER.	2
07	L68348	7/8" HOSE CUSHION, SINGLE	4	18	L63018	BUSHING (<i>rod end</i>).	1
08	L68356	CUSHION TOP PLATE	2	19	L63272	PIN, CYLINDER (<i>rod end</i>).	1
09	L50878	5/-16"-18X3" STUD	4				
10	L520004	5/16"-18 NYLON INSERT NUT	4				
11	L68352	HOSE, -8 A8/DS10 73"	1	a	<i>Refer to the Hydraulic Component section for a listing of cylinders and parts.</i>		
12	L68352	HOSE, -8 A8/DS10 73"	1				
13	L68814	HOSE, -8 A10/DS10 15"	1				

Hydraulics

Auxiliary Hydraulics Circuit

RS6-34 Telescopic Handler



RS6-34 Telescopic Handler

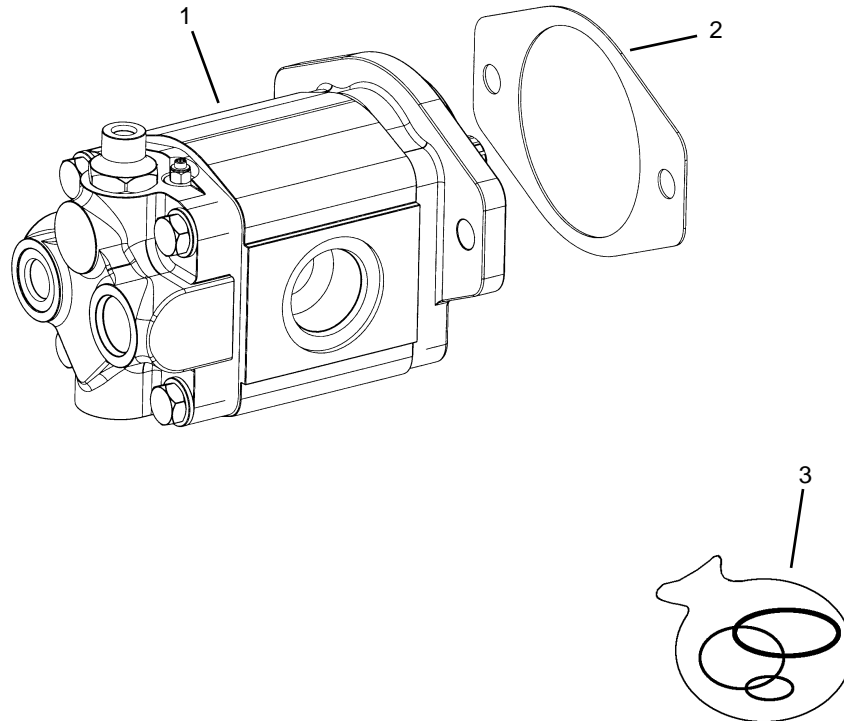
Hydraulics Auxiliary Hydraulics Circuit

Ref. No.	Part No.	Description	Qty. Req.	Ref. No.	Part No.	Description	Qty. Req.
01	L68351	TUBE, TILT/AUX	2	17	L50545	5/16"-18X2-3/4" BOLT	2
02	L68239	HOSE, -8 H10/DS10 54"	1		L50143	5/16" LOCK WASHER	2
03	L68239	HOSE, -8 H10/DS10 54"	1	18	L63716	11/16" DOUBLE TUBE CUSHION	4
04	L443011	ADAP, -10JICM BLKHEAD 90DEG	2	19	L444004	ADAP, -8ORM -8JICM STR.	2
05 ^a	L68778	KIT, VALVE SECTION	1	20	L65273	COUPLER SET	1
06	L444008	ADAP, -10ORM -8JICM	2	21	103330	CLAMP, BOOM HOSES	AR
07	L68815	HOSE, -8 A10/DS8 17"	1	22	103331	CLAMP, BOOM W/INSERT	AR
08	L68816	HOSE, -8 A10/DS8 14"	1				
09	L520004	5/16"-18 NYLON INSERT NUT	10				
10	L50877	5/16"-18X2-1/4" STUD	8				
11	L63715	PLATE, TWIN CUSHION	8	a	<i>Kit includes a single V20 valve section and tie bolt kit for five section valve.</i>		
12	L68039	5/8" DOUBLE TUBE CUSHION	16				
13 ^b	L68376	HOSE, -6 A8/H10 352"	1				
14 ^b	L68376-	HOSE, -6 A8/H10 352"	1	b	<i>Used with protective fabric sleeve part number L500784.</i>		
16	L71748	TOP PLATE, HOSE CLAMP	1				

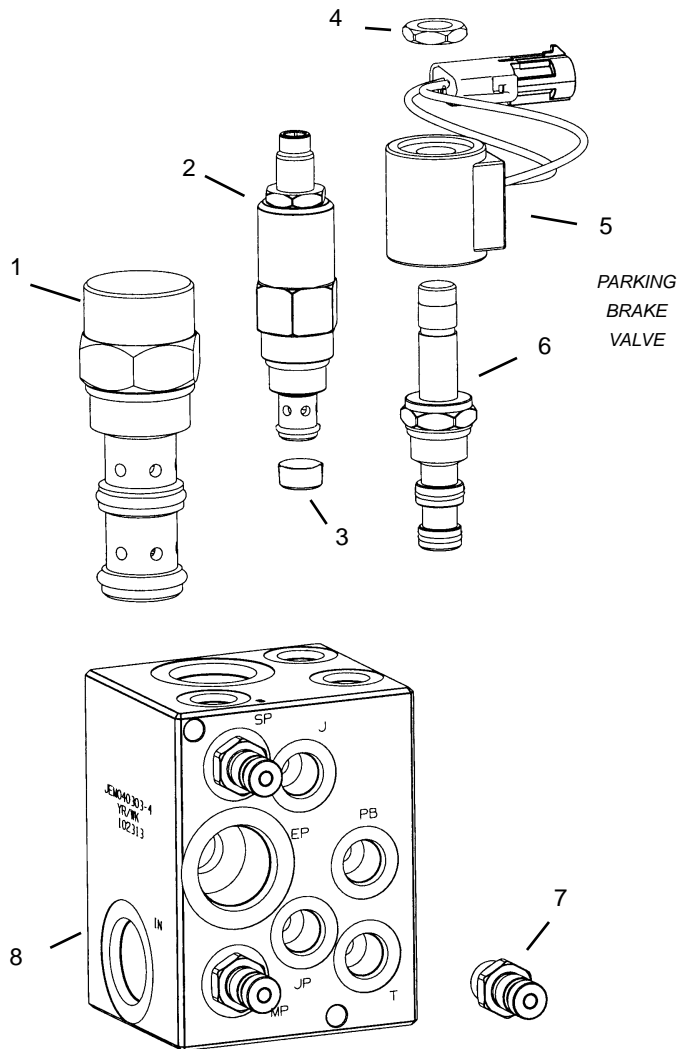
Hydraulic Components

Hydraulic Pump

RS6-34 Telescopic Handler



Ref. No.	Part No.	Description	Qty. Req.	Ref. No.	Part No.	Description	Qty. Req.
01	103130	HYDRAULIC PUMP	1	03	L500368	SEAL KIT.....	1
02	L46865	GASKET	1			(Items included are not shown.)	

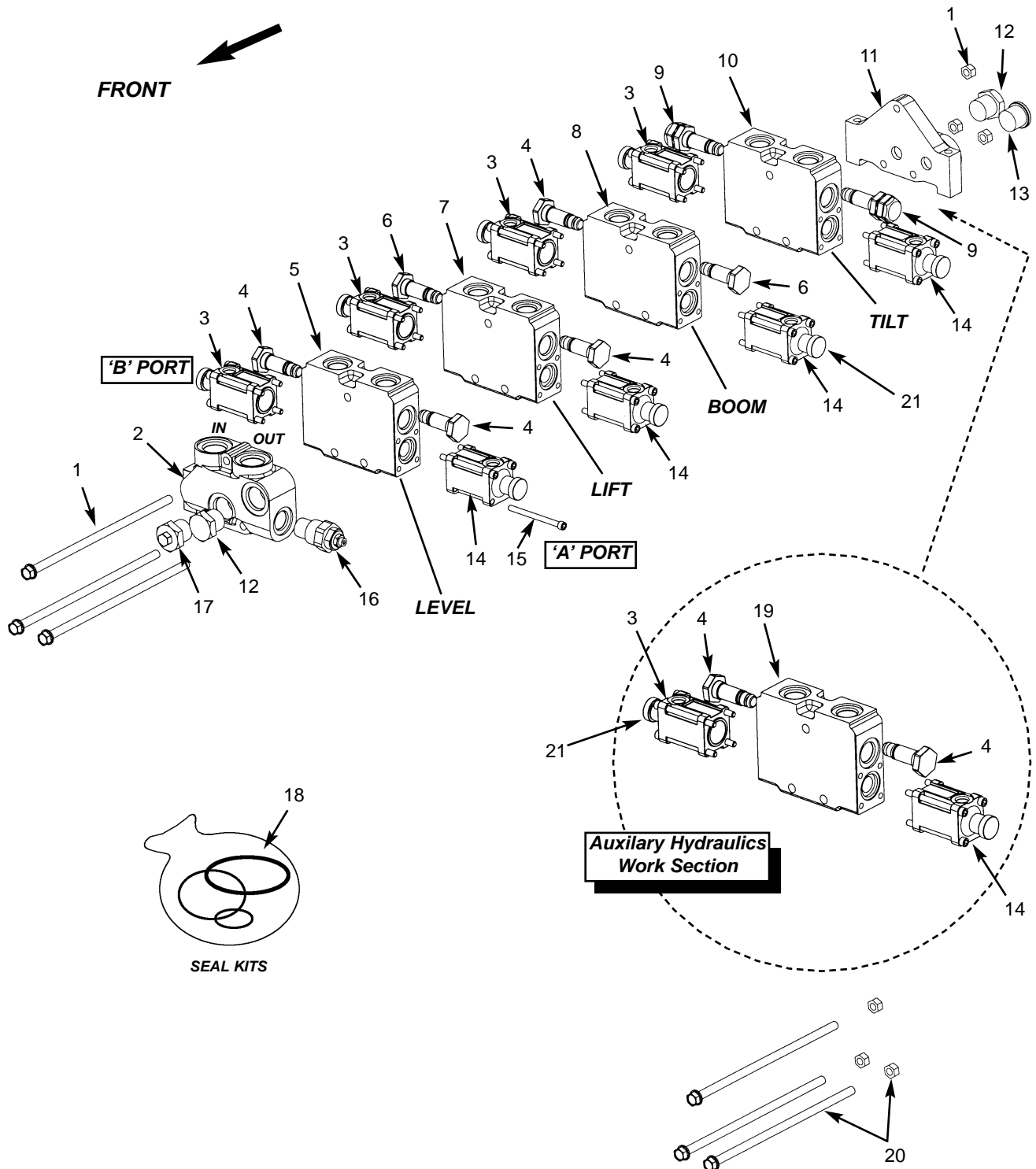


Ref. No.	Part No.	Description	Qty. Req.	Ref. No.	Part No.	Description	Qty. Req.
01	103017	PILOTED SPOOL LOGIC ELEM.	.1	08	102313	MANIFOLD, FLOW DIVIDER	1
02	L99927	RELIEF VALVE	.1	<i>(includes items 1-7)</i>			
	L99925	SEAL KIT	.1	-- ITEMS NOT SHOWN --			
03	105087	DEBRIS SCREEN	.1	<i>(Mounting Hardware)</i>			
04	NSS	NUT, SOLENOID VALVE	.1	00	L50217	1/4"-20X3-1/2" BOLT	.2
		<i>(included with item 5)</i>		00	L50139	1/4" LOCK WASHER	.2
05	L99908	12 VDC WEATHER PACK COIL	.1	00	L50137	1/4" FLAT WASHER	.2
		<i>(includes item 4)</i>		NOTE: Items included in seal kits are not shown.			
06	L99910	SOLENOID VALVE	.1				
	L99911	SEAL KIT	.1				
07	P471997	TEST PORT	.3				
	L62840	CAP, DUST COVER	.3				
		<i>(not shown)</i>					

Hydraulic Components

Main Hydraulic Valve

RS6-34 Telescopic Handler

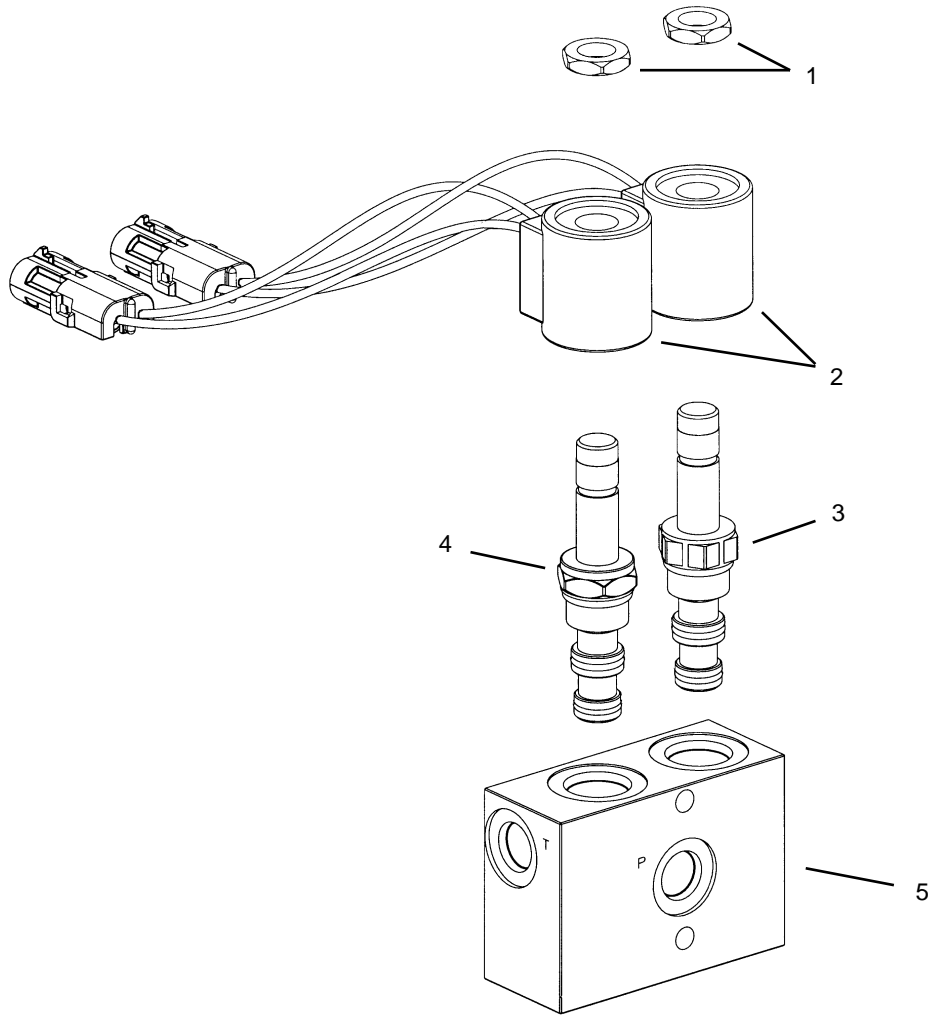


RS6-34 Telescopic Handler

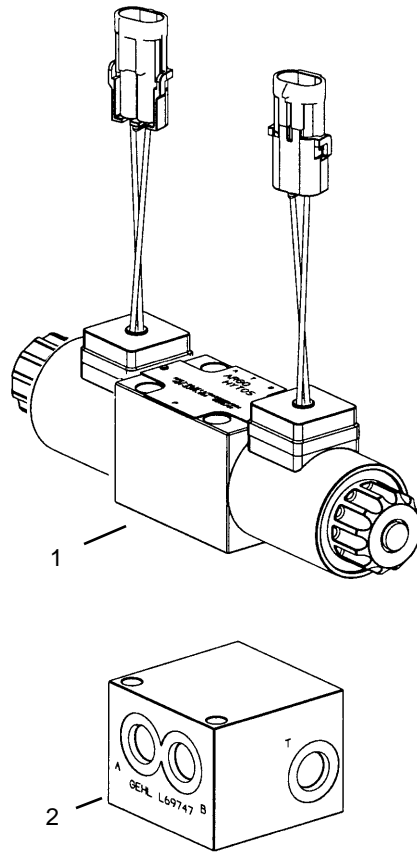
Hydraulic Components

Main Hydraulic Valve

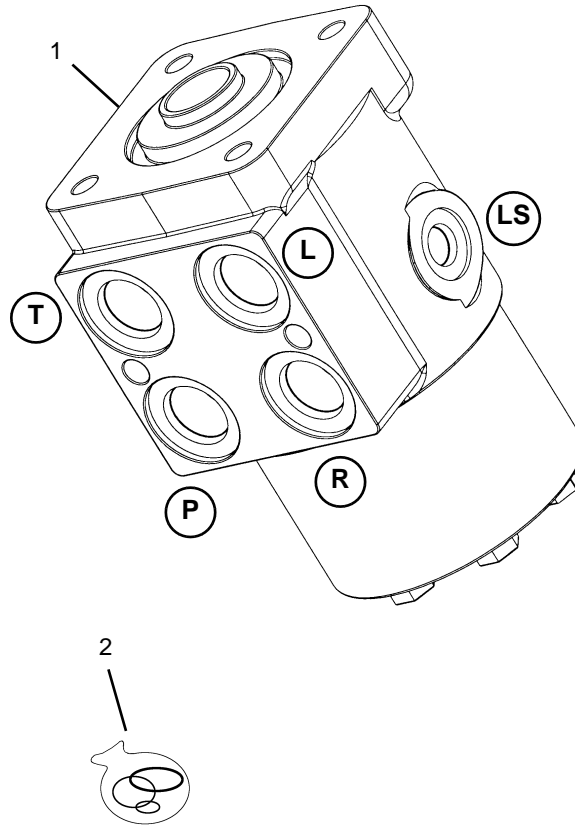
Ref. No.	Part No.	Description	Qty. Req.	Ref. No.	Part No.	Description	Qty. Req.
00	L68694	MAIN VALVE [V20] (<i>Complete</i>)	1	14	L500135	HRO ACUATOR "A" END	4
01	L98891	STUD KIT (tie bolts and nuts)	1	15	L500961	SCREW	32
02	L500954	INLET COVER.	1		654022	LOCK WASHER.	32
03	L500134	HRO ACUATOR "B" END	4	16	L500129	RELIEF CARTRIDGE (RP51-A)	1
04	L500132	NO RELIEF-NO ANTI-CAV.PLUG. . . .	4		L96580	RELIEF SEAL KIT	1
	L500130	SEAL KIT	1	17	L500958	PLUG WITH TEST PLUG	1
05	L98895	WORK SECTION 1 (<i>Level</i>)	1	18		SEAL KITS FOR WORK SECTIONS	
		(<i>includes items 3, 4, 14 & 15</i>)			L500127	SECTION SEAL KIT	1ea
06	L500952	NO RELIEF - ANTI-CAV PLUG. . . .	1			(<i>used with items 5-7 & 10</i>)	
07	L500953	WORK SECTION 2 (<i>Lift</i>)	1		L98887	SPOOL SEAL KIT	1ea
		(<i>includes items 3, 4, 6, 14 & 15</i>)				(<i>used with items 3 & 14</i>)	
08	L500956	WORK SECTION 3 (<i>Boom Ext.</i>)	1	19	L98895	WORK SECTION (<i>Aux. Hyd.</i>)	1
		(<i>includes items 3, 4, 6, 14 & 15</i>)		20	L500960	STUD ASSEMBLY KIT (<i>Aux. Hyd.</i>) . .	1
09	L98896	RELIEF CARTRIDGE	2			(<i>used with item 20</i>)	
	L98897	SERVICE KIT (<i>less seals</i>)	2	21	L500300	DUST BOOT.	AR
	L98898	SEAL KIT	2				
10	L98899	WORK SECTION 4 (<i>Tilt</i>)	1				
		(<i>includes items 3, 9, 14 & 15</i>)					
11	L500955	OUTLET COVER.	1	00	L68778	-- ITEMS NOT SHOWN --	
12	L500957	PLUG SAE-12	1			KIT, VALVE SECTION (AUX.)	1
13	L500959	PLUG SAE 12 (SOCKET HEAD)	1			(<i>includes all items shown on facing</i>	
						<i>page in the "Auxiliary Hydraulics</i>	
						<i>Work Section" group and item 20)</i>	



Ref. No.	Part No.	Description	Qty. Req.	Ref. No.	Part No.	Description	Qty. Req.
00	102321	MANIFOLD, PWP JOYSTICK	1	04	L99910	SOLENOID VALVE	1
		<i>(Complete assembly)</i>			L99911	SEAL KIT	1
01	NSS	NUT, SOLENOID VALVE	2			<i>(Items included are not shown)</i>	
		<i>(included with item 3 and 4)</i>					
02	L99908	12 VDC WEATHER PACK COIL	2	05	NSS	MANIFOLD	1
03	L99909	SOLENOID VALVE	1				
	L99911	SEAL KIT	1				
		<i>(Items included are not shown.)</i>					

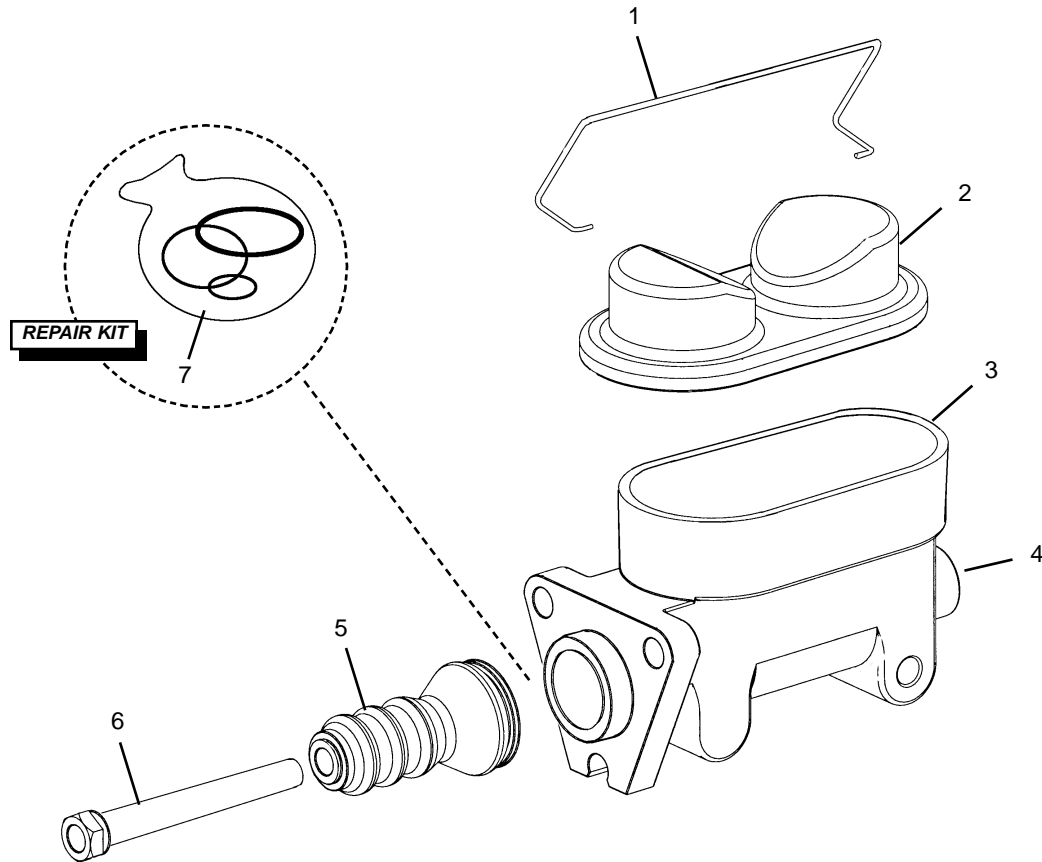


Ref. No.	Part No.	Description	Qty. Req.	Ref. No.	Part No.	Description	Qty. Req.
00	L69747	STEER SELECT VALVE, COMPL. . 1 <i>(Includes items 1 and 2)</i>		00	L68711	-- ITEMS NOT SHOWN -- WIRE HARNESS 2 <i>(Connects wire leads to frame wiring.)</i>	
01	L99921	WEATHER PAK VALVE 1					
02	NSS	MANIFOLD 1					

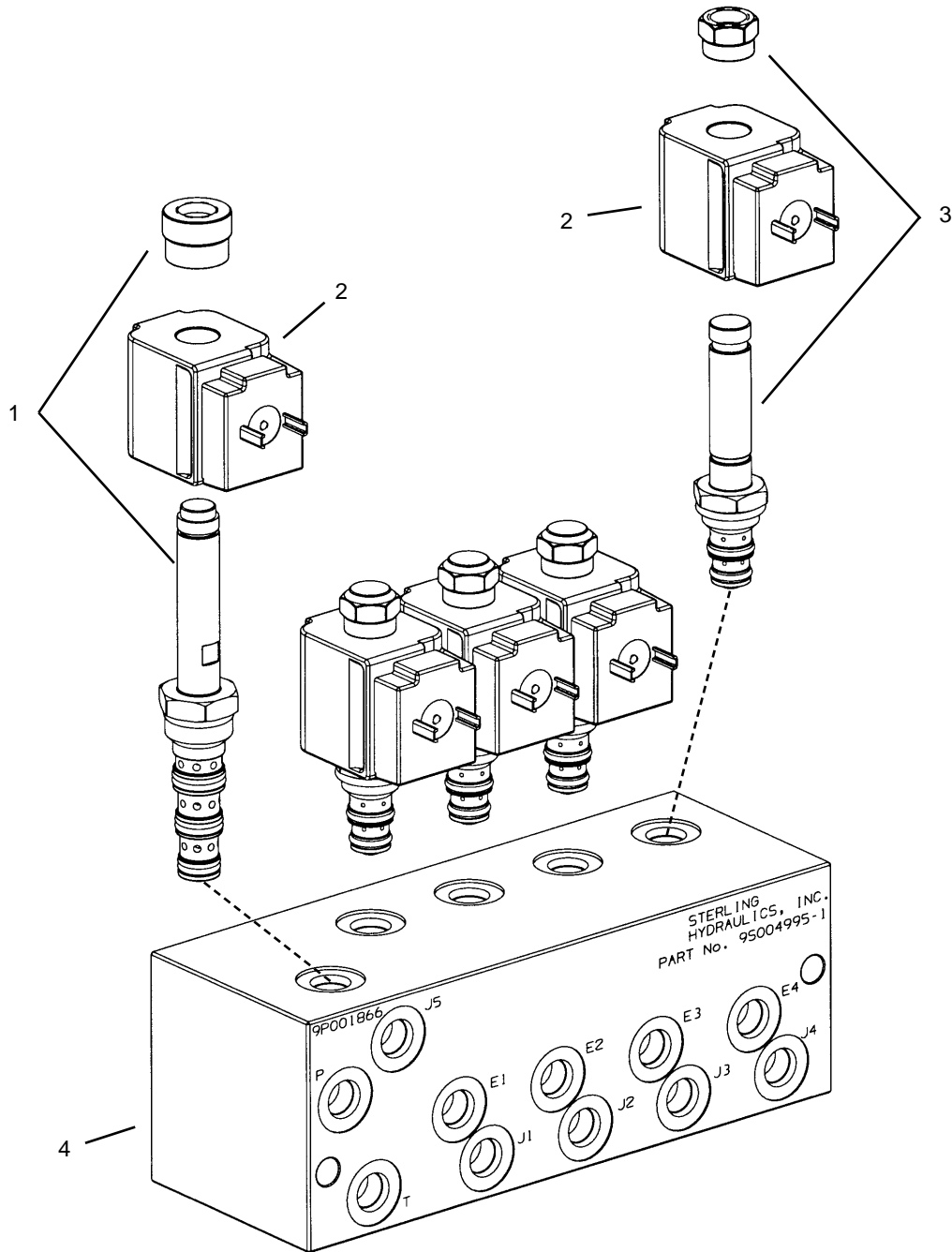


Ref. No.	Part No.	Description	Qty. Req.	Ref. No.	Part No.	Description	Qty. Req.
01	101882	STEERING CONTROL UNIT	1	02	L500968	SEAL KIT	1
						(Items included are not shown.)	

NOTE: Field service is limited to seals replacement.



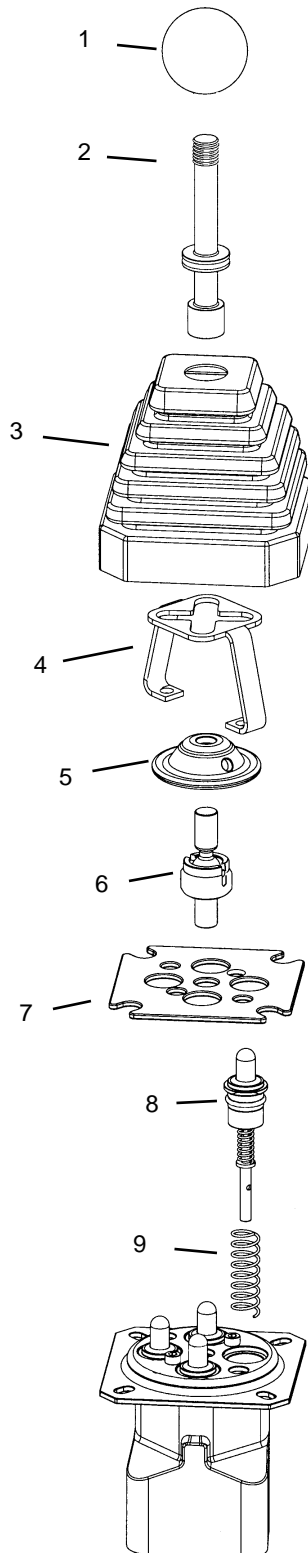
Ref. No.	Part No.	Description	Qty. Req.	Ref. No.	Part No.	Description	Qty. Req.
00	L63363	BRAKE VALVE ASY. (Complete).... (Unit requires two brake valves)		06	NSS	PUSH ROD	1
01	NSS	BAIL WIRE.....	1	07 ^a	L98537	REPAIR KIT.....	1
02	L98533	COVER	1			(Items included are not shown.)	
	L98534	DIAPHRAM GASKET.....	1	a		Repair kit includes seals, cups, return spring, second arm piston, and snap ring. Piston is not included or sold seperately.	
03	NSS	BODY					
04	NSS	TUBE SEAT (not shown).....	1				
05	L98536	RUBBER BOOT	1				



RS6-34 Telescopic Handler

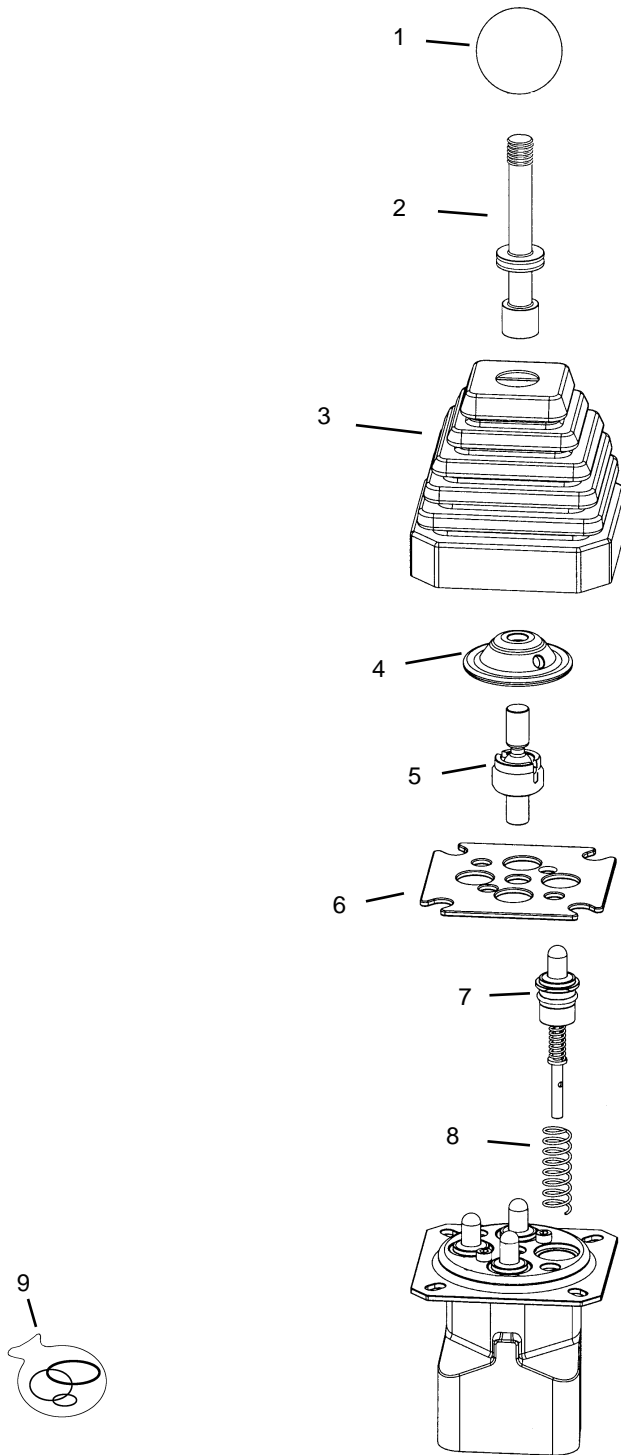
Hydraulic Components Radio Remote (Option) Manifold

Ref. No.	Part No.	Description	Qty. Req.	Ref. No.	Part No.	Description	Qty. Req.
00	103413	COMPLETE VALVE	1	04	NSS	MANIFOLD	1
		<i>(includes all items shown and listed)</i>					
01	103508	2/4 WAY SOLENOID VALVE	1			-- ITEMS NOT SHOWN --	
	103511	SEAL KIT FOR VALVE	1	00	103514	SHUTTLE VALVE	4
02	103510	12 VDC COIL (DIN CONN.)	5		103513	SEAL KIT FOR VALVE	AR
03	103509	PROPORTIONAL PRESS. VALVE	4				
	103512	SEAL KIT FOR VALVE	AR				



Ref. No.	Part No.	Description	Qty. Req.	Ref. No.	Part No.	Description	Qty. Req.
00	103262	HYD. CONTROLLER <i>(Complete)</i>	1	06	103115	PIVOT/ BALL JOINT	1
01	103122	KNOB	1	07	103116	PLATE / BOOT MOUNT	1
02	103112	LEVER ROD <i>(as shown)</i>	1	08	103403	METERING CURVE <i>(as shown)</i>	4
03	103113	BOOT	1	09	103404	RETURN SPRING	4
04	102674	LOCK GATE	1	10 ^a	103117	SEAL KIT	1
05	103114	SELECTOR DISC	1				

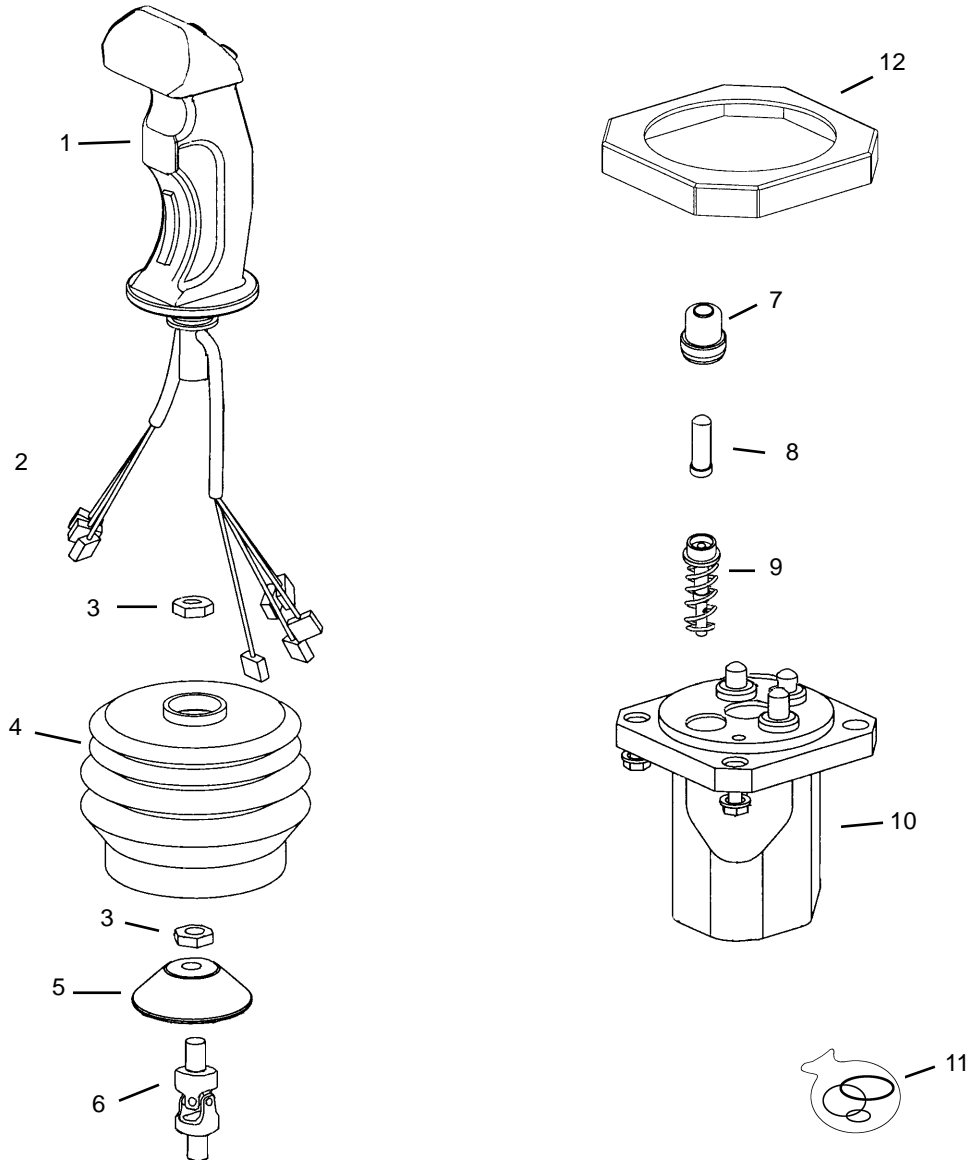
a Items included in seal kit are not shown.



RS6-34 Telescopic Handler

Hydraulic Components Controller - Lift/Extend

Ref. No.	Part No.	Description	Qty. Req.	Ref. No.	Part No.	Description	Qty. Req.
00	103263	HYD. CONTROLLER <i>(Complete)</i>	1	07	103403	METERING CURVE <i>(as shown)</i>	4
01	103122	KNOB	1	08	103404	RETURN SPRING	4
02	103112	LEVER ROD <i>(as shown)</i>	1	09 ^a	103117	SEAL KIT	1
03	103113	BOOT	1				
04	103114	SELECTOR DISC	1				
05	103115	PIVOT/ BALL JOINT	1				
06	103116	PLATE /BOOT MOUNT	1				
				a		<i>Items included in seal kit are not shown.</i>	

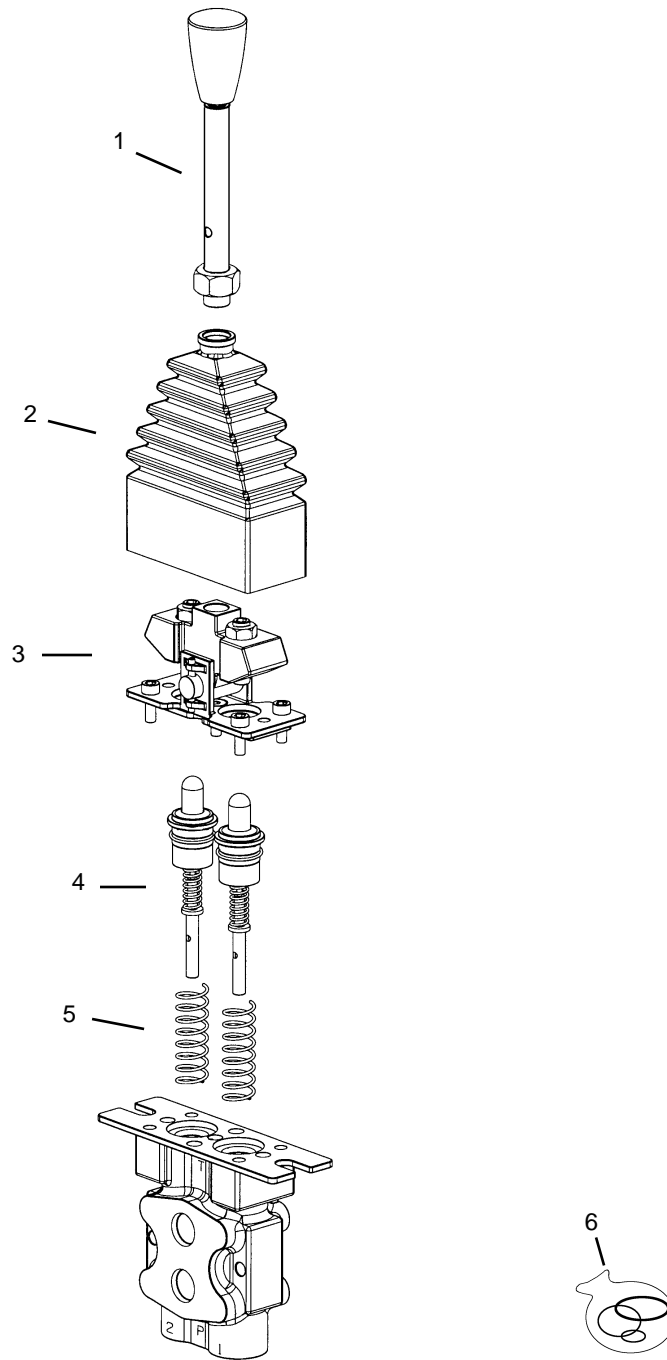


RS6-34 Telescopic Handler

Hydraulic Components Controller - Tri-Function (Option)

Ref. No.	Part No.	Description	Qty. Req.	Ref. No.	Part No.	Description	Qty. Req.
00	L71346	JOYSTICK 4BUTTN/TRIGGER	1	07	L500692	SPINDLE GUIDE ASSEMBLY	4
01	L500371	HANDLE W/4 BUTTONS	1	08	L500690	HPV SPINDLE 10mm	4
02	L62761	WIRE CONNECTOR	8	09	L500691	PILOT SRPING PACK C094	4
03	L500688	NUT M10 UNI	2	10	NSS	BODY ASSEMBLY	1
04	L500656	RUBBER BOOT	1	11 ^a	L500653	SEAL REPAIR KIT	1
05	L500689	SELECTOR DISC	1	12	104304	BEZEL, JOYSTICK	1
06	L500652	UNIVERSAL JOINT	1				

a Items included in the seal kit are not shown.



RS6-34 Telescopic Handler (Tri-Function - Level Valve)

Hydraulic Components Controller - Auxiliary Hydraulics

Ref. No.	Part No.	Description	Qty. Req.	Ref. No.	Part No.	Description	Qty. Req.
00	103264	COMPLETE VALVE ASY.	1	05	103404	RETURN SPRING.....	2
01	103077	LEVER ROD (as shown).....	1	06 ^a	103083	SEAL KIT.....	1
02	103084	BOOT (included with item #3)....	1				
03	103078	CONTROL KIT.....	1				
		(includes item #2 Boot)					
04	103403	METERING CURVE (as shown)...	2				

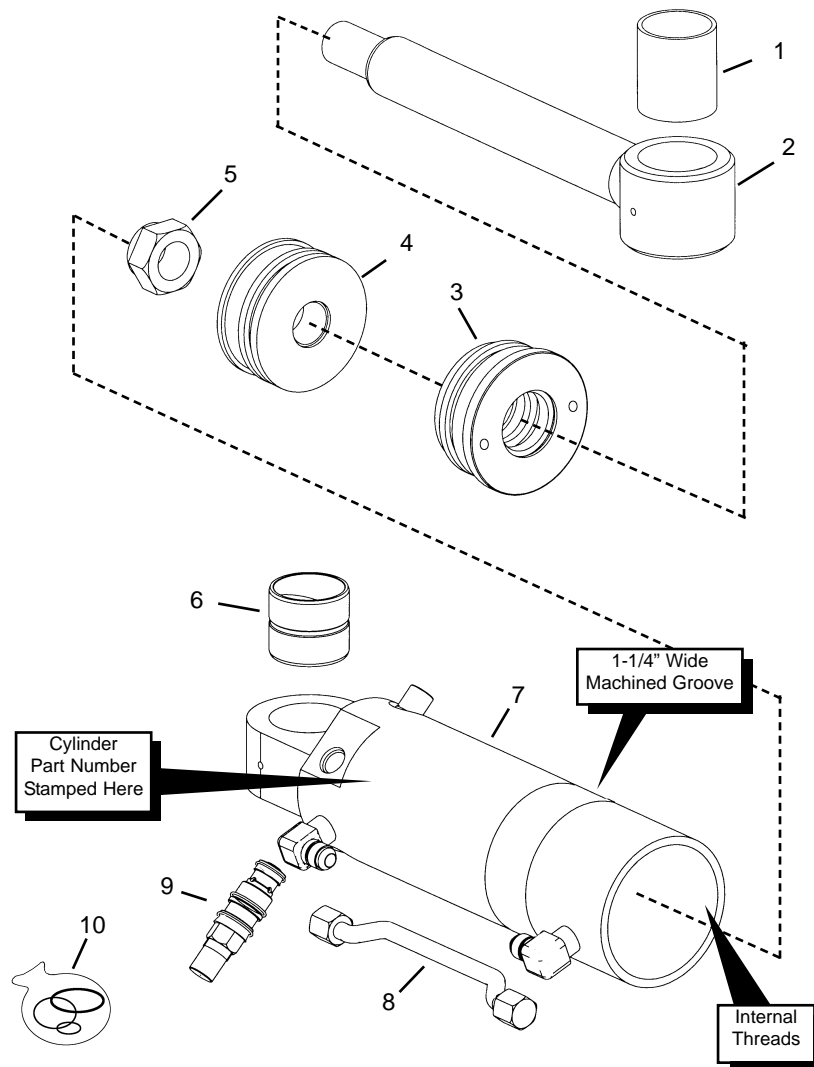
a Items included in seal kit are not shown.

Hydraulic Components

Frame Level Cylinder

RS6-34 Telescopic Handler

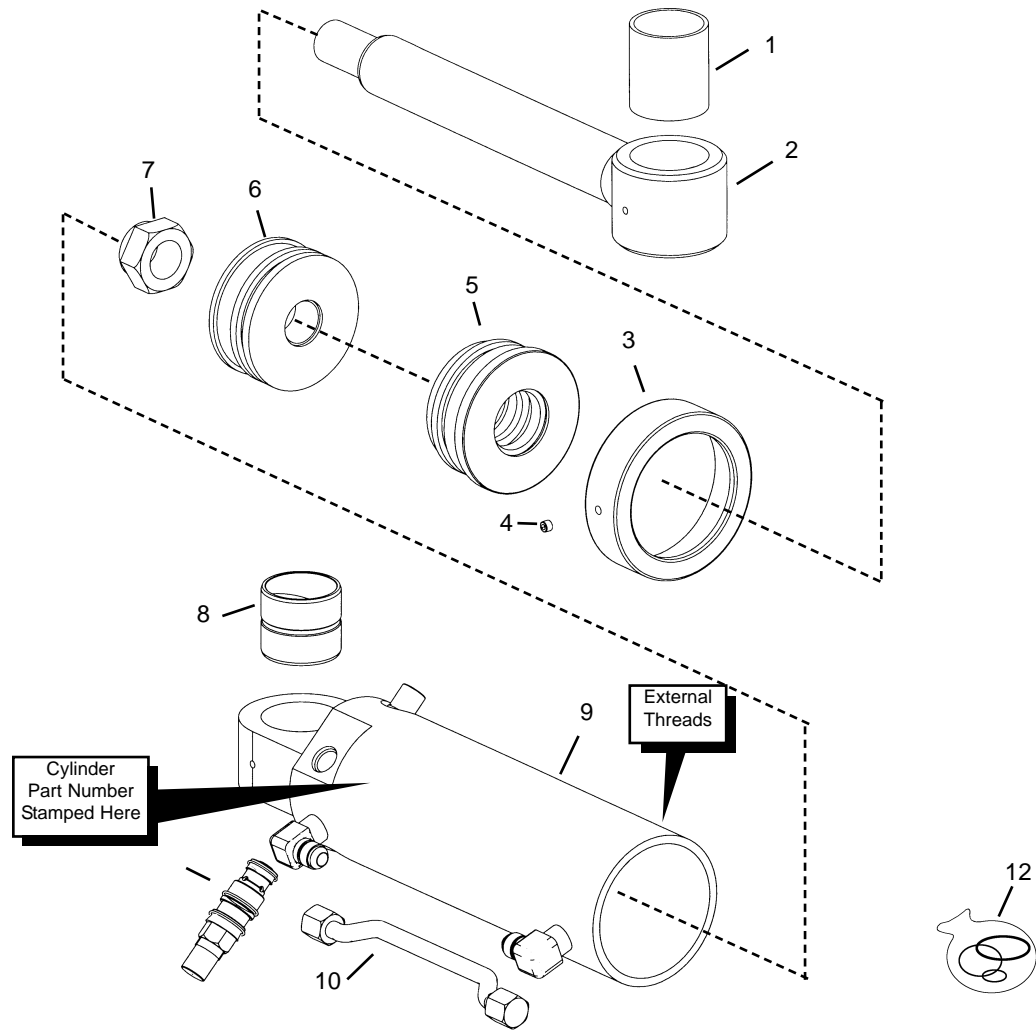
(Cylinder Stamped with PN 104130)



Ref. No.	Part No.	Description	Qty. Req.	Ref. No.	Part No.	Description	Qty. Req.
00	104130	FRAME LEVEL CYL. (Complete) .. 1 <i>(part number is stamped on cylinder)</i>	1	07	NSS	TUBE WELDMENT	1
01	104245	ROD (includes item 2)	1	08	104251	OIL LINE TUBE ASSEMBLY	1
02	L63016	BUSHING	1	09	L70495	COUNTER BALANCE VALVE	2
03	104264	HEAD GLAND	1		L97889	SEAL KIT (CBV)	1
04	104260	PISTON	1	10	104277	CYLINDER SEAL KIT	1
05	104273	LOCKNUT	1			<i>(Items included are not shown.)</i>	
06	L64367	BUSHING	1				

RS6-34 Telescopic Handler (Cylinder Stamped with PN L63015)

Hydraulic Components Frame Level Cylinder



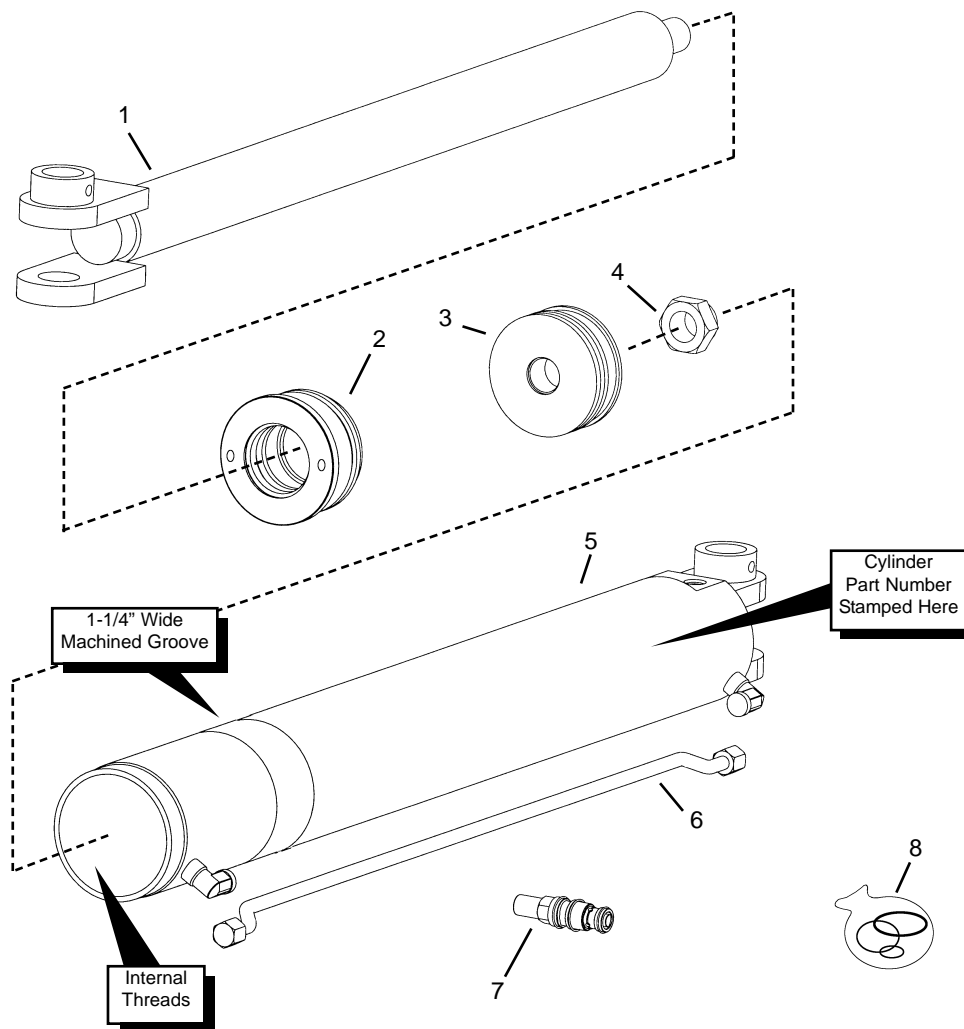
Ref. No.	Part No.	Description	Qty. Req.	Ref. No.	Part No.	Description	Qty. Req.
00	L63015	FRAME LEVEL CYL. (Complete) .. 1 <i>(part number is stamped on cylinder)</i>	1	07	L99405	1-1/4"-12 UNF LOCKNUT	1
01	L98503	ROD	1	08	L64367	BUSHING 2.0X2.25X2.0"	1
02	L63016	BUSHING	1	09	NSS	TUBE WELDMENT	1
03	L98547	HEAD GLAND CAP	1	10	L98509	OIL LINE TUBE ASSEMBLY	1
04	L99857	5/16"-18x1/4" SET SCREW	1	11	L70495	COUNTER BALANCE VALVE	2
05	L98507	HEAD GLAND	1		L97889	SEAL KIT (CBV)	1
06	L98550	PISTON	1	12	L98506	CYLINDER SEAL KIT	1
<i>(Items included are not shown.)</i>							

Hydraulic Components

Lift Cylinder

RS6-34 Telescopic Handler

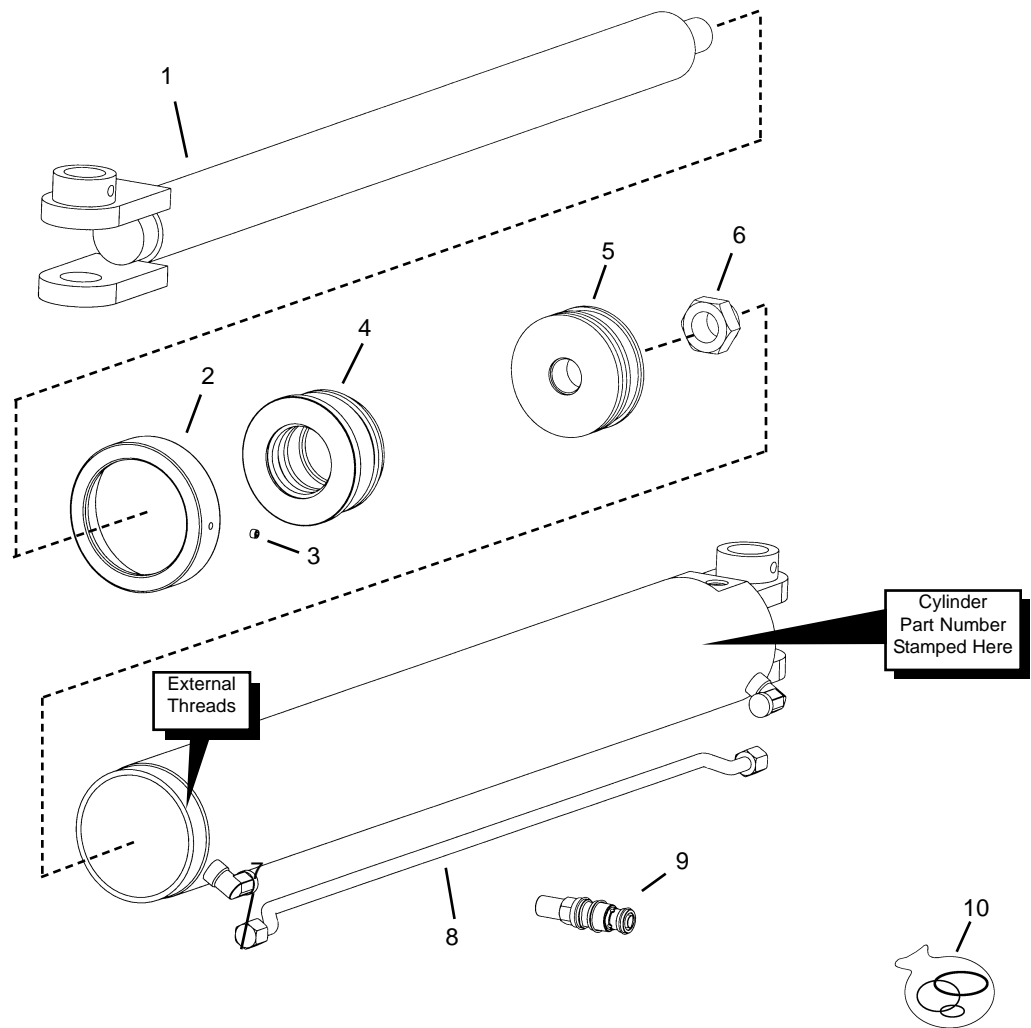
(Cylinder Stamped with PN 104131)



Ref. No.	Part No.	Description	Qty. Req.	Ref. No.	Part No.	Description	Qty. Req.
00	104131	LIFT CYLINDER (Complete)	2	06	104249	OIL LINE TUBE ASSEMBLY	1
		<i>(part number is stamped on cylinder)</i>				<i>(includes nuts and ferrules)</i>	
Note: Quantities shown are for one cylinder.							
01	104248	ROD WELDMENT	1	07	L64175	COUNTER BALANCE VALVE	1
02	104266	GLAND	1		L97889	SEAL KIT (CBV)	1
03	104261	PISTON	1	08	104279	CYLINDER SEAL KIT	1
04	104274	LOCKNUT	1			<i>(Items included are not shown.)</i>	
05	NSS	TUBE WELDMENT	1				

RS6-34 Telescopic Handler (Cylinder Stamped with PN L63199)

Hydraulic Components Lift Cylinder



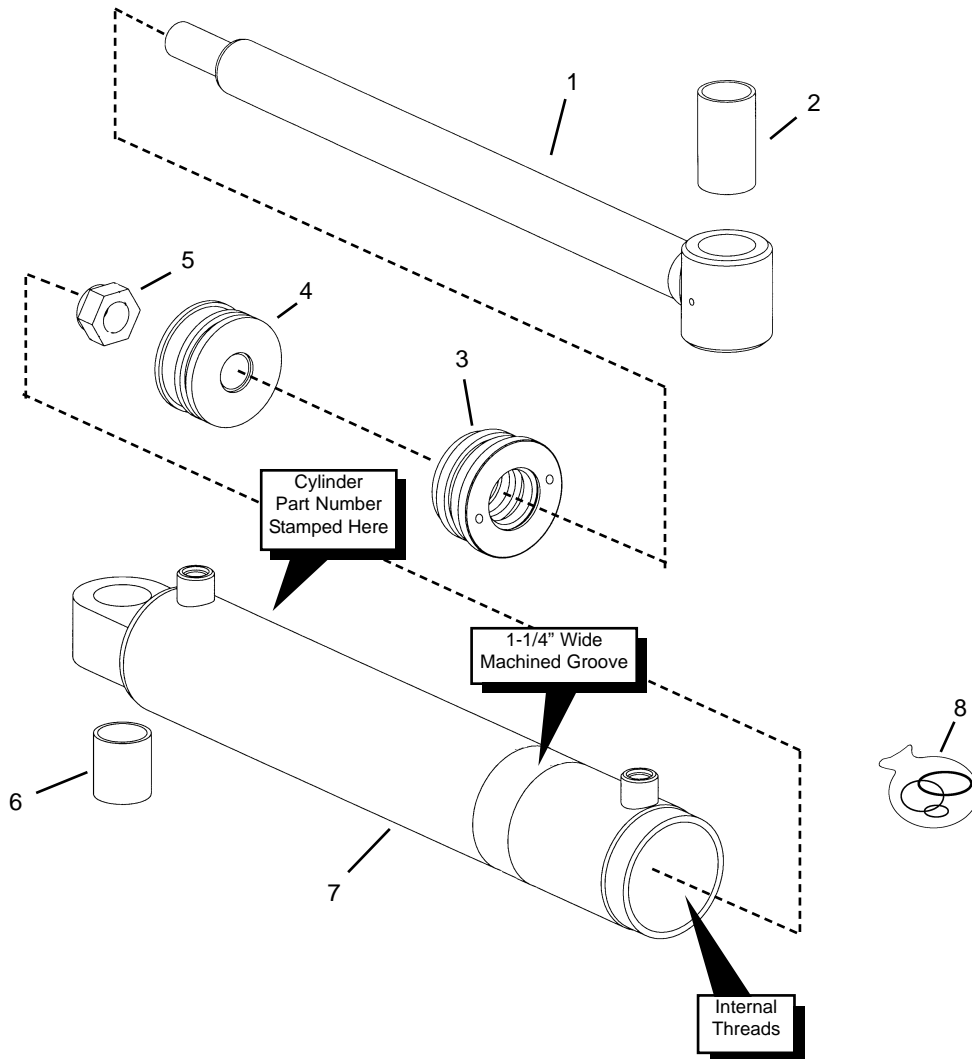
Ref. No.	Part No.	Description	Qty. Req.	Ref. No.	Part No.	Description	Qty. Req.
00	L63199	LIFT CYLINDER (Complete)	2	06	L99405	1-1/4"-12 UNF LOCKNUT	1
		<i>(part number is stamped on cylinder)</i>		07	NSS	TUBE WELDMENT	1
Note: Quantities shown are for one cylinder.				08	L98519	OIL LINE TUBE ASSEMBLY	1
01	L98518	ROD WELDMENT	1			<i>(includes nuts and ferrules)</i>	
02	L98520	HEAD GLAND CAP	1	09	L64175	COUNTER BALANCE VALVE	1
03	L99857	5/16"-18X1/4" SET SCREW	1		L97889	SEAL KIT (CBV)	1
04	L98522	HEAD GLAND	1	10	L98521	CYLINDER SEAL KIT	1
05	L98523	PISTON	1			<i>(Items included are not shown.)</i>	

Hydraulic Components

Slave Cylinder

RS6-34 Telescopic Handler

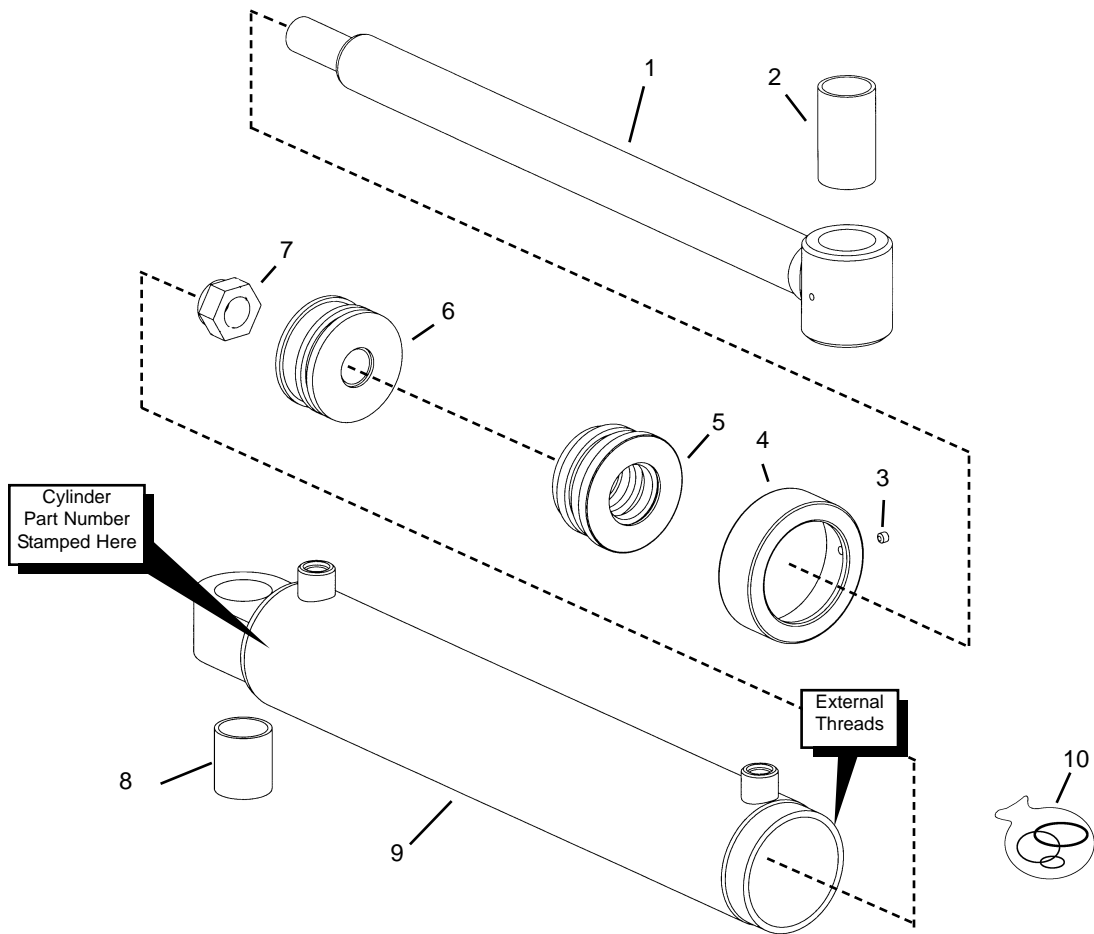
(Cylinder Stamped with PN 104129)



Ref. No.	Part No.	Description	Qty. Req.	Ref. No.	Part No.	Description	Qty. Req.
00	104129	SLAVE CYLINDER (Complete)	1	05	104272	LOCKNUT	1
		(part number is stamped on cylinder)		06	L68003	BUSHING	1
01	104244	ROD (includes item 2)	1	07	NSS	TUBE WELDMENT	1
02	L63018	BUSHING	1	08	104275	CYLINDER SEAL KIT	1
03	104263	HEAD GLAND	1			(Items included are not shown.)	
04	104259	PISTON	1				

RS6-34 Telescopic Handler (Cylinder Stamped with PN L63199)

Hydraulic Components Slave Cylinder



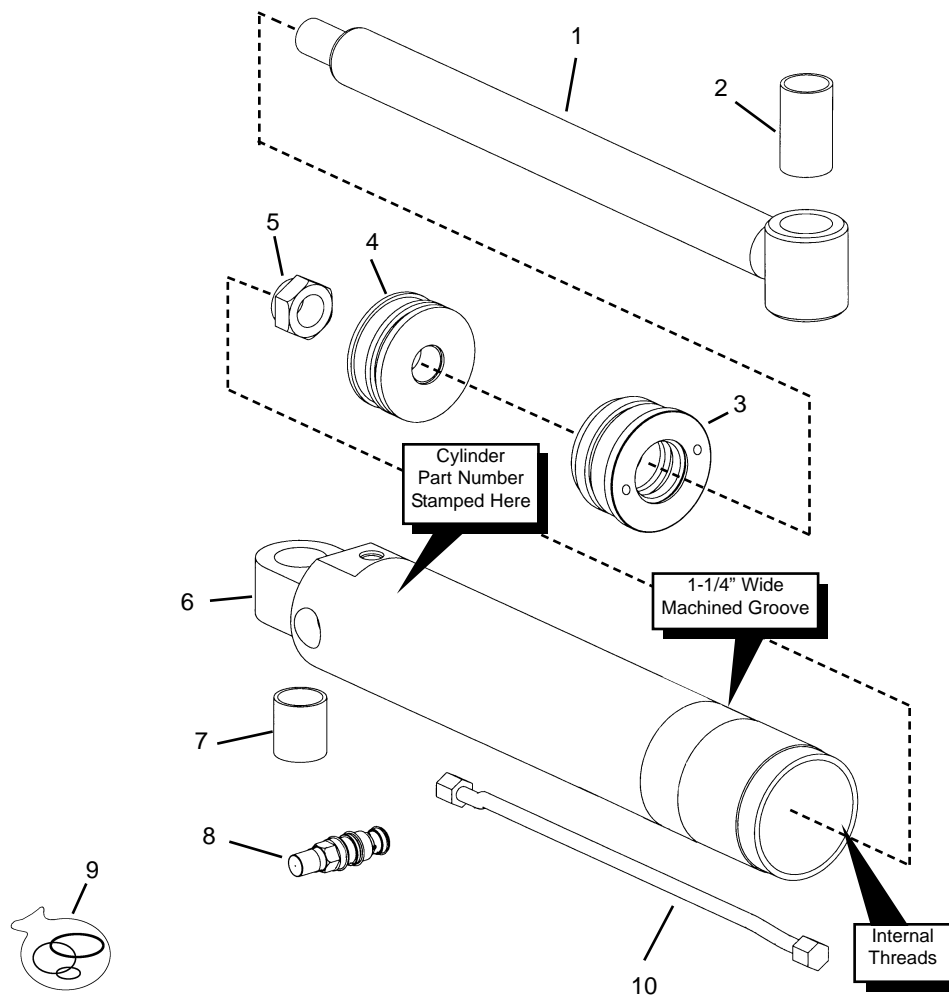
Ref. No.	Part No.	Description	Qty. Req.	Ref. No.	Part No.	Description	Qty. Req.
00	L63014	SLAVE CYLINDER (Complete)	1	06	L98529	PISTON	1
		(part number is stamped on cylinder)		07	L500668	1-1/8"-12 UN LOCKNUT	1
01	L98524	ROD WELDMENT	1	08	L63017	BUSHING	1
02	L63018	BUSHING	1	09	NSS	TUBE WELDMENT	1
03	L99857	5/16"-18X1/4" SET SCREW	1	10	L98527	CYLINDER SEAL KIT	1
04	L98513	HEAD GLAND CAP	1			(Items included are not shown.)	
05	L98528	HEAD GLAND	1				

Hydraulic Components

Tilt Cylinder

RS6-34 Telescopic Handler

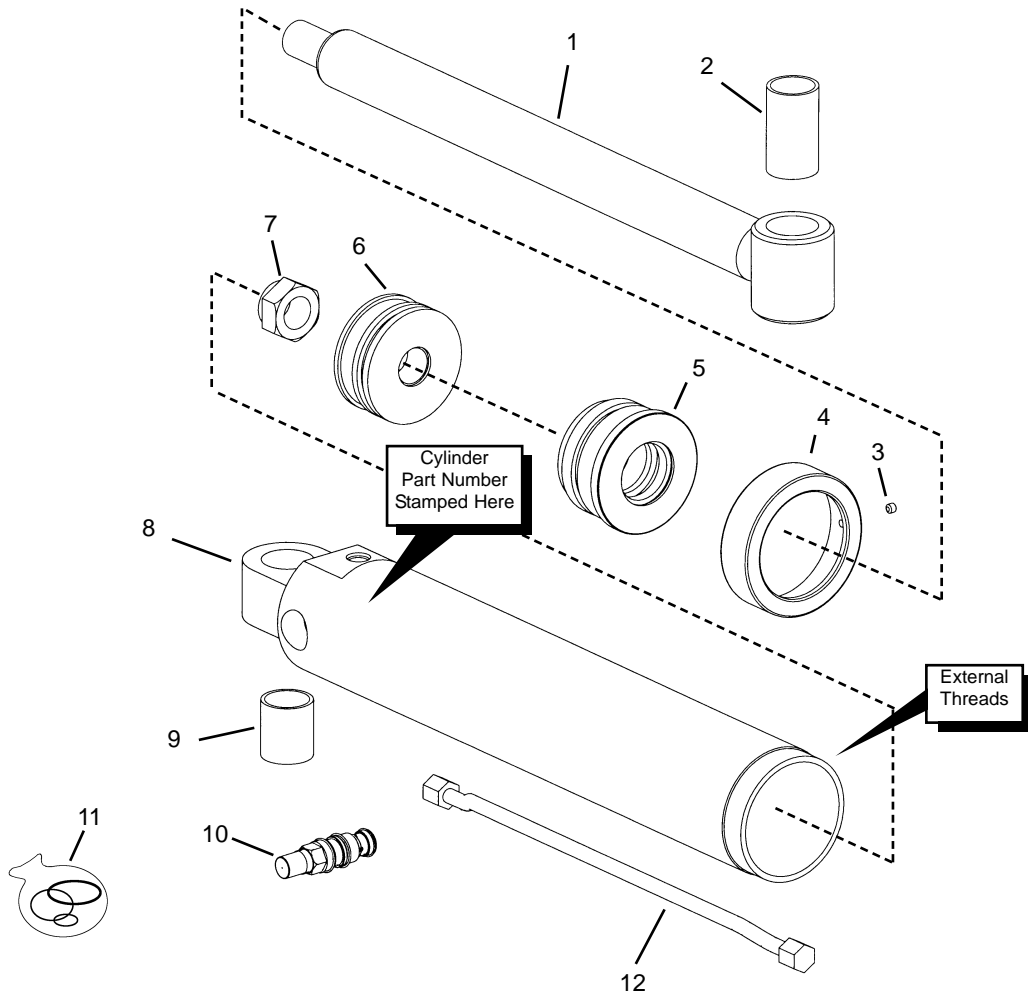
(Cylinder Stamped with PN 104128)



Ref. No.	Part No.	Description	Qty. Req.	Ref. No.	Part No.	Description	Qty. Req.
00	104128	TILT CYLINDER (Complete)	1	07	L68003	BUSHING	1
		(part number is stamped on cylinder)		08	L48868A	COUNTER BALANCE VALVE	1
01	104246	ROD (includes item 2)	1		L96838	SEAL KIT (CBV)	
02	L63018	BUSHING	1	09	104278	CYLINDER SEAL KIT	1
03	104265	HEAD GLAND	1			(Items included are not shown.)	
04	104260	PISTON	1	10	104252	HYDRAULIC LINE ASSY.	1
05	104273	LOCKNUT	1				
06	NSS	TUBE WELDMENT	1				

RS6-34 Telescopic Handler (Cylinder Stamped with PN L63013)

Hydraulic Components Tilt Cylinder



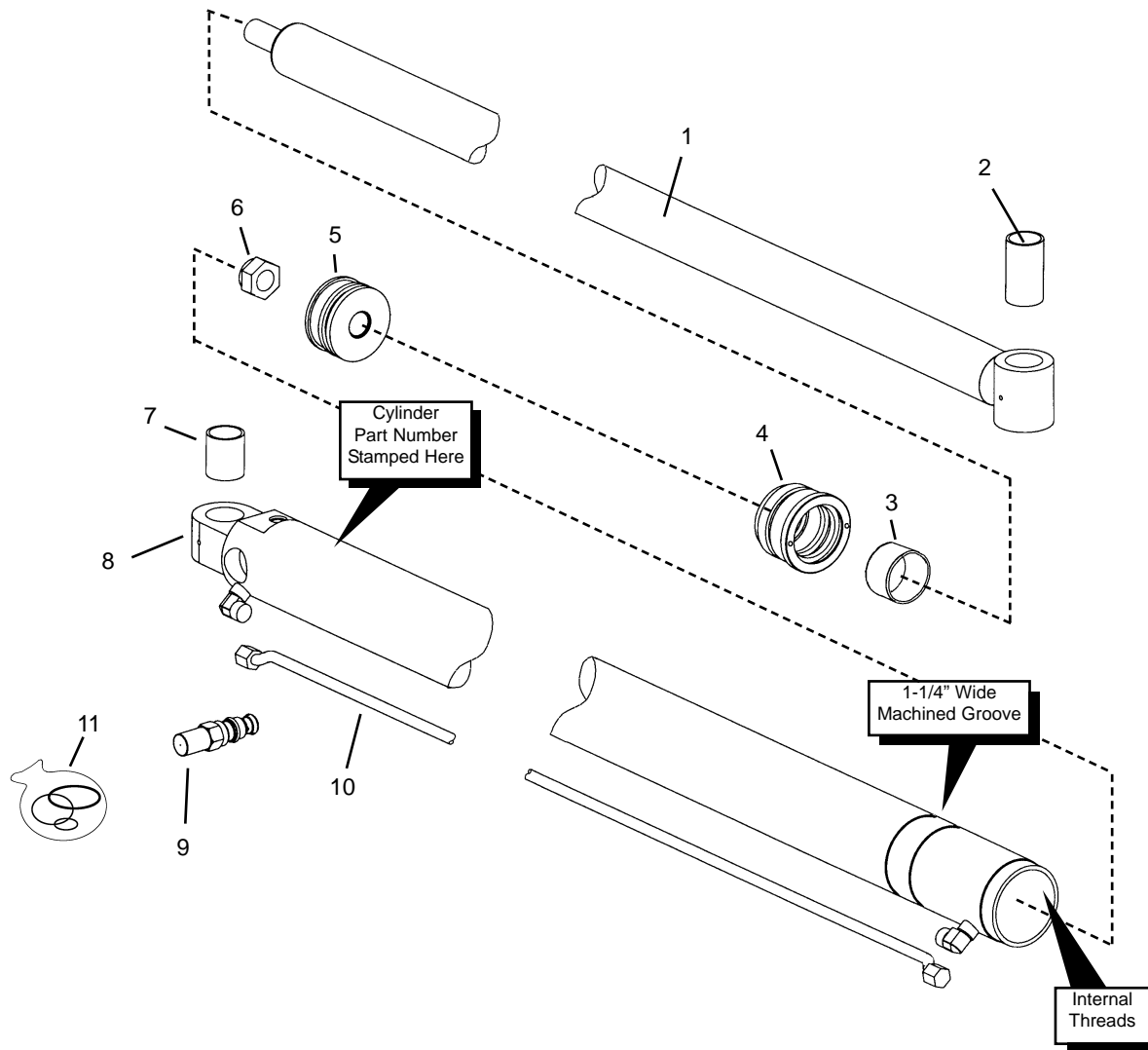
Ref. No.	Part No.	Description	Qty. Req.	Ref. No.	Part No.	Description	Qty. Req.
00	L63013	TILT CYLINDER (Complete)	1	08	NSS	TUBE WELDMENT	1
		(part number is stamped on cylinder)		09	L63017	BUSHING	1
01	L98545	ROD WELDMENT	1	10	L70495	COUNTER BALANCE VALVE	1
02	L63018	BUSHING	1		L97889	SEAL KIT (CBV)	
03	L99857	5/16"-18X1/4" SET SCREW	1	11	L98548	CYLINDER SEAL KIT	1
04	L98547	HEAD GLAND CAP	1			(Items included are not shown.)	
05	L99866	HEAD GLAND	1	12	L98551	HYDRAULIC LINE ASSY.	1
06	L98550	PISTON	1				
07	L99405	1-1/4"-12 UN LOCKNUT	1				

Hydraulic Components

Boom Extend Cylinder

RS6-34 Telescopic Handler

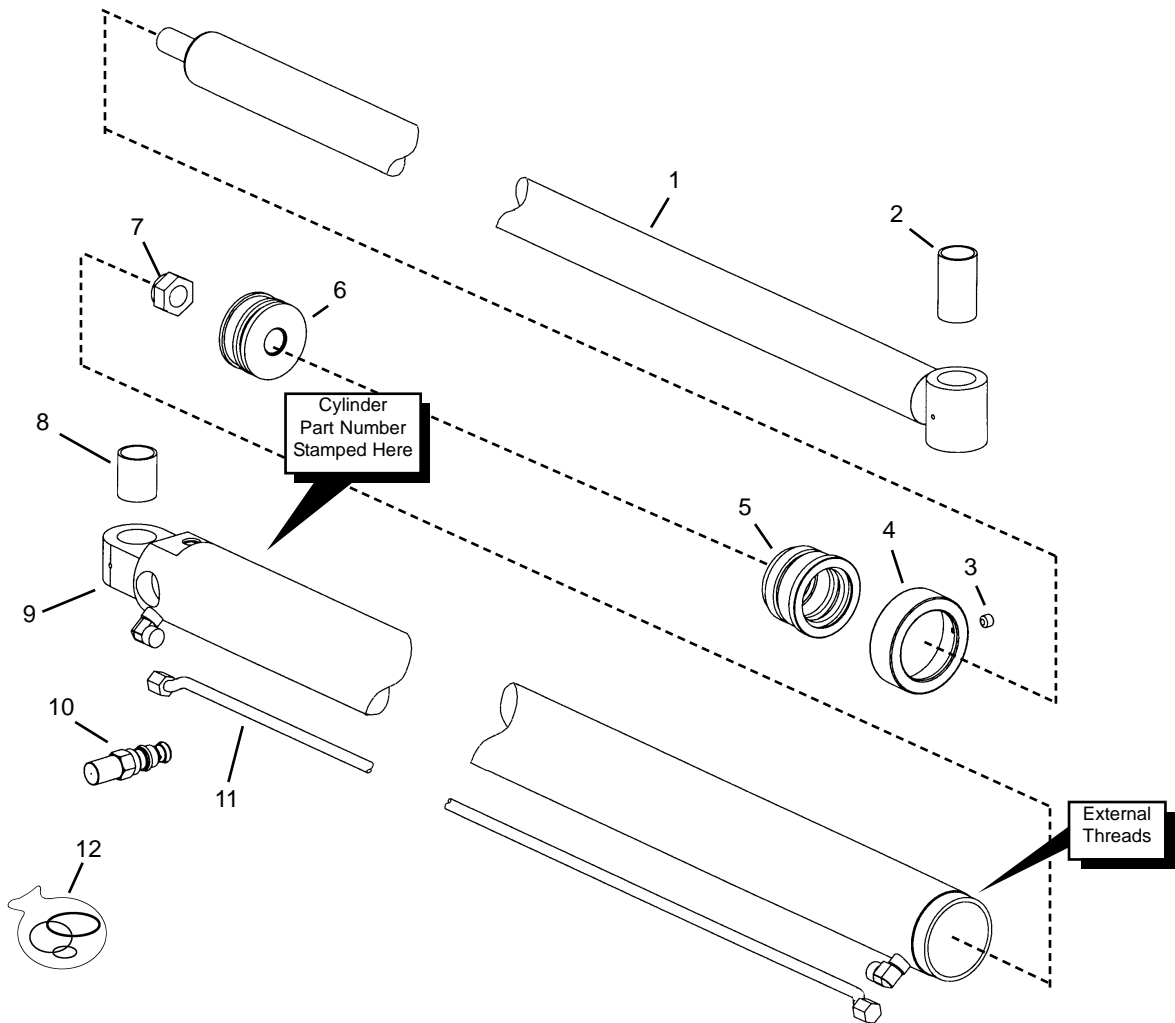
(Cylinder Stamped with PN 104127)



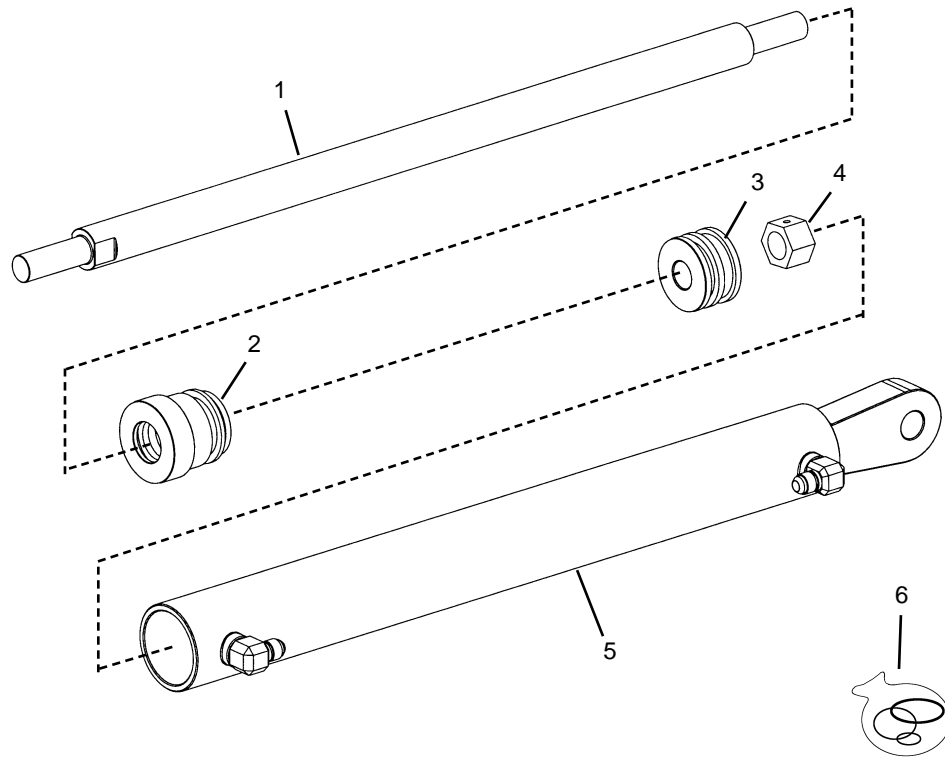
Ref. No.	Part No.	Description	Qty. Req.	Ref. No.	Part No.	Description	Qty. Req.
00	104127	EXTEND CYLINDER (Complete) . . . 1 (part number is stamped on cylinder)	1	06	104274	LOCKNUT	1
01	104247	ROD (includes item 2)	1	07	L68003	BUSHING	1
02	L63018	BUSHING	1	08	NSS	TUBE WELDMENT	1
03	104271	DX BUSHING	1	09	L48868A	COUNTER BALANCE VALVE	1
04	104262	HEAD GLAND	1		L96838	SEAL KIT (CBV)	
05	104258	PISTON	1	10	104250	HYDRAULIC LINE ASSY.	1
				11	104277	CYLINDER SEAL KIT	1
						(Items included are not shown.)	

RS6-34 Telescopic Handler (Cylinder Stamped with PN L63012)

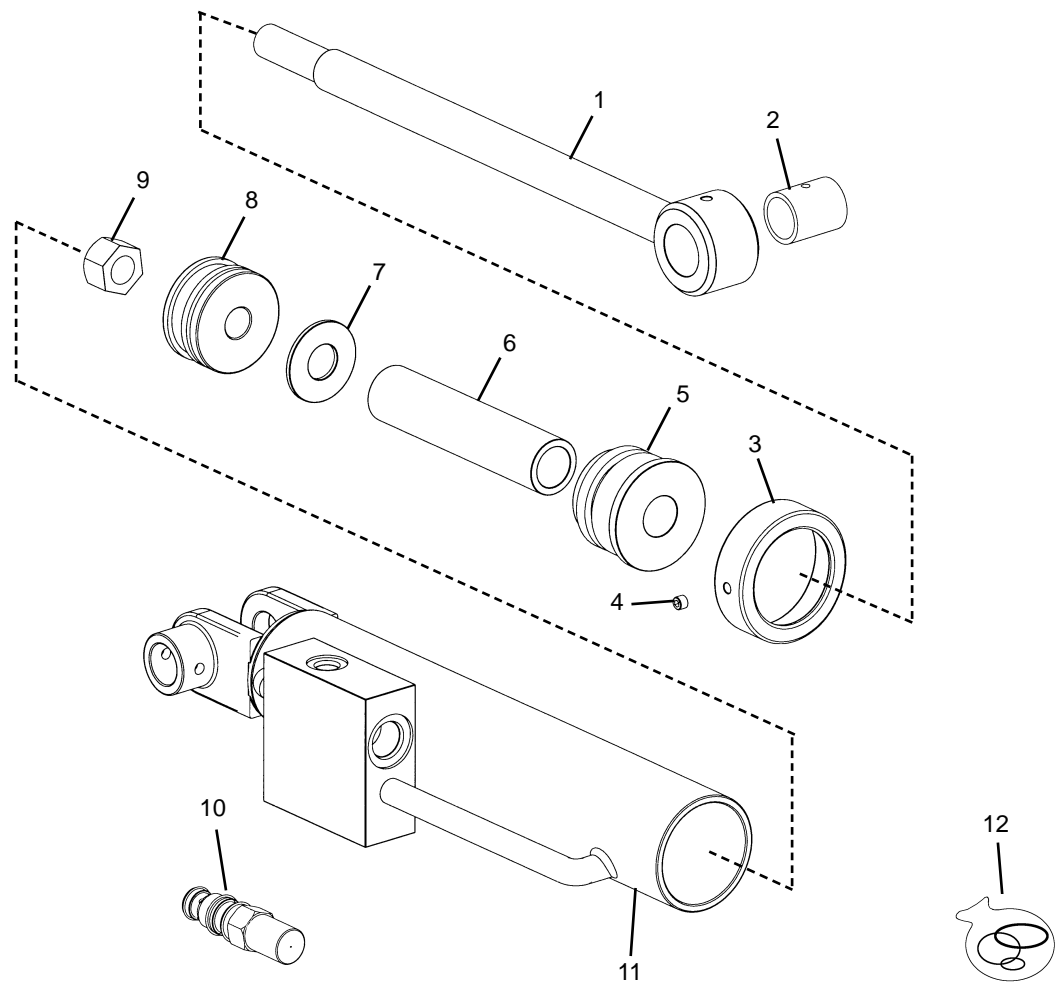
Hydraulic Components Boom Extend Cylinder



Ref. No.	Part No.	Description	Qty. Req.	Ref. No.	Part No.	Description	Qty. Req.
00	L63012	EXTEND CYLINDER <i>(Complete)</i> . . . 1 <i>(part number is stamped on cylinder)</i>		07	L500668	1-1/8"-12 UN LOCKNUT 1	
01	L98511	ROD WELDMENT 1		08	L63017	BUSHING 1	
02	L63018	BUSHING 1		09	NSS	TUBE WELDMENT 1	
03	L99857	5/16"-18X1/4" SET SCREW 1		10	L48868A	COUNTER BALANCE VALVE 1	
04	L98513	HEAD GLAND CAP 1			L96838	SEAL KIT (CBV)	
05	L98515	HEAD GLAND 1		11	L98517	HYDRAULIC LINE ASSY. 1	
06	L98516	PISTON 1		12	L98558	CYLINDER SEAL KIT 1 <i>(Items included are not shown.)</i>	

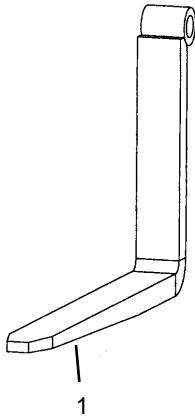


Ref. No.	Part No.	Description	Qty. Req.	Ref. No.	Part No.	Description	Qty. Req.
00	L68337	COMPLETE ASSEMBLY.....	1	04	L500367	3/4"-16 UNF LOCKNUT.....	1
01	L500763	ROD WELDMENT.....	1	05	NSS	TUBE WELDMENT.....	1
02	L500762	HEAD GLAND.....	1	06	L500370	SEAL KIT.....	1
03	L500761	PISTON.....	1			<i>(Items included are not shown.)</i>	

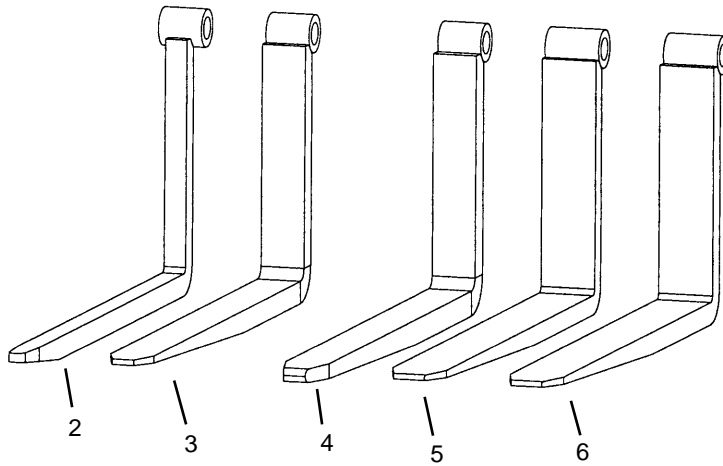


Ref. No.	Part No.	Description	Qty. Req.	Ref. No.	Part No.	Description	Qty. Req.
00	L63594	ROTATE CYLINDER (Complete) ..	1	07	L99175	SUPPORT WASHER.....	1
01	L99168	ROD WELDMENT.....	1	06	L98921	PISTON.....	1
02	L63593	BUSHING.....	1	09	L500367	3/4"-16 UN LOCKNUT.....	1
03	L99169	HEAD GLAND CAP.....	1	10	L64175	COUNTER BALANCE VALVE.....	1
04	L99857	5/16"-18X1/4" SET SCREW.....	1		L97889	SEAL KIT (CBV)	
05	L99171	HEAD GLAND.....	1	11	NSS	TUBE WELDMENT.....	1
06	L99174	SPACER, ROD.....	1	12	L99170	CYLINDER SEAL KIT.....	1
						(Items included are not shown.)	

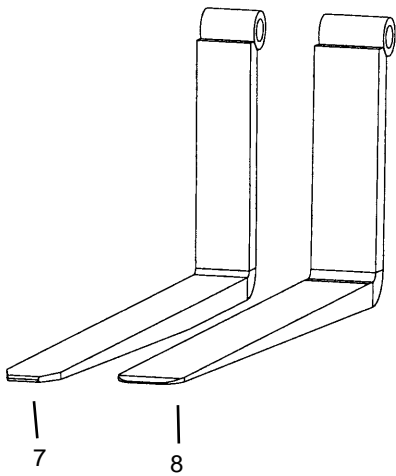
2" Shaft x 42" Long



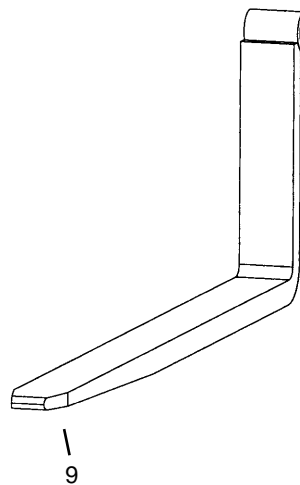
2" Shaft x 48" Long



2" Shaft x 60" Long



2" Shaft x 72" Long

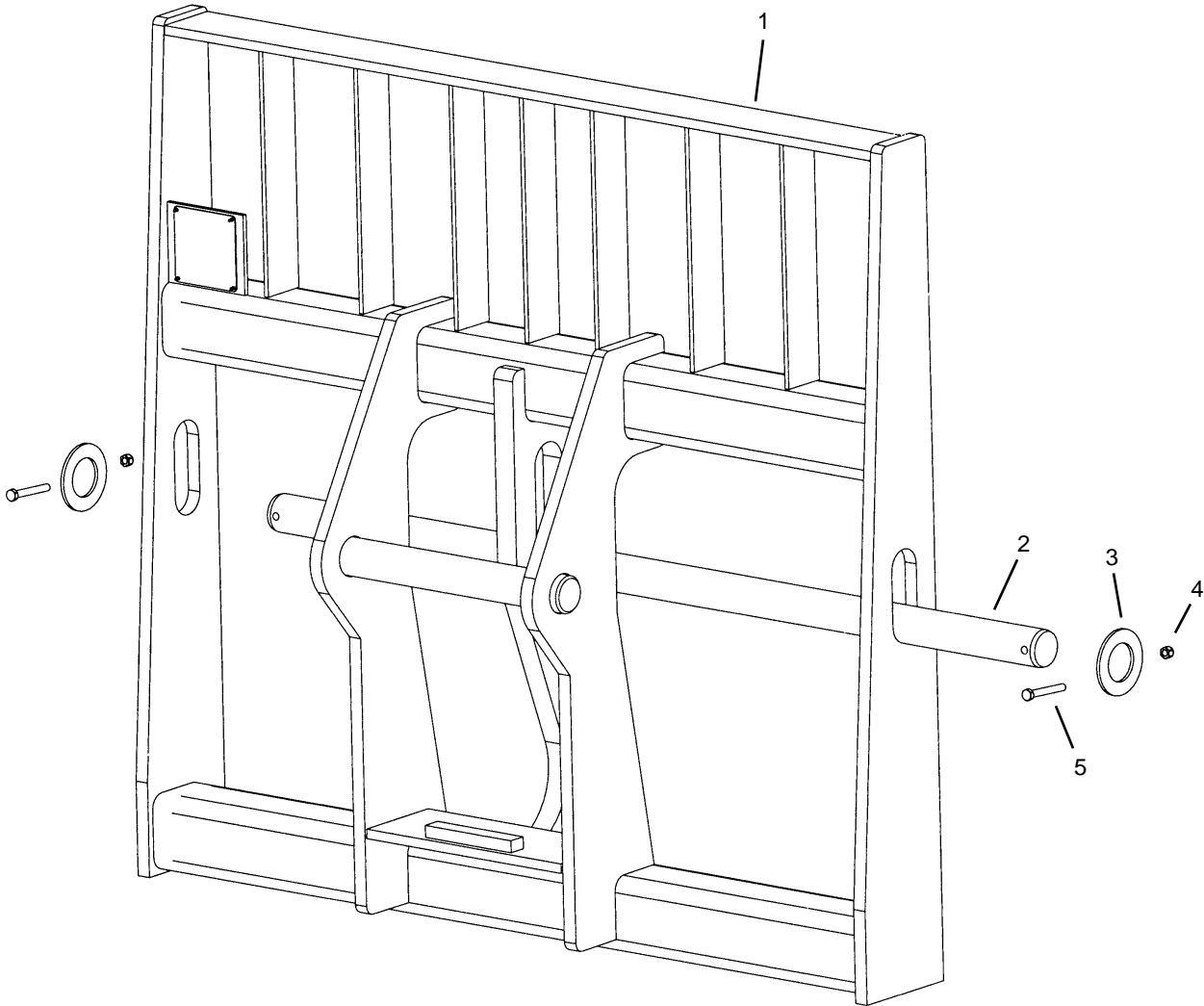


RS6-34 Telescopic Handler

Attachments Carriage Forks

Ref. No.	Part No.	Description	Qty. Req.	Ref. No.	Part No.	Description	Qty. Req.
01	L71350	FORK, 42"X4"X2" (8,400 lbs.)	2	07	L47265	FORK, 60"X5"X2" (10,500 lbs.)	2
02 ^a	L61001	FORK, 48"X2"X2" (4,200 lbs.)	4	08	L60961	FORK, 60"X6"X2-1/4" (12,500 lbs.)	2
03	L61017	FORK, 48"X4"X2" (8,400 lbs.)	2	09	L68331	FORK, 72"X5"X2" (10,500 lbs.)	2
04	L66406	FORK, 48"X4"X2-1/4" (12,000 lbs.)	2				
05	L400929	FORK, 48"X5"X1-3/4" (8,500 lbs.)	2	a		Requires 2 sets (4 forks).	
06	L47263	FORK, 48"X5"X2" (10,500 lbs.)	2				

Note: ratings are based on 2 forks and the load at 24" on center. Except for item 2; where 4 forks are required.



RS6-34 Telescopic Handler

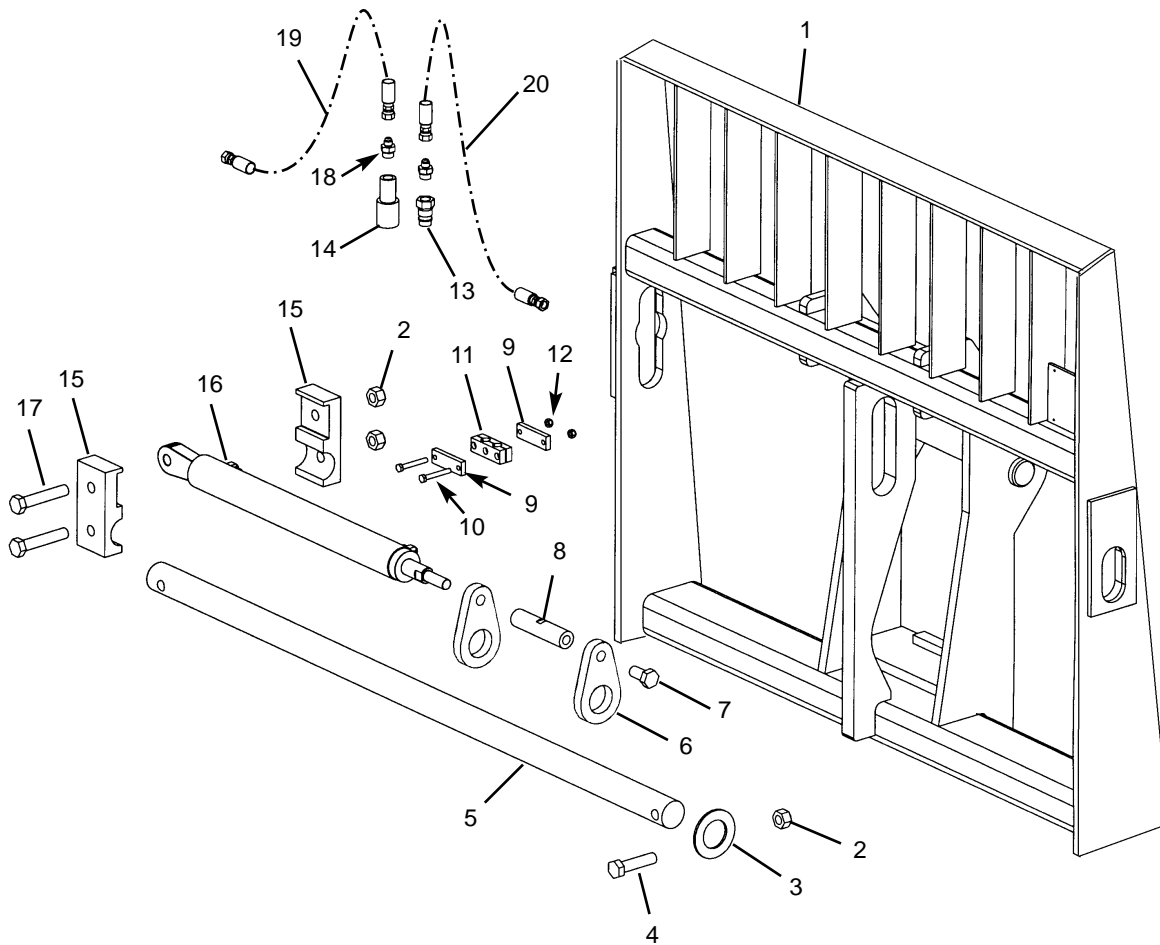
Attachments Standard Carriage

Ref. No.	Part No.	Description	Qty. Req.	Ref. No.	Part No.	Description	Qty. Req.
01		CARRIAGE, WELDMENT	1	03	L400425	WASHER, FORK SHAFT	2
	L99192	48" Carriage		04	L520005	3/8"-16 NYLON INSERT NUT	2
	L99193	66" Carriage		05	L50273	3/8"-16X2-3/4" BOLT	2
02		FORK SHAFT BAR	1				
	L63319	48" Carriage (50-1/2")					
	L63320	66" Carriage (68-1/2")					

Attachments

Fork Shift Carriage

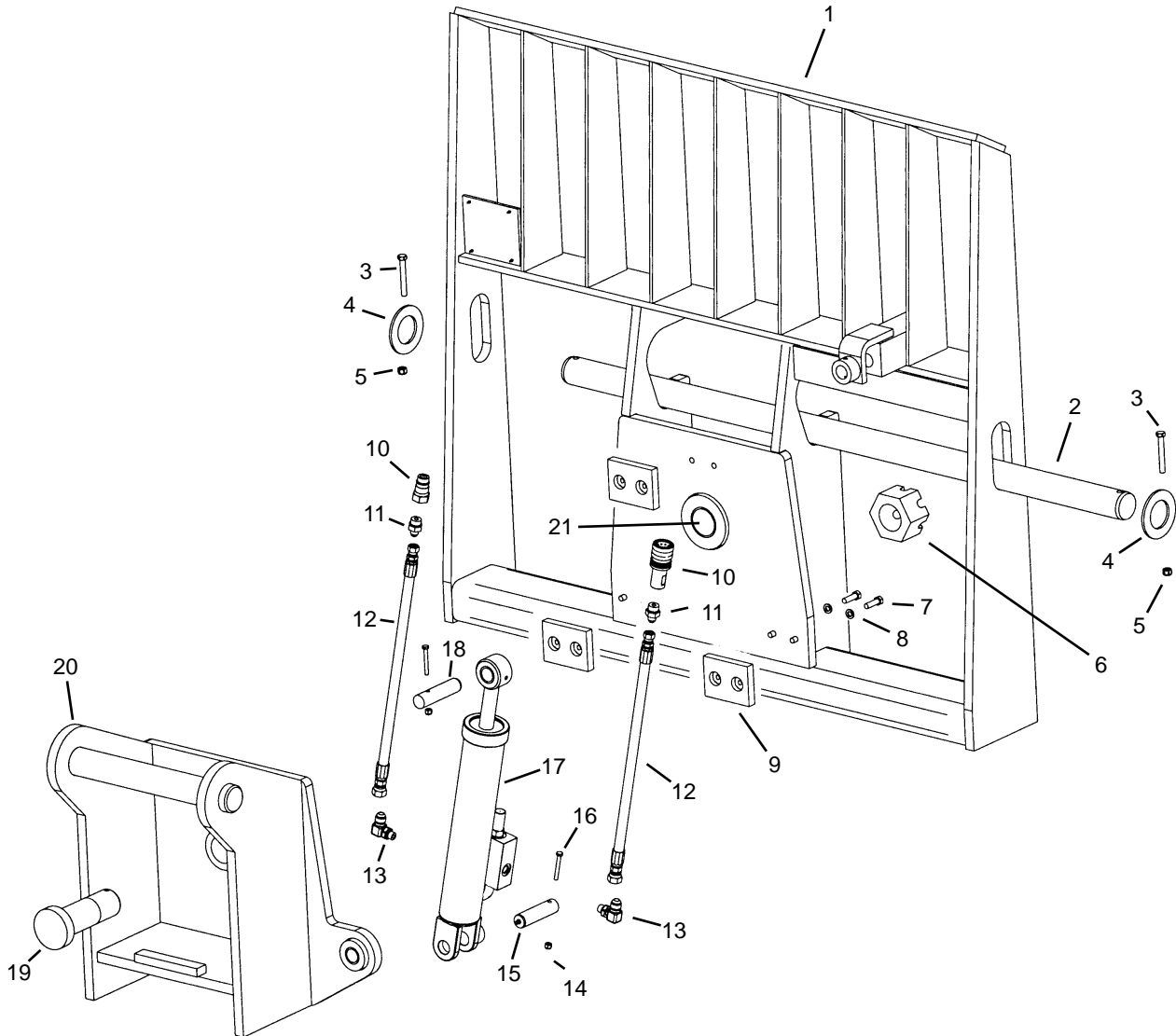
RS6-34 Telescopic Handler



RS6-34 Telescopic Handler

Attachments Fork Shift Carriage

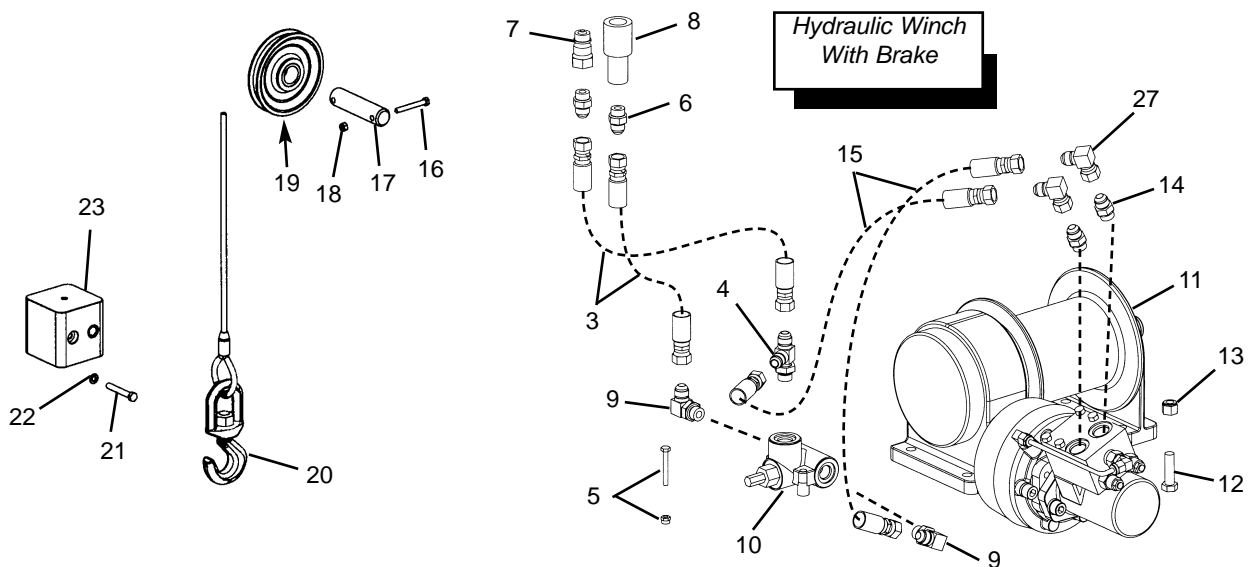
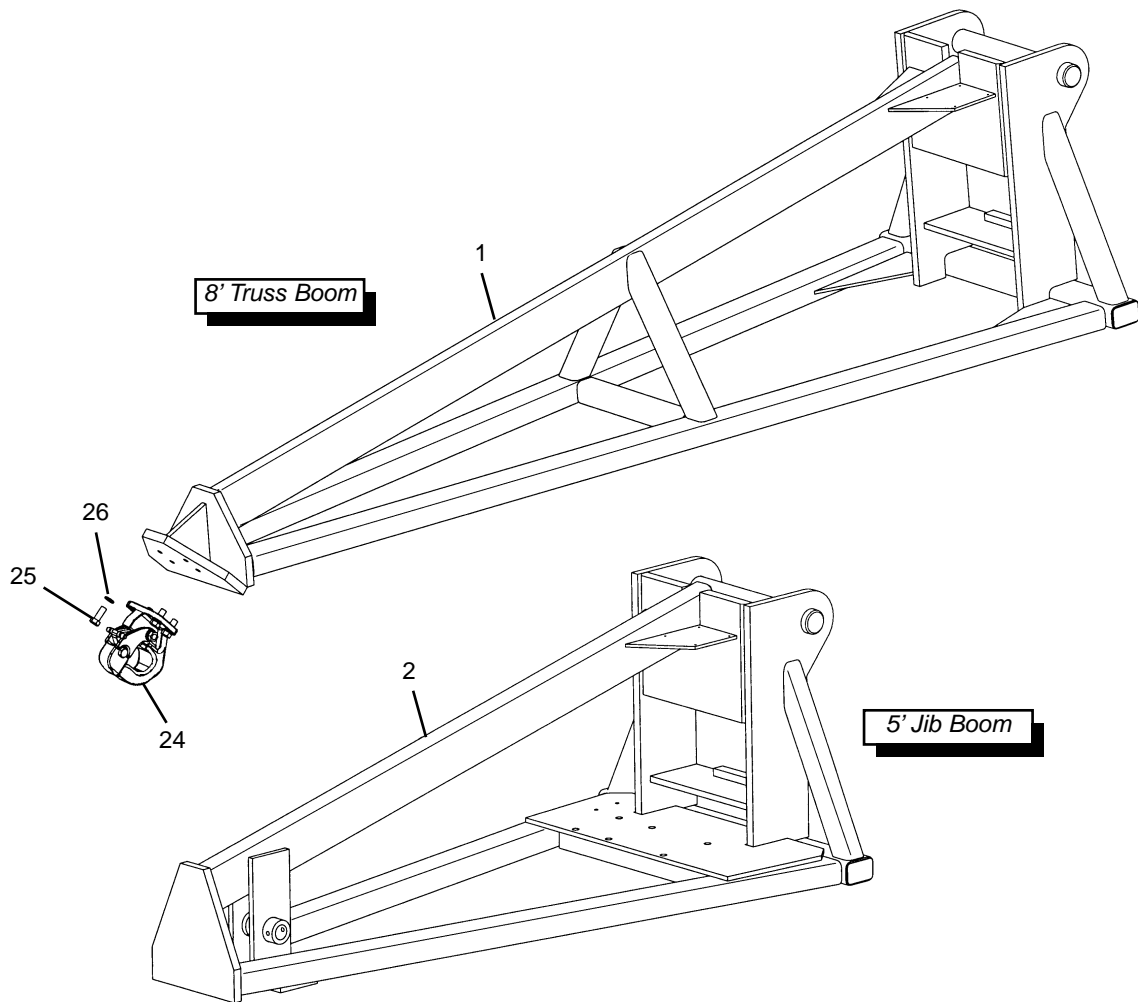
Ref. No.	Part No.	Description	Qty. Req.	Ref. No.	Part No.	Description	Qty. Req.
01	L500215	FORK SHIFT CARR., WLDMNT...	1	11	L63716	TWIN HOSE CUSHION.....	1
02	L50519	3/4"-10 NYLON INSERT NUT....	3	12	L520004	5/16"-18 NYLON INSERT NUT....	2
03	L400425	FORK SHAFT WASHER.....	1	13 ^a	NSS	COUPLER, MALE.....	1
04	L50333	3/4"-10X3" BOLT.....	1	14 ^a	NSS	COUPLER, FEMALE.....	1
05	L66919	FORK SHAFT, 50".....	1	15	L66918	CYLINDER MOUNT.....	2
06	L66931	FORK SLIDE PLATE.....	2	16	L68337	FORK SHIFT CYLINDER.....	1
07	L50875	3/4"-10X1-1/2" BOLT.....	1	17	L50562	3/4"-10X4" BOLT.....	2
08		FORK SLIDE COUPLER.....	1	18	L63143	ADAP -8ORM -6JICM W/.06 ORF .	2
	L66921	<i>Used with 4" wide forks</i>		19	L66950	HOSE -6 A6/A6 59".....	1
	L66948	<i>Used with 5" wide forks</i>		20	L66949	HOSE -6 A6/A6 56".....	1
09	L63715	TWIN CUSHION TOP PLATE....	2				
10	L50242	5/16"-18X2-1/4" BOLT.....	2				
				a		<i>Sold as a set. Order part # L65273 Quick Couplers</i>	



RS6-34 Telescopic Handler

Attachments Rotating Carriage

Ref. No.	Part No.	Description	Qty. Req.	Ref. No.	Part No.	Description	Qty. Req.
01		ROTATE CARRIAGE, WELDMNT . 1		11	L63143	ADAP, -8ORM -6JICM STR. 2 <i>(with orifice)</i>	
	L99225	48" Carriage					
	L99224	66" Carriage		12	L63344	HOSE, -6 A8/A6 20" 2	
02		FORK SHAFT BAR 1		13	L51968	ADAP, -6ORM -6JICM 90DEG 2	
	L63319	48" Carriage (50-1/2" long)		14	L520005	3/8"-16 NYLON INSERT NUT 1	
	L63320	66" Carriage (68-1/2" long)		15 ^a	L63968	BASE END PIVOT PIN 1	
03	L50273	3/8"-16X2-3/4" BOLT 2		16	L50273	3/8"-16X2-3/4" BOLT AR	
04	L400425	RETAINER. 2		17	L63594	ROTATE CYLINDER 1	
05	L520005	3/8"-16 NYLON INSERT NUT 2		18 ^a	L63969	ROD END PIVOT PIN 1	
06	L50205	2"-12 CASTELLATED NUT 1			L50294	1/2"-13X3-1/2" BOLT 1	
	L61287	WASHER <i>(not shown)</i> 1			L520019	1/2"-13 NYLON INSERT NUT 1	
07	L52026	3/8"-16X1-1/4" BOLT" 6		19	NSS	ROTATE PIN <i>(welded to #20)</i> 1	
08	L50147	3/8" LOCK WASHER 6		20	L63952	ROTATE, PLATE <i>(includes #19)</i> . . 1	
09	L61709	SLIDE PAD 3"X4" 3		21	L64367	BUSHING <i>(not shown)</i> 1	
10	L65273	QUICK COUPLER SET. 1 <i>(couplers are not sold separately)</i>					



RS6-34 Telescopic Handler

Attachments

Truss Booms

Ref. No.	Part No.	Description	Qty. Req.	Ref. No.	Part No.	Description	Qty. Req.
01	L99237	8' TRUSS BOOM WELDMENT	1	21	L50371	3/8"X2-1/2" BOLT	2
02	L500214	5' JIB BOOM WELDMENT	1	22	L50147	3/8" LOCK WASHER	2
03	L64294	HOSE -8 A8/A8 53"	2	23	L60451	WINCH BALL	1
04	L64660	ADAP -8ORM -8JICM RUN TEE . . .	1	24	L61411	PINTLE HOOK	1
05	L50841	1/4-20"X2" BOLT	2	25	L50380	1/2"-20X1-1/4" GR 8 BOLT	4
	L520003	1/4"-20 NYLON INSERT NUT	2	26	L50152	1/2" LOCK WASHER	4
06	L444004	ADAP -8ORM -8JICM STR	2	27 ^d	L446017	ADAP -8JICFS -8JICM 90	2
07 ^a	NSS	COUPLER, MALE	1				
08 ^a	NSS	COUPLER, FEMALE	1				
09	L445002	ADAP -8ORM -8JICM 90 DEG	2	00	L500222	ADAPTER PLATE	1
10	L82358	RELIEF VALVE	1				
11 ^b	100963	HYDRAULIC WINCH	1				
12	L50286	1/2"-13X1-3/4" GR 8 BOLT	6	a		<i>Sold as a set. Order part # L65273 Quick Couplers</i>	
13	L520019	1/2-13 NYLON INSERT NUT	6	b		<i>Used with 5' truss booms after attachment serial number 11182. The winch on 5' truss booms before attachment serial number 11183 have been discontinued, you must purchase a boom and a winch.</i>	
14	L444008	ADAP -10ORM -8JICM	2	c		<i>Used with 5' truss booms with winch.</i>	
15	L400398	HOSE -6 A8/A8 18.5"	2	d		<i>Not used on some attachments.</i>	
16	L50815	5/16"X2-1/2" BOLT	2				
17	100076	PIN, TRUSS WINCH	1				
18	L520004	5/16"-18 NYLON INSERT NUT	2				
19	L65338	WINCH SHEAVE	1				
20 ^c	L66946	3/8"X60' WINCH CABLE (Includes hook and swivel)	1				

-- ITEMS NOT SHOWN --

00 L500222 ADAPTER PLATE 1

a Sold as a set. Order part # L65273 Quick Couplers

b Used with 5' truss booms after attachment serial number 11182. The winch on 5' truss booms before attachment serial number 11183 have been discontinued, you must purchase a boom and a winch.

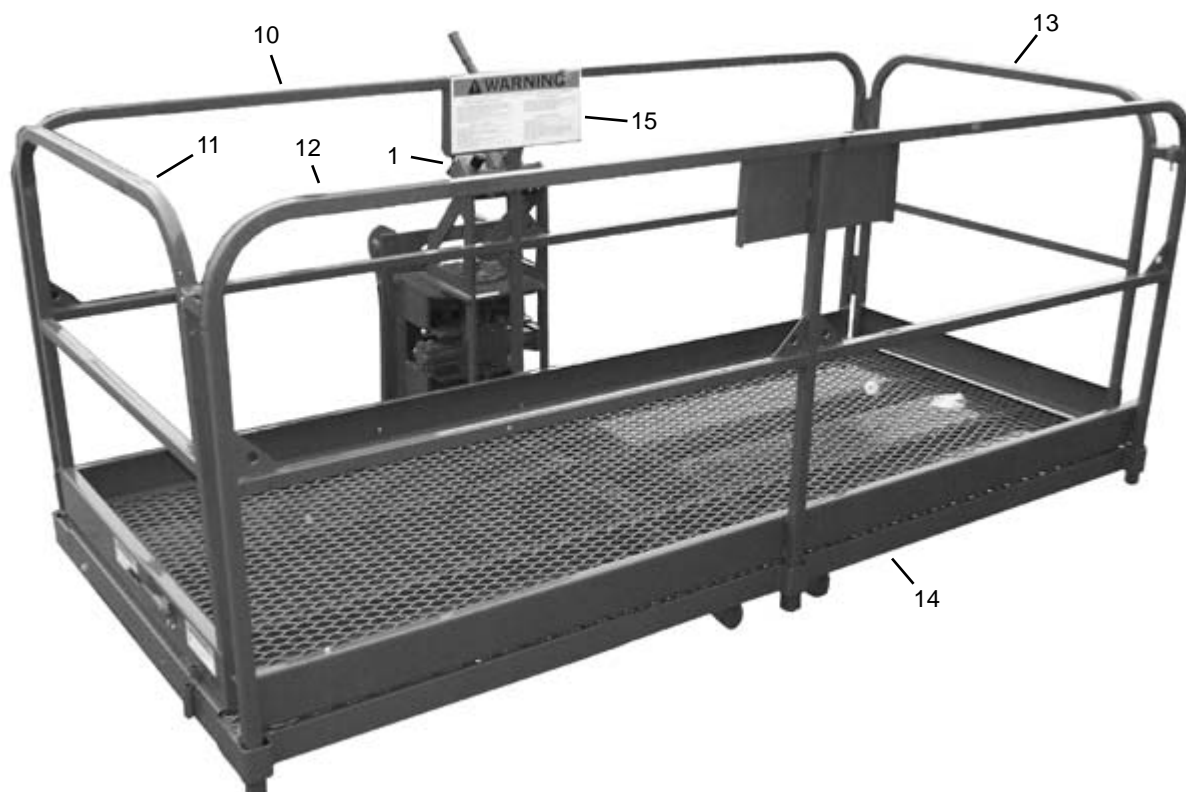
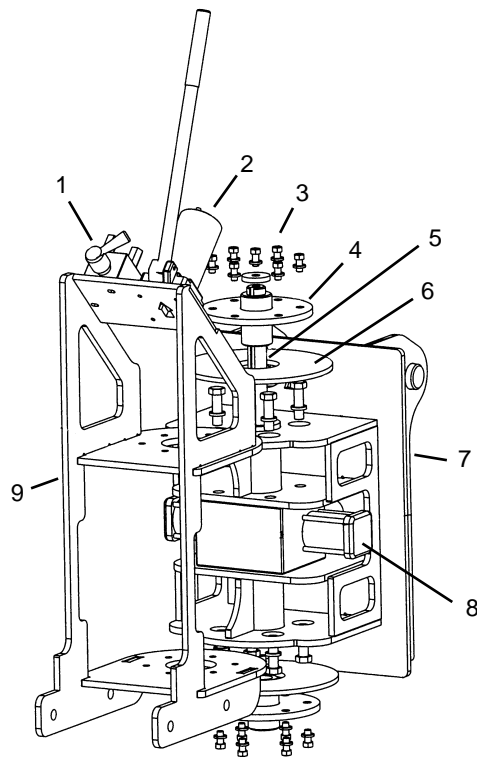
c Used with 5' truss booms with winch.

d Not used on some attachments.

Attachments

180° Swing Platform

RS6-34 Telescopic Handler



RS6-34 Telescopic Handler

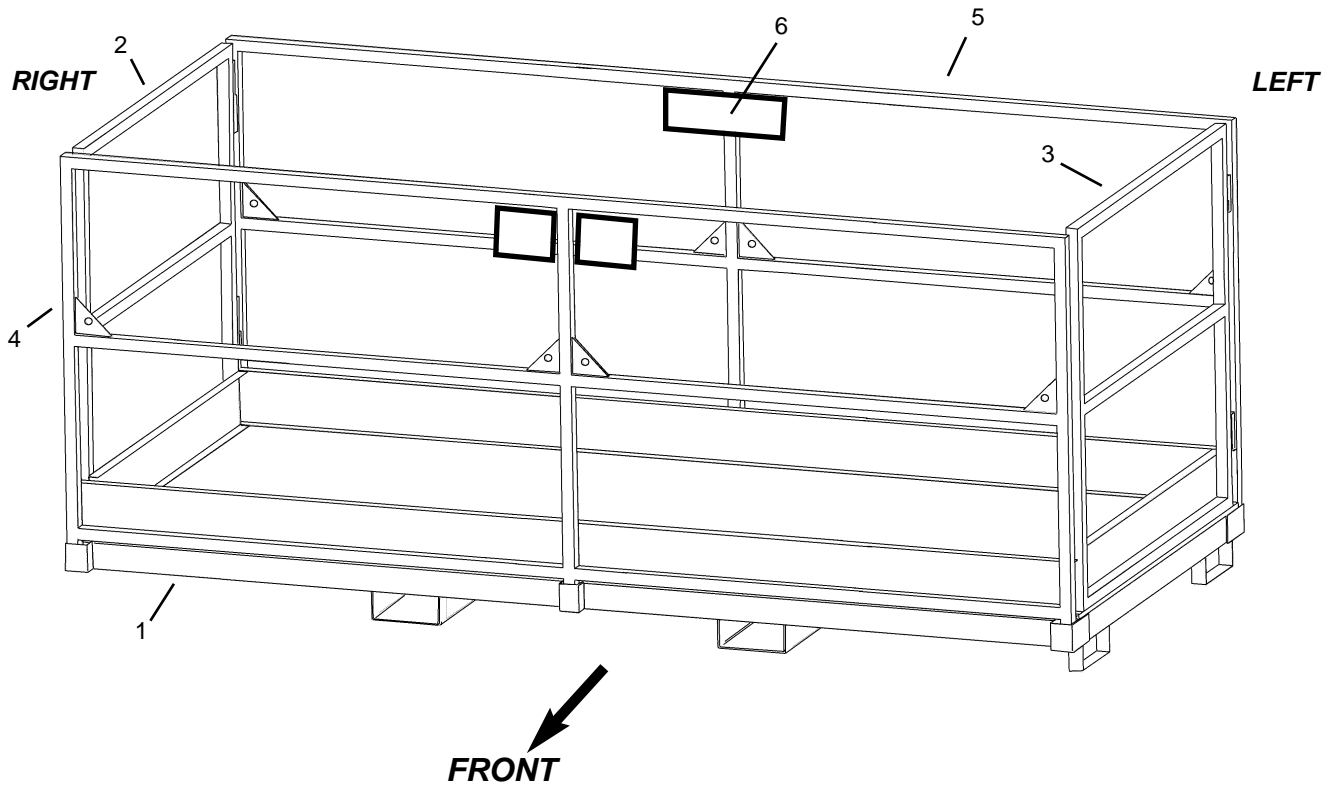
Attachments 180° Swing Platform

Ref. No.	Part No.	Description	Qty. Req.	Ref. No.	Part No.	Description	Qty. Req.
01	104478	VALVE ASSEMBLY	1			-- ITEMS NOT SHOWN --	
02	104477	PUMP ASSEMBLY	1	00	104470	HOSE KIT	1
03	104476	HARDWARE KIT (<i>pivot</i>)	1	00	103911	PIN AND CHAIN KIT	1
04	104471	HUB ASSEMBLY	2	00	103910	HARDWARE KIT (<i>platform bolts</i>) ..	1
05	104469	SHAFT AND KEY ASSEMBLY	1	00	101149	DECAL, FALL HAZARD	2
06	104475	THRUST PLATE	2				
07	104474	BACK HALF (<i>attachment</i>)	1				
08	104468	ACUATOR	1				
09	104472	FRONT HALF	1				
10	103909	BACK SIDE	1				
11	103906	RIGHT DOOR	1				
12	103908	FRONT SIDE	1				
13	103907	LEFT DOOR	1				
14	104467	BASE	1				
15	100883	DECAL, PLATFOM RULES	2				

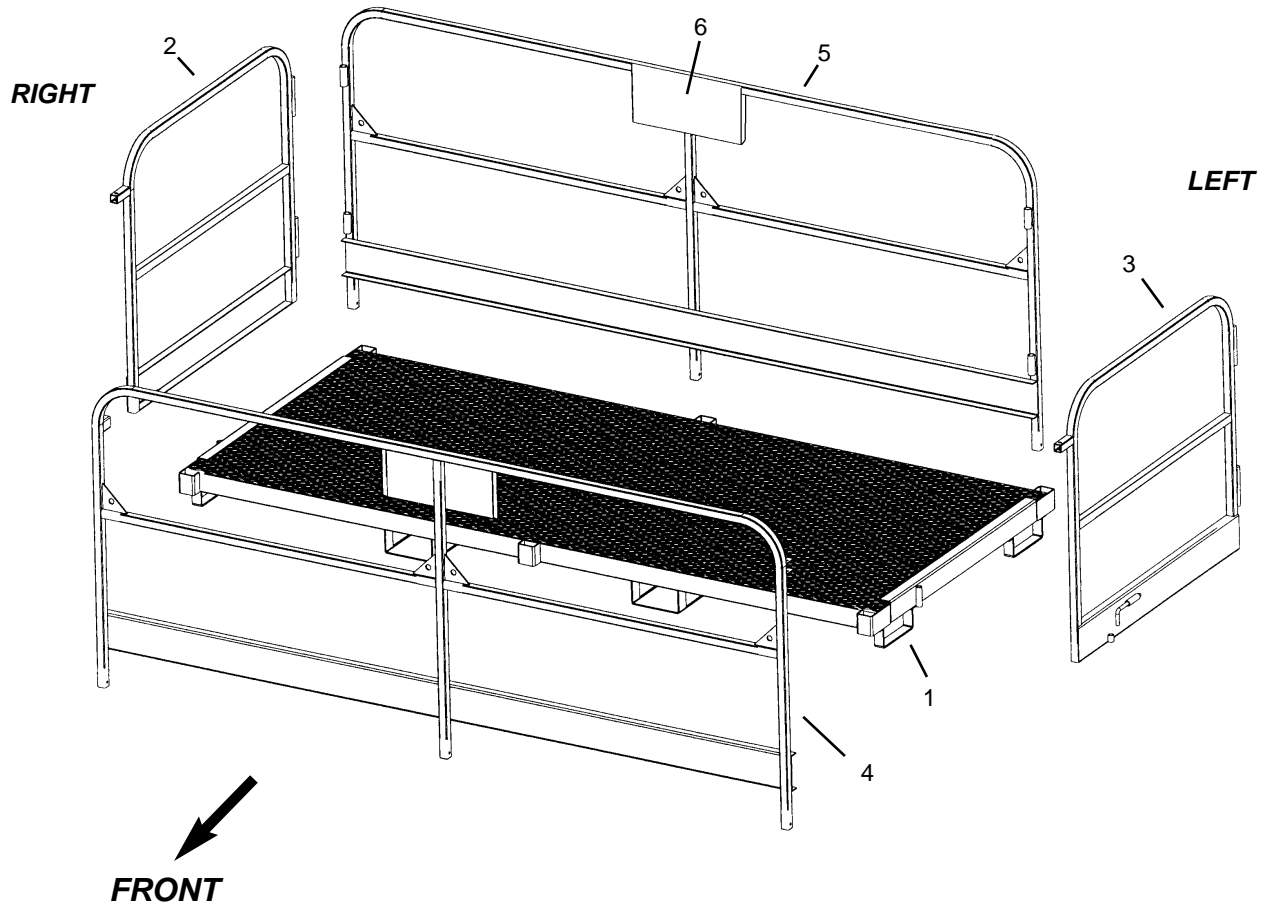
Attachments

Work Platform - Early Style

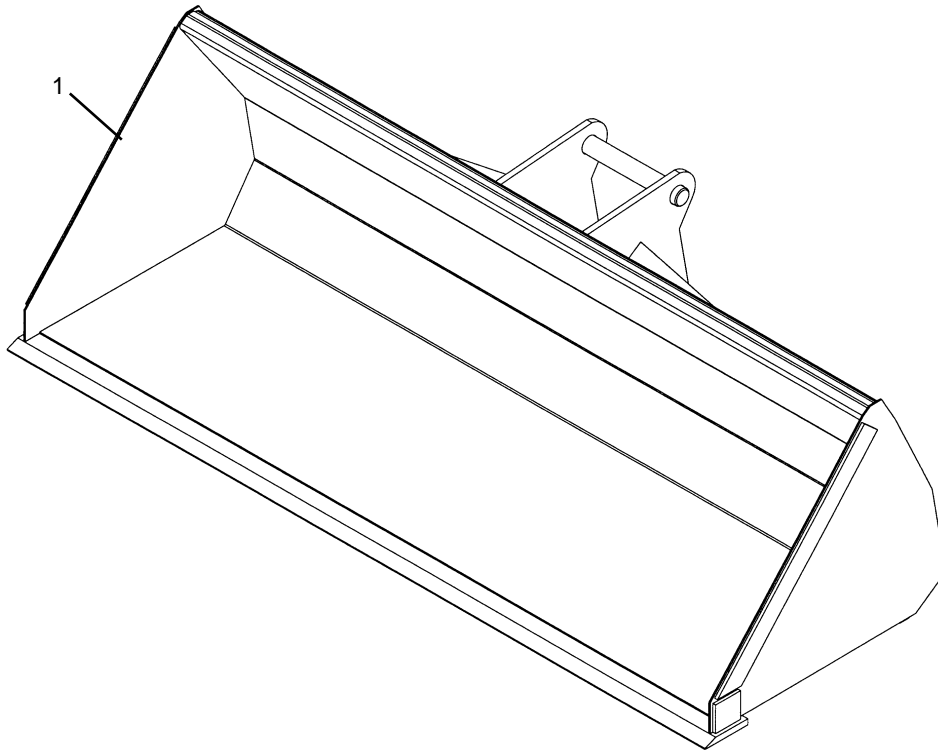
RS6-34 Telescopic Handler



Ref. No.	Part No.	Description	Qty. Req.	Ref. No.	Part No.	Description	Qty. Req.
01	103905	BASE	1			-- ITEMS NOT SHOWN --	
02	105603	RIGHT DOOR	1	00	103911	PIN AND CHAIN KIT	1
03	105604	LEFT DOOR	1	00	101149	DECAL, FALL HAZARD	2
04	105605	FRONT SIDE	1	00	103910	HARDWARE KIT	1
05	105606	BACK SIDE	1				
06	100883	DECAL, PLATFOM RULES	2				



Ref. No.	Part No.	Description	Qty. Req.	Ref. No.	Part No.	Description	Qty. Req.
01	103905	BASE	1			-- ITEMS NOT SHOWN --	
02	103906	RIGHT DOOR	1	00	103911	PIN AND CHAIN KIT	1
03	103907	LEFT DOOR	1	00	101149	DECAL, FALL HAZARD	2
04	103908	FRONT SIDE	1	00	103910	HARDWARE KIT	1
05	103909	BACK SIDE	1				
06	100883	DECAL, PLATFOM RULES	2				



Ref. No.	Part No.	Description	Qty. Req.	Ref. No.	Part No.	Description	Qty. Req.
01	L500373	1.3 CU. YD. BUCKET WELDMNT . . . 1					
	L68831	CUTTING EDGE 98" (<i>weld on</i>) 1					

A

Accelerator Pedals 32

Air Cleaner Assembly 38, 54

Air Cleaner Filters 54

Angle Indicator 98

Attachment Bracket Assembly 104

Auxiliary Hydraulic Valve Section 156

Auxiliary Hydraulic Control Valve 116

Auxiliary Hydraulics Circuit 152

Auxiliary Hydraulic Section 114

Axle - External Components 82

Axle Mount 82

Axle Outer End Group - Front Axle 90

Axle Outer End Group - Rear Axle 94

B

Battery and Cables 40

Boom - Inner Section 102

Boom - Intermediate Section 100

Boom - Outer Section 98

Boom Extend Circuit 150

Boom Extend Cylinder - Components 180, 181

Boom Extend Cylinder and Pins 150

Boom Lights 98

Brake - Master Cylinder 161

Brake Circuit 112

Brake Discs - Front Axle 88

Brake Discs - Rear Axle 89

Brake Light Pressure Switch 110

Brake Pedal 32

Brake Valve Group 110

Brake Valve Manifold 110

Bucket 198

C

Cab 12

Cab Mounts 34

Cable - Hydraulic Winch 192

Carraige - 180 Degree Swing 194

Carriage - Fork Shift 188

Carriage - Rotating 190

Carriage - Standard 186

Carriage Forks 184

Chain - Boom 102

	PAGE
D	
Decals6
Declutch Switch110
Differential Group - Front Axle92
Differential Group - Rear Axle96
Differential Housing - Front Axle86
Differential Housing - Rear Axle87
Door Assembly20
Drive Plate Group80
Driveshafts58
Dynattach Bracket Assembly104
E	
Engine - External Components50
Engine Mounts50
Equalizer Valve - Brake110
Exhaust Group56
F	
Fan52
Fan Belt50
Fan Shroud52
Fender82
Filters4
First and Second Gear Shaft Group76
Flowdivider106, 155
Fork Shift Carriage188
Fork Shift Cylinder - Components182
Forks - Carriage184
Forward and Reverse Gear Group72
Frame Level Circuit144
Frame Level Cylinder - Components172, 173
Frame Level Cylinder and Pins144
Frame Level Cylinder Mount144
Fuel Line and Fittings50
Fuel Sender38
Fuel Tank38
Fuses22
G	
Glass - Front and Rear Windows14
Glass - Top and Left Windows18

H

Head Lights44

Heater24

Hoods and Covers42

Horn40

Hose Tray - Inner Boom102

Hose Tray - Intermediate Boom100

Hydraulic Cooler52

Hydraulic Filter36

Hydraulic Pump106

Hydraulic Pump154

Hydraulic Pump Circuit106

Hydraulic Tank36

Hydraulic Valve - Dual Controls Circuit116

Hydraulic Valve - Main114

Hydraulic Valve - Radio Remote122

Hydraulic Valve Circuit114

Hydraulic Valve Components156

Hydraulic Winch - Truss Boom192

I

Instuments, Switches and Fuses22

J

Joystick - Auxiliary Hydraulics Controller Components170

Joystick - Dual Controls and Main Valve116

Joystick - Dual Controls124

Joystick - Dual Controls with Auxiliary Hydraulics126

Joystick - Dual Controls with PWP128

Joystick - Dual Controls with PWP and Auxiliary Hydraulics130

Joystick - Dual Controls with Radio Remote132

Joystick - Dual Controls with Radio Remote and Auxiliary Hydraulics134

Joystick - Lift / Extend Controller Components166

Joystick - Tilt / Level Controller Components164

Joystick - Tri-Function Controller Components168

Joystick - Tri-Function Controls and Main Valve Circuit118

Joystick - Tri-Function Controls, Main Valve, and Auxiliary Hydraulics120

Joystick - Tri-Function with PWP136

Joystick - Tri-Function with PWP and Auxiliary Hydraulics138

Joystick - Tri-Function with Radio Remote140

Joystick Manifold47

Joystick Relief Valve106, 155

	PAGE
L	
Level Sensor	47
Lift Cylinder - Components	174, 175
Lift Cylinder and Pins	146
Lift Cylinder Circuit	146
Lights - Front and Rear	44
M	
Master Cylinder	161
Master Cylinder - Brake	110
Mirror	36
Modulation Valve Group	81
Muffler	56
O	
Output Shaft Group	78
P	
Park Brake Valve	155
Pre-Cleaner - Air Filter	54
PWP Valve and Solenoids	158
R	
Radiator	52
Radiator Hoses	52
Radio Remote - Dual Control Joysticks	132
Radio Remote - Dual Control Joysticks with Auxiliary Hydraulics	134
Radio Remote - Tri-Function Controls	140
Radio Remote - Tri-Function with Auxiliary Hydraulics	142
Radio Remote Circuit - Main Valve	122
Radio Remote Manifold	122
Radio Remote Transmitter and Receiver	48
Radio Remote Valve and Solenoids	162
Remote Control Components	46
Reverse Idler Group	70
Rotating Carriage	190
Rotating Carriage Cylinder - Components	183

S

Seat 28

Seat Belts 28

Shifter 26

Slave Cylinder - Components 176, 177

Slave Cylinder and Pins 148

Slave Cylinder Circuit 148

Solenoids - Transmission 79

Starter Relay 50

Steer Cylinder - Front Axle 84

Steer Cylinder - Rear Axle 85

Steer Motor 108

Steer Motor 160

Steer Select Valve 108

Steer Select Valve 159

Steering - Hydraulic Circuit 108

Steering Circuit 112

Steering Column 26

Steering Wheel 26

Swing Carriage - 180 Degree 194

Switches 22

T

Tail Lights 44

Third Gear Shaft Group 74

Throttle Linkage 50

Tie Rods - Front Axle 84

Tie Rods - Rear Axle 85

Tilt Cylinder - Components 178, 179

Tilt Cylinder and Pins 104, 148

Tilt Cylinder Circuit 148

Tire 82

Torque Converter Group 64

Torque Converter Housing 60

Transmission 58

Transmission - External Components 58

Transmission Case and Plate Group 60

Transmission Charge Pump 69

Transmission Drive Pump 68

Transmission Filter 69

Transmission Gear Group 66

Tri-Function Controller - Cab Components 30

Tri-Function Controls and Main Hydraulic Valve Circuit 118

Tri-Function Controls and PWP 136

Tri-Function Controls with PWP and Auxiliary Hydraulics 138

Tri-Function Controls with Radio Remote 140

Tri-Function Controls with Radio Remote and Auxiliary Hydraulics 142

Truss Boom 192

	PAGE
W	
Wheel Rim82
Winch - Truss Boom192
Wipers16
Work Platform196
Work Platform - Boom Components46
Work Platform - Electronic Components47
Work Platform - Level Control47

Numerical Index

RS6-34 Telescopic Handler

Part No.	Page No.	Ref. No.	Part No.	Page No.	Ref. No.	Part No.	Page No.	Ref. No.	Part No.	Page No.	Ref. No.
056859	9	07	102583	91	21	102831	137	10	103024	15	10
072340	23	15	102587	83	07	102831	139	10	103025	19	08
072798	9	10	102587	91	20	102831	141	10	103026	19	09
081379	37	13	102595	91	18	102831	143	10	103027	19	01
089069	23	19	102601	91	37	102836	107	12	103028	11	06
089070	23	19	102614	91	04	102837	113	21	103029	15	19
100011	113	08	102615	91	06	102840	111	02	103033	25	01
100071	29	10	102617	88	01	102840	113	12	103036	25	05
100076	193	17	102618	88	02	102843	119	14	103077	171	01
100102	45	11	102619	88	03	102843	121	14	103078	171	03
100135	29	01	102620	88	04	102861	39	15	103083	171	06
100359	9	13	102621	88	05	102861	51	00	103084	171	02
100883	195	15	102622	88	06	102863	93	22	103088	55	07
100883	196	06	102623	88	07	102874	21	01	103089	13	01
100883	197	06	102624	88	09	102880	13	13	103099	23	23
100963	193	11	102625	88	10	102881	13	23	103099	23	27
101149	195	00	102626	88	11	102882	13	07	103099	23	28
101149	196	00	102627	88	12	102882	23	17	103100	23	29
101149	197	00	102628	88	13	102886	21	21	103101	45	00
101278	23	04	102632	88	19	102893	91	22	103104	23	00
101320	111	01	102633	88	20	102901	21	12	103104	23	33
101436	21	22	102634	88	21	102907	25	01	103112	165	02
101495	17	20	102635	88	24	102912	17	11	103112	167	02
101506	10	06	102636	88	24	102913	17	09	103113	165	03
101550	13	30	102637	88	24	102925	17	00	103113	167	03
101667	35	05	102638	88	25	102926	51	00	103114	165	05
101712	45	04	102639	88	26	102928	21	15	103114	167	04
101717	17	17	102646	13	00	102944	25	03	103115	165	06
101719	21	19	102646	23	20	102945	25	04	103115	167	05
101727	15	13	102647	45	00	102948	21	20	103116	165	07
101792	21	20	102649	27	10	102949	63	10	103116	167	06
101877	23	34	102654	59	22	102950	79	01	103117	165	10
101877	27	10	102668	83	22	102951	79	02	103117	167	09
101879	37	01	102668	113	23	102952	79	03	103122	165	01
101882	27	09	102674	165	04	102952	79	08	103122	167	01
101882	109	01	102680	21	03	102953	79	04	103130	107	04
101882	160	01	102681	21	04	102954	79	05	103130	154	01
101926	55	18	102692	13	06	102954	79	09	103179	17	00
102026	7	06	102705	21	02	102955	79	06	103180	17	00
102027	9	04	102711	19	03	102956	79	07	103192	45	00
102063	53	02	102712	19	10	102957	79	10	103195	29	13
102173	5	04	102717	10	11	102958	79	11	103199	43	13
102313	107	15	102718	10	10	102959	79	12	103199	45	05
102321	47	02	102722	15	20	102965	37	02	103221	23	24
102408	46	01	102727	13	32	102968	49	00	103221	23	25
102433	57	01	102728	13	31	102969	11	05	103221	23	26
102450	59	07	102741	35	03	102974	55	19	103223	39	01
102529	33	08	102769	13	29	103013	17	00	103224	37	18
102530	33	05	102778	13	28	103014	21	00	103229	9	16
102534	33	15	102780	35	01	103017	155	01	103262	117	03
102572	45	00	102780	35	07	103019	15	12	103262	125	01
102573	86	03	102781	35	04	103021	13	11	103262	127	01
102574	86	04	102782	35	02	103022	13	10	103262	129	01
102575	86	07	102783	27	05	103022	15	11	103262	131	01
102575	91	08	102785	33	04	103023	13	19	103262	133	01
102576	86	08	102831	119	10	103023	15	09	103262	135	01
102576	91	09	102831	121	10	103024	13	20	103262	165	00

RS6-34 Telescopic Handler

Numerical Index

Part No.	Page No.	Ref. No.	Part No.	Page No.	Ref. No.	Part No.	Page No.	Ref. No.	Part No.	Page No.	Ref. No.
103263	117	02	103318	143	09	103508	163	01	104271	180	03
103263	125	02	103319	109	07	103509	163	03	104272	176	05
103263	127	02	103319	113	11	103510	163	02	104273	172	05
103263	129	02	103320	111	14	103513	163	00	104273	178	05
103263	131	02	103320	113	05	103514	163	00	104274	174	04
103263	133	02	103322	83	04	103582	31	04	104274	180	06
103263	135	02	103330	99	42	103626	51	06	104275	176	08
103263	167	00	103330	103	05	103675	13	11	104277	172	10
103264	31	07	103330	153	21	103708	31	11	104277	180	11
103264	117	01	103331	99	43	103905	196	01	104278	178	09
103264	119	02	103331	103	06	103905	197	01	104279	174	08
103264	121	02	103331	153	22	103906	195	11	104303	39	02
103264	127	12	103333	99	37	103906	197	02	104304	31	02
103264	131	16	103359	27	01	103907	195	13	104304	169	12
103264	135	05	103368	37	29	103907	197	03	104340	51	24
103264	137	02	103368	133	12	103908	195	12	104341	51	25
103264	139	02	103368	135	13	103908	197	04	104425	59	01
103264	141	02	103368	137	15	103909	195	10	104428	111	10
103264	143	02	103368	139	17	103909	197	05	104428	111	12
103264	171	00	103368	141	15	103910	195	00	104467	195	14
103265	23	00	103368	143	17	103910	196	00	104468	195	08
103268	43	04	103370	13	27	103910	197	00	104469	195	05
103270	43	06	103370	43	10	103911	195	00	104470	195	00
103273	43	07	103371	13	26	103911	196	00	104471	195	04
103314	83	08	103371	43	14	103911	197	00	104472	195	09
103315	37	26	103390	88	16	103991	37	11	104474	195	07
103315	119	09	103391	88	17	103994	49	07	104475	195	06
103315	121	09	103392	88	18	104064	47	00	104476	195	03
103315	125	06	103393	91	07	104078	47	03	104477	195	02
103315	129	06	103394	91	03	104127	180	00	104478	195	01
103315	131	12	103395	91	16	104128	105	08	104846	15	15
103315	133	05	103396	91	28	104128	178	00	104871	9	17
103315	135	09	103398	91	25	104129	176	00	104872	7	10
103315	137	07	103399	91	47	104130	172	00	104875	10	07
103315	139	07	103401	91	49	104131	174	00	104876	10	07
103315	141	07	103401	95	50	104214	31	06	104877	10	07
103315	143	07	103402	93	11	104215	10	13	104878	10	07
103317	107	17	103403	165	08	104219	31	08	104879	10	07
103317	113	06	103403	167	07	104244	176	01	104880	10	07
103318	37	27	103403	171	04	104245	172	01	105087	155	03
103318	107	16	103404	165	09	104246	178	01	105266	93	10,14
103318	107	18	103404	167	08	104247	180	01	105266	97	10,14
103318	119	12	103404	171	05	104248	174	01	105236	27	07
103318	121	12	103413	123	06	104249	174	06	105281	51	20
103318	125	08	103413	163	00	104250	180	10	105580	23	00
103318	127	11	103414	49	00	104251	172	08	105593	121	18
103318	129	05	103424	49	00	104252	178	10	105593	139	16
103318	129	08	103425	123	07	104258	180	05	105593	143	16
103318	129	11	103475	49	05	104259	176	04	105603	196	02
103318	131	08	103476	49	06	104260	172	04	105604	196	03
103318	131	11	103479	49	01	104260	178	04	105605	196	04
103318	131	17	103482	49	02	104261	174	03	105606	196	05
103318	133	08	103505	123	03	104262	180	04	136305	25	06
103318	135	11	103505	133	14	104263	176	03	136383	39	06
103318	137	09	103505	135	16	104264	172	03	136383	55	01
103318	139	09	103505	141	18	104265	178	03	136443	39	07
103318	141	09	103505	143	20	104266	174	02	136443	55	10

Numerical Index

RS6-34 Telescopic Handler

Part No.	Page No.	Ref. No.	Part No.	Page No.	Ref. No.	Part No.	Page No.	Ref. No.	Part No.	Page No.	Ref. No.
136686	55	15	L443011	153	04	L500042	19	05	L500461	93	02
137498	5	01	L443022	151	02	L500042	21	07	L500461	97	02
137498	55	04	L444001	59	24	L500055	13	12	L500462	93	02
137501	5	02	L444001	115	13	L500057	13	12	L500462	97	02
137501	55	05	L444002	37	30	L500099	17	08	L500463	93	03
137503	25	09	L444004	109	17	L500111	15	07	L500463	97	03
137632	7	04	L444005	111	09	L500127	157	18	L500464	93	05
137634	7	09	L444007	59	03	L500129	157	16	L500464	97	05
137659	55	02	L444008	115	07	L500130	157	04	L500465	93	06
140516	10	05	L444010	115	28	L500132	157	04	L500465	97	06
167754	6	00	L444010	151	15	L500134	157	03	L500466	93	07
167755	6	00	L444012	123	05	L500135	157	14	L500466	97	07
167788	6	00	L444070	59	01	L500143	25	10	L500467	93	08
167789	6	00	L445001	53	06	L500161	25	00	L500467	97	08
183629	55	13	L445002	147	12	L500163	25	08	L500468	93	09
184069	7	03	L445003	115	26	L500214	193	02	L500468	97	09
184069	9	06	L445004	107	21	L500215	189	01	L500469	93	10
650486	13	25	L445004	109	06	L500222	193	00	L500469	97	10
650588	21	17	L445012	107	10	L500225	23	00	L500470	97	11
650730	21	11	L445013	149	26	L500273	75	03	L500471	93	12
650965	59	13	L445014	107	01	L500273	77	03	L500471	97	12
651543	83	15	L446017	113	09	L500274	78	01	L500472	93	13
651638	21	05	L446020	53	07	L500300	157	21	L500472	97	13
651639	15	02	L446020	59	14	L500339	45	07	L500473	93	14
651639	19	07	L446025	37	21	L500367	182	04	L500473	97	14
651640	15	03	L446025	39	12	L500367	183	09	L500474	93	15
651641	15	06	L446026	115	06	L500368	154	03	L500474	97	15
651641	19	06	L446026	147	06	L500370	182	06	L500475	93	16
651641	21	06	L446026	149	07	L500371	169	01	L500476	93	17
651643	21	10	L446044	111	04	L500373	198	01	L500476	97	17
654022	157	15	L446048	37	31	L500407	67	07	L500477	93	17
654024	13	24	L446049	119	11	L500407	75	23	L500477	97	17
L50147	99	22	L447005	51	18	L500408	75	22	L500478	93	18
L50367	99	22	L44859	33	11	L500408	75	24	L500478	97	18
L50462	99	21	L45049	83	01	L500409	67	16	L500479	97	22
L520019	99	21	L45934	53	13	L500410	75	01	L500480	67	08
L96580	157	16	L46865	107	03	L500411	75	02	L500480	93	23
L10465	33	10	L46865	154	02	L500412	75	04	L500480	97	23
L120041	55	17	L47212	53	24	L500413	75	19	L500481	93	24
L120047	57	03	L47263	185	06	L500414	75	20	L500481	97	24
L277944	37	06	L47265	185	07	L500451	86	02	L500483	91	01
L400398	193	15	L48179	33	07	L500451	87	02	L500483	95	01
L400425	187	03	L48868A	178	08	L500452	87	03	L500484	91	02
L400425	189	03	L49327	37	22	L500453	87	04	L500484	95	02
L400425	191	04	L500001	17	02	L500454	86	05	L500485	95	03
L400929	185	05	L500004	17	18	L500454	87	05	L500486	95	04
L40805	53	16	L500019	15	16	L500455	87	06	L500487	91	05
L41179	51	02	L500020	13	16	L500455	95	38	L500488	91	10
L41261	27	02	L500021	13	17	L500456	87	08	L500488	95	05
L41847	41	06	L500022	13	15	L500456	95	24	L500489	91	14
L41847	43	02	L500024	15	08	L500457	93	01	L500489	95	06
L41848	23	18	L500025	15	14	L500457	97	01	L500490	91	15
L41854	39	05	L500027	15	18	L500458	97	02	L500490	95	09
L441010	37	24	L500028	15	17	L500459	93	02	L500491	95	10
L443011	115	01	L500036	21	16	L500459	97	02	L500492	91	19
L443011	149	04	L500038	15	01	L500460	93	02	L500492	95	11
L443011	151	16	L500042	15	04	L500460	97	02	L500493	95	12

RS6-34 Telescopic Handler

Numerical Index

Part No.	Page No.	Ref. No.	Part No.	Page No.	Ref. No.	Part No.	Page No.	Ref. No.	Part No.	Page No.	Ref. No.
L500494	91	34	L500532	89	06	L50084	145	16	L50319	51	10
L500494	95	13	L500533	89	07	L50086	99	35	L50319	59	16
L500495	95	14	L500534	89	08	L50086	103	21	L50333	189	04
L500496	83	19	L500535	89	09	L500943	84	02	L50367	57	06
L500497	95	17	L500536	88	15	L500943	85	02	L50371	193	21
L500498	91	32	L500536	89	10	L500952	157	06	L50380	99	08
L500498	95	18	L500537	89	13	L500953	157	07	L50380	193	25
L500499	91	29	L500538	89	14	L500954	157	02	L50403	35	06
L500499	95	19	L500539	84	02	L500955	157	11	L50417	13	03
L500500	91	33	L500539	85	02	L500956	157	08	L50418	39	04
L500500	95	20	L500540	84	02	L500957	157	12	L50442	57	11
L500501	91	30	L500540	85	02	L500958	157	17	L50468	59	11
L500501	95	21	L500541	84	03	L500959	157	13	L50491	99	07
L500502	95	22	L500541	85	03	L500960	157	20	L50517	29	05
L500503	95	23	L500542	83	20	L500961	157	15	L50519	189	02
L500504	91	31	L500543	83	16	L500968	160	02	L50562	189	17
L500504	95	26	L500544	83	17	L50101	27	04	L50607	33	12
L500505	91	35	L500546	84	01	L50139	13	22	L50612	99	10
L500505	95	27	L500546	85	01	L50141	29	08	L50612	103	16
L500506	91	36	L500554	95	44	L50145	33	17	L50628	33	09
L500506	95	28	L500555	95	48	L50147	99	27	L50646	105	12
L500507	95	29	L50056	29	09	L50150	33	19	L50677	53	18
L500508	91	38	L50056	33	03	L50151	33	06	L50704	59	18
L500508	95	30	L500606	45	09	L50151	53	14	L50705	57	16
L500509	91	41	L50061	41	08	L50152	99	09	L50712	83	10
L50051	13	05	L500652	169	06	L50152	193	26	L50712	145	14
L500510	91	42	L500653	169	11	L50157	145	15	L50727	59	06
L500510	95	33	L500656	169	04	L50184	107	05	L50741	119	16
L500511	91	44	L500668	177	07	L50196	29	04	L50745	121	16
L500511	95	34	L500668	181	07	L50201	83	09	L50815	193	16
L500512	91	45	L500688	169	03	L50202	13	21	L50823	29	11
L500512	95	35	L500689	169	05	L50202	25	07	L50833	59	09
L500513	91	46	L500690	169	08	L50202	31	03	L50836	57	13
L500513	95	36	L500691	169	09	L50205	191	06	L50875	189	07
L500515	91	48	L500692	169	07	L50207	101	04	L50877	103	23
L500515	95	39	L500694	17	19	L50209	49	07	L50878	99	18
L500516	95	40	L500695	17	04	L50226	99	14	L50878	151	09
L500517	91	51	L500696	17	03	L50228	53	05	L50895	115	10
L500517	95	41	L500697	17	15	L50228	101	03	L50952	59	08
L500518	91	50	L500700	17	12	L50230	37	14	L510041	29	03
L500518	95	42	L500701	17	06	L50230	53	10	L510041	33	20
L500519	91	40	L500702	17	11	L50235	33	02	L51099	55	14
L500519	95	43	L500706	17	13	L50235	39	09	L51591	111	13
L500521	95	45	L500707	17	10	L50235	55	12	L51591	113	22
L500522	91	43	L500708	17	05	L50242	189	10	L51762	121	19
L500522	95	46	L500709	17	14	L50251	99	25	L51762	139	15
L500523	91	26	L500711	17	16	L50251	101	19	L51762	143	15
L500523	95	49	L500718	17	01	L50251	103	07	L51781	55	08
L500524	91	26	L500719	17	07	L50253	83	02	L51968	191	13
L500524	95	49	L50072	33	14	L50261	33	16	L520003	37	12
L500525	91	26	L500747	45	00	L50261	99	32	L520004	99	17
L500525	95	49	L500748	45	00	L50261	101	22	L520005	21	14
L500527	88	14	L500761	182	03	L50273	101	12	L520007	51	13
L500527	89	01	L500762	182	02	L50277	145	03	L520007	59	19
L500528	89	02	L500763	182	01	L50283	107	06	L520019	37	20
L500529	89	03	L500771	97	16	L50286	37	19	L520019	39	10
L500531	89	05	L50084	83	13	L50305	51	09	L520019	53	15

Numerical Index

RS6-34 Telescopic Handler

Part No.	Page No.	Ref. No.	Part No.	Page No.	Ref. No.	Part No.	Page No.	Ref. No.	Part No.	Page No.	Ref. No.
L520019	193	13	L63013	179	00	L63564	111	08	L65570	51	00
L52022	31	10	L63014	177	00	L63593	183	02	L65638	99	06
L52024	13	18	L63015	173	00	L63594	183	00	L65640	99	03
L52024	31	09	L63016	145	11	L63594	191	17	L65926	10	03
L52025	13	04	L63017	99	16	L63610	23	16	L65927	6	00
L52026	27	08	L63018	105	07	L63629	33	22	L65927	7	02
L52048	99	05	L63099	99	21	L63631	10	09	L65927	9	02
L530003	41	10	L63131	99	13	L63632	10	08	L65928	7	07
L530004	53	11	L63143	189	18	L63634	13	08	L65930	10	02
L54002	13	00	L63143	191	11	L63640	23	01	L65932	7	05
L561004	33	00	L63153	101	11	L63651	111	03	L65932	9	11
L580005	33	13	L63156	103	15	L63651	111	06	L65933	9	03
L580009	51	23	L63156	103	18	L63665	53	21	L65937	9	05
L60253	115	14	L63157	101	10	L63694	99	22	L65942	7	11
L60253	145	17	L63158	101	09	L63694	151	17	L66011	13	03
L60451	193	23	L63166	99	34	L63715	103	25	L66042	6	00
L60492	57	09	L63166	103	19	L63715	149	24	L66119	53	12
L60653	113	02	L63167	99	33	L63715	153	11	L66139	113	01
L60653	119	06	L63167	103	20	L63715	189	09	L66162	111	00
L60653	121	06	L63168	103	17	L63716	103	24	L66265	53	23
L60961	185	08	L63169	99	11	L63716	153	18	L66406	185	04
L60986	111	00	L63173	99	12	L63716	189	11	L66437	23	02
L61001	185	02	L63199	175	00	L63756	37	10	L66456	105	09
L61017	185	03	L63215	37	08	L63813	13	33	L66613	7	08
L61021	57	14	L63222	83	01	L63813	35	00	L66613	105	00
L61287	191	06	L63230	33	01	L63887	13	09	L66709	53	22
L61411	193	24	L63239	101	25	L63894	45	00	L66780	103	14
L61620	37	23	L63248	41	05	L63952	191	20	L66782	103	13
L61699	101	26	L63272	105	06	L63957	105	15	L66783	103	12
L61699	103	04	L63273	149	18	L63968	191	15	L66918	189	15
L61708	99	23	L63273	151	04	L63969	191	18	L66919	189	05
L61709	99	28	L63274	105	04	L64124	51	11	L66921	189	08
L61867	39	04	L63274	147	03	L64124	59	21	L66931	189	06
L62583	9	08	L63276	145	04	L64143	99	31	L66946	193	20
L62715	99	24	L63309	37	25	L64175	174	07	L66948	189	08
L62715	101	16	L63309	107	02	L64197	51	12	L66949	189	20
L62715	103	11	L63311	10	14	L64197	59	20	L66950	189	19
L62731	101	28	L63319	187	02	L64275	117	09	L66965	59	05
L62732	101	29	L63319	191	02	L64294	193	03	L67499	83	01
L62733	99	29	L63320	187	02	L64367	145	02	L67502	83	01
L62733	101	18	L63320	191	02	L64437	51	04	L67504	83	01
L62734	101	17	L63334	41	01	L64524	109	16	L67589	53	17
L62734	103	10	L63344	191	12	L64572	57	15	L67657	55	16
L62741	111	05	L63356	53	03	L64660	107	09	L67718	9	09
L62761	119	00	L63363	33	21	L64660	193	04	L67719	9	09
L62761	169	02	L63381	107	19	L64663	33	00	L67720	9	09
L62840	155	07	L63383	109	12	L64664	33	00	L67721	9	09
L62842	107	07	L63384	107	13	L64821	57	10	L67722	9	09
L62842	109	02	L63384	109	14	L64863	55	09	L67723	9	09
L62842	123	04	L63387	109	13	L65097	105	13	L67751	53	21
L62926	33	23	L63399	53	09	L65098	105	14	L67756	43	03
L630001	41	03	L63406	37	07	L65142	37	16	L67756	57	12
L630003	41	04	L63407	115	09	L65144	37	17	L68003	176	06
L630004	23	00	L63420	33	00	L65273	153	20	L68006	99	15
L63005	103	02	L63420	51	00	L65273	191	10	L68039	149	25
L63006	101	02	L63474	9	12	L65338	193	19	L68039	153	12
L63012	181	00	L63545	25	02	L65348	6	00	L68171	43	11

RS6-34 Telescopic Handler

Numerical Index

Part No.	Page No.	Ref. No.	Part No.	Page No.	Ref. No.	Part No.	Page No.	Ref. No.	Part No.	Page No.	Ref. No.
L68182	43	12	L68807	115	17	L70305	9	01	L98176	63	09
L68185	43	09	L68807	147	08	L70306	10	01	L98184	63	22
L68186	43	08	L68808	115	18	L70307	10	12	L98185	63	08
L68200	43	05	L68808	147	09	L70428	111	11	L98189	65	09
L68239	149	02	L68809	115	19	L70428	113	19	L98191	65	13
L68295	10	04	L68809	115	20	L70462	99	00	L98194	65	07
L68331	185	09	L68810	117	06	L70495	172	09	L98196	65	16
L68337	182	00	L68810	123	09	L70495	173	11	L98197	65	03
L68337	189	16	L68811	117	05	L70495	179	10	L98198	65	15
L68348	99	20	L68814	115	02	L70629	51	00	L98199	65	12
L68348	151	07	L68815	115	05	L70634	29	02	L98200	65	06
L68350	99	01	L68815	153	07	L70701	45	08	L98201	65	04
L68351	149	01	L68816	115	04	L71074	23	06	L98202	65	05
L68351	153	01	L68817	115	08	L71075	23	03	L98203	65	01
L68352	151	11	L68817	149	09	L71075	23	13	L98204	65	02
L68352	151	12	L68831	198	01	L71076	23	14	L98205	65	14
L68356	151	08	L68849	83	22	L71077	23	09	L98211	68	05
L68358	99	19	L68849	113	24	L71081	23	12	L98212	68	07
L68374	149	20	L68866	43	01	L71081	51	00	L98214	69	10
L68374	149	21	L68875	83	01	L71082	23	07	L98215	69	08
L68376	153	13	L68876	83	14	L71084	23	08	L98216	69	09
L68376-	153	14	L68876	145	13	L71086	23	05	L98217	63	15
L68496	29	12	L68878	83	11	L71305	13	00	L98218	63	14
L68531	59	17	L68878	145	12	L71339	119	15	L98219	69	12
L68533	59	25	L68881	145	09	L71339	143	13	L98220	69	01
L68539	53	25	L68882	145	10	L71346	31	01	L98224	69	06
L68544	57	08	L68884	83	01	L71350	185	01	L98226	63	13
L68562	59	23	L69166	51	05	L71378	10	00	L98228	71	02
L68563	59	12	L69297	13	02	L71553	47	01	L98229	71	01
L68571	51	03	L69595	27	03	L71554	11	01	L98230	71	04
L68580	53	20	L69718	51	14	L71555	11	02	L98231	71	03
L68592	51	15	L69734	83	12	L71595	45	10	L98232	71	05
L68595	51	08	L69734	95	37	L71691	23	10	L98233	71	08
L68596	51	07	L69747	109	05	L71691	47	00	L98235	73	17
L68604	51	19	L69747	113	18	L71700	11	03	L98235	77	16
L68613	51	17	L69747	159	00	L71725	46	03	L98236	73	16
L68619	39	14	L69756	31	12	L71726	46	02	L98236	77	15
L68619	51	00	L69902	123	08	L71729	46	00	L98237	73	09
L68641	33	24	L69903	119	08	L71732	46	05	L98238	73	08
L68694	115	12	L69904	119	13	L71748	99	36	L98239	73	15
L68694	117	08	L69905	123	02	L71750	46	04	L98239	75	12
L68694	157	00	L69905	141	17	L71751	47	05	L98239	77	21
L68695	101	14	L69928	113	04	L71752	47	04	L98239	77	23
L68696	101	24	L69930	107	08	L76020	53	19	L98240	73	14
L68697	101	08	L69936	109	10	L76084	53	01	L98240	75	11
L68711	159	00	L70039	45	01	L81233	119	05	L98240	77	20
L68744	101	01	L70040	99	38	L82358	193	10	L98240	77	22
L68762	103	01	L70069	21	00	L94824	63	02	L98241	73	13
L68772	27	06	L70075	23	21	L96053	78	05	L98241	75	18
L68778	115	25	L70075	23	22	L96838	178	08	L98241	77	14
L68778	153	05	L70146	41	09	L96838	180	09	L98242	73	12
L68778	157	00	L70200	45	06	L96838	181	10	L98242	75	17
L68794	145	06	L70201	29	07	L97489	5	03	L98242	77	13
L68802	107	11	L70212	29	06	L97489	37	03	L98244	73	10
L68804	123	01	L70241	45	00	L97525	65	10	L98246	73	06
L68805	37	28	L70242	99	02	L97526	65	11	L98247	73	07
L68805	109	15	L70305	7	01	L97889	172	09	L98248	73	01

Numerical Index




RS6-34 Telescopic Handler



Part No.	Page No.	Ref. No.	Part No.	Page No.	Ref. No.	Part No.	Page No.	Ref. No.	Part No.	Page No.	Ref. No.
L98249	73	18	L98396	93	19	L98935	63	11	L99249	61	15
L98250	73	04	L98396	97	19	L98938	61	14	L99251	63	03
L98251	73	02	L98404	93	17	L98942	68	06	L99253	63	05
L98252	73	03	L98404	97	17	L98943	68	04	L99260	61	09
L98253	67	02	L98406	93	17	L98944	68	03	L99260	61	12
L98253	67	05	L98406	97	17	L98945	68	01	L99261	61	10
L98254	67	03	L98417	86	01	L98947	68	02	L99262	61	07
L98255	73	22	L98417	87	01	L98948	69	11	L99262	63	25
L98257	75	06	L98417	91	39	L98949	69	07	L99270	63	26
L98257	77	19	L98417	95	31	L98950	69	04	L99274	63	23
L98258	75	05	L98430	88	22	L98951	69	05	L99278	73	05
L98260	77	17	L98430	89	11	L98953	69	03	L99279	75	08
L98264	78	06	L98503	173	01	L98954	69	00	L99284	61	03
L98266	78	07	L98506	173	12	L98955	67	15	L99284	61	06
L98268	78	04	L98507	173	05	L98956	81	14	L99284	63	18
L98272	77	18	L98509	173	10	L98957	81	15	L99285	61	08
L98274	77	01	L98511	181	01	L98958	81	10	L99285	63	32
L98275	77	02	L98513	177	04	L98961	73	11	L99286	61	01
L98276	67	11	L98513	181	04	L98962	73	21	L99287	63	29
L98276	77	26	L98515	181	05	L98967	77	12	L99288	63	31
L98277	67	13	L98516	181	06	L98968	67	09	L99294	63	33
L98277	77	27	L98517	181	11	L98968	77	25	L99295	63	34
L98278	78	09	L98518	175	01	L98978	5	05	L99296	63	35
L98279	78	08	L98519	175	08	L99013	63	04	L99312	63	30
L98281	78	03	L98520	175	02	L99018	63	19	L99313	65	08
L98282	78	02	L98521	175	10	L99020	69	15	L99405	173	07
L98284	67	14	L98522	175	04	L99023	69	14	L99405	175	06
L98291	81	01	L98523	175	05	L99025	69	13	L99405	179	07
L98292	81	02	L98524	177	01	L99027	69	16	L99425	27	06
L98293	81	08	L98527	177	10	L99029	61	11	L99434	57	07
L98294	81	03	L98528	177	05	L99029	61	13	L99454	29	01
L98295	81	04	L98529	177	06	L99029	63	21	L99696	75	21
L98298	81	06	L98533	161	02	L99029	69	17	L99785	80	04
L98300	81	11	L98536	161	05	L99030	80	05	L99857	173	04
L98301	81	13	L98537	161	07	L99031	71	06	L99866	179	05
L98302	81	12	L98545	179	01	L99032	71	07	L99908	155	05
L98303	81	09	L98547	173	03	L99038	77	05	L99909	158	03
L98304	81	05	L98548	179	11	L99045	63	20	L99910	155	06
L98307	81	07	L98550	173	06	L99163	37	09	L99910	158	04
L98316	80	03	L98551	179	12	L99163	39	03	L99911	155	06
L98317	80	06	L98558	181	12	L99168	183	01	L99921	159	01
L98318	87	07	L98700	105	01	L99170	183	12	L99925	155	02
L98318	95	25	L98734	63	27	L99171	183	05	L99927	155	02
L98355	83	18	L98735	63	28	L99174	183	06	L99951	83	03
L98368	88	08	L98865	33	24	L99175	183	07	L99983	25	05
L98371	91	13	L98887	157	18	L99182	59	10	P471370	113	03
L98371	95	07	L98891	157	01	L99184	5	06	P471997	155	07
L98372	91	11	L98895	157	05	L99184	59	04			
L98372	95	07	L98895	157	19	L99184	69	02			
L98373	86	09	L98896	157	09	L99192	187	01			
L98373	91	12	L98897	157	09	L99193	187	01			
L98373	95	47	L98898	157	09	L99224	191	01			
L98380	93	04	L98899	157	10	L99225	191	01			
L98380	97	04	L98921	183	06	L99237	193	01			
L98394	97	21	L98926	63	07	L99246	61	04			
L98395	93	20	L98927	63	06	L99246	63	16			
L98395	97	20	L98932	63	12	L99246	63	24			

RS6-34 Telescopic Handler

Torque Specifications

Use these torque values when tightening hardware (excluding: locknuts and self-tapping, thread-forming and metal screws) unless otherwise specified.

Unified National Thread	Grade 2 		Grade 5 		Grade 8 	
	Dry	Lubed	Dry	Lubed	Dry	Lubed
8-32	19*	14*	30*	22*	41*	31*
8-36	20*	15*	31*	23*	43*	32*
10-24	27*	21*	43*	32*	60*	45*
10-32	31*	23*	49*	36*	68*	51*
1/4-20	66*	50*	9	75*	12	9
1/4-28	76*	56*	10	86*	14	10
5/16-18	11	9	17	13	25	18
5/16-24	12	9	19	14	25	20
3/8-16	20	15	30	23	45	35
3/8-24	23	17	35	25	50	35
7/16-14	32	24	50	35	70	55
7/16-20	36	27	55	40	80	60
1/2-13	35	35	75	55	110	80
1/2-20	40	40	90	65	120	90
9/16-12	55	55	110	80	150	110
9/16-18	60	60	120	90	170	130
5/8-11	75	75	150	110	220	170
5/8-18	85	85	180	130	240	180
3/4-10	130	130	260	200	380	280
3/4-16	150	150	300	220	420	320
7/8-9	125	125	430	320	600	460
7/8-14	140	140	470	360	660	500
1-8	190	190	640	480	900	680
1-14	210	210	710	530	1000	740

Metric Course Thread	Grade 8.8 		Grade 10.9 		Grade 12.9	
	Dry	Lubed	Dry	Lubed	Dry	Lubed
M6-1	8	6	11	7	13.5	10*
24M8-1.25	19	14	27	20	32.5	24*
M10-1.5	37.5	28	53	39	64	47
M12-1.75	65	48	91.5	67.5	111.5	82
M14-2	103.5	76.5	145.5	108	176.5	131
M16-2	158.5	117.5	223.5	165.5	271	200

* All torque values are in lb.-ft. except those marked with an *, which are in lb.-in.
For metric torque value (Nm); multiply lb.-ft. x 1.355 or lb.-in. value x 0.113.

GEHL®

GEHL Company 143 Water Street, P.O. Box 179, West Bend, WI 53095-0179 U.S.A.
www.gehl.com