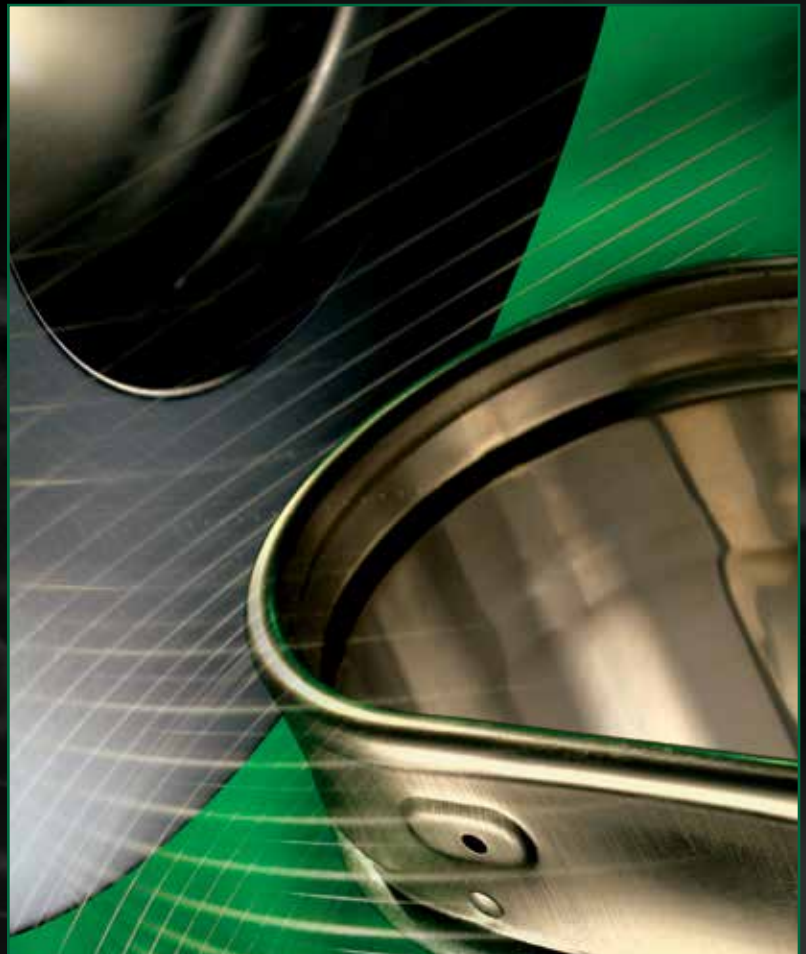


**DuraLiner®**

**Insulated, double-wall  
masonry relining.**

**UL 1777 and ULC S635.**



## Specifications

### Applications

DuraLiner is a high-temperature, insulated double-wall masonry relining system for use with appliances fueled by gas, pellet, oil, wood, or coal. It safely protects masonry chimneys from the damaging effects of flue product condensation.

### Materials and Construction

.016" 304 stainless steel inner liner.  
Rigid relining pipe: double-walled with 304 stainless steel inner and galvalume outer. Factory insulated between inner and outer walls.  
DuraLiner Rigid Pipe in round or oval, is constructed with built-in fittings and pre-drilled holes (stainless steel rivets included).  
Round 5" DuraLiner rigid pipe is constructed with built-in twist-lock and pre-drilled holes.

### Clearances

Rigid double wall: 0" clearance between the liner and masonry and 0" clearance between the masonry and combustibles.  
DuraLiner Flex: 1" clearance to masonry.  
Zero clearance with insulation.

### Diameters

5", 6", and 8".

### Listings

UL Listed to UL 1777 (MH14420),  
ULC Listed to ULC S635 .



## UL 1777 and ULC S635 System

### DuraLiner

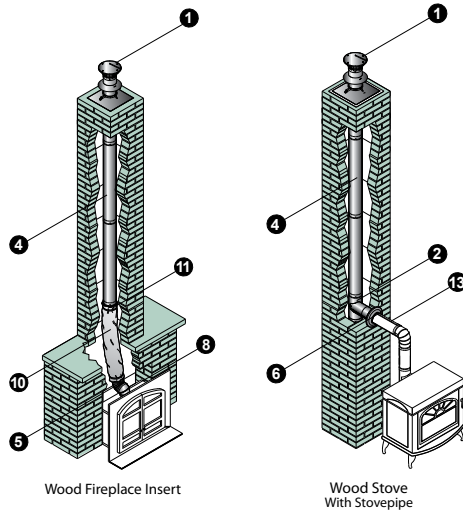
DuraLiner ensures safe and efficient venting of heating appliances, while protecting the masonry chimney from the damaging effects of flue gas. It is the only factory-insulated product with zero/zero clearance for high heat wood-burning appliances. No need to uncoil flex, insulate a majority of the pipe, or protect the insulation when installing. A smooth inner means less creosote buildup.

Installers reduce labor time by 50% or more with DuraLiner. No time wasted wrapping insulation around liner for UL 1777 approval.

No spacers needed to maintain clearance in tight offsets or dampers. Approved for use in both the USA and in Canada.

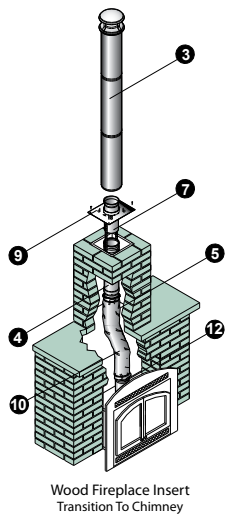


## Typical Installations



Wood Fireplace Insert

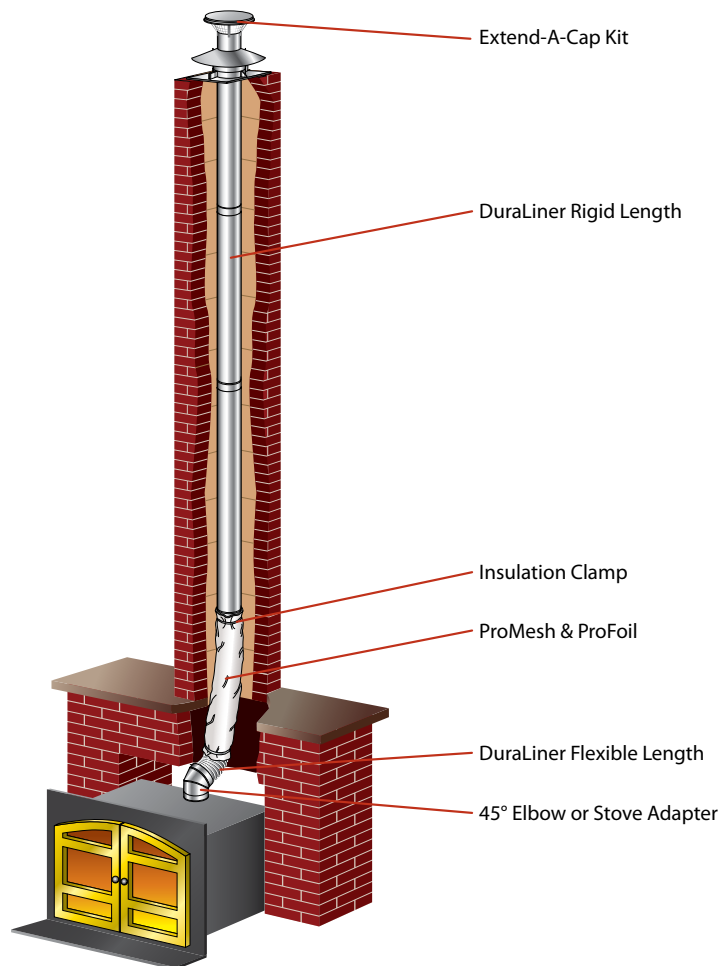
Wood Stove With Stovepipe



Wood Fireplace Insert Transition To Chimney

| Installation Key |                                   |    |                               |
|------------------|-----------------------------------|----|-------------------------------|
| 1                | Extend-A-Cap Kit                  | 8  | 30° or 45° SS Elbow           |
| 2                | Round Tee with Round Branch       | 9  | Transition Anchor Plate       |
| 3                | DuraTech or DuraPlus Chimney      | 10 | ProMesh & ProFoil             |
| 4                | DuraLiner - rigid length          | 11 | Insulation Clamp              |
| 5                | DuraLiner - flexible length       | 12 | DuraLiner Appliance Connector |
| 6                | Masonry Thimble w/ Slip Connector | 13 | DVL or DuraBlack Stovepipe    |
| 7                | Slip Connector and Hanger         |    |                               |

- Refer to our Typical Installation drawings to select the appropriate component parts for your installation
- The inner pipe diameter should match the outlet size of the appliance.
- Check the appliance manufacturer's installation instructions for any venting restrictions.
- Be fire safe! Follow local building codes and have your venting system inspected.



## Planning Your Installation

|   |   |
|---|---|
| 1 | Refer to the Typical Installations for the needed parts for installation.   |
| 2 | The size of the liner should match the outlet size on the appliance.  |
| 3 | Determine use of round or oval pipe based on the interior shape of the chimney.   |
| 4 | Determine the length of liner needed. Subtract 1 1/2" overlap per joint on pipe. When using Extend-A-Cap Kit, liner must extend 6" above top of the masonry surface.                                    |
| 5 | Make sure the top of the masonry chimney has a leveled surface to insure a proper fit for the Extend-A-Cap or Transition Anchor Plate and to provide a secure, leak-proof installation.                 |
| 6 | If a free-standing appliance is used, select the vent or stovepipe pieces to connect from the appliance to the liner. Refer to installation instructions.   |
| 7 | For Installations using a Transition Anchor Plate, refer to the DuraTech, DuraPlus, or DuraPlus HTC catalog section or installation instructions for proper parts and installation.                     |
| 8 | Important! Check to be sure the installation complies with all local and national code requirements, including clearance to combustibles. Contact the local building inspector for permit requirements. |

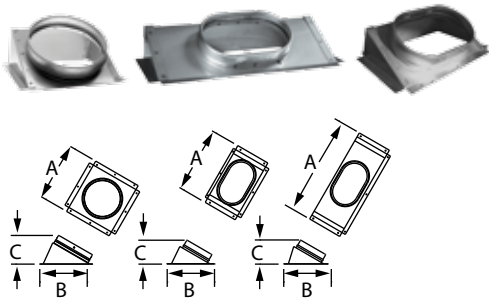
## Design Recommendations

- The following design recommendations are a general guideline to assist in the design and selection of liner components for your installation. Always follow DuraVent installation instructions enclosed with the cap or support box before installing your chimney system.
- Installation instructions can be viewed online at [www.duravent.com](http://www.duravent.com), under Catalogs and Instructions.
- Before relining a chimney, it should be cleaned and inspected, by a certified chimney sweep, to verify the integrity of the mortar and masonry.
- DuraLiner is approved for 0" clearance between the liner and masonry and 0" clearance between the masonry and combustibles.
- DuraLiner is used for wood-burning appliances when zero-clearance or oval pipe is needed.
- Refer to the appliance manufacturer for installation requirements affecting venting. Keep the vent path as straight as possible for best performance.

## Restore Deteriorating Chimneys with DuraLiner

When a masonry chimney is damaged or has fallen down, it can be replaced with a safe, listed liner system or factory-built chimney. DuraLiner, when used with a Transition Anchor Plate and in combination with DuraTech, DuraPlus, or DuraPlus HTC Chimneys, replaces the damaged masonry chimney with a safe, efficient, and economical listed chimney system (DuraPlus HTC is listed for use in Canada). See Typical Installations for details.

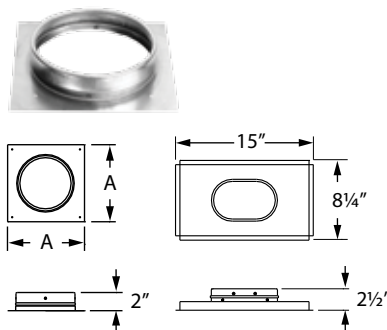
### 30° Stove Connectors



Use to connect stove to round or oval DuraLiner pipe at a 30° angle.

| SIZE | CONNECTION    | ORDER #   | STOCK #   | A       | B       | C      |
|------|---------------|-----------|-----------|---------|---------|--------|
| 6"   | Round - Round | 6DLR-CNR  | 810001193 | 8 1/8"  | 9 3/4"  | 5 3/8" |
| 6"   | Round - Oval  | 6DLR-CNRO | 810001194 | 9 3/8"  | 7 3/4"  | 5 7/8" |
| 6"   | Oval - Oval   | 6DLR-CNO  | 810001195 | 15"     | 7 3/8"  | 4"     |
| 8"   | Round - Round | 8DLR-CNR  | 810001233 | 10"     | 11 5/8" | 6 1/4" |
| 8"   | Round - Oval  | 8DLR-CNRO | 810001234 | 12 1/4" | 9 3/4"  | 5 7/8" |
| 8"   | Oval - Oval   | 8DLR-CNO  | 810001235 | 15"     | 7 3/8"  | 4"     |

### Flat Stove Connector



Use to connect stove to round or oval DuraLiner pipe. Oval stove connector is sized to convert round stove outlets to oval DuraLiner pipe.

| SIZE     | ORDER #   | STOCK #   | A       |
|----------|-----------|-----------|---------|
| 6" ROUND | 6DLR-FCNR | 810001196 | 10 1/4" |
| 6" OVAL  | 6DLR-FCNO | 810001197 | --      |
| 8" ROUND | 8DLR-FCNR | 810001236 | 12 1/4" |
| 8" OVAL  | 8DLR-FCNO | 810001237 | --      |

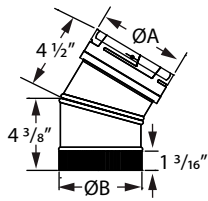
### 15° Stainless Steel Elbow Adapter



Use to offset obstructions as needed. Use as a stove connector to DuraLiner. Built-in fittings for connection to DuraLiner. Elbows are single-wall.

| SIZE | ORDER #      | STOCK #   |
|------|--------------|-----------|
| 6"   | 6DLR-E15ADSS | 810001198 |

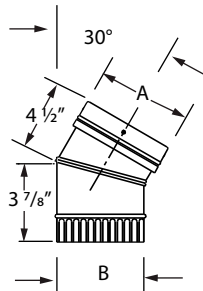
### 30° Stainless Steel Elbow - 5"



Use to offset obstructions as needed. Use as a stove connector to DuraLiner. Built-in fittings for connection to DuraLiner. Elbows are single-wall.

| SIZE | ANGLE | ORDER #  | STOCK #   | A      | B  |
|------|-------|----------|-----------|--------|----|
| 5"   | 30°   | 5DLR-E30 | 810001179 | 5 1/2" | 5" |

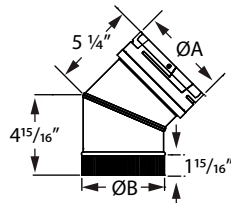
### 30° Stainless Steel Elbow



Use as a stove connector to DuraLiner. Features built-in fittings for easy connection to DuraLiner. Elbows are single-wall.

| SIZE | ANGLE | ORDER #    | STOCK #   | A      | B  |
|------|-------|------------|-----------|--------|----|
| 6"   | 30°   | 6DLR-E30SS | 810001199 | 6 1/2" | 6" |
| 8"   | 30°   | 8DLR-E30SS | 810001238 | 8 1/2" | 8" |

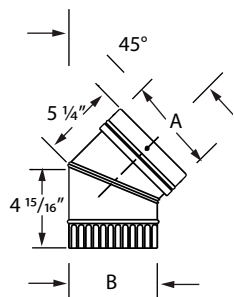
### 45° Stainless Steel Elbow - 5"



Use to offset obstructions as needed. Use as a stove connector to DuraLiner. Features built-in fittings for easy connection to DuraLiner. Elbows are single-wall.

| SIZE | ANGLE | ORDER #  | STOCK #   | A      | B  |
|------|-------|----------|-----------|--------|----|
| 5"   | 45°   | 5DLR-E45 | 810001180 | 5 1/2" | 5" |

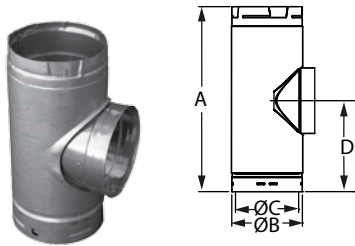
### 45° Stainless Steel Elbow



Use as a stove connector to DuraLiner. Features built-in fittings for easy connection to DuraLiner. Elbows are single-wall.

| SIZE | ANGLE | ORDER #    | STOCK #   | A      | B  |
|------|-------|------------|-----------|--------|----|
| 6"   | 45°   | 6DLR-E45SS | 810001200 | 6 1/2" | 6" |
| 8"   | 45°   | 8DLR-E45SS | 810001239 | 8 1/2" | 8" |

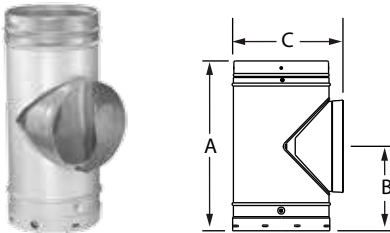
### Round Tee and Round Branch w/ Cap - 5"



Provides connection between Masonry Wall Thimble or stove connector pipe to round DuraLiner. Branch is removable.

| SIZE | ORDER # | STOCK #   | A   | B      | C      | D  |
|------|---------|-----------|-----|--------|--------|----|
| 5"   | 5DLR-T  | 810001181 | 12" | 5 5/8" | 5 1/2" | 6" |

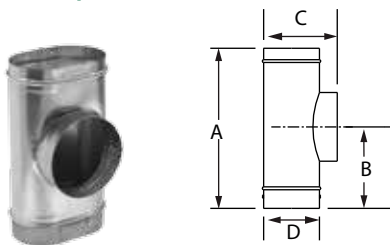
### Round Tee and Round Branch w/ Cap



Provides connection between Masonry Wall Thimble, Wall Pass Through, or stove connector pipe to round DuraLiner. Branch is removable.

| SIZE | ORDER # | STOCK #   | A       | B      | C   |
|------|---------|-----------|---------|--------|-----|
| 6"   | 6DLR-T  | 810001201 | 15 1/8" | 7 1/2" | 8"  |
| 8"   | 8DLR-T  | 810001240 | 15 1/8" | 7 1/2" | 10" |

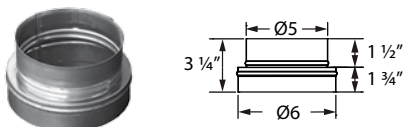
### Oval Tee and Round Branch w/ Cap



Provides connection between Masonry Wall Thimble, Wall Pass Through, or stove connector pipe to oval DuraLiner. Single-wall. May require additional insulation. Refer to DuraLiner installation instructions.

| SIZE | ORDER #   | STOCK #   | A       | B      | C       | D      |
|------|-----------|-----------|---------|--------|---------|--------|
| 6"   | 6DLR-OTRB | 810001202 | 14 1/4" | 7 1/2" | 6 7/16" | 4 7/8" |
| 8"   | 8DLR-OTRB | 810001241 | 14 1/4" | 7 1/2" | 6 7/16" | 4 7/8" |

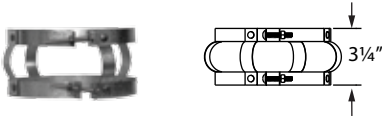
### 6"-5" Reducer



Use to reduce flue collar from 6" diameter to 5" diameter, when permitted by appliance manufacturer.

| SIZE | ORDER # | STOCK #   |
|------|---------|-----------|
| 5"   | 5DLR-R6 | 810001182 |

### Spacer



Use to maintain a 1" clearance with flex sections of DuraLiner.

| SIZE    | ORDER # | STOCK #   |
|---------|---------|-----------|
| 6" OVAL | 6DLR-S  | 810001203 |
| 8" OVAL | 8DLR-S  | 810001242 |

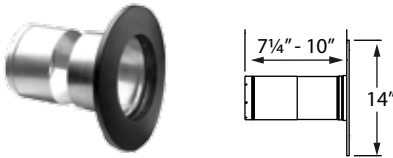
### Adjustable Sleeve



Use for rear stove exits. Sleeve adjusts from 8 1/2" to 12".

| SIZE | ORDER # | STOCK #   |
|------|---------|-----------|
| 6"   | 6DLR-AS | 810001204 |
| 8"   | 8DLR-AS | 810001243 |

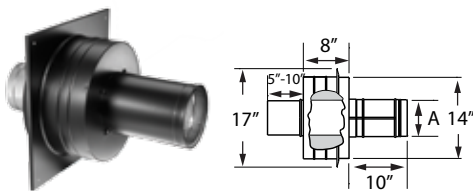
### Masonry Thimble w/ Slip Connector



Use to penetrate masonry chimney to allow connection of DuraBlack or DVL to DuraLiner. Adapter must be used to attach the connector pipe to the masonry thimble.

| SIZE | ORDER #   | STOCK #   |
|------|-----------|-----------|
| 5"   | 5DLR-MTSC | 810001191 |
| 6"   | 6DLR-MTSC | 810000917 |
| 8"   | 8DLR-MTSC | 810000954 |

### Wall Pass Through

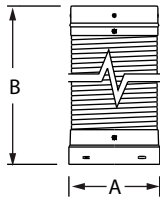


Use to connect to a DuraLiner tee. Transitions DuraLiner through a masonry chimney and a combustible wall. Allows the connection of DuraBlack pipe when used with the appropriate adapter. DVL black pipe will connect directly to the Wall Pass Through.

| SIZE | ORDER #  | STOCK #   | A      |
|------|----------|-----------|--------|
| 6"   | 6DLR-WPT | 810001205 | 6 1/2" |
| 8"   | 8DLR-WPT | 810001244 | 8 1/2" |



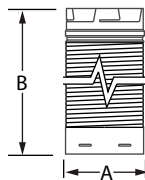
## Round-To-Round Heavy Duty Flex Pipe



Use through damper and smoke shelf area. Built-in fittings. Use with DuraLiner ProMesh and ProFoil, where flex extends into clay liner, for zero-clearance applications. Round-to-Round Flex pipe built from .016", 304 stainless steel, 4-ply construction.

| SIZE | ORDER #   | STOCK #   | A      | B   |
|------|-----------|-----------|--------|-----|
| 6"   | 6DLR-36HF | 810001206 | 6 5/8" | 36" |
| 6"   | 6DLR-60HF | 810001207 | 6 5/8" | 60" |
| 8"   | 8DLR-36HF | 810001245 | 8 5/8" | 36" |
| 8"   | 8DLR-60HF | 810001246 | 8 5/8" | 60" |

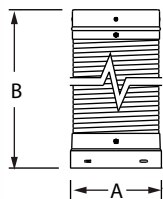
## Round-To-Round Flex Pipe - 5"



Use through damper and smoke shelf area. Built from 304 stainless steel. Use DuraLinerProMesh and ProFoil to meet UL1777 zero-clearance standards. Twist-lock fittings.

| SIZE | ORDER #  | STOCK #   | A      | B   |
|------|----------|-----------|--------|-----|
| 5"   | 5DLR-36F | 810001183 | 5 5/8" | 36" |
| 5"   | 5DLR-60F | 810001184 | 5 5/8" | 60" |

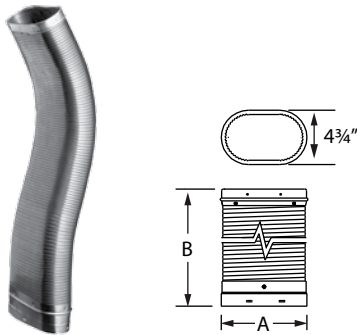
## Round-To-Round Flex Pipe



Use through damper and smoke shelf area. Use with DuraLiner ProMesh and ProFoil, where flex extends into clay liner, for zero-clearance applications. Built from 1-ply construction, .005" 304 stainless steel.

| SIZE | ORDER #  | STOCK #   | A      | B   |
|------|----------|-----------|--------|-----|
| 6"   | 6DLR-36F | 810001208 | 6 5/8" | 36" |
| 6"   | 6DLR-60F | 810001209 | 6 5/8" | 60" |
| 8"   | 8DLR-36F | 810001247 | 8 5/8" | 36" |
| 8"   | 8DLR-60F | 810001248 | 8 5/8" | 60" |

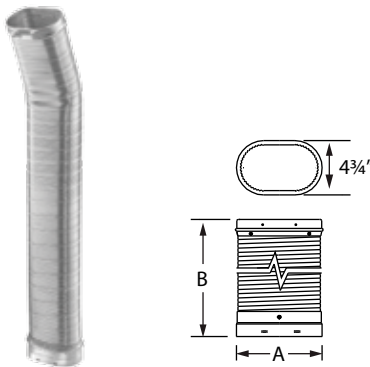
### Oval-To-Oval Heavy Duty Flex Pipe



Use through damper and smoke shelf area. Built-in fittings. Use with DuraLiner ProMesh and ProFoil, where flex extends into clay liner, for zero clearance applications. Oval-to-Oval Flex pipe built from .016", 304 stainless steel, 4-ply construction.

| SIZE | ORDER #    | STOCK #   | A      | B   |
|------|------------|-----------|--------|-----|
| 6"   | 6DLR-360HF | 810001210 | 7 3/4" | 36" |
| 6"   | 6DLR-600HF | 810001211 | 7 3/4" | 60" |

### Oval-To-Oval Flex Pipe



Use through damper and smoke shelf area. Use with DuraLiner ProMesh and ProFoil, where flex extends into clay liner, for zero-clearance applications. Built from 1-ply construction, .005" 304 stainless steel.

| SIZE | ORDER #   | STOCK #   | A       | B   |
|------|-----------|-----------|---------|-----|
| 6"   | 6DLR-360F | 810001212 | 7 3/4"  | 36" |
| 6"   | 6DLR-600F | 810001213 | 7 3/4"  | 60" |
| 8"   | 8DLR-360F | 810001249 | 10 3/4" | 36" |
| 8"   | 8DLR-600F | 810001250 | 10 3/4" | 60" |

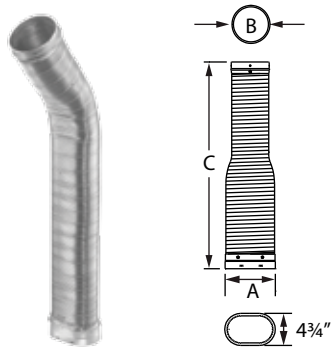
### Oval-To-Round Heavy Duty Flex Pipe



Use through damper and smoke shelf area. Use to connect from round stove outlet to oval DuraLiner. Use with DuraLiner ProMesh and ProFoil, where flex extends into clay liner, for zero clearance applications. Built from .016", 304 stainless steel, 4-ply construction.

| SIZE | ORDER #     | STOCK #   | A      | B      | C   |
|------|-------------|-----------|--------|--------|-----|
| 6"   | 6DLR-360RHF | 810001214 | 7 3/4" | 6 5/8" | 36" |
| 6"   | 6DLR-600RHF | 810001215 | 7 3/4" | 6 5/8" | 60" |

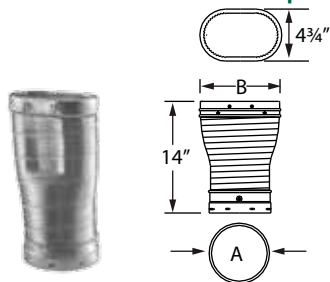
## Oval-To-Round Flex Pipe



Use through damper and smoke shelf area. Use to connect from oval stove outlet to round DuraLiner. Use with DuraLiner ProMesh and ProFoil, where flex extends into clay liner, for zero-clearance applications. Built from 1-ply construction, .005" 304 stainless steel.

| SIZE | ORDER #    | STOCK #   | A       | B      | C   |
|------|------------|-----------|---------|--------|-----|
| 6"   | 6DLR-36ORF | 810001216 | 7 3/4"  | 6 5/8" | 36" |
| 6"   | 6DLR-60ORF | 810001217 | 7 3/4"  | 6 5/8" | 60" |
| 8"   | 8DLR-36ORF | 810001251 | 10 3/4" | 8 3/8" | 36" |
| 8"   | 8DLR-60ORF | 810001252 | 10 3/4" | 8 3/8" | 60" |

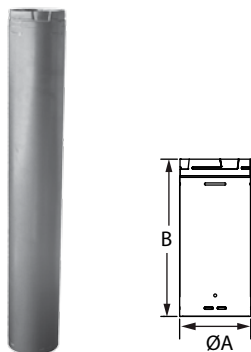
## Round-To-Oval Flex Pipe



Use to connect a round stove outlet to oval DuraLiner. Use with DuraLiner ProMesh and ProFoil, where flex extends into clay liner, for zero-clearance applications. Built from 304 stainless steel.

| SIZE | ORDER #    | STOCK #   | A      | B       |
|------|------------|-----------|--------|---------|
| 6"   | 6DLR-14ROF | 810001218 | 6 5/8" | 7 3/4"  |
| 8"   | 8DLR-14ROF | 810001253 | 8 5/8" | 10 3/4" |

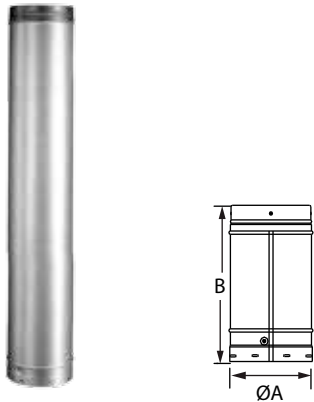
## Round Rigid Pipe - 5"



Use to reline masonry chimney with 0/0 clearance. Factory-insulated. Twist-lock fittings and pre-drilled hole (one screw required). UL Listed for zero clearance between masonry and combustibles, plus zero clearance between liner and masonry. 304 stainless steel inner and aluminized steel outer. Note: to calculate the installed length of 5", 6", and 8" DuraLiner pipe subtract 1 1/2" from each joint overlap of liner pipe sections.

| SIZE | ORDER # | STOCK #   | A      | B   |
|------|---------|-----------|--------|-----|
| 5"   | 5DLR-12 | 810001185 | 5 5/8" | 12" |
| 5"   | 5DLR-24 | 810001186 | 5 5/8" | 24" |
| 5"   | 5DLR-36 | 810001187 | 5 5/8" | 36" |
| 5"   | 5DLR-48 | 810001188 | 5 5/8" | 48" |

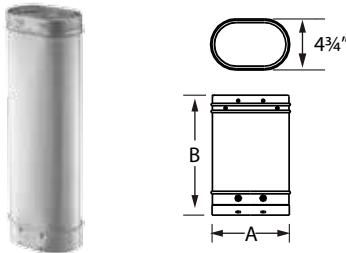
### Round Rigid Pipe



Use to reline masonry chimney with 0/0 clearance. Available in round 6" and 8" diameters in 12", 24", 36", and 48" lengths. Factory-insulated. Built-in, pre-drilled fittings for riveting joints. 304 stainless steel inner and aluminized steel outer. Note: to calculate the installed length of 5", 6", and 8" DuraLiner pipe subtract 1 1/2" from each joint overlap of liner pipe sections.

| SIZE | ORDER # | STOCK #   | A      | B   |
|------|---------|-----------|--------|-----|
| 6"   | 6DLR-12 | 810001219 | 6 5/8" | 12" |
| 6"   | 6DLR-24 | 810001220 | 6 5/8" | 24" |
| 6"   | 6DLR-36 | 810001221 | 6 5/8" | 36" |
| 6"   | 6DLR-48 | 810001222 | 6 5/8" | 48" |
| 8"   | 8DLR-12 | 810001254 | 8 5/8" | 12" |
| 8"   | 8DLR-24 | 810001255 | 8 5/8" | 24" |
| 8"   | 8DLR-36 | 810001256 | 8 5/8" | 36" |
| 8"   | 8DLR-48 | 810001257 | 8 5/8" | 48" |

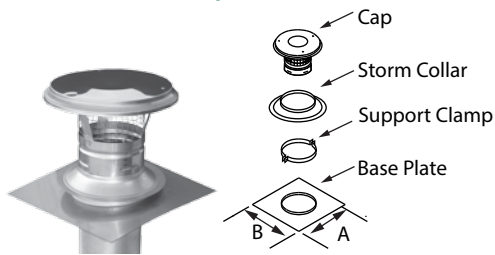
### Oval Rigid Pipe



Use to reline masonry chimney with 0/0 clearance. Available in oval 6" and 8" diameters; 12", 24", 36", and 48" lengths. Factory-insulated. Built-in, pre-drilled fittings for riveting joints. 304 stainless steel inner and aluminized steel outer. Note: to calculate the installed length of 5", 6", and 8" DuraLiner pipe subtract 1 1/2" from each joint overlap of liner pipe sections.

| SIZE | ORDER #  | STOCK #   | A       | B   |
|------|----------|-----------|---------|-----|
| 6"   | 6DLR-120 | 810001223 | 7 3/4"  | 12" |
| 6"   | 6DLR-240 | 810001224 | 7 3/4"  | 24" |
| 6"   | 6DLR-360 | 810001225 | 7 3/4"  | 36" |
| 6"   | 6DLR-480 | 810001226 | 7 3/4"  | 48" |
| 8"   | 8DLR-120 | 810001258 | 10 3/4" | 12" |
| 8"   | 8DLR-240 | 810001259 | 10 3/4" | 24" |
| 8"   | 8DLR-360 | 810001260 | 10 3/4" | 36" |
| 8"   | 8DLR-480 | 810001261 | 10 3/4" | 48" |

### Twist-Lock Cap Kit

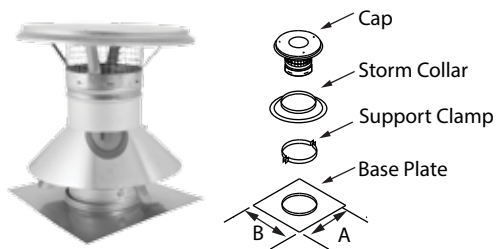


Use to terminate DuraLiner at the top of the masonry chimney. Pipe not included.

Kit includes Base Plate, Support Clamp, Storm Collar, and Cap.

| SIZE | ORDER #  | STOCK #   | A   | B   |
|------|----------|-----------|-----|-----|
| 5"   | 5DLR-KVA | 810001189 | 13" | 13" |
| 5"   | 5DLR-KVB | 810001190 | 13" | 18" |

## Extend-A-Cap Kit

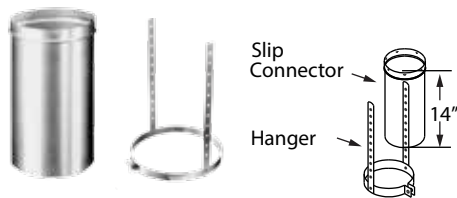


Use to terminate DuraLiner at the top of the masonry chimney.

Kit includes: Base Plate, Support Clamp, Storm Collar, and Cap.  
Pipe not included.

| SIZE     | ORDER #    | STOCK #   | A   | B   |
|----------|------------|-----------|-----|-----|
| 6" Round | 6DLR-KXC13 | 810001227 | 13" | 13" |
| 6" Round | 6DLR-KXC18 | 810001228 | 13" | 18" |
| 6" Oval  | 6DLR-KXC20 | 810001229 | 13" | 20" |
| 6" Oval  | 6DLR-KXC22 | 810001230 | 10" | 22" |
| 8" Round | 8DLR-KXC13 | 810001262 | 13" | 13" |
| 8" Round | 8DLR-KXC18 | 810001263 | 13" | 18" |
| 8" Oval  | 8DLR-KXC20 | 810001264 | 13" | 20" |
| 8" Oval  | 8DLR-KXC22 | 810001265 | 10" | 22" |

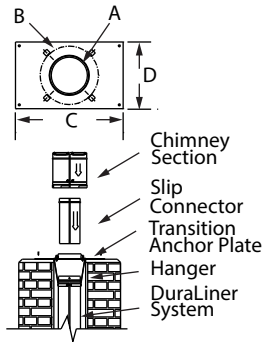
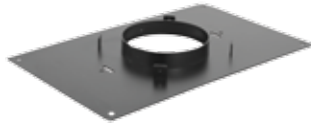
## Slip Connector and Hanger



Use with Transition Anchor Plate to connect DuraLiner to DuraTech, DuraPlus, or DuraPlus HTC chimney.

| SIZE | ORDER #  | STOCK #   |
|------|----------|-----------|
| 6"   | 6DLR-SCH | 810001231 |
| 8"   | 8DLR-SCH | 810001266 |

## Transition Anchor Plate



Use with Slip Connector and Hanger in chimney restoration to connect DuraLiner pipe to DuraTech, DuraPlus, or DuraPlus HTC Chimney. Painted black. Pricing for Transition Anchor Plates are listed under DuraTech, DuraPlus, and DuraPlus HTC.

| DURAPLUS     |              |           |         |          |     |     |
|--------------|--------------|-----------|---------|----------|-----|-----|
| SIZE         | ORDER #      | STOCK #   | A       | B        | C   | D   |
| 6"           | 6DP-AP14x17  | 810000542 | 6 1/16" | 10 3/8"  | 17" | 14" |
| 6"           | 6DP-AP17x17  | 810000543 | 6 1/16" | 10 3/8"  | 17" | 17" |
| 6"           | 6DP-AP13x21  | 810000544 | 6 1/16" | 10 3/8"  | 21" | 13" |
| 6"           | 6DP-AP17x21  | 810000545 | 6 1/16" | 10 3/8"  | 21" | 17" |
| 8"           | 8DP-AP14x17  | 810000628 | 8 1/16" | 12 3/8"  | 17" | 14" |
| 8"           | 8DP-AP17x17  | 810000629 | 8 1/16" | 12 3/8"  | 17" | 17" |
| 8"           | 8DP-AP13x21  | 810000630 | 8 1/16" | 12 3/8"  | 21" | 13" |
| 8"           | 8DP-AP17x21  | 810000631 | 8 1/16" | 12 3/8"  | 21" | 17" |
| DURAPLUS HTC |              |           |         |          |     |     |
| SIZE         | ORDER #      | STOCK #   | A       | B        | C   | D   |
| 6"           | 6HTC-AP14x17 | 810000678 | 6 1/16" | 10 3/8"  | 17" | 14" |
| 6"           | 6HTC-AP17x17 | 810000679 | 6 1/16" | 10 3/8"  | 17" | 17" |
| 6"           | 6HTC-AP17x21 | 810000680 | 6 1/16" | 10 3/8"  | 21" | 13" |
| 8"           | 8HTC-AP14x17 | 810000764 | 8 1/16" | 12 3/8"  | 17" | 14" |
| 8"           | 8HTC-AP17x17 | 810000765 | 8 1/16" | 12 3/8"  | 17" | 17" |
| 8"           | 8HTC-AP17x21 | 810000766 | 8 1/16" | 12 3/8"  | 21" | 13" |
| DURATECH     |              |           |         |          |     |     |
| SIZE         | ORDER #      | STOCK #   | A       | B        | C   | D   |
| 6"           | 6DT-AP14x17  | 810000117 | 6 1/16" | 8 3/16"  | 17" | 14" |
| 6"           | 6DT-AP17x17  | 810000118 | 6 1/16" | 8 3/16"  | 17" | 17" |
| 6"           | 6DT-AP13x21  | 810000119 | 6 1/16" | 8 3/16"  | 21" | 13" |
| 6"           | 6DT-AP17x21  | 810000120 | 6 1/16" | 8 3/16"  | 21" | 17" |
| 8"           | 8DT-AP14x17  | 810000258 | 8 1/16" | 10 3/16" | 17" | 14" |
| 8"           | 8DT-AP17x17  | 810000259 | 8 1/16" | 10 3/16" | 17" | 17" |
| 8"           | 8DT-AP13x21  | 810000260 | 8 1/16" | 10 3/16" | 21" | 13" |
| 8"           | 8DT-AP17x21  | 810000261 | 8 1/16" | 10 3/16" | 21" | 17" |

# Insulation

## Insulation Kit



Use to insulate flex inside clay liner area of the masonry chimney.

Kit includes: 1/2" x 5' ProFoil insulation and a 5' section of ProMesh.

| SIZE    | 6"     | 8"        |
|---------|--------|-----------|
| ORDER # | 6DL-IK | 810001192 |
| STOCK # | 8DL-IK | 810001232 |

## AluFoil Tape



Use to seal seams of ProFoil insulation. 2 mil aluminum foil tape has strength and adhesion.

| SIZE      | STOCK #   |
|-----------|-----------|
| 3" x 150' | RNS-ALF   |
| STOCK #   | 810002486 |

# What makes us different from the rest?

DuraLiner: The only factory-insulated, zero clearance product protecting masonry chimneys from damaging flue gas.



| DuraLiner Feature   | Benefit  | DuraLiner Feature                   | Benefit  | DuraLiner Feature         | Benefit   |
|---------------------|--|-------------------------------------|--|---------------------------|---|
| Zero/zero Clearance | The only factory-insulated product with zero/zero clearance for high heat wood-burning appliance. Approved for 0" clearance between the liner and masonry and 0" clearance between the masonry and combustibles.                   | No spacers needed                   | No spacers needed to maintain clearance.   | Limited Lifetime Warranty | The best Warranty in the industry. 15 years 100%, 15 years and up 50%. Gives the installer and home owner the greatest peace of mind in a quality installation. |
|                     |  | UL1777 and ULC S635 listed          | DuraLiner meets all the thermal, mechanical and material requirement of the UL1777 and ULC S635 (MH14420) standards. | Pre-formed buttons        | The DuraLiner adjustable sleeve has pre-formed buttons that snap into branch rings.   |
| Smooth inner wall   | The smooth inner wall provides for no output reduction, allowing for full appliance efficiency, ease of cleaning and regular maintenance. This optimizes gas flow, minimizes back pressure, and facilitates condensate management. | Galvalume outer                     | More corrosion resistant than galvanized steel. Approved in both the US and Canada.                                  | Flexible Section          | Allows the liner to pass by the smoke shelf and damper to connect to the appliance.   |
|                     |  | 15, 30 and 45 Degree Stove Adapters | Provides greater installation flexibility.   | Made in USA               | 100% manufactured in USA.   |