

# Door Controls

ASSA ABLOY

Experience a safer  
and more open world

NORTON | RIXSON

## *Price List*

*USA and Canada Prices Effective May 1, 2021*

## Tools And Rules

Business Hours.....	4
2020 Holiday and Inventory Schedule .....	4
Ordering Tips and Checklist .....	5
Order Form .....	6
How to Sign up for:	
eBusiness .....	7
Fax Program – Order Acknowledgements and Invoices.....	7
Terms and Conditions .....	8-9
Limited Warranty.....	10
Trademark Use Policy.....	11
Finishes and Fasteners .....	12
*#2 Door Holder.....	13
*78-B/F Series Closers and Accessories .....	13-14
160 Series Closers .....	15
210 Series Closers .....	15
410 Series Closers .....	16
1600BC Series.....	17
1601 Series Closers.....	18
1600BC, 1601 Accessories.....	20
1700 Series Closers and Accessories .....	21
*2800ST Cam Action Closers and Accessories .....	21
7500 Series Closers.....	22-23
7500 Accessories.....	24-25
7706EP, 7706STP, 7706DLP Special Application Closers .....	25
7900 Overhead Concealed Closers.....	27
8101 Series Closers.....	28
8301 Series Closers.....	29-30
8501 Series Closers.....	31-32
8000 Accessories.....	33-34
9300BC Series Closers and Accessories .....	35
9500 Series Closers.....	36-37
9540 Series Closers.....	38
<b>Corrosion Resistant Closers</b>	
*1600BCSS and 1601SS.....	19
*7500SS .....	23
<b>Security Closers</b>	
*7570.....	26
*7970 Overhead Closers .....	27

## Electrified

Operators	
5500 Series .....	39
5600 Series .....	40
5700 Series .....	41
5800 Series .....	42
6000 Series .....	43-45
6300 Series .....	46
Accessories .....	47-48
*7100SZ SafeZone®.....	49
7200 Electromechanical Closers .....	50-51
7700PT Power Track®.....	52
<b>Parts</b>	
Closer Bodies .....	53
Fasteners .....	54-55
<b>Arm and Arm Assemblies</b>	
1600BC, 1601, 7500, 8000, 9300BC.....	56-58
9500.....	58
9540.....	58
Low Profile.....	59
Parallel Rigid, CloserPlus®, CloserPlus Ramp™ CloserPlus Spring™, and Rigid.....	59-60
1700.....	60
Stainless Steel.....	60
Security.....	61
Unitrol® (Parallel and Top Jamb) .....	61-62
Slide Track.....	63
78-B/F .....	63-64
2800ST .....	64
7900, 7970 .....	64
<b>Electrified</b>	
Operators	
5600 Series .....	65
5700 Series .....	65
6000 Series .....	66-69
6300 Series .....	70
SafeZone® .....	71
Electromechanical .....	72
Power Track® .....	73
* Unique products offered by Norton®	
For special application needs, please contact Technical Product Support at 877-974-2255	

USA & Canada Prices Effective May 1, 2021

Norton and Rixson are brands associated with ASSA ABLOY Accessories and Door Controls Group, Inc., an ASSA ABLOY Group company. Copyright © 2002-2021, ASSA ABLOY Accessories and Door Controls Group, Inc. All rights reserved. Reproduction in whole or in part without the express written permission of ASSA ABLOY Accessories and Door Controls Group, Inc. is prohibited. Contact Norton: 877-974-2255 or visit [www.nortondoortcontrols.com](http://www.nortondoortcontrols.com); Contact RIXSON: 800-457-5670 or visit [www.rixson.com](http://www.rixson.com). In Canada contact us at: 800-461-3007 or visit [www.assaabloydss.ca](http://www.assaabloydss.ca)

**ASSA ABLOY**

Experience a safer  
and more open world

<b>Tools and Rules</b>		<b>Overhead Concealed Closers</b> .....	109
Service Center Business Hours.....	76	Commodity Grade 608 Series	
Holiday Schedule.....	76	Architectural Grade 700 & 800 Series	
Ordering Protocol.....	76	Architectural Grade 91 Series	
Trademark Use Policy.....	77	<b>Pivots and Pivot Sets</b> .....	117
E-Business.....	78	Offset Pivot Sets	
Fax Program.....	79	117-1/4, 117, 173, 147, L147, 117-1/2, L117	
<b>Limited Warranty</b> .....	80	Intermediate Pivots	
<b>Terms and Conditions</b> .....	81	Pocket Pivots	
<b>Finish Definitions</b> .....	83	Electrified Pocket Pivots	
<b>Heavy Duty Floor Closers</b> .....	84	Electrified Intermediate Pivots	
Offset Hung		Center Hung Pivot Sets	
27, 127, 427, 327, L27, Q27, HM27, 20		127-3/4, 128-3/4, 370, 375, 117-3/4, H117-3/4,	
Single Acting Center Hung		178, 176	
28, H28, 328, 428, EH28		Center Hung Top Pivots	
Double Acting Center Hung		Electrified Center Hung Top Pivots	
30, 40, H40		<b>Checkmate® Stops &amp; Holders</b> .....	127
<b>Shallow Depth Floor Closers</b> .....	95	<b>Thresholds</b> .....	133
Offset Hung		<b>Electromagnetic Door Holder/Releases</b> .....	137
51, 53, Q51, HM51		<b>Electrified Closer/Holders</b> .....	139
Single Acting Center Hung		Smok-Chek® V	
50, 5040		Smok-Chek® VI	
Double Acting Center Hung		Checkmate® 99	
5020		<b>Parts</b> .....	144
<b>Specialty Closers</b> .....	103		
Duo Chek® Double Acting Floor Closers			
10, 12, 15, 16			
Gate Closers			
354, 355, 356, 357, 359			
Security Closers			
SEC27			
Exterior Gate Closers			
1351			
<b>Door Control Accessories</b> .....	107		
Caster			
Special Cement Cases			
Cover Pans			
Applied Stop			
Installation Tools			

## SERVICE CENTER BUSINESS HOURS

ASSA ABLOY Door Security Solutions  
Customer Service – Monroe  
1902 Airport Road  
Monroe, NC 28110  
Tel: (800) 438-1951  
Fax: (800) 338-0965

Hours of Operation  
8:00 a.m. – 4:30 p.m. (Eastern)

ASSA ABLOY Service Center Inc. – Southwest  
5678 Concours Street  
Ontario, CA 91764  
Tel: (909) 593-2100  
Fax: (909) 593-2500

Hours of Operation  
7:30 a.m. - 4:00 p.m. (Pacific)

Norton Technical Product Support  
3000 Highway 74 East  
Monroe, NC 28112  
Tel: (877) 974-2255  
Fax: (704) 233-1608

Hours of Operation  
8:00 a.m. – 4:30 p.m. (Eastern)

ASSA ABLOY Door Security Solutions Canada  
Customer Service – Vaughan  
160 Four Valley Drive  
Vaughan ON L4K 4T9  
Tel: (800) 461-3007  
Fax: (800) 461-8989

Hours of Operation  
8:00 a.m. – 4:30 p.m. (Eastern)

## HOLIDAY AND INVENTORY SCHEDULE\*

Norton Door Controls will be CLOSED on the following dates:

### USA

April 2

May 31

July 5

September 6

November 25, 26

December 23, 24

October 29, 30 (Inventory)

### Canada

April 2: Good Friday

May 24: Victoria Day

July 1: Canada Day

August 2: Civic Holiday

September 6: Labour Day

October 11: Thanksgiving Day

December 25: Christmas Day

December 26: Boxing Day

\* Dates subject to change

**ASSA ABLOY**

Experience a safer  
and more open world

USA & Canada Prices Effective May 1, 2021

Norton and Rixson are brands associated with ASSA ABLOY Accessories and Door Controls Group, Inc., an ASSA ABLOY Group company. Copyright © 2002-2021, ASSA ABLOY Accessories and Door Controls Group, Inc. All rights reserved. Reproduction in whole or in part without the express written permission of ASSA ABLOY Accessories and Door Controls Group, Inc. is prohibited. Contact Norton: 877-974-2255 or visit [www.nortondoорcontrols.com](http://www.nortondoорcontrols.com); Contact RIXSON: 800-457-5670 or visit [www.rixson.com](http://www.rixson.com). In Canada contact us at: 800-461-3007 or visit [www.assaabloydss.ca](http://www.assaabloydss.ca)

## ORDERING TIPS

---

- Please submit Quick Ship Product Orders and Factory Product Orders on separate order forms.
- If you have a Quote, please include it with the purchase order. Orders without this information included may be delayed.
- Be sure to include Finish for all Closers and Most Accessories.
- Be sure to include Voltage on 7100SZ's, 7200's and Power Track® orders.
- Be sure to include Door Width for Unitrol® (UNI's) orders.
- Be sure to include Handing for all #2 Holders, 78-B/F's, 7100SZ's, 7200's, 7900's and Security Closers.
- Be sure to include RA or PA Arms for 78-B/F's.
- Be sure to include Size on 7100SZ's and 7200's.
- Be sure to include Depth of Reveal for Unitrol's Top Jamb (UNIJ's).

## CHECKLIST

---

*Before placing your order, check for the following...*

- Purchase Order on Company Letterhead
- Purchase Order is Legible
- Purchase Order Number
- Account Number
- Ship To Address
- Contact Person for Additional Information Requirements
- Pricing Requirements – Buying Program or CPQ (please attach)
- Quick Ship Order (Quick Ship Order Form or Stock #'s Included)
- Handing (#2 Holders, 78-B/F's, 7100SZ's, 7200's, 7900's and Security Closers)
- Door Width (UNI's)
- Finish (all Closers, most Accessories)
- Size (7100SZ's, 7200's)
- Voltage (7100SZ's, 7200's, Power Track®)
- Depth of Reveal (UNIJ's)
- Arms (RA or PA for 78B/F's)

## ORDER FORM

---

It is recommended that the Door Closers Order Form included on page 6 of this price book be used when placing orders for Norton® products. Copies of this form can also be printed from our website ([www.nortondoорcontrols.com](http://www.nortondoорcontrols.com)).

**ASSA ABLOY**

Experience a safer  
and more open world

USA & Canada Prices Effective May 1, 2021

Norton and Rixson are brands associated with ASSA ABLOY Accessories and Door Controls Group, Inc., an ASSA ABLOY Group company. Copyright © 2002-2021, ASSA ABLOY Accessories and Door Controls Group, Inc. All rights reserved. Reproduction in whole or in part without the express written permission of ASSA ABLOY Accessories and Door Controls Group, Inc. is prohibited. Contact Norton: 877-974-2255 or visit [www.nortondoорcontrols.com](http://www.nortondoорcontrols.com); Contact RIXSON: 800-457-5670 or visit [www.rixson.com](http://www.rixson.com). In Canada contact us at: 800-461-3007 or visit [www.assaabloydss.ca](http://www.assaabloydss.ca)



## WEBSITE

For the latest information regarding Norton® products, visit our website at [www.nortondoorcontrols.com](http://www.nortondoorcontrols.com). The site is easy to navigate and gives quick access to catalogs, templates, installation instructions, product bulletins, etc.

## TEMPLATES AND INSTALLATION INSTRUCTIONS

All Norton® templates and installation instructions are available on our website.

## Extranet

Visit [www.nortondoorcontrols.com](http://www.nortondoorcontrols.com) to sign up for Extranet access. To sign up for Extranet, follow the simple instructions listed below. Register today and start enjoying the many benefits! Extranet offers anytime access to:

- Order Status
- Order Check by P.O.
- Stock Status Check
- Cross Reference Guide
- Newsletters
- Online Store
- Contact WebPrimary
- Extended Literature (Price Books, Order Forms)
- Fax Program Sign Up
- Order Acknowledgements
- Invoices
- Return Good Authorizations



### How to sign up for Extranet access:

- Step 1: Visit our website at [www.nortondoorcontrols.com](http://www.nortondoorcontrols.com).
- Step 2: Double-click Extranet icon (top right corner).
- Step 3: Complete ASSA ABLOY Door Security Solutions Extranet sign-up form.

## FAX PROGRAM

To receive company Acknowledgements, Invoices and Return Good Authorizations quickly and efficiently, sign up for the Fax Program. Note: eBusiness User ID and Password required (refer to page 7)

- Step 1: Log onto eBusiness
- Step 2: Click on "Customer Service" tab (left side of screen)
- Step 3: Click on "Fax Program Signup"
- Step 4: Fill in appropriate information
- Step 5: Click on "Sign Up For Fax Program"



## ASSA ABLOY

Experience a safer  
and more open world

USA & Canada Prices Effective May 1, 2021

Norton and Rixson are brands associated with ASSA ABLOY Accessories and Door Controls Group, Inc., an ASSA ABLOY Group company. Copyright © 2002-2021, ASSA ABLOY Accessories and Door Controls Group, Inc. All rights reserved. Reproduction in whole or in part without the express written permission of ASSA ABLOY Accessories and Door Controls Group, Inc. is prohibited. Contact Norton: 877-974-2255 or visit [www.nortondoorcontrols.com](http://www.nortondoorcontrols.com); Contact RIXSON: 800-457-5670 or visit [www.rixson.com](http://www.rixson.com). In Canada contact us at: 800-461-3007 or visit [www.assaabloyds.ca](http://www.assaabloyds.ca)

**For Terms & Conditions and Warranty information pertaining to product sales in Canada, please visit [www.assaabloy.ca/terms](http://www.assaabloy.ca/terms).**

## ACCEPTANCE

Norton reserves the right to decline an order, in whole or in part, when the type or quantity of goods or credit worthiness of the Purchaser is not satisfactory to us in our sole and absolute discretion. Purchase Orders, Quote Requests, Acknowledgements or the like issued by the Purchaser that have contrary standard terms and conditions are not binding on Norton, unless such terms and conditions are approved in a separate written agreement by Norton® authorized representatives. In the event of an acceptance of Purchaser's Purchase Order by Norton, the Purchaser agrees that such acceptance is solely conditioned on Purchaser's acceptance of the terms and conditions set forth in this instrument, regardless of the terms and conditions specified in Purchaser's Purchase Order. The terms and conditions in Purchaser's Purchase Order which conflict with the terms and conditions of this instrument shall be disregarded and are hereby rejected, and this instrument shall constitute the entire agreement between Norton and the Purchaser.

In the event that Norton does not enforce or require strict performance of any term or condition hereof, or of any other document, instrument or other agreement relating to goods sold, such lack of enforcement or requirement of strict performance will not waive, affect or diminish any right of Norton to enforce or require strict performance of such term or condition in the future.

## PRICES

All prices are subject to change without notice and are not guaranteed. All shipments will be made at prices in effect at the time of shipment.

Possession of this price list does not constitute an agreement to sell. We reserve the right to correct clerical, stenographic and other obvious errors at any time.

## TERMS

Invoices dated the 1st through the 15th will be due for 2% discount on the \*10th of the following month. Invoices dated the 16th through the 31st will be due for 2% discount on the \*25th of the following month. \*Net immediately thereafter. (Norton retains the right to sell or to decline to sell to any Customer for any reason whatsoever that in its judgment is deemed sufficient.)

It is understood that Norton may impose and charge a finance charge which is the lesser of one and one-half percent (1-1/2%) per month or the highest rate allowed by law on any amount which becomes past due and delinquent. Additionally the Customer shall be responsible for all collection costs, court costs and reasonable attorney's fees (where allowed by law) in connection with the recovery of any delinquent amount.

## FREIGHT

All orders are shipped FOB factory/warehouse, except as expressly provided below. When delivered to the Transportation Company, the Purchaser assumes the risk of loss or damage in transit.

Customer orders with net product value in excess of \$3,000.00 will be shipped prepaid by NORTON's carrier of choice to a single destination point in the United States. Orders for Norton and RIXSON goods can be combined on one purchase order to meet the \$3,000.00 minimum value for prepaid shipping.

Customer orders with net product value less than \$3,000.00 will be shipped prepaid by NORTON's carrier of choice and freight and handling charges will be added to the Customer's invoice.

A minimum freight and handling charge of \$25.00 will be charged on orders with net product value of \$600.00 or less.

For orders with net product value greater than \$600.00 and less than \$3,000.00, freight charges will be calculated as a percentage of the net invoice value and will be added to Customer's invoice. The percentage is based on the National U.S. Average On Highway Diesel Fuel Prices as reported by the US Department of Energy in effect at the beginning of each quarter. On the first Monday of each quarter, the new rate will be published on the NORTON and Door Security Solutions extranet and will go into effect on the 2nd Monday of the quarter. Please refer to the NORTON distributor extranet for the rate chart and information on the current freight charge percentage. The percentage in effect at the time of shipment of the order will be charged.

If a customer provides their own freight account # for the freight charges, NORTON will apply a handling fee of \$25.00 to the invoice.

Expedited shipping options – If the customer requests an expedited method of shipment such as "Next Day Air" the charges will be prepaid by NORTON and the full rate for the service, as published by the carrier, will be added to the customer's invoice.

Packing – NORTON will pack, mark and ship the products according to its standard procedures for shipment, unless the parties agree, in writing, that NORTON will comply with any special instructions provided by the customer. Special instructions must be submitted, in writing, at time of order placement. Compliance with special instructions may result in an increased price.

## MINIMUM ORDER

Minimum order value for complete product is \$250.00 net product value. The minimum order value for parts orders is \$100.00 net product value. In the event that the net product value does not meet the required net minimum, NORTON may, at its sole discretion (a) apply a minimum order charge, (b) reject the order or (c) waive the minimum requirement provided that the waiver of the requirement for one order shall not constitute a waiver of the requirement for any future orders.

## QUOTATIONS

If Norton elects to offer a quote, such quote will be valid for one hundred eighty (180) days. Complete shipment of the order must be accepted by Purchaser within standard lead times.

The quote number must be referenced on the order. Any invoiced order that has the incorrect discount applied to it and did not have the quote number written on the order will have a service fee of \$100.00 net DEDUCTED from any sales credit issued for the difference in discount.

The quote is null and void if the Purchase Order does not include **ALL** product lines listed on the quote or if the quantities for any item covered by the quote deviate by **10%** or more.

With the issuance and acceptance of a quote for the purchase of products, the Purchaser agrees that products so purchased will not be resold or transferred to any Distributor not authorized by Norton to sell its products. This would be inclusive of branches of the quoted Distributor. Failure to abide by this restriction may result in the Distributor's ineligibility for Quotations, or other actions in Norton's discretion.

Norton and its sales representatives reserve the right, in their sole discretion and for any reason, to refuse a Distributor's request to quote a price other than Norton standard list price and regardless of whether Norton or its sales representatives have previously quoted discounted prices to the Distributor on some or all of its orders.

## NON-CATALOGED PRODUCTS

Products not cataloged or listed in this price book will be considered as special products, and will not be manufactured without prior written approval from Norton.

A minimum special handling charge of \$50.00 will be added for non-cataloged product. Any additional labor or material required will be charged accordingly.

Special products require special handling, and therefore standard lead times may not apply. Please consult with your Norton® Sales Representative for further details.

## CHANGES/CANCELLATION OF ORDERS

Changes or cancellations to an order will result in a charge of costs for material and labor expenses that have been incurred prior to notification from Customer. If products have already been made and are located in the shipping room, the 45% change/cancellation fee will apply. Handling charges are billed on Customer's original order.

All Non-Cataloged Goods and NORTON Quick Ship Orders may not be changed or cancelled.

All change requests for goods, other than for the reasons stated above, must be submitted in writing to Customer Service within two (2) business days of receipt of acknowledgment of the order.

USA & Canada Prices Effective May 1, 2021



**For Terms & Conditions and Warranty information pertaining to product sales in Canada, please visit [www.assaabloy.ca/terms](http://www.assaabloy.ca/terms).**

## ADD-ON ORDERS TO QUOTE

Any new order requesting special pricing to match an existing quote number, which has already been ordered, will be accepted up to sixty (60) days after the acknowledgement of the original order. All add-on orders must reference the original factory order number and the corresponding quote number to receive the quoted pricing discount. Add-on orders for stock will not be accepted.

## PACKAGING

Many items are defined as to Case Lot Packaging or Minimum Order. The Case Lot policy does not apply to hardware to be used on a specific hardware project.

## DELIVERY

Orders will be acknowledged and given a scheduled delivery date based on estimated manufacturing lead times. Complete information is required to process all orders. Orders with insufficient information for processing (i.e. door sizes, handing, etc.) may be subject to extended lead times which are relative to the time required in obtaining the necessary information for order processing. Manufacturing lead time will begin once all information is received to process an order. Norton will use reasonable efforts to deliver products as estimated, but makes no guarantees as to delivery dates.

Norton will not be liable for back charges incurred based on availability of product or as a result of delays in delivery caused by insufficient information required to process an order.

Norton will not be held responsible for delays in delivery caused by strikes, fires, floods or any other causes beyond our control, including the delivery of material to us. Under no circumstances shall Norton be liable or accountable for consequential damages due to failure of delivery.

## CLAIMS

In the event of Company or Customer error, claims for shortages, pricing errors and/or incorrectly filled orders must be submitted in writing to Customer Service within thirty (30) days from receipt of material.

Any claims for shortages or damage by the Carrier must be made by the Customer directly to the Carrier.

## INVOICE DEDUCTION

A NORTON Sales Representative or Customer Service Representative must be notified of any disputed invoices within sixty (60) days from the date of invoice. Deductions should only be taken for the disputed amount and the balance of the invoice is due and payable within standard payment terms.

## RETURNED GOODS

It is the policy of Norton to not accept returns of any materials that are correctly furnished as per the Distributor's Purchase Order. Return of product due to customer order error or accommodation must be pre-arranged with Norton and approved in writing by Sales Management.

No Returns accepted for the following: Specials, Anything Used, Discontinued, Modified, or Damaged Product, Electrical Products, Incomplete Products (e.g. arms, covers brackets, etc) or 10B Finished products.

All products returned as "Goodwill" must meet the following criteria to be considered a return:

- Be in original, unmarked and undamaged cartons.
- Be valued in excess of \$250.00 net.
- Shipped and invoiced within the previous 120 days.
- Can't be custom, non-cataloged goods, Norton Quick Ship or 10B Finished products.

A **MINIMUM** reprocessing fee of **45%** will be charged. Upon receipt and verification by Norton that the returned merchandise meets the foregoing conditions, a credit will be issued for the original invoice amount less the **MINIMUM 45%** reprocessing fee. Defective goods and "Goodwill" products that meet the foregoing criteria may be returned by fulfilling the following conditions:

- Send an RGA request in writing to the NORTON Sales Representative serving the Purchaser's area.

- Ensure the RGA labels that are sent to Purchaser by Norton are visible on return goods shipment.
- Ensure that the RGA number appears on the return shipment label and is legible.
- Return the authorized merchandise within sixty (60) days from the date of RGA issuance date.
- Return shipments must be freight prepaid to the location specified on the RGA. Norton is not liable for damages to product during shipping.

No credit may be taken or issued prior to RGA approval and receipt of product. All defective goods within the terms of our limited warranty may be returned for credit or replacement.

## TAXES

Prices do not include any present or future Federal, State, or Local property, license, privilege, sales, use, excise, gross receipts or other like taxes or assessments, which may result from transactions or any services performed in connection herewith.

## GOVERNING LAW

The rights and obligations of the parties shall be governed by the laws of the State of North Carolina, excluding any conflicts of law provisions. The United Nations Convention on Contracts for the International Sale of Goods shall not apply to this Agreement.

## LIMITED WARRANTY

The Terms and Conditions outlined above are subject to Norton's Limited Warranty, which is included in this Price List and incorporated herein by reference.

## PRODUCT MODIFICATIONS

NORTON products are not designed or intended for aftermarket modification. The warranty on NORTON products becomes void if the product is modified in any way, regardless of whether the modification causes or contributes to any alleged defect. Warranty voiding modifications include, but are not limited to, third-party electrification of non-electric products and/or the installation of non-approved or non-Norton components.

If a NORTON product is modified it no longer meets industry certification and quality control standards applicable to the original product and is no longer a genuine NORTON product. A modified product may not be sold as a NORTON product and no NORTON trademarks or certification marks based on the original NORTON product, such as U.L. or ANSI/BHMA marks, may appear anywhere on the modified product or on any packaging, literature, or instructions sold with the modified product.

All original NORTON packaging and literature carries NORTON trademarks and must be destroyed if the original NORTON product is modified. Portions of the product that carry a NORTON trademark or certification mark must be discarded and/or replaced by the party making the modification. U.L. and other certification testing and marking are also the responsibility of the party making modification. The use of NORTON trademarks on modified products constitutes trademark infringement.

## TECHNICAL INFORMATION AND ADVICE

(a) All designs, data, and specifications provided by Company are proprietary and will not be disclosed or reused by Customer without the prior written consent of Company; (b) Company assumes no obligation or liability for any advice given by Company, the results obtained, or damages incurred, and all such advice is given and accepted at Customer's risk.

## RETROFITTING FIRE DOOR APPLICATIONS

Any retrofit or other field modification to a fire rated opening can potentially impact the fire rating of the opening and NORTON makes no representations or warranties concerning what such impact may be in any specific situation. When retrofitting any portion of an existing fire rated opening, or specifying and installing a new fire-rated opening, please consult with a code specialist or local code official (Authority Having Jurisdiction) to ensure compliance with all applicable codes and ratings.

USA & Canada Prices Effective May 1, 2021

## ASSA ABLOY

Experience a safer  
and more open world

Norton and Rixson are brands associated with ASSA ABLOY Accessories and Door Controls Group, Inc., an ASSA ABLOY Group company. Copyright © 2002-2021, ASSA ABLOY Accessories and Door Controls Group, Inc. All rights reserved. Reproduction in whole or in part without the express written permission of ASSA ABLOY Accessories and Door Controls Group, Inc. is prohibited. Contact Norton: 877-974-2255 or visit [www.nortondoortcontrols.com](http://www.nortondoortcontrols.com); Contact RIXSON: 800-457-5670 or visit [www.rixson.com](http://www.rixson.com). In Canada contact us at: 800-461-3007 or visit [www.assaabloydss.ca](http://www.assaabloydss.ca)

**For Terms & Conditions and Warranty information pertaining to product sales in Canada, please visit [www.assaabloy.ca/terms](http://www.assaabloy.ca/terms).**

## LIMITED WARRANTY

Yale Security Inc® (the "Company") warrants that its products sold under the NORTON trade name in the United States of America and Canada are free from defects in workmanship and materials under normal use and service.

This warranty does not cover defects or damage arising from improper installation, lack of or improper maintenance, improper storage, shipping and handling, ordinary wear and tear, misuse, abuse, accident, unauthorized service, use with unauthorized non-Norton products or parts or the effects of erosion, or corrosion on the finish. This warranty is void if any modification is made to the product, regardless of whether the modification causes or contributes to the alleged defect. All modifications are made at the risk of the party making the modification.

The only liability of the Company in tort or contract whether under this warranty or otherwise shall be limited to the repair or replacement of any product or component part which shall prove defective as covered by this warranty.

The warranty period after delivery to the original purchaser in all cases is as follows:

### NORTON Door Controls:

5600 Series .....	1 year
5500, 5700, 5800 ADAEZ®, 6000, 6300, 7100SZ SafeZone®, 7200 Electromechanical, 7700 PowerTrack® Series .....	2 years
160, 1700, 9300BC Series .....	5 years
78B/F, 210, 410, 2800ST, 7900 Series .....	10 years
7500, 7700 (discontinued Jan. 2015), 8000, 1600, 9500, 9540 Series .....	25 years*

The Company will not pay for the cost of repair performed other than in accordance with this warranty. Written notice of a product or component part believed to be defective as covered by this warranty should be sent to Yale Security, Inc. 1902 Airport Road, Monroe, NC 28110, and should include your name and address, an identification of the product or component part and a brief description of the defect. Upon receipt of such notice, the Company will inform you where to ship such product or component part, shipping charges prepaid, for examination and, in the event such examination reveals defect covered by this warranty, the product will be repaired or replaced.

THIS WARRANTY IS IN LIEU OF ALL OTHER EXPRESS WARRANTIES. TO THE EXTENT PERMITTED BY LAW, ALL IMPLIED WARRANTIES ARE LIMITED TO THE DURATION OF THIS WARRANTY. YALE SECURITY INC. SHALL NOT BE LIABLE FOR ANY INCIDENTAL OR CONSEQUENTIAL DAMAGES.

SOME STATES DO NOT ALLOW LIMITATIONS ON HOW LONG AN IMPLIED WARRANTY LASTS OR THE EXCLUSION OR LIMITATION OF INCIDENTAL OR CONSEQUENTIAL DAMAGES, SO THE ABOVE LIMITATIONS OR EXCLUSIONS MAY NOT APPLY TO YOU. THIS WARRANTY GIVES YOU SPECIFIC LEGAL RIGHTS, AND YOU MAY ALSO HAVE OTHER RIGHTS, WHICH VARY FROM STATE TO STATE.

\*Product must be manufactured after August 1, 2012.

Norton  
Limited Warranty

USA & Canada Prices Effective May 1, 2021

## ASSA ABLOY

Experience a safer  
and more open world

Norton and Rixson are brands associated with ASSA ABLOY Accessories and Door Controls Group, Inc., an ASSA ABLOY Group company. Copyright © 2002-2021, ASSA ABLOY Accessories and Door Controls Group, Inc. All rights reserved. Reproduction in whole or in part without the express written permission of ASSA ABLOY Accessories and Door Controls Group, Inc. is prohibited. Contact Norton: 877-974-2255 or visit [www.nortondoорcontrols.com](http://www.nortondoорcontrols.com); Contact RIXSON: 800-457-5670 or visit [www.rixson.com](http://www.rixson.com). In Canada contact us at: 800-461-3007 or visit [www.assaabloydss.ca](http://www.assaabloydss.ca)

The following policy ("Policy") of ASSA ABLOY Americas ("ASSA ABLOY"), and all of its affiliated group companies (collectively, the "Group Companies"), applies to the use of certain intellectual property of all such Group Companies, including all trademarks, names, logos, product images, and related information (the "ASSA ABLOY Marks"). ASSA ABLOY Marks are proprietary and critical to the success of ASSA ABLOY and the Group Companies, and may only be used in strict compliance with this Policy. This Policy covers any person or entity reselling any product of any Group Company with the consent of such Group Company (each, an "Approved Reseller"). Each Approved Reseller has a non-exclusive right to use certain of the ASSA ABLOY Marks relating to any of the Group Companies for which it is an Approved Reseller, subject to the following conditions:

- (1) Approved Reseller's use of ASSA ABLOY Marks must be truthful, fair, and not misleading;
- (2) Approved Reseller's advertising must clearly indicate that it is advertising of the Approved Reseller, and is not advertising of ASSA ABLOY;
- (3) Approved Reseller may not use any ASSA ABLOY Marks as part of or in connection with a domain name;
- (4) Approved Reseller's advertising must not imply or suggest an association between the Approved Reseller and ASSA ABLOY other than that of buyer and seller;
- (5) Approved Reseller's use of ASSA ABLOY Marks must be a positive representation of ASSA ABLOY, the Group Companies, and their products;
- (6) Approved Reseller's trade name must be more predominant on Approved Reseller's advertising than the ASSA ABLOY Marks;
- (7) Approved Reseller's use of ASSA ABLOY Marks must include the trademark symbol ® or TM, as appropriate, along with the following trademark legend printed in legible text on the Web page or document containing ASSA ABLOY Marks: "[describe ASSA ABLOY Marks] are trademarks or registered trademarks of ASSA ABLOY, Inc. or one of its affiliates in the United States and other countries.";
- (8) Approved Reseller must not make modifications of any ASSA ABLOY Marks; and
- (9) Approved Reseller may use only ASSA ABLOY Marks associated with the Group Companies for which it is an Approved Reseller (e.g., an Approved Reseller that sells Group Company X products but not Group Company Y products may use Group Company X trademarks in connection with its sale of Group Company X products, but may not use Group Company Y trademarks).

ASSA ABLOY reserves the right to review Approved Reseller's usage of ASSA ABLOY Marks at any time and may:

- (a) require changes to the use of ASSA ABLOY Marks at any time in its sole discretion, which changes must be implemented within 30 days of written notice to Approved Reseller;
- (b) condition the use of ASSA ABLOY Marks on ASSA ABLOY's prior approval of such use, which approval may be withheld in its sole discretion;
- (c) revoke permission to use ASSA ABLOY Marks at any time for any or no reason upon 30 days prior written notice to Approved Reseller; and
- (d) revoke permission to use ASSA ABLOY Marks immediately upon notice to Approved Reseller in the event Approved Reseller is in violation of this Policy, or of any other agreement with ASSA ABLOY or any Group Company.

Approved Reseller's right to use ASSA ABLOY Marks in no way conveys to Approved Reseller any proprietary or economic interest in any ASSA ABLOY Marks. Use of ASSA ABLOY Marks in violation of this Policy may result in severe civil and criminal liabilities. ASSA ABLOY will vigorously enforce this Policy by seeking all appropriate legal remedies, including, but not limited to, pecuniary damages and injunctive relief.

Norton offers waterborne acrylic, polyester powder coat and plated finishes. Custom finishes are available on special order. Not every finish is available on every closer series; please refer to product catalog or customer service for confirmation. Prices listed in this book are for waterborne (sprayed) or powder coat finishes. Additional charges apply for plated finishes.

ANSI/BHMA	DESCRIPTION
689	Aluminum
690	Dark Bronze
691	Light Bronze
693	Black
694	Medium Amber
696	Satin Brass
613E	Dark Oxidized Satin Bronze - Equivalent
BSP	Black Suede
WSP	White Suede

Closer bodies and plastic covers are available in waterborne acrylic finishes; arms and metal covers are available in powder coat or plated finishes.

ADDITIONAL PLATING CHARGES	
<b>SERIES 8501, 7500, 9500, 9540</b>	605, 606, 611, 612, 619, 625, 626
Arm	ADD \$340.00
*Cover - Metal	ADD \$234.00
Drop Plates	ADD \$205.00
Sex Nuts	ADD \$32.00
Soffit Plates	ADD \$104.00

ANSI/BHMA	DESCRIPTION
605 <sup>^</sup>	Bright Brass
606 <sup>^</sup>	Satin Brass
611 <sup>^</sup>	Bright Bronze
612 <sup>^</sup>	Satin Bronze
619 <sup>^</sup>	Satin Nickel
625 <sup>^</sup>	Bright Chrome
626 <sup>^</sup>	Satin Chrome

<sup>^</sup> Designates plated finishes.

ADDITIONAL PLATING CHARGES	
<b>SERIES 1600BC, 1601</b>	605, 606, 611, 612, 619, 625, 626
Arm	ADD \$340.00

ADDITIONAL PLATING CHARGES	
<b>SERIES 7900, 7970</b>	605, 606, 611, 612, 619, 625, 626
Arm	ADD \$340.00
Dress Plates	ADD \$340.00

\*Metal cover suffix "M" to closer model number. Cost of metal cover included in additional charge.

### SPECIAL FINISHES:

* Contact factory for availability * A set-up fee will be added to EACH purchase order that lists <b>non-standard sprayed or powder coat finishes.</b>	ADD \$857.00
Discount 50% only. Fee will appear as a separate line item on invoice: SETUPDCG.	

<b>600</b> special rust inhibiting prime coat.	ADD \$38.00
<b>LEAD LINED METAL COVER</b>	ADD \$192.00
<b>GROMMET NUTS</b> <sup>1</sup> : Suffix "TBGN" to model number. Ordered with closer - PKG of 4 each	N/C
<b>SEX NUTS</b> <sup>1</sup> : Bolts excluded Ordered with closer - Sprayed Steel - PKG of 4 each Ordered with closer - Stainless Steel - PKG of 4 each Ordered with closer for 2-1/4" thick doors	ADD \$2.00 ADD \$88.00 ADD \$72.00
<b>Torx® TOOL KIT #20-0040-0868-005</b> Includes one handle/driver and six bits; T10, T15, T20, T25, T27 and T30 Note: Furnished no charge with first 30 closers. Another kit furnished with each additional 52 closers.	ADD \$194.00

<sup>1</sup> See page 54 for packages.

### DOOR CLOSER PAINT (PRICE PER CAN)

(12 cans per carton)

MODEL NO.	PRODUCT DESCRIPTION	LIST PRICE
1A	Aluminum Spray Paint (689)	\$38.00
2BZ	Light Bronze Spray Paint (691)	
5S	Dark Bronze (STAT) Spray Paint (690)	
6SB	Gold Spray Paint (696)	
78BSP	Black Suede Powder Coat (BSP)	

USA & Canada Prices Effective May 1, 2021

## ASSA ABLOY

Norton and Rixson are brands associated with ASSA ABLOY Accessories and Door Controls Group, Inc., an ASSA ABLOY Group company. Copyright © 2002-2021, ASSA ABLOY Accessories and Door Controls Group, Inc. All rights reserved. Reproduction in whole or in part without the express written permission of ASSA ABLOY Accessories and Door Controls Group, Inc. is prohibited. Contact Norton: 877-974-2255 or visit [www.nortondoortools.com](http://www.nortondoortools.com); Contact RIXSON: 800-457-5670 or visit [www.rixson.com](http://www.rixson.com). In Canada contact us at: 800-461-3007 or visit [www.assaabloydss.ca](http://www.assaabloydss.ca)

Experience a safer  
and more open world



### 2 DOOR HOLDER

MODEL NO.	PRODUCT DESCRIPTION	APPROX. SHIPPING WEIGHT (lbs)	LIST PRICE (689, 690, 691, 693, 694, 696)
2	Door Holder	3	\$255.00
2 x 1618D	Door Holder x 1618D Bracket		
9-B, 9-B/C, 9-E/F	Adaptor Plates		\$112.00



### 78-B/F SERIES

(4 per case)

### NON-HOLD OPEN

MODEL NO.	PRODUCT DESCRIPTION	APPROX. SHIPPING WEIGHT (lbs)	LIST PRICE (689, 690, 691, 693, 694, 696)
78B/D-RA	Regular Arm	10	\$1,278.00
78E/F-RA			
78B/D-PA	Parallel Arm		
78E/F-PA			
78B/D-DA*	Delayed Action (Regular Arm Only)		\$1,325.00
78E/F-DA*			
78B/D-PRA	Parallel Rigid Arm	\$1,303.00	
78E/F-PRA			
^UNI78B/D	Unitrol® Arm	13	\$1,548.00
^UNI78E/F			

### HOLD OPEN

78B/D-PRHA	Parallel Rigid Hold Open Arm	11	\$1,363.00
78E/F-PRHA			
^UNI78B/D-H	Unitrol® Hold Open Arm	13	\$1,642.00
^UNI78E/F-H			

^When Ordering Specify Door Width. \*Specify hand - not field reversible.

## ASSA ABLOY

Experience a safer  
and more open world

USA & Canada Prices Effective May 1, 2021

Norton and Rixson are brands associated with ASSA ABLOY Accessories and Door Controls Group, Inc., an ASSA ABLOY Group company. Copyright © 2002-2021, ASSA ABLOY Accessories and Door Controls Group, Inc. All rights reserved. Reproduction in whole or in part without the express written permission of ASSA ABLOY Accessories and Door Controls Group, Inc. is prohibited. Contact Norton: 877-974-2255 or visit [www.nortondoortools.com](http://www.nortondoortools.com); Contact RIXSON: 800-457-5670 or visit [www.rixson.com](http://www.rixson.com). In Canada contact us at: 800-461-3007 or visit [www.assaabloydss.ca](http://www.assaabloydss.ca)

## BACKPLATES AND DROP PLATES

MODEL NO.	PRODUCT DESCRIPTION	LIST PRICE (689, 690, 691, 693, 694, 696)
88	Parallel Arm Drop Plate	\$118.80
9-B	Adaptor Plate	\$112.00
9-B/C		
9-E/F		

## ACCESSORIES

1-B/F	Soffit Bracket	\$193.00
2-B/F	Corner Bracket	\$204.00
5-B/F		
6-B/F	Adjustable Bracket	
7-B/F	Offset Adjustable Bracket	\$296.00
8-B/F	Combination Bracket	\$204.00
*1618	Standard Soffit Plate, Non-Hold Open	\$34.50
*2018	Soffit Bracket (Mounting Between Doors)	\$48.60
*2018B	Narrow Frame/Removable Stop Soffit Plate	
*2018D	Blade/Applied Stop Soffit Plate	
*2018S	Extra-Clearance Offset Soffit Plate	
*2019L	Flush Rabbeted Transom Angle Bracket	\$35.90
^2019S	Standard Spacer Block	\$11.20
*2022	Flush Transom Angle Bracket	\$48.60
*2403B	Molded/Bull Nose Trim Bracket	
*2403-3/4		
80		
**6190	Unitrol® Soffit Plate Support Bracket	\$52.90
6191	Unitrol® Wide Frame Reinforcing Kit	\$66.40
6890	Narrow Frame Support Bracket	\$60.70
6891	Clearance/Support Blade Stop	

\*No charge when ordered with closer.

\*\*Furnished standard with all Parallel Arm Unitrols, no extra.

^ Furnished standard with NHO and HO heavy-duty arms (PRA, PRHA)

When ordering 6191 in place of 6190, no extra.

USA & Canada Prices Effective May 1, 2021

## ASSA ABLOY

Experience a safer  
and more open world

Norton and Rixson are brands associated with ASSA ABLOY Accessories and Door Controls Group, Inc., an ASSA ABLOY Group company. Copyright © 2002-2021, ASSA ABLOY Accessories and Door Controls Group, Inc. All rights reserved. Reproduction in whole or in part without the express written permission of ASSA ABLOY Accessories and Door Controls Group, Inc. is prohibited. Contact Norton: 877-974-2255 or visit [www.nortondoорcontrols.com](http://www.nortondoорcontrols.com); Contact RIXSON: 800-457-5670 or visit [www.rixson.com](http://www.rixson.com). In Canada contact us at: 800-461-3007 or visit [www.assaabloydss.ca](http://www.assaabloydss.ca)



## 160 SERIES

(6 per case)

MODEL NO.	PRODUCT DESCRIPTION	APPROX. SHIPPING WEIGHT (lbs)	LIST PRICE (689, 690)
161BFxTPN	Tri-Packed (Regular, Parallel, Top Jamb Mounting), Adjustable size 1-4, Non-Hold Open	6	\$207.00
161BFxOP2	Tri-Packed (Regular, Parallel, Top Jamb Mounting), Adjustable size 1-4, Non-Hold Open, Packed with Cover		\$231.00
164xTPN	Tri-Packed (Regular, Parallel, Top Jamb Mounting), Size 4, Non-Hold Open		\$194.00
161BFxTPH	Tri-Packed (Regular, Parallel, Top Jamb Mounting), Adjustable size 1-4, Hold Open		\$256.00

## ACCESSORIES

160P	Cover	\$20.00
------	-------	---------



## 210 SERIES

(4 per case)

Adjustable spring sizes 1-6

MODEL NO.	PRODUCT DESCRIPTION	APPROX. SHIPPING WEIGHT (lbs)	LIST PRICE (689, 690)
210xTPN	Tri-Packed (Regular, Parallel, Top Jamb Mounting); Non-Hold Open	6.5	\$250.00
210xTPH	Tri-Packed (Regular, Parallel, Top Jamb Mounting); Hold Open		\$338.00
210xHDN	Heavy-Duty, Non-Hold Open Arm with Removable Stop	7.75	\$358.00
210xHDH	Heavy-Duty, Hold Open Thumbturn Arm with Removable Stop		\$389.00

## ACCESSORIES

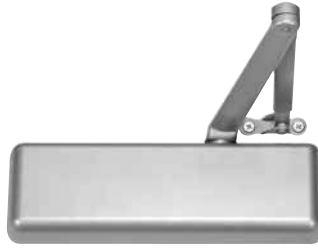
210P	Cover	\$30.00
SP210	Screw pack (TPN arm)	\$12.00

## ASSA ABLOY

Experience a safer  
and more open world

USA & Canada Prices Effective May 1, 2021

Norton and Rixson are brands associated with ASSA ABLOY Accessories and Door Controls Group, Inc., an ASSA ABLOY Group company. Copyright © 2002-2021, ASSA ABLOY Accessories and Door Controls Group, Inc. All rights reserved. Reproduction in whole or in part without the express written permission of ASSA ABLOY Accessories and Door Controls Group, Inc. is prohibited. Contact Norton: 877-974-2255 or visit [www.nortondoortcontrols.com](http://www.nortondoortcontrols.com); Contact RIXSON: 800-457-5670 or visit [www.rixson.com](http://www.rixson.com). In Canada contact us at: 800-461-3007 or visit [www.assaabloydss.ca](http://www.assaabloydss.ca)



## 410 SERIES

(3 per case)

Adjustable spring sizes 1-6

MODEL NO.	PRODUCT DESCRIPTION	APPROX. SHIPPING WEIGHT (lbs)	LIST PRICE (689, 690)
410xTPN	Tri-Packed (Regular, Parallel, Top Jamb Mounting); Non-Hold Open	12	\$440.00
410xTPH	Tri-Packed (Regular, Parallel, Top Jamb Mounting); Hold Open		\$474.00
410DAxTPN	Tri-Packed, Non-Hold Open, Delayed Action		\$485.00
410xHDN	Heavy-Duty, Non-Hold Open Arm with Removable Stop	14	\$499.00
410xHDH	Heavy-Duty, Hold Open Arm with Removable Stop		\$533.00
410xCPS	Heavy-Duty, Non-Hold Open Arm w/ Removable Stop and Spring Buffer		\$632.00
410xCPST	Heavy-Duty, Hold Open Arm w/ Removable Stop and Spring Buffer		\$666.00

### BACKPLATES AND DROP PLATES

410RDP	Narrow Frame Drop Plate (Regular Arm)	\$92.00
410PDP	Narrow Top Rail Drop Plate (Parallel Arm)	

### ACCESSORIES

410COV	Cover	\$31.00
--------	-------	---------

USA & Canada Prices Effective May 1, 2021

## ASSA ABLOY

Experience a safer  
and more open world

Norton and Rixson are brands associated with ASSA ABLOY Accessories and Door Controls Group, Inc., an ASSA ABLOY Group company. Copyright © 2002-2021, ASSA ABLOY Accessories and Door Controls Group, Inc. All rights reserved. Reproduction in whole or in part without the express written permission of ASSA ABLOY Accessories and Door Controls Group, Inc. is prohibited. Contact Norton: 877-974-2255 or visit [www.nortondoорcontrols.com](http://www.nortondoорcontrols.com); Contact RIXSON: 800-457-5670 or visit [www.rixson.com](http://www.rixson.com). In Canada contact us at: 800-461-3007 or visit [www.assaabloydss.ca](http://www.assaabloydss.ca)





**1600BC SERIES – Specify Size 3 or 4**

**(6 per case)**

**NON-HOLD OPEN**

MODEL NO.	PRODUCT DESCRIPTION	APPROX. SHIPPING WEIGHT (lbs)	LIST PRICE (689, 690, 691, 693, 694, 696, 613E, BSP, WSP)
1600BC	Regular, Parallel, Top Jamb to 3" Reveal	8	\$262.00
J1600BC	Top Jamb Only, Reveals 2-3/4" to 7"		
1680BC	Regular Low Profile Arm		
P1680BC	Parallel Low Profile Arm	9	\$287.00
PR1600BC	Parallel Rigid Arm		\$329.00
CLP1600BC	CloserPlus® Arm		\$492.00
CPS1600BC	CloserPlus Spring™ Arm	10	\$532.00
^UNI1600BC	Unitrol® Door Control		\$579.00
*UNIJ1600BC	Top Jamb, Unitrol® Door Control		\$329.00
CA1600BC	Cushion Stop Arm	8	\$329.00

**HOLD OPEN**

1600BCH	Regular, Parallel, Top Jamb to 3" Reveal	8	\$311.00
J1600BCH	Top Jamb Only, Reveals 2-3/4" to 6-3/4"		
PR1600BCH	Parallel Rigid Arm (Handed)	9	\$347.00
CLP1600BCT	CloserPlus® Arm		\$392.00
CPS1600BCT	CloserPlus Spring™ Arm		\$556.00
^UNI1600BCH	Unitrol® Door Control	10	\$626.00
*UNIJ1600BCH	Top Jamb, Unitrol® Door Control		\$687.00

\*When Ordering Specify Reveal.

^When Ordering Specify Door Width.

Note: Sex Nuts furnished standard with PR, CLP, CPS and UNI arms.

**OPTION**

P	Cover suffix "P" to model number	Add \$20.00
---	----------------------------------	-------------

Refer to page 12 for plating charges.

1601 SERIES – Adjustable Sizes 1 thru 6

(6 per case)

## NON-HOLD OPEN

MODEL NO.	PRODUCT DESCRIPTION	APPROX. SHIPPING WEIGHT (lbs)	LIST PRICE (689, 690, 691, 693, 694, 696, 613E, BSP, WSP)
1601	Regular, Parallel, Top Jamb to 3" Reveal	8	\$262.00
J1601	Top Jamb Only, Reveals 2-3/4" to 7"		
1681	Regular Low Profile Arm		
P1681	Parallel Low Profile Arm		
PR1601	Parallel Rigid Arm	9	\$287.00
CLP1601	CloserPlus® Arm		\$329.00
CPS1601	CloserPlus Spring™ Arm		\$492.00
^UNI1601	Unitrol® Door Control	10	\$532.00
*UNIJ1601	Top Jamb, Unitrol® Door Control		\$579.00
CA1601	Cushion Stop Arm	8	\$329.00

## HOLD OPEN

1601H	Regular, Parallel, Top Jamb to 3" Reveal	8	\$311.00
J1601H	Top Jamb Only, Reveals 2-3/4" to 6-3/4"		
PR1601H	Parallel Rigid Arm (Handed)	9	\$347.00
CLP1601T	CloserPlus® Arm		\$392.00
CPS1601T	CloserPlus Spring™ Arm		\$556.00
^UNI1601H	Unitrol® Door Control	10	\$626.00
*UNIJ1601H	Top Jamb, Unitrol® Door Control		\$687.00

\*When Ordering Specify Reveal.

^When Ordering Specify Door Width.

Note: Sex Nuts furnished standard with PR, CLP, CPS and UNI arms.

## OPTIONS

P	Cover suffix "P" to list number	Add \$20.00
---	---------------------------------	-------------

Refer to page 12 for plating charges.

USA & Canada Prices Effective May 1, 2021

## ASSA ABLOY

Experience a safer  
and more open world

Norton and Rixson are brands associated with ASSA ABLOY Accessories and Door Controls Group, Inc., an ASSA ABLOY Group company. Copyright © 2002-2021, ASSA ABLOY Accessories and Door Controls Group, Inc. All rights reserved. Reproduction in whole or in part without the express written permission of ASSA ABLOY Accessories and Door Controls Group, Inc. is prohibited. Contact Norton: 877-974-2255 or visit [www.nortondoortcontrols.com](http://www.nortondoortcontrols.com); Contact RIXSON: 800-457-5670 or visit [www.rixson.com](http://www.rixson.com). In Canada contact us at: 800-461-3007 or visit [www.assaabloydss.ca](http://www.assaabloydss.ca)

## 1600BCSS SERIES - Specify Size 3 or 4

(6 per case)

### NON-HOLD OPEN

MODEL NO.	PRODUCT DESCRIPTION	APPROX. SHIPPING WEIGHT (lbs)	LIST PRICE (689, 690, 691, 693, 694, 696, 613E, BSP, WSP)
1600BCSS	Regular, Top Jamb to 3" Reveal	8	\$661.00
P1600BCSS	Parallel Arm		
J1600BCSS	Top Jamb Only, Reveals 2-3/4" to 7"		

## 1601SS SERIES - Adjustable Sizes 1 thru 6

(6 per case)

### NON-HOLD OPEN

1601SS	Regular, Top Jamb to 3" Reveal	8	\$661.00
P1601SS	Parallel Arm		
J1601SS	Top Jamb Only, Reveals 2-3/4" to 7"		

**Stainless Steel Closers not discounted beyond 50%. Excluded from Buying Program.**

### 1601SS OPTIONS ONLY

P	Cover suffix "P" to model number (Stainless Steel cover not available)	Add \$20.00
---	--	-------------

## BACKPLATES AND DROP PLATES

MODEL NO.	PRODUCT DESCRIPTION	LIST PRICE
		(689, 690, 691, 693, 694, 696, 613E, BSP, WSP)
1687	Low Ceiling Clearance Drop Plate	\$46.00
1688	Overhead Holder or Narrow Top Jamb Drop Plate	
1688C	Parallel Arm Drop Plate (used when optional cover is supplied)	
1699	Retrofit Adaptor Plate	\$57.00
2017		\$37.80

## ACCESSORIES\*

*1618A	Standard Soffit Plate, Non-Hold Open	\$29.30
1618A-SS	Stainless Steel Soffit Plate	\$72.10
*1628H	Standard Soffit Plate, Hold Open	\$29.30
1647	Corner Bracket	\$141.00
*2018	Soffit Bracket (Mounting Between Doors)	\$48.60
*2018B	Narrow Frame/Removable Stop Soffit Plate	
*2018D	Blade/Applied Stop Soffit Plate	
*2018S	Extra Clearance Offset Soffit Plate	
*2019L	Flush Rabbeted Transom Angle Bracket	\$35.90
2022	Flush Transom Angle Bracket	\$48.60
^2019S	Standard Spacer Block	\$11.20
2019S-7/8	Spacer Block for use w/ 5/8" Stop and 1/4" Weatherstrip (PR, CLP, CPS only)	\$24.40
2019S-25	Spacer Block for Wide Soffit and 1/4" Weatherstrip (PR, CLP, CPS only)	\$37.00
*2403B	Molded/Bull Nose Trim Bracket	\$48.60
*2403-3/4		
80		
**6190	Unitrol® Soffit Plate Support Bracket	\$52.90
6191	Unitrol® Wide Frame Reinforcing Kit	\$66.40
6191B-25	Unitrol® Wide Frame Reinforcing for Wide Soffit and 1/4" Weatherstrip	\$117.30
6890	Narrow Frame Support Bracket	\$60.70
6891	Clearance/Support Blade Stop	
1600P	Plastic Cover	\$43.00
1639	Pinion Cap	\$5.90

\* No charge when ordered with closer.

\*\* Furnished regularly with all Parallel Arm Unitrols, no extra.

^ Furnished standard with NHO and HO heavy-duty arms (PR, CLP, CPS).

When ordering 6191 in place of 6190, no extra.

USA & Canada Prices Effective May 1, 2021

## ASSA ABLOY

Experience a safer  
and more open world

Norton and Rixson are brands associated with ASSA ABLOY Accessories and Door Controls Group, Inc., an ASSA ABLOY Group company. Copyright © 2002-2021, ASSA ABLOY Accessories and Door Controls Group, Inc. All rights reserved. Reproduction in whole or in part without the express written permission of ASSA ABLOY Accessories and Door Controls Group, Inc. is prohibited. Contact Norton: 877-974-2255 or visit [www.nortondoорcontrols.com](http://www.nortondoорcontrols.com); Contact RIXSON: 800-457-5670 or visit [www.rixson.com](http://www.rixson.com). In Canada contact us at: 800-461-3007 or visit [www.assaabloydss.ca](http://www.assaabloydss.ca)



### 1700 SERIES

(10 per case)

MODEL NO.	PRODUCT DESCRIPTION	APPROX. SHIP WT. (lbs)	LIST PRICE (689, 690)
1700	Regular, Parallel, Top Jamb, Non-Hold Open	3-1/2	\$263.00
1700H	Regular, Parallel, Top Jamb, Hold Open	4	\$300.00

### DROP PLATES

N1756,N1757, N1758	Drop Plates		\$85.00
-----------------------	-------------	--	---------



### 2800ST CAM ACTION

MODEL NO.	PRODUCT DESCRIPTION	APPROX. SHIP WT. (lbs)	LIST PRICE (689, 690, 691, 693, 694, 696)
2800ST	Pull Side, Non-Hold Open	8	\$636.00
2800STH	Pull Side, Hold Open		\$666.00
PS2800ST	Push Side, Non-Hold Open		\$636.00
PS2800STH	Push Side, Hold Open		\$666.00

### DROP PLATE AND RETROFIT PLATE

2888	Push Side, Drop Plate		\$54.00
------	-----------------------	--	---------



## 7500 SERIES - Adjustable Sizes 1 thru 6

(4 per case)

### NON-HOLD OPEN

MODEL NO.	PRODUCT DESCRIPTION	APPROX. SHIPPING WEIGHT (lbs)	LIST PRICE (689, 690, 691, 693, 694, 696, 613E, BSP, WSP)
7500	Regular, Parallel or Top Jamb to 3" Reveal	13	\$562.00
S7500	Regular Arm Application Only		
JS7500	Top Jamb Application Only; 3" Maximum Reveal		
P7500	Parallel Arm Application Only		
J7500	Top Jamb Only, Reveals 2-3/4" to 7" (to 150°), 7786 Backplate Included		
JL7500	Top Jamb Only, Reveals 2-3/4" to 7" (to 180°), 7786 Backplate Included		
J7530	Top Jamb Only, Reveals 0-3", 7786 Backplate Included		
7580	Regular Low Profile Arm		
P7580	Parallel Low Profile Arm		
7500ST	Pull Side Slide Track		
7540ST	Pull Side, Low Profile Slide Track		
PS7500ST	Push Side Slide Track		
PS7540ST	Push Side, Low Profile Slide Track		
PR7500	Parallel Rigid Arm	14	\$587.00
CLP7500	CloserPlus® Arm		\$629.00
CPS7500	CloserPlus Spring™ Arm		\$792.00
^UNI7500	Unitrol® Door Control	15	\$832.00
*UNIJ7500	Top Jamb, Unitrol® Door Control		\$879.00

\*When Ordering Specify Reveal.

^When Ordering Specify Door Width.

Note: Sex Nuts furnished standard with PR, CLP, CPS and UNI arms.

Refer to page 12 for plating charges.

USA & Canada Prices Effective May 1, 2021

## ASSA ABLOY

Norton and Rixson are brands associated with ASSA ABLOY Accessories and Door Controls Group, Inc., an ASSA ABLOY Group company. Copyright © 2002-2021, ASSA ABLOY Accessories and Door Controls Group, Inc. All rights reserved. Reproduction in whole or in part without the express written permission of ASSA ABLOY Accessories and Door Controls Group, Inc. is prohibited. Contact Norton: 877-974-2255 or visit [www.nortondoortools.com](http://www.nortondoortools.com); Contact RIXSON: 800-457-5670 or visit [www.rixson.com](http://www.rixson.com). In Canada contact us at: 800-461-3007 or visit [www.assaabloydss.ca](http://www.assaabloydss.ca)

### 7500 SERIES - Adjustable Sizes 1 thru 6

(4 per case)

#### HOLD OPEN

MODEL NO.	PRODUCT DESCRIPTION	APPROX. SHIPPING WEIGHT (lbs)	LIST PRICE (689, 690, 691, 693, 694, 696, 613E, BSP, WSP)
7500H	Regular, Parallel or Top Jamb to 3" Reveal	13	\$611.00
J7500H	Top Jamb Only, Reveals 2-3/4" to 6-3/4" (to 150°)		
JL7500H	Top Jamb Only, Reveals 2-3/4" to 6-3/4" (to 180°)		
7500STH	Pull Side Slide Track	14	\$675.00
7540STH	Pull Side, Low Profile Slide Track		
PS7500STH	Push Side Slide Track		
PS7540STH	Push Side, Low Profile Slide Track		
PR7500H	Parallel Rigid Arm (Handed)	15	\$647.00
CLP7500R	CloserPlus Ramp™ Arm		\$692.00
CLP7500T	CloserPlus® Arm		\$856.00
CPS7500T	CloserPlus Spring™ Arm		
^UNI7500H	Unitrol® Door Control	15	\$926.00
*UNIJ7500H	Top Jamb, Unitrol® Door Control		\$987.00

\*When Ordering Specify Reveal.

Refer to page 12 for plating charges.

^When Ordering Specify Door Width.

Note: Sex Nuts furnished standard with PR, CLP, CPS and UNI arms.

### 7500SS SERIES (Non-Hold Open Only)

(4 per case)

MODEL NO.	PRODUCT DESCRIPTION	APPROX. SHIPPING WEIGHT (lbs)	LIST PRICE (689, 690, 691, 693, 694, 696, 613E, BSP, WSP)
7500SS	Regular Arm or Top Jamb to 3" Reveal	14	\$1,176.00
P7500SS	Parallel Arm		
J7500SS	Top Jamb, Reveals 2-3/4" to 7"		

**Stainless Steel Closers not discounted beyond 50%. Excluded from Buying Program.**

#### OPTIONS

DA	Delayed Action suffix "DA" to model number	Add \$47.00
PRO	Offset Soffit Plate prefix "PRO" to model number (N/A in Stainless Steel)	Add \$29.00
EBC	Enhanced Backcheck suffix "EBC" to model number	Add \$38.00
M	Metal Cover suffix "M" to model number (N/A in Stainless Steel)	Add \$5.00
G	ABS Plastic Cover suffix "G" to model number	
MLL	Lead Lined Metal Cover	Add \$192.00
DE	Double Egress suffix "DE" to Slide Track model number (handed) hinge side only. (N/A in Stainless Steel)	Add \$87.00
R	Regular rigid heavy-duty arm prefix "R" to model number. Torx® screws not included (N/A in Stainless Steel) - See page 55 for Torx® screw packages.	Add \$48.00

## ASSA ABLOY

Experience a safer  
and more open world

USA & Canada Prices Effective May 1, 2021

Norton and Rixson are brands associated with ASSA ABLOY Accessories and Door Controls Group, Inc., an ASSA ABLOY Group company. Copyright © 2002-2021, ASSA ABLOY Accessories and Door Controls Group, Inc. All rights reserved. Reproduction in whole or in part without the express written permission of ASSA ABLOY Accessories and Door Controls Group, Inc. is prohibited. Contact Norton: 877-974-2255 or visit [www.nortondoortools.com](http://www.nortondoortools.com); Contact RIXSON: 800-457-5670 or visit [www.rixon.com](http://www.rixon.com). In Canada contact us at: 800-461-3007 or visit [www.assaabloydss.ca](http://www.assaabloydss.ca)

## ACCESSORIES

MODEL NO.	PRODUCT DESCRIPTION	LIST PRICE
		(689, 690, 691, 693, 694, 696, 613E, BSP, WSP)
*1618	Standard Soffit Plate, Non-Hold Open	\$34.50
1618A-SS	Stainless Steel Soffit Plate	\$72.10
*1628H	Standard Soffit Plate, Hold Open	\$29.30
*2018	Soffit Bracket (Mounting Between Doors)	\$48.60
*2018B	Narrow Frame/Removable Stop Soffit Plate	
*2018D	Blade/Applied Stop Soffit Plate	
*2018S	Extra-Clearance Offset Soffit Plate	
~*2019L	Flush Rabbeted Transom Angle Bracket	\$35.90
~^2019S	Standard Spacer Block	\$11.20
2019S-7/8	Spacer Block for use w/ 5/8" Stop and 1/4" Weatherstrip (PR, CLP, CPS only)	\$24.40
2019S-25	Spacer Block for Wide Soffit and 1/4" Weatherstrip (PR, CLP, CPS only)	\$37.00
*2022	Flush Transom Angle Bracket	\$48.60
*2403B	Molded/Bull Nose Trim Bracket	
*2403-3/4		
80		
**6190	Unitrol® Soffit Plate Support Bracket	\$52.90
6191	Unitrol® Wide Frame Reinforcing Kit	\$66.40
6191B-25	Unitrol® Wide Frame Reinforcing for Wide Soffit and 1/4" Weatherstrip	\$117.30
~6890	Narrow Frame Support Bracket	\$60.70
~6891	Clearance/Support Blade Stop	

\* No charge when ordered with closer.

\*\* Furnished regularly with all Parallel Arm Unitrols, no extra.

^ Furnished standard with NHO and HO heavy-duty arms (PR, CLP, CPS).

When ordering 6191 in place of 6190, no extra.

When ordering 6191 in place of 6190, no extra.

~Also available with 7570 Security Closers.

Refer to page 12 for plating charges.

## COVERS

7700P	7500 Series Plastic Covers - Painted	\$41.00
7700PG	7500 Series ABS Plastic Covers - Painted	\$46.00
7700M	7500 Series Metal Covers - Painted	
J7700M	J7500 Series Metal Covers - Painted (Handed)	\$280.00
7700M	7500 Series Metal Covers - Plated	
J7700M	J7500 Series Metal Covers - Plated (Handed)	

USA & Canada Prices Effective May 1, 2021

## ASSA ABLOY

Experience a safer  
and more open world

Norton and Rixson are brands associated with ASSA ABLOY Accessories and Door Controls Group, Inc., an ASSA ABLOY Group company. Copyright © 2002-2021, ASSA ABLOY Accessories and Door Controls Group, Inc. All rights reserved. Reproduction in whole or in part without the express written permission of ASSA ABLOY Accessories and Door Controls Group, Inc. is prohibited. Contact Norton: 877-974-2255 or visit [www.nortondoortcontrols.com](http://www.nortondoortcontrols.com); Contact RIXSON: 800-457-5670 or visit [www.rixson.com](http://www.rixson.com). In Canada contact us at: 800-461-3007 or visit [www.assaabloydss.ca](http://www.assaabloydss.ca)



### BACKPLATES AND DROP PLATES

MODEL NO.	PRODUCT DESCRIPTION	LIST PRICE	
		(689, 690, 691, 693, 694, 696, 613E, BSP, WSP)	
7786	Narrow Frame Drop Plate	\$96.00	
7786OH	Overhead Door Holder Drop Plate		
7786JP	Slide Track Backplate		
7787	Low Ceiling Clearance Drop Plate		
7788	Narrow Top Rail Drop Plate		
7789	Adapter Plate		
7790	Adaptor Plate for Converting 7404-5-6		
7797	Extra Drop Mounting Bracket	\$250.00	
7798	Standard Drop Corner Bracket		

### RETROFIT PLATES

RP75-4040	Replaces LCN 4040	\$91.00	
RP75-4010	Replaces LCN 4010		
RP75-M2020	Replaces Rixson® M2020		

### SPECIAL APPLICATION CLOSERS

MODEL NO.	PRODUCT DESCRIPTION	APPROX. SHIPPING WT.	LIST PRICE	
			(689, 690, 691, 693, 694, 696, 613E, BSP, WSP)	
7706EP	Size 6 Spring x Extra Power	13	\$748.00	
7706EPSTP	Slider Arm Pocket Door x Extra Power			
7706EPDLP	Double Lever Pocket Door x Extra Power			

**7570 SERIES WITH SECURITY ARM, SECURITY COVER AND TORX® SCREWS**  
 – Adjustable Sizes 1 thru 6 – Specify Hand

(2 per case)

MODEL NO.	PRODUCT DESCRIPTION	APPROX. SHIPPING WEIGHT (lbs)	LIST PRICE (689, 690, 691, 693, 694, 696, 613E, BSP, WSP)
7570	Regular Rigid Arm	11	\$765.00
PR7570	Parallel Rigid Arm	12	\$790.00
CLP7570	CloserPlus® Arm		\$832.00
CPS7570	CloserPlus Spring™ Arm		\$995.00
CLP7570T	CloserPlus® Arm w/ Thumbturn Hold Open		\$895.00
CPS7570T	CloserPlus Spring™ Arm w/ Thumbturn Hold Open	13	\$1,059.00
UNI7570	Unitrol® Arm		\$1,035.00
7570ST	Pull Side Slide Track	12	\$833.00
PS7570ST	Push Side Slide Track		

**OPTIONS**

DA	Delayed Action suffix "DA" to model number	Add \$47.00
EBC	Enhanced Backcheck suffix "EBC" to model number	Add \$38.00

**SECURITY COVERS**

7770MRR	Regular Arm, Right Hand	\$163.00
7770MRL	Regular Arm, Left Hand	
7770MPR	Parallel Arm, Right Hand	
7770MPL	Parallel Arm, Left Hand	

**DROP PLATES**

7786	Narrow Frame	\$96.00
7788	Narrow Top Rail	

Security Closers are 50% off list only unless special factory quotation applies.  
 Security Closers are excluded from buying programs.  
 NOTE: Refer to page 24 for Accessories.

**MULTI-SIZED 1-3 AND SIZE 4 AVAILABLE**

**7900 SERIES - Specify Hand (includes Dress Plate)**

**(4 per case)**

**NON-HOLD OPEN**

MODEL NO.	PRODUCT DESCRIPTION	APPROX. SHIPPING WEIGHT (lbs)	LIST PRICE (689, 690, 691, 693, 694, 696, BSP, WSP)
7900	Multi-sized spring 1-3	12	\$860.00
7904	Size 4 spring		

**HOLD OPEN**

7900H	Multi-sized spring 1-3	12	\$905.00
7904H	Size 4 spring		

**7970 SERIES - Specify Hand (includes Security Plate and Torx® Screws)**

**(4 per case)**

**NON-HOLD OPEN**

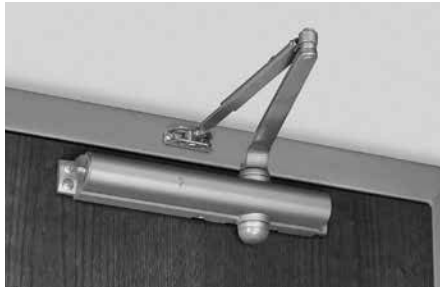
MODEL NO.	PRODUCT DESCRIPTION	APPROX. SHIPPING WEIGHT (lbs)	LIST PRICE (689, 690, 691, 693, 694, 696, BSP, WSP)
7970	Multi-sized spring 1-3	12	\$1,050.00
7974	Size 4 spring		
7970DPS	Door Position Switch, multi-sized spring 1-3		\$1,175.00
7974DPS	Door Position Switch, size 4 spring		

Security Closers (7970 Series) are 50% off list only unless special factory quotation applies. Security Closers are excluded from buying programs.

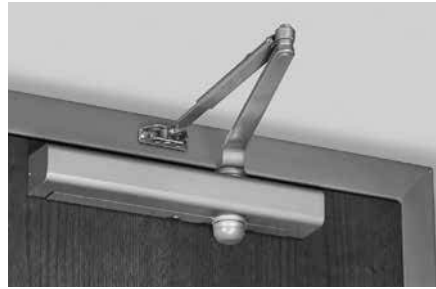
**OPTIONS**

DA	Delayed Action suffix "DA" to model number	Add \$47.00
EBC	Enhanced BackCheck suffix "EBC" to model number	Add \$38.00
FB	Fire Block suffix FB to model number (available on 7900, 7970 and 7970DPS)	Add \$92.00

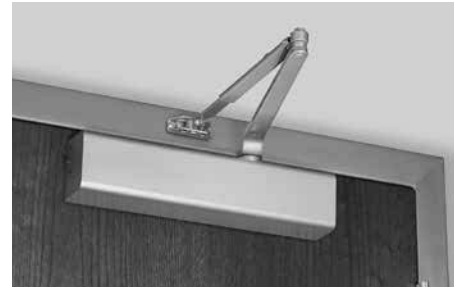
**Note:** Butts and Pivots not furnished. Specify "B", "CP", or "OP" when requesting templates. Refer to page 12 for plating charges.



8101



8301



8501

**8101 SERIES WITHOUT COVER – Adjustable Size 1 thru 6**

**(4 per case)**

**NON-HOLD OPEN**

MODEL NO.	PRODUCT DESCRIPTION	APPROX. SHIPPING WEIGHT (lbs)	LIST PRICE (689, 690, 691, 693, 694, 696, 613E, BSP, WSP)
8101	Regular, Parallel, Top Jamb to 3" Reveal	8	\$378.00
S8101	Regular Arm Application Only		
JS8101	Top Jamb Application Only; 3" Maximum Reveal		
P8101	Parallel Arm Application Only		
J8101	Top Jamb, Reveals 2-3/4" to 7" (to 150°)		
PR8101	Parallel Rigid Arm	9	\$403.00
8181	Regular Low Profile Arm	8	\$378.00
P8181	Parallel Low Profile Arm		

**HOLD OPEN**

8101H	Regular, Parallel, Top Jamb to 3" Reveal	8	\$427.00
J8101H	Top Jamb, Reveals 2-3/4" to 6-3/4" (to 150°)		
PR8101H	Parallel Rigid Arm (Handed)	9	\$463.00

**OPTIONS**

DA	Delayed Action suffix "DA" to model number	Add \$47.00
PRO	Offset Soffit Plate prefix "PRO" to model number	Add \$29.00
R	Regular rigid heavy-duty arm prefix "R" to model number. Torx® screws not included. See page 55 for Torx® screw packages.	Add \$48.00

USA & Canada Prices Effective May 1, 2021

**ASSA ABLOY**

Experience a safer  
and more open world

Norton and Rixson are brands associated with ASSA ABLOY Accessories and Door Controls Group, Inc., an ASSA ABLOY Group company. Copyright © 2002-2021, ASSA ABLOY Accessories and Door Controls Group, Inc. All rights reserved. Reproduction in whole or in part without the express written permission of ASSA ABLOY Accessories and Door Controls Group, Inc. is prohibited. Contact Norton: 877-974-2255 or visit [www.nortondoорcontrols.com](http://www.nortondoорcontrols.com); Contact RIXSON: 800-457-5670 or visit [www.rixson.com](http://www.rixson.com). In Canada contact us at: 800-461-3007 or visit [www.assaabloydss.ca](http://www.assaabloydss.ca)

**8301 SERIES WITH SLIM LINE COVER – Adjustable Size 1 thru 6**

**(4 per case)**

**NON-HOLD OPEN**

MODEL NO.	PRODUCT DESCRIPTION	APPROX. SHIPPING WEIGHT (lbs)	LIST PRICE (689, 690, 691, 693, 694, 696, 613E, BSP, WSP)	
8301	Regular, Parallel or Top Jamb to 3" Reveal	8	\$398.00	
S8301	Regular Arm Application Only			
J8301	Top Jamb Application Only; 3" Maximum Reveal			
P8301	Parallel Arm Application Only			
J8301	Top Jamb, Reveals 2-3/4" to 7"			
8381	Regular Low Profile Arm			
P8381	Parallel Low Profile Arm			
8301ST	Pull Side Slide Track			\$466.00
8341ST	Pull Side, Low Profile Slide Track			
J8301ST	Top Jamb, Pull Side Slide Track			
PS8301ST	Push Side Slide Track			
PS8341ST	Push Side, Low Profile Slide Track			
PR8301	Parallel Rigid Arm	9	\$423.00	
CLP8301	CloserPlus® Arm		\$465.00	
CPS8301	CloserPlus Spring™ Arm		\$628.00	
^UNI8301	Unitrol® Door Control	10	\$668.00	
*UNIJ8301	Top Jamb, Unitrol® Door Control		\$715.00	

\*When Ordering Specify Reveal.

^When Ordering Specify Door Width.

J8301ST - 8146 Drop Plate included.

Note: Sex Nuts furnished standard with PR, CLP, CPS and UNI arms.

**OPTIONS**

DA	Delayed Action suffix "DA" to model number	Add \$47.00
PRO	Offset Soffit Plate prefix "PRO" to model number	Add \$29.00
DE	Double Egress suffix "DE" to Slide Track model number (handed) (hinge side only)	Add \$87.00
R	Regular rigid heavy-duty arm prefix "R" to model number. Torx® screws not included. See page 55 for Torx® screw packages.	Add \$48.00

## 8301 SERIES WITH SLIM LINE COVER – Adjustable Size 1 thru 6

(4 per case)

## HOLD OPEN

MODEL NO.	PRODUCT DESCRIPTION	APPROX. SHIPPING WEIGHT (lbs)	LIST PRICE (689, 690, 691, 693, 694, 696, 613E, BSP, WSP)
8301H	Regular, Parallel or Top Jamb to 2-3/4" Reveal	8	\$447.00
J8301H	Top Jamb, Reveals 2-3/4" to 6-3/4"		
8301STH	Pull Side Slide Track		\$511.00
8341STH	Pull Side, Low Profile Slide Track		
J8301STH	Top Jamb, Pull Side Slide Track		
PS8301STH	Push Side Slide Track		
PS8341STH	Push Side, Low Profile Slide Track		
PR8301H	Parallel Rigid Arm (Handed)	9	\$483.00
CLP8301R	CloserPlus Ramp™ Arm		\$528.00
CLP8301T	CloserPlus® Arm		\$692.00
CPS8301T	CloserPlus Spring™ Arm		\$762.00
^UNI8301H	Unitrol® Door Control	10	\$762.00
*UNIJ8301H	Top Jamb, Unitrol® Door Control		\$823.00

\*When Ordering Specify Reveal.

^When Ordering Specify Door Width.

J8301H - 8146 Drop Plate included.

Note: Sex Nuts furnished standard with PR, CLP, CPS and UNI arms.

## OPTIONS

DA	Delayed Action suffix "DA" to model number	Add \$47.00
PRO	Offset Soffit Plate prefix "PRO" to model number	Add \$29.00
DE	Double Egress suffix "DE" to Slide Track model number (handed) (hinge side only)	Add \$87.00
R	Regular rigid heavy-duty arm prefix "R" to model number. Torx® screws not included. See page 55 for Torx® screw packages.	Add \$48.00

USA &amp; Canada Prices Effective May 1, 2021

ASSA ABLOY

Experience a safer  
and more open world

Norton and Rixson are brands associated with ASSA ABLOY Accessories and Door Controls Group, Inc., an ASSA ABLOY Group company. Copyright © 2002-2021, ASSA ABLOY Accessories and Door Controls Group, Inc. All rights reserved. Reproduction in whole or in part without the express written permission of ASSA ABLOY Accessories and Door Controls Group, Inc. is prohibited. Contact Norton: 877-974-2255 or visit [www.nortondoорcontrols.com](http://www.nortondoорcontrols.com); Contact RIXSON: 800-457-5670 or visit [www.rixson.com](http://www.rixson.com). In Canada contact us at: 800-461-3007 or visit [www.assaabloydss.ca](http://www.assaabloydss.ca)

8501 SERIES WITH FULL COVER – Adjustable Size 1 thru 6

(4 per case)

**NON-HOLD OPEN**

MODEL NO.	PRODUCT DESCRIPTION	APPROX. SHIPPING WEIGHT (lbs)	LIST PRICE (689, 690, 691, 693, 694, 696, 613E, BSP, WSP)		
8501	Regular, Parallel or Top Jamb to 3" Reveal	8	\$412.00		
S8501	Regular Arm Application Only				
JS8501	Top Jamb Application Only; 3" Maximum Reveal				
P8501	Parallel Arm Application Only				
J8501	Top Jamb, Reveals 2-3/4" to 7"				
8581	Regular Low Profile Arm				
P8581	Parallel Low Profile Arm				
8501ST	Pull Side Slide Track			\$480.00	
8541ST	Pull Side, Low Profile Slide Track				
J8501ST	Top Jamb, Pull Side Slide Track				
PS8501ST	Push Side Slide Track				
PS8541ST	Push Side, Low Profile Slide Track				
PR8501	Parallel Rigid Arm				9
CLP8501	CloserPlus® Arm			\$479.00	
CPS8501	CloserPlus Spring™ Arm	\$642.00			
^UNI8501	Unitrol® Door Control	10	\$682.00		
*UNIJ8501	Top Jamb, Unitrol® Door Control		\$729.00		

\*When Ordering Specify Reveal.

^When Ordering Specify Door Width.

J8501ST - 8146 Drop Plate included.

Note: Sex Nuts furnished standard with PR, CLP, CPS and UNI arms.

Refer to page 12 for plating charges.

**OPTIONS**

DA	Delayed Action suffix "DA" to model number	Add \$47.00
PRO	Offset Soffit Plate prefix "PRO" to model number	Add \$29.00
A	Plastic Architectural Cover suffix "A" to model number (painted only)	Add \$0.00
G	Plastic ABS cover suffix "G" to model number (painted only)	Add \$5.00
AG	Plastic Architectural ABS Cover suffix "AG" to model number (painted only)	
M	Metal Cover suffix "M" to model number	Add \$8.00
MA	Metal Architectural Cover suffix "MA" to model number (painted finishes)	
MLL	Lead Lined Metal Cover	Add \$192.00
DE	Double Egress prefix "DE" to model number (handed)	Add \$87.00
R	Regular rigid heavy-duty arm prefix "R" to model number. Torx® screws not included. See page 55 for Torx® screw packages.	Add \$48.00

USA & Canada Prices Effective May 1, 2021

**ASSA ABLOY**

Experience a safer  
and more open world

Norton and Rixson are brands associated with ASSA ABLOY Accessories and Door Controls Group, Inc., an ASSA ABLOY Group company. Copyright © 2002-2021, ASSA ABLOY Accessories and Door Controls Group, Inc. All rights reserved. Reproduction in whole or in part without the express written permission of ASSA ABLOY Accessories and Door Controls Group, Inc. is prohibited. Contact Norton: 877-974-2255 or visit [www.nortondoortcontrols.com](http://www.nortondoortcontrols.com); Contact RIXSON: 800-457-5670 or visit [www.rixson.com](http://www.rixson.com). In Canada contact us at: 800-461-3007 or visit [www.assaabloydss.ca](http://www.assaabloydss.ca)

## 8501 SERIES WITH FULL COVER – Adjustable Size 1 thru 6

(4 per case)

## HOLD OPEN

MODEL NO.	PRODUCT DESCRIPTION	APPROX. SHIPPING WEIGHT (lbs)	LIST PRICE (689, 690, 691, 693, 694, 696, 613E, BSP, WSP)
8501H	Regular, Parallel or Top Jamb to 2-3/4" Reveal	8	\$461.00
J8501H	Top Jamb, Reveals 2-3/4" to 6-3/4"		
8501STH	Pull Side Slide Track		\$525.00
8541STH	Pull Side, Low Profile Slide Track		
J8501STH	Top Jamb, Pull Side Slide Track		
PS8501STH	Push Side Slide Track		
PS8541STH	Push Side, Low Profile Slide Track		
PR8501H	Parallel Rigid Arm (Handed)	9	\$497.00
CLP8501R	CloserPlus Ramp™ Arm		\$542.00
CLP8501T	CloserPlus® Arm		\$706.00
CPS8501T	CloserPlus Spring™ Arm		\$776.00
^UNI8501H	Unitrol® Door Control	10	\$776.00
*UNIJ8501H	Top Jamb, Unitrol® Door Control		\$837.00

\*When Ordering Specify Reveal.

^When Ordering Specify Door Width.

J8501STH - 8146 Drop Plate included.

Note: Sex Nuts furnished standard with PR, CLP, CPS and UNI arms.

Refer to page 12 for plating charges.

## OPTIONS

DA	Delayed Action suffix "DA" to model number	Add \$47.00
PRO	Offset Soffit Plate prefix "PRO" to model number	Add \$29.00
A	Plastic Architectural Cover suffix "A" to model number (painted only)	Add \$0.00
G	Plastic ABS cover suffix "G" to model number (painted only)	Add \$5.00
AG	Plastic Architectural ABS Cover suffix "AG" to model number (painted only)	
M	Metal Cover suffix "M" to model number	Add \$8.00
MA	Metal Architectural Cover suffix "MA" to model number (painted finishes)	
MLL	Lead Lined Metal Cover	Add \$192.00
DE	Double Egress prefix "DE" to model number (handed)	Add \$87.00
R	Regular rigid heavy-duty arm prefix "R" to model number. Torx® screws not included. See page 55 for Torx® screw packages.	Add \$48.00

USA &amp; Canada Prices Effective May 1, 2021

ASSA ABLOY

Norton and Rixson are brands associated with ASSA ABLOY Accessories and Door Controls Group, Inc., an ASSA ABLOY Group company. Copyright © 2002-2021, ASSA ABLOY Accessories and Door Controls Group, Inc. All rights reserved. Reproduction in whole or in part without the express written permission of ASSA ABLOY Accessories and Door Controls Group, Inc. is prohibited. Contact Norton: 877-974-2255 or visit [www.nortondoорcontrols.com](http://www.nortondoорcontrols.com); Contact RIXSON: 800-457-5670 or visit [www.rixson.com](http://www.rixson.com). In Canada contact us at: 800-461-3007 or visit [www.assaabloydss.ca](http://www.assaabloydss.ca)



## BACKPLATES AND DROP PLATES

MODEL NO.	PRODUCT DESCRIPTION	LIST PRICE
		(689, 690, 691, 693, 694, 696, 613E, BSP, WSP)
8146	Narrow Top Rail/Concealed Door Holder Drop Plate	\$55.00
8148	Low Ceiling Clearance Drop Plate	
8158	Exposed-Back/Narrow Top Rail Drop Plate	
8445	Molded Full Cover Decorative Backplate	
8446	Exposed-Back Drop Plate Kit	\$110.00
8545	Exposed-Back Backplate	\$55.00
8545A		\$66.00
8546	Concealed Door Holder Drop Plate	\$55.00
8546A		\$105.00
8547	Low Ceiling Clearance/Overhead Door Holder Drop Plate	\$66.00
8547A		
8548	Exposed-Back/Narrow Top Rail Drop Plate	\$110.00
8548A		
8549		\$121.00
8549A		

Refer to page 12 for plating charges.

## ACCESSORIES

MODEL NO.	PRODUCT DESCRIPTION	LIST PRICE
		(689, 690, 691, 693, 694, 696, 613E, BSP, WSP)
*1618A	Standard Soffit Plate, Non-Hold Open	\$29.30
*1628H	Standard Soffit Plate, Hold Open	
*2018	Soffit Bracket (Mounting Between Doors)	\$48.60
*2018B	Narrow Frame/Removable Stop Soffit Plate	
*2018D	Blade/Applied Stop Soffit Plate	
*2018S	Extra Clearance Offset Soffit Plate	
*2019L	Flush Rabbeted Transom Angle Bracket	\$35.90
^2019S	Standard Spacer Block	\$11.20
2019S-7/8	Spacer Block for use w/ 5/8" Stop and 1/4" Weatherstrip (PR, CLP, CPS only)	\$24.40
2019S-25	Spacer Block for Wide Soffit and 1/4" Weatherstrip (PR, CLP, CPS only)	\$37.00
*2022	Flush Transom Angle Bracket	\$48.60
*2403B	Molded/Bull Nose Trim Bracket	
*2403-3/4		
80		
**6190	Unitrol® Soffit Plate Support Bracket	\$52.90
6191	Unitrol® Wide Frame Reinforcing Kit	\$66.40
6191B-25	Unitrol® Wide Frame Reinforcing for Wide Soffit and 1/4" Weatherstrip	\$117.30
6890	Narrow Frame Support Bracket	\$60.70
6891	Clearance/Support Blade Stop	

\*No charge when ordered with closer.

\*\* Furnished regularly with all Parallel Arm Unitrols.

^ Furnished standard with NHO and HO heavy-duty arms (PR, CLP, CPS).

When ordering 6191 in place of 6190, no extra.

Refer to page 12 for plating charges.

## COVERS

8200P	Plastic Slim-Line Cover	\$20.00
8200PG	ABS Plastic Slim-Line Cover	\$28.00
1639	Pinion Cap (used with Slim-Line Cover)	\$5.90
8400P	Plastic Full Cover	\$34.00
8400PG	ABS Plastic Full Cover	\$40.00
8400A	Optional Plastic Architectural Cover	\$34.00
8400AG	Optional Plastic Architectural ABS Cover	\$40.00
8400M	Metal Cover	\$42.00
8400M	When Ordered with Closer in Place of 8400P	\$8.00
8400MA	Optional Metal Architectural Cover	\$42.00
8400MA	When Ordered with Closer in Place of 8400P	\$8.00

USA & Canada Prices Effective May 1, 2021

**ASSA ABLOY**

Experience a safer  
and more open world

Norton and Rixson are brands associated with ASSA ABLOY Accessories and Door Controls Group, Inc., an ASSA ABLOY Group company. Copyright © 2002-2021, ASSA ABLOY Accessories and Door Controls Group, Inc. All rights reserved. Reproduction in whole or in part without the express written permission of ASSA ABLOY Accessories and Door Controls Group, Inc. is prohibited. Contact Norton: 877-974-2255 or visit [www.nortondoortcontrols.com](http://www.nortondoortcontrols.com); Contact RIXSON: 800-457-5670 or visit [www.rixson.com](http://www.rixson.com). In Canada contact us at: 800-461-3007 or visit [www.assaabloydss.ca](http://www.assaabloydss.ca)



**9300BC SERIES - Specify Size 3 or 4**

**(6 per case)**

**NON-HOLD OPEN**

MODEL NO.	PRODUCT DESCRIPTION	APPROX. SHIPPING WEIGHT (lbs)	LIST PRICE (689, 690, 691, 693, 694, 696)
9303BC	Regular Arm	6	\$276.00
9304BC			
P9303BC	Parallel Arm		
P9304BC			

**HOLD OPEN**

9303BCH	Regular Hold Open Arm	6	\$325.00
9304BCH			
P9303BCH	Parallel Hold Open Arm		
P9304BCH			

## 9300BC Closers and Accessories

**NON-HOLD OPEN**

MODEL NO.	PRODUCT DESCRIPTION	APPROX. SHIPPING WEIGHT (lbs)	LIST PRICE (689, 690, 691, 693, 694, 696)
9303BC x 9318A	Regular Arm w/ Parallel Bracket and Shoe	6	\$286.00
9304BC x 9318A			

**HOLD OPEN**

9303BCH x 9328H	Regular Hold Open Arm w/Parallel Bracket and Shoe	6	\$335.00
9304BCH x 9328H			

**ACCESSORIES**

9318A	Parallel Arm Bracket, Non-Hold Open	\$29.30
9328H	Parallel Arm Bracket, Hold Open	

**DROP PLATE**

9388	Drop Plate	\$46.00
------	------------	---------

**ASSA ABLOY**

Experience a safer  
and more open world

USA & Canada Prices Effective May 1, 2021

Norton and Rixson are brands associated with ASSA ABLOY Accessories and Door Controls Group, Inc., an ASSA ABLOY Group company. Copyright © 2002-2021, ASSA ABLOY Accessories and Door Controls Group, Inc. All rights reserved. Reproduction in whole or in part without the express written permission of ASSA ABLOY Accessories and Door Controls Group, Inc. is prohibited. Contact Norton: 877-974-2255 or visit [www.nortondoortcontrols.com](http://www.nortondoortcontrols.com); Contact RIXSON: 800-457-5670 or visit [www.rixson.com](http://www.rixson.com). In Canada contact us at: 800-461-3007 or visit [www.assaabloydss.ca](http://www.assaabloydss.ca)



**9500 SERIES - ADJUSTABLE SIZES 1 THRU 6**

**(4 PER CASE)**

**NON-HOLD OPEN**

MODEL NO.	PRODUCT DESCRIPTION	APPROX. SHIPPING WEIGHT (lbs)	LIST PRICE (689, 690, 691, 693, 694, 696, 613E, BSP, WSP)
9500	Regular, Parallel or Top Jamb to 3" Reveal	14	\$617.00
9500ST	Pull Side Slide Track		\$685.00
PS9500ST	Push Side Slide Track		
PR9500	Parallel Rigid Arm	15	\$642.00
PRO9500	Parallel Rigid Offset Arm		\$646.00
CLP9500	CloserPlus® Arm		\$684.00
R9500	Regular Rigid Arm		\$665.00
^UNI9500	Unitrol® Arm	16	\$887.00

**HOLD OPEN**

9500H	Regular, Parallel or Top Jamb to 3" Reveal	14	\$666.00
9500STH	Pull Side Slide Track		\$734.00
PS9500STH	Push Side Slide Track		
PR9500H	Parallel Rigid Arm (Handed)	15	\$691.00
PRO9500H	Parallel Rigid Offset Arm (Handed)		\$695.00
CLP9500T	CloserPlus® Arm		\$733.00
^UNI9500H	Unitrol® Arm		16

**OPTIONS**

DA	Delayed Action suffix "DA" to model number	Add \$47.00
M	Metal Cover suffix "M" to model number	Add \$13.00

^ When ordering specify door width.  
 SNB furnished standard with ST, PR, CLP and UNI arms.  
 Refer to page 12 for plating charges.

USA & Canada Prices Effective May 1, 2021

**ASSA ABLOY**

Norton and Rixson are brands associated with ASSA ABLOY Accessories and Door Controls Group, Inc., an ASSA ABLOY Group company. Copyright © 2002-2021, ASSA ABLOY Accessories and Door Controls Group, Inc. All rights reserved. Reproduction in whole or in part without the express written permission of ASSA ABLOY Accessories and Door Controls Group, Inc. is prohibited. Contact Norton: 877-974-2255 or visit [www.nortondoortcontrols.com](http://www.nortondoortcontrols.com); Contact RIXSON: 800-457-5670 or visit [www.rixson.com](http://www.rixson.com). In Canada contact us at: 800-461-3007 or visit [www.assaabloydss.ca](http://www.assaabloydss.ca)

Experience a safer  
and more open world

## DROP PLATES

MODEL NO.	PRODUCT DESCRIPTION	LIST PRICE
		(689, 690, 691, 693, 694, 696, 613E, BSP, WSP)
9586	Narrow Top Rail Drop Plate for Regular Arm or Pull Side Track	\$92.00
9587	Narrow Top Rail Drop Plate for Top Jamb Applications	
9588	Narrow Top Rail Drop Plate for Parallel Arm or Push Side Track	

## ACCESSORIES

9500-CMB	Closer Mounting Bracket	\$23.00
9500-MAB	Mortise Arm Bracket for Regular Arm Mounting	\$60.00
*9518	Parallel Arm Non-Hold Open Bracket	\$6.00
9528H	Parallel Arm Hold Open Bracket	\$47.00
9500-OB	Parallel Arm Offset Bracket	\$29.00
9500-PFTB	Parallel Arm Flush Transom Bracket	\$47.00
9500-RB	Reinforcing Bracket	\$41.00
9500-DRK	Deep Reveal Reinforcement Kit	\$56.00
9500-FPB	Flush Partition Bracket	\$39.00
9500-AB	Angle Support Bracket	\$47.00
9500-FTB	Flush Transom Bracket	\$28.00
9500-1/2SP	1/2" Blade Stop Spacer	\$27.00
9500-5/8SP	5/8" Blade Stop Spacer	\$48.00

\* No charge when ordered with closer.  
Refer to page 12 for plating charges.

## COVERS

9500P	Plastic Cover - Painted	\$65.00
9500COVM-L	Metal Cover - Painted (Left Hand)	\$81.00
9500COVM-R	Metal Cover - Painted (Right Hand)	
9500COVM-L	Metal Cover - Plated (Left Hand)	\$234.00
9500COVM-R	Metal Cover - Plated (Right Hand)	



## 9540 SERIES - ADJUSTABLE SIZES 1 THRU 6

(4 PER CASE)

### Non-Hold Open, Tri-Packed, Threaded Arm

MODEL NO.	PRODUCT DESCRIPTION	APPROX. SHIPG. WGT. (lbs)	LIST PRICE (689, 690, 691, 693, 694, 696, 613E, BSP, WSP)
9540	Regular, Parallel or Top Jamb to 2-9/16"	14	\$600.00

### OPTIONS

DA	Delayed Action suffix "DA" to Model Number	Add \$47.00
M	Metal Cover suffix "M" to Model Number; Specify Handing	Add \$13.00

### DROP PLATES

9540-18	Regular Arm Application	\$87.00
9540-18TJ	Top Jamb Application	
9540-18PA	Parallel Arm Applications	

### COVERS

9500P	Plastic Cover - Painted	\$65.00
9540M-1	Metal Cover, Right Hand Application, Painted	\$79.00
9540M-2	Metal Cover, Left Hand Application, Painted	
9540M-1PL	Metal Cover, Right Hand Application, Plated	\$256.00
9540M-2PL	Metal Cover, Left Hand Application, Plated	

### ACCESSORIES

9540-CMB	Mounting Bracket	\$200.00
9500LAP	Closer Body Only	\$523.00
SP9540	Standard Screw Pack	\$54.00
SP9540SNB	Sex Nuts and Bolts (SNB) for 1-3/4" Door	\$20.00
SP9500COV	Cover Screw Pack	\$13.00

Refer to page 12 for plating charges.

USA & Canada Prices Effective May 1, 2021

## ASSA ABLOY

Experience a safer  
and more open world

Norton and Rixson are brands associated with ASSA ABLOY Accessories and Door Controls Group, Inc., an ASSA ABLOY Group company. Copyright © 2002-2021, ASSA ABLOY Accessories and Door Controls Group, Inc. All rights reserved. Reproduction in whole or in part without the express written permission of ASSA ABLOY Accessories and Door Controls Group, Inc. is prohibited. Contact Norton: 877-974-2255 or visit [www.nortondoortcontrols.com](http://www.nortondoortcontrols.com); Contact RIXSON: 800-457-5670 or visit [www.rixson.com](http://www.rixson.com). In Canada contact us at: 800-461-3007 or visit [www.assaabloydss.ca](http://www.assaabloydss.ca)



## 5500 SERIES

MODEL NO.	PRODUCT DESCRIPTION	APPROX. SHIPPING WEIGHT (lbs)	LIST PRICE
5511	Pull side mounting, slide track arm	18	\$2,150.00
5531	Push side mounting, double lever arm		

## OPTIONAL ACCESSORY

5500PWR	Power Supply	\$200.00
---------	--------------	----------

## REPLACEMENT PARTS

5500COV	Cover	\$110.00
---------	-------	----------



## 5600 SERIES

### SLIDE TRACK ARMS (PULL SIDE)

MODEL NO.	PRODUCT DESCRIPTION	APPROX. SHIPC. WGT. (lbs)	LIST PRICE (689, 690, BSP, WSP)
5610	Pull Side; Rigid Arm and Slide Track	20	\$1,790.00
5610-RF1	Radio Frequency; Rigid Arm and Slide Track (Power Supply Included)		\$1,920.00

### DOUBLE LEVER ARMS (PUSH SIDE)

5630	Push Side; Double Lever Arm	20	\$1,790.00
5630-RF1	Radio Frequency; Double Lever Arm (Power Supply Included)		\$1,920.00

### KITS

5610K1	5610 Operator with Onboard Power Supply and (1) 700 Touch Less Switch	20	\$2,015.00
5610K1-SC	5610 Operator with Onboard Power Supply, (1) 700 Touch Less Switch and (1) HES 5000C Strike (for Cylindrical Locks)	22	\$2,182.00
5610K1-SM	5610 Operator with Onboard Power Supply, (1) 700 Touch Less Switch and (1) HES 1006CLB Strike (for Mortise Locks)		\$2,596.00
5610K2	5610 Operator with (2) 700 Touch Less Switches	20	\$2,405.00
5610K3	5610 Operator with (2) ADA10109-2 switches, (2) 548 transmitters and (1) 539 receiver		\$2,302.00
5630K1	5630 Operator with Onboard Power Supply and (1) 700 Touch Less Switch		\$2,015.00
5630K1-SC	5630 Operator with Onboard Power Supply, (1) 700 Touch Less Switch and (1) HES 5000C Strike (for Cylindrical Locks)	22	\$2,182.00
5630K1-SM	5630 Operator with Onboard Power Supply, (1) 700 Touch Less Switch and (1) HES 1006CLB Strike (for Mortise Locks)		\$2,596.00
5630K2	5630 Operator with (2) 700 Touch Less Switches	20	\$2,405.00
5630K3	5630 Operator with (2) ADA10109-2 switches, (2) 548 transmitters and (1) 539 receiver		\$2,405.00
5610EX	5610RF Operator and (1) 536 Transmitter		\$2,051.00
5630EX	5630RF Operator and (1) 536 Transmitter		

### OPTIONS

PC	Power Cord (suffix "PC" to model number)	Add \$24.00
----	--	-------------

See page 47 for Accessories.

USA & Canada Prices Effective May 1, 2021

## ASSA ABLOY

Norton and Rixson are brands associated with ASSA ABLOY Accessories and Door Controls Group, Inc., an ASSA ABLOY Group company. Copyright © 2002-2021, ASSA ABLOY Accessories and Door Controls Group, Inc. All rights reserved. Reproduction in whole or in part without the express written permission of ASSA ABLOY Accessories and Door Controls Group, Inc. is prohibited. Contact Norton: 877-974-2255 or visit [www.nortondoortcontrols.com](http://www.nortondoortcontrols.com); Contact RIXSON: 800-457-5670 or visit [www.rixson.com](http://www.rixson.com). In Canada contact us at: 800-461-3007 or visit [www.assaabloydss.ca](http://www.assaabloydss.ca)





## 5700 SERIES

### SLIDE TRACK ARMS (PULL SIDE)

MODEL NO.	PRODUCT DESCRIPTION	APPROX. SHIPPING WEIGHT (lbs)	LIST PRICE (689, 690, BSP, WSP)
5710	Pull Side, closer sizes 1-6	20	\$3,290.00
5710-RF1	Pull Side, Radio Frequency, closer sizes 1-6		\$3,420.00
5710DMY	Dummy unit, closer sizes 1-6		\$1,508.00

### DOUBLE LEVER ARMS (PUSH SIDE)

5730	Push Side, closer sizes 1-6	20	\$3,290.00
5730-RF1	Push Side, Radio Frequency, closer size 1-6		\$3,420.00
5730DMY	Dummy unit, closer sizes 1-6		\$1,508.00

### UNIVERSAL UNIT (INCLUDES PUSH OR PULL SIDE ARMS)

5740	Push or Pull Side, closer sizes 1-6	21	\$3,326.00
5740-RF1	Push or Pull Side, Radio Frequency, closer sizes 1-6		\$3,456.00

### KITS

5740K2	Includes 5700 operator (configured for push applications), push & pull arms, power cord and (2) 700 Touch Less switches	40	\$3,945.00
5740K3	Includes 5700 operator (configured for push applications), push & pull arms, power cord, receiver, (2) push buttons and (2) transmitters		\$3,840.00

### OPTIONS

PC	Power Cord (suffix "PC" to model number)	Add \$24.00
----	--	-------------

See page 47 for Accessories.



## 5800 SERIES

(1 per case)

### PRO

MODEL NO.	PRODUCT DESCRIPTION	APPROX. SHIP WT (lbs)	LIST PRICE (693T, 689)
5831xNPB	Push Side, Narrow Push Buttons	20	\$3,550.00
5811xNPB	Pull Side, Narrow Push Buttons		
5831xSQPB	Push Side, Square Push Buttons		\$3,600.00
5811xSQPB	Pull Side, Square Push Buttons		

### PRO PLUS

5833xNPB	Push Side, Narrow Push Buttons, ADA1015P Kit	20	\$3,650.00
5813xNPB	Pull Side, Narrow Push Buttons, ADA1015P Kit		
5833xSQPB	Push Side, Square Push Buttons, ADA1015P Kit		\$3,700.00
5813xSQPB	Pull Side, Square Push Buttons, ADA1015P Kit		

### PRO COMPLETE

5845xNPB	Push or Pull Side, Narrow Push Buttons, ADA1015P Kit, Black and Aluminum Finish Covers	20	\$3,734.00
5845xSQPB	Push or Pull Side, Square Push Buttons, ADA1015P Kit, Black and Aluminum Finish Covers		\$3,784.00
5845xWTO	Push or Pull Side, Touchless Switch, ADA1015P Kit, Black and Aluminum Finish Covers		\$3,888.00
5845xWIM	Push or Pull Side, ADA1028, ADA1015C, Black and Aluminum Covers		\$3,942.00

### PRO CUSTOM (WITHOUT PUSH BUTTONS)

5831xLPB	Operator, Push Side	20	\$3,300.00
5811xLPB	Operator, Pull Side		

### NYC TRD (NEW YORK CITY - TRASH ROOM DOORS)

5839-NYW	Operator + Narrow Style Push Buttons, Push Side	25	\$6,289.00
5819-NYW	Operator + Narrow Style Push Buttons, Pull Side		

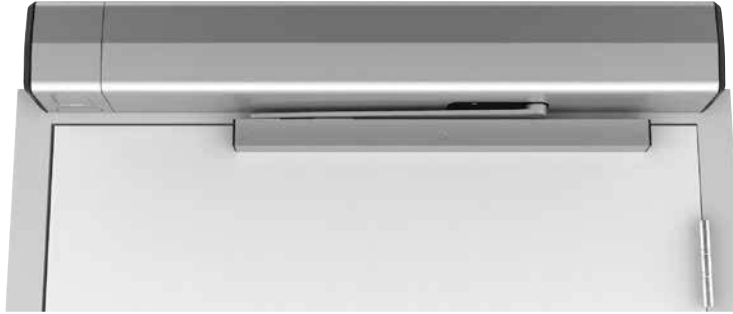
See page 48 for Accessories.

USA & Canada Prices Effective May 1, 2021

## ASSA ABLOY

Experience a safer  
and more open world

Norton and Rixson are brands associated with ASSA ABLOY Accessories and Door Controls Group, Inc., an ASSA ABLOY Group company. Copyright © 2002-2021, ASSA ABLOY Accessories and Door Controls Group, Inc. All rights reserved. Reproduction in whole or in part without the express written permission of ASSA ABLOY Accessories and Door Controls Group, Inc. is prohibited. Contact Norton: 877-974-2255 or visit [www.nortondoорcontrols.com](http://www.nortondoорcontrols.com); Contact RIXSON: 800-457-5670 or visit [www.rixson.com](http://www.rixson.com). In Canada contact us at: 800-461-3007 or visit [www.assaabloydss.ca](http://www.assaabloydss.ca)



6011 Shown

**6000 SERIES – SINGLE DOORS**

(1 per case)

**PULL SIDE MOUNTING**

MODEL NO.	PRODUCT DESCRIPTION	COVER LENGTH	APPROX. SHIPPING WGT. (lbs)	LIST PRICE (689, 690, BSP, WSP)
6011	Slide Track Arm	37-1/2"	39	\$6,103.00
6051R	Double Egress Arm, RH, Standard Duty to 110°			\$6,176.00
6051L	Double Egress Arm, LH, Standard Duty to 110°			

**PUSH SIDE MOUNTING**

6021	Double Lever Arm, Standard Duty to 110°	37-1/2"	39	\$5,858.00
6031	Double Lever Arm, Standard Duty to 180°			
6061	Double Lever Arm, H.D 2-1/4" to 4-3/4" Reveals			\$6,103.00
6071	Double Lever Arm, H.D 4-13/16" to 7-3/8" Reveals			

**OPTIONS**

RF	Radio Frequency	Add \$130.00
D1	Drop Plate; suffix D1 (36" width) or D2 (37" or wider) to model numbers 6021, 6031, 6061, or 6071	Add \$144.00
D2		

See page 47 for Accessories.

**DUMMY UNITS**

6011DMY	Includes (1) door closer mounted to the operator back plate; standard operator cover shipped	37-1/2"	33	\$1,898.00
6021DMY				\$1,688.00
6031DMY				
6050L-DMY				\$1,969.00
6051L-DMY				
6061DMY				\$1,898.00

Norton  
Electrified Products



## 6000 SERIES – DOUBLE DOORS

(1 per case)

### PULL SIDE MOUNTING - SPECIFY LENGTH WHEN ORDERING

MODEL NO.	PRODUCT DESCRIPTION	APPROX. SHIPPING WEIGHT (lbs)	LIST PRICE (689, 690, BSP, WSP)
D6011-36	Slide Track Arm	76	\$8,490.00
D6051-36	Double Egress Arm, Standard Duty to 110°		\$8,815.00

### PUSH SIDE MOUNTING - SPECIFY LENGTH WHEN ORDERING

D6021-36	Double Lever Arm, Standard Duty to 110°	76	\$8,438.00
D6031-36	Double Lever Arm, Standard Duty to 180°		
D6061-36	Double Lever Arm, H.D 2-1/4" to 4-3/4" Reveals		\$8,490.00
D6071-36	Double Lever Arm, H.D 4-13/16" to 7-3/8" Reveals		

### OPTIONS

RF	Radio Frequency	Add \$130.00
D	Drop Plate suffix "D" to model number; D6021, D6031, D6061, D6071 series only	Add \$144.00
Wider Doors	38", 40" and 42" Door Width (examples: D6011-42, D6061-42, etc.)	Add \$55.00
	44", 46" and 48" Door Width (examples: D6051-48, D6071-48, etc.)	Add \$108.00

See page 47 for Accessories.

### DUMMY UNITS

D6011-36DMY	Includes: (1) operator plus (1) door closer mounted to the operator back plate; standard operator cover shipped	67	\$4,867.00
D6021-36DMY			\$4,815.00
D6031-36DMY			\$5,138.00
D6051-36DMY			
D6061-36DMY			\$4,867.00
D6071-36DMY			

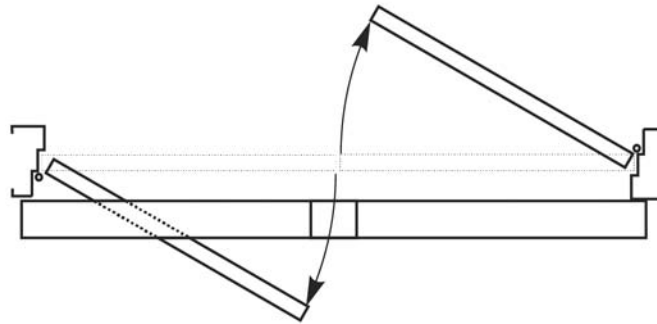
### OPTIONS

Wider Doors	38", 40" and 42" Door Width (example: D6011-42DMY)	Add \$55.00
	44", 46" and 48" Door Width (example: D6071-48DMY)	Add \$108.00

USA & Canada Prices Effective May 1, 2021

## ASSA ABLOY

Norton and Rixson are brands associated with ASSA ABLOY Accessories and Door Controls Group, Inc., an ASSA ABLOY Group company. Copyright © 2002-2021, ASSA ABLOY Accessories and Door Controls Group, Inc. All rights reserved. Reproduction in whole or in part without the express written permission of ASSA ABLOY Accessories and Door Controls Group, Inc. is prohibited. Contact Norton: 877-974-2255 or visit [www.nortondoortcontrols.com](http://www.nortondoortcontrols.com); Contact RIXSON: 800-457-5670 or visit [www.rixson.com](http://www.rixson.com). In Canada contact us at: 800-461-3007 or visit [www.assaabloydss.ca](http://www.assaabloydss.ca)



## 6000 SERIES - DOUBLE EGRESS APPLICATIONS

(1 per case)

SPECIFY LENGTH WHEN ORDERING

MODEL NO.	PRODUCT DESCRIPTION	APPROX. SHIPPING WEIGHT (lbs)	LIST PRICE (689, 690, BSP, WSP)
D6001DEL-36	Pair of Left Hand Doors, 36", Pull Side	78	\$8,438.00
D6001DER-36	Pair of Right Hand Doors, 36", Pull Side		

### OPTIONS

RF	Radio Frequency	Add \$130.00
Wider Doors	38", 40" and 42" Door Width (example D6001DEL-42)	Add \$55.00
	44", 46" and 48" Door Width (example D6001DEL-48)	Add \$108.00

See page 47 for Accessories.

## 6000 SERIES - DOUBLE EGRESS, DEEP REVEAL APPLICATIONS

(1 per case)

SPECIFY LENGTH WHEN ORDERING

MODEL NO.	PRODUCT DESCRIPTION	REVEALS	APPROX. SHIPPING WEIGHT (lbs)	LIST PRICE (689, 690, BSP, WSP)
D6001DE1L-36	Pull Side, Left Hand	3-1/16" to 4-3/4"	78	\$8,438.00
D6001DE1R-36	Pull Side, Right Hand			
D6001DE2L-36	Pull Side, Left Hand	4-13/16" to 7"		
D6001DE2R-36	Pull Side, Right Hand			

### OPTIONS

RF	Radio Frequency	Add \$130.00
Wider Doors	38", 40" and 42" Door Width (example D6001DE1L-42)	Add \$55.00
	44", 46" and 48" Door Width (example D6001DE1L-48)	Add \$108.00

## ASSA ABLOY

Experience a safer  
and more open world

USA & Canada Prices Effective May 1, 2021

Norton and Rixson are brands associated with ASSA ABLOY Accessories and Door Controls Group, Inc., an ASSA ABLOY Group company. Copyright © 2002-2021, ASSA ABLOY Accessories and Door Controls Group, Inc. All rights reserved. Reproduction in whole or in part without the express written permission of ASSA ABLOY Accessories and Door Controls Group, Inc. is prohibited. Contact Norton: 877-974-2255 or visit [www.nortondoortcontrols.com](http://www.nortondoortcontrols.com); Contact RIXSON: 800-457-5670 or visit [www.rixson.com](http://www.rixson.com). In Canada contact us at: 800-461-3007 or visit [www.assaabloydss.ca](http://www.assaabloydss.ca)



## 6300 SERIES

### PULL SIDE

MODEL NO.	PRODUCT DESCRIPTION	OVERALL LENGTH	APPROX. SHIPPING WEIGHT (lbs)	LIST PRICE (689, 690, BSP, WSP)		
6311	Rigid Arm & Slide Track	37-3/8"	28	\$4,135.00		
6312		39-5/8"				
6351R	Double Egress Arm, Right Hand	37-3/8"		28	\$4,197.00	
6351L	Double Egress Arm, Left Hand					
6352R	Double Egress Arm, Right Hand	39-5/8"				\$4,197.00
6352L	Double Egress Arm, Left Hand					

### PUSH SIDE

6331	Double Lever Arm	37-3/8"	28	\$4,135.00
6332		39-5/8"		

### UNIVERSAL (PUSH AND PULL)

6341	Rigid Arm & Slide Track and Double Lever Arms Included	37-3/8"	28	\$4,241.00
6342		39-5/8"		

### KITS

MODEL NO.	PRODUCT DESCRIPTION	APPROX. SHIP WT (lbs)	LIST PRICE (689, 690, BSP, WSP)	
6341K2	Includes Operator, Push and Pull Arms and (2) 700 Touch Less Switches	33	\$4,856.00	
6342K2				
6341K3	Includes Operator, Push and Pull Arms, (2) ADA1019-2 switches, (2) 548 transmitters and (1) receiver		33	\$4,753.00
6342K3				

Note: Models 6312, 6332, 6342 and 6352 cannot be used on pairs of 36" doors. See page 47 for Accessories.

USA & Canada Prices Effective May 1, 2021

## ASSA ABLOY

Experience a safer and more open world

Norton and Rixson are brands associated with ASSA ABLOY Accessories and Door Controls Group, Inc., an ASSA ABLOY Group company. Copyright © 2002-2021, ASSA ABLOY Accessories and Door Controls Group, Inc. All rights reserved. Reproduction in whole or in part without the express written permission of ASSA ABLOY Accessories and Door Controls Group, Inc. is prohibited. Contact Norton: 877-974-2255 or visit [www.nortondoорcontrols.com](http://www.nortondoорcontrols.com); Contact RIXSON: 800-457-5670 or visit [www.rixson.com](http://www.rixson.com). In Canada contact us at: 800-461-3007 or visit [www.assaabloydss.ca](http://www.assaabloydss.ca)

### ACCESSORIES

MODEL NO.	PRODUCT DESCRIPTION	LIST PRICE
501	Door Switch - 4-1/2" sq., Stainless/black letters	\$190.00
502	Door Switch - 4-1/2" sq., Blue/white letters, ADA symbol	
671	Door Switch - 4-1/2" sq x ADA alter. symbol, Hard Wired	
672	Door Switch - 4-1/2" sq x ADA alter. symbol, RF	\$301.00
505	Door Switch - 6" sq., Stainless/blue letters, ADA symbol, Hard Wired	\$183.00
531	Door Switch - 6" sq., Stainless/blue letters, ADA symbol, RF	\$301.00
507	Door Switch - 6" sq., Stainless/blue letters, Hard Wired	\$183.00
532	Door Switch - 6" sq., Stainless/blue letters, RF	\$301.00
506	Door Switch - 6" round, Stainless/blue letters, ADA symbol, Hard Wired	\$183.00
533	Door Switch - 6" round, Stainless/blue letters, ADA symbol, RF	\$301.00
534	Door Switch - 6" round, Stainless/blue letters, Hard Wired	\$190.00
535	Door Switch - 6" round, Stainless/blue letters, RF	\$301.00
503	Door Switch - 1-1/2"x 4-3/4", Stainless/blue letters	\$147.00
504	Vestibule Switches - 1-1/2"x 4-3/4", Stainless/blue letters	\$315.00
542	4-1/2" square surface mount box only for 501, 502	\$61.00
555	6" square surface mount box only for 505, 507	\$75.00
557	6" round surface mount box only for 506, 534	
559	Narrow Jamb Surface Mount Box for 503	\$47.00
700	Touch Less Switch - width: 2-3/4" (single), 4-1/2" (double)	\$488.00
704	Narrow Touch Less Wall Switch (Fits 1-3/4" jamb)	\$420.00
536	Single Channel Hand Held Transmitter	\$131.00
538	Double Channel Hand Held Transmitter	\$166.00
539	Radio Frequency Receiver	\$154.00
663	Motion Sensor	\$671.00
530	Switch Post, RF Transmitter 433MHz (5700, 6000, 6300 Series)	\$989.00
530Post	Post Only (5700, 6000, 6300 Series)	\$741.00
500	Switch Post, Hard Wired (5700, 6000, 6300 Series), Specify 689 or 690 finish	\$874.00
638	Low Profile Push Plate - 36" x 6", RF (433MHz)	\$1,217.00
639	Low Profile Push Plate - 36" x 6", Hard Wired	\$1,087.00
548	Radio Frequency Transmitter - 9V	\$142.00
5900EXPKG	Executive Package (5700, 6300 Series)	\$259.00
585	Presence Sensor (6000, 6300 Series)	\$621.00
564	Package Includes (1) Door Switch, (1) Transmitter and (1) Receiver	\$482.00
565	Package Includes (2) Door Switches, (2) Transmitters and (1) Receiver	\$814.00
596-36	Sensor for 36" Door (6000, 6300 Series)	\$689.00
596-42	Sensor for 42" Door (6000, 6300 Series)	\$741.00
596-48	Sensor for 48" Door (6000, 6300 Series)	\$937.00
679	Operational Signs	\$47.00
682	Signage Kit	\$7.00
681		

## ACCESSORIES

MODEL NO.	PRODUCT DESCRIPTION	LIST PRICE
ADA1001	Door Arm Assembly	\$232.00
ADA1006	Operator Mounting Bracket With Covers	\$110.00
ADA1009	Mounting Hardware for Aluminum, Wood, and Hollow Metal	\$112.00
ADA1002	Operator Dress Cover Black Finish	\$154.00
ADA1004	Operator Dress Cover Aluminum Finish	
ADA1005P	Electronic Control Kit - Setup and PC Board - PRO Series	\$611.00
ADA1005WP	Electronic Control Kit for PRO Setup and PC Board (White Board)	
ADA1005NY	Electronic Control Kit - Setup and PC Board - NYC-TRD Series	
ADA1005WN	Electronic Control Kit for NYC-TRD Setup and PC Board (White Board)	
ADA1010P	Operator Body - Non Handed - EL-CNTL Included - Pro Series (direct replacement of former part # 1010L and 1010R)	\$3,446.00
ADA1010NY	Operator Body - Non Handed - EL-CNTL Included - NYC-TRD Series	
ADA1007P	Battery Assembly - PRO Series (replaces part 1007)	\$236.00
ADA1023	External Battery Charger Kit	\$314.00
ADA1015P	Hardwire Kit - Transformer, Armored Door Cord, 50' of Cable	
ADA1014	Decal Pack	\$79.00
ADA1026	Bottom Cover with Two Screws	\$75.00
ADA1008	Wireless Pushbutton Transmitter (circuit board only)	\$117.00
ADA1022	Kit to Convert SPDT Switch to DPDT Switch	\$91.00
ADA1025	Multi-Purpose Timer Module	\$189.00
ADA1012-1	1-3/4" (4.5 cm) Pushbutton Assembly - w/o RF Transmitter	\$154.00
ADA1012-2	1-3/4" Pushbutton Assembly - with RF Transmitter	
ADA1019-1	4-1/2" (11.4 cm) Square Pushbutton w/o RF Transmitter	\$232.00
ADA1019-2	4-1/2" Square Pushbutton Assembly w/ RF Transmitter	
ADA1019-2A	Qty 2 @ 4-1/2" Square Pushbutton w/ RF Transmitter	\$538.00
ADA1019-3	4-1/2" Square Pushbutton Assembly w/ DPDT Switch, w/o RF Transmitter	\$292.00
ADA1019-4	4-1/2" Square Pushbutton Assembly, DPDT Switch, w/ RF Transmitter	\$360.00
ADA1028W	Wireless Interface Module	\$458.00
ADA1031	Hand Held RF Transmitter	\$236.00
ADA1024	Kit to Convert to a Push Side	\$226.00
ADA1021	Kit to Convert to a Pull Side	\$202.00
ADA1029	Occupancy Sensor (NYC-TRD only)	\$653.00
ADA1015C	Door Cord WIM	\$386.00
ADA102SP	24VDC Power Supply, WIM, and Mounted Sensor	\$1,460.00
700	Touch Less Switch - width: 2-3/4" (single), 4-1/2" (double)	\$488.00
704	Narrow Touch Less Wall Switch (Fits 1-3/4" Jamb)	\$420.00

USA & Canada Prices Effective May 1, 2021

**ASSA ABLOY**

Norton and Rixson are brands associated with ASSA ABLOY Accessories and Door Controls Group, Inc., an ASSA ABLOY Group company. Copyright © 2002-2021, ASSA ABLOY Accessories and Door Controls Group, Inc. All rights reserved. Reproduction in whole or in part without the express written permission of ASSA ABLOY Accessories and Door Controls Group, Inc. is prohibited. Contact Norton: 877-974-2255 or visit [www.nortondoорcontrols.com](http://www.nortondoорcontrols.com); Contact RIXSON: 800-457-5670 or visit [www.rixson.com](http://www.rixson.com). In Canada contact us at: 800-461-3007 or visit [www.assaabloydss.ca](http://www.assaabloydss.ca)





## 7100SZ SERIES

### Specify Hand

MODEL NO.	PRODUCT DESCRIPTION	APPROX. SHIPPING WEIGHT (lbs)	LIST PRICE (689, 690, 691, 693, 694, 696, BSP, WSP)
7110SZ	Pull Side; Rigid Arm and Slide Track (specify spring size 3, 4 or 5)	16	\$1,626.00
7120SZ	Push Side; Double Lever Arm - 11" Main Arm (specify spring size 2, 3, 4 or 5)		
7130SZ	Push Side; Double Lever Arm - 13-1/2" Main Arm (specify spring size 2, 3, 4 or 5)		
7150SZ	Pull Side; Double Egress Arm and Slide Track (specify spring size 3, 4 or 5)		\$1,717.00

### OPTIONS

DZ	Unit Supplied with Secondary Sensor (for opposite side of door)	Add \$650.00
----	---	--------------

### DROP ANGLE BRACKET

7100DAB	Drop Angle Bracket	\$72.00
7100DAB-180	Drop Angle Bracket, 180°	



## 7200 SERIES

### RIGID ARM SLIDE TRACK - Specify Size 3 thru 5 - Specify Hand

MODEL NO.	PRODUCT DESCRIPTION	APPROX. SHIPPING WEIGHT (lbs)	LIST PRICE (689, 690, 691, 693, 694, 696, BSP, WSP)
7210MPSO	Support Unit - Selective	16	\$1,724.00
7210RFS	Executive™ Dr. Holder/Release - Selective		\$2,447.00

### DOUBLE LEVER ARM - 11" MAIN ARM - Specify Size 3 thru 5 - Specify Hand

7220MPSO	Support Unit - Selective	16	\$1,724.00
7220RFS	Executive™ Dr. Holder/Release - Selective		\$2,447.00

### DOUBLE LEVER ARM - 13-1/2" MAIN ARM - Specify Size 3 thru 5 - Specify Hand

7230MPSO	Support Unit - Selective	16	\$1,724.00
7230RFS	Executive™ Dr. Holder/Release - Selective		\$2,447.00

### CONNECTED FREE-SWING SLIDE TRACK - Specify Size 3 thru 5 - Specify Hand

7240MPSO	Support Unit - Selective	16	\$1,781.00
7240RFS	Executive™ Dr. Holder/Release - Selective		\$2,504.00

### DOUBLE EGRESS ARM SLIDE TRACK - Specify Size 3 thru 5

MODEL NO.	PRODUCT DESCRIPTION	APPROX. SHIPPING WEIGHT (lbs)	LIST PRICE (689, 690, 691, 693, 694, 696, BSP, WSP)
7250MPSO	Support Unit - Selective	16	\$1,811.00
7250RFS	Executive™ Dr. Holder/Release - Selective		\$2,534.00

### OVERHEAD CONCEALED - Specify Size 4 thru 6

7290MPS	Support Unit - Selective	16	\$1,642.00
7290RFS	Executive™ Dr. Holder/Release - Selective		\$2,330.00

### DROP ANGLE BRACKETS

7100DAB	Drop Angle Bracket	\$72.00
7100DAB-180	Drop Angle Bracket, 180°	



## POWER TRACK® CLOSER-HOLDERS

MODEL NO.	PRODUCT DESCRIPTION	APPROX. SHIPPING WEIGHT (lbs)	LIST PRICE (689, 690, 691, 693, 694, 696, BSP, WSP)
7705PTO	Support Unit, Hinge Side	11	\$1,219.00
P7705PTO	Support Unit, Stop Side		

## OPTION

DE	Double Egress Arms suffix "DE" to model number (hinge side only). Handed.	Add \$87.00
----	---	-------------

USA & Canada Prices Effective May 1, 2021

**ASSA ABLOY**

Experience a safer  
and more open world

Norton and Rixson are brands associated with ASSA ABLOY Accessories and Door Controls Group, Inc., an ASSA ABLOY Group company. Copyright © 2002-2021, ASSA ABLOY Accessories and Door Controls Group, Inc. All rights reserved. Reproduction in whole or in part without the express written permission of ASSA ABLOY Accessories and Door Controls Group, Inc. is prohibited. Contact Norton: 877-974-2255 or visit [www.nortondoortcontrols.com](http://www.nortondoortcontrols.com); Contact RIXSON: 800-457-5670 or visit [www.rixson.com](http://www.rixson.com). In Canada contact us at: 800-461-3007 or visit [www.assaabloydss.ca](http://www.assaabloydss.ca)

## DOOR CLOSER BODIES ONLY

MODEL NO.	PRODUCT DESCRIPTION	LIST PRICE
1601LAP	1601 Door Closer Body	\$200.00
160XBCLAP	1603BC, 1604BC Door Closer Bodies	
1601SSLAP	1601SS Door Closer Body	\$416.00
170XLAP	1703/1704 Door Closer Bodies	\$205.00
7500LAP	7500 Door Closer Body	\$440.00
7500SSLAP	7500SS Corrosion Resistant Door Closer Body	\$877.00
78B/DLAP*	78 Door Closer Body - Size 2/4	\$992.00
78E/FLAP*	78 Door Closer Body - Size 5/6	
8101LAP	8101, 8301, 8501 Door Closer Bodies	\$310.00
930XBCLAP	9303BC, 9304BC Door Closer Bodies	\$168.00
9500LAP	9500 Door Closer Body	\$523.00
790XLAP	7900 Door Closer Bodies	\$511.00
797XLAP	7970 Security Door Closer Bodies	\$667.00
797XDPSLAP	7970DPS Security Door Closer Bodies	\$947.00

## OPTION

DA	Delayed Action suffix "DA" to model number	Add \$47.00
----	--	-------------

"X" in catalog number - specify closer size.

\*Specify Hand.

### SN, SNB, TBGN - 4 per pack

MODEL NO.	PRODUCT DESCRIPTION	LIST PRICE
SN-134	Sex Nuts Only 1-3/4" Door	\$6.80*
SN-214	Sex Nuts Only 2-1/4" Door	\$76.00*
SNB134-38	Sex Nuts and Bolts 1-3/4" Door - 1600, 8000 Series Closer	\$20.80*
SNB200-38	Sex Nuts and Bolts 2" Door - 1600, 8000 Series Closer	
SNB214-38	Sex Nuts and Bolts 2-1/4" Door - 1600, 8000 Series Closer	\$105.00*
SNB134-47	Sex Nuts and Bolts 1-3/4" Door - 7500 Series Closer	\$20.80*
SNB200-47	Sex Nuts and Bolts 2" Door - 7500 Series Closer	
SNB214-47	Sex Nuts and Bolts 2-1/4" Door - 7500 Series Closer	\$105.00*
SN-134SS	Stainless Steel Sex Nuts Only for 1-3/4" Door	\$100.00
SNB134SS-38	Stainless Steel Sex Nuts and Bolts for 1-3/4" Door - 1600BCSS or 1601SS Series	\$105.00
SNB134SS-47	Stainless Steel Sex Nuts and Bolts for 1-3/4" Door - 7500SS Series	
SP9500	Standard Screw Package - 9500 Series Closer	\$14.40
SP9500SN	Standard Screw Package (includes Sex Nuts) - 9500 Series Closer	
SP9500SNB	Sex Nuts and Bolts 1-3/4" door - 9500 Series Closer	\$19.20*
TBGN138-38	Through-Bolts and Grommet Nuts 1-3/8" Door - 1600, 8000 Series	\$15.20
TBGN134-38	Through-Bolts and Grommet Nuts 1-3/4" Door - 1600, 8000 Series	
TBGN214-38	Through-Bolts and Grommet Nuts 2-1/4" Door - 1600, 8000 Series	
TBGN138-47	Through-Bolts and Grommet Nuts 1-3/8" Door - 7500 Series	
TBGN134-47	Through-Bolts and Grommet Nuts 1-3/4" Door - 410, 7500 Series	

Note: Sex Nuts furnished standard with PR, CLP, CPS and UNI arms.

\*For PLATED STEEL SEX NUTS or SEX NUTS and BOLTS add \$32.00 to list price.

## TORX®

MODEL NO.	PRODUCT DESCRIPTION	LIST PRICE
TX38	Torx® Screw Pack - 8000 Series	\$56.00
PRTX38	Torx® Screw Pack - 8000 Series, Parallel Rigid, CloserPlus® or CloserPlus Spring™ Arms	
RTX38	Torx® Screw Pack - 8000 Series, Regular Rigid Heavy-Duty Arm	
UNITX38	Torx® Screw Pack - 8000 Series, Unitrol® Arm	
STTX38	Torx® Screw Pack - 8000 Slide Track, Push or Pull	
TX47	Torx® Screw Pack - 7500 Series	
PRTX47	Torx® Screw Pack - 7500 Series, Parallel Rigid, CloserPlus® or CloserPlus Spring™ Arms	
RTX47	Torx® Screw Pack - 7500 Series, Regular Rigid Heavy-Duty Arm	
UNITX47	Torx® Screw Pack - 7500 Series, Unitrol® Arm	
STTX47	Torx® Screw Pack - 7500 Slide Track, Push or Pull	
TX95	Torx® Screw Pack - 9500 Series	\$45.00
PRTX95	Torx® Screw Pack - 9500 Series, Parallel Rigid, CloserPlus® Arms	
RTX95	Torx® Screw Pack - 9500 Series, Regular Rigid Heavy-Duty Arm	
UNITX95	Torx® Screw Pack - 9500 Series, Unitrol® Arm	
TXTK95	Torx® Screw Pack - 9500 Series, Tracks	\$28.00
TX6700M	Torx® Screw Pack - 6000 Operator Cover	

Note: Torx Tool Kit see page 12.

1600BC, 1601, 7500, 8000, 9300BC

MODEL NO.	PRODUCT DESCRIPTION	LIST PRICE
7701-1	Regular Arm Assembly, Non-Hold Open	\$108.00
7701-1M	Main Arm Assembly	\$59.00
7701-111	Secondary Arm Assembly	\$62.00
7701-1W	Arm Assembly Less Rod and Shoe	\$96.00
7701-11	Rod and Shoe Assembly	\$41.00
7701-1A	J Top Jamb Arm Assembly, Non-Hold Open	\$108.00
7701-1M	Main Arm Assembly	\$59.00
7701-121	Secondary Arm Assembly	\$62.00
7701-1W	Arm Assembly Less Rod and Shoe	\$96.00
7701-11A	Rod and Shoe Assembly	\$41.00
7701-1B	JL Top Jamb Arm Assembly, Non-Hold Open	\$108.00
7701-2M	Main Arm Assembly	\$59.00
7701-131	Secondary Arm Assembly	\$62.00
7701-2W	Arm Assembly Less Rod and Shoe	\$96.00
7701-11B	Rod and Shoe Assembly	\$41.00
*7701-5	Parallel Arm Assembly w/ 1618 Soffit Plate, Non-Hold Open	\$108.00
7701-1M	Main Arm Assembly	\$59.00
*7701-115	Secondary Arm Assembly	\$62.00
7701-1W	Arm Assembly Less Rod and Soffit Plate	\$96.00
*7701-15	Rod and 1618 Soffit Plate Assembly	\$41.00
**7701-5A	Parallel Arm Assembly w/ 1618 Soffit Plate, Non-Hold Open	\$108.00
7701-1M	Main Arm Assembly	\$59.00
**7701-115A	Secondary Arm Assembly	\$62.00
7701-1W	Arm Assembly Less Rod and Soffit Plate	\$96.00
**7701-15A	Rod and 1618 Soffit Plate Assembly	\$41.00

\*7500 Series Only.

\*\*180° door swing using special template for doors hung on 6" to 8" wide throw hinges.



1600BC, 1601, 7500, 8000, 9300BC

MODEL NO.	PRODUCT DESCRIPTION	LIST PRICE
*7701-6	Parallel Arm Assembly w/ 1618A Soffit Plate, Non-Hold Open	\$108.00
7701-1M	Main Arm Assembly	\$59.00
*7701-116	Secondary Arm Assembly	\$62.00
7701-1W	Arm Assembly Less Rod and Soffit Plate	\$96.00
*7701-16	Rod and 1618A Soffit Plate Assembly	\$41.00
*7701-6A	Parallel Arm Assembly w/ 1618A Soffit Plate, Non-Hold Open	\$108.00
7701-1M	Main Arm Assembly	\$59.00
**7701-116A	Secondary Arm Assembly	\$62.00
7701-1W	Arm Assembly Less Rod and Shoe	\$96.00
**7701-16A	Rod and Shoe Assembly	\$41.00
7701-3	Regular Arm Assembly, Hold Open	\$157.00
7701-1M	Main Arm Assembly	\$59.00
7701-113	Secondary Arm Assembly	\$98.00
7701-3W	Main Arm and Rod Less Holder Shoe Assembly	\$96.00
7701-13	Holder Shoe and Loop Assembly	\$61.00
7701-31	Adjusting Arm Assembly	\$20.20
7701-3A	J Top Jamb Arm Assembly, Hold Open	\$157.00
7701-1M	Main Arm Assembly	\$59.00
7701-123	Secondary Arm Assembly	\$98.00
7701-3WA	Main Arm and Rod Assembly	\$96.00
7701-13	Holder Shoe Assembly	\$61.00
7701-31A	Adjusting Arm Assembly	\$20.20
7701-3B	JL Top Jamb Arm Assembly, Hold Open	\$157.00
7701-2M	Main Arm Assembly	\$59.00
7701-133	Secondary Arm Assembly	\$98.00
7701-3WB	Main Arm and Rod Less Holder Shoe Assembly	\$96.00
7701-13	Holder Shoe Assembly	\$61.00
7701-31B	Adjusting Arm Assembly	\$20.20
7701-8	Parallel Arm Assembly, Hold Open	\$157.00
7701-1M	Main Arm Assembly	\$59.00
7701-118	Secondary Arm Assembly w/ 1628H Soffit	\$98.00
7701-3W	Main Arm and Rod Assembly	\$96.00
7701-13	Holder Shoe and Loop Assembly w/ 1628H Soffit Plate	\$61.00
7701-31	Adjusting Rod Assembly	\$20.20

\*1600BC, 1601, 8000, 9300BC Series Only.

\*\*180° door swing using special template for doors hung on 6" or 8" wide throw hinges.

**ASSA ABLOY**

Experience a safer  
and more open world

USA & Canada Prices Effective May 1, 2021

Norton and Rixson are brands associated with ASSA ABLOY Accessories and Door Controls Group, Inc., an ASSA ABLOY Group company. Copyright © 2002-2021, ASSA ABLOY Accessories and Door Controls Group, Inc. All rights reserved. Reproduction in whole or in part without the express written permission of ASSA ABLOY Accessories and Door Controls Group, Inc. is prohibited. Contact Norton: 877-974-2255 or visit [www.nortondoortcontrols.com](http://www.nortondoortcontrols.com); Contact RIXSON: 800-457-5670 or visit [www.rixson.com](http://www.rixson.com). In Canada contact us at: 800-461-3007 or visit [www.assaabloydss.ca](http://www.assaabloydss.ca)

## 1600BC, 1601, 7500, 8000, 9300BC

MODEL NO.	PRODUCT DESCRIPTION	LIST PRICE
7701-25	Tri-Style® Package w/ 1618 soffit (7500 series)	\$108.00
7701-26	Tri-Style® Package w/ 1618A soffit (all other series)	
7701-AS	Arm Shoe Assembly	\$23.50
7701-ES	Elbow Screw and Washer Assembly	\$9.50
7701-HSS	Set Screw Hold Open Arm	\$9.00
7701-HS	Hex Screw for adjusting arm and washer	\$1.20
7701-MAS	Main Arm Screw	\$9.00
138x142	Arm Shoe Sleeve Nut and Screw	\$5.90

## 9500

MODEL NO.	PRODUCT DESCRIPTION	LIST PRICE
9501-1	Regular Arm Assembly, Non-Hold Open	\$108.00
9501-1W	Main arm & tube assembly	\$52.00
9501-11	Rod & shoe assembly	\$20.20
9500-HS	Hex screw package	\$7.70
9501-1B	Top Jamb Deep Reveal Arm Assembly, Non-Hold Open	\$71.60
9501-2W	Main arm & arm tube assy	\$52.00
9501-11B	Rod & shoe assembly	\$17.30
9501-5	Parallel Arm Assembly w 9518 Bracket, Non-Hold Open	\$89.00
9501-3	Regular Arm Assembly, Hold Open	\$160.00
9501-1W	Main arm & rod assembly	\$52.00
9501-13	Hold open bracket assembly	\$73.00
9501-3B	Top Jamb Deep Reveal Arm Assembly, Hold Open	\$114.00
9501-3WB	Main arm & rod assy	\$52.00
9501-3W	Main arm & rod assy	
9501-8	Parallel Arm Assembly w 9528H Bracket, Hold Open	\$166.00

## 9540

MODEL NO.	PRODUCT DESCRIPTION	LIST PRICE
9541-1	Regular and Top Jamb Arm (reveals up to 2-9/16")	\$108.00
9541-5	Parallel Arm	\$89.00
9541-1A	Top Jamb Arm (Deep Reveals 2-9/16" to 4-13/16")	\$71.00
9541-1B	Top Jamb (Deep Reveals 4-13/16" to 8")	
9548	Parallel Arm Non-Hold Open Bracket	\$82.00
95ASW	Main Arm Screw & Washer	\$7.00

USA & Canada Prices Effective May 1, 2021

## ASSA ABLOY

Experience a safer  
and more open world

Norton and Rixson are brands associated with ASSA ABLOY Accessories and Door Controls Group, Inc., an ASSA ABLOY Group company. Copyright © 2002-2021, ASSA ABLOY Accessories and Door Controls Group, Inc. All rights reserved. Reproduction in whole or in part without the express written permission of ASSA ABLOY Accessories and Door Controls Group, Inc. is prohibited. Contact Norton: 877-974-2255 or visit [www.nortondoortcontrols.com](http://www.nortondoortcontrols.com); Contact RIXSON: 800-457-5670 or visit [www.rixson.com](http://www.rixson.com). In Canada contact us at: 800-461-3007 or visit [www.assaabloydss.ca](http://www.assaabloydss.ca)

## LOW PROFILE ARMS - 1680BC, 1681, 7581, 8081

MODEL NO.	PRODUCT DESCRIPTION	LIST PRICE
7780-1	Regular Arm, Low Profile Assembly, Non-Hold Open	\$108.00
7780-1MR	Main Arm and Adjusting Rod Assembly	\$96.00
7780-1TS	Tube and Shoe Assembly	\$41.00
7780-5	Parallel Arm, Low Profile Assembly w/ 1618 Soffit, Non-Hold Open	\$108.00
7780-1MR	Main Arm and Adjusting Rod Assembly	\$96.00
7780-5TS	Tube and Soffit 1618 Assembly	\$41.00
7780-6	Parallel Arm, Low Profile Assembly w/ 1618A Soffit, Non-Hold Open	\$108.00
7780-1MR	Main Arm and Adjusting Rod Assembly	\$96.00
7780-6TS	Tube and Shoe/Soffit Rod Assembly (1618A)	\$41.00
7780-25	Low Profile, Non-Hold Open Tri-Style® Assembly (7581)	\$108.00
7780-26	Low Profile, Non-Hold Open Tri-Style® Assembly (1680BC, 1681, 8081)	
7701-AS	Arm Shoe Assembly	\$23.50
7701-HSS	Hold Open Set Screw	\$9.00
7701-HS	Hex Screw	\$1.20
7701-ES	Screw and Washer Assembly	\$9.50

## MISCELLANEOUS PARTS - 1600BC, 1601, 7500, 8000, 9300BC

MODEL NO.	PRODUCT DESCRIPTION	LIST PRICE
1543R	Jackscrew - Right Hand	\$14.20
1543L	Jackscrew - Left Hand	
455	Locknut (holder loop to bracket)	\$13.20
1554	Friction Disc (holder loop)	\$8.00
7701-HW	Hold Open Wrench	\$7.70

## CLOSERPLUS®, CLOSERPLUS RAMP™, CLOSERPLUS SPRING™ ARMS - 1600BC, 1601, 7500, 8000, 9500

MODEL NO.	PRODUCT DESCRIPTION	LIST PRICE
6770-5	CloserPlus® Arm Assembly, Non-Hold Open (1600BC, 1601, 7500, 8000)	\$188.00
6750R-8	CloserPlus Ramp™ Arm assembly, Hold Open (7500, 8000)	\$259.00
6870T-8	CloserPlus® Arm Assembly, Hold Open (1600BC, 1601, 7500, 8000)	
6770P	Hole Plug (CLP or CPS Arms)	\$12.90
6770S	Removable Stop	
CPS6770-5	CloserPlus® Spring™ Arm Assembly, Non-Hold Open (1600BC, 1601, 7500, 8000)	\$367.00
CPS6870T-8	CloserPlus® Spring™ Arm Assembly, Hold Open (1600BC, 1601, 7500, 8000)	\$439.00
CPSK6770	CloserPlus® Spring™ Kit (1600BC, 1601, 7500, 8000)	\$154.00
9770-5	CloserPlus® Arm, Non-Hold Open (9500 Only)	\$130.00
9870T-8	CloserPlus® Arm, Hold Open (9500 Only)	\$190.00

## CUSHION STOP ARM 1600BC, 1601BC

MODEL NO.	PRODUCT DESCRIPTION	LIST PRICE
7701-CA	Cushion Stop Arm Complete Assembly	\$181.00
CAK7701	Cushion Stop Arm Kit	\$44.70
6620-12	Cushion Stop Arm Adjustment Tube & Shoe	\$164.00
7701-HS	Cushion Stop Arm Hex Screw	\$1.20

## ASSA ABLOY

Experience a safer  
and more open world

USA & Canada Prices Effective May 1, 2021

Norton and Rixson are brands associated with ASSA ABLOY Accessories and Door Controls Group, Inc., an ASSA ABLOY Group company. Copyright © 2002-2021, ASSA ABLOY Accessories and Door Controls Group, Inc. All rights reserved. Reproduction in whole or in part without the express written permission of ASSA ABLOY Accessories and Door Controls Group, Inc. is prohibited. Contact Norton: 877-974-2255 or visit [www.nortondoortools.com](http://www.nortondoortools.com); Contact RIXSON: 800-457-5670 or visit [www.rixson.com](http://www.rixson.com). In Canada contact us at: 800-461-3007 or visit [www.assaabloydss.ca](http://www.assaabloydss.ca)

## RIGID ARMS - 1600BC, 1601, 7500, 8000, 9500

MODEL NO.	PRODUCT DESCRIPTION	LIST PRICE
R7701-1	Regular Rigid Arm (7500, 8000 Only)	\$165.00
PR7701-5	Parallel Rigid Arm, Non-Hold Open (1600BC, 1601, 7500, 8000)	\$141.00
PR7701-8R	Parallel Rigid Arm, Hold Open, Right Hand (1600BC, 1601, 7500, 8000)	\$192.00
PR7701-8L	Parallel Rigid Arm, Hold Open, Left Hand (1600BC, 1601, 7500, 8000)	
PRO7701-5	Parallel Rigid Arm w/ Offset Soffit Plate, Non-Hold Open (7500, 8000 Only)	\$169.00
PRO7701-8R	Parallel Rigid Arm w/ Offset Soffit Plate, Hold Open, Right Hand (7500, 8000 Only)	\$196.00
PRO7701-8L	Parallel Rigid Arm w/ Offset Soffit Plate, Hold Open, Left Hand (7500, 8000 Only)	
R9501-1	Regular Rigid Arm (9500 Only)	\$165.00
PR9501-5	Parallel Rigid Arm, Non-Hold Open (9500 Only)	
PR9501-8R	Parallel Rigid Arm, Friction Hold Open, Right Hand (9500 Only)	\$163.00
PR9501-8L	Parallel Rigid Arm, Friction Hold Open, Left Hand (9500 Only)	
PRO9501-5	Parallel Rigid Arm w/Offset Soffit Plate, Non-Hold Open (9500 Only)	\$157.00
PRO9501-8R	Parallel Rigid Arm w/Offset Soffit Plate, Hold Open, Right Hand (9500 Only)	\$178.00
PRO9501-8L	Parallel Rigid Arm w/Offset Soffit Plate, Hold Open, Left Hand (9500 Only)	

## ARM ASSEMBLIES - 1700

MODEL NO.	PRODUCT DESCRIPTION	LIST PRICE
1700-1	Arm Assembly, Non-Hold Open	\$70.00
1700-3	Arm Assembly, Hold Open	\$109.00

## STAINLESS STEEL ARMS - 1601SS, 7500SS

MODEL NO.	PRODUCT DESCRIPTION	LIST PRICE
7701SS-1	Regular Arm Assembly (SS), Non-Hold Open	\$414.00
7701SS-1M	Main Arm Assembly (SS)	\$213.00
7701SS-111	Secondary Arm Assembly (SS)	
7701SS-1A	J Top Jamb Arm Assembly, Non-Hold Open	\$414.00
7701SS-1M	Main Arm Assembly (SS)	\$213.00
7701SS-121	Secondary Arm Assembly (SS)	
^7701SS-6	Parallel Arm Assembly (SS), Non-Hold Open	\$414.00
7701SS-1M	Main Arm Assembly (SS)	\$213.00
^7701SS-116	Secondary Arm Assembly (SS)	
7701SS-AS	Arm Shoe Assembly	\$56.00
7701SS-ES	Screw and Washer Assembly	\$10.70

^1601SS and 7500SS only.

USA & Canada Prices Effective May 1, 2021

**ASSA ABLOY**

Experience a safer  
and more open world

Norton and Rixson are brands associated with ASSA ABLOY Accessories and Door Controls Group, Inc., an ASSA ABLOY Group company. Copyright © 2002-2021, ASSA ABLOY Accessories and Door Controls Group, Inc. All rights reserved. Reproduction in whole or in part without the express written permission of ASSA ABLOY Accessories and Door Controls Group, Inc. is prohibited. Contact Norton: 877-974-2255 or visit [www.nortondoорcontrols.com](http://www.nortondoорcontrols.com); Contact RIXSON: 800-457-5670 or visit [www.rixson.com](http://www.rixson.com). In Canada contact us at: 800-461-3007 or visit [www.assaabloydss.ca](http://www.assaabloydss.ca)

## SECURITY ARMS AND TRACK ASSEMBLIES - 7570

MODEL NO.	PRODUCT DESCRIPTION	LIST PRICE
*7771-1	Regular Rigid Arm Assembly, Non-Hold Open	\$236.00
*7771-5	Parallel Rigid Arm Assembly, Non-Hold Open	\$261.00
*CLP7771-5	CloserPlus® Arm Assembly, Non-Hold Open	\$303.00
*CLP7771-8T	CloserPlus® Arm Assembly, Hold Open	\$366.00
*CPS7771-5	CloserPlus Spring™ Arm Assembly, Non-Hold Open	\$466.00
*CPS7771-8T	CloserPlus Spring™ Arm Assembly, Hold Open	\$530.00
*7771ST-1A	Slide Track - Arm Only	\$152.00
*7771ST-1T	Pull Side Slide Track Assembly, Non-Hold Open	\$267.00
*7771ST-5T	Push Side Slide Track Assembly, Non-Hold Open	
7740SLD	Assembly Pack	\$102.80

\*Furnished standard with Torx® security screws. Sex Nuts not included.

## UNITROL® ARMS - 1600BC, 1601, 7500, 8000

MODEL NO.	PRODUCT DESCRIPTION	LIST PRICE
6100-11	Arm Assembly, Non-Hold Open, Door Width 28" to 32"	\$413.00
6100-13	Arm Assembly, Non-Hold Open, Door Width 33" to 41"	
6100-14	Arm Assembly, Non-Hold Open, Door Width 42" to 48"	
6100-1	Arm Assembly, Hold Open, Door Width 28" to 32"	\$522.00
6100-3	Arm Assembly, Hold Open, Door Width 33" to 41"	
6100-4	Arm Assembly, Hold Open, Door Width 42" to 48"	

## UNITROL® ARMS - 7570 SECURITY

MODEL NO.	PRODUCT DESCRIPTION	LIST PRICE
6100-11	Arm Assembly, Non-Hold Open, Door Width 28" to 32"	\$413.00
6100-13	Arm Assembly, Non-Hold Open, Door Width 33" to 41"	
6100-14	Arm Assembly, Non-Hold Open, Door Width 42" to 48"	

## UNITROL® ARMS - 9500

MODEL NO.	PRODUCT DESCRIPTION	LIST PRICE
9100-11	Arm Assembly, Non-Hold Open, Door Width 28" to 32"	\$413.00
9100-13	Arm Assembly, Non-Hold Open, Door Width 33" to 41"	
9100-14	Arm Assembly, Non-Hold Open, Door Width 42" to 48"	
9100-1	Arm Assembly, Hold Open, Door Width 28" to 32"	\$522.00
9100-3	Arm Assembly, Hold Open, Door Width 33" to 41"	
9100-4	Arm Assembly, Hold Open, Door Width 42" to 48"	

## UNITROL® ARMS - 78B/F

MODEL NO.	PRODUCT DESCRIPTION	LIST PRICE
6130-17	Arm Assembly, Non-Hold Open, Door Width 28" to 32"	\$413.00
6130-18	Arm Assembly, Non-Hold Open, Door Width 33" to 41"	
6130-19	Arm Assembly, Non-Hold Open, Door Width 42" to 48"	
6130-7	Arm Assembly, Hold Open, Door Width 28" to 32"	\$522.00
6130-8	Arm Assembly, Hold Open, Door Width 33" to 41"	
6130-9	Arm Assembly, Hold Open, Door Width 42" to 48"	

USA & Canada Prices Effective May 1, 2021

## ASSA ABLOY

Experience a safer  
and more open world

Norton and Rixson are brands associated with ASSA ABLOY Accessories and Door Controls Group, Inc., an ASSA ABLOY Group company. Copyright © 2002-2021, ASSA ABLOY Accessories and Door Controls Group, Inc. All rights reserved. Reproduction in whole or in part without the express written permission of ASSA ABLOY Accessories and Door Controls Group, Inc. is prohibited. Contact Norton: 877-974-2255 or visit [www.nortondoortcontrols.com](http://www.nortondoortcontrols.com); Contact RIXSON: 800-457-5670 or visit [www.rixson.com](http://www.rixson.com). In Canada contact us at: 800-461-3007 or visit [www.assaabloydss.ca](http://www.assaabloydss.ca)

## TOP JAMB UNITROL® ARMS - 1600BC, 1601, 7500, 8000

MODEL NO.	PRODUCT DESCRIPTION	LIST PRICE
J6100-4	Arm Assembly, Non-Hold Open, Frame Reveals 2-1/8" to 3-1/4"	\$460.00
J6200-4	Arm Assembly, Non-Hold Open, Frame Reveals 1/2" to 2"	
J6400-4	Arm Assembly, Non-Hold Open, Frame Reveals 3-3/8" to 4-1/4"	
J6500-41	Arm Assembly, Non-Hold Open, Frame Reveals 4-3/8" to 5-3/8"	
J6500-42	Arm Assembly, Non-Hold Open, Frame Reveals 5-1/2" to 6-3/8"	
J6500-43	Arm Assembly, Non-Hold Open, Frame Reveals 6-1/2" to 7-3/8"	
J6600-4	Arm Assembly, Non-Hold Open, Frame Reveals 0" to 3/8"	
J6100-7	Arm Assembly, Hold Open, Frame Reveals 2-1/8" to 3-1/4"	\$586.00
J6200-7	Arm Assembly, Hold Open, Frame Reveals 1/2" to 2"	
J6400-7	Arm Assembly, Hold Open, Frame Reveals 3-3/8" to 4-1/4"	
J6500-71	Arm Assembly, Hold Open, Frame Reveals 4-3/8" to 5-3/8"	
J6500-72	Arm Assembly, Hold Open, Frame Reveals 5-1/2" to 6-3/8"	
J6500-73	Arm Assembly, Hold Open, Frame Reveals 6-1/2" to 7-3/8"	
J6600-7	Arm Assembly, Hold Open, Frame Reveals 0" to 3/8"	

## SLIDE TRACKS (INCLUDING STP) - 7500ST, 8000ST

MODEL NO.	PRODUCT DESCRIPTION	LIST PRICE
7701ST-1T	Pull Side Slide Track Assembly, Non-Hold Open	\$207.00
7701ST-5T	Push Side Slide Track Assembly, Non-Hold Open	
7701ST-1T180	Pull Side Slide Track Assembly, Non-Hold Open 180°	
7701ST-3T	Pull Side Slide Track Assembly, Hold Open	\$311.00
7701ST-8T	Push Side Slide Track Assembly, Hold Open	
7701ST-1A	Arm Assembly (all except STP)	\$113.00
7701STP-1A	Arm Assembly (STP only)	
7700STEC	End Cap (2 required)	\$8.00
7700SLD	Slider Assembly	\$109.00
7700ASR	Retaining Ring	\$3.70
7700AS	Arm Stud	\$7.60
7700ASC	Arm Stud Clip	\$9.80
7701PT-DE-1R	Double Egress Arm Assembly, Right Hand	\$207.00
7701PT-DE-1L	Double Egress Arm Assembly, Left Hand	
7701ST-1ATR	Double Egress Arm Tube Assembly, Right Hand	\$150.00
7701ST-1ATL	Double Egress Arm Tube Assembly, Left Hand	
7701ST-1AT	Arm Tube Assembly (all except STP)	\$61.00
7701ST-1AR	Adjusting Rod Assembly (all units)	
7701STP-1AT	Arm Tube Assembly (STP only)	
7700ALAS	Arm Length Adjusting Screw	\$7.30

USA & Canada Prices Effective May 1, 2021

**ASSA ABLOY**

Experience a safer  
and more open world

Norton and Rixson are brands associated with ASSA ABLOY Accessories and Door Controls Group, Inc., an ASSA ABLOY Group company. Copyright © 2002-2021, ASSA ABLOY Accessories and Door Controls Group, Inc. All rights reserved. Reproduction in whole or in part without the express written permission of ASSA ABLOY Accessories and Door Controls Group, Inc. is prohibited. Contact Norton: 877-974-2255 or visit [www.nortondoorcontrols.com](http://www.nortondoorcontrols.com); Contact RIXSON: 800-457-5670 or visit [www.rixson.com](http://www.rixson.com). In Canada contact us at: 800-461-3007 or visit [www.assaabloydss.ca](http://www.assaabloydss.ca)

## LOW PROFILE SLIDE TRACKS - 7540, 8041, 8051

MODEL NO.	PRODUCT DESCRIPTION	LIST PRICE
7740ST-1T	Pull Side Slide Track Assembly, Non-Hold Open	\$207.00
7740ST-5T	Push Side Slide Track Assembly, Non-Hold Open	
7740ST-3T	Pull Side Slide Track Assembly, Hold Open	\$263.00
7740ST-8T	Push Side Slide Track Assembly, Hold Open	
7740ST-1A	Arm Assembly	\$113.00
7740SLD	Slider Assembly, Non-Hold Open	\$102.80
7740HSLD	Slider Assembly, Hold Open	\$150.00
7701ST-1AT	Arm Tube Assembly	\$61.00
7740ST-1AR	Adjusting Rod Assembly	

## SLIDE TRACKS ASSEMBLIES & PARTS - 9500

MODEL NO.	PRODUCT DESCRIPTION	LIST PRICE
9501ST-1T	Pull Side Track (Non-Hold Open)	\$207.00
9501ST-5T	Push Side Track and Arm Assembly (Non-Hold Open)	
9501ST-3T	Pull Side Track (Hold Open)	\$311.00
9501ST-8T	Push Side Track and Arm Assembly (Hold Open)	
9501ST-1A	Push or Pull Side Arm (Non-Hold Open or Hold Open)	\$113.00

## ARM ASSEMBLIES - 78-B/F

MODEL NO.	PRODUCT DESCRIPTION	LIST PRICE
B/F-1	Regular Arm Assembly, Non-Hold Open	\$108.00
B/F-1M	Main Arm	\$59.00
B/F-1W	Main Arm Less Rod and Shoe	\$96.00
B/F-11	Rod and Shoe	\$41.00
B/F-5	Parallel Arm Assembly, Non-Hold Open	\$108.00
B/F-1M	Main Arm	\$59.00
B/F-5W	Main Arm Less Rod and Soffit Plate	\$96.00
B/F-15	Rod and Soffit Plate	\$41.00
78PRA-5	Parallel Rigid Arm Assembly, Non-Hold Open	\$179.00
78PRA-8R	Parallel Rigid Arm Assembly, Hold Open (Right Hand)	\$193.00
78PRA-8L	Parallel Rigid Arm Assembly, Hold Open (Left Hand)	
7701-HS	Hex Screw and Washer Assembly	\$1.20
7701-HSS	Square Head Set Screw	\$9.00
7701-ES	Elbow Screw	\$9.50

## PARTS - 78-B/F

MODEL NO.	PRODUCT DESCRIPTION	LIST PRICE
24BD	B/D Spring	\$164.00
56EF	E/F Spring	\$183.00
1543R	Jackscrew - Right Hand	\$14.20
1543L	Jackscrew - Left Hand	
455	Locknut	\$13.20
1554	Friction Disc	\$8.00
78-SW	Spanner Wrench	\$20.00

## ARM ASSEMBLIES AND PARTS - 7900

MODEL NO.	PRODUCT DESCRIPTION	LIST PRICE
7900PK	Dress Plate Kit	\$97.00
7950-1L	Arm Assembly, Non-Hold Open, Left Hand	\$154.00
7950-1R	Arm Assembly, Non-Hold Open, Right Hand	
7950-3	Arm Assembly, Hold Open	\$276.00
7950ST	Track Assembly, Non-Hold Open	
7950STH	Track Assembly, Hold Open	
7900SLD	Non-Hold Open Slider	\$117.00
7950SLD	Hold Open Slider	
7900SP	Complete Screw Pack	\$27.20
7950H	Hold Open Assembly	\$116.00

## ARM ASSEMBLIES AND PARTS - 7970 SECURITY

MODEL NO.	PRODUCT DESCRIPTION	LIST PRICE
7970PK	Security Dress Plate Kit	\$106.00
7970-1L	Security Arm Assembly, Left Hand	\$158.00
7970-1R	Security Arm Assembly, Right Hand	
7970ST	Security Track Assembly	\$285.00
7970SLD	Slider	\$117.00
7970SP	Complete Screw Pack	\$62.40
70TK	Torx® Tool Kit	\$194.00

## SLIDE TRACK ASSEMBLIES AND PARTS - 2800ST

MODEL NO.	PRODUCT DESCRIPTION	LIST PRICE
28ST-IT	Pull Side Slide Track & Arm Assembly, Non-Hold Open	\$207.00
28ST-3T	Pull Side Slide Track & Arm Assembly, Hold Open	\$311.00
28ST-5T	Push Side Slide Track & Arm Assembly, Non-Hold Open	\$207.00
28ST-8T	Push Side Slide Track & Arm Assembly, Hold Open	\$311.00
2800LAP	Closer Body Only	\$471.00
SP2800B	Closer Screw Pack	\$12.20
SP2800S	Spline Screw Pack	\$30.60
SP28T	Track Screw Pack	\$16.30
2800P	Plastic Cover	\$43.00
28STHO	Hold Open Assembly	\$51.20
28STPB	Stop Mount Track Angle Bracket	\$54.30

USA & Canada Prices Effective May 1, 2021

**ASSA ABLOY**

Experience a safer  
and more open world

Norton and Rixson are brands associated with ASSA ABLOY Accessories and Door Controls Group, Inc., an ASSA ABLOY Group company. Copyright © 2002-2021, ASSA ABLOY Accessories and Door Controls Group, Inc. All rights reserved. Reproduction in whole or in part without the express written permission of ASSA ABLOY Accessories and Door Controls Group, Inc. is prohibited. Contact Norton: 877-974-2255 or visit [www.nortondoortools.com](http://www.nortondoortools.com); Contact RIXSON: 800-457-5670 or visit [www.rixson.com](http://www.rixson.com). In Canada contact us at: 800-461-3007 or visit [www.assaabloydss.ca](http://www.assaabloydss.ca)



## MOTOR AND MAIN ARM ASSEMBLIES - 5600

MODEL NO.	PRODUCT DESCRIPTION	LIST PRICE
5610M	Motor and Main Arm Assembly	\$1,240.00
5630M	Motor, Main Arm and Tube Assembly	

## PARTS - 5600

MODEL NO.	PRODUCT DESCRIPTION	LIST PRICE
5600IN	Inverter	\$698.00
5700M	Motor Assembly	\$1,143.00
5600SP	Screw Pack	\$27.00
5600COV	Cover	\$110.00
5600PS	Power Supply	\$117.00
5700PC	Power Cord	\$24.00

## ARM AND TRACK ASSEMBLIES -5500, 5700

MODEL NO.	PRODUCT DESCRIPTION	LIST PRICE
5710-1	Arm and Track Assembly (Pull) (5700)	\$329.00
7701ST-1A	Arm Assembly (5700)	\$113.00
7200-1T	Track Assembly (5700)	\$230.00
7110-1A	Arm Assembly (Pull) (5500)	\$180.00
7100-1T	Track Assembly (Pull) (5500)	\$230.00
7701-1A	Arm Assembly (Push) (5500/5700)	\$108.00
7701-1W	Main Arm & Rod (Push) (5500/5700)	\$96.00
7701-11A	Adjusting Tube & Shoe (Push) (5500/5700)	\$41.00

## PARTS - 5700

MODEL NO.	PRODUCT DESCRIPTION	LIST PRICE
1601LAP	Closer Body, Size 1-6	\$200.00
5700M	Motor Assembly	\$1,143.00
5700IN	Inverter	\$698.00
5700CVR	Cover	\$110.00
5700SW	On/Off Switch	\$6.50
5700RS	Reed Switch	\$23.00
5700PWS	RF Power Supply	\$117.00
5700PC	Power Cord	\$24.00

## UNIT SUB-ASSEMBLIES - 6000

MODEL NO.	PRODUCT DESCRIPTION	LIST PRICE
6011LAP	Unit Sub-Assembly (6011, 6051)	\$3,109.00
6021LAP	Unit Sub-Assembly (6021, 6031, 6061, 6071)	
H6010LAP	Unit Sub-Assembly (6010, 6050)	
H6020LAP	Unit Sub-Assembly (6020, 6030, 6060, 6070)	

## ARM AND TRACK ASSEMBLIES - 6000

MODEL NO.	PRODUCT DESCRIPTION	LIST PRICE
6610-1	Arm and Track Assembly (6010, 6011)	\$345.00
7210-1A	Arm Assembly	\$180.00
7200-1T	Track Assembly	\$230.00
6020-1	Arm Assembly (6020, 6021)	\$192.00
6020-1W	Main Arm and Rod	\$167.00
6620-12	Adjusting Tube and Shoe	\$164.00
6030-1	Arm Assembly (6030, 6031)	\$352.00
6030-1W	Main Arm and Rod	\$181.00
6620-12	Adjusting Tube and Shoe	\$164.00
6050-1L	Arm and Track Assembly , Left Hand (6050, 6051)	\$561.00
7250-1L	Arm Assembly Left Hand	\$391.00
7200-1T	Track Assembly	\$230.00
6050-1R	Arm and Track Assembly, Right Hand (6050, 6051)	\$561.00
7250-1R	Arm Assembly Right Hand	\$391.00
7200-1T	Track Assembly	\$230.00
6051-1L	Arm and Track Assembly - Deep Reveal (LH)	\$561.00
6051-11L	Arm Assembly - Deep Reveal (LH)	\$391.00
6051-1R	Arm and Track Assembly - Deep Reveal (RH)	\$561.00
6051-11R	Arm Assembly - Deep Reveal (RH)	\$391.00
6660-1	Arm Assembly (6060, 6061)	\$401.00
6660-11	Rod and Snubber Assembly	\$181.00
6670-1	Arm Assembly (6070, 6071)	\$401.00
6670-11	Rod and Snubber Assembly	\$181.00
6061-1	Unitrol® Arm Assembly (D6001DE)	\$352.00
6660-11	Rod and Snubber Assembly	\$181.00
6071-1	Unitrol® Arm Assembly (D6001DE1, D6001DE2) Double Egress, Deep Reveal	\$352.00
6070-1	Rod and Snubber Assembly	\$181.00

USA & Canada Prices Effective May 1, 2021

**ASSA ABLOY**

Experience a safer  
and more open world

Norton and Rixson are brands associated with ASSA ABLOY Accessories and Door Controls Group, Inc., an ASSA ABLOY Group company. Copyright © 2002-2021, ASSA ABLOY Accessories and Door Controls Group, Inc. All rights reserved. Reproduction in whole or in part without the express written permission of ASSA ABLOY Accessories and Door Controls Group, Inc. is prohibited. Contact Norton: 877-974-2255 or visit [www.nortondoortcontrols.com](http://www.nortondoortcontrols.com); Contact RIXSON: 800-457-5670 or visit [www.rixson.com](http://www.rixson.com). In Canada contact us at: 800-461-3007 or visit [www.assaabloydss.ca](http://www.assaabloydss.ca)

### PARTS - 6000 (MODELS ENDING IN "1" i.e. 6011, 6031, etc.)

MODEL NO.	PRODUCT DESCRIPTION	LIST PRICE
6001COV	Cover - Single	\$199.00
D6001COV-36	Cover - Double 36"	\$245.00
D6001COV-38	Cover - Double 38"	
D6001COV-40	Cover - Double 40"	
D6001COV-42	Cover - Double 42"	
D6001COV-44	Cover - Double 44"	
D6001COV-46	Cover - Double 46"	
D6001COV-48	Cover - Double 48"	
6001BP	Back Plate - Single	\$175.00
D6001BP-36-LH	Back Plate - Double 36" - Left Hand	\$221.00
D6001BP-36-RH	Back Plate - Double 36" - Right Hand	
D6001BP-38-LH	Back Plate - Double 38" - Left Hand	
D6001BP-38-RH	Back Plate - Double 38" - Right Hand	
D6001BP-40-LH	Back Plate - Double 40" - Left Hand	
D6001BP-40-RH	Back Plate - Double 40" - Right Hand	
D6001BP-42-LH	Back Plate - Double 42" - Left Hand	\$276.00
D6001BP-42-RH	Back Plate - Double 42" - Right Hand	
D6001BP-44-LH	Back Plate - Double 44" - Left Hand	
D6001BP-44-RH	Back Plate - Double 44" - Right Hand	
D6001BP-46-LH	Back Plate - Double 46" - Left Hand	
D6001BP-46-RH	Back Plate - Double 46" - Right Hand	
D6001BP-48-LH	Back Plate - Double 48" - Left Hand	\$350.00
D6001BP-48-RH	Back Plate - Double 48" - Right Hand	
6001DAB	Drop Angle Bracket - Single 36"	\$199.00
6001DAB2	Drop Angle Bracket - Single 38" and up	\$216.00
D6001DAB-36	Drop Angle Bracket - Double 36"	
D6001DAB-38	Drop Angle Bracket - Double 38"	
D6001DAB-40	Drop Angle Bracket - Double 40"	\$246.00
D6001DAB-42	Drop Angle Bracket - Double 42"	
D6001DAB-44	Drop Angle Bracket - Double 44"	
D6001DAB-46	Drop Angle Bracket - Double 46"	\$272.00
D6001DAB-48	Drop Angle Bracket - Double 48"	
6011TAB-1	Pull Transom, Single 36"	\$199.00
6011TAB-2	Pull Transom, Single 38" and up	
D6011TAB-36	Pull Transom Double 36"	
D6011TAB-38	Pull Transom Double 38"	
D6011TAB-40	Pull Transom Double 40"	
D6011TAB-42	Pull Transom Double 42"	
D6011TAB-44	Pull Transom Double 44"	\$246.00
D6011TAB-46	Pull Transom Double 46"	
D6011TAB-48	Pull Transom Double 48"	\$272.00
6021TAB-1	Push Transom Single 36"	\$199.00
6021TAB-2	Push Transom Single 38" and up	
D6021TAB-36	Push Transom Double 36"	
D6021TAB-38	Push Transom Double 38"	
D6021TAB-40	Push Transom Double 40"	
D6021TAB-42	Push Transom Double 42"	
D6021TAB-44	Push Transom Double 44"	\$246.00

**PARTS - 6000 (MODELS ENDING IN "1" i.e. 6011, 6031, etc.) (cont.)**

MODEL NO.	PRODUCT DESCRIPTION	LIST PRICE
D6021TAB-46	Push Transom Double 46"	\$246.00
D6021TAB-48	Push Transom Double 48"	\$272.00
6001PM	Power Module Sub-Assembly	\$939.00
6001ENLH	End Cap - Left Hand	\$65.00
6001ENRH	End Cap - Right Hand	
6001U	Union - Single	\$225.00
D6001U	Union - Double	\$269.00
6001US	Union Spacer	\$15.00
6001CON	Conduit Assembly - Single	\$149.00
D6001CON	Conduit Assembly - Double	\$166.00
6000IN	Inverter	\$1,309.00
5700SW	On/Off Switch	\$6.50
6000CB	Circuit Breaker	\$45.70
6000SUP	Power Supply	\$225.00
7500LAP	7500 Closer Body	\$440.00
6000MS	Motor Support	\$141.00
6001SK	Shim Kit	\$30.00
6001SC-1	Screw Pack - Back Plate	\$17.00
6001SC-2	Screw Pack - Standard	\$48.00
D6001SYNC	Sync Cable	\$16.00

USA & Canada Prices Effective May 1, 2021

Norton and Rixson are brands associated with ASSA ABLOY Accessories and Door Controls Group, Inc., an ASSA ABLOY Group company. Copyright © 2002-2021, ASSA ABLOY Accessories and Door Controls Group, Inc. All rights reserved. Reproduction in whole or in part without the express written permission of ASSA ABLOY Accessories and Door Controls Group, Inc. is prohibited. Contact Norton: 877-974-2255 or visit [www.nortondoорcontrols.com](http://www.nortondoорcontrols.com); Contact RIXSON: 800-457-5670 or visit [www.rixson.com](http://www.rixson.com). In Canada contact us at: 800-461-3007 or visit [www.assaabloydss.ca](http://www.assaabloydss.ca)

**ASSA ABLOY**

Experience a safer  
and more open world

**PARTS – 6000 (MODELS ENDING IN "0"; i.e. 6010, 6030, etc.)**

MODEL NO.	PRODUCT DESCRIPTION	LIST PRICE
6000IN	Inverter	\$1,309.00
H6000COV	Cover	\$199.00
5700SW	On/Off Switch	\$6.50
6000DAB	Drop Angle Bracket	\$161.00
6000DAB180	Drop Angle Bracket - 180° Swing	
6000CB	Circuit Breaker	\$45.70
6000SUP	Power Supply	\$225.00
6000SEC	Security Plate Pack	\$161.00
6000SFB	Aluminum Storefront Bracket	
SP6000	Screw Pack	\$52.60

## ARM AND TRACK ASSEMBLIES - 6300

MODEL NO.	PRODUCT DESCRIPTION	LIST PRICE
6310-1	Arm and Track Assembly (6311, 6312)	\$345.00
6310-1W	Arm Assembly	\$345.00
7100-1T	Track Assembly	\$230.00
6330-1	Arm Assembly (6331, 6332)	\$352.00
6330-1W	Main Arm and Rod	\$181.00
6620-12	Adjusting Tube and Shoe	\$164.00
6350-1L	Double Egress Arm, Left Hand (6351, 6352)	\$561.00
6350-1LW	Arm Assembly, Left Hand	\$391.00
7100-1T	Track Assembly	\$230.00
6350-1R	Double Egress Arm, Right Hand (6351, 6352)	\$561.00
6350-1RW	Arm Assembly, Right Hand	\$391.00
7100-1T	Track Assembly	\$230.00

## PARTS - 6300

MODEL NO.	PRODUCT DESCRIPTION	LIST PRICE
6300END	End Cap Kit	\$300.00
6300SP	Screw Pack	\$59.90
6300COV	Cover (6312, 6332, 6342, 6352)	\$199.00
6300CM2	Power Supply/Board Assembly	\$1,184.00
6300CAB2	Cable Kit	\$131.00
6300COV2	Cover (6311, 6331, 6341, 6351)	\$199.00

## UNIT SUB-ASSEMBLIES - 6300

MODEL NO.	PRODUCT DESCRIPTION	LIST PRICE
6300LAP	Pull or Push Sub-Assembly (All Models)	\$3,136.00

## CLOSER BODIES - SAFEZONE®

MODEL NO.	PRODUCT DESCRIPTION	LIST PRICE
720XLAPS24L	Closer Body, 24V, Selective Hold Open, Left Hand	\$1,033.00
720XLAPS24R	Closer Body, 24V, Selective Hold Open, Right Hand	

Note: "X" in part number - specify closer size.

## SLIDE TRACKS AND ARM ASSEMBLIES - SAFEZONE®

MODEL NO.	PRODUCT DESCRIPTION	LIST PRICE
7100-1T	Slide Track (7110SZ, 7150SZ)	\$230.00
7110-1A	Slide Arm (7110SZ)	\$180.00
7150-1R	Double Egress Arm - Right Hand (7150SZ)	\$391.00
7150-1L	Double Egress Arm - Left Hand (7150SZ)	
7701-1A	Double Lever Arm (7120SZ)	\$108.00
7701-1B	Double Lever Arm (7130SZ)	
7100SLD	Slider Assembly (part of slide track assembly)	\$109.00
7100CB	Cushion Block	\$76.00

## COVERS - SAFEZONE®

MODEL NO.	PRODUCT DESCRIPTION	LIST PRICE
7100CL	Left Hand	\$477.00
7100CR	Right Hand	

## PARTS - SAFEZONE®

MODEL NO.	PRODUCT DESCRIPTION	LIST PRICE
7100SK	Sensor Kit	\$526.00
7100PS	Power Supply (120V only)	\$213.00
7100REM	Remote	\$70.00

## CLOSER BODIES - 7200

MODEL NO.	PRODUCT DESCRIPTION	LIST PRICE
720XLAPS24L	Closer/Holder Assembly, 24V, Left Hand	\$1,033.00
720XLAPS24R	Closer/Holder Assembly, 24V, Right Hand	

Note: "X" in part number - specify closer size.

## SLIDE TRACKS AND ARM ASSEMBLIES - 7200

MODEL NO.	PRODUCT DESCRIPTION	LIST PRICE
7100-1T	Slide Track for 7210, 7240, 7250	\$230.00
7110-1A	Slide Arm for 7210	\$180.00
7140-1A	Connected Free Swing Arm Assembly for 7240	\$284.00
7150-1R	Double Egress Arm, Right Hand for 7250	\$391.00
7150-1L	Double Egress Arm, Left Hand for 7250	
7701-1A	Double Lever Arm for 7220	\$108.00
7701-1B	Double Lever Arm for 7230	
7950-1L	Arm Assembly, Non-Hold Open, Left Hand - 7290	\$154.00
7950-1R	Arm Assembly, Non-Hold Open, Right Hand - 7290	
7950ST	Track Assembly, Non-Hold Open - 7290	\$276.00

## SLIDE TRACK AND ARM PARTS - 7200

MODEL NO.	PRODUCT DESCRIPTION	LIST PRICE
7100CB	Cushion Block (part of slider assembly)	\$76.00
7240SP	Screw Pack for CFS Arm	\$105.00

## PARTS - 7200

MODEL NO.	PRODUCT DESCRIPTION	LIST PRICE
MPSOCOV	Cover (Support Unit)	\$140.00
SHOK	Selective Hold Open Switch Assembly 24V	\$124.00
SHO	Switch 24V	\$119.00

USA & Canada Prices Effective May 1, 2021

**ASSA ABLOY**

Experience a safer  
and more open world

Norton and Rixson are brands associated with ASSA ABLOY Accessories and Door Controls Group, Inc., an ASSA ABLOY Group company. Copyright © 2002-2021, ASSA ABLOY Accessories and Door Controls Group, Inc. All rights reserved. Reproduction in whole or in part without the express written permission of ASSA ABLOY Accessories and Door Controls Group, Inc. is prohibited. Contact Norton: 877-974-2255 or visit [www.nortondoорcontrols.com](http://www.nortondoорcontrols.com); Contact RIXSON: 800-457-5670 or visit [www.rixson.com](http://www.rixson.com). In Canada contact us at: 800-461-3007 or visit [www.assaabloydss.ca](http://www.assaabloydss.ca)



## TRACK ASSEMBLIES - POWER TRACK®

MODEL NO.	PRODUCT DESCRIPTION	LIST PRICE
PTO24	Hinge Side Track, Support, 24V	\$446.00
PPTO24	Stop Side Track, Support, 24V	

Note: Primary or Support Unit Assemblies include track, slider assembly and solenoid block assembly. Hook-up box not included.

## TRACK PARTS - POWER TRACK®

MODEL NO.	PRODUCT DESCRIPTION	LIST PRICE
7700SLD	Slider Assembly	\$109.00
7700ASC	Slider Arm Stud Clip (included in slider assembly)	\$9.80
7700STEC	Track Assembly End Cap	\$8.00
PT24SOL	Solenoid Block Assembly 24V	\$302.00

## ARM ASSEMBLIES - POWER TRACK®

MODEL NO.	PRODUCT DESCRIPTION	LIST PRICE
7701ST-1A	Standard Arm Assembly	\$113.00
7701ST-1AT	Adjusting Head and Tube Assembly	\$61.00
7701ST-1AR	Adjusting Rod Assembly	
7701PT-DE-1R	Double Egress Arm Assembly, Right Hand	\$207.00
7701PT-DE-1L	Double Egress Arm Assembly, Left Hand	
7701ST-1ATR	Double Egress Adjusting Arm and Tube Assembly, Right Hand	\$150.00
7701ST-1ATL	Double Egress Adjusting Head and Tube Assembly, Left Hand	
7700AS	Arm Stud	\$7.60
7700ASR	Retaining Ring	\$3.70
7700ALAS	Arm Length Adjusting Screw	\$7.30

## HOOK-UP BOXES AND PARTS - POWER TRACK®

MODEL NO.	PRODUCT DESCRIPTION	LIST PRICE
PTOHB24	Hook-Up Box Support Unit, 24V, Hinge Side	\$376.00
PTOHB120	Hook-Up Box Support Unit, 120V, Hinge Side	
PPTOHB24	Hook-Up Box Support Unit, 24V, Stop Side	\$357.00
PPTOHB120	Hook-Up Box Support Unit, 120V, Stop Side	
PTO125V	Fuse	\$20.50
PTOHBCOV	Hook-Up Box Cover Kit (includes cover and screws), Support Unit	\$75.00
PTOPCB24	Hook-Up Board, 24V, Support Units	\$176.00
PTOPCB120	Hook-Up Board, 120V, Support Units	
P7700PB	Push Side Hook-Up Box Plug Button	\$9.00
PT24SOL	Solenoid Block Assembly (24V)	\$302.00

Note: Specify finish on all hook-up boxes. Specify finish on smoke detector cover.



# RIXSON

## *Price List*

*USA and Canada Prices Effective March 16, 2020*

## Service Center Business Hours

### ASSA ABLOY Door Security Solutions Customer Service – Monroe

8:00 a.m. – 4:30 p.m. (Eastern)  
1902 Airport Road  
Monroe, NC 28110  
Telephone Number: (800) 457-5670  
Fax Number: (800) 221-0489

### ASSA ABLOY Door Security Solutions Canada Customer Service – Vaughan

8:00 a.m. – 4:30 p.m. (Eastern)  
160 Four Valley Drive  
Vaughan ON L4K 4T9  
Telephone Number: (800) 461-3007  
Fax Number: (800) 461-8989

### ASSA ABLOY Door Security Solutions Customer Service – West

5678 Concours Street  
Ontario, CA 91764  
Tel: 909-593-2100  
Fax: 909-593-2500

### Rixson TPS

8:00 a.m. – 4:30 p.m. (Eastern)  
Telephone Number: (866) 474-9766

## Holiday Schedule\*

ASSA ABLOY Door Security Solutions Customer Service Center, Monroe, NC, and Rixson TPS, will be CLOSED on the following holidays:

### USA

April 2  
May 31  
July 5  
September 6  
November 25, 26  
December 23, 24  
  
October 29, 30 (Inventory)

### Canada

April 2: Good Friday  
May 24: Victoria Day  
July 1: Canada Day  
August 2: Civic Holiday  
September 6: Labour Day  
October 11: Thanksgiving Day  
December 25: Christmas Day  
December 26: Boxing Day

## ORDERING PROTOCOL

Please submit Quick Ship Program Items and Factory Items on separate purchase orders.

If you have a Quote, please include the quote number on the purchase order. Orders without this information may be delayed.

Check all acknowledgements for accuracy.

Visit our website at [www.rixson.com](http://www.rixson.com) for current product information.

USA & Canada Prices Effective May 1, 2021

**ASSA ABLOY**

Experience a safer  
and more open world

Norton and Rixson are brands associated with ASSA ABLOY Accessories and Door Controls Group, Inc., an ASSA ABLOY Group company. Copyright © 2002-2021, ASSA ABLOY Accessories and Door Controls Group, Inc. All rights reserved. Reproduction in whole or in part without the express written permission of ASSA ABLOY Accessories and Door Controls Group, Inc. is prohibited. Contact Norton: 877-974-2255 or visit [www.nortondoortools.com](http://www.nortondoortools.com); Contact RIXSON: 800-457-5670 or visit [www.rixson.com](http://www.rixson.com). In Canada contact us at: 800-461-3007 or visit [www.assaabloyss.ca](http://www.assaabloyss.ca)

## Trademark Use Policy: ASSA ABLOY Americas

The following policy ("Policy") of ASSA ABLOY Americas ("ASSA ABLOY"), and all of its affiliated group companies (collectively, the "Group Companies"), applies to the use of certain intellectual property of all such Group Companies, including all trademarks, names, logos, product images, and related information (the "ASSA ABLOY Marks"). ASSA ABLOY Marks are proprietary and critical to the success of ASSA ABLOY and the Group Companies, and may only be used in strict compliance with this Policy.

This Policy covers any person or entity reselling any product of any Group Company with the consent of such Group Company (each, an "Approved Reseller"). Each Approved Reseller has a non-exclusive right to use certain of the ASSA ABLOY Marks relating to any of the Group Companies for which it is an Approved Reseller, subject to the following conditions:

- (1) Approved Reseller's use of ASSA ABLOY Marks must be truthful, fair, and not misleading;
- (2) Approved Reseller's advertising must clearly indicate that it is advertising of the Approved Reseller, and is not advertising of ASSA ABLOY;
- (3) Approved Reseller may not use any ASSA ABLOY Marks as part of or in connection with a domain name;
- (4) Approved Reseller's advertising must not imply or suggest an association between the Approved Reseller and ASSA ABLOY other than that of buyer and seller;
- (5) Approved Reseller's use of ASSA ABLOY Marks must be a positive representation of ASSA ABLOY, the Group Companies, and their products;
- (6) Approved Reseller's trade name must be more predominant on Approved Reseller's advertising than the ASSA ABLOY Marks;
- (7) Approved Reseller's use of ASSA ABLOY Marks must include the trademark symbol ® or ™, as appropriate, along with the following trademark legend printed in legible text on the Web page or document containing ASSA ABLOY Marks: "[describe ASSA ABLOY Marks] are trademarks or registered trademarks of ASSA ABLOY, Inc. or one of its affiliates in the United States and other countries.";
- (8) Approved Reseller must not make modifications of any ASSA ABLOY Marks; and
- (9) Approved Reseller may use only ASSA ABLOY Marks associated with the Group Companies for which it is an Approved Reseller (e.g., an Approved Reseller that sells Group Company X products but not Group Company Y products may use Group Company X trademarks in connection with its sale of Group Company X products, but may not use Group Company Y trademarks).

ASSA ABLOY reserves the right to review Approved Reseller's usage of ASSA ABLOY Marks at any time and may:

- (a) require changes to the use of ASSA ABLOY Marks at any time in its sole discretion, which changes must be implemented within 30 days of written notice to Approved Reseller;
- (b) condition the use of ASSA ABLOY Marks on ASSA ABLOY's prior approval of such use, which approval may be withheld in its sole discretion;
- (c) revoke permission to use ASSA ABLOY Marks at any time for any or no reason upon 30 days prior written notice to Approved Reseller; and
- (d) revoke permission to use ASSA ABLOY Marks immediately upon notice to Approved Reseller in the event Approved Reseller is in violation of this Policy, or of any other agreement with ASSA ABLOY or any Group Company. Approved Reseller's right to use ASSA ABLOY Marks in no way conveys to Approved Reseller any proprietary or economic interest in any ASSA ABLOY Marks.

Use of ASSA ABLOY Marks in violation of this Policy may result in severe civil and criminal liabilities. ASSA ABLOY will vigorously enforce this Policy by seeking all appropriate legal remedies, including, but not limited to, pecuniary damages and injunctive relief.

If there are any questions on this policy, please contact Linda Dean at [ldean@assaabloyusa.com](mailto:ldean@assaabloyusa.com) or 203-498-5596

## ASSA ABLOY Door Security Solutions Website and eBusiness

Rixson's website at [www.rixson.com](http://www.rixson.com) is the place to go for all your Rixson product information needs. Easy-to-navigate menus and intuitive icons allow simple and fast access to the latest on new products, as well as the most up-to-date catalogs, templates and installation instructions.

Another great benefit of the Rixson website is the ability to become an eBusiness member. Access gives you additional information for Rixson account customers only.

Visit [www.rixson.com](http://www.rixson.com) to sign up for ASSA ABLOY Door Security Solutions eBusiness access.

ASSA ABLOY Door Security Solutions Security Consultants provides sales, marketing and support for RIXSON.

To sign up for eBusiness, follow the simple instructions listed below. Register today and start enjoying the many benefits!

eBusiness offers anytime access to:

- Order Status
- Order Check by P.O.
- Stock Status Check
- Cross Reference Guide
- Newsletters
- Contact WebPrimary
- Extended Literature (Price Books, Order Forms)
- Fax Program Sign Up
- Fax Order Acknowledgement
- Fax Invoice

### How to sign up for eBusiness access:

- Step 1: Visit our website at [www.rixson.com](http://www.rixson.com)
- Step 2: Double-click eBusiness icon (top middle)
- Step 3: Complete ASSA ABLOY Door Security Solutions eBusiness sign-up form



## ASSA ABLOY Door Security Solution's Fax Program

Would you like to receive your acknowledgements and invoices quickly and efficiently?

If so, ASSA ABLOY Door Security Solutions offers the Order Acknowledgement and Invoice Fax Program. Please see the simple steps below to get signed up today!

**Requirement: Valid eBusiness User ID and Password. (If you do not have an eBusiness User ID and Password, please refer to eBusiness Sign-up Section included in this Price Book.)**

**Step 1: Log into eBusiness.**



**Step 2: Double-click on "Sign Up for ASSA ABLOY Door Security Solutions Fax Program Now!"**

**Step 3: Fill in appropriate information.**

**Step 4: Click on "Sign up for Fax Program!"**



USA & Canada Prices Effective May 1, 2021

## ASSA ABLOY

Experience a safer  
and more open world

Norton and Rixson are brands associated with ASSA ABLOY Accessories and Door Controls Group, Inc., an ASSA ABLOY Group company. Copyright © 2002-2021, ASSA ABLOY Accessories and Door Controls Group, Inc. All rights reserved. Reproduction in whole or in part without the express written permission of ASSA ABLOY Accessories and Door Controls Group, Inc. is prohibited. Contact Norton: 877-974-2255 or visit [www.nortondoortools.com](http://www.nortondoortools.com); Contact RIXSON: 800-457-5670 or visit [www.rixson.com](http://www.rixson.com). In Canada contact us at: 800-461-3007 or visit [www.assaabloydss.ca](http://www.assaabloydss.ca)

**For Terms & Conditions and Warranty information pertaining to product sales in Canada, please visit [www.assaabloy.ca/terms](http://www.assaabloy.ca/terms).**

Yale Security Inc® (the "Company") warrants that its products sold under the Rixson® trade name in the United States of America and Canada are free from defects in workmanship and materials under normal use and service.

This warranty does not cover defects or damage arising from improper installation, lack of or improper maintenance, improper storage, shipping and handling, ordinary wear and tear, misuse, abuse, accident, unauthorized service, use with unauthorized non-Rixson products or parts, or the effects of erosion, or corrosion on the finish. This warranty is void if any modification is made to the product regardless of whether the modification causes or contributes to the alleged defect. All modifications are made at the risk of the party making the modification.

The only liability of the Company in tort or contract whether under this warranty or otherwise shall be limited to the repair or replacement of any product or component part which shall prove defective as covered by this warranty.

The warranty period after delivery to the original purchaser in all cases is as follows:

Rixson® door controls:

- Series 27/28, 30/40 Heavy Duty Floor Closers. . . . . 10 years
- Series 91 Overhead Concealed Closers . . . . . 5 years
- Electrified Closer/ HOLDERS and Electromagnetic Holder/Releases. . . . . 2 years
- All other Rixson® products. . . . . 2 years

The Company will not pay for the cost of repair performed other than in accordance with this warranty. Written notice of a product or component part believed to be defective as covered by this warranty should be sent to Yale Security Inc., 1902 Airport Road, Monroe, North Carolina 28110, and should include your name and address, an identification of the product or component part and a brief description of the defect. Upon receipt of such notice, the Company will inform you where to ship such product or component part, shipping charges prepaid, for examination and, in the event such examination reveals a defect covered by this warranty, the product will be repaired or replaced.

THIS WARRANTY IS IN LIEU OF ALL OTHER EXPRESS WARRANTIES. TO THE EXTENT PERMITTED BY LAW, ALL IMPLIED WARRANTIES ARE LIMITED TO THE DURATION OF THIS WARRANTY. YALE SECURITY INC. SHALL NOT BE LIABLE FOR ANY INCIDENTAL OR CONSEQUENTIAL DAMAGES.

SOME STATES DO NOT ALLOW LIMITATIONS ON HOW LONG AN IMPLIED WARRANTY LASTS OR THE EXCLUSION OR LIMITATION OF INCIDENTAL OR CONSEQUENTIAL DAMAGES, SO THE ABOVE LIMITATIONS OR EXCLUSIONS MAY NOT APPLY TO YOU.

THIS WARRANTY GIVES YOU SPECIFIC LEGAL RIGHTS, AND YOU MAY ALSO HAVE OTHER RIGHTS WHICH VARY FROM STATE TO STATE.

USA & Canada Prices Effective May 1, 2021



**For Terms & Conditions and Warranty information pertaining to product sales in Canada, please visit [www.assaabloy.ca/terms](http://www.assaabloy.ca/terms).**

## ACCEPTANCE

RIXSON reserves the right to decline an order, in whole or in part, when the type or quantity of goods or creditworthiness of the Purchaser is not satisfactory to us in our sole and absolute discretion.

Purchase Orders, Quote Requests, Acknowledgements or the like issued by the Purchaser that have contrary standard terms and conditions are not binding on RIXSON, unless such terms and conditions are approved in a separate written agreement by RIXSON authorized representatives. In the event of an acceptance of Purchaser's Purchase Order by RIXSON, the Purchaser agrees that such acceptance is solely conditioned on Purchaser's acceptance of the terms and conditions set forth in this instrument, regardless of the terms and conditions specified in Purchaser's Purchase Order. The terms and conditions in Purchaser's Purchase Order which conflict with the terms and conditions of this instrument shall be disregarded and are hereby rejected, and this instrument shall constitute the entire agreement between RIXSON and the Purchaser.

In the event that RIXSON does not enforce or require strict performance of any term or condition hereof, or of any other document, instrument or other agreement relating to goods sold, such lack of enforcement or requirement of strict performance will not waive, affect or diminish any right of RIXSON to enforce or require strict performance of such term or condition in the future.

## PRICES

All prices are subject to change without notice and are not guaranteed. All shipments will be made at prices in effect at the time of shipment. Possession of this price list does not constitute an agreement to sell. We reserve the right to correct clerical, stenographic and other obvious errors at any time.

## TERMS

Invoices dated the 1st through the 15th will be due for 2% discount on the \*10th of the following month. Invoices dated the 16th through the 31st will be due for 2% discount on the \*25th of the following month. \*Net immediately thereafter. (RIXSON retains the right to sell or to decline to sell to any Customer for any reason whatsoever that in its judgment is deemed sufficient.)

It is understood that RIXSON may impose and charge a finance charge which is the lesser of one and one-half percent (1-1/2%) per month or the highest rate allowed by law on any amount which becomes past due and delinquent. Additionally the Customer shall be responsible for all collection costs, court costs and reasonable attorney's fees (where allowed by law) in connection with the recovery of any delinquent amount.

## FREIGHT

All orders are shipped FOB factory/warehouse, except as expressly provided below. When delivered to the Transportation Company, the Purchaser assumes the risk of loss or damage in transit.

Customer orders with net product value in excess of \$3,000.00 will be shipped prepaid by RIXSON's carrier of choice to a single destination point in the United States. Orders for Norton and RIXSON goods can be combined on one purchase order to meet the \$3,000.00 minimum value for prepaid shipping.

Customer orders with net product value less than \$3,000.00 will be shipped prepaid by RIXSON's carrier of choice and freight and handling charges will be added to the customer's invoice.

A minimum freight and handling charge of \$25.00 will be charged on orders with net product value of \$600.00 or less.

For orders with net product value greater than \$600.00 and less than \$3,000.00, freight charges will be calculated as a percentage of the net invoice value and will be added to Customer's invoice. The percentage is based on the National U.S. Average On Highway Diesel Fuel Prices as reported by the US Department of Energy in effect at the beginning of each quarter. On the first Monday of each quarter, the new rate will be published on the RIXSON and Door Security Solutions extranet and will go into effect on the 2nd Monday of the quarter. Please refer to the

RIXSON distributor extranet for the rate chart and information on the current freight charge percentage. The percentage in effect at the time of shipment of the order will be charged.

If a customer provides their own freight account # for the freight charges, RIXSON will apply a handling fee of \$25.00 to the invoice.

Expedited shipping options – If the customer requests an expedited method of shipment such as "Next Day Air" the charges will be prepaid by RIXSON and the full rate for the service, as published by the carrier, will be added to the customer's invoice.

Packing – RIXSON will pack, mark and ship the products according to its standard procedures for shipment, unless the parties agree, in writing, that RIXSON will comply with any special instructions provided by the customer. Special instructions must be submitted, in writing, at time of order placement. Compliance with special instructions may result in an increased price.

## MINIMUM ORDER

Minimum order value for complete product is \$250.00 net product value. The minimum order value for parts orders is \$100.00 net product value. In the event that the net product value does not meet the required net minimum, RIXSON may, at its sole discretion (a) apply a minimum order charge, (b) reject the order or (c) waive the minimum requirement provided that the waiver of the requirement for one order shall not constitute a waiver of the requirement for any future orders.

## QUOTATIONS

If RIXSON elects to offer a quote, such quote will be valid until the expiration date on that quote. Complete shipment of the order must be accepted by Purchaser within standard lead times.

The quote number must be referenced on the order. Any invoiced order that has the incorrect discount applied to it and did not have the quote number written on the order will have a service fee of \$100.00 net DEDUCTED from any sales credit issued for the difference in discount.

The quote is null and void if the Purchase Order does not include ALL product lines listed on the quote or if the quantities for any item covered by the quote deviate by 10% or more. With the issuance and acceptance of a quote for the purchase of products, the Purchaser agrees that products so purchased will not be resold or transferred to any Distributor not authorized by RIXSON to sell its products. This would be inclusive of branches of the quoted Distributor. Failure to abide by this restriction may result in the Distributor's ineligibility for Quotations, or other actions in RIXSON's discretion.

RIXSON and its sales representatives reserve the right, in their sole discretion and for any reason, to refuse a Distributor's request to quote a price other than RIXSON's standard list price and regardless of whether RIXSON or its sales representatives have previously quoted discounted prices to the Distributor on some or all of its orders.

## NON-CATALOGED PRODUCTS

Products not cataloged or listed in this price book will be considered as special products, and will not be manufactured without prior written approval from RIXSON. Non-catalogued products are not subject to buy programs. Contact factory for pricing. Special products require special handling, and therefore standard lead times may not apply. Special drawings to correct customer error for product already received, may carry a \$400.00 service charge. This fee must be paid prior to release of drawings.

## CHANGES/CANCELLATION OF ORDERS

Changes or cancellations to an order will result in a charge of costs for material and labor expenses that have been incurred prior to notification from Customer. If products have already been made and or are located in the shipping room, the 45% change/cancellation fee will apply. Handling charges are billed on Customer's original order. All Non-Cataloged Goods and RIXSON Quick Ship Orders may not be changed or cancelled. All change requests for goods, other than for the reasons stated above, must be submitted in writing to Customer Service within two (2) business days of receipt of acknowledgment of the order.

USA & Canada Prices Effective May 1, 2021

## ASSA ABLOY

Experience a safer  
and more open world

Norton and Rixson are brands associated with ASSA ABLOY Accessories and Door Controls Group, Inc., an ASSA ABLOY Group company. Copyright © 2002-2021, ASSA ABLOY Accessories and Door Controls Group, Inc. All rights reserved. Reproduction in whole or in part without the express written permission of ASSA ABLOY Accessories and Door Controls Group, Inc. is prohibited. Contact Norton: 877-974-2255 or visit [www.nortondoortcontrols.com](http://www.nortondoortcontrols.com); Contact RIXSON: 800-457-5670 or visit [www.rixson.com](http://www.rixson.com). In Canada contact us at: 800-461-3007 or visit [www.assaabloydss.ca](http://www.assaabloydss.ca)

**For Terms & Conditions and Warranty information pertaining to product sales in Canada, please visit [www.assaabloy.ca/terms](http://www.assaabloy.ca/terms).**

## **ADD-ON ORDERS TO QUOTE**

Any new order requesting special pricing to match an existing quote number, which has already been ordered, will be accepted up to sixty (60) days after the acknowledgement of the original order. All add-on orders must reference the original factory order number and the corresponding quote number to receive the quoted pricing discount. Add-on orders for stock will not be accepted.

## **PACKAGING**

Many items are defined as to Case Lot Packaging or Minimum Order. The Case Lot policy does not apply to hardware to be used on a specific hardware project.

## **DELIVERY**

Orders will be acknowledged and given a scheduled delivery date based on estimated manufacturing lead times. Complete information is required to process all orders. Orders with insufficient information for processing (i.e. door sizes, handing, etc.) may be subject to extended lead times which are relative to the time required in obtaining the necessary information for order processing. Manufacturing lead time will begin once all information is received to process an order. RIXSON will use reasonable efforts to deliver products as estimated, but makes no guarantees as to delivery dates. RIXSON will not be liable for back charges incurred based on availability of product or as a result of delays in delivery caused by insufficient information required to process an order. RIXSON will not be held responsible for delays in delivery caused by strikes, fires, floods or any other causes beyond our control, including the delivery of material to us. Under no circumstances shall RIXSON be liable or accountable for consequential damages due to failure of delivery.

## **CLAIMS**

In the event of Company or Customer error, claims for shortages, pricing errors and/or incorrectly filled orders must be submitted in writing to Customer Service within thirty (30) days from receipt of material.

Any claims for shortages or damage by the Carrier must be made by the Customer directly to the Carrier.

## **INVOICE DEDUCTION**

A RIXSON Sales Representative or Customer Service Representative must be notified of any disputed invoices within sixty (60) days from the date of invoice. Deductions should only be taken for the disputed amount and the balance of the invoice is due and payable within standard payment terms.

## **RETURNED GOODS**

It is the policy of RIXSON to not accept returns of any materials that are correctly furnished as per the Distributor's Purchase Order. Return of product due to customer order error or accommodation must be pre-arranged with RIXSON and approved in writing by Sales Management. No Returns accepted for the following: Specials, Anything Used, Discontinued, Modified, or Damaged Product, Electrical Products, Incomplete Products (e.g. arms, covers brackets, etc) or 10B Finished products. All products returned as "Goodwill" must meet the following criteria to be considered a return:

- Be in original, unmarked and undamaged cartons.
- Be valued in excess of \$250.00 net.
- Shipped and invoiced within the previous 120 days.
- Can't be custom, non-cataloged, Rixson Quick Ship product or 10B Finished products

A MINIMUM reprocessing fee of 45% will be charged. Upon receipt and verification by RIXSON that the returned merchandise meets the foregoing conditions, a credit will be issued for the original invoice amount less the MINIMUM 45% reprocessing fee. Defective goods and "Goodwill" products that meet the foregoing criteria may be returned by fulfilling the following conditions:

- Send an RGA request in writing to the RIXSON Sales Representative serving the Purchaser's area.
- Ensure the RGA labels that are sent to Purchaser by RIXSON are visible on return goods shipment.

- Ensure that the RGA number appears on the return shipment label and is legible.
- Return the authorized merchandise within sixty (60) days from the date of RGA issuance date.
- Return shipments must be freight prepaid to the location specified on the RGA. RIXSON is not liable for damages to product during shipping. No credit may be taken or issued prior to RGA approval and receipt of product.

All defective goods within the terms of our limited warranty may be returned for credit or replacement.

## **TAXES**

Prices do not include any present or future Federal, State, or Local property, license, privilege, sales, use, excise, gross receipts or other like taxes or assessments, which may result from transactions or any services performed in connection herewith.

## **GOVERNING LAW**

The rights and obligations of the parties shall be governed by the laws of the State of North Carolina, excluding any conflicts of law provisions. The United Nations Convention on Contracts for the International Sale of Goods shall not apply to this Agreement.

## **LIMITED WARRANTY**

The Terms and Conditions outlined above are subject to RIXSON's Limited Warranty, which is included in this Price List and incorporated herein by reference.

## **PRODUCT MODIFICATIONS**

RIXSON products are not designed or intended for aftermarket modification. The warranty on RIXSON products becomes void if the product is modified in any way, regardless of whether the modification causes or contributes to any alleged defect. Warranty voiding modifications include, but are not limited to, third-party electrification of non-electric products and/or the installation of non-approved or non-RIXSON components.

If a RIXSON product is modified it no longer meets industry certification and quality control standards applicable to the original product and is no longer a genuine RIXSON product. A modified product may not be sold as a RIXSON product and no RIXSON trademarks or certification marks based on the original RIXSON product, such as U.L. or ANSI/BHMA marks, may appear anywhere on the modified product or on any packaging, literature, or instructions sold with the modified product.

All original RIXSON packaging and literature that carries RIXSON trademarks must be destroyed if the original RIXSON product is modified. Portions of the product that carry a RIXSON trademark or certification mark must be discarded and/or replaced by the party making the modification. U.L. and other certification testing and marking are also the responsibility of the party making modification. The use of RIXSON trademarks on modified products constitutes trademark infringement.

## **TECHNICAL INFORMATION AND ADVICE**

(a) All designs, data, and specifications provided by Company are proprietary and will not be disclosed or reused by Customer without the prior written consent of Company; (b) Company assumes no obligation or liability for any advice given by Company, the results obtained, or damages incurred, and all such advice is given and accepted at Customer's risk.

USA & Canada Prices Effective May 1, 2021

## Finish Symbol Designations

BHMA**	US	DESCRIPTION
600 / 674	P	PRIME COAT
^605* / ^632	3	BRIGHT BRASS
^606 / ^633	4	SATIN BRASS
^611 / ^637	9	BRIGHT BRONZE
^612 / ^639	10	SATIN BRONZE
^613 / ^640	10B	DARK BRONZE
613E / 640E	10BE	DARK OXIDIZED SATIN BRONZE - EQUIVALENT
^618	14	BRIGHT NICKEL
^619	15	SATIN NICKEL
622 / 693	19	FLAT BLACK
^625 / ^651	26	BRIGHT CHROME
^626 / ^652	26D	SATIN CHROME
629*	32	BRIGHT STAINLESS
630*	32D	SATIN STAINLESS
689		ALUMINUM
690		DARK BRONZE
691		LIGHT BRONZE
693		BLACK
696		BRASS
BSP		BLACK SUEDE
WSP		WHITE SUEDE

**Blackened or hammered finishes are not available.**

For any other finishes not listed, contact pricing department, 800-457-5670.

\* Patch fittings are available in these finishes only.

\*\* BHMA numbers are assigned by base metals on which finish is being applied. For more information see ANSI A156.18. Appearance should closely match old US numbers.

^ Plated finishes

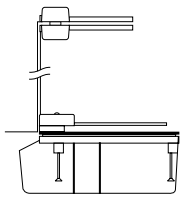
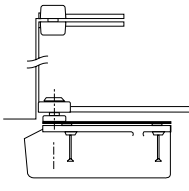
For finish availability see product "how to order" pages.

### SPECIAL FINISHES:

* Contact factory for availability * A set-up fee will be added to EACH purchase order that lists <b>non-standard sprayed or powder coat finishes.</b>	ADD \$874.00
Discount 50% only. Fee will appear as a separate line item on invoice: SETUPDCG.	

Note that all fire rated openings must have a minimum of one intermediate pivot. See page 120  
Options on page 93

### Heavy Weight/Duty 3/4" Offset

Model	Complete Closer Specify Model, Hand and Degree	LAP Specify Model, Hand and Degree	Top Pivot Pkg	Bottom Arm Pkg	Floor Plate Pkg	Cement Case Pkg
	27N	27N LAP	180	252050R*	274050R*	253000-PKG
				252050L*	274050L*	
	\$1,925.00	\$1,310.00	\$251.00	\$133.00	\$120.00	\$111.00
	27S	27S LAP	180	252050R*	274750R*	253000-PKG
				252050L*	274750L*	
	\$2,056.00	\$1,441.00	\$251.00	\$133.00	\$120.00	\$111.00
	F27N (UL)	27N LAP	F180	252050R*	274050R*	253000-PKG
				252050L*	274050L*	
	\$2,263.00	\$1,310.00	\$589.00	\$133.00	\$120.00	\$111.00
	27-180N	27-180N LAP	180	252050R*	274050R*	253000-PKG
				252050L*	274050L*	
	\$2,077.00	\$1,462.00	\$251.00	\$133.00	\$120.00	\$111.00
27-180A	27-180A LAP	180	252050R*	274050R*	253000-PKG	
			252050L*	274050L*		
\$2,208.00	\$1,593.00	\$251.00	\$133.00	\$120.00	\$111.00	
F27-180N (UL)	27-180N LAP	F180	252050R*	274050R*	253000-PKG	
			252050L*	274050L*		
\$2,415.00	\$1,462.00	\$589.00	\$133.00	\$120.00	\$111.00	
	127N	28N LAP	180	652050R*	274050R*	253000-PKG
				652050L*	274050L*	
	\$2,012.00	\$1,300.00	\$251.00	\$230.00	\$120.00	\$111.00
	127S	28S LAP	180	652050R*	274750R*	253000-PKG
				652050L*	274750L*	
	\$2,143.00	\$1,431.00	\$251.00	\$230.00	\$120.00	\$111.00
F127N (UL)	28N LAP	F180	652050R*	274050R*	253000-PKG	
			652050L*	274050L*		
\$2,350.00	\$1,300.00	\$589.00	\$230.00	\$120.00	\$111.00	

\*Finish required, see page 94

N = Non-Hold open  
LAP = Less All Parts

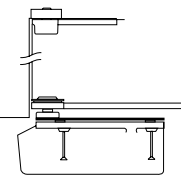
A = Automatic Hold Open

S = Selective Hold Open

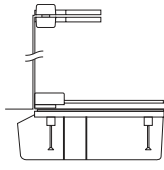

USA & Canada Prices Effective May 1, 2021

Note that all fire rated openings must have a minimum of one intermediate pivot. See page 120  
Options on page 93

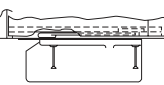

## Heavy Weight/Duty 3/4" Offset

Model	Complete Closer Specify Model, Hand and Degree	LAP Specify Model, Hand and Degree	Top Pivot Pkg	Bottom Arm Pkg	Floor Plate Pkg	Cement Case Pkg
	427N	28N LAP	180 x 102	652050R*	274050R*	253000-PKG
				652050L*	274050L*	
	\$2,147.00	\$1,300.00	\$386.00	\$230.00	\$120.00	\$111.00
	427S	28S LAP	180 x 102	652050R*	274750R*	253000-PKG
			652050L*	274750L*		
\$2,278.00	\$1,431.00	\$386.00	\$230.00	\$120.00	\$111.00	

## Heavy Weight/Duty 1-1/2" Offset

Model	Complete Closer Specify Model, Hand and Degree	LAP Specify Model, Hand and Degree	Top Pivot Pkg	Bottom Arm Pkg	Floor Plate Pkg	Cement Case Pkg
	27N x 1-1/2OS	27N LAP	180 x 1-1/2OS	252060R*	274050R*	253000-PKG
				252060L*	274050L*	
	\$2,200.00	\$1,310.00	\$454.00	\$205.00	\$120.00	\$111.00
	27S x 1-1/2OS 	27S LAP	180 x 1-1/2OS	252060R*	274750R*	253000-PKG
				252060L*	274750L*	
	\$2,331.00	\$1,441.00	\$454.00	\$205.00	\$120.00	\$111.00
	F27N x 1-1/2OS	27N LAP	F180 x 1-1/2OS	252060R*	274050R*	253000-PKG
				252060L*	274050L*	
	\$2,696.00	\$1,310.00	\$950.00	\$205.00	\$120.00	\$111.00
	27 x 180N x 1-1/2OS	27 x 180N LAP	180 x 1-1/2OS	252060R*	274050R*	253000-PKG
				252060L	274050L*	
	\$2,352.00	\$1,462.00	\$454.00	\$205.00	\$120.00	\$111.00
27-180A x 1-1/2OS	27 x 180A LAP	180 x 1-1/2OS	252060R*	274050R*	253000-pkg	
			252060L*	274050L*		
\$2,483.00	\$1,593.00	\$454.00	\$205.00	\$120.00	\$111.00	
F27-180N x 1-1/2OS	27-180N LAP	F180 x 1-1/2OS	252060R*	274050R*	253000-PKG	
			252060L*	274050L*		
\$2,848.00	\$1,462.00	\$950.00	\$205.00	\$120.00	\$111.00	

## Independently Hung (HANGING MEANS AFFECT PRICING AND MUST BE NOTED WHEN ORDERING)

Model	Complete Closer Specify Model, Hand and Hanging Means	LAP Specify Model and Hand	Top Pivot Pkg	Bottom Arm Pkg	Floor Plate Pkg	Cement Case Pkg
	**F327N 	327N LAP	N/A	3252010-*	3274010R*	253000-PKG
					3274010L*	
\$2,032.00	\$1,406.00	N/A	\$395.00	\$120.00	\$111.00	

\*Finish required, see page 94

N = Non-Hold open    A = Automatic Hold Open    S = Selective Hold Open

Note: Buying program discount on Pivots applies when Pivots are ordered separately LAP = Less All Parts

\*\*Pricing for Offset 1-3/4 thick doors hung on standard 4-1/2 x 4-1/2 butts or 3/4 offset pivots. For all other hanging means or door thicknesses, consult factory. Prices will be affected and will not carry any buy program or quote discounting.

USA & Canada Prices Effective May 1, 2021

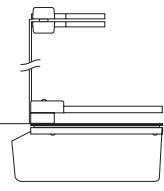
## ASSA ABLOY

Experience a safer  
and more open world

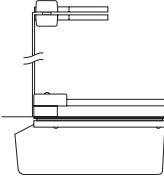
Norton and Rixson are brands associated with ASSA ABLOY Accessories and Door Controls Group, Inc., an ASSA ABLOY Group company. Copyright © 2002-2021, ASSA ABLOY Accessories and Door Controls Group, Inc. All rights reserved. Reproduction in whole or in part without the express written permission of ASSA ABLOY Accessories and Door Controls Group, Inc. is prohibited. Contact Norton: 877-974-2255 or visit [www.nortondoortcontrols.com](http://www.nortondoortcontrols.com); Contact RIXSON: 800-457-5670 or visit [www.rixson.com](http://www.rixson.com). In Canada contact us at: 800-461-3007 or visit [www.assaabloydss.ca](http://www.assaabloydss.ca)

Note that all fire rated openings must have a minimum of one intermediate pivot. See page 120  
Options on page 93

### Extra Heavy Weight/Duty/Lead Lined 1-3/4" Door

Model	Complete Closer Specify Model, Hand and Degree	LAP Specify Model, Hand and Degree	Top Pivot Pkg	Bottom Arm Pkg	Floor Plate Pkg	Cement Case Pkg
	L27N	L27N LAP	L180	252051R* 252051L*	274050R* 274050L*	253001
	\$2,817.00	\$1,817.00	\$408.00	\$236.00	\$120.00	\$236.00
	L27S	L27S LAP	L180	252051R* 252051L*	274750R* 274750L*	253001
	\$2,948.00	\$1,948.00	\$408.00	\$236.00	\$120.00	\$236.00
	FL27N (UL)	L27N LAP	FL180	252051R* 252051L*	274050R* 274050L*	253001
	\$3,271.00	\$1,817.00	\$862.00	\$236.00	\$120.00	\$236.00
	L27-180N	L27-180N LAP	L180	252051R* 252051L*	274050R* 274050L*	253001
	\$3,013.00	\$2,013.00	\$408.00	\$236.00	\$120.00	\$236.00
	L27-180A	L27-180A LAP	L180	252051R* 252051L*	274050R* 274050L*	253001
	\$3,144.00	\$2,144.00	\$408.00	\$236.00	\$120.00	\$236.00
	FL27-180N (UL)	L27-180N LAP	FL180	252051R* 252051L*	274050R* 274050L*	253001
	\$3,467.00	\$2,013.00	\$862.00	\$236.00	\$120.00	\$236.00

### Extra Heavy Weight/Duty/Lead Lined ALL OTHER DOOR THICKNESSES

Model	Complete Closer Specify Model, Hand and Degree	LAP Specify Model, Hand and Degree	Top Pivot Pkg	Bottom Arm Pkg	Floor Plate Pkg	Cement Case Pkg
	L27N x door thickness	L27N LAP	L180 x door thickness	2" 252052R* 2" 252052L* 2-1/4" 252053R* 2-1/4" 252053L* 2-1/2" 252054R* 2-1/2" 252054L* 3" 252055R* 3" 252055L*	274050R* 274050L*	253001
	\$3,246.00	\$1,817.00	\$615.00	\$458.00	\$120.00	\$236.00
	L27S x door thickness	L27S LAP	L180 x door thickness	See above	274750R* 274750L*	253001
	\$3,377.00	\$1,948.00	\$615.00	\$458.00	\$120.00	\$236.00
	L27-180N x door thickness	L27-180N LAP	L180 x door thickness	See above	274050R* 274050L*	253001
	\$3,442.00	\$2,013.00	\$615.00	\$458.00	\$120.00	\$236.00
	L27-180A x door thickness	L27-180A LAP	L180 x door thickness	See above	274050R* 274050L*	253001
\$3,573.00	\$2,144.00	\$615.00	\$458.00	\$120.00	\$236.00	

\*Finish required, see page 94

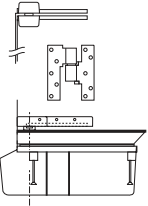
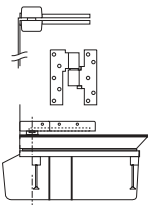
N = Non-Hold open    A = Automatic Hold Open    S = Selective Hold Open

Note: Buying program discount on Pivots applies when Pivots are ordered separately LAP = Less All Parts

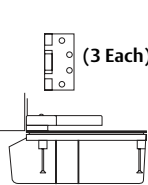
USA & Canada Prices Effective May 1, 2021

Note that all fire rated openings must have a minimum of one intermediate pivot. See page 120  
Options on page 93

## Heavy Weight/Duty Quick Install

Model	Complete Closer Specify Model, Hand and Degree	LAP Specify Model, Hand and Degree	Top Pivot Pkg	Bottom Arm Pkg	Floor Plate Pkg	Cement Case Pkg	Intermediate Pivot *Cannot be ordered less intermediate pivot
	Q27N	Q27N LAP	180	222050R* 222050L*	294050R* 294050L*	253000-PKG	M19
	\$2,572.00	\$1,459.00	\$251.00	\$271.00	\$120.00		
	Q27S	Q27S LAP	180	222050R* 222050L*	294750R* 294750L*	253000-PKG	M19
	\$2,703.00	\$1,590.00	\$251.00	\$271.00	\$120.00		
	FQ27N (UL)	Q27N LAP	F180	222050R* 222050L*	294050R* 294050L*	253000-PKG	FM19
	\$3,317.00	\$1,459.00	\$589.00	\$271.00	\$120.00		
	QT27N	Q27N LAP	180	222050R* 222050L*	N/A	253000-PKG	M19
	\$2,452.00	\$1,459.00	\$251.00	\$271.00	-		
	QT27S	Q27S LAP	180	222050R* 222050L*	N/A	253000-PKG	M19
	\$2,583.00	\$1,590.00	\$251.00	\$271.00	-		
	FQT27N (UL)	Q27N LAP	F180	222050R* 222050L*	N/A	253000-PKG	FM19
	\$3,197.00	\$1,459.00	\$589.00	\$271.00	-		

## Heavy Weight/Duty HM Door and Frame Preps

Model	Complete Closer Specify Model, Hand and Degree	LAP Specify Model, Hand and Degree	Hinge Pkg (3 per pkg)	Bottom Arm Pkg	Floor Plate Pkg	Cement Case Pkg
 (3 Each)	HM27N & FHM27N (UL)	27N LAP	254545*-PK	222050R*HM 222050L*HM	274050R* 274050L*	253000-PKG
	\$2,514.00	\$1,310.00	\$702.00	\$271.00	\$120.00	
	HM27S	27S LAP	254545*-PK	222050R*HM 222050L*HM	274750R* 274750L*	253000-PKG
	\$2,645.00	\$1,441.00	\$702.00	\$271.00	\$120.00	

\*Finish required, see page 94

N=Non Hold Open    A=Automatic Hold Open    S>Selective Hold Open

Note: Buying program discount on Pivots applies when Pivots are ordered separately

LAP = Less All Parts

USA & Canada Prices Effective May 1, 2021

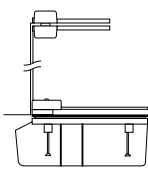

## ASSA ABLOY

Experience a safer  
and more open world

Norton and Rixson are brands associated with ASSA ABLOY Accessories and Door Controls Group, Inc., an ASSA ABLOY Group company.  
Copyright © 2002-2021, ASSA ABLOY Accessories and Door Controls Group, Inc. All rights reserved. Reproduction in whole or in part  
without the express written permission of ASSA ABLOY Accessories and Door Controls Group, Inc. is prohibited.  
Contact Norton: 877-974-2255 or visit [www.nortondoortcontrols.com](http://www.nortondoortcontrols.com); Contact RIXSON: 800-457-5670 or visit [www.rixson.com](http://www.rixson.com).  
In Canada contact us at: 800-461-3007 or visit [www.assaabloydss.ca](http://www.assaabloydss.ca)

Note that all fire rated openings must have a minimum of one intermediate pivot. See page 120  
Options on page 93

### Standard Weight/Duty 180° Swing

Model	Complete Closer Specify Model and Hand	LAP Specify Model and Hand	Top Pivot Pkg	Bottom Arm Pkg	Floor Plate Pkg	Cement Case Pkg
	20N	20N LAP	180	252050R*	204050R*	203000
				252050L*	204050L*	
	\$2,021.00	\$1,406.00	\$251.00	\$133.00	\$120.00	\$111.00
	F20N 	20N LAP	F180	252050R*	204050R*	203000
			252050L*	204050L*		
\$2,359.00	\$1,406.00	\$589.00	\$133.00	\$120.00	\$111.00	

\*Finish required, see page 94

N=Non Hold Open    A=Automatic Hold Open    S=Selective Hold Open  
 Note: Buying program discount on Pivots applies when Pivots are ordered separately  
 LAP = Less All Parts

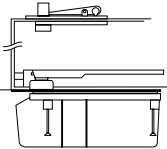
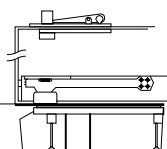
USA & Canada Prices Effective May 1, 2021

Norton and Rixson are brands associated with ASSA ABLOY Accessories and Door Controls Group, Inc., an ASSA ABLOY Group company. Copyright © 2002-2021, ASSA ABLOY Accessories and Door Controls Group, Inc. All rights reserved. Reproduction in whole or in part without the express written permission of ASSA ABLOY Accessories and Door Controls Group, Inc. is prohibited. Contact Norton: 877-974-2255 or visit [www.nortondoortcontrols.com](http://www.nortondoortcontrols.com); Contact RIXSON: 800-457-5670 or visit [www.rixson.com](http://www.rixson.com). In Canada contact us at: 800-461-3007 or visit [www.assaabloydss.ca](http://www.assaabloydss.ca)



Options on page 93

## Heavy Weight/Duty Single Acting

Model	Complete Closer Specify Model, Hand and Degree	LAP Specify Model, Hand and Degree	Top Pivot Pkg	Bottom Arm Pkg	Floor Plate Pkg	Cement Case Pkg
	28N x 554	28N LAP	340	282554	284020R*	253000-PKG
					284020L*	
	\$1,864.00	\$1,300.00	\$163.00	\$163.00	\$127.00	\$111.00
	28S x 554	28S LAP	340	282554	284720R*	253000-PKG
				284720L*		
	\$1,995.00	\$1,431.00	\$163.00	\$163.00	\$127.00	\$111.00
	28N	28N LAP	340	282026-*	284020R*	253000-PKG
					284020L*	
	\$1,864.00	\$1,300.00	\$163.00	\$163.00	\$127.00	\$111.00
	28S	28S LAP	340	282026-*	284720R*	253000-PKG
				284720L*		
	\$1,995.00	\$1,431.00	\$163.00	\$163.00	\$127.00	\$111.00

\*Finish required, see page 94

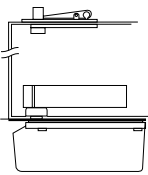
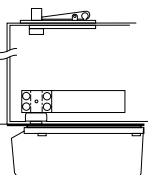
N = Non-Hold open    A = Automatic Hold Open

Note: Buying program discount on Pivots applies when Pivots are ordered separately

LAP = Less All Parts

Options on page 93

### Extra Heavy Weight/Duty Single Acting

Model	Complete Closer Specify Model Hand and Degree	LAP Specify Model Hand and Degree	Top Pivot Pkg	Bottom Arm Pkg	Floor Plate Pkg	Cement Case Pkg
	H28N	H28N LAP	H340	262022	284020R*	253001
					284020L*	
	\$3,152.00	\$1,512.00	\$536.00	\$741.00	\$127.00	\$236.00
	H28S	H28S LAP	H340	262022	284720R*	253001
				284720L*		
\$3,283.00	\$1,643.00	\$536.00	\$741.00	\$127.00	\$236.00	
	H28N x 587	H28N LAP	H340	262587	284020R*	253001
					284020L*	
	\$3,152.00	\$1,512.00	\$536.00	\$741.00	\$127.00	\$236.00
	H28S x 587	H28S LAP	H340	262587	284720R*	253001
				284720L*		
\$3,283.00	\$1,643.00	\$536.00	\$741.00	\$127.00	\$236.00	

\*Finish required, see page 94

N = Non-Hold open    A = Automatic Hold Open    S = Selective Hold Open

Note: Buying program discount on Pivots applies when Pivots are ordered separately

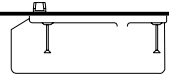
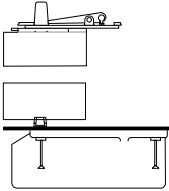
LAP = Less All Parts

USA & Canada Prices Effective May 1, 2021

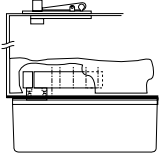
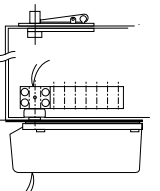
Norton and Rixson are brands associated with ASSA ABLOY Accessories and Door Controls Group, Inc., an ASSA ABLOY Group company. Copyright © 2002-2021, ASSA ABLOY Accessories and Door Controls Group, Inc. All rights reserved. Reproduction in whole or in part without the express written permission of ASSA ABLOY Accessories and Door Controls Group, Inc. is prohibited. Contact Norton: 877-974-2255 or visit [www.nortondoорcontrols.com](http://www.nortondoорcontrols.com); Contact RIXSON: 800-457-5670 or visit [www.rixson.com](http://www.rixson.com). In Canada contact us at: 800-461-3007 or visit [www.assaabloydss.ca](http://www.assaabloydss.ca)

Options on page 93

## Patch Fittings/Single Acting

Model	Complete Closer Specify Model, Hand and Degree	LAP Specify Model, Hand and Degree	Top Pivot Pkg	Bottom Arm Pkg	Floor Plate Pkg	Cement Case Pkg
	328N	328N LAP	N/A	N/A	284020R* 284020L*	253000-PKG
	\$1,538.00	\$1,300.00	-	-	\$127.00	\$111.00
	328S	328S LAP	N/A	N/A	284720R* 284720L*	253000-PKG
	\$1,669.00	\$1,431.00	-	-	\$127.00	\$111.00
	428N	428N LAP	7494*PK	7495*PK	284020R* 284020L*	253000-PKG
	\$2,249.00	\$1,300.00	\$350.00	\$361.00	\$127.00	\$111.00
	428S	428S LAP	7494*PK	7495*PK	284720R* 284720L*	253000-PKG
	\$2,380.00	\$1,431.00	\$350.00	\$361.00	\$127.00	\$111.00

## Thru-wire/Power Transfer Single Acting

Model	Specify Model, Hand, Degree and Number of Wires	LAP Specify Model, Hand, Degree and Number of Wires	Top Pivot Pkg	Bottom Arm Pkg	Floor Plate Pkg	Cement Case Pkg
	EH28N	EH28N LAP	H340	262022	284020R* 284020L*	253001
	\$3,443.00	\$1,803.00	\$536.00	\$741.00	\$127.00	\$236.00
	EH28S	EH28S LAP	H340	262022	284720R* 284720L*	253001
	\$3,574.00	\$1,934.00	\$536.00	\$741.00	\$127.00	\$236.00
	EH28N x 587	EH28N LAP	H340	262587	284020R* 284020L*	253001
	\$3,443.00	\$1,803.00	\$536.00	\$741.00	\$127.00	\$236.00
	EH28S x 587	EH28S LAP	H340	262587	284720R* 284720L*	253001
	\$3,574.00	\$1,934.00	\$536.00	\$741.00	\$127.00	\$236.00

\*Finish required, see page 94

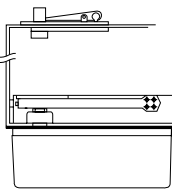
N=Non Hold Open    A=Automatic Hold Open    S=Selective Hold Open

Note: Buying program discount on Pivots applies when Pivots are ordered separately

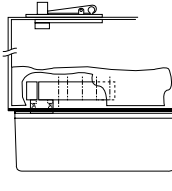
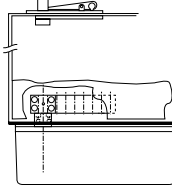
LAP = Less All Parts

Options on page 93

### Heavy Weight/Duty Double Acting

Model	Complete Closer Specify Model and Degree (If Hold Open)	LAP Specify Model & Degree (If Hold Open)	Top Pivot Pkg	Bottom Arm Pkg	Floor Plate Pkg	Cement Case Pkg
	30N	30N LAP	340	302026	304020-*	303000
	\$2,274.00	\$1,651.00	\$163.00	\$163.00	\$169.00	\$128.00
	30A	30A LAP	340	302026	304020-*	303000
	\$2,405.00	\$1,782.00	\$163.00	\$163.00	\$169.00	\$128.00
	40N	40N LAP	340	302026	404020-*	403000
	\$2,338.00	\$1,682.00	\$163.00	\$163.00	\$162.00	\$168.00
	40A	40A LAP	340	302026	404020-*	403000
	\$2,469.00	\$1,813.00	\$163.00	\$163.00	\$162.00	\$168.00

### Extra Heavy Weight/Duty Double Acting

Model	Complete Closer Specify Model and Degree (If Hold Open)	LAP Specify Model & Degree (If Hold Open)	Top Pivot Pkg	Bottom Arm Pkg	Floor Plate Pkg	Cement Case Pkg
	H40N	H40N LAP	H340	262022	404020-*	403000
	\$4,380.00	\$2,773.00	\$536.00	\$741.00	\$162.00	\$168.00
	H40A	H40A LAP	H340	262022	404020-*	403000
	\$4,511.00	\$2,904.00	\$536.00	\$741.00	\$162.00	\$168.00
	H40N X 587	H40N LAP	H340	262587	404020-*	403000
	\$4,380.00	\$2,773.00	\$536.00	\$741.00	\$162.00	\$168.00
	H40A X 587	H40A LAP	H340	262587	404020-*	403000
	\$4,511.00	\$2,904.00	\$536.00	\$741.00	\$162.00	\$168.00

\*Finish required, see page 94

N = Non-Hold open      A = Automatic Hold Open

Note: Buying program discount on Pivots applies when Pivots are ordered separately

LAP = Less All Parts



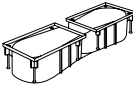
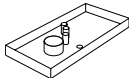

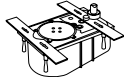
USA & Canada Prices Effective May 1, 2021

## Quick Reference Options

Prefix	Description	Price
PH	Physically Handicapped 5 lbs. of opening force for ADA compliance for interior doors. If used on exterior or fire doors, the low opening force may not be enough to close the door. PH is also available in 8.5 lbs. of opening force. Suffix 8.5 lbs. when ordering. Rixson will not be responsible if exterior or fire doors will not completely close when PH products are supplied.	\$0.00
DA	Delayed Action holds door open at 70 degrees for up to 40 seconds. DA cannot be ordered with hold open closers. Not available in Models 30 and 40.	\$145.00
SC	Sealing a closer protects it from moisture. Cement case and closer body are gasketed and fastened together. Closer must be ordered with cement case and shipped at the same time.	\$162.00
W	Reinforcement bracket that protects door skin for center hung wood doors using arm 282026, 302026.	\$0.00

Suffix	Description	Price
Ext Spdl	To accommodate special floor conditions, the spindle can be ordered in 1/2" increments up to and including 2" longer. Closer must be ordered with longer spindle, it cannot be field adjusted.	\$149.00
Torx	Security screws. Only provided for screws visible.	\$281.00
CWF	Cold weather fluid for temperatures consistently below 0 degrees.	\$65.00
-20	20 minute UL listing for smoke doors. Do not prefix F.	\$28.00
8.5#	Prefix PH when ordering this light opening force. Rixson will not be responsible if door will not completely close when PH products are supplied.	\$0.00
SPLO	Special layout that may require special templating and/or products	Excluded from buying program Contact factory for pricing

### Door Control Accessories

			Price
	<b>1101</b>	Cement Case for use with expansion joints, (handed)	\$541.00
	<b>79501</b>	Cement Case for use with shallow floors (non-handed)	\$323.00
	<b>25204</b>	Twin Cement Case 1-7/8" Mullion for back to back closers. Must be ordered with closers.	\$259.00
	<b>25304</b>	Twin Cement Case 2" Mullion for back to back closers. Must be ordered with closers.	
	<b>846*</b>	Cover Pan for 27 closer, specify depth, hand 1-3/4 doors only	\$800.00
	<b>3910*</b>	Cover Pan for L27 closer, specify depth, hand 1-3/4 doors only	
	<b>2237*</b>	Cover Pan for 28 closer x 554 flat arm, specify depth, hand.	
	<b>841*</b>	Cover Pan for 28 closer, centering arm, specify depth, hand.	
	<b>841B*</b>	Cover Pan for H28 and H28 x 587 arm closers, specify depth, hand	
	<b>60131</b>	Lock edge applied stop for center hung doors. Specify finish.	\$87.00
	<b>1859001</b>	Quickspotter Installation 25, 27, 28, 30, 40	\$116.00
	<b>1859501</b>	Quickspotter Installation for Q27	

\* Specify stainless steel or brass

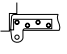


### How To Order

F Prefix	27 Model	90 Degree of Swing	N Hold Open	x 1/2" Ext Spindle Suffix	x RH Hand	x 626 Finish
DA Delayed Action	27 127	85 90	N = Non-Hold Open	1-1/2OS 1-1/2" Offset	Blank (30 & 40)	605 Bright Brass
PH Lighter Spring (ADA)	427 327	95 105	A = Automatic Hold Open	2" } Door Thickness	RH Right Hand	606 Satin Brass
F Fire Rated Doors	L27 Q27 QT27 HM27	100 - (30 and 40 Series) 180 - (20 and 27-180 only)	S = Selective Hold Open	2-1/4" } L Series Product Only	LH Left Hand	611 Bright Bronze
W Wood Door (center hung)	20 28 H28 328 428 EH28 30 40 H40			2-1/2" } Concealed Arm (28)		612 Satin Bronze
				3" } H Arm (H28, H40)		613 Dark Bronze
				554 } Ext Spdl Extended Spindle		613E Dark Oxidized Satin Bronze - Equivalent
				587 } 20 Minute label		618 Bright Nickel
				8.5# } Optional PH Spring		619 Satin Nickel
				LAP } Less All Parts		622 Flat Black
				LFP } Less Floor Plate		625 Bright Chrome
				LCC } Less Cement Case		626 Satin Chrome
				LTP } Less Top Pivot		BSP Black Suede
				CWF } Cold Weather Fluid		WSP White Suede
				- Depth for Cover Pan		
				- # of Wires for Electrified Product		
				TORX } Security Screws (Offset Only)		
				SPLO# } Special Layout		

USA & Canada Prices Effective May 1, 2021

Note: All fire rated openings must have a minimum of one intermediate pivot. See page 120  
Options on page 101

## Standard Weight/Duty 3/4" Offset

Model	Complete Closer Specify Model, Hand & Degree (If Hold Open)	LAP Specify Model, Hand & Degree (If Hold Open)	Top Pivot Pkg	Bottom Arm Pkg	Floor Plate Pkg	Cement Case Pkg
	5103NBC 5104NBC 5105NBC	5103NBC LAP 5104NBC LAP 5105NBC LAP	180	252050R*	4000500R*XXE	4000301
				252050L*	4000500L*XXE	
	\$1,917.00	\$1,279.00	\$251.00	\$133.00	\$127.00	\$127.00
	5103ABC 5104ABC 5105ABC	5103ABC LAP 5104ABC LAP 5105ABC LAP	180	252050R*	4000500R*XXE	4000301
				252050L*	4000500L*XXE	
	\$1,974.00	\$1,336.00	\$251.00	\$133.00	\$127.00	\$127.00
	F5103NBC F5104NBC F5105NBC (UL)	5103NBC LAP 5104NBC LAP 5105NBC LAP	F180	252050R*	4000500R*XXE	4000301
				252050L*	4000500L*XXE	
	\$2,255.00	\$1,279.00	\$589.00	\$133.00	\$127.00	\$127.00

\*Finish required, see page 102

NBC = Non-Hold open with backcheck ABC = Automatic Hold Open with backcheck

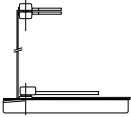

Note: Buying program discount on Pivots applies when Pivots are ordered separately

LAP= Less All Parts

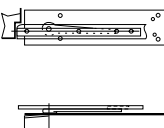

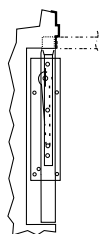

\*\*Pricing for Offset 1-3/4 thick doors hung on standard 4-1/2 x 4-1/2 butts or 3/4 offset pivots. For all other hanging means or door thicknesses, consult factory. Prices will be affected and will not carry any buy program or quote discounting.

Note: All fire rated openings must have a minimum of one intermediate pivot. See page 120  
Options on page 101

## Standard Weight/Duty 1-1/2" Offset

Model	Complete Closer Specify Model, Hand & Degree (If Hold Open)	LAP Specify Model, Hand & Degree (If Hold Open)	Top Pivot Pkg	Bottom Arm Pkg	Floor Plate Pkg	Cement Case Pkg
	5103NBC x 1-1/2OS 5104NBC x 1-1/2OS 5105NBC x 1-1/2OS	5103NBC LAP 5104NBC LAP 5105NBC LAP	180 x 1-1/2OS	252060R*	4000500R*XXE	4000301
				252060L*	4000500L*XXE	
	\$2,192.00	\$1,279.00	\$454.00	\$205.00	\$127.00	\$127.00
	5103ABC x 1-1/2OS 5104ABC x 1-1/2OS 5105ABC x 1-1/2OS	5103ABC LAP 5104ABC LAP 5105ABC LAP	180 x 1-1/2OS	252060R*	4000500R*XXE	4000301
				252060L*	4000500L*XXE	
	\$2,249.00	\$1,336.00	\$454.00	\$205.00	\$127.00	\$127.00
F5103NBC x 1-1/2OS F5104NBC x 1-1/2OS F5105NBC x 1-1/2OS 	5103NBC LAP 5104NBC LAP 5105NBC LAP	F180 x 1-1/2OS	252060R*	4000500R*XXE	4000301	
			252060L*	4000500L*XXE		
\$2,688.00	\$1,279.00	\$950.00	\$205.00	\$127.00	\$127.00	

## Independently Hung (HANGING MEANS AFFECT PRICING AND MUST BE NOTED WHEN ORDERING)

Model	Complete Closer Specify Model, Hand and Hanging Means	LAP Specify Model & Hand	Top Pivot Pkg	Bottom Arm Pkg	Floor Plate Pkg	Cement Case Pkg
	**F5303NBC **F5304NBC **F5305NBC 	5303NBC LAP 5304NBC LAP 5305NBC LAP	N/A	3252010-*	4000600-*XXE	4000301
	\$1,928.00	\$1,279.00	-	\$395.00	\$127.00	\$127.00
	**F5313NBC  **F5314NBC **F5315NBC	5313NBC LAP 5314NBC LAP 5315NBC LAP	FM19	3252010-*	4000600-*XXE	4000301
	\$2,761.00	\$1,345.00	\$767.00	\$395.00	\$127.00	\$127.00

\*Finish required, see page 102

NBC = Non-Hold open with backcheck ABC = Automatic Hold Open with backcheck

Note: Buying program discount on Pivots applies when Pivots are ordered separately LAP= Less All Parts

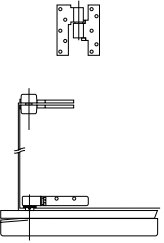
\*\*Pricing for Offset 1-3/4 thick doors hung on standard 4-1/2 x 4-1/2 butts or 3/4 offset pivots. For all other hanging means or door thicknesses, consult factory. Prices will be affected and will not carry any buy program or quote discounting.

USA & Canada Prices Effective May 1, 2021



Note: All fire rated openings must have a minimum of one intermediate pivot. See page 120  
Options on page 101

## Standard Weight/Duty Quick Install

Model	Complete Closer Specify Model, Hand & Degree (If Hold Open)	LAP Specify Model, Hand & Degree (If Hold Open)	Top Pivot Pkg	Bottom Arm Pkg	Floor Plate Pkg	Cement Case Pkg	Intermediate Pivot
	Q5103NBC Q5104NBC Q5105NBC	Q5103NBC LAP Q5104NBC LAP Q5105NBC LAP	180	222050R* 222050L*	4000501R*XXE 4000501L*XXE	4000301	M19
	\$2,500.00	\$1,364.00	\$251.00	\$271.00	\$127.00	\$127.00	\$360.00
	Q5103ABC Q5104ABC Q5105ABC	Q5103ABC LAP Q5104ABC LAP Q5105ABC LAP	180	222050R* 222050L*	4000501R*XXE 4000501LXXE*	4000301	M19
	\$2,557.00	\$1,421.00	\$251.00	\$271.00	\$127.00	\$127.00	\$360.00
	FQ5103NBC FQ5104NBC FQ5105NBC	Q5103NBC LAP Q5104NBC LAP Q5105NBC LAP	F180	222050R* 222050L*	4000501R*XXE 4000501L*XXE	4000301	FM19
	\$3,245.00	\$1,364.00	\$589.00	\$271.00	\$127.00	\$127.00	\$767.00
	QT5103NBC QT5104NBC QT5105NBC	Q5103NBC LAP Q5104NBC LAP Q5105NBC LAP	180	222050R* 222050L*	N/A	4000301	M19
	\$2,373.00	\$1,364.00	\$251.00	\$271.00	-	\$127.00	\$360.00
	QT5103ABC QT5104ABC QT5105ABC	Q5103ABC LAP Q5104ABC LAP Q5105ABC LAP	180	222050R* 222050L*	N/A	4000301	M19
	\$2,430.00	\$1,421.00	\$251.00	\$271.00	-	\$127.00	\$360.00
	FQT5103NBC FQT5104NBC FQT5105NBC	Q5103NBC LAP Q5104NBC LAP Q5105NBC LAP	F180	222050R* 222050L*	N/A	4000301	FM19
	\$3,118.00	\$1,364.00	\$589.00	\$271.00	-	\$127.00	\$767.00

\*Finish required, see page 102

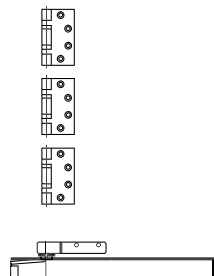

NBC = Non-Hold open with backcheck ABC = Automatic Hold Open with backcheck

Note: Buying program discount on Pivots applies when Pivots are ordered separately

LAP= Less All Parts

Note: All fire rated openings must have a minimum of 3 hinges.  
Options on page 101

## Standard Weight/Duty HM Door and Frame Preps

Model	Complete Closer Specify Model, Hand & Degree (If Hold Open)	LAP Specify Model, Hand & Degree (If Hold Open)	Hinge Pkg (3 per pkg)	Bottom Arm Pkg	Floor Plate Pkg	Cement Case Pkg
	HM5103NBC HM5104NBC HM5105NBC	5103NBC LAP 5104NBC LAP 5105NBC LAP	254545*PK	222050R*HM 222050L*HM	4000501R*XXE 4000501L*XXE	4000301
	\$2,506.00	\$1,279.00	\$702.00	\$271.00	\$127.00	\$127.00
	HM5103ABC HM5104ABC HM5105ABC	5103ABC LAP 5104ABC LAP 5105ABC LAP	254545*PK	222050R*HM 222050L*HM	4000501R*XXE 4000501L*XXE	4000301
	\$2,563.00	\$1,336.00	\$702.00	\$271.00	\$127.00	\$127.00
	FHM5103NBC FHM5104NBC FHM5105NBC 	5103NBC LAP 5104NBC LAP 5105NBC LAP	254545*PK	222050R*HM 222050L*HM	4000501R*XXE 4000501L*XXE	4000301
	\$2,506.00	\$1,279.00	\$702.00	\$271.00	\$127.00	\$127.00

\*Finish required, see page 102

NBC = Non-Hold open with backcheck ABC = Automatic Hold Open with backcheck

Note: Buying program discount on pivots applies when pivots are ordered separately.

LAP= Less All Parts

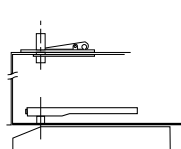
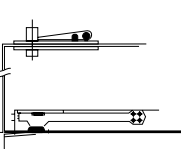
USA & Canada Prices Effective May 1, 2021

**ASSA ABLOY**

Experience a safer  
and more open world

Norton and Rixson are brands associated with ASSA ABLOY Accessories and Door Controls Group, Inc., an ASSA ABLOY Group company.  
Copyright © 2002-2021, ASSA ABLOY Accessories and Door Controls Group, Inc. All rights reserved. Reproduction in whole or in part without the express written permission of ASSA ABLOY Accessories and Door Controls Group, Inc. is prohibited.  
Contact Norton: 877-974-2255 or visit [www.nortondoortcontrols.com](http://www.nortondoortcontrols.com); Contact RIXSON: 800-457-5670 or visit [www.rixson.com](http://www.rixson.com).  
In Canada contact us at: 800-461-3007 or visit [www.assaabloydss.ca](http://www.assaabloydss.ca)

## Standard Weight /Duty Single Acting

Model	Complete Closer Specify Model, Hand & Degree (If Hold Open)	LAP Specify Model, Hand & Degree (If Hold Open)	Top Pivot Pkg	Bottom Arm Pkg	Floor Plate Pkg	Cement Case Pkg
	5013NBC x 554 5014NBC x 554 5015NBC x 554	5013NBC LAP 5014NBC LAP 5015NBC LAP	340	282554	4000600-*XXE	4000301
	\$1,859.00	\$1,279.00	\$163.00	\$163.00	\$127.00	\$127.00
	5013ABC x 554 5014ABC x 554 5015ABC x 554	5013ABC LAP 5014ABC LAP 5015ABC LAP	340	282554	4000600-*XXE	4000301
	\$1,916.00	\$1,336.00	\$163.00	\$163.00	\$127.00	\$127.00
	5013NBC 5014NBC 5015NBC	5013NBC LAP 5014NBC LAP 5015NBC LAP	340	282026*	4000600-*XXE	4000301
	\$1,859.00	\$1,279.00	\$163.00	\$163.00	\$127.00	\$127.00
	5013ABC 5014ABC 5015ABC	5013ABC LAP 5014ABC LAP 5015ABC LAP	340	282026*	4000600-*XXE	4000301
	\$1,916.00	\$1,336.00	\$163.00	\$163.00	\$127.00	\$127.00

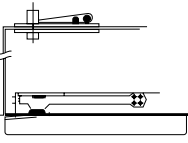
\*Finish required, see page 102

NBC = Non-Hold open with backcheck ABC = Automatic Hold Open with backcheck

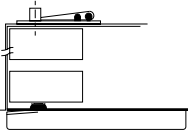
Note: Buying program discount on Pivots applies when Pivots are ordered separately

LAP= Less All Parts

## Standard Weight/Duty Double Acting

Model	Complete Closer Specify Model, Hand & Degree (If Hold Open)	LAP Specify Model, Hand & Degree (If Hold Open)	Top Pivot Pkg	Bottom Arm Pkg	Floor Plate Pkg	Cement Case Pkg
	5023NBC 5024NBC 5025NBC	5023NBC LAP 5024NBC LAP 5025NBC LAP	340	282026*	4000600-*XXE	4000301
	\$1,946.00	\$1,366.00	\$163.00	\$163.00	\$127.00	\$127.00
	5023ABC 5024ABC 5025ABC	5023ABC LAP 5024ABC LAP 5025ABC LAP	340	282026*	4000600-*XXE	4000301
	\$2,003.00	\$1,423.00	\$163.00	\$163.00	\$127.00	\$127.00

## Patch Fittings Single Acting

Model	Complete Closer Specify Model, Hand & Degree (If Hold Open)	LAP Specify Model, Hand & Degree (If Hold Open)	Top Patch	Bottom Patch	Floor Plate	Cement Case
	5043NBC 5044NBC 5045NBC	5043NBC LAP 5044NBC LAP 5045NBC LAP	7494*PK	7495*PK	4000600-*XXE	4000301
	\$2,244.00	\$1,279.00	\$350.00	\$361.00	\$127.00	\$127.00
	5043ABC 5044ABC 5045ABC	5043ABC LAP 5044ABC LAP 5045ABC LAP	7494*PK	7495*PK	4000600-*XXE	4000301
	\$2,301.00	\$1,336.00	\$350.00	\$361.00	\$127.00	\$127.00

\*Finish required, see page 102

NBC = Non-Hold open with backcheck ABC = Automatic Hold Open with backcheck

Note: Buying program discount on pivots applies when pivots are ordered separately.

LAP= Less All Parts

USA & Canada Prices Effective May 1, 2021

**ASSA ABLOY**

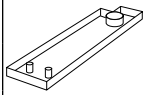
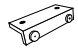
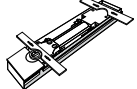
Experience a safer  
and more open world

Norton and Rixson are brands associated with ASSA ABLOY Accessories and Door Controls Group, Inc., an ASSA ABLOY Group company. Copyright © 2002-2021, ASSA ABLOY Accessories and Door Controls Group, Inc. All rights reserved. Reproduction in whole or in part without the express written permission of ASSA ABLOY Accessories and Door Controls Group, Inc. is prohibited. Contact Norton: 877-974-2255 or visit [www.nortondoortcontrols.com](http://www.nortondoortcontrols.com); Contact RIXSON: 800-457-5670 or visit [www.rixson.com](http://www.rixson.com). In Canada contact us at: 800-461-3007 or visit [www.assaabloydss.ca](http://www.assaabloydss.ca)

## Quick Reference Options

Prefix	Description	Price
DA	Delayed Action holds door open at 70 degrees for up to 40 seconds. Closers with this feature will not have backcheck. DA cannot be ordered with hold open closers	\$170.00
W	For center hung wood doors using arm 282026.	\$0.00
Suffix	Description	Price
Ext Spdl	To accommodate special floor conditions, the spindle can be ordered with longer spindle 1/2" increments up to and including 2" longer.	\$85.00
Torx	Security screws. Only provided for screws visible.	\$281.00
-20	20 minute UL listing for smoke doors. Do not prefix F.	\$28.00
SPLO	Special layout that may require special templating and/or products	Excluded from buying program Consult factory for pricing
SC	Sealing a closer protects it from moisture. Cement case and closer body are gasketed and fastened together. Closer must be ordered with cement case and shipped at the same time	\$162.00

## Door Control Accessories

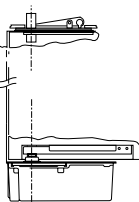
	2637*	Cover Pan for 51 closer, specify depth.	\$1,172.00
	2807D*	Cover Pan for 53 closer, specify depth.	
	2807B*	Cover Pan for 50 closer x 554 flat arm, specify depth.	
	2807A*	Cover Pan for 50 closer, centering arm, specify depth.	
	60131	Lock edge applied stop for center hung doors, specify finish	\$87.00
	1855051	50/51/53 Quickspotter. Quickspotter Installation Tool for 50/51/53	\$116.00

\*Specify stainless steel or brass

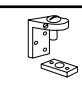
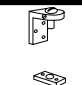

F Prefix	510 Model	3 Spring Size	NBC Function	x 1-1/2" Offset Suffix	x RH Hand	x 626 Finish			
DA	Delayed Action	510	Offset	2	NBC = Non-Hold Open	554 Flat Arm Extended Spindles	Blank (5020)	605 Bright Brass	
F	Fire Rated Doors	530	Independently Hung Parallel to Frame	3	ABC = Automatic Hold Open Specify Degree	1-1/2" Offset -20 20 Minute Label	RH Right Hand	606 Satin Brass	
W	Wood Dr (center hung)	531	Independently Hung Perpendicular to Frame	4			LAP Closer Body Only	LH Left Hand	611 Bright Bronze
				5			LFP Less Floor Plate		612 Satin Bronze
							LCC Less Cement Case		613 Dark Bronze
		501	Center Hung Single Acting		LTP Less Top Pivot		613E Dark Oxidized Satin Bronze - Equivalent	618 Bright Nickel	
		502	Center Hung Double Acting		- Cover Pan (x Depth)			619 Satin Nickel	
		504	Center Hung with Patch Fittings		SPLO Special Layout #			622 Flat Black	
								625 Bright Chrome	
								626 Satin Chrome	
								BSP Black Suede	
								WSP White Suede	

Options, see page 105

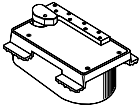
## Duo Chek® Double Acting

Model	Complete Closer Specify Model	LAP Specify Model	Top Pivot Pkg	Bottom Arm Pkg	Floor Plate Pkg	Cement Case Pkg
	10 15	10 LAP 15 LAP	101020*	102026-*	104020-*	103000*
	\$1,296.00	\$750.00	\$179.00	\$127.00	\$90.00	\$150.00
	12 16	12 LAP 16 LAP	101020*	102026-*	104020-	103000-*
	\$1,230.00	\$684.00	\$179.00	\$127.00	\$90.00	\$150.00

## Gate Closers

Model	Complete Closer Specify Model	LAP Specify Model	Top Pivot Pkg	Bottom Arm Pkg	Floor Plate Pkg	Cement Case Pkg
	354	X03540370-*	3541020-*	3542026-*	N/A	N/A
	355		3551020-*	3542026*	N/A	N/A
	\$1,595.00		\$1,016.00	\$286.00	\$293.00	-
	356	X03540370-*	3541020-*	3562020-*	N/A	N/A
	357		3551020-*	3562020*	N/A	N/A
	\$1,595.00		\$1,016.00	\$286.00	\$293.00	-
Independently Hung 	359	X03540370-*	N/A	3592010-*	N/A	N/A
	\$1,596.00	\$1,016.00	-	\$580.00	-	-

## Security Closers

Model	Complete Closer Specify Model, Hand	LAP Specify Model, Hand	Top Pivot Pkg	Bottom Arm Pkg	Floor Plate Pkg	Cement Case Pkg
	SEC27-180N	SEC27-180N LAP	FA180	252056R*	274056*	253001SEC
				252056L*		
	\$3,569.00	\$1,472.00	\$647.00	\$236.00	\$821.00	\$393.00

\*Finish required, see page 105

Note: Buying program discount on pivots applies when pivots are ordered separately.

LAP= Less All Part

### ASSA ABLOY

Experience a safer  
and more open world

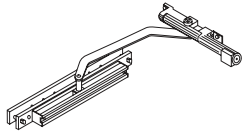
USA & Canada Prices Effective May 1, 2021

Norton and Rixson are brands associated with ASSA ABLOY Accessories and Door Controls Group, Inc., an ASSA ABLOY Group company. Copyright © 2002-2021, ASSA ABLOY Accessories and Door Controls Group, Inc. All rights reserved. Reproduction in whole or in part without the express written permission of ASSA ABLOY Accessories and Door Controls Group, Inc. is prohibited. Contact Norton: 877-974-2255 or visit [www.nortondoortools.com](http://www.nortondoortools.com); Contact RIXSON: 800-457-5670 or visit [www.rixson.com](http://www.rixson.com). In Canada contact us at: 800-461-3007 or visit [www.assaabloydss.ca](http://www.assaabloydss.ca)

Options, see page 105

## Exterior Gate Closer

Rixson  
Specialty Closers

Model	Complete Closer Specify Model
	1351
	\$681.00

\*Finish required, see page 105

Non-Hold open Only

Note: Buying program discount on pivots applies when pivots are ordered separately.

LAP= Less All Parts



### Quick Reference Options

Prefix	Description	Price
PH	Physically Handicapped 5 lbs. of opening force in compliance to ADA standard for interior doors. If used on exterior or fire doors, the low opening force may not be enough to close the door. Not available on gate closers or SEC closers.	\$102.00
Suffix	Description	
Ext Spdl	To accommodate special floor conditions, the spindle can be ordered in 1/2" increments up to and including 2" Closer must be ordered with longer spindle, it cannot be field adjusted. Not available on gate closers.	\$85.00
SPLO	Special layout that may require special templating and/or products	Excluded from buying programs - contact factory for pricing

### How To Order

Prefix	Sec 27 Model	N Hold Open	x LTP Suffix	x RH Hand	x 689 Finish
PH Lighter Spring (ADA)	10 Duo Chek (Hold Open)	Blank = Not Applicable N = Non-Hold Open	1-1/2OS 1-1/2" Offset	Blank (10, 12, 15, 16, 354, 355, 356, 357, 359) RH Right Hand LH Left Hand	605 Bright Brass
	12 Duo Chek		Ext Spdl Extended Spindle		606 Satin Brass
	15 Duo Chek (Hold Open)		LAP Less All Parts		611 Bright Bronze
	16 Duo Chek		LFP Less Floor Plate		612 Satin Bronze
	354 Gate		LCC Less Cement Case		613 Dark Bronze
	355 Gate		LTP Less Top Pivot		613E Dark Oxidized Satin Bronze - Equivalent
	356 Gate		Depth for Cover Pan		618 Bright Nickel
	357 Gate		SPLO# Special Layout		619 Satin Nickel
	359 Gate				622 Flat Black
	SEC27-180 Security				625 Bright Chrome
	1351 Exterior Gate				626 Satin Chrome (Sprayed finishes 350 Series gate closers only)
					689 Sprayed Aluminum
					690 Sprayed Dark Bronze
					691 Sprayed Light Bronze
					693^ Sprayed Black
		696 Sprayed Brass			
		BSP Black Suede			
		WSP White Suede			

^1351 only available in 693

# RIXSON

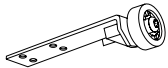
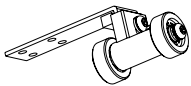

USA & Canada Prices Effective May 1, 2021

Norton and Rixson are brands associated with ASSA ABLOY Accessories and Door Controls Group, Inc., an ASSA ABLOY Group company. Copyright © 2002-2021, ASSA ABLOY Accessories and Door Controls Group, Inc. All rights reserved. Reproduction in whole or in part without the express written permission of ASSA ABLOY Accessories and Door Controls Group, Inc. is prohibited. Contact Norton: 877-974-2255 or visit [www.nortondoорcontrols.com](http://www.nortondoорcontrols.com); Contact RIXSON: 800-457-5670 or visit [www.rixson.com](http://www.rixson.com). In Canada contact us at: 800-461-3007 or visit [www.assaabloydss.ca](http://www.assaabloydss.ca)

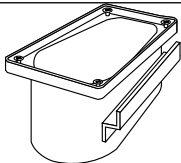
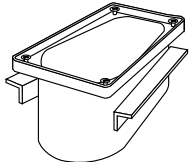
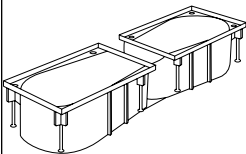
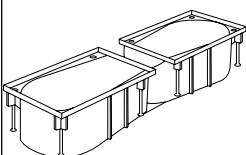
**ASSA ABLOY**

Experience a safer  
and more open world

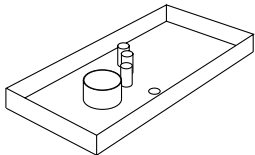
## Roller Mate® Caster

Model	Description	Price
 10600	Single Roller Caster	See Page 125
 10602	Double Roller Caster	
 10600-025 for 10600 10600-028 for 10602	Hollow Metal Reinforced Plate	

## Special Cement Cases

Model	Description	Price
 1101	Cement Case for use with expansion joints, handed	See Page 94
 79501	Cement Case for use with shallow floors	
 25204	Twin Cement Case 1-7/8" Mullion for back to back closers. Must be ordered with closers	
 25304	Twin Cement Case 2" Mullion for back to back closers. Must be ordered with closers.	

## Cover Pans

Model	Description	Price	
	846*	Cover Pan for 27 closer, specify depth, hand. 1-3/4 doors only.	See Page 94
	3910*	Cover Pan for L27 closer, specify depth, hand. 1-3/4 doors only	
	2237*	Cover Pan for 28 closer x 554 flat arm, specify depth, hand.	
	841*	Cover Pan for 28 closer, centering arm, specify depth, hand.	
	841B*	Cover Pan for H28 and H28 x 587 arm closers, specify depth, hand.	See Page 101
	2637*	Cover Pan for 51 closer, specify depth, hand. 1-3/4 doors only.	
	2807D*	Cover Pan for 53 closer, specify depth, hand.	
	2807B*	Cover Pan for 50 closer x 554 flat arm, specify depth, hand.	
	2807A*	Cover Pan for 50 closer, centering arm, specify depth, hand.	

\*Finish required, stainless steel or brass

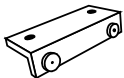
USA & Canada Prices Effective May 1, 2021

### ASSA ABLOY

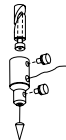
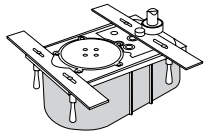
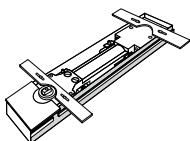
Experience a safer  
and more open world

Norton and Rixson are brands associated with ASSA ABLOY Accessories and Door Controls Group, Inc., an ASSA ABLOY Group company. Copyright © 2002-2021, ASSA ABLOY Accessories and Door Controls Group, Inc. All rights reserved. Reproduction in whole or in part without the express written permission of ASSA ABLOY Accessories and Door Controls Group, Inc. is prohibited. Contact Norton: 877-974-2255 or visit [www.nortondoortcontrols.com](http://www.nortondoortcontrols.com); Contact RIXSON: 800-457-5670 or visit [www.rixson.com](http://www.rixson.com). In Canada contact us at: 800-461-3007 or visit [www.assaabloydss.ca](http://www.assaabloydss.ca)

## Applied Stop

Model		Description	Price
	60131 Specify Finish	Lock edge applied stop for single acting center hung doors	See Page 101

## Installation Tools

Model		Description	Price
	2604	Pivot Alignment Tool	See Page 125
	2608	Pivot Alignment Tool for H340 and H345	
	1859001	27/28/30/40 Quickspotter Installation Tool	See Page 94
	1859501	Q27 Quickspotter Installation Tool	
	1855051	50/51/53 Quickspotter Installation Tool	See Page 101

USA & Canada Prices Effective May 1, 2021

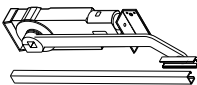
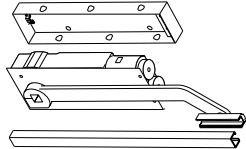
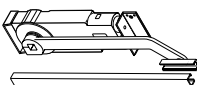
**ASSA ABLOY**

Experience a safer  
and more open world

Norton and Rixson are brands associated with ASSA ABLOY Accessories and Door Controls Group, Inc., an ASSA ABLOY Group company. Copyright © 2002-2021, ASSA ABLOY Accessories and Door Controls Group, Inc. All rights reserved. Reproduction in whole or in part without the express written permission of ASSA ABLOY Accessories and Door Controls Group, Inc. is prohibited. Contact Norton: 877-974-2255 or visit [www.nortondoortools.com](http://www.nortondoortools.com); Contact RIXSON: 800-457-5670 or visit [www.rixson.com](http://www.rixson.com). In Canada contact us at: 800-461-3007 or visit [www.assaabloydss.ca](http://www.assaabloydss.ca)

Options, see page 111

## Offset Hung

Model	Complete Closer Specify Model and Degree (If Hold Open)	LAP Specify Model and Degree (If Hold Open)	Mounting Bracket/ Channel	Top Arm & Rail Package	Cover Plate Pkg
	0608	608 LAP	608019	06082012-*	N/A
	\$788.00	\$504.00	\$55.00	\$229.00	-
	M0608	608 LAP	608049PKG	06082012-*	6084000*
	\$1,069.00	\$504.00	\$208.00	\$229.00	\$128.00
	MW0608	608 LAP	608049PKG	06082012-*	6084000*
	\$1,069.00	\$504.00	\$208.00	\$229.00	\$128.00
	W0608	608 LAP	608049PKG	06082012-*	6084000*
\$1,069.00	\$504.00	\$208.00	\$229.00	\$128.00	
	AW0608	608 LAP	608019	06082012-*	N/A
	\$788.00	\$504.00	\$55.00	\$229.00	-

See model 547 pivot set on page 118 as a method to hang doors.

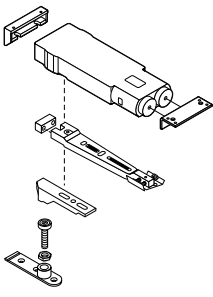
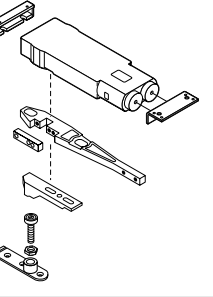
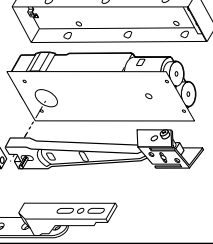
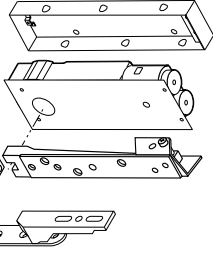
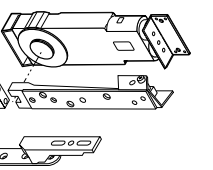
Pricing for 1-3/4 thick doors hung on standard 4-1/2 x 4-1/2 butts or 3/4 offset pivots. For all other hanging means or door thicknesses, consult factory. Prices will be affected and will not carry any buy program or quote discounting.

\*Finish required, sprayed finishes only see page 111 - Arms are sprayed finishes only  
N = Non-Hold open A = Automatic Hold Open  
LAP = Less All Parts

Rixson Overhead  
Concealed Closers

Options, see page 111

## Center Hung

Model	Complete Closer Specify Model and Degree (If Hold Open)	LAP Specify Model and Degree (If Hold Open)	Mounting Bracket/ Channel	Top Arm Package	Bottom Pivot Package	Cover Plate Pkg
	608EL	608 LAP	608019	6002020	608011A	N/A
	\$796.00	\$504.00	\$55.00	\$81.00	\$156.00	-
	608SL	608 LAP	608019	6080055	608011A	NA
	\$796.00	\$504.00	\$55.00	\$81.00	\$156.00	-
	M608	608 LAP	608049PKG	6002020	608011A	6084000*
	\$1,077.00	\$504.00	\$208.00	\$81.00	\$156.00	\$128.00
	MW608	608 LAP	608049PKG	6002021	608011A	6084000*
	\$1,077.00	\$504.00	\$208.00	\$81.00	\$156.00	\$128.00
	W608	608 LAP	608049PKG	6002021	608011A	6084000*
	\$1,077.00	\$504.00	\$208.00	\$81.00	\$156.00	\$128.00
	AW608	608 LAP	608019	6002021	608011A	N/A
	\$796.00	\$504.00	\$55.00	\$81.00	\$156.00	-

\*Finish required, sprayed finishes only see page 111  
N = Non-Hold open A = Automatic Hold Open  
LAP = Less All Parts

USA & Canada Prices Effective May 1, 2021

## ASSA ABLOY

Experience a safer  
and more open world

Norton and Rixson are brands associated with ASSA ABLOY Accessories and Door Controls Group, Inc., an ASSA ABLOY Group company. Copyright © 2002-2021, ASSA ABLOY Accessories and Door Controls Group, Inc. All rights reserved. Reproduction in whole or in part without the express written permission of ASSA ABLOY Accessories and Door Controls Group, Inc. is prohibited. Contact Norton: 877-974-2255 or visit [www.nortondoortcontrols.com](http://www.nortondoortcontrols.com); Contact RIXSON: 800-457-5670 or visit [www.rixson.com](http://www.rixson.com). In Canada contact us at: 800-461-3007 or visit [www.assaabloydss.ca](http://www.assaabloydss.ca)

### Quick Reference Options

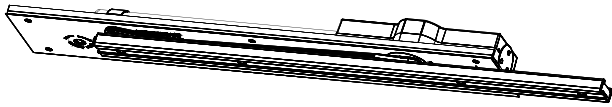
Suffix	Description	Price
1/2 Ext Spdle	Longer spindle for unique head conditions	\$190.00

### How To Order

Commodity Grade Closer Model							
M608 Model		90A Hold Open or Not		x 1/2" Ext Spdl Suffix		x 626 Finish	
<b>Offset Hung</b>		90A	Hold Open	1/2"	Extended Spindle	605	Bright Brass
0608	Aluminum Dr & Fr	105A	Hold Open			606	Satin Brass
M0608	Metal Dr & Fr	N	Non-Hold Open			611	Bright Bronze
MW0608	Wood Dr & Metal Fr					612	Satin Bronze
W0608	Wood Dr and Fr					613	Dark Bronze
AW0608	Wood Dr and Alum Fr					613E	Dark Oxidized Satin Bronze - Equivalent
<b>Center Hung</b>						618	Bright Nickel
608EL	End Load Arm Alum Dr & Fr					619	Satin Nickel
608SL	Side Load Arm Alum Dr & Fr					622	Flat Black
M608	Metal Dr & Fr					625	Bright Chrome
MW608	Wood Dr & Metal Fr					626	Satin Chrome
W608	Wood Dr & Fr					<u>For Arms Only</u>	
AW608	Wood Dr and Alum Fr					689	Sprayed Aluminum
						690	Sprayed Dark Bronze
						691	Sprayed Light Bronze
						696	Sprayed Brass
						BSP	Black Suede
						WSP	White Suede

Options, see page 115

### Offset Hung

	<b>Complete Closer Specify Hand and Finish</b>	<b>689, 690, 691, 693, 696, 613E, BSP, WSP</b>	<b>626</b>	<b>605, 606, 613, 618, 619, 625</b>
	PH91NDCP	\$1,104.00	\$1,488.00	\$1,594.00
	91NDCP			
	PH91HDCP	\$1,124.00	\$1,508.00	\$1,614.00
	91HDCP			
	WPH91NDCP	\$1,204.00	\$1,588.00	\$1,694.00
	W91NDCP			
	WPH91HDCP	\$1,224.00	\$1,608.00	\$1,714.00
	W91HDCP			
	<b>Less All Parts Specify Hand and Finish</b>	<b>689, 690, 691, 693, 696, 613E, BSP, WSP</b>	<b>626</b>	<b>605, 606, 613, 618, 619, 625</b>
	PH91NDCP LAP	\$811.00	\$1,180.00	\$1,257.00
	91NDCP LAP			
	PH91HDCP LAP			
	91HDCP LAP			
	PH91NDCP LAP			
91NDCP LAP				
PH91HDCP LAP				
91HDCP LAP				

See model 547 pivot on page 118 as a method to hang doors.

Pricing for 1-3/4 thick doors hung on standard 4-1/2 x 4-1/2 butts or 3/4 offset pivots. For all other hanging means or door thicknesses, consult factory. Prices will be affected and will not carry any buy program or quote discounting.

\*Finish required, see page 115  
N = Non-Hold Open H = Hold Open  
LAP = Less All Parts

USA & Canada Prices Effective May 1, 2021

## ASSA ABLOY

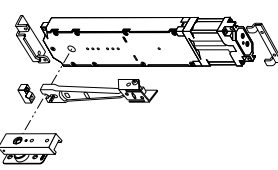
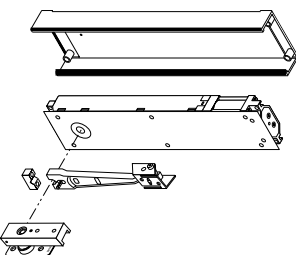
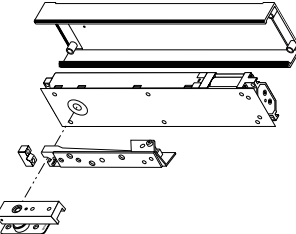
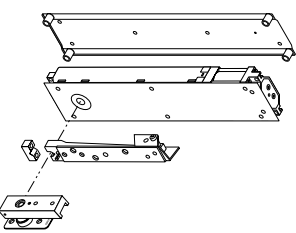
Experience a safer  
and more open world

Norton and Rixson are brands associated with ASSA ABLOY Accessories and Door Controls Group, Inc., an ASSA ABLOY Group company. Copyright © 2002-2021, ASSA ABLOY Accessories and Door Controls Group, Inc. All rights reserved. Reproduction in whole or in part without the express written permission of ASSA ABLOY Accessories and Door Controls Group, Inc. is prohibited. Contact Norton: 877-974-2255 or visit [www.nortondoortcontrols.com](http://www.nortondoortcontrols.com); Contact RIXSON: 800-457-5670 or visit [www.rixson.com](http://www.rixson.com). In Canada contact us at: 800-461-3007 or visit [www.assaabloydss.ca](http://www.assaabloydss.ca)



Options, see page 115

### Center Hung Single Acting

Model	Complete Closer Specify Model Size, Hand and Degree	LAP Specify Model Size, Hand and Degree	Mounting Bracket/ Channel/ Plate	Top Arm Package	Bottom Pivot Package	Cover Plate Package
	706 707 708	706 LAP 707 LAP 708 LAP	1639000	8002020	2183020	N/A
	\$2,029.00	\$1,640.00	\$63.00	\$138.00	\$188.00	-
	M706 M707 M708	706 LAP 707 LAP 708 LAP	1929000	8002020	2183020	7004000R
						7004000L*
	\$2,318.00	\$1,640.00	\$199.00	\$138.00	\$188.00	\$153.00
	MW706 MW707 MW708	706 LAP 707 LAP 708 LAP	1929000	8002021	2183020	7004000R*
						7004000L*
	\$2,358.00	\$1,640.00	\$199.00	\$178.00	\$188.00	\$153.00
	W706 W707 W708	706 LAP 707 LAP 708 LAP	1989000	8002021	2183020	7004000R*
						7004000L*
	\$2,358.00	\$1,640.00	\$199.00	\$178.00	\$188.00	\$153.00

\*Finish required, see page 115

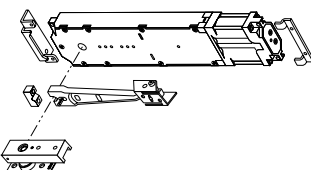
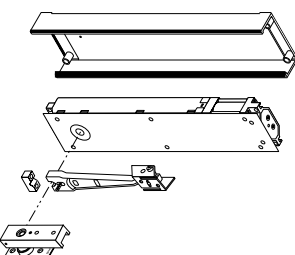
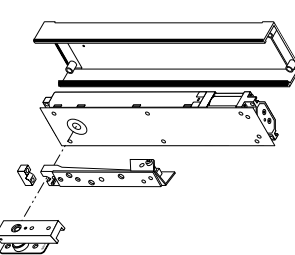
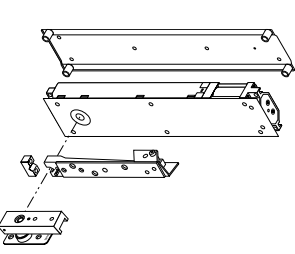
N = Non-Hold open A = Automatic Hold Open

LAP= Less All Parts

Rixson Overhead  
Concealed Closers

Options, see page 115

## Center Hung Double Acting

Model	Complete Closer Specify Model Size and Degree	LAP Specify Model Size and Degree	Mounting Bracket/ Channel/ Plate	Top Arm Package	Bottom Pivot Package	Cover Plate Package
	806 807 808	806 LAP 807 LAP 808 LAP	1639000	8002020	2183020	N/A
	\$2,029.00	\$1,640.00	\$63.00	\$138.00	\$188.00	-
	M806 M807 M808	806 LAP 807 LAP 808 LAP	1929000	8002020	2183020	8004000*
	\$2,356.00	\$1,640.00	\$199.00	\$138.00	\$188.00	\$191.00
	MW806 MW807 MW808	806 LAP 807 LAP 808 LAP	1929000	8002021	2183020	8004000*
	\$2,396.00	\$1,640.00	\$199.00	\$178.00	\$188.00	\$191.00
	W806 W807 W808	806 LAP 807 LAP 808 LAP	1989000	8002021	2183020	8004000*
	\$2,396.00	\$1,640.00	\$199.00	\$178.00	\$188.00	\$191.00

\*Finish required, see page 115  
N = Non-Hold open A = Automatic Hold Open  
LAP = Less All Parts

Rixson Overhead  
Concealed Closers

## Quick Reference Options

Suffix	Description	Price
1/2 Ext Spdle	Longer spindle for unique frame conditions	\$398.00
199	Decorative end caps for center hung wood doors (608, 700 & 800 models only)	\$97.00
SPLO	Special templating and products	Excluded from buying programs - contact factory for pricing

## How To Order

Architectural Grade Closer Models 700 & 800						
M706 Model (specify size 6, 7, or 8)	90A Degree	x 1/2" Ext Spdl Suffix	x RH Hand	x 626 Finish		
<b>Single Acting Center Hung</b>	90A Hold Open	1/2" Extended Spindle	Blank Dbl Acting	605	Bright Brass	
700 Aluminum Dr. & Fr	105A Hold Open		RH Right Hand	606	Satin Brass	
M700 Metal Dr & Fr	90N Non-Hold Open	SPLO Special Material Layout	LH Left Hand	611	Bright Bronze	
MW700 Wood Dr & Metal Fr				612	Satin Bronze	
W700 Wood Dr & Fr	105N Non-Hold Open			613	Dark Bronze	
<b>Double Acting Center Hung</b>				613E	Dark Oxidized Satin Bronze - Equivalent	
800 Aluminum Dr & Fr				618	Bright Nickel	
M800 Metal Dr & Fr				619	Satin Nickel	
MW800 Wood Dr & Metal Fr				622	Flat Black	
W800 Wood Dr & Fr				625	Bright Chrome	
				626	Satin Chrome	
				<u>ALL ARMS</u>		
				689	Sprayed Aluminum	
				690	Sprayed Dark Bronze	
				691	Sprayed Light Bronze	
				696	Sprayed Brass	
				BSP	Black Suede	
				WSP	White Suede	

Architectural Grade Closer Model 91						
W91 (Model)	N (Function)	DCP	x 1/2" Extended Spdl (Suffix)	x RH Hand	x 626 Finish	
91 - 3-6 Spring	N - Non-Hold Open	Dress Cover Plate	1/2" Extended Spindle	RH Right Hand	689	Sprayed Aluminum
PH - ADA, 1-3 Spring	H - Hold Open			LH Left Hand	690	Sprayed Dark Bronze
W - Wood Frame					691	Sprayed Light Bronze
					693	Sprayed Black
					696	Sprayed Brass
					605	Bright Brass
					606	Satin Brass
					611	Bright Bronze
					613	Dark Bronze
					613E	Dark Oxidized Satin Bronze - equivalent
					618	Bright Nickel
					619	Satin Nickel
					625	Bright Chrome
					626	Satin Chrome
					BSP	Black Suede
					WSP	White Suede

# RIXSON

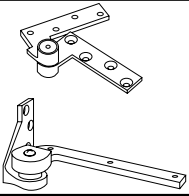
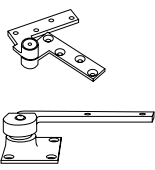
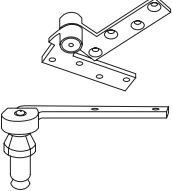
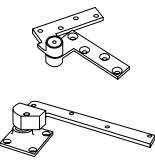
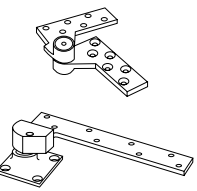
USA & Canada Prices Effective May 1, 2021

Norton and Rixson are brands associated with ASSA ABLOY Accessories and Door Controls Group, Inc., an ASSA ABLOY Group company. Copyright © 2002-2021, ASSA ABLOY Accessories and Door Controls Group, Inc. All rights reserved. Reproduction in whole or in part without the express written permission of ASSA ABLOY Accessories and Door Controls Group, Inc. is prohibited. Contact Norton: 877-974-2255 or visit [www.nortondoорcontrols.com](http://www.nortondoорcontrols.com); Contact RIXSON: 800-457-5670 or visit [www.rixson.com](http://www.rixson.com). In Canada contact us at: 800-461-3007 or visit [www.assaabloydss.ca](http://www.assaabloydss.ca)

**ASSA ABLOY**

Experience a safer  
and more open world

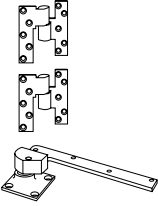
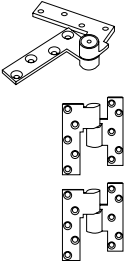
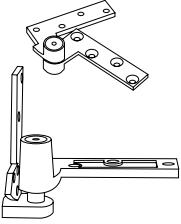
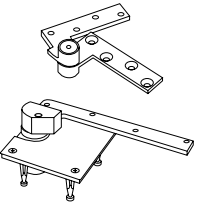
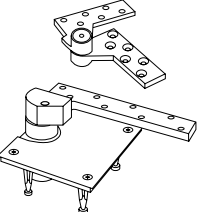
### Offset Hung Pivot Sets

Model	Description	Painted	Plated	
	117-1/4	3/4 Offset (includes 180 top pivot)	N/A	
			\$520.00	
	117	3/4 Offset (includes 180 top pivot)	N/A	
	117 x 1-1/2OS	1-1/2 Offset (includes 180 x 1-1/2OS top pivot)	N/A	
	F117	Fire rated 3/4 Offset (includes F180 top pivot)	\$544.00	\$915.00
	F117 x 1-1/2OS	Fire rated 1-1/2 Offset (includes F180 top pivot)	\$840.00	\$1,365.00
	117-20	3/4 Offset x 20 min (includes 180 - 20 top pivot)	N/A	\$541.00
	173	3/4 Offset (includes 180 top pivot)	N/A	
			\$349.00	
	147	3/4 Offset (includes 180 top pivot)	N/A	
	147 x 1-1/2OS	1-1/2 Offset (includes 180 x 1-1/2OS top pivot)	N/A	
	F147	Fire rated 3/4 Offset (includes F180 top pivot)	\$776.00	\$1,109.00
	F147 x 1-1/2OS	Fire rated 1-1/2 Offset (includes F180 x 1-1/2OS top pivot)	\$1,036.00	\$1,478.00
	147-20	3/4 Offset x 20 min (includes 180-20 top pivot)	N/A	\$751.00
	147-20 x 1-1/2OS	1-1/2 Offset (includes 180-20 top pivot)	N/A	\$1,020.00
	L147	3/4 Offset x 1-3/4 door (includes L180 top pivot)	N/A	
	L147	3/4 Offset x 2, 2-1/4, 2-1/2 or 3 doors (includes L180 top pivot)	N/A	
	FL147	Fire rated 3/4 Offset x 1-3/4 door (includes FL180 top pivot)	\$1,065.00	\$1,469.00
	L147-20	3/4 Offset x 1-3/4 door (includes L180-20 top pivot)	N/A	\$1,040.00

Rixson Pivots  
and Pivot Sets

\*Finish required, see page 125

## Offset Hung Pivot Sets

Model	Description	Painted	Plated
	547	N/A	\$823.00
	F547	\$823.00	\$1,161.00
	165	N/A	\$1,108.00
	195	N/A	\$718.00
	F195	N/A	\$1,094.00
	117-1/2	N/A	\$1,096.00
	117-1/2 x 1-1/2OS	N/A	\$1,355.00
	117-1/2-20	N/A	\$1,118.00
	F117-1/2	\$1,113.00	\$1,365.00
	F117-1/2 x 1-1/2OS	\$1,388.00	\$1,846.00
	L117	N/A	\$1,494.00
	L117	N/A	\$1,949.00
	FL117	\$1,534.00	\$1,947.00
	L117-20	N/A	\$1,515.00

\*Finish required, see page 125

USA & Canada Prices Effective May 1, 2021

## ASSA ABLOY

Experience a safer  
and more open world

Norton and Rixson are brands associated with ASSA ABLOY Accessories and Door Controls Group, Inc., an ASSA ABLOY Group company. Copyright © 2002-2021, ASSA ABLOY Accessories and Door Controls Group, Inc. All rights reserved. Reproduction in whole or in part without the express written permission of ASSA ABLOY Accessories and Door Controls Group, Inc. is prohibited. Contact Norton: 877-974-2255 or visit [www.nortondoortcontrols.com](http://www.nortondoortcontrols.com); Contact RIXSON: 800-457-5670 or visit [www.rixson.com](http://www.rixson.com). In Canada contact us at: 800-461-3007 or visit [www.assaabloydss.ca](http://www.assaabloydss.ca)

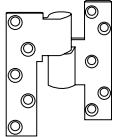
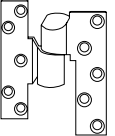
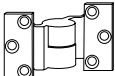
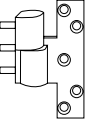
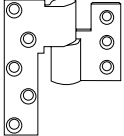
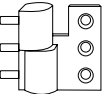
## Offset Hung Top Pivot

Model	Description	Painted	Plated	
	180	3/4 Offset	N/A	\$251.00
	180 x 1-1/2OS	1-1/2 Offset	N/A	\$454.00
	H180	3/4 Offset	N/A	\$323.00
	H180 x 1-1/2OS	1-1/2 Offset	N/A	\$512.00
	F180	Fire rated 3/4 Offset	\$269.00	\$589.00
	F180 x 1-1/2OS	Fire rated 1-1/2 Offset	\$452.00	\$950.00
	FH180	Fire rated 3/4 Offset	\$350.00	\$689.00
	180-20	3/4 Offset x 20 min	N/A	\$258.00
	180-20 x 1-1/2OS	1-1/2 Offset x 20 min	N/A	\$444.00
	H180-20	3/4 Offset x 20 min	N/A	\$342.00
	L180	3/4 Offset x 1-3/4 door	N/A	\$408.00
	L180	3/4 Offset x 2, 2-1/4, 2-1/2, or 3 doors	N/A	\$615.00
	L180-20	3/4 Offset x 20 min x 1-3/4 door only	N/A	\$410.00
	FL180	Fire rated 3/4 Offset x 1-3/4 door only	\$412.00	\$862.00
	FA180	3/4 Offset	\$314.00	\$647.00
	180 x 102	3/4 Offset	N/A	\$386.00
	180 x 102 x 1-1/2OS	1-1/2 Offset	N/A	\$589.00
	280	3/4 Offset	N/A	\$340.00
	F280	Fire rated 3/4 Offset	\$381.00	\$765.00
	280-20	3/4 Offset x 20 min	N/A	\$354.00
	380	3/4 Offset	N/A	\$340.00
	F380	Fire rated 3/4 Offset	\$381.00	\$751.00
	380-20	3/4 Offset x 20 min	N/A	\$354.00
	L380	3/4 Offset x 1-3/4 door only	N/A	\$570.00
	L380	3/4 Offset x 2, 2-1/4, 2-1/2, or 3 doors	N/A	\$788.00
	FL380	Fire rated 3/4 Offset x 1-3/4 door only	\$607.00	\$1,000.00
	L380-20	3/4 Offset x 20 min x 1-3/4 door only	N/A	\$586.00
	480	3/4 Offset	N/A	\$416.00
	F480	Fire rated 3/4 Offset	\$461.00	\$856.00
	480-20	3/4 Offset x 20 min	N/A	\$444.00
	680	3/4 Offset	N/A	\$456.00

\*Finish required, see page 125

Note that all fire rated openings must have a minimum of one intermediate pivot

### Intermediate Pivots

Model	Description	Painted	Plated	
	M19	3/4 Offset	N/A	\$360.00
	M19 x 1-1/2OS	1-1/2 Offset	N/A	\$534.00
	FM19	Fire rated 3/4 Offset	\$385.00	\$767.00
	FM19 x 1-1/2OS	Fire rated 1-1/2 Offset	\$577.00	\$1,119.00
	M190	3/4 Offset	N/A	\$438.00
	M190 x 1-1/2OS	1-1/2 Offset	N/A	\$610.00
	FM190	Fire rated 3/4 Offset	\$481.00	\$917.00
	FM190 x 1-1/2OS	Fire rated 1-1/2 Offset	\$664.00	\$1,113.00
	M19-20	3/4 Offset x 20 min	N/A	\$357.00
	M19-20 x 1-1/2OS	1-1/2 Offset x 20 min	N/A	\$560.00
	M190-20	3/4 Offset x 20 min	N/A	\$446.00
	ML19	3/4 Offset x 1-3/4 door only	N/A	\$514.00
	ML19	3/4 Offset x 2, 2-1/4, 2-1/2, or 3 doors	N/A	\$730.00
	FML19	Fire rated 3/4 Offset x 1-3/4 door only	\$558.00	\$1,077.00
	ML19-20	3/4 Offset x 20 min x 1-3/4 door only	N/A	\$540.00
	FA19	3/4 Offset	\$438.00	\$830.00
	FA190	3/4 Offset	\$547.00	
	119	3/4 Offset	N/A	\$264.00
	219	3/4 Offset	N/A	\$408.00
	219-20	3/4 Offset x 20 min	N/A	\$419.00
	319	3/4 Offset	N/A	\$400.00
	319-20	3/4 Offset x 20 min	N/A	\$446.00
	L319	3/4 Offset x 1-3/4 door only	N/A	\$660.00
	L319-20	3/4 Offset x 20 min x 1-3/4 door only	N/A	\$685.00
	419	3/4 Offset	N/A	\$475.00
	419-20	3/4 Offset x 20 min	N/A	\$496.00

\*Finish required, see page 125

USA & Canada Prices Effective May 1, 2021

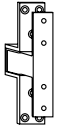
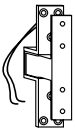
## ASSA ABLOY

Experience a safer  
and more open world

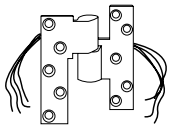
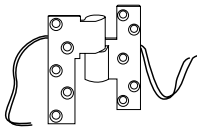
Norton and Rixson are brands associated with ASSA ABLOY Accessories and Door Controls Group, Inc., an ASSA ABLOY Group company. Copyright © 2002-2021, ASSA ABLOY Accessories and Door Controls Group, Inc. All rights reserved. Reproduction in whole or in part without the express written permission of ASSA ABLOY Accessories and Door Controls Group, Inc. is prohibited. Contact Norton: 877-974-2255 or visit [www.nortondoortcontrols.com](http://www.nortondoortcontrols.com); Contact RIXSON: 800-457-5670 or visit [www.rixson.com](http://www.rixson.com). In Canada contact us at: 800-461-3007 or visit [www.assaabloydss.ca](http://www.assaabloydss.ca)



## Pocket Pivot

Model Number	Description	Painted	Plated
 F519	Pocket Pivot	\$540.00	\$659.00
 EF519	Electrified Power Transfer Pivot Available in 4 wires only	NA	\$1,222.00

## Electrified Intermediate Pivots

Model Number	Description	Price	
	EFM19	Fire Rated 3/4" Offset Power Transfer Pivot Specify number of wires (4, 6, 8, 12)	\$1,353.00
	EM19 x 1-1/2OS	1-1/2" Offset Power Transfer Pivot Specify number of wires (4, 6, 8, 12)	\$904.00
	EFML19	Fire rated 3/4" Offset Power Transfer Pivot Heavy Weight/High Traffic 1-3/4" Dr. Specify number of wires (4, 6, 8, 12)	\$2,045.00
	EML19	3/4" Offset Power Transfer Pivot Heavy Duty/Weight/High Traffic 1-3/4" Dr Specify number of wires (4, 6, 8, 12)	\$1,446.00
	EML19-20	3/4" Offset Power Transfer Pivot, Heavy Duty/Weight/High Traffic, 1-3/4" Door, 20 Minute Specify number of wires (4, 6, 8, 12)	\$1,473.00
	EM19	3/4" Offset Power Transfer Pivot Specify number of wires (4, 6, 8, 12)	\$638.00
	EM19U	3/4" Offset Power Transfer High Inrush Pivot (2 wires only) Electrolynx not available	\$1,230.00
	EFM19 x 1-1/2	Fire Rated 1-1/2" Offset Power Transfer Pivot	\$2,056.00

ElectroLynx add \$36.00.  
Specify # of wires (4, 6, 8, 12).

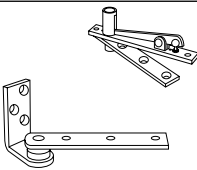
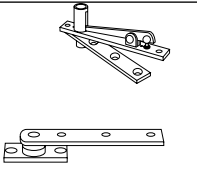
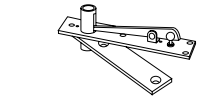
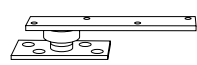
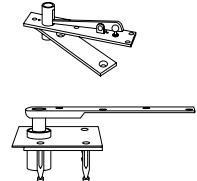
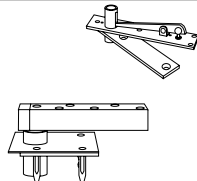
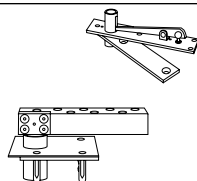
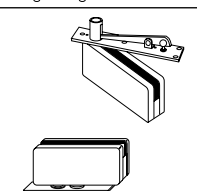
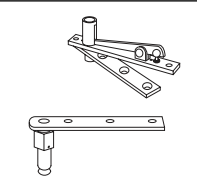
\*Finish required, see page 125

### ElectroLynx®

As part of their promise to provide innovative, fast and effective, and higher security solutions to their customers, ASSA ABLOY Group companies offer ElectroLynx®, a universal quick-connect system that simplifies the electrification of the door opening.

ElectroLynx® is a registered trademark of ASSA ABLOY, Inc.

## Center Hung Pivot Sets

Model	Description	Price
 127-3/4	Center Hung side jamb attached (includes 320 top pivot)	\$340.00
 128-3/4	Center Hung (includes 320 top pivot)	
 370	Center Hung (includes 340 top pivot)	\$503.00
 375	Center Hung (includes 345 top pivot)	\$864.00
 117-3/4	Center Hung (includes 340 top pivot)	\$1,033.00
 H117-3/4	Center Hung for doors 2" or greater (includes H340 top pivot)	\$2,519.00
 H117-3/4 587	Center Hung for doors 1-3/4 (includes H340 top pivot)	
 178	Patch fitting pivot (includes 7494 top pivot)	\$735.00
 176	Center Hung Light Duty Pivot	\$349.00

\*Finish required, see page 125

USA & Canada Prices Effective May 1, 2021

## ASSA ABLOY

Experience a safer  
and more open world

Norton and Rixson are brands associated with ASSA ABLOY Accessories and Door Controls Group, Inc., an ASSA ABLOY Group company. Copyright © 2002-2021, ASSA ABLOY Accessories and Door Controls Group, Inc. All rights reserved. Reproduction in whole or in part without the express written permission of ASSA ABLOY Accessories and Door Controls Group, Inc. is prohibited. Contact Norton: 877-974-2255 or visit [www.nortondoortcontrols.com](http://www.nortondoortcontrols.com); Contact RIXSON: 800-457-5670 or visit [www.rixson.com](http://www.rixson.com). In Canada contact us at: 800-461-3007 or visit [www.assaabloydss.ca](http://www.assaabloydss.ca)

### Center Hung Top Pivots

Model	Description	Price
 320	Center Hung	\$169.00
 340	Center Hung	\$163.00
 H340	Center Hung	\$536.00
 345	Center Hung long throw pivot pin	
 H345	Center Hung long throw pivot pin	\$871.00
 340 x AP3	Center Hung gate pivot	\$490.00
 320 x 102	Center Hung for deep reveal (No finish plate included)	\$304.00
 340 x 102	Center Hung for deep reveal (No finish plate included)	\$298.00

Rixson Pivots  
and Pivot Sets

\*Finish required, see page 125

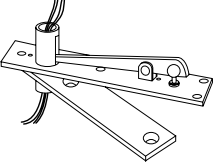
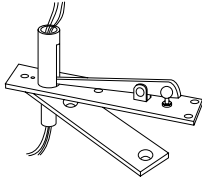
**ASSA ABLOY**

Experience a safer  
and more open world

USA & Canada Prices Effective May 1, 2021

Norton and Rixson are brands associated with ASSA ABLOY Accessories and Door Controls Group, Inc., an ASSA ABLOY Group company. Copyright © 2002-2021, ASSA ABLOY Accessories and Door Controls Group, Inc. All rights reserved. Reproduction in whole or in part without the express written permission of ASSA ABLOY Accessories and Door Controls Group, Inc. is prohibited. Contact Norton: 877-974-2255 or visit [www.nortondoortcontrols.com](http://www.nortondoortcontrols.com); Contact RIXSON: 800-457-5670 or visit [www.rixson.com](http://www.rixson.com). In Canada contact us at: 800-461-3007 or visit [www.assaabloydss.ca](http://www.assaabloydss.ca)

### Electrified Center Hung Top Pivots

Model	Description	Price
 EH340	Center Hung Heavy Duty for Power Transfer Top Pivot	\$698.00
 EH345	Center Hung Longer Throw Pin Heavy Duty for Taller Doors for Power Transfer	\$1,191.00

\*Finish required, see page 125

Specify # of wires (4,6,8,12)  
ElectroLynx add \$36.00.

#### ElectroLynx®

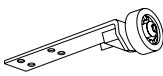
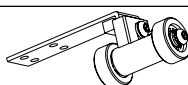
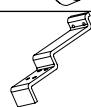
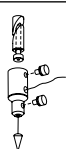
As part of their promise to provide innovative, fast and effective, and higher security solutions to their customers, ASSA ABLOY Group companies offer ElectroLynx®, a universal quick-connect system that simplifies the electrification of the door opening.

ElectroLynx® is a registered trademark of ASSA ABLOY, Inc.

## Quick Reference Options

Suffix	Description	Price
Ext Spdl	To accommodate special floor conditions, the spindle can be ordered in 1/2" increments up to and including 2". Pivots must be ordered with longer spindle. Extended spindles for 117-1/4, 117, 147, 547, 195, 127-3/4, 128-3/4, 370	\$63.00
	Extended spindles for 117-1/2, L117, 117-3/4, H117-3/4 and H117-3/4 x 587	\$116.00
Longer Pivot Pin	For top pivots with special ceiling condition, longer pins are available in 1/4 inch increments up to 3/4 longer. Not available for electrified pivots	Add \$47.00
Torx	Security Screws Not available for center hung models	Pivot Set Add \$230.00 Intermediate Pivots Add \$150.00
SPLO	Special layout that may require special templating and/or products	Excluded from buying programs - contact factory for pricing

## Accessories

Model	Description	Price
 10600	Single Roller Caster	\$793.00
 10602	Double Roller Caster	\$1,191.00
 10600-025 for 10600 10600-028 for 10602	Hollow Metal Reinforced Plate	\$241.00
10600-019	End Cap	\$31.00
 2604 2608 for 180, H340 and H345	Pivot Alignment Tool	\$116.00

## How To Order

F Prefix	L147 Model	x 2-1/4" Door Suffix	x RH Hand	x 626 Finish	
F Fire Rated Doors	117-1/4	1-1/2OS	Blank (Center Hung)	605 Bright Brass	
	117	1-1/2" Offset		606 Satin Brass	
	173	2-1/4" Door Thickness	RH Right	611 Bright Bronze	
	147	L Series Product Only	LH Left	612 Satin Bronze	
	L147	3" } H Arm (H117-3/4)		613 Dark Bronze	
	547			Ext Spdl } Extended Spindle	613E Dark Oxidized Satin Bronze - Equivalent
	165				618 Bright Nickel
	195	-20 } 20 Minute label		619 Satin Nickel	
	117-1-1/2	LTP } Less Top Pivot		622 Flat Black	
	L117	# of Wires for Electrified Product		625 Bright Chrome	
	127-3/4		TORX Security Screws (Offset Only)	626 Satin Chrome	
	128-3/4			689 Sprayed Aluminum	
	370	SPLO# Special Layout		690 Sprayed Dark Bronze	
	375			691 Sprayed Light Bronze	
	117-3/4			696 Sprayed Brass	
178			BSP Black Suede		
176			WSP White Suede		

USA & Canada Prices Effective May 1, 2021

### ASSA ABLOY

Experience a safer  
and more open world

Norton and Rixson are brands associated with ASSA ABLOY Accessories and Door Controls Group, Inc., an ASSA ABLOY Group company. Copyright © 2002-2021, ASSA ABLOY Accessories and Door Controls Group, Inc. All rights reserved. Reproduction in whole or in part without the express written permission of ASSA ABLOY Accessories and Door Controls Group, Inc. is prohibited. Contact Norton: 877-974-2255 or visit [www.nortondoortools.com](http://www.nortondoortools.com); Contact RIXSON: 800-457-5670 or visit [www.rixson.com](http://www.rixson.com). In Canada contact us at: 800-461-3007 or visit [www.assaabloydss.ca](http://www.assaabloydss.ca)

# RIXSON

**ASSA ABLOY**

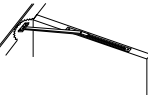
Experience a safer  
and more open world

USA & Canada Prices Effective May 1, 2021

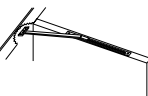
Norton and Rixson are brands associated with ASSA ABLOY Accessories and Door Controls Group, Inc., an ASSA ABLOY Group company. Copyright © 2002-2021, ASSA ABLOY Accessories and Door Controls Group, Inc. All rights reserved. Reproduction in whole or in part without the express written permission of ASSA ABLOY Accessories and Door Controls Group, Inc. is prohibited. Contact Norton: 877-974-2255 or visit [www.nortondoорcontrols.com](http://www.nortondoорcontrols.com); Contact RIXSON: 800-457-5670 or visit [www.rixson.com](http://www.rixson.com). In Canada contact us at: 800-461-3007 or visit [www.assaabloydss.ca](http://www.assaabloydss.ca)

Options, see page 131

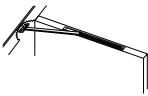
## 1 Series Concealed Heavy Duty

Model				Door Opening (inches)		Finishes		
	Friction	Hold Open	Stop	**Butts Offset Pivots	Center Hung Pivots	689, 690, 691, 696, 652, BSP, WSP	606, 612, 613, 630	605, 611, 618, 619, 622, 629
	1-116	1-126	1-136	*24-28	NA	\$356.00	\$392.00	\$588.00
	1-216	1-226	1-236	28 1/16-33	30-36			
	1-316	1-326	1-336	33 1/16-38	36 1/16-41			
	1-416	1-426	1-436	38 1/16-43	41 1/16-46			
	1-516	1-526	1-536	43 1/16-48	46 1/16-50			

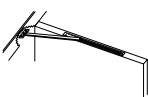
## 1ADJ Series Concealed Adjustable Heavy Duty

Model			Door Opening (inches)		Finishes		
	Hold Open	Stop	**Butts Offset Pivots	Center Hung Pivots	689, 690, 691, 696, 652, BSP, WSP	606, 612, 613, 630	605, 611, 618, 619, 622, 629
	1ADJ-126	1ADJ-136	*24-28	NA	\$375.00	\$410.00	\$618.00
	1ADJ-226	1ADJ-236	28 1/16-33	30-36			
	1ADJ-326	1ADJ-336	33 1/16-38	36 1/16-41			
	1ADJ-426	1ADJ-436	38 1/16-43	41 1/16-46			
	1ADJ-526	1ADJ-536	43 1/16-48	46 1/16-50			

## 2 Series Concealed Adjustable Standard Duty

Model					Door Opening (inches)		Finishes		
	Friction	Hold Open	Stop	Multi-Function	**Butts Offset Pivots	Center Hung Pivots	689, 690, 691, 696, 652**, BSP, WSP	606, 612, 613, 630	605, 611, 618, 619, 622, 629
	2-116	2-126	2-136	2-146	*18-24	NA	\$161.00	\$191.00	\$246.00
	2-216	2-226	2-236	2-246	24 1/16-30	27-32			
	2-316	2-326	2-336	2-346	30 1/16-36	32 1/16-38-1/2			
	2-416	2-426	2-436	2-446	36 1/16-42	38 9/16-45			
	2-516	2-526	2-536	2-546	42 1/16-48	45 1/16-48			

## 5 Series Concealed Standard Duty

Model			Door Opening (inches)		Finishes		
	Hold Open	Stop	**Butts Offset Pivots	Center Hung	689, 690, 691, 696, 652, BSP, WSP		
	5-126	5-136	*18-24	NA	\$149.00		
	5-226	5-236	24 1/16-30	27-32			
	5-326	5-336	30 1/16-36	32 1/16-38 1/2			
	5-426	5-436	36 1/16-42	38 9/16-45			
	5-526	5-536	42 1/16-48	45 1/16-48			

\* Butt hung only

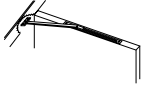
\*\* 652 Not available in multi-function models

\*\*Pricing for Offset 1-3/4 thick doors hung on standard 4-1/2 x 4-1/2 butts or 3/4 offset pivots. For all other hanging means or door thicknesses, consult factory. Prices will be affected and will not carry any buy program or quote discounting.


Rixson Checkmate Stops and Holders

Options, see page 131

## 6 Series Concealed Low Profile

Model		Door Opening (inches)		Finishes		
	Stop	**Butts Offset Pivots	Center Hung Pivots	689, 690, 691, 696, BSP, WSP	606, 612, 613, 630	605, 611, 618, 619, 622, 629
	6-136	*24-28	NA	\$488.00	\$527.00	\$611.00
	6-236	28 1/16-33	30-36			
	6-336	33 1/16-38	36 1/16-41			
	6-436	38 1/16-43	41 1/16-46			
	6-536	43 1/16-48	46 1/16-50			

## 6ADJ Series Concealed Adjustable Low Profile

Model		Door Opening (inches)		Finishes		
	Stop	**Butts Offset Pivots	Center Hung Pivots	689, 690, 691, 696, BSP, WSP	606, 612, 613, 630	605, 611, 619, 622, 629
	6ADJ-136	*24-28	NA	\$513.00	\$550.00	\$639.00
	6ADJ-236	28 1/16-33	30-36			
	6ADJ-336	33 1/16-38	36 1/16-41			
	6ADJ-436	38 1/16-43	41 1/16-46			
	6ADJ-536	43 1/16-48	46 1/16-50			

\* Butt hung only

\*\* Pricing for Offset 1-3/4 thick doors hung on standard 4-1/2 x 4-1/2 butts or 3/4 offset pivots. For all other hanging means or door thicknesses, consult factory. Prices will be affected and will not carry any buy program or quote discounting.



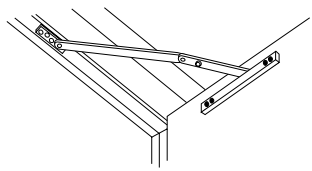
Options, see page 131

## 7 Series Surface Heavy Duty

	Model			Door Opening (inches)	Finishes
	Friction	Hold Open	Stop	**Butts or Offset Pivots	689, 690, 691, 696, BSP, WSP
	NA	7-126	NA	24-30	\$361.00
	NA	7-226	NA	30 1/16-34	
	NA	7-326	NA	34 1/16-39	
	NA	7-426	NA	39 1/16-48	

## 8 HD Series Surface Extra Heavy Duty

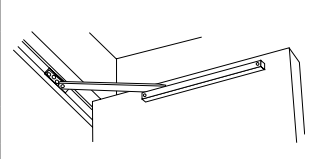


	Model		Door Opening (inches)		Finishes		
	Hold Open	**Butts Offset Pivots	Center Hung Pivots	689, 690, 691, 696, BSP, WSP	606, 612, 613, 630	605, 622, 629	
	8-226	27 1/16-32 1/2	29 9/16-35	\$497.00	\$537.00	\$625.00	
	8-326	33 9/16-38 3/4	35-1/16-41-1/2				
	8-426	38 13/16-42 1/2	41 9/16-45				
	8-526	42 9/16-48	45 1/16-48				
	<b>Stop</b>						
	8-236	27 1/16-32 1/2	29 9/16-35	\$445.00	\$473.00	\$559.00	
	8-336	33 9/16-38 3/4	35 1/16-41 1/2				
	8-436	38 13/16-42 1/2	41 9/16-45				
	8-536	42 9/16-48	45 1/16-48				

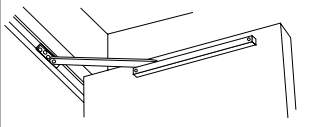
\*\*Pricing for Offset 1-3/4 thick doors hung on standard 4-1/2 x 4-1/2 butts or 3/4 offset pivots. For all other hanging means or door thicknesses, consult factory. Prices will be affected and will not carry any buy program or quote discounting.

Options, see page 131

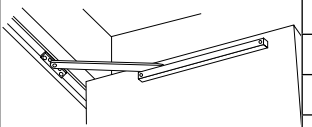
## 9 Series Surface Heavy Duty

Model				Door Opening (inches)		Finishes		
	Friction	Hold Open	Stop	**Butts Offset Pivots	Center Hung Pivots	689, 690, 691, 696, 652, BSP, WSP	606, 612, 613, 630	605, 611, 618, 619, 622, 629
	9-116	9-126	9-136	*24-28	NA	\$473.00	\$509.00	\$592.00
	9-216	9-226	9-236	28 1/16-33	30-36			
	9-316	9-326	9-336	33 1/16-38	36 1/16-41			
	9-416	9-426	9-436	38 1/16-43	41 1/16-46			
	9-516	9-526	9-536	43 1/16-48	46 1/16-50			

## 9ADJ Series Surface Adjustable Heavy Duty

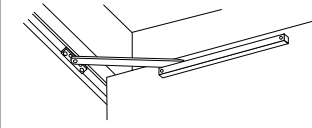
Model			Door Opening (inches)		Finishes		
	Hold Open	Stop	**Butts Offset Pivots	Center Hung Pivots	689, 690, 691, 696, 652, BSP, WSP	606, 612, 613, 630	605, 611, 618, 619, 622, 629
	9ADJ-126	9ADJ-136	*24-28	NA	\$493.00	\$530.00	\$623.00
	9ADJ-226	9ADJ-236	28 1/16-33	30-36			
	9ADJ-326	9ADJ-336	33 1/16-38	36 1/16-41			
	9ADJ-426	9ADJ-436	38 1/16-43	41 1/16-46			
	9ADJ-526	9ADJ-536	43 1/16-48	46 1/16-50			

## 10 Series Surface Adjustable Standard Duty

Model					Door Opening (inches)		Finishes		
	Friction	Hold Open	Stop	Multi-Function	**Butts Offset Pivots	Center Hung Pivots	689, 690, 691, 696, 652 <sup>^</sup> , BSP, WSP	606, 612, 613, 630	605, 611, 618, 619, 622, 629
	10-116	10-126	10-136	10-146	*18-24	21-26 1/2	\$191.00	\$241.00	\$293.00
	10-216	10-226	10-236	10-246	24 1/16-30	26 9/16-32			
	10-316	10-326	10-336	10-346	30 1/16-36	32 1/16-38 1/2			
	10-416	10-426	10-436	10-446	36 1/16-42	38 9/16-45			
	10-516	10-526	10-536	10-546	42 1/16-48	45 1/16-48			

<sup>^</sup>652 Not available on multi-function holders

## 55 Series Surface Standard Duty

Model				Door Opening (inches)		Finishes		
	Hold Open	Stop	**Butts Offset Pivots	Center Hung	689, 690, 691, 696, 652, BSP, WSP			
	55-126	55-136	*18-24	NA	\$149.00			
	55-226	55-236	24 1/16-30	27-32				
	55-326	55-336	30 1/16-36	32 1/16-38 1/2				
	55-426	55-436	36 1/16-42	38 9/16-45				
	55-526	55-536	42 1/16-48	45 1/16-48				

\* Butt hung only

\*\* Pricing for Offset 1-3/4 thick doors hung on standard 4-1/2 x 4-1/2 butts or 3/4 offset pivots. For all other hanging means or door thicknesses, consult factory. Prices will be affected and will not carry any buy program or quote discounting.

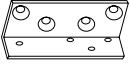
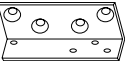
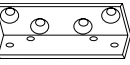
USA & Canada Prices Effective May 1, 2021

### ASSA ABLOY

Norton and Rixson are brands associated with ASSA ABLOY Accessories and Door Controls Group, Inc., an ASSA ABLOY Group company. Copyright © 2002-2021, ASSA ABLOY Accessories and Door Controls Group, Inc. All rights reserved. Reproduction in whole or in part without the express written permission of ASSA ABLOY Accessories and Door Controls Group, Inc. is prohibited. Contact Norton: 877-974-2255 or visit [www.nortondoortcontrols.com](http://www.nortondoortcontrols.com); Contact RIXSON: 800-457-5670 or visit [www.rixson.com](http://www.rixson.com). In Canada contact us at: 800-461-3007 or visit [www.assaabloydss.ca](http://www.assaabloydss.ca)

Experience a safer  
and more open world

## Quick Reference (Options & Accessories)

	Suffix	Description	Price
	LS	Less Spring Models 1 and 9 only	Add \$30.00
	TORX	Security Screws. All Models. Only provided for screws visible.	Add \$114.00
	5458*	LH Flush Mounting Brackets Models 8 & 9	\$74.00
	5459*	RH Flush Mounting Brackets Models 8 & 9	
	5258*	Flush Mounting Brackets Models 10 & 55	
	SPLO	Special layout that may require special templating and/or products	Excluded from buying programs - contact factory for pricing

\*Specify finish when ordering.

## How To Order

1 Series	3 Door Size Symbol	2 Function	6 Filler	x LS Options	x 630 Finish
1 Hvy Dty Concealed	1	1 Friction		LS Less Spring	605 Bright Brass
1ADJ Hvy Dty Concealed Adj	2	2 Holder		Torx Security Screws	606 Satin Brass
2 Std Dty Concealed Adj	3	3 Stop		ARM Arm Only	611 Bright Bronze
5 Std Dty Concealed	4	4 Multi function		SPLO# Special Layout	612 Satin Bronze
6 Low Profile Concealed	5				613 Dark Bronze
6ADJ Low Profile Concealed Adjustable	See Catalog for Sizing				618 Bright Nickel
7 Surf Cantilever Holder					619 Satin Nickel
8HD Extra Hvy Dty Dbl Lever					622 Flat Black
9 Hvy Dty Surface					629 Bright Stainless
9ADJ Hvy Dty Surface Adj					630 Satin Stainless
10 Std Dty Surface Adj					652 Satin Chrome on Steel
55 Std Dty Surface					689 Sprayed Aluminum
					690 Sprayed Dark Bronze
					691 Sprayed Light Bronze
					696 Sprayed Brass
					BSP Black Suede
					WSP White Suede

# RIXSON

USA & Canada Prices Effective May 1, 2021

Norton and Rixson are brands associated with ASSA ABLOY Accessories and Door Controls Group, Inc., an ASSA ABLOY Group company. Copyright © 2002-2021, ASSA ABLOY Accessories and Door Controls Group, Inc. All rights reserved. Reproduction in whole or in part without the express written permission of ASSA ABLOY Accessories and Door Controls Group, Inc. is prohibited. Contact Norton: 877-974-2255 or visit [www.nortondoорcontrols.com](http://www.nortondoорcontrols.com); Contact RIXSON: 800-457-5670 or visit [www.rixson.com](http://www.rixson.com). In Canada contact us at: 800-461-3007 or visit [www.assaabloydss.ca](http://www.assaabloydss.ca)

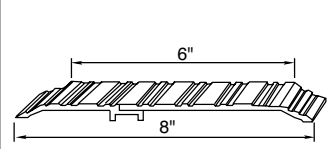
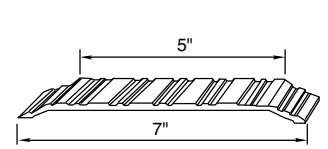
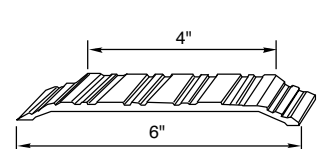
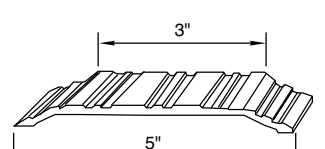
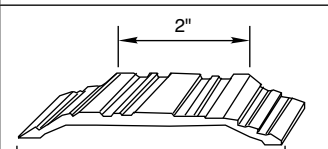
**ASSA ABLOY**

Experience a safer  
and more open world

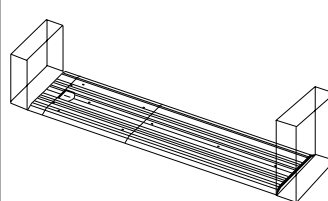
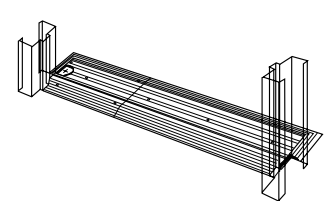
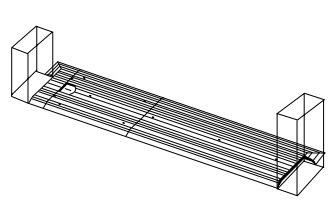
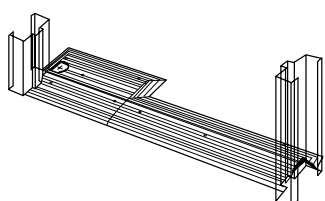
Note: Threshold prices include preparations for Rixson floor closers and pivots.  
Add \$100 to threshold prepped for any other manufacturers product

## Sizes

Materials	Sizes Available	Single Doors to 36"	Pair of Doors to 72"	Add Per Inch
Mill Aluminum	400, 500, 600, 700, 800	\$774.00	\$1,548.00	\$21.80
Polished Aluminum	400, 500, 600, 700, 800	\$973.00	\$1,946.00	\$27.70
Mill Bronze	400, 500, 600, 700, 800	\$2,120.00	\$4,240.00	\$61.00
605, 606, 613 on Bronze	400, 500, 600, 700, 800	\$2,914.00	\$5,828.00	\$78.00

			
<b>800 Profile</b>	<b>700 Profile</b>	<b>600 Profile</b>	<b>500 Profile</b>
			
<b>400 Profile</b>			

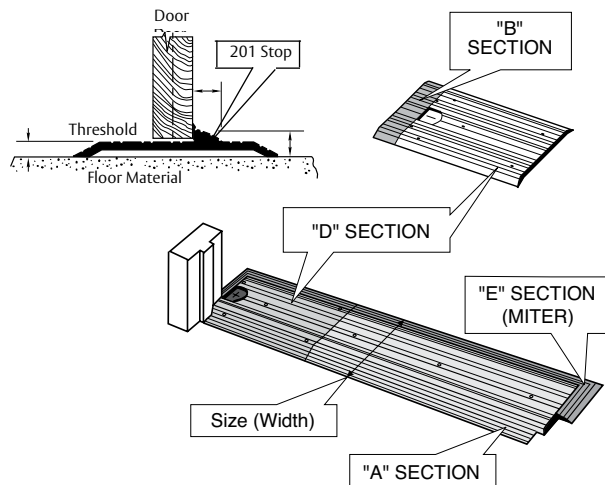
## Types

			
<b>Type 1</b>	<b>Type 3</b>	<b>Type 4</b>	<b>Type 5</b>

Note: Threshold prices include preparations for Rixson floor closers and pivots  
Add \$100 to threshold prepped for any other manufacturers product

## Components

Descriptions	Sizes Available	Price
A Section Mill Aluminum	400, 500, 600, 700, 800	\$21.80 per inch
A Section Polished Aluminum	400, 500, 600, 700, 800	\$27.70 per inch
A Section Mill Bronze	400, 500, 600, 700, 800	\$60.90 per inch
B Section Mill Aluminum	600, 700, 800	\$81.00
B Section Polished Aluminum	600, 700, 800	\$100.00
B Section Mill Bronze	400, 500, 600, 700, 800	\$218.00
B Section 605, 606, 613 on Bronze	700, 800	\$201.00
D Section Mill Aluminum	700, 800	\$298.00
D Section Polished Aluminum	700, 800	\$395.00
D Section Mill Bronze	700, 800	\$692.00
D Section 605, 606, 613 on Bronze	400, 500, 600, 700, 800	\$882.00
E Section Mill Aluminum		\$176.00
E Section Polished Aluminum		\$204.00
E Section Mill Bronze		\$234.00
E Section 605, 606, 613 on Bronze		\$285.00



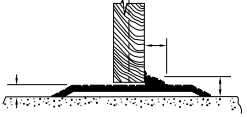
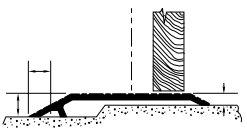
USA & Canada Prices Effective May 1, 2021

**ASSA ABLOY**

Norton and Rixson are brands associated with ASSA ABLOY Accessories and Door Controls Group, Inc., an ASSA ABLOY Group company. Copyright © 2002-2021, ASSA ABLOY Accessories and Door Controls Group, Inc. All rights reserved. Reproduction in whole or in part without the express written permission of ASSA ABLOY Accessories and Door Controls Group, Inc. is prohibited. Contact Norton: 877-974-2255 or visit [www.nortondoortcontrols.com](http://www.nortondoortcontrols.com); Contact RIXSON: 800-457-5670 or visit [www.rixson.com](http://www.rixson.com). In Canada contact us at: 800-461-3007 or visit [www.assaabloydss.ca](http://www.assaabloydss.ca)

Note: Threshold prices include preparations for Rixson floor closers and pivots.  
Add \$100 to threshold prepped for any other manufacturers product

## Quick Reference Options

	Prefix	Description	Add	
	PH	1/4" high - for ADA compliance 700 & 800 only	\$0.00	
	Suffix	Description		
	Abrs Ctg	Abrasive Coating	50%	
	Ext Miters	Miters in addition to those normally supplied - give quantity and location	Consult Factory	
	MSES	Metal Screws and Expansion Shields	Single Opening	\$8.20
			Double Opening	\$16.40
	201	Aluminum .. ADD \$3.30 per inch to list of threshold Bronze ..... ADD \$20.02 per inch to list of threshold 605 ..... ADD \$24.09 per inch to list of threshold 613 ..... ADD \$28.05 per inch to list of threshold 606 ..... ADD \$23.10 per inch to list of threshold		
	301	Step Down; not available for type 5	Add \$10.00 to standard door width thresholds \$2.00 per extra inch	
	501	Step Down; not available for type 5	Add \$10.00 to standard door width thresholds \$2.00 per extra inch	
	Straight Ends	Specify length needed if more than 2"	Consult Factory	
	SPLO	Special layout that may require special templating and/or products	Excluded from buying programs - contact factory for pricing	

## How To Order

PH X	3	X 700 X	201	X 36	X 1-3/4	RH	27N	AL
Prefix	Type	Size (width)	Options	Opening (Jamb to Jamb)	Door Thickness	Hand	Closer or Pivot Model	Material
Blank 1/2" High	1 Center Hung	400 3-3/4" (used with Type 5 or doors without floor closers)	Abrasive Coating Extra Miters (specify qty & location) MSES Machine screws and lead shield			Blank RH LH	Pair Right Left	AL Mill Aluminum BZ Mill Bronze 605 Polished Brass 606 Satin Brass 613 Bronze
PH 1/4" High	3 Offset Hung 4 Center Hung 5 Offset Hung	500 4-3/4" (used with Type 5 or doors without floor closers) 600 5-3/4" (can't be used with Type 5 or floor closers) 700 6-3/4" (cannot be used with Type 5) or 201 stop strip 800 7-3/4" (cannot be used with Type 5)	201 Applied stop 301 Step Down (specify location) 501 Step Down (specify location) Straight Ends (specify qty & location)	} Cannot be ordered with 5 type				

USA & Canada Prices Effective May 1, 2021

### ASSA ABLOY

Experience a safer  
and more open world

Norton and Rixson are brands associated with ASSA ABLOY Accessories and Door Controls Group, Inc., an ASSA ABLOY Group company. Copyright © 2002-2021, ASSA ABLOY Accessories and Door Controls Group, Inc. All rights reserved. Reproduction in whole or in part without the express written permission of ASSA ABLOY Accessories and Door Controls Group, Inc. is prohibited. Contact Norton: 877-974-2255 or visit [www.nortondoortcontrols.com](http://www.nortondoortcontrols.com); Contact RIXSON: 800-457-5670 or visit [www.rixson.com](http://www.rixson.com). In Canada contact us at: 800-461-3007 or visit [www.assaabloydss.ca](http://www.assaabloydss.ca)

# RIXSON

USA & Canada Prices Effective May 1, 2021

Norton and Rixson are brands associated with ASSA ABLOY Accessories and Door Controls Group, Inc., an ASSA ABLOY Group company. Copyright © 2002-2021, ASSA ABLOY Accessories and Door Controls Group, Inc. All rights reserved. Reproduction in whole or in part without the express written permission of ASSA ABLOY Accessories and Door Controls Group, Inc. is prohibited. Contact Norton: 877-974-2255 or visit [www.nortondoорcontrols.com](http://www.nortondoорcontrols.com); Contact RIXSON: 800-457-5670 or visit [www.rixson.com](http://www.rixson.com). In Canada contact us at: 800-461-3007 or visit [www.assaabloydss.ca](http://www.assaabloydss.ca)


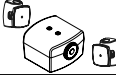

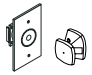
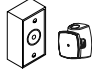
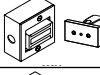
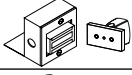

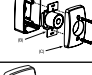



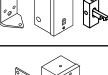

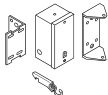
**ASSA ABLOY**

Experience a safer  
and more open world



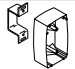

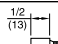
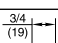
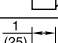
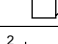
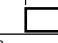
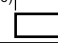

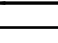
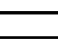
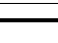
Options, see page 138

## Electromagnet Door Holder/Releases

Model	Description	Price
 980M	Floor Mounted	\$903.00
 981M	Floor Mounted Back to Back Doors	\$1,191.00
 989	Low Projection Wall	\$470.00
 990M	Low Projection Wall	\$509.00
 991M	Hazardous Location Wall	\$860.00
 993M	High Hold Wall (with switch)*	\$990.00
 9930M	High Hold Floor Mounted (with switch)*	
 994M	Wall Mounted Adjustable Armature	\$509.00
 996M	Surface Mounted	\$539.00
 997M	Wall Mounted	\$509.00
 998M	Wall Mounted	
 999M	Universal Wall Mounted	\$681.00
 972H	Swinging Door	\$1,000.00
 972S	Sliding Door	
 972U	Overhead Door	

\* With no switch option, deduct \$59.00

### Options

Model	Description	Price
 996XK	1-1/2" Wall Extension/conversion kit	\$125.00
 900	Armature Extension Base 1-1/2"	\$102.00
 900-50	1/2" Spacer MUST BE USED WITH 900 BASE	\$54.00
 900-75	3/4" Spacer MUST BE USED WITH 900 BASE	
 900-100	1" Spacer MUST BE USED WITH 900 BASE	
 900-200	2" Spacer MUST BE USED WITH 900 BASE	\$67.00
 900-300	3" Spacer MUST BE USED WITH 900 BASE	
 900-400	4" Spacer MUST BE USED WITH 900 BASE	
 900-500	5" Spacer MUST BE USED WITH 900 BASE	
 900-600	6" Spacer MUST BE USED WITH 900 BASE	
 900-700	7" Spacer MUST BE USED WITH 900 BASE	
 900-Z	90° Bend Spacer MUST BE USED WITH 900 BASE	\$102.00

### How To Order

998M Series	x	x 689 Finish
980M Floor Mounted	Blank Tri-volt	689 Sprayed Aluminum
981M Floor Mounted Back to Back Doors	<b>For single voltage higher holding force products specify:</b> 24VAC 24V/DC 12VDC 12VAC 120VAC  specify 12VDC, 24VDC or 120VDC for 972H, 972S, or 972U	690 Sprayed Dark Bronze
989 Low Projection Wall Mounted		691 Sprayed Light Bronze
990M Low Projection Wall Mounted		693 Sprayed Black
991M Hazardous Location Mounted		696 Sprayed Brass
993M High Hold Wall Mounted		BSP Black Suede
9930M High Hold Floor Mounted		WSP White Suede
994M Wall Mounted Adjustable Armature		
996M Surface Mounted		
997M Wall Mounted		
998M Wall Mounted		
999M Universal Wall Mounted		
972H Swinging Door		
972S Sliding Door		
972U Overhead/Rolling Door		

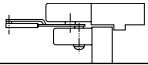
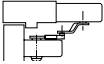


USA & Canada Prices Effective May 1, 2021

## ASSA ABLOY

Norton and Rixson are brands associated with ASSA ABLOY Accessories and Door Controls Group, Inc., an ASSA ABLOY Group company. Copyright © 2002-2021, ASSA ABLOY Accessories and Door Controls Group, Inc. All rights reserved. Reproduction in whole or in part without the express written permission of ASSA ABLOY Accessories and Door Controls Group, Inc. is prohibited. Contact Norton: 877-974-2255 or visit [www.nortondoortcontrols.com](http://www.nortondoortcontrols.com); Contact RIXSON: 800-457-5670 or visit [www.rixson.com](http://www.rixson.com). In Canada contact us at: 800-461-3007 or visit [www.assaabloydss.ca](http://www.assaabloydss.ca)

Experience a safer  
and more open world

### Smok Chek® V

Model	Description	Price
 0600	Non-Detected Pull Side Mounting	\$1,097.00
 0601	Non-Detected Push Side Mounting	
0602	Non-Detected Holder on Pull Side Closer on Push Side	
 0100	Non-Detected Pull Side Mounting Holder Only	\$985.00
 0101	Non-Detected Push Side Mounting Holder Only	

### Quick Reference Options


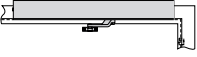
Suffix	Description	Price
LC	Less Closer	Deduct \$337.00
TORX	Torx Screws	Add \$112.00
550789	550789 Deep Reveal/180° Swing Arm	\$370.00

### How To Order

0601 Series	x 120VAC Voltage	x 550789 Options	x 689 Finish
0600 Non-Detected Pull Side Mounting	120VAC 24VAC/DC	LC Less Closer Body Torx Security Screw 550789 Arm	689 Sprayed Aluminum
0601 Non-Detected Push Side Mounting			690 Sprayed Dark Bronze
0602 Non-Detected Holder on Pull Side/ Closer on Push Side			691 Sprayed Light Bronze
0100 Non-Detected Pull Side Mounting Holder Only			693 Sprayed Black
0101 Non-Detected Push Side Mounting Holder Only			696 Sprayed Brass BSP Black Suede WSP White Suede

Electromagnetic Door  
Holder/Releases

### Smok Chek® VI

Model		Description	Price
	4 PULL	Non-Detected Pull Side Mounting	\$1,724.00
	4 PUSH	Non-Detected Push Side Mounting	\$1,724.00



### Quick Reference Options

Prefix		Price
FS	Free Swing Arm (Pull Side Only)	Add \$49.00
DE	Double Egress Arm (Pull Side Only)	Add \$78.00
Suffix		
Torx	Security Screws	Add \$112.00

### How To Order

FS Prefix	4 PULL Series	x 24VDC Voltage	x Torx Options	x RH Hand	x 689 Finish
FS Free Swing Arm	4 PULL Non-Detected Pull Side Mounting Selective Hold Open	24VDC 120VAC	Torx	RH Right LH Left	689 Sprayed Aluminum 690 Sprayed Dark Bronze 691 Sprayed Light Bronze
DE Double Egress Arm	4 PUSH Non-Detected Push Side Mounting Selective Hold Open				696 Sprayed Brass BSP Black Suede WSP White Suede

## CHECKMATE® 99

Model	Description	Price
 99-726	Non-Detected Push Side Mounting	\$624.00
 99-926	Non-Detected Pull Side Mounting	\$624.00

## How To Order

99-726 Series	x 24VDC Voltage	x 689 Finish
99-726 Non-Detected Push Side Mounting	24VAC/DC	689 Sprayed Aluminum
99-926 Non-Detected Pull Side Mounting	120VAC	690 Sprayed Dark Bronze
		691 Sprayed Light Bronze
		696 Sprayed Brass
		BSP Black Suede
		WSP White Suede

# RIXSON

**ASSA ABLOY**

Experience a safer  
and more open world

USA & Canada Prices Effective May 1, 2021

Norton and Rixson are brands associated with ASSA ABLOY Accessories and Door Controls Group, Inc., an ASSA ABLOY Group company.  
Copyright © 2002-2021, ASSA ABLOY Accessories and Door Controls Group, Inc. All rights reserved. Reproduction in whole or in part  
without the express written permission of ASSA ABLOY Accessories and Door Controls Group, Inc. is prohibited.  
**Contact Norton: 877-974-2255 or visit [www.nortondoорcontrols.com](http://www.nortondoорcontrols.com); Contact RIXSON: 800-457-5670 or visit [www.rixson.com](http://www.rixson.com).**  
In Canada contact us at: 800-461-3007 or visit [www.assaabloydss.ca](http://www.assaabloydss.ca)

Experience a safer  
and more open world

ASSA ABLOY

# RIXSON

## *Parts Price List*

*USA and Canada Prices Effective March 16, 2020*

<b>Contents</b>	<b>Page</b>
<b>Finishes</b> .....	<b>145</b>
<b>Heavy Duty Floor Closers</b> .....	<b>146</b>
Offset Hung	
Single Acting Center Hung	
Double Acting Center Hung	
<b>Shallow Depth Floor Closers</b> .....	<b>159</b>
Offset Hung	
Single Acting Center Hung Floor Closer	
Double Acting Center Hung Floor Closer	
<b>Specialty Closers</b> .....	<b>165</b>
Duo Chek® Double Acting Floor Closers	
Gate Closers	
Security Closers	
Exterior Gate Closers	
<b>Overhead Concealed Closers</b> .....	<b>171</b>
Commodity Grade 608 Series	
Offset Hung	
Center Hung	
Architectural Grade 91, 700, 800 Series	
Offset Hung	
Single Acting Center Hung	
Double Acting Center Hung	
<b>Pivots and Pivot Sets</b> .....	<b>183</b>
Top Pivots	
Intermediate Pivots	
Pocket Pivots	
Offset Hung Sets	
Center Hung Sets	
<b>Checkmate® Stops &amp; Holders</b> .....	<b>194</b>
<b>Electromagnetic Door Holder/Releases</b> .....	<b>195</b>
<b>Electrified Closer/Holders</b> .....	<b>201</b>
Smok-Chek® V	
Smok-Chek® VI	
Checkmate® 99	

USA & Canada Prices Effective May 1, 2021

**ASSA ABLOY**

Experience a safer  
and more open world

Norton and Rixson are brands associated with ASSA ABLOY Accessories and Door Controls Group, Inc., an ASSA ABLOY Group company.  
Copyright © 2002-2021, ASSA ABLOY Accessories and Door Controls Group, Inc. All rights reserved. Reproduction in whole or in part  
without the express written permission of ASSA ABLOY Accessories and Door Controls Group, Inc. is prohibited.  
Contact Norton: 877-974-2255 or visit [www.nortondoortcontrols.com](http://www.nortondoortcontrols.com); Contact RIXSON: 800-457-5670 or visit [www.rixson.com](http://www.rixson.com).  
In Canada contact us at: 800-461-3007 or visit [www.assaabloydss.ca](http://www.assaabloydss.ca)



## Finish Symbol Designations

BHMA**	US	DESCRIPTION
600 / 674	P	PRIME COAT
605* / 632	3	BRIGHT BRASS
606 / 633	4	SATIN BRASS
611 / 637	9	BRIGHT BRONZE
612 / 639	10	SATIN BRONZE
613 / 640	10B	DARK BRONZE
613E / 640E	10BE	DARK OXIDIZED SATIN BRONZE - EQUIVALENT
618	14	BRIGHT NICKEL
619	15	SATIN NICKEL
622 / 693 / BSP	19	BLACK SUEDE POWDER COAT
625 / 651	26	BRIGHT CHROME
626 / 652	26D	SATIN CHROME
629*	32	BRIGHT STAINLESS
630*	32D	SATIN STAINLESS
689		SPRAYED ALUMINUM
690		SPRAYED DARK BRONZE
691		SPRAYED LIGHT BRONZE
696		SPRAYED BRASS
WSP		WHITE SUEDE

**Blackened or hammered finishes are not available.**

For any other finishes not listed, contact pricing department, 800-457-5670.

\* Patch fittings are available in these finishes only.

\*\* BHMA numbers are assigned by base metals on which finish is being applied. For more information see ANSI A156.18. Appearance should closely match old US numbers.

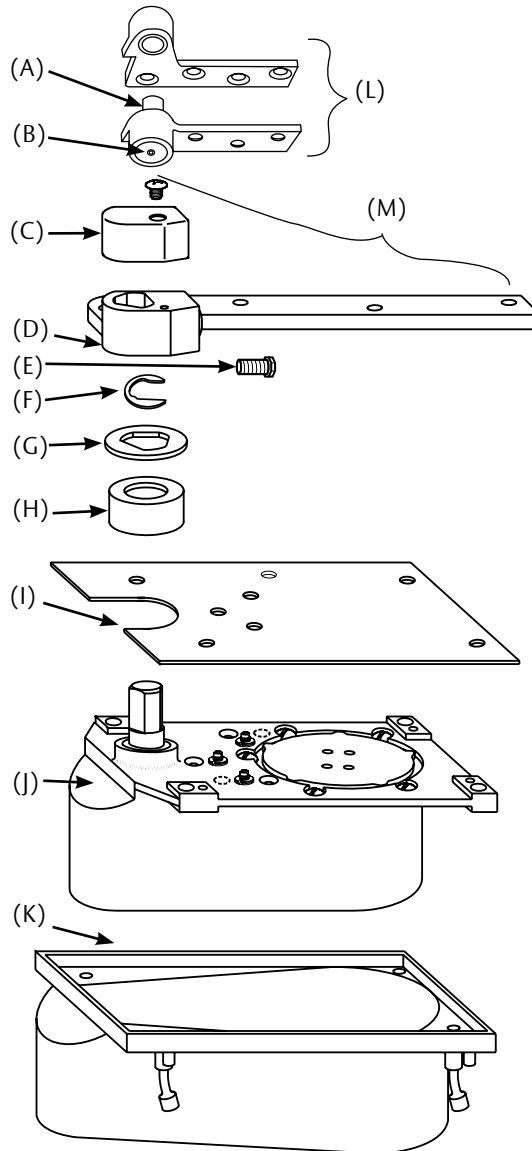
For finish availability see product "how to order" pages.

### Model 27

Right Hand Shown  
3/4" Offset

(A) Pivot Stud 181770-ASY	\$8.80
(B) Hex Cap 181778-*	\$9.20
(C) Arm Cap & Screw 012142R*AS (RH, BRS) 012142L*AS (LH, BRS) 012144R*AS (RH, SS) 012144L*AS (LH, SS)	\$53.80
(D) 3/4" Offset Arm x Locking Screw 275177 (RH) 275176 (LH)	\$107.00
(E) Arm Locking Screw Only 88905-PKG (5)	\$40.30
(F) Arm Shims 275065-PKG (5)	
(G) Arm Bearing Washer 275062-PKG (5)	\$21.30
(H) Spindle Shoulder Collar 259000-*	\$35.50

For 27 x 1-1/2" Offset	
1-1/2" Offset Top Pivot 180 x 1-1/2" F180 x 1-1/2" Fire Rated 180 x 20 x 1-1/2 20 Minute	See Page 85
1-1/2" Offset Arm x Locking Screw 275167-*	\$167.00
1-1/2" Bottom Arm Package 252060R* 252060L*	See Page 85



(L) 3/4" Offset Top Pivot Assembly 180 (standard) F180 Fire Rated 180-20 (20 minutes)	See Page 119
(M) Bottom Arm Package 252050R* (RH) 252050L* (LH) Package includes: arm locking screw, arm cap and screw, spindle shoulder collar and attaching screws.	See Page 84
(I) Floor Plate x Screws 274050R* (RH) NHO/AHO 274050L* (LH) NHO/AHO 274750R* (RH) SHO 274750L* (LH) SHO	
(J) Closer Body LAP Specify Complete Model	
(K) Cement Case x Screws 253000-PKG	

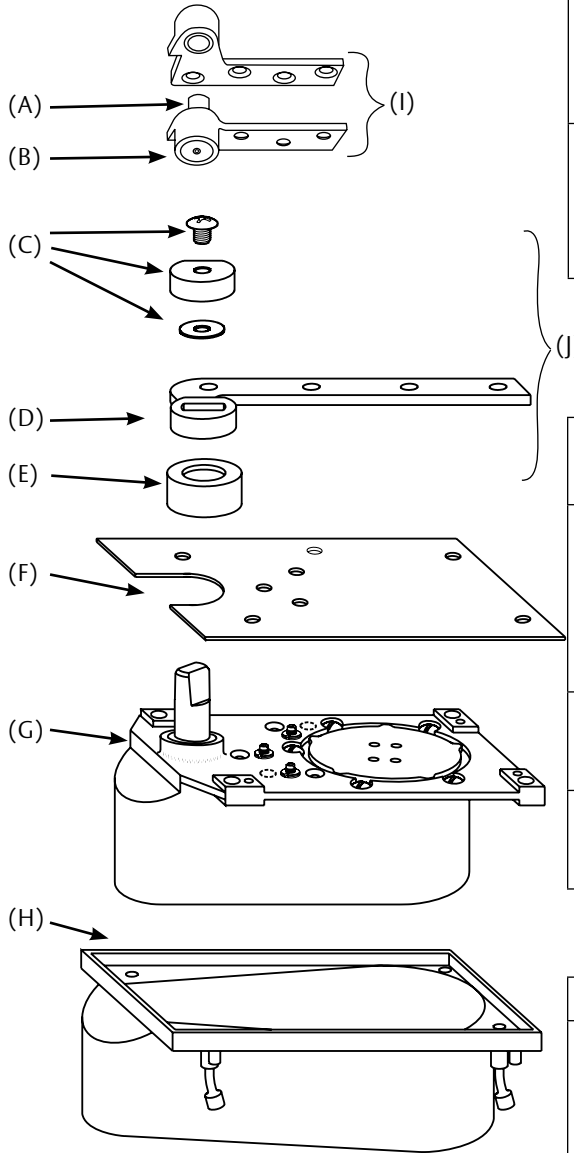
Screw Kits	
180 Top Pivot Screw Kit 107014-* Machine (2) Req 107114-* Wood (2) Req	\$9.00
Arm Screw Kit 107044 Machine 107144 Wood	
Floor Plate Screw Kit 107004 -*	
Cement Case Screw Kit 107046	

\*specify finish

## Models 127/427

Right Hand Shown  
3/4" Offset Only

(A) Pivot Stud 181770-ASY	\$8.80
(B) Hex Cap 181778-*	\$9.20
(C) Arm Cap x Screw Washer 12029-AS	\$53.80
(D) 3/4" Offset Arm 12027 (RH) 12028 (LH)	\$198.00



(I) 3/4" Offset Top Pivot 180 F180 Fire Rated 180 x 20 20 Minute	See Page 119
(J) Bottom Arm Package 652050R* (RH) 652050L* (LH) Includes arm cap and attaching screws	See Page 84

### Model 427

(D) 3/4" Offset Arm 12027 (RH) 12028 (LH)	\$198.00
Top Pivot 180 x 102	See Page 119

180 x 102

(E) Spindle Shoulder Collar 259000-*	\$35.50
(F) Floor Plate with Screws 274050R* (RH) NHO 274050L* (LH) NHO 274750R* (RH) SHO 274750L* (LH) SHO	See Page 84
(G) Closer Body (Specify Complete Model No. x LAP)	
(H) Cement Case with Screws 253000 - PKG	

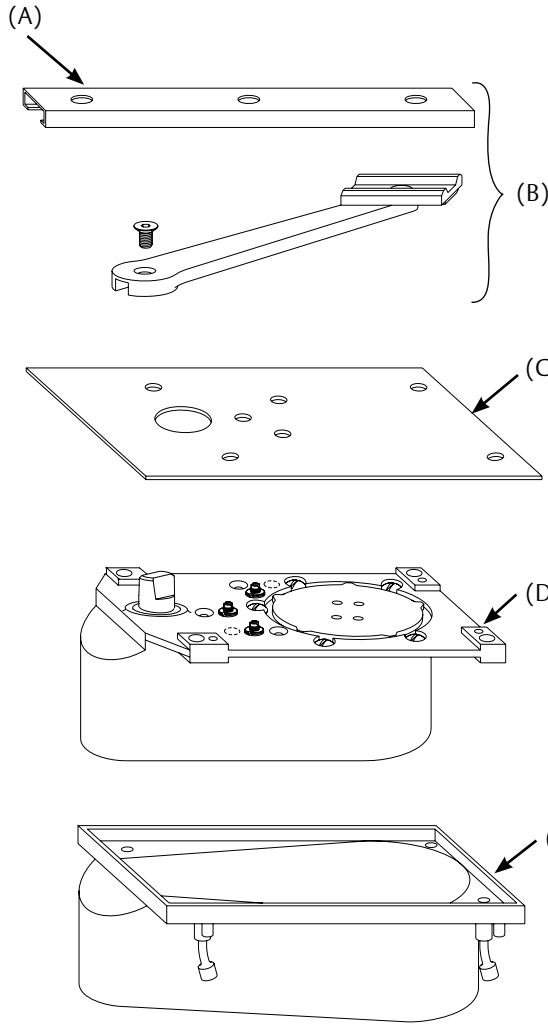
Screw Kits	
180 x 102 Screw Kit 107014-* 1 each 107114-* 1 each 107112-* 1 each 107012-* 1 each	\$9.00
180 Top Pivot Screw Kit 107014-* Machine (2) Req 107114-* Wood (2) Req	
Arm Screw Kit 107044 Machine 107144 Wood	
Floor Plate Screw Kit 107004-*	
Cement Case Screw Kit 107046	

\*specify finish

### Model F327

Right Hand Shown  
3/4" Offset Only

(A) Door Rail 327006	\$103.00
-------------------------	----------



(B) Bottom Arm Package 3252010-*	See Page 85
(C) Floor Plate with Screws 3274010R* (RH) 3274010L* (LH)	
(D) Closer Body (Specify Complete Model No. x LAP)	
(E) Cement Case with Screws 253000-PKG	

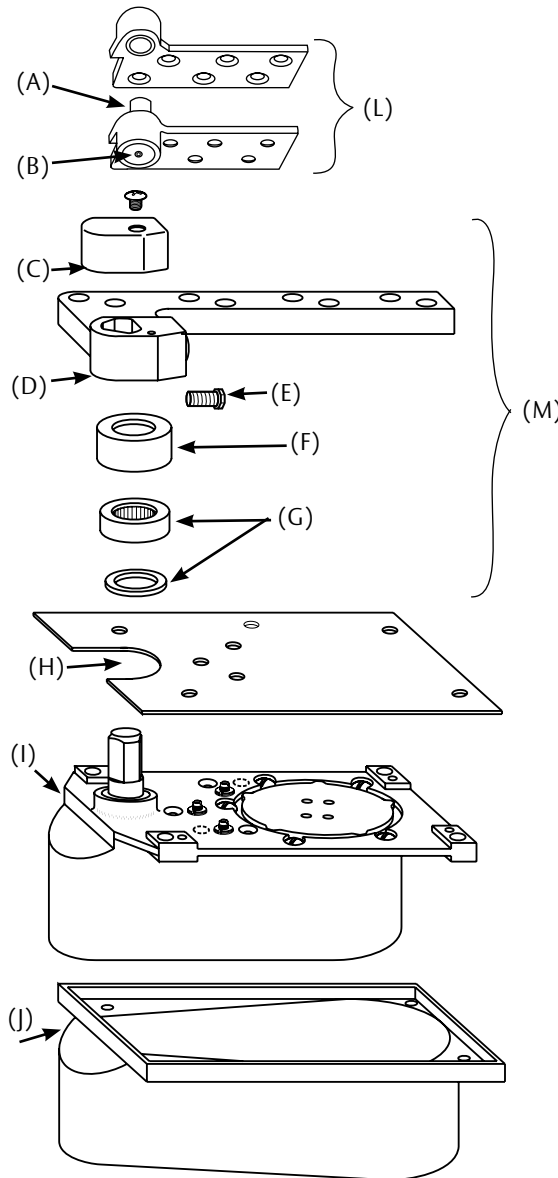
Screw Kits	
Slide Track Screw Kit 107033	\$9.00
Floor Plate Screw Kit 107004-*	
Cement Case Screw Kit 107046	

\*specify finish

## Model L27

Right Hand Shown  
3/4" Offset Only

(A) Pivot Stud 181770-ASY	\$8.80
(B) Hex Cap 181778-*	\$9.20
(C) Arm Cap & Screw 012142R*AS (RH, BRS) 012142L*AS (LH, BRS) 012144R*AS (RH, SS) 012144L*AS (LH, SS)	\$53.80
(D) Arm x Locking Screw 1-3/4" Door 18550-Asy (RH) 18650-Asy (LH)	\$201.90
(D) Arm x Locking Screw 2" Door 18551-Asy (RH) 18651-Asy (LH)	\$445.90
(D) Arm x Locking Screw 2-1/4" Door 18552-Asy (RH) 18652-Asy (LH)	
(D) Arm x Locking Screw 2-1/2" Door 18553-Asy (RH) 18653-Asy (LH)	
(D) Arm x Locking Screw 3" Door 18554-Asy (RH) 18654-Asy (LH)	\$40.30
(E) Arm Locking Screw Only 88905-PKG (5)	
(F) Spindle Shoulder Collar 259500-*	\$103.00
(G) Heavy-Duty Thrust Bearing 41204-PKG (includes 41207N spacer)	\$114.00



For L27 x 3/4" Offset	
(L) 3/4" Offset Top Pivot F180 FL180 Fire Rated L180 x 20 20 Minute	See Page 119
(M) Bottom Arm Package 1-3/4" Door 252051R* (RH) 252051L* (LH) 2" Door 252052R* (RH) 252052L* (LH) 2-1/4" Door 252053R* (RH) 252053L* (LH) 2-1/2" Door 252054R* (RH) 252054L* (LH) 3" Door 252055R* (RH) 252055L* (LH) <i>Package includes: arm, arm locking screw, arm cap and screw, shoulder collar and attaching screws.</i>	See Page 86
(H) Floor Plate with Screws 274050R* (RH) NHO 274050L* (LH) NHO 274750R* (RH) SHO 274750L* (LH) SHO	
(I) Closer Body (Specify Complete Model No. x LAP) includes 41204- PKG	
(J) Cement Case with Screws 253001	

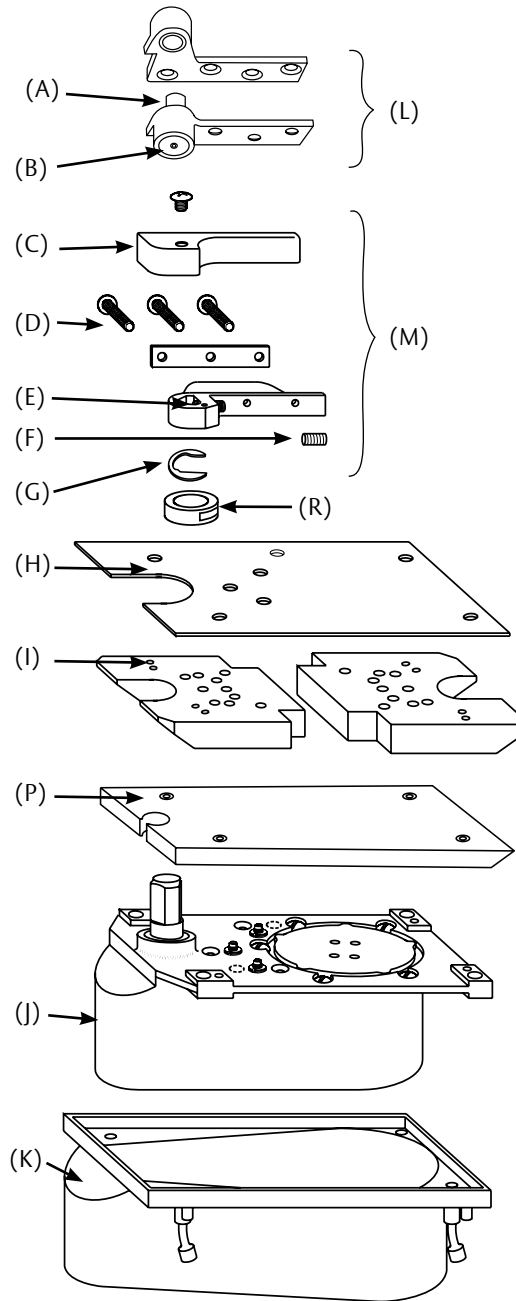
Screw Kits	
L180 Screw Kit 107016-* Machine (2) Req 107116-* Wood (2) Req	\$10.20
Arm Screw Kit 107048 Machine 107144 Wood	\$9.00
Floor Plate Screw Kit 107004-*	
Cement Case Screw Kit 107046	

\*specify finish

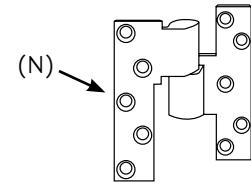
### Model Q27/QT27

Right Hand Shown  
3/4" Offset Only

(A) Pivot Stud 181770-ASY	\$8.80
(B) Hex Cap 181778-*	\$9.20
(C) Arm Cap & Screw 73035R*AS (RH) 73035L*AS (LH)	\$53.80
(D) Arm Mounting Screws and Plate 73014-*	\$9.00
(E) Removable Arm 73001R-ASY (RH) 73001R-ASY (RH)	\$203.00
(F) Arm Locking Screw Only - 88905-PKG (5)	\$40.30
(G) Arm Washer/Shim Package - 275179 Includes 275065 and 275178 Torque Washer	\$41.20
(I) Q27 Styrofoam Filler 73009	\$43.20
(P) QT Styrofoam Filler 73017	\$9.00
(R) Spindle Shoulder Collar 259000-*	\$35.50



For Q27/QT27 x 3/4" Offset	
(L) 3/4" Offset Top Pivot 180 F180 Fire Rated 180 x 20 20 Minute	See Page 119
(M) Bottom Arm Package 222050R* (RH) 222050L* (LH) Package includes: arm, arm locking screw, arm cap and screw, arm mounting plate, shoulder collar and attaching screws	See Page 87
3/4" Offset Intermediate Pivot M19 FM19 M19-20	See Page 120
(N) M19 Intermediate Pivot Screw Kit 107015-* Machine (2 Req) 107115-* Wood (2 Req)	\$9.00



Intermediate Pivot

(H) Q Floor Plate with Screws 294050R* (RH) NHO 294050L* (LH) NHO 294750R* (RH) SHO 294750L* (LH) SHO	See Page 87
(J) Closer Body (Specify Complete Model No. x LAP)	
(K) Cement Case with Screws 253000-PKG	

Screw Kits	
180 Screw Kit 107014-* Machine (2) Req 107114-* Wood (2) Req	\$9.00
Q Floor Plate Screw Kit 107010-*	
Cement Case Screw Kit 107046	

\*specify finish

**ASSA ABLOY**

Experience a safer  
and more open world

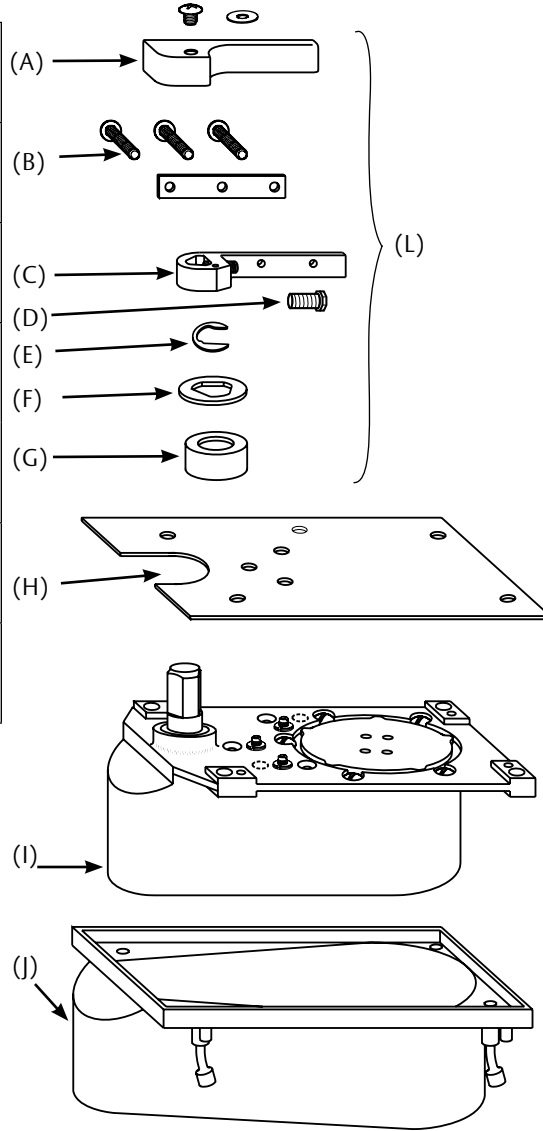
USA & Canada Prices Effective May 1, 2021

Norton and Rixson are brands associated with ASSA ABLOY Accessories and Door Controls Group, Inc., an ASSA ABLOY Group company. Copyright © 2002-2021, ASSA ABLOY Accessories and Door Controls Group, Inc. All rights reserved. Reproduction in whole or in part without the express written permission of ASSA ABLOY Accessories and Door Controls Group, Inc. is prohibited. Contact Norton: 877-974-2255 or visit [www.nortondoortcontrols.com](http://www.nortondoortcontrols.com); Contact RIXSON: 800-457-5670 or visit [www.rixson.com](http://www.rixson.com). In Canada contact us at: 800-461-3007 or visit [www.assaabloydss.ca](http://www.assaabloydss.ca)

## Model HM27

Right Hand Shown  
3/4" Offset Only

(A) Arm Cap & Screw 73025R*AS (RH) 73025L*AS (LH)	\$53.80
(B) Arm Mounting Screws and Plate 73014-*	\$9.00
(C) Arm x Set Screw 73041R*AS (RH) 73041L*AS (LH)	\$268.90
(D) Arm Locking Screw Only 88905-PKG (5)	\$40.30
(E) Arm Shims (5) 275065-PKG	
(F) Arm Bearing Washer 275062-PKG-5	\$21.30
(G) Spindle Shoulder Collar 259000-*	\$35.50



(L) Bottom Arm Package 222050R*HM (RH) 222050L*HM (LH) Package includes: arm, arm locking screw, arm cap and screw, arm mounting plate, shoulder collar and attaching screws	See Page 87
(H) Floor Plate with Screws 274050R* (RH) NHO 274050L* (LH) NHO 274750R* (RH) SHO 274750L* (LH) SHO	
(I) Closer Body (Specify Complete Model No. x LAP)	
(J) Cement Case with Screws 253000 - PKG	
(K) Special Offset Hinges (3) 254545*PK	

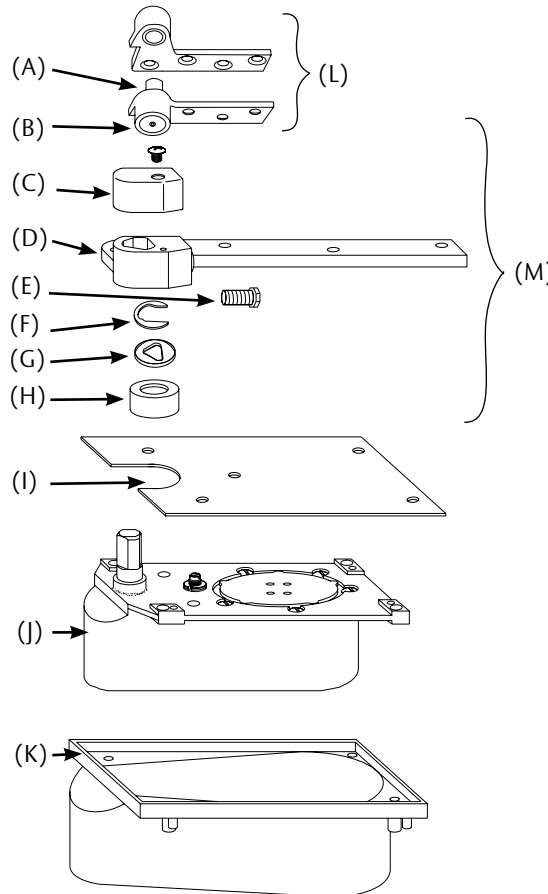
Screw Kits	
Floor Plate Screw Kit 107004-*	\$9.00
Cement Case Screw Kit 107046	
Hinge screw kit 107519-*	

\*specify finish

### Model 20

Right Hand Shown  
3/4" Offset Only

(A) Pivot Stud 181770-ASY	\$8.80
(B) Hex Cap 181778-*	\$9.20
(C) Arm Cap & Screw 012142R*AS (RH, BRS) 012142L*AS (LH, BRS) 012144R*AS (RH, SS) 012144L*AS (LH, SS)	\$53.80
(D) 3/4" Offset Arm x Locking Screw 275177 (RH) 275176 (LH)	\$107.00
(E) Arm Locking Screw Only 88905-PKG (5)	\$40.30
(F) Arm Shims 275065-PKG (5)	
(G) Arm Bearing Washer 275062-PKG (5)	\$21.30
(H) Spindle Shoulder Collar 259000-*	\$35.50



(L) 3/4" Offset Top Pivot 180 FL180 Fire Rated 180 - 20 20 Minute	See Page 119
(M) Bottom Arm Package 252050R* (RH) 252050L* (LH) Package includes: arm, arm locking screw, arm cap and screw, shoulder collar and attaching screws.	See Page 88
(I) Floor Plate with Screws 204050-*	
(J) Closer Body (Specify Complete Model No. x LAP)	
(K) Cement Case with Screws 203000	

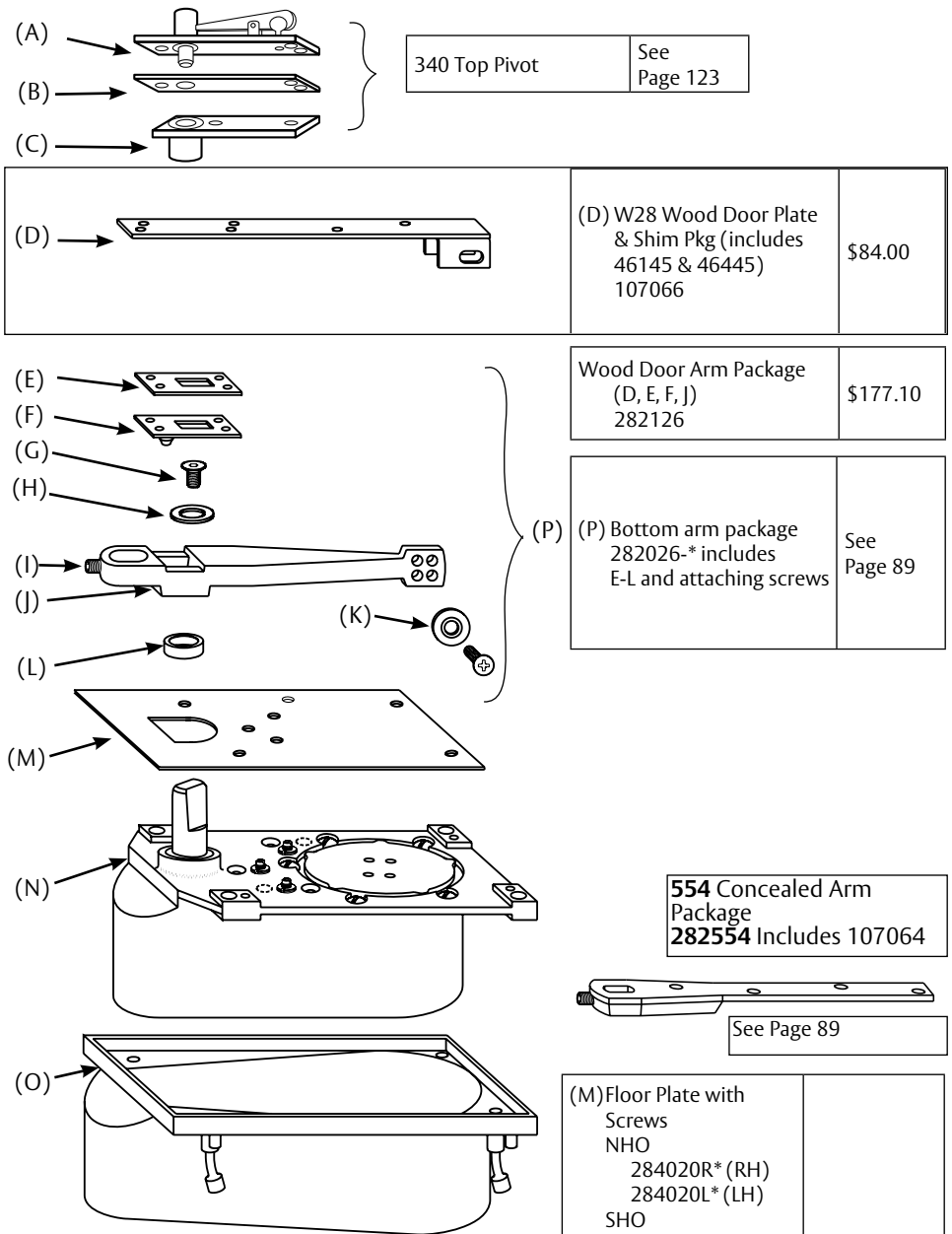
Screw Kits	
180 Screw Kit 107014-.* Machine (2) Req 107114-.* Wood (2) Req	\$9.00
Arm Screw Kit 107044-.* Machine (2) Req 107144-.* Wood (2) Req	
Floor Plate Screw Kit 107004-.*	
Cement Case Screw Kit 107046	

\*specify finish



## Model 28

(A) Jamb Portion 3065	\$132.00
(B) Finish Plate 012202-*PK(BRS) 012204-*PK(SS)	\$53.80
(C) Door Portion 30243	\$132.00
(E) Arm Plate Shims (.062) 46045-PKG (5) Arm Plate Shims (.187) 46145-PKG (5)	\$30.60
(F) Arm Plate & Stud Assy 46445	
(G) Arm Spindle Screw 01244010-PKG (5)	\$15.10
(H) Arm Spindle Washer 01030-PKG (5)	\$25.90
(I) Arm Set Screw Only 26087-PKG (5)	\$22.90
(J) Arm & Arm Set Screw 282026	\$82.00
(K) Arm Alignment Screw & Washer (2) of each 107032-*	\$39.10
(L) Arm Spindle Collar included in arm package) 259000-*	\$35.50



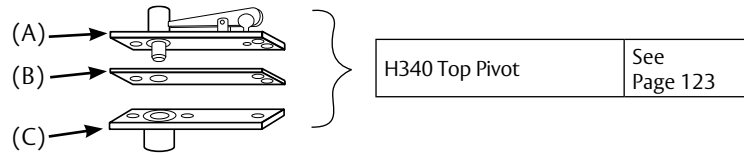
Screw Kits	
340 Screw Kit 107329 Machine & Wood	\$9.00
Arm Screw Kit 107048 Machine 107144 Wood	
554 Arm Screw Kit 107064	
Floor Plate Screw Kit 107004-*	
Cement Case Screw Kit 107046	

(M) Floor Plate with Screws NHO 284020R* (RH) 284020L* (LH) SHO 284720R* (RH) 284720L* (LH)	See Page 89
(N) Closer Body (Specify Complete Model No. x LAP)	
(O) Cement Case with Screws 253000-PKG	

\*specify finish

### Model H28

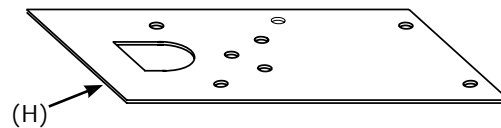
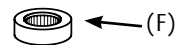
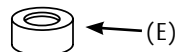
(A) Jamb Portion 308548	\$460.00
(B) Finish Plate 012202-*PK (BRS) 012204-*PK (SS)	\$53.80
(C) Door Portion 30141	\$460.00
(D) Standard End Load Arm Package (minimum 2" door thickness) 262022 includes 107060, 107045, and 107145	See Page 90
(E) Arm Spindle Collar 259500-*	\$103.00
(F) Heavy-Duty Thrust Bearing 41204-PKG	\$114.00
(G) Arm Shim Kit 107060	\$12.40



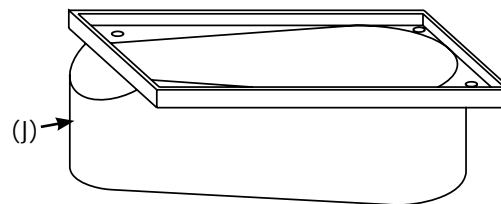
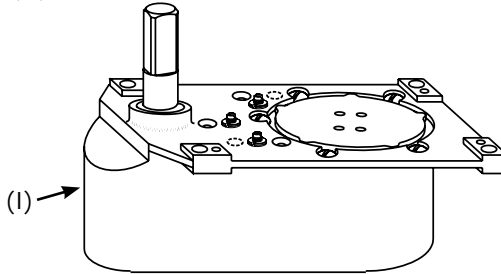
**587 Side Load Arm Package  
For 1-3/4" Door**

262587 includes 107060, 107077, and 107145

See Page 90



(H) Floor Plate with Screws 284020R* (RH) NHO 284020L* (LH) NHO 284720R* (RH) SHO 284720L* (LH) SHO	See Page 90
(I) Closer Body (Specify Complete Model No. x LAP) includes 41204- PKG	
(J) Cement Case with Screws 253001 - PKG	



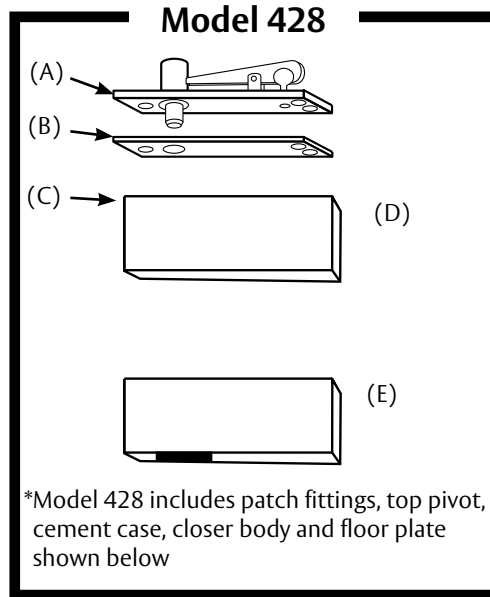
Screw Kits	
H340 Screw Kit 107329 Machine & Wood	\$9.00
587 Arm Screw Kit 107077 Machine 107145-* Wood	\$14.70 \$9.00
Arm Screw Kit 107045 Machine 107145 Wood	\$9.00
Floor Plate Screw Kit 107004-*	
Cement Case Screw Kit 107046	

\*specify finish

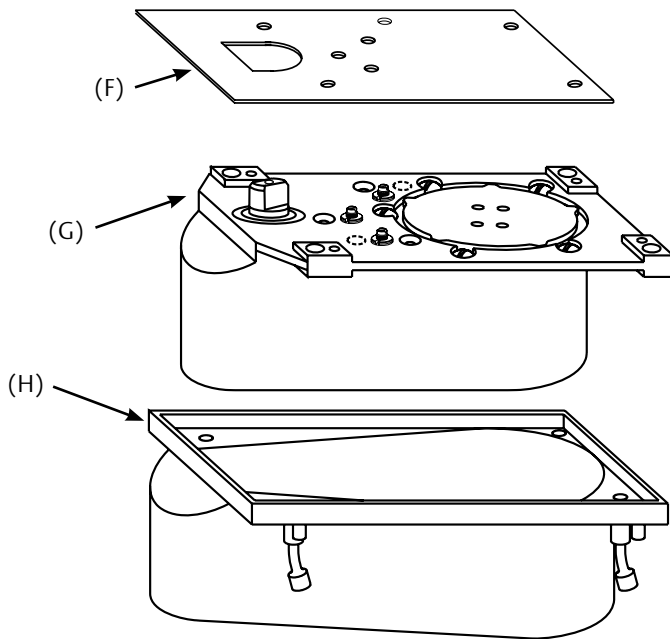
USA & Canada Prices Effective May 1, 2021

## Model 328/428

(A) Jamb Portion 42801	\$132.00
(B) Finish Plate 012202-*PK (BRS) 012204-*PK (SS)	\$53.80
(C) Door Portion 7495 - *	\$188.00
Bottom Insert Pivot 74101	\$50.60
Top Pivot Insert 74102	



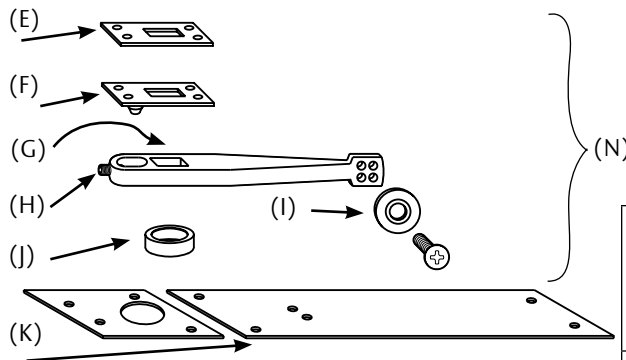
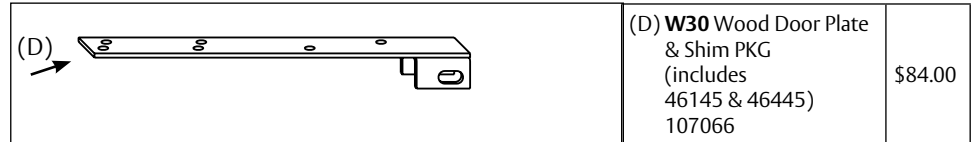
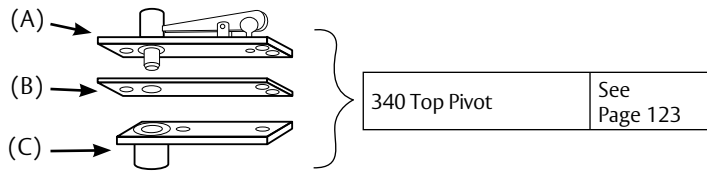
(D) Top Patch 7494-* PK (includes items C & K)	See Page 91
(E) Bottom Patch 7495-* PK (includes items C & J)	
(F) Floor Plate with Screws NHO - 284020R* (RH) 284020L* (LH) SHO- 284720R* (RH) 284720L* (LH)	
(G) Closer Body (Specify Complete Model No. x LAP)	
(H) 253000-PKG Cement Case with Screws	



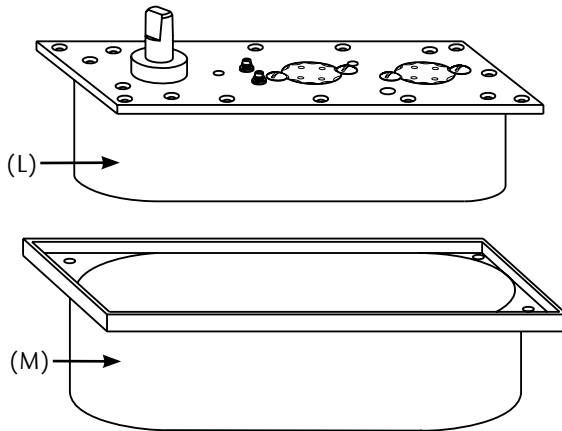
*\*specify finish*

### Model 30

(A) Jamb Portion 3065	\$132.00
(B) Finish Plate 012202-*PK(BRS) 012204-*PK(SS)	\$53.80
(C) Door Portion 30243	\$132.00
(E) Arm Plate Shims (.062) 46045-PKG (5) Arm Plate Shims (.187) 46145-PKG (5)	\$30.60
(F) Arm Plate & Stud Assy 46445	
(G) Arm & Arm Set Screw 302026	\$163.00
(H) Arm Set Screw Only 26087-PKG (5)	\$22.90
(I) Arm Alignment Screw & Washer (2) 107032-*	\$39.10
(J) Arm Spindle Collar 259000-*	\$35.50



(K) Floor Plate with Screws (2 parts) 304020-*	See Page 92
(L) Closer Body (Specify Complete Model No. x LAP)	
(M) Cement Case with Screws 303000	
Wood Door Arm Package (D & J) 302126	\$177.10



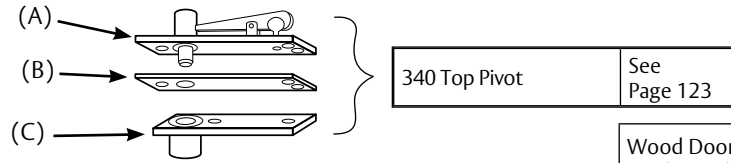
Screw Kits	
H340 Screw Kit 107329 Machine & Wood	\$9.00
Arm Screw Kit 107048 Machine 107144 Wood	
Floor Plate Screw Kit (2 required) 107004-*	
Cement Case Screw Kit 107014	

\*specify finish

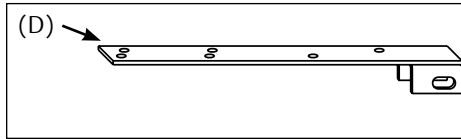
USA & Canada Prices Effective May 1, 2021

## Model 40

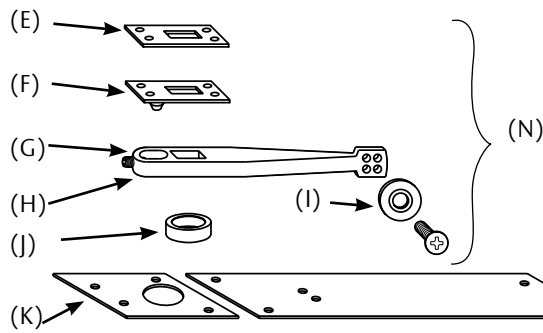
(A) Jamb Portion 3065	\$132.00
(B) Finish Plate 012202-*PK (BRS) 012204-*PK (SS)	\$53.80
(C) Door Portion 30243	\$132.00
(E) Arm Plate Shims (.062) 46045-PKG (5)	\$30.60
(E) Arm Plate Shims (.187) 46145-PKG (5)	
(F) Arm Plate & Stud Assy 46445	
(G) Arm & Arm Set Screw 302026	\$163.00
(H) Arm Set Screw Only 26087-PKG (5)	\$22.90
(I) Arm Alignment Screw & Washer (2)107032-*	\$39.10
(J) Arm Spindle Collar 259000	\$35.50



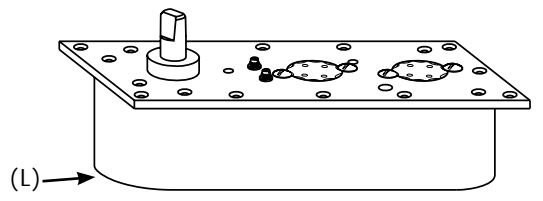
Wood Door Arm Package (D & G) 302126	\$177.10
--	----------



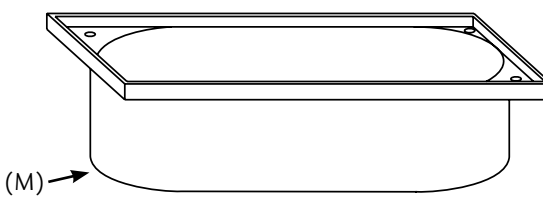
(D) <b>W40</b> Wood Door Plate & Shim PKG (includes 46145 & 46445) 107066	\$84.00
--	---------



(N) Bottom Arm Package 302026- *includes E-J and attaching screws	See Page 92
(K) Floor Plate with Screws (2 parts) 404020-*	
(L) Closer Body (Specify Complete Model No. x LAP)	



(M) Cement Case with Screws 403000	See Page 92
(K) Floor Plate with Screws (2 parts) 404020-*	
(L) Closer Body (Specify Complete Model No. x LAP)	

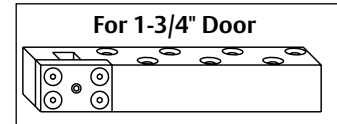
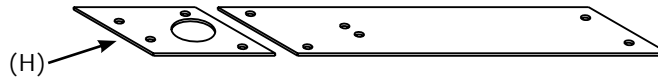
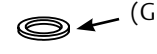
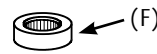
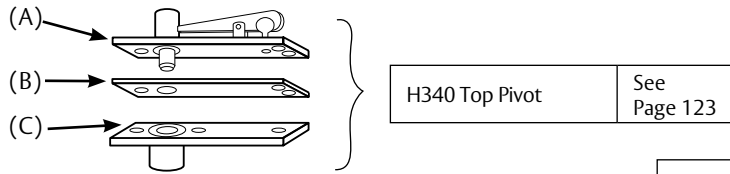


Screw Kits	
340 Screw Kit 107329 Machine & Wood	\$9.00
Arm Screw Kit 107048 Machine 107144 Wood	
Floor Plate Screw Kit (2 required) 107004-*	
Cement Case Screw Kit 107014	

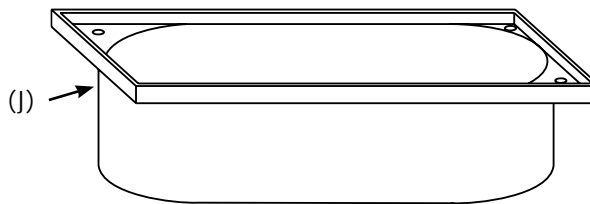
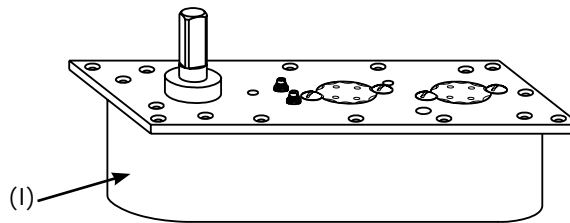
\*specify finish

### Model H40

(A) Jamb Portion 308548	\$460.00
(B) Finish Plate 012202-*PK (BRS) 012204-*PK (SS)	\$53.80
(C) Door Portion 30141	\$460.00
(D) Standard End Load Arm Package (minimum 2" door thickness) 262022	See Page 92
(E) Arm Spindle Collar 259500-*	\$103.00
(F) Heavy-Duty Thrust Bearing 41204-PKG	\$114.00
(G) Arm Shim Kit 107060	\$12.40



<b>For 1-3/4" Door</b>	
<b>587 Side Load Arm Package 262587</b> includes 107060, 107077, 107145	See Page 92



(H) Floor Plate with Screws 1 Large 1 Small 404020 -*	See Page 92
(I) Closer Body (Specify Complete Model No. x LAP) includes 41204- PKG	
(J) Cement Case with Screws 403000	

Screw Kits	
H340 Screw Kit 107329 Machine & Wood	\$9.00
587 Arm Screw Kit 107077 Machine 107145 Wood	\$14.70 \$9.00
Arm Screw Kit 107045 Machine 107145 Wood	\$9.00
Floor Plate Screw Kit (2 required) 107004-*	
Cement Case Screw Kit 107014	

\*specify finish

USA & Canada Prices Effective May 1, 2021

**ASSA ABLOY**

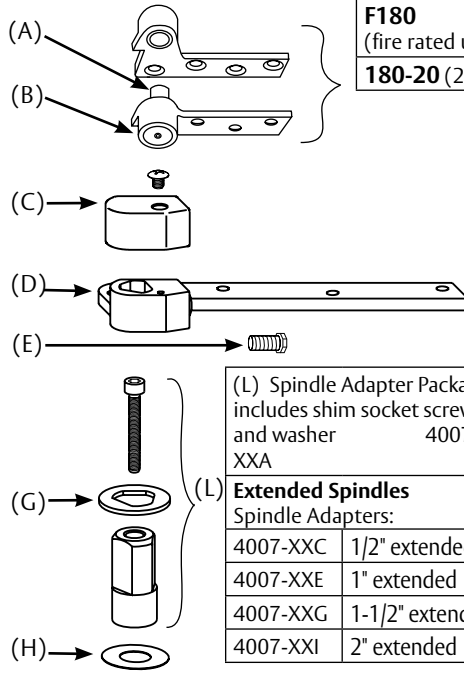
Experience a safer  
and more open world

Norton and Rixson are brands associated with ASSA ABLOY Accessories and Door Controls Group, Inc., an ASSA ABLOY Group company. Copyright © 2002-2021, ASSA ABLOY Accessories and Door Controls Group, Inc. All rights reserved. Reproduction in whole or in part without the express written permission of ASSA ABLOY Accessories and Door Controls Group, Inc. is prohibited. Contact Norton: 877-974-2255 or visit [www.nortondoorcontrols.com](http://www.nortondoorcontrols.com); Contact RIXSON: 800-457-5670 or visit [www.rixson.com](http://www.rixson.com). In Canada contact us at: 800-461-3007 or visit [www.assaabloydss.ca](http://www.assaabloydss.ca)

## Model 51

Right Hand Shown  
3/4" Offset

(A) Pivot Stud 181770-ASY	\$8.80
(B) Hex Cap 181778-*	\$9.20
(C) Arm Cap & Screw 012142R*AS (RH, BRS) 012142L*AS (LH, BRS) 012144R*AS (RH, SS) 012144L*AS (LH, SS)	\$53.80
(D) 3/4" Offset Arm x Locking Screw 275177 (RH) 275176 (LH)	\$107.00
(E) Arm Locking Screw Only 88905- PKG (5)	\$40.30
(G) Arm Bearing Washer 275062-PKG (5)	\$21.30
(H) Spindle Washer 519000-*	\$14.90

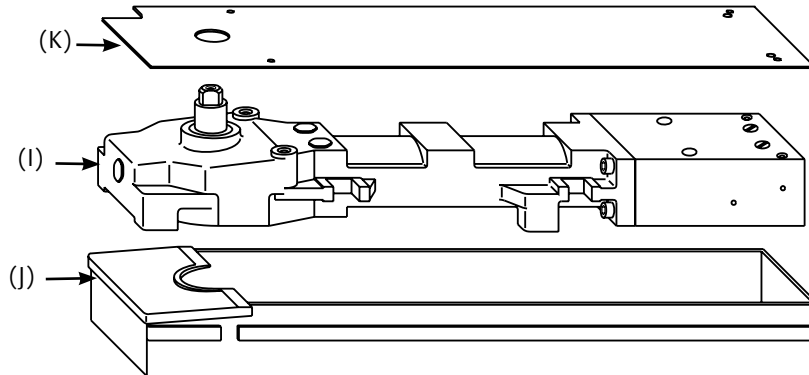


3/4" Offset Top Pivot Assembly	
<b>180</b> (standard)	See page 119
<b>F180</b> (fire rated up to 3 hours)	
<b>180-20</b> (20 minutes)	

Bottom Arm Package Includes arms screw cap, arm lock & lock screw	
252050R* (RH)	See Page 95
252050L* (LH)	

(L) Spindle Adapter Package includes shim socket screw and washer 4007- XXA	\$157.40
<b>Extended Spindles</b> Spindle Adapters:	\$242.00
4007-XXC 1/2" extended	
4007-XXE 1" extended	
4007-XXG 1-1/2" extended	
4007-XXI 2" extended	

(K) Floor Plate with Screws 4000500R* XXE (RH) 4000500L* XXE (LH)	See Page 95
(I) Closer Body (Specify Complete Model No. x LAP)	
(J) Cement Case with Screws 4000301	



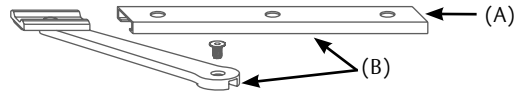
For 51 x 1-1/2" Offset	
<b>180x1-1/2"</b> (standard) <b>F180x1-1/2"</b> (fire rated up to 3 hours) <b>180-20x1-1/2"</b> (20 minutes)	See Page 119
1-1/2" Offset Arm x Locking Screw 275167-*	\$167.00
1-1/2" Offset Bottom Arm pkg 252060-*	See Page 96

Screw Kits	
180 Screw Kit 107014 Machine(2) Req 107114 Wood (2) Req	\$9.00
Arm Screw Kit 107044 Machine 107144 Wood	
Floor Plate Screw Kit 107004-*	
Cement Case Screw Kit 107075	

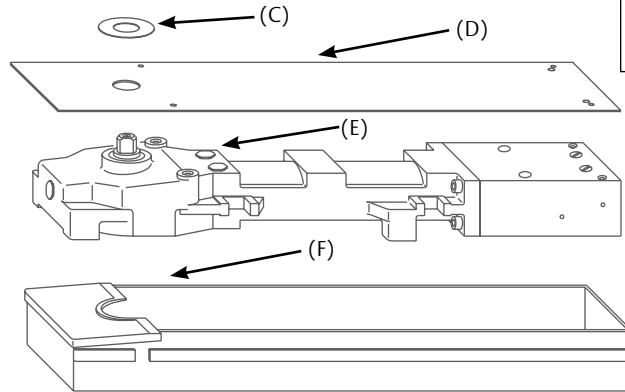
\*specify finish

### Model F5300 & F5310

(A) Door Rail 327006	\$103.00
(C) Spindle Washer 539000-*	\$15.10



(B) Bottom Arm Package 3252010-*	See Page 96
(D) Floor Plate with Screws 4000600-XXA 4000600-XXE ("BC")	
(E) Closer Body (specify complete model no. x LAP)	
(F) Cement Case with Screws 4000301	



Spindle Adapter Package includes socket screw		
Extended Spindle Adapters		
4009-XXC	1/2" extended	\$242.00
4009-XXE	1" extended	
4009-XXG	1-1/2" extended	
4009-XXI	2" extended	

Screw Kits	
Floor Plate Screw Kit 107004-*	\$9.00
Cement Case Screw Kit 107075	
Slide Track Screw Kit 107033	

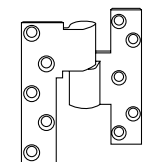
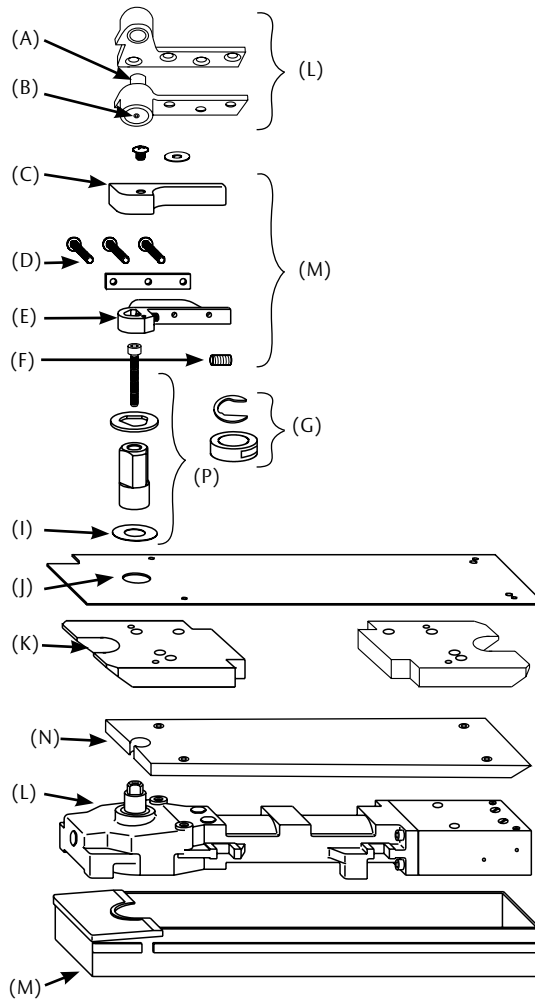
*\*specify finish*



## Model Q51/QT51

Right Hand Shown  
3/4" Offset

(A) Pivot Stud 181770-ASY	\$8.80
(B) Hex Cap 181778-*	\$9.20
(C) Arm Cap & Screw 73035R*AS (RH, BRS) 73035L*AS (LH, BRS)	\$53.80
(D) Q/QT27 Arm Mounting Screws & Plate 73014-*	\$9.00
(E) Removable Arm 73001R-ASY (RH) 73001L-ASY (LH)	\$203.00
(F) Arm Locking Screw Only 88905-PKG (5)	\$40.30
(G) Arm Washer and Shim PKG 275179 (includes Shim 275065 and 275178 Torque Washer)	
(I) Spindle Washer 519000-X	\$14.90



Intermediate Pivot

3/4" Offset Intermediate Pivot (1) M19 FM19 Fire Rated M19-20 20 Minute	See Page 120
---	--------------------

(L) 3/4" Offset Top Pivot 180 FL180 Fire Rated 180 - 20 20 Minute	See Page 119
(M) Bottom Arm Package 222050R* (RH) 222050L* (LH)	See Page 97

(P) Spindle Adapter Package includes shims & washer 4007-XXC	\$242.00
--	----------

<b>Extended Spindles</b> Spindle Adapters:		\$242.00
4007-XXF	1/2" extended	
4007-XXH	1" extended	

(J) Floor Plate w/Screws 4000501R* XXXA (RH) 4000501L* XXE (LH, "BC") 4000501R* XXE (RH, "BC") 4000501L* XXE (LH, "BC") 4000501R* XXI (RH, "DA") 4000501L* XXI (LH, "DA")	See Page 97
---	-------------------

(K) Q51 Styrofoam Filler 4000-023	\$78.00
--------------------------------------	---------

(N) QT51 Styrofoam Filler 4000-019	
---------------------------------------	--

(L) Closer Body (Specify complete model no. x LAP)	See Page 97
(M) Cement Case w/Screws 4000301	

<b>Screw Kits</b>	
180 Screw Kit 107014 Machine(2) Req 107114 Wood (2) Req	\$9.00
Q Floor Plate Screw Kit 107010-*	
Cement Case Screw Kit 107075	
M19 Intermediate Pivot Screw Kit 107015 Machine (2) Req 107115 Wood (2) Req	

\*specify finish

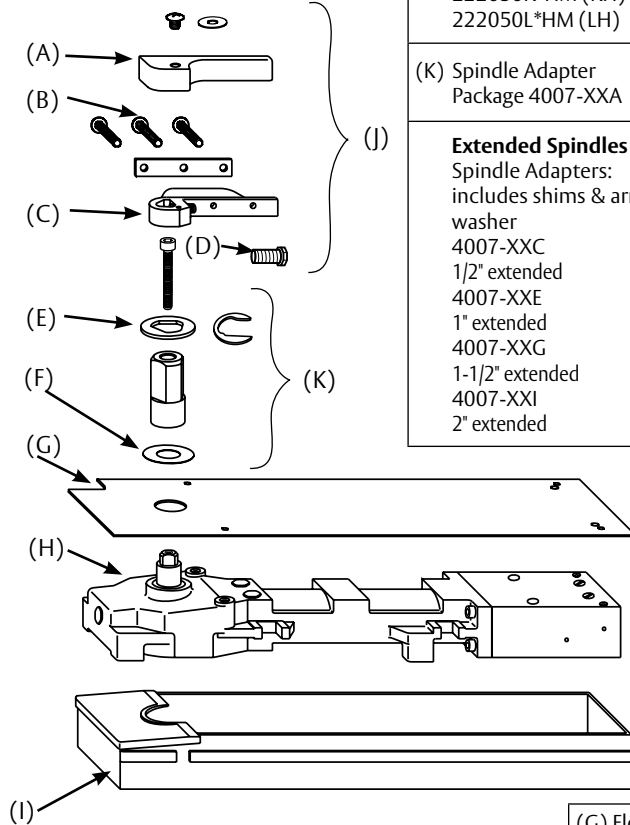
## ASSA ABLOY

Experience a safer  
and more open world

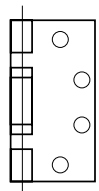
## Model HM51

Right Hand Shown  
3/4" Offset Only

(A) Arm Cap & Screw 73025R*AS (RH) 73025L*AS (LH)	\$53.80
(B) HM51 Arm Mounting Screws & Plate 73014-*	\$9.00
(C) Arm Cap & Screw 73041R*AS (RH) 73041L*AS (LH)	\$268.90
(D) Arm Locking Screw Only 88905 - (5)	\$40.30
(E) Arm Bearing Washer 275062-PKG (5)	
(F) Spindle Washer 519000-*	\$14.90



(J) Bottom Arm Package 222050R*HM (RH) 222050L*HM (LH)	See Page 98
(K) Spindle Adapter Package 4007-XXA	\$157.40
<b>Extended Spindles</b> Spindle Adapters: includes shims & arm washer 4007-XXC 1/2" extended 4007-XXE 1" extended 4007-XXG 1-1/2" extended 4007-XXI 2" extended	\$242.00



Special Offset Hinges (3)	
254545R*PK (RH)	See Page 98
254545L*PK (LH)	

(G) Floor Plate w/Screws 4000500R*XXE (RH) 4000501L*XXE (LH) 4000501R*XXE (RH, "BC") 4000501L*XXE (LH, "BC") 4000501R*XXI (RH, "DA") 4000501L*XXI (LH, "DA")	See Page 98
(H) Closer Body (Specify complete model no. x LAP)	
(I) Cement case with screws 4000301	

Screw Kits	
Floor Plate Screw Kit 107004-*	\$9.00
Cement Case Screw Kit 107075	
Hinge screw kit 107519-*	

\*specify finish

**ASSA ABLOY**

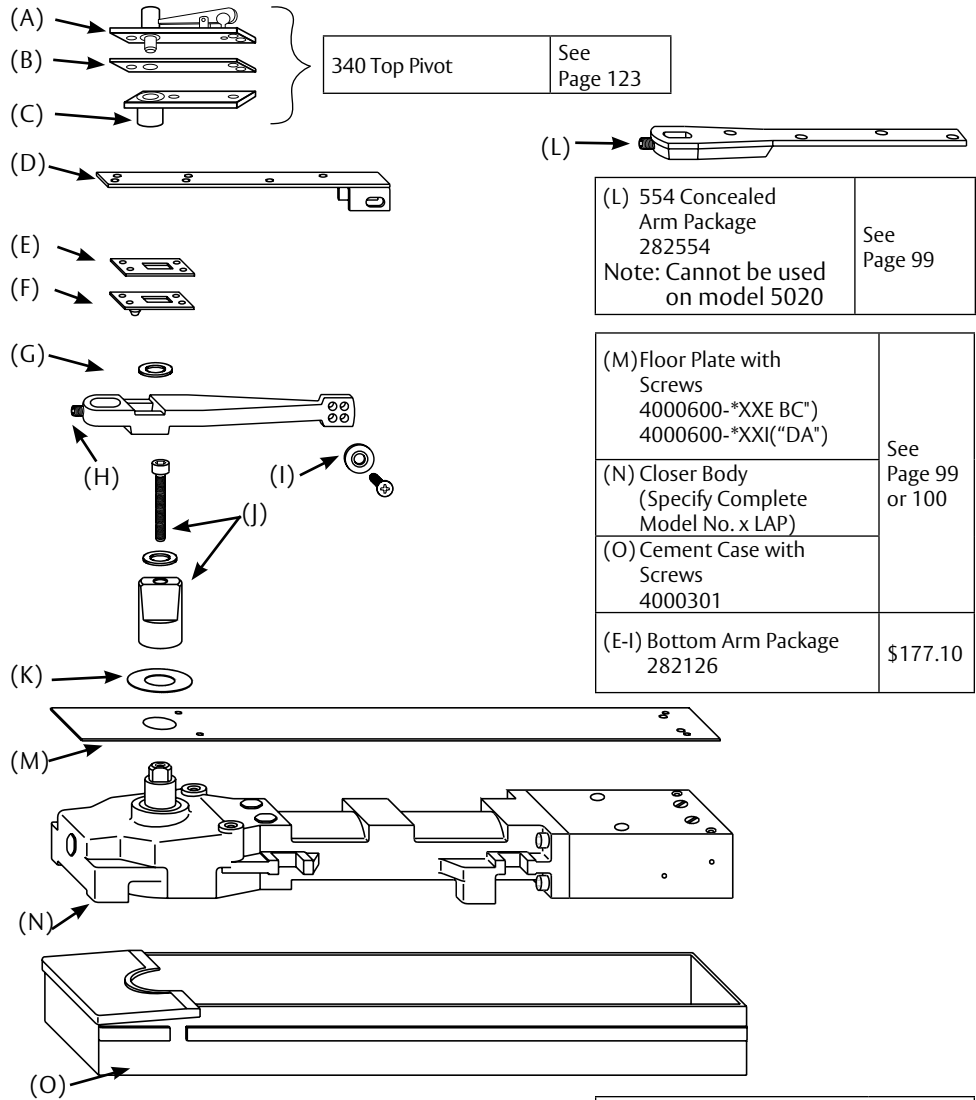
Experience a safer  
and more open world

USA & Canada Prices Effective May 1, 2021

Norton and Rixson are brands associated with ASSA ABLOY Accessories and Door Controls Group, Inc., an ASSA ABLOY Group company. Copyright © 2002-2021, ASSA ABLOY Accessories and Door Controls Group, Inc. All rights reserved. Reproduction in whole or in part without the express written permission of ASSA ABLOY Accessories and Door Controls Group, Inc. is prohibited. Contact Norton: 877-974-2255 or visit [www.nortondoortcontrols.com](http://www.nortondoortcontrols.com); Contact RIXSON: 800-457-5670 or visit [www.rixson.com](http://www.rixson.com). In Canada contact us at: 800-461-3007 or visit [www.assaabloydss.ca](http://www.assaabloydss.ca)

## Model 50 & 5020

(A) Jamb Portion 3065	\$132.00
(B) Finish Plate 012202-*PK(BRS) 012204-*PK(SS)	\$53.80
(C) Door Portion 30243	\$132.00
(D) W28 Wood Door Plate/Shim Pkg (includes 46145 & 46445) 107066 Wood door arm pkg. 282126	\$84.00
(E) Arm Plate Shims (.062) 46045-PKG (5) Arm Plate Shims (.187) 46145-PKG (5)	\$30.60
(F) Arm Plate & Stud Assy 46445	
(G) Arm & Arm Set Screw 282026	\$82.00
(H) Arm Set Screw Only 26087-PKG (5)	\$22.90
(I) Arm Alignment Screw & Washer (107032 -*)	\$39.10
(J) Spindle Adapter Package 4010-XXA	\$190.20
<b>Extended Spindles</b> Spindle Adapters	
4010-XXC 1/2" extended	\$272.00
4010-XXE 1" extended	
4010-XXG 1-1/2" extended	
4010-XXI 2" extended	
(K) Spindle Washer 519000-*	\$14.90



(L) 554 Concealed Arm Package 282554 Note: Cannot be used on model 5020	See Page 99
---	----------------

(M) Floor Plate with Screws 4000600-*XXE BC*) 4000600-*XXI("DA")	See Page 99 or 100
(N) Closer Body (Specify Complete Model No. x LAP)	
(O) Cement Case with Screws 4000301	
(E-I) Bottom Arm Package 282126	\$177.10

Screw Kits	
554 Arm Screw Kit 107064	\$9.00
Floor Plate Screw Kit 107004-*	
Cement Case Screw Kit 107075	
340 Screw Kit 107329 Machine & Wood	
Arm Screw Kit 107048 Machine 107144 Wood	

\*specify finish

## ASSA ABLOY

Experience a safer  
and more open world

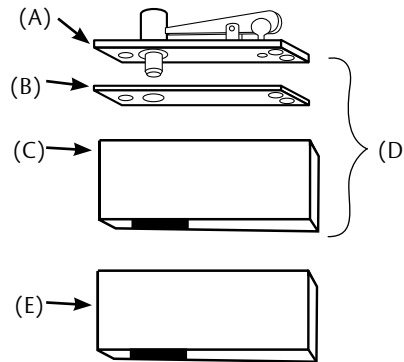
USA & Canada Prices Effective May 1, 2021

Norton and Rixson are brands associated with ASSA ABLOY Accessories and Door Controls Group, Inc., an ASSA ABLOY Group company. Copyright © 2002-2021, ASSA ABLOY Accessories and Door Controls Group, Inc. All rights reserved. Reproduction in whole or in part without the express written permission of ASSA ABLOY Accessories and Door Controls Group, Inc. is prohibited. Contact Norton: 877-974-2255 or visit [www.nortondoortools.com](http://www.nortondoortools.com); Contact RIXSON: 800-457-5670 or visit [www.rixson.com](http://www.rixson.com). In Canada contact us at: 800-461-3007 or visit [www.assaabloydss.ca](http://www.assaabloydss.ca)

### Model 5040

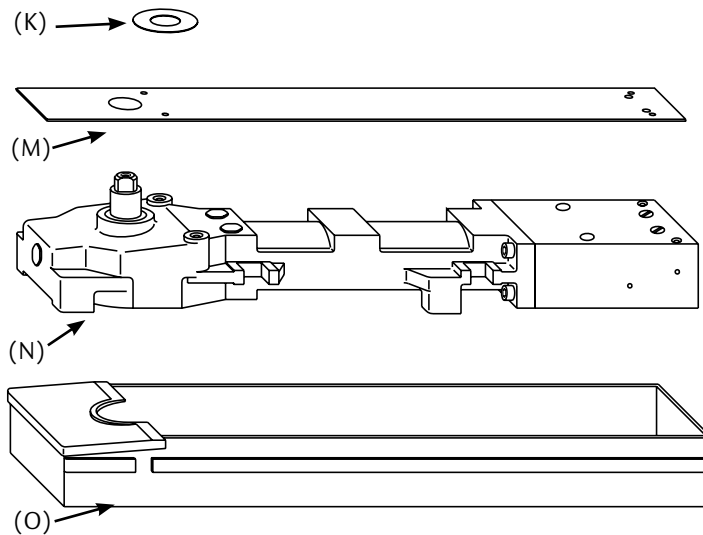
Right Hand Shown  
3/4" Offset

(A) Jamb Portion 42801	\$132.00
(B) Finish Plate 012202-*PK (BRS) 012204-*PK (SS)	\$53.80
(C) Patch Filling 7495-*	\$188.00
Bottom Pivot Insert 74101	\$50.60
Top Pivot Insert 74102	



(D) Top Patch 7494* PK	See Page 100
(M) Floor Plate with Screws 4000600-*XXE BC") 4000600-*XXI("DA")	
(N) Closer Body (Specify Complete Model No. x LAP)	
(O) Cement Case with Screws 4000301	
(E) Bottom Patch 7495-*PK (includes items C & J)	

(K) *Spindle washer 519000-*	\$14.90
------------------------------------	---------

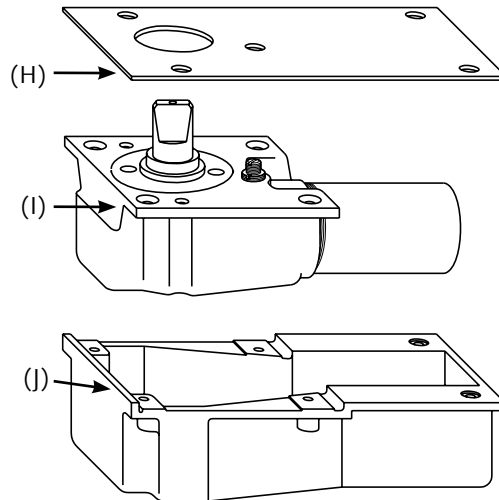
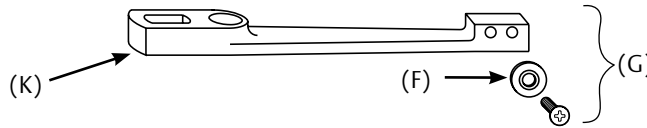
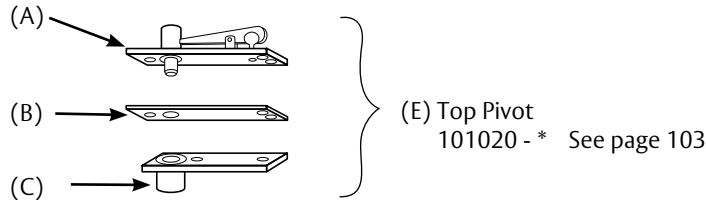


Screw Kits	
Floor Plate Screw Kit 107004-*	\$9.00
Cement Case Screw Kit 107075	
340 Screw Kit 107329 Machine & Wood	

*\*specify finish*

### Model 10, PH10, 12, PH12, 15, 16 Duo-Chek®

(A) Jamb Portion 3065	\$132.00
(B) Finish Plate 012202-*PK(BRS) 012204-*PK(SS)	\$53.80
(C) Door Portion 12716	\$135.00
(F) Alignment Screws & Washers 107032 - *	\$39.10
(K) 1004 Duo Arm	\$107.00



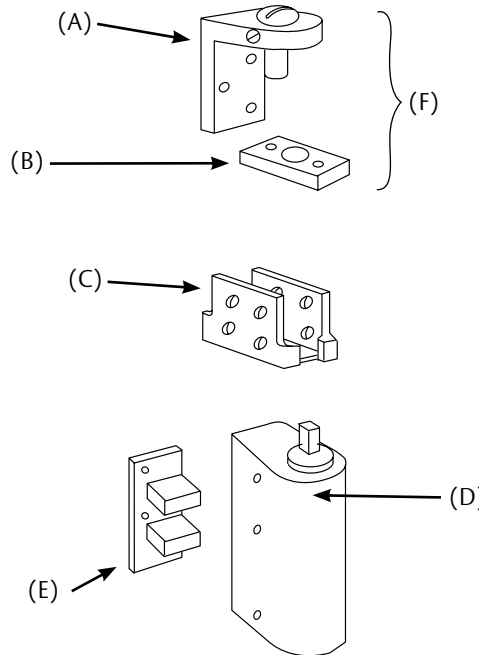
(G) Arm Package 102026 - * (includes K & F and attaching screws.)	See Page 103
(H) Floor Plate with Screws 104020 - *	
(I) Closer Body (Specify Complete Model No. x LAP)	
(J) Cement Case with Screws 103000	

Screw Kits	
Top Pivot Screw Kit 107329	\$9.00
Arm Screw Kit 107054	\$10.60
Floor Plate Screw Kit 107004-*	\$9.00

\*specify finish

## Model 354

(A) Jamb Portion 01960-*AS	\$208.00
(B) Gate Portion 35064-*AS	\$62.60
(E) Bracket 3549000-* Includes Closer Mtg. Screw Kit	\$111.00



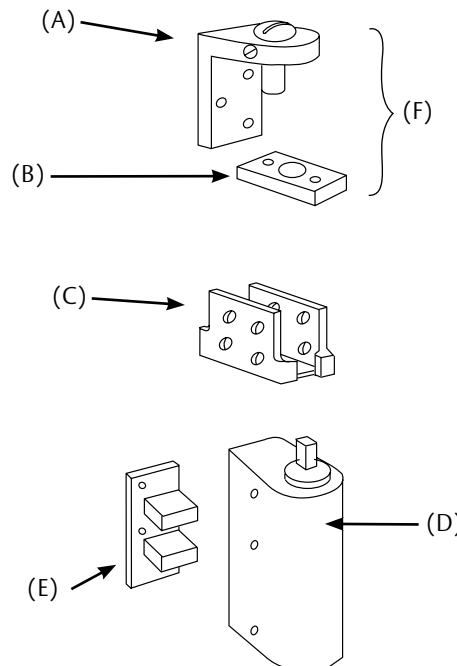
(F) Top Pivot Package 3541020-*	See Page 103
(C) Arm with Screws 3542026-*	
(D) Closer Body X03540370-* Includes Bracket	

Screw Kits	
Top Pivot Screw Kit 107017-*	\$10.20
Closer Mtg. Screw Kit 107350	\$7.80

*\*specify finish - sprayed finishes only*

## Model 355

(A) Jamb Portion 0490-*AS	\$208.00
(B) Gate Portion 35064-*AS	\$62.60
(E) Bracket 3549000-* Includes Closer Mtg. Screw Kit	\$111.00



(F) Top Pivot Package 3551020-*	See Page 103
(C) Arm with Screws 3542026-*	
(D) Closer Body X03540370-* Includes Bracket	

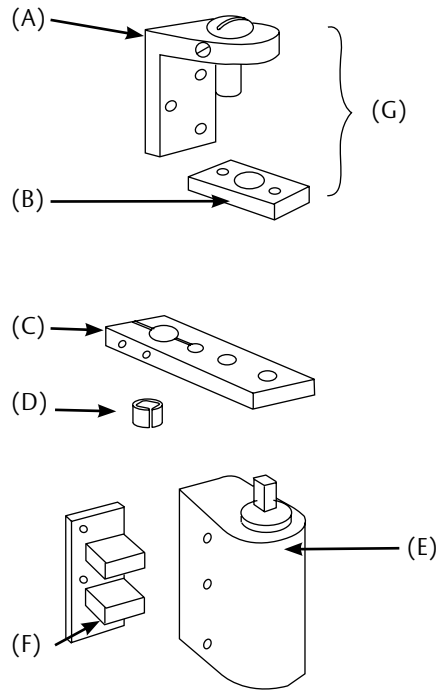
Screw Kits	
Top Pivot Screw Kit 107017	\$10.20
Closer Mtg. Screw Kit 107350	\$7.80

*\*specify finish*

USA & Canada Prices Effective May 1, 2021

### Model 356

(A) Jamb Portion 01960-*AS	\$208.00
(B) Gate Portion 35064-*AS	\$62.60
(D) Bushing Only (included in arm package) 35051	\$32.10
(F) Bracket 3549000-* Includes Closer Mtg. Screw Kit	\$111.00



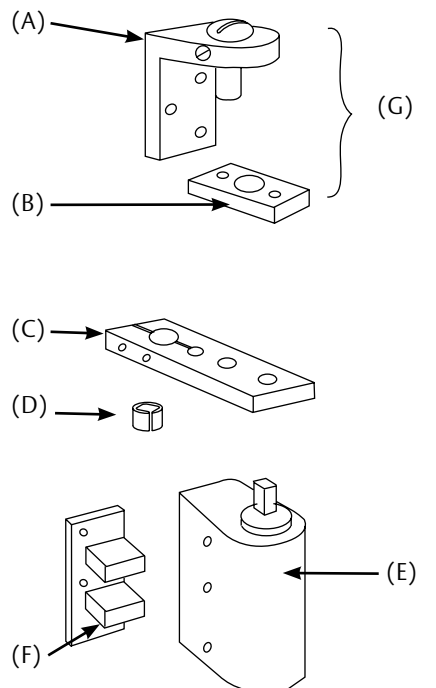
(G) Top Pivot Package 3541020-*	See Page 103
(C) Arm with Screws 3562020-*	
(E) Closer Body X03540370-* Includes Bracket	

Screw Kits	
Top Pivot Screw Kit 107017 -*	\$10.20
Arm Screw Kit 107359	\$7.80
Closer Mtg. Screw Kit 107350	

\*specify finish - sprayed finishes only

### Model 357

(A) Jamb Portion 0490-*AS	\$208.00
(B) Gate Portion 35064-*AS	\$62.60
(D) Bushing Only (included in arm package) 35051	\$32.10
(F) Bracket 3549000-* Includes Closer Mtg Screw Kit	\$111.00



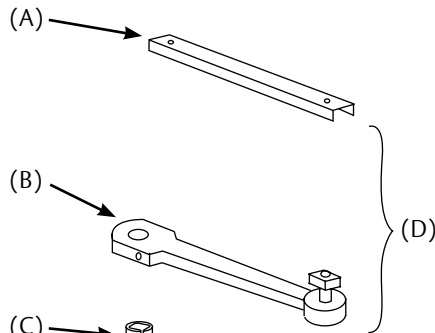
(G) Top Pivot Package 3551020-*	See Page 103
(C) Arm with Screws 3562020-*	
(E) Closer Body X03540370-* Includes Bracket	

Top Pivot Screw Kit 107017-*	\$10.20
Arm Screw Kit 107359	\$7.80
Closer Mtg. Screw Kit 107350	

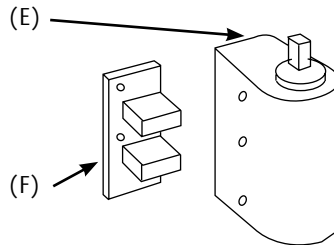
\*specify finish - sprayed finishes only

## Model 359

(A) Rail 35510-*	\$73.90
(B) Arm with Screw & Bushing 35535-*	\$433.00
(C) Bushing Only (included in arm package) 35051	\$32.10
(F) Bracket 3549000- Includes Closer Mtg. Screw Kit	\$111.00



(D) Arm & Rail Package 3592010- Includes ABC of Attaching Screws	See Page 103
(E) Closer Body X03540370- Includes Bracket	



Screw Kits	
Arm Screw Kit 107003	\$16.10
Closer Mtg. Screw Kit 107350	\$7.80

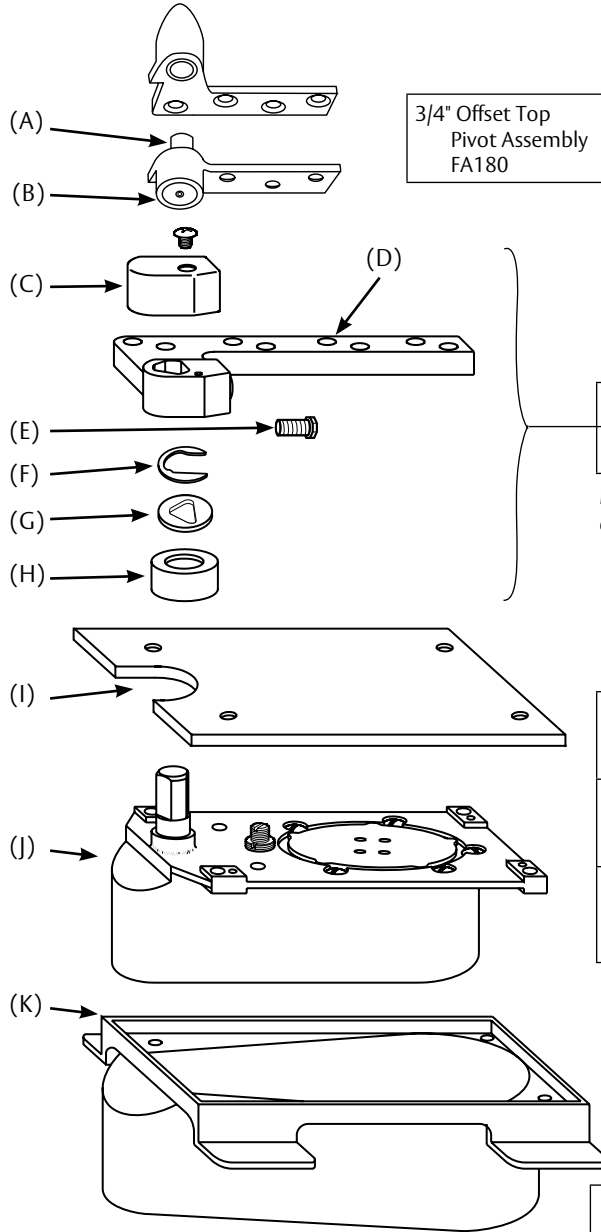
*\*specify finish*



### Model SEC27

Right Hand Shown  
3/4" Offset Only

(A) Pivot Stud 181770-ASY	\$8.80
(B) Hex Cap 181778-*	\$9.20
(C) Arm Cap & Screw 012142R*ATS (RH, BRS) 012142L*ATS (LH, BRS) 012144R*ATS (RH, SS) 012144L*ATS (LH, SS)	\$53.80
(D) Arm x Locking Screw 18550-Asy (RH) 18650-Asy (LH)	\$201.90
(E) Arm Locking Screw Only 88905-PKG (5)	\$40.30
(F) Arm Shims 275065-PKG (5)	
(G) Arm Bearing Washer 275062-PKG-5	\$21.30
(H) Spindle Shoulder Collar 259000-*	\$35.50



3/4" Offset Top Pivot Assembly FA180	See Page 119
--	-----------------

Bottom Arm Package 252056R* (RH) 252056L* (LH)	See Page 103
--	-----------------

Package includes arm, arm locking screw,  
arm cap & screw and shoulder collar

(I) Floor Plate with Screws 274056 -*	See Page 103
(J) Closer Body (Specify Complete Model No. x LAP)	
(K) Cement Case with Screws 253001SEC	

Screw Kits	
FA180 Torx® Screw Kit 107014-*T Machine (2 req.) 107114-T Wood (2 req.)	\$54.30
Arm Screw Kit 107048 Machine (2 each) 107144 Wood (2 each)	\$9.00
Floor Plate Screw Kit 107021-*	\$21.80

\*specify finish

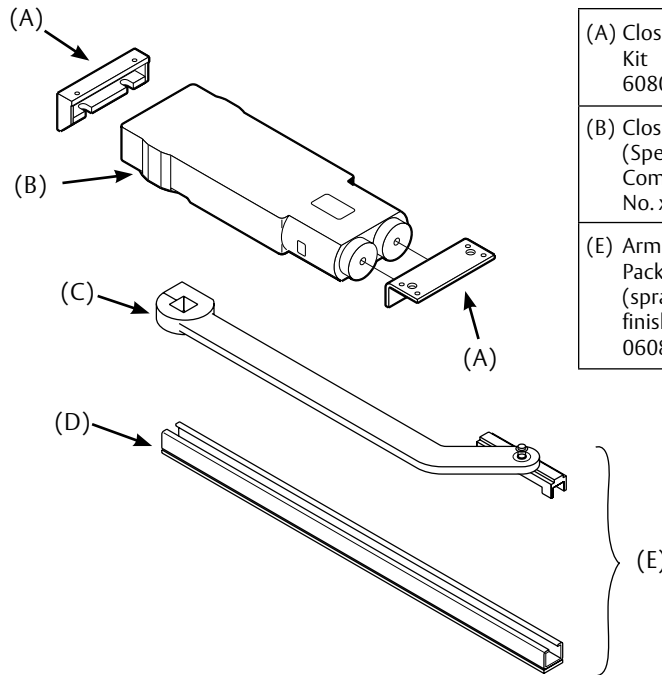
### 1350/1351 Gate Closer

---

No parts available

## 0608/AW0608

(C) Arm Assembly (sprayed finishes only) 0608312-*	\$272.40
(D) Rail 0608109	\$77.60



(A) Closer Mounting Kit 608019	See Page 109
(B) Closer Body (Specify Complete Model No. x LAP)	
(E) Arm & Rail Package (sprayed finishes only) 06082012-*	

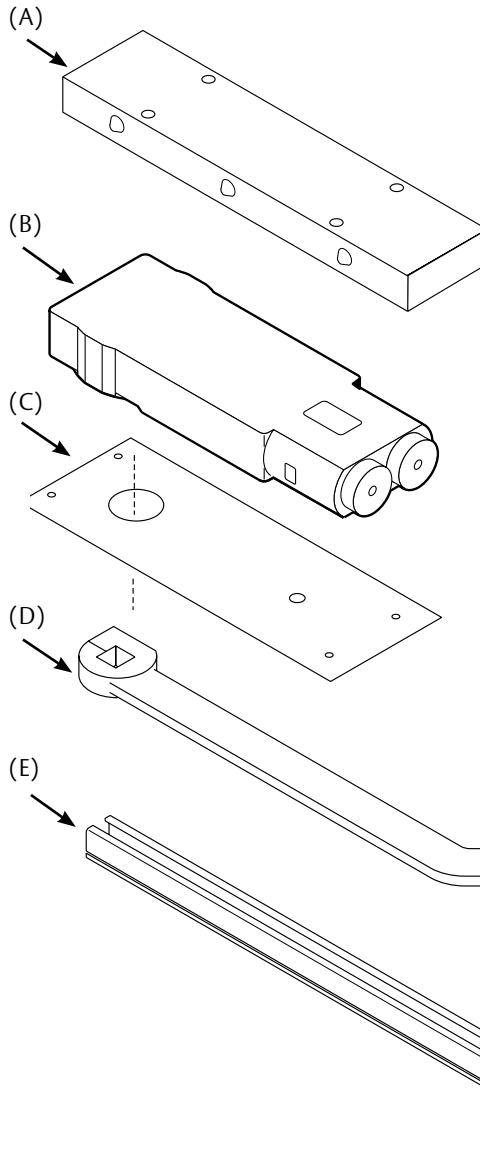
Rixson Overhead  
Concealed Closers

Screw Kit	
Screw Kit 608064	\$33.20

*\*specify finish*

## M0608/MW0608/W0608

(D) Arm Assembly (sprayed finishes only) 0608312-*	\$272.40
(E) Rail 0608109	\$77.60



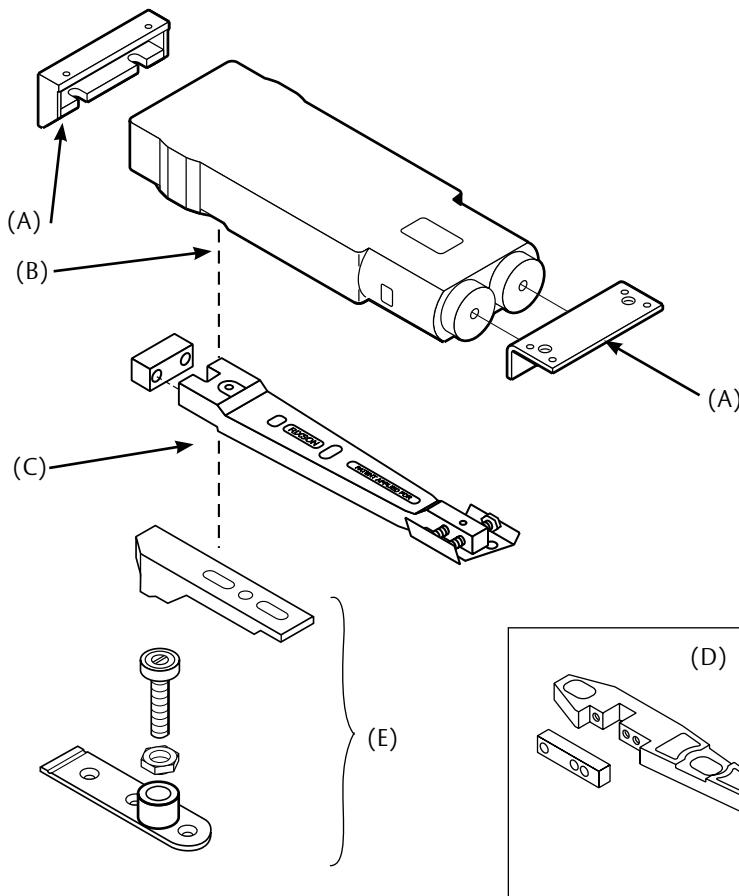
(A) Closer Mounting Kit 608049PKG	See Page 109
(B) Closer Body (Specify Complete Model No. x LAP)	
(C) Cover Plate 6084000-*	
(F) Arm & Rail Package (sprayed finishes only) 06082012-*	

Screw Kits	
Cover Plate Screw Kit 107022-*	\$18.30
Screw Kit 608064	\$33.20

\*specify finish

Rixson Overhead  
Concealed Closers

608EL/608SL



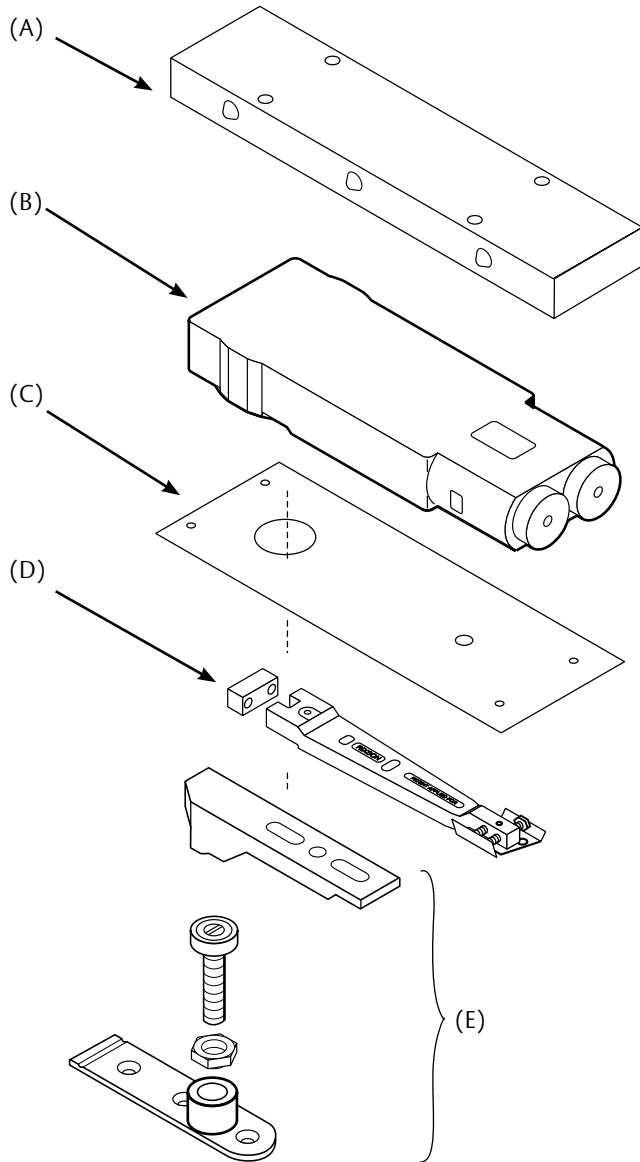
(A) Closer Mounting Kit 608019	See Page 110
(B) Closer Body (Specify Complete Model No. x LAP)	
(C) End Load Arm Pkg 6002020	
(D) Side Load Arm 6080055	
(E) Bottom Pivot with Screws 608011A	

Rixson Overhead  
Concealed Closers

Screw Kit	
Arm Screw Kit (Includes arm end block) 107065	\$40.30
Bottom Pivot Screw Kit 107143	\$9.00

*\*specify finish*

## M608

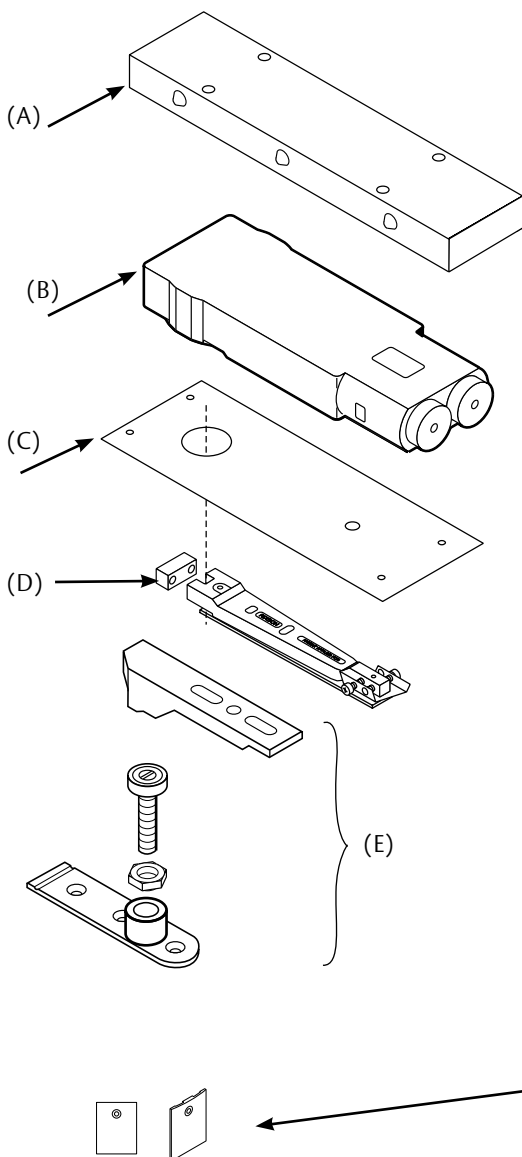


(A) Closer Mounting Kit 608049PKG	See Page 110
(B) Closer Body (Specify Complete Model No. x LAP)	
(C) Cover Plate 6084000 - *	
(D) Arm Package 6002020	
(E) Bottom Pivot 608011A	

Screw Kits	
Arm Screw Kit 107065	\$40.30
Cover Plate Screw Kit 107022-*	\$18.30
Bottom Pivot Screw Kit 107143	\$9.00

\*specify finish

MW608/W608



(A) Closer Mounting Kit 608049PKG	See Page 110
(B) Closer Body (Specify Complete Model No. x LAP)	
(C) Cover Plate 6084000 - *	
(D) Arm Package 6002021	
(E) Bottom Pivot 608011A	

Rixson Overhead  
Concealed Closers

Decorative Arm Cap (contains 2 caps) 1990906 (612 & 627 only)	Order Separately See Page 115
---	--

Screw Kits	
Bottom Pivot Screw Kit 107143	\$9.00
Arm Screw Kit 107065 Includes arm end block	\$40.30
Cover Plate Screw Kit 107022-*	\$18.30

\*specify finish

**ASSA ABLOY**

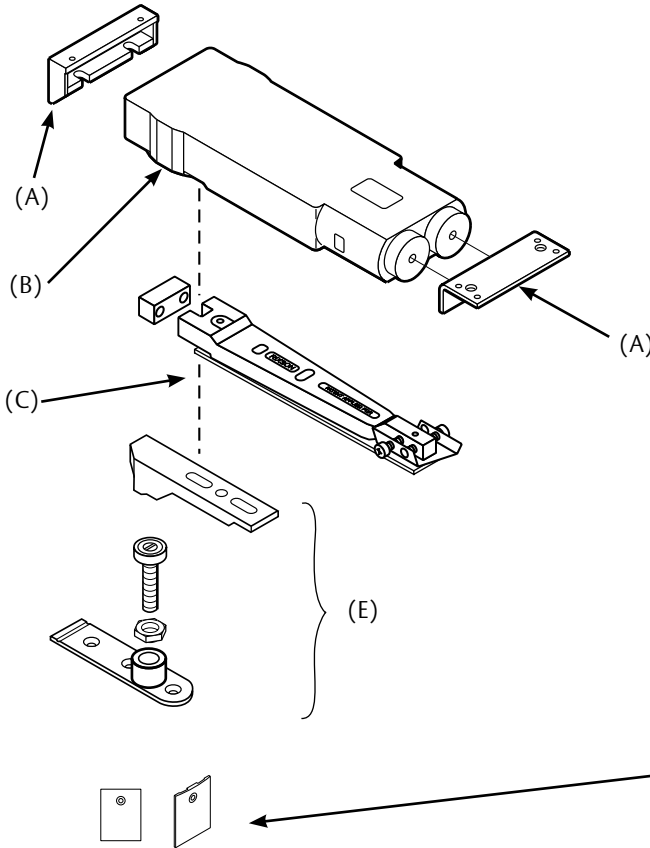
Experience a safer  
and more open world

Norton and Rixson are brands associated with ASSA ABLOY Accessories and Door Controls Group, Inc., an ASSA ABLOY Group company. Copyright © 2002-2021, ASSA ABLOY Accessories and Door Controls Group, Inc. All rights reserved. Reproduction in whole or in part without the express written permission of ASSA ABLOY Accessories and Door Controls Group, Inc. is prohibited. Contact Norton: 877-974-2255 or visit [www.nortondoortcontrols.com](http://www.nortondoortcontrols.com); Contact RIXSON: 800-457-5670 or visit [www.rixson.com](http://www.rixson.com). In Canada contact us at: 800-461-3007 or visit [www.assaabloydss.ca](http://www.assaabloydss.ca)

USA & Canada Prices Effective May 1, 2021

AW608

Rixson Overhead  
Concealed Closers



(A) Closer Mounting Kit 608019	See Page 108
(B) Closer Body (Specify Complete Model No. x LAP)	
(C) End Load Arm Pkg 6002021	
Side Load Arm 6080055	
(E) Bottom Pivot with Screws 608011A	

Decorative Arm Cap (contains 2 caps) 199	Order Separately See Page 113
--	--

Screw Kits	
Arm Screw Kit (Includes arm end block) 107065	\$40.30
Cover Plate Screw Kit 107022	\$18.30
Bottom Pivot Screw Kit 107143	\$9.00

\*specify finish

USA & Canada Prices Effective May 1, 2021

**ASSA ABLOY**

Experience a safer  
and more open world

Norton and Rixson are brands associated with ASSA ABLOY Accessories and Door Controls Group, Inc., an ASSA ABLOY Group company. Copyright © 2002-2021, ASSA ABLOY Accessories and Door Controls Group, Inc. All rights reserved. Reproduction in whole or in part without the express written permission of ASSA ABLOY Accessories and Door Controls Group, Inc. is prohibited. Contact Norton: 877-974-2255 or visit [www.nortondoortcontrols.com](http://www.nortondoortcontrols.com); Contact RIXSON: 800-457-5670 or visit [www.rixson.com](http://www.rixson.com). In Canada contact us at: 800-461-3007 or visit [www.assaabloydss.ca](http://www.assaabloydss.ca)

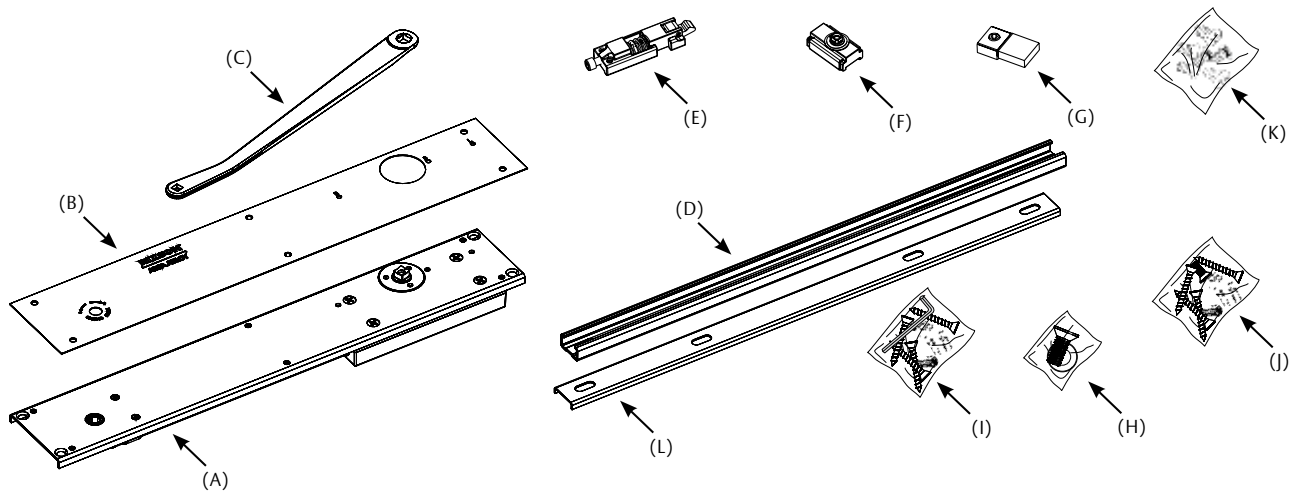


## 91DCP

The packages in this box may use buy program discounts.

Right Hand Arm Package 90237-DCP***PKG (includes 90237, 90283 and 90253)	\$202.00
Left Hand Arm Package 90236-DCP***PKG (includes 90236, 90283 and 90253)	
Non-Hold Open Track Assembly 90255-ASY (includes 90255, 90242 and 90239)	\$134.00
Hold Open Track Assembly 90254-ASY (includes 90254, 90242 and 90239)	\$162.00

(A) Closer Body (Specify hand, function x LAP)	See Page 112
(B) Cover Plate 90272-*** (LH) 90275-*** (RH)	\$60.00 (painted) \$390.00 (plated)
(C) Arm 90272-*** (LH) 90275-*** (RH)	\$131.00
(D) Track 90239	\$72.00



(E) Hold Open Assembly 90254	\$96.00
(F) Slider 90253	\$71.00
(G) Non-Hold Open Stop Block 90255	
(H) Arm Screw Kit 90283-***	\$16.00
(I) Closer Screw Kit 90241-***	\$21.00
(J) Track Screw Kit 90242	\$4.00
(K) Cover Plate Screw Pack 90278-***	\$60.00
(L) Optional Track Spacer for Retrofit Applications 90260	\$25.00

Left hand shown  
\*\*\* - specify finish (ex. 689)

**ASSA ABLOY**

Experience a safer  
and more open world

Norton and Rixson are brands associated with ASSA ABLOY Accessories and Door Controls Group, Inc., an ASSA ABLOY Group company. Copyright © 2002-2021, ASSA ABLOY Accessories and Door Controls Group, Inc. All rights reserved. Reproduction in whole or in part without the express written permission of ASSA ABLOY Accessories and Door Controls Group, Inc. is prohibited. Contact Norton: 877-974-2255 or visit [www.nortondoortools.com](http://www.nortondoortools.com); Contact RIXSON: 800-457-5670 or visit [www.rixson.com](http://www.rixson.com). In Canada contact us at: 800-461-3007 or visit [www.assaabloydss.ca](http://www.assaabloydss.ca)

Rixson Overhead  
Concealed Closers

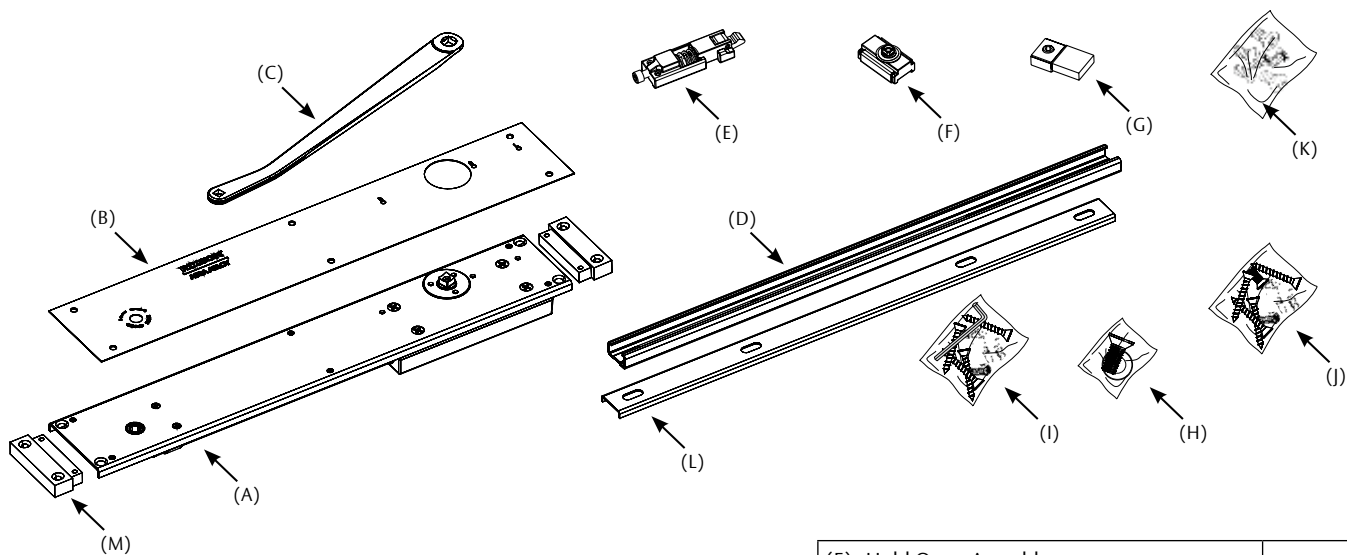
## W91DCP

The packages in this box may use buy program discounts.

Right Hand Arm Package 90237-DCP***PKG (includes 90237, 90283 and 90253)	\$202.00
Left Hand Arm Package 90236-DCP***PKG (includes 90236, 90283 and 90253)	
Non-Hold Open Track Assembly 90255-ASY (includes 90255, 90242 and 90239)	\$134.00
Hold Open Track Assembly 90254-ASY (includes 90254, 90242 and 90239)	\$162.00

(A) Closer Body (Specify hand, function x LAP)	See Page 112
(B) Cover Plate 90272-*** (LH) 90275-*** (RH)	\$60.00 (painted) \$390.00 (plated)
(C) Arm 90236-DCP*** (LH) 90237-DCP*** (RH)	\$131.00
(D) Track 90239	\$72.00

Rixson Overhead  
Concealed Closers



(E) Hold Open Assembly 90254	\$96.00
(F) Slider 90253	\$71.00
(G) Non-Hold Open Stop Block 90255	
(H) Arm Screw Kit 90283-***	\$16.00
(I) Closer Screw Kit 90241-***	\$21.00
(J) Track Screw Kit 90242	\$4.00
(K) Cover Plate Screw Pack 90278	\$25.00
(L) Optional Track Spacer for Retrofit Applications 90260	\$25.00
(M) Wood Mounting Clips 90257-***	\$186.00

Left hand shown

\*\*\* - specify finish (ex. 689)

USA & Canada Prices Effective May 1, 2021

## ASSA ABLOY

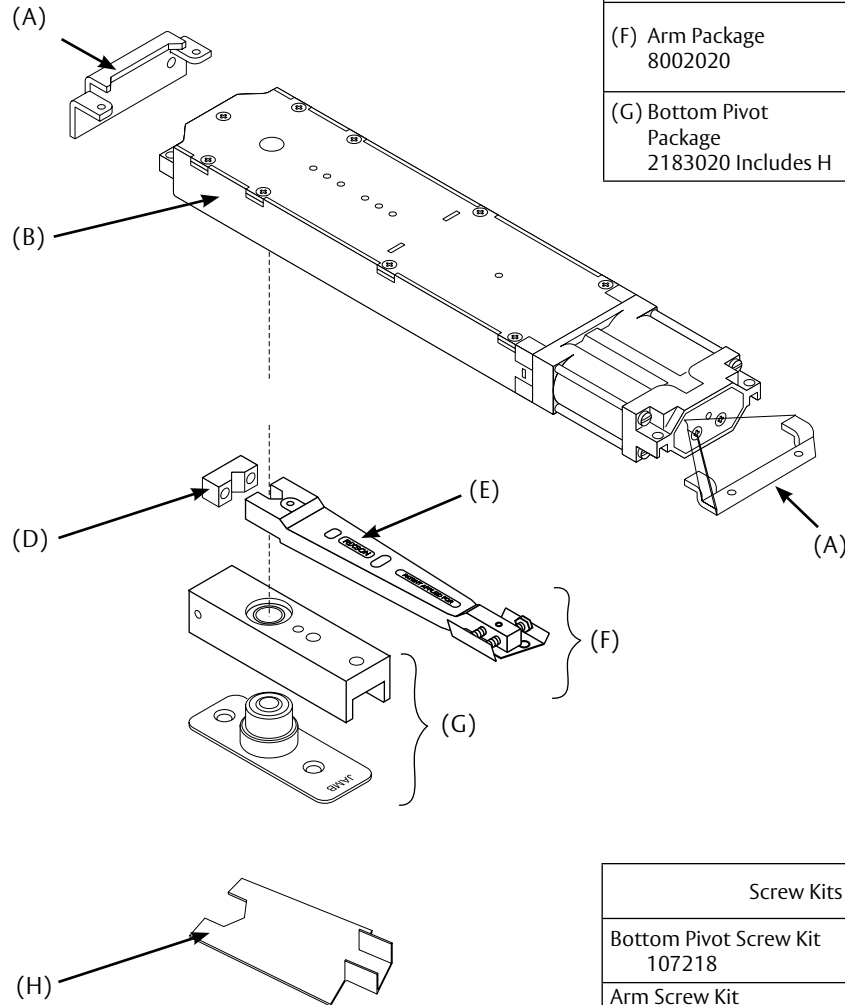
Experience a safer  
and more open world

Norton and Rixson are brands associated with ASSA ABLOY Accessories and Door Controls Group, Inc., an ASSA ABLOY Group company. Copyright © 2002-2021, ASSA ABLOY Accessories and Door Controls Group, Inc. All rights reserved. Reproduction in whole or in part without the express written permission of ASSA ABLOY Accessories and Door Controls Group, Inc. is prohibited. Contact Norton: 877-974-2255 or visit [www.nortondoortools.com](http://www.nortondoortools.com); Contact RIXSON: 800-457-5670 or visit [www.rixson.com](http://www.rixson.com). In Canada contact us at: 800-461-3007 or visit [www.assaabloydss.ca](http://www.assaabloydss.ca)

700/800

(D) Arm Block 808075-1	\$42.20
(E) Arm Assembly 808175	\$172.00

(A) Attaching Bracket 1639000	See Page 113
(B) Closer Body (Specify Complete Model No. x LAP)	
(F) Arm Package 8002020	
(G) Bottom Pivot Package 2183020 Includes H	



(H) Pivot Wrench 218007	\$42.20
----------------------------	---------

Screw Kits	
Bottom Pivot Screw Kit 107218	\$9.00
Arm Screw Kit 107055 Includes arm end block	\$55.40
Arm Block Screw 806018-PKG	\$23.90
Cover Plate Screw Kit 107006-*	\$9.00

\*specify finish

Rixson Overhead  
Concealed Closers

**ASSA ABLOY**

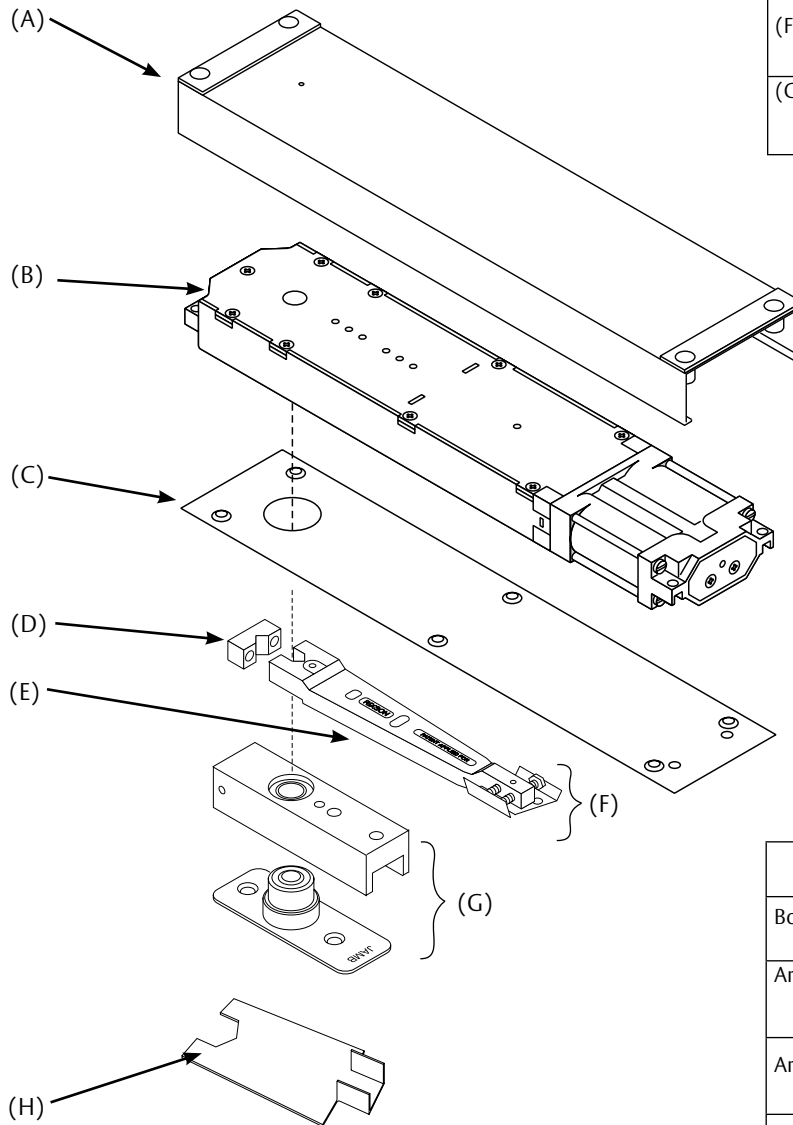
Experience a safer  
and more open world

USA & Canada Prices Effective May 1, 2021  
Norton and Rixson are brands associated with ASSA ABLOY Accessories and Door Controls Group, Inc., an ASSA ABLOY Group company. Copyright © 2002-2021, ASSA ABLOY Accessories and Door Controls Group, Inc. All rights reserved. Reproduction in whole or in part without the express written permission of ASSA ABLOY Accessories and Door Controls Group, Inc. is prohibited. Contact Norton: 877-974-2255 or visit [www.nortondoortcontrols.com](http://www.nortondoortcontrols.com); Contact RIXSON: 800-457-5670 or visit [www.rixson.com](http://www.rixson.com). In Canada contact us at: 800-461-3007 or visit [www.assaabloydss.ca](http://www.assaabloydss.ca)

## M700/M800

(D) Arm Block 808075-1	\$42.20
(E) Arm Assembly 808175	\$172.00

(A) Closer Mounting Channel 1929000	See Page 113
(B) Closer Body (Specify Complete Model No. x LAP)	
(C) Cover Plate 7004000R* (RH) 7004000L* (LH) 800 Series 8004000-*	
(F) Arm Package 8002020	
(G) Bottom Pivot Package 2183020 Includes H	



(H) Pivot Wrench 218007	\$42.20
----------------------------	---------

Screw Kits	
Bottom Pivot Screw Kit 107218	\$9.00
Arm Screw Kit 107055 Includes arm end block	\$55.40
Arm Block Screw 806018-PKG	\$23.90
Cover Plate Screw Kit 107006-*	\$9.00

\*specify finish

USA & Canada Prices Effective May 1, 2021

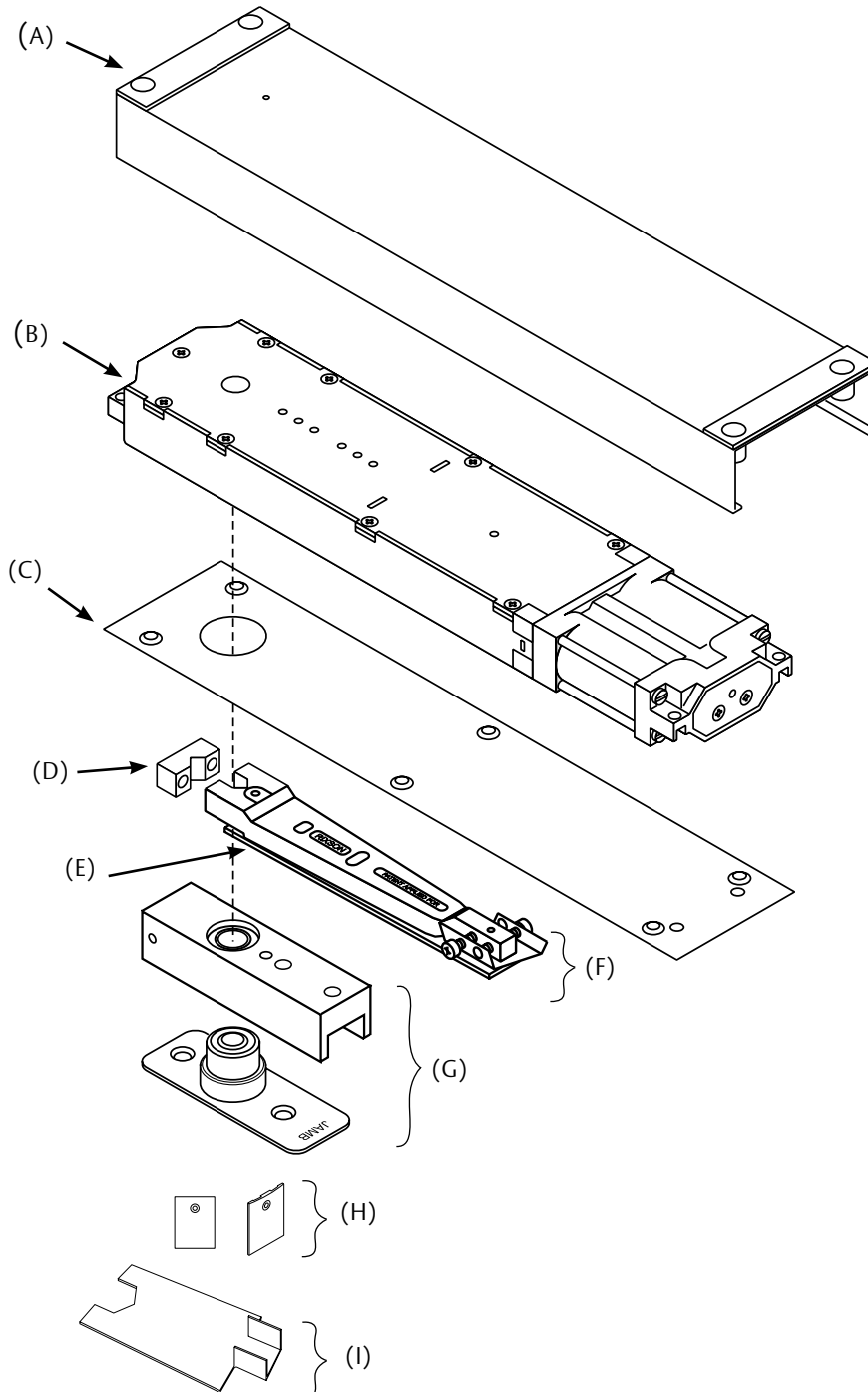
## ASSA ABLOY

Experience a safer  
and more open world

Norton and Rixson are brands associated with ASSA ABLOY Accessories and Door Controls Group, Inc., an ASSA ABLOY Group company. Copyright © 2002-2021, ASSA ABLOY Accessories and Door Controls Group, Inc. All rights reserved. Reproduction in whole or in part without the express written permission of ASSA ABLOY Accessories and Door Controls Group, Inc. is prohibited. Contact Norton: 877-974-2255 or visit [www.nortondoortcontrols.com](http://www.nortondoortcontrols.com); Contact RIXSON: 800-457-5670 or visit [www.rixson.com](http://www.rixson.com). In Canada contact us at: 800-461-3007 or visit [www.assaabloydss.ca](http://www.assaabloydss.ca)

## MW700/MW800

(D) Arm Block 808075-1	\$42.20
(E) Arm Assy 808174	\$160.00



(A) Closer Mounting Channel 1929000	See Page 113
(B) Closer Body (Specify Complete Model No. x LAP)	
(C) Cover Plate 7004000R* (RH) 7004000L* (LH) 800 Series 8004000-*	
(F) Arm Package 8002021	
(G) Bottom Pivot 2183020 Includes I	
(H) Decorative Arm Cap (contains 2 caps) 1990906-* (612 or 627 only)	Order Separately See Page 115

(I) Pivot Wrench 218007	\$42.20
----------------------------	---------

Screw Kits	
Bottom Pivot Screw Kit 107218	\$9.00
Arm Screw Kit 107055 Includes arm end block	\$55.40
Arm Block Screw 806018-PKG	\$23.90
Cover Plate Screw Kit 107006-*	\$9.00

*\*specify finish*

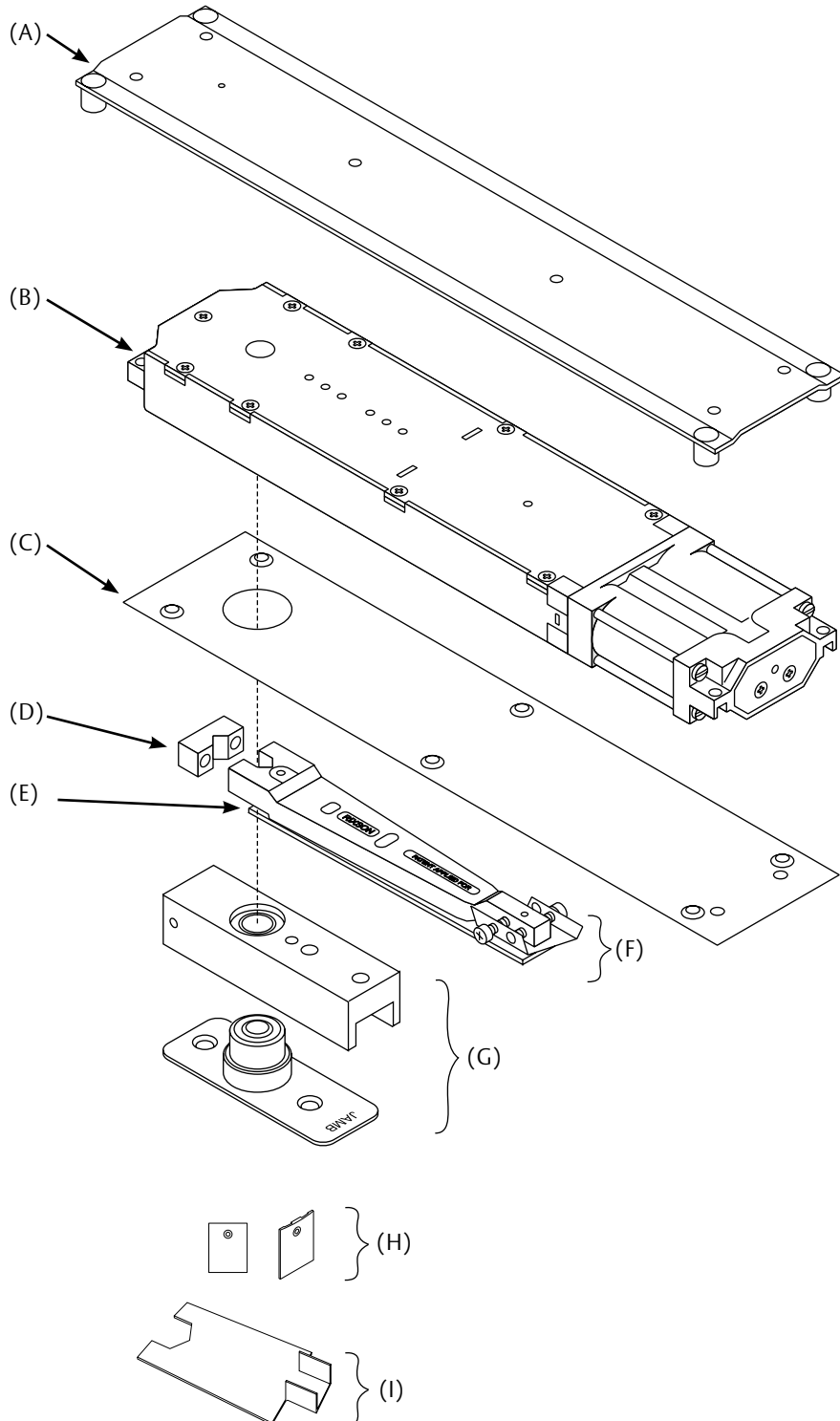
## ASSA ABLOY

Experience a safer  
and more open world

Norton and Rixson are brands associated with ASSA ABLOY Accessories and Door Controls Group, Inc., an ASSA ABLOY Group company. Copyright © 2002-2021, ASSA ABLOY Accessories and Door Controls Group, Inc. All rights reserved. Reproduction in whole or in part without the express written permission of ASSA ABLOY Accessories and Door Controls Group, Inc. is prohibited. Contact Norton: 877-974-2255 or visit [www.nortondoortcontrols.com](http://www.nortondoortcontrols.com); Contact RIXSON: 800-457-5670 or visit [www.rixson.com](http://www.rixson.com). In Canada contact us at: 800-461-3007 or visit [www.assaabloydss.ca](http://www.assaabloydss.ca)

W700/W800

Rixson Overhead  
Concealed Closers



(A) Closer Mounting Plate 1989000	
(B) Closer Body (Specify Complete Model No. x LAP)	See Page 113
(C) Cover Plate 7004000R* (RH) 7004000L* (LH)	
(D) Arm Block 808075-1	\$42.20
(E) Arm Assembly 808174	\$160.00
(F) Arm Package 8002021	See Page 113
(G) Bottom Pivot 2183020 (Includes I)	
(H) Decorative Arm Cap (contains 2 caps) 1990906* (612&627 only)	Order Separately See Page 115

(I) Pivot Wrench 218007	\$42.20
----------------------------	---------

Screw Kits	
Bottom Pivot Screw Kit 107218	\$9.00
Arm Screw Kit 107055 Includes arm end block	\$55.40
Arm Block Screw 806018-PKG	\$23.90
Cover Plate Screw Kit 107006-*	\$9.00

\*specify finish

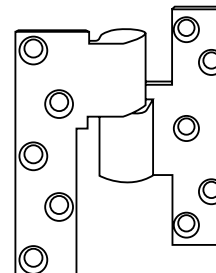
USA & Canada Prices Effective May 1, 2021

**ASSA ABLOY**

Experience a safer  
and more open world

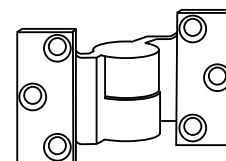
Norton and Rixson are brands associated with ASSA ABLOY Accessories and Door Controls Group, Inc., an ASSA ABLOY Group company. Copyright © 2002-2021, ASSA ABLOY Accessories and Door Controls Group, Inc. All rights reserved. Reproduction in whole or in part without the express written permission of ASSA ABLOY Accessories and Door Controls Group, Inc. is prohibited. Contact Norton: 877-974-2255 or visit [www.nortondoortools.com](http://www.nortondoortools.com); Contact RIXSON: 800-457-5670 or visit [www.rixson.com](http://www.rixson.com). In Canada contact us at: 800-461-3007 or visit [www.assaabloydss.ca](http://www.assaabloydss.ca)

### M19, M190, ML19, FA19, 219, 319, FM19, FM190 All Electrified M19 Intermediate Pivots



Model	Description	Price
107015-*	Metal Screws for One Leaf	\$9.00
107115-*	Wood Screws for One Leaf	
181778-*	Hex Cap	\$9.20
<b>219, 319 and 419 Also Use:</b>		
107059-*	Includes Screws and Backplate	\$203.00
	Torx® Available - Suffix "T"	Add \$87.90 to each kit

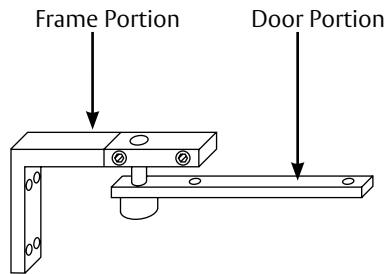
### 119 Intermediate Pivot



Model	Description	Price
107014-*	Metal Screws for One Leaf	\$9.00
107114-*	Wood Screws for One Leaf	
	Torx® Available - Suffix "T"	Add \$87.90

\*specify finish

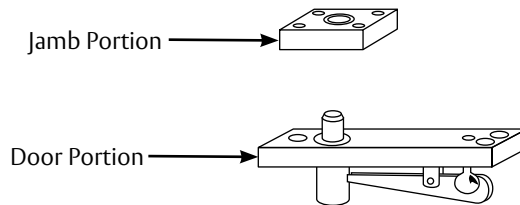
### Angle Pivot-3



Model	Description	Price
107047*	Includes Screws and Stud	\$117.00
30243	Door Portion	\$132.00
30814**	Frame Portion (handed)	\$424.00

Torx® not available.

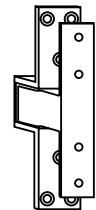
### Top Pivot 340 x 102



Model	Description	Price
10210 AS	Jamb Portion	\$227.00
3065	Door Portion	\$132.00
107012*	Jamb Portion Screw Kit	\$8.80
107329	Door Portion Screw Kit	\$9.00

Torx® not available.

### F519 Pocket Pivot



Model	Description	Price
619005-*	Screw Kit	\$13.10
	Torx® Available	Add \$87.90

\*specify finish

**ASSA ABLOY**

Experience a safer  
and more open world

USA & Canada Prices Effective May 1, 2021

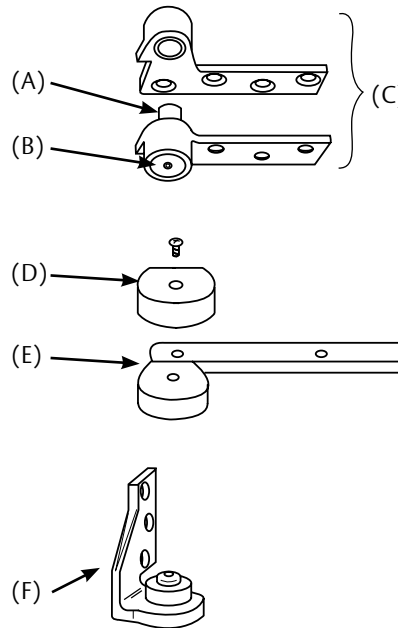
Norton and Rixson are brands associated with ASSA ABLOY Accessories and Door Controls Group, Inc., an ASSA ABLOY Group company. Copyright © 2002-2021, ASSA ABLOY Accessories and Door Controls Group, Inc. All rights reserved. Reproduction in whole or in part without the express written permission of ASSA ABLOY Accessories and Door Controls Group, Inc. is prohibited. Contact Norton: 877-974-2255 or visit [www.nortondoortcontrols.com](http://www.nortondoortcontrols.com); Contact RIXSON: 800-457-5670 or visit [www.rixson.com](http://www.rixson.com). In Canada contact us at: 800-461-3007 or visit [www.assaabloydss.ca](http://www.assaabloydss.ca)



## 117-1/4 Pivot Set

Right Hand Shown  
3/4" Offset Only

(A) Pivot Stud 181770-ASY	\$8.80
(B) Hex Cap 181778-*	
(D) Arm Cap and Screw 12029-AS	\$53.80
(E) Arm LH 11706LAS Y	\$118.00
(E) Arm RH 11705RAS Y	
(F) Floor Portion Assy RH 17406R*AS	\$469.00
(F) Floor Portion Assy LH 17406L*AS	



(C) 180 Top Pivot	See Page 119
-------------------	-----------------

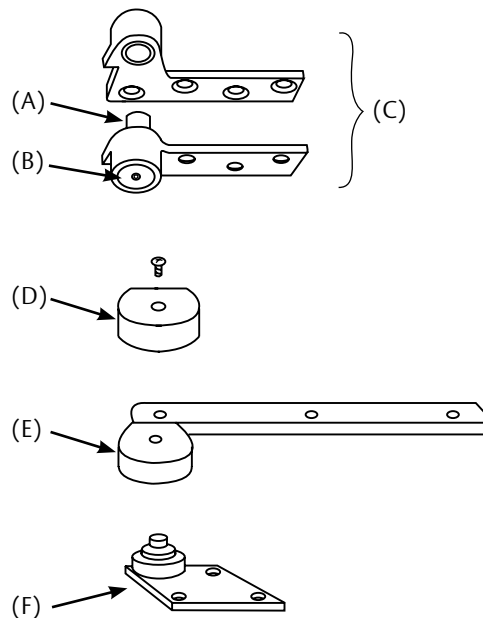
Screw Kits	
180 Screw Kit 107014 - *Machine ( 2 req.) 107114 - *Wood (2 req.)	\$9.00
117-1/4 Screw Kit 117127 - *	\$53.40

\*specify finish

## 117, F117 Pivot Set

Right Hand Shown  
3/4" and 1-1/2" Offset

(A) Pivot Stud 181770-ASY	\$8.80
(B) Hex Cap 181778-*	\$9.20
(D) Arm Cap and Screw 12029-AS	\$53.80
(E) 3/4" Offset Arm LH 11706LAS Y	\$118.00
(E) 3/4" Offset Arm RH 11705RAS Y	
(E) 1-1/2" Offset Arm LH 11706L15*	\$225.50
(E) 1-1/2" Offset Arm RH 11705R15*	
(F) 117 Floor Portion Assy 17526-AS	\$469.00
(F) F117 Floor Portion Assy 17559-AS	\$423.00



(C) 180 Top Pivot (for Fire-Rated Doors, order F180)	See Page 119
--	-----------------

Screw Kits	
180 Screw Kit 107014 - *Machine ( 2 req.) 107114 - *Wood (2 req.)	\$9.00
Bottom Pivot Screw Kit 117127 - *	\$53.40

\*specify finish

### ASSA ABLOY

Experience a safer  
and more open world

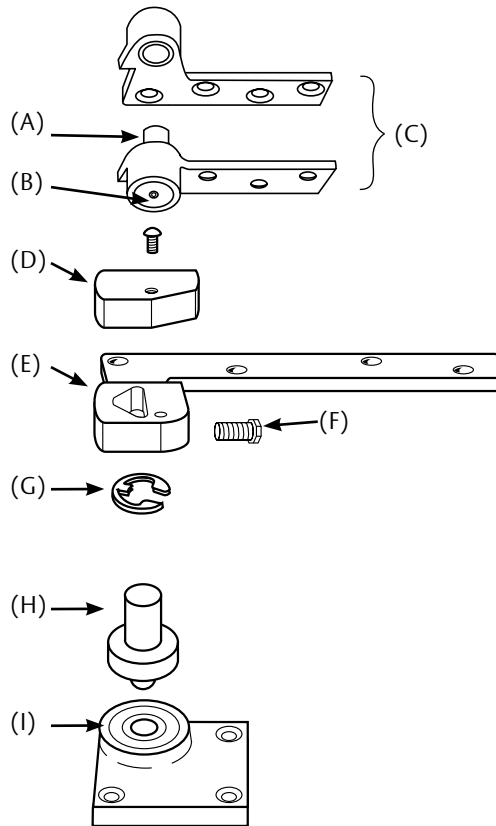
USA & Canada Prices Effective May 1, 2021

Norton and Rixson are brands associated with ASSA ABLOY Accessories and Door Controls Group, Inc., an ASSA ABLOY Group company. Copyright © 2002-2021, ASSA ABLOY Accessories and Door Controls Group, Inc. All rights reserved. Reproduction in whole or in part without the express written permission of ASSA ABLOY Accessories and Door Controls Group, Inc. is prohibited. Contact Norton: 877-974-2255 or visit [www.nortondoortcontrols.com](http://www.nortondoortcontrols.com); Contact RIXSON: 800-457-5670 or visit [www.rixson.com](http://www.rixson.com). In Canada contact us at: 800-461-3007 or visit [www.assaabloydss.ca](http://www.assaabloydss.ca)

### 147, F147 Pivot Set

Right Hand Shown  
3/4" and 1-1/2" Offset

(A) Pivot Stud 181770-ASY	\$8.80
(B) Hex Cap 181778-*	\$9.20
(D) Arm Cap & Screw 012142R*AS (RH, BRS) 012142R*AS (RH, BRS) 012142L*AS (LH, BRS) 012144R*AS (RH, SS) 012144L*AS (LH, SS)	\$53.80
(E) Arm x Locking Screw 3/4" Offset 275177 RH 3/4" Offset 275176 LH	\$107.00
(E) Arm x Locking Screw 1-1/2" Offset 275167-*	\$167.00
(F) Arm Lock Screw Pkg (5 per) 88905-PKG	\$40.30
(G) Arm Shim Kit (2 per) 107071	\$21.30
(H) Spindle Stud 14714	\$30.60
(I) 147 /F147 Floor Portion x Bearing 14721-*AS	\$437.00



(C) 180 Top Pivot  
(for Fire-Rated Doors  
order F180)

See  
Page 117

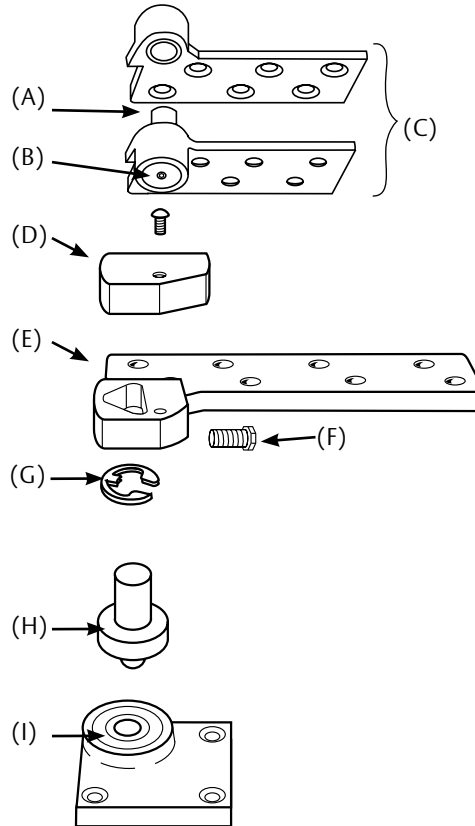
\*specify finish

Screw Kits	
147/F147 Bottom Pivot Screw Kit 107062-* includes 107071	\$30.00
180/F180 Screw Kit 107014 - * Machine ( 2 req.) 107114 - * Wood (2 req.)	\$9.00
Arm Screw Kit 107044 Machine 107144 Wood	

## L147, FL147 Pivot Set

Right Hand Shown  
3/4" Offset Only

(A) Pivot Stud 181770-ASY	\$8.80
(B) Hex Cap 181778-*	\$9.20
(D) Arm Cap & Screw 012142R*AS (RH, BRS) 012142L*AS (LH, BRS) 012144R*AS (RH, SS) 012144L*AS (LH, SS)	\$53.80
(E) Arm x Locking Screw 1-3/4" Door 18550-Asy RH 18650-Asy LH	\$201.90
(E) Arm x Locking Screw 2" Door 18551-Asy RH 18651-Asy LH	\$445.90
(E) Arm x Locking Screw 2-1/4" Door 18552-Asy RH 18652-Asy LH	
(E) Arm x Locking Screw 2-1/2" Door 18553-Asy RH 18653-Asy LH	
(E) Arm x Locking Screw 3" Door 18554-Asy RH 18654-Asy LH	
(F) Arm Lock Screw Pkg (5 per) 88905-PKG	\$40.30



(C) L180 Top Pivot (for Fire-Rated Doors order FL180)	See Page 119
---	-----------------

(G) Arm Shim Kit (2 per) 107071	\$53.80
(H) Spindle Stud 14714	\$30.60
(I) L147 Floor Portion x Bearing 14721-*AS	\$437.00

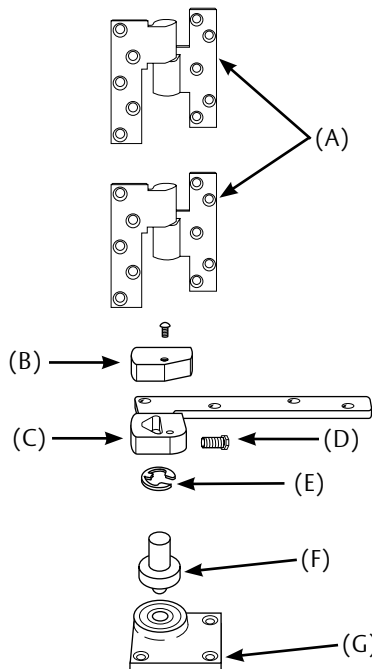
Screw Kits	
180/F180 Screw Kit 107014 - * Machine ( 2 req.) 107114 - * Wood (2 req.)	\$9.00
Arm Screw Kit 107044 Machine 107144 Wood	
L147/FL147 Bottom Pivot Screw Kit (includes "E" ring shim) 107062-*	\$30.00

\*specify finish

## 547 Pivot Set

Right Hand Shown  
3/4" Offset Only

(B) Arm Cap & Screw 012142R*AS (RH, BRS) 012142L*AS (LH, BRS) 012144R*AS (RH, SS) 012144L*AS (LH, SS)	\$53.80
(C) Arm x Locking Screw 275177RH 275177RH	\$107.00
(D) Locking Screw Pkg (5 per) 88905-Pkg	\$53.80
(E) Arm Shim Kit (2 per) 107071	\$21.30
(F) Spindle Stud 14714	\$30.60
(G) 147 Floor Portion x Bearing 14721-*AS	\$437.00



(A) M190 Intermediate Pivot (For Fire-Rated Doors order FM190)	See Page 120
147 Bottom Pivot Screw Kit (includes 107071) 107062-*	\$30.00

\*specify finish

## ASSA ABLOY

Experience a safer  
and more open world

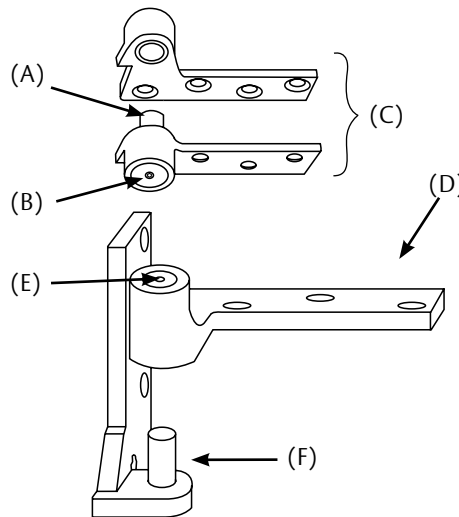
USA & Canada Prices Effective May 1, 2021

Norton and Rixson are brands associated with ASSA ABLOY Accessories and Door Controls Group, Inc., an ASSA ABLOY Group company. Copyright © 2002-2021, ASSA ABLOY Accessories and Door Controls Group, Inc. All rights reserved. Reproduction in whole or in part without the express written permission of ASSA ABLOY Accessories and Door Controls Group, Inc. is prohibited. Contact Norton: 877-974-2255 or visit [www.nortondoortcontrols.com](http://www.nortondoortcontrols.com); Contact RIXSON: 800-457-5670 or visit [www.rixson.com](http://www.rixson.com). In Canada contact us at: 800-461-3007 or visit [www.assaabloyds.ca](http://www.assaabloyds.ca)

## 195 Pivot Set

Right Hand Shown  
3/4" Offset Only

(A) Pivot Stud 181770-ASY	\$8.80
(B) Hex Cap 181778-*	\$9.20
(D) Door Portion Asy RH 19503-AS	\$330.00
(D) Door Portion Asy LH 19504-AS	
(E) Cap 19511-*	\$14.70
(F) Jamb Portion Asy RH 19501-AS	\$423.00
(F) Jamb Portion Asy LH 19502-AS	



(C) 180 Top Pivot	See Page 119
-------------------	-----------------

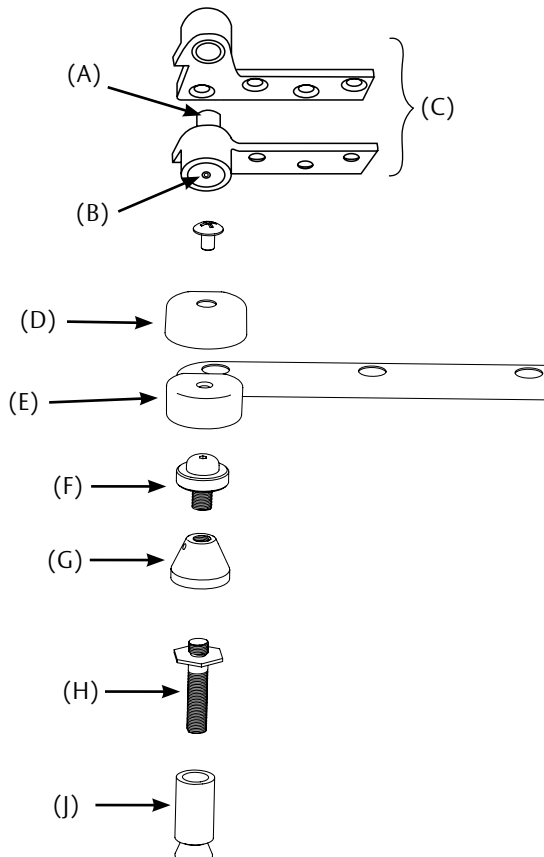
Screw Kits		\$9.00
180 Screw Kit 107014 - * Machine ( 2 req.) 107114 - * Wood (2 req.)		
195 Screw Kit 107014 - * Machine ( 2 req.) 107114 - * Wood (2 req.)		

\*specify finish

## 173 Pivot Set

Right Hand Shown  
3/4" Offset Only

(A) Pivot Stud 181770-ASY	\$8.80
(B) Hex Cap 181778-*	\$9.20
(D) Arm Cap and Screw 12029-AS	\$53.80
(E) Arm LH 11706L*AS	\$118.00
(E) Arm RH 11705R*AS	
(F) Spindle Stud 173003	\$28.50
(G) Spindle collar 173001	\$65.10
(H) Mounting Bolt 173002	\$33.60
(J) Floor Anchor 173010	\$21.80



(C) 180 Top Pivot	See Page 119
-------------------	-----------------

Screw Kits		\$9.00
180 Screw Kit 107014 - * Machine ( 2 req.) 107114 - * Wood (2 req.)		
Bottom Arm Screw Kit 107044- Machine 107144- Wood		

\*specify finish

1-1/2" Offset Arm

(E) 1-1/2" Offset Arm LH 11706L15*	\$118.00
(E) 1-1/2" Offset Arm RH 11705R15*	

## ASSA ABLOY

Experience a safer  
and more open world

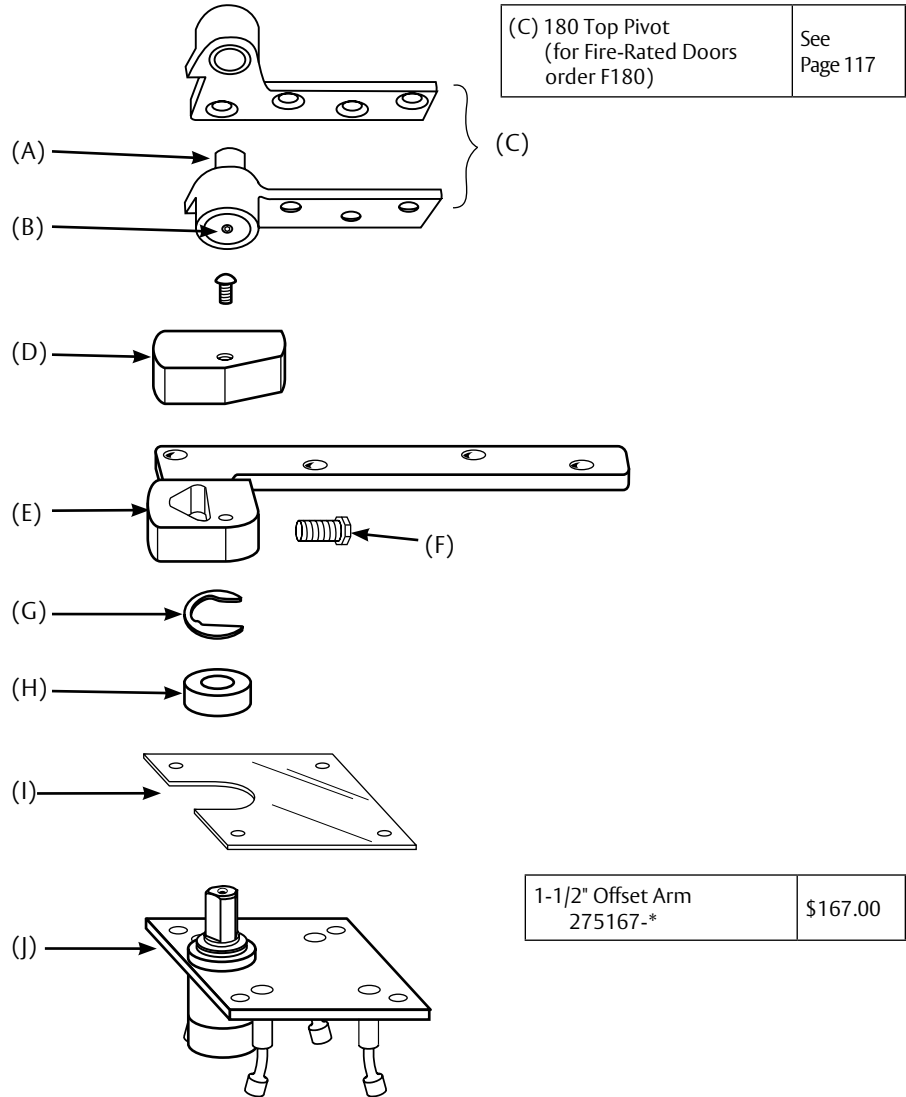
USA & Canada Prices Effective May 1, 2021

Norton and Rixson are brands associated with ASSA ABLOY Accessories and Door Controls Group, Inc., an ASSA ABLOY Group company. Copyright © 2002-2021, ASSA ABLOY Accessories and Door Controls Group, Inc. All rights reserved. Reproduction in whole or in part without the express written permission of ASSA ABLOY Accessories and Door Controls Group, Inc. is prohibited. Contact Norton: 877-974-2255 or visit [www.nortondoortcontrols.com](http://www.nortondoortcontrols.com); Contact RIXSON: 800-457-5670 or visit [www.rixson.com](http://www.rixson.com). In Canada contact us at: 800-461-3007 or visit [www.assaabloydss.ca](http://www.assaabloydss.ca)

### 117-1/2, F117-1/2 Pivot Set

Right Hand Shown  
3/4" and 1-1/2" Offset

(A) Pivot Stud 181770-ASY	\$8.80
(B) Hex Cap 181778-*	\$9.20
(D) Arm Cap & Screw 012142R*AS (RH, BRS) 012142L*AS (LH, BRS) 012144R*AS (RH, SS) 012144L*AS (LH, SS)	\$53.80
(E) Arm x Locking Screw 3/4" Offset 275177 RH 3/4" Offset 275176 LH	\$107.00
(F) Arm Lock Screw Pkg (5 per) 88905-PKG	\$40.30
(G) Arm Shim Kit (5 per) 275065-PKG	\$21.30
(H) Spindle Shoulder Collar 16301A*	\$35.50
(I) Floor Plate x Screws 1174050-*	\$116.00
(J) 117-1/2 & F117-1/2 Floor Portion Assembly X01176350	\$723.00



Screw Kits	
180/F180 Screw Kit 107014 - * Machine ( 2 req.) 107114 - * Wood (2 req.)	\$9.00
Floor Plate Screw Kit 107004-*	
Arm Screw Kit 107044 - * Machine 107144 - * Wood	

\*specify finish

**ASSA ABLOY**

Experience a safer  
and more open world

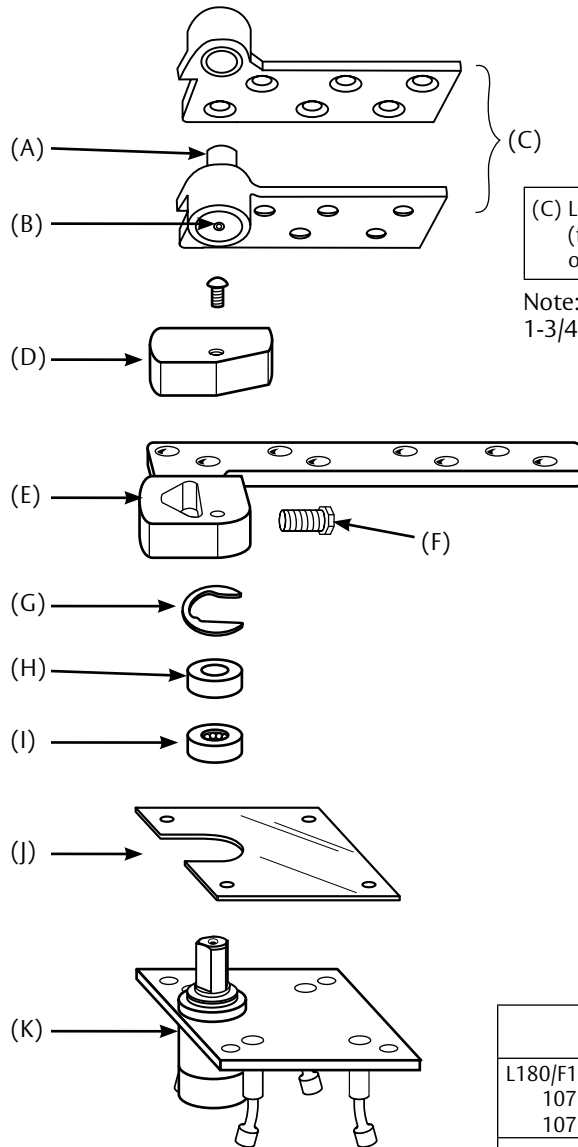
USA & Canada Prices Effective May 1, 2021

Norton and Rixson are brands associated with ASSA ABLOY Accessories and Door Controls Group, Inc., an ASSA ABLOY Group company. Copyright © 2002-2021, ASSA ABLOY Accessories and Door Controls Group, Inc. All rights reserved. Reproduction in whole or in part without the express written permission of ASSA ABLOY Accessories and Door Controls Group, Inc. is prohibited. Contact Norton: 877-974-2255 or visit [www.nortondoortcontrols.com](http://www.nortondoortcontrols.com); Contact RIXSON: 800-457-5670 or visit [www.rixson.com](http://www.rixson.com). In Canada contact us at: 800-461-3007 or visit [www.assaabloydss.ca](http://www.assaabloydss.ca)

### L117, FL117 Pivot Set

Right Hand Shown  
3/4" Offset Only

(A) Pivot Stud 181770-ASY	\$8.80
(B) Hex Cap 181778-*	\$9.20
(D) Arm Cap & Screw 012142R*AS (RH, BRS) 012142L*AS (LH, BRS) 012144R*AS (RH, SS) 012144L*AS (LH, SS)	\$53.80
(E) Arm x Locking Screw 1-3/4" Door 18550-ASY RH 18650-ASY LH	\$201.90
(E) Arm x Locking Screw 2" Door 18551-ASY RH 18651-ASY LH	\$445.90
(E) Arm x Locking Screw 2-1/4" Door 18552-ASY RH 18652-ASY LH	
(E) Arm x Locking Screw 2-1/2" Door 18553-ASY RH 18653-ASY LH	
(E) Arm x Locking Screw 3" Door 18554-ASY RH 18654-ASY LH	
(F) Arm Lock Screw Pkg (5 per) 88905-PKG	\$40.30
(G) Arm Shim Kit (5 per) 275065-PKG	\$21.30
(H) Spindle Shoulder Collar 259500-*	\$103.00
(I) Heavy-Duty Thrust-Bearing 41204-PKG	\$114.00
(J) Floor Plate x Screws 1174050-*	\$116.00
(K) Floor Portion Assembly X01176351 Includes 41204-PKG	\$723.00



(C) L180 Top Pivot (for Fire-Rated Doors order FL180)	See Page 119
---	-----------------

Note: FL is available for  
1-3/4" doors only

Screw Kits	
L180/F180 Screw Kit 107016 - * Machine ( 2 req.) 107116 - * Wood (2 req.)	\$10.20
Arm Screw Kit 107048 - * Machine ( 2 req.) 107114 - * Wood (2 req.)	\$9.00
Floor Plate Screw Kit 107004 - * Machine ( 2 req.)	

\*specify finish  
Special Note: FL117 is available for 1-3/4" doors only

USA & Canada Prices Effective May 1, 2021

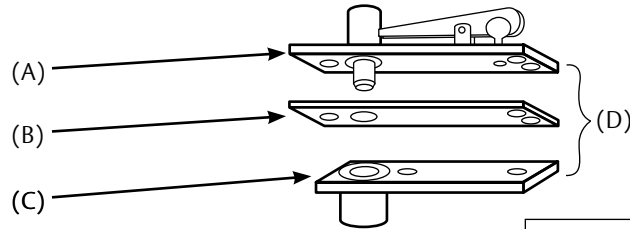
## ASSA ABLOY

Experience a safer  
and more open world

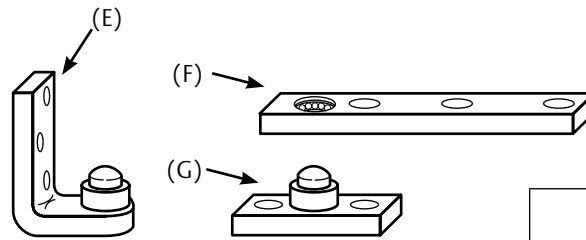
Norton and Rixson are brands associated with ASSA ABLOY Accessories and Door Controls Group, Inc., an ASSA ABLOY Group company. Copyright © 2002-2021, ASSA ABLOY Accessories and Door Controls Group, Inc. All rights reserved. Reproduction in whole or in part without the express written permission of ASSA ABLOY Accessories and Door Controls Group, Inc. is prohibited. Contact Norton: 877-974-2255 or visit [www.nortondoorcontrols.com](http://www.nortondoorcontrols.com); Contact RIXSON: 800-457-5670 or visit [www.rixson.com](http://www.rixson.com). In Canada contact us at: 800-461-3007 or visit [www.assaabloydss.ca](http://www.assaabloydss.ca)

## 127-3/4 & 128-3/4 Pivot Sets

(A) Top Pivot Jamb Portion 640-ASY	\$141.00
(B) Top Pivot Plate x Screws 12724-*PK(SS) 12720-*PK (BRS)	\$53.80
(C) Top Pivot Door Portion 12716	\$135.00
(E) Jamb Portion & Stud Assembly 127-3/4 Only 12711-*	\$343.00
(F) Arm & Bearing Assembly 12714 Door Portion	\$98.00
(G) Floor Pivot & Stud Assembly 128-3/4 Only 71521-*AS	\$198.00



(D) 320 Top Pivot	See Page 123
-------------------	-----------------

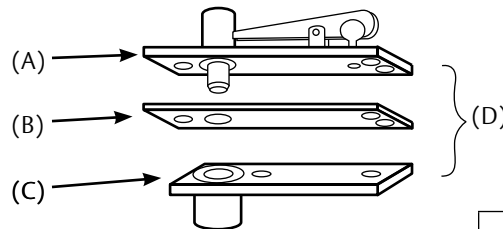


Screw Kits	
320 Screw Kit 107340 Machine & Wood	\$9.00
127-3/4 & 128-3/4 Screw Kit 117127-*	\$53.40

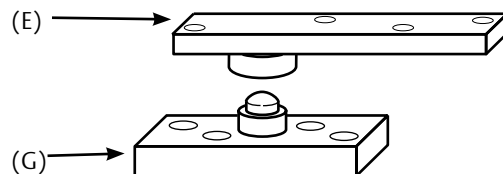
\*specify finish

## 370 Pivot Set

(A) Top Pivot Jamb Portion 3065	\$132.00
(B) Finish Plate x Screws 012202-*PK (BRS) 012204-*PK (SS)	\$53.80
(C) Top Pivot Door Portion 30243	\$132.00
(E) Arm 22131	\$149.00
(G) Floor Portion and stud 22121-*	\$249.30



(D) 340 Top Pivot	See Page 123
-------------------	-----------------

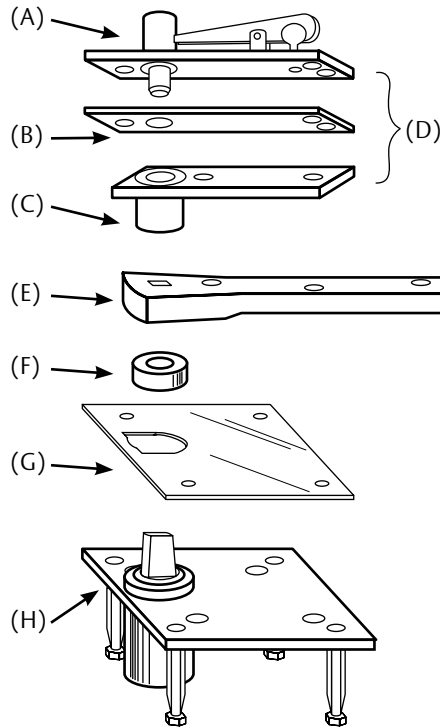


Screw Kits	
340 Screw Kit 107329 Machine & Wood	\$9.00
370 Screw Kit 107370-*	

\*specify finish

## 117-3/4 Pivot Set

(A) Top Pivot Jamb Portion 065	\$132.00
(B) Top Pivot Finish Plate 012202-*PK(BRS) 012204-*PK(SS)	\$53.80
(C) Top Pivot Door Portion 30243	\$132.00
(E) Arm 185.75	\$239.00
(F) Spindle Shoulder 16301A	\$35.50
(G) Floor Plate x Screws 1174020-*	\$117.00
(H) Floor Portion Assembly X01176320	\$715.00



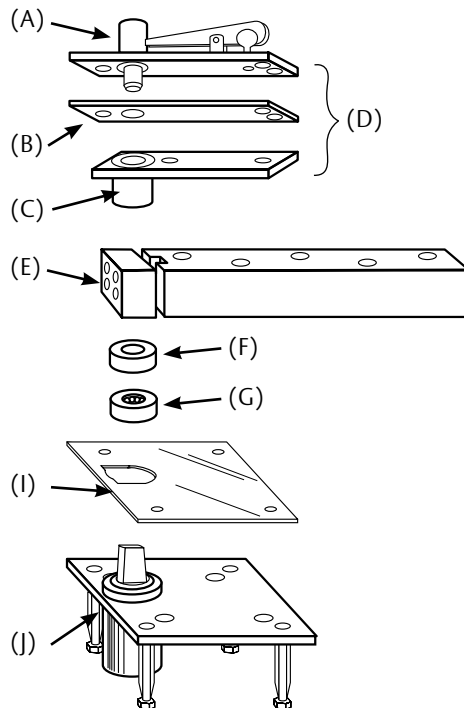
(D) Top Pivot 340	See Page 123
----------------------	-----------------

Screw Kits		\$9.00
340 Screw Kit 107329 Machine & Wood		
Arm Screw Kit 107064-* Machine & Wood		
Floor Plate Screw Kit 107004-*		

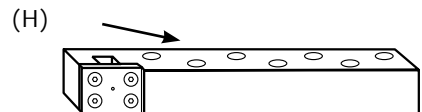
\*specify finish

## H117-3/4 Pivot Set

(A) Top Pivot Jamb Portion 308548	\$460.00
(B) Top Pivot Finish Plate 012202-*PK(BRS) 012204-*PK(SS)	\$53.80
(C) Top Pivot Door Portion 30141	\$460.00
(E) Standard End Load Arm Package 262022	\$741.00
(F) Spindle Shoulder Collar 259500-*	\$103.00
(G) Heavy-Duty Thrust Bearing 41204-PKG	\$114.00
(I) Floor Plate x Screws 1174020-*	\$117.00
(J) Floor Portion Assembly X01176322 Includes 41204-PKG	\$1,239.00



(D) Top Pivot H340	See Page 123
-----------------------	-----------------



(H) 587 Side Load Arm Package 262587	\$741.00
--	----------

Screw Kits		\$9.00
H340 Screw Kit 107329 Machine & Wood		
Arm Screw Kit 107045 - Machine 107145 - Wood		
587 Arm Screw Kit 107077 - Machine 107177 - Wood		\$14.70
Arm Shim Screw Kit 107060		\$12.40
Floor Plate Screw Kit 107004-*		\$9.00

\*specify finish

USA & Canada Prices Effective May 1, 2021

## ASSA ABLOY

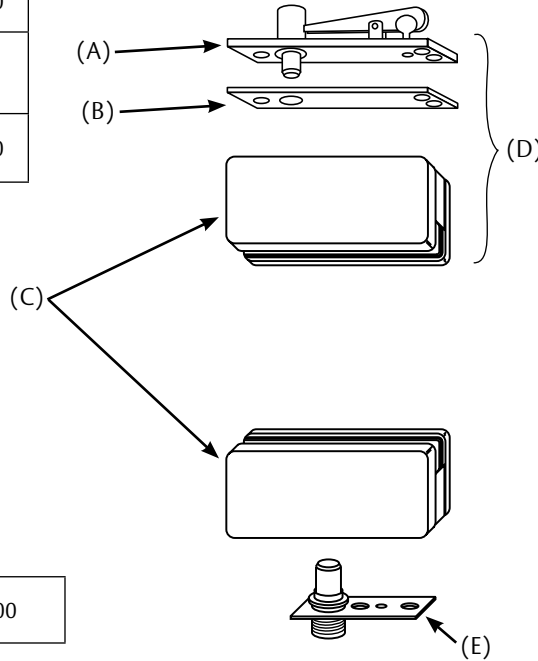
Experience a safer  
and more open world

Norton and Rixson are brands associated with ASSA ABLOY Accessories and Door Controls Group, Inc., an ASSA ABLOY Group company. Copyright © 2002-2021, ASSA ABLOY Accessories and Door Controls Group, Inc. All rights reserved. Reproduction in whole or in part without the express written permission of ASSA ABLOY Accessories and Door Controls Group, Inc. is prohibited. Contact Norton: 877-974-2255 or visit [www.nortondoorcontrols.com](http://www.nortondoorcontrols.com); Contact RIXSON: 800-457-5670 or visit [www.rixson.com](http://www.rixson.com). In Canada contact us at: 800-461-3007 or visit [www.assaabloydss.ca](http://www.assaabloydss.ca)



### 178 Pivot Sets

(A) Top Jamb Portion 42801	\$132.00
(B) Finish Plate 012202-*PK (BRS) 012204-*PK (SS)	\$53.80
(C) Patch Fitting 7495-*	\$188.00

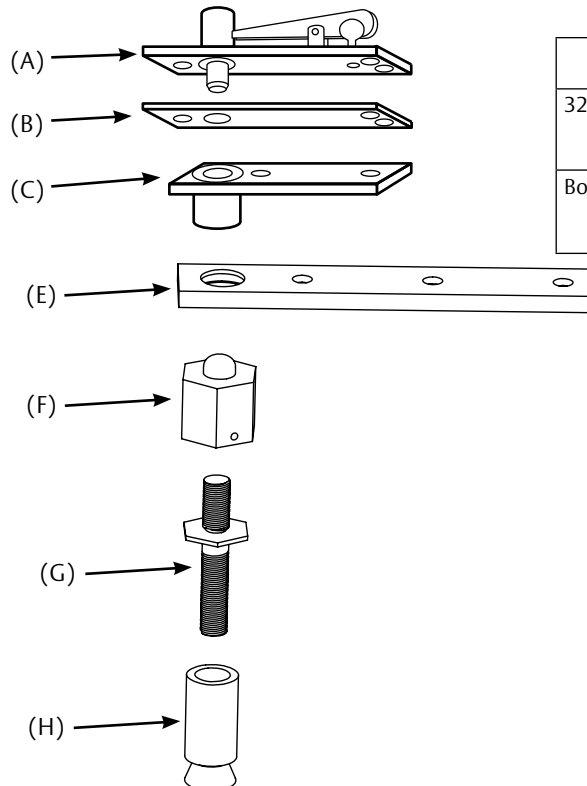


(D) Top Patch 7494-*PK	See Page 100
(E) Bottom Pivot Floor Portion 74104	\$117.00

Top Pivot Jamb Screw Kit 107039	\$9.00
------------------------------------	--------

### 176 Pivot Sets

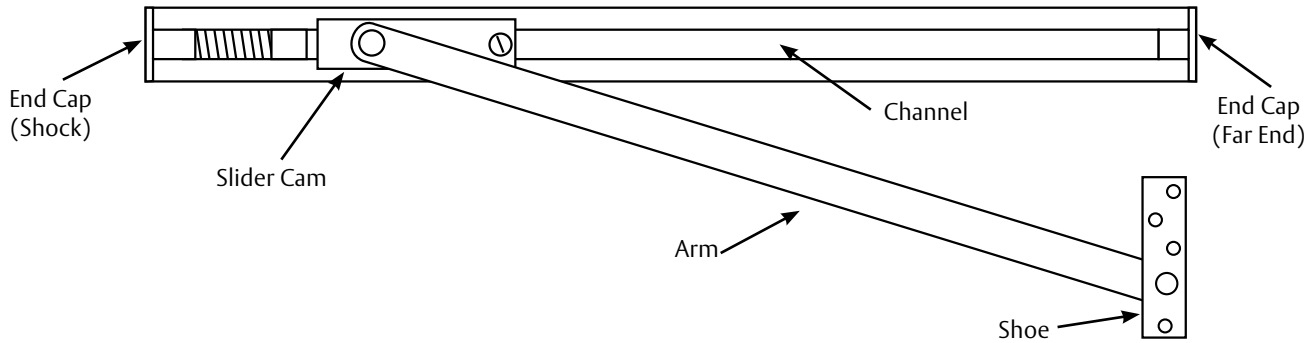
(A) Top Pivot Jamb Portion 640-ASY	\$141.00
(B) Top Pivot Plate x Screws 12724-*PK(SS) 12720-*PK (BRG)	\$53.80
(C) Top Pivot Door Portion 12716	\$135.00
(E) Bottom Arm 12704	\$91.00
(F) Sleeve 176001	\$59.40
(G) Mounting Bolt 176002	\$34.00
(H) Floor Anchor 173010	\$21.80



Screw Kits	
320 Screw Kit 107340 Machine and Wood	\$9.00
Bottom Arm Screw Kit 173176 Machine and Wood	

\*specify finish

## Checkmate®



End Caps #1, 2, 9 & 10 only			
1 & 9	Shock End Block	6003	\$20.00
	Far End Block	6004	
2 & 5	Far End Block	5059 (2 req.)	\$3.40
10	Far End Block	5011 (2 req.)	\$2.60
Screw Kits			
1	Friction or Stop	6487-*	\$37.60
	Hold Open	6998N*	\$51.70
2	Friction or Stop	5999-*	\$72.00
6	Stop	6487-*	\$37.60
7	Friction or Stop	3880-XXXXA	\$50.90
8	Friction or Stop	5897-*	\$47.90
9	Friction or Stop	6468-*	\$36.50
	Hold Open	6997N*	\$39.60
10 & 55	Friction or Stop	5998-*	\$60.70

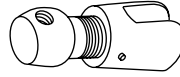
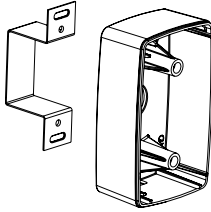
\*specify finish

Arm Assemblies (includes arm, shoe & slider cam) Specify Model & Finish: <i>example: 1- *346R</i>	
2 - *346R	Consult Factory

Adapter Kits			
#2 & #10	Hold Open Friction Adapter	5012-PKG	\$26.50

Rixson Checkmate Stops and Holders

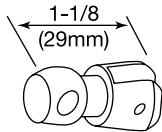
## Accessories



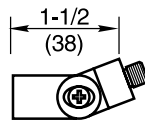
1-1/2" (38mm) Extension Models 997M, 998M & 994M) Mounts behind wall cover.	See Page 138
XK996M Part# 996631M-*	

Base Unit Armature Extension Mounts between armature and contact plate. Part# 900 <b>Cannot be used with Model 994</b>	See Page 138
--	-----------------

\*specify finish



994M Swivel Armature (cannot be used with extension spacers) Part# 900-3	See Page 138
---	-----------------

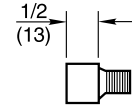


Armature Extension 90° Bend Part# 900-Z Must be used with 900 base unit. Those two pieces will extend armature 3" longer than the contact plate.	See Page 138
---	-----------------

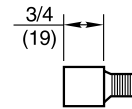
Extension pieces must be used in conjunction with 900 Base Unit	
Part# 900-50	
Part# 900-75	
Part# 900-100	
Part# 900-200	See Page 136
Part# 900-300	
Part# 900-400	
Part# 900-500	
Part# 900-600	
Part# 900-700	

\*specify finish

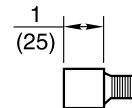
900-50



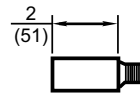
900-75



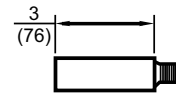
900-100



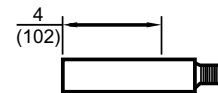
900-200



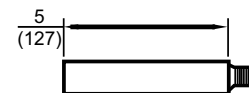
900-300



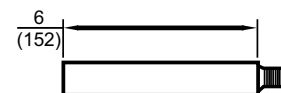
900-400



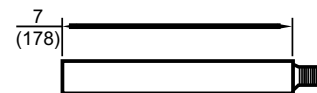
900-500



900-600



900-700



Electromagnetic Door  
Holder/Releases

## Used with Model 980M/981M

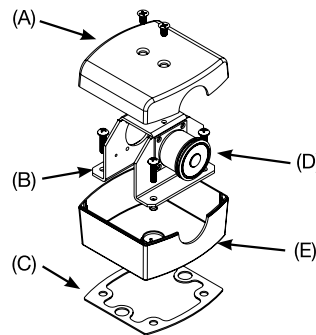
### Floor Portion

(A) Magnet Housing Cover 980311M-*/981311M-*	\$418.50
(B) Magnet Support Bracket 981309	\$38.40
(C) Gasket 980095M	\$25.40
(D) Magnet **996219-3V (tri-volt only)	\$188.00
(E) Magnet Housing Base 980312M-*/981312M-*	\$256.00

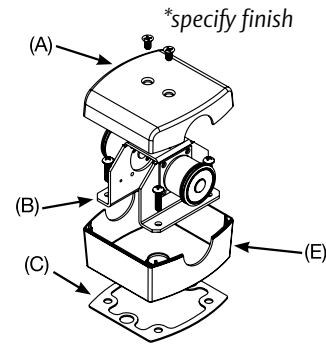
\*specify finish

\*\* For other voltages, contact factory for specific part numbers

Screw Kits	
Screw Kit for 980M 980328-*	\$97.00
Screw Kit for 981M 981328-*	\$123.00



980M



981M

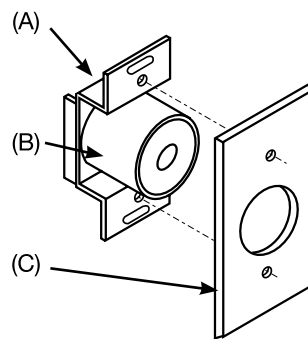
## Used with Model 990M, 989

(A) Magnet Bracket 990002	\$40.80
(B) Magnet **996219-3V (tri-volt only)	\$188.00
(C) Wall Cover Plate 990001	\$68.00

\*specify finish

\*\* For other voltages, contact factory for specific part numbers

Screw Kits	
Screw Kit for 990M 990300-*	\$30.10

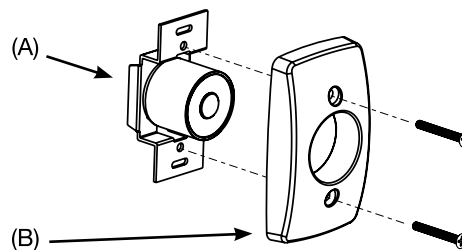


## Used with Model 994M, 997M, 998M

(A) Magnet Assembly and Bracket **998369-3V (tri-volt only)	\$217.00
(B) Cover 998315-*	\$84.00

\*specify finish

Screw Kits	
Screw Kit for 997, 997M/998M 998300-*	\$33.80
Screw Kit for 997, 998M 998303-*	



\*specify finish

\*\* For other voltages, contact factory for specific part numbers

USA & Canada Prices Effective May 1, 2021

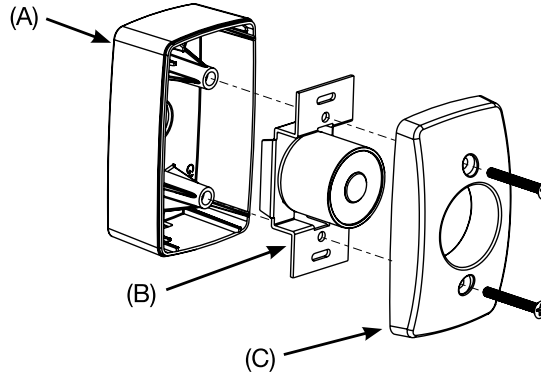
## ASSA ABLOY

Experience a safer  
and more open world

Norton and Rixson are brands associated with ASSA ABLOY Accessories and Door Controls Group, Inc., an ASSA ABLOY Group company. Copyright © 2002-2021, ASSA ABLOY Accessories and Door Controls Group, Inc. All rights reserved. Reproduction in whole or in part without the express written permission of ASSA ABLOY Accessories and Door Controls Group, Inc. is prohibited. Contact Norton: 877-974-2255 or visit [www.nortondoortools.com](http://www.nortondoortools.com); Contact RIXSON: 800-457-5670 or visit [www.rixson.com](http://www.rixson.com). In Canada contact us at: 800-461-3007 or visit [www.assaabloydss.ca](http://www.assaabloydss.ca)

## Used with Model 996M

(A) Surface Mounting Box Housing 996501M-*	\$117.00
(B) Magnet Assembly and Bracket **996369-3V (tri-volt only)	\$217.00
(C) Cover 998315M-*	\$84.00



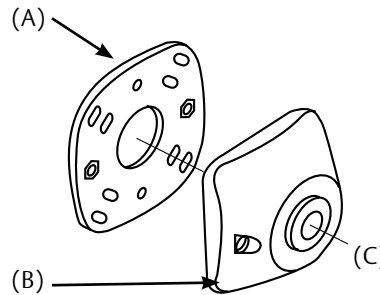
Screw Kits	
Screw Kit for 996M 996325-*	\$33.80

\*specify finish

\*\* For other voltages, contact factory for specific part numbers

## Used with Model 999M

(A) Base Plate 999105	\$89.00
(B) Cover 999055-*	\$331.00
(C) Magnet **996219-3V (tri-volt only)	\$188.00



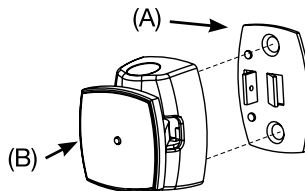
Screw Kits	
Screw Kit for 999M 999318-*	\$33.80

\*specify finish

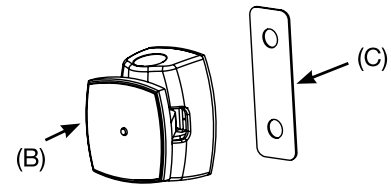
\*\* For other voltages, contact factory for specific part numbers

## Used with Model 980M/981M, 990M, 991M, 996M, 997M Door Portion

(A) Backup Plate 900314	**
(B) Door Armature 997510M-*	\$151.00
(C) **Door Plate 998009	**



Surface Applied  
Concealed Mounting  
Recommended for Solid  
Wood Doors Only



Thru Bolt Mounting  
Recommended for  
Hollow Metal, Hollow  
Core or Composite Type  
Wood Doors

\*\*Not Sold Separately – See Screw Kit

\*specify finish

Door portion screws included with Wall/  
Floor parts.

\*specify finish

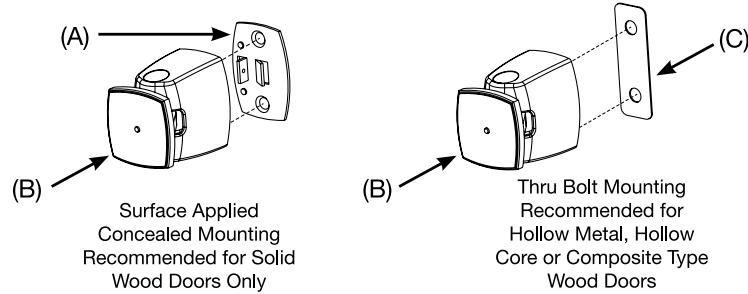
## Used with Model 998M, 999M

(A) **Backup Plate 900314	**
(B) Door Armature 998512M-*	\$151.00
(C) **Door Plate 998009	**

\*\*Not Sold Separately –  
See Screw Kit

\*specify finish

Door portion screws included with Wall/  
Floor parts.



Screw Kit for 998M 998303-*	\$33.80
--------------------------------	---------

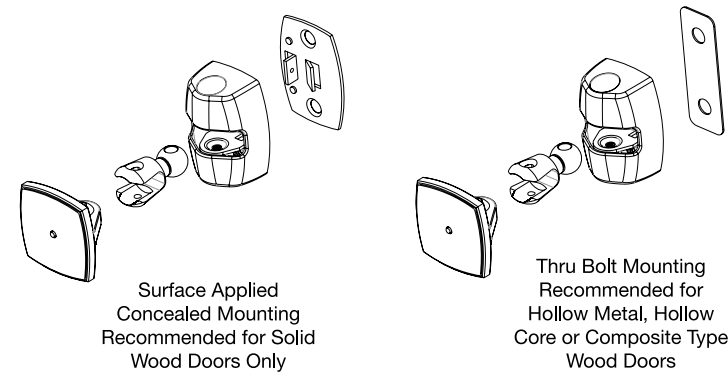
## Used with Model 994M

(A) **Backup Plate 900314	**
(B) Door Armature 994510M- (includes D)	\$163.00
(C) **Door Plate 998009	**

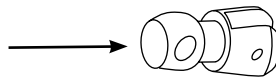
\*\*Not Sold Separately –  
See Screw Kit

\*specify finish

Door portion screws included with Wall/  
Floor parts.

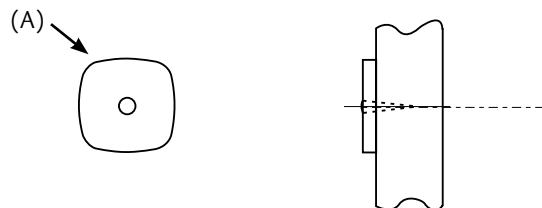


(D) Swivel Armature cannot be used with extension pieces Part# 900-3	\$107.70
---	----------



## Used with Model 989

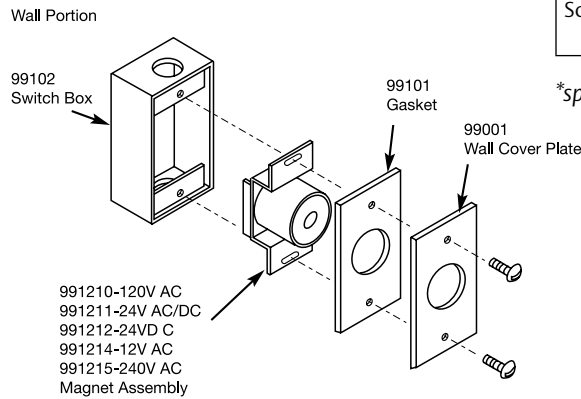
(A) Door Armature Attachment screw included in Kit. Part#444FM	\$93.00
---	---------



\*specify finish

## Used with Model 991M

(A) Switch Box 991002	\$305.00
(B) Magnet Assembly 991210-120 VAC 991211-24 VAC/DC 991212-24 VDC 991214-12 VAC 991215-240 VAC	\$477.00
(C) Gasket 991001	\$37.00
(D) Wall Cover Plate 990001	\$68.00

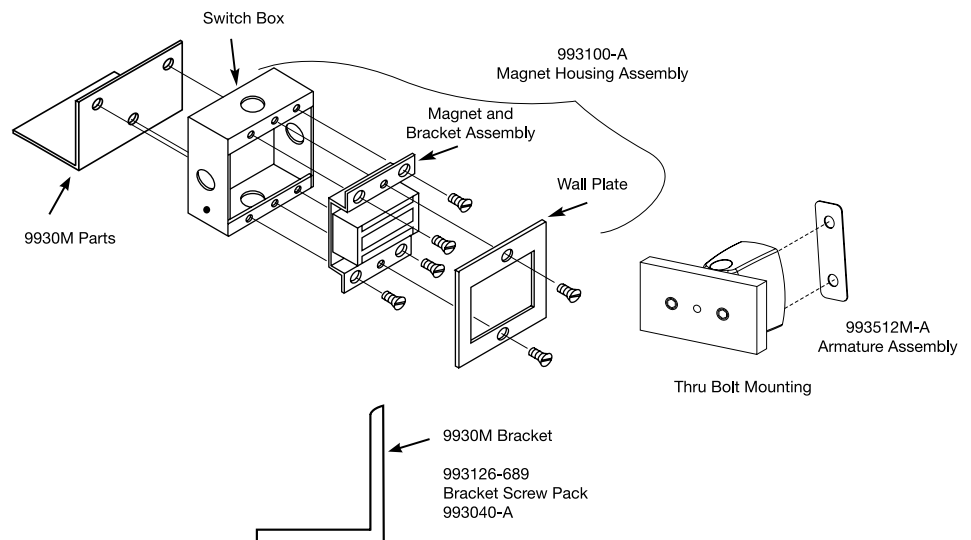


Screw Kit for 991M 990300-*	\$30.10
--------------------------------	---------

\*specify finish

## Used with Model 993M/9930M

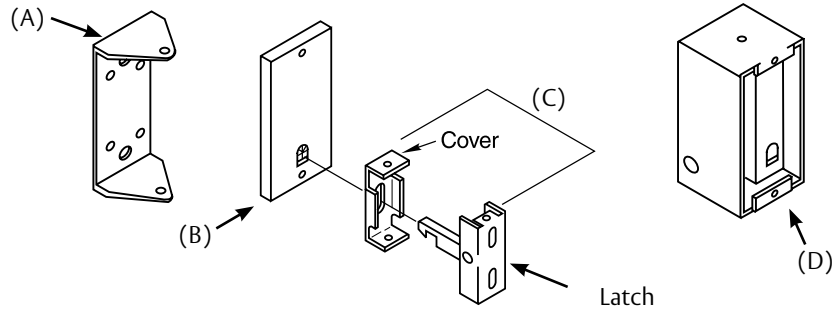
(A) Magnet Housing Assembly 993100-A	\$784.00
(B) Armature Assembly 993512M-A	\$537.00
Screw Kit for 993M: 993300-A	\$20.50
(C) Bracket for floor mounting (Model 9930M) 993126-*	\$123.00
Screw kit for angle bracket 993040-*	\$43.20



\*specify finish

## Used with Model 972H

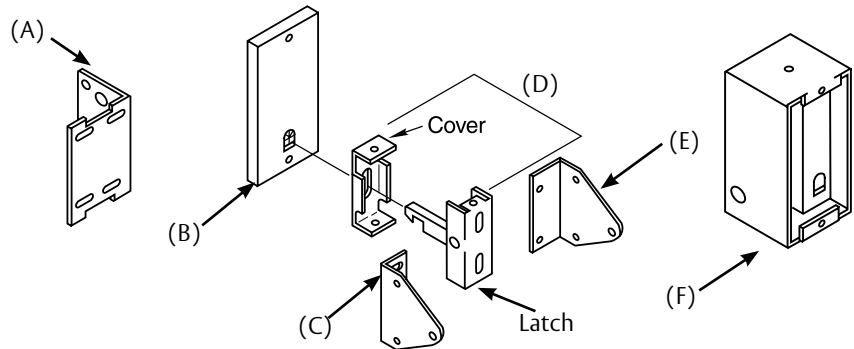
(A) "U" Bracket 972041	\$105.00
(B) Cover 972102	\$148.00
(C) Latch Unit 972106	\$232.00
(D) Box 972100 972112 972118 972120	\$827.00



Screw Kit for 972/973H 972190	\$76.00
----------------------------------	---------

## Used with Model 972S

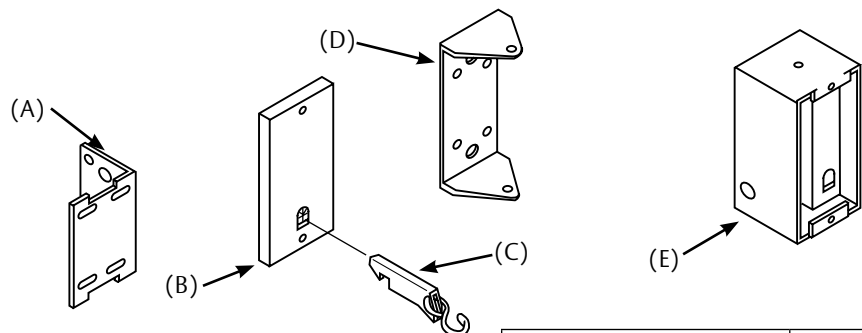
(A) Angle Bracket 972040	\$62.70
(B) Cover 972102	\$148.00
(C) Flat Latch Bracket 972044	\$58.10
(D) Latch Unit 972106	\$232.00
(E) Threaded Latch Bracket 972043	\$57.80
(F) Box 972100 972112 972118 972120	\$827.00



Screw Kit for 972/973S 972290	\$76.00
----------------------------------	---------

## Used with Model 972U

(A) Angle Bracket 972040	\$62.70
(B) Cover 972102U	\$148.00
(C) Latch Arm 972105	\$76.00
(D) "U" Bracket 972041	\$105.00
(E) Box 972100 972112 972118 972120	\$827.00

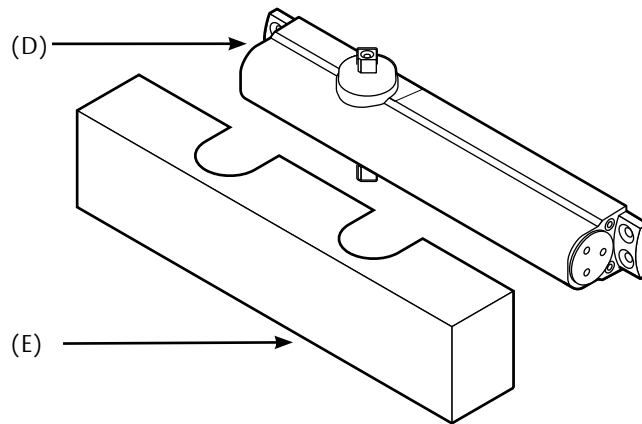
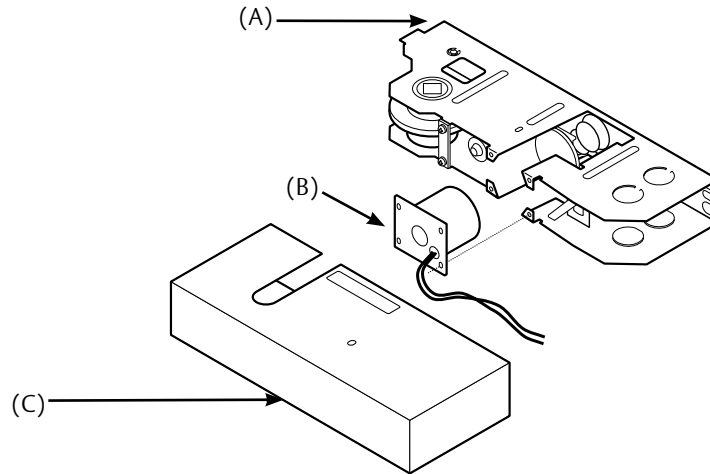


Screw Kit for 972/973U 972390	\$125.00
----------------------------------	----------



## SMOK-CHEK® V

(A) Holder Assembly 550100 120VAC 550101 24VAC/DC	\$646.00
(B) Magnet 930105 120VAC 930106 24VAC/DC	\$189.00
(C) Holder Cover (non-detected) 550106-*	\$179.00
(D) Closer Body 85010163-*	\$316.00
(E) Closer Cover 233069K*	\$72.00

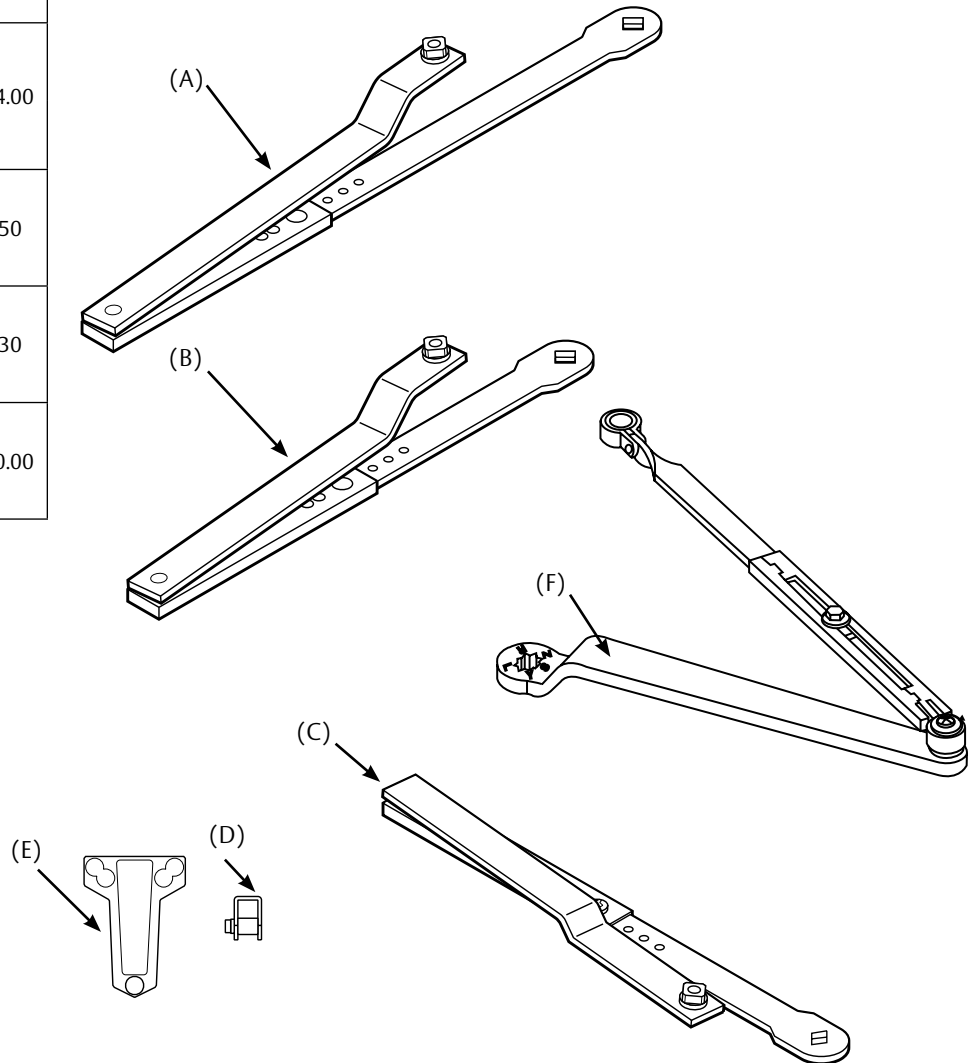


Screw Packs	
550221- for models with closers	\$52.50
550131- for models without closers	

\*specify finish

### SMOK-CHEK® V

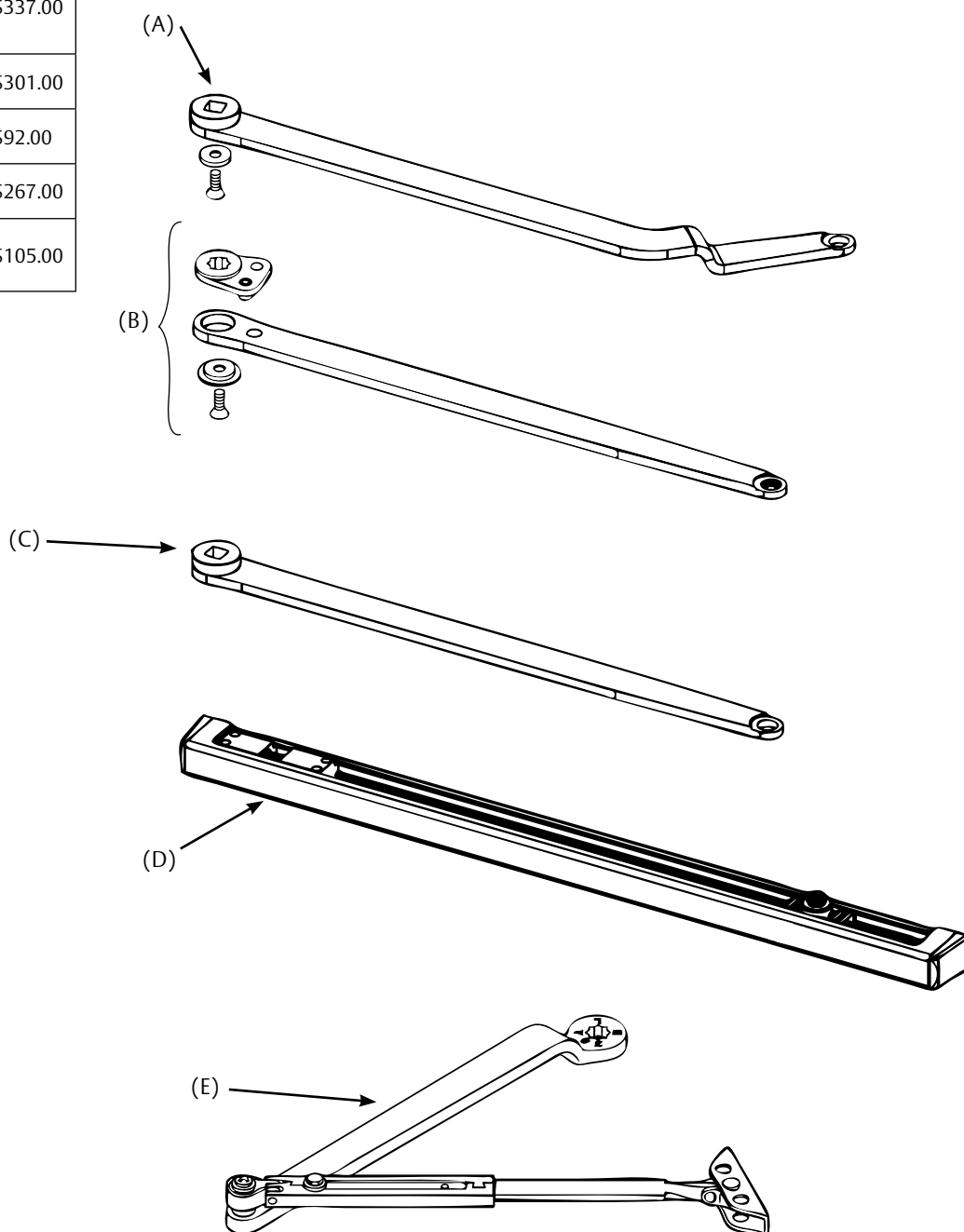
(A) Deep Reveal Push Side Arm 550789-*	\$370.00
(B) Push Side Arm 550136K*	\$214.00
(C) Pull Side Arm 550120K-*	
(D) Door Pivot Bracket (Used with 0602/2602 models) 565118T689	\$49.50
(E) PA Bracket (Used with 0602/2602 models) 40-1600-0450-078	\$29.30
(F) Arm (used with 0602/2602 models) 20-7700-0192-*	\$110.00



\*specify finish

### SMOK-CHEK® VI

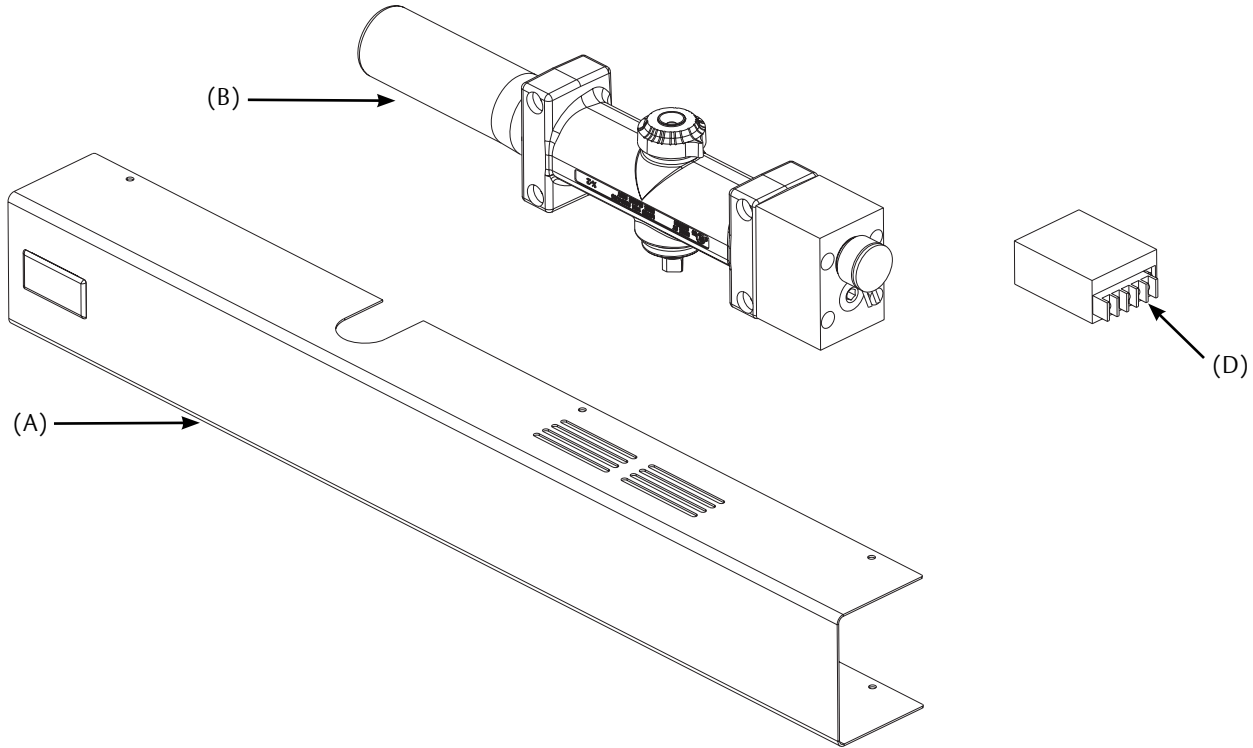
(A) Double Egress Pull Side 15-7200-0517-* (RH) 15-7200-0518-* (LH)	\$337.00
(B) Free Swing Arm 15-7200-0516-*	\$301.00
(C) Pull Side Arm 15-7200-0515-*	\$92.00
(D) Pull Side Track 15-7200-0514-*	\$267.00
(E) Push Side Arm 15-7200-0505-*	\$105.00



Sex Bolt Package 15-7200-0382-*	\$9.10
------------------------------------	--------

*\*specify finish*

## SMOK-CHEK® VI



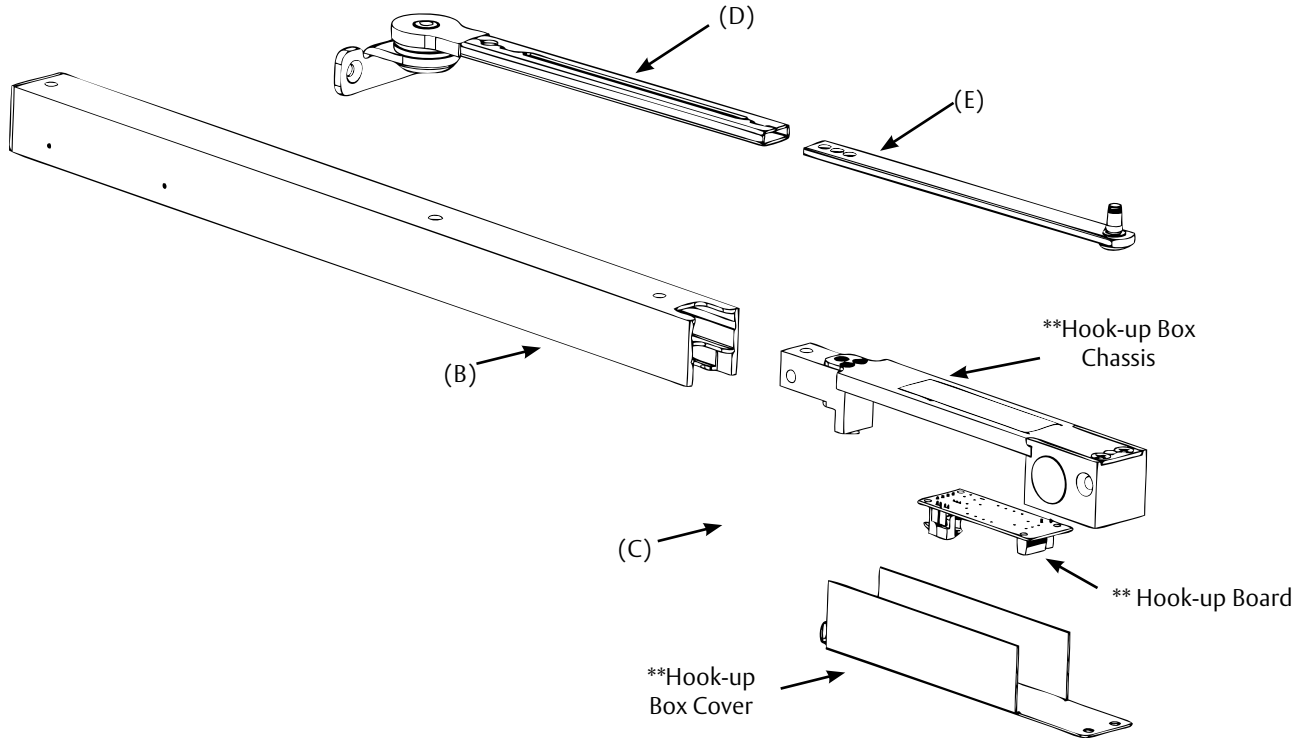
(A) Cover (non-detected) 15-7200-0511-*	\$148.00
--	----------

(B) Body Only 15-7204-0501-078 (RH, 24VAC/DC) 15-7204-0503-078 (LH, 24VAC/DC)	\$841.00
---	----------

(D) PC Board 20-0099-0613-500	\$265.00
----------------------------------	----------

\*specify finish

## Models 99-726 and 99-926



Slider Assembly (not visible) 20-0099-0337-500	\$84.00
(B) Channel (for 99-726) 20-0099-0608-* (24V)	\$431.00
(B) Channel (for 99-926) 20-0099-0609-* (24V)	
(C) Hook-Up Box Assembly (for 99-726) 20-0099-0604-* (24V) 20-0099-0605-* (120V)	\$192.00
(C) Hook-Up Box Assembly (for 99-926) 20-0099-0600-* (24V) 20-0099-0601-* (120V)	\$170.00
(D) Arm Bracket & Tube 20-0099-0516-*	\$135.00
(E) Adjusting Rod 20-0099-0343-*	\$35.20

Screw Kit 20-0040-0534-*	\$32.20
-----------------------------	---------

\* = specify finish

\*\* = not sold separately. Part of hook-up box assembly

\*specify finish





The ASSA ABLOY Group is the global leader in access solutions. Every day, we help billions of people experience a more open world.

**ASSA ABLOY**

ASSA ABLOY Opening Solutions leads the development within door openings and products for access solutions in homes, businesses and institutions. Our offering includes doors, frames, door and window hardware, locks, perimeter fencing, access control and service.

## NORTON | RIXSON

---

Norton Door Controls  
3000 Highway 74 East  
Monroe, NC 28112  
1.877.974.2255  
[www.nortondoorcontrols.com](http://www.nortondoorcontrols.com)

ASSA ABLOY Door Security Solutions Canada  
160 Four Valley Drive, Vaughan, ON L4K 4T9  
Tel: 800.461.3007  
Fax: 800.461.8989  
[www.assaabloydss.ca](http://www.assaabloydss.ca)

Rixson Specialty Door Controls  
3000 Highway 74 East  
Monroe, NC 28112  
1.800.457.5670  
[www.rixson.com](http://www.rixson.com)

Norton®, Power Track®, Unicontrol®, CloserPlus®, Tri-Style®, ADAEZ®, PowerMatic® and SafeZone® are registered trademarks of Yale Security Inc., an ASSA ABLOY Group company. CloserPlus Spring™ and Executive™ are trademarks of Yale Security Inc., an ASSA ABLOY Group company. Other products' brand names may be trademarks or registered trademarks of their respective owners and are mentioned for reference purposes only. These materials are protected under U.S. copyright laws. All contents current at time of publication.

Rixson and Design®, Uni-Chek®, Smok-Check®, Duo-Chek® and Checkmate® are registered trademarks of Yale Security Inc., an ASSA ABLOY Group company.

Other products' brand names may be trademarks or registered trademarks of their respective owners and are mentioned for reference purposes only. These materials are protected under U.S. copyright laws. All contents current at time of publication.

Norton and RIXSON are brands associated with ASSA ABLOY Accessories and Door Controls Group, Inc., an ASSA ABLOY Group company. Copyright © 2002-2021, ASSA ABLOY Accessories and Door Controls Group, Inc. All rights reserved. Reproduction in whole or in part without the express written permission of ASSA ABLOY Accessories and Door Controls Group, Inc. is prohibited. Contact Norton at: 877-974-2255 or visit [www.nortondoorcontrols.com](http://www.nortondoorcontrols.com); Contact RIXSON at 800-457-5670 or visit [www.rixson.com](http://www.rixson.com). In Canada contact us at: 800-461-3007 or visit [www.assaabloydss.ca](http://www.assaabloydss.ca).