

Filter-Free™ Class-D Audio Amplifiers

Patrick Muggler

Audio Products

ABSTRACT

Traditional Class-D amplifiers lose efficiency if they do not use output LC filters. Texas Instruments offers many Class-D amplifiers that are designated Filter-Free™. This means they do not require an output LC filter to maintain high efficiency. However, in some cases an LC or ferrite bead filter is required for EMC.

1 Why an LC Filter is Required in Traditional Class-D Amplifiers

The output of a Class-D amplifier is a PWM (pulse-width-modulation) switched signal with duty cycle that is modulated with audio signal. The result includes the desired audio band frequencies plus higher frequencies related to the PWM or switching frequency. In traditional Class-D amplifiers, it is generally necessary to pass this signal through a low pass filter to extract the audio content. The low pass filter generally consists of a series inductor and a capacitor to ground. In traditional Class-D amplifiers the positive (OUT+) and the negative (OUT–) outputs are always out of phase, with 50% duty cycle when no input is applied. As a result, the full output voltage is applied to the load at all times, and this produces relatively high current and high power dissipation in the load if no filter is used. The efficiency of a Class-D amplifier is reduced without the filter, and quiescent current increases. Speaker impedance includes inductance, but it is primarily resistive, whereas an LC filter is almost purely reactive. An LC filter with a cutoff frequency less than the class-D switching frequency allows the switching current to flow in the filter instead of the load. The filter has much lower resistance than the speaker, so it reduces power dissipation, increasing efficiency.

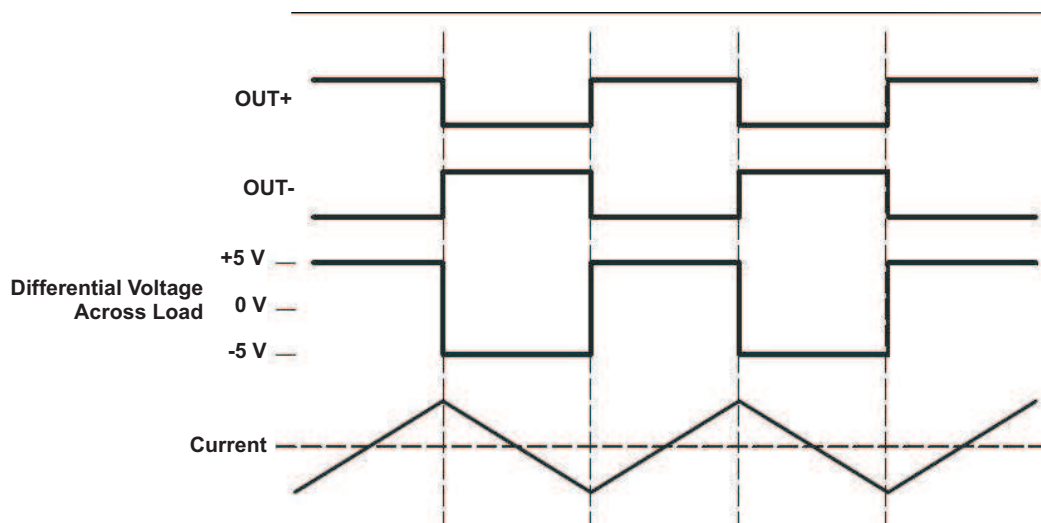


Figure 1. Traditional Class-D Amplifier Output Voltage and Current into Speaker Load With no Input

2 Filter-Free Modulation Scheme

In Filter-Free modulation the positive output (OUT+) and negative output (OUT–) are almost in phase when no input is applied. The differential voltage across the load consists of voltage spikes of very short duration, driven by system noise. Quiescent current in the load is reduced dramatically, and the filter is not

Filter-Free is a trademark of Texas Instruments.

required because the loss in the load is very small compared to traditional Class-D amplifier. As the output power increases, positive and negative pulse widths modulate in opposite phase, producing wider differential pulses and increasing the current in the load. The current could be filtered with an LC filter for increased efficiency, but the improvement is normally small. So for many applications the filter is not needed.

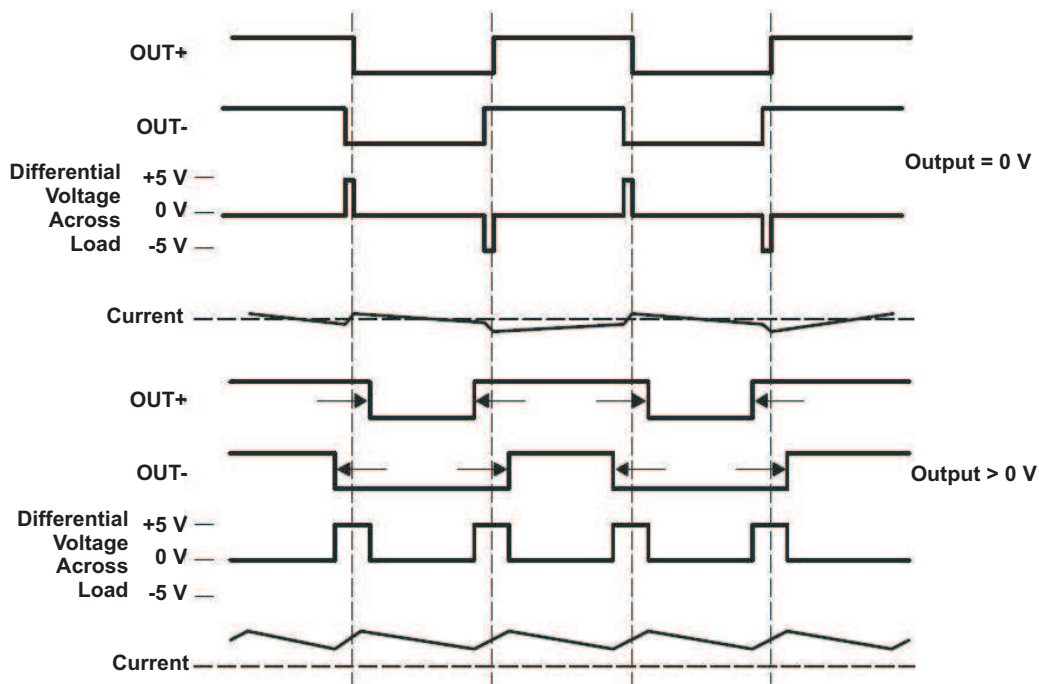


Figure 2. Filter-Free Modulation Scheme With Zero Output and Non-Zero Output

3 Ferrite Bead Filters

Switching outputs of Class-D audio amplifiers produce harmonics that extend to several hundred MHz, but the FCC (Federal Communications Commission) has imposed limits on radiated emissions at frequencies between 30MHz and 1GHz for Class A (Industrial) and Class B (Mass-Market) Equipment. In many applications it is necessary to filter a class-D amplifier output to comply with these limits. (This compliance is called Electro Magnetic Compliance, or EMC.)

Table 1. FCC Radiated Emissions Limits⁽¹⁾

	Class A	Class B
30–88 MHz	50 dB μ V/m	40 dB μ V/m
88–216 MHz	53 dB μ V/m	43 dB μ V/m
213–960 MHz	56 dB μ V/m	46 dB μ V/m
Above 960 MHz	64 dB μ V/m	54 dB μ V/m

⁽¹⁾ Measured at a 3 meter distance

In many cases, ferrite bead filters can be used to attenuate the high frequencies in the output of Class-D audio amplifiers to meet the FCC limits. Ferrite beads have variable impedance over frequency. Ferrite beads are mostly inductive at lower frequencies but become resistive at higher frequencies. Ultimately they then become capacitive. A ferrite bead has little effect on lower frequency signals but does attenuate components in the FCC test range. [Figure 3](#) shows typical variation of impedance, reactance & resistance of ferrite bead over frequency.

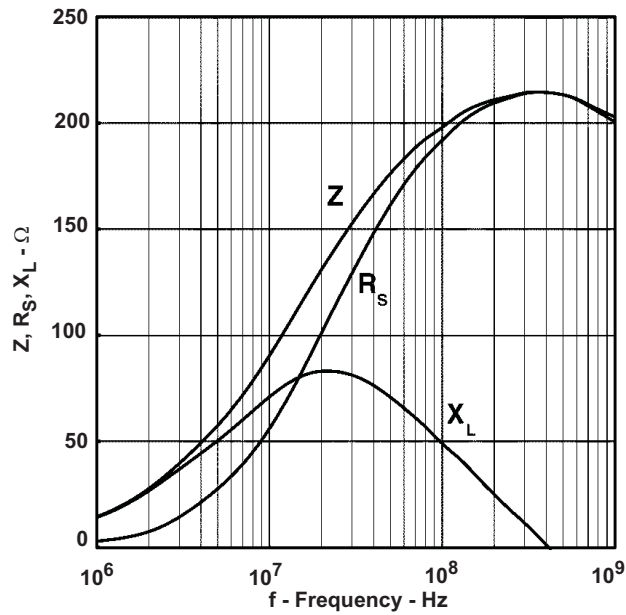


Figure 3. Impedance, Reactance and Resistance of Ferrite Bead vs Frequency

The reactance of the ferrite bead decreases above a certain frequency because of parallel capacitance C1 shown in Figure 4.

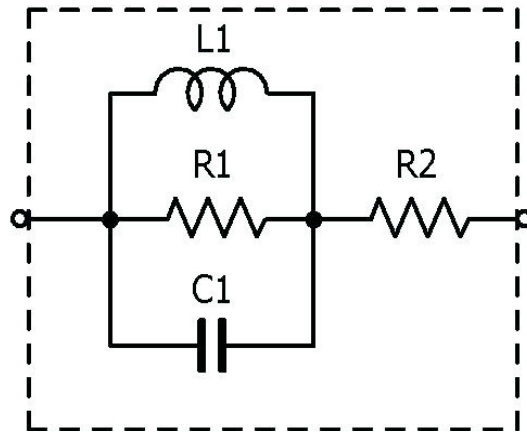
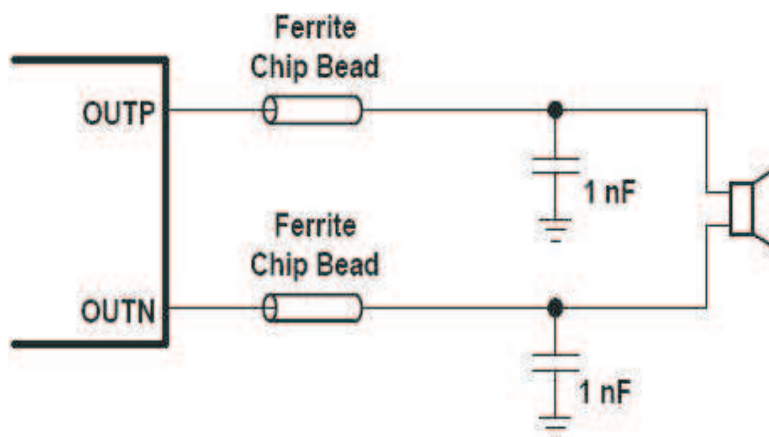


Figure 4. Equivalent Circuit of Ferrite Bead


Figure 5. Ferrite Bead Filter

A capacitor is added after the ferrite bead to make an LC filter with the Inductance (L_1) of ferrite bead. The resonant frequency of this filter should be kept less than 10MHz.

Points to be remembered when selecting a ferrite bead

- (a) A ferrite bead should be selected so its impedance is highest at frequencies which require the greatest attenuation.
- (b) The impedance of a ferrite bead at those frequencies must be high enough to provide required attenuation for filtering to be effective.
- (c) Ferrite beads saturate with increasing DC current. Typically the maximum low frequency current must be a small fraction (30% to 60%) of rated DC current, to avoid large reductions in lower frequency impedance, where a ferrite bead is primarily inductive.

Table 2. Suggested Ferrite Beads

S.No	Device	P _{out}	V _{dd}	R _{Load}	Ferrite Bead	Size	Impedance	Rated Current
1.	TPA2016D2, TPA2017D2	1.7W	5.5 V	8 Ω	TDK: MPZ1608S221A	0603	220Ω at 100 MHz	2.2A
2.	TPA2013D1	2.7W	3.6 V	4 Ω	TDK: MPZ2012S101A	0805	100Ω at 100 MHz	4.0A
3.	TPA2014D1, TPA2013D1	1.5W, 2.2W	3.6 V	8 Ω	Murata: BLM18EG121SN1	0603	120Ω at 100 MHz	2.0A

IMPORTANT NOTICE

Texas Instruments Incorporated and its subsidiaries (TI) reserve the right to make corrections, modifications, enhancements, improvements, and other changes to its products and services at any time and to discontinue any product or service without notice. Customers should obtain the latest relevant information before placing orders and should verify that such information is current and complete. All products are sold subject to TI's terms and conditions of sale supplied at the time of order acknowledgment.

TI warrants performance of its hardware products to the specifications applicable at the time of sale in accordance with TI's standard warranty. Testing and other quality control techniques are used to the extent TI deems necessary to support this warranty. Except where mandated by government requirements, testing of all parameters of each product is not necessarily performed.

TI assumes no liability for applications assistance or customer product design. Customers are responsible for their products and applications using TI components. To minimize the risks associated with customer products and applications, customers should provide adequate design and operating safeguards.

TI does not warrant or represent that any license, either express or implied, is granted under any TI patent right, copyright, mask work right, or other TI intellectual property right relating to any combination, machine, or process in which TI products or services are used. Information published by TI regarding third-party products or services does not constitute a license from TI to use such products or services or a warranty or endorsement thereof. Use of such information may require a license from a third party under the patents or other intellectual property of the third party, or a license from TI under the patents or other intellectual property of TI.

Reproduction of TI information in TI data books or data sheets is permissible only if reproduction is without alteration and is accompanied by all associated warranties, conditions, limitations, and notices. Reproduction of this information with alteration is an unfair and deceptive business practice. TI is not responsible or liable for such altered documentation. Information of third parties may be subject to additional restrictions.

Resale of TI products or services with statements different from or beyond the parameters stated by TI for that product or service voids all express and any implied warranties for the associated TI product or service and is an unfair and deceptive business practice. TI is not responsible or liable for any such statements.

TI products are not authorized for use in safety-critical applications (such as life support) where a failure of the TI product would reasonably be expected to cause severe personal injury or death, unless officers of the parties have executed an agreement specifically governing such use. Buyers represent that they have all necessary expertise in the safety and regulatory ramifications of their applications, and acknowledge and agree that they are solely responsible for all legal, regulatory and safety-related requirements concerning their products and any use of TI products in such safety-critical applications, notwithstanding any applications-related information or support that may be provided by TI. Further, Buyers must fully indemnify TI and its representatives against any damages arising out of the use of TI products in such safety-critical applications.

TI products are neither designed nor intended for use in military/aerospace applications or environments unless the TI products are specifically designated by TI as military-grade or "enhanced plastic." Only products designated by TI as military-grade meet military specifications. Buyers acknowledge and agree that any such use of TI products which TI has not designated as military-grade is solely at the Buyer's risk, and that they are solely responsible for compliance with all legal and regulatory requirements in connection with such use.

TI products are neither designed nor intended for use in automotive applications or environments unless the specific TI products are designated by TI as compliant with ISO/TS 16949 requirements. Buyers acknowledge and agree that, if they use any non-designated products in automotive applications, TI will not be responsible for any failure to meet such requirements.

Following are URLs where you can obtain information on other Texas Instruments products and application solutions:

Products		Applications	
Amplifiers	amplifier.ti.com	Audio	www.ti.com/audio
Data Converters	dataconverter.ti.com	Automotive	www.ti.com/automotive
DLP® Products	www.dlp.com	Communications and Telecom	www.ti.com/communications
DSP	dsp.ti.com	Computers and Peripherals	www.ti.com/computers
Clocks and Timers	www.ti.com/clocks	Consumer Electronics	www.ti.com/consumer-apps
Interface	interface.ti.com	Energy	www.ti.com/energy
Logic	logic.ti.com	Industrial	www.ti.com/industrial
Power Mgmt	power.ti.com	Medical	www.ti.com/medical
Microcontrollers	microcontroller.ti.com	Security	www.ti.com/security
RFID	www.ti-rfid.com	Space, Avionics & Defense	www.ti.com/space-avionics-defense
RF/IF and ZigBee® Solutions	www.ti.com/lprf	Video and Imaging	www.ti.com/video
		Wireless	www.ti.com/wireless-apps

Mailing Address: Texas Instruments, Post Office Box 655303, Dallas, Texas 75265
Copyright © 2010, Texas Instruments Incorporated