

## Product Highlights

### High-speed Gigabit for high-bandwidth services

A total solution that helps you connect to fiber services and enabling you to enjoy high-bandwidth services such as 4K/8K HD video streaming and cloud-based data storage.

### Bridge mode enables seamless triple-play services

DPN-101G enables users to enjoy seamless high-quality triple-play services such as voice, data and video with high Internet speed.



## DPN-101G GPON ONT Bridge

### Features

#### Connectivity

- One SC/APC PON Port
- One 10/100/1000 Gigabit LAN Port

#### Configuration and Management

- Remote management with advanced PLOAM functions
- Management through G.984.4 OMCI (ONT Management and Control Interface)
- Shell & Logger for advanced user configuration/diagnostic usage
- Telnet session for remote management

#### Advanced Energy-saving

- Supports Smart@CHIP and GreenTouch architecture

The DPN-101G GPON ONT Bridge is a smart ONT with a Gigabit port designed for multi-service networks. It comes with a plug-and-play design, terminating the GPON link and deliver Ethernet broadband service to users. Suitable for open network architecture in residential areas that utilizes various bandwidth-consuming applications.

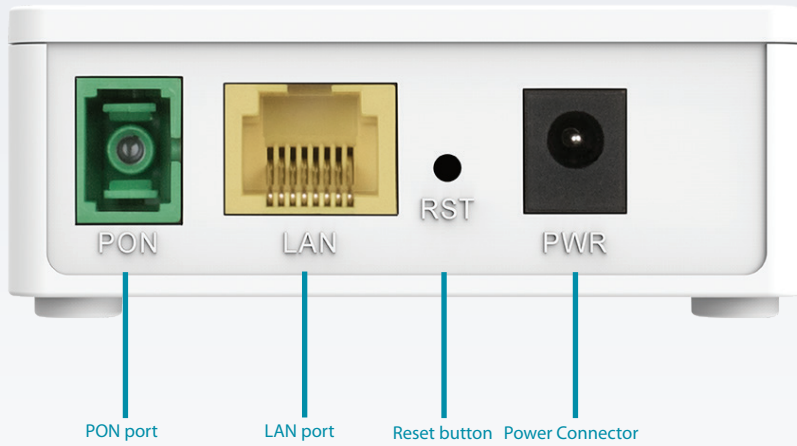
### Fast and Reliable Home Transmission

The D-Link DPN-101G GPON ONT Bridge can reach a PON transmission rate of downlink 2.5Gbp/ uplink 1.25Gbps. When GPON ONT Bridge is connected with an OLT, it can reach up to a 1:128 splitting ratio with a network radius that can reach up to 20km.

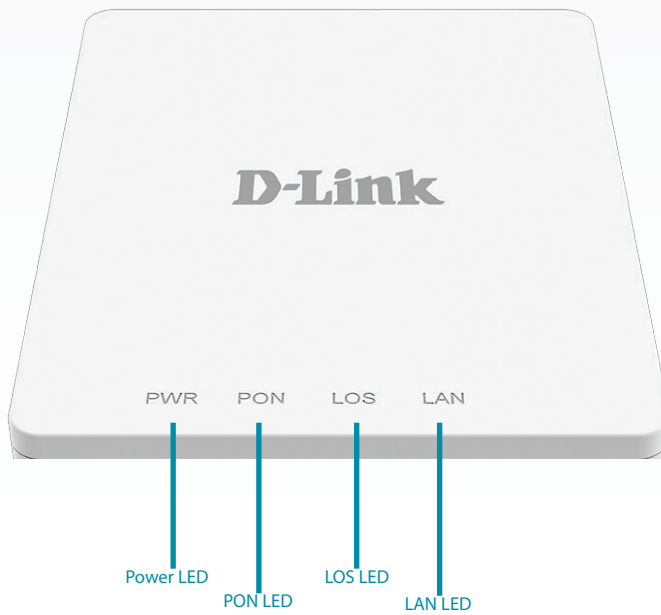
### OMCI (ONT Management and Control Interface)

The D-Link DPN-101G GPON ONT Bridge lets you manage your device through the standard OMCI defined by ITU-T, this includes configuration, alarm, performance monitoring, fault isolation and security management, and private OMCI.

**Back View**



**Top View**



## Technical Specifications

### General

Device Interfaces	<ul style="list-style-type: none"> <li>• One SC/APC PON Port</li> </ul>	<ul style="list-style-type: none"> <li>• One 10/100/1000 Gigabit LAN Port</li> </ul>
PON Interface	<ul style="list-style-type: none"> <li>• Downlink 2.5Gbps</li> <li>• Network covering radius: 20km</li> <li>• Hi-sensible optical receiver: ≤-28dBm</li> <li>• Radiation power: 0.5 ~5dBm</li> </ul>	<ul style="list-style-type: none"> <li>• Uplink 1.25Gbps</li> <li>• SC/APC</li> <li>• ONU authentication mechanism</li> </ul>
Standards	<ul style="list-style-type: none"> <li>• PPPoE</li> <li>• ITU-T G.984/G.988</li> <li>• IEEE 802.1D, Spanning Tree</li> </ul>	<ul style="list-style-type: none"> <li>• IEEE 802.1Q, VLAN</li> <li>• ITU-T Y.1291</li> <li>• IEEE 802.1w, RSTP</li> </ul>
VLAN Protocols	<ul style="list-style-type: none"> <li>• Port based VLAN</li> </ul>	<ul style="list-style-type: none"> <li>• IEEE 802.1Q VLAN</li> </ul>

### Functionality

EPON Encryption	<ul style="list-style-type: none"> <li>• AES128 algorithm encryption MAC/Loid/Hybrid authentication</li> </ul>	
Security	<ul style="list-style-type: none"> <li>• MAC filter</li> </ul>	
Multicast	<ul style="list-style-type: none"> <li>• IGMP-Snooping</li> </ul>	<ul style="list-style-type: none"> <li>• Multicast fast-leave</li> </ul>
QoS	<ul style="list-style-type: none"> <li>• Four priority queues on each port</li> <li>• Port rate limit</li> <li>• WR, SP and FIFO queue schedule algorithms</li> </ul>	<ul style="list-style-type: none"> <li>• IEEE 802.3x flow control (full duplex)</li> <li>• IEEE 802.1p, CoS</li> <li>• SLA and DBA</li> </ul>
Management	<ul style="list-style-type: none"> <li>• Management modes including CLI, HTTP, SNMP and TELNET</li> <li>• Local or server syslog</li> </ul>	<ul style="list-style-type: none"> <li>• Software upgrade through TFTP, WEB and OMCI</li> </ul>

### Physical

Dimensions	<ul style="list-style-type: none"> <li>• 105 x 75 x 26 mm (4.13 x 2.95 x 1.02 inches)</li> </ul>	
Weight	<ul style="list-style-type: none"> <li>• 100 grams (0.22 pounds)</li> </ul>	
Power	<ul style="list-style-type: none"> <li>• Input: 100 ~ 240 V</li> </ul>	<ul style="list-style-type: none"> <li>• Output: 12 V / 1.5 A</li> </ul>
Temperature	<ul style="list-style-type: none"> <li>• Operating: 0 to 45 °C (32 to 113 °F)</li> </ul>	<ul style="list-style-type: none"> <li>• Storage: -40 to 80 °C (-40 to 176 °F)</li> </ul>
Humidity	<ul style="list-style-type: none"> <li>• 10 % to 85 % non-condensing</li> </ul>	
Certifications	<ul style="list-style-type: none"> <li>• CE</li> </ul>	

### Order Information

Part Number	Description
DPN-101G	GPON ONT Bridge

Updated 2019/12/17