

Our meticulously engineered and manufactured panels are tailor made for your project to provide first responders with a consistent, recognizable, code-compliant Firefighter Smoke Control Station (FSCS) ensuring instant manual control and override authority of mechanical smoke control systems.

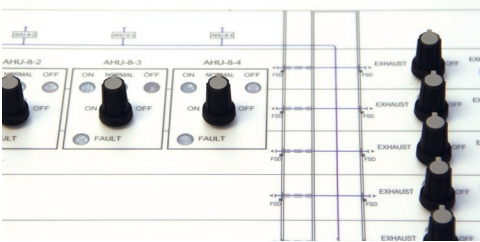
The system is approved for its intended purpose and complies with the following:

- National Electric Code (NEC)
- National Fire Protection Association (NFPA) series 72 and NFPA 92 & 101
- UUKL listed with proper configuration
- UL Listed under standard 864 10th edition as a Firefighter Smoke Control Station
- International Building Code (IBC Section 909)



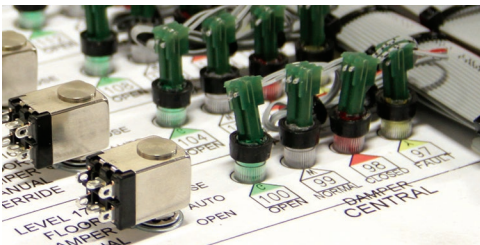
QUALITY CONSTRUCTION

Featuring an aluminum extrusion graphic frame and back box designed for surface and recessed mounting, all GL8 Smoke Control Panels are constructed out of quality materials and UL recognized electrical components by our IPC-trained staff in an ISO 9001:2015 registered facility. Each panel is meticulously inspected, with every switch and LED point-to-point tested to ensure 100% functionality.



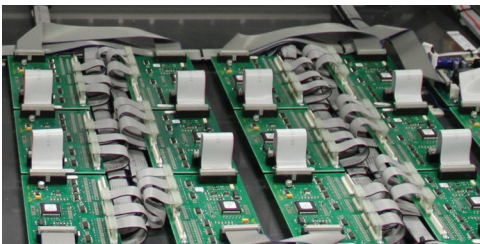
LEDS, SWITCHES AND GRAPHICS

Every graphic is unique and printed in a variety of vibrant colors with our CET Q5-500 5'x8' CMYKW flatbed plotter and protected with a polycarbonate layer. Device status LEDs are located behind the graphic in a 0.08" aluminum plate and have a two-pin connector for easy replacement. UL listed 4, 3 and 2 position switches are used for fan and damper control.



INSPECTION AND MAINTENANCE

LED numbers and colors are printed on the back of the graphic plate with easy-to-read flags to help aid in installation, maintenance and inspection. As-Built Drawings are included to show LED numbers and corresponding wiring for easy troubleshooting in the field. The panel identification number printed on the inside allows for future traceability of our ISO quality manufacturing details and sales information.



FULLY CUSTOMIZED

Each panel is tailor-made to your exact project specifications, integrated with any OEM driver boards you provide. Our team will help bring your panel to life, no matter the size, graphics or colors requirements.

DIMENSION EXAMPLES*

Ref.	Overall Size	Graphic Area	Back Box Size	Depth
AA	14" x 14"	11.5" x 11.5"	13" x 13"	3.43"
A	24.5" x 14"	22" x 11.5"	23.5" x 13"	3.43"
D	24.5" x 24.5"	22" x 22"	23.5" x 23.5"	3.43"
F	24.5" x 31.5"	22" x 29"	23.5" x 30.5"	3.43"
J	24.5" x 45.5"	22" x 43"	23.5" x 44.5"	3.43"

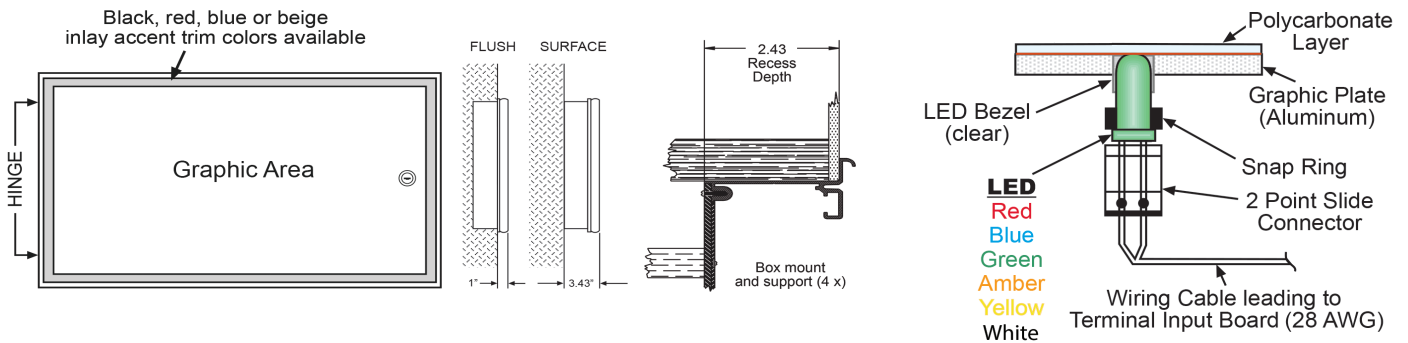
**These are just a few examples of standard sizes. Let us know if your project requires something different, there's nothing we can't build!*



PHYSICAL SPECIFICATIONS

The GL8 Smoke Control Panel will consist of an aluminum extrusion graphic frame with reflective trim for high visibility, durability and strength. All graphics shall be generated by computer aided graphic software (CAD), printed on a white 0.08" aluminum plate and covered with a QMFZR2 9034 Lexan sheet to preserve the image. LED number and color will be printed on the back of the graphic plate with easy-to-read flags to help aid in installation, maintenance and inspection. A stainless steel piano hinge and CAT30 keyed door lock (other key options available) shall provide access to the interior electronics.

LEDs will mount into clear bezels and be secured with snap rings. Ribbon cable will connect each LED to a pluggable resistor chip that then leads to system driver boards. The pluggable resistors will allow the graphic to be replaced quickly and easily in the field. Each LED shall have selectable voltage and intensity to maintain UL listing.



ELECTRICAL SPECIFICATIONS

The internal electronics will be solid state modular design with UL recognized components. The design shall allow for the control circuitry to be isolated in groups for easy service. Internal wiring will provide unhindered access to field wiring termination points during installation or service.



Space Age provides our customers with technical support from design to installation with our NET Solution Providers. These NICET level experts will help you through the design process with their extensive knowledge of industry standards and code information.

Contact us today at **1.800.486.1723** or **sales@1sae.com** and one of our NET professionals will be thrilled to help you bring your next unique smoke control solution to life.