

Subject: UNSTABLE IDLING/ENGINE STALLS JUST AFTER STOPPING	Bulletin No: 01-007/09
	Last Issued: 02/11/2009

APPLICABLE MODEL(S)/VINS

2003-2009 Mazda6 with 2.3L/2.5L (including Mazdaspeed6)

2004-2009 Mazda3 (including Mazdaspeed3)

2006-2009 Mazda5

2006-2009 Mazda MX-5

2007-2009 Mazda CX-7

DESCRIPTION

Some vehicles may exhibit a concern of unstable idling or, in some rare cases, stalling, just after the vehicle stops with no DTCs detected. The problem is due to the accumulation of carbon deposits inside the throttle body causing air flow to decrease.

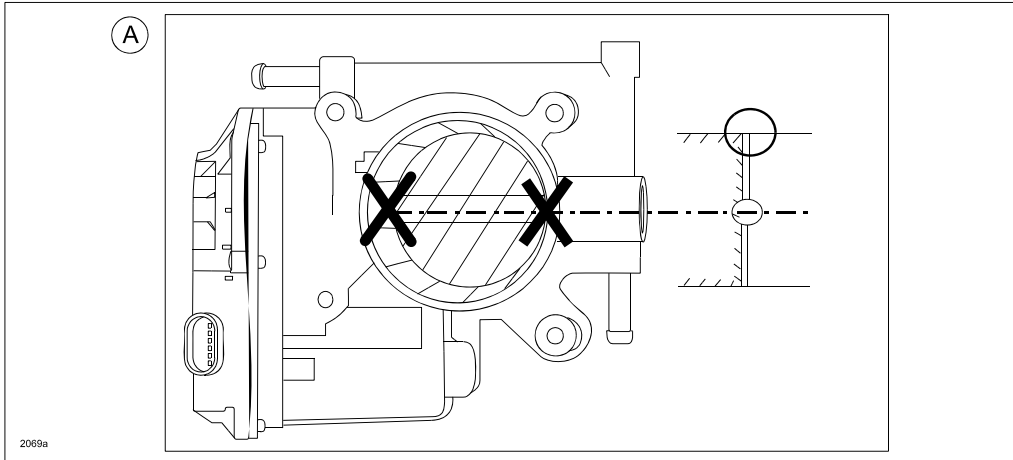
Customers having this concern should have their vehicle repaired using the following repair procedure. and the Workshop Manual.

REPAIR PROCEDURE

1. Verify customer concern.
2. Remove the throttle body.
 - a. Write down the customer's radio station presets.
 - b. Disconnect the battery terminals.
 - c. Remove the air hose from the throttle body.
 - d. Disconnect the throttle body connector.
 - e. Remove the throttle body from the intake manifold with the water hose connected.

3. Clean the throttle body.
 - a. Clean the inside throttle body on the air hose side using a clean and soft shop cloth sprayed with engine cleaner (part number 000-77-A86) along the cross hatch areas, and especially around the circled areas as shown.

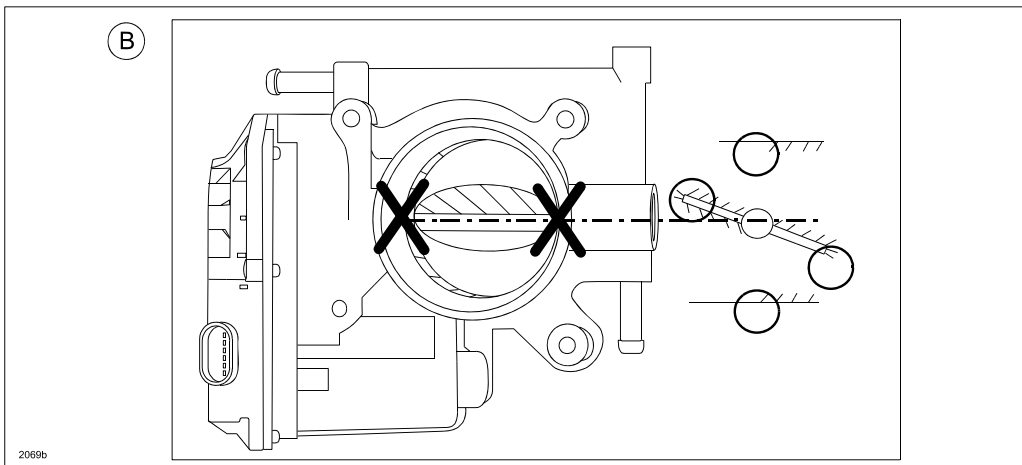
CAUTION: DO NOT spray the cleaner directly inside the throttle body and DO NOT wipe around the throttle valve shaft shown with an X.



- b. Turn the throttle body to clean it at the intake manifold side.
 - c. Clean the throttle with the throttle valve opened using the same shop cloth and cleaner.

WARNING: Be careful not to pinch your fingers in the throttle valve when it is opened because the valve will close automatically from spring tension.

CAUTION: DO NOT spray the cleaner directly inside the throttle body and DO NOT wipe around the throttle valve shaft shown with an X.



- d. Make sure there is no foreign material inside the throttle body.
4. Re-install the throttle body using a new gasket.
5. Connect the battery cables.

6. Perform the throttle valve position learning and idling engine rpm inspection.
 - a. Connect the M-MDS.
 - b. Turn the ignition to ON without starting the engine for one minute, then turn it to OFF.
 - c. After one minute has passed, start the engine.
 - d. Warm up the engine at idling until the cooling fan starts operating or until the coolant temperature reaches 194 °F (90 °C) or higher.
 - e. Turn off any electrical load, including the A/C, with the shifter in Neutral or Park position.
 - f. Let the engine run for five minutes.
 - g. Measure the engine rpm at idle using the M-MDS to confirm it is within specification according to the Workshop Manual.
7. Verify repair.
8. Enter the customer's radio station presets.
9. Perform "Power Window Initialization Procedure" on vehicles with AUTO UP/AUTO DOWN windows.
10. Inform customers with vehicles with memory seats that the memory positions will need to be set again to their desired positions because the battery was disconnected.

PART(S) INFORMATION

Part Number	Description	Notes
L321-13-655C	Throttle Body Gasket	2004-2005 Mazda3 (2.0L and 2.3L), 2006-2007 Mazda5, and 2003-2005 Mazda6 (2.3L)
L3G2-13-655	Throttle Body Gasket	2006-2009 Mazda3 (2.0L and 2.3L), 2008-2009 Mazda5, and 2006-2008 Mazda6 (2.3L)
L3K9-13-655	Throttle Body Gasket	All vehicles with 2.3L turbo (L3 with TC)
LFE2-13-655	Throttle Body Gasket	2009 Mazda6 (2.5L) and 2006-2009 MX-5

WARRANTY INFORMATION

NOTE:

- This warranty information applies only to verified customer complaints on vehicles eligible for warranty repair.
- This repair will be covered under Mazda's New Vehicle Limited Warranty term.
- Additional diagnostic time cannot be claimed for this repair.

Warranty Type	A
Symptom Code	03
Damage Code	93
Part Number Main Cause	SEE PARTS INFORMATION
Quantity	1
Operation Number / Labor Hours:	XXD52XRX / 0.8 Hrs (except L3T engine) XXD52ARX / 1.0 Hrs (L3T engine only)