



USER MANUAL
BENUTZERHANDBUCH





In Studio with Tunde Oyeyin

TABLE OF CONTENTS / INHALTSVERZEICHNIS

ENGLISH / ENGLISCH	02	Connecting to Ethernet	15
SAFETY INFORMATION	04	Logging In	15
NOTICES	05	Adding a Rider	15
SPECIFICATIONS	06	Peloton 101	15
Bike Specifications	07	Joining a Ride	15
Touchscreen Specifications	07	THE CLASS SCREEN	16
SETTING UP YOUR BIKE	09	MAINTENANCE AND CARE	17
Location Requirements	09	After Each Ride	17
Moving The Bike	09	Every 3 to 5 rides	18
Seat Height	10	Every 15 to 20 Rides	18
Seat Depth	10	Annually	19
Handlebar Height	11	BIKE ASSEMBLY	20
Proper Body Position	11	Bike Parts	20
Clipping In and Out	12	Spare Parts	23
Adjusting Resistance	12	Assembly	24
GETTING STARTED	13	WARRANTY	27
Plugging In	13	SUPPORT	35
Powering On and Off	13	DEUTSCH / GERMAN	36
Connecting to WiFi	14		

⚠ CAUTION Read all precautions and instructions in this manual before using this equipment. Improper use or maintenance can void the warranty. Keep this manual for future reference. The information in this manual may not reflect recent updates as we continue to improve our product. Please see onepeloton.co.uk/manuals for the latest version of the manual.

SAFETY INFORMATION

Read all safety information before operating the bike. It is the owner's responsibility to ensure that users are aware of all warnings and precautions.

Consult a doctor before beginning a new fitness plan. Incorrect or excessive training can result in serious injury.

If you experience faintness, chest pain, or shortness of breath, stop exercising immediately and consult a doctor.

Metrics on the screen, including heart rate monitoring, may be inaccurate. Values should be used for reference only.

This bike has a direct driven flywheel. If the flywheel is moving, the pedals are moving. Stop by reducing pedaling frequency in a controlled manner or by using the emergency brake. Do not remove your feet from the pedals until the flywheel stops moving.

The resistance knob can be used as an emergency brake. To stop immediately, push down on the resistance knob.

Use caution when mounting and dismounting.

To prevent injury, always adjust the seat and handlebars to your personal requirements.

Children under the age of 14 and persons with reduced physical, sensory, or mental capabilities that impair the safe use of the bike must not use the bike. Keep children and pets away from the bike at all times.

Children over the age of 14 and persons with a lack of experience and knowledge must be given supervision or instruction before using the bike. Do not allow children to perform maintenance or to play with the bike. Always fully engage the brake when the bike is not in use.

Keep hands, loose clothing, shoelaces, and accessories away from moving parts. Do not insert objects into openings on the equipment.

The bike is equipped with Delta-compatible pedals. Always cycle using footwear equipped with appropriate cleats.

Perform regular maintenance for optimal performance and longevity. To

ensure safety, the bike must be checked for wear and damage on a regular basis.

Replace any damaged or worn parts immediately. Do not use the bike until the repair is performed.

Use only original parts from the manufacturer. Changes or modifications to this unit not expressly approved by Peloton could void the warranty.

Always unplug the bike immediately after use and before cleaning or performing maintenance. Service other than the procedures described here must be performed by an authorised technician.

The bike should not be used by persons exceeding 135 kg/297 lb in weight.

This bike is for indoor home use only. Do not store the bike outdoors, near water, or at high humidity levels.

This bike is for home use only. Do not use in a commercial setting. Use the bike only for its intended purpose.

NOTICES



Waste electrical products should not be disposed of with household waste. Please recycle where facilities exist. Check with your local authority or retailer for recycling advice.



This product is ANT+™ certified and is compatible with ANT+ sensors that support heart rate monitoring.

The Peloton Bike is according to EN ISO 20957-1 and EN ISO 20957-10 a Class H product and is built to the highest standards for indoor home fitness use. It was designed especially for lower body workout and cardiovascular training.

EU DECLARATION OF CONFORMITY

Hereby, Peloton Interactive, Inc. declares that the radio equipment type PLTN-RB1VQ is in compliance with Directive 2014/53/EU. The full text of the EU declaration of conformity is available at



DISTRIBUTED BY:

US/CANADA
Peloton Interactive, Inc.
441 9th Ave, 9th Floor
New York, NY 10001
United States

UK
Peloton Interactive UK Limited
110 Long Acre
Covent Garden
London WC2E 9LH
United Kingdom

GERMANY
Peloton Interactive Deutschland GmbH
c/o WeWork Neue Schönhauser Str. 3-5
Neue Schönhauser Straße 3-5
10178 Berlin
Germany

AUSTRALIA
Peloton Interactive Australia Pty Ltd
20 Martin Place
Sydney NSW 2000
Australia

SPECIFICATIONS



BIKE

FOOTPRINT : 120 x 60 cm

WEIGHT : 9 stone, 12 lbs/62.7 kg/138 lbs

HEIGHT : 147 cm

USER HEIGHT RANGE : 150-196 cm

MAX USER WEIGHT : 21 stone, 3 lbs/135 kg/297 lbs

WEIGHT HOLDER CAPACITY : 3 lbs/1.36 kg

TOUCHSCREEN

21.5" 1080p HD touchscreen

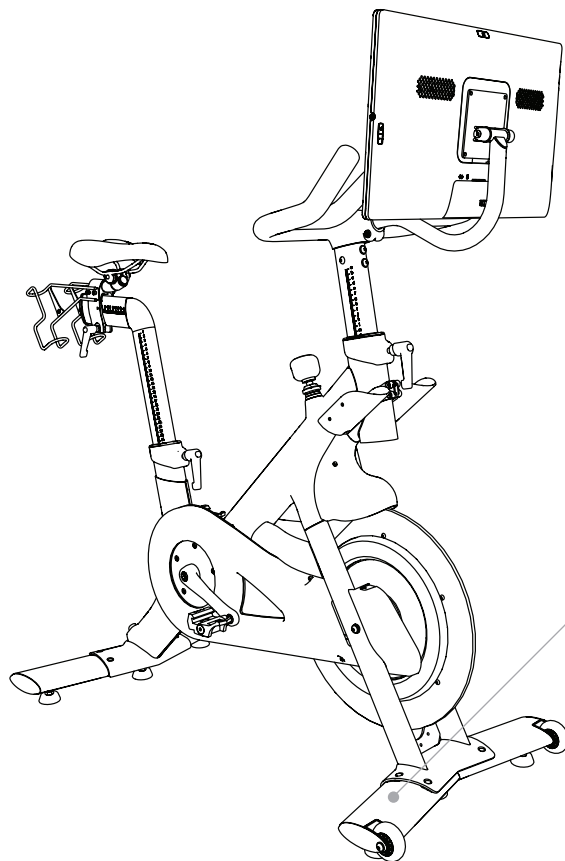
WiFi 802.11 a/b/g/n/ac / 100 Mbps Ethernet

16 GB internal flash storage

ANT+™ wireless / Bluetooth® 4.0

2x10 watt stereo speakers

WARNINGS



⚠ WARNING / WARNUNG

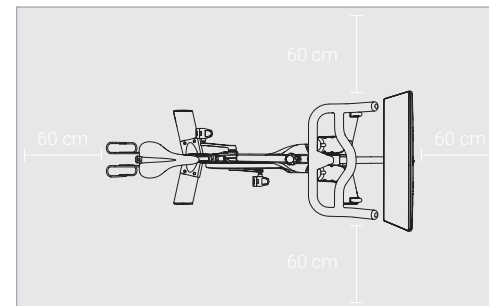
Misuse of this bike may result in serious injury. Read user manual prior to use and follow all warnings and instructions. • Keep children and pets away from the bike at all times. • Set up and operate on a solid, level surface. • Use equipment in a supervised environment. Maximum user weight 21 stone, 3 lbs/135 kg/297 lb. • Take care when mounting and dismounting. • Before mounting or dismounting, move the pedal on the mounting or dismounting side to its lowest position and bring the pedals to a complete stop. • This bike does not free-wheel. • Reduce pedal speed in a controlled manner. • Keep body, clothing, and accessories clear of all moving parts. • Contact with moving parts may result in serious injury. • Keep away from the flywheel at all times. Always keep top surface of pedals clean and dry. • Inspect bike before use. • Do not use the bike if it appears worn, damaged, or inoperable. • Replace this label if damaged, illegible, or removed.

Der unsachgemäße Gebrauch dieses Bikes kann zu schweren Verletzungen führen. • Vor Gebrauch die Bedienungsanleitung lesen und alle Warnhinweise und Anweisungen befolgen. • Kinder und Haustiere stets vom Bike fernhalten. • Auf einem stabilen, ebenen Untergrund aufstellen und verwenden. • Verwende das Gerät in einer kontrollierten Umgebung. • Maximales Benutzergewicht: 135 kg (297 lb). • Vorsicht beim Auf- und Absteigen. • Vor dem Auf- und Absteigen das Pedal auf der Auf- bzw. Absteigeseite in die unterste Position bringen und die Pedale vollständig zum Stillstand bringen. • Dieses Bike hat keinen Freilauf. Reduziere die Pedalgeschwindigkeit in kontrollierter Weise. • Halte Körperteile, Kleidung und Zubehör von den beweglichen Teilen fern. • Der Kontakt mit beweglichen Teilen kann zu schweren Verletzungen führen. • Halte dich stets vom Schwungrad fern. • Halte die Oberfläche der Pedale immer sauber und trocken. Überprüfe das Bike vor dem Gebrauch. • Benutze das Bike nicht, wenn es abgenutzt, beschädigt oder funktionsuntüchtig erscheint. • Sollte dieses Etikett beschädigt worden, unleserlich geworden oder verloren gegangen sein, ersetze es bitte.

1031029-01

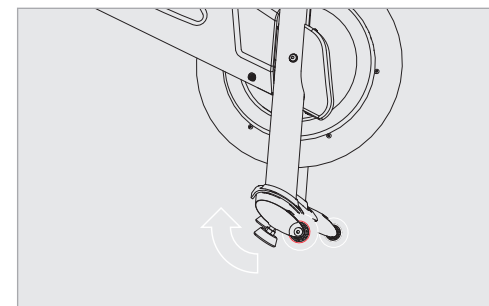
Familiarise yourself with all warnings on the bike before use. If any label is damaged or lost, contact member support for a replacement immediately.

SETTING UP YOUR BIKE



LOCATION REQUIREMENTS

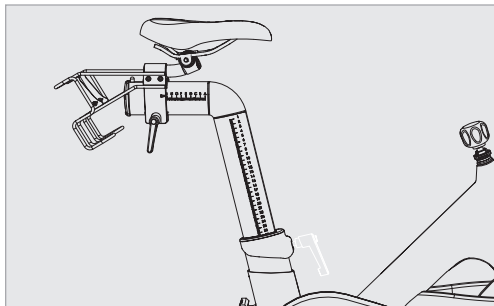
- Place the bike on a solid, level and horizontal surface
- Use a mat to avoid damage to the bike and floor
- Allow a clearance of 60 cm on each side of the bike



MOVING THE BIKE

- Tilt the bike forward onto the wheels. Lift the rear stabiliser while a second person holds the handlebars
- Carefully roll the bike to the new location. Avoid uneven surfaces
- If the bike rocks after being set down, unscrew each levelling foot until it rests firmly on the floor

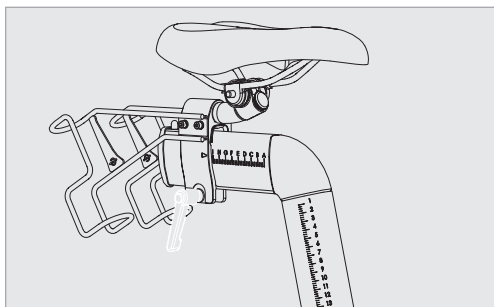
SETTING UP YOUR BIKE



SEAT HEIGHT

Set the seat height to line up with the top of your hip bone.

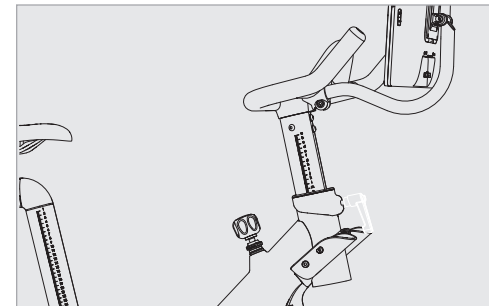
- Turn L-handle anticlockwise to loosen
- Raise or lower seat
- Turn L-handle clockwise to tighten



SEAT DEPTH

Set the seat depth so that the distance between seat and handlebars is equal to the distance between your elbow and fingertips.

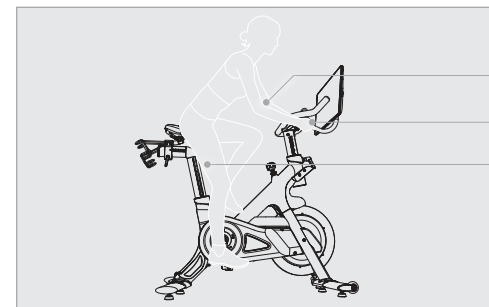
- Turn L-handle anticlockwise to loosen
- Move seat forward or back
- Turn L-handle clockwise to tighten



HANDLEBAR HEIGHT

Set the handlebars to seat height, then adjust until you feel comfortable.

- Turn L-handle anticlockwise to loosen
- Raise or lower the handlebars
- Turn L-handle clockwise to tighten



BODY POSITION

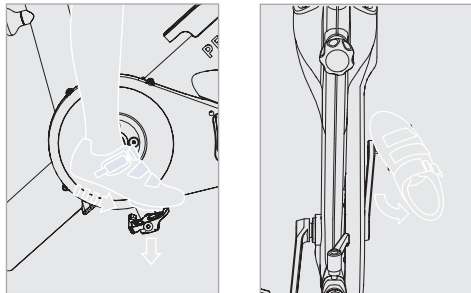
- Arms slightly bent
- Hands rest on handlebars without reaching
- Leg slightly bent at the bottom of the stroke

These adjustments should get you started. If you're uncomfortable, or want to fine-tune your bike's settings, go to

CAUTION To prevent injury, always adjust seat and handlebars to your personal requirements. Tighten all adjustment handles before using the Peloton Bike. Projecting adjustment handles could interfere with your movements. Do not exceed maximum adjustment marks on seat and handlebar posts and sliders. If any adjustment handle sticks out sideways, pull the handle out, rotate it to point down, and then release it.

CAUTION The Peloton Bike has a direct driven flywheel; the pedals will continue to move until the flywheel stops. Reduce speed slowly. To stop the flywheel immediately, push down the resistance knob.

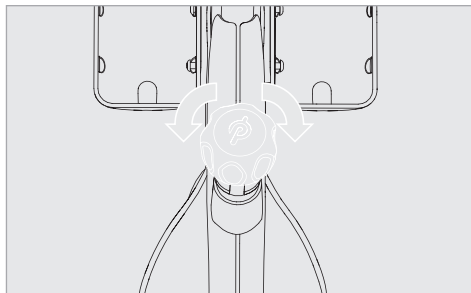
SETTING UP YOUR BIKE



CLIPPING IN AND OUT

TO CLIP IN: Point your toes down to fit the cleat into the pedal, then push down through your heel.

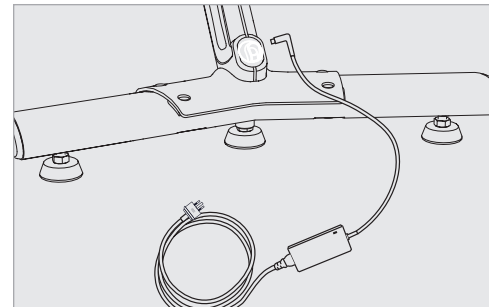
TO CLIP OUT: Kick your heel away from the bike.



ADJUSTING RESISTANCE

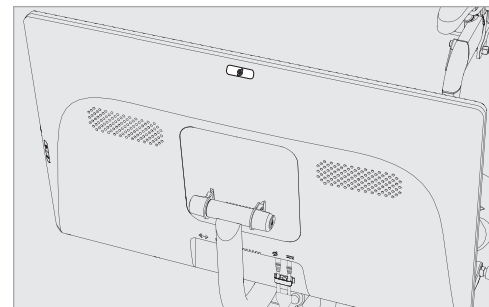
Turn knob right to increase resistance
Turn knob left to decrease resistances
Press knob down for emergency brake

GETTING STARTED



PLUGGING IN

Plug the power supply into the wall
Plug the power cord into the power jack at the back of the bike



POWERING ON AND OFF

Hold the power button for two seconds to power on the bike
The bike will sleep after about 20 minutes of inactivity. To wake the bike, press the power button
To power down, hold the power button for two seconds.
Select **Shut Down** when prompted

GETTING STARTED

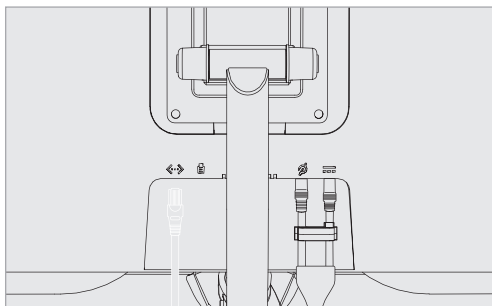


CONNECTING TO THE INTERNET

To connect to a WiFi network, tap the network name

If the network is not secured, the bike will connect to the network

If the network is secured, you will be prompted to enter a password. Type in the password and tap **Connect**



To connect to a wired network, connect an Ethernet cable to the Ethernet port on the back of the touchscreen and to a wall jack or router used by your local area network. The bike will connect to the network automatically.

LOGGING IN

When logging in for the first time, please have available your Subscription Activation Key or the login information you set up when you purchased the Peloton Bike.

Once a subscription is activated and associated with this bike, any user can log in and access subscription content.

PELOTON 101

Select Peloton 101 from the menu for more on adjusting your bike to fit your body and maintaining proper body position when you ride.

ADDING A PROFILE

To let another person use your bike, tap the icon next to your username at the lower left of the screen and select **Add/Remove Profiles**. The new user can log in with an existing Peloton account or tap **Create an Account** to set up a new one.

JOINING A RIDE

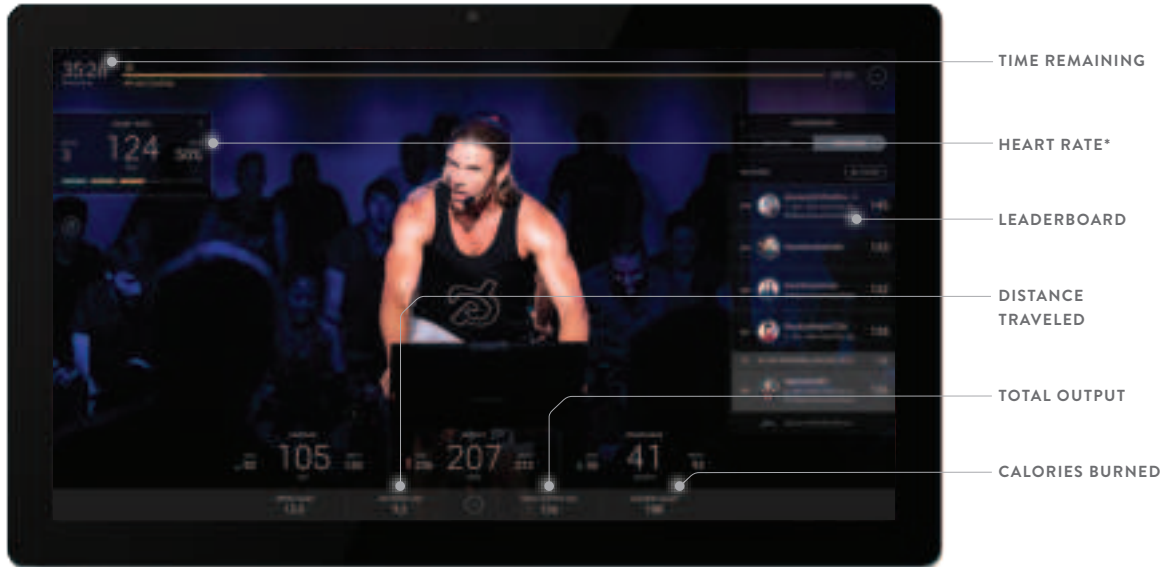
Find live classes on the schedule or choose from on-demand classes.

Filter by instructor, class length, class type, and more.

Your instructor will guide you through your workout.

If the workout does not include a warmup and cooldown, warmup and cooldown classes are available separately. Select **More** for a Scenic Ride or Just Ride experience.

CLASS SCREEN



- TIME REMAINING
- HEART RATE*
- LEADERBOARD
- DISTANCE TRAVELED
- TOTAL OUTPUT
- CALORIES BURNED

CADENCE

How fast you're pedaling, in revolutions per minute

OUTPUT

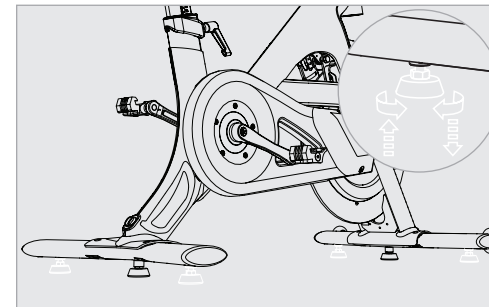
The power you're exerting, measured in watts

RESISTANCE

Pedaling difficulty, measured as a percentage

* Appears only when a heart rate monitor is connected.

MAINTENANCE AND CARE



AFTER EVERY RIDE

To ensure safe operation and optimal performance, check for wear and damage and perform maintenance on a regular basis. Replace any damaged or defective parts immediately. Do not use the bike until the repair is performed. Only use original parts from the manufacturer. Changes or modifications to this unit not expressly approved by Peloton could void the warranty.

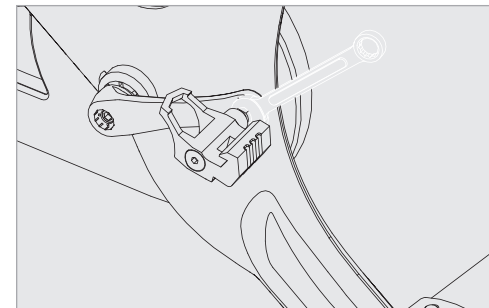
CLEANING: Wipe down the bike using a damp cloth.

LEVELLING FEET: If the bike rocks back and forth, turn each levelling foot clockwise (when viewed from above) until it rests firmly on the ground.

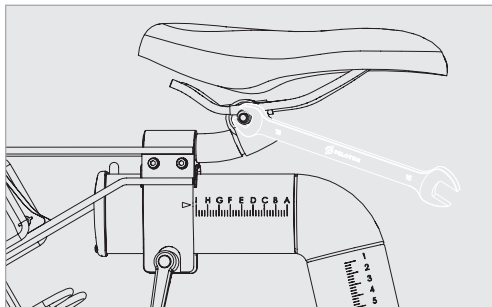
EVERY 3 TO 5 RIDES

CLEANING: Clean the bike thoroughly using a damp cloth and a mild household cleaner diluted in water. Clean the touchscreen using an electronics wipe.

PEDALS: Tighten any loose pedal with the included 15 mm spanner. Pedals should be tightened to 34 N-m/25 lb-ft of torque. Turn clockwise to tighten the right pedal and anticlockwise to tighten the left pedal.



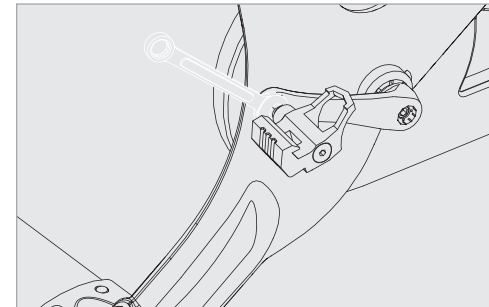
MAINTENANCE AND CARE



EVERY 3 TO 5 RIDES CONTINUED

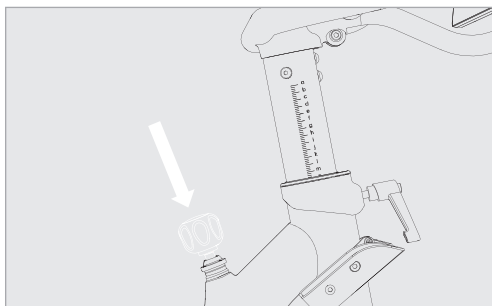
CLEATS: Use a 4mm Allen key to tighten any loose screws attaching your cleats to your cycling shoes.

SADDLE: Make sure the saddle is parallel to the ground. Then use the included 13mm spanner to tighten the seat-fixing nuts on both sides.



ANNUALLY

PEDALS: Replace pedals. Tighten new pedals to 34 N·m/25 lb-ft of torque. For further instructions, see



EVERY 15 TO 20 RIDES

Service other than the procedures described here must be performed by an authorised technician.

EMERGENCY BRAKE: Press down on the resistance knob while pedaling slowly. The flywheel should come to a complete stop immediately. If it does not, stop using the bike immediately and contact Peloton Support.

FRAME: Check the entire frame and all belt guards for signs of wear and damage, and tighten any loose bolts. If there is any damage to the belt guards, immediately stop using the bike and contact member support.

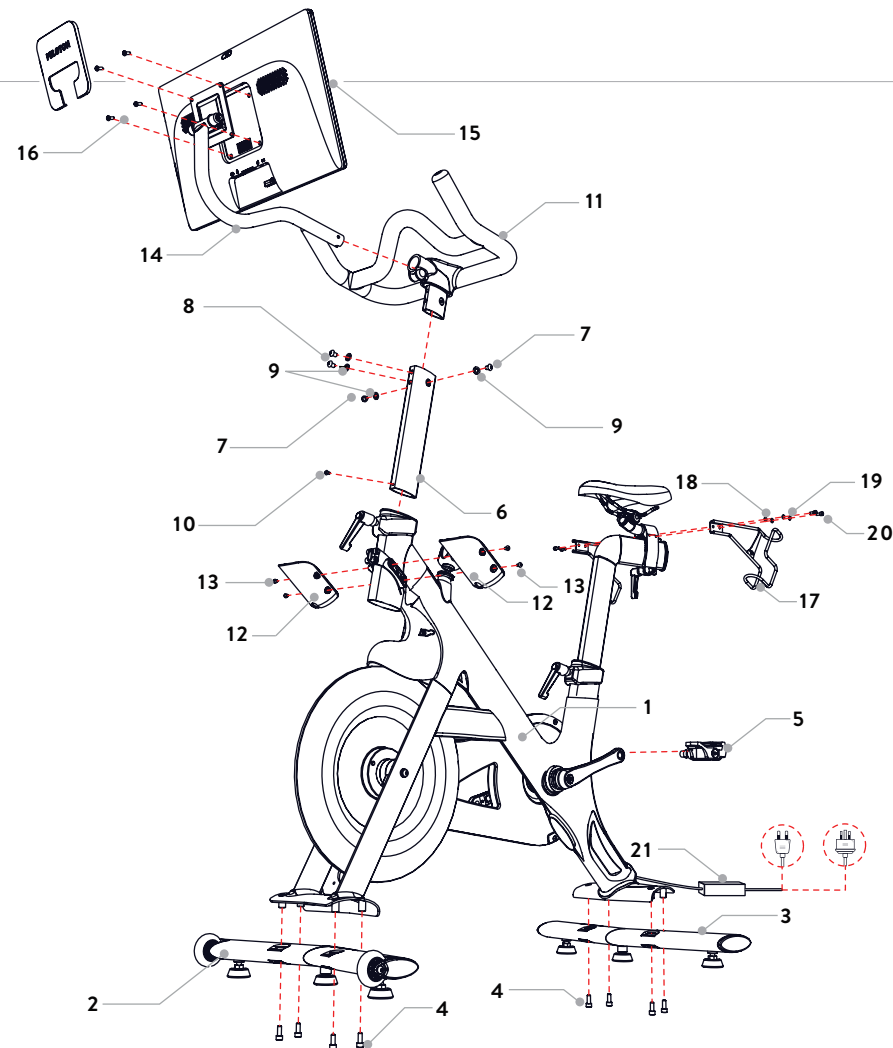
BIKE ASSEMBLY

BIKE PARTS

- Bike frame
- Front stabiliser
- Rear stabiliser
- M8x20 socket cap screw x 8
- Right and left pedals
- Handlebar post
- M8x12 round head screw x 2
- M8x10 round head screw x 2
- Flat washer x 4
- M5x15 Phillips head screw
- Handlebars
- Water bottle holder cups x 2
- M5x8 stainless steel screws x 4
- Touchscreen arm
- Touchscreen
- M4x10mm flange head screws x 4
- Right and left weight holders
- M5 washer x 4
- M5 spring washer x 4
- M5x8 round head screw x 4
- Power supply and cord

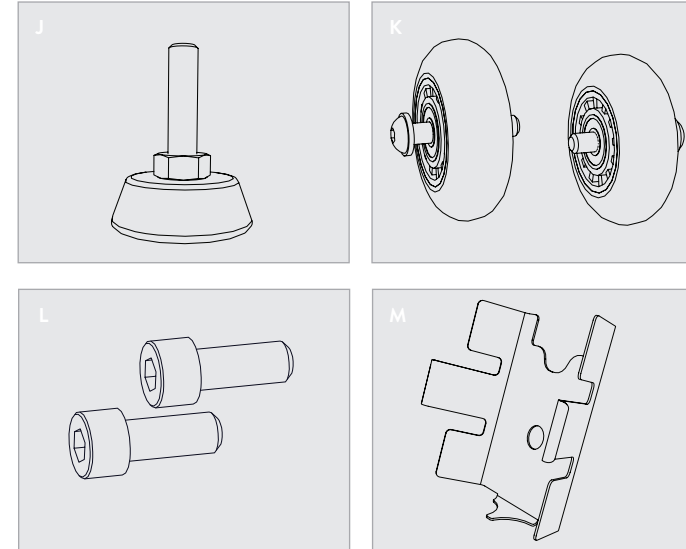
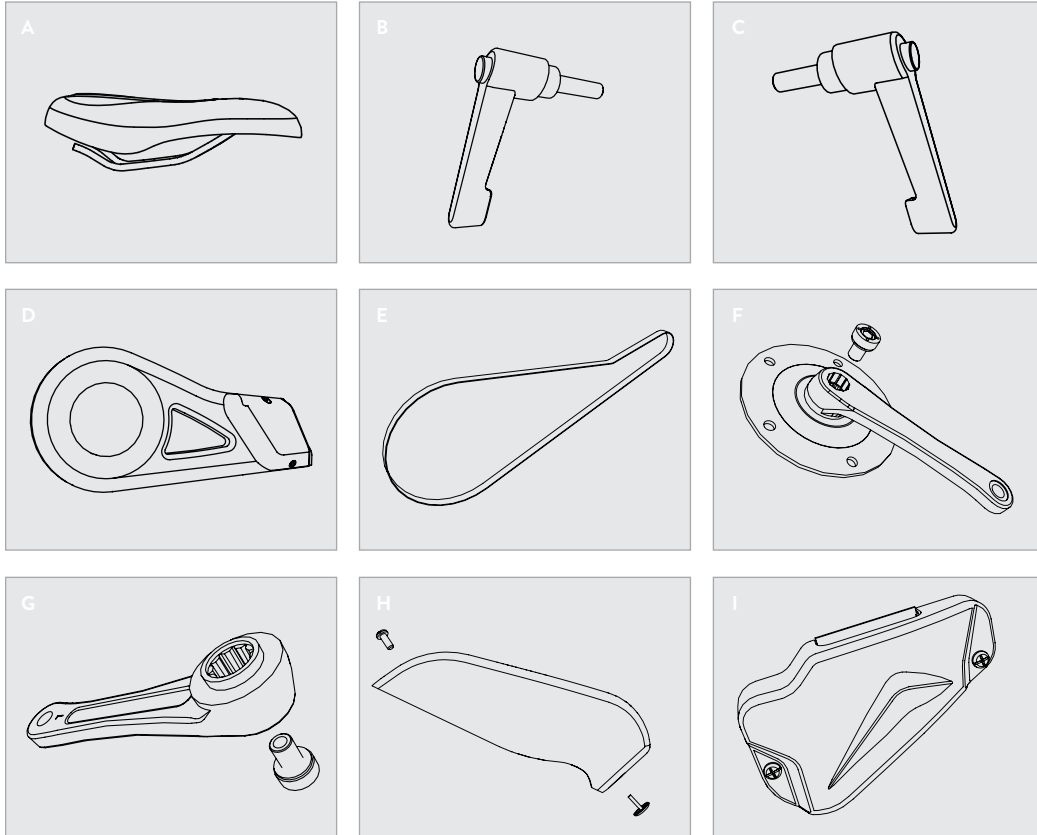
TOOLS

- 3mm Allen key
- 4mm Allen key
- 5mm Allen key
- 6mm Allen key
- Phillips head screwdriver
- Torque wrench with 15mm crowfoot attachment



⚠ WARNING These assembly instructions are intended to assist trained professional installers in assembling the Peloton Bike. Damage or equipment failure resulting from the improper or negligent assembly of the bike will not be covered under Peloton's warranties.

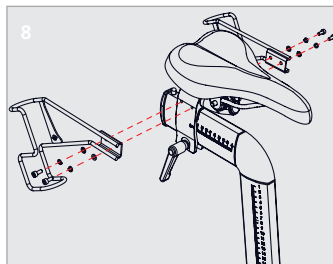
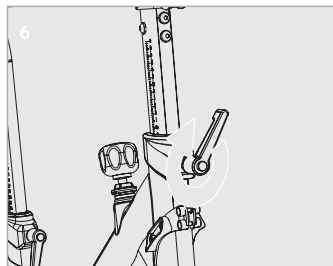
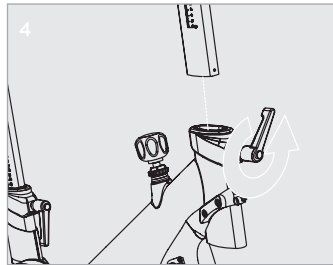
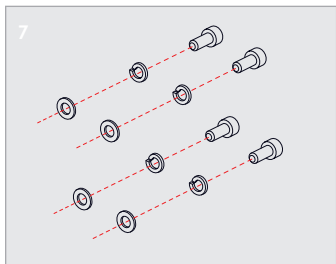
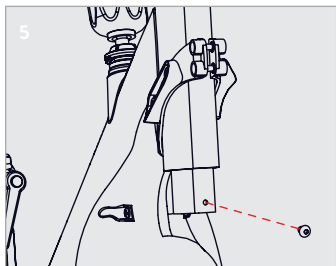
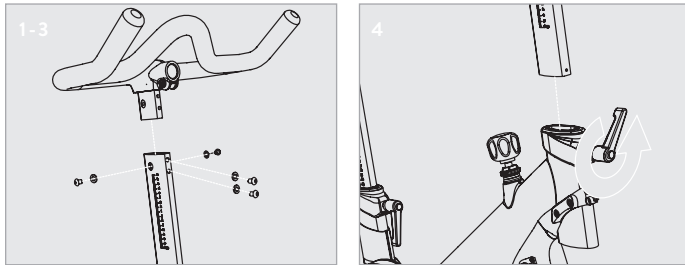
⚠ WARNING Perform a complete visual inspection of the Peloton Bike and test all features and functions prior to use.



SPARE PARTS

- Saddle SP-03-1
- Small L-handle SP-06/RP-06
- Large L-handle SP-07/RP-07
- Outer Belt Guard SP-11-12
- Belt SP-15
- Right Crank Arm SP-11-17
- Left Crank Arm SP-11-19
- Front Belt Guard SP-11-26
- Sensor Assembly SP-27-2/RP-27
- Foot SP-31
- Wheels SP-32
- Stabiliser Screw Set SP-35
- Wire Bracket SP-41/RP-41

- Monitor Cable SP-39
- Inner Wiring SP-38/RP-38
- Label package PL-11-KIT
- Pedals PL-PS7-02-L/R
- Weight Holders SP-09/RP-09
- Front Stabiliser SP-33/RP-33
- Rear Stabiliser SP-34/RP-34
- Handlebars SP-43/RP-43



ASSEMBLY

Fit the handlebar post onto the handlebars. Make sure the letters on the post will be upright when the handlebar is right-side-up.

Add two flat washers and two M8x12 round head screws to the front of the handlebar base. Screw them in with a 5mm Allen key.

Add two flat washers and two M8x10 round head screws to the sides of the handlebar base. Screw them in with the 5mm Allen key.

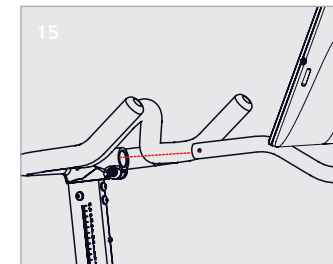
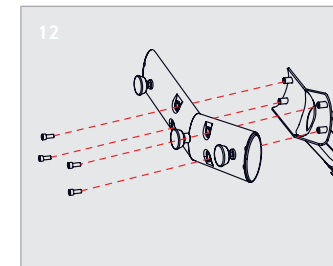
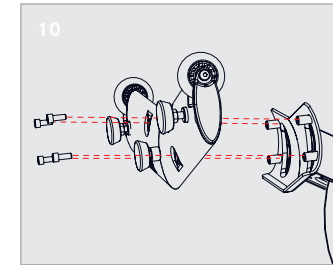
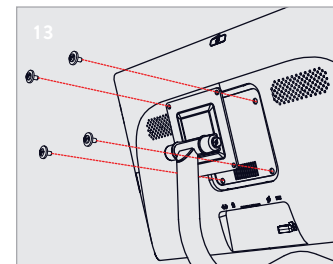
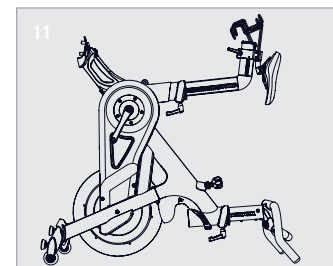
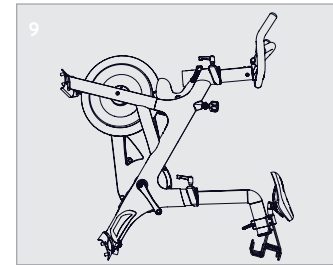
Loosen the L-handle at the front of the bike frame and slide the handlebar post into the head tube.

Add an M5x15 Phillips head screw to the hole at the end of the handlebar post. Screw it in using a Phillips head screwdriver.

Raise the handlebars to seat height and tighten the L-handle.

Take four M5x12 round head screws and add one flat washer and one spring washer to each.

Secure each weight holder to the seat slider using two screw-and-washer sets and a 4mm Allen key.



ASSEMBLY CONTINUED

Rest the bike frame on the weight holders and back foot.

Add the front stabiliser and four M8x20 socket cap screws. Screw them in with a 6mm Allen key.

Rest the bike frame on the handlebars and front stabiliser.

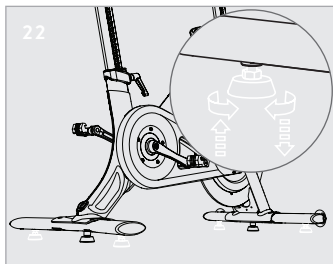
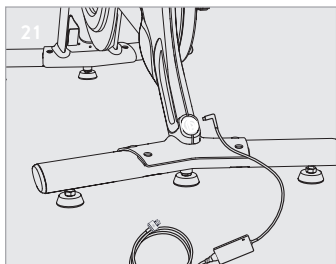
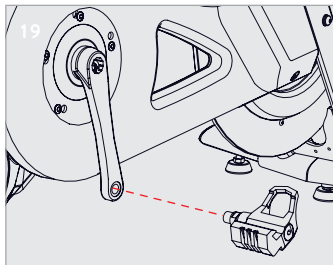
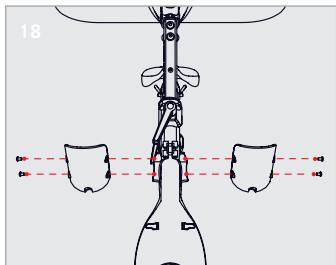
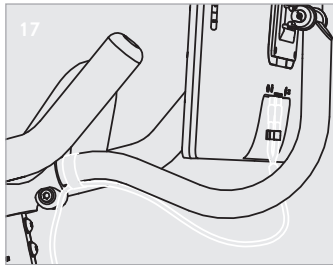
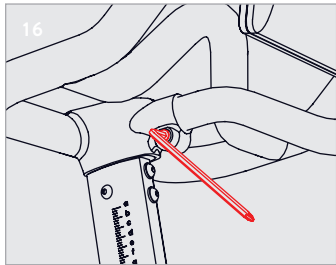
Add the rear stabiliser and four M8x20 socket cap screws. Screw them in with the 6mm Allen key.

Remove the square panel from the back of the touchscreen. Using a Phillips head screwdriver and four M4x10 flange head screws, secure the touchscreen to the monitor arm.

Return the back panel to the touchscreen.

Push the monitor arm all the way into the handlebars.

BIKE ASSEMBLY



ASSEMBLY CONTINUED

Tighten the bolt at the right side using the 6mm Allen key.

Plug the monitor cable into the back of the touchscreen. Use the velcro strap to secure it to the monitor arm.

Add a water bottle cup to each side of the front shroud using two M5x8 screws and a 3mm Allen key.

Screw the pedals into the crank arms. The left pedal is reverse-threaded.

Using a torque wrench and a 15mm crowfoot, tighten each pedal to 34 N-m/25 lb-ft. Be careful not to over-tighten the pedals.

Plug the power cord into the power supply and the back of the bike. Plug the power supply into an outlet.

Check that the bike is stable. If it rocks or wobbles, adjust the outer feet on each stabiliser until all feet rest firmly on the ground.

UNITED KINGDOM LIMITED HOME USE WARRANTY

Peloton Interactive, Inc. and its affiliate companies ("Peloton") extends the following Limited Warranty, which applies only to non-commercial, in-home, indoor use of the Peloton Bike. Any other use of the Peloton Bike shall void this Limited Warranty. During the applicable Limited Warranty periods described below, the covered components of the Peloton Bike will be free of defects or malfunctions during normal use. Certain exclusions apply, as further described in this Limited Warranty.

The Limited Warranty applies for the following components of the Peloton Bike only, for the time period indicated. The Limited Warranty applies only against defects discovered within the applicable Limited Warranty period and only so long as the Peloton Bike remains in the possession of the original purchaser, or for gifted bikes, the owner of the original Subscription attached to that Peloton Bike.

HD TOUCHSCREEN – 12 MONTHS. Peloton warrants the touchscreen against defects in workmanship and materials for a period of 12 months from the date of original delivery.

FRAME – FIVE YEARS.

Peloton warrants the frame (excluding any moving parts attached to the structural frame) against defects in workmanship and materials for a period of five years from the date of original delivery.

BIKE COMPONENTS – 12 MONTHS.

Peloton warrants the components and all original parts of the Peloton Bike other than pedals, including its belt, brake resistance, crankshaft, seat post, handlebars and water bottle holder, against defects in workmanship and materials for a period of 12 months from the date of original delivery.

BIKE PEDALS – 12 MONTHS.

Peloton warrants the components and all original parts of the original pedals that come with the Peloton Bike against defects in workmanship and materials for a period of 12 months from the date of original delivery. Bike pedals are not warranted against normal wear and tear and it is important that you maintain the pedals by inspecting the pedals regularly for any damage, loose parts or other signs of wear and tear that could cause breakdowns or part failures. Any pedal

that shows signs of worn or damaged parts should be removed from service immediately. Please refer to Peloton's guide on maintaining your pedals, available on Peloton's website.

LABOUR – 12 MONTHS.

For Peloton Bikes originally assembled by an authorised Peloton technician, Peloton will cover the labour cost for the repair or replacement made under this Limited Warranty for a period of 12 months from the date of original delivery. Except where applicable law requires otherwise, repair labour is not covered for locations where Peloton did not originally assemble the Peloton Bike or if the Peloton Bike is moved to a location that is outside of Peloton's service area.

EXCLUSIONS AND LIMITATIONS

WHO IS COVERED?

The original owner of the Peloton Bike. The Peloton Bike must remain in the possession of the original purchaser, or for gifted Peloton Bikes, the owner of the original Subscription attached to that Peloton Bike. This Limited Warranty is not transferable. Service location is limited to any area which Peloton delivers to in the UK.

WHAT IS COVERED?

- If a defect arises in the Peloton Bike or a warranted component within the applicable Limited Warranty period, the purchaser's sole and exclusive remedy is for Peloton to, at Peloton's discretion to the extent permitted by law, either replace or repair the defective or malfunctioning Peloton Bike or component with the same or a comparable model.
- Any replacement or repaired component shall be warranted for the remainder of the original Limited Warranty period or 30 days, whichever is longer, or for any additional period that is required by applicable law.

- Software, even if sold with or embedded in the Peloton Bike, or Internet connectivity. Peloton does not warrant that the operation of the Peloton Bike will be uninterrupted or error-free.
- Damage or equipment failure due to normal wear and tear, improper or negligent assembly, maintenance, installation, relocation, or repair (other than that caused by a Peloton authorised service technician), use of the Peloton Bike with parts or accessories from third parties, or with parts or accessories not originally intended for or compatible with the Peloton Bike, or any use contrary to the instructions in the Peloton Bike User Manual.
- Damage or equipment failure due to accident, abuse, improper or abnormal use, neglect, corrosion, discoloration of paint or plastic (or any other change in cosmetic appearance that does not affect performance), theft, vandalism, fire, flood, wind, lightning, freezing or other natural disasters or acts of God of any kind, electrical wiring, power reduction, power fluctuation or power failure from whatever cause, unusual atmospheric conditions, collision,

- introduction of foreign objects, or modifications that are unauthorised or not recommended by Peloton.
- Incidental or consequential damages. Peloton is not responsible or liable for indirect, special, incidental or consequential damages, economic loss, loss of property or profits, loss of enjoyment or use, or other consequential damages of any nature whatsoever in connection with the purchase, use, repair or maintenance of equipment or parts. Peloton does not provide monetary or other compensation for any such repairs or replacement parts costs, including but not limited to gym membership fees, work time lost, cost of substitute equipment, diagnostic visits, maintenance visits or transportation.
- Equipment used for commercial purposes or for any use other than a single-family or household.

ADDITIONAL INFORMATION

- Any attempt to move or repair fitness equipment creates a risk of injury and property damage. Peloton is not responsible or liable for any damage or injury incurred during, or as a result

- of, any move, repair or attempted repair of equipment by anyone other than a Peloton authorized service technician. All moves or repairs attempted by you or your agents are undertaken AT YOUR OWN RISK and Peloton will have no liability for any injury to persons or property arising from such attempted moves or repairs. In addition, labour may no longer be covered if you move outside of Peloton's service area.
- Replacement units, parts and electronic components reconditioned by Peloton or its vendors may sometimes be supplied as warranty replacement and constitute fulfilment of warranty terms.

THIS LIMITED WARRANTY IS THE EXCLUSIVE WARRANTY GIVEN BY PELOTON AND SUPERSEDES ANY PRIOR, CONTRARY OR ADDITIONAL REPRESENTATIONS. ALL OTHER WARRANTIES, EXPRESS OR IMPLIED, INCLUDING ANY STATUTORY WARRANTY OR CONDITION OF MERCHANTABILITY OR FITNESS FOR A PARTICULAR PURPOSE, ARE DISCLAIMED EXCEPT TO THE EXTENT PROHIBITED BY LAW. IN SUCH EVENT,

SUCH WARRANTY IS LIMITED TO THE DURATION OF THE WARRANTY PERIODS SET FORTH ABOVE. THIS EXCLUSION APPLIES EVEN IF THIS WARRANTY FAILS OF ITS ESSENTIAL PURPOSES AND REGARDLESS OF WHETHER DAMAGES ARE SOUGHT FOR BREACH OF WARRANTY, BREACH OF CONTRACT, NEGLIGENCE, OR STRICT LIABILITY IN TORT OR UNDER ANY OTHER LEGAL THEORY. SOME JURISDICTIONS DO NOT ALLOW THE EXCLUSION OR LIMITATION OF INCIDENTAL OR CONSEQUENTIAL DAMAGES, SO THE ABOVE LIMITATION MAY NOT APPLY TO YOU. THIS LIMITED WARRANTY GIVES YOU SPECIFIC LEGAL RIGHTS, AND YOU MAY ALSO HAVE OTHER LEGAL RIGHTS, WHICH VARY FROM STATE TO STATE.

ADDITIONAL COVERAGE

For information on available service plans, visit support.onepeloton.co.uk.

HOW DO I OBTAIN WARRANTY SERVICE?

Contact member support if you believe you need service.

+44 808 169 6469
support.onepeloton.co.uk

Peloton Interactive UK Limited
110 Long Acre
Covent Garden
London WC2E 9LH
United Kingdom

Attn: Limited Warranty Claims

To be eligible for service under this Limited Warranty you must provide Peloton with the serial number of your Peloton Bike and the dated receipt, or other proof of purchase indicating the date purchased, upon discovering any nonconformity or defect.

Claims must be made within the specified warranty period.

Any disputes between you and Peloton related to this Limited Warranty or the Peloton Bike will be governed by the then-current dispute resolution procedures in Peloton's Terms of Service, available at onepeloton.co.uk/terms-of-service.

LIMITED HOME USE WARRANTY

YOUR RIGHTS UNDER THE AUSTRALIAN CONSUMER LAW

Our goods and services come with guarantees that cannot be excluded under the Australian Consumer Law. For major failures with the service, you are entitled:

- to cancel your service contract with us; and
- to a refund for the unused portion, or to compensation for its reduced value.

You are also entitled to choose a refund or replacement for major failures with goods. If a failure with the goods or a service does not amount to a major failure, you are entitled to have the failure rectified in a reasonable time. If this is not done you are entitled to a refund for the goods and to cancel the contract for the service and obtain a refund of any unused portion. You are also entitled to be compensated for any other reasonably foreseeable loss or damage from a failure in the goods or service.

The rights described in this Peloton Bike Limited Warranty are in addition to the rights to which you may be entitled

under the Australian Consumer Law and other Australian consumer protection laws and regulations.

WHAT IS COVERED BY THIS LIMITED WARRANTY?

Peloton Interactive Australia Pty Ltd. ("Peloton") extends the following Limited Warranty, which applies only to non-commercial, in-home, indoor use of the Peloton Bike. Any other use of the Peloton Bike shall void this Limited Warranty. During the applicable Limited Warranty periods described below, the covered components of the Peloton Bike will be free of defects or malfunctions during normal use. Certain exclusions apply, as further described in this Limited Warranty.

The Limited Warranty applies for the following components of the Peloton Bike only, for the time period indicated. The Limited Warranty applies only against defects discovered within the applicable Limited Warranty period.

HD TOUCHSCREEN – 12 MONTHS

Peloton warrants the touchscreen against defects in workmanship and materials for a period of 12 months

from the date of original delivery.

FRAME – FIVE YEARS.

Peloton warrants the frame (excluding any moving parts attached to the structural frame) against defects in workmanship and materials for a period of five years from the date of original delivery.

BIKE COMPONENTS – 12 MONTHS

Peloton warrants the components and all original parts of the Peloton Bike other than pedals, including its belt, brake resistance, crankshaft, seat post, handlebars and water bottle holder, against defects in workmanship and materials for a period of 12 months from the date of original delivery.

BIKE PEDALS – 12 MONTHS

Peloton warrants the components and all original parts of the original pedals that come with the Peloton Bike against defects in workmanship and materials for a period of 12 months from the date of original delivery. Bike pedals are not warranted against normal wear and tear and it is important that you maintain the pedals by inspecting the pedals regularly for any damage, loose parts

or other signs of wear and tear that could cause breakdowns or part failures. Any pedal that shows signs of worn or damaged parts should be removed from service immediately. Please refer to Peloton's guide on maintaining your pedals, available on Peloton's website.

LABOR – 12 MONTHS

For a Peloton Bike originally assembled by an authorized Peloton technician, Peloton will cover the labour cost for the repair or replacement made under this Limited Warranty for a period of 12 months from the date of original delivery. Without excluding, restricting or modifying any rights or remedies to which you may be entitled under the Australian Consumer Law or other applicable law, repair labour is not covered for locations where Peloton did not originally assemble the Peloton Bike or if the Peloton Bike is moved to a location that is outside of Peloton's service area.

WHO IS COVERED BY THIS LIMITED WARRANTY?

This Limited Warranty covers the original purchaser of the Peloton Bike or, for a gifted Peloton Bike, the owner of the original Subscription attached

to that Peloton Bike. Without excluding, restricting or modifying any rights or remedies to which you may be entitled under the Australian Consumer Law or other applicable law, any other person in possession of the Peloton Bike is not covered by this Limited Warranty.

WHAT IS NOT COVERED BY THIS LIMITED WARRANTY?

This Limited Warranty does not apply to:

- Any other Peloton products or services not expressly referred to under the heading "What is covered by this Limited Warranty?" above, non-Peloton products or labour, units that are, or that Peloton reasonably believes to be, stolen, counterfeit, or purchased from an unauthorized distributor or reseller, units purchased or used outside Australia, and units missing serial numbers.
- Software, even if sold with or embedded in the Peloton Bike, or Internet connectivity. Peloton does not warrant that the operation of the Peloton Bike will be uninterrupted or error-free.
- Damage or equipment failure due

to normal wear and tear, improper or negligent assembly, maintenance, installation, relocation, or repair (other than that caused by a Peloton authorized service technician), use of the Peloton Bike with parts or accessories from third parties, or with parts or accessories not originally intended for or compatible with the Peloton Bike, or any use contrary to the instructions in the Peloton Bike User Manual.

- Damage or equipment failure due to accident, abuse, improper or abnormal use, neglect, corrosion, discoloration of paint or plastic (or any other change in cosmetic appearance that does not affect performance), theft, vandalism, fire, flood, wind, lightning, freezing or other natural disasters or acts of God of any kind, electrical wiring, power reduction, power fluctuation or power failure from whatever cause, unusual atmospheric conditions, collision, introduction of foreign objects, or modifications that are unauthorized or not recommended by Peloton.
- Incidental or consequential damages. Except to the extent required by the

Australian Consumer Law or other applicable law that cannot be excluded, Peloton is not responsible or liable for indirect, special, incidental or consequential damages, economic loss, loss of property or profits, loss of enjoyment or use, or other consequential damages of any nature whatsoever in connection with the purchase, use, repair or maintenance of equipment or parts, and Peloton will not provide monetary or other compensation for any such repairs or replacement parts costs, including but not limited to gym membership fees, work time lost, cost of substitute equipment, diagnostic visits, maintenance visits or transportation.

- Use of the Peloton Bike for commercial purposes or for any use other than normal use in a single-family or household.
- Any attempt to move or repair fitness equipment creates a risk of injury and property damage. Peloton is not responsible or liable for any damage or injury incurred during, or as a result of, any move, repair or attempted repair of equipment by anyone other

than a Peloton authorized service technician. All moves or repairs attempted by you or your agents are undertaken AT YOUR OWN RISK and Peloton will have no liability for any injury to persons or property arising from such attempted moves or repairs. In addition, labour may no longer be covered if you move outside of Peloton's service area.

TO THE EXTENT ALLOWED BY LAW AND WITHOUT EXCLUDING, RESTRICTING OR MODIFYING THE APPLICATION OR EXERCISE OF ANY RIGHT OR REMEDY TO WHICH YOU MAY BE ENTITLED UNDER AUSTRALIAN CONSUMER LAW OR ANY LIABILITY OF PELOTON IN RELATION TO A FAILURE TO COMPLY WITH A GUARANTEE THAT APPLIES UNDER AUSTRALIAN CONSUMER LAW TO A SUPPLY OF GOODS OR SERVICES:

- THIS LIMITED WARRANTY IS THE EXCLUSIVE WARRANTY GIVEN BY PELOTON AND SUPERSEDES ANY PRIOR, CONTRARY OR ADDITIONAL REPRESENTATIONS.
- ALL OTHER WARRANTIES, EXPRESS OR IMPLIED, INCLUDING ANY STATUTORY WARRANTY OR

CONDITION OF MERCHANTABILITY OR FITNESS FOR A PARTICULAR PURPOSE, ARE DISCLAIMED TO THE EXTENT PERMITTED BY LAW.

- IN SO FAR AS A WARRANTY CANNOT BY LAW BE DISCLAIMED, SUCH WARRANTY IS LIMITED TO THE DURATION OF THE WARRANTY PERIODS SET FORTH ABOVE.

TO THE EXTENT THAT THIS EXCLUSION APPLIES, IT APPLIES EVEN IF THIS WARRANTY FAILS OF ITS ESSENTIAL PURPOSES AND REGARDLESS OF WHETHER DAMAGES ARE SOUGHT FOR BREACH OF WARRANTY, BREACH OF CONTRACT, NEGLIGENCE, OR STRICT LIABILITY IN TORT OR UNDER ANY OTHER LEGAL THEORY.

SOME JURISDICTIONS DO NOT ALLOW THE EXCLUSION OR LIMITATION OF INCIDENTAL OR CONSEQUENTIAL DAMAGES, SO THE ABOVE LIMITATIONS MAY NOT APPLY TO YOU.

WHAT YOU MUST DO TO OBTAIN WARRANTY SERVICE

To be eligible for service under this Limited Warranty you must provide Peloton with the serial number of your

Peloton Bike and the dated receipt, or other proof of purchase indicating the date purchased, upon discovering any nonconformity or defect. Claims must be made within the specified warranty period.

To make a claim under this Limited Warranty, contact member support.

+61 1800 952 535
support.onepeloton.com.au

Peloton Interactive Australia Pty Ltd
20 Martin Place
Sydney NSW 2000
Attention: Limited Warranty Claims

WHAT WILL PELOTON DO IF THE LIMITED WARRANTY IS BREACHED?

If, within the applicable Limited Warranty period, a defect arises in the Peloton Bike or a warranted component that is covered by this Limited Warranty and you submit a claim to Peloton under this Limited Warranty, then without excluding, restricting or modifying any other rights to which you may be entitled under the Australian Consumer Law or any other Australian consumer protection laws and regulations,

Peloton will, at its option and as its sole obligation, either replace or repair the defective or malfunctioning Peloton Bike or component with the same or a comparable model.

Any replacement or repaired component shall be warranted for the remainder of the original Limited Warranty period or 30 days, whichever is longer, or for any additional period that is required by applicable law.

Where permitted by law, replacement units, parts and electronic components reconditioned to as-new condition by Peloton or its vendors may sometimes be supplied as warranty replacement and constitute fulfilment of warranty terms. Goods presented for repair may be replaced by refurbished goods of the same type rather than being repaired. Refurbished parts may be used to repair the goods. Where Peloton considers a component of the Peloton Bike to have breached a consumer guarantee, any shipping costs to return the relevant component to Peloton or the cost of Peloton collecting the relevant part(s) will be at Peloton's cost.

To the extent that the Peloton Bike or

component is capable of retaining user-generated data, you should be aware that repairs may result in the loss of that data.

WHAT IF I HAVE QUESTIONS OR CONCERNS?

This Limited Warranty is given by Peloton Interactive Australia Pty Ltd. You may direct any questions or concerns to member support.

+61 1800 952 535

Without excluding, restricting or modifying any rights or remedies to which you may be entitled under the Australian Consumer Law or other applicable law, any disputes between you and Peloton related to this Limited Warranty or the Peloton Bike will be governed by the then-current dispute resolution procedures in Peloton's Terms of Service, available at onepeloton.com.au/terms-of-service


WHAT IF I WANT MORE COVERAGE?

Extended warranty coverage is available for purchase. See: support.onepeloton.com.au for more details.

SUPPORT

QUESTIONS OR CONCERNS

Peloton's #1 concern is member satisfaction. If you require assistance or are experiencing issues with your Peloton Bike, please contact the member support team for additional help.

 UK +44.808.169.6469
DE +49 8000010028
AU +61 1800 952 535



In Studio with Kendall Toole

INHALTSVERZEICHNIS

SICHERHEITSHINWEISE	38	Ethernet Verbindung Erstellen	48
HINWEISE	39	Einloggen	49
TECHNISCHE DATEN	40	Rider Hinzufügen	49
Fitnessbike-Spezifikationen	41	Peloton-Einführung	49
Bildschirm-Spezifikationen	41	An einem Kurs teilnehmen	49
AUFBAU DES FITNESSBIKES	43	DER KURS-BILDSCHIRM	50
Standortanforderungen	43	WARTUNG UND PFLEGE	51
Fitnessbike Bewegen	43	Nach jedem Ride	52
Sitzhöhe	44	Alle 3 bis 5 Rides	52
Sitztiefe	44	Alle 15 bis 20 Rides	53
Lenkerhöhe	45	Jährlich	53
Richtige Körperhaltung	45	BIKE-MONTAGE	54
Ein- und Ausklicken	46	Bike-Teile	55
Anpassung Des Widerstandes	46	Ersatzteile	57
LOSLEGEN	47	Montage	58
Inbetriebnahme	47	GARANTIE	61
Ein- und Ausschalten	47	KUNDENSERVICE	65
Wi-Fi-Verbindung herstellen	48		

Im Studio mit Tunde Oyeyeyin

⚠ VORSICHT Lies alle Warnhinweise und Anweisungen in diesem Handbuch, bevor du dieses Gerät benutzt. Unsachgemäße Handhabung oder Wartung kann zum Erlöschen der Garantie führen. Bewahre dieses Handbuch für eventuelle Rückfragen auf. Da wir unser Produkt ständig verbessern, sind die Informationen in diesem Handbuch möglicherweise nicht auf dem neuesten Stand. Die neueste Version des Handbuchs ist verfügbar unter onepeloton.de/manuals.

SICHERHEITSHINWEISE

Lies alle Sicherheitshinweise, bevor du das Fitnessbike nutzt. Es liegt in der Verantwortung des Eigentümers, sicherzustellen, dass die Benutzer über alle Warnungen und Vorsichtsmaßnahmen informiert sind.

Konsultiere einen Arzt, bevor du einen neuen Fitnessplan erstellst. Falsches oder übermäßiges Training kann zu schweren Verletzungen führen.

Wenn du unter Schwäche, Brustschmerzen oder Kurzatmigkeit leidest, dann bitte sofort mit dem Training aufhören und einen Arzt zu Rate ziehen.

Kennzahlen auf dem Touchscreen, einschließlich der Pulsmessung, können ungenau sein. Die Werte dienen nur als Referenz.

Dieses Bike ist mit einem direkt angetriebenen Schwungrad ausgestattet. Wenn sich das Schwungrad bewegt, bewegen sich auch die Pedale. Halte an, indem du die Trittfrequenz gezielt reduzierst oder die Notbremse betätigst. Nimm deine Füße erst von den Pedalen, wenn das Schwungrad stillsteht.

Der Widerstands-Drehknopf kann als Notbremse verwendet werden. Um sofort anzuhalten, drücke den Widerstands-Drehknopf.

Beim Auf- und Absteigen ist Vorsicht geboten.

Stell den Sattel und den Lenker immer auf deine persönlichen Bedürfnisse ein, um Verletzungen zu vermeiden.

Kinder unter 14 Jahren und Personen mit eingeschränkten körperlichen, sensorischen oder geistigen Fähigkeiten, die eine sichere Nutzung des Fitnessbikes beeinträchtigen, dürfen das Fitnessbike nicht benutzen. Kinder und Haustiere stets vom Bike fernhalten.

Kinder über 14 Jahre und Personen mit mangelnder Erfahrung und Kenntnissen müssen vor der Benutzung des Bikes beaufsichtigt oder unterwiesen werden. Kindern ist es nicht gestattet, Wartungsarbeiten durchzuführen oder mit dem Bike zu spielen. Ziehe die Bremse immer vollständig an, wenn das Fitnessbike nicht benutzt wird.

Halte Hände, lose Kleidung, Schnürsenkel und Zubehör von beweglichen Teilen fern. Stecke keine Gegenstände in Öffnungen am Gerät.

Das Fitnessbike ist mit Pedalen ausgestattet, die mit Delta kompatibel sind. Fahre stets mit Schuhen, die mit passenden Cleats ausgestattet sind.

Führe regelmäßige Wartungsarbeiten durch, um optimale Leistung und Lebensdauer zu gewährleisten. Führe regelmäßige Wartungen durch, um eine optimale Leistung und Langlebigkeit des Produktes zu gewährleisten.

Ersetze beschädigte oder verschlissene Teile umgehend. Verwende das Bike erst nach Abschluss von Reparaturen.

Es dürfen nur Originalteile des Herstellers verwendet werden. Änderungen oder Modifikationen an diesem Gerät, die nicht ausdrücklich von Peloton genehmigt wurden, können zum Erlöschen der Garantie führen.

Ziehe den Netzstecker immer sofort nach Gebrauch und vor dem Reinigen oder Warten aus der Steckdose. Wartungsarbeiten, die hier

nicht beschrieben sind, müssen von einem autorisierten Techniker durchgeführt werden.

Das Fitnessbike sollte nicht von Personen benutzt werden, die mehr als 135 kg (297 lbs.) wiegen.

Dieses Fitnessbike ist nur für den Gebrauch im Innenbereich bestimmt. Lagere das Fitnessbike nicht im Freien, in der Nähe von Wasser oder bei hoher Luftfeuchtigkeit.

Dieses Bike ist nur für den Heimgebrauch bestimmt. Nicht in gewerblichen Umgebungen verwenden. Verwende das Bike nur für den vorgesehenen Zweck.

HINWEISE



Elektroaltgeräte dürfen nicht über den Hausmüll entsorgt werden. Bitte recycle dort, wo Anlagen vorhanden sind. Erkundige dich bei deiner örtlichen Behörde oder deinem Händler nach Empfehlungen zum Recycling.



Dieses Produkt ist ANT+™-zertifiziert und mit ANT+-Sensoren kompatibel, welche die Herzfrequenzüberwachung unterstützen.

Das Peloton Bike ist nach EN ISO 20957-1 und EN ISO 20957-10 ein Produkt der Klasse H und entspricht den höchsten Standards für den Fitnessseinsatz in Innenräumen. Es wurde speziell für das Beinmuskeltraining und das Herz-Kreislauf-Training entwickelt.



EU-KONFORMITÄTSERLÄRUNG
Hiermit erklärt Peloton Interactive Inc., dass der Funkanlagentyp PLTN-RB1VQ den Anforderungen der Richtlinie 2014/53/EU entspricht. Der vollständige Text der Konformitätserklärung ist unter folgender

Internetadresse verfügbar:



VERTRIEB DURCH:

USA/KANADA
Peloton Interactive, Inc.
441 9th Ave, 9th Floor
New York, NY 10001
USA

VEREINIGTES KÖNIGREICH
Peloton Interactive UK Limited
110 Long Acre
Covent Garden
London WC2E 9LH
Vereinigtes Königreich
DEUTSCHLAND
Peloton Interactive Deutschland GmbH
c/o WeWork Neue Schönhauser Str. 3-5
Neue Schönhauser Straße 3-5
10178 Berlin
Deutschland

AUSTRALIEN
Peloton Interactive Australia Pty Ltd
20 Martin Place
Sydney NSW 2000
Australien



BIKE

STELLFLÄCHE : 120 x 60 cm

GEWICHT : 62,7 kg (138 lbs.)

HÖHE : 147 cm

KÖRPERGRÖSSE : 150-196 cm

MAXIMALES BENUTZERGEWICHT : 135 kg (297 lbs.)

HANTELHALTER-KAPAZITÄT : 1,36 kg (3 lbs.)

TOUCHSCREEN

21.5" 1080P HD Touchscreen

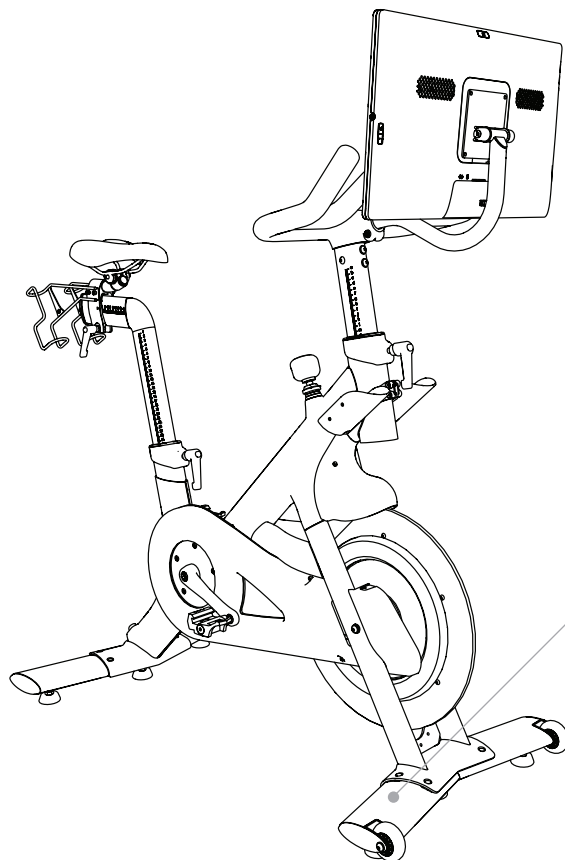
WiFi 802.11 a/b/g/n/ac / 100 Mbps Ethernet

16 GB interner Flash-Speicher

ANT+™ Drahtlos / Bluetooth® 4.0

2x10 Watt Stereo-Lautsprecher

WARNUNGEN



⚠ WARNING / WARNUNG

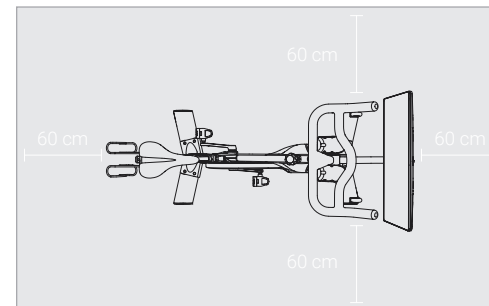
Misuse of this bike may result in serious injury. Read user manual prior to use and follow all warnings and instructions. • Keep children and pets away from the bike at all times. • Set up and operate on a solid, level surface. • Use equipment in a supervised environment. Maximum user weight 21 stone, 3 lbs/135 kg/297 lb. • Take care when mounting and dismounting. • Before mounting or dismounting, move the pedal on the mounting or dismounting side to its lowest position and bring the pedals to a complete stop. • This bike does not free-wheel. • Reduce pedal speed in a controlled manner. • Keep body, clothing, and accessories clear of all moving parts. • Contact with moving parts may result in serious injury. • Keep away from the flywheel at all times. Always keep top surface of pedals clean and dry. • Inspect bike before use. • Do not use the bike if it appears worn, damaged, or inoperable. • Replace this label if damaged, illegible, or removed.

Der unsachgemäße Gebrauch dieses Bikes kann zu schweren Verletzungen führen. • Vor Gebrauch die Bedienungsanleitung lesen und alle Warnhinweise und Anweisungen befolgen. • Kinder und Haustiere stets vom Bike fernhalten. • Auf einem stabilen, ebenen Untergrund aufstellen und verwenden. • Verwende das Gerät in einer kontrollierten Umgebung. • Maximales Benutzergewicht: 135 kg (297 lb). • Vorsicht beim Auf- und Absteigen. • Vor dem Auf- und Absteigen das Pedal auf der Auf- bzw. Absteigeseite in die unterste Position bringen und die Pedale vollständig zum Stillstand bringen. • Dieses Bike hat keinen Freilauf. Reduziere die Pedalgeschwindigkeit in kontrollierter Weise. • Halte Körperteile, Kleidung und Zubehör von den beweglichen Teilen fern. • Der Kontakt mit beweglichen Teilen kann zu schweren Verletzungen führen. • Halte dich stets vom Schwungrad fern. • Halte die Oberfläche der Pedale immer sauber und trocken. Überprüfe das Bike vor dem Gebrauch. • Benutze das Bike nicht, wenn es abgenutzt, beschädigt oder funktionsuntüchtig erscheint. • Sollte dieses Etikett beschädigt worden, unleserlich geworden oder verloren gegangen sein, ersetze es bitte.

1031029-01

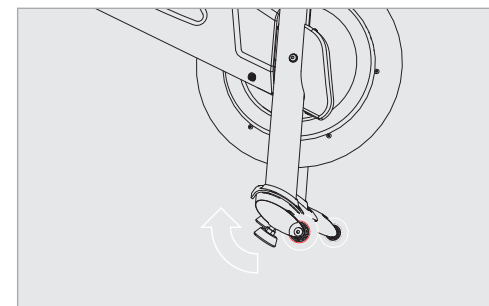
Mach dich vor Gebrauch mit allen Warnhinweisen auf dem Bike vertraut. Sollte ein Etikett beschädigt worden oder verloren gegangen sein, wende dich sofort an den Kundenservice, um einen Ersatz zu erhalten.

AUFBAU DES FITNESSBIKES



STANDORTANFORDERUNGEN

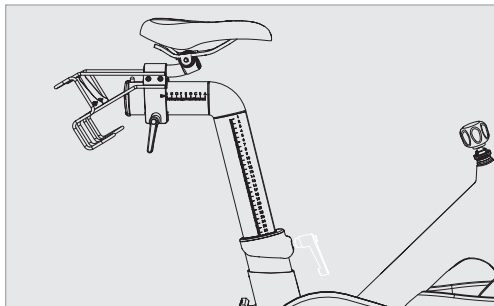
Stell das Fitnessbike auf eine feste, ebene und horizontale Fläche.
Verwende eine Matte, um Schäden am Bike und am Boden zu vermeiden.
Wir empfehlen einen Abstand von 60 cm auf jeder Seite des Fitnessbikes



FITNESSBIKE BEWEGEN

Kippe das Bike nach vorne auf die Laufrollen. Hebe den hinteren Stabilisator an, während eine zweite Person den Lenker hält.
Rolle das Bike vorsichtig an den neuen Ort. Vermeide unebene Oberflächen.
Wenn das Fitnessbike nach dem Absetzen wackelt, dann schraube jeden Nivellierfuß herunter, bis er fest auf dem Boden aufliegt

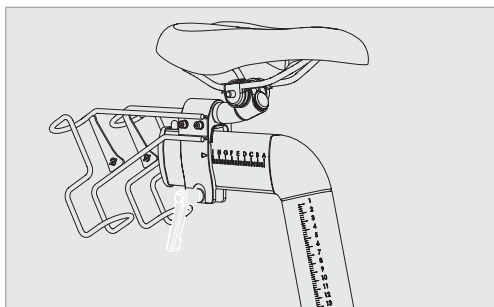
AUFBAU DES FITNESSBIKES



SITZHÖHE

Stell die Sitzhöhe so ein, dass sie mit der Oberseite deines Hüftknochens übereinstimmt.

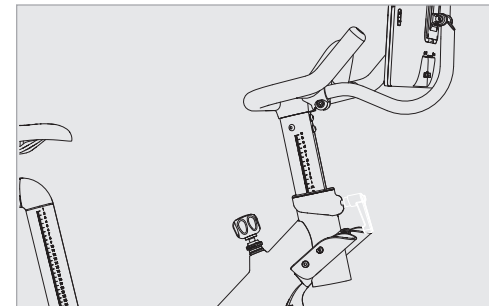
- Den L-Griff gegen den Uhrzeigersinn drehen, um ihn zu lösen
- Sitz höher oder niedriger einstellen
- Dreh den L-Griff im Uhrzeigersinn, um ihn festzuziehen



SITZTIEFE

Stell die Sitztiefe so ein, dass der Abstand zwischen Sitz und Lenker gleich dem Abstand zwischen Ellbogen und Fingerspitzen ist.

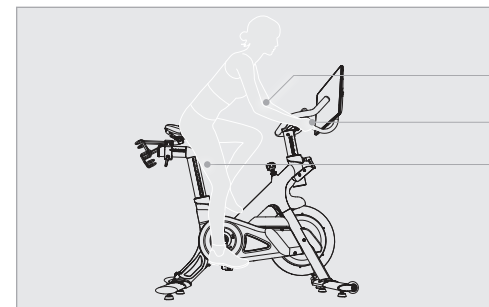
- Den L-Griff gegen den Uhrzeigersinn drehen, um ihn zu lösen
- Sitz nach vorne oder hinten bewegen
- Dreh den L-Griff im Uhrzeigersinn, um ihn festzuziehen



LENKERHÖHE

Stell den Lenker auf Sitzhöhe und stell ihn dann so ein, dass du dich wohlfühlst.

- Den L-Griff gegen den Uhrzeigersinn drehen, um ihn zu lösen
- Lenker anheben oder absenken
- Dreh den L-Griff im Uhrzeigersinn, um ihn festzuziehen



KÖRPERHALTUNG

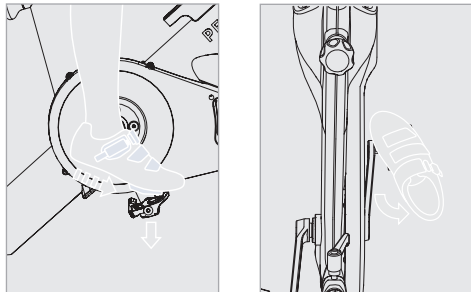
- Arme leicht gebeugt
- Die Hände ruhen auf dem Lenker
- Bein leicht gebeugt am unteren Punkt der Trittbewegung

Diese Anpassungen sollten den Einstieg erleichtern. Wenn du dich nicht wohl fühlst oder Feineinstellungen an deinem Bike vornehmen möchtest, gehe zu

⚠ ACHTUNG Um Verletzungen zu vermeiden, stell Sitz und Lenker immer nach deinen persönlichen Bedürfnissen ein. Zieh alle Einstellgriffe fest, bevor du das Peloton Bike benutzt. Vorstehende Einstellgriffe könnten deine Bewegungen behindern. Überschreite nicht die maximalen Einstellmarkierungen an Sitz- und Lenkerstützen. Sollte ein Einstellgriff seitlich herausragen, zieh den Griff heraus, dreh ihn so, dass er nach unten zeigt, und lass ihn dann los.

⚠ VORSICHT Das Peloton Bike hat ein direkt angetriebenes Schwungrad. Die Pedale bewegen sich weiter, bis das Schwungrad stoppt. Geschwindigkeit langsam reduzieren. Um das Schwungrad sofort zu stoppen, den Widerstands-Drehknopf nach unten drücken.

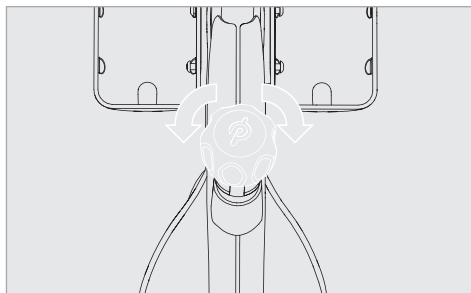
AUFBAU DES FITNESSBIKES



EIN- UND AUSKLICKEN

ZUM EINKLICKEN: Deine Zehen müssen nach unten zeigen, um die Cleat in das Pedal zu setzen. Dann mit der Ferse nach unten drücken.

ZUM AUSKLICKEN: Hebe die Ferse an.



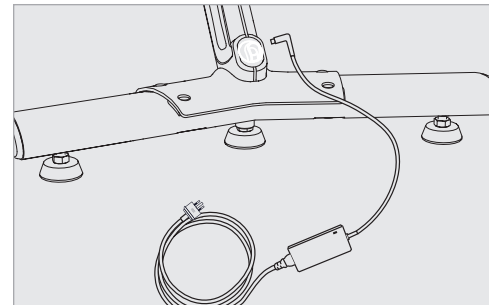
ANPASSUNG DES WIDERSTANDES

Drehe den Drehknopf nach rechts, um den Widerstand zu erhöhen.

Drehe den Drehknopf nach links, um den Widerstand zu verringern.

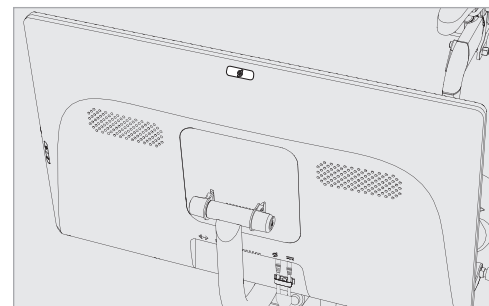
Drücke den Drehknopf nach unten für die Notbremse.

LOSLEGEN



INBETRIEBNAHME

Stecke das Netzteil in eine Wandsteckdose.
Verbinde das Netzkabel mit der Netzbuchse an der Rückseite des Bikes.



EIN- UND AUSSCHALTEN

Halte den Netzschalter zwei Sekunden lang gedrückt, um das Bike einzuschalten.

Nach etwa 20 Minuten Inaktivität schaltet das Bike in den Standby-Modus. Um den Touchscreen wieder anzuschalten, einfach den Netzschalter drücken.

Um das Gerät auszuschalten, musst du den An-/Ausschalter zwei Sekunden lang gedrückt halten. Wähle **Ausschalten**, wenn du dazu aufgefordert wirst.

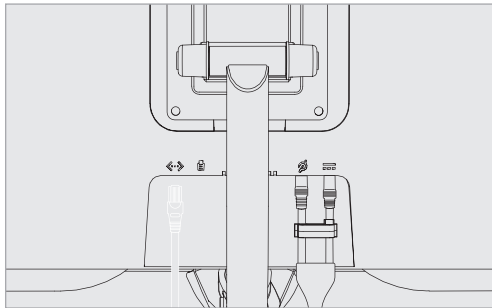


VERBINDUNG ZUM INTERNET HERSTELLEN

Tippe auf den Netzwerknamen, um eine Verbindung mit einem WiFi-Netzwerk herzustellen.

Wenn das Netzwerk nicht gesichert ist, verbindet sich das Fitnessbike automatisch mit dem Netzwerk.

Wenn das Netzwerk gesichert ist, wirst du aufgefordert, ein Passwort einzugeben. Gebe das Passwort ein und tippe auf **Verbinden**.



Um eine Verbindung mit einem kabelgebundenen Netzwerk herzustellen, stecke ein Ethernet-Kabel in den Ethernet-Anschluss auf der Rückseite des Bildschirms und in eine Ethernet-Steckdose oder einen Router an, die von deinem lokalen Netzwerk verwendet wird. Das Bike wird automatisch mit dem Netzwerk verbunden.

EINLOGGEN

Wenn du dich zum ersten Mal einloggst, halte bitte deinen Mitgliedschafts-Aktivierungs-Code oder die Anmeldeinformationen bereit, die du beim Kauf des Peloton Bike erhalten hast.

Sobald eine Mitgliedschaft aktiviert und mit diesem Bike verbunden ist, können sich verschiedene Benutzer anmelden und auf Inhalte zugreifen.

PROFIL HINZUFÜGEN

Damit eine andere Person dein Bike verwenden kann, tippe auf das Symbol neben deinem Benutzernamen unten links auf dem Bildschirm und wähle **Profil hinzufügen/entfernen**. Der neue Benutzer kann sich mit einem bestehenden Peloton-Konto anmelden oder auf **Konto erstellen** tippen, um ein neues Konto einzurichten.

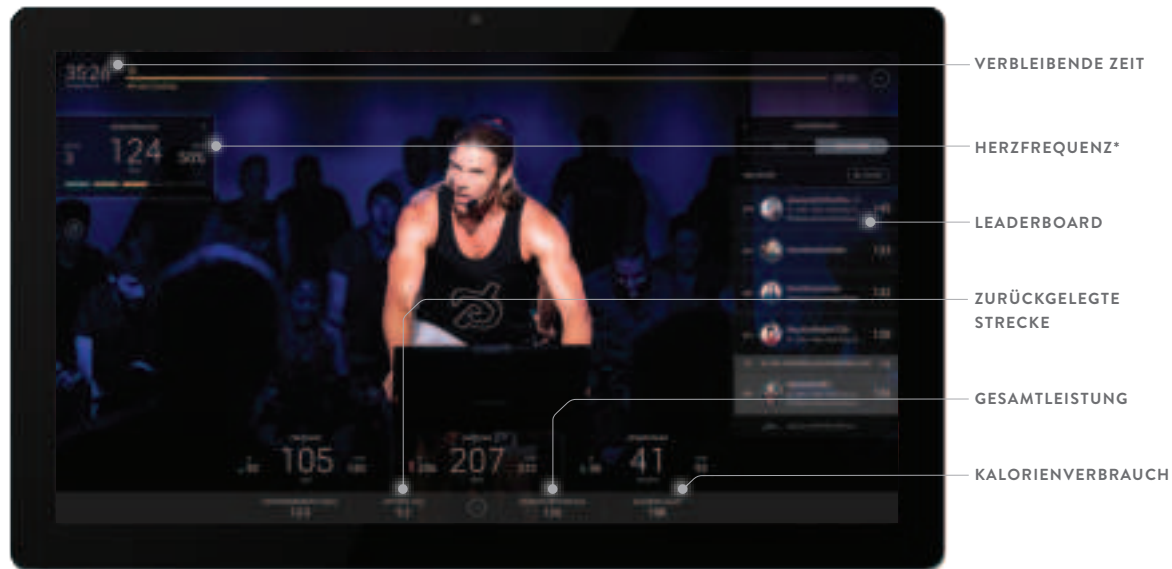
PELOTON EINFÜHRUNG

Wähle im Menü unsere Peloton-Einführung aus, um mehr über die Anpassung deines Fitnessbikes an deinen Körper und die richtige Körperhaltung während des Workouts zu erfahren.

AN EINEM KURS TEILNEHMEN

Finde Live-Kurse auf dem Kursplan oder wähle aus den On-Demand-Kursen. Filtere nach Trainer, Kursdauer, Kurstyp und mehr. Dein Trainer wird dich durch dein Workout führen. Wenn das Workout kein Warm-up und kein Cooldown beinhaltet, sind Warm-up- und Cooldown-Kurse separat verfügbar. Wähle **Mehr** für einen „Panorama-Ride“ oder einfach ein „Ride-Erlebnis“.

KURSBILDSCHIRM



TRITTFREQUENZ

Wie schnell du in die Pedale trittst, in Umdrehungen pro Minute

LEISTUNG

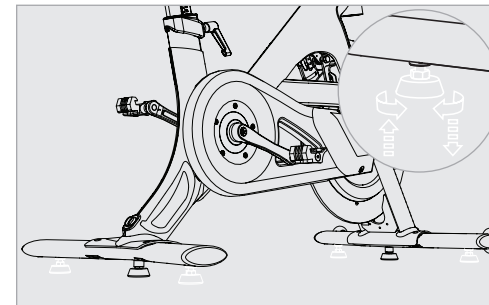
Deine Leistung, gemessen in Watt

WIDERSTAND

Der Schwierigkeitsgrad beim Treten, gemessen in Prozent

* Erscheint nur, wenn ein Herzfrequenzmessgerät angeschlossen ist

WARTUNG UND PFLEGE



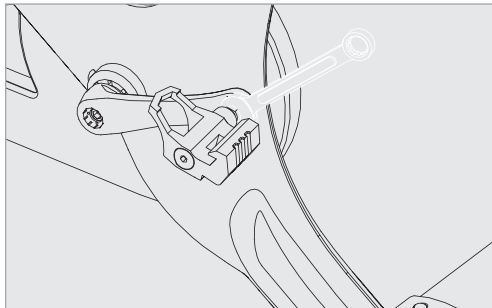
NACH JEDEM RIDE

Um einen sicheren Betrieb und eine optimale Leistung zu gewährleisten, muss das Bike auf Abnutzung und Schäden geprüft und es müssen regelmäßige Wartungsarbeiten durchgeführt werden. Ersetze verschlissene oder beschädigte Teile umgehend. Verwende das Bike erst nach Abschluss der Reparaturen. Es dürfen nur Originalteile von Peloton verwendet werden. Änderungen oder Modifikationen an diesem Gerät, die nicht ausdrücklich von Peloton genehmigt wurden, können zum Erlöschen der Garantie führen.

REINIGUNG: Wische das Fitnessbike mit einem feuchten Tuch ab .

NIVELLIERFÜSSE: Wenn das Fitnessbike wackelt, dreh jeden Nivellierfuß im Uhrzeigersinn (von oben gesehen), bis er fest auf dem Boden aufliegt.

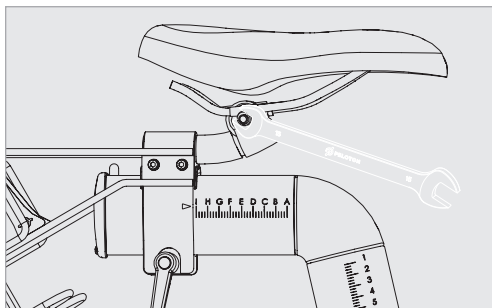
WARTUNG UND PFLEGE



ALLE 3 BIS 5 RIDES

REINIGUNG: Reinige das Fitnessbike gründlich mit einem feuchten Tuch und einem milden, mit Wasser verdünnten Haushaltsreiniger. Reinige den Bildschirm mit einem Elektronik-Wischtuch.

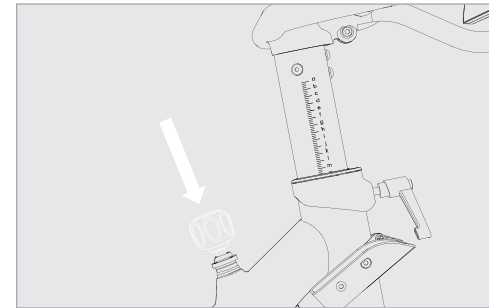
PEDALE: Ziehe jedes lose Pedal mit dem mitgelieferten 15-mm-Schraubenschlüssel fest. Die Pedale sollten mit einem Drehmoment von 34 Nm (25 lb-ft) angezogen werden. Im Uhrzeigersinn drehen, um das rechte Pedal festzuziehen, und gegen den Uhrzeigersinn drehen, um das linke Pedal festzuziehen.



ALLE 3 BIS 5 RIDES FORTSETZUNG

CLEATS: Verwende einen 4mm Inbusschlüssel zum Festziehen aller losen Schrauben, mit denen deine Cleats an deinen Bike-Schuhen befestigt sind.

SATTEL : Achte darauf, dass der Sattel des Bikes parallel zum Boden ausgerichtet ist. Ziehe dann mit dem mitgelieferten 13-mm-Schraubenschlüssel die Muttern zum Feststellen des Sattels auf beiden Seiten an.



ALLE 15 BIS 20 RIDES

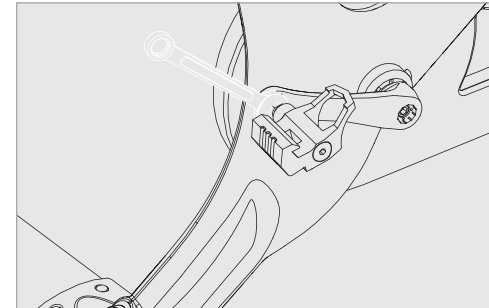
Andere als die hier beschriebenen Verfahren müssen von einem autorisierten Techniker durchgeführt werden.

NOTBREMSE: Drücke den Widerstands-Drehknopf, während du langsam trittst. Das Schwungrad sollte sofort zum vollständigen Stillstand kommen. Wenn dies nicht der Fall ist, höre sofort auf, das Bike zu benutzen und wende dich an den Kundenservice von Peloton.

RAHMEN: Überprüfe den gesamten Rahmen auf Verschleiß und Beschädigungen und ziehe lose Schrauben an. Wenn die Riemenabdeckungen beschädigt sind, stelle die Verwendung des Bikes sofort ein und kontaktiere den Kundenservice.

JÄHRLICH

PEDALE: Pedale ersetzen. Ziehe die neuen Pedale mit einem Drehmoment von 34 Nm (25 lb-ft) an. Weitere Anweisungen findest du unter [www.peloton.com](#).



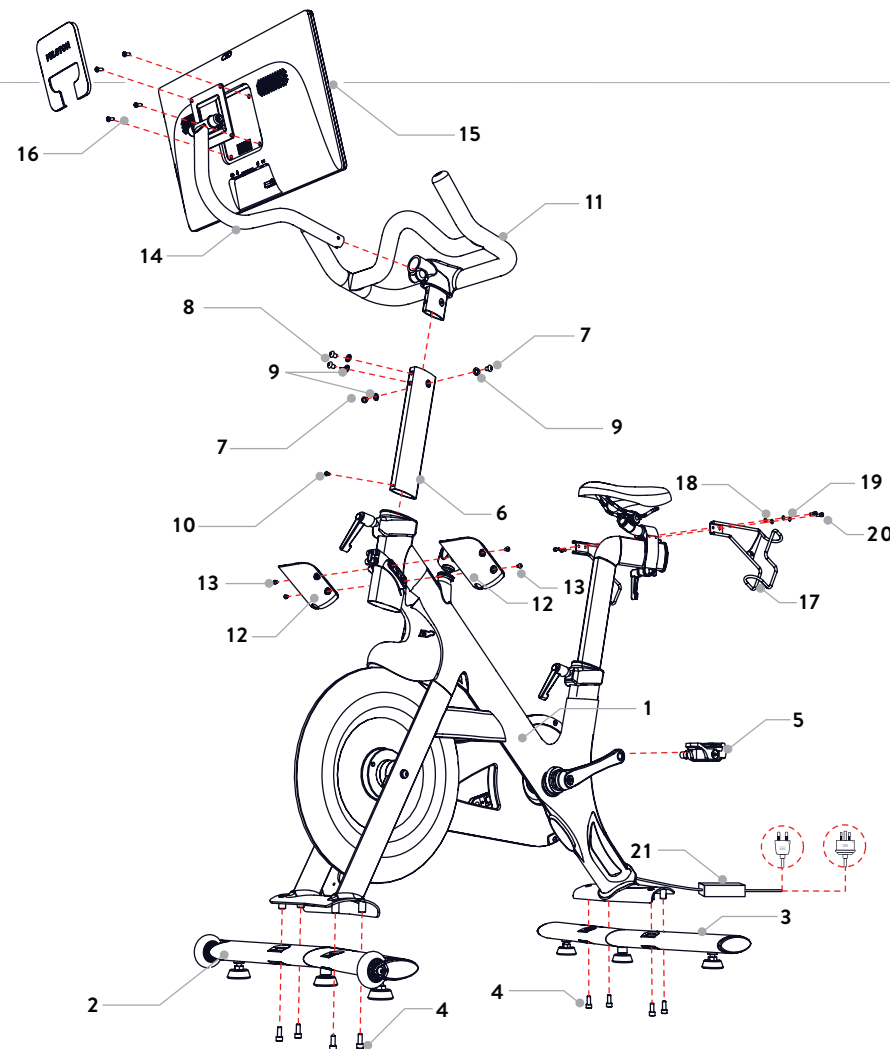
BIKE-MONTAGE

BIKE-TEILE

Bike-Rahmen
 Vorderer Stabilisator
 Hinterer Stabilisator
 Innensechskantschrauben M8x20 x 8
 Pedale – rechts und links
 Lenkerstütze
 Rundkopfschrauben M8x12 x 2
 Rundkopfschrauben M8x10 x 2
 Flache Unterlegscheiben x 4
 Kreuzschlitzschraube M5x15
 Lenker
 Trinkflaschenhalter x 2
 Edelstahlschrauben M5x8 x 4
 Touchscreen-Arm
 Touchscreen
 Flanschkopfschrauben M4x10mm x 4
 Hantelhalter – rechts und links
 Unterlegscheibe M5 x 4
 Federscheibe M5 x 4
 Rundkopfschraube M5x8 x 4
 Netzgerät und Kabel

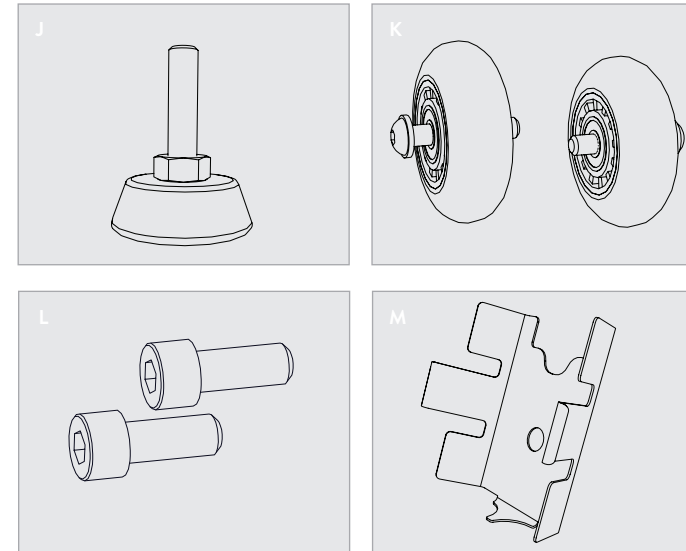
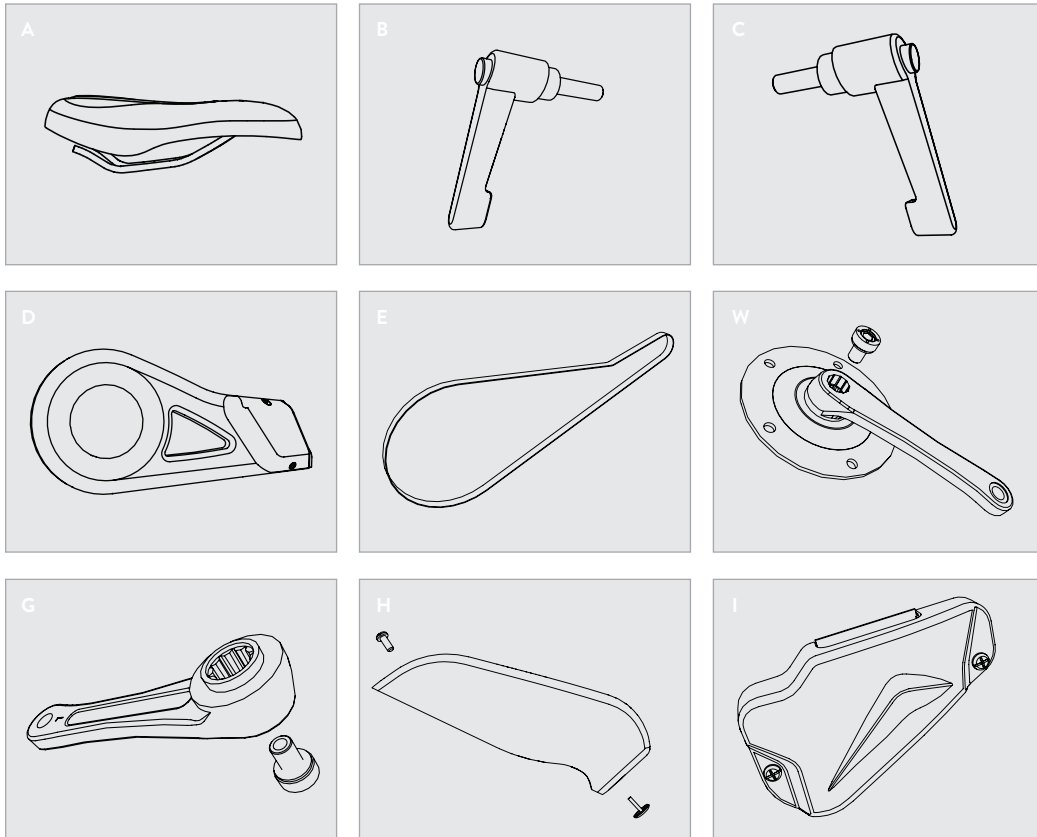
TOOLS

3-mm-Inbusschlüssel
 4-mm-Inbusschlüssel
 5-mm-Inbusschlüssel
 6-mm-Inbusschlüssel
 Kreuzschlitzschraubendreher
 Drehmomentschlüssel mit
 15-mm-Hahnenfußaufsatz



⚠️ WARNUNG Diese Montageanleitung soll geschulte, qualifizierte Installateure beim Zusammenbau des Peloton Bike unterstützen. Schäden oder Geräteversagen infolge unsachgemäßer oder fahrlässiger Bike-Montage sind nicht durch die Garantien von Peloton abgedeckt.

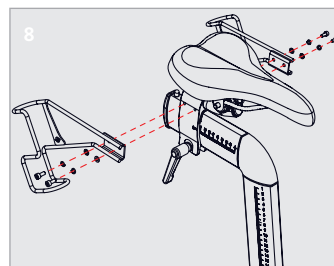
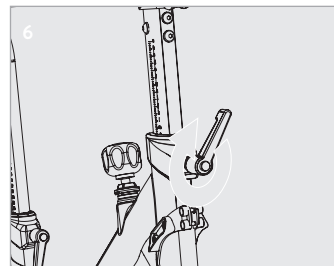
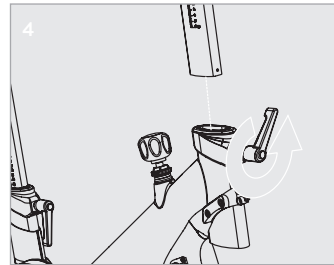
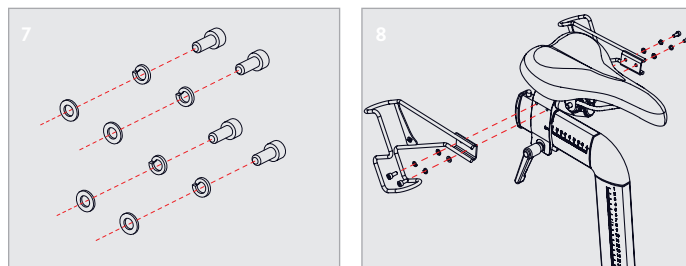
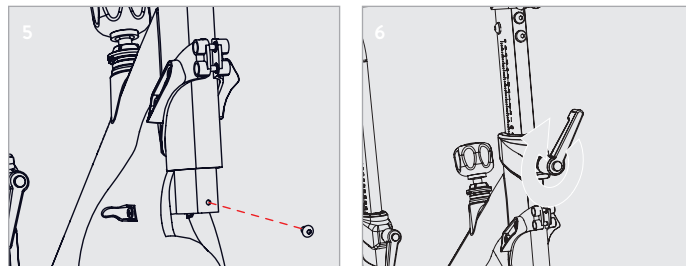
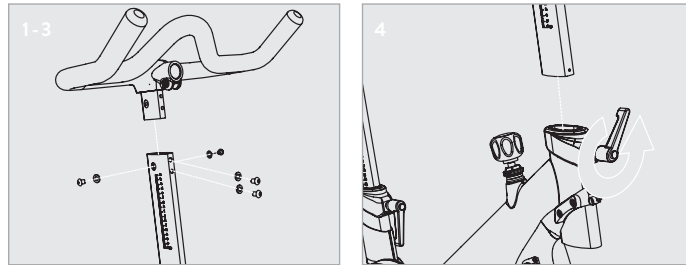
⚠️ WARNUNG Führe eine vollständige Sichtprüfung des Peloton Bike durch und teste alle Funktionalitäten und Merkmale vor dem Einsatz.



ERSATZTEILE

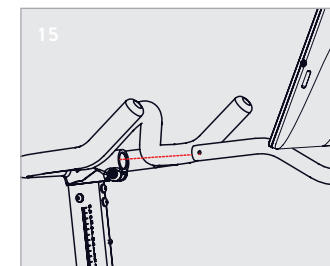
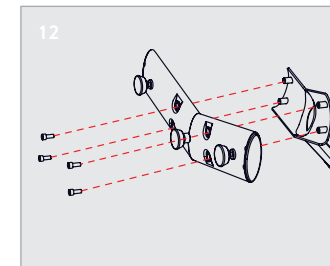
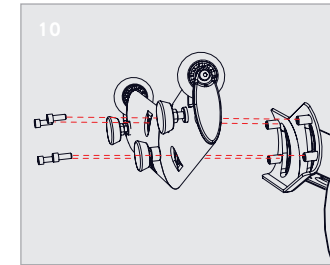
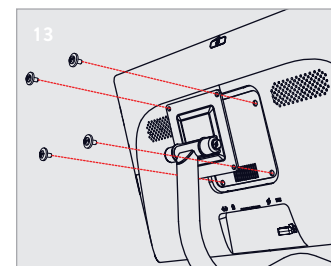
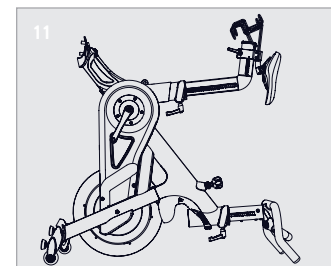
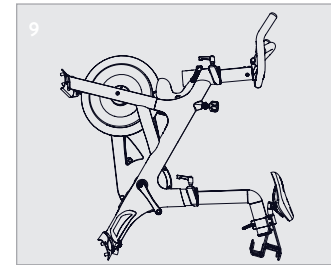
- Sattel SP-03-1
- Kleiner L-Griff SP-06/RP-06
- Großer L-Griff SP-07/RP-07
- Äußere Riemenabdeckung SP-11-12
- Riemen SP-15
- Kurbelarm rechts SP-11-17
- Kurbelarm links SP-11-19
- Vordere Riemenabdeckung SP-11-26
- Sensorbaugruppe SP-27-2/RP-27
- Standfuß SP-31
- Laufräder SP-32
- Stabilisator-Schraubensatz SP-35
- Kabelhalterung SP-41/RP-41

- Monitorkabel SP-39
- Innenverkabelung SP-38/RP-38
- Beschriftungspaket PL-11-KIT
- Pedale PL-PS7-02-L/R
- Hantelhalter SP-09/RP-09
- Stabilisator vorne SP-33/RP-33
- Stabilisator hinten SP-34/RP-34
- Lenker SP-43/RP-43



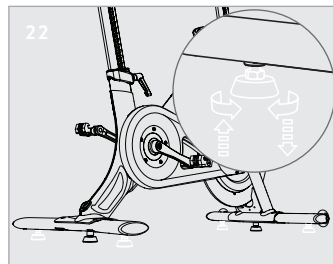
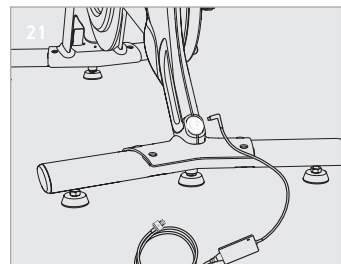
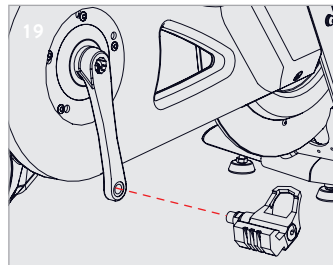
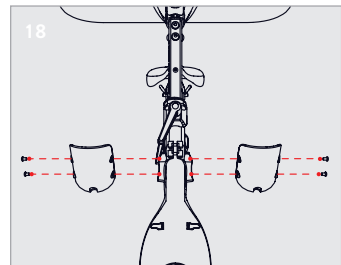
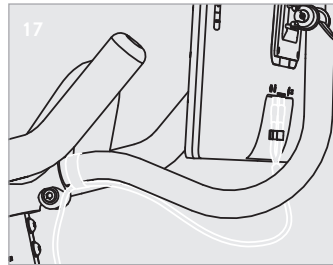
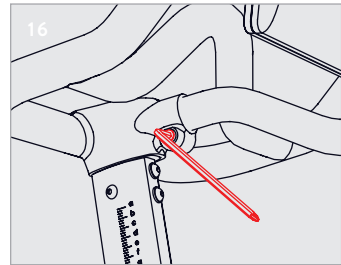
MONTAGE

Lenkerstütze am Lenker befestigen. Vergewissere dich, dass die Buchstaben auf der Lenkerstütze gerade stehen, wenn der Lenker richtig herum angebracht ist. Bringe zwei flache Unterlegscheiben und zwei Rundkopfschrauben M8x12 an der Vorderseite des Lenkersockels an. Mit dem 5-mm-Inbusschlüssel verschrauben. Bringe zwei flache Unterlegscheiben und zwei Rundkopfschrauben M8x10 an den Seiten des Lenkersockels an. Mit dem 5-mm-Inbusschlüssel verschrauben. Lockere den L-Griff an der Vorderseite des Bike-Rahmens und schiebe die Lenkerstütze in das Steuerrohr. Füge eine M5x15 Kreuzschlitzschraube in die Bohrung am Ende der Lenkerstütze ein. Mit einem Kreuzschlitzschraubendreher befestigen. Bringe den Lenker auf Sitzhöhe und ziehe den L-Griff fest. Nimm vier M5x12-Rundkopfschrauben und füge je eine flache Unterlegscheibe und eine Federscheibe hinzu. Befestige die Hantelhalter mit je zwei Schrauben und Unterlegscheiben und einem 4-mm-Inbusschlüssel am Sitzschieber.



MONTAGE FORTSETZUNG

Stütze den Bike-Rahmen auf den Hantelhaltern und dem hinteren Standfuß ab. Montiere den vorderen Stabilisator mit vier M8x20-Innensechskantschrauben. Mit dem 6-mm-Inbusschlüssel verschrauben. Stütze den Bike-Rahmen auf den Lenker und den vorderen Stabilisator. Montiere den hinteren Stabilisator mit vier M8x20-Innensechskantschrauben. Mit dem 6-mm-Inbusschlüssel verschrauben. Entferne die quadratische Blende auf der Rückseite des Bildschirms. Befestige den Touchscreen mit einem Kreuzschlitzschraubendreher und vier M4x10-Flanschkopfschrauben am Monitorarm. Die hintere Blende wieder am Touchscreen anbringen. Den Monitorarm bis zum Anschlag in den Lenker schieben.



MONTAGE FORTSETZUNG

Die Schraube auf der rechten Seite mit dem 6-mm-Inbusschlüssel festziehen. Das Bildschirmkabel wird an der Rückseite des Touchscreens eingesteckt. Verwende den Klettverschluss, um ihn am Monitorarm zu befestigen.

Befestige auf jeder Seite der vorderen Abdeckung einen Trinkflaschenhalter mit zwei M5x8-Schrauben und einem 3-mm-Inbusschlüssel.

Pedale in die Kurbelarme einschrauben. Das linke Pedal ist mit einem Linksgewinde versehen.

Ziehe jedes Pedal mit einem Drehmomentschlüssel und einem 15-mm-Hahnenfuß auf

34 Nm/25 lb-ft an. Achte darauf, dass du die Pedale nicht zu fest anziehst. Verbinde das Netzkabel mit der Netzbuchse an der Rückseite des Bikes. Stecke das Netzteil in eine Steckdose. Prüfe, ob das Bike stabil steht. Wenn es schwankt oder wackelt, stelle die äußeren Füße an jedem Stabilisator ein, bis alle Füße fest auf dem Boden stehen.

HERSTELLERGARANTIE FÜR DEN HEIMGEBRAUCH

Peloton Interactive, Inc. und ihre verbundenen Unternehmen ("Peloton") gewährt die folgende Herstellergarantie, die nur für die nicht-kommerzielle Verwendung des Peloton-Bikes und Bike+ (nachfolgend gemeinschaftlich als "Peloton-Bike" bezeichnet) für den Heimgebrauch in privaten Innenräumen gilt. Jede andere Nutzung des Peloton-Bikes führt zum Erlöschen bzw. zur Nichtanwendbarkeit dieser Herstellergarantie.

Diese Herstellergarantie ist die ausschließliche Garantie von Peloton und ersetzt alle früheren, gegenteiligen oder sonstigen Zusicherungen. Diese Garantie ist auf die Dauer der unten genannten Garantiezeiträume beschränkt. Ihre vertraglichen oder gesetzlichen Gewährleistungsrechte gegenüber dem jeweiligen Verkäufer werden durch diese Herstellergarantie nicht berührt oder eingeschränkt.

Während der nachfolgend beschriebenen Garantiezeiträume sind die abgedeckten Komponenten des Peloton-Bikes bei normalem Gebrauch frei von Defekten oder Fehlfunktionen. Bestimmte Ausschlüsse gelten wie in dieser Herstellergarantie beschrieben. Die

Herstellergarantie gilt nur für die folgenden Komponenten des Peloton-Bikes für den jeweils angegebenen Zeitraum. Die Herstellergarantie gilt nur für Mängel, die innerhalb der geltenden Garantiezeiträume aufgetreten sind, und nur so lange, wie das Peloton-Bike im Besitz des ursprünglichen Käufers oder, bei Peloton-Bikes, die verschenkt wurden, im Besitz des Inhabers des ursprünglichen Abonnements, das diesem Peloton-Bike beigelegt ist, bleibt.

HD TOUCHSCREEN: 12 MONATE

Peloton garantiert für den Touchscreen für einen Zeitraum von 12 Monaten ab dem Datum der ursprünglichen Lieferung, dass der HD Touchscreen frei von Verarbeitungs- und Materialfehlern sein wird.

RAHMEN: 5 JAHRE

Peloton garantiert für einen Zeitraum von fünf Jahren ab dem Datum der ursprünglichen Lieferung, dass der Rahmen des Peloton-Bikes (mit Ausnahme von beweglichen Teilen, die am Rahmen befestigt sind) frei von Verarbeitungs- und Materialfehlern ist.

FAHRRAD-KOMPONENTEN: 12 MONATE

Peloton garantiert, dass die Komponenten und alle Originalteile des Peloton-Bikes mit Ausnahme von Pedalen, einschließlich des Riemenantriebs, des Widerstand-Drehknopfes, der Kurbelwelle, der Sattelstütze, des Lenkers und des Wasserflaschenhalters, für einen Zeitraum von 12 Monaten ab dem Datum der ursprünglichen Lieferung frei von Verarbeitungs- und Materialfehlern ist.

FAHRRADPEDALE: 12 MONATE

Peloton garantiert, dass die Komponenten und alle Originalteile der Originalpedale, die mit dem Peloton-Bike geliefert werden, für einen Zeitraum von 12 Monaten ab dem Datum der ursprünglichen Lieferung frei von Verarbeitungs- und Materialfehlern sind. Fahrradpedale stehen nicht gegen normalen Verschleiß unter Garantie, und es ist wichtig, dass Sie die Pedale regelmäßig auf Beschädigungen, lose Teile oder andere Verschleißerscheinungen überprüfen, die zu Ausfällen oder Teilausfällen führen können. Jedes Pedal, das Anzeichen von

abgenutzten oder beschädigten Teilen aufweist, sollte sofort außer Betrieb genommen werden. Bitte beachten Sie die Anleitung von Peloton zur Wartung Ihrer Pedale, die auf der Website von Peloton verfügbar ist.

MONTAGE: 12 MONATE

Für Peloton-Bikes, die ursprünglich von einem autorisierten Peloton-Techniker montiert wurden, übernimmt Peloton die Arbeitskosten für die Reparatur oder den Austausch im Rahmen dieser beschränkten Garantie für einen Zeitraum von 12 Monaten ab dem Datum der ursprünglichen Lieferung. Wenn das Peloton-Bike oder irgendwelche unter Garantie stehenden Fahrradteile zur Reparatur an eine Peloton-Serviceeinrichtung zurückgeschickt werden müssen, übernimmt Peloton während der Garantiezeit alle Versandkosten. Reparatur- und Versandkosten werden nicht für Orte übernommen, an denen Peloton das Peloton-Bike ursprünglich nicht montiert hat oder wenn das Peloton-Bike an einen Ort außerhalb des Servicebereichs von Peloton gebracht wurde.

AUSSCHLÜSSE UND BESCHRÄNKUNGEN

WER UND WAS ABGEDECKT IST:

Der ursprüngliche Besitzer des Peloton-Bikes. Das Peloton-Bike muss im Besitz des Erstkäufers oder, bei Peloton-Bikes, die verschenkt wurden, im Besitz des Inhabers des ursprünglichen Abonnements bleiben, das diesem Peloton-Bike beigelegt ist. Diese Herstellergarantie ist nicht übertragbar.

Wenn innerhalb der geltenden Garantiezeit ein Defekt an Peloton-Bike oder an einer garantierten Komponente auftritt, ist der einzige und ausschließliche Anspruch des Käufers, dass Peloton, nach Ermessen von Peloton entweder das defekte oder fehlerhafte Peloton-Bike oder die betroffenen Komponenten durch das gleiche oder ein vergleichbares Modell ersetzt oder repariert. Eine Garantie für jedes Ersatz- oder reparierte Bauteil wird für den Rest der ursprünglichen Garantiezeit oder 30 Tage, je nachdem, welcher Zeitraum länger ist übernommen.

WAS NICHT DURCH DIE GARANTIE ABGEDECKT IST:

Alle anderen Peloton-Produkte oder Peloton-Dienstleistungen, Nicht-Peloton-Produkte oder Nicht-Peloton-Arbeiten, Produkte, die gestohlen oder gefälscht sind oder von denen Peloton Grund hat anzunehmen, dass sie von einem nicht autorisierten Händler oder Wiederverkäufer gekauft wurden, Produkte, die außerhalb der Gebiete, die Peloton in Deutschland beliefert, gekauft oder verwendet wurden, und Produkte, bei denen Seriennummern fehlen oder unkenntlich gemacht wurden.

Software, auch wenn sie mit dem Peloton-Bike verkauft wurde oder in das Peloton-Bike eingebaut worden ist, oder eine funktionierende Internetverbindung. Peloton garantiert nicht, dass der Betrieb des Peloton-Bikes unterbrechungsfrei oder fehlerfrei ist.

Schäden oder Geräteausfälle aufgrund von normaler Abnutzung, unsachgemäßer oder fahrlässiger Montage, Wartung, Installation, Verlagerung oder Reparatur (außer durch einen autorisierten Peloton-Service-Techniker), Verwendung des

Peloton-Bikes mit Teilen oder Zubehör von Dritten oder mit Teilen oder Zubehör, die ursprünglich nicht für das Peloton-Bike bestimmt oder mit diesem kompatibel waren, oder Verwendung entgegen den Anweisungen in dieser Bedienungsanleitung.

Schäden oder Geräteausfälle durch Unfall, Missbrauch, unsachgemäßem oder abnormalem Gebrauch, Vernachlässigung, Korrosion, Verfärbung von Farbe oder Kunststoff (oder jede andere Veränderung des kosmetischen Aussehens, welche die Leistung nicht beeinträchtigt), Diebstahl, Vandalismus, Feuer, Überschwemmung, Wind, Blitz, Frost oder andere Naturkatastrophen oder höhere Gewalt jeglicher Art, elektrische Verkabelung, Leistungsreduzierung, Stromschwankungen oder Stromausfall unabhängig von der Ursache, ungewöhnliche Witterungsbedingungen, Kollision, Einbringung von Fremdkörpern oder Modifikationen, die von Peloton nicht genehmigt oder empfohlen sind.

Peloton ist nicht verantwortlich oder haftbar für indirekte, spezielle, zufällige oder Folgeschäden, wirtschaftliche Verluste, Verlust von Eigentum oder

Gewinnen, Verlust von Freizeit oder Nutzungsausfälle oder andere Folgeschäden jeglicher Art im Zusammenhang mit dem Kauf, der Nutzung, der Reparatur oder der Wartung von Geräten oder Teilen. Peloton leistet keine finanzielle oder sonstige Entschädigung für solche Reparaturen oder Ersatzteilkosten, einschließlich, aber nicht beschränkt auf Mitgliedsbeiträge für Fitnessstudios, verlorene Arbeitszeiten, Kosten für Ersatzgeräte, Diagnosebesuche, Wartungsbesuche oder Transporte.

Ausrüstung für gewerbliche Zwecke oder für andere Zwecke als die Verwendung in einem Einfamilienhaushalt oder Haushalt.

WEITERE INFORMATION

Jeder Versuch, Fitnessgeräte zu bewegen oder zu reparieren, birgt die Gefahr von Verletzungen und Sachschäden. Peloton ist nicht verantwortlich oder haftbar für Schäden oder Verletzungen, die während oder infolge von Bewegungen, Reparaturen oder versuchten Reparaturen von Geräten durch andere Personen als einen von Peloton autorisierten Servicetechniker entstehen. Alle

von Ihnen oder Ihren Vertretern vorgenommenen Umzüge oder Reparaturen erfolgen auf eigene Gefahr, und Peloton übernimmt keine Haftung für Personen- oder Sachschäden, die sich aus solchen Umzügen oder Reparaturen ergeben. Darüber hinaus sind Montagearbeiten unter Umständen nicht mehr von dieser eingeschränkten Garantie umfasst, falls Sie an einen Ort außerhalb des Peloton-Servicebereichs umziehen.

Ersatzgeräte, Teile und elektronische Komponenten, die von Peloton oder seinen Lieferanten generalüberholt wurden, können als Garantieersatz geliefert werden und stellen die Erfüllung der Garantiebedingungen dar.

WIE MAN EINE GARANTIELEISTUNG ERHÄLT

Der Service im Rahmen dieser Herstellergarantie ist nur möglich, wenn Sie sich an das Kundenservice-Team unter support.onepeloton.de wenden. Sie werden gebeten, Peloton die Seriennummer Ihres Peloton-Bikes und den datierten Beleg oder einen anderen Kaufbeleg mit Angabe des Kaufdatums zur Verfügung zu stellen, sobald Sie

HERSTELLERGARANTIE FÜR DEN HEIMGEBRAUCH FORTSETZUNG

eine Nichtkonformität oder einen Defekt feststellen. Reklamationen müssen innerhalb der angegebenen Garantiezeit erfolgen.

WAS WIR TUN, UM GERECHTFERTIGTE MÄNGEL ZU BEHEBEN

Bei Defekten an den Komponenten oder am Peloton-Bike, die unter diese Garantie fallen, wird Peloton Ihnen alle neuen oder reparierten Teile oder Komponenten zukommen lassen oder nach eigenem Ermessen das Peloton-Bike ersetzen. Für alle Ersatzteile wird eine Garantie für den verbleibenden Teil der ursprünglichen Garantiezeit gewährt. Erfüllungsort der Garantieleistungen ist beschränkt auf die Gebiete, die Peloton in Deutschland beliefert.

Alle Streitigkeiten zwischen Ihnen und Peloton im Zusammenhang mit dieser beschränkten Garantie oder dem Peloton-Bike unterliegen den jeweils aktuellen Streitbelegungsverfahren in den Allgemeinen Geschäftsbedingungen von Peloton, die unter folgender Adresse abrufbar sind: onpeloton.de/agbs.

Es ist sehr wichtig, dass Sie die Bedienungsanleitung lesen, bevor Sie Ihr Peloton-Bike nutzen. Denken Sie daran, regelmäßige Wartungs- und Pflegearbeiten gemäß der Bedienungsanleitung durchzuführen, um den ordnungsgemäßen Betrieb des Peloton-Bikes zu gewährleisten.

Diese Herstellergarantie unterliegt dem Recht der Bundesrepublik Deutschland.

KUNDENSERVICE

FRAGEN

Für Peloton steht die Zufriedenheit der Mitglieder an oberster Stelle. Wenn du Hilfe benötigst oder Probleme mit deinem Peloton Bike hast, wende dich bitte an den Kundenservice, um zusätzliche Hilfe zu erhalten.

 VK +44.808.169.6469
DE +49 8000010028
AU +61 1800 952 535





Im Studio mit Sam Yo



PL-21 | 00011-2.0

© Peloton 2021, Peloton Interactive, Inc. All rights reserved.

© Peloton 2021, Peloton Interactive, Inc. Alle Rechte vorbehalten.

onepeloton.com