

03LBRO1008-V7

10x8 Combi Summerhouse

BEFORE YOU START PLEASE READ INSTRUCTIONS CAREFULLY

- Check the pack and make sure you have all the parts listed.
- When you are ready to start, make sure you have the right tools at hand (not supplied) including a Phillips screwdriver, Stanley knife, wood saw, step ladder and drill with 2mm bit.
- Ensure there is plenty of space and a clean dry area for assembly.

TIMBER

As with all natural materials, timber can be affected during various weather conditions. For the duration of heavy or extended periods of rain, swelling of the wood panels may occur. Warping of the wood may also occur during excessive dry spells due to an interior moisture loss. Unfortunately, these processes cannot be avoided but can be helped. It is suggested that the outdoor building is sprayed with water during extended periods of warm sunshine and sheltered as much as possible during rain or snow.

BUILDING A BASE

When thinking about where the building and base are going to be constructed: Ensure that there will be access (60cm) to all sides for maintenance work and annual treatment.

Ensure the base is level and is built on firm ground, to prevent distortion. Refer to diagrams for the base dimensions. The base should be slightly smaller than the external measurement of the building, i.e. The cladding should overlap the base, creating a run off for water. It is also recommended that the floor be at least 25mm above the surrounding ground level to avoid flooding.

TYPES OF BASE

- Concrete 75mm laid on top of 75mm hard-core.
- Slabs laid on 50mm of sharp sand.

Whilst all products manufactured are made to the highest standards of Safety and in the case of childrens products independently tested to EN71 level, we cannot accept responsibility for your safety whilst erecting or using this product.

Refer to the instructions pages for your specific product code



All building's should be erected by two adults



Winter = High Moisture = Expansion
Summer = Low Moisture = Contraction



2mm Drill bit

For ease of assembly, you **MUST** pilot drill all screw holes and ensure all screw heads are countersunk.



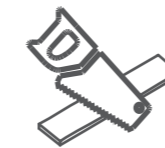
CAUTION
Every effort has been made during the manufacturing process to eliminate the prospect of splinters on rough surfaces of the timber. You are strongly advised to wear gloves when working with or handling rough sawn timber.



For ease of assembly use a rubber mallet to fit the log boards. Do **NOT** use a heavy hammer.



Ensure to measure and check before cutting boards.



It is advisable to use a hand saw when cutting roof and floor boards.



To ensure log boards are even, use a spirit level to check each layer has been installed correctly.

For assistance please contact customer care on: 01636 821215

Mercia Garden Products Limited,
Sutton On Trent,
Newark,
Nottinghamshire,
NG23 6QN

www.merciagardenproducts.co.uk

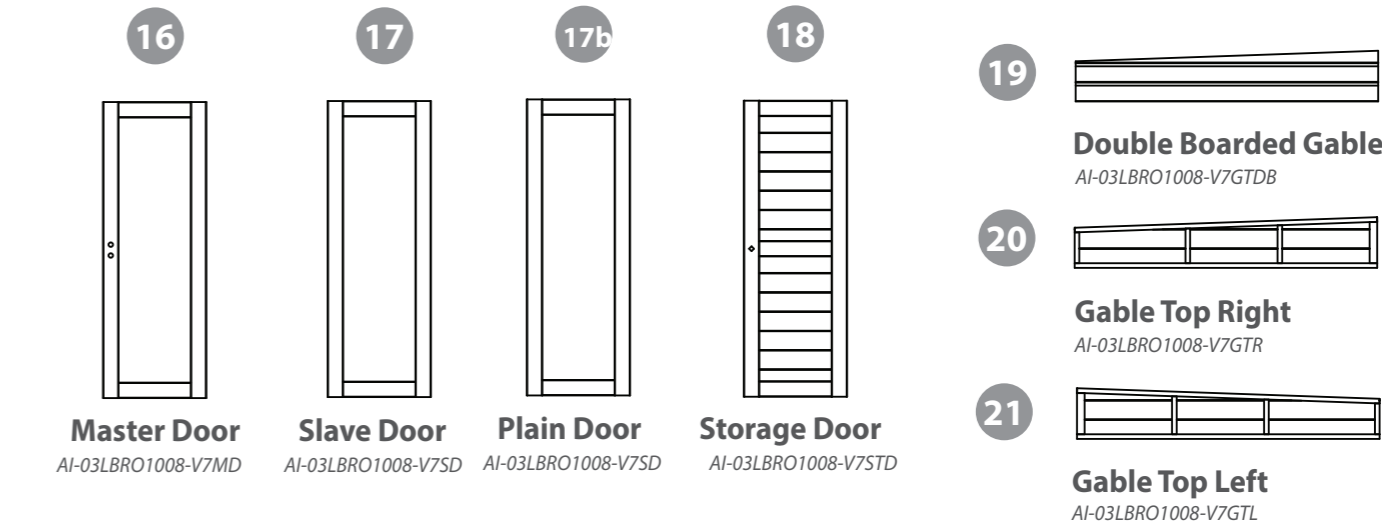
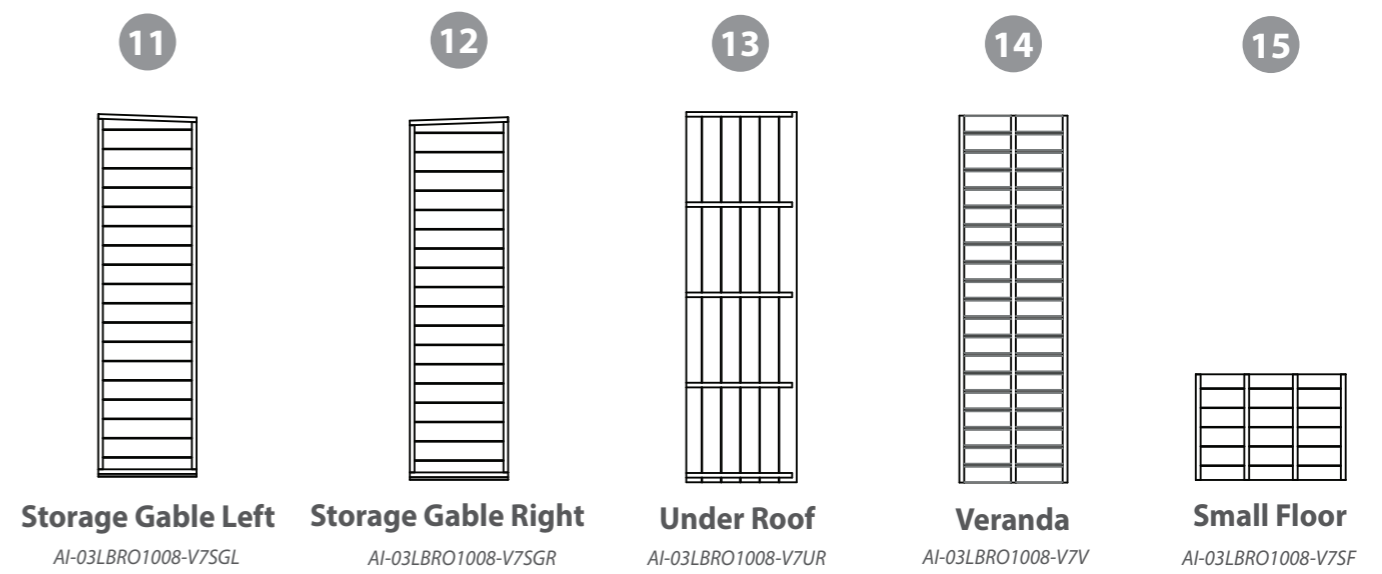
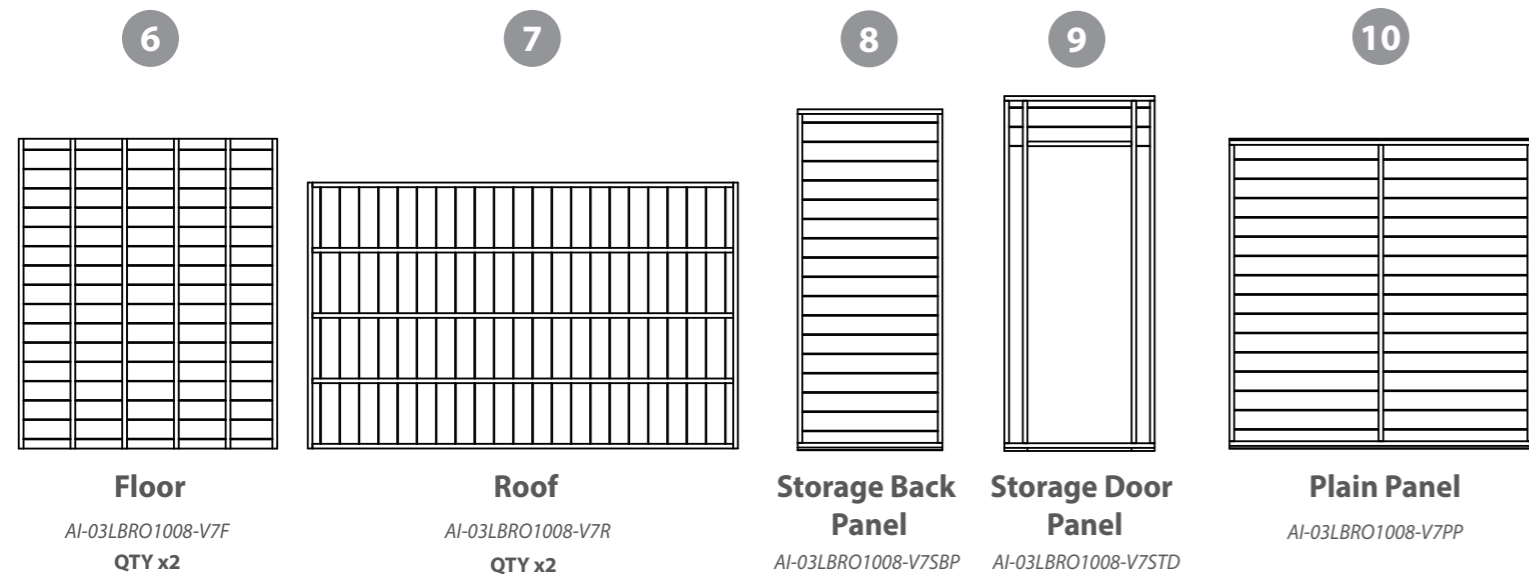
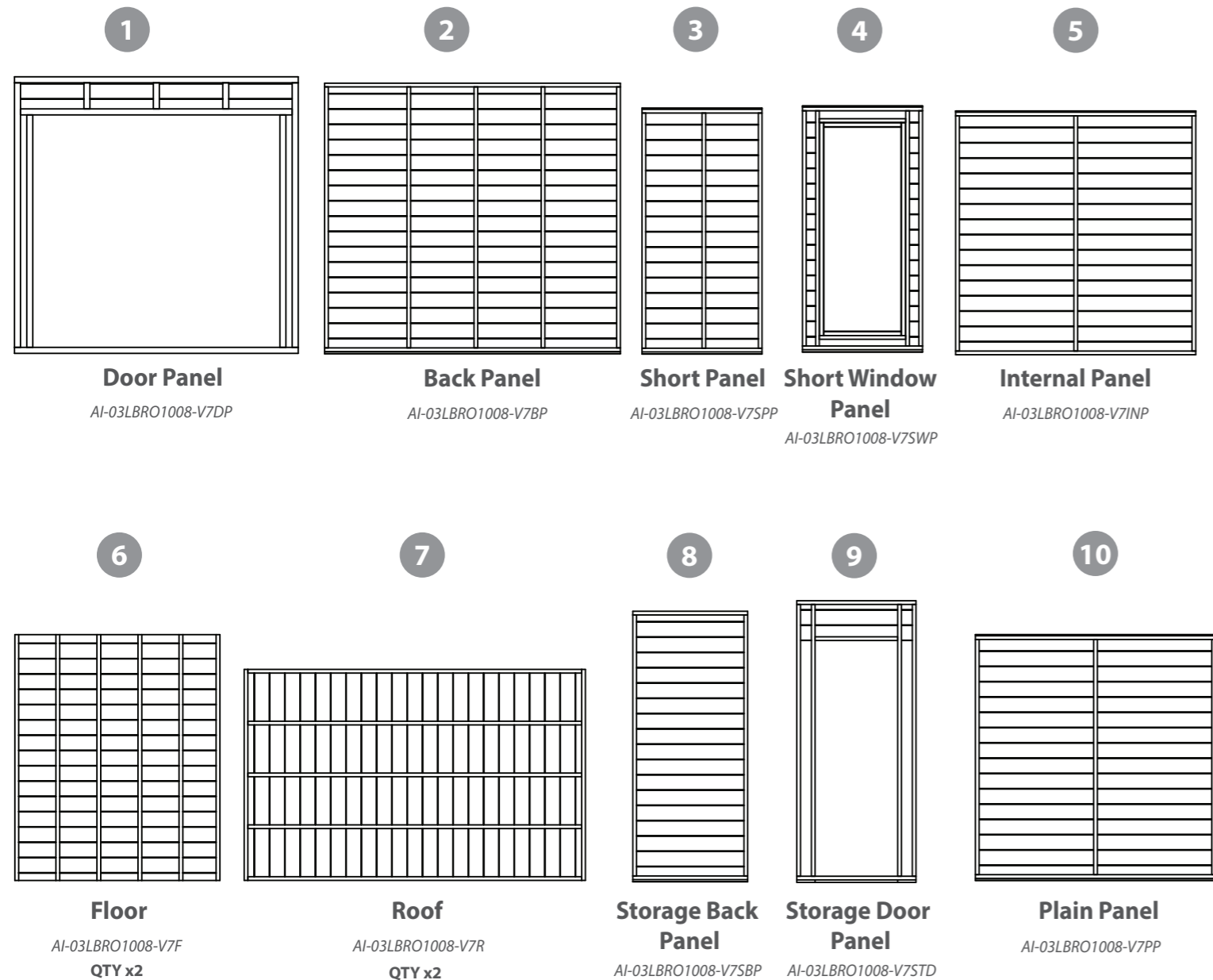
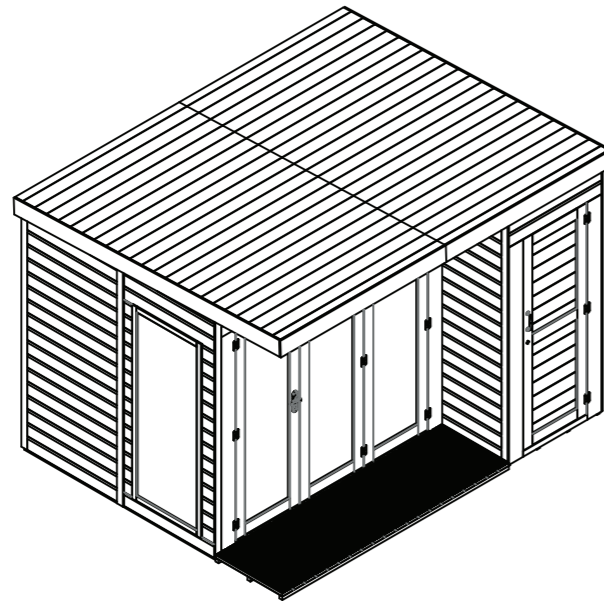
mercia
GARDEN PRODUCTS
LTD

Overall Dimensions:

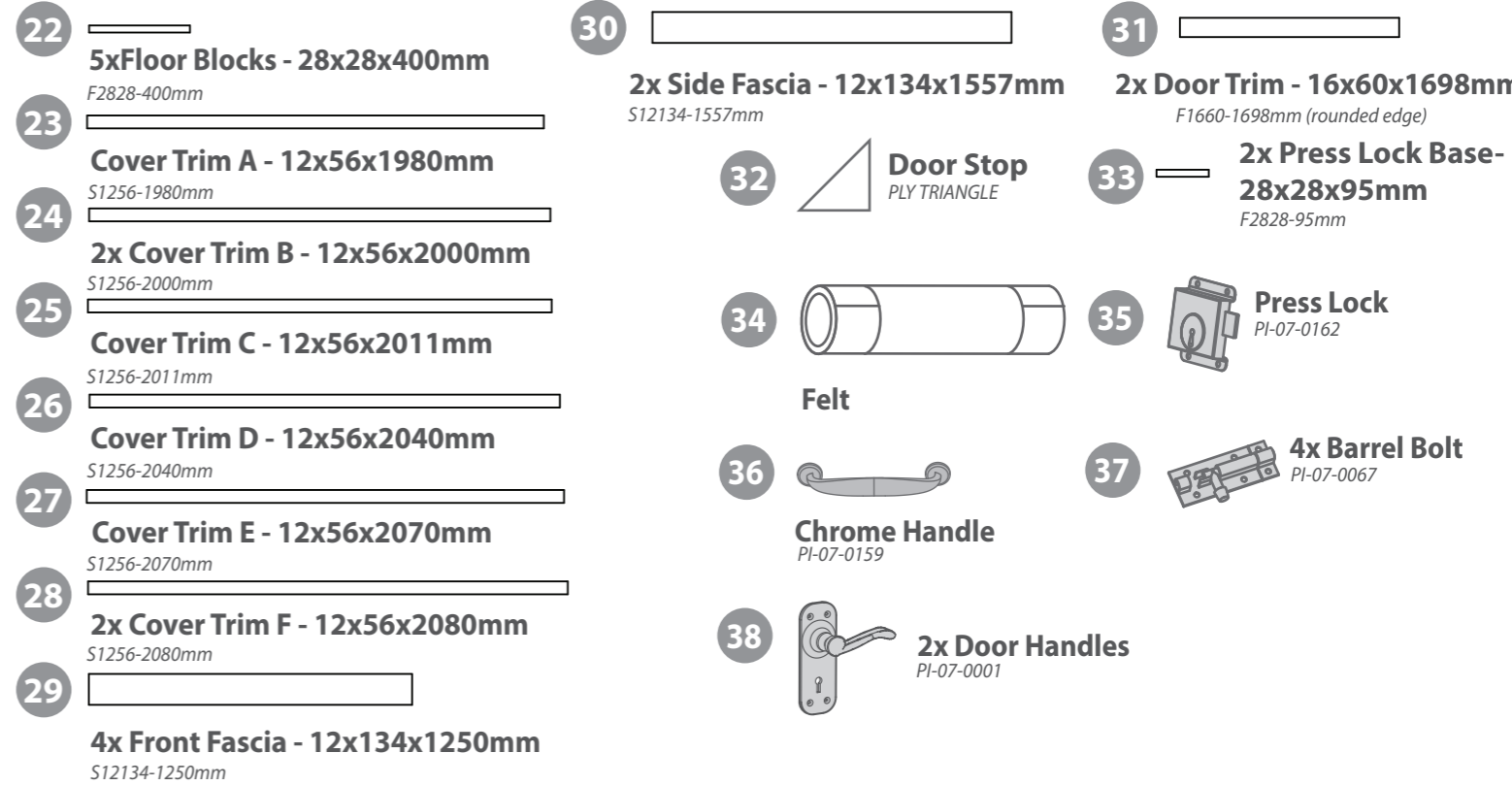
Width = 3114mm
Depth = 2512mm
Height = 2146mm

Base Dimensions:





Width = 3016mm
Depth = 2413mm



Fixing Kit

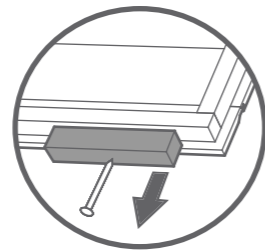


Fixing kit cont..

- 39**  **Mortice Lock**
PI-07-0017
- 40**  **12x Butt Hinge**
PI-07-0066
- 41**  **Key Plate**
PI-07-0017
- 42**  **4x Turn Button**
PI-07-0034

Pre Assembly

Before assembling remove the transportation blocks from the bottom of each panel.

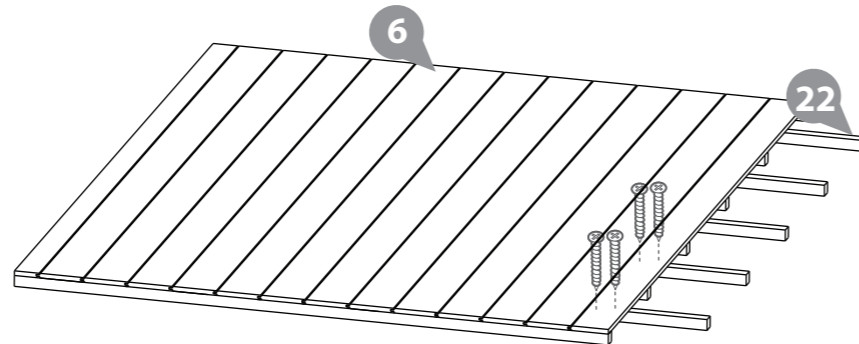


This building can be built with the shed on the LEFT hand side. Follow the same steps but be aware to position panels to the opposite side.

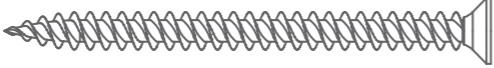
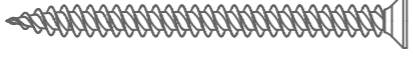


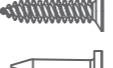

Step 1

Secure the floor (No. 6) to the Floor Blocks (No.22) and 10x30mm screws per floor.

10x30mm Screws



Nail Bag PI-02-0352

-  **70mm Screw x 10**
-  **50mm Screw x 119**
-  **30mm Black Screw x 4**
-  **30mm Screw x 162**
-  **10mm Screw x 8**
-  **Felt Tacks x 165**

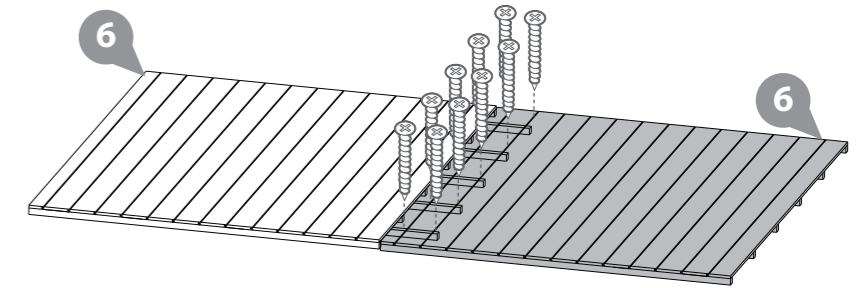
This building can be built with the shed on the LEFT hand side. Follow the same steps but be aware to position panels to the opposite side.

Step 2

Place the 2 floor panels (No. 6) onto a firm and level base, ensuring the base has suitable drainage & is free from areas where standing water can collect.

Secure the floors together using 10x30mm screws per floor.

10x30mm Screws



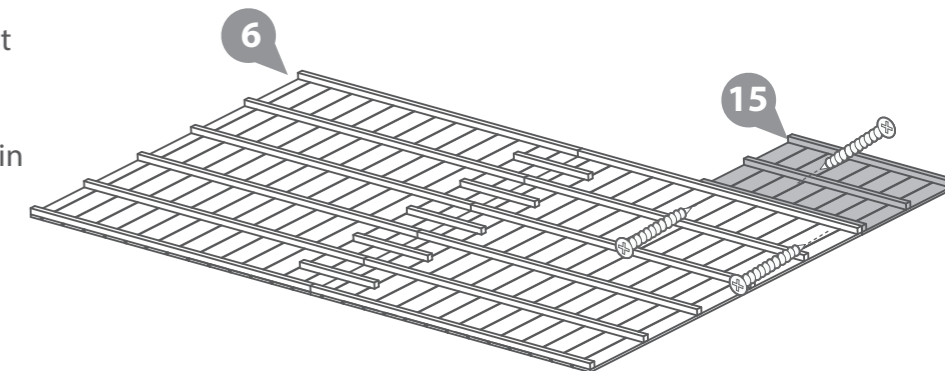
Step 3

Flip over the two floor boards (No. 6)

Place the small floor (No. 15) flush against the assembled floor and fix to (No. 6)

Using 4x50mm screws fix the small floor in place as shown in the diagram.

4x50mm Screws

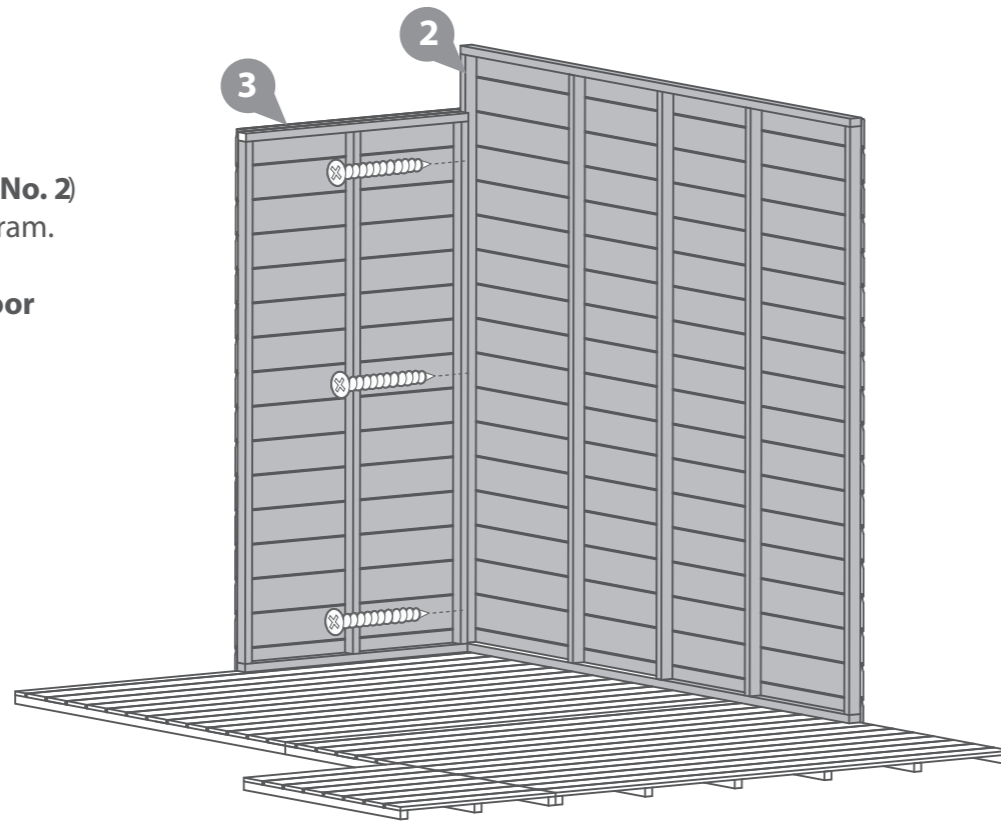


Step 4

Fix the side of the short panel (No. 3) against the framing of the back panel (No. 2) with 3x50mm screws as shown in diagram.

Do not secure the building to the Floor until the roof is fitted.

3x50mm Screws

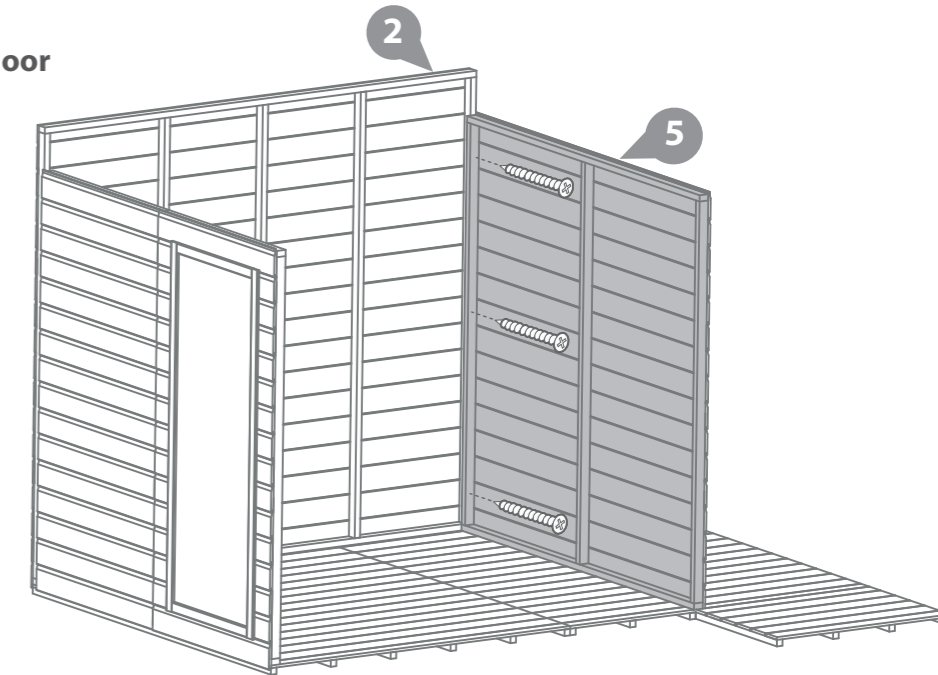
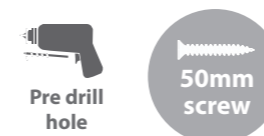


Step 6

Fix the side of the Internal Panel (No. 5) against the framing of the Back Panel (No. 2) with 3x50mm screws as shown in diagram.

Do not secure the building to the Floor until the roof is fitted.

3x50mm Screws

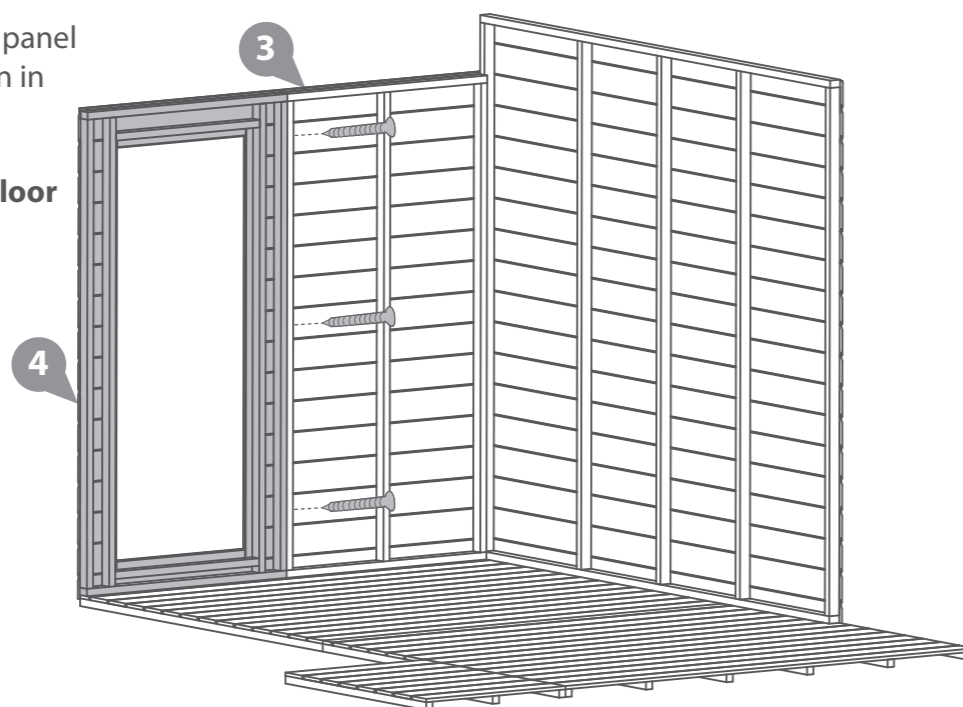


Step 5

Fix the side of the short panel (No. 3) against the side of the short window panel (No. 4) with 3x50mm screws as shown in diagram.

Do not secure the building to the Floor until the roof is fitted.

3x50mm Screws

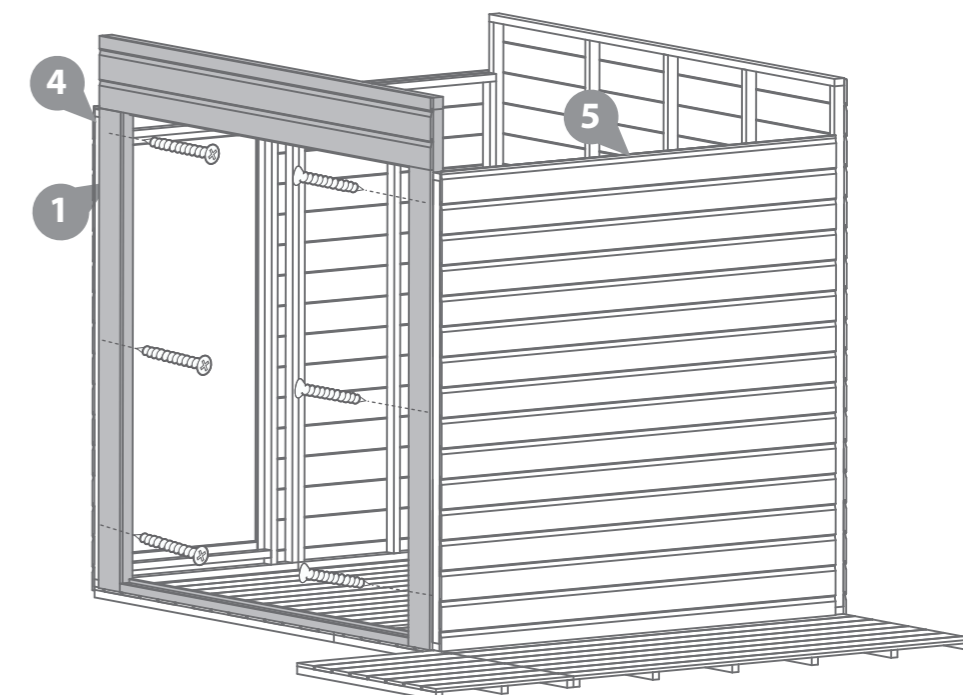


Step 7

Place the door panel (No. 1) onto the assembly between the Window Panel (No. 4) and Internal Panel (No. 5). Fix with 6x70mm screws as shown in diagram internally.

Do not secure the building to the Floor until the roof is fitted.

6x70mm Screws

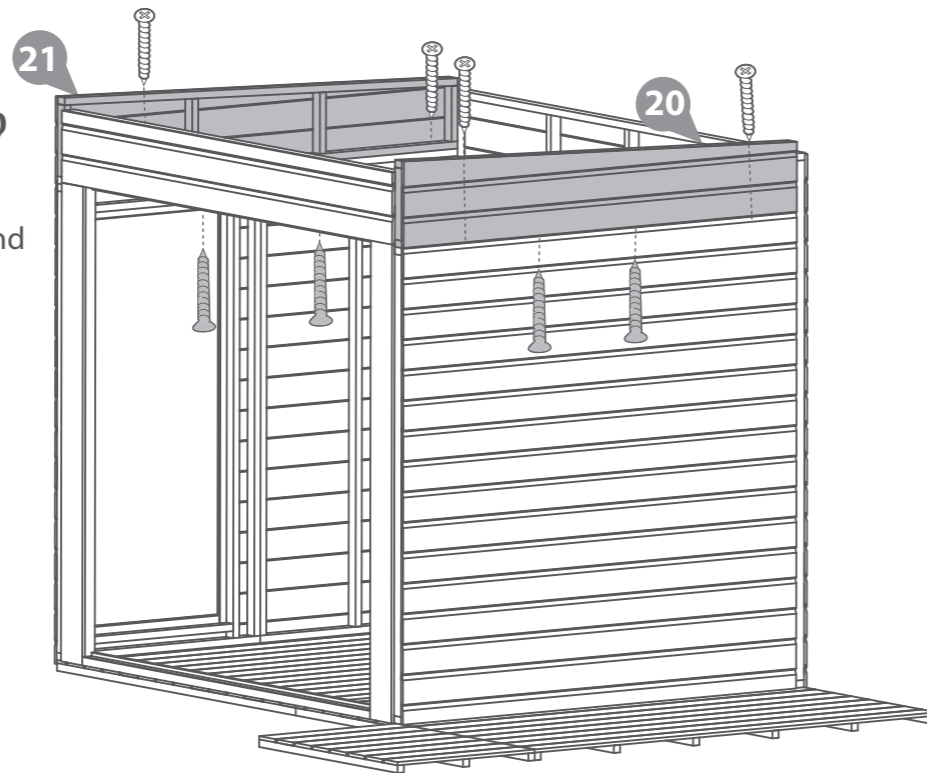
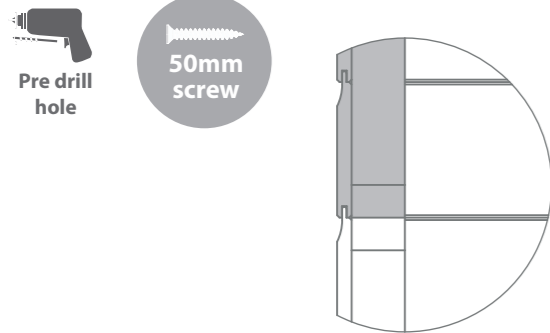


Step 8

Place the Gable Top Left/Right (**No. 21/No. 20**) upon the top of the side panel, slotting the groove of the boarding on the gable into the tongue of the side panel as shown and screw internally.

Fix with 4x50mm screws per gable top as shown in diagram.

8x50mm Screws



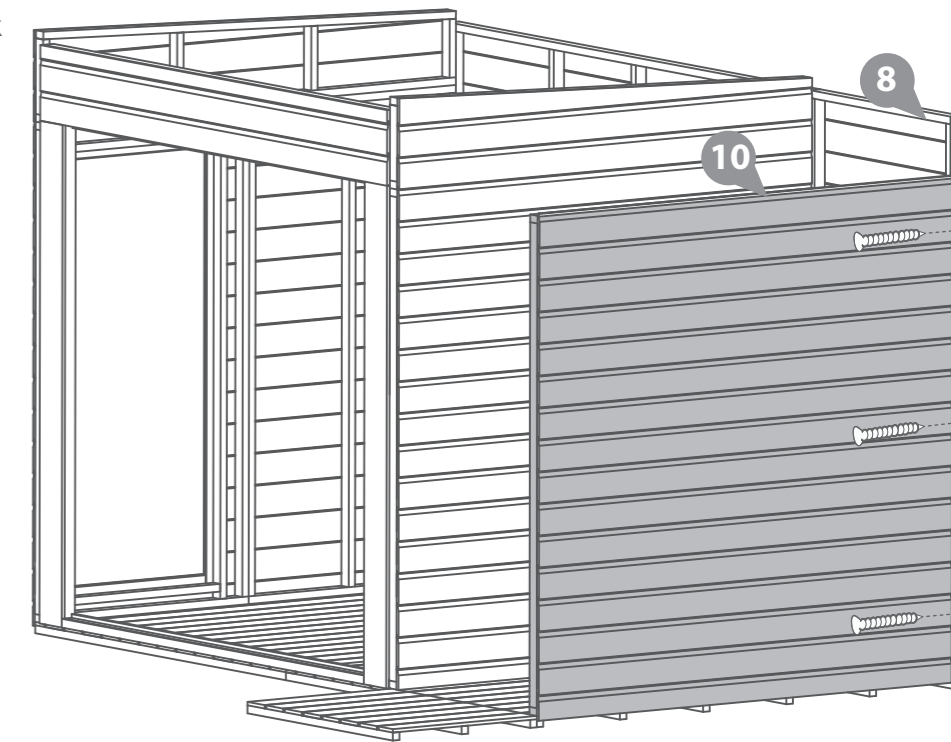
Step 10

Fix the side of the Side Panel (**No. 10**) against the framing of the Storage Back Panel (**No. 8**) with 3x 50mm screws as shown in diagram.

Fix with 3x50mm screws per gable top as shown in diagram.

Do not secure the building to the Floor until the roof is fitted.

3x50mm Screws



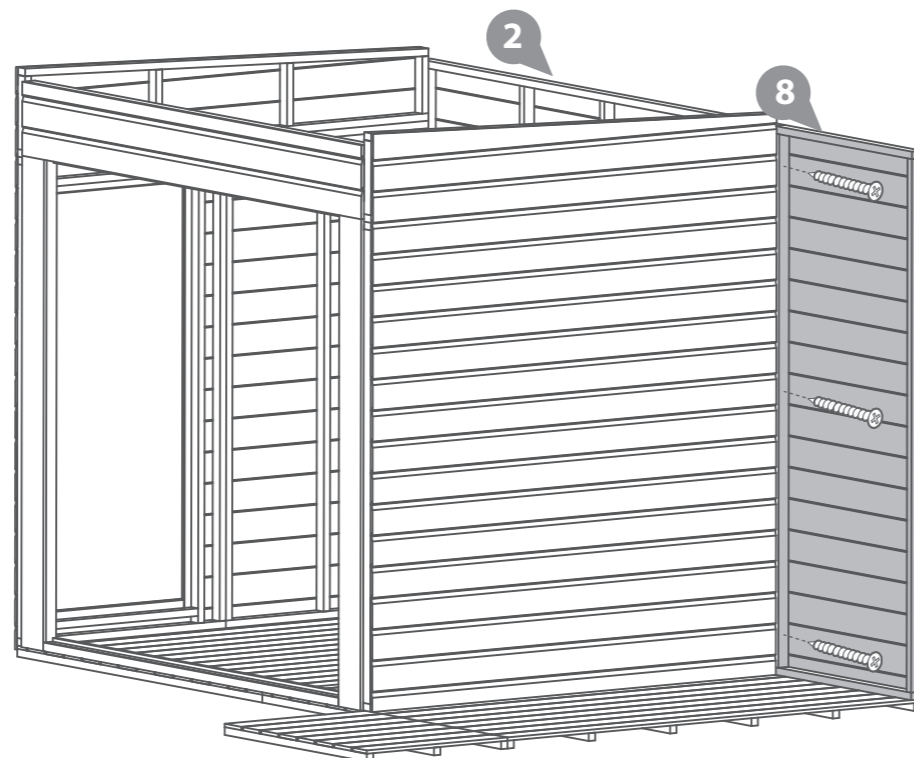
Step 9

Fix the side of the Storage Back Panel (**No. 8**) against the side of the Back Panel (**No. 2**) with 3x50mm screws as shown in diagram.

Fix with 3x50mm screws per gable top as shown in diagram.

****Be careful to ensure positions of screws do not interfere with previously placed screws****

3x50mm Screws

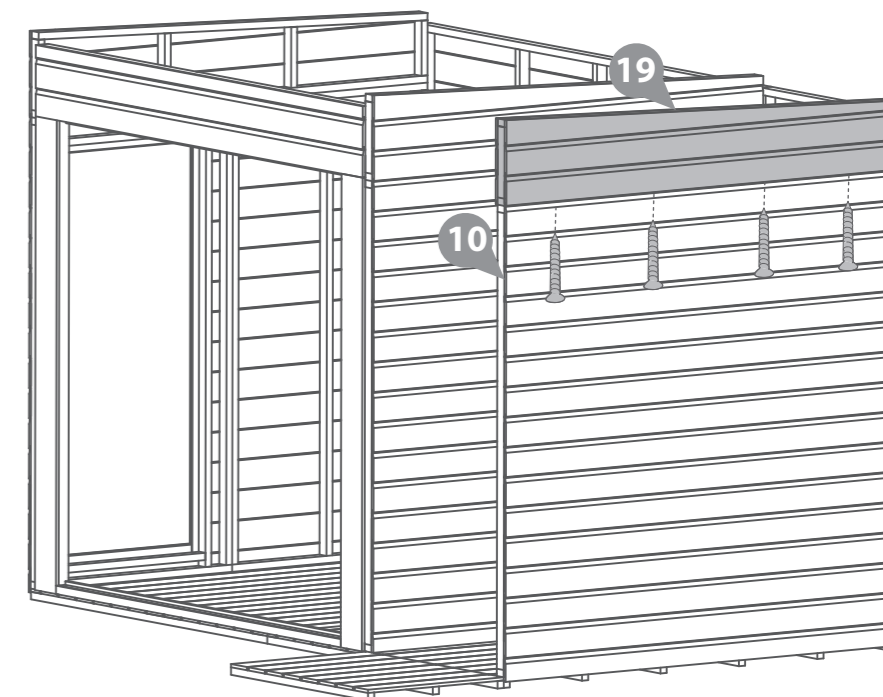


Step 11

Place the Double Boarded Gable Top (**No. 19**) on top of the Side Panel (**No. 10**) slotting the groove of the boarding on the gable into the tongue of the side panel as shown.

Fix with 4x50mm screws per gable top as shown in diagram.

4x50mm Screws



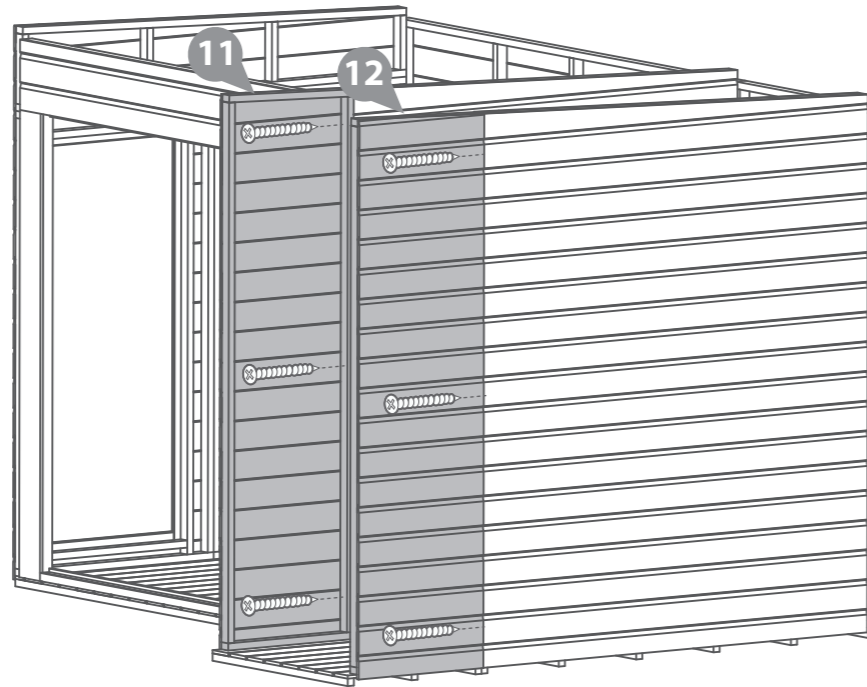
Step 12

Place the Storage Gable Sides Left/Right (No. 11/12) against the sides of the Internal (No. 5) and Side Panel (No. 10) with the boarding facing outwards as shown.

Fix with 3x50mm screws per gable as shown in diagram.

Do not secure the building to the Floor until the roof is fitted.

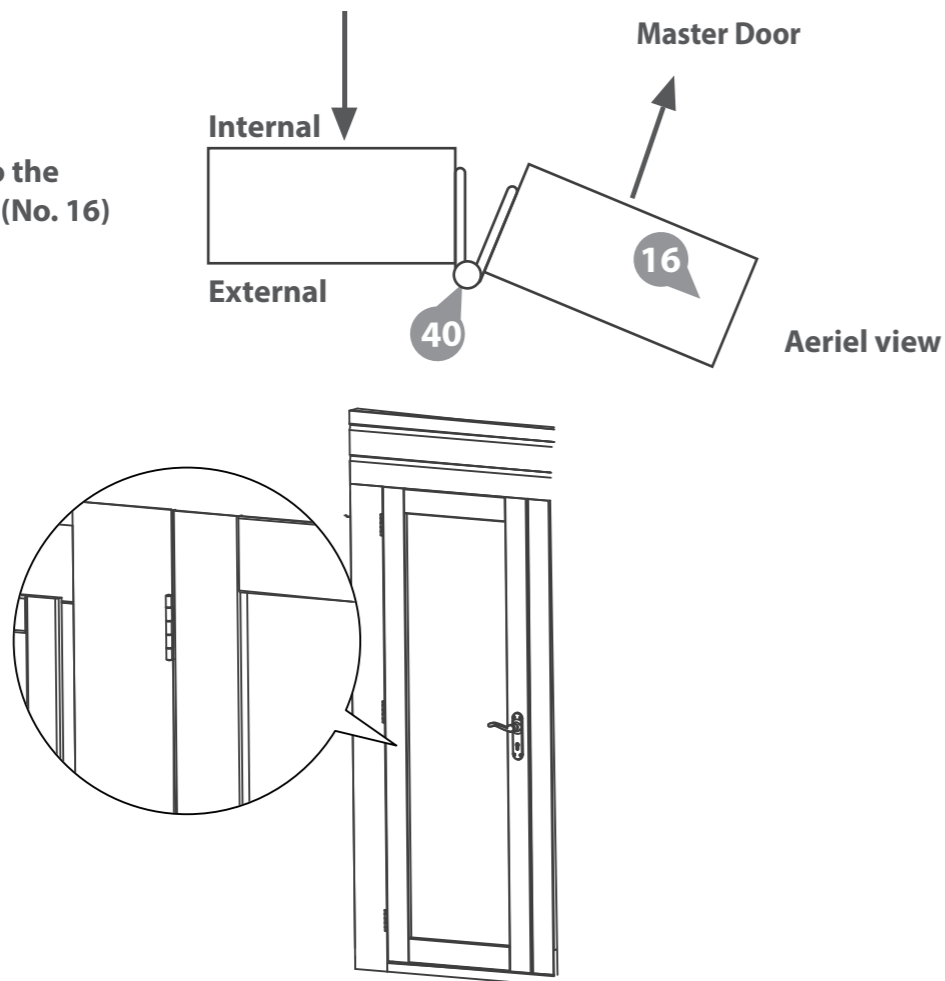
6x50mm Screws



Step 12a

Fix the hinge (No. 40) to the frame and master door (No. 16)

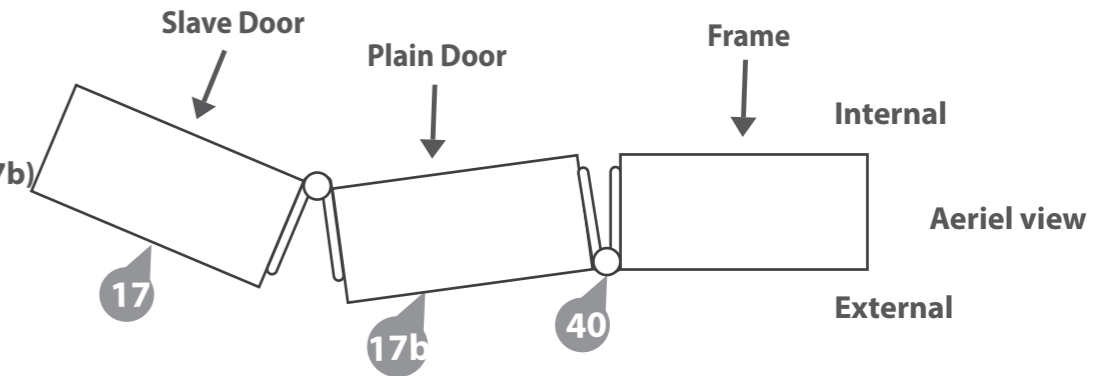
18x30mm Screws



Step 12b

Fix the hinges (No. 40) to the Slave door & plain door (No. 17, 17b) and attach to the door frame.

36x30mm Screws



Step 12c

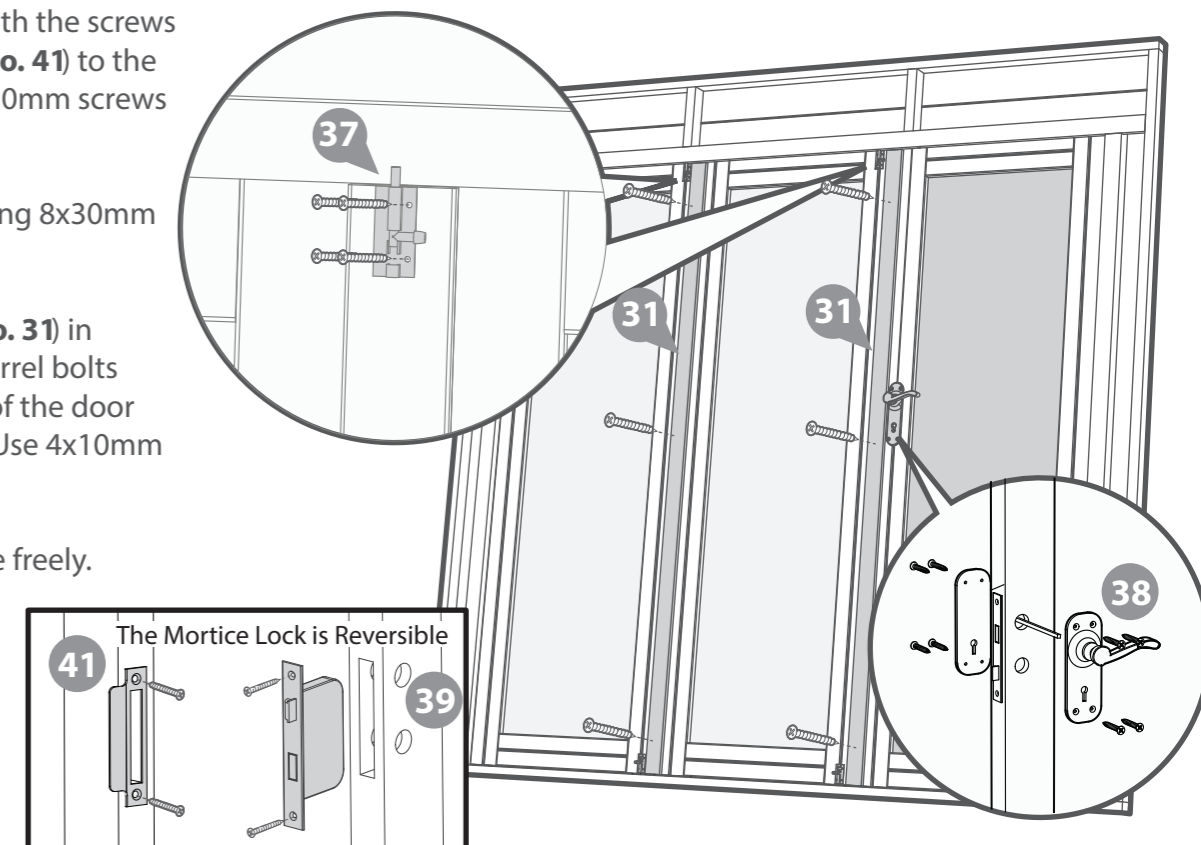
Fit the mortice lock (No. 39) into the recess and fix in place with the screws provided. Fit the key plate (No. 41) to the opposite door using the 4x30mm screws provided.

Fix door handles (No. 38) using 8x30mm screws.

Fix the Door Cover Strips (No. 31) in position as shown then fit barrel bolts (No. 37) to top and bottom of the door strips as shown in diagram. Use 4x10mm screws per barrel bolt.

Ensure doors open and close freely.

10x30mm Screws
8x10mm Screws



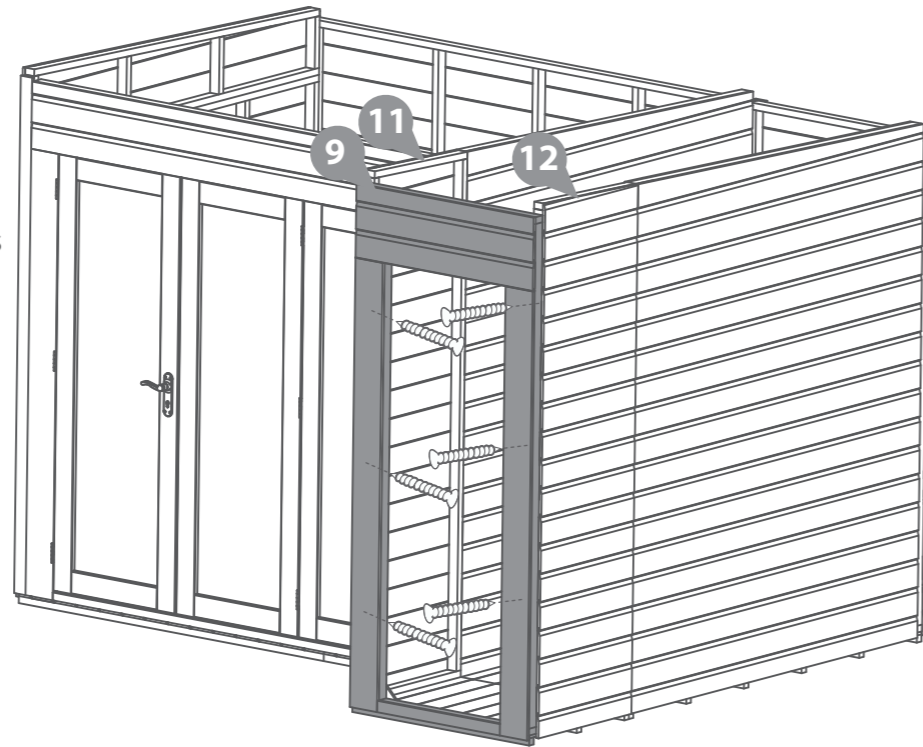
Step 13

Place the Storage Door panel (No. 9) against the end of the Storage Gable Sides (No. 11/12) and fix into position internally.

Fix with 3x50mm screws per side internally as shown in diagram.

Do not secure the building to the Floor until the roof is fitted.

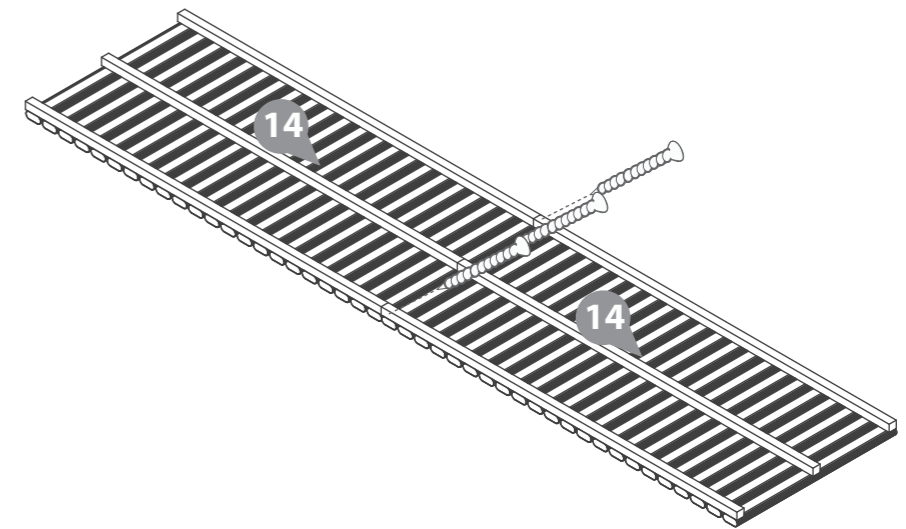
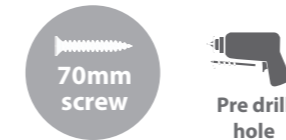
6x50mm Screws



Step 14

Lay the Veranda (No. 14) face down, side by side and fix together with 3x70mm screws as shown in the diagram, to secure the two Verandas together.

3x70mm Screws



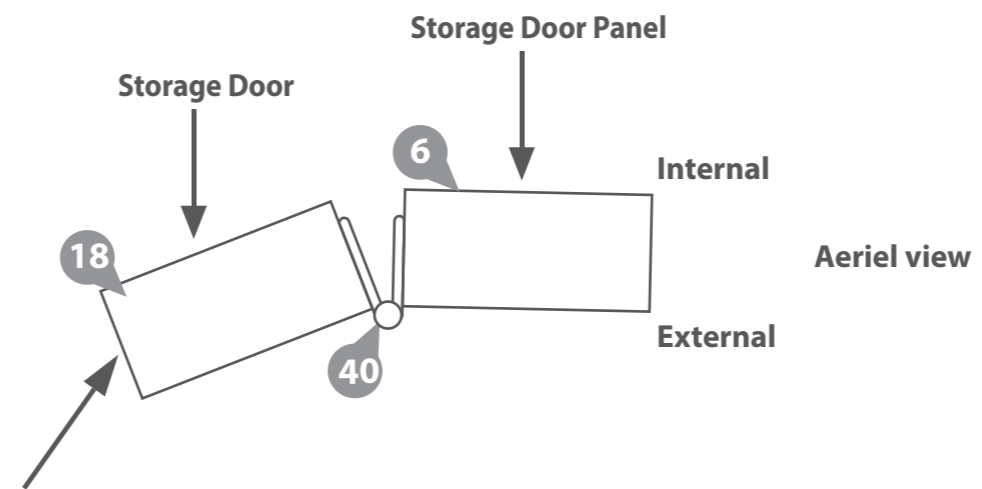
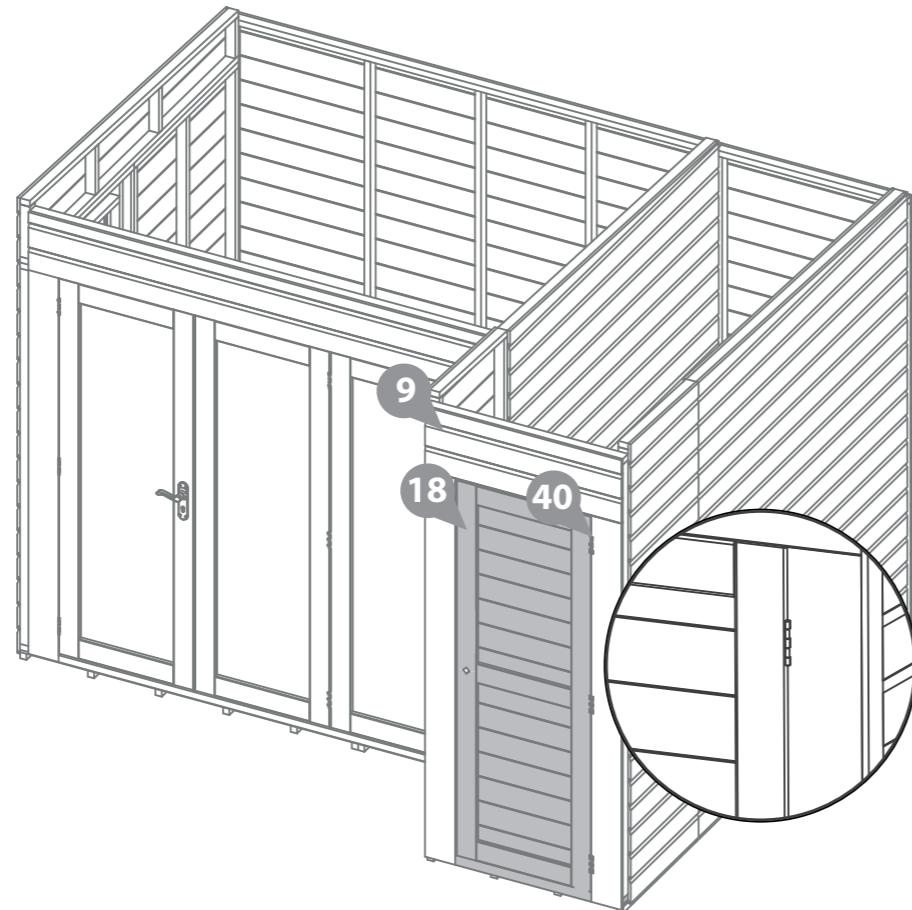
Step 13b - Fitting Door

Secure the 3x hinge (No. 40) to the storage door (No. 18) and the storage door panel (No. 9).

*You will need to open the door in order to fit the hinges

Do not secure the building to the Floor until the roof is fitted.

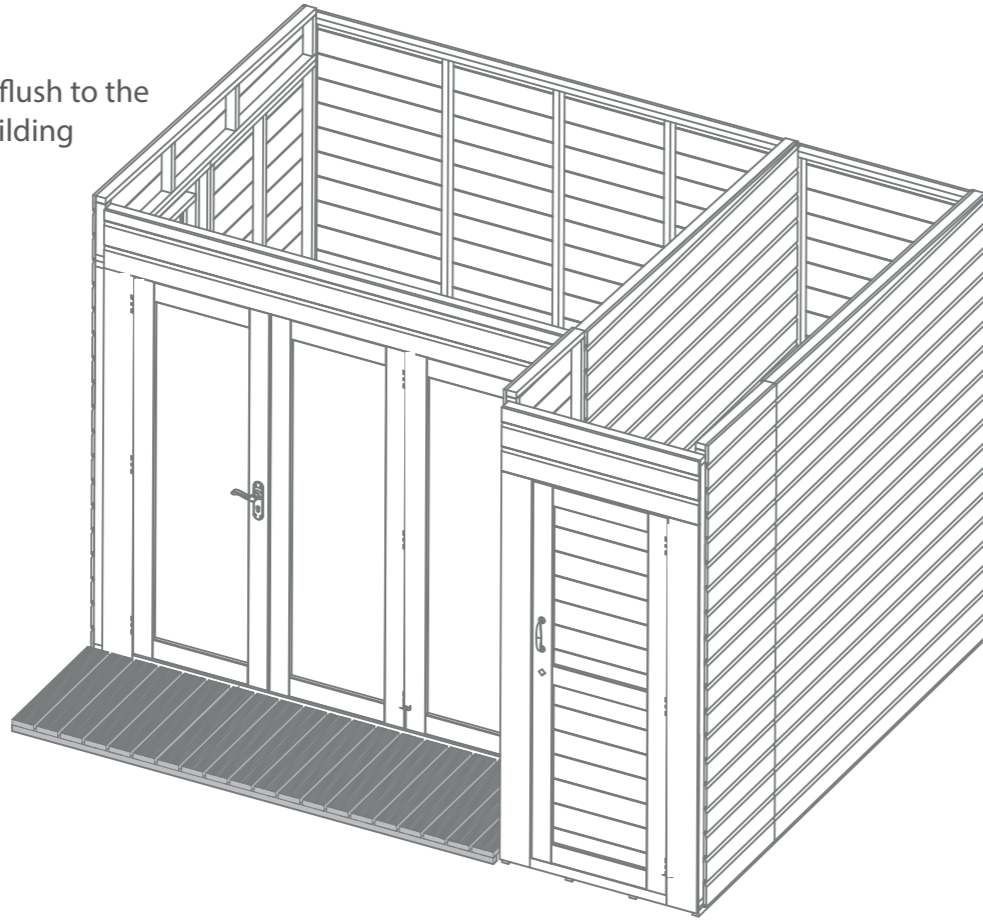
18x30mm Screws



Storage Door hinges fitted on the right hand side of the door which means that your door will open on the left side.

Step 15

Place the assembled Verandas (**No. 14**) flush to the building as shown to make sure the building is square.

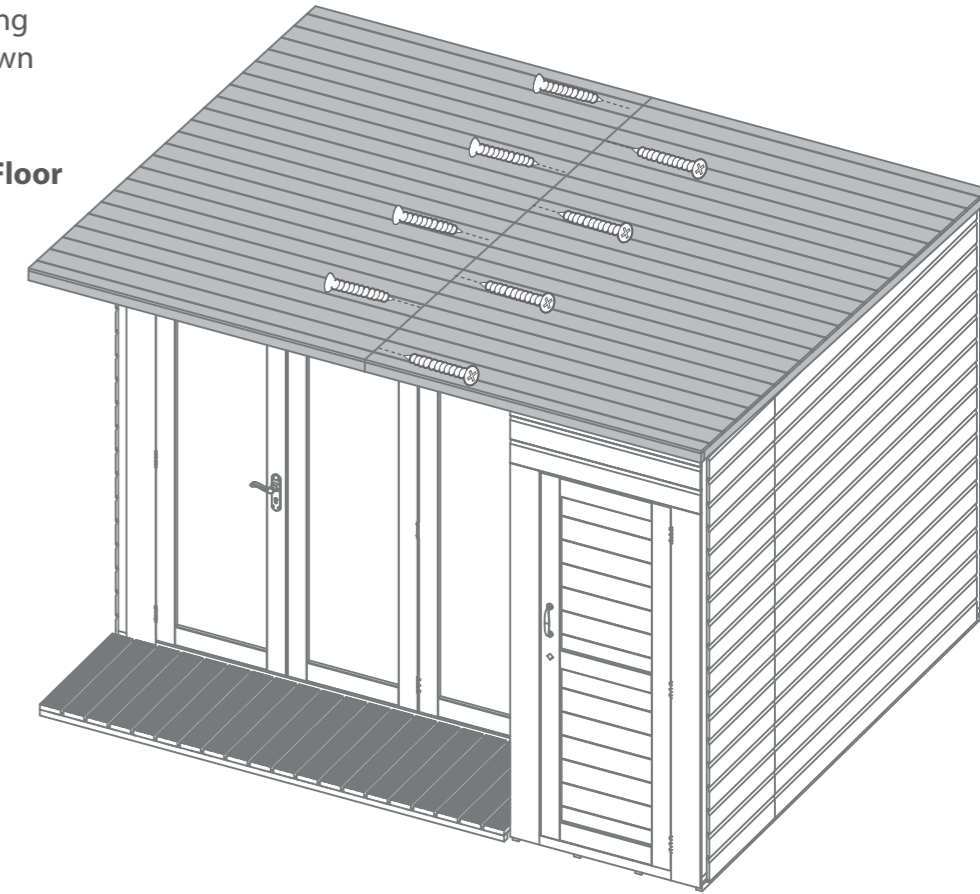
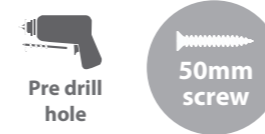


Step 16b

Fix the two Roof panels together using 50mm offset from each other as shown in the diagram.

Do not secure the building to the Floor until the roof is fitted.

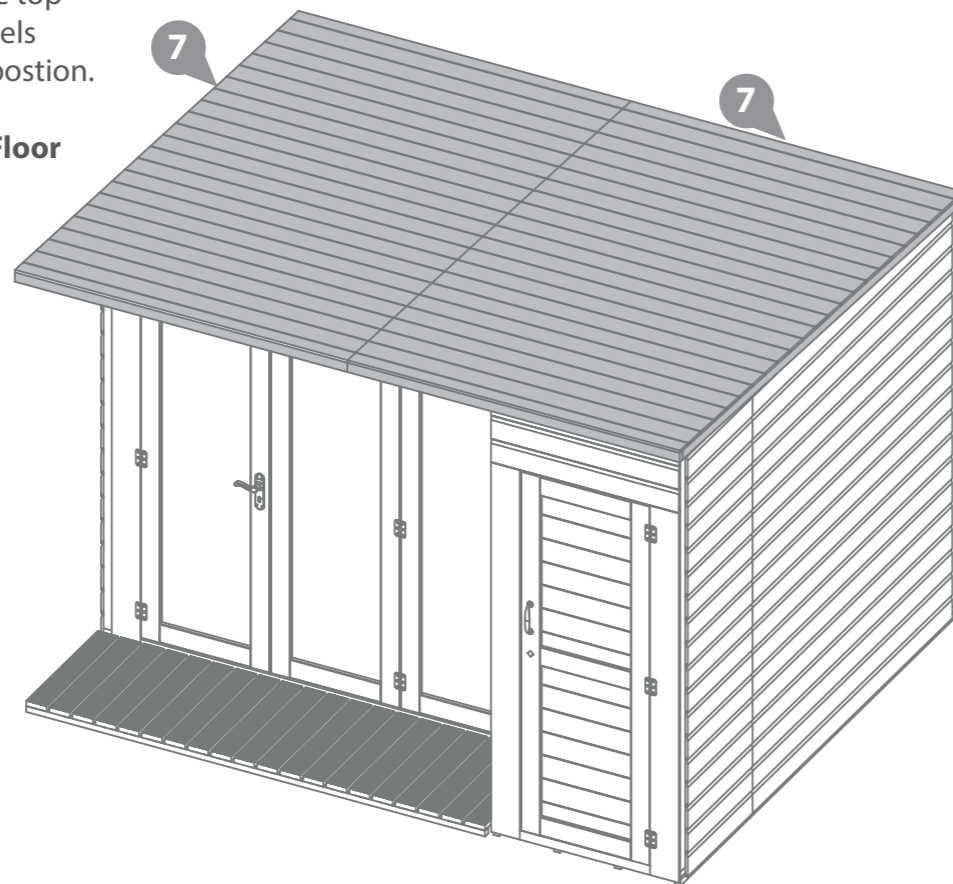
8x50mm Screws



Step 16a

Place the Roof Panels (**No. 7**) onto the top of the building. Align the 2 Roof Panels so they sit square before fixing into position.

Do not secure the building to the Floor until the roof is fitted.



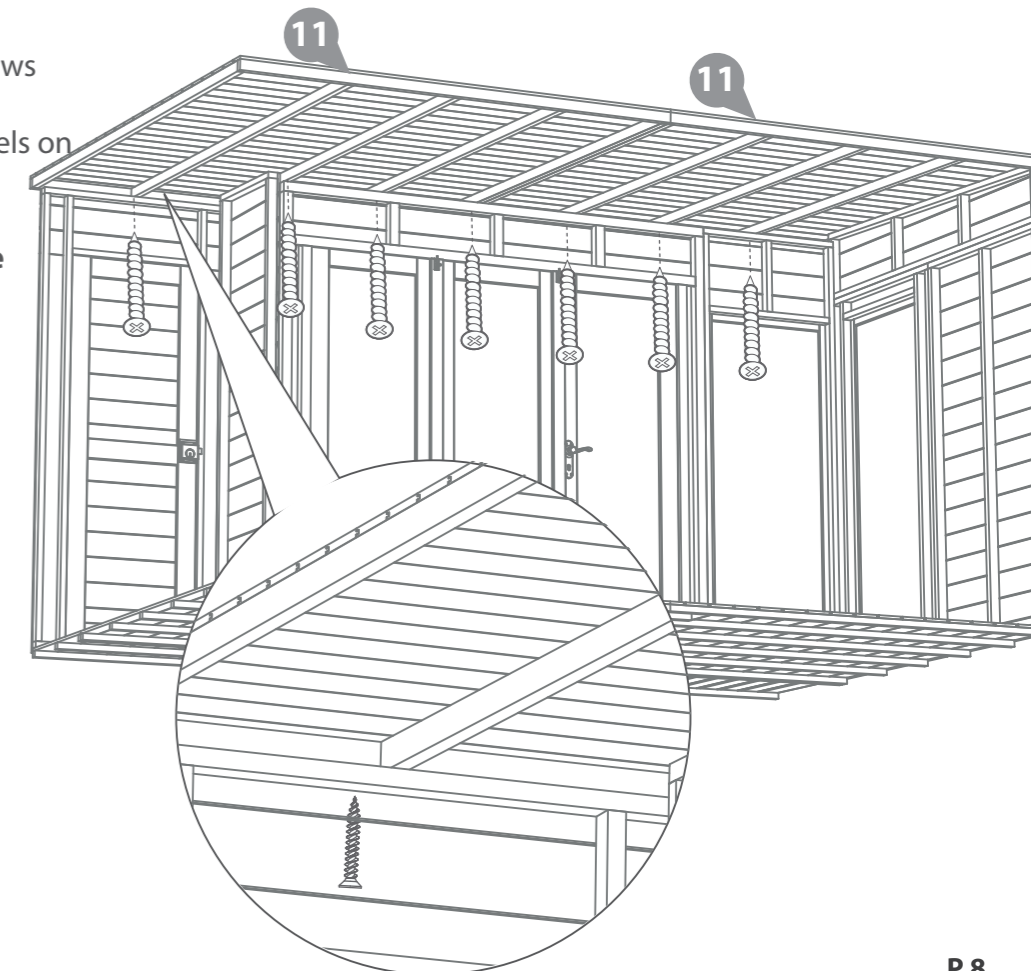
Step 16c

Screw internally with 8x50mm screws securing the roof panels (No. 11) x 2 to all of the panels on the front of the building

Do not secure the building to the Floor until the roof is fitted.

***External panels not shown**

7x50mm Screws



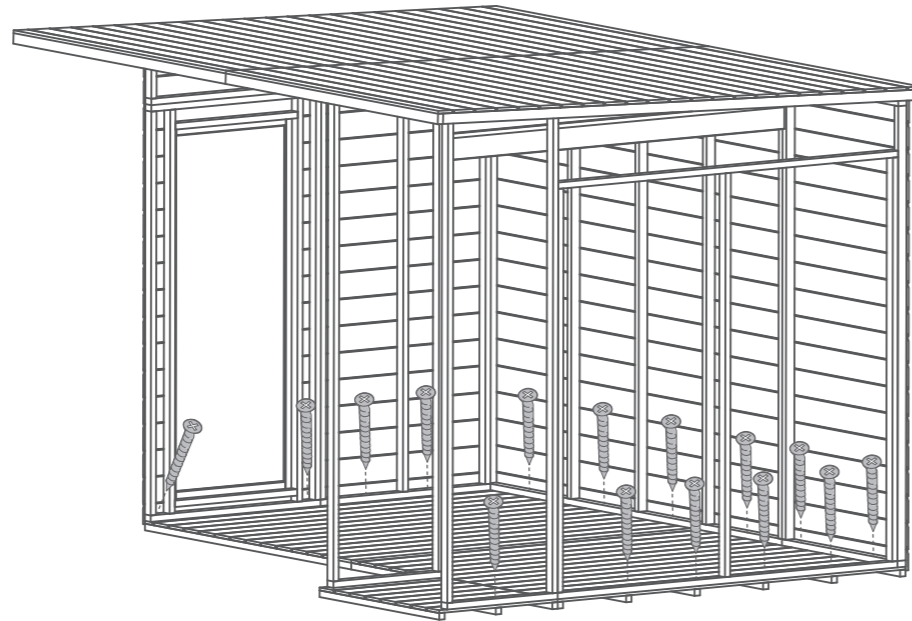
Step 17a

Once the Roof is aligned and secure the Floor can be fixed into position.

Fix the building into place by screwing through the panel into the floor making sure to screw into the floor bearers.

***External panels not shown**

15x50mm Screws

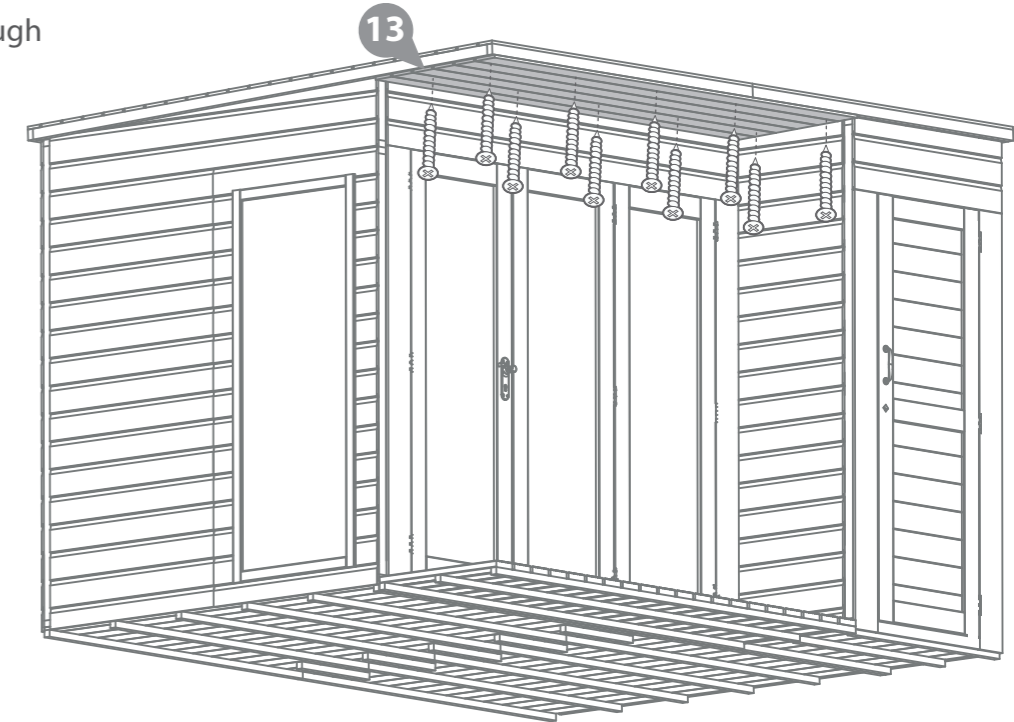


Step 18

Place the Under Roof (No. 13) into position, making sure it is flush to the Door panel and Storage section.

Fix in place making sure to screw through the Roof framing. Pre-drill holes first.

10x30mm Screws

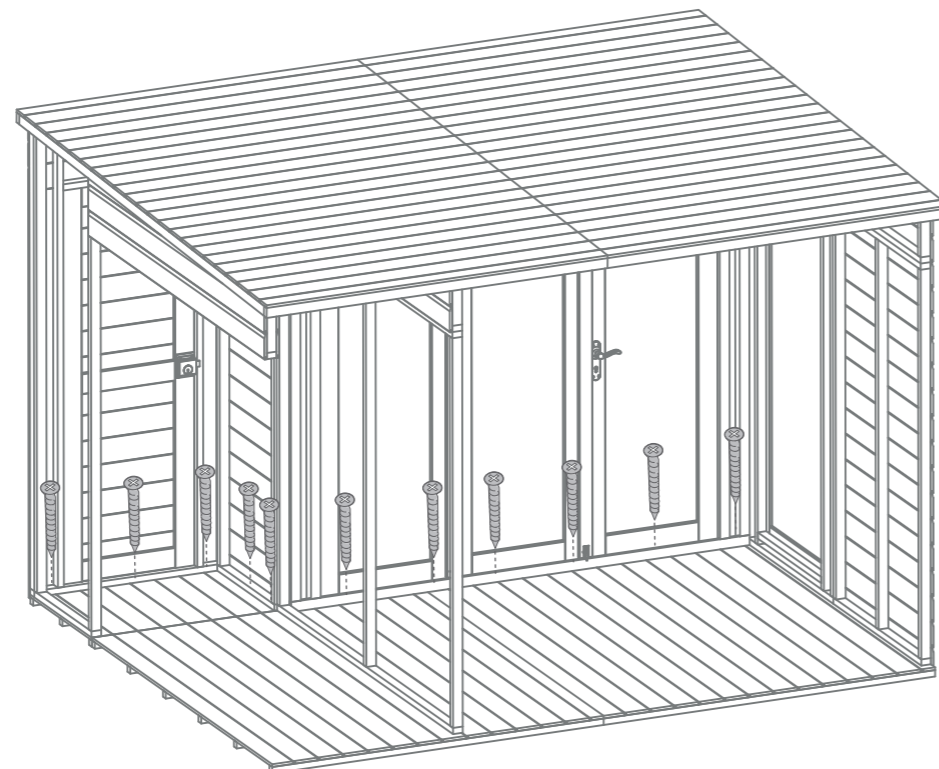


Step 17b

Continue to fix the building into place by screwing through the panel into the floor making sure to screw into the floor bearers.

***External panels not shown**

11x50mm Screws



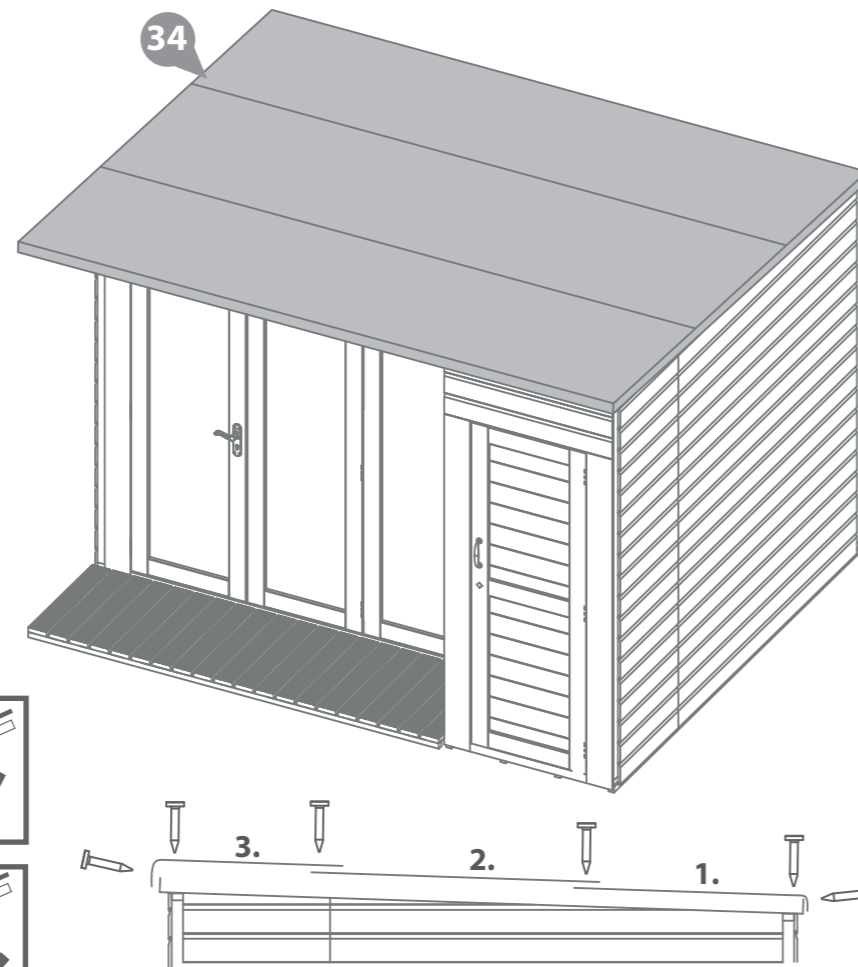
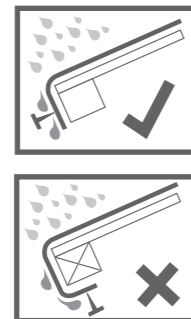
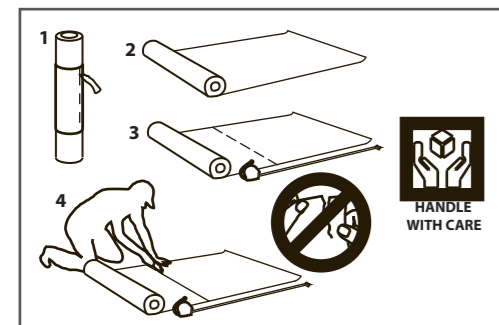
Step 19

Cut the Felt (No. 34) into 3 sheets and lay onto the roof.

***Ensure there is approximately 50mm of overhang around the building.**

Fix into place using 165x felt tacks at 100mm intervals.

165x Felt tacks Felt Length 3224mm



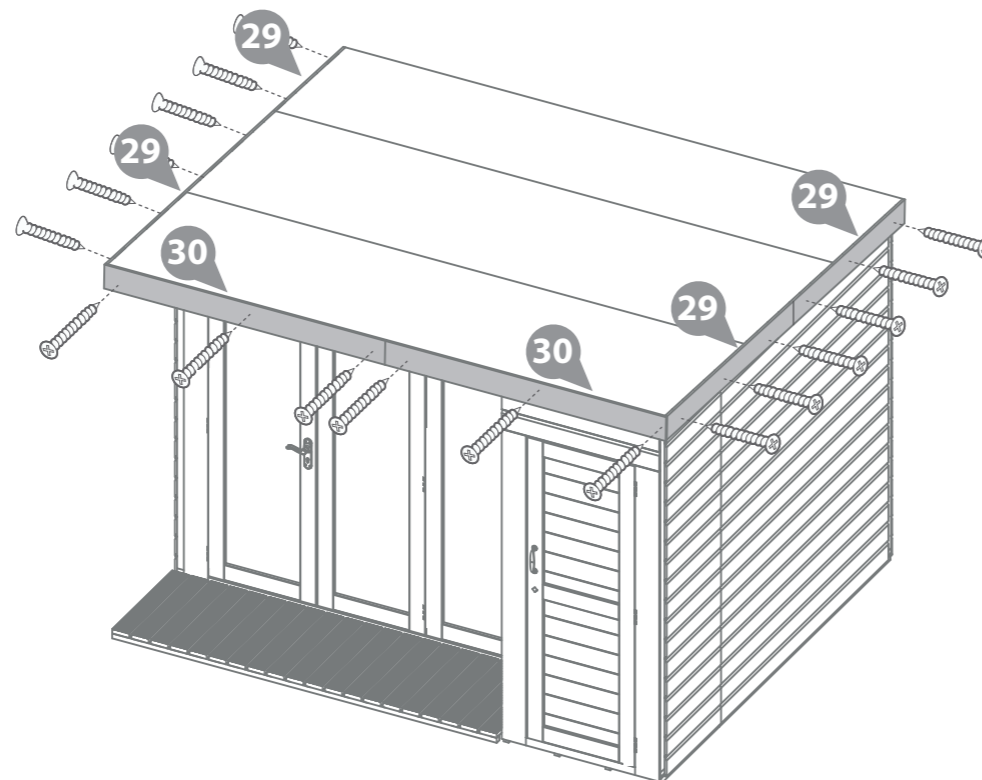
Step 20

Fix the Fascias (4x No. 29 and 2x No. 30) into position as shown.

No. 30 are for the front and No. 29 are for the side.

Fix in place using 18x30mm screws.

18x30mm Screws

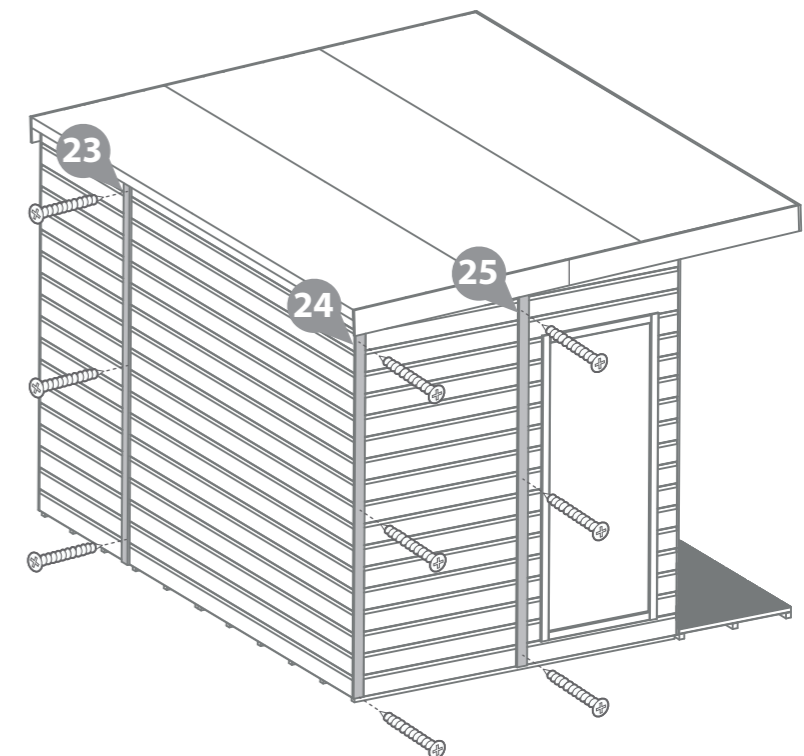
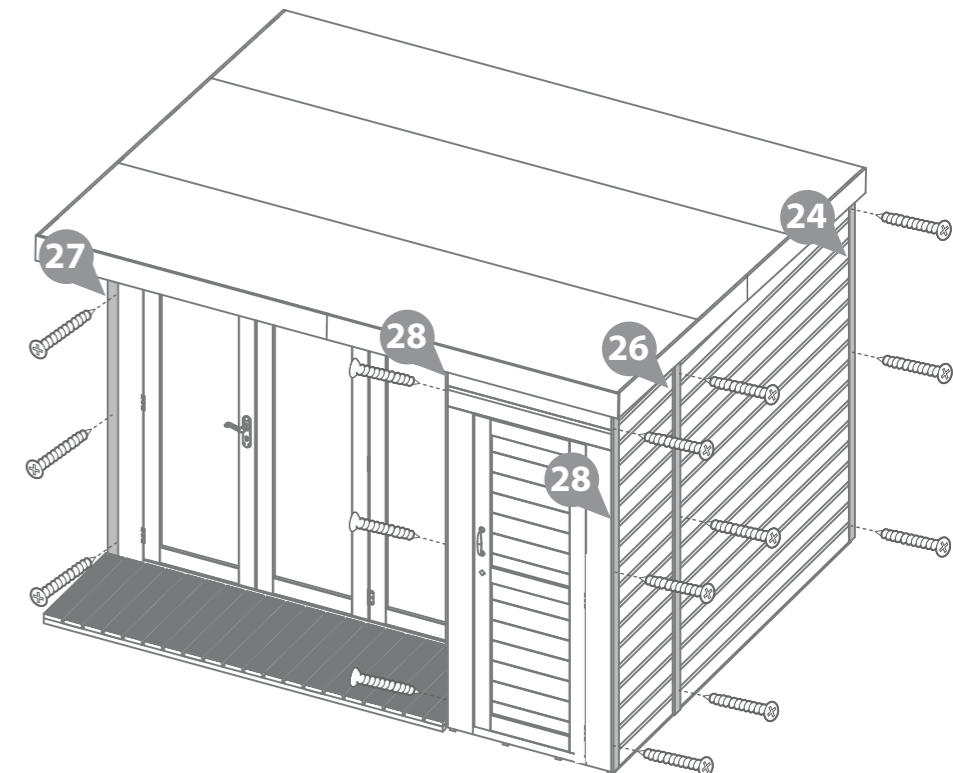


Step 21

Fix the Cover Trims (No. 23, 2x No. 24, No. 25, No. 26, No. 27 and 2x No. 28) into position as shown.

Fix each strip into position using 3x30mm screws per trim.

24x30mm Screws

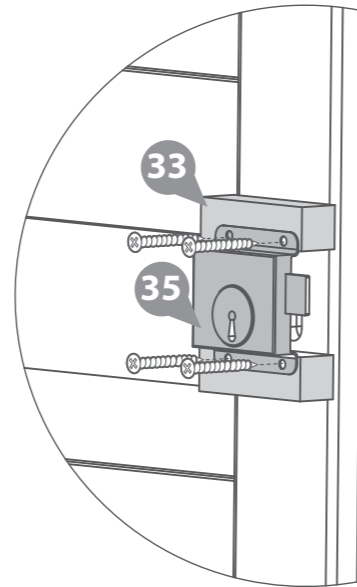


Step 22

To fix the lock to the Shed Door, first fix the Door Blocks (**No. 33**) either side of the centre framing of the Door with 4x40mm screws.

Once the Door Blocks are in place the Lock (**No. 35**) can be fixed in place as shown with 4x30mm screws, making sure to align the key hole of the lock to the key hole of the door.

4x30mm Screws
4x40mm Screws

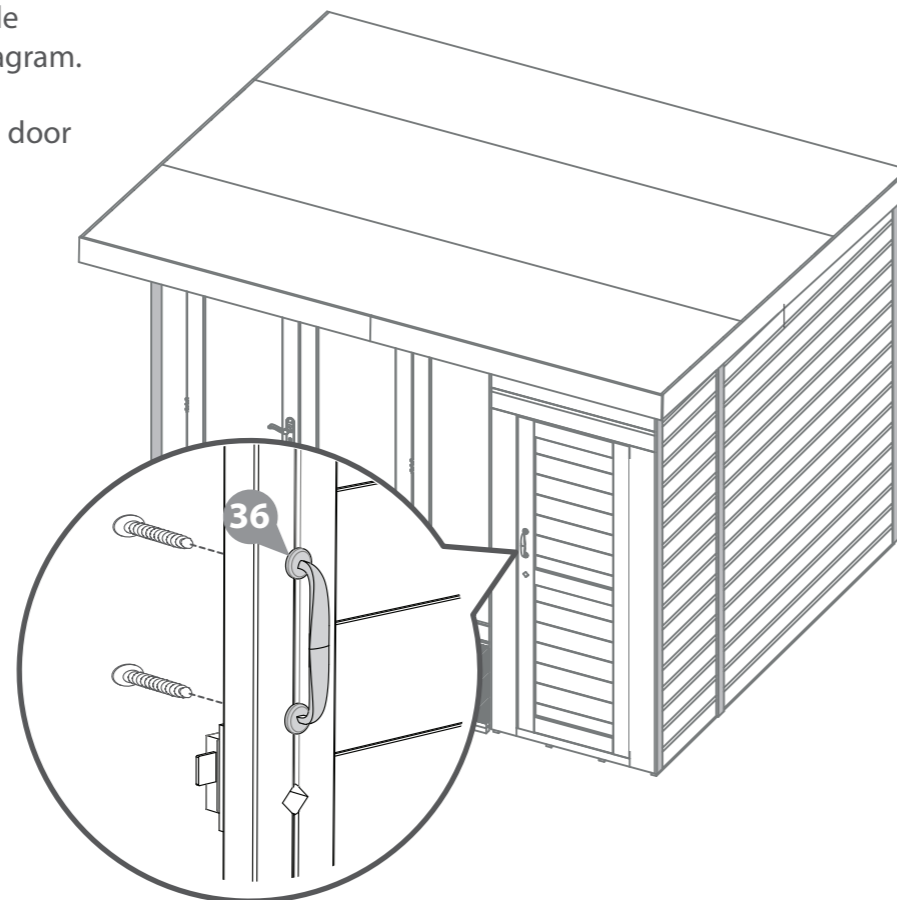


Step 23

Pre drill holes and then fix Chrome Handle (**No. 36**) using 45mm bolt as shown in diagram.

Fix Door Stop (**No. 32**) to bottom right of door panel at the back. Use 3x30mm screws.

2x45mm Bolt
3x30mm Screws



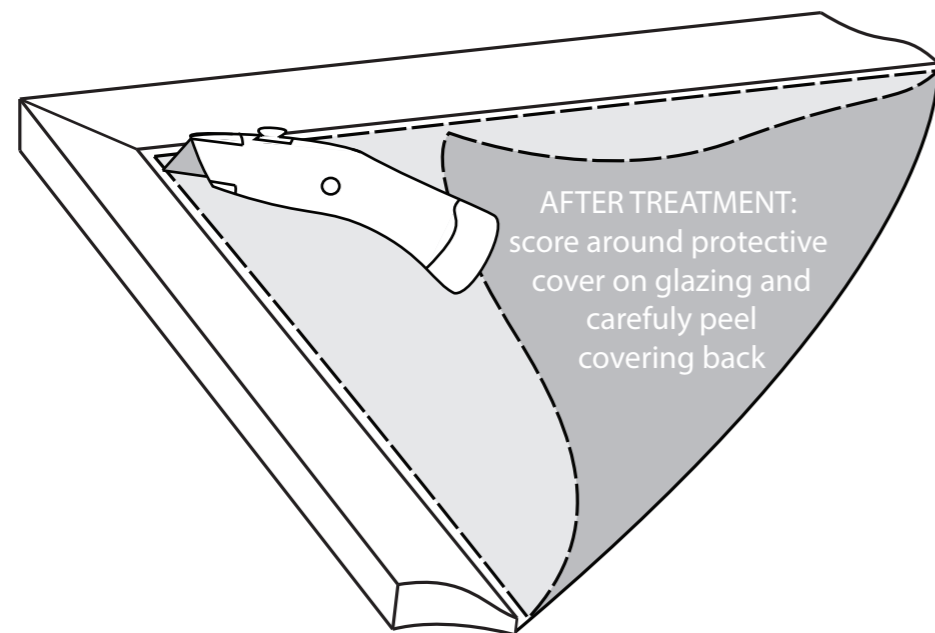
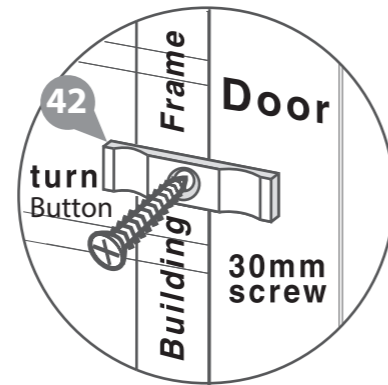
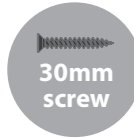
Step 24

Attach two Turn Buttons (No. 42) to the Storage Door at the top and bottom of the door. Using black screws ensure the screws go through into the Storage Door Panel framing.

Attach two further Turn Buttons to the Slave Door at the top and bottom of the door using black screws.

These Turn Buttons help to keep your doors straight during high and low levels of moisture content in the air.

4x30mm Black Screws



Step 24

Enjoy your Combi-Summerhouse.

