

Electronic Lock Parts Price Book

Effective February 18, 2019



General Terms and Conditions of Sale

- 1. ENTIRE AGREEMENT:** This Agreement constitutes the entire agreement between dormakaba USA Inc. and the Purchaser, and contains all of the terms and conditions relating to the sale of the product(s). This agreement supersedes all prior agreements, previous catalog terms and conditions, and other documents unless expressly incorporated herein
- 2. PAYMENT TERMS:** Unless otherwise stated, terms are net 30 days from the date of invoice. dormakaba USA Inc. reserves the right to charge interest at 1.5% per month (18% annually) on any overdue amounts. If dormakaba USA Inc. discovers that the Purchaser's financial condition does not warrant the above payment terms, then dormakaba USA Inc., in its absolute discretion, may demand that the Purchaser pay in advance, pay cash upon delivery, or refuse Purchaser's order. In the latter case, dormakaba USA Inc. cannot be held liable for any damages of any nature whatsoever for its refusal to deliver goods in whole or in part.
- 3. PRICES:** The product price(s) shall be according to dormakaba USA Inc.'s price list in effect at the time of acceptance of the purchase order or according to its authorized quotation in force at the time of acceptance of the applicable purchase order.
- 4. TAXES:** The price does not include any amounts for U.S. or International Federal Custom Duties, Canadian, U.S. or International, Federal, Provincial, State, Local Excise, Goods and Services, Sales or Use, or Value added taxes. However, should dormakaba USA Inc. be obligated to pay any of the foregoing taxes, the Purchaser, upon demand, shall, within fifteen (15) days, reimburse dormakaba USA Inc. the total amount disbursed in respect thereof.
- 5. MINIMUM ORDER REQUIREMENTS:** The minimum order amount for all orders accepted is **\$400 USD**, excluding the shipping and insurance charges. This does not apply to cut keys.
- 6. PRODUCT INFORMATION:** Unless expressly stated in this Agreement, all information contained in the product brochures, pamphlets, or information circulars, are for reference purposes only and based on information available at time of publication. dormakaba USA Inc. reserves the right to make reasonable changes in its products or discontinue certain products from time to time and to deliver the modified products, or to offer replacement product in the event a product has been discontinued without any liability whatsoever. Purchaser shall have the option to purchase any other product in the event of a discontinued product, provided however, Purchaser shall be responsible to pay any price difference.
- 7. INSTALLATION:** Unless otherwise expressly stated, the costs and materials required for installation are not included in the prices and/or quotations.
- 8. POINT OF DELIVERY & SHIPPING:** Delivery points and terms are FOB dormakaba USA Inc. warehouses in the Continental USA and Canada for dormakaba USA Inc. products. Should Purchaser request a shipping method or carrier different than dormakaba USA Inc.'s standard, then the full amount of the shipping cost will be invoiced to the Purchaser. Drop shipments to a third party are subject to a \$25 surcharge, which is invoiced to Purchaser. dormakaba USA Inc. will no longer ship to third parties in Canada.
- 9. DELIVERY TERMS:** dormakaba USA Inc. will notify the Purchaser if for any reason, it is unable to deliver the products as scheduled, and dormakaba USA Inc. cannot be held liable for any damages of any nature resulting from these delays.
- 10. FORCE MAJEURE:** Should a delay in delivery be caused by a Force Majeure event, the time of delivery shall be extended by a reasonable amount of time with regard to all applicable circumstances. Upon mutual agreement, the parties shall set a new date for delivery. Except as to payments due hereunder, neither party shall be liable for failure to perform hereunder for the duration of and to the extent such failure is occasioned by a Force Majeure event, which is defined as follows: war, riots, insurrections, fire, flood, explosions, strikes and other labor or industrial disturbances, inevitable accidents, Government, State, Provincial or Municipal regulations and/or ordinances, an act of God, embargoes, blockades, delay in obtaining materials, legal restrictions, currency regulations, or any cause or condition beyond the reasonable control of the parties. Where such conditions continue for more than three (3) months, either party shall be free to terminate the Agreement. In the case of termination, dormakaba USA Inc. shall be paid the value proportionate to the Agreement price for the finished product and/or the work-in-progress as of the date of termination and the supportable costs.
- 11. FAILURE TO ACCEPT DELIVERY:** If Purchaser fails to accept delivery at the scheduled time, the purchase price shall become due and payable in accordance with the original payment schedule and all risks associated with the product or parts of the product to be delivered, shall be borne by the Purchaser. Purchaser shall be responsible for all storage and handling costs incurred and to be incurred as a result thereof.
- 12. TITLE:** Unless otherwise stipulated in this Agreement, ownership of the goods shall remain with dormakaba USA Inc. until full payment of the sale price has been received. Until complete payment has been received, Purchaser undertakes to warrant and keep the goods free and clear of all liens, other charges or encumbrances.
- 13. RETURN POLICY:** Purchaser must obtain a Return Goods Authorization (RGA) number from dormakaba USA Inc.'s Customer Service by calling in North America: (800) 849-8324 or Worldwide: (336) 725-1331, before returning any products whatsoever. The Purchaser must have the product serial number and invoice number pertaining to the original purchase available to give to the Customer Service Agent. dormakaba USA Inc. will send via Facsimile or email (as indicated by Purchaser) the Return Goods Authorization form, which includes the RGA number along with the "Ship To" address and RGA return instructions. RGAs expire after sixty (60) days from date of issuance. Returns of product by Purchaser are FOB dormakaba USA Inc..
- 14. WARRANTY:** Subject to the limitations herein, dormakaba USA Inc. warrants its new products from the date received by Purchaser from material or workmanship flaws. Specific new product warranties may vary according to products and if different, they are listed in the respective product section of the Access Control catalog or the respective product installation manual. Third party product(s) sold by dormakaba USA Inc. are warranted only to the extent provided by the original manufacturer's warranty and Purchaser must refer to the original manufacturer's warranty in such case. Refurbished or reconditioned dormakaba USA Inc. products are warranted for a ninety (90) day period from date of shipment. Failure of the Purchaser to notify dormakaba USA Inc. within the time limit set in this section shall constitute Purchaser's waiver to have the malfunction or damage remedied. The express warranties as set

General Terms and Conditions of Sale (continued)

out herein, are the exclusive warranties given and accepted in lieu of any and all other warranties, expressed or implied, statutory or otherwise, including but not limited to warranty of fitness for a particular purpose and merchantability. To the extent that they cannot be disclaimed, the implied warranties are limited in duration to the life of the express warranty. Incidental and consequential damages are excluded from coverage under this warranty. Some States/jurisdictions do not allow for the disclaimers, limitations and exclusions identified above; as a result, they may not apply to you. This warranty gives you specific rights, and you may also have other legal rights which may vary from State to State, or from one jurisdiction to another. No distributor, dealer, sales representative nor any other person has been authorized to make any affirmation, representation or warranty regarding the product, other than those contained in this limited warranty, and if made, shall not be enforceable against dormakaba USA Inc. dormakaba USA Inc. reserves the right to modify this warranty at any time, it being understood that such modification will not alter the warranty conditions applicable to the products sold while this warranty is in effect.

- dormakaba USA Inc. will, at their discretion and at no charge, either repair, exchange or replace the product provided it is returned complete to dormakaba USA Inc. during the warranty period. However, Purchaser is responsible for the labor to remove and reinstall the product(s) from Purchaser's premises.
- Defective parts, which have been replaced, become the property of dormakaba USA Inc. who may dispose of them in any manner. Replacement parts become the property of the Purchaser upon their delivery.
- dormakaba USA Inc. is not liable for any defects in materials, designs, drawings or information provided by the Purchaser, nor for information which is missing and could not be reasonably identified as such, by dormakaba USA Inc..
- dormakaba USA Inc. does not warrant the following:
 - (a) Normal wear and tear from use;
 - (b) Printer ribbons, batteries, key cards and other consumable parts used or supplied with the product;
 - (c) Damage of any nature to hardware finishes;
 - (d) Faulty or defective product operation(s) caused by unusual or unforeseeable use or conditions;
 - (e) Improper installation, operation or maintenance of the product;
 - (f) Any product or system in which dormakaba USA Inc.'s product(s) is incorporated;
 - (g) Force Majeure as defined by Section 10 of this Agreement;
 - (h) Repairs or alterations carried out by anyone other than dormakaba USA Inc.;

14.1 VARIANCE: Any claims that the quantity and description of goods delivered and the quantity and description of goods ordered do not conform to this Agreement are waived unless the Purchaser advises dormakaba USA Inc.'s Customer Service department in writing, within fifteen (15) days from the date of receipt of the product(s).

14.2 RETURNS FOR CREDIT: In order to return new merchandise, the Purchaser must obtain a Returned Goods Authorization (RGA) number from dormakaba USA Inc. Customer Service department. There is a twenty-five percent (25%) restocking charge applied to all returns of new product. Custom products cannot be returned for credit for any reason other than product failure. Credit will not be offered for product that is returned incomplete or damaged.

15. LIMITATION OF LIABILITY: The total liability of dormakaba USA Inc. for all claims of any kind, whether in contract, liability or otherwise, arising out of, connected with or resulting from dormakaba USA Inc.'s performance or breach of this Agreement or services furnished hereunder shall in no event exceed the total purchase price expressed in this Agreement. dormakaba USA Inc. shall not under any circumstances be held liable for loss of profits or revenues, loss of use of product or any other product software, system, or facility, loss of data or information, lack or loss of productivity, interest charges or cost of capital, cost of substitute product, software, systems or services, cost of purchases or replacement power, downtime costs. Incidental, special, consequential damages are excluded from coverage under this warranty.

16. ASSIGNMENT: dormakaba USA Inc. may assign this Agreement in whole or in part, to any parent, subsidiary or affiliated corporation. Subject to the prior written approval of dormakaba USA Inc., Purchaser may assign the present Agreement to any parent, subsidiary or affiliated corporation.

17. DAMAGES: If Purchaser does not fulfill its obligations or is in default or breach of contract by the terms of this Agreement, dormakaba USA Inc. may then terminate the Agreement by notice in writing as set out on the face of dormakaba USA Inc.'s acknowledgement. dormakaba USA Inc. has the right to claim compensation for any loss it incurs as a result of Purchaser's default, in addition to any other rights or recourse in equity and in law.

18. APPLICABLE LAW: This Agreement shall be governed by and construed in accordance with the laws of the State of North Carolina, USA.

19. TERMINATION: If the Purchaser terminates this Agreement, in whole or in part, by written notice, dormakaba USA Inc. will, upon receipt of the termination notice, cease the performance of the contract according to the instructions of the Purchaser. In such a case, Purchaser may be invoiced for costs incurred depending on the nature of the product and shall be responsible for payment of same.

20. SEVERABILITY: Any term, condition or provision of this Agreement, or any part thereof, which is or may be found to be prohibited or unenforceable in any jurisdiction shall, as regards such jurisdiction and to the extent of such prohibition or unenforceability, be deemed to be severed from this Agreement, and the remaining terms, conditions and provisions of this Agreement shall remain in full force and effect.

21. WAIVER: Any act or omission by dormakaba USA Inc. will not constitute or be deemed to be a waiver of the rights granted to dormakaba USA Inc. by the terms of this Agreement.

Disclaimer: While reasonable efforts were made to ensure the accuracy of this document at the time of printing, dormakaba USA Inc. assumes no liability for any errors or omissions. This information is subject to be revised without notice, and changes may be incorporated in future releases.

Table of Contents

Terms and Conditions		3-4
How to Order		6
E-Plex	E-Plex 203x Cylindrical	8-9
	E-plex 3x6x Narrow Stile	10-13
	E-Plex 5x3x/5x5x Cylindrical	14-22
	E-Plex 5x10 Exit Trim	23-27
	E-Plex 5x6x Mortise	28-34
	E-Plex 5x86 Entry/Egress	35-39
	E-Plex 5x70 Stand Alone Access Controller	40-42
PowerLever	PowerLever 1550	44-45
	PowerLever 4550/4560	46-47
	PowerLever 455x/456x	48-49
	PowerLever 9550	50-51
	PowerLever 955x	52-53
4000	4000 (parts availability limited)	54-57
Solitaire	Solitaire 850L/850/950	58-61
	Solitaire 820/920	62-64

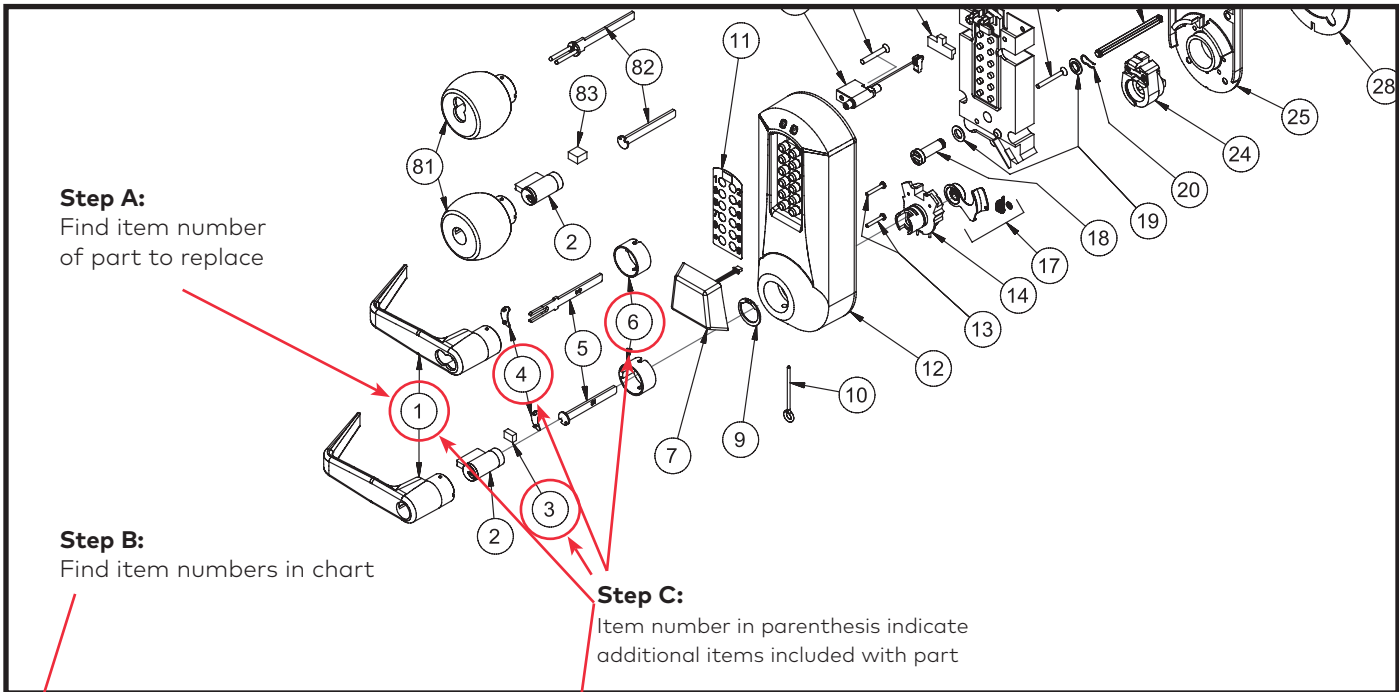
How to Order

Step A: Locate the part you are looking to replace in the appropriate exploded view drawing. Each part is given an item number.

Step B: Find the item number in the left column of the appropriate chart and determine part number.

Step C: If the description of your part also includes additional item numbers in parentheses, those items combine to make a kit. When ordering, please note that the part number listed for this item includes all items listed in the description. (Note: The additional item numbers in parentheses also reference parts in the exploded view drawing.)

Example



Item	Qty/Lock	Description	Finish	Part Number	List Price (USD)
1	1	Outside Lever, KIL (Includes 1 ea. #1, #3, #4, #6)	Satin Chrome	3422926D01	\$75.00
		Outside Lever, KIL (Includes 1 ea. #1, #3, #4, #6)	Bright Brass	342290301	\$75.00
		Outside Lever, KIL (Includes 1 ea. #1, #3, #4, #6)	Satin Brass	342290401	\$75.00
		Outside Lever, KIL (Includes 1 ea. #1, #3, #4, #6)	Dark Bronze	3422974401	\$75.00
		Outside Lever, KIL (Includes 1 ea. #1, #3, #4, #6)	Bright Chrome	3422902601	\$75.00

Where to Order

Contact your local supplier or call
1.800.849.8324 or 1.336.725.1331

For More Information

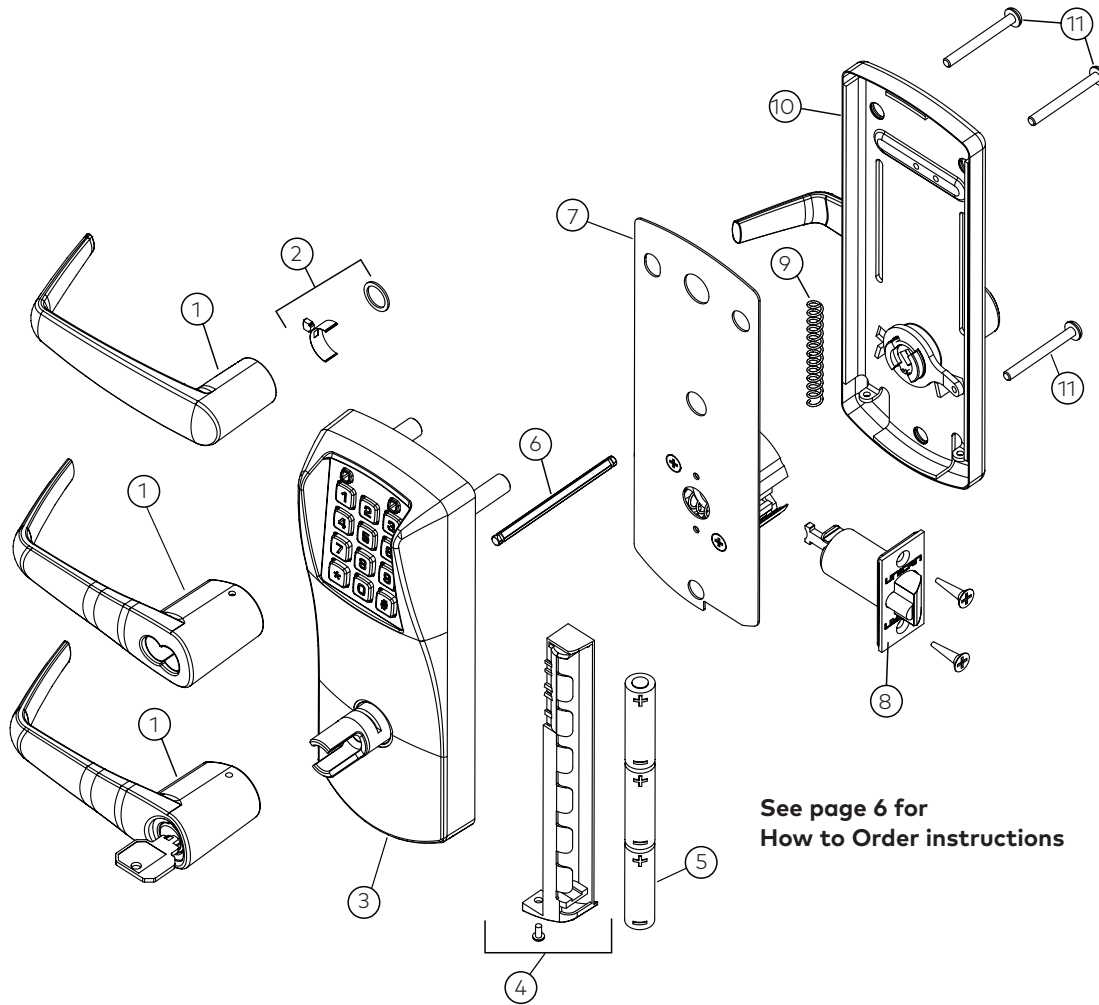
www.dormakaba.us

The following are registered names and/or trademarks:
 Abloy®, Adams Rite®, Arrow®, ASSA®, Best®, Black & Decker®, Cal Royal®,
 Corbin Russwin®, Detex®, Dorma®, Precision®, Kaba®, Marks®, Medeco®, Monarch®,
 Precision®, Sargent®, Schlage®, Simplex®, Von Duprin®, Weiser®, Yale®

E-Plex



E-Plex[®]
203x



See page 6 for
How to Order instructions

Item	Qty/Lock	Description	Finish	Part Number	List Price (USD)
1	1	Outside Lever, Non-Key Override	Satin Chrome	062-510983M-1626	\$93.50
		Outside Lever, Non-Key Override	Satin Brass	062-510983M-1606	\$93.50
		Outside Lever, Key Override	Satin Chrome	062-510783-1626	\$105.00
		Outside Lever, Key Override	Satin Brass	062-510783-1606	\$105.00
		Outside Lever, Key Override SFIC	Satin Chrome	069-512134-626	\$105.00
		Outside Lever, Key Override SFIC	Satin Brass	069-512134-606	\$105.00
2	1	Lever Catch / Bearing (Non-Key Override ONLY)		062-510510-K	\$23.50
3	1	Outside Housing, Non-Key Override	Satin Chrome	F66/20K010W-626	\$385.00
		Outside Housing, Non-Key Override	Satin Brass	F66/20K010W-606	\$396.50
		Outside Housing, Key Override KIL (Key-in-Lever)	Satin Chrome	F66/20E010W-626	\$408.00
		Outside Housing, Key Override KIL (Key-in-Lever)	Satin Brass	F66/20E010W-606	\$420.00
		Outside Housing, Key Override (Best) SFIC (Small Format Interchangeable Core)	Satin Chrome	F66/20B010W-626	\$408.00
		Outside Housing, Key Override (Best) SFIC (Small Format Interchangeable Core)	Satin Brass	F66/20B010W-606	\$420.00
4	1	Battery Holder and Screw		118-509978-K	\$28.00
5	3	Batteries, Alkaline AA		132-505601-K	\$23.50

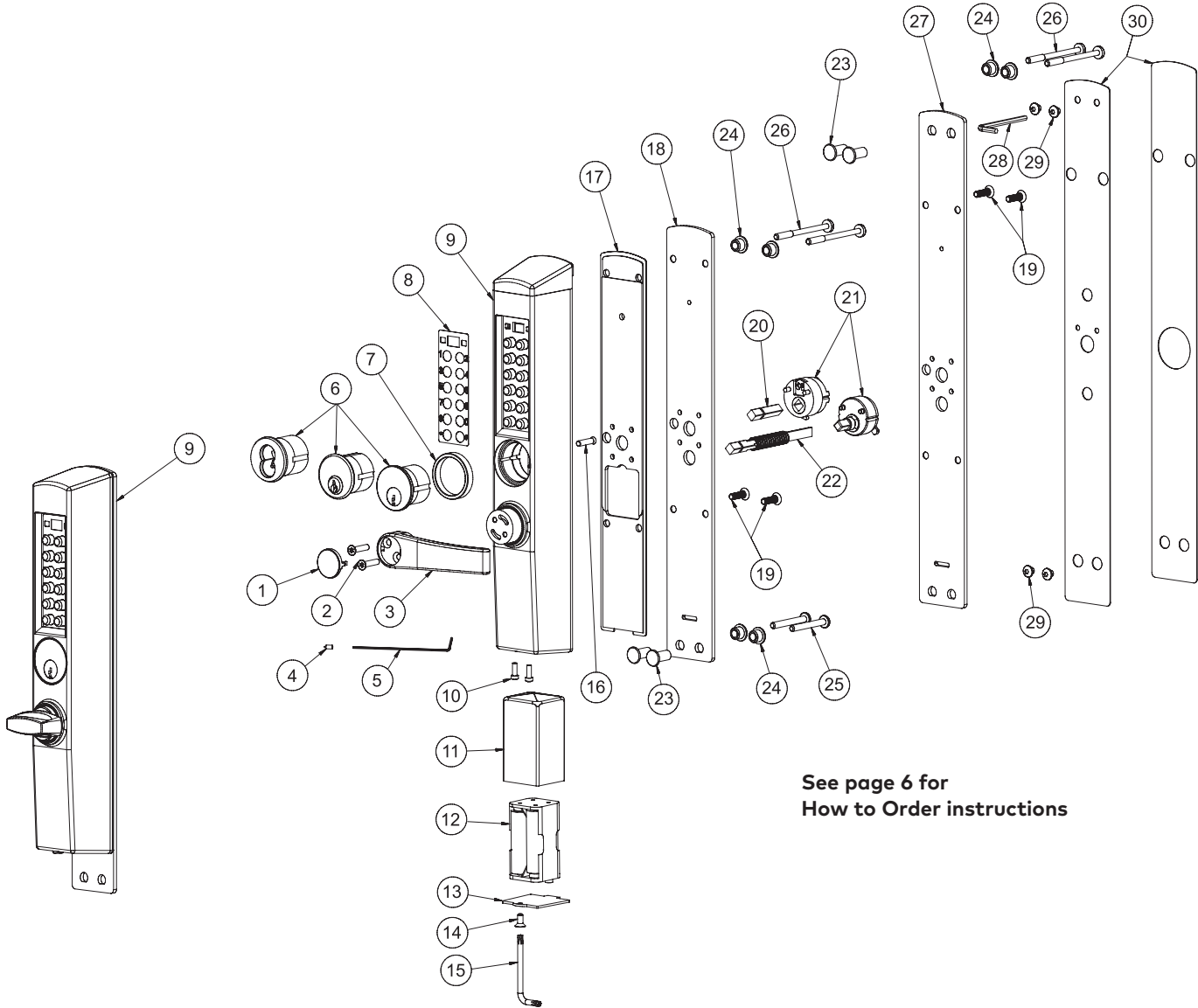
E-Plex® 203x



Item	Qty/Lock	Description	Finish	Part Number	List Price (USD)
6	1	Spindle - Sold as part of Hardware Pack (Includes #6, #9, #11, Battery Screw)	Satin Chrome	062-510261-626	\$23.50
		Spindle - Sold as part of Hardware Pack (Includes #6, #9, #11, Battery Screw)	Satin Brass	062-510261-606	\$23.50
7	1	Back Plate w/ CDU		C76/001-000	\$93.50
8	1	1/2" (13 mm) Latch, Floating Front Face, 2 3/4" (70 mm) backset (Includes screws)	Satin Chrome	20416826D01	\$41.00
		1/2" (13 mm) Latch, Floating Front Face, 2 3/4" (70 mm) backset (Includes screws)	Satin Brass	2041680401	\$41.00
		1/2" (13 mm) Latch, Floating Front Face, 2 3/8" (60 mm) backset (Includes screws)	Satin Chrome	7518526D01	\$41.00
		1/2" (13 mm) Latch, Floating Front Face, 2 3/8" (60 mm) backset (Includes screws)	Satin Brass	751850401	\$41.00
9	1	Lever Return Spring - Sold as part of Hardware Pack (Includes #6, #9, #11, Battery Screw)	Satin Chrome	062-510261-626	\$23.50
		Lever Return Spring - Sold as part of Hardware Pack (Includes #6, #9, #11, Battery Screw)	Satin Brass	062-510261-606	\$23.50
10	1	Inside Housing (old # B76-C1EN10-626)	Satin Chrome	B76-N1EN10-626	\$76.00
		Inside Housing (old # B76-C1EN10-606)	Satin Brass	B76-N1EN10-606	\$87.50
11	1	Mounting Screws - Sold as part of Hardware Pack (Includes #6, #9, #11, Battery Screw)	Satin Chrome	062-510261A626	\$23.50
		Mounting Screws - Sold as part of Hardware Pack (Includes #6, #9, #11, Battery Screw)	Satin Brass	062-510261A606	\$23.50
12	1	Standard "T" Strike Kit (old # 20416726D01) not shown	Satin Chrome	20422726D01	\$11.50
		Standard "T" Strike Kit (old # 2041670301) not shown	Satin Brass	2042270401	\$11.50
Additional Kits & Accessories			Finish	Part Number	List Price (USD)
		ASA Strike for 4 7/8" (124 mm) Long Cutout (Includes screws)	Satin Chrome	20411926D01	\$12.50
		ASA Strike for 4 7/8" (124 mm) Long Cutout (Includes screws)	Satin Brass	2041190401	\$12.50
		Outdoor Kit		062-510180	\$17.50
		Thick Door Kit Upgrade (Includes #6, #9, #11, Battery Screw)	Satin Chrome	062-510189-626	\$12.00
		Thick Door Kit Upgrade (Includes #6, #9, #11, Battery Screw)	Satin Brass	062-510189-606	\$12.00
		Removal Tool (Lever Clip Removal)		138-510576	\$31.50
		Cylinder Caps, Kaba Logo		062-510804-2	\$14.00
		Cylinder Caps, No Logo		062-510804-1	\$14.00
		Key-in-Lever Cylinder (Lori 1539), Schlage "C" Keyway		118-509610-626	\$44.50
		Key-in-Lever Cylinder (Lori 1539), Schlage "C" Keyway		118-509610-606	\$44.50
		Mounting Screws - Sold as part of Hardware Pack (Includes #6, #9, #11, Battery Screw)	Satin Chrome	062-510261/626	\$23.50
		Mounting Screws - Sold as part of Hardware Pack (Includes #6, #9, #11, Battery Screw)	Satin Brass	062-510261/606	\$23.50
		Door Filler Plate, 14" (356mm) x 4 5/8" (117mm)	Stainless Steel	061-510201-630	\$65.00
		Door Filler Plate, 14" (356mm) x 4 5/8" (117mm)	Satin Brass	061-510201-906	\$65.00
		Door Filler Plate, 10 1/16" (256mm) x 3 3/4" (95mm)	Stainless Steel	061-510362-630	\$56.00
		Door Filler Plate, 10 1/16" (256mm) x 3 3/4" (95mm)	Satin Brass	061-510362-906	\$56.00
		E-Plex 2000 Acrylic Mount		EP2000ACLMT	\$309.00
		E-Plex 2000 Wood Mount		20305900041	\$167.00
		Security Screw Kit (Includes Bit)		062-511915	\$16.00
		Latch Extension Assembly (converts to 3 3/4" (95mm) Backset)		20402200001	\$37.00
		Latch Extension Assembly (converts to 5" (130mm) Backset)		20402300001	\$33.00
		Best Equivalent - Small Format Interchangeable Core		20148426D01	\$68.00
		Best Equivalent - Small Format Interchangeable Core		2014840301	\$68.00

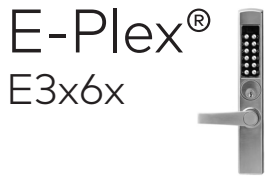


E-Plex® E3x6x



See page 6 for
How to Order instructions

Item	Qty/Lock	Description	Finish	Part Number	List Price (USD)
1	1	Lever Cap - Lever Cap Kit (Includes 1 ea. #1, #4, #5)	Satin Chrome	3429862601	\$16.50
		Lever Cap - Lever Cap Kit (Includes 1 ea. #1, #4, #5)	Dark Bronze	3429874401	\$16.50
2	2	Screw, 8-32 x 3/4", Pinned Torx (10 Pack)	Satin Chrome	5472500010	\$23.50
			Dark Bronze	5472500010	\$23.50
3	1	Lever Kit (Includes 1 ea. #1, #3, #4, #5, #15; 2 ea. #2)	Satin Chrome	7533162601	\$58.50
			Dark Bronze	7533174401	\$58.50
4	1	Set Screw, 4-40 NC x 1/4" Hex Hd (10 Pack)		20157200010	\$7.00
5	1	Hex Wrench, .050" x 2" - Lever Cap Kit (Includes 1 ea. #1, #4, #5)	Satin Chrome	3429862601	\$16.50
			Dark Bronze	3429874401	\$16.50



Item	Qty/Lock	Description	Finish	Part Number	List Price (USD)
6	1	Schlage Mortise Cylinder, "C" Keyway	Satin Chrome	5445026D01	\$42.00
		Schlage Mortise Cylinder, "C" Keyway	Dark Bronze	5445010B01	\$42.00
		Kaba Mortise Cylinder, Kaba 90 Keyway	Satin Chrome	5475926D01	\$42.00
		Kaba Mortise Cylinder, Kaba 90 Keyway	Dark Bronze	5475910B01	\$42.00
		SFIC Mortise Housing (Best 6-pin) (NO cylinder supplied)	Satin Chrome	5476026D01	\$42.00
		SFIC Mortise Housing (Best 6-pin) (NO cylinder supplied)	Dark Bronze	5476010B01	\$42.00
7	1	Cylinder Collar (Included with SFIC Mortise Housing Models Only)		n/a	
8	1	Fascia (E3xxx Only)		5468100001	\$11.50
9	1	E306x Housing Assembly, Complete for Lever Models (Includes 1 ea. #8, #9, #16, #17, #18)	Satin Chrome	7532562601	\$583.00
		E306x Housing Assembly, Complete for Lever Models (Includes 1 ea. #8, #9, #16, #17, #18)	Dark Bronze	7532574401	\$664.50
		E306x Housing Assembly with Remote Unlock, Complete for Lever Models (Includes 1 ea. #8, #9, #16, #17, #18)	Satin Chrome	7537062601	\$629.50
		E306x Housing Assembly with Remote Unlock, Complete for Lever Models (Includes 1 ea. #8, #9, #16, #17, #18)	Dark Bronze	7537074401	\$711.50
		E326x Housing Assembly, Complete for Lever Models (Includes 1 ea. #8, #9, #16, #17, #18)	Satin Chrome	7539662601	\$769.50
		E326x Housing Assembly, Complete for Lever Models (Includes 1 ea. #8, #9, #16, #17, #18)	Dark Bronze	7539674401	\$851.00
		E326x Housing Assembly with Remote Unlock, Complete for Lever Models (Includes 1 ea. #8, #9, #16, #17, #18)	Satin Chrome	7539762601	\$816.00
		E326x Housing Assembly with Remote Unlock, Complete for Lever Models (Includes 1 ea. #8, #9, #16, #17, #18)	Dark Bronze	7539774401	\$898.00
		E366x Housing Assembly, Complete for Lever Models (Includes 1 ea. #8, #9, #16, #17, #18)	Satin Chrome	7450362601	\$1,003.00
		E366x Housing Assembly, Complete for Lever Models (Includes 1 ea. #8, #9, #16, #17, #18)	Dark Bronze	7450374401	\$1,084.50
		E366x Housing Assembly with Remote Unlock, Complete for Lever Models - (Includes 1 ea. #8, #9, #16, #17, #18)	Satin Chrome	7450462601	\$1,049.50
		E366x Housing Assembly with Remote Unlock, Complete for Lever Models - (Includes 1 ea. #8, #9, #16, #17, #18)	Dark Bronze	7450474401	\$1,131.00
		E376x Housing Assembly, Complete for Lever Models (Includes 1 ea. #8, #9, #16, #17, #18)	Satin Chrome	7537262601	\$1,003.00
		E376x Housing Assembly, Complete for Lever Models (Includes 1 ea. #8, #9, #16, #17, #18)	Dark Bronze	7537274401	\$1,084.50
		E376x Housing Assembly with Remote Unlock, Complete for Lever Models (Includes 1 ea. #8, #9, #16, #17, #18)	Satin Chrome	7537362601	\$1,049.50
		E376x Housing Assembly with Remote Unlock, Complete for Lever Models (Includes 1 ea. #8, #9, #16, #17, #18)	Dark Bronze	7537374401	\$1,131.00
		E306x Housing Assembly, Complete for Thumbturn Models (Includes 1 ea. #8, #9, #16, #17, #18)	Satin Chrome	7532662601	\$583.00
		E306x Housing Assembly, Complete for Thumbturn Models (Includes 1 ea. #8, #9, #16, #17, #18)	Dark Bronze	7532674401	\$664.50
		E306x Housing Assembly with Remote Unlock, Complete for Thumbturn Models (Includes 1 ea. #8, #9, #16, #17, #18)	Satin Chrome	7537162601	\$629.50
		E306x Housing Assembly with Remote Unlock, Complete for Thumbturn Models (Includes 1 ea. #8, #9, #16, #17, #18)	Dark Bronze	7537174401	\$711.50
		E326x Housing Assembly, Complete for Thumbturn Models (Includes 1 ea. #8, #9, #16, #17, #18)	Satin Chrome	7539862601	\$769.50
		E326x Housing Assembly, Complete for Thumbturn Models (Includes 1 ea. #8, #9, #16, #17, #18)	Dark Bronze	7539874401	\$851.00

E-Plex

Power Lever

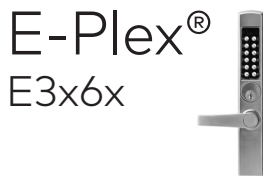
4,000

Solitaire



E-Plex®
E3x6x

Item	Qty/Lock	Description	Finish	Part Number	List Price (USD)
9	1	E326x Housing Assembly with Remote Unlock, Complete for Thumbturn Models (Includes 1 ea. #8, #9, #16, #17, #18)	Satin Chrome	7539962601	\$816.00
		E326x Housing Assembly with Remote Unlock, Complete for Thumbturn Models (Includes 1 ea. #8, #9, #16, #17, #18)	Dark Bronze	7539974401	\$898.00
		E366x Housing Assembly, Complete for Thumbturn Models (Includes 1 ea. #8, #9, #16, #17, #18)	Satin Chrome	7450562601	\$1,003.00
		E366x Housing Assembly, Complete for Thumbturn Models (Includes 1 ea. #8, #9, #16, #17, #18)	Dark Bronze	7450574401	\$1,084.50
		E366x Housing Assembly with Remote Unlock, Complete for Thumbturn Models (Includes 1 ea. #8, #9, #16, #17, #18)	Satin Chrome	7450662601	\$1,049.50
		E366x Housing Assembly with Remote Unlock, Complete for Thumbturn Models (Includes 1 ea. #8, #9, #16, #17, #18)	Dark Bronze	7450674401	\$1,131.00
		E376x Housing Assembly, Complete for Thumbturn Models (Includes 1 ea. #8, #9, #16, #17, #18)	Satin Chrome	7537462601	\$1,003.00
		E376x Housing Assembly, Complete for Thumbturn Models (Includes 1 ea. #8, #9, #16, #17, #18)	Dark Bronze	7537474401	\$1,084.50
		E376x Housing Assembly with Remote Unlock, Complete for Thumbturn Models (Includes 1 ea. #8, #9, #16, #17, #18)	Satin Chrome	7537562601	\$1,049.50
E376x Housing Assembly with Remote Unlock, Complete for Thumbturn Models (Includes 1 ea. #8, #9, #16, #17, #18)	Dark Bronze	7537574401	\$1,131.00		
10	2	Screw, Machine, Fil, 6-32 x 3/8" (10 Pack)		5473900010	\$9.50
11	1	Battery Boot - Battery Pack and Boot Kit (Includes 1 ea. #11, #12)		5468500001	\$18.50
12	1	Battery Pack - Battery Pack and Boot Kit (Includes 1 ea. #11, #12)		5468500001	\$18.50
13	1	Battery Cover - Battery Cover and Wrench Kit (Includes 1 ea. #13, #14, #15)	Black	245541901	\$14.00
14	1	Screw, 8-32 x 3/8", Pinned Torx (10 Pack)		5473700010	\$23.50
15	1	Anti-Tamper Torx Wrench - Battery Cover and Wrench Kit (Includes 1 ea. #13, #14, #15)	Black	245541901	\$14.00
16	1	Screw, 8-32 x 1/2", Flat C.S. Undersized (10 Pack)		5476900010	\$9.50
17	1	Moisture Barrier		5470200001	\$10.50
18	1	Mounting Plate (13-1/4" L)	Satin Chrome	2456562601	\$58.50
		Mounting Plate (13-1/4" L)	Dark Bronze	2456574401	\$58.50
19	4	Screw, #10-24 Fh Phillips, Base Screw (10 Pack)		5446100010	\$11.50
20	1	Mortise Gear Spindle		5470000001	\$16.50
21	1	Swing-Bolt Cam Assembly		7526200001	\$61.50
		Mortise Latch Cam Plug Assembly		7527100001	\$61.50
22	1	Exit Trim Spindle/Tailpiece (Includes spring)		7535700001	\$18.50
Additional Kits & Accessories			Finish	Part Number	List Price (USD)
23		Sex Nuts (10 Pack)	Satin Chrome	4422602210	\$25.50
		Sex Nuts (10 Pack)	Black	4422601210	\$25.50
24		Mounting Bushing (10 Pack)	Satin Chrome	4422902210	\$11.50
		Mounting Bushing (10 Pack)	Black	4422901910	\$11.50
25		Screw, #10-24 x 1-1/2", Phillips Hd (10 Pack)	Satin Chrome	5427502210	\$9.50
		Screw, #10-24 x 1-1/2", Phillips Hd (10 Pack)	Black	5427506810	\$9.50
26		Mounting Plate, Extended (15" L)	Satin Chrome	2454862601	\$64.00
		Mounting Plate, Extended (15" L)	Dark Bronze	2454874401	\$64.00
27		Screw, #10-24 x 2-3/8" Pan Hd (10 Pack)	Satin Chrome	5457926D10	\$11.50
		Screw, #10-24 x 2-3/8" Pan Hd (10 Pack)	Black	5457906810	\$11.50



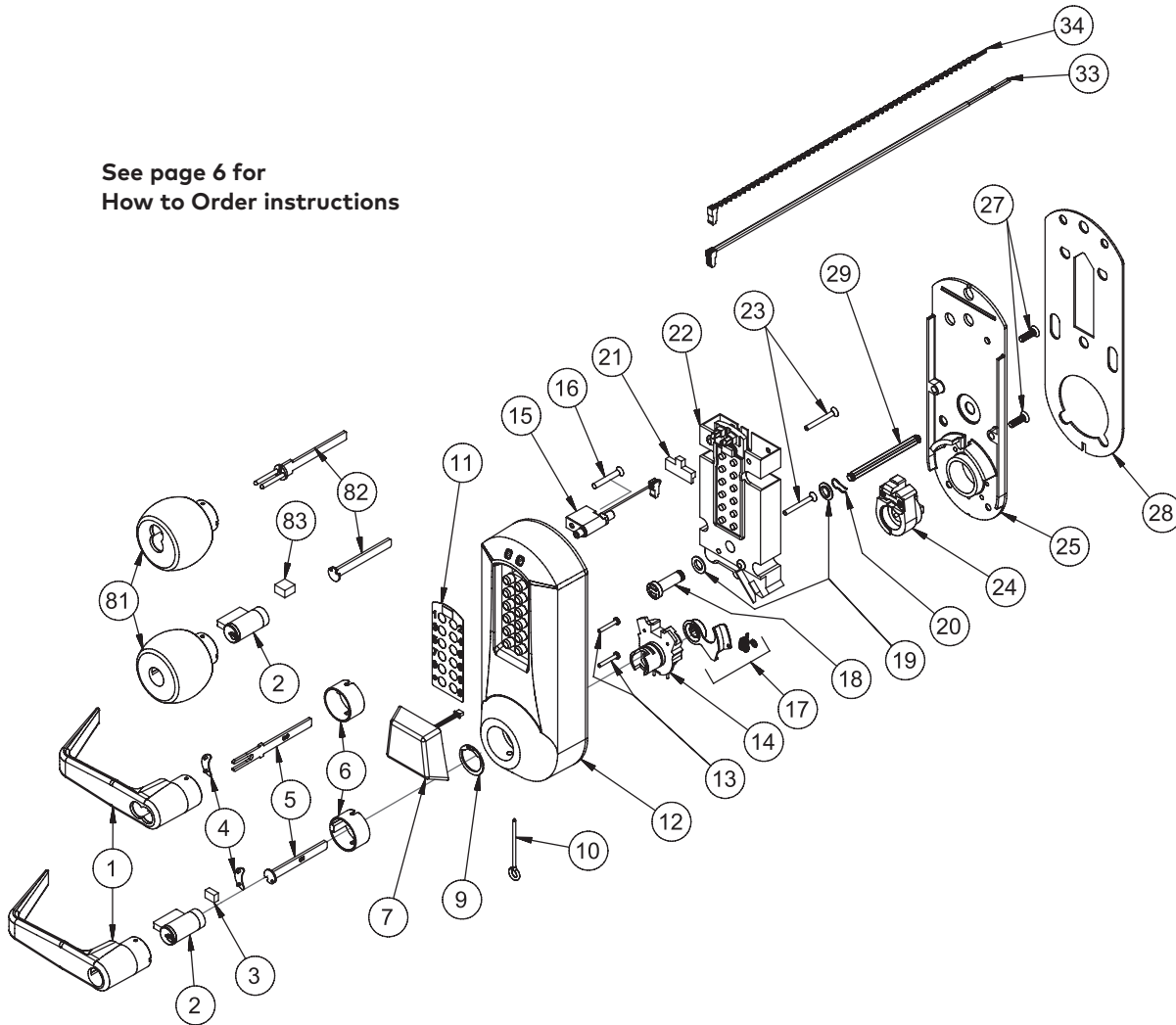
	Additional Kits & Accessories	Finish	Part Number	List Price (USD)
28	1/8" Hex Wrench - Wrench and Screw Kit (Includes 1 ea. #28; 2 ea. #29)	Satin Chrome	5408226D01	\$9.50
	1/8" Hex Wrench - Wrench and Screw Kit (Includes 1 ea. #28; 2 ea. #29)	Satin Brass	540820401	\$9.50
29	Screw, #10 x 3/16", Hex Button Hd - Wrench and Screw Kit (Includes 1 ea. #28; 2 ea. #29)	Satin Chrome	5408226D01	\$9.50
	Screw, #10 x 3/16", Hex Button Hd - Wrench and Screw Kit (Includes 1 ea. #28; 2 ea. #29)	Satin Brass	540820401	\$9.50
30	Dead Latch Dress Plate Kit	Satin Chrome	6479362601	\$97.50
	Dead Latch Dress Plate Kit	Dark Bronze	6479374401	\$97.50
	Dead Lock Dress Plate Kit	Satin Chrome	6479462601	\$97.50
	Dead Lock Dress Plate Kit	Dark Bronze	6479474401	\$97.50
	Dead Latch Installation Hardware (Includes 1 ea. #1, #5, #13, #15, #21; 2 ea. #2, #4, #14, #23, #25, #26; 4 ea. #24)	Satin Chrome	6478562601	\$46.50
	Dead Latch Installation Hardware (Includes 1 ea. #1, #5, #13, #15, #21; 2 ea. #2, #4, #14, #23, #25, #26; 4 ea. #24)	Dark Bronze	6478574401	\$46.50
	Dead Lock Installation Hardware (Includes 1 ea. #1, #5, #13, #15, #21; 2 ea. #2, #4, #14, #23, #25, #26; 4 ea. #24)	Satin Chrome	6479162601	\$70.00
	Dead Lock Installation Hardware (Includes 1 ea. #1, #5, #13, #15, #21; 2 ea. #2, #4, #14, #23, #25, #26; 4 ea. #24)	Dark Bronze	6479174401	\$70.00
	Dead Latch to Dead Lock Conversion Kit (Includes cam, templates and instructions)		7526200001	\$58.50
	Dead Lock to Dead Latch Conversion Kit (Includes cam, templates and instructions)		7527100001	\$61.50
	Dead Latch Dress Plate Kit (Use with E3x65 Models) Covers Existing Door Prep from Schlage King Cobra and Trilogy DL1200/1300 Series, as well as Simplex 3000 and 3100		6479362601	\$97.50
	Dead Latch Dress Plate Kit (Use with E3x65 Models) Covers Existing Door Prep from Schlage King Cobra and Trilogy DL1200/1300 Series, as well as Simplex 3000 and 3100		6479374401	\$97.50
	Dead Lock Dress Plate Kit (Use with E3x66 Models) Covers Existing Door Prep from Schlage King Cobra and Trilogy DL1200/1300 Series, as well as Simplex 3000 and 3100		6479462601	\$97.50
	Dead Lock Dress Plate Kit (Use with E3x66 Models) Covers Existing Door Prep from Schlage King Cobra and Trilogy DL1200/1300 Series, as well as Simplex 3000 and 3100		6479474401	\$97.50
	E3x6x Exit Trim Adapter Kit (Fits Arrow 10/51800, Corbin ED5200A, Detex Advantex 10/40, DCI 1200A/1300A, Dorma 9300/F9300, Hager 4700R/4700RF, Precision 2100/FL2100, and Von Duprin 33/35A)		6480200001	\$61.50
	E3000 Aluminum Demo Mount - Dead Latch, Satin Chrome (E3x65 Lock and Adams Rite Hardware NOT Included)		7526862641	\$220.50
	E-Plex 3000 Standard Software Kit (Includes PC M-unit kit and software discs) (Excel-Based Templates) (300 users per lock)		EP-0300-001	*
	E-Plex 3200/3700 Enterprise Software Kit (Includes PC M-unit kit and software discs) (3,000 users per lock)		EP-EPRISE1-001	*
	E-Plex 3200/3700 Enterprise Demo Software (90 day expiry)		EP-EPRISE-DEMO	*
	HID Proxcard II Proximity Access Card #1326M - Not Printable, with Slot (minimum order 100 pcs)		065-101066	\$8.50
HID ISO Prox II Card (PVC-31 mils) #1336 - Printable, NO Slot (minimum 100 pcs)		065-507143	\$10.00	
HID DuoProx (PVC-31 mils) High C/Proximity #1336 - Printable, NO Slot (minimum 100 pcs)		065-507144	\$10.00	
HID Prox KEY II #1346 (FOB) (minimum order 100 pcs)		120-508051	\$0.00	
MicroProx Tag Proximity #1391 (Adhesive Backed Disc) (minimum order 100 pieces)		065-511072	\$7.00	
DESFire 2K Smart Card (for use with 3600/5600/5800)		352-DESFIR-02K	*	

* For software and software related accessories, please visit www.dormakaba.us



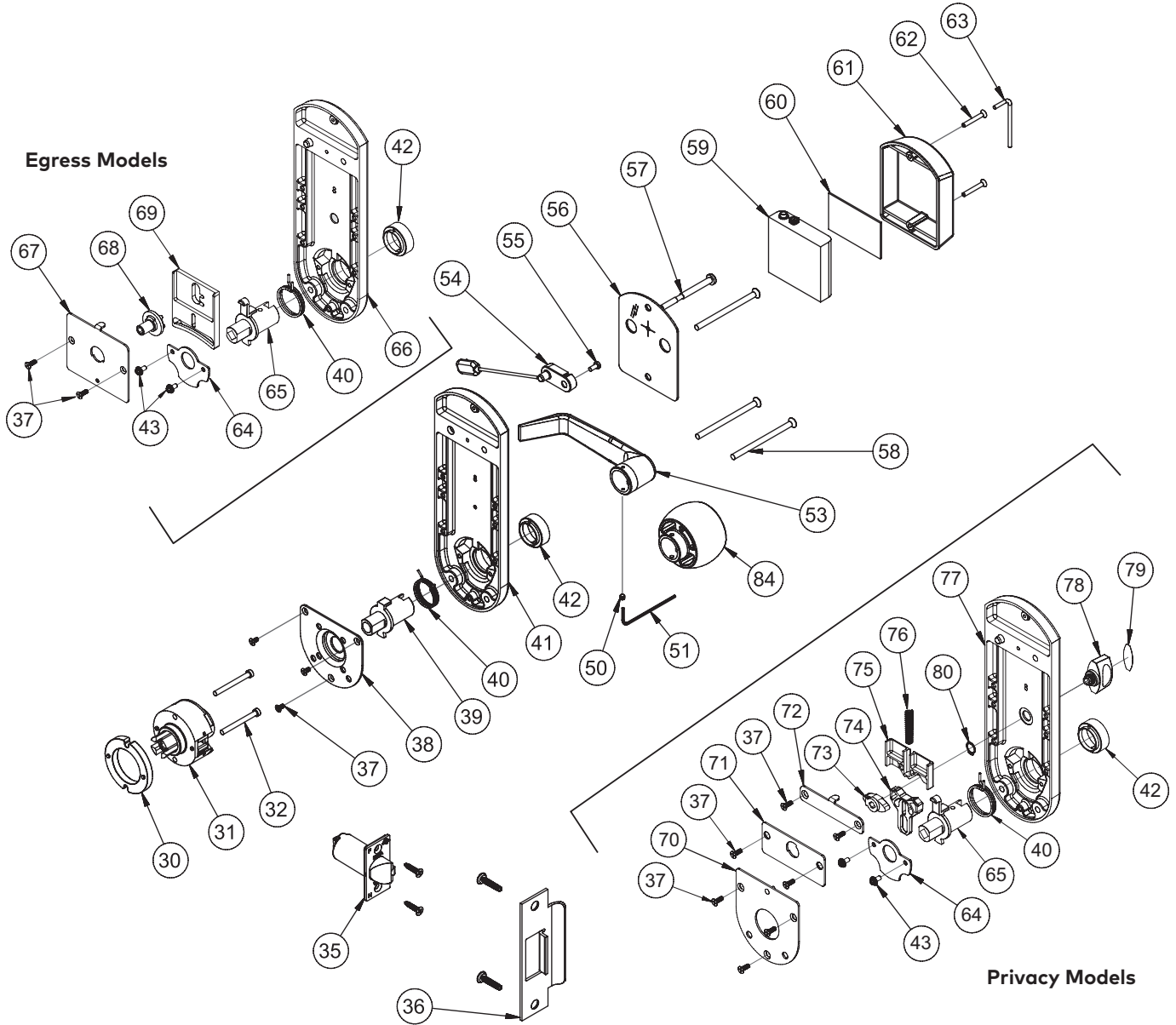
E-Plex[®] 5x3x/5x5x Cylindrical

See page 6 for
How to Order instructions



Item	Qty/Lock	Description	Finish	Part Number	List Price (USD)
1	1	Outside Lever, KIL (Includes 1 ea. #1, #3, #4, #6)	Satin Chrome	3422926D01	\$87.50
		Outside Lever, KIL (Includes 1 ea. #1, #3, #4, #6)	Bright Brass	342290301	\$87.50
		Outside Lever, KIL (Includes 1 ea. #1, #3, #4, #6)	Satin Brass	342290401	\$87.50
		Outside Lever, KIL (Includes 1 ea. #1, #3, #4, #6)	Dark Bronze	3422974401	\$87.50
		Outside Lever, KIL (Includes 1 ea. #1, #3, #4, #6)	Bright Chrome	3422902601	\$87.50
		Outside Lever, Schlage (Includes 1 ea. #1, #4, #6)	Satin Chrome	3423026D01	\$116.50
		Outside Lever, Schlage (Includes 1 ea. #1, #4, #6)	Bright Brass	342300301	\$116.50
		Outside Lever, Schlage (Includes 1 ea. #1, #4, #6)	Satin Brass	342300401	\$116.50
		Outside Lever, Schlage (Includes 1 ea. #1, #4, #6)	Dark Bronze	3423074401	\$116.50
		Outside Lever, Schlage (Includes 1 ea. #1, #4, #6)	Bright Chrome	3423002601	\$116.50
		Outside Lever, Corbin-Russwin (Includes 1 ea. #1, #4, #6)	Satin Chrome	3423126D01	\$116.50
		Outside Lever, Corbin-Russwin (Includes 1 ea. #1, #4, #6)	Bright Brass	342310301	\$116.50
		Outside Lever, Corbin-Russwin (Includes 1 ea. #1, #4, #6)	Satin Brass	342310401	\$116.50
		Outside Lever, Corbin-Russwin (Includes 1 ea. #1, #4, #6)	Dark Bronze	3423174401	\$116.50
		Outside Lever, Corbin-Russwin (Includes 1 ea. #1, #4, #6)	Bright Chrome	3423102601	\$116.50

E-Plex[®] 5x3x/5x5x Cylindrical



Item	Qty/Lock	Description	Finish	Part Number	List Price (USD)
1	1	Outside Lever, Sargent (Includes 1 ea. #1, #4, #6)	Satin Chrome	3423226D01	\$116.50
		Outside Lever, Sargent (Includes 1 ea. #1, #4, #6)	Bright Brass	342320301	\$116.50
		Outside Lever, Sargent (Includes 1 ea. #1, #4, #6)	Satin Brass	342320401	\$116.50
		Outside Lever, Sargent (Includes 1 ea. #1, #4, #6)	Dark Bronze	3423274401	\$116.50
		Outside Lever, Sargent (Includes 1 ea. #1, #4, #6)	Bright Chrome	3423202601	\$116.50
		Outside Lever, Best (Includes 1 ea. #1, #4, #6)	Satin Chrome	3423326D01	\$116.50
		Outside Lever, Best (Includes 1 ea. #1, #4, #6)	Bright Brass	342330301	\$116.50
		Outside Lever, Best (Includes 1 ea. #1, #4, #6)	Satin Brass	342330401	\$116.50
		Outside Lever, Best (Includes 1 ea. #1, #4, #6)	Dark Bronze	3423374401	\$116.50
		Outside Lever, Best (Includes 1 ea. #1, #4, #6)	Bright Chrome	3423302601	\$116.50

E-Plex

Power Lever

4000

Solitaire



E-Plex® 5x3x/5x5x Cylindrical

Item	Qty/Lock	Description	Finish	Part Number	List Price (USD)
1	1	Outside Lever, ASSA/Medeco/Yale (Includes 1 ea. #1, #4, #6)	Satin Chrome	3423426D01	\$116.50
		Outside Lever, ASSA/Medeco/Yale (Includes 1 ea. #1, #4, #6)	Bright Brass	342340301	\$116.50
		Outside Lever, ASSA/Medeco/Yale (Includes 1 ea. #1, #4, #6)	Satin Brass	342340401	\$116.50
		Outside Lever, ASSA/Medeco/Yale (Includes 1 ea. #1, #4, #6)	Dark Bronze	3423474401	\$116.50
		Outside Lever, ASSA/Medeco/Yale (Includes 1 ea. #1, #4, #6)	Bright Chrome	3423402601	\$116.50
2	1	Kaba KIL Cylinder (w/keys), Keyed Different	Satin Chrome	5456226D01	\$44.50
		Kaba KIL Cylinder (w/keys), Keyed Different	Satin Brass	545620401	\$44.50
		Schlage KIL Cylinder (w/keys), Keyed Different	Satin Chrome	5456826D01	\$44.50
		Schlage KIL Cylinder (w/keys), Keyed Different	Satin Brass	545680401	\$44.50
		Kaba 90 Key Blank, 50/Box - Available from Ilco Division - Rocky Mount		KABA90	
3	1	Cylinder Keeper - Lever Sleeve Accessory Kit, KIL (Includes 1 ea. #3, #4, #6)		6470600001	\$16.50
4	1	Outside Lever Insert (10 Pack)		5452700010	\$11.50
5	1	Tailpiece Kit, KIL (Includes 5 various tailpieces) Cylindrical		7489200001	\$18.50
		Tailpiece Kit, Best (6 and 7-pin) Cylindrical		6472400001	\$14.00
		Tailpiece Kit, Corbin-Russwin/Sargent Cylindrical		2447100001	\$14.00
		Tailpiece Kit, Schlage Cylindrical		5461800001	\$14.00
		Tailpiece Kit, ASSA/Medeco/Yale Cylindrical		7483600001	\$14.00
6	1	Lever Sleeve - Lever Sleeve Accessory Kit, KIL (Includes 1 ea. #3, #4, #6, #83)		6470600001	\$16.50
		Lever Sleeve - Lever Sleeve Accessory Kit, IC (Includes 1 ea. #4, #6)		6470700001	\$16.50
7	1	Antenna - E56xx models - Antenna Assembly Kit (Includes 1 ea. #7; 2 ea. #13)		7540000001	\$56.00
		Antenna - E57xx models - Antenna Assembly Kit (Includes 1 ea #7; 2 ea. #13)		7511800001	\$56.00
		Antenna - E58xx and E59xx models - Antenna Assembly Kit (Includes 1 ea. #7; 2 ea. #13)		7527500001	\$56.00
9	1	External Retaining Ring (10 Pack)		5451700010	\$11.50
10	1	Accessory Tool Kit (Includes 1 ea. #10, #51, #63)		6471700001	\$11.50
11	1	Fascia - Keypad Label		055-51063801	\$11.50
12	1	Outside Housing Assembly - NO Reader Models 503x/505x/523x/525x (Includes 1 ea. #11, #12, and code buttons)	Satin Chrome	7494026D01	\$163.00
		Outside Housing Assembly - NO Reader Models 503x/505x/523x/525x (Includes 1 ea. #11, #12, and code buttons)	Bright Brass	749400301	\$163.00
		Outside Housing Assembly - NO Reader Models 503x/505x/523x/525x (Includes 1 ea. #11, #12, and code buttons)	Satin Brass	749400401	\$163.00
		Outside Housing Assembly - NO Reader Models 503x/505x/523x/525x (Includes 1 ea. #11, #12, and code buttons)	Dark Bronze	7494074401	\$163.00
		Outside Housing Assembly - NO Reader Models 503x/505x/523x/525x (Includes 1 ea. #11, #12, and code buttons)	Wrinkle Black	7494008301	\$163.00
		Outside Housing Assembly - NO Reader Models 503x/505x/523x/525x (Includes 1 ea. #11, #12, and code buttons)	Bright Chrome	7494002601	\$163.00
		Outside Housing Assembly - Reader Models 563x/565x/573x/575x/583x/585x/593x/595x (Includes 1 ea. #11, #12, and code buttons)	Satin Chrome	7514226D01	\$175.00
		Outside Housing Assembly - Reader Models 563x/565x/573x/575x/583x/585x/593x/595x (Includes 1 ea. #11, #12, and code buttons)	Bright Brass	751420301	\$175.00
		Outside Housing Assembly - Reader Models 563x/565x/573x/575x/583x/585x/593x/595x (Includes 1 ea. #11, #12, and code buttons)	Satin Brass	751420401	\$175.00
		Outside Housing Assembly - Reader Models 563x/565x/573x/575x/583x/585x/593x/595x (Includes 1 ea. #11, #12, and code buttons)	Dark Bronze	7514274401	\$175.00
		Outside Housing Assembly - Reader Models 563x/565x/573x/575x/583x/585x/593x/595x (Includes 1 ea. #11, #12, and code buttons)	Wrinkle Black	7514208301	\$175.00
		Outside Housing Assembly - Reader Models 563x/565x/573x/575x/583x/585x/593x/595x (Includes 1 ea. #11, #12, and code buttons)	Bright Chrome	7514202601	\$175.00

E-Plex®

5x3x/5x5x Cylindrical



Item	Qty/Lock	Description	Finish	Part Number	List Price (USD)
13	2	Screw, 4-40 x .750, Pan, Patch-lock - Antenna Screw (10 Pack)		5461600010	\$11.50
14	1	Outside Driver Assembly (Includes 1 ea. #9, #14)		7510000001	\$42.00
15	1	Outside Terminal Block Assembly (Includes 1 ea. #15, #16)		6470900001	\$28.00
16	1	Screw, 8-32 x 1 1/4" for Terminal Block (10 Pack)		5457400010	\$11.50
17	1	Key Override Detector Kit (Includes detector, spring and spring retainer)		6471000001	\$11.50
18	1	Magnetic Cam - Magnetic Cam Kit for Deadbolt or Door Egress Monitoring Models (Includes 1 ea. #18, #20; 2 ea. #19)		6475800001	\$46.50
19	2	Nylon Washer - Magnetic Cam Kit for Deadbolt or Door Egress Monitoring Models (Includes 1 ea. #18, #20; 2 ea. #19)		6475800001	\$46.50
20	1	Spring Clip - Magnetic Cam Kit for Deadbolt or Door Egress Monitoring Models (Includes 1 ea. #18, #20; 2 ea. #19)		6475800001	\$46.50
21	1	"T" Guard for Remote Release		3428200001	\$14.00
22	1	Electronic Module Kit for E50xx models (Includes 1 ea. #22, #28; 2 ea. #23)		6470000001	\$379.00
		Electronic Module Kit for E52xx models (Includes 1 ea. #22, #28; 2 ea. #23)		6475900001	\$466.50
		Electronic Module Kit for E56xx models (Includes 1 ea. #22, #28; 2 ea. #23)		6480900001	\$676.50
		Electronic Module Kit for E57xx models (Includes 1 ea. #22, #28; 2 ea. #23)		6476000001	\$583.00
		Electronic Module Kit for E58xx models (Includes 1 ea. #22, #28; 2 ea. #23)		6480400001	\$676.50
		Electronic Module Kit for E59xx models (Includes 1 ea. #22, #28; 2 ea. #23)		6480500001	\$676.50
23	2	Screw, 6-32 x 1 1/4" - Module Screw (10 Pack)		5458300010	\$11.50
24	1	Extension Sleeve Assembly		7491200001	\$33.00
25	1	Universal Outside Base		3432800001	\$46.50
27	2	Screw, #10-24 x .625" Phillips, Outside Base (10 Pack)		5446100010	\$11.50
28	1	Outside Base Moisture Barrier		5458800001	\$10.50
29	1	Privacy Spindle - Privacy Spindle Kit (E5x5x privacy models only) (Includes 1 ea. #29)		6480700001	\$16.50
30	1	Door Thickness Spacer - Spacer Kit (Includes 2 ea. #30, #32)		6471200001	\$11.50
31	1	Cylindrical Drive Unit (CDU)		7484100001	\$56.00
32	2	Screw, Phillips 8-32 x 1 3/8" (35 mm) Connecting Screw - Spacer Kit (Includes 2 ea. #30, #32)		6471200001	\$11.50
		Screw, Phillips 8-32 x 1 5/8" (41 mm) Connecting Screw - Spacer Kit (Includes 2 ea. #30, #32)		6471200001	\$11.50
33	1	Remote Unlock Cable Kit - Remote Unlock Cable Kit		7510500001	\$46.50
34	1	Door Monitoring Sensor Cable Kit (59xx Only)		9400700001	\$46.50
35	1	1/2" (13 mm) Latch, Floating Front Face, 2 3/4" (70 mm) backset (Includes screws)	Satin Chrome	20416826D01	\$41.00
		1/2" (13 mm) Latch, Floating Front Face, 2 3/4" (70 mm) backset (Includes screws)	Bright Brass	2041680301	\$41.00
		1/2" (13 mm) Latch, Floating Front Face, 2 3/4" (70 mm) backset (Includes screws)	Satin Brass	2041680401	\$41.00
		1/2" (13 mm) Latch, Floating Front Face, 2 3/4" (70 mm) backset (Includes screws)	Dark Bronze	20416874401	\$41.00
		3/4" (19 mm) Latch, Floating Front Face, 2 3/4" (70 mm) backset (Includes screws)	Satin Chrome	20114426D01	\$70.00
		3/4" (19 mm) Latch, Floating Front Face, 2 3/4" (70 mm) backset (Includes screws)	Bright Brass	2011440301	\$70.00
		3/4" (19 mm) Latch, Floating Front Face, 2 3/4" (70 mm) backset (Includes screws)	Dark Bronze	20114474401	\$70.00
		1/2" (13 mm) Latch, Floating Front Face, 2 3/8" (60 mm) backset (Includes screws)	Satin Chrome	7518526D01	\$41.00



E-Plex® 5x3x/5x5x Cylindrical

Item	Qty/Lock	Description	Finish	Part Number	List Price (USD)
35	1	1/2" (13 mm) Latch, Floating Front Face, 2 3/8" (60 mm) backset (Includes screws)	Bright Brass	751850301	\$41.00
		1/2" (13 mm) Latch, Floating Front Face, 2 3/8" (60 mm) backset (Includes screws)	Satin Brass	751850401	\$41.00
		1/2" (13 mm) Latch, Floating Front Face, 2 3/8" (60 mm) backset (Includes screws)	Dark Bronze	7518574401	\$41.00
36	1	ASA Strike for 4 7/8" (124 mm) Long Cutout (Includes screws)	Satin Chrome	20411926D01	\$12.50
		ASA Strike for 4 7/8" (124 mm) Long Cutout (Includes screws)	Bright Brass	2041190301	\$12.50
		ASA Strike for 4 7/8" (124 mm) Long Cutout (Includes screws)	Satin Brass	2041190401	\$12.50
		ASA Strike for 4 7/8" (124 mm) Long Cutout (Includes screws)	Dark Bronze	20411974401	\$21.00
		Standard "T" Strike Plate (Includes Screws)	Satin Chrome	20422726D01	\$11.50
		Standard "T" Strike Plate (Includes Screws)	Bright Brass	2042270301	\$11.50
		Standard "T" Strike Plate (Includes Screws)	Satin Brass	2042270401	\$11.50
		Standard "T" Strike Plate (Includes Screws)	Dark Bronze	20422774401	\$21.00
37	2	Screw, #6-32 x 3/8", Screw Pack (10 ea. 6-32 x 3/8", 5/16", 7/16")		6477600010	\$11.50
38	1	Inside Driver Cover Plate		2446100001	\$12.50
39	1	Inside Driver - Cylindrical Models (EXCLUDES Privacy and Door Egress Monitoring Models)		5445400001	\$42.00
40	2	Lever Return Spring (Fits Inside and Outside Drivers) (10 Pack)		5448200010	\$23.50
41	1	Inside Housing for Cylindrical Models (Housing Only)	Satin Chrome	3422026D01	\$87.50
		Inside Housing for Cylindrical Models (Housing Only)	Bright Brass	342200301	\$87.50
		Inside Housing for Cylindrical Models (Housing Only)	Satin Brass	342200401	\$87.50
		Inside Housing for Cylindrical Models (Housing Only)	Dark Bronze	3422074401	\$87.50
		Inside Housing for Cylindrical Models (Housing Only)	Wrinkle Black	3422008301	\$87.50
		Inside Housing for Cylindrical Models (Housing Only)	Bright Chrome	3422002601	\$87.50
		Inside Housing Kit, Complete (Includes 1 ea. #38, #39, #40, #41, #42; 2 ea. #37)	Satin Chrome	7493526D01	\$116.50
		Inside Housing Kit, Complete (Includes 1 ea. #38, #39, #40, #41, #42; 2 ea. #37)	Bright Brass	749350301	\$116.50
		Inside Housing Kit, Complete (Includes 1 ea. #38, #39, #40, #41, #42; 2 ea. #37)	Satin Brass	749350401	\$116.50
		Inside Housing Kit, Complete (Includes 1 ea. #38, #39, #40, #41, #42; 2 ea. #37)	Dark Bronze	7493574401	\$116.50
		Inside Housing Kit, Complete (Includes 1 ea. #38, #39, #40, #41, #42; 2 ea. #37)	Wrinkle Black	7493508301	\$116.50
		Inside Housing Kit, Complete (Includes 1 ea. #38, #39, #40, #41, #42; 2 ea. #37)	Bright Chrome	7493502601	\$116.50
42	1	Housing Bearing (10 Pack)		3419100010	\$11.50
43	1	Screw, #6-32 x 5/16", Pan hd, SEM - Screw Pack (10 ea. 6-32 x 3/8", 5/16", 7/16")		6477600001	\$11.50
50	2	Set Screw, Inside Lever (10 Pack)		5446300010	\$11.50
51	1	Tool Accessory Kit (Includes 1 ea. of #10, #51, #63)		6471700001	\$11.50
53	1	Inside Lever - Inside Lever Kit (Includes 1 ea. #50, #51, #53)	Satin Chrome	3418626D01	\$64.00
		Inside Lever - Inside Lever Kit (Includes 1 ea. #50, #51, #53)	Bright Brass	341860301	\$64.00
		Inside Lever - Inside Lever Kit (Includes 1 ea. #50, #51, #53)	Satin Brass	341860401	\$64.00
		Inside Lever - Inside Lever Kit (Includes 1 ea. #50, #51, #53)	Dark Bronze	3418674401	\$64.00
		Inside Lever - Inside Lever Kit (Includes 1 ea. #50, #51, #53)	Bright Chrome	3418602601	\$64.00
54	1	Inside Terminal Block - Inside Terminal Block Kit (Includes 1 ea. #54, #55, #56)		6471400001	\$28.00

E-Plex®

5x3x/5x5x Cylindrical



Item	Qty/Lock	Description	Finish	Part Number	List Price (USD)
55	1	Screw, Inside Pan hd Phil 6-32 x 5/16" MS (10 Pack)		5457800010	\$11.50
56	1	Inside Housing Moisture Barrier - Inside Terminal Block Kit (Includes 1 ea. #54, #55, #56)		6471400001	\$28.00
57	1	Lectro Bolt - Mounting Screw Kit (Includes 3 ea. #57, 9 ea. #58) (3 different lengths)	Satin Chrome	6471626D01	\$17.50
		Lectro Bolt - Mounting Screw Kit (Includes 3 ea. #57, 9 ea. #58) (3 different lengths)	Bright Brass	647160301	\$17.50
58	3	Mounting Screw - Mounting Screw Kit (Includes 3 ea. #57, 9 ea. #58)(3 different lengths)	Satin Chrome	6471626D01	\$17.50
		Mounting Screw - Mounting Screw Kit (Includes 3 ea. #57, 9 ea. #58)(3 different lengths)	Bright Brass	647160301	\$17.50
59	1	Battery Pack (Includes 4 Alkaline "Only" AA Batteries)		5456000001	\$16.50
60	1	Battery Pad - Battery Cover Kit (Includes 1 ea. #60, #61)		6471500001	\$11.50
61	1	Battery Cover - Battery Cover Kit (Includes 1 ea. #60, #61)		6471500001	\$11.50
		Battery Pack and Cover Kit (Includes 1 ea. #59, #60, #61, #63; 2 ea. #62)		6472300001	\$40.00
62	2	Battery Cover Screws (Tamper Proof) (10 Pack)		5455400010	\$14.00
63	1	Accessory Tool Kit (Includes 1 ea. #10, #51, #63)		6471700001	\$11.50
64	1	Inside Driver Cover Plate		2452300001	\$11.50
65	1	Inside Driver		5460900001	\$42.00
66	1	Inside Housing ONLY (E5966 Door Egress Monitoring Models Only)	Satin Chrome	3431526D01	\$99.00
		Inside Housing ONLY (E5966 Door Egress Monitoring Models Only)	Bright Brass	343150301	\$99.00
		Inside Housing ONLY (E5966 Door Egress Monitoring Models Only)	Satin Brass	343150401	\$99.00
		Inside Housing ONLY (E5966 Door Egress Monitoring Models Only)	Dark Bronze	3431574401	\$99.00
		Inside Housing ONLY (E5966 Door Egress Monitoring Models Only)	Wrinkle Black	3431508301	\$99.00
		Inside Housing ONLY (E5966 Door Egress Monitoring Models Only)	Bright Chrome	3431502601	\$99.00
		Inside Housing Assembly, Complete (Door Egress Monitoring Models Only) (Includes 1 ea. #40, #42, #54, #55, #56, #64, #65, #66, #67, #68, #69; 2 ea. #37, #43)	Satin Chrome	7529726D01	\$175.00
		Inside Housing Assembly, Complete (Door Egress Monitoring Models Only) (Includes 1 ea. #40, #42, #54, #55, #56, #64, #65, #66, #67, #68, #69; 2 ea. #37, #43)	Bright Brass	752970301	\$175.00
		Inside Housing Assembly, Complete (Door Egress Monitoring Models Only) (Includes 1 ea. #40, #42, #54, #55, #56, #64, #65, #66, #67, #68, #69; 2 ea. #37, #43)	Satin Brass	752970401	\$175.00
		Inside Housing Assembly, Complete (Door Egress Monitoring Models Only) (Includes 1 ea. #40, #42, #54, #55, #56, #64, #65, #66, #67, #68, #69; 2 ea. #37, #43)	Dark Bronze	7529774401	\$175.00
67	1	Inside Housing Assembly, Complete (Door Egress Monitoring Models Only) (Includes 1 ea. #40, #42, #54, #55, #56, #64, #65, #66, #67, #68, #69; 2 ea. #37, #43)	Wrinkle Black	7529708301	\$175.00
		Inside Housing Assembly, Complete (Door Egress Monitoring Models Only) (Includes 1 ea. #40, #42, #54, #55, #56, #64, #65, #66, #67, #68, #69; 2 ea. #37, #43)	Bright Chrome	7529702601	\$175.00
		Inside Housing Cover Plate (Door Egress Monitoring Models Only)		5478200001	\$11.50
		Egress Indicator Cam (Door Egress Monitoring Models Only)		3431400001	\$23.50
68	1	Egress Indicator Cam (Door Egress Monitoring Models Only)		3431400001	\$23.50
69	1	Egress Indicator Slide (Door Egress Monitoring Models Only)		5473000001	\$21.00
70	1	Pivot Plate Assembly (E5x5x Privacy Models Only)		2457100001	\$11.50
71	1	Reversible Stop Plate (E5x5x Privacy Models Only)		2456800001	\$11.50
72	1	Upper Tab Plate (E5x5x Privacy Models Only)		2456700001	\$9.50
73	1	Privacy Cam (E5x5x Privacy Models Only)		3431000001	\$9.50
74	1	Privacy Pivot Actuator (E5x5x Privacy Models Only)		5462400001	\$11.50

E-Plex

Power Lever

4000

Solitaire



E-Plex® 5x3x/5x5x Cylindrical

Item	Qty/Lock	Description	Finish	Part Number	List Price (USD)
75	1	Privacy Kickoff Slide (E5x5x Privacy Models Only)		5462100001	\$11.50
76	1	Privacy Spring (E5x5x Privacy Models Only)		5462200010	\$7.00
77	1	Inside Housing ONLY (E5x5x Privacy Models Only)	Satin Chrome	3428126D01	\$88.00
		Inside Housing ONLY (E5x5x Privacy Models Only)	Bright Brass	342810301	\$88.00
		Inside Housing ONLY (E5x5x Privacy Models Only)	Satin Brass	342810401	\$88.00
		Inside Housing ONLY (E5x5x Privacy Models Only)	Dark Bronze	3428174401	\$88.00
		Inside Housing ONLY (E5x5x Privacy Models Only)	Wrinkle Black	3428108301	\$88.00
		Inside Housing ONLY (E5x5x Privacy Models Only)	Bright Chrome	3428102601	\$88.00
		Inside Housing, Complete (E5x5x Privacy Models Only) (Includes 1 ea. #40, #42, #64, #65, #70, #71, #72, #73, #74, #75, #76, #77, #78, #79, #80; 2 ea. #43; 7 ea. #37)	Satin Chrome	7515026D01	\$175.00
		Inside Housing, Complete (E5x5x Privacy Models Only) (Includes 1 ea. #40, #42, #64, #65, #70, #71, #72, #73, #74, #75, #76, #77, #78, #79, #80; 2 ea. #43; 7 ea. #37)	Bright Brass	751500301	\$175.00
		Inside Housing, Complete (E5x5x Privacy Models Only) (Includes 1 ea. #40, #42, #64, #65, #70, #71, #72, #73, #74, #75, #76, #77, #78, #79, #80; 2 ea. #43; 7 ea. #37)	Satin Brass	751500401	\$175.00
		Inside Housing, Complete (E5x5x Privacy Models Only) (Includes 1 ea. #40, #42, #64, #65, #70, #71, #72, #73, #74, #75, #76, #77, #78, #79, #80; 2 ea. #43; 7 ea. #37)	Dark Bronze	7515074401	\$175.00
Inside Housing, Complete (E5x5x Privacy Models Only) (Includes 1 ea. #40, #42, #64, #65, #70, #71, #72, #73, #74, #75, #76, #77, #78, #79, #80; 2 ea. #43; 7 ea. #37)	Wrinkle Black	7515008301	\$175.00		
Inside Housing, Complete (E5x5x Privacy Models Only) (Includes 1 ea. #40, #42, #64, #65, #70, #71, #72, #73, #74, #75, #76, #77, #78, #79, #80; 2 ea. #43; 7 ea. #37)	Bright Chrome	7515002601	\$175.00		
78	1	Turn Knob (Includes 1 ea. #78, #79)	Satin Chrome	3427926D01	\$35.00
		Turn Knob (Includes 1 ea. #78, #79)	Bright Brass	342790301	\$35.00
		Turn Knob (Includes 1 ea. #78, #79)	Dark Bronze	3427974401	\$35.00
79	1	Privacy Label (E5x5x Privacy Models Only)		PKG3099	\$7.00
80	1	Retaining Ring (10 Pack)		20144000010	\$11.50
81	1	Outside Knob Kit, KIK (Includes 1 ea. #6, #81, #83)	Satin Chrome	3424626D01	\$87.50
		Outside Knob Kit, KIK (Includes 1 ea. #6, #81, #83)	Bright Brass	342460301	\$87.50
		Outside Knob Kit, KIK (Includes 1 ea. #6, #81, #83)	Satin Brass	342460401	\$87.50
		Outside Knob Kit, KIK (Includes 1 ea. #6, #81, #83)	Dark Bronze	3424674401	\$87.50
		Outside Knob Kit, KIK (Includes 1 ea. #6, #81, #83)	Bright Chrome	3424602601	\$87.50
		Outside Knob Kit, Best (Includes 1 ea. #6, #81)	Satin Chrome	3424826D01	\$116.50
		Outside Knob Kit, Best (Includes 1 ea. #6, #81)	Bright Brass	342480301	\$116.50
		Outside Knob Kit, Best (Includes 1 ea. #6, #81)	Satin Brass	342480401	\$116.50
		Outside Knob Kit, Best (Includes 1 ea. #6, #81)	Dark Bronze	3424874401	\$116.50
		Outside Knob Kit, Best (Includes 1 ea. #6, #81)	Bright Chrome	3424802601	\$116.50
		Outside Knob Kit, Schlage (Includes 1 ea. #6, #81)	Satin Chrome	3424926D01	\$116.50
		Outside Knob Kit, Schlage (Includes 1 ea. #6, #81)	Bright Brass	342490301	\$116.50
		Outside Knob Kit, Schlage (Includes 1 ea. #6, #81)	Satin Brass	342490401	\$116.50
		Outside Knob Kit, Schlage (Includes 1 ea. #6, #81)	Dark Bronze	3424974401	\$116.50
		Outside Knob Kit, Schlage (Includes 1 ea. #6, #81)	Bright Chrome	3424902601	\$116.50
		Outside Knob Kit, Sargent (Includes 1 ea. #6, #81)	Satin Chrome	3424526D01	\$116.50
		Outside Knob Kit, Sargent (Includes 1 ea. #6, #81)	Bright Brass	342450301	\$116.50
		Outside Knob Kit, Sargent (Includes 1 ea. #6, #81)	Satin Brass	342450401	\$116.50

E-Plex® 5x3x/5x5x Cylindrical



Item	Qty/Lock	Description	Finish	Part Number	List Price (USD)
81	1	Outside Knob Kit, Sargent (Includes 1 ea. #6, #81)	Dark Bronze	3424574401	\$116.50
		Outside Knob Kit, Sargent (Includes 1 ea. #6, #81)	Bright Chrome	3424502601	\$116.50
		Outside Knob Kit, Corbin-Russwin (Includes 1 ea. #6, #81)	Satin Chrome	3424426D01	\$116.50
		Outside Knob Kit, Corbin-Russwin (Includes 1 ea. #6, #81)	Bright Brass	342440301	\$116.50
		Outside Knob Kit, Corbin-Russwin (Includes 1 ea. #6, #81)	Satin Brass	342440401	\$116.50
		Outside Knob Kit, Corbin-Russwin (Includes 1 ea. #6, #81)	Dark Bronze	3424474401	\$116.50
		Outside Knob Kit, Corbin-Russwin (Includes 1 ea. #6, #81)	Bright Chrome	3424402601	\$116.50
		Outside Knob Kit, ASSA/Medeco/Yale (Includes 1 ea. #6, #81)	Satin Chrome	3425026D01	\$116.50
		Outside Knob Kit, ASSA/Medeco/Yale (Includes 1 ea. #6, #81)	Bright Brass	342500301	\$116.50
		Outside Knob Kit, ASSA/Medeco/Yale (Includes 1 ea. #6, #81)	Satin Brass	342500401	\$116.50
		Outside Knob Kit, ASSA/Medeco/Yale (Includes 1 ea. #6, #81)	Dark Bronze	3425074401	\$116.50
		Outside Knob Kit, ASSA/Medeco/Yale (Includes 1 ea. #6, #81)	Bright Chrome	3425002601	\$116.50
		82	1	Tailpiece Kit, Best Knob (6 and 7-pin)	
Tailpiece Kit, Corbin-Russwin Knob				7498900001	\$14.00
Tailpiece Kit, Sargent Knob				7499000001	\$14.00
Tailpiece Kit, ASSA/Medeco/Yale Knob				7498700001	\$16.50
Tailpiece Kit, Schlage Knob				5461800001	\$11.50
83	1	Knob Cylinder Keeper (Includes 1 ea. #3, #4, #6, #83)		6470600001	\$16.50
84	1	Inside Knob - Inside Knob Kit (Includes 1 ea. #50, #51, #84)	Satin Chrome	3424726D01	\$64.00
		Inside Knob - Inside Knob Kit (Includes 1 ea. #50, #51, #84)	Bright Brass	342470301	\$64.00
		Inside Knob - Inside Knob Kit (Includes 1 ea. #50, #51, #84)	Satin Brass	342470401	\$64.00
		Inside Knob - Inside Knob Kit (Includes 1 ea. #50, #51, #84)	Dark Bronze	3424774401	\$64.00
		Inside Knob - Inside Knob Kit (Includes 1 ea. #50, #51, #84)	Bright Chrome	3424702601	\$64.00
Additional Kits & Accessories			Finish	Part Number	List Price (USD)
Installation Hardware Kit (Includes 1 ea. #3, #4, #6, #10, #30, #51, #83; 2 ea. #32, #50; 1 ea. #57 (3 lengths); 3 ea. #58 (3 lengths))			Satin Chrome	7494426D01	\$35.00
Installation Hardware Kit (Includes 1 ea. #3, #4, #6, #10, #30, #51, #83; 2 ea. #32, #50; 1 ea. #57 (3 lengths); 3 ea. #58 (3 lengths))			Bright Brass	749440301	\$35.00
Product Documentation Kit				PKG3033	\$17.50
Tamper Proof Screw Kit (2 ea. of 3 lengths) (Includes Wrench)			Satin Chrome	6469226D01	\$25.50
Tamper Proof Screw Kit (2 ea. of 3 lengths) (Includes Wrench)			Bright Brass	646920301	\$25.50
Lubriplate Aero Grease Tubes				6475400001	\$15.50
E-Plex 5000 Standard Software Kit (Includes PC M-unit kit and software discs) (Excel-Based Templates) (300 users per lock)				EP-0300-001	*
E-Plex 5200/5700 Enterprise Software Kit (Includes PC M-unit kit and software discs) (3,000 users per lock)				EP-EPRISE1-001	*
E-Plex 5200/5700 Enterprise Demo Software (90 day expiry)				EP-EPRISE-DEMO	*
E-Plex 5700 USB Prox Reader/Enroller				5456100041	\$559.50
E-Plex 5800 FIPS/DESFire Card Reader/Enroller				120-ENFIPS-000	\$297.00
E-Plex 5800 OCSP FIPS Software				EP-OCSP-FIPS-SW	*
E-Plex 5800 General FIPS Software				EP-GEN-FIPS-SW	*
HID Proxcard II Proximity Access Card #1326M - Not Printable, with Slot (minimum order 100 pcs)				065-101066	*
HID ISO Prox II Card (PVC-31 mils) #1336 - Printable, NO Slot (minimum 100 pcs)				065-507143	*
HID DuoProx (PVC-31 mils) High C/Proximity #1336 - Printable, NO Slot (minimum 100 pcs)				065-507144	\$10.00

E-Plex

Power Lever

4000

Solitaire



E-Plex® 5x3x/5x5x Cylindrical

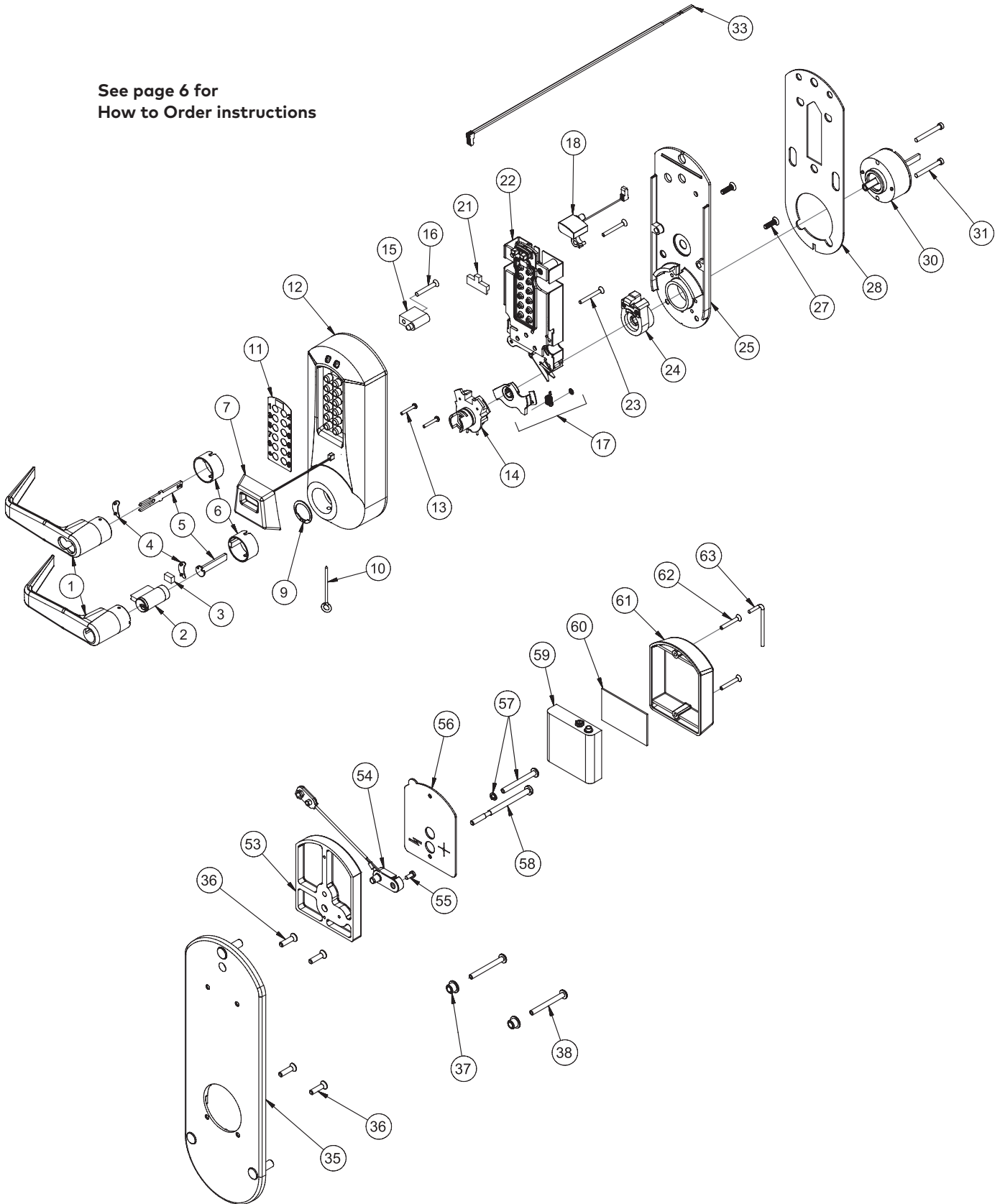
Additional Kits & Accessories	Finish	Part Number	List Price (USD)
HID Prox KEY II #1346 (FOB) (minimum order 100 pcs)		120-508051	*
MicroProx Tag Proximity #1391 (Adhesive Backed Disc) (minimum order 100 pieces)		065-511072	*
DESFire 2K Smart Card (for use with 3600/5600/5800)		352-DESFIR-02K	*
Wrap Plate, 10.5" (267mm) x 5" (127mm)	Satin Chrome	20423126D41	\$73.00
Wrap Plate, 10.5" (267mm) x 5" (127mm)	Bright Brass	2042310341	\$73.00
Wrap Plate, 15" (381mm) x 5" (127mm)	Satin Chrome	20423226D41	\$105.00
Wrap Plate, 15" (381mm) x 5" (127mm)	Bright Brass	2042320341	\$105.00
Latch Extension Assembly - Converts to 3 3/4" (95mm) backset		20402200001	\$37.00
Latch Extension Assembly - Converts to 5" (130mm) backset		20402300001	\$33.00
Best Equivalent Small Format Interchangeable Core	Satin Chrome	20148426D01	\$68.00
Best Equivalent Small Format Interchangeable Core	Bright Brass	2014840301	\$68.00
Installation Jig (for use with E5000/5000/1000/L1000)		6468426D01	\$429.50
Weather Cover (1000/L1000/5000/E5000)	Smoke	5464400041	\$61.50
E-Plex 5x3x Cylindrical Wood Demo Mount (lock not included)		20304400041	\$175.00
E-Plex 5x3x Cylindrical Acrylic Demo Mount (lock not included)		EP5000ACLMT	\$326.50

* For software and software related accessories, please visit www.dormakaba.us

E-Plex[®] 5x10 Exit Trim



See page 6 for
How to Order instructions





E-Plex[®] 5x10 Exit Trim

Item	Qty/Lock	Description	Finish	Part Number	List Price (USD)		
1	1	Outside Lever, KIL (Includes 1 ea. #1, #3, #4, #6)	Satin Chrome	3422926D01	\$87.50		
		Outside Lever, KIL (Includes 1 ea. #1, #3, #4, #6)	Bright Brass	342290301	\$87.50		
		Outside Lever, KIL (Includes 1 ea. #1, #3, #4, #6)	Satin Brass	342290401	\$87.50		
		Outside Lever, KIL (Includes 1 ea. #1, #3, #4, #6)	Dark Bronze	3422974401	\$87.50		
		Outside Lever, KIL (Includes 1 ea. #1, #3, #4, #6)	Bright Chrome	3422902601	\$87.50		
		Outside Lever, Schlage (Includes 1 ea. #1, #4, #6)	Satin Chrome	3423026D01	\$116.50		
		Outside Lever, Schlage (Includes 1 ea. #1, #4, #6)	Bright Brass	342300301	\$116.50		
		Outside Lever, Schlage (Includes 1 ea. #1, #4, #6)	Satin Brass	342300401	\$116.50		
		Outside Lever, Schlage (Includes 1 ea. #1, #4, #6)	Dark Bronze	3423074401	\$116.50		
		Outside Lever, Schlage (Includes 1 ea. #1, #4, #6)	Bright Chrome	3423002601	\$116.50		
		Outside Lever, Corbin-Russwin (Includes 1 ea. #1, #4, #6)	Satin Chrome	3423126D01	\$116.50		
		Outside Lever, Corbin-Russwin (Includes 1 ea. #1, #4, #6)	Bright Brass	342310301	\$116.50		
		Outside Lever, Corbin-Russwin (Includes 1 ea. #1, #4, #6)	Satin Brass	342310401	\$116.50		
		Outside Lever, Corbin-Russwin (Includes 1 ea. #1, #4, #6)	Dark Bronze	3423174401	\$116.50		
		Outside Lever, Corbin-Russwin (Includes 1 ea. #1, #4, #6)	Bright Chrome	3423102601	\$116.50		
		Outside Lever, Sargent (Includes 1 ea. #1, #4, #6)	Satin Chrome	3423226D01	\$116.50		
		Outside Lever, Sargent (Includes 1 ea. #1, #4, #6)	Bright Brass	342320301	\$116.50		
		Outside Lever, Sargent (Includes 1 ea. #1, #4, #6)	Satin Brass	342320401	\$116.50		
		Outside Lever, Sargent (Includes 1 ea. #1, #4, #6)	Dark Bronze	3423274401	\$116.50		
		Outside Lever, Sargent (Includes 1 ea. #1, #4, #6)	Bright Chrome	3423202601	\$116.50		
		Outside Lever, Best (Includes 1 ea. #1, #4, #6)	Satin Chrome	3423326D01	\$116.50		
		Outside Lever, Best (Includes 1 ea. #1, #4, #6)	Bright Brass	342330301	\$116.50		
		Outside Lever, Best (Includes 1 ea. #1, #4, #6)	Satin Brass	342330401	\$116.50		
		Outside Lever, Best (Includes 1 ea. #1, #4, #6)	Dark Bronze	3423374401	\$116.50		
		Outside Lever, Best (Includes 1 ea. #1, #4, #6)	Bright Chrome	3423302601	\$116.50		
		Outside Lever, ASSA/Medeco/Yale (Includes 1 ea. #1, #4, #6)	Satin Chrome	3423426D01	\$116.50		
		Outside Lever, ASSA/Medeco/Yale (Includes 1 ea. #1, #4, #6)	Bright Brass	342340301	\$116.50		
		Outside Lever, ASSA/Medeco/Yale (Includes 1 ea. #1, #4, #6)	Satin Brass	342340401	\$116.50		
		Outside Lever, ASSA/Medeco/Yale (Includes 1 ea. #1, #4, #6)	Dark Bronze	3423474401	\$116.50		
		Outside Lever, ASSA/Medeco/Yale (Includes 1 ea. #1, #4, #6)	Bright Chrome	3423402601	\$116.50		
		2	1	Kaba KIL Cylinder (w/keys), Keyed Different	Satin Chrome	5456226D01	\$44.50
				Kaba KIL Cylinder (w/keys), Keyed Different	Satin Brass	545620401	\$44.50
Schlage KIL Cylinder (w/keys), Keyed Different	Satin Chrome			5456826D01	\$44.50		
Schlage KIL Cylinder (w/keys), Keyed Different	Satin Brass			545680401	\$44.50		
Kaba 90 Key Blank, 50/Box - Available from Ilco Division - Rocky Mount				KABA90			
3	1	Cylinder Keeper - Lever Sleeve Accessory Kit, KIL (Includes 1 ea. #3, #4, #6)		6470600001	\$16.50		
4	1	Outside Lever Insert (10 Pack)		5452700010	\$11.50		
5	1	Tailpiece Kit, KIL (Includes 5 various tailpieces) ET/Mortise		6474500001	\$18.50		
		Tailpiece Kit, Best (6 and 7-pin) ET/Mortise		6474300001	\$14.00		
		Tailpiece Kit, Corbin-Russwin/Sargent ET/Mortise		2452000001	\$14.00		
		Tailpiece Kit, Schlage ET/Mortise		2452700001	\$14.00		
		Tailpiece Kit, ASSA/Medeco/Yale ET/Mortise		7483600001	\$14.00		
6	1	Lever Sleeve - Lever Sleeve Accessory Kit, KIL (Includes 1 ea. #3, #4, #6)		6470600001	\$16.50		
		Lever Sleeve - Lever Sleeve Accessory Kit, IC (Includes 1 ea. #4, #6)		6470700001	\$16.50		

E-Plex[®] 5x10 Exit Trim



Item	Qty/Lock	Description	Finish	Part Number	List Price (USD)
7	1	Antenna - E56xx models - Antenna Assembly Kit (Includes 1 ea #7; 2 ea. #13)		7540000001	\$56.00
		Antenna - E57xx models - Antenna Assembly Kit (Includes 1 ea #7; 2 ea. #13)		7511800001	\$56.00
		Antenna - E58xx and E59xx models - Antenna Assembly Kit (Includes 1 ea #7; 2 ea. #13)		7527500001	\$56.00
9	1	External Retaining Ring (10 Pack)		5451700010	\$11.50
10	1	Accessory Tool Kit (Includes 1 ea. #10, #63)		6471700001	\$11.50
11	1	Fascia - Keypad Label		055-51063801	\$11.50
12	1	Outside Housing Assembly - No Reader Models 5010/5210 models (Includes 1 ea. #11, #12, and code buttons)	Satin Chrome	7497926D01	\$163.00
		Outside Housing Assembly - No Reader Models 5010/5210 models (Includes 1 ea. #11, #12, and code buttons)	Bright Brass	749790301	\$163.00
		Outside Housing Assembly - No Reader Models 5010/5210 models (Includes 1 ea. #11, #12, and code buttons)	Satin Brass	749790401	\$163.00
		Outside Housing Assembly - No Reader Models 5010/5210 models (Includes 1 ea. #11, #12, and code buttons)	Dark Bronze	7497974401	\$163.00
		Outside Housing Assembly - No Reader Models 5010/5210 models (Includes 1 ea. #11, #12, and code buttons)	Wrinkle Black	7497908301	\$163.00
		Outside Housing Assembly - No Reader Models 5010/5210 models (Includes 1 ea. #11, #12, and code buttons)	Bright Chrome	7497902601	\$163.00
		Outside Housing Assembly - Reader Models 5610/5710/5810/5910 models (Includes 1 ea. #11, #12, and code buttons)	Satin Chrome	751572601	\$175.00
		Outside Housing Assembly - Reader Models 5610/5710/5810/5910 models (Includes 1 ea. #11, #12, and code buttons)	Bright Brass	751570301	\$175.00
		Outside Housing Assembly - Reader Models 5610/5710/5810/5910 models (Includes 1 ea. #11, #12, and code buttons)	Satin Brass	751570401	\$175.00
		Outside Housing Assembly - Reader Models 5610/5710/5810/5910 models (Includes 1 ea. #11, #12, and code buttons)	Dark Bronze	7515774401	\$175.00
		Outside Housing Assembly - Reader Models 5610/5710/5810/5910 models (Includes 1 ea. #11, #12, and code buttons)	Wrinkle Black	7515708301	\$175.00
Outside Housing Assembly - Reader Models 5610/5710/5810/5910 models (Includes 1 ea. #11, #12, and code buttons)	Bright Chrome	7515702601	\$175.00		
13	2	Screw, 4-40 x .750, Pan, Patch-lock - Antenna Screw (10 Pack)		5461600010	\$11.50
14	1	Outside Driver Assembly (Includes 1 ea. #9, #14)		7520000001	\$42.00
15	1	Mounting Block Kit (Includes 1 ea. #15, #16)		3427400001	\$10.50
16	1	Screw, 8-32 x 1 1/4" for Mounting Block (10 Pack)		5457400010	\$11.50
17	1	Key Override Detector Kit (Includes detector, spring and spring retainer)		3430800001	\$11.50
18	1	Outside Terminal Block Assembly (Includes 1 ea. #15, #16)		7499800001	\$28.00
21	1	"T" Guard for Remote Release		3428200001	\$14.00
22	1	Electronic Module Kit for E50xx models (Includes 1 ea. #22, #28; 2 ea. #23)		6470000001	\$379.00
		Electronic Module Kit for E52xx models (Includes 1 ea. #22, #28; 2 ea. #23)		6475900001	\$466.50
		Electronic Module Kit for E56xx models (Includes 1 ea. #22, #28; 2 ea. #23)		6480900001	\$676.50
		Electronic Module Kit for E57xx models (Includes 1 ea. #22, #28; 2 ea. #23)		6476000001	\$583.00
		Electronic Module Kit for E58xx models (Includes 1 ea. #22, #28; 2 ea. #23)		6480400001	\$676.50
		Electronic Module Kit for E59xx models (Includes 1 ea. #22, #28; 2 ea. #23)		6480500001	\$676.50
23	2	Screw, 6-32 X 1 1/4" - Module Screw (10 Pack)		5458300010	\$11.50
24	1	Extension Sleeve Assembly		7512000001	\$33.00
25	1	Universal Outside Base		3432800001	\$46.50
27	2	Screw, #10-24 x .625" Phillips, Outside Base (10 Pack)		5446100010	\$11.50
28	1	Outside Base Moisture Barrier		5458800001	\$10.50

E-Plex

Power Lever

4000

Soitaire



E-Plex[®] 5x10 Exit Trim

Item	Qty/Lock	Description	Finish	Part Number	List Price (USD)
30	1	Exit Trim Drive Unit		7496800001	\$52.50
31	2	Screw, Phillips 8-32 X 1 3/8" (35 mm) Connecting Screw, Spacer Kit (Includes 2 ea. #30, and a 1/4" spacer)		6471200001	\$11.50
		Screw, Phillips 8-32 X 1 5/8" (41 mm) Connecting Screw, Spacer Kit (Includes 2 ea. #30, and a 1/4" spacer)		6471200001	\$11.50
33	1	Remote Unlock Cable - Remote Unlock Cable Kit		7510500001	\$46.50
35	1	Universal Mounting Plate (Includes Fixed Sex Nuts)	Wrinkle Black	7524608301	\$53.50
36	4	Outside Base Screw Kit (10 Pack)		5459700010	\$11.50
37	2	Mounting Bushing (10 Pack)	Black	4422906810	\$11.50
38	2	Mounting Screw - Installation Hardware Kit (Includes 1 ea. #57, #58; 2 ea. #31, #37, #38; 4 ea. #36)	Satin Chrome	6473226D01	\$35.00
		Mounting Screw - Installation Hardware Kit (Includes 1 ea. #57, #58; 2 ea. #31, #37, #38; 4 ea. #36)	Bright Brass	647320301	\$35.00
53	1	Battery Mounting Plate	Wrinkle Black	3427108301	\$21.00
54	1	Inside Terminal Block - Inside Terminal Block Kit (Includes 1 ea. #54, #55, #56)		6480300001	\$28.00
55	1	Screw, Inside Pan hd Phil 6-32 x 5/16" MS (10 Pack)		5457800010	\$11.50
56	1	Mounting Plate Gasket - Inside Terminal Block Kit (Includes 1 ea. #54, #55, #56)		6480300001	\$28.00
57	1	Ground Screw with Washer - Installation Hardware Kit (Includes 1 ea. #57, #58; 2 ea. #31, #37, #38; 4 ea. #36)	Satin Chrome	6473226D01	\$35.00
		Ground Screw with Washer - Installation Hardware Kit (Includes 1 ea. #57, #58; 2 ea. #31, #37, #38; 4 ea. #36)	Bright Brass	647320301	\$35.00
58	1	Lectro Bolt - Installation Hardware Kit (Includes 1 ea. #57, #58; 2 ea. #31, #37, #38; 4 ea. #36)	Satin Chrome	6473226D01	\$35.00
		Lectro Bolt - Installation Hardware Kit (Includes 1 ea. #57, #58; 2 ea. #31, #37, #38; 4 ea. #36)	Bright Brass	647320301	\$35.00
59	1	Battery Pack (Includes 4 Alkaline "ONLY" AA Batteries)		5456000001	\$16.50
60	1	Battery Pad - Battery Cover Kit (Includes 1 ea. #60, #61)		6471500001	\$11.50
61	1	Battery Cover - Battery Cover Kit (Includes 1 ea. #60, #61)		6471500001	\$11.50
		Battery Pack and Cover Kit (Includes 1 ea. #59, #60, #61, #63; 2 ea. #62)		6472300001	\$40.00
62	2	Battery Cover Screws (Tamper Proof) (10 Pack)		5455400010	\$14.00
63	1	Accessory Tool Kit (Includes 1 ea. #10, #63)		6471700001	\$11.50
Additional Kits & Accessories			Finish	Part Number	List Price (USD)
		Installation Hardware Kit (Includes 1 ea. #57, #58; 2 ea. #31, #37, #38; 4 ea. #36)	Satin Chrome	6473226D01	\$35.00
		Installation Hardware Kit (Includes 1 ea. #57, #58; 2 ea. #31, #37, #38; 4 ea. #36)	Bright Brass	647320301	\$35.00
		Product Documentation Kit		PKG3112	\$17.50
		Lever Return Spring (Fits Outside and Inside Drivers) (10 Pack)		5448200010	\$23.50
		Lubriplate Aero Grease Tubes		6475400001	\$15.50
		E-Plex 5000 Standard Software Kit (Includes PC M-unit kit and software discs) (Excel-Based Templates) (300 users per lock)		EP-0300-001	*
		E-Plex 5200/5700 Enterprise Software Kit (Includes PC M-unit kit and software discs) (3,000 users per lock)		EP-EPRISE1-001	*
		E-Plex 5200/5700 Enterprise Demo Software (90 day expiry)		EP-EPRISE-DEMO	*
		E-Plex 5700 USB Prox Reader/Enroller		5456100041	\$559.50
		E-Plex 5800 FIPS/DESFire Card Reader/Enroller		120-ENFIPS-000	\$297.00
		E-Plex 5800 OCSP FIPS Software		EP-OCSP-FIPS-SW	*

E-Plex®

5x10 Exit Trim



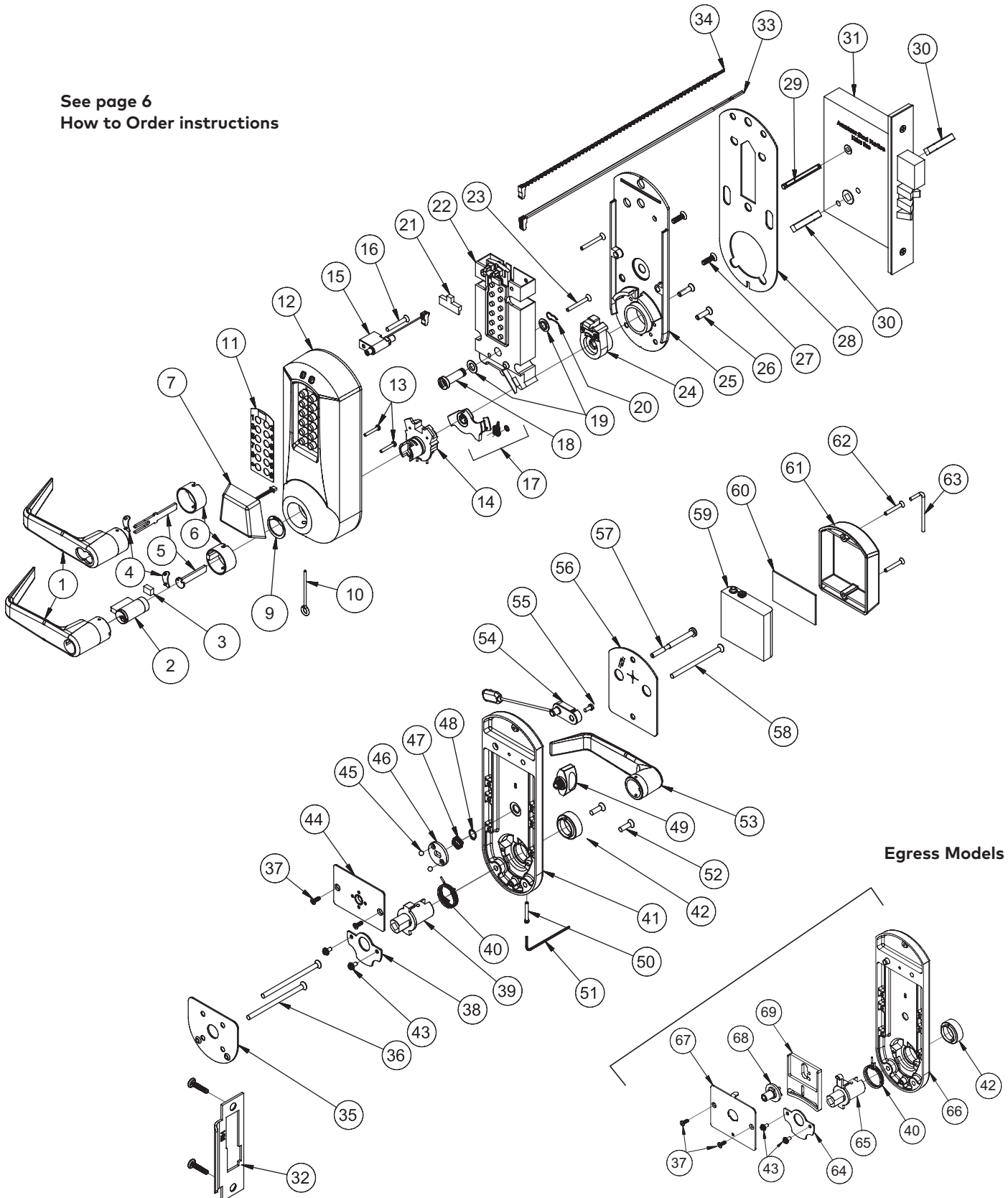
Additional Kits & Accessories	Finish	Part Number	List Price (USD)
E-Plex 5800 General FIPS Software		EP-GEN-FIPS-SW	*
HID Proxcard II Proximity Access Card #1326M - Not Printable, with Slot (minimum order 100 pcs)		065-101066	*
HID ISO Prox II Card (PVC-31 mils) #1336 - Printable, NO Slot (minimum 100 pcs)		065-507143	*
HID DuoProx (PVC-31 mils) High C/Proximity #1336 - Printable, NO Slot (minimum 100 pcs)		065-507144	\$10.00
HID Prox KEY II #1346 (FOB) (minimum order 100 pcs)		120-508051	*
MicroProx Tag Proximity #1391 (Adhesive Backed Disc) (minimum order 100 pieces)		065-511072	*
DESFire 2K Smart Card (for use with 3600/5600/5800)		352-DESFIR-02K	*
Wrap Plate, 10.5" (267mm) x 5" (127mm)	Satin Chrome	20423126D41	\$73.00
Wrap Plate, 10.5" (267mm) x 5" (127mm)	Bright Brass	2042310341	\$73.00
Wrap Plate, 15" (381mm) x 5" (127mm)	Satin Chrome	20423226D41	\$105.00
Wrap Plate, 15" (381mm) x 5" (127mm)	Bright Brass	2042320341	\$105.00
Best Equivalent Small Format Interchangeable Core	Satin Chrome	20148426D01	\$68.00
Best Equivalent Small Format Interchangeable Core	Bright Brass	2014840301	\$68.00
Installation Jig (for use with E5000/5000/1000/L1000)		6468426D01	\$429.50
Weather Cover (1000/L1000/5000/E5000)		5464400041	\$61.50
E-Plex 5x10 Exit Trim Wood Demo Mount (lock not included)		20305600041	\$175.00

* For software and software related accessories, please visit www.dormakaba.us



E-Plex[®] 5x6x Mortise

See page 6
How to Order instructions



E-Plex® 5x6x Mortise



Item	Qty/Lock	Description	Finish	Part Number	List Price (USD)
1	1	Outside Lever, KIL (Includes 1 ea. #1, #3, #4, #6)	Satin Chrome	3422926D01	\$87.50
		Outside Lever, KIL (Includes 1 ea. #1, #3, #4, #6)	Bright Brass	342290301	\$87.50
		Outside Lever, KIL (Includes 1 ea. #1, #3, #4, #6)	Satin Brass	342290401	\$87.50
		Outside Lever, KIL (Includes 1 ea. #1, #3, #4, #6)	Dark Bronze	3422974401	\$87.50
		Outside Lever, KIL (Includes 1 ea. #1, #3, #4, #6)	Bright Chrome	3422902601	\$87.50
		Outside Lever, Schlage (Includes 1 ea. #1, #4, #6)	Satin Chrome	3423026D01	\$116.50
		Outside Lever, Schlage (Includes 1 ea. #1, #4, #6)	Bright Brass	342300301	\$116.50
		Outside Lever, Schlage (Includes 1 ea. #1, #4, #6)	Satin Brass	342300401	\$116.50
		Outside Lever, Schlage (Includes 1 ea. #1, #4, #6)	Dark Bronze	3423074401	\$116.50
		Outside Lever, Schlage (Includes 1 ea. #1, #4, #6)	Bright Chrome	3423002601	\$116.50
		Outside Lever, Corbin-Russwin (Includes 1 ea. #1, #4, #6)	Satin Chrome	3423126D01	\$116.50
		Outside Lever, Corbin-Russwin (Includes 1 ea. #1, #4, #6)	Bright Brass	342310301	\$116.50
		Outside Lever, Corbin-Russwin (Includes 1 ea. #1, #4, #6)	Satin Brass	342310401	\$116.50
		Outside Lever, Corbin-Russwin (Includes 1 ea. #1, #4, #6)	Dark Bronze	3423174401	\$116.50
		Outside Lever, Corbin-Russwin (Includes 1 ea. #1, #4, #6)	Bright Chrome	3423102601	\$116.50
		Outside Lever, Sargent (Includes 1 ea. #1, #4, #6)	Satin Chrome	3423226D01	\$116.50
		Outside Lever, Sargent (Includes 1 ea. #1, #4, #6)	Bright Brass	342320301	\$116.50
		Outside Lever, Sargent (Includes 1 ea. #1, #4, #6)	Satin Brass	342320401	\$116.50
		Outside Lever, Sargent (Includes 1 ea. #1, #4, #6)	Dark Bronze	3423274401	\$116.50
		Outside Lever, Sargent (Includes 1 ea. #1, #4, #6)	Bright Chrome	3423202601	\$116.50
		Outside Lever, Best (Includes 1 ea. #1, #4, #6)	Satin Chrome	3423326D01	\$116.50
		Outside Lever, Best (Includes 1 ea. #1, #4, #6)	Bright Brass	342330301	\$116.50
		Outside Lever, Best (Includes 1 ea. #1, #4, #6)	Satin Brass	342330401	\$116.50
		Outside Lever, Best (Includes 1 ea. #1, #4, #6)	Dark Bronze	3423374401	\$116.50
		Outside Lever, Best (Includes 1 ea. #1, #4, #6)	Bright Chrome	3423302601	\$116.50
		Outside Lever, ASSA/Medeco/Yale (Includes 1 ea. #1, #4, #6)	Satin Chrome	3423426D01	\$116.50
		Outside Lever, ASSA/Medeco/Yale (Includes 1 ea. #1, #4, #6)	Bright Brass	342340301	\$116.50
		Outside Lever, ASSA/Medeco/Yale (Includes 1 ea. #1, #4, #6)	Satin Brass	342340401	\$116.50
		Outside Lever, ASSA/Medeco/Yale (Includes 1 ea. #1, #4, #6)	Dark Bronze	3423474401	\$116.50
		Outside Lever, ASSA/Medeco/Yale (Includes 1 ea. #1, #4, #6)	Bright Chrome	3423402601	\$116.50
2	1	Kaba KIL Cylinder (w/keys), Keyed Different	Satin Chrome	5456226D01	\$44.50
		Kaba KIL Cylinder (w/keys), Keyed Different	Satin Brass	545620401	\$44.50
		Schlage KIL Cylinder (w/keys), Keyed Different	Satin Chrome	5456826D01	\$44.50
		Schlage KIL Cylinder (w/keys), Keyed Different	Satin Brass	545680401	\$44.50
		Kaba 90 Key Blank, 50/Box - Available frm Ilco Division - Rocky Mount		KABA90	\$0.00
3	1	Cylinder Keeper - Lever Sleeve Accessory Kit, KIL (Includes 1 ea. #3, #4, #6)		6470600001	\$16.50
4	1	Outside Lever Insert (10 Pack)		5452700010	\$11.50
5	1	Tailpiece Kit, KIL (Includes 5 Various KIL Tailpieces) ET/Mortise		6474500001	\$18.50
		Tailpiece Kit, Best (6 and 7-pin) ET/Mortise		6474300001	\$14.00
		Tailpiece Kit, Corbin-Russwin/Sargent ET/Mortise		2452000001	\$14.00
		Tailpiece Kit, Schlage ET/Mortise		2452700001	\$14.00
		Tailpiece Kit, ASSA/Medeco/Yale ET/Mortise		7483600001	\$14.00
6	1	Lever Sleeve - Lever Sleeve Accessory Kit, KIL (Includes 1 ea. #3, #4, #6)		6470600001	\$16.50
		Lever Sleeve - Lever Sleeve Accessory Kit, IC (Includes 1 ea. #4, #6)		6470700001	\$16.50

E-Plex

Power Lever

4,000

Solitaire



E-Plex® 5x6x Mortise

Item	Qty/Lock	Description	Finish	Part Number	List Price (USD)
7	1	Antenna - E56xx models - Antenna Assembly Kit (Includes 1 ea. #7; 2 ea. #13)		7540000001	\$56.00
		Antenna - E57xx models - Antenna Assembly Kit (Includes 1 ea #7; 2 ea. #13)		7511800001	\$56.00
		Antenna - E58xx and E59xx models - Antenna Assembly Kit (Includes 1 ea #7; 2 ea. #13)		7527500001	\$56.00
9	1	External Retaining Ring (10 Pack)		5451700010	\$11.50
10	1	Accessory Tool Kit (Includes 1 ea. #10, #51, #63)		6471700001	\$11.50
11	1	Fascia - Keypad Label		055-51063801	\$11.50
12	1	Outside Housing Assembly - No Reader Models 506x/526x (Includes 1 ea. #11, #12, and code buttons)	Satin Chrome	7494026D01	\$163.00
		Outside Housing Assembly - No Reader Models 506x/526x (Includes 1 ea. #11, #12, and code buttons)	Bright Brass	749400301	\$163.00
		Outside Housing Assembly - No Reader Models 506x/526x (Includes 1 ea. #11, #12, and code buttons)	Satin Brass	749400401	\$163.00
		Outside Housing Assembly - No Reader Models 506x/526x (Includes 1 ea. #11, #12, and code buttons)	Dark Bronze	7494074401	\$163.00
		Outside Housing Assembly - No Reader Models 506x/526x (Includes 1 ea. #11, #12, and code buttons)	Wrinkle Black	7494008301	\$163.00
		Outside Housing Assembly - No Reader Models 506x/526x (Includes 1 ea. #11, #12, and code buttons)	Bright Chrome	7494002601	\$163.00
		Outside Housing Assembly - Reader Models 566x/576x/586x/596x (Includes 1 ea. #11, #12, and code buttons)		7514226D01	\$175.00
		Outside Housing Assembly - Reader Models 566x/576x/586x/596x (Includes 1 ea. #11, #12, and code buttons)		751420301	\$175.00
		Outside Housing Assembly - Reader Models 566x/576x/586x/596x (Includes 1 ea. #11, #12, and code buttons)		751420401	\$175.00
		Outside Housing Assembly - Reader Models 566x/576x/586x/596x (Includes 1 ea. #11, #12, and code buttons)		7514274401	\$175.00
13	2	Screw, 4-40 x .750, Pan, Patch-lock - Antenna Screw (10 Pack)		5461600010	\$11.50
		Outside Driver Assembly (Includes 1 ea. #9, #14)		7510000001	\$42.00
15	1	Outside Terminal Block Assembly (Includes 1 ea. #15, #16)		6470900001	\$28.00
16	1	Screw, 8-32 x 1 1/4" for Terminal Block (10 Pack)		5457400010	\$11.50
17	1	Key Override Detector Kit (Includes detector, spring and spring retainer)		3430800001	\$11.50
18	1	Magnetic Cam - Magnetic Cam Kit for Deadbolt or Door Egress Monitoring Models (Includes 1 ea. #18, #20; 2 ea. #19)		6475800001	\$46.50
19	2	Nylon Washer - Magnetic Cam Kit for Deadbolt or Door Egress Monitoring Models (Includes 1 ea. #18, #20; 2 ea. #19)		6475800001	\$46.50
20	1	Spring Clip - Magnetic Cam Kit for Deadbolt or Door Egress Monitoring Models (Includes 1 ea. #18, #20; 2 ea. #19)		6475800001	\$46.50
21	1	"T" Guard for Remote Release		3428200001	\$14.00
22	1	Electronic Module Kit for E50xx models (Includes 1 ea. #22, #28; 2 ea. #23)		6470000001	\$379.00
		Electronic Module Kit for E52xx models (Includes 1 ea. #22, #28; 2 ea. #23)		6475900001	\$466.50
		Electronic Module Kit for E56xx models (Includes 1 ea. #22, #28; 2 ea. #23)		6480900001	\$676.50
		Electronic Module Kit for E57xx models (Includes 1 ea. #22, #28; 2 ea. #23)		6476000001	\$583.00
		Electronic Module Kit for E58xx models (Includes 1 ea. #22, #28; 2 ea. #23)		6480400001	\$676.50
		Electronic Module Kit for E59xx models (Includes 1 ea. #22, #28; 2 ea. #23)		6480500001	\$676.50
23	2	Screw, 6-32 X 1 1/4" - Module Screw (10 Pack)		5458300010	\$11.50

E-Plex® 5x6x Mortise



Item	Qty/Lock	Description	Finish	Part Number	List Price (USD)
24	1	Extension Sleeve Assembly		7512000001	\$33.00
25	1	Universal Outside Base		3432800001	\$46.50
26	2	Screw, #10-24 FHMS x .75" - Base Screw (10 Pack)		5459700010	\$11.50
27	2	Screw, #10-24 x .625" Phillips, Outside Base (10 Pack)		5446100010	\$11.50
28	1	Outside Base Moisture Barrier		5458800001	\$10.50
29	1	Deadbolt Spindle - Mortise Spindle Kit (Includes 1 ea. #29; 4 ea. #30 - 2 ea. of 2 lengths)		6474400001	\$16.50
30	2	Deadbolt Spindle - Mortise Spindle Kit (Includes 1 ea. #29; 4 ea. #30 - 2 ea. of 2 lengths)		6474400001	\$16.50
31	1	American Standard Mortise with Deadbolt (includes screws)	Satin Chrome	M76/A1DL1W626	\$151.50
		American Standard Mortise with Deadbolt (includes screws)	Satin Brass	M76/A1DL1W606	\$151.50
		American Standard Mortise with Deadbolt (includes screws)	Dark Bronze	M76/A1DL1W744	\$151.50
		American Standard Mortise No-Deadbolt (includes screws)	Satin Chrome	M76/A1NL1W626	\$140.00
		American Standard Mortise No-Deadbolt (includes screws)	Satin Brass	M76/A1NL1W606	\$140.00
		American Standard Mortise No-Deadbolt (includes screws)	Dark Bronze	M76/A1NL1W744	\$140.00
32	1	Strike Plate (Includes LH and RH with Screws)	Satin Chrome	504131/2630WK	\$15.50
		Strike Plate (Includes LH and RH with Screws)	Satin Brass	504131/2606WK	\$15.50
		Strike Plate (Includes LH and RH with Screws)	Bright Brass	504131/2605WK	\$15.50
		Strike Plate (Includes LH and RH with Screws)	Dark Bronze	504131/2744WK	\$28.00
33	1	Remote Unlock Cable - Remote Unlock Cable Kit		7510500001	\$46.50
34	1	Door Monitoring Sensor Cable (59xx Only)		9400700001	\$46.50
35	1	Inside Mounting Plate (Heel Plate) (E5x6x Only)		2452400001	\$14.00
36	2	Inside Mounting Plate Screw Kit (Includes 2 ea. of 3 lengths)		6475700001	\$15.50
37	2	Screw, #6-32 x 3/8", Screw Pack (10 ea. 6-32 x 3/8", 5/16", 7/16")		6477600010	\$11.50
38	1	Inside Driver Cover Plate		2452300001	\$11.50
39	1	Inside Driver		5461000001	\$42.00
40	2	Lever Return Spring (Fits Inside and Outside Drivers)(10 Pack)		5448200010	\$23.50
41	1	Inside Housing for Deadbolt Models (Housing Only)	Satin Chrome	3427626D01	\$88.00
		Inside Housing for Deadbolt Models (Housing Only)	Bright Brass	342760301	\$88.00
		Inside Housing for Deadbolt Models (Housing Only)	Satin Brass	342760401	\$88.00
		Inside Housing for Deadbolt Models (Housing Only)	Dark Bronze	3427674401	\$88.00
		Inside Housing for Deadbolt Models (Housing Only)	Wrinkle Black	3427608301	\$88.00
		Inside Housing for Deadbolt Models (Housing Only)	Bright Chrome	3427602601	\$88.00
		Inside Housing Assembly, Complete (Deadbolt Model) (Includes 1 ea. #38, #39, #40, #41, #42, #44, #46, #47, #48, #49, #54, #55, #56; 2 ea. #37, #43, #45)	Satin Chrome	7512926D01	\$151.50
		Inside Housing Assembly, Complete (Deadbolt Model) (Includes 1 ea. #38, #39, #40, #41, #42, #44, #46, #47, #48, #49, #54, #55, #56; 2 ea. #37, #43, #45)	Bright Brass	751290301	\$151.50
		Inside Housing Assembly, Complete (Deadbolt Model) (Includes 1 ea. #38, #39, #40, #41, #42, #44, #46, #47, #48, #49, #54, #55, #56; 2 ea. #37, #43, #45)	Satin Brass	751290401	\$151.50
		Inside Housing Assembly, Complete (Deadbolt Model) (Includes 1 ea. #38, #39, #40, #41, #42, #44, #46, #47, #48, #49, #54, #55, #56; 2 ea. #37, #43, #45)	Dark Bronze	7512974401	\$151.50
		Inside Housing Assembly, Complete (Deadbolt Model) (Includes 1 ea. #38, #39, #40, #41, #42, #44, #46, #47, #48, #49, #54, #55, #56; 2 ea. #37, #43, #45)	Wrinkle Black	7512908301	\$151.50
		Inside Housing Assembly, Complete (Deadbolt Model) (Includes 1 ea. #38, #39, #40, #41, #42, #44, #46, #47, #48, #49, #54, #55, #56; 2 ea. #37, #43, #45)	Bright Chrome	7512902601	\$151.50

E-Plex

Power Lever

4000

Solitaire



E-Plex® 5x6x Mortise

Item	Qty/Lock	Description	Finish	Part Number	List Price (USD)
41	1	Inside Housing for Non-Deadbolt Models (Housing Only)	Satin Chrome	3422026D01	\$88.00
		Inside Housing for Non-Deadbolt Models (Housing Only)	Bright Brass	342200301	\$88.00
		Inside Housing for Non-Deadbolt Models (Housing Only)	Satin Brass	342200401	\$87.50
		Inside Housing for Non-Deadbolt Models (Housing Only)	Dark Bronze	3422074401	\$88.00
		Inside Housing for Non-Deadbolt Models (Housing Only)	Wrinkle Black	3422008301	\$88.00
		Inside Housing for Non-Deadbolt Models (Housing Only)	Bright Chrome	3422002601	\$88.00
		Inside Housing Assembly, Complete (Non-Deadbolt Model) (Includes 1 ea. #38, #39, #40, #41, #42, #54, #55, #56; 2 ea. #37)	Satin Chrome	7514626D01	\$116.50
		Inside Housing Assembly, Complete (Non-Deadbolt Model) (Includes 1 ea. #38, #39, #40, #41, #42, #54, #55, #56; 2 ea. #37)	Bright Brass	751460301	\$116.50
		Inside Housing Assembly, Complete (Non-Deadbolt Model) (Includes 1 ea. #38, #39, #40, #41, #42, #54, #55, #56; 2 ea. #37)	Satin Brass	751460401	\$116.50
		Inside Housing Assembly, Complete (Non-Deadbolt Model) (Includes 1 ea. #38, #39, #40, #41, #42, #54, #55, #56; 2 ea. #37)	Dark Bronze	7514674401	\$116.50
		Inside Housing Assembly, Complete (Non-Deadbolt Model) (Includes 1 ea. #38, #39, #40, #41, #42, #54, #55, #56; 2 ea. #37)	Wrinkle Black	7514608301	\$116.50
		Inside Housing Assembly, Complete (Non-Deadbolt Model) (Includes 1 ea. #38, #39, #40, #41, #42, #54, #55, #56; 2 ea. #37)	Bright Chrome	7514602601	\$116.50
42	1	Housing Bearing (10 Pack)		3419100010	\$11.50
43	2	Screw, #6-32 x 3/8", Screw Pack (10 ea. 6-32 x 3/8", 5/16", 7/16")		6477600010	\$11.50
44	1	Mortise Detent Plate - Mortise Deadbolt Kit (Includes 1 ea. #44, #46, #47, #48; 2 ea. #43, #45)		6474600001	\$35.00
45	2	Ball Bearing - Mortise Deadbolt Kit (Includes 1 ea. #44, #46, #47, #48; 2 ea. #43, #45)		6474600001	\$35.00
46	1	Detent Washer - Mortise Deadbolt Kit (Includes 1 ea. #44, #46, #47, #48; 2 ea. #43, #45)		6474600001	\$35.00
47	1	Smalley Wave Spring - Mortise Deadbolt Kit (Includes 1 ea. #44, #46, #47, #48; 2 ea. #43, #45)		6474600001	\$35.00
48	1	Retaining Ring - Mortise Deadbolt Kit (Includes 1 ea. #44, #46, #47, #48; 2 ea. #43, #45)		6474600001	\$35.00
49	1	Turn Knob (Includes 1 ea. #48, #49)	Satin Chrome	3427926D01	\$35.00
		Turn Knob (Includes 1 ea. #48, #49)	Bright Brass	342790301	\$35.00
		Turn Knob (Includes 1 ea. #48, #49)	Dark Bronze	342790401	\$35.00
50	1	Inside Lever Screw (2 Pack)		4435900001	\$17.50
51	1	Accessory Tool Kit (Includes 1 ea. #10, #51, #63)		6471700001	\$11.50
52	2	Inside Housing Mounting Screws (10 Pack)	Satin Chrome	4435826D10	\$11.50
		Inside Housing Mounting Screws (10 Pack)	Bright Brass	443580310	\$11.50
53	1	Inside Lever Kit (Includes 1 ea. #50, #51, #53)	Satin Chrome	6471326D01	\$64.00
		Inside Lever Kit (Includes 1 ea. #50, #51, #53)	Bright Brass	647130301	\$64.00
		Inside Lever Kit (Includes 1 ea. #50, #51, #53)	Satin Brass	647130401	\$64.00
		Inside Lever Kit (Includes 1 ea. #50, #51, #53)	Dark Bronze	6471374401	\$64.00
		Inside Lever Kit (Includes 1 ea. #50, #51, #53)	Bright Chrome	6471302601	\$64.00
54	1	Inside Terminal Block - Inside Terminal Block Kit (Includes 1 ea. #54, #55, #56)		6471400001	\$28.00

E-Plex[®] 5x6x Mortise



Item	Qty/Lock	Description	Finish	Part Number	List Price (USD)
55	1	Screw, Inside Pan hd Phil 6-32 x 5/16" MS (10 Pack)		5457800010	\$11.50
56	1	Inside Housing Gasket - Inside Terminal Block Kit (Includes 1 ea. #54, #55, #56)		6471400001	\$28.00
57	1	Lectro Bolt - Mounting Screw Kit (Includes 3 ea. #57 (3 lengths), 9 ea. #58) (3 ea. of 3 lengths)	Satin Chrome	6471626D01	\$17.50
		Lectro Bolt - Mounting Screw Kit (Includes 3 ea. #57 (3 lengths), 9 ea. #58) (3 ea. of 3 lengths)	Bright Brass	647160301	\$17.50
58	3	Mounting Screw - Mounting Screw Kit (Includes 3 ea. #57 (3 lengths), 9 ea. #58) (3 ea. of 3 lengths)	Satin Chrome	6471626D01	\$17.50
		Mounting Screw - Mounting Screw Kit (Includes 3 ea. #57 (3 lengths), 9 ea. #58) (3 ea. of 3 lengths)	Bright Brass	647160301	\$17.50
59	1	Battery Pack (Includes 4 Alkaline "Only" AA Batteries)		5456000001	\$16.50
60	1	Battery Pad - Battery Cover Kit (Includes 1 ea. #60, #61)		6471500001	\$11.50
61	1	Battery Cover - Battery Cover Kit (Includes 1 ea. #60, #61)		6471500001	\$11.50
		Battery Pack and Cover Kit (Includes 1 ea. #59, #60, #61, #63; 2 ea. #62)		6472300001	\$40.00
62	2	Battery Cover Screws (Tamper Proof) (10 Pack)		5455400010	\$14.00
63	1	Accessory Tool Kit (Includes 1 ea. #10, #51, #63)		6471700001	\$11.50
64	1	Inside Housing Cover Plate (Door Egress Monitoring Models Only)		5478200001	\$11.50
65	1	Egress Indicator Cam (Door Egress Monitoring Models Only)		3431400001	\$23.50
66	1	Egress Indicator Slide (Door Egress Monitoring Models Only)		5473000001	\$21.00
67	1	Inside Driver (Door Egress Monitoring Models Only)		5460900001	\$42.00
68	1	Inside Housing (E5966 Door Egress Monitoring Models Only)	Satin Chrome	3431526D01	\$99.00
		Inside Housing (E5966 Door Egress Monitoring Models Only)	Bright Brass	343150301	\$99.00
		Inside Housing (E5966 Door Egress Monitoring Models Only)	Satin Brass	343150401	\$99.00
		Inside Housing (E5966 Door Egress Monitoring Models Only)	Dark Bronze	3431574401	\$99.00
		Inside Housing (E5966 Door Egress Monitoring Models Only)	Wrinkle Black	3431508301	\$99.00
		Inside Housing (E5966 Door Egress Monitoring Models Only)	Bright Chrome	3431502601	\$99.00
		Inside Housing Assembly, Complete (Door Egress Monitoring Models Only) (Includes 1 ea. #38, #40, #42, #54, #55, #56, #64, #65, #66, #67, #68; 2 ea. #37, #43)	Satin Chrome	7529726D01	\$175.00
		Inside Housing Assembly, Complete (Door Egress Monitoring Models Only) (Includes 1 ea. #38, #40, #42, #54, #55, #56, #64, #65, #66, #67, #68; 2 ea. #37, #43)	Bright Brass	752970301	\$175.00
		Inside Housing Assembly, Complete (Door Egress Monitoring Models Only) (Includes 1 ea. #38, #40, #42, #54, #55, #56, #64, #65, #66, #67, #68; 2 ea. #37, #43)	Satin Brass	752970401	\$175.00
		Inside Housing Assembly, Complete (Door Egress Monitoring Models Only) (Includes 1 ea. #38, #40, #42, #54, #55, #56, #64, #65, #66, #67, #68; 2 ea. #37, #43)	Dark Bronze	7529774401	\$175.00
68	1	Inside Housing Assembly, Complete (Door Egress Monitoring Models Only) (Includes 1 ea. #38, #40, #42, #54, #55, #56, #64, #65, #66, #67, #68; 2 ea. #37, #43)	Wrinkle Black	7529708301	\$175.00
		Inside Housing Assembly, Complete (Door Egress Monitoring Models Only) (Includes 1 ea. #38, #40, #42, #54, #55, #56, #64, #65, #66, #67, #68; 2 ea. #37, #43)	Bright Chrome	7529702601	\$175.00

E-Plex

Power Lever

4000

Solitaire



E-Plex® 5x6x Mortise

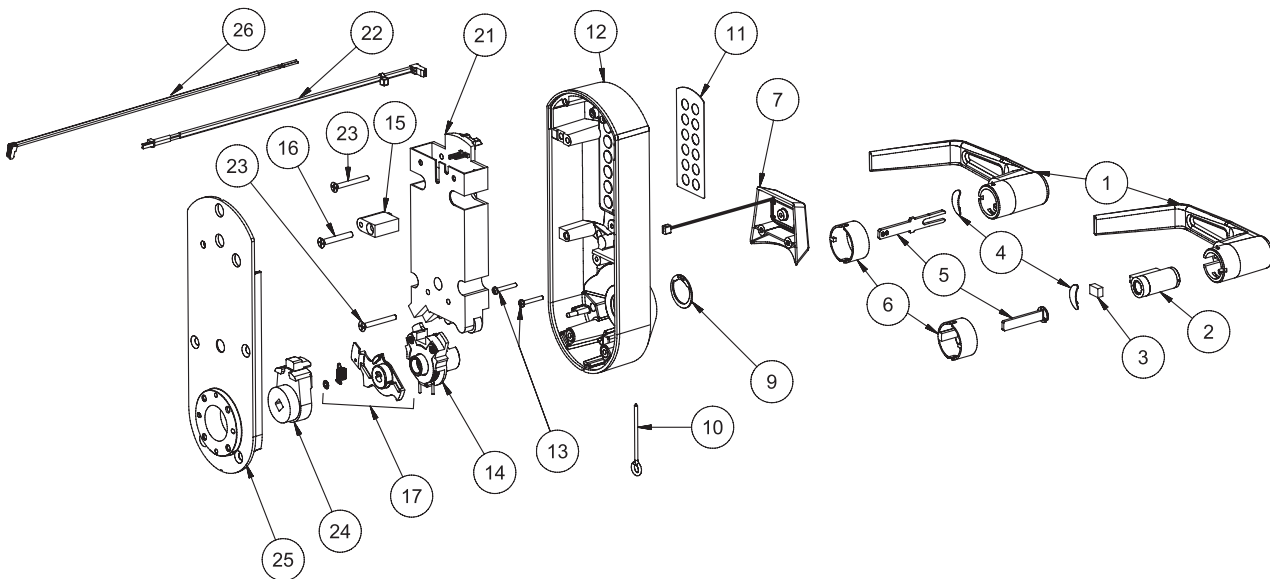
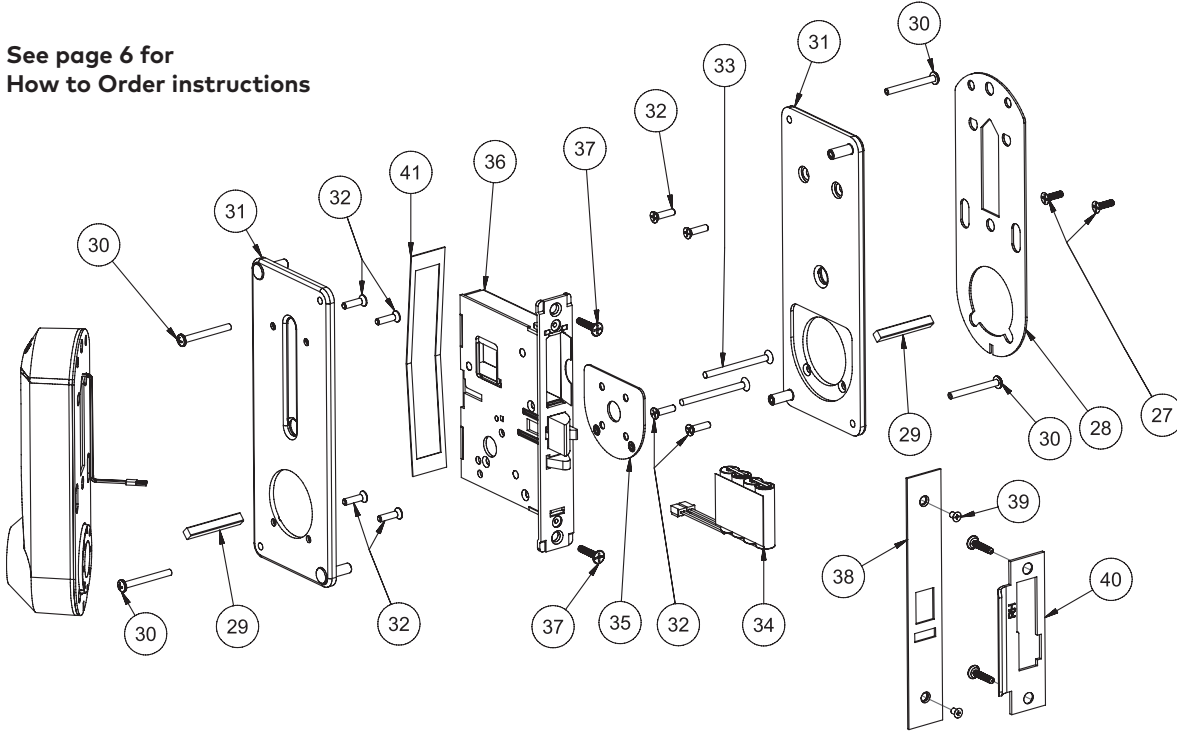
Additional Kits & Accessories	Finish	Part Number	List Price (USD)
Installation Hardware Kit (Includes 1 ea. #3, #4, #10, #50, #51; 2 ea. #29, #52; 3 ea. #57; 4 ea. #30; 6 ea. #36; 9 ea. #58)	Satin Chrome	6473926D01	\$35.00
Installation Hardware Kit (Includes 1 ea. #3, #4, #10, #50, #51; 2 ea. #29, #52; 3 ea. #57; 4 ea. #30; 6 ea. #36; 9 ea. #58)	Bright Brass	647390301	\$35.00
E5x6x Product Documentation Kit		PKG3111	\$17.50
Lubriplate Aero Grease Tubes		6475400001	\$15.50
Tamper Proof Screw Kit (2 ea. of 3 lengths) (Includes wrench)	Satin Chrome	6469226D01	\$25.50
Tamper Proof Screw Kit (2 ea. of 3 lengths) (Includes wrench)	Bright Brass	646920301	\$25.50
E-Plex 5000 Standard Software Kit (Includes PC M-unit kit and software discs) (Excel-Based Templates) (300 users per lock)		EP-0300-001	*
E-Plex 5200/5700 Enterprise Software Kit (Includes PC M-unit kit and software discs) (3,000 users per lock)		EP-EPRISE1-001	*
E-Plex 5200/5700 Enterprise Demo Software (90 day expiry)		EP-EPRISE-DEMO	*
E-Plex 5700 USB Prox Reader/Enroller		5456100041	\$559.50
E-Plex 5800 FIPS/DESFire Card Reader/Enroller		120-ENFIPS-000	\$297.00
E-Plex 5800 OCSP FIPS Software		EP-OCSP-FIPS-SW	*
E-Plex 5800 General FIPS Software		EP-GEN-FIPS-SW	*
HID Proxcard II Proximity Access Card #1326M - Not Printable, with Slot (minimum order 100 pcs)		065-101066	*
HID ISO Prox II Card (PVC-31 mils) #1336 - Printable, NO Slot (minimum 100 pcs)		065-507143	*
HID DuoProx (PVC-31 mils) High C/Proximity #1336 - Printable, NO Slot (minimum 100 pcs)		065-507144	\$10.00
HID Prox KEY II #1346 (FOB) (minimum order 100 pcs)		120-508051	*
MicroProx Tag Proximity #1391 (Adhesive Backed Disc) (minimum order 100 pieces)		065-511072	*
DESFire 2K Smart Card (for use with 3600/5600/5800)		352-DESFIR-02K	*
Mortise Stabilizer Bracket Kit for Hollow Metal Doors		5472000001	\$19.00
Mortise Stabilizer for Hollow Metal Doors		5056770100001	\$24.50
Best Equivalent Small Format Interchangeable Core	Satin Chrome	20148426D01	\$68.00
Best Equivalent Small Format Interchangeable Core	Bright Brass	2014840301	\$68.00
Installation Jig (for use with E5000/5000/1000/L1000)		6468426D01	\$429.50
Weather Cover (1000/L1000/5000/E5000)	Smoke	5464400041	\$61.50
E-Plex 5x6x Mortise Wood Demo Mount (lock not included)		20305800041	\$175.00

* For software and software related accessories, please visit www.dormakaba.us

E-Plex[®] 5x86 Mortise (Entry/Egress)



See page 6 for
How to Order instructions





E-Plex®

5x86 Mortise (Entry/Egress)

Item	Qty/Lock	Description	Finish	Part Number	List Price (USD)
1	1	Outside Lever, KIL (Includes 1 ea. #1, #3, #4, #6)	Satin Chrome	3422926D01	\$87.50
		Outside Lever, KIL (Includes 1 ea. #1, #3, #4, #6)	Bright Brass	342290301	\$87.50
		Outside Lever, KIL (Includes 1 ea. #1, #3, #4, #6)	Satin Brass	342290401	\$87.50
		Outside Lever, KIL (Includes 1 ea. #1, #3, #4, #6)	Dark Bronze	3422974401	\$87.50
		Outside Lever, KIL (Includes 1 ea. #1, #3, #4, #6)	Bright Chrome	3422902601	\$87.50
		Outside Lever, Schlage (Includes 1 ea. #1, #4, #6)	Satin Chrome	3423026D01	\$116.50
		Outside Lever, Schlage (Includes 1 ea. #1, #4, #6)	Bright Brass	342300301	\$116.50
		Outside Lever, Schlage (Includes 1 ea. #1, #4, #6)	Satin Brass	342300401	\$116.50
		Outside Lever, Schlage (Includes 1 ea. #1, #4, #6)	Dark Bronze	3423074401	\$116.50
		Outside Lever, Schlage (Includes 1 ea. #1, #4, #6)	Bright Chrome	3423002601	\$116.50
		Outside Lever, Corbin-Russwin (Includes 1 ea. #1, #4, #6)	Satin Chrome	3423126D01	\$116.50
		Outside Lever, Corbin-Russwin (Includes 1 ea. #1, #4, #6)	Bright Brass	342310301	\$116.50
		Outside Lever, Corbin-Russwin (Includes 1 ea. #1, #4, #6)	Satin Brass	342310401	\$116.50
		Outside Lever, Corbin-Russwin (Includes 1 ea. #1, #4, #6)	Dark Bronze	3423174401	\$116.50
		Outside Lever, Corbin-Russwin (Includes 1 ea. #1, #4, #6)	Bright Chrome	3423102601	\$116.50
		Outside Lever, Sargent (Includes 1 ea. #1, #4, #6)	Satin Chrome	3423226D01	\$116.50
		Outside Lever, Sargent (Includes 1 ea. #1, #4, #6)	Bright Brass	342320301	\$116.50
		Outside Lever, Sargent (Includes 1 ea. #1, #4, #6)	Satin Brass	342320401	\$116.50
		Outside Lever, Sargent (Includes 1 ea. #1, #4, #6)	Dark Bronze	3423274401	\$116.50
		Outside Lever, Sargent (Includes 1 ea. #1, #4, #6)	Bright Chrome	3423202601	\$116.50
		Outside Lever, Best (Includes 1 ea. #1, #4, #6)	Satin Chrome	3423326D01	\$116.50
		Outside Lever, Best (Includes 1 ea. #1, #4, #6)	Bright Brass	342330301	\$116.50
		Outside Lever, Best (Includes 1 ea. #1, #4, #6)	Satin Brass	342330401	\$116.50
		Outside Lever, Best (Includes 1 ea. #1, #4, #6)	Dark Bronze	3423374401	\$116.50
		Outside Lever, Best (Includes 1 ea. #1, #4, #6)	Bright Chrome	3423302601	\$116.50
		Outside Lever, ASSA/Medeco/Yale (Includes 1 ea. #1, #4, #6)	Satin Chrome	3423426D01	\$116.50
		Outside Lever, ASSA/Medeco/Yale (Includes 1 ea. #1, #4, #6)	Bright Brass	342340301	\$116.50
		Outside Lever, ASSA/Medeco/Yale (Includes 1 ea. #1, #4, #6)	Satin Brass	342340401	\$116.50
		Outside Lever, ASSA/Medeco/Yale (Includes 1 ea. #1, #4, #6)	Dark Bronze	3423474401	\$116.50
		Outside Lever, ASSA/Medeco/Yale (Includes 1 ea. #1, #4, #6)	Bright Chrome	3423402601	\$116.50
2	1	Kaba KIL Cylinder (w/keys), Keyed Different	Satin Chrome	5456226D01	\$44.50
		Kaba KIL Cylinder (w/keys), Keyed Different	Satin Brass	545620401	\$44.50
		Schlage KIL Cylinder (w/keys), Keyed Different	Satin Chrome	5456826D01	\$44.50
		Schlage KIL Cylinder (w/keys), Keyed Different	Satin Brass	545680401	\$44.50
		Kaba 90 Key Blank, 50/Box - Available from Ilco Division - Rocky Mount		KABA90	
3	1	Cylinder Keeper - Lever Sleeve Accessory Kit, KIL (Includes 1 ea. #3, #4, #6)		6470600001	\$16.50
4	1	Outside Lever Insert (10 Pack)		5452700010	\$11.50
5	1	Tailpiece Kit, KIL (Includes 5 various tailpieces) ET/Mortise		6474500001	\$18.50
		Tailpiece Kit, Best (6 and 7-pin) ET/Mortise		6474300001	\$14.00
		Tailpiece Kit, Corbin-Russwin/Sargent ET/Mortise		2452000001	\$14.00
		Tailpiece Kit, Schlage ET/Mortise		2452700001	\$14.00
		Tailpiece Kit, ASSA/Medeco/Yale ET/Mortise		7483600001	\$14.00
6	1	Lever Sleeve - Lever Sleeve Accessory Kit, KIL (Includes 1 ea. #3, #4, #6)		6470600001	\$16.50
		Lever Sleeve - Lever Sleeve Accessory Kit, IC (Includes 1 ea. #4, #6)		6470700001	\$16.50

E-Plex® 5x86 Mortise (Entry/Egress)



Item	Qty/Lock	Description	Finish	Part Number	List Price (USD)
7	1	Antenna - E56xx models - Antenna Assembly Kit (Includes 1 ea. #7; 2 ea. #13)		7540000001	\$56.00
		Antenna - E57xx models - Antenna Assembly Kit (Includes 1 ea #7; 2 ea. #13)		7511800001	\$56.00
		Antenna - E58xx and E59xx models - Antenna Assembly Kit (Includes 1 ea #7; 2 ea. #13)		7527500001	\$56.00
9	1	External Retaining Ring (10 Pack)		5451700010	\$11.50
10	1	Accessory Tool Kit (Includes 1 ea. #10) (#51, #63 included - see cylindrical models for view)		6471700001	\$11.50
11	1	Fascia - Keypad Label		055-51063801	\$11.50
12	1	Outside Housing Assembly - No Reader Models (5086/5286 models only) (Includes 1 ea. #11, #12, and code buttons)	Satin Chrome	7494026D01	\$163.00
		Outside Housing Assembly - No Reader Models (5086/5286 models only) (Includes 1 ea. #11, #12, and code buttons)	Bright Brass	749400301	\$163.00
		Outside Housing Assembly - No Reader Models (5086/5286 models only) (Includes 1 ea. #11, #12, and code buttons)	Satin Brass	749400401	\$163.00
		Outside Housing Assembly - No Reader Models (5086/5286 models only) (Includes 1 ea. #11, #12, and code buttons)	Dark Bronze	7494074401	\$163.00
		Outside Housing Assembly - No Reader Models (5086/5286 models only) (Includes 1 ea. #11, #12, and code buttons)	Wrinkle Black	7494008301	\$163.00
		Outside Housing Assembly - No Reader Models (5086/5286 models only) (Includes 1 ea. #11, #12, and code buttons)	Bright Chrome	7494002601	\$163.00
		Outside Housing Assembly - Reader Models (5686/5786/5886/5986 models) (Includes 1 ea. #11, #12, and code buttons)	Satin Chrome	7514226D01	\$175.00
		Outside Housing Assembly - Reader Models (5686/5786/5886/5986 models) (Includes 1 ea. #11, #12, and code buttons)	Bright Brass	751420301	\$175.00
		Outside Housing Assembly - Reader Models (5686/5786/5886/5986 models) (Includes 1 ea. #11, #12, and code buttons)	Satin Brass	751420401	\$175.00
		Outside Housing Assembly - Reader Models (5686/5786/5886/5986 models) (Includes 1 ea. #11, #12, and code buttons)	Dark Bronze	7514274401	\$175.00
12	1	Outside Housing Assembly - Reader Models (5686/5786/5886/5986 models) (Includes 1 ea. #11, #12, and code buttons)	Wrinkle Black	7514208301	\$175.00
		Outside Housing Assembly - Reader Models (5686/5786/5886/5986 models) (Includes 1 ea. #11, #12, and code buttons)	Bright Chrome	7514202601	\$175.00
13	2	Screw, 4-40 x .750, Pan, Patch-lock - Antenna Screw (10 Pack)		5461600010	\$11.50
14	1	Outside Driver Assembly (Includes 1 ea. #9, #14)		7510000001	\$42.00
15	1	Mounting Block		3427400001	\$10.50
16	1	Screw, 8-32 x 1 1/4" for Mounting Block (10 Pack)		5457400010	\$11.50
17	1	Key Override Detector Kit (Includes detector, spring and spring retainer)		3430800001	\$11.50
20	1	"T" Guard for Remote Release		3428200001	\$14.00
21	1	Electronic Module Kit for E50xx models (Includes 1 ea. #22, #28; 2 ea. #23)		6470000001	\$379.00
		Electronic Module Kit for E52xx models (Includes 1 ea. #22, #28; 2 ea. #23)		6475900001	\$466.50
		Electronic Module Kit for E56xx models (Includes 1 ea. #22, #28; 2 ea. #23)		6480900001	\$676.50
		Electronic Module Kit for E57xx models (Includes 1 ea. #22, #28; 2 ea. #23)		6476000001	\$583.00
		Electronic Module Kit for E58xx models (Includes 1 ea. #22, #28; 2 ea. #23)		6480400001	\$676.50
		Electronic Module Kit for E59xx models (Includes 1 ea. #22, #28; 2 ea. #23)		6480500001	\$676.50
22	1	Battery Pack Cable		5467100001	\$14.00
23	2	Screw, 6-32 X 1 1/4" - Module Screw (10 Pack)		5458300010	\$11.50
24	1	Extension Sleeve Assembly		7512000001	\$33.00
25	1	Universal Outside Base		3432800001	\$46.50



E-Plex®

5x86 Mortise (Entry/Egress)

Item	Qty/Lock	Description	Finish	Part Number	List Price (USD)
26	1	Remote Unlock Cable - Remote Unlock Cable Kit		7510500001	\$46.50
27	2	Screw, #10-24 x .625" Phillips, Outside Base (10 Pack)		5446100010	\$11.50
28	1	Outside Base Moisture Barrier		5458800001	\$10.50
29	2	Latch Spindle - Mortise Spindle Kit (Includes 4 ea. #29; 2 ea. different lengths)		6480600001	\$16.50
30	4	Screw, Pan Hd 10-24UNC x 1.75", Mounting Hardware Kit E5x86 Only (Includes 1 ea. #17, #35; 2 ea. #3, #4, #29 (2 lengths), #33; 4 ea. #30; 8 ea. #32		6476226D01	\$44.50
		Screw, Pan Hd 10-24UNC x 1.75", Mounting Hardware Kit E5x86 Only (Includes 1 ea. #17, #35; 2 ea. #3, #4, #29 (2 lengths), #33; 4 ea. #30; 8 ea. #32		647620301	\$44.50
31	2	Mounting Plate (E5x86 Only) Includes Fixed Sex Bolts		7526708301	\$53.50
32	2	Screw, #10-24 FHMS x .75" - Base Screw (10 Pack)		5459700010	\$11.50
33	2	Screw, PAN HD 10-24 x 2.25" - Mounting Hardware Kit E5x86 (Includes 1 ea. #17, #35; 2 ea. #3, #4, #29 (2 lengths), #33; 4 ea. #30; 8 ea. #32		6476226D01	\$44.50
		Screw, PAN HD 10-24 x 2.25" - Mounting Hardware Kit E5x86 (Includes 1 ea. #17, #35; 2 ea. #3, #4, #29 (2 lengths), #33; 4 ea. #30; 8 ea. #32		647620301	\$44.50
34	1	Battery Pack - 5x86 Models Only (Includes 4 Alkaline "Only" AA Batteries)		7524500001	\$35.00
35	1	Inside Mounting Plate (Heel Plate)(5x86 Models Only)		2453900001	\$14.00
36	1	American Standard Mortise, No Deadbolt (includes screws) E5x86 Models Only	Satin Chrome	7520926D01	\$151.50
		American Standard Mortise, No Deadbolt (includes screws) 5x86 Models Only	Bright Brass	752090301	\$151.50
		American Standard Mortise, No Deadbolt (includes screws) 5x86 Models Only	Satin Brass	752090401	\$151.50
		American Standard Mortise, No Deadbolt (includes screws) 5x86 Models Only	Dark Bronze	7520974401	\$151.50
37	2	Screw, #12 Combination Screw for Mortise (10 Pack)	Satin Chrome	20160826D01	\$11.50
		Screw, #12 Combination Screw for Mortise (10 Pack)	Bright Brass	2016080301	\$11.50
38	1	Mortise Front Plate, 1 1/4", No Deadbolt	Satin Chrome	7521126D01	\$28.00
		Mortise Front Plate, 1 1/4", No Deadbolt	Bright Brass	752110301	\$28.00
		Mortise Front Plate, 1 1/4", No Deadbolt	Satin Brass	752110401	\$28.00
		Mortise Front Plate, 1 1/4", No Deadbolt	Dark Bronze	7521174401	\$28.00
39	2	Screw, Mortise Front Plate Screws (2 Pack)	Satin Chrome	810-504157-626-01	\$9.50
		Screw, Mortise Front Plate Screws (2 Pack)	Satin Brass	810-504157-606-01	\$9.50
40	1	Strike Plate (Includes LH and RH with Screws)	Satin Chrome	504131/2630WK	\$15.50
		Strike Plate (Includes LH and RH with Screws)	Bright Brass	504131/2605WK	\$15.50
		Strike Plate (Includes LH and RH with Screws)	Satin Brass	504131/2606WK	\$15.50
		Strike Plate (Includes LH and RH with Screws)	Dark Bronze	504131/2744WK	\$28.00
41	1	Mortise Stabilizer		50567701045	\$23.50

E-Plex®

5x86 Mortise

(Entry/Egress)



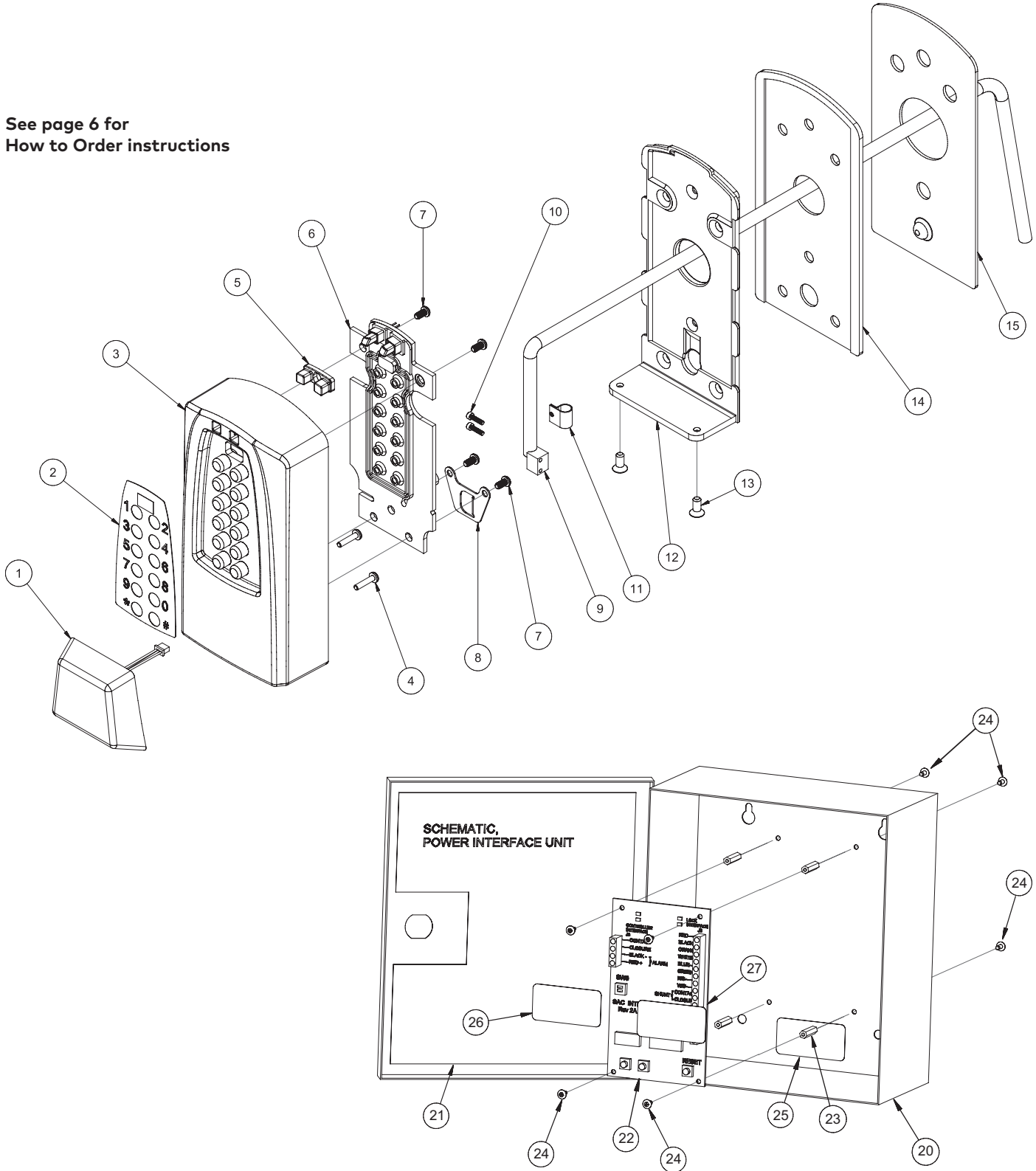
Additional Kits & Accessories	Finish	Part Number	List Price (USD)
Mortise Mounting Bracket Kit E5x86		5472000001	\$19.00
Mounting Hardware Kit E5x86 (Includes 1 ea. #17, #35; 2 ea. #3, #4, #29 (2 lengths), #33; 4 ea. #30; 8 ea. #32)		6476226D01	\$44.50
Mounting Hardware Kit E5x86 (Includes 1 ea. #17, #35; 2 ea. #3, #4, #29 (2 lengths), #33; 4 ea. #30; 8 ea. #32)		647620301	\$44.50
E5000 Entry/Exit Literature Kit		PKG3145	\$23.50
E52/57 Entry/Exit Literature Kit		PKG3146	\$23.50
E-Plex 5000 Standard Software Kit (Includes PC M-unit kit and software discs) (Excel-Based Templates) (300 users per lock)		EP-0300-001	*
E-Plex 5200/5700 Enterprise Software Kit (Includes PC M-unit kit and software discs) (3,000 users per lock)		EP-EPRISE1-001	*
E-Plex 5200/5700 Enterprise Demo Software (90 day expiry)		EP-EPRISE-DEMO	*
E-Plex 5700 USB Prox Reader/Enroller		5456100041	\$559.50
E-Plex 5800 FIPS/DESFire Card Reader/Enroller		120-ENFIPS-000	\$297.00
E-Plex 5800 OCSP FIPS Software		EP-OCSP-FIPS-SW	*
E-Plex 5800 General FIPS Software		EP-GEN-FIPS-SW	*
HID Proxcard II Proximity Access Card #1326M - Not Printable, with Slot (minimum order 100 pcs)		065-101066	*
HID ISO Prox II Card (PVC-31 mils) #1336 - Printable, NO Slot (minimum 100 pcs)		065-507143	*
HID DuoProx (PVC-31 mils) High C/Proximity #1336 - Printable, NO Slot (minimum 100 pcs)		065-507144	\$10.00
HID Prox KEY II #1346 (FOB) (minimum order 100 pcs)		120-508051	*
MicroProx Tag Proximity #1391 (Adhesive Backed Disc) (minimum order 100 pieces)		065-511072	*
DESFire 2K Smart Card (for use with 3600/5600/5800)		352-DESFIR-02K	*
Mortise Stabilizer Bracket Kit for Hollow Metal Doors		5472000001	\$19.00
Mortise Stabilizer for Hollow Metal Doors		5056770100001	\$24.50
Best Equivalent Small Format Interchangeable Core	Satin Chrome	20148426D01	\$68.00
Best Equivalent Small Format Interchangeable Core	Bright Brass	2014840301	\$68.00
Installation Jig (for use with E5000/5000/1000/L1000)		6468426D01	\$429.50
Weather Cover (1000/L1000/5000/E5000)	Smoke	5464400041	\$61.50
E-Plex 5x6x Mortise Wood Demo Mount (lock not included)		20305800041	\$175.00

* For software and software related accessories, please visit www.dormakaba.us



E-Plex[®] 5x70 SAC

See page 6 for
How to Order instructions



E-Plex[®] 5x70 SAC



Item	Qty/Lock	Description	Finish	Part Number	List Price (USD)
1	1	Antenna Cover Assembly, E5670 Only	Black	7540100001	\$56.00
		Antenna Cover Assembly, E5770 Only	Black	7538200001	\$56.00
		Antenna Cover Assembly, E5870/E5970 Only	Black	7538300001	\$56.00
2	1	Fascia (E5x70 Models Only)		5476400001	\$11.50
3	1	Outside Housing Assembly, (NO Reader Models - 5070/5270) (Includes 1 ea. #2, #3, and code buttons)	Satin Chrome	7534626D01	\$163.00
		Outside Housing Assembly, (NO Reader Models - 5070/5270) (Includes 1 ea. #2, #3, and code buttons)	Bright Brass	753460301	\$163.00
		Outside Housing Assembly, (NO Reader Models - 5070/5270) (Includes 1 ea. #2, #3, and code buttons)	Satin Brass	753460401	\$163.00
		Outside Housing Assembly, (NO Reader Models - 5070/5270) (Includes 1 ea. #2, #3, and code buttons)	Dark Bronze	7534674401	\$163.00
		Outside Housing Assembly, (NO Reader Models - 5070/5270) (Includes 1 ea. #2, #3, and code buttons)	Wrinkle Black	7534608301	\$163.00
		Outside Housing Assembly, (NO Reader Models - 5070/5270) (Includes 1 ea. #2, #3, and code buttons)	Bright Chrome	7534602601	\$163.00
		Outside Housing Assembly, (Reader Models 5670/5770/5870/5970) (Includes 1 ea. #2, #3 and code buttons)	Satin Chrome	7534226D01	\$175.00
		Outside Housing Assembly, (Reader Models 5670/5770/5870/5970) (Includes 1 ea. #2, #3 and code buttons)	Bright Brass	753420301	\$175.00
		Outside Housing Assembly, (Reader Models 5670/5770/5870/5970) (Includes 1 ea. #2, #3 and code buttons)	Satin Brass	753420401	\$175.00
		Outside Housing Assembly, (Reader Models 5670/5770/5870/5970) (Includes 1 ea. #2, #3 and code buttons)	Dark Bronze	7534274401	\$175.00
		Outside Housing Assembly, (Reader Models 5670/5770/5870/5970) (Includes 1 ea. #2, #3 and code buttons)	Wrinkle Black	7534208301	\$175.00
		Outside Housing Assembly, (Reader Models 5670/5770/5870/5970) (Includes 1 ea. #2, #3 and code buttons)	Bright Chrome	7534202601	\$175.00
4	2	Screw, 4-40 x .325", Pan Hd, Patch lock - Antenna Screw (10 Pack)		5461500010	\$11.50
5	1	Light Guide (Covers PCB Module LEDs)		5477300001	\$11.50
6	1	PCB Module (E5070 Only)		7534700001	\$291.50
		PCB Module (E5270 Only)		7535000001	\$373.00
		PCB Module (E5670 Only)		7540700001	\$559.50
		PCB Module (E5770 Only)		7534400001	\$478.00
		PCB Module (E5870 Only)		7535300001	\$559.50
		PCB Module (E5970 Only)		7535600001	\$559.50
7	4	Screw, #6 x 1/4", Phillips, Pan Hd (10 Pack)		5476600010	\$11.50
8	1	Switch Bracket		5476300001	\$8.00
9	1	Interface Cable with Micro Switch - Lock Interface Cable Kit (Includes 1 ea. #8, #9, #11; 2 ea. #10)		5474800001	\$74.50
10	2	Screw, M2 - 10MM, ISO Hex Socket Head (10 Pack)		5477600010	\$9.50
11	1	Cable Clamp, Nylon (5 Pack)		5477500005	\$11.50
12	1	Housing Base Plate		3431800001	\$46.50
13	2	Screw, 6-32 x 3/8", Pinned Torx (2 Pack)		5473700001	\$11.50
14	1	Housing Base Plate Moisture Barrier		5476800001	\$10.50
15	1	Housing Mounting Shim		5477700001	\$11.50
16	1	Pinned Torx Tool (not shown) - Included in Accessory Tool Kit		6471700001	\$11.50
20	1	Steel Enclosure for Power Interface Unit (Box Only), E5x70		9400300001	\$81.50
		PIU - Power Interface Unit Assembly, Complete E5x70 (Includes 1 ea. #20, #21, #22, #25, #26, #27; 4 ea. #23; 8 ea. #24)		7534300001	\$350.00

E-Plex

Power Lever

4000

Solitaire



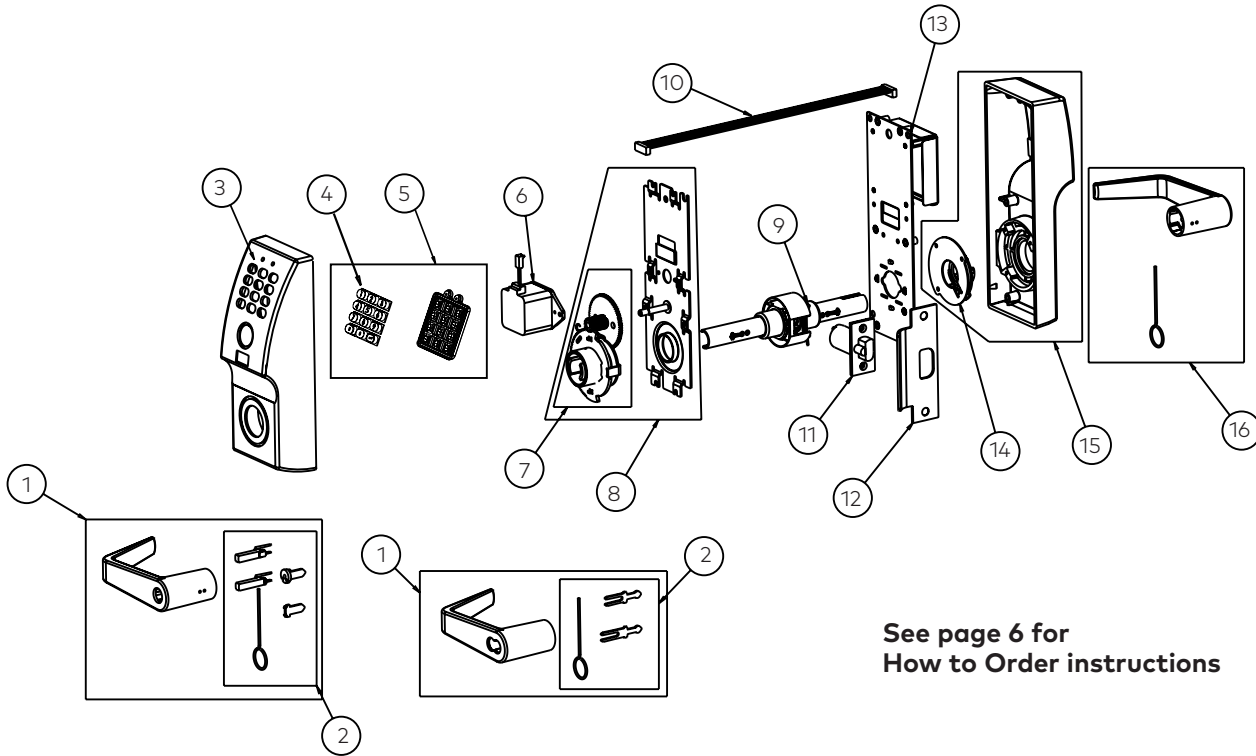
E-Plex®
5x70 SAC

Item	Qty/Lock	Description	Finish	Part Number	List Price (USD)
21	1	Label, PIU Schematic - Warning Label Kit (Includes 1 ea. #21, #25, #26, #27)		SAC-LABEL-001	\$9.50
22	1	Interface Board - Interface Board Kit (Includes 1 ea. #21, #22, #25, #26, #27; 4 ea. #23; 8 ea. #24)		9400200001	\$256.50
23	4	Standoffs, .750, #4-40 - Interface Board Mounting Kit (Includes 4 ea. #23; 8 ea. #24)		5477100001	\$11.50
24	8	Screw, 4-40 x 1/4" Phillips, Truss - Interface Board Mounting Screws (10 Pack)		5463100010	\$9.50
25	1	Label, Call - Do Not Return - Warning Label Kit (Includes 1 ea. #21, #25, #26, #27)		SAC-LABEL-001	\$9.50
26	1	Label, Voltage Warning - Warning Label Kit (Includes 1 ea. #21, #25, #26, #27)		SAC-LABEL-001	\$9.50
27	1	Label, Shunt Type Warning - Warning Label Kit (Includes 1 ea. #21, #25, #26, #27)		SAC-LABEL-001	\$9.50
28	1	Cam lock, Keyturn with Clip 5/8", 1/2" Offset (not shown)	Satin Chrome	L-33803F-01-018KA	\$14.00
		Cam lock, Thumbturn with Clip 5/8", 1/2" Offset (not shown)	Satin Chrome	A5831-Z-14-01	\$14.00
Additional Kits & Accessories			Finish	Part Number	List Price (USD)
		Literature Kit, E5070 SAC		PKG3246	\$17.50
		Literature Kit, E5270 SAC		PKG3247	\$17.50
		Literature Kit, E5770 SAC		PKG3276	\$17.50
		Literature Kit, E5870 SAC		PKG3286	\$17.50
		Literature Kit, E5970 SAC		PKG3239SAC	\$17.50
		E-Plex 5000 Standard Software Kit (Includes PC M-unit kit and software discs) (Excel-Based Templates) (300 users per lock)		EP-0300-001	*
		E-Plex 5200/5700 Enterprise Software Kit (Includes PC M-unit kit and software discs) (3,000 users per lock)		EP-EPRISE1-001	*
		E-Plex 5200/5700 Enterprise Demo Software (90 day expiry)		EP-EPRISE-DEMO	*
		E-plex 5700 USB Prox Reader/Enroller		5456100041	\$559.50
		E-Plex 5800 FIPS/DESFire Card Reader/Enroller		120-ENFIPS-000	\$297.00
		E-Plex 5800 OCSP FIPS Software		EP-OCSP-FIPS-SW	*
		E-Plex 5800 General FIPS Software		EP-GEN-FIPS-SW	*
		HID Proxcard II Proximity Access Card #1326M - Not Printable, with Slot (minimum order 100 pcs)		065-101066	*
		HID ISO Prox II Card (PVC-31 mils) #1336 - Printable, NO Slot (minimum 100 pcs)		065-507143	*
		HID DuoProx (PVC-31 mils) High C/Proximity #1336 - Printable, NO Slot (minimum 100 pcs)		065-507144	\$10.00
		HID Prox KEY II #1346 (FOB) (minimum order 100 pcs)		120-508051	*
		MicroProx Tag Proximity #1391 (Adhesive Backed Disc) (minimum order 100 pieces)		065-511072	*
		DESFire 2K Smart Card (for use with 3600/5600/5800)		352-DESFIR-02K	*

* For software and software related accessories, please visit www.dormakaba.us



PowerLevel 1550



See page 6 for
How to Order instructions

Item	Qty/Lock	Description	Finish	Part Number	List Price (USD)
1	1	Kit, OS Lever, Std, Non SFIC	Satin Chrome	401126	\$87.50
		Kit, OS Lever, SFIC	Satin Chrome	40112	\$87.50
2	1	Kit, Tailpiece, Non SFIC,		401143	\$11.50
		Kit, Tailpiece, IC, 15/45/95		401144	\$16.50
3	1	Kit, OS Cover, 1550	Black	401118	\$116.50
		Kit, OS Cover, 1550	Satin Chrome	401119	\$128.50
4	1	Kit, Metal Keybuttons, Oval	Black	401138	\$25.50
5	1	Kit, KeyPad, w/Ctrl Card 15xx/45xx		401139	\$146.00
6	1	Kit, Generator, Bkt & Cable Asm		401135	\$70.00
7	1	Kit, Sector Gear Asm,		401131	\$116.50
8	1	Kit, OS Backplate Asm & Gear Trains		401136	\$221.50
9	1	Kit, Chassis Asm, Std (Non SFIC),		401116	\$198.00
		Kit, Chassis Asm, SFIC		401117	\$210.00
10	1	Kit, System Cable Asm,		401132	\$16.50
11	1	Kit, Latchbolt Asm, 1/2" Throw,	Satin Chrome	20416826D01	\$41.00
12	1	Kit, 4-7/8" ASA Strike PL (old #401141)	Satin Chrome	20411926D01	\$12.50
13	1	Kit, IS Plate Asm, w/Sys Cd, 1550		407023	\$268.00
14	1	Inside Lever Spring Kit		404057	\$35.00
15	1	Kit, IS Cover Asm	Black	401124	\$81.50
		Kit, IS Cover Asm	Satin Chrome	401125	\$93.50
16	1	Kit, IS Lever	Satin Chrome	401128	\$64.00

PowerLever 1550

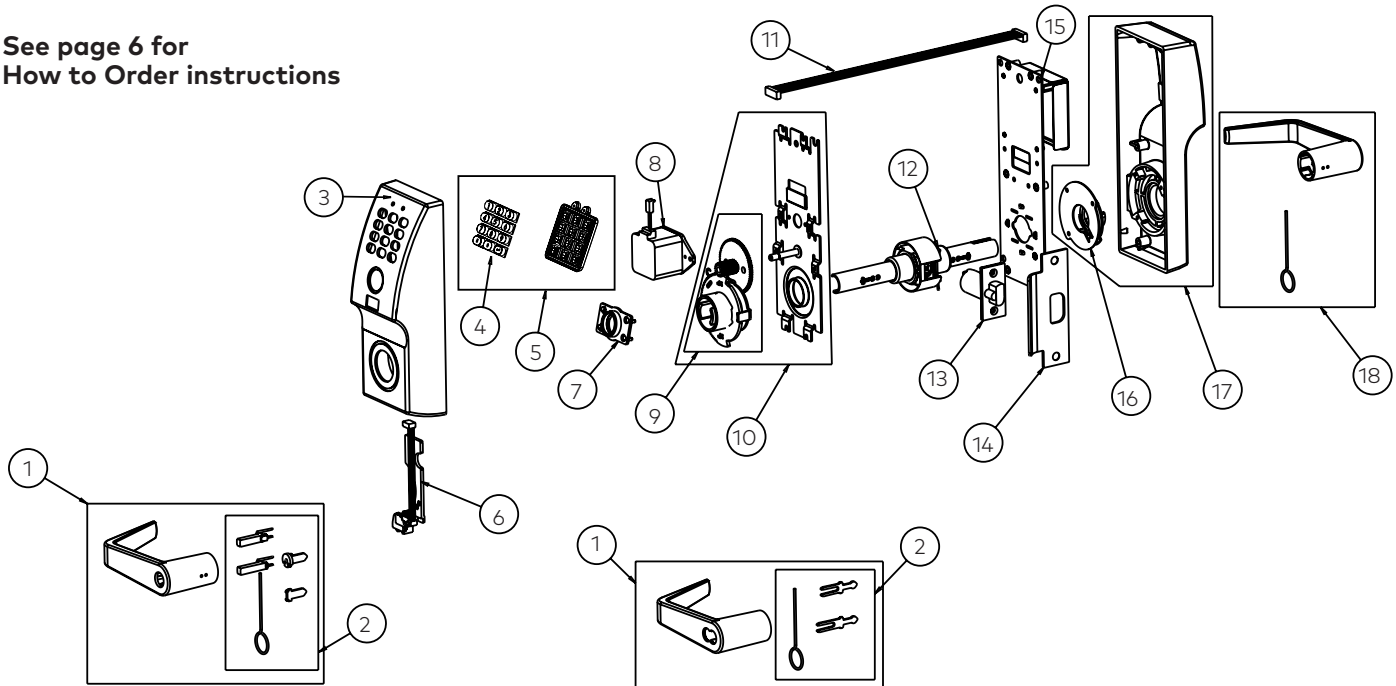


Additional Kits & Accessories	Finish	Part Number	List Price (USD)
Torx Bit for Security Screws		404050	\$15.50
Kit, Installation Hardware, Black	Black	401129	\$23.50
Kit, Installation Hardware, Chrome	Satin Chrome	401130	\$23.50
Kit, 2-3/4" "T" - Strike PL (old #401142)		20422726D41	\$11.50
Tailpiece Kit - Doors 1 3/8" to 1 1/2" (10 pack)		404077	\$56.00
Tailpiece Kit - Doors > than 1 1/2" (10 pack)		404080	\$56.00
Tailpiece Kit - Std Cyl - (1903-L9) (10 pack)		405458	\$11.50
Tailpiece Kit - Std Cyl - (Ilco, Kaba, Abloy, Arrow) (10 pack)		404078	\$21.00
Tailpiece Kit - Std Cyl - (Schlage, Primus, Corbin-Russwin, ASSA) (10 pack)		404079	\$21.00
Pro Gasket Kit Required for Outdoor Applications		404073	\$42.00
Progaurd Weather Shield		404143	\$46.50
Wood Demo Mount		405386	\$167.00



PowerLever 4550/4560

See page 6 for
How to Order instructions



Item	Qty/Lock	Description	Finish	Part Number	List Price (USD)
1	1	Kit, OS Lever, Std, Non IC	Satin Chrome	401126	\$87.50
		Kit, OS Lever, IC	Satin Chrome	401127	\$87.50
2	1	Kit, Tailpiece, Non IC, 15/45/95		401143	\$11.50
		Kit, Tailpiece, IC, 15/45/95		401144	\$16.50
3	1	Kit, OS Cover, 45XX	Black	401120	\$116.50
		Kit, OS Cover, 45XX	Satin Chrome	401121	\$128.50
4	1	Kit, Metal Keybuttons, Oval	Black	401138	\$25.50
5	1	Kit, KeyPad, w/Ctrl Card 15xx/45xx		401139	\$146.00
6	1	RJ12 Connector Mod Jack, with Ribbon Cable		401133	\$46.50
7	1	Key Reader Asm Front Cover		401145	\$46.50
8	1	Kit, Generator, Bkt & Cable Asm		401135	\$70.00
9	1	Kit, Sector Gear Asm,		401131	\$116.50
10	1	Kit, OS Backplate Asm & Gear Trains		411123	\$221.50
11	1	Kit, System Cable Asm,		401132	\$16.50
12	1	Kit, Chassis Asm, Std (Non IC),		401116	\$198.00
		Kit, Chassis Asm, IC		401117	\$210.00
13	1	Kit, Latchbolt Asm, 1/2" Throw,	Satin Chrome	20416826D01	\$41.00
14	1	Kit, 4-7/8" ASA Strike PL (old # 401141)	Satin Chrome	20411926D01	\$12.50
15	1	Kit, IS Plate Asm, w/Sys Cd, 4550		407071	\$320.50
		Kit, IS Plate Asm, w/Sys Cd, 4560		407077	\$350.00
16	1	Inside Lever Spring Kit		404057	\$35.00
17	1	Kit, IS Cover Asm	Black	401124	\$81.50
		Kit, IS Cover Asm	Satin Chrome	401125	\$93.50
18	1	Kit, IS Lever	Satin Chrome	401128	\$64.00

PowerLever 4550/4560



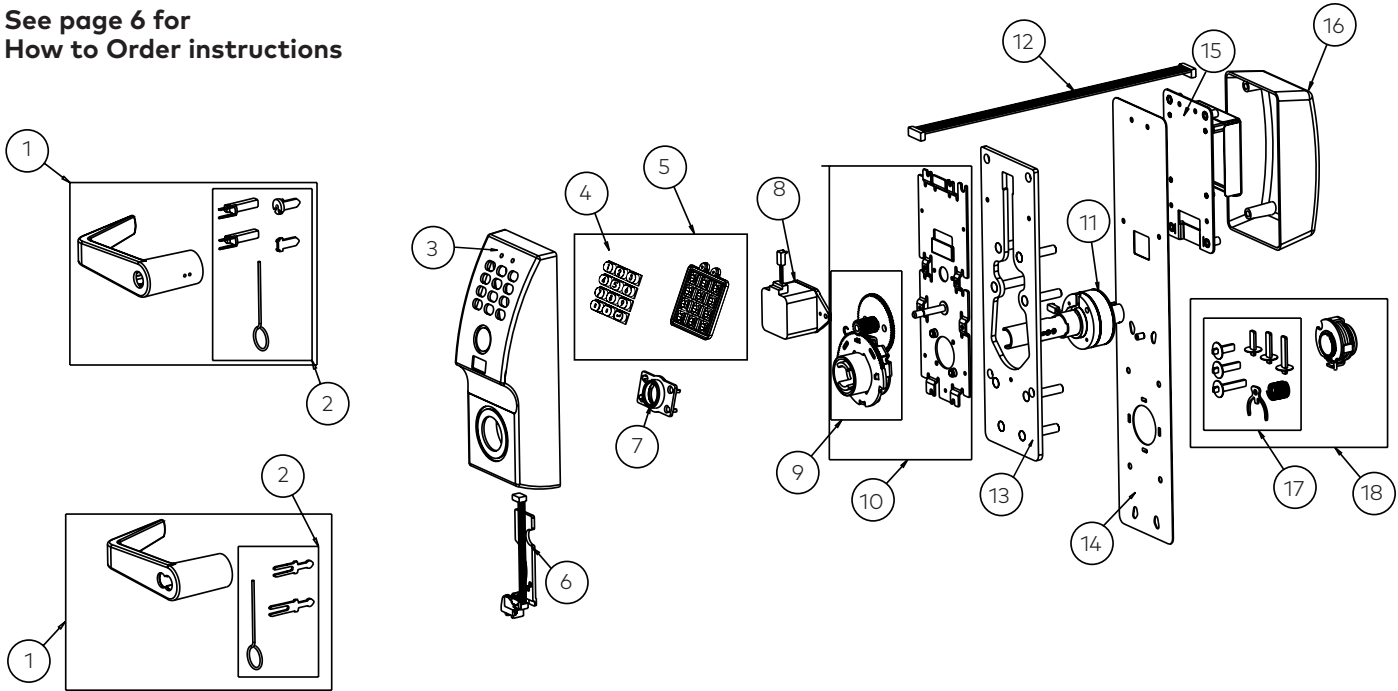
Additional Kits & Accessories	Finish	Part Number	List Price (USD)
Torx Bit Torx Bit for Security Screws		404050	\$15.50
Installation Hardware Kit, Installation Hardware, Black		401129	\$23.50
Installation Hardware Kit, Installation Hardware, Chrome		401130	\$23.50
Kit, 2-3/4" "T" - Strike PL (old #401142)		20422726D01	\$11.50
Tailpieces IC Tailpiece Kit - Doors 1 3/8" to 1 1/2" (10 pack)		404077	\$56.00
Tailpieces IC Tailpiece Kit - Doors > than 1 1/2" (10 pack)		404080	\$56.00
Tailpieces Kit - Std Cyl - (1903-L9) (10 pack)		405458	\$11.50
Tailpieces Kit - Std Cyl - (Ilco, Kaba, Abloy, Arrow) (10 pack)		404078	\$21.00
Tailpieces Kit - Std Cyl - (Schlage, Primus, Corbin-Russwin, ASSA) (10 pack)		404079	\$21.00
Pro Gasket Kit Required for Outdoor Applications		404073	\$42.00
Proguard Weather Shield		404143	\$46.50
Wood Demo Mount		405386	\$167.00
Red Key (SA) for Data Transfer Lock/Software		202021	*
Orange Key (User) for User Access at Lock		212030	*
Black Key (Log On) for Software Access		202024	*
Key Reader and Serial Adapter Kit		201118	*
Implementation Kit (455x) - Includes PowerLever Software, Key Reader (201118), 1 Black Log On Key (202024), 2 Red SA Keys for Data Transfer (202021)		401109	*
Replacement Software CD (455x) - Includes 1 PowerLever Software, 1 Black Log On Key (202024)		401110	*
AP Implementation Kit (456X) - Includes PowerLever Software, Key Reader (201118), 1 Black Log On Key (202024), 2 Red SA Keys for Data Transfer (202021)		401108	*
Replacement Software CD (456x) - Includes 1 PowerLever Software, 1 Black Log On Key (202024)		402060	*

* For software and software related accessories, please visit www.dormakaba.us



PowerLevel 455X/456X

See page 6 for
How to Order instructions



Item	Qty/Lock	Description	Finish	Part Number	List Price (USD)
1	1	Kit, OS Lever, Std, Non SFIC	Satin Chrome	401126	\$87.50
		Kit, OS Lever, SFIC	Satin Chrome	401127	\$87.50
2	1	Kit, Tailpiece, Non SFIC, 15/45/95		401143	\$11.50
		Kit, Tailpiece, SFIC, 15/45/95		401144	\$16.50
3	1	Kit, OS Cover, Black, 45XX	Black	401120	\$116.50
		Kit, OS Cover, 45X	Satin Chrome	401121	\$128.50
4	1	Kit, Metal Keybuttons, Oval	Black	401138	\$25.50
5	1	Kit, KeyPad, w/Ctrl Card 15xx/45xx		401139	\$146.00
6	1	RJ12 Connector Mod Jack, with Ribbon Cable		401133	\$46.50
7	1	Key Reader Asm Front Cover		401145	\$46.50
8	1	Kit, Generator, Bkt & Cable Asm		401135	\$70.00
9	1	Kit, Sector Gear Asm,		401131	\$116.50
10	1	Kit, OS Backplate Asm & Gear Trains (old #401136)		411123	\$221.50
11	1	Kit, Chassis Asm, Std Non IC, ET Series		411100	\$291.50
		Kit, Chassis Asm, SFIC, ET Series		411101	\$320.50
12	1	Kit, System Cable Asm,		401132	\$16.50
13	1	Outside Cover Plate, VD 98/99, ET Series		411111	\$175.00
		Outside Cover Plate, VD 22, ET Series		411112	\$151.50
		Outside Cover Plate, Sargent 8888, ET Series		411113	\$151.50
		Outside Cover Plate, Dorma 9300, ET Series		411114	\$175.00
		Outside Cover Plate, Monarch F18, ET Series		411115	\$151.50
		Outside Cover Plate, Precision 1103, ET Series		411116	\$175.00
		Outside Cover Plate, Precision 2100, ET Series		411130	\$175.00
		Outside Cover Plate, Yale/Corbin-Russwin, ET Series		411127	\$175.00

PowerLever 455X/456X



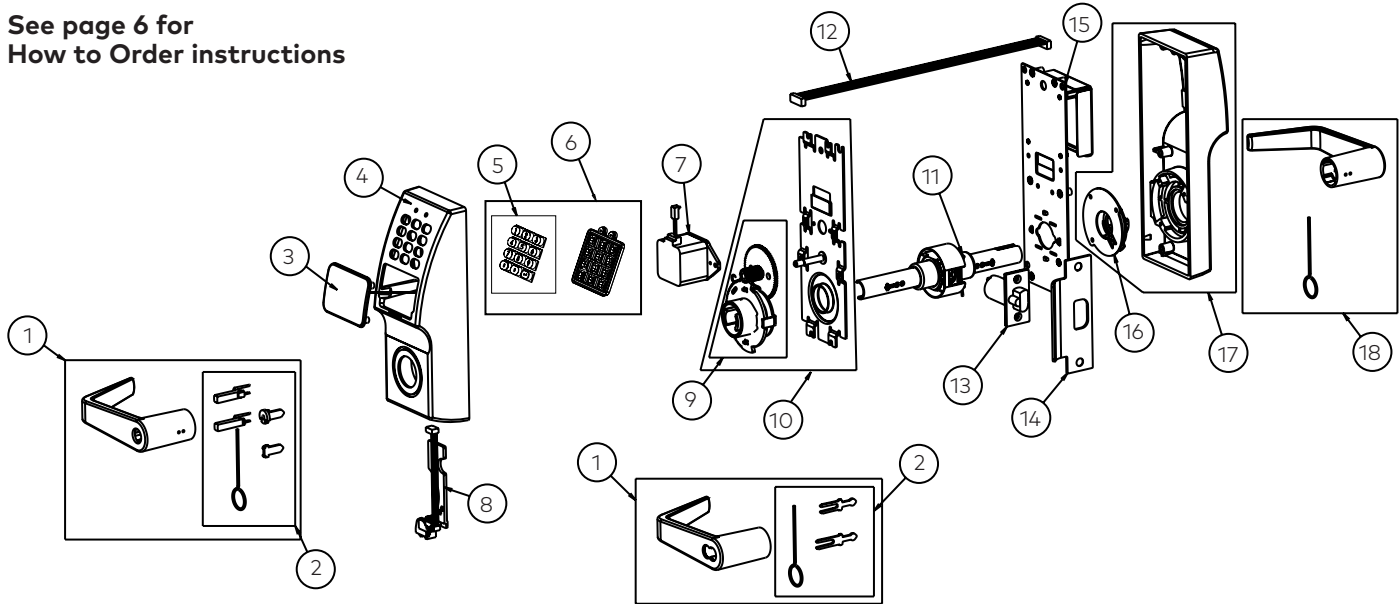
Item	Qty/Lock	Description	Finish	Part Number	List Price (USD)
14	1	Inside Cover Plate, VD 98/99, ET Series		411117	\$46.50
		Inside Cover Plate, VD 22, ET Series		411118	\$46.50
		Inside Cover Plate, Sargent 8888, ET Series		411119	\$46.50
		Inside Cover Plate, Dorma 9300, ET Series		411120	\$87.50
		Inside Cover Plate, Monarch F18, ET Series		411121	\$87.50
		Inside Cover Plate, Precision 1103, ET Series		411122	\$87.50
		Inside Cover Plate, Precision 2100, ET Series		411131	\$87.50
		Inside Cover Plate, Yale/Corbin-Russwin, ET Series		411128	\$87.50
15	1	Inside Plate Asm, w/Sys Card, 455X		417027	\$583.00
		Inside Plate Asm, w/Sys Card, 456X		411109	\$583.00
16	1	Inside Cover Asm, Exit Trim	Black	411102	\$30.00
17	1	Kit, Hub Tailpiece, ET Series		411125	\$93.50
18	1	Kit, Hub Assembly, ET Series		411124	\$146.00
Additional Kits & Accessories			Finish	Part Number	List Price (USD)
		Torx Bit Torx Bit for Security Screws		404050	\$15.50
		Installation Hardware Kit, Von Duprin 98/99, ET Series		411103	\$52.50
		Installation Hardware Kit, Von Duprin 22, ET Series		411104	\$52.50
		Installation Hardware Kit, Sargent 8888, ET Series		411105	\$52.50
		Installation Hardware Kit, Dorma 9300, ET Series		411106	\$70.00
		Installation Hardware Kit, Precision 1103, ET Series		411107	\$70.00
		Installation Hardware Kit, Monarch 18 R, ET Series		411108	\$52.50
		Installation Hardware Kit, Precision 2100 ET Series		411129	\$70.00
		Installation Hardware Kit, Yale/Corbin-Russwin, ET Series		411126	\$70.00
		Red Key (SA) for Data Transfer Lock/Software		202021	*
		Orange Key (User) for User Access at Lock		212030	*
		Black Key (Log On) for Software Access		202024	*
		Key Reader and Serial Adapter Kit		201118	*
		Implementation Kit (455x) - Includes PowerLever Software, Key Reader (201118), 1 Black Log On Key (202024), 2 Red SA Keys for Data Transfer (202021)		401109	*
		Replacement Software CD (455x) - Includes 1 PowerLever Software, 1 Black Log On Key (202024)		401110	*
		AP Implementation Kit (456X) - Includes PowerLever Software, Key Reader (201118), 1 Black Log On Key (202024), 2 Red SA Keys for Data Transfer (202021)		401108	*
		Replacement Software CD (456x) - Includes 1 PowerLever Software, 1 Black Log On Key (202024)		402060	*
		Pro Gasket Kit Required for Outdoor Applications		404073	\$42.00
		Progaurd Weather Shield		404143	\$46.50
		Wood Demo Mount		405386	\$167.00

* For software and software related accessories, please visit www.dormakaba.us



PowerLevel Model 9550

See page 6 for
How to Order instructions



Item	Qty/Lock	Description	Finish	Part Number	List Price (USD)
1	1	Outside Lever Kit, Std Cyl	Satin Chrome	401126	\$87.50
		Outside Lever Kit, IC Core	Satin Chrome	401127	\$87.50
2	1	Tailpiece Kit, Std Cyl		401143	\$11.50
		Tailpiece Kit, IC Core		401144	\$16.50
3	1	RF Antenna Assembly, 955X		401137	\$70.00
4	1	Outside Cover Assembly 955X	Black	401122	\$116.50
		Outside Cover Assembly 955X	Satin Chrome	401123	\$128.50
5	1	Metal Keybuttons Kit	Black	401138	\$25.50
6	1	Key Pad Asm, w/Ctrl Card & Buttons		401146	\$146.00
7	1	Kit, Generator, Bkt & Cable Asm		401135	\$70.00
8	1	RJ12 Connector, Mod Jack, w/Ribbon Cable		401133	\$46.50
9	1	Sector Gear Asm, w/Spacer, Comp Gear, & Clip		401131	\$116.50
10	1	Outside Backplate Asm & Gear Train		401136	\$221.50
11	1	Chassis Asm, Std Cyl		401116	\$198.00
		Chassis Asm, for IC Core		401117	\$210.00
12	1	System Cable Asm		401132	\$16.50
13	1	Latchbolt Asm, 1/2" Throw (old # 401140) was 201961 latch (5/8")	Satin Chrome	20416826D01	\$41.00
14	1	4 7/8" ASA Strike, Spec Series (old #401141)	Satin Chrome	20411926D01	\$12.50
		2 3/4" "T" - Strike, Spec Series (old #401142)	Satin Chrome	20422726D01	\$11.50
15	1	Inside Plate Asm w/ Sys Card 9550		401134	\$524.50
16	1	Inside Lever Spring Kit		404057	\$35.00
17	1	Inside Cover Assembly	Black	401124	\$81.50
		Inside Cover Assembly	Satin Chrome	401125	\$93.50
18	1	Inside Lever Kit	Satin Chrome	401128	\$64.00

PowerLever Model 9550



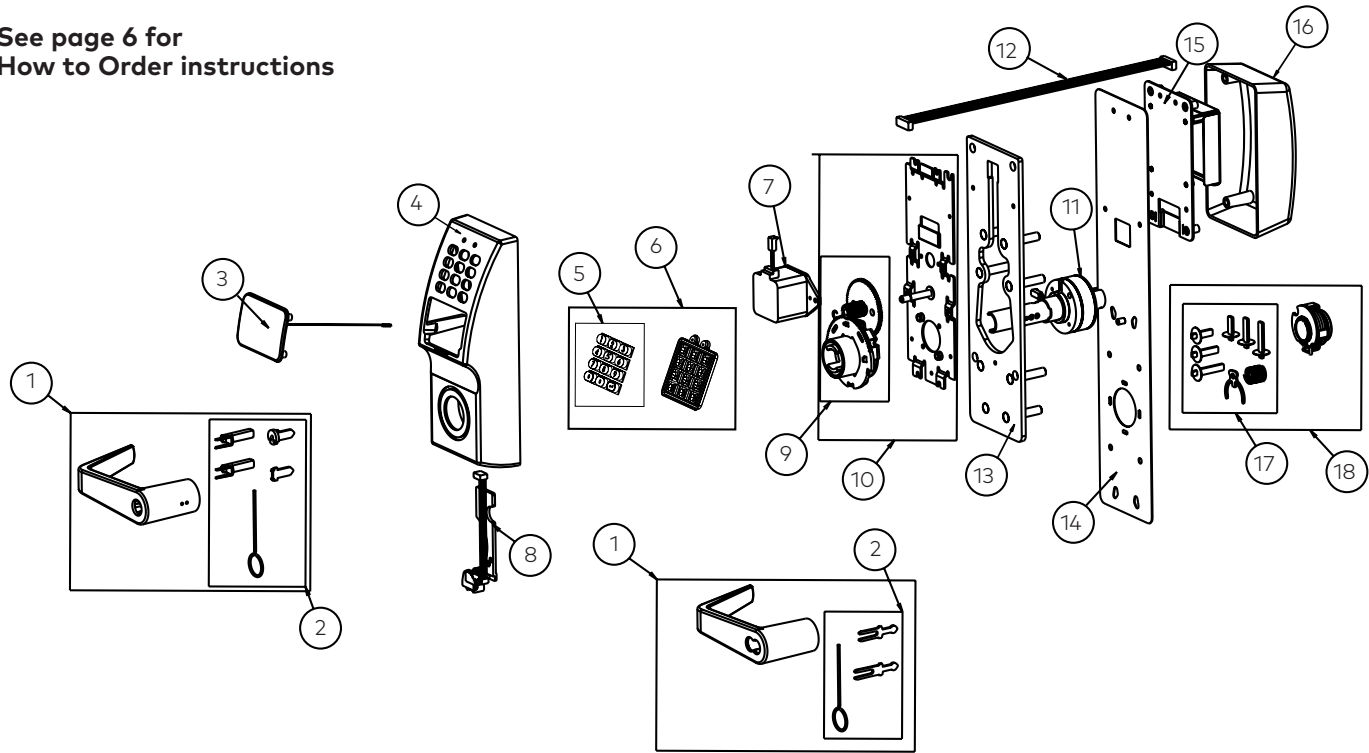
Additional Kits & Accessories	Finish	Part Number	List Price (USD)
Installation Hardware Kit, Spec Series	Black	401129	\$23.50
Installation Hardware Kit, Spec Series	Satin Chrome	401130	\$23.50
Torx Bit for Security Screws		404050	\$15.50
Tailpiece Kit - IC - Doors 1 3/8" to 1 1/2" (10 pack)		404077	\$56.00
Tailpiece Kit - IC - Doors > than 1 1/2" (10 pack)		404080	\$56.00
Tailpiece Kit - Std Cyl - 1903-L9 (10 pack)		405458	\$11.50
Tailpiece Kit - Std Cyl - (Ilco, Kaba, Abloy, Arrow) (10 pack)		404078	\$21.00
Tailpiece Kit - Std Cyl - (Schlage, Primus, Corbin-Russwin, Ilco 1599, ASSA) (10 pack)		404079	\$21.00
Pro Gasket Kit Required for Outdoor Applications		404073	\$42.00
Progaurd Weather Shield		404143	\$46.50
Wood Demo Mount		405386	\$167.00
PL Prox Implementation Kit (955x) (Includes 404157)		404156	*
PL Prox Replacement Software CD (955x)		401114	*
USB Prox Reader/Enroller (955x)		54561000	\$559.50
HID ProxCard II Proximity Access Card #1326 - Not Printable with Slot (minimum order 100 pcs)		065-101066	*
HID ISOProx II Card (PVC-31 mils) #1386 - Printable, NO Slot (minimum order 100 pcs)		065-507143	*
HID DuoProx (PVC-31 mils) High-C/Proximity #1336 - Printable, NO Slot (minimum order 100 pcs)		065-507144	\$10.00
MicroProx Tag Proximity #1391 (Adhesive Backed Disc) (minimum order 100 pcs)		065-511072	*
HID Prox Key II (1346) - FOB (minimum order 100 pcs)		120-508051	*
Retractable Card Holder		P203-KABA	*
PL Prox "IrDA" Communication Module (Included in 404156)		404157	*

* For software and software related accessories, please visit www.dormakaba.us



PowerLevel Model 955X

See page 6 for
How to Order instructions



Item	Qty/Lock	Description	Finish	Part Number	List Price (USD)
1	1	Outside Lever Kit, Std Cyl	Satin Chrome	401126	\$87.50
		Outside Lever Kit, IC Core	Satin Chrome	401127	\$87.50
2	1	Tailpiece Kit, Std Cyl		401143	\$11.50
		Tailpiece Kit, IC Core		401144	\$16.50
3	1	RF Antenna Assembly		401137	\$70.00
4	1	Outside Cover Assembly	Black	401122	\$116.50
		Outside Cover Assembly	Satin Chrome	401123	\$128.50
5	1	Metal Keyputtons Kit	Black	401138	\$25.50
6	1	Key Pad Asm, w/Ctrl Card & Buttons		401146	\$146.00
7	1	Kit, Generator, Bkt & Cable Asm		401135	\$70.00
8	1	RJ12 Connector, Mod Jack, w/Ribbon Cable		401133	\$46.50
9	1	Sector Gear Asm, w/Spacer, Comp Gear, & Clip		401131	\$116.50
10	1	Kit, OS Backplate Asm & Gear Train, Exit Trim Series		411123	\$221.50
11	1	Kit, Chassis Asm, Std Non IC, Exit Trim Series		411100	\$291.50
		Kit, Chassis Asm, IC, Exit Trim Series		411101	\$320.50
12	1	System Cable Asm		401132	\$16.50
13	1	Outside Cover Plate, Dorma 9300, Exit Trim Series		411114	\$175.00
		Outside Cover Plate, Monarch F18, Exit Trim Series		411115	\$151.50
		Outside Cover Plate, Precision 1103, Exit Trim Series		411116	\$175.00
		Outside Cover Plate, Precision 2100, Exit Trim Series		411130	\$175.00
		Outside Cover Plate, Sargent 8888, Exit Trim Series		411113	\$151.50

PowerLever Model 955X

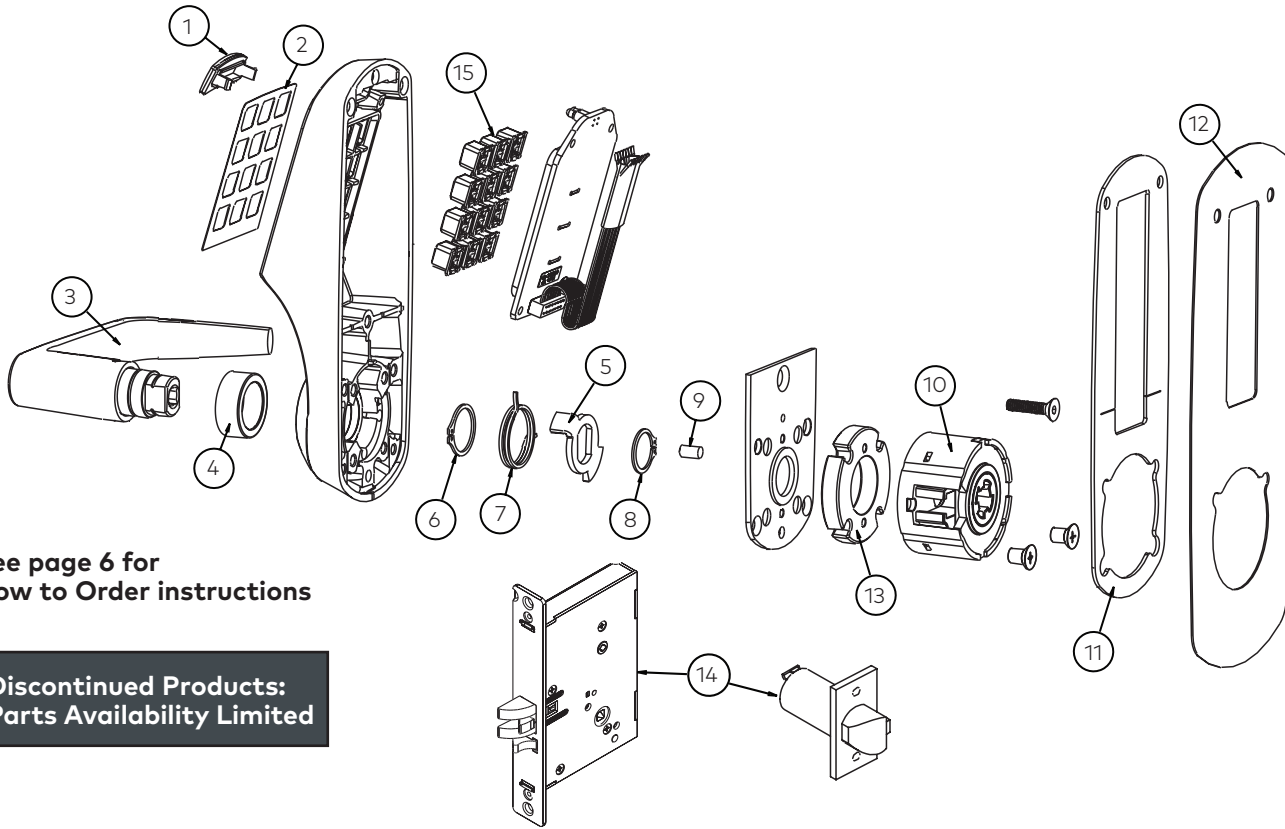


Item	Qty/Lock	Description	Finish	Part Number	List Price (USD)
13	1	Outside Cover Plate, Von Duprin 22, Exit Trim Series		411112	\$175.00
		Outside Cover Plate, Von Duprin 98/99, Exit Trim Series		411111	\$175.00
		Outside Cover Plate, Yale/Corbin-Russwin, Exit Trim Series		411127	\$175.00
14	1	Inside Cover Plate, Dorma 9300, Exit Trim Series		411120	\$87.50
		Inside Cover Plate, Monarch F18, Exit Trim Series		411121	\$87.50
		Inside Cover Plate, Precision 1103, Exit Trim Series		411122	\$87.50
		Inside Cover Plate, Precision 2100, Exit Trim Series		411131	\$87.50
		Inside Cover Plate, Sargent 8888, Exit Trim Series		411119	\$46.50
		Inside Cover Plate, Von Duprin 22, Exit Trim Series		411118	\$46.50
		Inside Cover Plate, Von Duprin 98/99, Exit Trim Series		411117	\$46.50
		Inside Cover Plate, Yale/Corbin-Russwin, Exit Trim Series		411128	\$87.50
15	1	Inside Plate Asm, w/Sys Card, 955X		411110	\$583.00
16	1	Inside Cover Asm, Exit Trim	Black	411102	\$30.00
17	1	Kit, Hub Tailpiece, Exit Trim Series		411125	\$93.50
18	1	Kit, Hub Assembly, Exit Trim Series		411124	\$146.00
Additional Kits & Accessories			Finish	Part Number	List Price (USD)
		Installation Hardware Kit, Dorma 9300		411106	\$70.00
		Installation Hardware Kit, Monarch 18 R		411108	\$52.50
		Installation Hardware Kit, Precision 1103		411107	\$70.00
		Installation Hardware Kit, Precision 2100		411129	\$70.00
		Installation Hardware Kit, Sargent 8888		411105	\$52.50
		Installation Hardware Kit, Von Duprin 22		411104	\$52.50
		Installation Hardware Kit, Von Duprin 98/99		411103	\$52.50
		Installation Hardware Kit, Yale/Corbin-Russwin		411126	\$70.00
		Torx Bit for Security Screws		404050	\$15.50
		PL Prox Implementation Kit (955x) (Includes 404157)		404156	*
		PL Prox Replacement Software CD (955x)		401114	*
		USB Prox Reader/Enroller (955x)		54561000	\$559.50
		HID ProxCard II Proximity Access Card #1326 - Not Printable with Slot (minimum order 100 pcs)		065-101066	*
		HID ISOProx II Card (PVC-31 mils) #1386 - Printable, NO Slot (minimum order 100 pcs)		065-507143	*
		HID DuoProx (PVC-31 mils) High-C/Proximity #1336 - Printable, NO Slot (minimum order 100 pcs)		065-507144	\$10.00
		MicroProx Tag Proximity #1391 (Adhesive Backed Disc) (minimum order 100 pcs)		065-511072	*
		HID Prox Key II (1346) - FOB (minimum order 100 pcs)		120-508051	*
		Retractable Card Holder		P203-KABA	*
		PL Prox "IrDA" Communication Module (Included in 404156)		404157	*
		Pro Gasket Kit Required for Outdoor Applications		404073	\$42.00
		Progaurd Weather Shield		404143	\$46.50
		Wood Demo Mount		405386	\$167.00

* For software and software related accessories, please visit www.dormakaba.us



4000

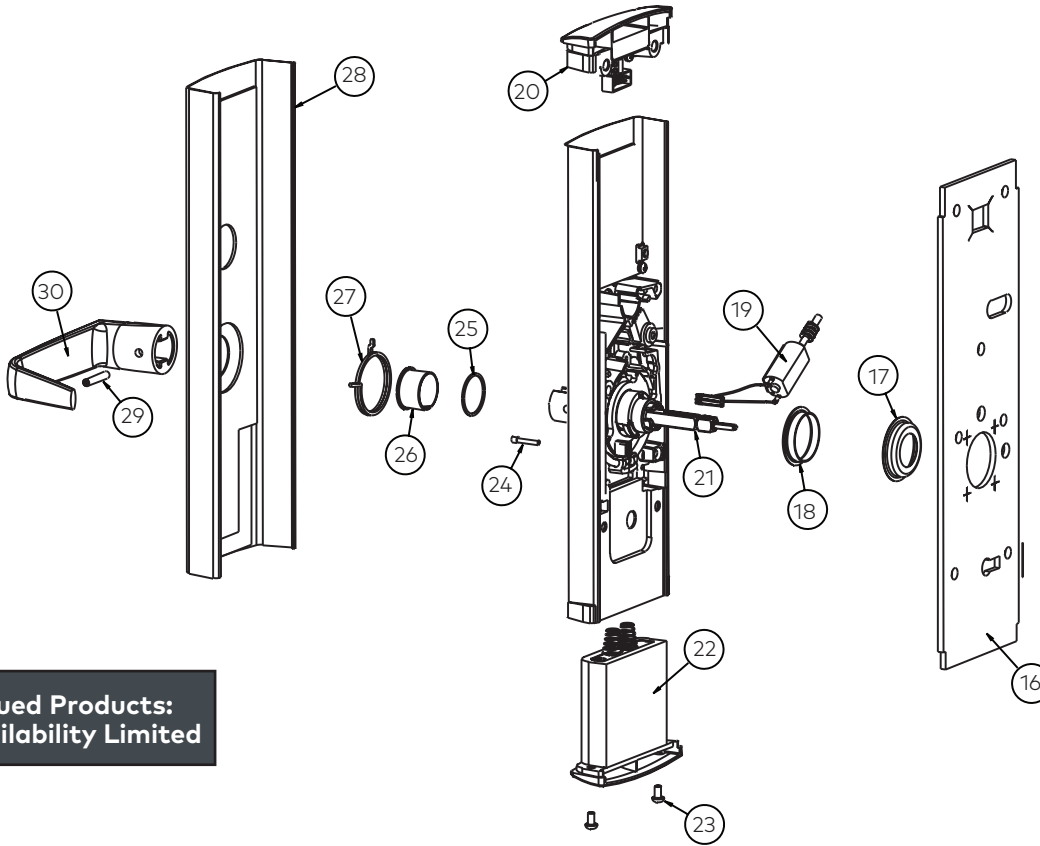


See page 6 for
How to Order instructions

**Discontinued Products:
Parts Availability Limited**

Item	Qty/Lock	Description	Finish	Part Number	List Price (USD)
1	1	Cosmetic Window Kit	Smoke	118-507725-K	\$11.50
2	1	Keypad Faceplate Kit (5 per pack)	Black	061-508937-BLK	\$17.50
3	1	Outside Lever, Best 6 & 7-pin, Left Hand	Satin Chrome	118-507718-L626	\$105.00
		Outside Lever, Best 6 & 7-pin, Left Hand	Bright Brass	118-507718-L605	\$105.00
		Outside Lever, Best 6 & 7-pin, Left Hand	Satin Brass	118-507718-L606	\$105.00
		Outside Lever, Best 6 & 7-pin, Left Hand	Bright Chrome	118-507718-L625	\$105.00
		Outside Lever, Best 6 & 7-pin, Right Hand	Satin Chrome	118-507718-R626	\$105.00
		Outside Lever, Best 6 & 7-pin, Right Hand	Bright Brass	118-507718-R605	\$105.00
		Outside Lever, Best 6 & 7-pin, Right Hand	Satin Brass	118-507718-R606	\$105.00
		Outside Lever, Best 6 & 7-pin, Right Hand	Bright Chrome	118-507718-R625	\$105.00
		Outside Lever, Yale 7-pin, Left Hand	Satin Chrome	118-508717-L626	\$105.00
		Outside Lever, Yale 7-pin, Left Hand	Bright Brass	118-508717-L605	\$105.00
		Outside Lever, Yale 7-pin, Left Hand	Satin Brass	118-508717-L606	\$105.00
		Outside Lever, Yale 7-pin, Left Hand	Bright Chrome	118-508717-L625	\$105.00
		Outside Lever, Yale 7-pin, Right Hand	Satin Chrome	118-508717-R626	\$105.00
		Outside Lever, Yale 7-pin, Right Hand	Bright Brass	118-508717-R605	\$105.00
		Outside Lever, Yale 7-pin, Right Hand	Satin Brass	118-508717-R606	\$105.00
		Outside Lever, Yale 7-pin, Right Hand	Bright Chrome	118-508717-R625	\$105.00
		Outside Lever, Yale 6-pin, Left Hand	Satin Chrome	118-508716-L626	\$105.00
		Outside Lever, Yale 6-pin, Left Hand	Bright Brass	118-508716-L605	\$105.00
		Outside Lever, Yale 6-pin, Left Hand	Satin Brass	118-508716-L606	\$105.00

4000



**Discontinued Products:
Parts Availability Limited**

Item	Qty/Lock	Description	Finish	Part Number	List Price (USD)
3	1	Outside Lever, Yale 6-pin, Left Hand	Bright Chrome	118-508716-L625	\$105.00
		Outside Lever, Yale 6-pin, Right Hand	Satin Chrome	118-508716-R626	\$105.00
		Outside Lever, Yale 6-pin, Right Hand	Bright Brass	118-508716-R605	\$105.00
		Outside Lever, Yale 6-pin, Right Hand	Satin Brass	118-508716-R606	\$105.00
		Outside Lever, Yale 6-pin, Right Hand	Bright Chrome	118-508716-R625	\$105.00
		Outside Lever, ASSA 6-pin - Medeco 6 & 7-pin, Left Hand	Satin Chrome	118-508712-L626	\$105.00
		Outside Lever, ASSA 6-pin - Medeco 6 & 7-pin, Left Hand	Bright Brass	118-508712-L605	\$105.00
		Outside Lever, ASSA 6-pin - Medeco 6 & 7-pin, Left Hand	Satin Brass	118-508712-L606	\$105.00
		Outside Lever, ASSA 6-pin - Medeco 6 & 7-pin, Left Hand	Bright Chrome	118-508712-L625	\$105.00
		Outside Lever, ASSA 6-pin - Medeco 6 & 7-pin, Right Hand	Satin Chrome	118-508712-R626	\$105.00
		Outside Lever, ASSA 6-pin - Medeco 6 & 7-pin, Right Hand	Bright Brass	118-508712-R605	\$105.00
		Outside Lever, ASSA 6-pin - Medeco 6 & 7-pin, Right Hand	Satin Brass	118-508712-R606	\$105.00
		Outside Lever, ASSA 6-pin - Medeco 6 & 7-pin, Right Hand	Bright Chrome	118-508712-R625	\$105.00
		Outside Lever, Schlage 6-pin, Left Hand	Satin Chrome	118-508710-L626	\$105.00
		Outside Lever, Schlage 6-pin, Left Hand	Bright Brass	118-508710-L605	\$105.00
		Outside Lever, Schlage 6-pin, Left Hand	Satin Brass	118-508710-L606	\$105.00
		Outside Lever, Schlage 6-pin, Left Hand	Bright Chrome	118-508710-L625	\$105.00
		Outside Lever, Schlage 6-pin, Right Hand	Satin Chrome	118-508710-R626	\$105.00
		Outside Lever, Schlage 6-pin, Right Hand	Bright Brass	118-508710-R605	\$105.00
		Outside Lever, Schlage 6-pin, Right Hand	Satin Brass	118-508710-R606	\$105.00
		Outside Lever, Schlage 6-pin, Right Hand	Bright Chrome	118-508710-R625	\$105.00



4000

Item	Qty/Lock	Description	Finish	Part Number	List Price (USD)
3	1	Outside Lever, Unican 7-pin, Left Hand	Satin Chrome	118-509086-L626	\$105.00
		Outside Lever, Unican 7-pin, Left Hand	Bright Brass	118-509086-L605	\$105.00
		Outside Lever, Unican 7-pin, Left Hand	Satin Brass	118-509086-L606	\$105.00
		Outside Lever, Unican 7-pin, Left Hand	Bright Chrome	118-509086-L625	\$105.00
		Outside Lever, Unican 7-pin, Right Hand	Satin Chrome	118-509086-R626	\$105.00
		Outside Lever, Unican 7-pin, Right Hand	Bright Brass	118-509086-R605	\$105.00
		Outside Lever, Unican 7-pin, Right Hand	Satin Brass	118-509086-R606	\$105.00
		Outside Lever, Unican 7-pin, Right Hand	Bright Chrome	118-509086-R625	\$105.00
4	1	Bearing Outside Housing (10 per pack)		017-507003-K	\$19.50
5	1	Stop Plate Kit (5 per pack)		041-507006-K	\$19.50
6	1	Retaining Ring for Shaft Kit (10 per pack)		865-508055-K	\$11.50
7	1	Outside Lever Torsion Spring Kit (10 per pack)		012-507005-K	\$35.00
8	1	Retaining Ring for Stop Plate (10 per pack)		865-507007-K	\$14.00
9	1	Dowel Pin (10 per pack)		870-507008-K	\$11.50
10	1	Cylindrical Drive Assembly		118-507020	\$105.00
11	1	Outside Housing Gasket (5 per pack)		043-507018-K	\$16.50
12	1	Front Face Plate	Stainless Steel	041-507883-622	\$16.50
13	1	Spacer Kit .125" Thick (5 per Pack)		069-507347-3K	\$14.00
		Spacer Kit .330" Thick (5 per pack)		069-507347-2K	\$14.00
		Spacer Kit .04" Thick (5 per pack)		044-508285	\$14.00
14	1	1/2" (13 mm) Latch, Floating Front Face, 2 3/4" (70 mm) backset (Includes screws)	Satin Chrome	20416826D01	\$41.00
		1/2" (13 mm) Latch, Floating Front Face, 2 3/4" (70 mm) backset (Includes screws)	Satin Brass	2041680401	\$41.00
		Mortise, 1 1/4", Left Hand	Satin Chrome	M85/A1NLO-626	\$151.50
		Mortise, 1 1/4", Left Hand	Satin Brass	M85/A1NLO-606	\$151.50
		Mortise, 1 1/4", Right Hand	Satin Chrome	M85/A1NRO-626	\$151.50
		Mortise, 1 1/4", Right Hand	Satin Brass	M85/A1NRO-606	\$151.50
		Mortise, 1 1/4", Left Hand Reverse	Satin Brass	M85/A1NXO-606	\$151.50
		Mortise, 1 1/4", Left Hand Reverse	Satin Chrome	M85/A1NXO-626	\$151.50
		Mortise, 1 1/4", Right Hand Reverse	Satin Chrome	M85/A1NYO-606	\$151.50
		Mortise, 1 1/4", Right Hand Reverse	Satin Chrome	M85/A1NYO-626	\$151.50
		Mortise, 1", Left Hand	Satin Chrome	M85/A2NLO-626	\$151.50
		Mortise, 1", Left Hand	Satin Brass	M85/A2NLO-606	\$151.50
		Mortise, 1", Right Hand	Satin Chrome	M85/A2NRO-626	\$151.50
		Mortise, 1", Right Hand	Satin Brass	M85/A2NRO-606	\$151.50
		Mortise, 1", Left Hand Reverse	Satin Brass	M85/A2NXO-606	\$151.50
		Mortise, 1", Left Hand Reverse	Satin Chrome	M85/A2NXO-626	\$151.50
Mortise, 1", Right Hand Reverse	Satin Chrome	M85/A2NYO-606	\$151.50		
Mortise, 1", Right Hand Reverse	Satin Chrome	M85/A2NYO-626	\$151.50		
15	1	Keypad Button Kit		062-507727-F	\$23.50
16	1	Inside Housing Gasket (5 per Pack)		033-508931-K	\$11.50
17	1	Rubber O-Ring for Clutch (10 per Pack)		043-508990-K	\$11.50

4000



Item	Qty/Lock	Description	Finish	Part Number	List Price (USD)
18	1	Brass Bearing (2 per Pack)		017-507141-K	\$16.50
19	1	Motor Assembly		011-507241	\$25.50
20	1	Top End Cap (10 per Pack)	Black	025-506836-K	\$58.50
21	1	Drive Hub & Spindle Assembly – Door thickness 1 3/4" - 2"		118-507721-2	\$35.00
22	1	Drive Hub & Spindle Assembly – Door thickness 2" - 2 1/2"		118-5077211-4	\$51.50
23	2	Sealed Battery Pack (10 Pack)		118-508847-10	\$163.00
24	1	Battery Pack Screw (10 per Pack)		840-506186-K	\$11.50
25	1	Hand Siding Pin (10 per Pack)		027-506727-K	\$11.50
26	1	Nylon Bearing Washer (10 per Pack)		860-507697-K	\$9.50
27	1	Nylon Bearing Inside Lever (10 per Pack)		017-506997-001K	\$33.00
28	1	Inside Lever Torsion Spring (10 Pack)(old # 012-506935)		012-508561K	\$29.00
		Inside Cover	Satin Chrome	V40-NO-605	\$70.00
		Inside Cover	Satin Brass	V40-NO-606	\$70.00
		Inside Cover	Bright Brass	V40-NO-626	\$70.00
29	1	Lever Set Screw (10 per Pack)		941-508018-K	\$18.50
30	1	Inside Lever	Satin Chrome	062-510477-626	\$70.00
		Inside Lever	Satin Brass	062-510477-606	\$70.00
		Inside Lever	Bright Brass	062-510477-605	\$70.00
Additional Kits & Accessories			Finish	Part Number	List Price (USD)
		Allen Key 5/64" (10 per Pack) (Not Shown in Exploded View)		138-507930-K	\$10.00

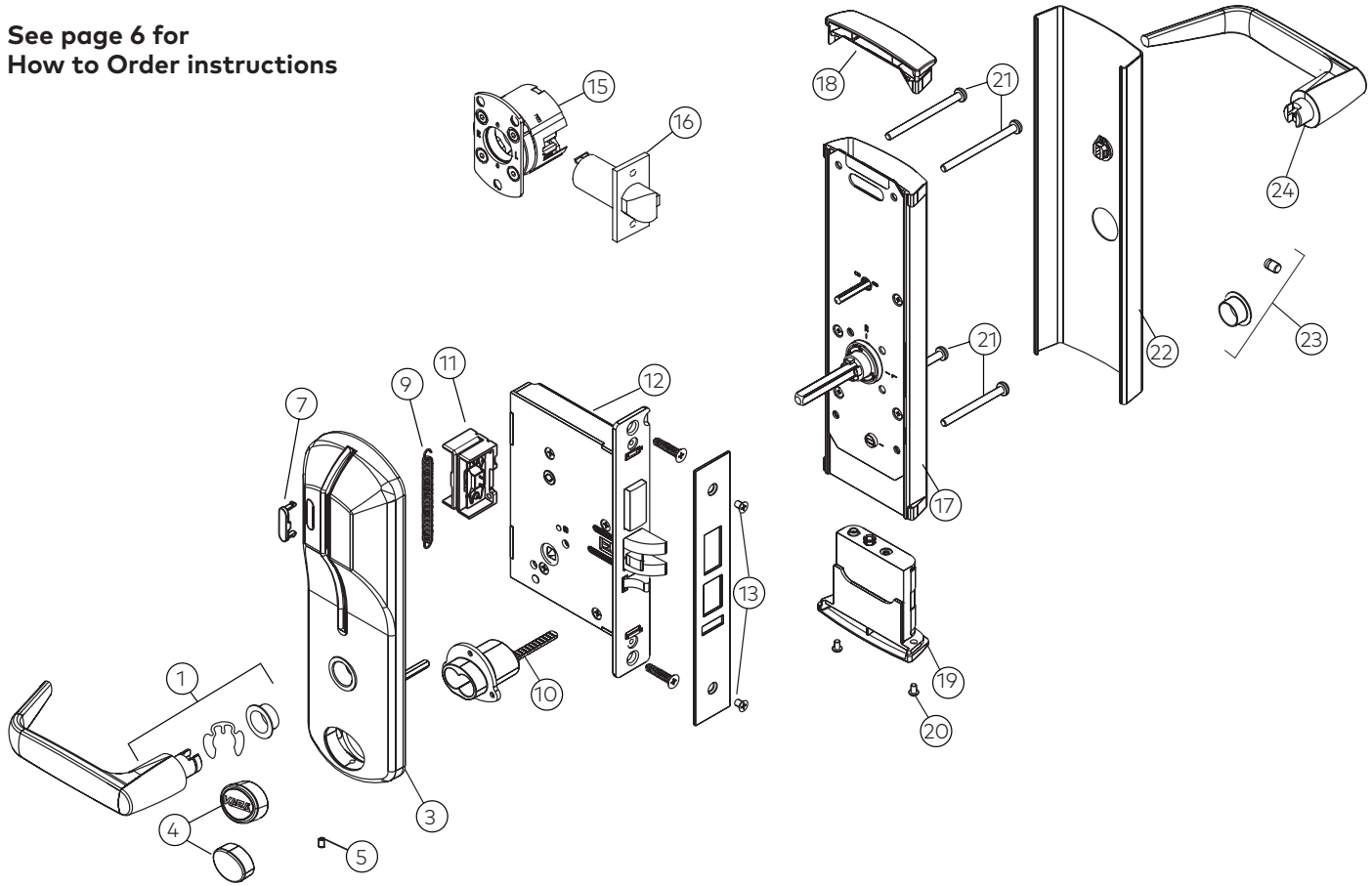
* For software and software related accessories, please visit www.dormakaba.us

**Discontinued Products:
Parts Availability Limited**



Solitaire 850L/850/950

See page 6 for
How to Order instructions



Item	Qty/Lock	Description	Finish	Part Number	List Price (USD)
1	1	Outside Lever - Long	Satin Chrome	062-510011-626	\$76.00
3	1	Outside Lever - Long	Satin Brass	062-510011-606	\$76.00
		Outside Lock Housing without Cylinder, Best, Right Hand, Track 2, Cyl	Satin Chrome	F85-21BR02C-626	\$274.00
		Outside Lock Housing without Cylinder, KIL, Left Hand, Track 2, Cyl	Satin Chrome	F85/21KL02C-626	\$274.00
		Outside Lock Housing without Cylinder, KIL, Right Hand, Track 2, Cyl	Satin Chrome	F85/21KR02C-626	\$274.00
		Outside Lock Housing without Cylinder, Best, Left Hand, Track 2, Cyl	Satin Brass	F85/21BL02C-606	\$274.00
		Outside Lock Housing without Cylinder, Best, Left Hand, Track 2, Cyl	Satin Chrome	F85/21BL02C-626	\$274.00
		Outside Lock Housing without Cylinder, Best, Right Hand, Track 2, Cyl	Satin Brass	F85/21BR02C-606	\$274.00
		Outside Lock Housing without Cylinder, Best, Right Hand, Track 2, Cyl	Satin Chrome	F85/21BR02C-626	\$274.00
4	1	Medallion with Kaba Logo (2 per pack)	Satin Brass	062-510436-606K	\$19.50
		Medallion with Kaba Logo (2 per pack)	Satin Chrome	062-510436-626K	\$19.50
		Medallion without Logo (2 per pack)	Satin Brass	069-508934-606K	\$19.50
		Medallion without Logo (2 per pack)	Satin Chrome	069-508934-626K	\$19.50
5	1	Set Screw for Medallion (10 per pack)		941-507642-K	\$10.50
7	1	LED Window Kit (10 per pack)		025-507146	\$16.50
9	1	Outside Lever Extension Spring (10 per pack)		012-507220-K	\$23.50
10	1	Override Cylinder Adapter - Best		128-508566-2B	\$51.50
		Override Cylinder Adapter - Medeco		128-508566-2M	\$51.50

Solitaire 850L/850/950



Item	Qty/Lock	Description	Finish	Part Number	List Price (USD)
11	1	Reader Head Asy 850/950 Trk 1 (old #124-507238-4)		120-511690-4	\$87.50
		Reader Head Asy 850/950 Trk 2 (old #124-507238-5)		120-511690-5	\$87.50
		Reader Head Asy 850/950 Trk 2 (old #124-507238-6)		120-511690-6	\$87.50
12	1	Mortise, 1 1/4", Left Hand	Satin Chrome	M85/A1NLO-626	\$151.50
		Mortise, 1 1/4", Left Hand	Satin Brass	M85/A1NLO-606	\$151.50
		Mortise, 1 1/4", Right Hand	Satin Chrome	M85/A1NRO-626	\$151.50
		Mortise, 1 1/4", Right Hand	Satin Brass	M85/A1NRO-606	\$151.50
		Mortise, 1 1/4", Left Hand Reverse	Satin Brass	M85/A1NXO-606	\$151.50
		Mortise, 1 1/4", Left Hand Reverse	Satin Chrome	M85/A1NXO-626	\$151.50
		Mortise, 1 1/4", Right Hand Reverse	Satin Chrome	M85/A1NYO-606	\$151.50
		Mortise, 1 1/4", Right Hand Reverse	Satin Chrome	M85/A1NYO-626	\$151.50
		Mortise, 1", Left Hand	Satin Chrome	M85/A2NLO-626	\$151.50
		Mortise, 1", Left Hand	Satin Brass	M85/A2NLO-606	\$151.50
		Mortise, 1", Right Hand	Satin Chrome	M85/A2NRO-626	\$151.50
		Mortise, 1", Right Hand	Satin Brass	M85/A2NRO-606	\$151.50
		Mortise, 1", Left Hand Reverse	Satin Brass	M85/A2NXO-606	\$151.50
		Mortise, 1", Left Hand Reverse	Satin Chrome	M85/A2NXO-626	\$151.50
		Mortise, 1", Right Hand Reverse	Satin Brass	M85/A2NYO-606	\$151.50
		Mortise, 1", Right Hand Reverse	Satin Chrome	M85/A2NYO-626	\$151.50
13	1	Mortise Face Plate Screws (10 per pack)	Satin Brass	062-508656-606K	\$10.50
		Mortise Face Plate Screws (10 per pack)	Satin Chrome	062-508656-626K	\$10.50
15	1	Cylindrical Unit without Latch		C85-OL02-000	\$105.00
		Cylindrical Unit without Latch		C85-OL03-000	\$105.00
		Cylindrical Unit without Latch		C85-OR02-000	\$105.00
16	1	1/2" (13 mm) Floating Front Throw Latch, 2 3/4" (70 mm) backset (Includes screws)	Satin Chrome	20416826D01	\$41.00
		1/2" (13 mm) Floating Front Throw Latch, 2 3/4" (70 mm) backset (Includes screws)	Bright Brass	2041680301	\$41.00
17	1	Complete Inside Housing, 850, ASM, Privacy, Left Hand, 1 5/8" - 1 3/4"		B85/APKL02	\$484.00
		Complete Inside Housing, 850, ASM, Privacy, Right Hand, 1 5/8" - 1 3/4"		B85/APKR02	\$484.00
		Complete Inside Housing, 850L, ASM, Privacy, Left Hand, 1 5/8" - 1 3/4"		B85/APKLL2	\$484.00
		Complete Inside Housing, 850L, ASM, Privacy, Right Hand, 1 5/8" - 1 3/4"		B85/APKRL2	\$484.00
		Complete Inside Housing, 850, CYL, Left Hand, 1 5/8" - 1 3/4"		B85/CNKRO2	\$484.00
		Complete Inside Housing, 850, CYL, Right Hand, 1 5/8" - 1 3/4"		B85/CNKLO2	\$484.00
		Complete Inside Housing, 850L, CYL, Privacy, Left Hand, 1 5/8" - 1 3/4"		B85/CPKRL2	\$484.00
		Complete Inside Housing, 850L, CYL, Privacy, Right Hand, 1 5/8" - 1 3/4"		B85/CPKRO2	\$484.00
		Complete Inside Housing, 870, ASM, Privacy, Left Hand, 1 5/8" - 1 3/4"		B87/APKR02	\$484.00
		Complete Inside Housing, 870, ASM, Privacy, Right Hand, 1 5/8" - 1 3/4"		B87/APKL02	\$484.00
		Complete Inside Housing, 950, ASM, Privacy, Left Hand, 1 5/8" - 1 3/4"		B95/APKR02	\$484.00
		Complete Inside Housing, 950, ASM, Privacy, Right Hand, 1 5/8" - 1 3/4"		B95/APKL02	\$484.00
		Complete Inside Housing, 950, CYL, Privacy, Left Hand, 1 5/8" - 1 3/4"		B95/CPKLO2	\$484.00
		Complete Inside Housing, 950, CYL, Privacy, Right Hand, 1 5/8" - 1 3/4"		B95/CPKRO2	\$484.00
18	1	Top End Cap (10 per pack)		025-506836-K	\$64.00
19	1	Battery Pack (10 per pack)		118-508847-10	\$142.00

E-Plex

Power Lever

4000

Solitaire



Solitaire 850L/850/950

Item	Qty/Lock	Description	Finish	Part Number	List Price (USD)
20	2	Battery Pack Screws (10 per pack)		840-506186-K	\$11.50
21	1	Mounting Screw Kit (10 each of 2 sizes) 1 3/4" - 2"		062-510455-2	\$14.00
		Mounting Screw Kit (10 each of 2 sizes) 2" - 2 1/4"		062-510455-3	\$14.00
		Mounting Screw Kit (10 each of 2 sizes) 2 1/4" - 2 1/2"		062-510455-4	\$14.00
22	1	Inside Cover without Privacy	Satin Brass	V85NO606	\$70.00
		Inside Cover without Privacy	Satin Chrome	V85NO626	\$70.00
		Inside Cover with Privacy	Satin Brass	V85PO606	\$81.50
		Inside Cover with Privacy	Satin Chrome	V85PO626	\$81.50
23	1	Set Screw and Bearing Pack for Lever (10 per pack)		062-510511	\$35.00
24	1	Inside Lever - Long	Satin Brass	062-510012-606	\$76.00
		Inside Lever - Long	Satin Chrome	062-510012-626	\$76.00
Additional Readers & Assemblies			Finish	Part Number	List Price (USD)
		CR 3.5 Swipe Reader - Track 2 (black)		R85-221	\$437.50
		CR 3.5 Swipe Reader - Track 3 (black)		R85-231	\$437.50
		CR 3.5 Control Panel Assembly (850) 1 reader		T85-SNN	\$1,516.00
		CR 3.5 Control Panel Assembly (850L) 1 reader		T8L-SNN	\$1,516.00
		CR 3.5 Control Panel Assembly (950) 1 reader		T95-SNN	\$1,516.00
		CR 3.5 Control Panel Assembly (850) 2 readers		T85-DNN	\$1,632.50
		CR 3.5 Control Panel Assembly (850L) 2 readers		T8L-DNN	\$1,632.50
		CR 3.5 Control Panel Assembly (950) 2 readers		T95-DNN	\$1,632.50
		CR 3.5 Control Panel Assembly with Battery Backup (850) 1 reader		T85-SBN	\$1,282.50
		CR 3.5 Control Panel Assembly with Battery Backup (850L) 1 reader		T8L-SBN	\$1,282.50
		CR 3.5 Control Panel Assembly with Battery Backup (950) 1 reader		T95-DBN	\$1,282.50
		CR 3.5 Control Panel Assembly with Battery Backup (850) 2 readers		T85-SBN	\$1,749.00
		CR 3.5 Control Panel Assembly with Battery Backup (850L) 2 readers		T8L-SBN	\$1,749.00
		CR 3.5 Control Panel Assembly with Battery Backup (950) 2 readers		T95-DBN	\$1,749.00
		PCB Power Supply		124-507876	\$501.50
		Remote Programming Interface with PCB Band		505588	\$233.00
		PCB Board (for Remote Programming Interface)		504836	\$151.50
		Card Reader 3-PCB Assembly (S-850/800)		124-504817	\$699.50
		Card Reader 3 PCB Assembly (S-850L)		124-504817-850L	\$699.50
		Card Reader 3 PCB Assembly (S-900)		124-504817-900	\$699.50
Additional Kits & Accessories			Finish	Part Number	List Price (USD)
		Aligning Studs (2 sets per pack) (Not Shown in Exploded View)		044-507221-2K	\$11.50
		Strike Screw Pack (10 per pack) (Not Shown in Exploded View)	Satin Brass	062-504155-606	\$11.50
		Strike Screw Pack (10 per pack) (Not Shown in Exploded View)	Satin Chrome	062-504155-626	\$11.50
		Mortise Wrap Plate for 1 3/4" Thick Doors with 1 1/4" Mortise Faceplate, 1 3/4" (w) x 15 11/16" (l) x 5 1/2" (d)	Satin Brass	062-510777-606	\$76.00
		Mortise Wrap Plate for 1 3/4" Thick Doors with 1 1/4" Mortise Faceplate, 1 3/4" (w) x 15 11/16" (l) x 5 1/2" (d)	Stainless Steel	062-510777-630	\$76.00
		Cylindrical Wrap Plate 1 3/4" Thick Door 1 3/4" (w) x 15 11/16" (l) x 7" (d)	Satin Brass	062-508152-606	\$76.00
		Cylindrical Wrap Plate 1 3/4" Thick Door 1 3/4" (w) x 15 11/16" (l) x 7" (d)	Stainless Steel	062-508152-630	\$76.00

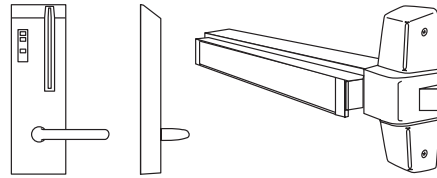
Solitaire

850L/850/950



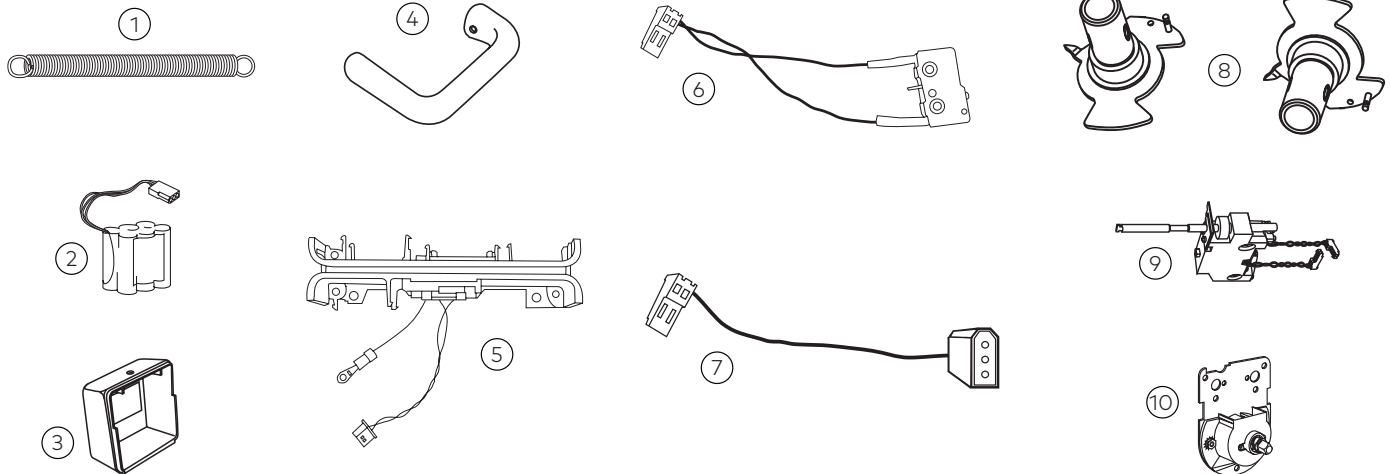
Additional Kits & Accessories	Finish	Part Number	List Price (USD)
Dress Plate Standard 850/850L/950 14 3/32" x 4 5/8"	Stainless Steel	061-508148-630	\$27.00
Dress Plate Standard 850/850L/950 14 3/32" x 4 5/8"	Satin Brass	061-508148-606	\$27.00
Solitaire 850L Auditor Software - Not Windows XP Compatible		135-509507-FCD	*
English Starter Pack (Includes Function Cards, 10 User/10 Cancel Cards)		SP850L-2EM	*
French Starter Pack (Includes Function Cards, 10 User/10 Cancel Cards)		SP850L-2FM	*
Spanish Starter Pack (Includes Function Cards, 10 User/10 Cancel Cards)		SP850L-2SM	*
Portuguese Starter Pack (Includes Function Cards, 10 User/10 Cancel Cards)		SP850L-2PM	*
Italian Starter Pack (Includes Function Cards, 10 User/10 Cancel Cards)		SP850L-2IM	*
User Pack (Includes 25 User/25 Cancel Cards)		UP850L-2	*
Cancel Pack (Includes 50 Cancel Cards)		CP850L-2	*
Function Pack (Includes Lock Function/Programming Cards Only)		FP850L-2	*
Cleaning Card for 850L/850/950		065-501367CC	*
Solitaire 850 Software. Includes User Guide and Serial to USB Adapter.		135-509232-FCD	*
Solitaire 850/950 High-C USB Motorized Encoder (tracks 1, 2, 3)		051-512042	\$2,862.00
Programming Module for 850/950/850L Lock (Includes RS232 Power Booster)		064-508674	\$530.00
Programming Module for 850/950/850L Exit Trim Operator		502878	*
Programming Cable for 850/950/850L Card Reader		011-507794	\$42.50
Solitaire 850/950 High-C Keycard - Price per 100 cards (minimum order 100 pcs)		HIC-F0850-BLAN	*
Card Reader Only - (Included in CRC)		R85-221	*
Serial to USB Adapter Kit - (Old part # 135-510910)		A00268785	*
Solitaire 950 Software. Includes User Guide and Serial to USB Adapter.		135-510008-FCD	*
Solitaire 950 Low coercivity Swipe Card Encoder, Track 2 ONLY		503887	*
Solitaire 950 Low-C Keycard - Price per 100 cards (minimum order 100 pcs)		LOC-F1200-BLAN	*
Weatherproof Kits for Solitaire 850/950/850L		062-509009	\$15.00
Retractable Card Holder		P203-KABA	*
Blank PVC Cards, No Magnetic Stripe, White Gloss Finish (minimum order 100 pcs)		1600-10-2810	*
Blank PVC Cards, Lo-C Magnetic Stripe, White Gloss Finish (minimum order 100 pcs)		1600-10-2910	*
Blank PVC Cards, High-C Magnetic Stripe, White Gloss Finish (minimum order 100 pcs)		1600-10-3010	\$0.50
Demo Mounts for 1 1/4" ASM - fits 850/950/850L models		050-509720-01LN	\$159.00
Demo Mounts for 20mm ESM (Slim Mortise) - fits 850/950/850L models		050-509720-02LN	*
Demo Mounts for Cylindrical - fits 850/950/850L models		050-509720-03LN	\$159.00
System 3, Version 2.0 Windows Software with Operators Software		135-510902-FCD	*
Cleaning Swabs (50 pcs)		048-100252	\$100.50

* For software and software related accessories, please visit www.dormakaba.us



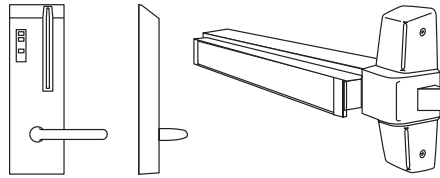
Solitaire
820/920

See page 6 for
How to Order instructions



Item	Qty/Lock	Description	Finish	Part Number	List Price (USD)
1	1	Stop Plate Spring		501100-K	\$18.50
2	1	Battery Pack		502238-01	\$35.00
		Battery Pack (10 Batteries/Box)		502238-10	\$233.00
3	1	Battery Cup Kit (Includes Battery Cover Screw)		502183-K	\$11.50
4	1	Frebar Lever (Long return for outside of room) (Includes 2 piece Domware Screw)	Satin Brass	501257-1606-K	\$70.00
		Frebar Lever (Long return for outside of room) (Includes 2 piece Domware Screw)	Satin Chrome	501257-1626-K	\$70.00
5	1	Magnetic Card Reader - Track 1		503017-1	\$116.50
		Magnetic Card Reader - Track 2		503017-2	\$116.50
		Magnetic Card Reader - Track 3		503017-3	\$116.50
6	1	Stop Plate Microswitch		101-506848	\$46.50
7	1	Battery Cable		011-506913	\$16.50
8	1	Mortise Operators, Von Duprin 9875/9975EO-F Left Hand		502038L01045	\$25.50
		Mortise Operators, Von Duprin 9875/9975EO-F Right Hand		500203801045	\$25.50
		Mortise Operators, Arrow S3908/S1808 Left Hand		118-507044	\$25.50
		Mortise Operators, Arrow S3908/S1808 Right Hand		118-507045	\$25.50
		Rim Operators, Von Duprin 98/99EO-F Left Hand		502038L01045	\$25.50
		Rim Operators, Von Duprin 98/99EO-F Right Hand		50203801045	\$25.50
		Rim Operators, Arrow S3808/S1808 Left Hand		118-507044	\$25.50
		Rim Operators, Arrow S3808/S1808 Right Hand		118-507045	\$25.50
		Rim Operators, Yale 7100-36 Left Hand		502038L01045	\$25.50
		Rim Operators, Yale 7100-36 Right Hand		50203801045	\$25.50
		Rim Operators, Corbin Russwin ED 8200 Left Hand		50434901045	\$25.50
		Rim Operators, Corbin Russwin ED 8200 Right Hand		504334801045	\$25.50
		Vertical Rod Surface Mount Operators, Von Duprin 9827/9927 EO-F Left Hand		502038L01045	\$25.50

Solitaire 820/920



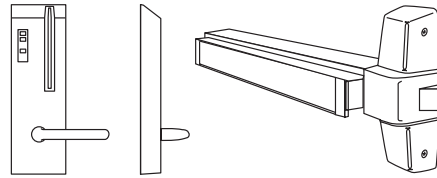
Item	Qty/Lock	Description	Finish	Part Number	List Price (USD)
8	1	Vertical Rod Surface Mount Operators, Von Duprin 9827/9927 EO-F Right Hand		50203801045	\$25.50
		Vertical Rod Surface Mount Operators, Arrow S3708/S1708, Left Hand		502038L01045	\$25.50
		Vertical Rod Surface Mount Operators, Arrow S3708/S1708, Right Hand		50203801045	\$25.50
		Vertical Rod Concealed Operators, Von Duprin 9847/9947EO-F Left Hand		502038L01045	\$25.50
		Vertical Rod Concealed Operators, Von Duprin 9847/9947EO-F Right Hand		50203801045	\$25.50
9	1	Solenoid Housing (Swipe Lock) For Unican or Best Key Override		063/508199UB	\$122.50
		Solenoid Housing (Swipe Lock) For Medeco Key Override		063/508199M	\$122.50
10	1	Mortise Operators, Von Duprin 9875/9975 EO-F, Door Thickness 1 3/8" to 1 1/2"		118-508787-1	\$198.00
		Mortise Operators, Von Duprin 9875/9975 EO-F, Door Thickness 1 5/8" to 1 3/4"		118-508787-2	\$198.00
		Mortise Operators, Von Duprin 9875/9975EO-F, Door Thickness 1 7/8" to 2"		118-508787-3	\$198.00
		Mortise Operators, Von Duprin 9875/9975EO-F, Door Thickness 2 1/8" to 2 1/4"		118-508787-4	\$198.00
		Mortise Operators, Von Duprin 9875/9975EO-F, Door Thickness 2 3/8" to 2 1/2"		118-508787-5	\$198.00
		Mortise Operators, Von Duprin 9875/9975EO-F, Door Thickness 2 1/2"		118-508787-V	\$198.00
		Mortise Operators, Arrow S3908/S1908, Rim Operators, Arrow S3808/S1808, Vertical Rod Surface Mount Operators, Arrow S3708/S1708, Door Thickness 1 3/8" to 1 1/2"		118-508786-1	\$116.50
		Mortise Operators, Arrow S3908/S1908, Rim Operators, Arrow S3808/S1808, Vertical Rod Surface Mount Operators, Arrow S3708/S1708, Door Thickness 1 5/8" to 1 3/4"		118-508786-2	\$116.50
		Mortise Operators, Arrow S3908/S1908, Rim Operators, Arrow S3808/S1808, Vertical Rod Surface Mount Operators, Arrow S3708/S1708, Door Thickness 1 7/8" to 2"		118-508786-3	\$116.50
		Mortise Operators, Arrow S3908/S1908, Rim Operators, Arrow S3808/S1808, Vertical Rod Surface Mount Operators, Arrow S3708/S1708, Door Thickness 2 1/8" to 2 1/4"		118-508786-4	\$116.50
		Mortise Operators, Arrow S3908/S1908, Rim Operators, Arrow S3808/S1808, Vertical Rod Surface Mount Operators, Arrow S3708/S1708, Door Thickness 2 3/8" to 2 1/2"		118-508786-5	\$116.50
		Mortise Operators, Arrow S3908/S1908, Rim Operators, Arrow S3808/S1808, Vertical Rod Surface Mount Operators, Arrow S3708/S1708, Door Thickness > 2 1/2"		118-508786-V	\$116.50
		Rim Operators, Von Duprin 98/99 EO-F, Vertical Rod Surface Mount Operators, Von Duprin 9827/9927 EO-F, Vertical Rod Concealed Operators, Von Duprin 9847/9947 EO-F, Door Thickness 1 3/8" to 1 1/2"		118/508784-1	\$116.50
		Rim Operators, Von Duprin 98/99 EO-F, Vertical Rod Surface Mount Operators, Von Duprin 9827/9927 EO-F, Vertical Rod Concealed Operators, Von Duprin 9847/9947 EO-F, Door Thickness 1 5/8" to 1 3/4"		118/508784-2	\$116.50
		Rim Operators, Von Duprin 98/99 EO-F, Vertical Rod Surface Mount Operators, Von Duprin 9827/9927 EO-F, Vertical Rod Concealed Operators, Von Duprin 9847/9947 EO-F, Door Thickness 1 7/8" to 2"		118/508784-3	\$116.50
		Rim Operators, Von Duprin 98/99 EO-F, Vertical Rod Surface Mount Operators, Von Duprin 9827/9927 EO-F, Vertical Rod Concealed Operators, Von Duprin 9847/9947 EO-F, Door Thickness 2 1/8" to 2 1/4"		118/508784-4	\$116.50
Rim Operators, Von Duprin 98/99 EO-F, Vertical Rod Surface Mount Operators, Von Duprin 9827/9927 EO-F, Vertical Rod Concealed Operators, Von Duprin 9847/9947 EO-F, Door Thickness 2 3/8" to 2 1/2"		118/508784-5	\$116.50		
Rim Operators, Von Duprin 98/99 EO-F, Vertical Rod Surface Mount Operators, Von Duprin 9827/9927 EO-F, Vertical Rod Concealed Operators, Von Duprin 9847/9947 EO-F, Door Thickness > 2 1/2"		118/508784-V	\$116.50		

E-Plex

Power Lever

4000

Solitaire



Solitaire
820/920

Item	Qty/Lock	Description	Finish	Part Number	List Price (USD)
10	1	Rim Operators, Corbin Russwin ED 8200, Door Thickness 1 3/8" to 1 1/2"		118/508785-1	\$116.50
		Rim Operators, Corbin Russwin ED 8200, Door Thickness 1 5/8" to 1 3/4"		118/508785-2	\$116.50
		Rim Operators, Corbin Russwin ED 8200, Door Thickness 1 7/8" to 2"		118/508785-3	\$116.50
		Rim Operators, Corbin Russwin ED 8200, Door Thickness 2 1/8" to 2 1/4"		118/508785-4	\$116.50
		Rim Operators, Corbin Russwin ED 8200, Door Thickness 2 3/8" to 2 1/2"		118/508785-5	\$116.50
		Rim Operators, Corbin Russwin ED 8200, Door Thickness > 2 1/2"		118/508785-V	\$116.50
		Rim Operators, Yale 7100-36, Door Thickness 1 3/8" to 1 1/2"		118/508784-1	\$116.50
		Rim Operators, Yale 7100-36, Door Thickness 1 5/8" to 1 3/4"		118/508784-2	\$116.50
		Rim Operators, Yale 7100-36, Door Thickness 1 7/8" to 2"		118/508784-3	\$116.50
		Rim Operators, Yale 7100-36, Door Thickness 2 1/8" to 2 1/4"		118/508784-4	\$116.50
		Rim Operators, Yale 7100-36, Door Thickness 2 3/8" to 2 1/2"		118/508784-5	\$116.50
		Rim Operators, Yale 7100-36, Door Thickness > 2 1/2"		118/508784-V	\$116.50
Additional Kits & Accessories			Finish	Part Number	List Price (USD)
		Battery Cover Screw (10 Pack) - (Not Shown in Exploded View)		840-502007K	\$8.00
		2 Piece Domware Screw only (Not Shown in Exploded View)		062-507707	\$16.50
		PCB Controller Board, Solitaire 820 Series (Not Shown in Exploded View)		064-509853-800	\$245.00
		PCB Controller Board, Solitaire 820L Series (Not Shown in Exploded View)		064-509853-800L	\$245.00
		PCB Controller Board, Solitaire 920 Series (Not Shown in Exploded View)		064-509853-900	\$245.00

* For software and software related accessories, please visit www.dormakaba.us

E-Plex

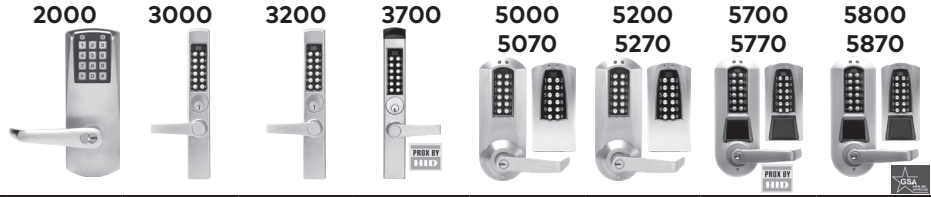
Power Lever

4000

Solitaire

We make access in life smart and secure.

E-Plex® Electronic Access Control



	2000	3000	3200	3700	5000 5070	5200 5270	5700 5770	5800 5870
Credentials	PIN Access	✓	✓	✓	✓	✓	✓	✓
	Card Access				✓		✓	✓
	Dual Credential Access				✓		✓	✓
	FIPs 201.1 (PIV, FRAC, TWIC, CAC)							✓
Access Users	100 Users per Door	✓			✓			
	300 Users per Door		✓		*		✓	✓
	3,000 Users per Door			*	✓	✓	*	*
Locking Devices	Cylindrical Latch	✓			✓	✓	✓	✓
	Mortise (ASM)				✓	✓	✓	✓
	Exit Trim				✓	✓	✓	✓
	AR Latch/Deadbolt (not included)		✓	✓	✓		✓	✓
	Access Controller#					✓	✓	✓
Mechanical Features	No Wire Installation	✓	✓	✓	✓	✓	✓	✓
	Mechanical Key Override	✓	✓	✓	✓	✓	✓	✓
	Interchangeable Core (Best)	✓	✓	✓	✓	✓	✓	✓
	Removable Core (Large Format)				✓	✓	✓	✓
	Removable Mortise Cylinder		✓	✓	✓			
	Key-in-Lever	✓				✓	✓	✓
	Non-handed	✓	✓	✓	✓	✓	✓	✓
	Indoor/Outdoor (Approved)	✓	✓	✓	✓	✓	✓	✓
	Latch Holdback		✓	✓	✓			
	Various Finishes Available	✓	✓	✓	✓	✓	✓	✓
Lock Setup	Via Lock Keypad	✓	✓		✓		✓	✓
	Via Software (Optional)		✓		✓		✓	✓
	Via Software (Required)			✓		✓		
Programming Features	LearnLok™ (Enroll Cards at Lock)				✓		✓	✓
	Access Schedules*			✓	✓	✓	✓	✓
	Vacation/Holiday Blocks*			✓	✓	✓	✓	✓
	Programmable User Levels	✓	✓	✓	✓	✓	✓	✓
	Programmable Service Codes	✓	✓	✓	✓	✓	✓	✓
	Programmable PASSAge Re-Lock	✓	✓	✓	✓	✓	✓	✓
	First Manager—In PASSAge*			✓	✓		✓	✓
	PASSAge Mode	✓	✓	✓	✓	✓	✓	✓
	Lockout Mode	✓	✓	✓	✓	✓	✓	✓
Audit	9,000 Event Audit Trail*		✓		✓			
	30,000 Event Audit Trail*			✓	✓	✓	✓	✓
Warranty Certification	BHMA Grade 1 Certified		+	+	+	✓	✓	✓
	Three-hour UL/ULC Fire Rating	✓	N/A	N/A	N/A	✓	✓	✓
	ADA Compliant	✓	✓	✓	✓	✓	✓	✓
	3-Year Warranty		✓	✓	✓	✓	✓	✓
	Built-in Warranty Counter	✓	✓	✓	✓	✓	✓	✓
GSA FIPS Approved Product List								✓

* This feature requires software

Designed to work with mag locks, electric strikes, and other electronic locking devices driven by an external power supply (not included)

+ BHMA certification standard not available for this category. Product fully tested to meet all rigid life cycle test and operating reliability per BHMA Grade 1 requirements

We make access in life smart and secure.

	2000	3000	3200	3700	5000 5070	5200 5270	5700 5770	5800 5870
E-Plex®								
Access Credentials								
Number of Access Codes	 100 Codes	 300 Codes	 3,000 Codes	 3,000 Codes/Cards	 100/300* Codes	 3,000 Codes	 3,000 Codes/Cards	 3,000 Codes/Cards
Locking Device Options								
Key Override	 I/C K-I-L	 Replaceable Mortise Cylinder	 Replaceable Mortise Cylinder	 Replaceable Mortise Cylinder	 I/C, R/C K-I-L	 I/C, R/C K-I-L	 I/C, R/C K-I-L	 I/C, R/C K-I-L
Certifications								
Options								
Software Programming	 Optional	 Required	 Optional	 Optional	 Optional	 Required	 Optional	 Optional
Audit Capabilities	 9,000 Events	 30,000 Events	 30,000 Events	 30,000 Events	 9,000 Events	 30,000 Events	 30,000 Events	 30,000 Events
Access Schedules		 Schedules	 Schedules			 Schedules	 Schedules	 Schedules

* Upgrade to 300 users with EP-0300-001 software.

2941 Indiana Ave.
Winston-Salem NC
27105
T: 1 800 849 8324

www.dormakaba.us