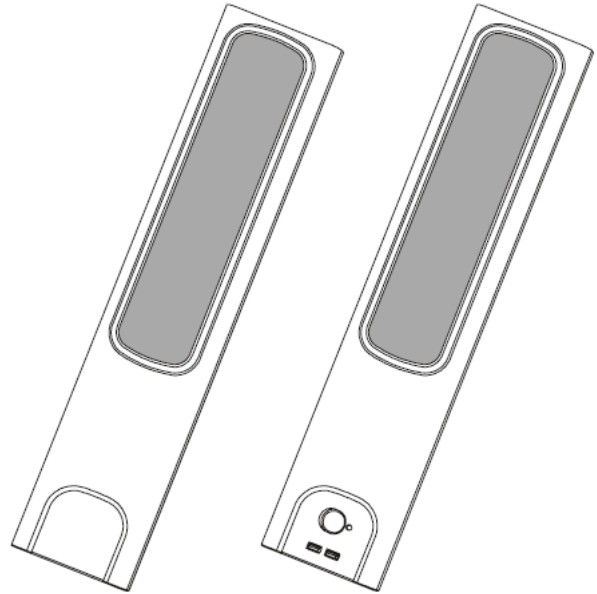




SMART[®]



Service Parts Diagrams

For Model:

SBA

**For speakers with a 13
character serial number
format only**

(example A022BW2000228)

Service Parts Diagrams Revision History

Revision 1 - July, 2009

- New document

Revision 2 - June, 2010

- Change 60-00039-20 to 60-00054-20

Revision 3 - January, 2011

- Change 51-00771-20 to 51-00771-21

Revision 4 - October, 2014

- Change 60-00054-20 to 1023044

Standard Warranty Terms

Base product: One-year limited equipment warranty

First Customer Ship: August, 2009

SMART Technologies

3636 – Research Road NW

Calgary, AB T2L 1Y1

CANADA

Support +1.403.228.5940 or Toll Free 1.866.518.6791 (Canada/U.S.)

Support Fax +1.403.806.1256

www.smarttech.com/contactserviceparts www.smarttech.com

The SMART logo consists of the word "SMART" in a bold, stylized, sans-serif font. The letters are black with a white outline, and a registered trademark symbol (®) is located at the bottom right of the letter "T".

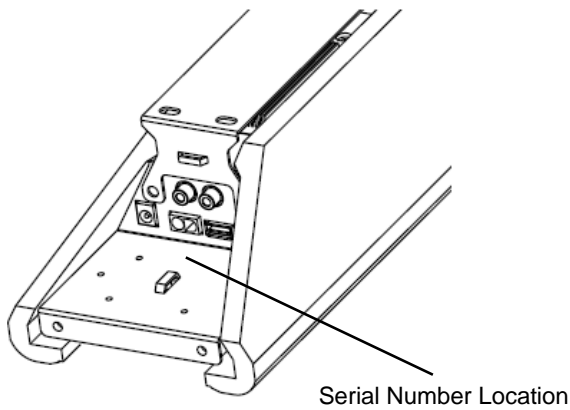
© 2014 SMART Technologies ULC. All rights reserved. SMART Board, smarttech and the SMART logo are trademarks or registered trademarks of SMART Technologies ULC in the U.S. and/or other countries. All other third-party product and company names are for identification purposes only and may be trademarks of their respective owners. Contents are subject to change without notice. 10/2014.

Service Parts Diagrams for the SBA USB Audio system

Identifying Your Product Using the Serial Number 1
Ordering Parts 1
SBA Parts 2

Identifying Your Product Using the Serial Number

To make sure that you have the correct service parts diagrams, you must verify the serial number of your SBA. These parts diagrams are only for speakers with a 13 character serial number format. The serial number will be located on the back of the control speaker. An example of the serial number format is shown below.



A022BW2000228

Serial Number Example

Ordering Parts

Customers

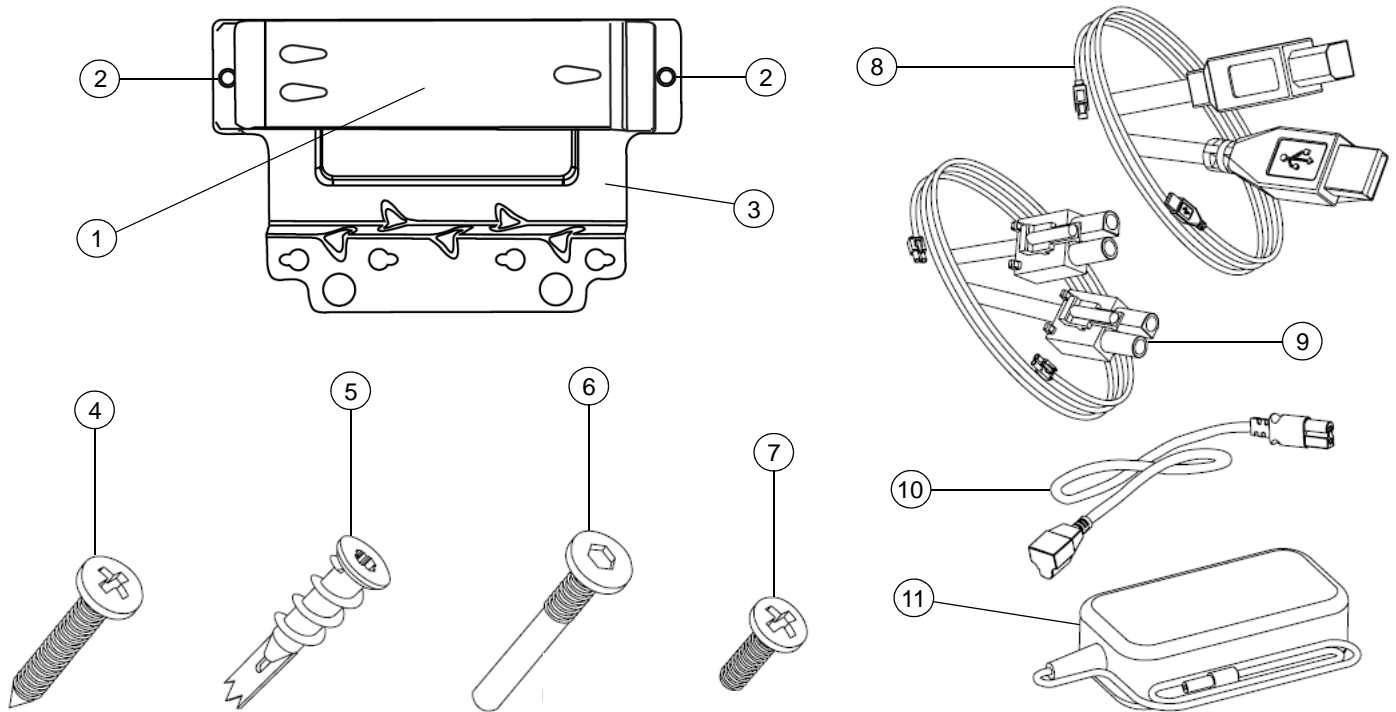
To order any of the parts in these service parts diagrams, contact your local reseller. To find a reseller near you, visit www.smarttech.com/where.

Dealers and Distributors

For specific technical and pricing enquiries in regards to these diagrams please contact our service parts department. Pricing is also available on-line via the SOURCE website (source.smarttech.com).

Web Form: www.smarttech.com/contactserviceparts
Phone: 1.888.42.SMART
International: +1.403.245.0333

SBA Parts



Item	Part No.	Qty	Description
1	51-00770-20	2	Bracket, wall mounting, speaker NOTE: Attaches to speaker body. NOTE: Not compatible with speakers with a 10 character serial number format (example 08-J-047633-C).
2	30-01247-20	4	Screw, M6 × 6 mm, Phillips, button head NOTE: For attaching 51-00770-20 to 51-00771-21.
3	51-00771-21	2	Bracket, mounting, SB6/SBX8 NOTE: Attaches to 51-00770-20 for mounting speakers to SMART Board 600 and X800 series. NOTE: Not compatible with speakers with a 10 character serial number format (example 08-J-047633-C).
4	30-00969	4	Screw, No. 8 × 1", Phillips, truss head NOTE: Threads into drywall anchors for wall mounting.
5	30-00122-20	4	Anchor, self drilling, drywall
6	30-01248-20	2	Screw, M5 × 22 mm, hex socket, button head NOTE: For attaching 51-00770-20 to speaker body.
7	30-00915-20	8	Screw, No. 8 × 1/2", Phillips, pan head, for plastics NOTE: For attaching speakers to SMART Board 600 and X800 series.
8	93-00535-00	1	Cable, USB, A-B, 11' 6" (3.5 m)
9	93-00534-00	1	Cable, audio, speaker, 24' 11" (7.6 m) NOTE: Connects audio from right to left speakers.
10	93-00592-20	1	Cable, power, North America, 6' 7" (2 m)
10	93-00542-20	1	Cable, power, Europe, 6' 7" (2 m)
10	93-00543-20	1	Cable, power, United Kingdom, 6' 7" (2 m)
10	93-00576-20	1	Cable, power, Australia, 6' 7" (2 m)
11	1023044	1	Power supply, 15V DC, 4A, universal switching