

BLACKHEATER PRO 1000W WITH BLUETOOTH AND SOUND

OWNER'S MANUAL

READ AND SAVE THESE INSTRUCTIONS

Read instructions carefully before setting up and operating the unit.

This manual is designed to provide you with important information needed to setup, operate, maintain, and troubleshoot your heater.

Due to continuous research and development the specifications herein are subject to change without notice.



TABLE OF CONTENTS

1. FOREWORD.....	3
2. PRINCIPLE OF WORK	3
3. PERFORMANCE FEATURES	3
4. WORKING CONDITION	4
5. INSTALLATION REQUIREMENTS	4
6. INSTALLATION INSTRUCTION	5
7. INSTALLATION DIAGRAM.....	8
8. MANUAL FOR REMOTE	9
9. INSPECTION ITEMS AFTER INSTALLATION.....	13
10. ATTENTION.....	14
11. INSPECTION ITEMS FOR COMMISSIONING	14
12. SAFETY PRECAUTIONS	14
13. PACKING LIST.....	15
14. SPECIFICATIONS.....	15

1. FOREWORD

Thank you for your trust and support in choosing the Radiant Heater, please read the instructions carefully before operating product.

2. PRINCIPLE OF WORK

Far-infrared radiant heater is produced by unique design and manufacturing technique.

Adopted special aluminum alloy radiation panel, surface of panel process with special coating, inside of panel embed with heating element, heating element generate and transfer heat to people and objects after power.

The heat is spread in the form of radiation, emitted from radiant panel surface, transferred to people, wall, floor, ceiling, furniture etc, like sunshine.

Radiant heating, will not lead to air convection, air is fresh and clean, to maintain indoor relative humidity and heat distribution, makes sense of natural, fresh, comfortable, like the warmth of sunshine bathing.

3. PERFORMANCE FEATURES

Comfortable:

No wind, light or odor will be caused during the running of this product, so the indoor air is clean without floating dust.

Energy-saving:

High heat generation efficiency and good heat radiation effect, controlling the temperature intelligently, and saves power and energy.

Reliable:

The indoor temperature can be adjusted freely, free of the limitation of heating season.

Physical therapy:

The heat radiant can change body microcirculation, cell organization under skin producing resonance, clearing the barrier of microcirculation, adjusting and balancing nervous system, promoting metabolism, increasing body physical power. It is very good for people's health.

4. WORKING CONDITION

Ambient temperature: -30°C ~ +30°C

Rated Voltage: 220-240V~

Rated frequency: 50Hz/60Hz

Relative humidity: less than 95%

5. INSTALLATION REQUIREMENTS

1. Qualified installer:

Electrical installation certificate shall be held by professional installation personnel, the installation process should meet the national electrical safety standards.

2. Installation conditions:

(1) Supply voltage fluctuation range should be within $\pm 10\%$, if do not meet, must be revised before installation.

(2) If there is a serious security risk in users' electricity environment, the installation should be refused, until eliminate the security risks.

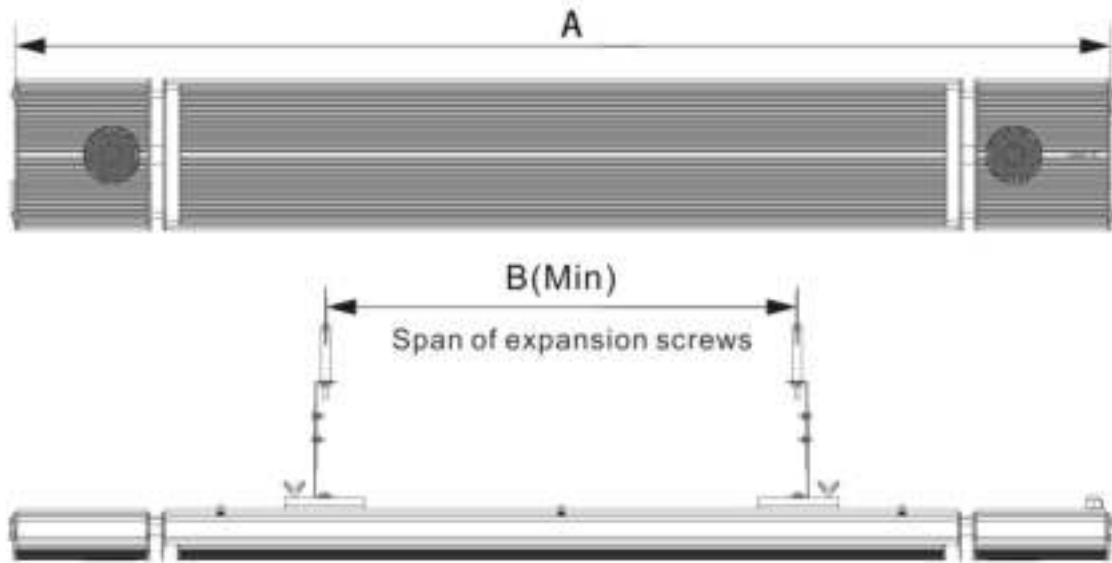
(3) Electricity lines should be equipped with earth leakage protection devices and master switch.

(4) Ground wire should be connected to the grounding device on the building, if not, please consult to professional installer, please do not put ground wire to gas pipe, water pipe, lightning rod or telephone grounding wire.

Electrical Parameters

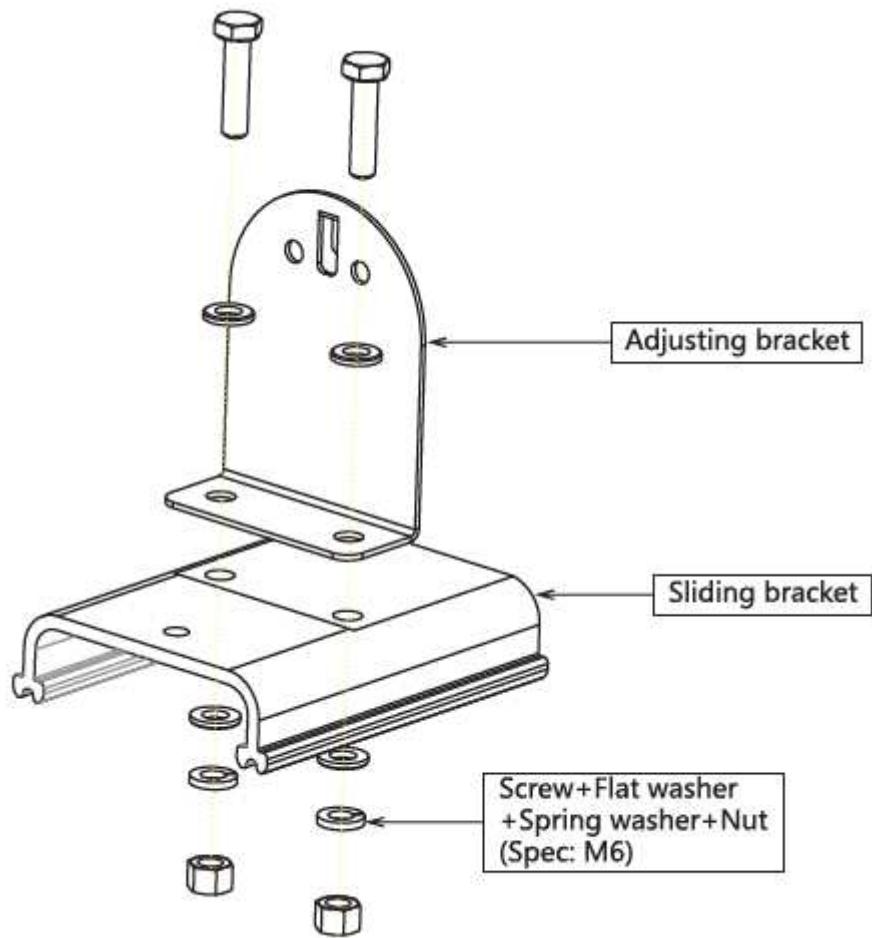
Model No.	Power(W)	Rated Current(A)	Voltage(V)	Cable length(mm)
NR10-1000W	1000	4.3	220-240	2000

6. INSTALLATION INSTRUCTION



Model No.	Dimension A(mm)	Dimension B(mm)
NR10-1000W	975	200

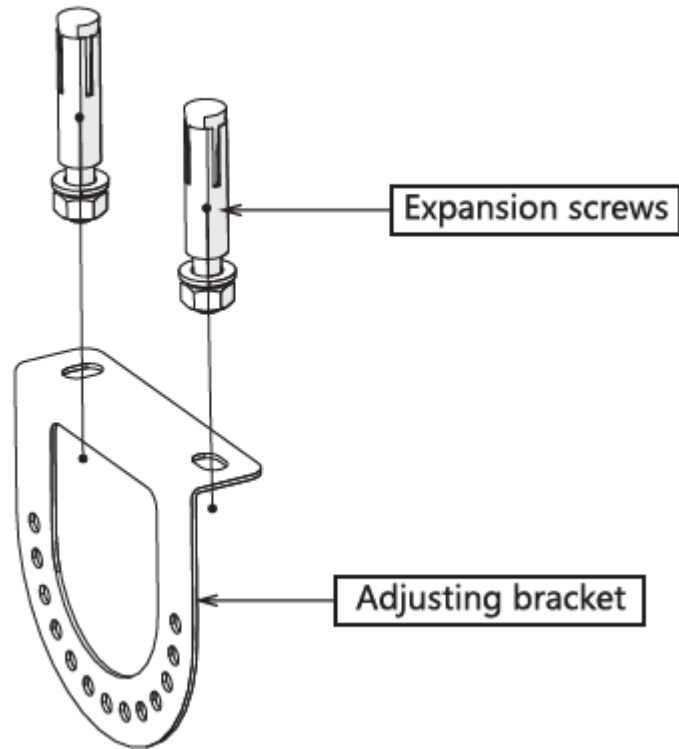
Step 1: Installation of adjusting bracket & sliding bracket.



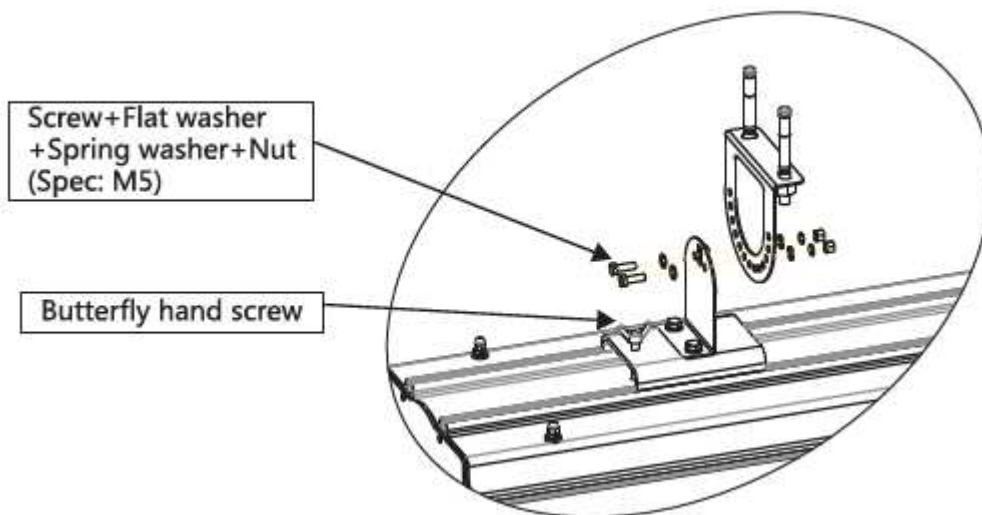
Step 2: Installation of sliding bracket & heater, as arrow points.



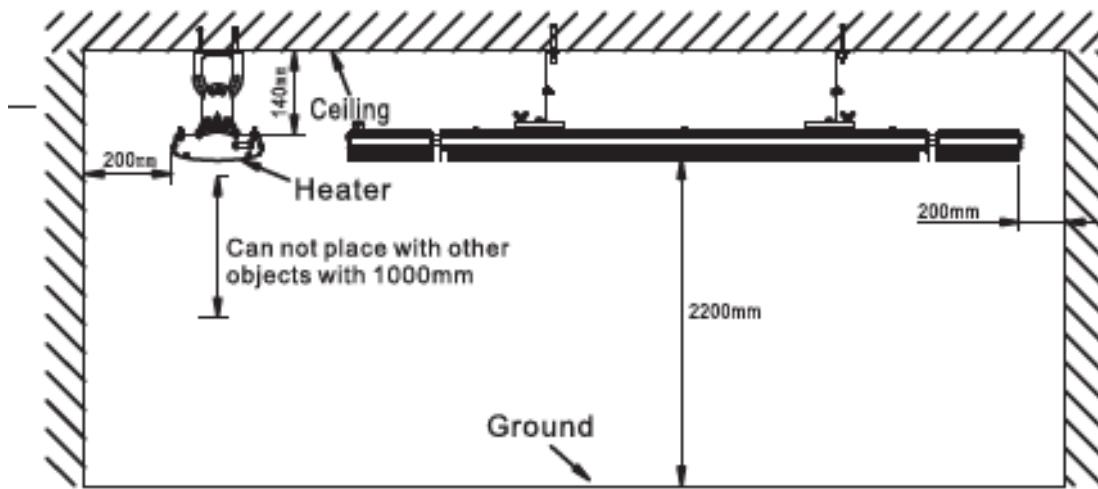
Step 3: Fix adjusting bracket into the wall by expansion screws.



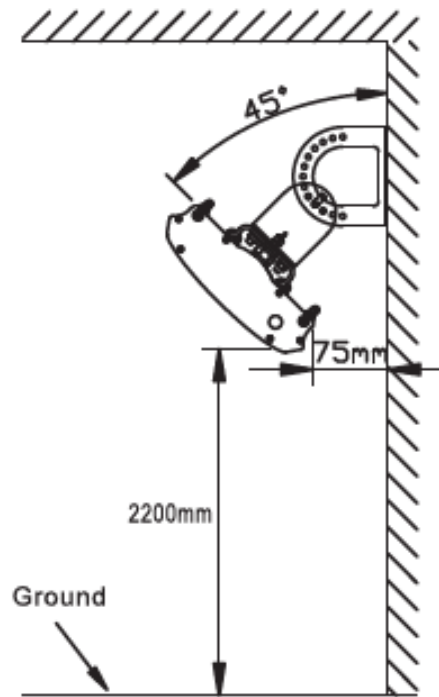
Step 4: Installation of two adjusting brackets; make sure lock brackets tight by butterfly hand screw.



7. INSTALLATION DIAGRAM

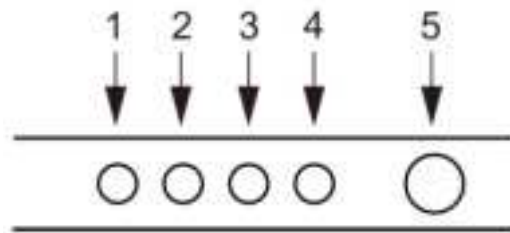
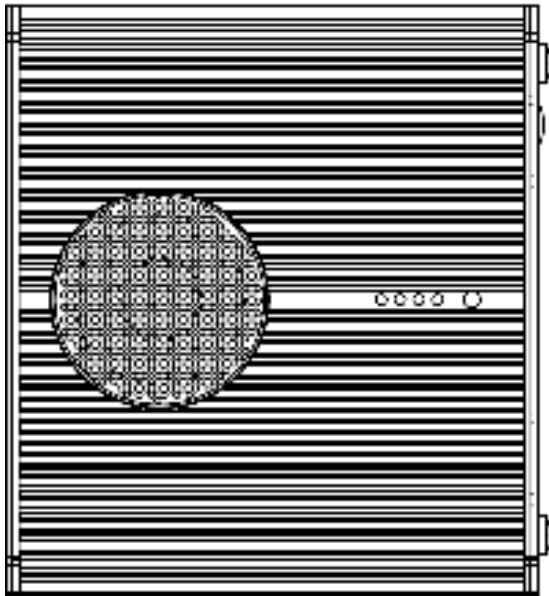


Ceiling installation



Install vertically in front

8. MANUAL FOR REMOTE



Heater LED indicate manual

AS aboved pic shows: There are 4 indicate lights in the temperature controller parts, these 4

indicate lights are used to indicate machine's running level. No.5 is far infrared receiver;

Attention: The No. 1 indicate light has two color state, red and green.

1. After connected with electrical, but keep turn off heater. You will see all indicate lights not

shines , like , please press (ON&OFF BUTTON) to turn on heater. Please noted: Heater default setting runs in 100% power.

2. Press (POWER BUTTON) to adjust heater running power.

3. Press (CLOCK BUTTON) to control heater turn off on setting hours.

Power levels

No. 1 indicate light has two color state, red and green.

Shines red: No.2 to No 4 lights shows in power setting;

Shines green: No.2 to No.4 lights shows in clock setting (time setting).

● ○ ○ ○ power level 25%

● ● ○ ○ power level 50%

● ● ● ○ power level 75%

● ● ● ● power level 100%

○ light closed ● red light shines ● green light shines

● ○ ○ ○ No in clock function(without time setting)

● ● ○ ○ heater will auto close after 2 hours

● ● ● ○ heater will auto close after 4 hours

● ● ● ● heater will auto close after 8 hours



1. ON/OFF button

Press ON/OFF button to turn on/off heater.

2. Clock button

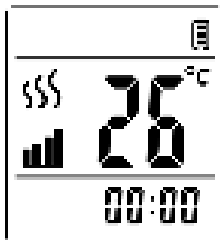
Remote is powered on(as show in picture 2-1), present time is 00:00, time setting as follow:

1)Press clock button, the hour will flash(as show in picture 2-2), press up or down button to change hour setting.

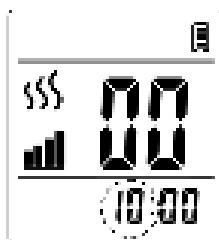
2)Press clock button, the minute will flash(as show in pictures 2-3), press up or down button to change hour setting.

3)Press clock button, the second will flash(as show in picture 2-4), press up or down button to change hour setting.

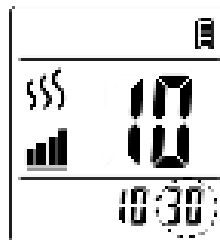
4)Press clock button again, the second stop flashing and the setting is finished.



Pic2-1



Pic2-2



Pic2-3



Pic2-4

3. Heat button

Press level button to adjust the power when the heater is on(as show in picture 3-1).



Pic3-1

4. Fast hot button

Press fast hot button to turn on/off fast hot function.

Fast hot function is to let the heater run at full power for a certain time, to achieve the purpose of rapid heating.



Pic4-1

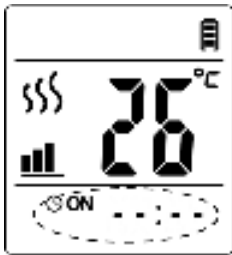
5. Timer on button

1) Press timer on button, it will show ON---(as show in picture 5-1).

2) Press up or down to change hour(as show in picture 5-2).

3) Press time on button again, hour stop shining and minute begin to shine, press up or down to change minute(as show in picture 5-3).

4) Press time on button again, timer on function finished. It will show the present time 16:30 and on. Time on setting finished(as show in picture 5-4).



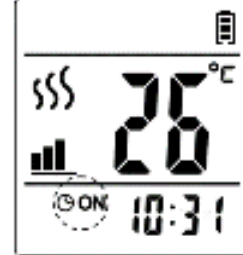
Pic5-1



Pic5-2



Pic5-3



Pic5-4

6. Timer off

1) Press timer off button, it will show off---(as show in picture 6-1).

2) Press up or down to change hour(as show in picture 6-2).

3) Press time off button again, hour stop shining and minute begin to shine, press up or down to change minute(as show in picture 6-3).

4) Press time off button again, timer off function finished. It will show the present time 16:30 and off. Timer off setting finished(as show in picture 6-4).



Pic6-1



Pic6-2



Pic6-3

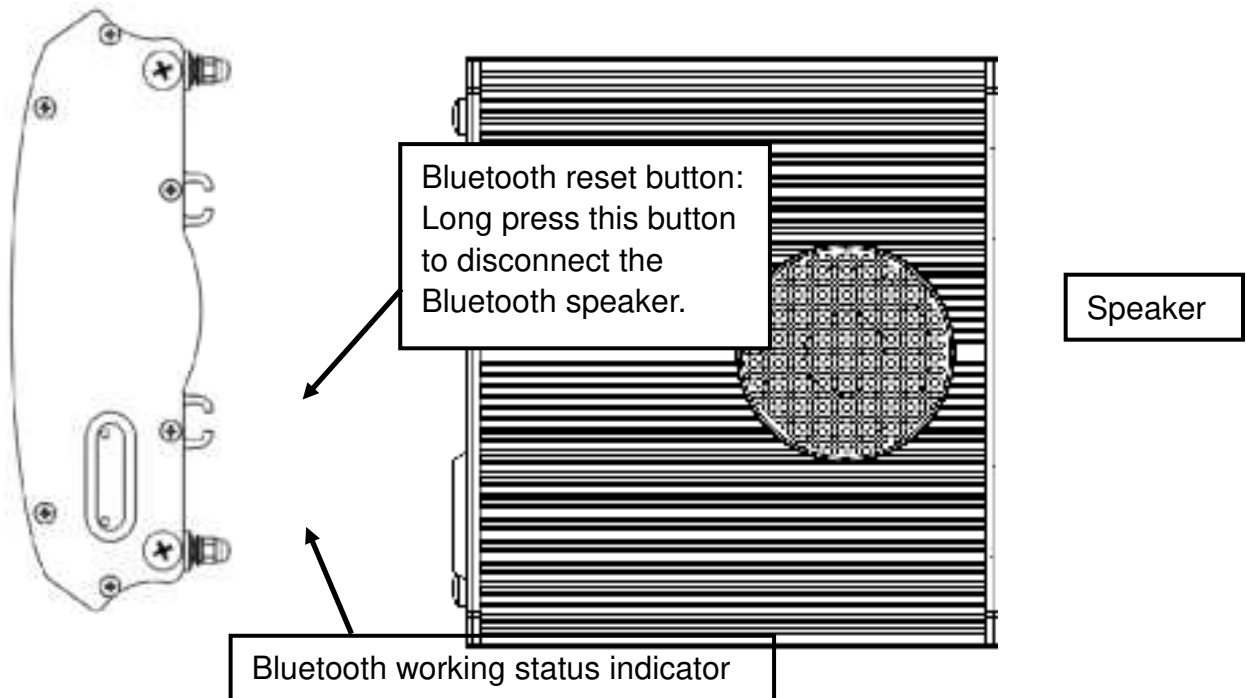


Pic6-4

Bluetooth Speaker

The Bluetooth speaker is turned on when the heater is powered on, speaker will enter pairing mode, then access the Bluetooth functionality on your device(such as mobile phone ,laptop, PDA etc.); Search for the device JH-HEATER-SPEAKER; When found, select and pair your device.

When the phone (or other device) is connected to Bluetooth, you can use the Bluetooth speaker to play music.



Bluetooth reset button:
Long press this button
to disconnect the
Bluetooth speaker.

Bluetooth working status indicator

Speaker

Bluetooth working status indicator:

The green light is flashing: Bluetooth speaker is connected.

Red-Green light is flashing: Bluetooth speaker waiting for connection.

Note:

1. The speaker do not support phone hands-free function
2. Due to the 2.4G radio interference, if the speaker does not match or play the music well, turn off the heater and re-power the heater.

9. INSPECTION ITEMS AFTER INSTALLATION

Items to be checked	Situation caused by improperly installation
Is installation stable?	The equipment may fall off or shake.
Is heat insulation adequate?	Damage objects close to equipment.
Does power voltage same as voltage shown on product nameplate?	Equipment failure.
Does wire connection correct?	Equipment failure.
Does electricity ground connected safely?	There is electricity leakage risk.
Does wiring conform to standard?	Equipment failure or circuit damage.

10. ATTENTION

Due to thermal expansion and contraction, the heater would make noise when turning on or off. It's a normal phenomenon, and won't make bad affection.

11. INSPECTION ITEMS FOR COMMISSIONING

1. Cannot turn on power before finishing all installation works.
2. All wires connection are correct and firm.
3. All scattered objects must be removed from radiant heater body.
4. Connect with power to observe radiant heater working status.

12. SAFETY PRECAUTIONS

This appliance is not intended for use by persons (including children) with reduced physical, sensory or mental capabilities, or lack of experience and knowledge, unless they have been given supervision or instruction concerning use of the appliance by a person responsible for their safety.

Children should be supervised to ensure that they do not play with the appliance.

WARNING: In order to avoid overheating, do not cover the heater.

1. If the supply cord is damaged, it must be replaced by the manufacturer, its service agent or similarly qualified persons in order to avoid a hazard.
2. The heater must not be located immediately below a socket outlet.
3. Do not use the same socket together with other appliances, in case of current overload. Make sure the plug and socket good contact.
4. Please pull plugs out when power off. Be care, do not pull wires by hands.
5. Please stop power immediately once heaters failure or wires are broken. Users can not repair heaters by themselves. Please contact authorized servicer for maintenance if heaters failure.
6. Radiant heater can not be placed directly below the power outlet.
7. Radiant heater surface temperature is high, must be installed higher than 2.2 meters above ground.
8. Radiant heater surface can not be covered and can not hang objects on equipment.

9. The distance between back of radiant heater and roof should be larger than 150mm, can not objects within 1000mm distance in front of heater, the side should be kept at least 200mm away from the surrounding space.

10. Must cut off power and wait till equipment surface cool before cleaning, flushed by water is prohibited.

11. Users can not repair the radiant heater, if equipment failure and need maintenance, please contact authorized servicer.

12. Do not install and use radiant heaters on areas occur with flammable, explosive, easy to shock.

13. Please do not insert any metal or foreign objects to inside of radiant heater, to avoid accident or personal injury.

14. Radiant heater panel surface with high temperature, touch is forbidden, prohibit touch, beware of scalding accident.

13. PACKING LIST


No.	Name	QTY
1	Heater	1pc
2	Adjusting bracket	4pc
3	Sliding bracket	2pc
4	Fastener	1set
5	Owner manual	1copy
6	Certification	1pc

14. SPECIFICATIONS

Model No.	Dimension(mm)	Package size(mm)	N.W. (kg)	G.W. (kg)
NR10-1000W	975*189*67	1070*250*150	9	7.2

Bluetooth Speaker Technical Parameter:

Technical	Frequency	80Hz-18kHz
	SNR	≥90dB
	Sensitivity Rate	80dB
	THD	0.10%
Bluetooth standard		V4.1+EDR(A2DP)
Speaker		4 Ω 5W×2
Working range		≤10m
Output power		10W

	CORRECT DISPOSAL OF THIS PRODUCT
	<p>This marking indicates that this product should not be disposed with other household wastes.</p> <p>To prevent possible harm to the environment or human health from uncontrolled waste disposal, recycle it responsibly to promote the sustainable reuse of material resources.</p> <p>To return your used device, please use the return and collection systems or contact the retailer where the product was purchased.</p> <p>They can take this product for environmental safe recycling.</p>

The product has applied for the patent, anyone who copies will be investigated into law responsibility!

All rights reserved.

Due to continuous research and development the specifications herein are subject to change without notice.