

Prime Series® Stretcher

REF 1115
















Big Wheel®

stryker®

Operations Manual



Symbols

	Refer to instruction manual/booklet
	Operating instructions
	CE mark
	General warning
	Caution
	Safe working load
	Maximum patient weight
	In accordance with European Directive 2002/96/EC on Waste Electrical and Electronic Equipment, this symbol indicates that the product must not be disposed of as unsorted municipal waste, but should be collected separately. Refer to your local distributor for return and/or collection systems available in your country.
	Catalogue number
	Serial number
	Batch code
	For US Patents, see www.stryker.com/patents
	Manufacturer
	No pushing
	Do not store oxygen bottle

Symbols









	Alternating current
	Direct current
	Warning; non-ionizing radiation
	Warning; crushing of hands
	Dangerous voltage
	Protective earth (ground)
	Medical Equipment Classified by Underwriters Laboratories Inc. with Respect to Electric Shock, Fire, and Mechanical Hazards Only in Accordance with ANSI/AAMI ES60601-1:2005 and CAN/CSA C22.2 No. 60601.1:08. *For Prime-X Option, Associated Equipment of X-Ray Equipment IEC 60601-2-54
	Type B Applied Part
IPX6	Protection from powerful water jets
1 min / 20 min	Units of Duty Cycle - maximum time on is 1 minute / maximum time off is 20 minutes

Table of Contents

Symbols	3
Warning/Caution/Note Definition	7
Introduction	8
Product Description	8
Intended Use of Product	8
Intended Use of Product - Prime X Option	8
Expected Service Life	9
Contraindications	9
Specifications	10
Standards Applied	11
Specifications - Optional Scale System (Non-Electric Litter/Electric Litter Option)	12
Product Illustration - Electric Litter Option	13
Product Illustration - Prime X Option	14
Product Illustration - Type B Applied Parts - Prime	15
Product Illustration - Type B Applied Parts - Prime X Option	16
Contact Information	17
Serial Number Location	17
Specification Labels	18
Summary of Safety Precautions	19
Setup Procedures	24
Operation Guide	25
Applying the Brake System	25
Operating the Base Controls - Side Control Hydraulics	26
Operating the Base Controls - Optional Three-Sided and Four-sided Control Hydraulics	27
Raising and Lowering the Litter Height - Optional Electric Lift	28
Adjusting Trendelenburg/Reverse Trendelenburg Positions - Side Control Hydraulics	29
Adjusting Trendelenburg/Reverse Trendelenburg Positions - Optional Three-Sided or Four-Sided Control Hydraulics	29
Operating the Big Wheel	30
Transporting a Patient	31
Operating the Siderails	32
Operating the Siderail Patient Controls - Optional Electric Litter (Not Available With Prime X Option)	33
Operating the Foot End Nursing Controls - Optional Electric Litter (Not Available With Prime X Option)	34
Using Patient Control Lockout - Optional Electric Litter (Not Available With Prime X Option)	35
Operating the Optional Push Handles	36
Operating the Pneumatic Fowler - Non-Electric	37
Operating the Fowler - Optional Electric Litter (Not Available With Prime X Option)	38
Operating the Optional Gatch - Non-Electric (Not Available With Prime X Option)	39
Operating the Gatch - Optional Electric Litter (Not Available With Prime X Option)	40
Operating the Recovery Chair (Not Available With Prime X Option)	41
Using the Base Hood for Storage	42
Using the Optional Pump Rack	43
Using the Optional Retractable Cord Reel - Electric Lift/Litter Option	44
Operating the Optional Scale System	45
Operating the Optional Scale System - Non-Electric Litter	46

Table of Contents

Replacing the Optional Scale System Batteries - Non-Electric Litter	47
Operating the Optional Scale System - Electric Litter Option Without Chaperone (Not Available With Prime X Option)	48
Charging the Optional Scale System Battery Pack - Electric Litter Option (Not Available With Prime X Option)	49
Operating the Optional Scale System - Electric Litter Option With Chaperone (Not Available With Prime X Option)	50
Operating the Chaperone (Stretcher Exit) Option (Not Available With Prime X Option)	51
Charging the Optional Scale System Battery Pack - Electric Litter Option with Chaperone (Not Available With Prime X Option)	51
Operating the Chaperone (Stretcher Exit) Option - Optional Setup (Not Available With Prime X Option)	52
Using X-Ray Cassettes - Prime X Option	53
Using the Optional Defibrillator Tray	54
Using the Optional Foot Extension/Defibrillator Tray	54
Using the Optional Footboard/Chartholder	55
Using the Optional I.V. Caddy	55
Operating the Optional Foot Supports (Not Available With Prime X Option)	56
Operating the Optional Two-Stage Permanently Attached I.V. Pole	58
Operating the Optional Three-Stage Permanently Attached I.V. Pole	59
Operating the Optional Removable I.V. Pole	60
Installing the Siderail Pads	60
Using the Optional Upright Oxygen Bottle Holder	61
Using the Optional Serving Tray	61
Using the Restraint Straps	62
Using the Optional Upright X-Ray Cassette Holder (Prime X Option Only)	63
Using the Optional Lateral Cassette Holder (Prime X Option Only)	64
Using the Optional Lateral Cassette Holder (Prime X Option Only)	65
Optional Litter Extension	66
Cleaning	67
Cleaning the Stretcher	67
Cleaning the Mattress	69
Disinfecting the Mattress	70
Preventive Maintenance	71
Checklist	71
EMC Information	73
Warranty	77
Limited Warranty	77
To Obtain Parts and Service	77
Service Contract Coverage	77
Service Contract Programs	78
Return Authorization	78
Damaged Merchandise	78
International Warranty Clause	78
Recycling Passport	79

Warning/Caution/Note Definition

The words **WARNING**, **CAUTION**, and **NOTE** carry special meanings and should be carefully reviewed.

WARNING

Alerts the reader about a situation which, if not avoided, could result in death or serious injury. It may also describe potential serious adverse reactions and safety hazards.

CAUTION

Alerts the reader of a potentially hazardous situation which, if not avoided, may result in minor or moderate injury to the user or patient or damage to the equipment or other property. This includes special care necessary for the safe and effective use of the device and the care necessary to avoid damage to a device that may occur as a result of use or misuse.

NOTE

Provides special information to make maintenance easier or important instructions clearer.

Introduction

This manual is designed to assist you with the operation of Stryker Model 1115 **Prime Series**® stretcher. Read this manual thoroughly before using the equipment or beginning maintenance on it. To ensure safe operation of this equipment, it is recommended that methods and procedures be established for educating and training staff on the safe operation of this stretcher.

PRODUCT DESCRIPTION

The Stryker Model 1115 **Prime Series** stretcher with **Big Wheel**® decreases start-up force by 50 percent and steering effort by 60 percent.

INTENDED USE OF PRODUCT

The Stryker Model 1115 **Prime Series** stretcher is a wheeled device which consists of a platform mounted on a wheeled frame that is designed to support patients in a horizontal position. The device has siderails and has the option available to support the temporary or permanent placement of I.V. poles. A stretcher provides the caregiver a method of transporting patients within a healthcare facility. The device has two big wheels which reduce the required start-up force to move the stretcher. Some stretchers may also be used for minor procedures and short-term stay (treatment and recovery).

INTENDED USE OF PRODUCT - PRIME X OPTION

The Prime X option provides a platform for the short-term outpatient clinical evaluation and treatment of human patients and additionally may be used for minor procedures and short-term outpatient stay (treatment and recovery). The Prime X option provides an articulating radiographic patient support surface and a platform below the patient support surface for X-Ray cassette placement to allow the capture of clinical X-Rays (AP Full Body, optional Full Body Lateral, and optional Upright Chest) when used in conjunction with a medical X-Ray system. The Prime X option is a wheeled device consisting of a platform mounted on a wheeled frame that is designed to transport patients in a horizontal position within the interior of a healthcare facility by health professionals and/or trained representatives of the user facility. The device has siderails and optional supports for fluid infusion equipment.

The Prime X option is intended to be used to transport patients to and from all departments within the interior of a healthcare facility. The use of the Prime X option as a short-term outpatient clinical evaluation, treatment, minor procedure, and short-term outpatient recovery platform may include use in, but is not limited to, the Emergency Department (ED), including the Trauma area, and Post-Anesthesia Care Unit (PACU). The Prime X option is not intended to be used for long-term inpatient treatment and recovery. See the specification table on [page 10](#) for the intended environmental conditions.

The Prime X option has a safe working load up to 700 pounds (318 kg) and is intended to be used with all patients, including those mildly to critically ill. The stretcher may also be used to transport deceased patients within an enclosed healthcare facility.

The Prime X option has an optional scale system intended to measure and display weight in pounds or kilograms of patients weighing 50 to 700 pounds (22.7 to 318 kg) and patients not exceeding the height of 75.25 inches (191 cm). See the specification table for accuracy claims.

Introduction

INTENDED USE OF PRODUCT - PRIME X OPTION (CONTINUED)

The Prime X option has the following options available: three-sided brake/steer pedal controls, three-sided and four-sided hydraulic lift controls, powered lift controls, dual siderail latch assembly, slider board assembly, pump bar, I.V. pole(s), restraint straps, defibrillator tray, defibrillator tray/foot extender, footboard/chartholder, serving tray, serving tray holder/footboard, siderail pads, upright oxygen bottle holder, and I.V. caddy.

EXPECTED SERVICE LIFE

The Prime X option has an expected service life of 10 years under normal use, conditions, and with appropriate periodic maintenance as described in the maintenance manual for each device.



CONTRAINDICATIONS

The Prime X option is not recommended for use with a Stryker Pioneer mattress or a mattress with a thickness greater than four inches and is not compatible for use with a C-Arm.

The Prime X option is intended for use in all establishments other than home healthcare, domestic, and those directly connected to the public low voltage power supply network that supplies buildings used for domestic purposes.

Introduction

SPECIFICATIONS

		Prime 26" Width Option		Prime 30" Width Option Prime HT Packs		Prime X Option 30" Width	
	Safe working load Note: Safe working load indicates the sum of the patient, mattress, and accessory weight.	700 lb	318 kg	700 lb	318 kg	700 lb	318 kg
	Maximum patient weight	675 lb	306 kg	675 lb	306 kg	675 lb	306 kg
Overall Stretcher Length		85" (± .5")	215.9 cm	85" (± .5")	215.9 cm	85" (± .5")	215.9 cm
Overall Stretcher Length (Litter Extension)		89.9"(± .75")	228.3 cm	89.9"(± .75")	228.3 cm	N/A	N/A
Overall Stretcher Width (Siderails Up)		34" (± 1")	86.4 cm	38" (± 1")	96.5 cm	38" (± 1")	96.5 cm
Overall Stretcher Width (Siderails Down)		30.25" (± .5")	76.8 cm	30.5" (± .5")	77.5 cm	30.5" (± .5")	77.5 cm
Minimum/Maximum Stretcher Height		20.75" / 34" (± 1")	52.7 cm / 86.4 cm	20.75" / 34" (± 1")	52.7 cm / 86.4 cm	23.25" / 36.5" (± 1")	59.1 cm / 92.7 cm
Fowler Angle		0° to 90° (± 5°)					
Gatch Height		5.5" (14 cm) minimum				Not applicable	
Trendelenburg/Reverse Trendelenburg		+17°/-17° (± 3°)					
Minimum Under-Stretcher Clearance		2.5" nominal	6.4 cm	2.5" nominal	6.4 cm	2.5" nominal	6.4 cm
		1.75" under the hydraulic jacks and fifth wheel	4.5 cm	1.75" under the hydraulic jacks and fifth wheel	4.5 cm	1.75" under the hydraulic jacks and fifth wheel	4.5 cm
		1" under the Big Wheel	2.5 cm	1" under the Big Wheel	2.5 cm	1" under the Big Wheel	2.5 cm
Attenuation Equivalent (Aluminum Equivalence)		Not applicable				Maximum value allowed is 1.7 mm Al	

Introduction

SPECIFICATIONS (CONTINUED)

Electric Options	Optional Electric Litter (available on Prime Only)	Optional Electric Lift (available on Prime and Prime X Option)
Electrical Requirements	120V ~, 60Hz, 10 A	120V ~, 60Hz, 10 A
Duty Cycle	Continuous operation with intermittent loading is 1 min ON/20 min OFF	Continuous operation with intermittent loading is 1 min ON/20 min OFF

Optional Scale System	Non-Electric Litter (available on Prime and Prime X Option)	Optional Electric Lift (available on Prime and Prime X Option)
Battery Type	4 x AA Battery (4 X 1.5V ^{AAA}) Alkaline Type (LR6)	4 x AA Battery (4 X 1.5V ^{AAA}) Alkaline Type (LR6)
Battery Voltage	6.0V ^{AAA}	6.0V ^{AAA}

Optional Scale System	Optional Electric Litter	Optional Electric Lift
Battery Type	1 x Rechargeable Lithium Ion Battery Pack (0058-135-000)	Not applicable
Battery Voltage	10.8V ^{AAA} , 2.4Ah	Not applicable

Optional Scale System with Chaperone (Stretcher Exit)	Optional Electric Litter	Optional Electric Lift
Battery Type	1 x Rechargeable Lithium Ion Battery Pack (0058-134-000)	Not applicable
Battery Voltage	10.8V ^{AAA} , 4.8 Ah	Not applicable

Stryker reserves the right to change specifications without notice.

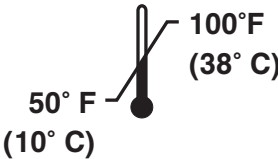
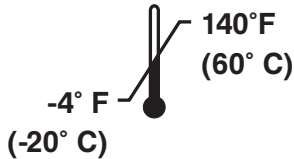


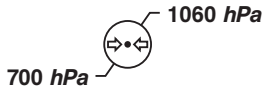
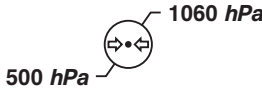
Note: Equipment not suitable for use in the presence of a flammable anesthetic mixture with air or with oxygen or nitrous oxide.

STANDARDS APPLIED

ID	Name
IEC 60601-1	Medical electrical equipment - Part 1: General requirements for basic safety and essential performance
IEC 60601-1-2	Medical electrical equipment - Part 1-2: General requirements for basic safety and essential performance - Collateral standard: Electromagnetic compatibility - Requirements and tests
IEC 60601-1-3	Medical electrical equipment - Part 1-3: General requirements for basic safety and essential performance - Collateral Standard: Radiation protection in diagnostic X-Ray equipment
IEC 60601-2-52	Medical electrical equipment - Part 2-52: Particular requirements for the basic safety and essential performance of medical beds
IEC 60601-2-54	Medical electrical equipment - Part 2-54: Particular requirements for the basic safety and essential performance of X-Ray equipment for radiography and radioscopy

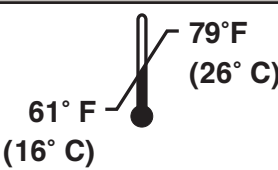
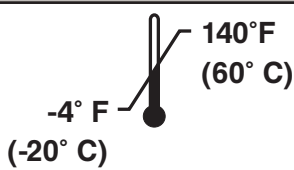
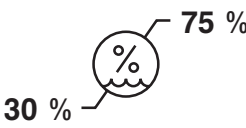
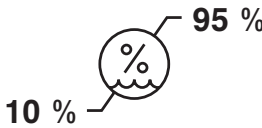
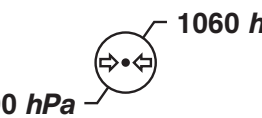
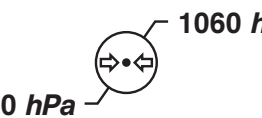
Introduction

SPECIFICATIONS (CONTINUED)

Environmental Conditions	Operation	Storage and Transportation
Temperature		
Relative Humidity		
Atmospheric Pressure		

Specifications listed are approximate and may vary slightly from unit to unit or by power supply fluctuations.

SPECIFICATIONS - OPTIONAL SCALE SYSTEM (NON-ELECTRIC LITTER/ELECTRIC LITTER OPTION)

Optional Scale System Weight Operating Range	50 lb (22.7 kg) to 700 lb (318 kg)	
Optional Scale System Accuracy	±3 lb (1.3 kg) for weights less than 100 lb (45 kg) and ±3% for weights greater than or equal to 100 lb (45 kg) *	
Environmental Conditions	Operation	Storage and Transportation
Temperature		
Relative Humidity		
Atmospheric Pressure		

* To meet this accuracy claim, the patient surface must be in the flat position (fowler and gatch down) and the stretcher cannot exceed 5 degrees of Trendelenburg/reverse Trendelenburg.

Introduction

PRODUCT ILLUSTRATION - ELECTRIC LITTER OPTION

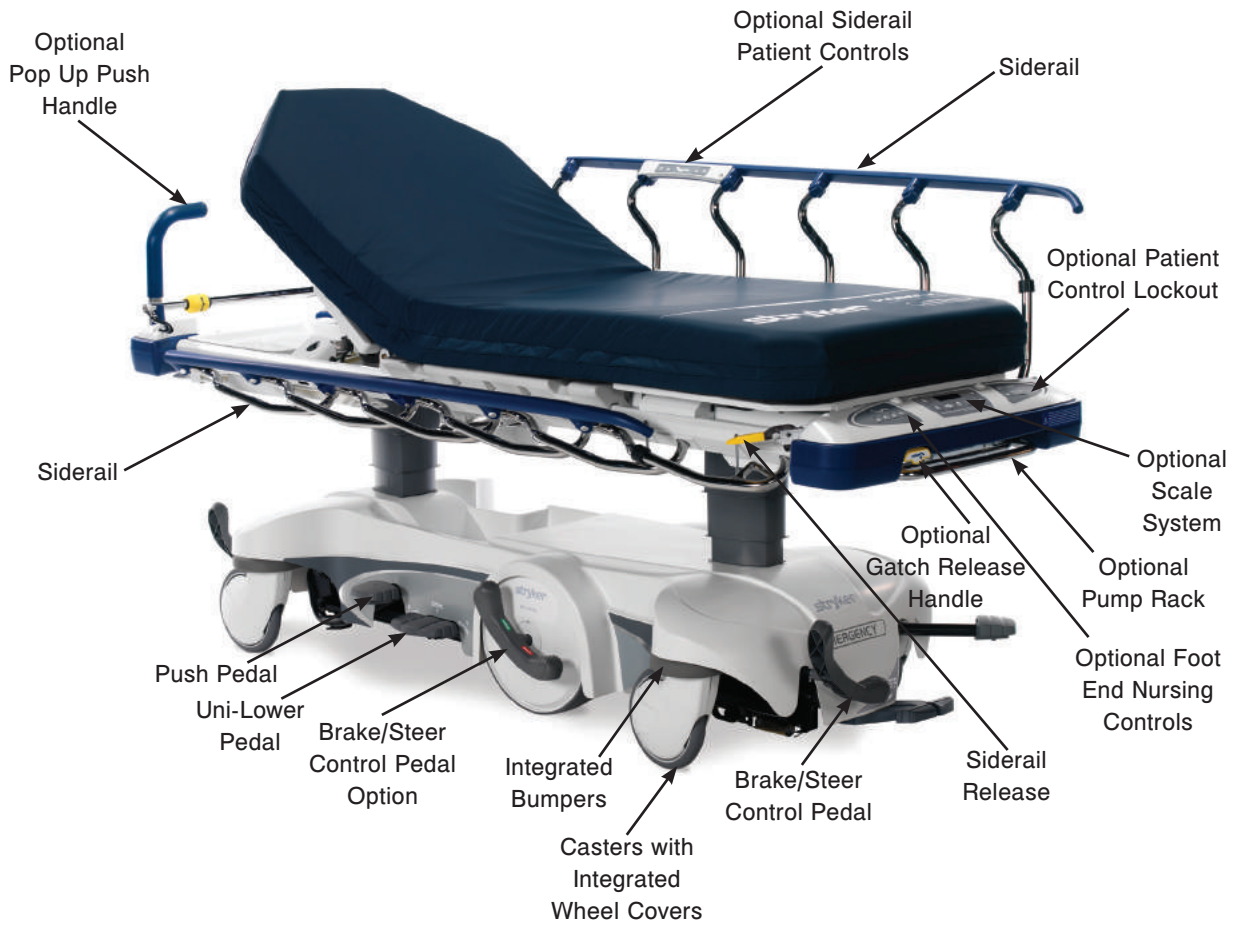


Figure 1: Electric Litter Option

Introduction

PRODUCT ILLUSTRATION - PRIME X OPTION

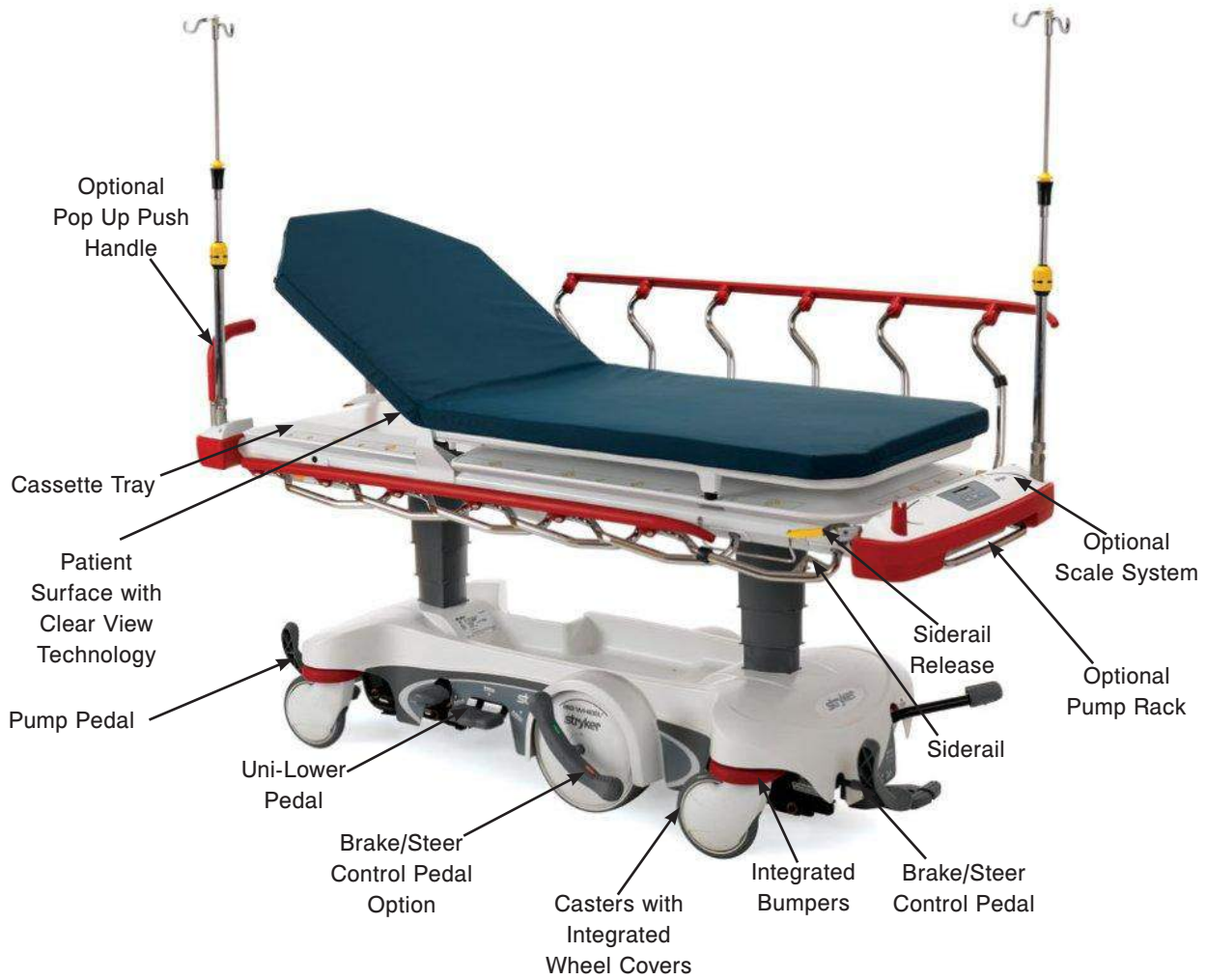


Figure 2: Prime X Option

Introduction

PRODUCT ILLUSTRATION - TYPE B APPLIED PARTS - PRIME



Figure 3: Type B Applied Parts - Prime

Introduction

PRODUCT ILLUSTRATION - TYPE B APPLIED PARTS - PRIME X OPTION



Figure 4: Type B Applied Parts - Prime X Option

Introduction

CONTACT INFORMATION

Contact Stryker Customer Service or Technical Support at: (800) 327-0770 or (269) 324-6500.

Stryker Medical
3800 E. Centre Avenue
Portage, MI 49002
USA

Please have the serial number (A) of your Stryker product available when calling Stryker Customer Service or Technical Support. Include the serial number in all written communication.

SERIAL NUMBER LOCATION

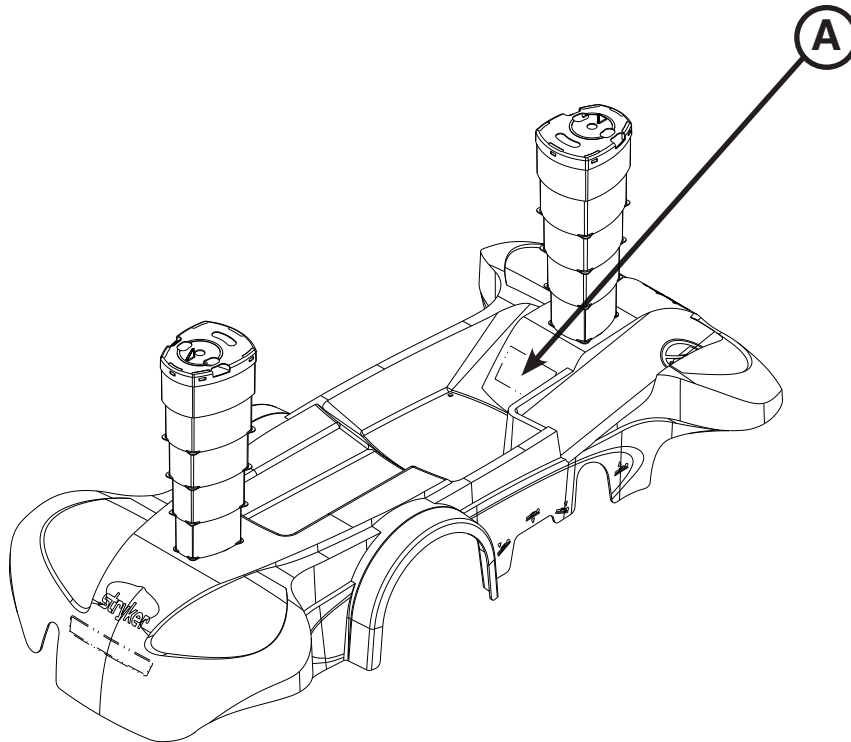


Figure 5: Serial Number Location

Specification Labels

<p>stryker[®]</p> <p>REF 1115 Prime Series[®] Big Wheel[®]</p> <p>SN</p> <p></p> <p>6V=== (4x AA, LR6)</p> <p>Made in U.S.A.</p> <p>Stryker Medical 3800 E. Centre Ave. Portage, MI USA 49002</p> <p> CLASSIFIED C UL US 87VL</p> <p></p> <p></p> <p>IPX6</p> <p>Glideaway[™]</p>	<p>1115-101-002</p>
<p>stryker[®]</p> <p>REF 1115 Prime Series[®] Big Wheel[®]</p> <p>SN</p> <p></p> <p>120V ~ 60Hz, 10A 1 min / 20 min</p> <p>Made in U.S.A.</p> <p>Stryker Medical 3800 E. Centre Ave. Portage, MI USA 49002</p> <p> CLASSIFIED C UL US 87VL</p> <p></p> <p></p> <p>IPX6</p> <p>Glideaway[™]</p>	<p>1115-101-003</p>
<p>stryker[®]</p> <p>REF 1115 Prime Series[®] Big Wheel[®]</p> <p>SN</p> <p></p> <p>240V ~ 50/60Hz, 5A 1 min / 20 min</p> <p>Made in U.S.A.</p> <p>Stryker Medical 3800 E. Centre Ave. Portage, MI USA 49002</p> <p> CLASSIFIED C UL US 87VL</p> <p></p> <p></p> <p>IPX6</p> <p>Glideaway[™]</p>	<p>1115-101-006</p>
<p>stryker[®]</p> <p>REF 1115 Prime Series[®] Big Wheel[®]</p> <p>SN</p> <p></p> <p>120V ~ 60Hz, 10A 1 min / 20 min 6V=== (4x AA, LR6)</p> <p>Made in U.S.A.</p> <p>Stryker Medical 3800 E. Centre Ave. Portage, MI USA 49002</p> <p>  CLASSIFIED C UL US 87VL</p> <p></p> <p></p> <p>IPX6</p> <p>Glideaway[™]</p>	<p>1115-101-007</p>
<p>stryker[®]</p> <p>REF 1115 Prime Series[®] Big Wheel[®]</p> <p>SN</p> <p></p> <p>240V ~ 50/60Hz, 5A 1 min / 20 min 6V=== (4x AA, LR6)</p> <p>Made in U.S.A.</p> <p>Stryker Medical 3800 E. Centre Ave. Portage, MI USA 49002</p> <p> CLASSIFIED C UL US 87VL</p> <p></p> <p></p> <p>IPX6</p> <p>Glideaway[™]</p>	<p>1115-101-008</p>

Summary of Safety Precautions

Carefully read and strictly follow the warnings and cautions listed within this manual. Service only by qualified personnel. See the maintenance manual for additional information.

WARNING

- This stretcher is equipped with a hospital grade plug for protection against electric shock hazard. It must be plugged directly into a properly grounded three-prong receptacle. Grounding reliability can be achieved only when a hospital grade receptacle is used.
 - Always apply the brakes when a patient is getting on or off the stretcher. Push on the stretcher to ensure that the brakes are securely locked. Always engage the brakes unless the stretcher is being moved. Injury could result if the stretcher moves while a patient is getting on or off the stretcher.
 - Patients should be discouraged from sitting directly on the ends of the stretcher. Excessive weight could cause the litter surface to tip up, possibly causing patient injury.
 - Leave the stretcher height in the lowest position when the patient is left unattended. Leaving the stretcher height in a raised position could increase the chance of patient falls and injury.
 - Make sure that the brakes are completely released before attempting to move the unit. Attempting to move the unit with the brakes engaged could result in injury to the user and/or patient.
 - After raising the siderails, pull firmly on the siderail to ensure that it is securely locked in the up position. Siderails are not intended to serve as a patient restraint device to keep patients from exiting the unit. Siderails are intended to keep a patient from inadvertently rolling off the unit. It is the responsibility of the attending medical personnel to determine the degree of restraint necessary to ensure that a patient will remain in place. Failure to utilize the siderails properly could result in patient injury.
 - When lowering the siderail to the collapsed position, keep extremities of patients and staff away from the siderail spindles or injury could occur.
 - Powered stretcher mechanisms can cause serious injury. Operate stretcher only with persons clear of mechanisms.
 - Operation of the fowler is a manual procedure. Use caution when raising the fowler while a patient is on the stretcher. Use proper lifting techniques and get additional assistance, if necessary. Failure to use proper lifting techniques could cause injury to the operator.
 - Keep hands/fingers clear of the area around the fowler release handle and the fowler frame when lowering the fowler. Injury could result if care is not taken when lowering the fowler.
 - To avoid the risk of injury, ensure that the gatch prop rod is fully raised and securely placed in position.
 - Use caution when operating the gatch while a patient is on the stretcher. Powered stretcher mechanisms can cause serious injury. Operate stretcher only with persons clear of mechanisms.
 - Use caution when operating the recovery chair while a patient is on the stretcher. Powered stretcher mechanisms can cause serious injury. Operate stretcher only with persons clear of mechanisms.
 - To avoid patient injury or equipment damage, all lines from any equipment stored on the pump rack must be diverted away from the gatch handles.
 - To avoid patient injury or equipment damage, do not lift the stretcher by the pump rack.
 - To avoid equipment damage, remove any equipment from the pump rack that may be in the way before lowering the litter.
 - To avoid equipment damage while transporting the stretcher, verify that any equipment on the pump rack can safely pass through door openings and under light fixtures.
 - When using the Prime X option in conjunction with devices that generate X-radiation, the generating devices may produce residual, stray, and/or scattered radiation. Users should refer to local, state, and federal use guidelines, as well as appropriate facility protocols, for safety before use. Special attention should be given when performing X-Rays with the stretcher's fowler in the upright position and also when performing X-Rays using a lateral cassette.
-

Summary of Safety Precautions



WARNING (CONTINUED)

- The Prime X option is not recommended for use with a Stryker Pioneer mattress or a mattress with a thickness greater than four inches and is not compatible for use with a C-Arm.
 - To avoid the risk of patient or operator injury, ensure that all devices placed on the defibrillator tray are securely strapped to the tray.
 - To avoid the risk of patient or operator injury, ensure that all devices placed on the foot extender/defibrillator tray are securely strapped to the tray.
 - To avoid the risk of injury to the patient or user or damage to the I.V. pole while transporting the stretcher, make sure that the I.V. caddy is securely tightened on the I.V. pole.
 - To avoid the risk of patient injury or equipment damage, do not sit on the foot support.
 - Physical restraints, even if properly secured, may result in serious harm to patients and caregivers. The use of restraint straps may potentially cause entanglement, entrapment, physical injury, and/or death. Caution must be used in affixing restraint straps to avoid potential injury to both patients and caregivers.
 - Restraint straps and/or devices must be attached only at the identified attachment points of the unit. Failure to do so may result in patient or caregiver injury. Do not attach restraints straps to the siderail.
 - This unit accommodates the use of ankle, chest, wrist, and body restraints. The use of restraint straps is regulated by state and federal restrictions. Users, caregivers, and/or practitioners should refer to the applicable state and federal restrictions and the appropriate facility protocols before using any restraint strap and/or device.
 - If your unit is equipped with the optional electric lift/litter, unplug the power cord from the power outlet before transporting or cleaning the unit.
 - This device does not offer any protection against X-Ray radiation.
 - Do not steam clean the unit.
 - To avoid malfunction, the optional scale system or optional electric lift/litter should not be used adjacent to or stacked with other equipment. If adjacent or stacked use is necessary, the optional scale system or optional electric lift/litter should be observed to verify normal operation in the configuration in which it will be used.
 - When using any mattress thicker than 2.5 inches or when using a mattress overlay with the Prime X option, extra caution and operator supervision is recommended to reduce the risk of patient falls due to lesser siderail coverage.
 - Do not immerse mattress in cleaning or disinfectant solutions. Excess moisture could cause equipment malfunction resulting in equipment damage or patient injury.
 - Do not allow fluid to pool on the mattress. Fluids can cause corrosion of components and may cause the safety and performance of this equipment to become unpredictable.
 - Inspect mattress covers for tears, punctures, excessive wear, and misaligned zippers each time the covers are cleaned. If compromised, the mattress should be removed from service immediately and replaced to prevent cross-contamination.
 - Disinfect the mattress between patients. Failure to do so could result in cross-contamination and infection.
 - The mattress cover must be completely dry before storage or adding linens. Failure to remove excess disinfectant could cause degradation of the cover material.
-

Summary of Safety Precautions

CAUTION

- This stretcher is not intended for pediatric use or for patients under 50 lb. This stretcher is intended for use by trained hospital personnel only.
- Do not modify this stretcher. Modifying the unit can cause unpredictable operation resulting in injury to the patient or operator. Modifying the unit will also void its warranty.
- To avoid damage, remove any equipment that may be in the way before raising or lowering the litter height.
- Do not raise the unit (hydraulics on base) with a patient lift under the stretcher.
- To avoid injury or damage to the equipment, do not allow the siderail to lower on its own.
- The weight capacity of the gatch is 200 lb. Do not sit or stand on the gatch. Injury or damage to the equipment could occur.
- To achieve recovery chair position, your stretcher must be equipped with the **Lift Assist®** backrest and gatch options.
- The weight capacity of the base hood is 60 lb. Do not sit or stand on the base hood. Injury or damage to the equipment could occur.
- Do not step on the base hood.
- Do not engage the steer pedal when the **Big Wheel** is resting on a threshold or other raised area. The force required to engage the **Big Wheel** will be higher than normal, possibly causing damage.
- Do not use the cutout for the oxygen bottle holder on the base hood for the storage of oxygen bottles or patient belongings.
- The weight capacity of the pump rack is 40 lb.
- Do not use the pump rack as a push/pull device because equipment damage could occur.
- To avoid damage, do not put items weighing more than 30 lb on the defibrillator tray.
- Do not use the defibrillator tray as a push/pull device because equipment damage could occur.
- If the stretcher is equipped with the optional foot end I.V. pole, the I.V. pole must be in the raised position when the foot extension/defibrillator tray is installed. If the I.V. pole is not raised, the foot extension will not function properly and injury could occur.
- The push handles were designed for use while transporting the stretcher. Avoid using other parts of the stretcher as push/pull devices unless otherwise specified in the manual because damage could occur.
- To avoid damage, do not put items weighing more than 30 lb on the foot extender/defibrillator tray.
- Do not use the foot extension/defibrillator tray as a push/pull device because equipment damage could occur.
- Do not use the footboard/chartholder as a push/pull device because equipment damage could occur.
- Always store the I.V. caddy when not in use to avoid damaging it when the unit is moved.
- To avoid the risk of equipment damage, do not use the foot support to store patient belongings or other items.
- To avoid injury to the operator, ensure that the operator's fingers are clear of the mechanism when positioning the foot support.
- Foot supports should be in the stored position when moving. The stretcher should be in brake position when foot supports are in use.
- To avoid the risk of damage to the equipment, do not use the foot support as a push/pull device.
- To avoid injury to the patient or operator, ensure foot supports are tightened securely prior to use.
- If the stretcher is equipped with the scale system option, the scale should not be utilized while the foot supports are in use because inaccurate readings may occur.
- If the stretcher is equipped with the chaperone option, the chaperone option should not be utilized while the foot supports are in use because false readings may occur.
- To avoid damage to the removable I.V. pole, the weight of the I.V. bags should not exceed 40 lb.
- To avoid damage, the safe working load of the two-stage permanently attached I.V. pole is 40 lb.

Summary of Safety Precautions

CAUTION (CONTINUED)

- To avoid damage while transporting the stretcher, verify that the I.V. pole is at a low enough height to allow it to safely pass through door openings and under light fixtures.
- To avoid damage, the weight of the I.V. bags should not exceed 12 lb while the weight of any one item attached to each stage of the three-stage permanently attached I.V. pole should not exceed 9.3 lb.
- Do not use the I.V. pole as a push/pull device because equipment damage could occur.
- To avoid damage, do not put items weighing more than 40 lb in the upright oxygen bottle holder.
- Do not use the upright oxygen bottle holder as a push/pull device because equipment damage could occur.
- To avoid damage, do not put items weighing more than 30 lb on the serving tray.
- To avoid risk of user injury or damage to the equipment, ensure that the Upright X-Ray Cassette Holder is installed correctly following the instructions in [“Using the Optional Upright X-Ray Cassette Holder \(Prime X Option Only\)” on page 63.](#)
- To avoid risk of user injury or damage to the equipment, ensure that the Lateral X-Ray Cassette Holder is installed correctly following the instructions [“Using the Optional Lateral Cassette Holder \(Prime X Option Only\)” on page 64.](#)
- Do not use the serving tray holder/footboard as a push/pull device because equipment damage could occur.
- Do not iron, dry-clean, or tumble dry the mattress, as this will cause malfunction and damage the product.
- The mattress cover must be completely dry before storing, adding linens or placing a patient on the surface, to prevent the performance of the equipment from being impaired.
- Avoid over exposure to alcohol or hydrogen peroxide. Swelling of the cover material will result.
- Do not allow liquid to seep into the zipper area and watershed cover barrier. Fluids allowed to come in contact with the zipper may leak into the mattress which could impair the equipment performance.
- Some disinfectants may cause damage to the product if used improperly. If the products described below are used to disinfect the mattress, measures must be taken to ensure the entire surface is wiped with a damp cloth soaked in clean water and thoroughly dried following disinfection. The cover can be damaged when exposed to such disinfectants beyond the manufacturers’ recommendations. Failure to follow these directions when using these types of disinfectants may void this product warranty.
- Frequent or prolonged exposure to higher concentration disinfectant solutions may prematurely age the cover fabric.
- The use of accelerated hydrogen peroxides or quaternaries containing glycol ethers may damage the cover.
- Before returning the unit to service after cleaning, verify that labels are intact, raise/lower the stretcher, lock the brake/steer pedal in both positions, latch/unlatch the siderails, and raise/lower the fowler and gatch.

NOTE

- Equipment not suitable for use in the presence of a flammable anesthetic mixture with air or with oxygen or nitrous oxide.
- The bottom of the brake pads should be cleaned regularly to prevent wax or floor remnant buildup.
- Clean the base hood storage area regularly.
- In lieu of specific requirements from IEC 60601-1 and IEC 60601-2-54 equivalent means of safety were used on the Prime-X series of products regarding accessory overloading, applied parts, and indications to the operator.
- There is a dual siderail latch option available with latches on both ends of the stretcher.

Summary of Safety Precautions

PINCH POINTS - PRIME X OPTION



Figure 6: Pinch Points - Prime X Option

Setup Procedures

If this unit is equipped with the optional electric lift/litter, the unit must reach room temperature prior to conducting any setup and/or unit operations to prevent permanent damage to the unit.

Make sure that the unit is working properly before it is put into service. The following list will ensure that each part of the unit is checked.

Stretcher checklist:

1. Depress the pedal at either end of the stretcher fully to set the four wheel brakes and verify that all of the four casters are locked “Applying the Brake System” on [page 25](#).
2. Raise and lower the hydraulic lift system ([page 28](#)).
3. Raise the unit completely and activate the Trendelenburg function. Ensure that the head end lowers to the full down position ([page 29](#)).
4. Raise the unit completely and activate the reverse Trendelenburg function. Ensure the foot end lowers to the full down position ([page 29](#)).
5. Run through the operation of the **Big Wheel** to ensure that it is operating properly ([page 30](#)).
6. Ensure that the siderails raise and lower smoothly and lock securely in the up position ([page 32](#)).
7. Raise and lower the fowler (head end) ([page 37](#)).
8. Raise and lower the gatch (foot end) ([page 39](#)).

If equipped with the optional electric lift/litter:

1. Check all items on the stretcher checklist above.
2. Plug the unit into a properly grounded, hospital grade wall receptacle and ensure that the LED lights illuminate on the lockout keypad.
3. Raise and lower the hydraulic lift system ([page 28](#)).
4. Perform each function on the patient siderail controls to ensure that they are working properly ([page 33](#)).
5. Perform each function on the foot end nursing controls to ensure that they are working properly ([page 34](#)).
6. Raise and lower the fowler (head end) ([page 37](#)).
7. Raise and lower the gatch (foot end) ([page 39](#)).

If equipped with the optional scale - electric litter option (with or without chaperone option):

1. Check all items on the stretcher checklist above.
2. Plug the power cord into a properly grounded, hospital grade wall receptacle to charge the batteries.

Note: To charge the battery, see “Charging the Optional Scale System Battery Pack - Electric Litter Option with Chaperone (Not Available With Prime X Option)” on [page 51](#) or “Charging the Optional Scale System Battery Pack - Electric Litter Option with Chaperone (Not Available With Prime X Option)” on [page 51](#).

WARNING

This stretcher is equipped with a hospital grade plug for protection against electric shock hazard. It must be plugged directly into a properly grounded three-prong receptacle. Grounding reliability can be achieved only when a hospital grade receptacle is used.

CAUTION

- Do not modify this stretcher. Modifying the unit can cause unpredictable operation resulting in injury to the patient or operator. Modifying the unit will also void its warranty.
 - This stretcher is not intended for pediatric use or for patients under 50 lb. This stretcher is intended for use by trained hospital personnel only.
-

Operation Guide

APPLYING THE BRAKE SYSTEM

For user convenience, a brake/steer control pedal is located on both ends of the stretcher as shown in Figure 7.

WARNING

Always apply the brakes when a patient is getting on or off the stretcher. Push on the stretcher to ensure that the brakes are securely locked. Always engage the brakes unless the stretcher is being moved. Injury could result if the stretcher moves while a patient is getting on or off the stretcher.

To engage the brakes on the head end, push down on the brake (red) side of pedal (A).

To engage the brakes on the foot end, push down on the brake (red) side of pedal (B).

To release the brakes on the head end, push down on the steer (green) side of pedal (A).

To release the brakes on the foot end, push down on the steer (green) side of pedal (B).

Note: Your stretcher may be equipped with optional side control brake and steer functions (C) in addition to the standard head end (A) and foot end (B) controls. The side control brakes operate the same as the head end and foot end brakes.

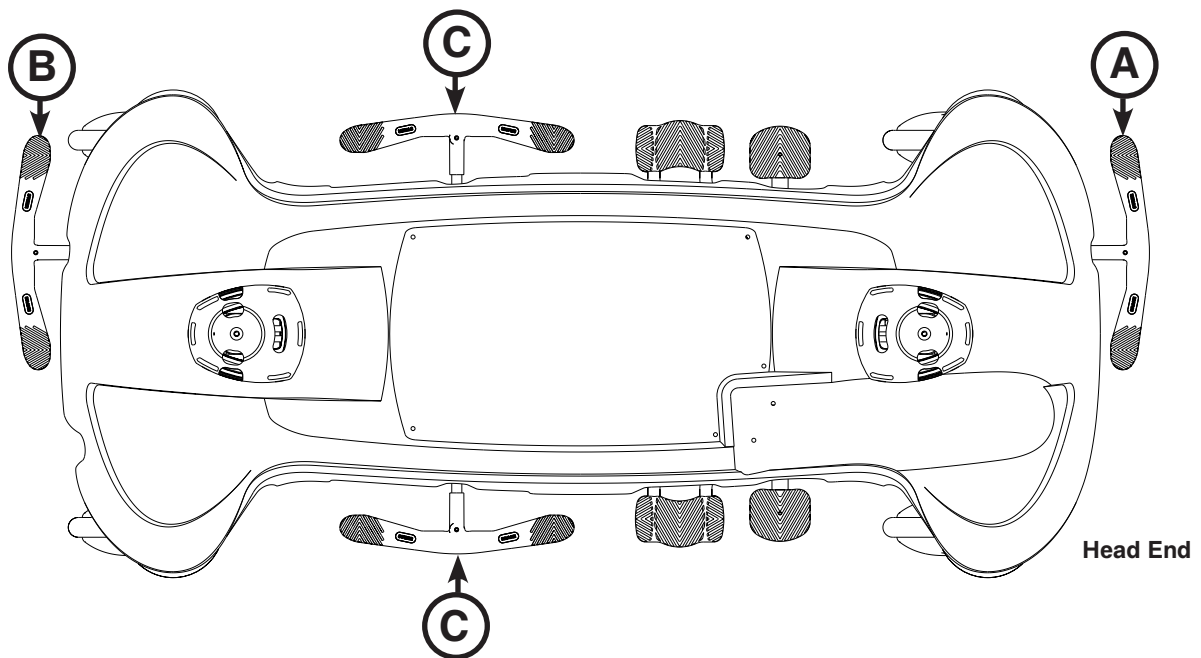


Figure 7: Brake System

Note: The bottom of the brake pads should be cleaned regularly to prevent wax or floor remnant buildup.



Figure 8: Steer/Brake Functions

Operation Guide

OPERATING THE BASE CONTROLS - SIDE CONTROL HYDRAULICS

To operate the base controls, see Figure 9 to locate which pedals are used for what operation.

CAUTION

To avoid damage, remove any equipment that may be in the way before raising or lowering the litter height.

To raise the litter height, pump pedal (A) repeatedly until the desired height is achieved.

To lower both ends of the litter together, depress the center of pedal (B).

To lower only the head end of the litter, depress the side of pedal (B) closest to the head end of the stretcher.

To lower only the foot end of the litter, depress the side of pedal (B) closest to the foot end of the stretcher.

WARNING

- Patients should be discouraged from sitting directly on the ends of the stretcher. Excessive weight could cause the litter surface to tip up, possibly causing patient injury.
- Leave the stretcher height in the lowest position when the patient is left unattended. Leaving the stretcher height in a raised position could increase the chance of patient falls and injury.

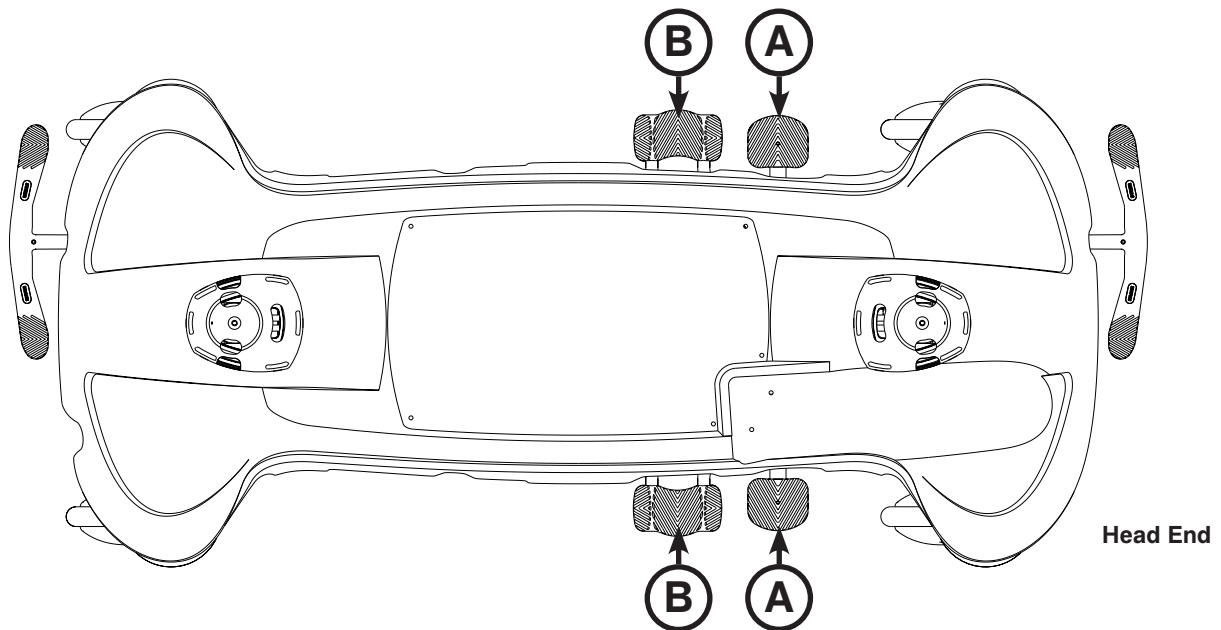


Figure 9: Stretcher Base Controls - Side Control

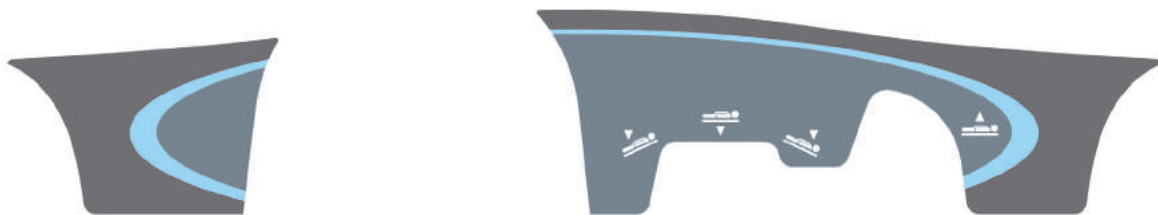


Figure 10: Side Base Control Label

Operation Guide

OPERATING THE BASE CONTROLS - OPTIONAL THREE-SIDED AND FOUR-SIDED CONTROL HYDRAULICS

To operate the base controls, see Figure 11 to locate which pedals are used for what operation.

CAUTION

To avoid damage, remove any equipment that may be in the way before raising or lowering the litter height.

To raise the litter height, pump pedal (A) repeatedly until the desired height is achieved.

To lower both ends of the litter together, depress pedal (B) and pedal (D) together using the same foot or depress in the center of pedal (C).

To lower the foot end of the litter, depress pedal (B) or the side of pedal (C) closest to the foot end.

To lower the head end of the litter, depress pedal (D) or the side of pedal (C) closest to the head end.

WARNING

- Patients should be discouraged from sitting directly on the ends of the stretcher. Excessive weight could cause the litter surface to tip up, possibly causing patient injury.
- Leave the stretcher height in the lowest position when the patient is left unattended. Leaving the stretcher height in a raised position could increase the chance of patient falls and injury.

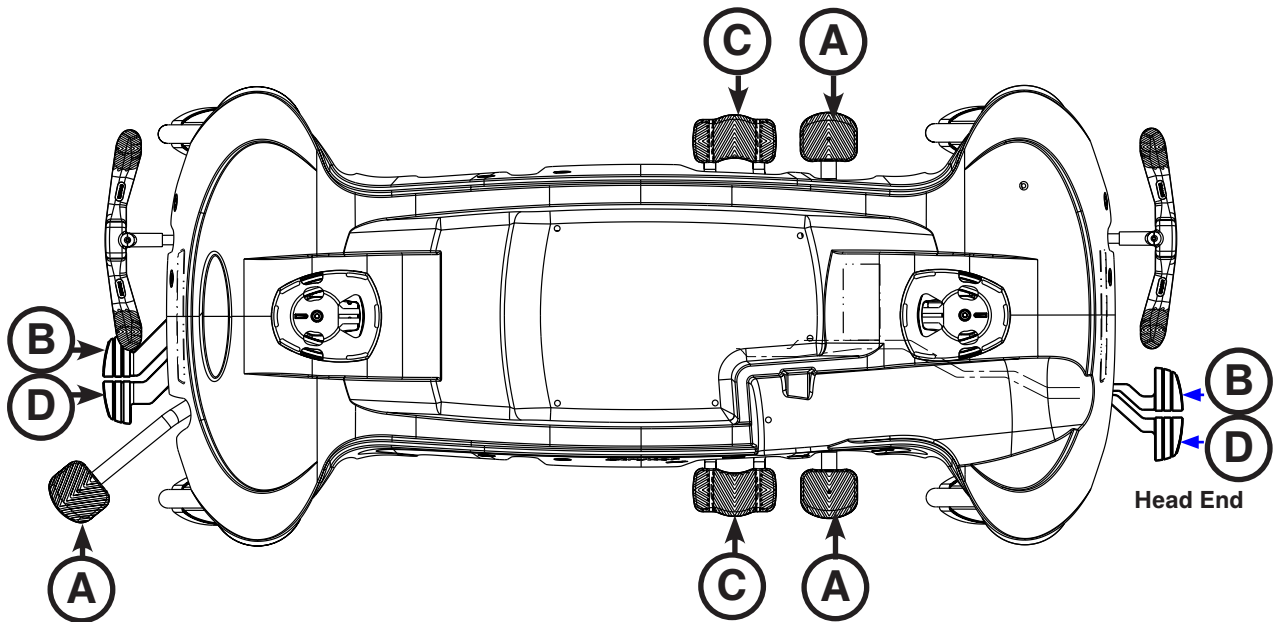


Figure 11: Stretcher Base Controls - Optional Three-Sided and Four-Sided Control

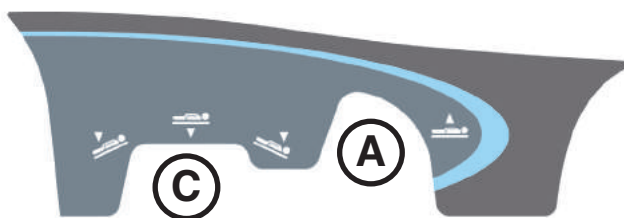


Figure 12 : Side Base Three-Sided or Four-Sided Control Label

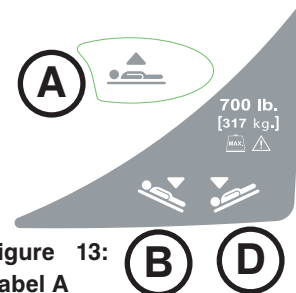


Figure 13: Label A

[Return To Table of Contents](#)

Operation Guide

RAISING AND LOWERING THE LITTER HEIGHT - OPTIONAL ELECTRIC LIFT

Ensure that the power cord is plugged into a properly grounded, hospital grade wall outlet before using the optional electric lift.

CAUTION

To avoid damage, remove any equipment that may be in the way before raising or lowering the litter height.

To raise the litter height electrically, depress pedal (A) (see Figure 9 on [page 26](#) or Figure 11 on [page 27](#)). The litter will begin to raise. Hold the pedal down until the desired litter height is achieved. Release the pedal at any time to stop the litter motion.

To lower the litter height manually, see the “Operating the Base Controls - Side Control Hydraulics” information on [page 26](#) or “Operating the Base Controls - Optional Three-Sided or Four-Sided Hydraulic Controls Information” on [page 27](#). The litter height does not lower electrically.

WARNING

- Patients should be discouraged from sitting directly on the ends of the stretcher. Excessive weight could cause the litter surface to tip up, possibly causing patient injury.
 - Leave the stretcher height in the lowest position when the patient is left unattended. Leaving the stretcher height in a raised position could increase the chance of patient falls and injury.
-

Operation Guide

ADJUSTING TRENDLENBURG/REVERSE TRENDLENBURG POSITIONS - SIDE CONTROL HYDRAULICS

Litter height must first be raised in order to achieve a Trendelenburg or reverse Trendelenburg position.

CAUTION

- To avoid damage, remove any equipment that may be in the way before raising or lowering the litter height.
 - Do not raise the unit (hydraulics on base) with a patient lift under the stretcher.
-

For Trendelenburg positioning (head down), depress the side of pedal (B) closest to the head end (see Figure 9 on [page 26](#)).

For reverse Trendelenburg positioning (foot down), depress the side of pedal (B) closest to the foot end (see Figure 9 on [page 26](#)).

To lower the stretcher from reverse Trendelenburg position, depress pedal (A) once to raise the foot end of the stretcher, and then depress pedal (B) (see Figure 9 on [page 26](#)).

Note: The higher the litter is before pedal (B) is activated, the greater the Trendelenburg or reverse Trendelenburg angle will be. (Maximum Trendelenburg angle is +17°. Maximum reverse Trendelenburg angle is -17°.)

ADJUSTING TRENDLENBURG/REVERSE TRENDLENBURG POSITIONS - OPTIONAL THREE-SIDED OR FOUR-SIDED CONTROL HYDRAULICS

Litter height must first be raised in order to achieve a Trendelenburg or reverse Trendelenburg position.

CAUTION

- To avoid damage, remove any equipment that may be in the way before raising or lowering the litter height.
 - Do not raise the unit (hydraulics on base) with a patient lift under the stretcher.
-

For Trendelenburg positioning (head down) (see Figure 10 on [page 26](#)):

- Depress pedal (D) at the foot end of the unit or
- Depress the side of pedal (C), located on the patient left or patient right side, closest to the head end of the unit.

For reverse Trendelenburg positioning (foot down) (see Figure 10 on [page 26](#)):

- Depress pedal (B) at the foot end of the unit or
- Depress the side of pedal (C), located on the patient left or patient right side, closest to the foot end of the unit.

To lower the stretcher from reverse Trendelenburg position, depress pedal (A) once to raise the foot end of the stretcher, and then depress pedal (C) or (D) (see Figure 10 on [page 26](#)).

Note: The higher the litter is before pedal (B), (C), or (D) is activated, the greater the Trendelenburg or reverse Trendelenburg angle will be. (Maximum Trendelenburg angle is +17°. Maximum reverse Trendelenburg angle is -17°.)

Operation Guide

OPERATING THE BIG WHEEL

WARNING

- Make sure that the brakes are completely released before attempting to move the unit. Attempting to move the unit with the brakes engaged could result in injury to the user and/or patient.
- If your unit is equipped with the optional electric lift/litter, unplug the power cord from the power outlet before transporting or cleaning the unit.

When the brake/steer pedal (A) is in the neutral or brake position, the Big Wheel (B) is elevated approximately 3/4" and the stretcher rests on the four casters as shown in Figure 14. See [page 25](#) for pedal operations.

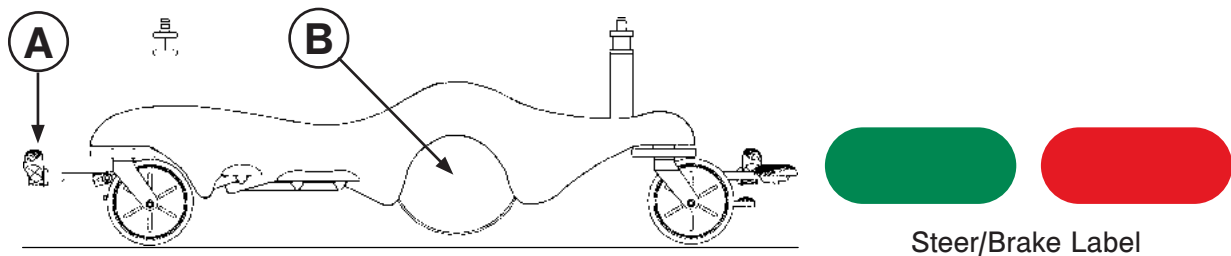


Figure 14: Neutral or Brake Position

Note: The two big wheels (B) do not pivot. The stretcher cannot be moved directly sideways with the Big Wheel (B) activated.

With the pedal (A) in the neutral position, the stretcher can be moved in any direction including sideways as shown in Figure 14. See [page 25](#) for pedal operations.

When the brake/steer pedal (A) is in the steer position, the foot end casters are elevated approximately 1/4" and the stretcher rests on the two head end casters and the two big wheels (B) as shown in Figure 15. This provides increased mobility and ease of steering the stretcher. See [page 25](#) for pedal operations.

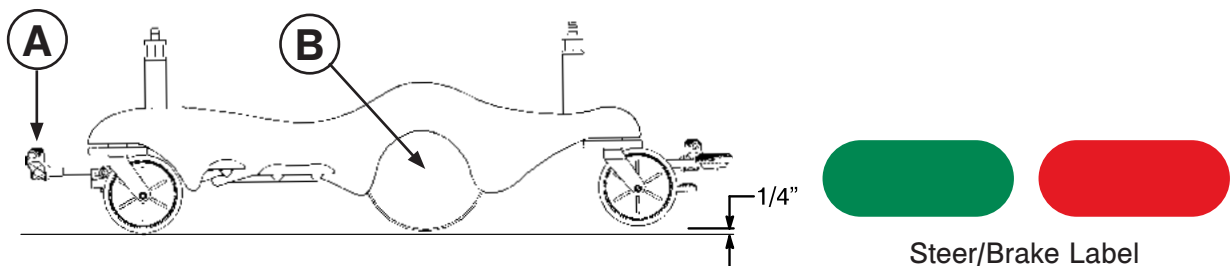


Figure 15: Steer Position

CAUTION

Do not engage the steer pedal when the Big Wheel is resting on a threshold or other raised area. The force required to engage the Big Wheel will be higher than normal, possibly causing damage.

Operation Guide

TRANSPORTING A PATIENT

WARNING

- Make sure that the brakes are completely released before attempting to move the product. Attempting to move the product with the brakes engaged could result in injury to the operator and/or patient.
 - If your product is equipped with the optional electric lift/litter, unplug the power cord from the power outlet before transporting or cleaning the product.
 - Do not transport the product laterally on inclines greater than 5.7 degrees (10% grade) to avoid tipping the product.
-

To transport a patient:

1. Put the litter in the lowest position. Make sure that the surface is flat.
2. Raise the siderails to the highest position.
3. If the product is equipped with the electric litter/electric lift, unplug the power cord from the wall outlet.
4. Push down on the steer (green) side of the brake/steer pedal.
5. Guide the product using the push handles.

Operation Guide

OPERATING THE SIDERAILS

Raising and lowering the siderails safely is a two-handed operation. Use one hand to hold and position the siderail and the other hand to operate the siderail latch.

To raise the siderails, pull up on the siderail (A) and raise it to the highest position until the latch (B) engages as shown in Figure 16.

WARNING

- After raising the siderails, pull firmly on the siderail to ensure that it is securely locked into the up position. Siderails are not intended to serve as a patient restraint device to keep patients from exiting the unit. Siderails are intended to keep a patient from inadvertently rolling off the unit. It is the responsibility of the attending medical personnel to determine the degree of restraint necessary to ensure that a patient will remain in place. Failure to utilize the siderails properly could result in patient injury.
- Leave the stretcher height in the lowest position when the patient is left unattended. Leaving the stretcher height in a raised position could increase the chance of patient falls and injury.
- When using any mattress thicker than 2.5 inches or when using a mattress overlay with the Prime X option, extra caution and operator supervision is recommended to reduce the risk of patient falls due to lesser siderail coverage.

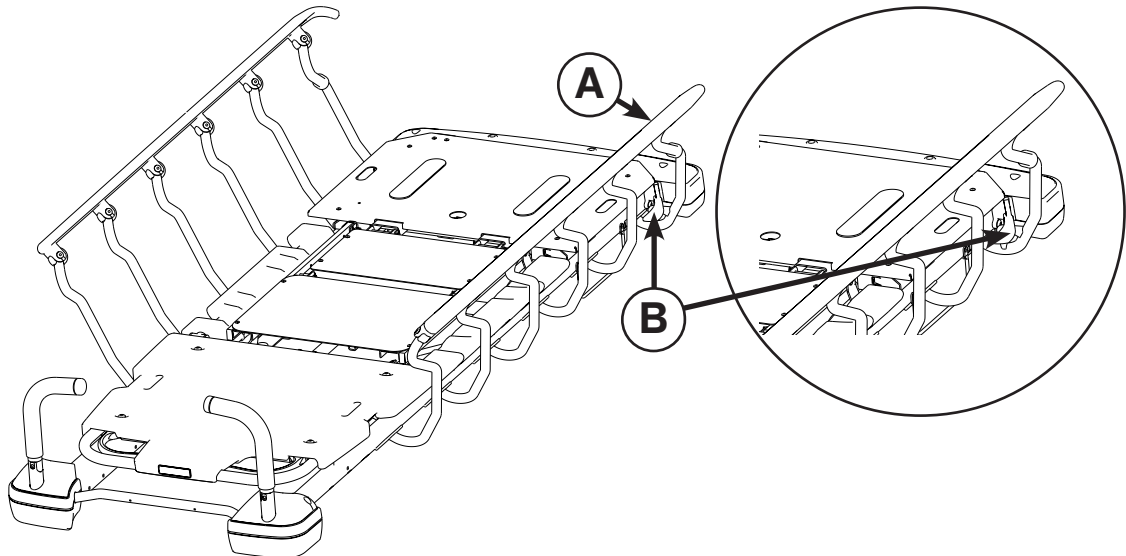


Figure 16: Siderails

To lower the siderails, pull up on the latch (B) and guide the siderail to the lowest position as shown in Figure 16. The latches (B) are colored yellow for easy identification.

WARNING

When lowering the siderail to the collapsed position, keep extremities of patients and staff away from the siderail spindles or injury could occur.

Note: The foot end of the siderail top rail can be used as a push/pull handle.

CAUTION

To avoid injury or damage to the equipment, do not allow the siderail to lower on its own.

Note: There is a dual siderail latch option available with latches on both ends of the stretcher.

Operation Guide

OPERATING THE SIDERAIL PATIENT CONTROLS - OPTIONAL ELECTRIC LITTER (NOT AVAILABLE WITH PRIME X OPTION)

Ensure that the power cord is plugged into a properly grounded, hospital grade wall outlet before using the optional electric litter.

Each siderail has backlit controls to allow the patient to position the fowler and gatch as shown in Figure 17. The power cord must be plugged into the wall socket for the patient controls to operate. When the stretcher is plugged in (powered) and the controls are unlocked (see [page 35](#)), the white buttons are illuminated.

Note: The siderail patient controls are positioned in a staggered location on each side of the stretcher for easy patient access.

⚠ WARNING

Powered stretcher mechanisms can cause serious injury. Operate stretcher only with persons clear of mechanisms.

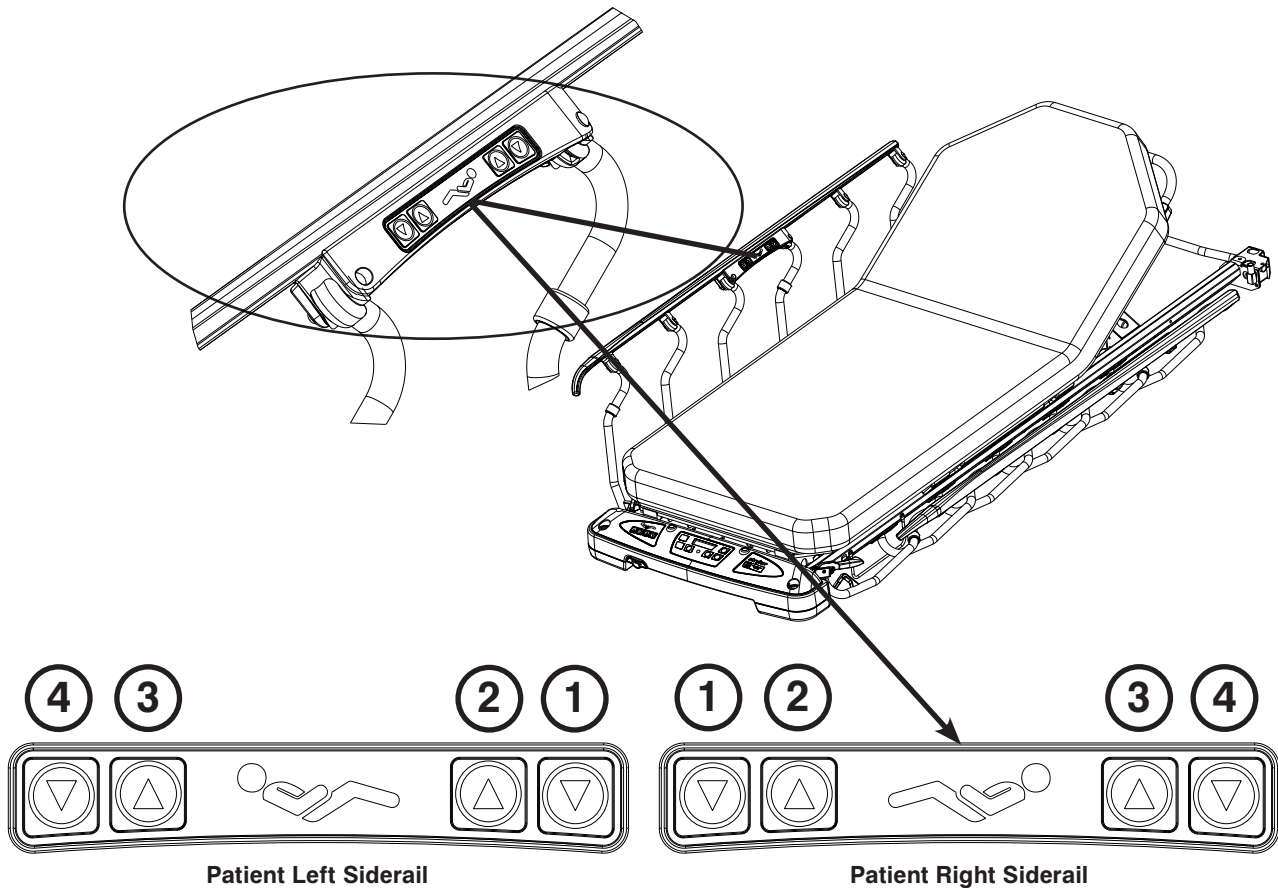


Figure 17: Siderail Patient Controls

Button	Button Name	Button Function
1	Gatch Down	Press to lower the gatch (foot section)
2	Gatch Up	Press to raise the gatch (foot section)
3	Fowler Up	Press to raise the fowler (head section)
4	Fowler Down	Press to lower the fowler (head section)

Operation Guide

OPERATING THE FOOT END NURSING CONTROLS - OPTIONAL ELECTRIC LITTER (NOT AVAILABLE WITH PRIME X OPTION)

Ensure that the power cord is plugged into a properly grounded, hospital grade wall outlet before using the optional electric litter.

The foot end nursing controls allow the operator to position the fowler and gatch as shown in Figure 18. The power cord must be plugged into the wall socket for the nursing controls to operate.

WARNING

Powered stretcher mechanisms can cause serious injury. Operate stretcher only with persons clear of mechanisms.

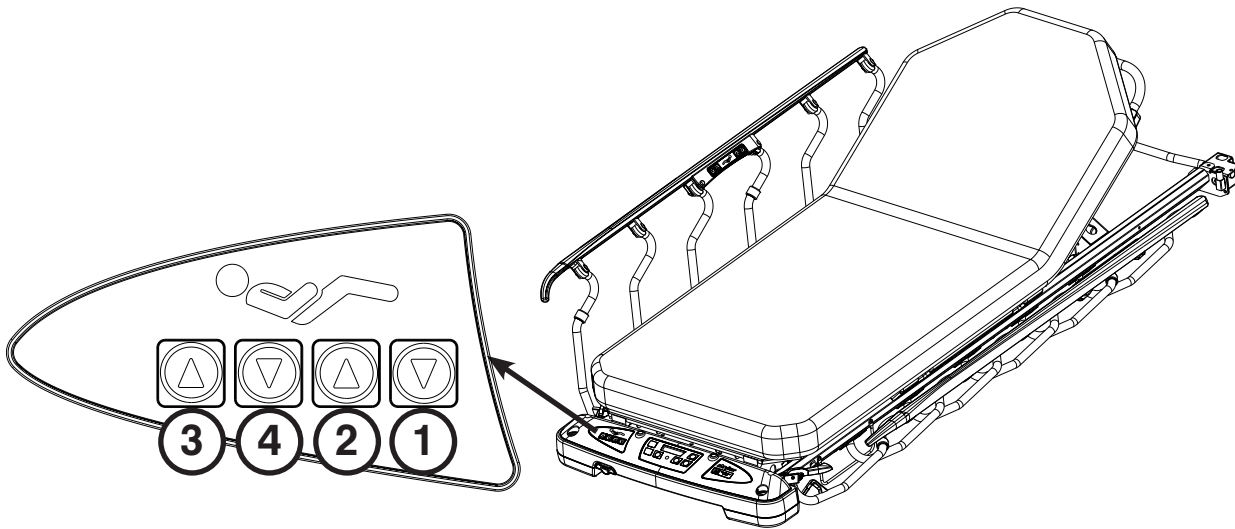


Figure 18: Foot End Nursing Controls - Optional Electric Litter

Button	Button Name	Button Function
1	Gatch Down	Press to lower the gatch (foot section)
2	Gatch Up	Press to raise the gatch (foot section)
3	Fowler Up	Press to raise the fowler (head section)
4	Fowler Down	Press to lower the fowler (head section)

Operation Guide

USING PATIENT CONTROL LOCKOUT - OPTIONAL ELECTRIC LITTER (NOT AVAILABLE WITH PRIME X OPTION)

Ensure that the power cord is plugged into a properly grounded, hospital grade wall outlet before using the optional electric litter.

You can press the patient control lockout button to prevent the patient from using the siderail patient controls to move the fowler and gatch. The patient control lockout button is located at the foot end of the stretcher.

To lock the siderail patient controls, press the **Lock/Unlock (A)** button as shown in Figure 19. The lock icon (B) is illuminated amber while the patient controls are locked. The foot end nursing controls are not locked.

Note: When the siderail patient controls are locked, the siderail patient controls are not backlit.

To unlock the siderail patient controls, press the **Lock/Unlock (A)** button as shown in Figure 19. The unlock icon (C) is illuminated green when the patient controls are unlocked.

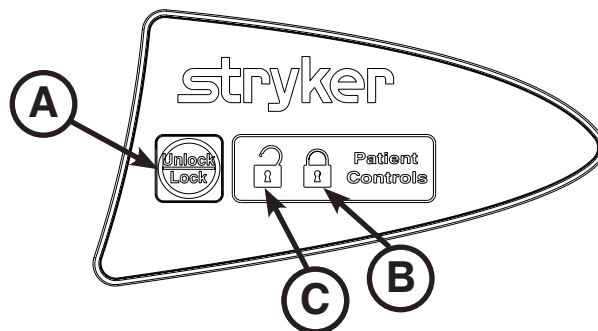


Figure 19: Patient Control Lockout

Operation Guide

OPERATING THE OPTIONAL PUSH HANDLES

To use the push handles, pivot the handles (A) up and push down until they are locked into position (Figure 20).

To store the push handles, lift the handles (B) up and pivot them down to store in the handle rests (Figure 21).

 **CAUTION**

The push handles were designed for use while transporting the stretcher. Avoid using other parts of the stretcher as push/pull devices unless otherwise specified in the manual because damage could occur.

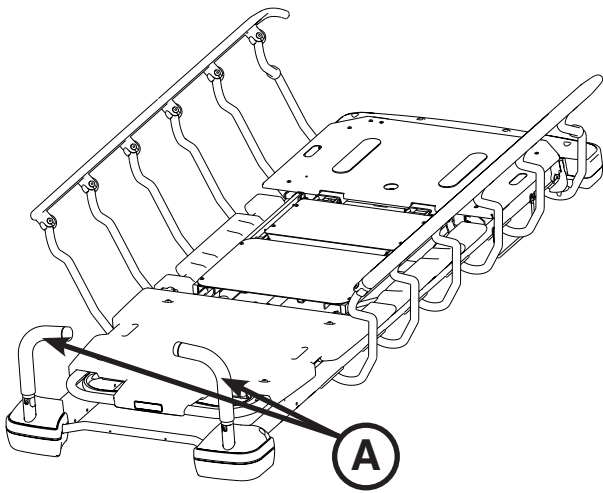


Figure 20: Push Handles Open

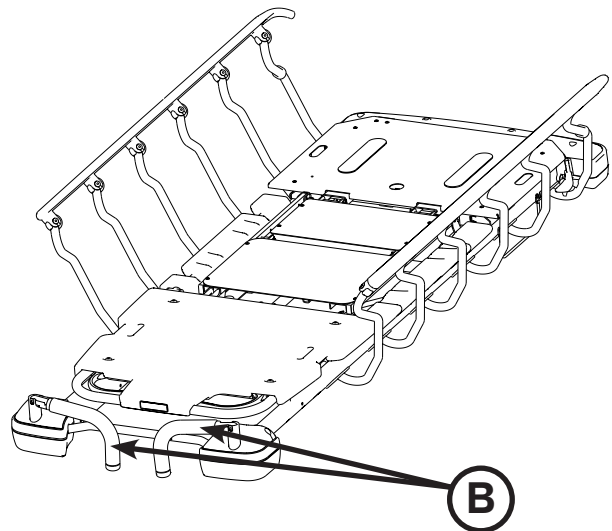


Figure 21: Push Handles Stored

Operation Guide

OPERATING THE PNEUMATIC FOWLER - NON-ELECTRIC

To raise the fowler, squeeze either or both of the yellow fowler handles (A) for pneumatic assist until the fowler has reached the desired angle (between 0 and 90 degrees) as shown in Figures 22 and 23.

To lower the fowler, squeeze either or both of the yellow fowler handles (A) and push down until the fowler has reached the desired angle (between 90 and 0 degrees) as shown in Figures 22 and 23.

The drop seat/**Lift Assist** fowler uses the weight of the patient for additional assistance with raising the fowler. It also helps keep the patient from sliding toward the foot end of the stretcher when the fowler is raised.

WARNING

- Operation of the fowler is a manual procedure. Use caution when raising the fowler while a patient is on the stretcher. Use proper lifting techniques and get additional assistance, if necessary. Failure to use proper lifting techniques could cause injury to the operator.
- Keep hands/fingers clear of the area around the fowler release handle and the fowler frame when lowering the fowler. Injury could result if care is not taken when lowering the fowler.

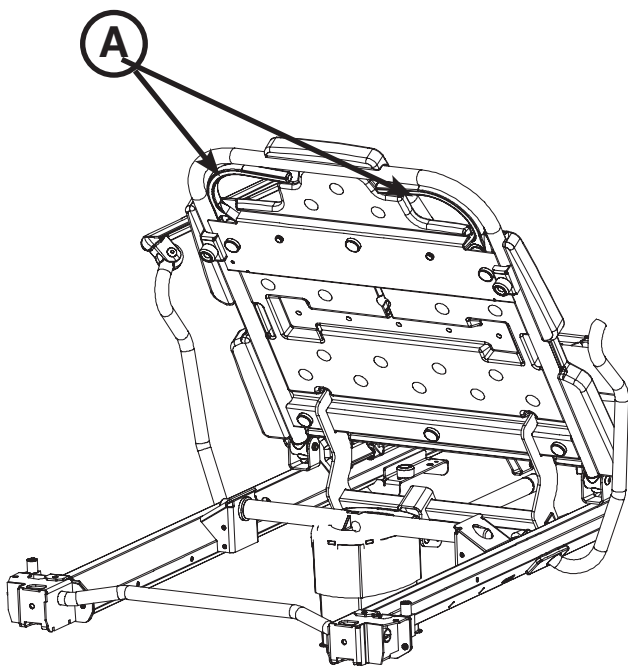


Figure 22: Pneumatic Fowler - Prime

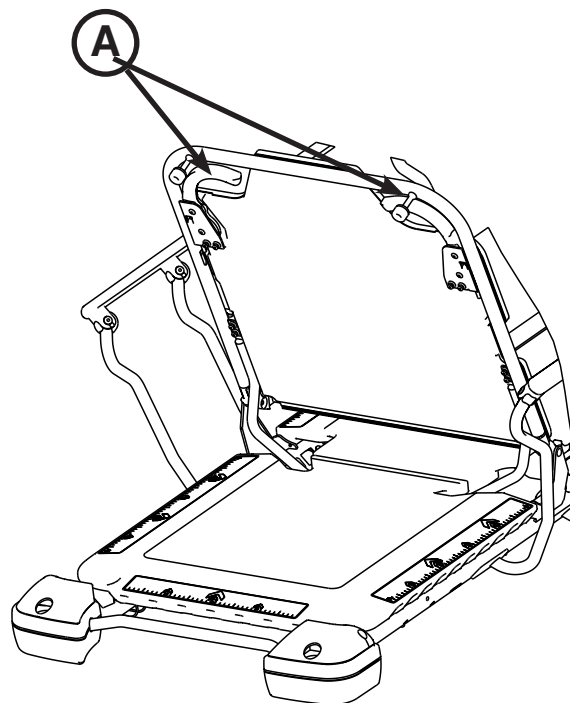


Figure 23: Pneumatic Fowler - Prime X Option

Operation Guide

OPERATING THE FOWLER - OPTIONAL ELECTRIC LITTER (NOT AVAILABLE WITH PRIME X OPTION)

Ensure that the power cord is plugged into a properly grounded, hospital grade wall outlet before using the optional electric litter.

To raise the fowler, press the UP (3) button on the patient siderail controls (A) or foot end nursing controls (B) until the fowler has reached the desired angle (between 0 and 70 degrees) as shown in Figure 24.

To lower the fowler, press the DOWN (4) button until the fowler has reached the desired angle (between 70 and 0 degrees) as shown in Figure 24.

The drop seat/**Lift Assist** fowler uses the weight of the patient for additional assistance with raising the fowler. It also helps keep the patient from sliding toward the foot end of the stretcher when the fowler is raised.

WARNING

- Keep hands/fingers clear of the area around the fowler release handle and the fowler frame when lowering the fowler. Injury could result if care is not taken when lowering the fowler.
- Powered stretcher mechanisms can cause serious injury. Operate stretcher only with persons clear of mechanisms.

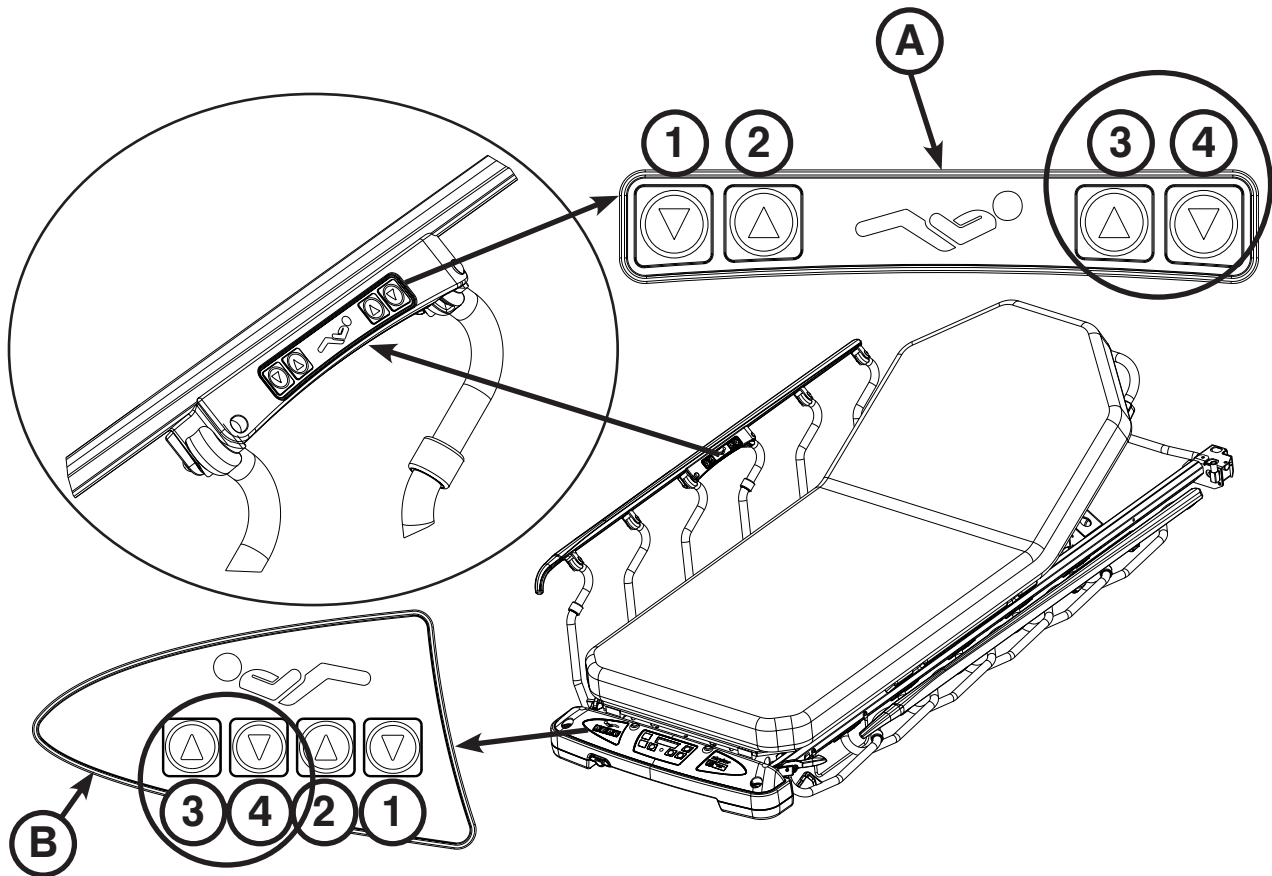


Figure 24: Fowler - Electric Option

Operation Guide

OPERATING THE OPTIONAL GATCH - NON-ELECTRIC (NOT AVAILABLE WITH PRIME X OPTION)

To raise the gatch, pump handle (B) repeatedly to the left until the gatch has reached the desired height (5.5"/14 cm minimum) as shown in Figure 25.

Note: You cannot raise the gatch manually if your unit is equipped with the optional electric litter.

To lower the gatch, pull handle (A) until the gatch has reached the desired height (5.5"/14 cm minimum) as shown in Figure 25.

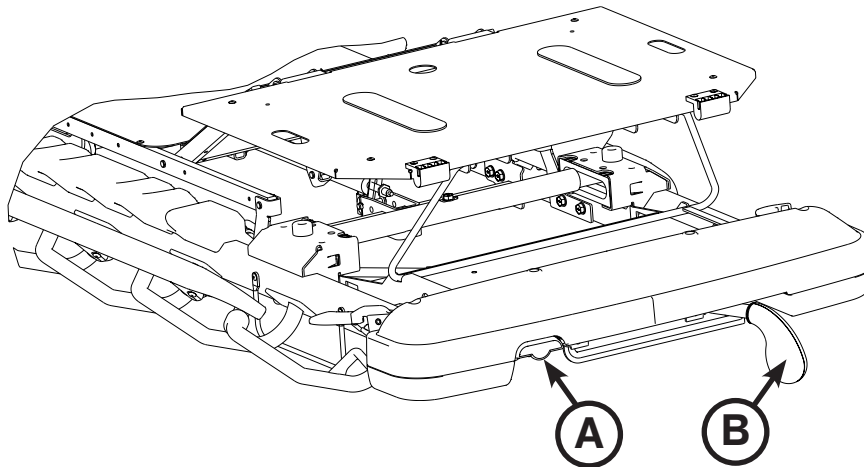


Figure 25: Gatch - Foot End

CAUTION

The weight capacity of the gatch is 200 lb. Do not sit or stand on the gatch. Injury or damage to the equipment could occur.

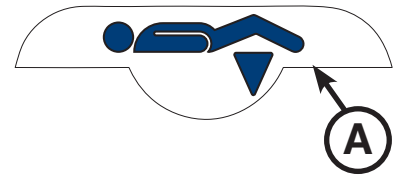


Figure 26: Gatch Label

To prop the foot end of the gatch up, lift up on the end of the gatch, allowing the prop rod to swing down and engage in the bracket as shown in Figure 27.

To release the prop, lift up on the end of the gatch, swing the prop rod toward the head end of the unit to disengage the bracket and lower the foot end as shown in Figure 27.

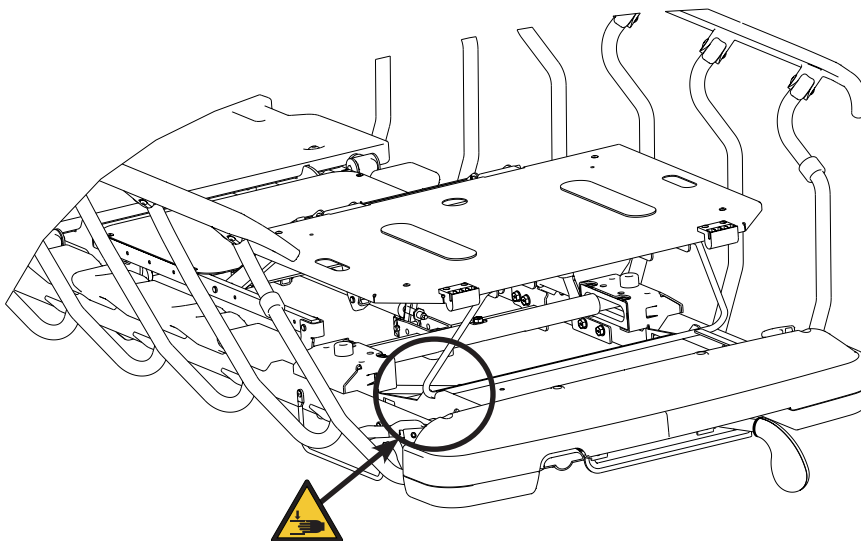


Figure 27: Gatch

WARNING

To avoid the risk of injury, ensure that the gatch prop rod is fully raised and securely placed in position (Figure 27).

Operation Guide

OPERATING THE GATCH - OPTIONAL ELECTRIC LITTER (NOT AVAILABLE WITH PRIME X OPTION)

Ensure that the power cord is plugged into a properly grounded, hospital grade wall outlet before using the optional electric litter.

To raise the gatch, press the UP (2) button on the siderail patient controls (A) or foot end nursing controls (B) until the gatch has reached the desired height (5.5"/14 cm minimum) as shown in Figure 28.

To lower the gatch, press the DOWN (1) button until the gatch has reached the desired height (5.5"/14 cm minimum) as shown in Figure 28.

WARNING

Use caution when operating the gatch while a patient is on the stretcher. Powered stretcher mechanisms can cause serious injury. Operate stretcher only with persons clear of mechanisms.

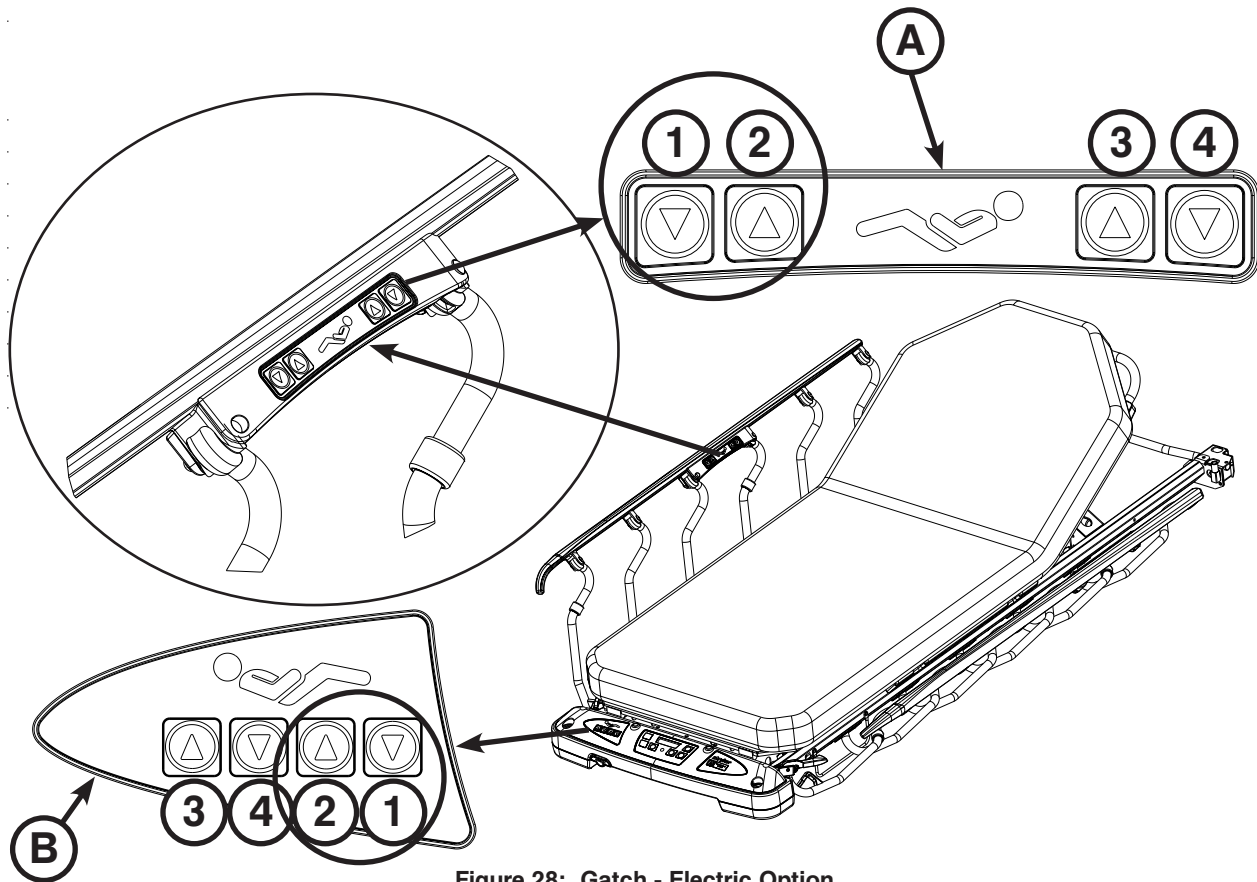


Figure 28: Gatch - Electric Option

CAUTION

The weight capacity of the gatch is 200 lb. Do not sit or stand on the gatch. Injury or damage to the equipment could occur.

Operation Guide

OPERATING THE RECOVERY CHAIR (NOT AVAILABLE WITH PRIME X OPTION)

CAUTION

To achieve recovery chair position, your stretcher must be equipped with the **Lift Assist** backrest and gatch options.

To place the stretcher into the recovery chair position as shown in Figure 29:

1. Raise the fowler to a seated position (for manual operation, see [page 37](#); for the optional electric litter operation, see [page 38](#).)
2. Fully raise the gatch (for manual operation, see [page 39](#); for the optional electric litter operation, see [page 40](#)).
3. Raise the stretcher to its highest height (for side control, see [page 26](#); for three-sided or four-sided controls, see [page 27](#); for optional electric litter operation, see [page 28](#)).
4. Place the stretcher into the full reverse Trendelenburg position (see [page 29](#)).

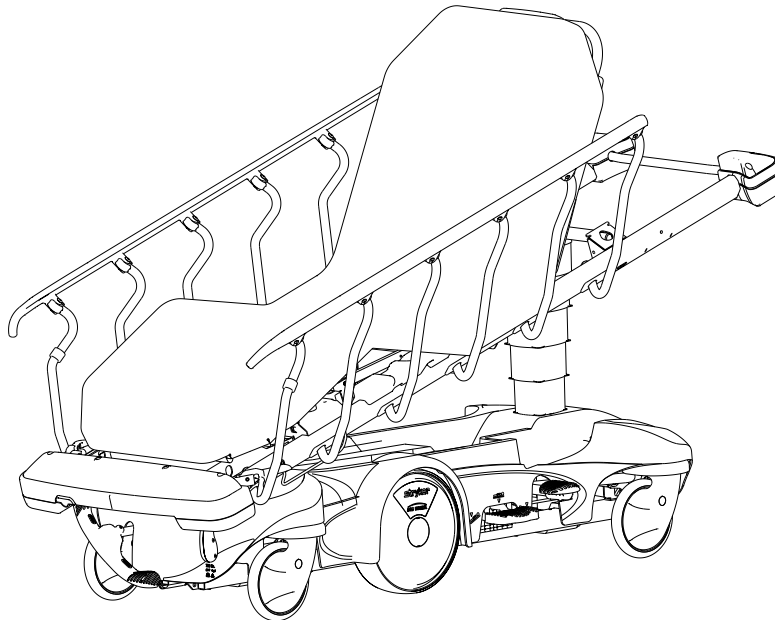


Figure 29: Recovery Chair

To lower the stretcher from the recovery chair position:

1. Raise the stretcher to its highest height (for side control, see [page 26](#); for three-sided or four-sided controls, see [page 27](#); for optional electric litter operation, see [page 28](#)).
2. Lower the fowler from the seated position (for manual operation, see [page 37](#); for the optional electric litter operation, see [page 38](#)).
3. Lower the gatch (for manual operation, see [page 39](#); for the optional electric litter operation, see [page 40](#)).

WARNING

Use caution when operating the recovery chair while a patient is on the stretcher. Powered stretcher mechanisms can cause serious injury. Operate stretcher only with persons clear of mechanisms.

Operation Guide

USING THE BASE HOOD FOR STORAGE

You can store items in the base hood (A) as shown in Figure 30.

CAUTION

- The weight capacity of the base hood is 60 lb. Do not sit or stand on the base hood. Injury or damage to the equipment could occur.
 - Do not step on the base hood.
 - Do not use the cutout for the oxygen bottle holder on the base hood for the storage of oxygen bottles or patient belongings.
-

Note: Clean the base hood storage area regularly.

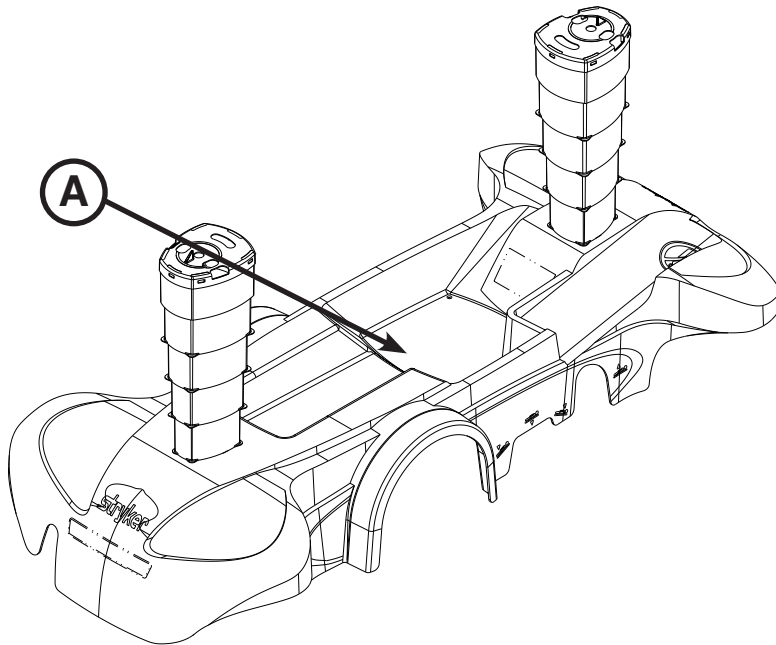


Figure 30: Base Hood Storage

Operation Guide

USING THE OPTIONAL PUMP RACK

WARNING

- To avoid patient injury or equipment damage, all lines from any equipment stored on the pump rack must be diverted away from the gatch handles.
 - To avoid patient injury or equipment damage, do not lift the stretcher by the pump rack.
 - To avoid equipment damage, remove any equipment from the pump rack that may be in the way before lowering the litter.
 - To avoid equipment damage while transporting the stretcher, verify that any equipment on the pump rack can safely pass through door openings and under light fixtures.
-

CAUTION

- The weight capacity of the pump rack is 40 lb.
 - Do not use the pump rack as a push/pull device because equipment damage could occur.
-

Note: The pump rack is an option that may have been installed at the foot end of the stretcher. The choice was made at the time that the stretcher was purchased.

The pump rack (A) can be used for the storage and transportation of stretcher equipment (Figure 31).

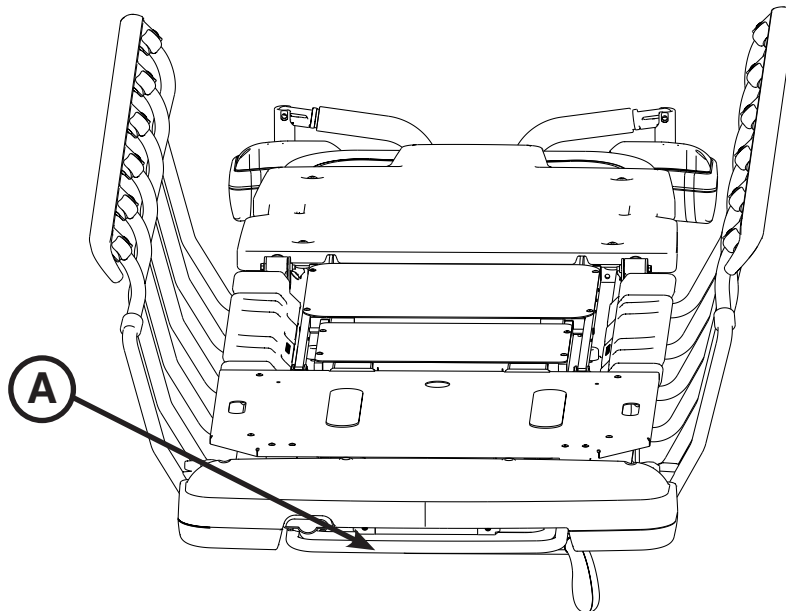


Figure 31: Pump Rack

Operation Guide

USING THE OPTIONAL RETRACTABLE CORD REEL - ELECTRIC LIFT/LITTER OPTION

The retractable cord reel (A) stores the stretcher power cord during transport as shown in Figure 32.

To use the retractable cord reel:

1. Pull the cord out of the reel to the desired length.
2. Plug the power cord into a properly grounded, hospital grade wall outlet.

To store the power cord:

1. Unplug the plug by grasping the mold near the outlet and pull the cord in a direction parallel to the floor (not at an angle).
2. Tug and release the cord to retract the cord back into the cord reel.



WARNING

If your unit is equipped with the optional electric lift/litter, unplug the power cord from the power outlet before transporting or cleaning the unit.

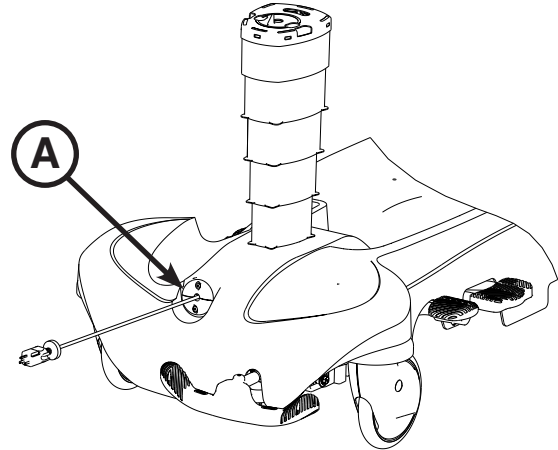


Figure 32: Optional Retractable Cord Reel

Operation Guide

OPERATING THE OPTIONAL SCALE SYSTEM

The scale option (see [page 46](#)) is available for units without the optional electric litter.

The scale option (see [page 48](#)) is available for units with the optional electric litter. The scale system has a battery backup option, so the standby icon indicates when the unit is unplugged and operating with battery backup.

The chaperone option (see [page 50](#)) is available for units with the optional electric litter scale option. The scale system with chaperone (stretcher exit) has a battery backup option, so the standby icon indicates when the unit is unplugged and operating with battery backup. The chaperone option also allows you to set zone controls to alert an operator when a patient may be attempting to exit the stretcher.

Operation Guide

OPERATING THE OPTIONAL SCALE SYSTEM - NON-ELECTRIC LITTER

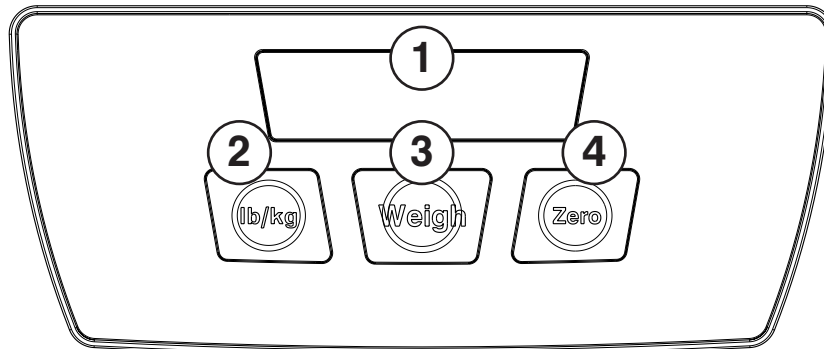


Figure 33: Scale System-Non-Electric Litter

Ref	Icon/Button	Description	Action	Display
1		Displays patient weight, unit of measurement and battery status.		
2		Push to toggle between patient weight in pounds or weight in kilograms.	To convert the weight of the patient to kilograms, press and release lb/kg . Repeat to return to pounds.	XXX.X kg XXX.X lb
3		Push to weigh the patient. The display shows the patient's weight for approximately 40 seconds before turning off.	Press and release Weigh	---- XXX.X lb
4		Push and hold for 2 seconds to zero the scale system before putting a patient on the stretcher. If the display flashes "hold", press and hold the Zero button again until the display reads "rel" (release). Release the Zero button. The display flashes "000.0", then displays "000.0". The system is not zeroed until the "000.0" stops flashing. For the most accurate results, always zero the scale system before putting a new patient on the stretcher. The display shuts off after approximately 40 seconds.	Press and hold Zero Release Zero	hold rel 000.0 (flashing) 000.0 (solid)

Note: Do not touch the stretcher while the scale system is weighing or zeroing. The patient must remain still while the system is weighing. If the patient is moving, the system will try for 20 seconds to get a stable weight or zero value before displaying the error message

If there is a loose connection or a malfunctioning component, the display will show "Err". Attempt the function again. If the system is functional, "Good" will display and the scale system is ready to use. If the malfunction is still present, the display shows "Err" again. Call Stryker technical support at 800-327-0770.

To meet the accuracy claim as stated in the product specification on [page 12](#), the patient surface must be in the flat position (fowler and gatch down) and the stretcher cannot exceed 5 degrees of Trendelenburg/reverse Trendelenburg.

Operation Guide

REPLACING THE OPTIONAL SCALE SYSTEM BATTERIES - NON-ELECTRIC LITTER

To avoid completely draining the batteries and having the optional scale system shut down, replace the batteries whenever only one of the charge indicator bars on the display (1) is black as shown on [page 46](#).

To replace the scale system batteries:

1. Remove the Phillips head screws that hold the battery compartment cover to the display assembly.
2. Replace all four AA batteries.
 - Install the positive and negative poles as indicated on the battery holder.
 - Use only Alkaline type (LR6) batteries.
 - Do not mix old and new batteries.
 - Properly dispose of the old batteries in accordance with local regulations.
3. Reinstall the screws and the cover.

If the display is flashing “Lo batt”, then the batteries are drained and the scale system is disabled. Replace the batteries with four new AA batteries as described above.

Operation Guide

OPERATING THE OPTIONAL SCALE SYSTEM - ELECTRIC LITTER OPTION WITHOUT CHAPERONE (NOT AVAILABLE WITH PRIME X OPTION)

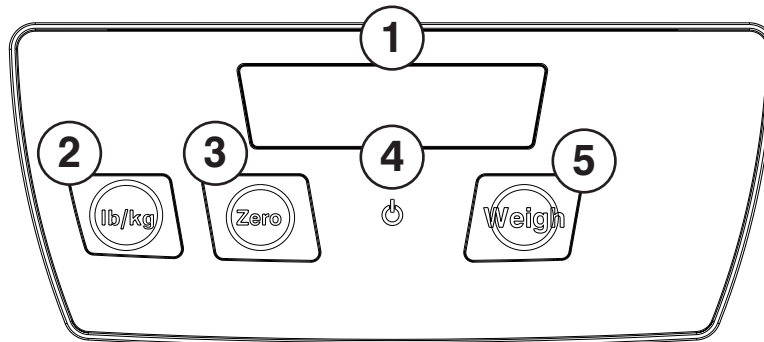


Figure 34: Scale System-Electric Litter Without Chaperone

Ref	Icon/Button	Description	Action	Display
1		Displays patient weight, unit of measurement and battery status.		
2		Push to toggle between patient weight in pounds or weight in kilograms.	To convert the weight of the patient to kilograms, press and release lb/kg . Repeat to return to pounds.	XXX.X kg XXX.X lb
3		Push and hold for 2 seconds to zero the scale system before putting a patient on the stretcher. If the display flashes “hold”, press and hold the Zero button again until the display reads “rel” (release). Release the Zero button. The display flashes “000.0”, then displays “000.0”. The system is not zeroed until the “000.0” stops flashing. For the most accurate results, always zero the scale system before putting a new patient on the stretcher. The display shuts off after approximately 40 seconds.	Press and hold Zero Release Zero	hold rel 000.0 (flashing) 000.0 (solid)
4		When the scale system is unplugged and operating with battery backup, the standby indicator is amber. When the unit is plugged in, the standby indicator is green.		
5		Push to weigh the patient. The display shows the patient’s weight for approximately 40 seconds before turning off.	Press and release Weigh	---- XXX.X lb

Note: Do not touch the stretcher while the scale system is weighing or zeroing. The patient must remain still while the system is weighing. If the patient is moving, the system will try for 20 seconds to get a stable weight or zero value before displaying the error message .

If there is a loose connection or a malfunctioning component, the display will show “Err”. Attempt the function again. If the malfunction is still present, the display shows “Err” again. Call Stryker technical support at 800-327-0770.

Operation Guide

OPERATING THE OPTIONAL SCALE SYSTEM - ELECTRIC LITTER OPTION WITHOUT CHAPERONE (NOT AVAILABLE WITH PRIME X OPTION) (CONTINUED)

To meet the accuracy claim as stated in the product specification on [page 12](#), the patient surface must be in the flat position (fowler and gatch down) and the stretcher cannot exceed 5 degrees of Trendelenburg/reverse Trendelenburg.

WARNING

To avoid malfunction, the optional scale system or optional electric lift/litter should not be used adjacent to or stacked with other equipment. If adjacent or stacked use is necessary, the optional scale or optional electric lift/litter should be observed to verify normal operation in the configuration in which it will be used.

CHARGING THE OPTIONAL SCALE SYSTEM BATTERY PACK - ELECTRIC LITTER OPTION (NOT AVAILABLE WITH PRIME X OPTION)

To avoid completely draining the battery pack and having the optional scale system shut down, charge the battery pack whenever only one of the charge indicator bars on the display (1) is black as shown on [page 48](#).

The battery pack charges whenever the power cord is plugged into a properly grounded, hospital grade power source. When the unit is stationary, you should plug the power cord into a power source whenever possible.

The optional scale system - electric litter option requires one 10.8V^{DC} Li-Ion battery pack (0058-134-000). When fully discharged, the battery pack requires approximately 3 hours of charging time to recharge.

Operation Guide

OPERATING THE OPTIONAL SCALE SYSTEM - ELECTRIC LITTER OPTION WITH CHAPERONE (NOT AVAILABLE WITH PRIME X OPTION)

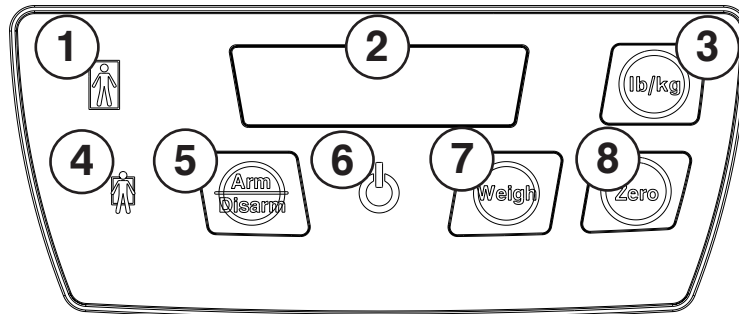


Figure 35: Scale System-Electric Litter With Chaperone

Ref	Icon/Button	Description	Action	Display
1		Indicates when Zone 1 is armed. Allows the patient to move around the stretcher freely, but cannot begin to exit the stretcher or the alert with sound.		
2		Displays patient weight, unit of measurement and battery status.		
3		Push to toggle between patient weight in pounds or weight in kilograms.	To convert the weight of the patient to kilograms, press and release lb/kg . Repeat to return to pounds.	XXX.X kg XXX.X lb
4		Indicates when Zone 2 is armed. Zone 2 is more restrictive than Zone 1. When this zone is selected, the stretcher measures the patient's center of gravity. If the patient's center of gravity moves outside the preset boundary, an alert will sound.		
5		Push once to arm Zone 1. Push twice to arm Zone 2. Once armed or when alerting, press once to disarm.	Press and release Arm/Disarm	On 1 On 2 Off
6		When the scale system is unplugged and operating with battery backup, the standby indicator is amber. When the unit is plugged in, the standby indicator is green.		
7		Push to weigh the patient. The display shows the patient's weight for approximately 40 seconds before turning off.	Press and release Weigh	---- XXX.X lb
8		Push and hold for 2 seconds to zero the scale system before putting a patient on the stretcher. If the display flashes "hold", press and hold the Zero button again until the display reads "rel" (release). Release the Zero button. The display flashes "000.0", then displays "000.0". The system is not zeroed until the "000.0" stops flashing. For the most accurate results, always zero the scale system before putting a new patient on the stretcher. The display shuts off after approximately 40 seconds.	Press and hold Zero Release Zero	hold rel 000.0 (flashing) 000.0 (solid)

Operation Guide

OPERATING THE OPTIONAL SCALE SYSTEM - ELECTRIC LITTER OPTION WITH CHAPERONE (NOT AVAILABLE WITH PRIME X OPTION) (CONTINUED)

Note: Do not touch the stretcher while the scale system is weighing or zeroing. The patient must remain still while the system is weighing. If the patient is moving, the system will try for 20 seconds to get a stable weight or zero value before displaying the error message 《TT》.

If there is a loose connection or a malfunctioning component, the display will show “Err”. Attempt the function again. If the malfunction is still present, the display shows “Err” again. Call Stryker technical support at 800-327-0770.

To meet the accuracy claim as stated in the product specification on [page 12](#), the patient surface must be in the flat position (fowler and gatch down) and the stretcher cannot exceed 5 degrees of Trendelenburg/Reverse Trendelenburg.

WARNING

To avoid malfunction, the optional scale system or optional electric lift/litter should not be used adjacent to or stacked with other equipment. If adjacent or stacked use is necessary, the optional scale or optional electric lift/litter should be observed to verify normal operation in the configuration in which it will be used.

OPERATING THE CHAPERONE (STRETCHER EXIT) OPTION (NOT AVAILABLE WITH PRIME X OPTION)

To use the chaperone with zone control option:

1. Press the **Zero** button to reset the scale system.
Note: Before positioning the patient on the stretcher, the scale system must be zeroed for the chaperone function to operate properly.
2. Position the patient on the stretcher and press the **Arm/Disarm** button to activate the chaperone function. The “Zone 1” LED will turn on. The chaperone function with zone control automatically selects Zone 1.
3. To select Zone 2 instead, press the **Arm/Disarm** button twice within three seconds of each other. The “Zone 2” LED will turn on.

To deactivate the chaperone function, press the **Arm/Disarm** button. The selected Zone light will turn off.

CHARGING THE OPTIONAL SCALE SYSTEM BATTERY PACK - ELECTRIC LITTER OPTION WITH CHAPERONE (NOT AVAILABLE WITH PRIME X OPTION)

To avoid completely draining the battery pack and having the optional scale system shut down, charge the battery pack whenever only one of the charge indicator bars on the display (2) is black as shown on [page 50](#).

The battery pack charges whenever the power cord is plugged into a properly grounded, hospital grade power source. When the unit is stationary, you should plug the power cord into a power source whenever possible.

The optional scale system - with chaperone option only requires one 10.8V== Li-Ion battery pack (0058-134-000). When fully discharged, the battery pack requires approximately 3 hours of charging time to recharge.

Operation Guide

OPERATING THE CHAPERONE (STRETCHER EXIT) OPTION - OPTIONAL SETUP (NOT AVAILABLE WITH PRIME X OPTION)

You can change the pattern and volume of the alert.

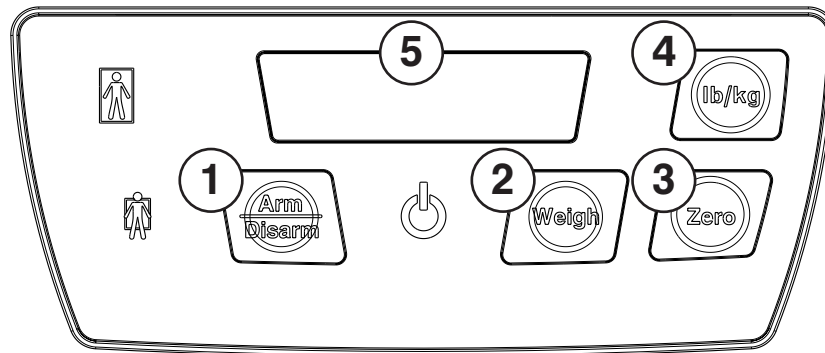


Figure 36: Chaperone Panel

To change the alert pattern:

1. Press and hold the **Arm/Disarm** (1) button and the **Weigh** (2) button together for 6 seconds. Ignore all display messages until “Ptrn” appears on the display (5).
2. Release both buttons. The display (5) shows the current setting “P (1-10)”.
3. Press the **Arm/Disarm** (1) or **Weigh** (2) button to change the setting. As you press each button to select your setting, a brief sample is played.
4. Press and hold the **Arm/Disarm** (1) button and the **Weigh** (2) button together for 6 seconds until “Set” appears on the display (5) to save your selected setting.
5. Release both buttons. The display (5) shows “P (1-10)”. A brief sample of your selected pattern will confirm your sound setting.

To change the alert volume:

1. Press and hold the **Zero** (3) button and the **lb/kg** (4) button together for 6 seconds. Ignore all display messages until “UOL” appears on the display (5).
2. Release both buttons. The display (5) shows the current setting “L (1-4)”.
3. Press the **Zero** (3) button or **lb/kg** (4) button to change the setting. As you press each button to select your setting, a brief sample is played.
4. Press and hold the **Zero** (3) button and the **lb/kg** (4) button together for 6 seconds until “Set” appears on the display (5) to save your selected setting.
5. Release both buttons. The display (5) shows “L (1-4)”. A brief sample of your selected volume will confirm your sound setting.

Operation Guide

USING X-RAY CASSETTES - PRIME X OPTION

The Prime X option provides an articulating radiographic patient support surface and a platform below the patient support surface for X-Ray cassette placement to allow the capture of clinical X-Rays (AP Full Body, optional Full Body Lateral, and optional Upright Chest) when used in conjunction with medical X-Ray systems.

WARNING

When using the Prime X option in conjunction with devices that generate X-radiation, the generating devices may produce residual, stray, and/or scattered radiation. Users should refer to local, state, and federal use guidelines as well as appropriate facility protocols for safety before use. Special attention should be given when performing X-Rays with the stretcher's fowler in the upright position and also when performing X-Rays using a lateral cassette.

You can insert and remove cassettes from the head end, foot end and both sides of the stretcher as shown in Figure 37.

Center the patient on the stretcher by using the position indicator labels that are located on all sides of the stretcher.

WARNING

The Prime X option is not recommended for use with a Stryker Pioneer mattress or a mattress with a thickness greater than four inches and is not compatible for use with a C-Arm.

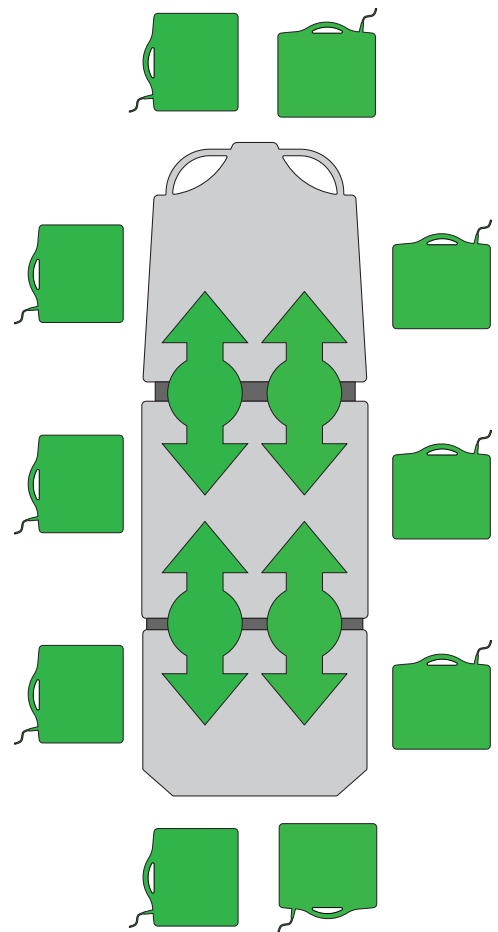


Figure 37: Cassette Locations

Operation Guide

USING THE OPTIONAL DEFIBRILLATOR TRAY

To install the defibrillator tray, insert the pins on the defibrillator tray into the footboard sockets at the foot end of the stretcher as shown in Figure 38. Use the strap to secure the equipment to the tray.

WARNING

To avoid the risk of patient or operator injury, ensure that all devices placed on the defibrillator tray are securely strapped to the tray.

CAUTION

- To avoid damage, do not put items weighing more than 30 lb on the defibrillator tray.
- Do not use the defibrillator tray as a push/pull device because equipment damage could occur.



Figure 38: Defibrillator Tray

USING THE OPTIONAL FOOT EXTENSION/DEFIBRILLATOR TRAY

To use as a defibrillator tray, pull out the top knob (A) and pivot the tray (B) over the foot extension (C) until the tray extends flat over the foot end of the stretcher as shown in Figure 39.

To use as a foot extension, pull out knob (A) and pivot the defibrillator tray back until it locks against the foot extension (C). While holding onto the assembly, pull out the bottom knob (D) and lower the foot extension down until it is flat as shown in Figure 39.

WARNING

- To avoid the risk of patient or operator injury, ensure that all devices placed on the foot extender/defibrillator tray are securely strapped to the tray.

CAUTION

- If the stretcher is equipped with the optional foot end I.V. pole, the I.V. pole must be in the raised position when the foot extension/defibrillator tray is installed. If the I.V. pole is not raised, the foot extension will not function properly and injury could occur.
- To avoid damage, do not put items weighing more than 30 lb on the foot extender/defibrillator tray.
- Do not use the foot extension/defibrillator tray as a push/pull device because equipment damage could occur.

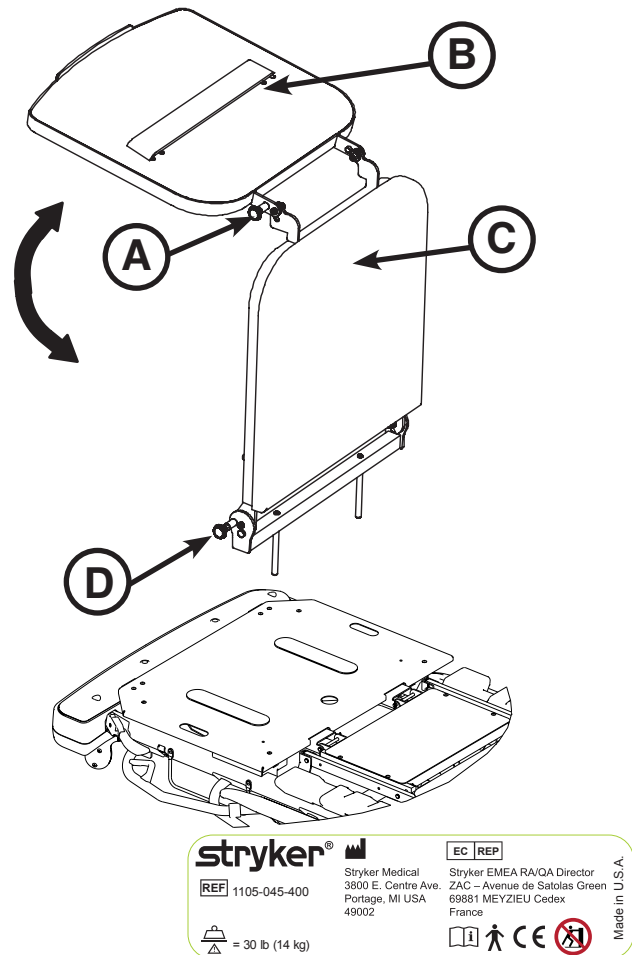


Figure 39: Foot Extension/Defibrillator Tray - Foot End

Operation Guide

USING THE OPTIONAL FOOTBOARD/ CHARTHOLDER

To use the footboard/chartholder, insert the footboard/chartholder supports (A) into the corresponding holes located at the foot end of the stretcher.

CAUTION

Do not use the footboard/chartholder as a push/pull device because equipment damage could occur.

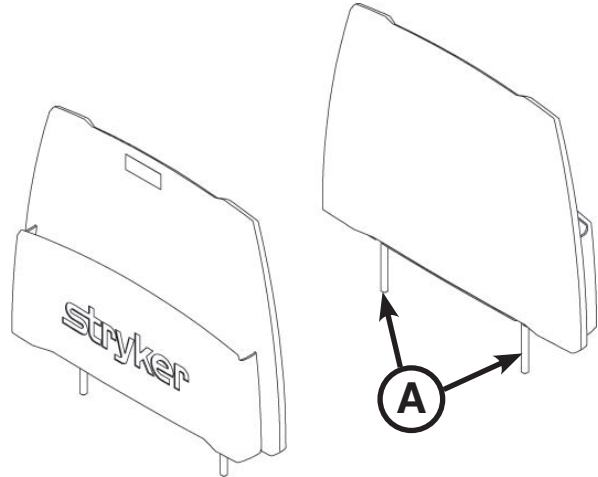


Figure 40: Footboard/Chartholder

USING THE OPTIONAL I.V. CADDY

To use the I.V. caddy:

1. Lift the I.V. caddy out of the storage tray or from the storage clip. Pivot the I.V. caddy to the desired position.
2. Turn knob (A) counterclockwise to loosen the pole clamp (C).
3. Pivot the knob (A) away from the clamp (B). The clamp (C) may then be opened.
4. Place the I.V. pole into the clamp (B). Close the clamp (C) around the I.V. pole and pivot the knob (A) back into position.
5. Turn the knob (A) clockwise to tighten it. The I.V. pole is ready to be transported with the unit.

To remove the I.V. pole from the I.V. caddy:

1. Turn knob (A) counterclockwise to loosen the pole clamp.
2. Pivot the knob away from the clamp (B), open the clamp and remove the I.V. pole from the I.V. caddy.

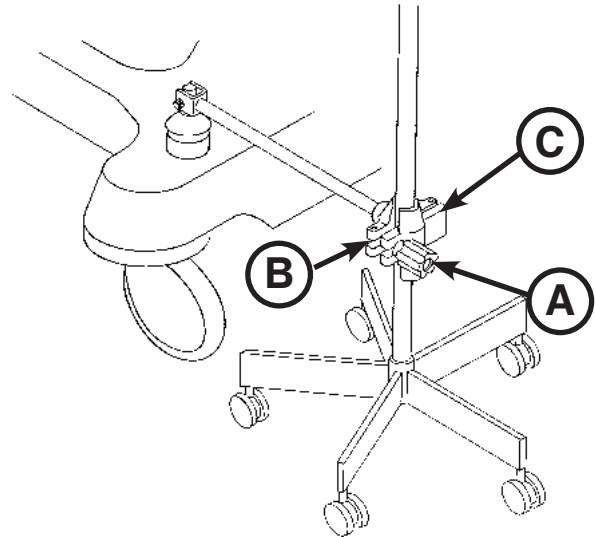


Figure 41: I.V. Caddy

CAUTION

Always store the I.V. caddy when not in use to avoid damaging it when the unit is moved.

WARNING

To avoid the risk of injury to the patient or user or damage to the I.V. pole while transporting the stretcher, make sure that the I.V. caddy is securely tightened on the I.V. pole.

Operation Guide

OPERATING THE OPTIONAL FOOT SUPPORTS (NOT AVAILABLE WITH PRIME X OPTION)

WARNING

To avoid the risk of patient injury or equipment damage, do not sit on the foot support.

To use the foot supports (see Figure 42):

1. Loosen the knee knob (A) at the top of the foot support to adjust the side-to-side angle of the foot support (C).
2. Secure the knee knob (A) to lock the foot support in the desired position.
3. Loosen the leg knob (B) on the side of the foot support to adjust the length.
4. Secure the leg knob (B) to lock the foot support in the desired position.
5. Flip the foot support (C) up before positioning patient.

The following options can be purchased, but cannot be utilized while the foot supports are in use:

- Pneumatic Backrest/Stationary Foot Composite
- **Lift Assist** Backrest/Stationary Foot Composite
- Pneumatic Backrest/Hydraulic Knee Gatch

To store the foot supports (see Figure 43):

1. Fully retract the foot supports using leg knob (B).
2. Fold the foot support pads (C) down toward the support bar.
3. Loosen the knee knob (A), rotate the foot supports to the position shown in the Figure 43 below.
4. Tighten to secure in place using the knee knob (A).

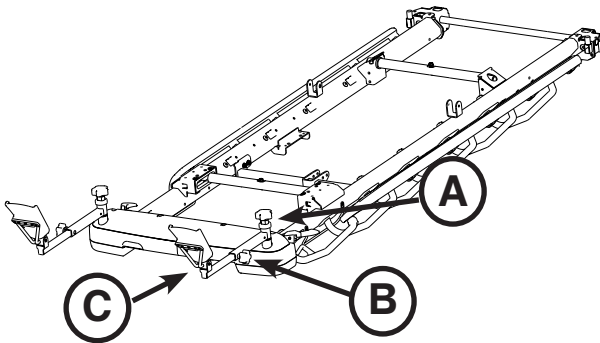


Figure 42: Foot Support Components

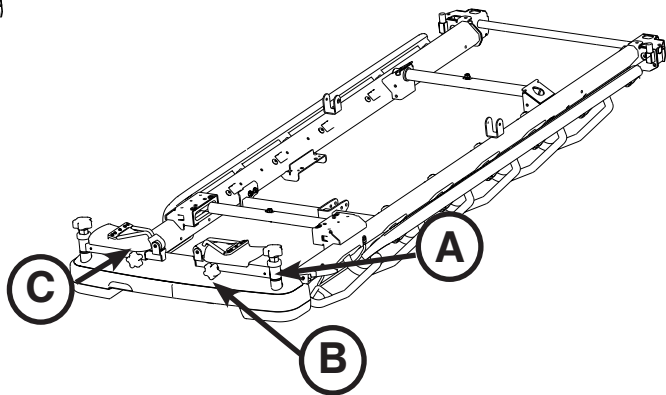


Figure 43: Foot Supports In Stored Position

Operation Guide

OPERATING THE OPTIONAL FOOT SUPPORTS (NOT AVAILABLE WITH PRIME X OPTION) (CONTINUED)

CAUTION

- To avoid the risk of equipment damage, do not use the foot support to store patient belongings or other items.
 - To avoid injury to the operator, ensure that the operator's fingers are clear of the mechanism when positioning the foot support.
 - Foot supports should be in the stored position when moving. The stretcher should be in brake position when foot supports are in use.
 - To avoid the risk of damage to the equipment, do not use the foot support as a push/pull device.
 - To avoid injury to the patient or operator, ensure foot supports are tightened securely prior to use.
 - If the stretcher is equipped with the scale system option, the scale should not be utilized while the foot supports are in use because inaccurate readings may occur.
 - If the stretcher is equipped with the chaperone option, the chaperone option should not be utilized while the foot supports are in use because false readings may occur.
-

The following options cannot be purchased if the foot support option is selected:

- Foot End Pop-Up Steering Handles
- Defibrillator Tray
- Defibrillator Tray/Foot Extender/Chart Service
- Serving Tray Holder/Footboard
- Footboard/Chart Holder
- Foot End I.V. Poles

Operation Guide

OPERATING THE OPTIONAL TWO-STAGE PERMANENTLY ATTACHED I.V. POLE

Note: The two-stage permanently attached I.V. pole is an option and may have been installed at either the head, foot or both ends of the stretcher. The choice was made at the time that the stretcher was purchased.

To use the two-stage permanently attached I.V. pole:

1. Lift and pivot the pole from the storage position and push down until it is locked into the receptacle.
2. To raise the height of the pole, pull up on the telescoping portion (A) until it locks into place at its fully raised position.
3. Rotate the I.V. hangers (B) to desired position and hang the I.V. bags.
4. To lower the I.V. pole, turn the latch (C) until section (A) lowers.

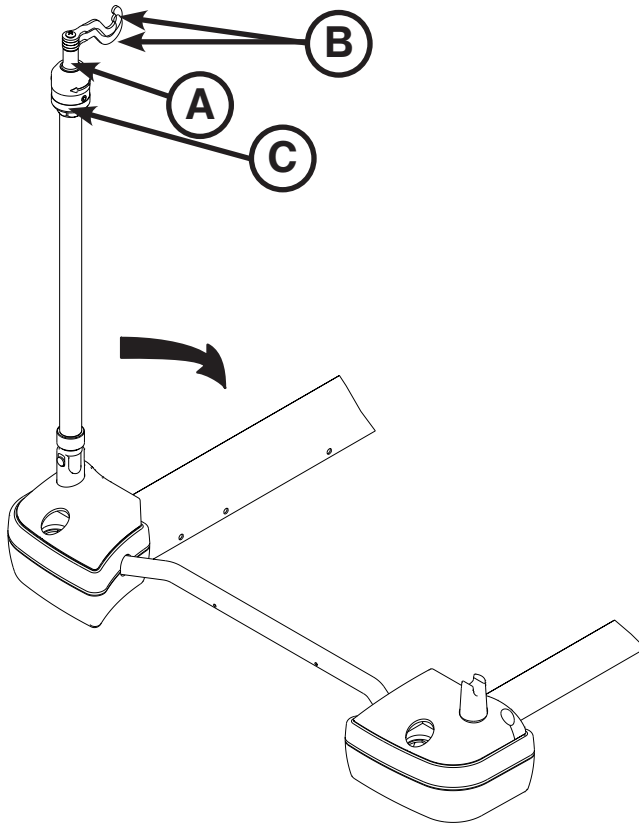


Figure 44: I.V. Pole

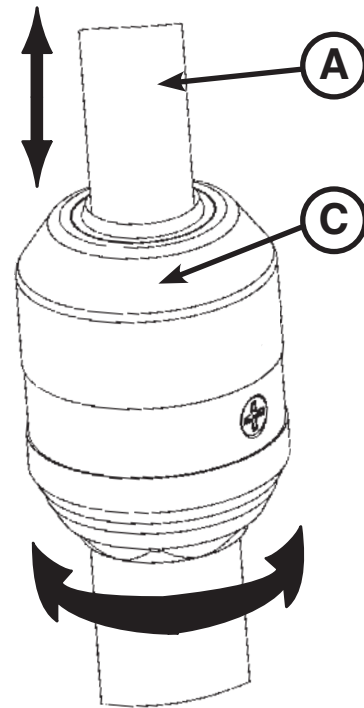


Figure 45: I.V. Pole Latch Detail

CAUTION

- To avoid damage, the safe working load of the two-stage permanently attached I.V. pole is 40 lb.
- To avoid damage while transporting the stretcher, verify that the I.V. pole is at a low enough height to allow it to safely pass through door openings and under light fixtures.

Note: The I.V. pole may be used as a push/pull device.

Operation Guide

OPERATING THE OPTIONAL THREE-STAGE PERMANENTLY ATTACHED I.V. POLE

Note: The three-stage permanently attached I.V. pole is an option and may have been installed at either the head, foot or both ends of the stretcher. The choice was made at the time that the stretcher was purchased.

To use the three-stage permanently attached I.V. pole:

1. Lift and pivot the pole from the storage position and push down until it is locked into the receptacle.
2. To raise the height of the pole, pull up on the telescoping portion (A) until it locks into place at its fully raised position.
3. For a higher I.V. pole, pull up on section (B). Release section (B) at any desired height and it will lock into place.
4. Rotate the I.V. hangers (C) to the desired position and hang the I.V. bags.
5. To lower the I.V. pole, push up on the red portion of grip (D) while holding onto section (B) until it lowers. Turn latch (E) until section (A) lowers.

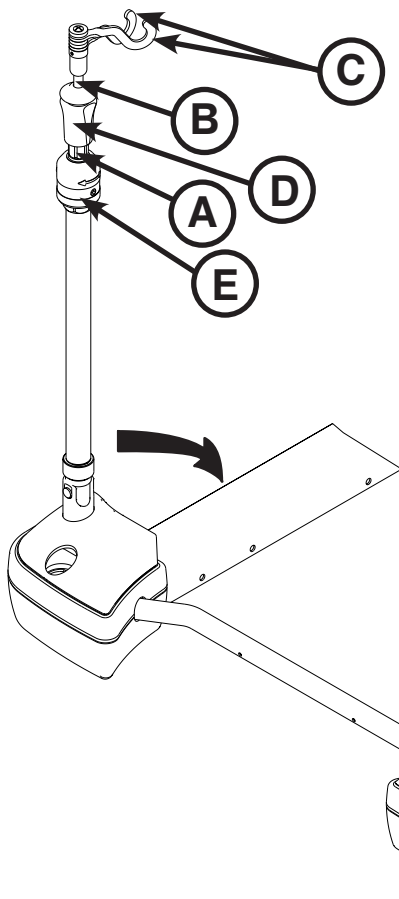


Figure 46: I.V. Pole

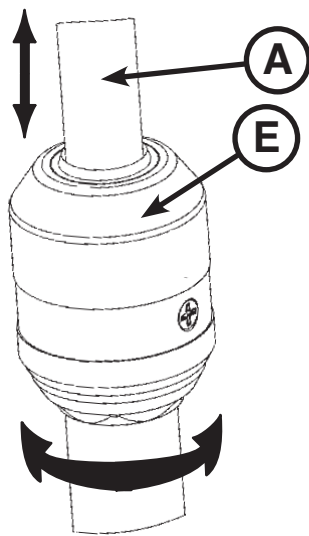


Figure 47: I.V. Pole Latch Detail

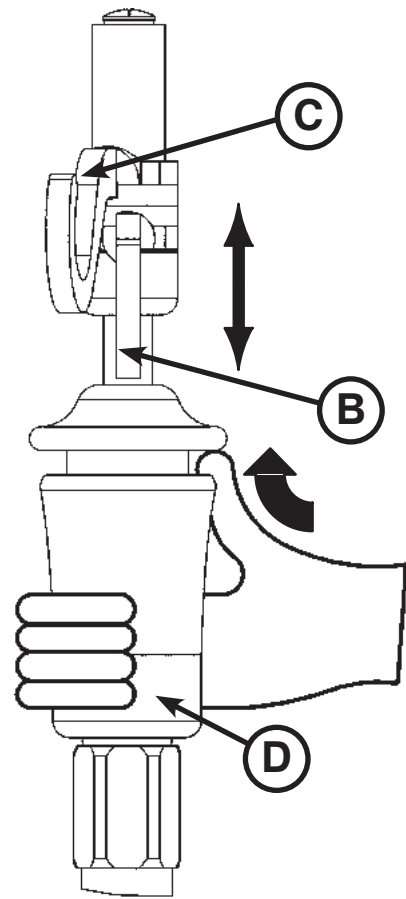


Figure 48: I.V. Pole Grip Detail

CAUTION

- To avoid damage, the weight of the I.V. bags should not exceed 12 lb while the weight of any one item attached to each stage of the three-stage permanently attached I.V. pole should not exceed 9.3 lb.
- To avoid damage while transporting the stretcher, verify that the I.V. pole is at a low enough height to allow it to safely pass through door openings and under light fixtures.

Note: The I.V. pole may be used as a push/pull device.

Operation Guide

OPERATING THE OPTIONAL REMOVABLE I.V. POLE

To use the removable I.V. pole:

1. Remove the I.V. pole from the storage trough under the litter and insert into the receptacle on the corner of the litter frame.
2. To raise the height of the pole, turn the knob (B) counterclockwise and pull up on the telescoping portion (A) of the pole to raise it to the desired height.
3. Turn the knob (B) clockwise to lock the telescoping portion in place.

CAUTION

- To avoid damage to the removable I.V. pole, the weight of the I.V. bags should not exceed 40 lb.
- To avoid damage while transporting the stretcher, verify that the I.V. pole is at a low enough height to allow it to safely pass through door openings and under light fixtures.
- Do not use the I.V. pole as a push/pull device because equipment damage could occur.

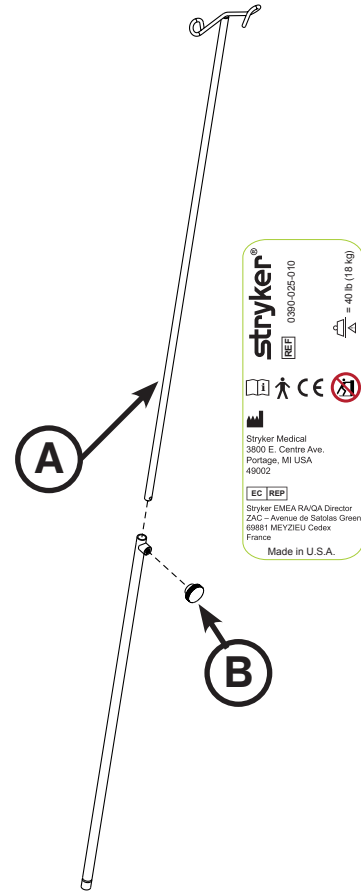


Figure 49: Removable I.V. Pole

INSTALLING THE SIDERAIL PADS

To install and use the siderail pads, tuck the siderail pad between the mattress and siderail. Then attach the Velcro® straps around the top of the siderail to secure the pad to the siderail.

Operation Guide

USING THE OPTIONAL UPRIGHT OXYGEN BOTTLE HOLDER

To install the upright oxygen bottle holder, insert the support bar (A) into the I.V. socket at any of the four litter corners. Insert the cotter pin (B) through the hole in the support bar to hold the bottle holder in place as shown in Figure 50.

CAUTION

- To avoid damage, do not put items weighing more than 40 lb in the upright oxygen bottle holder.
- Do not use the upright oxygen bottle holder as a push/pull device because equipment damage could occur.

USING THE OPTIONAL SERVING TRAY

To use the serving tray, pull out on either end of the serving tray to extend it to the proper width to fit on top of the stretcher siderails as shown in Figure 51.

To store the serving tray in the optional serving tray holder/footboard, push in both ends of the serving tray and slide it into holder as shown in Figure 52.

CAUTION

- To avoid damage, do not put items weighing more than 30 lb on the serving tray.
- Do not use the serving tray holder/footboard as a push/pull device because equipment damage could occur.

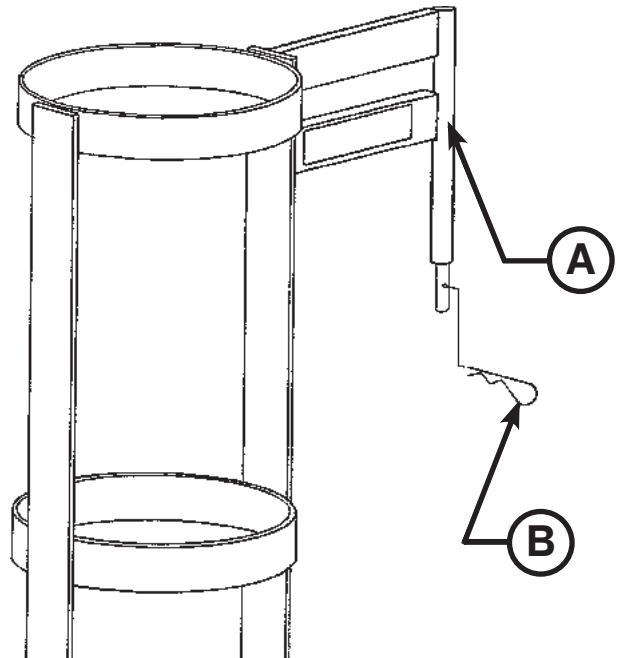


Figure 50: Upright Oxygen Bottle Holder

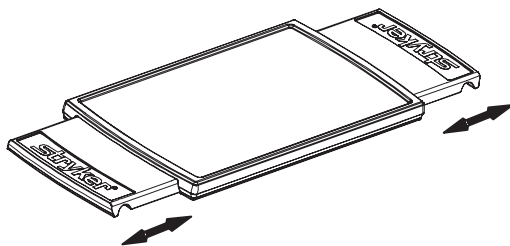
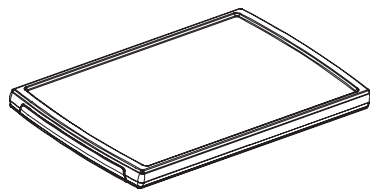


Figure 51: Serving Tray

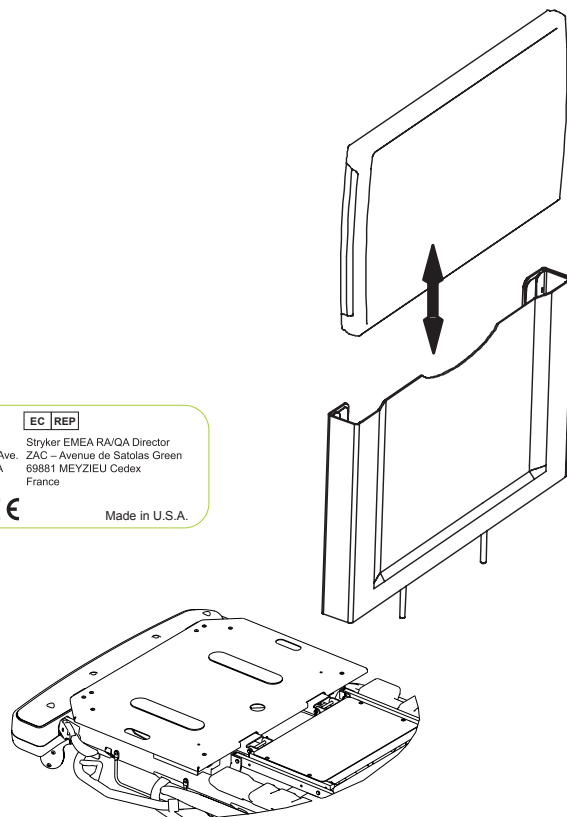
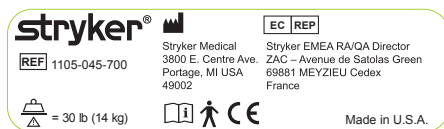


Figure 52: Serving Tray - Foot End

Operation Guide

USING THE RESTRAINT STRAPS

This unit allows the use of ankle, chest, wrist, and body restraints. See Figures 53 and 54 for restraint strap attachment points. Do not attach restraints straps to the siderail. Stryker makes no recommendation for the use of restraints.

WARNING

- Physical restraints, even if properly secured, may result in serious harm to patients and caregivers. The use of restraint straps may potentially cause entanglement, entrapment, physical injury, and/or death. Caution must be used in affixing restraint straps to avoid potential injury to both patients and caregivers.
- Restraint straps and/or devices must be attached only at the identified attachment points of the unit. Failure to do so may result in patient or caregiver injury. Do not attach restraints straps to the siderail.
- This unit accommodates the use of ankle, chest, wrist, and body restraints. The use of restraint straps is regulated by state and federal restrictions. Users, caregivers, and/or practitioners should refer to the applicable state and federal restrictions and the appropriate facility protocols before using any restraint strap and/or device.

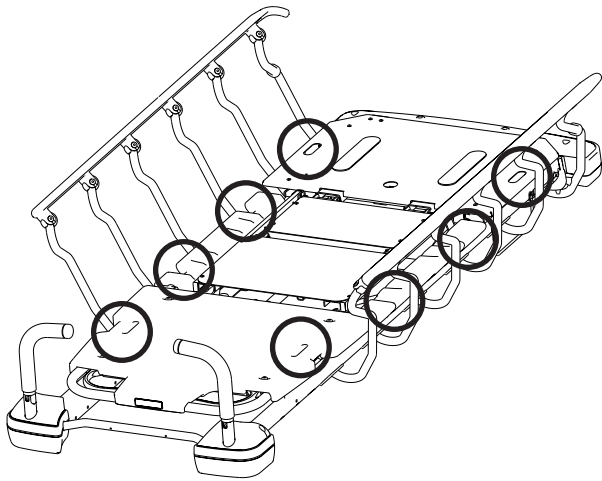


Figure 53: Restraint Strap Locations - Prime

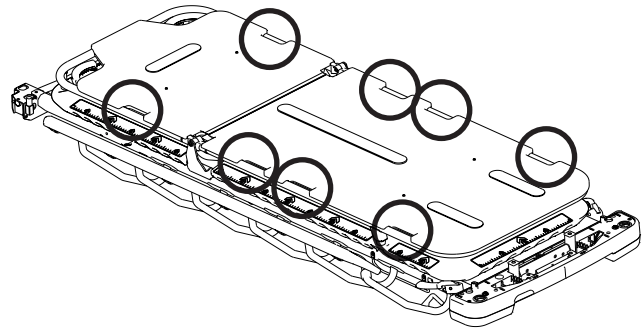


Figure 54: Restraint Strap Locations - Prime X Option

Operation Guide

USING THE OPTIONAL UPRIGHT X-RAY CASSETTE HOLDER (PRIME X OPTION ONLY)

This unit stores the cassette against the backrest when raised in the upright position to help deliver superior image quality for chest X-Rays.

WARNING

This device does not offer any protection against X-Ray radiation.

CAUTION

To avoid risk of user injury or damage to the equipment, ensure that the Upright X-Ray Cassette Holder is installed correctly, following the instructions below.

To use the Upright X-Ray Cassette Holder

1. Raise the fowler section of the stretcher.
2. Position the upright cassette holder, placing the lower retainer guides (A) under the fowler weldment bar (Figure 56).
3. Raise the upright cassette holder until the hooks latch under the fowler weldment frame. Ensure that the upright cassette holder is securely latched.
4. Insert and remove cassettes from the upright cassette holder from either side of the cassette holder or pull up on the yellow arrow to release the wire latch (B) on the upright cassette holder, releasing the upright cassette holder from the fowler weldment, and then position the cassette in the holder.
5. Loosen the knob (E) on the back side of the upright cassette holder and adjust the cassette support rail (D) to position the cassette in the desired location (Figure 55). Tighten the knob to secure the cassette support rail in place.

To remove the Upright X-Ray Cassette Holder

1. With the fowler raised, pull up on the yellow arrow (B) to release the wire latch (C) on the upright cassette holder from the fowler weldment bar (Figures 55 and 56).
2. Lift up on the upright cassette holder to release the lower retainer guides (A) on the upright cassette holder from the fowler weldment bar (Figure 56).

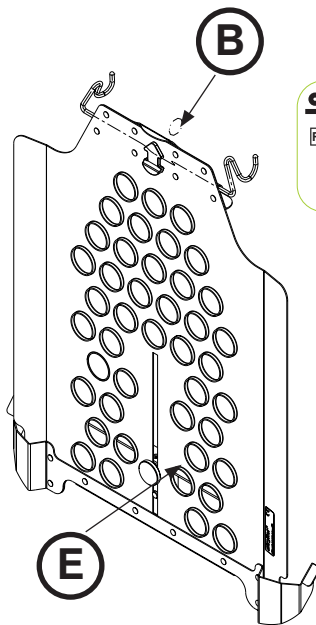


Figure 55: Upright X-Ray Cassette Holder Outside View

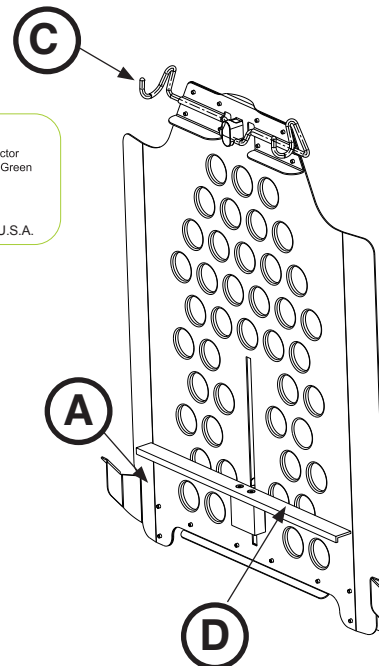


Figure 56: Upright X-Ray Cassette Holder Inside View

Operation Guide

USING THE OPTIONAL LATERAL CASSETTE HOLDER (PRIME X OPTION ONLY)

This removable cassette holder allows radiologists to take full length C-Spine images, holding virtually any size cassette.

WARNING

This device does not offer any protection against X-Ray radiation.

CAUTION

To avoid risk of user injury or damage to the equipment, ensure that the Lateral X-Ray Cassette Holder is installed correctly, following the instructions below.

To use the Lateral Cassette Holder

1. Press down on the yellow release button (A) to open the lateral cassette holder (Figure 57).
2. Slide the flat base (B) between the mattress and the patient platform (Figures 57 and 58).
3. Position the lateral cassette holder in the desired location.
4. Place the X-Ray cassette in the cassette canal (C) (Figures 57 and 58).
5. Pull up on the cassette hook (D) to adjust the height of the arm to fit snugly over the X-Ray cassette to hold the cassette in place (Figure 58).
6. Pull up on the cassette hook (D) to remove the X-Ray cassette from the lateral cassette holder (Figure 58).
7. Remove the lateral cassette holder from between the mattress and patient platform.
8. Press down on the release button to close the lateral cassette holder.
9. Store the lateral cassette holder as appropriate.

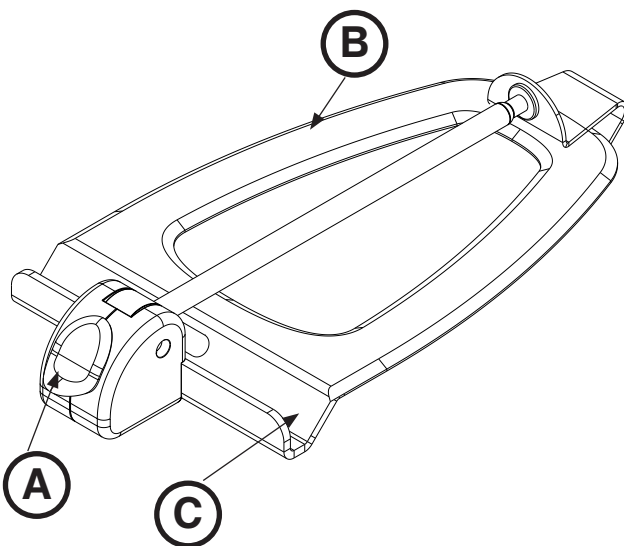


Figure 57: Lateral Cassette Holder

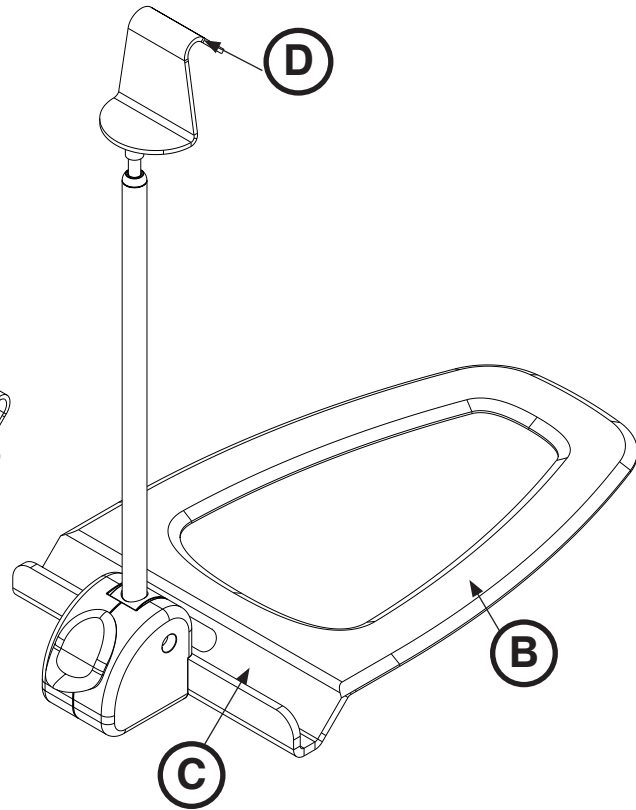


Figure 58: Lateral Cassette Holder

Operation Guide

USING THE OPTIONAL LATERAL CASSETTE HOLDER (PRIME X OPTION ONLY)

This removable cassette holder allows radiologists to take full length C-Spine images, holding virtually any size cassette

WARNING

This device does not offer any protection against X-Ray radiation.

CAUTION

To avoid risk of user injury or damage to the equipment, ensure that the Lateral X-Ray Cassette Holder is installed correctly, following the instructions below.

To use the Lateral Cassette Holder

1. Press down on the yellow release button (A) to open the lateral cassette holder (Figure 58).
2. Slide the flat base (B) between the mattress and the patient platform (Figures 58 and 59).
3. Position the lateral cassette holder in the desired location.
4. Place the X-Ray cassette in the cassette canal (C) (Figure 59).
5. Pull up on the cassette hook (D) to adjust the height of the arm to fit snugly over the X-Ray cassette to hold the cassette in place (Figure 59).
6. Pull up on the cassette hook (D) to remove the X-Ray cassette from the lateral cassette holder (Figure 59).
7. Remove the lateral cassette holder from between the mattress and patient platform.
8. Press down on the release button to close the lateral cassette holder.
9. Store the lateral cassette holder as appropriate.

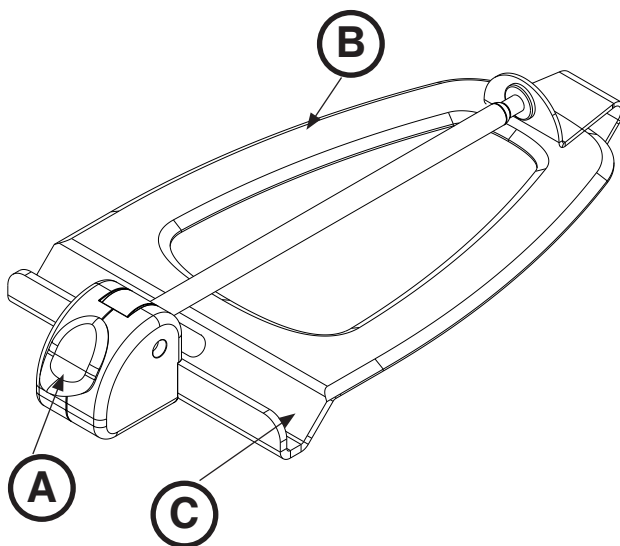


Figure 58: Lateral Cassette Holder

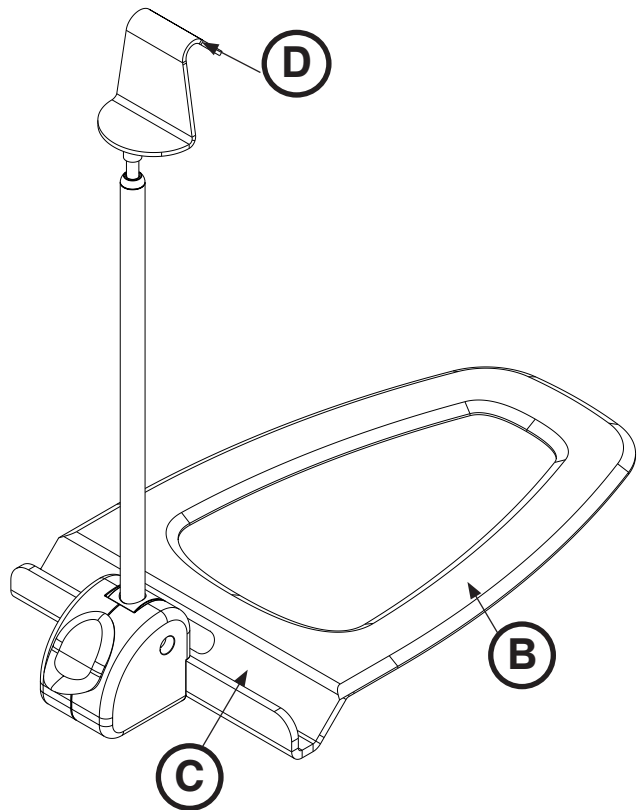


Figure 59: Lateral Cassette Holder

Operation Guide

OPTIONAL LITTER EXTENSION

The optional litter extension extends the length of the litter by 5 inches to accommodate taller occupants. This option is only available at the time of order.

Note: Do not use the extended litter with a standard mattress. Use the appropriate extended length mattress with the litter extension option:

4" x 26" Ultra Comfort extended mattress (1105-034-609)

4" x 30" Ultra Comfort extended mattress (1105-034-309)

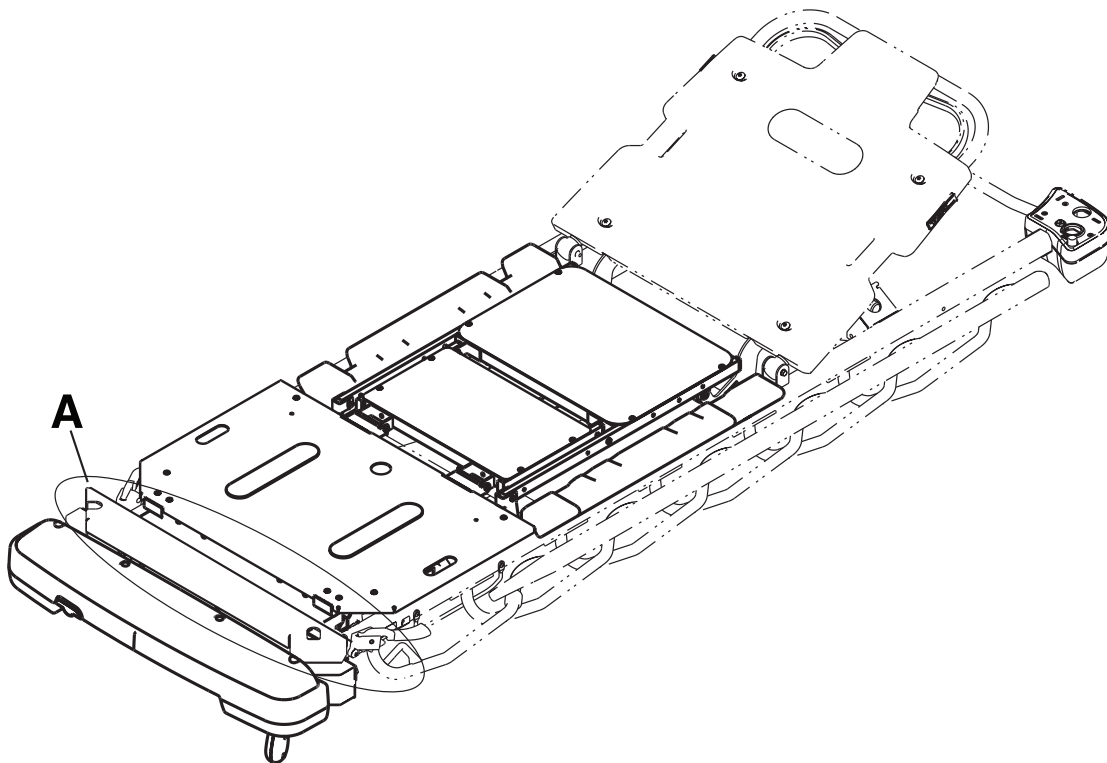


Figure 60: Litter Extension Location

Cleaning

CLEANING THE STRETCHER

WARNING

- If your unit is equipped with the optional electric lift/litter, unplug the power cord from the power outlet before transporting or cleaning the unit.
 - Do not steam clean the unit.
-

These instructions are intended to provide recommended cleaning methods for Model 1115 **Prime Series** stretchers.

These units are designed to be power-washable. The unit may show some signs of oxidation or discoloration from continuous washing. However, no degradation of the stretcher's performance characteristics or functionality will occur due to power washing as long as the proper procedures are followed.

RECOMMENDED CLEANING METHOD

- Follow the cleaning solution manufacturer's dilution recommendations exactly.
 - Stryker Medical recommends the standard hospital surgical cart washer for power washing.
 - Do not replace the mattress on the stretcher until the unit is completely dry.
-

CAUTION

Before returning the unit to service after cleaning, verify that labels are intact, raise/lower the stretcher, lock the brake/steer pedal in both positions, latch/unlatch the siderails, and raise/lower the fowler and gatch.

RECOMMENDED CART WASHING CLEANING METHOD

Stryker Medical recommends using a standard hospital surgical cart washer to power wash the stretcher a maximum of once per year for the life of the unit.

To clean the unit with a cart washer:

1. Remove the mattress prior to washing the unit; do not wash the mattress with the stretcher.
2. Position the fowler at 45 degrees, position the gatch to the full down position, place the unit in full reverse Trendelenburg (foot end down), raise the siderails, and place the I.V. poles and push handles in the up position.
3. Clean the unit with a maximum water temperature of 180 °F (82 °C), maximum air dry temperature (cart washers) is 200 °F (93 °C) for 8 minutes, and maximum water pressure – 1500 psi/103.5 bar.

Note: If a handheld wand is being used to wash the unit, the pressure nozzle must be kept a minimum of 24 inches/.61m from the unit. In addition, the same water temperatures and stretcher configurations apply as for the cart washer.

Cleaning

CLEANING THE STRETCHER (CONTINUED)

RECOMMENDED CLEANERS

Suggested cleaners for stretchers:

Quaternary Cleaners (active ingredient - ammonium chloride)

Phenolic Cleaners (active ingredient - o-phenylphenol)

Chlorinated Bleach Solution (1 part bleach (5.25% sodium hypochlorite) to 100 parts water which equals 520 ppm available chlorine (40 mL of a 5.25% bleach solution per 4000 mL water))

Avoid over saturation and ensure that the product does not stay wet longer than recommended by the chemical manufacturer's guidelines for proper disinfecting.



CAUTION

Some cleaning products are corrosive in nature and may cause damage to the product if used improperly. If the products suggested above are used to clean Stryker patient handling equipment, measures must be taken to ensure that the stretcher is wiped with a damp cloth soaked in clean water and thoroughly dried following cleaning. Failure to properly rinse and dry the stretcher will leave a corrosive residue on the surface of the stretcher, possibly causing premature corrosion of critical components. Failure to follow the above directions when using these types of cleaners may void this product's warranty.

Do not use abrasive cleaners to clean the display enclosure for the optional scale system. Do not allow cleaning solutions or other fluids to pool on the display unit. Wipe dry all surfaces after spills or cleaning.

Cleaning

CLEANING THE MATTRESS

These instructions are intended to provide recommended cleaning methods for the mattress.

WARNING

- Do not immerse mattress in cleaning or disinfectant solutions. Excess moisture could cause equipment malfunction resulting in equipment damage or patient injury.
- Do not allow fluid to pool on the mattress. Fluids can cause corrosion of components and may cause the safety and performance of this equipment to become unpredictable.
- Inspect mattress covers for tears, punctures, excessive wear, and misaligned zippers each time the covers are cleaned. If compromised, the mattress should be removed from service immediately and replaced to prevent cross-contamination.

Stryker mattresses are designed for long-lasting comfort and reliability. The life of the mattress can be adversely affected by an increase in frequency of usage which might include more frequent cleaning and disinfection.

1. Using a clean, soft, damp cloth, wipe down the entire mattress with a mild soap and water solution to remove foreign material.
2. Wipe down the mattress with a clean, dry cloth to remove any excess liquid or cleaning agent.
3. Care must be taken to thoroughly **rinse and dry** covers following cleaning.
4. Disinfect as necessary with a hospital grade disinfectant **after** cleaning has been completed. See “Disinfecting the Mattress” on [page 70](#).

CAUTION

- Do not iron, dry-clean, or tumble dry the mattress, as this will cause malfunction and damage the product.
- The mattress cover must be completely dry before storing, adding linens or placing a patient on the surface, to prevent the performance of the equipment from being impaired.
- Avoid over exposure to alcohol or hydrogen peroxide. Swelling of the cover material will result.
- Do not allow liquid to seep into the zipper area and watershed cover barrier. Fluids allowed to come in contact with the zipper may leak into the mattress which could impair the equipment performance.

SPECIAL INSTRUCTIONS

Velcro	To clean and disinfect, saturate with disinfectant, rinse with water, and allow it to evaporate.
Soils or Stains	Use neutral soaps and warm water. Do not use harsh cleansers, solvents or abrasive cleaners.
Hard-To-Clean Spots	Use standard household/vinyl cleansers and a soft bristle brush on troublesome spots or stains. Pre-soak heavy, dried-on soil.
Laundering	Laundering is NOT RECOMMENDED. Laundering may substantially decrease the useful life of the mattress.

DO NOT STEAM CLEAN, PRESSURE WASH, HOSE OFF OR ULTRASONICALLY CLEAN MATTRESSES.

Using these methods of cleaning are not recommended and may void this product's warranty.

REMOVAL OF IODINE STAINS

1. Make a solution of 1–2 tablespoons Sodium Thiosulfate in a pint of warm water and use it to wipe the stained area. Clean the stain as soon as possible after it occurs. If stains are not immediately removed, allow solution to soak or stand on the surface before wiping.
2. Rinse surfaces which have been exposed to the solution with clear water before returning mattress to service.

Note: Failure to follow the above directions when using these types of cleaners may void this product's warranty.

[Return To Table of Contents](#)

Cleaning

DISINFECTING THE MATTRESS

These instructions are intended to provide recommended disinfecting methods for the mattress.



WARNING

- Disinfect the mattress between patients. Failure to do so could result in cross-contamination and infection.
 - Some disinfectants may cause damage to the product if used improperly. If the products described below are used to disinfect the mattress, measures must be taken to ensure the entire surface is wiped with a damp cloth soaked in clean water and thoroughly dried following disinfection. The cover can be damaged when exposed to such disinfectants beyond the manufacturers' recommendations. Failure to follow these directions when using these types of disinfectants may void this product warranty.
 - The mattress cover must be completely dry before storage or adding linens. Failure to remove excess disinfectant could cause degradation of the cover material.
-

Suggested Disinfectants:

- Quaternaries
 - Phenolic Disinfectant
 - Chlorinated Bleach Solution (5.25% bleach diluted 1 part bleach to 100 parts water)
 - 70% Isopropyl Alcohol
-



CAUTION

- Frequent or prolonged exposure to higher concentration disinfectant solutions may prematurely age the cover fabric.
 - The use of accelerated hydrogen peroxides or quaternaries containing glycol ethers may damage the cover.
-
1. Ensure surface has been thoroughly cleaned and dried prior to applying disinfectants.
 2. Wipe down the mattress with a clean, dry cloth to remove any excess liquid or disinfectant.
 3. Care must be taken to thoroughly **rinse and dry** covers following disinfection.

Preventive Maintenance

At a minimum, preventative maintenance should be performed annually. A preventive maintenance program should be established for all Stryker Medical equipment. Preventive maintenance may need to be performed more frequently based on the usage level of the product.

CHECKLIST

- _____ All fasteners secure
- _____ Siderails move and latch properly
- _____ All casters lock with brake pedal engaged
- _____ All casters secure and swivel properly
- _____ Inspect each caster and remove any wax or debris which may have collected on the caster or braking mechanism
- _____ Steer function working properly
- _____ Check skins for cracks
- _____ Fowler operates and latches properly
- _____ Gatch operating properly (Optional equipment)
- _____ Trendelenburg/Reverse Trendelenburg operates properly from all locations
- _____ Ground chain intact
- _____ No leaks at hydraulic connections
- _____ Hydraulic jacks holding properly
- _____ Lubricate where required
- _____ Body restraints work properly (Optional equipment)
- _____ I.V. pole intact and operates properly (Optional equipment)
- _____ Oxygen bottle holder intact and operates properly (Optional equipment)
- _____ No rips or cracks in mattress cover
- _____ Accessories and mounting hardware in good condition and working properly
- _____ Confirm battery powered functionality (Optional equipment)
- _____ No cables worn or pinched (Optional equipment)
- _____ Power cord and plug are free of damage (Optional equipment)
- _____ All electrical connections tight (Optional equipment)
- _____ All grounds secure to the frame (Optional equipment)
- _____ Ground impedance not more than 200 m Ω (milliohms) (Optional equipment)
- _____ Current leakage not more than 300 μ A (microamps) (per UL 60601-1) (Optional equipment)
- _____ Batteries sufficiently charged (Optional scale system)
- _____ Display housing intact and not damaged (Optional scale system)
- _____ Load cells intact and not damaged (Optional scale system)
- _____ Foot support knee knob mechanism functions properly and can be secured in place (Optional equipment)
- _____ Foot support leg knob mechanism functions properly and can be secured in place (Optional equipment)

Preventive Maintenance

CHECKLIST (CONTINUED)

- _____ Foot support extends to the full position and stops in the correct position (Optional equipment)
- _____ Foot support self-tapping screws (6) are functioning properly and are not stripped (Optional equipment)
- _____ Scale calibrated properly. Recalibrate, if necessary (Optional scale system)
- _____ Upright X-Ray cassette holder is working properly
- _____ No damage to the fowler skin and foot skin (Prime X Option)
- _____ No damage to the head and foot trays (Prime X Option)

Product Serial Number:		

Completed by: _____ Date: _____

EMC Information

OPTIONAL ELECTRIC LIFT/LITTER AND OPTIONAL SCALE SYSTEM

Guidance and manufacturer's declaration - electromagnetic immunity			
The Optional Electric Lift/Litter and Optional Scale System is intended for use in the electromagnetic environment specified below. The customer or the user of the Optional Electric Lift/Litter and Optional Scale System should assure that it is used in such an environment.			
Immunity Test	IEC 60601 Test Level	Compliance Level	Electromagnetic Environment Guidance
Electrostatic Discharge (ESD) IEC 61000-4-2	± 6 kV contact ± 8 kV air	± 6 kV contact ± 8 kV air	Floors should be wood, concrete, or ceramic tile. If floors are covered with synthetic material, the relative humidity should be at least 30%.
Electrostatic fast transient/burst IEC 61000-4-4 *	± 2 kV for power supply lines ± 1 kV for input/output lines	± 2 kV for power supply lines ± 1 kV for input/output lines	Main power quality should be that of a typical commercial or hospital environment.
Surge IEC 61000-4-5 *	± 8 kV differential mode ± 2 kV common mode	± 8 kV differential mode ± 2 kV common mode	Main power quality should be that of typical commercial and/or hospital environment.
Voltage dips, voltage variations and short interruptions on power supply input lines IEC 61000-4-11 *	<5%Ut (>95% dip in Ut) for 0,5 cycle 40%Ut (60% dip in Ut) for 5 cycles 70%Ut (30% dip in Ut) for 25 cycles. <5% Ut (>95% dip in Ut) for 5 sec.	<5%Ut (>95% dip in Ut) for 0,5 cycle 40%Ut (60% dip in Ut) for 5 cycles 70%Ut (30% dip in Ut) for 25 cycles. <5% Ut (>95% dip in Ut) for 5 sec.	Main power quality should be that of a typical commercial and/or hospital environment. If the user of the Optional Electric Lift/Litter requires continued operation during power mains interruptions, it is recommended that the device be powered from an uninterrupted power supply or a battery.
Power frequency (50/60 Hz) magnetic field IEC 61000-4-8	3 A/m	3 A/m	Power frequency magnetic fields should be at levels characteristic of a typical location in a typical commercial and/or hospital environment.
Note: U_T is the a.c. mains voltage prior to applications of the test level.			

* Applies to Optional Electric Lift/Litter only


EMC Information

OPTIONAL ELECTRIC LIFT/LITTER AND OPTIONAL SCALE SYSTEM (CONTINUED)

Recommended separation distances between portable and mobile RF communications equipment and the Optional Electric Lift/Litter and Optional Scale System.			
<p>The Optional Electric Lift/Litter and Optional Scale System is intended for use in an electromagnetic environment in which radiated RF disturbances are controlled. The customer or the user of the Optional Electric Lift/Litter and Optional Scale System can help prevent electromagnetic interferences by maintaining a minimum distance between portable and mobile RF communications equipment (transmitters) and the Optional Electric Lift/Litter and Optional Scale System as recommended below, according to the maximum output power of the communications equipment.</p>			
Rated maximum output power of transmitter W	Separation distance according to frequency of transmitter		
	m		
	150 kHz to 80 MHz	80 MHz to 800 MHz	800 MHz to 2,5 GHz
	$d=1,2\sqrt{P}$	$d=1,2\sqrt{P}$	$d=2,3\sqrt{P}$
0,01	0,12	0,12	0,23
0,1	0,38	0,38	0,73
1	1,2	1,2	2,3
10	3,8	3,8	7,3
100	12	12	23
<p>For transmitters rated at a maximum output power not listed above, the recommended separation distance d in meters (m) can be determined using the equation applicable to the frequency of the transmitter, where P is the maximum output power rating of the transmitter in watts (W) according to the transmitter manufacturer.</p> <p>Note 1 At 80 MHz and 800 MHz, the separation distance for the higher frequency range applies.</p> <p>Note 2 These guidelines may not apply in all situations. Electromagnetic propagation is affected by absorption and reflection from structures, objects and people.</p>			

EMC Information

OPTIONAL ELECTRIC LIFT/LITTER AND OPTIONAL SCALE SYSTEM(CONTINUED)

The Optional Electric Lift/Litter and Optional Scale System is intended for use in the electromagnetic environment specified below. The customer or the user of the Optional Electric Lift/Litter and Optional Scale System should assure that it is used in such an environment.			
Immunity Test	IEC 60601 Test Level	Compliance Level	Electromagnetic Environment - Guidance
<p>Conducted RF IEC 61000-4-6 *</p> <p>Radiated RF IEC 61000-4-3</p>	<p>3 Vrms 150 kHz to 80 MHz</p> <p>3 V/m 80 MHz to 2,5 GHz</p>	<p>3 Vrms</p> <p>3 V/m</p>	<p>Portable and mobile RF communications equipment should be used no closer to any part of the Optional Electric Lift/Litter and Optional Scale System, including cables, than the recommended separation distance calculated from the equation appropriate for the frequency of the transmitter.</p> <p style="text-align: center;">Recommended Separation Distance</p> <p style="text-align: center;">$d=1,2\sqrt{P}$</p> <p style="text-align: center;">$d=1,2\sqrt{P}$ 80 MHz to 800 MHz</p> <p style="text-align: center;">$d=2,3\sqrt{P}$ 800 MHz to 2,5 GHz</p> <p>where P is the maximum output power rating of the transmitter in watts (W) according to the transmitter manufacturer and d is the recommended separation distance in metres (m).</p> <p>Field strengths from fixed RF transmitters, as determined by an electromagnetic site survey,^a should be less than the compliance level in each frequency range.^b</p> <p>Interference may occur in the vicinity of equipment marked with the following symbol:</p> <div style="text-align: center;">  </div>
<p>Note 1 At 80 MHz and 800 MHz, the higher frequency range applies.</p> <p>Note 2 These guidelines may not apply in all situations. Electromagnetic propagation is affected by absorption and reflection from structures, objects and people.</p>			
<p>^aField strengths from fixed transmitters, such as base stations for radio (cellular/cordless) telephones and land mobile radios, amateur radio, AM and FM radio broadcast, and TV broadcast cannot be predicted theoretically with accuracy. To assess the electromagnetic environment due to fixed RF transmitters, an electromagnetic site survey should be considered. If the measured field strength in the location in which the Optional Electric Lift/Litter and Optional Scale System is used exceeds the applicable RF compliance level above, the Optional Electric Lift/Litter and Optional Scale System should be observed to verify normal operation. If abnormal performance is observed, additional measures may be necessary, such as reorienting or relocating the Optional Electric Lift/Litter and Optional Scale System.</p>			
<p>^bOver the frequency range 150 kHz to 80 MHz, field strengths are less than 3 V/m.</p>			

* Applies to Optional Electric Lift/Litter only

EMC Information

OPTIONAL ELECTRIC LIFT/LITTER AND OPTIONAL SCALE SYSTEM (CONTINUED)

Guidance and manufacturer's declaration - electromagnetic emissions		
The Optional Electric Lift/Litter and Optional Scale System is intended for use in an electromagnetic environment specified below. The customer or the user of the Optional Electric Lift/Litter and Optional Scale System should assure that it is used in such an environment.		
Emissions Test	Compliance	Electromagnetic Environment
RF Emissions CISPR 11	Group 1	The Optional Electric Lift/Litter and Optional Scale System uses RF energy only for its internal function. Therefore, its RF emissions are very low and are not likely to cause any interference in nearby electronic equipment.
RF Emissions CISPR 11	Class A	The Optional Electric Lift/Litter and Optional Scale System is suitable for use in all establishments other than domestic and those directly connected to the public low voltage power supply network that supplies buildings used for domestic purposes.
Harmonic Emissions IEC 61000-3-2 *	Class A	
Voltage Fluctuations Flicker Emissions IEC 61000-3-3 *	Complies	

* Applies to Optional Electric Lift/Litter only.

Warranty

LIMITED WARRANTY

Stryker Medical Division, a division of Stryker Corporation, warrants to the original purchaser the Model 1115 **Prime Series** stretcher to be free from defects in material and workmanship for a period of two (2) year after date of delivery. Stryker's obligation under this warranty is expressly limited to supplying replacement parts and labor for, or replacing, at its option, any product which is, in the sole discretion of Stryker, found to be defective. If requested by Stryker, products or parts for which a warranty claim is made shall be returned prepaid to the factory. Any improper use or any alteration or repair by others in such manner as in Stryker's judgment affects the product materially and adversely shall void this warranty. Any repair of Stryker products using parts not provided or authorized by Stryker shall void this warranty. No employee or representative of Stryker is authorized to change this warranty in any way.

Stryker Medical Stretcher products are designed for a 10 year expected service life under normal use, conditions, and with appropriate periodic maintenance as described in the maintenance manual for each device. Stryker warrants to the original purchaser that the welds on its Stretcher products will be free from structural defects for the expected 10 year life of the Stretcher product as long as the original purchaser owns the product.

This statement constitutes Stryker's entire warranty with respect to the aforesaid equipment. **Stryker makes no other warranty or representation, either expressed or implied, except as set forth herein. There is no warranty of merchantability and there are no warranties of fitness for any particular purpose. In no event shall Stryker be liable here under for incidental or consequential damages arising from or in any manner related to sales or use of any such equipment.**

Warranty does not include any disposable items, I.V. poles (except for Stryker permanently attached poles), mattresses, batteries, or damage resulting from abuse.

TO OBTAIN PARTS AND SERVICE

Stryker products are supported by a nationwide network of dedicated Stryker Field Service Representatives. These representatives are factory trained, available locally, and carry a substantial spare parts inventory to minimize repair time. Simply call your local representative, or call Stryker Customer Service USA at 1-800-327-0770.

SERVICE CONTRACT COVERAGE

Stryker has developed a comprehensive program of service contract options designed to keep your equipment operating at peak performance at the same time it eliminates unexpected costs. We recommend that these programs be activated before the expiration of the new product warranty to eliminate the potential of additional equipment upgrade charges.

A Service Contract helps to:

- Ensure equipment reliability
- Stabilize maintenance budgets
- Diminish downtime
- Establish documentation for JCAHO
- Increase product life
- Enhance trade-in value
- Address risk management and safety

Warranty

SERVICE CONTRACT PROGRAMS

Stryker offers the following service contract programs:

Service Agreement Options	Premium	Complete	Standard *
Annually scheduled preventative maintenance	X		X
All parts**, labor, and travel	X	X	
Unlimited emergency service calls	X	X	
Priority one contact: two hour phone response	X	X	
Most repairs will be completed within 3 business days	X	X	
JCAHO documentation	X	X	X
On-site record of PM & emergency service	X		X
Factory-trained Stryker service technician	X	X	X
Stryker authorized parts used	X	X	X
Service during regular business hours (8-5)	X	X	X

* Replacement parts and labor for products under PM contract will be discounted.

** Does not include any disposable items, I.V. poles (except for Stryker permanently attached poles), mattresses, batteries, or damage resulting from abuse.

Stryker Medical also offers personalized service contracts.
Pricing is determined by age, location, model and condition of product.

**For more information on our service contracts,
please call your local representative.**

RETURN AUTHORIZATION

Merchandise cannot be returned without approval from the Stryker Customer Service Department. An authorization number will be provided which must be printed on the returned merchandise. Stryker reserves the right to charge shipping and restocking fees on returned items. **Special, modified, or discontinued, items not subject to return.**

DAMAGED MERCHANDISE

ICC Regulations require that claims for damaged merchandise must be made with the carrier within fifteen (15) days of receipt of merchandise. **Do not accept damaged shipments unless such damage is noted on the delivery receipt at the time of receipt.** Upon prompt notification, Stryker will file a freight claim with the appropriate carrier for damages incurred. Claim will be limited in amount to the actual replacement cost. In the event that this information is not received by Stryker within the fifteen (15) day period following the delivery of the merchandise, or the damage was not noted on the delivery receipt at the time of receipt, the customer will be responsible for payment of the original invoice in full. Claims for any short shipment must be made within thirty (30) days of invoice.

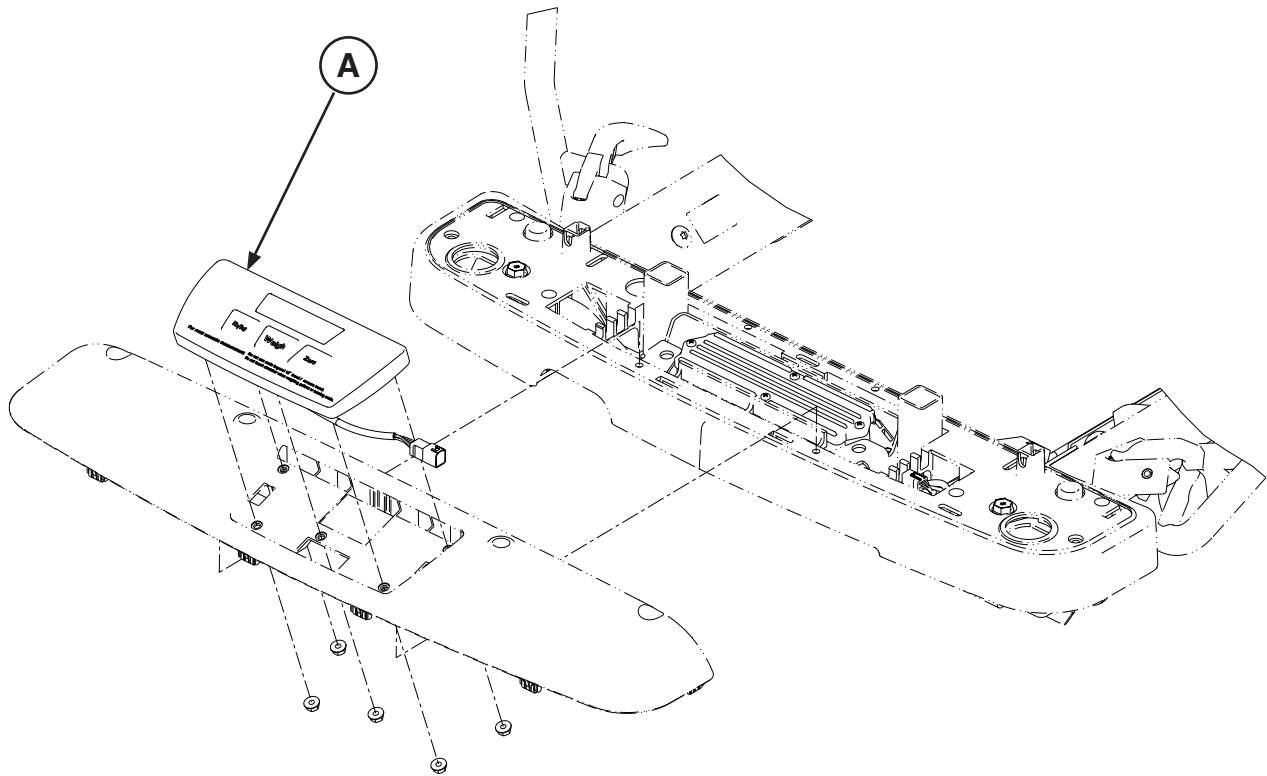
INTERNATIONAL WARRANTY CLAUSE

This warranty reflects U.S. domestic policy. Warranty outside the U.S. may vary by country. Please contact your local Stryker Medical representative for additional information.

Recycling Passport

Assembly part number:

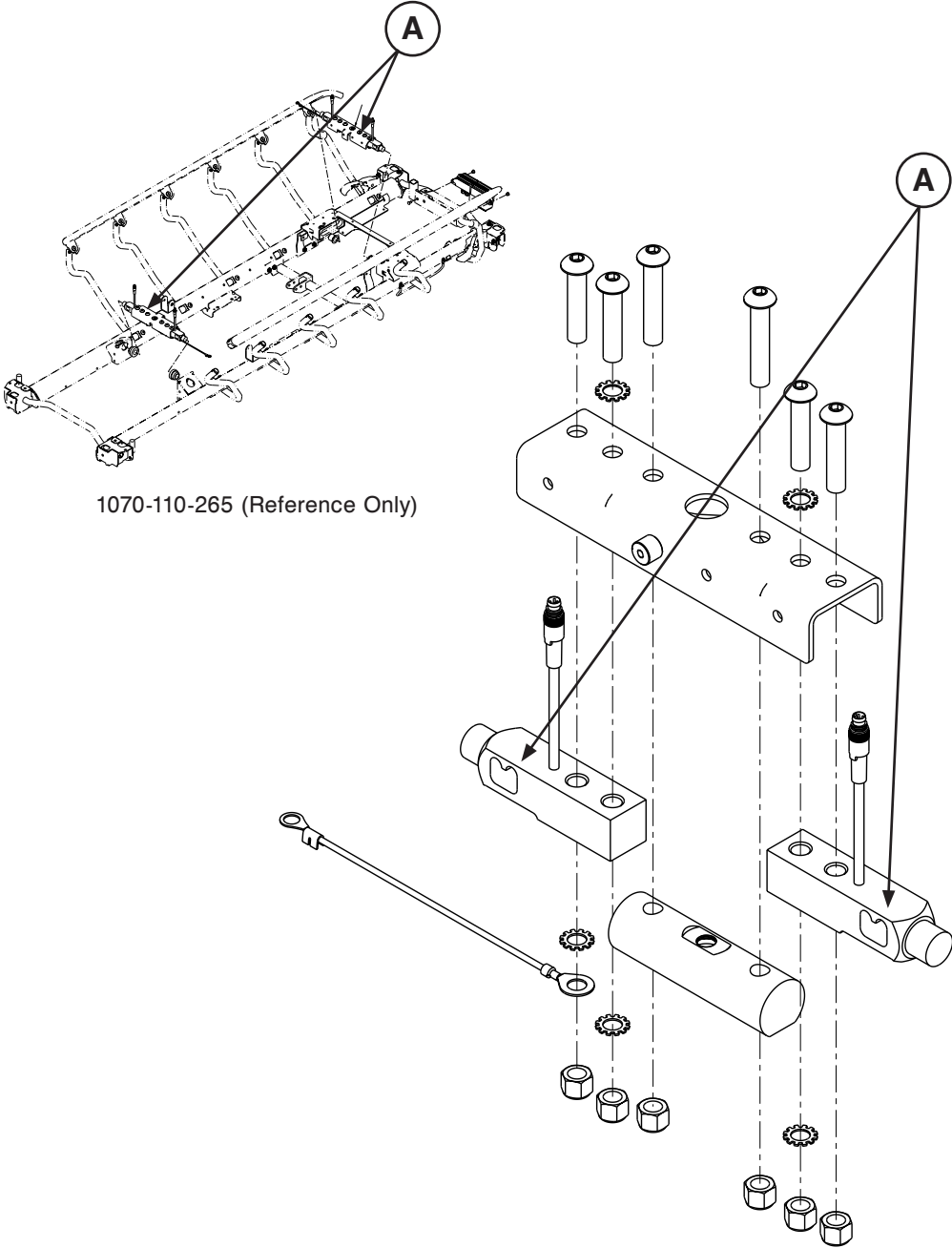
- 1070-110-260 (Reference Only)
- 1070-110-265 (Reference Only)
- 1070-110-360 (Reference Only)
- 1070-110-365 (Reference Only)
- 1070-110-270 (Reference Only)
- 1070-110-370 (Reference Only)



Item	Recycling/Material Code	Important Information	Qty
A	(1008-037-820) Scale Control Non-Backlit Keypad Assembly		1

Recycling Passport

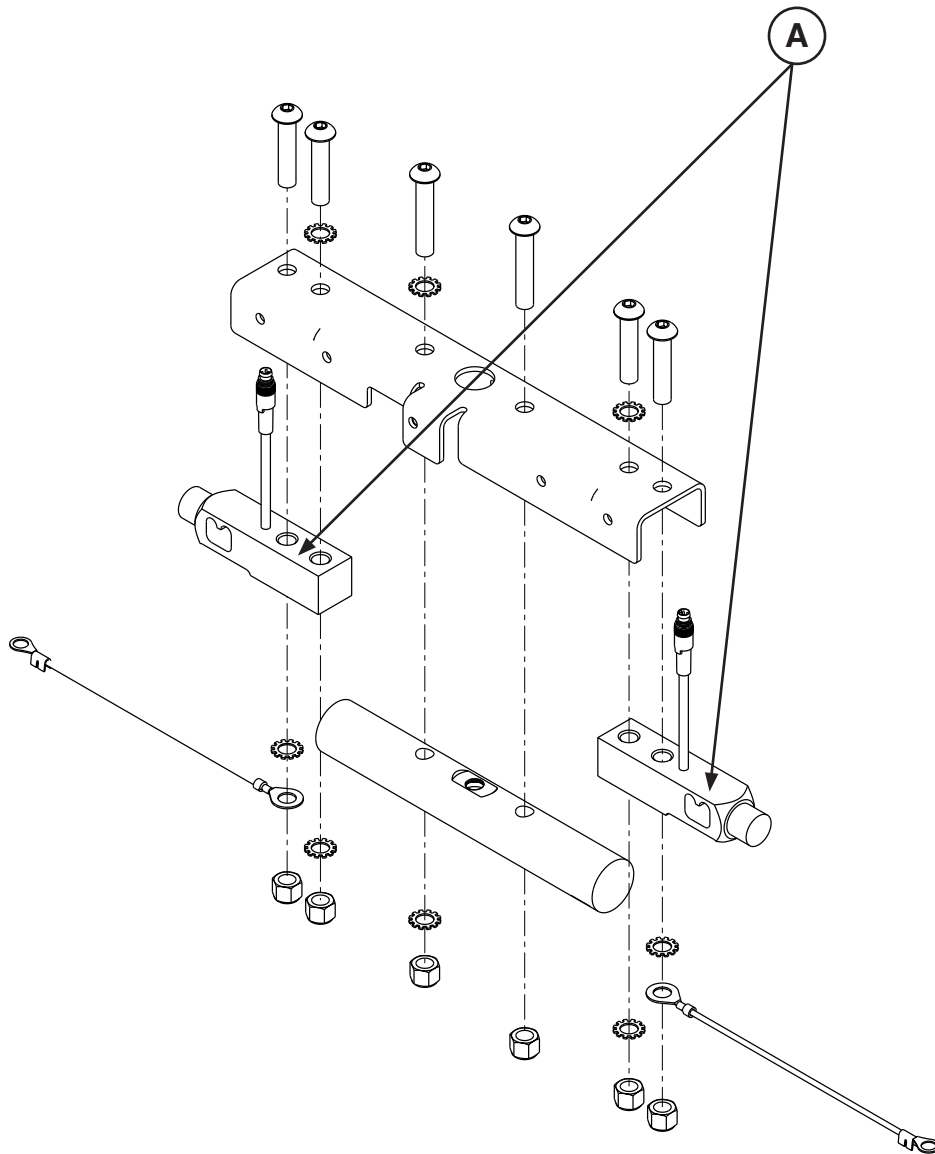
Assembly part number:
 1070-117-600 - (Reference Only) - 26"
 1070-117-300 - (Reference Only) - 30"



Item	Recycling/Material Code	Important Information	Qty
A	(1008-037-057) Load Cell		2

Recycling Passport

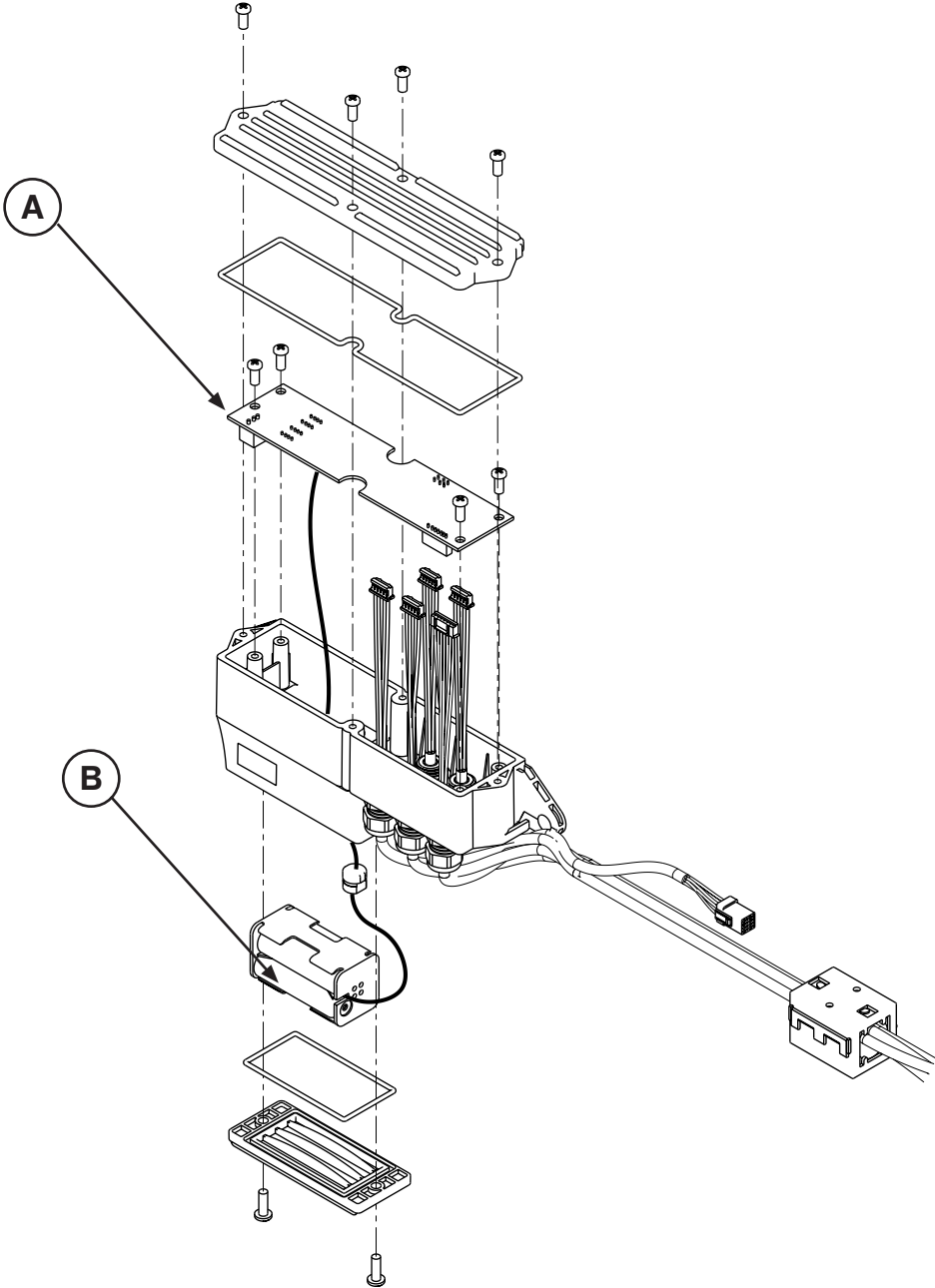
Assembly part number: 1070-037-300 (Reference Only) - 30"



Item	Recycling/Material Code	Important Information	Qty
A	(1008-037-057) Load Cell		2

Recycling Passport

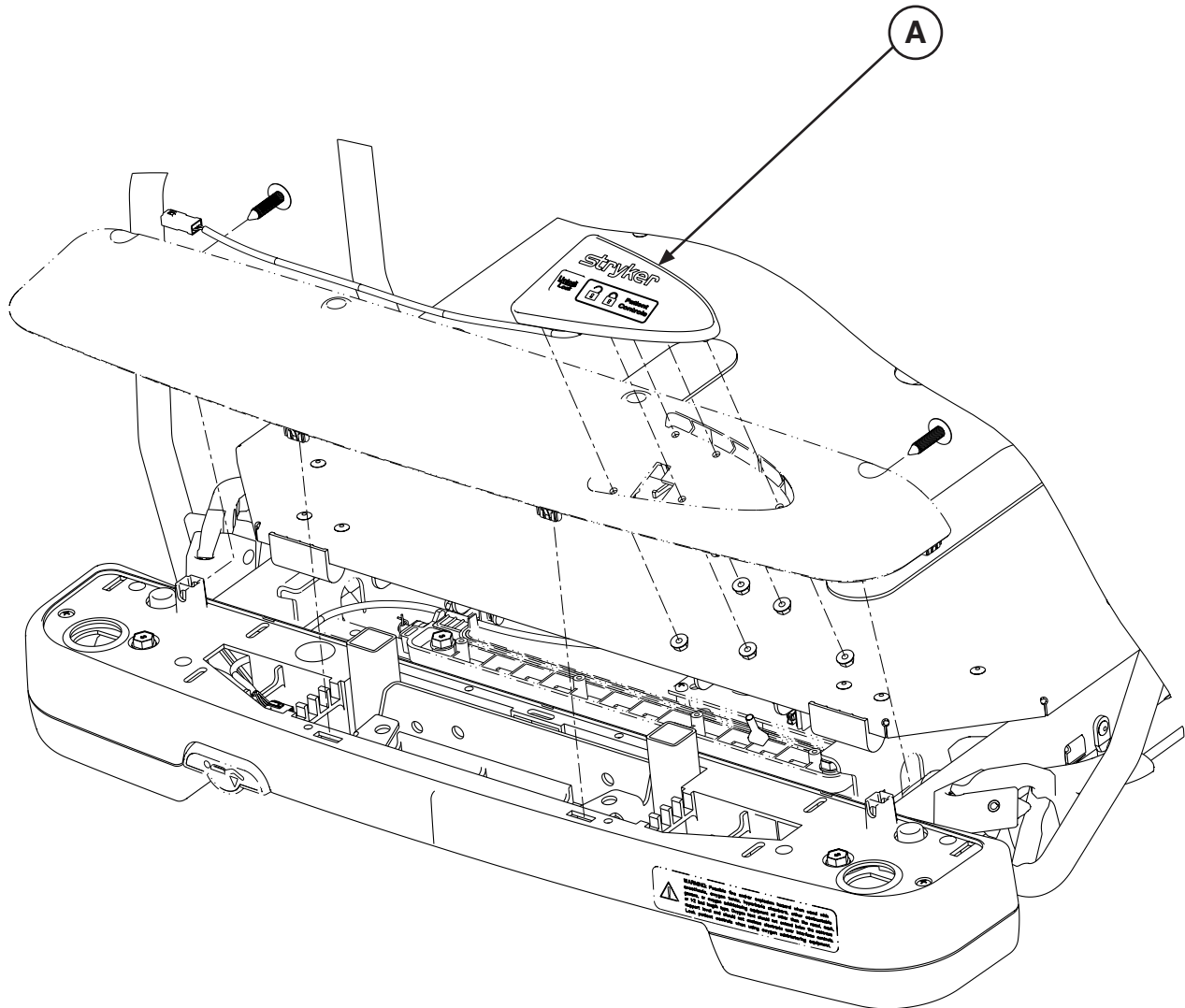
Assembly part number: 1070-237-020 (Reference Only)



Item	Recycling/Material Code	Important Information	Qty
A	(1008-037-830) Scale Control Assembly		1
B	(1070-137-029) AA Battery Assembly		1

Recycling Passport

Assembly part number: 1008-010-302 (Reference Only)

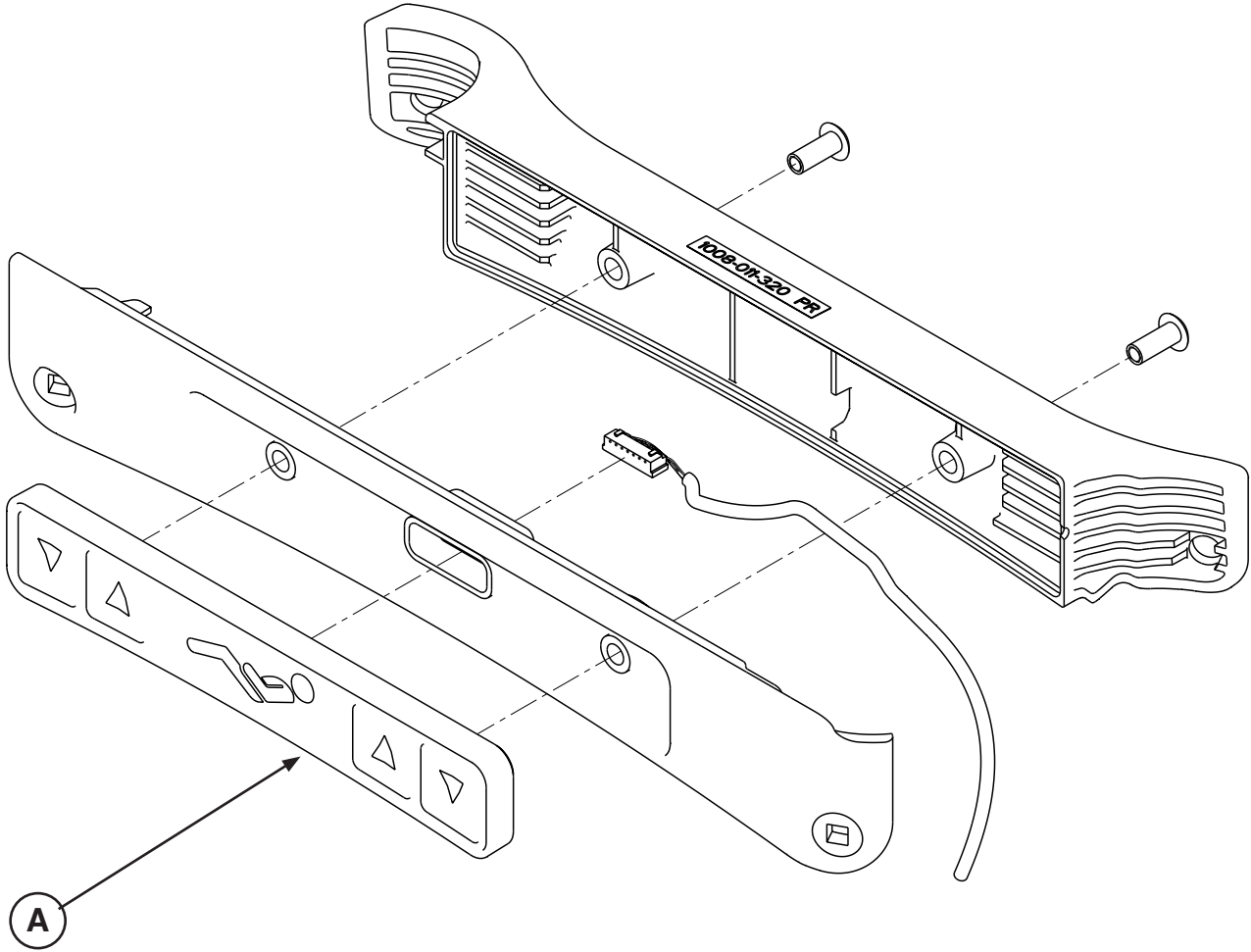


Item	Recycling/Material Code	Important Information	Qty
A	(1008-015-820) Patient Lockout Assembly		1

[Return To Table of Contents](#)

Recycling Passport

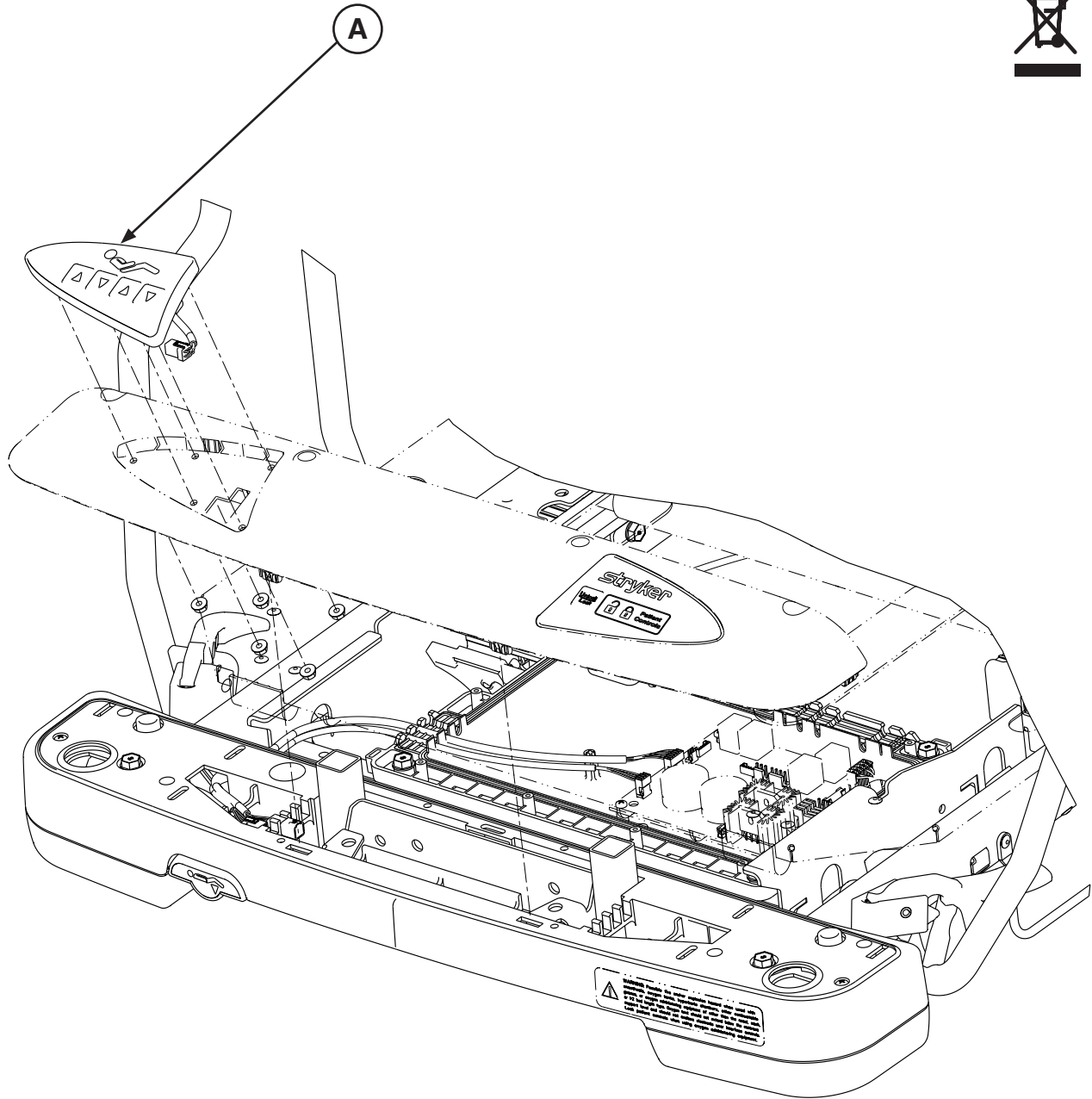
Assembly part number:
 1008-011-320 - (Reference Only) - Right
 1008-011-330 - (Reference Only) - Left



Item	Recycling/Material Code	Important Information	Qty
A	(1008-011-016) Siderail Keypad, Right (1008-011-017) Siderail Keypad, Left		1

Recycling Passport

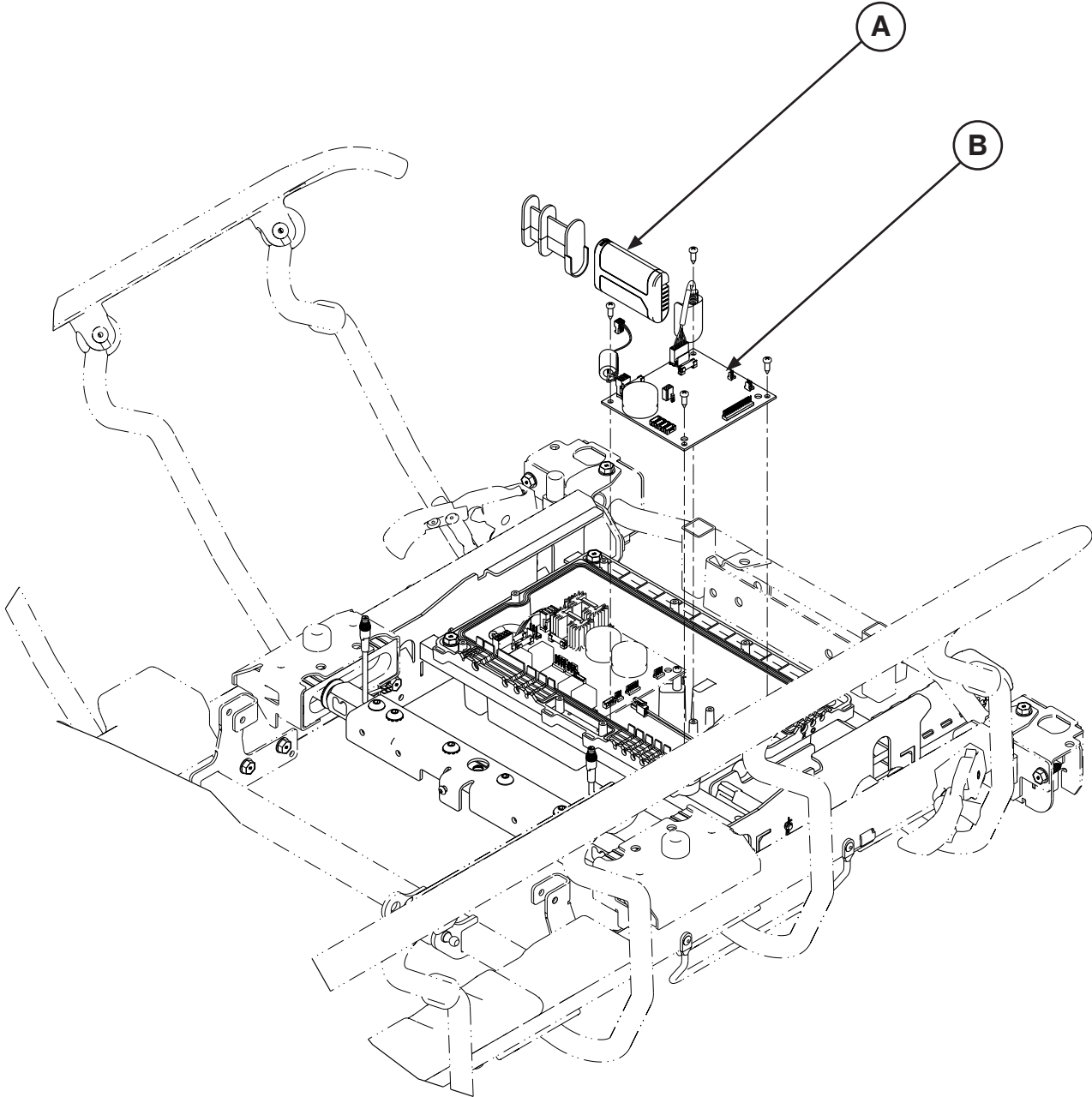
Assembly part number: 1008-015-020 (Reference Only)



Item	Recycling/Material Code	Important Information	Qty
A	(1008-015-800) Staff Control Assembly		1

Recycling Passport

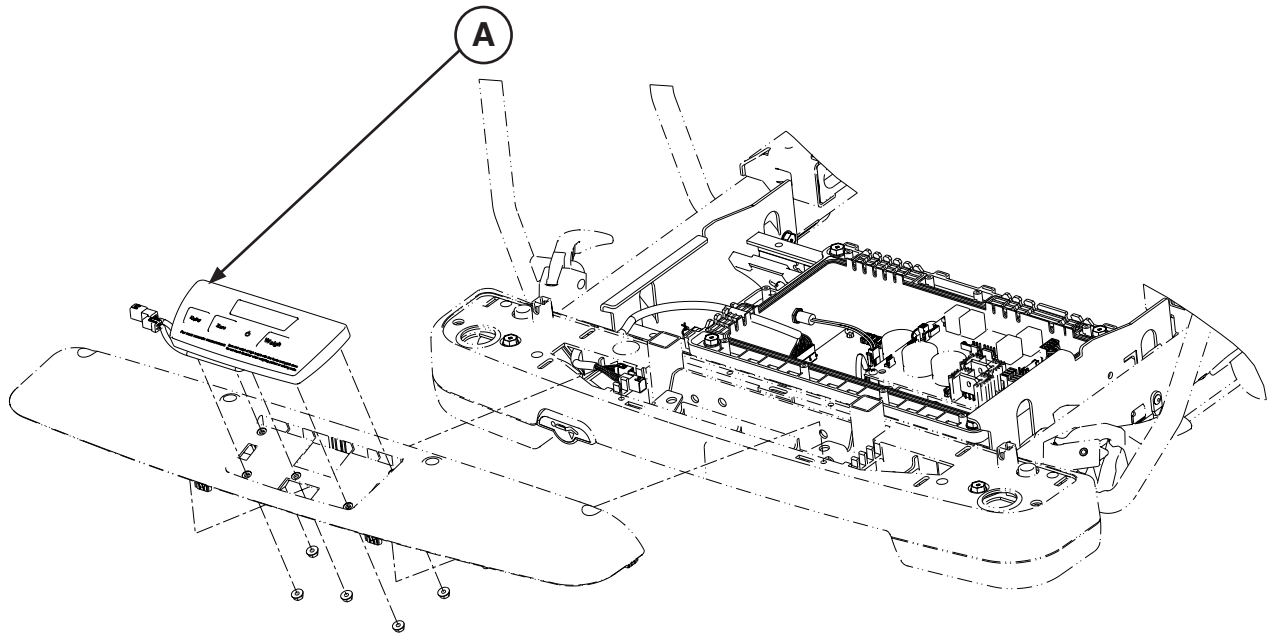
Assembly part number: 1070-010-100 (Reference Only)



Item	Recycling/Material Code	Important Information	Qty
A	(0058-135-000) Li-ION Smart Battery Pack		1
B	(1008-237-850) Scale Control Assembly		1

Recycling Passport

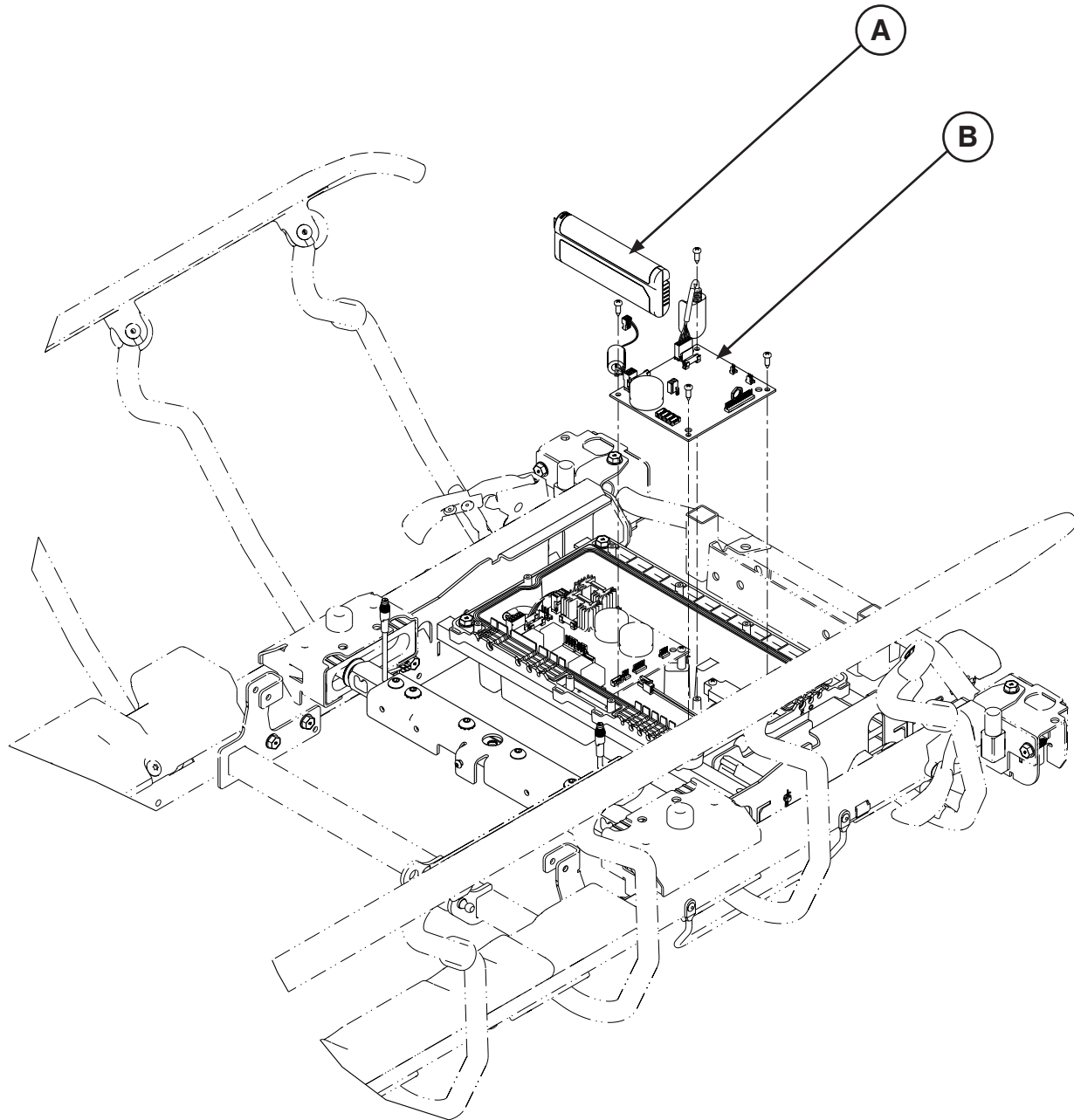
Assembly part number: 1070-010-100 (Reference Only)



Item	Recycling/Material Code	Important Information	Qty
A	(1008-037-810) Scale Control Backlit Keypad Assembly		1

Recycling Passport

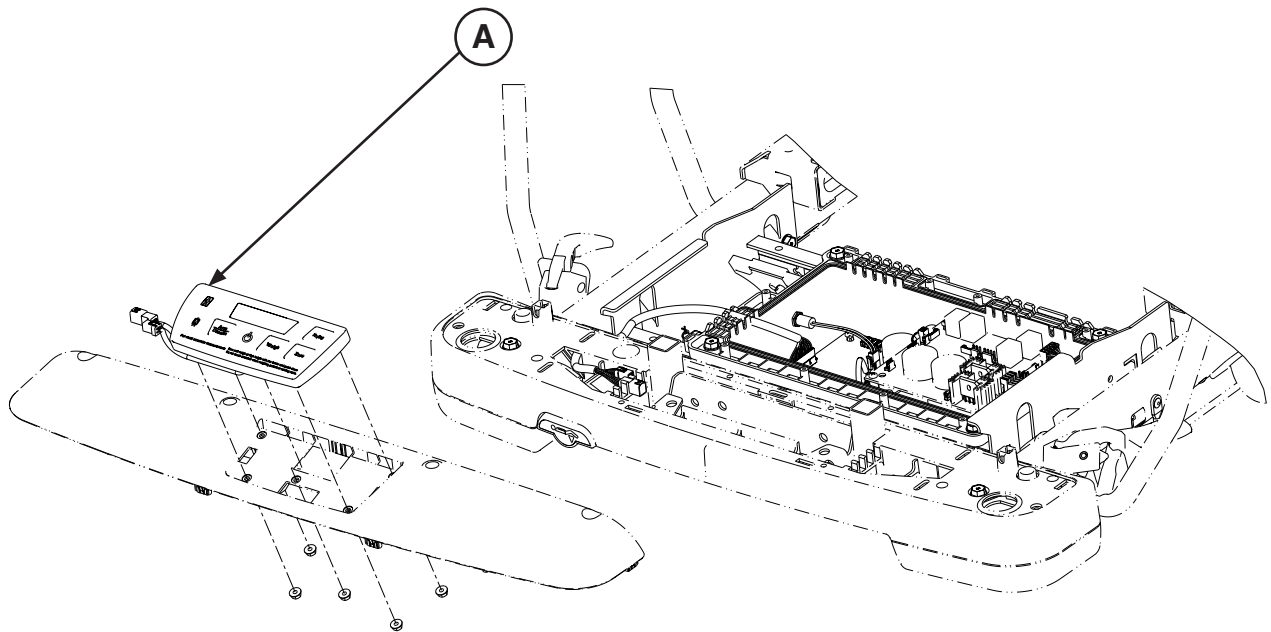
Assembly part number: 1070-010-200 (Reference Only)



Item	Recycling/Material Code	Important Information	Qty
A	(0058-134-000) Li-ION Smart Battery Pack		1
B	(1008-237-840) Scale/ Chaperone Control Assembly		1

Recycling Passport

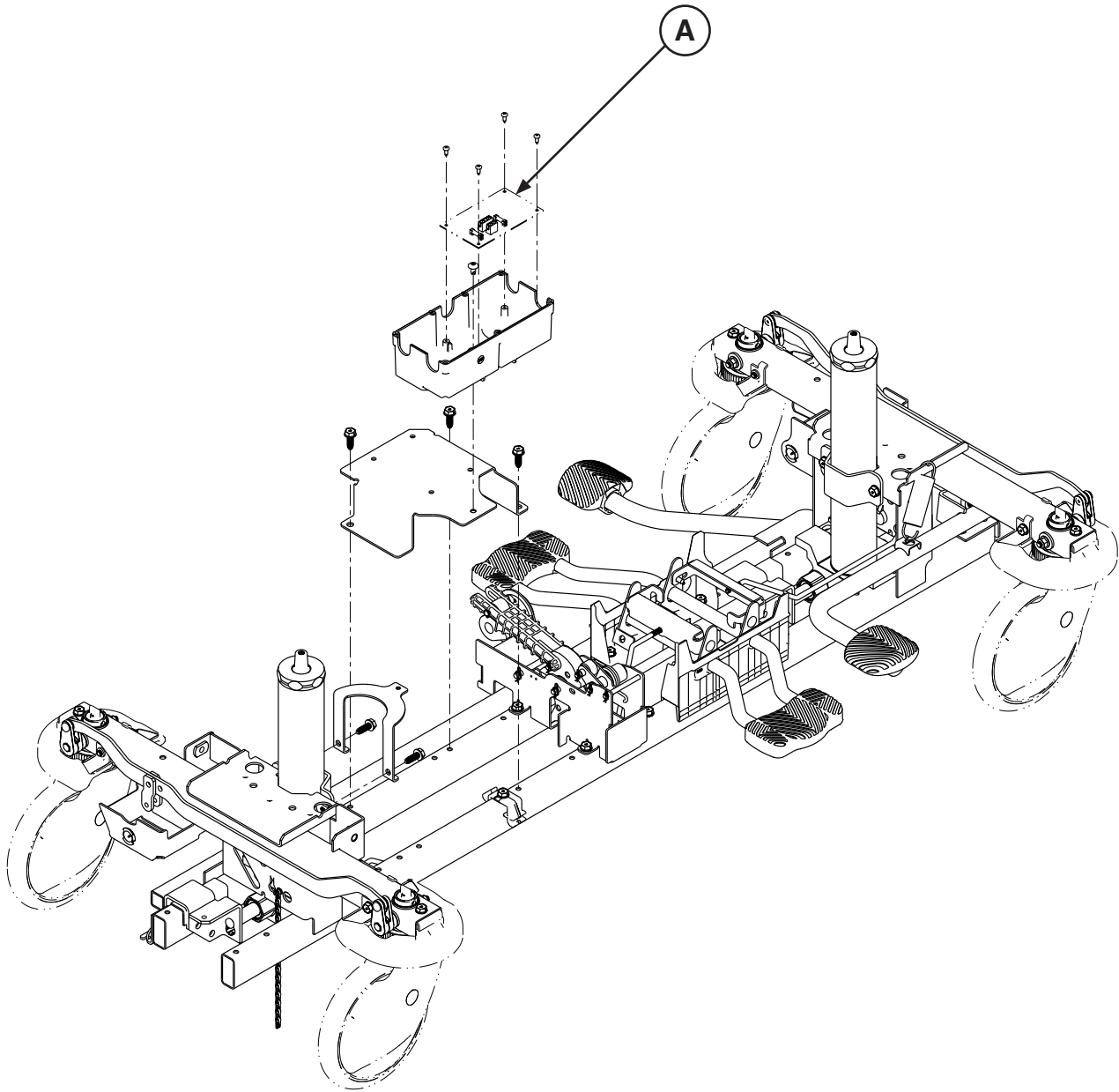
Assembly part number: 1070-010-200 (Reference Only)



Item	Recycling/Material Code	Important Information	Qty
A	(1008-037-800) Scale/ Chaperone Keypad Assembly		1

Recycling Passport

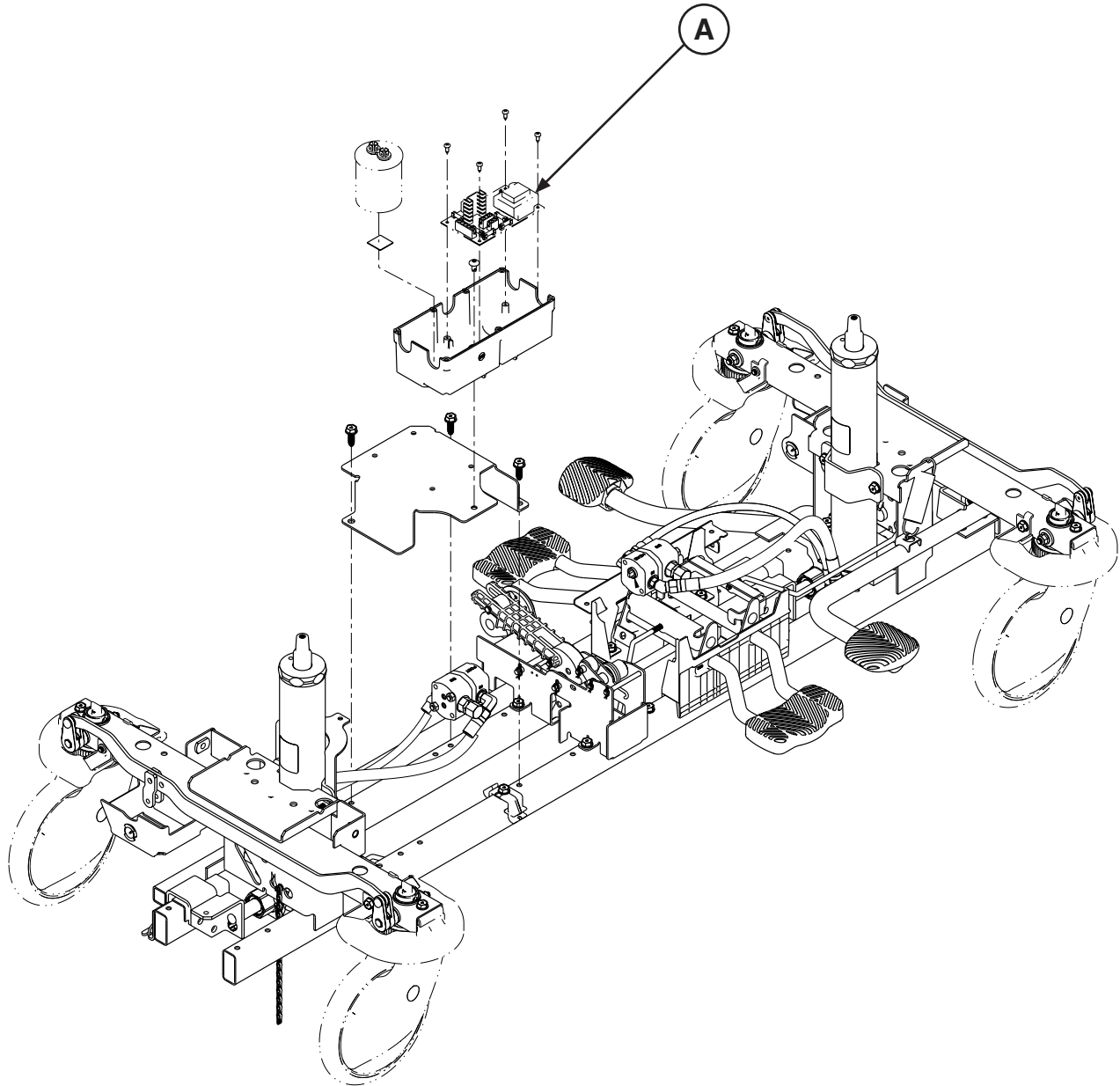
Assembly part number: 1018-015-305 (Reference Only)



Item	Recycling/Material Code	Important Information	Qty
A	(1008-002-800) Non-Lift Control PCB Assembly		1

Recycling Passport

Assembly part number: 1018-015-405 (Reference Only)



Item	Recycling/Material Code	Important Information	Qty
A	(1008-002-810) Lift Control PCB Assembly		1



Stryker Medical
3800 E. Centre Avenue
Portage, Michigan 49002
USA

stryker[®]