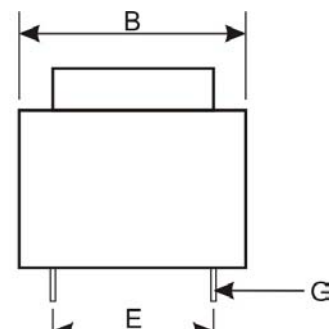
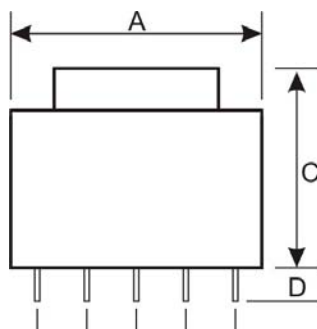




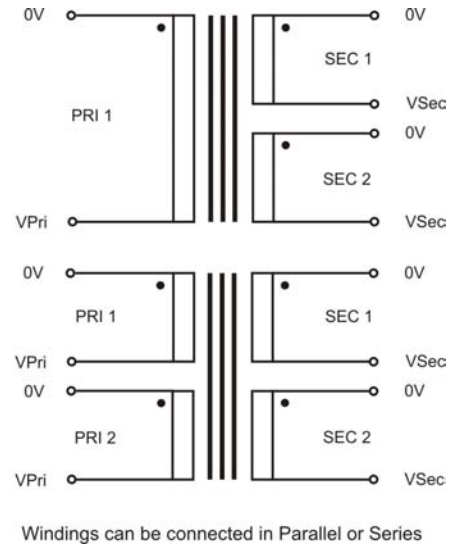
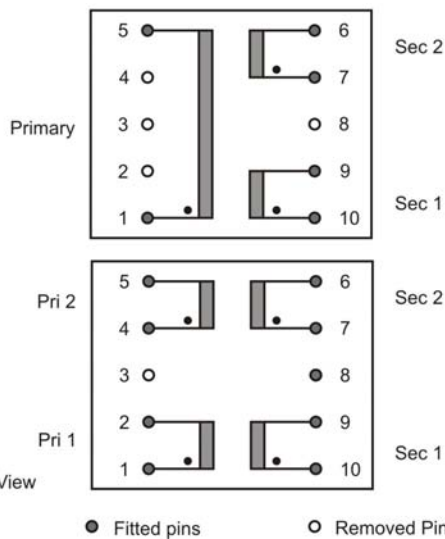
Features:

- High Quality Encapsulated Transformer
- Single/Dual Primary windings
- Power: 3.2 ~ 4.5 VA 50/60Hz
- Temperature Class: - Class B (130°C)
- Ambient temperature: +70°C
- Dielectric Strength: 4200Vrms
- Materials: UL94-V0
- Manufactured and tested in accordance to EN61558, EN60950, CE



Unused Pins will be omitted from standard parts.
Recommended Drill Hole Diameter for Pins: 1.0mm

Pin View



VA Rating	Dimension (mm)							Weight (g)
	A	B	C	D	E	F	G	
3.2	41	35	28	4	25	5	Sq 0.64	145
4.0	41	35	28	4	25	5	Sq 0.64	145
4.5	41	35	30.8	4	25	5	Sq 0.64	170
Tolerance	+/-0.5	+/-0.5	+/-0.5	+/-1.0	+/-0.5	+/-0.2	+/-0.1	approx

Please contact Vigortronix for any enquires. Products can be altered to suit custom requirements.
The information contained in this document is subject to change without notice.

VA Rating	Part No	Input Voltage (Vac)	Output Voltage (Vac)	Output Current (mA)	ta (°C)	Approvals
3.2	VTX-121-3832-206	230	2 x 6	266	70	UL / VDE CE
3.2	VTX-121-3832-209	230	2 x 9	177	70	
3.2	VTX-121-3832-212	230	2 x 12	133	70	
3.2	VTX-121-3832-215	230	2 x 15	106	70	
3.2	VTX-121-3832-218	230	2 x 18	88	70	
3.2	VTX-121-3832-224	230	2 x 24	66	70	
4.0	VTX-121-3840-206	230	2 x 6	333	70	
4.0	VTX-121-3840-209	230	2 x 9	222	70	
4.0	VTX-121-3840-212	230	2 x 12	167	70	
4.0	VTX-121-3840-215	230	2 x 15	133	70	
4.0	VTX-121-3840-218	230	2 x 18	111	70	
4.0	VTX-121-3840-224	230	2 x 24	83	70	
4.5	VTX-121-3845-206	230	2 x 6	375	70	
4.5	VTX-121-3845-209	230	2 x 9	250	70	
4.5	VTX-121-3845-212	230	2 x 12	187	70	
4.5	VTX-121-3845-215	230	2 x 15	150	70	
4.5	VTX-121-3845-218	230	2 x 18	125	70	
4.5	VTX-121-3845-224	230	2 x 24	93	70	

VA Rating	Part No	Input Voltage (Vac)	Output Voltage (Vac)	Output Current (mA)	ta (°C)	Approvals
3.2	VTX-121-3832-406	2 x 115	2 x 6	266	70	CE
3.2	VTX-121-3832-409	2 x 115	2 x 9	177	70	
3.2	VTX-121-3832-412	2 x 115	2 x 12	133	70	
3.2	VTX-121-3832-415	2 x 115	2 x 15	106	70	
3.2	VTX-121-3832-418	2 x 115	2 x 18	88	70	
3.2	VTX-121-3832-424	2 x 115	2 x 24	66	70	
4.0	VTX-121-3840-406	2 x 115	2 x 6	333	70	
4.0	VTX-121-3840-409	2 x 115	2 x 9	222	70	
4.0	VTX-121-3840-412	2 x 115	2 x 12	167	70	
4.0	VTX-121-3840-415	2 x 115	2 x 15	133	70	
4.0	VTX-121-3840-418	2 x 115	2 x 18	111	70	
4.0	VTX-121-3840-424	2 x 115	2 x 24	83	70	
4.5	VTX-121-3845-406	2 x 115	2 x 6	375	70	
4.5	VTX-121-3845-409	2 x 115	2 x 9	250	70	
4.5	VTX-121-3845-412	2 x 115	2 x 12	187	70	
4.5	VTX-121-3845-415	2 x 115	2 x 15	150	70	
4.5	VTX-121-3845-418	2 x 115	2 x 18	125	70	
4.5	VTX-121-3845-424	2 x 115	2 x 24	93	70	