

MINISENSE 100 ANALOG PCB

SPECIFICATIONS

- Evaluation Circuit for Vibration Sensor
- Low Power – Battery Powered
- LED for Trigger
- High Sensitivity
- Analog and Digital Signal Access Points

The LDTC MiniSense 100 Analog PCB provides a simple way to evaluate the LDTC MiniSense 100. The unit consists of LDTC MiniSense 100, a low-power operation amplifier, comparator, and DC/DC converter, and the passive components used for signal conditioning. The sensor and circuit are assembled on a double-sided PCB with test points, ON/OFF switch, and 0.100" plated through holes for easy user interface. The PCB has adjustable gain and demonstrates the basic capabilities of LDTC MiniSense 100 vibration sensor.

FEATURES

- Signal Conditioned Vibration Sensor
- High Pass Filter @ 1.3Hz
- Low Pass Filter @ 177Hz
- On Board 3.3 V Battery or User Power Supply
- Both Analog and Digital Output

APPLICATIONS

- Wake-up Sensor
- Drop Detection Sensor
- Flow Sensor
- Activity Sensor
- Alarm Trigger

SPECIFICATIONS

CHARACTERISTIC (T=25(C))	SYMBOL	MIN	TYP	MAX	UNITS
Lower Frequency Limit (-3dB Point)	f_{L3dB}	-	1.3	-	Hz
High Frequency Limit (-3dB Point)	f_{U3dB}	-	177	-	Hz
External Supply Voltage	+V	0.9	3.3	5.5	VDC
Supply Current	I _{supply}	-	2.8	-	mA

PIN DESCRIPTIONS

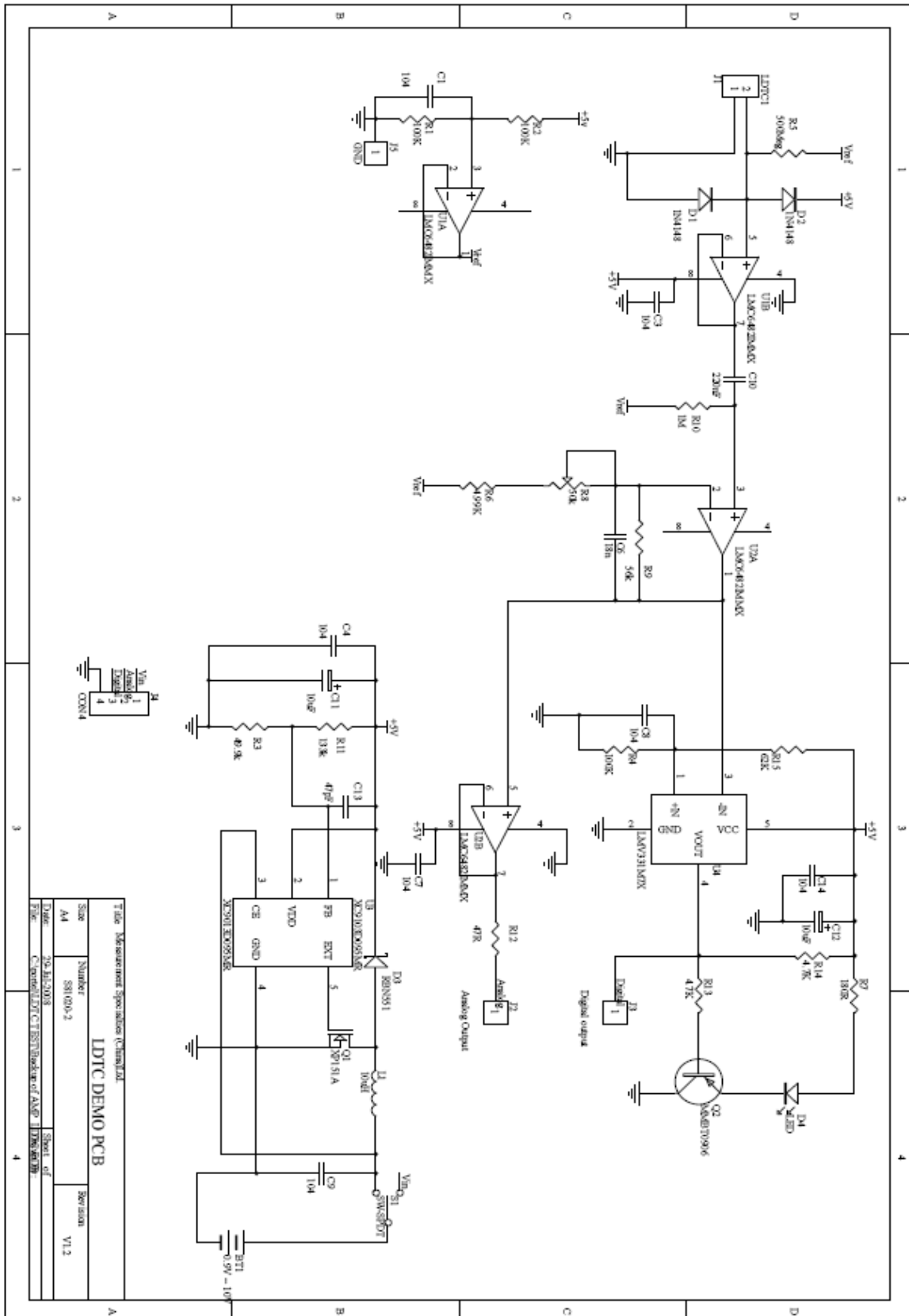
PIN NUMBER	NAME	DESCRIPTION
1	VDD	Connect to Power Supply
2	A	Analog Signal output
3	D	Digital Signal output
4	GND	Connect to GND

****Note: when switch set to "OFF", PCB uses external power if applied to (+) & (-) input pins****

ENVIRONMENTAL CHARACTERISTICS

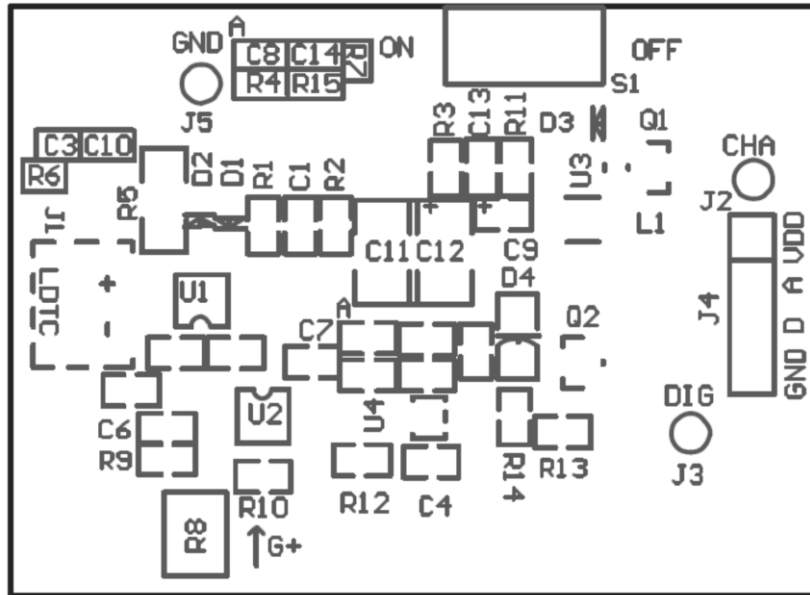
CHARACTERISTICS	SYMBOL	MIN	TYP	MAX	UNITS
Operating Temperature	TOP	-20	-	+85	°C
Storage Temperature	TS	-40	-	+105	°C
Relative Humidity	RH	0	-	90	%R.H

ELECTRICAL SCHEMATIC



Title: Measurement Specifications (Final)		LDTC DEMO PCB	
Size	Number	Revision	
A4	SM1000-2		V1.2
Date	26 Jul 2018	Sheet of	
File	C:\projects\LDTC\TEST\maker of AMP 1\LDTCdemo27	Sheet of	

ELECTRICAL PCB REFERENCE

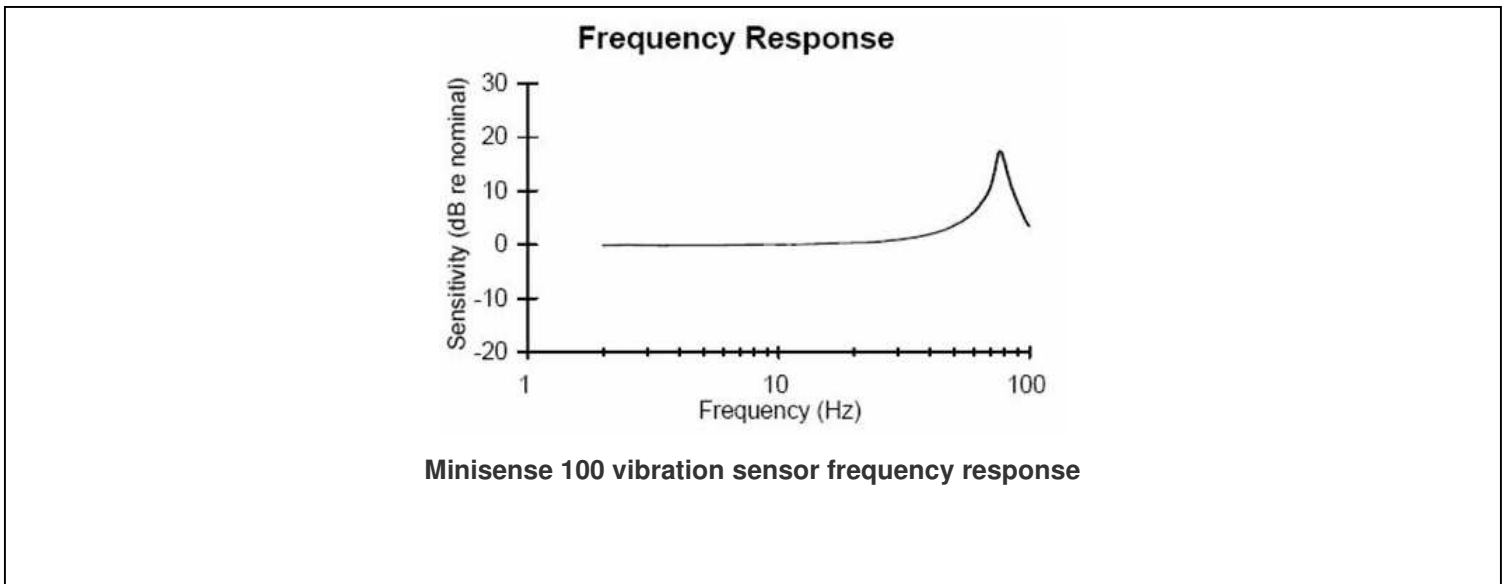


ELECTRICAL PCB DESCRIPTION

The impedance matching resistor, R5, in parallel with the 240pF sensor capacitance, establishes the high pass input filter at approximately 1.3Hz ($f=1/2\pi RC$). After impedance buffering the LDT signal is DC coupled to a gain stage through a 0.7Hz high pass filter formed by C10 and R10. The amplifier gain is set by R9, R6, and the R8 potentiometer in the OP-amp's feedback loop: $Gain=1+ [R9/(R8+R6)]$ with a max gain of 20dB, min gain of 6dB. C6 in parallel with R9 in the feedback loop form a low pass filter with a corner frequency of 177Hz.

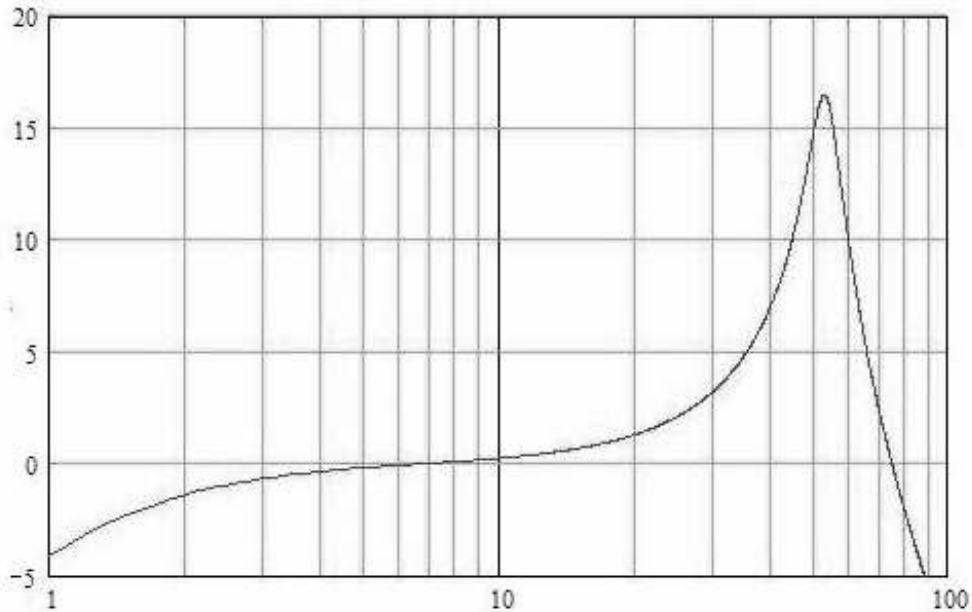
After signal conditioning the analog voltage is buffered for output and also fed into a comparator. R15 & R4 set the threshold voltage. If the amplified signal exceeds the threshold voltage, the comparator output will be pulled low through a 4.7K resistor and the PNP transistor will turn on the LED. The reference voltage, VREF, is 1.65V, or half of the internal 3.3V rail. The on board 3.3V battery and external power are converted to a 5V supply using a DC-DC converter.

FREQUENCY RESPONSE



MiniSense 100 vibration sensor Analog PCB Acceleration Response

Frequency Response



ORDERING INFORMATION

Description	Part Number
MiniSense 100 Analog PCB	1007215

NORTH AMERICA

Measurement Specialties, Inc.,
 a TE Connectivity Company
 1000 Lucas Way
 Hampton, VA 23666
 Sales and Customer Service
 Tel: +1-800-745-8008 or
 +1-757-766-1500
 Fax: +1-757-766-4297
 Technical Support
 Email: piezo@meas-spec.com

EUROPE

MEAS Deutschland GmbH
 a TE Connectivity Company
 Hauert 13
 44227 Dortmund
 Germany
 Sales and Customer Service
 Tel: +49 (0)231 9740 21
 Technical Support
 Tel: +49 (0)6074 862822
 Email: piezoeurope@meas-spec.com

ASIA

Measurement Specialties (China), Ltd.,
 a TE Connectivity Company
 F1.6-4D, Tian An Development Compound
 ShenZhen, China 518048
 Sales and Customer Service
 Tel: +86 755 8330 1004
 Technical Support
 Email: piezo@meas-spec.com

TE.com/sensorsolutions

Measurement Specialties, Inc., a TE Connectivity company.

Measurement Specialties, TE Connectivity, TE Connectivity (logo) and EVERY CONNECTION COUNTS are trademarks. All other logos, products and/or company names referred to herein might be trademarks of their respective owners.

The information given herein, including drawings, illustrations and schematics which are intended for illustration purposes only, is believed to be reliable. However, TE Connectivity makes no warranties as to its accuracy or completeness and disclaims any liability in connection with its use. TE Connectivity's obligations shall only be as set forth in TE Connectivity's Standard Terms and Conditions of Sale for this product and in no case will TE Connectivity be liable for any incidental, indirect or consequential damages arising out of the sale, resale, use or misuse of the product. Users of TE Connectivity products should make their own evaluation to determine the suitability of each such product for the specific application.

© 2015 TE Connectivity Ltd. family of companies All Rights Reserved.