

Medical Grade Power Strips

Standard, Surge Protective and with Load Monitoring Inform™ Technology

FOR USE IN PATIENT CARE AREAS OF HEALTH CARE FACILITIES

Conforms to UL 1363A, UL 60601-1, UL 60950-1, and UL 1449*

Features & Benefits

- Hospital grade outlets and plug ensure dependable performance
- Heavy duty steel construction withstands demanding environments
- Built-in overload protection shuts off the strip in case of excess power draw, and can be returned to service with the simple push of a button
- Locking safety covers are splash-resistant and protect from incidental contact with unused outlets
- Strips with Load Monitoring Inform™ Technology feature a line-of-sight, real-time LED indication of when the NFPA 99 load limit (75%) has been reached
- Multiple configurations available, see ordering information for more details

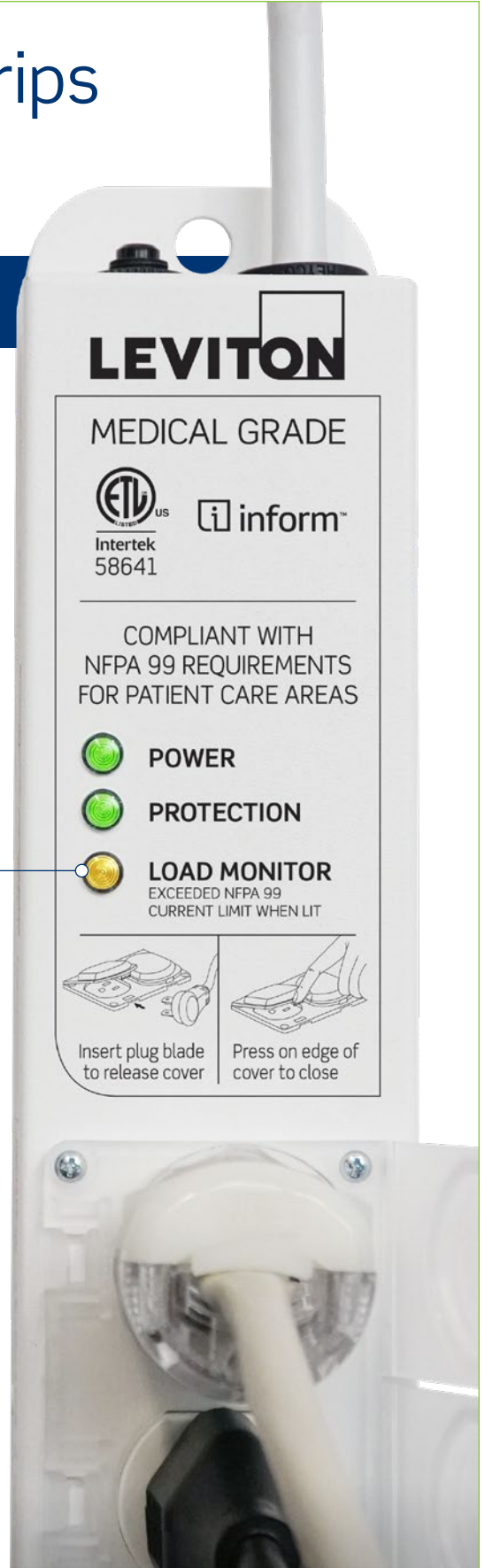
* UL 1449 compliance applies to Surge Protective models only

Standard Strip
20 A, 2 Outlet,
7' Cord
Cat. No.
5302M-2N7



Surge Protective Strip with Load Monitoring Inform Technology
20 A, 6 Outlet, 7' Cord
Cat. No. 53C6M-2S7

Surge Protective Strip
15 A, 4 Outlet, 15' Cord
Cat. No. 5304M-1S5



What makes a power strip “Medical Grade”?

For a power strip to qualify as “medical grade” it must:

- Be used with medical equipment inside Patient Care Areas
- Conform to Safety Standard UL 60601-1 or UL 1363A
- Have receptacle covers that can only be opened with the use of a tool*
- Feature hospital grade plugs and receptacles
- Have an enclosure leakage current that does not exceed 0.1 mA in normal condition
- Be permanently mounted to moveable equipment
- Not have a manual on/off switch

* Anything other than a hand

Applicable Codes & Standards

- NFPA 99 – Health Care Facilities Code
- NFPA 70 (National Electric Code) Article 517 – Health Care Facilities
- UL 60601-1 – Medical Electrical Equipment, Part 1: General Requirements for Safety
- UL 60950-1 – Information Technology Equipment – Safety, Part 1: General Requirements
- UL 1363A – Special Purpose Relocatable Power Taps
- UL 1449 – Surge Protective Devices

For more information regarding application codes and standards, please visit leviton.com/healthcarecodes

Patient Care Areas

As defined in NFPA 99 – 2018 Edition

Patient Care Vicinity

(Depicted below)

A space, within a location intended for examination and treatment of patients, extending 6 feet (1.8 m) beyond the normal location of the bed, chair, table, treadmill, or other device that supports the patient during examination and treatment and extending vertically 7.5 feet (2.3 m) above the floor.

Patient Care Room

Any room of a health care facility wherein patients are intended to be examined or treated. This includes:

- Basic Care Spaces (e.g. exam or treatment rooms in clinics, dental offices, nursing homes, etc.)
- General Care Spaces (e.g. patient bedrooms, dialysis rooms, procedural rooms, etc.)
- Critical Care Spaces (e.g. intensive care rooms, operating rooms, delivery rooms, etc.)



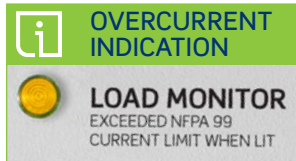
For a full list of requirements for the use of medical grade power strips and other electrical equipment in patient-care areas, see NFPA 99 Chapter 10.

What is Load Monitoring Inform™ Technology?

A simple and efficient way to improve code compliance.

NFPA 99 Article 10.2.3.6 mandates:

The sum of the ampacity of all appliances connected to the outlets does not exceed 75 percent of the ampacity of the flexible cord supplying the outlets.



Inform™ monitors the load of connected devices so that you don't have to, eliminating the need for manual calculations. When the NFPA 99 limit (75%) has been exceeded, a line-of-sight LED indication will activate.

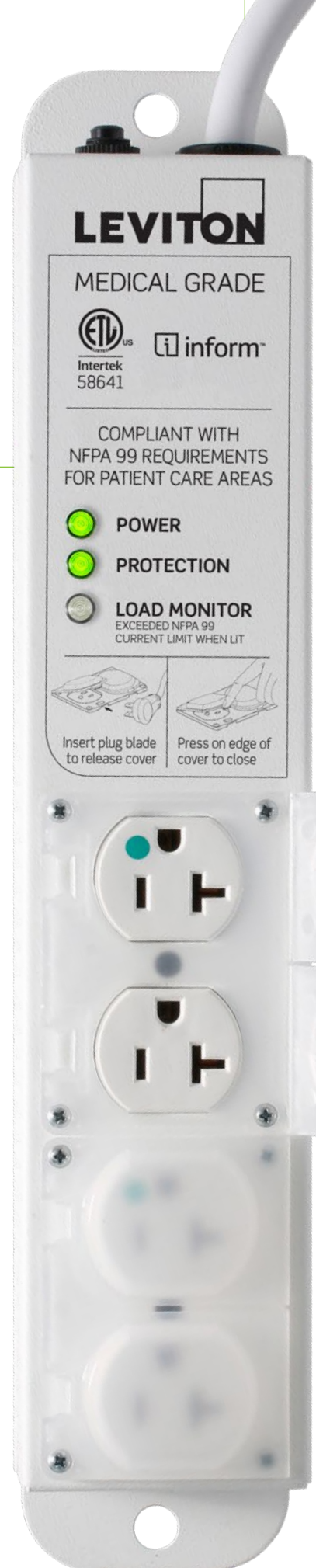
To learn more about Inform™ Technology and innovations please visit leviton.com/inform

Specifications



Medical Grade Power Strips	
Electrical Specifications	
Current	15 A (12 A max continuous load) or 20 A (16 A max continuous load)
Voltage	125 V
Frequency	60 Hz
Surge Technology*	MOV
Performance Data	
Voltage Protection Rating (VPR)†	600 V (L-N), 600 V (L-G), 500 V (N-G)
Max. Continuous Operating Voltage (MCOV)†	150 V
Max. Surge Current, Per Mode‡	27 kA
Max. Leakage Current	<100 µA
Material Specifications	
Line Cord	#14/3 SJT (15 A models) or #12/3 SJT (20 A models)
Enclosure	Powder Coated Steel (18 ga)
Outlet Covers	Polypropylene
Mechanical Specifications	
HG Plug Configuration	NEMA 5-15P or NEMA 5-20P
HG Outlet Configuration	NEMA 5-15R or NEMA 5-20R
Environmental Specifications	
Operating Temperature	0°C to +40°C
Storage Temperature	-10°C to +50°C
Standards	
UL/ CSA/ NOM†	UL 60601-1/ C22.2 No. 60601-1; UL 60950-1/ C22.2 No. 60950-1; UL 1363A/ C22.2 No. 21; UL 1449/ C22.2 No.8‡
NFPA	NFPA 99 2018 ed
Warranty	
Product Warranty	5-Year Limited
Mounting Bracket for Medical Grade Power Strips (5300M-BKT)	
Material Specifications	
Bracket / Retainer	Powder Coated Aluminum
Mounting Hardware	Stainless Steel

† NOM and CSA Standards (C22.2) do not apply to models with Inform™ Technology

* Spec is relevant to Surge Protective models only



Ordering Information

Stock Configurations	Current Rating	AC Power Cord Length	2 Outlet	4 Outlet	6 Outlet
Medical Grade Power Strips	15 A (12 A max continuous load)	7 Feet	5302M-1N7	5304M-1N7	5306M-1N7
		15 Feet	5302M-1N5	5304M-1N5	5306M-1N5
	20 A (16 A max continuous load)	7 Feet	5302M-2N7	5304M-2N7	5306M-2N7
		15 Feet	5302M-2N5	5304M-2N5	5306M-2N5
Surge Protective Medical Grade Power Strips	15 A (12 A max continuous load)	7 Feet	5302M-1S7	5304M-1S7	5306M-1S7
		15 Feet	5302M-1S5	5304M-1S5	5306M-1S5
	20 A (16 A max continuous load)	7 Feet	5302M-2S7	5304M-2S7	5306M-2S7
		15 Feet	5302M-2S5	5304M-2S5	5306M-2S5
 Medical Grade Power Strips with Load Monitoring Inform™ Technology	15 A (12 A max continuous load)	7 Feet	—	53C4M-1N7	53C6M-1N7
		15 Feet	—	53C4M-1N5	53C6M-1N5
	20 A (16 A max continuous load)	7 Feet	—	53C4M-2N7	53C6M-2N7
		15 Feet	—	53C4M-2N5	53C6M-2N5
 Surge Protective Medical Grade Power Strips with Load Monitoring Inform™ Technology	15 A (12 A max continuous load)	7 Feet	—	53C4M-1S7	53C6M-1S7
		15 Feet	—	53C4M-1S5	53C6M-1S5
	20 A (16 A max continuous load)	7 Feet	—	53C4M-2S7	53C6M-2S7
		15 Feet	—	53C4M-2S5	53C6M-2S5

All strips available with flying leads - contact your Leviton sales representative for details.

Additional Accessories

Replacement Outlet Covers
Each will cover two outlets
5300M-CVR



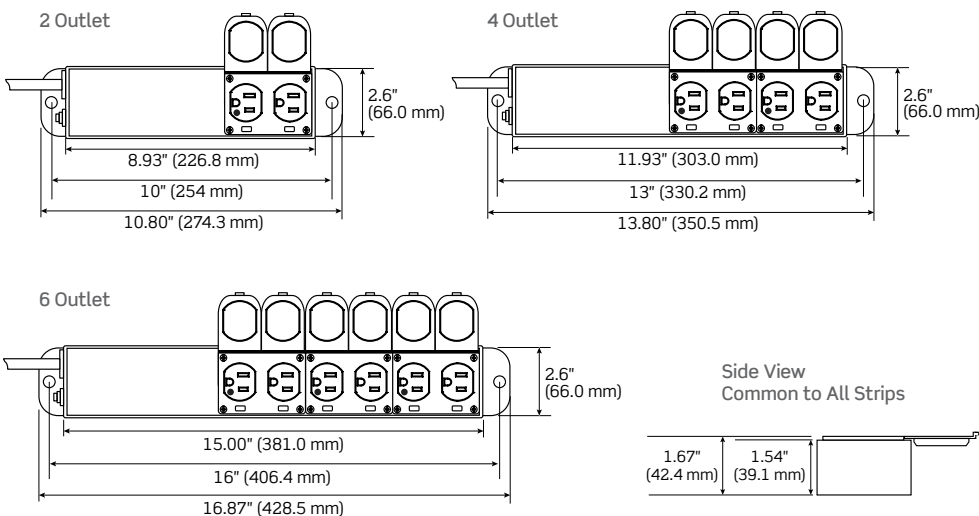
Mounting Bracket

Includes top and bottom mounting mechanisms
5300M-BKT

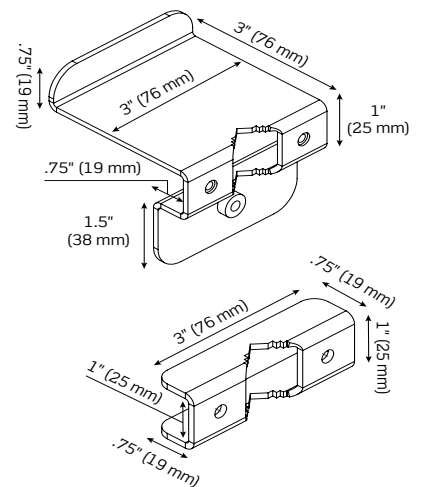


Dimensions

Medical Grade Power Strips



Mounting Bracket



Visit our Website at:
leviton.com/medstrips
email: inform@leviton.com
commercial@leviton.com

Q-787H

082620

Leviton Manufacturing Co., Inc.

201 N Service Rd, Melville, NY 11747
Telephone: 1-800-323-8920 • FAX: 1-800-832-9538
Tech Line: 1-800-824-3005 (M-F 8AM-10PM; Sat 9AM-7PM; Sun 9AM-5PM)

© 2020 Leviton Manufacturing Co., Inc. All rights reserved.

