

IMPORTANT INSTRUCTIONS

This product must be installed by a qualified electrician.

In order to avoid fire, shock or death, shut off power supply at the circuit breaker or fuse before wiring.

Before you begin:

- Verify that the heating appliance that is being connected is within the specified load range.
- Confirm voltage is within the device rating.
- For wiring, use copper conductors only.
- Mount on a certified electrical box only.

Keep this user's guide in a safe place for future reference.

TECHNICAL SPECIFICATIONS

	TEP302DW	TEP362DW	TEP402DW
Max. load (at 120/240 V)	1500 W / 3000 W	1800 W / 3600 W	2000 W / 4000 W
Max. Amps	12.5	15	16.67
Wiring	Double pole, 4 wire	Double pole, 4 wire	Single pole, 3 wire

Electrical Rating	120/208/240 V 50-60Hz
Heater Compatibility	Compatible with fan-forced or convection heaters and baseboards
Temperature range	Programmable 5 °C - 30 °C (41 °F - 86 °F) Readable -40 °C - 70 °C (-40 °F - 158 °F) LCD may degrade at 0 °C (32 °F)
Software	Class A
Certification	cULus
Impulse Voltage	2500
Pollution Degree	PD2

TECHNICAL SUPPORT

Thank you for your purchase! Question or problem? Let us solve it with a single phone call, email or online chat! We'll save you a trip back to the store!

Cadet Customer Service

Phone: 855.223.3887 (from US)
800.668.6663 (from Canada)
email: customerservice@cadetheat.com
Live chat: cadetheat.com (contact us)

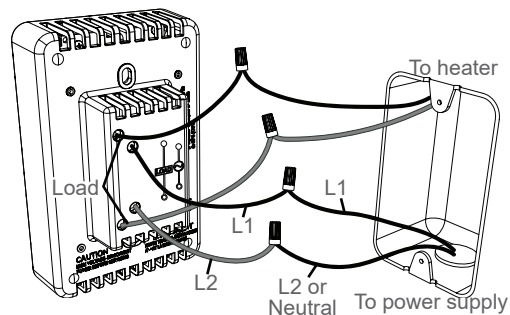
7216290100R01

INSTALLATION

WIRING INSTRUCTIONS

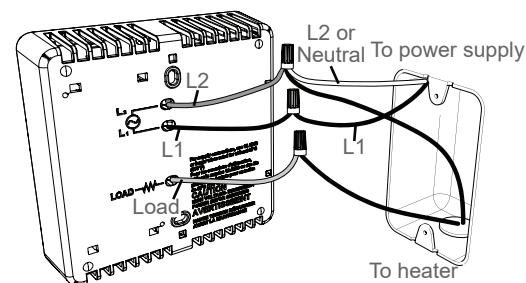
TEP302DW, TEP362DW

1. Connect the *black* 'L1' thermostat wire to the live supply wire.
2. 240 V: Connect the *red* 'L2' thermostat wire to the other live supply wire. 120 V: Connect the *red* 'L2' thermostat wire to the neutral supply wire.
3. Connect the *black* 'Load' wire to the live heater wire.
4. 240 V: Connect the *red* 'Load' thermostat wire to the other heater wire. 120 V: Connect the *red* 'Load' thermostat wire to the neutral heater wire.



TEP402DW

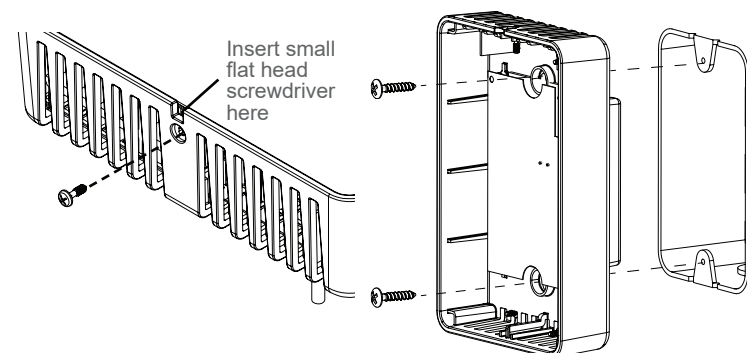
1. Connect the 'L1' thermostat wire to the live supply wire.
2. 240 V: Connect the 'L2' thermostat wire to the other live supply wire and the other live heater wire. 120 V: Connect the 'L2' thermostat wire to the neutral supply wire and the neutral heater wire.
3. Connect the 'Load' thermostat wire to the live heater wire.



MOUNTING THE THERMOSTAT

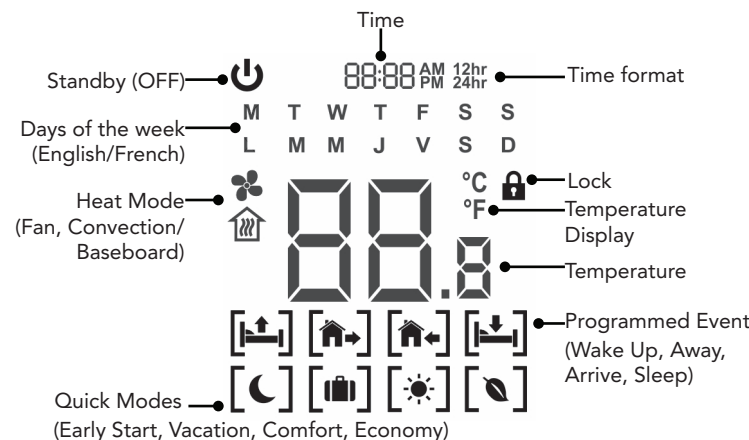
The thermostat should be mounted after the wiring connections have been connected.

1. Remove the small screw at the bottom of the thermostat using a Philips #1 screwdriver.
2. Carefully insert a small flat head screwdriver in the slot between the faceplate and the gray bezel, and gently pry apart.
3. Position the thermostat over the junction box, and secure it using the two supplied screws.
Note: For models TEP302DW and TEP362DW, the protruding part from the back will be recessed into the junction box
4. Remove the plastic battery insulating tab inside the thermostat.
5. Reinstall the faceplate and insert the previously removed screw.
6. Remove the protective film before use.



CONTROL

DISPLAY



Moderate pressure must be applied to the center of each button to operate.

SETUP

In case of loss of power, the thermostat will retain these settings. Follow the instructions below to change the settings.

Language

Select your language preference (English or French):

1. Press **+** and **-** at the same time to enter the setup.
2. Press **M**. The days of the week will flash in the current language setting. The letters **M T W T F S S** indicates the **English** setting. **L M M J V S D** indicates the **French** setting.
3. Use **+** or **-** to change the current setting.
4. The display will blink for 6 seconds before returning to the main screen.

Temperature Display

Select your preferred temperature display:

1. Press **+** and **-** at the same time to enter the setup.
2. Press **M** twice. **°C** or **°F** will flash.
3. Press **+** or **-** if you wish to change the temperature display.
4. The display will blink for 6 seconds before returning to the main screen.

Heat Mode

Select the mode that applies to your heater. If the incorrect setting is chosen, your heater may short cycle or hold an inconsistent temperature.

1. Press **+** and **-** at the same time to enter the setup.
2. Press **M** 3 times. **☪** or **🔥** will flash.
3. Press **+** or **-** to select the option suitable for your heater.
Select **☪** for fan-forced heaters or **🔥** for convection heaters (including baseboard heaters).
4. The display will blink for 6 seconds before returning to the main screen.

Time and Day

Set the current time and format.

1. Press **+** and **-** at the same time to enter the setup.
2. Press **M** 6 times. **12hr** or **24hr** will flash.
3. Use **+** or **-** to change the time format.
4. Press **✓** to confirm. The *hour* digits will flash.
5. Adjust the hour using **+** or **-**.
6. Press **✓** to confirm. The *minute* digits will flash.
7. Adjust the minutes using **+** or **-**.
8. Press **✓** to confirm. The currently set day of the week will flash.
9. Use **+** or **-** to select the current day of the week.
10. Press **✓** to confirm.

FUNCTIONS

Setting the Temperature

The display will show the ambient temperature, except during temperature adjustment, in which case it will show the set temperature. To adjust the set temperature:

1. Press **+** or **-** to select the desired temperature.
2. The display will blink for 6 seconds before returning to the main screen. When the temperature is changed from the scheduled set point for the current event, *HOLD* will appear at the top of the screen, where the time is normally displayed. This indicates that a temporary hold has been set. The next scheduled event will override this temperature change.

Lock Function

Use the lock function to prevent the settings from being changed inadvertently.

1. Press **+** and **-** at the same time.
2. Press **M** 5 times. The **🔒** icon will blink.
3. Press **+** or **-** to toggle it on and off.
The **🔒** icon blinks fast to indicate that it is enabled, and blinks slow to indicate that it is disabled.
4. The display will blink for 6 seconds before returning to the main screen. The **🔒** icon will remain visible to indicate that the lock function is enabled. To disable, press and hold **+** and **-**.

Standby (OFF)

Use the standby function to turn the heat off indefinitely.

1. Press **+** and **-** at the same time.
2. Press **M** 4 times. The **🔌** icon will blink.
3. Press **+** or **-** to toggle it on and off.
The **🔌** icon blinks fast to indicate that it is enabled, and blinks slow to indicate that it is disabled.
4. The display will blink for 6 seconds before returning to the main screen. When enabled, only the **🔌** icon will remain visible on the screen. To disable, press and hold **+** and **-**.

Factory Reset

If thermostat settings need to be adjusted significantly, the thermostat can be reset.

- Press and hold the **M** for 10 seconds. The display will flash and be reset to the thermostat's original configuration.

Firmware Version

To display the firmware version:

1. Press **+** and **-** at the same time.
2. Press **M** 7 times. The firmware version will be displayed where the time is typically located.
3. The display will return to the main screen after a 6-second delay.

PROGRAMMING

Program Setup

To set the program:

1. Press **M** to enter the program setup.
You will need to program the first event; Wake Up **🌅** for the 5 weekdays. The two 'hour' digits will flash.
2. Adjust the hours using **+** or **-**.
3. Press **✓** to confirm. The two 'minute' digits will flash.
4. Adjust the minutes in 15-minute intervals using **+** or **-**.
5. Press **✓** to confirm. The set point temperature will flash.
6. Adjust the event temperature set point using **+** or **-**.
7. Press **✓** to confirm. The Wake Up event is now programmed.
8. Repeat steps 3-8 to program the remaining events: Away, Return, and Sleep to complete the weekday setup. Once the weekday setup is completed, you will continue to the programming of events for the weekend. To exit program setup at any time, wait 10 seconds for the thermostat to return to the main screen.

QUICK MODES

Use quick modes to quickly and easily change the temperature using the following presets:

Early Start

When the 'Early start' function is active, the thermostat will start heating the room 30 minutes earlier than the set time for next programmed event.

Vacation

This mode will set the temperature at 10 °C (50 °F) to conserve energy while you are away for long periods of time.

Comfort

This mode is used to slightly increase the temperature across all programmed events to maintain a more comfortable temperature.

Economy

This mode is used to slightly decrease the temperature across all programmed events to save energy.

To enable/disable a quick mode:

1. Press and hold **M** for 3 seconds. All of the quick mode icons will appear.
2. Use the **+** or **-** to scroll through icons until the desired one is blinking.
3. Press **✓** to turn the selected quick mode on or off.

More than one quick mode can be active at the same time. See the chart below for compatibility.

Early Start	Comfort	Economy	Vacation
🌙			🧳
	☀️		🧳
🌙	☀️		🧳
🌙	☀️		🧳
		🍃	🧳
🌙		🍃	🧳
🌙		🍃	🧳
		🍃	🧳

WARRANTY



If the thermostat is deemed defective within 3 years of the original date of purchase, Cadet will repair or replace the product at its discretion.

Warranty is void in case of damage incurred from improper use or installation.
See <http://cadetheat.com/product-warranty> for details.

In keeping with our policy of continuous product improvement, we reserve the right to make changes without notice.

© 2020 Glen Dimplex Americas

Glen Dimplex
AMERICAS
Enhancing the moments that matter in life