

ELSEMA

GATE & DOOR CONTROLS



2020 / 2021

Gate & Door Controls Catalogue

- > Waterproof FOB remotes
 - > Automatic Sliding Gate
 - > Automatic Swing Gate
 - > Gate & Door Controls
 - > Gate Accessories
- and more..



- > Variable speed drive kits
- > Commercial sliding gate kits

AUTOMATIC GATE KITS & ACCESSORIES

SECURING GATES SINCE 1978

www.elsema.com

Gate and Door Technology

Since 1978 we have been in research and development of automatic sliding gates, swing gates and industrial roller doors. We are passionate about our work and products supplying innovative solutions to the gate and door automation industry.

The complete production cycle is done by Elsema – from concept, design, testing, assembly, packaging to final quality checks.

Our team strives to put customer service first and use intelligent solutions for our products. We are here for our customers, real people answer the phones and we have specialised engineers who give technical support.

1 Year Warranty

Elsema's 1 year warranty is a clear statement to its customers that the highest possible standard has been used in sourcing components, manufacturing and design of its products. **The 1 year warranty applies to products designed and manufactured by Elsema and which are detailed in this catalogue.**

Our exclusive lifetime support on components and technical advice guarantees that we are there to service the product long after the sale. The lifetime support on components is for 12 years after the purchase date.



PRODUCT SPOTLIGHT

Waterproof Keyring
remote controls



Page 48

Articulated arm
swing gate motor kit

ELSEMA 
INTELLIGENT 
SWING

Page 14

Sliding gate
motor kits

ELSEMA 
INTELLIGENT 
SLIDER

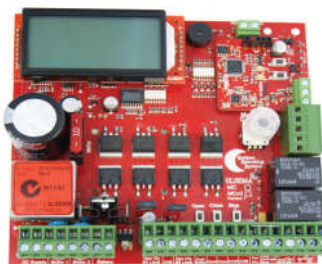
Page 6

Sliding gate
motor kits



Page 6

Motor control cards



Page 32

Swinging gate
motor kits

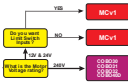















Page 22

ELSEMA 
GATE & DOOR CONTROLS

All our motor kits use Eclipse® Operating System

Contents

	SELECTION GUIDES	Page 4-5
	SLIDING GATE MOTORS, SOLAR SLIDING GATE KITS	Page 6-13
	ARTICULATED ARM GATE MOTORS, SOLAR KITS	Page 14-17
	SWING GATE MOTORS, SOLAR SWING GATE KITS	Page 18-31
	MC with ECLIPSE®, DUAL OR SINGLE GATE CONTROLLER	Page 32-33
	MCS with ECLIPSE®, SINGLE GATE CONTROLLER	Page 34-35
	MC240 with ECLIPSE®, 240VAC DUAL OR SINGLE CONTROLLER	Page 36-37
	MCi-VSD with ECLIPSE®, CONTROLLER FOR VSD MOTORS	Page 38-39
	SOLAR GATE CONTROLLERS	Page 40
	ADC402, AUTOMATIC DOOR CONTROLLER	Page 41
	1.0kW, 240VAC MOTOR CONTROLLER, 240S1 & 240S2	Page 42-43
	2.0kW, 240VAC MOTOR CONTROLLER, 240S3E & 240S4E	Page 44-45
	1.6 kW, 415VAC MOTOR CONTROLLER, 415S1E Series	Page 46-47
	WATERPROOF PentaFOB® REMOTES AND WIRELESS SWITCH	Page 48-53



PentaFOB® PROGRAMMER

Page 53



PentaCODE® REMOTES

Page 54-55



RECEIVERS, BOOSTER, WIEGAND RECEIVER

Page 56-59



WIRELESS KEYPAD

Page 60



PHOTOELECTRIC BEAMS

Page 61



GSM GATE OPENER

Page 62



LOCKING ACTUATOR and MAGNETIC LOCKS

Page 63



VEHICLE LOOP DETECTORS and PRE-MADE LOOPS

Page 64-67



GEAR RACKS and SAFETY BUMP STRIP FOR SLIDING GATES

Page 68



STROBE LIGHTS

Page 69



BATTERIES and DEEP CYCLE RECHARGEABLE BATTERIES

Page 70-71



SOLAR BATTERY CHARGER

Page 72



SOLAR PANELS 5, 10, 20, 40 AND 60 WATT

Page 73

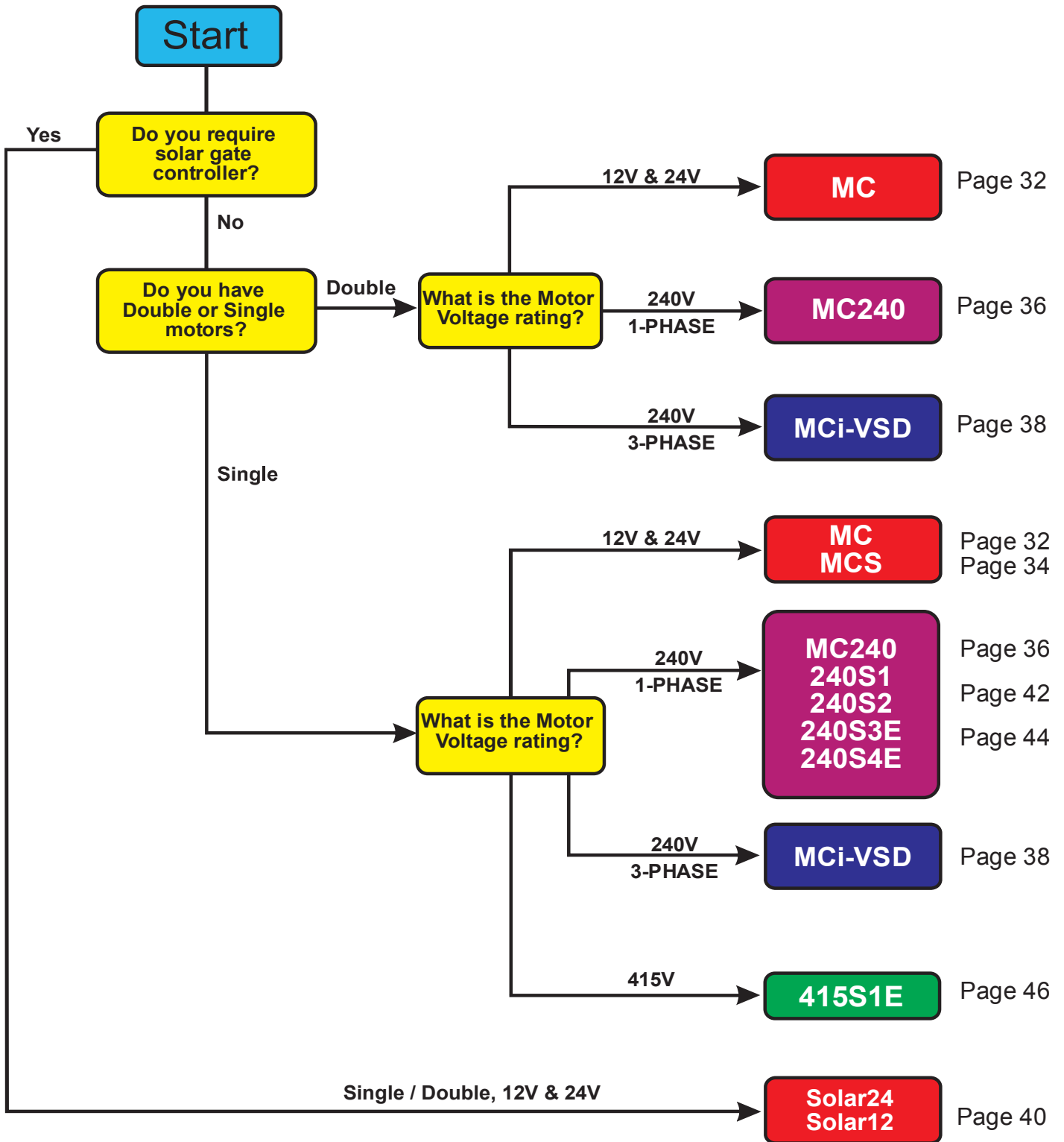


CASES and IP RATING TABLE

Page 74-76

Selection Guide

Gate Controller Selection Guide




Quick Selection Guide

Swing Gate Motor

Powered by



	 Domestic	Domestic	Domestic / Commercial	Domestic / Commercial	 Industrial
Part Number	iS270	iS250	iS300	iS400	iS330
Input Supply	240 Volts AC 24 Volts DC	240 Volts AC 24 Volts DC	240 Volts AC 24 Volts DC	240 Volts AC 24 Volts DC	240 Volts AC 240 Volts AC
Motor Voltage	240 Volts AC 24 Volts DC	240 Volts AC 24 Volts DC	240 Volts AC 24 Volts DC	240 Volts AC 24 Volts DC	240 Volts AC 240 Volts AC
Soft Start Soft Stop	User Adjustable ■■■■■■■■	User Adjustable ■■■■■■■■	User Adjustable ■■■■■■■■	User Adjustable ■■■■■■■■	User Adjustable ■■■■■■■■
Maximum Gate Size / Weight	2.5 metres / 250Kg	2.5 metres / 300Kg	3 metres / 400Kg	4.5 metres / 450Kg	6 metres / 600Kg 4 metres / 800Kg
Motor Type	Articulated Arm 	Worm Drive 	Worm Drive 	Worm Drive 	Hydraulic 
Solar / Battery Backup Option	 +  Single panel and dual battery	 +  Single panel and dual battery	 +  Single panel and dual battery	 +  Single panel and dual battery	 Uninterruptible Power Supply (UPS)
Day & Night Sensor	User Adjustable ■■■■■■■■	User Adjustable ■■■■■■■■	User Adjustable ■■■■■■■■	User Adjustable ■■■■■■■■	User Adjustable ■■■■■■■■

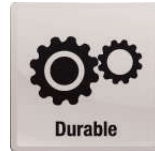
www.elsema.com

iS600 Kit

Domestic Sliding Gates up to 600kg

AXIOM SERIES SLIDING GATE OPENER

ELSEMA 
INTELLIGENT 
SLIDER®



-) Cost effective solution for domestic sliding gate
-) Self learning using intelligent positioning technology
-) High capacity Lithium-ion battery backup optional
-) Easy installation with Eclipse® control card
-) All metal gearbox for longer life
-) Suitable for gates up to 600kg on level ground
-) Contactless limit switch
-) Soft start and soft stop
-) Designed by Elsema in Australia



TECHNICAL DATA

Power supply	240 Volts AC
Motor voltage	24 Volts DC
Max gate weight	600kg on level ground
Max absorbed power	80 Watts
Nominal thrust	220N
Nominal input current	2 Amps
Motor speed	15 metres per minute
Duty cycle	60% over 12 min
Operating temperature	-20°C - +50°C

Kit contents



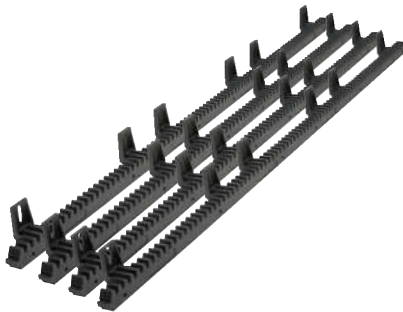
iS600 sliding gate motor



3 x Keyring remotes
with frequency hopping



Long range reflector type
photo electric beam



4 x Steel reinforced
Nylon Gear Racks
GR-4



Control card with Eclipse®
Operating System

Ordering Code

PART NUMBERS	DESCRIPTION
iS600	Standard iS600 Kit
iS600B	iS600 Kit with Li-ion Backup battery pack
iS600Solar24	iS600 Kit with Solar charger and Backup battery pack

Optional Accessories



PentaCODE® Keypad

Wireless keypad
compatible with Penta
series of receivers



GSM Gate Opener

Open your gate
with your mobile
phone for free!



Magnetic Lock

-) 12 or 24 Volts DC
-) Waterproof
-) 270kg or 650kg



PentaFOB® Programmer

Add, edit or delete
or backup individual
PentaFOB® remotes



Vehicle Detector

-) 12, 24 or 240 Volts
-) 1 or 2 loops
-) Medium or high
sensitivity



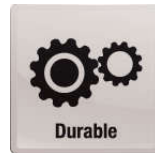
Flashing Lights

-) 12 or 24 Volts DC
-) Red, Blue & Amber
-) 90 Flashes \ min

iS900 Kit

Domestic / Light Commercial Gates up to 900kg

AXIOM SERIES SLIDING GATE OPENER



-) Self learning using intelligent positioning technology
-) High capacity Lithium-ion battery backup optional
-) Easy installation with Eclipse® control card
-) Powerful 120 Watt motor for faster speed
-) All metal gearbox for longer life
-) Suitable for gates up to 900kg on level ground
-) Contactless limit switch
-) Soft start and soft stop
-) Designed by Elsema in Australia



TECHNICAL DATA

Power supply	240 Volts AC
Motor voltage	24 Volts DC
Max gate weight	900kg on level ground
Max absorbed power	120 Watts
Nominal thrust	330N
Nominal input current	2 Amps
Motor speed	15 metres per minute
Duty cycle	60% over 12 min
Operating temperature	-20°C - +50°C

Kit contents



iS900 sliding gate motor



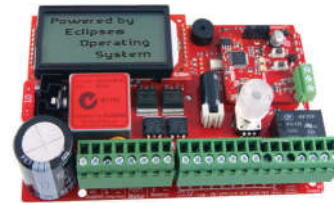
3 x Keyring remotes
with frequency hopping



Long range reflector type
photo electric beam



4 x Steel reinforced
Nylon Gear Racks
GR-4



Control card with Eclipse®
Operating System

Ordering Code

PART NUMBERS	DESCRIPTION
iS900	Standard iS900 Kit
iS900B	iS900 Kit with Li-ion Backup battery pack

Optional Accessories



PentaCODE® Keypad

Wireless keypad
compatible with Penta
series of receivers



GSM Gate Opener

Open your gate
with your mobile
phone for free!



Magnetic Lock

-) 12 or 24 Volts DC
-) Waterproof
-) 270kg or 650kg



PentaFOB® Programmer

Add, edit or delete
or backup individual
PentaFOB® remotes



Vehicle Detector

-) 12, 24 or 240 Volts
-) 1 or 2 loops
-) Medium or high sensitivity



Flashing Lights

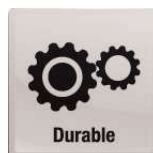
-) 12 or 24 Volts DC
-) Red, Blue & Amber
-) 90 Flashes \ min

iS600Solar24

Domestic Solar Sliding Gates up to 600kg

AXIOM SERIES SLIDING GATE OPENER

ELSEMA
INTELLIGENT
SLIDER[®]



-) Ultra-fast Maximum Power Point Tracking (MPPT)
-) High capacity Lithium-ion battery
-) Bluetooth Smart built-in
-) Real-time battery charging data
-) Self learning using intelligent positioning technology
-) Easy installation with Eclipse[®] control card
-) All metal gearbox for longer life
-) Suitable for gates up to 600kg on level ground
-) Contactless limit switch
-) Soft start and soft stop
-) Designed by Elsema in Australia



Search for VictronConnect in App store

TECHNICAL DATA

Power supply	24 Volts DC
Motor voltage	24 Volts DC
Max gate weight	600kg on level ground
Max absorbed power	80 Watts
Nominal thrust	220N
Nominal input current	2 Amps
Motor speed	15 metres per minute
Duty cycle	60% over 12 min
Operating temperature	-20°C - +50°C

Kit contents



iS600 sliding gate motor



40W 24V Solar Panel



3 x Keyring remotes with frequency hopping



Long range reflector type photo electric beam



4 x Steel reinforced Nylon Gear Racks GR-4



Control card with Eclipse® Operating System

Description

The solar kit comes complete with a smart ultra-fast MPPT solar charger, Li-Ion battery, a single 24V Solar panel, 3 PentaFOB® remotes, 4 metres of gear rack and a photo electric beam.

The iS600Solar24 kit uses the latest Bluetooth Smart technology with ultra-fast MPPT charging. The mobile phone app shows the battery status in real time, charging current, voltage and the output of the solar panel.

Ultra-fast MPPT charging improves energy harvest by up to 30% compared to PWM chargers. This is a huge advantage as on cloudy days, the sun's intensity keeps changing. The ultra-fast MPPT solar charger ensures that it extracts the maximum energy from the solar panel.

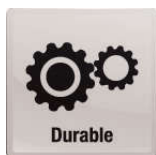
Ordering Code

PART NUMBERS	DESCRIPTION
iS600Solar24	iS600 Kit with Smart Solar Charger, Li-Ion battery backup and a 24 Volt solar panel

iS1200LV, iS1200 & iS2000

High Speed Commercial Gates

SLIDING GATE OPENERS



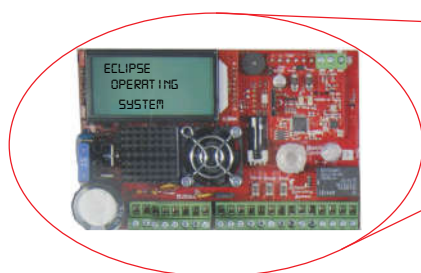
-) High speed operator, faster than 20 metres per minute
-) All metal gearbox for longer life
-) Easy installation with Eclipse® control card
-) Designed and made in Australia
-) Battery backup (Optional)
-) Soft start and soft stop
-) Easy installation



Elsema's Eclipse® Operating System



Vandal proof antenna for optimum operating range and 3 x PentaFOB® **included in the kit.**

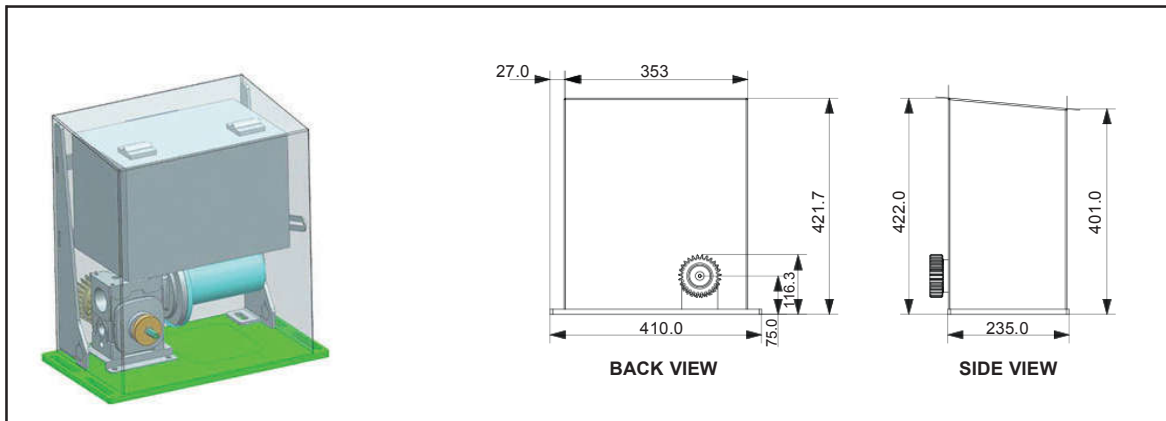


TECHNICAL DATA

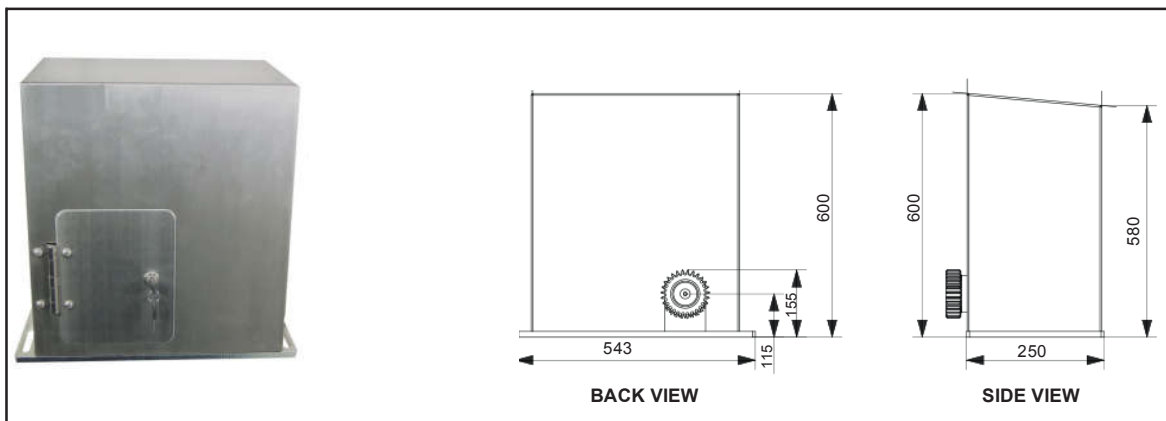
Model	iS1200LV	iS1200	iS2000
Power supply	240 Volts AC	240 Volts AC	240 Volts AC
Motor voltage	24 Volts DC	240 Volts 3 Phase	240 Volts 3 Phase
Max gate weight	500kg on level ground	1,000kg on level ground	2,000kg on level ground
Max absorbed power	120 Watts	250 Watts	750 Watts
Nominal input current	3 Amps	3 Amps	10 Amps
Motor speed	22 metres per minute	27 metres per minute	38 metres per minute
Duty cycle	60%	100%	100%
Backup battery	2 x 2.6Ah Battery	-	-
Operating temperature	-20°C - +50°C	-20°C - +50°C	-20°C - +50°C

Dimensions

iS1200LV/iS1200



iS2000



Accessories (Sold separately)



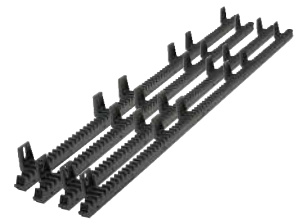
Pre-made vehicle detection loops. Direct burial or saw cut



Long range reflector type photo electric beam



Safety Bump Strip



Nylon Gear Racks GR-4

Optional Accessories



PentaCODE® Keypad

Wireless keypad compatible with Penta series of receivers



GSM Gate Opener

Open your gate with your mobile phone for free!



Magnetic Lock

-) 12 or 24 Volts DC
-) Waterproof
-) 270kg or 650kg



PentaFOB® Programmer

Add, edit or delete or backup individual PentaFOB® remotes



Vehicle Detector

-) 12, 24 or 240 Volts
-) 1 or 2 loops
-) Medium or high sensitivity



Flashing Lights

-) 12 or 24 Volts DC
-) Red, Blue & Amber
-) 90 Flashes \ min

iS270 Kit

Articulated arm gate operator

SWING GATE OPENERS

ELSEMA 
INTELLIGENT SWING 



-) Uses Elsema's MC card with Eclipse® operating system
-) Cost effective solution for automation of swing gates
-) Wide range of positional adjustment
-) Easily adjustable limit switches
-) Battery backup (iS270 E1.2)
-) Waterproof cover design
-) Soft start and soft stop
-) Easy installation

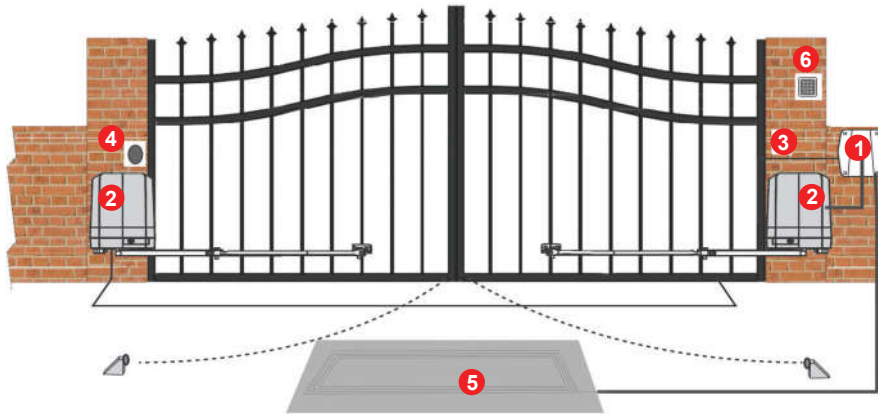


**ARTICULATED ARM
MOTOR FOR SWING
GATES**

TECHNICAL DATA

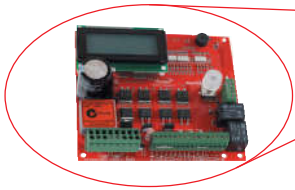
Power supply	240 Volts AC
Motor voltage	24 Volts DC
Max gate weight	250kg
Peak thrust	2500N
Nominal input current	4.2 Amps
Duty cycle	20%
Operating temperature	-20°C - +50°C

Typical installation



- 1 Intelligent control box
- 2 iS270 motor
- 3 PE1500 photo electric beam
- 4 Reflector for PE1500
- 5 Vehicle detector
- 6 Wireless Keypad

Kit contents



Built-in Eclipse® control card



iS270D dual swing motors

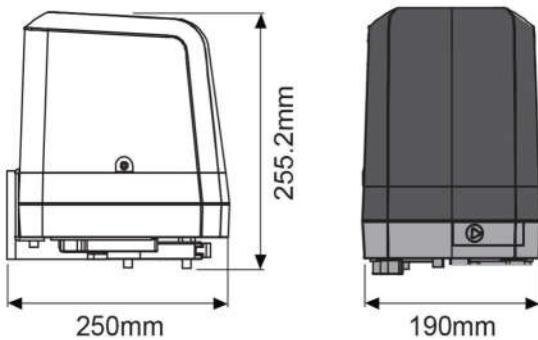


3 x Keyring remotes with frequency hopping



Long range reflector type photo electric beam

Dimensions



Ordering Code

PART NUMBERS	DESCRIPTION
iS270D	Dual swing motor kit
iS270	Single swing motor kit
E1.2	*Optional battery backup kit

Optional Accessories



PentaCODE® Keypad

Wireless keypad compatible with Penta series of receivers



GSM Gate Opener

Open your gate with your mobile phone for free!



Locking Actuator

-) 12 Volts DC
-) 50mm Stroke
-) 20mm Stainless Steel Pin



PentaFOB® Programmer

Add, edit or delete or backup individual PentaFOB® remotes



Vehicle Detector

-) 12, 24 or 240 Volts
-) 1 or 2 loops
-) Medium or high sensitivity



Flashing Lights

-) 12 or 24 Volts DC
-) Red, Blue & Amber
-) 90 Flashes \ min

iS270 Solar Kit

24 Volt motor, Suitable for gates up to 2.5 metres and 250kg

SOLAR SWING GATE OPENERS



-) Uses Elsema's MC card with Eclipse® operating system
-) Cost effective solution for automation of swing gates
-) Bluetooth Smart built-in
-) Real-time battery charging data
-) Self learning using intelligent positioning technology
-) Adjustable limit switches
-) Waterproof cover design
-) Soft start and soft stop
-) Easy installation



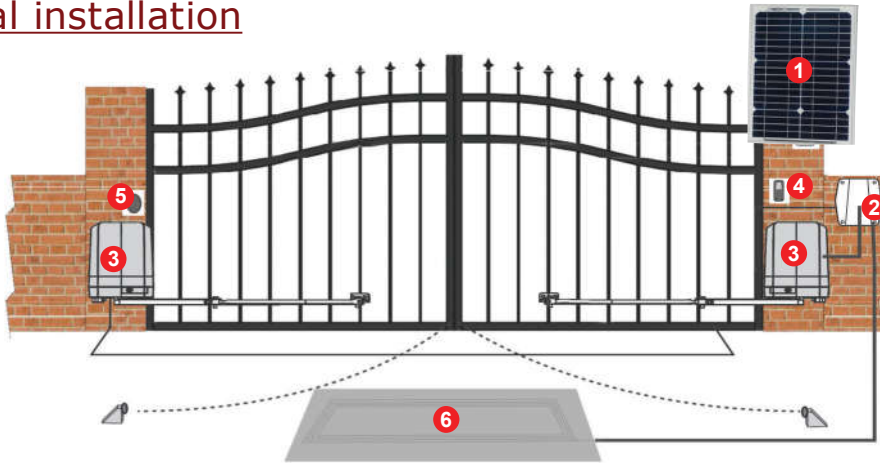
Search for VictronConnect in App store

**ARTICULATED ARM
MOTOR FOR SWING
GATES**

TECHNICAL DATA

Power supply	240 Volts AC
Motor voltage	24 Volts DC
Max gate weight	250kg
Peak thrust	2500N
Nominal input current	4.2 Amps
Duty cycle	20%
Operating temperature	-20°C - +50°C

Typical installation



- 1 Solar Panel
- 2 Intelligent control box
- 3 iS270 motor
- 4 PE1500 photo electric beam
- 5 Reflector for PE1500
- 6 Vehicle detector

Kit contents



Control card, Solar panel,
Battery & Regulator with MPPT



iS270D dual swing motors

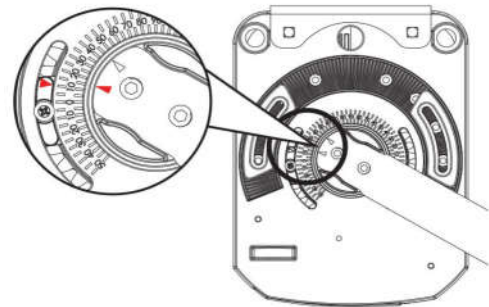
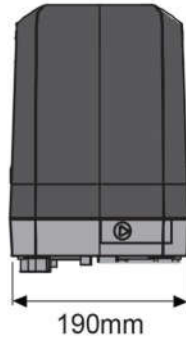
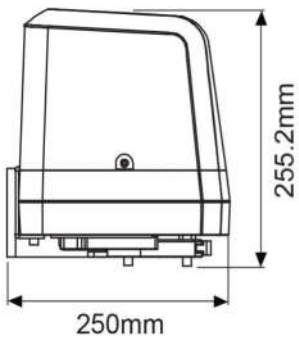


3 x Keyring remotes
with frequency hopping



Long range reflector type
photo electric beam

Dimensions



Easily adjustable limits

Ordering Code

PART NUMBERS	DESCRIPTION
iS270DSolar	Dual swing motor kit
iS270Solar	Single swing motor kit



Single 24V, 40Watt Solar
panel included in the kit

iS250 Kit

24 Volt motor, Suitable for gates up to 2.5 metres and 300kg

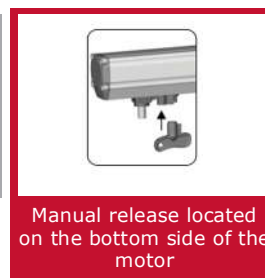
SWING GATE OPENERS



-) Cost effective solution for automation of swing gates
-) Uses Elsema's MC card with Eclipse® operating system
-) Die-cast Aluminium motor cover for great durability
-) Mechanical stopper built in the motor for added protection. No stoppers required on your driveway
-) Battery backup (iS250 E7)
-) Waterproof cover design
-) Soft start and soft stop
-) Easy installation



Die-cast aluminum cover. Maximum protection against environment



Manual release located on the bottom side of the motor



Strong and reliable worm shaft. Easy installation



COST EFFECTIVE SOLUTION FOR SWING GATES



+



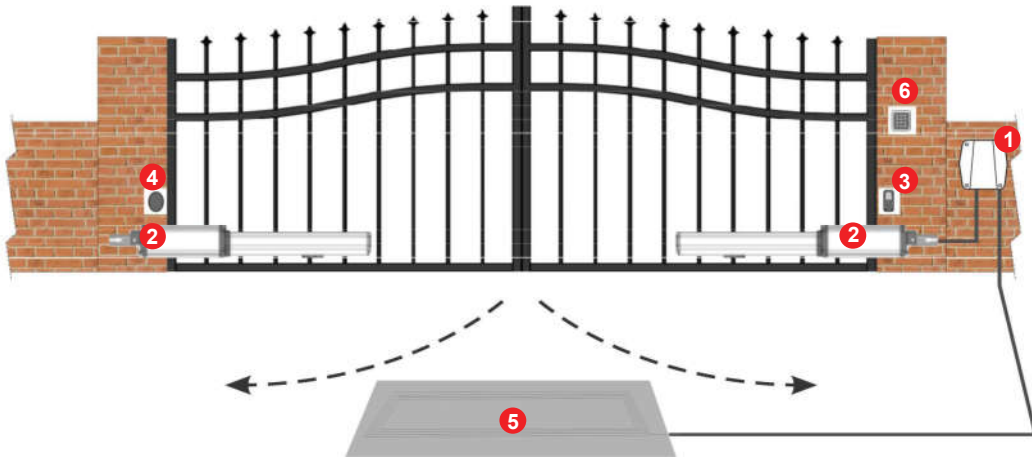
=



TECHNICAL DATA

Power supply	240 Volts AC
Motor voltage	24 Volts DC
Max gate weight	300kg
Max gate length	2.5 metres
Peak thrust	3000N
Operation stroke	500mm
Typical gate opening time	15-20sec
Duty cycle	20%
Operating temperature	-20°C~50°C

Typical installation



- | | |
|---|----------------------------|
| 1 | Intelligent control box |
| 2 | iS250 motor |
| 3 | PE1500 photo electric beam |
| 4 | Reflector for PE1500 |
| 5 | Vehicle detector |
| 6 | Wireless Keypad |

Kit contents



Intelligent control box with built-in receiver.



iS250D dual swing motors with built-in stopper

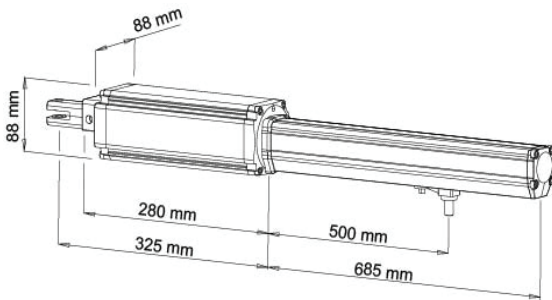


3 x Keyring remotes with frequency hopping



Long range reflector type photo electric beam

Dimensions



Ordering Code

PART NUMBERS	DESCRIPTION
iS250D	Dual swing motor kit
iS250	Single swing motor kit
E7	*Optional battery backup kit

*Please specify battery backup option when ordering

Optional Accessories



PentaCODE® Keypad

Wireless keypad compatible with Penta series of receivers



GSM Gate Opener

Open your gate with your mobile phone for free!



Locking Actuator

-) 12 Volts DC
-) 50mm Stroke
-) 20mm Stainless Steel Pin



Backup Batteries

24 Volt, 7Ah rechargeable lead acid battery



Vehicle Detector

-) 12, 24 or 240 Volts
-) 1 or 2 loops
-) Medium or high sensitivity



Flashing Lights

-) 12 or 24 Volts DC
-) Red, Blue & Amber
-) 90 Flashes \ min

iS250 Solar Kit

24 Volt motor, Suitable for gates up to 2.5 metres and 300kg

SOLAR SWING GATE OPENERS



-) Cost effective solution for automation of swing gates
-) Uses Elsema's MC card with Eclipse® operating system
-) Bluetooth Smart built-in
-) Real-time battery charging data
-) Mechanical stopper built in the motor for added protection. No stoppers required on your driveway
-) Waterproof cover design
-) Soft start and soft stop
-) Easy installation



Die-cast aluminum cover. Maximum protection against environment



Manual release located on the bottom side of the motor



Strong and reliable worm shaft. Easy installation



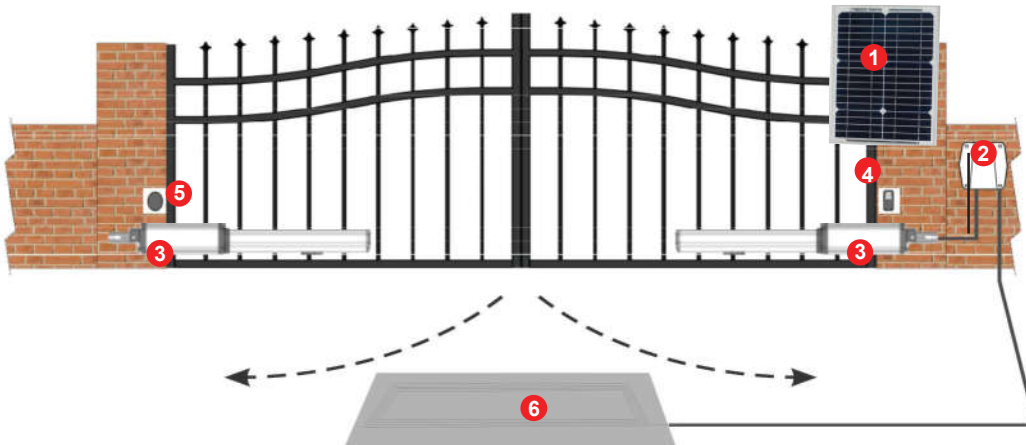
Search for VictronConnect in App store

STRONG AND DURABLE MOTOR FOR SWING GATES

TECHNICAL DATA

Motor voltage	24 Volts DC
Max gate weight	300kg
Max gate length	2.5 metres
Peak thrust	3000N
Operation stroke	500mm
Typical gate opening time	15-20sec
Duty cycle	20%
Operating temperature	-20°C~50°C

Typical installation



- 1 Solar Panel
- 2 Intelligent control box
- 3 iS250 motor
- 4 PE1500 photo electric beam
- 5 Reflector for PE1500
- 6 Vehicle detector

Kit contents



Control card, Solar panel,
Battery & Regulator with MPPT



iS250D dual swing motors with
built-in stopper

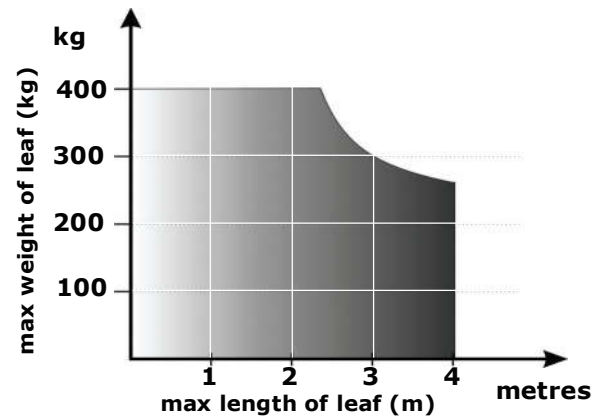
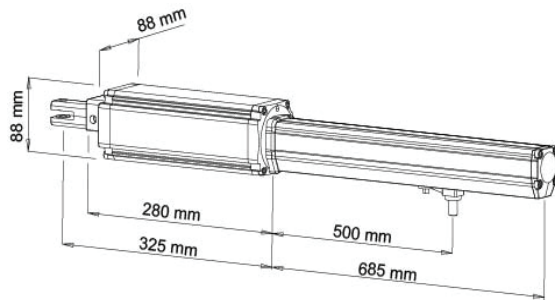


3 x Keyring remotes
with frequency hopping



Long range reflector type
photo electric beam

Dimensions



Ordering Code

PART NUMBERS	DESCRIPTION
iS250DSolar	Dual swing motor kit
iS250Solar	Single swing motor kit



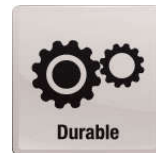
Single 24V, 40Watt Solar
panel included in the kit

iS300 Kit

24 Volt motor, Suitable for gates up to 3 metres and 300kg



SWING GATE OPENERS



-) Uses Elsema's MC card with Eclipse® operating system
-) Ultra quiet operation yet powerful
-) Die-cast Aluminium motor cover for great durability
-) Mechanical stopper built in the motor for added protection. No stoppers required on your driveway
-) Battery backup (iS300D E7)
-) Waterproof cover design
-) Soft start and soft stop
-) Easy installation



Die-cast aluminum cover. Maximum protection against environment



Easy manual release located on the top side of the motor



Strong and reliable worm shaft with ø 18mm spherical section



+



=

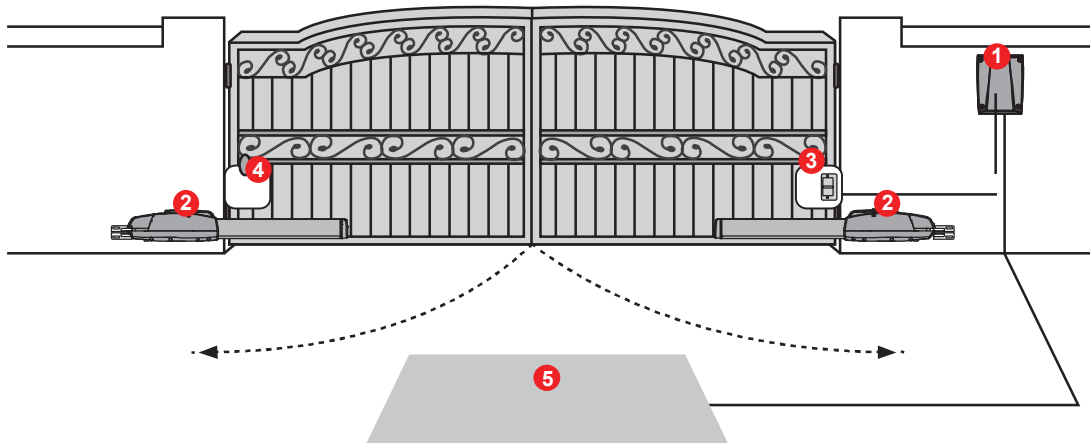


24 VOLTS HEAVY DUTY GEAR MOTOR

TECHNICAL DATA

Power supply	240 Volts AC
Motor voltage	24 Volts DC
Max gate weight	300kg
Max gate length	3 metres
Peak thrust	3000N
Operation stroke	350mm
Typical gate opening time	10-15sec
Duty cycle	20%
Operating temperature	-20°C~50°C

Typical installation



- | | |
|---|----------------------------|
| 1 | Intelligent control box |
| 2 | iS300 motor |
| 3 | PE1500 photo electric beam |
| 4 | Reflector for PE1500 |
| 5 | Vehicle detector |

Kit contents



Intelligent control box with built-in receiver



iS300D dual swing motors with built-in stopper

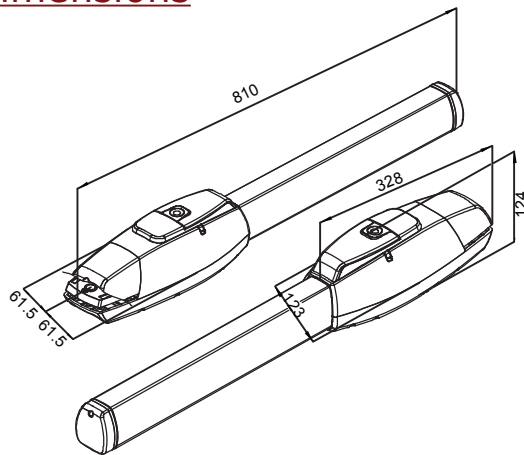


3 x Keyring remotes with frequency hopping



Long range reflector type photo electric beam

Dimensions



Ordering Code

PART NUMBERS	DESCRIPTION
iS300D	Dual swing motor kit
iS300	Single swing motor kit
E7	*Optional battery backup kit

*Please specify battery backup option when ordering

Optional Accessories



PentaCODE® Keypad

Wireless keypad compatible with Penta series of receivers



GSM Gate Opener

Open your gate with your mobile phone for free!



Locking Actuator

-) 12 Volts DC
-) 50mm Stroke
-) 20mm Stainless Steel Pin



Backup Batteries

24 Volt, 7Ah rechargeable lead acid battery



Vehicle Detector

-) 12, 24 or 240 Volts
-) 1 or 2 loops
-) Medium or high sensitivity



Flashing Lights

-) 12 or 24 Volts DC
-) Red, Blue & Amber
-) 90 Flashes \ min

iS300 Solar Kit

24 Volt motor, Suitable for gates up to 3 metres and 300kg

SOLAR SWING GATE OPENERS



-) Uses Elsema's MC card with Eclipse® operating system
-) Ultra quiet operation yet powerful
-) Die-cast Aluminium motor cover for great durability
-) Bluetooth Smart built-in
-) Real-time battery charging data
-) Mechanical stopper built in the motor for added protection. No stoppers required on your driveway
-) Waterproof cover design
-) Soft start and soft stop
-) Easy installation



Die-cast aluminum cover. Maximum protection against environment



Easy manual release located on the top side of the motor



Strong and reliable worm shaft with \varnothing 18mm spherical section



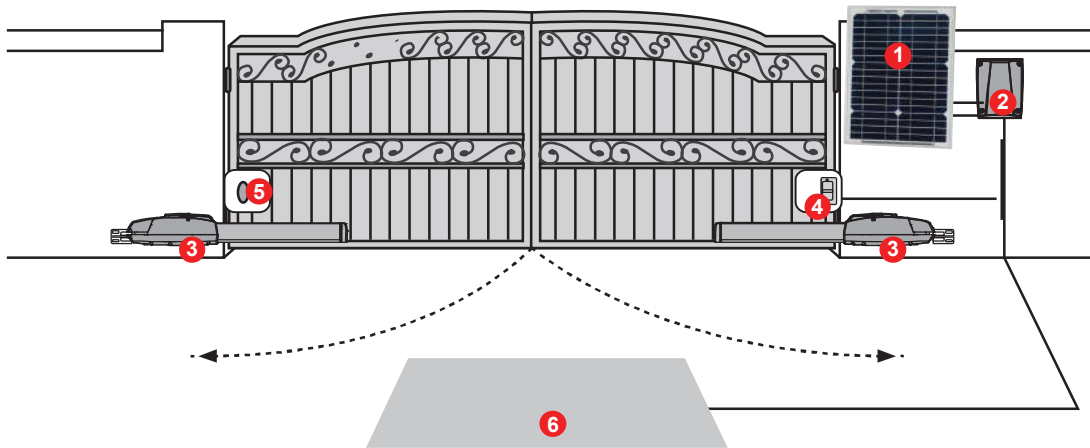
24 VOLTS HEAVY DUTY GEAR MOTOR

Search for VictronConnect in App store

TECHNICAL DATA

Motor voltage	24 Volts DC
Max gate weight	300kg
Max gate length	3 metres
Peak thrust	3000N
Operation stroke	350mm
Typical gate opening time	10-15sec
Duty cycle	20%
Operating temperature	-20°C~50°C

Typical installation



- | | |
|---|----------------------------|
| 1 | Solar Panel |
| 2 | Intelligent control box |
| 3 | iS300 motor |
| 4 | PE1500 photo electric beam |
| 5 | Reflector for PE1500 |
| 6 | Vehicle detector |

Kit contents



Control card, Solar panel, Battery & Regulator with MPPT



iS300D dual swing motors with built-in stopper

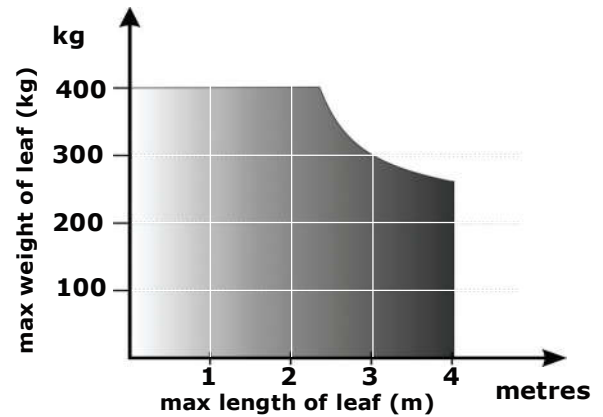
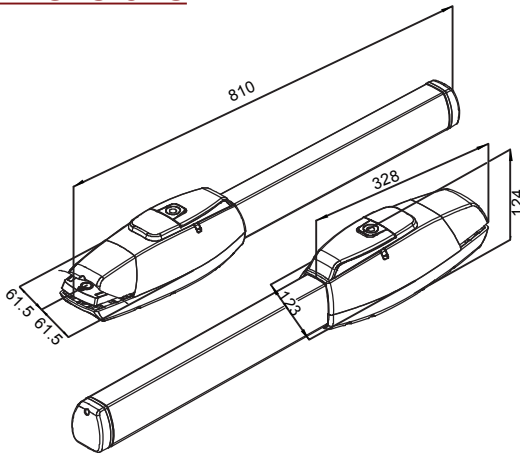


3 x Keyring remotes with frequency hopping



Long range reflector type photo electric beam

Dimensions



Ordering Code

PART NUMBERS	DESCRIPTION
iS300DSolar	Dual swing motor kit
iS300Solar	Single swing motor kit

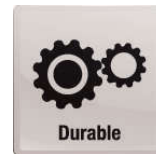


Single 24V, 40Watt Solar panel included in the kit

iS400 Kit

24 Volt motor, Suitable for gates up to 4.5 metres and 450kg

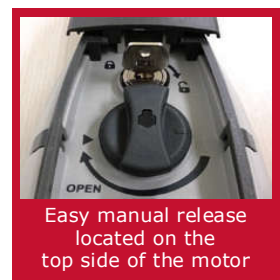
SWING GATE OPENERS



-) Uses Elsema's MC card with Eclipse® operating system
-) Ultra quiet operation yet powerful
-) Die-cast Aluminium motor cover for great durability
-) Easily adjustable limit switches
-) Battery backup option (iS400D E7)
-) Waterproof cover design
-) Soft start and soft stop
-) Easy installation



Die-cast aluminum cover. Maximum protection against environment



Easy manual release located on the top side of the motor

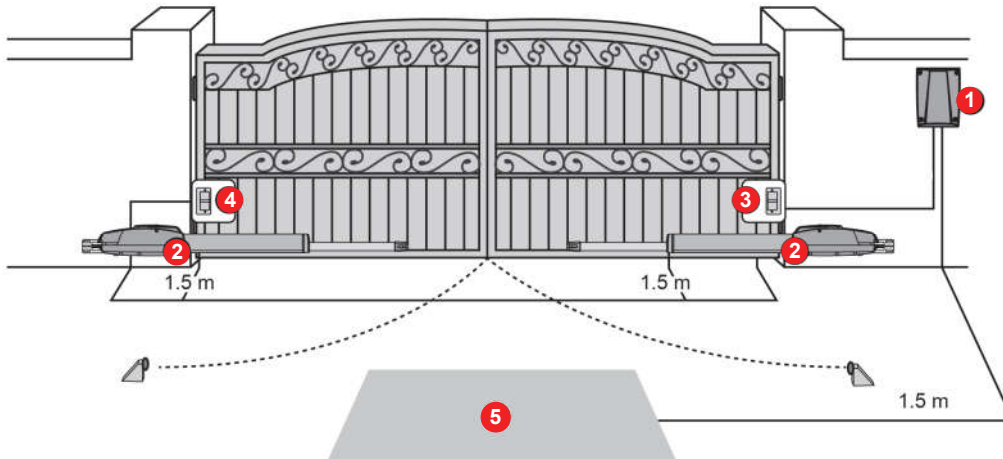


ADJUSTABLE LIMIT SWITCHES

TECHNICAL DATA

Motor voltage	24 Volts DC
Max gate weight	450kg
Max gate length	4.5 metres
Peak thrust	4500N
Operation stroke	450mm
Typical gate opening time	10-15sec
Duty cycle	20%
Operating temperature	-20°C~50°C

Typical installation



- 1 Intelligent control box
- 2 iS400 motor
- 3 PE1500 photo electric beam
- 4 Reflector for PE1500
- 5 Vehicle detector

Kit contents



Intelligent control box with built-in receiver



iS400D dual swing motors with limit switch



3 x Keyring remotes with frequency hopping



Long range reflector type photo electric beam

Dimensions



Ordering Code

PART NUMBERS	DESCRIPTION
iS400D	Dual swing motor kit
iS400	Single swing motor kit
E7	*Optional battery backup kit

*Please specify battery backup option when ordering

Optional Accessories



PentaCODE® Keypad

Wireless keypad compatible with Penta series of receivers



GSM Gate Opener

Open your gate with your mobile phone for free!



Locking Actuator

-) 12 Volts DC
-) 50mm Stroke
-) 20mm Stainless Steel Pin



Backup Batteries

24 Volt, 7Ah rechargeable lead acid battery



Vehicle Detector

-) 12, 24 or 240 Volts
-) 1 or 2 loops
-) Medium or high sensitivity



Flashing Lights

-) 12 or 24 Volts DC
-) Red, Blue & Amber
-) 90 Flashes \ min

iS400 Solar Kit

24 Volt motor, Suitable for gates up to 4.5 metres and 450kg

SOLAR SWING GATE OPENERS



-) Uses Elsema's MC card with Eclipse® operating system
-) Ultra quiet operation yet powerful
-) Die-cast Aluminium motor cover for great durability
-) Bluetooth Smart built-in
-) Real-time battery charging data
-) Limit switch. Ideal for solar applications
-) Waterproof cover design
-) Soft start and soft stop
-) Easy installation



Die-cast aluminum cover. Maximum protection against environment



Easy manual release located on the top side of the motor



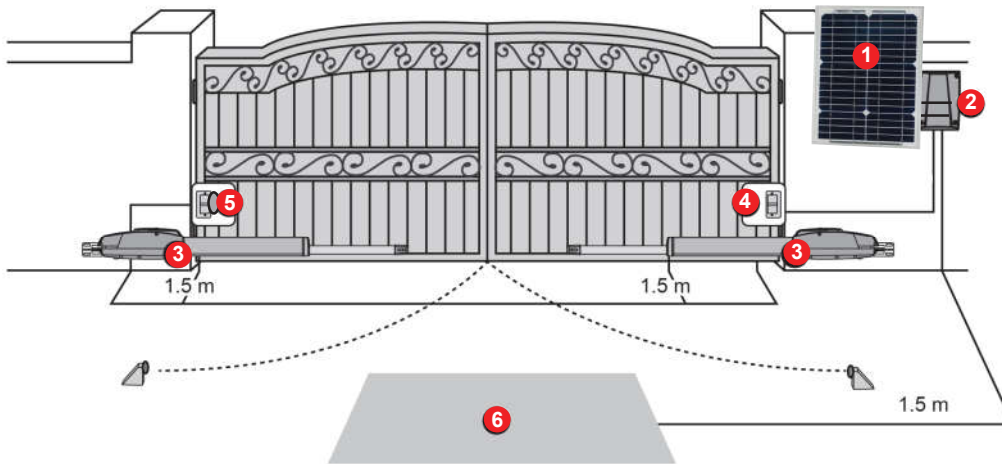
24 VOLTS HEAVY DUTY GEAR MOTOR

Search for VictronConnect in App store

TECHNICAL DATA

Motor voltage	24 Volts DC
Max gate weight	450kg
Max gate length	4.5 metres
Peak thrust	4500N
Operation stroke	450mm
Typical gate opening time	10-15sec
Duty cycle	20%
Operating temperature	-20°C~50°C

Typical installation



- | | |
|---|----------------------------|
| 1 | Solar Panel |
| 2 | Intelligent control box |
| 3 | iS400 motor |
| 4 | PE1500 photo electric beam |
| 5 | Reflector for PE1500 |
| 6 | Vehicle detector |

Kit contents



Control card, Solar panel,
Battery & Regulator with MPPT



iS400D dual swing motors
with limit switch

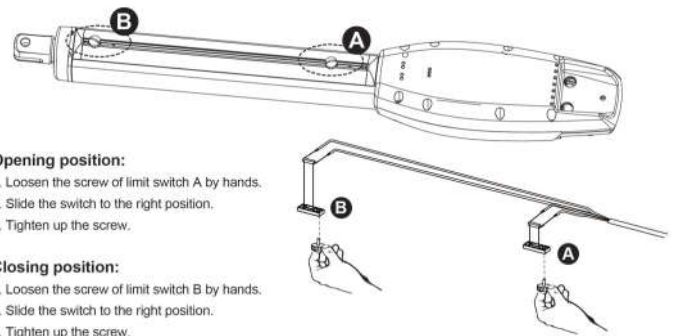


3 x Keyring remotes
with frequency hopping



Long range reflector type
photo electric beam

Dimensions



Ordering Code

PART NUMBERS	DESCRIPTION
iS400DSolar	Dual swing motor kit
iS400Solar	Single swing motor kit

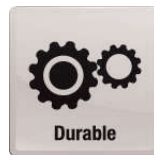


Single 24V, 40Watt Solar
panel included in the kit

iS330 Kit

240 Volt motor, Suitable for gates up to 6 metres and 600kg

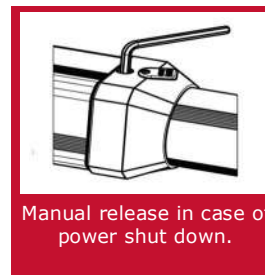
SWING GATE OPENERS



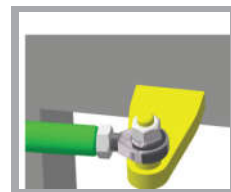
-) Easy to setup using, Eclipse® Operating System (EOS)
-) Powerful hydraulic motors
-) Die-cast Aluminium motor cover for great durability
-) Mechanical stopper built in the motor for added protection.
-) Anti-crash adjustment
-) Waterproof cover design
-) Anti-wind adjustment
-) Soft start and soft stop
-) Easy installation



Die-cast aluminum cover. Maximum protection against environment



Manual release in case of power shut down.



Strong and reliable. Easy installation

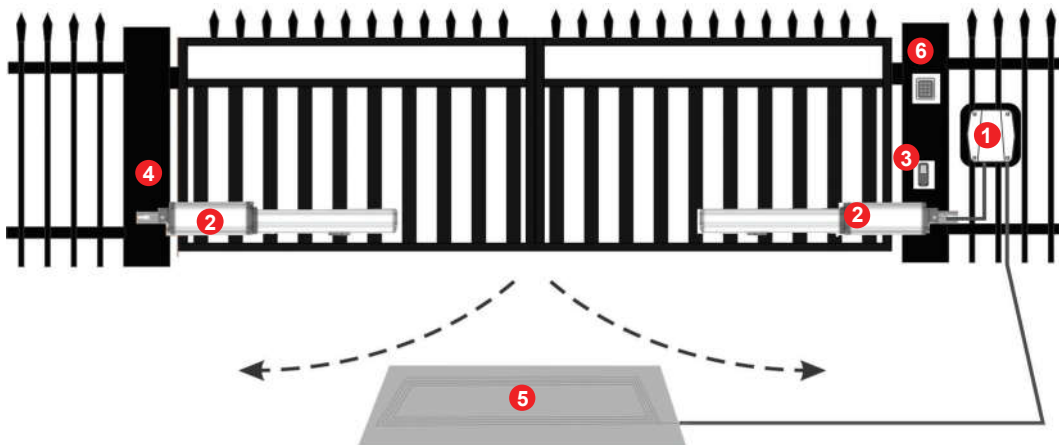


**HYDRAULIC POWER
FOR GATES WITH UP TO
6 METRE LEAF**

TECHNICAL DATA

Power supply	240 Volts AC
Motor voltage	240 Volts AC
Max gate weight	600kg
Max gate length	6 metres
Max pressure	50bar
Opening cycle	34sec
Closing cycle	40sec
Compression	795kg
Traction	638kg
Operating temperature	-20°C~50°C

Typical installation



- | | |
|---|----------------------------|
| 1 | Intelligent control box |
| 2 | iS330 motor |
| 3 | PE1500 photo electric beam |
| 4 | Reflector for PE1500 |
| 5 | Vehicle detector |
| 6 | Wireless Keypad |

Kit contents



Intelligent control box with Eclipse operating system



iS330 dual swing hydraulic motors

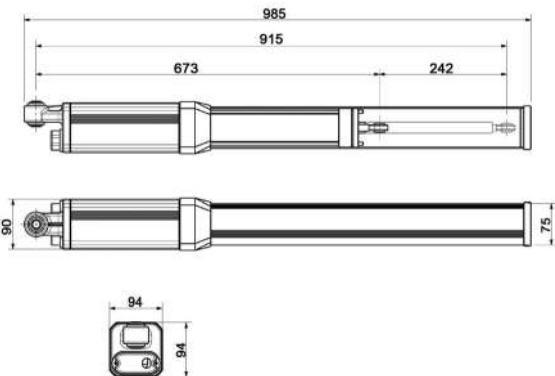


3 x Keyring remotes with frequency hopping



Long range reflector type photo electric beam

Dimensions



Ordering Code

PART NUMBERS	DESCRIPTION
iS330D	Dual swing motor kit
iS330	Single swing motor kit

Optional Accessories



PentaCODE® Keypad

Wireless keypad compatible with Penta series of receivers



GSM Gate Opener

Open your gate with your mobile phone for free!



Locking Actuator

-) 12 Volts DC
-) 50mm Stroke
-) 20mm Stainless Steel Pin



Pre-formed Loops

Pre-formed vehicle detector in-ground loops



Vehicle Detector

-) 12, 24 or 240 Volts
-) 1 or 2 loops
-) Medium or high sensitivity

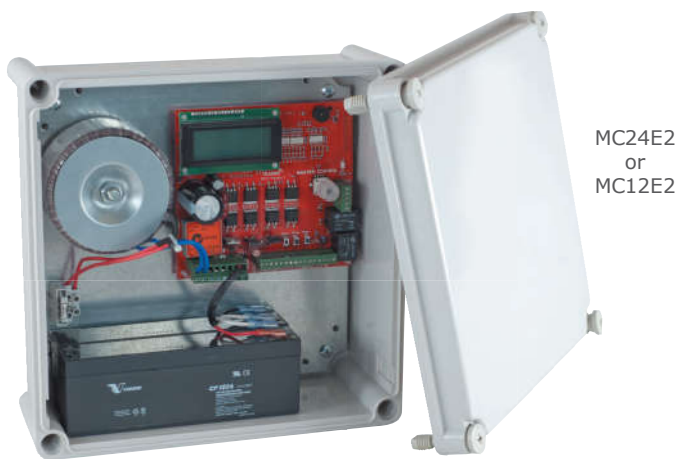
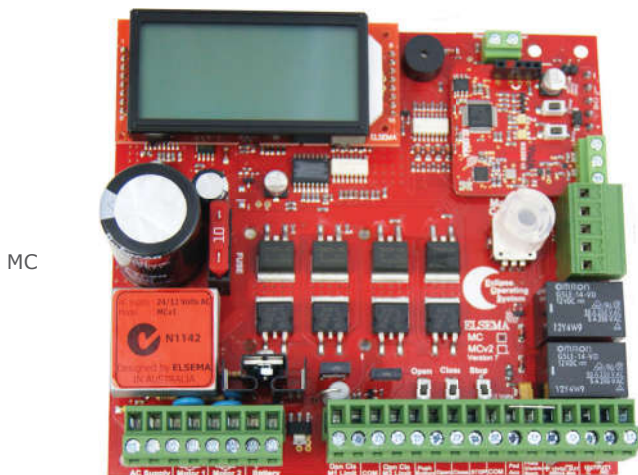


Flashing Lights

-) 12 or 24 Volts DC
-) Red, Blue & Amber
-) 90 Flashes \ min

MC with ECLIPSE®

Controller Card for 24 or 12 Volt DC Motors
Gate and Door Controller with LCD and Intelligent Technology



FEATURES

-) Suitable for swing and sliding gates
-) Double or single motor operation
-) 24 or 12 Volt DC motor operation
-) Motor soft start and soft stop
-) Speed and force adjustment
-) Large 4-line LCD to indicate controllers status and setup instructions
-) 1-Touch control for easy setup
-) Auto profiling using latest intelligent technology
-) Various inputs, push button, open only, close only, stop, pedestrian and photoelectric beam
-) Supports limit switch inputs or mechanical stops
-) Adjustable auto close, obstruction load and pedestrian access
-) Adjustable lock and courtesy light outputs
-) Variable photoelectric safety beam functions
-) Energy saving mode to reduce running costs
-) 12 and 24 Volt DC Output to power accessories
-) Service counters, password protection, holiday mode and many more features
-) Built-in 12 and 24 Volt battery charger for backup batteries
-) Low standby current making it ideal for solar gates

DESCRIPTION

Are you ready for the next Eclipse? Elsema's MC controller is not just the next generation but the industry game changer. We wanted to create a controller that is simple to use and does just about any feature required in the gate and door industry. The MC is not just the next generation but the "Next Transformation" in the gate and door industry creating an Eclipse over previously developed motor controllers.

This new intelligent motor controller is the best match for your automatic gate or door motors.

The intelligent controller was built from the ground up, based on customer feedback and using today's technology. With its rich functions, consumer friendly

price and with the focus during development being ease of use and setup makes this controller the ultimate board to control your motors.

Elsema's easy options to add remote controls or any type of photoelectric beams makes for a very user friendly approach, while avoiding the lock down approach to accessories.

The control cards are available with an IP66 rated plastic enclosure for outdoor installations, backup batteries with charger or the card only. The MC is also suitable for solar gates as it has very low standby current.

TECHNICAL DATA

Small Size 140mm x 130mm (Card only)

Suitable for motors up to 12 Amps running current

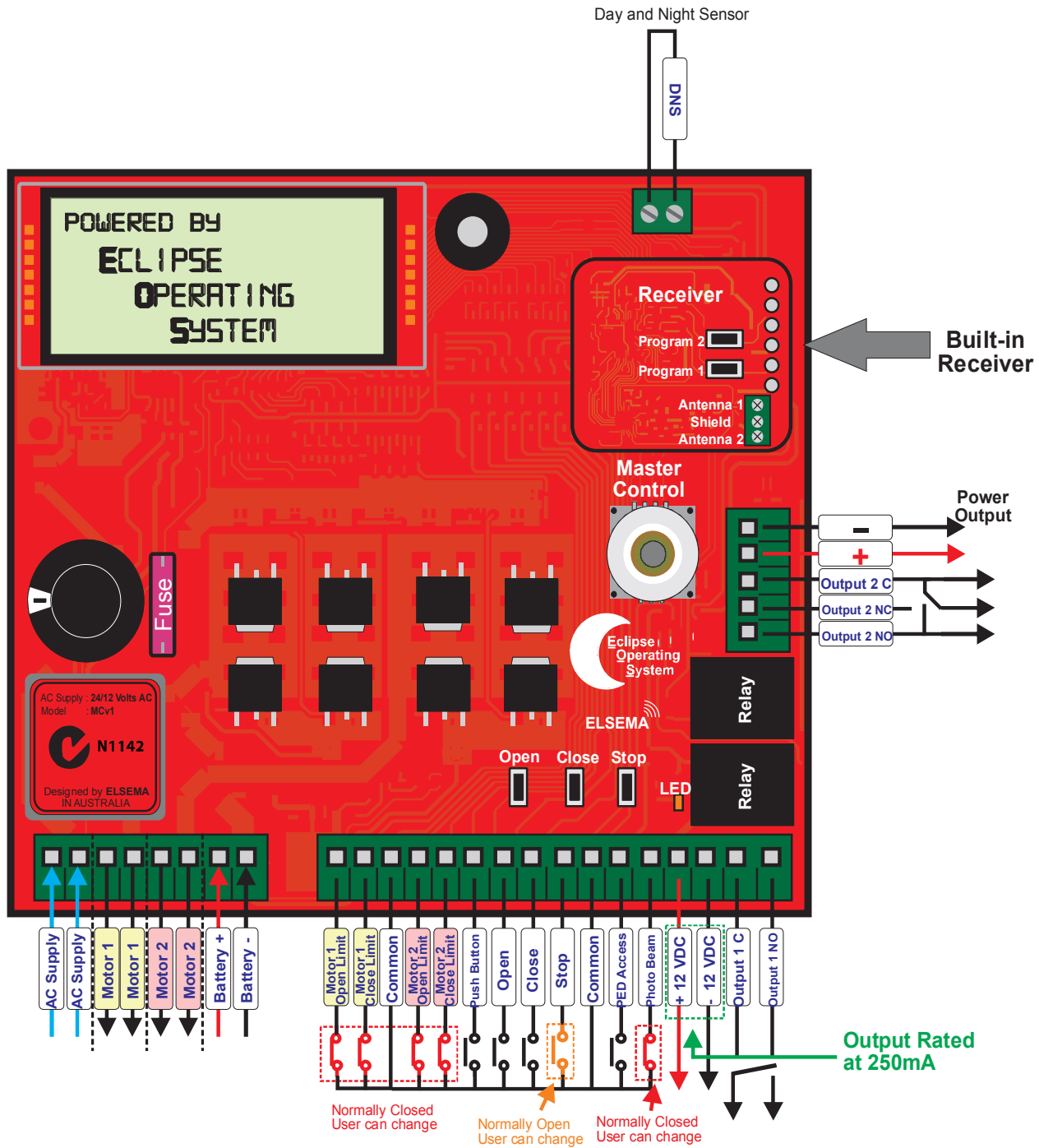
Low standby current

Can be used with or without limit switches

Test buttons for control inputs

For detailed technical data visit www.elsema.com/automatic-gates/mcv1

CONNECTION DIAGRAM

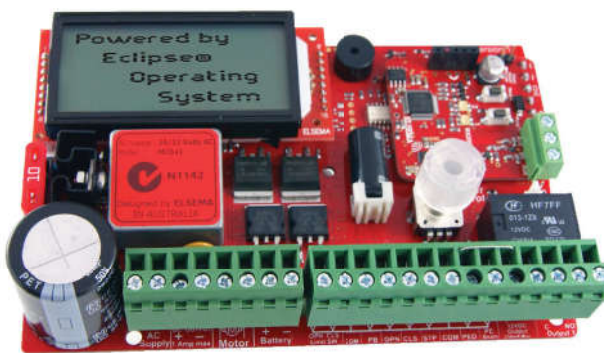


Day and night sensor (DNS) option can be used to auto close the gate at night, turn on the courtesy light or lights on your gates during the night and many more features which require a day and night detection.

Ordering code for the day and night sensor is **DNS**.

MCS with ECLIPSE®

Controller Card for Single 24 or 12 Volt DC Motors
Gate and Door Controller with LCD and Intelligent Technology



MCS



MCS12E7

FEATURES

-) Lithium-ion and lead acid battery charger
-) Suitable for single swing and sliding gates
-) Single motor operation
-) Motor soft start and soft stop
-) Speed and force adjustment
-) Large 4-line LCD to indicate controllers status and setup instructions
-) 1-Touch control for easy setup
-) Auto profiling using latest intelligent technology
-) Various inputs, push button, open only, close only, stop, pedestrian and photoelectric beam
-) Supports limit switch inputs or mechanical stops
-) Adjustable auto close, obstruction load and pedestrian access
-) Adjustable lock and courtesy light outputs
-) Variable photoelectric safety beam functions
-) Energy saving mode to reduce running costs
-) 12 and 24 Volt DC Output to power accessories
-) Service counters, password protection, holiday mode and many more features

DESCRIPTION

The Motor Controller Single (MCS) is not just the next generation but the industry game changer. We wanted to create a controller that is simple to use and does just about any feature required in the gate and door industry. The MCS is not just the next generation but the "Next Transformation" in the gate and door industry creating an Eclipse over previously developed motor controllers.

This new intelligent motor controller is the best match for your automatic gate or door motors.

The MCS's Eclipse® Operating System (EOS) is a user friendly menu driven system that uses the 1-touch button to control, setup and run automatic gates, doors and barriers. It uses a large 4-line LCD screen showing live reading of the motor performance and status of all inputs and outputs.

The controller is available with an IP66 rated plastic enclosure with backup batteries, solar gate kits or card only.

TECHNICAL DATA

Small Size 90mm x 140mm (Card only)

Suitable for motors up to 12 Amps running current

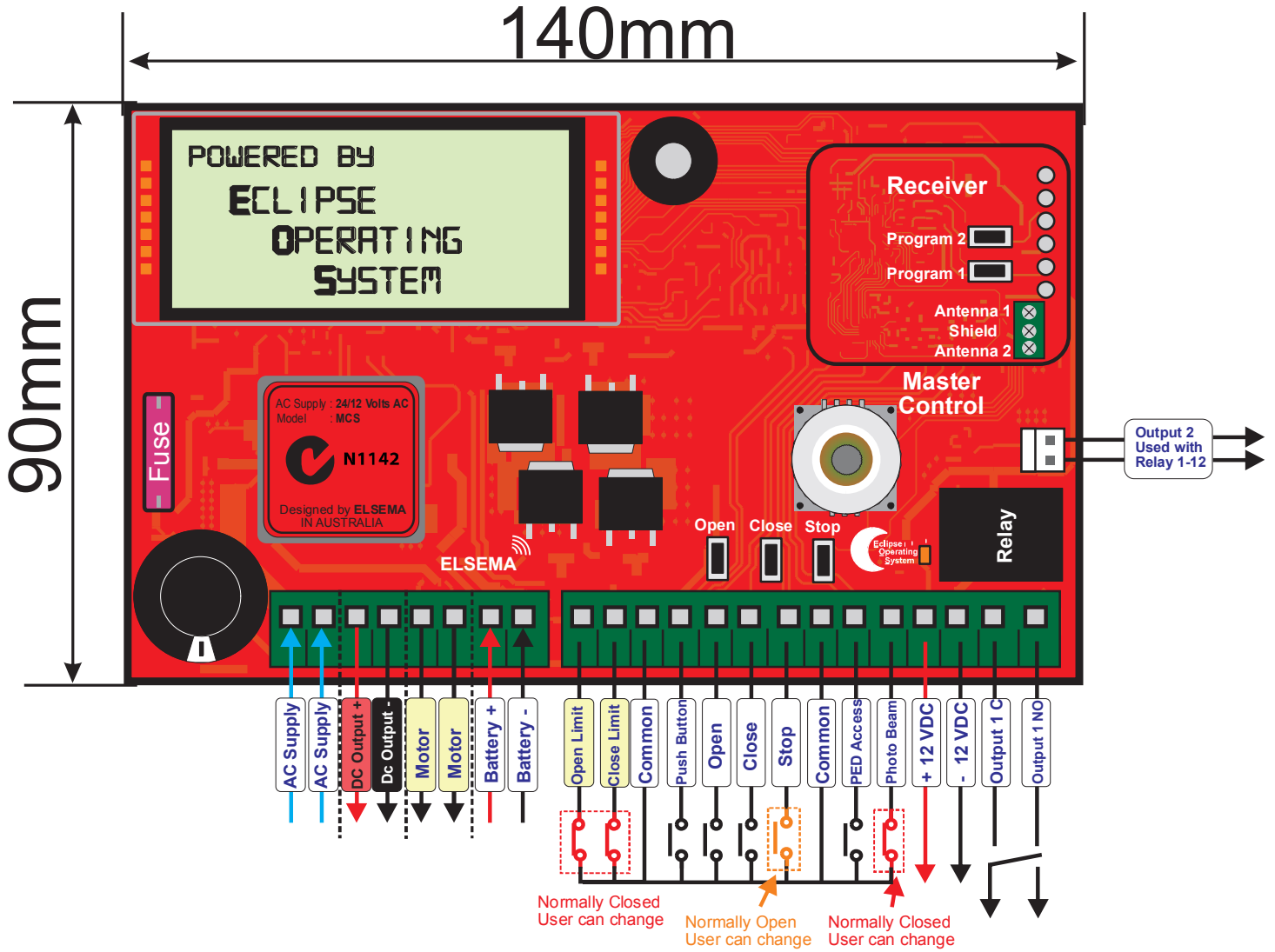
Low standby current

Can be used with or without limit switches

Test buttons for control inputs

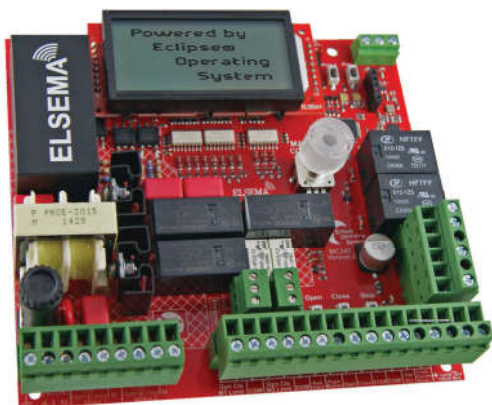
For detailed technical data visit www.elsema.com/automatic-gates/mcs

CONNECTION DIAGRAM



MC240 with ECLIPSE®

Controller Card for Double or Single 240 Volt AC Motors
Gate and Door Controller with LCD and Intelligent Technology



MCS240



MCS240E

FEATURES

-) Suitable for swing and sliding gates
-) Double or Single motor operation
-) Eclipse® Operating System (EOS)
-) Day and night sensor (DNS)
-) Motor soft start and soft stop
-) Speed and force adjustment
-) Large 4-line LCD to indicate controllers status and setup instructions
-) 1-Touch control for easy setup
-) Profiling using latest intelligent technology
-) Various inputs, push button, open only, close only, stop, pedestrian and photoelectric beam
-) Supports limit switch inputs or mechanical stops
-) Adjustable auto close, obstruction load and pedestrian access
-) Adjustable lock and courtesy light outputs
-) Variable photoelectric safety beam functions
-) Energy saving mode to reduce running costs
-) 12 Volt DC Output to power accessories
-) Service counters, password protection, holiday mode and many more features

DESCRIPTION

The 240 Volt AC Motor Controller (MC240) is not just the next generation but the industry game changer. We wanted to create a controller that is simple to use and does just about any feature required in the gate and door industry. The MC240 is not just the next generation but the "Next Transformation" in the gate and door industry creating an Eclipse over previously developed motor controllers.

This new intelligent motor controller is the best match for your automatic gate or door motors.

The MC240's Eclipse® Operating System (EOS) is a user friendly menu driven system that uses the 1-touch button to control, setup and run automatic gates, doors and barriers. It uses a large 4-line LCD screen showing live reading of the motor performance and status of all inputs and outputs.

The controller is available with an IP66 rated plastic enclosure or card only.

TECHNICAL DATA

Small Size 130mm x 140mm (Card only)

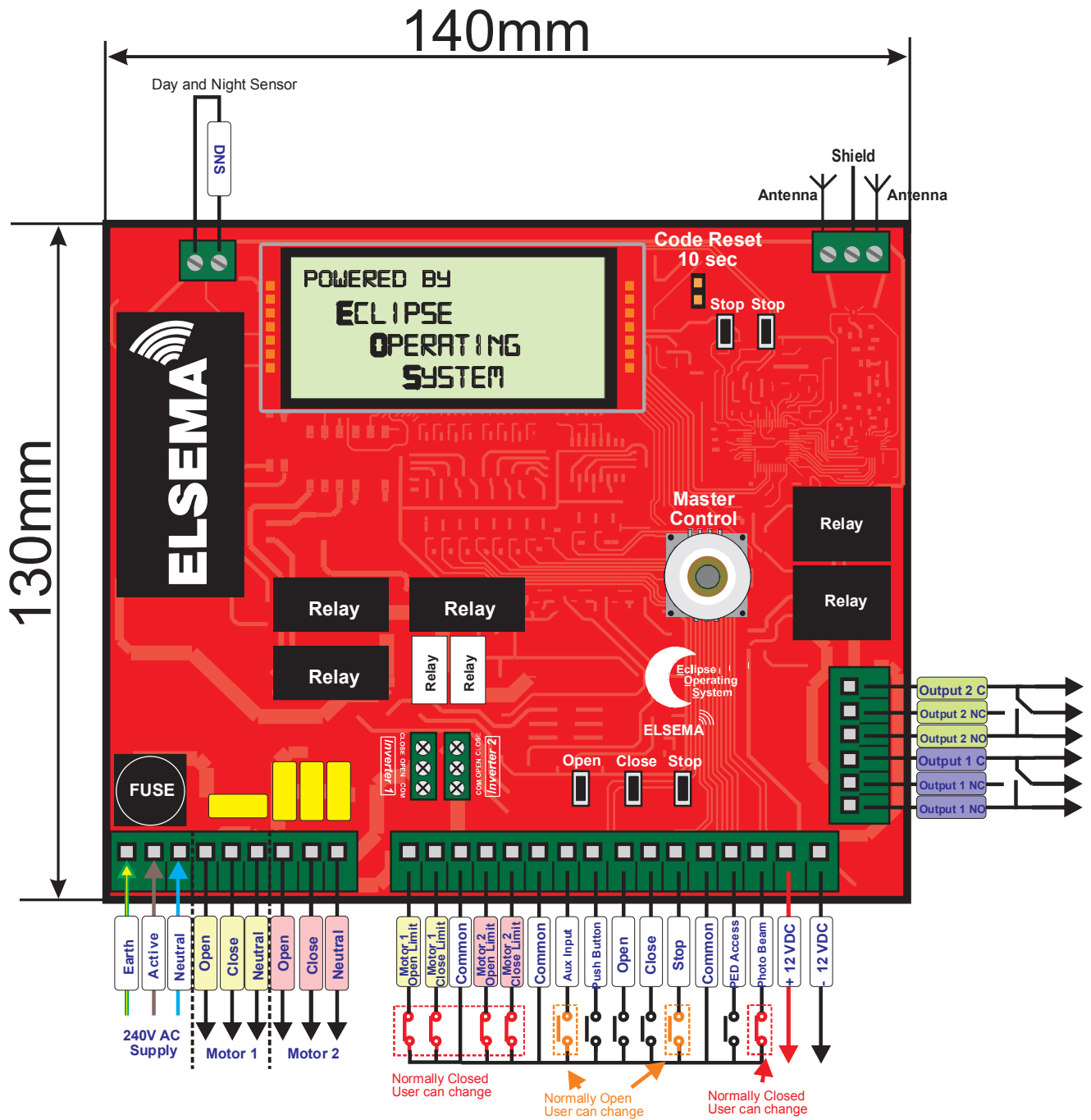
Suitable for 240Volt AC motors

Can be used with or without limit switches

Test buttons for control inputs

For detailed technical data visit www.elsema.com/automatic-gates/mc240

CONNECTION DIAGRAM



Day and night sensor (DNS) option can be used to auto close the gate at night, turn on the courtesy light or lights on your gates during the night and many more features which require a day and night detection.

Ordering code for the day and night sensor is **DNS**.

MCI-VSD with ECLIPSE®

Gate and Door Controller with VSD (Variable Speed Drive)



MCI-VSD04



Optional external Push Buttons can be installed on request

FEATURES

-) Designed for Gate or Door motors run by VSD
-) Double or Single motor operation
-) Eclipse Operating System (EOS)
-) Motor soft start and soft stop
-) Instant stop on obstruction
-) Large 4-line LCD to indicate controllers status and setup instructions
-) 1-Touch control for easy setup
-) Profiling using latest intelligent technology
-) Various inputs, push button, open only, close only, stop, pedestrian and photoelectric beam
-) Adjustable auto close, obstruction load and pedestrian access
-) Adjustable lock and courtesy light outputs
-) Variable photoelectric safety beam functions
-) 12 Volt DC Output to power accessories
-) Service counters, password protection, holiday mode and many more features

DESCRIPTION

The MCI Controller has been specifically designed to control Variable Speed Drives (VSD). Elsema's MCI-VSD kit comes with its own Omron VSD for controlling a 3-phase 240 Volt AC motor. There are 4 different kits available for different motor sizes.

The MCI card only version can also be used to control almost all types of VSD's or even contactors. The relay outputs on the MCI are voltage free contacts, allowing the user to connect it to VSD's Open, Close & Common inputs (Forward, Reverse & Common). It can also be used to operate coils of open and close contactors.

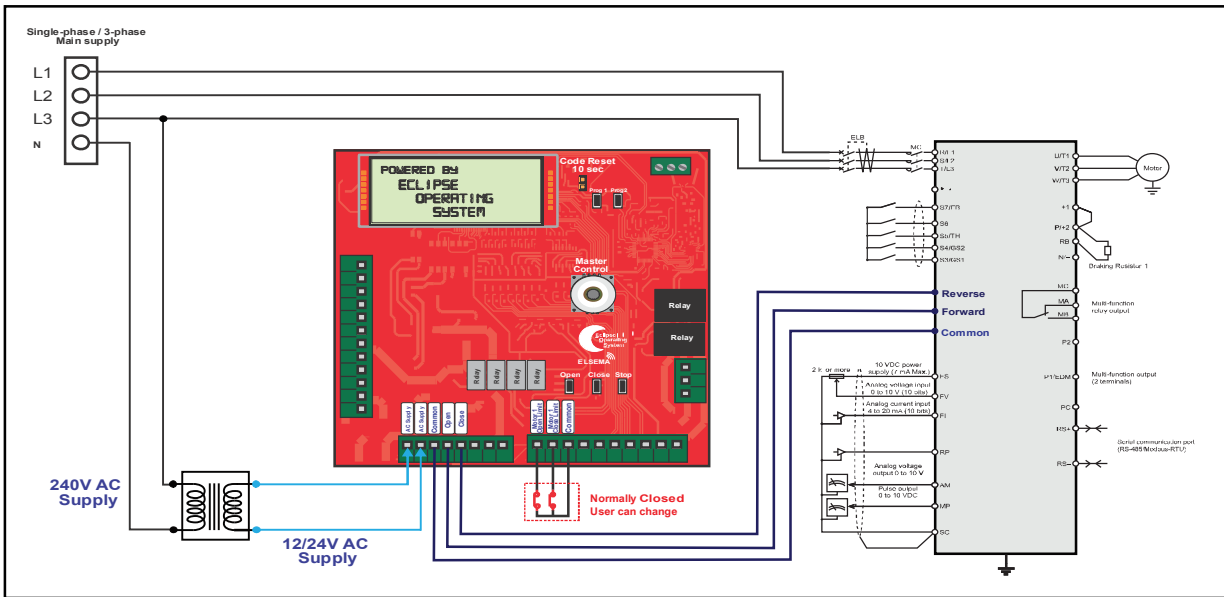
The MCI-VSD kit with Eclipse® Operating System (EOS) automatically does all the confusing and hard to find VSD parameters settings by simply asking the user a few questions. It also gives the user options for more advance settings, where the user can configure each parameter of the VSD. All selections are done in the EOS menu instead of the VSD.

For detailed technical data visit:
www.elsema.com/automatic-gates/mci

Part Number	Description
MCI-VSD04	Suitable for 0.4kW (1/2hp) motor
MCI-VSD07	Suitable for 0.75kW (1hp) motor
MCI-VSD15	Suitable for 1.5kW (2hp) motor
MCI-VSD22	Suitable for 2.2kW (3hp) motor

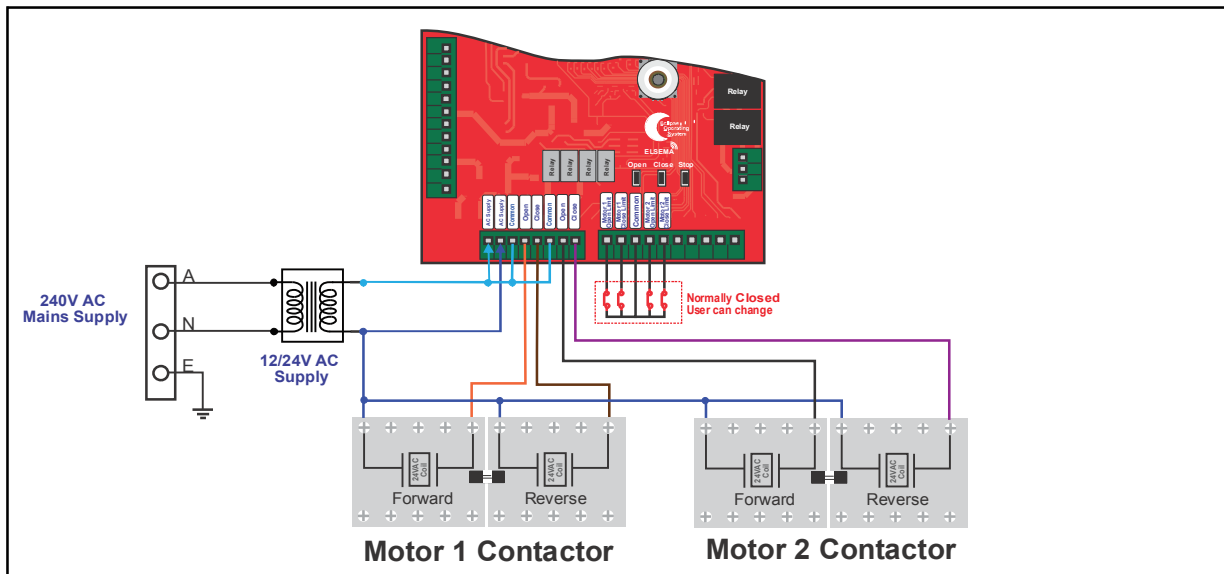
Variable Speed Drive Output

The **Voltage Free** outputs are connected to a VSD as shown in the diagram. If 2 VSD's are used, use the VSD 2 output to connect to the second VSD.



Connecting Contactors

Voltage Free outputs for motor 1 and motor 2 can also be used to control low voltage contactors. See connection diagram below.



MCI-VSD Kit for single motor



MCI-VSD Kit for double motors

SOLAR KITS FOR SINGLE & DOUBLE GATE

Solar kits for Single & Double 24 or 12 Volt DC Motors
Single or Double Gate Operation

DESCRIPTION

With solar gate kits there is no need to run mains power down to your gates, the gates are powered by solar energy. Elsema's 24 Volt solar kit (**Solar24SP**) comes with a single 24 Volt, 40 watt solar panel and 2 deep cycle 12Ah batteries.

Our kits are assembled and designed in Australia. With the use of a weatherproof case, deep cycle batteries and the intelligent control card, the kits will give you many years of reliable and secure use.



24 Volt Solar Kit

40W Solar panel is included

Part Number	Solar24SP
Battery	Deep Cycle 12Ah
Solar Panel	40 Watts included
Dimension	340 x 280 x 130 mm



12 Volt Solar Kit

Solar panel is not included

Part Number	Solar12
Battery	Deep Cycle 12Ah
Solar Panel	Minimum 40 Watts
Dimension	280 x 280 x 130 mm

Download App to see Real-time battery charging data, battery health, solar panel output, charging history and more.

***Smart charger has been optimised for the batteries which are supplied with it.
Do not change any settings!**



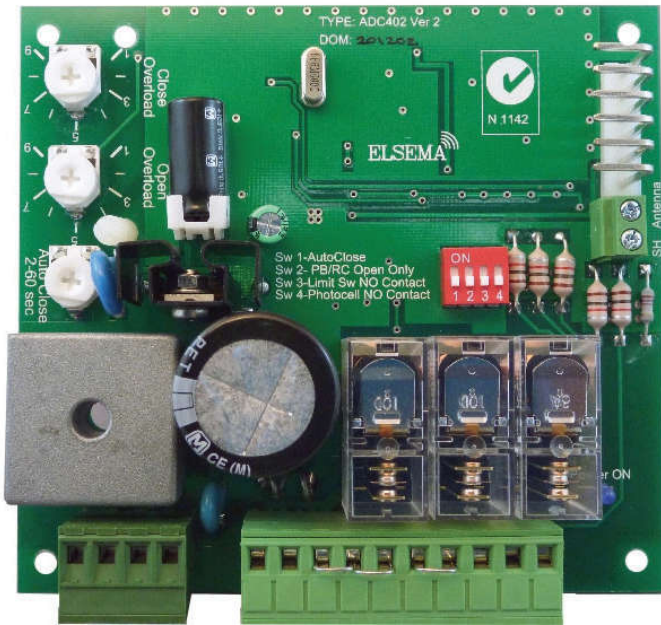
Search for VictronConnect in App store

FREQUENTLY ASKED QUESTIONS

-) **Are deep cycle batteries used?** For solar gate automation deep cycle batteries must be used.
-) **What is the size of the battery?** Larger batteries (Higher Ah) will allow more accessories and longer operation before the next charge. This is specified as the Ampere-hour (Ah) of the battery.
-) **What is the stand-by current drain of the control card used in the solar kits?** The lower the current the better it is since your gates will operate longer with the solar energy. Stand-by currents are usually less than 30mA. Higher stand-by currents will consume more power from your batteries, reducing the solar energy stored.
-) **Where was the control card designed?** Elsema's control cards are designed in Australia for the Australian conditions. Most of the other control cards on the market are imported from Asia and Europe and are not suitable for the Australian conditions.
-) **What is the size of the solar panel?** For gate or door automation a minimum 40 watt panel is recommended. The size will depend on many factors. You can call Elsema's solar engineer who will guide you to the correct size.

ADC402

Controller Card for Single 24 or 12 Volt DC Motors
Automatic Door Controller for DC Motors



FEATURES

-) Suitable for automatic gates and doors
-) Automatic detection for 24 or 12 Volt supply for controller and motor
-) Separate overload adjustment for open and close up to 9 Amps
-) Plug in type terminal blocks for easy wiring and servicing
-) Adjustable auto close from 2 to 60 seconds
-) Inputs for push button, open only, photoelectric beam and limit switches
-) Optional battery backup available

DESCRIPTION

The ADC402 has been used in the gate and door industry in Australia and around the world for over 2 decades. It is one of the most cost effective solutions to automate your gate or door.

In fact, there is no other card in the market that comes close to it when it comes to cost per feature price. It has automatic 12 or 24 volt detection, limit switch inputs, obstruction detection, photoelectric beam input, push button input, wireless receiver

input, light output and auto close features – all as standard features.

The size of the card is only 115 x 105mm making it very easy to be integrated into existing cases with limited space.

If you are looking for a card with more advanced features, then the MCS is your solution.

TECHNICAL DATA

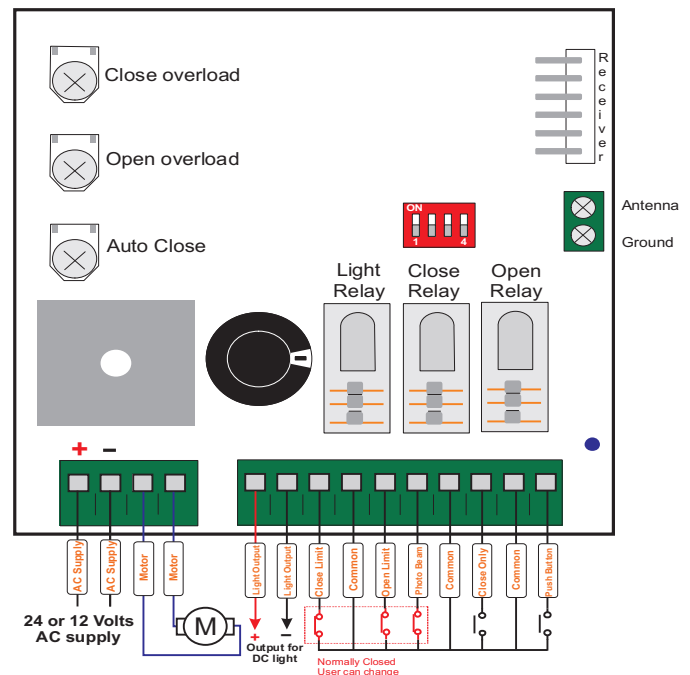
Small Size 115mm x 105mm (Card only)

24 or 12 Volts AC supply

Standby current: 19mA at 12 Volts

Limit switch and photo beam input can be set as NO or NC (see dipswitch setting)

For detailed technical data visit www.elsema.com/automatic-gates/adc402

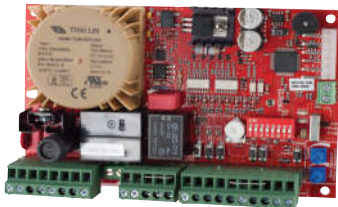


240S1 & 240S2 Series

Controller for Single 240 or 120 Volt AC Motors up to 1kW
Used on Light Commercial Doors, Garage and Sliding Gates



With Keyswitch and Push Buttons



FEATURES

-) Adjustable auto close
-) Slow Speed and motor force (torque) adjustment
-) External key switch for safety and security (only on 240S2)
-) Dead man controls for open and close buttons
-) Automatic ground and travel distance calibration
-) Photocell, pedestrian and wireless remote control inputs
-) Supports NC or NO limit switch inputs or travel timer setup
-) Aux relay output to control courtesy lights and other accessories
-) 24VDC output to supply external accessories such as loop detectors, swipe cards etc
-) Customised models available upon request

DESCRIPTION

The 240S1 and 240S2 are very similar cards except for the card size and the 240S2 has a key switch input. Offering two different sizes allows the cards to be easily installed into existing cases as replacement or upgrade cards. These two cards are one of our best valued cards on the market, selling for a very competitive price, yet still loaded with many features.

The control cards were built from the ground up, based on customer feedback and using today's technology. With its rich functions, consumer friendly price and with the focus during development being ease of use and setup makes these 240VAC control cards the ultimate board to control your motors.

TECHNICAL DATA

Small Size 240S1: 148 x 92 mm. 240S2: 148 x 120 mm

Suitable for motors up to 1kW (1.3Hp). For higher rated motors please see 240S3 & 240S4

Can be used with NO or NC limit switches or travel time

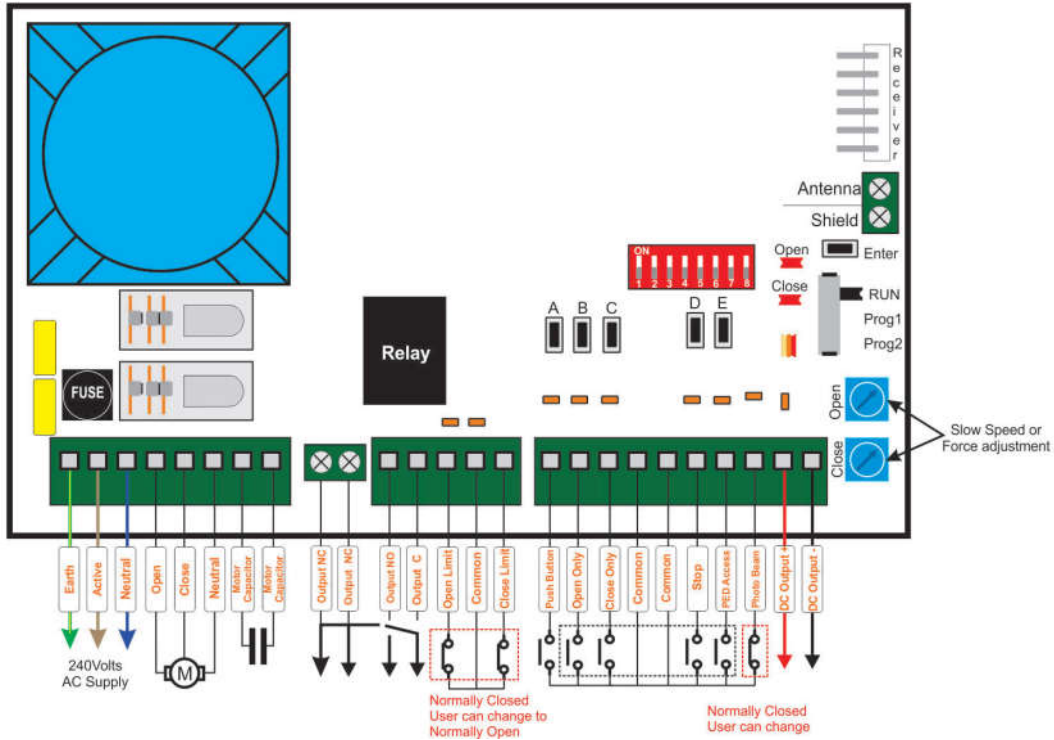
Test buttons for control inputs

For detailed technical data visit www.elsema.com/automatic-gates/240s1

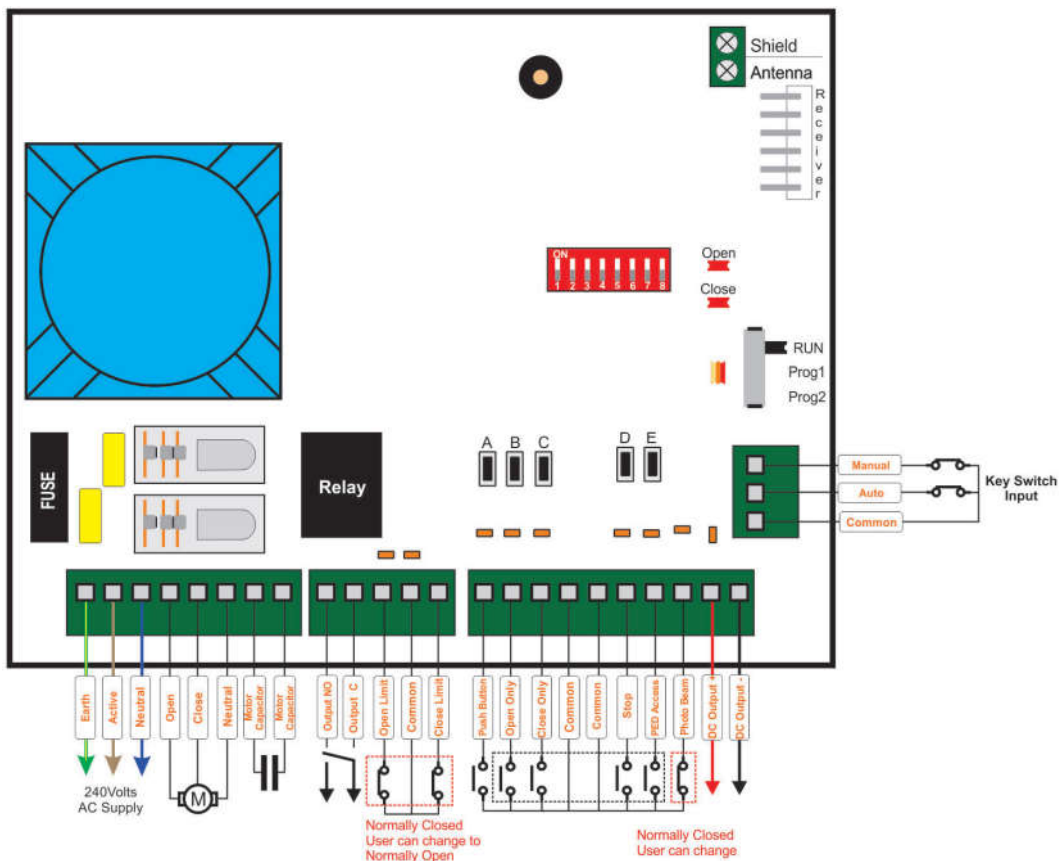
120 Volt version available for international markets

CONNECTION DIAGRAM

240S1, Motors up to 1.0kW



240S2, Motors up to 1.0kW



240S3E & 240S4E

Controller for Single 240 or 120 Volt AC Motors up to 2kW
Used on Light Commercial Doors, Industrial Roller Shutters,
Sectional Doors, Garage and Sliding doors



With Keyswitch and Push Buttons



240S3E : 3 Wire Motor
or
240S4E : 4 Wire Motor

FEATURES

-) Adjustable auto close
-) Auto-reset thermal protection
-) External key switch for safety and security
-) Dead man controls for open and close buttons
-) Automatic ground and travel distance calibration
-) Photocell, pedestrian and wireless remote control inputs
-) Supports NC or NO limit switch inputs or travel timer setup
-) Aux relay output to control courtesy lights and other accessories
-) 24VDC output to supply external accessories such as loop detectors, swipe cards etc
-) Customised models available upon request

DESCRIPTION

The 240S3E and 240S4E industrial controller uses German designed ABB contactors and thermal overloads to control the 240 VAC motor. The 240S3E is for 240 VAC motors using 3 wires and the 240S4E is for 240 VAC motor using 4 wires.

A toroidal transformer is used to power the control card and contactors.

Using a toroidal transformer offers the following advantages:

-) Excellent efficiency and low leakage losses reducing your electricity consumption
-) High isolation which protects the electronics from noisy power lines
-) Low magnetic field radiation and no acoustic noise enabling the controller to pass EMC and other stringent radiation tests

This is the quality you should demand when using 240 VAC motor controllers.

TECHNICAL DATA

240S3E-9.0: Suitable for 3-wire motors up to 1.5kW (2.0HP)

240S3E-12: Suitable for 3-wire motors up to 2.0kW (2.6HP)

240S4E-9.0: Suitable for 4-wire motors up to 1.5kW (2.0HP)

240S4E-12: Suitable for 4-wire motors up to 2.0kW (2.6HP)

Can be used with NO or NC limit switches

Test buttons for control inputs

Dual interlock for added safety

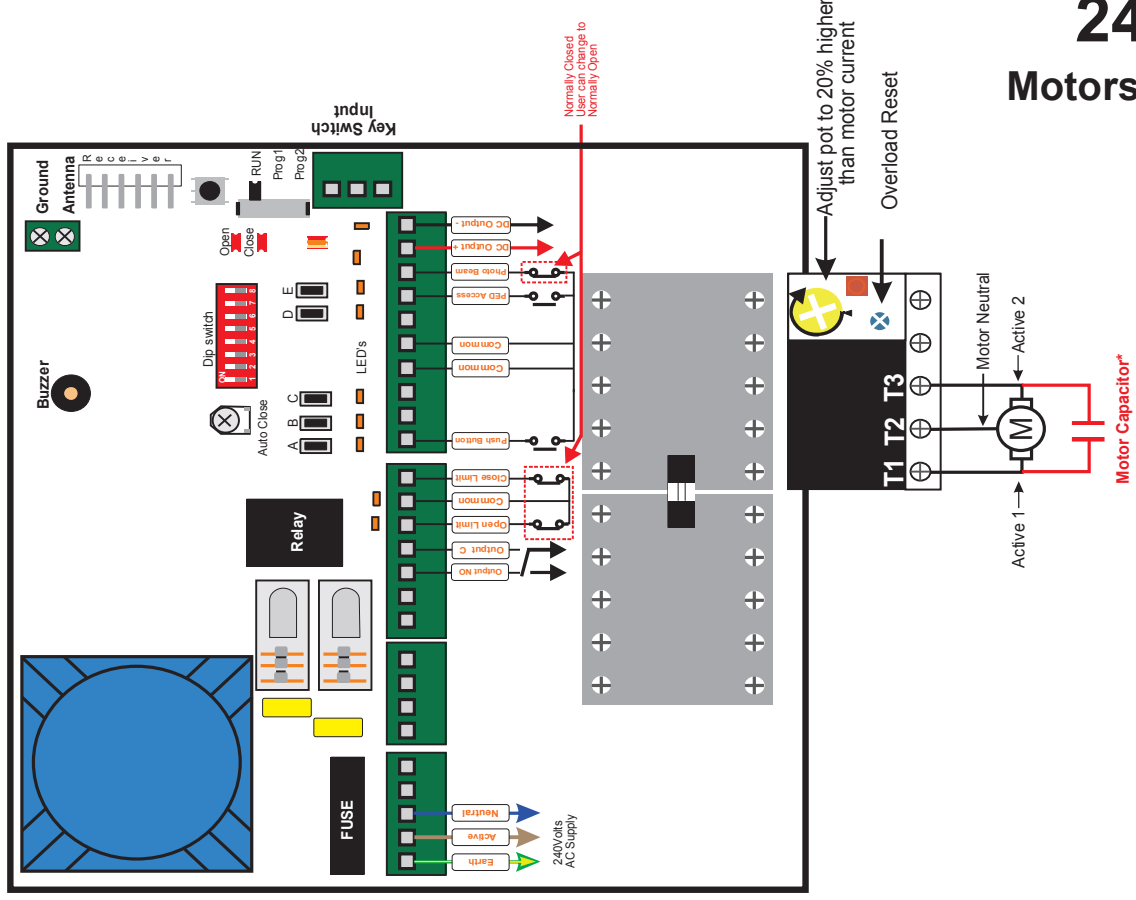
LEDs indicate when inputs are active. A very handy feature during installation or troubleshooting

For detailed technical data visit www.elsema.com/automatic-gates/240s3

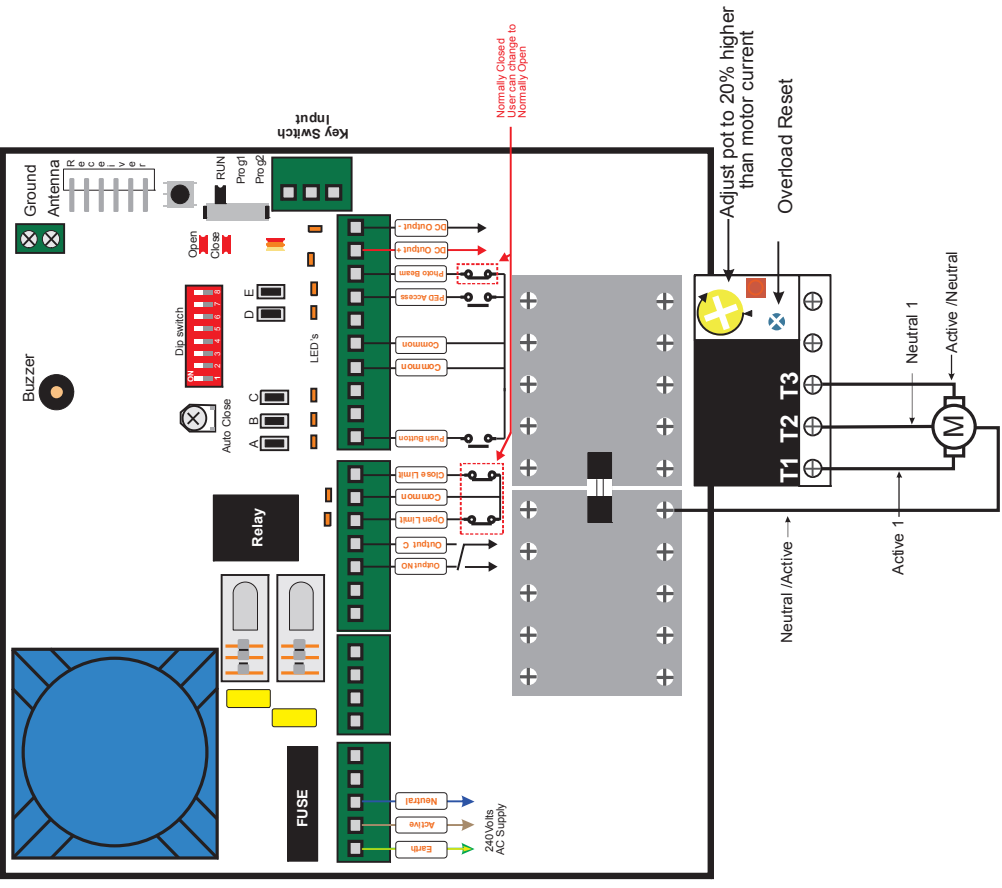
120 Volt version available for international markets

CONNECTION DIAGRAM

240S3E Motors with 3 Wires



240S4E Motors with 4 Wires



Polarity of Output Power Lines

Forward Direction	Reverse Direction
Active/Neutral	Neutral
Neutral/Active	Active
Active1	Active
Neutral1	Neutral

415S1E Series

Controller for 415VAC 3-Phase Motors up to 1.6kW

3-Phase Motors used on Light Commercial Doors, Industrial Roller Shutters, Sectional Doors, Garage and Sliding Doors



415S1E-2.4
OR
415S1E-4.0



With Keyswitch and
Push Buttons

FEATURES

-) Adjustable auto close
-) Auto-reset thermal protection
-) External key switch for safety and security
-) Dead man controls for open and close buttons
-) Automatic ground and travel distance calibration
-) Photocell, pedestrian and wireless remote control inputs
-) Supports NC or NO limit switch inputs or travel timer setup
-) Aux relay output to control courtesy lights and other accessories
-) 24VDC output to supply external accessories such as loop detectors, swipe cards etc
-) Customised models available upon request

DESCRIPTION

The 415S1E industrial controller uses German designed ABB contactors and thermal overloads with phase failure compensation to control the 3-phase motor. The controller uses a dual interlock protection system for extra safety.

Using a toroidal transformer offers the following advantages:

-) Excellent efficiency and low leakage losses reducing your electricity consumption

-) High isolation which protects the electronics from noisy power lines
-) Low magnetic field radiation and no acoustic noise enabling the controller to pass EMC and other stringent radiation tests

This is the quality you should demand when using 3-phase motor controllers.

TECHNICAL DATA

415S1E-2.4: Suitable for 3-phase motors up to 1kW (1.3HP)

415S1E-4.0: Suitable for 3-phase motors up to 1.6kW (2.2HP)

Can be used with NO or NC limit switches

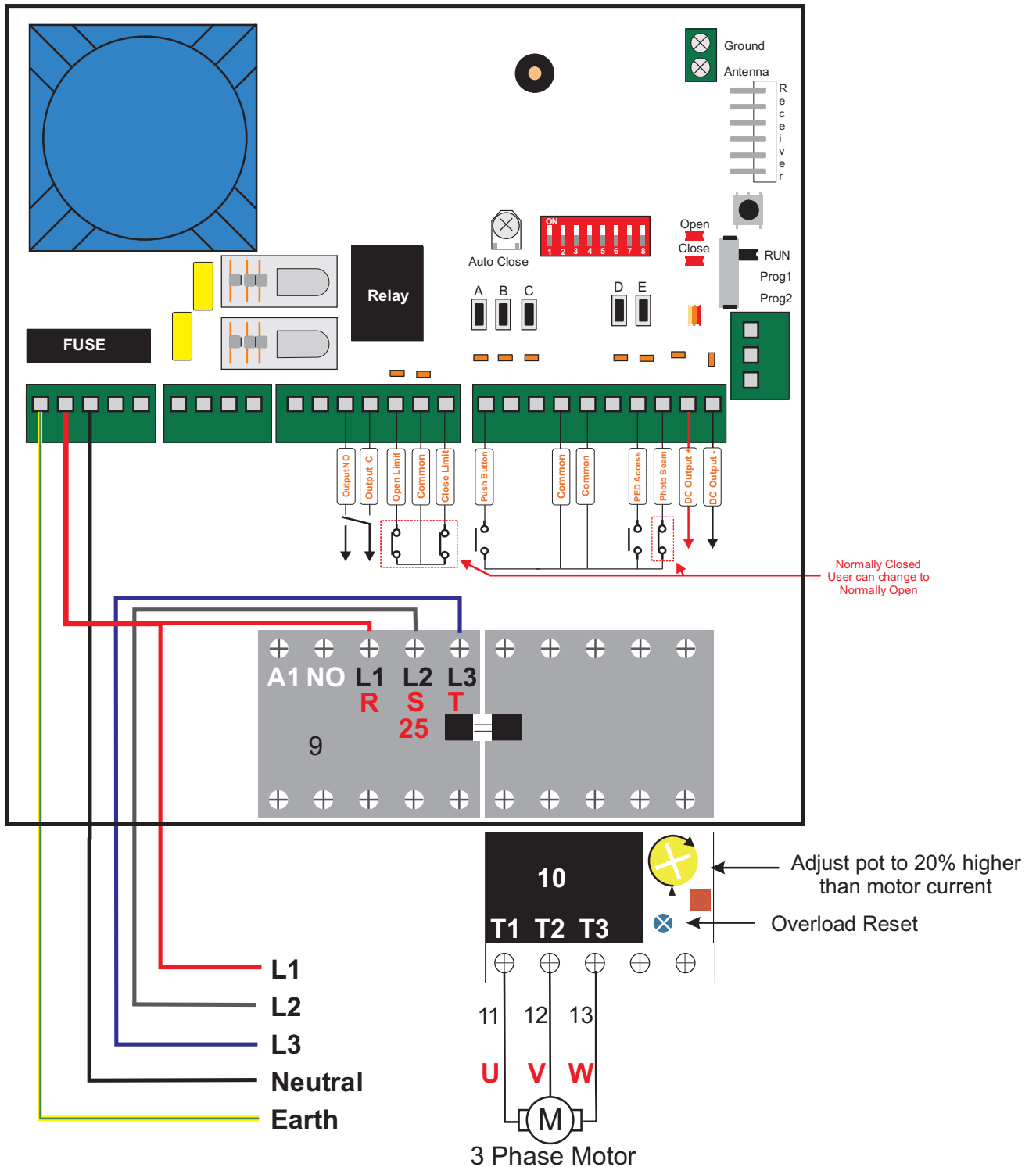
Test buttons for control inputs

Dual interlock for added safety

LEDs indicate when inputs are active. A very handy feature during installation or troubleshooting

For detailed technical data visit www.elsema.com/automatic-gates/415s1

CONNECTION DIAGRAM



In installations where neutral is not available, a 415 to 240 VAC transformer is used to power the control card.

Ordering code for the 415 to 240 VAC transformer is **TT415-30**.

WATERPROOF PentaFOB® SERIES

433MHz Keyring Remotes

PentaFOB® remotes in IP67 waterproof keyring case



FEATURES

-) Waterproof Keyring transmitters (IP67)
-) Option of 1, 2, 4 or 5 channels
-) Simultaneously transmits the encrypted code on 5 different frequencies, making it impossible for the remote to be interfered with or jammed
-) Uses frequency hopping spread spectrum (FHSS)
-) One of the most secure remote controls on the market
-) Designed in Australia
-) Complies to AS/NZS 4268, CE and FCC
-) Works with all PCR Penta series of receivers



DESCRIPTION

The Waterproof PentaFOB® works in conjunction with our standard PentaFOB® remotes and PCR series of receivers. It uses frequency hopping spread spectrum (FHSS). This means that when a button is pressed, it simultaneously transmits the encrypted code on five different frequencies. This makes it impossible for your remote control to be interfered with or jammed.

Available in 1, 2, 4 and 5 button configurations. The keyring retainer is moulded as part of the chassis making for a super sturdy keyring mount.

The PentaFOB® series is an extremely versatile remote control that can be customized through a range of configurations and colours to suit your needs.

TECHNICAL DATA

Over 17 billion encrypted codes

Operating range of up to 100 metres depending on building structure and receiver antenna

18mA (typical) at 3 Volts DC supply during transmission

Battery life of 2 years with average use

Frequency Band: 433.100 to 434.700 MHz

Custom front design available

For detailed technical data visit www.elsema.com/automatic-gates/waterproof-remote

PentaFOB® HANDHELD

433MHz PentaFOB® Transmitter with Raised Buttons



FOB43302H

FEATURES

-) PentaFOB® remote with 2 raised buttons
-) Transmits on 5 different frequencies
-) Uses frequency hopping spread spectrum (FHSS)
-) One of the most secure remote controls on the market
-) Designed in Australia, for Australia
-) Competitive pricing
-) Works with all PCR Penta series of receivers



Batteries Included

DESCRIPTION

The FOB43302H is a Hand-held remote control in an industrial case. It has large raised buttons which can easily be pressed even while wearing industrial gloves.

The remote comes with a robust rubber boot which protects it in an event of being dropped or accidentally knocked against hard surfaces.

FOB43302H is powered by 2 x AA batteries for longer life cycle.

For detailed technical data visit:
www.elsema.com/fob43302h

TECHNICAL DATA

Powered by 2 x AA batteries (included)

Over 17 billion encrypted codes

Operating range of up to 100 metres depending on building structure and receiver antenna

18mA (typical) at 3 Volts DC supply during transmission

Dimensions: 125 x 75 x 35 mm

Operating frequency: 433.100 to 434.700 MHz

Works with all PCR Penta series of receivers

PentaFOB® SERIES

433MHz Keyring Remotes

The next generation of remote controls, superior to normal garage door rolling code remotes



FEATURES

-) Keyring transmitter with 1, 2, 4 or 5 channels
-) Simultaneously transmits the encrypted code on 5 different frequencies, making it impossible for the remote to be interfered with or jammed
-) Uses frequency hopping spread spectrum (FHSS)
-) One of the most secure remote controls on the market
-) Designed in Australia
-) Competitive pricing
-) Complies to AS/NZS 4268, CE and FCC
-) Works with all PCR Penta series of receivers



DESCRIPTION

The PentaFOB® uses frequency hopping spread spectrum (FHSS). This means that when a button is pressed, it simultaneously transmits the encrypted code on five different frequencies. This makes it impossible for your remote control to be interfered with or jammed.

Available in 1, 2, 4 and 5 button configurations. The keyring retainer is moulded as part of the chassis using reinforced nylon making for a super sturdy keyring mount.

The PentaFOB® series is an extremely versatile remote control that can be customized through a range of configurations and colours to suit your needs.

TECHNICAL DATA

Over 17 billion encrypted codes

Operating range of up to 100 metres depending on building structure and receiver antenna

18mA (typical) at 3 Volts DC supply during transmission

Battery life of 2 years with average use

Frequency Band: 433.100 to 434.700 MHz

Custom front colours available

For detailed technical data visit www.elsema.com/automatic-gates/fob



The keyring retainer in the PentaFOB® is moulded as part of the chassis using reinforced nylon making for a super sturdy keyring mount.



The PentaFOB® is an extremely versatile remote control that can be customized through a range of configurations and colours to suit your needs.



Case Black
Upper Orange



Case Black
Upper Blue



Case Black
Upper Red

Choose from a range of colour options. Mix and match!
If you require a custom Pantone® colour please contact us for more information

FOB WALL SWITCH

4-Button, Wireless Wall Remote with PentaFOB® Technology



FOR Switch or
FOB Switch Kit
(PCR43301RE receiver included)

FEATURES

-) Ultra slim and stylish design for wall mount
-) Compatible with standard single-gang wall box or just screw directly on to the wall
-) Easily replace battery without removing from the wall
-) Uses frequency hopping spread spectrum (FHSS)
-) Designed in Australia, for Australia
-) Competitive pricing
-) Works with all PCR Penta series of receivers



FOB Switch

DESCRIPTION

The wireless wall remote can be mounted on the standard single-gang electrical wall box or directly on to the wall. It can wirelessly control lights, automatic gates and garage doors. It transmits a wireless signal to the Penta receiver which switches relays to turn the device On and Off.

No need to run wires from the wall remote to the lights. Just mount the wall remote on the wall and

connect Penta receiver to the light. Modern design and ultra-thin profile.

This wireless wall remote uses PentaFOB® technology

For detailed technical data visit:
www.elsema.com/automatic-gates/wireless-wall-switch

TECHNICAL DATA

Operating range of up to 100 metres depending on building structure and receiver antenna

Over 17 billion encrypted codes

18mA (typical) at 3 Volts DC supply during transmission

Battery life of 2 years with average use

Operating frequency: 433.100 to 434.700 MHz

Works with all PCR Penta series of receivers

PentaFOB® Programmer

Add, Edit, Delete, Backup and Restore PentaFOB® remotes



PentaFOB Programmer

FEATURES

-) Add, Edit and Delete individual PentaFOB® transmitters from the receiver
-) Backup and Restore receiver's memory to mini FOB chips
-) Easy-to-read with a large LCD display with back light
-) 1-touch Master control for quick and easy setup
-) 1 backup or restore chip is included
-) USB programming cable included
-) Password protect the receiver
-) Ergonomically designed case
-) No battery is required

DESCRIPTION

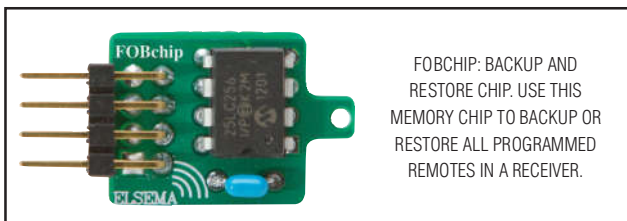
The PentaFOB® programmer can add, edit and delete individual PentaFOB® transmitters from the receiver's memory. Simply plug-in the USB cable on the back of the programmer and the other end of the cable to the receiver. The programmer will automatically detect the receiver model number and then display the corresponding information. With the easy-to-read 4-line large LCD the setup can be done quickly with clear instructions displayed on the screen.

The programmer has a password feature which allows you to lock the receivers to prevent any unauthorised access to the receiver's memory.

There is a backup or restore memory chip (FOBchip) included with each programmer. This chip is used to backup or restore the contents of a receiver. When there are 100's of transmitters programmed to a receiver the installer normally backs up the receiver memory in case the receiver is damaged or lost.

Additional backup chips are sold separately.

ACCESSORY



FOBCHIP: BACKUP AND RESTORE CHIP. USE THIS MEMORY CHIP TO BACKUP OR RESTORE ALL PROGRAMMED REMOTES IN A RECEIVER.



FOBCABLE: USB CABLE TO CONNECT THE PROGRAMMER TO THE PENTA SERIES RECEIVERS

PentaCODE® SERIES

PentaCODE® Series 433MHz Keyring Remotes

The next generation of remote controls, superior to normal garage door rolling code remotes



FEATURES

-) Keyring transmitter with 1, 2 or 4 channels
-) Dual Coding System simultaneously transmits the code on 5 different frequencies, making it impossible for the remote to be interfered with or jammed
-) Uses frequency hopping spread spectrum (FHSS)
-) One of the most secure remote controls on the market
-) Designed in Australia
-) Complies to AS/NZS 4268, CE and FCC
-) Competitive pricing
-) Works with all PCR Penta series of receivers



DESCRIPTION

The PentaCODE® dual coding system gives the installer the option to use the classic 12-way dip switch coding or one of over 17 billion encrypted codes.

With the 12-way dip switch, just match the keyring remotes and the receiver's dip switch and it's coded.

With the encrypted code you switch all the 12-way dip switches OFF and the remote and receiver automatically goes into the encrypted coding.

The PentaCODE® remotes, when used in encrypted mode, can be programmed from another working remote.

TECHNICAL DATA

12-way dip switch coding or one of over 17 billion encrypted codes

Option of 1, 2 or 4 buttons

Operating range of up to 200 metres depending on building structure and receiver antenna

18mA (typical) at 12 Volts DC supply during transmission

Battery life of 1.5 years with average use

Frequency Band: 433.100 to 434.700 MHz

Custom print available for front labels

For detailed technical data visit www.elsema.com/automatic-gates/keyfob

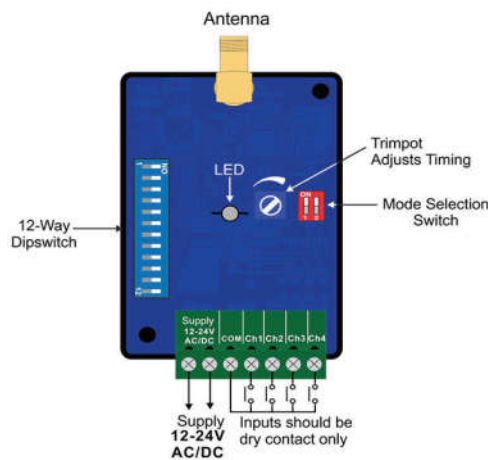
PentaCODE® SERIES

433MHz PentaCODE® Transmitter with External Inputs



FEATURES

-) 4 External inputs
-) 12 to 24 Volts AC/DC supply
-) 12-way dipswitch or encrypted coding
-) Frequency hopping between 433.100 to 434.700 MHz
-) Designed in Australia, for Australia
-) Competitive pricing
-) Works with all PCR Penta series of receivers



DESCRIPTION

The PCK43304W is a 4-channel PentaCODE® transmitter with terminals to connect external normally open contact closures. You can wire in push buttons or easily integrate it into your existing equipment.

Inputs can be from any device which has dry contact (voltage free) output. The transmitter can transmit a distance of up to 500m (line of sight). Transmission modes can be easily changed by setting the mode selection dip-switch.

TECHNICAL DATA

Supply: 12.0 - 24 VAC/DC

Current Consumption: 6 uA standby

Inputs: 4 dry contacts, optically isolated (normally open type "NO")

12-way dip switch coding or one of over 17 billion encrypted codes

Antenna: SMA connection for external antenna

Operating range of up to 500 metres depending on building structure and receiver antenna

Operating frequency: 433.100 to 434.700 MHz

For detailed technical data visit www.elsema.com/pck43304w

PCR SERIES

Penta Series Receivers 433MHz

Receivers to match PentaFOB® and PentaCODE® Series Keyring Remotes



2-Channel Standalone Receiver PCR43302RE

1-Channel Standalone Receiver PCR43301RE



Plug in Receiver PCR43302P



FEATURES

-) 1, 2, 4 or 5 channel versions available
-) Plug-in type or with relay outputs
-) Uses frequency hopping spread spectrum (FHSS)
-) Antenna Diversity for extended range
-) High sensitivity at 0.316uV (-117dBm)
-) Relay outputs rated at 10 Amps / 240 Volts AC
-) One of the most secure remote control systems on the market
-) Competitive pricing
-) Designed and tested in Australia
-) Wiegand Output, PCR433WG

DESCRIPTION

The PentaCODE® dual coding system gives the installer the option to use the classic 12-way dip switch coding or one of over 17 billion encrypted codes.

With the 12-way dip switch, just match the keyring remotes and the receiver's dip switch and it's coded. With the encrypted code you switch all

the 12-way dip switches OFF and the remote and receiver automatically goes into the encrypted coding.

The receiver is available as a standalone card with relay outputs or as a plug in type with the standard 6-pin connector.

TECHNICAL DATA

Supply PCR43302P: 7 to 36 Volts DC

Supply PCR43302R: 11 to 28 Volts AC or DC (No Case, PCB Only)

Supply PCR43302RE: 11 to 28 Volts AC or DC (With a Weatherproof Case)

12-way dip switch coding or one of over 17 billion encrypted codes.

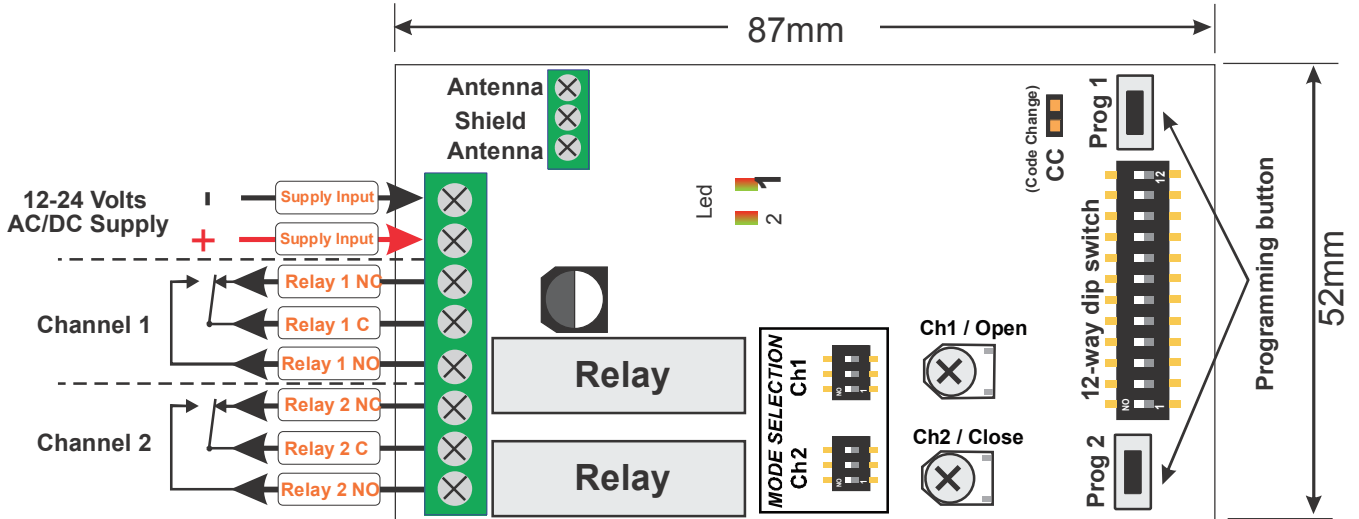
Option of 1, 2, 4 or 5 Relay Outputs or Wiegand Output

Operating range: Refer to the remote control or transmitter datasheet

Operating frequency: 433.100 to 434.700 MHz

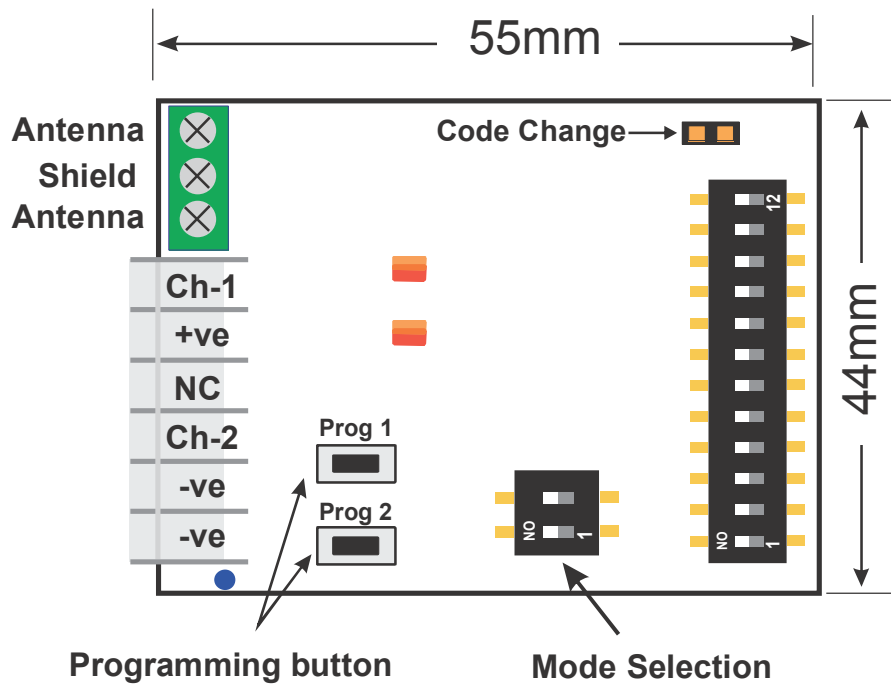
For detailed technical data visit www.elsema.com/prod-pcr

PCR43302R



Maximum Switching
10 Amps at 240 Volts AC
each.

PCR43302P



REPEATER / BOOSTER

Repeater for PentaFOB® & PentaCODE® Remotes

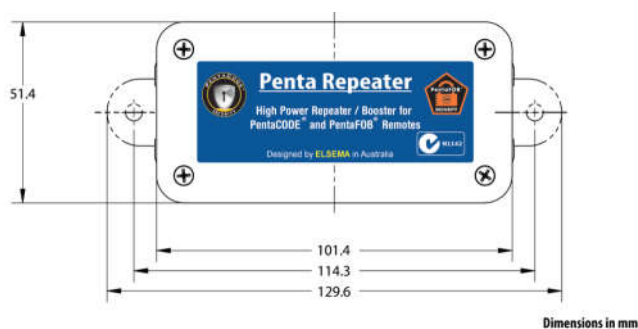


Penta Repeater/Booster

PCTR433

FEATURES

-) Compatible with "PentaFOB®" and "PentaCODE®" remotes
-) Micro USB or external supply
-) Unlimited remotes can be programmed
-) Highly sensitive receiver input stage
-) Crystal controlled for high reliability
-) Easy mounting to walls



DESCRIPTION

The Penta Repeater, intelligently repeats the transmission from the PentaFOB® and PentaCODE® remote's. The repeated signal is with high RF power which can increase the operating range of the remote to 500 metres. The repeater can be powered either by the micro USB connection or 12-24 Volts AC/DC supply.

If multiple repeaters are used for the same application, each repeater can be given different addresses with the digital display.

The repeaters memory can be backed up using the PentaFOB programmer.

TECHNICAL DATA

Supply: 12 to 24 Volts AC or DC or Micro USB

Current Consumption: 25 mA standby

Operating frequency: 433.100 to 434.700 MHz

Useable Transmitters: All Elsema type PCK433 & FOB433 series

Useable Receivers: All Elsema type Penta Receivers

Operating range of up to 500 metres depending on building structure and antenna

For detailed technical data visit www.elsema.com/pctr433

WIEGAND OUTPUT PENTA RECEIVER

433MHz Penta Receiver with Wiegand Output



Penta Receiver with Wiegand Output PCR433WG

FEATURES

-) Easy to add remote controls to any Wiegand input access control panel
-) Remotes are added like cards or RFID tags with no software changes
-) Wireless keyless entry offers convenience, security and safety for accessing gates, doors and boom gates
-) Wide operating supply voltage and low current consumption
-) Easy way to facilitate for handicapped access
-) Compatible with PentaCODE® remotes
-) Easy to use dipswitch coding

DESCRIPTION

This receiver allows you to add wireless remote controls to your existing access control systems by connecting the PCR433WG receiver to the access system. The remote controls have a range of up to 200 metres (640 feet) and are available with 2 or 4 buttons. The extra buttons can be used as a panic button allowing a single remote to allow access control and panic alert system.

The receivers Wiegand output interfaces to virtually any commercial access control panel.

Remote controls are added as easily as Wiegand cards or RFID tags without any software changes. The ID and facility codes can be matched to the system requirements.

The receiver has a bi-colour LED to act as a status display. Red LED indicates that AC or DC power is "On" and Green LED indicates remote control signal has been received.

TECHNICAL DATA

Supply: 11 to 28 Volts AC or DC

Wiegand Format: 26 bits, other formats available upon request.

Standby: 31mA

Connections: Flying leads 50mm

Operating range of up to 200 metres depending on building structure and receiver antenna

Operating frequency: 433.100 to 434.700 MHz

For detailed technical data visit www.elsema.com/prod-pcr

WIRELESS KEYPAD

Wireless Keypad works with Elsema's Penta series receivers



FEATURES

-) Built-in PentaCODE® transmitter
-) Adjustable transmission time
-) 2,000 users, PIN length 4 to 8 digits
-) Easy programming
-) Long operating range
-) Supply can be AC or DC
-) Keypad has a backlight
-) All programming is done from the keypad
-) Built in light dependent resistor (LDR) for anti tamper

DESCRIPTION

The PCKeypad is a wireless keypad with a PentaCODE® transmitter built-in. It works with all of Elsema's PCR series receivers. The installer has the option to use the classic 12-way dip switch coding or one of over 17 billion encrypted codes. (Please refer to the user manual)

The PCKeypad is suitable for mounting either indoor or outdoor under cover. It is housed in a strong vandal proof zinc alloy electroplated case.

The PCKeypad supports up to 2000 users with 4 to 8 digit PIN.

These features make PCKeypad an ideal choice for gate and door access for homes, shops, factories, warehouses, laboratories, banks and prisons.

TECHNICAL DATA

Supply: 12 - 24 Volts DC or 12 - 18 Volts AC

Dimensions: 128 x 82 x 28 mm

Operating Range of up to 50 metres with line of sight

Adjustable Transmission Time : 1-90 seconds

For detailed technical data

visit www.elsema.com/automatic-gates/keypad

PHOTOELECTRIC BEAMS

Photoelectric beam for automatic gates and doors

DESCRIPTION

The photoelectric beam works with any Elsema type automatic gate or door controller cards used on sliding, swing or roller doors. It is usually used as a safety device to control automatic gates and doors.

For detailed technical data visit www.elsema.com/automatic-gates/photocell

PE1500

Long Range Retro reflective type photoelectric beam with Polarised Polycarbonate case

Type	Polarised retro reflective type
Supply	12-250 Volts AC/DC
Range	12 metres (Outdoor) 18 metres (Indoor)



PE24

12-24 Volts AC/DC Through beam type

Type	Through beam type
Supply	12-24 Volts AC/DC
Range	10 metres (Outdoor) 30 metres (Indoor)



GSM GATE OPENER (4G COMPATIBLE)

Opens automatic gates and doors with a free phone call. Unlimited range



FEATURES

-) Up to 999 users
-) 4G network compatible
-) Built-in battery back-up
-) Switches relay with free call from mobile phone
-) Digital inputs for sensors or switching
-) SMS confirmation of relay switching
-) Secure password protected
-) Only authorised numbers can operate the G-2025

DESCRIPTION

The G-2025 can have up to 999 authorised numbers and uses the 4G Telstra and Vodafone network for communication (Not compatible with Optus). All you need is to insert a valid SIM card and program phone numbers of all users, using the PC software or through simple SMS text commands. When an authorised user makes a call to the receiver, it rejects the call and activates a relay. Since the call is rejected the user is not charged for the call.

The G-2025 works on 4G network therefore the receiver can be activated from anywhere in the country where 4G mobile network is available. For example you can open your gate or switch on your kitchen lights in Sydney from Melbourne by making a call from your mobile phone and without getting charged.

TECHNICAL DATA

Supply: 12 Volts DC (12 Volts DC power pack included)

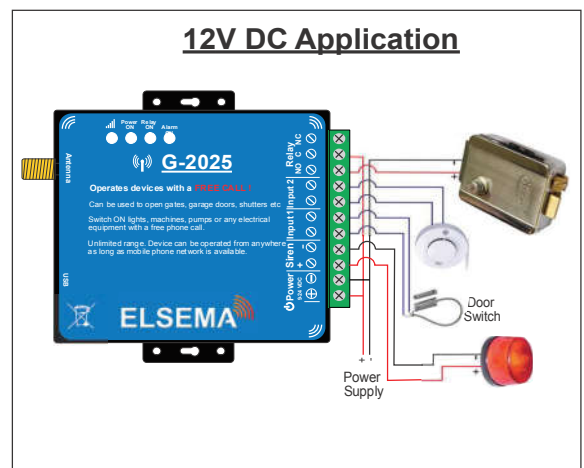
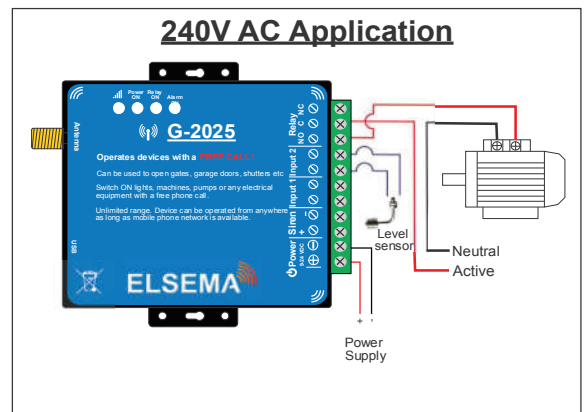
Dimensions: 95 x 95 x 35 mm

Authorised numbers easily entered by PC Software

Output relays can switch 3A, 240VAC

For detailed technical data

visit www.elsema.com/automatic-gates/g-2025



LOCKING ACTUATOR

DESCRIPTION

Locking actuators should be installed when using hydraulic swing gate operators or any other type of swing gate operators. Elsema's LA24 Locking actuator has a 50mm stroke and a 20mm stainless steel shaft.

Supply	24 Volts DC
Stroke	50mm
Dimensions	551 x 112 x 74mm



MAGNETIC LOCKS

DESCRIPTION

Elsema stocks electromagnetic locks for all types of doors and gates. Our models are designed to secure any type of door or gate that closes against a fixed stop. All of our lock components are carefully designed, manufactured and tested to ensure superior quality.

Waterproof Magnetic lock with 270kg holding force

Holding force	270kg
Supply	Can be 12 or 24 Volts DC
Dimensions	200 x 44 x 40mm



Waterproof Magnetic lock with 560kg holding force

Holding force	560kg
Supply	Can be 12 or 24 Volts DC
Dimensions	220 x 64 x 41mm



For detailed technical data visit www.elsema.com/automatic-gates/magneticlock

VEHICLE LOOP DETECTORS

Vehicle loop detectors for automatic gates and doors

DESCRIPTION

An inductive loop detector is used to detect motor vehicles. When the motor vehicle drives over the in-ground loop, the detector senses the metal and activates a relay. This relay is connected to the motor controller card to automatically open the gate or door. Elsema sells high and medium sensitivity detectors with 1 or 2 channel relay outputs.

LD40

Sensitivity	High
Supply	12-24 Volts AC/DC
Output	Single relay output



MD2010

Sensitivity	Medium
Supply	12-24 Volts AC/DC
Output	Single relay output



MD12-1

Sensitivity	Medium
Supply	12 Volts DC
Range	Single relay output



MD12-2

Sensitivity	Medium
Supply	12 Volts DC
Output	Double relay output



MD240-1

Sensitivity	Medium
Supply	240 Volts AC
Output	Single relay output



MD240-2

Sensitivity	Medium
Supply	240 Volts AC
Output	Double relay output



For detailed technical data visit www.elsema.com/automatic-gates/loopdetector

DIRECT BURIAL LOOPS

Inductive loops tune to Elsema's Loop Detectors

DESCRIPTION

Used for installations under concrete, asphalt, pavers, or in gravel roads. The most common installation is the loop tied directly to the rebar before concrete is poured. Wire is designed for a direct burial application.

Unlike loops wrapped through PVC, The Direct Burial Loop does not have an air pocket resulting in fewer repeat service calls due to phantom detections caused by ground vibration.

Our Direct Burial loops are build with Solid 16AWG to create a tough rigid product that won't fall below the rebar pattern. Installing a Direct Burial loop over rebar is a snap! Simply offset the loop from the rebar pattern and tie it down with the supplied cable ties.

DBL7

Application	Domestic	Commercial
Driveway width	Up to 3.6m	Up to 3.3m
Loop Size	1.2 x 2.4m	1.8 x 1.8m

DBL9

Application	Domestic	Commercial
Driveway width	Up to 4.2m	Up to 3.6m
Loop Size	1.2 x 3.3m	1.8 x 2.4m

DBL10

Application	Domestic	Commercial
Driveway width	Up to 4.8m	Up to 4.2m
Loop Size	1.2 x 3.6m	1.8 x 3.0m

DBL12

Application	Domestic	Commercial
Driveway width	Up to 6m	Up to 5.4m
Loop Size	1.2 x 4.8m	1.8 x 4.2m



Install the highest quality loop, save time, and reduce service calls by using a Elsema's preformed loop

For detailed technical data visit www.elsema.com/automatic-gates/inductive-loop

SAW-CUT LOOPS

Inductive loops tune to Elsema's Loop Detectors

DESCRIPTION

Saw-cut loops make installations easy, hassle-free and prevents false detections and detector lock-ups as they are one of the leading reasons why installers must do a repeat service call on brand new gate systems with loops installed. Which is unfortunate because it is a very difficult issue to diagnose, especially if you aren't considering air pockets as the cause of the problem.

Our saw-cut loops have a custom durable polyethylene outer jacket that protects nylon coated polyethylene insulated 16AWG stranded wire. These Loops have a built-in wing shaped backer-rod that causes the loop to fit snugly in a 3/16" saw-cut groove.

Our unique wire design prevents the installer from having to install backer-rod and creates a seal at the bottom of the groove, allowing the installer to apply sealant to a flat surface and resulting in at least a 30% savings in loop sealant to seal the groove when compared with hand wrapped wires in a 1/4" wide groove.

SCL7

Application	Domestic	Commercial
Driveway width	Up to 3.6m	Up to 3.3m
Loop Size	1.2 x 2.4m	1.8 x 1.8m

SCL9

Application	Domestic	Commercial
Driveway width	Up to 4.2m	Up to 3.6m
Loop Size	1.2 x 3.3m	1.8 x 2.4m

SCL10

Application	Domestic	Commercial
Driveway width	Up to 4.8m	Up to 4.2m
Loop Size	1.2 x 3.6m	1.8 x 3.0m

SCL12

Application	Domestic	Commercial
Driveway width	Up to 6m	Up to 5.4m
Loop Size	1.2 x 4.8m	1.8 x 4.2m



Pre-formed saw-cut loop

LOOP GOOP

Polyurethane Saw-Cut Loop Sealant

DESCRIPTION

Loop Goop (Sealant) is a tough and durable polyurethane resin designed to encapsulate, protect and insulate inductive loops for garage doors, gates, and parking applications. Effectively seals out moisture and provides exceptional chemical resistance to gasoline, motor oil, hydraulic brake fluid and other hydrocarbons. Loop Goop remains strong, flexible and resilient in cold & hot weather. It provides superior adhesion to wires and saw cuts in concrete and asphalt.

Wedge Tool allows installers to quickly and easily roll loop wire into the bottom of the saw-cut groove while standing. It is made of smooth and durable PVC that will not nick the loop wire.

The flat and angled wedge tools allow installers to easily push wire down into 135° dog eared corner cuts.

Cutting at the proper depth and width can yield significant savings in loop sealant.

Tubes of Loop Sealant Needed to Seal Loop and Entire Length of Lead-in				
Saw cut loop & Loop size	3/16" Groove		1/4" Groove	
	1 1/4" Depth	1 1/2" Depth	1 1/4" Depth	1 1/2" Depth
SCL7 1.2x2.4m or 1.8x1.8m	8	10	10	12
SCL9 1.2x3.3m or 1.8x2.4m	8	10	10	12
SCL10 1.2x3.6m or 1.8x3.0m	8	10	10	13
SCL12 1.2x4.8m or 1.8x4.2m	9	11	11	14
	Recommended			



Saw-Cut Loop Sealant with Flat 3/16" Sealant Tip

Part Number: LG



Caulking Gun

Part Number: LG-Gun



Wedge Tools

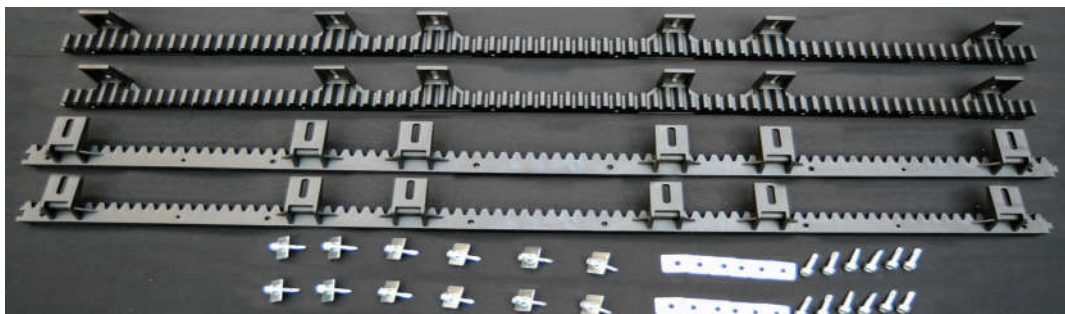
Wedge Tool allows installers to quickly and easily roll loop wire into the bottom of the saw-cut groove

GEAR RACKS & SAFETY BUMP STRIP

Gear rack for automatic sliding gates

DESCRIPTION

Elsema stocks steel re-enforced, nylon gear racks for automatic sliding gates. These racks are 1 metre long and comes in packs of 4 with mounting screws and brackets. Competitively priced and quality you can trust, they are the best value for money.



SAFETY BUMP STRIP

DESCRIPTION

The Safety bump strip is a safety device and is recommended to be installed on high speed gates. When the bump strip hits a person or an object, it will stop the gate instantly. It will also cushion the impact. Safety bump strip is carefully designed, manufactured and tested to ensure superior quality.



Compatible with Penta series of receivers

Battery operated transmitter included

Stops the gate when compressed

LED FLASHING LIGHTS

Flashing lights to indicate automatic gate or door operation

DESCRIPTION

Flashing lights (also known as warning lights or strobe lights) are used as an indicator for automatic operation of gates and doors. They are ideal for high traffic areas or on commercial gates for added safety. Elsema has different colour lights to suite your application.



PART NUMBERS

- E80-A
- E80-B
- E80-R
- E80-G

Series	E80 Series
Supply	12-24 Volts DC
Flashing rate	60-80 flashes per minute



PART NUMBERS

- E80L-A
- E80L-B
- E80L-R
- E80L-G

Series	E80L Series 90° Wall Mount Type
Supply	12-24 Volts DC
Flashing rate	60-80 flashes per minute

For detailed technical data visit www.elsema.com/automatic-gates/strobelight

REMOTE CONTROL BATTERIES

Batteries for handheld remotes and backup for automatic gates

DESCRIPTION

Elsema has a range of batteries for all its products. Our range includes batteries for keyring remotes to backup of 24 or 12 volts automatic gates and doors. Backup batteries combined with smart solar chargers and solar panels, provides you with a hassle-free operation 24 hours a day - even during power blackouts.



3 Volt lithium battery

Part Number	CR2032
Voltage	3 Volts
Type	Lithium



Energizer 12 Volt alkaline battery

Part Number	A23
Supply	12 Volts
Type	Alkaline



9 Volt carbon battery

Part Number	6F22
Supply	9 Volts
Type	Carbon



Energizer 9 Volt alkaline battery

Part Number	6LR61
Supply	9 Volts
Type	Alkaline

For detailed technical data visit www.elsema.com/automatic-gates/battery

BACKUP BATTERIES

Deep cycle backup batteries for automatic solar gates

12 Volt, 2.6Ah rechargeable lead acid battery



Part Number	Lab12-2.6
Supply	12 Volts, 2.6Ah
Type	Sealed Lead Acid
Dimensions	178 x 35 x 67mm

12 Volt, 1.2Ah rechargeable lead acid battery



Part Number	Lab12-1.2
Supply	12 Volts, 1.2Ah
Type	Sealed Lead Acid
Dimensions	97 x 45 x 59mm

12 Volt, 7.0Ah rechargeable lead acid battery



Part Number	Lab12-7.0
Supply	12 Volts, 7.0Ah
Type	Sealed Lead Acid
Dimensions	151 x 65 x 98mm

12 Volt, 15Ah deep cycle battery



Part Number	Lab12-15D
Supply	12 Volts, 15Ah
Type	Deep Cycle Battery
Dimensions	151 x 101 x 98mm

BATTERY CHARGERS

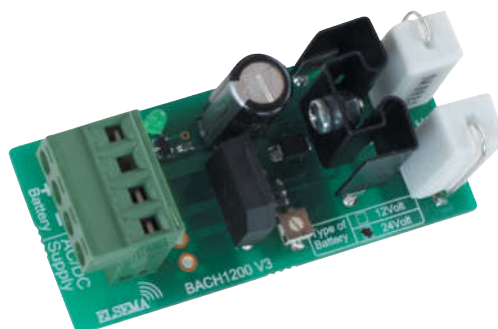
Battery chargers for solar applications or for AC backup systems

DESCRIPTION

Elsema battery chargers are designed to quickly and effectively charge batteries to its full capacity. They can be used for standalone solar applications or for backup systems with AC supply. The BACH12-1200 and the BACH24-1200 chargers batteries with 1.2 Amps max current while the CMP12 is designed for solar application. The CMP12 automatically detects the system voltage of either 12 or 24 Volts and adjusts its charging voltage accordingly.

1.2 Amps charger with LED indication

Part Number	BACH12-1200 : 12 Volts BACH24-1200 : 24 Volts
Charging Current	1.2 Amps



10 Amps solar charger with LED indication

Part Number	CMP12 : 12 Volt DC Solar Panel
Charging Current	10 Amps



FEATURES

-) Over-load protection
-) Short circuit protection
-) Reverse polarity protection
-) Over charging protection
-) Under voltage protection

Should only be used for Solar Application and with Lead Acid Batteries

LED indication

LED	Continuous "On"	Blinking	Off
Charge (Green)	Charging	Float mode	Charging has stopped
Load (Green)	Load is powered	X	Load is not powered
Battery (3 Red)	Battery level		

For detailed technical data visit www.elsema.com/automatic-gates/charger

SP5, SP10, SP20, SP40, SP40-24 & SP60

High Efficiency 5, 10, 20, 40 and 60 Watt Solar Panels



FEATURES

-) 20 years 80% power guarantee, 10 years 90% power guarantee
-) High efficiency, monocrystalline silicon solar cells
-) Uses high transparency 3.2mm tempered low iron glass
-) Improved low-light performance
-) Anodized aluminum alloy frame

DESCRIPTION

The SP range of solar panels provides you with an eco-friendly power solution for your automatic gate or door applications. These solar panels are ideal for sites without power lines, saving the cost of running power lines to your gates.

Solar panels combined with our intelligent battery charger and suitable battery will supply your gates or doors with free solar energy.

TECHNICAL DATA

Model	SP5	SP10	SP20	SP40	SP40-24	SP60
Rated Power (Watts)	5 Watts	10 Watts	20 Watts	40 Watts	40 Watts	60 Watts
V_{mp} (Volts)	17.8V	17.8V	17.8V	17.8V	35.5V	17.8V
I_{mp} (Amps)	0.28 A	0.56 A	1.12 A	2.25 A	1.13 A	3.37 A
V_{oc} (Volts)	22.3 V	22.3 V	22.3 V	22.3 V	43.1 V	22.3 V
I_{sc} (Amps)	0.30 A	0.61 A	1.21 A	2.43 A	1.85 A	3.64 A
Dimension (mm)	250 x 185 x 15	415 x 185 x 18	470 x 345 x 25	550 x 505 x 25	670 x 570 x 35	770 x 505 x 30
Weight (kg)	0.5	1.0	2.0	3.5	4.6	5.0

CASES

Cases are all to EN60529 standard with Ingress Protection of IP66.
Suitable for temperature range -40 to +80 degrees.



C0611
Size 65 x 115 x 40 mm



C0818
Size 80 x 180 x 70 mm



C1015
Size 100 x 150 x 70 mm



C1015T
Size 100 x 150 x 70 mm
Plastic Latch and Transparent Cover



C1020T
Size 100 x 200 x 70 mm
Plastic Latch and Transparent Cover



C1020
Size 100 x 200 x 70 mm



C1217
Size 125 x 175 x 75 mm



C1515
Size 150 x 150 x 90 mm



C1515T
Size 150 x 150 x 90 mm
Plastic Latch and Transparent Cover



C1520
Size 150 x 200 x 100 mm



C1717
Size 175 x 175 x 75 mm



C1722
Size 170 x 220 x 110 mm



C1722T
Size 170 x 220 x 110 mm
Plastic Latch and Transparent Cover



C1725
Size 175 x 250 x 75 mm



C1725-1
Size 175 x 250 x 100 mm



C1929
Size 190 x 290 x 140 mm



C1929T
Size 190 x 290 x 140 mm
Plastic Latch and Transparent Cover



C2020-S
Size 200 x 200 x 75 mm



C2828
Size 280 x 280 x 130 mm



C3428
Size 340 x 280 x 130 mm



C3428T
Size 340 x 280 x 130 mm
Transparent Cover




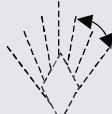

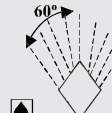



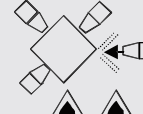
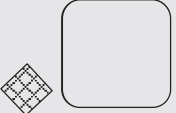

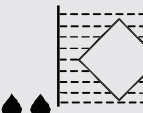

CASES

International Protection (IP) Ratings

IP54 = IP Letter Code _____ IP

1st Digit _____ 5

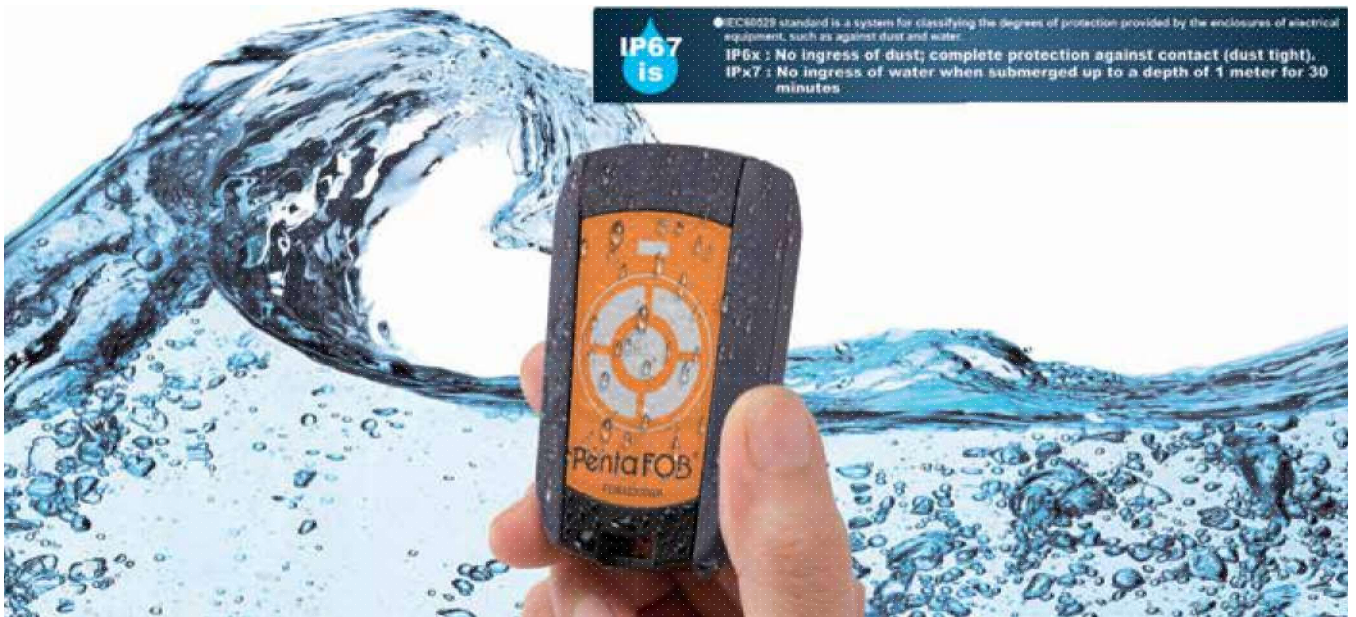
2nd Digit _____ 4

1st Digit	Protection from solid objects	2nd Digit	Protection from moisture
0	NON-PROTECTED	0	NON-PROTECTED
1	 Protected against solid objects greater than 50mm	1	 Protected against dripping water
2	 Protected against solid objects greater than 12mm	2	 Protected against dripping water when tilted up to 15°
3	 Protected against solid objects greater than 2.5mm Ø	3	 Protected against spraying water
4	 Protected against solid objects greater than 1.0mm Ø	4	 Protected against splashing water
5	 Dust protected	5	 Protected against water jets
6	 Dust tight	6	 Protected against heavy seas
		7	 Protected against the effects of immersion between 15cm and 1m
		8	 Protected against long periods of immersion under pressure

ELSEMA INTELLIGENT SLIDER®



ELSEMA INTELLIGENT SWING®



IP67 is

● IEC60529 standard is a system for classifying the degrees of protection provided by the enclosures of electrical equipment, such as against dust and water.

IP6x : No ingress of dust; complete protection against contact (dust tight).
IPx7 : No ingress of water when submerged up to a depth of 1 meter for 30 minutes

LOCAL DISTRIBUTOR

ELSEMA PTY LTD

31 Tarlington Place,
Smithfield, NSW 2164 Australia.

P 02 9609 4668

W www.elsema.com