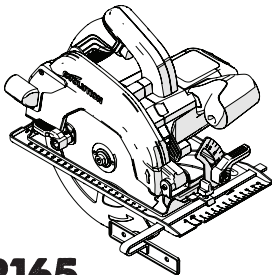


evOLUTION®

evolutionpowertools.com

Original Instructions
Originalbetriebsanleitung
Notice Originale

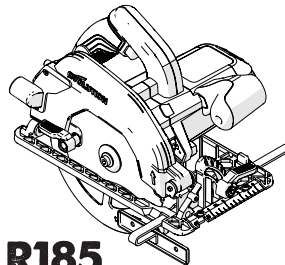
Instrucciones Originales
Instructions Originales
Originalna Instrukcja



R165

CCSL

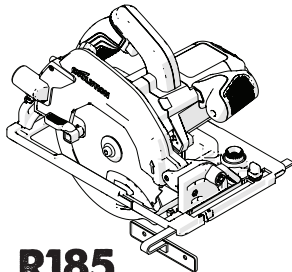
026-0001, 026-0002,
026-0003, 026-0004



R185

CCS

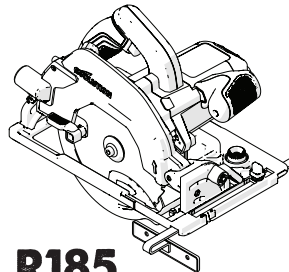
027-0001C, 027-0002C,
027-0003C, 027-0006,
027-0010



R185

CCSX

027-0001, 027-0002,
027-0003, 027-0004C,



R185

CCSX 

027-0001A, 027-0002A,
027-0003A, 027-0004A,
027-0006A



GB2438285

(1.2) INTRODUCTION

IMPORTANT

Please read these operating and safety instructions carefully and completely.

For your own safety, if you are uncertain about any aspect of using this equipment please access the relevant Technical Helpline, the number of which can be found on the Evolution Power Tools website. We operate several Helplines throughout our worldwide organization, but Technical help is also available from your supplier.

(1.3) CONTACT:

Web: www.evolutionpowertools.com

UK/EU/AUS: customer.services@evolutionpowertools.com

USA: evolutioninfo@evolutionpowertools.com

(1.4) WARRANTY

Congratulations on your purchase of an Evolution Power Tools Machine. Please complete your product registration 'online' as explained in the registration leaflet included with this machine. This will enable you to validate your machine's warranty period via Evolutions website by entering your details and thus ensure prompt service if ever needed.

We sincerely thank you for selecting a product from Evolution Power Tools.

SPECIFICATIONS

	USA			
MACHINE SPECIFICATIONS	R165CCSL	R185CCS	R185CCSX	R185CCSX+
Model No:	026-0004	027-0004	027-0004C	027-0004A
Motor EU (220-240V ~ 50 Hz)				
Motor UK (110V ~ 50 Hz)				
Motor USA (120V ~ 60 Hz)	10A	15A	15A	15A
No-Load Speed (220-240v)				
No-Load Speed (110v & 120v)	3900 min ¹ / rpm	3700 min ¹ / rpm	3700 min ¹ / rpm	3700 min ¹ / rpm
Weight	9.5 lb	10.8 lb	11.2 lb	11.2 lb
Max. Blade Bevel Angle (Degrees)	45°	60°	45°	45°
Power Cable Length	10 ft	13 ft	13 ft	13 ft
Circular Saw Base Type	Pressed Steel	Cast Aluminum	Cast Aluminum	Cast Aluminum
Cutting Track Compatible			✓	✓

CUTTING CAPACITIES	R165CCSL	R185CCS	R185CCSX	R185CCSX+
Mild Steel Plate (Max. Thickness)	1/8"	1/4"	1/4"	1/4"
Mild Steel Box Section (Max. Wall)	1/8"	1/4"	1/4"	1/4"
Max. Cutting Thickness (0°)	2-3/32"	2-1/2"	2-1/2" (2-5/16" w/Track)	2-1/2" (2-5/16" w/Track)
Max. Cutting Thickness (45°)	1-11/32"	1-9/16"	1-13/16" (1-5/8" w/Track)	1-13/16" (1-5/8" w/Track)
Max. Cutting Thickness (60°)		1"		

BLADE SPECIFICATIONS	R165CCSL	R185CCS	R185CCSX	R185CCSX+
Blade Diameter	Ø 6-1/2"	Ø 7-1/4"	Ø 7-1/4"	Ø 7-1/4"
Number of Teeth	14	20	16	20
Bore Diameter	25/32"	25/32"	25/32"	25/32"
Kerf	1.7mm	1.7mm	1.7mm	1.7mm

NOISE & VIBRATION DATA	R165CCSL	R185CCS	R185CCSX	R185CCSX+
Sound Pressure Level L _{pa}	92,4dB(A) K=3dB(A)	94,3dB(A) K=3 dB(A)	94,3dB(A) K=3 dB(A)	94,3dB(A) K=3 dB(A)
Sound Power Level L _{wb}	103,4dB(A) K=3dB(A)	105,3dB(A) K=3 dB(A)	105,3dB(A) K=3 dB(A)	105,3dB(A) K=3 dB(A)
Vibration - Main Handle (Sawing Wood)	a _{hw} = 2,747m/s ²	A _{hw} = 3,347m/s ²	a _{hw} = 3,347m/s ²	a _{hw} = 3,347m/s ²
Vibration - Auxiliary Handle (Sawing Wood)	a _{hw} = 2,619m/s ²	A _{hw} = 3,119m/s ²	a _{hw} = 3,119m/s ²	a _{hw} = 3,119m/s ²
Vibration - Main Handle (Sawing Metal)	a _{hm} = 2,302m/s ²	a _{hm} = 3,572m/s ²	a _{hm} = 3,572m/s ²	a _{hm} = 3,572m/s ²
Vibration - Auxiliary Handle (Sawing Metal)	a _{hm} = 2,239m/s ²	a _{hm} = 3,241m/s ²	a _{hm} = 3,241m/s ²	a _{hm} = 3,241m/s ²
Uncertainty K	1,5m/s ²	1,5m/s ²	1,5m/s ²	1,5m/s ²

ITEMS SUPPLIED	R165CCSL	R185CCS	R185CCSX	R185CCSX+
Multi-Material TCT Blade	✓	✓	✓	✓
Hex Key (Blade Change)	✓	✓	✓	✓
Parallel Edge Guide	✓	✓	✓	✓
Dust Port Adapter	✓	✓	✓	✓
Dust Hose Connector	✓	✓	✓	✓
Carry Case				✓
Cutting Track - 340mm (13-3/8") x3			✓	
Connector Bar & Screws (x4)			✓	
LED Light		✓		✓

UK / EU / AUS			
R165CCSL	R185CCS	R185CCSX	R185CCSX+
026-0001 / 026-0002 / 026-0003	027-0001C / 027-0002C / 027-0003C	027-0001 / 027-0002 / 027-0003	027-0001A / 027-0002A / 027-0003A
1200W	1600W	1600W	1600W
1200W	1600W	1600W	1600W
3700 min ⁻¹ / rpm	3900 min ⁻¹ / rpm	3900 min ⁻¹ / rpm	3900 min ⁻¹ / rpm
3700 min ⁻¹ / rpm	3700 min ⁻¹ / rpm	3700 min ⁻¹ / rpm	3700 min ⁻¹ / rpm
4.3 kg	4.9 kg	5.1 kg	5.1 kg
45°	60°	45°	45°
3m	3m	3m	4m
Pressed Steel	Cast Aluminium	Cast Aluminium	Cast Aluminium
		✓	✓

R165CCSL	R185CCS	R185CCSX	R185CCSX+
3mm	6mm	3mm	6mm
3mm	6mm	3mm	6mm
53mm	64mm	64mm (59mm w/Track)	64mm (59mm w/Track)
34mm	40mm	47mm (42mm w/Track)	47mm (42mm w/Track)
	24mm		

R165CCSL	R185CCS	R185CCSX	R185CCSX+
Ø 165mm	Ø 185mm	Ø 185mm	Ø 185mm
14	20	16	20
20mm	20mm	20mm	20mm
1.7mm	1.7mm	1.7mm	1.7mm

R165CCSL	R185CCS	R185CCSX	R185CCSX+
92,4dB(A) K:3dB(A)	94,3dB(A) K=3 dB(A)	94,3dB(A) K=3 dB(A)	94,3dB(A) K=3 dB(A)
103,4dB(A) K:3dB(A)	105,3dB(A) K=3 dB(A)	105,3dB(A) K=3 dB(A)	105,3dB(A) K=3 dB(A)
$a_{h,w} = 2,747m/s^2$	$a_{h,w} = 3,347m/s^2$	$a_{h,w} = 3,347m/s^2$	$a_{h,w} = 3,347m/s^2$
$a_{h,w} = 2,619m/s^2$	$a_{h,w} = 3,119m/s^2$	$a_{h,w} = 3,119m/s^2$	$a_{h,w} = 3,119m/s^2$
$a_{h,M} = 2,302m/s^2$	$a_{h,M} = 3,572m/s^2$	$a_{h,M} = 3,572m/s^2$	$a_{h,M} = 3,572m/s^2$
$a_{h,M} = 2,239m/s^2$	$a_{h,M} = 3,241m/s^2$	$a_{h,M} = 3,241m/s^2$	$a_{h,M} = 3,241m/s^2$
1,5m/s ²	1,5m/s ²	1,5m/s ²	1,5m/s ²

R165CCSL	R185CCS	R185CCSX	R185CCSX+
✓	✓	✓	✓
✓	✓	✓	✓
✓	✓	✓	✓
✓	✓	✓	✓
✓	✓	✓	✓
			✓
		✓	
		✓	
			✓

VIBRATION

(1.5) **Note:** The vibration measurement was made under standard conditions in accordance with: EN 62841-1: 2015, EN 62841-2-5: 2014

Warning: Wear hearing protection!

The declared vibration total value has been measured in accordance with a standard test method and may be used for comparing one tool with another.

The declared vibration total value may also be used in a preliminary assessment of exposure.

(1.6) **WARNING:** When using this machine the operator can be exposed to high levels of vibration transmitted to the hand and arm. It is possible that the operator could develop "Vibration white finger disease" (Raynaud syndrome). This condition can reduce the sensitivity of the hand to temperature as well as producing general numbness. Prolonged or regular users of this machine should monitor the condition of their hands and fingers closely. If any of the symptoms become evident, seek immediate medical advice.

- The measurement and assessment of human exposure to hand-transmitted vibration in the workplace is given in: EN 62841-1 and EN 62841-2-5
- Many factors can influence the actual vibration level during operation e.g. the work surfaces condition and orientation and the type and condition of the machine being used. Before each use, such factors should be assessed, and where possible appropriate working practices adopted. Managing these factors can help reduce the effects of vibration:

Handling

- Handle the machine with care, allowing the machine to do the work.
- Avoid using excessive physical effort on any of the machines controls.
- Consider your security and stability, and the orientation of the machine during use.

Work Surface

- Consider the work surface material; its condition, density, strength, rigidity and orientation.

WARNING: The vibration emission during actual use of the power tool can differ from








the declared total value depending on the ways in which the tool is used. The need to identify safety measures and to protect the operator are based on an estimation of exposure in the actual conditions of use (taking account of all parts of the operating cycle, such as the times the tool is switched off, when it is running idle, in addition to trigger time).



(1.7) LABELS & SYMBOLS

WARNING: Do not operate this machine if warning and/or instruction labels are missing or damaged. Contact Evolution Power Tools for replacement labels.

Note: All or some of the following symbols may appear in the manual or on the product.

(1.8)

Symbol	Description
V	Volts
A	Amperes
Hz	Hertz
Min ⁻¹ / RPM	Speed
~	Alternating Current
no	No Load Speed
	Wear Safety Goggles
	Wear Ear Protection
	Wear Dust Protection
	Read Instructions
	Double Insulated
	CE Certification
	UKCA Certification

	ETL Certification
	Waste Electrical & Electronic Equipment
	Triman - Waste Collection & Recycling
	Warning
	(RCM) Regulatory Compliance Mark for electrical and electronic equipment. Australian/New Zealand Standard

(1.9) INTENDED USE OF THIS POWER TOOL

WARNING: This product is a Hand Operated Circular Saw and has been designed to be used with special Evolution blades. Only use accessories designed for use in this machine and/or those recommended specifically by Evolution Power Tools Ltd.

When fitted with an appropriate blade this machine can be used to cut:

Mild Steel, Aluminium, Wood

Note: Cutting galvanised steel may reduce blade life.

(1.10) PROHIBITED USE OF THIS POWER TOOL

WARNING: This product is a Hand Operated Circular Saw and must only be used as such. It must not be modified in any way, or used to power any other equipment or drive any other accessories other than those mentioned in this Instruction Manual.

(1.11) WARNING: This machine is not intended for use by persons (including children) with reduced physical, sensory or mental capabilities, or lack of experience and knowledge, unless they have been given supervision or instruction concerning the safe use of the machine by a person responsible for their safety and who is competent in its safe use.

Children should be supervised to ensure that they do not have access to, and are not allowed to play with, this machine.

(1.12) ELECTRICAL SAFETY

This machine is fitted with the correct moulded plug and mains lead for the designated market. If the supply cord is damaged, it must be replaced by a special cord or assembly available from the manufacturers or its service agent.

(1.13) OUTDOOR USE

WARNING: For your protection if this tool is to be used outdoors it should not be exposed to rain, or used in damp locations. Do not place the tool on damp surfaces. Use a clean, dry workbench if available. For added protection use a residual current device (R.C.D.) that will interrupt the supply if the leakage current to earth exceeds 30mA for 30ms. Always check the operation of the residual current device (R.C.D.) before using the machine.

If an extension cable is required it must be a suitable type for use outdoors and so labelled. The manufacturers instructions should be followed when using an extension cable.

(2.1) GENERAL SAFETY INSTRUCTIONS

(These General Power Tool Safety Instructions are as specified in EN 62841-1: 2015).

WARNING: Read all safety warnings and instructions. Failure to follow the warnings and instructions may result in electric shock, fire and/ or serious injury. Save all warnings and instructions for future reference. The term "power tool" in the warnings refers to your mains-operated (corded) power tool or battery-operated (cordless) power tool.

(2.2) 1) General Power Tool Safety Warnings [Work area safety]

- a) Keep work area clean and well lit.** Cluttered or dark areas invite accidents.
- b) Do not operate power tools in explosive atmospheres, such as in the presence of flammable liquids, gasses or dust.** Power

tools create sparks which may ignite the dust or fumes.

c) Keep children and bystanders away while operating power tool. Distractions can cause you to lose control.

(2.3) 2) General Power Tool Safety Warnings [Electrical Safety]

a) Power tool plugs must match the outlet. Never modify the plug in any way. Do not use any adapter plugs with earthed (grounded) power tools. Unmodified plugs and matching outlets will reduce risk of electric shock.

b) Avoid body contact with earthed or grounded surfaces, such as pipes, radiators, ranges and refrigerators. There is an increased risk of electric shock if your body is earthed or grounded.

c) Do not expose power tools to rain or wet conditions. Water entering a power tool will increase the risk of electric shock.

d) Do not abuse the cord. Never use the cord for carrying, pulling or unplugging the power tool. Keep cord away from heat, oil, sharp edges or moving parts. Damaged or entangled cords increase the risk of electric shock.

e) When operating a power tool outdoors, use an extension cord suitable for outdoor use. Use of a cord suitable for outdoor use reduces the risk of electric shock.

f) If operating a power tool in a damp location is unavoidable, use a residual current device (RCD) protected supply.

Use of an RCD reduces the risk of electric shock.

Note: The product is intended for use only in premises having a service current capacity $\geq 100\text{A}$ per phase, supplied from a distribution network having a nominal voltage of 230V. If required, contact the electricity company to ensure that the mains current carrying capacity at the connection point to the public power grid is adequate for connecting the product.

(2.4) 3) General Power Tool Safety Warnings [Personal Safety].

a) Stay alert, watch what you are doing and use common sense when operating a power tool. Do not use a power tool while you are tired or under the influence of drugs, alcohol

or medication. A moment of inattention while operating power tools may result in serious personal injury.

b) Use personal protective equipment.

Always wear eye protection. Protective equipment such as dust masks, non-skid safety shoes, hard hat or hearing protection used for appropriate conditions will reduce personal injuries.

c) Prevent unintentional starting. Ensure the switch is in the off-position before connecting to power source and/or battery pack, picking up or carrying the tool. Carrying power tools with your finger on the switch or energising the power tools that have the switch on invites accidents.

d) Remove any adjusting key or wrench from blade bolt before turning the power tool on. A wrench or key left attached to a rotating part of a power tool may result in personal injury.

e) Do not overreach. Keep proper footing and balance at all times. This enables better control of the power tool in unexpected situations.

f) Dress properly. Do not wear loose clothing or jewellery. Keep your hair, clothing and gloves away from moving parts. Loose clothes, jewellery or long hair can be caught in moving parts.

g) If devices are provided for the connection of dust extraction and collection facilities, ensure that these are connected and properly used. Use of dust collection can reduce dust-related hazards.

h) Do not let familiarity gained from frequent use of tools allow you to become complacent and ignore tool safety principles. A careless action can cause severe injury within a fraction of a second.

(2.5) 4) General Power Tool Safety Warnings [Power tool use and care].

a) Do not force the power tool. Use the correct power tool for your application. The correct power tool will do the job better and safer at a rate for which it was designed.

b) Do not use the power tool if the switch does not turn it on or off. Any power tool that cannot be controlled with the switch is dangerous and must be repaired.

c) Disconnect the power tool from the power source from the power tool before

making any adjustments, changing accessories, or storing power tools. Such preventative safety measures reduce the risk of starting the power tool accidentally.

d) Store idle power tools out of the reach of children and do not allow persons unfamiliar with the power tool or these instructions to operate the power tool.

Power tools are dangerous in the hands of untrained users.

e) Maintain power tools. Check for misalignment or binding of moving parts, breakage of moving parts and any other condition that may affect the power tools operation. If damaged, have the power tool repaired before use. Many accidents are caused by poorly maintained power tools.

f) Keep cutting tools sharp and clean. Properly maintained cutting tools with sharp cutting edges are less likely to bind and are easier to control.

g) Use the power tool, accessories and tool bits etc. in accordance with these instructions, taking into account the working conditions and the work to be performed. Use of the power tool for operations different from those intended could result in a hazardous situation.

h) Keep handles and grasping surfaces dry, clean and free from oil and grease. Slippery handles and grasping surfaces do not allow for safe handling and control of the tool in unexpected situations.

(2.6) **5) General Power Tool Safety Warnings [Service]**

a) Have your power tool serviced by a qualified repair person using only identical replacement parts. This will ensure that the safety of the power tool is maintained.

(2.7) **HEALTH ADVICE**

WARNING: When using this machine, dust particles may be produced. In some instances, depending on the materials you are working with, this dust can be particularly harmful. If you suspect that paint on the surface of material you wish to cut contains lead, seek professional advice. Lead based paints should only be removed by

a professional and you should not attempt to remove it yourself. Once the dust has been deposited on surfaces, hand to mouth contact can result in the ingestion of lead. Exposure to even low levels of lead can cause irreversible brain and nervous system damage. The young and unborn children are particularly vulnerable. You are advised to consider the risks associated with the materials you are working with and to reduce the risk of exposure.

As some materials can produce dust that may be hazardous to your health, we recommend the use of an approved face mask with replaceable filters when using this machine.

You should always:

- Work in a well-ventilated area.
- Work with approved safety equipment, such as dust masks that are specially designed to filter microscopic particles.

(2.8) **WARNING:** the operation of any power tool can result in foreign objects being thrown towards your eyes, which could result in severe eye damage. Before beginning power tool operation, always wear safety goggles or safety glasses with side shield or a full face shield where necessary.

SAFETY INSTRUCTIONS FOR ALL SAWS [Cutting procedures]

a) DANGER: Keep hands away from cutting area and the blade. Keep your second hand on auxiliary handle, or motor housing. If both hands are holding the saw, they cannot be cut by the blade.

b) Do not reach underneath the workpiece. The guard cannot protect you from the blade below the workpiece.

c) Adjust the cutting depth to the thickness of the workpiece. Less than a full tooth of the blade teeth should be visible below the workpiece.

d) Never hold the workpiece in your hands or across your leg while cutting. Secure the workpiece to a stable platform. It is important to support the work properly to minimise body exposure, blade binding, or loss of control.

e) Hold the power tool by insulated gripping surfaces, when performing an

operation where the cutting tool may contact hidden wiring or its own cord. Contact with a “live” wire will also make exposed metal parts of the power tool ‘live’ and could give the operator an electric shock.

f) When ripping, always use a rip fence or straight edge guide. This improves the accuracy of cut and reduces the chance of blade binding.

g) Always use blades with correct size and shape (diamond versus round) of arbour holes. Blades that do not match the mounting hardware of the saw will run off-centre, causing loss of control.

h) Never use damaged or incorrect blade washers or bolt. The blade washers and bolt were specially designed for your saw, for optimum performance and safety of operation.

(3.2) [Kickback causes and related warnings]

Kickback is a sudden reaction to a pinched, jammed or misaligned saw blade, causing an uncontrolled saw to lift up and out of the workpiece toward the operator;

When the blade is pinched or jammed tightly by the kerf closing down, the blade stalls and the motor reaction drives the unit rapidly back toward the operator;

If the blade becomes twisted or misaligned in the cut, the teeth at the back edge of the blade can dig into the top surface of the wood causing the blade to climb out of the kerf and jump back toward the operator.

(3.3) Kickback is the result of saw misuse and/or incorrect operating procedures or conditions and can be avoided by taking proper precautions as given below.

a) Maintain a firm grip with both hands on the saw and position your arms to resist kickback forces. Position your body to either side of the blade, but not in line with the blade. Kickback could cause the saw to jump backwards, but kickback forces can be controlled by the operator, if proper precautions are taken.

b) When blade is binding, or when

interrupting a cut for any reason, release the trigger and hold the saw motionless in the material until the blade comes to a complete stop. Never attempt to remove the saw from the work or pull the saw backward while the blade is in motion or kickback may occur. Investigate and take corrective actions to eliminate the cause of blade binding.

c) When restarting a saw in the workpiece, centre the saw blade in the kerf so that the saw teeth are not engaged into the material. If a saw blade binds, it may walk up or kickback from the workpiece as the saw is restarted.

d) Do not use dull or damaged blades. Unsharpened or improperly set blades produce narrow kerf causing excessive friction, blade binding and kickback.

e) Blade depth and bevel adjusting locking levers must be tight and secure before making a cut. If the blade adjustment shifts while cutting it may cause binding and kickback.

f) Blade depth and bevel adjusting locking levers must be tight and secure before making the cut. If blade adjustment shifts while cutting, it may cause binding and kickback.

g) Use extra caution when sawing into existing walls or other blind areas. The protruding blade may cut objects that can cause kickback.

LOWER GUARD FUNCTION

a) Check the lower guard for proper closing before each use. Do not operate the saw if the lower guard does not move freely and close instantly. Never clamp or tie the lower guard into the open position. If the saw is accidentally dropped, the lower guard may be bent. Raise the lower guard with the retracting handle and make sure it moves freely and does not touch the blade or any other part, in all angles and depths of cut.

b) Check the operation of the lower guard spring. If the guard and the spring are not operating properly, they must be serviced before use. Lower guard may operate sluggishly due to damaged parts, gummy deposits, or a build-up of debris.

c) The lower guard may be retracted manually only for special cuts such as

“plunge cuts” and “compound cuts”.
Raise the lower guard by the retracting handle and as soon as the blade enters the material, the lower guard must be released.

For all other sawing, the lower guard should operate automatically.

d) Always observe that the lower guard is covering the blade before placing the saw down on bench or floor. An unprotected, coasting blade will cause the saw to walk backwards, cutting whatever is in its path. Be aware of the time it takes for the blade to stop after switch is released.

ADDITIONAL SAFETY INSTRUCTIONS FOR CIRCULAR SAWS

a) Do not use High Speed Steel (HSS) saw blades.

b) Inspect the machine and the blade before each use. Do not use deformed, cracked, worn or otherwise damaged blades.

c) Never use the saw without the original guard protection system. Do not lock the moving guard in the open position. Ensure that the guard operates freely without jamming.

d) Only use blades that comply with the characteristics specified in this manual.

Before using accessories, always compare the maximum allowed RPM of the accessory with the RPM of the machine.

e) Do not use any abrasive wheels.

f) Use only blade diameter(s) in accordance with the markings.

(3.4) **WARNING:** If any parts are missing, do not operate your machine until the missing parts are replaced. Failure to follow this rule could result in serious personal injury.

(4.1) GETTING STARTED - UNPACKING

Caution: This packaging contains sharp objects. Take care when unpacking. Remove the machine, together with the accessories supplied from the packaging. Check carefully to ensure that the machine is in good condition and account for all the accessories listed in this manual. Also make sure that all the accessories are complete. If any parts are found to be missing,

the machine and its accessories should be returned together in their original packaging to the retailer.

Do not throw the packaging away; keep it safe throughout the warranty period. Dispose of the packaging in an environmentally responsible manner. Recycle if possible.

Do not let children play with empty plastic bags due to the risk of suffocation.

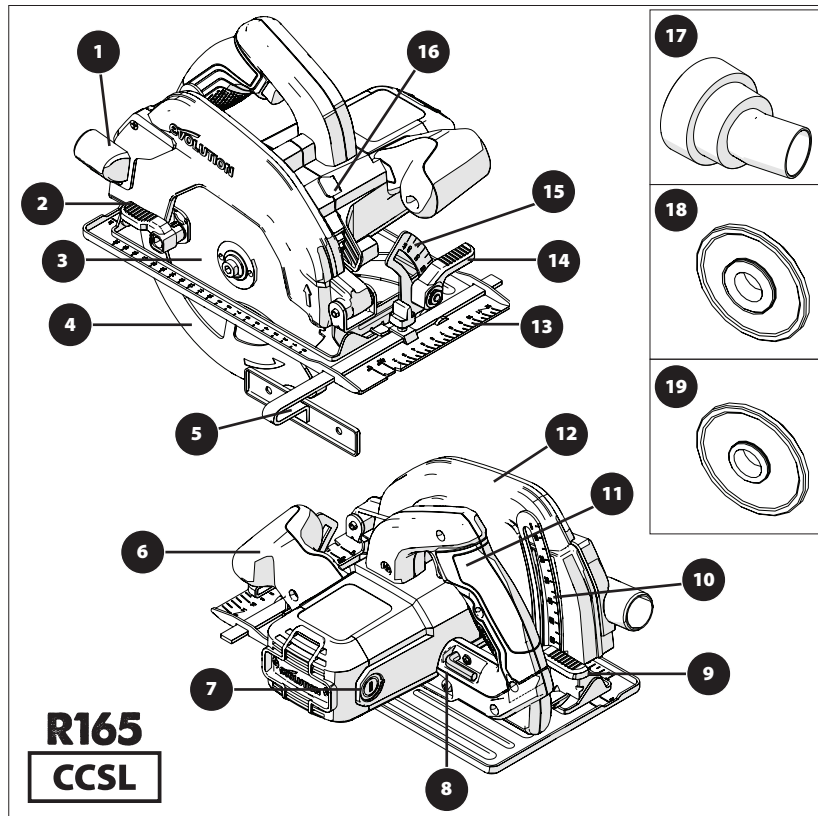
(4.3) EVOLUTION INSTRUCTION MANUALS

Evolution Power Tools provides each product with an Instruction Manual.

Each dedicated manual is carefully constructed and designed to provide easily accessible and useful information regarding the safe use, care and maintenance of the product. Referencing the information contained within the manual will allow the operator to fully and safely exploit the potential of the machine.

Evolution's policy of continual product development may mean that, very occasionally, the contents of a manual may not completely reflect the latest improvements or upgrades that have been incorporated into a particular product. Upgrades/improvements to the specification of a product could come about as a consequence of technological advances or changes to the legislative framework of the receiving country, etc. If you are at all unsure about any aspect of the use, care or maintenance of an Evolution product, contact the relevant Evolution helpline where up to date information and extra advice will be available.

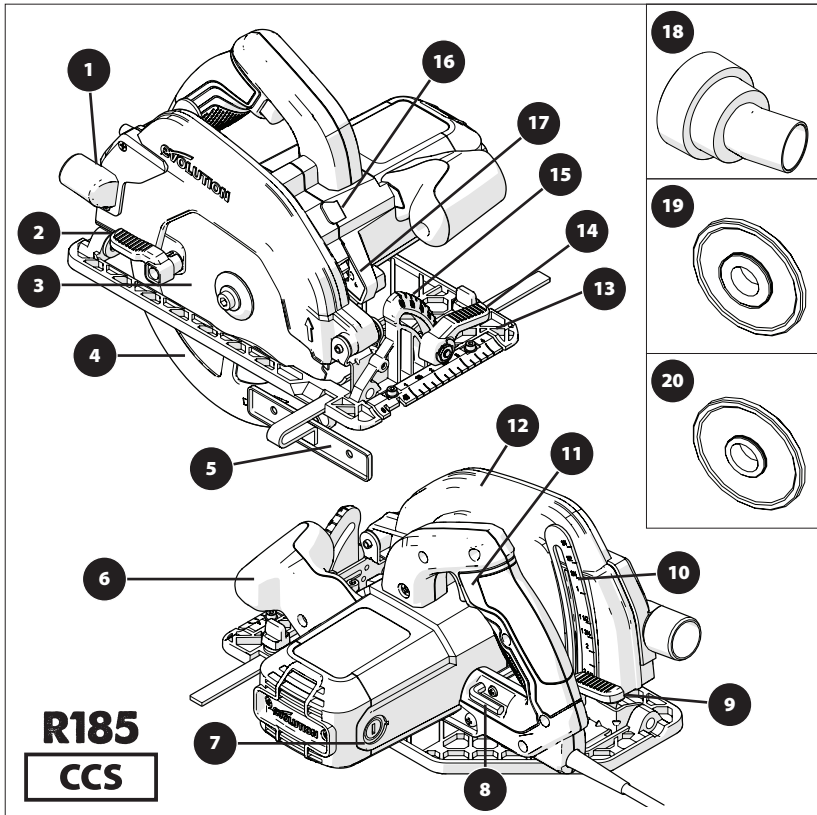
USA



- | | |
|---|--|
| <ul style="list-style-type: none"> 1. CUT MATERIAL EJECTION PORT 2. THUMB LEVER 3. MULTI-MATERIAL TCT BLADE 4. LOWER BLADE GUARD 5. PARALLEL EDGE GUIDE 6. ERGONOMIC FRONT HANDLE 7. CARBON BRUSHES 8. 8MM HEX KEY (BLADE CHANGE) 9. DEPTH ADJUSTMENT LOCKING LEVER 10. DEPTH SCALE 11. REAR HANDLE 12. UPPER BLADE GUARD | <ul style="list-style-type: none"> 13. PRECISION ENGINEERED SOLE PLATE 14. THUMB LEVER 15. PROTRACTOR SCALE 16. ARBOR LOCK BUTTON 17. DUST PORT CONNECTOR 18. 25/32" INNER BLADE FLANGE 19. 5/8" INNER BLADE FLANGE |
|---|--|

EN

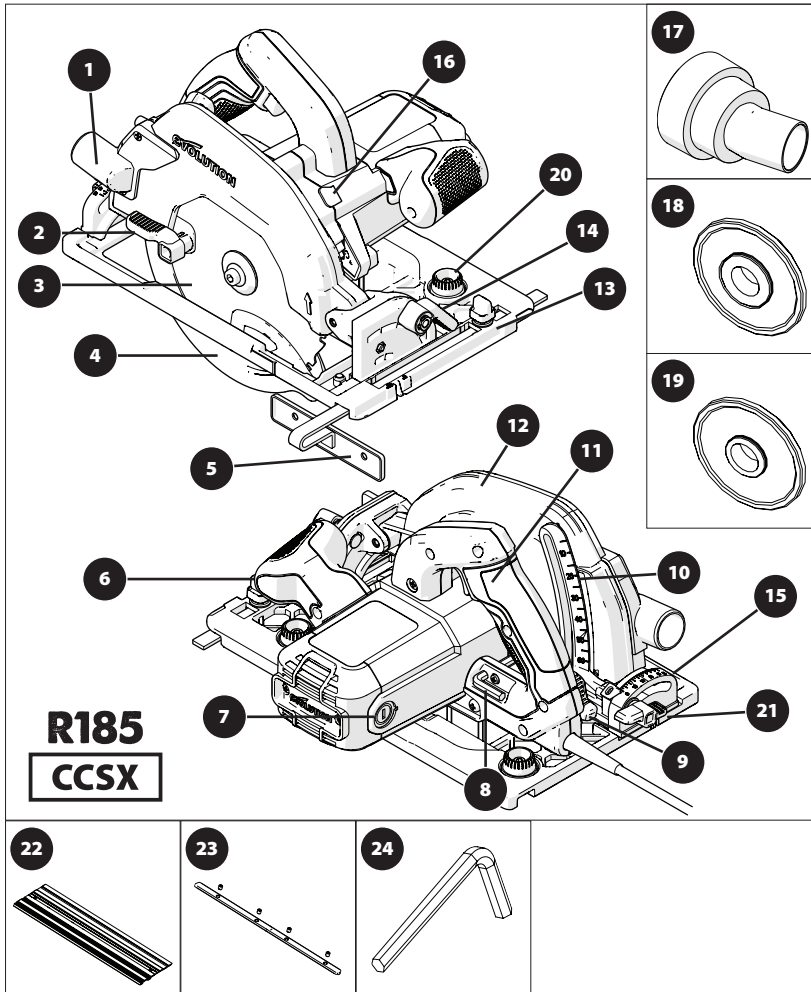
USA



**R185
CCS**

- | | |
|-----------------------------------|-------------------------------------|
| 1. CUT MATERIAL EJECTION PORT | 13. PRECISION ENGINEERED SOLE PLATE |
| 2. THUMB LEVER | 14. BEVEL ADJUSTMENT THUMB LEVER |
| 3. MULTI-MATERIAL TCT BLADE | 15. PROTRACTOR SCALE |
| 4. LOWER BLADE GUARD | 16. ARBOR LOCK BUTTON |
| 5. PARALLEL EDGE GUIDE | 17. LED LIGHT |
| 6. ERGONOMIC FRONT HANDLE | 18. DUST PORT CONNECTOR |
| 7. CARBON BRUSHES | 19. 25/32" INNER BLADE FLANGE |
| 8. 5/16" HEX KEY (BLADE CHANGE) | 20. 5/8" INNER BLADE FLANGE |
| 9. DEPTH ADJUSTMENT LOCKING LEVER | |
| 10. DEPTH SCALE | |
| 11. REAR HANDLE ON/OFF SWITCH | |
| 12. UPPER BLADE GUARD | |

USA



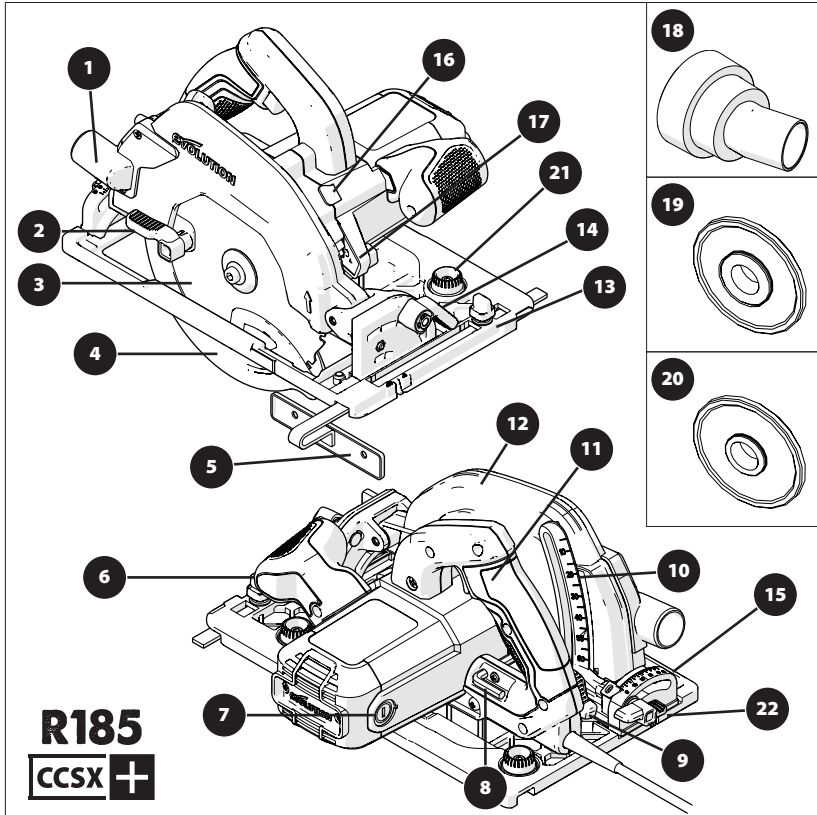
**R185
CCSX**

1. CUT MATERIAL EJECTION PORT
2. THUMB LEVER
3. MULTI-MATERIAL TCT BLADE
4. LOWER BLADE GUARD
5. PARALLEL EDGE GUIDE
6. ERGONOMIC FRONT HANDLE
7. CARBON BRUSHES
8. 5/16" HEX KEY (BLADE CHANGE)
9. DEPTH ADJUSTMENT LEVER

10. DEPTH SCALE
11. REAR HANDLE ON/OFF SWITCH
12. UPPER BLADE GUARD
13. PRECISION ENGINEERED TRACK COMPATIBLE SOLE PLATE
14. THUMB LEVER
15. REAR PROTRACTOR SCALE
16. ARBOR LOCK BUTTON
17. DUST PORT CONNECTOR

18. 25/32" INNER BLADE FLANGE
19. 5/8" INNER BLADE FLANGE
20. TRACK ADJUST TURN BUTTONS
21. REAR BEVEL THUMB SCREW
22. 3x 13-3/8" TRACK
23. 4x TRACK CONNECTOR BARS
24. 1/8" HEX KEY (TRACK)

USA

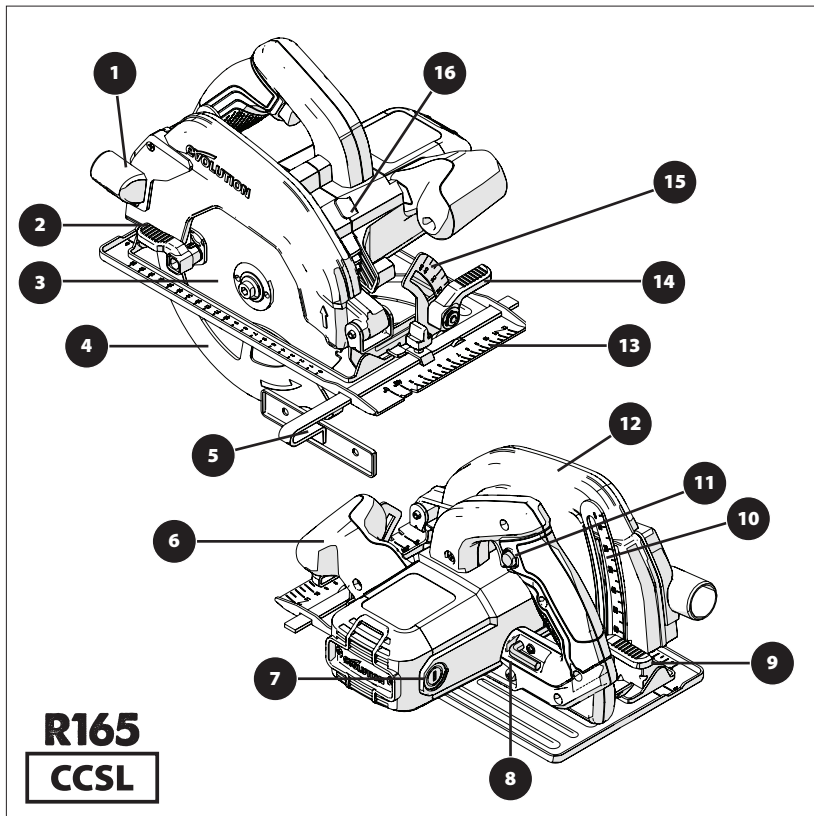


R185



- | | |
|---|--|
| <ul style="list-style-type: none"> 1. CUT MATERIAL EJECTION PORT 2. THUMB LEVER 3. MULTI-MATERIAL TCT BLADE 4. LOWER BLADE GUARD 5. PARALLEL EDGE GUIDE 6. ERGONOMIC FRONT HANDLE 7. CARBON BRUSHES 8. 8MM HEX KEY (BLADE CHANGE) 9. DEPTH ADJUSTMENT LOCKING LEVER 10. DEPTH SCALE 11. REAR HANDLE ON/OFF SWITCH 12. UPPER BLADE GUARD | <ul style="list-style-type: none"> 13. PRECISION ENGINEERED TRACK COMPATIBLE SOLE PLATE 14. THUMB LEVER 15. REAR PROTRACTOR SCALE 16. ARBOR LOCK BUTTON 17. LED LIGHT 18. DUST PORT CONNECTOR 19. 25/32" INNER BLADE FLANGE 20. 5/8" INNER BLADE FLANGE 21. TRACK ADJUST TURN BUTTONS 22. REAR BEVEL THUMB SCREW |
|---|--|

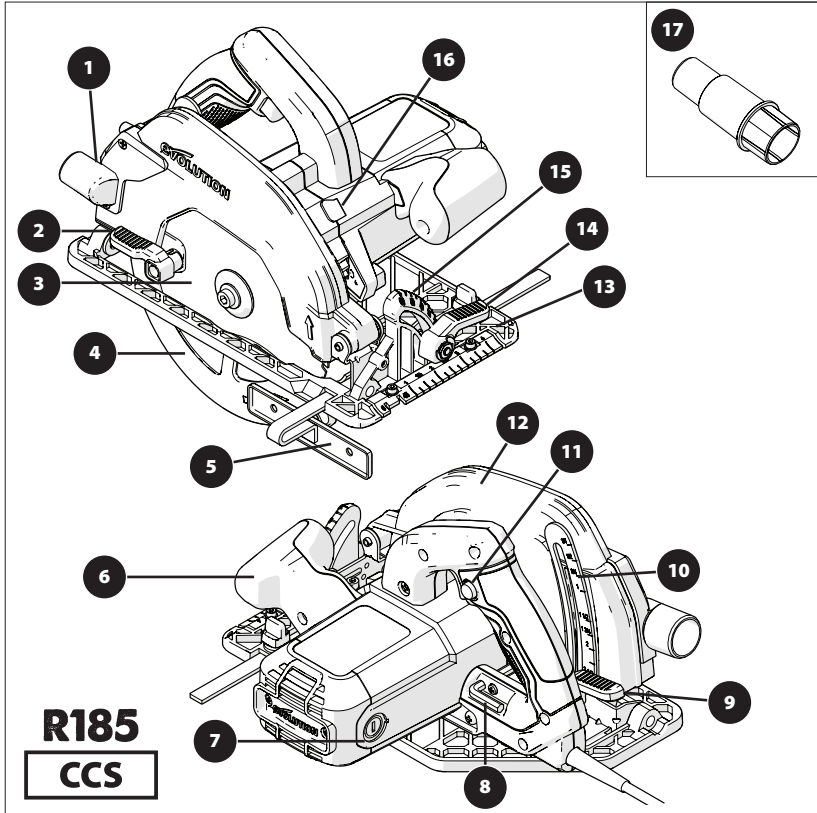
UK / EU / AUS



R165
CCSL

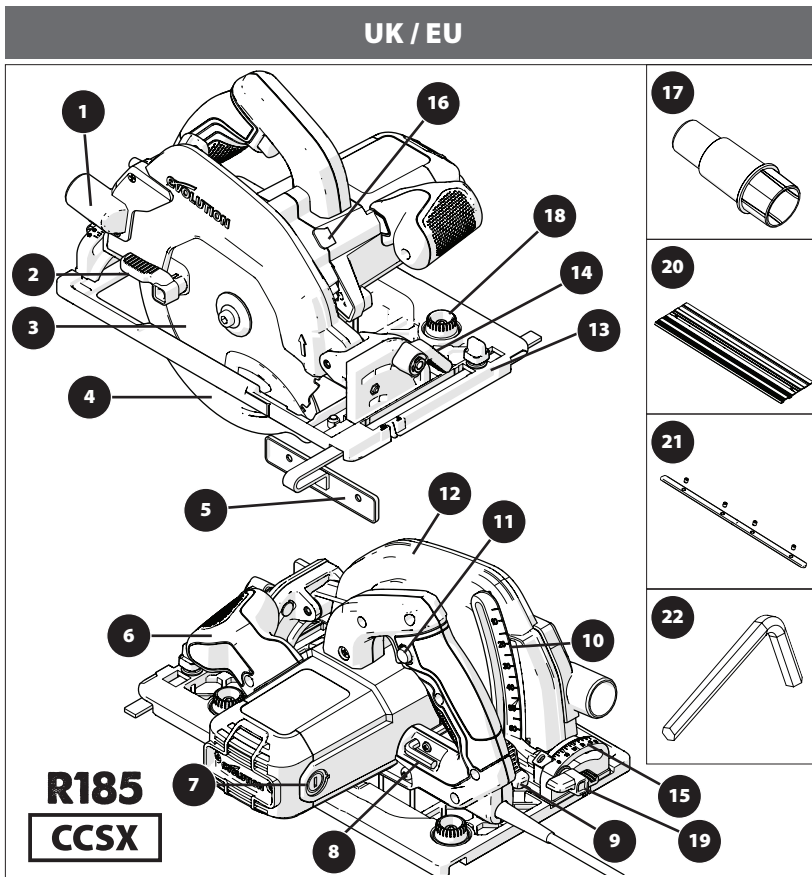
- | | |
|---|-------------------------------------|
| 1. CUT MATERIAL EJECTION PORT | 12. UPPER BLADE GUARD |
| 2. THUMB LEVER | 13. PRECISION ENGINEERED SOLE PLATE |
| 3. MULTI-MATERIAL TCT BLADE | 14. THUMB LEVER |
| 4. LOWER BLADE GUARD | 15. PROTRACTOR SCALE |
| 5. PARALLEL EDGE GUIDE | 16. ARBOR LOCK BUTTON |
| 6. ERGONOMIC FRONT HANDLE | |
| 7. CARBON BRUSHES | |
| 8. 8MM HEX KEY (BLADE CHANGE) | |
| 9. DEPTH ADJUSTMENT LOCKING LEVER | |
| 10. DEPTH SCALE | |
| 11. REAR HANDLE INCORPORATING
SAFETY START ON/OFF SWITCH | |

UK / EU



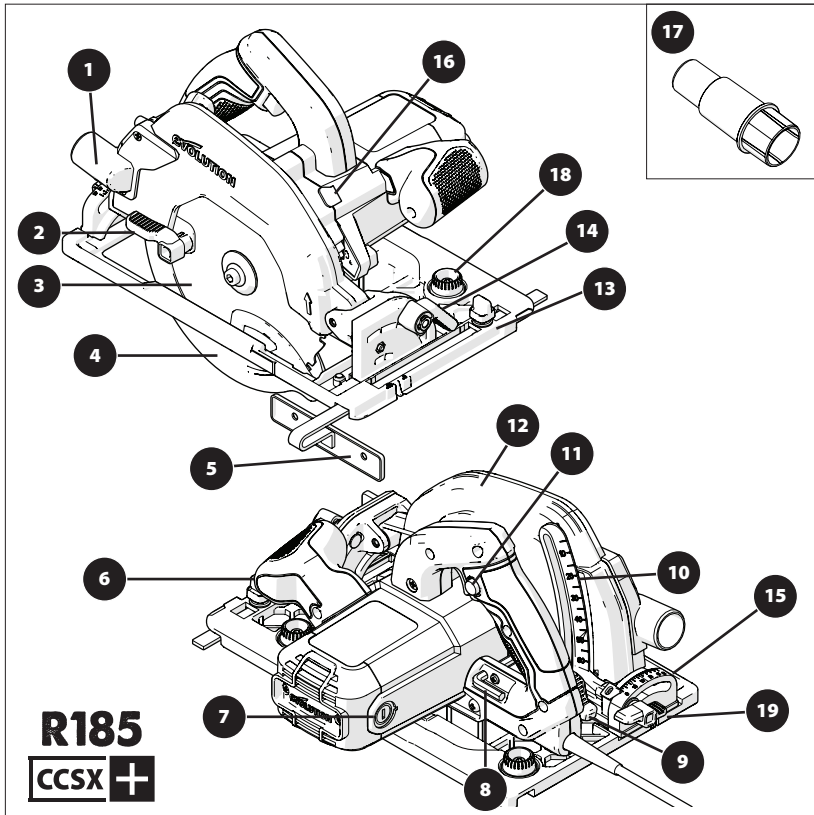
**R185
CCS**

- | | |
|--|-------------------------------------|
| 1. CUT MATERIAL EJECTION PORT | 12. UPPER BLADE GUARD |
| 2. THUMB LEVER | 13. PRECISION ENGINEERED SOLE PLATE |
| 3. MULTI-MATERIAL TCT BLADE | 14. THUMB LEVER |
| 4. LOWER BLADE GUARD | 15. PROTRACTOR SCALE |
| 5. PARALLEL EDGE GUIDE | 16. ARBOR LOCK BUTTON |
| 6. ERGONOMIC FRONT HANDLE | 17. DUST PORT CONNECTOR |
| 7. CARBON BRUSHES | |
| 8. 8MM HEX KEY (BLADE CHANGE) | |
| 9. DEPTH ADJUSTMENT LOCKING LEVER | |
| 10. DEPTH SCALE | |
| 11. REAR HANDLE INCORPORATING SAFETY START ON/OFF SWITCH | |



- | | |
|--|--|
| 1. CUT MATERIAL EJECTION PORT | 12. UPPER BLADE GUARD |
| 2. THUMB LEVER | 13. PRECISION ENGINEERED TRACK COMPATIBLE SOLE PLATE |
| 3. MULTI-MATERIAL TCT BLADE | 14. THUMB LEVER |
| 4. LOWER BLADE GUARD | 15. REAR PROTRACTOR SCALE |
| 5. PARALLEL EDGE GUIDE | 16. ARBOR LOCK BUTTON |
| 6. ERGONOMIC FRONT HANDLE | 17. DUST PORT CONNECTOR |
| 7. CARBON BRUSHES | 18. TRACK ADJUST TURN BUTTONS |
| 8. 8MM HEX KEY (BLADE CHANGE) | 19. REAR BEVEL THUMB SCREW |
| 9. DEPTH ADJUSTMENT LOCKING LEVER | 20. 3x 340mm TRACK |
| 10. DEPTH SCALE | 21. 4x TRACK CONNECTOR BARS |
| 11. REAR HANDLE INCORPORATING SAFETY START ON/OFF SWITCH | 22. 3mm HEX KEY |

UK / EU



R185



- | | |
|---|--|
| <ul style="list-style-type: none"> 1. CUT MATERIAL EJECTION PORT 2. THUMB LEVER 3. MULTI-MATERIAL TCT BLADE 4. LOWER BLADE GUARD 5. PARALLEL EDGE GUIDE 6. ERGONOMIC FRONT HANDLE 7. CARBON BRUSHES 8. 8MM HEX KEY (BLADE CHANGE) 9. DEPTH ADJUSTMENT LOCKING LEVER 10. DEPTH SCALE 11. REAR HANDLE INCORPORATING SAFETY START ON/OFF SWITCH | <ul style="list-style-type: none"> 12. UPPER BLADE GUARD 13. PRECISION ENGINEERED TRACK COMPATIBLE SOLE PLATE 14. THUMB LEVER 15. REAR PROTRACTOR SCALE 16. ARBOR LOCK BUTTON 17. DUST PORT CONNECTOR 18. TRACK ADJUST TURN BUTTONS 19. REAR BEVEL THUMB SCREW |
|---|--|

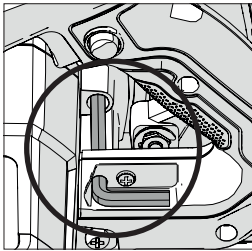


Fig. 1

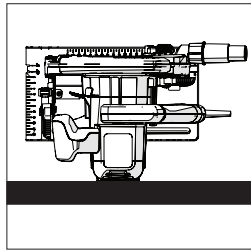


Fig. 2

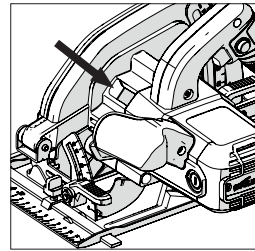


Fig. 3

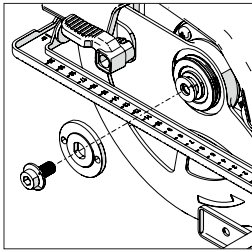


Fig. 4

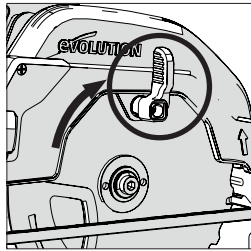


Fig. 5

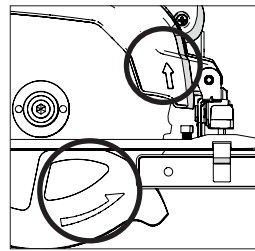


Fig. 6

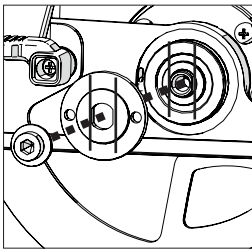


Fig. 7a

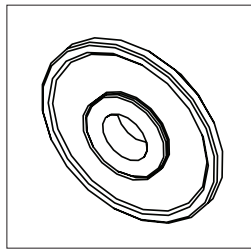


Fig. 7b

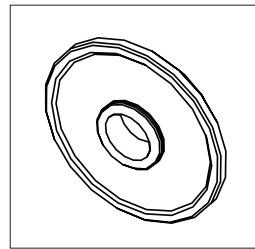


Fig. 7c

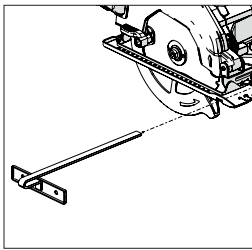


Fig. 8

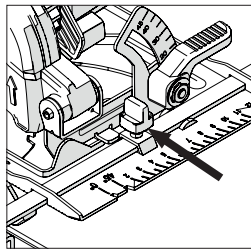


Fig. 9

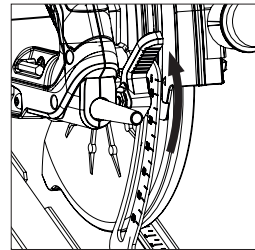


Fig. 10

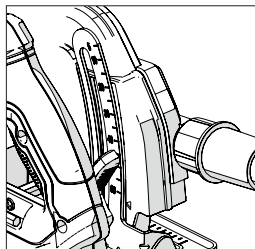


Fig. 11

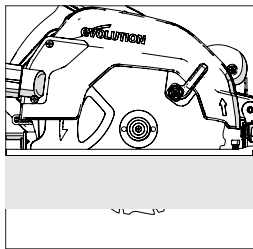


Fig. 12

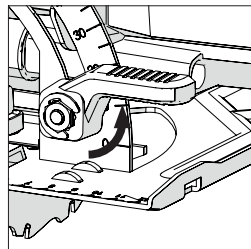


Fig. 13

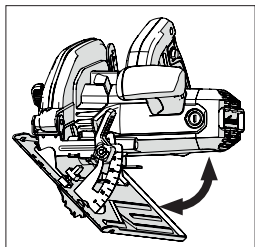


Fig. 14

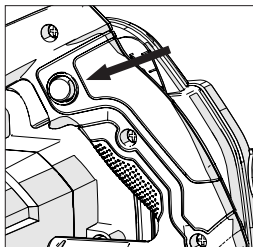


Fig. 15

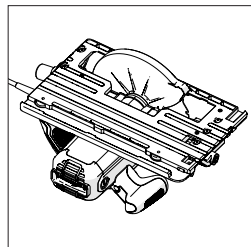


Fig. 16

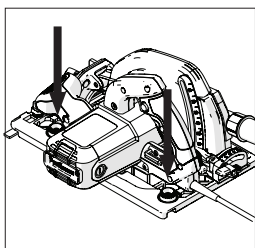


Fig. 17

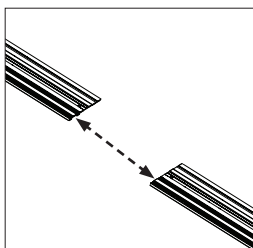


Fig. 18

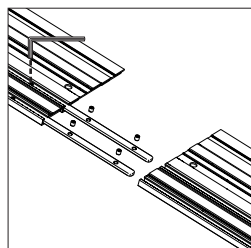


Fig. 19

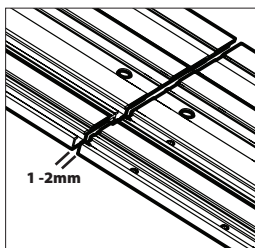


Fig. 20

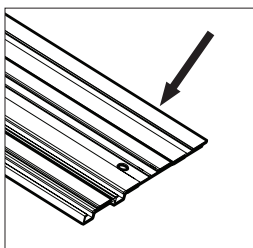


Fig. 21

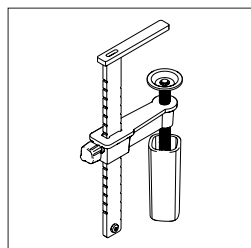


Fig. 22

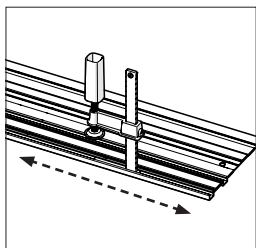


Fig. 23

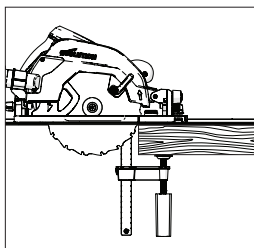


Fig. 24

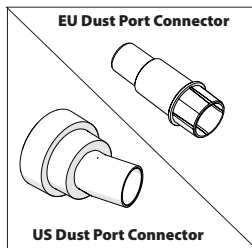


Fig. 25

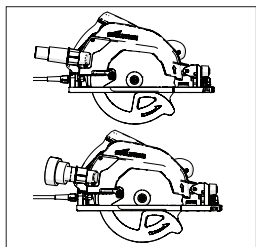


Fig. 26

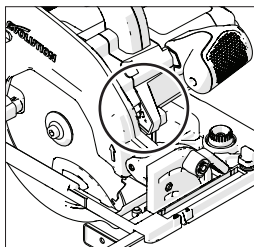


Fig. 27

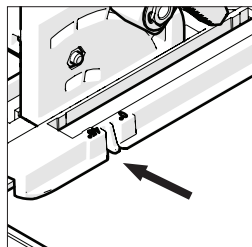


Fig. 28

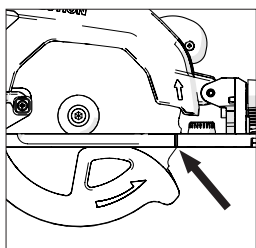


Fig. 29

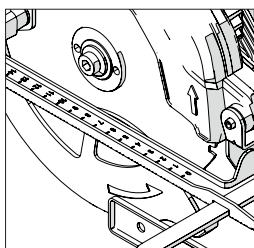


Fig. 30

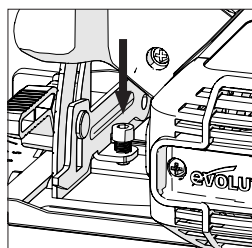


Fig. 31

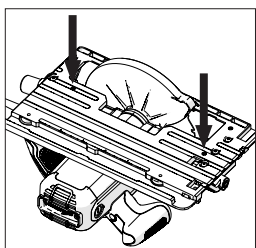


Fig. 32

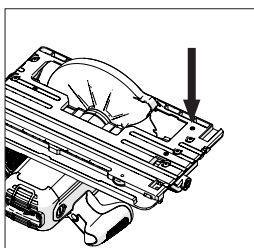


Fig. 33

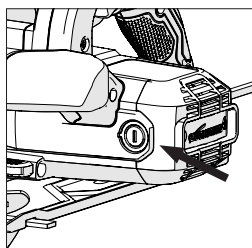


Fig. 34

(10) PREPARATION

WARNING: Always disconnect the machine from the power source before making any adjustments.

Note: These machines are equipped with an approved power cord and plug for the intended country of use. Do not alter or modify the power cord.

(10.1) INSTALLING / REMOVING A BLADE

WARNING: Use only genuine Evolution blades (or those approved by Evolution Power Tools), which are designed for use in these machines. Ensure that the maximum speed of the blade is compatible with the machine. Only perform this operation with the machine disconnected from the power supply.

Note: It is recommended that the operator considers wearing protective gloves when handling the blade during installation or when changing the machines blade.

- Locate the supplied Blade Change Hex Key which is housed in the onboard storage facility (similarly position on all machines). **(Fig. 1)**
- Place saw on a level, secure surface.

Note: All machines can, with care, be balanced on the flat end of the motor housing casing, **(Fig. 2)** making access to the blade and blade fixings very convenient.

- Locate the machines arbor lock button (which is similarly positioned on all machines). Lock the machines arbor by operating the arbor lock button. **(Fig. 3).**

Note: Slowly rotating the blade by hand, whilst gently pressing the arbor lock button will aid arbor lock engagement.

- Using the Hex Key, loosen and remove the arbor socket headed screw, associated fixings, and outer blade drive flange. **(Fig. 4)**

Note: The socket headed arbor screw is equipped with a standard screw thread.

Turn the screw clockwise to tighten. Turn the screw counter clockwise to loosen.

- Safely store the outer blade flange and associated fixings.
- Rotate the lower blade guard up into the upper blade guard using the manual thumb lever. **(Fig. 5)**

- Carefully remove the blade (if fitted) from the machine.
- Thoroughly clean inner and outer blade drive flanges.

Note: The inner blade flange can be left in place if desired, but it should be checked and thoroughly cleaned. If it is removed from the machine it must be replaced back in the same orientation as it was before removal.

- Thoroughly clean the blade around the bore area (both surfaces) where the blade flanges will touch and clamp the blade.
- Install the (new) blade.
- Ensure that the direction of rotation arrows printed on the blade, match the direction of rotation arrows found on the machines upper and lower blade guards. **(Fig. 6)**
- Reinstall the outer drive flange, the socket headed arbor screw, and its associated fixings.

Note: The outer drive flange has a specially machined bore which incorporates two opposed 'flats'. **(Fig. 7a)** These 'flats' engage with two complimentary 'flats' machined into the machines arbor shaft.

- Re-engage the arbor lock and tighten the arbor socket headed screw securely using the Hex Key.
- Release the arbor lock button
- Return the Hex Key to its dedicated storage position.
- Check that the arbor lock has fully released by manually rotating the blade.
- Check the operation of the lower blade guard.

Note: For North American market only, a dual side arbor flange is included, to allow 1" bore blades **(Fig. 7b)** and 5/8" bore blades **(Fig. 7c)**.

(11) PARALLEL EDGE GUIDE

A Parallel Edge Guide **(Fig. 8)** which can be particularly helpful when rip cutting, is supplied with all CCS machines. The guide can be fitted to the front of the sole plate.

The guides arm should be inserted through the rectangular slots positioned at either side (front) of the pressed steel sole plate, and slid under the centrally located adjustment locking screw. **(Fig. 9)**

Note: The Parallel Edge Guide can be fitted on either side of the sole plate.

WARNING: Only fit and adjust the Guide with the machine disconnected from the power supply.

Note: The arm of the Parallel Edge Guide must pass through all of the rectangular slots provided in the sole plate.

WARNING: It is potentially dangerous to install, and try to use the Edge Guide with the arm passing through only one (1) of the machined rectangular sole plate slots. Adjust the edge guide so that it is at the required distance from the blade and tighten the adjusting screw. Check that the edge guide is parallel to the saw blade.

(12) CUTTING DEPTH ADJUSTMENT

Note: All CCS machines share the same general depth adjustment fixtures/fittings and employ the same basic technique for setting the blade depth.

- Loosen the Depth Adjustment Locking Mechanism by pulling the operating lever upwards. **(Fig. 10)**
- Adjust/re-position the sole plate to give the required cutting depth (the amount by which the blade protrudes through the sole plate).

Note: A depth scale can be found on the depth adjustment quadrant, with a corresponding index mark incorporated into the adjacent area of the machines upper blade guard. **(Fig. 11)** Using these features can aid rapid setting.

Note: Although the depth scale and index mark are very useful, enabling rapid depth setting, using them should always be regarded as a guide to the setting achieved.

If a very precise depth of cut is required, then the blade setting should be checked with an engineers precision ruler (not supplied) or similar and adjusted accordingly.

- In most cases the cutting depth should be set at the thickness of the material to be cut plus the depth of half of a saw tooth (tip of the tooth to the tooth root). **(Fig.12)**
- Tighten the Depth Adjustment Locking Mechanism by pushing the operating lever downwards to securely to lock in the machine in the required position.

(13) CUTTING ANGLE (BEVEL) ADJUSTMENT

All CCSL & CCSX machines have the facility to tilt the blade through (up to) 45° and all CCS machines have the facility to tilt the blade through (up to) 60° to the left hand side. Bevel cuts are therefore possible.

Note: The blade is at the vertical position when the protractor scale reads 0°.

Note: A protractor scale (0° - 45° or 0° - 60°) is incorporated on the Bevel Locking quadrant found at the front of the soleplate. Using this will aid rapid bevel angle setting but should be regarded as a guide only.

If a very precise bevel angle is required, then the blade setting should be checked using a vernier angle gauge (not supplied) and adjusted accordingly.

- Loosen the Bevel Locking Mechanism found at the front of the machine, by pulling the lever upwards. **(Fig. 13)**
- Tilt the blade to the required angle as indicated on the quadrant protractor scale. **(Fig. 14)**
- Tighten the Bevel Locking Mechanism securely when the desired bevel angle has been achieved by pushing the lever downwards.

(14) OPERATING ADVICE (PRE OPERATION CHECKS)

Note: As all operating environments will be unique and diverse, Evolution Power Tools offers the following general advice on safe operational procedures and practices for the consideration of the operator.

This advice cannot be exhaustive as Evolution has no influence on the type of workshops or working environments in which these machines may be used.

We recommend that the operator seeks advice from a competent authority or the workshop supervisor if they are at unsure of any aspect of using these machines.

It is important that routine safety checks are carried out (at each time of usage) before the operator uses the machine.

WARNING: These pre-use safety checks should be carried out with the machine disconnected from the mains power supply.

- Check that all safety guards are operating correctly, and that all adjustment handles/screws are securely tightened.
- Check that the blade is secure and installed correctly. Also check that it is the correct blade for the material being cut.
- Check the integrity of the power cord.
- Whenever possible clamp the workpiece to a rigid support structure such as a workbench, saw horse or similar.
- The operator should always be aware of the position and routing of the power cable.

(15) PPE

- The operator should wear all relevant PPE (Personal Protection Equipment) necessary for the task ahead.
This could include safety glasses, full face mask, dust masks, safety shoes etc.

Note: All CCS series machines are equipped with a cutting line debris blower. This directs air from a motor driven fan towards the area to the front of the blade, thus keeping the cutting line relatively debris free. This feature will aid the operator sight and follow the progress of the saw blade along the cut, keeping any marking-out lines visible.

WARNING: Any and all dust created is potentially prejudicial to health. Some materials can be particularly harmful, and the operator should always wear a dust mask which is suitable for the material being worked with. Professional help and advice should be sought if the operator is at all unsure about the potential toxicity of the material to be cut.

WARNING: These machines must never be used to cut Asbestos or any material that contains, or is suspected to contain, Asbestos.

Consult/inform the relevant authorities, and seek additional guidance if Asbestos contamination is suspected.

(16) ON/OFF TRIGGER SWITCH

Note: All machines destined for the European and Australian market are equipped with a 'safety start' trigger switch to enhance operator safety. **(Fig.15)**

To start the motor:

- Push in the safety lock button on the side of the handle with your thumb.
- Depress the trigger switch.

To stop the motor:

- Release the trigger switch.

WARNING: The motor should never be started with the saw blade in direct contact with any surface of the workpiece.

Note: Machines destined for the North American market are fitted with an ON/OFF Trigger switch which does not incorporate a 'safety start' trigger switch.

WARNING: If the saw is 'live' (LED Light 'ON'), avoid unintentionally starting the motor when picking up the machine from a workbench or similar. Accidentally depressing the ON/OFF Trigger switch (positioned in the main handle) when picking up the machine from rest will cause the motor to start.

CUTTING TRACKS

Evolution CCSX series machines (refer to the Specification Page for applicable models) have been engineered and featured in such a way as to make them Cutting Track compatible.

Note: Any circular saw that is capable of being used with a Cutting Track will have a channel along the under surface of the sole plate **(Fig. 16)** Evolution machines so equipped can be attached to, and used with most Cutting Tracks (Guides) currently available.

Note: Consult the documentation supplied with the track by the track manufacturer. The supplied documentation will normally give the assembly instructions for the track, as well as information regarding the safe working practices that need to be employed when using such equipment.

Cutting Tracks can be employed where:

- The use of a chop or circular saw could present Health and Safety (H&S) or other practical workplace issues. For example when working on a construction site where very close and accurate control may be necessary, (working on a roof or on a scaffolding platform, etc.) using a cutting

track may provide the user with some extra (and safe) operational possibilities.

- Accurate cuts across or along large workpieces are required. For example on frames, doors, large boards or wall panels, etc, a cutting track/guide could eliminate the need to use a circular saw in 'free hand' mode.

Note: Evolution's cutting track compatible machines have two (2) cams which project into the sole plate channel (one at each end). 'Turn-buttons' (**Fig. 17**) allow the operator to rotate these cams.

Adjusting these cams will reduce slightly the effective width of the sole plate channel. This could be necessary to accommodate any slight variation of rail width that can occur during the manufacture of the track extrusion. Track rail widths produced by different track manufacturers may also vary slightly.

Note: The operator should adjust these cams so that when the machine is placed correctly on a track it can be moved forwards or backwards easily and smoothly but without any lateral movement (wobble) being detectable.

EVOLUTION CUTTING TRACKS

Some Evolution machines (depending upon the model and market destination) are supplied with a Cutting Track.

Note: Evolution Cutting Tracks are available as a customer purchase option. Contact your supplier or Evolution Power Tools for further details.

THE TRACK

The Evolution Track system consists of two (2) or three (3) precision extruded alloy sections. (**Fig. 18**) These sections must be joined together using the joining bars supplied. (**Fig. 19**)

To Join The Sections Together (**Fig. 19**):

- Slide the bars into the 'T' slots found on the under surface of the extrusions.
- Ensure that an equal length (approximately) of the bars is inserted into both of the sections to be joined together.
- Tighten the socket headed grub-screws to secure the sections together.

Note: It is important to leave a small gap between joined sections of between 1 to 2mm. This will ensure that when a circular saw is

placed upon and used with an Evolution Cross Cutting Track it will slide smoothly along the entire track length.

SAW TO TRACK COMMISSIONING

Note: The following guidelines refer to Evolution circular saws and the Evolution Cutting Track. Consult the information supplied by the saw and/or the cutting track manufacturers if a non-Evolution circular saw or cutting track is to be used.

Before the first use of the Evolution Cutting Track the Splinter Guard Strip (**Fig. 21**) needs to match the saw and blade.

To match saw to track:

- Fully assemble the Cutting Track.
- Refer to the section entitled 'Track Positioning and Clamping'. Clamp the track to an appropriate piece of spare or scrap material.
- Set the saw blade to a depth suitable for the scrap workpiece selected.
- Ensure that no obstructions are present beneath the path of the blade.
- Refer to the section 'Track Positioning and Clamping'. Place the circular saw correctly on the track.
- Start the motor and allow it to reach full speed.
- Smoothly and slowly push the circular saw along the full length of the track until the blade has cut through the entire length of the Splinter Guard Strip.

Note: This process will match a specific saw to a specific track.

If a different saw is used on such a prepared track, the Splinter Guard Strip may not provide the same level of protection as the dedicated saw to track configuration.

Note: The Splinter Guard Strip should be regarded as a consumable item. Over time it will wear and abrade and will therefore need replacing. It may also need replacing if a different circular saw or saw blade (one with a different kerf width) from the original dedicated configuration is to be used.

REPLACEABLE SPLINTER GUARD STRIP

As a consumable item Replaceable Splinter

Guard Strip should be checked at regular intervals for damage or abrasion caused by 'wear and tear'. Replace the strip if any damage or significant wear is apparent.

Replacement strips are available. Consult your supplier or contact Evolution using the appropriate helpline.

The Replaceable Splinter Guard Strip supplied is a direct substitution to the fitted original. Simply pull the old strip gently from the track and replace with the new strip.

Note: If a new strip is fitted, the Saw to Track matching process must be repeated.

EVOLUTION TRACK CLAMPS (SOLD SEPARATELY)

The Evolution Speed Clamp (**Fig. 22**) is purpose designed to work with the Evolution Cutting Track.

Note: Extra clamps can be purchased from Evolution Power Tools or your local supplier.

Evolution clamps fit into and can slide along the 'T' slots found on the under surface of the alloy extrusions. (**Fig. 23**)

This enables the operator to locate the clamps (one is required at each end of the track) in positions which afford the maximum security, and rigidity of the Cutting Track to the workpiece.

TRACK POSITIONING & CLAMPING

Note: The following guidelines are given as advice. Evolution has no influence over the working environments or conditions in which this equipment is used.

WARNING: If this equipment is to be used on a construction site, the operator should consult the relevant person who has responsibility for Health and Safety for further 'on site' specific safety requirements or instructions.

- Mark out clearly the workpiece and particularly the 'line of cut' along which the saw blade is required to travel.
- Assemble the Cutting Track with as many sections as required to span the workpiece including an allowance for the overhang needed.
- Using Evolution Speed Clamps (the preferred option) or suitable 'G' clamps position the Track on the workpiece and secure by tightening the clamps.

- Ensure that the edge of the Splinter Guard Strip runs exactly along the marked out cutting line.

WARNING: The Cutting Track must overhang the workpiece at the 'lead in' edge. (**Fig. 24**) The lower blade guard will need to be retracted manually and pivot upwards into the upper blade guard as the circular saw is placed on the track.

WARNING: In this position the blade is exposed. **DO NOT** press the trigger until the following safety checks have been carried out.

PERFORMING A CUT

Performing a cut using a cutting track is very similar to ordinary cutting with a circular saw. All of the safety procedures and protocols that apply to the use of a circular saw will also apply when such a saw is used in conjunction with a cross cutting track.

The following guidelines, though not comprehensive offer some general advice:

- Carry out a safety check to ensure that the Cutting Track is securely fastened to the workpiece, and that the workpiece itself is secure and cannot move during a cut.
- Check to ensure that there are no obstructions under the workpiece that could inhibit or impede the progress of the saw blade or be damaged by the saw blade.
- Ensure that the mains cable is routed in such a way that it does not pose a trip (or any other form) hazard. Check particularly that the mains cable cannot come into contact with the spinning blade of the saw.
- The operator should ensure that when they are pushing the saw along the track they can maintain a sure footing, good balance and complete control at all times throughout the cut. Particular caution should be exercised as the saw blade exits the workpiece.

WARNING: Particularly if working at height (other circumstances may also apply) ensure that any cut material cannot fall away and possibly injure a bystander. The operator may have to consider some way of containing or catching such cut material. Consult the person responsible for site safety for specific guidance.

Note: The operator should consider performing a practice run with the saw disconnected from the mains supply to confirm that the cutting procedure will be

completely safe throughout.

When the cut has been completed the operator should release the ON/OFF Trigger Switch and allow the motor to stop and the blade to become stationary. As the saw is lifted from the Cutting Track and workpiece the lower blade guard will automatically deploy covering the blade completely.

DUST / DEBRIS COLLECTION

An adaptor nozzle (**Fig. 25**) can be fitted to all CCS machines. Fitting the nozzle allows the machine to be connected to a dust/debris collection device.

Note: The exact design of the nozzle supplied will vary depending upon type of model and the market destination of the machine. The supplied nozzle will accept a wide variety of debris/dust collection devices currently available. The nozzle should be fitted to the Cut Material Ejection Port. (**Fig. 26**)

Note: A workshop dust/debris extraction machine can be attached to the adaptor nozzle if required. Follow the manufacturers instructions if such a machine is fitted and ensure that it is capable of handling the ejected cut material.

LED LIGHT

Some of these machines (depending upon the model and market destination) are equipped with an automatic LED Light.

Note: If you are unsure of which features are provided on your machine, consult the Specification Page provided in this manual.

The LED Light is positioned to the left hand (LH) side of the blade. (**Fig. 27**)

The beam from the LED will light up the left hand side of the blade and also illuminate any marking out lines present on the workpiece. This should help the operator predict the path of the blade through the workpiece and thus aid efficiency, accuracy and safety.

Note: Operation of the LED Light is automatic. As soon as the machine is connected to the mains supply the LED will activate. This gives the operator a clear visual indication that the machine has been successfully connected to the mains electrical supply, and is therefore

powered (is 'live') and ready for cutting operations to commence.

Note: There are no user serviceable parts incorporated within the LED Light assembly and the beam direction is factory set. The protective lens cover should be kept clear of dust etc. (see Maintenance) to ensure the maximum brightness of the projected beam is maintained.

WARNING: Only clean the lens cover with the machine disconnected from the mains power supply and the blade completely stationary.

INTEGRAL CUTTING AIDS

All Evolution circular saws are equipped with various cutting aids or guides designed help the operator achieve quick accurate cuts safely. Note: Not all of the following features will appear on every machine.

0° and 45° Line of Cut Guides (**Fig. 28**)

Located on the front edge of the machines sole plate are two (2) small notches, which on some machines are identified with an angular number. These notches indicate the position of the blade as it exits the workpiece when the bevel tilt angle is set at 0° (blade vertical) or at an angle of 45°.

Front of Blade Guide (**Fig. 29**)

Note: Evolution machines compatible with Evolutions Cutting Track have a notch located on the right hand edge (RH) of the sole plate casting. This notch indicates the position of the front edge of the blade when the blade is set at maximum cutting depth. This feature can be used when placing and positioning the saw on a Cutting Track.

WARNING: It is important that the lower blade guard or blade do not touch any surface of the workpiece during the initial positioning of the saw on the Cutting Track.

Ruler Guides (**Fig. 30**)

Ruler guides are present on some Evolution circular saws. They are positioned along the front and/or side edges of the sole plate. These guides can give a useful approximate position or prediction of the saw blade in the workpiece.

SPECIALISED ADJUSTMENTS

Your Evolution machine has many precision engineered components and settings, most of which are factory set and adjusted to ensure consistent long term accuracy.

Maintenance and adjustment to these components or settings will probably never be needed. If maintenance or adjustment (after considerable usage) is thought to be necessary Evolution recommend that you contact the technical helpline for further advice and guidance.

Note: Certain adjustments procedures are only possible with access to certain specialised knowledge and/or equipment.

(17) GENERAL CUTTING ADVICE

WARNING: The operator must always be aware of the position and routing of the power cable. The cable must be routed in such a way that there is no possibility of the blade coming into contact with the mains cable. The cable should not pose a trip (or any other type) of hazard to the operator or any bystanders.

- Do not force the machine.
- Allow the speed of the saw blade do the work. Cutting performance will not be improved by applying excessive pressure to the machine and blade life will be reduced.
- When using the parallel edge guide, ensure that it is parallel with the blade. The blade and/or motor could become damaged if the machine is used with an incorrectly adjusted parallel edge guide.
- Place front edge of sole plate squarely on the workpiece. Before starting the motor ensure that the blade is not in contact with the workpiece.
- When starting a cut, taking care to introduce the blade to the material slowly, so as not to damage blade teeth.

Note: Two (2) line of cut guides are provided at the front of the sole plate of the CCSL machine (for 0° and 45° bevel angles only).

- Use both hands to move the saw forwards through the work piece.
- Apply smooth, constant pressure to move the saw forwards through the workpiece.

Note: All CCS series machines have an automatic lower blade guard which has a specially shaped leading front edge. This feature ensures that the blade guard retracts smoothly and effortlessly as the machines blade enters the workpiece. As the blade exits the workpiece the lower blade guard will automatically return to its normal position covering the blade completely.

Note: On some occasions e.g. making a plunge cut into a floor or wall etc. it may be advantageous to retract the lower blade guard manually.

A thumb operated lever is provided on the lower blade guard. With care, a skilled operator can retract the blade guard manually, either partially or fully, allowing plunge cuts to be made.

WARNING: If retracting the blade guard manually great care must be taken to ensure that the operators hand or fingers do not touch any part of the machines blade.

When a cut has been completed:

- Release the ON/OFF Trigger switch.
- Allow the blade to come to a complete stop.
- Remove the machine from the workpiece allowing the lower blade guard to return to its normal position covering the blade.

WARNING: If the motor should stop or stall whilst a cut is being attempted release the trigger switch immediately. Disconnect the machine from the power supply and remove the machine from the workpiece. Investigate the cause of the problem and rectify if possible. Only attempt to restart the motor when you are absolutely sure that it is safe to do so.

CUT MATERIAL EJECTION PORT

WARNING: Do not use the dust bag and dust port adaptor when cutting metallic materials including wood with nails.

(18) MAINTENANCE & ADJUSTMENTS

The 0° (blade vertical) position can be adjusted.

WARNING: The machine must be disconnected from the mains power supply when attempting this procedure.

To check 0° position:

- Set the blade to the 0° position with the tilting mechanism against its stop.
- Check the blade against the sole plate using an engineers precision square (not supplied). Take care to avoid the TCT tips of the teeth. The blade should be at exactly 90° to sole plate.

Note: The lower blade guard should be rotated (manually) up into the upper blade guard. This will help accurate positioning of the engineers square and thus aid the checking process. If adjustment is required:

R165CCSL & 185CCS

Turn the adjustment screw (**Fig. 31**) clockwise or counter clockwise using a 4mm Hex Key (not supplied) until the blade is at exactly 90° to the sole plate.

R185CCSX & 185CCSX+

Turn the adjustment screws (**Fig. 32**) clockwise or counter clockwise using a 3mm Hex Key (not supplied) until the blade is at exactly 90° to the sole plate.

To check 45° position (R185CCSX & 185CCSX+):

- Set the blade to the 45° position with the tilting mechanism against its stop.
- Check the blade against the sole plate using an engineers precision square (not supplied). Take care to avoid the TCT tips of the teeth. The blade should be at exactly 45° to sole plate.

Turn the adjustment screws (**Fig. 33**) clockwise or counter clockwise using a 3mm Hex Key (not supplied) until the blade is at exactly 45° to the sole plate.

(19) CHECKING AND REPLACING THE CARBON BRUSHES

WARNING: Disconnect the machine from the power supply before attempting to check or replace the Carbon Brushes.

Note: Replace both carbon brushes if either has less than 6mm length of carbon remaining, or if the spring or wire is damaged or burned.

To remove the brushes:

- Unscrew the plastic caps found at the back of the motor housing. (**Fig. 34**) Be careful as the caps are spring-loaded.
- Withdraw the brushes with their springs.
- If replacement is necessary renew the brushes and replace the caps.

Note: Used but serviceable brushes can be replaced, but only as long as they are returned to the same position, and inserted the same way round as they were before being removed from the machine.

- Run machines motor without load for approximately 5 minutes. This will help the new brushes to 'bed-in' and ensure that the motor runs efficiently.
- Some sparking may be visible until the brushes bed in fully.

(20) GENERAL MAINTENANCE & CLEANING

Note: All maintenance must be carried out with the machine switched off and disconnected from the power supply.

- Check that all safety features and guards are operating correctly on a regular basis. Only use this machine if all guards/safety features are fully operational.
- All motor bearings in these machines are lubricated for life. No further lubrication is required.

Use a clean, slightly damp cloth to clean the plastic parts of the machine. Do not use solvents or similar products which could damage the plastic parts. Remove any dust or other contaminants from the lens cover of the LED module.

WARNING: Do not attempt to clean by inserting pointed objects through openings in the machines casings etc. The machines air vents should be cleaned using compressed dry air.

Note: The operator should employ all necessary PPE when using compressed dry air as a cleaning medium.

(21) ENVIRONMENTAL PROTECTION

Waste electrical products should not be disposed of with household waste. Please recycle where facilities exist. Check with your Local Authority or retailer for recycling advice.



EC DECLARATION OF CONFORMITY



The manufacturer of the product covered by this Declaration is:

UK: Evolution Power Tools Ltd, Venture One, Longacre Close, Holbrook Industrial Estate, Sheffield, S20 3FR.

FR: Evolution Power Tools SAS, 61 Avenue Lafontaine, 33560, Carbon-Blanc, Bordeaux, France.

The manufacturer hereby declares that the machine as detailed in this declaration fulfils all the relevant provisions of the Machinery Directive and other appropriate directives as detailed below. The manufacture further declares that the machine as detailed in this declaration, where applicable, fulfils the relevant provisions of the Essential Health and Safety requirements.

The Directives covered by this Declaration are as detailed below:

2006/42/EC.	Machinery Directive.
2014/30/EU.	Electromagnetic Compatibility Directive.
2011/65/EU. & 2015/863/EU.	The Restriction of the Use of certain Hazardous Substances in Electrical Equipment (RoHS) Directive.
2012/19/EU.	The Waste Electrical and Electronic Equipment (WEEE) Directive.

And is in conformity with the applicable requirements of the following documents:

EN 62841-1:2015 • EN62841-2-5:2014 • EN 55014-1:2017+A11:2020 • EN 55014-2:2015 • EN 61000-3-2: 2014(220-240V models)• EN IEC 61000-3-2:2019(220-240V models) • EN 61000-3-3:2013+A1:2019(only 026-0001) • EN 61000-3-11: 2000 (220-240V models except 026-0001)

Product Details

Description:	R165CCSL 165mm (6-1/2") Circular Saw
Model No:	026-0001 / 026-0002 / 026-0003
Description:	R185CCS 185mm (7-1/4") Circular Saw
Model No:	027-0001C / 027-0002C / 027-0003C
Description:	R185CCSX 185mm (7-1/4") Circular Saw
Model No:	027-0001 / 027-0002 / 027-0003
Description:	R185CCSX+ 185mm (7-1/4") Circular Saw
Model No:	027-0001A / 027-0003A / 027-0003A
Brand Name:	EVOLUTION POWER TOOLS LIMITED
Voltages:	220-240V / 110V ~ 50Hz
Input:	R165CCSL - 1200W R185CCS, R185CCSX & R185CCSX+ - 1600W

The technical documentation required to demonstrate that the product meets the requirements of directive has been compiled and is available for inspection by the relevant enforcement authorities, and verifies that our technical file contains the documents listed above and that they are the correct standards for the product as detailed above.

Name and address of technical documentation holder.

Signed:		Print: Barry Bloomer
Date:		Supply Chain & Procurement Director
		01/06/18

UK: Evolution Power Tools Ltd, Venture One, Longacre Close, Holbrook Industrial Estate, Sheffield, S20 3FR.
FR: Evolution Power Tools SAS, 61 Avenue Lafontaine, 33560, Carbon-Blanc, Bordeaux, France.

EC DECLARATION OF CONFORMITY



The manufacturer of the product covered by this Declaration is:

UK: Evolution Power Tools Ltd, Venture One, Longacre Close, Holbrook Industrial Estate, Sheffield, S20 3FR.

FR: Evolution Power Tools SAS, 61 Avenue Lafontaine, 33560, Carbon-Blanc, Bordeaux, France.

The manufacturer hereby declares that the machine as detailed in this declaration fulfils all the relevant provisions of the Machinery Directive and other appropriate directives as detailed below.

The manufacturer further declares that the machine as detailed in this declaration, where applicable, fulfils the relevant provisions of the Essential Health and Safety requirements.

The Directives covered by this Declaration are as detailed below:

UK legislation_ Supply of Machinery (Safety) Regulations 2008
UK legislation_ Electromagnetic Compatibility Regulations 2016
UK legislation_ The Restriction of the Use of Certain Hazardous Substances in Electrical and Electronic Equipment Regulations 2012
UK regulation _ The Waste Electrical and Electronic Equipment Regulations 2013

And is in conformity with the applicable requirements of the following documents:

BS EN 62841-1:2015 • BS EN 62841-2-5:2014 • BS EN 55014-1:2017/A11:2020 •BS EN 55014-2:2015
BS EN IEC 61000-3-2:2019(220-240V models) • BS EN 61000-3-3:2013+A1:2019(only 026-0001 and 026-0003) • BS EN 61000-3-11: 2001 (220-240V models except 026-0001 and 026-0003)
EN 55014-1:2017/A11:2020 • EN 55014-2:2015 • EN 61000-3-3:2013/A1:2019(only 026-0001 and 026-003) • EN 61000-3-11: 2000 (220-240V models except 026-0001 and 026-0003)

Product Details

Description: **R165CCSL** 165mm (6-1/2") Circular Saw
 Model No: 026-0001 / 026-0002 / 026-0003
 Description: **R185CCS** 185mm (7-1/4") Circular Saw
 Model No: 027-0001C / 027-0002C / 027-0003C
 Description: **R185CCSX** 185mm (7-1/4") Circular Saw
 Model No: 027-0001 / 027-0002 / 027-0003
 Description: **R185CCSX+** 185mm (7-1/4") Circular Saw
 Model No: 027-0001A / 027-0002A / 027-0003A
 Brand Name: EVOLUTION POWER TOOLS LIMITED
 Voltages: 110V / 220-240V ~ 50Hz
 Input: R165CCSL - 1200W
 R185CCS, R185CCSX & R185CCSX+ - 1600W

The technical documentation required to demonstrate that the product meets the requirements of directive has been compiled and is available for inspection by the relevant enforcement authorities, and verifies that our technical file contains the documents listed above and that they are the correct standards for the product as detailed above.

Name and address of technical documentation holder.

Signed:  Print: Barry Bloomer - CEO
 Date: 16/04/21

UK: Evolution Power Tools Ltd, Venture One, Longacre Close, Holbrook Industrial Estate, Sheffield, S20 3FR.

FR: Evolution Power Tools SAS, 61 Avenue Lafontaine, 33560, Carbon-Blanc, Bordeaux, France.

(1.2) EINLEITUNG**WICHTIG**

Lesen Sie diese Betriebs- und Sicherheitsanweisungen bitte sorgfältig und vollständig durch.

Sollten Sie sich hinsichtlich der Anwendung des Elektrowerkzeugs unsicher fühlen, kontaktieren Sie zu Ihrer eigenen Sicherheit unsere technische Helpline, deren Nummer auf der Website von Evolution Power Tools zu finden ist. Wir bieten weltweit eine Vielzahl von Helplines an. Technische Hilfe ist jedoch auch über Ihren Einzelhändler verfügbar.

(1.3) KONTAKT:

Web: www.evolutionpowertools.com

UK/EU/AUS: customer.services@evolutionpowertools.com

USA: evolutioninfo@evolutionpowertools.com

(1.4) GARANTIE

Wir gratulieren Ihnen zum Kauf einer Evolution Power Tools-Maschine. Folgen Sie den Anweisungen des beliegenden Merkblattes zur Registrierung und registrieren Sie Ihr Produkt „online“. Hierdurch aktivieren Sie die Garantiefrist Ihrer Maschine über die Evolution-Website. Geben Sie zu diesem Zweck einfach Ihre Kontaktdaten ein und sichern Sie sich einen schnellen Kundenservice, wann immer Sie ihn brauchen.

Wir danken Ihnen, dass Sie sich für ein Produkt von Evolution Power Tools entschieden haben.

TECHNISCHE DATEN

TECHNISCHE DATEN	USA		
	R185CCS	R185CCSX	R185CCSX+
Modell-Nr.:	027-0004	027-0004C	027-0004A
Motor EU (220-240 V ~ 50 Hz)			
Motor GB (110 V ~ 50 Hz)			
Motor USA (120 V ~ 60 Hz)	15 A	15A	15 A
Leerlaufdrehzahl (220-240 V)			
Leerlaufdrehzahl (110-120 V)	3700 min ⁻¹ /UpM	3700 min ⁻¹ / rpm	3700 min ⁻¹ /UpM
Gewicht	10,8 lb	11,2 lb	11,2 lb
Max. Schnittwinkel des Sägeblatts	60°	45°	45°
Netzkabellänge	13 ft	13 ft	13 ft
Kreissägen-Basistyp	Aluminiumguss	Cast Aluminum	Aluminiumguss
Kompatibel mit Führungsschienen		✓	✓

SCHNITTELEISTUNG	R185CCS	R185CCSX	R185CCSX+
Baustahlplatte (max. Stärke)	1/4"	1/4"	1/4"
Baustahlkastenprofil (max. Wandstärke)	1/4"	1/4"	1/4"
Max. Schnittdicke (0°)	2-1/2"	2-1/2" (2-5/16" mit Schiene)	2-1/2" (2-5/16" mit Schiene)
Max. Schnittdicke (45°)	1-9/16"	1-13/16" (1-5/8" mit Schiene)	1-13/16" (1-5/8" mit Schiene)
Max. Schnittdicke (60°)	1"		

SÄGEBLATTANGABEN	R185CCS	R185CCSX	R185CCSX+
Blattdurchmesser	Ø 7-1/4"	Ø 7-1/4"	Ø 7-1/4"
Anzahl der Zähne	20	16	20
Durchmesser Bohrung	25/32"	25/32"	25/32"
Schnittfuge	1,7 mm	1,7mm	1,7 mm

LÄRM- & VIBRATIONSBEZOGENE DATEN	R185CCS	R185CCSX	R185CCSX+
Schalldruckpegel L _{pa}	94,3dB(A) K=3 dB(A)	94,3dB(A) K=3 dB(A)	94,3dB(A) K=3 dB(A)
Schalleistungspegel L _{wa}	105,3dB(A) K=3 dB(A)	105,3dB(A) K=3 dB(A)	105,3dB(A) K=3 dB(A)
Vibration - Haupthandgriff (Holzsägen)	a _{h,w} = 3,347m/s ²	a _{h,w} = 3,347m/s ²	a _{h,w} = 3,347m/s ²
Vibration - Zusatzhandgriff (Holzsägen)	a _{h,w} = 3,119m/s ²	a _{h,w} = 3,119m/s ²	a _{h,w} = 3,119m/s ²
Vibration - Haupthandgriff (Metallsägen)	a _{h,M} = 3,572m/s ²	a _{h,M} = 3,572m/s ²	a _{h,M} = 3,572m/s ²
Vibration - Zusatzhandgriff (Metallsägen)	a _{h,M} = 3,241m/s ²	a _{h,M} = 3,241m/s ²	a _{h,M} = 3,241m/s ²
Uncertainty K	1,5m/s ²	1,5m/s ²	1,5m/s ²

IM LIEFERUMFANG ENTHALTENE TEILE	R185CCS	R185CCSX	R185CCSX+
Multi-Material TCT-Sägeblatt	✓	✓	✓
Sechskantschlüssel (Sägeblattwechsel)	✓	✓	✓
Parallele Kantenführung	✓	✓	✓
Adapter für Entstaubungsanschluss	✓	✓	✓
Anschluss für Entstaubungsschlauch	✓	✓	✓
Transportkasten			✓
Führungsschienen (340 mm x3)		✓	
Verbindungsstange und -schrauben (x4)		✓	
LED-Licht	✓		✓

GB / EU / AUS			
R165CCSL	R185CCS	R185CCSX	R185CCSX+
026-0001 / 026-0002 / 026-0003	027-0001C / 027-0002C / 027-0003C	027-0001 / 027-0002 / 027-0003	027-0001A / 027-0002A / 027-0003A
1200 W	1600 W	1600 W	1600 W
1200 W	1600 W	1600 W	1600 W
3700 min ⁻¹ /UpM	3900 min ⁻¹ /UpM	3900 min ⁻¹ /UpM	3900 min ⁻¹ /UpM
3700 min ⁻¹ /UpM	3700 min ⁻¹ /UpM	3700 min ⁻¹ /UpM	3700 min ⁻¹ /UpM
4,3 kg	4,9 kg	5,1 kg	5,1 kg
45°	60°	45°	45°
3 m	3 m	3 m	4 m
Pressstahl	Aluminiumguss	Aluminiumguss	Aluminiumguss
		✓	✓

R165CCSL	R185CCS	R185CCSX	R185CCSX+
3 mm	6 mm	3 mm	6 mm
3 mm	6 mm	3 mm	6 mm
53 mm	64 mm	64 mm (59 mm mit Schiene)	64 mm (59 mm mit Schiene)
34 mm	40 mm	47 mm (42 mm mit Schiene)	47 mm (42 mm mit Schiene)
	24 mm		

R165CCSL	R185CCS	R185CCSX	R185CCSX+
Ø 165 mm	Ø 185 mm	Ø 185 mm	Ø 185 mm
14	20	16	20
20 mm	20 mm	20 mm	20 mm
1,7 mm	1,7 mm	1,7 mm	1,7 mm

R165CCSL	R185CCS	R185CCSX	R185CCSX+
92,4dB(A) K:3dB(A)	94,3dB(A) K=3 dB(A)	94,3dB(A) K=3 dB(A)	94,3dB(A) K=3 dB(A)
103,4dB(A) K:3dB(A)	105,3dB(A) K=3 dB(A)	105,3dB(A) K=3 dB(A)	105,3dB(A) K=3 dB(A)
$a_{h,w} = 2,747m/s^2$	$a_{h,w} = 3,347m/s^2$	$a_{h,w} = 3,347m/s^2$	$a_{h,w} = 3,347m/s^2$
$a_{h,w} = 2,619m/s^2$	$a_{h,w} = 3,119m/s^2$	$a_{h,w} = 3,119m/s^2$	$a_{h,w} = 3,119m/s^2$
$a_{h,M} = 2,302m/s^2$	$a_{h,M} = 3,572m/s^2$	$a_{h,M} = 3,572m/s^2$	$a_{h,M} = 3,572m/s^2$
$a_{h,M} = 2,239m/s^2$	$a_{h,M} = 3,241m/s^2$	$a_{h,M} = 3,241m/s^2$	$a_{h,M} = 3,241m/s^2$
1,5m/s ²	1,5m/s ²	1,5m/s ²	1,5m/s ²

R165CCSL	R185CCS	R185CCSX	R185CCSX+
✓	✓	✓	✓
✓	✓	✓	✓
✓	✓	✓	✓
✓	✓	✓	✓
✓	✓	✓	✓
			✓
		✓	
		✓	
			✓

VIBRATION

(1.5) **Hinweis:** Die Ermittlung des Vibrationspegels geschah unter Standardbedingungen in Übereinstimmung mit: EN 62841-1:2015, EN 62841-2-5:2014

Warnung: Gehörschutz tragen!

- Die angegebenen Schwingungsgesamtwerte und die angegebenen Geräuschemissionswerte sind nach einem genormten Prüfverfahren gemessen worden und können zum Vergleich eines Elektrowerkzeugs mit einem anderen verwendet werden.

- Die angegebenen Schwingungsgesamtwerte und die angegebenen Geräuschemissionswerte können auch zu einer vorläufigen Einschätzung der Belastung verwendet werden.

Warnung:

-Die Schwingungs- und Geräuschemissionen können während der tatsächlichen Benutzung des Elektrowerkzeugs von den Angabewerten abweichen, abhängig von der Art und Weise, in der das Elektrowerkzeug verwendet wird, insbesondere, welche Art von Werkstück bearbeitet wird.

-Versuchen Sie, die Belastung durch Vibrationen so gering wie möglich zu halten. Beispielhafte Maßnahmen zur Verringerung der Vibrationsbelastung sind das Tragen von Handschuhen beim Gebrauch des Werkzeugs und die Begrenzung der Arbeitszeit. Dabei sind alle Anteile des Betriebszyklus sind zu berücksichtigen (beispielsweise Zeiten, in denen das Elektrowerkzeug abgeschaltet ist, und solche, in denen es zwar eingeschaltet ist, aber ohne Belastung läuft).

(1.6) **WARNUNG:** Beim Betrieb der Maschine ist der Bediener u. U. starken Vibrationen (Hand und Arm) ausgesetzt.

Möglicherweise tritt dadurch beim Bediener die „Weißfingerkrankheit“ (Raynaud-Syndrom) auf. Dies kann die Temperaturempfindlichkeit der Hand beeinträchtigen und ein allgemeines Taubheitsgefühl erzeugen.

Personen, die längere Zeit oder regelmäßig mit diesem Gerät arbeiten, sollten den Zustand ihrer Hände und Finger aufmerksam beobachten. Falls die vorgenannten Symptome auftreten, sollte unverzüglich ärztlicher Rat eingeholt werden.

- Die Messung und Bewertung der Auswirkungen von Schwingungen auf das Hand-Arm-System am Arbeitsplatz wird in folgenden Normen beschrieben: EN 62841-1 und EN 62841-2-5
- Die Stärke der Vibration während des Betriebs wird von einer Vielzahl von Faktoren beeinflusst wie z. B. Beschaffenheit und Ausrichtung der Arbeitsfläche und Typ und Zustand der verwendeten Maschine. Diese Faktoren sollten vor jedem Gebrauch in Betracht gezogen werden. Wenn möglich, ist für angemessene Arbeitsbedingungen zu sorgen. Folgende Einstellungen können Vibrationen vermindern:

Gebrauch

- Bedienen Sie die Maschine mit Sorgfalt, lassen Sie sie die Arbeit für Sie verrichten.
- Wenden Sie nicht unnötig viel Kraft auf die Bedienelemente der Maschine an.
- Berücksichtigen Sie Ihre eigene Sicherheit und Stabilität sowie die Ausrichtung der Maschine während des Betriebs.

Arbeitsoberfläche

- Berücksichtigen Sie das Material Ihrer Arbeitsfläche; ihren Zustand, Dicke, Robustheit, Härte und Ausrichtung.

WARNUNG: Die Vibrationen, die bei der Verwendung des Elektrowerkzeugs auftreten, können je nach Art und Weise der Nutzung der Maschine vom angegebenen Wert abweichen.

Die Notwendigkeit, Sicherheitsmaßnahmen zum Schutz des Bedieners festzulegen, beruht auf einer Abschätzung der Gefährdung unter realen Nutzungsbedingungen (unter Berücksichtigung aller Arbeitsschritte des Betriebsdurchlaufs, wie z. B. Ausschaltdauer der Maschine, Leerlauf sowie Auslösezeit).

(1.7) KENNZEICHNUNGEN UND SYMBOLE

WARNUNG: Verwenden Sie die Maschine nicht, wenn Warnhinweise und/oder Hinweisschilder fehlen oder beschädigt sind. - Für Ersatz wenden Sie sich an Evolution Power Tools.

Hinweis: Manche oder alle der folgenden Symbole können in der Betriebsanleitung oder auf dem Produkt abgebildet sein.

(1.8)

Symbol	Beschreibung
V	Volt
A	Ampere
Hz	Hertz
Min-1 / UpM	Drehzahl
~	Wechselstrom
n ₀	Leerlaufdrehzahl
	Schutzbrille tragen
	Gehörschutz tragen
	Staubmaske tragen
	Anleitung lesen
	Doppelt isoliert
	CE-Zertifizierung
	ETL-Zertifizierung
	Entsorgung als Elektro- & Elektronikschrott
	Triman - Restmüllabfuhr & Recycling
	Warnung
	(RCM) Regulatory Compliance Mark für elektrische und elektronische Geräte. Australische/ neuseeländische Norm

(1.9) BESTIMMUNGSGEMÄSSER GEBRAUCH DIESES ELEKTROWERKZEUGS

WARNUNG: Dieses Produkt ist eine von Hand betriebene Kreissäge und wurde für den Einsatz mit speziellen Evolution-Sägeblättern entwickelt. Verwenden Sie ausschließlich für den Gebrauch mit dieser Maschine entwickeltes und/oder ausdrücklich von Evolution Power Tools Ltd empfohlenes Zubehör.

Mit geeignetem Sägeblatt kann diese Maschine zum Schneiden der folgenden Materialien verwendet werden:

Baustahl, Aluminium, Holz

Hinweis: Das Sägen von galvanisch behandeltem Stahl kann die Lebensdauer des Blatts verkürzen.

(1.10) UNZULÄSSIGER GEBRAUCH DIESES ELEKTROWERKZEUGS

WARNUNG: Dieses Produkt ist eine von Hand betriebene Kreissäge und darf nur bestimmungsgemäß verwendet werden. Es dürfen keinerlei Modifikationen vorgenommen werden. Weiterhin darf die Maschine nicht mit anderer Ausrüstung oder anderem Zubehör als dem in dieser Betriebsanleitung erwähntem in Betrieb genommen werden.

(1.11) WARNUNG: Diese Maschine ist nicht bestimmt für die Benutzung durch Personen (einschließlich Kindern) mit eingeschränkten körperlichen, sensorischen bzw. geistigen Fähigkeiten, mangelnder Erfahrung bzw. fehlendem Wissen. Kinder müssen beaufsichtigt werden, um sicherzustellen, dass sie keinen Zugang zu der Maschine haben und nicht mit ihr spielen dürfen.

(1.12) ELEKTRISCHE SICHERHEIT

Diese Maschine ist ausgestattet mit den auf dem Zielmarkt jeweils verwendeten Stecker und Anschlusskabel. Bei Beschädigung des Anschlusskabels ist dieses durch ein vom Hersteller oder dessen Händler zur Verfügung gestelltes Kabel zu ersetzen.

(1.13) VERWENDUNG IM FREIEN

WARNUNG: Zu Ihrer eigenen Sicherheit sollte diese Maschine bei Verwendung im Freien nicht Regen ausgesetzt und nicht in einer feuchten Umgebung eingesetzt werden. Platzieren Sie die Maschine nicht auf feuchtem Untergrund. Wenn verfügbar, arbeiten Sie auf

einer sauberen, trockenen Fläche. Verwenden Sie für zusätzlichen Schutz eine Fehlerstrom-Schutzeinrichtung (R.C.D.), die bei Leckstrom von über 30 mA über einen Zeitraum von 30 ms die Stromzufuhr unterbricht. Überprüfen Sie vor Verwendung der Maschine jedes Mal die Fehlerstrom-Schutzeinrichtung (R.C.D.).

Ist ein Verlängerungskabel notwendig, muss dieses für den Gebrauch im Freien geeignet und entsprechend gekennzeichnet sein. Folgen Sie den Anweisungen des Herstellers bei Verwendung mit einem Verlängerungskabel.

(2.1) ALLGEMEINE SICHERHEITSHINWEISE FÜR ELEKTROWERKZEUGE

(Diese Allgemeinen Sicherheitsanweisungen für Elektrowerkzeuge entsprechen EN 62841-1: 2015).

WARNUNG Lesen Sie alle Sicherheitshinweise, Anweisungen, Bilderungen und technischen Daten, mit denen dieses Elektrowerkzeug versehen ist. Versäumnisse bei der Einhaltung der nachfolgenden Anweisungen können elektrischen Schlag, Brand und/oder schwere Verletzungen verursachen.

Bewahren Sie alle Sicherheitshinweise und Anweisungen für die Zukunft auf.

Der in den Sicherheitshinweisen verwendete Begriff „Elektrowerkzeug“ bezieht sich auf netzbetriebene Elektrowerkzeuge (mit Netzleitung) oder auf akkubetriebene Elektrowerkzeuge (ohne Netzleitung).

(2.2) 1) Allgemeine Sicherheitswarnungen zum Elektrowerkzeug [Sicherheit am Arbeitsplatz]

a) Halten Sie den Arbeitsbereich sauber und sorgen Sie für eine gute Beleuchtung. Zugestellte oder dunkle Bereiche begünstigen Unfälle.

b) Verwenden Sie das Elektrowerkzeug nicht in explosionsgefährdeten Bereichen wie z. B. bei Vorhandensein von brennbarer Flüssigkeit, Gasen oder Staub. - Elektrowerkzeuge erzeugen Funken, die Staub oder Gase entzünden können.

c) Halten Sie Kinder und Unbeteiligte während des Betriebs vom Elektrowerkzeug fern. Ablenkungen können dazu führen, dass Sie die Kontrolle über das Werkzeug verlieren.

(2.3) 2) Allgemeine Sicherheitswarnungen zum Elektrowerkzeug [Elektrische Sicherheit]

a) Der Stecker des Elektrowerkzeugs muss zur Steckdose passen. Den Stecker niemals modifizieren. Verwenden Sie keine Adapter mit geerdeten Elektrowerkzeugen. Nicht modifizierte Stecker und dazu passende Steckdosen verringern das Risiko eines Stromschlags.

b) Vermeiden Sie den Kontakt mit geerdeten Oberflächen wie z. B. Rohren, Heizungen, Herden oder Kühlschränken. Das Risiko eines Stromschlags steigt, wenn Ihr Körper geerdet ist.

c) Setzen Sie Elektrowerkzeuge nie Regen oder nassen Bedingungen aus. Wasser, das in ein Elektrowerkzeug eindringt, erhöht das Risiko eines Stromschlags.

d) Verwenden Sie das Kabel nicht unzureichend. Verwenden Sie das Kabel nicht, um das Elektrowerkzeug zu transportieren oder zu ziehen oder den Stecker herauszuziehen. Halten Sie das Netzkabel fern von Hitze, Öl, scharfen Kanten oder sich bewegenden Geräteteilen. Beschädigte oder verwickelte Kabel erhöhen das Risiko eines Stromschlags.

e) Verwenden Sie ein geeignetes Verlängerungskabel, wenn Sie das Elektrowerkzeug im Freien betreiben. Die Verwendung eines für den Gebrauch im Freien vorgesehenen Verlängerungskabels vermindert das Risiko eines Stromschlags.

f) Ist die Verwendung des Elektrowerkzeugs in feuchter Umgebung unzugänglich, verwenden Sie eine Fehlerstrom-Schutzeinrichtung (R.C.D.).

Die Verwendung einer Fehlerstrom-Schutzeinrichtung verringert das Risiko eines Stromschlags.

Hinweis: Das Gerät ist nur zur Verwendung in Anwesen vorgesehen, die eine Dauerstrombelastbarkeit des Netzes von $\geq 100A$ je Phase haben und von einem Verteilernetz mit einer Netzspannung von 230V versorgt werden. Wenn nötig bitte Rücksprache mit dem Elektrizitätsversorgungsunternehmen halten, um sicherzustellen, dass die Dauerstrombelastbarkeit des Netzes am Anschlusspunkt mit dem öffentlichen Netz für den Anschluss des Gerätes ausreicht.

(2.4) 3) Allgemeine Sicherheitswarnungen zum Elektrowerkzeug [Persönliche Sicherheit].

- a) Seien Sie beim Betrieb des Elektrowerkzeugs immer aufmerksam und verantwortungsbewusst.** Verwenden Sie das Elektrowerkzeug nicht bei Müdigkeit oder unter Einfluss von Drogen, Alkohol oder Medikamenten. Eine kurze Unachtsamkeit während der Verwendung dieses Elektrowerkzeugs kann zu schweren körperlichen Verletzungen führen.
- b) Verwenden Sie persönliche Schutzausrüstung.** Tragen Sie stets eine Schutzbrille. Das Tragen von Schutzausrüstung wie Staubmaske, rutschfesten Sicherheitsschuhen, Schutzhelm oder Gehörschutz verringert das Risiko von Verletzungen.
- c) Vermeiden Sie unbeabsichtigte Inbetriebnahme.** Vergewissern Sie sich, dass das Werkzeug ausgeschaltet ist, bevor Sie es an die Stromquelle und/oder an die Batterie anschließen, anheben oder transportieren. Das Tragen von Elektrowerkzeugen mit dem Finger am Schalter oder die Aktivierung der Stromversorgung einer Maschine, deren Schalter in der Stellung „ON“ (An) steht, kann zu Unfällen führen.
- d) Entfernen Sie alle Einstell- und sonstigen Schlüssel, bevor Sie das Elektrowerkzeug einschalten.** Schraubenschlüssel oder andere Schlüssel, die in sich bewegenden Teilen des Elektrowerkzeugs stecken, können körperliche Verletzungen verursachen.
- e) Lehnen Sie sich nicht zu weit vor. Achten Sie stets auf guten Stand bzw. gute Balance.** Dies sorgt für eine bessere Kontrolle des Elektrowerkzeugs in unerwarteten Situationen.
- f) Tragen Sie angemessene Kleidung.** Tragen Sie keine weite Kleidung oder Schmuck. Halten Sie Haare, Kleidung und Handschuhe fern von sich bewegenden Teilen. Weite Kleidung, Schmuck oder langes Haar kann sich in bewegenden Teilen verfangen.
- g) Falls Vorrichtungen zum Absaugen und Sammeln von Staub vorhanden sind, schließen Sie diese an und verwenden Sie sie ordnungsgemäß.** Die Verwendung eines Staubabscheiders vermindert durch Staub verursachte Gefahren.
- h) Eine im Laufe der Zeit gewonnene Vertrautheit mit dem Werkzeuggebrauch sollte nicht zu Sorglosigkeit und dem Ignorieren von Sicherheitshinweisen**

führen. Eine Unachtsamkeit kann zu schweren Verletzungen in kürzester Zeit führen.

(2.5) 4) Allgemeine Sicherheitswarnungen zum Elektrowerkzeug [Gebrauch und Instandhaltung].

- a) Wenden Sie keine Gewalt an.** Verwenden Sie ein für Ihre Zwecke geeignetes Elektrowerkzeug. Das passende Elektrowerkzeug erledigt die Arbeit besser und sicherer in angemessenem Tempo.
- b) Verwenden Sie das Elektrowerkzeug nicht, wenn der Schalter nicht ein- oder ausschaltet.** Jedes Elektrowerkzeug, dessen An-/Ausschalter nicht funktioniert, stellt eine Gefahr dar und muss repariert werden.
- c) Trennen Sie das Elektrowerkzeug von der Netzquelle und/oder der Batterie, bevor Sie Änderungen vornehmen, Zubehör auswechseln oder das Elektrowerkzeug lagern.** Derartige vorbeugende Maßnahmen verringern das Risiko, dass das Elektrowerkzeug unbeabsichtigt startet.
- d) Bewahren Sie unbenutzte Geräte außerhalb der Reichweite von Kindern auf und lassen Sie Personen, die mit dem Gerät nicht vertraut sind oder diese Anweisungen nicht gelesen haben, das Gerät nicht benutzen.** Das Gerät kann gefährlich sein, wenn es von unerfahrenen Personen benutzt wird.
- e) Halten Sie Elektrowerkzeuge instand.** Stellen Sie sicher, dass sich alle beweglichen Teile in der richtigen Position befinden, keine Teile gebrochen sind oder sonstige Fehler vorliegen, um den reibungslosen Betrieb des Geräts sicherzustellen. Sollten Schäden vorliegen, lassen Sie das Elektrowerkzeug vor Gebrauch reparieren. Viele Unfälle werden von schlecht instand gehaltenen Elektrowerkzeugen verursacht.
- f) Halten Sie Schneidwerkzeuge scharf und sauber.** Angemessen gepflegtes Schneidwerkzeug mit scharfen Sägeblättern läuft geschmeidiger und ist leichter zu kontrollieren.
- g) Verwenden Sie das Elektrowerkzeug, Zubehör und Werkzeuteile usw. in Übereinstimmung mit diesen Anweisungen unter Berücksichtigung der Arbeitsumstände und der auszuführenden Arbeit.** Die unzuweckmäßige Verwendung des Elektrowerkzeugs kann zu Gefahr führen.
- h) Halten Sie Handgriffe und Greifflächen trocken, sauber und frei von Öl und Fett.** Rutschige Griffe und Greifflächen verhindern die sichere Handhabung und Kontrolle des Werkzeugs in unerwarteten Situationen.

(2.6) 5) Allgemeine Sicherheitswarnungen für das Elektrowerkzeug [Wartung]

Lassen Sie Ihr Elektrowerkzeug von qualifiziertem Fachpersonal und nur mit identischen Ersatzteilen reparieren.

Dadurch wird die fortwährende Sicherheit des Elektrowerkzeugs gewährleistet.

(2.7) GESUNDHEITSHINWEISE

WARNUNG: Bei Arbeiten mit dieser Maschine können Staubpartikel entstehen. Je nachdem, mit welchem Material Sie arbeiten, kann dieser Staub besonders schädlich sein. Suchen Sie professionelle Hilfe auf, wenn Sie vermuten, dass die Farbe auf dem Material, das Sie schneiden wollen, Blei enthält. Auf Blei basierte Farben sind von professionellen Fachkräften zu entfernen. Von Selbstversuchen ist abzuraten.

Hat sich der Staub auf Oberflächen abgesetzt, kann Hand-Mund-Kontakt zur Aufnahme von Blei führen. Schon geringe Mengen an Blei können unwiderrufliche Schäden an Hirn und Nervensystem verursachen. Junge und ungebohrte Kinder sind besonders gefährdet.

Ziehen Sie die Risiken verbunden mit dem Material, mit dem Sie arbeiten, in Erwägung und verringern Sie das Risiko, sich dem auszusetzen.

Da manche Materialien potenziell gesundheitsschädlichen Staub produzieren, empfehlen wir während des Betriebs der Maschine die Verwendung von zugelassenen Schutzmasken mit austauschbaren Filtern.

Sie sollten stets:

- in gut belüfteten Bereichen arbeiten.
- geprüfte Schutzausrüstung tragen, z. B. Staubmasken für die Filterung mikroskopisch kleiner Partikel.

(2.8) WARNUNG: Bei der Arbeit mit Elektrowerkzeugen können Objekte in Richtung Ihrer Augen geschleudert werden. Dies kann zu schweren Verletzungen der Augen führen. Tragen Sie vor Inbetriebnahme des Elektrowerkzeugs immer eine Sicherheitsbrille oder eine Schutzbrille mit seitlichem Schutz oder wenn notwendig einen Gesichtsschutz.

SICHERHEITSANWEISUNGEN FÜR ALLE SÄGEN [Schnittverfahren]

a) GEFAHR: Kommen Sie mit Ihren Händen nicht in den Sägebereich und an das Sägeblatt. Halten Sie mit Ihrer zweiten Hand den Zusatzgriff oder das Motorgehäuse. Wenn beide Hände die Säge halten, können diese vom Sägeblatt nicht verletzt werden.

b) Greifen Sie nicht unter das Werkstück. Die Schutzhaube kann Sie unter dem Werkstück nicht vor dem Sägeblatt schützen.

c) Passen Sie die Schnitttiefe an die Dicke des Werkstücks an. Es sollte weniger als eine volle Zahnhöhe unter dem Werkstück sichtbar sein.

d) Halten Sie das zu sägende Werkstück niemals in der Hand oder über dem Bein fest. Sichern Sie das Werkstück an einer stabilen Aufnahme. Es ist wichtig, das Werkstück gut zu befestigen, um die Gefahr von Körperkontakt, Klemmen des Sägeblattes oder Verlust der Kontrolle zu minimieren.

e) Halten Sie das Elektrowerkzeug an den isolierten Griffflächen, wenn Sie Arbeiten ausführen, bei denen das Einsatzwerkzeug verborgene Stromleitungen oder die eigene Anschlussleitung treffen kann. Kontakt mit einer spannungsführenden Leitung setzt auch die Metallteile des Elektrowerkzeugs unter Spannung und führt zu einem elektrischen Schlag.

f) Verwenden Sie beim Längsschneiden immer einen Anschlag oder eine gerade Kantenföhrung. Dies verbessert die Schnittgenauigkeit und verringert die Möglichkeit, dass das Sägeblatt klemmt.

g) Verwenden Sie immer Sägeblätter in der richtigen Größe und mit passender Aufnahmebohrung (z. B. raufenförmig oder rund). Sägeblätter, die nicht zu den Montageteilen der Säge passen, laufen unrund und führen zum Verlust der Kontrolle.

h) Verwenden Sie niemals beschädigte oder falsche Sägeblatt-Unterlegscheiben oder -Schrauben. Die Sägeblatt-Unterlegscheiben und -Schrauben wurden speziell für Ihre Säge konstruiert, für optimale Leistung und Betriebssicherheit.

(3.2) Weitere Sicherheitshinweise für alle Sägen Rückschlag – Ursachen und entsprechende Sicherheitshinweise

– Ein Rückschlag ist die plötzliche Reaktion infolge eines hakenden, klemmenden oder falsch ausgerichteten Sägeblattes, die dazu führt, dass eine unkontrollierte Säge abhebt und sich aus dem Werkstück heraus in Richtung des Bedienperson bewegt.

– Wenn sich das Sägeblatt in dem sich schließenden Sägespalt verhakt oder verklemmt, blockiert es, und die Motorkraft schlägt die Säge in Richtung der Bedienperson zurück.

– Wird das Sägeblatt im Sägeschnitt verdreht

oder falsch ausgerichtet, können sich die Zähne der hinteren Sägeblattkante in der Holz-Oberfläche verhaken, wodurch sich das Sägeblatt aus dem Sägespalt heraus bewegt und die Säge in Richtung der Bedienperson zurückspringt.

Ein Rückschlag ist die Folge eines falschen oder fehlerhaften Gebrauchs der Säge. Er kann durch geeignete Vorsichtsmaßnahmen, wie nachfolgend beschrieben, verhindert werden.

a) Halten Sie die Säge mit beiden Händen fest und bringen Sie Ihre Arme in eine Stellung, in der Sie die Rückschlagkräfte abfangen können. Halten Sie sich immer seitlich des Sägeblattes, nie das Sägeblatt in eine Linie mit Ihrem Körper bringen. Bei einem Rückschlag kann die Kreissäge rückwärts springen, jedoch kann die Bedienperson durch geeignete Vorsichtsmaßnahmen die Rückschlagkräfte beherrschen.

b) Falls das Sägeblatt verklemmt oder Sie die Arbeit unterbrechen, schalten Sie die Säge aus und halten Sie sie im Werkstoff ruhig, bis das Sägeblatt zum Stillstand gekommen ist. Versuchen Sie nie, die Säge aus dem Werkstück zu entfernen oder sie rückwärts zu ziehen, solange das Sägeblatt sich bewegt, sonst kann ein Rückschlag erfolgen. Ermitteln und beheben Sie die Ursache für das Verklemmen des Sägeblattes.

c) Wenn Sie eine Säge, die im Werkstück steckt, wieder starten wollen, zentrieren Sie das Sägeblatt im Sägespalt und überprüfen Sie, ob die Sägezähne nicht im Werkstück verhakt sind. Verhakt das Sägeblatt, kann es sich aus dem Werkstück heraus bewegen oder einen Rückschlag verursachen, wenn die Säge erneut gestartet wird.

d) Stützen Sie große Platten ab, um das Risiko eines Rückschlags durch ein klemmendes Sägeblatt zu vermindern. Große Platten können sich unter ihrem Eigengewicht durchbiegen. Platten müssen auf beiden Seiten abgestützt werden, und zwar sowohl in der Nähe des Sägespalts als auch an der Kante.

e) Verwenden Sie keine stumpfen oder beschädigten Sägeblätter. Sägeblätter mit stumpfen oder falsch ausgerichteten Zähnen verursachen durch einen zu engen Sägespalt eine erhöhte Reibung, Klemmen des Sägeblattes und Rückschlag.

f) Ziehen Sie vor dem Sägen die Schnitttiefen- und Schnittwinkeleinstellungen fest. Wenn sich während des Sägens die Einstellungen verändern, kann sich das Sägeblatt

verklemmen und ein Rückschlag auftreten.

g) Seien Sie besonders vorsichtig beim Sägen in bestehende Wände oder andere nicht einsehbare Bereiche. Das eintauchende Sägeblatt kann beim Sägen in verborgene Objekte blockieren und einen Rückschlag verursachen.

FUNKTIONSWEISE DES UNTEREN SCHUTZES

a) Überprüfen Sie vor jeder Benutzung, ob die untere Schutzhaube einwandfrei schließt. Verwenden Sie die Säge nicht, wenn die untere Schutzhaube nicht frei beweglich ist und sich nicht sofort schließt. Klemmen oder binden Sie die untere Schutzhaube niemals in geöffneter Position fest. Sollte die Säge unbeabsichtigt zu Boden fallen, kann die untere Schutzhaube verbogen werden. Öffnen Sie die Schutzhaube mit dem Rückziehebel und stellen Sie sicher, dass sie sich frei bewegt und bei allen Schnittwinkeln und -tiefen weder Sägeblatt noch andere Teile berührt.

b) Überprüfen Sie die Funktion der Feder für die untere Schutzhaube. Lassen Sie die Säge vor dem Gebrauch warten, wenn untere Schutzhaube und Feder nicht einwandfrei arbeiten. Beschädigte Teile, klebrige Ablagerungen oder Anhäufungen von Spänen lassen die untere Schutzhaube verzögert arbeiten.

c) Öffnen Sie die untere Schutzhaube von Hand nur bei besonderen Schnitten, wie z. B. „Tauch- und Winkelschnitten“. Öffnen Sie die untere Schutzhaube mit dem Rückziehebel und lassen Sie diesen los, sobald das Sägeblatt in das Werkstück eintaucht. Bei allen anderen Sägearbeiten soll die untere Schutzhaube automatisch arbeiten.

d) Legen Sie die Säge nicht auf der Werkbank oder dem Boden ab, ohne dass die untere Schutzhaube das Sägeblatt bedeckt. Ein ungeschütztes, nachlaufendes Sägeblatt bewegt die Säge entgegen der Schnittrichtung und sägt, was ihm im Weg ist. Beachten Sie dabei die Nachlaufzeit des Sägeblatts.

ZUSÄTZLICHE SICHERHEITSHINWEISE FÜR KREISSÄGEN

a) Verwenden Sie keine Sägeblätter aus Schnellarbeitsstahl.

b) Überprüfen Sie die Maschine und das Sägeblatt vor jeder Inbetriebnahme.

Verwenden Sie keine verformten, rissigen, abgenutzten oder anderweitig beschädigten Sägeblätter.

c) Verwenden Sie die Säge niemals ohne das

Original-Schutzsystem. Stellen Sie in offener Stellung niemals den beweglichen Schutz fest. Stellen Sie sicher, dass der Schutz frei beweglich ist.

d) Verwenden Sie nur Sägeblätter, die mit den in dieser Betriebsanleitung aufgeführten Eigenschaften übereinstimmen. Vergleichen Sie vor Verwendung von Zubehör stets die maximale Drehzahl des Zubehörs mit der der Maschine.

e) Verwenden Sie keine Schleifscheiben.

f) Verwenden Sie nur Blattdurchmesser entsprechend den Markierungen.

-Suchen Sie das richtige Sägeblatt entsprechend dem zu sägenden Werkstoff aus.

-Verwenden Sie nur Sägeblätter mit einer Drehzahl-Kennzeichnung, die der auf dem Elektrowerkzeug angegebenen Drehzahl entspricht oder höher ist.

-Verwenden Sie nur vom Hersteller festgelegte Sägeblätter, die, falls sie zum Schneiden von Holz oder ähnlichen Werkstoffen vorgesehen sind, EN 847-1 entsprechen.

-Tragen Sie beim Gebrauch des Gerätes eine Staubmaske.

-Wenn die Netzanschlussleitung dieses Gerätes beschädigt wird, muss sie durch eine besondere Anschlussleitung ersetzt werden, die vom Hersteller oder seinem Kundendienst erhältlich ist.

(3.4) **WARNUNG:** Sollten Teile fehlen, verwenden Sie die Maschine nicht, bis die fehlenden Teile ersetzt wurden. Das Nichtbefolgen kann zu schweren körperlichen Verletzungen führen.

(4.1) **ERSTE SCHRITTE – AUSPACKEN**

Vorsicht: Diese Verpackung enthält scharfe Gegenstände. Lassen Sie beim Auspacken Vorsicht walten. Entnehmen Sie die Maschine sowie das im Lieferumfang enthaltene Zubehör der Verpackung. Stellen Sie sicher, dass die Maschine in ordnungsgemäßem Zustand ist, und vergewissern Sie sich, dass alle in dieser Betriebsanleitung aufgelisteten Zubehörteile enthalten sind. Stellen Sie ebenfalls sicher, dass alle Zubehörteile vollständig sind. Fehlen Teile, geben Sie die Maschine zusammen mit dem Zubehör in Originalverpackung beim Einzelhändler ab.

Entsorgen Sie die Verpackung nicht; bewahren Sie sie während der Garantiefrist sicher auf. Entsorgen Sie die Verpackung umweltfreundlich. Recyceln Sie sie nach Möglichkeit.

Lassen Sie niemals Kinder mit leeren Plastiktüten spielen, es besteht Erstickungsgefahr.

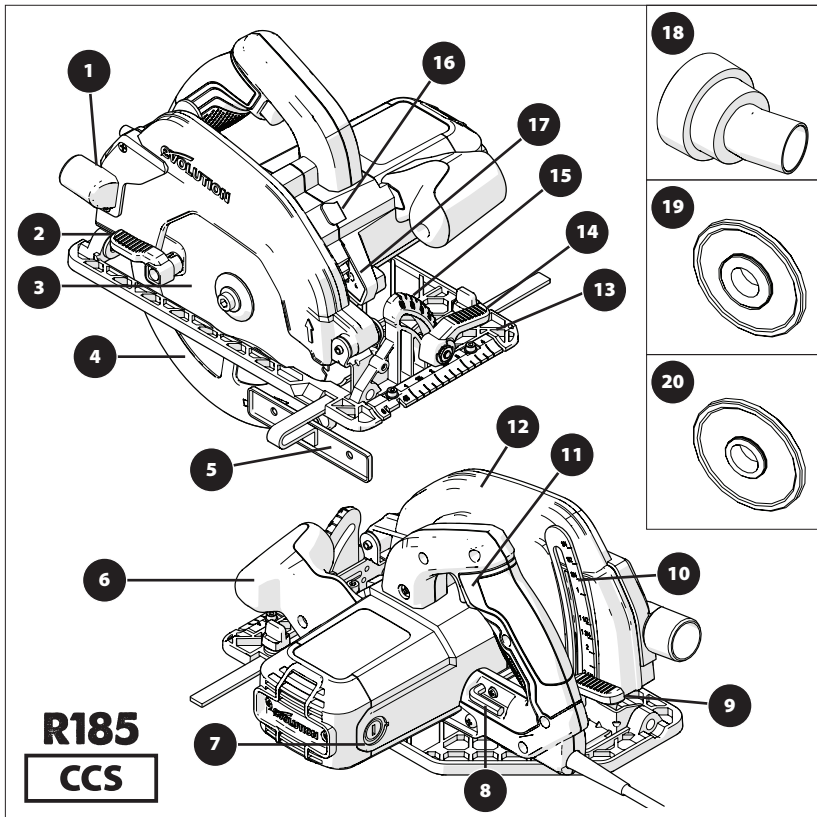
(4.3) **Evolution Bedienungsanleitungen**

Evolution Power Tools stellt für jedes Produkt eine Bedienungsanleitung zur Verfügung. Jedes Handbuch wurde sorgfältig konzipiert und entwickelt, um leicht zugängliche und nützliche Informationen zur sicheren Verwendung, Pflege und Wartung des Produkts bereitzustellen. Die Nutzung der Informationen aus diesem Handbuch ermöglicht dem Bediener die vollständige und sichere Ausschöpfung des Potenzials der Maschine.

Evolution verfolgt eine Politik der kontinuierlichen Produktentwicklung. Das kann gelegentlich zur Folge haben, dass die neuesten Verbesserungen oder Erweiterungen, die in ein bestimmtes Produkt eingeflossen sind, in seltenen Fällen nicht vollständig in ein Handbuch übernommen wurden. Upgrades oder Verbesserungen eines Produkts können als Folge von technologischen Fortschritten oder Änderungen des rechtlichen Rahmens des empfangenden Landes usw. auftreten.

Wenn Sie sich zu einem Aspekt der Nutzung, Pflege oder Wartung eines Produkts nicht sicher sind, kontaktieren Sie die entsprechende Website von Evolution oder die Hotline, wo Sie die aktuellsten Informationen und zusätzliche Tipps erhalten.

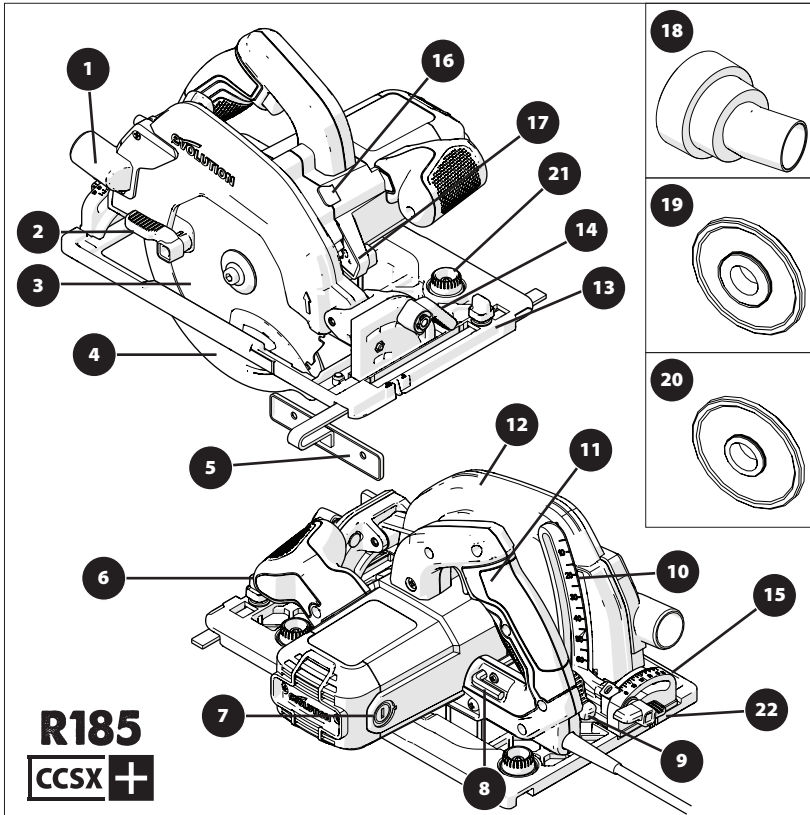
USA



**R185
CCS**

- | | |
|--|---|
| 1. AUSWURFÖFFNUNG FÜR SCHNITTMATERIAL | 12. OBERER SÄGEBLATTSCUTZ |
| 2. DAUMEN-HEBEL | 13. FEINGESTANZTE BODENPLATTE |
| 3. MEHRZWECK-TCT-SÄGEBLATT | 14. SCHRÄGEINSTELLUNG DAUMEN-HEBEL |
| 4. UNTERER SÄGEBLATTSCUTZ | 15. WINKELMESSER |
| 5. PARALLELE KANTENFÜHRUNG | 16. DORNVERRIEGELUNGSKNOPF |
| 6. ERGONOMISCHER VORDERER GRIFF | 17. LED-LICHT |
| 7. KOHLEBÜRSTEN | 18. ADAPTER FÜR ENTSTAUBUNGSANSCHLUSS |
| 8. 8 MM SECHSKANTSCHLÜSSEL (SÄGEBLATTWECHSEL) | 19. 25/32 Zoll INNERER SÄGEBLATTFLANSCH |
| 9. VERRIEGELUNGHEBEL FÜR EINSTELLUNG DER SCHNITTIEFE | 20. 5/8 Zoll INNERER SÄGEBLATTFLANSCH |
| 10. TIEFENSKALA | |
| 11. HINTERER HANDGRIFF AN-/AUS-SCHALTER | |

USA

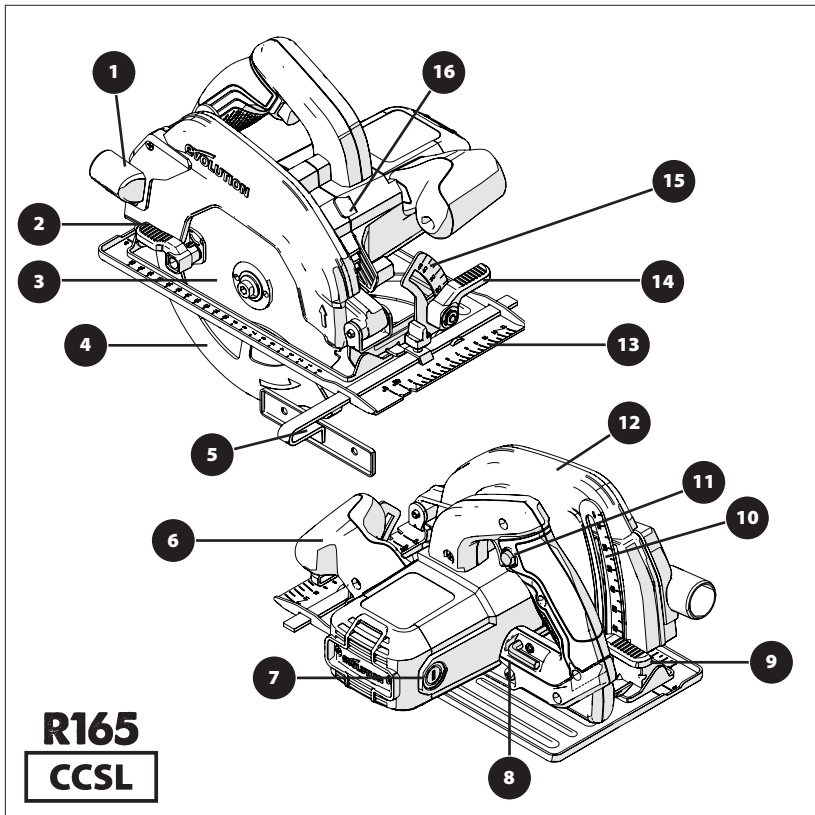


1. AUSWURFÖFFNUNG FÜR SCHNITTMATERIAL
2. DAUMEN-HEBEL
3. MEHRZWECK-TCT-SÄGEBLATT
4. UNTERER SÄGEBLATTSCHUTZ
5. PARALLELE KANTENFÜHRUNG
6. ERGONOMISCHER VORDERER GRIFF
7. KOHLEBÜRSTEN
8. 8 MM SECHSKANTSCHLÜSSEL (SÄGEBLATTWECHSEL)
9. VERRIEGELUNGHEBEL FÜR EINSTELLUNG DER SCHNITTIEFE
10. TIEFENSKALA
11. HINTERER HANDGRIFF AN-/AUS-SCHALTER

12. OBERER SÄGEBLATTSCHUTZ
13. FEINGESTANZTE MIT FÜHRUNGSSCHIENEN KOMPATIBLE BODENPLATTE
14. DAUMEN-HEBEL
15. HINTERER WINKELMESSER
16. DORNVERRIEGELUNGSKNOPF
17. LED-LICHT
18. ADAPTER FÜR ENTSTAUBUNGSANSCHLUSS
19. 25/32 Zoll INNERER SÄGEBLATTFLANSCH
20. 5/8 Zoll INNERER SÄGEBLATTFLANSCH
21. DREHKNÖPFE ZUR SCHIENENEINSTELLUNG
22. HINTERE RÄNDELSCHRAUBE

DE

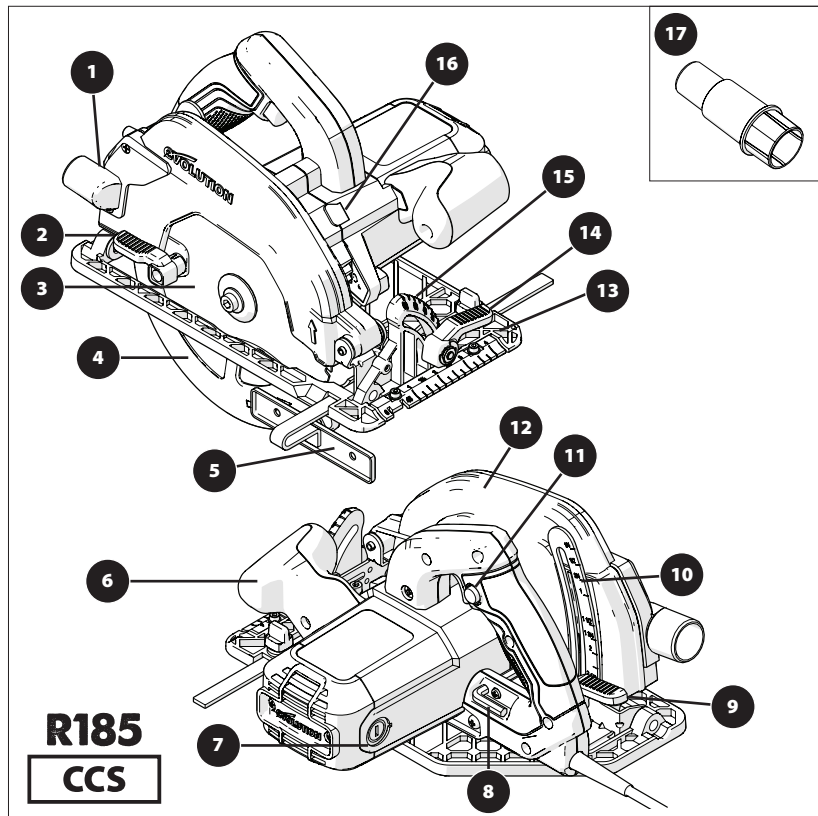
GB / EU / AUS



**R165
CCSL**

- | | |
|---|--|
| 1. AUSWURFÖFFNUNG FÜR
SCHNITTMATERIAL | 10. TIEFENSKALA |
| 2. DAUMEN-HEBEL | 11. HINTERER HANDGRIFF MIT
SICHERHEITS-AN-/AUS-SCHALTER |
| 3. MEHRZWECK-TCT-SÄGEBLATT | 12. OBERER SÄGEBLATTSCHUTZ |
| 4. UNTERER SÄGEBLATTSCHUTZ | 13. FEINGESTANZTE BODENPLATTE |
| 5. PARALLELE KANTENFÜHRUNG | 14. DAUMEN-HEBEL |
| 6. ERGONOMISCHER VORDERER GRIFF | 15. WINKELMESSER |
| 7. KOHLEBÜRSTEN | 16. DORNVERRIEGELUNGSKNOPF |
| 8. 8 MM SECHSKANTSCHLÜSSEL
(SÄGEBLATTWECHSEL) | |
| 9. VERRIEGELUNGHEBEL FÜR EINSTELLUNG
DER SCHNITTIEFE | |

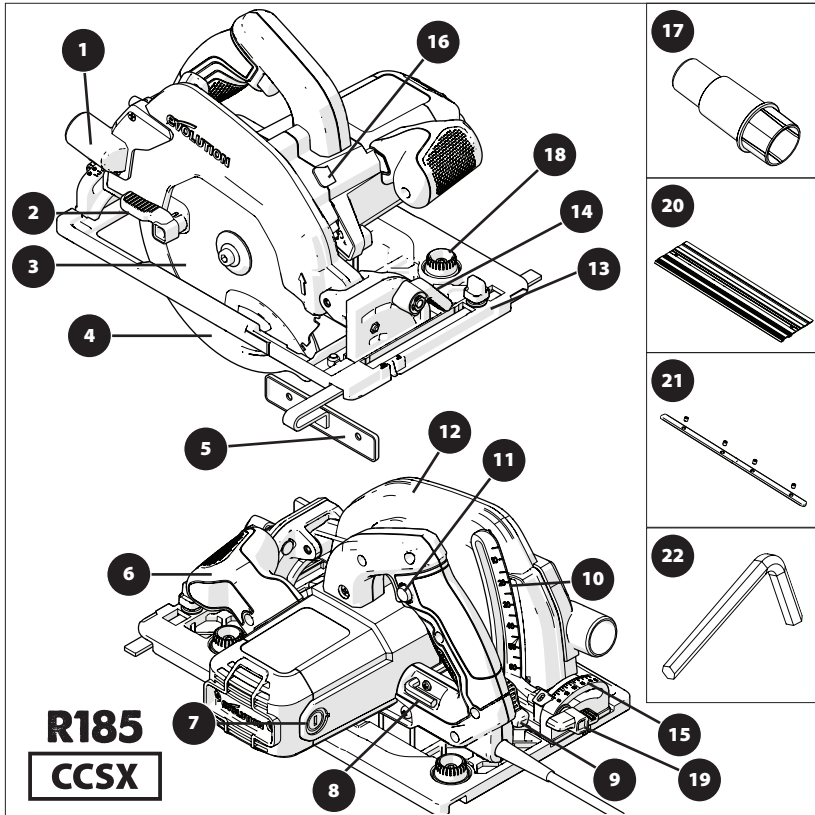
GB / EU



- | | |
|--|--|
| 1. AUSWURFÖFFNUNG FÜR
SCHNITTMATERIAL | 10. TIEFENSKALA |
| 2. DAUMEN-HEBEL | 11. HINTERER HANDGRIFF MIT
SICHERHEITS-AN-/AUS-SCHALTER |
| 3. MEHRZWECK-TCT-SÄGEBLATT | 12. OBERER SÄGEBLATTSCHUTZ |
| 4. UNTERER SÄGEBLATTSCHUTZ | 13. FEINGESTANZTE BODENPLATTE |
| 5. PARALLELE KANTENFÜHRUNG | 14. DAUMEN-HEBEL |
| 6. ERGONOMISCHER VORDERER GRIFF | 15. WINKELMESSER |
| 7. KOHLEBÜRSTEN | 16. DORNVERRIEGELUNGSKNOPF |
| 8. 8 MM SECHSKANTSCHLÜSSEL
(SÄGEBLATTWECHSEL) | 17. ADAPTER FÜR ENTSTAUBUNGSANSCHLUSS |
| 9. VERRIEGELUNGHEBEL FÜR EINSTELLUNG
DER SCHNITTtieFE | |

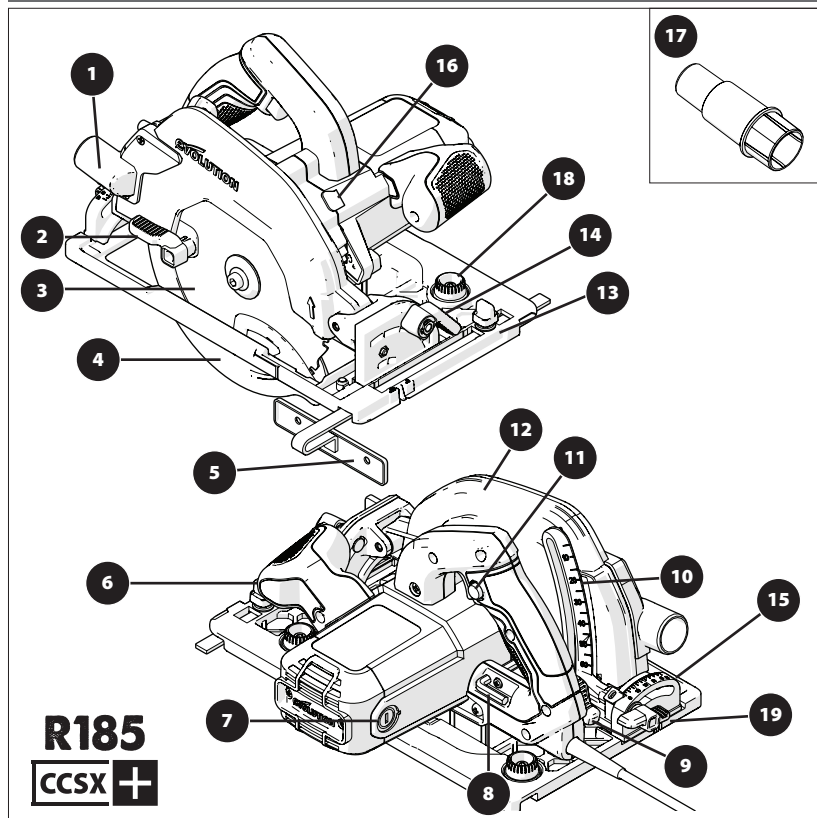
DE

GB / EU



- | | |
|--|--|
| 1. AUSWURFÖFFNUNG FÜR SCHNITTMATERIAL | 12. OBERER SÄGEBLATTSCHUTZ |
| 2. DAUMEN-HEBEL | 13. FEINGESTANZTE MIT FÜHRUNGSSCHIENEN
KOMPATIBLE BODENPLATTE |
| 3. MEHRZWECK-TCT-SÄGEBLATT | 14. DAUMEN-HEBEL |
| 4. UNTERER SÄGEBLATTSCHUTZ | 15. HINTERER WINKELMESSER |
| 5. PARALLELE KANTENFÜHRUNG | 16. DORNVERRIEGELUNGSKNOPF |
| 6. ERGONOMISCHER VORDERER GRIFF | 17. ADAPTER FÜR ENTSTAUBUNGSANSCHLUSS |
| 7. KOHLEBÜRSTEN | 18. DREHKNÖPFE ZUR SCHIENENEINSTELLUNG |
| 8. 8 MM SECHSKANTSCHLÜSSEL
(SÄGEBLATTWECHSEL) | 19. HINTERE RÄNDELSCHRAUBE |
| 9. VERRIEGELUNGHEBEL FÜR EINSTELLUNG
DER SCHNITTtiefe | 20. 3x 340 MM-SCHIENE |
| 10. TIEFENSKALA | 21. 4x SCHIENENVERBINDUNGSSTANGE |
| 11. HINTERER HANDGRIFF MIT
SICHERHEITS-AN-/AUS-SCHALTER | 22. 3 MM SECHSKANTSCHLÜSSEL |

GB / EU

**R185****CCSX** 

- | | |
|---|--|
| 1. AUSWURFÖFFNUNG FÜR SCHNITTMATERIAL | SICHERHEITS-AN-/AUS-SCHALTER |
| 2. DAUMEN-HEBEL | 12. OBERER SÄGEBLATTSCHUTZ |
| 3. MEHRZWECK-TCT-SÄGEBLATT | 13. FEINGESTANZTE MIT FÜHRUNGSSCHIENEN
KOMPATIBLE BODENPLATTE |
| 4. UNTERER SÄGEBLATTSCHUTZ | 14. DAUMEN-HEBEL |
| 5. PARALLELE KANTENFÜHRUNG | 15. HINTERER WINKELMESSER |
| 6. ERGONOMISCHER VORDERER GRIFF | 16. DORNVERRIEGELUNGSKNOPF |
| 7. KOHLEBÜRSTEN | 17. ADAPTER FÜR ENTSTAUBUNGSANSCHLUSS |
| 8. 8 MM SECHSKANTSCHLÜSSEL
(SÄGEBLATTWECHSEL) | 18. DREHKNÖPFE ZUR SCHIENENEINSTELLUNG |
| 9. VERRIEGELUNGHEBEL FÜR EINSTELLUNG
DER SCHNITTIEFE | 19. HINTERE RÄNDELSCHRAUBE |
| 10. TIEFENSKALA | |
| 11. HINTERER HANDGRIFF MIT | |

DE

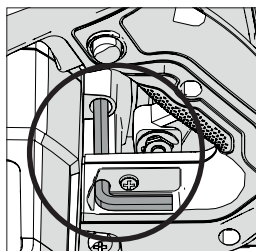


Abb. 1

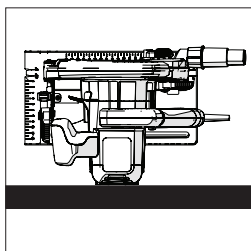


Abb. 2

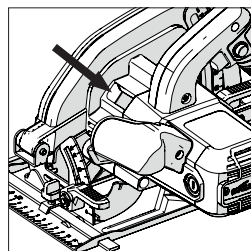


Abb. 3

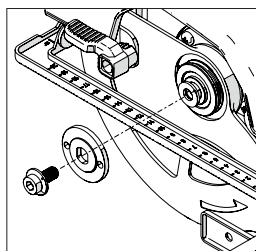


Abb. 4

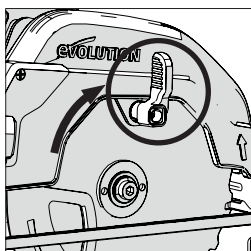


Abb. 5

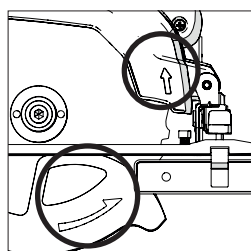


Abb. 6

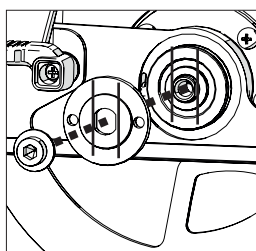


Abb. 7a

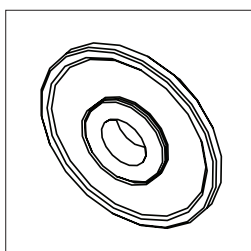


Abb. 7b

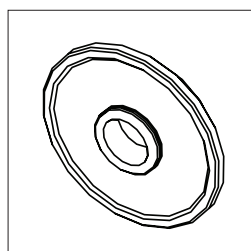


Abb. 7c

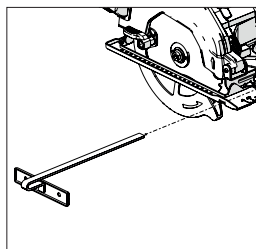


Abb. 8

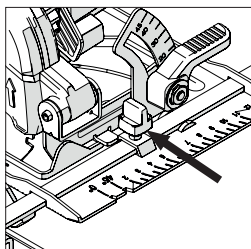


Abb. 9

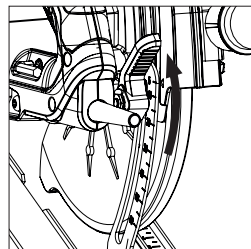


Abb. 10

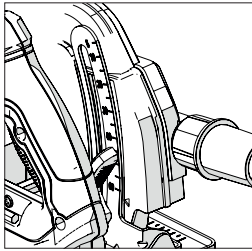


Abb. 11

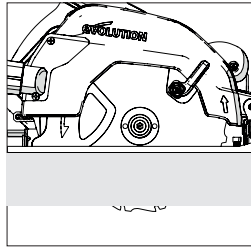


Abb. 12

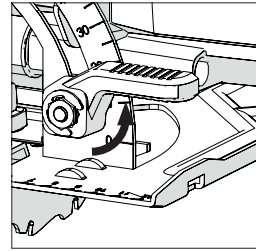


Abb. 13

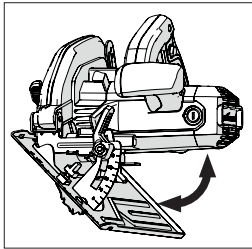


Abb. 14

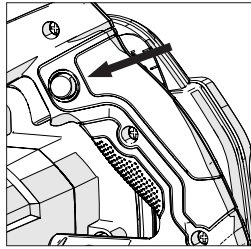


Abb. 15

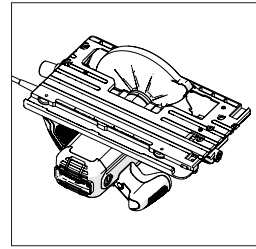


Abb. 16

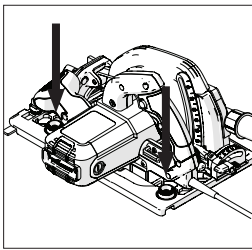


Abb. 17

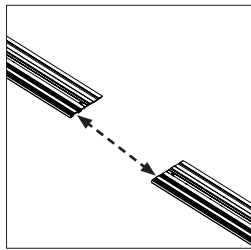


Abb. 18

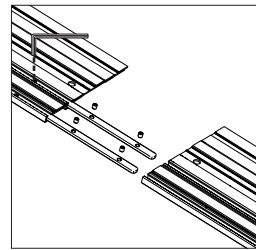


Abb. 19

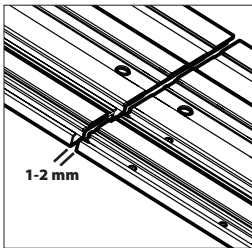


Abb. 20

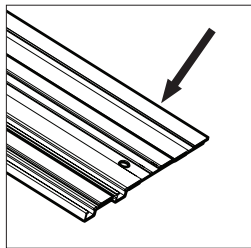


Abb. 21

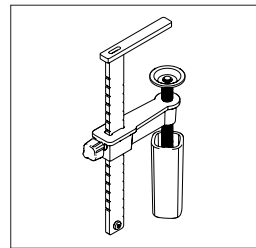


Abb. 22

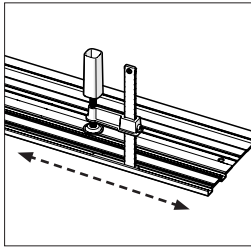


Abb. 23

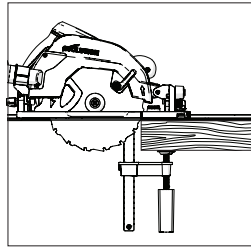


Abb. 24

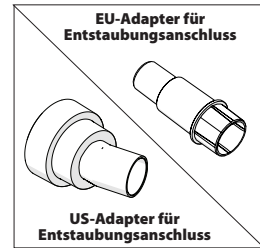


Abb. 25

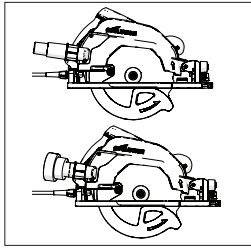


Abb. 26

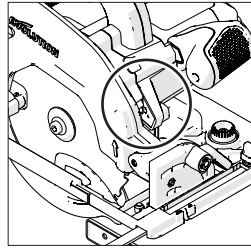


Abb. 27

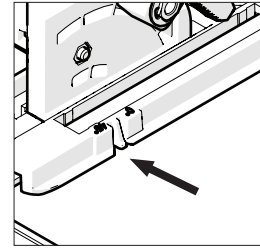


Abb. 28

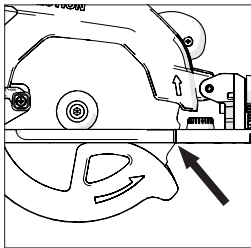


Abb. 29

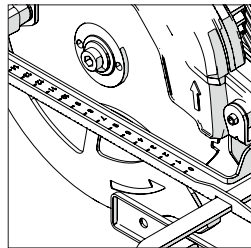


Abb. 30

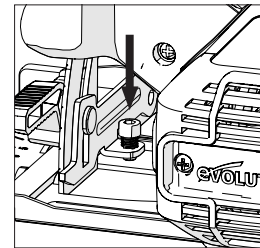


Abb. 31

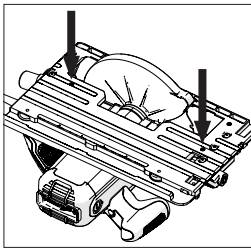


Abb. 32

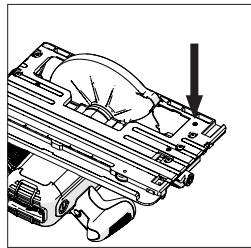


Abb. 33

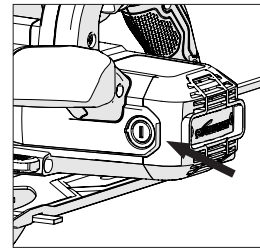


Abb. 34

(10) VORBEREITUNG

WARNUNG: Trennen Sie die Maschine stets von der Stromversorgung, bevor Sie jegliche Einstellungen vornehmen.

Hinweis: Diese Maschinen sind mit einem für das Zielland geeigneten Stromkabel und Stecker ausgestattet. Modifizieren oder verändern Sie das Stromkabel nicht.

(10.1) EINSETZEN / ENTFERNEN EINES SÄGEBLATTS

WARNUNG: Verwenden Sie nur originale Sägeblätter von Evolution (oder von Evolution Power Tools anerkannte), die für den Einsatz in diesen Maschinen konzipiert wurden. Stellen Sie sicher, dass die maximale Drehzahl des Sägeblattes mit der Maschine kompatibel ist. Diese Arbeiten dürfen lediglich bei getrennter Hauptstromversorgung durchgeführt werden.

Hinweis: Es wird empfohlen, dass der Bediener bei der Handhabung des Sägeblattes während der Montage oder beim Austausch des Sägeblattes Schutzhandschuhe trägt.

- Finden Sie den mitgelieferten Sechskantschlüssel für den Wechsel der Sägeblätter, der sich im Aufbewahrungsfach an der Maschine befindet (an allen Maschinen in ähnlicher Position). (**Abb. 1**)
- Platzieren Sie die Säge auf einer ebenen, sicheren Oberfläche.

Hinweis: Alle Maschinen können vorsichtig auf dem flachen Ende des Motorgehäuses (**Abb. 2**) platziert werden, was Ihnen einfachen Zugriff auf das Sägeblatt und dessen Befestigungen gewährt.

- Finden Sie den Dornverriegelungsknopf der Maschine (an allen Maschinen in ähnlicher Position). Sperren Sie den Dorn der Maschine durch Betätigen des Dornverriegelungsknopfs. (**Abb. 3**).

Hinweis: Ein langsames Rotieren des Sägeblattes mit der Hand, während der Dornverriegelungsknopf sanft gedrückt wird, hilft bei der Sperrung des Dorns.

- Lösen und entfernen Sie die Innensechskantschraube des Dorns, zugehörige Halterungen und den äußeren Sägeblatt-Antriebsflansch mit dem Sechskantschlüssel. (**Abb. 4**)

Hinweis: Die Innensechskantschraube ist mit einem Standard-Schraubengewinde ausgestattet. Drehen Sie die Schraube im Uhrzeigersinn, um sie

anzuziehen. Drehen Sie die Schraube gegen den Uhrzeigersinn, um sie zu lösen.

- Bewahren Sie den äußeren Sägeblatt-Flansch und alle zugehörigen Befestigungen sicher auf.
- Drehen Sie den unteren Sägeblattschutz mit Hilfe des manuellen Daumen-Hebels in den oberen Sägeblattschutz. (**Abb. 5**)
- Entfernen Sie das Sägeblatt (falls eingesetzt) vorsichtig aus der Maschine.
- Reinigen Sie die inneren und äußeren Sägeblatt-Antriebsflansche sorgfältig.

Hinweis: Der innere Sägeblatt-Flansch kann, falls gewünscht, an Ort und Stelle belassen werden; er sollte jedoch überprüft und gründlich gereinigt werden. Falls er aus der Maschine entfernt wird, muss er mit derselben Ausrichtung wie zuvor wieder eingesetzt werden.

- Reinigen Sie das Sägeblatt gründlich im Bereich der Bohrungen (beide Oberflächen), wo die Blattflansche das Sägeblatt berühren und festklemmen.
- Setzen Sie das (neue) Sägeblatt ein.
- Stellen Sie sicher, dass die auf dem Sägeblatt aufgedruckte Drehrichtung der Richtung der Pfeile auf dem oberen und unteren Sägeblattschutz entspricht. (**Abb. 6**)
- Setzen Sie den äußeren Antriebsflansch, die Sechskantschraube und die zugehörigen Befestigungen erneut ein.

Hinweis: Der äußere Antriebsflansch hat eine speziell bearbeitete Bohrung, die über zwei gegenüberliegende flache Stellen verfügt. (**Abb. 7a**) Diese treffen mit zwei komplementären flachen Stellen, die in den Dornschaft der Maschine eingearbeitet sind, zusammen.

- Betätigen Sie die Dornsperrung erneut und ziehen Sie die Sechskantschraube des Dorns mit Hilfe des Sechskantschlüssels sorgfältig fest.
- Lassen Sie den Dornverriegelungsknopf los
- Verwahren Sie den Sechskantschlüssel an seinem entsprechenden Aufbewahrungsort.
- Überprüfen Sie, ob die Dornsperrung vollständig gelöst ist, indem Sie das Sägeblatt per Hand drehen.
- Prüfen Sie die Funktion des unteren Schutzes.

Hinweis: Für den nordamerikanischen Markt ist nur ein zweiseitiger Dornflansch enthalten für Sägeblätter mit 1-Zoll-Bohrung (**Abb. 7b**) und 5/8-Zoll-Bohrung (**Abb. 7c**).

(11) PARALLELE KANTENFÜHRUNG

Eine parallele Kantenführung (**Abb. 8**) kann besonders beim Kappschneiden hilfreich sein und wird bei allen CCS-Maschinen mitgeliefert. Die Führung kann auf der Vorderseite der Bodenplatte angebracht werden.

Der Arm der Führung sollte durch die rechteckigen Schlitze an jeder Seite (vorn) der Pressstahl-Bodenplatte eingeführt und dann unter die in der Mitte befindliche Einstellsperrschraube geschoben werden. (**Abb. 9**)

Hinweis: Die parallele Kantenführung kann auf beiden Seiten der Bodenplatte angebracht werden.

WARNUNG: Die Führung darf nur eingesetzt und eingestellt werden, wenn die Maschine vom Stromnetz getrennt ist.

Hinweis: Der Arm der parallelen Kantenführung muss alle rechteckigen Schlitze in der Bodenplatte durchlaufen.

WARNUNG: Es kann gefährlich sein, die Kantenführung einzusetzen oder zu verwenden, wenn der Arm nur durch einen (1) der rechteckigen Schlitze in der Bodenplatte verläuft.

Passen Sie die Kantenführung so an, dass sie den erforderlichen Abstand zum Sägeblatt hat und ziehen Sie die Einstellschraube fest. Überprüfen Sie, dass die Kantenführung parallel zum Sägeblatt ausgerichtet ist.

(12) EINSTELLEN DER SCHNITTIEFE

Hinweis: Die allgemeine Einstellung der Schnitttiefe erfolgt bei allen CCS-Maschinen mit Hilfe der gleichen Bauteile und über die gleiche grundlegende Technik zur Einstellung der Blatttiefe.

- Lösen Sie die Verriegelung für die Einstellung der Schnitttiefe, indem Sie den Bedienhebel nach oben ziehen. (**Abb. 10**)
- Durch die Einstellung / Repositionierung der Bodenplatte kann die erforderliche Schnitttiefe erreicht werden (Differenz, um die das Sägeblatt aus der Bodenplatte herausragt).

Hinweis: Auf dem Tiefenanpassungs-Quadranten befindet sich eine Tiefenskala mit einer entsprechenden Indexmarkierung in dem angrenzenden Bereich des oberen Sägeblattschutzes der Maschine. (**Abb. 11**) Mit Hilfe dieser Funktionen können Einstellungen schnell vorgenommen werden.

Hinweis: Obwohl die Tiefenskala und Indexmarkierung sehr hilfreich für schnelle Tiefeneinstellungen sind, sollte deren Verwendung stets als Anleitung für die erreichte Einstellung betrachtet werden.

Wenn eine sehr präzise Schnitttiefe erforderlich ist, sollte die Einstellung des Sägeblatts mit Hilfe eines Präzisions-Lineals (nicht im Lieferumfang enthalten) o. ä. überprüft werden.

- In den meisten Fällen sollte die Schnitttiefe auf die Dicke des zu schneidenden Materials plus die halbe Tiefe eines Sägezahns (Spitze des Sägezahns bis zum breitesten Teil) eingestellt werden. (**Abb. 12**)
- Schließen Sie die Verriegelung der Tiefeneinstellung, indem Sie den Bedienhebel nach unten drücken, um die Maschine in der gewünschten Position zu sichern.

(13) EINSTELLEN DES SCHNITTWINKELS (SCHRÄGE)

Die CCSL- und CCSX-Maschinen verfügen über die Möglichkeit, das Sägeblatt um bis zu 45° nach links zu kippen. Die CCS-Maschinen verfügen über die Möglichkeit, das Sägeblatt um bis zu 60° nach links zu kippen.

Daher sind Schrägschnitte möglich.

Hinweis: Das Sägeblatt befindet sich in vertikaler Position, wenn der Winkelmesser auf 0° steht.

Hinweis: Auf dem Winkel-Sperr-Quadranten vorn auf der Bodenplatte befindet sich ein Winkelmesser (0°-45° oder 0°-60°). Damit können Winkel schnell eingestellt werden, was aber nur als Richtschnur dienen sollte.

Wenn ein sehr präziser Schnittwinkel erforderlich ist, sollte die Einstellung des Sägeblatts mit Hilfe eines Präzisions-Winkelmessers (nicht im Lieferumfang enthalten) o. ä. überprüft werden.

- Lösen Sie den Winkel-Sperrmechanismus vorn an der Maschine, indem Sie den Hebel nach oben ziehen. (**Abb. 13**)
- Kippen Sie das Sägeblatt in den gewünschten Winkel, wie auf der Winkelskala des Quadranten angegeben. (**Abb. 14**)
- Ziehen Sie den Winkel-Sperrmechanismus fest, wenn der gewünschte Winkel erreicht wurde, indem Sie den Hebel nach unten drücken.

(14) BEDIENUNGSHINWEISE (ÜBERPRÜFUNGEN VOR DEM BETRIEB)

Hinweis: Da alle Betriebsumgebungen einmalig und unterschiedlich sind, bietet Evolution Power Tools die folgende allgemeine Empfehlung

für einen sicheren Betriebsablauf und sichere Betriebspraktiken zur Berücksichtigung durch den Betreiber.

Die Hinweise können aber nur unvollständig sein, da Evolution keinen Einfluss auf die Art der Werkstatt oder Arbeitsumgebung hat, in denen die Maschinen benutzt wird.

Wir empfehlen daher, dass der Betreiber Ratschläge an kompetenter Stelle oder beim Werkstattchef einholt, wenn er in Bezug auf irgendeinen Aspekt der Benutzung dieser Maschinen unsicher ist. Es ist wichtig, dass routinemäßige Sicherheitsüberprüfungen (jedes Mal) durchgeführt werden, bevor der Betreiber die Maschine benutzt.

WARNUNG: Diese Sicherheitsüberprüfungen vor dem Gebrauch sollten durchgeführt werden, während die Maschine von der Hauptstromversorgung getrennt ist.

- Überprüfen Sie, ob alle Schutzeinrichtungen richtig funktionieren und ob alle Einstellungshebel und -schrauben sicher festgestellt beziehungsweise festgedreht sind.
- Überprüfen Sie, ob das Sägeblatt gesichert und korrekt montiert ist. Überprüfen Sie außerdem, ob das Sägeblatt für das zu schneidende Material geeignet ist.
- Überprüfen Sie das Stromkabel auf Unversehrtheit.
- Wenn immer es möglich ist, klemmen Sie das Werkstück an eine feste Stützstruktur wie eine Werkbank, einen Sägebock oder etwas Ähnliches.
- Der Betreiber sollte sich immer der Position und Führung des Stromkabels bewusst sein.

(15) **PSA**

- Der Betreiber sollte die relevante PSA (persönliche Schutzausrüstung) tragen, die für die anstehende Aufgabe notwendig ist. Dies schließt möglicherweise Schutzbrillen, Vollmasken, Staubmasken, Sicherheitsschuhe etc. mit ein.

Hinweis: Alle Maschinen der CCS-Serie sind mit einem Gebläse zur Entfernung von Schmutz entlang der Schnittlinie ausgestattet. Dieses bläst Luft mittels eines motorenbetriebenen Ventilators zum Bereich an der Vorderseite des Sägeblatts, sodass die Schnittlinie relativ schmutzfrei bleibt. Diese Eigenschaft hilft dem Betreiber, dem Fortschreiten des Sägeblatts zu folgen, sodass aufgezeichnete Linien stets sichtbar sind.

WARNUNG: Jeglicher entstehender Staub ist potenziell gesundheitsschädlich.

Einige Materialien sind besonders schädlich, und der Betreiber sollte stets eine Staubmaske tragen, die für das bearbeitete Material geeignet ist. Der Betreiber sollte sofort professionelle Hilfe und Beratung ersuchen, wenn er auch nur im Entferntesten unsicher in Bezug auf die potentielle Giftigkeit des zu schneidenden Materials ist.

WARNUNG: Diese Maschinen dürfen niemals benutzt werden, um Asbest oder jegliche Materialien, die Asbest enthalten oder enthalten könnten, zu schneiden.

Informieren Sie die zuständigen Behörden und erfragen Sie weitere Handlungsanweisungen, wenn Sie eine Kontamination mit Asbest vermuten.

(16) **AN-/AUS-AUSLÖSESCHALTER**

Hinweis: Alle Maschinen, die für den europäischen und australischen Markt bestimmt sind, sind mit einem Sicherheitsstartschalter ausgestattet, um die Sicherheit des Bedieners zu erhöhen. (**Abb. 15**)

Starten des Motors:

- Betätigen Sie mit Ihrem Daumen den seitlich am Griff gelegenen Sicherheitsspercknopf.
- Drücken Sie den Auslöseschalter herunter.

Stoppen des Motors:

- Lassen Sie den Auslöseschalter los.

WARNUNG: Der Motor sollte niemals gestartet werden, wenn sich das Sägeblatt in direktem Kontakt mit irgendeiner Oberfläche des Werkstücks befindet.

Hinweis: Maschinen, die für den nordamerikanischen Markt bestimmt sind, sind mit einem AN-/AUS-Auslöseschalter, ohne integrierten „Sicherheitsstart“ Trigger-Schalter, ausgestattet.

WARNUNG: Wenn die Säge 'live' ist (LED-Licht „ON“), achten Sie beim Aufnehmen der Maschine von einer Werkbank oder Ähnlichem darauf, dass der Motor nicht versehentlich anläuft. Das versehentliche Drücken des AN/ AUS-Auslöseschalters (im vorderen Griff) beim Aufnehmen der Maschine, wird den Motor starten.

FÜHRUNGSSCHIENEN

Maschinen der Evolution CCSX-Serie wurden so konstruiert und ausgerüstet, damit sie mit

Führungsschienen verwendet werden können (siehe Spezifikation Seite für zutreffende Modelle).

Hinweis: Jede Kreissäge, die mit einer Führungsschiene verwendet werden kann, hat eine Furche entlang der Unterfläche der Grundplatte (**Abb. 16**)

Alle so ausgestatteten Evolution Geräte können an die meisten derzeit erhältlichen Führungsschienen angebracht und mit diesen verwendet werden.

Hinweis: Lesen Sie die den Führungsschienen beiliegenden Anweisungen. In der Regel informiert die mitgelieferte Anweisung nicht nur über die Montage der Schienen, sondern auch über die Sicherheitsvorkehrungen, die beim Einsatz derselben getroffen werden sollten.

Führungsschienen können eingesetzt werden wo:

- Die Verwendung einer Kapp- oder Kreissäge Probleme für Gesundheitsschutz und Sicherheit oder andere Arbeitspraktiken präsentiert. Zum Beispiel könnte der Einsatz von Führungsschienen auf einer Baustelle, wo präzise Steuerung vielleicht nötig wäre (bei Arbeiten auf einem Dach oder Baugerüst, usw.), dem Betreiber weitere (und sichere) Arbeitsmöglichkeiten bieten.
- Genaue Schnitte über oder entlang großer Werkstücke verlangt werden. Zum Beispiel könnte der Einsatz einer Führungsschiene bei Rahmen, Türen, langen Brettern oder Wandverkleidung die Notwendigkeit des freihändigen Arbeitens mit einer Kreissäge beseitigen.

Hinweis: Die mit Führungsschienen kompatiblen Maschinen von Evolution verfügen über zwei (2) Nocken, die in die Grundplattenfurchen ragen (einer an jedem Ende). „Drehknöpfe“ (**Abb. 17**) ermöglichen dem Betreiber die Nocken zu drehen.

Durch das Einstellen dieser Nocken wird die effektive Breite der Furche in der Grundplatte geringfügig verringert. Das könnte nötig sein, um geringe Schwankungen der Schienenbreite, die während dem Strangpressen auftreten könnten, anzupassen. Die Breite der Schienenspuren verschiedener Schienenhersteller könnten ebenfalls leicht variieren.

Hinweis: Der Betreiber sollte diese Nocken so einstellen, dass, wenn die Maschine richtig auf der Schiene platziert ist, sie reibungslos vorwärts oder

rückwärts bewegt werden kann, ohne dass eine seitliche Bewegung (Wackeln) bemerkbar ist.

EVOLUTION FÜHRUNGSSCHIENEN

Einige Evolution Maschinen (abhängig vom Modell und Bestimmungsmarkt) werden mit einer Führungsschiene geliefert.

Hinweis: Der Kunde kann die Evolution Führungsschienen als Zubehör erwerben. Für weitere Informationen, wenden Sie sich an Ihren Anbieter oder Evolution Power Tools.

DIE SCHIENEN

Das Evolution Schienensystem besteht aus zwei (2) oder drei (3) Präzisions-Strangpressabschnitten aus Aluminium.

(**Abb. 18**) Diese müssen mit den mitgelieferten Verbindungstangen verbunden werden. (**Abb. 19**)

So verbinden Sie die Teile (Abb. 19):

- Schieben Sie die Stangen in die T-förmigen Schlitze an der Unterseite der Strangpresseile.
- Stellen Sie sicher, dass jeweils (in etwa) die gleiche Länge des Rohres in die zu verbindenden Teile eingeführt wird.
- Ziehen Sie die Gewindestifte an, um die Teile zusammenzuschrauben.

Hinweis: Es ist wichtig, einen kleinen Abstand von etwa 1 oder 2 mm zwischen den verbundenen Teilen zu lassen.

Dadurch wird sichergestellt, dass, wenn eine Kreissäge aufgesetzt und mit einer Evolution Cross Cutting Schiene verwendet wird, diese reibungslos die gesamte Länge der Schiene entlang gleitet.

INBETRIEBNAHME DER SÄGE MIT FÜHRUNGSSCHIENE

Hinweis: Die folgenden Richtlinien beziehen sich auf Evolution Kreissägen und die Evolution Führungsschienen. Lesen Sie die Anweisungen der entsprechenden Kreissägen- oder Führungsschienenhersteller, falls Sie keine Evolution Kreissäge oder Führungsschiene benutzen.

Vor dem ersten Einsatz der Evolution-Führungsschiene, muss die Splitterschutzlippe (**Abb. 21**) der Säge und dem Sägeblatt angeglichen werden.

Die Säge der Führungsschiene angleichen:

- Bauen Sie die Führungsschiene vollständig zusammen.

- Lesen Sie den Abschnitt mit dem Titel 'Schiene positionierung und -fixierung'. Klemmen Sie die Schiene an einem geeigneten alten Stück Material fest.
- Stellen Sie die Schnitttiefe des Sägeblatts entsprechend dem gewählten Arbeitsmaterial ein.
- Achten Sie darauf, dass sich keine Hindernisse unter dem Sägeblatt befinden.
- Lesen Sie den Abschnitt mit dem Titel 'Schiene lagern und Fixierung'. Setzen Sie die Kreissäge richtig auf die Schiene.
- Starten Sie den Motor und lassen Sie ihn die volle Geschwindigkeit erreichen.
- Führen Sie die Kreissäge gleichmäßig und langsam entlang der gesamten Länge der Schiene, bis das Sägeblatt die ganze Länge der Splitterschutzlippe durchsägt hat.

Hinweis: Dieses Verfahren passt eine bestimmte Säge einer bestimmten Führungsschiene an.

Sollte eine andere Säge auf dieser vorbereiteten Führungsschiene benutzt werden, könnte es sein, dass die Splitterschutzlippe weniger Schutz bietet als bei der speziellen Konfiguration von Säge und Schiene.

Hinweis: Die Splitterschutzlippe ist ein Verschleißteil. Mit der Zeit nutzt sie sich ab und verschleißt und muss deshalb ersetzt werden. Sie müsste eventuell auch ersetzt werden, sollte eine Kreissäge oder ein Sägeblatt (mit anderer Schnittbreite) anders als die ursprüngliche, spezielle Konfiguration benutzt werden.

AUSTAUSCHBARE SPLITTERSCHUTZLIPPE

Da die austauschbare Splitterschutzlippe ein Verschleißteil ist, sollte diese regelmäßig auf Beschädigungen und Abnutzung überprüft werden. Ersetzen Sie die Splitterschutzlippe, falls Beschädigungen oder eine erhebliche Abnutzung erkennbar sind.

Splitterschutzlippen sind als Ersatzteile erhältlich. Wenden Sie sich an Ihren Lieferanten oder kontaktieren Sie Evolution über die entsprechende HelpLine. Die gelieferte selbstklebende austauschbare Splitterschutzlippe ist ein direkter Ersatz für das montierte Original. Ziehen Sie einfach die alte Splitterschutzlippe von der Schiene ab, und ersetzen Sie diese mit der neuen Splitterschutzlippe.

Hinweis: Wenn eine neue Splitterschutzlippe angebracht wird, muss der Anpassungsvorgang für Säge und Führungsschiene wiederholt werden.

EVOLUTION FÜHRUNGSSCHIENEN-KLEMMEN (SEPARAT ERHÄLTlich)

Die Evolution Geschwindigkeit Klemmen (**Abb. 22**) wurde speziell für die Evolution-Führungsschiene entworfen.

Hinweis: Extra Klemmen können Sie bei Evolution Power Tools oder Ihrem örtlichen Anbieter erwerben.

Evolution Klemmen können passend in die T-förmigen Schlitze an der Unterseite der Strangpressteile eingeschoben werden. (**Abb. 23**)

Das macht es dem Anwender möglich, die Klemmen an der Arbeitsplatte so anzubringen (je eine an beiden Enden der Schiene), dass ein Maximum an Stabilität und Sicherheit für die Führungsschiene gewährleistet ist.

SCHIENENLAGE UND FIXIERUNG

Hinweis: Die folgenden Richtlinien gelten als Ratgeber. Evolution hat keinen Einfluss auf das Arbeitsumfeld oder die Arbeitsbedingungen, in denen die Geräte benutzt werden.

WARNUNG: Sollten diese Geräte auf einer Baustelle benutzt werden, sollte der Betreiber sich Informationen über Baustellen-spezifische Sicherheitsvorschriften und Bestimmungen von dem verantwortlichen Arbeitsschutzbeauftragten einholen.

- Markieren Sie das Werkstück genau und markieren Sie insbesondere die 'Schnittlinie' welcher das Sägeblatt folgen muss.
- Bauen Sie so viele Führungsschienelemente zusammen wie nötig sind, um über das Werkstück, inklusive eines Überhangs, zu reichen.
- Mit Evolution Geschwindigkeits-Klemmen (bevorzugt) oder geeigneten 'G'-Klammern, platzieren Sie die Schiene auf dem Werkstück und sichern Sie diese durch das Anziehen der Klemmen.
- Stellen Sie sicher, dass der Rand der Splitterschutzlippe genau an der markierten Schnittlinie liegt.

WARNUNG: Die Führungsschiene muss über die Anfangskante hinausragen. (**Abb. 24**) Beim Platzieren der Kreissäge auf die Führungsschiene

muss der untere Sägeblattschutz manuell zurückgezogen und nach oben unter den oberen Sägeblattschutz geschoben werden.

WARNUNG: In dieser Stellung liegt das Sägeblatt frei. **Drücken Sie NICHT** den Trigger-Schalter, ehe nicht die folgenden Sicherheitskontrollen durchgeführt wurden.

AUSFÜHRUNG EINES SÄGESCHNITTES

Die Ausführung eines Sägeschnittes mithilfe einer Führungsschiene, ähnelt dem normalen Sägen mit einer Kreissäge sehr. Alle für die Benutzung von Kreissägen geltenden Sicherheitsvorschriften und Sicherheitsprotokolle gelten auch für die Benutzung einer solchen Säge mit einer Führungsschiene.

Die folgenden Richtlinien, wenn auch nicht umfassend, geben Ihnen allgemeine Hinweise:

- Zur Sicherheit kontrollieren Sie, dass die Führungsschiene sicher auf dem Werkstück befestigt ist und dass auch das Werkstück fest ist und während des Sägens nicht verrutschen kann.
- Stellen Sie sicher, dass es keine Hindernisse unter dem Werkstück gibt, die den Sägevorgang behindern oder durch das Sägeblatt beschädigt werden könnten.
- Achten Sie darauf, dass das Netzkabel so liegt, dass es nicht zur Stolperfalle wird oder andere Gefahren darstellt. Achten Sie besonders darauf, dass das Netzkabel nicht mit dem kreisenden Sägeblatt in Kontakt kommt.
- Der Betreiber sollte sicherstellen, dass er während des Sägevorgangs entlang der Schiene, stets einen sicheren Stand, ein gutes Gleichgewicht und vollständige Kontrolle über die Säge hat. Äußerste Vorsicht ist geboten, wenn das Sägeblatt das Werkstück wieder verlässt.

WARNUNG: Besonders wenn Sie in der Höhe arbeiten (andere Umstände müssen auch beachtet werden), sollten Sie darauf achten, dass abgesägtes Material nicht herunterfallen und jemanden verletzen kann. Der Betreiber sollte Möglichkeiten in Erwägung ziehen, herunterfallendes Material aufzufangen. Wenden Sie sich an die für die Sicherheit vor Ort zuständige Person, um spezifische Anweisungen zu erhalten.

Hinweis: Der Betreiber sollte in Erwägung ziehen, einen Übungslauf durchzuführen, bei dem die Säge vom Stromnetz getrennt ist, um

zu bestätigen, dass der Sägevorgang vollständig sicher sein wird.

Wenn der Sägevorgang beendet ist, sollte der Betreiber den AN/AUS-Auslöseschalter loslassen und warten, bis der Motor stoppt und das Sägeblatt stillsteht.

Beim Abnehmen der Säge von der Führungsschiene und dem Werkstück, fällt der untere Sägeblattschutz automatisch nach unten und bedeckt das Sägeblatt vollständig.

STAUB / SCHMUTZ-SAMMLUNG

Ein Adapterstutzen (**Abb. 25**) kann an alle CCS-Geräte angeschlossen werden. Die Montage eines Adapterstutzens ermöglicht den Anschluss des Gerätes an eine Staub/Schmutz Abzugsanlage.

Hinweis: Das genaue Design des beiliegenden Adapterstutzens könnte, abhängig vom Modell und Bestimmungsmarkt, variieren. Der mitgelieferte Adapterstutzen passt auf viele derzeit erhältliche Staub/Schmutz Abzugsanlagen. Der Adapterstutzen sollte an der Abfallauswurfsöffnung montiert werden. (**Abb. 26**)

Hinweis: Eine Werkstatt-Staubabzugsvorrichtung kann bei Gebrauch an den Adapterstutzen angeschlossen werden. Befolgen Sie im Falle des Gebrauchs einer solchen Maschine die Anweisungen des Herstellers und vergewissern Sie sich, dass diese das Abfallmaterial aufnehmen kann.

LED-LICHT

Einige dieser Maschinen (je nach Modell und Bestimmungsmarkt) sind mit einem automatischen LED-Licht ausgestattet.

Hinweis: Falls Sie sich nicht sicher sind, welche Funktionen Ihr Gerät besitzt, lesen Sie die Spezifikationen-Seite in dieser Anleitung.

Das LED-Licht befindet sich links vom Sägeblatt. (**Abb. 27**) Der Strahl des LED-Lichts beleuchtet die linke Seite des Sägeblatts und dabei auch alle Markierungen auf dem Werkstück. Dies sollte es dem Betreiber ermöglichen, den Weg des Sägeblatts vorzeitig zu erkennen und dadurch die Effizienz, Präzision und Sicherheit zu verbessern.

Hinweis: Das LED-Licht funktioniert automatisch. Sobald das Gerät am Stromnetz angeschlossen wird, geht das LED-Licht an. Dieses klar sichtbare Signal zeigt dem Betreiber, dass das Gerät

erfolgreich am Stromnetz angeschlossen wurde und dadurch eingeschaltet ('live') und bereit ist mit dem Sägevorgang zu beginnen.

Hinweis: Es befinden sich keine durch den Anwender zu wartenden Teil im Inneren des LED-Lichts, und die Strahlrichtung ist werkseitig eingestellt. Die Linsenschutzkappe sollte frei von Staub etc. bleiben (siehe Wartung), um die maximale Helligkeit des projizierten Lichtstrahls zu erhalten.

WARNUNG: Säubern Sie die Linsenkappe nur, wenn das Gerät vom Stromnetz getrennt ist und das Sägeblatt vollkommen still steht.

EINGEBAUTE SÄGEHILFEN

Alle Evolution Kreissägen sind mit verschiedenen Sägehilfen und Sägeföhrungen ausgestattet, die es dem Betreiber ermöglichen, schnell, akkurat und sicher zu sägen.

Hinweis: Nicht alle Geräte besitzen alle der nachfolgenden Funktionen.

0° and 45° Winkelskala (Abb. 28)

Am vorderen Ende der Grundplatte befinden sich zwei (2) kleine Kerben, welche an manchen Geräten durch Winkelnummern erkennbar sind. Diese Kerben zeigen die Position des Sägeblatts an, wenn es das Werkstück verlässt wenn der Neigungswinkel der Abschrägung auf 0° eingestellt ist (Sägeblatt vertikal) oder in einem Winkel von 45°.

Vordere Sägeblatfföhrung (Abb. 29)

Hinweis: Die mit Führungsschienen kompatiblen Maschinen von Evolution verfügen am Rand der rechten Seite der Grundplatte über eine Kerbe. Diese Kerbe zeigt die Position der vorderen Kante des Sägeblatts an, wenn das Sägeblatt auf maximale Schnitttiefe eingestellt ist. Diese Funktion kann bei der Platzierung und Positionierung der Säge auf einer Führungsschiene eingesetzt werden.

WARNUNG: Es ist wichtig, dass die untere Schutzhaube oder das Sägeblatt die Oberfläche des Werkstücks während der anfänglichen Positionierung der Säge auf der Führungsschiene nicht beröhren.

Lineal (Abb. 30)

Bei einigen Evolution Kreissägen sind Lineale vorhanden. Sie befinden sich entlang der vorderen und/oder der seitlichen Kanten der Grundplatte. Diese Anzeigen können nützlich sein um die

ungefähre Position des Sägeblatts im Werkstück anzugeben oder vorherzusagen.

SPEZIALISIERTE EINSTELLUNGEN

Ihr Evolution Gerät hat viele Präzisionsteile und -einstellungen. Viele von ihnen sind werkseitig eingestellt, um gleich bleibende, langfristige Genauigkeit zu gewährleisten.

Wartungs- und Einstellarbeiten an diesen Komponenten und Einstellungen werden wahrscheinlich nie nötig sein. Wenn Sie denken, dass Wartungs- und Einstellarbeiten (nach erheblichen Gebrauch) notwendig sind, empfiehlt Evolution, dass Sie die technische Hotline für weitere Beratung und Anleitung anrufen.

Hinweis: Bestimmte Einstellarbeiten sind nur mit Zugang zu Fachwissen und/oder Spezialgeräten durchföhrbar.

(17) ALLGEMEINE HINWEISE ZUM SCHNEIDEN

WARNUNG: Der Betreiber muss sich stets der Position und Verlegung des Stromkabels bewusst sein. Das Kabel muss so verlegt sein, dass ein Kontakt des Sägeblatts mit dem Netzkabel ausgeschlossen ist.

Das Kabel darf keine Stolper- oder sonstige Gefahr für den Betreiber oder sich in der Nähe befindende Personen darstellen.

- Üben Sie keine Kraft auf die Maschine aus.
- Lassen Sie die Geschwindigkeit des Sägeblatts die Arbeit verrichten. Die Schnittleistung wird durch übermäßigen Druck nicht verbessert. Hingegen reduziert sich die Lebenszeit des Sägeblatts.
- Wenn Sie die parallele Kantenföhrung benutzen, stellen Sie sicher, dass diese parallel zum Sägeblatt ist. Das Sägeblatt und/oder der Motor können beschädigt werden, wenn die Maschine mit einer falsch eingestellten parallelen Kantenföhrung benutzt wird.
- Legen Sie die Vorderkante der Bodenplatte direkt auf das Werkstück. Bevor Sie den Motor starten, stellen Sie sicher, dass das Sägeblatt keinen Kontakt zum Werkstück hat.
- Wenn Sie einen Schnitt vornehmen, achten Sie darauf, das Sägeblatt vorsichtig in das Material einzuföhren, sodass die Sägezähne nicht beschädigt werden.

Hinweis: Zwei (2) Linien zur Schnitfföhrung sind auf der Vorderseite der Bodenplatte der CCSL-Maschine bereits eingezeichnet (nur für 0°- und 45°-Winkel).

- Benutzen Sie beide Hände, um die Säge durch das Werkstück nach vorne zu bewegen.
- Üben Sie leichten, konstanten Druck aus, um die Säge durch das Werkstück nach vorne zu bewegen.

Hinweis: Alle Maschinen der CCS-Serie besitzen einen automatischen unteren Sägeblattschutz, der eine speziell geformte Vorderkante hat. Diese Eigenschaft stellt sicher, dass sich der Schutz sanft und problemlos zurückzieht, während das Sägeblatt in das Werkstück eindringt. Während das Sägeblatt aus dem Werkstück austritt, kehrt der untere Schutz automatisch in seine normale Position zurück und deckt das Sägeblatt vollständig ab.

Hinweis: Bei bestimmten Gegebenheiten – z. B. bei Aufsetzschnitten in eine Wand, einen Fußboden, etc. – kann es von Vorteil sein, den unteren Schutz manuell zurückzuziehen.

Dazu steht ein mit dem Daumen bedienbarer Hebel am unteren Sägeblattschutz zur Verfügung. Mit Vorsicht kann ein geübter Betreiber das Sägeblatt manuell zurückziehen – entweder teilweise oder vollständig –, wodurch Aufsetzschnitte vorgenommen werden können.

WARNUNG: Wenn das Sägeblatt manuell zurückgezogen wird, muss mit großer Vorsicht vorgegangen werden, um sicherzustellen, dass die Hände oder Finger des Betreibers keinen Teil des Sägeblatts berühren.

Wenn ein Schnitt beendet wurde:

- Lassen Sie den AN-/AUS-Auslöseschalter los.
- Warten Sie, bis das Sägeblatt vollständig zum Stillstand gekommen ist.
- Entfernen Sie die Maschine vom Werkstück, wodurch der untere Schutz in seine normale Position zurückkehrt und das Sägeblatt abdeckt.

WARNUNG: Wenn der Motor während eines Schnittversuchs anhält oder sich verzögert, lassen Sie den AN-/AUS-Auslöseschalter sofort los. Trennen der Maschine von der Spannungsversorgung und trennen Sie die Maschine von dem Werkstück. Untersuchen Sie die Ursache des Problems und beheben Sie diese, wenn möglich.

Versuchen Sie den Motor nur dann erneut zu starten, wenn Sie sicher sind, dass es gefahrlos möglich ist.

AUSWURFÖFFNUNG FÜR SCHNITTMATERIAL

WARNUNG: Verwenden Sie den Staubbeutel und den Adapter für den Entstaubungsanschluss nicht beim Schneiden von Metall sowie von Holz mit Nägeln.

(18) WARTUNG & EINSTELLUNGEN

Die Position von 0° (Sägeblatt vertikal) kann angepasst werden.

WARNUNG: Die Maschine muss vom Stromnetz getrennt sein, wenn dieses Verfahren durchgeführt wird.

Überprüfung der 0°-Position:

- Stellen Sie das Sägeblatt mit Hilfe des Kippmechanismus gegen den Anschlag auf die 0°-Position ein.
- Überprüfen Sie die Ausrichtung des Sägeblatts gegenüber der Bodenplatte mit Hilfe eines Präzisions-Anschlagswinkels (nicht im Lieferumfang enthalten). Achten Sie darauf, nicht mit den TCT-Spitzen der Zähne in Kontakt zu kommen. Das Sägeblatt sollte einen exakten 90°-Winkel mit der Bodenplatte bilden.

Hinweis: Der untere Sägeblattschutz sollte (manuell) nach oben in den oberen Blattschutz gedreht werden. Dies hilft bei der genauen Positionierung des Anschlagswinkels und der Durchführung der Überprüfung. Falls eine Anpassung erforderlich ist:

R165CCSL & 185CCS

Drehen Sie die Einstellschraube (**Abb. 31**) mit einem 4mm-Sechskantschlüssel (nicht im Lieferumfang enthalten) im Uhrzeigersinn oder gegen den Uhrzeigersinn, bis sich das Sägeblatt in einem exakten 90°-Winkel zur Bodenplatte befindet.

R185CCSX & 185CCSX+

Drehen Sie die Einstellschraube (**Abb. 32**) mit einem 3mm-Sechskantschlüssel (nicht im Lieferumfang enthalten) im Uhrzeigersinn oder gegen den Uhrzeigersinn, bis sich das Sägeblatt in einem exakten 90°-Winkel zur Bodenplatte befindet.

Überprüfung der 45°-Position (R185CCSX & 185CCSX+):

- Stellen Sie das Sägeblatt mit Hilfe des Kippmechanismus gegen den Anschlag auf die 45°-Position ein.

- Überprüfen Sie die Ausrichtung des Sägeblatts gegenüber der Bodenplatte mit Hilfe eines Präzisions-Anschlagswinkels (nicht im Lieferumfang enthalten). Achten Sie darauf, nicht mit den TCT-Spitzen der Zähne in Kontakt zu kommen. Das Sägeblatt sollte einen exakten 45°-Winkel mit der Bodenplatte bilden.

Drehen Sie die Einstellschrauben (**Abb. 33**) mit einem 3mm-Sechskantschlüssel (nicht im Lieferumfang enthalten) im Uhrzeigersinn oder gegen den Uhrzeigersinn, bis sich das Sägeblatt in einem exakten 45°-Winkel zur Bodenplatte befindet.

(19) ÜBERPRÜFEN UND ERSETZEN DER KOHLEBÜRSTEN

WARNUNG: Trennen Sie die Maschine von der Stromquelle, bevor Sie die Kohlebürsten überprüfen oder ersetzen.

Hinweis: Ersetzen Sie beide Kohlebürsten, wenn eine von beiden weniger als 6 mm Länge an vorhandener Kohle aufweist, oder wenn Feder oder Verkabelung beschädigt oder verbrannt sind.

Entfernen der Bürsten:

- Entfernen Sie die Plastikkappen an der Rückseite des Motorgehäuses. (**Abb. 34**) Gehen Sie vorsichtig vor; die Kappen sind federbelastet.
- Entnehmen Sie die Bürsten samt der Federn.
- Müssen die Bürsten ausgewechselt werden, ersetzen Sie die Bürsten und bringen Sie die Kappen wieder an.

Hinweis: Gebrauchte, jedoch noch brauchbare Bürsten können wieder eingesetzt werden, solange sie wieder in derselben Position und Ausrichtung angebracht werden, in der sie auch entnommen wurden.

- Lassen Sie den Motor der Maschine ca. 5 Minuten ohne Belastung laufen. Dadurch werden die neuen Bürsten bei der „Einarbeitung“ unterstützt und es wird sichergestellt, dass der Motor effizient läuft.
- Es können einige Funken sichtbar sein, bis sich die Bürsten ganz eingepasst haben.

(20) ALLGEMEINE WARTUNG & REINIGUNG

Hinweis: Alle Instandhaltungsarbeiten dürfen nur an ausgeschalteter und vom Stromnetz getrennter Maschine ausgeführt werden.

- Stellen Sie regelmäßig sicher, dass

alle Sicherheitsvorkehrungen und Schutzvorrichtungen ordnungsgemäß funktionieren. Verwenden Sie die Maschine nur, wenn alle Sicherheits-/Schutzvorkehrungen ordnungsgemäß funktionieren.

- Alle Motorenlager in diesen Maschinen sind lebensdauergeschmiert. Zusätzliche Schmierung ist nicht notwendig.

Verwenden Sie einen sauberen, angefeuchteten Lappen, um die Plastikteile der Maschine zu reinigen. Verwenden Sie keine Lösungsmittel o. ä., die den Plastikteilen schaden könnten. Entfernen Sie Staub und andere Verunreinigungen von der Objektivabdeckung des Lasermoduls.

WARNUNG: Versuchen Sie nicht, durch Einführen spitzer Objekte durch Öffnungen im Gehäuse etc. der Maschine diese zu reinigen. Die Lüftungsschlitze der Maschine dürfen nur mit Druckluft gereinigt werden.

Hinweis: Der Betreiber sollte alle notwendigen PSA verwenden, wenn komprimierte trockene Luft als Reinigungsmedium eingesetzt wird.

(21) UMWELTSCHUTZ

Elektroschrott nicht mit dem Haushaltsmüll entsorgen. Nach Möglichkeit recyceln. Für Informationen hinsichtlich Recycling wenden Sie sich bitte an Ihre Behörde vor Ort oder Ihren Händler.



EG-KONFORMITÄTSERKLÄRUNG



Der Hersteller dieses von dieser Konformitätserklärung gedeckten Produktes ist:

UK: Evolution Power Tools Ltd, Venture One, Longacre Close, Holbrook Industrial Estate, Sheffield, S20 3FR.

FR: Evolution Power Tools SAS, 61 Avenue Lafontaine, 33560, Carbon-Blanc, Bordeaux, France.

Hiermit erklärt der Hersteller, dass die Maschine wie in dieser Erklärung dargestellt allen relevanten Auflagen der Maschinenrichtlinie und anderer betreffender weiter unten ausgeführten Richtlinien entspricht.

Der Hersteller erklärt außerdem, dass die Maschine wie in dieser Erklärung dargestellt, wann immer anwendbar, den relevanten Sicherheits- und Gesundheitsschutzanforderungen entspricht.

Die in dieser Erklärung berücksichtigten Richtlinien lauten wie folgt:

2006/42/EG.	Maschinenrichtlinie.
2014/30/EU.	Richtlinie zur elektromagnetischen Verträglichkeit.
2011/65/EU. & 2015/863/EU.	Richtlinie zur Beschränkung der Verwendung bestimmter gefährlicher Stoffe in Elektro- und Elektronikgeräten (RoHS).
2012/19/EU.	Richtlinie über Elektro- und Elektronik-Altgeräte (so genannten WEEE-Richtlinie).

Und erfüllt die zutreffenden Vorgaben der folgenden Dokumente:


EN 62841-1:2015 • EN62841-2-5:2014 • EN 55014-1:2017+A11:2020 • EN 55014-2:2015 • EN 61000-3-2: 2014(220-240V models)• EN IEC 61000-3-2:2019(220-240V models) • EN 61000-3-3:2013+A1:2019(only 026-0001) • EN 61000-3-11: 2000 (220-240V models except 026-0001)

Produktdetails

Beschreibung:	R165CCSL 165 mm (6-1/2") Kreissäge
Modell-Nr.:	026-0001 / 026-0002 / 026-0003
Beschreibung:	R185CCS 185 mm (7-1/4") Kreissäge
Modell-Nr.:	027-0001C / 027-0002C / 027-0003C
Beschreibung:	R185CCSX 185 mm (7-1/4") Kreissäge
Modell-Nr.:	027-0001 / 027-0002 / 027-0003
Beschreibung:	R185CCSX+ 185 mm (7-1/4") Kreissäge
Modell-Nr.:	027-0001A / 027-0002A / 027-0003A
Markenname:	EVOLUTION POWER TOOLS LIMITED
Spannung:	220-240 V / 110V ~ 50Hz
Energiezufuhr:	R165CCSL - 1200 W R185CCS, R185CCSX & R185CCSX+ - 1600 W

Die notwendigen technischen Unterlagen, um zu belegen, dass dieses Produkt den Anforderungen der Richtlinie entspricht, wurden von der zuständigen Vollzugsbehörde eingefordert und können dort zur Inspektion eingesehen werden. Diese Unterlagen belegen, dass unser technisches Verzeichnis die oben aufgeführten Dokumente enthält und dass diese den korrekten Normen für dieses Produkt, wie oben aufgeführt, entsprechen.

Name und Adresse der für das technische Verzeichnis verantwortlichen Person.

Unterschrift:  Druck: Barry Bloomer
Datum: 01.06.2018 Supply Chain & Procurement Director

UK: Evolution Power Tools Ltd, Venture One, Longacre Close, Holbrook Industrial Estate, Sheffield, S20 3FR.

FR: Evolution Power Tools SAS, 61 Avenue Lafontaine, 33560, Carbon-Blanc, Bordeaux, France.

(1.2) **INTRODUCCIÓN**

IMPORTANTE

Por favor, lea estas instrucciones de uso y seguridad atentamente y por completo.

Por su propia seguridad, si no está seguro de algún aspecto sobre el uso de este equipo contacte con el servicio de asistencia técnica. Puede encontrar el número de teléfono en la página web de Evolution Power Tools. Nuestra organización dispone de varios teléfonos de asistencia en todo el mundo. Su proveedor también puede ofrecerle asistencia técnica.

(1.3) **CONTACTO:**

Web: www.evolutionpowertools.com

Reino Unido/UE/AUS: customer.services@evolutionpowertools.com

EE.UU.: evolutioninfo@evolutionpowertools.com

(1.4) **GARANTÍA**

Enhorabuena por adquirir una máquina de Evolution Power Tools. Por favor, complete el registro de su producto en línea como se explica en el formulario de registro que acompaña a esta máquina. Esto le permitirá validar el periodo de garantía de su máquina a través de la página web de Evolution al introducir sus datos y, así, disponer de un servicio rápido si fuera necesario.

Le estamos sinceramente agradecidos por escoger uno de nuestros productos Evolution Power Tools.

ESPECIFICACIONES

CARACTERÍSTICAS TÉCNICAS DE LA MÁQUINA	EE.UU.			
	R165CCSL	R185CCS	R185CCSX	R185CCSX+
N.º de modelo:	026-0004	027-0004	027-0004C	027-0004A
Motor UE (220-240 V ~ 50 Hz)				
Motor Reino Unido(110 V ~ 50 Hz)				
Motor EE.UU. (120 V ~ 60 Hz)	10A	15 A	15 A	15 A
Velocidad sin carga (220-240 v)				
Velocidad sin carga (110 v & 120 v)	3900 min ⁻¹ / rpm	3700 min ⁻¹ / rpm	3700 min ⁻¹ / rpm	3700 min ⁻¹ / rpm
Peso	9.5 lb	10,8 lb	11,2 lb	11,2 lb
Máx. ángulo de bisel de la cuchilla	45°	60°	45°	45°
Longitud del cable de corriente	10 ft	13 ft	13 ft	13 ft
Tipo de base de la sierra circular	Pressed Steel	Aluminio fundido	Aluminio fundido	Aluminio fundido
Compatible con la vía de corte			✓	✓

CAPACIDADES DE CORTE	R165CCSL	R185CCS	R185CCSX	R185CCSX+
Placa de acero dulce (Grosor máximo)	1/8"	1/4"	1/4"	1/4"
Sección de la caja de acero dulce (Grosor máximo de la pared)	1/8"	1/4"	1/4"	1/4"
Grosor de corte máximo (0°)	2-3/32"	2-1/2"	2-1/2" (2-5/16" anchura/vía)	2-1/2" (2-5/16" anchura/vía)
Grosor de corte máximo (45°)	1-11/32"	1-9/16"	1-13/16" (1-5/8" anchura/vía)	1-13/16" (1-5/8" anchura/vía)
Grosor de corte máximo (60°)		1"		

ESPECIFICACIONES DE LA HOJA	R165CCSL	R185CCS	R185CCSX	R185CCSX+
Diámetro de la hoja	Ø 6-1/2"	Ø 7-1/4"	Ø 7-1/4"	Ø 7-1/4"
Número de dientes	14	20	16	20
Diámetro de perforación	25/32"	25/32"	25/32"	25/32"
Ranura	1,7mm	1,7 mm	1,7 mm	1,7 mm

DATOS DE RUIDO Y VIBRACIÓN	R165CCSL	R185CCS	R185CCSX	R185CCSX+
Nivel de presión acústica L _{DA}	92,4dB(A) K=3dB(A)	94,3dB(A) K=3 dB(A)	94,3dB(A) K=3 dB(A)	94,3dB(A) K=3 dB(A)
Nivel de potencia acústica L _{WA}	103,4dB(A) K=3dB(A)	105,3dB(A) K=3 dB(A)	105,3dB(A) K=3 dB(A)	105,3dB(A) K=3 dB(A)
Vibración mango principal (serrado de madera)	a _{hw} = 2,747m/s ²	a _{hw} = 3,347m/s ²	a _{hw} = 3,347m/s ²	a _{hw} = 3,347m/s ²
Vibración mango adicional (serrado de madera)	a _{hw} = 2,619m/s ²	a _{hw} = 3,119m/s ²	a _{hw} = 3,119m/s ²	a _{hw} = 3,119m/s ²
Vibración mango principal (serrado de metal)	a _{hwM} = 2,302m/s ²	a _{hwM} = 3,572m/s ²	a _{hwM} = 3,572m/s ²	a _{hwM} = 3,572m/s ²
Vibración mango adicional (serrado de metal)	a _{hwM} = 2,239m/s ²	a _{hwM} = 3,241m/s ²	a _{hwM} = 3,241m/s ²	a _{hwM} = 3,241m/s ²
Uncertainty K	1,5m/s ²	1,5m/s ²	1,5m/s ²	1,5m/s ²

ELEMENTOS SUMINISTRADOS	R165CCSL	R185CCS	R185CCSX	R185CCSX+
Hoja TCT multimaterial	✓	✓	✓	✓
Llave hexagonal (cambio de hoja)	✓	✓	✓	✓
Carril guía paralelo	✓	✓	✓	✓
Adaptador del puerto de polvo	✓	✓	✓	✓
Conector de la manguera de polvo	✓	✓	✓	✓
Estuche de transporte				✓
Vía de corte (340 mm x3)			✓	
Barra de conector y tornillos (x4)			✓	
Luz LED		✓		✓

ES

Reino Unido / UE / AUS			
R165CCSL	R185CCS	R185CCSX	R185CCSX+
026-0001 / 026-0002 / 026-0003	027-0001C / 027-0002C / 027-0003C	027-0001 / 027-0002 / 027-0003	027-0001A / 027-0002A / 027-0003A
1200 W	1600 W	1600 W	1600 W
1200 W	1600 W	1600 W	1600 W
3700 min ⁻¹ / rpm	3900 min ⁻¹ / rpm	3900 min ⁻¹ / rpm	3900 min ⁻¹ / rpm
3700 min ⁻¹ / rpm	3700 min ⁻¹ / rpm	3700 min ⁻¹ / rpm	3700 min ⁻¹ / rpm
4,3 kg	4,9 kg	5,1 kg	5,1 kg
45°	60°	45°	45°
3 m	3 m	3 m	4 m
Acero prensado	Aluminio fundido	Aluminio fundido	Aluminio fundido
		✓	✓

R165CCSL	R185CCS	R185CCSX	R185CCSX+
3 mm	6 mm	3 mm	6 mm
3 mm	6 mm	3 mm	6 mm
53 mm	64 mm	64 mm (59 mm con vía)	64 mm (59 mm con vía)
34 mm	40 mm	47 mm (42 mm con vía)	47 mm (42 mm con vía)
	24 mm		

R165CCSL	R185CCS	R185CCSX	R185CCSX+
Ø 165 mm	Ø 185 mm	Ø 185 mm	Ø 185 mm
14	20	16	20
20 mm	20 mm	20 mm	20 mm
1,7 mm	1,7 mm	1,7 mm	1,7 mm

R165CCSL	R185CCS	R185CCSX	R185CCSX+
92,4dB(A) K:3dB(A)	94,3dB(A) K=3 dB(A)	94,3dB(A) K=3 dB(A)	94,3dB(A) K=3 dB(A)
103,4dB(A) K:3dB(A)	105,3dB(A) K=3 dB(A)	105,3dB(A) K=3 dB(A)	105,3dB(A) K=3 dB(A)
$a_{h,w} = 2,747m/s^2$	$a_{h,w} = 3,347m/s^2$	$a_{h,w} = 3,347m/s^2$	$a_{h,w} = 3,347m/s^2$
$a_{h,w} = 2,619m/s^2$	$a_{h,w} = 3,119m/s^2$	$a_{h,w} = 3,119m/s^2$	$a_{h,w} = 3,119m/s^2$
$a_{h,M} = 2,302m/s^2$	$a_{h,M} = 3,572m/s^2$	$a_{h,M} = 3,572m/s^2$	$a_{h,M} = 3,572m/s^2$
$a_{h,M} = 2,239m/s^2$	$a_{h,M} = 3,241m/s^2$	$a_{h,M} = 3,241m/s^2$	$a_{h,M} = 3,241m/s^2$
1,5m/s ²	1,5m/s ²	1,5m/s ²	1,5m/s ²

R165CCSL	R185CCS	R185CCSX	R185CCSX+
✓	✓	✓	✓
✓	✓	✓	✓
✓	✓	✓	✓
✓	✓	✓	✓
✓	✓	✓	✓
			✓
		✓	
		✓	
			✓

VIBRACIONES

(1.5) **Nota:** La medición de la vibración se hizo en condiciones normales de acuerdo con la norma EN 62841-1: 2015, EN 62841-2-5: 2014

Advertencia: ¡Utilice protección auditiva!

El valor total de vibración citado se ha medido según el método normal de examen y puede usarse para comparar una herramienta con otra. El valor total de vibración citado también puede usarse en la evaluación preliminar de la exposición humana.

(1.6) **ADVERTENCIA:** Al utilizar esta máquina, el operador puede estar expuesto a altos niveles de vibración transmitidos a la mano y al brazo. Es posible que el operador pueda desarrollar la «enfermedad de los dedos blancos» debido a la vibración (síndrome de Raynaud). Esta enfermedad puede reducir la sensibilidad de la mano a la temperatura, así como producir entumecimiento general. Los usuarios que utilicen esta máquina de manera prolongada o regular deben vigilar de cerca el estado de sus manos y dedos. Si aparece alguno de los síntomas, busque atención médica inmediata.

- La medición y la evaluación de la exposición humana a las vibraciones transmitidas por la mano en el lugar de trabajo se indican en: EN 62841-1 y EN 62841-2-5
- Muchos factores pueden influir en el nivel de vibración real durante el funcionamiento, p. ej. el estado y la orientación de las superficies de trabajo, y el tipo y el estado de la máquina que se está usando. Antes de cada uso, se deben evaluar dichos factores y adoptar prácticas de trabajo adecuadas donde sea posible. La gestión de estos factores puede ayudar a reducir los efectos de la vibración:

Manipulación

- Manipule la máquina con cuidado, permitiendo que esta haga el trabajo.
- Evite un esfuerzo físico excesivo en cualquiera de los controles de las máquinas.
- Tenga en cuenta su seguridad y estabilidad, así como la orientación de la máquina durante su uso.

Superficie de trabajo

- Tenga en cuenta el material de la superficie de trabajo, su estado, densidad, resistencia, rigidez y orientación.

ADVERTENCIA: la emisión de vibraciones al usar la herramienta eléctrica puede variar del valor total citado dependiendo de la manera en la que se use la herramienta.

La necesidad de identificar medidas de seguridad y de proteger al operador se basa en una estimación de la exposición en las condiciones reales de uso (teniendo en cuenta todas las partes del ciclo operativo, como las veces que se desconecta la máquina, cuándo está en reposo, además del tiempo que está funcionando de forma continuada).

(1.7) **ETIQUETAS Y SÍMBOLOS**

ADVERTENCIA: no utilice la máquina si faltan la advertencia y/o las etiquetas de instrucciones, o si están dañadas. Póngase en contacto con Evolution Power Tools para sustituir las etiquetas.

Nota: todos o algunos de los siguientes símbolos pueden aparecer en el manual o en el producto.

(1.8)

Símbolo	Descripción
V	Voltios
A	Amperios
HZ	Hercios
Min ⁻¹ / RPM	Velocidad
~	Corriente alterna
no	Velocidad sin carga
	Utilice gafas protectoras
	Utilice protección auditiva
	Utilice protección contra el polvo
	Lea las instrucciones
	Doble aislamiento
	Certificado CE
	Certificado ETL
	Residuos de Aparatos Eléctricos y Electrónicos
	Triman: recogida y reciclado de residuos
	Advertencia
	(RCM) Marca de cumplimiento de la normativa para aparatos eléctricos y electrónicos. Norma de Australia/ Nueva Zelanda

(1.9) USO PREVISTO DE ESTA HERRAMIENTA ELÉCTRICA

ADVERTENCIA: Este producto es una sierra circular de uso manual y ha sido diseñada para usarse con hojas especiales de Evolution. Use solamente accesorios diseñados para el uso de esta máquina y/o aquellos recomendados específicamente por Evolution Power Tools Ltd.

Equipada con una hoja adecuada, esta máquina puede cortar:
Acero dulce, aluminio, madera

Nota: el corte de acero galvanizado puede reducir la duración de la hoja.

(1.10) USO PROHIBIDO DE ESTA HERRAMIENTA ELÉCTRICA

ADVERTENCIA: Este producto es una sierra circular de uso manual y debe usarse solo como tal. No debe ser modificada de ninguna manera ni usada para alimentar ningún otro equipo, tampoco debe llevar ningún otro accesorio que no se nombre en el manual de instrucciones.

(1.11) ADVERTENCIA: Esta máquina no está diseñada para ser utilizada por personas (niños incluidos) con discapacidad psíquica, sensorial o mental, o con falta de experiencia y conocimiento, a no ser que hayan sido supervisadas o instruidas en el uso seguro de la máquina por una persona responsable de su seguridad y competente en el uso seguro de esta.

Debe supervisarse a los niños para asegurarse de que no tienen acceso a la máquina ni pueden jugar con ella.

(1.12) SEGURIDAD ELÉCTRICA

Esta máquina está equipada con el enchufe moldeado y el cable de red correctos para el mercado designado. Si el cable de suministro se daña, el fabricante o su agente de servicios debe reemplazarlo por un cable o ensamblaje especial.

(1.13) USO EN EXTERIORES

ADVERTENCIA: Para su protección, si va a usar esta herramienta en exteriores no debe exponerla a la lluvia o usarla en lugares húmedos. No coloque la herramienta en superficies húmedas. Si es posible, use un banco de trabajo limpio y seco. Para obtener una mayor protección, utilice un dispositivo de corriente residual que interrumpa el suministro si la corriente de fuga a tierra es superior a 30 mA durante 30 ms. Revise siempre el funcionamiento

del dispositivo de corriente residual antes de usar la máquina.

Si es necesario un alargador, debe ser de un tipo adecuado para exteriores y etiquetado para tal fin. Se deben seguir las instrucciones de los fabricantes al utilizar un alargador.

(2.1) INSTRUCCIONES GENERALES DE SEGURIDAD

(Estas instrucciones generales de seguridad para herramientas eléctricas son las que se especifican en las normas EN 62841-1: 2015).

ADVERTENCIA: lea todas las advertencias e instrucciones de seguridad. El incumplimiento de las advertencias e instrucciones puede provocar una descarga eléctrica, incendios y/o lesiones graves. Guarde todas las advertencias e instrucciones para poder consultarlas en el futuro. El término "herramienta eléctrica" de las advertencias se refiere a la herramienta alimentada por la red de alimentación (con cable) o con baterías (inalámbrica).

(2.2) 1) Advertencias generales de seguridad de la herramienta eléctrica [seguridad en el área de trabajo]

a) Mantenga la zona de trabajo limpia y bien iluminada. Se podrían producir accidentes en zonas desordenadas u oscuras.

b) No utilice las herramientas eléctricas en atmósferas explosivas, como en presencia de líquidos inflamables, gases o polvo. Las herramientas eléctricas producen chispas que pueden incendiar el polvo o los gases.

c) Mantenga a los niños y transeúntes alejados cuando utilice una herramienta eléctrica. Las distracciones pueden hacerle perder el control.

(2.3) 2) Advertencias generales de seguridad de la herramienta eléctrica [Seguridad eléctrica]

a) Los enchufes de la herramienta eléctrica deben corresponderse con las tomas de corriente. No modifique el enchufe de ningún modo. No utilice adaptadores de enchufe con las herramientas eléctricas conectadas a tierra. Si las tomas de corriente y los enchufes respectivos no se modifican, se reduce el riesgo de descarga eléctrica.

b) Evite el contacto corporal con superficies conectadas a tierra tales como tuberías, radiadores, estufas y refrigeradores. El riesgo de descarga eléctrica aumenta si su cuerpo está conectado a tierra.

c) No exponga las herramientas eléctricas a la lluvia o a la humedad. La entrada de agua en una herramienta eléctrica aumentará el riesgo de descarga eléctrica.

d) No haga mal uso del cable. Nunca use el cable para transportar, tirar o desenchufar la herramienta eléctrica. Mantenga el cable lejos del calor, el aceite, las esquinas cortantes o piezas móviles. Los cables dañados o enredados aumentan el riesgo de descarga eléctrica.

e) Cuando trabaje con una herramienta eléctrica en exteriores, use un alargador adecuado para uso en exteriores. El uso de un cable adecuado para uso en exteriores reduce el riesgo de descarga eléctrica.

f) Si usa una herramienta eléctrica en un lugar húmedo, es necesario utilizar una toma de corriente residual (RCD) protegida.

El uso de un dispositivo de corriente residual reduce el riesgo de descarga eléctrica.

(2.4) 3) Advertencias generales de seguridad de la herramienta eléctrica [Seguridad personal].

a) Manténgase alerta, tenga cuidado con lo que hace y use el sentido común al utilizar una herramienta eléctrica. No utilice una herramienta eléctrica cuando esté cansado o bajo la influencia de drogas, alcohol o medicación. Un momento de distracción mientras utiliza herramientas eléctricas puede ocasionar lesiones personales graves.

b) Utilice el equipo de protección individual. Utilice siempre protección para los ojos. El uso del equipo de seguridad, como máscaras para el polvo, calzado antideslizante, casco o protección auditiva para las condiciones adecuadas reducirá las lesiones personales.

c) Evite el encendido accidental. Asegúrese de que el interruptor está en la posición off antes de conectar a la fuente de alimentación y/o a las baterías, o de coger o transportar la herramienta. Transportar herramientas eléctricas con el dedo sobre el interruptor o enchufar herramientas eléctricas con el interruptor encendido puede propiciar accidentes.

d) Quite las llaves de ajuste o llaves inglesas del perno de la hoja antes de encender la herramienta eléctrica. Una llave, como una llave inglesa, colocada en una pieza giratoria de la herramienta eléctrica puede ocasionar lesiones personales.

e) No se extralimite. Mantenga la postura y el equilibrio en todo momento. Esto permitirá un mejor control de la herramienta eléctrica en situaciones inesperadas.

f) Vístase de manera adecuada. No use ropa suelta ni joyas. Mantenga el pelo, la ropa y los

guantes alejados de las piezas móviles. Las joyas, la ropa holgada y el cabello largo pueden quedar atrapados en las piezas móviles.

g) Si se proporcionan dispositivos para la conexión de unidades de extracción y recogida de polvo, asegúrese de que están conectadas y de que se usan de forma adecuada. El uso de estos dispositivos puede reducir los riesgos derivados del polvo.

h) El hecho de que esté familiarizado gracias al uso frecuente de las herramientas no debería hacer que se vuelva complaciente ni que ignore los principios de seguridad de la herramienta.

Una acción negligente puede provocar lesiones graves en una milésima de segundo.

(2.5) 4) Advertencias generales de seguridad de la herramienta eléctrica [Uso y cuidado de la herramienta eléctrica].

a) No fuerce la herramienta eléctrica. Utilice la herramienta correcta para su aplicación. La herramienta correcta realizará el trabajo de una forma más precisa y segura al ritmo para el que ha sido diseñada.

b) No utilice la herramienta eléctrica si el interruptor no se enciende ni se apaga. Una herramienta eléctrica que no se pueda controlar con el interruptor es peligrosa y se debe reparar.

c) Desconecte la herramienta eléctrica de la fuente de alimentación de la herramienta eléctrica antes de efectuar ajustes, cambiar accesorios o almacenar las herramientas eléctricas. Este tipo de medidas de seguridad preventivas reducen el riesgo de que la herramienta eléctrica se inicie accidentalmente.

d) Guarde las herramientas eléctricas fuera del alcance de los niños y no permita que personas que no estén familiarizadas con la herramienta eléctrica o estas instrucciones la usen. Las herramientas eléctricas son peligrosas en manos de personas inexpertas.

e) Realice un mantenimiento de las herramientas eléctricas. Verifique la alineación y fijación de las piezas móviles, la rotura de las piezas móviles y cualquier otra condición que pueda afectar al funcionamiento de las herramientas eléctricas. Si está dañada, repare la herramienta eléctrica antes de usarla. Muchos accidentes se producen debido a un mantenimiento deficiente de las herramientas eléctricas.

f) Mantenga las herramientas de corte limpias y afiladas.

Las herramientas de corte con buen mantenimiento y bordes de corte afilados son menos propensas a trabarse y son más fáciles de controlar.

g) Use la herramienta eléctrica, accesorios y útiles, etc. de acuerdo con estas instrucciones y teniendo en cuenta las condiciones de funcionamiento y el trabajo que se va a realizar.

El uso de la herramienta eléctrica para operaciones diferentes a las previstas podría provocar una situación peligrosa.

h) Mantenga los mangos y las superficies de agarre secos y libres de aceite y grasa. Los mangos y superficies de agarre resbaladizos no permiten un manejo y control seguros de la herramienta en situaciones inesperadas.

(2.6) 5) Advertencias generales de seguridad de la herramienta eléctrica

Advertencias de seguridad [Servicio]

a) Lleve la herramienta eléctrica a reparar a un experto cualificado que utilice solo piezas de repuesto originales. Esto garantizará que se mantenga la seguridad de la herramienta eléctrica correctamente.

(2.7) CONSEJOS PARA SU SALUD

ADVERTENCIA: al utilizar esta máquina se pueden producir partículas de polvo. En ocasiones, según los materiales con los que trabaje, este polvo puede ser especialmente perjudicial. Si sospecha que la pintura de la superficie del material que desea cortar contiene plomo, busque ayuda profesional. No intente quitar pintura a base de plomo. Solamente un profesional debería hacerlo. Una vez que el polvo se ha depositado en una superficie, el contacto de la mano con la boca puede llevar a la ingestión de plomo. Incluso la exposición a niveles bajos de plomo puede causar daños irreversibles en el cerebro y el sistema nervioso. Los niños y los nonatos son especialmente vulnerables.

Se recomienda que considere el riesgo asociado a los materiales con los que trabaja para reducir el riesgo de exposición.

Algunos materiales pueden producir polvo dañino para su salud. Recomendamos el uso de mascarillas reguladas con filtros reemplazables cuando use esta máquina.

Siempre debe:

- Trabajar en una zona bien ventilada.
- Trabajar con un equipo de seguridad aprobado, como mascarillas para el polvo que hayan sido diseñadas especialmente para filtrar partículas microscópicas.

(2.8) ADVERTENCIA: el manejo de cualquier herramienta eléctrica puede provocar que se lancen objetos externos contra los ojos que

pueden ocasionar daños graves en los mismos. Antes de empezar a utilizar una herramienta eléctrica, póngase siempre gafas con protección lateral o una máscara que cubra toda la cara cuando sea necesario.

INSTRUCCIONES DE SEGURIDAD PARA TODAS LAS SIERRAS

[Procedimientos de corte]

a) PELIGRO: Mantenga las manos lejos de la zona de corte y de la hoja. Mantenga la otra mano en el mango adicional o en la carcasa del motor. Si sujeta la sierra con las dos manos, no se cortará con la hoja.

b) No toque por debajo de la pieza de trabajo. La protección no puede protegerlo de la hoja bajo la pieza de trabajo.

c) Ajuste la profundidad del corte al grosor de la pieza de trabajo. Debajo de la pieza de trabajo debe ser visible menos de un diente de la hoja.

d) No sostenga nunca la pieza de trabajo en la mano ni sobre las piernas cuando corta. Asegure la pieza de trabajo a una plataforma estable. Es importante apoyar la pieza de forma adecuada para minimizar la exposición del cuerpo, las posibilidades de que la hoja se atasque o la pérdida de control.

e) Sostenga la herramienta eléctrica por superficies de adherencia aisladas cuando realice una operación en la que la herramienta de corte pueda entrar en contacto con cableado no visible o su propio cable. El contacto con un cable «con corriente» también hará que las partes metálicas expuestas de la herramienta eléctrica estén sometidas a «corriente» y podrían electrocutar al operario.

f) Cuando corte, use siempre un tope-guía o un carril guía. Esto mejora la precisión del corte y reduce la posibilidad de que la hoja se atasque.

g) Use siempre hojas con el tamaño y forma del orificio del eje correctos (diamante frente a circular). Las hojas que no encajan con el equipo de montaje de la sierra funcionan de forma descentrada, provocando pérdida de control.

h) No utilice arandelas o tornillos dañados o inapropiados. Los tornillos y arandelas están especialmente diseñados para su sierra, para conseguir un rendimiento y seguridad óptimos.

(3.2) [Causas de contragolpes y advertencias relacionadas]

Un contragolpe es una reacción inesperada de una hoja de sierra pillada, atascada o mal alineada que provoca que la sierra se dispare de forma descontrolada de la pieza de trabajo hacia el operario.

Si la hoja está atascada o fijada firmemente al penetrar el corte, la hoja se bloquea y la reacción del motor mueve la unidad rápidamente hacia atrás en dirección al operario.

Si la hoja se tuerce o se desajusta durante el corte, los dientes del borde posterior de la hoja pueden penetrar en la superficie superior de la madera, provocando que la hoja se salga de la ranura y se precipite hacia el operario.

(3.3) El contragolpe es el resultado de un mal uso de la sierra y/o de procedimientos o condiciones de un uso inadecuado, y puede evitarse tomando las debidas precauciones que se indican a continuación.

a) Mantenga una sujeción firme con ambas manos en la sierra y posicione los brazos para resistir la fuerza del contragolpe. Colóquese a un lado de la hoja; no se posicione en la trayectoria de la hoja. El contragolpe puede provocar que la sierra salga disparada hacia atrás, pero la fuerza del contragolpe puede controlarse por el operario si se toman las medidas necesarias.

b) Si la hoja se empieza a atascar o si se interrumpe el corte por cualquier razón, suelte el gatillo y mantenga la sierra firme en el material hasta que la hoja se pare por completo. Nunca intente retirar la sierra de la pieza o tirar de la sierra hacia atrás mientras la hoja continúe en movimiento o podría producirse un contragolpe. Investigue y tome las medidas necesarias para eliminar la causa del atascamiento de la hoja.

c) Cuando vuelva a encender la sierra en la pieza de trabajo, centre la hoja de la sierra en la ranura y compruebe que los dientes de la hoja no están atascados en el material. Si una sierra se atasca, podría soltarse o provocar un contragolpe desde la pieza de trabajo cuando vuelva a encender la sierra.

d) No use hojas desafiladas o dañadas. Las hojas desafiladas o mal ajustadas producen una ranura estrecha, causando una fricción excesiva, atascamiento de la hoja y contragolpes.

e) Las palancas de bloqueo del ajuste de profundidad de la hoja y del bisel deben estar firmes y seguras antes de realizar un corte.

Si el ajuste de la hoja cambia durante el corte, podría causar su atascamiento y un contragolpe.

f) Las palancas de bloqueo del ajuste de profundidad de la hoja y del bisel deben estar firmes y seguras antes de realizar el corte. Si el ajuste de la hoja cambia durante el corte podría causar su atascamiento y un contragolpe.

g) Extreme las precauciones cuando realice un corte en una pared u otras zonas ciegas.

La hoja saliente puede cortar objetos que provoquen un contragolpe.

FUNCIÓN DE PROTECCIÓN INFERIOR

a) Compruebe que ha cerrado correctamente la protección inferior antes de cada uso. No utilice la sierra si la protección inferior no se mueve libremente y se cierra de forma instantánea. Nunca fije o sujete la protección inferior en la posición de apertura. Si la sierra se cae accidentalmente, la protección inferior podría doblarse. Suba la protección inferior con el tirador retráctil y asegúrese de que se mueve libremente y no toca la hoja o ninguna otra parte en cualquier ángulo o profundidad de corte.

b) Compruebe el funcionamiento del muelle de la protección inferior. Si la protección y el muelle no funcionan correctamente, deben ser arreglados antes de usar la máquina. La protección puede funcionar lentamente debido a que tenga partes dañadas, restos pegajosos o una acumulación de desechos.

c) La protección inferior solo puede retraerse manualmente para cortes especiales, como «cortes de inmersión» o «cortes compuestos». Suba la protección inferior con el tirador retráctil y, en cuanto la hoja toque el material, suelte la protección inferior. Para cualquier otro corte, la protección inferior debe funcionar automáticamente.

d) Asegúrese siempre de que la protección inferior cubre la hoja antes de posar la sierra en un banco o en el suelo. Una hoja en movimiento y desprotegida hará que la sierra vaya hacia atrás, cortando todo lo que encuentre a su paso. Tenga en cuenta el tiempo que necesita la hoja para pararse una vez desconectada.

INSTRUCCIONES ADICIONALES DE SEGURIDAD PARA SIERRAS CIRCULARES

a) No use hojas de sierra de acero rápido (HSS).

b) Inspeccione la máquina y la hoja antes de cada uso. No utilice hojas deformadas, partidas, desgastadas o dañadas de alguna manera.

c) Nunca utilice la sierra sin su sistema de protección original. No bloquee la protección móvil en la posición de apertura. Asegúrese de que puede mover la protección libremente y sin interferencias.

d) Solamente use hojas que cumplan con las características especificadas en este manual. Antes de usar accesorios, compare siempre las RPM máximas permitidas del accesorio con las RPM de la máquina.

e) No use discos abrasivos.

f) Use únicamente diámetros de hoja de conformidad con los marcados.

(3.4) **ADVERTENCIA:** Si faltan piezas, no utilice la máquina hasta que estas se reemplacen. No seguir esta indicación puede causar graves daños personales.

(4.1) PRIMEROS PASOS - DESEMBALAJE

Precaución: este paquete contiene objetos punzantes. Tenga cuidado al desembalarlo. Saque la máquina del embalaje junto con los accesorios suministrados. Revise con atención para comprobar que la máquina está en buenas condiciones y que cuenta con todos los accesorios que se enumeran en este manual. Asegúrese también de que todos los accesorios estén completos.

Si falta alguna de las piezas, la máquina y los accesorios se deben devolver juntos en su embalaje original a su distribuidor.

No tire el embalaje, guárdelo durante todo el período de garantía. Sea respetuoso con el medio ambiente cuanto tire el embalaje. Si fuese posible, reciclelo.

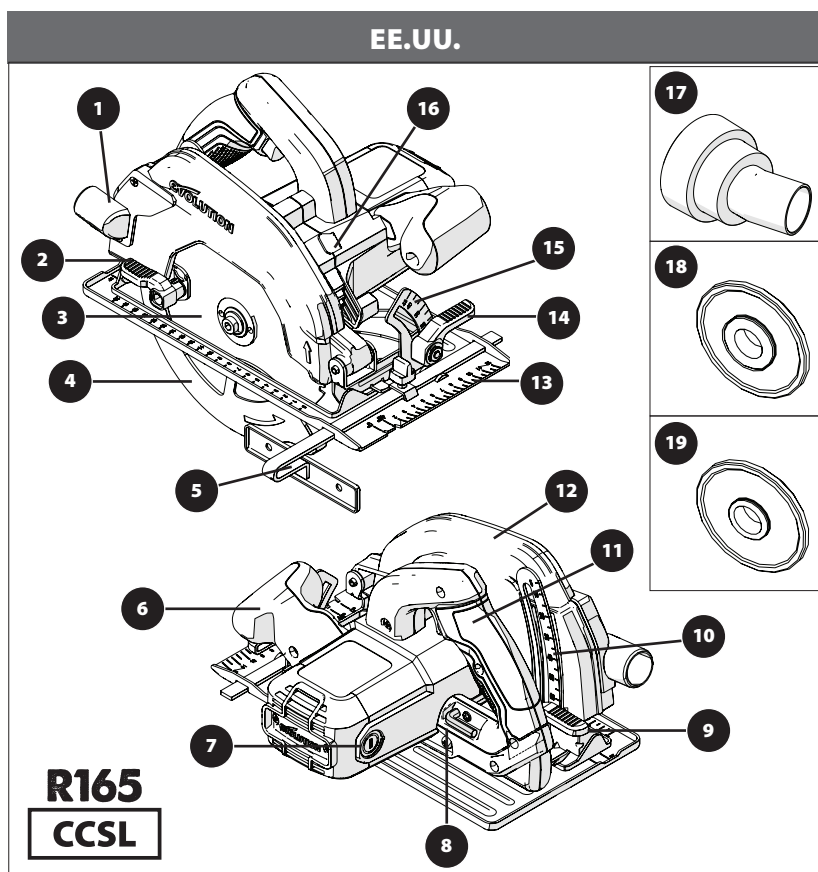
No deje que los niños jueguen con las bolsas de plástico vacías debido al riesgo de asfixia.

(4.3) MANUALES DE INSTRUCCIONES DE EVOLUTION

Cada producto de Evolution Power Tools incluye un manual de instrucciones.

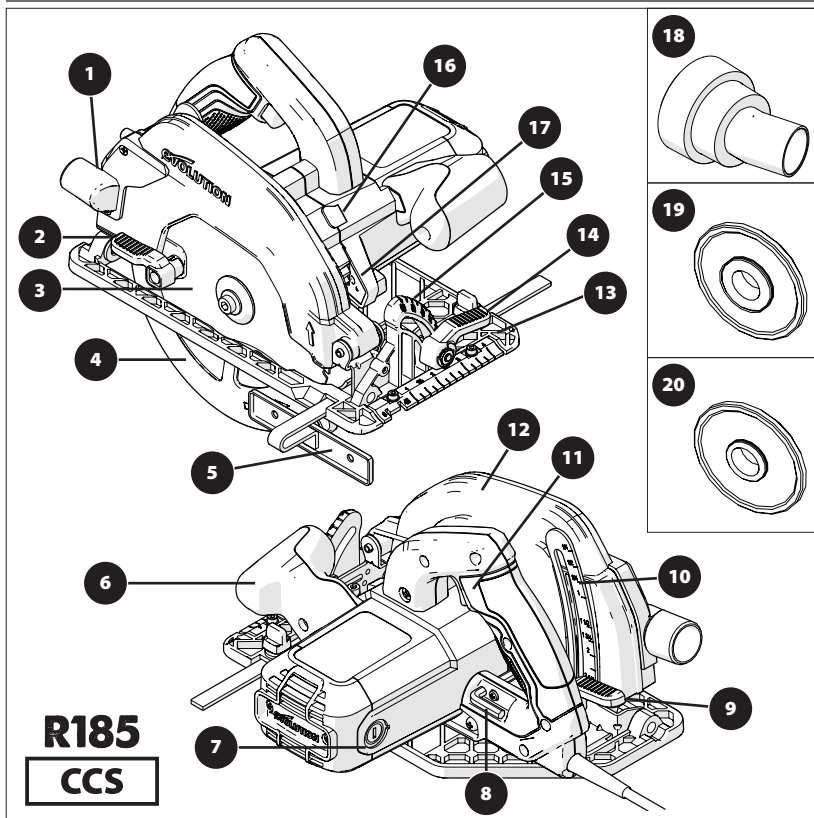
Cada manual dedicado se ha elaborado y diseñado cuidadosamente para proporcionar información útil y fácilmente accesible acerca del uso seguro, el cuidado y el mantenimiento del producto. La consulta de la información incluida en el manual permitirá al operario aprovechar de forma plena y segura el potencial de la máquina. La política de Evolution de mejora continua del producto puede significar que, en muchas ocasiones, los contenidos de un manual pueden no reflejar completamente las últimas mejoras o actualizaciones que se han incorporado en un producto particular. Las mejoras/actualizaciones de las especificaciones de un producto podrían ser consecuencia de avances tecnológicos o cambios en el marco legislativo del país de recepción, etc.

Si no está seguro acerca de algún aspecto del uso, el cuidado o el mantenimiento de un producto Evolution, póngase en contacto con la asistencia técnica pertinente, la cual le proporcionará información actualizada y consejos adicionales.



1. PUERTO DE EXPULSIÓN DEL MATERIAL DE CORTE
2. PALANCA DE PULGAR
3. HOJA TCT MULTIMATERIAL
4. PROTECCIÓN INFERIOR DE LA HOJA
5. CARRIL GUÍA PARALELO
6. MANGO FRONTAL ERGONÓMICO
7. ESCOBILLAS DE CARBONO
8. LLAVE HEXAGONAL DE 8 MM (CAMBIO DE HOJA)
9. PALANCA DE BLOQUEO DEL AJUSTE DE PROFUNDIDAD
10. ESCALA DE PROFUNDIDAD
11. MANGO TRASERO
12. PROTECCIÓN SUPERIOR DE LA HOJA
13. PLACA BASE DE PRECISIÓN DISEÑADA
14. PALANCA DE PULGAR
15. ESCALA DEL TRANSPORTADOR DE ÁNGULOS
16. BOTÓN DEL SEGURO DEL EJE
17. CONECTOR DEL PUERTO DE POLVO
18. BORDE INTERIOR DE LA HOJA 25/32"
19. BORDE INTERIOR DE LA HOJA 5/8"

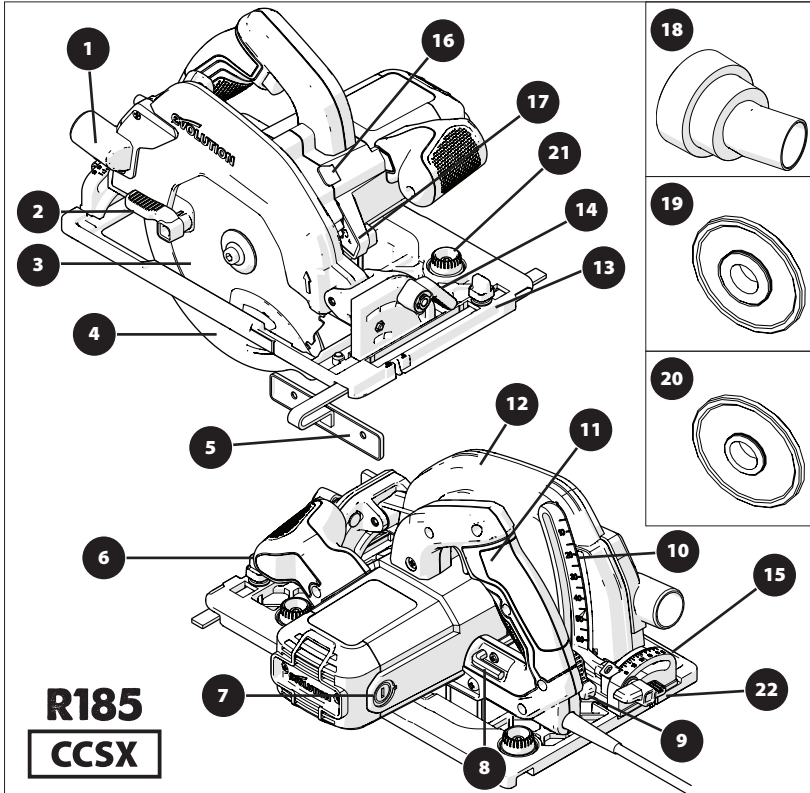
EE.UU.



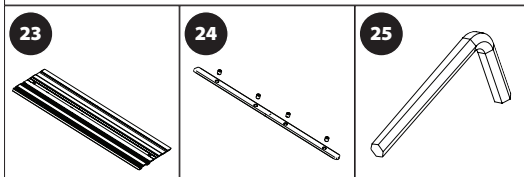
**R185
CCS**

- | | |
|---|--------------------------------------|
| 1. PUERTO DE EXPULSIÓN DEL MATERIAL DE CORTE | 17. LUZ LED |
| 2. PALANCA DE PULGAR | 18. CONECTOR DEL PUERTO DE POLVO |
| 3. HOJA TCT MULTIMATERIAL | 19. BORDE INTERIOR DE LA HOJA 25/32" |
| 4. PROTECCIÓN INFERIOR DE LA HOJA | 20. BORDE INTERIOR DE LA HOJA 5/8" |
| 5. CARRIL GUÍA PARALELO | |
| 6. MANGO FRONTAL ERGONÓMICO | |
| 7. ESCOBILLAS DE CARBONO | |
| 8. Llave hexagonal de 8 mm (CAMBIO DE HOJA) | |
| 9. PALANCA DE BLOQUEO DEL AJUSTE DE PROFUNDIDAD | |
| 10. ESCALA DE PROFUNDIDAD | |
| 11. INTERRUPTOR ON/OFF DEL MANGO TRASERO | |
| 12. PROTECCIÓN SUPERIOR DE LA HOJA | |
| 13. PLACA BASE DE PRECISIÓN DISEÑADA | |
| 14. PALANCA DE PULGAR DE AJUSTE DEL BISEL | |
| 15. ESCALA DEL TRANSPORTADOR DE ÁNGULOS | |
| 16. BOTÓN DEL SEGURO DEL EJE | |

EE.UU.



R185
CCSX

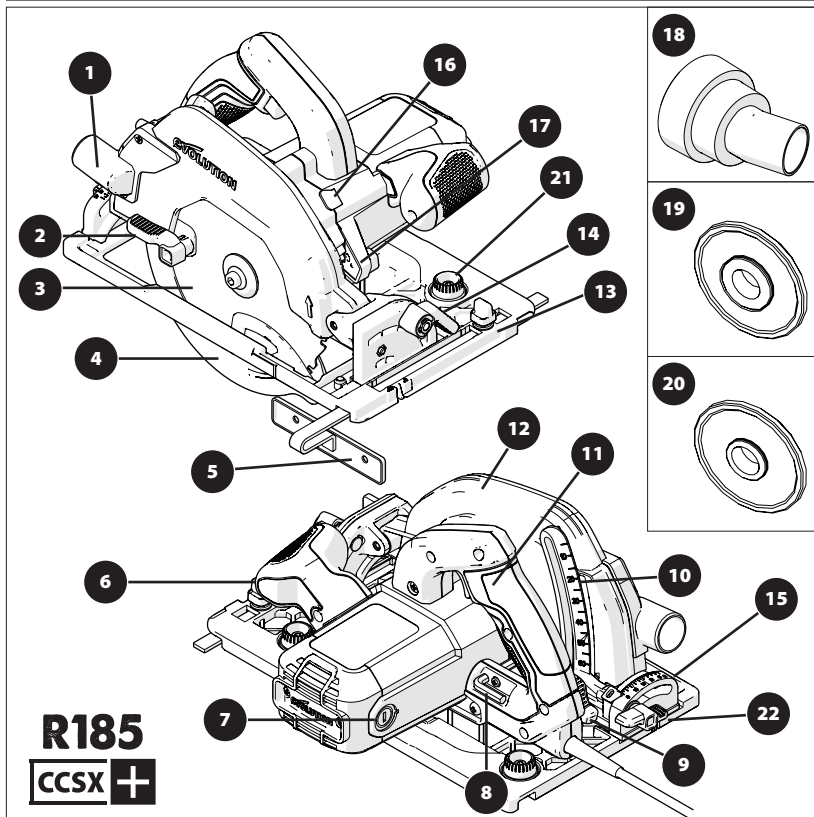


1. PUERTO DE EXPULSIÓN DEL MATERIAL DE CORTE
2. PALANCA DE PULGAR
3. HOJA TCT MULTIMATERIAL
4. PROTECCIÓN INFERIOR DE LA HOJA
5. CARRIL GUÍA PARALELO
6. MANGO FRONTAL ERGONÓMICO
7. ESCOBILLAS DE CARBONO
8. LLAVE HEXAGONAL DE 5/16" (CAMBIO DE HOJA)
9. PALANCA DE BLOQUEO DEL AJUSTE

10. ESCALA DE PROFUNDIDAD
11. INTERRUPTOR ON/OFF DEL MANGO TRASERO
12. PROTECCIÓN SUPERIOR DE LA HOJA
13. PLACA BASE DE PRECISIÓN DISEÑADA COMPATIBLE CON LA VÍA
14. PALANCA DE PULGAR
15. ESCALA DEL TRANSPORTADOR DE ÁNGULOS TRASERO
16. BOTÓN DEL SEGURO DEL EJE

17. LUZ LED
18. CONECTOR DEL PUERTO DE POLVO
19. BORDE INTERIOR DE LA HOJA 25/32"
20. BORDE INTERIOR DE LA HOJA 5/8"
21. BOTONES DE GIRO DEL AJUSTE DE VÍA
22. TORNILLO DE MARIPOSA DEL BISEL TRASERO
23. 3x VÍAS DE 13-3/8"
24. 4x BARRAS DE CONECTOR DE VÍA
25. LLAVE HEXAGONAL DE 1/8"

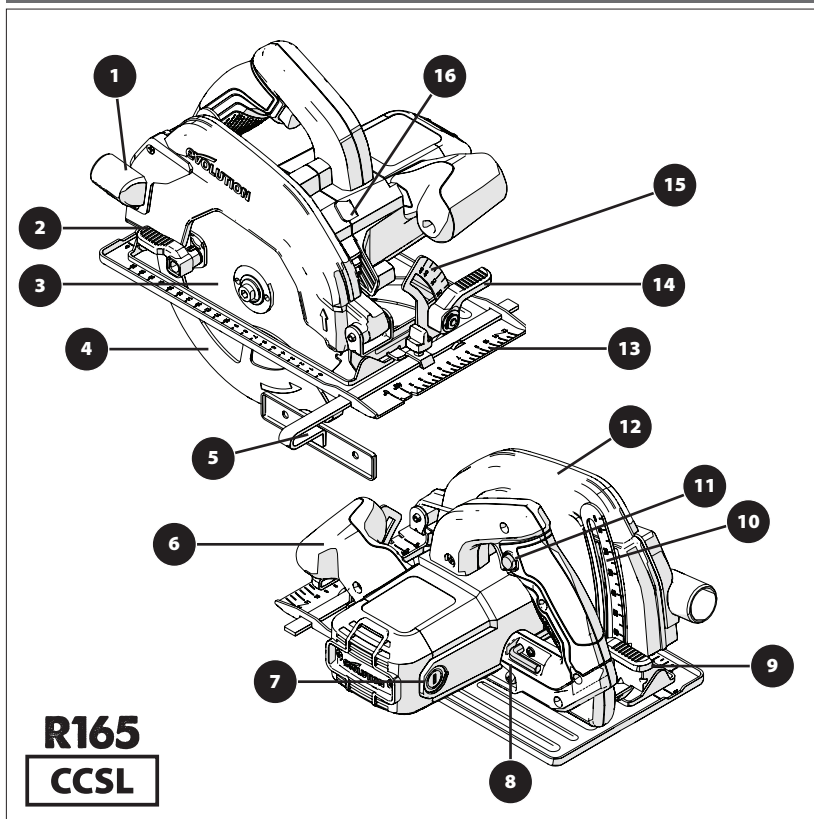
EE.UU.



R185



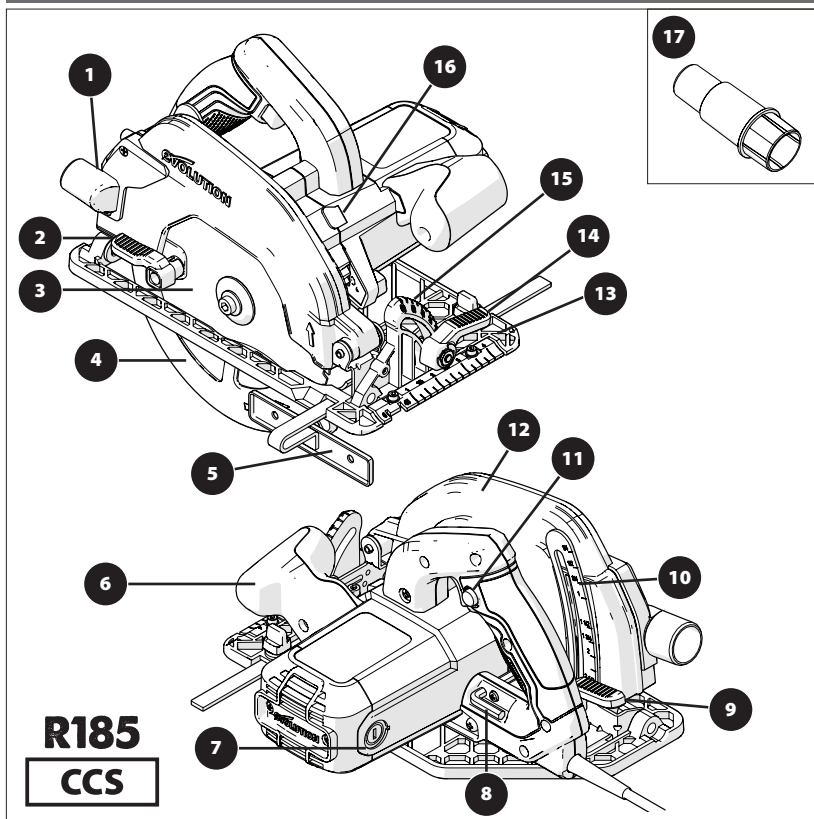
- | | |
|--|--|
| <ol style="list-style-type: none"> 1. PUERTO DE EXPULSIÓN DEL MATERIAL DE CORTE 2. PALANCA DE PULGAR 3. HOJA TCT MULTIMATERIAL 4. PROTECCIÓN INFERIOR DE LA HOJA 5. CARRIL GUÍA PARALELO 6. MANGO FRONTAL ERGONÓMICO 7. ESCOBILLAS DE CARBONO 8. LLAVE HEXAGONAL DE 5/16" (CAMBIO DE HOJA) 9. PALANCA DE BLOQUEO DEL AJUSTE DE PROFUNDIDAD 10. ESCALA DE PROFUNDIDAD 11. INTERRUPTOR ON/OFF DEL MANGO TRASERO 12. PROTECCIÓN SUPERIOR DE LA HOJA 13. PLACA BASE DE PRECISIÓN DISEÑADA COMPATIBLE CON LA VÍA 14. PALANCA DE PULGAR 15. ESCALA DEL TRANSPORTADOR DE ÁNGULOS TRASERO 16. BOTÓN DEL SEGURO DEL EJE | <ol style="list-style-type: none"> 17. LUZ LED 18. CONECTOR DEL PUERTO DE POLVO 19. BORDE INTERIOR DE LA HOJA 25/32" 20. BORDE INTERIOR DE LA HOJA 5/8" 21. BOTONES DE GIRO DEL AJUSTE DE VÍA 22. TORNILLO DE MARIPOSA DEL BISEL TRASERO |
|--|--|

REINO UNIDO / UE / AUS

R165
CCSL

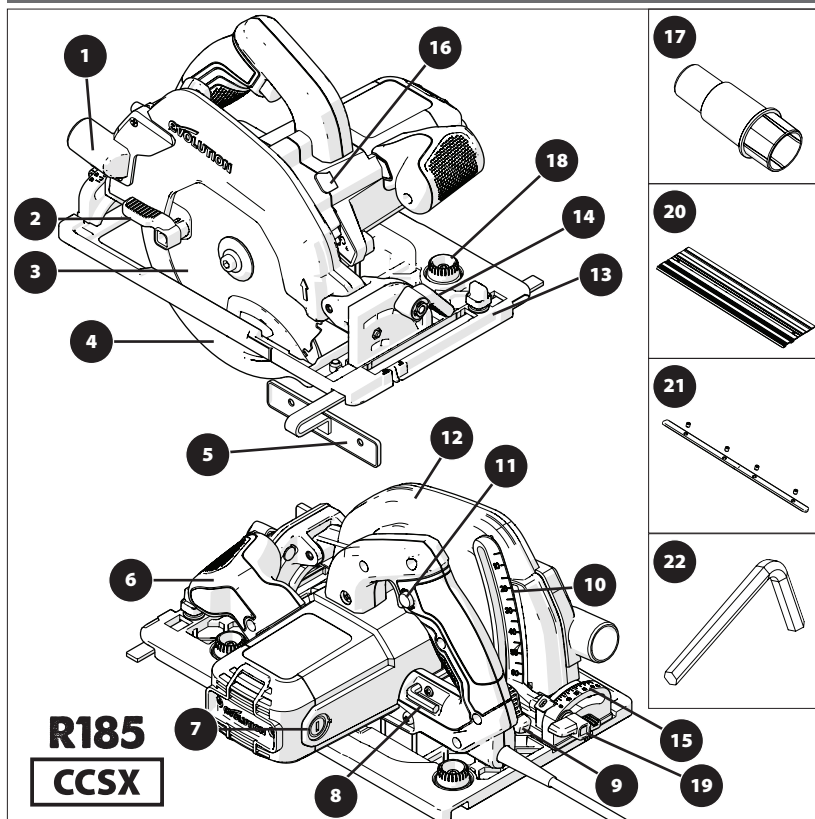
1. PUERTO DE EXPULSIÓN DEL MATERIAL DE CORTE
2. PALANCA DE PULGAR
3. HOJA TCT MULTIMATERIAL
4. PROTECCIÓN INFERIOR DE LA HOJA
5. CARRIL GUÍA PARALELO
6. MANGO FRONTAL ERGONÓMICO
7. ESCOBILLAS DE CARBONO
8. LLAVE HEXAGONAL DE 8 MM (CAMBIO DE HOJA)
9. PALANCA DE BLOQUEO DEL AJUSTE DE PROFUNDIDAD
10. ESCALA DE PROFUNDIDAD
11. EL MANGO TRASERO INCORPORA UN INTERRUPTOR ON/OFF DE SEGURIDAD PARA ENCENDERLA
12. PROTECCIÓN SUPERIOR DE LA HOJA
13. PLACA BASE DE PRECISIÓN DISEÑADA
14. PALANCA DE PULGAR
15. ESCALA DEL TRANSPORTADOR DE ÁNGULOS
16. BOTÓN DEL SEGURO DEL EJE

ES

REINO UNIDO / UE

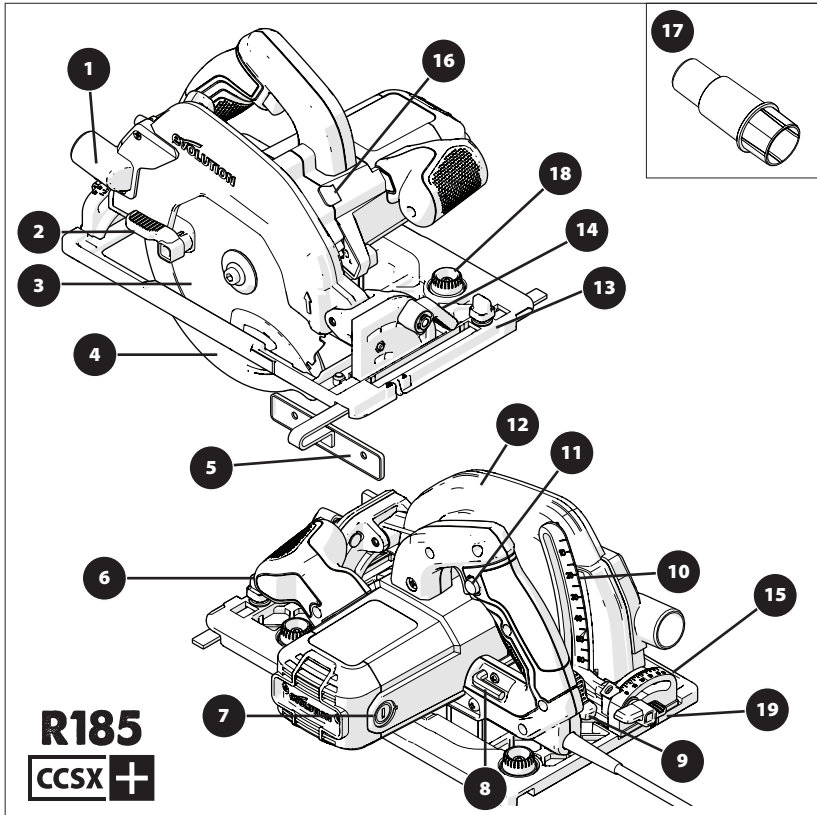


1. PUERTO DE EXPULSIÓN DEL MATERIAL DE CORTE
2. PALANCA DE PULGAR
3. HOJA TCT MULTIMATERIAL
4. PROTECCIÓN INFERIOR DE LA HOJA
5. CARRIL GUÍA PARALELO
6. MANGO FRONTAL ERGONÓMICO
7. ESCOBILLAS DE CARBONO
8. LLAVE HEXAGONAL DE 8 MM (CAMBIO DE HOJA)
9. PALANCA DE BLOQUEO DEL AJUSTE DE PROFUNDIDAD
10. ESCALA DE PROFUNDIDAD
11. EL MANGO TRASERO INCORPORA UN INTERRUPTOR ON/OFF DE SEGURIDAD PARA ENCENDERLA
12. PROTECCIÓN SUPERIOR DE LA HOJA
13. PLACA BASE DE PRECISIÓN DISEÑADA
14. PALANCA DE PULGAR
15. ESCALA DEL TRANSPORTADOR DE ÁNGULOS
16. BOTÓN DEL SEGURO DEL EJE
17. CONECTOR DEL PUERTO DE POLVO

REINO UNIDO / UE


- | | |
|---|--|
| 1. PUERTO DE EXPULSIÓN DEL MATERIAL DE CORTE | 17. CONECTOR DEL PUERTO DE POLVO |
| 2. PALANCA DE PULGAR | 18. BOTONES DE GIRO DEL AJUSTE DE VÍA |
| 3. HOJA TCT MULTIMATERIAL | 19. TORNILLO DE MARIPOSA DEL BISEL TRASERO |
| 4. PROTECCIÓN INFERIOR DE LA HOJA | 20. 3X VÍAS DE 340 MM |
| 5. CARRIL GUÍA PARALELO | 21. 4X BARRAS DE CONECTOR DE VÍA |
| 6. MANGO FRONTAL ERGONOMÍCO | 22. LLAVE HEXAGONAL DE 3 MM |
| 7. ESCOBILLAS DE CARBONO | |
| 8. LLAVE HEXAGONAL DE 8 MM (CAMBIO DE HOJA) | |
| 9. PALANCA DE BLOQUEO DEL AJUSTE DE PROFUNDIDAD | |
| 10. ESCALA DE PROFUNDIDAD | |
| 11. EL MANGO TRASERO INCORPORA UN INTERRUPTOR ON/OFF DE SEGURIDAD PARA ENCENDERLA | |
| 12. PROTECCIÓN SUPERIOR DE LA HOJA | |
| 13. PLACA BASE DE PRECISIÓN DISEÑADA COMPATIBLE CON LA VÍA | |
| 14. PALANCA DE PULGAR | |
| 15. ESCALA DEL TRANSPORTADOR DE ÁNGULOS TRASERO | |
| 16. BOTÓN DEL SEGURO DEL EJE | |

REINO UNIDO / UE



R185



- | | |
|--|---|
| <ol style="list-style-type: none"> 1. PUERTO DE EXPULSIÓN DEL MATERIAL DE CORTE 2. PALANCA DE PULGAR 3. HOJA TCT MULTIMATERIAL 4. PROTECCIÓN INFERIOR DE LA HOJA 5. CARRIL GUÍA PARALELO 6. MANGO FRONTAL ERGONÓMICO 7. ESCOBILLAS DE CARBONO 8. LLAVE HEXAGONAL DE 8 MM (CAMBIO DE HOJA) 9. PALANCA DE BLOQUEO DEL AJUSTE DE PROFUNDIDAD 10. ESCALA DE PROFUNDIDAD 11. EL MANGO TRASERO INCORPORA UN INTERRUPTOR ON/OFF DE SEGURIDAD PARA ENCENDERLA 12. PROTECCIÓN SUPERIOR DE LA HOJA 13. PLACA BASE DE PRECISIÓN DISEÑADA COMPATIBLE CON LA VÍA 14. PALANCA DE PULGAR 15. ESCALA DEL TRANSPORTADOR DE ÁNGULOS TRASERO 16. BOTÓN DEL SEGURO DEL EJE | <ol style="list-style-type: none"> 17. CONECTOR DEL PUERTO DE POLVO 18. BOTONES DE GIRO DEL AJUSTE DE VÍA 19. TORNILLO DE MARIPOSA DEL BISEL TRASERO |
|--|---|

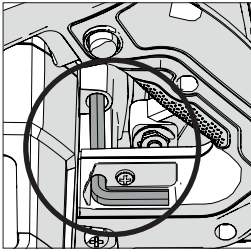


Fig. 1

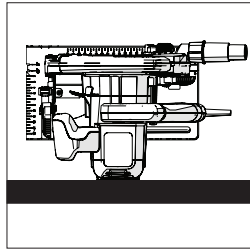


Fig. 2

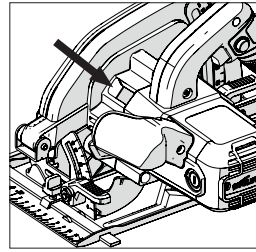


Fig. 3

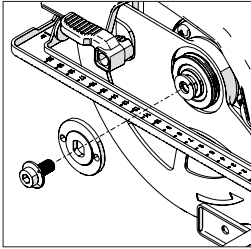


Fig. 4

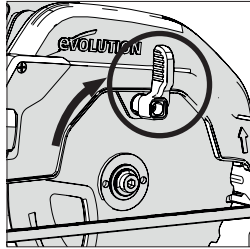


Fig. 5

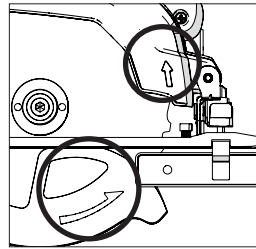


Fig. 6

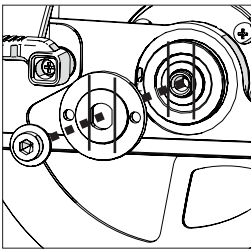


Fig. 7a

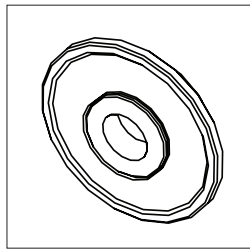


Fig. 7b

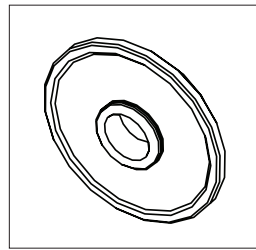


Fig. 7c

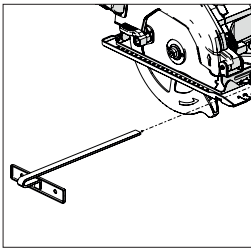


Fig. 8

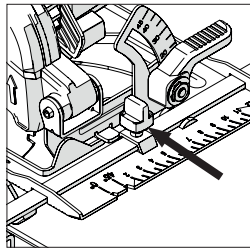


Fig. 9

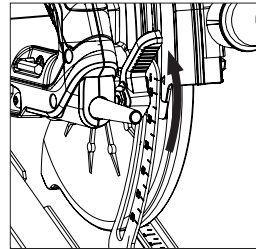


Fig. 10

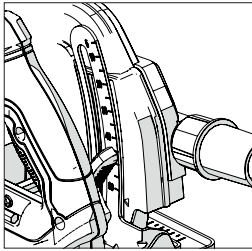


Fig. 11

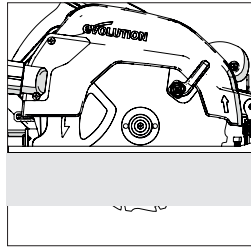


Fig. 12

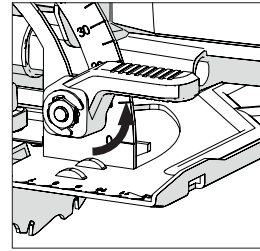


Fig. 13

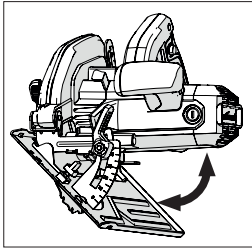


Fig. 14

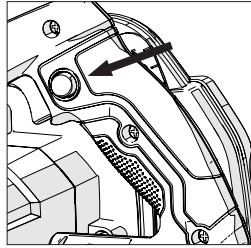


Fig. 15

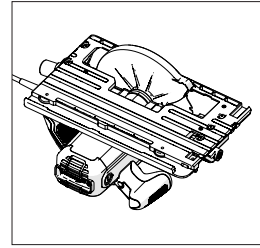


Fig. 16

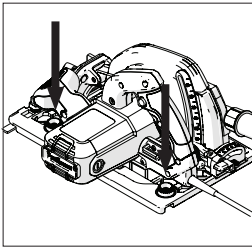


Fig. 17

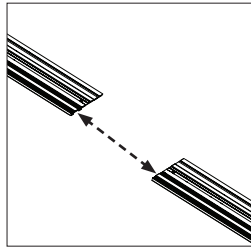


Fig. 18

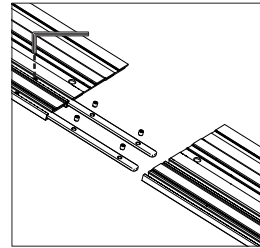


Fig. 19

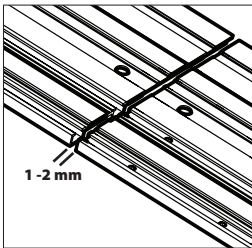


Fig. 20

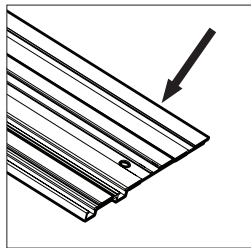


Fig. 21

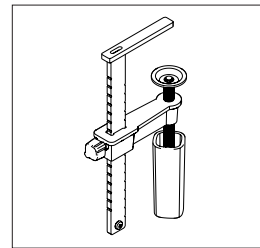


Fig. 22

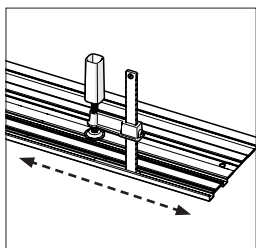


Fig. 23

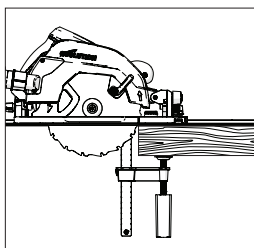


Fig. 24

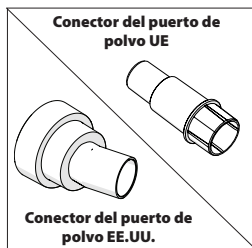


Fig. 25

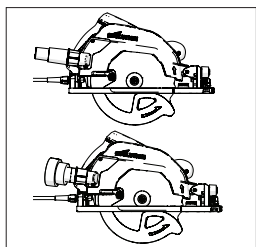


Fig. 26

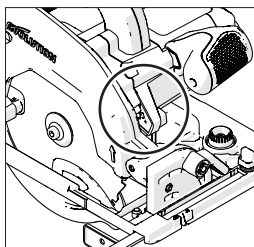


Fig. 27

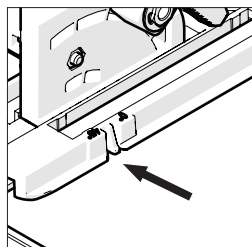


Fig. 28

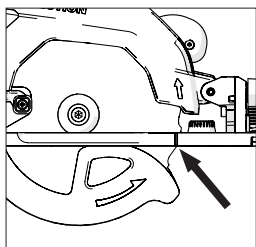


Fig. 29

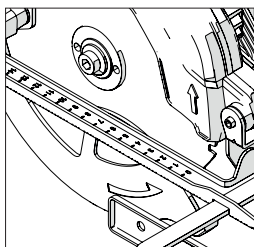


Fig. 30

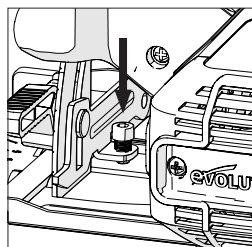


Fig. 31

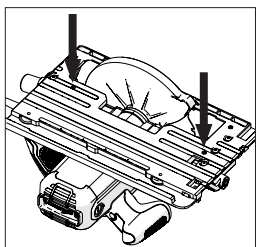


Fig. 32

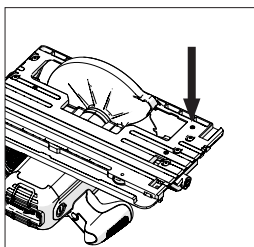


Fig. 33

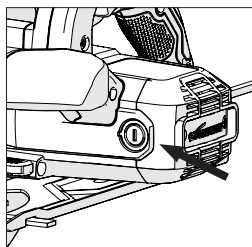


Fig. 34

(10) PREPARACIÓN

ADVERTENCIA: Desconecte siempre la máquina de la alimentación antes de realizar ningún ajuste.

Nota: Estas máquinas están equipadas con un cable de alimentación y un enchufe aprobados para el país de uso previsto. No altere ni modifique el cable de alimentación.

(10.1) INSTALAR O DESMONTAR UNA HOJA

ADVERTENCIA: Utilice solo hojas Evolution originales (o aquellas aprobadas por Evolution Power Tools) que hayan sido diseñadas para estas máquinas. Asegúrese de que la velocidad máxima de la hoja es compatible con la máquina. Realice esta operación tan solo cuando la máquina esté desconectada de la alimentación.

Nota: se recomienda que el operario lleve guantes protectores cuando manipule la hoja durante la instalación o cuando cambie la hoja de la máquina.

- Localice la llave hexagonal de cambio de hoja suministrada, que se encuentra en la instalación de almacenamiento de a bordo (situada de forma similar en todas las máquinas). (**Fig. 1**)
- Coloque la sierra en una superficie nivelada y segura.

Nota: Con cuidado, todas las máquinas se pueden equilibrar en el extremo plano de la carcasa del motor, (**Fig. 2**) haciendo que el acceso a la hoja y a las fijaciones de las hojas sea muy cómodo.

- Localice el botón del seguro del eje de la máquina (que está situado de forma similar en todas las máquinas). Bloquee el eje de la máquina activando el botón del seguro del eje. (**Fig. 3**).

Nota: Girar la hoja despacio manualmente, mientras se presiona ligeramente el botón del seguro del eje, ayudará a activar el seguro del eje.

- Con la llave hexagonal suministrada, afloje y retire el tornillo de cabeza hueca del eje, las fijaciones asociadas y el borde exterior de la hoja. (**Fig. 4**)

Nota: El tornillo de cabeza hueca del eje está equipado con una rosca de tornillo estándar. Gire el tornillo en sentido horario para apretarlo. Gire el tornillo en sentido antihorario para aflojarlo.

- Almacene de forma segura el borde exterior de la hoja y las fijaciones asociadas.
- Gire la protección inferior de la hoja hacia dentro de la protección superior de la hoja usando la palanca de pulgar manual. (**Fig. 5**)
- Retire con cuidado la hoja (si está instalada) de la máquina.
- Limpie minuciosamente los bordes interiores y exteriores de la hoja.

Nota: El borde interior de la hoja se puede dejar en su lugar si se desea, pero se debería comprobar y limpiar minuciosamente. Si se retira de la máquina, se debe colocar de nuevo en la misma orientación en la que estaba antes de la retirada.

- Limpie minuciosamente la hoja alrededor de la zona de la perforación (ambas superficies) donde los bordes de la hoja tocarán y sujetarán la hoja.
- Instale la (nueva) hoja.
- Asegúrese de que la dirección de rotación de la flecha de la hoja coincide con la dirección de la rotación de la flecha en la protección superior e inferior de la hoja de la máquina. (**Fig. 6**)
- Reinstale el borde exterior, el tornillo de cabeza hueca del eje y sus fijaciones asociadas.

Nota: El borde exterior tiene una perforación especialmente mecanizada que incorpora dos «caras» opuestas. (**Fig. 7a**) Estas «caras» engranan con dos «caras» complementarias mecanizadas en el eje de la máquina.

- Vuelva a poner el seguro del eje y apriete el tornillo de cabeza hueca del eje de forma segura usando la llave hexagonal.
- Suelte el botón del seguro del eje
- Devuelva la llave hexagonal a su posición de almacenamiento dedicada.
- Compruebe que se ha liberado completamente el seguro del eje girando la hoja manualmente.
- Compruebe el funcionamiento de la protección inferior de la hoja.

Nota: Para el mercado norteamericano solo se incluye una brida de doble eje lateral para que se puedan colocar cuchillas de 1" (**Fig. 7b**) y cuchillas de 5/8" (**Fig. 7c**).

(11) CARRIL GUÍA PARALELO

Con todas las máquinas CCS se suministra un carril guía paralelo (**Fig. 8**) que puede ser especialmente útil para cortes al hilo. La guía se puede equipar en

el lado frontal de la placa base.

El brazo guía se debe insertar a través de los huecos rectangulares que se encuentran a cualquier lado (frontal) de la placa base de acero prensado, y deslizarse por debajo del tornillo de bloqueo del ajuste situado en el centro. **(Fig. 9)**

Nota: El carril guía paralelo se puede equipar a cualquier lado de la placa base.

ADVERTENCIA: Instale y ajuste la guía únicamente con la máquina desconectada del suministro eléctrico.

Nota: El brazo del carril guía paralelo debe pasar a través de todos los huecos rectangulares provistos en la placa base.

ADVERTENCIA: Es potencialmente peligroso instalar e intentar usar el carril guía con el brazo pasando solamente a través de uno (1) de los huecos mecanizados de la placa base rectangular. Ajuste el carril guía de modo que esté a la distancia necesaria desde la hoja y apriete el tornillo de ajuste. Compruebe que el carril guía está paralelo a la hoja de la sierra.

(12) AJUSTE DE LA PROFUNDIDAD DE CORTE

Nota: Todas las máquinas CCS comparten los mismos accesorios/fijaciones de ajuste de profundidad generales y emplean la misma técnica básica para ajustar la profundidad de la hoja.

- Afloje el mecanismo de bloqueo del ajuste de profundidad tirando de la palanca de funcionamiento hacia arriba. **(Fig. 10)**
- Ajuste/vuelva a colocar la placa base para proporcionar la profundidad de corte requerida (la cantidad que sobresale la hoja a través de la placa base).

Nota: Puede encontrar una escala de profundidad en el cuadrante de ajuste de la profundidad con una marca de referencia incorporada en la zona adyacente de la protección superior de la hoja de la máquina. **(Fig. 11)** El uso de estas características puede ayudar a lograr un ajuste rápido.

Nota: Aunque la escala de profundidad y la marca de referencia son muy útiles, permitiendo el ajuste de profundidad rápido, su uso siempre se debe

considerar como una guía para el ajuste logrado. Si se requiere una profundidad de corte muy precisa, entonces se debe comprobar el ajuste de la hoja con una regla de precisión de ingeniero (no suministrada) o similar y ajustarse en consecuencia.

- La mayoría de las veces, la profundidad de corte deberá configurarse al grosor del material que se va a cortar más la profundidad de medio diente de sierra (punta del diente a la raíz del diente). **(Fig. 12)**
- Apriete el mecanismo de bloqueo del ajuste de profundidad empujando la palanca de funcionamiento hacia abajo para bloquear de forma segura la máquina en la posición requerida.

(13) AJUSTE DEL ÁNGULO DE CORTE (BISEL)

Todas las máquinas CSSL y CCSX tienen la capacidad de inclinar la hoja (hasta 45°) y todas las máquinas CCS tienen la capacidad de inclinar la hoja (hasta 60°) hacia la izquierda. Por tanto, son posibles los cortes de bisel.

Nota: La hoja está en la posición vertical cuando la escala del transportador de ángulos indica 0°.

Nota: Se ha incorporado una escala de transportador de ángulos (0°-45° o 0°-60°) en el cuadrante de bloqueo del bisel que se encuentra en la parte frontal de la placa base. Su uso permitirá un ajuste rápido del ángulo de bisel, pero solo se debe considerar como una guía. Si se requiere un ángulo de bisel muy preciso, entonces se debe comprobar el ajuste de la hoja con un calibrador angular de vernier (no suministrado) o similar y ajustarse en consecuencia.

- Suelte el mecanismo de bloqueo del bisel que se encuentra en la parte frontal de la máquina tirando de la palanca hacia arriba. **(Fig. 13)**
- Incline la hoja con el ángulo requerido como se indica en la escala del transportador de ángulos del cuadrante. **(Fig. 14)**
- Apriete el mecanismo de bloqueo del bisel de forma segura empujando la palanca hacia abajo cuando se haya logrado el ángulo de bisel deseado.

(14) CONSEJOS DE USO (COMPROBACIONES ANTES DEL USO)

Nota: Como cada entorno de uso será único y diverso, Evolution Power Tools ofrece los siguientes consejos generales acerca de los procedimientos y prácticas operativos seguros para su consideración por parte del operario.

Estos consejos no pueden ser exhaustivos, ya que Evolution no ejerce ninguna influencia en el tipo de talleres o entornos de trabajo en los que se pueden usar las máquinas.

Recomendamos al operario que pida consejo a una autoridad competente o al supervisor del taller si no está seguro de algún aspecto del uso de estas máquinas.

Es importante que se lleven a cabo las comprobaciones de seguridad rutinarias (en cada momento de uso) antes de que el operario use la máquina.

ADVERTENCIA: Estas comprobaciones previas al uso se deberían efectuar con la máquina desconectada del suministro de la red eléctrica.

- Compruebe que todas las protecciones de seguridad funcionan correctamente y que todos los mangos de ajuste y tornillos están fijados de manera segura.
- Compruebe que la hoja está encajada e instalada correctamente. Compruebe también que se trata de la hoja apropiada para el material que va a cortar.
- Compruebe la integridad del cable de alimentación.
- Siempre que sea posible, fije la pieza de trabajo a un soporte rígido como un banco o caballete de sierra o similar.
- El operario debe tener siempre en cuenta la posición y el movimiento del cable de alimentación.

(15) EPI

- El operario debe llevar todo el EPI (Equipo de Protección Individual) pertinente necesario para la tarea que vaya a realizar. Este puede incluir gafas de protección, máscaras faciales completas, mascarillas para el polvo, calzado de seguridad, etc.

Nota: Todas las máquinas de la serie CCS están equipadas con un soplador de restos en la línea de corte. Este guía el aire desde un ventilador impulsado por motor hacia la zona delantera de la hoja, manteniendo así la línea de corte relativamente libre de restos. Esta característica

ayudará a la visión del operario y seguirá el progreso de la hoja de la sierra a lo largo del corte, manteniendo cualquier línea de marcado visible.

ADVERTENCIA: Todo el polvo generado es potencialmente perjudicial para la salud. Algunos materiales pueden ser especialmente dañinos y el operario siempre debería llevar una mascarilla para el polvo apropiada para el material con el que se va a trabajar. Se debe buscar ayuda profesional si el operario no está seguro de la toxicidad potencial del material que se va a cortar.

ADVERTENCIA: Estas máquinas nunca se deben usar para cortar amianto o cualquier material que contenga, o se sospeche que contenga, amianto.

Consulte/informe a las autoridades relevantes y busque orientación adicional si se sospecha que hay contaminación de amianto.

(16) GATILLO INTERRUPTOR ON/OFF

Nota: Todas las máquinas destinadas al mercado europeo y australiano están equipadas con un interruptor de «arranque seguro» para aumentar la seguridad del operario. **(Fig.15)**

Para encender el motor:

- Pulse el botón del bloqueo de seguridad a un lado del mango con el pulgar.
- Presione el gatillo interruptor.

Para detener el motor:

- Suelte el gatillo interruptor.

ADVERTENCIA: Nunca se debería iniciar el motor con la hoja de la sierra en contacto directo con cualquier superficie de la pieza de trabajo.

Nota: Las máquinas destinadas al mercado norteamericano están equipadas con un gatillo interruptor On/Off que no incorpora un interruptor de «arranque seguro».

ADVERTENCIA: Si la sierra está «con corriente» (luz LED «On»), evite el arranque no intencionado del motor cuando se coge la máquina de un banco de trabajo o similar. Si se pulsa el gatillo interruptor ON/OFF (situado en el mango principal) cuando se coge la máquina en reposo, se hará que el motor arranque.

VÍAS DE CORTE

Las máquinas Evolution de la serie CCSX (consulte la página de especificaciones para los modelos aplicables) se han fabricado y diseñado de modo

que sean compatibles con la vía de corte.

Nota: Cualquier sierra circular que se pueda usar con una vía de corte tendrá un canal a lo largo de la superficie inferior de la placa base (**Fig. 16**). Las máquinas de Evolution equipadas así se pueden conectar y usar con la mayoría de vías de corte (guías) disponibles actualmente.

Nota: Consulte la documentación proporcionada junto con la vía por el fabricante de la vía. La documentación facilitada normalmente proporcionará las instrucciones de montaje de la vía, además de información relativa a las prácticas de trabajo seguro que se necesitan emplear al usar dicho equipo.

Las vías de corte se pueden usar en los siguientes casos:

- El uso de una sierra circular o ingletadora podría presentar problemas de salud y seguridad en el trabajo u otros problemas prácticos del lugar de trabajo. Por ejemplo, cuando se trabaja en una obra en la que se necesita un control muy justo y preciso (trabajo en un tejado o plataforma de andamio, etc.), el uso de una vía de corte puede proporcionar al usuario algunas posibilidades operativas adicionales (y seguras).
- Se requieren cortes precisos a través o a lo largo de piezas de trabajo. Por ejemplo, en marcos, puertas, tableros de gran tamaño o paneles de pared, etc. la guía/vía de corte podría eliminar la necesidad de usar una sierra circular en el modo «a mano alzada».

Nota: Las máquinas de Evolution compatibles con vía de corte tienen dos (2) levas que se proyectan en el canal de la placa base (una a cada lado). Los «botones de giro» (**Fig. 17**) permiten a los operadores rotar estas levas.

El ajuste de estas levas reducirá ligeramente la anchura efectiva del canal de la placa base. Esto podría ser necesario para acomodar cualquier pequeña variación de ancho de raíl que pueda tener lugar durante la fabricación de la extrusión de la vía. Las anchuras de los raíles de la vía producidos por diferentes fabricantes de vías también pueden presentar ligeras variaciones.

Nota: el operario debe ajustar estas levas para que cuando se coloque la máquina correctamente en una vía, se pueda mover hacia delante o hacia atrás de forma fácil y suave, pero sin detectar movimiento lateral (tambaleo).

VÍAS DE CORTE DE EVOLUTION

Algunas máquinas de Evolution (en función del modelo y el mercado de destino) se suministran con una vía de corte.

Nota: las vías de corte de Evolution están disponibles para los clientes como una opción de compra. Contacte con su proveedor de Evolution Power Tools para obtener más información.

LA VÍA

El sistema de vías de Evolution consta de dos (2) o tres (3) secciones de aleación extruida de precisión.

(**Fig. 18**) Estas secciones se deben unir mediante las barras de unión suministradas. (**Fig. 19**)

Para unir las secciones (Fig. 19):

- Deslice las barras en las ranuras en «T» que se encuentran en la superficie inferior de las extrusiones.
- Asegúrese de que se inserta la misma longitud (aproximadamente) de las barras en ambas secciones para unir las.
- Apriete los tornillos prisioneros de cabeza hueca para asegurar la unión de las secciones.

Nota: Es importante dejar un pequeño hueco entre las secciones unidas de entre 1 y 2 mm. Esto asegurará que cuando se coloque encima una sierra circular y se use con una vía de corte cruzado de Evolution, se deslice de forma fluida a lo largo de toda la longitud de la vía.

ENCARGO DE SIERRA PARA VÍA

Nota: Las siguientes directrices hacen referencia a las sierras circulares de Evolution y a la vía de corte de Evolution. Consulte la información suministrada por los fabricantes de la sierra y/o la vía de corte si se va a usar una sierra circular o vía de corte que no sea de Evolution.

Antes de usar por primera vez la vía de corte Evolution, la tira de la protección contra astillas (**Fig. 21**) debe coincidir con la sierra y la hoja.

Para emparejar la sierra con la vía:

- Monte completamente la vía de corte.
- Consulte la sección titulada «Posicionamiento y fijación de la vía». Fije la vía en una pieza apropiada de material sobrante o de desecho.
- Ajuste la hoja de la sierra con una profundidad apropiada para la pieza de trabajo de desecho seleccionada.
- Asegúrese de que no haya obstrucciones debajo del recorrido de la hoja.
- Consulte la sección «Posicionamiento y fijación de la vía». Ponga la sierra circular de forma

correcta sobre la vía.

- Encienda el motor y permita que alcance la máxima velocidad.
- Empuje la sierra circular despacio y de forma suave a lo largo de toda la longitud de la vía hasta que la hoja haya atravesado la longitud completa de la tira de protección contra astillas.

Nota: este proceso emparejará una sierra específica con una vía específica.

Si se usara una sierra diferente en dicha vía preparada, puede que la tira de protección contra astillas no proporcione el mismo nivel de protección que la sierra dedicada a la configuración de la vía.

Nota: la tira de protección contra astillas se debería considerar un artículo consumible. Con el tiempo se desgastará y erosionará y, por tanto, será necesario sustituirla. Puede que también sea necesaria la sustitución si se va a usar una sierra circular u hoja de sierra diferentes (una con un ancho de ranura diferente) a la configuración original dedicada.

TIRA DE PROTECCIÓN CONTRA ASTILLAS DE RECAMBIO

Como artículo consumible, la tira de protección contra astillas de recambio se debe comprobar a intervalos regulares en busca de daño o desgaste provocado por el «desgaste operativo». Sustituya la tira si ve cualquier daño o desgaste significativo.

Hay tiras de recambio disponibles. Consulte a su proveedor o póngase en contacto con Evolution usando el número de teléfono adecuado. La tira de protección contra astillas de recambio suministrada es un sustituto directo para la equipada originalmente. Basta con tirar suavemente de la tira antigua para retirarla de la vía y sustituirla por una tira nueva.

Nota: Si se equipa una tira nueva, se debe repetir el proceso de emparejamiento de la sierra con la vía.

MORDAZAS DE VÍA EVOLUTION (SE VENDE POR SEPARADO)

La mordaza rápida Evolution (Fig. 22) se ha diseñado especialmente para su uso con la vía de corte Evolutionk.

Nota: Se pueden comprar mordazas adicionales en Evolution Power Tools o su distribuidor local.

Las mordazas Evolution se pueden encajar en las

ranuras en T que se encuentran en la superficie inferior de las extrusiones de aleación y deslizarse a lo largo de ellas. (Fig. 23)

Esto permite al operador situar las mordazas (se requiere una en cada extremo de la vía) en posiciones que permitan la máxima seguridad y rigidez de la vía de corte para la pieza de trabajo.

POSICIONAMIENTO Y FIJACIÓN DE LA VÍA

Nota: Las siguientes directrices se proporcionan a modo de consejo. Evolution no puede controlar los entornos o condiciones de trabajo en los que se usa el equipo.

ADVERTENCIA: Si se va a usar el equipo en una obra, el operador debe consultar a la persona responsable de la salud y la seguridad en el trabajo para obtener instrucciones o requisitos de seguridad específicos «in situ» adicionales.

- Marque claramente la pieza de trabajo y, en particular, la «línea de corte» a lo largo de la cual se necesita que se desplace la hoja de la sierra.
- Monte la vía de corte con tantas secciones como sean necesarias para abarcar la pieza de trabajo, incluido el margen necesario para que sobresalga.
- Con las mordazas rápidas Evolution (la opción preferida) o mordazas «G» adecuadas, sitúe la vía sobre la pieza de trabajo y asegúrela apretando las mordazas.
- Asegúrese de que el borde de la tira de protección contra astillas se desplace exactamente a lo largo de la línea de corte marcada.

ADVERTENCIA: la vía de corte debe sobresalir de la pieza de trabajo en el extremo de «entrada». (Fig. 24)

Habrà que retraer manualmente la protección inferior de la hoja y girarla hacia arriba dentro de la protección superior de la hoja al colocar la sierra circular sobre la vía.

ADVERTENCIA: En esta posición la hoja está expuesta. **NO** presione el gatillo hasta que se hayan efectuado las siguientes comprobaciones de seguridad.

REALIZACIÓN DE UN CORTE

La realización de un corte usando una vía de corte es muy similar a un corte normal con una sierra circular. Todos los protocolos y procedimientos de seguridad que se aplican al uso de una sierra circular también se aplicarán cuando se use dicha sierra junto con una vía de corte cruzado.

Aunque no son exhaustivas, las siguientes directrices ofrecen consejos generales:

- Realice una comprobación de seguridad para asegurarse de que la vía de corte está fijada de forma segura a la pieza de trabajo y que la propia pieza de trabajo está fija y no se puede mover durante un corte.
- Compruebe para asegurarse de que no hay obstrucciones debajo de la pieza de trabajo que puedan limitar o impedir el progreso de la hoja de la sierra o ser dañadas por la hoja de la sierra.
- Asegúrese de que el cable de red eléctrica está tendido de forma que no presente peligro de tropiezo (ni de otro tipo). Compruebe en particular que el cable de red eléctrica no pueda entrar en contacto con la hoja en movimiento de la sierra.
- El operador debe asegurarse de que, al empujar la sierra a lo largo de la vía, pueda mantener una posición estable, buen equilibrio y control total en todo momento durante el corte. Se debe tener especial cuidado cuando la hoja de la sierra sale de la pieza de trabajo.

ADVERTENCIA: Especialmente si trabaja en altura (también se pueden aplicar en otras circunstancias), asegúrese de que el material de corte no puede caer y lesionar potencialmente a otra persona. Puede que el operador tenga que considerar alguna forma de contener o recoger dicho material de corte. Consulte a la persona responsable de la seguridad en la ubicación para que le proporcione orientación específica.

Nota: El operador debería considerar hacer una prueba con la sierra desconectada de la red eléctrica para confirmar que todo el procedimiento de corte será completamente seguro.

Cuando se haya completado el corte, el operador deberá soltar el gatillo interruptor ON/OFF y permitir que el motor se detenga y que la hoja se pare.

A medida que se levanta la sierra de la vía de corte y la pieza de trabajo, se desplegará automáticamente la protección inferior de la hoja para cubrir la hoja por completo.

RECOGIDA DE POLVO / RESIDUOS

Se puede equipar una boquilla adaptadora (Fig. 25) en todas las máquinas CCS. La instalación de la boquilla permite conectar la máquina a un dispositivo de recogida de polvo/residuos.

Nota: el diseño exacto de la boquilla suministrada variará en función del tipo de modelo y del mercado de destino de la máquina.

La boquilla suministrada será apta para una gran variedad de dispositivos de recogida de polvo/residuos disponibles actualmente. La boquilla se debe equipar en el puerto de expulsión del material de corte. (Fig. 26)

Nota: se puede conectar una máquina industrial de extracción de polvo/residuos en la boquilla adaptadora si fuera necesario. Siga las instrucciones del fabricante si se equipa dicha máquina y asegúrese de que pueda encargarse del material de corte expulsado.

LUZ LED

Algunas de estas máquinas (en función del modelo y el mercado de destino) están equipadas con una luz LED automática.

Nota: Si no está seguro de qué características se proporcionan con su máquina, consulte la página de especificaciones proporcionada en este manual.

La luz LED está situada en el lado izquierdo (LH) de la hoja. (Fig. 27) El rayo del LED iluminará el lado izquierdo de la hoja y también iluminará cualquier línea de marcado presente en la pieza de trabajo. Esto debería ayudar al operador a predecir el recorrido de la hoja a través de la pieza de trabajo y de este modo ayudará a realizar el trabajo de una forma más eficaz, precisa y segura..

Nota: el funcionamiento de la luz LED es automático. En cuanto la máquina esté conectada al suministro eléctrico, se activará el LED. Esto proporciona al operador una indicación visual clara de que la máquina se ha conectado correctamente al suministro eléctrico y que, por tanto, tiene corriente y está lista para empezar las operaciones de corte.

Nota: en el conjunto de la luz LED no se han incorporado piezas que requieran mantenimiento por parte del usuario y la dirección del rayo está ajustada de fábrica. La cubierta protectora de la lente se debe mantener limpia de polvo, etc. (consulte la sección de Mantenimiento) para asegurar que se mantiene el máximo brillo del rayo proyectado.

ADVERTENCIA: limpie solamente la cubierta de la lente con la máquina desconectada del suministro eléctrico y la hoja completamente inmóvil.

AYUDAS DE CORTE INTEGRALES

Todas las sierras circulares Evolution están equipadas con varias guías o ayudas de corte diseñadas para ayudar al operador a lograr cortes

precisos y rápidos de forma segura.

Nota: no todas las siguientes características aparecerán en cada máquina.

Línea de 0° y 45° de las guías de corte (Fig. 28)

En el borde delantero de la placa base de la máquina hay dos (2) muescas pequeñas, que en algunas máquinas están identificadas con un número de ángulo. Estas muescas indican la posición de la hoja al salir de la pieza de trabajo cuando se ha ajustado el ángulo de inclinación del bisel a 0° (hoja vertical) con un ángulo de 45°.

Parte delantera de la guía de la hoja (Fig. 29)

Nota: las máquinas Evolution compatibles con la vía de corte Evolution tienen una muesca situada en el borde derecho (RH) de la pieza fundida de la placa base.

Esta muesca indica la posición del borde delantero de la hoja cuando se ajusta la hoja con la máxima profundidad de corte. Esta característica se puede usar al colocar y posicionar la sierra sobre una vía de corte.

ADVERTENCIA: es importante que la protección inferior de la hoja y la hoja no toquen ninguna superficie de la pieza de trabajo durante el posicionamiento inicial de la sierra en la vía de corte.

Guías de regla (Fig. 30)

Las guías de regla están presentes en algunas sierras circulares Evolution. Están situadas a lo largo de los bordes frontales y/o laterales de la placa base.

Estas guías pueden proporcionar una posición o predicción aproximada útil de la hoja de la sierra en la pieza de trabajo.

AJUSTES ESPECIALIZADOS

Su máquina Evolution tiene muchos componentes y ajustes de precisión, la mayoría de los cuales están ajustados y configurados de fábrica para asegurar una precisión consistente a largo plazo.

Probablemente nunca será necesario el mantenimiento y ajuste de estos componentes o ajustes. Si se considera que es necesario efectuar trabajos de mantenimiento o ajustes (después de un uso considerable), Evolution recomienda ponerse en contacto con el número de teléfono de servicio técnico para obtener más consejo y orientación.

Nota: ciertos procedimientos de ajuste solo son posibles con acceso a conocimiento específico y/o equipo especializado.

(17) CONSEJOS PARA CORTAR

ADVERTENCIA: El operario siempre debe ser consciente de la posición y el movimiento del cable de alimentación. El cable se debe orientar de modo que no exista posibilidad de que la hoja entre en contacto con el cable de alimentación de red.

El cable no debe suponer un peligro de caída (o de otro tipo) para el operario ni para cualquier persona presente.

- No fuerce la máquina.
- Permita que la velocidad de la hoja haga el trabajo. No mejorará la realización de un corte aplicando fuerza excesiva en la máquina. Esto reducirá el tiempo de vida útil de la hoja.
- Al usar un carril guía paralelo, asegúrese de que está paralelo a la hoja. Puede dañar la hoja o el motor si utiliza la máquina con un ajuste incorrecto del carril guía paralelo.
- Coloque el borde frontal de la placa base directamente sobre la pieza de trabajo. Antes de encender el motor, asegúrese de que la hoja no está en contacto con la pieza de trabajo.
- Cuando inicie un corte, tenga cuidado de introducir la hoja en el material lentamente para no dañar los dientes de la hoja.

Nota: En el borde frontal de la placa base de la máquina CCSL hay dos (2) líneas de corte guía (solo para ángulos de bisel de 0° y 45°).

- Utilice las dos manos para mover la sierra hacia delante a través de la pieza de trabajo.
- Aplique presión suave y constante para mover la sierra hacia delante a través de la pieza de trabajo.

Nota: Todas las máquinas de la serie CCS tienen una protección inferior automática de la hoja con un borde delantero de guía con una forma especial. Esta característica asegura que la protección de la hoja se retraiga con suavidad y sin esfuerzo cuando la hoja de la máquina penetra en la pieza de trabajo. A medida que la hoja sale de la pieza de trabajo, la protección inferior de la hoja regresará automáticamente a su posición normal cubriendo la hoja completamente.

Nota: En algunas ocasiones, por ejemplo al hacer un corte de inmersión en una pared o suelo, etc., puede ser ventajoso retraer manualmente la protección inferior de la hoja.

Se proporciona una palanca operada mediante el pulgar en la protección inferior de la hoja. Un operario puede retraer la protección de la hoja manualmente con cuidado, o bien en su totalidad o en parte, permitiendo realizar cortes de inmersión.

ADVERTENCIA: Si se retrae la protección de la hoja manualmente, hay que tener mucho cuidado para asegurar que la mano y los dedos de los operarios no tocan ninguna parte de la hoja de la máquina.

Cuando se ha completado un corte:

- Suelte el gatillo interruptor ON/OFF.
- Permita que la hoja se detenga completamente.
- Retire la máquina de la pieza de trabajo, permitiendo que la protección de la hoja vuelva a su posición normal cubriendo la hoja.

ADVERTENCIA: Si el motor se apaga o se cala mientras intenta realizar un corte suelte el gatillo interruptor de inmediato. Desconecte la máquina del suministro eléctrico y retire la máquina de la pieza de trabajo. Investigue la causa del problema y rectifíquela si es posible. Intente reiniciar el motor solamente si está completamente seguro de que es seguro hacerlo.

PUERTO DE EXPULSIÓN DEL MATERIAL DE CORTE

ADVERTENCIA: no use el saco captapolvo ni el adaptador del puerto de polvo al cortar materiales metálicos, incluyendo madera con clavos.

(18) MANTENIMIENTO Y AJUSTES

Se puede ajustar la posición (vertical de la hoja) de 0°.

ADVERTENCIA: Se debe desconectar la máquina de la red eléctrica al intentar este procedimiento.

Para comprobar la posición de 0°:

- Ponga la hoja en la posición de 0° con el mecanismo de inclinación contra su parada.
- Compruebe la hoja respecto a la placa base usando una escuadra de precisión de ingeniero (no suministrada). Asegúrese de evitar las puntas de TCT de los dientes. La hoja debería tener exactamente un ángulo de 90° respecto a la placa base.

Nota: Se debe girar (manualmente) hacia arriba la protección inferior de la hoja dentro de la protección superior de la hoja. Esto ayudará a posicionar de forma precisa la escuadra de ingeniero y al proceso de comprobación. Si se requiere el ajuste:

R165CCSL y 185CCS

Gire el tornillo de ajuste (**Fig. 31**) en sentido horario o antihorario mediante una llave hexagonal de 4mm (no suministrada) hasta que la hoja esté con un ángulo de exactamente 90°

respecto a la placa base.

R185CCSX y 185CCSX+

Gire los tornillos de ajuste (**Fig. 32**) en sentido horario o antihorario mediante una llave hexagonal de 3 mm (no suministrada) hasta que la hoja esté con un ángulo de exactamente 90° respecto a la placa base.

Para comprobar la posición de 45° (R185CCSX y 185CCSX+):

- Ponga la hoja en la posición de 45° con el mecanismo de inclinación contra su parada.
- Compruebe la hoja respecto a la placa base usando una escuadra de precisión de ingeniero (no suministrada). Asegúrese de evitar las puntas de TCT de los dientes. La hoja debería tener exactamente un ángulo de 45° respecto a la placa base.

Gire los tornillos de ajuste (**Fig. 33**) en sentido horario o antihorario mediante una llave hexagonal de 3 mm (no suministrada) hasta que la hoja esté con un ángulo de exactamente 45° respecto a la placa base.

(19) COMPROBACIÓN/RECAMBIO DE LAS ESCOBILLAS DE CARBÓN

ADVERTENCIA: Desconecte la máquina de la fuente de alimentación antes de comprobar o sustituir las escobillas de carbón.

Nota: Cambie ambas escobillas de carbón si alguna de ellas tiene menos de 6 mm de carbón restante, o si el muelle o cable está dañado o quemado.

Para retirar las escobillas:

- Desenrosque los tapones de plástico situados en la parte trasera de la carcasa del motor. (**Fig. 34**) Tenga cuidado, ya que los tapones están colocados a presión.
- Retire las escobillas con sus muelles.
- Si es necesario cambiarlas, coloque escobillas nuevas y sustituya los tapones.

Nota: Las escobillas usadas que aún pueden utilizarse se pueden sustituir, pero solo si vuelven a colocarse en la misma posición y se colocan de la misma manera que cuando se retiraron de la máquina.

- Haga funcionar el motor de la máquina sin carga durante aproximadamente 5 minutos. Esto ayudará a «asentar» las nuevas escobillas y asegurará que el motor funcione de forma eficiente.
- Puede que se vean algunas chispas hasta que las escobillas se asienten completamente.

(20) MANTENIMIENTO GENERAL Y LIMPIEZA

Nota: cualquier actividad de mantenimiento se debe llevar a cabo con la máquina apagada y desconectada de la red de suministro de energía.

- Compruebe que todas las características de seguridad y las protecciones están funcionando correctamente de forma regular. Solo utilice esta máquina si las protecciones o características de seguridad funcionan por completo.
- Todos los cojinetes del motor de estas máquinas están lubricados de forma permanente. No es necesario volver a lubricarlos.

Utilice un paño limpio y ligeramente húmedo para limpiar las partes de plástico de la máquina. No utilice disolventes ni productos similares que podrían dañarlos.

Elimine el polvo u otros contaminantes de la cubierta de la lente del módulo LED.

ADVERTENCIA: No intente limpiar introduciendo objetos puntiagudos a través de las aberturas de las cubiertas de las máquinas, etc. Los conductos de ventilación se deben limpiar con aire comprimido seco.

Nota: El operario debe llevar todo el EPI necesario al usar aire seco comprimido como medio de limpieza.

(21) PROTECCIÓN MEDIOAMBIENTAL

Los productos eléctricos no se deben tirar con la basura doméstica. Recicle en los sitios destinados para este fin. Consulte con la autoridad local o el minorista para obtener información sobre el reciclaje.



DECLARACIÓN DE CONFORMIDAD DE LA CE



El fabricante del producto cubierto por esta declaración es el siguiente:

UK: Evolution Power Tools Ltd, Venture One, Longacre Close, Holbrook Industrial Estate, Sheffield, S20 3FR.
FR: Evolution Power Tools SAS, 61 Avenue Lafontaine, 33560, Carbon-Blanc, Bordeaux, France.

El fabricante declara que la máquina, tal como se detalla en la presente declaración, cumple todas las disposiciones pertinentes de la Directiva de Máquinas y otras directivas apropiadas, como se detalla en continuación.

El fabricante declara además, que la máquina, según se indica detalladamente en la presente declaración, en los casos en los que sea aplicable, cumple con las disposiciones pertinentes sobre los requisitos esenciales de seguridad y salud.

Las Directivas incluidas en esta declaración son las que se detallan a continuación:

2006/42/CE.	Directiva de máquinas.
2014/30/UE.	Directiva de Compatibilidad Electromagnética.
2011/65/EU. & 2015/863/EU.	Directiva sobre las restricciones a la utilización de determinadas sustancias peligrosas en aparatos eléctricos y electrónicos.
2012/19/UE.	La directiva de Residuos de Aparatos Eléctricos y Electrónicos (WEEE).

Y está en conformidad con los requisitos aplicables de los siguientes documentos:

EN 62841-1:2015 • EN62841-2-5:2014 • EN 55014-1:2017+A11:2020 • EN 55014-2:2015 • EN 61000-3-2: 2014(220-240V models) • EN IEC 61000-3-2:2019(220-240V models) • EN 61000-3-3:2013+A1:2019(only 026-0001) • EN 61000-3-11: 2000 (220-240V models except 026-0001)

Detalles del producto

Descripción:	Sierra circular R165CCSL 165 mm (6-1/2")
N.º de modelo:	026-0001 / 026-0002 / 026-0003
Descripción:	Sierra circular R185CCS 185 mm (7-1/4")
N.º de modelo:	027-0001C / 027-0002C / 027-0003C
Descripción:	Sierra circular R185CCSX 185 mm (7-1/4")
N.º de modelo:	027-0001 / 027-0002 / 027-0003
Descripción:	Sierra circular R185CCSX+ 185 mm (7-1/4")
N.º de modelo:	027-0001A / 027-0002A / 027-0003A
Marca comercial:	EVOLUTION POWER TOOLS LIMITED
Voltajes:	220-240 V / 110V ~ 50 Hz
Entrada:	R165CCSL - 1 200 W R185CCS, R185CCSX & R185CCSX+ - 1600 W

La documentación técnica necesaria para demostrar que el producto cumple con los requisitos de la directiva se ha elaborado y está disponible para su inspección por las autoridades pertinentes, y verifica que nuestro archivo técnico contiene los documentos enumerados anteriormente y que estas son las regulaciones normales para el producto, como se detalla antes.

Nombre y dirección del titular de la documentación técnica.

Firmado:  Impresión: Barry Bloomer
 Fecha: Director de adquisiciones y cadena de suministro
 01/06/2018

UK: Evolution Power Tools Ltd, Venture One, Longacre Close, Holbrook Industrial Estate, Sheffield, S20 3FR.
FR: Evolution Power Tools SAS, 61 Avenue Lafontaine, 33560, Carbon-Blanc, Bordeaux, France.

(1.2) INTRODUCTION**IMPORTANT**

Veuillez lire attentivement ces consignes de fonctionnement et de sécurité dans leur intégralité.

Pour votre propre sécurité, si vous avez des doutes concernant un aspect de l'utilisation de cet appareil, veuillez contacter l'assistance technique appropriée dont le numéro se trouve sur le site Internet d'Evolution Power Tools. Nous assurons différentes lignes d'assistance téléphoniques au sein de notre organisation à l'échelle mondiale, mais de l'aide technique est également disponible auprès de votre fournisseur.

(1.3) CONTACT :

Site internet : www.evolutionpowertools.com

RU/UE/AUS : customer.services@evolutionpowertools.com

USA : evolutioninfo@evolutionpowertools.com

(1.4) GARANTIE

Félicitations pour votre achat d'un appareil d'Evolution Power Tools. Veuillez réaliser l'enregistrement de votre produit « en ligne » comme expliqué dans le dépliant d'enregistrement fourni avec cette machine. Cela vous permettra de valider la période de garantie de la machine via le site Internet d'Evolution en saisissant vos coordonnées, et garantir ainsi un service rapide si nécessaire.

Nous vous remercions sincèrement d'avoir choisi un produit Evolution Power Tools.

PARTICULARITÉS

SPÉCIFICATIONS DE LA MACHINE	ÉTATS-UNIS			
	R165CCSL	R185CCS	R185CCSX	R185CCSX+
N° du modèle :	026-0004	027-0004	027-0004C	027-0004A
Moteur UE (220-240 V ~ 50 Hz)				
Moteur RU (110 V ~ 50 Hz)				
Moteur USA (120 V ~ 60 Hz)	10A	15 A	15A	15 A
Vitesse à vide (220-240 V)				
Vitesse à vide (110 V et 120 V)	3900 min ⁻¹ / rpm	3 700 min ⁻¹ / tpm	3700 min ⁻¹ / tpm	3 700 min ⁻¹ / tpm
Poids	9,5 lb	10,8 lb	11,2 lb	11,2 lb
Angle du biseau de la lame max.	45°	60°	45°	45°
Longueur du cordon d'alimentation	10 ft	13 ft	13 ft	13 ft
Type de base de la scie circulaire	Acier pressé	Aluminium coulé	Aluminium coulé	Aluminium coulé
Compatible avec les guides de découpe			✓	✓

CAPACITÉS DE COUPE	R165CCSL	R185CCS	R185CCSX	R185CCSX+
Plaque en acier doux (épaisseur max.)	1/8"	1/4"	1/4"	1/4"
Structure carrée en acier doux (épaisseur max. du mur)	1/8"	1/4"	1/4"	1/4"
Épaisseur de coupe max. (0°)	2-3/32"	2-1/2"	2-1/2" (2-5/16" avec guide)	2-1/2" (2-5/16" avec guide)
Épaisseur de coupe max. (45°)	1-11/32"	1-9/16"	1-13/16" (1-5/8" avec guide)	1-13/16" (1-5/8" avec guide)
Épaisseur de coupe max. (60°)		1"		

CARACTÉRISTIQUES DE LA LAME	R165CCSL	R185CCS	R185CCSX	R185CCSX+
Diamètre de la lame	Ø 6-1/2"	Ø 7-1/4"	Ø 7-1/4"	Ø 7-1/4"
Nombre de dents	14	20	16	20
Diamètre d'alésage	25/32"	25/32"	25/32"	25/32"
Trait de coupe	1,7mm	1,7 mm	1,7mm	1,7 mm

NIVEAUX SONORES ET VIBRATOIRES	R165CCSL	R185CCS	R185CCSX	R185CCSX+
Niveau de pression acoustique L _{pa}	92,4dB(A) K=3dB(A)	94,3dB(A) K=3 dB(A)	94,3dB(A) K=3 dB(A)	94,3dB(A) K=3 dB(A)
Niveau d'intensité acoustique I _{wa}	103,4dB(A) K=3dB(A)	105,3dB(A) K=3 dB(A)	105,3dB(A) K=3 dB(A)	105,3dB(A) K=3 dB(A)
Vibration - poignée principale (sciage du bois)	a _{hw} = 2,747m/s ²	a _{hw} = 3,347m/s ²	a _{hw} = 3,347m/s ²	a _{hw} = 3,347m/s ²
Vibration - poignée auxiliaire (sciage du bois)	a _{hw} = 2,619m/s ²	a _{hw} = 3,119m/s ²	a _{hw} = 3,119m/s ²	a _{hw} = 3,119m/s ²
Vibration - poignée principale (sciage du métal)	a _{hm} = 2,302m/s ²	a _{hm} = 3,572m/s ²	a _{hm} = 3,572m/s ²	a _{hm} = 3,572m/s ²
Vibration - poignée auxiliaire (sciage du métal)	a _{hm} = 2,239m/s ²	a _{hm} = 3,241m/s ²	a _{hm} = 3,241m/s ²	a _{hm} = 3,241m/s ²
Uncertainty K	1,5m/s ²	1,5m/s ²	1,5m/s ²	1,5m/s ²

ARTICLES FOURNIS	R165CCSL	R185CCS	R185CCSX	R185CCSX+
Lame TCT multi-matériaux	✓	✓	✓	✓
Clé hexagonale (changement de lame)	✓	✓	✓	✓
Guide parallèle	✓	✓	✓	✓
Adaptateur du port à poussières	✓	✓	✓	✓
Raccord du tuyau à poussières	✓	✓	✓	✓
Boîte de transport				✓
Guide de coupe (340 mm x3)			✓	
Barre et vis du raccord (x4)			✓	
Voyant LED		✓		✓

RU / UE / AUS			
R165CCSL	R185CCS	R185CCSX	R185CCSX+
026-0001 / 026-0002 / 026-0003	027-0001C / 027-0002C / 027-0003C	027-0001 / 027-0002 / 027-0003	027-0001A / 027-0002A / 027-0003A
1 200 W	1 600 W	1 600 W	1 600 W
1 200 W	1 600 W	1 600 W	1 600 W
3 700 min ⁻¹ / tpm	3 900 min ⁻¹ / tpm	3 900 min ⁻¹ / tpm	3 900 min ⁻¹ / tpm
3 700 min ⁻¹ / tpm	3 700 min ⁻¹ / tpm	3 700 min ⁻¹ / tpm	3 700 min ⁻¹ / tpm
4,3 kg	4,9 kg	5,1 kg	5,1 kg
45°	60°	45°	45°
3 m	3 m	3 m	4 m
Acier pressé	Aluminium coulé	Aluminium coulé	Aluminium coulé
		✓	✓

R165CCSL	R185CCS	R185CCSX	R185CCSX+
3 mm	6 mm	3 mm	6 mm
3 mm	6 mm	3 mm	6 mm
53 mm	64 mm	64 mm (59 mm avec guide)	64 mm (59 mm avec guide)
34 mm	40 mm	47 mm (42 mm avec guide)	47 mm (42 mm avec guide)
	24 mm		

R165CCSL	R185CCS	R185CCSX	R185CCSX+
Ø 165 mm	Ø 185 mm	Ø 185 mm	Ø 185 mm
14	20	16	20
20 mm	20 mm	20 mm	20 mm
1,7 mm	1,7 mm	1,7 mm	1,7 mm

R165CCSL	R185CCS	R185CCSX	R185CCSX+
92,4dB(A) K:3dB(A)	94,3dB(A) K=3 dB(A)	94,3dB(A) K=3 dB(A)	94,3dB(A) K=3 dB(A)
103,4dB(A) K:3dB(A)	105,3dB(A) K=3 dB(A)	105,3dB(A) K=3 dB(A)	105,3dB(A) K=3 dB(A)
$a_{h,w} = 2,747m/s^2$	$a_{h,w} = 3,347m/s^2$	$a_{h,w} = 3,347m/s^2$	$a_{h,w} = 3,347m/s^2$
$a_{h,w} = 2,619m/s^2$	$a_{h,w} = 3,119m/s^2$	$a_{h,w} = 3,119m/s^2$	$a_{h,w} = 3,119m/s^2$
$a_{h,M} = 2,302m/s^2$	$a_{h,M} = 3,572m/s^2$	$a_{h,M} = 3,572m/s^2$	$a_{h,M} = 3,572m/s^2$
$a_{h,M} = 2,239m/s^2$	$a_{h,M} = 3,241m/s^2$	$a_{h,M} = 3,241m/s^2$	$a_{h,M} = 3,241m/s^2$
1,5m/s ²	1,5m/s ²	1,5m/s ²	1,5m/s ²

R165CCSL	R185CCS	R185CCSX	R185CCSX+
✓	✓	✓	✓
✓	✓	✓	✓
✓	✓	✓	✓
✓	✓	✓	✓
✓	✓	✓	✓
			✓
		✓	
		✓	
			✓

VIBRATION

(1.5) **Remarque :** La mesure des vibrations a été effectuée dans des conditions standard conformément à : EN 62841-1 : 2015, EN 62841-2-5 : 2014

Avertissement : Portez des protections auditives !

La valeur de vibrations totale déclarée a été mesurée conformément à une méthode d'essai standard et peut être utilisée pour comparer un outil avec un autre.

La valeur totale des vibrations déclarée peut également être utilisée lors d'une évaluation préliminaire d'exposition.

(1.6) **AVERTISSEMENT :** Lors de l'utilisation de cette machine, l'opérateur peut être exposé à de hauts niveaux de vibrations transmises à sa main et à son bras.

Il se peut que l'opérateur développe le syndrome de Raynaud. Ce syndrome peut diminuer la sensibilité de la main à la température et provoquer un engourdissement général. Les personnes utilisant cette machine de manière régulière ou prolongée doivent surveiller attentivement l'état de leurs mains et de leurs doigts. Si l'un des symptômes devient apparent, consultez immédiatement un médecin.

La mesure et l'évaluation de l'exposition de l'être humain aux vibrations transmises par les mains en milieu professionnel sont précisées dans les normes suivantes :

EN 62841-1 et EN 62841-2-5

- Plusieurs facteurs peuvent influencer le niveau de vibration effectif lors de l'utilisation, comme l'état et l'orientation des surfaces de travail et le type et l'état de la machine utilisée. Avant chaque utilisation, vous devez évaluer de tels facteurs et si possible, adopter des pratiques professionnelles appropriées. La gestion de ces facteurs peut aider à réduire les effets des vibrations :

Manipulation

- Manipulez la machine avec soin en lui laissant faire le travail.
- Évitez les efforts physiques excessifs sur toutes les commandes de la machine.
- Prenez en considération votre sécurité et

votre stabilité ainsi que l'orientation de la machine durant son utilisation.

Surface de travail

- Prenez en compte la matière de la surface de travail, son état, sa densité, sa résistance, sa rigidité et son orientation.

AVERTISSEMENT : L'émission de vibrations durant l'utilisation effective de l'outil électrique peut différer de la valeur totale déclarée en fonction de la manière dont l'outil est utilisé.

Il est nécessaire d'identifier les mesures de sécurité à adopter et de protéger l'opérateur en fonction d'une estimation de l'exposition dans les conditions effectives d'utilisation (en tenant compte de toutes les étapes du cycle d'opération, par exemple lorsque l'outil est mis à l'arrêt, lorsqu'il tourne au ralenti, en plus du déclenchement).

(1.7) **ÉTIQUETTES ET SYMBOLES**

AVERTISSEMENT : N'utilisez pas cette machine si les étiquettes d'avertissement et/ou d'instructions sont manquantes ou endommagées. Contactez Evolution Power Tools pour le remplacement des étiquettes.

Remarque : Tous les symboles suivants ou certains d'entre eux peuvent apparaître dans le manuel ou sur le produit.

(1.8)

Symbole	Description
V	Volts
A	Ampères
Hz	Hertz
Min ⁻¹ / TPM	Vitesse
~	Courant alternatif
n ₀	Vitesse à vide
	Portez des lunettes de sécurité
	Portez des protections auditives
	Portez des protections contre la poussière
	Lire les instructions
	Double isolation
	Certification CE
	Certification ETL
	Déchets d'équipements électriques et électroniques
	Triman - Collecte et recyclage des déchets
	Avertissement
	(RCM) Regulatory Compliance Mark (marque de conformité légale) pour les équipements électriques et électroniques. Norme australienne/ néo-zélandaise

(1.9) USAGE PRÉVU POUR CET OUTIL ÉLECTRIQUE

AVERTISSEMENT : Ce produit est une scie circulaire à commande manuelle conçue pour fonctionner avec des lames Evolution spécifiques. Utilisez uniquement des accessoires conçus pour l'utilisation avec cette machine et/ ou ceux spécifiquement recommandés par Evolution Power Tools Ltd.

Lorsqu'elle est équipée d'une lame appropriée, cette machine peut être utilisée pour découper : **de l'acier doux, de l'aluminium, du bois**

Remarque : Couper de l'acier galvanisé peut réduire la durée de vie de la lame.

(1.10) USAGES PROSCRITS POUR CET OUTIL ÉLECTRIQUE

AVERTISSEMENT : Ce produit est une scie circulaire à commande manuelle et doit être utilisé uniquement en tant que tel. Il ne doit en aucun cas être modifié ou utilisé pour alimenter tout autre appareil ou entraîner tout accessoire autre que ceux mentionnés dans le présent manuel d'instructions.

(1.11) AVERTISSEMENT : Cette machine n'est pas conçue pour être utilisée par des personnes (y compris les enfants) dont les capacités physiques, sensorielles ou mentales sont réduites, ou dénuées d'expérience ou de connaissances, sauf si elles ont pu bénéficier, par l'intermédiaire d'une personne responsable de leur sécurité et capable d'utiliser la machine en sécurité, d'une surveillance ou d'instructions préalables concernant l'utilisation de la machine.

Les enfants doivent être surveillés pour garantir qu'ils n'aient pas accès à cette machine et qu'ils ne soient pas autorisés à jouer avec.

(1.12) SÉCURITÉ ÉLECTRIQUE

Cette machine est équipée de la fiche moulée et du câble électrique adéquats pour le marché désigné. Si le cordon d'alimentation est endommagé, il doit être remplacé par un cordon spécifique disponible auprès du fabricant ou de son agent de maintenance.

(1.13) UTILISATION EN EXTÉRIEUR

AVERTISSEMENT : Si vous utilisez cet outil en extérieur, ne l'exposez pas à la pluie et ne l'utilisez pas dans des lieux humides pour assurer votre protection. Ne placez pas l'outil sur des surfaces humides. Utilisez un établi sec et propre, si possible. Pour une protection supplémentaire, utilisez un dispositif de courant différentiel résiduel (DCR) qui interrompra l'alimentation si le courant de fuite vers la terre excède 30 mA pour 30 ms. Vérifiez toujours le bon fonctionnement du dispositif différentiel résiduel (DCR) avant d'utiliser la machine.

Si vous devez utiliser une rallonge, celle-ci doit convenir à l'utilisation en extérieur et cette mention doit figurer sur l'étiquette. Les instructions du fabricant doivent être respectées lors de l'utilisation d'une rallonge.

(2.1) CONSIGNES GÉNÉRALES DE SÉCURITÉ

(Ces consignes générales de sécurité pour les outils électriques sont telles que spécifiées dans EN 62841-1: 2015).

AVERTISSEMENT : Lisez tous les avertissements de sécurité et les instructions. Le non-respect des avertissements et des instructions peut causer des électrocutions, des incendies et/ou des blessures graves.

Conservez tous les avertissements de sécurité et toutes les instructions pour future référence. Le terme « outil électrique » dans les avertissements fait référence aux outils électriques fonctionnant sur secteur (avec fil) ou sur batterie (sans fil).

(2.2) 1) Avertissements généraux de sécurité des outils électriques [sécurité de l'aire de travail]

a) L'espace de travail doit être propre et suffisamment éclairé.

Les espaces sombres et encombrés sont propices aux accidents.

b) Ne mettez pas en marche votre outil électrique dans un environnement explosif, ou en présence de liquide inflammable, de gaz ou de poussière. Les outils électriques produisent des étincelles qui peuvent faire enflammer la poussière ou les vapeurs.

c) Tenez les enfants et les autres personnes présentes éloignés lorsque vous utilisez un

outil électrique. Les distractions peuvent causer une perte de contrôle.

(2.3) 2) Avertissements généraux de sécurité des outils électriques [sécurité électrique]

a) Les fiches des outils électriques doivent correspondre à la prise secteur utilisée. Ne modifiez jamais la fiche, de quelque façon que ce soit. N'utilisez jamais d'adaptateurs de fiche avec des outils reliés à la terre. Les fiches et prises non modifiées réduisent le risque d'électrocution.

b) Évitez tout contact du corps avec des surfaces reliées à la terre, telles que tuyaux, radiateurs, cuisinières et réfrigérateurs. Le risque d'électrocution est accru si votre corps est relié à la terre.

c) N'exposez pas les outils électriques ni à la pluie ni à l'humidité. La pénétration d'eau dans ces outils accroît le risque d'électrocution.

d) Ne maltraitez pas le cordon d'alimentation. N'utilisez jamais le cordon d'alimentation pour transporter l'outil et ne débranchez jamais l'appareil en tirant sur le cordon. Gardez le cordon à l'écart de la chaleur, de l'huile, d'objets tranchants et des pièces en mouvement. Un cordon endommagé ou emmêlé accroît le risque de choc électrique.

e) Pour les travaux à l'extérieur, utilisez un cordon spécialement conçu à cet effet.

L'utilisation d'un cordon conçu pour l'usage extérieur réduit le risque d'électrocution.

f) Si le fonctionnement de l'outil électrique dans des endroits humides est inévitable, utilisez une prise protégée par un dispositif de courant différentiel résiduel (DCR).

L'utilisation d'un dispositif différentiel résiduel réduit le risque de choc électrique.

(2.4) 3) Avertissements généraux de sécurité des outils électriques [sécurité personnelle].

a) Restez attentif, prêtez attention au travail que vous êtes en train d'effectuer et faites preuve de bon sens lors de l'utilisation de tout outil électrique. N'utilisez pas d'outil électrique en état de fatigue ou sous l'influence de l'alcool, de drogues ou de médicaments. Un moment d'inattention pendant l'utilisation d'un outil électrique peut entraîner des blessures graves.

b) Utilisez un équipement de protection individuel. Portez toujours une protection oculaire. Des équipements de protection tels que les masques anti-poussière, les chaussures de sécurité anti-dérapantes, les casques ou les protections acoustiques utilisés dans les conditions appropriées réduiront le risque de blessures.

c) Prévenez les démarrages imprévisibles. Assurez-vous que l'interrupteur est en position d'arrêt avant de brancher l'outil à une prise secteur et/ou un bloc-piles, de ramasser ou de transporter l'outil. Le fait de porter un outil électrique avec le doigt sur son interrupteur ou de brancher un outil dont l'interrupteur est en position de marche peut causer un accident.

d) Retirez les clés de réglage ou les clés à écrou du boulon de lame avant de mettre l'outil en marche. Un outil ou une clé laissé sur une pièce rotative d'un outil électrique pourrait causer de graves dommages corporels.

e) Ne travaillez pas hors de portée. Gardez un bon appui et un bon équilibre à tout moment. Ceci permettra de mieux contrôler l'outil en cas de situation imprévue.

f) Portez une tenue appropriée. Ne portez ni vêtements amples, ni bijoux. Gardez les cheveux, les vêtements et les gants à l'écart des pièces en mouvement. Les vêtements amples, les bijoux et les cheveux longs peuvent se prendre dans les pièces en mouvement.

g) Si les outils sont équipés de dispositifs de dépoussiérage, assurez-vous qu'ils sont connectés et correctement utilisés. L'usage de ces dispositifs de collecte des poussières peut réduire les dangers présentés par la poussière.

h) Ne soyez pas trop sûr de vous et n'ignorez pas les précautions de sécurité d'un outil à cause de la familiarité acquise avec son utilisation fréquente. Toute action imprudente risque d'entraîner de graves blessures en une fraction de seconde.

(2.5) 4) Avertissements généraux de sécurité des outils électriques [utilisation et entretien des outils électriques].

a) Ne forcez pas sur l'outil électrique. Utilisez l'outil approprié pour le travail. Un outil approprié exécutera le travail mieux et de façon moins dangereuse s'il est utilisé dans les limites prévues.

b) N'utilisez pas l'outil électrique si l'interrupteur ne permet pas de le mettre en

marche ou de l'arrêter. Un outil électrique qui ne peut pas être contrôlé par son interrupteur est dangereux et doit être réparé.

c) Débranchez l'outil de sa source électrique avant d'effectuer des réglages, de changer les accessoires ou de ranger l'outil. Ces mesures de sécurité préventives réduisent les risques de démarrage accidentel de l'outil.

d) Lorsque vous avez fini de vous en servir, rangez les outils électriques hors de portée des enfants et empêchez les personnes qui ne connaissent pas l'outil électrique ou les présentes instructions de l'utiliser. Les outils électriques sont dangereux lorsqu'ils sont utilisés par des personnes non initiées.

e) Entretenez les outils électriques. Vérifiez l'alignement ou l'attache des pièces mobiles, la rupture des pièces mobiles et toute autre condition susceptible de nuire au bon fonctionnement de l'outil électrique. En cas de dommages, faites réparer l'outil avant de l'utiliser de nouveau. Beaucoup d'accidents sont causés par des outils électriques mal entretenus.

f) Gardez les outils de coupe bien affûtés et propres. Des outils de coupe correctement entretenus et dont les tranchants sont bien affûtés risquent moins de se bloquer et sont plus faciles à contrôler.

g) Utilisez l'outil, les accessoires et les embouts, etc., conformément à ces instructions pour les applications pour lesquelles ils sont conçus, en tenant compte des conditions et du type de travail à exécuter. L'usage d'un outil électrique à d'autres fins que celles prévues peut entraîner des situations dangereuses.

h) Faites en sorte que les poignées et les surfaces de prises soient toujours sèches, propres et dénuées d'huile ou de graisse. Des poignées ou des surfaces de prises glissantes ne permettent pas la manipulation et le contrôle de l'outil en toute sécurité lors de situations imprévues.

(2.6) 5) Avertissements généraux de sécurité des outils électriques [réparation]

a) Les réparations doivent être confiées à un technicien qualifié, utilisant exclusivement des pièces identiques à celles d'origine. Ceci assurera le maintien de la sécurité de l'appareil.

(2.7) CONSEILS DE SANTÉ

AVERTISSEMENT : Lors de l'utilisation de cette machine, des particules de poussière peuvent être engendrées. Dans certains cas, en fonction des matériaux avec lesquels vous travaillez, cette poussière peut se révéler particulièrement néfaste. Si vous suspectez que la peinture à la surface du matériau que vous souhaitez couper contient du plomb, demandez les conseils d'un professionnel. Les peintures au plomb doivent être retirées uniquement par un professionnel. Vous ne devez pas tenter de les retirer vous-même. Une fois que la poussière s'est déposée sur les surfaces, un contact entre la main et la bouche peut donner lieu à l'ingestion de plomb. L'exposition au plomb, même en faible quantité, est susceptible de provoquer des lésions irréversibles du cerveau ou du système nerveux. Les jeunes enfants et les enfants à naître sont particulièrement vulnérables. Il est conseillé de considérer les risques associés aux matériaux avec lesquels vous travaillez et de réduire les risques d'exposition.

Certains matériaux pouvant engendrer des poussières potentiellement dangereuses pour votre santé, nous vous conseillons d'utiliser un masque agréé avec des filtres interchangeables lors de l'utilisation de cette machine.

Vous devriez toujours :

- Travailler dans un endroit bien aéré.
- Travaillez en portant un équipement de protection agréé tel que des masques anti-poussière spécialement conçus pour filtrer les particules microscopiques.

(2.8) **AVERTISSEMENT :** lors de l'utilisation de tout outil électrique, des corps étrangers risquent d'être projetés vers vos yeux, risquant de les endommager gravement. Avant de commencer à utiliser un outil électrique, portez toujours des lunettes de protection munies d'écrans latéraux ou un masque facial intégral si nécessaire.

CONSIGNES DE SÉCURITÉ POUR TOUTES LES SCIES [Procédures de coupes]

a) DANGER : N'approchez pas vos mains de la zone de coupe ou de la lame. Gardez votre seconde main sur la poignée auxiliaire, ou sur le boîtier moteur. Si vos deux mains tiennent la scie, elles ne peuvent pas être coupées par la lame.

b) Ne placez pas vos mains sous la pièce usinée. Le carter ne peut pas vous protéger de la lame sous la pièce usinée.

c) Adaptez la profondeur de la coupe à l'épaisseur de la pièce usinée. Les dents de la lame ne doivent pas entièrement dépasser sous la pièce usinée.

d) Ne tenez jamais la pièce à usiner dans vos mains ou entre vos jambes pendant la coupe. Sécurisez la pièce à usiner avec un support stable. Il est important de soutenir la pièce correctement pour réduire les risques d'accident corporel, de grippage de la lame ou de perte de contrôle.

e) Tenez l'appareil électrique par les surfaces de prises isolées lorsqu'il est susceptible d'entrer en contact avec des câbles cachés ou son propre cordon d'alimentation.

Tout contact avec un câble « sous tension » entraînerait une « mise sous tension » des parties métalliques exposées de l'outil et l'électrocution de l'opérateur.

f) Lors d'un sciage, utilisez toujours un guide de refend ou longitudinal. Cela augmente la précision de la coupe et réduit les risques de grippage de la lame.

g) Utilisez toujours des lames aux bonnes dimensions et de forme adaptée (en losange contre circulaire) ou des alésages. Les lames qui ne sont pas adaptées au système de montage de la scie fonctionneront de manière excentrée ce qui engendrera une perte de contrôle.

h) N'utilisez jamais de rondelles de lame ou de boulons de lame endommagés ou inadaptés. Les boulons et rondelles de lame ont été spécialement conçus pour votre scie afin d'assurer des performances optimales et la sécurité lors de son utilisation.

(3.2) [Causes des effets de recul et comment les éviter]

L'effet de recul se traduit par une réaction soudaine à un coincement, un blocage ou un mauvais alignement de la lame qui soulève la scie et libère la lame de la pièce à usiner en direction de l'utilisateur ;

La lame peut se coincer ou se bloquer fermement lorsque le trait de scie se resserre. Si cela se produit, la lame cale et le moteur réagit en repoussant rapidement l'appareil vers l'opérateur ;

Si la lame se tord ou dérive de l'alignement de la coupe, les dents situées sur le tranchant arrière de la lame peuvent s'enfoncer dans la surface supérieure du bois, éjectant ainsi la lame du trait de scie vers l'opérateur.

(3.3) L'effet de recul résulte d'une mauvaise utilisation de la scie et/ou du non-respect des procédures ou conditions d'utilisation et peut être évité en prenant les précautions adéquates indiquées ci-dessous.

a) Tenez fermement la scie avec vos deux mains et positionnez vos bras de façon à résister aux forces de l'effet de recul.

Placez-vous sur l'un des côtés de la lame, mais pas dans son alignement. Même si l'effet de recul peut entraîner l'éjection de la lame vers l'arrière, il peut être contrôlé par l'utilisateur si les précautions adéquates sont prises.

b) Si les lames se grippent ou si l'interruption de la coupe est nécessaire, quelle qu'en soit la raison, relâchez la gâchette et maintenez la scie immobile dans le matériau jusqu'à l'arrêt complet de la lame. Pour éviter tout effet de recul, n'essayez jamais de retirer la scie de la pièce, ni de la tirer en arrière lorsque les lames sont encore en mouvement. Examinez les lames et prenez les mesures correctives nécessaires pour éviter tout grippage.

c) Lorsque vous redémarrez une scie dans une pièce à usiner, placez la lame au centre du trait de scie et vérifiez que les dents ne sont pas engagées dans le matériau. Si la lame se grippe, elle peut se soulever ou être envoyée en arrière lors du redémarrage de la scie.

d) N'utilisez pas de lames émoussées ou endommagées. Les lames mal affûtées ou mal réglées créeront un trait de scie étroit qui entraînera une friction excessive, un grippage de la lame et un effet de recul.

e) Les leviers d'ajustement et de verrouillage de biseau et la profondeur de la lame doivent être serrés et sécurisés avant de procéder à une coupe. Un changement de réglage de la lame durant la coupe peut entraîner un grippage et un effet de recul.

f) Les leviers d'ajustement et de verrouillage de la profondeur de la lame et du biseau doivent être serrés et sécurisés avant de procéder à la coupe. Un changement de réglage de la lame durant la coupe peut entraîner le grippage et un effet de recul.

g) Redoublez de prudence lorsque vous effectuez une « coupe en plongée » dans des murs existants ou autres parties non apparentes. La coupe d'objets due à une lame en saillie peut provoquer un effet de recul.

FONCTIONNEMENT DU CARTER INFÉRIEUR

a) Vérifiez que le carter inférieur se verrouille correctement avant chaque utilisation. Ne démarrez pas la scie si le carter inférieur ne bouge pas librement et ne se ferme pas instantanément. Ne maintenez et ne bloquez jamais le carter inférieur en position ouverte.

En cas de chute accidentelle, le carter inférieur peut se déformer. Relevez le carter inférieur avec la poignée de rétractation, puis assurez-vous qu'il bouge librement et qu'il ne touche pas la lame ni aucune autre pièce, quels que soient l'angle et la profondeur de coupe.

b) Vérifiez le bon fonctionnement du ressort du carter inférieur. Si le carter et le ressort ne fonctionnent pas correctement, ils doivent être soumis à une opération d'entretien avant toute utilisation. Des pièces endommagées, des dépôts gommeux ou une accumulation de débris peuvent ralentir le fonctionnement du carter inférieur.

c) Ne rétractez manuellement le carter inférieur que pour réaliser des « coupes en plongée » et des « coupes composées ». Relevez le carter inférieur en rétractant la poignée, puis relâchez-le dès que la lame entre dans le matériau. Pour tous les autres types de coupes, le carter inférieur doit fonctionner automatiquement.

k) Vérifiez toujours que le carter inférieur couvre la lame avant de poser la scie sur un banc ou au sol. Une lame non protégée et continuant de tourner peut entraîner le basculement de la scie en arrière qui coupera tout sur son passage. Tenez compte du temps d'arrêt de la lame après le relâchement de la gâchette.

CONSIGNES DE SÉCURITÉ SUPPLÉMENTAIRES POUR LES SCIES CIRCULAIRES

a) N'utilisez pas de lames en acier à coupe rapide (HSS).

b) Contrôlez la machine et la lame avant chaque utilisation. N'utilisez pas

de lames déformées, fendues, usées ou endommagées de quelque façon que ce soit.

c) N'utilisez jamais la scie sans le système de carter de protection d'origine. Ne verrouillez pas le carter mobile en position ouverte. Assurez-vous que le carter fonctionne librement sans se bloquer.

d) N'utilisez que des lames correspondant aux caractéristiques indiquées dans ce manuel.

Avant d'utiliser des accessoires, assurez-vous toujours que le nombre maximal de tours par minute autorisé d'un accessoire correspond à celui de la machine.

e) N'utilisez aucune lame circulaire abrasive.

f) Utilisez uniquement des lames dont le diamètre correspond aux marquages.

(3,4) **AVERTISSEMENT** : S'il manque des pièces, n'utilisez pas la machine jusqu'à ce que les pièces manquantes soient remplacées. Le non-respect de cette règle pourrait provoquer des blessures graves.

(4,1) **PRISE EN MAIN - DÉBALLAGE**

Attention : Cet emballage contient des objets tranchants. Faites attention lors du déballage. Retirez la machine et les accessoires fournis de l'emballage. Vérifiez soigneusement que la machine est en bonne condition et que vous disposez de tous les accessoires listés dans ce manuel. Assurez-vous que tous les accessoires sont complets.

S'il manque une ou plusieurs pièces, renvoyez la machine et ses accessoires dans leur emballage d'origine au revendeur.

Ne jetez pas l'emballage. Conservez-le en bon état tout au long de la période de garantie. Jetez l'emballage d'une manière responsable pour l'environnement. Recyclez si possible.

Ne laissez pas les enfants jouer avec des sacs plastiques vides, en raison du risque de suffocation.

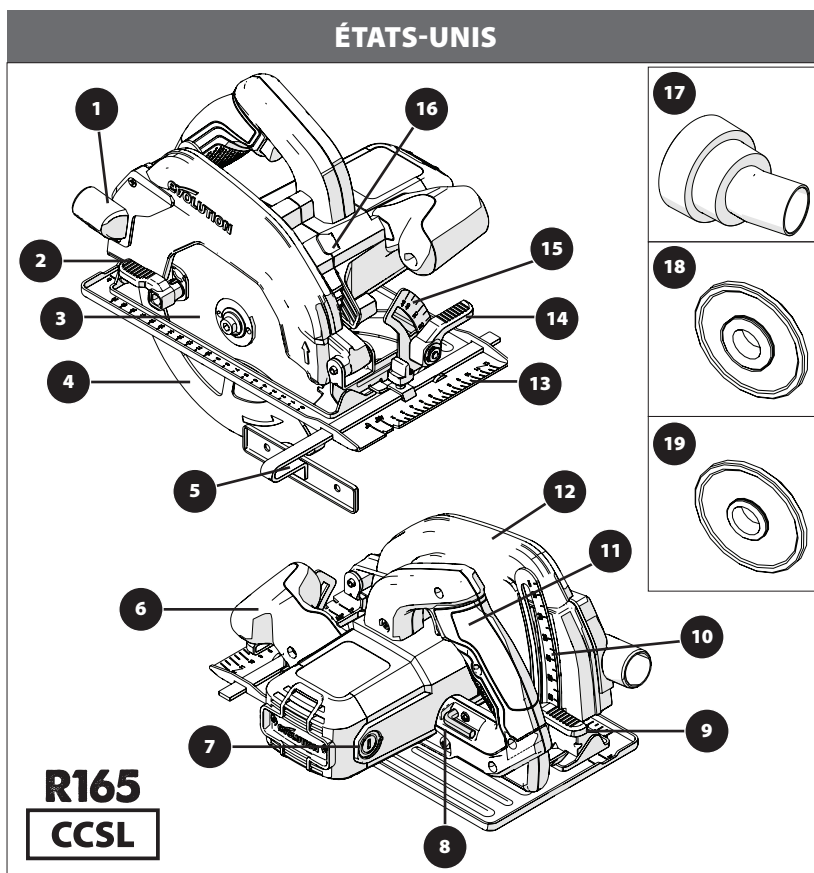
(4,3) **MANUELS D'INSTRUCTIONS EVOLUTION**

Evolution Power Tools fournit un manuel d'instructions avec chaque produit. Chaque manuel spécifique est spécialement conçu et rédigé pour fournir des informations accessibles et utiles quant à l'utilisation en toute sécurité du produit, son entretien et les précautions à prendre. Le référencement des informations présentes dans le manuel permet à l'opérateur d'exploiter pleinement le potentiel de la machine en toute sécurité.

La politique de développement continu des produits d'Evolution peut impliquer que, très occasionnellement, le contenu d'un manuel ne reflète pas complètement les dernières mises à jour ou améliorations ayant été appliquées à un produit en particulier. Les mises à jour ou améliorations des caractéristiques d'un produit peuvent survenir à la suite d'avancées technologiques ou de changements du cadre législatif du pays de destination, etc.

Si vous n'êtes pas certains d'un quelconque aspect de l'utilisation ou de l'entretien d'un produit Evolution ou des précautions à prendre, contactez l'assistance téléphonique Evolution appropriée qui pourra vous fournir des informations à jour et davantage de conseils.

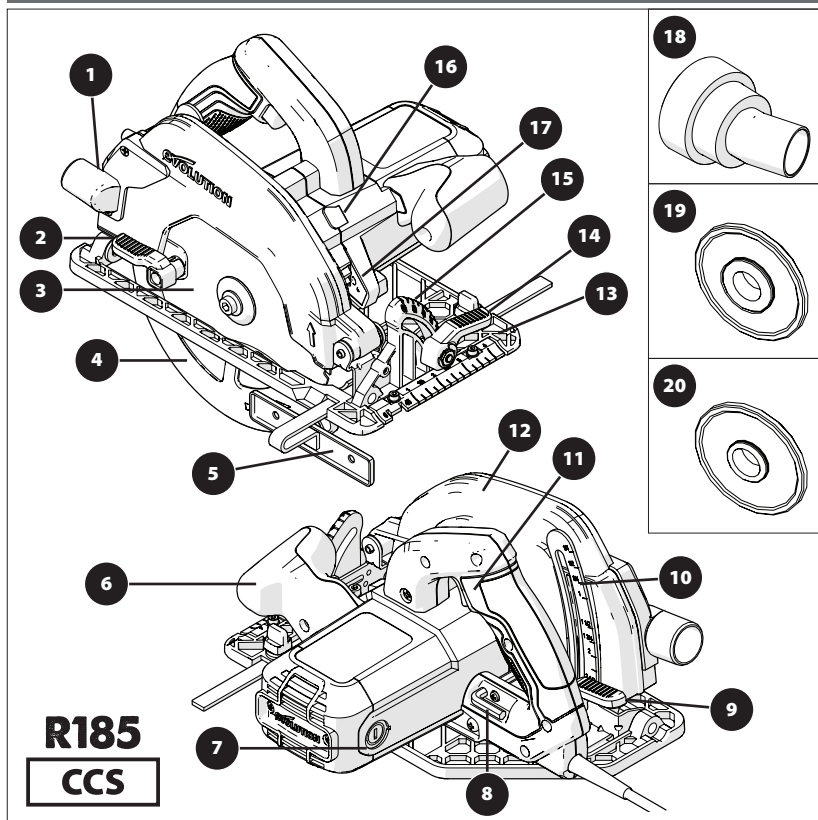
ÉTATS-UNIS



**R165
CCSL**

- | | |
|--|--|
| <ol style="list-style-type: none"> 1. PORT D'ÉJECTION DU MATÉRIAU DÉCOUPÉ 2. LEVIER ACTIONNÉ PAR LE POUCE 3. LAME TCT MULTI-MATÉRIAUX 4. CARTER DE LAME INFÉRIEUR 5. GUIDE PARALLÈLE 6. POIGNÉE ERGONOMIQUE AVANT 7. BROSSES EN CARBONE 8. CLÉ HEXAGONALE 8 MM (CHANGEMENT DE LAME) 9. LEVIER DE BLOCAGE ET DE RÉGLAGE DE PROFONDEUR 10. GRADUATION DE PROFONDEUR 11. POIGNÉE ARRIÈRE 12. CARTER DE LAME SUPÉRIEUR 13. PLAQUE EN ACIER DE PRÉCISION 14. LEVIER ACTIONNÉ PAR LE POUCE 15. RAPPORTEUR | <ol style="list-style-type: none"> 16. BOUTON DE BLOCAGE DE L'ARBRE 17. RACCORD DU PORT À POUSSIÈRES 18. FLASQUE INTÉRIEURE DE LA LAME 25/32 POUCES 19. FLASQUE INTÉRIEURE DE LA LAME 5/8 POUCES |
|--|--|

ÉTATS-UNIS

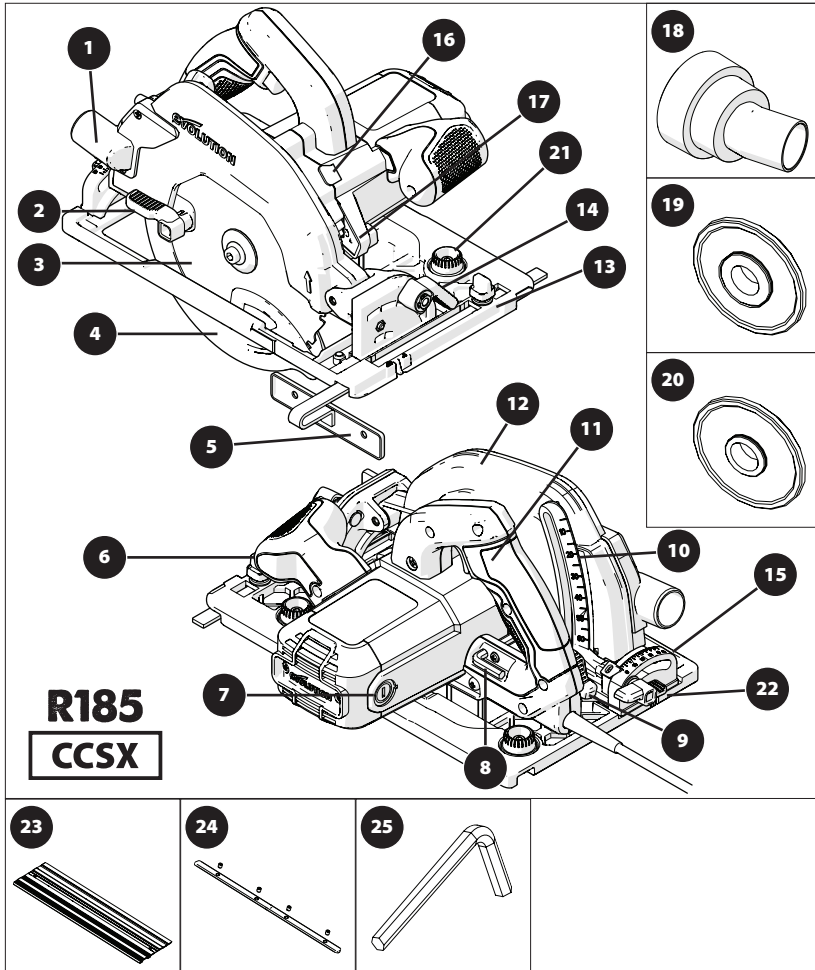


R185
CCS

- | | |
|---|--|
| 1. PORT D'ÉJECTION DU MATÉRIAU DÉCOUPÉ | 15. RAPPORTEUR |
| 2. LEVIER ACTIONNÉ PAR LE POUCE | 16. BOUTON DE BLOCAGE DE L'ARBRE |
| 3. LAME TCT MULTI-MATÉRIAUX | 17. VOYANT À LED |
| 4. CARTER DE LAME INFÉRIEUR | 18. RACCORD DU PORT À POUSSIÈRES |
| 5. GUIDE PARALLÈLE | 19. FLASQUE INTÉRIEURE DE LA LAME 25/32 POUCES |
| 6. POIGNÉE ERGONOMIQUE AVANT | 20. FLASQUE INTÉRIEURE DE LA LAME 5/8 POUCES |
| 7. BROSSES EN CARBONE | |
| 8. CLÉ HEXAGONALE 8 MM (CHANGEMENT DE LAME) | |
| 9. LEVIER DE BLOCAGE ET DE RÉGLAGE DE PROFONDEUR | |
| 10. GRADUATION DE PROFONDEUR | |
| 11. INTERRUPTEUR MARCHÉ/ARRÊT DE LA POIGNÉE ARRIÈRE | |
| 12. CARTER DE LAME SUPÉRIEUR | |
| 13. PLAQUE EN ACIER DE PRÉCISION | |
| 14. LEVIER ACTIONNÉ PAR LE POUCE DE RÉGLAGE DU BISEAU | |

FR

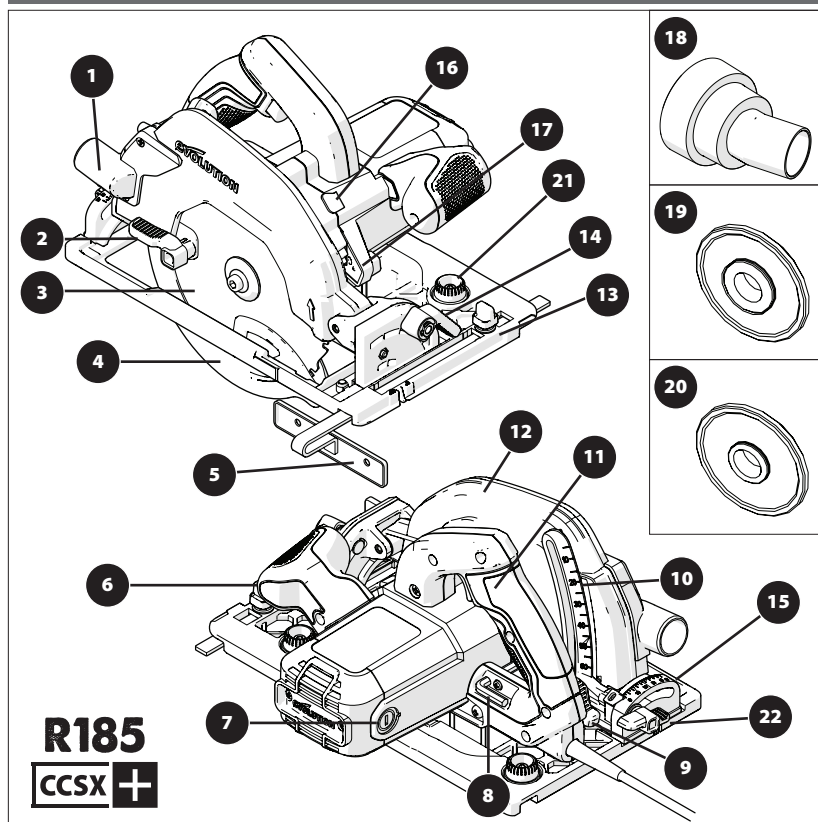
ÉTATS-UNIS



**R185
CCSX**

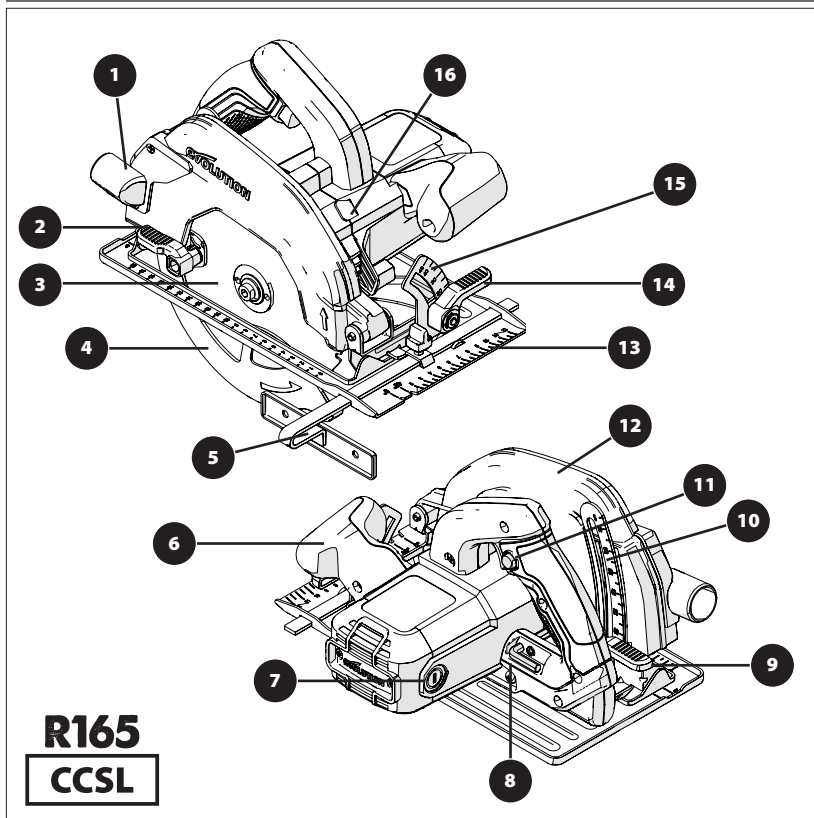
- | | | |
|--|--|---|
| <ul style="list-style-type: none"> 1. PORT D'ÉJECTION DU MATÉRIAU DÉCOUPÉ 2. LEVIER ACTIONNÉ PAR LE POUCE 3. LAME TCT MULTI-MATÉRIAUX 4. CARTER DE LAME INFÉRIEUR 5. GUIDE PARALLÈLE 6. POIGNÉE ERGONOMIQUE AVANT 7. BROSSES EN CARBONE 8. CLÉ HEXAGONALE 5/16" (CHANGEMENT DE LAME) 9. LEVIER DE BLOCAGE ET DE | <ul style="list-style-type: none"> 10. GRADUATION DE PROFONDEUR 11. INTERRUPTEUR MARCHÉ/ARRÊT DE LA POIGNÉE ARRIÈRE 12. CARTER DE LAME SUPÉRIEUR 13. PLAQUE EN ACIER DE PRÉCISION COMPATIBLE AVEC LE GUIDE 14. LEVIER ACTIONNÉ PAR LE POUCE 15. RAPPORTEUR ARRIÈRE 16. BOUTON DE BLOCAGE DE L'ARBRE 17. VOYANT À LED | <ul style="list-style-type: none"> 18. RACCORD DU PORT À POUSSIÈRES 19. FLASQUE INTÉRIEURE DE LA LAME 25/32 POUCES 20. FLASQUE INTÉRIEURE DE LA LAME 5/8 POUCES 21. BOUTONS PIVOTANTS DE RÉGLAGE DU GUIDE 22. VIS PAPILLON DU BISEAU ARRIÈRE 23. 3x GUIDE 13-3/8" 24. 4x BARRES DU RACCORD DU GUIDE 25. CLÉ HEXAGONALE 1/8" |
|--|--|---|

ÉTATS-UNIS



- | | |
|---|--|
| 1. PORT D'ÉJECTION DU MATÉRIAU DÉCOUPÉ | 14. LEVIER ACTIONNÉ PAR LE POUCE |
| 2. LEVIER ACTIONNÉ PAR LE POUCE | 15. RAPPEUR ARRIÈRE |
| 3. LAME TCT MULTI-MATÉRIAUX | 16. BOUTON DE BLOCAGE DE L'ARBRE |
| 4. CARTER DE LAME INFÉRIEUR | 17. VOYANT À LED |
| 5. GUIDE PARALLÈLE | 18. RACCORD DU PORT À POUSSIÈRES |
| 6. POIGNÉE ERGONOMIQUE AVANT | 19. FLASQUE INTÉRIEURE DE LA LAME 25/32 POUCES |
| 7. BROSSES EN CARBONE | 20. FLASQUE INTÉRIEURE DE LA LAME 5/8 POUCES |
| 8. CLÉ HEXAGONALE 8 MM (CHANGEMENT DE LAME) | 21. BOUTONS PIVOTANTS DE RÉGLAGE DU GUIDE |
| 9. LEVIER DE BLOCAGE ET DE RÉGLAGE DE PROFONDEUR | 22. VIS PAPILLON DU BISEAU ARRIÈRE |
| 10. GRADUATION DE PROFONDEUR | |
| 11. INTERRUPTEUR MARCHÉ/ARRÊT DE LA POIGNÉE ARRIÈRE | |
| 12. CARTER DE LAME SUPÉRIEUR | |
| 13. PLAQUE EN ACIER DE PRÉCISION COMPATIBLE AVEC LE GUIDE | |

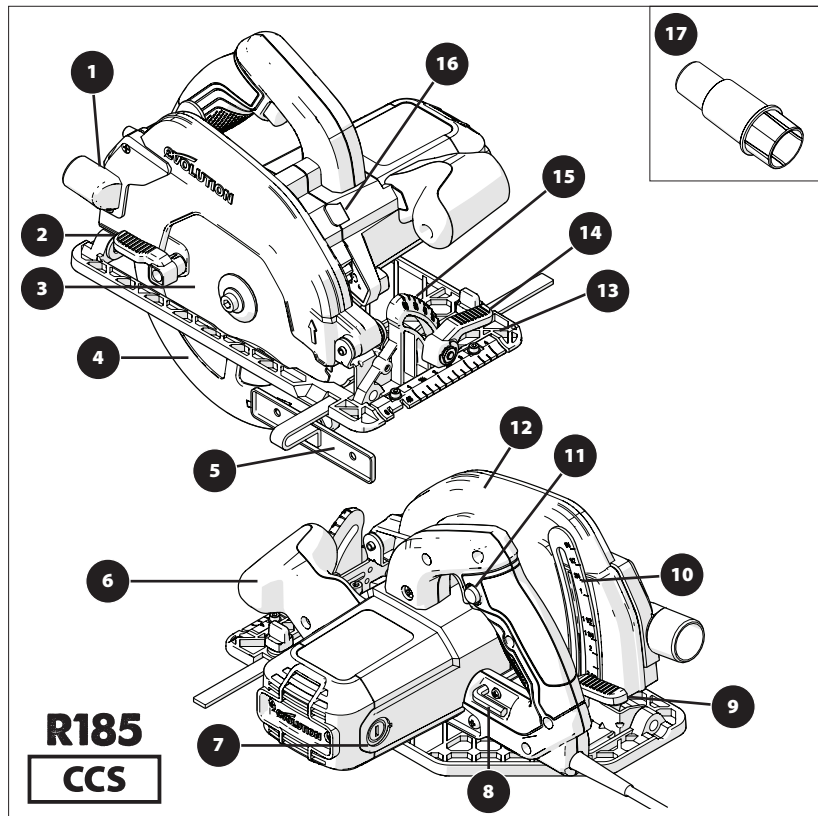
RU / UE / AUS



R165
CCSL

- | | |
|--|----------------------------------|
| 1. PORT D'ÉJECTION DU MATÉRIAU DÉCOUPÉ | 15. RAPPORTEUR |
| 2. LEVIER ACTIONNÉ PAR LE POUCE | 16. BOUTON DE BLOCAGE DE L'ARBRE |
| 3. LAME TCT MULTI-MATÉRIAUX | |
| 4. CARTER DE LAME INFÉRIEUR | |
| 5. GUIDE PARALLÈLE | |
| 6. POIGNÉE ERGONOMIQUE AVANT | |
| 7. BROSSES EN CARBONE | |
| 8. CLÉ HEXAGONALE 8 MM (CHANGEMENT DE LAME) | |
| 9. LEVIER DE BLOCAGE ET DE RÉGLAGE DE PROFONDEUR | |
| 10. GRADUATION DE PROFONDEUR | |
| 11. POIGNÉE ARRIÈRE COMPRENANT L'INTERRUPTEUR DE SÉCURITÉ MARCHÉ/ARRÊT | |
| 12. CARTER DE LAME SUPÉRIEUR | |
| 13. PLAQUE EN ACIER DE PRÉCISION | |
| 14. LEVIER ACTIONNÉ PAR LE POUCE | |

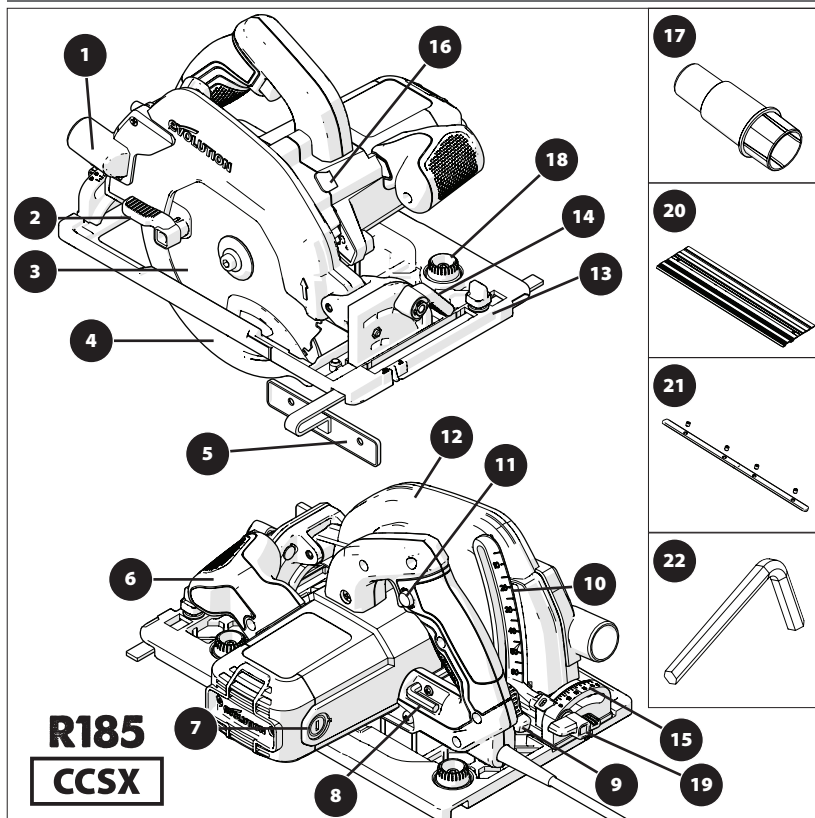
RU / UE



- | | |
|--|----------------------------------|
| 1. PORT D'ÉJECTION DU MATÉRIAU DÉCOUPÉ | 15. RAPORTEUR |
| 2. LEVIER ACTIONNÉ PAR LE POUCE | 16. BOUTON DE BLOCAGE DE L'ARBRE |
| 3. LAME TCT MULTI-MATÉRIAUX | 17. RACCORD DU PORT À POUSSIÈRES |
| 4. CARTER DE LAME INFÉRIEUR | |
| 5. GUIDE PARALLÈLE | |
| 6. POIGNÉE ERGONOMIQUE AVANT | |
| 7. BROSSES EN CARBONE | |
| 8. CLÉ HEXAGONALE 8 MM (CHANGEMENT DE LAME) | |
| 9. LEVIER DE BLOCAGE ET DE RÉGLAGE DE PROFONDEUR | |
| 10. GRADUATION DE PROFONDEUR | |
| 11. POIGNÉE ARRIÈRE COMPRENANT L'INTERRUPTEUR DE SÉCURITÉ MARCHÉ/ARRÊT | |
| 12. CARTER DE LAME SUPÉRIEUR | |
| 13. PLAQUE EN ACIER DE PRÉCISION | |
| 14. LEVIER ACTIONNÉ PAR LE POUCE | |

FR

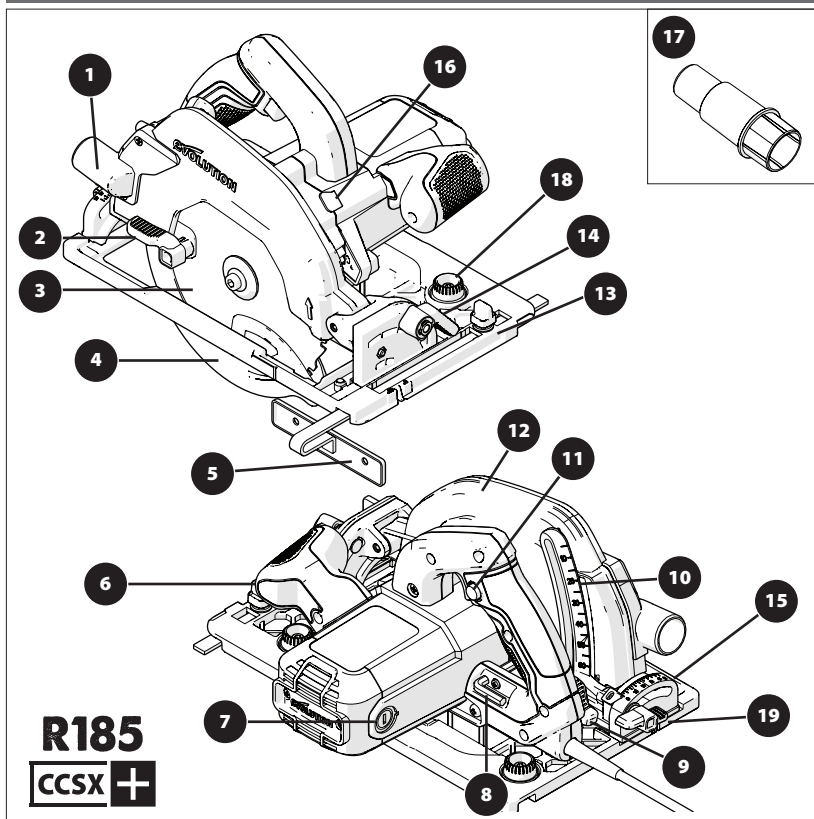
RU / UE



1. PORT D'ÉJECTION DU MATÉRIAU DÉCOUPÉ
2. LEVIER ACTIONNÉ PAR LE POUCE
3. LAME TCT MULTI-MATÉRIAUX
4. CARTER DE LAME INFÉRIEUR
5. GUIDE PARALLÈLE
6. POIGNÉE ERGONOMIQUE AVANT
7. BROSSES EN CARBONE
8. CLÉ HEXAGONALE 8 MM (CHANGEMENT DE LAME)
9. LEVIER DE BLOCAGE ET DE RÉGLAGE DE PROFONDEUR
10. GRADUATION DE PROFONDEUR
11. POIGNÉE ARRIÈRE COMPRENANT L'INTERRUPTEUR DE SÉCURITÉ MARCHE/ARRÊT
12. CARTER DE LAME SUPÉRIEUR
13. PLAQUE EN ACIER DE PRÉCISION COMPATIBLE AVEC LE GUIDE

14. LEVIER ACTIONNÉ PAR LE POUCE
15. RAPPORTEUR ARRIÈRE
16. BOUTON DE BLOCAGE DE L'ARBRE
17. RACCORD DU PORT À POUSSIÈRES
18. BOUTONS PIVOTANTS DE RÉGLAGE DU GUIDE
19. VIS PAPILLON DU BISEAU ARRIÈRE
20. 3x GUIDE 340 mm
21. 4x BARRES DU RACCORD DU GUIDE
22. CLÉ HEXAGONALE 3 mm

RU / UE



- | | |
|--|---|
| 1. PORT D'ÉJECTION DU MATÉRIAU DÉCOUPÉ | 14. LEVIER ACTIONNÉ PAR LE POUCE |
| 2. LEVIER ACTIONNÉ PAR LE POUCE | 15. RAPPORTEUR ARRIÈRE |
| 3. LAME TCT MULTI-MATÉRIAUX | 16. BOUTON DE BLOCAGE DE L'ARBRE |
| 4. CARTER DE LAME INFÉRIEUR | 17. RACCORD DU PORT À POUSSIÈRES |
| 5. GUIDE PARALLÈLE | 18. BOUTONS PIVOTANTS DE RÉGLAGE DU GUIDE |
| 6. POIGNÉE ERGONOMIQUE AVANT | 19. VIS PAPILLON DU BISEAU ARRIÈRE |
| 7. BROSSES EN CARBONE | |
| 8. CLÉ HEXAGONALE 8 MM (CHANGEMENT DE LAME) | |
| 9. LEVIER DE BLOCAGE ET DE RÉGLAGE DE PROFONDEUR | |
| 10. GRADUATION DE PROFONDEUR | |
| 11. POIGNÉE ARRIÈRE COMPRENANT L'INTERRUPTEUR DE SÉCURITÉ MARCHÉ/ARRÊT | |
| 12. CARTER DE LAME SUPÉRIEUR | |
| 13. PLAQUE EN ACIER DE PRÉCISION COMPATIBLE AVEC LE GUIDE | |

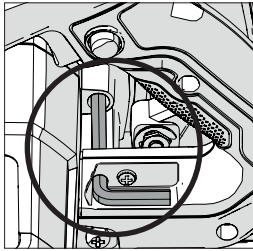


Fig. 1

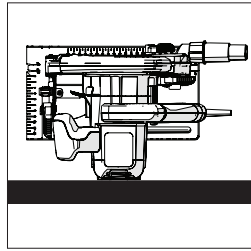


Fig. 2

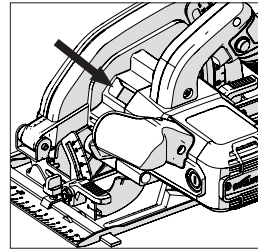


Fig. 3

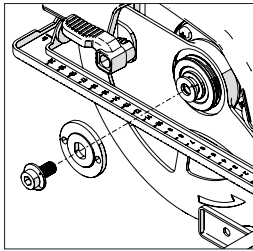


Fig. 4

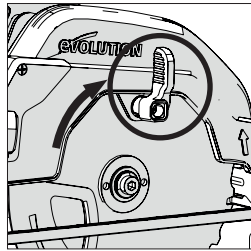


Fig. 5

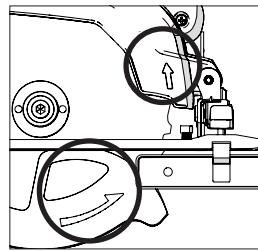


Fig. 6

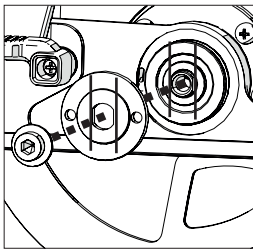


Fig. 7a

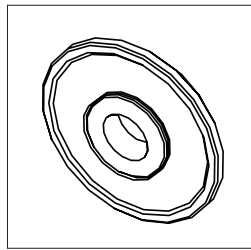


Fig. 7b

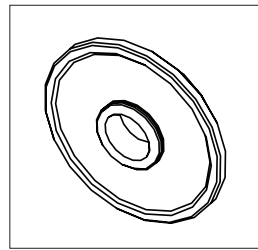


Fig. 7c

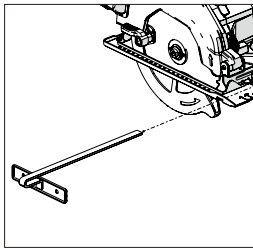


Fig. 8

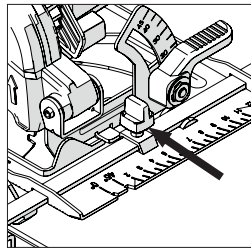


Fig. 9

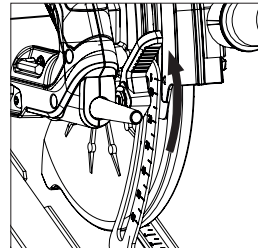


Fig. 10

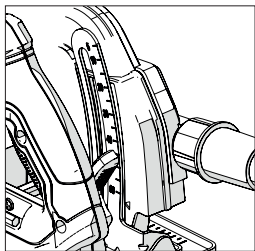


Fig. 11

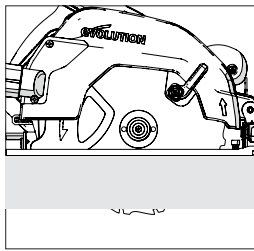


Fig. 12

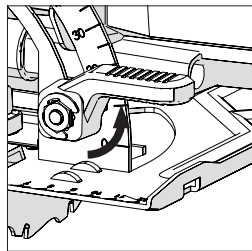


Fig. 13

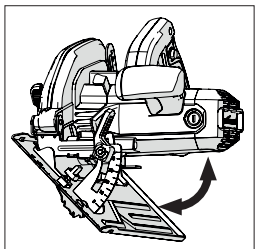


Fig. 14

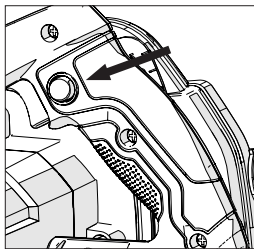


Fig. 15

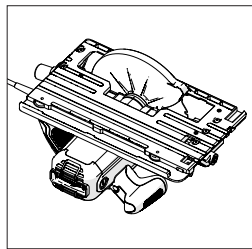


Fig. 16

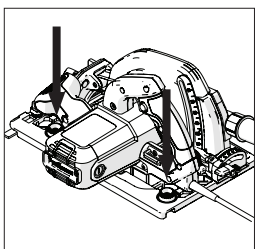


Fig. 17

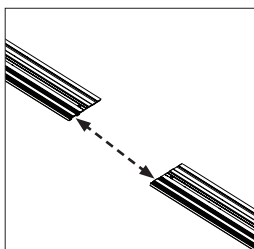


Fig. 18

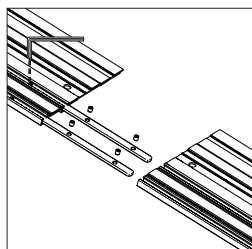


Fig. 19

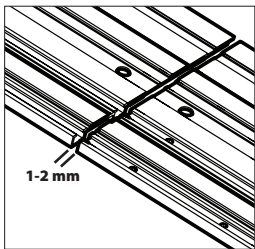


Fig. 20

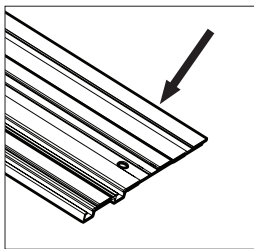


Fig. 21

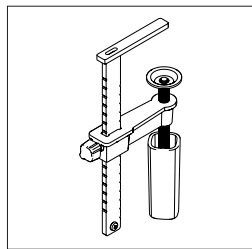


Fig. 22

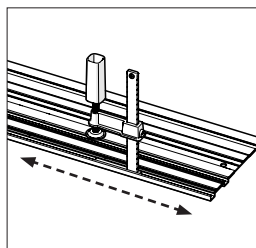


Fig. 23

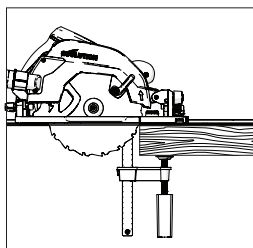


Fig. 24

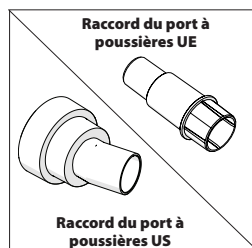


Fig. 25

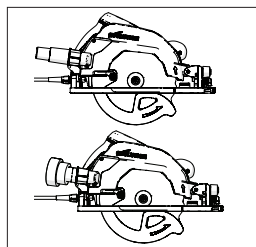


Fig. 26

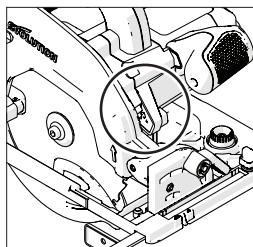


Fig. 27

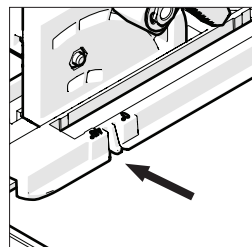


Fig. 28

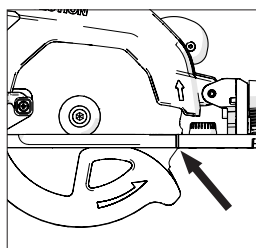


Fig. 29

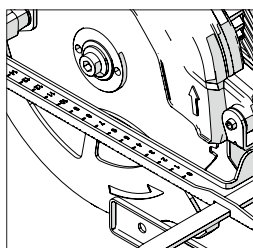


Fig. 30

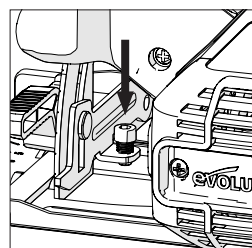


Fig. 31

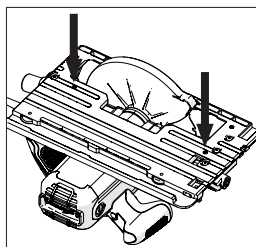


Fig. 32

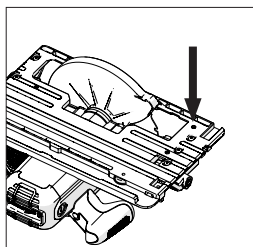


Fig. 33

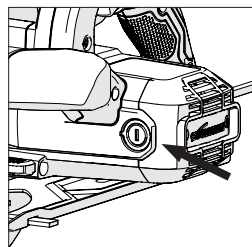


Fig. 34

(10) PRÉPARATION

AVERTISSEMENT : Débranchez toujours la scie de l'alimentation électrique avant de faire des réglages.

Remarque : Ces machines sont équipées d'un cordon et d'une fiche dont l'utilisation est approuvée dans le pays pour lequel ils sont prévus. N'altérez pas le cordon d'alimentation et ne le modifiez pas.

(10.1) INSTALLATION/RETRAIT D'UNE LAME

AVERTISSEMENT : N'utilisez que des lames Evolution (ou des lames approuvées par Evolution Power Tools) conçues pour être utilisées avec ces machines. Assurez-vous que la vitesse maximale de la lame est compatible avec la machine. Cette opération doit être réalisée uniquement quand la machine est débranchée de sa source d'alimentation.

Remarque : Nous recommandons à l'opérateur de porter des gants de protection lors de l'installation ou du changement de la lame.

- Repérez la clé hexagonale de changement de lame fournie qui se trouve dans le dispositif de rangement embarqué (au même endroit sur toutes les machines). **(Fig. 1)**
- Placez la scie sur une surface plane et sûre.

Remarque : En prenant les précautions nécessaires, toutes les machines peuvent être posées en équilibre sur l'extrémité plate du carter moteur **(Fig. 2)** afin de pouvoir accéder facilement à la lame et aux fixations de la lame.

- Repérez le bouton de blocage de l'arbre de la machine (au même endroit sur toutes les machines). Verrouillez l'arbre de la machine en appuyant sur le bouton de blocage de l'arbre. **(Fig. 3)**

Remarque : Le blocage de l'arbre sera facilité par le pivotement de la lame à la main tout en appuyant doucement sur le bouton de blocage de l'arbre.

- À l'aide de la clé hexagonale, desserrez et retirez la vis à tête creuse de l'arbre, les fixations

associées et la flasque d'entraînement extérieure de la lame. **(Fig. 4)**

Remarque : La vis à tête creuse de l'arbre est pourvue d'un filetage standard. Faites tourner la vis dans le sens des aiguilles d'une montre pour la serrer. Faites tourner la vis dans le sens inverse des aiguilles d'une montre pour la desserrer.

- Rangez la flasque extérieure de la lame et les fixations associées dans un lieu sûr.
- Faites pivoter le carter de lame inférieur dans le carter de lame supérieur grâce au levier manuel à actionner avec le pouce. **(Fig. 5)**
- Retirez soigneusement la lame (s'il y en a une) de la machine.
- Nettoyez méticuleusement les flasques d'entraînement extérieures et intérieures de la lame.

Remarque : Vous pouvez laisser la flasque intérieure de la lame en place si vous le souhaitez, mais vous devez la contrôler et la nettoyer soigneusement. Si vous décidez de la retirer de la machine, remettez-la dans la même position en suivant la même orientation qu'avant son retrait.

- Nettoyez méticuleusement la zone de l'alésage de la lame (des deux côtés), à l'endroit où les flasques de la lame se touchent et bloquent la lame.
- Installez la (nouvelle) lame.
- Assurez-vous que la direction des flèches de rotation imprimées sur la lame correspond au sens de rotation des flèches qui se trouvent sur les carters inférieurs et supérieurs de la machine. **(Fig. 6)**
- Réinstallez la bride d'entraînement extérieure, la vis à tête creuse de l'arbre et les fixations associées.

Remarque : La flasque d'entraînement extérieure est pourvue d'un alésage spécialement usiné comportant deux « pièces plates » opposées. **(Fig. 7a)** Ces « pièces plates » s'enclenchent avec deux « pièces plates » complémentaires présentes sur l'arbre de la machine.

- Réenclenchez le verrouillage de l'arbre et serrez la vis à tête creuse de l'arbre à l'aide de la clé hexagonale.
- Relâchez le bouton de blocage de l'arbre

- Rangez la clé hexagonale dans l'emplacement qui lui est dédié.
- Vérifiez que le verrou de l'arbre a été complètement desserré en faisant tourner manuellement la lame.
- Vérifiez le bon fonctionnement du carter de lame inférieur.

Remarque : Pour le marché nord-américain uniquement, une flasque d'arbre bilatérale est incluse pour l'utilisation de lames pourvues d'un alésage de 1 pouce (**Fig.7b**) et de lames pourvues d'un alésage de 5/8 pouce (**Fig.7c**).

(11) GUIDE PARALLÈLE

Un guide parallèle (**Fig. 8**) pouvant se révéler particulièrement utile lors d'une découpe longitudinale est fourni avec toutes les machines CCS. Le guide peut être monté à l'avant de la plaque en acier. Insérez le bras du guide dans la fente rectangulaire située de chaque côté (à l'avant) de la plaque en acier embouti et faites-le glisser sous la vis de blocage et de réglage située au centre. (**Fig. 9**)

Remarque : Le guide parallèle peut être monté de chaque côté de la plaque en acier.

AVERTISSEMENT : Montez et réglez le guide uniquement quand la machine est débranchée de sa source d'alimentation.

Remarque : Le bras du guide parallèle doit passer à travers toutes les fentes rectangulaires de la plaque en acier.

AVERTISSEMENT : Il peut s'avérer dangereux d'installer le guide parallèle et de tenter de l'utiliser si le bras ne passe qu'à travers une (1) des fentes rectangulaires usinées sur la plaque en acier. Réglez le guide parallèle de sorte qu'il se trouve à la distance requise de la lame et serrez la vis de réglage. Vérifiez que le guide parallèle est parallèle à la lame de la scie.

(12) RÉGLAGE DE LA PROFONDEUR DE COUPE

Remarque : Toutes les machines CCS partagent les mêmes équipements de réglage de la

profondeur et utilisent la même technique de base pour régler la profondeur de la lame.

- Desserrez le mécanisme de blocage et de réglage de la profondeur en levant le levier de fonctionnement. (**Fig. 10**)
- Réglez/repositionnez la plaque en acier pour sélectionner la profondeur de coupe souhaitée (la distance à laquelle la lame avance dans la plaque en acier).

Remarque : Vous trouverez une graduation de profondeur sur le cadran de réglage de la profondeur comportant un trait de repère correspondant sur la zone adjacente du carter de lame supérieur de la machine. (**Fig. 11**) L'utilisation de ces fonctionnalités permet un réglage plus rapide.

Remarque : Si la graduation de profondeur et le trait de repère sont extrêmement utiles car ils permettent de régler rapidement la profondeur de coupe, vous devez toujours les utiliser en tant que guide pour le réglage souhaité. Si vous avez besoin d'une profondeur de coupe très précise, le réglage de la lame doit être effectué et vérifié à l'aide d'une règle d'ingénieur de précision (non fournie) ou d'un outil similaire et la lame ajustée en conséquence.

- Dans la plupart des cas, la profondeur de coupe doit être réglée sur la valeur correspondant à l'épaisseur du matériau à découper, plus l'épaisseur de la moitié d'une dent de scie (du bout de la dent jusqu'à sa racine). (**Fig.12**)
- Serrez le mécanisme de blocage et de réglage de la profondeur en abaissant le levier de fonctionnement pour bien verrouiller la machine dans la position souhaitée.

(13) RÉGLAGE DE L'ANGLE DE COUPE (BISEAU)

Toutes les machines CCSL et CCSX ont la capacité d'incliner la lame jusqu'à 45° et toutes les machines CCS ont la capacité d'incliner la lame jusqu'à 60° à gauche. Il est donc possible de réaliser des coupes en biseau.

Remarque : La lame est en position verticale lorsque le rapporteur indique 0°.

Remarque : Un rapporteur (0°- 45° ou 0°- 60°) est inclus sur le cadran de blocage du biseau situé à l'avant de la plaque en acier. Cet outil sert à régler rapidement l'angle du biseau mais doit uniquement servir de guide.

Si vous avez besoin d'un angle de biseau très précis, le réglage de la lame doit être effectué et vérifié à l'aide d'un calibre d'angle Vernier (non fourni) et la lame ajustée en conséquence.

- Desserrez le mécanisme de blocage du biseau situé à l'avant de la machine en soulevant le levier. **(Fig. 13)**
- Inclinez la lame selon l'angle souhaité, comme indiqué sur le rapporteur du cadran. **(Fig. 14)**
- Serrez bien le mécanisme de blocage du biseau après avoir atteint l'angle du biseau souhaité en abaissant le levier.

(14) CONSEILS D'UTILISATION (VÉRIFICATIONS AVANT UTILISATION)

Remarque : Comme tous les cadres d'utilisation sont uniques et divers, Evolution Power Tools propose les conseils généraux suivants concernant les procédures et pratiques d'utilisation en toute sécurité à l'attention de l'utilisateur.

Ces conseils ne peuvent se révéler exhaustifs car Evolution ne peut contrôler le type d'atelier ou d'environnement de travail dans lequel ces machines peuvent être utilisées.

Nous incitons l'utilisateur à demander conseil à une autorité compétente ou au superviseur d'atelier s'il n'est pas sûr d'un quelconque aspect lié à l'utilisation de ces machines.

Il est important de réaliser des vérifications de sécurité de routine (à chaque utilisation) avant que l'utilisateur n'utilise la machine.

AVERTISSEMENT : Ces vérifications de sécurité avant utilisation doivent être effectuées lorsque la machine est débranchée de la prise électrique.

- Vérifiez que tous les carters de sécurité fonctionnent correctement et que toutes les poignées/vis de réglage sont bien serrés.
- Vérifiez que la lame est bien fixée et correctement installée. Assurez-vous également d'avoir choisi une lame de scie adaptée au

matériau à découper.

- Vérifiez l'état du cordon d'alimentation.
- Si possible, fixez la pièce à usiner à l'aide d'une pince sur une structure de soutien rigide comme un établi, des tréteaux ou une surface similaire.
- L'opérateur doit toujours être conscient de la position et de l'acheminement du câble d'alimentation.

(15) EPI

- L'opérateur doit porter tous les EPI (équipements de protection individuels) adéquats et nécessaires à la réalisation de la tâche prévue. Cela peut comprendre des lunettes de sécurité, un masque facial intégral, un masque à poussière, des chaussures de sécurité, etc.

Remarque : Toutes les machines de série CCS sont équipées d'un projecteur de débris sur la ligne de coupe. Ce dispositif dirige l'air d'un ventilateur alimenté par le moteur en direction de la zone située à l'avant de la lame pour que la ligne de coupe soit relativement dénuée de débris. Cet équipement permet à l'opérateur de mieux voir et suivre la progression de la lame de la scie le long de la découpe et aux lignes de marquage de rester visibles.

AVERTISSEMENT : Toute poussière générée présente un risque potentiel pour la santé. Certains matériaux peuvent se révéler particulièrement dangereux et l'opérateur doit toujours porter un masque anti-poussière adapté au matériau usiné. Recherchez l'avis et l'aide d'un professionnel si l'opérateur doute de la toxicité potentielle du matériau à découper.

AVERTISSEMENT : N'utilisez jamais ces machines pour découper de l'amiante ou tout matériau contenant de l'amiante ou suspecté d'en contenir.

Consultez et informez les autorités compétentes et demandez davantage de conseils si vous suspectez une contamination à l'amiante.

(16) INTERRUPTEUR À GÂCHETTE MARCHE/ARRÊT

Remarque : Toutes les machines destinées aux marchés européens et australiens sont équipées d'un interrupteur à gâchette de « démarrage de sécurité » afin de renforcer la sécurité de l'opérateur. **(Fig.15)**

Pour démarrer le moteur :

- Avec votre pouce, appuyez sur le bouton de verrouillage de sécurité situé à côté de la poignée.
- Relâchez l'interrupteur à gâchette.

Pour arrêter le moteur :

- Relâchez l'interrupteur à gâchette.

AVERTISSEMENT : Ne démarrez jamais le moteur si la lame de la scie est en contact direct avec n'importe quelle surface de la pièce à usiner.

Remarque : Les machines destinées au marché nord-américain sont équipées d'un interrupteur à gâchette MARCHE/ARRÊT qui ne comprend pas d'interrupteur à gâchette de « démarrage de sécurité ».

AVERTISSEMENT : Si la scie est en marche (le voyant LED en position « ON »), évitez de démarrer le moteur accidentellement en la soulevant d'un établi ou d'une surface similaire. Le fait de relâcher accidentellement l'interrupteur à gâchette MARCHE/ARRÊT (situé dans la poignée principale) en soulevant la machine en veille démarrera le moteur.

GUIDES DE DÉCOUPE

Les machines Evolution de la gamme CCSX (consultez la page des caractéristiques pour les modèles concernés) ont été conçues et équipées de manière à être compatibles avec les guides de découpe.

Remarque : Toute scie circulaire pouvant être utilisée avec un guide de découpe disposera d'un profilé le long de la surface inférieure de la plaque en acier (**Fig. 16**)

Les machines Evolution équipées d'un tel profilé peuvent être fixées et utilisées avec la plupart des guides de découpe actuellement disponibles.

Remarque : Consultez la documentation fournie avec le guide par son fabricant. La documentation fournie décrira normalement les instructions de montage du guide ainsi que les informations concernant les bonnes pratiques de travail devant être respectées lors de l'utilisation d'un tel équipement.

Il est possible d'utiliser des guides de découpe lorsque :

- L'utilisation d'une scie circulaire ou à tronçonner risque de poser des problèmes de santé et de sécurité ou d'autres problèmes pratiques dans l'environnement de travail. Par exemple, lors d'un travail sur un site de construction nécessitant un contrôle extrêmement rapproché et précis, (travail sur un toit ou une plateforme d'échafaudage, etc.), l'utilisation d'un guide de découpe peut élargir les possibilités d'opération de l'utilisateur de manière sûre.
- Il est nécessaire de réaliser des découpes précises en long ou en large sur de grandes pièces à usiner. Par exemple sur des cadres, portes, grandes planches ou panneaux muraux, etc., un guide de découpe peut potentiellement éliminer la nécessité d'utiliser une scie circulaire « à main levée ».

Remarque : Les machines Evolution compatibles avec les guides de découpe sont équipées de deux (2) comes qui passent dans le profilé de la plaque en acier (une à chaque extrémité).

Les « boutons pivotants » (**Fig. 17**) permettent à l'utilisateur de faire pivoter ces comes.

Le réglage de ces comes réduira légèrement la largeur effective du profilé de la plaque en acier. Cette opération peut se révéler nécessaire pour s'adapter à aux infimes variations de la largeur du rail pouvant survenir lors de l'extrusion du guide. Les largeurs des rails des guides produits par différents fabricants peuvent également varier légèrement.

Remarque : L'utilisateur doit régler ces comes de sorte que, lorsque la machine est correctement placée sur un guide, elle puisse facilement et doucement être déplacée vers l'avant ou vers l'arrière sans aucun mouvement latéral (jeu) détectable.

GUIDES DE DÉCOUPE EVOLUTION

Certaines machines Evolution (selon le modèle et le marché de destination) sont fournies avec un guide de découpe.

Remarque : Les clients peuvent acheter les guides de découpe Evolution en option à l'achat. Contactez votre fournisseur ou Evolution Power Tools pour en savoir plus.

LE GUIDE

Le système de guide Evolution est composé de deux (2) ou trois (3) sections en alliage extrudé de précision.

(Fig. 18) Ces sections doivent être assemblées à l'aide des barres d'assemblage fournies. (Fig. 19)

Assemblage des sections (Fig. 19) :

- Faites glisser les barres dans les fentes en « T » situées sur la surface inférieure des extrusions.
- Vérifiez que les barres sont insérées à la même longueur (environ) dans chacune des sections à assembler.
- Serrez les vis à tête creuse pour fixer les sections les unes aux autres.

Remarque : Il est important de laisser un petit espace de 1 à 2 mm entre les sections assemblées. Grâce à cela, lorsqu'une scie circulaire est placée et utilisée avec un guide de découpe transversale Evolution, elle glissera facilement tout le long du guide.

INTÉGRATION DE LA SCIE SUR LE GUIDE

Remarque : Les consignes suivantes s'appliquent aux scies circulaires et au guide de découpe Evolution. Consultez les informations fournies par les fabricants de la scie et/ou du guide de découpe s'il est nécessaire d'utiliser une scie circulaire ou un guide de découpe ne provenant pas d'Evolution.

Avant la première utilisation du guide de découpe Evolution, la bande pare-éclats (Fig. 21) doit correspondre à la scie et à la lame.

Correspondance de la scie et du guide :

- Assemblez complètement le guide de découpe.
- Référez-vous à la rubrique intitulée « positionnement et fixation du guide ». Fixez le guide sur une pièce adaptée composée d'un matériau inutilisé ou d'une chute.
- Réglez la lame de la scie à une profondeur adaptée à la pièce à usiner inutilisée choisie.
- Vérifiez que rien n'obstrue la trajectoire de la lame.
- Référez-vous à la rubrique intitulée « positionnement et fixation du guide ». Placez correctement la scie circulaire sur le guide.
- Démarrez le moteur et attendez qu'il atteigne sa vitesse maximale.
- Poussez doucement et régulièrement la scie circulaire tout le long du guide jusqu'à ce que la lame ait coupé l'intégralité de la bande pare-éclats.

Remarque : Cette étape liera une scie spécifique à un guide spécifique.

S'il est nécessaire d'utiliser une scie différente sur un guide ainsi préparé, la bande pare-éclats risque de ne pas offrir le même niveau de protection que si elle avait été utilisée avec la scie ayant servi à sa configuration.

Note: Remarque : La bande pare-éclats doit être considérée comme une pièce consommable. Avec le temps, elle s'usera et s'abrasera, et vous devrez la remplacer. Vous risquez également de devoir la remplacer s'il est nécessaire d'utiliser une scie circulaire ou une lame (avec un trait de scie d'une autre largeur) différente de la configuration originale choisie.

BANDE PARE-ÉCLATS REMPLAÇABLE

En tant que pièce consommable, vous devez contrôler la bande pare-éclats remplaçable à intervalles réguliers afin de repérer toute abrasion ou tout dommage dû à l'usage. Si vous constatez une quelconque présence importante d'usure ou de dommage, remplacez la bande.

Des bandes de remplacement sont disponibles. Contactez votre fournisseur ou Evolution par le biais de l'assistance téléphonique appropriée.

La bande pare-éclats remplaçable fournie remplace directement la pièce originale montée. Tirez doucement sur l'ancienne bande pour la décoller du guide et remplacez-la avec la nouvelle.

Remarque : Si vous installez une nouvelle bande, le processus de correspondance de la scie et du guide doit être renouvelé.

PINCES POUR GUIDE EVOLUTION (VENDU SÉPARÉMENT)

La pince de vitesse Evolution (Fig. 22) est conçue pour fonctionner avec le guide de découpe Evolution.

Remarque : Vous pouvez acheter d'autres pinces auprès d'Evolution Power Tools ou de votre fournisseur local.

Les pinces Evolution peuvent s'insérer et glisser le long des fentes en « T » situées sur la surface inférieure des extrusions en alliage. (Fig. 23)

Ainsi, l'utilisateur peut localiser les pinces (une pince doit être présente à chaque extrémité) dans des positions de sécurité maximale tout en conservant la rigidité du guide de découpe sur la pièce à usiner.

POSITIONNEMENT DU GUIDE ET FIXATION

Remarque : Les consignes suivantes sont fournies à titre indicatif. Evolution n'a aucune influence sur les environnements de travail ou les conditions dans lesquelles l'équipement est utilisé.

AVERTISSEMENT : S'il est nécessaire d'utiliser cet équipement sur un site de construction, l'utilisateur doit consulter la personne responsable de la santé et de la sécurité pour les consignes ou instructions de sécurité supplémentaires spécifiques au site.

- Marquez clairement la pièce à usiner et particulièrement la « ligne de découpe », le long de laquelle la lame doit avancer.
- Montez le guide de découpe en assemblant autant de sections que nécessaire pour couvrir

la pièce à usiner en tenant compte du surplomb nécessaire.

- Utiliser des pinces de vitesse Evolution (l'option la plus adaptée) ou des pinces en « G » permet de positionner le guide sur la pièce à usiner, puis de le fixer en serrant les pinces.
- Vérifiez que le bord de la bande pare-éclats corresponde exactement au long de la ligne de coupe marquée.

AVERTISSEMENT : Le guide de découpe doit surplomber la pièce à usiner au niveau du bord « d'attaque ». (Fig. 24)

Vous devrez rétracter manuellement le carter de lame inférieur et le faire pivoter vers le haut dans le carter de lame supérieur lors du placement de la scie circulaire sur le guide.

AVERTISSEMENT : Dans cette position, la lame est exposée. **N'APPUYEZ PAS** sur la gâchette avant d'avoir réalisé les vérifications de sécurité suivantes.

RÉALISER UNE DÉCOUPE

La réalisation d'une découpe à l'aide d'un guide de découpe est très similaire à la réalisation d'une découpe ordinaire avec une scie circulaire. Tous les protocoles et procédures de sécurité qui s'appliquent à l'utilisation d'une scie circulaire s'appliquent également lorsqu'une telle scie est utilisée avec un guide de découpe.

Les consignes suivantes, dont la liste est non-exhaustive, proposent des conseils généraux :

- Réalisez des vérifications de sécurité afin de vous assurer que le guide de découpe est bien fixé à la pièce à usiner et que la pièce à usiner est elle-même bien fixée et ne peut pas bouger lors d'une découpe.
- Vérifiez qu'aucun objet se trouvant sous la pièce à usiner ne risque d'empêcher ou de gêner la progression de la lame ou d'être endommagé par celle-ci.
- Vérifiez que le cordon d'alimentation est placé de manière à éviter les risques de chute (ou tout autre risque). Vérifiez surtout que le cordon d'alimentation ne peut pas entrer en contact avec la lame en rotation.

- L'utilisateur doit s'assurer de pouvoir conserver une position stable, un bon équilibre et un contrôle total tout au long de la coupe lorsqu'il fait avancer la scie le long du guide. Faites particulièrement attention lorsque la lame sort de la pièce à usiner.

AVERTISSEMENT : Dans les cas particuliers de travail en hauteur (ou parfois dans d'autres cas), vérifiez qu'aucun matériau découpé ne risque de tomber et de blesser une personne à proximité. L'utilisateur peut être amené à trouver un moyen de récupérer ou de rattraper de tels matériaux découpés. Consultez la personne responsable de la sécurité du site pour obtenir des conseils adaptés.

Remarque : L'utilisateur peut envisager de réaliser une découpe d'essai à l'aide de la scie débranchée de l'alimentation électrique pour s'assurer que la procédure de découpe se déroulera en toute sécurité.

Une fois la découpe effectuée, l'utilisateur doit relâcher l'interrupteur à gâchette MARCHE/ARRÊT et attendre que le moteur et la lame s'arrêtent complètement.

Une fois la lame levée du guide de découpe et de la pièce à usiner, le carter de lame inférieur se déploiera automatiquement pour couvrir la lame dans son intégralité.

RÉCUPÉRATION DES POUSSIÈRES/ DÉBRIS

Une buse d'adaptation (**Fig. 25**) peut être montée sur toutes les machines CCS. Grâce à l'installation de cette buse, vous pouvez relier la machine à un appareil de récupération des poussières et des débris.

Remarque : La forme spécifique de la buse fournie dépend du type de modèle et du marché de destination de la machine. La buse fournie est compatible avec un grand nombre d'appareils de récupération des poussières et des débris actuels. La buse peut être installée sur le port d'éjection du matériau

découpé. (**Fig. 26**)

Remarque : Si nécessaire, il est possible de fixer une machine d'aspiration des poussières et des débris à la buse d'adaptation. Suivez les instructions du fabricant si vous décidez de brancher une machine de ce type et vérifiez qu'elle est capable de traiter le matériau découpé éjecté.

VOYANT LED

Certaines de ces machines (selon le modèle et le marché de destination) sont équipées d'un voyant LED automatique.

Remarque : Si vous n'êtes pas sûr des fonctionnalités présentes sur votre machine, consultez la page des caractéristiques de ce manuel.

Le voyant LED est situé sur le côté gauche (G) de la lame. (**Fig. 27**) Le faisceau de la LED illumine le côté gauche de la lame et toute ligne de marquage présente sur la pièce à usiner. Cette fonctionnalité devrait aider l'utilisateur à anticiper la trajectoire de la lame dans la pièce à usiner et ainsi gagner en efficacité, précision et sécurité.

Remarque : Le fonctionnement du voyant LED est automatique. Dès que la machine est branchée à l'alimentation électrique, la LED s'active. Elle indique clairement à l'utilisateur que la machine a bien été branchée à l'alimentation électrique et qu'elle est alimentée (« sous tension ») et prête à commencer les opérations de découpe.

Remarque : Aucune pièce de l'ensemble du voyant LED ne peut être réparée par l'utilisateur et l'orientation du faisceau est réglée en usine. Le capuchon de protection de la lentille ne doit jamais être recouvert par de la poussière ou autre (voir la rubrique entretien) pour que la luminosité du faisceau projeté reste toujours maximale.

AVERTISSEMENT : Nettoyez uniquement le capuchon de la lentille lorsque la machine est débranchée de l'alimentation électrique et que la lame est parfaitement immobile.

DISPOSITIFS D'AIDE À LA DÉCOUPE INTÉGRÉS

Toutes les scies circulaires Evolution sont équipées de divers dispositifs d'aide à la découpe ou de guides conçus pour aider l'utilisateur à réaliser des découpes précises et rapides en toute sécurité.

Remarque : Les fonctionnalités suivantes ne sont pas présentes sur toutes les machines.

Guides de ligne de découpe à 0° et 45° (Fig. 28)

Deux (2) petites encoches sont présentes sur le bord avant de la plaque en acier de la machine. Sur certains modèles, elles sont identifiées à l'aide d'une valeur d'angle. Ces encoches indiquent la position de la lame à sa sortie de la pièce à usiner lorsque l'angle d'inclinaison du biseau est réglé sur 0° (lame verticale) ou 45°.

Guide de l'avant de la lame (Fig. 29)

Remarque : Les machines Evolution compatibles avec le guide de découpe Evolution sont équipées d'une encoche située sur le bord droit (D) de la plaque en acier.

L'encoche indique la position du bord avant de la lame lorsque sa profondeur de coupe est réglée au maximum. Cette fonctionnalité peut être utilisée lors du placement et du positionnement de la scie sur le guide de découpe.

AVERTISSEMENT : Important : le carter de lame inférieur ou la lame ne doivent jamais entrer en contact avec aucune surface de la pièce à usiner lors du positionnement initial de la scie sur le guide de découpe.

Règles de guidage (Fig. 30)

Certaines scies circulaires Evolution sont équipées de règles de guidages. Elles sont situées le long des bords avant et/ou latéraux de la plaque en acier.

Ces guides peuvent se révéler utiles pour indiquer la position approximative de la lame dans la pièce à usiner ou la prédire.

RÉGLAGES SPÉCIALISÉS

Votre machine Evolution comporte de nombreux réglages et composants de précision qui ont, pour la plupart, été réglés et ajustés en usine afin de maintenir une précision sur le long terme.

L'entretien et le réglage de ces composants ou de ces réglages ne seront probablement jamais nécessaires. Si l'entretien ou le réglage (après une utilisation considérable) est jugé nécessaire, Evolution vous conseille de contacter l'assistance technique téléphonique pour être conseillé et guidé de manière appropriée.

Remarque : Certaines procédures de réglage ne sont possibles qu'en étant en possession de certaines connaissances et/ou de certains équipements spécialisés.

(17) CONSEILS DE COUPE GÉNÉRAUX

AVERTISSEMENT : L'opérateur doit toujours être conscient de la position et de l'acheminement du câble d'alimentation. Le câble doit être acheminé de façon à ce que la lame ne puisse jamais entrer en contact avec le câble d'alimentation.

Le câble ne doit pas engendrer de risque de chute (ou tout autre risque) pour l'opérateur ou toute autre personne à proximité.

- Ne forcez pas la machine.
- Laissez la vitesse de la lame effectuer le travail. L'exercice d'une pression excessive sur la machine n'améliorera pas la performance de coupe et la durée de vie de la lame sera écourtée.
- Lorsque vous utilisez le guide parallèle, assurez-vous qu'il soit bien parallèle à la lame. La lame et/ou le moteur risqueraient d'être endommagés si la machine était utilisée avec un guide parallèle mal réglé.
- Placez le bord avant de la plaque en acier en l'alignant sur la pièce à usiner. Avant de démarrer le moteur, assurez-vous que la lame n'est pas en contact avec la pièce à usiner.
- Au départ d'une découpe, faites attention à introduire la lame doucement dans le matériau pour éviter d'endommager les dents de la lame.

Remarque : Deux (2) lignes de guides de coupe se situent à l'avant de la plaque en acier de la machine CCSL (pour les angles de biseau de 0° et 45° uniquement).

- Utilisez vos deux mains pour faire avancer la scie dans la pièce à usiner.
- Appliquez une pression douce et constante pour déplacer la scie le long de la pièce à usiner.

Remarque : Toutes les machines de série CCS sont équipées d'un carter de lame inférieur automatique disposant d'un bord d'attaque avant spécialement façonné. Ce dispositif permet au carter de lame de se rétracter facilement et doucement à mesure que la lame pénètre dans la pièce à usiner. Lorsque la lame sort de la pièce à usiner, le carter de lame inférieur retourne automatiquement dans sa position initiale pour recouvrir intégralement la lame.

Remarque : Dans certains cas, comme lors d'une coupe en plongée dans un sol ou un mur par exemple, il peut être avantageux de rétracter le carter de lame inférieur manuellement.

Le carter de lame inférieur comporte un levier à commande par le pouce. En prenant les précautions nécessaires, un opérateur compétent peut rétracter le carter de lame manuellement, partiellement ou totalement, afin de réaliser des coupes en plongée.

AVERTISSEMENT : Si vous décidez de rétracter le carter de lame manuellement, soyez extrêmement vigilant et assurez-vous que les mains et les doigts de l'opérateur ne touchent aucune partie de la lame de la machine.

Après une découpe :

- Relâchez l'interrupteur à gâchette MARCHE/ARRÊT.
- Attendez que la lame s'arrête complètement.
- Sortez la machine de la pièce à usiner en laissant le carter de lame inférieur revenir à sa position initiale pour recouvrir la lame.

AVERTISSEMENT : Si le moteur s'arrête ou cale lors d'une découpe, relâchez l'interrupteur à gâchette immédiatement. Débranchez la machine de l'alimentation électrique et retirez la machine de la pièce à usiner. Recherchez la cause du problème et réglez-le si possible. N'essayez de redémarrer le moteur qu'une fois que vous êtes absolument certain de la sécurité d'une telle opération.

PORT D'ÉJECTION DU MATÉRIAU DÉCOUPÉ

AVERTISSEMENT : N'utilisez ni le sac à poussière ni l'adaptateur du port à poussières lors de la découpe de matériaux métalliques, y compris le bois contenant des clous.

(18) ENTRETIEN ET RÉGLAGES

La position à 0° (lame à la verticale) peut être réglée.

AVERTISSEMENT : La machine doit être débranchée de l'alimentation électrique avant de réaliser cette procédure.

Pour contrôler la position à 0° :

- Positionnez la lame sur 0° avec le mécanisme d'inclinaison contre sa butée.
- Contrôlez la position de la lame sur la plaque en acier à l'aide d'une équerre d'ingénieur de précision (non fournie). Faites attention à ne pas toucher le bout des dents en TCT. L'angle entre la lame et la plaque en acier doit être d'exactly 90°.

Remarque : Faites pivoter le carter de lame inférieur (manuellement) vers le haut, dans le carter de lame supérieur. L'équerre d'ingénieur restera alors précisément positionnée afin de faciliter le processus de vérification. Si vous avez besoin d'effectuer des réglages :

R165CCSL et 185CCS

Faites tourner la vis de réglage (**Fig. 31**) dans le sens des aiguilles d'une montre ou dans le sens inverse des aiguilles d'une montre à l'aide d'une clé hexagonale de 4 mm (non fournie) jusqu'à ce que la lame soit à exactement 90° de la plaque en acier.

R185CCSX et 185CCSX+

Faites tourner les vis de réglage (**Fig. 32**) dans le sens des aiguilles d'une montre ou dans le sens inverse des aiguilles d'une montre à l'aide d'une clé hexagonale de 3 mm (non fournie) jusqu'à ce que la lame soit à exactement 90° de la plaque en acier.

**Vérification de la position à 45°
(R185CCSX et 185CCSX+) :**

- Positionnez la lame sur 45° avec le mécanisme d'inclinaison contre sa butée.
- Contrôlez la position de la lame sur la plaque en acier à l'aide d'une équerre d'ingénieur de précision (non fournie). Faites attention à ne pas toucher le bout des dents en TCT. L'angle entre la lame et la plaque en acier doit être exactement de 45°.

Faites tourner les vis de réglage (**Fig. 33**) dans le sens des aiguilles d'une montre ou dans le sens inverse des aiguilles d'une montre à l'aide d'une clé hexagonale de 3 mm (non fournie) jusqu'à ce que la lame soit à exactement 45° de la plaque en acier.

(19) VÉRIFICATION ET REMPLACEMENT DES BALAIS EN CARBONE

ATTENTION : Débranchez la machine de sa source de courant avant d'essayer de vérifier ou de remplacer les balais en carbone.

Remarque : Remplacez les deux balais en carbone si l'un d'entre eux mesure moins de 6 mm de long, ou si le ressort ou le fil est endommagé ou brûlé.

Pour retirer les balais :

- Dévissez les bouchons en plastique à l'arrière du carter moteur. (**Fig. 34**) Faites attention car les bouchons sont vissés sur ressorts.
- Retirez les balais et leurs ressorts.
- S'il faut les changer, remplacez les balais et remettez les bouchons.

Remarque : Les balais usés mais utilisables peuvent être remis en place, tant qu'ils sont placés dans la même position, et insérés dans le même sens qu'avant leur retrait de la machine.

- Mettez le moteur de la machine en marche pendant environ 5 minutes sans charge. Cette étape permet aux nouveaux balais de « s'intégrer » et de vérifier que le moteur fonctionne correctement.
- Vous risquez d'observer des étincelles jusqu'à l'intégration complète des balais.

(20) ENTRETIEN GÉNÉRAL ET NETTOYAGE

Remarque : Tout entretien doit être effectué avec la machine éteinte et débranchée de la source d'alimentation.

- Vérifiez régulièrement que tous les éléments de sécurité et les protections fonctionnent correctement. Utilisez cette machine uniquement si tous les carters et dispositifs de sécurité sont opérationnels.
- Tous les roulements du moteur de cette machine sont lubrifiés à vie. Aucune autre lubrification n'est requise.

Nettoyez les pièces en plastique de la machine à l'aide d'un chiffon propre légèrement humide. N'utilisez pas de solvants ou de produits similaires qui pourraient endommager les parties en plastique.

Retirez la poussière ou tout autre contaminant du capuchon de la lentille du module LED.

AVERTISSEMENT : Ne tentez pas de nettoyer la machine en insérant des objets pointus dans les ouvertures de son carter, etc. Les événements de la machine doivent être régulièrement nettoyés à l'aide d'air sec comprimé.

Remarque : L'opérateur doit porter tous les EPI nécessaires lors du nettoyage à l'air sec comprimé.

(21) PROTECTION DE L'ENVIRONNEMENT

Les déchets électriques et les produits mécaniques ne doivent pas être jetés avec les ordures ménagères. Veuillez recycler lorsque les infrastructures le permettent. Contactez votre municipalité ou votre revendeur pour des conseils sur le recyclage.



DÉCLARATION CE DE CONFORMITÉ



Le fabricant de ce produit couvert par cette déclaration est :

UK: Evolution Power Tools Ltd, Venture One, Longacre Close, Holbrook Industrial Estate, Sheffield, S20 3FR.

FR: Evolution Power Tools SAS, 61 Avenue Lafontaine, 33560, Carbon-Blanc, Bordeaux, France.

Le fabricant déclare par les présentes que la machine, comme décrite dans la présente déclaration, satisfait à l'ensemble des dispositions pertinentes de la directive machines et aux autres directives appropriées comme listées ci-après.

Le fabricant déclare en outre que la machine, comme décrite dans la présente déclaration, satisfait aux dispositions pertinentes des exigences essentielles de santé et de sécurité.

Les directives couvertes par cette déclaration sont comme listées ci-après :

2006/42/CE.	Directive liée à la machine.
2014/30/UE.	Directive relative à la compatibilité électromagnétique.
2011/65/EU. & 2015/863/EU.	Limitation de l'utilisation de certaines substances dangereuses dans les équipements électriques (directive RoHS).
2012/19/UE.	Directive relative aux déchets d'équipements électriques et électroniques (DEEE).

Conforme aux dispositions prévues par les documents suivants :

EN 62841-1:2015 • EN62841-2-5:2014 • EN 55014-1:2017+A11:2020 • EN 55014-2:2015 • EN 61000-3-2: 2014(220-240V models)- EN IEC 61000-3-2:2019(220-240V models) • EN 61000-3-3:2013+A1:2019(only 026-0001) • EN 61000-3-11: 2000 (220-240V models except 026-0001)

Détails du produit

Description :	Scie circulaire 165 mm (6-1/2 pouces) R165CCSL
N° du modèle :	026-0001 / 026-0002 / 026-0003
Description :	Scie circulaire 185 mm (7-1/4 pouces) R185CCS
N° du modèle :	027-0001C / 027-0002C / 027-0003C
Description :	Scie circulaire 185 mm (7-1/4 pouces) R185CCSX
N° du modèle :	027-0001 / 027-0002 / 027-0003
Description :	Scie circulaire 185 mm (7-1/4 pouces) R185CCSX+
N° du modèle :	027-0001A / 027-0002A / 027-0003A
Nom du fabricant :	EVOLUTION POWER TOOLS LIMITED
Tensions :	220-240 V / 110V ~ 50 Hz
Entrée :	R165CCSL - 1 200 W R185CCS, R185CCSX & R185CCSX+ - 1600 W

La documentation technique prouvant que le produit est conforme aux exigences de la directive peut être consultée auprès des autorités de contrôle. Elle permet de vérifier que notre dossier technique contient tous les documents répertoriés ci-dessus et qu'ils sont la norme pour le produit, comme détaillé ci-dessus.

Nom et adresse du détenteur de la documentation technique.

Signature :		Nom : Barry Bloomer
Date :	01/06/2018	Directeur de la chaîne logistique et de l'approvisionnement

UK: Evolution Power Tools Ltd, Venture One, Longacre Close, Holbrook Industrial Estate, Sheffield, S20 3FR.

FR: Evolution Power Tools SAS, 61 Avenue Lafontaine, 33560, Carbon-Blanc, Bordeaux, France.

**(1.2) INTRODUZIONE
IMPORTANTE**

Si prega di leggere attentamente tutte le istruzioni d'uso e di sicurezza.

Per la propria sicurezza, se si è incerti su qualsiasi aspetto dell'utilizzo di questa attrezzatura, si prega di contattare l'assistenza tecnica telefonica al numero indicato sul sito web di Evolution Power Tools.

Nella nostra organizzazione internazionale gestiamo diverse linee telefoniche di assistenza. In alternativa, anche il fornitore del prodotto può fornire assistenza tecnica.

(1.3) CONTATTI:

Web: www.evolutionpowertools.com

UK/EU/AUS: customer.services@evolutionpowertools.com

USA: evolutioninfo@evolutionpowertools.com

(1.4) GARANZIA

Congratulazioni per l'acquisto di un prodotto Evolution Power Tools. Si prega di completare online la registrazione del prodotto così come illustrato nella brochure acclusa al presente apparecchio. In tal modo sarà possibile convalidare il periodo di garanzia dell'apparecchio tramite l'introduzione dei propri dati sul sito web di Evolution, assicurandosi un'assistenza immediata qualora necessario.

La ringraziamo sinceramente per aver scelto un prodotto Evolution Power Tools.

SPECIFICHE

	USA		
SPECIFICHE UTENSILE	R185CCS	R185CCSX	R185CCSX+
Modello N:	027-0004	027-0004C	027-0004A
Motore EU (220-240V ~ 50 Hz)			
Motore Regno Unito (110 V ~ 50 Hz)			
Motore Stati Uniti (120 V ~ 60 Hz)	15A	15A	15A
Velocità a vuoto (220-240 V)			
Velocità a vuoto (110 V e 120 V)	3700 min ⁻¹ / rpm	3700 min ⁻¹ / rpm	3700 min ⁻¹ / rpm
Peso	10.8 lb	11.2 lb	11.2 lb
Massimo angolo di smusso della lama (in gradi)	60°	45°	45°
Lunghezza cavo di alimentazione	13 ft	13 ft	13 ft
Tipo di base sega circolare	Alluminio pressofuso	Alluminio pressofuso	Alluminio pressofuso
Compatibile con binario di guida taglio		✓	✓

CAPACITÀ DI TAGLIO	R185CCS	R185CCSX	R185CCSX+
Piastra in acciaio dolce (Spessore massimo)	1/4"	1/4"	1/4"
Sezione quadrata in acciaio dolce (Parete massima)	1/4"	1/4"	1/4"
Massimo spessore di taglio (0°)	2-1/2"	2-1/2" (2-5/16" con binario guida)	2-1/2" (2-5/16" con binario guida)
Massimo spessore di taglio (45°)	1-9/16"	1-13/16" (1-5/8" con binario guida)	1-13/16" (1-5/8" con binario guida)
Massimo spessore di taglio (60°)	1"		

SPECIFICHE LAMA	R185CCS	R185CCSX	R185CCSX+
Diametro lama	Ø 7-1/4"	Ø 7-1/4"	Ø 7-1/4"
Numero denti	20	16	20
Diametro foro	25/32"	25/32"	25/32"
Intaglio	1.7mm	1.7mm	1.7mm

DATI RUMOROSITÀ E VIBRAZIONI	R185CCS	R185CCSX	R185CCSX+
Livello pressione acustica L_{pa}	94,3dB(A) K=3 dB(A)	94,3dB(A) K=3 dB(A)	94,3dB(A) K=3 dB(A)
Livello potenza acustica L_{wa}	105,3dB(A) K=3 dB(A)	105,3dB(A) K=3 dB(A)	105,3dB(A) K=3 dB(A)
Vibrazioni - Impugnatura principale (taglio su legno)	$a_{h,w} = 3,347m/s^2$	$a_{h,w} = 3,347m/s^2$	$a_{h,w} = 3,347m/s^2$
Vibrazioni - Impugnatura secondaria (taglio su legno)	$A_{h,w} = 3,119m/s^2$	$a_{h,w} = 3,119m/s^2$	$a_{h,w} = 3,119m/s^2$
Vibrazioni - Impugnatura principale (taglio su metallo)	$a_{h,M} = 3,572m/s^2$	$a_{h,M} = 3,572m/s^2$	$a_{h,M} = 3,572m/s^2$
Vibrazioni - Impugnatura secondaria (taglio su metallo)	$a_{h,M} = 3,241m/s^2$	$a_{h,M} = 3,241m/s^2$	$a_{h,M} = 3,241m/s^2$
Incertezza K	1,5m/s ²	1,5m/s ²	1,5m/s ²

ICOMPONENTI IN DOTAZIONE	R185CCS	R185CCSX	R185CCSX+
Lama TCT multi-materiale	✓	✓	✓
Chiave esagonale (cambio lama)	✓	✓	✓
Guida di arresto parallelo	✓	✓	✓
Adattatore attacco polvere	✓	✓	✓
Innesto portagomma polvere	✓	✓	✓
Custodia da trasporto			✓
Binario guida taglio - 340mm (13-3/8") x3		✓	
Barra connettore e viti (x4)		✓	
Luce LED	✓		✓

UK / EU / AUS			
R165CCSL	R185CCS	R185CCSX	R185CCSX+
026-0001 / 026-0002 / 026-0003	027-0001C / 027-0002C / 027-0003C	027-0001 / 027-0002 / 027-0003	027-0001A / 027-0002A / 027-0003A
1200W	1600W	1600W	1600W
1200W	1600W	1600W	1600W
3700 min ⁻¹ / rpm	3900 min ⁻¹ / rpm	3900 min ⁻¹ / rpm	3900 min ⁻¹ / rpm
3700 min ⁻¹ / rpm	3700 min ⁻¹ / rpm	3700 min ⁻¹ / rpm	3700 min ⁻¹ / rpm
4.3 kg	4.9 kg	5.1 kg	5.1 kg
45°	60°	45°	45°
3m	3m	3m	4m
Acciaio stampato	Alluminio pressofuso	Alluminio pressofuso	Alluminio pressofuso
		✓	✓

R165CCSL	R185CCS	R185CCSX	R185CCSX+
3mm	6mm	3mm	6mm
3mm	6mm	3mm	6mm
53mm	64mm	64 mm (59 mm con binario guida)	64 mm (59 mm con binario guida)
34mm	40mm	47 mm (42 mm con binario guida)	47 mm (42 mm con binario guida)
	24mm		

R165CCSL	R185CCS	R185CCSX	R185CCSX+
Ø 165mm	Ø 185mm	Ø 185mm	Ø 185mm
14	20	16	20
20mm	20mm	20mm	20mm
1.7mm	1.7mm	1.7mm	1.7mm

R165CCSL	R185CCS	R185CCSX	R185CCSX+
92,4dB(A) K:3dB(A)	94,3dB(A) K=3 dB(A)	94,3dB(A) K=3 dB(A)	94,3dB(A) K=3 dB(A)
103,4dB(A) K:3dB(A)	105,3dB(A) K=3 dB(A)	105,3dB(A) K=3 dB(A)	105,3dB(A) K=3 dB(A)
$a_{h,w} = 2,747m/s^2$	$a_{h,w} = 3,347m/s^2$	$a_{h,w} = 3,347m/s^2$	$a_{h,w} = 3,347m/s^2$
$a_{h,w} = 2,619m/s^2$	$a_{h,w} = 3,119m/s^2$	$a_{h,w} = 3,119m/s^2$	$a_{h,w} = 3,119m/s^2$
$a_{h,M} = 2,302m/s^2$	$a_{h,M} = 3,572m/s^2$	$a_{h,M} = 3,572m/s^2$	$a_{h,M} = 3,572m/s^2$
$a_{h,M} = 2,239m/s^2$	$a_{h,M} = 3,241m/s^2$	$a_{h,M} = 3,241m/s^2$	$a_{h,M} = 3,241m/s^2$
1,5m/s ²	1,5m/s ²	1,5m/s ²	1,5m/s ²

R165CCSL	R185CCS	R185CCSX	R185CCSX+
✓	✓	✓	✓
✓	✓	✓	✓
✓	✓	✓	✓
✓	✓	✓	✓
✓	✓	✓	✓
			✓
		✓	
		✓	
			✓

VIBRAZIONI

(1.5) **Avvertenza:** La misurazione delle vibrazioni è stata eseguita in condizioni standard ai sensi delle normative: EN 62841-1: 2015, EN 62841-2-5: 2014

Attenzione: Indossare protezioni acustiche!

La misurazione del valore totale dichiarato delle vibrazioni è stata eseguita in accordo con un metodo di verifica standard. Esso può essere usato per confrontare un utensile con un altro.

Il valore totale dichiarato delle vibrazioni può essere usato inoltre per una valutazione preliminare dell'esposizione a esse.

(1.6) **ATTENZIONE:** Durante l'utilizzo del presente utensile, l'operatore può essere esposto a un alto livello di vibrazioni trasmesse al braccio e alla mano. L'operatore potrebbe sviluppare la sindrome del dito bianco da vibrazione (Sindrome di Raynaud). Tale patologia può ridurre la sensibilità e provocare ipotermia della mano, così come produrre un intorpidimento generale. Coloro che utilizzano su base regolare e in maniera prolungata nel tempo il presente utensile devono monitorare attentamente la condizione delle proprie mani e dita. Qualora si manifestassero con evidenza uno o più sintomi, consultare immediatamente un medico.

- La misurazione e la valutazione dell'esposizione alle vibrazioni trasmesse all'arto sul posto di lavoro è contemplata nelle normative: EN 62841-1 and EN 62841-2-5
- Numerosi fattori possono influenzare il livello reale delle vibrazioni durante il funzionamento, come ad esempio la condizione e l'orientamento della superficie di lavoro e il tipo e lo stato dell'apparecchio in uso. Tali fattori devono essere valutati prima di ogni utilizzo, e, laddove possibile, devono essere messe in atto le idonee pratiche lavorative. La buona gestione dei seguenti fattori può concorrere a ridurre gli effetti delle vibrazioni:

Gestione dell'utensile

- Maneggiare l'utensile con cura, consentendogli di effettuare il proprio lavoro.
- Evitare di usare eccessiva forza fisica sui

controlli dell'utensile.

- Considerare la propria sicurezza ed equilibrio, e l'orientamento dell'utensile durante l'uso.

Superficie di lavoro

- Esaminare il materiale della superficie di lavoro; la sua condizione, densità, resistenza, rigidità e orientamento.

ATTENZIONE: L'emissione di vibrazioni durante l'uso effettivo dell'utensile può differenziarsi dal valore totale dichiarato in base al modo in cui l'utensile è impiegato.


La necessità di identificare misure di sicurezza che tutelino l'operatore sono basate su una stima dell'esposizione al pericolo nelle condizioni d'uso reali (prendendo in considerazione tutti i componenti del ciclo di funzionamento, così come le tempistiche di spegnimento dell'utensile, del suo funzionamento a vuoto, in aggiunta al tempo di attivazione).


(1.7) ETICHETTE E SIMBOLI

ATTENZIONE: Non mettere in funzione il presente apparecchio qualora le etichette di sicurezza e/o le istruzioni risultino mancanti o danneggiate. Contattare Evolution Power Tools per le etichette sostitutive.

Avvertenza: Tutti o alcuni dei seguenti simboli possono essere presenti nel manuale o sul prodotto.

(1.8)

Simbolo	Descrizione
V	Volt
A	Ampere
Hz	Hertz
Min ⁻¹ / RPM	Velocità
~	Corrente alternata
no	Velocità a vuoto
	Indossare occhiali protettivi

	Indossare protezioni auricolari
	Indossare protezioni antipolvere
	Leggere le istruzioni
	Doppio isolamento
	Certificazione CE
	Certificazione ETL
	Smaltimento di apparecchiature elettriche ed elettroniche
	Smaltimento e riciclaggio rifiuti secondo la normativa Triman
	Attenzione
	Marchio di conformità ai requisiti per le apparecchiature elettriche ed elettroniche (RCM). Standard Australia/Nuova Zelanda 5490

(1.9) DESTINAZIONE D'USO DEL PRESENTE UTENSILE ELETTRICO

ATTENZIONE: Il presente prodotto è una sega circolare a funzionamento manuale ed è stata progettata per essere utilizzata con specifiche lame Evolution. Utilizzare esclusivamente accessori progettati per l'utilizzo sul presente apparecchio e/o quelli espressamente raccomandati da Evolution Power Tools Ltd.

Se equipaggiato con una lama idonea il presente utensile può essere utilizzato per tagliare:

Acciaio dolce, alluminio, legno

Avvertenza: Effettuare tagli sull'acciaio zincato riduce la durata della lama.

(1.10) USO NON CONSENTITO DEL PRESENTE UTENSILE ELETTRICO

ATTENZIONE: Il presente prodotto è una sega circolare a funzionamento manuale e deve essere utilizzata esclusivamente come tale. Essa non deve in alcun modo essere modificata, o utilizzata per alimentare altro apparecchio o manovrare un qualunque accessorio differente da quelli identificati nel presente manuale di istruzioni.

(1.11) ATTENZIONE: Il presente utensile non è progettato per essere impiegato da persone (bambini inclusi) con capacità fisiche, sensoriali o mentali ridotte, o da utenti privi di esperienza e conoscenza, a meno che essi non siano supervisionati o istruiti da un responsabile competente in tal senso sul suo utilizzo in sicurezza.

È necessario sorvegliare i bambini per assicurarsi che essi non abbiano accesso al presente utensile, e che non sia consentito loro di giocarci.

(1.12) SICUREZZA ELETTRICA

Il presente utensile è dotato di un modello di presa elettrica e di un cavo di alimentazione idonei al mercato di destinazione. Qualora il cavo di alimentazione sia danneggiato, esso deve essere sostituito da un cavo specifico o da uno assemblato appositamente dal produttore o dal suo servizio di assistenza.

(1.13) USO ESTERNO ATTENZIONE:

ATTENZIONE: Per la propria sicurezza, qualora il presente apparecchio sia utilizzato all'aperto, non deve essere esposto alla pioggia o impiegato in ambienti umidi. Non posizionare l'utensile su superfici umide. Utilizzare un banco da lavoro asciutto e pulito se disponibile. Per una protezione supplementare, utilizzare un interruttore differenziale (R.C.D.) che interrompa l'alimentazione qualora la dispersione di corrente a terra superi i 30mA per 30ms. Verificare sempre il funzionamento dell'interruttore differenziale (R.C.D.) prima di utilizzare l'utensile.

Qualora sia necessario un cavo di prolunga, deve essere di tipo idoneo all'utilizzo esterno e contrassegnato di conseguenza. Quando si utilizza un cavo di prolunga, devono essere

rispettate le istruzioni del produttore.

(2.1) ISTRUZIONI GENERALI SULLA SICUREZZA

(Le presenti istruzioni generali di sicurezza degli utensili elettrici sono redatte in accordo alla normativa EN 62841-1: 2015).

ATTENZIONE: Leggere per intero le istruzioni e le avvertenze di sicurezza.

Il mancato rispetto delle avvertenze e delle istruzioni può comportare scosse elettriche, rischio di incendio e/o gravi lesioni. Conservare tutte le avvertenze e le istruzioni per future consultazioni.

La dicitura "utensile elettrico" nelle avvertenze si riferisce al presente utensile elettrico alimentato a muro (con cavo) o a batterie (senza cavo).

(2.2) 1) Avvertenze generali sulla sicurezza degli utensili elettrici [Sicurezza dell'area di lavoro]

a)) Tenere l'area di lavoro pulita e ben illuminata. Le aree disordinate e poco illuminate favoriscono gli incidenti.

b) Non azionare l'utensile elettrico in un'atmosfera potenzialmente esplosiva, come in presenza di liquidi, gas o polveri infiammabili. Gli utensili elettrici generano scintille che possono innescare polveri o vapori.

c) Tenere bambini e presenti a distanza mentre l'apparecchio è in funzione. Le distrazioni possono causare perdita di controllo.

(2.3) 2) Avvertenze generali sulla sicurezza degli utensili elettrici [Sicurezza elettrica]

a) Le spine di alimentazione degli utensili elettrici devono essere adeguate alla presa a muro. In nessuna circostanza e in alcun modo modificare la spina elettrica.

Non utilizzare adattatori di attacco elettrico in combinazione con utensili elettrici dotati di messa a terra. Spine elettriche non modificate e prese adeguate riducono il rischio di folgorazione.

b) Evitare il contatto del corpo con superfici dotate di messa a terra, come tubature, caloriferi, fornelli e frigoriferi. Si registra un aumento del rischio di scossa elettrica quando il corpo risulta in contatto con una messa a terra.

c) Non esporre utensili elettrici alla pioggia

o al rischio di bagnarsi. L'ingresso di acqua in un utensile elettrico aumenta il rischio di folgorazione.

d) Non sottoporre a eccessivo lavoro il cavo di alimentazione. Non utilizzare mai il cavo per trasportare, tirare o scollegare l'utensile elettrico. Tenere il cavo al riparo da calore, olio, spigoli vivi o parti in movimento.

I cavi danneggiati o aggrovigliati aumentano il rischio di folgorazione.

e) Quando si utilizza un utensile elettrico in ambiente esterno, impiegare un cavo di prolunga idoneo all'uso all'aperto. Impiegare un cavo idoneo all'utilizzo all'aperto riduce il rischio di folgorazione.

f) Qualora sia indispensabile utilizzare l'utensile elettrico in ambiente umido, impiegare un alimentatore protetto dotato di interruttore differenziale (RCD).

L'utilizzo di un RCD riduce il rischio di folgorazione.

Avvertenza: Il prodotto è idoneo all'utilizzo soltanto in locali che abbiano una potenza della corrente di servizio $\geq 100A$ per fase, erogata da una rete di distribuzione con una potenza nominale di voltaggio a 230 V. Qualora necessario, contattare la compagnia elettrica per accertarsi che l'alimentazione elettrica in uscita dalla rete di distribuzione pubblica sia adeguata per collegare il prodotto.

(2.4) 3) Avvertenze generali sulla sicurezza degli utensili elettrici [Sicurezza personale].

a) Lavorare con prudenza, controllare quel che si sta facendo e utilizzare il buon senso quando si adopera un utensile elettrico.

Non utilizzare un utensile elettrico quando si è stanchi o sotto l'effetto di stupefacenti, alcool o farmaci. Un attimo di distrazione durante l'utilizzo di utensili elettrici può risultare in una grave lesione personale.

b) Utilizzare l'equipaggiamento di protezione personale. Indossare sempre protezioni per gli occhi. L'utilizzo di equipaggiamento di protezione come maschera antipolvere, calzature anti infortunistiche antidistrucchiolo, caschetto e protezioni auricolari nelle situazioni idonee riduce il rischio di lesioni personali.

c) Prevenire attivazioni indesiderate.

Quando si solleva o trasporta l'apparecchio, assicurarsi che l'interruttore sia nella posizione di spegnimento prima di collegarlo a una fonte

di alimentazione e/o a un pacco batterie. Non trasportare un utensile elettrico con le dita sull'interruttore o dargli corrente quando tale comando è sulla posizione di accensione facilitata il verificarsi di incidenti.

d) Rimuovere qualunque chiave o brugola di regolazione dal bullone della lama prima di avviare l'utensile elettrico. Una chiave o una brugola rimasta attaccata a una parte rotante di un utensile elettrico può causare lesioni personali.

e) Non sporgersi troppo. Mantenere sempre i piedi saldi a terra e un buon equilibrio. Ciò garantisce un controllo migliore dell'utensile elettrico in situazioni impreviste.

f) Indossare l'abbigliamento adeguato. Non indossare indumenti larghi o gioielli. Tenere i propri capelli, indumenti e guanti lontani dalle parti in movimento. Indumenti larghi, gioielli e capelli lunghi possono rimanere intrappolati nelle parti in movimento.

g) Qualora gli apparecchi siano provvisti di collegamento a dispositivi di aspirazione e raccolta polveri, accertarsi che essi siano collegati e utilizzati adeguatamente.

L'utilizzo di un dispositivo per la raccolta di polveri può ridurre i rischi legati alla presenza delle stesse.

h) Non permettere che la familiarità d'uso agli utensili dovuta al loro frequente utilizzo produca indifferenza e noncuranza dei principi di sicurezza. Un'azione considerata può produrre conseguenze gravi nel giro di pochi secondi.

(2.5) 4) Avvertenze generali sulla sicurezza degli utensili elettrici [Utilizzo e manutenzione dell'utensile elettrico].

a) Non forzare l'utensile elettrico. Utilizzare l'utensile elettrico corretto per la propria applicazione. L'utensile elettrico corretto eseguirà il lavoro in maniera più efficiente e sicura alla velocità per la quale esso è stato progettato.

b) Non utilizzare l'utensile elettrico se l'interruttore non si accende o non si spegne. Qualunque utensile elettrico che non possa essere controllato tramite l'interruttore è pericoloso e deve essere riparato.

c) Scollegare l'utensile elettrico dalla fonte di alimentazione prima di eseguire qualunque riparazione, cambio di accessori, o di riparlo. Tali misure preventive di sicurezza riducono il rischio di avviamento accidentale

dell'utensile elettrico.

d) Riporre gli utensili elettrici inattivi e tenerli lontani dalla portata dei bambini. Non consentire a persone che non abbiano familiarità con il loro funzionamento o con le presenti istruzioni di metterli in funzione.

Gli utensili elettrici sono pericolosi nelle mani di utenti inesperti.

e) Manutenzione degli utensili elettrici.

Verificare l'eventuale disallineamento o l'inzeppamento delle parti in movimento, il loro danneggiamento o qualunque altra condizione che possa influire sul funzionamento dell'apparecchio. Qualora danneggiato, prima dell'utilizzo far riparare l'utensile elettrico. Numerosi incidenti sono causati da utensili elettrici soggetti a una manutenzione inadeguata.

f) Mantenere gli strumenti da taglio affilati e puliti. Gli strumenti da taglio su cui è stata effettuata un'adeguata manutenzione e con lame affilate presentano una probabilità inferiore di incepparsi e sono più facili da controllare.

g) Utilizzare l'utensile elettrico, gli accessori e le punte di taglio in accordo alle presenti istruzioni, prendendo in considerazione le condizioni di lavorazione e il compito da eseguire. L'utilizzo di un utensile elettrico per un compito differente da quello per il quale è stato concepito può comportare rischi.

h) Tenere le impugnature e le superfici di presa asciutte, pulite e libere da lubrificanti e grassi. Impugnature e superfici di presa scivolose non consentono la gestione in sicurezza e il controllo dell'utensile in situazioni impreviste.

(2.6) 5) Avvertenze generali sulla sicurezza degli utensili elettrici [Assistenza]

a) Accertarsi di far riparare il proprio utensile elettrico solo da personale qualificato che impieghi ricambi originali e identici. Ciò consentirà di preservare la sicurezza dell'utensile elettrico.

(2.7) INDICAZIONI SANITARIE

ATTENZIONE: Durante l'utilizzo del presente apparecchio, si possono produrre particelle di polvere. In alcune circostanze, in relazione ai materiali con i quali si sta lavorando, tali polveri possono risultare particolarmente dannose. Qualora si abbia il sospetto che la vernice sulle superfici del materiale contenga piombo, richiedere una consulenza

professionale. Le vernici a base di piombo devono essere rimosse esclusivamente da professionisti. Si sconsiglia fortemente di provare a farlo per conto proprio. Una volta che la polvere si è depositata sulle superfici, il contatto tra mani e bocca può causare l'ingestione di piombo. L'esposizione a livelli anche minimi di piombo può causare danni neurologici e al sistema nervoso irreversibili. Bambini e feti sono particolarmente sensibili a tale pericolo. Si consiglia di valutare i rischi associati ai materiali con i quali si lavora e di ridurre i rischi di esposizione.

Data la potenziale pericolosità delle polveri prodotte da alcuni materiali, raccomandiamo, durante l'utilizzo del presente utensile, di usare una mascherina certificata per naso e bocca con filtri sostituibili.

È necessario sempre:

- Lavorare in un'area ben ventilata.
- Lavorare con materiale di sicurezza approvato, come maschere antipolvere specificamente progettate per filtrare particelle microscopiche.

(2.8) **ATTENZIONE:** il funzionamento di qualunque utensile elettrico può comportare l'eventualità che un oggetto estraneo sia scagliato verso gli occhi, causando lesioni oculari gravi. Prima di iniziare a utilizzare un utensile elettrico, indossare sempre occhiali di protezione o occhiali di sicurezza con protezioni laterali o una maschera facciale completa quando necessario.

ISTRUZIONI DI SICUREZZA PER TUTTI I TIPI DI SEGA [Procedure di taglio]

a) PERICOLO: Tenere le mani distanti dall'area di taglio della lama. Tenere la seconda mano sull'impugnatura secondaria o sul vano motore. Se entrambe

le mani impugnano la sega, non potranno essere soggette a tagli.

b) Non mettere le mani sotto il pezzo in lavorazione. La protezione coprilama non può proteggere dalla lama sotto il pezzo in lavorazione.

c) Regolare la profondità di taglio allo spessore del pezzo da lavorare. Al di sotto del pezzo da lavorare dovrebbe essere visibile meno di un intero dente della dentatura della lama.

d) Non tenere mai il pezzo in lavorazione tra le proprie mani o sopra le gambe durante

l'operazione di taglio. Assicurare il pezzo da lavorare a una piattaforma stabile.

È importante sostenere adeguatamente il pezzo per ridurre al massimo l'esposizione del corpo, la forzatura della lama e la perdita di controllo.

e) Quando si effettuano operazioni durante le quali l'utensile potrebbe entrare in contatto con fili elettrici nascosti o con il proprio cavo, impugnare l'utensile dalle superfici di presa isolate. Il contatto con un filo elettrico attivo renderà conduttive anche le parti metalliche esposte dell'utensile e potrebbe provocare una scossa elettrica per l'operatore.

f) Quando si esegue un taglio longitudinale, usare sempre una guida ad arresto parallelo o una guida a profilo lineare. Ciò migliora l'accuratezza del taglio e riduce l'eventualità che la lama sforzi eccessivamente.

g) Utilizzare sempre lame con la corretta dimensione e forma (diamantata contro arrotondata) dei fori del mandrino. Le lame che non combaciano con la struttura di innesto della sega non saranno centrate, provocando perdita di controllo durante il taglio.

h) Non utilizzare mai rondelle o bulloni errati o danneggiati per la lama. Le rondelle e i bulloni della lama sono stati appositamente realizzati per la sega, per garantire il massimo delle prestazioni e della sicurezza durante il funzionamento.

(3.2) [Cause del rinculo e relative avvertenze]

Il rinculo rappresenta una reazione improvvisa a una lama schiacciata, inceppata o disallineata, che causa l'inalberamento senza controllo della sega, e la sua espulsione dal pezzo in lavorazione in direzione dell'operatore;

Quando la lama è fortemente schiacciata o inceppata sull'innesto di taglio, essa si blocca e la reazione del motore causa la spinta repentina dell'unità verso l'operatore;

Se la lama si piega o perde l'allineamento durante il taglio, i denti sul suo lato posteriore possono incastrarsi sul lato superiore del legno, con il risultato che la lama si estrarrà dall'intaglio e sarà sbalzata verso l'operatore.

(3.3) Il fenomeno del rinculo è il risultato di un

utilizzo scorretto della sega e/o di procedure e condizioni di lavorazione errati e può essere evitato adottando le idonee precauzioni sotto descritte.

a) Mantenere una presa salda con entrambe le mani sulla sega e posizionare le proprie braccia in maniera da resistere alla spinta di un eventuale rinculo.

Posizionare il proprio corpo su uno dei due lati della lama, ma non in linea con essa.

Il rinculo può causare che la sega sia sbalzata all'indietro, ma l'impatto di tale fenomeno può essere controllato dall'operatore se sono adottate idonee precauzioni.

b) Quando una lama si blocca, o se è necessario per qualunque ragione interrompere un taglio, rilasciare l'interruttore a pressione e mantenere la sega spenta nel taglio del materiale fin quando la lama non si sia del tutto fermata. Non cercare mai di rimuovere la sega dal materiale o di spingerla indietro mentre la lama è in movimento, altrimenti potrebbe verificarsi un rinculo.

Ispezionare e prendere le adeguate contromisure per evitare le possibili cause di inceppamento della lama.

c) Quando si riavvia la sega nel pezzo in lavorazione, centrare la lama nel solco del taglio in maniera tale che i suoi denti non siano incastrati nel materiale. Quando una lama si inceppa, può essere sbalzata fuori o respinta dal pezzo in lavorazione nel momento in cui la sega è riavviata.

d) Non utilizzare lame smussate o danneggiate. Le lame non affilate o regolate inadeguatamente producono solchi di taglio stretti che causano eccessiva frizione, inceppamento della lama e rinculo.

e) Prima di avviare un taglio, le leve di bloccaggio della profondità della lama e della regolazione dello smusso devono essere strette e bloccate. Lo spostamento della regolazione della lama durante il taglio può causare inceppamento e rinculo.

f) Prima di avviare il taglio, le leve di bloccaggio della profondità della lama e della regolazione dello smusso devono essere strette e bloccate. Lo spostamento della regolazione della lama durante il taglio può causare inceppamento e rinculo.

g) Usare estrema attenzione quando si effettuano tagli in pareti esistenti o altre aree cieche. La lama sporgente può tagliare oggetti con il rischio che si verifichi un effetto di rinculo.

FUNZIONE DI PROTEZIONE COPRILAMA INFERIORE

a) Verificare la corretta chiusura del coprilama inferiore prima di ogni utilizzo. Non adoperare la sega qualora il coprilama inferiore non si muova fluidamente e si chiuda istantaneamente.

Non bloccare o legare mai il coprilama inferiore in posizione aperta. Qualora la sega cada accidentalmente, il coprilama inferiore potrebbe piegarsi. Sollevare il coprilama inferiore con l'impugnatura retrattile e assicurarsi che si muova liberamente e che non tocchi la lama o altre parti, in tutti gli angoli e le profondità di taglio.

b) Verificare il funzionamento della molla del coprilama inferiore. Qualora il coprilama e la molla non funzionino a dovere, devono essere riparati prima dell'uso. Il coprilama inferiore può funzionare lentamente a causa di parti danneggiate, concrezioni appiccicose e accumulo di detriti.

c) Il coprilama inferiore può essere represso manualmente solo per tagli speciali quali il taglio dal pieno e i tagli compositi. Sollevare il coprilama inferiore dall'impugnatura retrattile e appena la lama entra nel materiale, il coprilama deve essere rilasciato. Per tutti gli altri tipi di taglio, il coprilama inferiore deve funzionare in modo automatico.

d) Verificare sempre a vista che il coprilama inferiore copra la lama prima di appoggiare la sega su un banco da lavoro o per terra. Una lama non protetta e in rotazione causerà l'arretramento della sega, con il risultato di tagliare qualunque cosa essa trovi sul suo percorso. Prendere confidenza con il tempo necessario alla lama per fermarsi dopo il rilascio dell'interruttore.

ISTRUZIONI SUPPLEMENTARI SULLA SICUREZZA PER LE SEGHE CIRCOLARI

a) Non utilizzare lame in acciaio ad alta velocità (HSS) per la sega.

b) Ispezionare l'utensile e la lama prima di ogni utilizzo. Non impiegare lame deformate, fessurate, usurate o comunque danneggiate.

c) Non utilizzare in alcuna circostanza la sega senza il sistema di protezione della lama originale. Non bloccare la protezione coprilama mobile nella posizione

aperta. Accertarsi che il coprilama funzioni in maniera fluida senza inceppamenti.

d) Utilizzare esclusivamente lame che rispettino le caratteristiche specificate nel manuale. Prima di utilizzare accessori, confrontare sempre il loro numero massimo di RPM consentiti con quello dell'apparecchio.

e) Non utilizzare mole abrasive.

f) Utilizzare esclusivamente diametri di lama in accordo con le indicazioni.

(3.4) **ATTENZIONE:** In caso vi siano delle parti mancanti, non mettere in funzione il proprio apparecchio fin quando esse non siano state sostituite. Il mancato rispetto della presente regola può comportare gravi lesioni.

(4.1) **INFORMAZIONI INTRODUTTIVE - DISIMBALLAGGIO**

Attenzione: Il pacco contiene oggetti taglienti. Prestare attenzione durante l'apertura.

Rimuovere l'apparecchio insieme agli accessori inclusi nell'imballo. Controllare attentamente le buone condizioni dell'apparecchio e verificare che siano presenti tutti gli accessori elencati nel presente manuale. Accertarsi inoltre che tutti gli accessori siano completi in ogni loro parte.

Qualora si riscontrino parti mancanti, l'apparecchio e i suoi accessori devono essere restituiti al rivenditore insieme all'imballo originale.

Non gettare via l'imballo. Conservarlo intatto per la durata del periodo di garanzia. Smaltire il materiale d'imballaggio in maniera eco-responsabile. Riciclare laddove possibile. Non consentire ai bambini di giocare con le buste di plastica vuote a causa del rischio di soffocamento.

(4.3) **MANUALI DI ISTRUZIONI EVOLUTION**

Evolution Power Tools munisce ogni prodotto di un manuale di istruzioni.

Ogni manuale specifico è concepito e progettato per fornire informazioni utili e facilmente accessibili circa l'utilizzo sicuro, la cura e la manutenzione del prodotto.

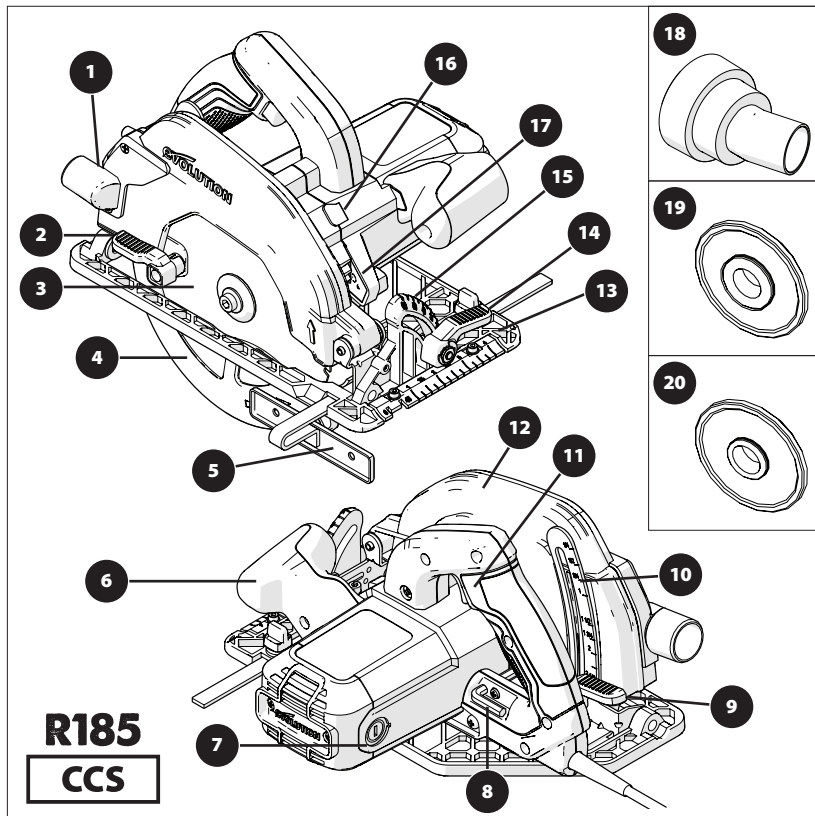
Fare riferimento alla informazioni contenute nel manuale consentirà all'operatore di sfruttare a pieno e in sicurezza il potenziale dell'utensile. La politica di continuo miglioramento dei prodotti di Evolution può significare che, in maniera molto occasionale,

i contenuti del manuale non rispecchino completamente gli ultimi miglioramenti o aggiornamenti apportati su uno specifico prodotto.

Gli aggiornamenti/miglioramenti apportati su uno specifico prodotto possono verificarsi in conseguenza ad avanzamenti tecnologici o cambi di quadro legislativo di un paese di importazione del prodotto, ecc.

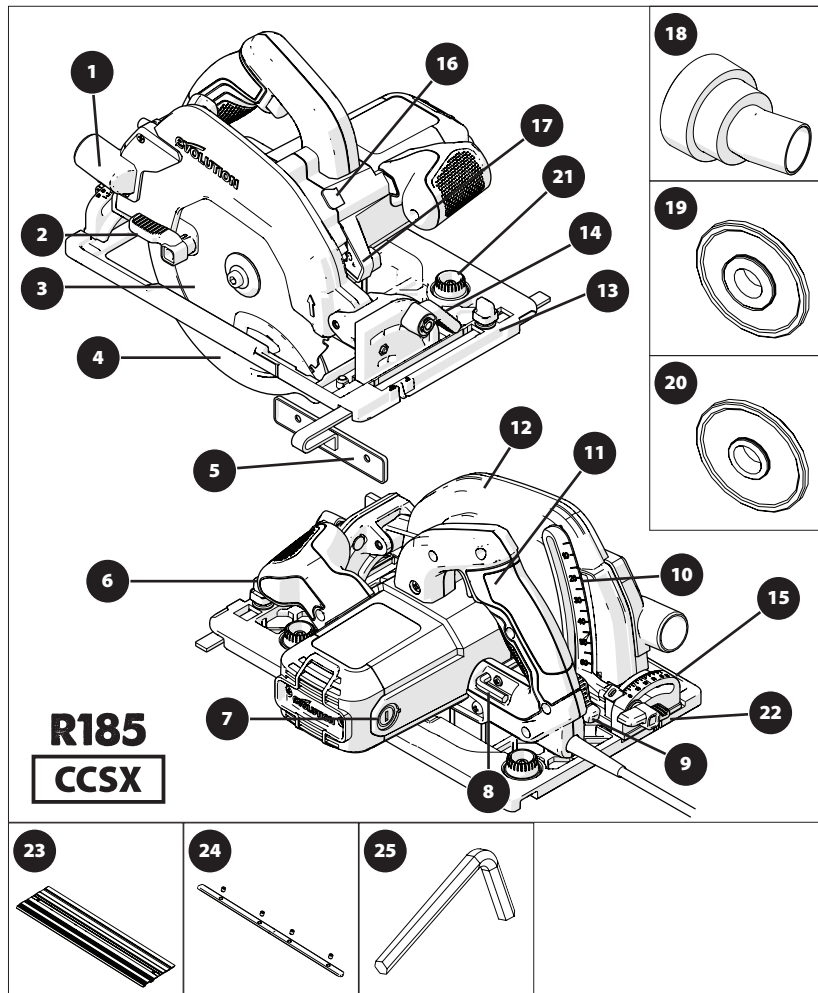
Se si è in qualche modo incerti su un qualunque aspetto dell'utilizzo, cura o manutenzione di un prodotto Evolution, contattare l'assistenza telefonica dedicata, la quale sarà in grado di fornire informazioni aggiornate e consigli supplementari.

USA



- | | |
|---|---|
| 1. PORTA DI ESPULSIONE DEL MATERIALE TAGLIATO | 11. INTERRUOTTORE ON / OFF IMPUGNATURA POSTERIORE |
| 2. LEVA A CHIUSURA | 12. COPRILAMA SUPERIORE |
| 3. LAMA TCT MULTI-MATERIALE | 13. PIASTRA UNICA DI PRECISIONE |
| 4. COPRILAMA INFERIORE | 14. LEVA A CHIUSURA REGOLAZIONE SMUSSO |
| 5. GUIDA DI ARRESTO PARALLELO | 15. SCALA GONIOMETRICA |
| 6. IMPUGNATURA ANTERIORE ERGONOMICA | 16. PULSANTE DI BLOCCO MANDRINO |
| 7. SPAZZOLE DI CARBONE | 17. LUCE LED |
| 8. CHIAVE ESAGONALE 5/16" (CAMBIO LAMA) | 18. ADATTATORE ATTACCO POLVERE |
| 9. LEVA DI BLOCCAGGIO DELLA REGOLAZIONE DI PROFONDITÀ | 19. FLANGIA INTERNA LAMA 25/32" |
| 10. SCALA DI PROFONDITÀ | 20. FLANGIA INTERNA LAMA 15,8MM |

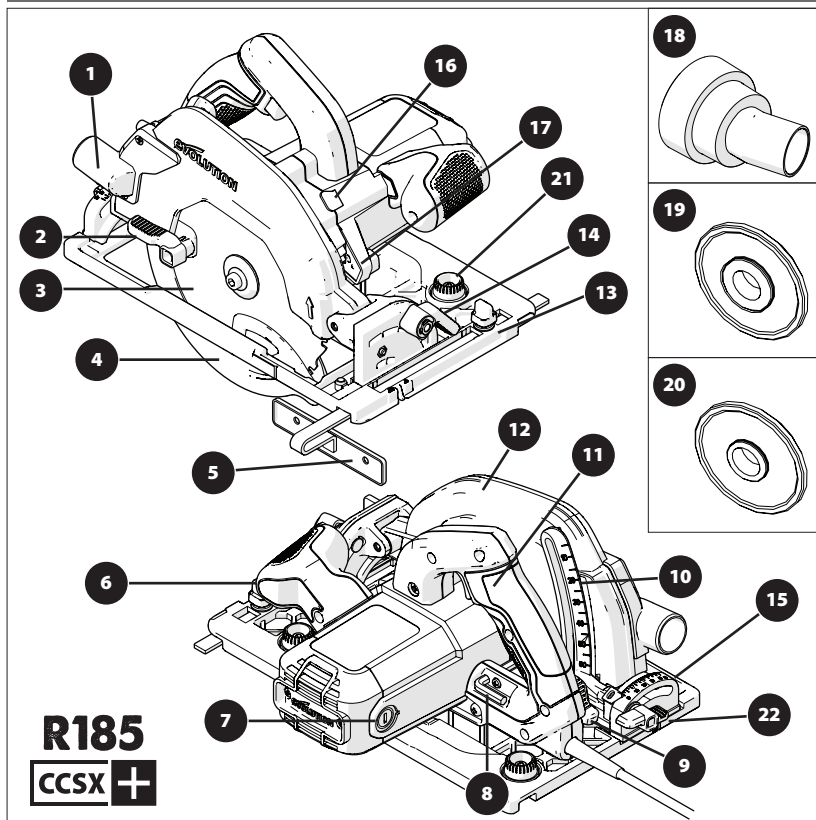
USA



R185
CCSX

- | | | |
|---|--|---|
| <ol style="list-style-type: none"> 1. PORTA DI ESPULSIONE DEL MATERIALE TAGLIATO 2. LEVA A CHIUSURA 3. LAMA TCT MULTI-MATERIALE 4. COPRILAMA INFERIORE 5. GUIDA DI ARRESTO PARALLELO 6. IMPUGNATURA ANTERIORE ERGONOMICA 7. SPAZZOLE DI CARBONE 8. CHIAVE ESAGONALE 5/16" (CAMBIO LAMA) | <ol style="list-style-type: none"> 9. LEVA REGOLAZIONE DI PROFONDITÀ 10. SCALA DI PROFONDITÀ 11. INTERRUOTORE ON / OFF 12. IMPUGNATURA POSTERIORE 13. COPRILAMA SUPERIORE 14. PIASTRA UNICA DI PRECISIONE COMPATIBILE CON BINARIO GUIDA 15. LEVA A CHIUSURA 16. SCALA GONIOMETRICA POSTERIORE 17. PULSANTE DI BLOCCO MANDRINO 18. LUCE LED | <ol style="list-style-type: none"> 19. ADATTATORE ATTACCO POLVERE 20. FLANGIA INTERNA LAMA 25/32" 21. FLANGIA INTERNA LAMA 15,8MM 22. PULSANTI REGOLAZIONE BINARIO GUIDA 23. VITE AD ALETTE SMUSSO POSTERIORE 24. 3x BINARIO GUIDA DA 13-3/8" 25. 4x BARRE COLLEGAMENTO BINARIO GUIDA 26. CHIAVE ESAGONALE (BINARIO GUIDA) 1/8" |
|---|--|---|

USA

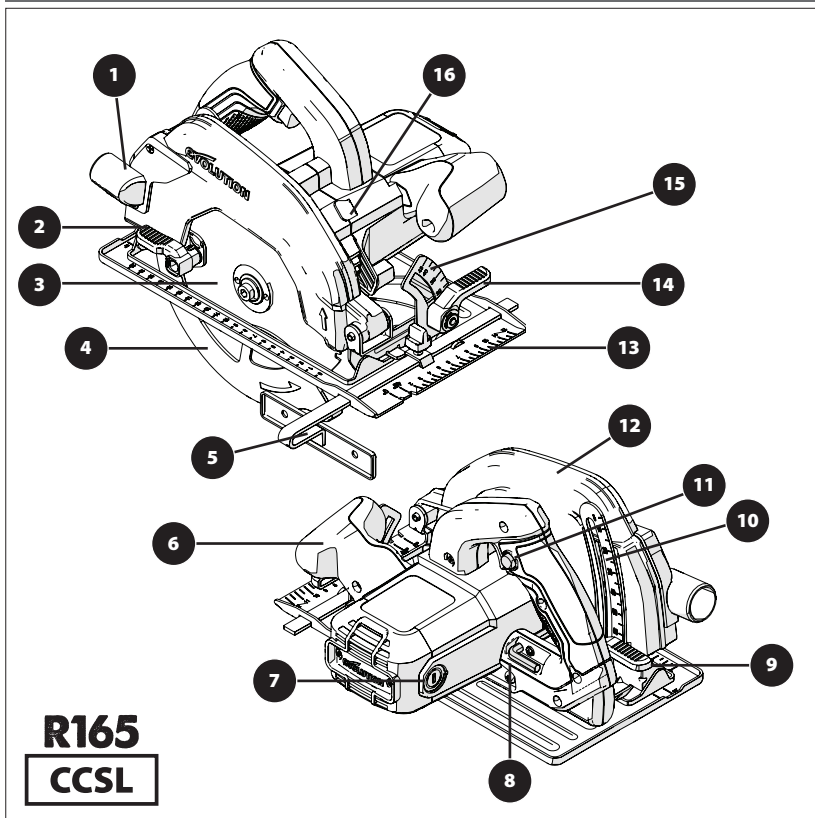


R185



- | | |
|---|---|
| 1. PORTA DI ESPULSIONE DEL MATERIALE TAGLIATO | 12. COPRILAMA SUPERIORE |
| 2. LEVA A CHIUSURA | 13. PIASTRA UNICA DI PRECISIONE COMPATIBILE CON BINARIO GUIDA |
| 3. LAMA TCT MULTI-MATERIALE | 14. LEVA A CHIUSURA |
| 4. COPRILAMA INFERIORE | 15. SCALA GONIOMETRICA POSTERIORE |
| 5. GUIDA DI ARRESTO PARALLELO | 16. PULSANTE DI BLOCCO MANDRINO |
| 6. IMPUGNATURA ANTERIORE ERGONOMICA | 17. LUCE LED |
| 7. SPAZZOLE DI CARBONE | 18. ADATTATORE ATTACCO POLVERE |
| 8. CHIAVE ESAGONALE 8MM (CAMBIO LAMA) | 19. FLANGIA INTERNA LAMA 25/32" |
| 9. LEVA DI BLOCCAGGIO DELLA REGOLAZIONE DI PROFONDITÀ | 20. FLANGIA INTERNA LAMA 15,8MM |
| 10. SCALA DI PROFONDITÀ | 21. PULSANTI REGOLAZIONE BINARIO GUIDA |
| 11. INTERRUTTORE ON / OFF IMPUGNATURA POSTERIORE | 22. VITE AD ALETTE SMUSSO POSTERIORE |

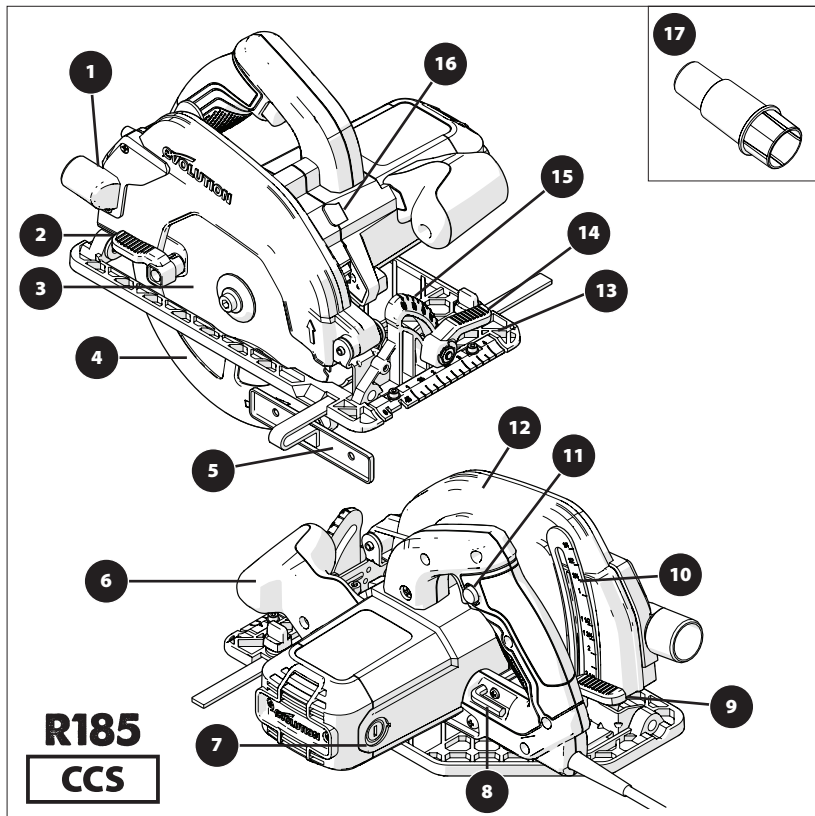
UK / EU / AUS



R165
CCSL

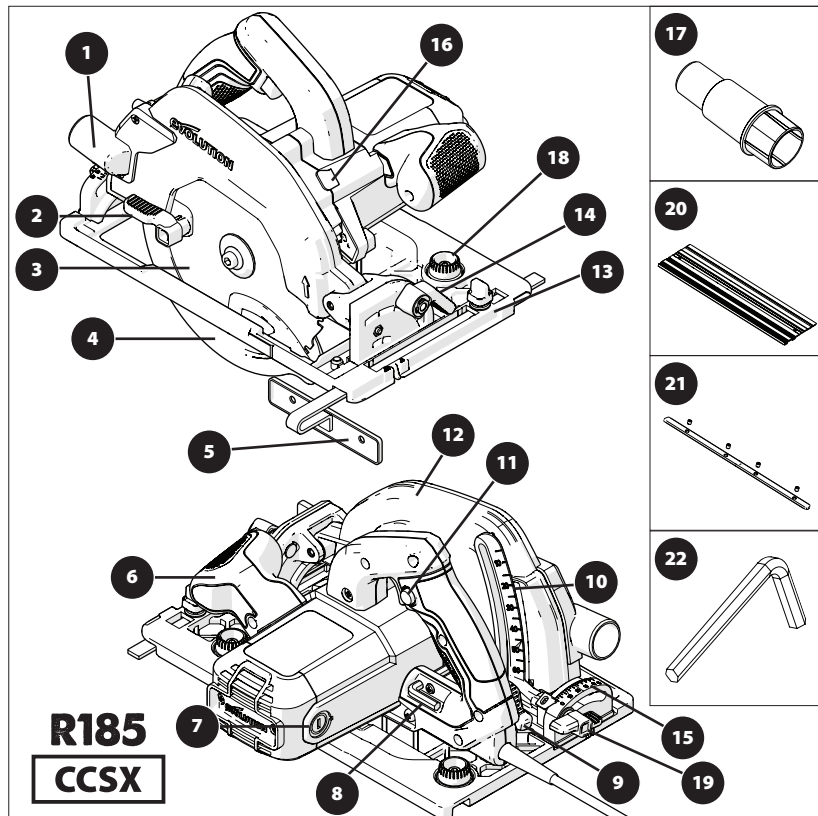
- | | |
|---|---|
| 1. PORTA DI ESPULSIONE DEL MATERIALE TAGLIATO | 11. IMPUGNATURA POSTERIORE CON ANNESSO INTERRUPTORE DI SICUREZZA ON/OFF |
| 2. LEVA A CHIUSURA | 12. COPRILAMA SUPERIORE |
| 3. LAMA TCT MULTI-MATERIALE | 13. PIASTRA UNICA DI PRECISIONE |
| 4. COPRILAMA INFERIORE | 14. LEVA A CHIUSURA |
| 5. GUIDA DI ARRESTO PARALLELO | 15. SCALA GONIOMETRICA |
| 6. IMPUGNATURA ANTERIORE ERGONOMICA | 16. PULSANTE DI BLOCCO MANDRINO |
| 7. SPAZZOLE DI CARBONE | |
| 8. CHIAVE ESAGONALE 8MM (CAMBIO LAMA) | |
| 9. LEVA DI BLOCCAGGIO DELLA REGOLAZIONE DI PROFONDITÀ | |
| 10. SCALA DI PROFONDITÀ | |

UK / EU



- | | |
|---|---|
| 1. PORTA DI ESPULSIONE DEL MATERIALE TAGLIATO | 11. IMPUGNATURA POSTERIORE CON ANNESSO INTERRUOTORE DI SICUREZZA ON/OFF |
| 2. LEVA A CHIUSURA | 12. COPRILAMA SUPERIORE |
| 3. LAMA TCT MULTI-MATERIALE | 13. PIASTRA UNICA DI PRECISIONE |
| 4. COPRILAMA INFERIORE | 14. LEVA A CHIUSURA |
| 5. GUIDA DI ARRESTO PARALLELO | 15. SCALA GONIOMETRICA |
| 6. IMPUGNATURA ANTERIORE ERGONOMICA | 16. PULSANTE DI BLOCCO MANDRINO |
| 7. SPAZZOLE DI CARBONE | 17. ADATTATORE ATTACCO POLVERE |
| 8. CHIAVE ESAGONALE 8MM (CAMBIO LAMA) | |
| 9. LEVA DI BLOCCAGGIO DELLA REGOLAZIONE DI PROFONDITÀ | |
| 10. SCALA DI PROFONDITÀ | |

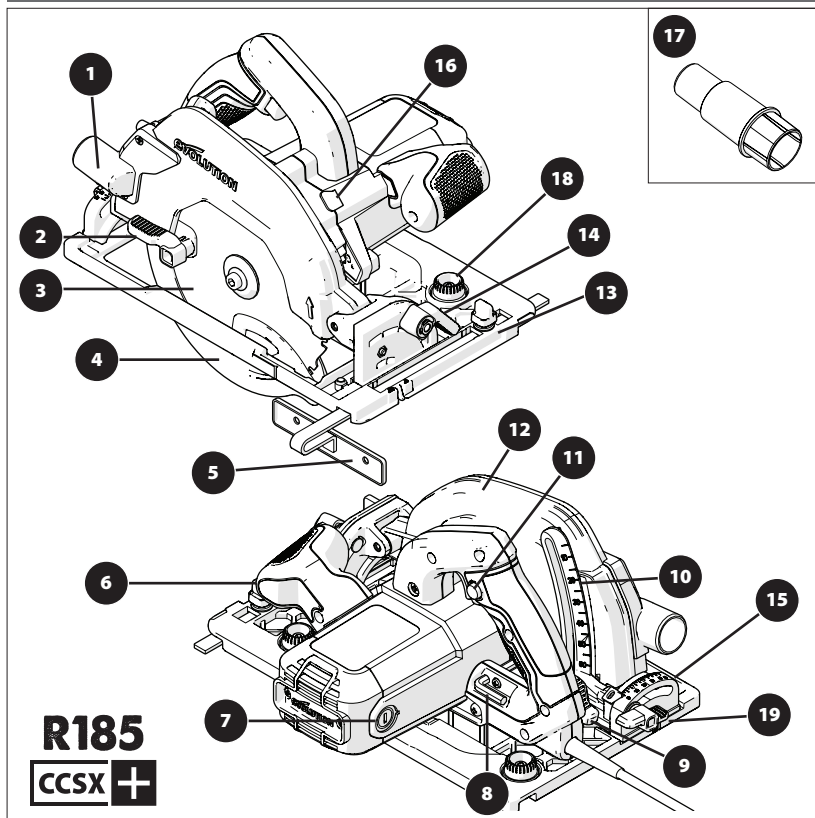
UK / EU



- | | |
|---|---|
| 1. PORTA DI ESPULSIONE DEL MATERIALE TAGLIATO | 12. COPRILAMA SUPERIORE |
| 2. LEVA A CHIUSURA | 13. PIASTRA UNICA DI PRECISIONE COMPATIBILE CON BINARIO GUIDA |
| 3. LAMA TCT MULTI-MATERIALE | 14. LEVA A CHIUSURA |
| 4. COPRILAMA INFERIORE | 15. SCALA GONIOMETRICA POSTERIORE |
| 5. GUIDA DI ARRESTO PARALLELO | 16. PULSANTE DI BLOCCO MANDRINO |
| 6. IMPUGNATURA ANTERIORE ERGONOMICA | 17. ADATTATORE ATTACCO POLVERE |
| 7. SPAZZOLE DI CARBONE | 18. PULSANTI REGOLAZIONE BINARIO GUIDA |
| 8. CHIAVE ESAGONALE 8MM (CAMBIO LAMA) | 19. VITE AD ALETTE SMUSSO POSTERIORE |
| 9. LEVA DI BLOCCAGGIO DELLA REGOLAZIONE DI PROFONDITÀ | 20. 3x BINARIO GUIDA DA 340 mm |
| 10. SCALA DI PROFONDITÀ | 21. 4x BARRE COLLEGAMENTO BINARIO GUIDA |
| 11. IMPUGNATURA POSTERIORE CON ANNESSO INTERRUPTORE DI SICUREZZA ON/OFF | 22. CHIAVE ESAGONALE DA 3mm |

IT

UK / EU



R185



- | | |
|---|--|
| <ol style="list-style-type: none"> 1. PORTA DI ESPULSIONE DEL MATERIALE TAGLIATO 2. LEVA A CHIUSURA 3. LAMA TCT MULTI-MATERIALE 4. COPRILAMA INFERIORE 5. GUIDA DI ARRESTO PARALLELO 6. IMPUGNATURA ANTERIORE ERGONOMICA 7. SPAZZOLE DI CARBONE 8. CHIAVE ESAGONALE 8MM (CAMBIO LAMA) 9. LEVA DI BLOCCAGGIO DELLA REGOLAZIONE DI PROFONDITÀ 10. SCALA DI PROFONDITÀ | <ol style="list-style-type: none"> 11. IMPUGNATURA POSTERIORE CON ANNESSO INTERRUOTORE DI SICUREZZA ON/OFF 12. COPRILAMA SUPERIORE 13. PIASTRA UNICA DI PRECISIONE COMPATIBILE CON BINARIO GUIDA 14. LEVA A CHIUSURA 15. SCALA GONIOMETRICA POSTERIORE 16. PULSANTE DI BLOCCO MANDRINO 17. ADATTATORE ATTACCO POLVERE 18. PULSANTI REGOLAZIONE BINARIO GUIDA 19. VITE AD ALETTE SMUSSO POSTERIORE |
|---|--|

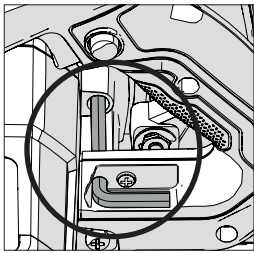


Fig. 1

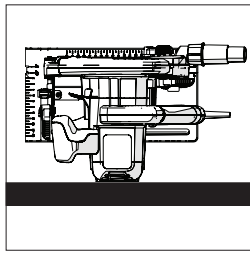


Fig. 2

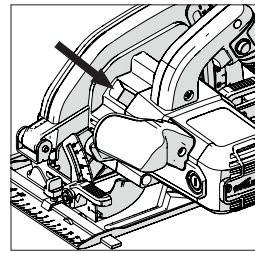


Fig. 3

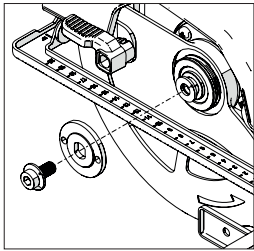


Fig. 4

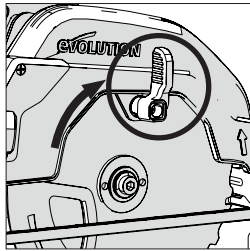


Fig. 5

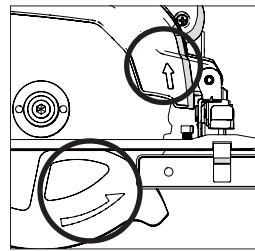


Fig. 6

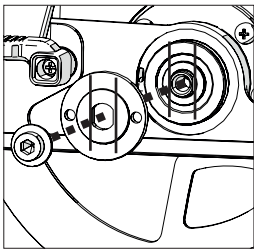


Fig. 7a

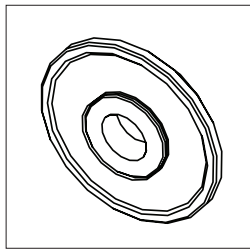


Fig. 7b

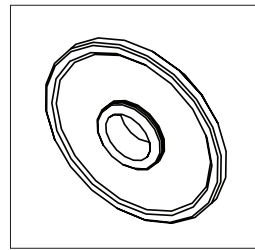


Fig. 7c

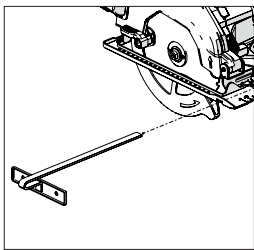


Fig. 8

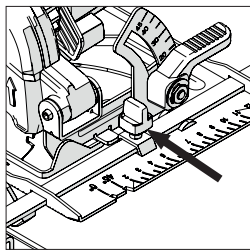


Fig. 9

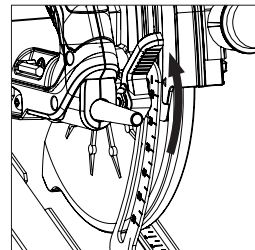


Fig. 10

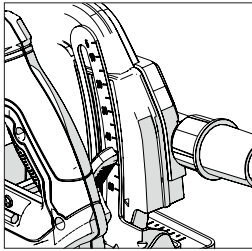


Fig. 11

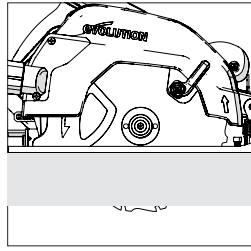


Fig. 12

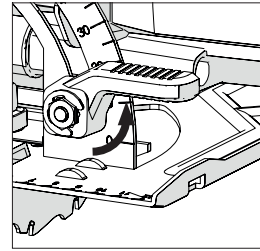


Fig. 13

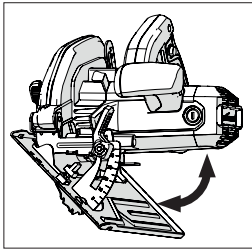


Fig. 14

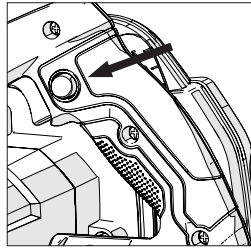


Fig. 15

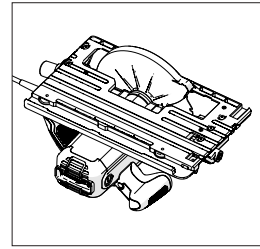


Fig. 16

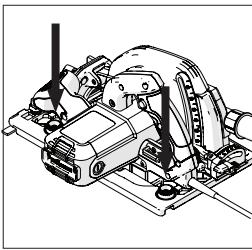


Fig. 17

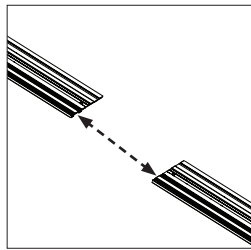


Fig. 18

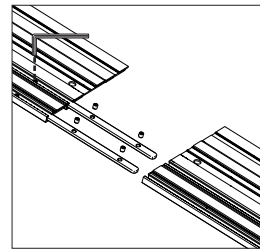


Fig. 19

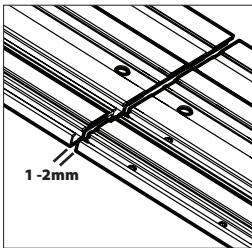


Fig. 20

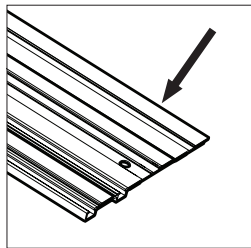


Fig. 21

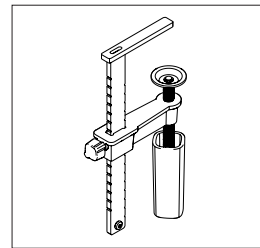


Fig. 22

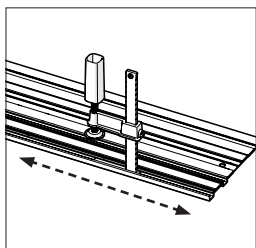


Fig. 23

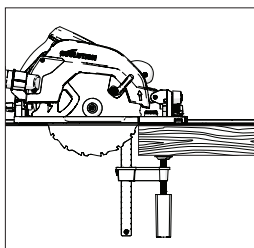


Fig. 24

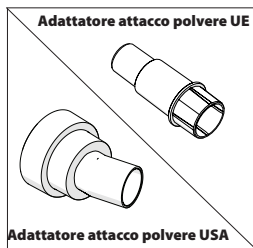


Fig. 25

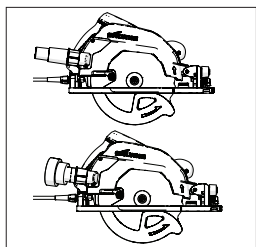


Fig. 26

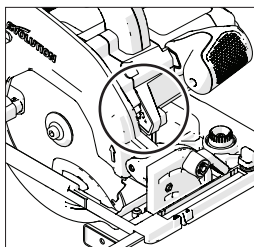


Fig. 27

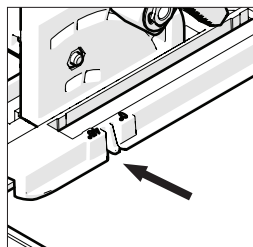


Fig. 28

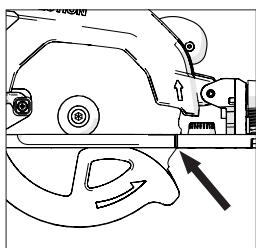


Fig. 29

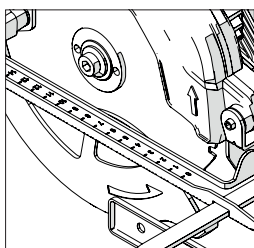


Fig. 30

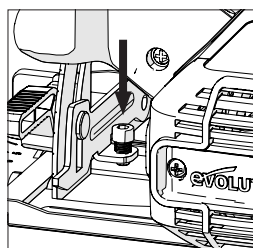


Fig. 31

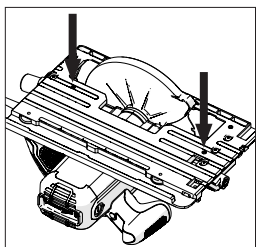


Fig. 32

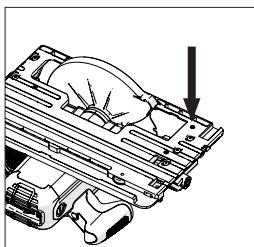


Fig. 33

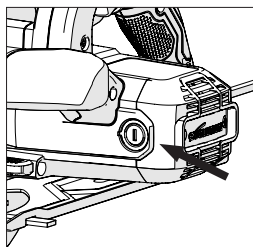


Fig. 34

(10) PREPARAZIONE

ATTENZIONE: Scollegare sempre l'utensile dalla fonte di alimentazione prima di eseguire qualunque regolazione.

Avvertenza: I presenti apparecchi sono equipaggiati con un cavo di alimentazione e una spina elettrica omologati per l'uso nel paese di destinazione. Non modificare o manomettere il cavo di alimentazione.

(10.1) INSTALLARE / RIMUOVERE UNA LAMA

ATTENZIONE: Utilizzare esclusivamente lame originali Evolution (o quelle espressamente raccomandate da Evolution Power Tools), progettate per l'utilizzo sui presenti utensili. Accertarsi che la velocità massima della lama sia compatibile con quella dell'utensile. Effettuare la presente procedura esclusivamente con l'utensile disconnesso dalla fonte di alimentazione.

Avvertenza: Si consiglia all'operatore di valutare l'utilizzo di guanti protettivi durante il maneggiamento della lama nelle fasi di installazione o sostituzione della stessa.

- Localizzare la chiave esagonale per il cambio lama conservata nell'apposito alloggiamento (la sua posizione è simile su tutti i modelli).

(Fig. 1)

- Posizionare la sega su una superficie in bolla e stabile.
- **Avvertenza:** Tutti i diversi modelli possono, con attenzione, essere posti in equilibrio sul lato piatto dell'alloggiamento/involucro del motore, **(Fig. 2)** rendendo l'accesso alla lama e ai suoi ancoraggi molto pratico.
- Localizzare il pulsante di blocco mandrino (posizionato in modo simile su tutti i modelli). Bloccare il mandrino della sega mettendo in funzione detto pulsante di blocco. **(Fig. 3)**.

Avvertenza: Ruotare lentamente a mano la lama, premendo delicatamente il pulsante di blocco mandrino. Ciò favorirà l'inserimento del blocco.

- Utilizzando la chiave esagonale, allentare e rimuovere la vite a brugola del mandrino, i relativi ancoraggi e la flangia esterna conduttrice della lama. **(Fig. 4)**

Avvertenza: La vite a brugola del mandrino è dotata di normale filettatura.

Girare la vite in senso orario per serrare.

Girare la vite in senso antiorario per allentare.

- Riporre al sicuro la flangia esterna della lama e i relativi ancoraggi.
- Ruotare il coprilama inferiore sul coprilama superiore usando la leva a chiusura manuale.

(Fig. 5)

- Rimuovere con attenzione la lama dall'apparecchio (se installata).
- Pulire a fondo le flange conduttrici esterna e interna.

Avvertenza: La flangia interna della lama può essere, a scelta, lasciata in sede. Deve essere comunque controllata e pulita a fondo.

Qualora essa sia rimossa dall'utensile, dovrà poi essere reinserita con il medesimo verso in cui si trovava prima dell'operazione.

- Pulire a fondo la lama intorno all'area del foro (su entrambi i lati) dove le flange toccano e stringono la stessa.
- Installare la (nuova) lama.
- Assicurarsi che la freccia di direzione della rotazione stampata sulla lama combaci con le frecce di direzione che si trovano sui coprilama superiore e inferiore dell'utensile.

(Fig. 6)

- Installare nuovamente la flangia conduttrice esterna, la vite a brugola del mandrino e i suoi relativi ancoraggi.

Avvertenza: La flangia conduttrice esterna ha un foro appositamente creato che incorpora due placche opposte. **(Fig. 7a)** Tali placche si agganciano con altre due complementari ricavate sull'asta del mandrino.

- Re-innestare il blocco mandrino e serrare saldamente con la chiave esagonale la vite a brugola del mandrino.
- Rilasciare il pulsante di blocco mandrino
- Ricollocare la chiave esagonale nel suo apposito alloggiamento.
- Verificare che il blocco mandrino si sia del tutto disinserito ruotando manualmente la lama.
- Verificare il funzionamento del coprilama inferiore.

Avvertenza: Esclusivamente per il mercato nordamericano, è fornita in dotazione una flangia del mandrino a doppio lato, per consentire l'uso di lame con foro da 1" **(Fig. 7b)** da 5/8" **(Fig. 7c)**.

(11) GUIDA DI ARRESTO PARALLELO

Una guida di arresto parallelo (**Fig. 8**) è in dotazione a tutti gli utensili CCS e può essere particolarmente utile nelle operazioni di taglio longitudinale. La guida può essere inserita sul lato anteriore della piastra unica.

Il braccio della guida deve essere inserito attraverso le aperture rettangolari posizionate su entrambi i lati (parte anteriore) della piastra unica in acciaio stampato, e scorrere sotto la vite di regolazione bloccaggio posta centralmente. (**Fig. 9**)

Avvertenza: La guida di arresto parallelo può essere inserita su entrambi i lati della piastra unica.

ATTENZIONE: Effettuare l'inserimento e la regolazione della guida esclusivamente con l'utensile disconnesso dalla fonte di alimentazione.

Avvertenza: Il braccio della guida di arresto parallelo deve passare attraverso tutte le aperture rettangolari presenti sulla piastra unica.

ATTENZIONE: L'installazione della guida attraverso una (1) sola delle aperture rettangolari sulla piastra e il suo successivo utilizzo possono essere potenzialmente pericolosi. Regolare la guida d'arresto in maniera tale che si trovi alla richiesta distanza dalla lama e serrare la vite di regolazione.

Verificare che la guida sia parallela alla lama della sega.

(12) REGOLAZIONE PROFONDITÀ DI TAGLIO

Avvertenza: Tutte le macchine CCS condividono gli stessi sistemi/meccanismi generali di regolazione della profondità e le stesse tecniche di base per impostare tale parametro della lama.

- Allentare il meccanismo di bloccaggio della profondità di taglio tirando verso l'alto la leva di funzionamento. (**Fig. 10**)
- Regolare/riposizionare la piastra unica per impostare la richiesta profondità di taglio (ovvero la porzione con cui la lama fuoriesce dalla piastra stessa).

Avvertenza: Una scala di profondità può essere trovata sul quadrante di regolazione di tale valore, con un indicatore corrispondente presente nell'area limitrofa del coprilama superiore dell'utensile. (**Fig. 11**) Utilizzare tali funzioni può favorire una rapida impostazione.

Avvertenza: Sebbene la scala di profondità e gli indicatori di corrispondenza possano essere molto utili, e consentano una rapida regolazione, il loro utilizzo deve essere sempre considerato come una semplice guida al raggiungimento dell'impostazione desiderata.

Qualora sia necessaria una profondità di taglio molto accurata, le impostazioni della lama dovrebbero essere verificate tramite una riga di precisione ingegneristica (non in dotazione) o simili strumenti e quindi regolate di conseguenza.

- In molti casi la profondità di taglio deve essere regolata alla stessa altezza dello spessore del materiale da tagliare più la metà della altezza di un dente della sega (dalla sua punta alla radice). (**Fig. 12**)
- Serrare il meccanismo di bloccaggio della profondità di taglio spingendo verso il basso la leva di funzionamento per fermare in modo sicuro l'utensile nella posizione richiesta.

(13) REGOLAZIONE DELL'ANGOLO DI TAGLIO (SMUSSO)

Tutti gli apparecchi CCSL e CCSX vantano la possibilità di inclinare in obliquo verso sinistra la propria lama (fino a 45°). Tutti gli apparecchi CCS possono arrivare (fino a 60°). Pertanto sono possibili tagli a smusso.

Avvertenza: La lama è in posizione verticale quando la scala goniometrica segna 0°.

Avvertenza: Una scala goniometrica (0°-45° o 0°-60°) è incorporata nel quadrante di bloccaggio smusso che si trova sulla parte anteriore della piastra unica.

Il suo utilizzo renderà rapida la regolazione dell'angolo. Tuttavia esso deve essere considerato come una semplice guida. Qualora sia necessaria un angolo di smusso molto accurato, le impostazioni della lama dovrebbero essere verificate tramite un goniometro (non in dotazione) e quindi regolate di conseguenza.

- Allentare il meccanismo di bloccaggio smusso che si trova sul lato anteriore dell'utensile, tirando verso l'alto la leva. (**Fig. 13**)
- Inclinare la lama fino all'angolo desiderato così come indicato sulla scala goniometrica. (**Fig. 14**)
- Serrare saldamente il meccanismo di bloccaggio smusso spingendo la leva verso il basso una volta raggiunto l'angolo desiderato.

(14) INDICAZIONI D'UTILIZZO (VERIFICHE PRE-ATTIVAZIONE)

Avvertenza: Ogni ambiente di lavoro è unico e differente dagli altri. Evolution Power Tools mette a disposizione dell'operatore le seguenti indicazioni generali sulle procedure e le pratiche di funzionamento in sicurezza degli utensili. Tale panoramica non può essere esaustiva dato che Evolution non ha merito circa il tipo di ambiente di lavoro o di laboratorio nei quali i presenti utensili possono essere utilizzati. Si raccomanda che, qualora l'operatore sia incerto sull'utilizzo di una qualsiasi funzione dei presenti utensili, si rivolga alle autorità competenti o al proprio supervisore lavorativo.

È importante condurre puntuali verifiche di sicurezza (a ogni utilizzo) prima di attivare l'utensile.

ATTENZIONE: Le verifiche di sicurezza pre-attivazione devono essere condotte con l'utensile scollegato dalla fonte di alimentazione.

- Verificare che tutte le protezioni coprilama funzionino correttamente, e che tutte le manopole/viti di regolazione siano saldamente serrate.
- Verificare che la lama sia stabile e installata correttamente.
- Accertarsi inoltre di aver selezionato la lama corretta per il materiale da tagliare.
- Verificare l'integrità del cavo di alimentazione.
- Quando possibile, ancorare il pezzo da lavorare a una struttura stabile di sostegno come un banco da lavoro, un cavalletto o simili.
- L'operatore deve sempre essere consapevole della posizione e del percorso del cavo di alimentazione.

(15) DPI

- L'operatore deve sempre indossare gli adeguati DPI (Dispositivi di Protezione Individuale) necessari al compito da svolgere. Tra questi potrebbero figurare gli occhiali di sicurezza, la maschera integrale per il viso, la mascherina antipolvere, le scarpe anti infortunistiche ecc.

Avvertenza: Tutti i modelli della serie CCS sono dotati di una bocchetta con ventola per spazzare via i detriti dalla linea di taglio.

Tale getto d'aria creato da una ventola a motore è rivolto verso la parte anteriore della lama e permette di mantenere relativamente libera da detriti la linea di taglio.

Tale funzione faciliterà l'operatore nell'osservare e seguire l'avanzamento della lama durante il taglio, lasciando visibili le eventuali linee di demarcazione fatte.

ATTENZIONE: Qualunque tipo di polvere può essere dannoso per la salute. Alcuni materiali possono essere particolarmente pericolosi. L'operatore dovrebbe sempre indossare la mascherina antipolvere adatta per il tipo di materiale sul quale sta operando. Qualora l'operatore sia incerto circa la potenziale tossicità del materiale di lavoro, è consigliabile che egli richieda il parere di un professionista.

ATTENZIONE: I presenti utensili non devono mai essere utilizzati per tagliare l'amianto o qualunque materiale che contenga, o sia sospettato di contenere, amianto.

Consultare/informare le autorità competenti, e richiedere assistenza supplementare se si sospetta una contaminazione da amianto.

(16) INTERRUOTTORE A PRESSIONE ON/OFF

Avvertenza: Tutti gli apparecchi destinati al mercato europeo e australiano sono dotati di un interruttore a pressione di "avviamento sicuro" per aumentare la sicurezza dell'operatore. (Fig.15)

Per avviare il motore:

- Premere con il pollice il pulsante di blocco di sicurezza posto sul lato dell'impugnatura.
- Premere l'interruttore a pressione.

Per fermare il motore:

- Rilasciare l'interruttore a pressione.

ATTENZIONE: Il motore non deve mai essere avviato con la lama a diretto contatto con una qualunque parte del pezzo da lavorare.

Avvertenza: Gli apparecchi destinati al mercato nordamericano sono dotati di un interruttore a pressione che non prevede il dispositivo di "avviamento sicuro".

ATTENZIONE: Quando la sega è attiva (luce LED "ON"), evitare di avviare accidentalmente il motore nel momento in cui si afferra l'utensile dal banco da lavoro o simili.

Spingere in maniera accidentale l'interruttore a pressione ON/OFF (posizionato

sull'impugnatura principale) nel momento in cui si afferra l'utensile provocherà l'accensione del motore.

BINARI DI GUIDA PER IL TAGLIO
I modelli della serie Evolution CCSX (fare riferimento alla pagina delle specifiche per i modelli in questione) sono stati progettati e realizzati in modo da essere compatibili con il binario guida da taglio.

Avvertenza: Tutti modelli di sega circolare compatibili con il binario guida da taglio disporranno di una scanalatura lungo il lato inferiore della piastra unica (Fig. 16)

Gli apparecchi Evolution con tali caratteristiche possono essere collegati e usati con la maggior parte dei binari guida da taglio attualmente disponibili.

Avvertenza: Consultare la documentazione fornita insieme al binario guida dal suo produttore. La documentazione acclusa fornisce di consueto le istruzioni di montaggio del binario guida, unitamente alle informazioni relative alle procedure di sicurezza da attuare durante l'utilizzo di tali strumenti.

I binari guida per il taglio possono essere impiegati nei casi in cui:

- L'uso di una troncatrice o di una o di una sega circolare possa presentare problematiche in materia di salute e sicurezza o relative all'ambiente di lavoro. Per esempio, quando si opera in un cantiere nel quale possono essere necessari controlli accurati e frequenti (lavori su tetti o ponteggi, ecc.), l'utilizzo di un binario guida può fornire all'utente alcune funzionalità operative supplementari (e sicure).
- Siano richiesti tagli di precisione attraverso o lungo pezzi di grandi dimensioni. Per esempio su cornici, porte, pannelli di grandi dimensione o a parete, ecc. il binario guida da taglio può evitare la necessità di utilizzare a mano libera la sega circolare.

Avvertenza: I modelli Evolution compatibili con i binari guida dispongono di due (2) camme che sporgono dalla scanalatura sulla piastra unica (una a ogni estremità). I bottoni di rotazione (Fig. 17) consentono all'operatore di ruotare tali camme.

La loro regolazione ridurrà leggermente

l'effettiva larghezza della scanalatura sulla piastra. Ciò potrebbe essere necessario per adattare qualunque minima variazione del binario potenzialmente verificatasi durante la produzione del profilato che costituisce la guida stessa. La larghezza dei binari guida realizzati da produttori diversi può variare leggermente.

Avvertenza: L'operatore dovrebbe regolare tali camme in maniera tale che, quando l'utensile è posizionato in maniera corretta su un binario guida, esso possa essere spostato con facilità in avanti e indietro senza avvertire alcun movimento laterale (oscillazione).

BINARI DI GUIDA PER IL TAGLIO EVOLUTION

Alcuni apparecchi Evolution (a seconda del modello e del mercato di destinazione) sono forniti con binario guida per il taglio.

Avvertenza: I binari guida per il taglio Evolution sono disponibili come accessori per l'acquisto. Contattare il proprio distributore o Evolution Power Tools per ulteriori dettagli.

IL BINARIO GUIDA

Il sistema di binario guida Evolution consiste di due (2) o tre (3) sezioni di profilati di precisione in lega. (Fig. 18) Tali sezioni devono essere collegate usando le barre di collegamento in dotazione. (Fig. 19)

Per collegare tra loro le sezioni (Fig. 19):

- Far slittare le barre dentro le aperture a T che si trovano sul lato inferiore dei profilati.
- Accertarsi che (approssimativamente) la medesima lunghezza delle barre sia innestata in entrambe le sezioni da collegare tra loro.
- Serrare la vite senza testa a brugola per fissare le sezioni insieme.

Avvertenza: È importante lasciare un piccolo spazio di circa 1-2mm tra le sezioni collegate. Ciò garantirà che, nel momento in cui una sega circolare è posizionata e usata su un binario guida da taglio trasversale Evolution, essa scorra in maniera fluida lungo l'intera guida.

MESSA IN FUNZIONE DELLA SEGA SUL BINARIO GUIDA

Avvertenza: Le seguenti linee guida si riferiscono alle seghe circolari Evolution e ai binari guida Evolution. Qualora si utilizzi una sega circolare o un binario guida non prodotti

da Evolution, fare riferimento alle informazioni fornite dai rispettivi produttori.

Prima di iniziare a utilizzare il binario guida di taglio Evolution è necessario far collimare la barra paraschegge (Fig. 21) alla sega e alla lama.

Per far combaciare la sega al binario guida:

- Montare per intero il binario guida da taglio.
- Fare riferimento alla sezione intitolata "Posizionamento e ancoraggio del binario guida". Fissare il binario a un adeguato pezzo di materiale di scarto.
- Impostare la lama a una profondità adatta al materiale di scarto scelto.
- Assicurarsi che non siano presenti ostacoli lungo il percorso della lama.
- Fare riferimento alla sezione "Posizionamento e ancoraggio del binario guida". Posizionare la sega circolare correttamente sul binario guida.
- Azionare il motore e permettergli di raggiungere la piena velocità.
- Spingere delicatamente e lentamente la sega circolare lungo tutto il binario finché la lama apra un varco per l'intera lunghezza della barra paraschegge.

Avvertenza: Tale procedura farà adattare una specifica sega ad un relativo e specifico binario guida.

Nel caso in cui fosse usata una sega diversa sul binario così preparato, la barra paraschegge potrebbe non garantire lo stesso livello di protezione ottenuto con la precedente configurazione.

Avvertenza: La barra paraschegge deve essere considerata un componente deperibile. Con il tempo essa sarà soggetta a usura e abrasione e necessiterà di essere sostituita. La sostituzione può rendersi necessaria anche nel caso in cui si debba usare una sega circolare o una lama della sega (con altra larghezza di intaglio) differenti da quelle della configurazione originale.

BARRA PARASCHEGGIE SOSTITUIBILE

In quanto elemento soggetto a consumo, la barra paraschegge sostituibile deve essere controllata a intervalli regolari per constatarne danni o abrasioni da usura.

Sostituire la barra nel caso si manifestino eventuali danni o segni di usura significativi.

Barre sostitutive disponibili.

Rivolgersi al proprio fornitore o contattare Evolution attraverso la linea di assistenza dedicata. La barra paraschegge sostituibile fornita costituisce un ricambio diretto dell'originale in dotazione. Estrarre semplicemente e con delicatezza la barra usata dal binario guida e sostituirla con quella nuova.

Avvertenza: Quando si inserisce una nuova barra, è necessario ripetere la procedura di collimazione della sega al binario guida.

I MORSETTI PER BINARIO GUIDA EVOLUTION

(VENDUTO SEPARATAMENTE)

Il morsetto rapido Evolution (Fig. 22) è appositamente progettato per operare con il binario guida da taglio Evolution.

Avvertenza: Morsetti supplementari possono essere acquistati da Evolution Power Tools o dal proprio distributore locale.

I morsetti Evolution si inseriscono e possono scorrere lungo le aperture a T che si trovano sul lato inferiore del profilato in lega. (Fig. 23)

Ciò consentirà all'operatore di posizionare i morsetti (ne è necessario uno all'estremità di ogni binario) garantendo la massima sicurezza e stabilità della guida sul pezzo da lavorare.

POSIZIONAMENTO E ANCORAGGIO DEL BINARIO GUIDA

Avvertenza: Le seguenti linee guida hanno funzione indicativa. Evolution non ha merito riguardo gli ambienti lavorativi e le condizioni nelle quali l'attrezzatura è usata.

ATTENZIONE: Qualora fosse necessario utilizzare il presente apparecchio in un cantiere, l'operatore dovrà consultare il responsabile per la salute e la sicurezza per ulteriori requisiti di sicurezza specifici in loco e istruzioni.

- Segnare in maniera visibile il pezzo da lavorare e in particolare la linea di taglio lungo la quale si deve muovere la lama.
- Assemblare il binario guida con tante sezioni quante necessarie a sostenere per intero il pezzo, incluso un margine in eccesso.
- Posizionare il binario guida sul pezzo da lavorare e bloccarlo stringendo i morsetti: quelli rapidi Evolution (di preferenza) o dei modelli idonei a G.
- Accertarsi che il bordo della barra

paraschegge combaci esattamente alla linea di taglio indicata.

ATTENZIONE: Il binario guida da taglio deve sorpassare in lunghezza il pezzo dal lato di inizio. (Fig. 24)

Il coprilama inferiore dovrà essere reatteso a mano e ruotato verso l'alto nel coprilama superiore quando la sega circolare è posizionata sul binario guida.

ATTENZIONE: In tale posizione la lama risulta esposta. **NON** spingere l'interruttore fino a che non siano stati eseguiti le seguenti verifiche di sicurezza.

EFFETTUARE UN TAGLIO

Effettuare un taglio usando il binario guida è molto simile all'eseguire un taglio ordinario con una sega circolare.

Tutte le procedure e i protocolli applicabili all'utilizzo di una sega circolare saranno validi anche quando tale sega è usata in congiunzione a un binario guida per taglio trasversale.

Le seguenti linee guida, sebbene non esaustive, offrono alcune indicazioni generali:

- Effettuare una verifica di sicurezza per accertarsi che il binario guida sia assicurato saldamente al pezzo da lavorare, e che quest'ultimo sia a sua volta stabile e che non possa muoversi durante il taglio.
- Controllare che sotto il pezzo da lavorare non siano presenti ostacoli che possano inibire o impedire l'avanzamento della lama o essere danneggiati dalla stessa.
- Assicurarsi che il cavo di alimentazione sia disposto in maniera che non costituisca rischio di inciampo (o altro pericolo). Verificare in particolare modo che il cavo di alimentazione non entri in contatto con la lama in rotazione.
- L'operatore deve assicurarsi di mantenere un buon posizionamento sui piedi, equilibrio e controllo completo mentre accompagna la sega lungo il binario guida per tutta la durata del taglio. Particolare attenzione deve essere prestata all'uscita della sega dal pezzo in lavorazione.

ATTENZIONE: Soprattutto se si sta lavorando da una postazione sopraelevata (o in altre situazioni simili), accertarsi che il materiale tagliato non cada ferendo potenzialmente un passante. L'operatore deve prendere in considerazione l'ipotesi di contenere o

fermare tale materiale tagliato. Consultare il responsabile della sicurezza del luogo per istruzioni specifiche.

Avvertenza: L'operatore deve prendere in considerazione l'ipotesi di effettuare una prova di taglio con la sega disconnessa dall'alimentazione per avere conferma che la procedura prevista sia del tutto sicura.

Quando il taglio si è concluso, l'operatore deve rilasciare l'interruttore a pressione ON/OFF e permettere al motore di arrestarsi e alla lama di diventare immobile.

Appena la sega è alzata dal binario guida e dal pezzo in lavorazione, il coprilama inferiore entrerà automaticamente in funzione coprendo del tutto la lama.

RACCOLTA POLVERI / DETRITI

Un ugello adattatore (Fig. 25) può essere installato su tutti i modelli CCS.

L'inserimento dell'ugello consente agli apparecchi di essere collegati a un dispositivo di raccolta detriti/polvere.

Avvertenza: L'esatta fattura dell'ugello in dotazione varierà a seconda del modello e del mercato di destinazione dell'utensile.

L'ugello fornito accetterà una grande varietà di dispositivi per la raccolta di detriti/polvere attualmente disponibili. L'ugello deve essere innestato sulla porta di espulsione del materiale tagliato. (Fig. 26)

Avvertenza: Se necessario, è possibile collegare all'ugello adattatore anche un aspiratore di polveri/detriti da officina.

Seguire le istruzioni dei produttori nel caso si voglia collegare un tale dispositivo e assicurarsi che esso sia in grado di gestire il materiale espulso.

LUCE LED

Alcuni apparecchi Evolution (a seconda del modello e del mercato di destinazione) sono equipaggiati con una luce LED automatica.

Avvertenza: Se si è incerti delle funzioni di cui è provvisto il proprio utensile, consultare la pagina delle specifiche sul presente manuale.

La luce LED è posizionata sul lato sinistro della lama. (Fig. 27) Il raggio LED illuminerà il lato sinistro della lama e renderà visibile anche ogni linea di demarcazione presente sul pezzo da

lavorare. Ciò dovrebbe aiutare l'operatore a prevedere il percorso della lama lungo il pezzo da lavorare e quindi ad aumentare efficienza, accuratezza e sicurezza.

Avvertenza: Il funzionamento del LED è automatico. Non appena collegato l'utensile all'alimentazione, il LED si attiverà. Ciò fornirà all'operatore una chiara indicazione che l'utensile è stato collegato correttamente all'alimentazione elettrica, ed è pertanto attivo e pronto ad iniziare le operazioni di taglio.

Avvertenza: L'unità LED non contiene parti riparabili dall'utente e la direzione del raggio è impostata in fabbrica. La protezione della lente deve essere mantenuta priva di polvere (vedere "Manutenzione") per garantire la conservazione della massima luminescenza del raggio.

ATTENZIONE: Pulire esclusivamente la protezione della lente con l'utensile disconnesso dall'alimentazione e la lama completamente ferma.

AUSILI DI COMPLETAMENTO TAGLIO

Tutte le seghe circolari Evolution sono dotate di vari ausili di taglio o guide progettate per aiutare l'operatore ad ottenere tagli rapidi e precisi in sicurezza.

Avvertenza: Non tutte le seguenti funzioni sono presenti su ognuno dei modelli.

Guida linea di taglio a 0° e a 45° (Fig. 28)

Sul bordo anteriore della piastra unica dell'apparecchio sono posizionati due (2) piccoli dentelli, che su alcuni modelli sono identificati con un grado di angolazione. Tali dentelli indicano la posizione della lama mentre esce dal pezzo in lavorazione quando l'inclinazione dell'angolo di smusso è impostata a 0° (lama verticale) o a un angolo di 45°.

Guida anteriore della lama (Fig. 29)

Avvertenza: I modelli Evolution compatibili con il binario guida da taglio Evolution dispongono di un dentello posizionato sul bordo destro della pista unica del telaio. Tale dentello indica la posizione del bordo anteriore della lama quando essa è impostata al massimo della profondità di taglio. Tale funzione può essere utilizzata quando si posiziona e sistema la sega sul binario guida da taglio.

ATTENZIONE: È importante che il coprilama inferiore e la lama non tocchino alcuna superficie del pezzo da lavorare durante il posizionamento iniziale della sega sul binario guida.

Righelli guida (Fig. 30)

Su alcune seghe circolari Evolution sono presenti dei righelli guida. Essi sono posizionati lungo il bordo anteriore o laterale della piastra unica. Tali guide possono fornire un'utile indicazione o stima approssimativa del punto in cui si trova la lama nel pezzo in lavorazione.

REGOLAZIONI SPECIALI

Il presente utensile Evolution dispone di molti componenti e regolazioni di alta precisione, molti dei quali già impostati in fabbrica e messi a punto per garantire un'elevata accuratezza a lungo termine.

Con buona probabilità non si renderà mai necessaria la manutenzione e la regolazione di tali componenti e impostazioni.

Qualora fosse invece necessario intervenire su di essi (dopo un considerevole tempo di utilizzo), Evolution raccomanda di contattare l'assistenza tecnica per ulteriori indicazioni e consigli.

Avvertenza: Talune procedure di regolazione sono possibili solo tramite un intervento professionale specializzato e/o attrezzature specifiche.

(17) INDICAZIONI DI TAGLIO GENERICO

ATTENZIONE: L'operatore deve sempre essere consapevole della posizione e del percorso del cavo di alimentazione. Il cavo deve essere disposto in tale maniera da escludere del tutto la possibilità di contatto con la lama. Il cavo non deve costituire un rischio di inciampo (o altro pericolo) per l'operatore o altri presenti.

- Non forzare l'utensile.
- Consentire alla velocità della lama di compiere il proprio lavoro. La buona riuscita del taglio non sarà migliorata da una dose eccessiva di pressione applicata dall'operatore e ciò ridurrà inoltre la durata di vita della lama.
- Quando si utilizza la guida di arresto parallelo, accertarsi che essa sia parallela alla lama. La lama e/o il motore possono subire danni se utilizzati con una guida di arresto parallelo regolata in maniera non corretta.
- Posizionare il bordo anteriore della piastra

unica allineato sul pezzo da lavorare. Prima di avviare il motore, accertarsi che la lama non sia in contatto con il pezzo da lavorare.

- Quando si intraprende il taglio, prestare attenzione a introdurre lentamente la lama nel materiale, in modo da non danneggiare i suoi denti.

Avvertenza: Due (2) linee guida di taglio sono apposte sul lato anteriore della piastra unica sui modelli CCSL (esclusivamente per gli angoli di smusso a 0° e 45°).

- Utilizzare entrambe le mani per accompagnare in avanti la sega attraverso il pezzo da lavorare.
- Applicare una pressione costante e delicata per accompagnare in avanti la sega attraverso il pezzo da lavorare.

Note: Tutti i modelli della serie CCS dispongono di un coprilama inferiore automatico dotato di un bordo principale anteriore sagomato in maniera speciale. Tale caratteristica assicura che il coprilama si ritiri in maniera fluida e semplice appena la lama entra in contatto con il pezzo in lavorazione. Quando la lama esce dal pezzo, il coprilama inferiore ritornerà automaticamente nella propria normale posizione coprendola completamente.

Avvertenza: In alcune circostanze, come ad esempio mentre si esegue un taglio dal pieno su un pavimento o una parete ecc., può essere d'aiuto ritrarre manualmente il coprilama inferiore.

Sul coprilama inferiore è presente una leva ad alette. Con attenzione, un operatore con esperienza può ritrarre il coprilama manualmente, in parte o del tutto, consentendo l'operazione di taglio dal pieno.

ATTENZIONE: Quando si ritrae manualmente il coprilama, deve essere prestata grande attenzione a garantire che mani o dita dell'operatore non tocchino la lama.

Quando il taglio è stato portato a termine:

- Rilasciare l'interruttore a pressione ON/OFF.
- Consentire alla lama di fermarsi del tutto.
- Rimuovere l'utensile dal pezzo così che il coprilama inferiore ritorni automaticamente nella propria normale posizione coprendola completamente.

ATTENZIONE: Qualora il motore dovesse bloccarsi durante un taglio, rilasciare immediatamente l'interruttore a pressione. Scollegare l'apparecchio dall'alimentazione e rimuoverlo dal pezzo in lavorazione. Esaminare la causa del problema e se possibile correggerlo. Provare a riavviare il motore solo quando si è del tutto certi che sia sicuro farlo.

PORTA DI ESPULSIONE DEL MATERIALE TAGLIATO

ATTENZIONE: Non utilizzare il sacchetto per la polvere e l'adattatore per l'attacco polvere quando si effettuano tagli su materiale metallico incluso legno con chiodi..

(18) MANUTENZIONE E REGOLAZIONI

La posizione a 0° (lama verticale) può essere regolata.

ATTENZIONE: L'utensile deve essere disconnesso dall'alimentazione durante la seguente procedura.

Per verificare la posizione a 0°:

- Impostare la lama nella posizione di 0° con il meccanismo di inclinazione contro il proprio fermo.
- Controllare la lama contro la piastra unica tramite una squadra di precisione (non in dotazione). Fare attenzione a evitare le punte TCT dei denti. La lama dovrebbe essere esattamente a 90° sulla piastra unica.

Avvertenza: TIl coprilama inferiore deve essere ruotato (manualmente) fino al coprilama superiore. Ciò consentirà l'accurata collocazione della squadra di precisione e quindi la procedura di verifica. Qualora sia necessaria la regolazione:

R165CCSL & 185CCS

Ruotare la vite di regolazione (**Fig. 31**) in senso orario o antiorario usando la chiave esagonale da 4 mm (non in dotazione) fino a che la lama non sia esattamente a 90° sulla piastra.

R185CCSX & 185CCSX+

Ruotare la vite di regolazione (**Fig. 32**) in senso orario o antiorario usando la chiave esagonale da 3 mm (non in dotazione) fino a che la lama non sia esattamente a 90° sulla piastra.

Per verificare la posizione a 45° (R185CCSX & 185CCSX+):

- Impostare la lama nella posizione di 45° con il meccanismo di inclinazione contro il proprio fermo.
- Controllare la lama contro la piastra unica tramite una squadra di precisione (non in dotazione). Fare attenzione a evitare le punte TCT dei denti. La lama dovrebbe essere esattamente a 45° sulla piastra unica.

Ruotare la vite di regolazione (**Fig. 33**) in senso orario o antiorario usando la chiave esagonale da 3 mm (non in dotazione) fino a che la lama non sia esattamente a 45° sulla piastra.

(19) VERIFICA E SOSTITUZIONE DELLE SPAZZOLE DI CARBONE

ATTENZIONE: Scollegare l'utensile dall'alimentazione prima di effettuare la verifica o sostituzione delle spazzole di carbone.

Avvertenza: Sostituire entrambe le spazzole se una o l'altra presentano uno spessore di carbone rimasto inferiore ai 6mm, o se la molla o il filo è danneggiato o bruciato.

Per rimuovere le spazzole:

- Svitare il tappo di plastica che si trova sul retro dell'alloggiamento motore. (**Fig. 34**) Fare attenzione perché il tappo è caricato a molla.
- Estrarre le spazzole con le proprie molle.
- Qualora sia necessaria la sostituzione, posizionare le nuove spazzole e sostituire i tappi.

Avvertenza: Le spazzole usate ma riparabili possono essere sostituite, ma solo se ricollocate nella medesima posizione, e inserite nello stesso verso nel quale si trovavano prima di essere rimosse dall'utensile.

- Far girare il motore dell'utensile a vuoto per circa 5 minuti. Ciò favorirà l'adattamento delle nuove spazzole e garantirà l'efficienza del motore.
- È possibile riscontrare la presenza di scintille durante il processo di adattamento delle spazzole.

(20) MANUTENZIONE GENERALE E PULIZIA

Avvertenza: Tutte le attività di manutenzione devono essere condotte a utensile spento e

disconnesso dalla fonte di alimentazione.

- Verificare su base regolare che tutte le funzioni e le protezioni di sicurezza operino in modo corretto. Utilizzare il presente utensile soltanto se tutte le protezioni/ funzioni di sicurezza sono del tutto operative.
- Tutti i cuscinetti a sfera nei presenti utensili sono lubrificati a vita. Non è richiesta ulteriore lubrificazione.

Utilizzare un panno pulito e leggermente umido per pulire le parti in plastica dell'apparecchio. Non utilizzare solventi o simili prodotti che potrebbero danneggiare le parti in plastica dell'utensile. Rimuovere qualunque polvere o altri agenti contaminanti dalla copertura della lente del modulo LED.

ATTENZIONE: Non tentare di pulire inserendo oggetti appuntiti nelle aperture della struttura dell'apparecchio ecc. Le prese di areazione devono essere pulite tramite getti di aria compressa.

Avvertenza: L'operatore deve impiegare tutti i necessari DPI durante l'utilizzo di aria compressa per operazioni di pulizia.

(21) PROTEZIONE AMBIENTALE

I rifiuti di materiale elettrico non devono essere smaltiti insieme a quelli domestici. Si prega di riciclare laddove siano presenti adeguate infrastrutture. Verificare con il proprio ente responsabile locale o con il rivenditore le indicazioni per il riciclo.



DICHIARAZIONE DI CONFORMITÀ CE



Il produttore del prodotto oggetto della presente dichiarazione:

UK: Evolution Power Tools Ltd, Venture One, Longacre Close, Holbrook Industrial Estate, Sheffield, S20 3FR.

FR: Evolution Power Tools SAS, 61 Avenue Lafontaine, 33560, Carbon-Blanc, Bordeaux, France.

Il produttore dichiara di seguito che l'utensile, come illustrato nella presente dichiarazione, soddisfa le disposizioni pertinenti della Direttiva Macchine e delle altre direttive idonee come di seguito descritto. Il produttore dichiara inoltre che l'apparecchio, così come illustrato nella presente dichiarazione, laddove applicabile, soddisfa le disposizioni pertinenti della normativa relativa ai requisiti essenziali di sicurezza e tutela della salute (EHSRs).

Le Direttive oggetto della presente dichiarazione sono quelle di seguito riportate:

2006/42/EC.	Direttiva Macchine.
2014/30/EU.	Direttiva Compatibilità Elettromagnetica.
2011/65/EU. & 2015/863/EU.	La Direttiva sulla restrizione all'uso di sostanze pericolose nelle apparecchiature elettriche ed elettroniche (RoHS)
2012/19/EU.	La Direttiva sui Rifiuti da Apparecchiature Elettriche ed Elettroniche (WEEE).

Ed è in conformità con i requisiti applicabili dei seguenti documenti:

EN 62841-1:2015 • EN62841-2-5:2014 • EN 55014-1:2017+A11:2020 • EN 55014-2:2015 • EN 61000-3-2: 2014(220-240V models)• EN IEC 61000-3-2:2019(220-240V models) • EN 61000-3-3:2013+A1:2019(only 026-0001) • EN 61000-3-11: 2000 (220-240V models except 026-0001)

Dettagli prodotto

Descrizione:	R165CCSL 165mm (6-1/2") Sega circolare
Modello N:	026-0001 / 026-0002 / 026-0003
Descrizione:	R185CCS 185mm (7-1/4") Sega circolare
Modello N:	027-0001C / 027-0002C / 027-0003C
Descrizione:	R185CCSX 185mm (7-1/4") Sega circolare
Modello N:	027-0001 / 027-0002 / 027-0003
Descrizione:	R185CCSX+ 185mm (7-1/4") Sega circolare
Modello N:	027-0001A / 027-0002A / 027-0003A

Marca:	EVOLUTION POWER TOOLS LIMITED
Voltaggi:	220-240V / 110V ~ 50Hz
Ingresso:	R165CCSL - 1200W R185CCS, R185CCSX & R185CCSX+ - 1600W

La documentazione tecnica a suffragio della compatibilità del prodotto con i requisiti della direttiva è stata redatta e messa a disposizione per la consultazione da parte delle autorità preposte pertinenti. Essa dimostra che le nostre schede tecniche contengono i documenti sopra elencati e che soddisfano i criteri corretti per il prodotto così come in precedenza illustrato.

Nome e indirizzo del titolare della documentazione tecnica.

Firmato:		Stampa: Barry Bloomer
Data:		Direttore finanziario e della rete di commercializzazione
		01/06/18

UK: Evolution Power Tools Ltd, Venture One, Longacre Close, Holbrook Industrial Estate, Sheffield, S20 3FR.

FR: Evolution Power Tools SAS, 61 Avenue Lafontaine, 33560, Carbon-Blanc, Bordeaux, France.

(1.2) WSTĘP WAŻNE

Należy uważnie i w całości zapoznać się z treścią niniejszej instrukcji obsługi i bezpieczeństwa.

Ze względów bezpieczeństwa, w przypadku wątpliwości co do któregoś aspektu dotyczącego korzystania z tego sprzętu, należy skontaktować się z odpowiednią infolinią obsługi technicznej, której numer podany jest na stronie internetowej firmy Evolution Power Tools. Za pośrednictwem naszej ogólnościatowej organizacji oferujemy dostęp do kilku infolinii obsługi technicznej. Pomoc techniczna dostępna jest również u dystrybutorów.

(1.3) KONTAKT:

Strona internetowa: www.evolutionpowertools.com

UK/EU/AUS: customer.services@evolutionpowertools.com

USA: evolutioninfo@evolutionpowertools.com

(1.4) GWARANCJA

Gratulujemy zakupu narzędzia marki Evolution Power Tools. Produkt należy zarejestrować na stronie internetowej zgodnie z informacjami zawartymi w dołączonej do urządzenia ulotce dotyczącej rejestracji online. Umożliwi to zatwierdzenie okresu gwarancyjnego urządzenia za pośrednictwem witryny Evolution poprzez podanie danych osobowych, co w razie potrzeby zapewni szybki dostęp do usług serwisowych.

Serdecznie dziękujemy za wybranie produktu marki Evolution Power Tools.

SPECYFIKACJE

SPECYFIKACJE URZĄDZENIA	USA		
	R185CCS	R185CCSX	R185CCSX+
Numer modelu:	027-0004	027-0004C	027-0004A
Silnik EU (220-240 V ~ 50 Hz)			
Silnik UK (110 V ~ 50 Hz)			
Silnik USA (120 V ~ 60 Hz)	15A	15A	15A
Prędkość bez obciążenia (220-240 V) 3700 min ⁻¹ /rpm			
Prędkość bez obciążenia (110 V & 120 V) 3700 min ⁻¹ /rpm	3700 min ⁻¹ /rpm	3700 min ⁻¹ /rpm	3700 min ⁻¹ /rpm
Waga	10.8 lb	11.2 lb	11.2 lb
Maksymalny kąt nachylenia ostrza (stopnie)	60°	45°	45°
Długość przewodu zasilania 3,96 m (13 stóp)	13 ft	13 ft	13 ft
Typ podstawy piły tarczowej	Odlew aluminiowy	Odlew aluminiowy	Odlew aluminiowy
Kompatybilne prowadnice do cięcia		✓	✓

MOŻLIWOŚCI CIĘCIA	R185CCS	R185CCSX	R185CCSX+
Arkusz z miękkiej stali (maksymalna grubość)	1/4"	1/4"	1/4"
Sekcja skrzynkowa z miękkiej stali (maksymalna grubość ściany)	1/4"	1/4"	1/4"
Maksymalna grubość cięcia (0°) (z prowadnicą)	2-1/2"	2-1/2" (2-5/16" z prowadnicą)	2-1/2" (2-5/16" z prowadnicą)
Maksymalna grubość cięcia (45°)	1-9/16"	1-13/16" (1-5/8" z prowadnicą)	1-13/16" (1-5/8" z prowadnicą)
Maksymalna grubość cięcia (60°)	1"		

WYMIARY TARCZY	R185CCS	R185CCSX	R185CCSX+
Średnica tarczy	Ø 7-1/4"	Ø 7-1/4"	Ø 7-1/4"
Liczba zębów	20	16	20
Średnica otworu	25/32"	25/32"	25/32"
Grubość	1.7mm	1.7mm	1.7mm

DANE DOT. HAŁASU I WIBRACJI	R185CCS	R185CCSX	R185CCSX+
Poziom ciśnienia akustycznego L _{pa}	94,3dB(A) K=3 dB(A)	94,3dB(A) K=3 dB(A)	94,3dB(A) K=3 dB(A)
Poziom mocy akustycznej L _{wa}	105,3dB(A) K=3 dB(A)	105,3dB(A) K=3 dB(A)	105,3dB(A) K=3 dB(A)
Wibracje - główny uchwyt (piłowanie drewna)	a _{h,w} = 3,347m/s ²	a _{h,w} = 3,347m/s ²	a _{h,w} = 3,347m/s ²
Wibracje - uchwyt pomocniczy (piłowanie drewna)	a _{h,w} = 3,119m/s ²	a _{h,w} = 3,119m/s ²	a _{h,w} = 3,119m/s ²
Wibracje - główny uchwyt (piłowanie metalu)	a _{h,m} = 3,572m/s ²	a _{h,m} = 3,572m/s ²	a _{h,m} = 3,572m/s ²
Wibracje - uchwyt pomocniczy (piłowanie metalu)	a _{h,m} = 3,241m/s ²	a _{h,m} = 3,241m/s ²	a _{h,m} = 3,241m/s ²
Czynnik niepewności K	1,5m/s ²	1,5m/s ²	1,5m/s ²

ELEMENTY WYPOSAŻENIA	R185CCS	R185CCSX	R185CCSX+
Ostrze TCT do wielu materiałów	✓	✓	✓
Kłucz imbusowy (wymiana ostrza)	✓	✓	✓
Prowadnica równoległa	✓	✓	✓
Adapter dyszy zasysającej pył	✓	✓	✓
Adapter węża zasysającego pył	✓	✓	✓
Futerał			✓
Prowadnica do cięcia - 340 mm (13-3/8") x 3		✓	
Listwa złącza i śruby (x4)		✓	
Oświetlenie LED	✓		✓

UK / EU / AUS			
R165CCSL	R185CCS	R185CCSX	R185CCSX+
026-0001 / 026-0002 / 026-0003	027-0001C / 027-0002C / 027-0003C	027-0001 / 027-0002 / 027-0003	027-0001A / 027-0002A / 027-0003A
1200W	1600W	1600W	1600W
1200W	1600W	1600W	1600W
3700 min ⁻¹ / rpm	3900 min ⁻¹ / rpm	3900 min ⁻¹ / rpm	3900 min ⁻¹ / rpm
3700 min ⁻¹ / rpm	3700 min ⁻¹ / rpm	3700 min ⁻¹ / rpm	3700 min ⁻¹ / rpm
4.3 kg	4.9 kg	5.1 kg	5.1 kg
45°	60°	45°	45°
3m	3m	3m	4m
Tłoczona stal	Odlew aluminiowy	Odlew aluminiowy	Odlew aluminiowy
		✓	✓

R165CCSL	R185CCS	R185CCSX	R185CCSX+
3mm	6mm	3mm	6mm
3mm	6mm	3mm	6mm
53mm	64mm	64mm (59mm z prowadnicą)	64mm (59mm z prowadnicą)
34mm	40mm	47mm (42mm z prowadnicą)	47mm (42mm z prowadnicą)
	24mm		

R165CCSL	R185CCS	R185CCSX	R185CCSX+
Ø 165mm	Ø 185mm	Ø 185mm	Ø 185mm
14	20	16	20
20mm	20mm	20mm	20mm
1.7mm	1.7mm	1.7mm	1.7mm

R165CCSL	R185CCS	R185CCSX	R185CCSX+
92,4dB(A) K:3dB(A)	94,3dB(A) K=3 dB(A)	94,3dB(A) K=3 dB(A)	94,3dB(A) K=3 dB(A)
103,4dB(A) K:3dB(A)	105,3dB(A) K=3 dB(A)	105,3dB(A) K=3 dB(A)	105,3dB(A) K=3 dB(A)
$a_{h,w} = 2,747m/s^2$	$a_{h,w} = 3,347m/s^2$	$a_{h,w} = 3,347m/s^2$	$a_{h,w} = 3,347m/s^2$
$a_{h,w} = 2,619m/s^2$	$a_{h,w} = 3,119m/s^2$	$a_{h,w} = 3,119m/s^2$	$a_{h,w} = 3,119m/s^2$
$a_{h,M} = 2,302m/s^2$	$a_{h,M} = 3,572m/s^2$	$a_{h,M} = 3,572m/s^2$	$a_{h,M} = 3,572m/s^2$
$a_{h,M} = 2,239m/s^2$	$a_{h,M} = 3,241m/s^2$	$a_{h,M} = 3,241m/s^2$	$a_{h,M} = 3,241m/s^2$
1,5m/s ²	1,5m/s ²	1,5m/s ²	1,5m/s ²

R165CCSL	R185CCS	R185CCSX	R185CCSX+
✓	✓	✓	✓
✓	✓	✓	✓
✓	✓	✓	✓
✓	✓	✓	✓
✓	✓	✓	✓
			✓
		✓	
		✓	
			✓

WIBRACJE

(1.5) **Informacja:** Pomiary wibracji zostały wykonane w warunkach standardowych zgodnych z: EN 62841-1: 2015, EN 62841-2-5: 2014

Ostrzeżenie: Należy stosować środki ochrony słuchu!

Podana wartość całkowita wibracji została zmierzona zgodnie ze standardowymi metodami testowymi i może posłużyć do porównywania różnych narzędzi.

Podana wartość całkowita wibracji może także posłużyć do wstępnej oceny narażenia.

(1.6) **OSTRZEŻENIE:** Podczas użytkowania tego urządzenia operator może być narażony na wysoki poziom wibracji przenoszonych na ręce i ramiona.

Istnieje możliwość rozwoju u operatora „choroby wibracyjnej białych palców” (syndrom Raynauda). Stan ten może zmniejszyć wrażliwość ręki na temperaturę, jak również powodować ogólne drętwienie.

W przypadku długotrwałego lub regularnego korzystania z tego urządzenia należy dokładnie monitorować stan dłoni i palców. W przypadku pojawienia się jakichkolwiek objawów należy zasięgnąć porady lekarza.

- Pomiar i ocena narażenia człowieka na drgania przenoszone na dłonie w miejscu pracy są podane w:
EN 62841-1, EN 62841-2-5
- Na poziom wibracji podczas pracy wpłynąć może wiele czynników, np. stan i położenie powierzchni roboczej oraz typ i stan używanej maszyny. Czynniki te powinny zostać poddane ocenie przed każdym użyciem. W miarę możliwości należy zastosować odpowiednie metody pracy. Ograniczenie wpływu tych czynników może przyczynić się do zmniejszenia skutków wibracji:

Obsługa

- Należy obsługiwać maszynę, zachowując ostrożność i pozwalając urządzeniu wykonywać powierzone zadanie.
- Należy unikać używania nadmiernej siły fizycznej w odniesieniu do jakichkolwiek elementów układu sterowania urządzeniem.
- Należy zwrócić uwagę na własne bezpieczeństwo i stabilną pozycję, a także na położenie maszyny podczas użytkowania.

Powierzchnia robocza

- Należy zwrócić uwagę na materiał, z którego wykonana jest powierzchnia robocza: jego stan, gęstość, wytrzymałość, sztywność i położenie.

OSTRZEŻENIE: Emisja drgań podczas rzeczywistego użytkowania elektronarzędzia może różnić się od podanej wartości całkowitej w zależności od sposobu używania narzędzia.

Potrzeba ustalenia środków bezpieczeństwa i ochrony operatora opiera się na ocenie narażenia w rzeczywistych warunkach użytkowania (z uwzględnieniem wszystkich etapów cyklu operacyjnego, takich jak czas kiedy narzędzie jest wyłączone, pracuje na biegu jałowym, w dodatku do czasu aktywacji).

(1.7) OZNACZENIA I SYMBOLE

OSTRZEŻENIE: Nie należy korzystać z narzędzia jeśli oznaczenia ostrzegawcze lub informacyjne są uszkodzone lub zostały usunięte. Należy skontaktować się z firmą Evolution Power Tools w celu uzyskania nowych etykiet.

Uwaga: Wszystkie lub niektóre z następujących symboli mogą znajdować się w instrukcji lub na produkcie.

(1.8)

Symbol	Opis
V	Wolty
A	Ampery
Hz	Herce
Min ⁻¹ / RPM	Prędkość
~	Prąd zmienny
n ₀	Prędkość bez obciążenia
	Należy stosować okulary ochronne
	Należy stosować środki ochrony słuchu
	Należy stosować ochronę przed pyłem
	Należy zapoznać się z instrukcją

	Podwójna izolacja
	Certyfikat CE
	Certyfikat ETL
	Zużyty sprzęt elektryczny i elektroniczny
	Triman - zbieranie odpadów i recykling
	Ostrzeżenie
	Oznaczenie zgodności z przepisami dla sprzętów elektrycznych i elektronicznych (RCM). Standard w Australii i Nowej Zelandii

(1.9) PRZEWIDZIANE ZASTOSOWANIE ELEKTRONARZĘDZIA

OSTRZEŻENIE: Niniejszy produkt to ręczna pilarka tarczowa zaprojektowana do eksploatacji z wykorzystaniem specjalnych tarcz marki Evolution. Należy używać wyłącznie akcesoriów zaprojektowanych do stosowania z tym narzędziem i/lub akcesoriów zalecanych przez Evolution Power Tools Ltd.

Po zamontowaniu odpowiedniego ostrza narzędzie to można przeznaczyć do cięcia:

Stali miękkiej
Aluminium
Drewna

Uwaga: Cięcie stali ocynkowanej może skrócić żywotność ostrza.

(1.10) ZABRONIONE ZASTOSOWANIE ELEKTRONARZĘDZIA

OSTRZEŻENIE: Ręcznej pilarki tarczowej należy używać wyłącznie zgodnie z przeznaczeniem. Nie należy wprowadzać w urządzeniu żadnych modyfikacji ani stosować urządzenia do zasilania jakichkolwiek urządzeń lub akcesoriów innych niż określone w niniejszej instrukcji.

(1.11) **OSTRZEŻENIE:** Urządzenie nie jest przeznaczone do użytkowania przez osoby

(w tym dzieci) o ograniczonej sprawności fizycznej, sensorycznej lub umysłowej lub braku doświadczenia i wiedzy, chyba że będą one nadzorowane lub zostaną poinstruowane na temat bezpiecznego korzystania z urządzenia przez osobę odpowiedzialną za ich bezpieczeństwo i potrafiącą obsłużyć narzędzie w bezpieczny sposób.

Dzieci wymagają stałego nadzoru, aby z całą pewnością, nie miały one dostępu do sprzętu, ani pozwolenia na zabawę urządzeniem.

(1.12) BEZPIECZEŃSTWO ELEKTRYCZNE

Urządzenie jest wyposażone w odpowiednio profilowaną wtyczkę i kabel zasilający odpowiedni dla danego rynku. W przypadku uszkodzenia kabla zasilającego, należy go wymienić na specjalny kabel lub zespół dostępny u producenta lub autoryzowanego dystrybutora.

(1.13) UŻYTKOWANIE NA ZEWNĄTRZ

OSTRZEŻENIE: W przypadku korzystania z urządzenia na wolnym powietrzu, ze względów bezpieczeństwa, nie należy używać go w miejscach zawilgoconych ani narażać na działanie deszczu. Nie należy umieszczać narzędzia na wilgotnej powierzchni. W miarę możliwości należy ustawić je na czystym i suchym blacie roboczym. W celu zapewnienia dodatkowej ochrony należy zastosować wyłącznik różnicowoprądowy (RCD), który przerwie zasilanie, jeśli prąd różnicowy przekroczy 30 mA przez okres 30 ms. Przed przystąpieniem do korzystania z urządzenia należy zawsze sprawdzić działanie wyłącznika różnicowoprądowego (RCD).

W przypadku konieczności zastosowania przedłużacza, należy upewnić się, że nadaje się on do używania na zewnątrz i posiada odpowiednie oznaczenie. Podczas korzystania z przedłużacza należy przestrzegać instrukcji producenta.

(2.1) OGÓLNE INSTRUKCJE BEZPIECZEŃSTWA

(Niniejsze ogólne instrukcje bezpieczeństwa przy korzystaniu z elektronarzędzi są zgodne z BS EN 60745-1:2009, EN 61029-1:2009 & EN 62847-1:2015).

OSTRZEŻENIE: Należy zapoznać się z treścią wszelkich ostrzeżeń oraz instrukcji. Nieprzestrzeganie ostrzeżeń lub instrukcji może doprowadzić do porażenia prądem, pożaru i/lub poważnych obrażeń.

Wszystkie ostrzeżenia i instrukcje należy zachować w celu przyszłego wykorzystania. Termin „elektronarzędzie” odnosi się do

urządzenia zasilanego sieciowo (przewodowego) lub urządzenia zasilanego za pomocą baterii (bezprzewodowego).

(2.2) 1) Ogólne ostrzeżenia w zakresie bezpieczeństwa elektronarzędzi [Bezpieczeństwo obszaru roboczego]

a) Należy zadbać o czystość i prawidłowe oświetlenie obszaru pracy.

Zanieczyszczenie lub brak wystarczającego oświetlenia obszaru pracy mogą doprowadzić do wypadków.

b) Nie należy używać elektronarzędzi w przestrzeniach zagrożonych wybuchem, np. w obecności łatwopalnych cieczy, gazów lub pyłów. Elektronarzędzia wytwarzają iskry, które mogą spowodować zapłon pyłu lub oparów.

c) Nie należy dopuszczać dzieci ani innych obserwatorów do obszaru pracy elektronarzędzi. Rozproszenie uwagi może spowodować utratę kontroli.

(2.3) 2) Ogólne ostrzeżenia w zakresie bezpieczeństwa elektronarzędzi [Bezpieczeństwo elektryczne]

a) Wtyczka elektronarzędzia musi być zgodna z gniazdem zasilania. Nie wolno w żaden sposób modyfikować wtyczki. W przypadku elektronarzędzi z uziemieniem nie należy stosować przejściówek. Oryginalne wtyczki i zgodne gniazda zmniejszają ryzyko porażenia prądem.

b) Należy unikać dotykania uzemiennych powierzchni, takich jak rury, grzejniki, piece i lodówki. Uziemienie ciała powoduje zwiększenie ryzyka porażenia prądem.

c) Nie należy wystawiać elektronarzędzi na działanie deszczu lub wilgoci. Przedostanie się wody do wnętrza urządzenia zwiększa ryzyko porażenia prądem.

d) Nie należy nadwyręzać przewodu. Nigdy nie należy używać przewodu do przenoszenia, przeciągania lub odłączania elektronarzędzia. Przewód należy trzymać z dala od źródeł ciepła, oleju, ostrych krawędzi lub ruchomych części urządzenia. Uszkodzone lub poplątane przewody zwiększają ryzyko porażenia prądem.

e) W przypadku korzystania z urządzenia na wolnym powietrzu należy używać przedłużacza przystosowanego do używania na zewnątrz. Korzystanie z przedłużacza przystosowanego do używania na zewnątrz zmniejsza ryzyko porażenia prądem.

f) W przypadku korzystania z elektronarzędzia w miejscu o dużym natężeniu wilgoci należy używać gniazda zasilania wyposażonego w wyłącznik różnicowoprądowy (RCD).

Korzystanie z wyłącznika różnicowoprądowego zmniejsza ryzyko porażenia prądem.

Uwaga: Produkt jest przeznaczony do użytku jedynie w pomieszczeniach o wydajności prądu eksploatacyjnego ≥ 100 A na fazę, zasilanych z sieci dystrybucyjnej o napięciu znamionowym 230 V. W razie potrzeby należy skontaktować się z zakładem energetycznym, aby upewnić się, że nośność prądu w punkcie przyłączenia do publicznej sieci energetycznej jest odpowiednia do podłączenia produktu.

(2.4) 3) Ogólne ostrzeżenia w zakresie bezpieczeństwa elektronarzędzi [Bezpieczeństwo osobiste].

a) Podczas korzystania z elektronarzędzia użytkownik powinien być czujny, uważny i zachowywać zdrowy rozsądek. Nie należy używać elektronarzędzi w stanie zmęczenia bądź pod wpływem narkotyków, alkoholu lub leków. Chwila nieuwagi podczas obsługi urządzenia może spowodować poważne obrażenia ciała.

b) Należy korzystać ze środków ochrony osobistej. Należy zawsze stosować środki ochrony oczu. Wyposażenie ochronne, takie jak maska przeciwpyłowa, obuwie robocze antypoślizgowe, kask ochronny lub nauszniki ochronne używane w odpowiednich warunkach zmniejszają ryzyko poniesienia obrażeń.

c) Należy zapobiegać przypadkowemu włączeniu urządzenia. Przed podłączeniem do źródła zasilania i/lub akumulatora, podnoszeniem lub przenoszeniem narzędzia, należy upewnić się, że przełącznik zasilania znajduje się w pozycji wyłączonej.

Przenoszenie urządzenia z palcem umieszczonym na przełączniku zasilania lub podłączanie elektronarzędzi przy włączonym przełączniku zasilania stwarza ryzyko wypadku.

d) Przed włączeniem elektronarzędzia należy usunąć z niego wszelkie narzędzia oraz klucze regulacyjne. Narzędzie lub klucz pozostawiony w obracającej się części elektronarzędzia może spowodować obrażenia ciała.

e) Nie należy się wychylać. W każdej chwili należy zachowywać odpowiednią pozycję i równowagę ciała. Umożliwia to lepszą kontrolę nad elektronarzędziem w nieoczekiwanych sytuacjach.

f) Należy nosić odpowiednią odzież. Do pracy z elektronarzędziem nie należy zakładać luźnej odzieży ani biżuterii. Włosy, odzież i rękawice należy trzymać z dala od ruchomych części urządzenia. Ubranie, biżuteria lub długie włosy mogą zostać wciągnięte przez ruchome części urządzenia.

g) Jeśli do zestawu załączone są urządzenia do podłączenia mechanizmów odsysania i zbierania pyłu, należy sprawdzić, czy są one przyłączone i prawidłowo zamocowane.

Korzystanie z urządzenia odsysającego pył może zmniejszyć zagrożenie związane z pyłami.

h) Nie należy pozwolić, aby obeznanie związane z częstym korzystaniem z urządzenia doprowadziło do bez troski i ignorowania zasad bezpieczeństwa. Nieprzemyslane działanie może spowodować poważne obrażenia w ułamku sekundy.

(2.5) 4) Ogólne ostrzeżenia w zakresie bezpieczeństwa elektronarzędzi [Eksploatacja i pielęgnacja elektronarzędzi].

a) Nie należy przeciążać urządzenia. Należy używać narzędzi odpowiednich dla danego zastosowania. Prawidłowe narzędzie wykona zadanie lepiej i bezpieczniej w podanym zakresie sprawności.

b) Nie używać urządzenia, jeśli przełącznik nie spełnia funkcji włączania lub wyłączania urządzenia. Urządzenia, których nie można kontrolować za pomocą przełącznika, są niebezpieczne i muszą zostać oddane do naprawy.

c) Przed dokonaniem regulacji, wymiany akcesoriów lub przechowywaniem elektronarzędzia należy odłączyć wtyczkę od źródła zasilania i/lub akumulator od urządzenia. Prewencyjne środki bezpieczeństwa zmniejszają ryzyko przypadkowego uruchomienia elektronarzędzia.

d) Nieużywane elektronarzędzia należy przechowywać w miejscu niedostępnym dla dzieci i nie należy dopuszczać do nich osób nie zaznajomionych z obsługą elektronarzędzi lub treścią instrukcji obsługi. Elektronarzędzia stanowią niebezpieczeństwo w rękach niedoświadczonych użytkowników.

e) Należy przeprowadzać konserwację elektronarzędzi. Należy sprawdzać urządzenie pod kątem nieprawidłowego ustawienia lub zablokowania elementów ruchomych, pęknięć elementów ruchomych lub innych usterek, które mogą wpłynąć na funkcjonowanie urządzenia. W przypadku usterki urządzenie należy naprawić przed ponownym użyciem. Niewłaściwa konserwacja elektronarzędzi jest przyczyną wielu wypadków.

f) Należy utrzymywać narzędzia tnące w czystości i pamiętać o ich ostrzeniu.

Zadbane narzędzia tnące z ostrzymi krawędziami tnącymi rzadziej się zacinają i łatwiej nimi sterować.

g) Należy używać elektronarzędzia, akcesoriów, końcówek itp. zgodnie z niniejszymi instrukcjami, biorąc pod uwagę warunki pracy i wykonywane zadania. Używanie narzędzi do wykonywania prac niezgodnych z ich przeznaczeniem może doprowadzić do niebezpiecznych sytuacji.

h) Uchwyty i powierzchnie chwytne muszą

być suche, czyste i niezanieczyszczone olejem ani smarem. Śliskie uchwyty i powierzchnie uniemożliwiają bezpieczną obsługę i kontrolę urządzenia w nieprzewidzianych sytuacjach.

(2.6) 5) Ogólne ostrzeżenia w zakresie bezpieczeństwa elektronarzędzi

[Serwis]

a) Urządzenie powinno być serwisowane przez wykwalifikowaną osobę przy użyciu wyłącznie identycznych części zamiennych. Zagwarantuje to utrzymanie bezpieczeństwa elektronarzędzia.

(2.7) ZALECENIA ZDROWOTNE

OSTRZEŻENIE: Przy korzystaniu z urządzenia mogą wytworzyć się cząsteczki pyłu. W niektórych przypadkach, w zależności od wykorzystywanych materiałów, pył może być szczególnie szkodliwy. W przypadku podejrzenia, że farba pokrywająca powierzchnię ciętego materiału zawiera ołów, należy zasięgnąć porady specjalisty. Farby na bazie ołowiu powinny zostać usunięte jedynie przez profesjonalistę i nie należy podejmować samodzielnych prób ich usuwania. Po osadzeniu się pyłu na powierzchniach, przeniesienie go dłońmi do jamy ustnej może doprowadzić do spożycia ołowiu. Narażenie na choćby niewielką ilość ołowiu może spowodować nieodwracalne uszkodzenie mózgu i systemu nerwowego. Szczególnie narażone są małe i nienarodzone dzieci. Zaleca się ocenę ryzyka związanego z obróbką danego materiału i ograniczenie narażenia się na szkodliwe czynniki.

Niektóre materiały mogą produkować pył szkodliwy dla zdrowia. Podczas korzystania z urządzenia zalecamy stosowanie zatwierdzonych masek przeciwpyłowych z wymiennymi filtrami.

Należy zawsze:

- pracować w dobrze wentylowanym miejscu.
- korzystać z zatwierdzonych środków bezpieczeństwa, takich jak maski przeciwpyłowe, zaprojektowane specjalnie po to, aby filtrować mikroskopijne cząsteczki.

(2.8) OSTRZEŻENIE: podczas korzystania z dowolnego elektronarzędzia ciała obce mogą zostać wyrzucone w kierunku oczu operatora, co może skutkować poważnym urazem narządu wzroku. Przed przystąpieniem do pracy z elektronarzędziem należy założyć okulary lub gogle ochronne z osłoną boczną. W miarę potrzeby należy zastosować całkowitą osłonę twarzy.

INSTRUKCJE BEZPIECZEŃSTWA DLA WSZYSTKICH PILAREK

[Postępowanie przy cięciu]

- a) ZAGROŻENIE:** Dłonie należy trzymać z dala od ciętej powierzchni i ostrza. Drugą rękę należy trzymać na uchwycie pomocniczym lub na obudowie silnika. Jeśli obie ręce będą trzymać pilarkę, nie dostaną się pod ostrze.
- b) Nie należy sięgać pod obrabiany przedmiot.** Ostrza nie chroni operatora pod obrabianym przedmiotem.
- c) Głębokość cięcia należy dostosować do grubości obrabianego przedmiotu.** Poniżej obrabianego przedmiotu widoczny być powinien jeden niepełny ząb tarczy.
- d) Podczas cięcia nie wolno trzymać obrabianego przedmiotu w dłoniach lub opierać go na nodze.** Przedmiot należy zabezpieczyć na stabilnej podstawie. Należy odpowiednio zabezpieczyć pracę, aby zminimalizować prawdopodobieństwo zablokowania ostrza, utraty kontroli lub narażenia ciała na obrażenia.
- e) Podczas wykonywania zadania, w którym narzędzie tnące może natrafić na ukryte przewody elektryczne lub na własny przewód, należy trzymać urządzenie za izolowane powierzchnie chwytne.** Natrafienie na kabel, który jest pod napięciem, przenosi napięcie na metalowe części elektronarzędzia i może doprowadzić do porażenia operatora prądem.
- f) Podczas cięcia wzdłuż, należy zawsze korzystać z przykładnicy lub prowadnicy.** Zapewnia to dokładność cięcia i zmniejsza prawdopodobieństwo zablokowania ostrza.
- g) Należy zawsze używać tarcz o odpowiednim rozmiarze i kształcie otworu mocowania (romb lub okrągły).** Ostrza niepasujące do osprzętu montażowego piły mogą spowodować nieprawidłowe obroty tarczy i utratę kontroli.
- h) Nie wolno używać śrub i podkładek, które są zniszczone lub nieprawidłowe.** Podkładki i śruby zostały zaprojektowane specjalnie do tej pilarki dla optymalnej efektywności i bezpieczeństwa pracy.

(3.2) [Przyczyny odrzutu i powiązane z tym ostrzeżenia]

Odrzut to nagła reakcja na zakleszczenie, zablokowanie lub nieprawidłowe ustawienie ostrza, powodujące niekontrolowane odrzucenie ostrza z obrabianego materiału i przesunięcie się w stronę operatora. Jeśli tarcza zakleszczy się lub zablokuje poprzez zamknięcie nacięcia, ostrze traci sterowność, a silnik reaguje gwałtownym odrzuceniem urządzenia w stronę operatora.

Jeśli ostrze wygnie się lub ustawi się nieprawidłowo w nacięciu, zęby na tylnej krawędzi tarczy mogą wbić się w górną warstwę drewna, powodując wydostanie się ostrza z nacięcia i odrzut w stronę operatora.

(3.3) Odrzut jest efektem nieprawidłowego użycia pilarki i/lub nieprawidłowego postępowania lub warunków pracy. Można go uniknąć stosując środki prewencyjne opisane poniżej.

- a) Urządzenie należy trzymać stabilnie obiema rękami w odpowiedniej pozycji, która pozwoli na odparcie siły odrzutu.** Należy ustawić się po dowolnej stronie tarczy, a nie na równi z nią. Odrzut powoduje odskoczenie urządzenia do tyłu, lecz siła odrzutu może być kontrolowana przez operatora, jeśli podjęte są odpowiednie środki prewencyjne.
- b) Jeśli ostrze się blokuje lub zakłóca cięcie z dowolnego powodu, należy złożyć przełącznik i trzymać pilarkę bez ruchu w materiale aż do momentu, kiedy tarcza całkowicie się zatrzyma.** W żadnym wypadku nie należy podejmować próby usunięcia pilarki z obrabianego przedmiotu lub pociągnięcia jej do tyłu, podczas gdy tarcza jest w ruchu. Może to doprowadzić do odrzutu. Należy przeanalizować i podjąć działania korekcyjne, aby wyeliminować przyczynę zablokowania się ostrza.
- c) Przywracając pilarkę do pracy nad przedmiotem obróbki, ustaw ostrze w nacięciu, tak aby zęby nie wchodziły w materiał.** Jeśli ostrze się zablokuje, może wspiąć się do góry lub spowodować odrzut od przedmiotu obróbki przy restarcie pilarki.
- d) Nie należy używać tępych lub zniszczonych tarcz.** Nienaostrzone lub nieprawidłowo założone tarcze mogą stworzyć zbyt wąskie nacięcia, powodując nadmierne tarcie, blokowanie się ostrza i odrzut.
- e) Dźwignie blokady głębokości i nachylenia ostrza muszą być sztywnie zablokowane przed przystąpieniem do cięcia.** Zmiana ustawień ostrza podczas cięcia może spowodować zablokowanie i odrzut.
- f) Dźwignie blokady głębokości i nachylenia ostrza muszą być sztywnie zablokowane przed przystąpieniem do cięcia.** Zmiana ustawień ostrza podczas cięcia może spowodować zablokowanie i odrzut.
- g) Należy zachować szczególną uwagę przy użyciu piły do cięcia istniejących ścian lub martwego pola. Wystające ostrze może ciąć obiekty, które mogą spowodować odrzut.**

FUNKCJA DOLNEJ OSŁONY

a) Przed każdym użyciem należy sprawdzić, czy dolna osłona prawidłowo się domyka. Nie należy używać pilarki, jeśli dolna osłona nie porusza się swobodnie i nie zamyka się od razu. W żadnym wypadku nie należy zaciskać ani przywiązywać dolnej osłony w otwartej pozycji. Przy przypadkowym upuszczeniu pilarki dolna osłona może się wygiąć. Dolną osłonę należy unieść przy pomocy dźwigni i upewnić się, że porusza się swobodnie i że nie dotyka ostrza lub innej części urządzenia, niezależnie od kąta czy głębokości cięcia.

b) Należy sprawdzić działanie sprężyny osłony dolnej. Jeśli osłona i sprężyna nie działają prawidłowo, muszą zostać oddane do naprawy przed ponownym użyciem. Dolna osłona może działać powoli z powodu zniszczonych części lub zebrania się lepkich osadów i resztek materiałów.

c) Dolna osłona może zostać wycofana ręcznie tylko w przypadku wykonywania specjalnych cięć, takich jak „cięcie wgłębne” i „cięcie złożone”. Należy unieść dolną osłonę przy pomocy dźwigni. W momencie, gdy ostrze wejdzie w materiał, osłona musi zostać spuszczone. Przy innych cięciach dolna osłona powinna działać automatycznie.

d) Przed położeniem pilarki na ławie warsztatowej lub podłodze należy zwrócić uwagę, czy dolna osłona zakrywa ostrze. Nieosłonięte, dryfujące ostrze spowoduje wycofywanie się pilarki i cięcie przez nią wszystkiego, co napotka na swojej drodze. Należy być świadomym okresu czasu wymaganego na zatrzymanie się ostrza od momentu zwolnienia przelącznika.

DODATKOWE INSTRUKCJE BEZPIECZENSTWA DLA PIŁ TARCZOWYCH

a) Nie należy używać ostrzy wyprodukowanych ze stali szybko tnącej (HSS).

b) Przed każdym użyciem należy skontrolować maszynę i ostrze. Nie należy używać zdeformowanych, pękniętych, zużytych lub zniszczonych w inny sposób ostrzy.

c) W żadnym wypadku nie należy używać pilarki pozbawionej oryginalnego ochronnego systemu osłony. Nie należy blokować ruchomej osłony w otwartej pozycji. Należy upewnić się, że osłona działa swobodnie i nie blokuje się.

d) Należy używać jedynie tarcz zgodnych z opisem zawartym w niniejszej instrukcji. Zanim skorzystasz z akcesoriów należy zawsze porównać maksymalną dozwoloną częstotliwość obrotu (obr/min) akcesorium z częstotliwością obrotu (obr/min) urządzenia.

e) Nie należy używać tarcz ściernych.

f) Należy używać jedynie tarcz, których średnica zgodna jest z oznaczeniami.

(3.4) OSTRZEŻENIE: W przypadku braku jakichkolwiek części urządzenia nie należy go uruchamiać aż do momentu uzupełnienia brakujących komponentów. Nie przestrzeganie tego zalecenia może powodować poważne obrażenia ciała.

(4.1) PRZYGOTOWANIE DO PRACY - ROZPAKOWANIE

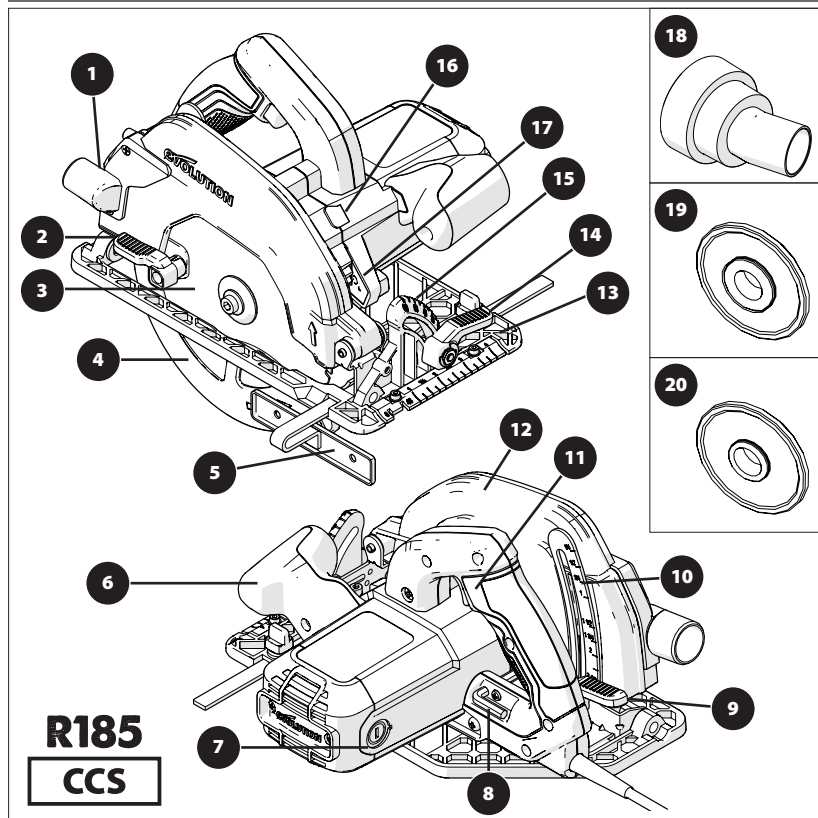
Uwaga: Opakowanie zawiera ostre przedmioty. Podczas rozpakowywania należy zachować ostrożność. Urządzenie wraz z załączonymi akcesoriami należy wyjąć z opakowania. Należy dokładnie sprawdzić, czy urządzenie jest w dobrym stanie i potwierdzić obecność wszystkich akcesoriów wymienionych w instrukcji obsługi. Należy również upewnić się, czy w żadnym z akcesoriów nie brakuje komponentów.

W przypadku braku jakiegokolwiek komponentu należy zwrócić urządzenie wraz z akcesoriami i w oryginalnym opakowaniu do dystrybutora. Nie wyrzucać opakowania. Opakowanie należy zachować na czas trwania okresu gwarancyjnego. Opakowanie należy zutylizować w sposób przyjazny dla środowiska. W miarę możliwości należy poddać je recyklingowi. Nie należy zezwalać dzieciom na zabawę torebkami foliowymi ze względu na ryzyko uduszenia.

(4.3) INSTRUKCJA OBSŁUGI EVOLUTION

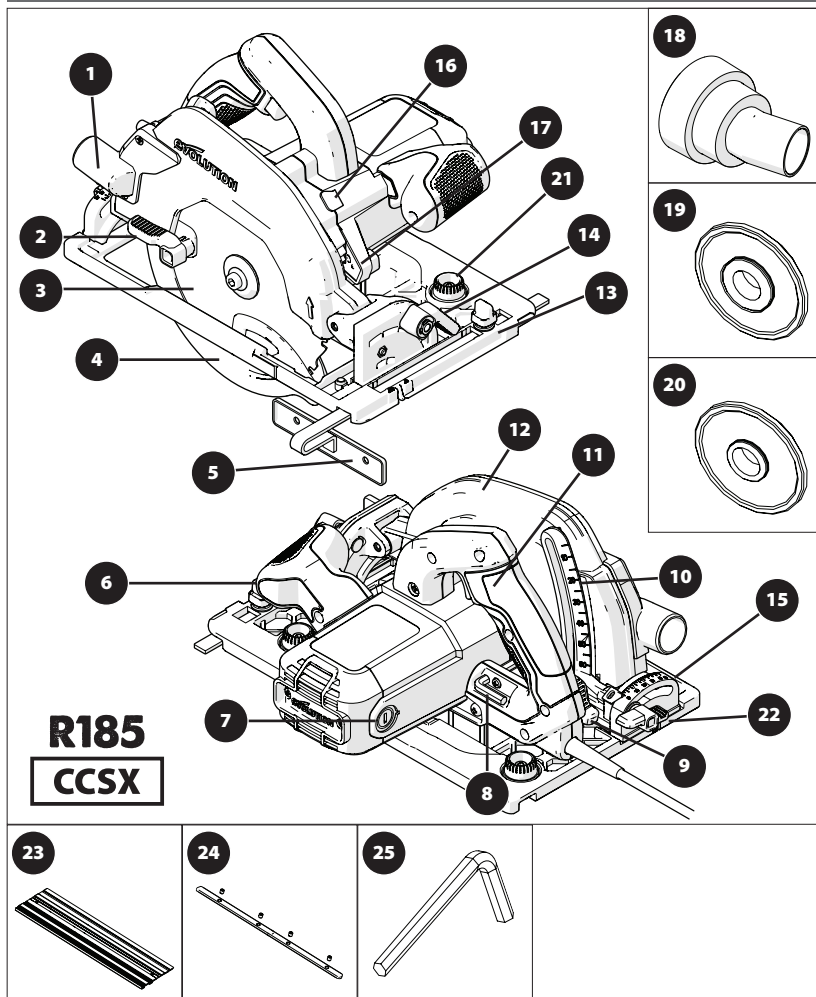
Do każdego produktu firmy Evolution Power Tools załączona jest instrukcja obsługi. Każda instrukcja poświęcona danemu produktowi stworzona jest z uwagą w celu ułatwienia dostępu do przydatnych informacji dotyczących bezpiecznego użycia, pielęgnacji i konserwacji produktu. Kierowanie się informacjami zawartymi w niniejszej instrukcji pozwoli operatorowi na pełne i bezpieczne wykorzystanie potencjału urządzenia. Polityka nieustającego rozwoju produktów firmy Evolution może w rzadkich przypadkach wpłynąć na fakt, że informacje zawarte w instrukcji mogą różnić się od ostatnich aktualizacji i usprawnień wprowadzonych do danego produktu. Zmiany w specyfikacji tego produktu mogą być konsekwencją rozwoju technologicznego i zmian w ramach prawnych danego kraju, itp. Jeśli którykolwiek z aspektów użytkowania, pielęgnacji i konserwacji produktu Evolution wzbudza wątpliwości, należy skontaktować się z odpowiednią infolinią Evolution w celu uzyskania aktualnych informacji i dodatkowej porady.

USA



- | | |
|--|--|
| 1. WYRZUTNIK TROCIN | 12. GÓRNA OSŁONA OSTRZA |
| 2. DŹWIGNIA | 13. PRECYZYJNIE SKONTROUOWANA PODSTAWA |
| 3. OSTRZE TCT DO WIELU MATERIAŁÓW | 14. DŹWIGNIA |
| 4. DOLNA OSŁONA OSTRZA | 15. PODZIAŁKA KĄTOMIERZA |
| 5. PROWADNICA RÓWNOLEGŁA | 16. PRZYCIŚK BŁOKADY TRZPIENIA |
| 6. ERGONOMICZNY UCHWYT PRZEDNI | 17. OŚWIETLENIE LED |
| 7. SZCZOTKI WĘGLOWE | 18. ZŁĄCZE PORTU DO ZASYSANIA PYŁU |
| 8. KLUCZ IMBUSOWY (WYMIANA OSTRZA) | 19. KOŁNIERZ WEWNĘTRZNY 25/32" |
| 9. DŹWIGNIA BŁOKADY USTAWIENIA GŁĘBOKOŚCI | 20. KOŁNIERZ WEWNĘTRZNY 5/8" |
| 10. MIERNIK GŁĘBOKOŚCI | |
| 11. TYLNY UCHWYT Z BEZPIECZNYM PRZEŁĄCZNIKIEM ON/OFF | |

USA

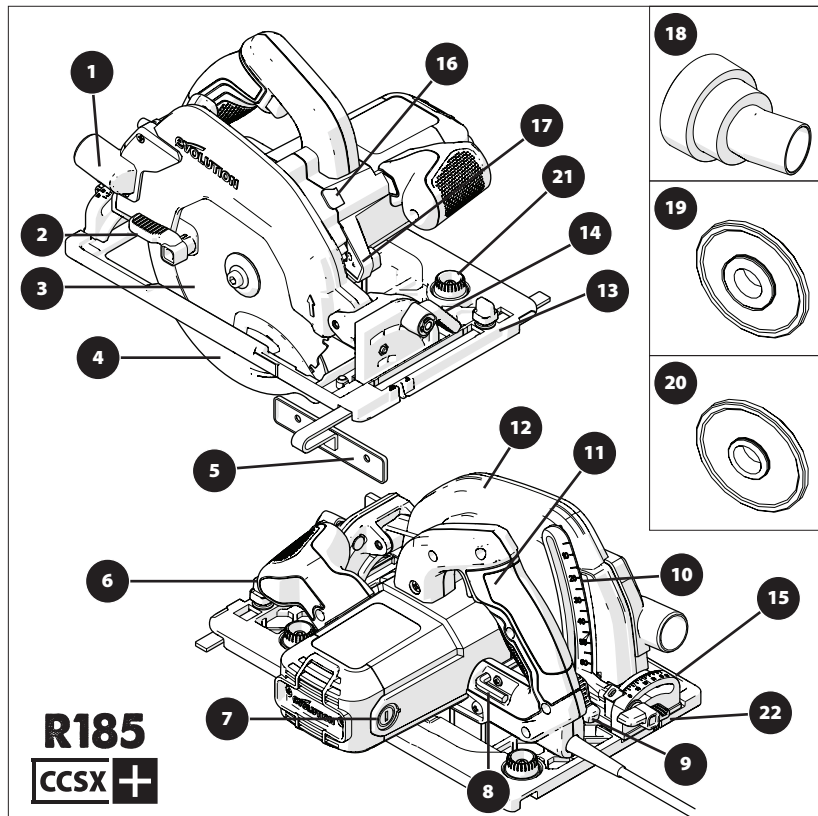


1. WYRZUTNIK TROCIN
2. DŹWIGNIA
3. OSTRZE TCT DO WIELU MATERIAŁÓW
4. DOLNA OSŁONA OSTRZA
5. PROWADNICA RÓWNOLEGŁA
6. ERGONOMICZNY UCHWYT PRZEDNI
7. SZCZOTKI WĘGLOWE
8. KLUCZ IMBUSOWY (WYMIANA OSTRZA)
9. DŹWIGNIA BLOKADY

10. USTAWIENIA GŁĘBOKOŚCI
11. MIERNIK GŁĘBOKOŚCI
12. TYLNY UCHWYT Z BEZPIECZNYM PRZEŁĄCZNIKIEM ON/OFF
13. GÓRNA OSŁONA OSTRZA
14. PRECYZYJNIE SKONSTRUOWANA PODSTAWA
15. DŹWIGNIA
16. PODZIAŁKA KĄTOMIERZA
17. PRZYCIŚK BLOKADY TRZPIENIA
18. OŚWIETLENIE LED
19. ZŁĄCZE PORTU DO ZASYSANIA

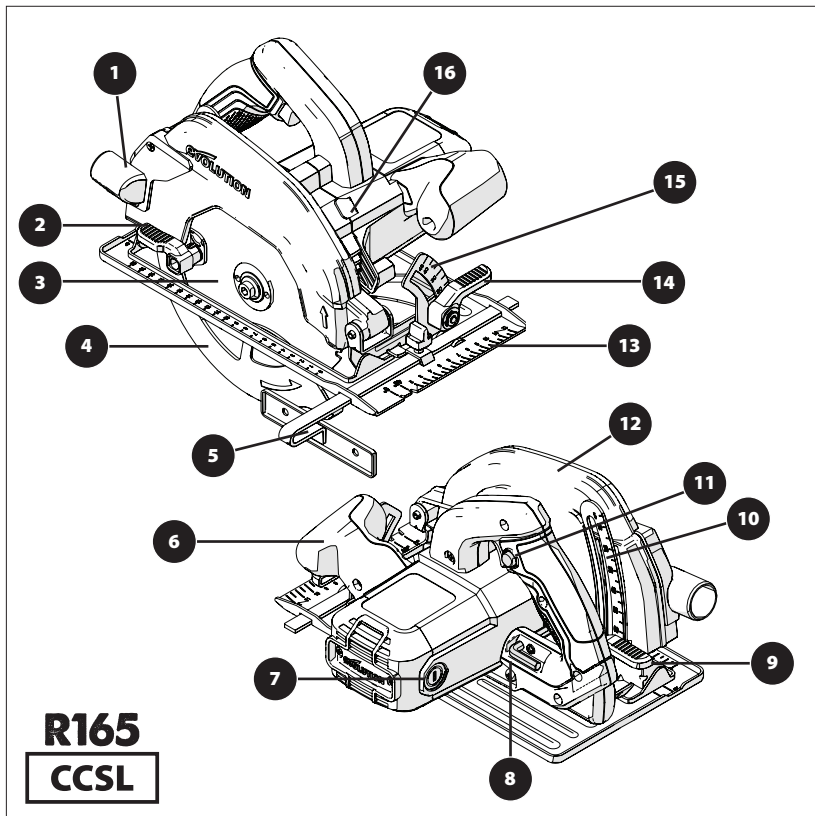
20. PYŁU
21. KOŁNIERZ WEWNĘTRZNY 25/32"
22. KOŁNIERZ WEWNĘTRZNY 5/8"
23. PRZYCIŚKI ZMIANY REGULACJI PROWADNICY
24. ŚRUBA MOTYLKOWA TYLNEGO ZACIOSU
25. PROWADNICA 3x 13 - 3/8"
26. 4 x PASKI ZŁĄCZA PROWADNICY
27. KLUCZ IMBUSOWY 1/8" (PROWADNICA)

USA



- | | |
|--|---|
| 1. WYRZUTNIK TROCIN | 12. GÓRNA OSŁONA OSTRZA |
| 2. DŹWIGNIA | 13. PRECZYJNIE SKONTROUOWANA PODSTAWA |
| 3. OSTRZE TCT DO WIELU MATERIAŁÓW | 14. DŹWIGNIA |
| 4. DOLNA OSŁONA OSTRZA | 15. PODZIAŁKA KĄTOMIERZA |
| 5. PROWADNICA RÓWNOLEGŁA | 16. PRZYCIŚK BLOKADY TRZPIENIA |
| 6. ERGONOMICZNY UCHWYT PRZEDNI | 17. OŚWIETLENIE LED |
| 7. SZCZOTKI WĘGLOWE | 18. ZŁĄCZE PORTU DO ZASYSANIA PYŁU |
| 8. KLUCZ IMBUSOWY (WYMIANA OSTRZA) | 19. KOŁNIERZ WEWNĘTRZNY 25/32" |
| 9. DŹWIGNIA BLOKADY USTAWIENIA GŁĘBOKOŚCI | 20. KOŁNIERZ WEWNĘTRZNY 5/8" |
| 10. MIERNIK GŁĘBOKOŚCI | 21. PRZYCIŚKI ZMIANY REGULACJI PROWADNICY |
| 11. TYLNY UCHWYT Z BEZPIECZNYM PRZEŁĄCZNIKIEM ON/OFF | 22. ŚRUBA MOTYLKOWA TYLNEGO ZACIOSU |

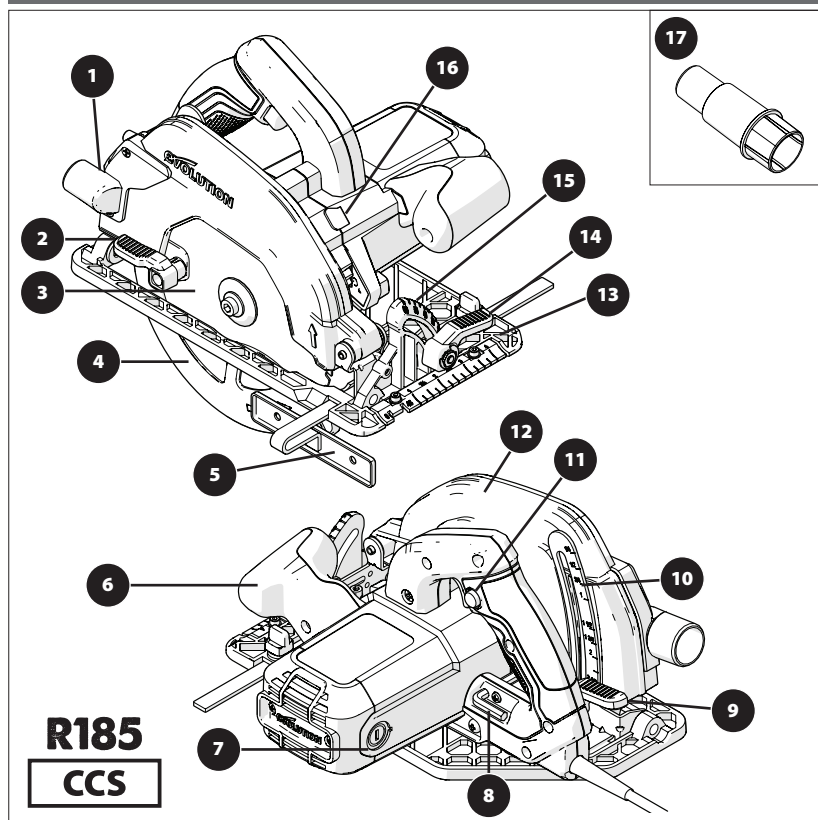
UK / EU / AUS



**R165
CCSL**

- | | |
|--|--|
| 1. WYRZUTNIK TROCIN | 12. GÓRNA OSŁONA OSTRZA |
| 2. DŹWIGNIA | 13. PRECYZYJNIE SKONTROUOWANA PODSTAWA |
| 3. OSTRZE TCT DO WIELU MATERIAŁÓW | 14. DŹWIGNIA |
| 4. DOLNA OSŁONA OSTRZA | 15. PODZIAŁKA KĄTOMIERZA |
| 5. PROWADNICA RÓWNOLEGŁA | 16. PRZYCIŚK BŁOKADY TRZPIENIA |
| 6. ERGONOMICZNY UCHWYT PRZEDNI | |
| 7. SZCZOTKI WĘGLOWE | |
| 8. KLUCZ IMBUSOWY (WYMIANA OSTRZA) | |
| 9. DŹWIGNIA BŁOKADY USTAWIENIA GŁĘBOKOŚCI | |
| 10. MIERNIK GŁĘBOKOŚCI | |
| 11. TYLNY UCHWYT Z BEZPIECZNYM PRZEŁĄCZNIKIEM ON/OFF | |

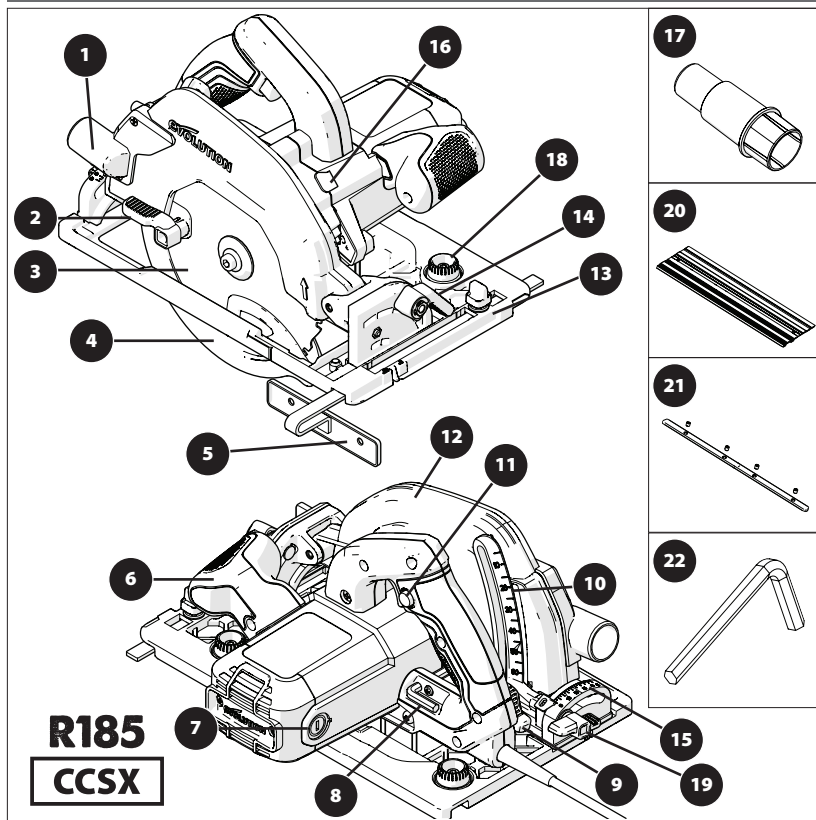
UK / EU



- | | |
|--|--|
| 1. WYRZUTNIK TROCIN | 12. GÓRNA OSŁONA OSTRZA |
| 2. DŹWIGNIA | 13. PRECYZYJNIE SKONTROUOWANA PODSTAWA |
| 3. OSTRZE TCT DO WIELU MATERIAŁÓW | 14. DŹWIGNIA |
| 4. DOLNA OSŁONA OSTRZA | 15. PODZIAŁKA KĄTOMIERZA |
| 5. PROWADNICA RÓWNOLEGLĄ | 16. PRZYCISK BŁOKADY TRZPIENIA |
| 6. ERGONOMICZNY UCHWYT PRZEDNI | 17. ADAPTER DYSZY ZASYSAJĄCEJ PYŁ |
| 7. SZCZOTKI WĘGLOWE | |
| 8. KLUCZ IMBUSOWY (WYMIANA OSTRZA) | |
| 9. DŹWIGNIA BŁOKADY USTAWIENIA GŁĘBOKOŚCI | |
| 10. MIERNIK GŁĘBOKOŚCI | |
| 11. TYLNY UCHWYT Z BEZPIECZNYM PRZEŁĄCZNIKIEM ON/OFF | |

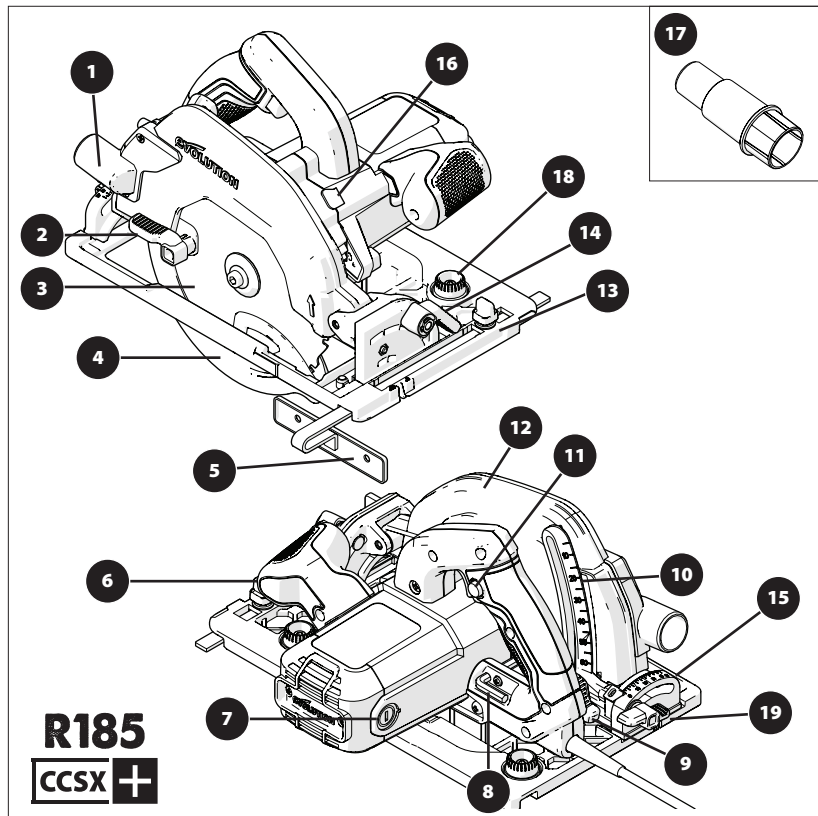
PL

UK / EU



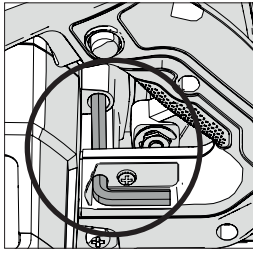
- | | |
|--|---|
| 1. WYRZUTNIK TROCIN | 12. GÓRNA OSŁONA OSTRZA |
| 2. DŹWIGNIA | 13. PRECYZYJNIE SKONTRUOWANA PODSTAWA |
| 3. OSTRZE TCT DO WIELU MATERIAŁÓW | 14. DŹWIGNIA |
| 4. DOLNA OSŁONA OSTRZA | 15. PODZIAŁKA KĄTOMIERZA |
| 5. PROWADNICA RÓWNOLEGŁA | 16. PRZYCISK BŁOKADY TRZPIENIA |
| 6. ERGONOMICZNY UCHWYT PRZEDNI | 17. ADAPTER WĘŻA ZASYSAJĄCEGO PYŁ |
| 7. SZCZOTKI WĘGLOWE | 18. PRZYCISKI ZMIANY REGULACJI PROWADNICY |
| 8. KLUCZ IMBUSOWY (WYMIANA OSTRZA) | 19. ŚRUBA MOTYLKOWA TYLNEGO ZACIOSU |
| 9. DŹWIGNIA BŁOKADY USTAWIENIA GŁĘBOKOŚCI | 20. PROWADNICA 3x 13 - 3/8" |
| 10. MIERNIK GŁĘBOKOŚCI | 21. 4 x PASKI ZŁĄCZA PROWADNICY |
| 11. TYLNY UCHWYT Z BEZPIECZNYM PRZEŁĄCZNIKIEM ON/OFF | 22. KLUCZ IMBUSOWY 1/8" (PROWADNICA) |

UK / EU

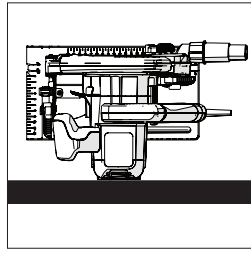


- | | |
|---|--|
| 1. WYRZUTNIK TROCIN | 11. TYLNY UCHWYT Z BEZPIECZNYM PRZEŁĄCZNIKIEM ON/OFF |
| 2. DŹWIGNIA | 12. GÓRNA OSŁONA OSTRZA |
| 3. OSTRZE TCT DO WIELU MATERIAŁÓW | 13. PRECYZYJNIE SKONTROUOWANA PODSTAWA |
| 4. DOLNA OSŁONA OSTRZA | 14. DŹWIGNIA |
| 5. PROWADNICA RÓWNOLEGLA | 15. PODZIAŁKA KĄTOMIERZA |
| 6. ERGONOMICZNY UCHWYT PRZEDNI | 16. PRZYCIŚK BŁOKADY TRZPIENIA |
| 7. SZCZOTKI WĘGLOWE | 17. ZŁĄCZE PORTU DO ZASYSANIA PYŁU |
| 8. KLUCZ IMBUSOWY (WYMIANA OSTRZA) | 18. PRZYCISKI ZMIANY REGULACJI PROWADNICY |
| 9. DŹWIGNIA BŁOKADY USTAWIENIA GŁĘBOKOŚCI | 19. ŚRUBA MOTYLKOWA TYLNEGO ZACIOSU |
| 10. MIERNIK GŁĘBOKOŚCI | |

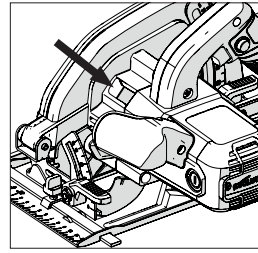
PL



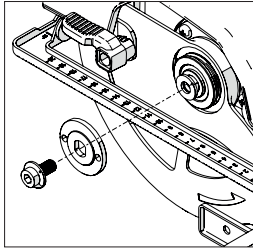
Rys. 1



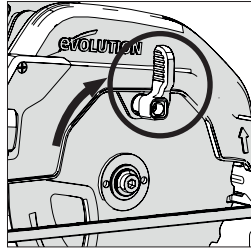
Rys. 2



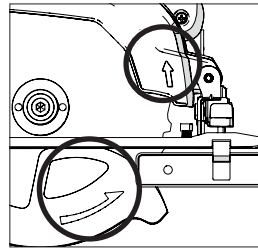
Rys. 3



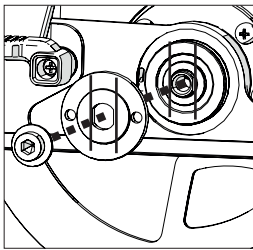
Rys. 4



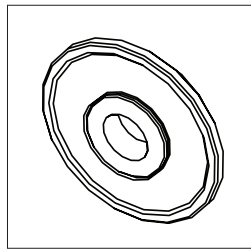
Rys. 5



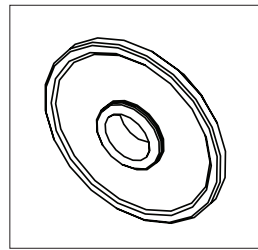
Rys. 6



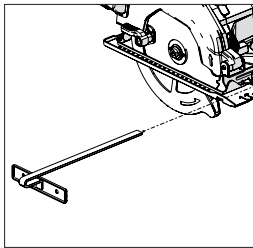
Rys. 7a



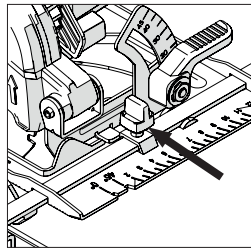
Rys. 7b



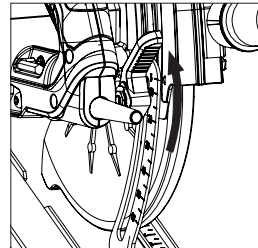
Rys. 7c



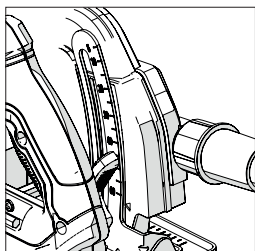
Rys. 8



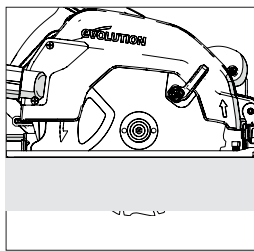
Rys. 9



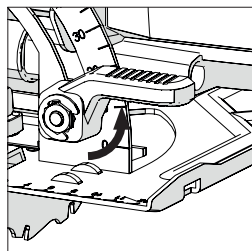
Rys. 10



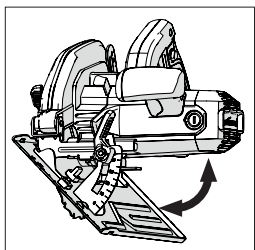
Rys. 11



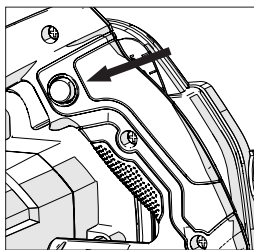
Rys. 12



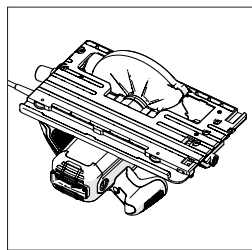
Rys. 13



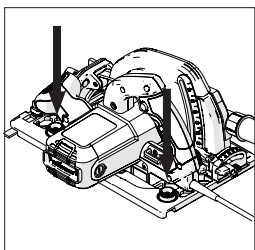
Rys. 14



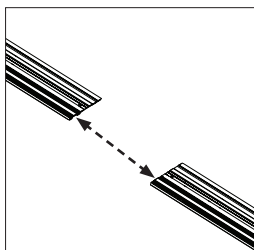
Rys. 15



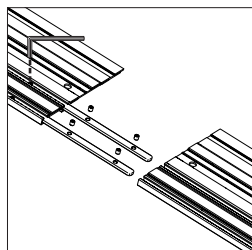
Rys. 16



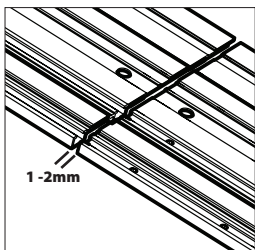
Rys. 17



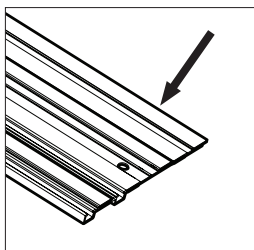
Rys. 18



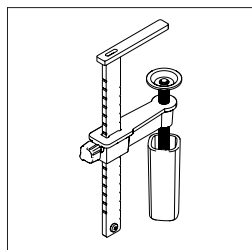
Rys. 19



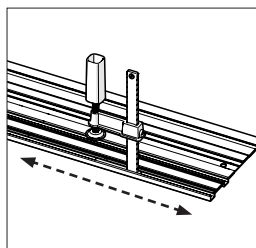
Rys. 20



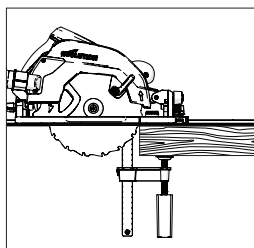
Rys. 21



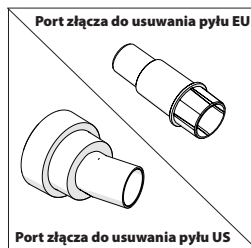
Rys. 22



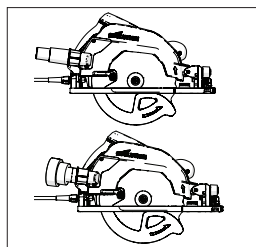
Rys. 23



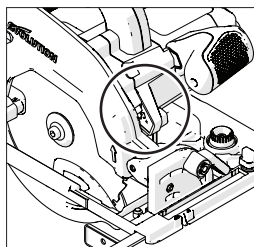
Rys. 24



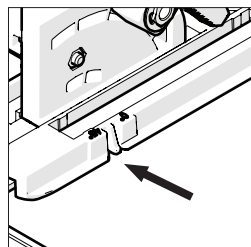
Rys. 25



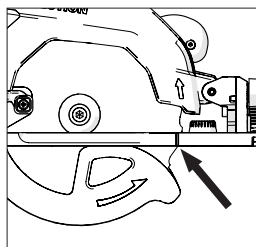
Rys. 26



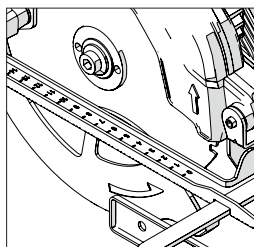
Rys. 27



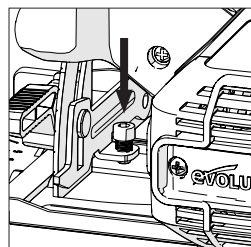
Rys. 28



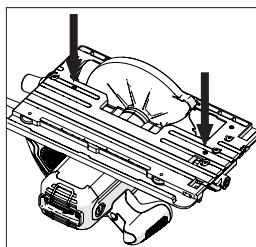
Rys. 29



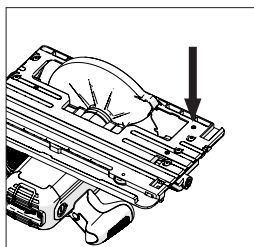
Rys. 30



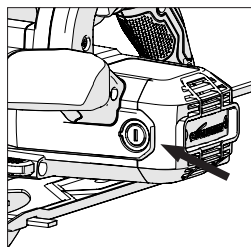
Rys. 31



Rys. 32



Rys. 33



Rys. 34

(10) PRZYGOTOWANIE

OSTRZEŻENIE: Przed zmianą ustawień zawsze należy odłączyć elektronarzędzie od źródła zasilania.

Uwaga: Urządzenie jest wyposażone w przewód zasilający i wtyczkę odpowiednie dla danego kraju. Nie należy zmieniać ani modyfikować przewodu zasilającego.

(10.1) PROWADNICA RÓWNOLEGŁA

OSTRZEŻENIE: Należy używać jedynie oryginalnych ostrzy Evolution (lub innych ostrzy zatwierdzonych przez firmę Evolution Power Tools), przeznaczonych do stosowania z tym narzędziem. Należy upewnić się, że maksymalna prędkość tarczy jest zgodna z tą wskazaną dla urządzenia. Przed rozpoczęciem montażu należy odłączyć urządzenie od źródła zasilania.

Uwaga: Zaleca się, aby przed montażem lub wymianą ostrza operator założył rękawice ochronne.

Należy zlokalizować załączony klucz imbusowy, który przechowywany jest w schowku na urządzeniu (znajdującym się w podobnym miejscu we wszystkich urządzeniach). **(Rys. 1)**

- Pylarkę należy umieścić na równej, bezpiecznej powierzchni.

Uwaga: Przy zachowaniu ostrożności wszystkie urządzenia mogą być oparte na płaskiej, tylnej części obudowy silnika. **(Rys. 2)** co daje łatwy dostęp do ostrza i jego elementów mocujących

- Należy zlokalizować przycisk blokady wrzeczona (znajdujący się w podobnym miejscu we wszystkich urządzeniach). Wrzeczono należy zablokować przy pomocy przycisku blokady. **(Rys. 3).**

Uwaga: Powolne wprawienie tarczy w ruch ręką przy jednoczesnym przyciśnięciu przycisku blokady ułatwi jego aktywację.

- Przy pomocy klucza imbusowego należy poluzować i usunąć śrubę, powiązane elementy mocujące i zewnętrzną podkładkę. **(Rys. 4)**

Uwaga: Śruba posiada standardowy gwint. Aby śrubę dokręcić należy przekręcić ją w kierunku zgodnym z ruchem wskazówek zegara. Aby śrubę poluzować należy przekręcić ją w kierunku przeciwnym do ruchu wskazówek zegara.

- Zewnętrzny kołnierz i inne elementy mocujące należy odłożyć w bezpieczne miejsce.
- Przy pomocy ręcznej dźwigni należy wsunąć dolną osłonę tarczy w górną osłonę. **(Rys. 5)**
- Należy ostrożnie zdjąć ostrze z urządzenia

(jeśli jest ono zamocowane).

- Należy dokładnie wyczyścić wewnętrzny i zewnętrzny kołnierz napędu.

Uwaga: Nie ma konieczności zdejmowania wewnętrznego kołnierza, ale zaleca się jego sprawdzenie i wyczyszczenie. Jeśli kołnierz zostanie zdjęty, zakładając go z powrotem, należy upewnić się, że jest w takiej samej pozycji jak przed zdjęciem.

- Należy dokładnie wyczyścić tarczę dookoła otworu (z obu stron), w miejscach gdzie kołnierze będą stykać się z tarczą i ścisnąć ją.
- Założyć (nową) tarczę.
- Należy upewnić się, że kierunek strzałek na tarczy zgadza się z kierunkiem strzałek na górnej i dolnej osłonie ostrza na urządzeniu. **(Rys. 6)**
- Należy ponownie zamontować zewnętrzny kołnierz napędu, śrubę i jej elementy mocujące.

Uwaga: Zewnętrzny kołnierz napędu posiada specjalnie wycięty otwór z dwoma przeciwległymi płaskimi brzegami. **(Rys. 7a)** Brzegi te nakładają się na odpowiadające płaskie brzegi końcówki trzpienia.

- Należy ponownie uruchomić blokadę trzpienia i dokręcić śrubę sworznia z łbem gniazdowym przy użyciu klucza imbusowego.
- Należy zwolnić przycisk blokady trzpienia.
- Klucz imbusowy należy odłożyć na przeznaczone mu miejsce.
- Należy upewnić się, że przycisk blokady został całkowicie zwolniony poprzez ręczne wprawienie tarczy w ruch.
- Należy sprawdzić działanie dolnej osłony ostrza.

Uwaga: W zestawie znajduje się kołnierz z trzpieniem dwustronnym, umożliwiającą ostrza o średnicy 1" (rys. 7b) i ostrza o średnicy 5/8" (rys. 7c) (Wyłącznie dla rynku północnoamerykańskiego).

(11) PROWADNICA RÓWNOLEGŁA

Prowadnica Równoległa **(Rys. 8)**, która może być szczególnie przydatna podczas cięcia wzdłuż, dołączona jest do wszystkich urządzeń z serii CCS.

Prowadnicę można zamocować z przodu podstawy urządzenia. Ramię prowadnicy należy przełożyć przez prostokątne otwory znajdujące się po obu stronach (z przodu) tłoczzonej, stalowej podstawy, a następnie przełożyć je pod śrubą regulacyjną znajdującą się po środku. **(Rys. 9)**

Uwaga: Prowadnicę można zamocować z obu stron podstawy urządzenia.

OSTRZEŻENIE: Przed zamocowaniem i ustawieniem przewodnicy należy odłączyć urządzenie od źródła zasilania.

Uwaga: Ramię przewodnicy musi zostać przełożone przez wszystkie prostokątne otwory w podstawie urządzenia.

OSTRZEŻENIE: Zamontowanie i próba korzystania z przewodnicy przełożonej jedynie przez jeden (1) prostokątny otwór w podstawie urządzenia są potencjalnie niebezpieczne. Należy ustawić przewodnicę, tak aby była w odpowiedniej odległości od ostrza, a następnie dokręcić śrubę regulacyjną. Należy upewnić się, że przewodnica jest równoległa do tarczy.

(12) DOSTOSOWANIE GŁĘBOKOŚCI CIĘCIA

Uwaga: Wszystkie urządzenia z serii CCS posiadają te same elementy regulacji głębokości i obsługiwane są w ten sam prosty sposób w celu ustawienia głębokości ostrza.

- Należy poluzować mechanizm blokady ustawienia głębokości poprzez uniesienie dźwigni. **(Rys. 10)** (Model CCSL. Inne modele są podobne).
- Należy przestawić podstawę pilarki, aby wyregulować głębokość cięcia (to jak bardzo tarcza ma wystawać spod podstawy pilarki).

Uwaga: Miernik głębokości znajduje się w części ustawienia głębokości, a odpowiadający wskaźnik został umieszczony na sąsiadującej górnej osłonie ostrza. **(Rys. 11)** Korzystanie z tych elementów ułatwi szybkie ustawienie głębokości.

Uwaga: Korzystanie z miernika głębokości i wskaźnika pozwala na szybkie ustawienie głębokości, lecz powinno się traktować je jedynie jako wskazówkę do uzyskania odpowiedniego ustawienia.

Jeśli konieczne jest bardzo dokładne ustawienie głębokości, ustawienie ostrza powinno zostać sprawdzone przy pomocy np. precyzyjnej linijki (nie załączona w zestawie) i odpowiednio wyregulowane.

W większości przypadków, głębokość cięcia powinna wynosić tyle, ile grubość obrabianego materiału plus głębokość połowy zęba tarczy (od czubka zęba do jego podstawy). **(Rys.12)**

- Należy zacieśnić mechanizm blokady ustawienia głębokości przez opuszczenie dźwigni w celu zablokowania urządzenia w żądanej pozycji.

(13) DOSTOSOWANIE KĄTA CIĘCIA (NACHYLENIA)

Wszystkie maszyny CCSL i CCSX mają możliwość przechylenia ostrza do (maks) 45°, a wszystkie

maszyny CCS mają możliwość przechylenia ostrza do (maks.) 60° w lewo. Umożliwia to wykonywanie cięć skośnych.

Uwaga: Tarcza znajduje się w pozycji pionowej, kiedy podziałka kątomierza wskazuje 0°.

Uwaga: Podziałka kątomierza (0°- 45°) znajduje się w części blokady skosu z przodu podstawy pilarki. Korzystanie z kątomierza pozwoli na szybkie ustawienie kąta skosu, lecz powinno się traktować go jedynie jako wskazówkę. Jeśli konieczne jest bardzo dokładne ustawienie kąta skosu, ustawienie ostrza powinno zostać sprawdzone przy pomocy miernika nachylenia (nie załączony w zestawie) i odpowiednio wyregulowane.

- Należy poluzować mechanizm blokady ukosu znajdujący się z przodu urządzenia poprzez uniesienie dźwigni. **(Rys. 13)**
- Należy przechylić tarczę do żądanego kąta zgodnie z podziałką kątomierza. **(Rys. 14)**
- Gdy żądany kąt zostanie osiągnięty, należy zacieśnić mechanizm blokady skosu poprzez opuszczenie dźwigni.

(14) ZALECENIA DOT. OBSŁUGI (CZYNNOŚCI KONTROLNE)

Uwaga: Środowiska pracy różnią się od siebie. Firma Evolution Power Tools oferuje operatorom poniższe, ogólne zalecenia dotyczące bezpiecznej obsługi.

Lista zaleceń nie jest wyczerpująca, gdyż firma Evolution nie ma wpływu na rodzaj warsztatu i środowiska pracy, w którym urządzenie będzie używane.

Zalecamy, aby operator zasięgnął porady od właściwego organu lub kierownika warsztatu w razie wątpliwości dotyczących dowolnego aspektu korzystania z tego urządzenia.

Ważne jest, aby przed każdym użyciem operator przeprowadził rutynowe czynności kontrolne.

OSTRZEŻENIE: Podczas przeprowadzania tych czynności urządzenie powinno być odłączone od zasilania.

- Należy upewnić się, że osłony bezpieczeństwa działają prawidłowo oraz że wszystkie uchwyty i śruby regulacyjne są dokręcone.
- Należy sprawdzić, czy tarcza jest zamontowana bezpiecznie i prawidłowo. Należy również upewnić się, czy tarcza jest odpowiednia do cięcia wybranego materiału.
- Należy sprawdzić, czy przewód zasilania jest nienaruszony.
- W miarę możliwości należy przymocować przedmiot obróbki za pomocą zacisku do

ławy warsztatowej lub koźła, itp.

- Operator powinien zawsze kontrolować pozycję i ułożenie przewodu zasilania.

(15) ŚRODKI OCHRONY OSOBISTEJ

- Operator powinien stosować środki ochrony osobistej odpowiednie do wykonywanego zadania. Mogą to być m.in. okulary ochronne, osłona twarzy, maska przeciwpyłowa, obuwie robocze, itd.

Uwaga: Wszystkie urządzenia z serii CCS wyposażone są w dmuchawę usuwającą trociny z linii cięcia. Przekierowuje ona powietrze z wentylatora napędzanego silnikiem do przestrzeni z przodu tarczy, pozostawiając linię cięcia względnie czystą. Funkcja ta poprawia widoczność i pozwala operatorowi śledzić ruch ostrza podczas cięcia wzdłuż linii pomocniczych.

OSTRZEŻENIE: Pył powstający podczas cięcia jest potencjalnie szkodliwy dla zdrowia. Niektóre materiały mogą być szczególnie szkodliwe. Operator powinien zawsze nosić maskę przeciwpyłową odpowiednią do rodzaju obrabianego materiału. W razie wątpliwości dotyczących potencjalnej toksyczności obrabianego materiału operator powinien zasięgnąć porady i pomocy profesjonalisty.

OSTRZEŻENIE: Pod żadnym pozorem nie należy używać urządzenia do cięcia azbestu oraz materiałów, które go zawierają lub mogą go zawierać.

W razie podejrzenia o skażeniu azbestem należy powiadomić odpowiedni organ i zasięgnąć dodatkowej porady.

(16) PRZEŁĄCZNIK ON/OFF

Uwaga: Wszystkie urządzenia przeznaczone na rynek europejski i australijski wyposażone są w przełącznik „bezpiecznego startu” w celu zwiększenia bezpieczeństwa operatora.

(Rys.15)

Aby uruchomić silnik, należy:

- wcisnąć kciukiem przycisk blokady bezpieczeństwa znajdujący się z boku uchwytu.
- wcisnąć przełącznik.

Aby zatrzymać silnik, należy:

- zwolnić przełącznik.

OSTRZEŻENIE: Nigdy nie należy uruchamiać silnika, gdy ostrze dotyka bezpośrednio do przedmiotu obróbki.

Uwaga: Urządzenia przeznaczone na rynek

północnoamerykański wyposażone są w przełącznik ON/OFF, który nie zawiera przełącznika „bezpiecznego startu”.

OSTRZEŻENIE: Jeśli piła jest pod napięciem (dioda LED jest włączona), należy unikać nieumyślnego uruchomienia silnika podczas podnoszenia urządzenia ze stołu warsztatowego itp. Przypadkowe zwolnienie przełącznika ON/OFF (umieszczonego na uchwycie głównym) podczas podnoszenia maszyny z pozycji leżącej spowoduje uruchomienie silnika.

PROWADNICE DO CIĘCIA

Urządzenia z serii CCSX firmy Evolution (dotyczy modeli wymienionych na stronie specyfikacji) zostały zaprojektowane i wyposażone w taki sposób, aby były one kompatybilne z prowadnicami do cięcia.

Uwaga: Każda pilarka posiadająca kanały wzdłuż podstawy może być używana z wykorzystaniem prowadnic do cięcia (Rys. 16)

Urządzenia firmy Evolution wyposażone w takie kanały, mogą być używane z większością prowadnic do cięcia obecnie dostępnymi na rynku.

Uwaga: Należy zapoznać się z dokumentacją dostarczoną przez producenta prowadnic. Dokumentacja ta zazwyczaj zawiera instrukcje montażu prowadnicy, jak również informacje dotyczące bezpiecznych sposobów wykonywania pracy, które muszą być stosowane podczas pracy z tego typu urządzeniami.

Prowadnice do cięcia mogą być stosowane, jeśli:

- użycie przecinarki lub pilarki mogłoby stwarzać zagrożenie dla zdrowia lub bezpieczeństwa (BHP) bądź inne problemy w miejscu pracy. Na przykład podczas pracy na placu budowy, gdzie niezbędna jest wyjątkowa dokładność i kontrola (praca na dachu lub platformie rusztowania itd.), użycie prowadnicy do cięcia może zapewnić operatorowi dodatkowe (i bezpieczne) możliwości robocze.
- wymagane są dokładne cięcia w poprzek lub wzdłuż dużych obrabianych przedmiotów. Na przykład podczas obróbki ram, drzwi, dużych płyt lub paneli ściennych, itp. prowadnica do cięcia mogłaby wyeliminować potrzebę użycia pilarki w trybie „ręcznym”.

Uwaga: Kompatybilne z prowadnicami do cięcia urządzenia firmy Evolution wyposażone

są w dwie (2) krzywki znajdujące się w kanale podstawy (po obu stronach). „Przyciski rotacyjne” (**Rys. 17**) umożliwiają operatorowi obracanie krzywek.

Regulacja krzywek nieznacznie zmniejszy efektywną szerokość kanału podstawy. Może to być konieczne w celu dopasowania do jakiegokolwiek nieznacznej zmiany szerokości szyny, która może wystąpić podczas wytłoczenia prowadnic. Rozstaw szyn produkowanych przez różnych producentów prowadnic może się nieznacznie różnić.

Uwaga: Operator powinien tak ustawić krzywki, aby po prawidłowym umieszczeniu maszyny na prowadnicy można ją było łatwo i płynnie przesunąć do przodu lub do tyłu, bez widocznego ruchu bocznego (chybotania).

PROWADNICE DO CIĘCIA EVOLUTION

Niektóre urządzenia firmy Evolution (w zależności od modelu i rynku przeznaczenia) są dostarczane wraz z prowadnicami do cięcia.

Uwaga: Prowadnice do cięcia Evolution są dostępne na zasadzie opcji zakupu przez klientów. Prosimy o kontakt z lokalnym dystrybutorem firmy Evolution Power Tools w celu uzyskania dalszych szczegółów.

PROWADNICA

System prowadnic firmy Evolution składa się z dwóch (2) lub trzech (3) odcinków szyn precyzyjnie wytłoczonych ze stopu. (**Rys. 18**) Odcinki te muszą być połączone ze sobą za pomocą dołączonych prętów łączących. (**Rys. 19**)

Aby połączyć odcinki szyn należy (Rys. 19):

- Wsunąć pręty w szczeliny „T” znajdujące się pod powierzchnią wytoczonych szyn.
- Upewnić się, że pręty zostały włożone w obydwa łączone odcinki na równej długości (w przybliżeniu).
- Dokręcić śruby z łbem gniazdowym w celu dokładnego połączenia odcinków.

Uwaga: Należy pamiętać o zachowaniu niewielkiej luki pomiędzy połączonymi odcinkami (między 1 a 2 mm). Dzięki temu po zamontowaniu pilarki tarczowej i użyciu jej wraz z prowadnicą cięcia krzyżowego Evolution, będzie się ona przesunąć się płynnie wzdłuż całej długości prowadnicy.

USTAWIANIE PIŁY NA PROWADNICY

Uwaga: Poniższe wskazówki odnoszą się do pilarek i prowadnic do cięcia EVOLUTION.

Należy zapoznać się z informacjami dostarczonymi przez producentów pił i/ lub prowadnic do cięcia, jeśli będą Państwo korzystać z piły tarczowej lub prowadnicy do cięcia firm innych niż Evolution.

Przed pierwszym użyciem prowadnicy do cięcia EVOLUTION należy sprawdzić, czy pasek chroniący przed odławkami (**Rys. 21**) pasuje do piły i ostrza.

Aby dopasować piłę do prowadnicy należy:

- W pełni włożyć prowadnicę do cięcia.
- Dokładnie zapoznać się z rozdziałem „Umiejscowienie i mocowanie prowadnicy”. Zamocować prowadnicę na płycie z odpowiedniego materiału zapasowego lub materiału z odpadów.
- Ustawić ostrze piły na odpowiedniej głębokości wybranego do cięcia materiału.
- Upewnić się, że nie ma żadnych przeszkód pod ścieżką ostrza.
- Dokładnie zapoznać się z rozdziałem „Umiejscowienie i mocowanie prowadnicy”. Umieścić poprawnie piłę tarczową na prowadnicy.
- Włączyć silnik i zaczekać, aż ostrze osiągnie prędkość maksymalną.
- Popychać piłę tarczową wzdłuż całej długości prowadnicy płynnym i powolnym ruchem do momentu, w którym ostrze przetnie całą długość paska chroniącego przed odławkami.

Uwaga: Ten proces dopasuje konkretne ostrze do konkretnej prowadnicy.

Se for utilizada uma serra diferente numa pista preparada deste modo, a fita antiestilhaços pode não fornecer o mesmo nível de proteção como na configuração específica da serra à pista.

Uwaga: Taśma zabezpieczenia przeciwdopryskowego jest produktem, który się zużywa. Z biegiem czasu ulegnie zużyciu i sparcie oraz będzie wymagać wymiany. Zaleca się również jej wymianę w przypadku użycia innej pilarki lub ostrza (np. o innej szerokości cięcia), niż oryginalnie dopasowanych do uszczelki.

WYMIENNY PASEK CHRONIĄCY PRZED ODŁAWKAMI

Jako element podlegający zużyciu pasek chroniący przed odławkami powinien być sprawdzany w regularnych odstępach czasu pod kątem uszkodzeń lub otarć spowodowanych „zużyciem”. Pasek należy wymienić, jeśli widoczne są jakiegokolwiek uszkodzenia lub znaczące zużycie.

Dostępne są paski zamiennie. Należy skonsultować się ze swoim dostawcą lub firmą Evolution za pośrednictwem odpowiedniej infolinii.

Załączony wymienny pasek chroniący przed odłamkami jest bezpośrednim zamiennikiem paska oryginalnego. Aby wymienić pasek należy ostrożnie zdjąć zużyty pasek z prowadnicy i zastąpić go nowym.

Uwaga: Po wymianie paska należy ponownie przeprowadzić procedurę dopasowania piły do prowadnicy.

ZACISKI DO PROWADNIC EVOLUTION (DO NABYCIA ODDZIELNIE)

Szybki zacisk EVOLUTION (Rys. 22) został zaprojektowany specjalnie do mocowania prowadnic do cięcia EVOLUTION.

Uwaga: Dodatkowe zaciski można kupić od firmy Evolution Power Tools lub od lokalnego dystrybutora. Zaciski Evolution pasują do szczelin „T”, które znajdują się pod powierzchnią szyn wytłoczonych ze stopu oraz mogą się wzdłuż nich przesuwać. (Rys. 23)

Umożliwia to operatorowi umieszczenie zacisków (jeden jest wymagany na każdym końcu prowadnicy) w pozycjach, które zapewniają maksymalne bezpieczeństwo i unieruchomienie prowadnicy do cięcia względem obrabianego przedmioty.

USTAWIENIE I MOCOWANIE PROWADNICY

Uwaga: Poniższe wskazówki służą jedynie jako porady. Firma Evolution nie ma wpływu na środowisko pracy ani warunki, w których ten sprzęt jest używany.

OSTRZEŻENIE: Jeśli sprzęt ma być używany na placu budowy, operator powinien skonsultować się z odpowiednią osobą, która jest odpowiedzialna za bezpieczeństwo i higienę pracy, w celu uzyskania dalszych szczegółowych informacji dotyczących bezpieczeństwa w miejscu pracy.

- Należy wyraźnie oznaczyć element obrabiany, a zwłaszcza „linię cięcia”, wzdłuż której ostrze będzie się poruszać.
- Należy zmontować prowadnicę do cięcia z tyłu odcinków, ile potrzeba, aby wystarczyła dla elementu obrabianego, plus konieczny naddatek na wysięg.
- Ustawić prowadnicę na obrabianym przedmiocie i zabezpieczyć ją, za pomocą zacisków Evolution (preferowane) lub odpowiednich zacisków typu „G”.
- Należy upewnić się, że krawędź paska chroniącego przed odłamkami przebiega

dokładnie wzdłuż wytyczonej linii cięcia.

OSTRZEŻENIE: Prowadnica do cięcia musi wystawać poza przedmiot obrabiany przy krawędzi prowadzącej. (Rys. 24)

Dolna osłona ostrza będzie musiała zostać ręcznie wycofana i skierowana do góry na górną osłonę tarczy, gdy pilarka zostanie umieszczona na prowadnicy.

OSTRZEŻENIE: W tej pozycji ostrze będzie odsłonięte. **NIE WOLNO** uruchamiać piły zanim nie zostaną podjęte wszystkie środki kontroli bezpieczeństwa.

WYKONYWANIE CIĘCIA

Wykonywanie cięcia przy pomocy prowadnicy do cięcia jest bardzo podobne do cięcia zwykłą pilarką. Wszystkie procedury bezpieczeństwa, które dotyczą pracy z pilarką mają również zastosowanie w pracy z piłą w połączeniu z prowadnicą do cięcia.

Poniższe wskazówki, choć nie są wyczerpujące, zawierają ogólne zalecenia:

- Należy przeprowadzić kontrolę bezpieczeństwa, aby upewnić się, że prowadnica do cięcia jest dobrze przymocowana do obrabianego przedmiotu, a sam przedmiot jest również zabezpieczony i nie będzie się poruszał podczas cięcia.
- Należy sprawdzić, czy pod obrabianym przedmiotem nie ma przeszkód, które mogłyby zahamować lub przeszkodzić w cięciu lub które mogłyby doprowadzić do uszkodzenia przedmiotu obrabianego przez ostrze.
- Należy upewnić się, że kabel zasilający jest poprowadzony w taki sposób, że nie stwarza zagrożenia potknięciem lub innego niebezpieczeństwa. Należy zwrócić szczególną uwagę, żeby kabel zasilający nie mógł się zetknąć z obracającym się ostrzem piły.
- Operator powinien dopilnować, aby podczas przesuwania piły wzdłuż prowadnicy zachować pewną postawę na nogach, dobrą równowagę i całkowitą kontrolę przez cały czas cięcia. Szczególną ostrożność należy zachować w momencie, kiedy ostrze jest wyjmowane z obrabianego przedmiotu.

OSTRZEŻENIE: Należy się upewnić, że obrabiany przedmiot nie spadnie ze stołu i nie spowoduje uszczerbku na zdrowiu u osób postronnych, w szczególności podczas pracy na wysokości (a także innych warunkach, które mogą mieć zastosowanie). Operator powinien być przygotowany na ewentualne zabezpieczenie lub przerwycenie odciętego przedmiotu. Należy skonsultować się w tej

sprawie z osobą odpowiedzialną za BHP w celu uzyskania szczegółowych wskazówek.

Uwaga: Zaleca się, aby przed pierwszym użyciem operator przeprowadził próbę cięcia na urządzeniu niepodłączonym do sieci w celu upewnienia się, że cała procedura będzie w pełni bezpieczna.

Po zakończonym cięciu należy wyłączyć urządzenie przełącznikiem ON/OFF i zaczekać, aż ostrze całkowicie się zatrzyma.

Po podniesieniu piły znad prowadnicy do cięcia i przedmiotu obrabianego, dolna osłona ostrza automatycznie w całości zakryje ostrze.

USUWANIE PYŁU I INNYCH POZOSTAŁOŚCI PO CIĘCIU

Łączniki (**Rys. 25**) mogą być montowane we wszystkich urządzeniach CCS. Łącznik taki umożliwia podłączenie do urządzenia zbierającego pył po cięciu.

Uwaga: Dokładny kształt łącznika będzie się różnił w zależności od typu modelu lub rynku przeznaczenia urządzenia. Dostarczony łącznik będzie pasował do wielu urządzeń usuwających pył, jakie są dostępne na rynku. Łącznik należy przymocować do gniazda wylotowego ciętego materiału (**Rys. 26**)

Uwaga: W razie potrzeby do łącznika do usuwania pyłu można podłączyć warsztatowe urządzenie do odsysania pyłów. Należy postępować zgodnie z instrukcjami producenta odnośnie podłączenia oraz sprawdzić, czy urządzenie czyszczące ma możliwość przyjęcia pozostałości materiału po cięciu.

OŚWIETLENIE LED

Niektóre urządzenia (w zależności od modelu i rynku przeznaczenia) są dostarczane wraz z automatyczną diodą LED.

Uwaga: Jeśli nie ma pewności, które funkcje są dostępne w danym urządzeniu, należy zapoznać się ze specyfikacją urządzenia podaną w niniejszej instrukcji. Dioda LED znajduje się po lewej stronie (LH) ostrza.

Wiązka z diody LED zaświeci się po lewej stronie ostrza oraz oświetli wszystkie linie oznaczenia narysowane na obrabianym przedmiocie. Dzięki temu operator będzie miał lepszy wgląd w ścieżkę ostrza poruszającego się na obrabianym przedmiocie, co zapewni lepszą efektywność, dokładność i bezpieczeństwo.

Uwaga: Dioda LED włącza się automatycznie. Dioda LED jest włączana w momencie podłączenia urządzenia do prądu. W ten sposób

operator będzie wyraźnie widział, że urządzenie zostało prawidłowo podłączone do zasilania, posiada dopływ prądu (jest pod napięciem) i jest gotowe do pracy.

Uwaga: W zestawie montażowym nie ma części związanych z montażem diody LED, które mogą być obsługiwane przez użytkownika, a wiązka padania światła została ustawiona fabrycznie. Osłona zabezpieczająca diody powinna być trzymana z daleka od kurzu (patrz część poświęcona konserwacji urządzenia) w celu zapewnienia maksymalnej jasności wiązki światła.

OSTRZEŻENIE: Osłone diody należy czyścić, kiedy urządzenie jest odłączone od prądu, a ostrze znajduje się w całkowitym bezruchu.

ELEMENTY WSPOMAGAJĄCE CIĘCIE

Piły tarczowe Evolution są wyposażone w różne elementy stworzone z myślą o ułatwieniu pracy operatorowi tak, aby cięcie było szybkie, dokładne i bezpieczne. Uwaga: Nie wszystkie poniższe elementy znajdują się na każdym urządzeniu.

Prowadnik linii cięcia pod kątami 0° i 45° (**Rys. 28**)

Na przedniej krawędzi urządzenia przy podstawie znajdują się dwa (2) małe nacięcia, które są oznaczone na niektórych urządzeniach za pomocą liczb kątowych. Nacięcia te wskazują nastawienie ostrza w momencie wbijania się w obrabiany przedmiot, kiedy nachylenie kątownika jest ustawione pod kątem 0° (ostrze w pozycji pionowej) lub pod kątem 45°.

Prowadnica przedniej części ostrza (**Rys. 29**)

Uwaga: Urządzenia firmy EVOLUTION kompatybilne z prowadnicą do cięcia EVOLUTION posiadają nacięcie na podstawie po prawej stronie (RH). Nacięcie to wskazuje pozycję przedniej krawędzi ostrza, kiedy ostrze jest ustawione na maksymalną głębokość cięcia. Ta funkcja może być wykorzystywana podczas umieszczania i ustawiania piły na prowadnicy do cięcia.

OSTRZEŻENIE: Należy uważać, aby dolna osłona ostrza lub samo ostrze nie dotykało żadnego elementu obrabianego przedmiotu podczas wstępnego ustawiania piły na prowadnicy do cięcia.

Prowadnice z linijką (**Rys. 30**)

Prowadnice z linijką znajdują się na niektórych pilarkach Evolution. Znajdują się one wzdłuż przedniej i/lub bocznej krawędzi podstawy. Te prowadnice mogą określić przybliżoną pozycję lub umożliwić lepszy ogłąd pracy ostrza na obrabianym przedmiocie.

REGULACJA SPECJALISTYCZNA

Urządzenia firmy Evolution posiadają wiele precyzyjnie zaprojektowanych elementów i ustawień, z których większość jest ustawiona fabrycznie w taki sposób, aby zapewnić długotrwałe poprawne działanie urządzenia.

Serwis i regulacja tych komponentów lub ustawień prawdopodobnie nigdy nie będą konieczne. Jeśli serwis lub regulacja (po odpowiednio długim użytkowaniu) okaże się konieczna, firma Evolution zaleca kontakt z pomocą techniczną w celu uzyskania dalszych wskazówek.

Uwaga: Niektóre procedury regulacji mogą być wykonywane wyłącznie przez osoby posiadające specjalistyczną wiedzę i/lub dysponujące odpowiednim sprzętem.

(17) ZALECENIA DOT. CIĘCIA

OSTRZEŻENIE: Operator musi zawsze kontrolować pozycję i ułożenie przewodu zasilania. Przewód należy umieścić w takim położeniu, by nie miało możliwości zetknięcia z ostrzem.

Przewód nie powinien stwarzać żadnego zagrożenia (np. potknięcia) dla operatora i/lub obserwatorów.

- Nie należy przeciążać urządzenia.
- Należy pozwolić, aby prędkość tarczy narzucała siłę cięcia. Nadmierne napieranie na urządzenie w żaden sposób nie polepszy jego działania, a jedynie skróci żywotność tarczy.
- Korzystając z prowadnicy należy upewnić się, że jest ona ustawiona równoległe do tarczy.
- Jeśli prowadnica ustawiona jest nieprawidłowo może dojść do uszkodzenia tarczy i/lub silnika.
- Przednią krawędź podstawy pilarki należy postawić na obrabianym przedmiocie. Przed włączeniem silnika należy upewnić się, że ostrze nie styka się z przedmiotem obróbki.
- Rozpoczynając cięcie należy powoli wprowadzić ostrze w materiał, aby nie naruszyć zębów tarczy

Uwaga: Z przodu podstawy urządzenia CCSL znajdują się dwie (2) linie prowadzące (przeznaczone jedynie do cięcia po kącie 0° i 45°).

- Pilarkę należy przesuwać oburącz do przodu tnąc przez obrabiany materiał.
- Przesuwając pilarkę do przodu przez obrabiany materiał, należy wywierać na nią stały, równomierny napór.

Uwaga: All CCS series machines have an automatic lower blade guard which has a

specially shaped leading front edge. This feature ensures that the blade guard retracts smoothly and effortlessly as the machine's blade enters the workpiece. As the blade exits the workpiece the lower blade guard will automatically return to its normal position covering the blade completely.

Uwaga: W niektórych przypadkach, np. podczas wykonywania cięcia węglanego w podłogę lub ścianę itp., przydatne może okazać się ręczne cofnięcie dolnej osłony ostrza.

Na dolnej osłonie ostrza znajduje się dźwignia operowana kciukiem. Zachowując ostrożność, doświadczony operator może ręcznie wycofać osłonę (całkowicie lub częściowo) w celu wykonania cięcia węglanego.

OSTRZEŻENIE: Osłonę tarczy należy wycofywać ręcznie ze szczególną uwagą, upewniając się, że ręka ani palce operatora nie dotykają żadnego elementu ostrza.

Po zakończeniu cięcia należy:

- Zwołnic przełącznik ON/OFF.
- Zaczekać, aż tarcza całkowicie się zatrzyma.
- Wycofać urządzenie z przedmiotu obróbki, pozwalając dolnej osłonie automatycznie powrócić na swoje miejsce i zakryć ostrze.

OSTRZEŻENIE: W przypadku zatrzymania lub zgaśnięcia silnika podczas wykonywania cięcia należy od razu zwołnic przełącznik. Należy odłączyć urządzenie od źródła zasilania i wysunąć je z obrabianego przedmiotu. Należy zidentyfikować źródło problemu i jeśli to możliwe, dokonać naprawy. Silnik może zostać ponownie włączony jedynie wtedy, gdy operator ma pewność, że jest to bezpieczne.

WYRZUTNIK TROCIN

OSTRZEŻENIE: Nie stosować odpylacza workowego ani adaptera odpylacza podczas cięcia materiałów metalowych, w tym drewna zawierającego gwoździe.

(18) KONSERWACJA I REGULACJA

Pionowa pozycja ostrza (0°) może zostać zmieniona.

OSTRZEŻENIE: Przed rozpoczęciem tej procedury należy odłączyć urządzenie od źródła zasilania.

Aby sprawdzić pozycję 0°, należy:

- Ustawić tarczę w pozycji 0° przy pomocy mechanizmu przechyłu aż do zatrzymania.
- Sprawdzić pozycję tarczy względem podstawy pilarki przy pomocy kątownika

(nie załączony). Należy unikać kontaktu z końcówkami zębów ostrza z węglika wolframu TCT. Tarcza powinna być ustawiona dokładnie pod kątem 90° do podstawy pilarki.

Uwaga: Dolna osłona ostrza powinna zostać (ręcznie) cofnięta do wewnątrz górnej osłony. Pozwoli to na dokładne przystawienie kątownika i ułatwi proces kontrolny.

Jeśli konieczna jest regulacja:

R165CCSL & 185CCS

Należy przekręcić śrubę regulacyjną (rys. 31) w odpowiednim kierunku przy pomocy klucza imbusowego 4 mm (nie załączony) tak, aby tarcza znajdowała się dokładnie pod kątem 90° do podstawy pilarki.

R185CCSX & 185CCSX+

Należy przekręcić śrubę regulacyjną (rys. 32) w odpowiednim kierunku przy pomocy klucza imbusowego 3 mm (nie załączony), tak aby tarcza znajdowała się dokładnie pod kątem 90° do podstawy pilarki.

Aby sprawdzić pozycję 45° (R185CCSX i 185CCSX +):

- Ustawić tarczę w pozycji 45° przy pomocy mechanizmu przechyłu aż do zatrzymania.
- Sprawdzić pozycję tarczy względem podstawy pilarki przy pomocy kątownika (nie załączony). Należy unikać kontaktu z końcówkami zębów ostrza z węglika wolframu TCT. Tarcza powinna być ustawiona dokładnie pod kątem 45° do podstawy pilarki.

Należy przekręcić śrubę regulacyjną (rys. 33) w odpowiednim kierunku przy pomocy klucza imbusowego 3 mm (nie załączony) tak, aby tarcza znajdowała się dokładnie pod kątem 45° do podstawy pilarki.

(19) KONTROLA I WYMIANA SZCZOTEK WĘGLOWYCH

OSTRZEŻENIE: Przed przystąpieniem do kontroli lub wymiany szczotek węglowych należy odłączyć urządzenie od źródła zasilania.

Uwaga: Należy wymienić obie szczotki węglowe, w przypadku, gdy którakolwiek z nich ma mniej niż 6 mm długości pozostałego węgla lub jeśli sprężyna albo przewód są uszkodzone bądź przepalone.

Aby usunąć szczotki, należy:

- Odkręcić plastikowe nakrętki znajdujące się w tylnej części obudowy silnika. (Rys. 17) Należy uważać, gdyż nakrętki posiadają sprężyny.
- Usunąć szczotki wraz z ich sprężynami.

- Jeżeli wymiana jest konieczna, należy wstawić nowe szczotki i nałożyć nakrętki.

Uwaga: Używane, ale sprawne szczotki mogą być zostać ponownie założone pod warunkiem, że ustawione zostaną ponownie w tej samej pozycji i zostaną włożone w ten sam sposób, w jaki zostały wyjęte z urządzenia.

- Należy uruchomić silnik bez obciążenia na około 5 minut. Pozwoli to na osadzenie się nowych szczotek i sprawdzenie, czy silnik działa sprawnie.
- Do momentu całkowitego osadzenia się szczotek możliwe jest wystąpienie iskier.

(20) KONSERWACJA I CZYSZCZENIE

Uwaga: Przed przystąpieniem do czynności konserwacyjnych należy upewnić się, że urządzenie jest wyłączone i odłączone od źródła zasilania.

- Należy regularnie sprawdzać, czy wszystkie elementy zabezpieczające i osłony działają poprawnie. Urządzenia można używać jedynie wtedy, gdy wszystkie elementy ochronne i osłony są w pełni funkcjonalne.
- Wszystkie łopaty silnika w tym urządzeniu posiadają dożywotni zapas smaru. Dodatkowe smarowanie nie jest wymagane. Plastikowe części maszyny należy czyścić czystą, lekko zwilżoną szmatką. Nie należy używać rozpuszczalników lub podobnych produktów, które mogłyby uszkodzić plastikowe części. Należy usuwać kurz i inne zabrudzenia z nasadki soczewki modułu LED.

OSTRZEŻENIE: Nie wolno podejmować prób czyszczenia narzędzia poprzez wkładanie spiczastych przedmiotów w otwory w obudowie urządzenia, itp. Otwory wentylacyjne maszyny należy czyścić za pomocą sprężonego powietrza.

Uwaga: Podczas korzystania ze sprężonego powietrza w celach czyszczenia operator powinien stosować środki ochrony osobistej.

(21) OCHRONA ŚRODOWISKA

Nie należy utylizować odpadów produktów elektronicznych wraz z odpadami gospodarstwa domowego. W miarę możliwości należy poddać utylizacji. Wskazówki dotyczące recyklingu można uzyskać od władz lokalnych lub dystrybutora.



DEKLARACJA ZGODNOŚCI WE



Producent artykułu objętego niniejszą deklaracją to:

UK: Evolution Power Tools Ltd, Venture One, Longacre Close, Holbrook Industrial Estate, Sheffield, S20 3FR.

FR: Evolution Power Tools SAS, 61 Avenue Lafontaine, 33560, Carbon-Blanc, Bordeaux, France.

Producent deklaruje niniejszym, że urządzenie, jak opisano w niniejszej deklaracji, spełnia wszystkie odpowiednie przepisy dyrektywy maszynowej i innych odpowiednich dyrektyw wymienionych poniżej. Producent oświadcza, że urządzenie, jak opisano w niniejszym oświadczeniu, w stosownych przypadkach spełnia odpowiednie przepisy w zakresie ochrony zdrowia i bezpieczeństwa.

The Directives covered by this Declaration are as detailed below:

2006/42/WE.	Dyrektywa Maszynowa.
2014/30/EU.	Dyrektywa kompatybilności elektromagnetycznej.
2011/65/EU. & 2015/863/EU.	Dyrektywa w sprawie ograniczenia stosowania niektórych niebezpiecznych substancji w sprzęcie elektrycznym i elektronicznym (dyrektywa RoHS).
2012/19/UE.	Dyrektywa w sprawie zużytego sprzętu elektrycznego i elektronicznego (WEEE).

I jest zgodne z obowiązującymi wymaganiami określonymi w następujących dokumentach:

EN 62841-1:2015 • EN 62841-2-5:2014 • EN 55014-1:2017+A11:2020 • EN 55014-2:2015 • EN 61000-3-2: 2014(220-240V models) • EN IEC 61000-3-2:2019(220-240V models) • EN 61000-3-3:2013+A1:2019(only 026-0001) • EN 61000-3-11: 2000 (220-240V models except 026-0001)

Dane Produktu

Opis: **R165CCSL** 165mm (6-1/2") Circular Saw
 Nr modelu Evolution: 026-0001 / 026-0002 / 026-0003
 Opis: **R185CCS** 185mm (7-1/4") Circular Saw
 Nr modelu Evolution: 027-0001C / 027-0002C / 027-0003C
 Opis: **R185CCSX** 185mm (7-1/4") Circular Saw
 Nr modelu Evolution: 027-0001 / 027-0002 / 027-0003
 Opis: **R185CCSX+** 185mm (7-1/4") Circular Saw
 Nr modelu Evolution: 027-0001A / 027-0002A / 027-0003A

Nazwa marki: EVOLUTION POWER TOOLS LIMITED
 Napięcie: 220-240V / 110V ~ 50Hz
 Moc wejściowa: R165CCSL - 1200W
 R185CCS, R185CCSX & R185CCSX+ - 1600W

Dokumentacja techniczna, wykazująca że produkt spełnia wymagania dyrektywy, została opracowana i jest dostępna do wglądu dla właściwych organów egzekwowania prawa oraz potwierdza, iż nasza dokumentacja techniczna zawiera dokumenty wymienione powyżej i że są to właściwe normy dla produktu zgodnie z powyższymi informacjami.

Imię, nazwisko i adres posiadacza dokumentacji technicznej.

Podpisano:  Druk: Barry Bloomer
 Kierownik Działu Zamówień i Zaopatrzenia
 Data: 01/06/18

UK: Evolution Power Tools Ltd, Venture One, Longacre Close, Holbrook Industrial Estate, Sheffield, S20 3FR.

FR: Evolution Power Tools SAS, 61 Avenue Lafontaine, 33560, Carbon-Blanc, Bordeaux, France.

Notes

evolution®

evolutionpowertools.com

AUS

Total Tools (Importing) Pty Ltd
20 Thackray Road
Port Melbourne
Vic 3207

T: 03 9261 1900

FR

Evolution Power Tools SAS
61 Avenue Lafontaine
33560, Carbon-Blanc
Bordeaux

T: +33 (0)5 57 30 61 89

UK

Evolution Power Tools Ltd
Venture One, Longacre Close
Holbrook Industrial Estate
Sheffield, S20 3FR

T: +44 (0)114 251 1022

USA

Evolution Power Tools LLC
8363 Research Drive
Davenport, IA
52806

T: +1-833-MULTI-SAW (Toll Free)

DE +44 (0)114 251 1022

ES +34 91 114 73 85

NL +44 (0)114 251 1022

PL +48 33 821 0922

PT +34 91 114 73 85

RO +44 (0) 114 2050458

RU +7 499 350 67 69

TR +90 (0) 312 9001810



EPT QR CODE

V7 - BK3