

digital

RHII

Engineering Drawings

Digital Equipment Corporation

The material herein is for information purposes only and is subject to change without notice. Digital Equipment Corporation assumes no responsibility for any errors which may appear herein.

These drawings and specifications herein are the property of Digital Equipment Corporation and shall not be reproduced or copied or used in whole or in part as the basis for the manufacture or sale of items without written permission.

Copyright © 1975, Digital Equipment Corporation

DRAWING DIRECTORY

"THIS DRAWING AND SPECIFICATIONS, HEREIN, ARE THE PROPERTY OF DIGITAL EQUIPMENT CORPORATION AND SHALL NOT BE REPRODUCED OR COPIED OR USED IN WHOLE OR IN PART AS THE BASIS FOR THE MANUFACTURE OR SALE OF ITEMS WITHOUT WRITTEN PERMISSION. COPYRIGHT © 1973, DIGITAL EQUIPMENT CORPORATION"

CUSTOMER PRINT SET INDEX

THIS IS PRINT SET

--	--	--	--

DRAWING DIRECTORY RH11	SEQUENCE
RH11 UNIT ASSEMBLY	B-DD-RH11-0
WIRED ASSEMBLY (RH11)	D-UA-RH11-0-0
MODULE UTILIZATION	D-AD-7009397-0-0
	D-MU-RH11-0-01
BUS CONTROL	D-CS-M7295-0-1
CONTROL & STATUS REG	D-CS-M7296-0-1
DATA BUFFER & CONTROL	D-CS-M7294-0-1
PARITY CONTROL	D-CS-M7297-0-1
MASSBUS TRANSCEIVER	D-BS-RH11-0-02
UNIBUS A CABLE DIAGRAM	D-IC-RH11-0-03
UNIBUS B CABLE DIAGRAM	D-IC-RH11-0-04
WRITE UNIBUS TIMING DIAGRAM	D-TD-RH11-0-05
READ + WRITE CHECK UNIBUS (TIMING DIAGRAM)	D-TD-RH11-0-06
WRITE MASSBUS TIMING DIAGRAM	D-TD-RH11-0-07
READ + WRITE CHECK MASSBUS (TIMING DIAGRAM)	D-TD-RH11-0-08
WRITE COMMAND FLOW DIAGRAM	D-FD-RH11-0-09
READ COMMAND FLOW DIAGRAM	D-FD-RH11-0-10
WRITE CHECK COMMAND FLOW DIAGRAM	D-FD-RH11-0-11
UNIBUS TERMINATOR (BUS B)	D-CS-M9300-0-1
CONTROLLER TRANSCEIVER	D-CS-M5904-0-1
GRANT CONTINUITY	B-CS-G727-0-1
MASSBUS TERMINATOR	D-CS-H870-0-1
UNIBUS CONNECTOR	C-CS-M920-0-1
POWER FAIL DRIVER	D-CS-M688-0-1
CIRCUIT SCHEMATIC	D-CS-5410506-0-1
WIRE LIST	K-WL-RH11-0-12
AWT REVISION STATUS	A-WT-7009397-0
RH11 POWER HARNESS (15 PIN)	D-IA-7009570-0-0
POWER HARNESS (15 PIN)	D-IA-7009563-0-0

UNIT VARIATIONS		PRINT SET			
VAR	TITLE	RH11			
RH11-AB	DUAL UNI PORT MASSBUS CONTROL	X			

REV	CHG. NO.	USED ON OPTION/MODEL	DATE	TITLE MASS BUS CONTROLLER (RH11-0)
A	RH11-1		2/72	
B	RH11-2		1/73	
C	RH11-3		1-1-73	
D	RH11-4			
E	RH11-5			
F	RH11-6			
H	RH11-7			
J	RH11-8			
K	RH11-9			

DATE	1/72	DATE	1/72	DATE	1/72	DATE	1/72	DATE	1/72	DATE	1/72
CHK'D.		CHK'D.		CHK'D.		CHK'D.		CHK'D.		CHK'D.	
PROJ. ENG.		PROJ. ENG.		PROJ. ENG.		PROJ. ENG.		PROJ. ENG.		PROJ. ENG.	
PROD.		PROD.		PROD.		PROD.		PROD.		PROD.	
FIELD SERV.		FIELD SERV.		FIELD SERV.		FIELD SERV.		FIELD SERV.		FIELD SERV.	

SIZE	CODE	NUMBER	REV
B	DD	RH11-0	K
DIST			

DEC 16-11351-1003-1A-R012

CUSTOMER PRINT SET		ELECTRICAL					CUSTOMER PRINT SET		MECHANICAL						
RH11-0	MFG. SET	FIND NO.	DRAWING NO.	REV	NO OF SHT	DESCRIPTION	OPTION NO./FILE DATE	RH11-0	MFG. SET	FIND NO.	DRAWING NO.	REV	NO OF SHT	DESCRIPTION	OPTION NO./FILE DATE
X		1	D-UA-RH11-0-0	C	1	RH11 UNIT ASSEMBLY		X		1	D-UA-RH11-0-0	A	1	RH11 UNIT ASSEMBLY	
X			D-MU-RH11-0-01	B	1	MODULE UTILIZATION		X			D-IA-7009570-0-0	#	1	RH11 POWER HARNESS (15 PIN)	
X			D-BS-RH11-0-02	B	3	MASSBUS TRANSCIEVER		X			D-IA-7009563-0-0	#	1	POWER HARNESS (15 PIN)	
X			D-IC-RH11-0-03	*	1	UNIBUS A CABLE DIAGRAM					A-PL-H850-0-0		1	HANDLE EXTENDER	
X			D-IC-RH11-0-04	*	1	UNIBUS B CABLE DIAGRAM					D-IA-7009571-0-0		1	RH11 POWER HARNESS (9 PIN)	
X			D-TD-RH11-0-05	A	1	WRITE UNIBUS (TIMING DIAGRAM)					D-IA-7009099-0-0		1	POWER HARNESS (9 PIN)	
X			D-TD-RH11-0-06	A	1	READ + WRITE CHECK UNIBUS (TIMING DIAGRAM)									
X			D-TD-RH11-0-07	*	1	WRITE MASSBUS (TIMING DIAGRAM)									
X			D-TD-RH11-0-08	*	1	READ + WRITE CHECK MASSBUS (TIMING DIAGRAM)									
X			D-FD-RH11-0-09	A	1	WRITE COMMAND FLOW DIAGRAM									
X			D-FD-RH11-0-10	A	1	READ COMMAND FLOW DIAGRAM									
X			D-FD-RH11-0-11	A	1	WRITE CHECK COMMAND FLOW DIAGRAM									
X			D-CS-M7295-0-1	#	10	BUS CONTROL									
X			D-CS-M7296-0-1	#	3	CONTROL & STATUS REG									
X			D-CS-M7294-0-1	#	9	DATA BUFFER & CONTROL									
X			D-CS-M7297-0-1	#	2	PARITY CONTROL									
X			D-CS-M9300-0-1	#	2	UNIBUS TERMINATOR (BUS B)									
X			D-CS-M5904-0-1	#	2	CONTROLLER TRANSCIEVER									
X			B-CS-G727-0-1	#	1	GRANT CONTINUITY									
X			D-CS-H870-0-1	#	2	MASSBUS TERMINATOR									
X			C-CS-M920-0-1	#	1	UNIBUS CONNECTOR				2	D-AD-7009397-0-0	F	1	WIRED ASSEMBLY (RH11)	
X			D-CS-M688-0-1	#	2	POWER FAIL DRIVER					D-8C-1210258-0-0		1	CONN. BLOCK 288 PIN	
											A/D-PS-1211425-0		3	CONN. BLOCK 72 PIN	
											E-PS-1211439-0		1	11/05 LOGIC FRAME	
											A-88-7407846-0-0		1	LOGIC SERIAL NO. LABELS	
											A-DC-7411881-0-1		1	DECAL LOGIC ASSY	
											A-PI-3700040-0-0			PACKAGING INSTRUCTION	
X		2	D-AD-7009397-0-0	H	1	WIRED ASSEMBLY (RH11)				3	D-CS-5410506-0-1	#	1	CIRCUIT SCHEMATIC	
X			K-WL-RH11-0-12	C	1	WIRE LIST					K-CO-5410506-0-4		1	X-Y COORDINATE HOLE LOCATION	
X			A-WT-7009397-0	E	1	AWT REVISION STATUS					D-AH-5410506-0-5		1	ASSY DRILLING HOLE LAYOUT	
											B-MH-5410506-0-6		1	MODULE ECO HISTORY	
											5010505		1	ETCHED CIRCUIT BOARD	
X		3	D-CS-5410506-0-1	#	1	CIRCUIT SCHEMATIC									

CUSTOMER PRINT SET CODES
X = PRINT OF DOCUMENT INCLUDED IN PRINT SET
C = INCLUDES ALL PRINTS INDICATED ON DOCUMENT
S = CONFIDENTIAL AUTHORIZED SIGNATURE REQUIRED

TITLE
DRAWING DIRECTORY
(RH11)

SHEET 2 OF 2

SIZE CODE
B DD

NUMBER
RH11-0

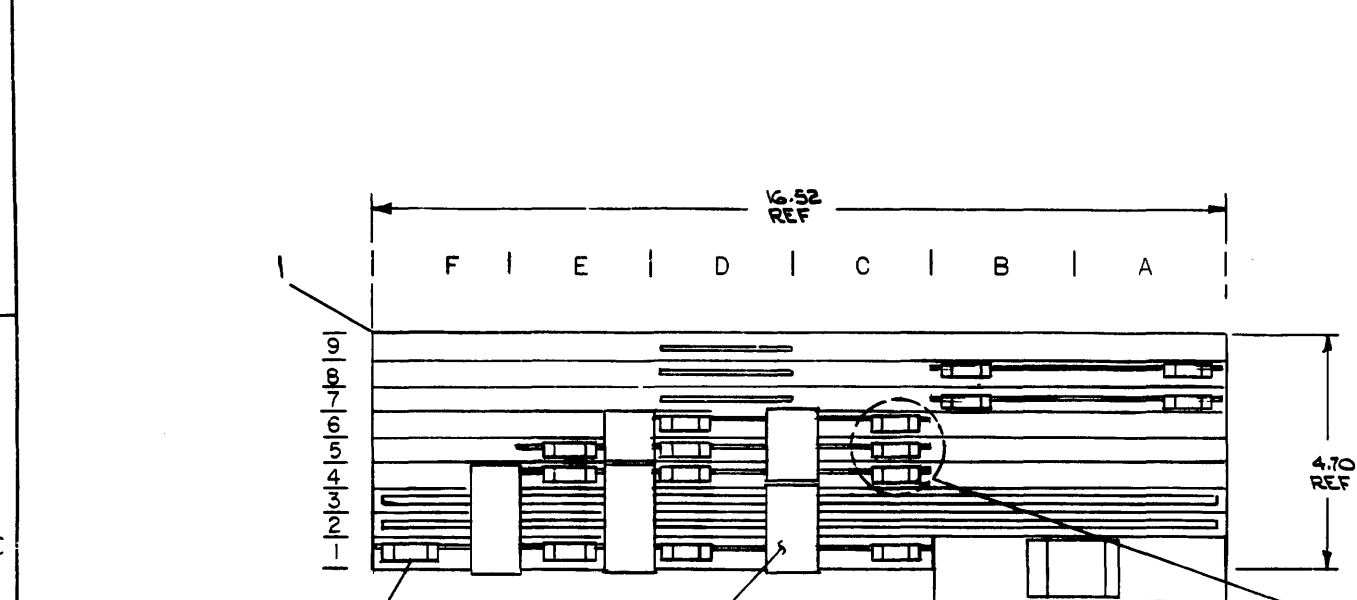
REV
K

THIS DRAWING AND SPECIFICATIONS HEREIN ARE THE PROPERTY OF DIGITAL EQUIPMENT CORPORATION AND SHALL NOT BE REPRODUCED OR COPIED OR USED IN WHOLE OR IN PART AS THE BASIS FOR THE MANUFACTURE OR SALE OF ITEMS WITHOUT WRITTEN PERMISSION FROM DIGITAL EQUIPMENT CORPORATION ©1975 DIGITAL EQUIPMENT CORPORATION

LEGEND	
VARIATION	DESCRIPTION
RHII-AB	DUAL UNIBUS PORT CONTROLLER FOR MASSBUS

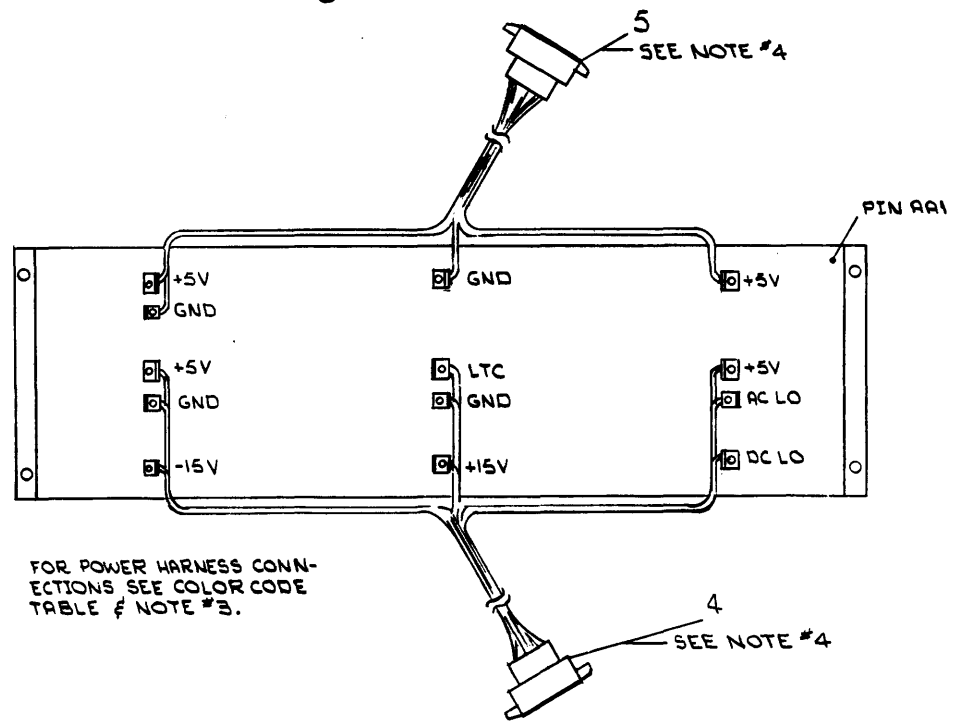
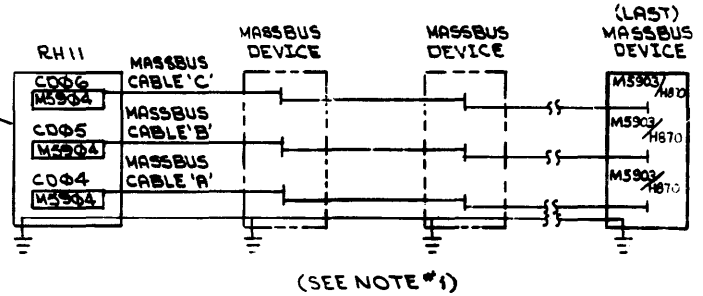
POWER HARNESS COLOR CODE TABLE	
WIRE COLOR	TAB CONN.
RED	+5V
BLK	GND
BLU	-15V
YEL	AC LO
VIO	DC LO
GRY	+15V
BRN	LTC

- NOTES:**
1. INSERT ONE H870 MASSBUS TERMINATOR MODULE IN J2 (ETCH SIDE OF H870 TO COMPONENT SIDE OF M5903) OF EACH OF THE M5903 MASSBUS TRANSCEIVER MODULES IN THE LAST MASSBUS DRIVE.
 2. FOR MODULE LOCATION REFER TO: D-MU-RHII-0-01.
 3. USE CAUTION WHEN ATTACHING POWER HARNESS CABLES AS NOT TO PINCH WIRES ON THE WIRED ASSY. OR SHORT POWER TABS TO WIRE WRAP PINS.
 4. FOR 9 PIN POWER DISTRIBUTION SYSTEMS USE POWER HARNESSES D-IA-1009571-0-0 & D-IA-1009099-0-0 IN PLACE OF ITEMS #4 & 5.
 5. COLORED EDGE OF MASSBUS CABLES SHOULD BE FACING MODULE HANDLE OF M5904 & M5903-YA.
 6. ROMS IN PARTS LIST, ITEMS 7, 8 & 9 SHOULD BE SHIPPED IN BOX, ITEM #6.



SEE NOTE #2

5 SEE NOTE #4



FOR POWER HARNESS CONNECTIONS SEE COLOR CODE TABLE & NOTE #3.

4 SEE NOTE #4

REV.	DATE	BY	CHKD.	DESCRIPTION
1	1-6-75	S. JENKINS		INITIAL DESIGN
2	1-7-75	S. JENKINS		REVISED FOR MANUFACTURE
3	1-29-75	S. JENKINS		REVISED FOR MANUFACTURE
4	1-29-75	S. JENKINS		REVISED FOR MANUFACTURE
5	1-29-75	S. JENKINS		REVISED FOR MANUFACTURE
6	1-29-75	S. JENKINS		REVISED FOR MANUFACTURE
7	1-29-75	S. JENKINS		REVISED FOR MANUFACTURE
8	1-29-75	S. JENKINS		REVISED FOR MANUFACTURE

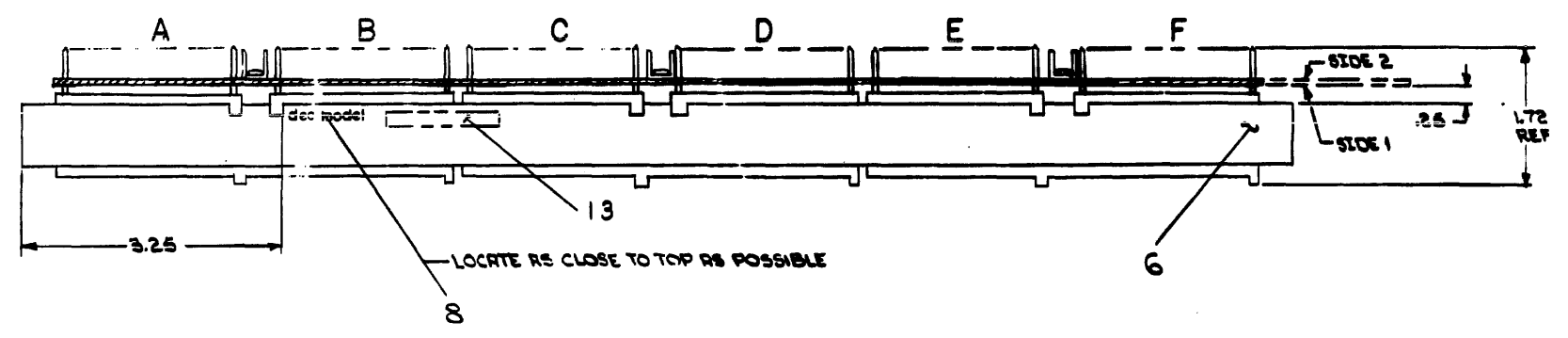
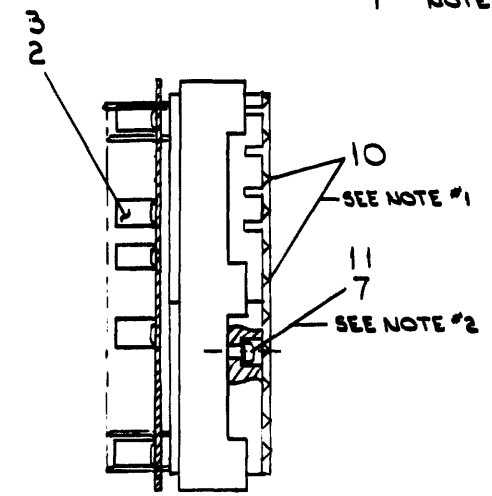
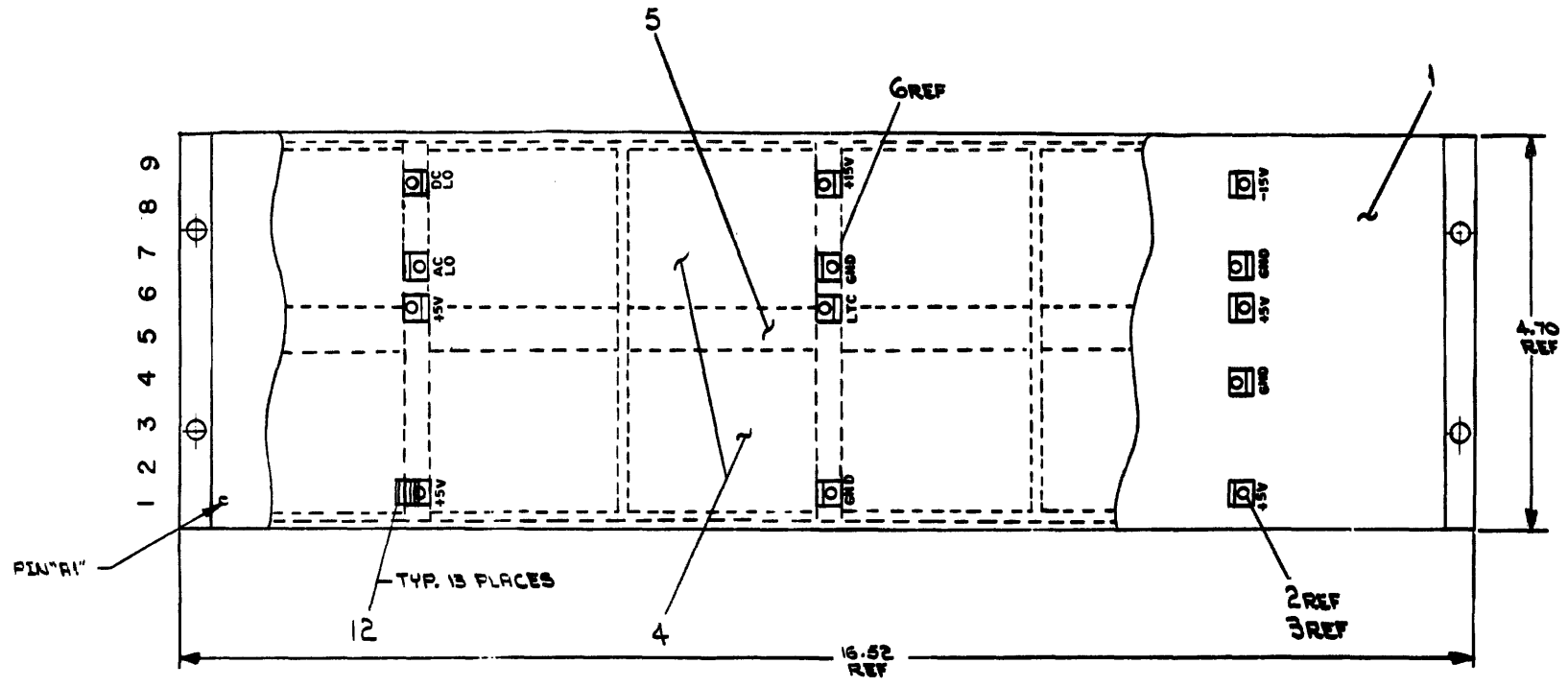
QTY.	DESCRIPTION	PART NO.	ITEM NO.
1	ROM FOR RS03/04	23759A9	9
1	ROM FOR TUI6, TM02/TUI7, TM03	23757A9	8
1	ROM FOR RPP04, R5, 06/RM02, 03	23755A9	7
1	BOX	9906228	6
1	POWER HARNESS (9 PIN)	D-IA-1009099-0-0	REF
1	RHII POWER HARN. (9 PIN)	D-IA-1009571-0-0	REF
1	RHII POWER HARN. (13 PIN)	D-IA-1009570-0-0	5
1	POWER HARNESS (13 PIN)	D-IA-1009563-0-0	4
5	MODULE HOLDER	1209856	3
1	MODULE UTILIZATION	D-MU-RHII-0-01	2
1	WIRED ASSY (RHII)	D-AD-1009397-0-0	1

FIRST USED ON OPTION MODEL		PARTS LIST	
RHII		digital EQUIPMENT CORPORATION	
UNLESS OTHERWISE SPECIFIED DIMENSION IN INCHES	DATE 1/29/75	TITLE	
TOLERANCES	DATE 1/29/75	RHII UNIT ASSEMBLY	
DECIMALS ANGLES	DATE 1/29/75	REV. C	
.XX .005 0 30'	DATE 1/29/75	SIZE CODE NUMBER	
.XX -.02	DATE 1/29/75	DUA RHII-0-0	
REMOVE BUMP, AND BREAK SHARP CORNERS SURFACE QUALITY 1	DATE 1/29/75	REV. C	
MATERIAL	NEXT HIGHER ASSY.	SCALE NONE	
	B-DG-RHII-0	SHEET OF	
FINISH		DIST.	

THIS DRAWING AND SPECIFICATIONS HEREIN ARE THE PROPERTY OF DIGITAL EQUIPMENT CORPORATION AND SHALL NOT BE REPRODUCED OR COPIED OR USED IN WHOLE OR IN PART AS THE BASIS FOR THE MANUFACTURE OR SALE OF ITEMS WITHOUT WRITTEN PERMISSION.
 © 1973 DIGITAL EQUIPMENT CORPORATION

H 0-0-269600Z (REV) 2

NOTES:
 1. CUT ITEM #10 (CARD GUIDE), ON 6 SLOTS, DOWN TO 3 WITH 4 SLOTS & 3 WITH 5 SLOTS.
 2. AFTER WAVE SOLDER PROCEDURE, REPLACE ITEM #7 (SCREWS) WITH ITEM #11 (SPECIAL SCREWS) WHEN INSTALLING ITEM #10 (CARD GUIDES) CUT TO SPECIFICATIONS IN NOTE #1.

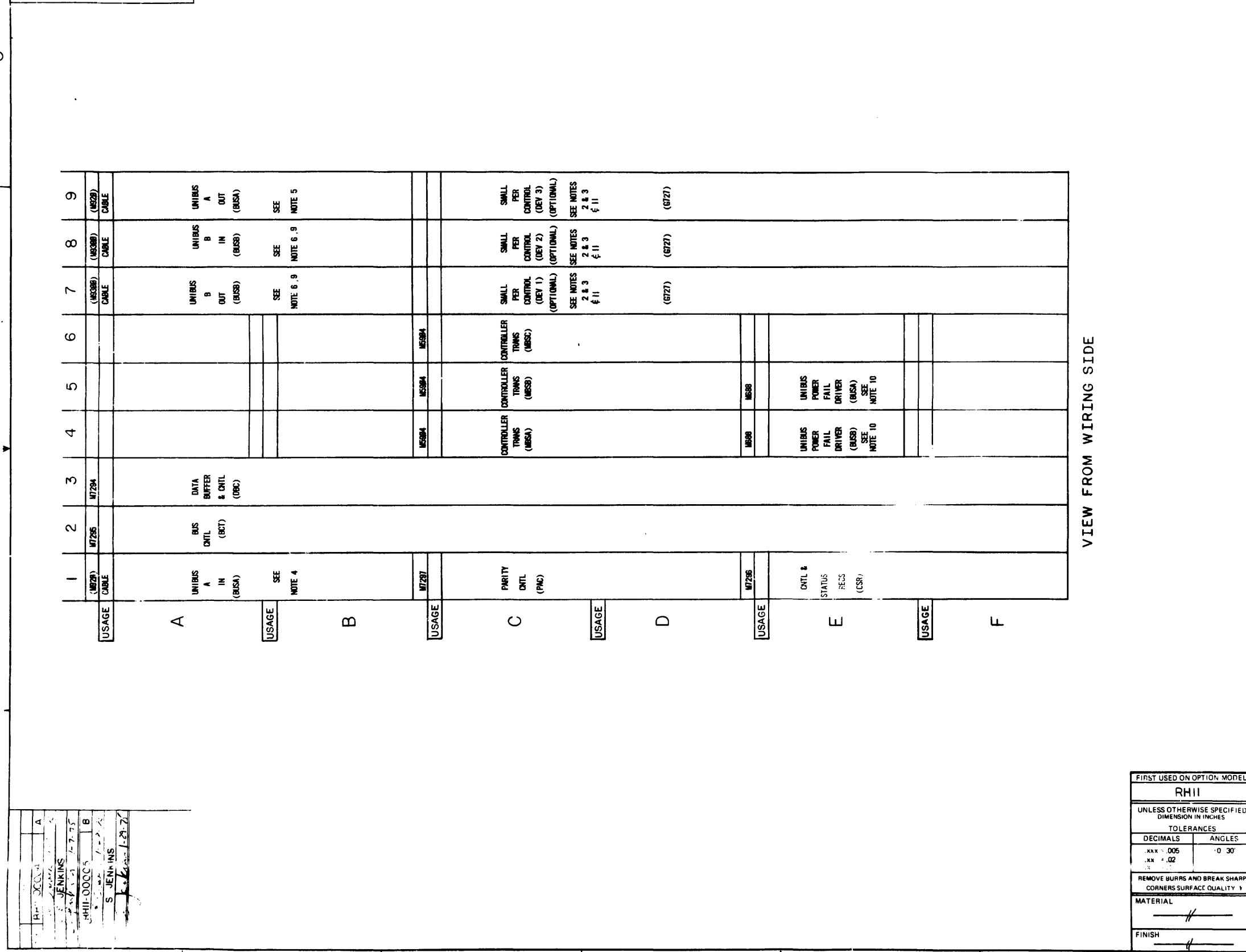


A/R	WIRE #30 TWP BLK & WHT	9107720-09	16
A/R	COMPRESS-O-CARTON	9905016-4	15
REF	PACKAGING INSTRUCTIONS	A-PI-370X13-0	14
1	DECAL LOGIC ASSY	A-DC-7411831-0-1	13
X	AWT REVISION STATUS	A-WT-7009397-0	REF
X	RHII BACK PANEL	D-65-5410506-0	REF
X	WIRE LIST	W-L-RHII-0-12	REF
13	WIRE SHIELD	90C9526	12
12	SCR, SELF TAPPING PHL SPECIAL HD. #8-32 x .810 LG	9009070-2	11
6	CARD GUIDE CENTER	1210698	10
A/R	WIRE #30 W/SOLD KYMAR, VEL	9105740-44	9
1	LOGIC SERIAL NO. LABELS	9907046-0-0	8
15	SCR, PHL HD POSITIVE #8-32 x .810 LG	9006120-0	7
1	11/65 FRAME	1211439-0	6
3	CONN. BLOCK 72 PIN	1211425-0	5
6	CONN. BLOCK 288 PIN	0-56210258-0-0	4
13	EVELET	9009070	3
13	TRB, RIGHT ANGLE	9008218	2
1	ETCH CKT BOARD	5010505	1

REV	DATE	BY	CHKD	DESCRIPTION
A	11-20-72	S. JENKINS		INITIALS
B	5-11-73	S. JENKINS		REVISED
C	2-27-74	S. JENKINS		REVISED
D	7-30-74	S. JENKINS		REVISED
E	1-6-75	S. JENKINS		REVISED
F	7-7-77	S. JENKINS		REVISED
G	12-14-77	S. JENKINS		REVISED
H	1-25-78	S. JENKINS		REVISED
I	6-7-78	S. JENKINS		REVISED
J	1-16-77	S. JENKINS		REVISED
K	1-16-77	S. JENKINS		REVISED
L	1-16-77	S. JENKINS		REVISED
M	1-16-77	S. JENKINS		REVISED
N	1-16-77	S. JENKINS		REVISED
O	1-16-77	S. JENKINS		REVISED
P	1-16-77	S. JENKINS		REVISED
Q	1-16-77	S. JENKINS		REVISED
R	1-16-77	S. JENKINS		REVISED
S	1-16-77	S. JENKINS		REVISED
T	1-16-77	S. JENKINS		REVISED
U	1-16-77	S. JENKINS		REVISED
V	1-16-77	S. JENKINS		REVISED
W	1-16-77	S. JENKINS		REVISED
X	1-16-77	S. JENKINS		REVISED
Y	1-16-77	S. JENKINS		REVISED
Z	1-16-77	S. JENKINS		REVISED

FIRST USED ON OPTION/MODEL		PARTS LIST	
RHII		TITLE	
UNLESS OTHERWISE SPECIFIED DIMENSION IN INCHES		digital EQUIPMENT CORPORATION MAYNARD MASSACHUSETTS	
DECIMALS	ANGLES	TITLE	
.XX = .005	.0 30'	WIRED ASSY (RHII)	
.XX = .02		D-UA-RHII-0-0	
X = .1		DAD 7009397-0-0 H	
REMOVE BURRS AND BREAK SHARP CORNERS SURFACE QUALITY 1		SCALE NONE	
MATERIAL		SHEET OF	
NEXT HIGHER ASSY.		DIST.	
FINISH		DIST.	

1973



VIEW FROM WIRING SIDE

- NOTES:**
- VIEW OF LOGIC PANEL IS FROM WIRING SIDE.
 - THE SMALL PERIPHERAL CONTROLLER SLOTS MAY CONTAIN A VARIETY OF POP 11 OPTIONS. THE OPTION MAY CONSIST OF A SINGLE QUAD MODULE BOARD (SLOTS C, D, E, & F) OR A DOUBLE HEIGHT CONTROLLER BOARD (SLOTS C & D) WITH AN M105 ADDRESS SELECTOR MODULE (SLOT E) AND AN M7821 INTERRUPT CONTROL MODULE (SLOT F).
 - IF NO OPTION IS PRESENT IN THE SMALL PERIPHERAL CONTROLLER SLOTS, G727 GRANT CONTINUITY MODULE(S) MUST BE INSERTED IN SLOTS D.
 - MAY BE EITHER M52B (CONNECTION FROM ADJACENT DEVICE) OR BC11A CABLE (CONNECTION FROM ANOTHER BOX OR NON-ADJACENT DEVICE).
 - MAY BE M52B (CONNECTION TO ADJACENT DEVICE), M53B (TERMINATION AT END OF UNIBUS A), OR BC11A CABLE (CONNECTION TO NEXT BOX OR NON-ADJACENT DEVICE).
 - MAY BE M530B (TERMINATION AT BEGINNING OR END OF UNIBUS B) OR BC11A CABLE (CONNECTION TO OTHER BUS B DEVICES).
 - FOR DIAGNOSTIC CHECKOUT AN M528B CONNECTOR MODULE MAY BE PLACED IN SLOTS A, B, 88 & 89, AN M53B OR BC11A CABLE IS THEN USED IN SLOT A, B 87.
 - THE M470 MODULE WILL BE INSERTED IN J2 OF EACH OF THE M5903 MODULES IN THE LAST DRIVE UNIT ATTACHED TO THE MASSBUS CARPETS ORIGINATING FROM THE M5904(S) IN THE RHII CONTROLLER BACKPLANE, WHEN BUILDING A MASSBUS SYSTEM.
 - IF NO UNIBUS B CABLE IS CONNECTED TO THE RHII ONLY ONE M530B MODULE SHOULD BE USED IN SLOT A80B.
 - IF ANOTHER DEVICE ATTACHED TO THE SAME POWER SUPPLY AS THE RHII HAS UNIBUS POWER FAIL SIGNALS WIRED TO THE UNIBUS REMOVE THE M688 MODULE FOR THAT BUS.
 - SMALL PER CONTROL SLOTS FOR MANUFACTURING USE ONLY.
 - ONE M870 MODULE WILL BE INSERTED IN J1 (COMPONENT SIDE OUT) OF EACH OF THE 3 M5904 MODULES FOR SHIPMENT ONLY!

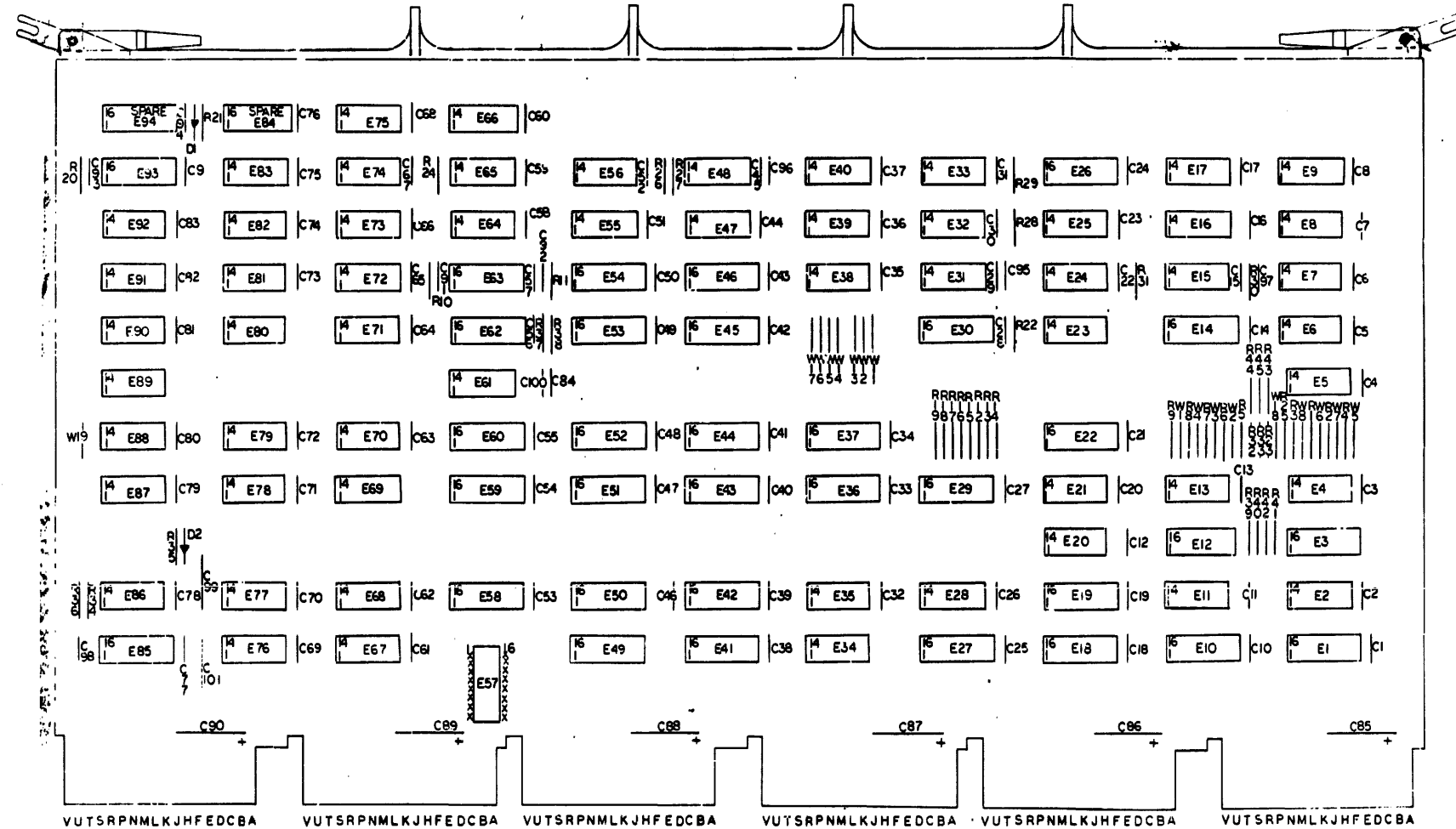
1	BUS CNTL	D-CS-M7286-B-1	1
3	GRANT CONTINUITY	B-CS-G727-B-1	2
3	MASS BUS TERMINATOR	D-CS-M870-0-1	3
1	PARITY CNTL	D-CS-M7287-B-1	4
1	CNTL & STATUS REG	D-CS-M7294-B-1	5
1	DATA BUFFER & CONTROL	D-CS-M7294-0-4	6
3	CONTROLLER TRANSCIEVER	D-CS-M5904-B-1	7
2	UNIBUS TERMINATOR (BUS B)	D-CS-M530B-B-1	8
1	UNIBUS CONNECTOR	C-CS-M52B-B-1	9
2	POWER FAIL DRIVER	D-CS-M688-B-1	10
2	HANDLE EXTENDER	A-PL-M850-B-B	11

FIRST USED ON OPTION MODEL	QTY.	DESCRIPTION	PART NO.	ITEM NO.
RHII PARTS LIST				
UNLESS OTHERWISE SPECIFIED DIMENSION IN INCHES				
TOLERANCES				
DECIMALS	ANGLES	DATE		
.xxx ± .005	0° 30'	ENG	DATE	
.xx ± .02		PROJ	DATE	
REMOVE BURRS AND BREAK SHARP CORNERS SURFACE QUALITY 1				
MATERIAL				
NEXT HIGHER ASSY.				
FINISH				
SCALE NONE		SIZE CODE		REV.
SHEET OF		D MU RHII-0-01		B

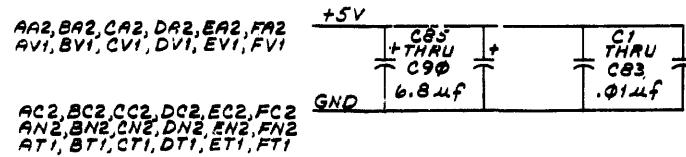
JENKINS
S. JENKINS
1-7-75
1-21-77

This drawing and specifications, herein, are the property of Digital Equipment Corporation and shall not be reproduced or used in whole or in part as the basis for the manufacture or sale of items without written permission. COPYRIGHT © 1973 DIGITAL EQUIP. CORP.

NOTES:



DEC NO.	QTY	IC TYPE	IC PIN LOCATIONS
DEC 8223	8	PROM.	B 16
DEC 8234	8		B 16
DEC 8641	8		B 16
DEC 8640	1		B
DEC 745157	8		B 16
DEC 74123	8		B 16
DEC 74193	8		B 16
DEL 7485	8		B 16
IC TYPE GND +5V			
GND AND 5V ARE USUALLY PIN 7 AND 14 RESPECTIVELY. EXCEPTIONS ARE STATED ABOVE.			

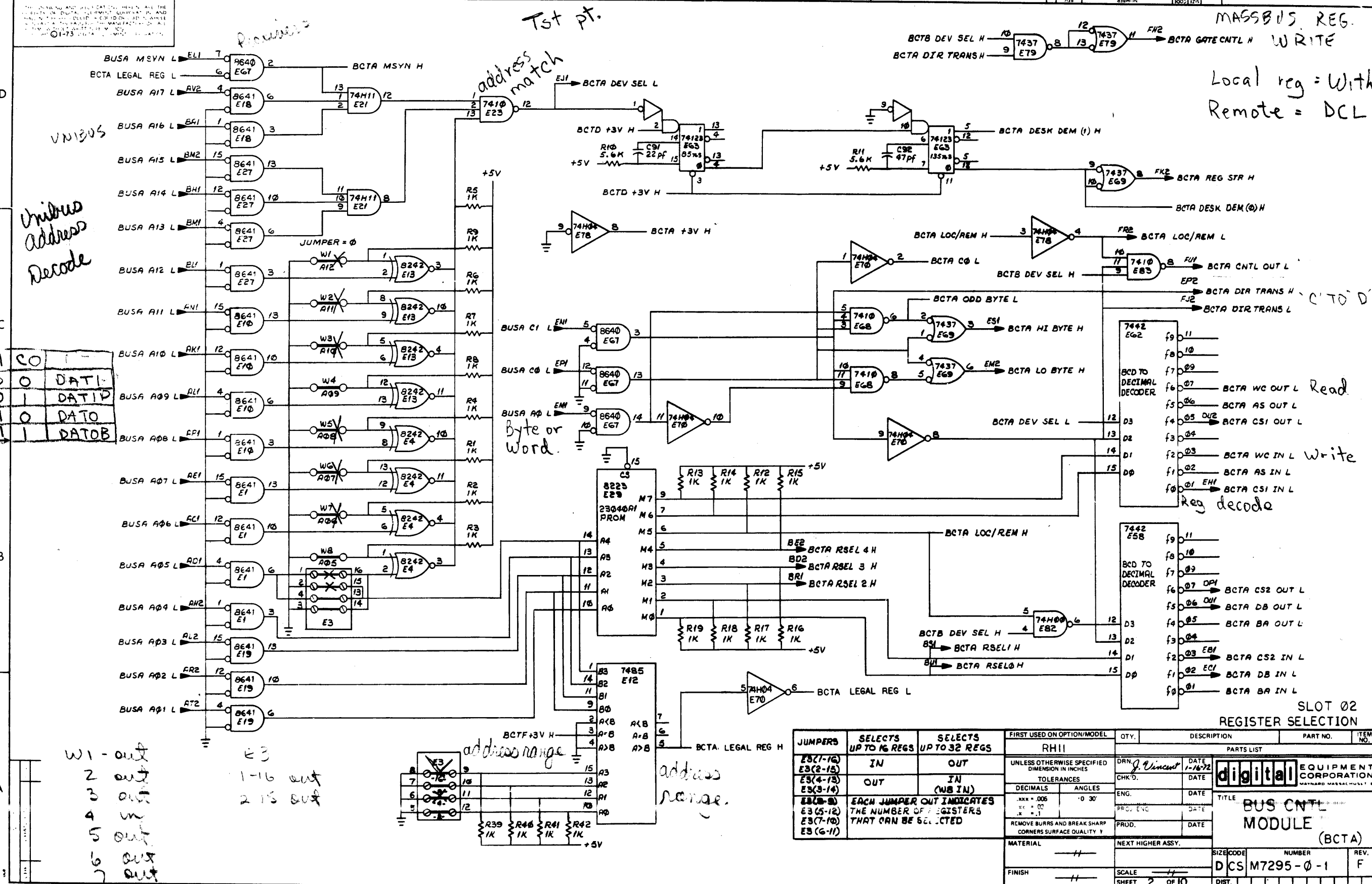


DEC FORM NO. DRD 135A

REVISIONS
 1. SCHMIDT (CNC) 8/21/73
 2. SCHMIDT 6 JULY 73
 3. T. W. 9/11/73
 4. L. CONDON 9/11/73
 5. M. JENKINS 10-2-73
 6. S. JENKINS 10-2-73
 7. M. JENKINS 10-2-73
 8. M. JENKINS 10-2-73
 9. M. JENKINS 10-2-73
 10. M. JENKINS 10-2-73
 11. M. JENKINS 10-2-73
 12. M. JENKINS 10-2-73
 13. M. JENKINS 10-2-73
 14. M. JENKINS 10-2-73
 15. M. JENKINS 10-2-73
 16. M. JENKINS 10-2-73
 17. M. JENKINS 10-2-73
 18. M. JENKINS 10-2-73
 19. M. JENKINS 10-2-73
 20. M. JENKINS 10-2-73
 21. M. JENKINS 10-2-73
 22. M. JENKINS 10-2-73
 23. M. JENKINS 10-2-73
 24. M. JENKINS 10-2-73
 25. M. JENKINS 10-2-73
 26. M. JENKINS 10-2-73
 27. M. JENKINS 10-2-73
 28. M. JENKINS 10-2-73
 29. M. JENKINS 10-2-73
 30. M. JENKINS 10-2-73
 31. M. JENKINS 10-2-73
 32. M. JENKINS 10-2-73
 33. M. JENKINS 10-2-73
 34. M. JENKINS 10-2-73
 35. M. JENKINS 10-2-73
 36. M. JENKINS 10-2-73
 37. M. JENKINS 10-2-73
 38. M. JENKINS 10-2-73
 39. M. JENKINS 10-2-73
 40. M. JENKINS 10-2-73
 41. M. JENKINS 10-2-73
 42. M. JENKINS 10-2-73
 43. M. JENKINS 10-2-73
 44. M. JENKINS 10-2-73
 45. M. JENKINS 10-2-73
 46. M. JENKINS 10-2-73
 47. M. JENKINS 10-2-73
 48. M. JENKINS 10-2-73
 49. M. JENKINS 10-2-73
 50. M. JENKINS 10-2-73

FIRST USED ON OPTION MODEL	RHII	ETCH BOARD REV	C
DEC NO.	EIA NO.	DEC NO.	EIA NO.
SEMICONDUCTOR CONVERSION CHART			
PARTS LIST			
EQUIPMENT CORPORATION MAYNARD MASSACHUSETTS			
TITLE: BUS CNTL MODULE (BCT)			
NUMBER: M7295-0-1			
SCALE: NONE			
SHEET: 2 OF 10			

REF	REF DESIGNATION	DESCRIPTION	PART NO	ITEM NO
REF		X - COORDINATE HOLE LOCATION	K-00-47295-0-4	1
REF		ASSY DRILLING HOLE LAYOUT	D-MH-47295-0-5	2
REF		MODULE ECO HISTORY	B-MH-47295-0-6	3
1		ETCHED CIRCUIT BOARD	5000428	4
1	C82	CAP 47 PF 5% 100V	1000011	5
2	C83 C85	CAP 100 PF 5% 300V	1000017	6
1	C88	CAP 180 PF 5% 100V	1000020	7
1	C84	CAP 220 PF 5% 100V	1000021	8
2	C86, C97	CAP 330 PF 5% 100V	1000023	9
1	E12	I.C. DEC 7425	1900024	10
2	C84, C100	CAP 001 UF 20% 250V	1000043	11
1	C99	CAP 39 UF 10% 10V 5 TANT	1000076	12
83	C1 THRU C83	CAP 01 UF 20% 50V DISK	1001610	13
8	C85 THRU C88	CAP 6.6 UF 10% 35V 5 TANT	1005308	14
1	C81	CAP 22 PF 5% 100V	1005820	15
2	D1, D2	DIODE 7664	1100114	16
2	R28, R30	RES 47 5% 1 4W	1300202	17
5	R23, R32, R33, R37, R38	RES 390 5% 1 4W	1300308	18
25	R1 THRU R8, R12 THRU R19, R22, R25, R27, R35, R39 THRU R42, R45	RES 1K 5% 1 4W	1300365	19
6	R44, R28, R29, R43, R44, R45	RES 180 5% 1 4W	1301322	20
4	R10, R11, R20, R34	RES 5.6K 5% 1 4W	1301874	21
2	R21, R25	RES 27K 5% 1 4W	1505340	22
3	E86, E74, E66	I.C. DEC 7474	1905547	23
7	E7, E23, E68, E73, E60, E83, E89	I.C. DEC 7410	1905576	24
4	E12, E75, E77, E81	I.C. DEC 7402	1907004	25
5	E5, E17, E47, E82, E87	I.C. DEC 74100	1909056	26
3	E21, E25, E81	I.C. DEC 74111	1909287	27
6	E3, E56, E71, E30, E92, E6	I.C. DEC 74174	1909857	28
10	E2, E11, E24, E28, E33, E34, E35, E40, E56, E85	I.C. DEC 8081	1909705	29
2	E4, E13	I.C. DEC 8242	1911711	30
1	E31	I.C. DEC 7401	1909849	31
1	E38	I.C. DEC 7405	1909830	32
5	E8, E84, E70, E72, E78	I.C. DEC 74104	1909831	33
13	E14, E22, E30, E36, E37, E42, E47, E45, E46, E50, E51, E57, E54	I.C. DEC 74133	1910018	34
2	E58, E82	I.C. DEC 7442	1910046	35
2	E88, E79	I.C. DEC 7437	1910081	36
3	E75, E46, E88	I.C. DEC 7408	1910155	37
3	E83, E85, E93	I.C. DEC 74123	1910438	38
1	E26	I.C. DEC 745157	1910548	39
2	E20, E81	I.C. DEC 7427	1910878	40
4	E16, E39, E87, E78	I.C. DEC 8640	1911489	41
5	E1, E10, E18, E18, E27	I.C. DEC 8641	1911879	42
6	E41, E44, E49, E52, E59, E60	I.C. DEC 8234	1911915	43
1	F29	I.C. DEC 8223 PROM	230400A1	44
1	(FOR E57)	I.C. SOCKET	1909830	45
1	E3	I.C. COMPONENT CARRIER	1211323	46
1		HANDLE	1210711-2	47
1	E57	PRIORITY JUMPER LEVEL #6	9408778	48
12		EYELET	9888732	49
17	WH-WE, WII-WI9	INSULATED JUMPER	KCC918	50



MASSBUS REG. WRITE

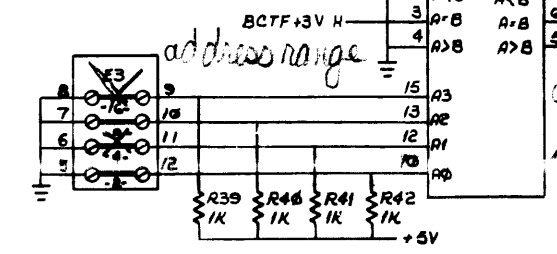
Local reg = Within RH11
Remote = DCL

Unibus Address Decode

READ	0	0	DAT1
READ	0	1	DAT1P
WRITE	1	0	DAT0
WRITE	1	1	DAT0B

w1 - out
2 out
3 out
4 in
5 out
6 out

e3
1-16 out
2 15 out

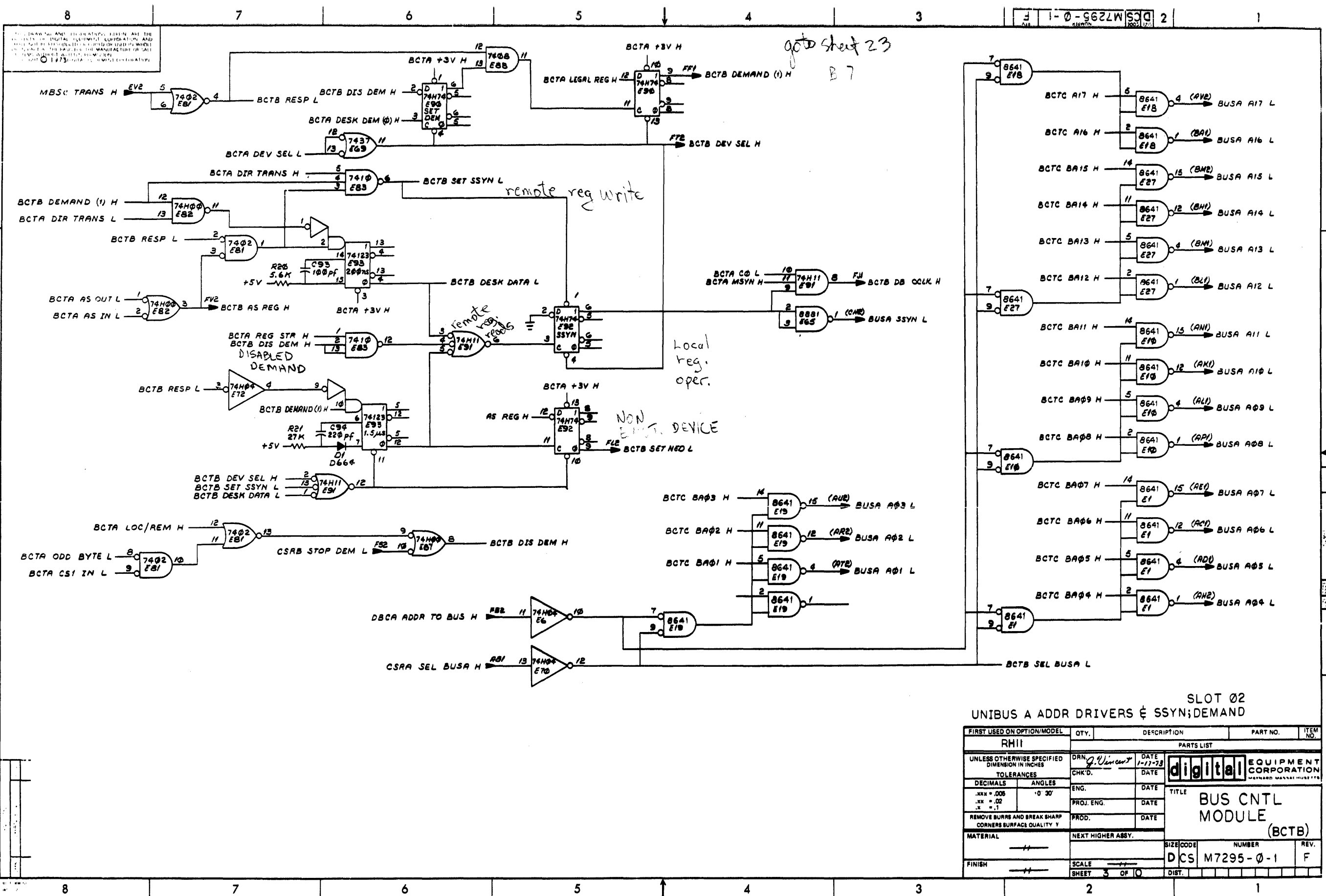


JUMPERS	SELECTS UP TO 16 REGS	SELECTS UP TO 32 REGS	FIRST USED ON OPTION/MODEL	QTY.	DESCRIPTION	PART NO.	ITEM NO.
E3(1-16)	IN	OUT	RH11				
E3(2-15)							
E3(4-13)	OUT	IN (WB IN)					
E3(5-12)							
E3(6-11)							

REGISTER SELECTION		PARTS LIST	
D3	f9	DRN	J. Vincent
D2	f8	CHK'D.	
D1	f7	ENG.	
D0	f6	PROJ. ENG.	
	f5	PROD.	
	f4		
	f3		
	f2		
	f1		
	f0		

TITLE		NUMBER	
BUS CNTL MODULE (BCTA)		SIZE CODE	REV.
		DCS M7295-0-1	F

MASSBUS REG. WRITE
Local reg = Within RH11
Remote = DCL
C'TO'D LINE
REGISTER SELECTION
PARTS LIST
TITLE
BUS CNTL MODULE (BCTA)
NUMBER
DCS M7295-0-1
REV.
F
SHEET 2 OF 10
DIST.



got sheet 23
B7

remote reg write

Local reg. oper.

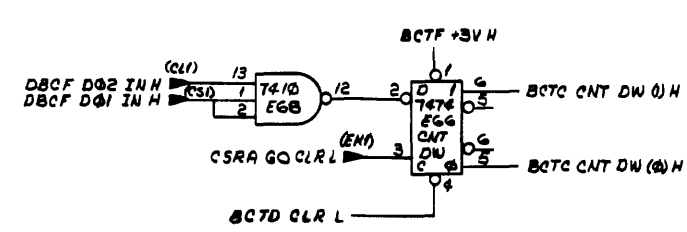
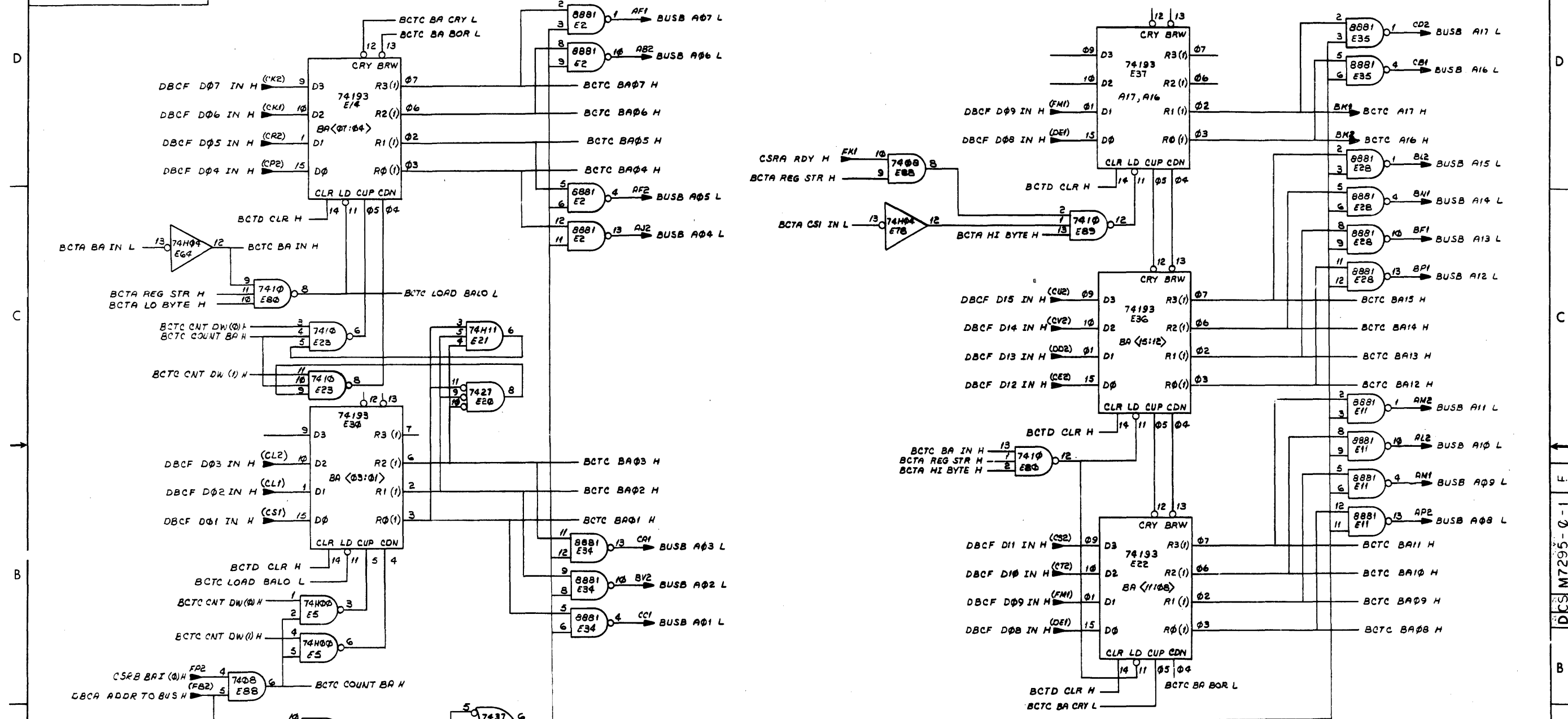
NON EXIST. DEVICE

SLOT 02
UNIBUS A ADDR DRIVERS & SSYN; DEMAND

FIRST USED ON OPTION/MODEL	QTY.	DESCRIPTION	PART NO.	ITEM NO.
RH11		PARTS LIST		
UNLESS OTHERWISE SPECIFIED DIMENSION IN INCHES		DRN. <i>J. Vincent</i> DATE 1-17-73		
TOLERANCES		CHK'D. DATE		
DECIMALS	ANGLES	ENG. DATE	TITLE BUS CNTL MODULE (BCTB)	
.XX = .005	.0' 30'	PROJ. ENG. DATE		
.X = .1		PROD. DATE		
REMOVE BURRS AND BREAK SHARP CORNERS SURFACE QUALITY Y		NEXT HIGHER ASSY.		
MATERIAL		SIZE CODE	NUMBER	REV.
FINISH		SCALE	DCS M7295-0-1	F
		SHEET 3 OF 10	DIST.	

BCTB
2

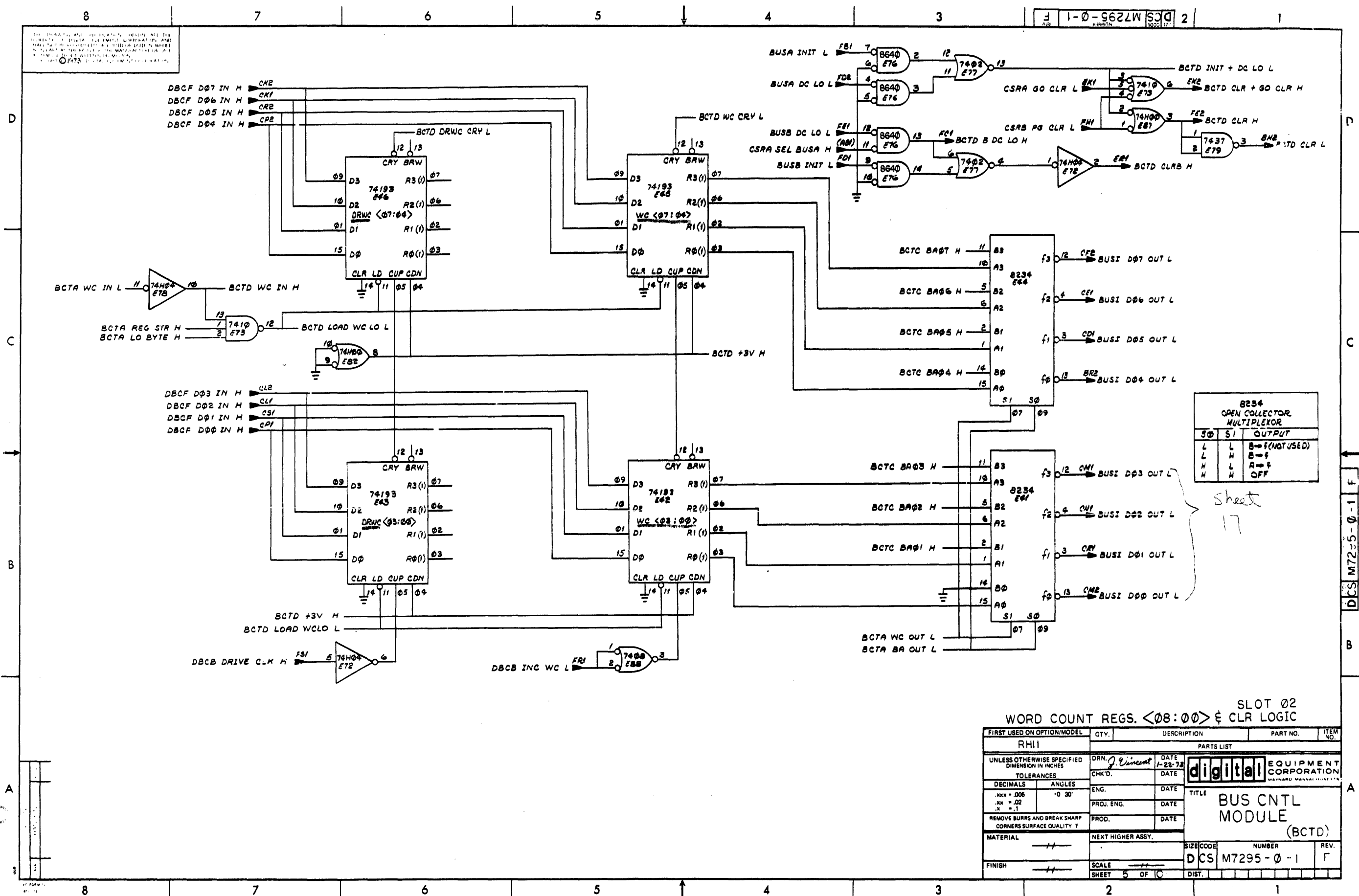
ALL DIMENSIONS AND TOLERANCES UNLESS OTHERWISE SPECIFIED ARE IN INCHES. DIMENSIONS IN PARENTHESES ARE FOR INFORMATION ONLY. THIS DRAWING IS THE PROPERTY OF DIGITAL CORPORATION AND IS NOT TO BE REPRODUCED OR TRANSMITTED IN ANY FORM OR BY ANY MEANS, ELECTRONIC OR MECHANICAL, INCLUDING PHOTOCOPYING, RECORDING, OR BY ANY INFORMATION STORAGE AND RETRIEVAL SYSTEM. © 1973



SLOT 02
BUS ADDR REG

FIRST USED ON OPTION/MODEL	QTY.	DESCRIPTION	PART NO.	ITEM NO.
RH11				
PARTS LIST				
UNLESS OTHERWISE SPECIFIED DIMENSION IN INCHES		DRN. <i>J. Vincent</i>	DATE 1-19-73	
TOLERANCES		CHK'D.	DATE	
DECIMALS	ANGLES	ENG.	DATE	TITLE BUS CNTL MODULE (BCTC)
.xxx = .006	'0 30'	PROJ ENG	DATE	
REMOVE BURRS AND BREAK SHARP CORNERS SURFACE QUALITY V		PROD.	DATE	SIZE CODE NUMBER DCS M7295-0-1
MATERIAL	NEXT HIGHER ASSY.			
FINISH	SCALE			REV. F
	SHEET 4 OF 10			

DCS M7295-0-1 F



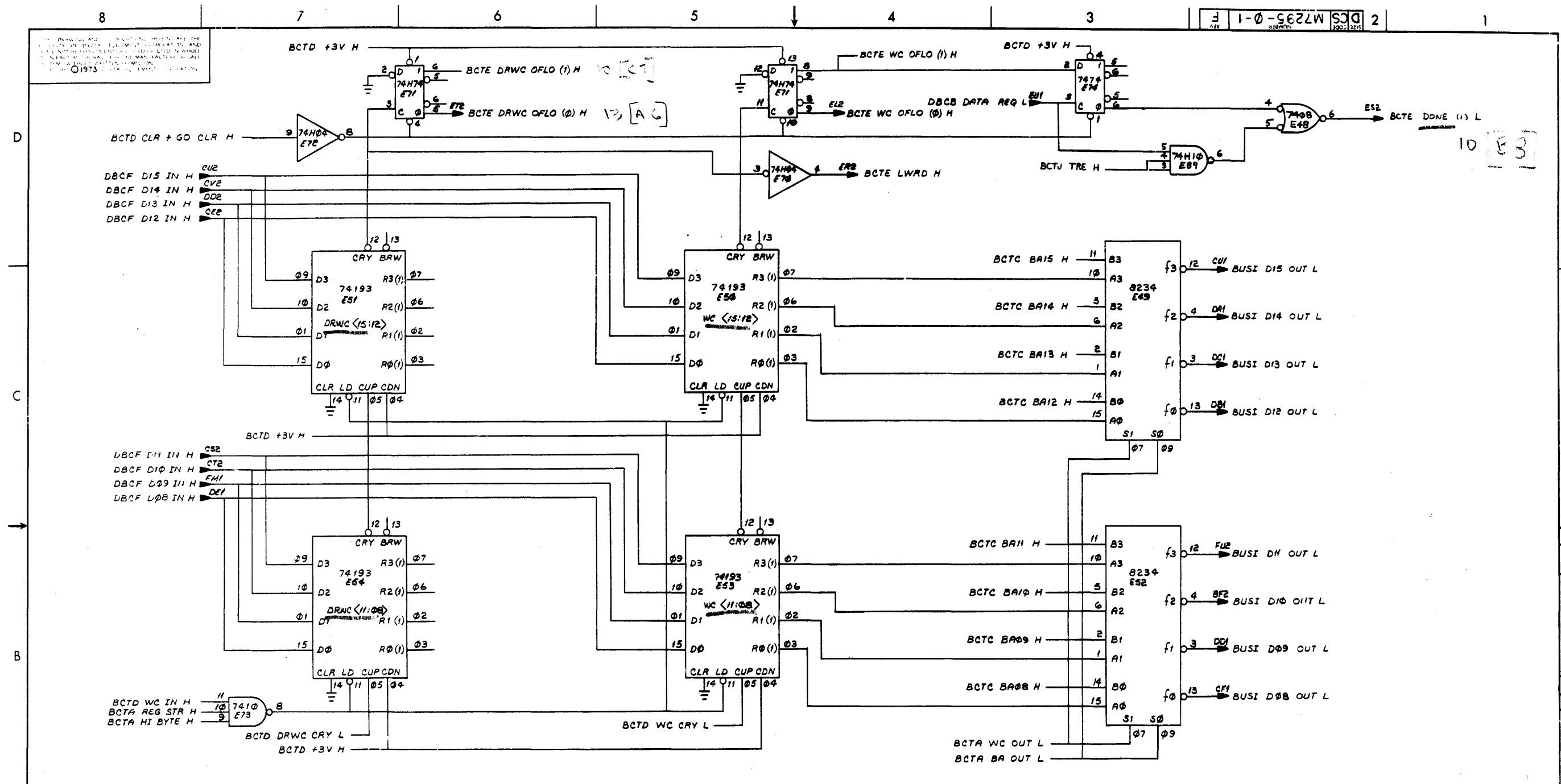
8234 OPEN COLLECTOR MULTIPLEXOR		
S0	S1	OUTPUT
L	L	B=f (NOT USED)
L	H	B=f
H	L	A=f
H	H	OFF

Sheet
17

SLOT 02
WORD COUNT REGS. <08:00> & CLR LOGIC

FIRST USED ON OPTION/MODEL	QTY.	DESCRIPTION	PART NO.	ITEM NO.
RH11		PARTS LIST		
UNLESS OTHERWISE SPECIFIED DIMENSION IN INCHES		DRN. J. Vincent	DATE 1-23-78	digital EQUIPMENT CORPORATION MAYNARD, MASSACHUSETTS
TOLERANCES		CHK'D.	DATE	
DECIMALS .xxx = .006	ANGLES '0 30'	ENG.	DATE	TITLE BUS CNTL MODULE (BCTD)
.xx = .02	.x = .1	PROJ. ENG.	DATE	
REMOVE BURRS AND BREAK SHARP CORNERS SURFACE QUALITY Y		PROD.	DATE	MATERIAL ---//--- NEXT HIGHER ASSY.
FINISH ---//---		SCALE ---//---	SHEET 5 OF 10	
		SIZE CODE NUMBER REV.		
		DCS M7295-0-1 F		
		DIST.		

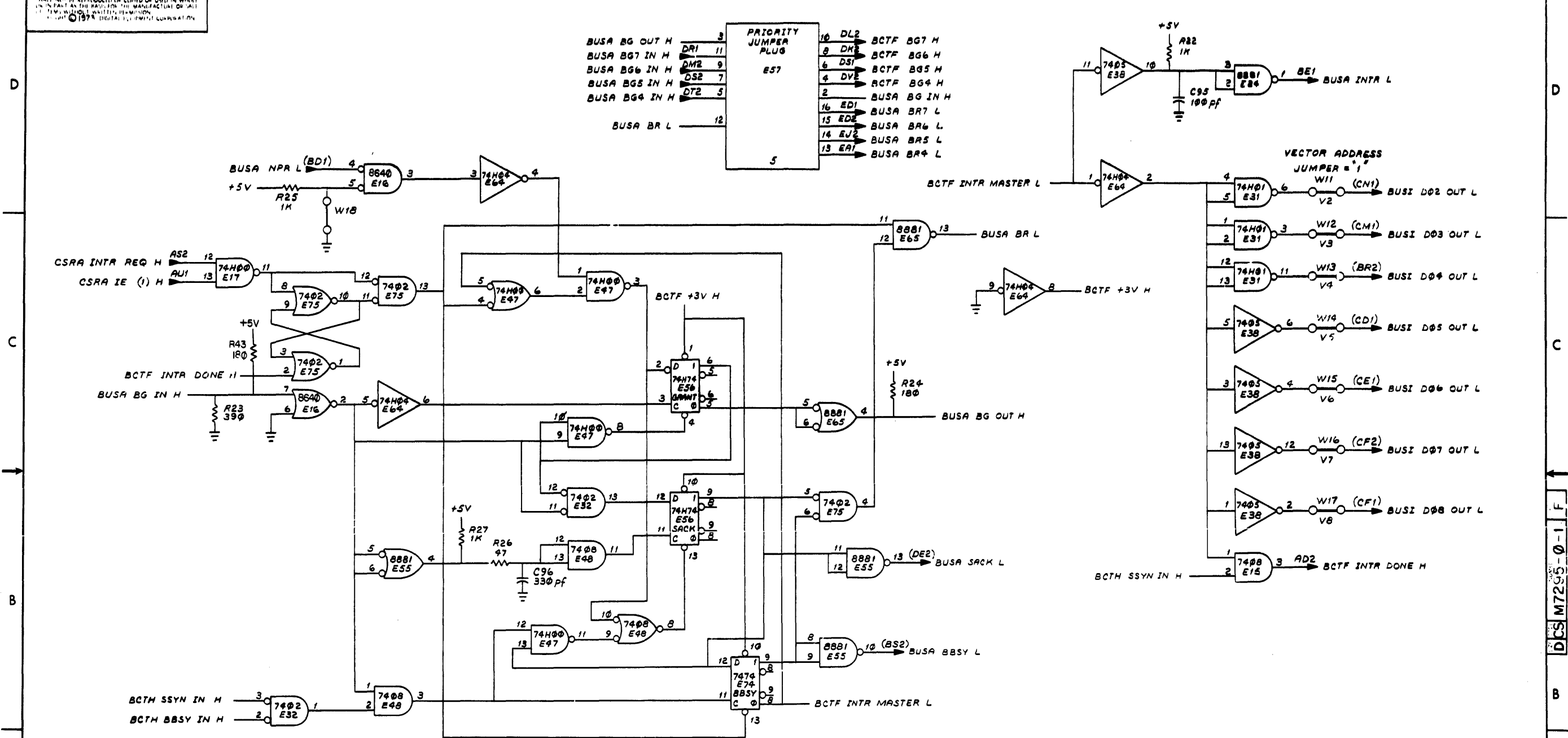
BCTD
4



SLOT 02
WORD COUNT REGS. <15:08>

FIRST USED ON OPTION/MODEL	QTY.	DESCRIPTION	PART NO.	ITEM NO.
RHII				
PARTS LIST				
UNLESS OTHERWISE SPECIFIED DIMENSION IN INCHES		DRN. <i>J. Vincent</i>	DATE 1-23-73	
TOLERANCES		CHK'D.	DATE	
DECIMALS	ANGLES	ENG.	DATE	TITLE BUS CNTL MODULE (BCTE)
.XXX ± .005	° 0' 30"	PROJ. ENG.	DATE	
REMOVE BURRS AND BREAK SHARP CORNERS SURFACE QUALITY 1		PROD.	DATE	SIZE CODE D CS M7295-0-1
MATERIAL		NEXT HIGHER ASSY.		
FINISH		SCALE		NUMBER F
		SHEET 6 OF 10		

THIS DRAWING AND SPECIFICATIONS HEREIN ARE THE PROPERTY OF DIGITAL EQUIPMENT CORPORATION AND SHALL NOT BE REPRODUCED OR COPIED OR USED IN WHOLE OR IN PART IN THE MANUFACTURE OF ANY EQUIPMENT WITHOUT WRITTEN PERMISSION FROM DIGITAL EQUIPMENT CORPORATION.

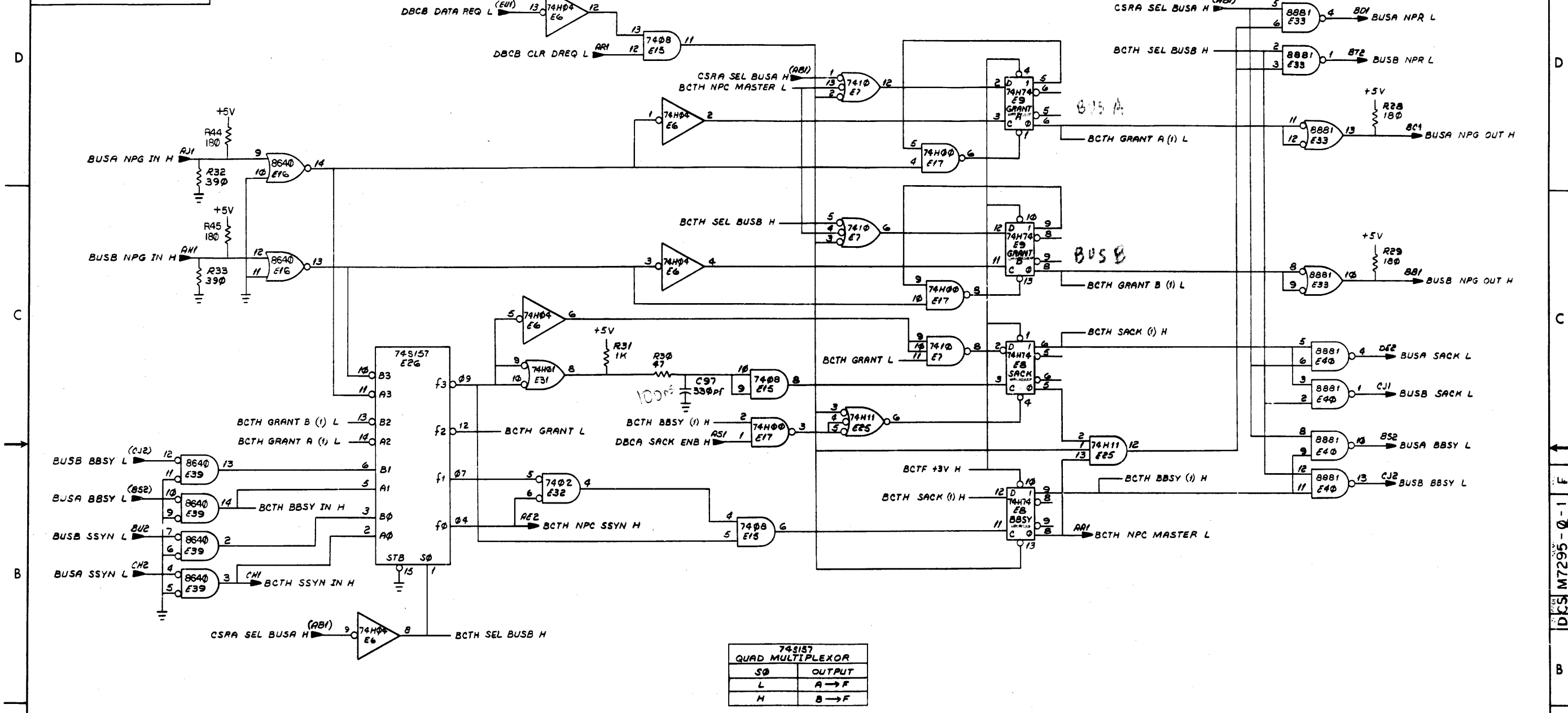


SLOT 02
INTERRUPT CNTL

FIRST USED ON OPTION MODEL	QTY.	DESCRIPTION	PART NO.	ITEM NO.
RH11				
PARTS LIST				
UNLESS OTHERWISE SPECIFIED: DIMENSION IN INCHES:		DRN. <i>J. Vincent</i>	DATE 1-24-73	digital EQUIPMENT CORPORATION MAYNARD, MASSACHUSETTS
TOLERANCES:		CHK'D.	DATE	
DECIMALS	ANGLES	ENG.	DATE	TITLE BUS CNTL MODULE (BCTF)
.xxx .005	.0 30	PROJ. ENG.	DATE	
.xx .02	.1	PROD.	DATE	
REMOVE BURRS AND SHARP CORNERS SURFACE QUALITY Y				
MATERIAL	NEXT HIGHER ASSY.		SIZE CODE	NUMBER
FINISH	SCALE		DCS M7295-0-1	RFV.
	SHEET 7 OF 0		DIST.	F

DCS M7295-0-1 F

THIS DRAWING AND SPECIFICATIONS HEREIN ARE THE PROPERTY OF DIGITAL EQUIPMENT CORPORATION AND SHALL NOT BE REPRODUCED OR LOANED OR USED IN WHOLE OR IN PART AS THE BASIS FOR THE MANUFACTURE OF ANY ITEM, WITHOUT WRITTEN PERMISSION.
 © 1973 DIGITAL EQUIPMENT CORPORATION



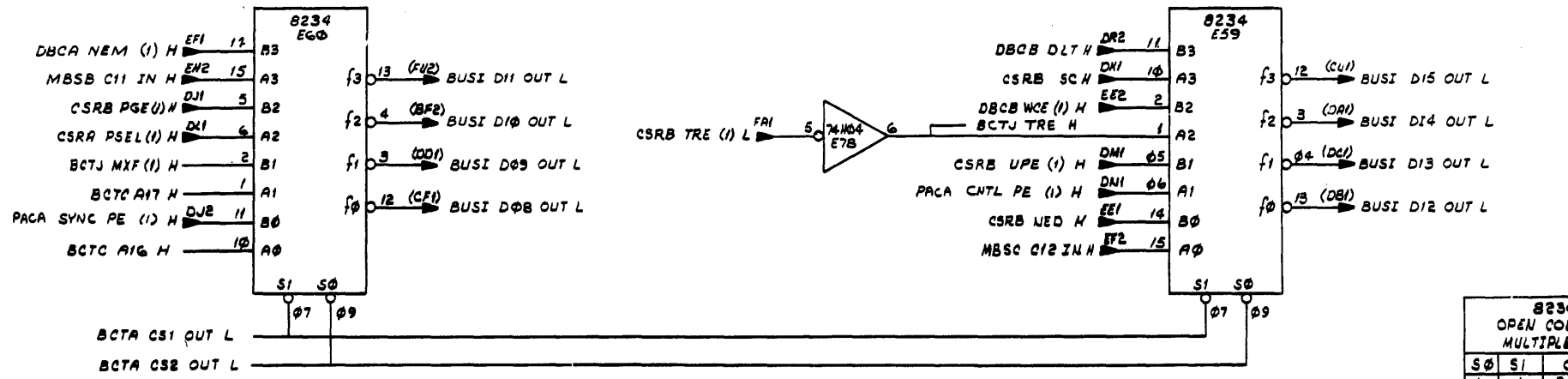
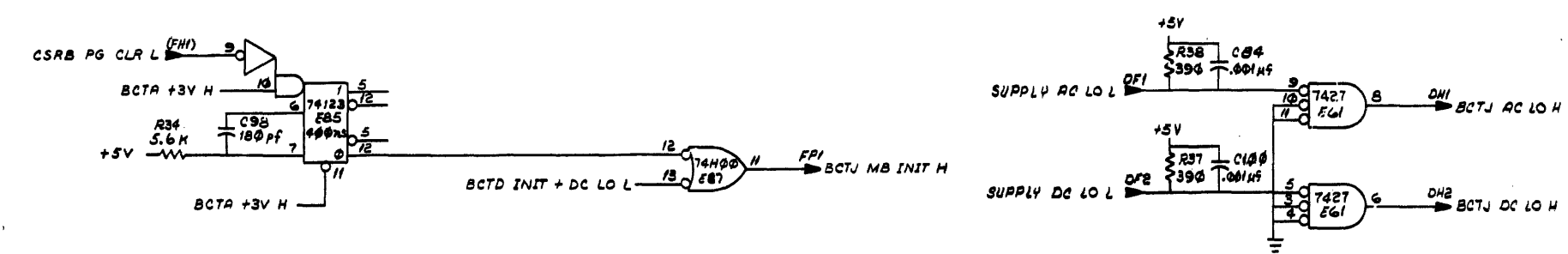
74S157 QUAD MULTIPLEXOR	
S0	OUTPUT
L	A → F
H	B → F

SLOT 02
NPR CNTL

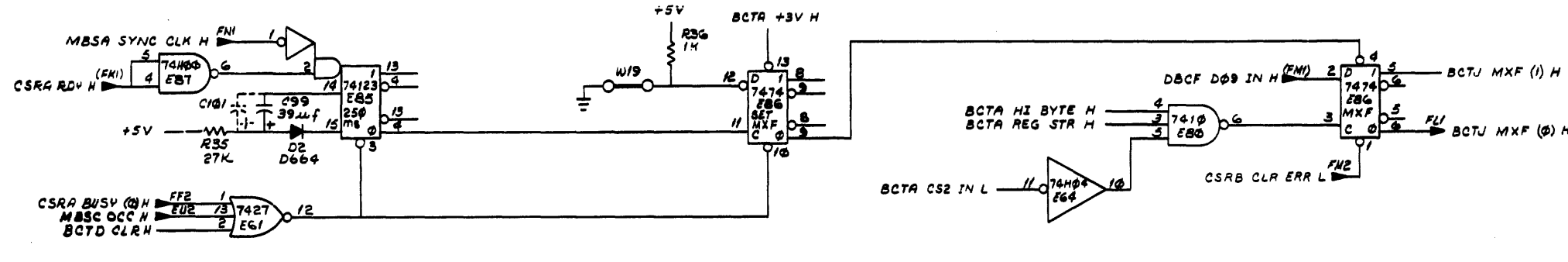
FIRST USED ON OPTION/MODEL	QTY.	DESCRIPTION	PART NO.	ITEM NO.
RH11				
PARTS LIST				
UNLESS OTHERWISE SPECIFIED DIMENSION IN INCHES	DRN. <i>J. Vincent</i>	DATE 1-29-73	digital EQUIPMENT CORPORATION MAYNARD, MASSACHUSETTS	
TOLERANCES	CHK'D.	DATE		
DECIMALS	ANGLES	ENG.	DATE	TITLE BUS CNTL MODULE (BCTH)
.xxx = .005	.0 30'	PROJ. ENG.	DATE	
REMOVE BURRS AND BRFAK SHARP CORNERS SURFACE QUALITY 1	PROD.	DATE		
MATERIAL	NEXT HIGHER ASSY.		SIZE CODE	NUMBER
FINISH	SCALE		DCS	M7295-0-1
	SHEET	8 OF 10	DIST.	

DCS M7295-0-1 F

THIS DRAWING AND SPECIFICATIONS HEREIN ARE THE PROPERTY OF DIGITAL EQUIPMENT CORPORATION AND SHALL NOT BE REPRODUCED OR COPIED OR USED IN WHOLE OR IN PART AS THE BASIS FOR THE MANUFACTURE OR SALE OF ITEMS WITHOUT WRITTEN PERMISSION.
 COPYRIGHT © 1973 DIGITAL EQUIPMENT CORPORATION



8234 OPEN COLLECTOR MULTIPLEXOR		
S0	S1	OUTPUT
L	L	B → f (NOT USED)
L	H	B → f
H	L	A → f
H	H	OFF



SLOT 02
 MXF; DATA OUT MPX; MB INIT

FIRST USED ON OPTION/MODEL	QTY.	DESCRIPTION	PART NO.	ITEM NO.
RH II				
PARTS LIST				
UNLESS OTHERWISE SPECIFIED DIMENSION IN INCHES	DRN. <i>J. Vincent</i>	DATE <i>1-30-73</i>	digital EQUIPMENT CORPORATION MAYNARD, MASSACHUSETTS	
TOLERANCES	CHK'D.	DATE		
DECIMALS	ANGLES	ENG.	DATE	TITLE BUS CNTL MODULE (BCTJ)
.XX ± .005	° 30'	PROJ. ENG.	DATE	
.X ± .02		PROD.	DATE	
REMOVE BURRS AND BREAK SHARP CORNERS SURFACE QUALITY 1	NEXT HIGHER ASSY.		SIZE CODE	NUMBER
MATERIAL			DCS	M7295-0-1
FINISH			SCALE	REV. F
			SHEET 9 OF 10	

THE DRAWING AND SPECIFICATIONS HEREIN ARE THE PROPERTY OF DIGITAL EQUIPMENT CORPORATION AND SHALL NOT BE REPRODUCED OR COPIED OR USED IN WHOLE OR IN PART AS THE BASIS FOR THE MANUFACTURE OR SALE OF ITEMS WITHOUT THE WRITTEN PERMISSION OF DIGITAL EQUIPMENT CORPORATION.

REGISTER SELECT PROM - 23040A1 (8223)

OCTAL ADDR	LOC/REM							
	M7	M6	M5	M4	M3	M2	M1	M0
00	L	L	L	L	L	L	L	L
01	H	L	H	L	L	L	H	H
02	H	H	H	L	L	L	L	L
03	H	H	L	L	L	H	L	H
04	H	H	H	L	L	L	H	L
05	H	H	L	L	L	L	L	H
06	H	H	L	L	L	L	H	L
07	L	H	L	L	L	H	L	L
10	H	H	L	L	L	H	H	H
11	H	H	H	L	L	L	L	H
12	H	H	L	L	L	L	H	H
13	H	H	L	L	L	H	H	L
14	H	H	L	L	H	L	L	L
15	H	H	L	L	H	L	L	H
16	H	H	L	L	H	L	H	L
17	H	H	L	L	H	L	H	H
20	H	H	L	L	H	H	L	L
21	H	H	L	L	H	H	L	H
22	H	H	L	L	H	H	H	L
23	H	H	L	L	H	H	H	H
24	H	H	L	H	L	L	L	L
25	H	H	L	H	L	L	L	H
26	H	H	L	H	L	L	H	L
27	H	H	L	H	L	L	H	H
30	H	H	L	H	L	H	L	L
31	H	H	L	H	L	H	L	H
32	H	H	L	H	L	H	H	L
33	H	H	L	H	L	H	H	H
34	H	H	L	H	H	L	L	L
35	H	H	L	H	H	L	L	H
36	H	H	L	H	H	L	H	L
37	H	H	L	H	H	L	H	H

REGISTER SELECTED

- RHCS1 & MASSBUS (00)
- RHWC
- RHBA
- MASSBUS (05)
- RHCS2
- MASSBUS (01)
- MASSBUS (02)
- MASSBUS (04)
- MASSBUS (07)
- RHDB
- MASSBUS (03)
- MASSBUS (06)
- MASSBUS (10)
- MASSBUS (11)
- MASSBUS (12)
- MASSBUS (13)
- MASSBUS (14)
- MASSBUS (15)
- MASSBUS (16)
- MASSBUS (17)
- MASSBUS (20)
- MASSBUS (21)
- MASSBUS (22)
- MASSBUS (23)
- MASSBUS (24)
- MASSBUS (25)
- MASSBUS (26)
- MASSBUS (27)
- MASSBUS (30)
- MASSBUS (31)
- MASSBUS (32)
- MASSBUS (33)

PROM TRUTH TABLE

FIRST USED ON OPTION/MODEL	QTY.	DESCRIPTION	PART NO.	ITEM NO.
RH11				
PARTS LIST				
UNLESS OTHERWISE SPECIFIED DIMENSION IN INCHES	CHK'D.	DATE	digital EQUIPMENT CORPORATION MAYNARD, MASSACHUSETTS	
TOLERANCES	DATE	DATE		
DECIMALS	ANGLES	ENG.	DATE	TITLE BUS CNTL MODULE (BCTK)
xxx = .006	'0 30'	PRD. ENG.	DATE	
xx = .02		PROD.	DATE	
REMOVE BURRS AND BREAK SHARP CORNERS SURFACE QUALITY Y	NEXT HIGHER ASSY.		SIZE CODE	NUMBER
MATERIAL			D C S M7295-0-1	REV. F
FINISH	SCALE	NONE		
	SHEET	0 OF 10		

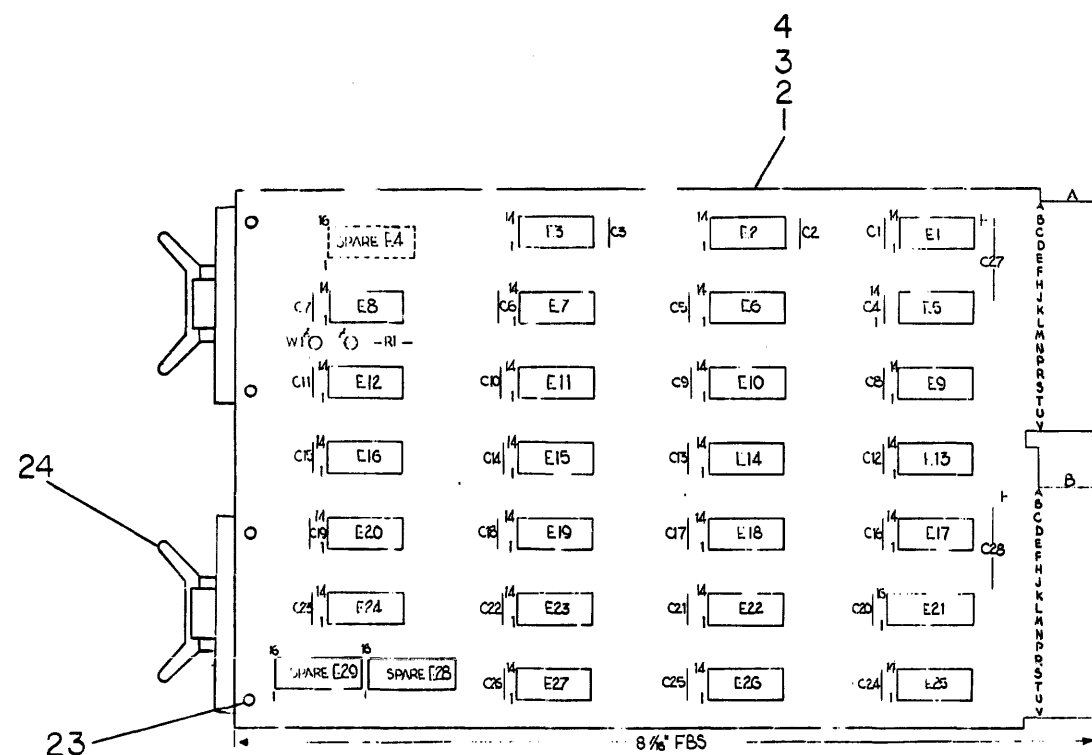
DCS M7295-0-1 F

This drawing and specifications, herein, are the property of Digital Equipment Corporation and shall not be reproduced or used in whole or in part as the basis for the manufacture or sale of any product without written permission. COPYRIGHT © 1973

NOTES:

1. PIN NOTATION THROUGHOUT IS ORDERED UPON MODULE PLACEMENT IN THE RHII. MODULE PIN REFERENCE ALONE IS OBTAINED BY DELETING THE NUMBER (SLOT LOCATION) AFTER THE FIRST LETTER AND CONVERTING THE FIRST LETTER ACCORDING TO THE PIN NOMENCLATURE CHART AT RIGHT.

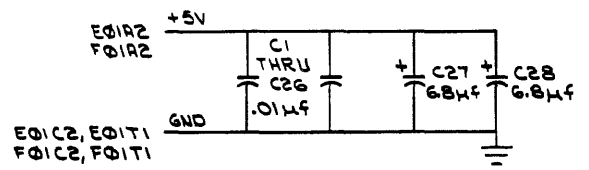
DIGITAL EQUIP CORP



PIN NOMENCLATURE

MODULE	RHII
A	E
B	F

QTY	REF DESIGNATION	DESCRIPTION	PART NO.	ITEM NO.
2		HANDLE, FLIP CHIP	9008337-6	24
4		EYELET	9006732	13
2		SPLIT LUG	9006735	21
1	E21	IC DEC 74175	1910651	21
2	E8, E11	IC DEC 7408	1910155	20
1	E5	IC DEC 7437	1910091	9
3	E10, E13, E26	IC DEC 74H04	1909931	18
3	E3, E24, E25	IC DEC 74H74	1909667	17
3	E16, E23, E27	IC DEC 74H11	1909267	16
1	E22	IC DEC 74H30	1909054	15
1	E6	IC DEC 74H10	1909057	4
1	E9	IC DEC 74H00	1909056	13
1	E20	IC DEC 7402	1909004	12
1	E19	IC DEC 7420	1905577	11
1	E14	IC DEC 7410	1905576	10
3	E1, E2, E17	IC DEC 7400	1905575	9
4	E12, E15, E7, E18	IC DEC 7474	1905547	8
1	R1	RESISTOR 1K 1/4W 5%	1300365	7
2	C27, C28	CAP 6.8uF 35V 10% TANT	1005306	6
26	C1 THRU C26	CAP .01uF 50V 20% AXIAL GER	1001610	5
1		ETCHED CIRCUIT BOARD	5010429	4
REF		MODULE ECO HISTORY	B-MH-M7296-B-6	3
REF		ASSY/DRILLING HOLE LAYOUT	D-AH-M7296-B-5	2
REF		XY COORDINATE HOLE LOCATION	X-CO-M7296-B-4	1



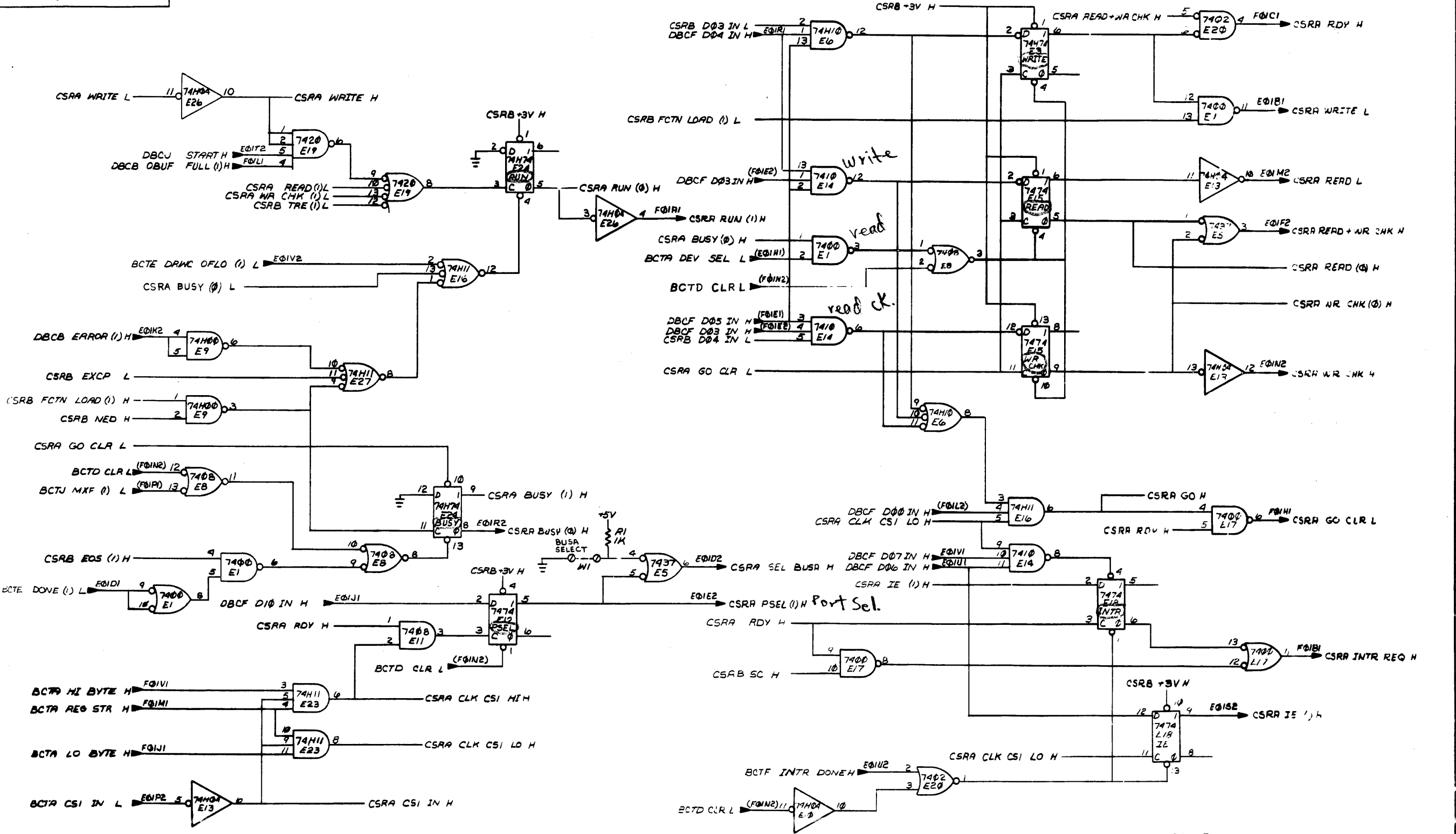
DEC NO.	IC TYPE	8	16
DEC 74175	IC TYPE	8	16
	GND		+5V

GND AND 5V ARE USUALLY PIN 7 AND 14 RESPECTIVELY. EXCEPTIONS ARE STATED ABOVE.

IC PIN LOCATIONS

FIRST USED ON OPTION MODEL		PARTS LIST	
RHII		ETCH BOARD REV C	
DRN. Counter D	DATE 3-15-73	digital EQUIPMENT CORPORATION MAYNARD MASSACHUSETTS	
CHK'D. em	DATE 4/10/73	TITLE CONTROL & STATUS REGS (CSR)	
ENG. /	DATE 7/26/73	SIZE CODE NUMBER REV.	
PROJ. ENG. /	DATE 7/26/73	DICS M7296-0-1 B	
PROJ. /	DATE 7/26/73	SCALE NONE	
NEXT HIGHER ASSY		SHEET OF 3	
DEC NO.	EIA NO.	DEC NO.	EIA NO.
SEMICONDUCTOR CONVERSION CHART			

THIS DRAWING AND SPECIFICATIONS, HEREIN, ARE THE PROPERTY OF DIGITAL EQUIPMENT CORPORATION AND SHALL NOT BE REPRODUCED OR COPIED OR USED IN WHOLE OR IN PART AS THE BASIS FOR THE MANUFACTURE OR SALE OF ITEMS WITHOUT WRITTEN PERMISSION. COPYRIGHT © 1973, DIGITAL EQUIPMENT CORPORATION.



REVISIONS		
CHK	CHANGE NO	REV

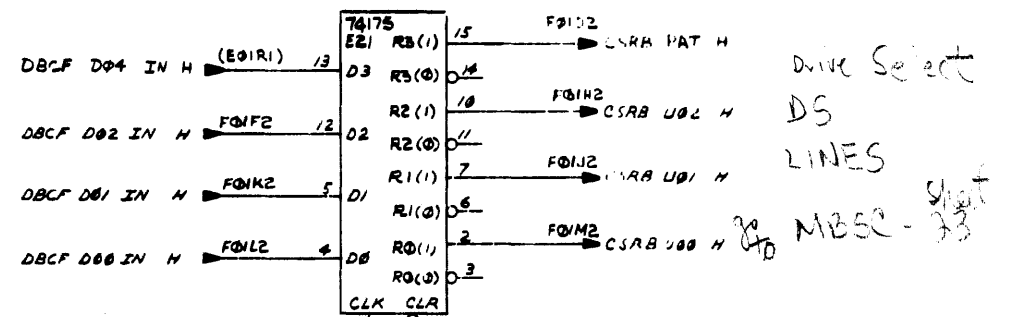
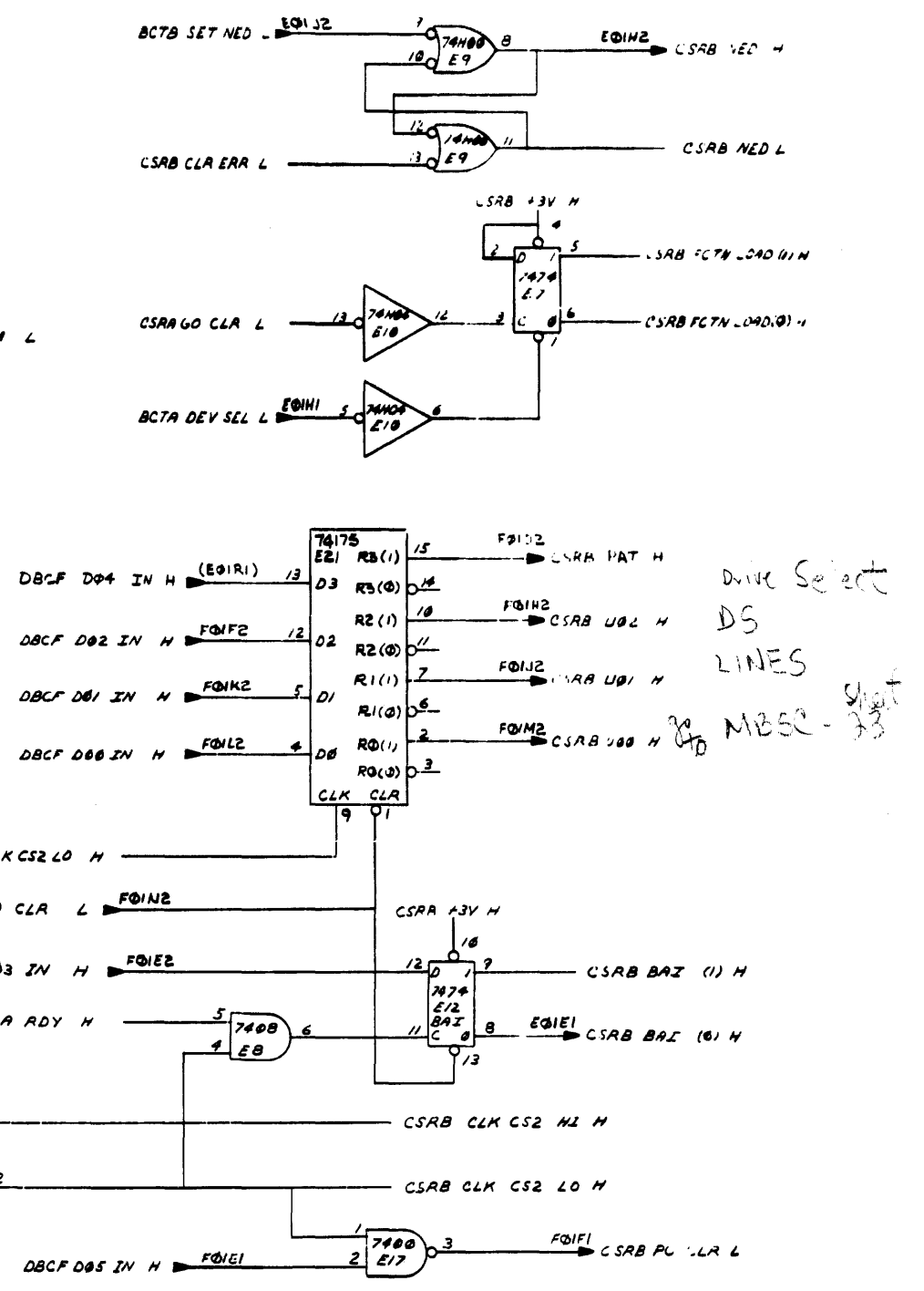
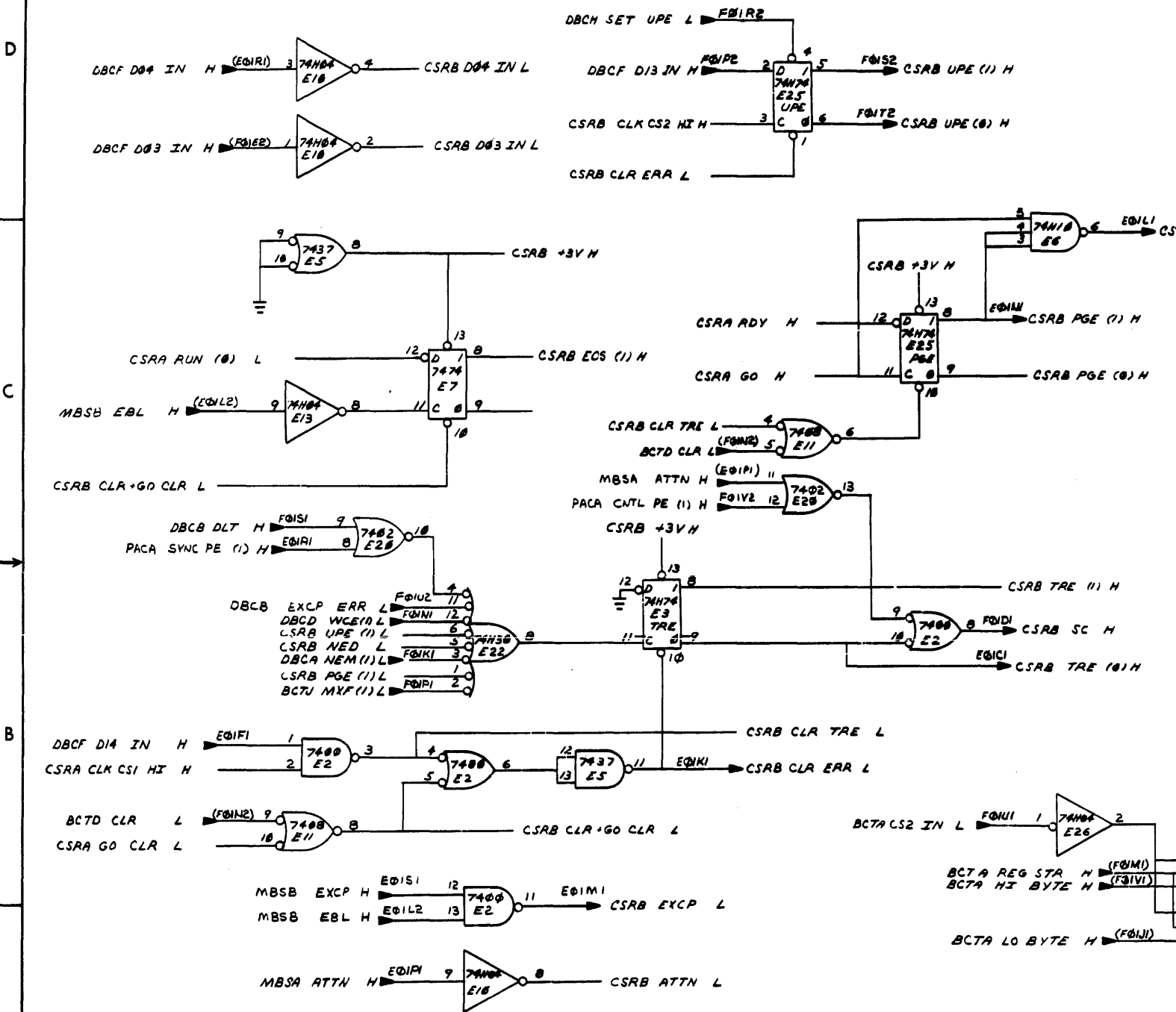
TITLE	CONTROL & STATUS REGS (CSRA)	SIZE CODE	D CS	NUMBER	M7296-0-1	REV.	3
SCALE	NONE	SHEET	2 OF 3	DIST.			

DUS 17296-C-1

Function decoding

CSRA
10

"THIS DRAWING AND SPECIFICATIONS, HEREIN, ARE THE PROPERTY OF DIGITAL EQUIPMENT CORPORATION AND SHALL NOT BE REPRODUCED OR COPIED OR USED IN WHOLE OR IN PART AS THE BASIS FOR THE MANUFACTURE OR SALE OF ITEMS WITHOUT WRITTEN PERMISSION. COPYRIGHT © 1973, DIGITAL EQUIPMENT CORPORATION"



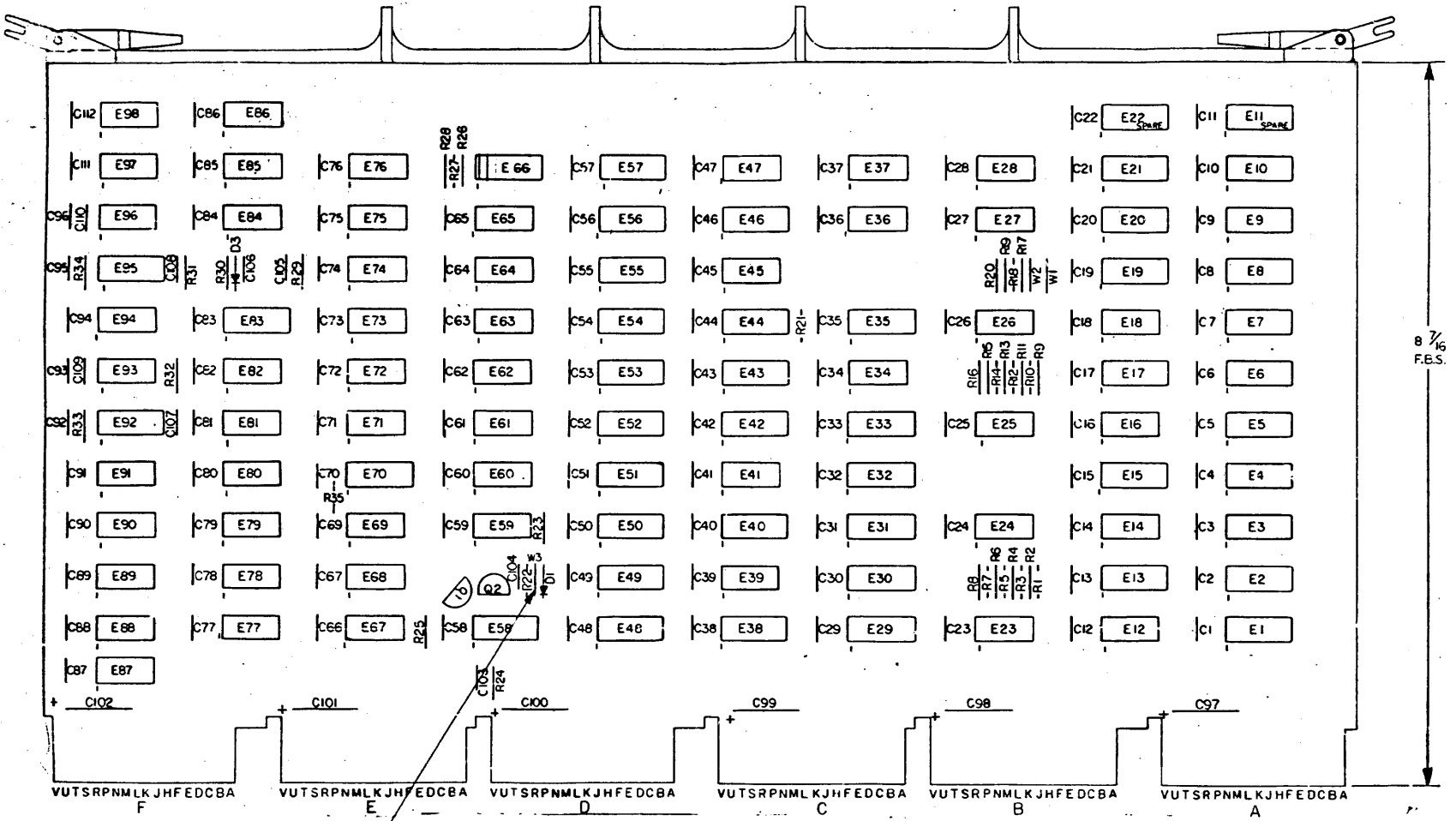
CHK	CHANGE NO	REV

ERROR STATUS & CS2 REG

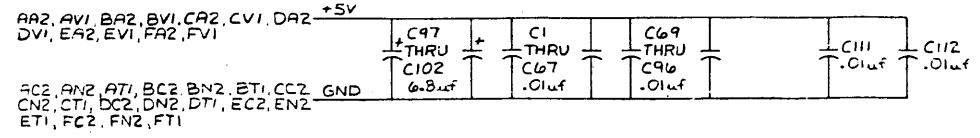
TITLE	CONTROL & STATUS REGS (CSRB)	SIZE CODE	D CS	NUMBER	M7296-0-1	REV.	B
SCALE		SHEET	3	OF	3	DIST.	

THIS DRAWING AND SPECIFICATIONS, HEREON, ARE THE PROPERTY OF Digital Equipment Corporation and shall not be reproduced or used in whole or in part in any form for the purpose of any other drawing without permission. COPYRIGHT © 1973 DIGITAL EQUIP. CORP.

NOTES:
1. V3 SHOULD NOT BE REMOVED FOR ANY PURPOSE.



SEE NOTE 1

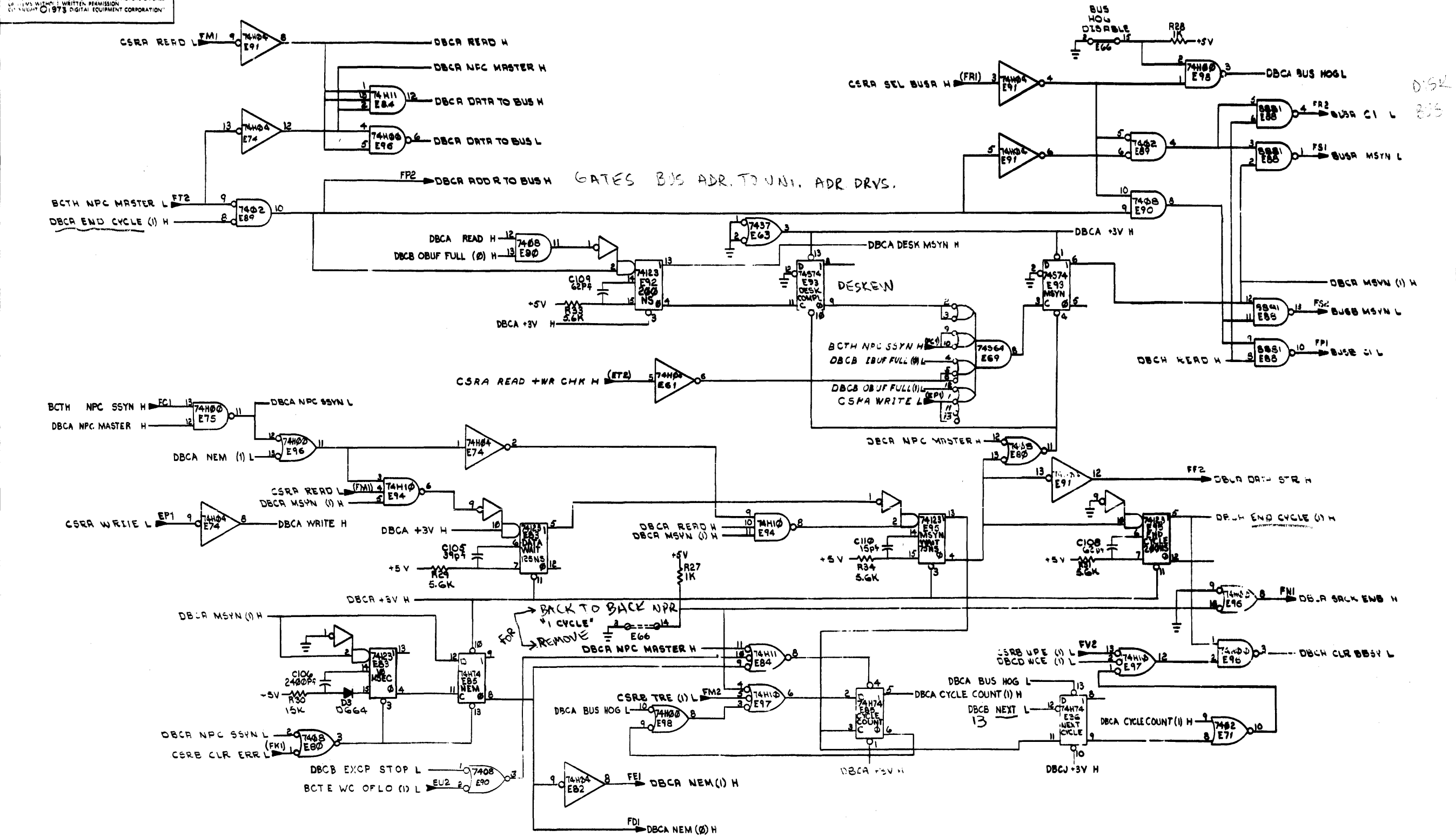


DATE	BY	REV
DEC 8234	B	16
DEC 8341	B	16
DEC 8641	B	16
DEC 7457	B	16
DEC 7474	B	16
DEC 74123	B	16
IC TYPE	GND	+5V
GND AND 5V ARE USUALLY PIN 7 AND 14 RESPECTIVELY. EXCEPTIONS ARE STATED ABOVE.		
IC PIN LOCATIONS		

REF	QTY	REF DESIGNATION	DESCRIPTION	PART NO.	ITEM NO.
REF			X-Y COORDINATE HOLE LOCATION	K-CO-47294-B-4	
REF			ASSY/DRILLING HOLE LAYOUT	D-44-47294-B-2	2
REF			MODULE ECO HISTORY	B-44-47294-B-6	3
1			ETCHED CIRCUIT BOARD	5010427	4
1	C105		CAP 33 PF 5% 100V DM	1000010	5
1	C103		CAP 56 PF 5% 100V DM	1000012	6
2	C108, C109		CAP 62 PF 5% 100V DM	1000013	7
1	C107		CAP 220 PF 5% 100V DM	1000021	8
98	C1 THRU C57, C59 THRU C58, C104		CAP .01 UF 20% 100V DISC	1081610-00	9
1	C106		CAP 2400 PF 5% 100V DM	1081638	10
1	C110		CAP 15 PF 5% 100V DM	1002427	11
6	C97 THRU C102		CAP 8 B UF 10% 35V TANT	1003308	12
1	D3		DIODE DB84	1100114	13
1	D1		DIODE ZENER 1W9648	11C9968	14
23	R1 THRU R17, R20, R21, R23, R26, R27, R28		RES 1K 5% 1/4W	1300385	15
2	R22, R30		RES 15K 5% 1/4W	1300486	16
2	R18, R19		RES 750 5% 1/4W	1301401	17
3	R24, R25, R29, R31 THRU R35		RES 5 6K 5% 1/4W	1381674	18
1	Q2		TRANS 2N3906	1509525	19
1	Q1		TRANS 2N5459	1509374	20
1	888		I.C. COMPONENT CARRIER	1211323	21
1	E73		I.C. DEC 7474	1908547	22
1	E79		I.C. DEC 7410	1908576	23
2	E76, E77		I.C. DEC 74H50	1909060	24
2	E87, E88		I.C. DEC 74H53	1909062	25
3	E71, E78, E89		I.C. DEC 7402	1888004	26
4	E27, E75, E96, E98		I.C. DEC 74H00	1300958	27
2	E94, E97		I.C. DEC 74H10	1908857	28
2	E90, E92		I.C. DEC 74H30	1909058	29
3	E88, E28, E94		I.C. DEC 74H11	1300827	30
6	E36, E37, E80, E81, E85, E87		I.C. DEC 74H74	1908867	31
5	E12, E14, E16, E18, E20		I.C. DEC 8001	1908786	32
5	E34, E38, E41, E45, E47		I.C. DEC 8242	1908712	33
8	E23 THRU E28, E31, E74, E82, E91		I.C. DEC 74H04	1300631	34
2	E54, E85		I.C. DEC 74197	1910035	35
1	E83		I.C. DEC 7437	1910081	36
2	E80, E90		I.C. DEC 7408	1910155	37
5	E58, E70, E83, E92, E95		I.C. DEC 74123	1910436	38
6	E38, E42, E44, E50, E53, E56		I.C. DEC 74174	1910852	39
11	E2, E4, E6, E8, E10, E21, E43, E48, E51, E55, E57		I.C. DEC 74157	1910655	40
10	E1, E3, E5, E7, E9, E13, E15, E17, E19, E20		I.C. DEC 8641	1911579	41
6	E29, THRU E33, E36		I.C. DEC 8234	1911315	42
5	E40, E46, E48, E52, E54		I.C. DEC 3341	2111188	43
1			HANDLE MODULE	1210711-2	44
12			EYELET	9088732	45
1	E72		IC DEC 74500	1910532	46
1	E69		IC DEC 74564	1910542	47
1	E93		IC DEC 74574	1910544	48
			TRANSISTOR CARRIER	9008067	49
			PERM BAND COMPONENT	9009157	50
3	W1, W2, W3		JUMPER, INSULATED	9009185	51
2	(SEE E66)		JUMPER, WIRE	9107560-01	52

FIRST USED IN OPTION MODEL		PARTS LIST																					
RH11	ETCH BOARD REV	C																					
<table border="1"> <tr> <td>DRN</td> <td>P. Counter</td> <td>DATE</td> <td>7/27/73</td> </tr> <tr> <td>CHWS</td> <td></td> <td>DATE</td> <td>2-2-73</td> </tr> <tr> <td>ENG</td> <td></td> <td>DATE</td> <td>7-7-73</td> </tr> <tr> <td>PROL ENG</td> <td></td> <td>DATE</td> <td></td> </tr> <tr> <td>PROD</td> <td></td> <td>DATE</td> <td>7-7-73</td> </tr> </table>				DRN	P. Counter	DATE	7/27/73	CHWS		DATE	2-2-73	ENG		DATE	7-7-73	PROL ENG		DATE		PROD		DATE	7-7-73
DRN	P. Counter	DATE	7/27/73																				
CHWS		DATE	2-2-73																				
ENG		DATE	7-7-73																				
PROL ENG		DATE																					
PROD		DATE	7-7-73																				
TITLE: DATA BUFFER & CONTROL (DBC)																							
NEXT HIGHER ASSY: D-44-47294-B-2																							
SCALE: NONE																							
SEMICONDUCTOR CONVERSION CHART																							
DEC NO.	EIA NO.	DEC NO.	EIA NO.																				
SHEET 1 OF 9																							
SIZE CODE: DICS		NUMBER: M7294-0-1	REV: J																				

THIS DRAWING AND SPECIFICATIONS HEREIN ARE THE PROPERTY OF DIGITAL EQUIPMENT CORPORATION AND SHALL NOT BE REPRODUCED OR COPIED OR USED IN WHOLE OR IN PART WITHOUT THE WRITTEN PERMISSION OF DIGITAL EQUIPMENT CORPORATION.



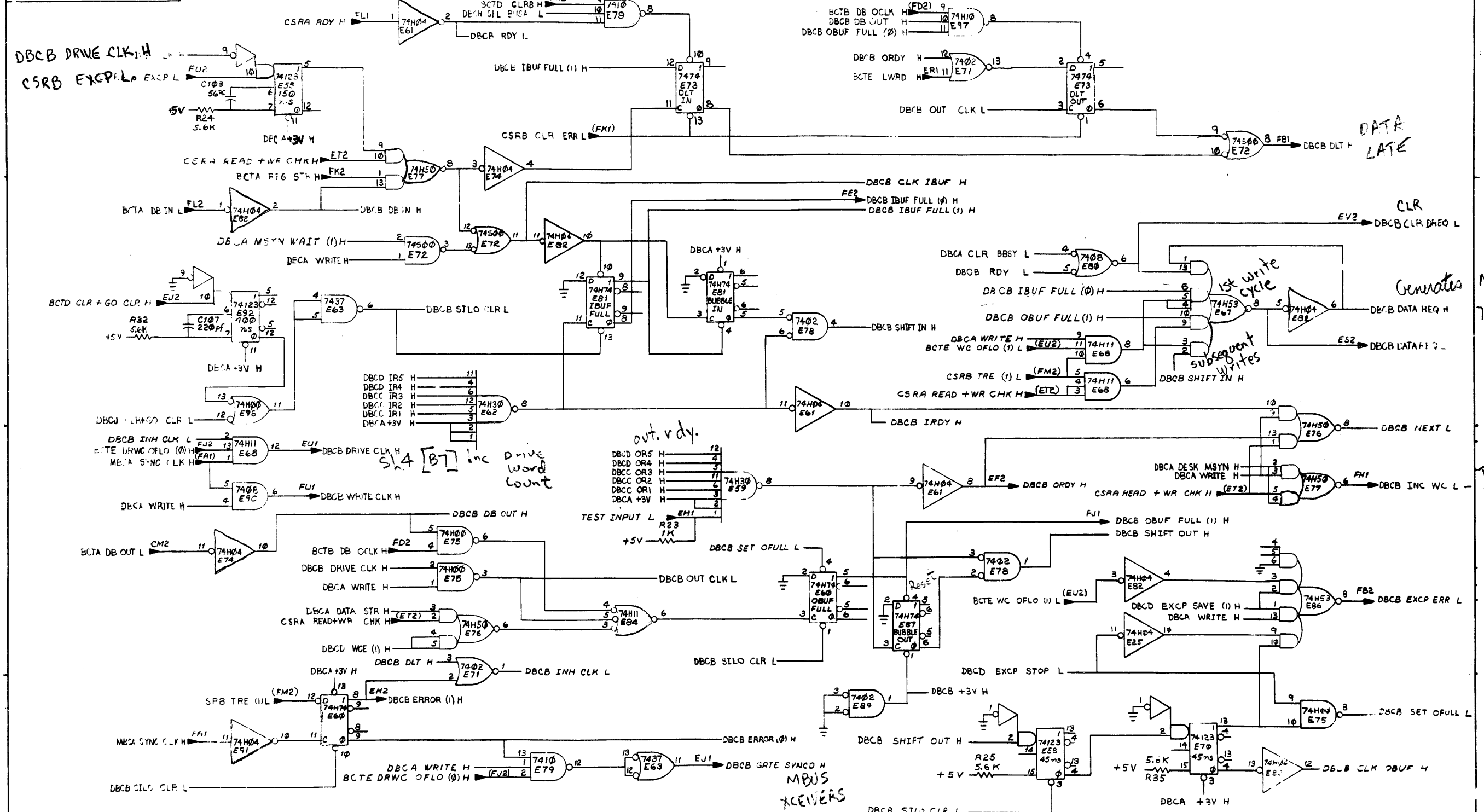
DISK BUS

12

CHK	CHANGE NO	REV

SLOT 03		NPR CNTL LOGIC	
TITLE	DATA BUFFER & CONTROL (DECA)	SIZE/CODE	NUMBER
		DCS	M7294-2-1
SCALE	NONE	SHEET	2 OF 9
		DIST.	

THIS DRAWING AND SPECIFICATION HEREIN ARE THE PROPERTY OF DIGITAL EQUIPMENT CORPORATION AND ARE TO BE KEPT IN CONFIDENCE ON LOAN OR IN WHOLE OR IN PART AS THE BASIS FOR THE MANUFACTURE OR SALE OF ANY INSTRUMENTS OR EQUIPMENT. ANY REPRODUCTION OR TRANSMISSION OF THIS DRAWING OR SPECIFICATION WITHOUT THE WRITTEN PERMISSION OF DIGITAL EQUIPMENT CORPORATION IS PROHIBITED.



DATA LATE

CLR DBCB CLR DREQ L

Generates NPR cycle

SH 12 [A3]

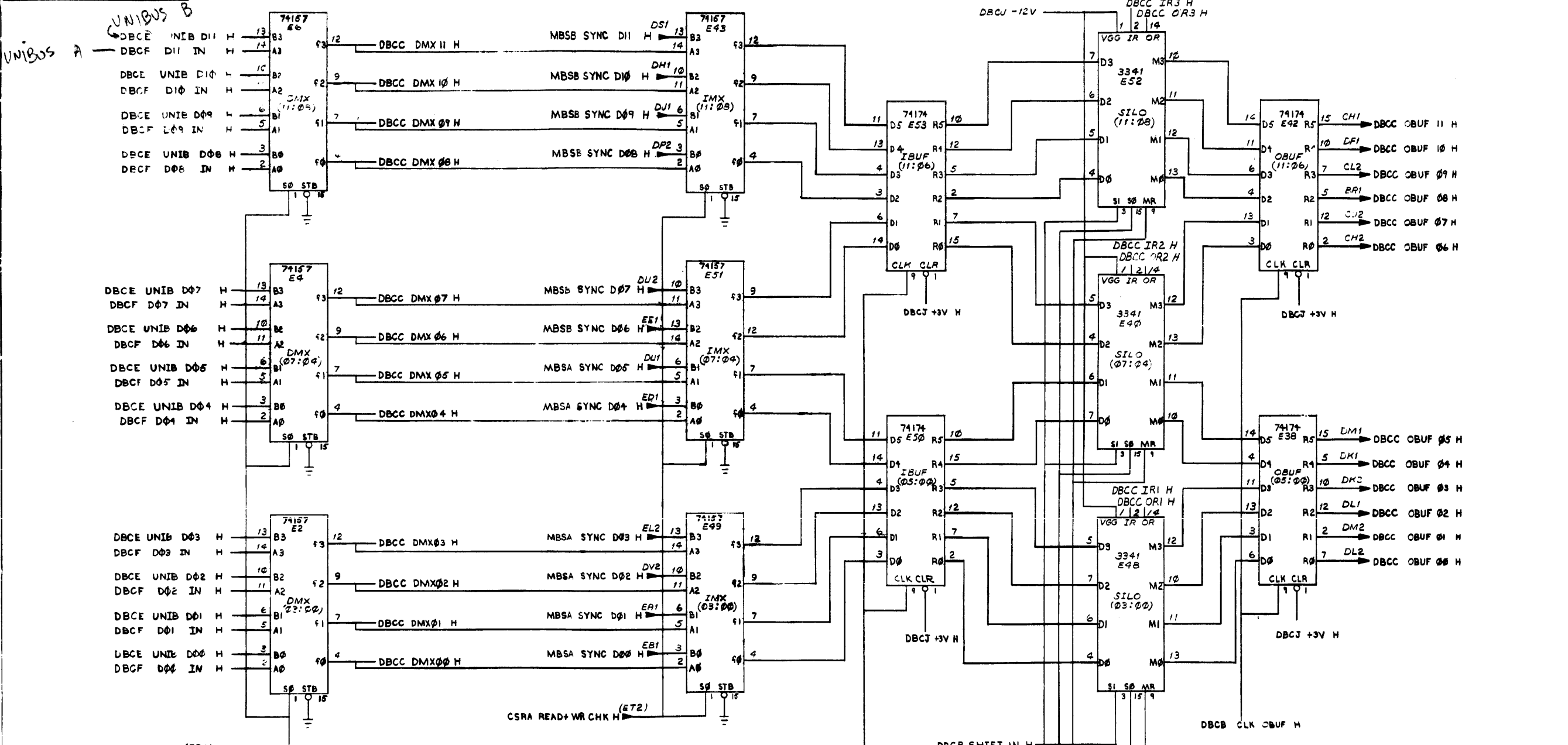
TO 4 [B5]

Silo timing controls

DCB

13

THE DRAWING AND SPECIFICATIONS HEREIN ARE THE PROPERTY OF DIGITAL EQUIPMENT CORPORATION AND SHALL NOT BE REPRODUCED, COPIED OR USED IN WHOLE OR IN PART, IN THE MANUFACTURE OF ANY EQUIPMENT WITHOUT WRITTEN PERMISSION OF DIGITAL EQUIPMENT CORPORATION.



74157 QUAD MULTIPLEXER	
S0	OUTPUT
L	A → F
H	B → F

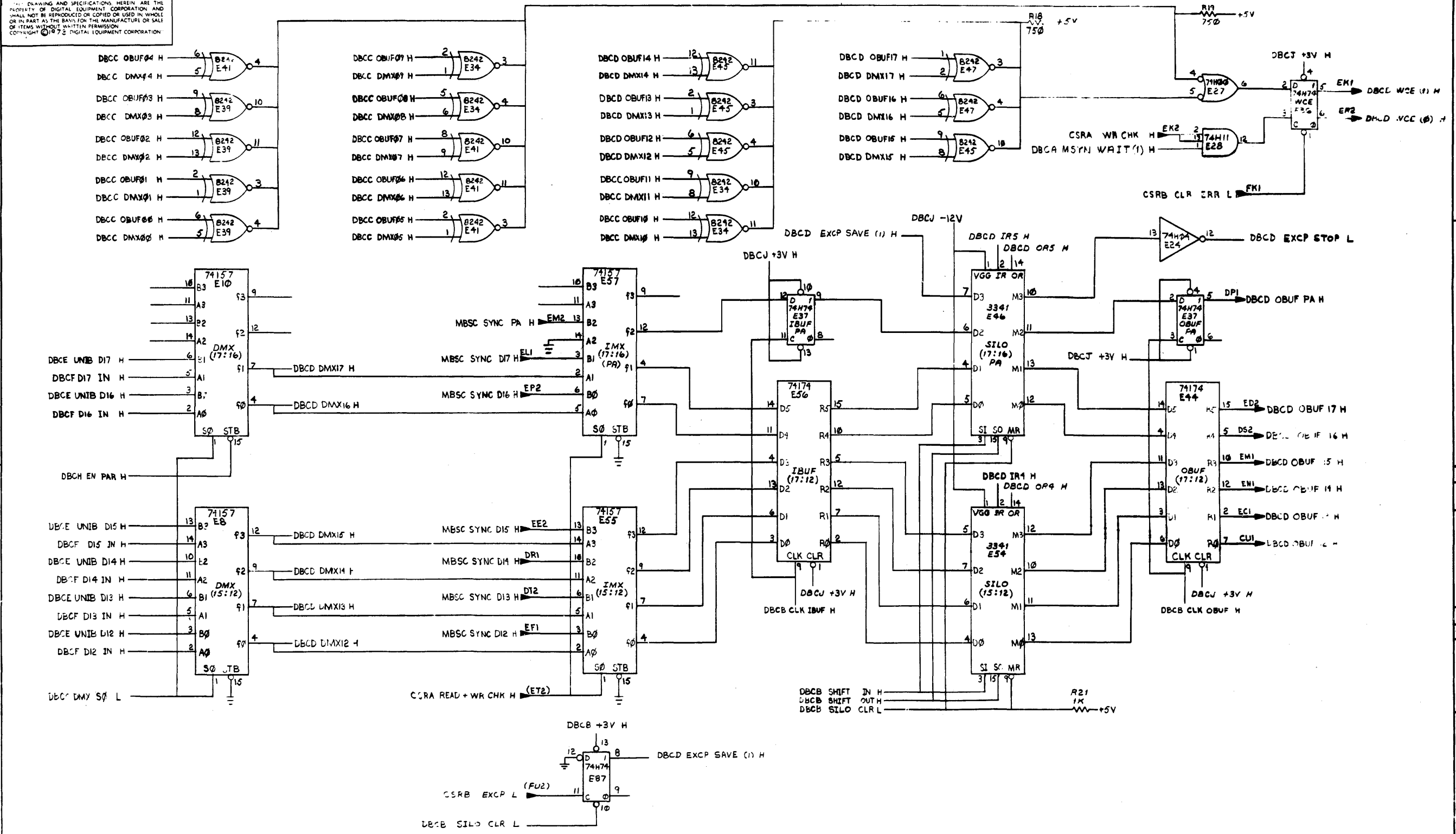
CSRA SEL BUSA (F1) 11
 BCTH NPG MASTER L (F2) 12
 DBCC DMX S0 L

SLJT 03
 SILO DATA PATH <11:00>

REV	DATE	BY	CHK	CHANGE NO	REV	TITLE	SIZE CODE	NUMBER	REV.
						DATA BUFFER & CONTROL (DBCC)	D CS	M7294-0-1	J
						SCALE NONF	SHEET 4 OF 9	DIST.	

DBCC
 14

ALL DRAWING AND SPECIFICATIONS HEREIN ARE THE PROPERTY OF DIGITAL EQUIPMENT CORPORATION AND SHALL NOT BE REPRODUCED OR COPIED OR USED IN WHOLE OR IN PART AS THE BASIS FOR THE MANUFACTURE OR SALE OF ITEMS WITHOUT WRITTEN PERMISSION. COPYRIGHT © 1972 DIGITAL EQUIPMENT CORPORATION.



REVISIONS		
HK	CHANGE NO	REV

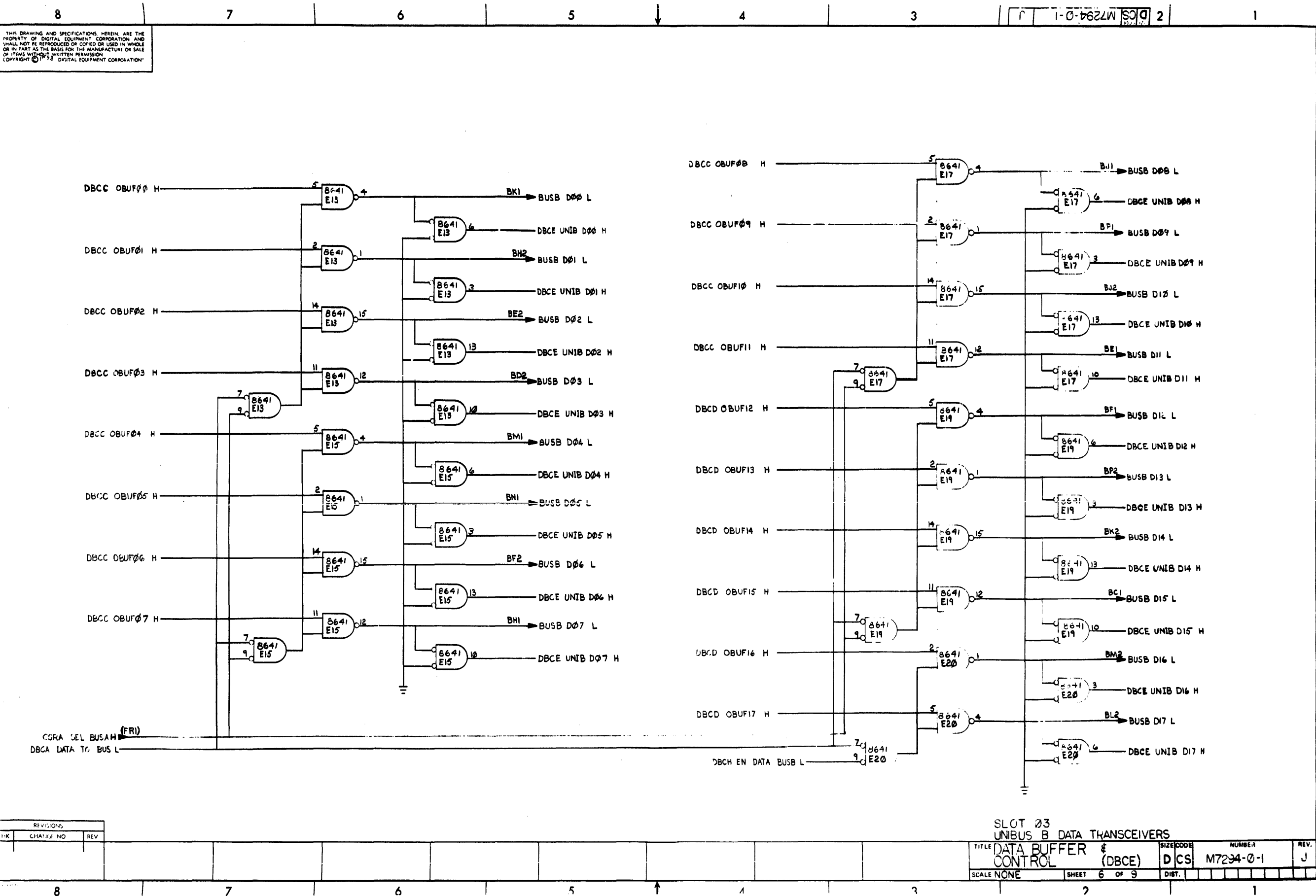
8	7	6	5	4	3	2	1
---	---	---	---	---	---	---	---

SLOT 03
 SILO DATA PATH <17:12> & WRITE CHECK

TITLE	DATA BUFFER & CONTROL (DBCD)	SIZE CODE	D CS	NUMBER	M7294-0-1	REV.	J
SCALE	NONE	SHEET	5 OF 9	DIST.			

15

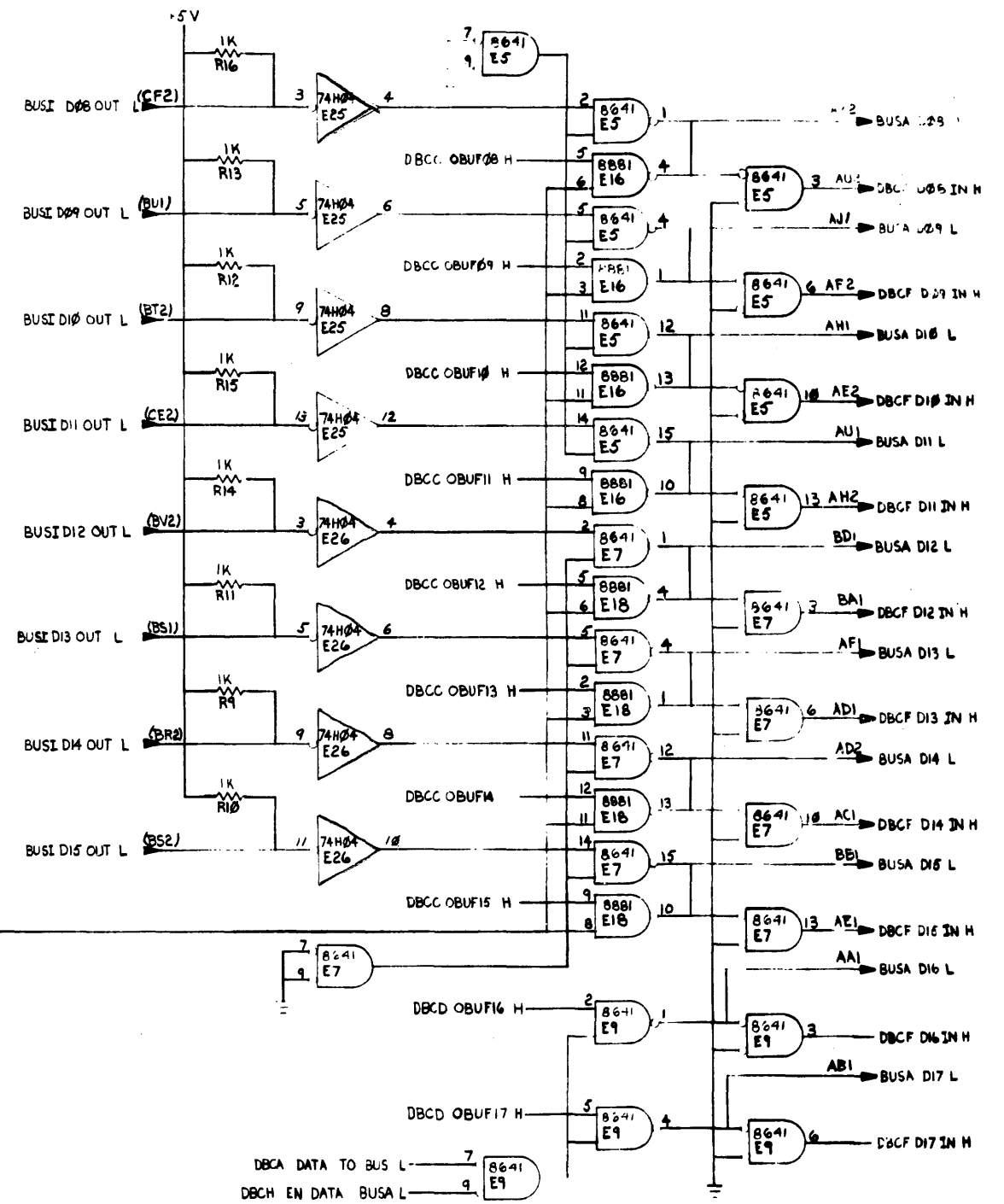
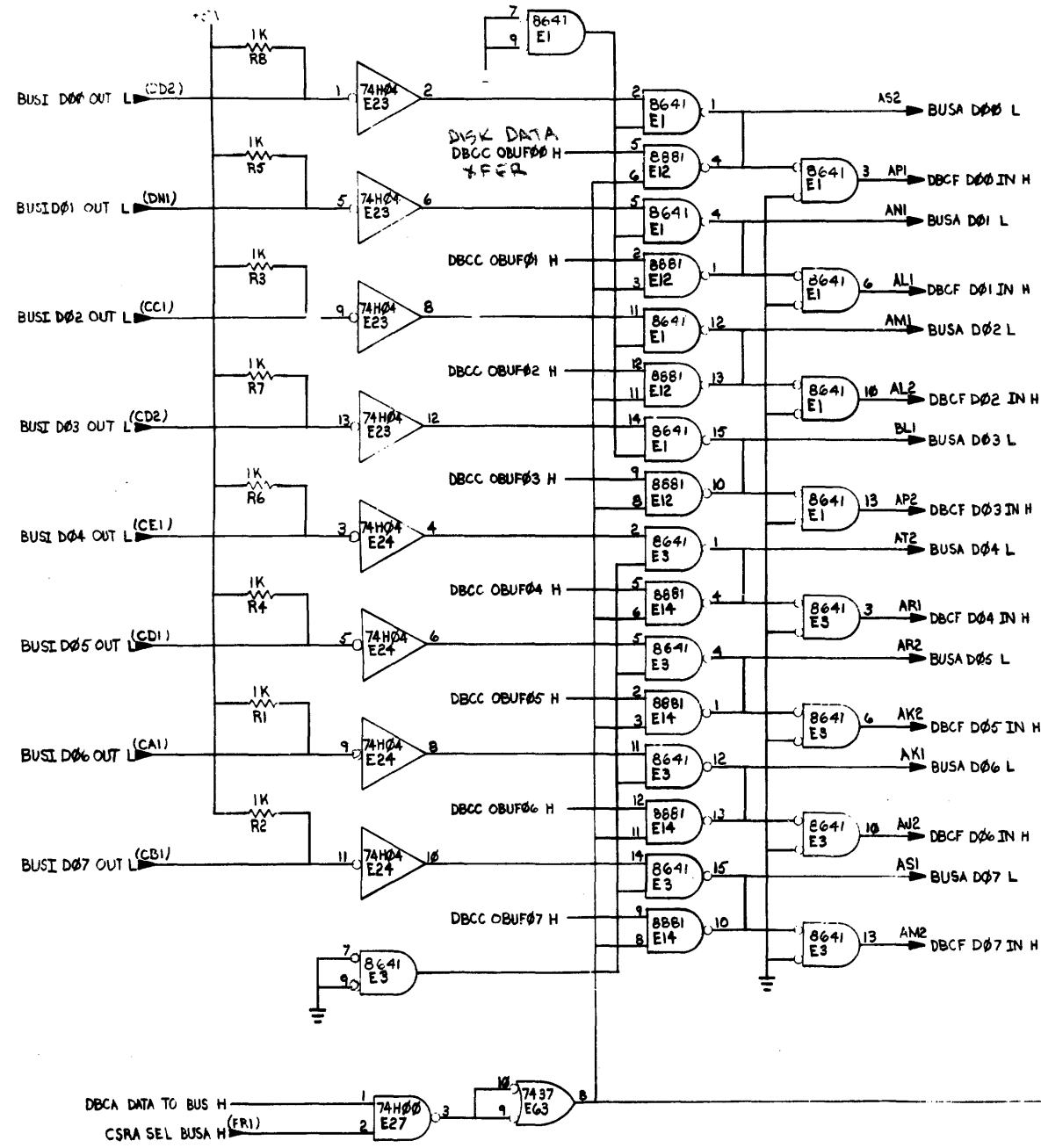
THIS DRAWING AND SPECIFICATIONS HEREIN ARE THE PROPERTY OF DIGITAL EQUIPMENT CORPORATION AND SHALL NOT BE REPRODUCED OR COPIED OR USED IN WHOLE OR IN PART AS THE BASIS FOR THE MANUFACTURE OR SALE OF ITEMS WITHOUT WRITTEN PERMISSION. COPYRIGHT © 1975 DIGITAL EQUIPMENT CORPORATION.



REVISIONS		DATE	BY	REV.

TITLE		SIZE CODE	NUMBER	REV.
DATA BUFFER & CONTROL (DBCE)		D/CS	M7294-0-1	J
SCALE	SHEET	DIST.		
NONE	6 OF 9			

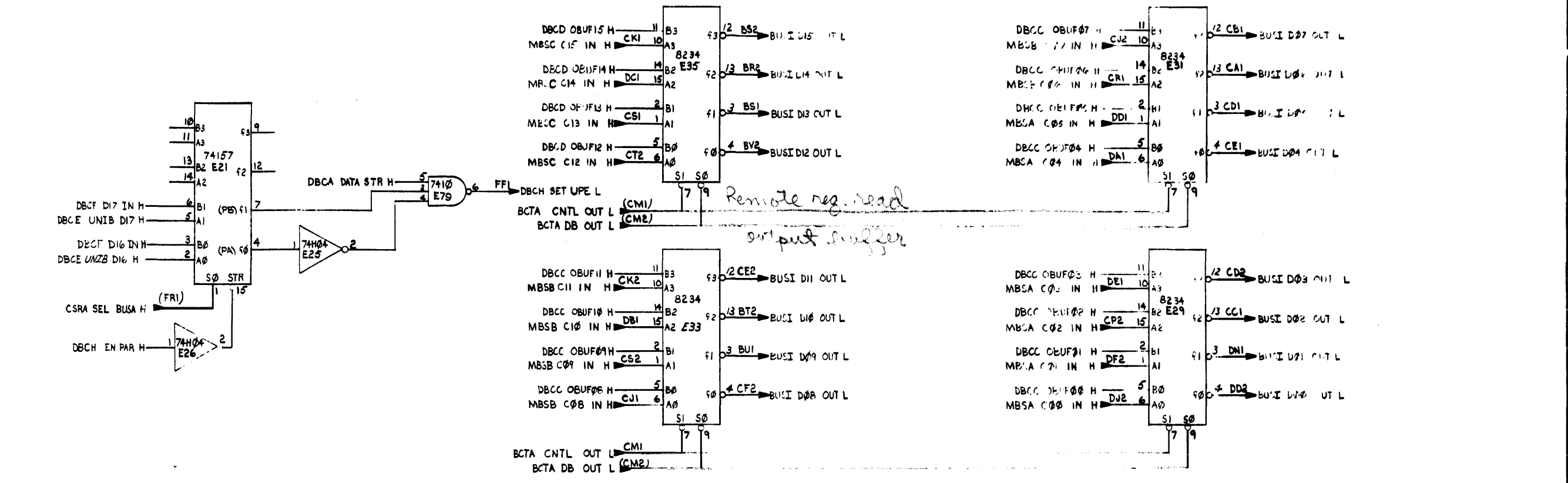
THIS DRAWING AND SPECIFICATIONS HEREIN ARE THE PROPERTY OF DIGITAL EQUIPMENT CORPORATION AND SHALL NOT BE REPRODUCED OR COPIED OR USED IN WHOLE OR IN PART AS THE BASIS FOR THE MANUFACTURE OR SALE OF ITEMS WITHOUT WRITTEN PERMISSION. COPYRIGHT © 1977 DIGITAL EQUIPMENT CORPORATION



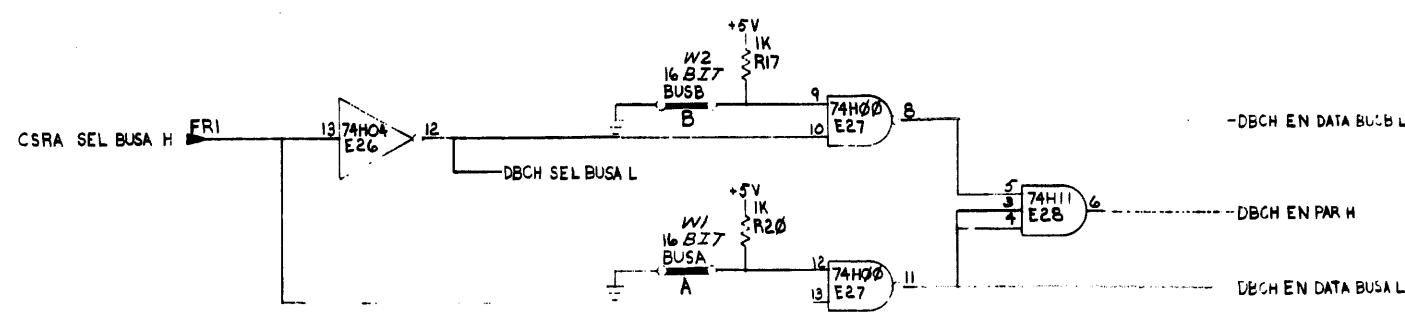
REVISIONS		
CHK	CHANGE NO	REV

SLOT 03		UNIBUS A DATA TRANSCEIVERS	
TITLE	DATA BUFFER & CONTROL (DBCF)	SIZE CODE	NUMBER
SCALE	NONE	D CS	M7294-01
SHEET	7	OF	9
REV.	J		

THIS DRAWING AND SPECIFICATIONS HEREIN ARE THE PROPERTY OF DIGITAL EQUIPMENT CORPORATION AND SHALL NOT BE REPRODUCED OR COPIED OR USED IN WHOLE OR IN PART AS THE BASIS FOR THE MANUFACTURE OR SALE OF ITEMS WITHOUT WRITTEN PERMISSION. COPYRIGHT © 1973 DIGITAL EQUIPMENT CORPORATION



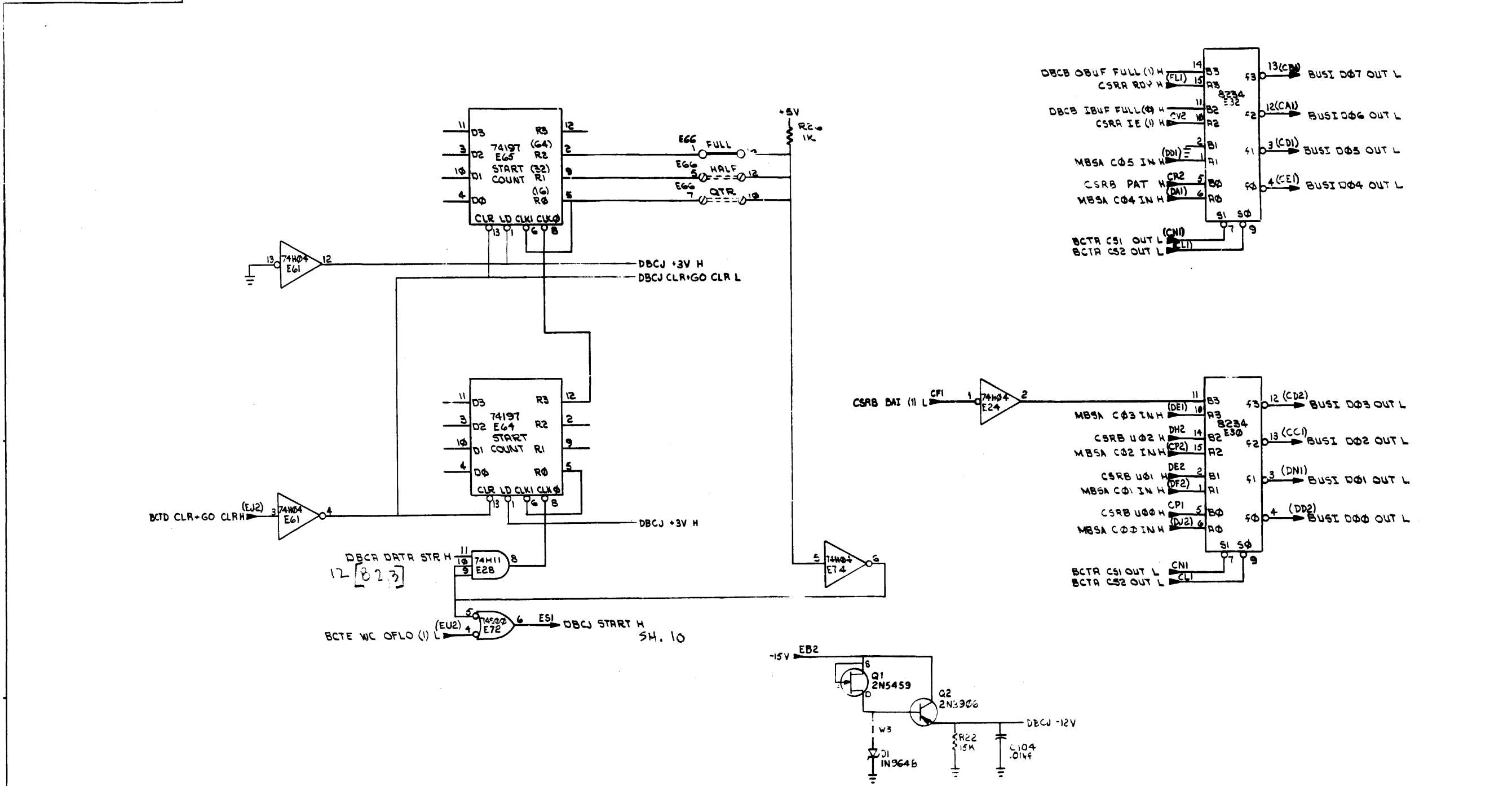
8234 OPEN COLLECTOR MULTIPLEXOR		
S0	S1	OUTPUT
L	L	B → F (NOT USED)
L	H	E → F
H	L	A → F
H	H	OFF



REV.	CHANGE NO.	REV.

THIS DRAWING AND SPECIFICATIONS HEREIN ARE THE PROPERTY OF DIGITAL EQUIPMENT CORPORATION AND SHALL NOT BE REPRODUCED, COPIED OR USED IN WHOLE OR IN PART AS THE BASIS FOR THE MANUFACTURE OR SALE OF ANY EQUIPMENT WITHOUT WRITTEN PERMISSION FROM DIGITAL EQUIPMENT CORPORATION.

10-622WCS02



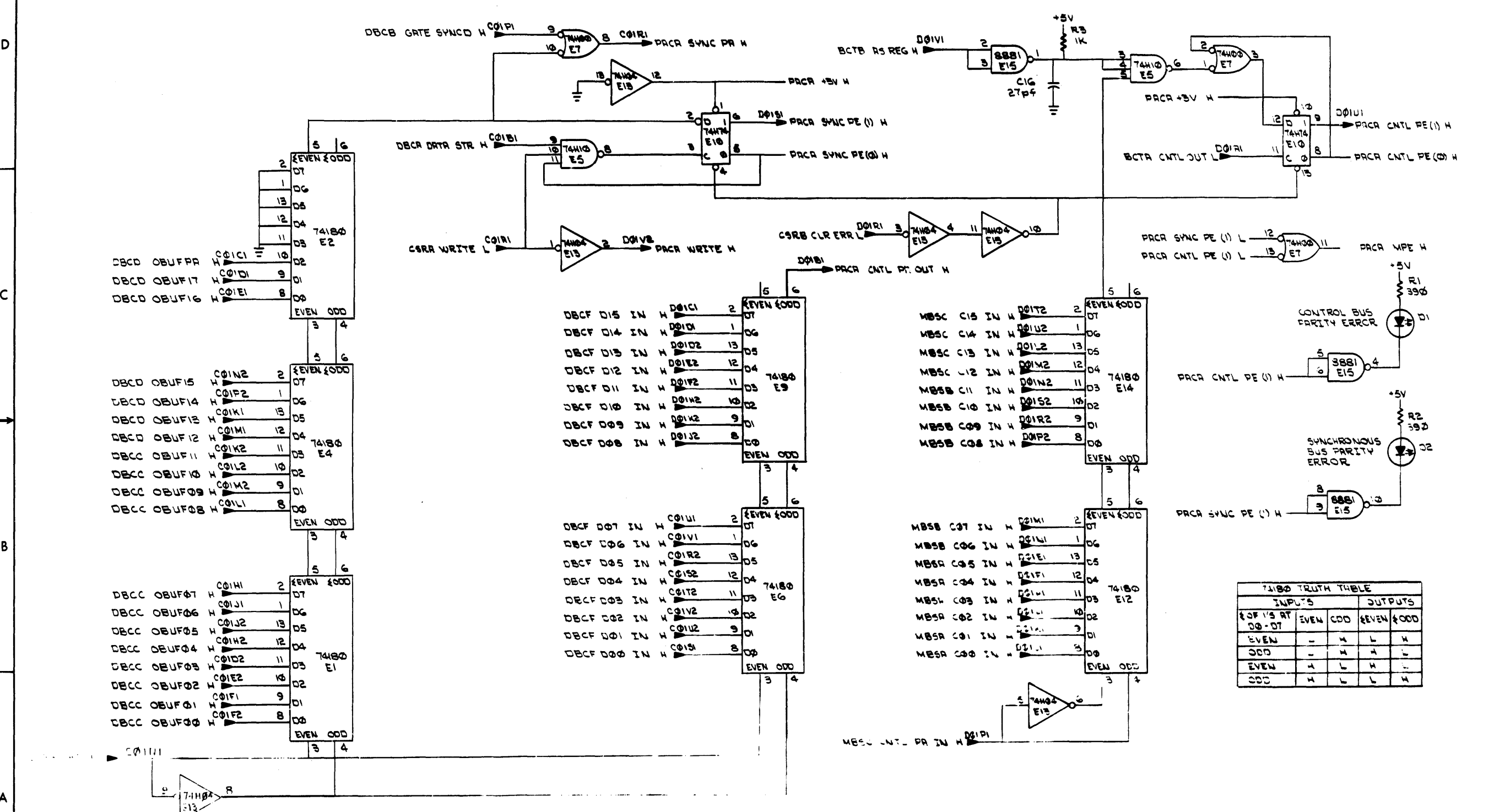
REV. NO.	CHANGE NO.

TITLE DATA BUFFER CONTROL (DECJ)		SIZE CODE	NUMBER	REV.
SCALE NONE		SHEET 3	OF 9	J

SLOT 03
START CNTL & DATA OUT MPXS

DEC 7
19

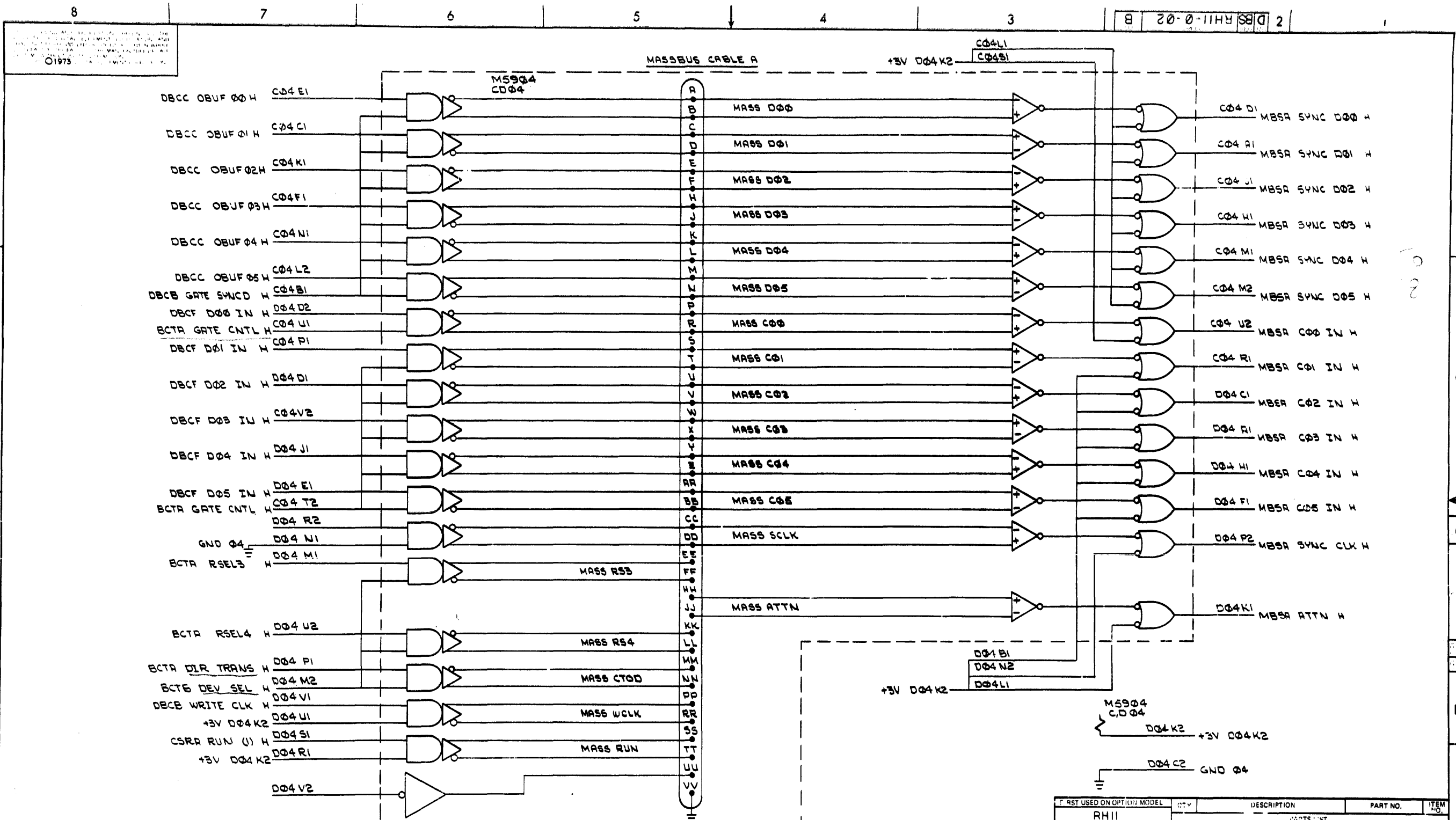
THIS DRAWING AND SPECIFICATIONS HEREIN ARE THE PROPERTY OF DIGITAL EQUIPMENT CORPORATION AND SHALL NOT BE REPRODUCED OR COPIED OR USED IN WHOLE OR IN PART AS THE BASIS FOR THE MANUFACTURE OR SALE OF ITEMS WITHOUT WRITTEN PERMISSION. COPYRIGHT © 1973 DIGITAL EQUIPMENT CORPORATION.



74180 TRUTH TABLE

INPUTS		OUTPUTS		
# OF '1'S AT D0-D7	EVEN	ODD	EVEN	ODD
EVEN	L	H	L	H
ODD	L	H	H	L
EVEN	H	L	H	L
ODD	H	L	L	H

DCS M7297-0-1



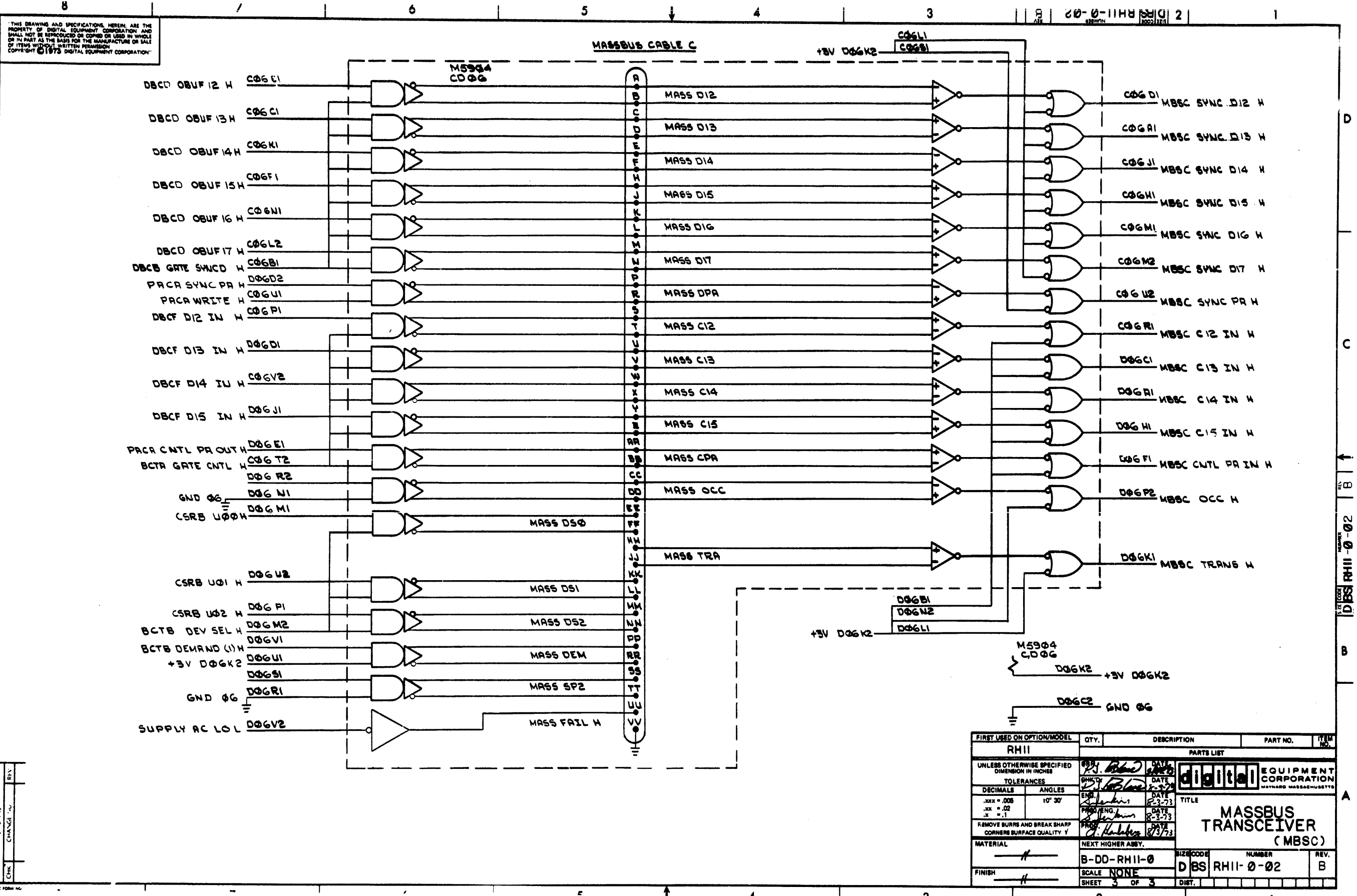
FIRST USED ON OPTION MODEL	QTY	DESCRIPTION	PART NO.	ITEM NO.
RH11				
UNLESS OTHERWISE SPECIFIED DIMENSION IN INCHES		PARTS LIST		
TOLERANCES		digital EQUIPMENT CORPORATION MAYNARD, MASSACHUSETTS		
DECIMALS	ANGLES	TITLE		
.xxx .005	0 30'	MASSBUS TRANSCEIVER (MBSA)		
REMOVE BURRS AND BREAK SHARP CORNERS SURFACE QUALITY Y		NEXT HIGHER ASSY.		
MATERIAL		B-DD-RH11-0	SIZE CODE	NUMBER
FINISH		SCALE NONE	D BS RH11-0-02	REV. B
		SHEET OF 3	DIST.	

PHIL J. JACOBI	A
S. JEWINS	20-72
J. J. RHII-00002	IR
S. JEWINS	11-71
S. JEWINS	2-72

MBSA
21

D
C
B
A

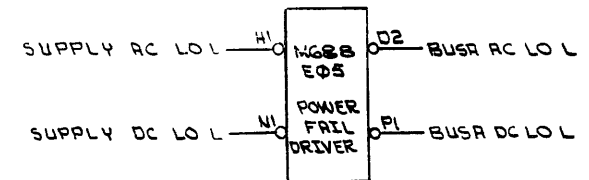
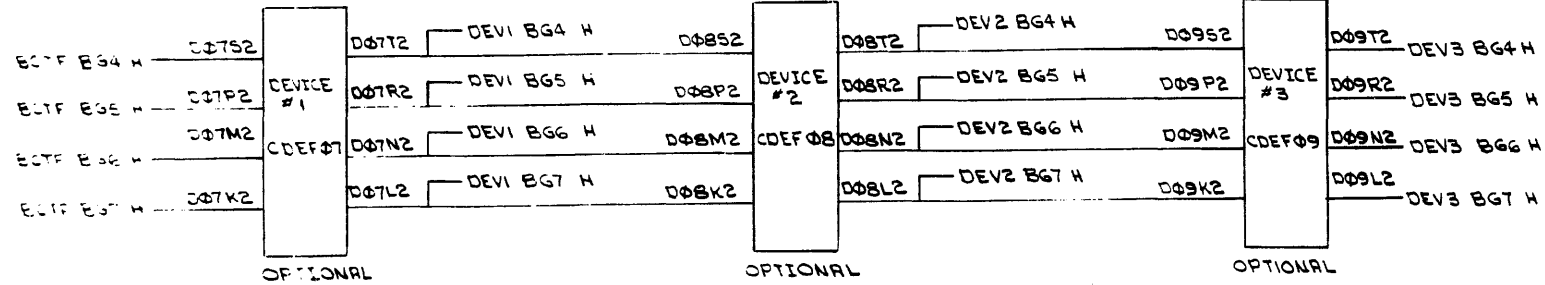
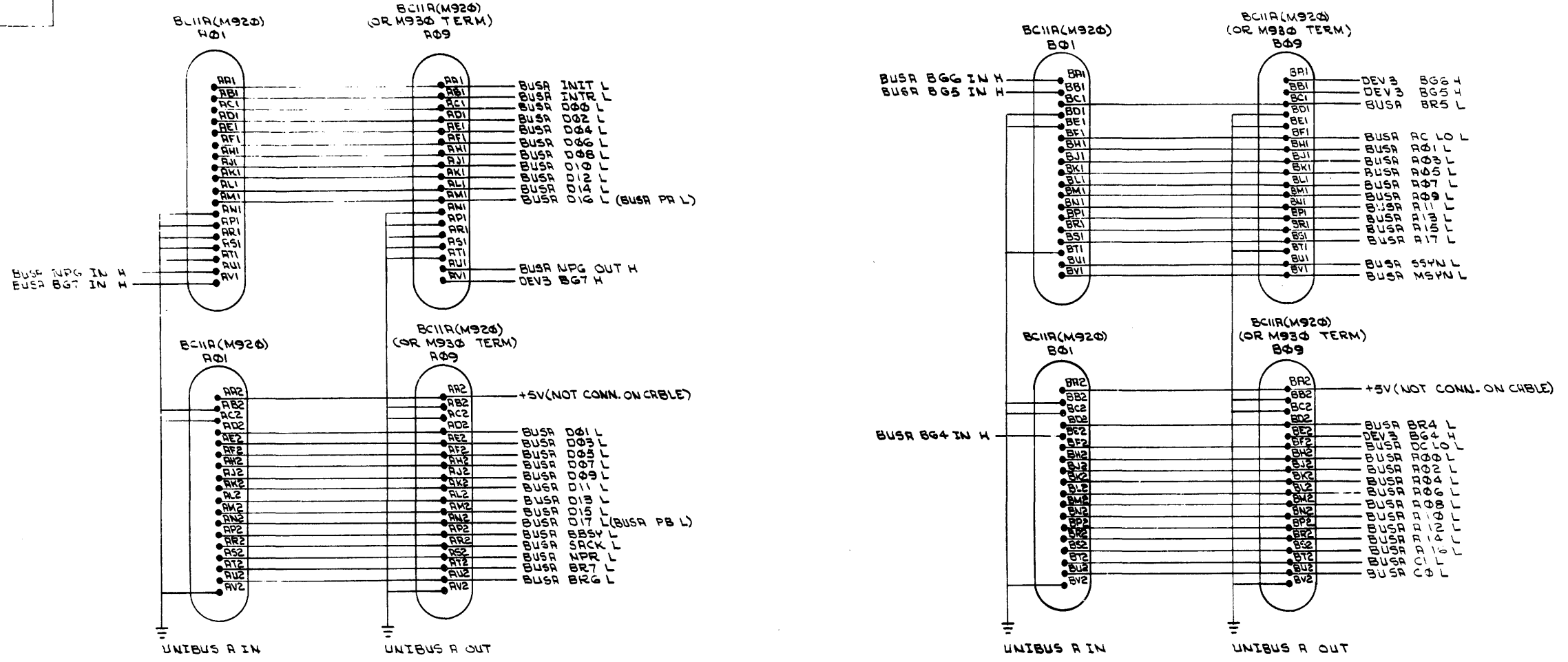
THIS DRAWING AND SPECIFICATIONS HEREIN ARE THE PROPERTY OF DIGITAL EQUIPMENT CORPORATION AND SHALL NOT BE REPRODUCED OR COPIED OR USED IN WHOLE OR IN PART AS THE BASIS FOR THE MANUFACTURE OR SALE OF ITEMS WITHOUT WRITTEN PERMISSION. COPYRIGHT © 1973 DIGITAL EQUIPMENT CORPORATION.



MBSC
23

FIRST USED ON OPTION/MODEL	QTY.	DESCRIPTION	PART NO.	ITEM NO.
RH11				
UNLESS OTHERWISE SPECIFIED DIMENSION IN INCHES				
TOLERANCES				
DECIMALS	ANGLES	DATE		
.XX = .005	10° 30'	DATE	DIGITAL EQUIPMENT CORPORATION MAYNARD MASSACHUSETTS	
.XX = .02		DATE	TITLE	
X = .1		DATE	MASSBUS TRANSCEIVER (MBC)	
REMOVE BURRS AND BREAK SHARP CORNERS SURFACE QUALITY V				
MATERIAL				
NEXT HIGHER ASSY.				
FINISH				
B-DD-RH11-0				
SCALE NONE				
SHEET 3 OF 3				
D BS RH11-0-02				
REV. B				

C1373



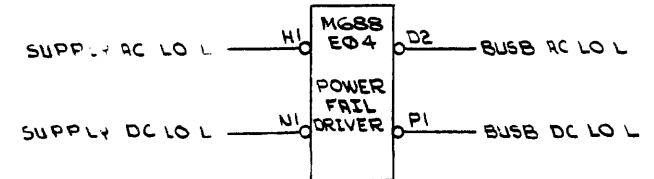
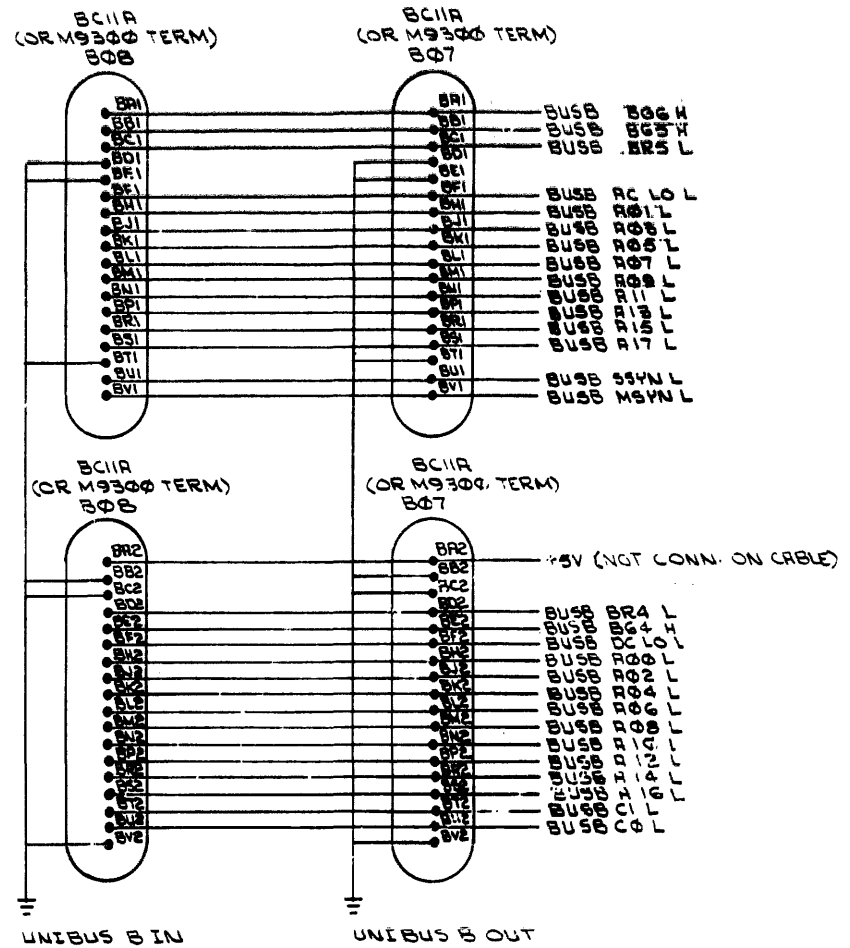
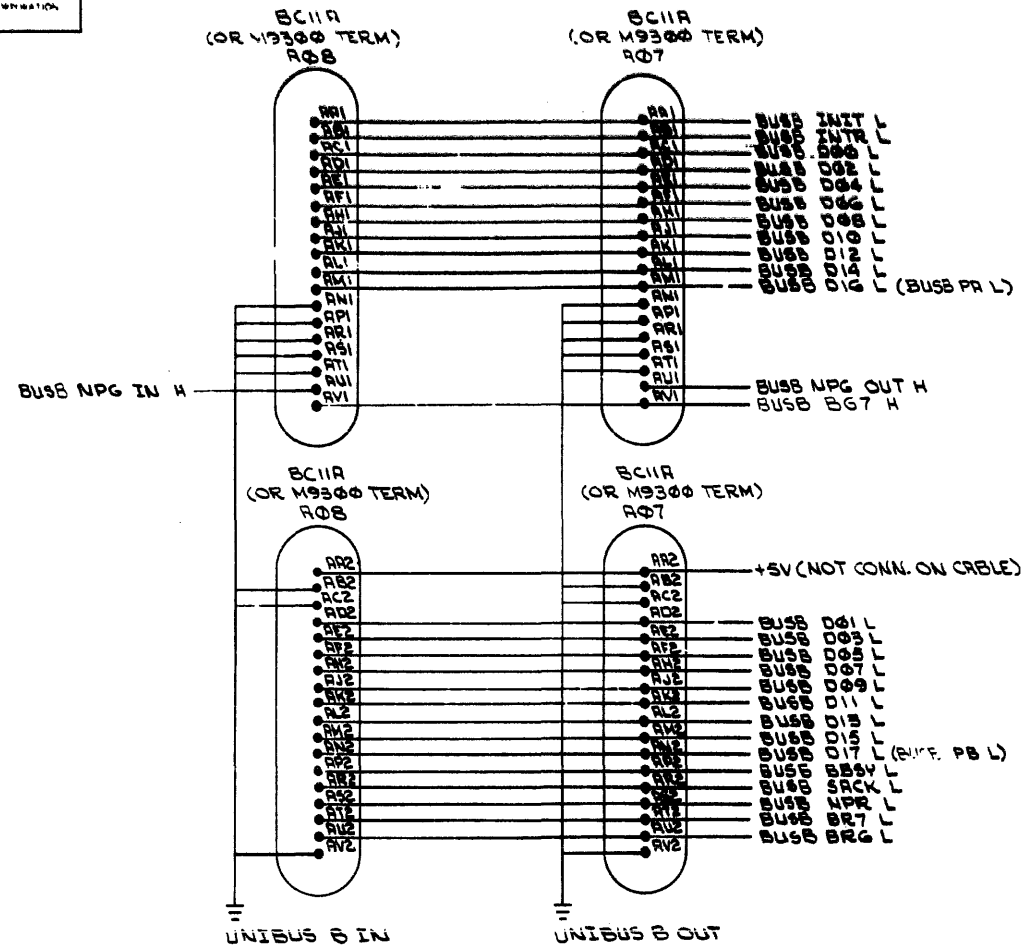
FIRST USED ON OPTION/MODEL	QTY.	DESCRIPTION	PART NO.	ITEM NO.
RHII				
PARTS LIST				
UNLESS OTHERWISE SPECIFIED DIMENSION IN INCHES	DATE: 1/11/72	DATE: 1/11/72	digital EQUIPMENT CORPORATION	
TOLERANCES	DATE: 1/11/72	DATE: 1/11/72	TITLE: UNIBUS A CABLE DIAGRAM (BUS A)	
DECIMALS .005	ENG: K...	DATE: 1/11/72	SIZE CODE: B-DD-RHII-0	
ANGLES 0 30	PROV. ENG: K...	DATE: 1/11/72	NUMBER: D I C R H I I - 0 - 0 3	
REMOVE BURRS AND BREAK SHARP CORNERS SURFACE QUALITY 1	PROV. ENG: K...	DATE: 1/11/72	REV.:	
MATERIAL	NEXT HIGHER ASSY.	SCALE: NONE	SHEET: OF	DIST.:

DIC/RHII-0-03

B

A

THE DRAWING AND SPECIFICATIONS THEREIN ARE THE PROPERTY OF DIGITAL EQUIPMENT CORPORATION AND SHALL NOT BE REPRODUCED OR COPIED IN WHOLE OR IN PART BY ANY PARTY FOR THE MANUFACTURE OR SALE OF ANY PRODUCT OR FOR THE REPRODUCTION OF ANY INFORMATION THEREON WITHOUT THE WRITTEN PERMISSION OF DIGITAL EQUIPMENT CORPORATION.



3USB,
25

FIRST USED ON OPTION/MODEL	QTY.	DESCRIPTION	PART NO.	ITEM NO.
RH11		PARTS LIST		
UNLESS OTHERWISE SPECIFIED DIMENSION IN INCHES		DATE: <i>12/10/73</i>	digital EQUIPMENT CORPORATION WAYNARD, MASSACHUSETTS	
TOLERANCES		DATE: <i>12/10/73</i>		
DECIMALS	ANGLES	ENG: <i>J. Jenkins</i>	TITLE	
.xxx ± .005	0° 30'	DATE: <i>8-7-73</i>	UNIBUS B CABLE DIAGRAM (BUSB)	
.xx .02		PROB. ENG. <i>J. Jenkins</i>		
.x .1		DATE: <i>8-7-73</i>	REV.	
REMOVE BURRS AND BREAK SHARP CORNERS SURFACE QUALITY Y		PROD. <i>A. Marston</i>	DATE: <i>8-7-73</i>	
MATERIAL		NEXT HIGHER ASSY.		
FINISH		SCALE NONE		
SHEET OF		SIZE CODE NUMBER		
DIST.		B-DD-RH11-0		
		D I C R H 1 1 - 0 - 0 4		

D I C R H 1 1 - 0 - 0 4

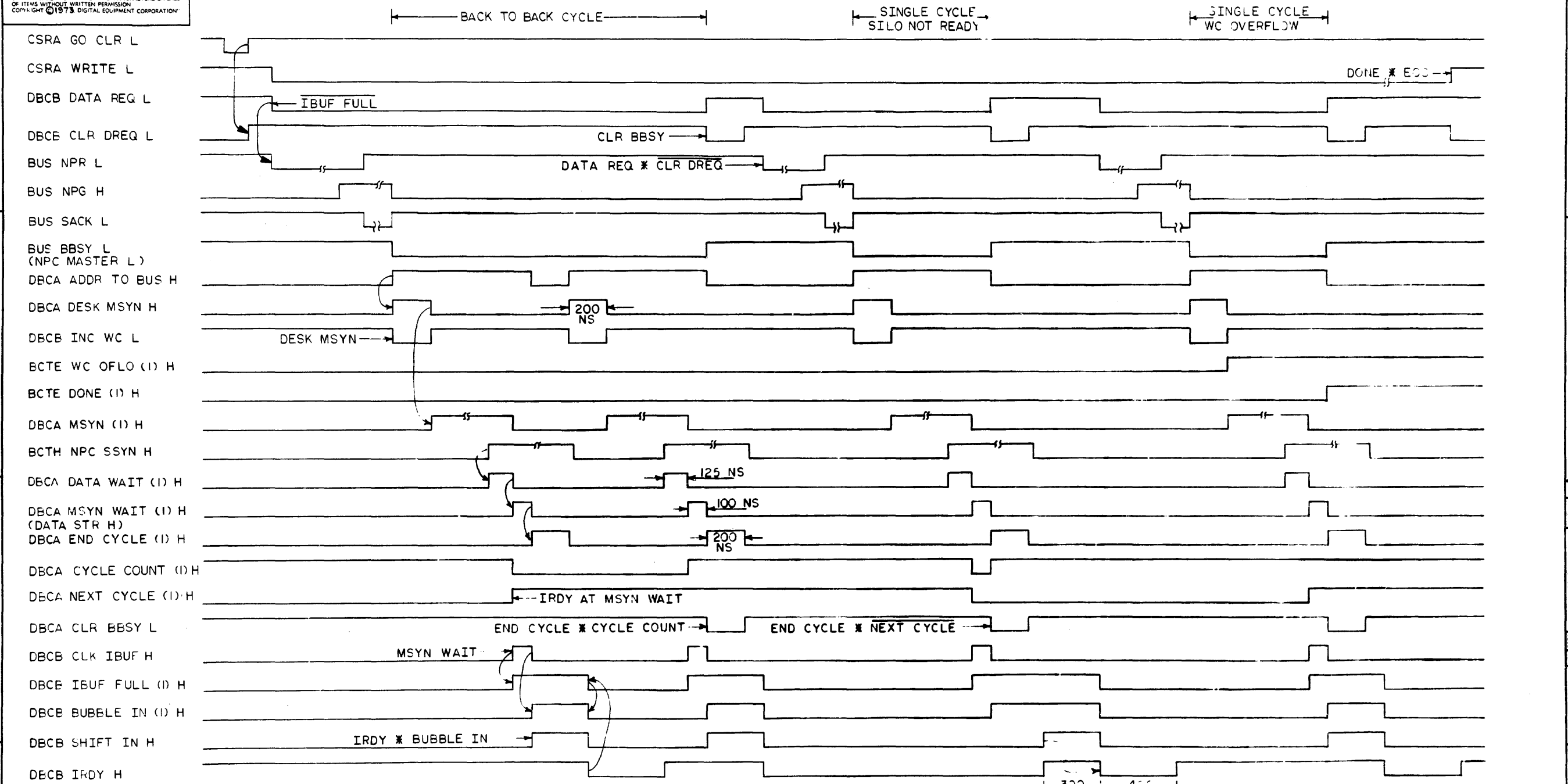
B

A

THIS DRAWING AND SPECIFICATIONS HEREIN ARE THE PROPERTY OF DIGITAL EQUIPMENT CORPORATION AND SHALL NOT BE REPRODUCED OR COPIED OR USED IN WHOLE OR IN PART AS THE BASIS FOR THE MANUFACTURE OR SALE OF ITEMS WITHOUT WRITTEN PERMISSION. COPYRIGHT © 1973 DIGITAL EQUIPMENT CORPORATION.

2 | DTD RH11-0-05 | 1

WRITE COMMAND UNIBUS TIMING DIAGRAM (DATI)



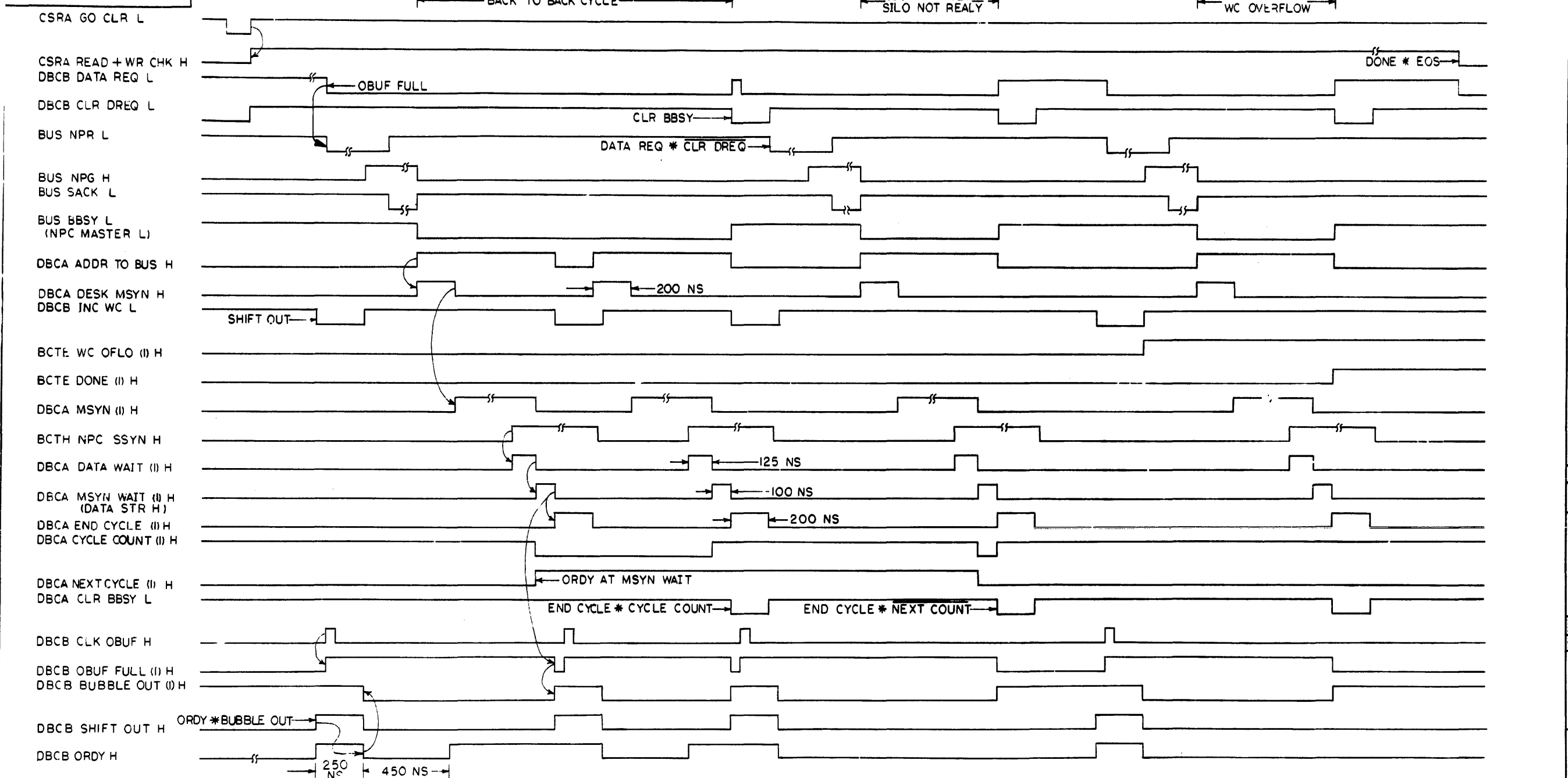
REV	DATE	BY
A	11-16-73	S. JENKINS
CHG	11-20-73	

FIRST USED ON OPTION MODEL	QTY	DESCRIPTION	PART NO.	ITEM NO.
RH11				
PARTS LIST				
UNLESS OTHERWISE SPECIFIED: DIMENSION IN INCHES		DATE	digital EQUIPMENT CORPORATION	
TOLERANCES		DATE	MAYNARD MASSACHUSETTS	
DECIMALS	ANGLES	DATE	TITLE	
xxx + .005	0 30	8-7-77	WRITE UNIBUS	
xx .02		8-1-79	(TIMING DIAGRAM)	
.x .1		8-7-77		
REMOVE BURRS AND BREAK SHARP CORNERS SURFACE QUALITY				
MATERIAL	NEXT HIGHER ASSEMBLY			
	B-DD-RH11-0			
FINISH	SCALE	SIZE CODE		NUMBER
	NONE	D TDRH11-0-05		REV. A
	SHEET	OF	DIST.	

D TDRH11-0-05

THIS DRAWING AND SPECIFICATIONS HEREIN ARE THE PROPERTY OF DIGITAL EQUIPMENT CORPORATION AND SHALL NOT BE REPRODUCED OR COPIED OR USED IN WHOLE OR IN PART AS THE BASIS FOR THE MANUFACTURE OR SALE OF ITEMS WITHOUT WRITTEN PERMISSION. COPYRIGHT © 1973 DIGITAL EQUIPMENT CORPORATION.

READ OR WRITE CHECK UNIBUS TIMING DIAGRAM (READ: DATO-WR CHK: DATI)



REV. NO.	DATE	BY	CHK
1	11-20-73	S. JENNY	
2			
3			

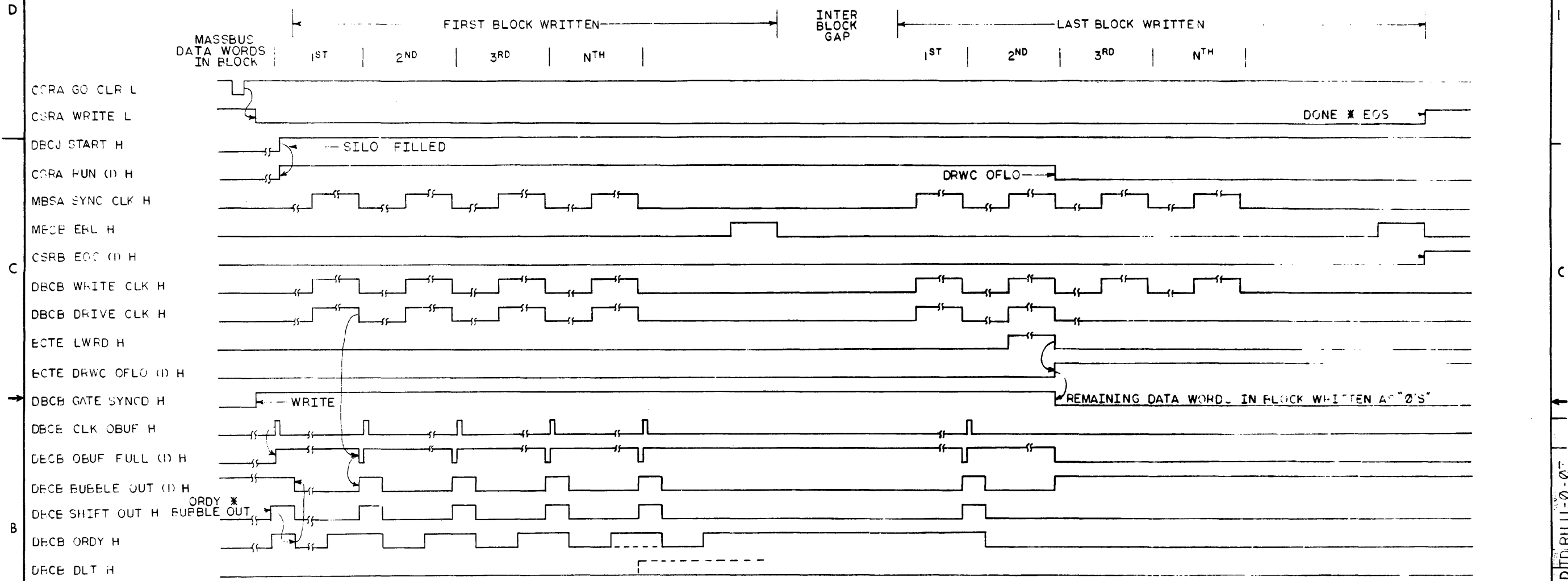
FIRST USED ON OPTION/MODEL	QTY.	DESCRIPTION	PART NO.	ITEM NO.
RHII				
PARTS LIST				
UNLESS OTHERWISE SPECIFIED DIMENSION IN INCHES	DRN	DATE	digital EQUIPMENT CORPORATION	
TOLERANCES	DATE	DATE	MAYNARD, MASSACHUSETTS	
DECIMALS	DATE	DATE	TITLE	
.xxx = .006	DATE	DATE	READ + WRITE CHECK UNIBUS (TIMING DIAG)	
.xx = .02	DATE	DATE	SIZE CODE	NUMBER
.x = .1	DATE	DATE	B-DD-RHII-0	D TDRHII-0-06
REMOVE BURRS AND BREAK SHARP CORNERS SURFACE QUALITY 1	DATE	DATE	SCALE	REV.
MATERIAL	DATE	DATE	NONE	A
FINISH	DATE	DATE		
	DATE	DATE	SHEET	OF
	DATE	DATE		

D
C
A
B

THIS DRAWING AND SPECIFICATION ARE THE PROPERTY OF DIGITAL EQUIPMENT CORPORATION AND SHALL NOT BE REPRODUCED OR COPIED OR USED IN WHOLE OR IN PART AS THE BASIS FOR THE MANUFACTURE OR SALE OF ITEMS WITHOUT WRITTEN PERMISSION OF DIGITAL EQUIPMENT CORPORATION

WRITE COMMAND MASSBUS TIMING DIAGRAM

D TD RH11-0-07 2



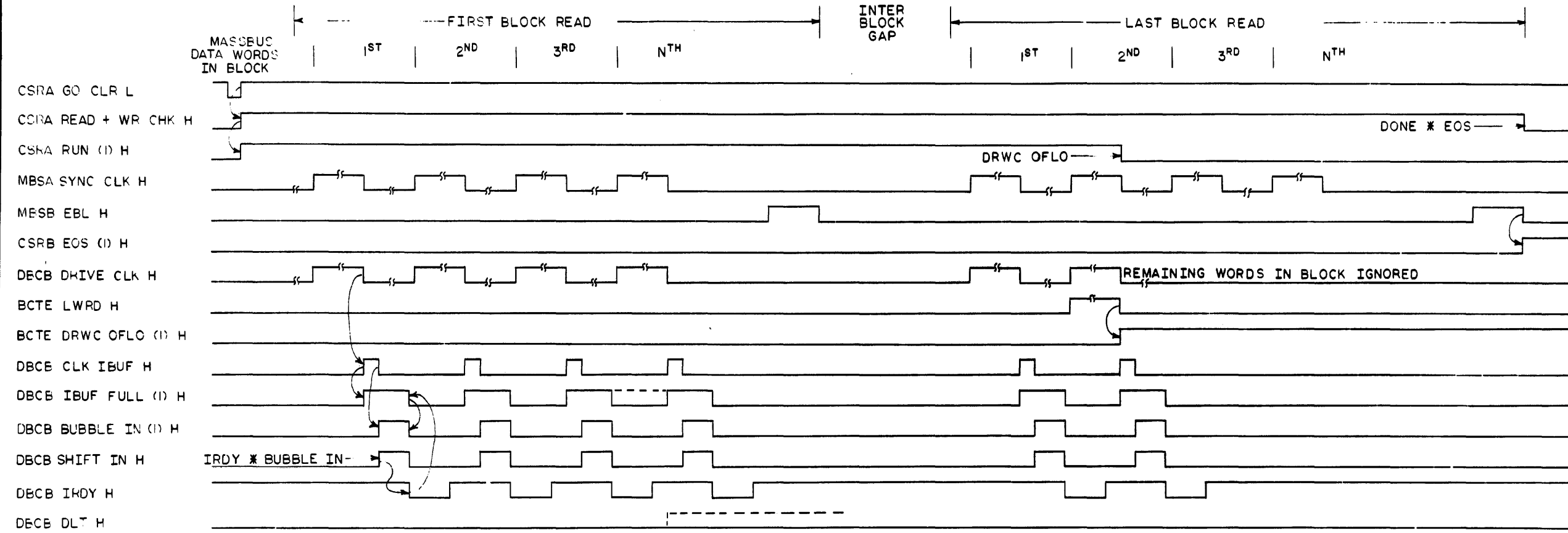
FIRST USED ON OPTION/MODEL	QTY.	DESCRIPTION	PART NO.	ITEM NO.
RH11				
PARTS LIST				
UNLESS OTHERWISE SPECIFIED DIMENSION IN INCHES		DATE	digital EQUIPMENT CORPORATION MAYNARD, MASSACHUSETTS	
TOLERANCES		DATE	TITLE	
DECIMALS	ANGLES	DATE	WRITE MASSBUS TIMING DIAGRAM	
.XXX - .006	'0 30'	DATE		
.XX - .02		DATE		
X - .1		DATE		
REMOVE BURRS AND BREAK SHARP CORNERS SURFACE QUALITY 1	PROD.	DATE		
MATERIAL	NEXT HIGHER ASSY.			
FINISH	B-DD-RH11-0	SIZE/CODE	NUMBER	REV.
	SCALE: NONE	D TD RH11-0-07		
	SHEET	OF	DIST.	

D TD RH11-0-07

A

THIS DRAWING AND SPECIFICATIONS HEREIN ARE THE PROPERTY OF DIGITAL EQUIPMENT CORPORATION AND SHALL NOT BE REPRODUCED OR COPIED OR USED IN WHOLE OR IN PART AS THE BASIS FOR THE MANUFACTURE OR SALE OF ITEMS WITHOUT WRITTEN PERMISSION. COPYRIGHT © 1973 DIGITAL EQUIPMENT CORPORATION.

READ OR WRITE CHECK MASSBUS TIMING DIAGRAM

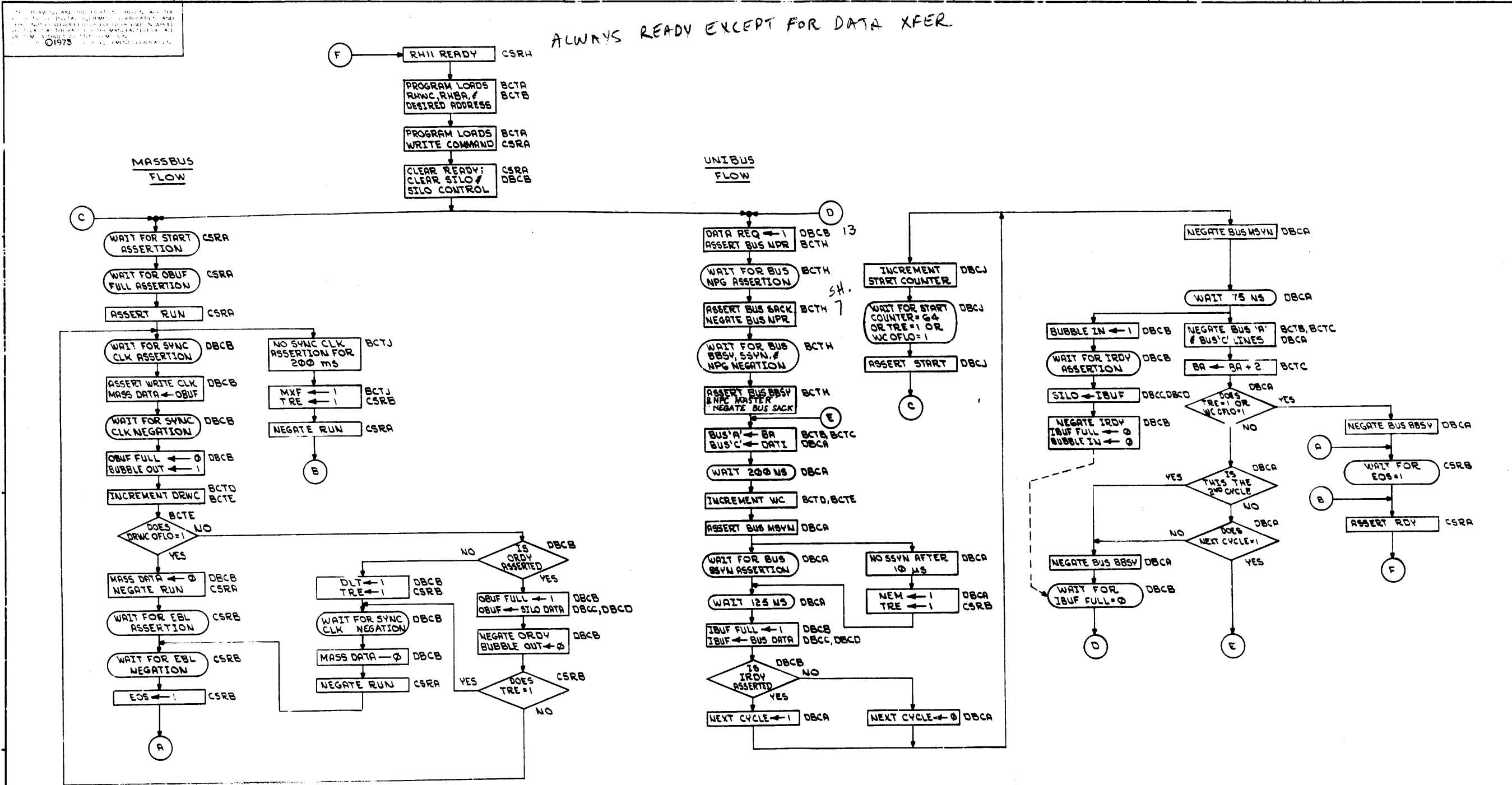


FIRST USED ON OPTION/MODEL	QTY.	DESCRIPTION	PART NO.	ITEM NO.
RH11				
PARTS LIST				
UNLESS OTHERWISE SPECIFIED DIMENSION IN INCHES		DATE	digital EQUIPMENT CORPORATION	
TOLERANCES		DATE	WARD W. JACOBUS	
DECIMALS	ANGLES	DATE	TITLE	
.XX = .008	'0 30'	DATE	READ + WRITE	
.XX = .02		DATE	CHECK MASSBUS	
.X = .1		DATE	TIMING DIAGRAM	
REMOVE BURRS AND BREAK SHARP CORNERS SURFACE QUALITY 1	PROG	DATE	MATERIAL	
			NEXT HIGHER ASSY.	
			B-DD-RH11-0	
			SCALE NONE	
			SHEET OF	
			DIST.	
			REV.	
			DTRH11-0-08	

REV. 01
DATE 8-3-73
BY J. H. BROWN

D
C
B
A

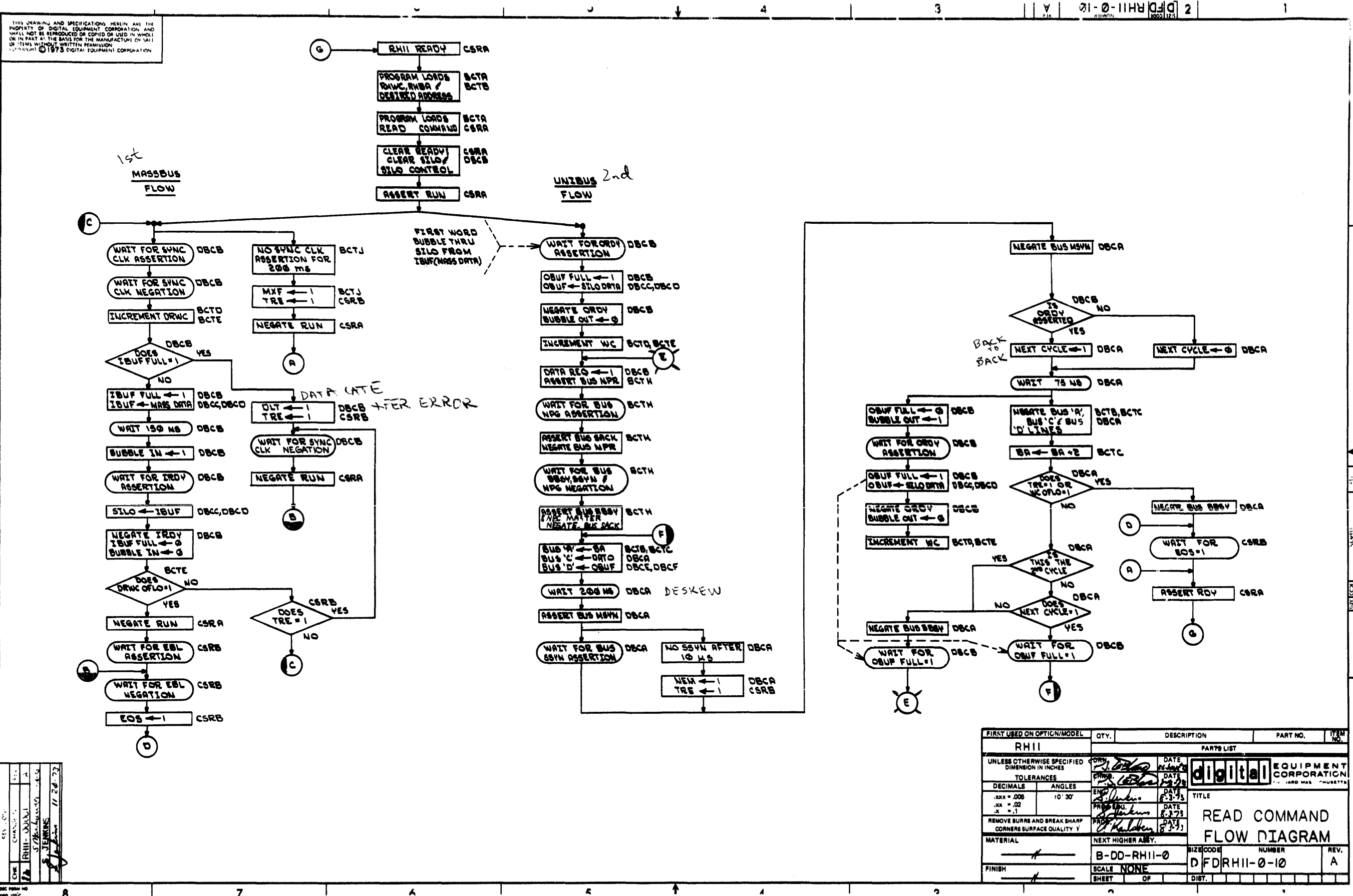
ALWAYS READY EXCEPT FOR DATA XFER.



CHN
 S. JENKINS
 11-28-73

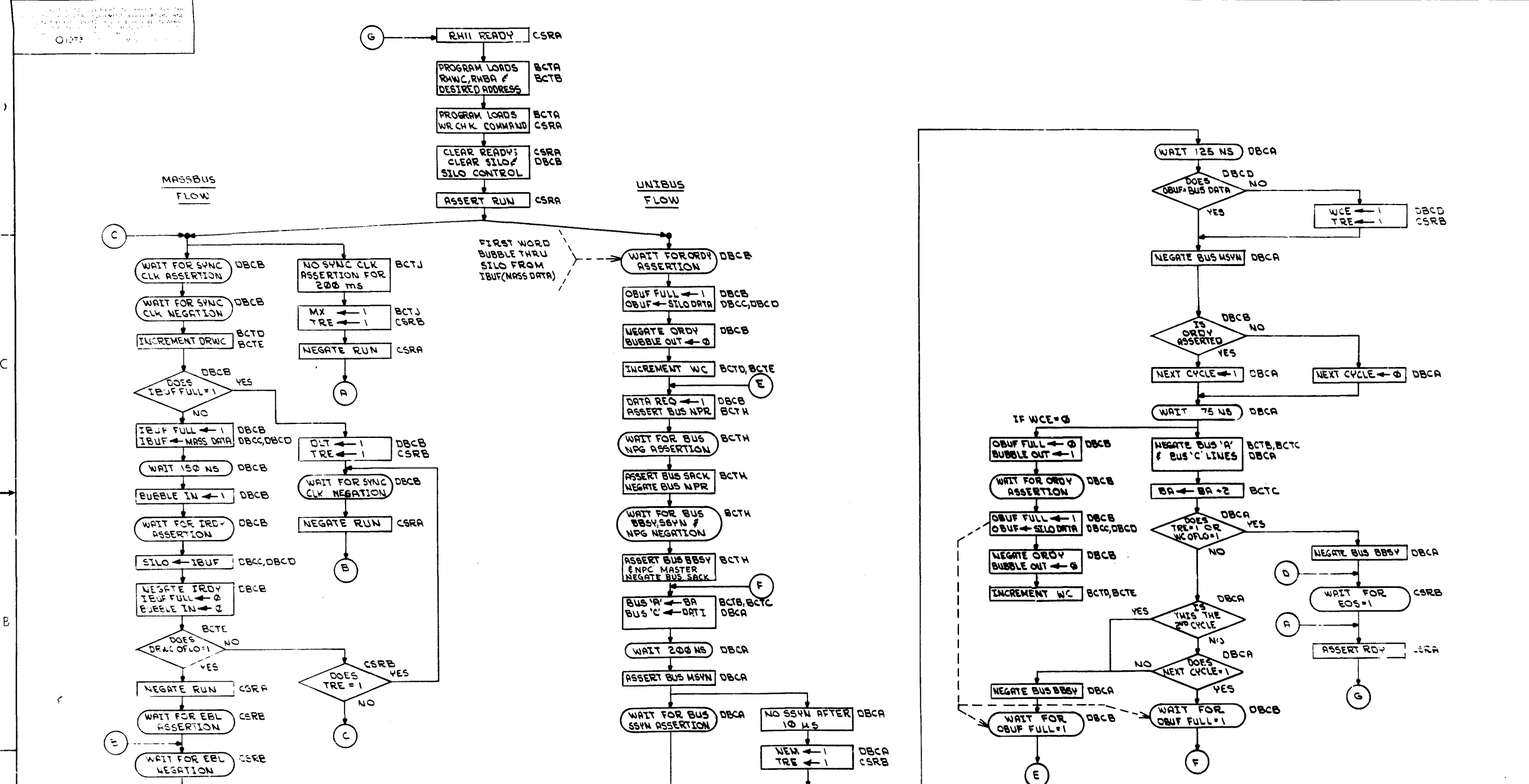
FIRST USED ON OPTION/MODEL	QTY.	DESCRIPTION	PART NO.	ITEM NO.
RH11				
PARTS LIST				
UNLESS OTHERWISE SPECIFIED DIMENSION IN INCHES		DATE	digital EQUIPMENT CORPORATION	
TOLERANCES		DATE	MAYNARD MANAGERIAL SYSTEMS	
DECIMALS	ANGLES	DATE	TITLE	
.xxx ± .006	∠ 30'	DATE	WRITE COMMAND FLOW DIAGRAM	
.xx ± .02		DATE		
.x ± .1		DATE		
REMOVE BURRS AND BREAK SHARP CORNERS SURFACE QUALITY 1				
MATERIAL	NEXT HIGHER ASSY.		SIZE/CODL	NUMBER
	B-DD-RH11-0		D F D R H 1 1 - 0 - 0 9	REV.
FINISH	SCALE	NONE		
	SHEET	OF		

THIS DRAWING AND SPECIFICATIONS HEREIN ARE THE PROPERTY OF DIGITAL EQUIPMENT CORPORATION AND WILL NOT BE REPRODUCED OR COPIED OR USED IN WHOLE OR IN PART AS THE BASIS FOR THE MANUFACTURE OF ANY OF ITS ITEMS WITHOUT WRITTEN PERMISSION.
 © 1973 DIGITAL EQUIPMENT CORPORATION



REV. C	DATE	BY
1	11-28-73	JENNINGS
2		
3		
4		
5		
6		
7		
8		

FIRST USED ON OPTION/MODEL	QTY.	DESCRIPTION	PART NO.	ITEM NO.
RH11		PARTS LIST		
UNLESS OTHERWISE SPECIFIED DIMENSION IN INCHES				
TOLERANCES				
DECIMALS	ANGLES			
.xxx = .005	10' 30'			
.xx = .02				
.x = .1				
REMOVE BURRS AND BREAK SHARP CORNERS SURFACE QUALITY Y				
MATERIAL	NEXT HIGHER ASSY.			
	B-DD-RH11-0	SIZE CODE	NUMBER	REV.
FINISH	SCALE NONE	D FDRH11-0-10		A
	SHEET	OF	DIST.	

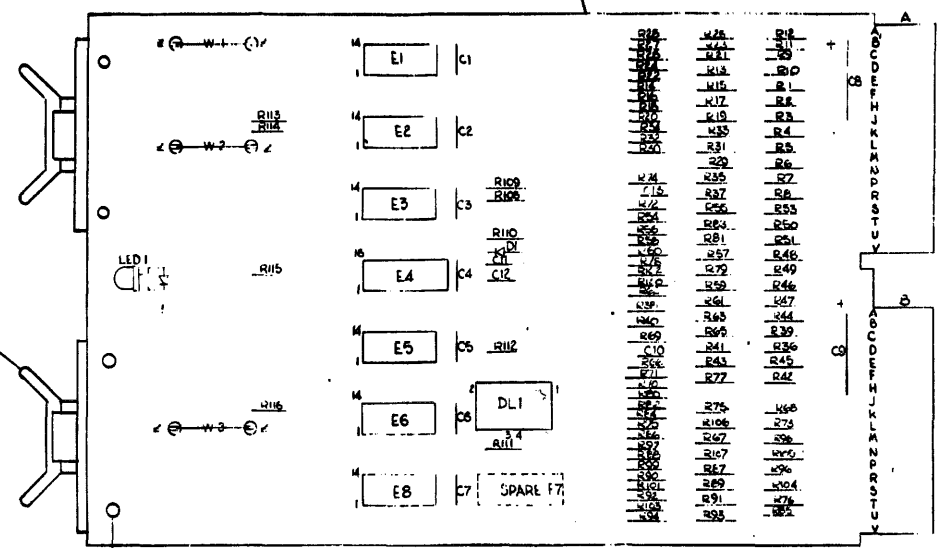


DATE	BY	CHKD	ENG	PROV'NG	APP'D

FIRST USED ON OPTION/MODEL	QTY.	DESCRIPTION	PART NO.	ITEM NO.
RHI1				
PARTS LIST				
UNLESS OTHERWISE SPECIFIED DIMENSION IN INCHES		DATE	digital EQUIPMENT CORPORATION	
TOLERANCES		DATE	MAYNARD MASSACHUSETTS	
DECIMALS	ANGLES	DATE	TITLE	
.XXX = .005	'0 30'	DATE	WRITE CHECK COMMAND FLOW DIAGRAM	
.XX = .02		DATE	MATERIAL	
.X = .1		DATE	NEXT HIGHER ASSY.	
REMOVE BURRS AND BREAK SHARP CORNERS SURFACE QUALITY 1		DATE	B-DD-RHI1-0	
FINISH	SCALE NONE	DATE	SIZE CODE D	
	SHEET OF	DATE	NUMBER D FDRHI1-0-11	
		DATE	REV A	

14. A wiring and component layout, herein, are the property of Raytheon Equipment Corporation and shall not be reproduced in whole or in part or in any form without written permission. COPYRIGHT © 1972
 RAYTHEON EQUIP CORP

NOTES:



QTY	REF DESIGNATION	DESCRIPTION	PART NO.	ITEM NO.
27		#22 AWG BUS WIRE	9107560-#1	27
26		HANDLE RIP CHIP MAGENTA	9008337-6	26
25		SPLIT LUG	9006735	25
24		EYELETS	9006732	24
23	ES, E1	IC DEC 11380	191113	23
22	E4	IC DEC 74123	1910436	22
21	E6	IC DEC 7437	1910091	21
20	E8	IC DEC 8881	1909705	20
19	E2	IC DEC 74100	1909056	19
18	E3	IC DEC 7474	1905547	18
17	DL1	DELAY LINE	1609559	17
16	R10B	RES 330 1/4W 5%	1300295	16
15	R109, R111	RES 250 1/4W 5%	1301401	15
52	R2, R4, R6, R8, R10, R12, R14, R15, R16, R18, R20, R22, R24, R26, R28, R30, R32, R34, R36, R38, R40, R42, R44, R46, R48, R50, R52, R54, R56, R58, R60, R62, R64, R66, R68, R70, R72, R74, R76, R78, R80, R82, R84, R86, R88, R90, R92, R94, R96, R98, R100, R102	RES 390 1/4W 5%	1300309	14
54	R1, R3, R5, R7, R9, R11, R13, R15, R17, R19, R21, R23, R25, R27, R29, R31, R33, R35, R37, R39, R41, R43, R45, R47, R49, R51, R53, R55, R57, R59, R61, R63, R65, R67, R69, R71, R73, R75, R77, R79, R81, R83, R85, R87, R89, R91, R93, R95, R97, R99, R101, R103, R105, R107, R109, R111, R113, R115	RES 180 1/4W 5%	1301322	13
12	R110	RES 15K 1/4W 5%	1300496	12
11	R11, R116, R113, R112	RES 1K 1/4W 5%	1300365	11
10	LED1	DIODE LED	110864	10
9	D1	DIODE D664	1108114	9
8	C11, C12	CAP 1200 PF 100V 5% DM	1002424	8
7	C1, C2, C3, C4, C5, C6, C7	CAP 0.01 uF 50V 20% PXTAL	1001610	7
6	C8, C9	CAP 39 uF 10V 10% STANT	1000076	6
5	C10, C13	CAP 0.001 uF 250V 20% DISC	1000043	5
4		ETCHED CIRCUIT BOARD	5010509	4
3	REF	MODULE ECO HISTORY	B-MH-M9300-0-6	3
2	REF	ASSY DRILLING HOLE LAYOUT	D-RH-M9300-0-5	2
1	REF	X-Y COORDINATE HOLE LOCATION	K-CO-M9300-0-4	1

IC TYPE	GND	+5V
74123	9	16
11380	1	8

GND AND 5V ARE USUALLY PIN 7 AND 14 RESPECTIVELY. EXCEPTIONS ARE STATED ABOVE.

IC PIN LOCATIONS

FIRST USED ON OPTION MODEL: RH11

ETCH BOARD REV: A

DRN	DATE	3/5/73
CHK'D	DATE	9/19/72
ENG	DATE	7/11/73
DESIGN	DATE	7/11/73
PROD	DATE	7/25

SEMICONDUCTOR CONVERSION CHART

SCALE: DICS

NUMBER: M9300-0-1

REV: 1

SHEET: 1 OF 2

DRG. NO.:

DATE:

BY:

REV:

EQUIPMENT CORPORATION
 MARYHARD, MASSACHUSETTS

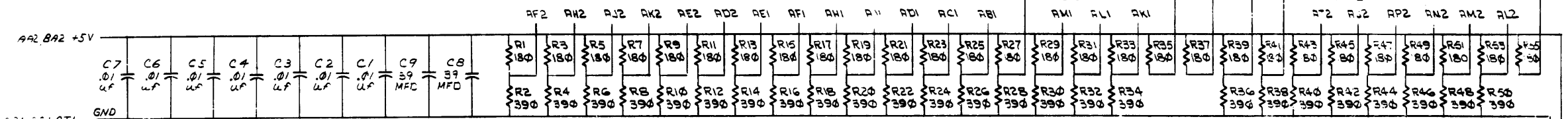
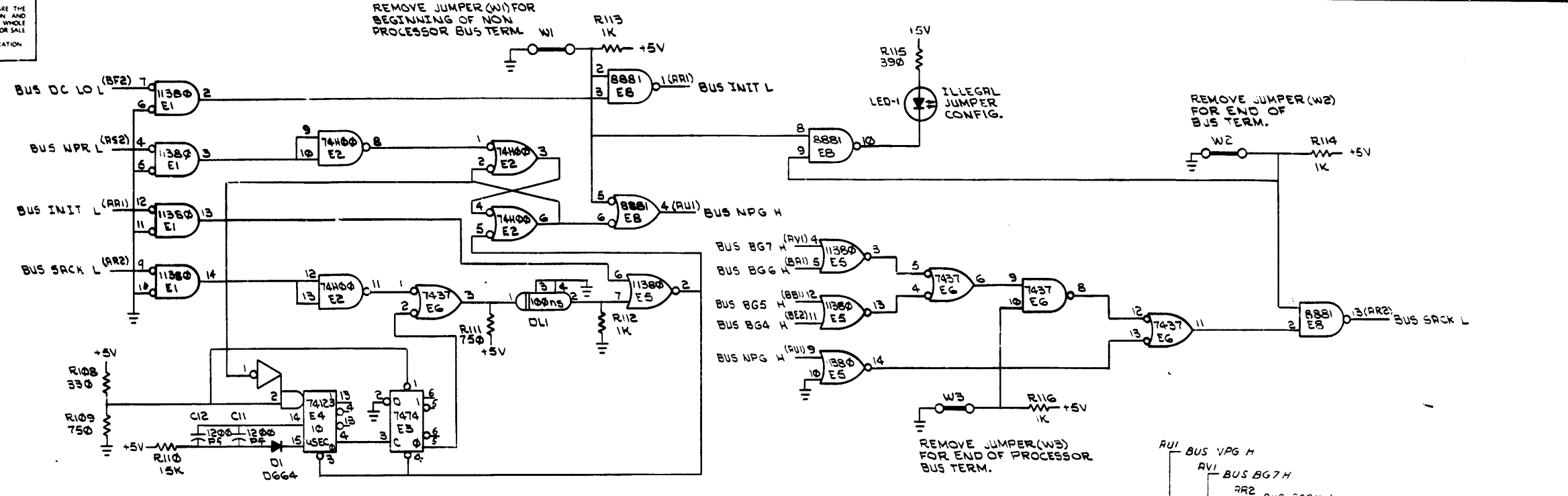
UNIBUS B TERMINATOR

THIS DRAWING AND SPECIFICATIONS HEREIN ARE THE PROPERTY OF DIGITAL EQUIPMENT CORPORATION AND SHALL NOT BE REPRODUCED OR COPIED OR USED IN WHOLE OR IN PART AS THE BASIS FOR THE MANUFACTURE OR SALE OF ITEMS WITHOUT WRITTEN PERMISSION. COPYRIGHT © 1973 DIGITAL EQUIPMENT CORPORATION.

REMOVE JUMPER (W1) FOR BEGINNING OF NON-PROCESSOR BUS TERM.

REMOVE JUMPER (W2) FOR END OF BUS TERM.

REMOVE JUMPER (W3) FOR END OF PROCESSOR BUS TERM.



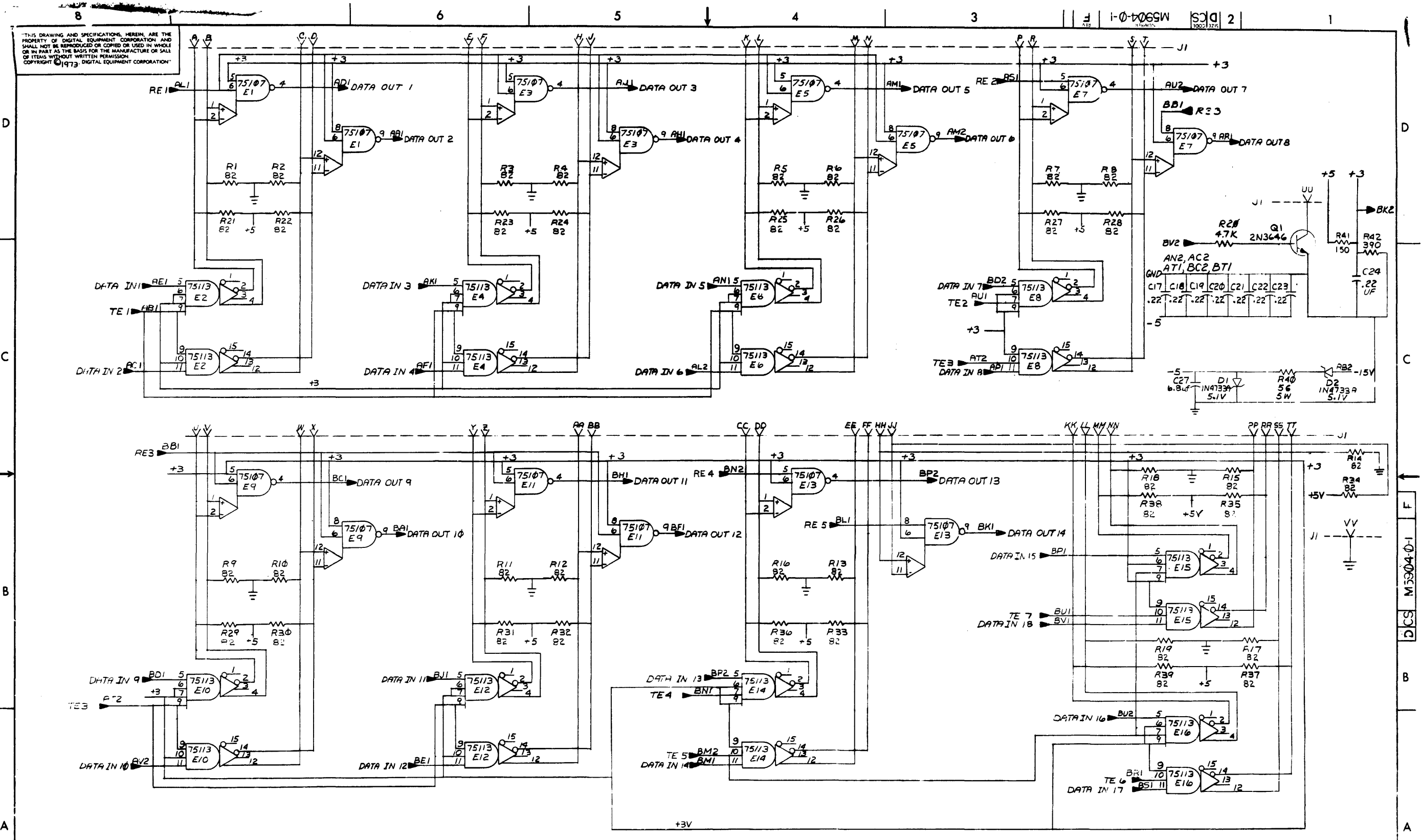
AA2, BA2 +5V
GND
362 AC2, AN1, AP1, AR1, AL1, AT1
472 BB2, BC2, BD1, BE1, ET1, SV2

REVISIONS		
CHK	CHANGE NO	REV

TITLE	UNIBUS B TERMINATOR	SIZE CODE	DCS	NUMBER	M9300-0-1	REV.	
SCALE		SHEET	2	OF	2	DIST.	

DCS M9300-1

THIS DRAWING AND SPECIFICATIONS, HEREIN, ARE THE PROPERTY OF DIGITAL EQUIPMENT CORPORATION AND SHALL NOT BE REPRODUCED OR COPIED OR USED IN WHOLE OR IN PART AS THE BASIS FOR THE MANUFACTURE OF SIMILAR ITEMS WITHOUT WRITTEN PERMISSION.
 COPYRIGHT © 1973, DIGITAL EQUIPMENT CORPORATION



REVISIONS		
CHK	CHANGE NO	REV

TITLE	SIZE CODE	NUMBER	REV.
CONTROLLER TRANSCEIVER	D CS	M5904-0-1	F
SCALE	SHEET	OF	DIST.
	2	2	

D CS M5904-0-1

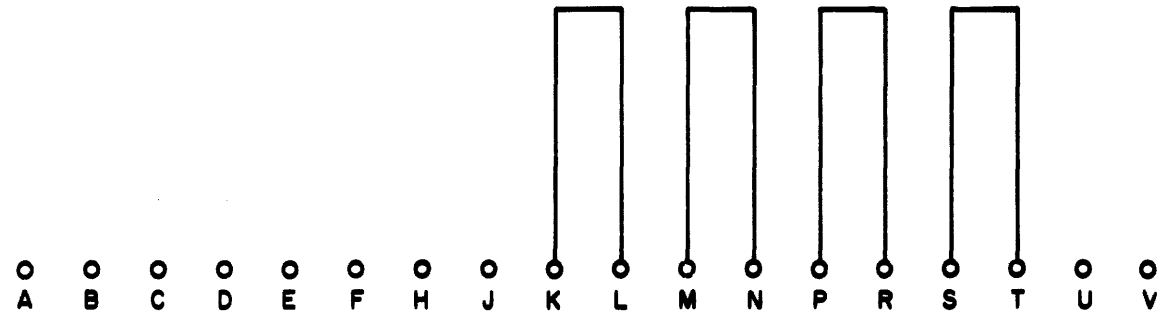


REV.

NUMBER G727-0-1

SIZE CODE B CS

THIS SCHEMATIC IS FURNISHED ONLY FOR TEST AND MAINTENANCE PURPOSES. THE CIRCUITS ARE PROPRIETARY IN NATURE AND SHOULD BE TREATED ACCORDINGLY. COPYRIGHT 1969 BY DIGITAL EQUIPMENT CORPORATION



REVISIONS CHK CHG NO REV	DRN. BUTLER	DATE 11-19-69	TRANSISTOR & DIODE CONVERSION CHART				digital EQUIPMENT CORPORATION MAYNARD, MASSACHUSETTS	TITLE GRANT CONTINUITY G727			
	CHK'D <i>P. de Stank</i>	DATE <i>6-1-70</i>	DEC	EIA	DEC	EIA		SIZE B	CODE CS	NUMBER G727-0-1	REV
	ENG. <i>P. de Stank</i>	DATE <i>1/28/70</i>						PRINTED CIRCUIT REV	A		
	PROD.	DATE									



5 Pin

DIST. 321.434.435 3

8
7
6
5
4
3
2
1

1-02.8M SJ 2
3300

ETCH CIRCUIT BOARD 5010843

1. P1 CONNECTOR, EDGE CARD 40 PIN 121123-00

3. E1, E2, E3 RESISTOR PACK 1300005-05

2. SCREW, NYLON #2-56 X 1/2 LG 9002410-05

2. NUT #2-56 1/4 ACROSS FLATS 1/16 THK 9007263

2. W1 & W2 REEL JUMPER (UNINSULATED) 91 07560-1

REF *XY COOR. HOLE LOCATION K-CO-HB70-0-4

REF ASSY DRILLING HOLE LAYOUT D-AH-HB70-0-5

REF MODULE ECO HISTORY B-MH-HB70-0-6

QTY REF DESIGNATION DESCRIPTION PART NO. ITEM NO.

FIRST USED ON OPTION MODEL ETCH BOARD REV F PARTS LIST

DRN P.T. Beardsley DATE 1-8-74

CHK'D J. W. Brand DATE 1-9-74

ENG J. W. Brand DATE 1-9-74

PROJ. E.S.B. DATE 1-9-74

PROD. DATE 1-9-74

NEXT HIGHER ASSY

DEC NO. EIA NO. DEC NO. EIA NO.

SCALE NONE

SHEET 1 OF 1

DIST. 1

digital EQUIPMENT CORPORATION
MAYNARD, MASSACHUSETTS

TITLE
MASSBUS
TERMINATOR

SIZE CODE DCS NUMBER H870-0-1 REV. F

IC TYPE GND + 5V

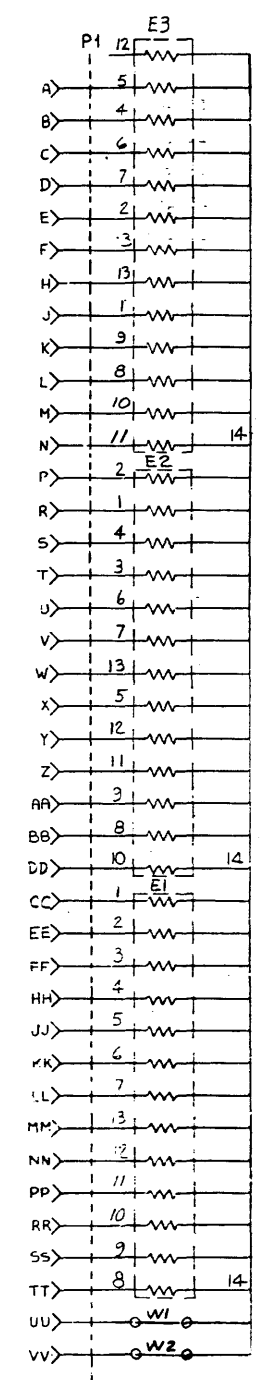
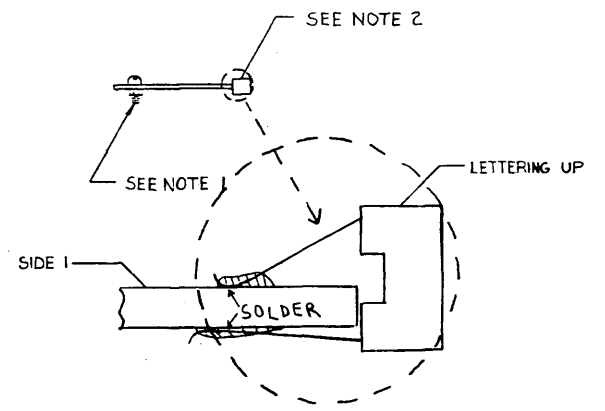
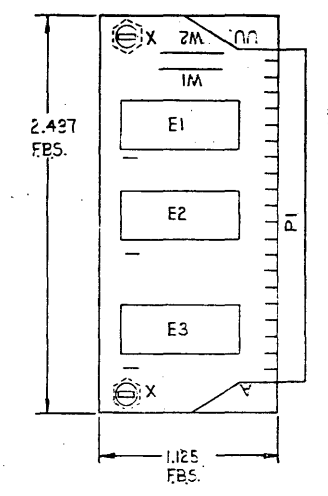
GND AND 5V ARE USUALLY PIN 7 AND 14
RESPECTIVELY EXCEPTIONS ARE STATED ABOVE

IC PIN LOCATIONS

DEC FORM NO. DRD 1354
8
7
6
5
4
3
2
1

NOTES:

1. ASSEMBLE (2) SCREW AND NUT TO BOARD, CUT OFF SCREW FLUSH WITH NUT.
2. INSERT BOARD INTO CONNECTOR FINGERS AND SOLDER ON TO BOARD PADS AS PER DETAIL SHOWN, USING TOOLING #9412105-1 AS SOLDERING HOLDING FIXTURE
3. USE TOOLING 9412101-1 TO REWORK P1 PRIOR TO ASSEMBLY.



T. STAMBAUGH
J. STAMBAUGH
11.8.74
H870-0-1
ORIGINAL A

CHK	CHANGE NO.	REV

SEMICONDUCTOR CONVERSION CHART

DEC NO.	EIA NO.	DEC NO.	EIA NO.

DRN P.T. Beardsley DATE 1-8-74

CHK'D J. W. Brand DATE 1-9-74

ENG J. W. Brand DATE 1-9-74

PROJ. E.S.B. DATE 1-9-74

PROD. DATE 1-9-74

NEXT HIGHER ASSY

SCALE NONE

SHEET 1 OF 1

DIST. 1

Digital EQUIPMENT CORPORATION
MAYNARD, MASSACHUSETTS

TITLE
MASSBUS
TERMINATOR

SIZE CODE DCS NUMBER H870-0-1 REV. F

1

D
C
B
A

8
7
6
5
4
3
2
1

D
C
B
A

D
C
B
A

1-1

870-0-1

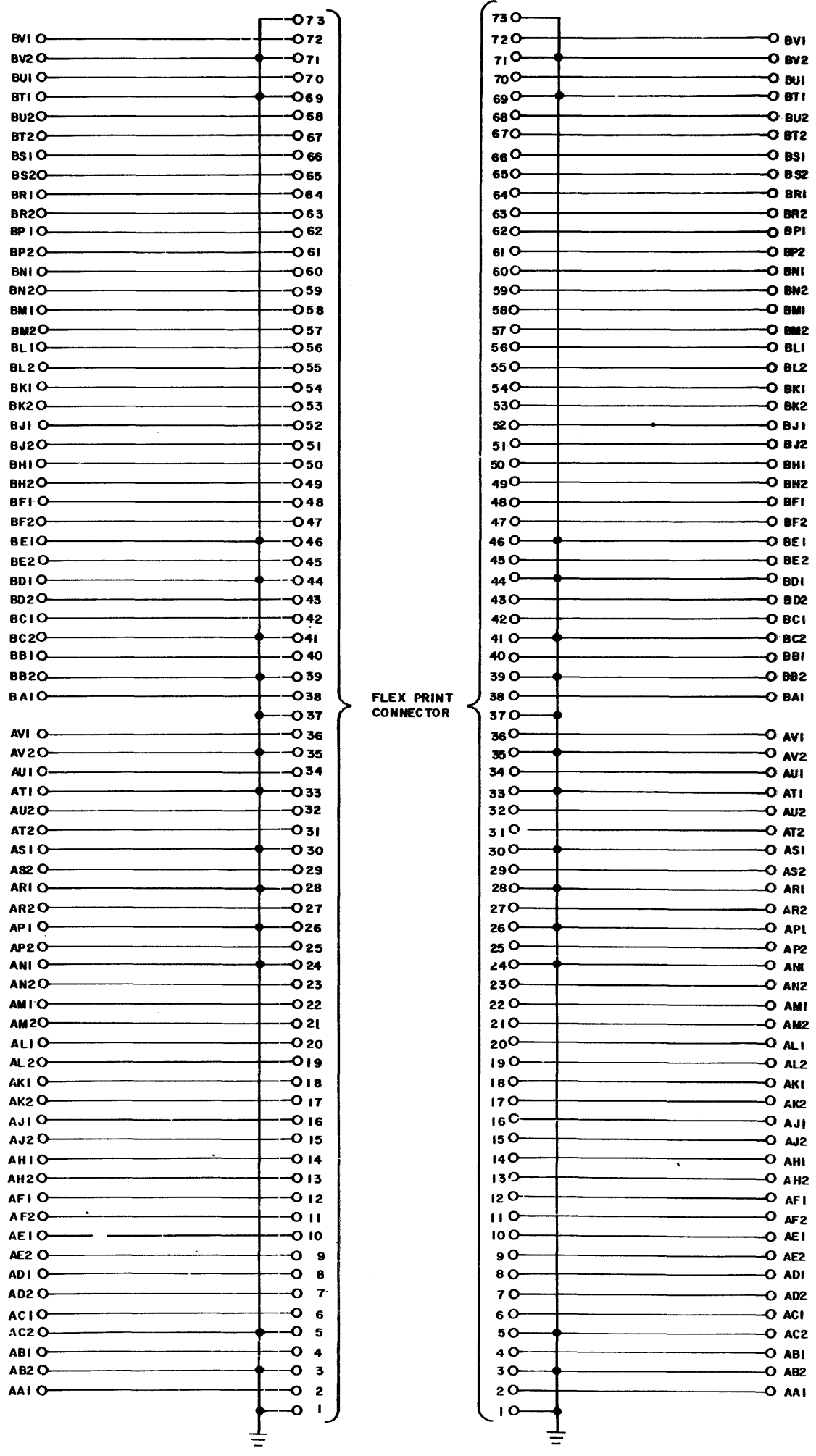
870-0-1

870-0-1

870-0-1

870-0-1

THIS SCHEMATIC IS FURNISHED ONLY FOR TEST AND MAINTENANCE PURPOSES. THE CIRCUITS ARE PROPRIETARY IN NATURE AND SHOULD BE TREATED ACCORDINGLY. COPYRIGHT 1969 BY DIGITAL EQUIPMENT CORPORATION



REVISIONS		
CHK	CHG NO.	REV.
	00001	A
	00002	B
	00004	C

DRN	DATE	DESCRIPTION

CHK'D	DATE	DESCRIPTION

TRANSISTOR & DIODE CONVERSION CHART	
DEC	EIA

TITLE	
INTERNAL BUS CONNECTOR	

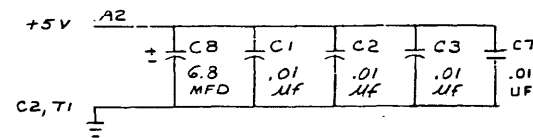
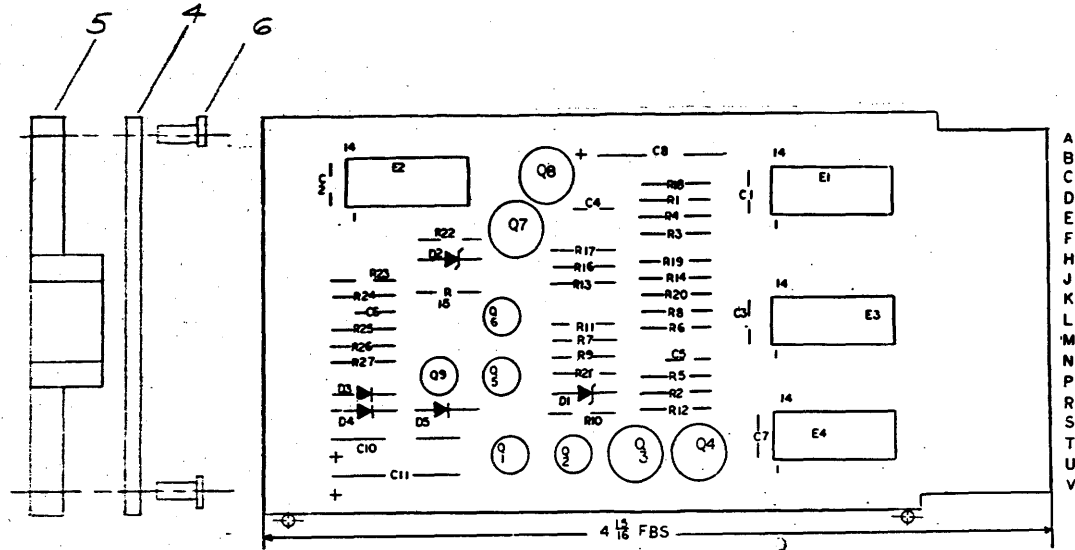
SIZE	CODE	NUMBER
C	CS	M920-0-1

PRINTED CIRCUIT REV.
B

DFC FORM NO. 00002
 DIST. 3-29-69 1753
 P1A/K

NOTES:

The drawing and specifications herein are the property of Digital Equipment Corporation and shall not be reproduced or copied in whole or in part without the express written permission of the manufacturer.



QTY	REF DESIGNATION	DESCRIPTION	PART NO.	ITEM NO
4	Q1-Q4	TRANSIPAGE	9007200	32
1	C11	CAP. 10UF 20V 10%	1004813	30
1	C10	CAP. 39UF 16V 10%	1000076	28
5	R7, R13, R19, R20, R21, R24	RES. 4.7K 1/4W 5%	1300447	24
2	R23, R24	RES. 1.5K 1/4W 5%	1300391	27
4	R12, R18, R22, R26	RES. 470 1/4W 5%	1300316	26
1	Q9	TRANSISTOR DEC 30096	1503100	25
3	D3, D4, D5	DIODE D664	1100114	23
1	E2	IC DEC 1404	1909686	22
5	C1, C2, C3, C6, C7	CAP. .01 MF 100V 20% DIS.	1001610	21
1	C8	CAP. 6.8UF 35V, 20% TANT	1000067	20
2	C4, C5	CAP. 1000PF 100V, 5% HIGH	1000042	19
2	D1, D2	DIODE INT50A 4.7V ZENES	1100124	18
4	R8, R11, R14, R17	RES. 10K 1/4 5%	1300479	16
2	R1, R2	RES. 3.9K 1/4 5%	1300479	15
6	R4, R6, R15, R19, R21, R22	RES. 1K 1/4, 5%	1300479	14
3	R3, R5, R27	RES. 100 1/4 5%	1300229	13
4	Q1, Q2, Q5, Q6	TRANS. DEC 6534D	1503909	12
2	Q3, Q7	TRANS. 2N1309	1501311	11
2	Q4, Q8	TRANS. 2N1308	1500593	10
1	E3	IC DEC 7405	1909930	9
2	E1, E4	IC DEC 74H52	1909061	8
3		FIELD	7006732	6
1		MODULE FLIP CHIP - MAGENTA	7006732	5
1		ETCHED CMT BD	8010025	4
3		MODULE PCB HISTORY	284-118504	3
2		PCB MILLING MATE LAYOUT	284-118503	2
1		BY COORDINATE ASSEMBLY	284-118501	1

PDP 11 PARTS LIST

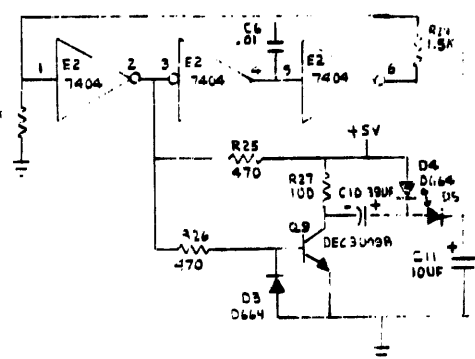
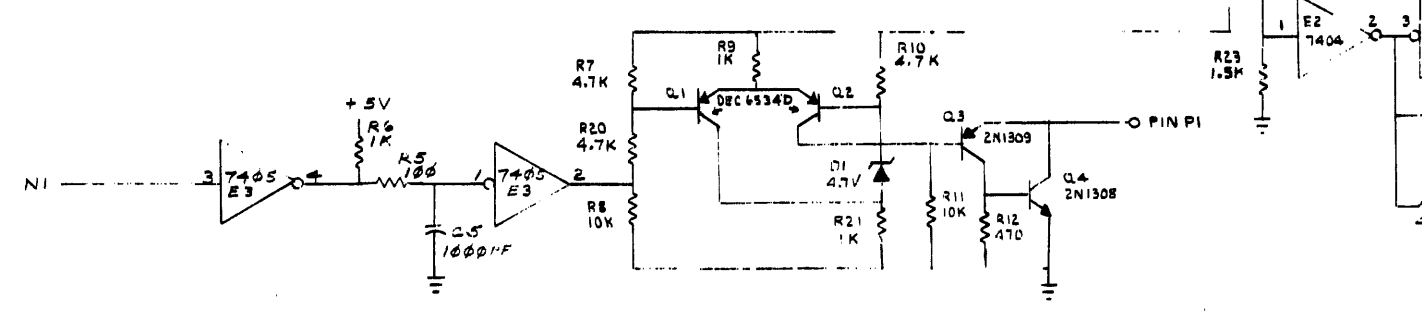
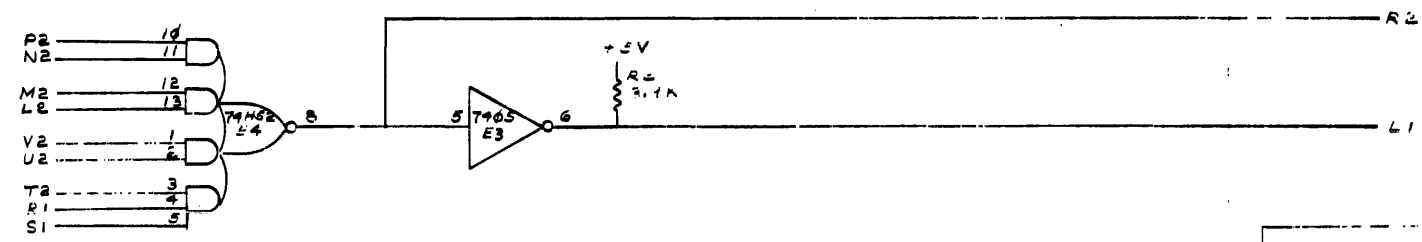
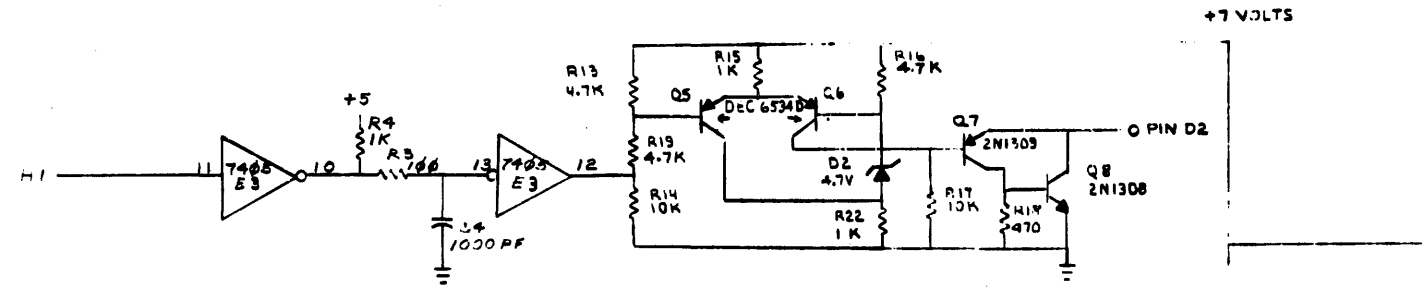
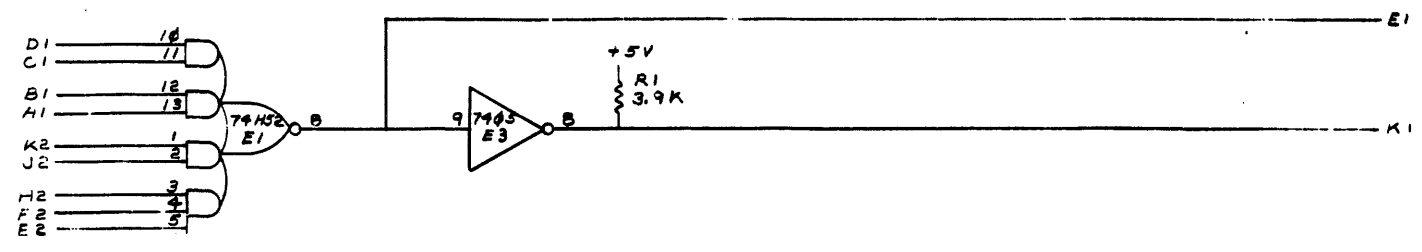
DEC NO.	EIA NO.	DEC NO.	EIA NO.	SCALE	SHEET	OF	DST.	REV.
DEC 1534D	NONE	2N1304	SAME	10:14E	1	2		E
2N1303	SAME	INT50A	SAME					

IC TYPE GND +5V
 GND AND 5V ARE USUALLY PIN 7 AND 14
 RESPECTIVELY. EXCEPTIONS ARE STATED ABOVE.
 IC PIN LOCATIONS

DOH VOIADA
 7/11/71
 11/11/71
 1/11/72
 3/11/72
 5/11/72
 7/11/72
 9/11/72
 11/11/72
 1/11/73
 3/11/73
 5/11/73
 7/11/73
 9/11/73
 11/11/73
 1/11/74
 3/11/74
 5/11/74
 7/11/74
 9/11/74
 11/11/74
 1/11/75
 3/11/75
 5/11/75
 7/11/75
 9/11/75
 11/11/75
 1/11/76
 3/11/76
 5/11/76
 7/11/76
 9/11/76
 11/11/76
 1/11/77
 3/11/77
 5/11/77
 7/11/77
 9/11/77
 11/11/77
 1/11/78
 3/11/78
 5/11/78
 7/11/78
 9/11/78
 11/11/78
 1/11/79
 3/11/79
 5/11/79
 7/11/79
 9/11/79
 11/11/79
 1/11/80
 3/11/80
 5/11/80
 7/11/80
 9/11/80
 11/11/80
 1/11/81
 3/11/81
 5/11/81
 7/11/81
 9/11/81
 11/11/81
 1/11/82
 3/11/82
 5/11/82
 7/11/82
 9/11/82
 11/11/82
 1/11/83
 3/11/83
 5/11/83
 7/11/83
 9/11/83
 11/11/83
 1/11/84
 3/11/84
 5/11/84
 7/11/84
 9/11/84
 11/11/84
 1/11/85
 3/11/85
 5/11/85
 7/11/85
 9/11/85
 11/11/85
 1/11/86
 3/11/86
 5/11/86
 7/11/86
 9/11/86
 11/11/86
 1/11/87
 3/11/87
 5/11/87
 7/11/87
 9/11/87
 11/11/87
 1/11/88
 3/11/88
 5/11/88
 7/11/88
 9/11/88
 11/11/88
 1/11/89
 3/11/89
 5/11/89
 7/11/89
 9/11/89
 11/11/89
 1/11/90
 3/11/90
 5/11/90
 7/11/90
 9/11/90
 11/11/90
 1/11/91
 3/11/91
 5/11/91
 7/11/91
 9/11/91
 11/11/91
 1/11/92
 3/11/92
 5/11/92
 7/11/92
 9/11/92
 11/11/92
 1/11/93
 3/11/93
 5/11/93
 7/11/93
 9/11/93
 11/11/93
 1/11/94
 3/11/94
 5/11/94
 7/11/94
 9/11/94
 11/11/94
 1/11/95
 3/11/95
 5/11/95
 7/11/95
 9/11/95
 11/11/95
 1/11/96
 3/11/96
 5/11/96
 7/11/96
 9/11/96
 11/11/96
 1/11/97
 3/11/97
 5/11/97
 7/11/97
 9/11/97
 11/11/97
 1/11/98
 3/11/98
 5/11/98
 7/11/98
 9/11/98
 11/11/98
 1/11/99
 3/11/99
 5/11/99
 7/11/99
 9/11/99
 11/11/99
 1/11/00
 3/11/00
 5/11/00
 7/11/00
 9/11/00
 11/11/00

All drawings and specifications, herein, are the property of Digital Equipment Corporation and shall not be reproduced or copied or used in whole or in part as the basis for the manufacture or sale of items without its prior permission.

1-0-899W S01 2

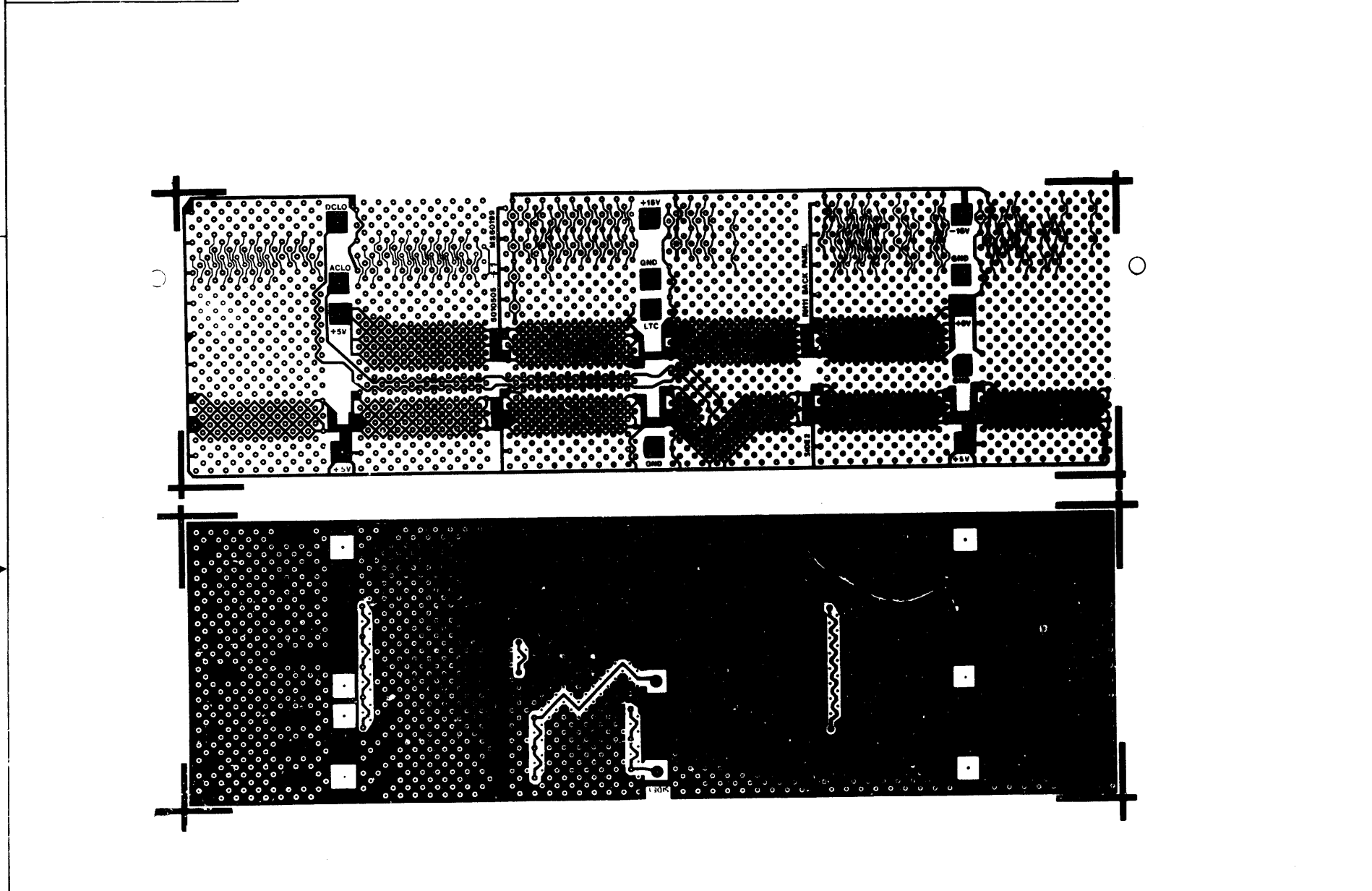


REV. 11/64
LWR
REV. 11/64
LWR

FIRST USED ON OPTION/MODEL	QTY	DESCRIPTION	PART NO	ITEM NO
PDP 11				
PARTS LIST				
UNLESS OTHERWISE SPECIFIED DIMENSION IN INCHES TOLERANCES	DRN 5/1/72	DATE 5/1/72	digital EQUIPMENT CORPORATION MAYNARD MASSACHUSETTS TITLE UNIBUS POWER FAIL DRIVERS	
DECIMALS	CHK'D 6/1/72	DATE 6/1/72		
ANGLES	ENGR 6/1/72	DATE 6/1/72		
xxx - 005 xx - 02 x - 1	PROJ ENGR 6/1/72	DATE 6/1/72		
REMOVE BURRS AND BREAK SHARP CORNERS SURFACE QUALITY	PROD 6/1/72	DATE 6/1/72	SIZE CODE NUMBER DCS M6R8-0-1	
MATERIAL	NEXT HIGHER ASSY		REV E	
FINISH	SCALE NOTE		DIST	
	SHEET 2 OF 2			

THIS DRAWING AND SPECIFICATIONS HEREIN ARE THE PROPERTY OF DIGITAL EQUIPMENT CORPORATION AND SHALL NOT BE REPRODUCED OR COPIED OR USED IN WHOLE OR IN PART AS THE BASIS FOR THE MANUFACTURE OR SALE OF ITEMS WITHOUT WRITTEN PERMISSION. COPYRIGHT © 1973 DIGITAL EQUIPMENT CORPORATION.

NOTES:



IC TYPE	GND	+5V
GND AND 5V ARE USUAL Y PIN 7 AND 14 RESPECTIVELY. EXCEPTIONS ARE STATED ABOVE.		
IC PIN LOCATIONS		

REF	ASSY DRILLING HOLE LAYOUT	D-AN-5410506-0-5	1
REF	MODULE ECO HISTORY	D-MH-5410506-0-6	2
REF	X-Y COORDINATE HOLE LOCATION	KCO-5410506-0-4	3
1	ETCHED CIRCUIT BOARD	5010505	4

QTY	REF DESIGNATION	DESCRIPTION	PART NO	ITEM NO

PARTS LIST	
ETCH BOARD REV	D

DATE	7-27-73
DATE	7-27-73
DATE	7-27-73
DATE	7-27-73
DATE	7-27-73
DATE	7-27-73
DATE	7-27-73
DATE	7-27-73
DATE	7-27-73

digital EQUIPMENT CORPORATION	
TITLE RHII BACK PANEL	
SIZE CODE DCS 5410506-0-1	NUMB-N C
SCALE NONE	SHEET OF

DATE	7-27-73
DATE	7-27-73
DATE	7-27-73
DATE	7-27-73
DATE	7-27-73
DATE	7-27-73
DATE	7-27-73
DATE	7-27-73

SEMICONDUCTOR CONVERSION CHART		
EIA NO	DEC NO	EIA NO

DCS 5410506-0-1 C

SIZE CODE K WL RH11-0-12 2
 NUMBER 2-0-12
 C

This drawing and specifications, herein, are the property of Digital Equipment Corporation and shall not be reproduced or copied or used in whole or in part as the basis for the manufacture or sale of items without written permission. COPYRIGHT © 1973

DIGITAL EQUIP. CORP.

FIRST USED ON OPTION MODEL	QTY.	DESCRIPTION	PART NO.	ITEM NO.
RH11				

digital EQUIPMENT CORPORATION
 MAYNARD, MASSACHUSETTS

TITLE
WIRE LIST

DRN. <i>F. J. Jenkins</i>	DATE <i>8-13-73</i>
CHK'D. <i>G. Johnson</i>	DATE <i>8-16-73</i>
ENG. <i>F. Jenkins</i>	DATE <i>8-13-73</i>
PRG. ENG. <i>F. Jenkins</i>	DATE <i>8-13-73</i>
PROP. <i>F. Jenkins</i>	DATE <i>8-13-73</i>

NEXT HIGHER ASSEMBLY
 D-AD-700939700

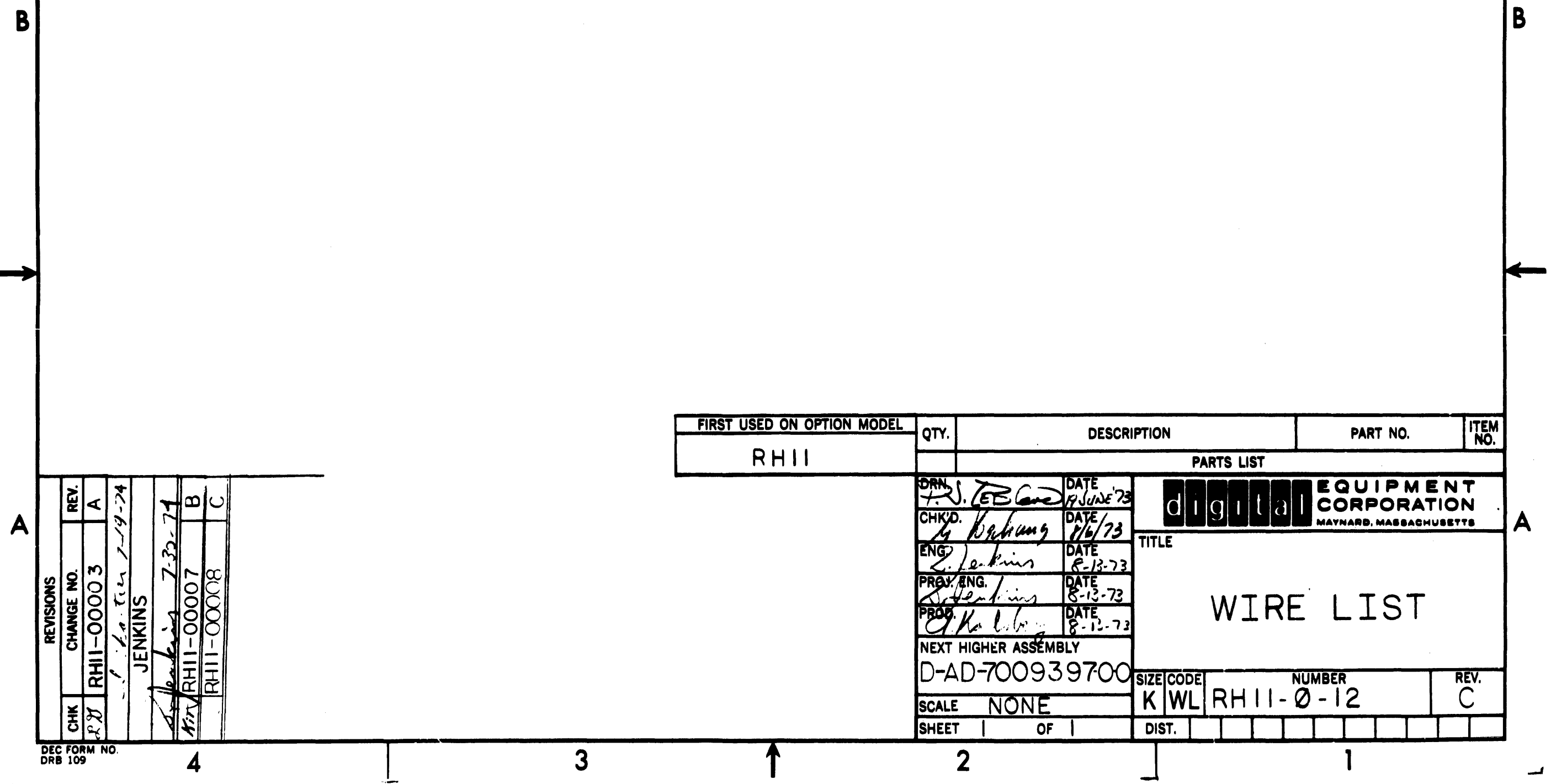
SCALE NONE

SIZE CODE	NUMBER	REV.
K WL	RH11-0-12	C

SHEET OF DIST.

REVISIONS	CHANGE NO.	REV.
CHK <i>RR</i>	RH11-00003	A
<i>La. Ken 1-19-74</i>		
JENKINS		
<i>F. Jenkins 7-32-74</i>		
CHK	RH11-00007	B
CHK	RH11-00008	C

DEC FORM NO. DRB 109



This drawing and specifications, herein, are the property of Digital Equipment Corporation and shall not be reproduced or copied or used in whole or in part as the basis for the manufacture or sale of items without written permission.

DRAWING NUMBER	INIT REL	AUTOMATIC WIRE TESTER (AWT) REVISION STATUS														REV			
	T2	A	B	C	D	E													
K-WL-RH11-Ø	*	A	A	A	B	C													
D-AD-7009397-0-0	B	C	D	E	F	H													
D-CS-5410506-0-1	C	C	C	C	C	C													

REVISIONS	CHG NO.	REV.
	RH11-00003	A
	ORIGINATED	
	RH11-00004	B
	RH11-00006	C
	RH11-00007	D
	RH11-00008	E

DRN. <i>S. Chastain</i>	DATE 7-19-74	digital	EQUIPMENT CORPORATION MAYNARD, MASSACHUSETTS
CHK'D. <i>L. Gilbert</i>	DATE 7-22-74		
ENG. <i>S. Jenkins</i>	DATE 7-30-74	TITLE RH11 MASSBUS CONTROLLER AWT REVISION STATUS	
PRD. ENGR. <i>S. Jenkins</i>	DATE 7-30-74		
PRD. <i>S. Jenkins</i>	DATE 7-30-74		
FIRST USED ON		SIZE CODE A WT	NUMBER 7009397-0
SCALE 1/1		REV. E	
SHEET 1 OF 1		DIST.	

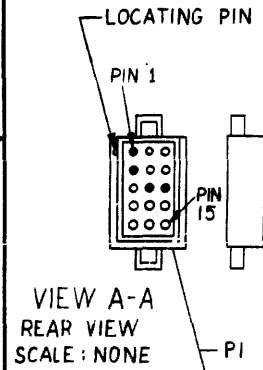
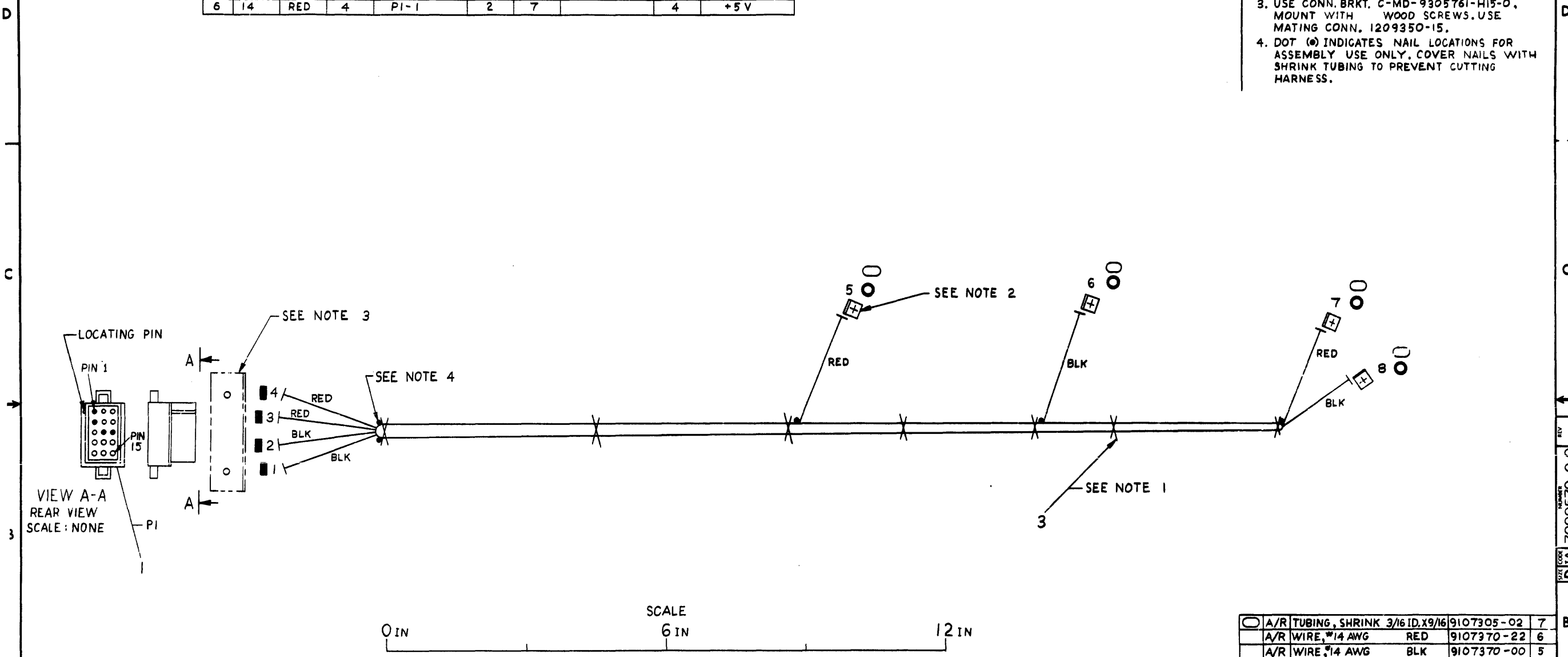
THIS DRAWING AND SPECIFICATIONS HEREIN ARE THE PROPERTY OF DIGITAL EQUIPMENT CORPORATION AND SHALL NOT BE REPRODUCED OR COPIED OR USED IN WHOLE OR IN PART AS THE BASIS FOR THE MANUFACTURE OR SALE OF ITEMS WITHOUT WRITTEN PERMISSION. COPYRIGHT © 1973, DIGITAL EQUIPMENT CORPORATION

0-0-0-0296002 DIA 7009570-0-0 2

WIRE TABLE										
ITEM NO.	DESCRIPTION			FROM			TO			SIGNAL
	AWG	COLOR	POINT	CONNECTION	TERM	POINT	CONNECTION	TERM		
5	14	BLK	1	PI-9	2	8		4	GND	
5	14	BLK	2	PI-8	2	6		4	GND	
6	14	RED	3	PI-4	2	5		4	+5V	
6	14	RED	4	PI-1	2	7		4	+5V	

NOTES:

- USE TIE WRAPS (X) ITEM #3 APPROXIMATELY EVERY THREE (3) INCHES WHEN NECESSARY, AND AT EVERY BREAKOUT POINT.
- ATTACH MALE FASTON DEC # 9009219-0 WITH WOOD SCREWS (4 PLACES).
- USE CONN. BRKT. C-MD-9305761-H15-0. MOUNT WITH WOOD SCREWS. USE MATING CONN. 1209350-15.
- DOT (•) INDICATES NAIL LOCATIONS FOR ASSEMBLY USE ONLY. COVER NAILS WITH SHRINK TUBING TO PREVENT CUTTING HARNESS.



SCALE
0 IN 6 IN 12 IN

DO NOT REDUCE
DO NOT BUILD FROM REDUCED PRINT

QTY.	DESCRIPTION	PART NO.	ITEM NO.
1	A/R TUBING, SHRINK 3/16 ID. X 9/16	9107305-02	7
4	A/R WIRE, #14 AWG RED	9107370-22	6
4	A/R WIRE, #14 AWG BLK	9107370-00	5
4	CONN, SOLDERLESS	9009262-0	4
4	A/R WRAP, TIE	9007031	3
4	PIN, MALE	1209378-00	2
1	HOUSING, CONN 15 PIN	1209351-15	1

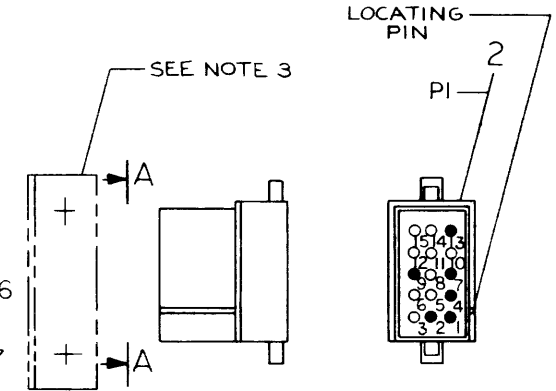
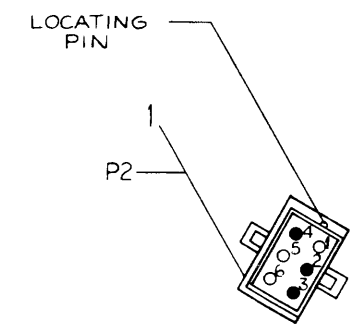
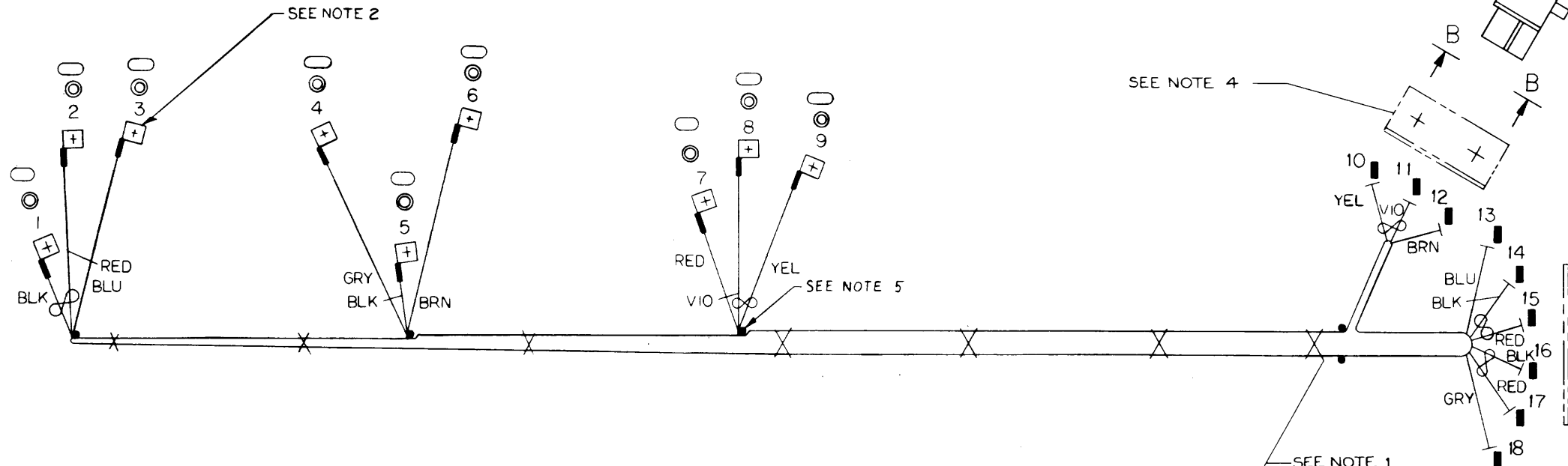
FIRST USED ON OPT/ MOD.	S/M	QTY.	DESCRIPTION	PART NO.	ITEM NO.
PARTS LIST					
UNLESS OTHERWISE SPECIFIED DIMENSION IN INCHES		DRN. DATE 10-8-73			
TOLERANCES		DATE 10/8/73			
DECIMALS .XXX = .005	ANGLES 30° 30'	DATE 10/8/73	TITLE		
.XX = .02		DATE 10/8/73	OPTION HARNESS		
REMOVE BURRS AND BREAK SHARP CORNERS SURFACE QUALITY Y		DATE 10/8/73	RH11 15 PIN		
MATERIAL	NEXT HIGHER ASSY.		REV.		
SEE PARTS LIST	SCALE 1/1	SIZE CODE	NUMBER		
FINISH	SHEET OF 1	DIA	7009570-0-0		

REVISIONS
CHANGE NO.
CHK

REV
DIA 7009570-0-0

WIRE TABLE									
ITEM NO	DESCRIPTION	FROM			TO			REMARKS	
		AWG	COLOR	POINT	CONNECTION	TERM	POINT		CONNECTION
7	14 TWP	RED	7		5,6	17	P1-1	3	+5V
		BLK	5			16	P1-7		GND
9	18 AWG	GRY	4			18	P1-2		+15
7	14 TWP	RED	2			15	P1-4		+5
		BLK	1			14	P1-9		GND
11	14 AWG	BLU	3			13	P1-13		-15
10	18 AWG	BRN	6			12	P2-2		LINE CLOCK
8	18 TWP	VIO	8			11	P2-3		DC LO
		YEL	9		5,6	10	P2-4	3	AC LO

- NOTES:
- USE TIE WRAPS (X) ITEM 4 APPROXIMATELY EVERY THREE (3) INCHES WHEN NECESSARY, AND AT EVERY BREAK-OUT POINT.
 - ATTACH MALE FASTON DEC 9008219-0 WITH *4 WOOD SCREWS (9 PLACES).
 - USE CONN. BRKT C-MD-9305761-HIS-0 MOUNT WITH *6 WOOD SCREWS. USE MATING CONN. 1209350-15.
 - USE CONN. BRKT C-MD-9305761-HG-0 MOUNT WITH *6 WOOD SCREWS. USE MATING CONN. 1209350-06.
 - DOT (●) INDICATES NAIL LOCATIONS FOR ASSEMBLY USE ONLY. COVER NAILS WITH SHRINK TUBING TO PREVENT CUTTING HARNESS.



SYMBOL	DESCRIPTION	PART NO.	ITEM NO.
A/R	WIRE, *14 AWG BLU	9107370-66	11
A/R	WIRE, *18 AWG BRN	9107360-11	10
A/R	WIRE, *18 AWG GRY	9107360-88	9
A/R	WIRE, *18 TWP YEL/VIO	9107430-47	8
A/R	WIRE, *14 TWP BLK/RED	9107440-02	7
○	A/R TUBING, SHRINK	9107305-02	6
⊙	9 CONN., SOLDERLESS	9009262-0	5
X	A/R WRAP, TIE	9007031	4
■	9 PIN, MALE	1209378-01	3
I	HOUSING, CONN. 15 PIN	1209351-15	2
I	HOUSING, CONN. 6 PIN	1209351-06	1

DO NOT REDUCE
SCALE
6 IN.
DO NOT BUILD FROM REDUCED PRINT

REV	DATE	BY	CHK
1	11/17/76	H. KWAN	J. C.
2	12/1/76	H. KWAN	J. C.

FIRST USED ON OPT/MOD	SYMBOL	QTY.	DESCRIPTION	PART NO.	ITEM NO.
PARTS LIST					
UNLESS OTHERWISE SPECIFIED DIMENSION IN INCHES TOLERANCES		DRN	DATE	digital EQUIPMENT CORPORATION	
DECIMALS	ANGLES	CHKD	DATE	MAYNARD MASSACHUSETTS	
XXX - 006	±0° 30'	ENG	DATE	TITLE	
XX - 02		PROJ. ENG.	DATE	POWER HARNESS	
X - 1		PROD. ENG.	DATE	DA11-F/DD11-B	
REMOVE BURRS AND BREAK SHARP CORNERS SURFACE QUALITY	PROD.	DATE			
MATERIAL	NEXT HIGHER ASSY.				
SEE PARTS LIST	FINISH	SCALE 1/1	SIZE CODE	NUMBER	REV
		SHEET 1 OF 1	DIA7009563-0-0		A

PART 7009563-0-0