

725EXi Series

163 cc

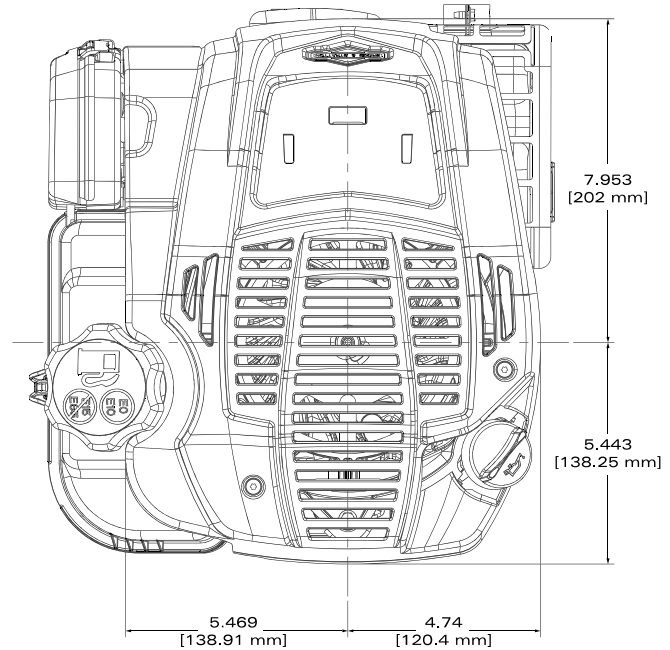
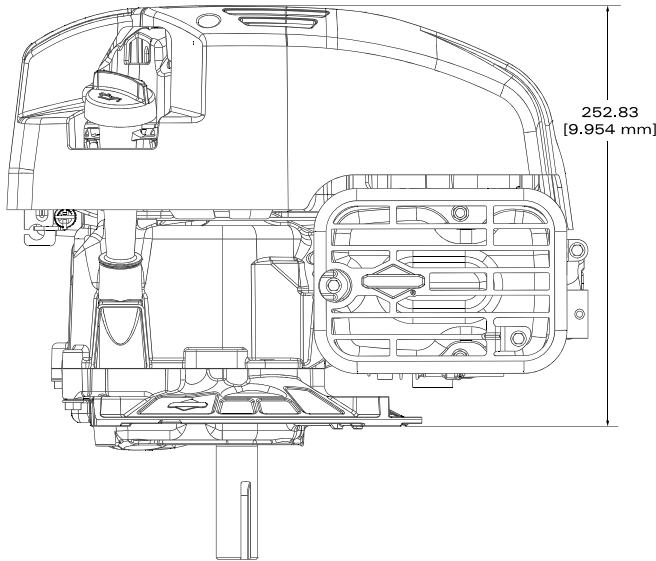
Bore 2.69 in. (68.33 mm)
 Stroke 1.75 in. (44.45 mm)
 Oil Capacity 16 fl. oz. (0.47 L)

FEATURES

- ReadyStart® starting system with no prime, no choke, no worries, just pull for power
- Dual-sealing air cleaner for improved debris resistance and longer life
- Acoustically-engineered muffler for quiet operation and excellent tonal quality
- Less vibration for more user comfort and enhanced engine life
- Mechanical Governor



Buyer protection package provides two-year limited consumer engine warranty



*All Power levels are stated gross torque at 2600 RPM per SAE J1940 as rated by Briggs & Stratton

MTT	Crankshaft #	P.T.O. Diameter	Drilled & Tapped	Keyway	Length	Starter Position	Heavy Flywheel	Controls	5 Position Choke	Primer	ReadyStart®	Fuel Tank (Qt.)	Governed Speed	Alternator	CPSC Brake	Notes
104M02																
0020-F1	594104	25mm	3/8-24	1/4-Sq	3-5/32	5:30		FC			X	1.09	3200		X	
0021-F1	595024	7/8 in.	3/8-24	3/16-Sq	3-5/32	5:30		FC			X	1.09	3200		X	
0028-F1	594507	25mm	7/16-20	3/16-Sq	3-5/32	5:30		FC			X	1.09	3000		X	
0083-F1	595177	7/8 in.		M14x1.5-6 ext thd	3-5/32	5:30	X	FC			X	1.09	3000			BBC
0115-F1	594104	25mm	3/8-24	1/4-Sq	3-5/32	5:30	X	FC			X	1.09	2950		X	QPT
104M05																
0082-F1	594507	25mm	7/16-20	3/16-Sq	3-5/32	5:30		FC			X	1.09	3000		X	1
0107-F1	594104	25mm	3/8-24	1/4-Sq	3-5/32	5:30		FC			X	1.09	3100		X	1
0113-F1	594104	25mm	3/8-24	1/4-Sq	3-5/32	5:30		R			X	1.09	3100		X	1
104M0B																
0103-F1	594104	25mm	3/8-24	1/4-Sq	3-5/32	5:30		FC			X	1.09	3200		X	1
0114-F1	594104	25mm	3/8-24	1/4-Sq	3-5/32	5:30		R			X	1.09	3100		X	1

(1) 12 Volt Gear Drive Starter