



A TEREX BRAND

Parts Manual

Serial Number Range

S-65 XC

from SN S65XCM-101

Part No. 1285302GT
Rev: C
April 2020

Technical Publications

Genie has endeavored to deliver the highest degree of accuracy possible. However, continuous improvement of our products is a Genie policy.

Therefore, product specifications are subject to change without notice.

Readers are encouraged to notify Genie of errors and send in suggestions for improvement. All communications will be carefully considered for future printings of this and all other manuals.

Contact Us:

www.genielift.com

e-mail: awp.techpub@terex.com

Find additional Manuals for this Model

Go to <http://www.genielift.com>

Use the links to locate Operator's, Parts, Maintenance, and Service and Repair Manuals.

Copyright © 2018 by Terex Corporation
1285302GT Rev A July 2018
First Edition, First Printing

Genie is a registered trademark of Terex South Dakota Inc. in the USA and many other countries.
Z is a trademark of Terex South Dakota, Inc.

 Printed on recycled paper



Model: S-65 XC
 Serial Number: **S65XCM-101**
 Year of Manufacture: **2018**
 Electrical schematic number: **Es0581**
 Machine unladen weight: 25400 lbs / 11521kg

Foam Tires Required: Yes:

Rated work load (including occupants):

Unrestricted ROM: 660 lb / 300 kg

Restricted ROM: 1000 lb / 454 kg

Maximum number of platform occupants:

Unrestricted ROM: 2

Restricted ROM: 3

Maximum allowable side force : **90 lbf 400 N**

Maximum allowable inclination of the chassis:

7° along the lift structure 5° perpendicular to lift structure

Maximum wind speed : **28 mph/ 12.5 m/s**

Maximum platform height : **65 ft / 19.81 m**

Maximum platform reach :

54 ft 3 in/ 16.53 m

Gradeability: **45%**

Nominal power: 48 hp (36 kW)

Power supply:

Country of manufacture: Italy

Manufacturer:

Terex Global GmbH

Bleicheplatz 2

8200 Schaffhausen

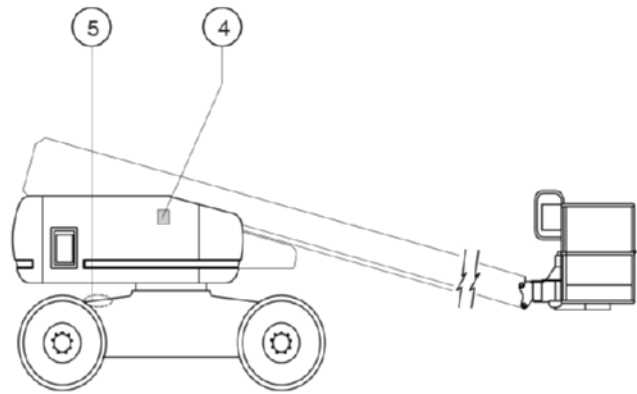
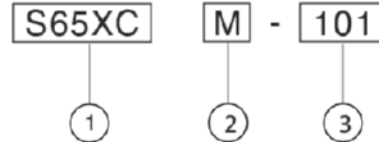
Switzerland

MEWP Classification:

Group B/Type 3

This MEWP complies with:

EN 280



- 1 Model**
- 2 Facility code**
- 3 Sequence number**
- 4 Serial label (located under cover)**
- 5 Serial number (stamped on chassis)**

How to Order Parts

Please be prepared with the following information when ordering replacement parts for your Terex or Genie product.

- Machine model number
- Machine serial number
- Part number
- Part description and quantity
- Purchase order number
- "Ship to" address
- Desired method of shipment
- Name and telephone number of the authorized distributor in your area

Use the Service Parts Fax Order Form on the next page and fax your order to our Parts Department.

If you don't know the name of your authorized distributor, or if your area is not currently serviced by an authorized distributor, please call Terex or Genie Industries.

Machine Information

Model

Serial Number

Date of Purchase

Authorized Genie Distributor

Phone Number

North America

Telephone (425)881-1800
 Toll Free (800)536-1800 in US and Canada
 Fax (425)556-8659
 Toll Free fax (888)274-6192
 Email AWP.PartsSalesPO@terex.com
<http://genielift.com/en>

EMEAR (Europe, Middle East, Africa and Russia)

Telephone (31)(165)519 313
 Fax (31)(165)511 148
<http://genielift.co.uk>

Asia Pacific (Genie Singapore)

Telephone +65 6692 7777
 Fax +65 6261 8893
<http://genielift.com.sg/>

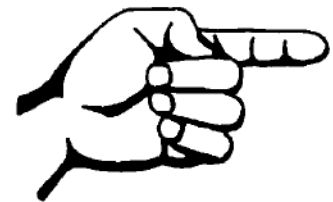
Australia

Telephone (61)(7)3456 4444
 Fax (61)(7)3456 4466
<http://genielift.com.au>

South America

Telephone (55)(11)4082 5600
 Fax (55)(11)4082 5630

Please refer to section 001 for the Recommended
Spare Parts List.



This page intentionally left blank.



Service Parts Fax Order Form

Fax to: (425) 556-8659 or Toll Free: 888-274-6192
International: +1-425-556-8659

Please fill out completely

Date _____ Account Number _____
Your Name _____ Your Fax Number _____
_____ Your Phone Number _____
Bill To _____ Ship To _____
_____ _____
_____ _____
Purchase Order Number _____ Ship Via _____

Model(s) _____ Serial No.(s) _____

Optional Equipment _____

Part Number	Description	Quantity	Price

All back-ordered parts will be shipped when available via the same ship method as the original order unless Noted below:

- Ship complete order only - No back orders
- Ship all available parts and contact customer on disposition of back-ordered parts
- Other (please specify)

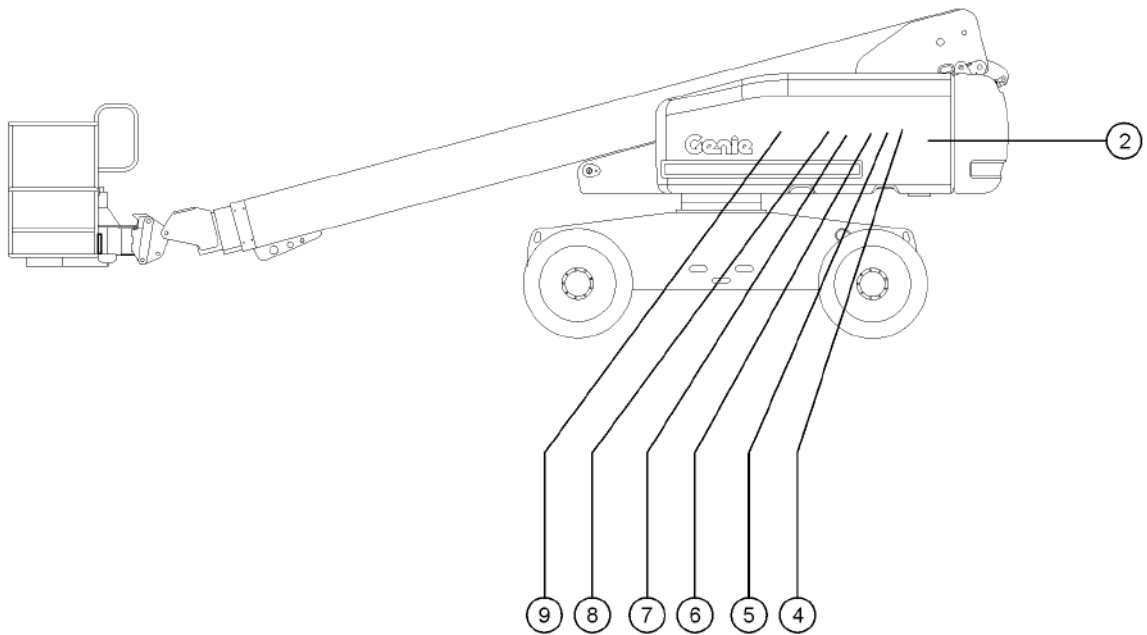
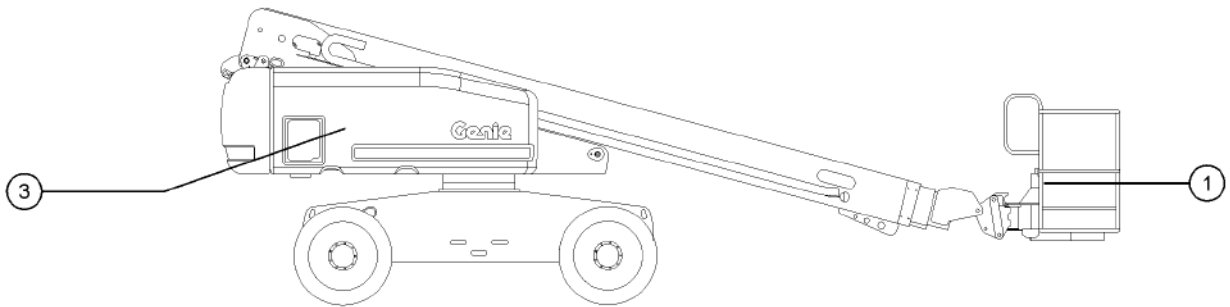
Description	Page
001 Parts Stocking List	10
001.1 Parts Stocking List	10
100 Decals	14
101.1 Decals with Symbols, Hydraulic Tank Side	14
102.1 Decals with Symbols, Chassis	18
103.1 Decals with Symbols, Engine Side	20
104.1 Decals with Symbols, Boom	22
105.1 Decals with Symbols, Platform	24
200 Chassis Components	26
201.1 Steer End	26
202.1 Non-steer End	32
203.1 Oscillate Valve	36
204.1 TraX Option Steer End	38
205.1 TraX Option Non-steer End	40
206.1 TraX Option Components	42
300 Turntable Components	44
301.1 Tank Side - View 1	44
302.1 Tank Side - View 2	48
303.1 Tank Side - Diesel Fuel Tank Installation	52
305.1 Ground Control Box - External	54
306.1 Ground Control Box - Internal	56
307.1 Turntable Components and Swivel Drive Assembly	58
308.1 Turntable Covers - Hydraulic Tank Side	60
309.1 Turntable Covers - Engine Side	64
310.1 Wire Harness Diagram	68
400 Manifolds and Pumps	72
401.1 Function Manifold - To SN S65XCM-302	72
401.2 Function Manifold - From SN S65XCM-303	78
402.1 Traction Manifold	84
403.1 Pumps	88
404.1 Platform Rotate and Jib Boom/Platform Rotate Manifold	90
405.1 Generator Manifold	92
500 Engine Components	94
501.1 Deutz D2011L03i, View 1- to S/N S65XCM-205	94
501.2 Deutz D2011L03i, View 1 - from S/N S65XCM-206	100
502.1 Deutz D2011L03i, View 2	104

Table of Contents

Description	Page
503.1 Engine Tray	108
504.1 Deutz 2.9L Turbo, View 1	112
505.1 Deutz 2.9L Turbo, View 2	116
506.1 Deutz 2.9L Turbo, View 3	120
507.1 Deutz 2.9L Turbo, View 4	122
508.1 Deutz 2.9L Turbo, View 5	124
509.1 Deutz TD 2.2 L3 - View 1	128
510.1 Deutz TD 2.2 L3, DPF - View 2	130
511.1 Deutz TD 2.2 L3 - View 3	134
512.1 Deutz TD 2.2 L3, Engine Tray - View 4	136
513.1 Deutz TD 2.2 L3, Fuel System - View 5	142
600 Boom Structure Components	144
601.1 Linkage Assembly - View 1	144
602.1 Linkage Assembly - View 2	148
603.1 Boom Components - View 1	150
604.1 Boom Components - View 2	156
605.1 Boom Components - View 3	158
606.1 Boom End Components	162
607.1 Boom End Components, Load Sense	166
608.1 Cable Track	168
700 Platform Components	172
701.1 Platform Installation	172
702.1 Platform Control Box	176
703.1 Joysticks	180
800 Hydraulic Hose Routing and Fittings	182
801.1 Boom	182
802.1 Turntable Components	184
803.1 4WD Drive and Steer System	188
804.1 Oscillate System	192
900 Accessories	194
901.1 Drive Lights, Alarm and Beacon Packages	194
902.1 Platform Accessories	196
903.1 Half Mesh with Side Entry	198
904.1 Panel Cradle and Pipe Cradle	200
905.1 Platform Work Lights	202
906.1 Air Line and Power to Platform	204
907.1 Cold Start Package	206
908.1 Lift Guard Contact Alarm	208

Description	Page
909.1 Base and Plat Covers	212
910.1 Power To Platform RCBO	214
911.1 3K Hydraulic Generator Option	216
912.1 3K Hydraulic Generator Option - Hoses and Fittings	218
913.1 Oil Cooler Components	220
914.1 Hostile Environment Package - Ground and Platform Control Box Covers	222
915.1 Hostile Environment Package - Booms	224
916.1 Hostile Environment Package - Turntable	226
917.1 Hostile Environment Package - Cylinder Bellows	228
Part Number Index	230

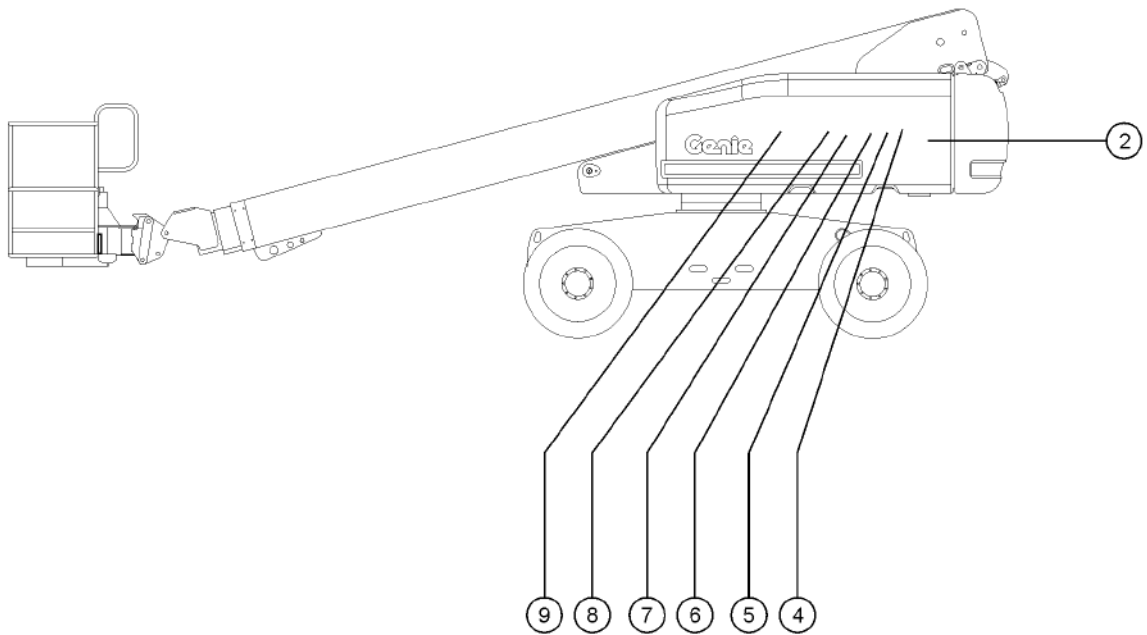
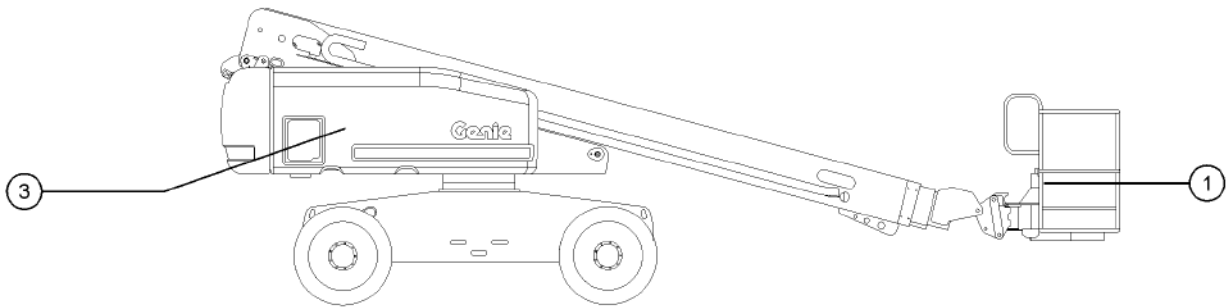
001.1 Parts Stocking List



Item	Part No.	Description	Qty.
A		—General Service Parts—	
A-	1484GT	PAINT,AEROSOL,BRIGHT BLUE*** 12-ounce spray paint	
A-	1268GT	PAINT,AEROSOL,GENIE GRAY*** 12-ounce spray paint	
A-	1258567GT	PAINT, AERASOL, TRAFFIC BLACK 12-ounce spray paint	
A-	32150GT	PAINT,WET,GENIE BLUE (1 GL)** 1-gallon	
A-	32151GT	PAINT,WET,GENIE GRAY (1 GL)** 1-gallon	
A-	1257733GT	PAINT,WET,TRAFFIC BLACK (1 GL)** 1-gallon	
A-	66399GT	GREASE,DIELECTRIC 4 OZ**	
A-	1283776GT	SEAL MARKER, CROSS	
A-	93500GT	PARKER DIGITAL PRESSURE GAUGE	
A-	49612GT	O-RING KIT (ORFS FITTINGS) O-ring kit, Parker	
A-	28750GT	O-RING KIT,FIELD SVC,ALL PROD* O-ring kit, SAE	
A-	33994GT	PLUG AND CAP KIT-SERVICE,37 ** Plug and cap kit, SAE	
A-	1296573GT	CYLINDER SERVICE CHOCK (refer to 601.1)	
B		—Manuals—	
B-	27581GT	MANUAL,AEM SAFETY	
B-	31779GT	MANUAL,RESPON,A92.5 BOOM	
C		—HYD Filters—	
C-	60857GT	FILTER,ELEMENT,BETA(5)=1000 (refer to figure 309.1)	
C-	88917GT	FILTER,ELEMENT,BETA(10)=200 (refer to figure 301.1)	
C-	1282117GT	FILTER,ELEMENT,HYD TANK,RETURN (refer to figure 301.1)	
D		—Deutz TD2011-L03i Models—	
D-	62420GT	FILTER,AIR*** Deutz TD2011-L03i Models (refer to 510.1)	
D-	29560GT	FILTER,FUEL/WTR SEP, DTZ 1008 Deutz TD2011-L03i Models (refer to 510.1)	
D-	49924GT	FILTER,OIL,DEUTZ F4L1011F Deutz TD2011-L03i Models (refer to 510.1)	

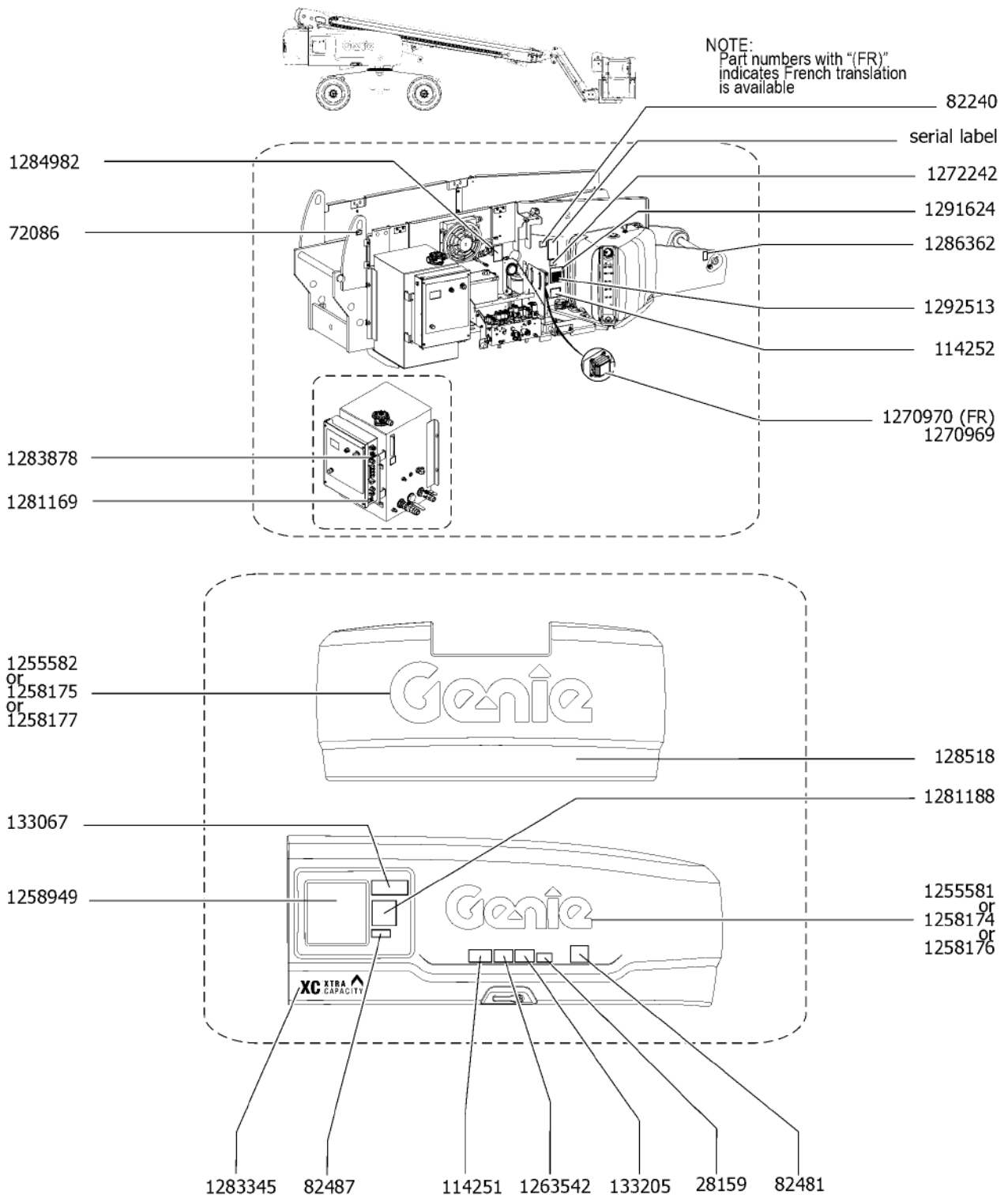


001.1 Parts Stocking List



<i>Item</i>	<i>Part No.</i>	<i>Description</i>	<i>Qty.</i>
D-	32698GT	BELT,V,DEUTZ DIESEL ENGINE Deutz TD2011-L03i Models (refer to 510.1)

101.1 Decals with Symbols, Hydraulic Tank Side

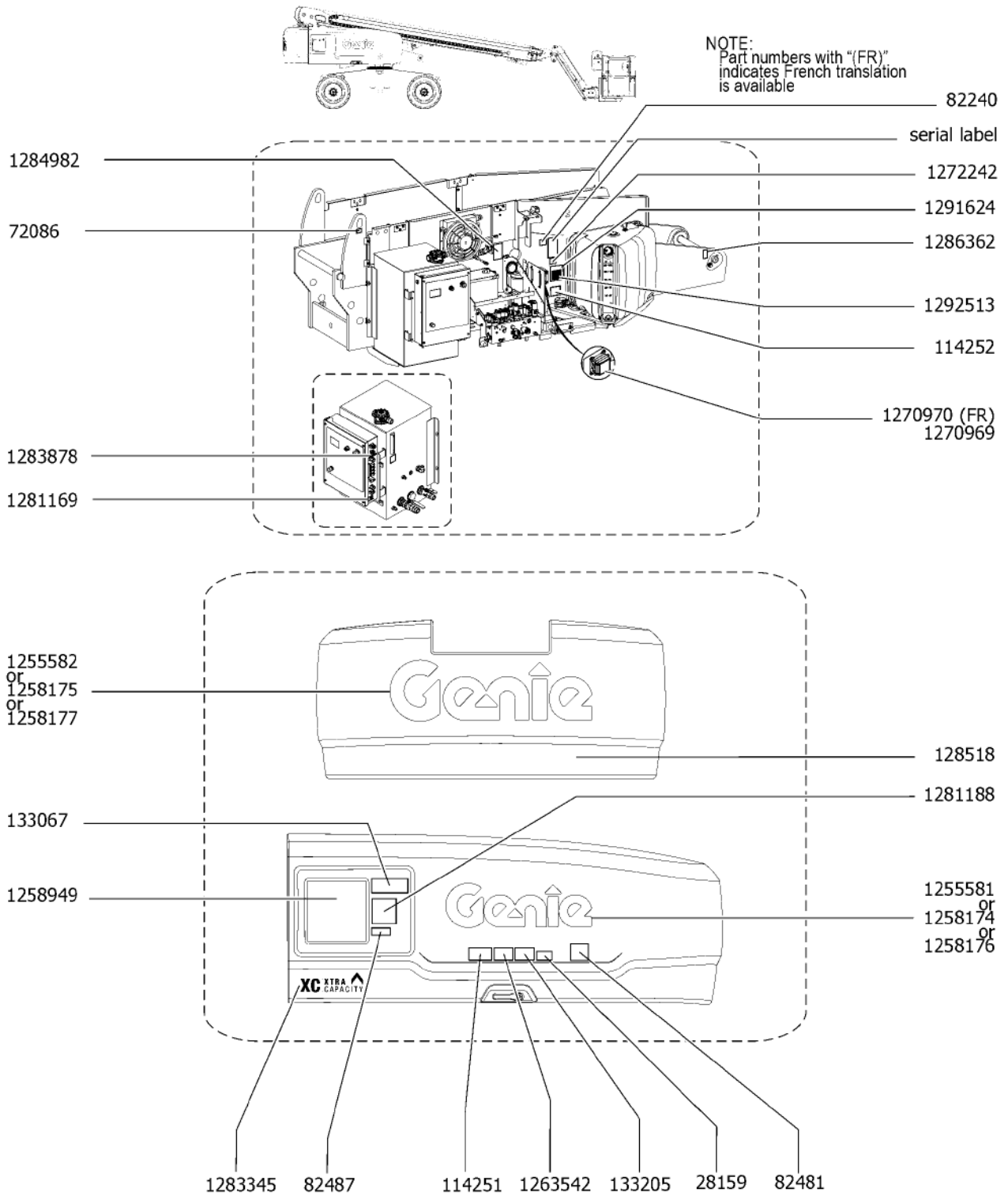


101.1 Decals with Symbols, Hydraulic Tank Side

Item	Part No.	Description	Qty.
1	28159GT	DECAL,DIESEL (Option, Fuel)	1
2	72086GT	DECAL,LABEL,LIFTING EYE	1
3	82240GT	DECAL,LABEL,105 DB (CE Only)	1
4	82481GT	DECAL,SYMBOL-BATTERY SAFETY	1
5	82487GT	DECAL, SYMBOL - READ THE MANUAL	1
6	114251GT	DECAL,LABEL,NO SMOKING,SYMB	1
7	114252GT	DECAL, LABEL, TIP OVER LMT SWTCH	1
8	133067GT	DECAL, DANGER, ELEC. HAZ.STAY CLR	1
9	133205GT	DECAL,LABEL, ELECTRO HAZARD	1
10	1255581GT	DECAL COSMETIC,10" GENIE BLUE	1
11	1255582GT	DECAL COSMETIC,15" GENIE BLUE	1
12	1258174GT	DECAL COSMETIC,10" GENIE WHITE	1
13	1258175GT	DECAL COSMETIC,15" GENIE WHITE	1
14	1258176GT	DECAL COSMETIC,10" GENIE BLACK	1
15	1258177GT	DECAL COSMETIC,15" GENIE BLACK	1
16	1258949GT	OVERLAY GROUND CONTROLS S-BOOM JIB	1
16B	1286638GT	KIT,GBOX OVERLAY,ALC600,S-BOOMS,JIB S-65 XC, S-65 TRAX (includes 1258949)	1
17	1263542GT	DECAL, COMPARTMENT ACCESS	1
18	1270970GT	DECAL, VEC, DEUTZ2011T, S80 (Deutz 2011L03i)	1
19	1272242GT	DECAL,MACHINE REGISTRATION/OWN	1
20	1281169GT	DECAL,RECOVERY SWITCH	1
21	1281188GT	DECAL,EMERGENCY LOWERING	1
22	1283345GT	DECAL, COVER, XC XTRA CAPACITY	1
23	1283878GT	DECAL, TECHPRO LINK	1
24	1284982GT	DECAL,ACCUMULATOR EXPLOSION HAZARD,SYMBOL	1
25	1286362GT	DECAL, BOOM SUPPORT, SYMBOL	1
26	128518GT	TAPE,WARNING,BLK/YEL,108****	1
27	1291624GT	DECAL COSM,GENIE LIFT CONNECT,LEXAN COVER	1



101.1 Decals with Symbols, Hydraulic Tank Side

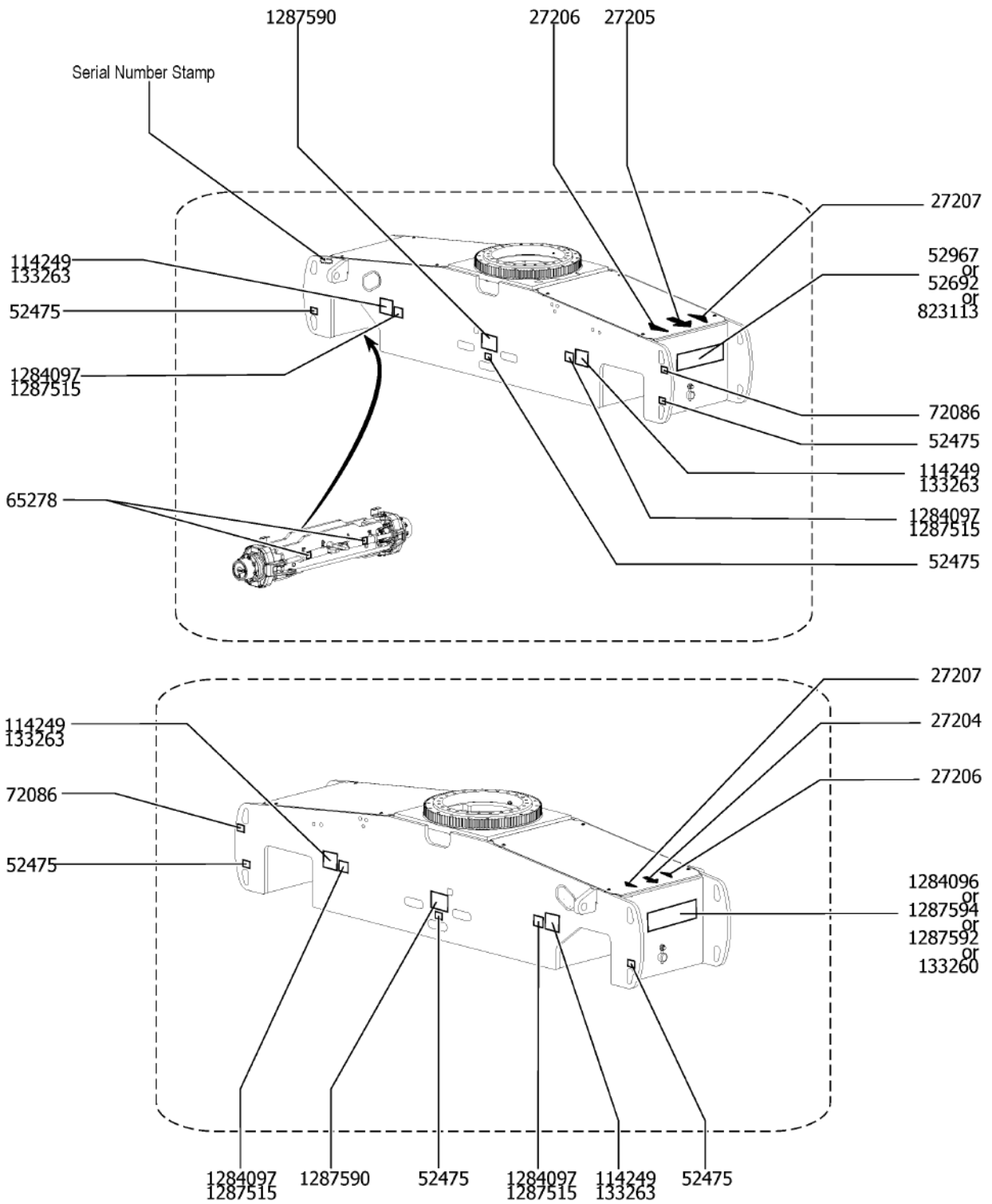


101.1 Decals with Symbols, Hydraulic Tank Side

<i>Item</i>	<i>Part No.</i>	<i>Description</i>	<i>Qty.</i>
28	1292513GT	DECAL COSM,GENIE LIFT CONNECT,ESN,SKU4-2	1
29	1270969GT	DECAL_VEC, DEUTZ2.9T, S80 Deutz TD 2.2 L3	1



102.1 Decals with Symbols, Chassis

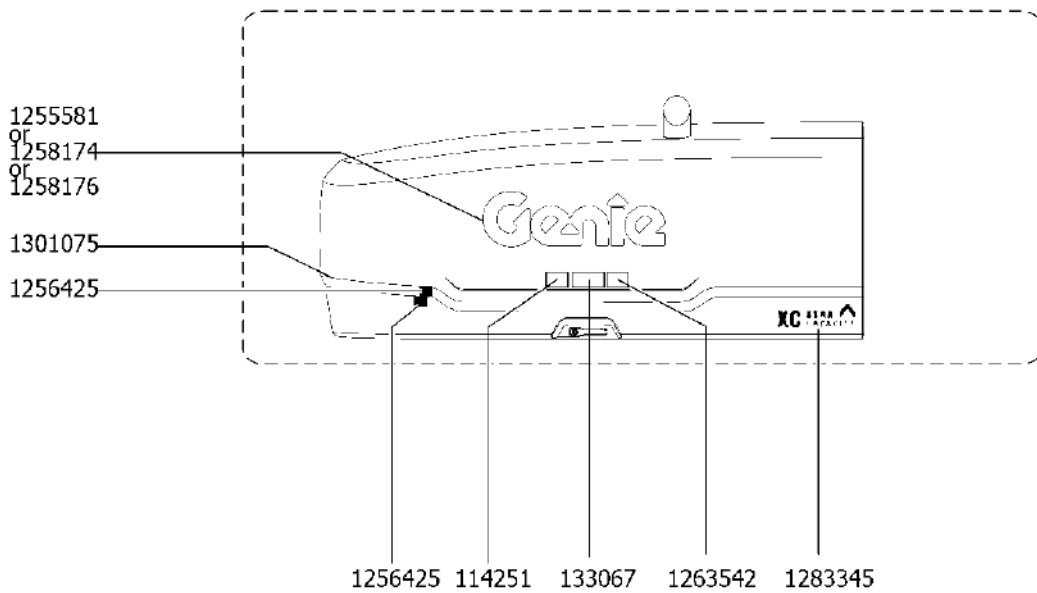
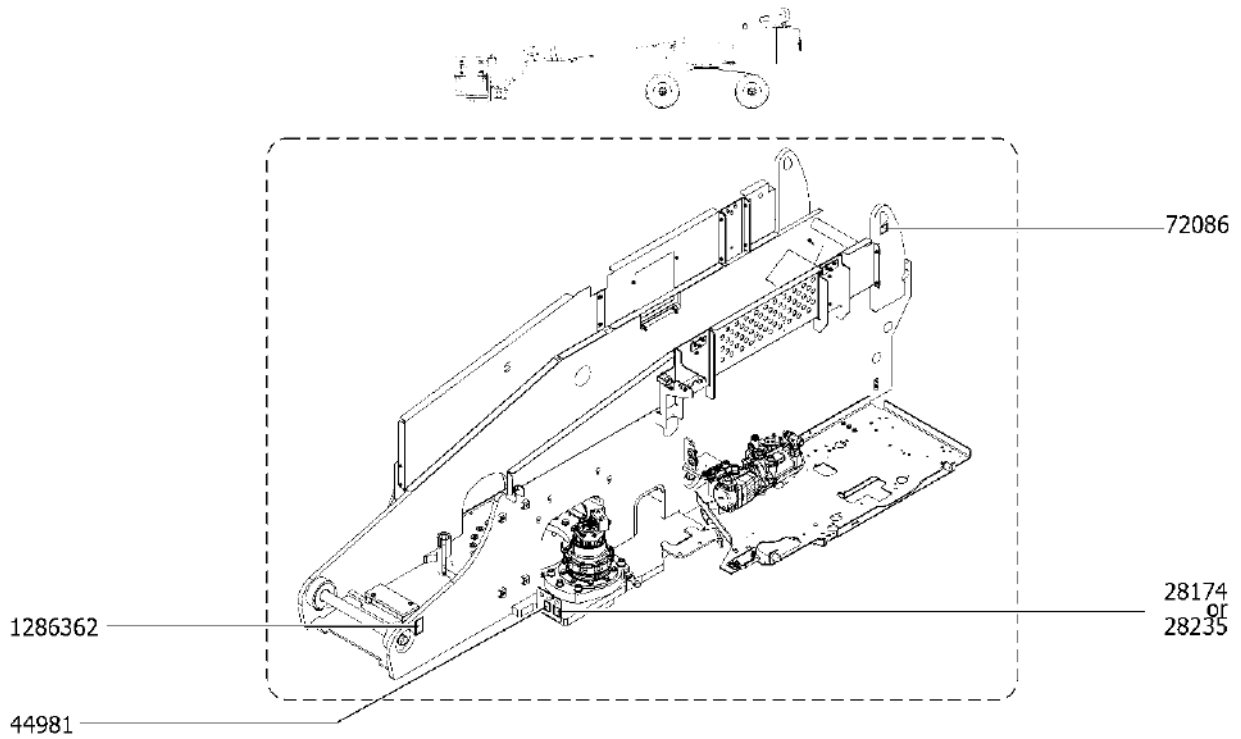


102.1 Decals with Symbols, Chassis

Item	Part No.	Description	Qty.
1	27204GT	DECAL,ARROW BLUE	1
2	27205GT	DECAL,ARROW YELLOW LRG 9"	1
3	27206GT	DECAL,TRIANGLE,BLUE	2
4	27207GT	DECAL,TRIANGLE,YELLOW	2
5	52475GT	DECAL,LABEL,TRANSPORT TIEDOWN*	6
6	52692GT	DECAL,COSMETIC,4X4 BLUE	1
7	52967GT	DECAL,COSMETIC,4 X 4	1
8	65278GT	DECAL,CAUTION,NO STEP	2
9	72086GT	DECAL,LABEL,LIFTING EYE	2
10	114249GT	DECAL,LABEL,TIPOVER,TIRES,SYMB	4
11	823113GT	DECAL,COSM,4X4,BLACK	1
12	1284096GT	DECAL, CHASSIS, S-65 XC	1
13	1284097GT	DECAL,LABEL,WHEEL LOAD S65 XC	4
14	1287590GT	DECAL, TRANSPORT/LIFTING, S-60/65XC	2
15	1287592GT	DECAL, CHASSIS, S-65 XC, BLK	1
16	1287594GT	DECAL, CHASSIS, S-65 XC, BLUE	1
17	133260GT	DECAL,COSM, S65 TRAX S-65 TRAX	1
18	133263GT	DECAL,LABEL,TIPOVER,TRAX,SYMB S-60 TRAX, S-65 TRAX	4
19	1287515GT	DECAL, WHEEL LOAD S65 TRAX S-65 TRAX	4



103.1 Decals with Symbols, Engine Side

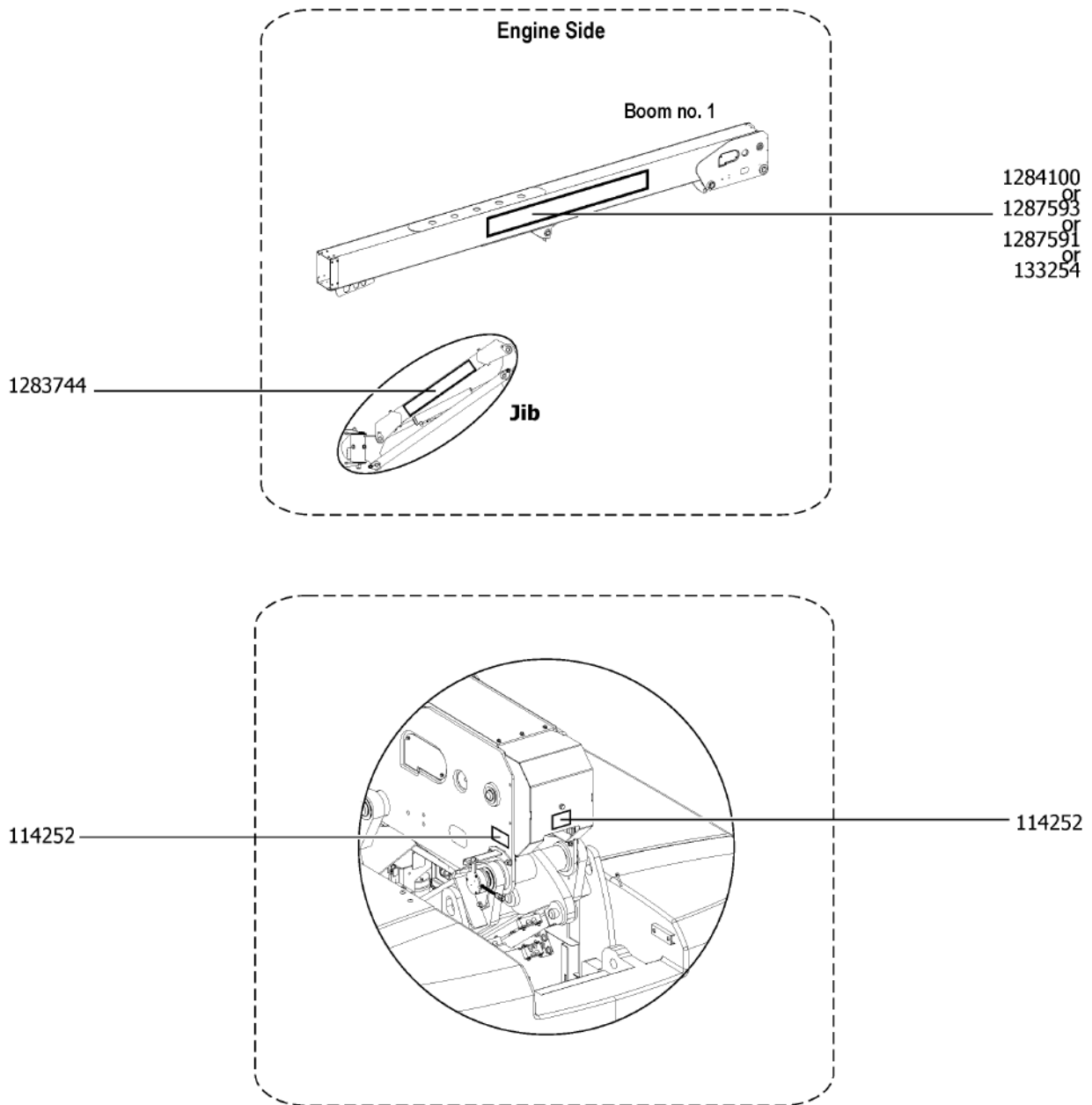


103.1 Decals with Symbols, Engine Side

<i>Item</i>	<i>Part No.</i>	<i>Description</i>	<i>Qty.</i>
1	44981GT	DECAL,LABEL, AIR LINE 110 PSI (Option, Airline to Plat)	1
2	72086GT	DECAL,LABEL,LIFTING EYE	1
3	114251GT	DECAL,LABEL,NO SMOKING,SYMB	1
4	133067GT	DECAL, DANGER, ELEC. HAZ.STAY CLR	1
5	215526GT	DECAL,LABEL,BELT,MSG425	1
6	1255581GT	DECAL COSMETIC,10" GENIE BLUE	1
7	1258174GT	DECAL COSMETIC,10" GENIE WHITE	1
8	1258176GT	DECAL COSMETIC,10" GENIE BLACK	1
9	1263542GT	DECAL, COMPARTMENT ACCESS	1
10	1283345GT	DECAL, COVER, XC XTRA CAPACITY	1
11	1286362GT	DECAL, BOOM SUPPORT, SYMBOL	1
12	1256425GT	DECAL, DANGER, ELECTROCUTION HAZARD, SYMBOL (Option, Welder)	2
13	1301075GT	DECAL, CENTER THE RAW AIR HOSE Deutz TD 2.2 L3	1



104.1 Decals with Symbols, Boom

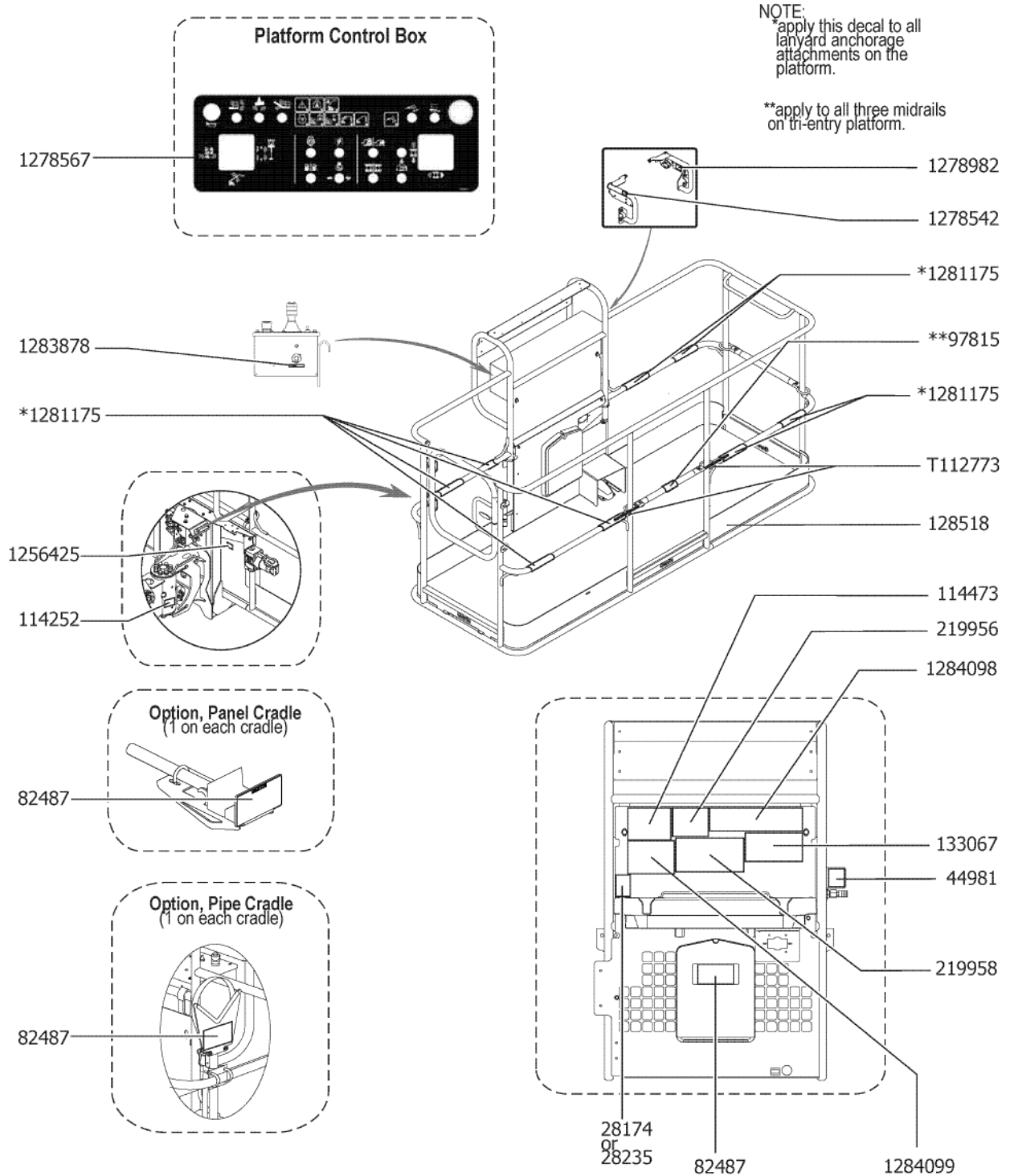


104.1 Decals with Symbols, Boom

<i>Item</i>	<i>Part No.</i>	<i>Description</i>	<i>Qty.</i>
1	114252GT	DECAL, LABEL, TIP OVER LMT SWTCH	2
2	1283744GT	DECAL, LIFT^POWER	1
		(Option, Lift Power)	
3	1284100GT	DECAL, BOOM, GENIE S-65 XC	1
4	1287591GT	DECAL, BOOM, GENIE S-65 XC, BLK	1
5	1287593GT	DECAL, BOOM, GENIE S-65 XC, BLUE	1
6	133254GT	DECAL, COSM,GENIE S65 TRAX	1
		S-65 TRAX	



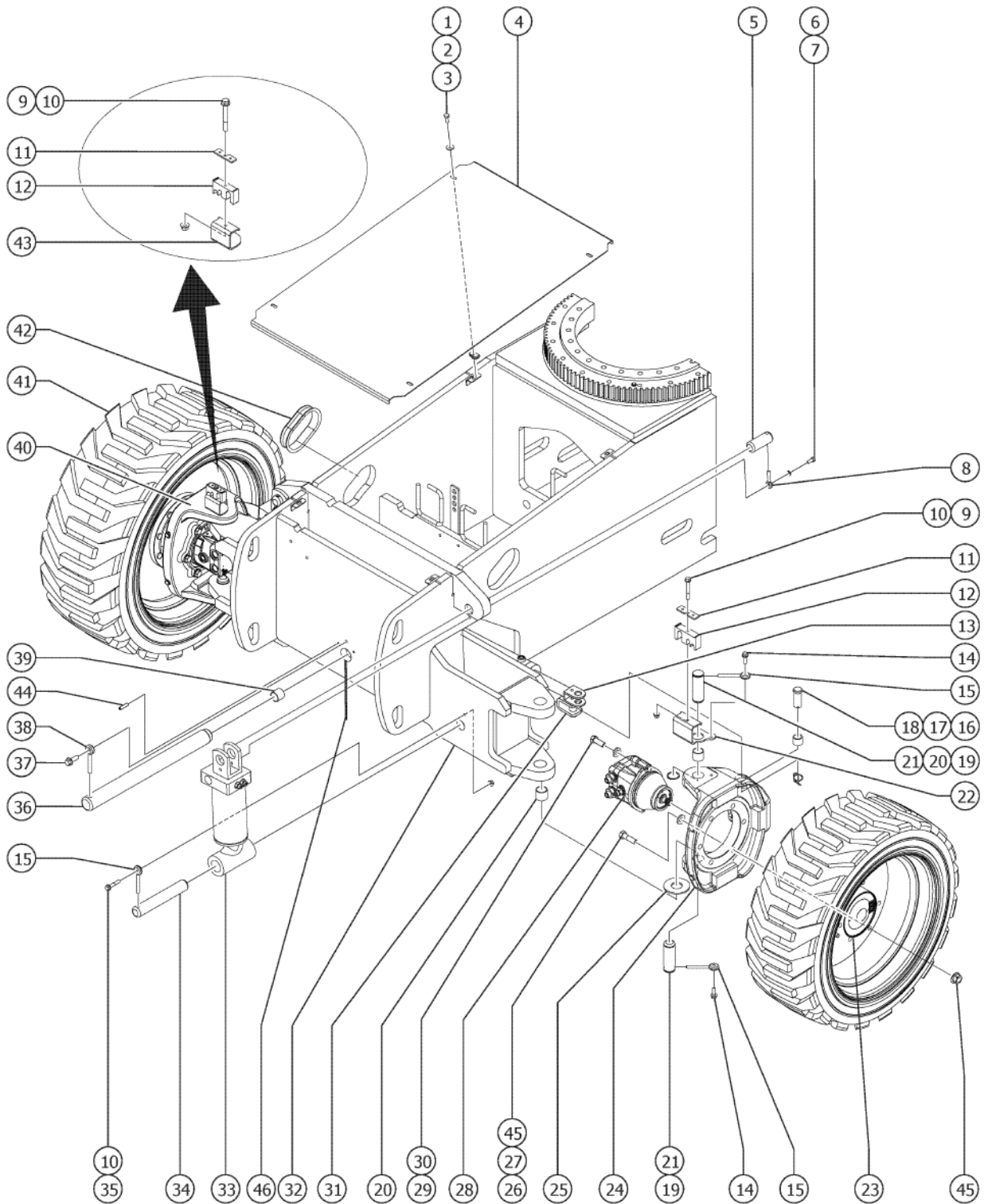
105.1 Decals with Symbols, Platform



Item	Part No.	Description	Qty.
A	1296524GT	DECAL KIT,PLAT S-60/65 XC,SYMBOL	
1	28174GT	DECAL, POWER TO PLATFORM 230V** (Option, Power to Plat)	1
2	28235GT	DECAL,POWER TO PLATFORM 115V	1
3	44981GT	DECAL,LABEL, AIR LINE 110 PSI	1
4	82487GT	DECAL, SYMBOL - READ THE MANUAL	1
5	97815GT	DECAL,LABEL,LOWER MIDRAIL	1
6	114252GT	DECAL, LABEL, TIP OVER LMT SWTCH	1
7	114473GT	DEACL, DANGER, TIPOVER, TILT, SYM	1
8	133067GT	DECAL, DANGER, ELEC. HAZ.STAY CLR	1
9	219956GT	DECAL,PLATFORM OVERLOAD	1
10	219958GT	DECAL, TIP-OVER, CRUSH	1
11	1278542GT	DECAL, INSTRUCTION, CONTACT ALARM	1
12	1278567GT	OVERLAY PLATFORM CONTROLS S-BOOM XC	1
13	1278982GT	DECAL, INSTRUCTION, ACTUATOR SWITCH SOCKET	1
14	1281175GT	DECAL,LANYARD,FALL RESTRAINED (CE)	8
15	1283878GT	DECAL, TECHPRO LINK	1
16	1284098GT	DECAL, DANGER, CAPACITY S-65 XC, SYMBOL	1
17	1284099GT	DECAL, WARNING, RUNAWAY MACHINE, S-60/65 XC, SYMBOL	1
18	T112773GT	TAPE, PROTECTIVE MASK	2
19	1256425GT	DECAL, DANGER, ELECTROCUTION HAZARD, SYMBOL (Option, Generator)	1
20	128518GT	TAPE,WARNING,BLK/YEL,108****	



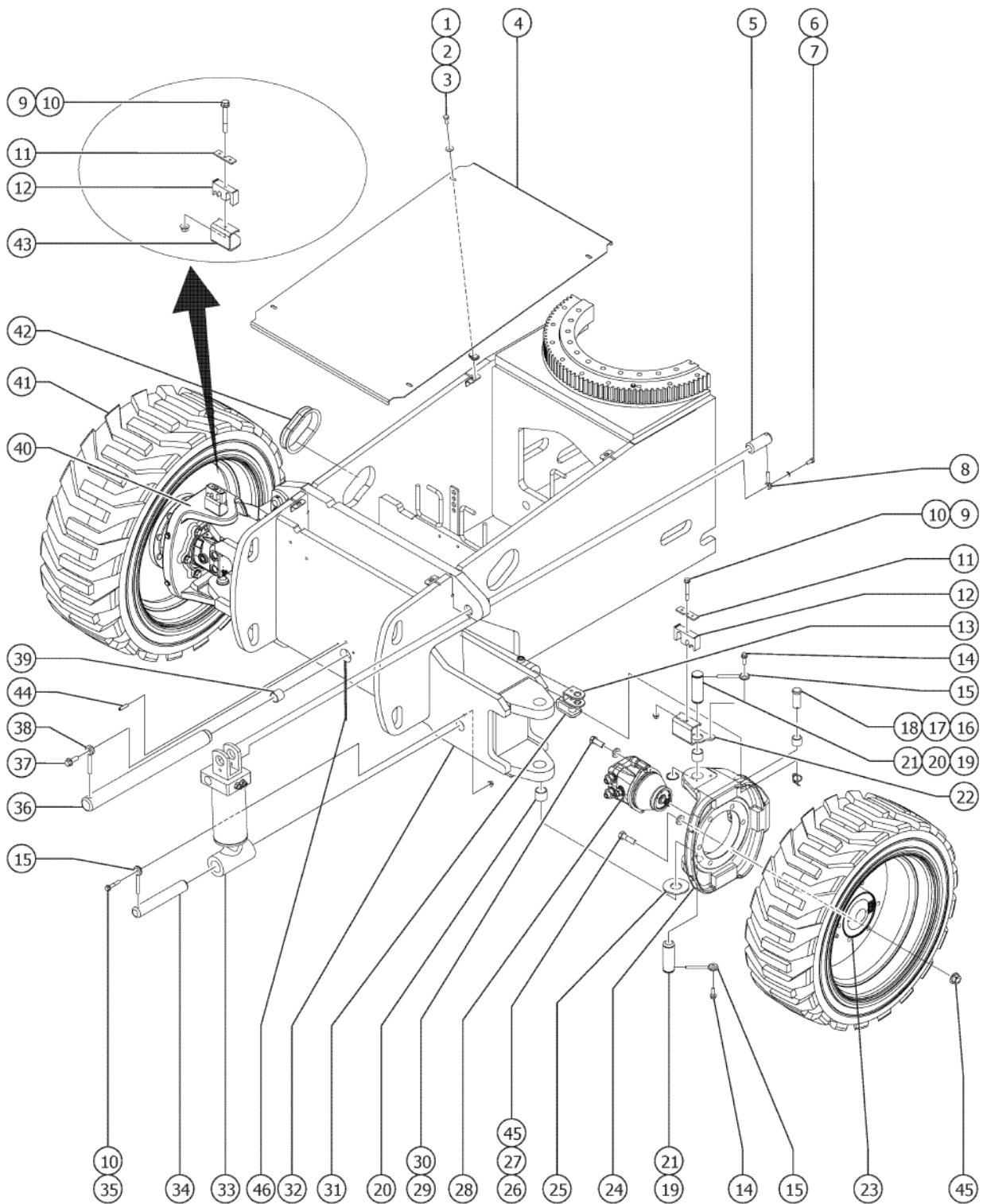
201.1 Steer End



Item	Part No.	Description	Qty.
1	824059GT	SCREW,HHC,1/4-20X.75,8,ZAG	4
2	824113GT	WASHER,FLAT,1/4,USS,ZAG	4
3	56912GT	SPRING CLIP,1/4-20,.025-.15X.5	4
4	1255703GT	COVER,DRIVE CHASSIS	1
5	94221GT	PIN,1.50DIA X3.75LG,1HOLE	2
6	824067GT	SCREW,HHC,3/8-16X1,8,ZAG	2
7	824110GT	WASHER,LOCK,3/8,ZAG	2
8	1255452GT	ROD END,.375 X 2.25,ZAG	2
9	824095GT	SCREW,HHF,3/8-16X3,8,ZAG	2
10	1274322GT	NUT,NYLOCK FLG,3/8-16,G,ZAG	4
11	1255706GT	CLAMP TOP,HOSE ROUTING***	2
12	106516GT	CLAMP,HOSE,2X4,1X6,2X8***	2
13	59460GT	CYLINDER,STEERING***	2
13-	89294GT	SEAL KIT CYLINDER (59460)	
14	824091GT	SCREW,HHF,3/8-16X1.25,8,ZAG	4
15	825019GT	ROD END, .375X3.69, ZAG	6
16	824127GT	PIN,CLEVIS,1.0X2.41,SAE,ZAG	6
17	25817GT	BEARING,1.00IDX1.25ODX1.00L	6
18	824129GT	RUE RING,1.0,ZAG	6
19	110221GT	PIN,GROOVE/HOLE,1.50 DIA X4.475	4
20	119619GT	BEARING,1.5IDX1.75ODX1.5L,PTFE	4
21	825796GT	SNAP RING,EXTERNAL,1.50,ZAG	4
22	1255705GT	BRACKET,HOSE ROUTING,AXLE LH	1
23	231612GT	WHEEL DRIVE W/BRAKE, 4WD	2
24	1270347GT	YOKE ASSY BLK W/BEARINGS,LH	1
25	45074GT	WASHER,THRUST,1.5 X 3.5 X .187	2
26	1255385GT	SCREW,HHC,5/8-11X2.25,8,ZAG	12
27	1256182GT	WASHER,FLAT,5/8,F436,HRD,ZAG	12



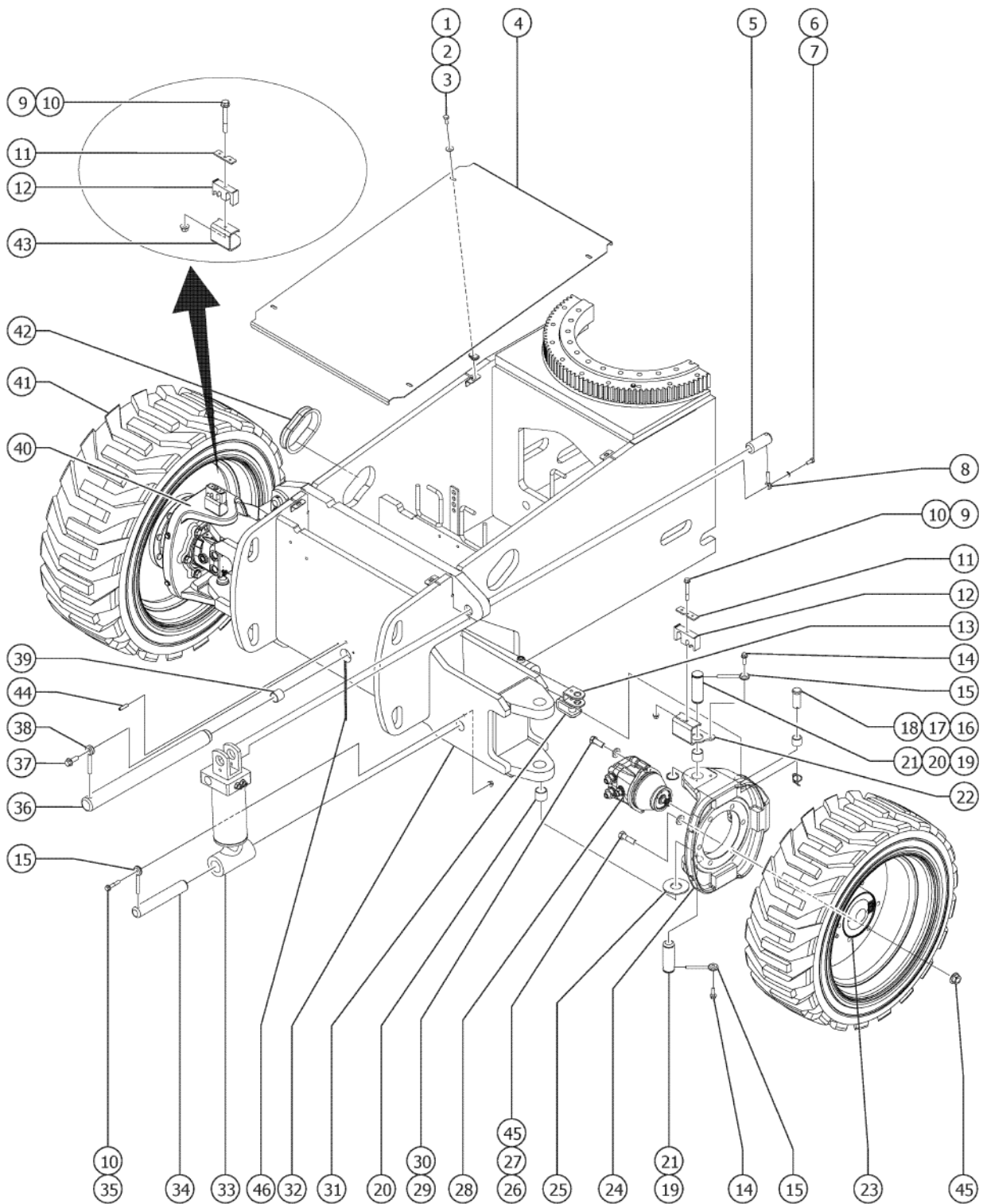
201.1 Steer End



Item	Part No.	Description	Qty.
28	88884GT	MOTOR,PISTON,30CC,4WD***	2
28-	102158GT	O-RING,.103 X 4.737,VITON, 75D	
28-	106117GT	O-RING,2-010,VITON for 88884 (Mating O-ring for Brake Port)(Extremely small)	
28-	102155GT	BEARING,BALL DRIVE SHAFT	
28-	102159GT	SHAFT,15 TOOTH	
28-	106098GT	SEAL KIT,MOTOR,LC/KC***	
28-	27067GT	SEAL,SHAFT-SUNDSTRAND***	
28-	72290GT	SNAP RING(M46 UNITS)*	
29	824072GT	SCREW,HHC,7/16-14X1.25,ZAG	4
30	1257078GT	WASHER, .469 X .768 HRD, ZAG	4
31	1255710GT	WELDMENT, TIE ROD	1
32	1270348GT	STEER AXLE ASSY BLACK	1
33	1283511GT	CYLINDER,OSCILLATE,S60	2
33-	101255GT	SEAL KIT (89675)	
33-	1287506GT	VALVE, CB. CBCH-LJN@4000	
33-	74735GT	VALVE,COUNTERBALANCE	
34	77880GT	PIN,1.50DIAX9.38LG,1HOLE	2
35	1253478GT	SCREW,HHF,3/8-16X2,8,ZAG	2
36	77610GT	PIN,2.00DIAX23.13LG,CHAMFER	1
37	1253498GT	SCREW,HHF,1/2-13X1.5,8,ZAG	1
38	1256267GT	ROD END,.5 X 3.75,ZAG	1
39	42014GT	BEARING,2.00IDX2.25ODX2.00L	2
40	1270346GT	YOKE ASSY BLK W/BEARINGS,RH	1
41A	77790GT	TIRE & WHEEL ASSY RH,FF RT, Foam-filled, right	2
41B	77791GT	TIRE & WHEEL ASSY,LH FF*** RT, Foam-filled, left	2
41C	106647GT	TIRE & WHEEL ASSY,RH,FOAM,NM Option	2
41D	106648GT	TIRE & WHEEL ASSY,LH,FOAM,NM Option	2
42	53386GT	GUARD, HOSE PROTECTOR	2

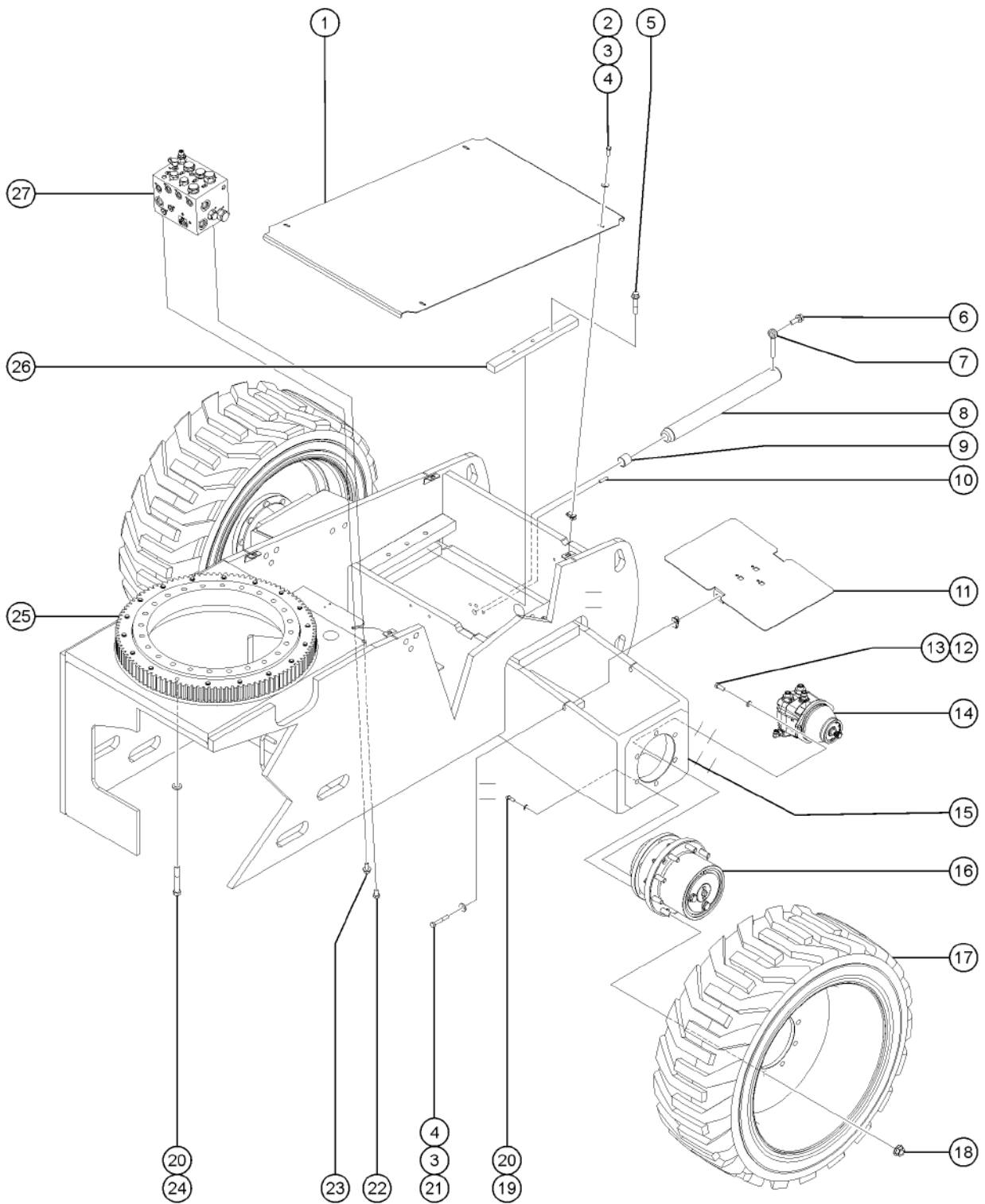


201.1 Steer End



<i>Item</i>	<i>Part No.</i>	<i>Description</i>	<i>Qty.</i>
43	1255704GT	BRACKET,HOSE ROUTING,AXLE RH	1
44	128049GT	PIN, ROLL, .375 X 1.5***	4
45	77674GT	NUT,HEX,FLANGE 5/8-18,GRD 8 ZI	18
46	107578GT	GROUND STRAP,24"LONG	1

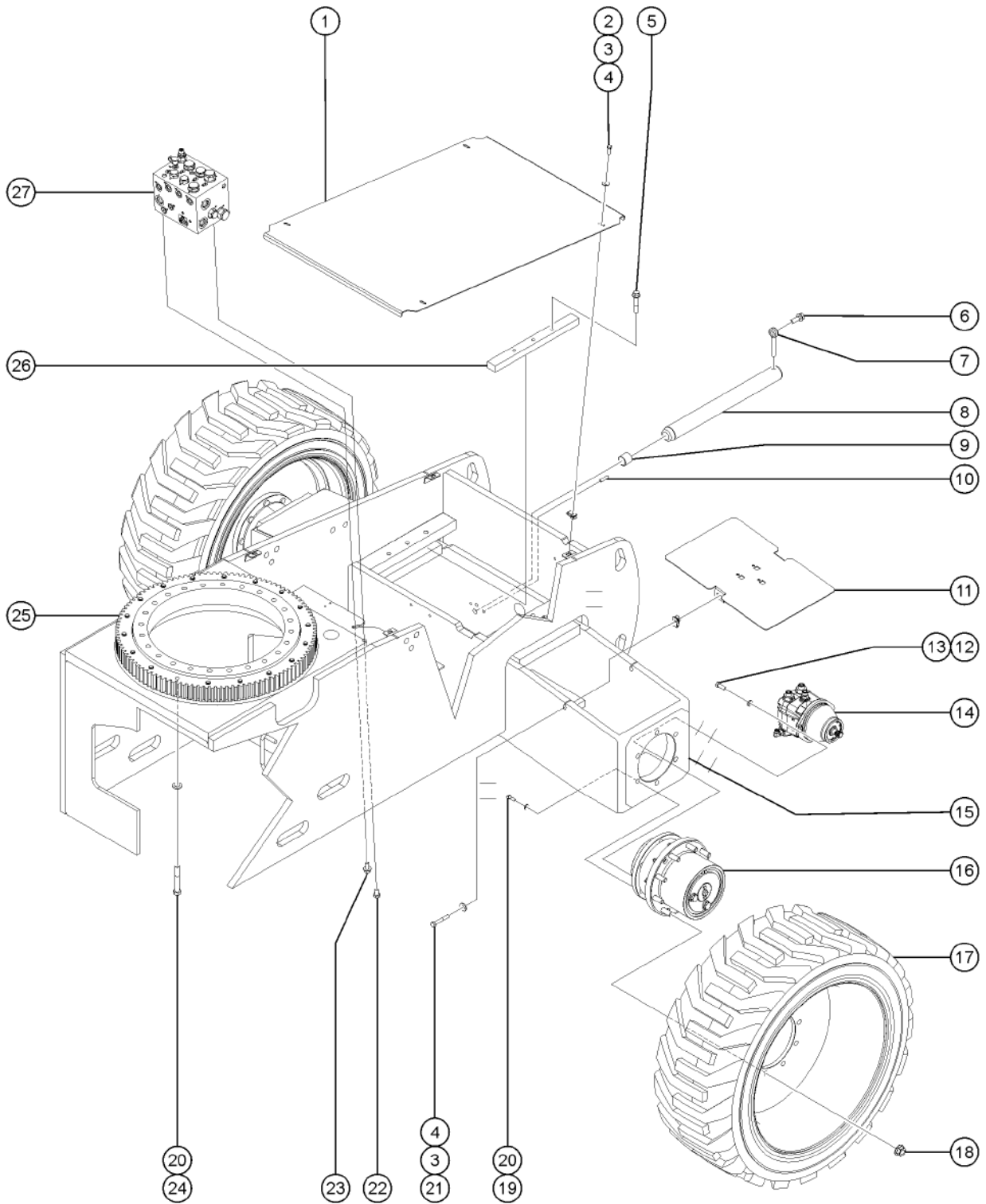
202.1 Non-steer End



Item	Part No.	Description	Qty.
1	1255703GT	COVER,DRIVE CHASSIS	1
2	824059GT	SCREW,HHC,1/4-20X.75,8,ZAG	4
3	824113GT	WASHER,FLAT,1/4,USS,ZAG	8
4	56912GT	SPRING CLIP,1/4-20,.025-.15X.5	8
5	1255802GT	SCREW,HHF,1/2-13X2.5,8,ZAG	3
6	1253498GT	SCREW,HHF,1/2-13X1.5,8,ZAG	1
7	1256267GT	ROD END,.5 X 3.75,ZAG	1
8	77950GT	PIN,2.00DIA X 2.88LG,CHAMFER	1
9	42014GT	BEARING,2.00ID X 2.25OD X 2.00L	2
10	128049GT	PIN, ROLL, .375 X 1.5***	4
11	1255711GT	COVER,REAR AXLE	2
12	824072GT	SCREW,HHC,7/16-14X1.25,ZAG	4
13	1257078GT	WASHER, .469 X .768 HRD, ZAG	4
14	88884GT	MOTOR,PISTON,30CC,4WD***	2
14-	102158GT	O-RING,.103 X 4.737,VITON, 75D	
14-	106117GT	O-RING,2-010,VITON for 88884 (Mating O-ring for Brake Port)(Extremely small)	
14-	102155GT	BEARING,BALL DRIVE SHAFT	
14-	102159GT	SHAFT,15 TOOTH	
14-	106098GT	SEAL KIT,MOTOR,LC/KC***	
14-	27067GT	SEAL,SHAFT-SUNDSTRAND***	
14-	72290GT	SNAP RING(M46 UNITS)*	
15	1283533GT	WELDMENT, REAR AXLE	1
16	231612GT	WHEEL DRIVE W/BRAKE, 4WD	2
17A	77790GT	TIRE & WHEEL ASSY RH,FF	2
17B	77791GT	TIRE & WHEEL ASSY,LH FF***	2
18	77674GT	NUT,HEX,FLANGE 5/8-18,GRD 8 ZI	18
19	1255385GT	SCREW,HHC,5/8-11X2.25,8,ZAG	12
20	1256182GT	WASHER,FLAT,5/8,F436,HRD,ZAG	30



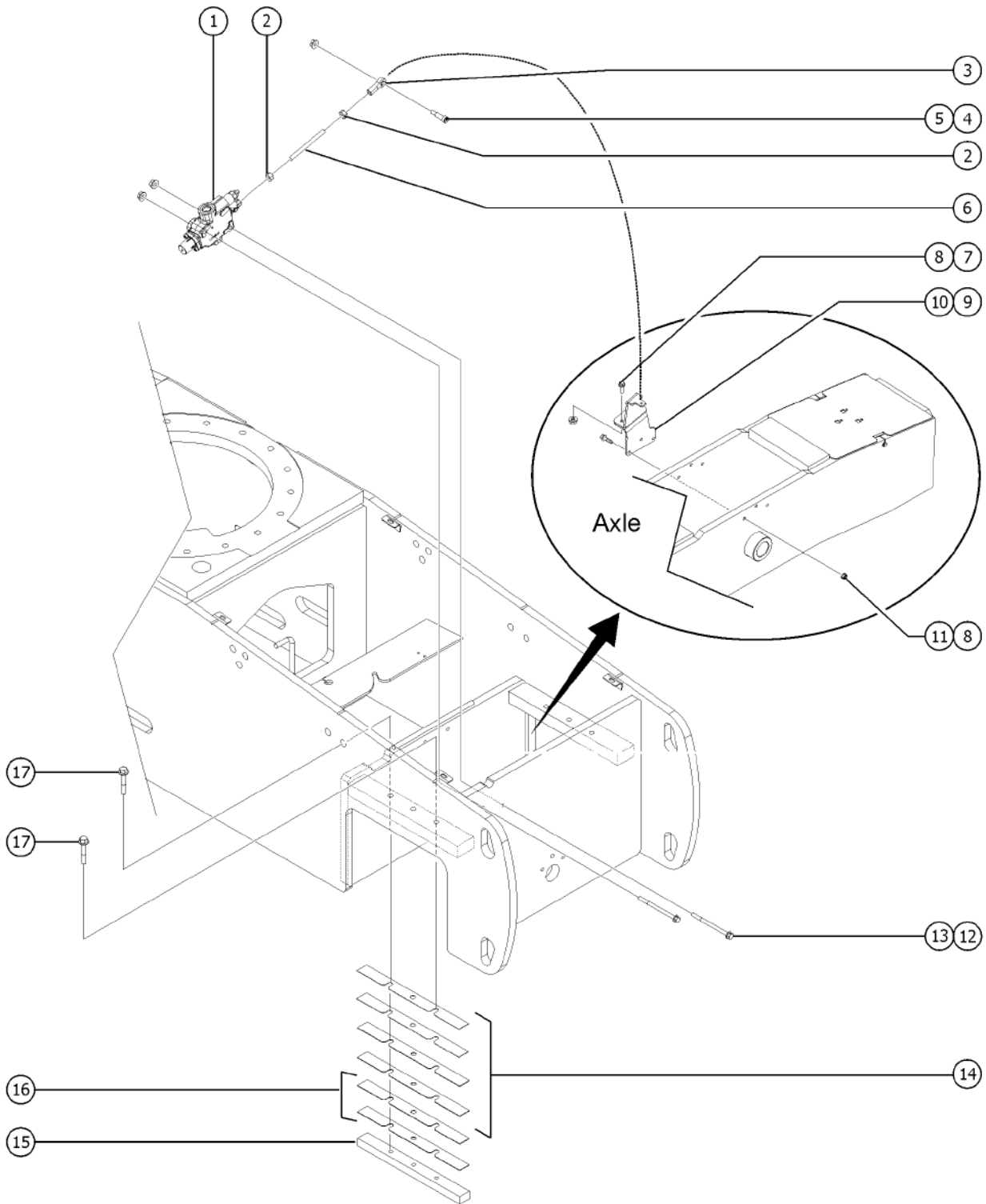
202.1 Non-steer End



Item	Part No.	Description	Qty.
21	824063GT	SCREW, HHC, 1/4-20 X 1.75, 8, ZAG	4
22	1257453GT	SCREW,HHC,1/2-13X.875,8,ZAG	1
23	237830GT	SCREW,HHF,1/2-13X1,8,ZAG	1
24	1256170GT	SCREW,HHC,5/8-11X4,8,ZAG	18
25	63468GT	BEARING,TURNTABLE ROTATION	1
25-	227785GT	BEARING TURNTABLE SEAL***	
26	1255702GT	BAR,AXLE ROTATION STOP,OSC	1
27		REF. MANIFOLD, TRACTION, 4WD	1
		(refer to 402.1)	
37	1253498GT	SCREW,HHF,1/2-13X1.5,8,ZAG	1
38	1256267GT	ROD END,.5 X 3.75,ZAG	1
39	42014GT	BEARING,2.00IDX2.25ODX2.00L	2
40	1255699GT	YOKE,CASTING,RH,MACHINED**	1
41A	77790GT	TIRE & WHEEL ASSY RH,FF	2
		RT, Foam-filled, right	
41B	77791GT	TIRE & WHEEL ASSY,LH FF***	2
		RT, Foam-filled, left	
42	53386GT	GUARD, HOSE PROTECTOR	2
43	1255704GT	BRACKET,HOSE ROUTING,AXLE RH	1
44	128049GT	PIN, ROLL, .375 X 1.5****	4
45	77674GT	NUT,HEX,FLANGE 5/8-18,GRD 8 ZI	18



203.1 Oscillate Valve

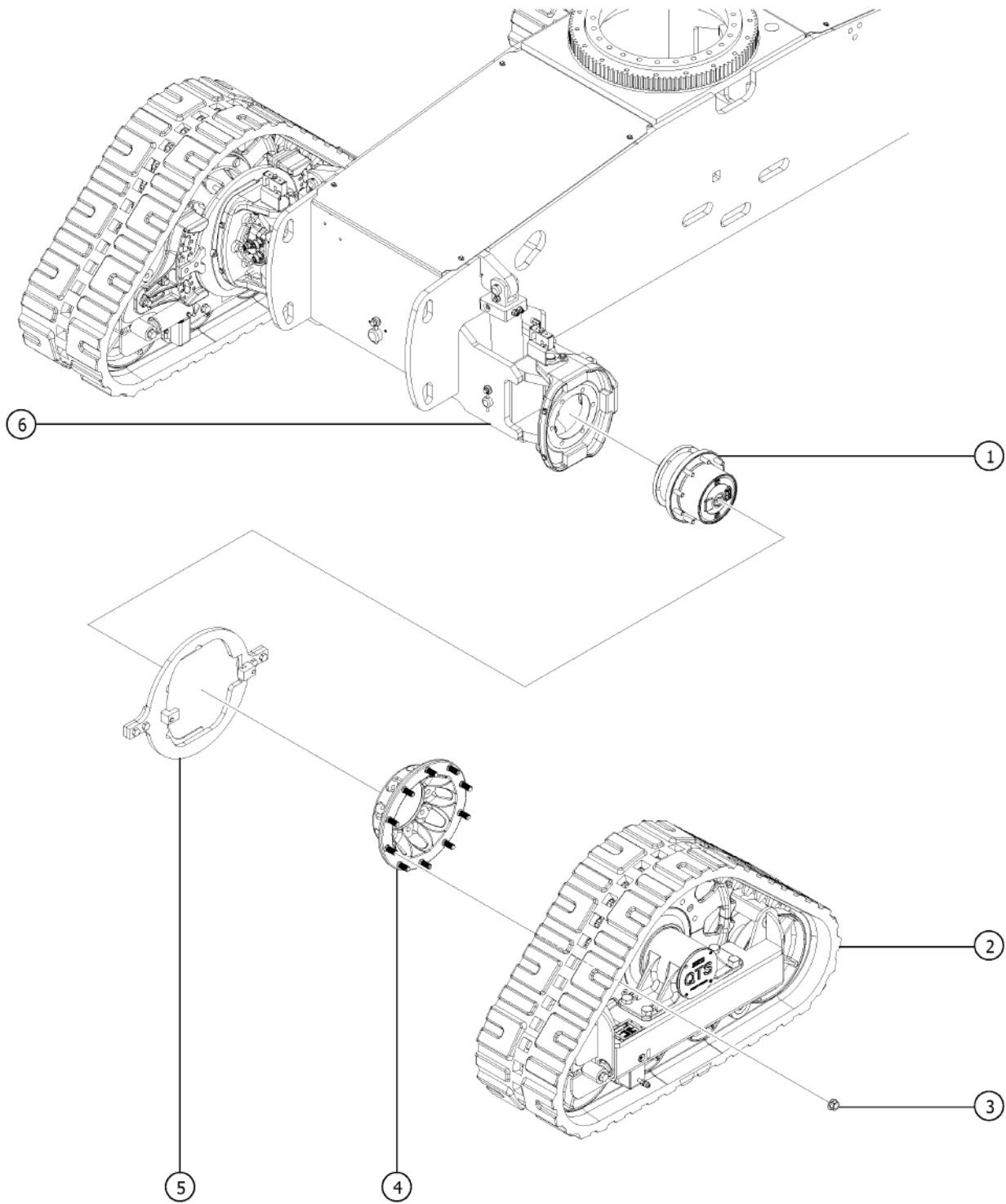


203.1 Oscillate Valve

Item	Part No.	Description	Qty.
1	1276751GT	VALVE, MOTOR SPOOL, 50 BAR RELIEF, 3POS 4WAY To SN S65XCM-302	1
1	1288398GT	VALVE, MOTOR SPOOL, 3 POS 4 WAY From SN S65XCM-303	1
2	824041GT	NUT, 1/4-28, 8, ZAG	2
3	81691GT	ROD END,BALL JOINT 1/4-28	1
4	1257076GT	BOLT,SHS,1/4-28X4,ZAG	1
5	1283004GT	NUT,NYLOCK FLG,10-24,A,ZAG	1
6	1283537GT	ROD, THREADED, 1/4X28X2.25	1
7	1283512GT	ROUNDBAR, OSCILLATE VALVE SPACER	2
8	1274322GT	NUT,NYLOCK FLG,3/8-16,G,ZAG	5
9	1288373GT	FORMING, BOTTOM, OSCILLATE VALVE BRACKET	1
10	1288372GT	FORMING, TOP, OSCILLATE VALVE BRACKET	1
11	1253478GT	SCREW,HHF,3/8-16X2,8,ZAG	3
12	1257419GT	SCREW,HHF,M8-1.25X80,DIN6921,10.9,ZAB	2
13	1283022GT	NUT,NYLOCK,M8-1.25,DIN985,10,ZAB	2
14	81609GT	SHIM,AXLE ROTATION STOP,22G	4
15	1255702GT	BAR,AXLE ROTATION STOP,OSC	2
16	81610GT	SHIM,AXLE ROTATION STOP,16G	2
17	1255802GT	SCREW,HHF,1/2-13X2.5,8,ZAG	3



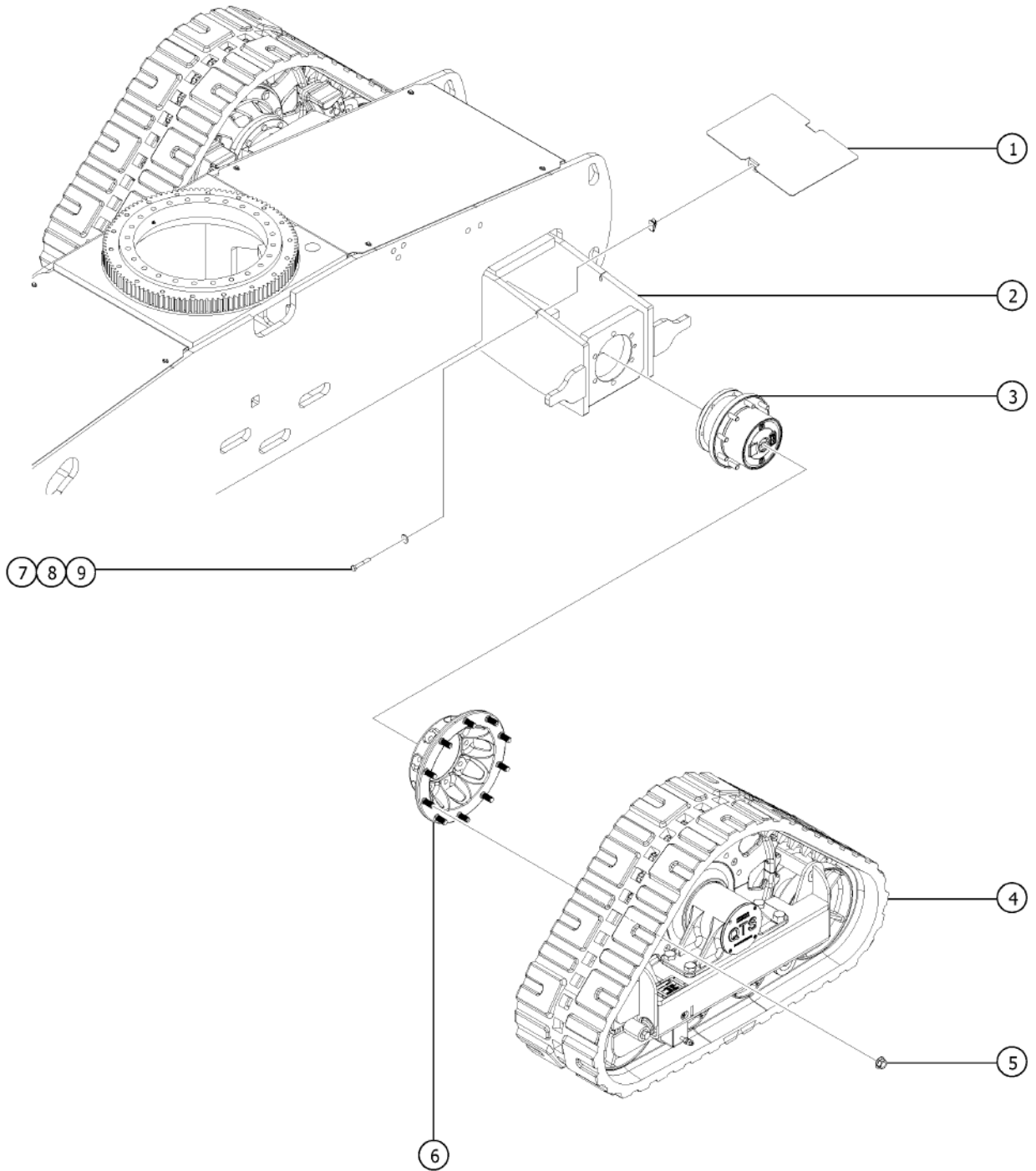
204.1 TraX Option Steer End



Item	Part No.	Description	Qty.
1	229817GT	WHEEL DRIVE 56:1	2
1-	102157GT	O-RING,.070 X .239,VITON 75D	
1-	102162GT	LUG,STUD/WHEEL (88887)	
1-	102131GT	DISCONNECT KIT (88887)	
1-	229818GT	SEAL KIT, DRIVE HUB	
1-	215340GT	LOCKRING, RR***	
1-	102516GT	RING,RETAINING,INTERNAL	
1-	215642GT	BRAKE KIT (88886)***	
1-	229931GT	SEAL,LIP	
1-	102158GT	O-RING,.103 X 4.737,VITON, 75D	
1-	102166GT	VALVE,CHECK,30 PSI	
1-	102167GT	SHAFT,INPUT DRIVE HUB	
1-	106098GT	SEAL KIT,MOTOR,LC/KC***	
1-	27067GT	SEAL,SHAFT-SUNDSTRAND***	
1-	77674GT	NUT,HEX,FLANGE 5/8-18,GRD 8 ZI	
1-	121668GT	MOTOR,PISTON,2 SPEED,45CC/18CC	
2	1287241GT	ASSEMBLY,TRAX UNIT,LEFT,400MM (15.75 IN) WIDE TRACK (Left)	1
2B	1287240GT	ASSEMBLY,TRAX UNIT,RIGHT,400MM (15.75 IN) WIDE TRACK (Right)	1
3	77674GT	NUT,HEX,FLANGE 5/8-18,GRD 8 ZI	20
4	139002GT	SPACER, 9 BOLT	2
4-	139140GT	STUD, 3/4-16 UNF X 2-1/2 LG for 139002	
5	139001GT	ROTATIONAL LIMITER FRONT LEFT (Left)	1
5B	139000GT	ROTATIONAL LIMITER FRONT RIGHT (Right)	1
6	1283785GT	WELDMENT,FRONT AXLE, TRAX, 400MM (15.75 IN) WIDE TRACK	1



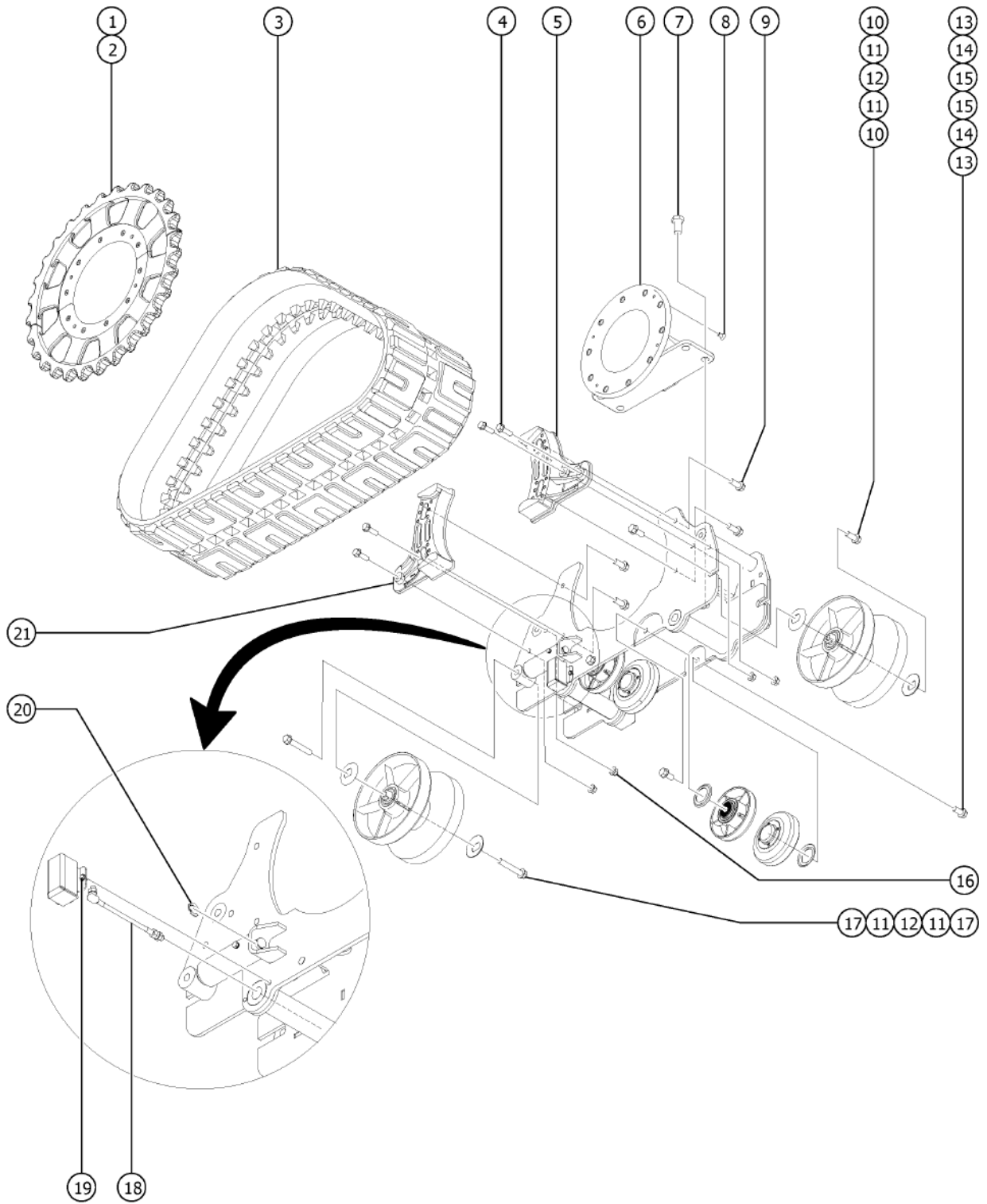
205.1 TraX Option Non-steer End



Item	Part No.	Description	Qty.
1	1255714GT	COVER, REAR AXLE	2
2	1283783GT	WELDMENT,REAR AXLE,TRAX, 400MM (15.75 IN) WIDE TRACK	1
3	229817GT	WHEEL DRIVE 56:1	2
3-	102157GT	O-RING,.070 X .239,VITON 75D	
3-	102162GT	LUG,STUD/WHEEL (88887)	
3-	102131GT	DISCONNECT KIT (88887)	
3-	229818GT	SEAL KIT, DRIVE HUB	
3-	215340GT	LOCKRING, RR***	
3-	102516GT	RING,RETAINING,INTERNAL	
3-	215642GT	BRAKE KIT (88886)***	
3-	229931GT	SEAL,LIP	
3-	102158GT	O-RING,.103 X 4.737,VITON, 75D	
3-	102166GT	VALVE,CHECK,30 PSI	
3-	102167GT	SHAFT,INPUT DRIVE HUB	
3-	106098GT	SEAL KIT,MOTOR,LC/KC***	
3-	27067GT	SEAL,SHAFT-SUNDSTRAND***	
3-	77674GT	NUT,HEX,FLANGE 5/8-18,GRD 8 ZI	
3-	121668GT	MOTOR,PISTON,2 SPEED,45CC/18CC	
4	1287241GT	ASSEMBLY,TRAX UNIT,LEFT,400MM (15.75 IN) WIDE TRACK	1
		(left)	
4B	1287240GT	ASSEMBLY,TRAX UNIT,RIGHT,400MM (15.75 IN) WIDE TRACK	1
		(right)	
5	77674GT	NUT,HEX,FLANGE 5/8-18,GRD 8 ZI	20
6	139002GT	SPACER, 9 BOLT	2
6-	139140GT	STUD, 3/4-16 UNF X 2-1/2 LG	
		for 139002	
7	824063GT	SCREW, HHC, 1/4-20 X 1.75, 8, ZAG	4
8	824113GT	WASHER,FLAT,1/4,USS,ZAG	4
9	56912GT	SPRING CLIP,1/4-20,.025-.15X.5	4



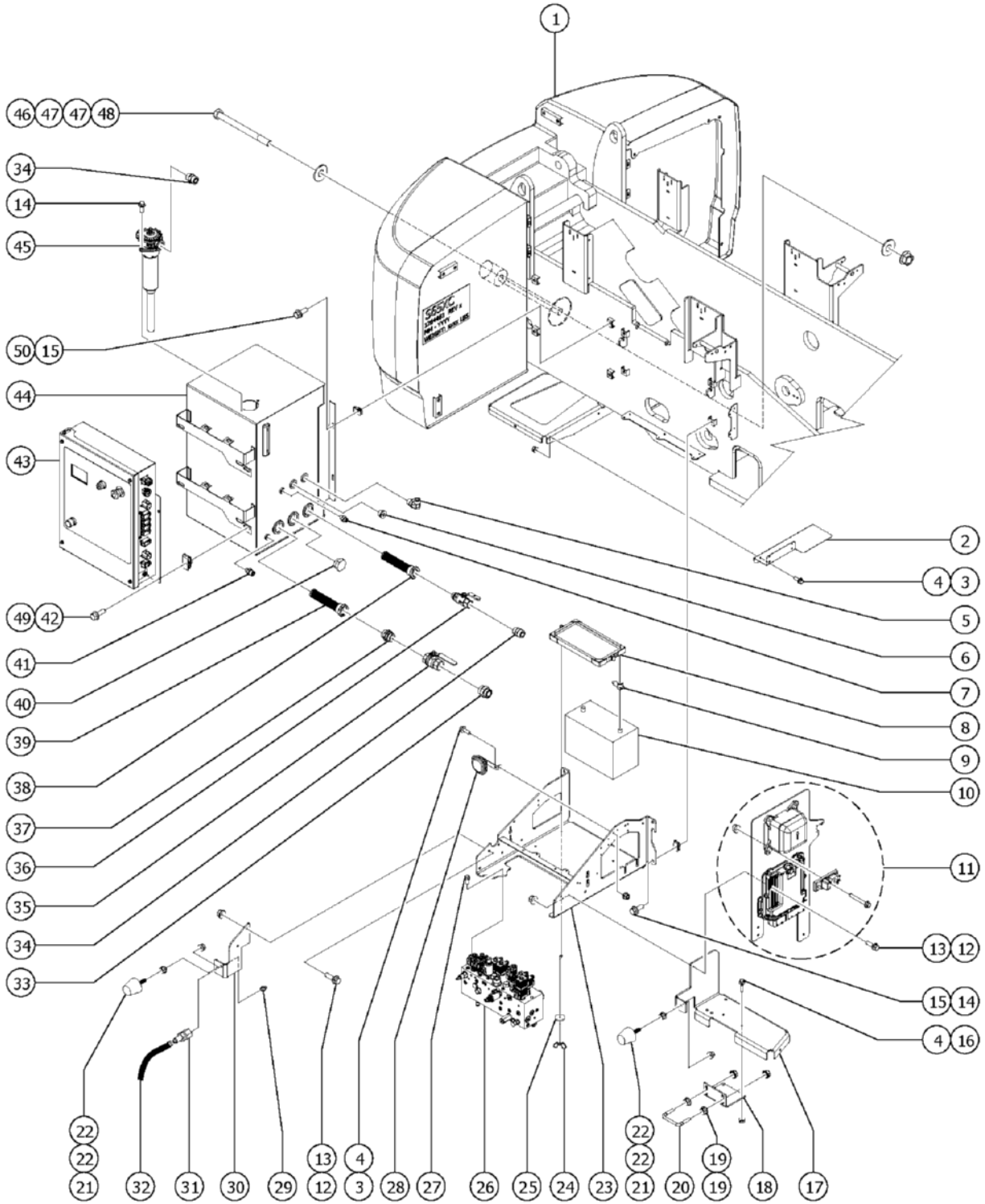
206.1 TraX Option Components



Item	Part No.	Description	Qty.
A	1287241GT	ASSEMBLY,TRAX UNIT,LEFT,400MM (15.75 IN) WIDE TRACK	
B	1287240GT	ASSEMBLY,TRAX UNIT,RIGHT,400MM (15.75 IN) WIDE TRACK	
C	128949GT	FITTING, 1/4"NPT STR ZERK	1
1	128922GT	SPROCKET, MACH. HALF RIGHT	1
2	128923GT	SPROCKET, MACH. HALF LEFT	1
3	1287242GT	TRACK,RUBBER,400MM (15.75 IN) WIDE	1
4	111155GT	SCREW,FLANGE,HHC,5/8-11X2,GR8	4
5	128925GT	CAST, LIMITER STOP BRKT R	1
6	128928GT	HUB ASSEMBLY	1
7	128913GT	BOLT,HHC,1-14X2.0"GR8 PLT	4
8	128914GT	SCREW, FHSC, 1/2-13X1.00	4
9	128912GT	BOLT,FLANGE,5/8-11X1.5"GR8 PLT	4
10	128910GT	BOLT,FLANGE,3/4-10X1.75GR8 PLT	2
11	128920GT	COVER, DUST	4
12	128917GT	END BOGEY	2
13	128909GT	BOLT,FLANGE,3/4-10X1.5"GR8 PLT	4
14	128921GT	GUARD, SEAL	4
15	128918GT	SPLIT BOGEY	4
16	128916GT	NUT,FLANGE,LOCK,5/8-11GR8 PLT	4
17	128911GT	BOLT,FLANGE,3/4-10X4.5"GR8 PLT	2
18	128927GT	HYD. HOSE ASSEMBLY 3000 PSI	1
19	128955GT	BOLT,FLANGE,5/16-18X.50 GR5	4
20	128919GT	SNAP RING	2
21	128924GT	CAST, LIMITER STOP BRKT L	1



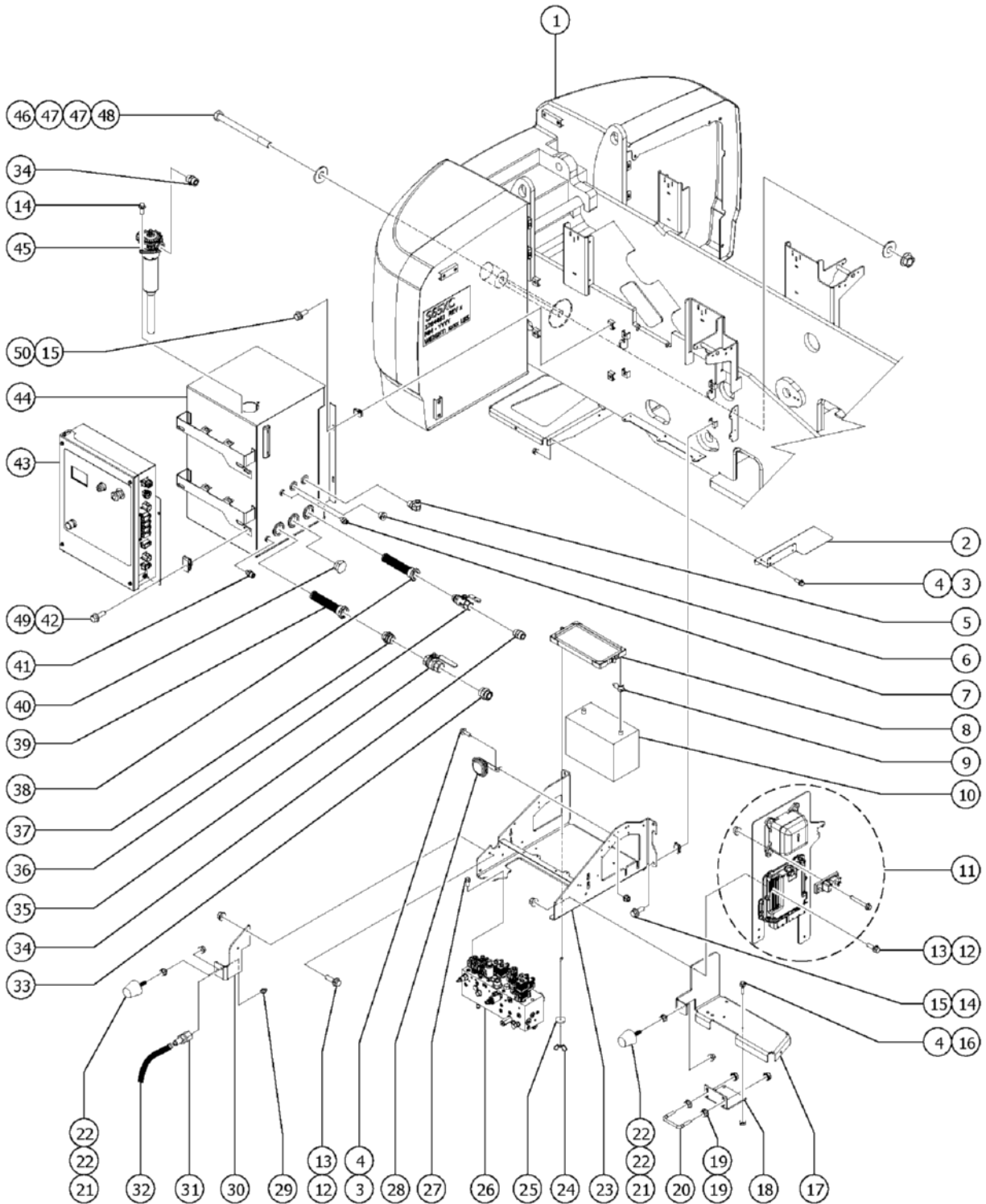
301.1 Tank Side - View 1



Item	Part No.	Description	Qty.
A	1289561GT	BRACKET, TELEMATICS	
A	1289521GT	MODULE, TELEMATICS, ZTR, M7, EMEA/APAC	
1	1264483GT	COUNTERWEIGHT, S65XC (6600 - 6700 lbs / 2994 - 3039 kg)	1
2	1283547GT	FORMING, HARNESS SUPPORT, S60/65XC	1
3	824078GT	SCREW,HHF,1/4-20X.75,8,ZAG	3
4	1277924GT	NUT,NYLOCK FLG,1/4-20,F,ZAG	5
5	48959GT	FITTING,ELBOW,90D,520220-12	1
6	59371GT	PLUG, HEX SOCKET, 090109B-8*	1
7	48912GT	CONN,520120-4-6***	1
8	30144GT	BATTERY HOLD DOWN,GROUP 31	1
9	8910GT	BOOT,CABLE TERM,MED.RED,4/0	1
10	30143GT	BATTERY,12V,1000 CCA GRP 31	1
11		Ref. ECU, fuse and relay mount bracket. (refer to 302.1)	
12	824091GT	SCREW,HHF,3/8-16X1.25,8,ZAG	5
13	1274322GT	NUT,NYLOCK FLG,3/8-16,G,ZAG	5
14	824090GT	SCREW,HHF,3/8-16X1,8,ZAG	6
15	29868GT	SPRING CLIP,3/8-16,.05-.20X.73,ZAG	8
16	824079GT	SCREW,HHF,1/4-20X1,8,ZAG	2
17	1260112GT	FORMING, MOUNT, LATCH	1
18	1260113GT	FORMING, BRACKET, LATCH	1
19	1261724GT	NUT,SERRATED,1/2-13,8,ZAG	4
20	1259855GT	UBOLT, 0.4724 IN D X 4.0 IN L	1
21	1261277GT	BUMPER, RUBBER, 1.25 X 1.25 IN	2
22	1274167GT	NUT,NYLOCK FLG,5/16-18,F,ZAG	4
23	1283545GT	WELDMENT, BATT/MANIF TRAY, S60/65XC	1
24	8170GT	NUT,WING,1/4-20	2
25	45708GT	HOOK,BATT HOLD DOWN,10"	2
26		Ref. Function Manifold. (refer to 401.1)	



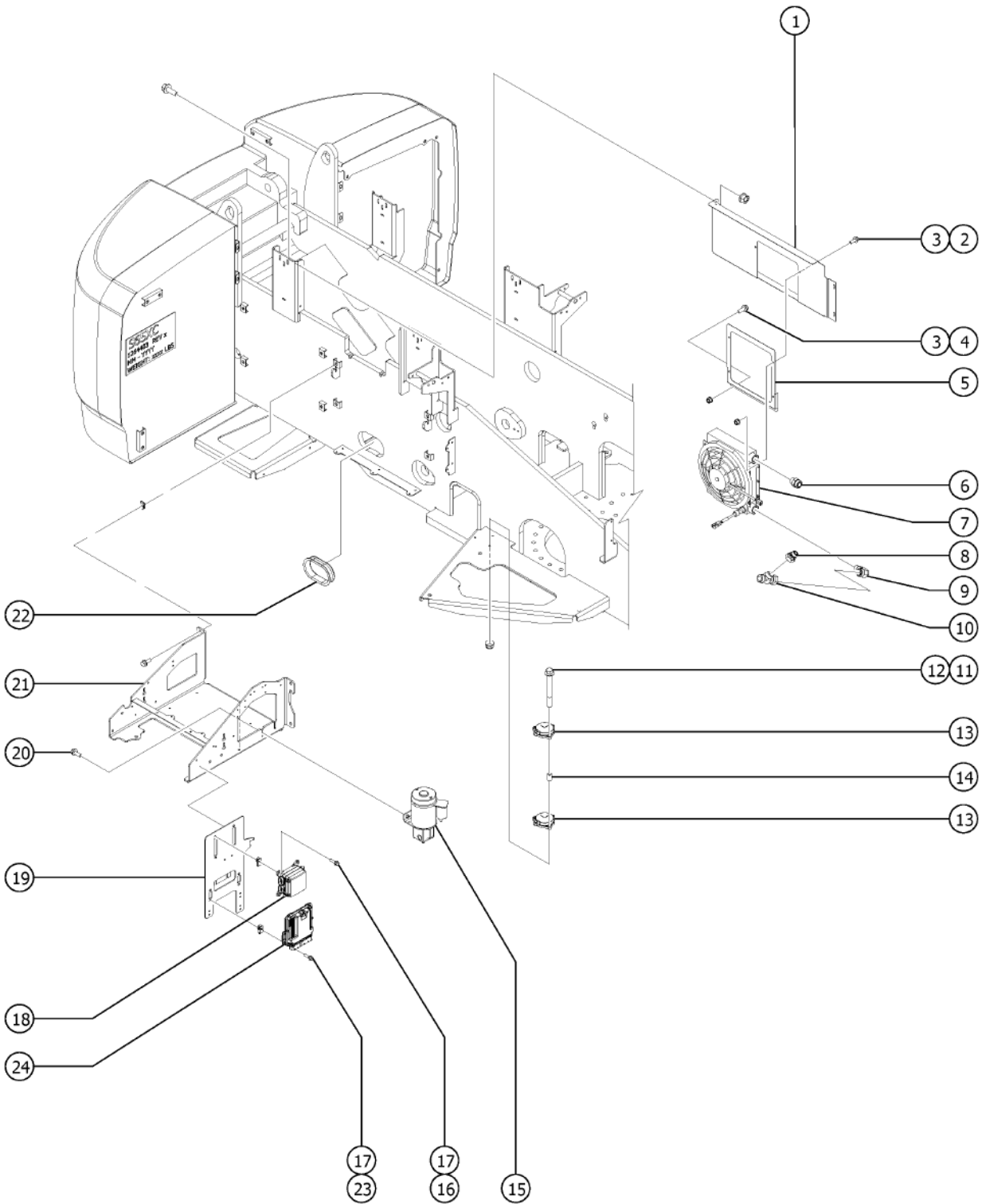
301.1 Tank Side - View 1



Item	Part No.	Description	Qty.
27	1253498GT	SCREW,HHF,1/2-13X1.5,8,ZAG	2
28	81578GT	HORN,12VDC,SPADE TERMINALS***	1
29	94643GT	ZERK,GREASE,5/16-24,STRAIT	1
30	1253825GT	FORMING, BRACKET, COVER STOP	1
31	48887GT	ELBOW,90D, 070202-4	1
32	49189-8638GT	HOSE ASSY,1/4",STR FEM,STR F**	1
		(grease hose)	
33	75654GT	CONN,520120-20	1
34	48984GT	CONN,520120-16	2
35	101494GT	VALVE,BALL,FSAE-20,FSAE-20	1
36	48996GT	VALVE,BALL,16 MSAE-16 FSAE***	1
37	61263GT	UNION,STR.THREAD 20	1
38	101490GT	STRAINER,16 SAE F/24 SAE M	1
39	101491GT	STRAINER,20 SAE F/24 SAE M***	1
40	1282197GT	PLUG,SAE-24,EXTERNAL HEX	1
41	48943GT	FITTING,CONN,520120-8-6	1
42	56912GT	SPRING CLIP,1/4-20,.025-.15X.5	4
43		Ref. Ground Controls	1
		(refer to 305.1 and 306.1)	
44	1276459GT	TANK, HYDRAULIC 40 GAL	1
45	1281808GT	FILTER ASSY, INTANK, 49GPM	1
45-	1282117GT	FILTER,ELEMENT,HYD TANK,RETURN	
46	1268832GT	SCREW,HHC,1-8X19.5,2,ZAG	1
47	1256469GT	WASHER,FLAT,1.0,USS,ZAG	2
48	1283024GT	NUT,NYLOCK,1-8,8,ZAG	1
49	1256855GT	SCREW,HHF,1/4-20X.625,8,ZAG	4
50	825354GT	SCREW,HHF-S,3/8-16X7/8,8.2,ZAG	4



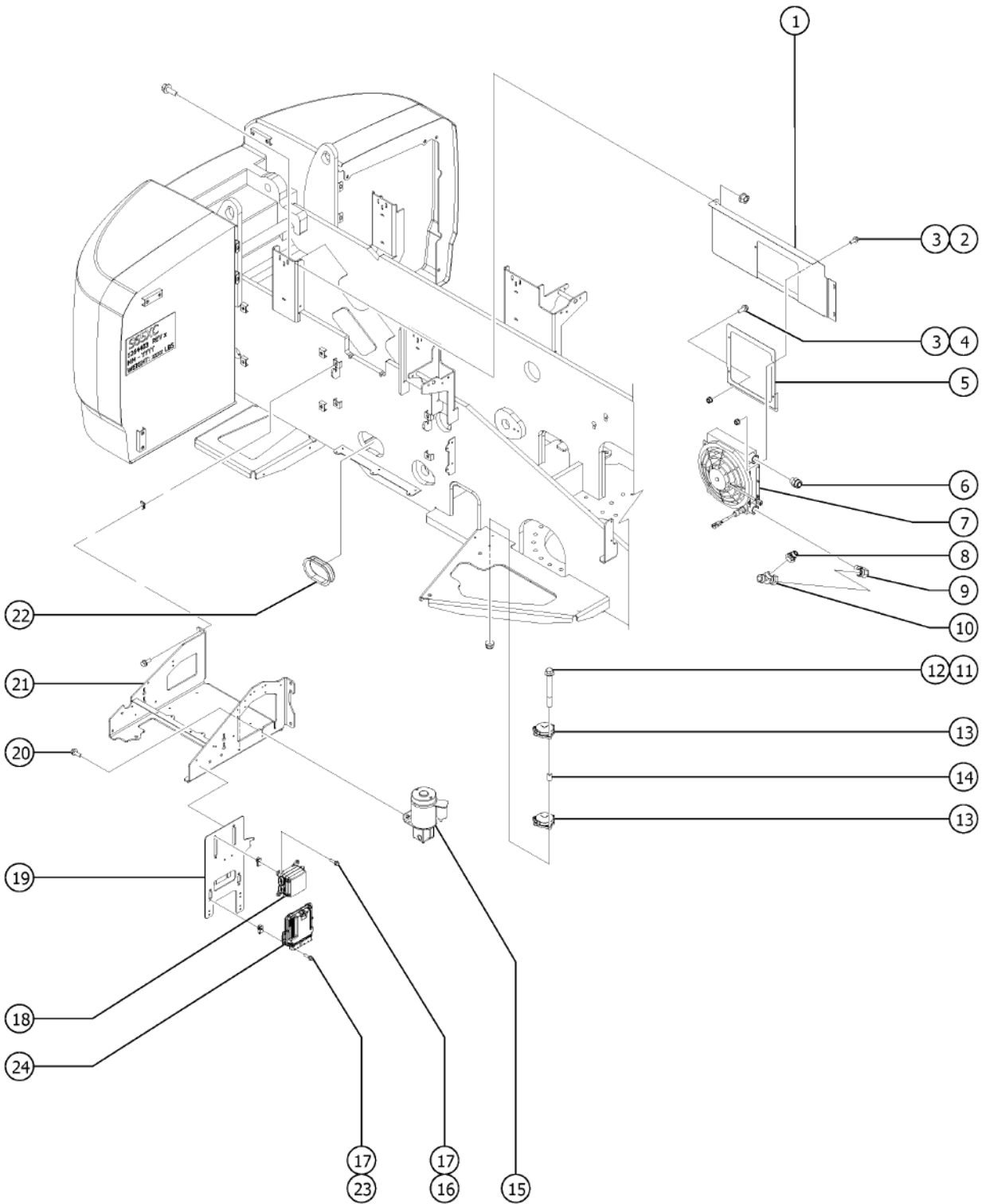
302.1 Tank Side - View 2



Item	Part No.	Description	Qty.
1		Ref. FORMING, BULKHEAD, S60 TS FRON Refer to 308.1	
2	824078GT	SCREW,HHF,1/4-20X.75,8,ZAG	4
3	1277924GT	NUT,NYLOCK FLG,1/4-20,F,ZAG	7
4	824081GT	SCREW,HHF,1/4-20X1.5,8,ZAG	2
5	77693GT	FORMING,OIL COOLER MOUNT	1
6	49519GT	CONN,520120-16-12	1
7	71259GT	OIL COOLER W/FAN, 12VDC	1
8	101293GT	REDUCER,520123-16-12	1
9	48878GT	ELBOW,90D,520220-16-12	1
10	42787GT	TEE,RUN,SWIVEL,520432-16	1
11	824083GT	SCREW,HHF,1/4-20X2.5,8,ZAG	3
12	1277924GT	NUT,NYLOCK FLG,1/4-20,F,ZAG	3
13	823368GT	SENSOR,LEVEL,UNIVERSAL	2
14	8149GT	SPACER,NYLON .257 X .5 X .75"	3
15	146180GT	ASSEMBLY, AUX POWER UNIT, 12VDC	1
16	824079GT	SCREW,HHF,1/4-20X1,8,ZAG	4
17	56912GT	SPRING CLIP,1/4-20,.025-.15X.5	4
18	1269738GT	MODULE, VEC, ALC600	1
18-	1251502GT	FUSE, ATM, 10AMP	1
18-	1251503GT	RELAY, 12V MICRO, 35AMP	4
18-	1251504GT	DIODE, 6A 22903-6V	1
18-	1251505GT	TOOL, FUSE PULLER, ATM	1
18-	1251506GT	FUSE, ATM, 5AMP	1
18-	1279520GT	CIRCUIT BREAKER 20A,TIII, ATC, 14VDC	1
18-	1279521GT	CIRCUIT BREAKER 15A,TIII, ATC, 14VDC	1
18-	1279522GT	RELAY SOLID STATE, 12V, 20A (B120-7022)	5
18-	1280401GT	CIRCUIT BREAKER, 30AMP MINI	5
18	822781GT	MODULE,FUSE&RELAY,DEUTZ 2.9 For Deutz TD2.2 L3 engine model	1



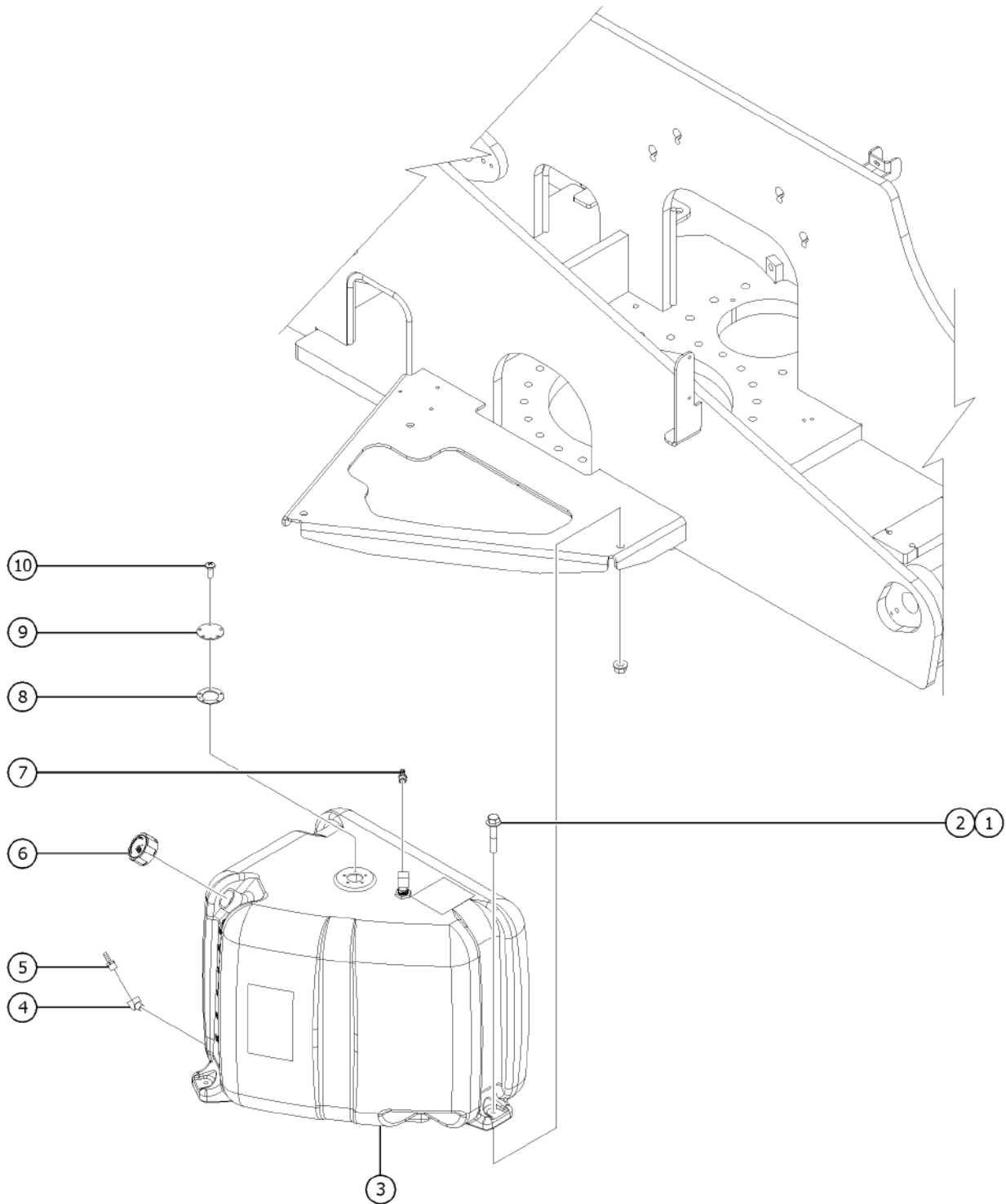
302.1 Tank Side - View 2



Item	Part No.	Description	Qty.
19	823074GT	WELDMENT,ECU MOUNT,DEUTZ D2.9	1
19-	1253477GT	SCREW,PHPM,4-40X.5,ZAG	
19-	1259338GT	WASHER,LOCK,#4,ZAG	
19-	1259339GT	NUT,4-40,ZAG	
20	824090GT	SCREW,HHF,3/8-16X1,8,ZAG	2
21		Ref. WELDMENT, BATT/MANIF TRAY, S60/65XC	
		Refer to 301.1	
22	53386GT	GUARD, HOSE PROTECTOR	2
23	824080GT	SCREW,HHF,1/4-20X1.25,8,ZAG	4
24	214795GT	ECM, Deutz D2.9 For Deutz TD2.9 engine model (must contact service parts to order, SN information is required)	1
24	1301055GT	ECM, DEUTZ TD 2.2L3, 49 hp For Deutz TD2.2 L3 engine model, 49 hp (must contact service parts to order, SN information is required)	1
24	1301056GT	ECM, DEUTZ TD2.2L3, 60 hp For Deutz TD2.2 L3 engine model, 60 hp (must contact service parts to order, SN information is required)	1



303.1 Tank Side - Diesel Fuel Tank Installation

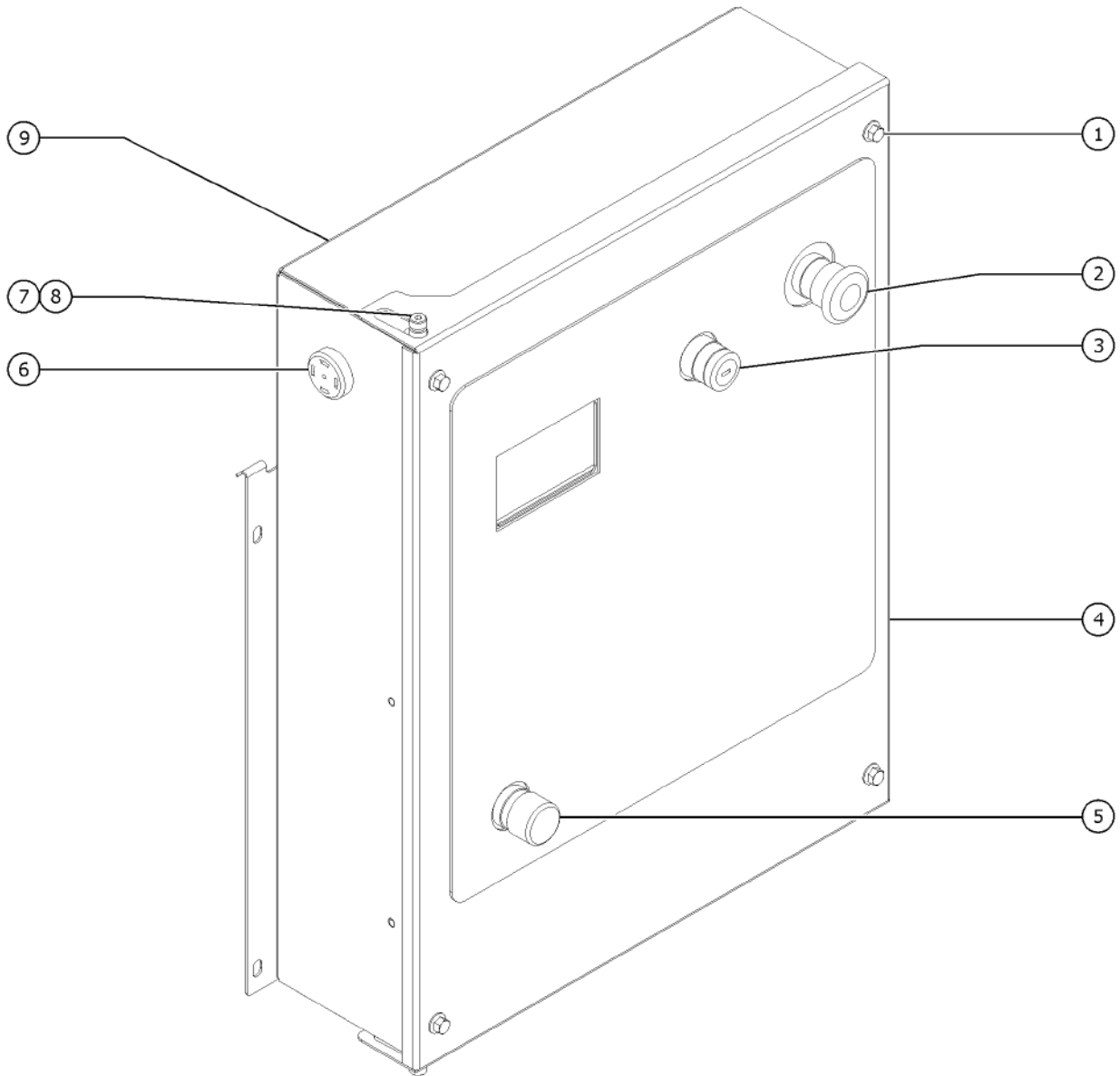


303.1 Tank Side - Diesel Fuel Tank Installation

Item	Part No.	Description	Qty.
1	1253478GT	SCREW,HHF,3/8-16X2,8,ZAG	3
2	1274322GT	NUT,NYLOCK FLG,3/8-16,G,ZAG	3
3	1274331GT	ASSY, FUEL TANK, 35GAL, W/PROP. SENSOR	1
3-	54324GT	FITTING,BULKHEAD,3/8NPT,FUELTK	
3-	823356GT	TUBE,FUEL RETURN,3/8X3/8X23.5	
4	22348GT	ELBOW,130339-6-6	1
5	54124GT	HOSE END,BARB,3/8 MNPT X 5/16	1
6	101726GT	CAP,FUEL,DIESEL,1/8"VENT(GRN)	1
7	34940GT	HOSE END .375 MPT X .25 HOSE	1
		To SN S65XCM-375	
7	27901GT	HOSE END,BARBED,RIGID,-6-6	1
		From SN S65XCM-376	
8	1271773GT	GASKET, TANK, FUEL SENSOR	1
		To SN S65XCM-375	
9	1271772GT	CAP, TANK, FUEL SENSOR	1
		To SN S65XCM-375	
9	1271770GT	SENSOR, FUEL LEVEL, 30" DIESEL	1
		From SN S65XCM-376	
10	1251757GT	SCREW,PHPM,10-32X.50,ZAG	5
		To SN S65XCM-375	
10	824215GT	SCREW,PHPM,10-32X.75,ZAG	5
		From SN S65XCM-376	

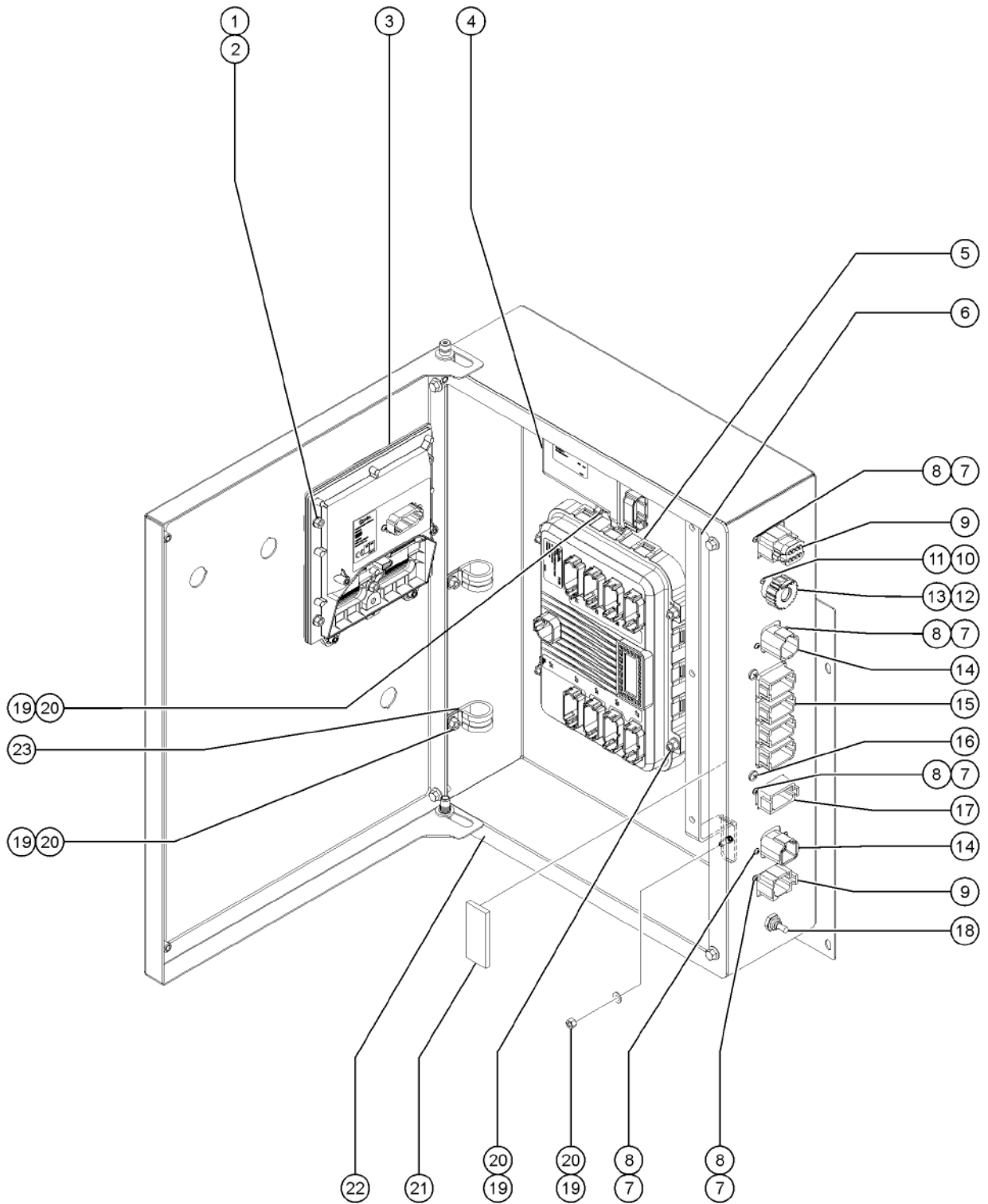


305.1 Ground Control Box - External



Item	Part No.	Description	Qty.
A	1286479GT	ASSEMBLY, GBOX,S-BOOM, JIB, ALC600 To SN S65XCM-375	1
A	1290460GT	ASSEMBLY,GBOX,S-BOOM,JIB,ALC600, TELEMATICS 2.0 From SN S65XCM-376	1
1	1256855GT	SCREW,HHF,1/4-20X.625,8,ZAG	4
2	66812GT	BUTTON,PUSH,RED MUSHROOM HEAD	1
2-	66817GT	BASE WITH 1 NC CONTACT, E-STOP	
2-	66818GT	CONTACT,NC	
3	66811GT	KEYSWITCH,3POS.MNTND.DR WKEY**	1
3-	66817GT	BASE WITH 1 NC CONTACT, E-STOP	
3-	66818GT	CONTACT,NC	
3-	66816GT	CONTACT,N.O.***	
4	1275937GT	WELDMENT LID TCON ALC600	1
5	66813GT	BUTTON,PUSH,BLACK W/SEAL***	1
5-	66821GT	BASE,WITHOUT CONTACTS	
5-	66816GT	CONTACT,N.O.***	
6	39540GT	ALARM, STEADY TONE***	1
6-	72326GT	NUT - PLASTIC, RING FOR ALARMS	
7	1257410GT	BOLT,SHS,5/16X.375X1/4-20,ZAG	2
8	218449GT	WASHER,SHOULDER,NYLON	2
9	1275939GT	WELDMENT, BOX, TCON, ALC600 To SN S65XCM-375	1
9	1290450GT	WLDMENT,BOX,TCON,ALC600 From SN S65XCM-376	1

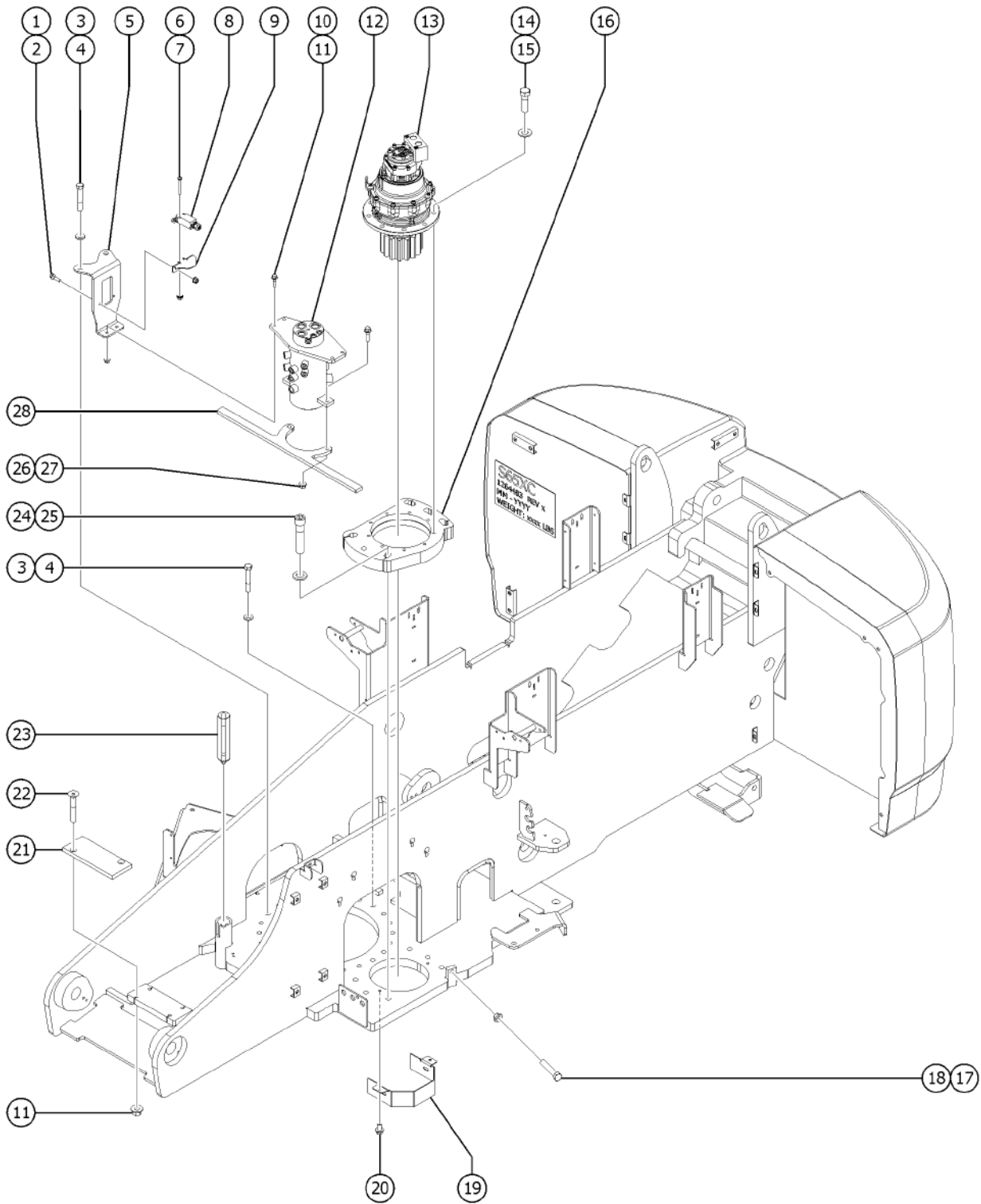
306.1 Ground Control Box - Internal



Item	Part No.	Description	Qty.
1	1271081GT	NUT,NYLOCK,8-32,8,ZAG	5
2	1257390GT	WASHER,FLAT,#8,SAE,ZAG	5
3	1286640GT	KIT,DISCON ALC600	
3-	1268327GT	ECU, DISPLAY CONTROLLER	
3-	1268322GT	GASKET, RIBBON, DISCON	
3-	1268651GT	CABLE, FLAT FLEX, 30 POS 1MMX3"	
4	1280589GT	MODULE, RECOVERY	1
5	1288795GT	ECU, TURNTABLE, S-XC, ALC600	1
6	119644GT	BRACKET,PBOX WIRE SUPPORT	1
7	824214GT	SCREW,PHPM,6-32X.5,ZAG	10
8	1274164GT	NUT,NYLOCK,6-32,A,ZAG	10
9	87755GT	CONN,RECEP 8 WAY 14-18GA,FL	2
9-	119060GT	CONN PLUG 8 WAY ENDCAP DT	
9-	60757GT	PLUG,SEAL,12-18 GA	
10	1253477GT	SCREW,PHPM,4-40X.5,ZAG	2
11	1283012GT	NUT,NYLOCK,4-40,2,ZAG	2
12	1272123GT	DUST CAP, RECEPTACLE, 5 WAY, C	1
13	1272122GT	CONNECTOR, RECEPTACLE, 5 WAY CIRCULAR	1
14	73717GT	CONN,RECEP 4 WAY,12-14GA FL***	2
15	73736GT	CONN,RECEP 48 WAY,4 X 12	1
16	824226GT	SCREW,PHPSH,#12-11X.75,ZAG	4
17	73730GT	CONN,RECEP 12 WAY,GRY FLANGE	1
18	128203GT	SWITCH TOGGLE ASSY SPDT 2P MOM	1
19	1274168GT	NUT,NYLOCK,10-32,A,ZAG	10
20	1253185GT	WASHER,FLAT,#10,USS,ZAG	10
21	30997GT	CORROSION INHIBITOR,FOAM	1
22	1277169GT	GASKET GBOX ALC600	1
23	18666GT	CLAMP,1.00,#16 X 1/4,RUB CUSH	2



307.1 Turntable Components and Swivel Drive Assembly

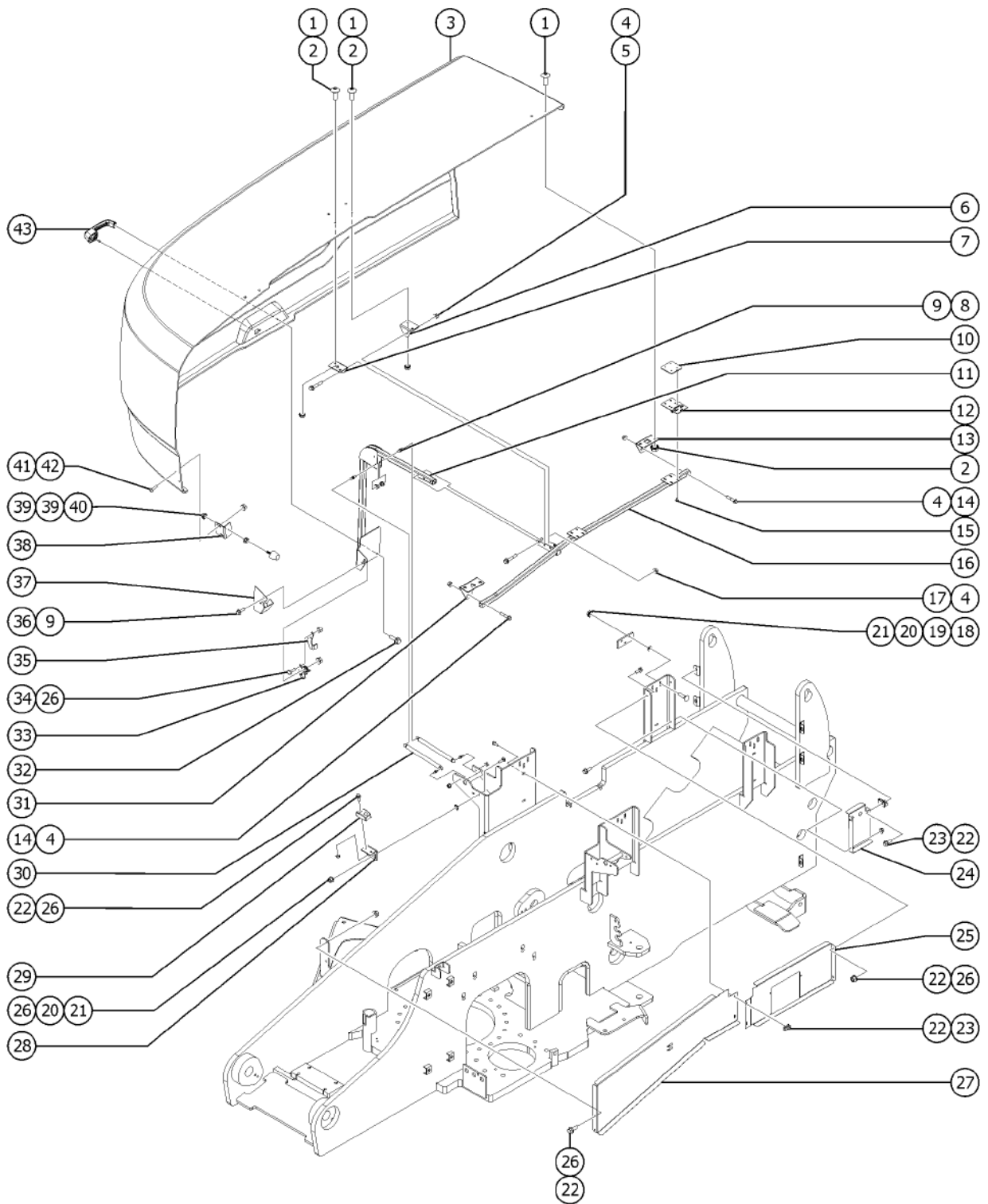


307.1 Turntable Components and Swivel Drive Assembly

Item	Part No.	Description	Qty.
1	824079GT	SCREW,HHF,1/4-20X1,8,ZAG	2
2	1277924GT	NUT,NYLOCK FLG,1/4-20,F,ZAG	2
3	1256170GT	SCREW,HHC,5/8-11X4,8,ZAG	24
4	1256182GT	WASHER,FLAT,5/8,F436,HRD,ZAG	24
5	1255720GT	FORMING,HYD SWIVEL BRACKET	2
6	824216GT	SCREW,PHPM,10-32X1.5,ZAG	2
7	1264261GT	NUT,SERRATED,10-32,ZAG	2
8	88356-13103GT	SWITCH,LIMIT,W/RLLR ARM,NO/NC	1
9	1255722GT	FORMING,DRIVE ENABLE LIMIT SW	1
10	824092GT	SCREW,HHF,3/8-16X1.5,8,ZAG	4
11	1274322GT	NUT,NYLOCK FLG,3/8-16,G,ZAG	6
12	1280390GT	SWIVEL, HYD 8 PORT	1
13	1264680GT	SWING DRIVE ASSEMBLY	1
14	1256168GT	SCREW,HHC,1/2-13X1.75,8,ZAG	9
15	825353GT	WASHER,FLAT,1/2,SAE,HRD,ZAG	9
16	77671GT	PLATE,BACKLASH ADJUSTMENT MACH	1
17	1256846GT	SCREW,HEX TAP,3/4-10X4,8,ZAG	1
18	1256837GT	NUT,JAM,3/4-10,A, ZAG	1
19	77879GT	FORMING,PINION GUARD	1
20	824089GT	SCREW, HHF, 3/8-16 X .75, 8, ZAG	2
21	161607GT	WEAPAD, BOOM REST	1
22	1256842GT	SCREW,FHS,3/8-16X2.25,F835,ZAG	2
23	81834GT	WELDMENT,TRANSPORT LOCK	1
24	1257223GT	SCREW,SHC,3/4-10X3.75,A574,ZAG	6
25	1256863GT	WASHER,FLAT,.75,SAE,HRD,ZAG	6
26	1274172GT	NUT,NYLOCK FLG,1/2-13,G,ZAG	2
27	826171GT	SCREW,HHF,1/2-13X1.75,ZAG	2
28	1270151GT	HYDRAULIC SWIVEL SUPPORT	1



308.1 Turntable Covers - Hydraulic Tank Side

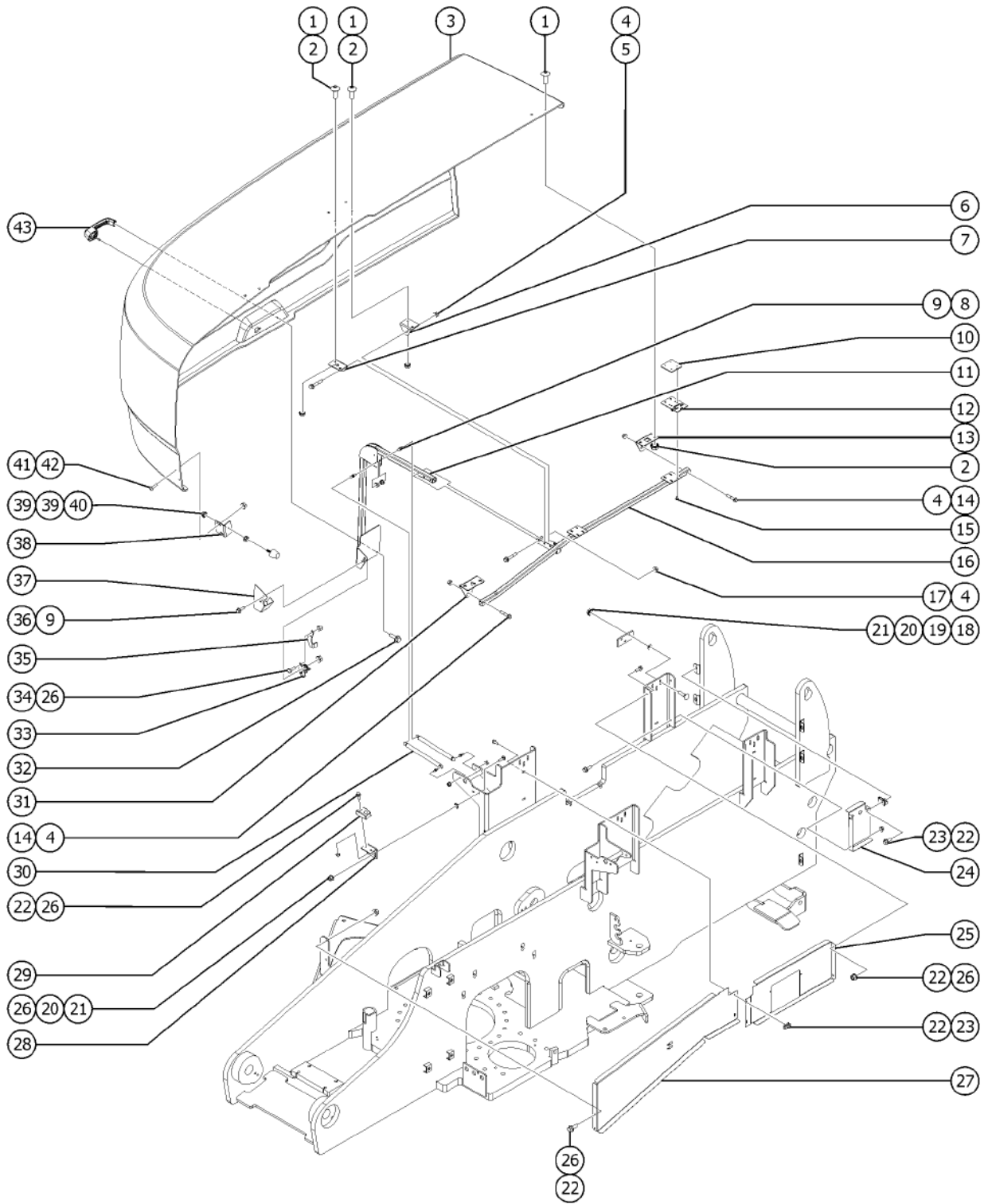


308.1 Turntable Covers - Hydraulic Tank Side

Item	Part No.	Description	Qty.
1	1261836GT	SCREW, THM, TORX, 3/8-16X1,SS	8
2	1257628GT	NUT,SERRATED,3/8-16,8,ZAG	8
3	1265999GT	COVER, SWING CHASSIS, TANK SIDE (Only cover, does not include other hardware support) - For Option Track and Trace, buy p/n 1288374	1
4	1274322GT	NUT,NYLOCK FLG,3/8-16,G,ZAG	5
5	1256856GT	SCREW,HHF,3/8-16X2.5,8,ZAG	1
6	1253831GT	MOUNT, COVER SUPPORT CTR 93DEG	1
7	1253830GT	MOUNT, COVER SUPPORT CTR 86DEG	1
8	33555GT	BALL STUD**	4
9	1274167GT	NUT,NYLOCK FLG,5/16-18,F,ZAG	6
10	1258724GT	SUPPORT, TAPPED HINGE	2
11	1255986GT	WLDMT, TS LOWER COVER SUPPORT	1
12	1278912GT	HINGE,,375X.120THK.,SLOTTED	2
13	1258723GT	MOUNT, COVER SUPPORT FRONT	1
14	1253478GT	SCREW,HHF,3/8-16X2,8,ZAG	2
15	1256855GT	SCREW,HHF,1/4-20X.625,8,ZAG	8
16	1256767GT	WLDMT, TS UPPER COVER SUPPORT	1
17	1256693GT	SCREW,HHF,3/8-16X2.25,8,ZAG	2
18	1256679GT	NUT,SERRATED,1/4-20,8,ZAG	6
19	77778GT	PLATE,HINGE SUPPORT	2
20	238135GT	PUSHNUT RETAINER, 1/4" X 1/2"O	8
21	1256127GT	BOLT,CARRIAGE,1/4-20X1,5,ZAG	8
22	824078GT	SCREW,HHF,1/4-20X.75,8,ZAG	12
23	56912GT	SPRING CLIP,1/4-20,.025-.15X.5	4
24	1253819GT	FORMING, BULKHEAD, TS FRONT	1
25	1273343GT	FORMING, BULKHEAD, S60 TS FRONT	1
26	1277924GT	NUT,NYLOCK FLG,1/4-20,F,ZAG	12
27	1273342GT	FORMING, BULKHEAD, S60 TS REAR	1
28	1260162GT	FORMING, TS COVER CONTACT	1



308.1 Turntable Covers - Hydraulic Tank Side

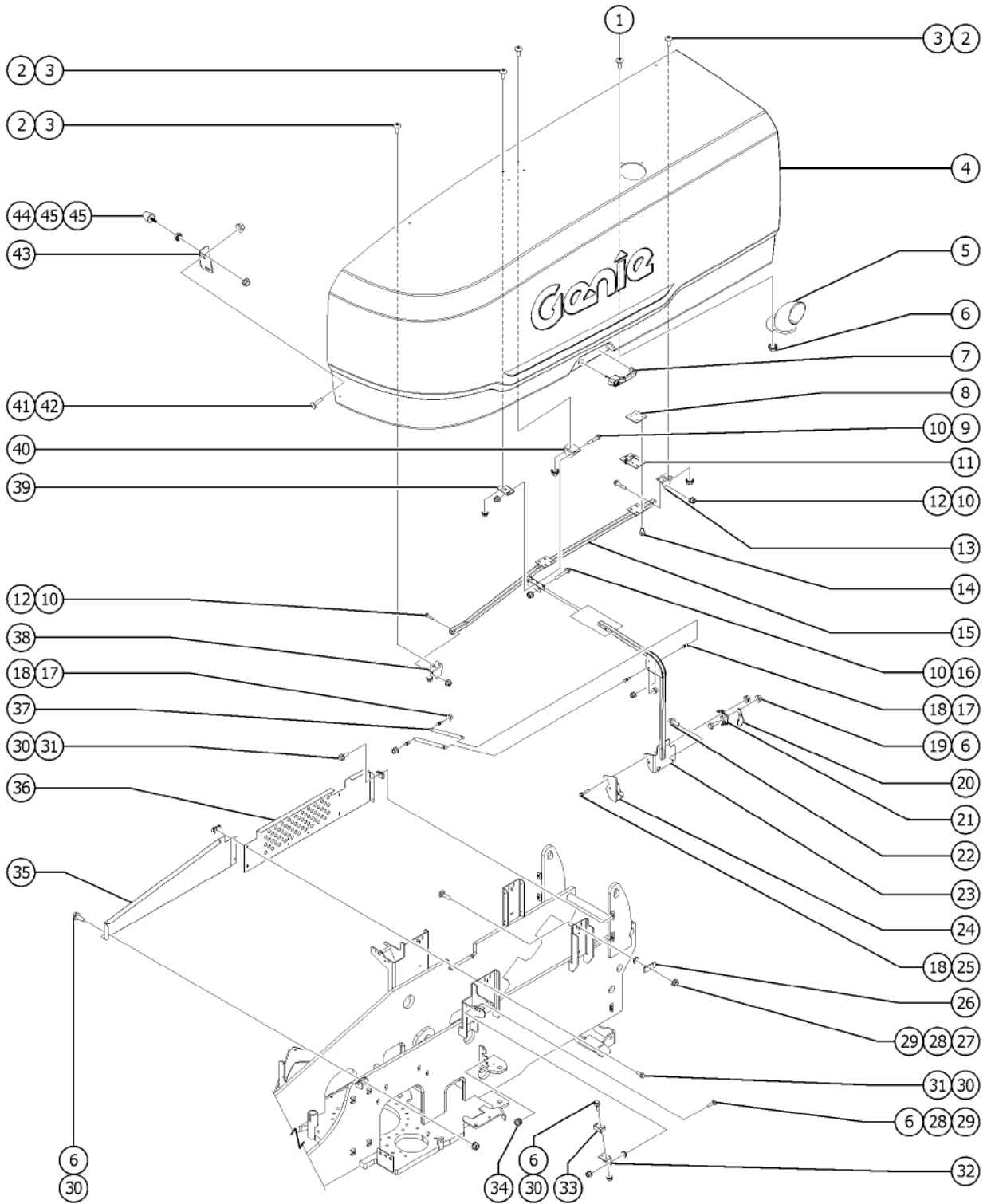


308.1 Turntable Covers - Hydraulic Tank Side

<i>Item</i>	<i>Part No.</i>	<i>Description</i>	<i>Qty.</i>
29	1261266GT	BUMPER, COVER SUPPORT	1
30	28301GT	GAS STRUT,250 LBS FORCE***	2
31	1258722GT	MOUNT, COVER SUPPORT FRONT	1
32	231532GT	SCREW,HHF,M6-1.0X20,DIN6921,10.9,ZAB	2
33	215254GT	LATCH,ROTARY,ENGINE COVER	1
34	824059GT	SCREW,HHC,1/4-20X.75,8,ZAG	2
35	1262210GT	FORMING, LATCH TRIGGER, TS	1
36	1255763GT	SCREW,HHF,5/16-18X1.5,8,ZAG	2
37	1261244GT	FORMING, TS LATCH GUARD	1
38	1254625GT	BRACKET, BUMPER	1
39	1255805GT	NUT,SERRATED,5/16-18,8,ZAG	2
40	1261277GT	BUMPER, RUBBER, 1.25 X 1.25 IN	1
41	1261837GT	SCREW, THM, TORX, M6X25, ZAB	2
42	1283013GT	NUT,NYLOCK FLG,M6-1.0,DIN6926,10,ZAB	2
43	1256054GT	HANDLE,YELLOW LOCKING,CODE 455	1



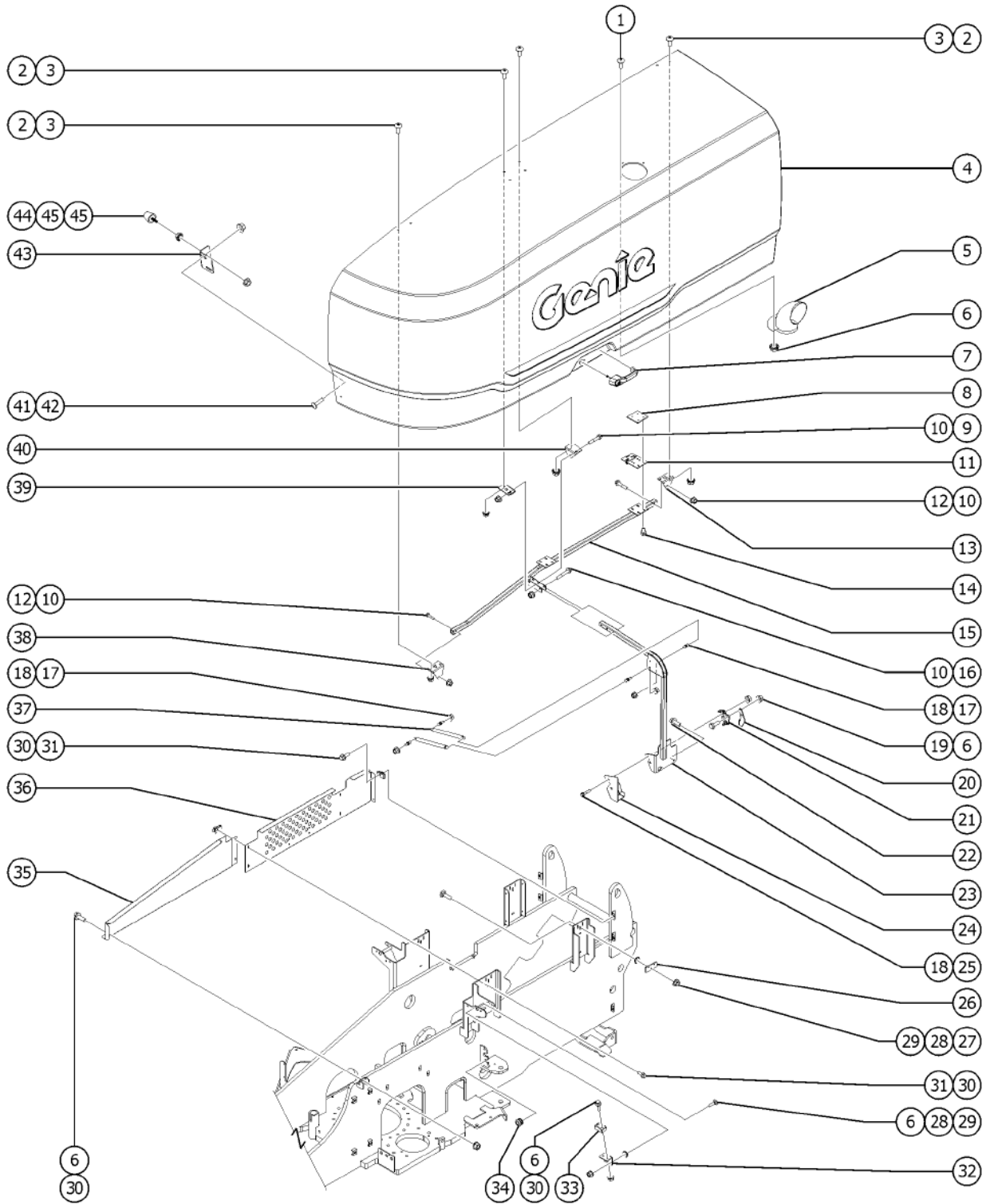
309.1_Turntable Covers - Engine Side



Item	Part No.	Description	Qty.
1	1261835GT	SCREW, THM, TORX, 1/4-20X1,SS	3
2	1261836GT	SCREW, THM, TORX, 3/8-16X1,SS	8
3	1257628GT	NUT,SERRATED,3/8-16,8,ZAG	8
4	1253264GT	COVER, SWING CHASSIS, ES	1
5	101964GT	WELDMENT,EXHAUST TUBE	1
6	1277924GT	NUT,NYLOCK FLG,1/4-20,F,ZAG	12
7	1256054GT	HANDLE,YELLOW LOCKING,CODE 455	1
8	1258724GT	SUPPORT, TAPPED HINGE	2
9	1256856GT	SCREW,HHF,3/8-16X2.5,8,ZAG	1
10	1274322GT	NUT,NYLOCK FLG,3/8-16,G,ZAG	5
11	1278912GT	HINGE,,375X.120THK.,SLOTTED	2
12	1253478GT	SCREW,HHF,3/8-16X2,8,ZAG	2
13	1258723GT	MOUNT, COVER SUPPORT FRONT	1
14	824077GT	SCREW,HHF,1/4-20X.5,8,ZAG	8
15	1256771GT	WLDMT, ES UPPER COVER SUPPORT	1
16	1256693GT	SCREW,HHF,3/8-16X2.25,8,ZAG	2
17	33555GT	BALL STUD**	4
18	1274167GT	NUT,NYLOCK FLG,5/16-18,F,ZAG	6
19	824059GT	SCREW,HHC,1/4-20X.75,8,ZAG	2
20	1262211GT	FORMING, LATCH TRIGGER, ES	1
21	215254GT	LATCH,ROTARY,ENGINE COVER	1
22	231532GT	SCREW,HHF,M6-1.0X20,DIN6921,10.9,ZAB	2
23	1255987GT	WLDMT, ES LOWER COVER SUPPORT	1
24	1261245GT	FORMING, LATCH GUARD, ES	1
25	1255763GT	SCREW,HHF,5/16-18X1.5,8,ZAG	2
26	77778GT	PLATE,HINGE SUPPORT	2
27	1256679GT	NUT,SERRATED,1/4-20,8,ZAG	6
28	238135GT	PUSHNUT RETAINER, 1/4" X 1/2"O	8



309.1_Turntable Covers - Engine Side

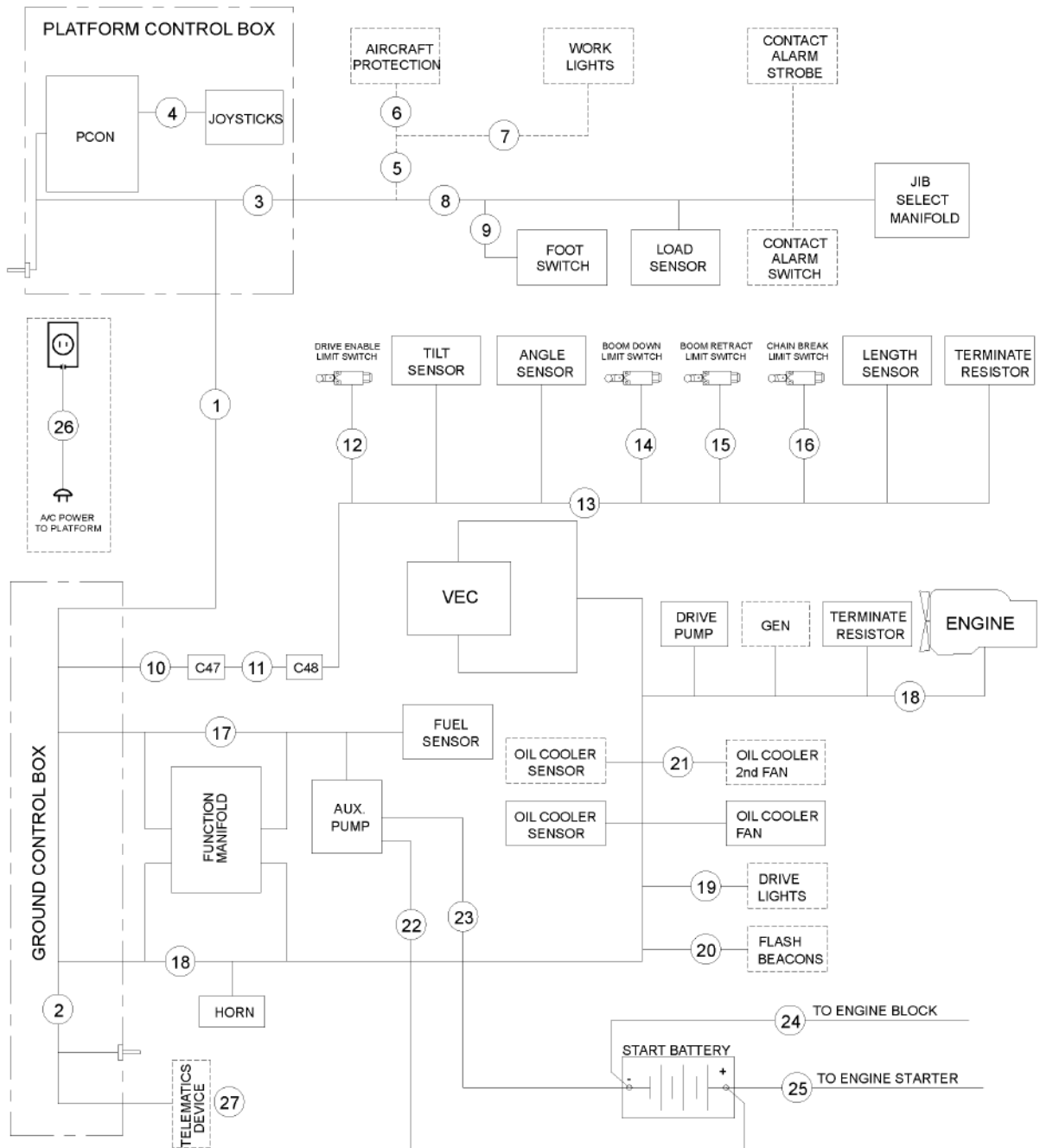


309.1_Turntable Covers - Engine Side

<i>Item</i>	<i>Part No.</i>	<i>Description</i>	<i>Qty.</i>
29	1256127GT	BOLT,CARRIAGE,1/4-20X1,5,ZAG	8
30	824078GT	SCREW,HHF,1/4-20X.75,8,ZAG	9
31	56912GT	SPRING CLIP,1/4-20,.025-.15X.5	4
32	1260163GT	FORMING, ES COVER CONTACT	1
33	1261266GT	BUMPER, COVER SUPPORT	1
34	61189GT	GROMMET,RUBBER .75 X .38 X1.13	2
35	1273345GT	FORMING, BULKHEAD, S60 ES REAR	1
36	1273344GT	FORMING, BULKHEAD, S60 ES FRONT	1
37	28301GT	GAS STRUT,250 LBS FORCE***	2
38	1258722GT	MOUNT, COVER SUPPORT FRONT	1
39	1253830GT	MOUNT, COVER SUPPORT CTR 86DEG	1
40	1253831GT	MOUNT, COVER SUPPORT CTR 93DEG	1
41	1261837GT	SCREW, THM, TORX, M6X25, ZAB	2
42	1283013GT	NUT,NYLOCK FLG,M6-1.0,DIN6926,10,ZAB	2
43	1254625GT	BRACKET, BUMPER	1
44	1261277GT	BUMPER, RUBBER, 1.25 X 1.25 IN	1
45	1255805GT	NUT,SERRATED,5/16-18,8,ZAG	2



310.1 Wire Harness Diagram

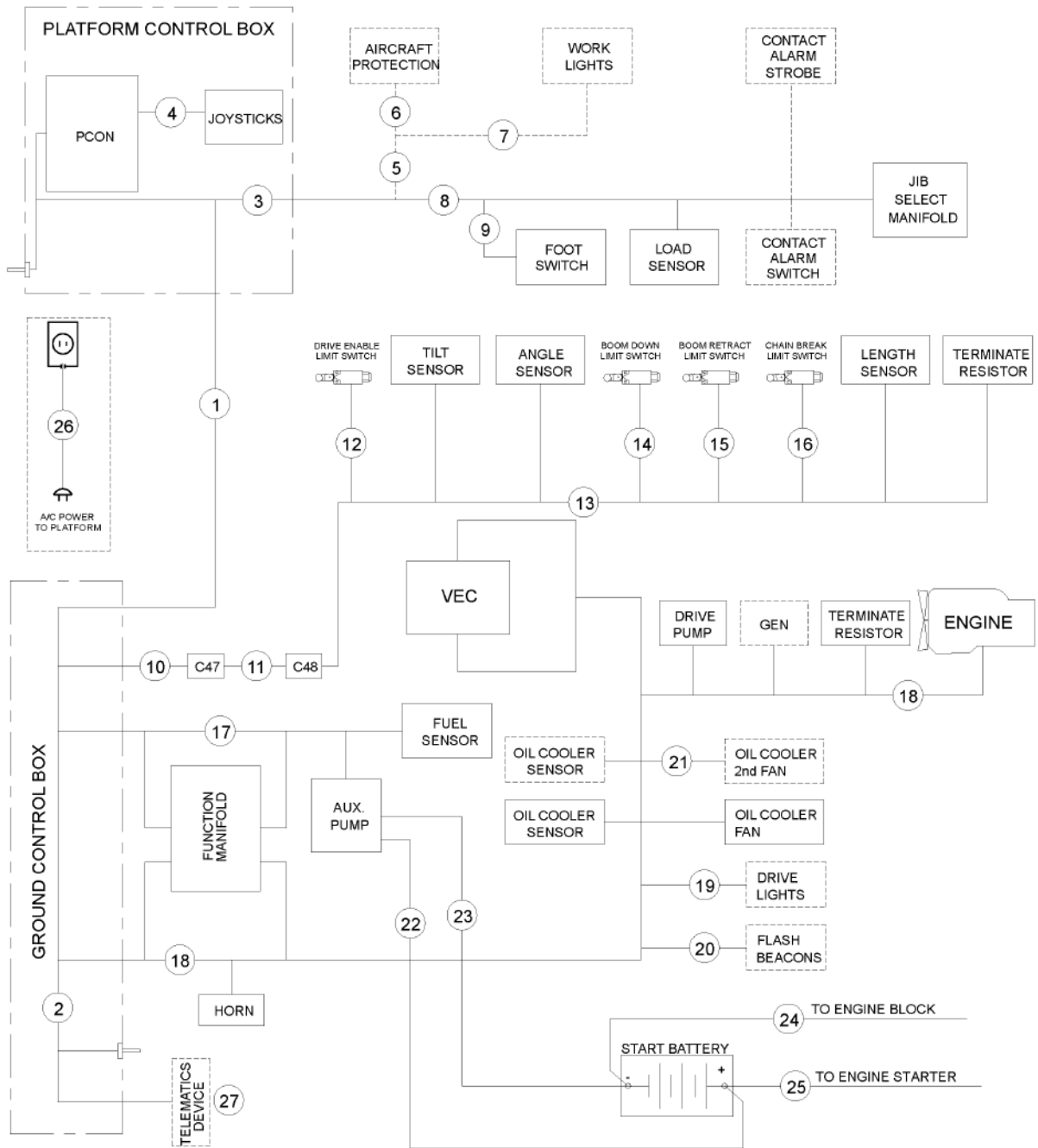


310.1 Wire Harness Diagram

Item	Part No.	Description	Qty.
A	1269735GT	HARNESS, ENCLOSURE, WELDER	1
1	1278879GT	CABLE BOOM S65XC Component: Genie part numebr 20973 @ 24 inches	1
2	1288347GT	HARNESS GBOX ALC600	1
		To SN S65XCM-375	
2	1290501GT	HARNESS,GBOX,ALC600, TELEMATICS 2.0	1
		From SN S65XCM-376	
3	1274448GT	HARNESS PCON ALC600	1
3-	1269732GT	HARNESS, SWITCH, PROX, PCON	1
4	1269719GT	HARNESS JOYSTICK ALC600	1
5	1269734GT	HARNESS, PROX, MANIFOLD, PLAT	1
6	1269721GT	HARNESS, PROX SENSOR,ACP	1
7	1269720GT	HARNESS, LIGHTS, WORK	1
8	1277951GT	HARNESS, JIB SELECT	1
9	227618GT	HARNESS, PROX SENSOR,ACP	1
10	1287629GT	HARNESS, BOOM SENSORS, GBOX SD	1
		To SN S65XCM-375	
10	1294541GT	HARNESS BOOM SENSORS GBOX SD	1
		From SN S65XCM-376	
11	1287630GT	HARNESS, BOOM SENSORS,LINK	1
12	1280871GT	HARNESS, LST10, DRIVE ENABLE LIMIT SWITCH	1
		To SN S65XCM-375	
12	1294573GT	HARNESS, LST10, S60/65XC	1
		From SN S65XCM-376	
13	1287631GT	HARNESS, BOOM SENSORS,BOOM SD	1
14	1280872GT	HARNESS, LST3S, BOOM DOWN LIMIT SWITCH	1
		To SN S65XCM-375	
14	1294563GT	HARNESS, LST3S, S60/65XC	1
		From SN S65XCM-376	
15	1269714GT	HARNESS, LSB1RS, S80/85	1
16	1269717GT	HARNESS, LSB2S, S80/85	1
17	1278863GT	HARNESS S60/65XC FUNCTION, MANIFOLD	1
18	1294547GT	HARNESS S60/65XC ENGINE DEUTZ TD 2011	1
		(For Deutz TD 2011 and D 2011 engine)	
18	1278859GT	HARNESS S60/65XC DEUTZ 2.9	1
		(For Deutz 2.9T engine)	
18	1293786GT	HARNESS, DEUTZ 2.2 STAGE V, S60/65 XC	1
		(For Deutz TD 2.2 engine)	
19	1269724GT	HARNESS, LIGHTS, DRIVE	1
20	1269729GT	HARNESS,BEACONS,FLASHING	1



310.1 Wire Harness Diagram

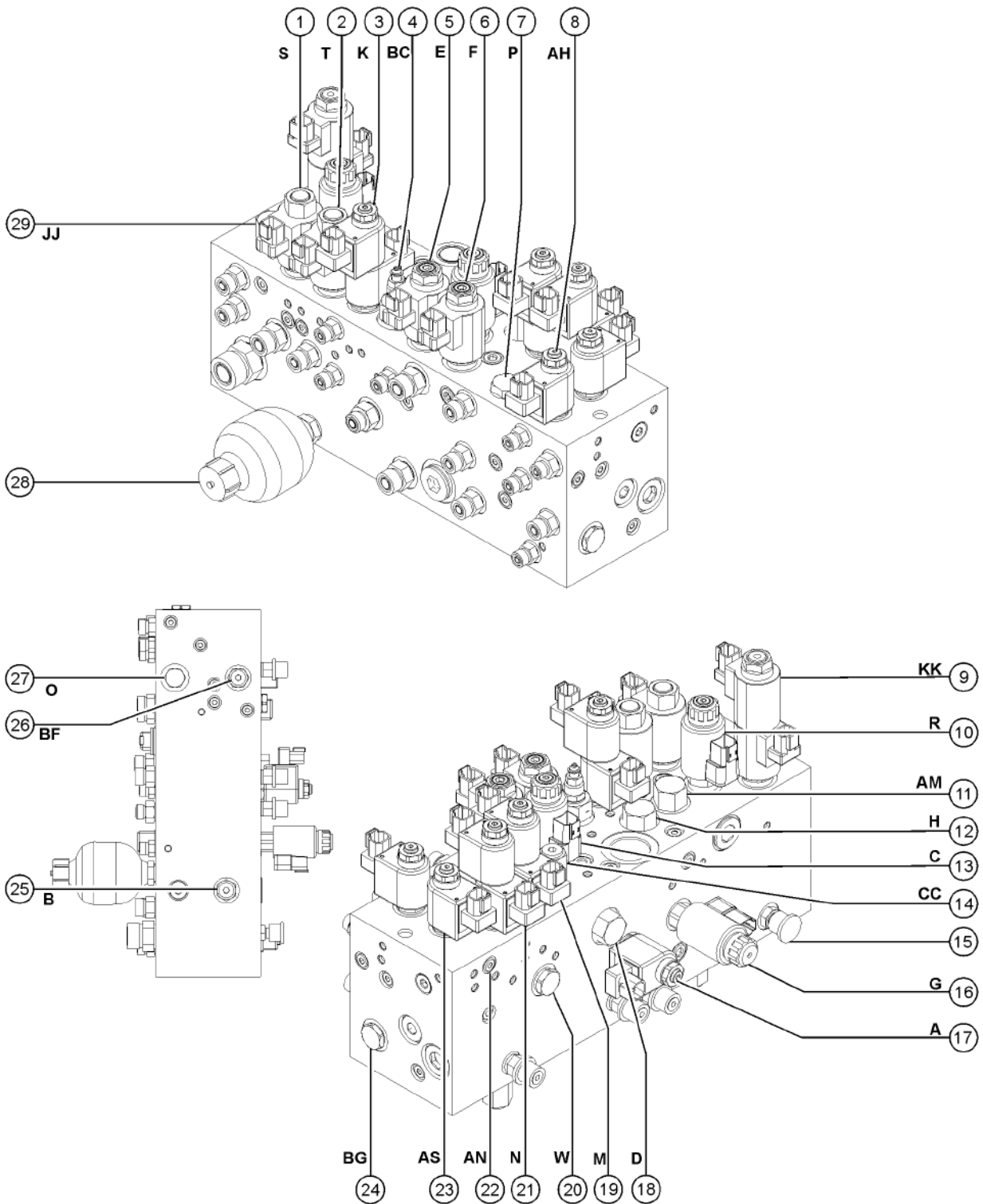


310.1 Wire Harness Diagram

<i>Item</i>	<i>Part No.</i>	<i>Description</i>	<i>Qty.</i>
21	1283555GT	HARNESS,OIL COOLER,LIFTPOWER	1
22	121619GT	HARNESS,BATT2 TO APU(+),S80	1
23	121622GT	HARNESS,BATT2 TO APU(-),S80	1
24	1291410GT	CABLE, BATTERY, NEG, S60/65	1
25	88801GT	BATTERY CABLE,POSITIVE,RED	1
26	139731GT	HARNESS,AC POWER TO PLAT JIB	1
27	1297696GT	HARNESS, TRACK AND TRACE, ME501	1



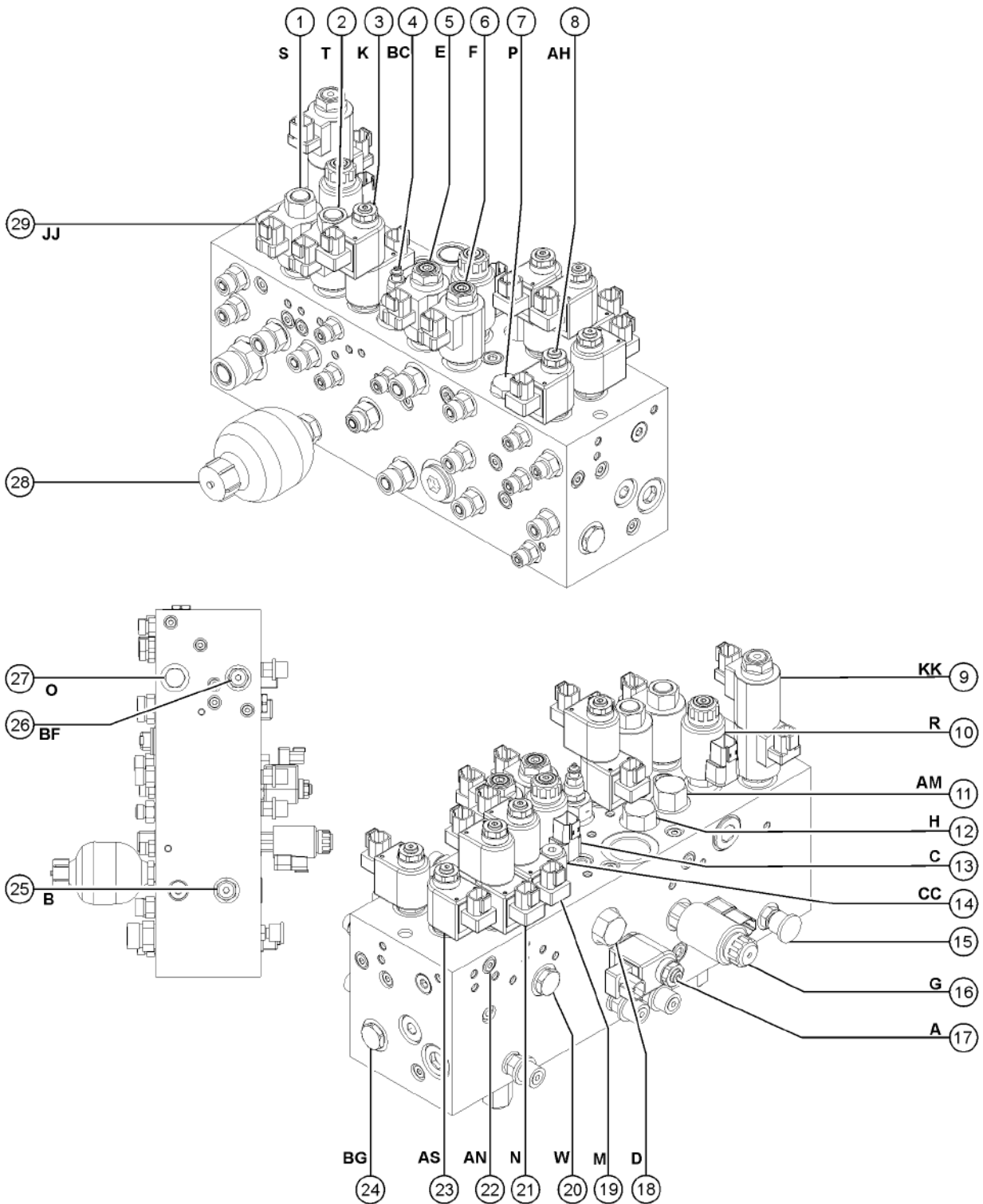
401.1 Function Manifold - To SN S65XCM-302



Item	Part No.	Description	Qty.
A-	1279600GT	MANIFOLD, FUNCTION, S65XC (Complete)	
B-	28750GT	O-RING KIT, FIELD SVC, ALL PROD*	
C-	49612GT	O-RING KIT (ORFS FITTINGS)	
D-	33994GT	PLUG AND CAP KIT-SERVICE, 37 **	
E-	49613GT	PLUG AND CAP KIT-SERVICE, ORFS*	
F-		HARNESS S60/65XC FUNCTION, MANIFOLD (refer to 310.1)	
1	231034GT	SOLENOID VALVE, 3-WAY, 2-POS S, Boom up	1
1-	237234GT	SEAL KIT, VALVE	
1-	111778GT	COIL, 10V DC(D10, 26 WATT)	
1-	119116GT	NUT, COIL (107745)	
2	231034GT	SOLENOID VALVE, 3-WAY, 2-POS T, Boom down	1
2-	237234GT	SEAL KIT, VALVE	
2-	111778GT	COIL, 10V DC(D10, 26 WATT)	
2-	119116GT	NUT, COIL (107745)	
3	122645GT	SOLENOID VALVE, SPOOL TYPE K, Turntable rotate	1
3-	122120GT	SEAL KIT, SOLENOID VALVE	
3-	89733GT	COIL SOLENOID VALVE***	
3-	102940GT	NUT, SOLENOID VALVE	
4	1288381GT	VALVE, RELIEVING BC, Oscillate pressure control	1
5	122649GT	VALVE, SOLENOID, NO, POPPET E, Boom retract	1
5-	1274870GT	SEAL KIT, VALVE	
5-	111778GT	COIL, 10V DC(D10, 26 WATT)	
5-	119116GT	NUT, COIL (107745)	
6	122649GT	VALVE, SOLENOID, NO, POPPET F, Boom Extend	1
6-	1274870GT	SEAL KIT, VALVE	
6-	111778GT	COIL, 10V DC(D10, 26 WATT)	
6-	119116GT	NUT, COIL (107745)	
7	161538GT	VALVE, CHECK, 65 PSI P, Platform level pilot check	1



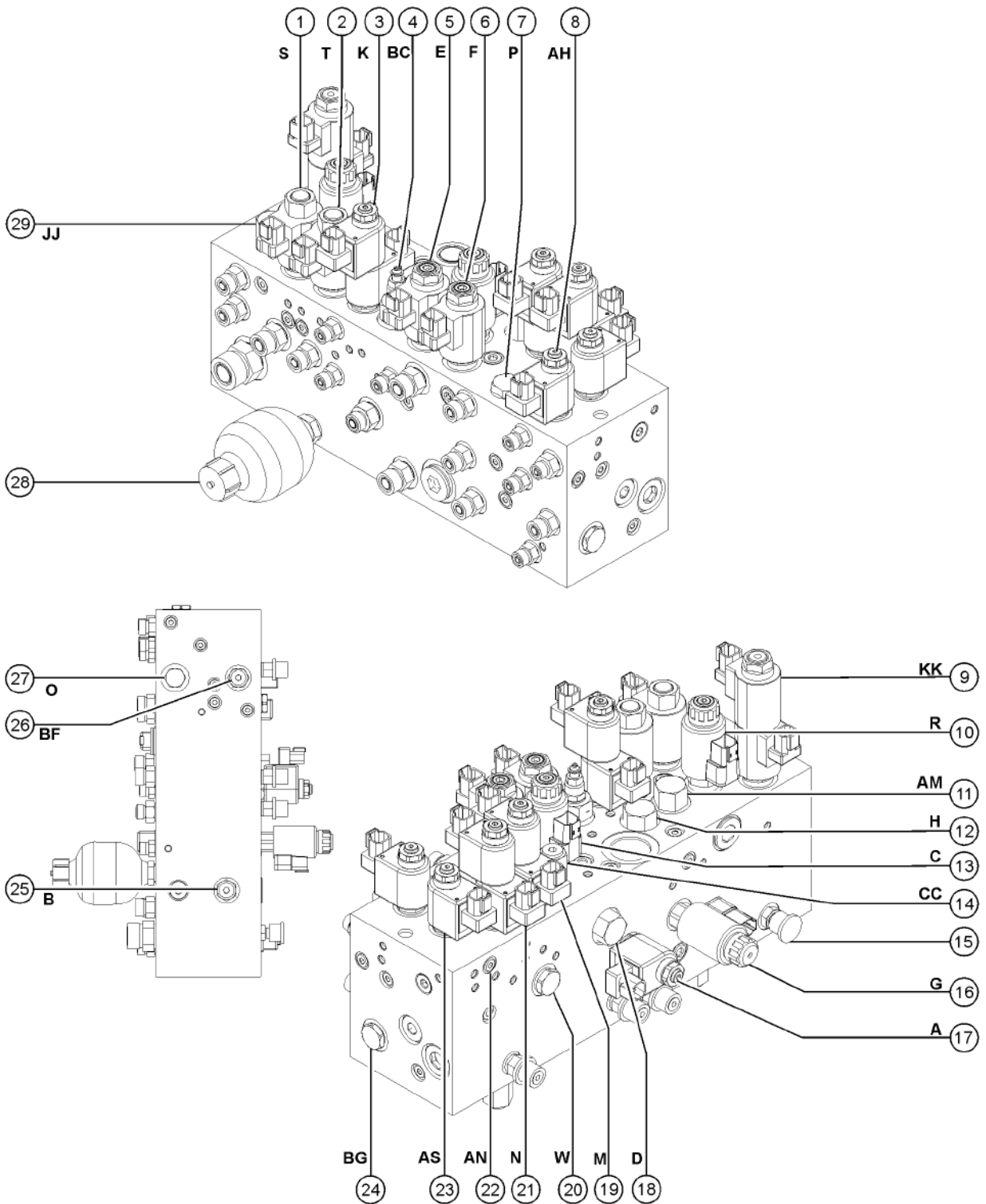
401.1 Function Manifold - To SN S65XCM-302



Item	Part No.	Description	Qty.
7-	74902GT	SEAL KIT	
8	1288377GT	SOLENOID VALVE,3-WAY,2-POS	1
		AH, Two-speed motor shift	
9	122647GT	SOLENOID VALVE SPOOL TYPE	1
		KK, Steering directional	
9-	122657GT	SEAL KIT	
9-	111778GT	COIL,10V DC(D10,26 WATT)	
9-	119115GT	NUT, COIL (107746)	
10	1288383GT	VALVE,PROPORTIONAL***	1
		R, Boom up/down proportional	
10-	89737GT	COIL, PROPORTIONAL VALVE***	
11	27802GT	VALVE,DIFFERENTIAL SENSING***	1
		AM, Primary lift	
11-	110197GT	SEAL KIT, VALVE, #10	
12	94599GT	VALVE,DIFFERENTIAL SENSING,110	1
		H, Pressure compensation turntable rotate	
12-	110197GT	SEAL KIT, VALVE, #10	
13	1288379GT	PROPORTIONAL VALVE	1
		C, Boom extend proportional	
13-	89737GT	COIL, PROPORTIONAL VALVE***	
14	33998GT	VALVE,RELIEF***	
		CC, Boom extend relief	
14-	74902GT	SEAL KIT	
15	48998GT	NIPPLE,DIAGNOSTIC,#6 PORT***	1
16	102528GT	VALVE,PROPORTIONAL	1
		G, Turntable proportional	
16-	89312GT	SEAL KIT, SOLENOID VALVE	
16-	89737GT	COIL, PROPORTIONAL VALVE***	
17	161533GT	VALVE, SOLENOID, 2 POS 2 WAY	1
		A, Differential sensing, turntable rotate	
17-	89733GT	COIL SOLENOID VALVE***	
17-	89770GT	SEAL KIT, SOLENOID VALVE	
17-	106079GT	KIT,COIL & NUT SAUER EDH VALVE	
18	1288380GT	VALVE,DIFFERENTIAL SENSING	1
		D, Boom extend	
19	1288376GT	SOLENOID VALVE,4-WAY,3 POS	1
		M, Pitaform rotate CW/CCW	
20	1260116GT	VALVE, CHECK, 30 PSI	1
		W. Platform rotate tank line	
20-	74902GT	SEAL KIT	

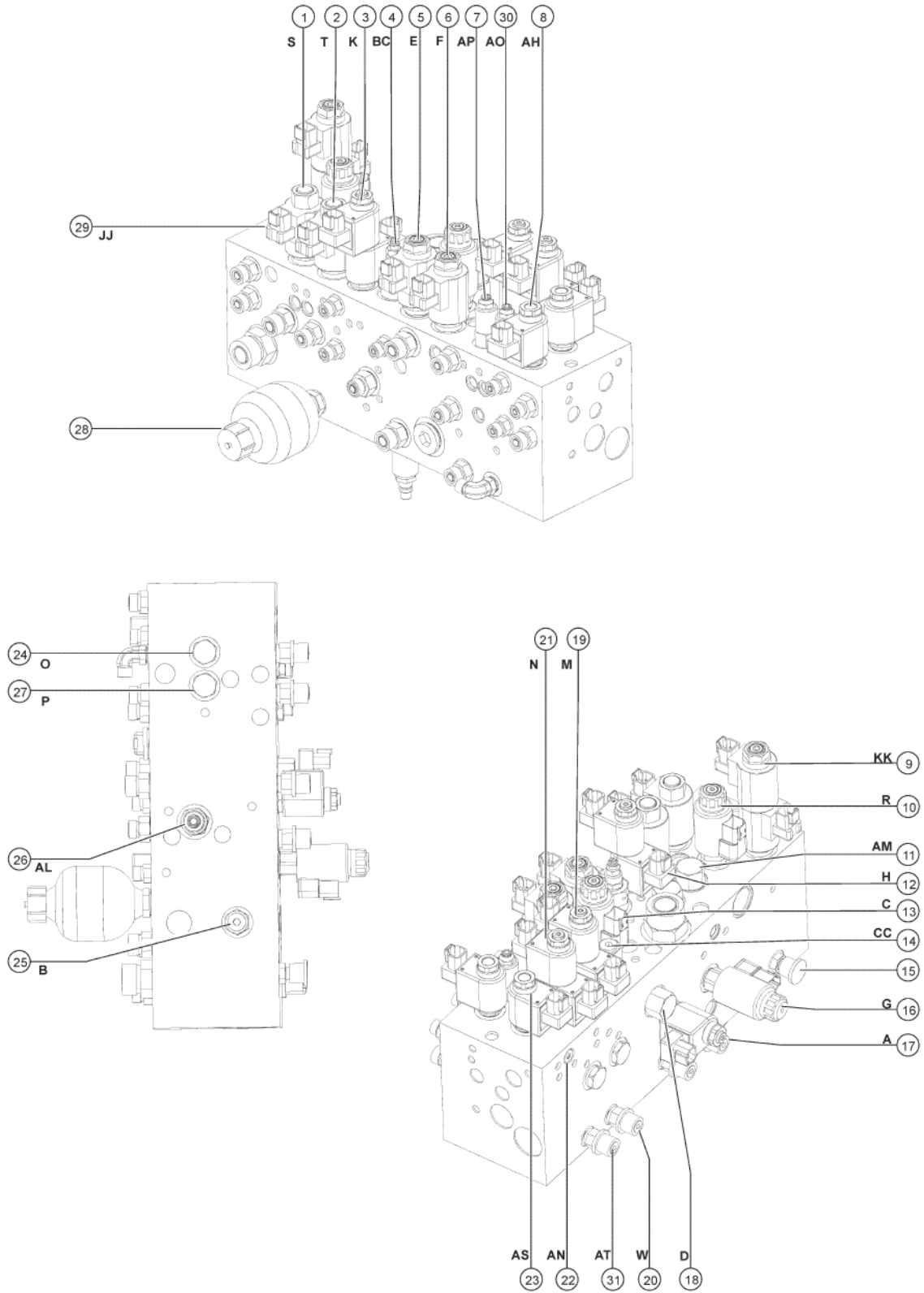


401.1 Function Manifold - To SN S65XCM-302



Item	Part No.	Description	Qty.
21	1288376GT	SOLENOID VALVE,4-WAY,3 POS N, Platfrom level up/down	1
22	27807GT	VALVE,CHECK*** AN, Brake release circuit	
23	1288377GT	SOLENOID VALVE,3-WAY,2-POS AS, Brake release	1
24	1288375GT	VALVE, LOAD SHUTTLE BG, Shuttle port relief	1
24-	58994GT	SEAL KIT,VALVE (48647)	
25	52715GT	VALVE,RELIEF,3200 PSI B, System relief	1
25-	74902GT	SEAL KIT	
26	1288378GT	VALVE,RELIEF,3500 PSI BF, Platfrom level	1
26-	74902GT	SEAL KIT	
27	161538GT	VALVE, CHECK, 65 PSI O, Platform level pilot check	1
27-	74902GT	SEAL KIT	
28	94499GT	ACCUMULATOR,10CC,1000PSI,#6SAE	1
29	122641GT	VALVE,FLOW REGULATOR JJ, Steering flow control	1
29-	74902GT	SEAL KIT	

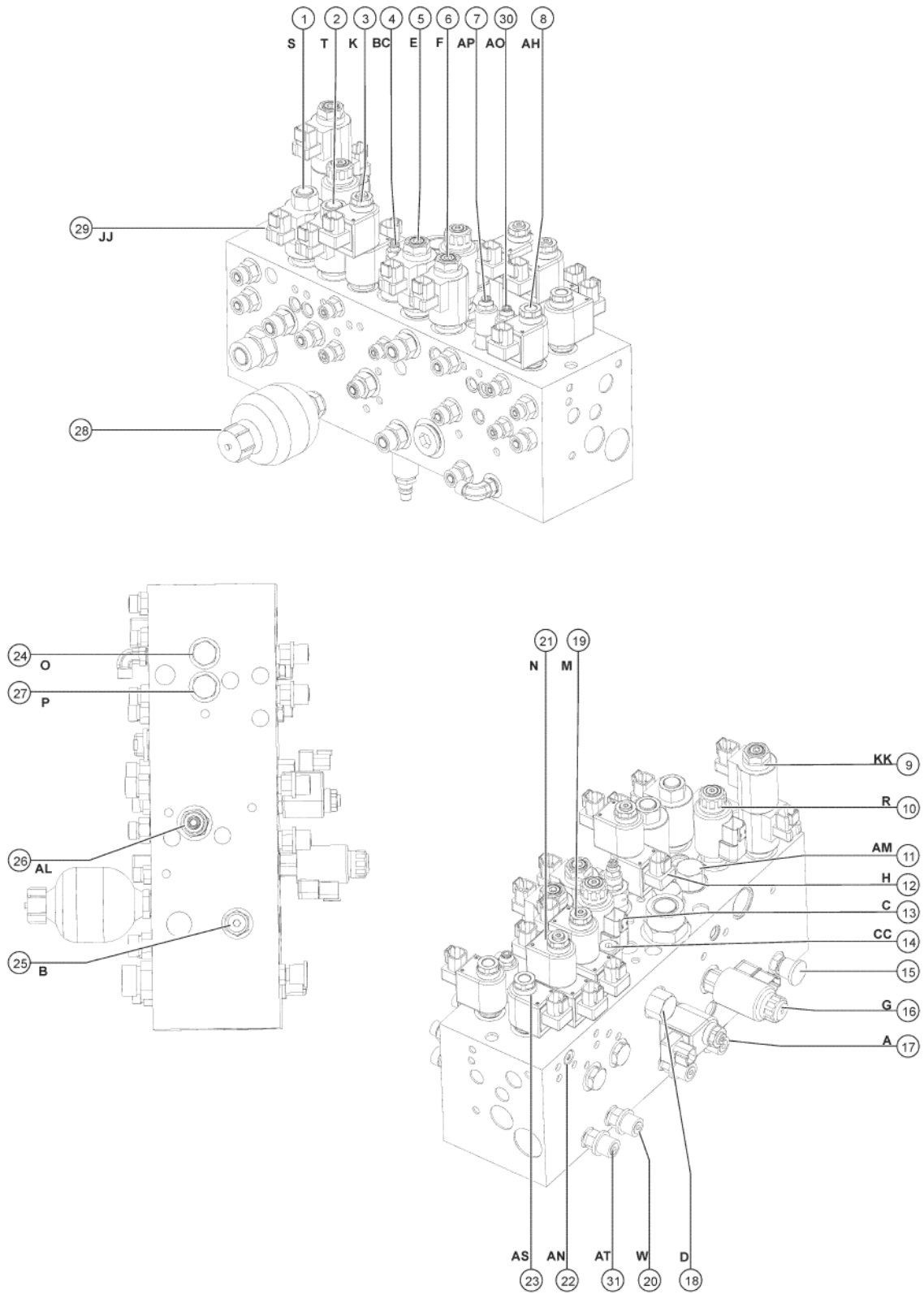
401.2 Function Manifold - From SN S65XCM-303



Item	Part No.	Description	Qty.
A-	1288400GT	MANIFOLD, FUNCTION, S60/65XC; E.58 H15 (Complete)	
B-		HARNES S60/65XC FUNCTION, MANIFOLD (refer to 310.1)	
1	231034GT	SOLENOID VALVE,3-WAY,2-POS S, Boom up	1
1-	237234GT	SEAL KIT,VALVE	
1-	111778GT	COIL,10V DC(D10,26 WATT)	
1-	119116GT	NUT,COIL (107745)	
2	231034GT	SOLENOID VALVE,3-WAY,2-POS T, Boom down	1
2-	237234GT	SEAL KIT,VALVE	
2-	111778GT	COIL,10V DC(D10,26 WATT)	
2-	119116GT	NUT,COIL (107745)	
3	122645GT	SOLENOID VALVE,SPOOL TYPE K, Turntable rotate	1
3-	122120GT	SEAL KIT, SOLENOID VALVE	
3-	89733GT	COIL SOLENOID VALVE***	
3-	102940GT	NUT,SOLENOID VALVE	
4	1288381GT	VALVE, RELIEVING BC, Oscillate pressure control	1
4-	1286190GT	SEAL KIT,PR VALVE	
5	122649GT	VALVE,SOLENOID,NO,POPPET E, Boom retract	1
5-	1274870GT	SEAL KIT, VALVE	
5-	111778GT	COIL,10V DC(D10,26 WATT)	
5-	119116GT	NUT,COIL (107745)	
6	122649GT	VALVE,SOLENOID,NO,POPPET F, Boom Extend	1
6-	1274870GT	SEAL KIT, VALVE	
6-	111778GT	COIL,10V DC(D10,26 WATT)	
6-	119116GT	NUT,COIL (107745)	
7	48647GT	VALVE,COUNTERBALANCE,3500 PSI* AP, Platfrom level down circuit	1
7-	58994GT	SEAL KIT,VALVE (48647)	
8	1288377GT	SOLENOID VALVE,3-WAY,2-POS AH, Two-speed motor shift	1
8-	1296802GT	SEAL KIT, SOLENOID VALVE	



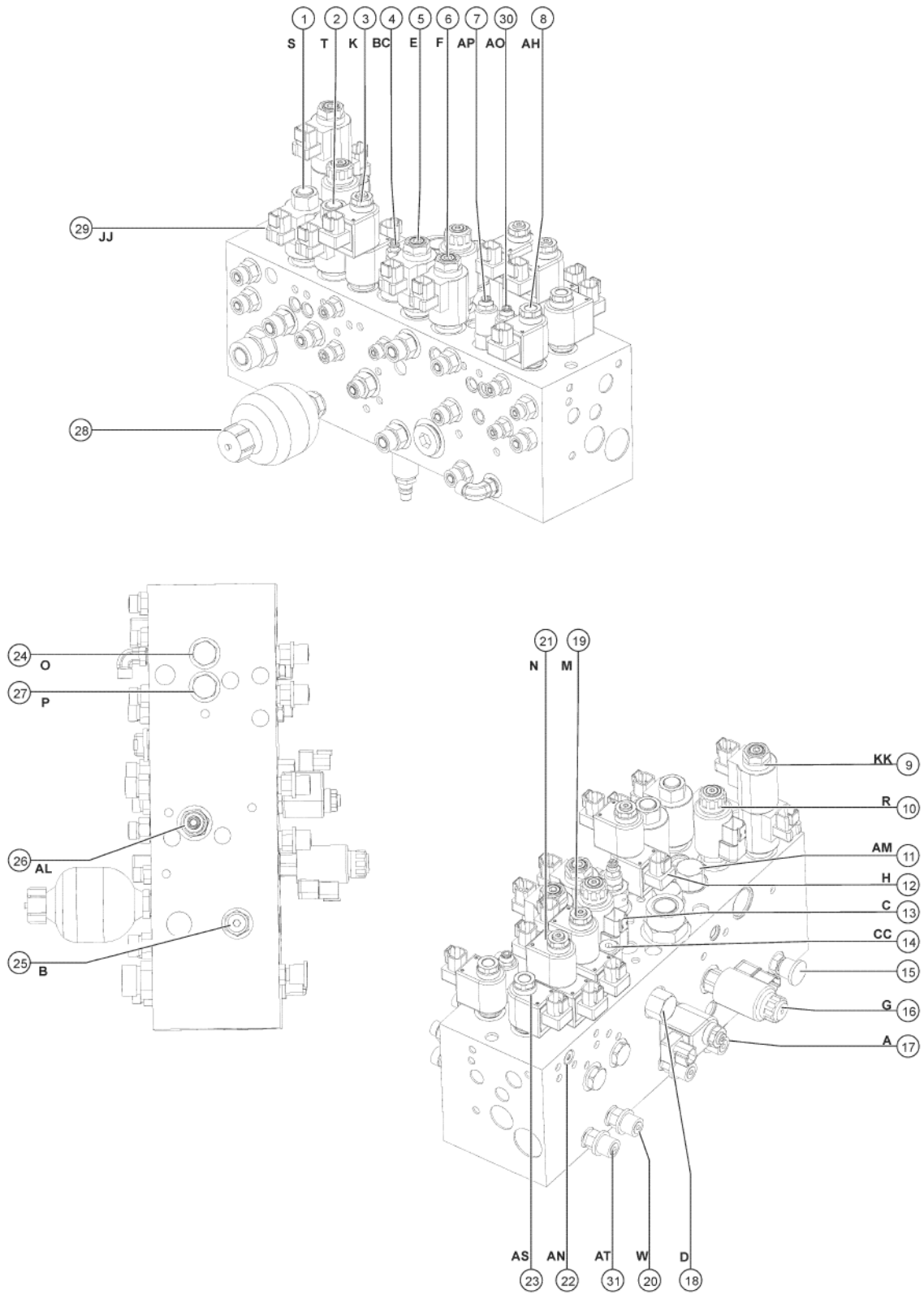
401.2 Function Manifold - From SN S65XCM-303



Item	Part No.	Description	Qty.
9	122647GT	SOLENOID VALVE SPOOL TYPE KK, Steering directional	1
9-	122657GT	SEAL KIT	
9-	111778GT	COIL,10V DC(D10,26 WATT)	
9-	119115GT	NUT, COIL (107746)	
10	1288383GT	VALVE,PROPORTIONAL*** R, Boom up/down proportional	1
10-	89737GT	COIL, PROPORTIONAL VALVE***	
10-	1296803GT	SEAL KIT, PROPORTIONAL VALVE	
11	27802GT	VALVE,DIFFERENTIAL SENSING*** AM, Primary lift	1
11-	110197GT	SEAL KIT, VALVE, #10	
12	94599GT	VALVE,DIFFERENTIAL SENSING,110 H, Turntable rotate	1
12-	110197GT	SEAL KIT, VALVE, #10	
13	1288379GT	PROPORTIONAL VALVE C, Boom extend proportional	1
13-	89737GT	COIL, PROPORTIONAL VALVE***	
13-	1296803GT	SEAL KIT, PROPORTIONAL VALVE	
14	33998GT	VALVE,RELIEF*** CC, Boom extend relief	
14-	74902GT	SEAL KIT	
15	48998GT	NIPPLE,DIAGNOSTIC,#6 PORT***	1
16	102528GT	VALVE,PROPORTIONAL G, Turntable proportional	1
16-	89312GT	SEAL KIT, SOLENOID VALVE	
16-	89737GT	COIL, PROPORTIONAL VALVE***	
17	161533GT	VALVE, SOLENOID, 2 POS 2 WAY A, Differential sensing, turntable rotate	1
17-	89733GT	COIL SOLENOID VALVE***	
17-	89770GT	SEAL KIT, SOLENOID VALVE	
17-	106079GT	KIT,COIL & NUT SAUER EDH VALVE	
18	1288380GT	VALVE,DIFFERENTIAL SENSING D, Boom extend	1
18-	1296804GT	SEAL KIT, VALVE	
19	1288376GT	SOLENOID VALVE,4-WAY,3 POS M, Pitaform rotate CW/CCW	1
19-	1296805GT	SEAL KIT, SOLENOID VALVE	



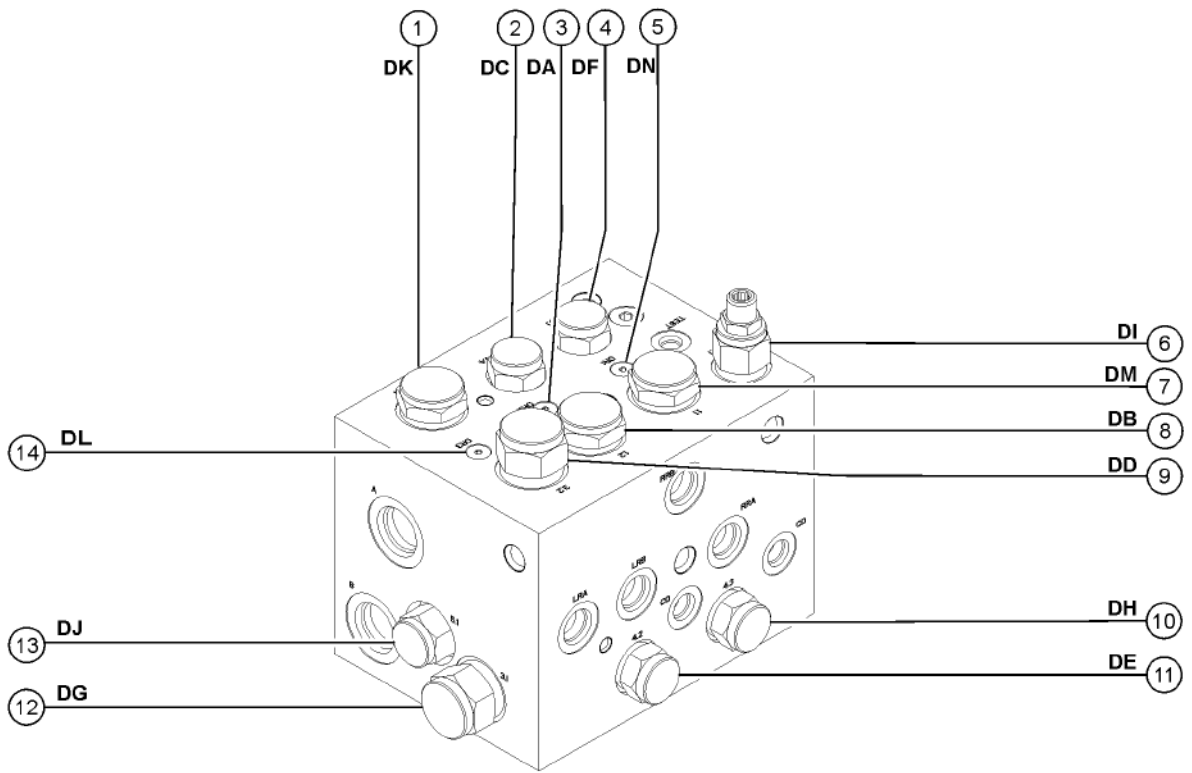
401.2 Function Manifold - From SN S65XCM-303



Item	Part No.	Description	Qty.
20	1260116GT	VALVE, CHECK, 30 PSI W. Platform rotate tank line	1
20-	74902GT	SEAL KIT	
21	1288376GT	SOLENOID VALVE,4-WAY,3 POS N, Platform level up/down	1
21-	1296805GT	SEAL KIT, SOLENOID VALVE	
22	27807GT	VALVE,CHECK*** AN, Brake release circuit	
23	1288377GT	SOLENOID VALVE,3-WAY,2-POS AS, Brake release	1
23-	1296802GT	SEAL KIT, SOLENOID VALVE	
24	1260116GT	VALVE, CHECK, 30 PSI O, Platform level up circuit	1
24-	74902GT	SEAL KIT	
25	52715GT	VALVE,RELIEF,3200 PSI B, System relief	1
25-	74902GT	SEAL KIT	
26	1288382GT	VALVE, PILOT OPERATED AL, Oscillate control circuit	1
26-	110196GT	SEAL KIT, VALVE, #10	
27	1260116GT	VALVE, CHECK, 30 PSI P, Platform level down circuit	1
27-	74902GT	SEAL KIT	
28	94499GT	ACCUMULATOR,10CC,1000PSI,#6SAE	1
29	122641GT	VALVE,FLOW REGULATOR JJ, Steering flow control	1
29-	74902GT	SEAL KIT	
30	48647GT	VALVE,COUNTERBALANCE,3500 PSI* AO, Platform level up circuit	1
30-	58994GT	SEAL KIT,VALVE (48647)	
31	1260116GT	VALVE, CHECK, 30 PSI AT, Platform level circuit	1
31-	74902GT	SEAL KIT	



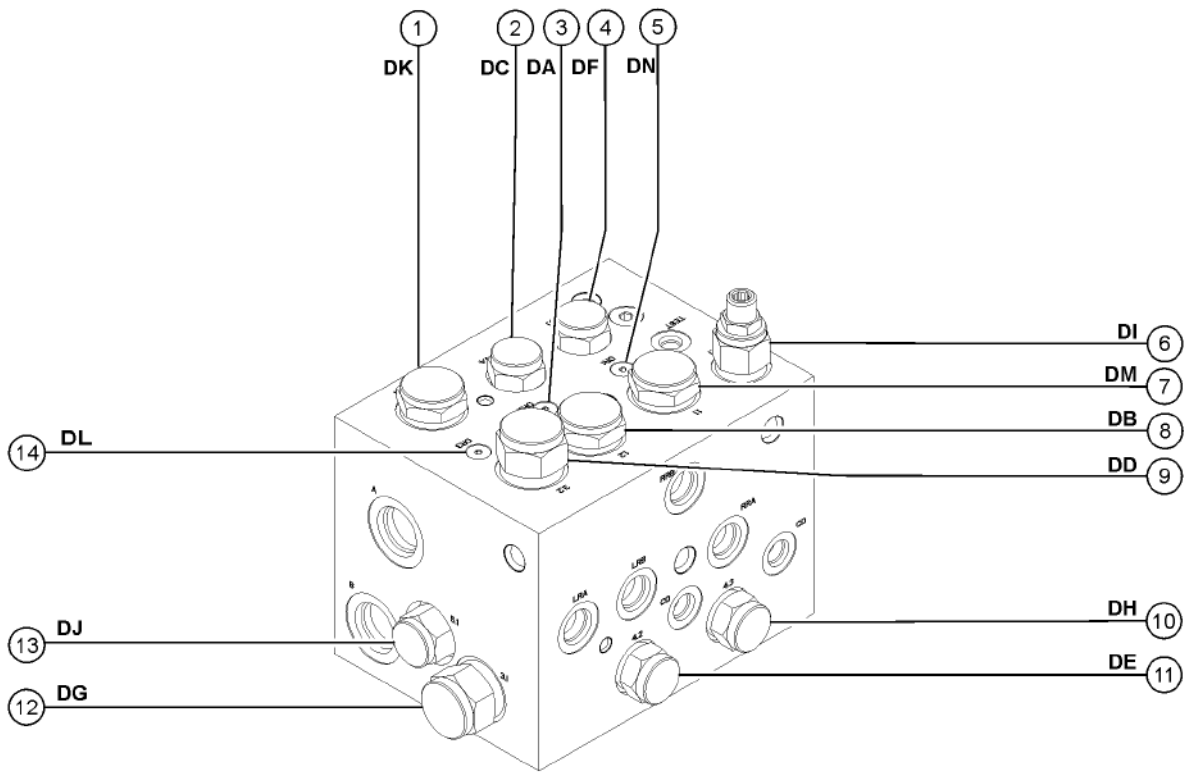
402.1 Traction Manifold



Item	Part No.	Description	Qty.
A	1276750GT	MANIFOLD, TRACTION, 4WD	
B	28750GT	O-RING KIT,FIELD SVC,ALL PROD*	
C	49612GT	O-RING KIT (ORFS FITTINGS)	
D	33994GT	PLUG AND CAP KIT-SERVICE,37 **	
E	49613GT	PLUG AND CAP KIT-SERVICE,ORFS*	
1	139508GT	VALVE, FLOW DIVIDE/COMBINE 1:1 DK, Divides flow between diagonal pairs of motors: LF+RR=50%, LR+RF=50%	
1-	139512GT	SEAL KIT, VALVE	
2	139527GT	VALVE, CHECK, 5PSI DC, Prevents cavitation in LF motor	
2-	139515GT	SEAL KIT, VALVE	
3	139719GT	ORIFICE, 0.040" DA, Prevents scrub at high steer angles by allowing some bypass flow around the left flow divider	
4	139527GT	VALVE, CHECK, 5PSI DF, Prevent cavitation in RF motor	
4-	139515GT	SEAL KIT, VALVE	
5	139719GT	ORIFICE, 0.040" DN, Prevents scrub at high steer angles by allowing some bypass flow around the right flow divider	
6	139718GT	VALVE, RELIEF, 280PSI DI, Hot oil shuttle relief	
6-	139528GT	SEAL KIT, VALVE	
7	139717GT	VALVE, FLOW DIVIDE/COMB,24GPM DM, Combines return flow from RF and RR motors	
7-	139512GT	SEAL KIT, VALVE	
8	139717GT	VALVE, FLOW DIVIDE/COMB,24GPM DB, Combines return flow from LF and LR motors	
8-	139512GT	SEAL KIT, VALVE	
9	139716GT	VALVE, CHECK DD, Prevent cavitation in LF and RR motors	
9-	139727GT	SEAL KIT, VALVE	
10	139527GT	VALVE, CHECK, 5PSI DH, Prevent cavitation in RR motor	
10-	139515GT	SEAL KIT, VALVE	
11	139527GT	VALVE, CHECK, 5PSI DE, Prevent cavitation in LR motor	
11-	139515GT	SEAL KIT, VALVE	
12	139716GT	VALVE, CHECK DG, Prevent cavitation in RF and LR motors	
12-	139727GT	SEAL KIT, VALVE	

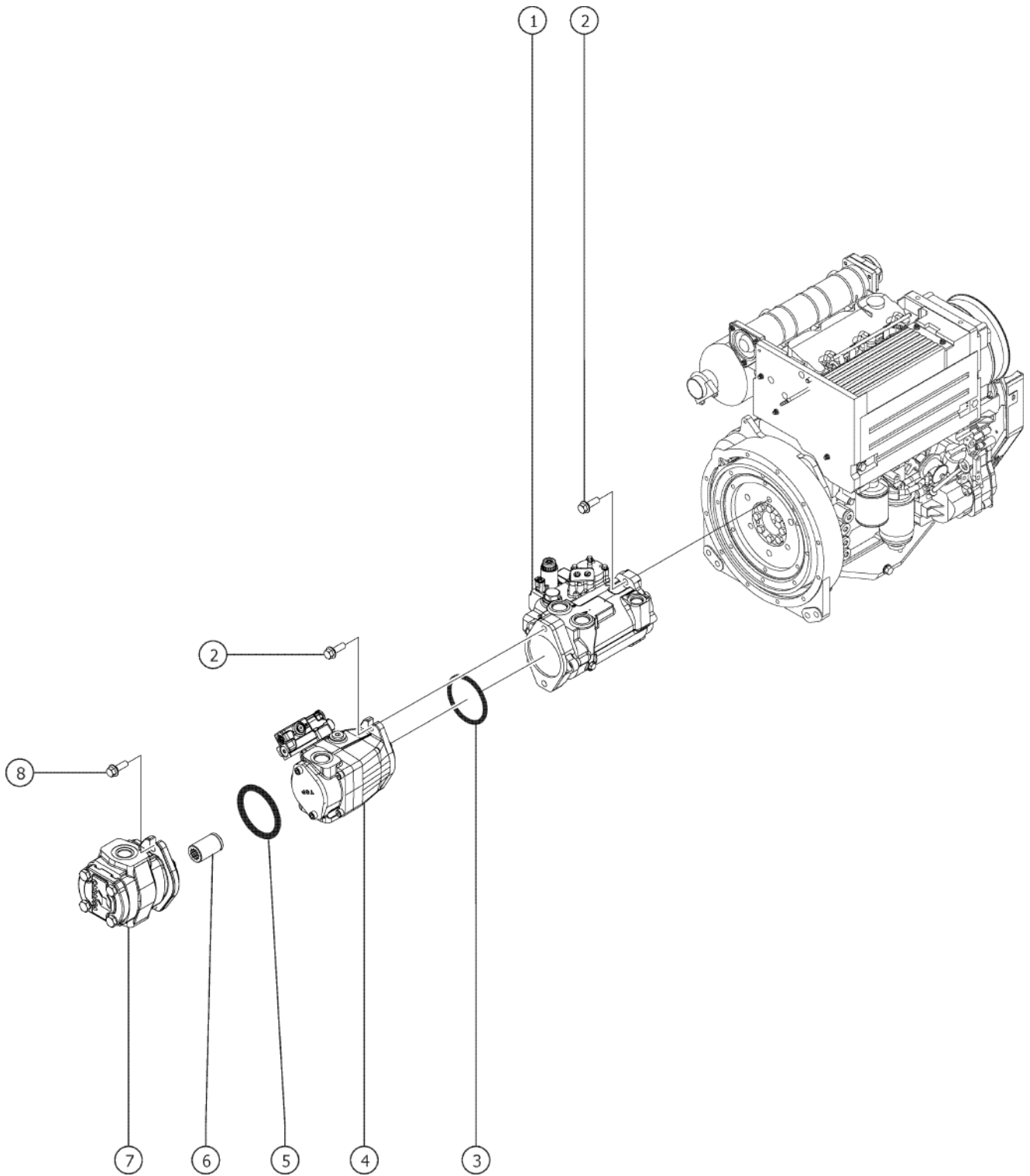


402.1 Traction Manifold



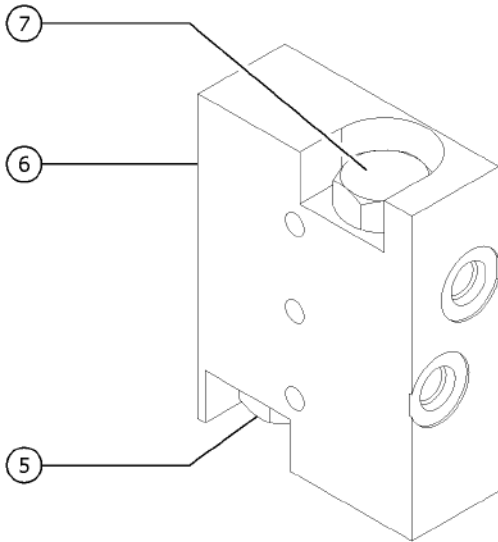
<i>Item</i>	<i>Part No.</i>	<i>Description</i>	<i>Qty.</i>
13	139715GT	VALVE, SHUTTLE, FIXED DJ, Directs oil from low pressure side to hot oil Relief Valve.	
13-	139726GT	SEAL KIT, VALVE	
14	139719GT	ORIFICE, 0.040" DL, Prevents scrub at high steer angles by allowing some bypass flow around the right flow divider	

403.1 Pumps

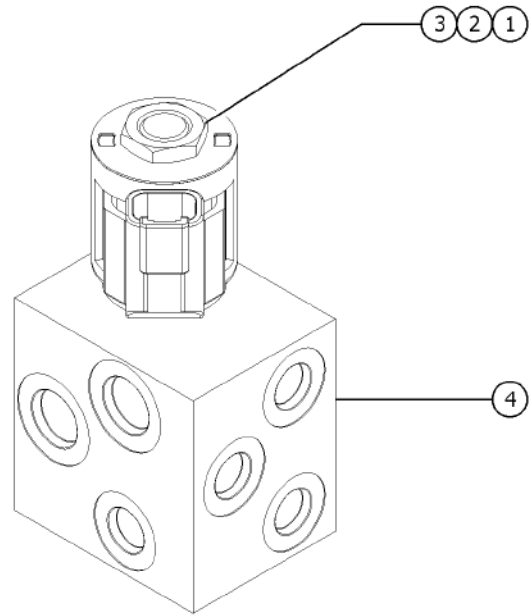


<i>Item</i>	<i>Part No.</i>	<i>Description</i>	<i>Qty.</i>
1	1270946GT	PUMP, DRIVE, M46 HC	1
2	1253498GT	SCREW,HHF,1/2-13X1.5,8,ZAG	4
3	43683GT	O-RING,2-042 N674-70***	1
4	1282175GT	PUMP, FUNCTION, 25CC, LS	1
5	83141GT	O-RING,.103X3.237,NBR/NTRL,90D	1
6	1284023GT	GEN PUMP DRIVE LINK (Welder and 3K generator Option)	1
7	139799GT	PUMP,LIFT,1 SECTION (Welder and 3K generator Option)	1
7-	147550GT	KIT, SEAL, PUMP, 1 SECTION (Welder and 3K generator Option)	
8	231530GT	SCREW,HHF,M10-1.5X25,DIN6921,10.9,ZAB	2
		(Welder and 3K generator Option)	

404.1 Platform Rotate and Jib Boom/Platform Rotate Manifold



Platform Rotate Manifold



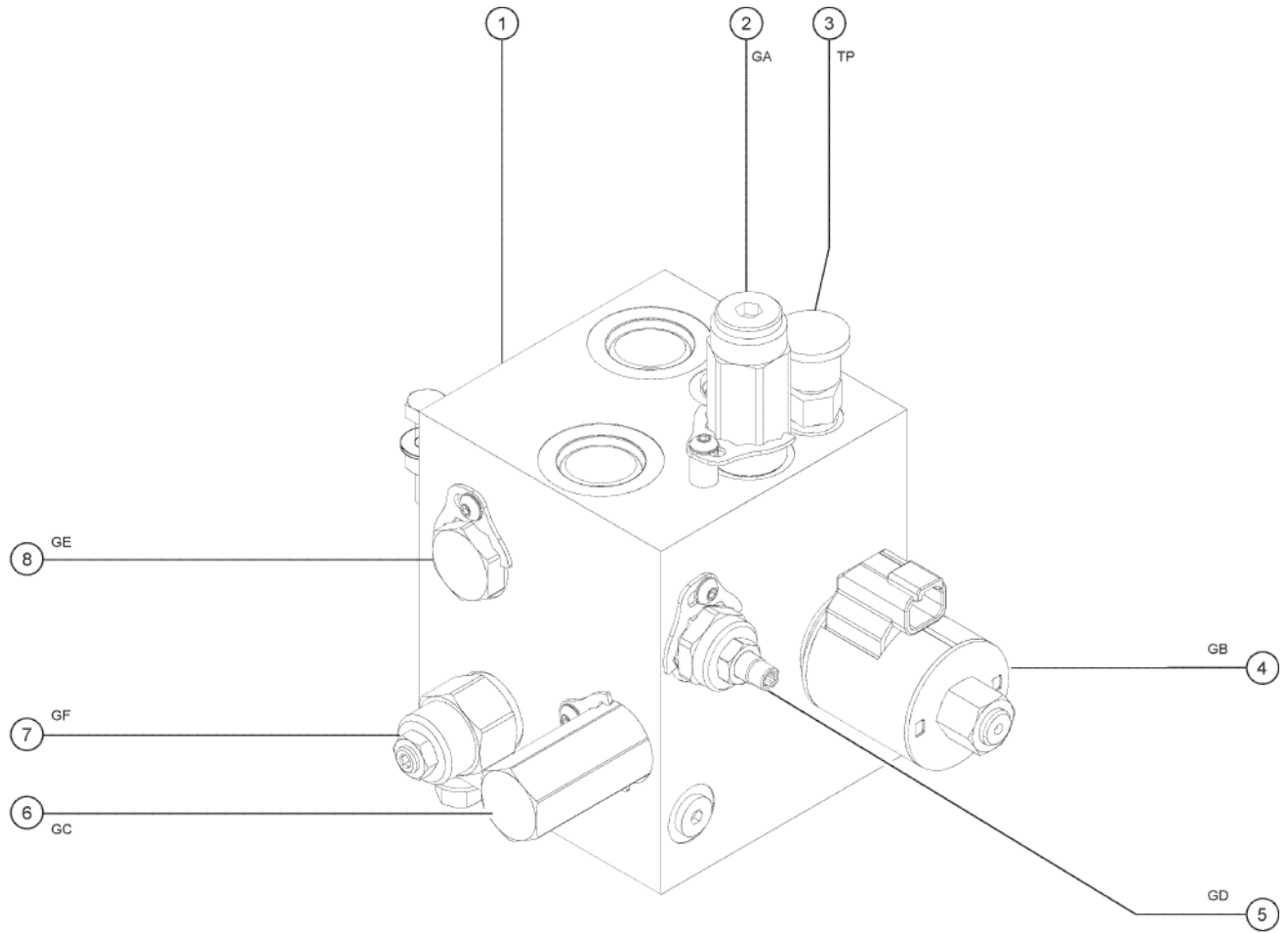
Jib Select Manifold

404.1 Platform Rotate and Jib Boom/Platform Rotate Manifold

Item	Part No.	Description	Qty.
1	44174GT	NUT-COIL SHORT	1
2	52897GT	VALVE,SOLENOID, 2POS/3WAY***	1
2-	52371GT	SEAL KIT, VALVE	1
3	104759GT	COIL,12VDC #8 DTSCH IP69 ECOIL	1
4	1281250GT	MANIFOLD, JIB SELECT W/6 PORTS	1
		includes items 1-3	
5	62506GT	VALVE - COUNTERBALANCE**	1
		Platform rotate left	
5-	43018GT	SEAL KIT (39345)	
6	1270810GT	MANIFOLD, ROTATOR, CB	1
6-	62507GT	O-RING, ROTATOR MANIFOLD	2
7	62506GT	VALVE - COUNTERBALANCE**	1
		Platform rotate right	
7-	43018GT	SEAL KIT (39345)	



405.1 Generator Manifold

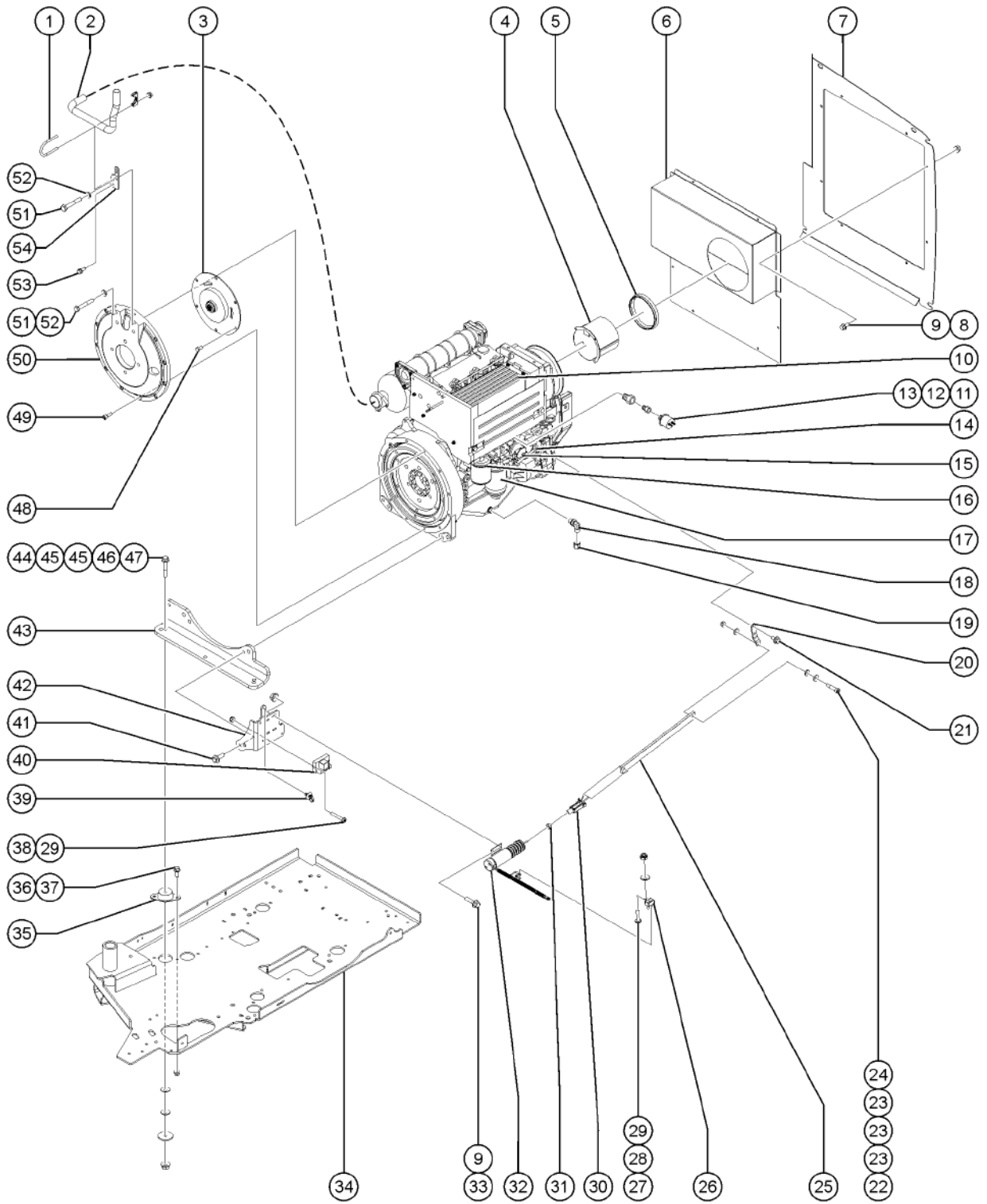


405.1 Generator Manifold

Item	Part No.	Description	Qty.
A	115048GT	#6 PLUG	3
A	1285147GT	PLUG, PORT, SAE4, 6103004	1
1	1281789GT	MANIFOLD, HYD, LIFT POWER, WELDER GENERATOR (Complete)	1
2	1285141GT	VALVE, RELIEF, RV50-26H-0-P-50/36	1
2-	1285145GT	KIT, LOCKDOWN, HYD VALVE, 5965000.1000M	
3	48997GT	NIPPLE,DIAGNOSTIC,#4	1
3-	48880GT	CAP,DIAGNOSTIC NIPPLE	
4	1285143GT	VALVE, SOLENOID, HSV10-21-0-U-0	1
4-	97469GT	COIL#10 E-COIL,10V ZENER DIODE	
4-	1285144GT	KIT, LOCKDOWN, HYD VALVE, 5965000.1063	
5	1285142GT	VALVE, NEEDLE, NV10-22A-0-N	1
5-	1285146GT	KIT, LOCKDOWN, HYD VALVE, 5965000.1000	
6	75462GT	VALVE,DIFFERENTIAL SENSE230PSI	1
6-	62337GT	SEAL KIT, VALVE	
6-	1285146GT	KIT, LOCKDOWN, HYD VALVE, 5965000.1000	
7	1284399GT	VALVE, COUNTERBALANCE, 3:1 1000PSI, CBEA-LIN	1
8	62127GT	VALVE-CHECK,SIZE 10(59599)	1
8-	1285146GT	KIT, LOCKDOWN, HYD VALVE, 5965000.1000	



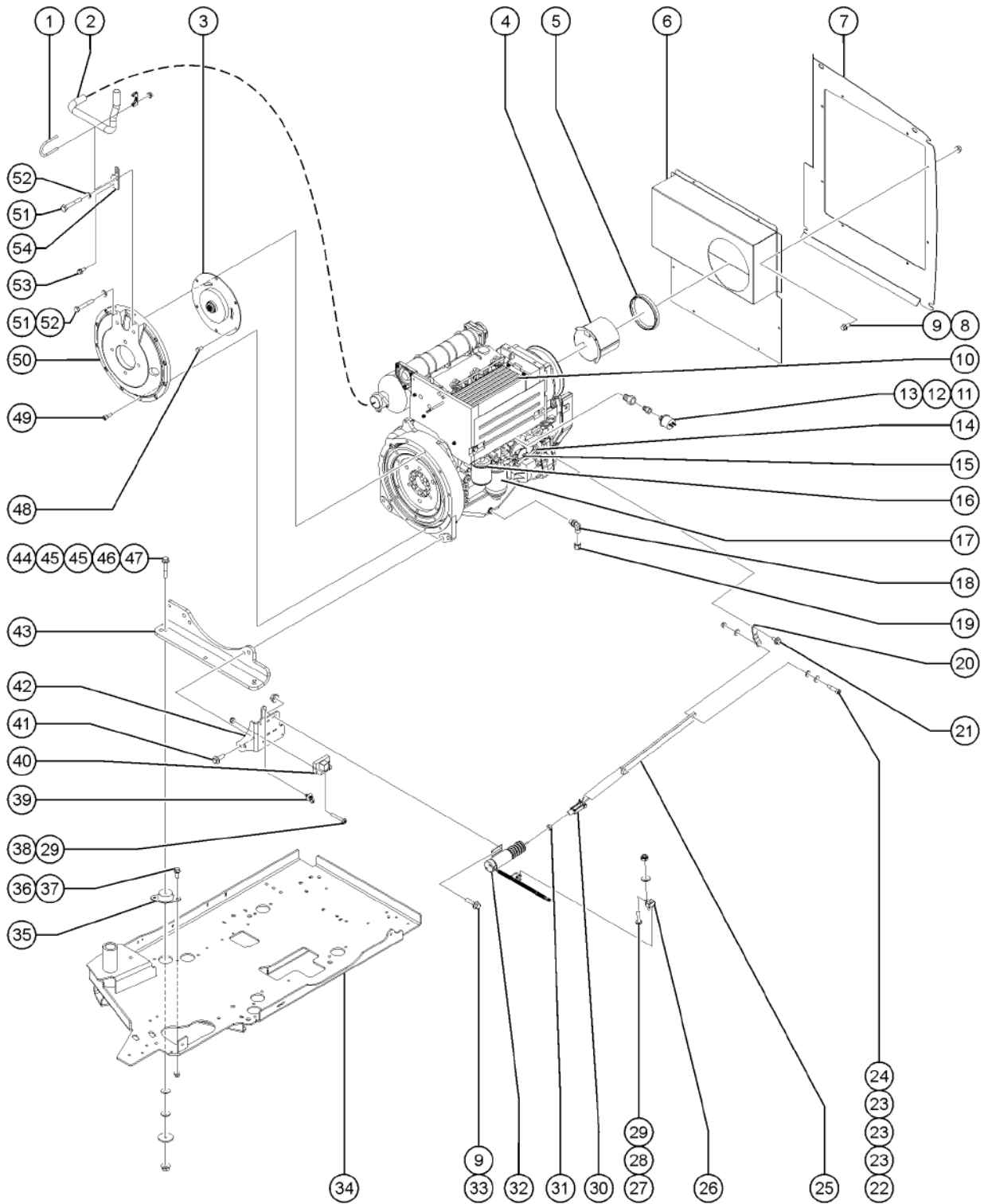
501.1 Deutz D2011L03i, View 1- to S/N S65XCM-205



Item	Part No.	Description	Qty.
A	70453GT	ENGINE,DEUTZ D2011L03i	1
1	70385GT	CLAMP,EXHAUST,2.00 PLATED	1
2	822693GT	TAILPIPE, DEUTZ, TPEM & ROW	1
3	128004GT	COUPLER,15 TOOTH,FBA,SAE8***	1
4	120315GT	WELDMENT,AIR INTAKE TUBE	1
5A	31523GT	CLAMP,HOSE,8.50 DIA***	1
5B	33239GT	SHEET,RUBBER,AIR INTAKE	1
6	1267235GT	FORMING,DEUTZ AIR INTAKE BAFFL	1
7	106172GT	BAFFLE,AIR INTAKE***	1
8	1256855GT	SCREW,HHF,1/4-20X.625,8,ZAG	8
9	824027GT	NUT,TL FLG,1/4-20,G,ZAG	12
10	111445GT	SENDING UNIT,OIL TEMP SWCH,DTZ	1
11	30810GT	SENDING UNIT,OIL PRESSURE*** (Dual-terminal sender)	1
12	106033GT	ADAPTER,NPT 6-4	1
13	106034GT	ADAPTER,M18	1
14	52352GT	DIPSTICK-F3L1011F (DEUTZ)	1
15	102497GT	PUMP,FUEL F3L 2011F DEUTZ	1
16A	49924GT	FILTER,OIL,DEUTZ F4L1011F Genie Genuine Part. See PN 1255653 for compatible aftermarket replacement.	1
16B	1255653GT	FILTER,OIL,DEUTZ,REPLACEMENT Genie Aftermarket Part. Compatible with Genie Genuine Part 49924.	1
17A	29560GT	FILTER,FUEL/WTR SEP, DTZ 1008 Genie Genuine Part. See PN 1254826 for compatible aftermarket replacement.	
17A-	58566GT	FILTER HEAD (29560)	
17B	1254826GT	FUEL FILTER W/SEP,DEUTZ,1008 Genie Aftermarket Part.	
18	54428GT	ADPTR,90D,8MFFOR-18MMB DIN3852	1
19	69775GT	CAP,520112-8	1
20	1267237GT	LEVER,GOVERNOR ACTUATOR**	1
21	237238GT	SCREW,HHF,M6-1.0X12,DIN6921,10	2
22	1257076GT	BOLT,SHS,1/4-28X4,ZAG	1
23	825355GT	WASHER,FLAT,M6,DIN125,ZAB	3



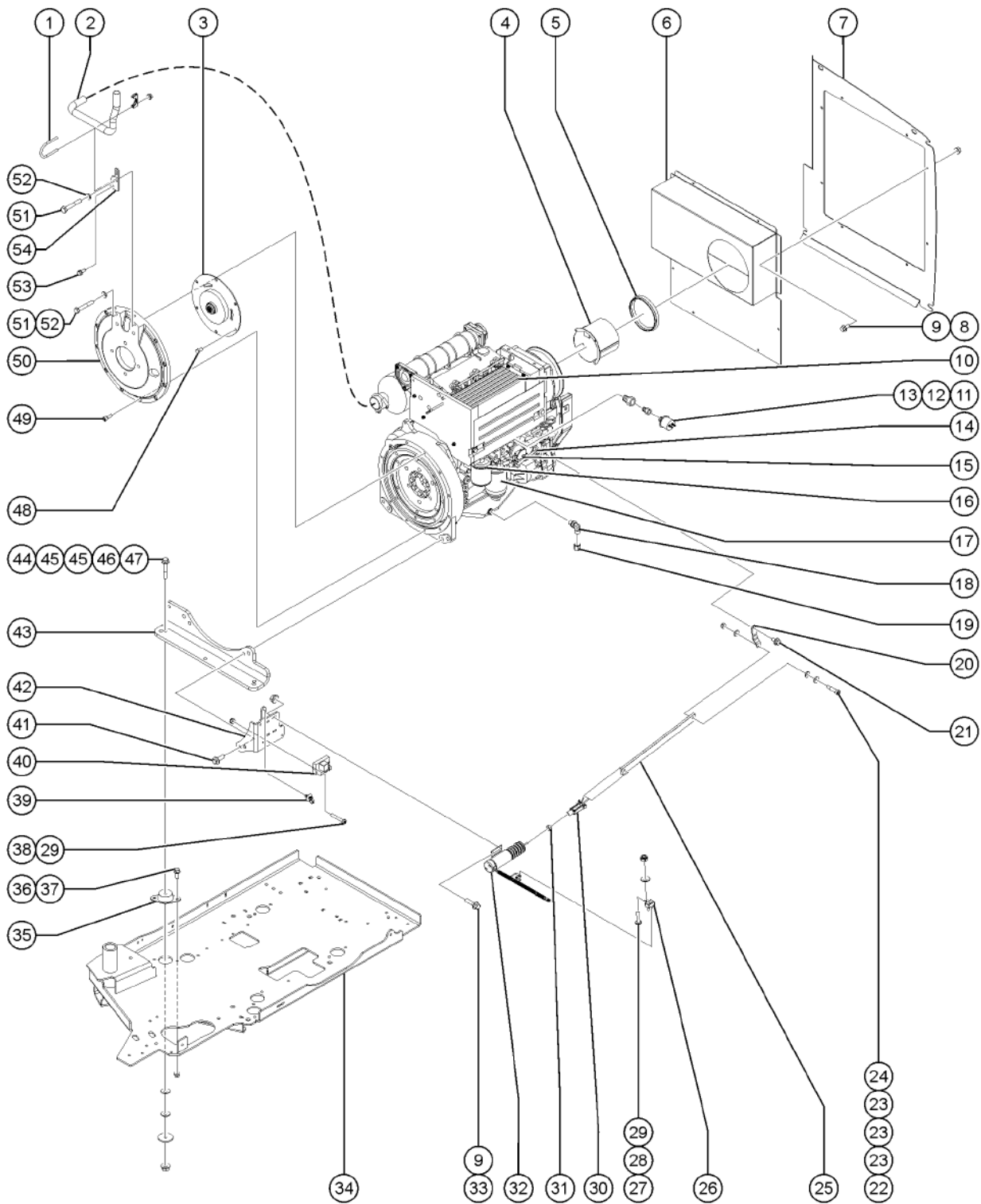
501.1 Deutz D2011L03i, View 1- to S/N S65XCM-205



Item	Part No.	Description	Qty.
24	5365GT	NUT,NYLOCK,10-24	1
25	120234GT	THROTTLE LINKAGE,DIESEL	1
26	128829GT	CIRCUIT BRKR 15A TYPE 2 METAL	1
27	49816GT	SCREW,PHILLIPS,PHM,10-32 X .75	1
28	6146GT	WASHER,FLAT,MS,#10,Y	1
29	6178GT	NUT,NYLOCK,10-32	3
30	21130GT	CLEVIS YOKE-1/4-28,PLTD W/PIN	1
31	824041GT	NUT, 1/4-28, 8, ZAG	1
32	121615GT	THROTTLE SOLENOID ASSY, TROMB (Includes items 26-29)	1
33	824078GT	SCREW,HHF,1/4-20X.75,8,ZAG	4
34		Ref. WELDMENT, ENGINE TRAY (Refer to 503.1)	1
35	70452GT	ISOLATOR,ENGINE VIBRATION***	2
36	824090GT	SCREW,HHF,3/8-16X1,8,ZAG	4
37	824029GT	NUT,TL FLG,3/8-16,G,ZAG	4
38	49817GT	SCREW,PHILLIPS,PHM,10-32 X1.25	2
39	110149GT	CABLE TIE,DFT MOUNT,BLK,6.5"	2
40	89997GT	RELAY MODULE(89996,89998)	1
41	1251899GT	SCREW,HHF,M14-2.0 X 40,DIN 692	4
42	1283556GT	FORMING, SOLENOID MOUNT	1
43	1267238GT	FORMING,REAR ENGINE MOUNT***	1
44	1295334GT	TERM QC TAB - #8 RING, .250, 45 DEG, BRASS	2
45	1255760GT	WASHER,FLAT,1/2,USS,ZAG	4
46	1256283GT	WASHER,FLAT,.5X2.25X.188,ZAG	2
47	1251997GT	NUT,TL FLG,1/2-13,G,ZAG	2
48	825351GT	SCREW,HHC,M10-1.5X20,DIN933,10.9,ZAB	6
49	1255666GT	SCREW,SHC,M10-1.50X30,DIN912,12.9,ZAB	9
50	70381GT	COVER,FLYWHEEL CASTING	1
51	1257837GT	SCREW,HHC,M10-1.5X65,DIN931,10.9,ZAB	2



501.1 Deutz D2011L03i, View 1- to S/N S65XCM-205

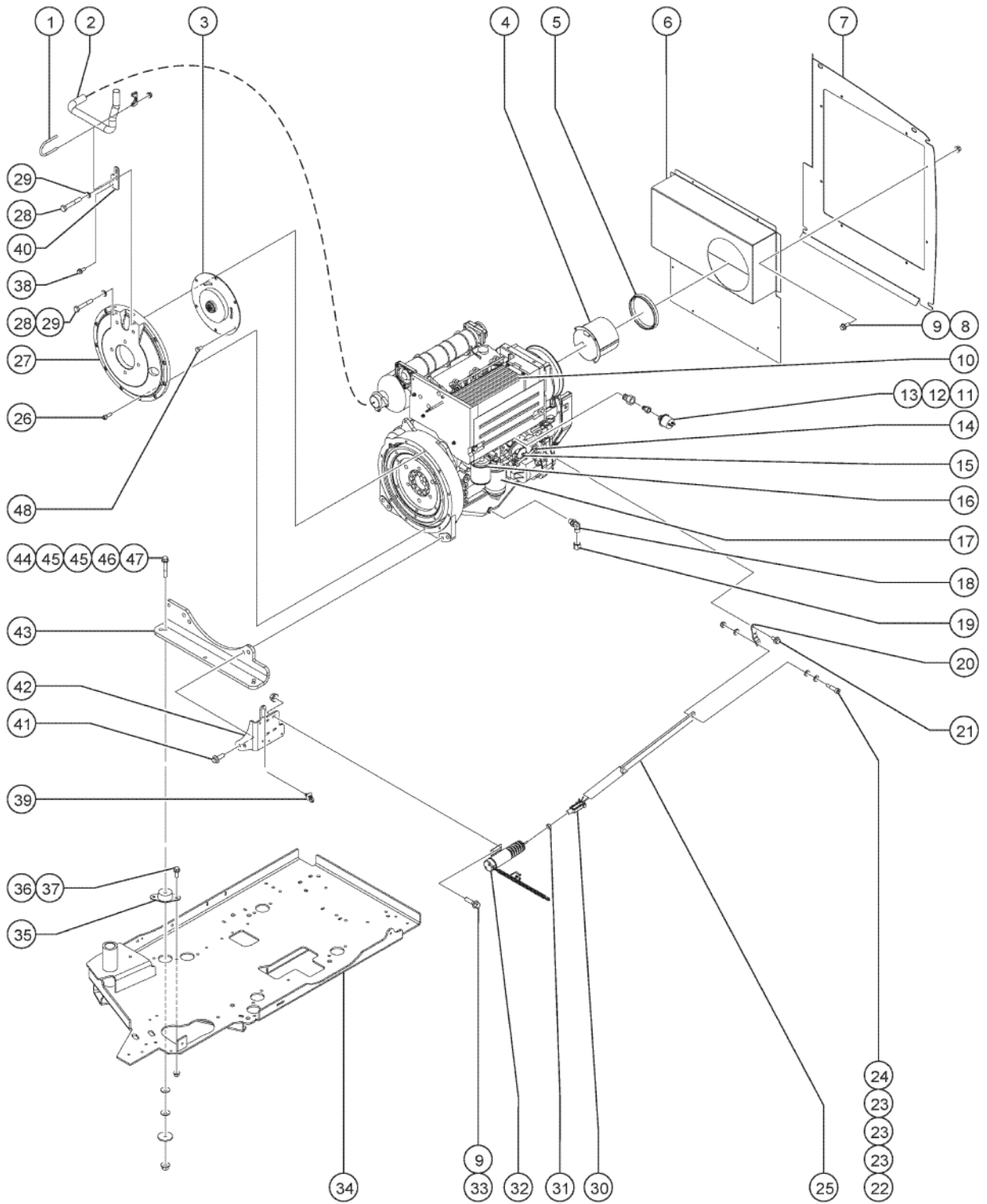


501.1 Deutz D2011L03i, View 1- to S/N S65XCM-205

<i>Item</i>	<i>Part No.</i>	<i>Description</i>	<i>Qty.</i>
52	824142GT	WASHER,LOCK,M10,ZAB	2
53	1255469GT	SCREW,HHF,1/2-13X1.25,8,ZAG	1
54	1267239GT	FORMING,SOLENOID MOUNT	1



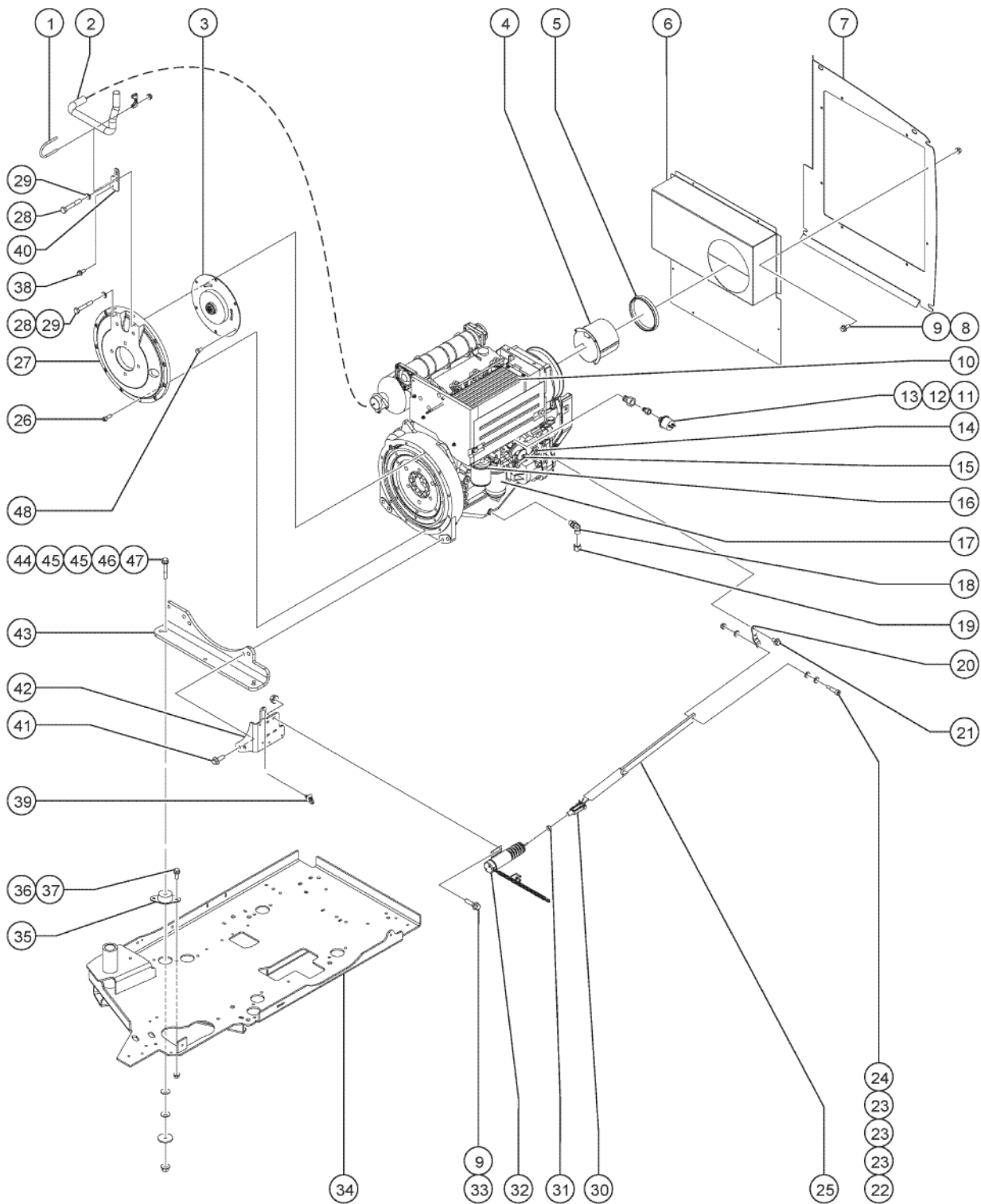
501.2 Deutz D2011L03i, View 1 - from S/N S65XCM-206



Item	Part No.	Description	Qty.
A	70453GT	ENGINE,DEUTZ D2011L03i	1
1	70385GT	CLAMP,EXHAUST,2.00 PLATED	1
2	822693GT	TAILPIPE, DEUTZ, TPEM & ROW	1
3	128004GT	COUPLER,15 TOOTH,FBA,SAE8***	1
4	120315GT	WELDMENT,AIR INTAKE TUBE	1
5	31523GT	CLAMP,HOSE,8.50 DIA***	1
5B	33239GT	SHEET,RUBBER,AIR INTAKE	1
6	1267235GT	FORMING,DEUTZ AIR INTAKE BAFFL	1
7	106172GT	BAFFLE,AIR INTAKE***	1
8	1256855GT	SCREW,HHF,1/4-20X.625,8,ZAG	8
9	1277924GT	NUT,NYLOCK FLG,1/4-20,F,ZAG	10
10	111445GT	SENDING UNIT,OIL TEMP SWCH,DTZ	1
11	30810GT	SENDING UNIT,OIL PRESSURE*** (Dual-terminal sender)	1
12	106033GT	ADAPTER,NPT 6-4	1
13	106034GT	ADAPTER,M18	1
14	89781GT	DIPSTICK, OIL (DEUTZ 2011F)***	1
15	102497GT	PUMP,FUEL F3L 2011F DEUTZ	1
16	49924GT	FILTER,OIL,DEUTZ F4L1011F Genie Genuine Part. See PN 1255653 for compatible aftermarket replacement.	1
16B	1255653GT	FILTER,OIL,DEUTZ,REPLACEMENT Genie Aftermarket Part. Compatible with Genie Genuine Part 49924.	1
17	29560GT	FILTER,FUEL/WTR SEP, DTZ 1008 Genie Genuine Part. See PN 1254826 for compatible aftermarket replacement.	
17A-	58566GT	FILTER HEAD (29560)	
17B	1254826GT	FUEL FILTER W/SEP,DEUTZ,1008 Genie Aftermarket Part.	
18	54428GT	ADPTR,90D,8MFFOR-18MMB DIN3852	1
19	69775GT	CAP,520112-8	1
20	1267237GT	LEVER,GOVERNOR ACTUATOR**	1
21	237238GT	SCREW,HHF,M6-1.0X12,DIN6921,10	2
22	1257076GT	BOLT,SHS,1/4-28X4,ZAG	1
23	825355GT	WASHER,FLAT,M6,DIN125,ZAB	3



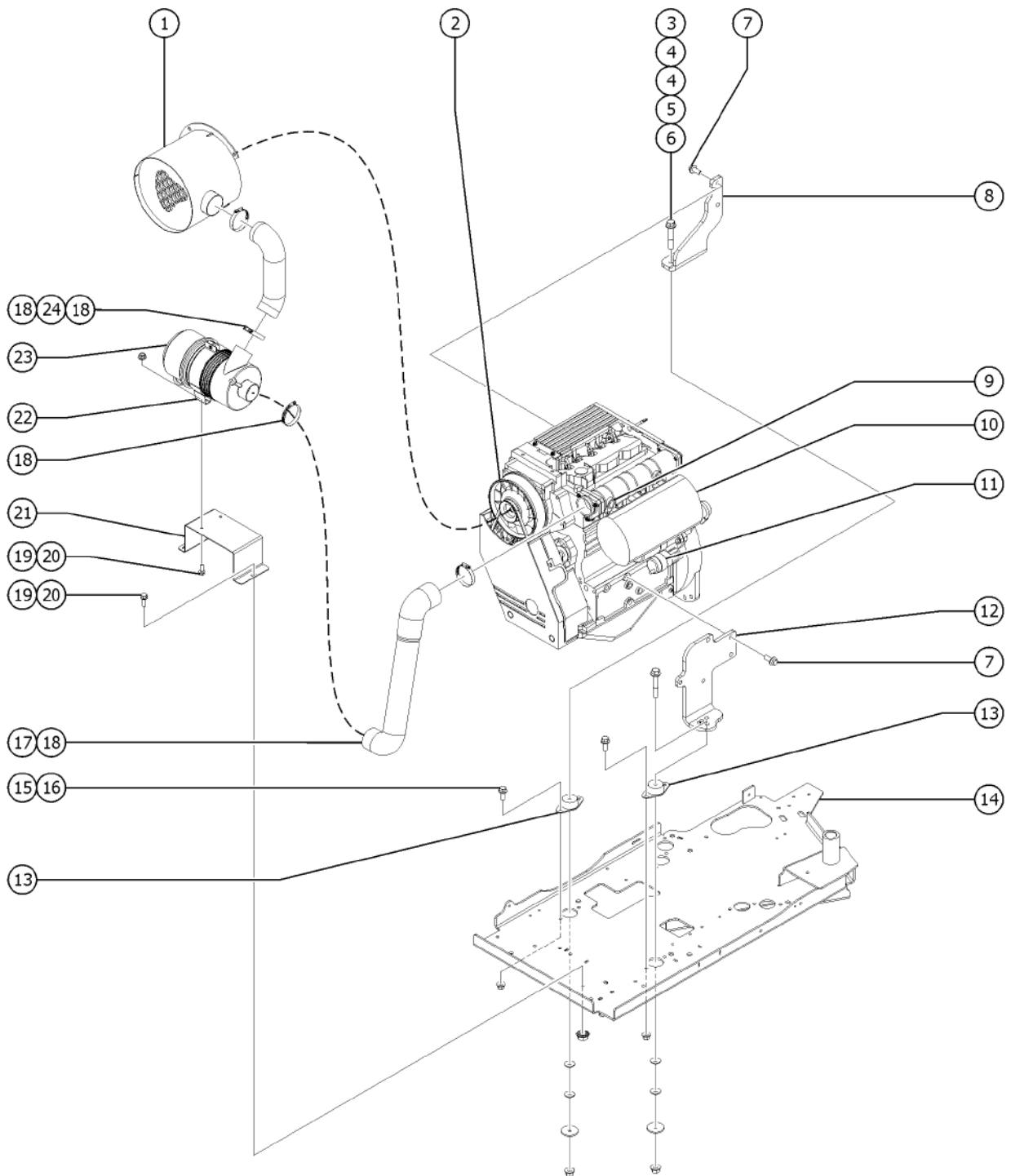
501.2 Deutz D2011L03i, View 1 - from S/N S65XCM-206



Item	Part No.	Description	Qty.
24	5365GT	NUT,NYLOCK,10-24	1
25	120234GT	THROTTLE LINKAGE,DIESEL	1
26	1255666GT	SCREW,SHC,M10-1.50X30,DIN912,12.9,ZAB	9
27	70381GT	COVER,FLYWHEEL CASTING	1
28	1257837GT	SCREW,HHC,M10-1.5X65,DIN931,10.9,ZAB	2
29	824142GT	WASHER,LOCK,M10,ZAB	2
30	21130GT	CLEVIS YOKE-1/4-28,PLTD W/PIN	1
31	824041GT	NUT, 1/4-28, 8, ZAG	1
32	161087GT	ASSY,SOLENOID THR_ACT RPM Z45	1
33	824078GT	SCREW,HHF,1/4-20X.75,8,ZAG	2
34		Ref. WELDMENT, ENGINE TRAY	1
		(Refer to 503.1)	
35	70452GT	ISOLATOR,ENGINE VIBRATION***	2
36	824090GT	SCREW,HHF,3/8-16X1,8,ZAG	4
37	824029GT	NUT,TL FLG,3/8-16,G,ZAG	4
38	1255469GT	SCREW,HHF,1/2-13X1.25,8,ZAG	1
39	110149GT	CABLE TIE,DFT MOUNT,BLK,6.5"	2
40	1267239GT	FORMING,SOLENOID MOUNT	1
41	1251899GT	SCREW,HHF,M14-2.0 X 40,DIN 692	4
42	1270141GT	MNT BRKT, POS BATT CABLE, SOLENOID	1
43	1267238GT	FORMING,REAR ENGINE MOUNT***	1
44	1295334GT	TERM QC TAB - #8 RING, .250, 45 DEG, BRASS	2
45	1255760GT	WASHER,FLAT,1/2,USS,ZAG	4
46	1256283GT	WASHER,FLAT,.5X2.25X.188,ZAG	2
47	1251997GT	NUT,TL FLG,1/2-13,G,ZAG	2
48	825351GT	SCREW,HHC,M10-1.5X20,DIN933,10.9,ZAB	6



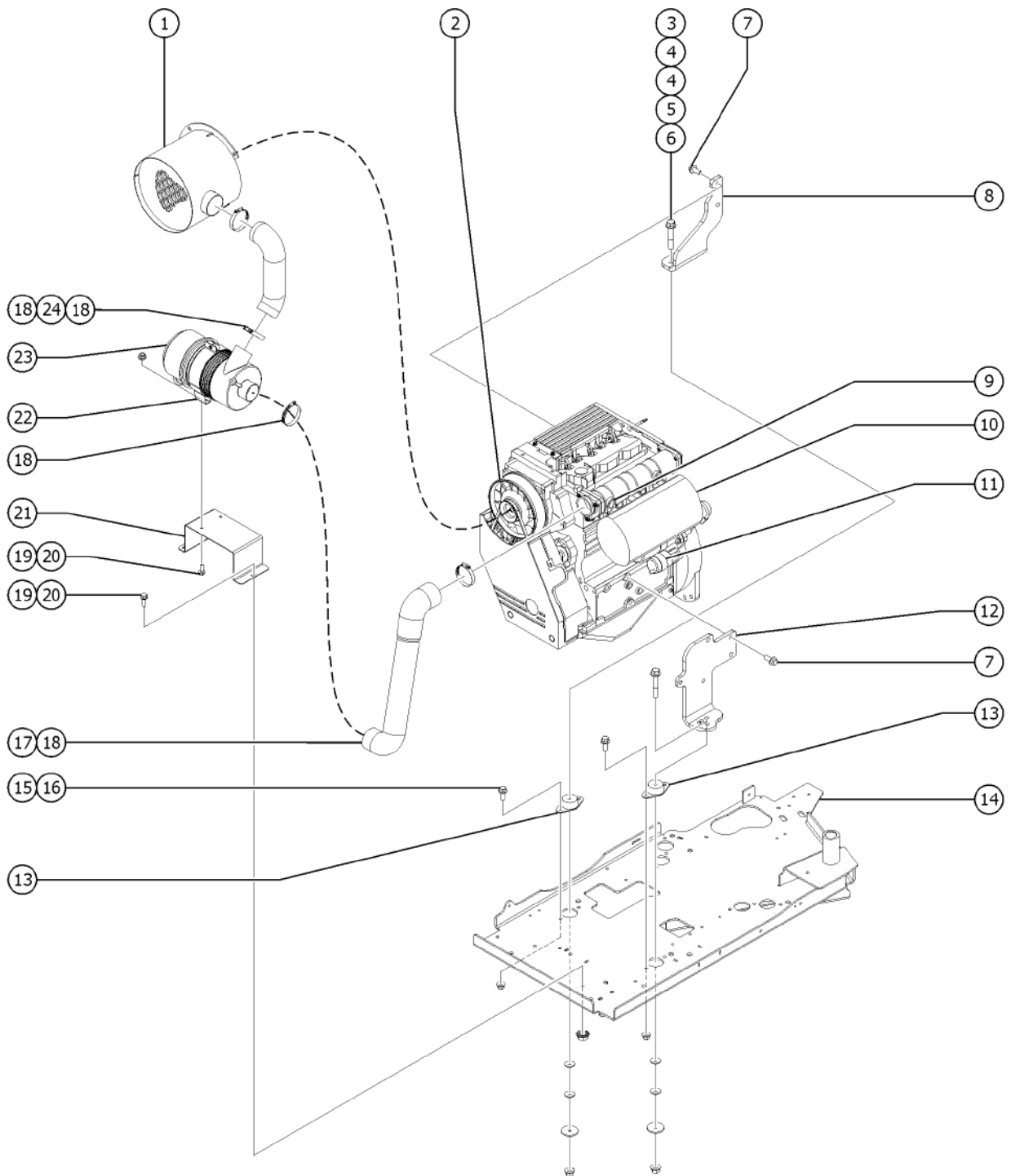
502.1 Deutz D2011L03i, View 2



Item	Part No.	Description	Qty.
1		Ref. WELDMENT,AIR INTAKE TUBE (Refer to 501.1)	
2	35586GT	ALTERNATOR, DEUTZ F3L10/F4L10*	1
3	1295334GT	TERM QC TAB - #8 RING, .250, 45 DEG, BRASS	2
4	1255760GT	WASHER,FLAT,1/2,USS,ZAG	4
5	1256283GT	WASHER,FLAT,.5X2.25X.188,ZAG	2
6	1274172GT	NUT,NYLOCK FLG,1/2-13,G,ZAG	2
7	1256776GT	SCREW,HHF,M14-2.0X35,DIN6921,1	5
8	120258GT	FORMING,ENGINE MOUNT,FR	1
9	31408GT	GLOW PLUG,L1011	1
10A	32695GT	MUFFLER,DEUTZ	1
10B	119117GT	MUFFLER,CAT/SPARK,DEUTZ (Option - spark arresst)	
10B-	29559GT	GASKET,EXHAUST for 119117, 3 required	3
11	139709GT	STARTER, 12V with solenoid	1
11-	139621GT	KIT, HEAT GUARD, DEUTZ STARTER (includes sheild 139622 and bolt 139623)	
11-	139622GT	HEAT SHIELD,DEUTZ STARTER	
11-	139623GT	BOLT, GUARD, DEUTZ STARTER	
12	120259GT	FORMING,ENGINE MOUNT,FL	1
13	70452GT	ISOLATOR,ENGINE VIBRATION***	2
14		Ref. WELDMENT, ENGINE TRAY (Refer to 503.1)	1
15	824090GT	SCREW,HHF,3/8-16X1,8,ZAG	4
16	1274322GT	NUT,NYLOCK FLG,3/8-16,G,ZAG	4
17	70375GT	HOSE,AIR CLEANER	1
18	30971GT	CLAMP,HOSE,3.00"	4
19	824085GT	SCREW,HHF,5/16-18X.75,8,ZAG	5
20	1255805GT	NUT,SERRATED,5/16-18,8,ZAG	5
21	1267236GT	FORMING,AIR CLEANER MOUNT	1
22	53952GT	BRKT,AIR CLEANER ORIENTATION**	1
23	63463GT	AIR CLEANER,NELSON***	1

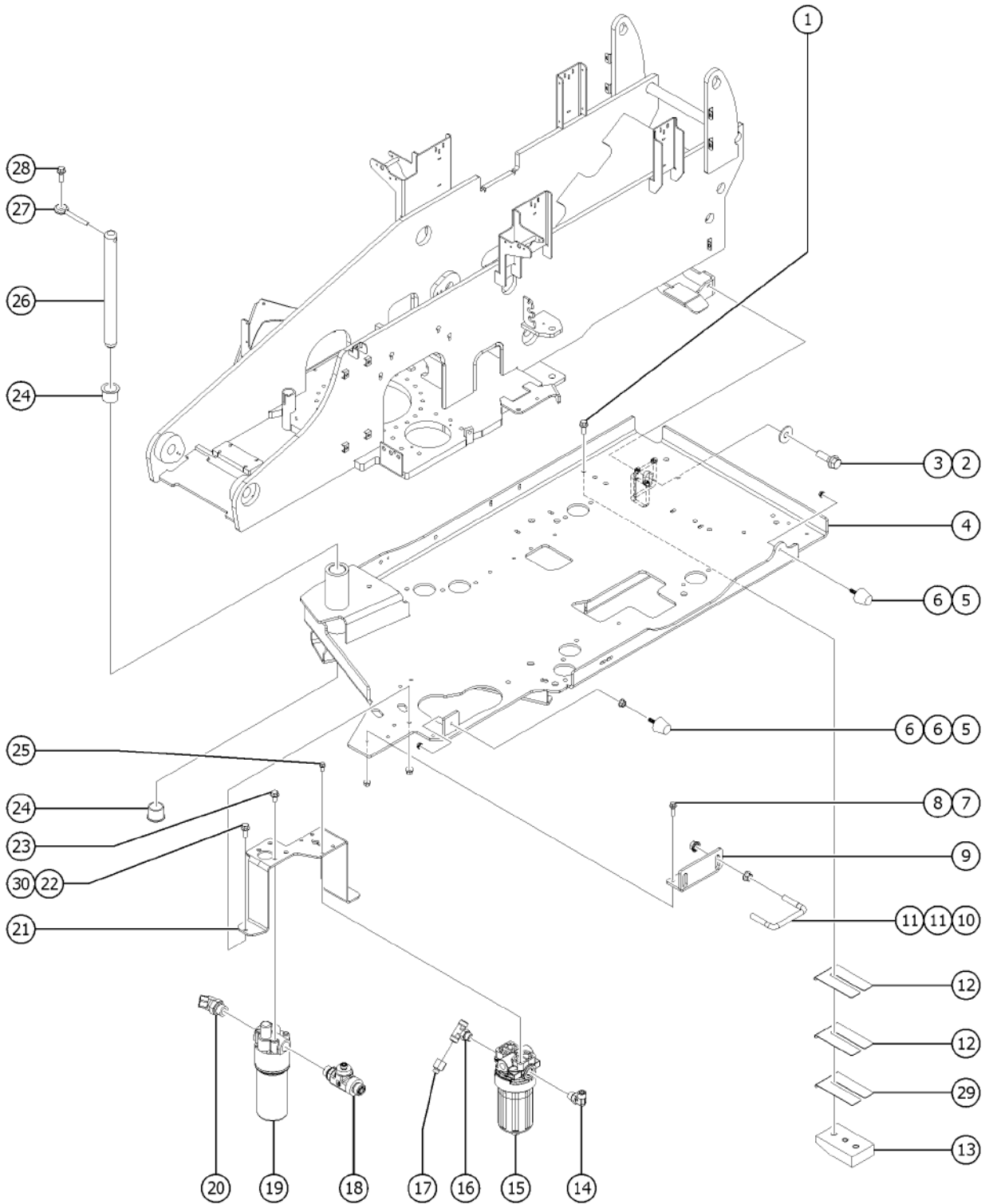


502.1 Deutz D2011L03i, View 2



<i>Item</i>	<i>Part No.</i>	<i>Description</i>	<i>Qty.</i>
23-	58415GT	CLIP,AIR CLEANER END CAP***	
23-	62420GT	FILTER,AIR***	
23-	65810GT	BAFFLE, AIR CLEANER (27915)**	
23-	52866GT	EVACUATOR VALVE-AIR CLEANER	
24	101006GT	TUBE,AIR CLEANER INLET	1

503.1 Engine Tray

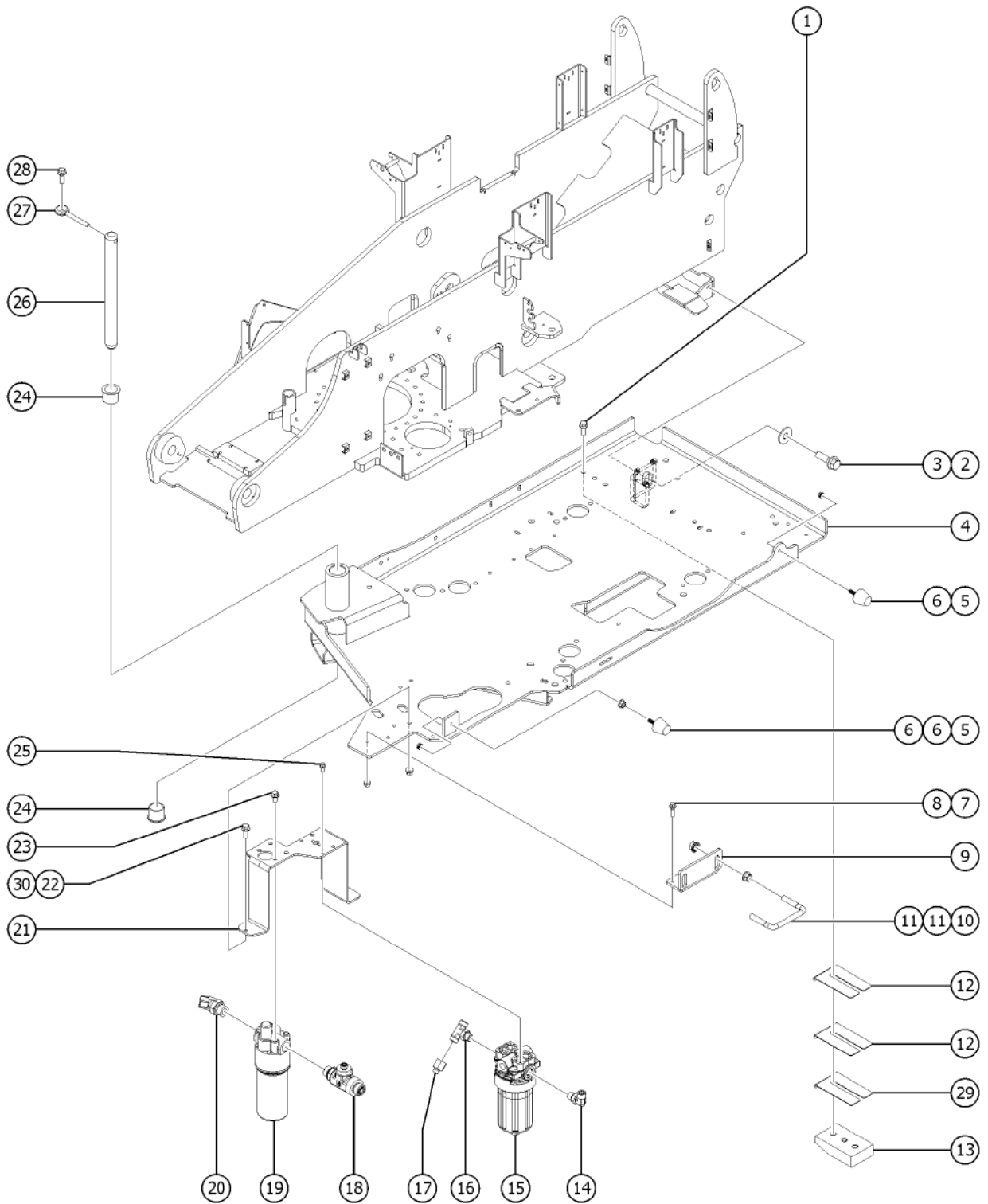


503.1 Engine Tray

Item	Part No.	Description	Qty.
1	824091GT	SCREW,HHF,3/8-16X1.25,8,ZAG	4
2	1256126GT	SCREW,HHF,5/8-11X2,8,ZAG	1
3	824115GT	WASHER,FLAT,5/8,USS,ZAG	1
4	1283145GT	WELDMENT, ENGINE TRAY WITH BEARINGS	1
5	1261277GT	BUMPER, RUBBER, 1.25 X 1.25 IN	2
6	1255805GT	NUT,SERRATED,5/16-18,8,ZAG	1
7	824079GT	SCREW,HHF,1/4-20X1,8,ZAG	3
8	1277924GT	NUT,NYLOCK FLG,1/4-20,F,ZAG	3
9	1260174GT	FORMING, ENGINE TRAY LATCH	1
10	1259855GT	UBOLT, 0.4724 IN D X 4.0 IN L	1
11	1261724GT	NUT,SERRATED,1/2-13,8,ZAG	4
12	34344GT	SHIM,SIDE PAD 16GA. 3 X 5	2
13	81522GT	WEAR PAD,ENGINE TRAY	1
13-	48425GT	NUT,LOCKING-LRG.FLANGE,3/8-16	
14	48932GT	FITTING,ELBOW,90D,520220-8***	1
14-	53502GT	O-RING-8	
14-	56235GT	O-RING,ORFS,-8	
15	1267807GT	ASSEMBLY, MED. PRESS. FILTER, SAE8	1
16	48936GT	TEE,BRANCH,520429-8	1
17	48941GT	REDUCER,520123-8-4	1
18	1279568GT	TEE, RUN, 12-12-6 WITH CHECK	1
19	60334GT	FILTER ASSY,HIGH PRESS SAE-12*	1
20	48963GT	FITTING,ELBOW,45D,520320-12***	1
21	1280862GT	FORMING, BRACKET, FILTER MOUNT	1
22	1274322GT	NUT,NYLOCK FLG,3/8-16,G,ZAG	2
23	824089GT	SCREW, HHF, 3/8-16 X .75, 8, ZAG	4
24	35675GT	BEARING,FL,1.25IDX1.5ODX1.25L	2
25	1256855GT	SCREW,HHF,1/4-20X.625,8,ZAG	4



503.1 Engine Tray

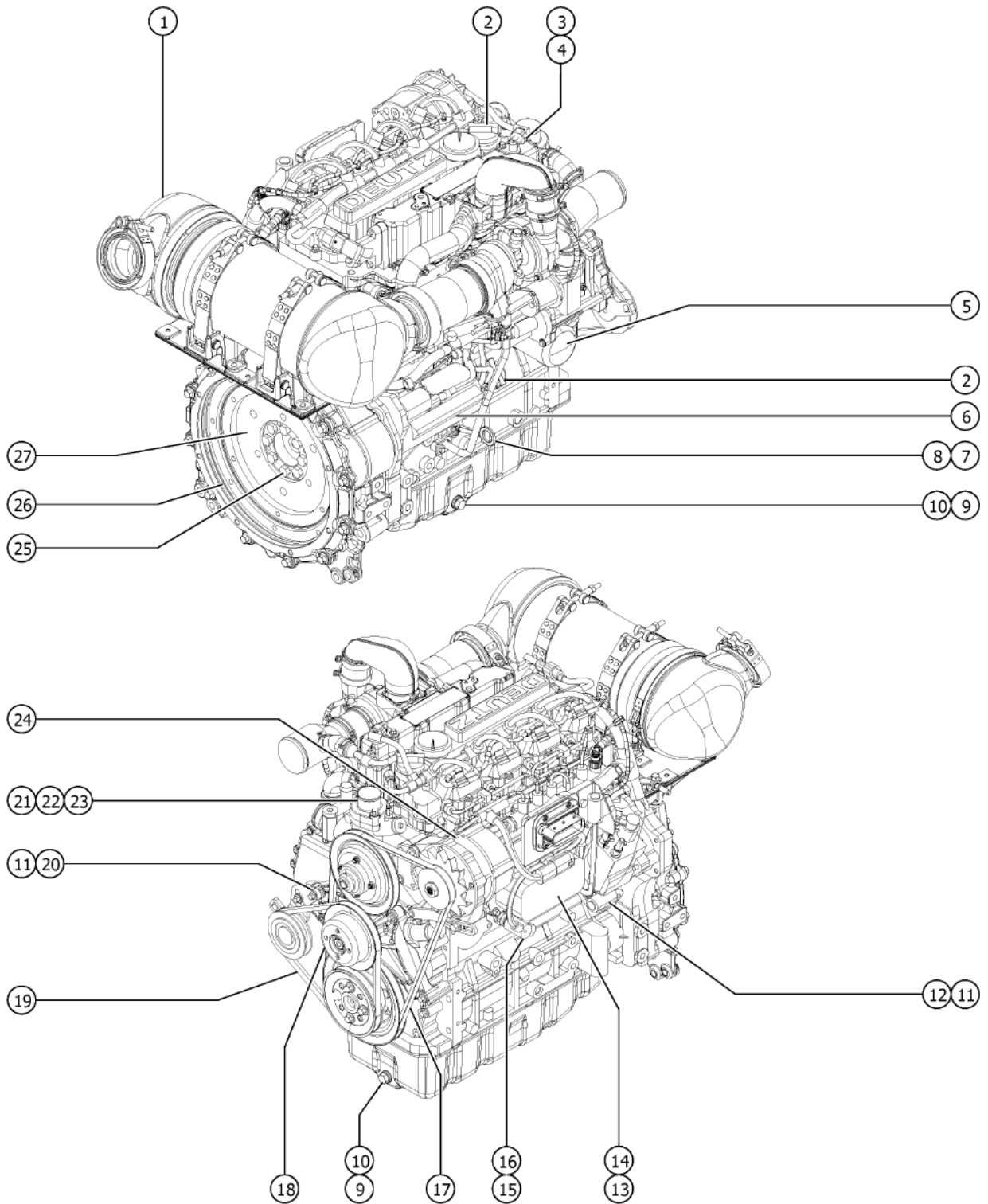


503.1 Engine Tray

<i>Item</i>	<i>Part No.</i>	<i>Description</i>	<i>Qty.</i>
26	81724GT	PIN,1.25 X 13.25 IN,CHAMFER	1
27	825019GT	ROD END, .375X3.69, ZAG	1
29	38621GT	SHIM,PAD,5 X 3	1
30	824090GT	SCREW,HHF,3/8-16X1,8,ZAG	2



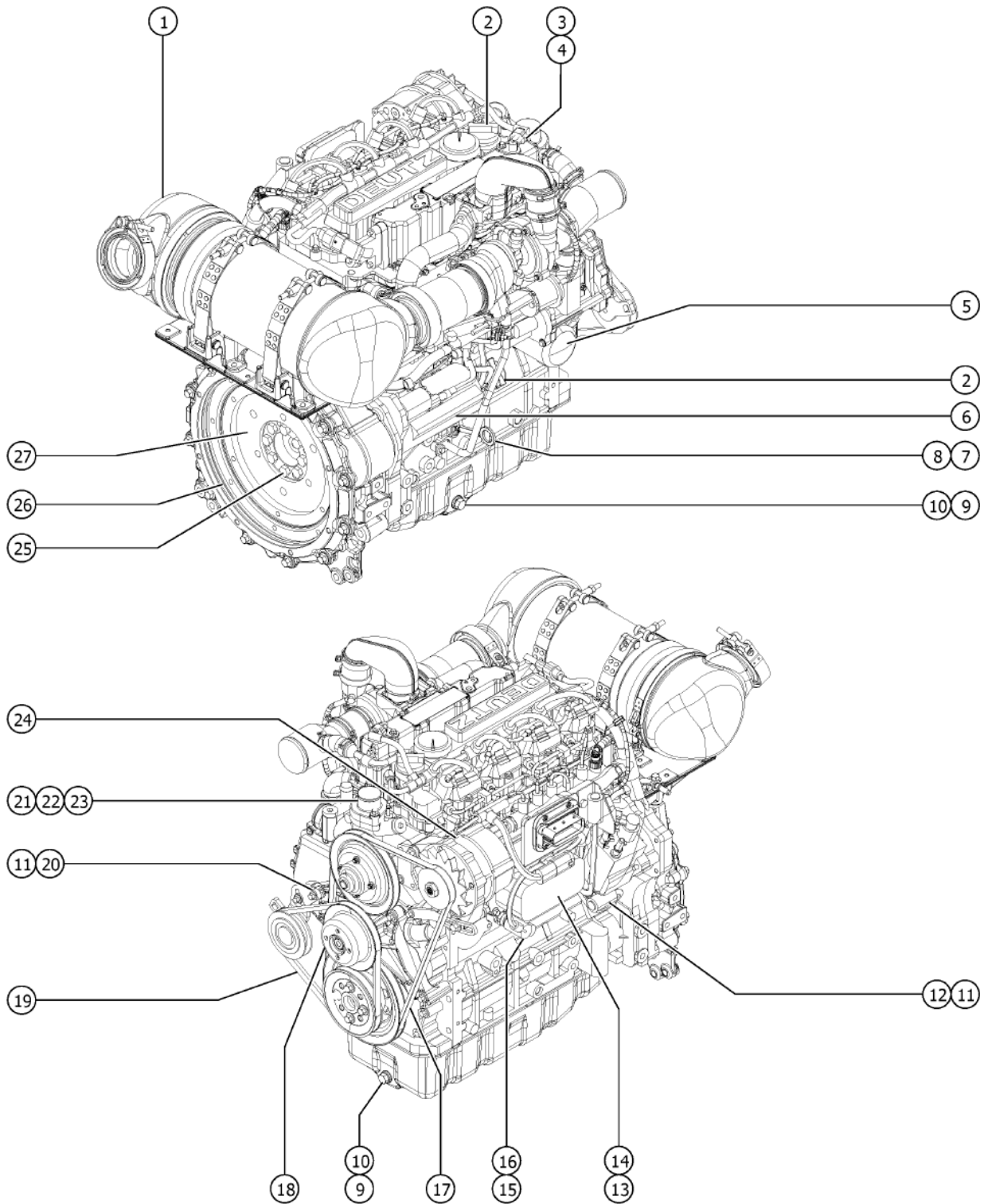
504.1 Deutz 2.9L Turbo, View 1



Item	Part No.	Description	Qty.
A	1262870GT	GLOW PLUG, DEUTZ	4
B	1262871GT	SEAL, FRONT ENGINE,DEUTZ	1
C	1262872GT	SEAL, REAR ENGINE,DEUTZ	1
D	1262874GT	WATER PUMP	1
E	1262875GT	O-RING, WATER PUMP	1
F	1259654GT	INTAKE BREATHER	1
G	1259899GT	HARNES, ENGINE, DEUTZ TD2.9	1
H	1277974GT	PINS,CONNECTOR,INJ HARNES,D2.9	
1		OXIDATION CATALYST,DEUTZ (diesel oxygen catalyst/muffler)(contact Genie Parts; engine serial number required)	1
2	29557GT	CAP,OIL FILLER,DEUTZ,DIESEL ***	2
3	1262896GT	SENSOR,INTAKE AIR PRESSURE	1
4	1262897GT	O-RING, INTAKE AIR PRESSURE SENSOR	1
5	49924GT	FILTER,OIL,DEUTZ F4L1011F	1
6	1254594GT	STARTER,3.2KW,DEUTZ D2.9	1
6-	1262868GT	BOLT, DEUTZ STARTER	
		not included sold seperately	
6B	825939GT	FORMING, CLAMP, BATTERY CABLE	
6B	78736GT	CLAMP,2 HOSE,PLASTIC,5/8	
		for 825939	
7	825708GT	DIPSTICK,TD2.9	1
8	1262881GT	ORING, OIL DIP STICK	1
9	102587GT	PLUG,ENGINE OIL,DEUTZ F4L2011	2
10	108538GT	RING / SEALING	2
11	1262894GT	SENSOR,CAM/CRANKSHAFT POSITION	1
		(crankshaft)	
11B	1262894GT	SENSOR,CAM/CRANKSHAFT POSITION	1
		hidden from view (camshaft)	
12	1262895GT	O-RING, CRANKSHAFT POSITION SENSOR	1
13	1260357GT	OIL COOLER,TD2.9	1
14	1262883GT	GASKET, OIL COOLER, DEUTZ	1
15	824673GT	SENSOR, PRESSURE,DEUTZ 2.9	1
16	1262893GT	O-RING, OIL PRESSURE SENSOR	1

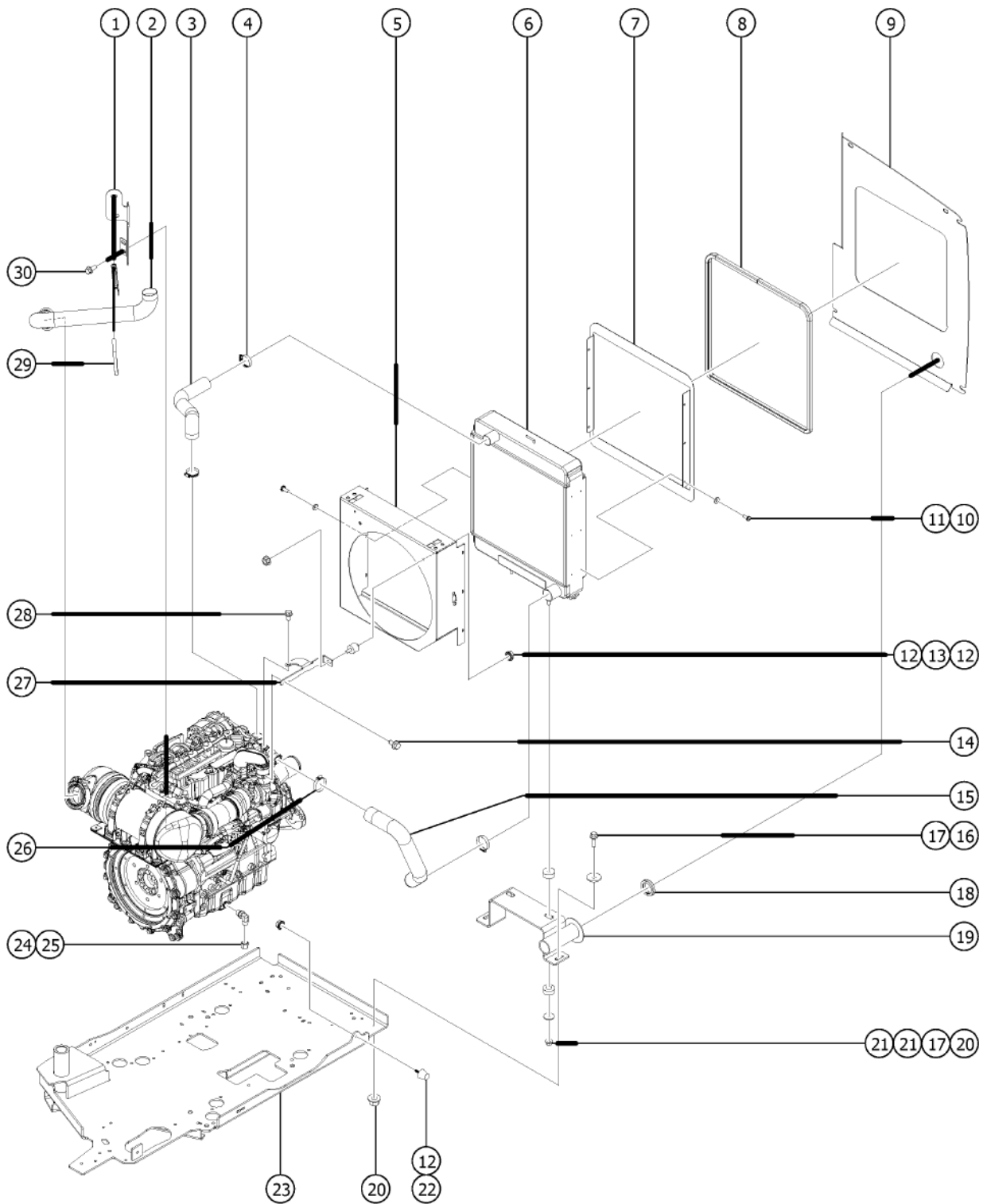


504.1 Deutz 2.9L Turbo, View 1



<i>Item</i>	<i>Part No.</i>	<i>Description</i>	<i>Qty.</i>
17	1262866GT	FAN BELT, ALTERANTOR	1
18	236248GT	PULLEY ASSEMBLY,ALTERNATOR,TCD	1
19	1262867GT	V-BELT, DEUTZ	1
20	1262899GT	O-RING, CAMSHAFT POSITION SENSOR	1
		hidden from view	
21	1262877GT	THERMOSTAT HOUSING	1
22	1262876GT	THERMOSTAT,DEUTZ	1
23	1262878GT	GASKET, THERMOSTAT HOUSING	1
24	236251GT	ALTERNATOR,95 AMP,DEUTZ TCD3.6	1
25	1262873GT	BOLT, DEUTZ FLYWHEEL	8
26	89785GT	RING GEAR,DEUTZ F3L2011F	1
27	1259660GT	FLYWHEEL, SAE 8/10	1
		order with item 25	

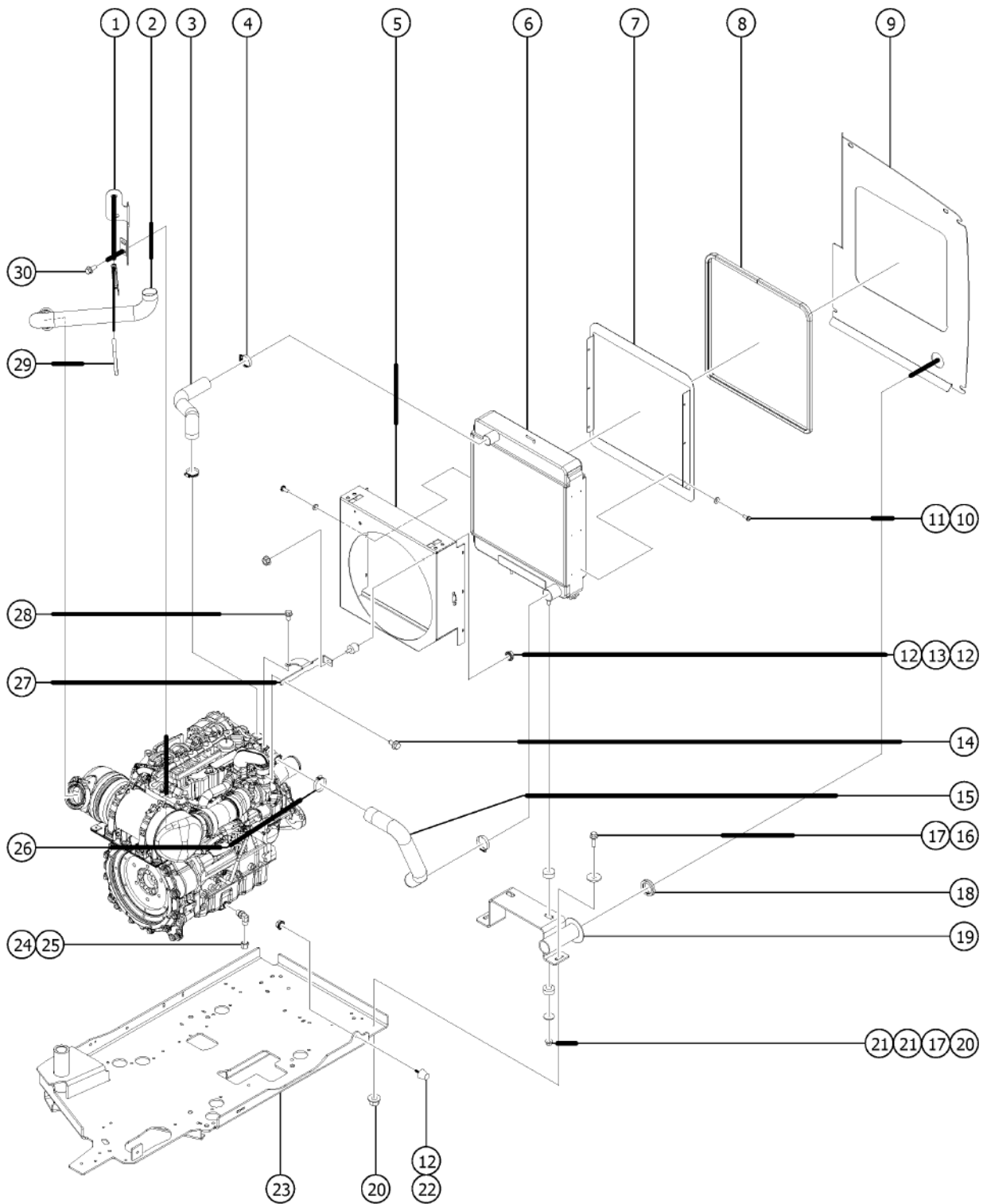
505.1 Deutz 2.9L Turbo, View 2



Item	Part No.	Description	Qty.
A		Due to Tier 4 regulations, many engine replacement parts require the engine serial number at time of order placement. When ordering engine parts please have both machine and engine serial numbers available. For internal engine parts, contact engine dealer	
1	1262831GT	FORMING, SUPPORT, TAILPIPE	1
2	826822GT	EXHAUST PIPE, TIER IV DEUTZ, Z	1
3	162283GT	HOSE, UPPER RADIATOR, DEUTZ D	1
4	22672GT	CLAMP,HOSE,1.75	2
5	1261921GT	SHROUD, 17" FAN	1
5-	45454GT	CLAMP,RUB CUSH,0.75,#12 X 3/8*	1
6	826795GT	RADIATOR,6-CORE,19.375W X 18.1	1
7	1268010GT	FORMING, SHROUD, INLET, RADIATOR	1
8	1262841GT	TRIM SEAL,RADIATOR,DEUTZ TD2.9	1
9	1262839GT	FORMING, BAFFLE, AIR INTAKE	1
10	824220GT	SCREW,PHPM SEMS ET,10-24X.5,ZA	12
11	1253185GT	WASHER,FLAT,#10,USS,ZAG	12
12	1255805GT	NUT,SERRATED,5/16-18,8,ZAG	5
13	219437GT	ISOLATOR, VIBRATION	1
14	237238GT	SCREW,HHF,M6-1.0X12,DIN6921,10	1
15	162284GT	HOSE,LOWER RADIATOR, 2.9L DEUT	1
16	824091GT	SCREW,HHF,3/8-16X1.25,8,ZAG	2
17	824120GT	WASHER,FLAT,.375X1.50X.125,ZAG	4
18	1262842GT	SEAL,AIR INTAKE ADAPTER,LOWER	1
19	1262838GT	WELDMENT, SUPPORT, RADIATOR	1
20	824029GT	NUT,TL FLG,3/8-16,G,ZAG	4
21	24038GT	SHOCK MOUNT,SMALL	4
22	1261277GT	BUMPER, RUBBER, 1.25 X 1.25 IN	2
23		Ref. WELDMENT, ENGINE TRAY	1
24	69775GT	CAP,520112-8	1
25	54428GT	ADPTR,90D,8MFFOR-18MMB DIN3852	1

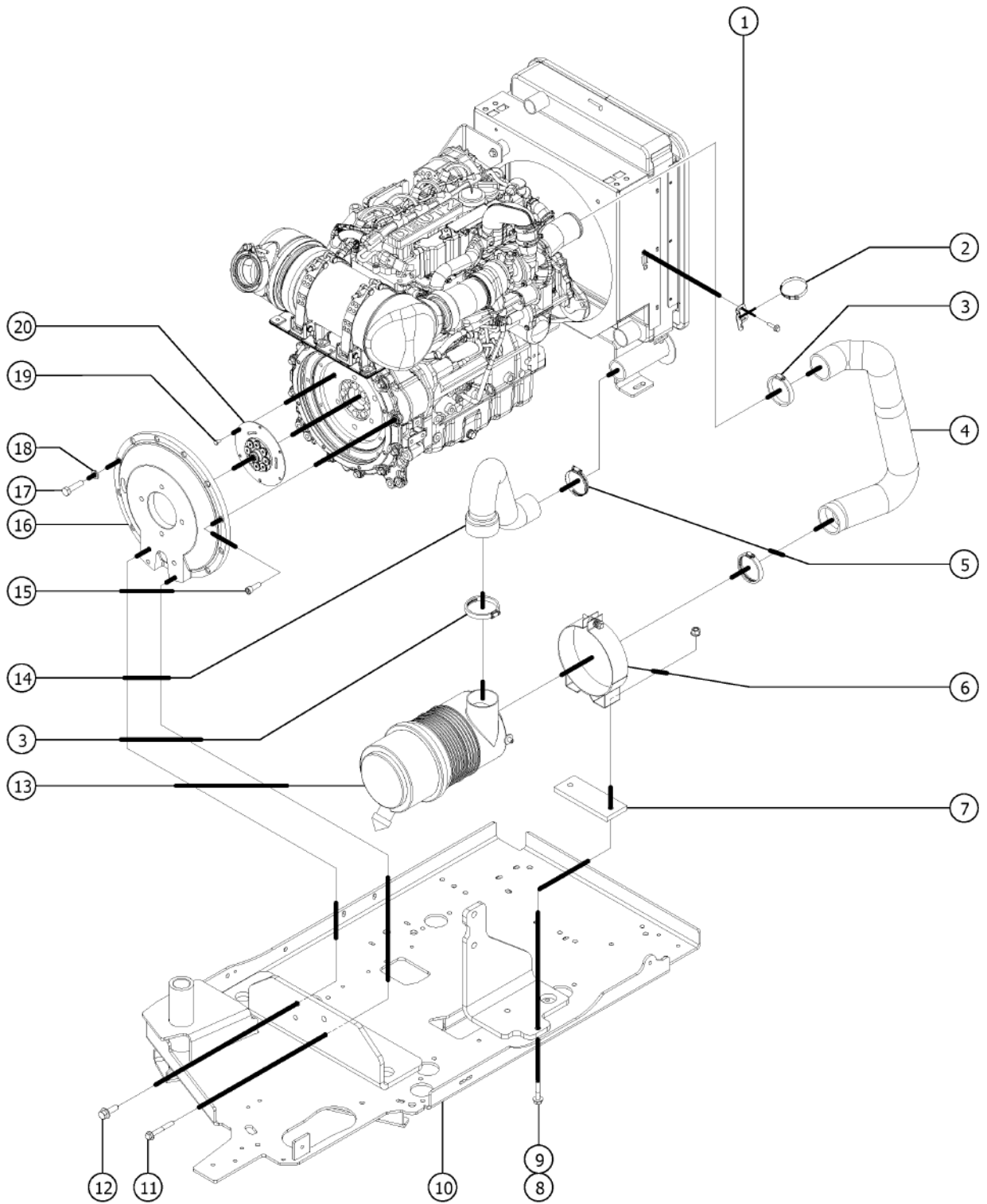


505.1 Deutz 2.9L Turbo, View 2



<i>Item</i>	<i>Part No.</i>	<i>Description</i>	<i>Qty.</i>
26	35434GT	CLAMP,HOSE,2.00***	2
27	1273919GT	FORMING, SUPPORT, RADIATOR	1
28	1251983GT	SCREW,HHF,M8-1.25X16,DIN6921,10.9,ZAB	1
29	71911GT	CLAMP,MUFFLER, 2.50 INCH	1
30	824132GT	SCREW,HHF,M8-1.25X20,DIN6921,10.9,ZAB	2

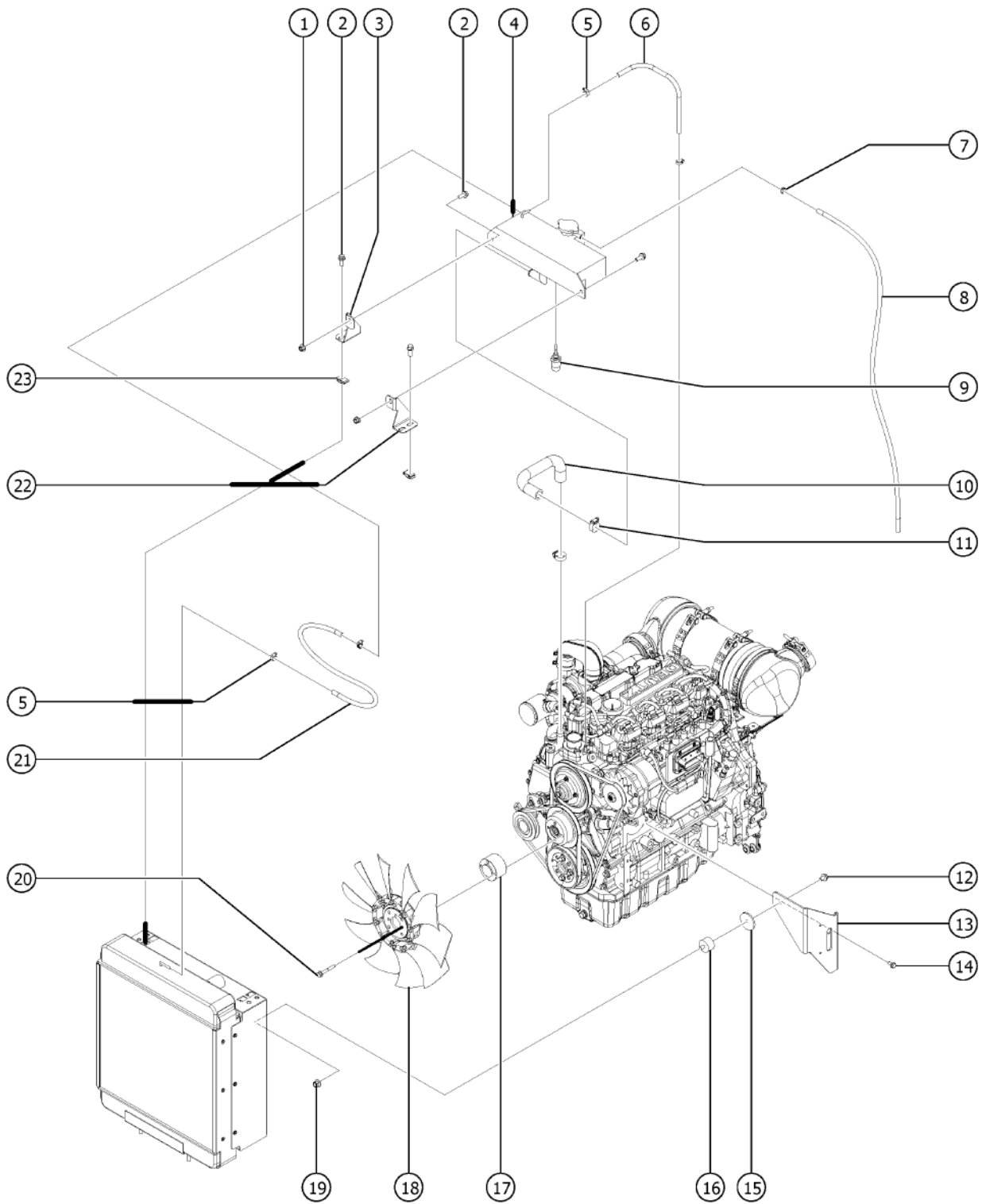
506.1 Deutz 2.9L Turbo, View 3



Item	Part No.	Description	Qty.
A		Due to Tier 4 regulations, many engine replacement parts require the engine serial number at time of order placement. When ordering engine parts please have both machine and engine serial numbers available. For internal engine parts, contact engine dealer	
1	823751GT	BRACKET,INTAKE PIPE,MOUNT,DEUT	1
2	30971GT	CLAMP,HOSE,3.00"	2
3	30489GT	CLAMP,HOSE,3.50	3
4	1262829GT	HOSE, INTAKE, AIR	1
5	45435GT	CLAMP,HOSE,2.50****	1
6	81468GT	MOUNTING BAND,AIR CLEANER	1
7	1273918GT	SPACER, AIR CLEANER	1
8	1255763GT	SCREW,HHF,5/16-18X1.5,8,ZAG	2
9	824028GT	NUT,TL FLG,5/16-18,G,ZAG	2
10		Ref. WELDMENT, ENGINE TRAY refer to 528.1	
11	826008GT	SCREW,HHF,M10-1.5X75,DIN6921,1	2
12	1253498GT	SCREW,HHF,1/2-13X1.5,8,ZAG	2
13	81467GT	AIR CLEANER,NELSON	1
13-	52866GT	EVACUATOR VALVE-AIR CLEANER for 81467	
13-	62425GT	FILTER,AIR CLEANER, SUPERBOOM for 81467	
13-	75450GT	AIR CLEANER CLIPS, SUPERBOOM for 81467	
13-	75451GT	AIR CLEANER COVER, SUPERBOOM* for 81467	
14	1262828GT	HOSE, INTAKE, DEUTZ TD2.9	1
15	1255666GT	SCREW,SHC,M10-1.50X30,DIN912,12.9,ZAB	9
16	70381GT	COVER,FLYWHEEL CASTING	1
17	25548GT	SCREW,HHC,M10 X 40MM,GRD8	1
18	824142GT	WASHER,LOCK,M10,ZAB	1
19	1257421GT	SCREW,HHC,M10-1.5X16,DIN933,10	6
20	128004GT	COUPLER,15 TOOTH,FBA,SAE8***	1



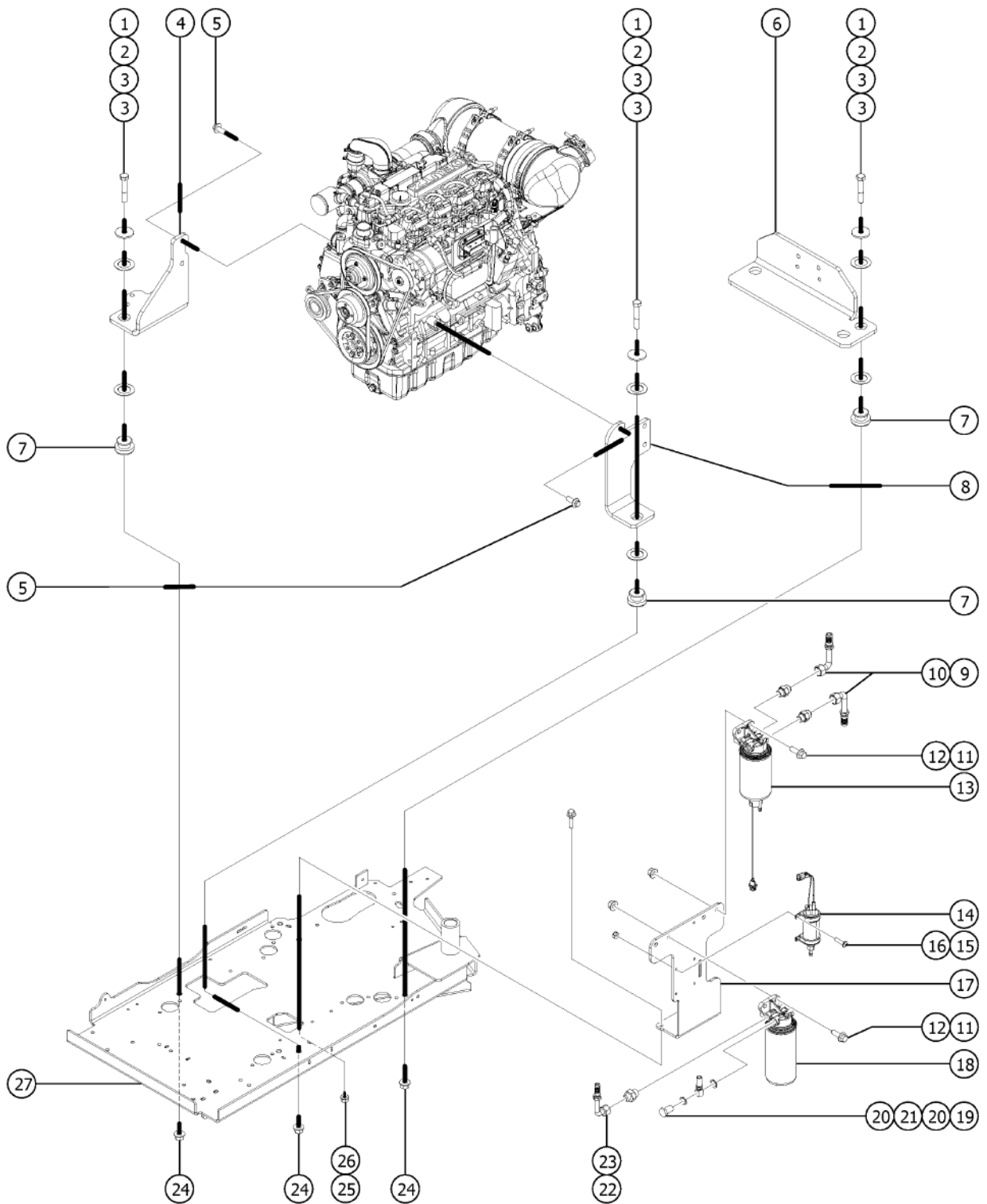
507.1 Deutz 2.9L Turbo, View 4



Item	Part No.	Description	Qty.
A		Due to Tier 4 regulations, many engine replacement parts require the engine serial number at time of order placement. When ordering engine parts please have both machine and engine serial numbers available. For internal engine parts, contact engine dealer	
1	824029GT	NUT,TL FLG,3/8-16,G,ZAG	2
2	824090GT	SCREW,HHF,3/8-16X1,8,ZAG	6
3	1261925GT	FORMING, BRACKET, TANK, EXPANS	1
4	161938GT	EXPANSION TANK,METAL,D2.9	1
4-	1254823GT	CAP,RADIATOR,PERKINS (94232) for 161938	
5	21465GT	CLAMP,HOSE,SIZE .25 TO .63	4
6	824600GT	HOSE,HEATER,1/4"	13
7	31983GT	CLAMP,HOSE,1 EAR, 9/16	1
8	1259441GT	HOSE,OVERFLOW,DEUTZ D2.9	1
9	218715GT	SENSOR,COOLANT LEVEL, DEUTZ	1
10	1261928GT	HOSE, TANK, EXPANSION	1
11	19273GT	CLAMP,HOSE,.75 **	2
12	237352GT	SCREW,HHF,M10-1.5X16,DIN6921,10.9,ZAB	1
13	1256165GT	FORMING,RADIATOR SUPPORT,LH	1
14	1251983GT	SCREW,HHF,M8-1.25X16,DIN6921,10.9,ZAB	2
15	1256283GT	WASHER,FLAT,.5X2.25X.188,ZAG	1
16	1255451GT	ISOLATOR, VIBRATION DAMPENER	1
17	1258641GT	SPACER, FAN, DEUTZ, 43MM LNG	1
18	1251496GT	FAN,10 BLADE,17",DEUTZ 2.9L	1
19	1283015GT	NUT,TL FLG,M10-1.5,DIN6927,10,	1
20	1258771GT	SCREW,HHF,M8-1.25X60,DIN6921,1	4
21	824600GT	HOSE,HEATER,1/4"	25
22	1261926GT	FORMING, BRACKET, TANK, EXPANS	1
23	29868GT	SPRING CLIP,3/8-16,.05-.20X.73,ZAG	4



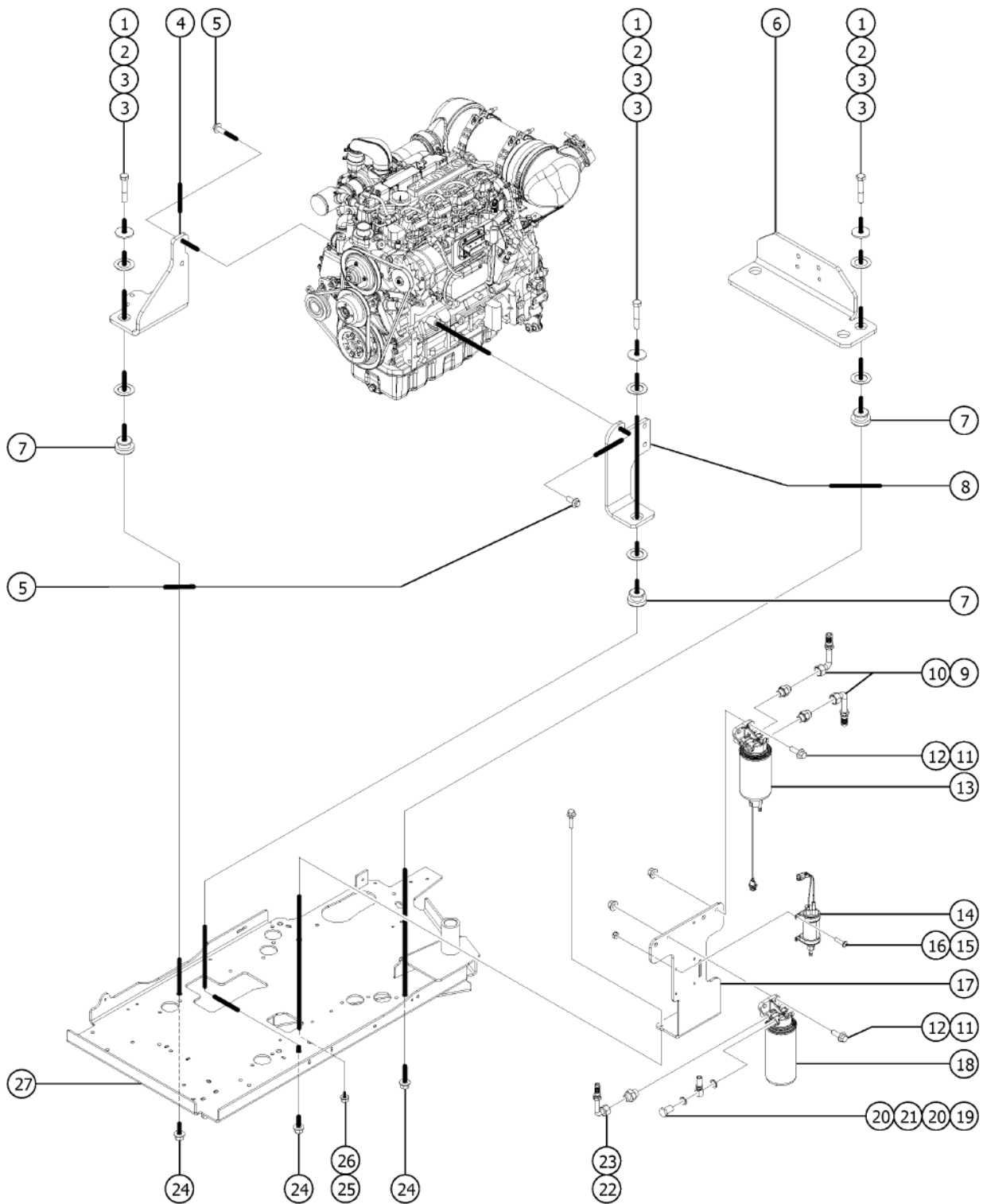
508.1 Deutz 2.9L Turbo, View 5



Item	Part No.	Description	Qty.
A		Due to Tier 4 regulations, many engine replacement parts require the engine serial number at time of order placement. When ordering engine parts please have both machine and engine serial numbers available. For internal engine parts, contact engine dealer	
1	1256169GT	SCREW,HHC,5/8-11X3.5,8,ZAG	4
2	824123GT	WASHER,FLAT,.625X2.25X.188,ZAG	4
3	1251565GT	WASHER,SHIM,1.56X2.5X0.061,ZAG	8
4	1262832GT	FORMING, ENGINE MOUNT, RH	1
5	1256776GT	SCREW,HHF,M14-2.0X35,DIN6921,1	5
6	1261920GT	FORMING, MOUNT, ENGINE, REAR	1
7	102045GT	ISOLATOR,ENGINE VIBRATION	4
8	1262833GT	FORMING, ENGINE MOUNT, LH	1
9	162207GT	FITTING,ELBOW,8GS-8FJX90S	2
10	162209GT	FITTING,CONN,16MM-8MJ	2
11	824091GT	SCREW,HHF,3/8-16X1.25,8,ZAG	4
12	824029GT	NUT,TL FLG,3/8-16,G,ZAG	4
13	1261239GT	ASSY,FUEL PREFILTER,DEUTZ 2.9 includes head, filter and sensor cable	1
13-	1261240GT	CABLE,WIF SENSOR,DEUTZ 2.9	
13-	236260GT	PRE-FILTER,FUEL,DEUTZ	
13-	1261241GT	SEAL,WIF SENSOR,DEUTZ 2.9	
14	236259GT	LIFT PUMP,FUEL,DEUTZ	1
15	824215GT	SCREW,PHPM,10-32X.75,ZAG	4
16	6178GT	NUT,NYLOCK,10-32	4
17	1257961GT	WELDMENT, FUEL FILTER BRACKET	1
18	1261236GT	ASSY,FUEL FILTER,DEUTZ 2.9	1
18-	214228GT	FILTER, DEUTZ 2.9, FUEL	
18-	1256482GT	KIT,MED PRES FUEL SUPPLY,D2.9	
19	1255399GT	BOLT,BANJO,DEUTZ,QC	1
20	1255400GT	WASHER,COPPER,DEUTZ,QC	2
21	1255396GT	FITTING,FUEL,1/2,D2.9,QC	1

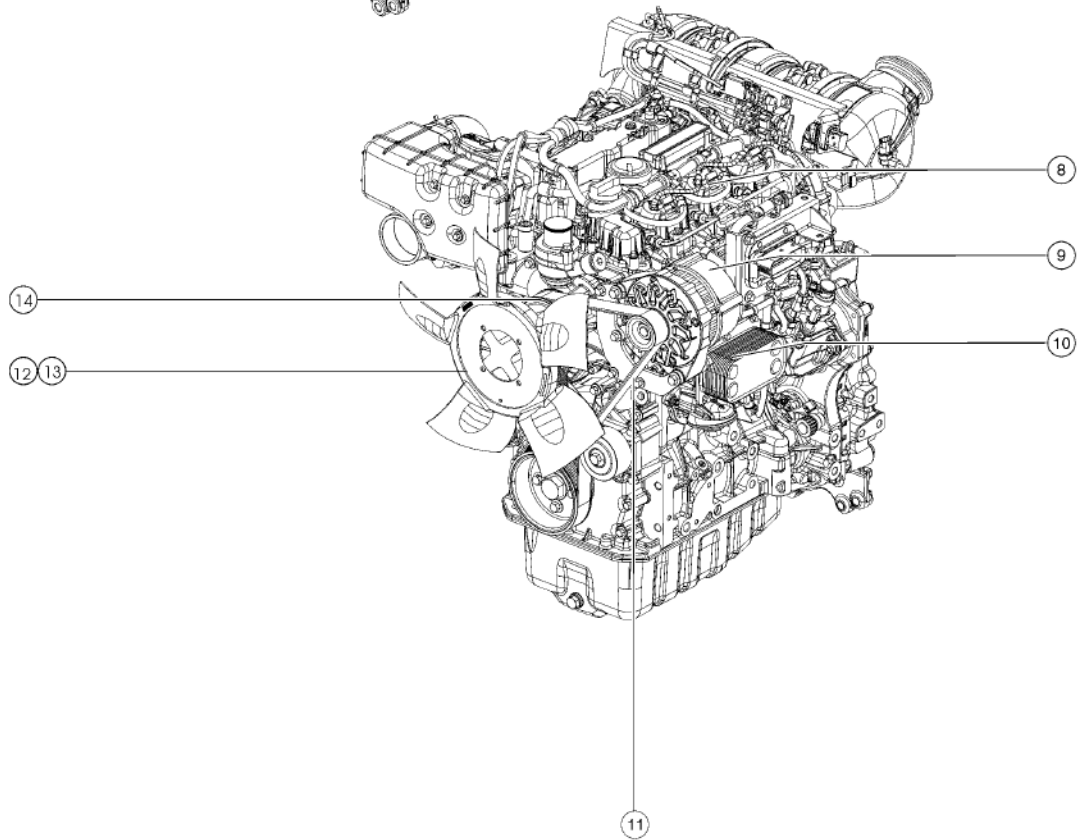
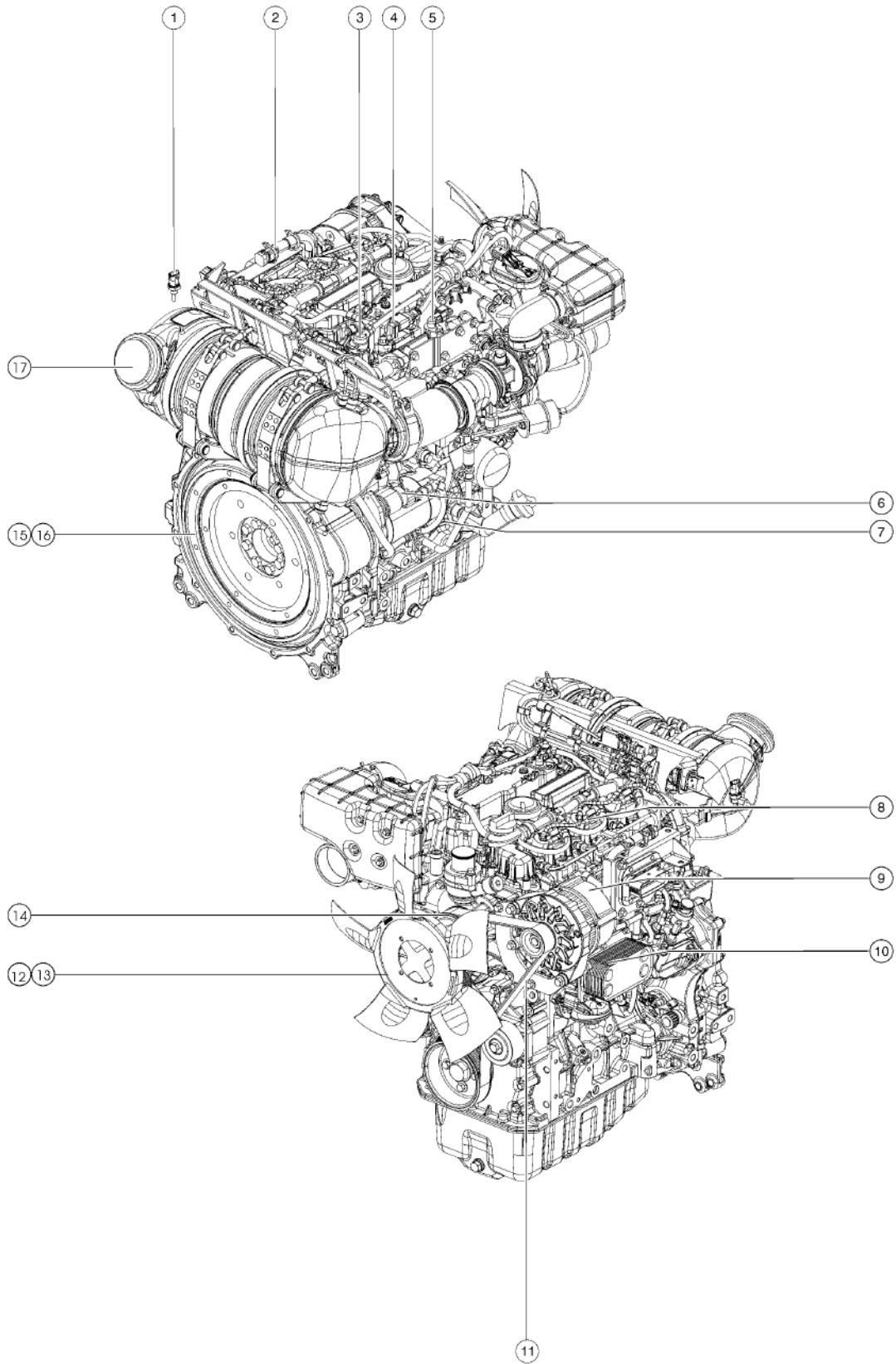


508.1 Deutz 2.9L Turbo, View 5



<i>Item</i>	<i>Part No.</i>	<i>Description</i>	<i>Qty.</i>
22	162206GT	FITTING,ELBOW,6GS-6FJX90S	1
23	162208GT	FITTING,CONN,16MM-6MJ	1
24	1283007GT	NUT,NYLOCK FLG,5/8-11,F,ZAG	4
25	824027GT	NUT,TL FLG,1/4-20,G,ZAG	2
26	824079GT	SCREW,HHF,1/4-20X1,8,ZAG	2
27		Ref. WELDMENT, ENGINE TRAY	
		refer to 503.1	

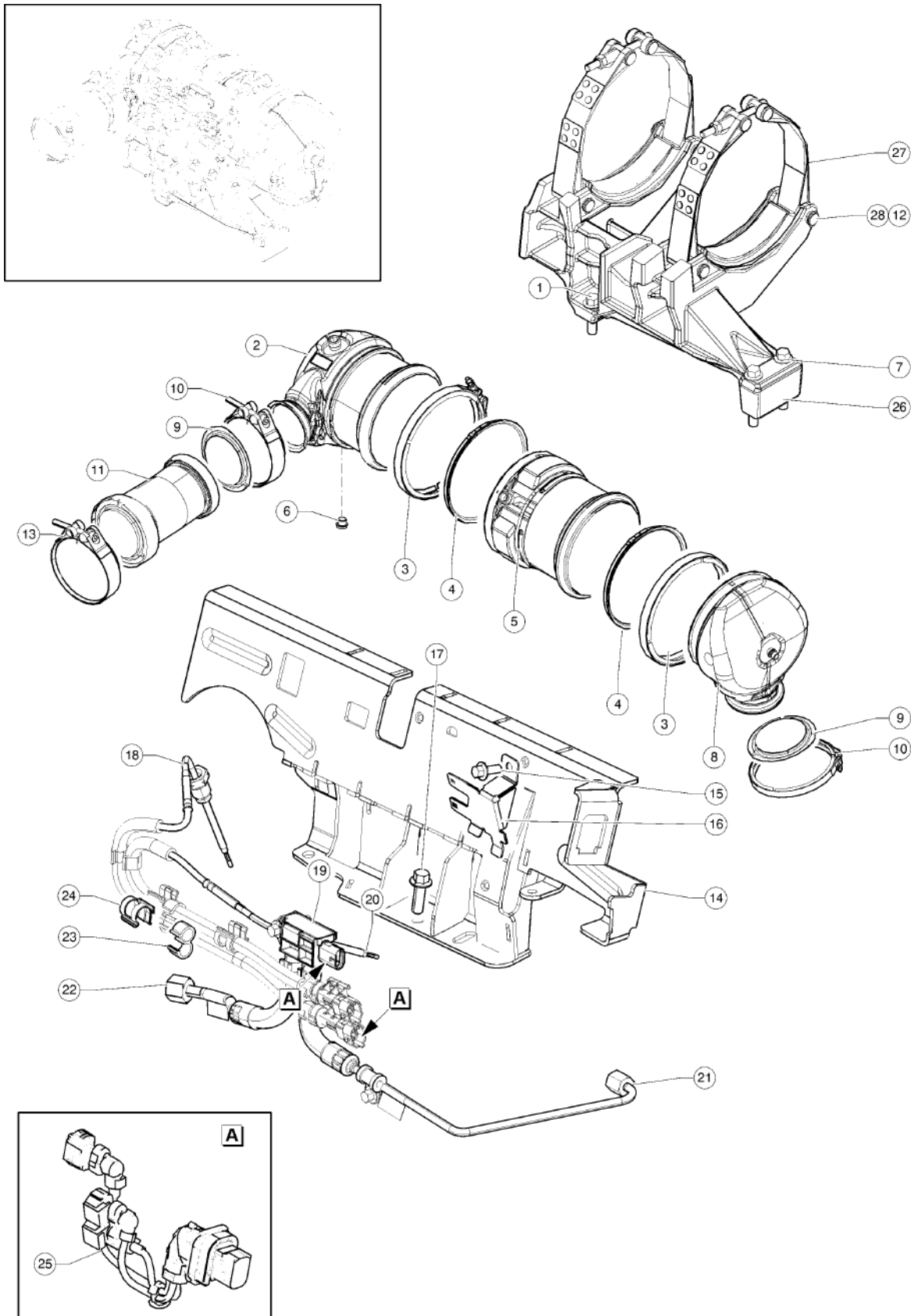
509.1 Deutz TD 2.2 L3 - View 1



Item	Part No.	Description	Qty.
A	1287486GT	ENGINE KIT, DEUTZ TD2.2 L3, 49HP, STG5, AWP For S65 XC Models - Due to Stage V regulations, many engine replacement parts require the engine serial number at time of order placement. When ordering engine parts please have both machine and engine serial numbers available. For internal engine parts, contact engine dealer	
B	1299206GT	ENGINE KIT, TD2.2L3, 60 HP, STAGE V For S65 XC Trax Models - Due to Stage V regulations, many engine replacement parts require the engine serial number at time of order placement. When ordering engine parts please have both machine and engine serial numbers available. For internal engine parts, contact engine dealer	
1	825693GT	COOLANT TEMP SENSOR,TD2.9	1
2	1261237GT	SENSOR,FUEL PRESSURE,DEUTZ 2.9	1
2-	1262893GT	O-RING, OIL PRESSURE SENSOR	1
3	1300709GT	PRESSURE SENSOR	1
3-	1300710GT	O-RING	1
4	1262896GT	SENSOR,INTAKE AIR PRESSURE	1
4-	1262897GT	O-RING, INTAKE AIR PRESSURE SENSOR	1
5	1294085GT	TEMPERATURE TRANSMITTER	1
5-	1300705GT	O-SEAL	1
6	1300704GT	STARTER	1
7	825708GT	DIPSTICK,TD2.9	1
8	1300711GT	CABLE HARNESS	1
9	07.0501.0051GT	Alternator	1
10	1300707GT	ENG.LUBR.OIL COOL.	1
11	1293934GT	V-RIBBED BELT	1
12	1294969GT	FAN, 380MM	1
13	1294091GT	HEXAGON BOLT	1
14	1300712GT	ADAPTER	1
15	89785GT	RING GEAR,DEUTZ F3L2011F (please verify ring gear thickness) 0.6 inches	1
16	1262873GT	BOLT, DEUTZ FLYWHEEL	1
17		REF. DPF (Ref. 510.1)	1



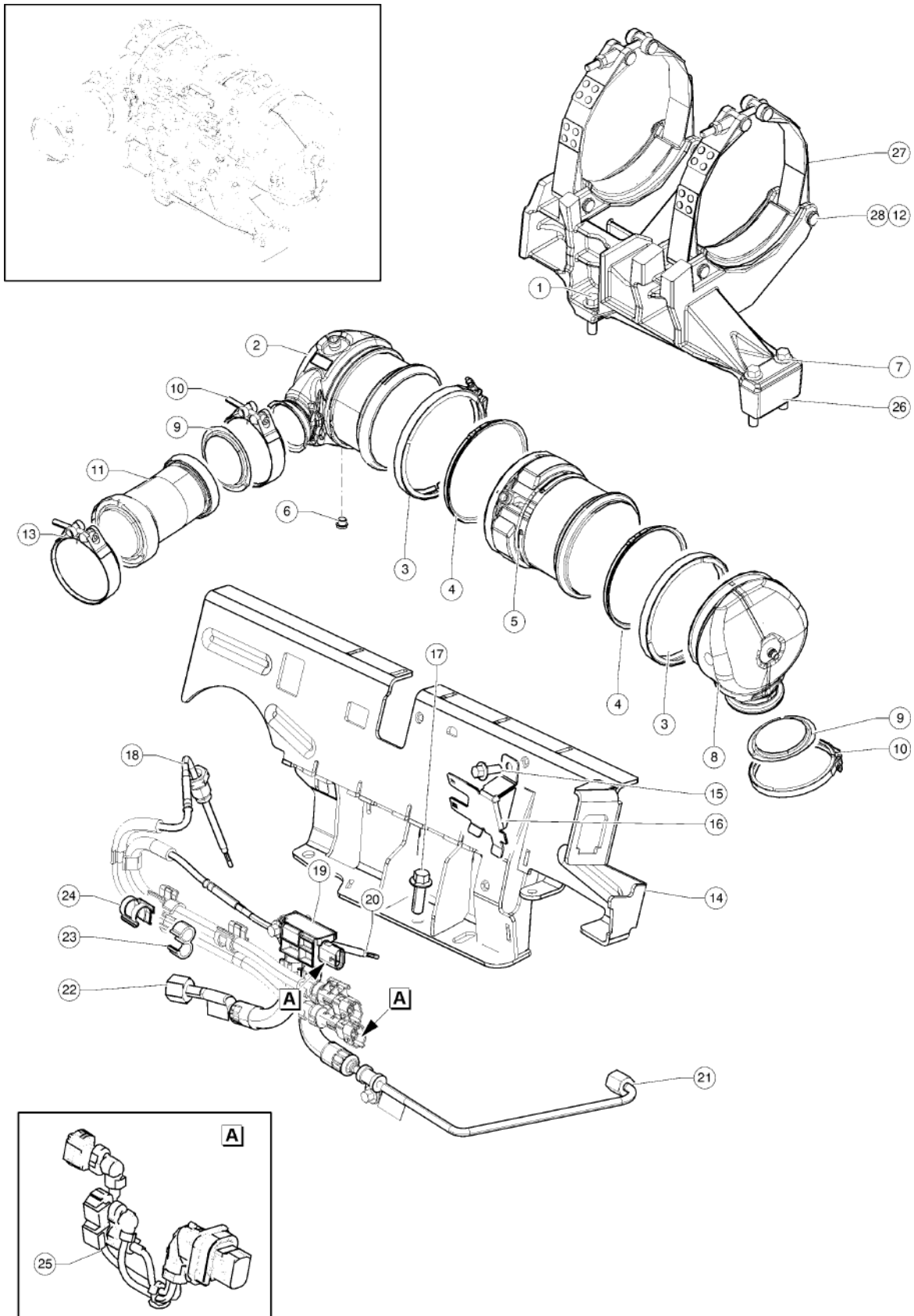
510.1 Deutz TD 2.2 L3, DPF - View 2



Item	Part No.	Description	Qty.
A		Due to Stage V regulations, many engine replacement parts require the engine serial number at time of order placement. When ordering engine parts please have both machine and engine serial numbers available. For internal engine parts, contact engine dealer	
1	1297249GT	SCREW M10x38	2
2	1297260GT	DPF INLET	1
3	1297261GT	CLIP	2
4	1297262GT	GASKET	2
5	1297263GT	PARTICULATE FILTER	1
6	1297258GT	PLUG	1
7	1297251GT	SCREW M10x65	2
8	1297264GT	DPF OUTLET	1
9	825014GT	GASKET, T4 TCD3.6 DOC	2
10	825015GT	CLAMP, 50MM V	1
11	1300708GT	COMPENSATOR	1
12	1297245GT	CIRCLIP	8
13	824775GT	CLAMP,TURBO OUTLET-TURBO PIPE,	1
14	1297256GT	SHEET / PLATE	1
15	1297255GT	SCREW M6x12	1
16	1297257GT	RETAINING PLATE	1
17	07.4501.0376GT	SCREW	3
18	07.4501.0251GT	Temperature Sensor	1
19	1297253GT	PRESSURE SENSOR	1
20	07.4501.0252GT	Temperature Sensor	1
21	1297252GT	TUBE	1
22	1297247GT	TUBE	1
23	1297248GT	HOSE CLIP	2
24	1297254GT	CLAMP	4
25	1297243GT	INTERCONNECTING PIPE	1
26	1297250GT	BRACKET	1

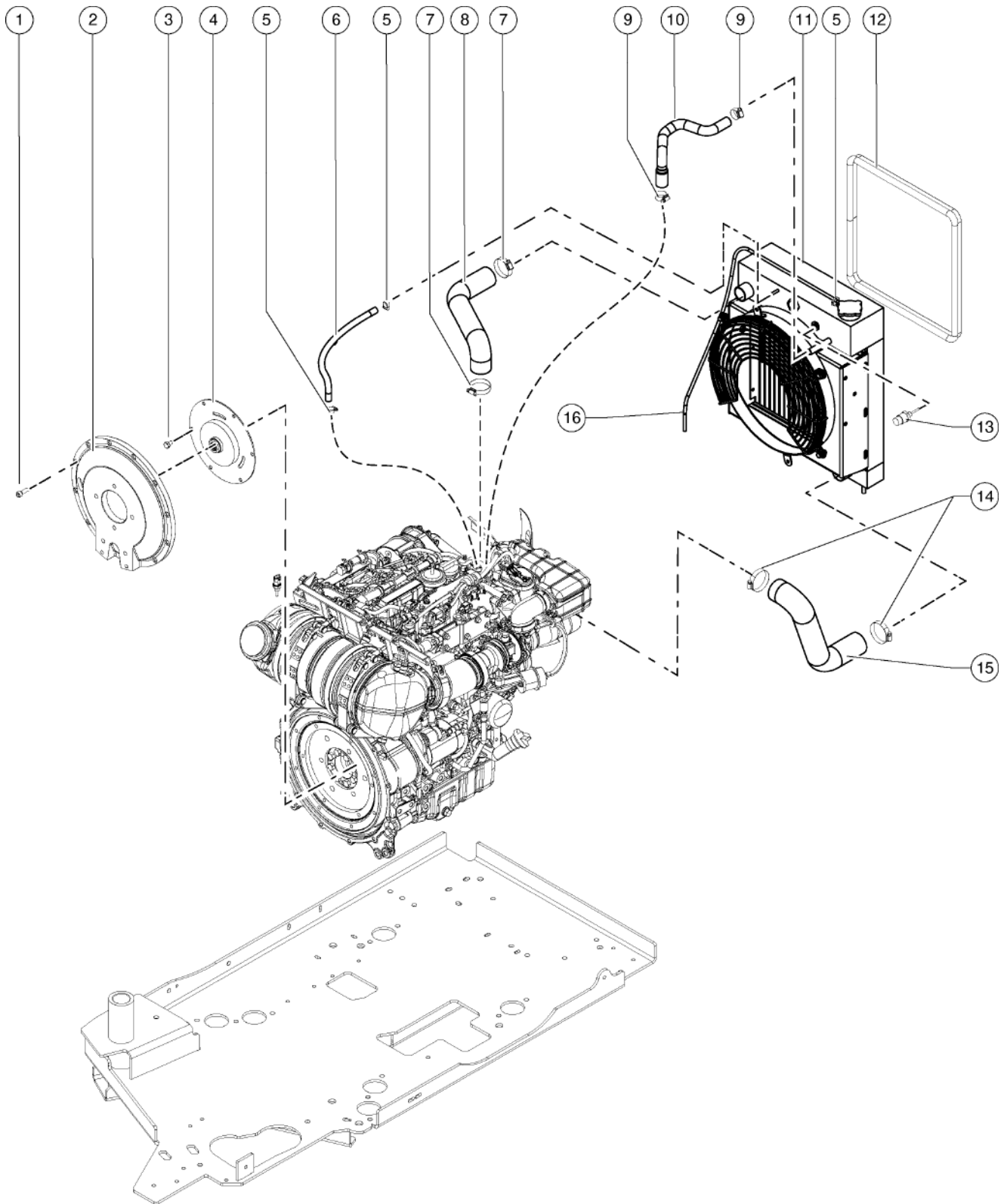


510.1 Deutz TD 2.2 L3, DPF - View 2



<i>Item</i>	<i>Part No.</i>	<i>Description</i>	<i>Qty.</i>
27	1297244GT	STRAP W/SCREW	2
28	1297246GT	CLEVIS PIN	4

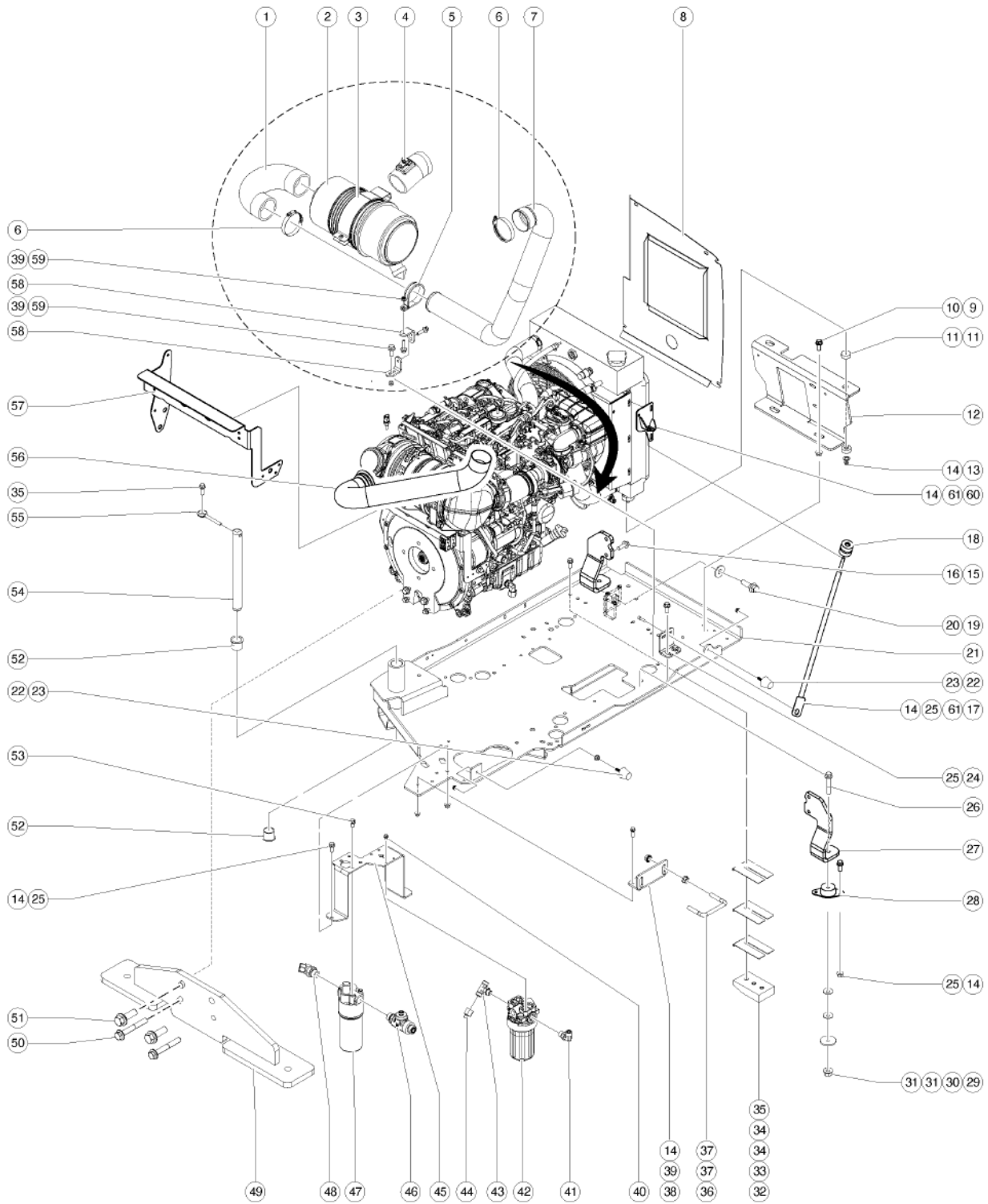
511.1 Deutz TD 2.2 L3 - View 3



Item	Part No.	Description	Qty.
A		Due to Stage V regulations, many engine replacement parts require the engine serial number at time of order placement. When ordering engine parts please have both machine and engine serial numbers available. For internal engine parts, contact engine dealer	
1	1257837GT	SCREW,HHC,M10-1.5X65,DIN931,10.9,ZAB	1
2	70381GT	COVER,FLYWHEEL CASTING	
3	825351GT	SCREW,HHC,M10-1.5X20,DIN933,10.9,ZAB	
4	128004GT	COUPLER,15 TOOTH,FBA,SAE8***	1
5	21465GT	CLAMP,HOSE,SIZE .25 TO .63	3
6	824600GT	HOSE,HEATER,1/4"	15
7	22672GT	CLAMP,HOSE,1.75	2
8	1289228GT	HOSE, UPPER RADIATOR, TD 2.2	1
9	30348GT	CLAMP,HOSE,1.00	2
10	1289231GT	HOSE, EXPANSION TNK,TD 2.2	1
11	1291703GT	ASSEMBLY, RADIATOR AND SHROUD, TD 2.2	1
12	119219GT	TRIM,EDGE,1/8X3/4 END BULB	67
13	218715GT	SENSOR,COOLANT LEVEL, DEUTZ	1
14	35434GT	CLAMP,HOSE,2.00***	2
15	1289229GT	HOSE, LOWER RADIATOR, TD 2.2	1
16	822606-5000GT	TUBING,VINYL,3/8" CLEAR, 50"	1



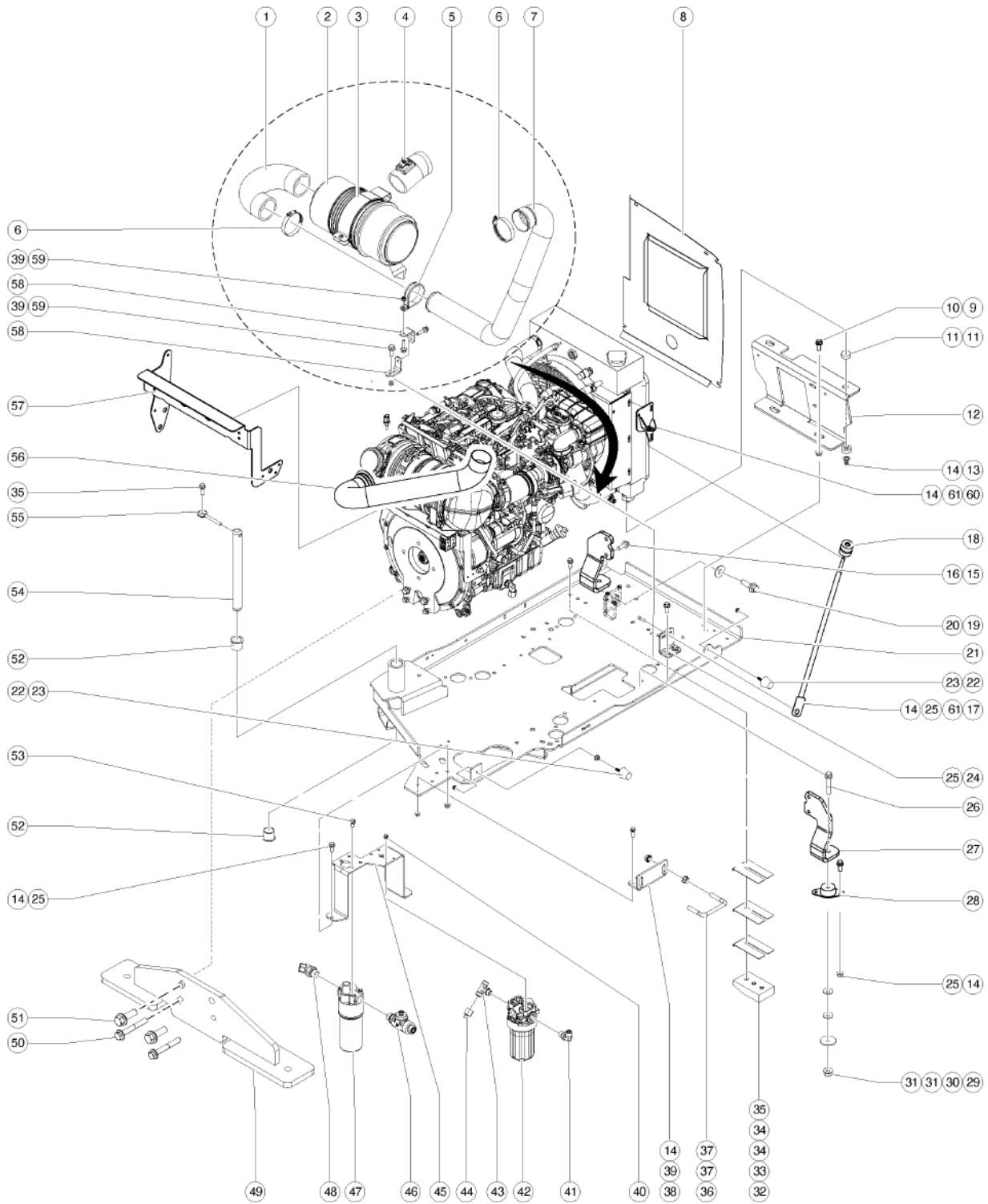
512.1 Deutz TD 2.2 L3, Engine Tray - View 4



Item	Part No.	Description	Qty.
A		Due to Stage V regulations, many engine replacement parts require the engine serial number at time of order placement. When ordering engine parts please have both machine and engine serial numbers available. For internal engine parts, contact engine dealer	
1	1297361GT	HOSE, AIR INTAKE, 2.50" I.D	1
2	63463GT	AIR CLEANER,NELSON***	1
3	53952GT	BRKT,AIR CLEANER ORIENTATION**	1
4	1294148GT	HOSE, RAW AIR INTAKE, 2.50" I.D.	1
5	101626GT	CLAMP,2.5,#40 X 1/4,RUB CUSH	1
6	30971GT	CLAMP,HOSE,3.00"	2
7	1293910GT	PIPE, AIR INTAKE TO TURBO, TD 2.2L	8
8	1302286GT	WELDMENT, BAFFLE, S65XC	1
9	1253208GT	SCREW,HHF,5/8-11X1.5,8,ZAG	2
10	1283007GT	NUT,NYLOCK FLG,5/8-11,F,ZAG	2
11	24038GT	SHOCK MOUNT,SMALL	4
12	1294147GT	FORMING, RADIATOR MOUNT	1
13	824121GT	WASHER,FLAT,.688X1.160X.09,HRD	2
14	1274322GT	NUT,NYLOCK FLG,3/8-16,G,ZAG	10
15	231511GT	SCREW,HHF,M12-1.75X35,DIN6921,10.9,ZAB	4
16	1293903GT	FORMING, RIGHT ENGINE MOUNT	1
17	1302948GT	WELDMENT, STRUT, STRAIGHT ROD, STAGE V	2
18	1301742GT	ISOLATOR, RADIATOR, 80 LB	2
19	1256126GT	SCREW,HHF,5/8-11X2,8,ZAG	1
20	824115GT	WASHER,FLAT,5/8,USS,ZAG	1
21	1283145GT	WELDMENT, ENGINE TRAY WITH BEARINGS	1
22	1261277GT	BUMPER, RUBBER, 1.25 X 1.25 IN	2
23	1255805GT	NUT,SERRATED,5/16-18,8,ZAG	3
24	1293907GT	FORMING, FAN SHROUD STRUT MOUNT Right Side	1
24	1291076GT	FORMING,FAN SHROUD STRUT MOUNT Left Side	1
25	824090GT	SCREW,HHF,3/8-16X1,8,ZAG	6



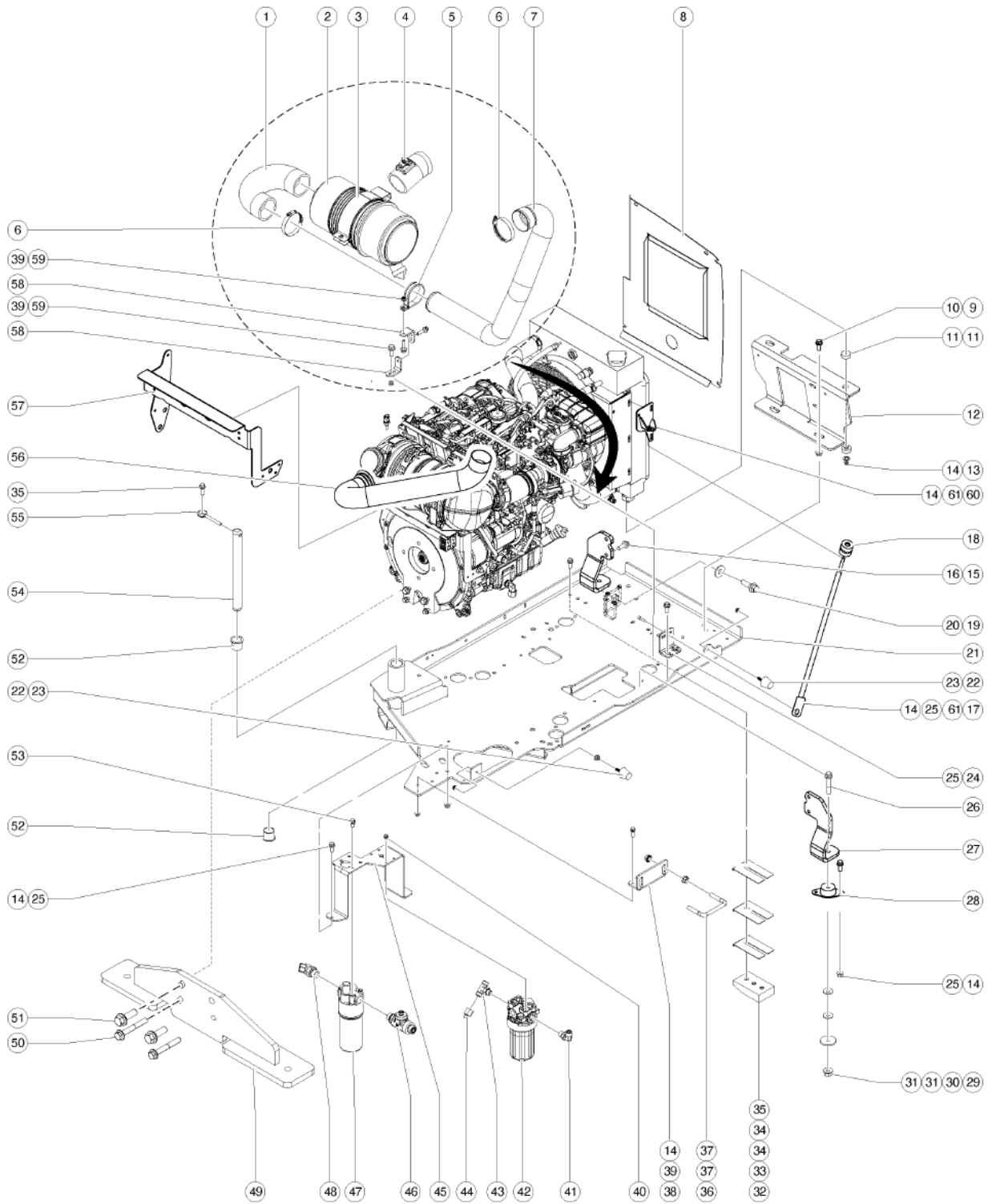
512.1 Deutz TD 2.2 L3, Engine Tray - View 4



Item	Part No.	Description	Qty.
26	1251994GT	SCREW,HHF,1/2-13X3,8,ZAG	4
27	1293902GT	FORMING, LEFT ENGINE MOUNT	1
28	70452GT	ISOLATOR,ENGINE VIBRATION***	4
29	1274172GT	NUT,NYLOCK FLG,1/2-13,G,ZAG	4
30	1256283GT	WASHER,FLAT,,5X2.25X.188,ZAG	4
31	1255760GT	WASHER,FLAT,1/2,USS,ZAG	8
32	81522GT	WEAR PAD,ENGINE TRAY	1
33	38621GT	SHIM,PAD,5 X 3	1
34	34344GT	SHIM,SIDE PAD 16GA. 3 X 5	2
35	824091GT	SCREW,HHF,3/8-16X1.25,8,ZAG	8
36	1259855GT	UBOLT, 0.4724 IN D X 4.0 IN L	1
37	1261724GT	NUT,SERRATED,1/2-13,8,ZAG	4
38	1260174GT	FORMING, ENGINE TRAY LATCH	1
39	824079GT	SCREW,HHF,1/4-20X1,8,ZAG	6
40	1256855GT	SCREW,HHF,1/4-20X.625,8,ZAG	4
41	48932GT	FITTING,ELBOW,90D,520220-8***	1
41-	53502GT	O-RING-8	
41-	56235GT	O-RING,ORFS,-8	
42	1267807GT	ASSEMBLY, MED. PRESS. FILTER, SAE8	1
43	48936GT	TEE,BRANCH,520429-8	1
44	48941GT	REDUCER,520123-8-4	1
45	1280862GT	FORMING, BRACKET, FILTER MOUNT	1
46	1279568GT	TEE, RUN, 12-12-6 WITH CHECK	1
47	60334GT	FILTER ASSY,HIGH PRESS SAE-12*	1
48	48963GT	FITTING,ELBOW,45D,520320-12***	1
49	1293919GT	WELDMENT, REAR ENGINE, MOUNT	1
50	826008GT	SCREW,HHF,M10-1.5X75,DIN6921,1	2
51	1253498GT	SCREW,HHF,1/2-13X1.5,8,ZAG	2

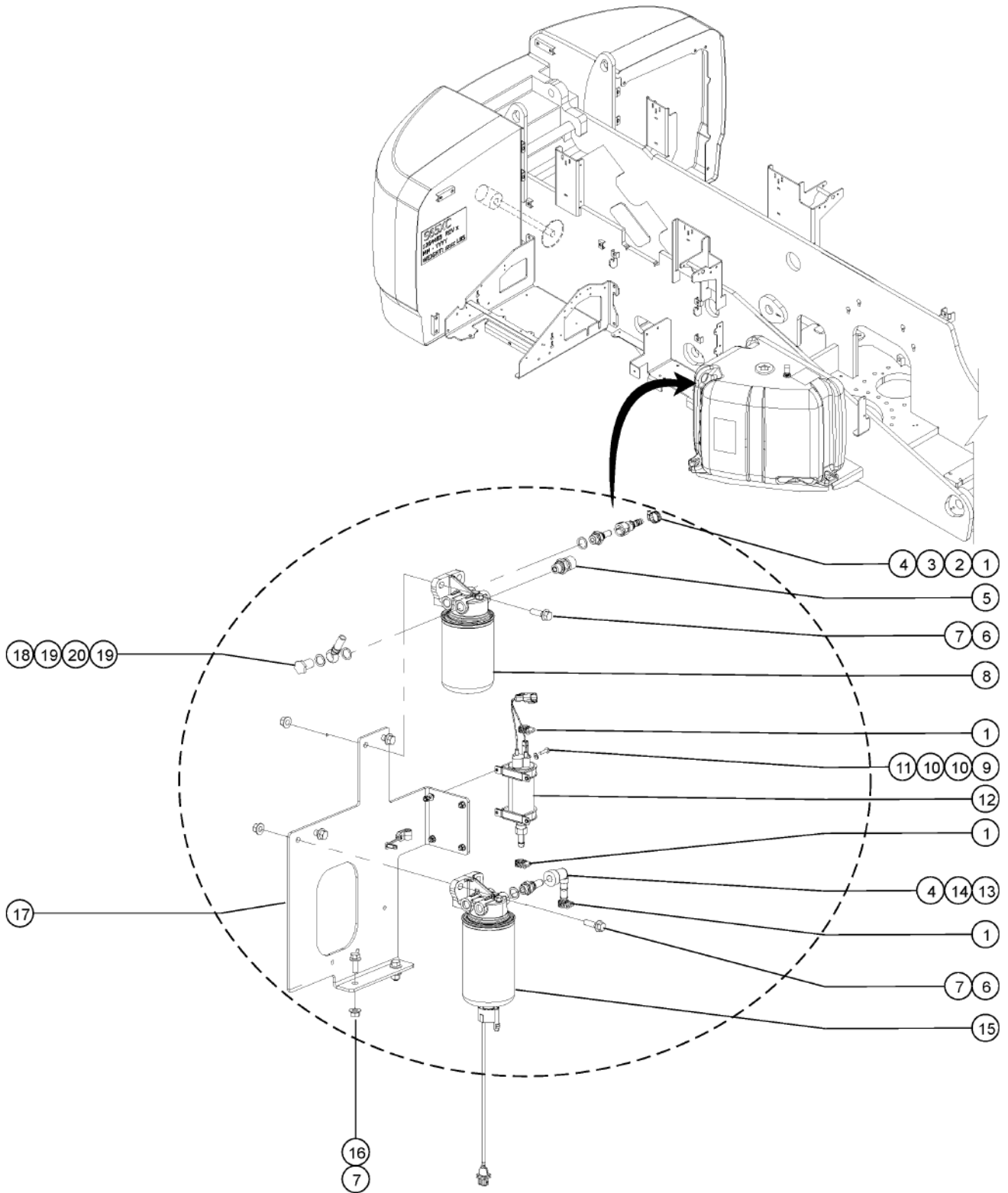


512.1 Deutz TD 2.2 L3, Engine Tray - View 4



<i>Item</i>	<i>Part No.</i>	<i>Description</i>	<i>Qty.</i>
52	35675GT	BEARING,FL,1.25IDX1.5ODX1.25L	2
53	824089GT	SCREW, HHF, 3/8-16 X .75, 8, ZAG	4
54	81724GT	PIN,1.25 X 13.25 IN,CHAMFER	1
55	825019GT	ROD END, .375X3.69, ZAG	1
56	1293913GT	PIPE, EXHAUST, DEUTZ TD 2.2L	1
57	1296807GT	FORMING, POS CABLE HARN.BRACKET	1
58	1293911GT	FORMING, CLAMP AIR INTAKE PIPE, Z45XC TD 2.2L	2
59	1277924GT	NUT,NYLOCK FLG,1/4-20,F,ZAG	4
60	1301569GT	WELDMENT, STAGE V, STRUT BRACKET Right Side	1
60	1301138GT	WELDMENT, STAGE V, STRUT BRACKET Left Side	1
61	824120GT	WASHER,FLAT,.375X1.50X.125,ZAG	6

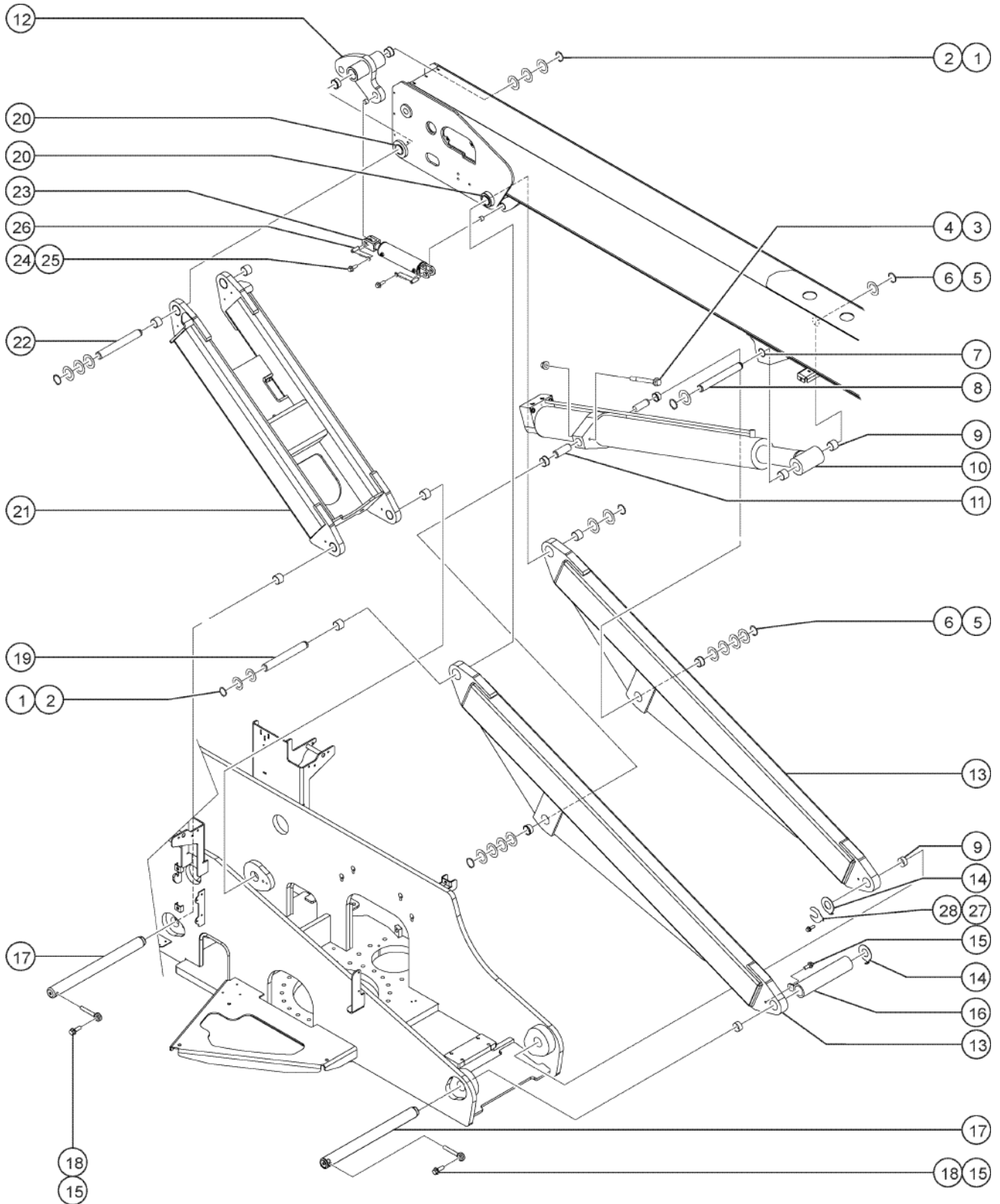
513.1 Deutz TD 2.2 L3, Fuel System - View 5



Item	Part No.	Description	Qty.
A	823420-700GT	HOSE ASSEMBLY - 1/2" FUEL GATES,90 FEM,90 FEM,111"	
B	823420-11500GT	HOSE,FUEL,3/8,GATES RLA, 115"	
C	823421-2100GT	HOSE, PRE-FILTER TO PUMP, 21"	
D	823421-1400GT	HOSE,FUEL,1/2,GATES RLA, 14"	
E	1299663-11100GT	HOSE ASSEMBLY - 1/2" FUEL GATES,90 FEM,90 FEM,111"	
1	81154GT	CLAMP,HOSE,SIZE .31 > .91	5
2	1259102GT	CONNECTOR,SAE10,QUICK CON,STR	1
3	1297494GT	FITTING, DEUTZ SAE-J-2044, D10mm	1
4	1297495GT	WASHER, SHIM, 16.2X22X1.5, AL	3
5	824673GT	SENSOR, PRESSURE,DEUTZ 2.9	1
6	824091GT	SCREW,HHF,3/8-16X1.25,8,ZAG	4
7	1274322GT	NUT,NYLOCK FLG,3/8-16,G,ZAG	6
8	1261236GT	ASSY,FUEL FILTER,DEUTZ 2.9	1
9	824215GT	SCREW,PHPM,10-32X.75,ZAG	4
10	1253185GT	WASHER,FLAT,#10,USS,ZAG	8
11	6178GT	NUT,NYLOCK,10-32	4
12	214691GT	FUEL LIFT PUMP, DEUTZ D 2.9	1
13	1293433GT	CONNECTOR, SAE12, QUICK CONNECT	2
14	1297493GT	FITTING, DEUTZ SAE-J-2044, D12mm	2
15	214229GT	FILTER, DEUTZ D2.9, FUEL/WATER	1
16	824090GT	SCREW,HHF,3/8-16X1,8,ZAG	2
17	1293915GT	FORMING,FUEL FILTER BRACKET	1
18	1255399GT	BOLT,BANJO,DEUTZ,QC	1
19	1255400GT	WASHER,COPPER,DEUTZ,QC	2
20	1255396GT	FITTING,FUEL,1/2,D2.9,QC	1



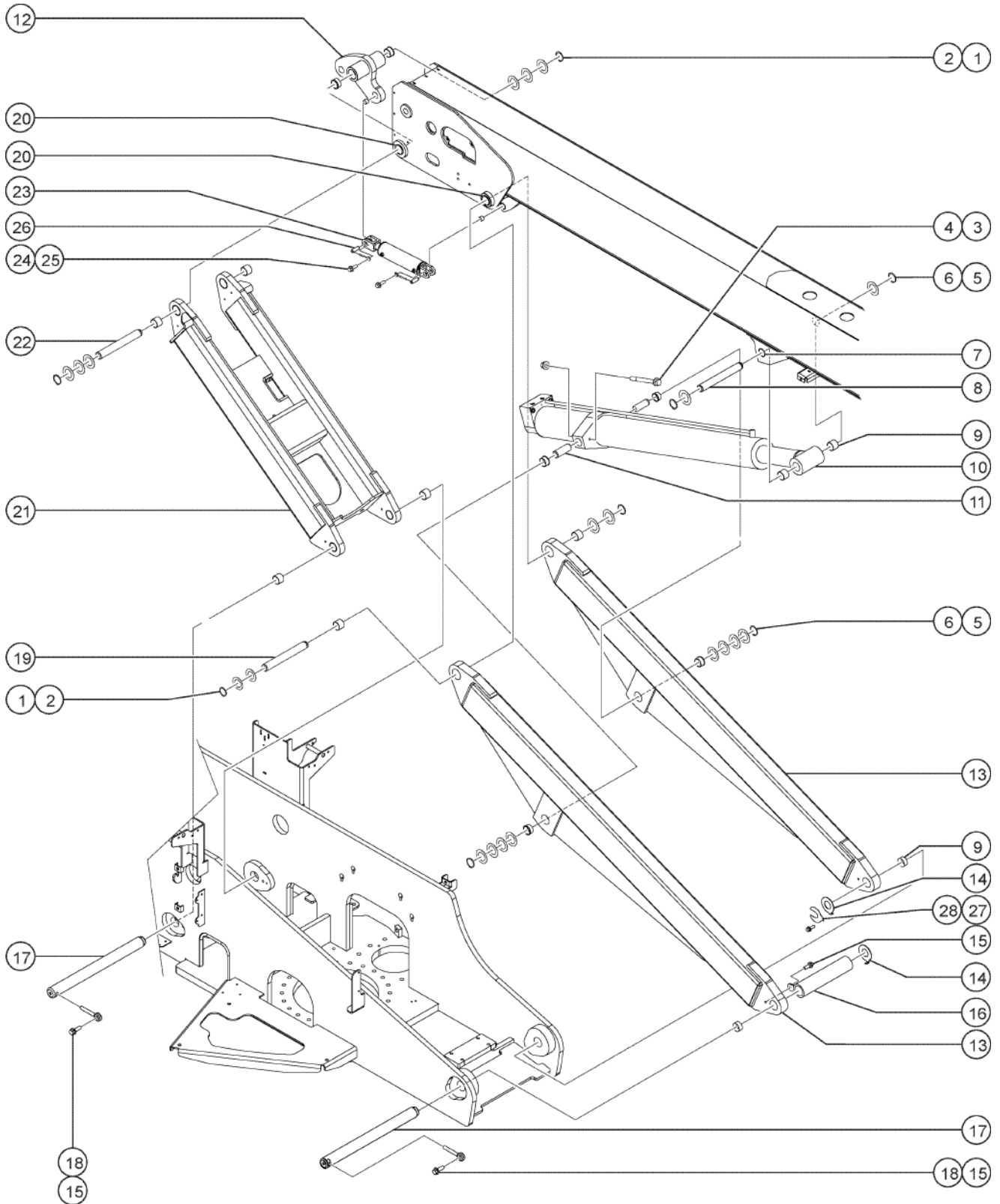
601.1 Linkage Assembly - View 1



Item	Part No.	Description	Qty.
1	1254639GT	SNAP RING,EXTERNAL,2.25,ZAG	4
2	1257080GT	WASHER,FLAT,2.27X3.5X.06,ZAG	10
3	1256107GT	SCREW,HHC,1/2-13X4.5,8,ZAG	2
4	1274172GT	NUT,NYLOCK FLG,1/2-13,G,ZAG	2
5	1253815GT	SNAP RING,EXTERNAL,2.00,ZAG	4
6	1256864GT	WASHER,FLAT,2.01X3.5X.06,ZAG	10
7	18720GT	BEARING,2.0IDX2.25ODX1.50L	2
8	88872GT	PIN,2.00DIAX11.18LG,2RING	1
9	42014GT	BEARING,2.00IDX2.25ODX2.00L	2
10	1276386GT	CYLINDER, LIFT, S60/65XC (Includes bearing part 42014GT)	1
10-	1281936GT	SEAL KIT, CYLINDER LIFT	
10-	1273414GT	VALVE,COUNTERBALANCE,CBCB-LHN 3500 V1, (Extend)	
10-	75064GT	VALVE, COUNTERBALANCE, CWCG-LGN.5000 V2, (Extend)	
10-	60984GT	VALVE COUNTERBAL.CBBB-LJN@5000 V3, (Retract)	
10-	1296573GT	CYLINDER SERVICE CHOCK (for inspection purpose)	
11	1276428GT	PIN, LIFT CYL, 2.00DIAX,5.1LG, 1 RING, 2 HOLES	2
12	1276495GT	ASSY,WELDMENT TIMING LINK CAM WITH BEARINGS	1
12-	119619GT	BEARING,1.5IDX1.75ODX1.5L,PTFE	2
12-	88919GT	BEARING,FL,2.25IDX2.50ODX1.63L	2
13	1276504GT	ASSY,WELDMENT LONG LINK WITH BEARINGS S60/65-XC	2
13-	106042GT	BEARING,2.25IDX2.50ODX2.00L	1
13-	42014GT	BEARING,2.00IDX2.25ODX2.00L	1
13-	1276424GT	BEARING,FL,2.00IDX2.25ODX.84L	2
14	1276456GT	FORMING, LINK THRUST WASHER To S/N S65XCM-239; From S/N S65XCM-241 to S/N S65XCM-306	2
15	1253498GT	SCREW,HHF,1/2-13X1.5,8,ZAG	3
16	1276505GT	WELDMENT, LONG LINK SPACER S60/65-XC	1
17	88676GT	PIN,2.00DIAX24.00LG,CHAMFER***	2
18	1256267GT	ROD END,.5 X 3.75,ZAG	2



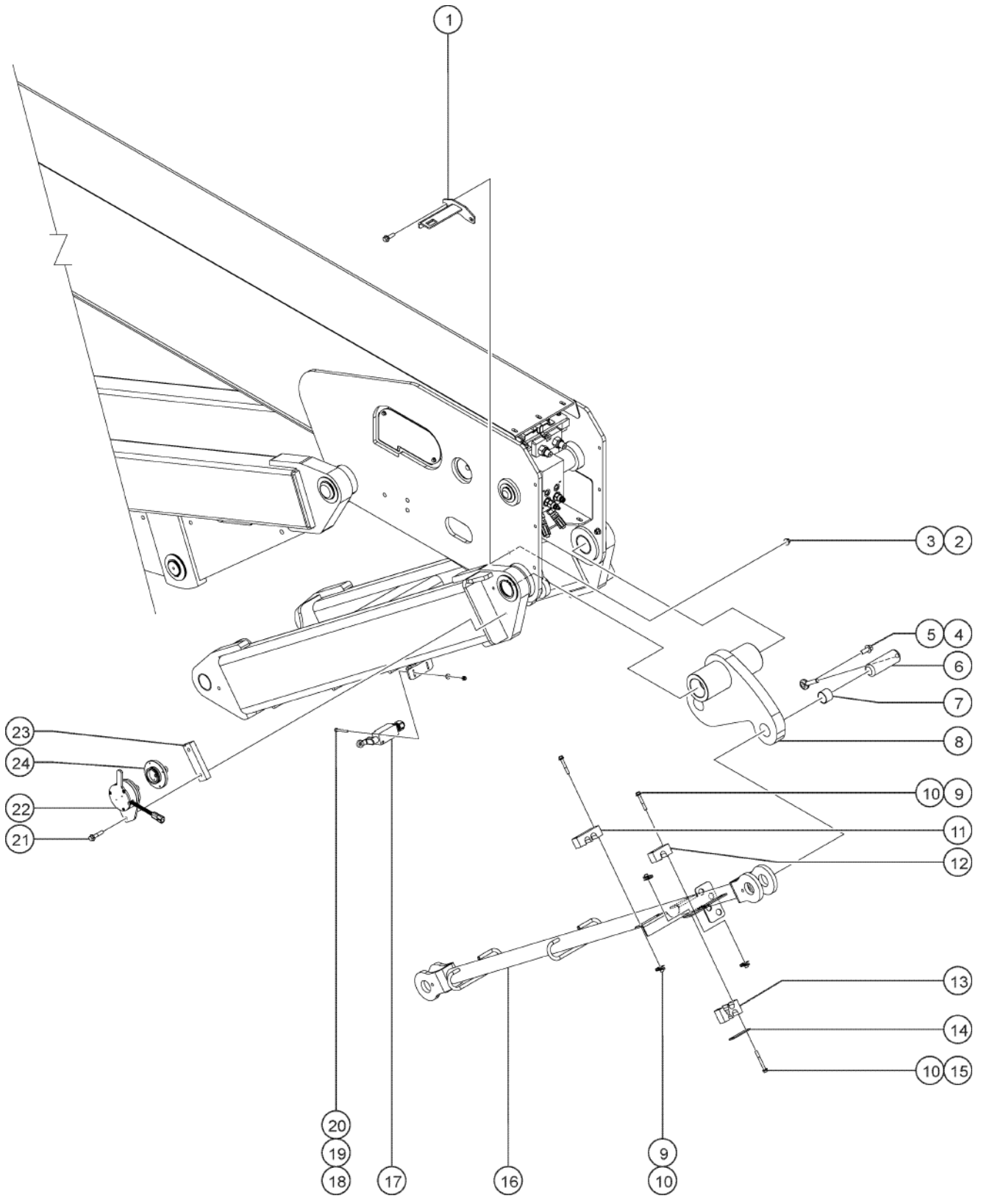
601.1 Linkage Assembly - View 1



Item	Part No.	Description	Qty.
19	1276426GT	PIN,2.25 X 19.50LG, 2 RING	1
20	88919GT	BEARING,FL,2.25IDX2.50ODX1.63L	4
21	1276503GT	ASSY,WELDMENT SHORT LINK WITH BEARINGS, S60/65-XC	1
21-	18720GT	BEARING,2.0IDX2.25ODX1.50L	2
21-	18722GT	BEARING,2.25IDX2.50ODX1.50L ***	2
22	1276425GT	PIN,2.250 X 18.0,2 RINGS,2 HOLE	1
23	1272976GT	CYLINDER, MASTER	1
23-	1279050GT	SEAL KIT, CYLINDER, MASTER	
24	824090GT	SCREW,HHF,3/8-16X1,8,ZAG	2
25	1255452GT	ROD END,.375 X 2.25,ZAG	2
26	81599GT	PIN, 1.5DIA X 4.38LG,1HOLE	2
27	1262688GT	SHIM, HORSESHOE, 2.00 From S/N S65XCM-307; For S/N S65XCM-240	2
28	824089GT	SCREW, HHF, 3/8-16 X .75, 8, ZAG From S/N S65XCM-307; For S/N S65XCM-240	2



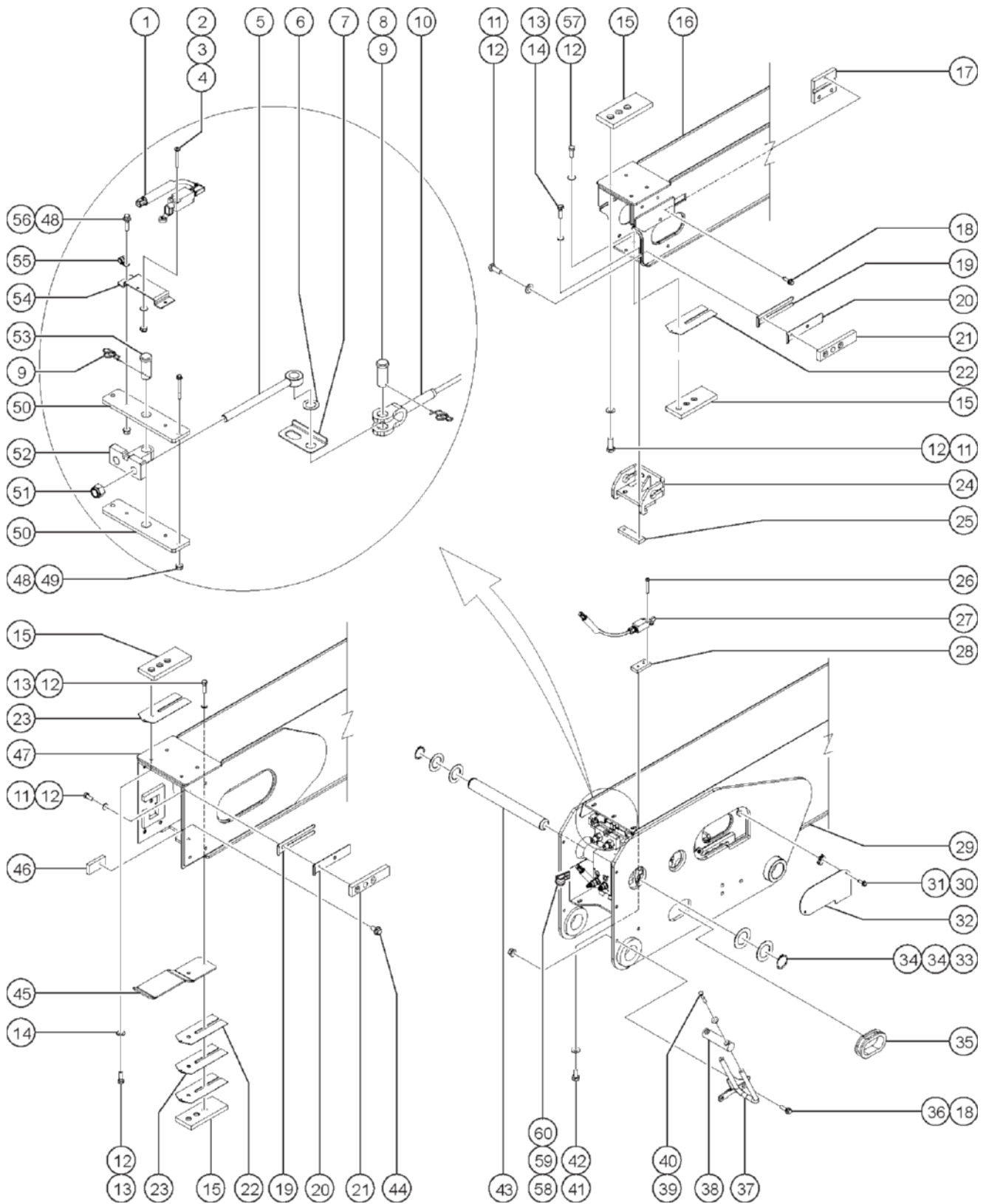
602.1 Linkage Assembly - View 2



Item	Part No.	Description	Qty.
1	1276510GT	WELDMENT,SENSOR RETAINER,PRIMARY	1
2	1274322GT	NUT,NYLOCK FLG,3/8-16,G,ZAG	2
3	824091GT	SCREW,HHF,3/8-16X1.25,8,ZAG	2
4	824090GT	SCREW,HHF,3/8-16X1,8,ZAG	2
5	1255452GT	ROD END,.375 X 2.25,ZAG	2
6	81599GT	PIN, 1.5DIA X 4.38LG,1HOLE	2
7	119619GT	BEARING,1.5IDX1.75ODX1.5L,PTFE	1
8		Ref: WELDMENT, TIMING LINK CAM S65-XC, Linkage Assembly Refer to 601.1	
9	824082GT	SCREW,HHF,1/4-20X1.75,8,ZAG	4
10	56912GT	SPRING CLIP,1/4-20,.025-.15X.5	6
11	1276454GT	CLAMP, TIMINGLINK, RH	1
12	1276455GT	CLAMP, TIMINGLINK, LH	1
13	1280841GT	CLAMP, TIMINGLINK, LH	1
14	1276464GT	BAR CLAMP TIMINGLINK	1
15	1257866GT	SCREW,HHF,1/4-20X2.25,8,ZAG	2
16	1276507GT	WELDMENT,MASTER LINK S65-XC	1
16-	48875GT	TEE,RUN,SWIVEL,520432-6	
16-	56352GT	NUT,BULKHEAD,520118-6	
17		Ref. HARNESS, LST3S, BOOM DOWN LIMIT SWITCH Refer to 311.1	1
17-	88356-11103GT	SWITCH,LIMIT,W/RLR ARM,NO/NC**	
17-	119056GT	CONN PLUG 2 WAY ENDCAP DT	
17-	73814GT	CONN,DSCH,BOOT,DT2S-BT	
18	1256177GT	SCREW,PHPM,10-32X1.75,ZAG	2
19	1253185GT	WASHER,FLAT,#10,USS,ZAG	2
20	6178GT	NUT,NYLOCK,10-32	2
21	824093GT	SCREW,HHF,3/8-16X1.75,8,ZAG	2
22	1276511GT	ASSEMBLY,ROTARY SENSOR,BOOM ANGLE S60/65-XC	1



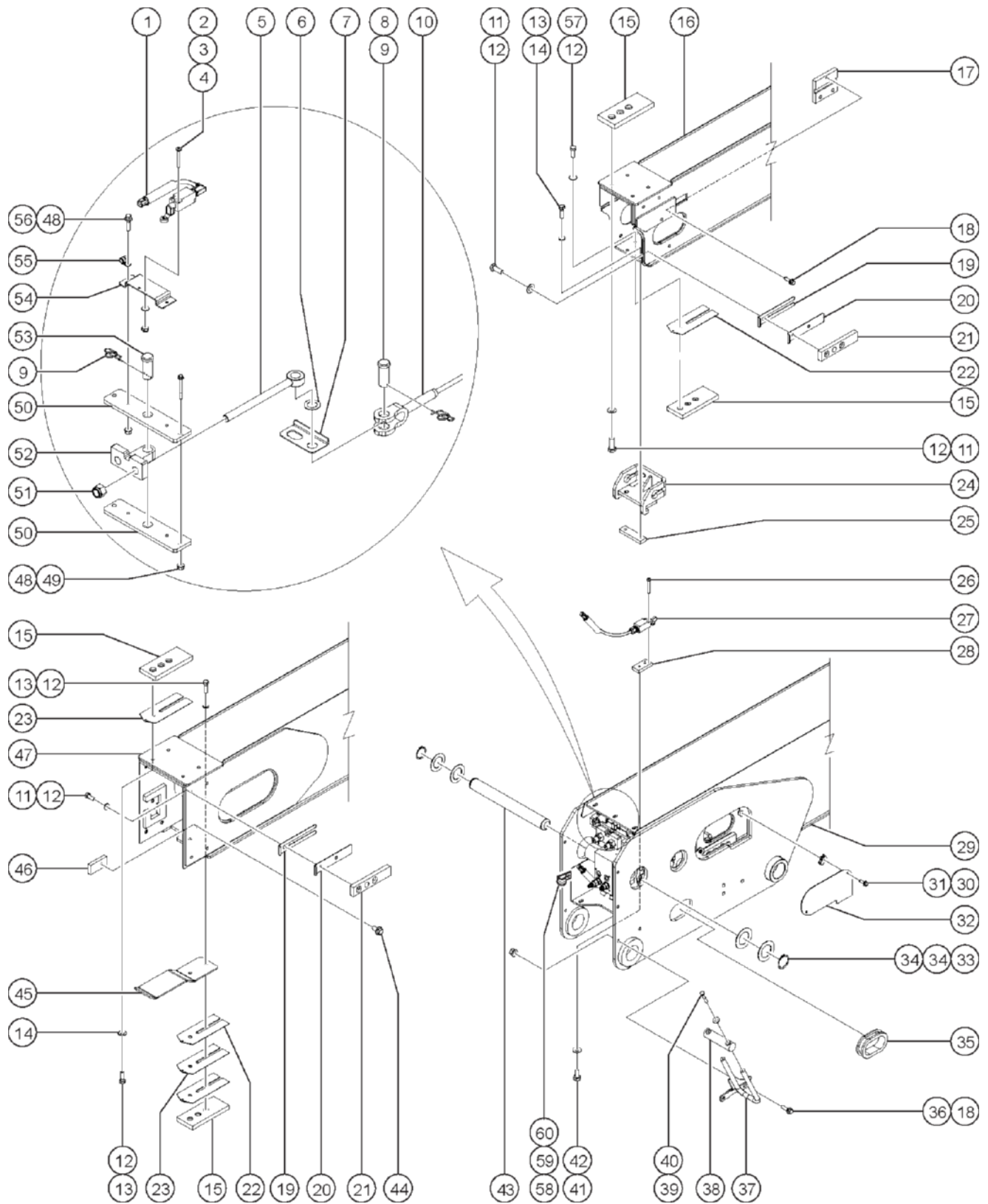
603.1 Boom Components - View 1



Item	Part No.	Description	Qty.
1		Ref : HARNESS, LSB2S, S80/85 Refer to 311.1	1
1-	88356-13107GT	SWITCH,LIMIT,TABULATE,BLUE	
1-	119065GT	CONN,RECEP 2 WAY ENDCAP DT	
1-	97128GT	ROLLER ARM,LIMIT SWITCH***	
2	824216GT	SCREW,PHPM,10-32X1.5,ZAG	2
3	1253185GT	WASHER,FLAT,#10,USS,ZAG	2
4	6178GT	NUT,NYLOCK,10-32	2
5	77656GT	ROD END,CABLE	2
6	1256119GT	WASHER,SHIM,1.01X1.63X.062,ZAG	2
7	77618GT	PLATE,ANTIROTATION	1
8	824127GT	PIN,CLEVIS,1.0X2.41,SAE,ZAG	2
9	824129GT	RUE RING,1.0,ZAG	3
10	88569GT	CABLE ASSEMBLY,EXTEND***	2
11	824067GT	SCREW,HHC,3/8-16X1,8,ZAG	20
12	826793GT	WASHER,FLAT,3/8,SAE,HRD,ZAG	30
13	824068GT	SCREW,HHC,3/8-16X1.25,8,ZAG	8
14	824110GT	WASHER,LOCK,3/8,ZAG	2
15	1276021GT	WEAR PAD,7 X 3 X .625 W/INSERT	7
16	1276490GT	WELDMENT.BOOM SECTION # 3	1
17	77616GT	PLATE,BOTTOM BLOCK	2
18	824091GT	SCREW,HHF,3/8-16X1.25,8,ZAG	6
19	1276017GT	SHIM,WEAR PAD,7 X 1.5,16GA	8
20	1276018GT	SHIM,WEAR PAD,7 X 1.5,14GA	8
21	1276019GT	WEAR PAD,7 X 1.5 X .625 W/INSERT	8
22	60840GT	SHIM,WEAR PAD,7 X 3,16GA	3
23	60304GT	SHIM,WEAR PAD,7 X 3,12GA	4
24	77688GT	WELDMENT,EXTENSION BRACKET	1
25	77713GT	PLATE,TAP BLOCK To SN S65XCM-200	1



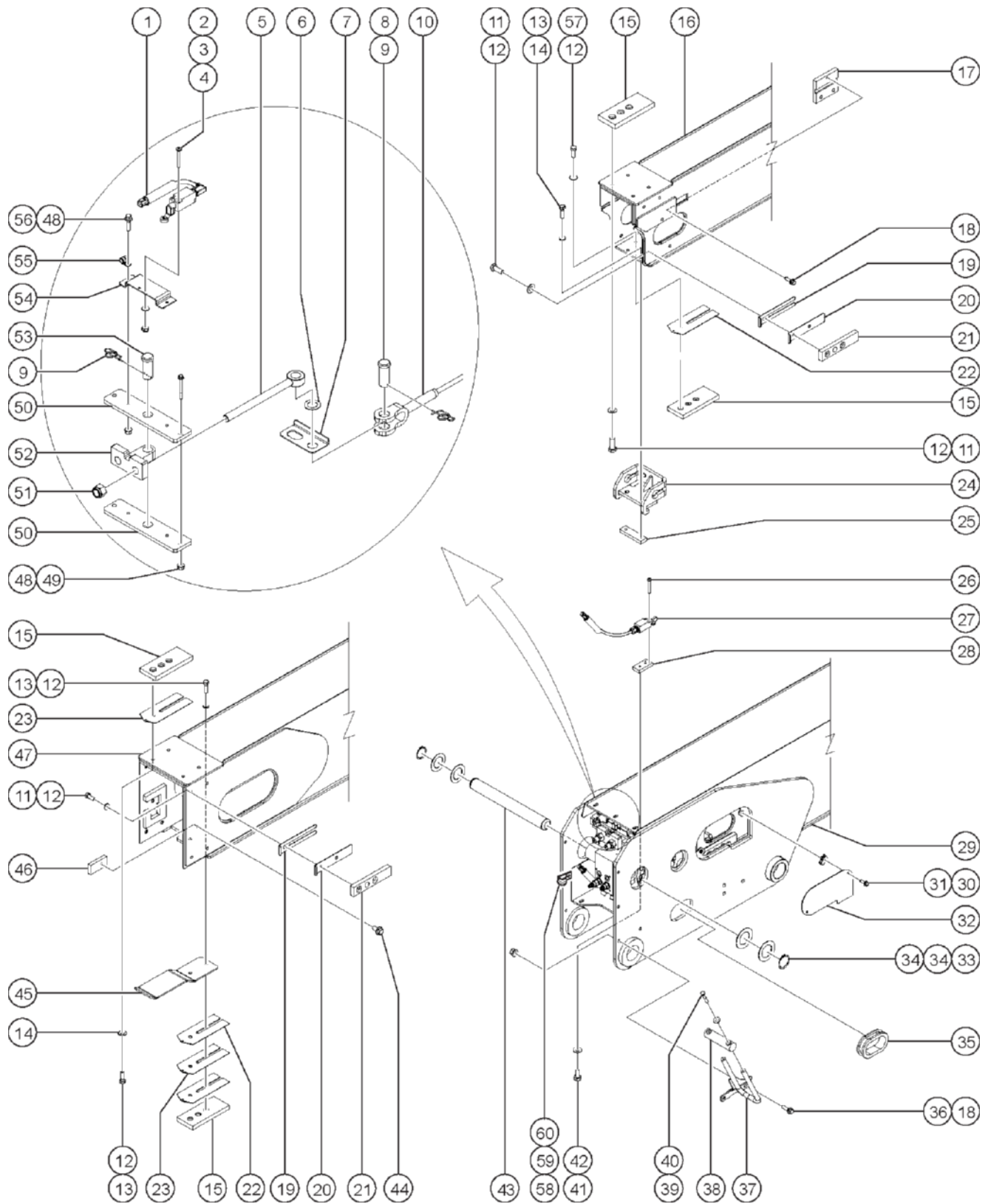
603.1 Boom Components - View 1



Item	Part No.	Description	Qty.
26	51063GT	SCREW,PHILLIPS,RHM,10-32 X 1.5	2
27		REF. HARNESS, LSB1RS, S80/85	1
		Refer to 311.1	
27-	88356-32163GT	SWITCH,LIMIT,TABULATED,BLUE	
27-	97232GT	CONTACTOR-LIMIT SWITCH**	
27-	97128GT	ROLLER ARM,LIMIT SWITCH***	
27-	110650GT	CONN. SQZ PG11 .30-.40 W/ORING	
28	1283538GT	TAP BLOCK, LIMIT SWITCH	1
29	1276492GT	WELDMENT.BOOM SECTION # 1***	1
30	824078GT	SCREW,HHF,1/4-20X.75,8,ZAG	4
31	56912GT	SPRING CLIP,1/4-20,.025-.15X.5	4
32	77882GT	COVER,RH,BOOM SECTION #1	2
33	825796GT	SNAP RING,EXTERNAL,1.50,ZAG	2
34	1251565GT	WASHER,SHIM,1.56X2.5X0.061,ZAG	4
35	71768GT	GROMMET,4.00 GRV. X .75 THK	1
36	1274322GT	NUT,NYLOCK FLG,3/8-16,G,ZAG	2
37	1276468GT	WELDMENT, BOOM HOSES AND CABLES GUIDE, S65XC	1
38	1276482GT	ROLLER, BOOM HOSES & CABLES GUIDE, S65XC	1
39	824062GT	SCREW,HHC,1/4-20X1.5,8,ZAG	2
40	824113GT	WASHER,FLAT,1/4,USS,ZAG	2
41	1256464GT	SCREW,HHC,5/16-18X.75,8,ZAG	2
42	825358GT	WASHER,FLAT,5/16,USS,ZAG	2
43	81856GT	PIN,1.50DIAX13.43LG,2RING	1
44	824089GT	SCREW, HHF, 3/8-16 X .75, 8, ZAG	2
45	1276453GT	FORMING,LS RAMP	1
46	88795PGT	CAP,EXTENSION,PAINTED	2
47	1276491GT	WELDMENT.BOOM SECTION # 2***	1
48	1277924GT	NUT,NYLOCK FLG,1/4-20,F,ZAG	4
49	824083GT	SCREW,HHF,1/4-20X2.5,8,ZAG	2



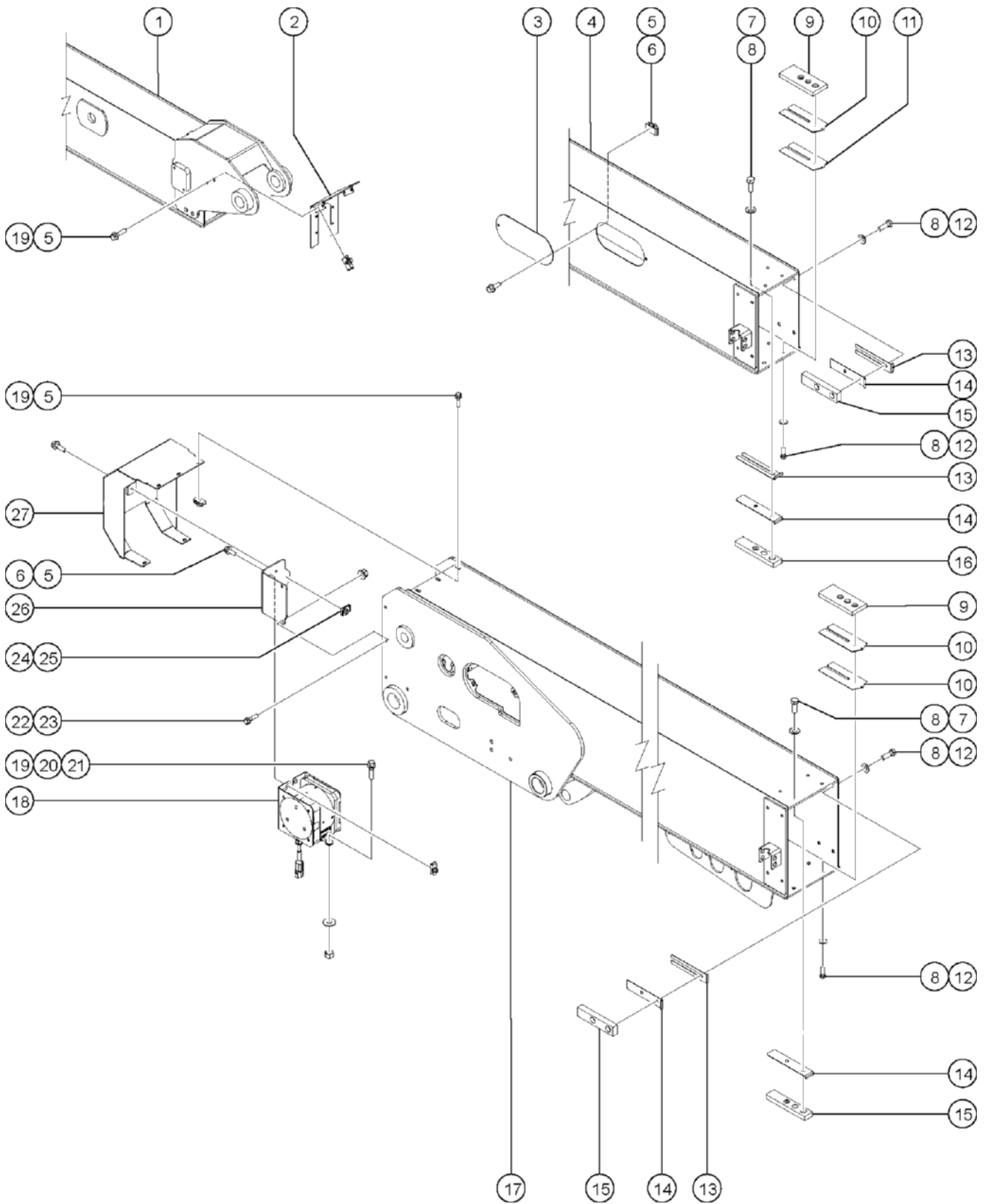
603.1 Boom Components - View 1



<i>Item</i>	<i>Part No.</i>	<i>Description</i>	<i>Qty.</i>
50	77654GT	PLATE,ROCKER	2
51	77051GT	NUT,NYLOCK,3/4-10,GRD.8	2
52	77657GT	WELDMENT,PIVOT PLATE	1
53	826379GT	PIN,CLEVIS,1X2.250,ZAG	1
54	77653GT	FORMING,LIMIT SWITCH BRACKET	1
55	6833GT	CLAMP,0.50,#8 X 1/4,RUB CUSH	1
56	824079GT	SCREW,HHF,1/4-20X1,8,ZAG	2
57	826791GT	SCREW,HHC,3/8-16X.875,8,ZAG	4
58	45454GT	CLAMP,RUB CUSH,0.75,#12 X 3/8*	1
59	824057GT	FORMING, FUEL HOSE BRACKET	1
60	824028GT	NUT,TL FLG,5/16-18,G,ZAG	1



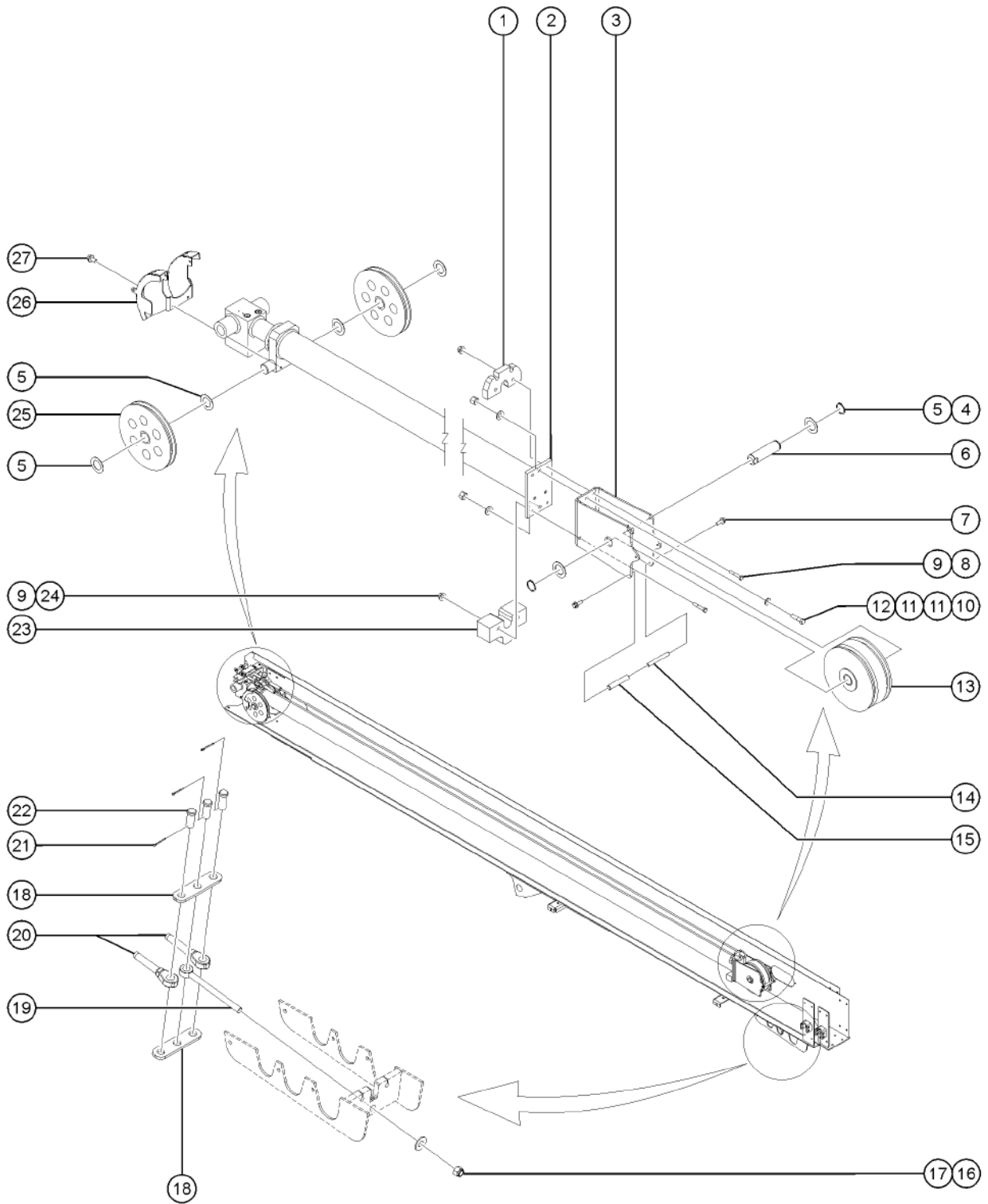
604.1 Boom Components - View 2



Item	Part No.	Description	Qty.
1		Ref : WELDMENT.BOOM SECTION # 3 Refer to 603.1	
2	1276396GT	COVER.DEBRIS #3 BOOM	1
3	77884GT	COVER,BOOM SECTION #2	2
4		Ref : WELDMENT.BOOM SECTION # 2*** Refer to 603.1	
5	56912GT	SPRING CLIP,1/4-20,.025-.15X.5	17
6	824078GT	SCREW,HHF,1/4-20X.75,8,ZAG	8
7	824067GT	SCREW,HHC,3/8-16X1,8,ZAG	8
8	826793GT	WASHER,FLAT,3/8,SAE,HRD,ZAG	32
9	1276021GT	WEAR PAD,7 X 3 X .625 W/INSERT	4
10	60304GT	SHIM,WEAR PAD,7 X 3,12GA For Hostile Environment Package Option buy P/N 1287511, quantity 8	6
11	60840GT	SHIM,WEAR PAD,7 X 3,16GA For Hostile Environment Package Option buy P/N 1287511, quantity 8	2
12	824068GT	SCREW,HHC,3/8-16X1.25,8,ZAG	24
13	1276017GT	SHIM,WEAR PAD,7 X 1.5,16GA	12
14	1276018GT	SHIM,WEAR PAD,7 X 1.5,14GA	12
15	1273674GT	WEAR PAD,7 X 1.5 X .875 W/INSERT	10
16	1276019GT	WEAR PAD,7 X 1.5 X .625 W/INSERT	2
17		Ref : WELDMENT.BOOM SECTION # 1*** Refer to 603.1	
18	1278666GT	LENGTH TRANSDUCER, 400 IN, CAN ID 47	1
19	824079GT	SCREW,HHF,1/4-20X1,8,ZAG	10
20	824113GT	WASHER,FLAT,1/4,USS,ZAG	1
21	1274165GT	NUT,NYLOCK,1/4-20,C,ZAG	1
22	824087GT	SCREW,HHF,5/16-18X1.25,8,ZAG	2
23	1274167GT	NUT,NYLOCK FLG,5/16-18,F,ZAG	2
24	29868GT	SPRING CLIP,3/8-16,.05-.20X.73,ZAG	1
25	824091GT	SCREW,HHF,3/8-16X1.25,8,ZAG	1
26	1276509GT	WELDMENT,STRING POT MOUNT S60/65-XC	1
27	1276508GT	WELDMENT, COVER, PRIMARY BOOM, S60/65-XC	1



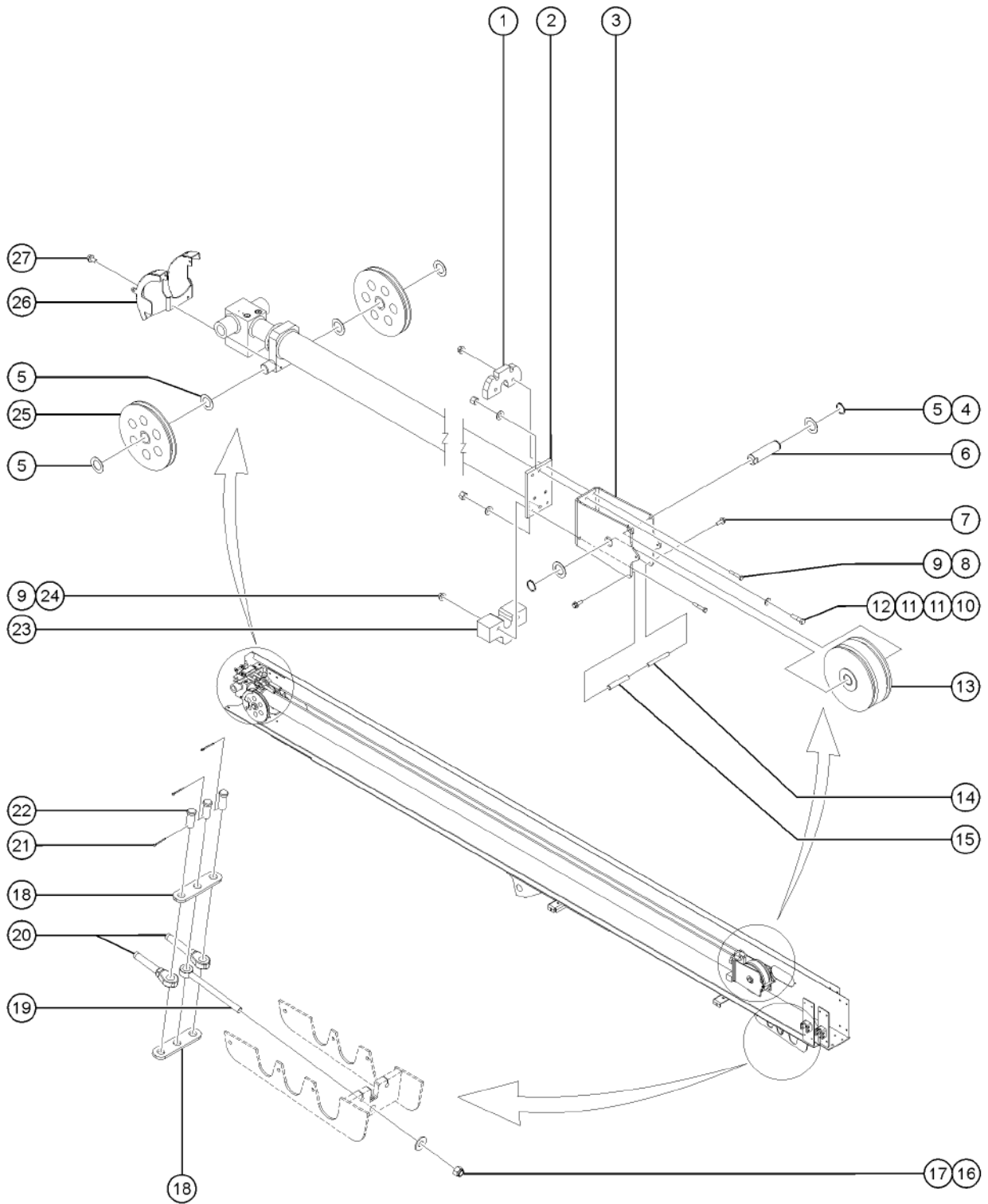
605.1 Boom Components - View 3



Item	Part No.	Description	Qty.
1	139385GT	GUIDE, EXT CABLE, TOP	1
2	1276413GT	CYLINDER, PRIMARY EXTENSION, S-65 XC	1
2-	1284093GT	SEAL KIT, CYLINDER PRIMARY EXTENSION	
2-	1281963GT	VALVE, COUNTERBALANCE, CACA-LHN-1500 V1, (Extend)	
2-	1274315GT	VALVE, COUNTERBALANCE, CABG-LHN@1200 4.5:1 V2, (Retract)	
3	139384GT	BRACKET, EXTEND SHEAVE	1
4	825796GT	SNAP RING,EXTERNAL,1.50,ZAG	2
5	1251565GT	WASHER,SHIM,1.56X2.5X0.061,ZAG	6
6	88793GT	PIN,1.5 X 5.50 LG	1
7	824078GT	SCREW,HHF,1/4-20X.75,8,ZAG	6
8	1252978GT	SCREW,HHC,3/8-16X2.25,8,ZAG	2
9	1274322GT	NUT,NYLOCK FLG,3/8-16,G,ZAG	4
10	1255782GT	SCREW,HHC,1/2-13X2.0,8,ZAG	2
11	825353GT	WASHER,FLAT,1/2,SAE,HRD,ZAG	4
12	1274320GT	NUT,NYLOCK,1/2-13,C,ZAG	2
13	88567GT	SHEAVE,EXTENSION CABLE(LARGER)	1
14	77649GT	ROLLER,1/2" ALUMINUM	3
15	77648GT	ROLLER,1/2" PVC	3
16	77051GT	NUT,NYLOCK,3/4-10,GRD.8	1
17	1255761GT	WASHER,FLAT,3/4,USS,HRD,ZAG	1
18	88796GT	PLATE,RETRACTION CABLE EQUALIZ	2
19	77656GT	ROD END,CABLE	1
20	88570GT	CABLE ASSEMBLY,RETRACT***	2
21	13635-10GT	PIN,COTTER,.156 X 1.75	3
22	826379GT	PIN,CLEVIS,1X2.250,ZAG	3
23	139288GT	GUIDE, EXT. CABLE, BOTTOM	1
24	1258892GT	SCREW,HHC,3/8-16X3.5,8,ZAG	2
25	88568GT	SHEAVE,RETRACT CABLE(SMALLER)	2

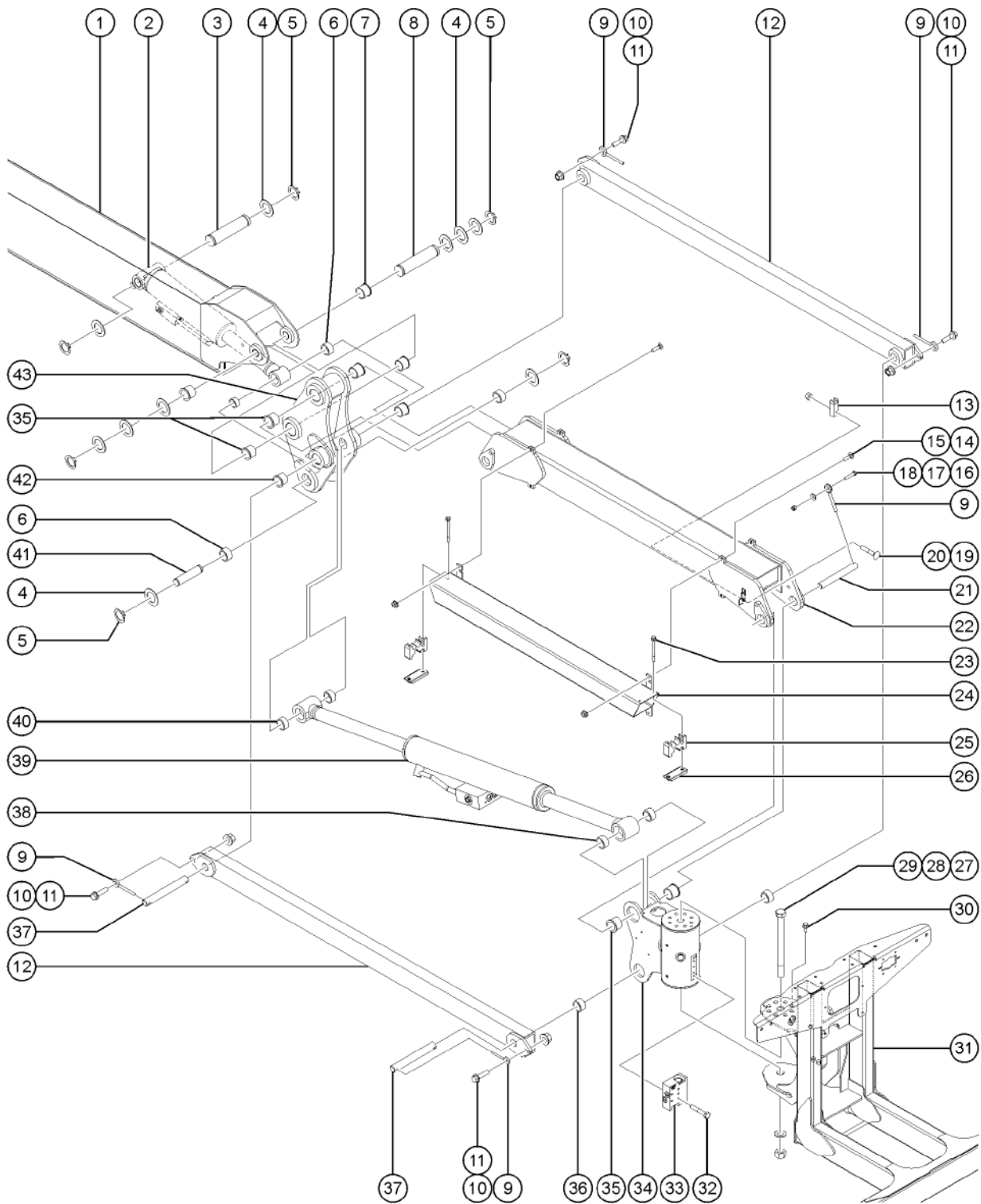


605.1 Boom Components - View 3



<i>Item</i>	<i>Part No.</i>	<i>Description</i>	<i>Qty.</i>
26	1276437GT	WELDMENT,RETRACT SHEAVE COVER	1
27	824077GT	SCREW,HHF,1/4-20X.5,8,ZAG	2

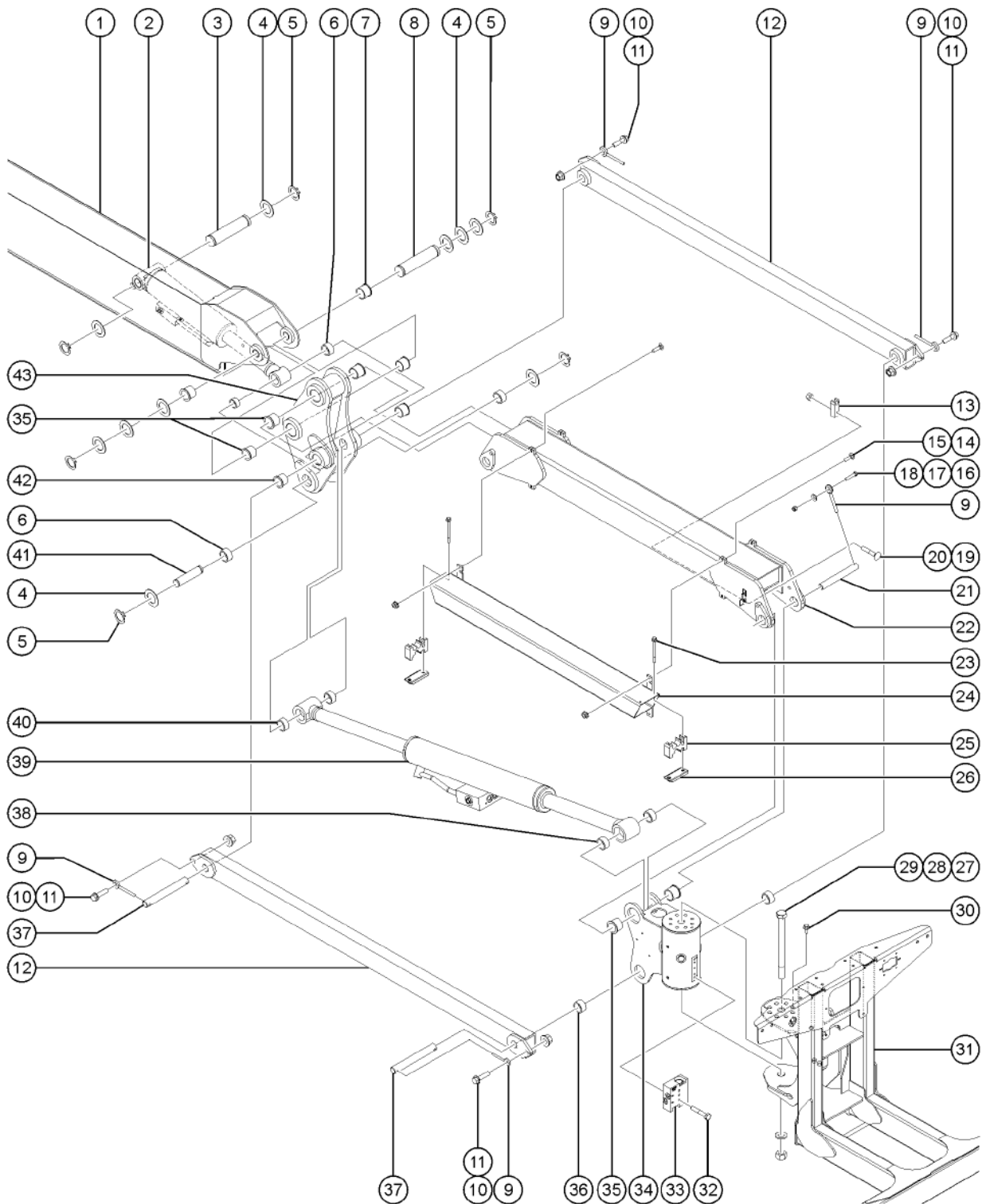
606.1 Boom End Components



Item	Part No.	Description	Qty.
1		Ref : WELDMENT.BOOM SECTION # 3 Refer to 603.1	
2	1273589GT	CYLINDER, PLATFORM LEVEL	1
2-	1279049GT	SEAL KIT, CYLINDER, LEVEL	
2-	77303GT	VALVE, CNTRBAL 3500 PSI, ATM VEN	2
3	1276427GT	PIN,1.50DIA.X7.47LG,2RING	1
4	1251565GT	WASHER,SHIM,1.56X2.5X0.061,ZAG	10
5	825796GT	SNAP RING,EXTERNAL,1.50,ZAG	6
6	18396GT	BEARING,1.5IDX1.75ODX1.0L	6
7	1273706GT	BEARING,1.5IDX1.75ODX1.825L	2
8	1274335GT	PIN,1.50DIA.X10.0LG,2RING	1
9	825019GT	ROD END, .375X3.69, ZAG	6
10	824092GT	SCREW,HHF,3/8-16X1.5,8,ZAG	4
11	1274322GT	NUT,NYLOCK FLG,3/8-16,G,ZAG	4
12	1274511GT	MACHINING, COMPRESSION LINK	2
13	1269642GT	CLAMP, HOSE	2
14	1256463GT	BOLT,CARRIAGE,1/4-20X1.25,5,ZA	4
15	1256679GT	NUT,SERRATED,1/4-20,8,ZAG	4
16	5224GT	SCREW,HHC,3/8-16 X 2	2
17	6097GT	WASHER,FLAT,USS,3/8",Y	2
18	7713GT	NUT,LP NYLOCK,3/8-16	2
19	1255756GT	BOLT,CARRIAGE,1/4-20X1.5,5,ZAG	2
20	1274165GT	NUT,NYLOCK,1/4-20,C,ZAG	2
21	76695GT	PIN,1.50 DIA X 8.75"LG,1HOLE	2
22	1266576GT	MACHINING, 5 FT JIB BOOM	1
23	824084GT	SCREW,HHF,1/4-20X3,8,ZAG	4
24	1280124GT	WELDMENT,COVER,JIB	1
25	1279429GT	CLAMP BLOCK, S40/45XC	2
26	1296817GT	ASSY, CLAMP PLATE, CABLE TRACK	2



606.1 Boom End Components

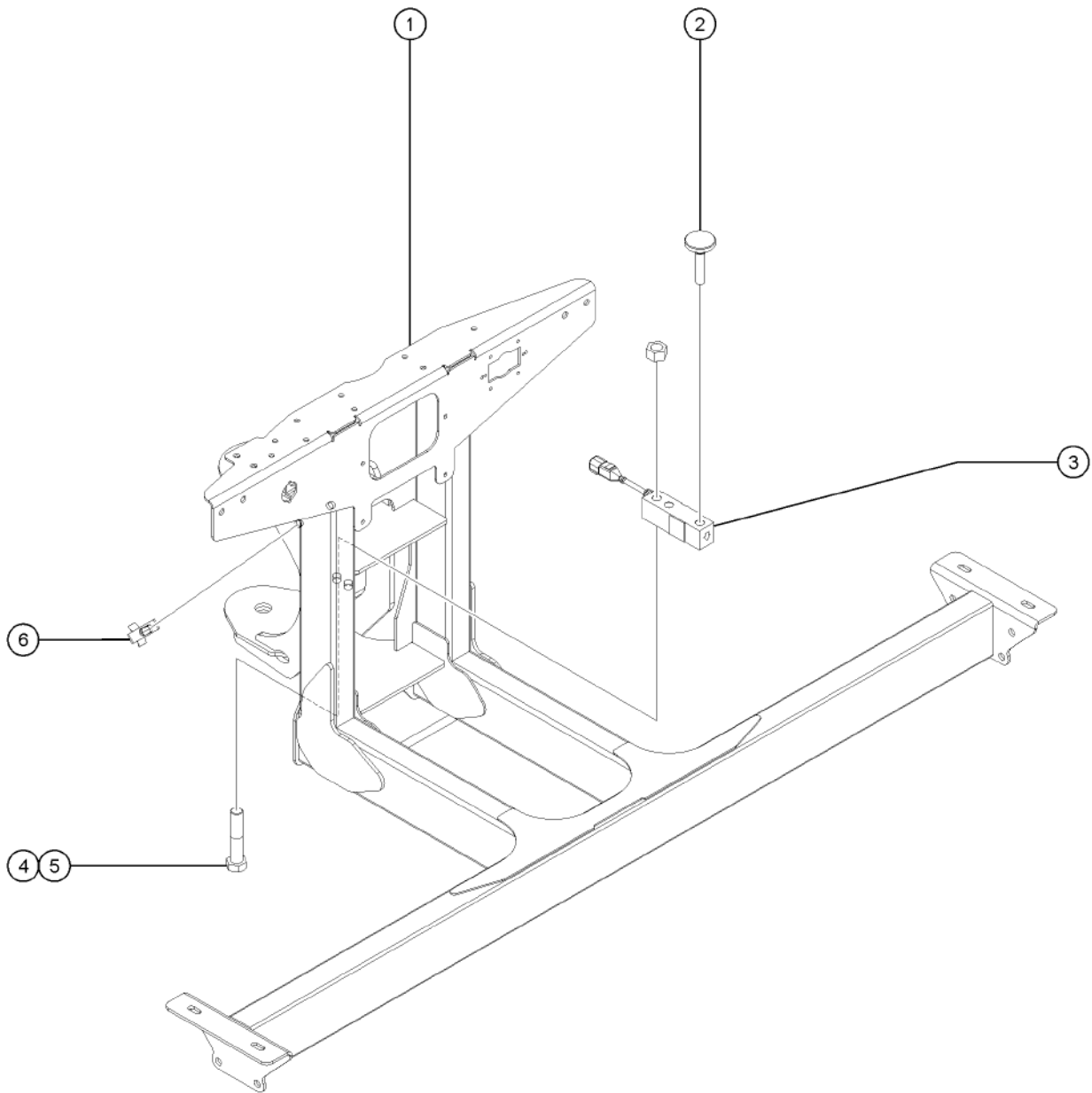


606.1 Boom End Components

Item	Part No.	Description	Qty.
27	824075GT	SCREW,HHC,1-8X12.75,5,ZAG	1
28	824116GT	WASHER,FLAT,1.0,F436,HRD,ZAG	1
29	826794GT	NUT,TL,1-8,C,ZAGRING	1
30	237830GT	SCREW,HHF,1/2-13X1,8,ZAG	8
31		Ref : Platform support Refer to 608.1	
32	824081GT	SCREW,HHF,1/4-20X1.5,8,ZAG	3
33		Ref : MANIFOLD, ROTATOR, CB Refer to 404.1	
34	214225GT	ROTATOR,PLATFORM,15K,JIB	1
34-	226542GT	SEAL KIT, 15K ROTATOR	
35	214226GT	BEARING,FL,1.75IDX2.00ODX1.61L	6
36	30222GT	BEARING,FL,1.25IDX1.41ODX1.50L	2
37	81175GT	PIN,1.25DIAX14.45LG,2HOLE	2
38	88280GT	BEARING,1.5IDX1.75ODX0.75L	2
39	1276820GT	CYLINDER, JIB	1
39-	33428GT	VALVE,COUNTERBALANCE	
39-	1276822GT	SEAL KIT, FOR JIB CYLINDER 1276820	
40	30220GT	BEARING,1.25ID X 1.5OD X 0.69L	2
41	1276484GT	PIN, 1.50X5.625, 2 RING	1
42	128268GT	BEARING,FL, 1.25X1.5X2.13	2
43	1288386GT	ASSY,JIB BELLCRANK WITH BEARINGS includes bearings item 6, 42 and 36	1



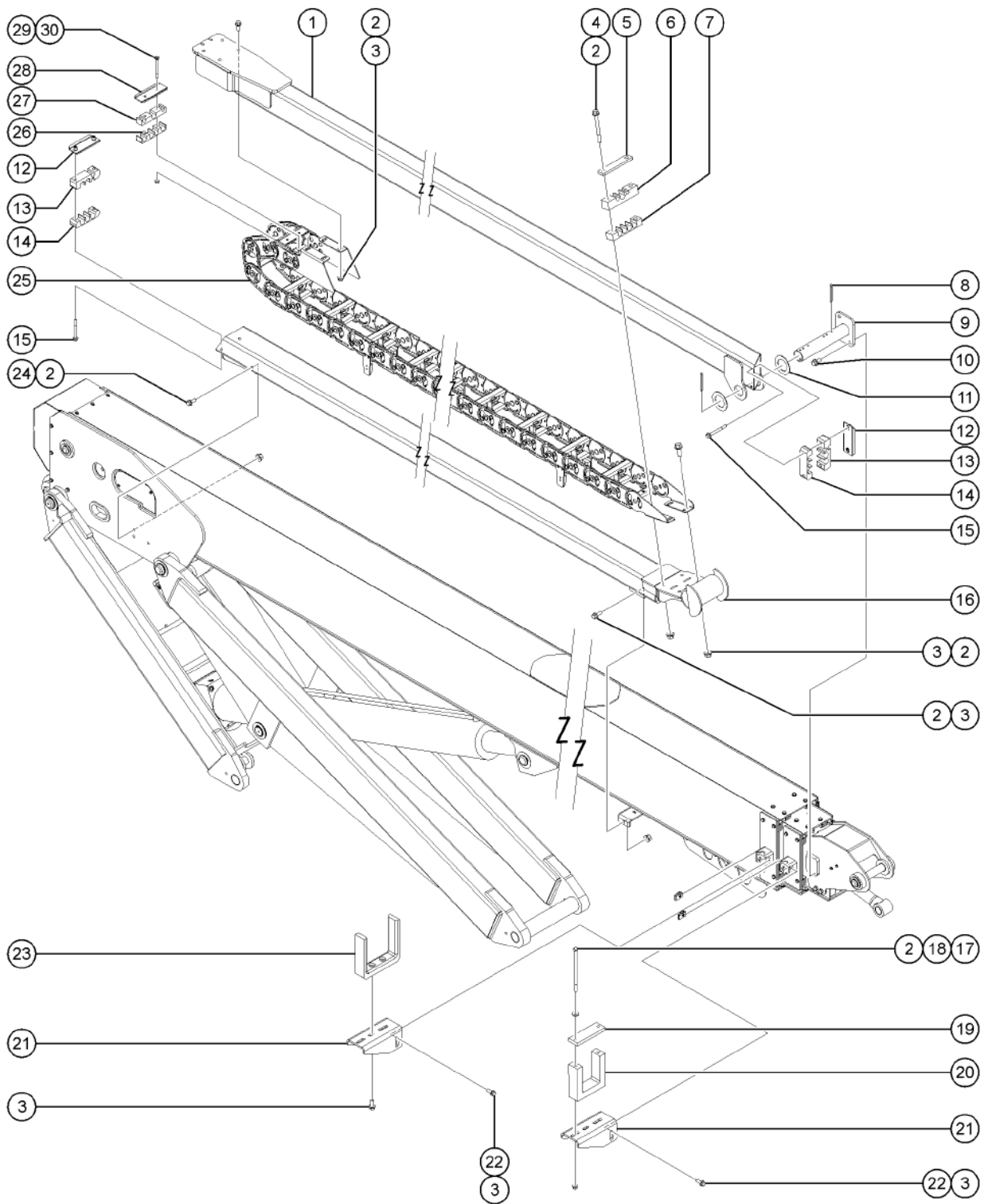
607.1 Boom End Components, Load Sense



607.1 Boom End Components, Load Sense

<i>Item</i>	<i>Part No.</i>	<i>Description</i>	<i>Qty.</i>
A	1274330GT	ASSEMBLY,PLAT SUPPORT,15K,LS,MET	1
1	1273876GT	WELDMENT,PLAT SUPPORT,15K,LOAD CELL	1
2	1270337GT	LEVELING MOUNT, SWIVEL, 1/2-20	1
3	1270278GT	LOAD CELL,J1939,650KG/1433LB NOTE: install with arrows pointing downwards (Calibration required after replacement)	1
4	1257464GT	SCREW,HHC,1/2-13X2.5,8,ZAG	2
5	1259106GT	NUT,1/2-13,8,ZAG	2
6	105214GT	CABLE TIE MOUNT, WINGED	2

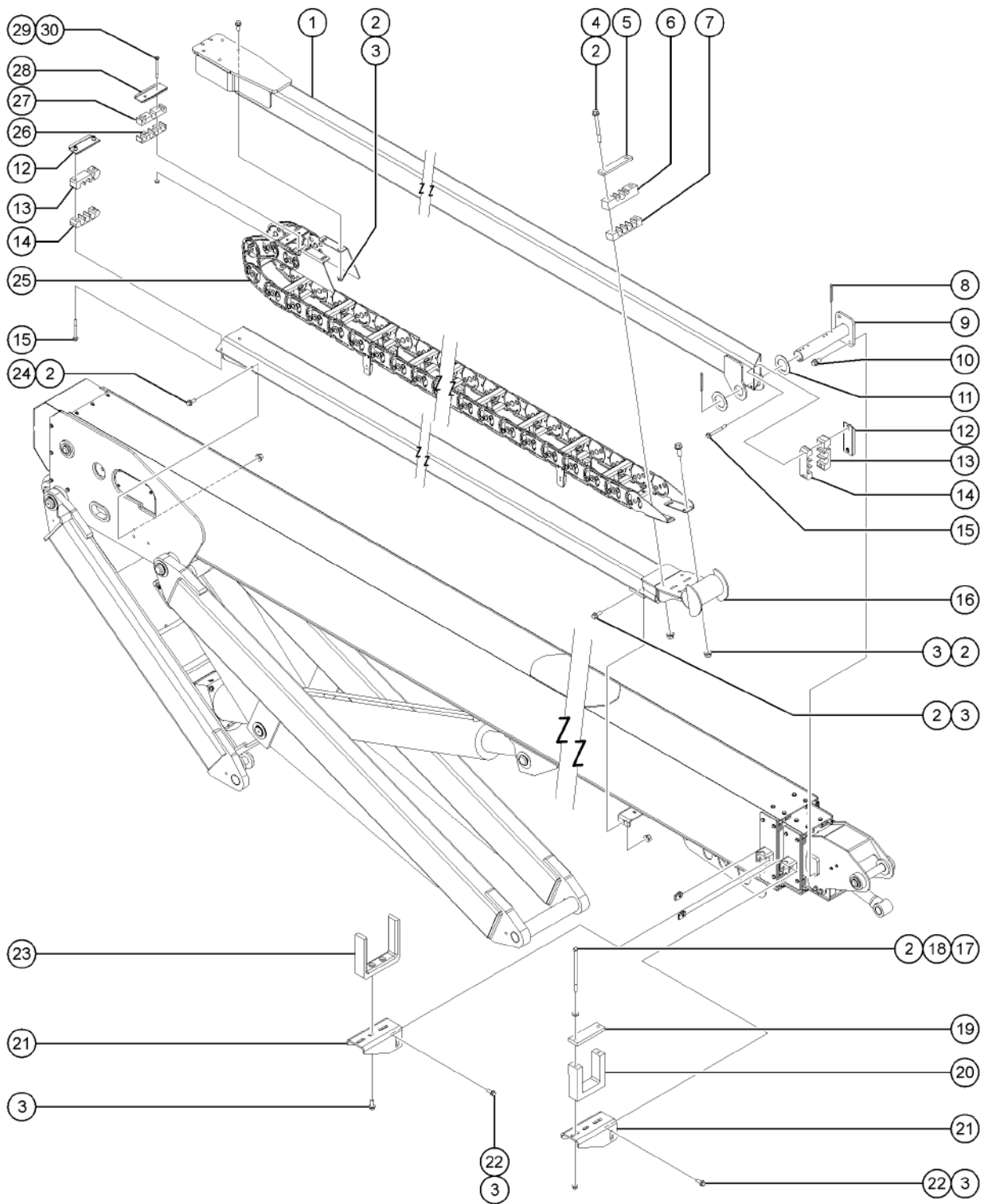
608.1 Cable Track



Item	Part No.	Description	Qty.
1	1276521GT	WELDMENT, UPPER CABLE TRACK TUBE, S65XC	1
2	1274322GT	NUT,NYLOCK FLG,3/8-16,G,ZAG	16
3	824090GT	SCREW,HHF,3/8-16X1,8,ZAG	20
4A	824096GT	SCREW,HHF,3/8-16X3.5,8,ZAG	2
4B	1258395GT	SCREW, HHF, 3/8-16, 4, 8, ZAG	2
		(air to platform option)	
4B-	228796GT	CLAMP, OPTIONS, CABLE TRACK	
		(air to platform option)	
5	228797GT	BAR, CLAMP, CABLE TRACK	1
6	1276450GT	CLAMP,CABLES	1
7	1280839GT	CLAMP, HOSE	1
8	42079GT	PIN,COTTER,.156 X 2.5	2
9	81347GT	WELDMENT,TRACK PULL TUBE PIVOT	1
10	824089GT	SCREW, HHF, 3/8-16 X .75, 8, ZAG	2
11	1251565GT	WASHER,SHIM,1.56X2.5X0.061,ZAG	2
12	1296817GT	ASSY, CLAMP PLATE, CABLE TRACK	2
13	1276449GT	CLAMP,CABLES	2
14	1280837GT	CLAMP, HOSE	2
15A	824083GT	SCREW,HHF,1/4-20X2.5,8,ZAG	4
15B	1257867GT	SCREW,HHF,1/4-20X3.5,8,ZAG	4
		(air to platform option)	
15B-	1280838GT	CLAMP BLOCK, OPTIONS	2
		(air to platform option)	
16	1276520GT	WELDMENT, LOWER CABLE TRACK TRAY, S65XC	1
17	1255391GT	SCREW,HHC,3/8-16X7,8,ZAG	2
18	1255758GT	WASHER,FLAT,3/8,USS,ZAG	2
19	81342GT	WEAR PAD,5.5 X 1.75 X .5	1
20	81341GT	WEAR PAD,CABLE TRACK PULL TUBE	1
21	1276432GT	FORMING PLATE, S60/65-XC	2
22	29868GT	SPRING CLIP,3/8-16,.05-.20X.73,ZAG	8
23	81340GT	WEAR PAD ASSEMBLY,CABLE TRACK	1
24	824091GT	SCREW,HHF,3/8-16X1.25,8,ZAG	2



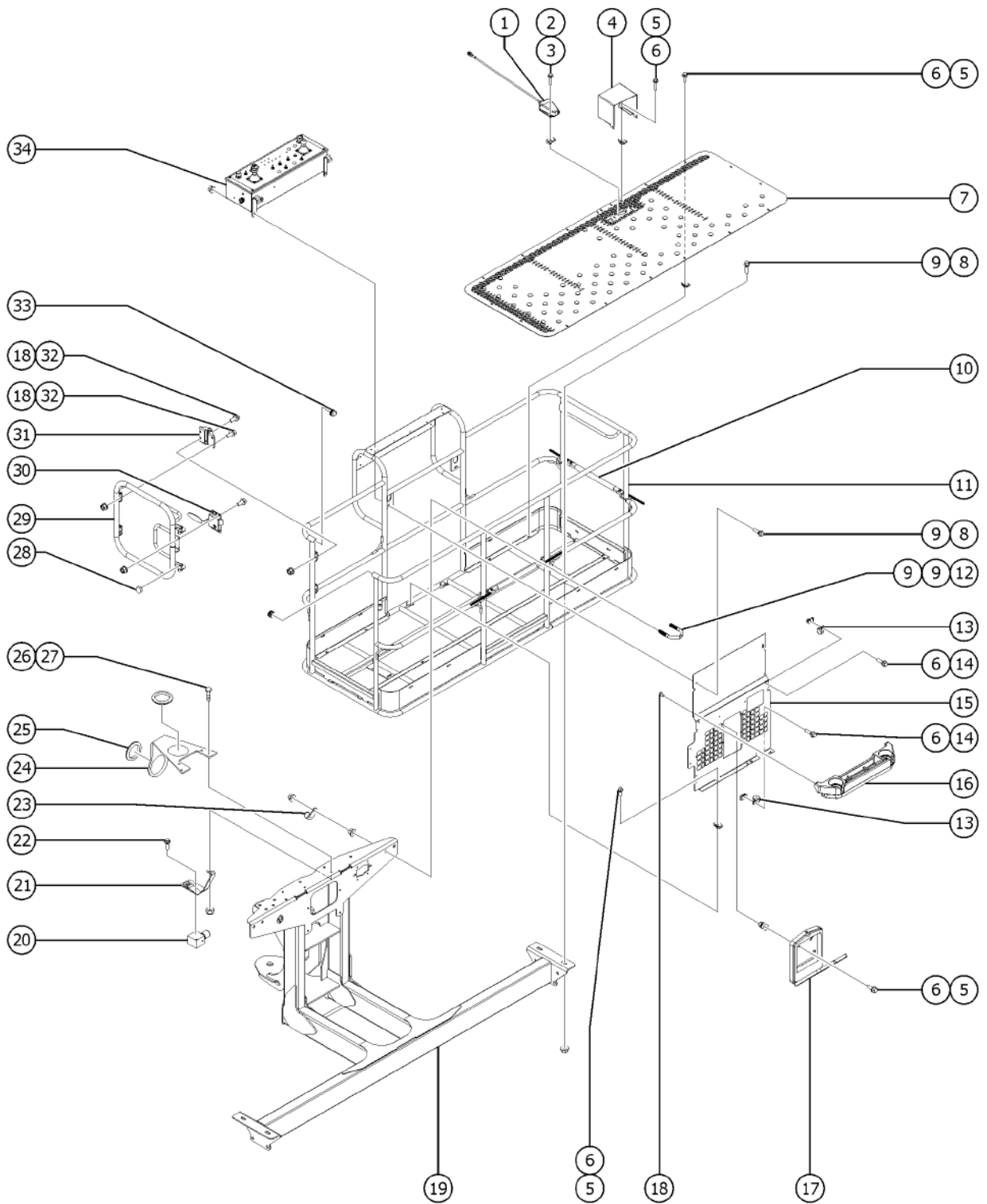
608.1 Cable Track



<i>Item</i>	<i>Part No.</i>	<i>Description</i>	<i>Qty.</i>
25	1283516GT	CABLE TRACK, SX, 50 LINK, S65XC	1
25-	122663GT	END BRACKET, FIXED END	
25-	229169GT	FLATBAR, CLAMPS, CABLE TRACK	
25-	122668GT	GUIDE FINGER, PLASTIC	12
25-	218448GT	FINGER, GUIDE, CABLE TRACK On 4th link both sides	
25-	122662GT	END BRACKET, MOVING END	
25-	121065GT	FORMING, CLAMP, TOP, CABLE TRACK	
26	1280840GT	CLAMP, HOSE, CABLE TRACK	1
27	1276451GT	CLAMP, CABLES	1
28	121065GT	FORMING, CLAMP, TOP, CABLE TRACK Included with Cable Track part 1283516GT	1
29A	824084GT	SCREW, HHF, 1/4-20X3,8,ZAG	2
29B	1257867GT	SCREW, HHF, 1/4-20X3.5,8,ZAG (air to platform option)	2
29B-	228969GT	CLAMP, OPTIONS, CABLE TRACK (air to platform option)	1
30	1277924GT	NUT, NYLOCK FLG, 1/4-20,F,ZAG	2



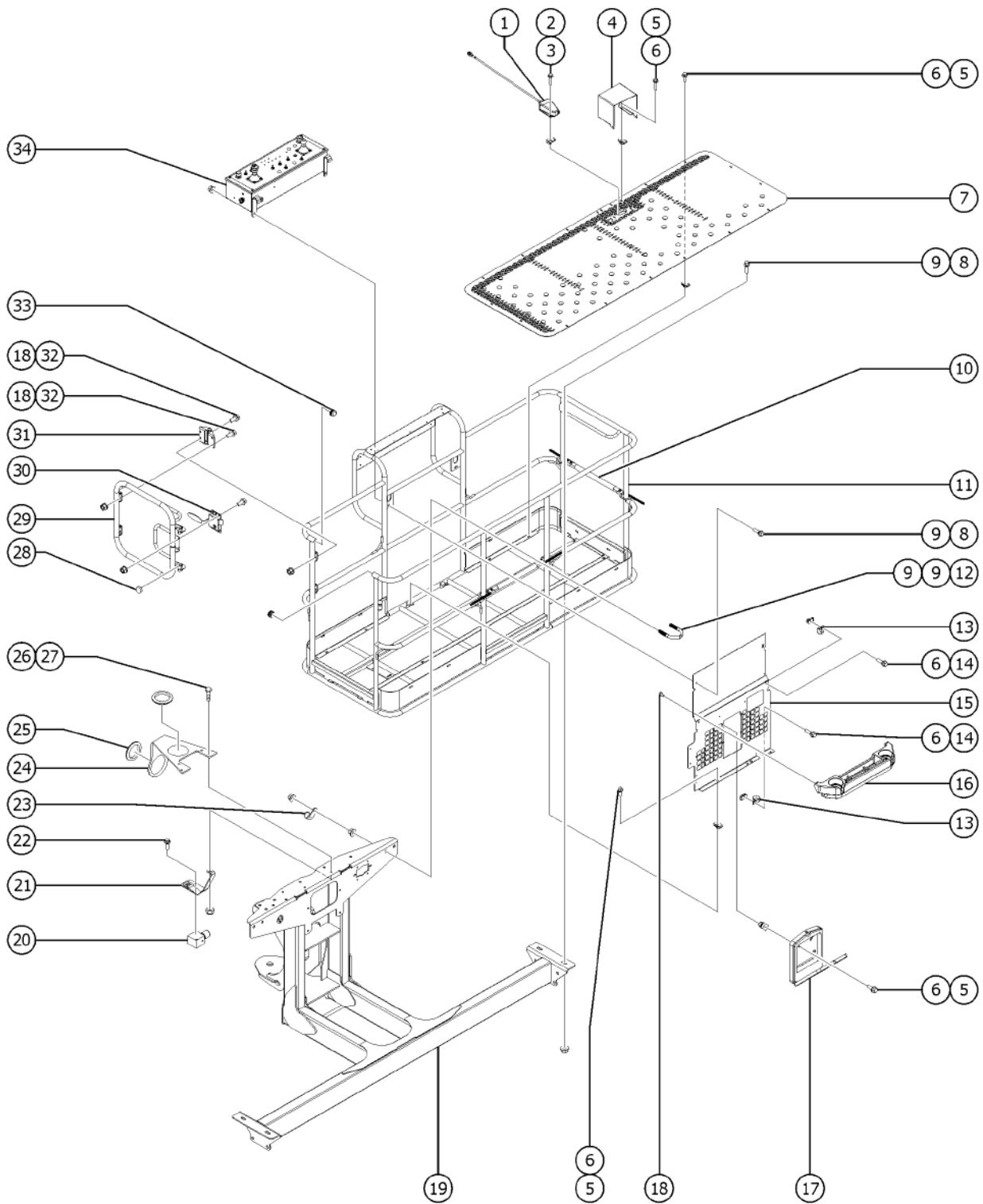
701.1 Platform Installation



Item	Part No.	Description	Qty.
A	1281934GT	OPTION, 8' PLATFORM W/SIDE SWING GATE Complete 8' platform assembly. Order decals separately, refer to Seciton 100.	1
B	1282012GT	OPTION, 6' PLATFORM W/SIDE SWING Complete 6' platform assembly. Order decals separately, refer to Seciton 100.	1
1	227618GT	HARNESS, PROX SENSOR,ACP	1
2	1269641GT	SCREW,HHF-S,10-24X1.5,ZAG	2
3	73575GT	SPRING CLIP,10-24,ZINC	2
4	147257GT	COVER,FOOT SWITCH,LARGE	1
5	824078GT	SCREW,HHF,1/4-20X.75,8,ZAG	1
6	56912GT	SPRING CLIP,1/4-20,.025-.15X.5	1
7A	1270408GT	FLOORING, 8 FT PLATFORM for 8' platform	1
7B	1268684GT	FLOORING,6 FT PLATFORM for 6' platform	1
8	824091GT	SCREW,HHF,3/8-16X1.25,8,ZAG	7
9	1274322GT	NUT,NYLOCK FLG,3/8-16,G,ZAG	11
10	120191GT	SLIDING MIDRAIL ASSY-STD for 8' platform	2
11A	1270422GT	WELDMENT, 8 FT PLATFORM for 8' platform (includes item 10)	1
11B	1268663GT	WELDMENT,SIDE ENTRY,PLATFORM for 6' platform (includes item 10)	1
12	1251600GT	U-BOLT, FLATTENED, 1.5 X 3/8	2
13	56424GT	CLAMP,1.25X.5 RUBBER-CUSHION	3
14	824079GT	SCREW,HHF,1/4-20X1,8,ZAG	3
15	1275088GT	FORMING, ALUM. DECAL PLATE	1
16	1289552GT	KIT, PLATFORM WORK TRAY	1
16-	824225GT	SCREW,FHPM,10-32X.75,ZAG	1
17	44743GT	MANUAL BOX W/DECALS*** USA/Canada/Australia	1
17B	24514GT	BOX,INSTRUCTION STORAGE Europe/Asia/South America (decals required; refer to Section100)	1
18	1256855GT	SCREW,HHF,1/4-20X.625,8,ZAG	16
19	1273876GT	WELDMENT,PLAT SUPPORT,15K,LOAD CELL	1
20		Ref.MANIFOLD,JIB SELECT W/QD PLUG (refer to 404.1)	1
21	1276471GT	PLATE, JIB/ROTATE MANIFOLD	1
22	824077GT	SCREW,HHF,1/4-20X.5,8,ZAG	2



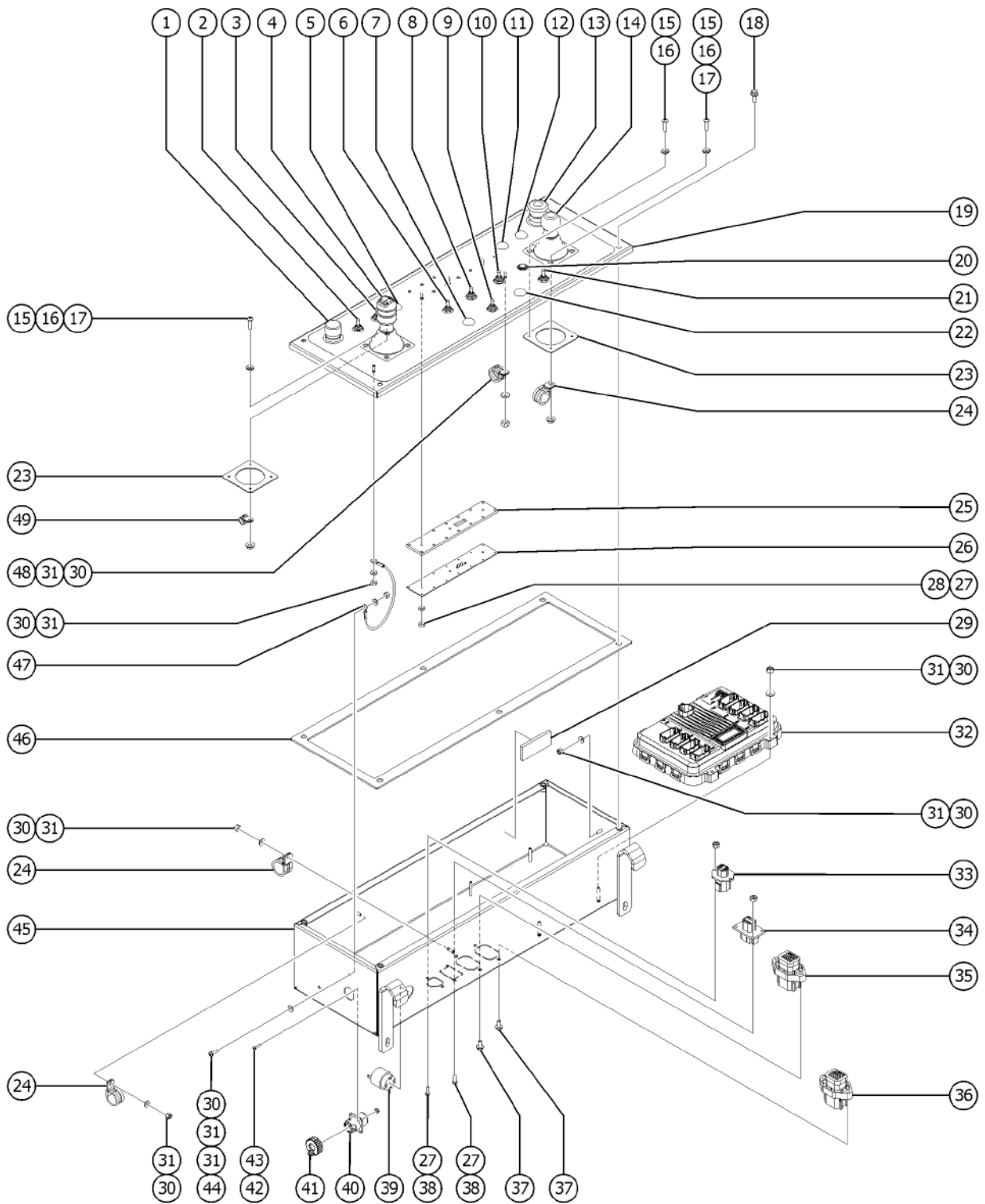
701.1 Platform Installation



<i>Item</i>	<i>Part No.</i>	<i>Description</i>	<i>Qty.</i>
23	67897GT	CLAMP,0.56,#9 X 3/8,RUB CUSH	1
24	1278908GT	FORMING,CABLE GUIDE	1
25	55067GT	GROMMET,RUBBER 3 X .19 X 3.5	2
26	128322GT	SCREW,5/16-18X1.00,SECURITY TO	2
27	1274167GT	NUT,NYLOCK FLG,5/16-18,F,ZAG	2
28	43392GT	BUMPER,BATTERY BOX & RAILS	2
29	1268676GT	SWING GATE,WITH LATCH	1
30	1267747GT	LATCH, SWING GATE	1
31	104804GT	HINGE, SPRING, LONG LEG	2
32	1277924GT	NUT,NYLOCK FLG,1/4-20,F,ZAG	12
33	55753GT	BUMPER, PLASTIC, 1.25 O.D	2
34		Ref. PLATFORM CONTROL BOX ASSEMBLY	
		(refer to 702.1)	



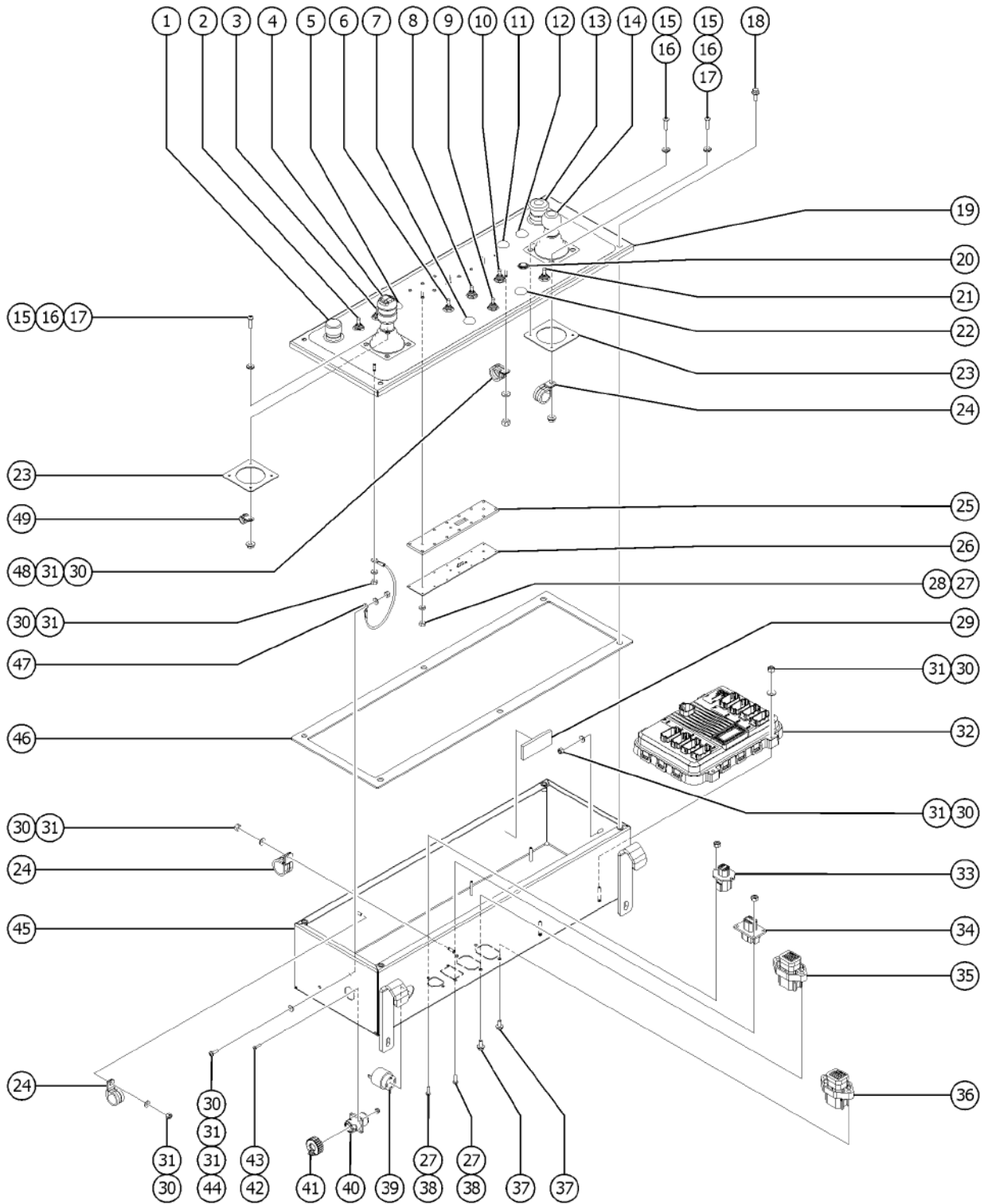
702.1 Platform Control Box



Item	Part No.	Description	Qty.
A	1286480GT	ASSEMBLY, PBOX, S-BOOM, XC	1
1	66813GT	BUTTON,PUSH,BLACK W/SEAL***	1
1-	66815GT	BASE, W/1 N.O. CONTACTS***	
2	128200GT	SWITCH TOGGLE ASSY SPDT 3P MOM	1
3	128200GT	SWITCH TOGGLE ASSY SPDT 3P MOM	1
4		REF. JOYSTICK (refer to 703.1)	
5	229567GT	PLUG, SANTOPRENE .5 BLACK DOME	1
6	128200GT	SWITCH TOGGLE ASSY SPDT 3P MOM	1
7	229567GT	PLUG, SANTOPRENE .5 BLACK DOME	1
8	128203GT	SWITCH TOGGLE ASSY SPDT 2P MOM	1
9	128204GT	SWITCH TOGGLE ASSY SPDT 2P MNT	1
10	128204GT	SWITCH TOGGLE ASSY SPDT 2P MNT	1
11	229567GT	PLUG, SANTOPRENE .5 BLACK DOME	1
12	229567GT	PLUG, SANTOPRENE .5 BLACK DOME	1
13	66812GT	BUTTON,PUSH,RED MUSHROOM HEAD	1
13-	146478GT	BOOT(BELLOWS),E-STOP,BLACK	
13-	66817GT	BASE WITH 1 NC CONTACT, E-STOP	
14		REF. JOYSTICK Drive joystick needs to be ordered separately; (refer to 703.1)	
15	139338GT	SCREW PH M5-0.8X20 DIN 7500CE	8
16	1269498GT	SHOULDER WASHER, NYLON	8
17	1255753GT	NUT,FLG,M5-0.8,DIN6923,8,ZAB	2
18	824078GT	SCREW,HHF,1/4-20X.75,8,ZAG	4
19	1282472GT	WELDMENT, LID, CONTROLS, PLATFORM	1
20	218165GT	LIGHT,INDICATOR,RED 12V H-BRI	1
21	128200GT	SWITCH TOGGLE ASSY SPDT 3P MOM	1
22	229567GT	PLUG, SANTOPRENE .5 BLACK DOME	1
23	1269497GT	GASKET, ISOLATION, JOYSTICK	2
24	18666GT	CLAMP,1.00,#16 X 1/4,RUB CUSH	3



702.1 Platform Control Box

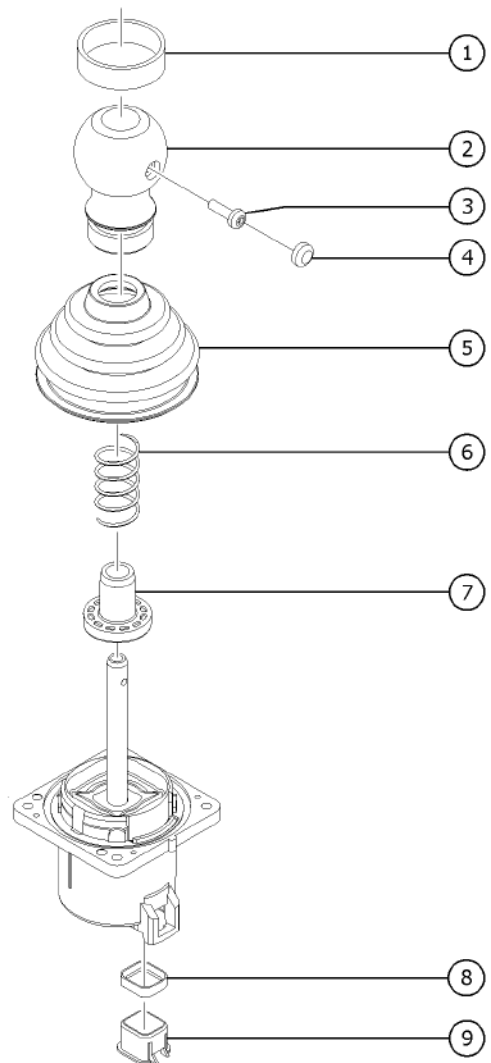
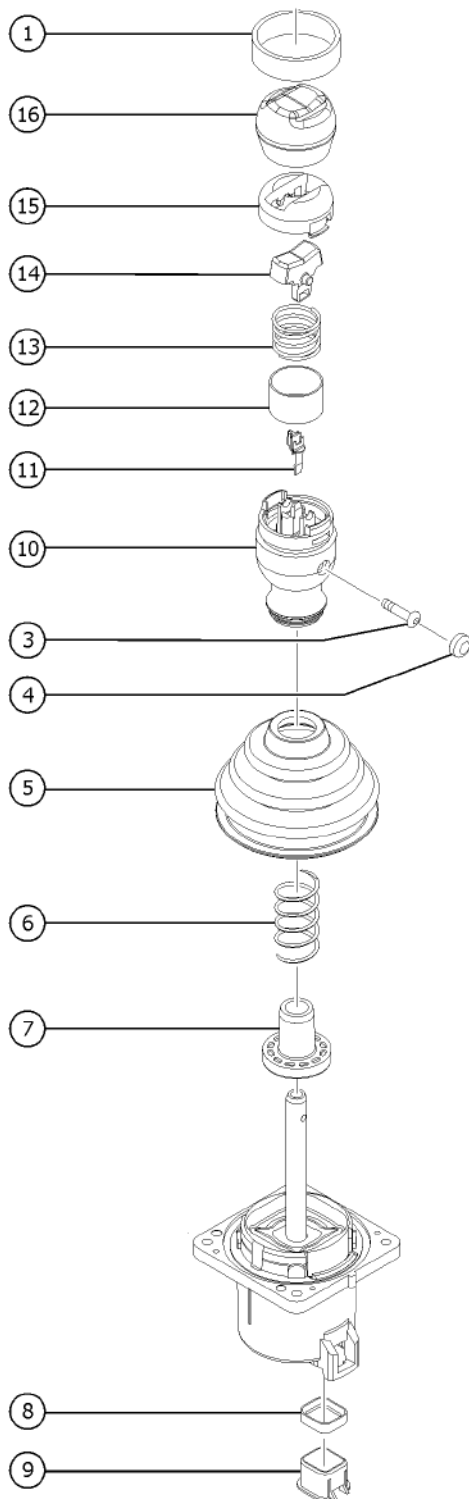


702.1 Platform Control Box

Item	Part No.	Description	Qty.
25	1278613GT	SPACER XC PLATFORM INDICATORS	1
26	1278612GT	PCBA, XC PLATFORM INDICATORS	1
27	1274164GT	NUT,NYLOCK,6-32,A,ZAG	7
28	822224GT	WASHER, NYLON #10, 0.093	3
29	30997GT	CORROSION INHIBITOR,FOAM	1
30	1274168GT	NUT,NYLOCK,10-32,A,ZAG	12
31	1253185GT	WASHER,FLAT,#10,USS,ZAG	13
32	1274155GT	ECU, PLATFORM, S-XC, ALC600	1
33	73717GT	CONN,RECEP 4 WAY,12-14GA FL***	1
34	87755GT	CONN,RECEP 8 WAY 14-18GA,FL	1
35	1265862GT	CONN, RECEP, 18WAY, 14-18GA, FL, A, GRY	1
36	226948GT	CONN, RECEP, 18 WAY, 14-18GA, FL, B	1
37	218457GT	SCREW,HHF,M5X12,DIN6921,10.9,Z	4
38	824214GT	SCREW,PHPM,6-32X.5,ZAG	4
39	39540GT	ALARM, STEADY TONE***	1
40	1272122GT	CONNECTOR, RECEPTACLE, 5 WAY CIRCULAR	1
41	1272123GT	DUST CAP, RECEPTACLE, 5 WAY, C	1
42	1253477GT	SCREW,PHPM,4-40X.5,ZAG	2
43	40766GT	NUT,NYLOCK,4-40	2
44	1257227GT	SCREW,PHPM,10-32X.625,ZAG	1
45	1279851GT	WELDMENT BOX PLATFORM CONTROL XC	1
46	81488GT	GASKET,PLATFORM CONTROL BOX	1
47	1258952GT	LANYARD BOX CONTROL PLATFORM	2
48	13268GT	CLAMP,0.75,#12 X 1/4,RUB CUSH	1
49	6833GT	CLAMP,0.50,#8 X 1/4,RUB CUSH	1



703.1 Joysticks

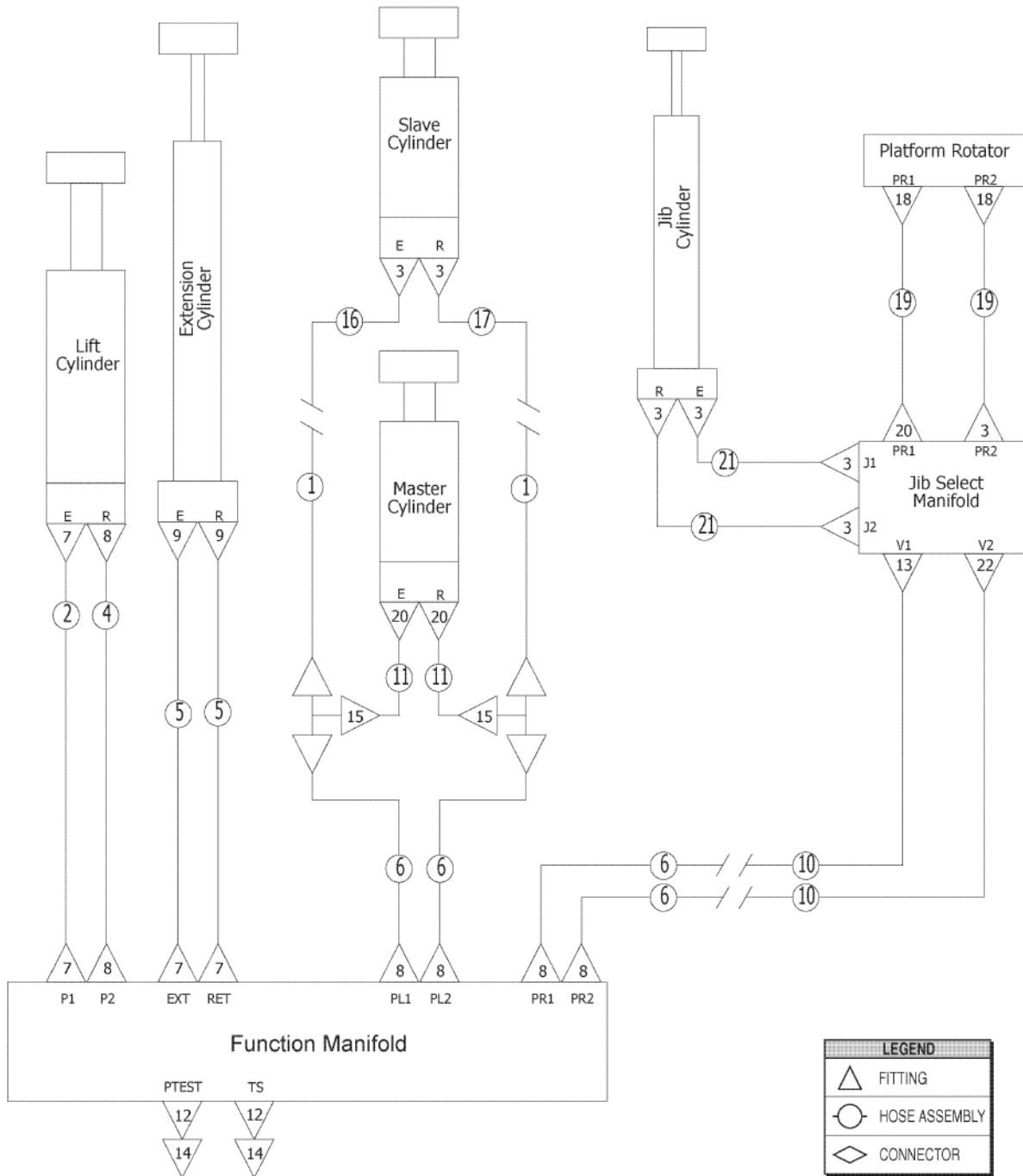


703.1 Joysticks

Item	Part No.	Description	Qty.
A-	1275259GT	JOYSTICK, ISOLATED, 2 AXIS ROCKER OEM joystick (calibration required after replacement)	1
B-	1275248GT	JOYSTICK, ISOLATED, 2 AXIS OEM joystick (calibration required after replacement)	1
C-	1275258GT	JOYSTICK, ISOLATED, 1 AXIS ROCKER OEM joystick (calibration required after replacement)	1
D-	83098GT	TERM,AMP MTE,SOC,22-26 GA BULK	
1	1271713GT	SHRINK TUBE, BLU, 3:1, 40MM	2
2	62392GT	KNOB,JOYSTICK, 62390/62391	1
3	T112626GT	SCREW, PHM, #6-32 X .625 ZINC	1
4	1269499GT	PLUG, JOYSTICK HANDLE	2
5	139598GT	BOOT,JOYSTICK	1
6		SPRING,JOYSTK CENTR,62390/91 (no longer available from supplier)	
7	119915GT	COLLAR,JOYSTICK,CENTER	1
8	128000GT	SEAL, CONNECTOR (DT JOYSTICKS)	1
9	128001GT	SLEEVE,CONNECTOR,DT JOYSTICKS	1
10	75449GT	KNOB,ROCKER JOYSTICK 75565	1
11	75448GT	SUPPORT,SENSOR,JOYSTICK	1
12	75447GT	SWITCH SHIELD,ROCK JOYSTK75565	1
13	75446GT	SPRING,SWITCH CENTERING,75565	1
14	75445GT	ROCKER ASSY.,MAGNETIC 75565	1
15	75444GT	ROCKER,RETAINER, 75565	1
16	75443GT	BOOT, ROCKER JOYSTICK 75565	1



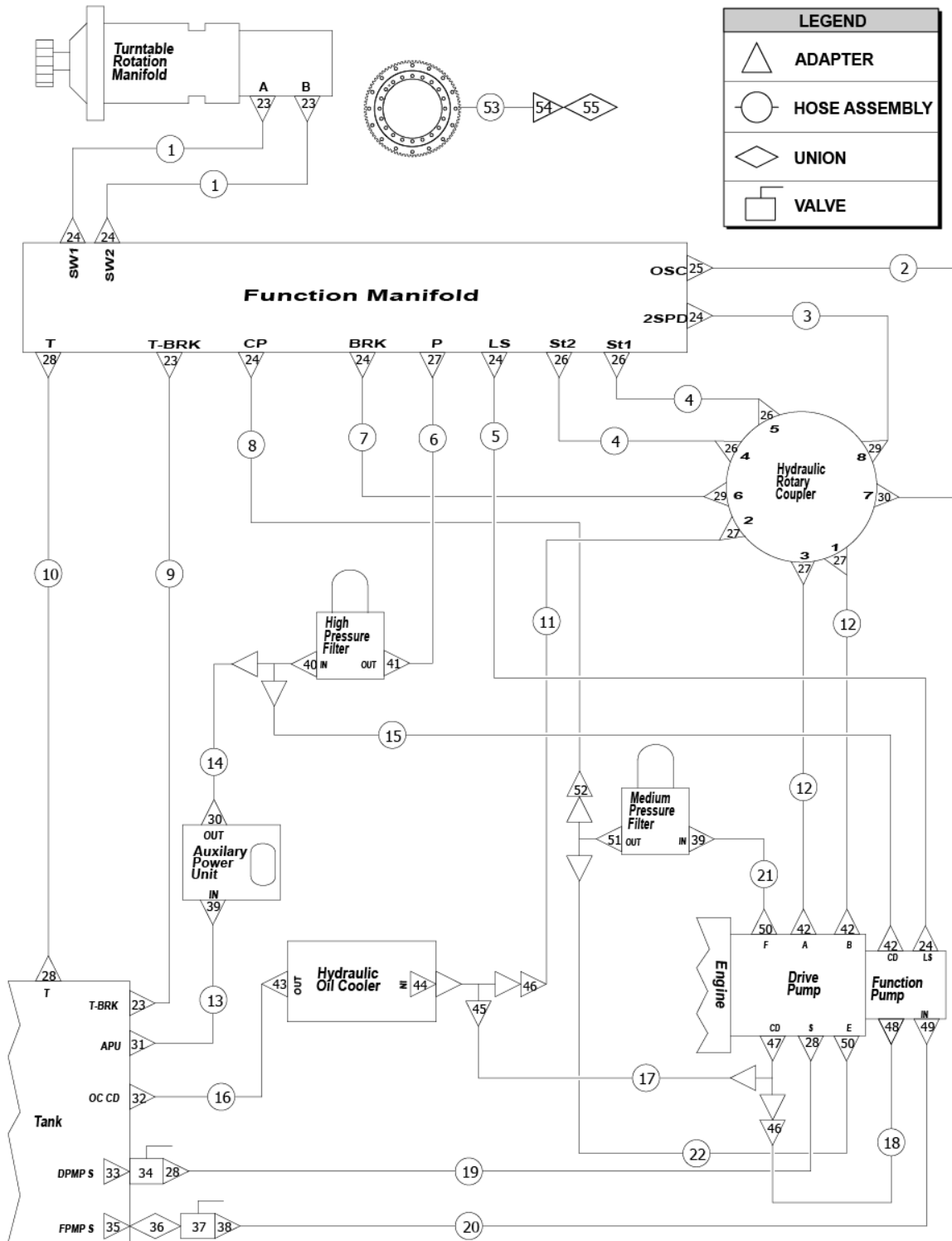
801.1 Boom



Item	Part No.	Description	Qty.
A		The hose lengths below reflect the length of the hose only. Refer to the 'Fittings Cross Reference' to match Genie part numbers to Parker part numbers.	
B	48767GT	SLEEVE,NYLON,1.42 ID protective hose sleeve, 1.42" diameter (near platform rotator)	
C	49219GT	SLEEVE,NYLON,2.19 ID,BULK protective hose sleeve, 2.19" diameter (near platform rotator)	
1	1288893-71456GT	HOSE ASSY,-6,STR FEM,STR FEM 4	2
2	49143-12329GT	HOSE ASSY,1/2,90 FEM,STR FEM Components: Genie part numbers 48822, 48827, and 48756 @ 123.29 inches	1
3	48905GT	CONN,520120-4***	7
4	49128-12309GT	HOSE ASSY,3/8,STR FEM,STR,90D Components: Genie part numbers 48812, 48816, and 48753 @ 123.09 inches	1
5	49183-13492GT	HOSE ASSY,1/2,STR FEM,STR FEM Components: Genie part numbers 48822, 48822 and 48756 @ 134.92 inches	2
6	1288890-10630GT	HOSE ASSY,-6,STR FEM,BULKHEAD Components: Genie part numbers 48812, 89551 and 48753 @ 106.30 inches	4
7	48933GT	CONN,520120-8***	4
8	48916GT	FITTING,CONN,520120-6	6
9	48937GT	ELBOW,45D,520320-8	2
10	49130-81417GT	HOSE ASSY,-6,STR FEM,STR FEM Components: Genie part numbers 48812, 48812 and 48753 @ 814.17 inches	2
11	1288892-6102GT	HOSE ASSY,-6,90 FEM,STR FEM 4 Components: Genie part numbers 48816, 227488 and 48753 @ 61.02 inches	2
12	48997GT	NIPPLE,DIAGNOSTIC,#4	4
13	48915GT	ELBOW,90D,520220-6	1
14	48880GT	CAP,DIAGNOSTIC NIPPLE	4
15	48875GT	TEE,RUN,SWIVEL,520432-6	2
16	77310-1693GT	HOSE ASSY,-4,STR FEM,BULKHEAD Components: Genie part numbers 75628, 48800 and 48751 @ 16.93 inches	1
17	77310-1575GT	HOSE ASSY,-4,STR FEM,BULKHEAD Components: Genie part numbers 75628, 48800 and 48751 @ 15.75 inches	1
18	48907GT	ELBOW,45D,520320-4	2
19	49119-2878GT	ASSY, HOSE, HYD, -4, 3250, STR, STR Components: Genie part numbers 48800, 48800 and 48751 @ 28.78 inches	2
20	48904GT	ELBOW,90D,520220-4-4	3
21	49119-4878GT	HOSE ASSY,1/4,STR FEM,STR FEM Components: Genie part numbers 48800, 48800 and 48751 @ 48.78 inches	2
22	56003GT	ELBOW,90D,LONG,521520-6	1



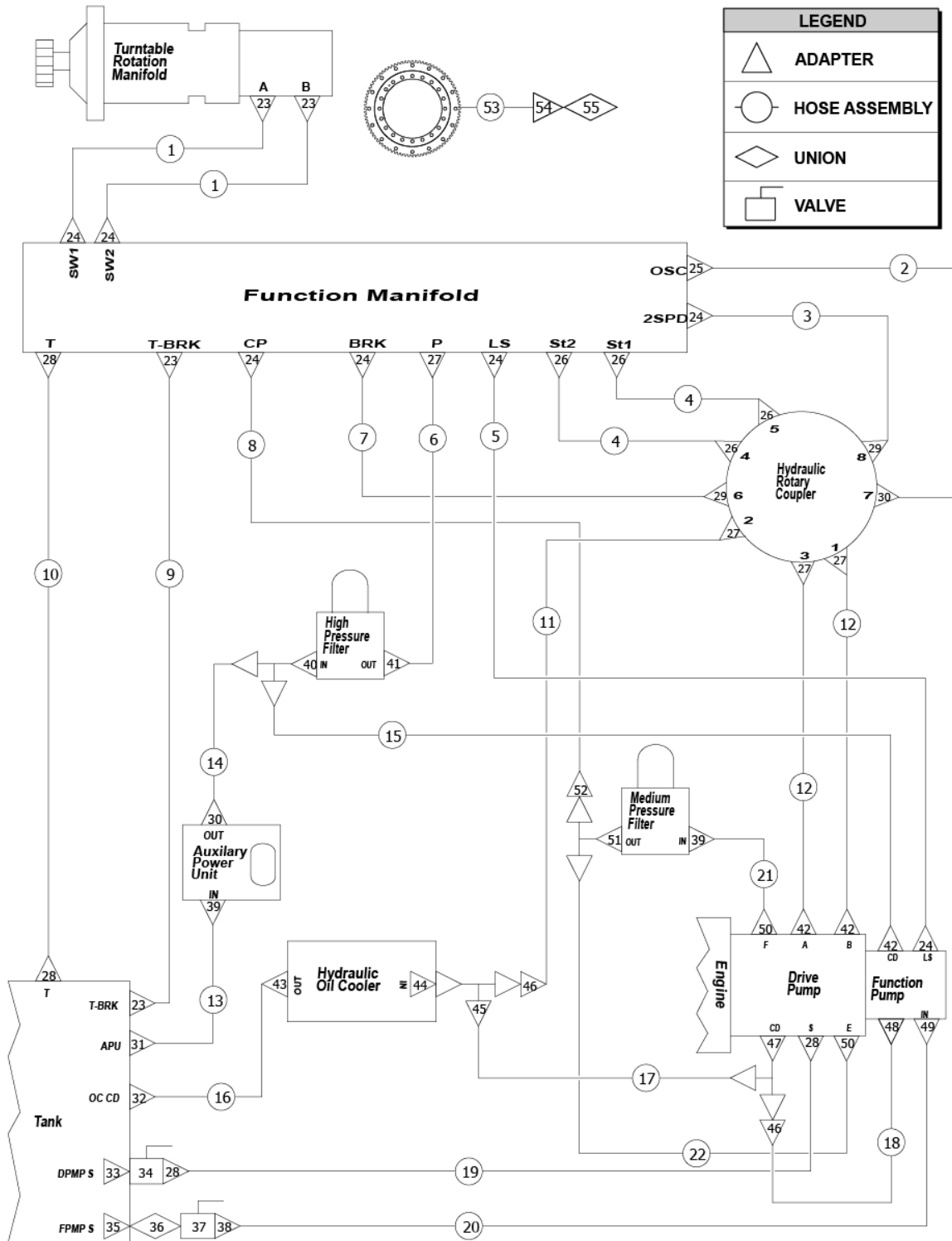
802.1 Turntable Components



Item	Part No.	Description	Qty.
A		The hose lengths below reflect the length of the hose only. Refer to the 'Fittings Cross Reference' to match Genie part numbers to Parker part numbers.
1	49117-7480GT	HOSE ASSY,-4,STR FEM,90 FEM Components: Genie part numbers 48800, 48802 and 48751 @ 74.80 inches	2
2	49130-5906GT	HOSE ASSY,-6,STR FEM,STR FEM Components: Genie part numbers 48812, 48812 and 48753 @ 59.06 inches	1
3	49119-6890GT	HOSE ASSY,-4,STR FEM,STR FEM Components: Genie part numbers 48800, 48800 and 48751 @ 68.90 inches	1
4	49130-5782GT	HOSE ASSY 3/8, STR FEM,STR FEM Components: Genie part numbers 48812, 48812 and 48753 @ 57.82 inches	2
5	49119-7283GT	HOSE ASSY,-4,STR FEM,STR FEM Components: Genie part numbers 48800, 48800 and 48751 @ 72.83 inches	1
6	61074-7254GT	HOSE ASSY,-12,STR FEM,90 FEM Components: Genie part numbers 48841, 48841 and 48762 @ 72.54 inches	1
7	49119-7480GT	HOSE ASSY,1/4,STR FEM,STR FEM, 74.80 Components: Genie part numbers 48800, 48800 and 48751 @ 74.80 inches	1
8	49117-8858GT	HOSE ASSY,-4,STR FEM,90 FEM Components: Genie part numbers 48800, 48802 and 48751 @ 88.58 inches	1
9	49117-2913GT	HOSE ASSY,-4,STR FEM,90 FEM Components: Genie part numbers 48802, 48800 and 48751 @ 29.13 inches	1
10	88949-3828GT	HOSE ASSY 1",STR FEM,STR FEM Components: Genie part numbers 88938, 88938 and 88940 @ 38.28 inches	1
11	49150-7283GT	HOSE ASSY,-12,STR FEM,STR FEM Components: Genie part numbers 48841, 48846 and 48761 @72.83 inches	1
12	94374-6421GT	HOSE ASSY,-12,STR FEM,90 FEM Components: Genie part numbers 48841, 48846 and 94358 @ 64.21 inches	2
13	94465-3650GT	HOSE ASSY,1/2" Components: Genie part numbers 48808, 48808 and 39888 @ 36.50 inches	1
14	49128-6299GT	HOSE ASSY,-6,90 FEM,STR FEM Components: Genie part numbers 48816, 48812 and 48753 @ 62.99 inches	1
15	61073-3930GT	HOSE ASSY.,3/4",90,FEM,STR FEM Components: Genie part numbers 48841, 48846 and 48762 @ 39.30 inches	1
16	88942-4331GT	HOSE ASSY,-16,STR FEM,90 FEM Components: Genie part numbers 88938, 88939 and 88940 @ 43.31 inches	1
17	88942-10827GT	HOSE ASSY,-16,STR FEM,90 FEM Components: Genie part numbers 88939, 88938 and 88940 @ 108.27 inches	1
18	49150-2756GT	HOSE ASSY,-12,STR FEM,90 FEM Components: Genie part numbers 48846, 48841 and 48761 @ 27.56 inches	1
19	88942-8354GT	HOSE ASSY,1",90 FEM,STR FEM Components: Genie part numbers 88939, 88938 and 88940 @ 83.54 inches	1
20	1288891-8268GT	HOSE ASSY,-20,STR FEM,90 FEM Components: Genie part numbers 88477, 88944 and 88478 @ 82.68 inches	1
21	49143-3629GT	HOSE ASSY,1/2,90 FEM,STR FEM Components: Genie part numbers 48822, 48827 and 48756 @ 36.29 inches	1
22	49143-3429GT	HOSE ASSY,1/2,90 FEM,STR FEM Components: Genie part numbers 48822, 48827 and 48756 @ 34.29 inches	1
23	48912GT	CONN,520120-4-6***	4
24	48905GT	CONN,520120-4***	7
25	48930GT	CONN,520120-6-8	1
26	48916GT	FITTING,CONN,520120-6	4
27	48960GT	FITTING,CONN,520120-12	4



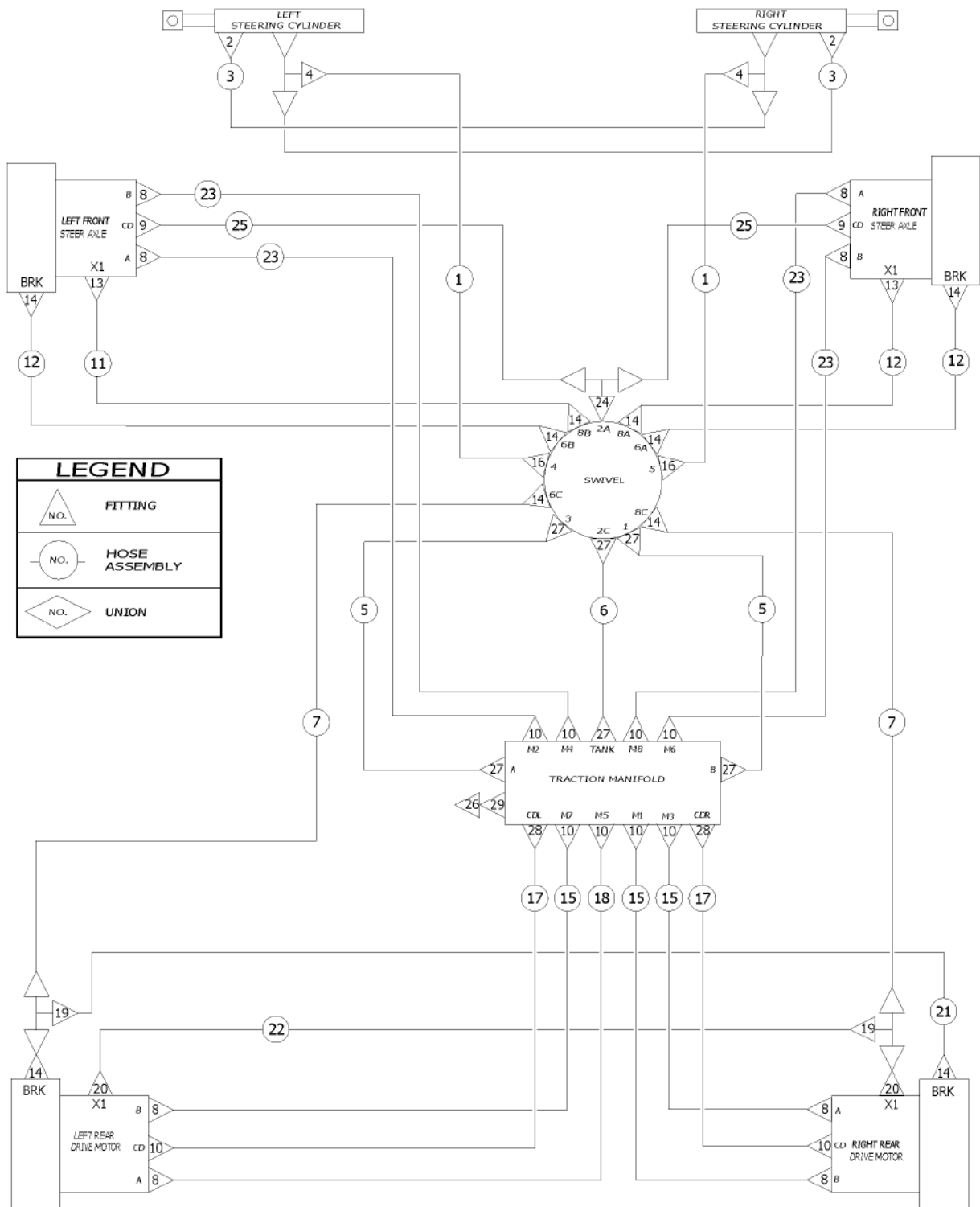
802.1 Turntable Components



Item	Part No.	Description	Qty.
28	48984GT	CONN,520120-16	4
29	48904GT	ELBOW,90D,520220-4-4	2
30	48915GT	ELBOW,90D,520220-6	2
31	48943GT	FITTING,CONN,520120-8-6	1
32	48959GT	FITTING,ELBOW,90D,520220-12	1
33	101490GT	STRAINER,16 SAE F/24 SAE M	1
34	48996GT	VALVE,BALL,16 MSAE-16 FSAE***	1
35	101491GT	STRAINER,20 SAE F/24 SAE M***	1
36	61263GT	UNION,STR.THREAD 20	1
37	101494GT	VALVE,BALL,FSAE-20,FSAE-20	1
38	75654GT	CONN,520120-20	1
39	48932GT	FITTING,ELBOW,90D,520220-8***	2
40	1279568GT	TEE, RUN, 12-12-6 WITH CHECK	1
41	48963GT	FITTING,ELBOW,45D,520320-12***	1
42	48977GT	CONN,520120-12-16	3
43	49519GT	CONN,520120-16-12	1
44	48878GT	ELBOW,90D,520220-16-12	1
45	42787GT	TEE,RUN,SWIVEL,520432-16	1
46	101293GT	REDUCER,520123-16-12	2
47	1283576GT	TEE, BRANCH, -16M-16F-16M, ORFS	1
48	48975GT	CONN,520120-12-10	1
49	1276485GT	CONN,520120-20-24	1
50	48946GT	CONN,520120-8-10	2
51	48936GT	TEE,BRANCH,520429-8	1
52	48941GT	REDUCER,520123-8-4	1
53	49189-8638GT	HOSE ASSY,1/4",STR FEM,STR F**	1
54	48887GT	ELBOW,90D, 070202-4	1
55	94643GT	ZERK,GREASE,5/16-24,STRAIT	1



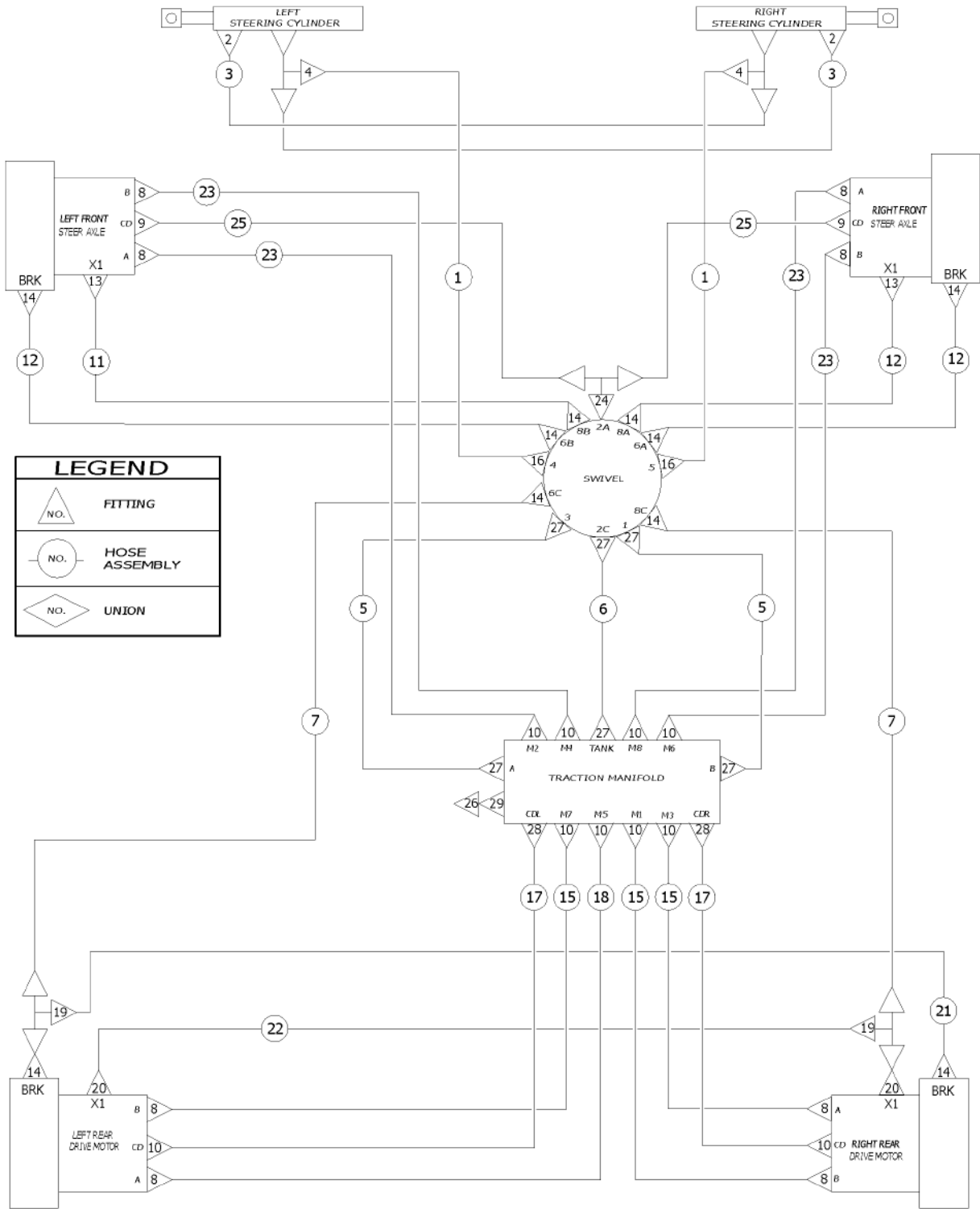
803.1 4WD Drive and Steer System



Item	Part No.	Description	Qty.
1	49130-5118GT	HOSE ASSEMBLY - 3/8" STR FEM, STR FEM Components: Genie part numbers 48812, 48812 and 48753 @ 51.18 inches	2
2	48915GT	ELBOW,90D,520220-6	2
3	49130-2482GT	HOSE ASSY 3/8, STR FEM,STR FEM Components: Genie part numbers 48812, 48812 and 48753 @ 24.82 inches	2
4	48918GT	TEE,RUN,520428-6	2
5	94374-2430GT	HOSE ASSY,3/4,90 FEM,STR FEM Components: Genie part numbers 48841, 48846 and 39889 @ 24.30 inches	2
6	94466-2336GT	HOSE ASSY,3/4" Components: Genie part numbers 48809, 48809 and 39889 @ 23.36 inches	1
7	49119-7578GT	HOSE ASSY,1/4 STR FEM,STR FEM Components: Genie part numbers 48800, 48800 and 48751 @ 75.78 inches	2
8	48948GT	CONN,520120-8-12	8
9	48930GT	CONN,520120-6-8	2
10	48933GT	CONN,520120-8***	10
11	49117-10691GT	HOSE ASSY 1/4,90 FEM STR FEM Components: Genie part numbers 48800, 48802 and 48751 @ 106.91 inches	1
12	49117-10091GT	HOSE ASSY 1/4,90 FEM STR FEM Components: Genie part numbers 48800, 48802 and 48751 @ 100.91 inches	3
13	48912GT	CONN,520120-4-6***	2
14	48905GT	CONN,520120-4***	10
15	75278-5029GT	HOSE ASSY,1/2,90 FEM,STR FEM Components: Genie part numbers 48822, 48827 and 56777 @ 50.29 inches	3
16	48916GT	FITTING,CONN,520120-6	2
17	94464-4986GT	HOSE ASSY,1/2**** Components: Genie part numbers 77703, 48808 and 39888 @ 49.86 inches	2
18	75278-5129GT	HOSE ASSY,1/2,90 FEM,STR FEM** Components: Genie part numbers 48822, 48827 and 56777 @ 51.29 inches	1
19	48908GT	FITTING,TEE,RUN,SWIVEL520432-4	2
20	48911GT	ELBOW,90D,520220-4-6***	2
21	49117-6291GT	HOSE ASSY,1/4,90 FEM,STR FEM Components: Genie part numbers 48800, 48802 and 48751 @ 62.91 inches	1
22	49117-6091GT	HOSE ASSY,1/4,90 FEM,STR FEM** Components: Genie part numbers 48802, 48800 and 48751 @ 60.91 inches	1
23	81812-13292GT	HOSE ASSY,1/2" Components: Genie part numbers 48822, 48822 and 56777 @ 132.92 inches	4
24	48936GT	TEE,BRANCH,520429-8	1
25	49131-9603GT	HOSE ASSEMBLY 3/8" Components: Genie part numbers 48819, 48812 and 48753 @ 96.03 inches	2
26	48880GT	CAP,DIAGNOSTIC NIPPLE	1
27	48960GT	FITTING,CONN,520120-12	6
28	48943GT	FITTING,CONN,520120-8-6	2



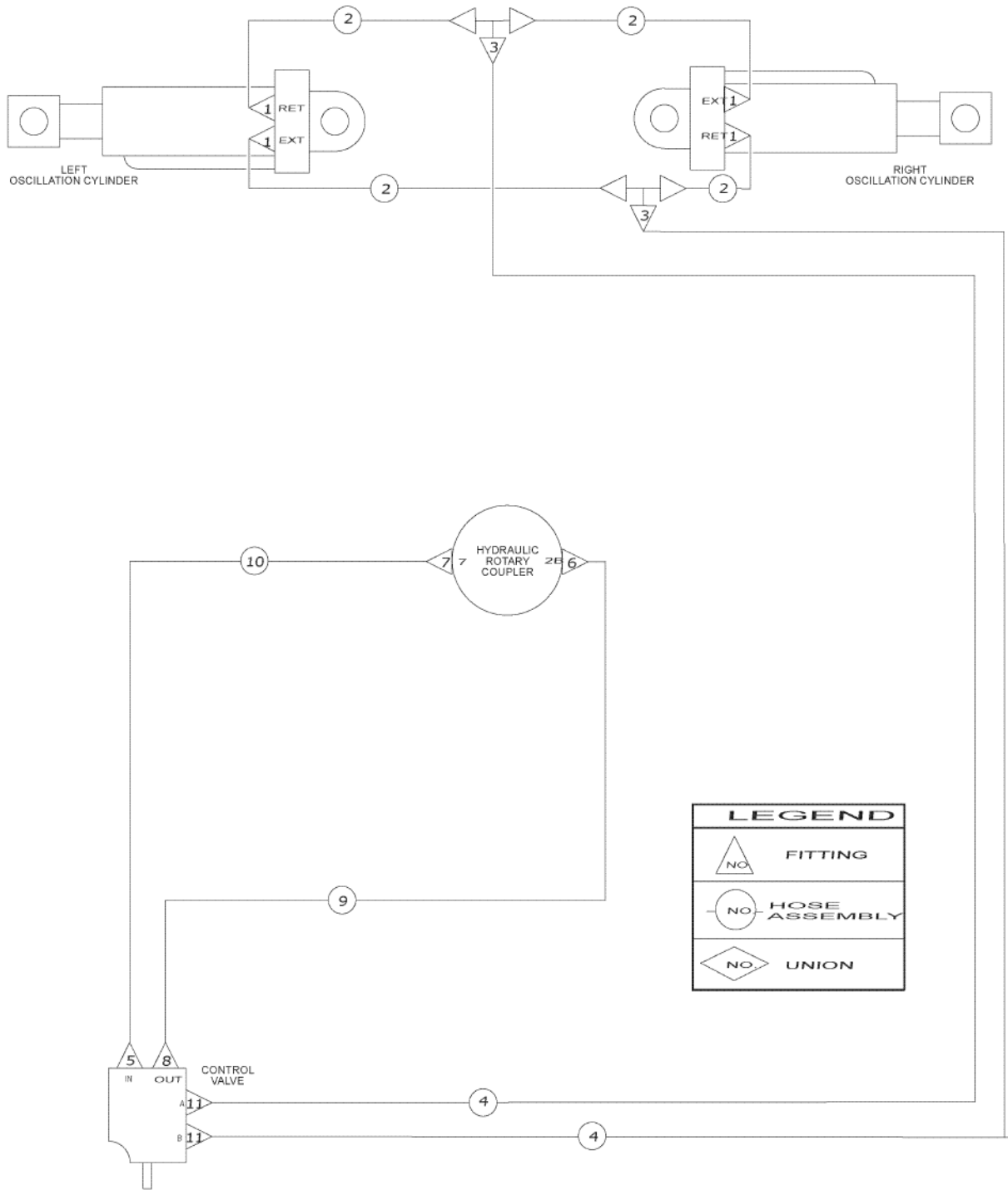
803.1 4WD Drive and Steer System



LEGEND	
	FITTING
	HOSE ASSEMBLY
	UNION

<i>Item</i>	<i>Part No.</i>	<i>Description</i>	<i>Qty.</i>
29	48997GT	NIPPLE,DIAGNOSTIC,#4	1

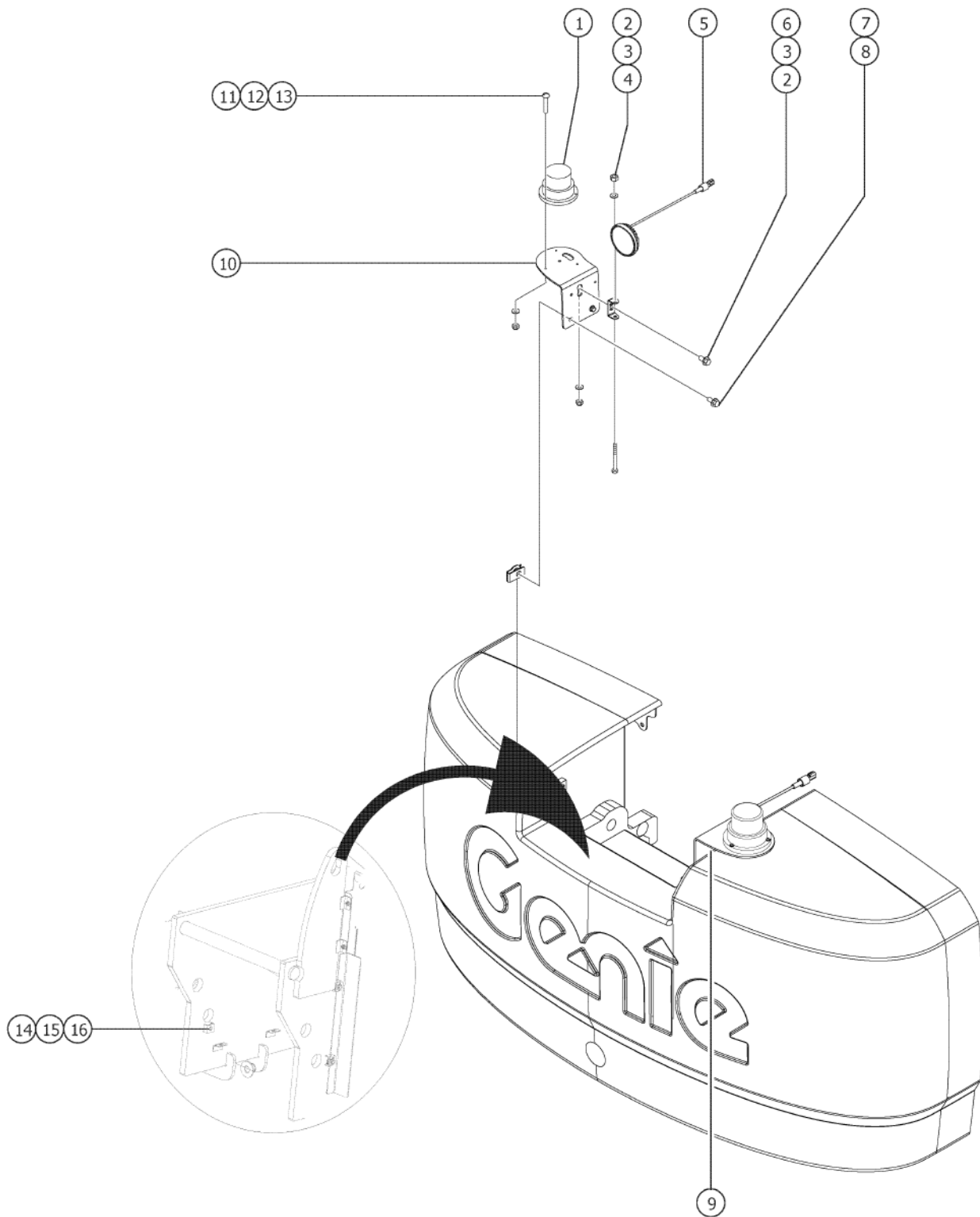
804.1 Oscillate System



<i>Item</i>	<i>Part No.</i>	<i>Description</i>	<i>Qty.</i>
1	48912GT	CONN,520120-4-6***	4
2	49128-3291GT	HOSE ASSY,-6,STR FEM,90 FEM Components: Genie part numbers 48812, 48816 and 48753 @32.91 inches	4
3	53980GT	TEE,BRANCH,520433-6	2
4	1288890-9948GT	HOSE ASSY,-6,STR FEM,BULKHEAD Components: Genie part numbers 48812, 89551 and 48753 @ 99.48 inches	2
5	48929GT	FITTING,ELBOW,90D,520220-6-8**	1
6	48933GT	CONN,520120-8***	1
7	48916GT	FITTING,CONN,520120-6	1
8	48932GT	FITTING,ELBOW,90D,520220-8***	1
9	94465-5566GT	HOSE ASSY,-8,STR FEM,STR FEM Components: Genie part numbers 48808, 48808 and 39888 @ 55.66 inches	1
10	49130-5591GT	HOSE ASSY,-6,STR FEM,STR FEM Components: Genie part numbers 48812, 48812 and 48753 @ 55.91 inches	1
11	1287507GT	CONN, 520120-6- 0.067	2



901.1 Drive Lights, Alarm and Beacon Packages

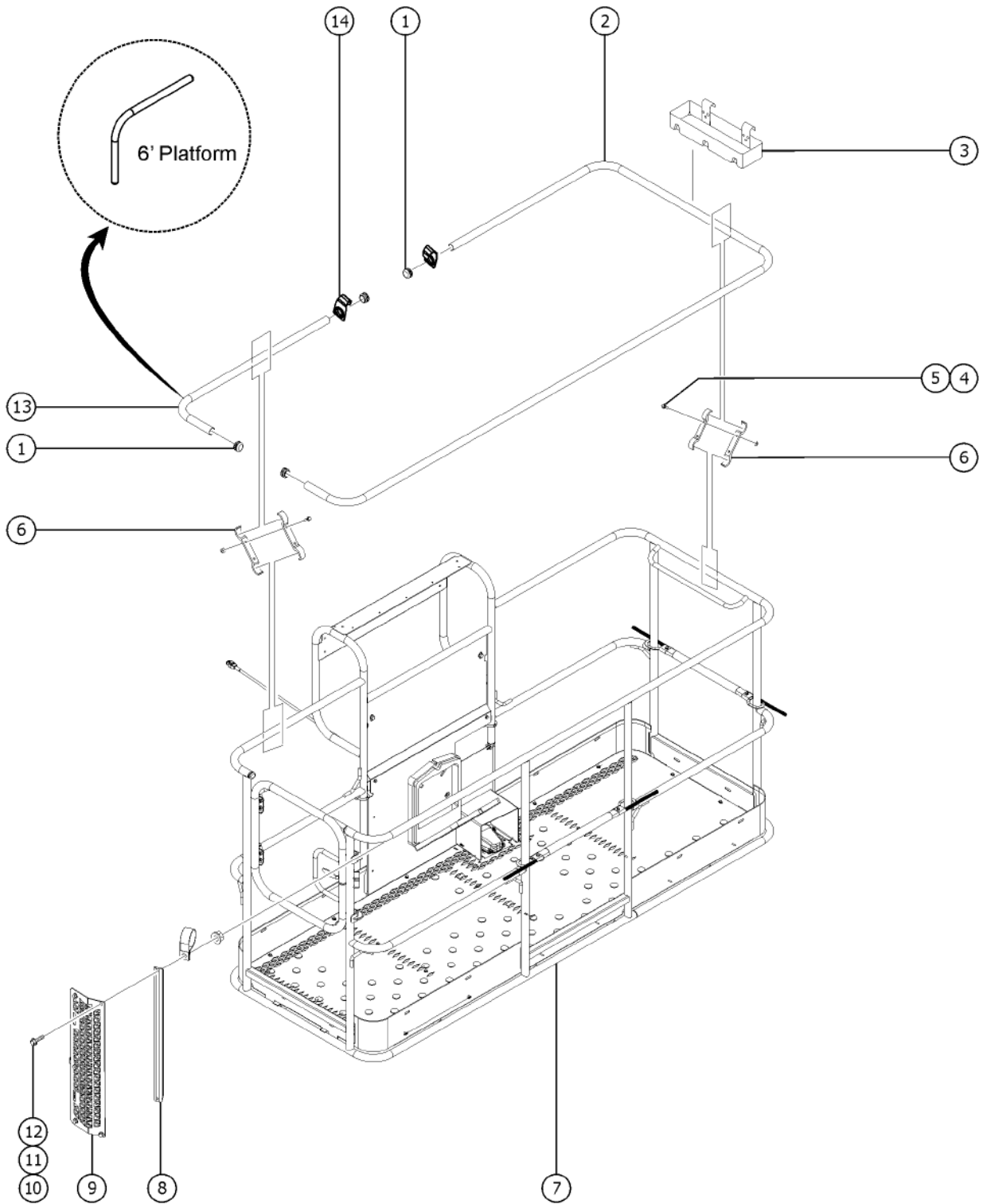


901.1 Drive Lights, Alarm and Beacon Packages

Item	Part No.	Description	Qty.
1	56704GT	STROBE,FIREBOLT,12-80VDC,AMB**	2
1-	121489GT	HARNESS,BEACON,S80/85 2008	
1-	122019GT	FLASHTUBE,U SHAPED,360DEG,BULB	
1-	226393GT	FLASHTUBE,STRAIGHT,360DEG,BULB	
1-	72282GT	LENS,AMBER,STROBE,FIREBOLT	
2	22571GT	NUT,HEX,M8 X 1.25	2
3	49408GT	WASHER,LOCK,M8	4
4	75185GT	SCREW,HHC,M8X1.25X 70MM,GR8.8	2
5	823520GT	ASSY, DRIVE LIGHT, 12V LED items 2, 3, 4 and light bracket included.	2
6	49379GT	SCREW,HHC,M8 X 1.25 X 25	
7	824089GT	SCREW, HHF, 3/8-16 X .75, 8, ZAG	
8	29868GT	SPRING CLIP,3/8-16,.05-.20X.73,ZAG	4
9	1253795GT	FORMING, LIGHT/BEACON BRKT, LH left side	1
10	1253796GT	FORMING, LIGHT/BEACON BRKT, RH right side	1
11	825352GT	SCREW,PHPM,10-32X1.25,ZAG	6
12	1253185GT	WASHER,FLAT,#10,USS,ZAG	6
13	1283005GT	NUT,NYLOCK FLG,10-32,A,ZAG	6
14	29868GT	SPRING CLIP,3/8-16,.05-.20X.73,ZAG	2
15	822692GT	CLAMP, WIRE, 16/2	2
16	824091GT	SCREW,HHF,3/8-16X1.25,8,ZAG	2



902.1 Platform Accessories

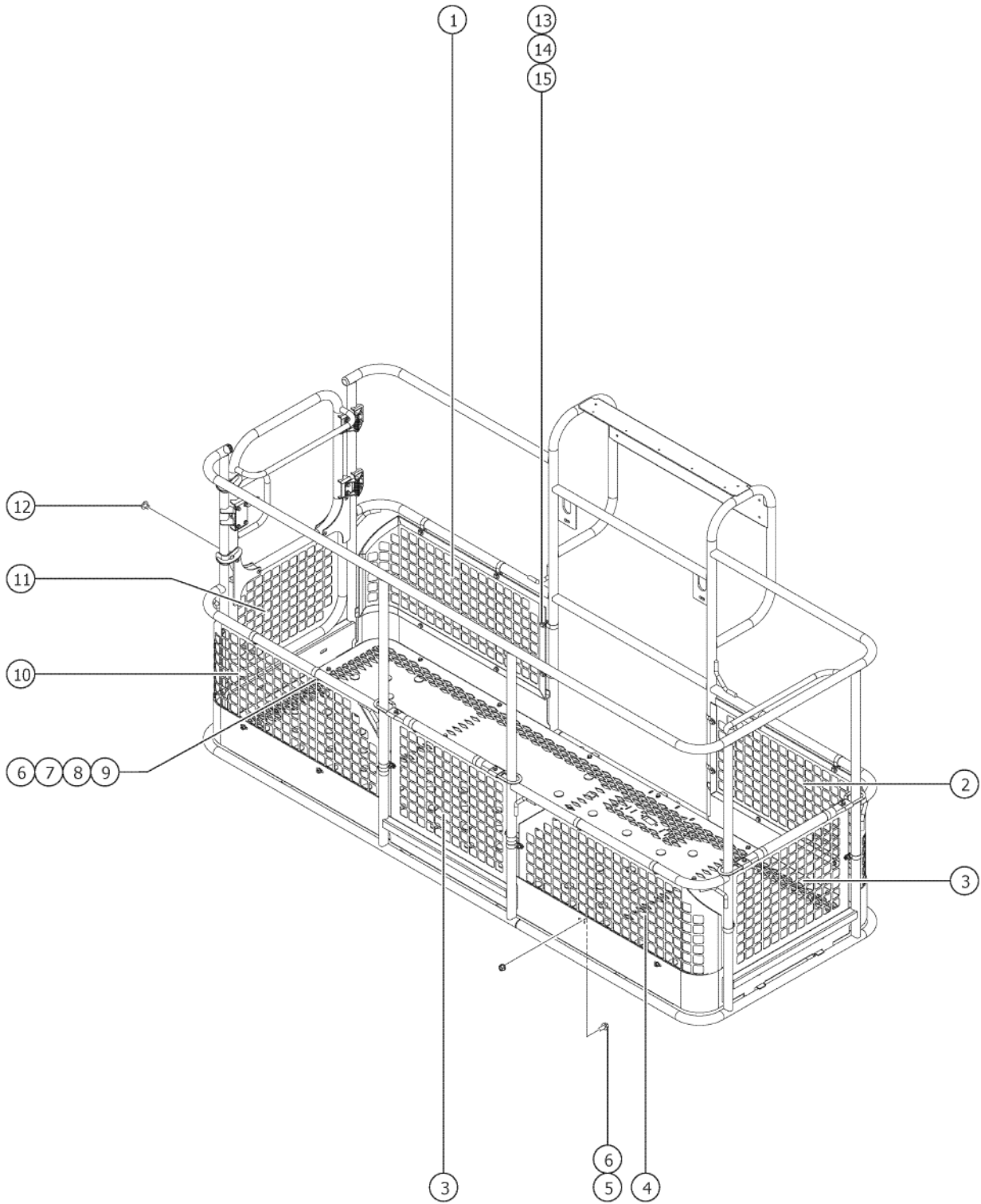


902.1 Platform Accessories

Item	Part No.	Description	Qty.
A	1277891GT	OPTION, AUX RAIL, 8' PLAT, SIDE ENTRY	1
B	1266507GT	OPTION, AUX RAIL, 6' PLAT, SIDE GATE	1
1	55753GT	BUMPER, PLASTIC, 1.25 O.D	4
2A	1276658GT	AUX RAIL, 8' PLAT, SIDE ENTRY	1
		(8 foot Platform)	
2B	1276665GT	AUX RAIL, 6' PLAT, SIDE ENTRY	1
		(6 foot Platform)	
3	9599-SGT	TOOL TRAY ACCESSORY***	1
4A	824079GT	SCREW,HHF,1/4-20X1,8,ZAG	26
		(8 foot Platform)	
4B	824079GT	SCREW,HHF,1/4-20X1,8,ZAG	22
		(6 foot Platform)	
5A	824027GT	NUT,TL FLG,1/4-20,G,ZAG	26
		(8 foot Platform)	
5B	824027GT	NUT,TL FLG,1/4-20,G,ZAG	22
		(6 foot Platform)	
6A	122073GT	SUPPORT, RAILING	26
		(8 foot Platform)	
6B	122073GT	SUPPORT, RAILING	22
		(6 foot Platform)	
7		(refer to 701.1)	1
8	1277966GT	TUBE, SWING GATE GUARD	1
9	1277952GT	GUARD, SWING GATE	1
10	824086GT	SCREW,HHF,5/16-18X1,8,ZAG	5
11	56424GT	CLAMP,1.25X.5 RUBBER-CUSHION	5
12	824028GT	NUT,TL FLG,5/16-18,G,ZAG	5
13A	1276659GT	AUX RAIL, 8' PLAT, SIDE ENTRY	1
		(8 foot Platform)	
13B	1276664GT	AUX RAIL, 6' PLAT, SIDE ENTRY	1
		(6 foot Platform)	
14A	1273076GT	FORMING, BRACKET, AUX RAIL	2
14B	1256202GT	GROMMET, 1-1/4"IDx1.88OD	2



903.1 Half Mesh with Side Entry

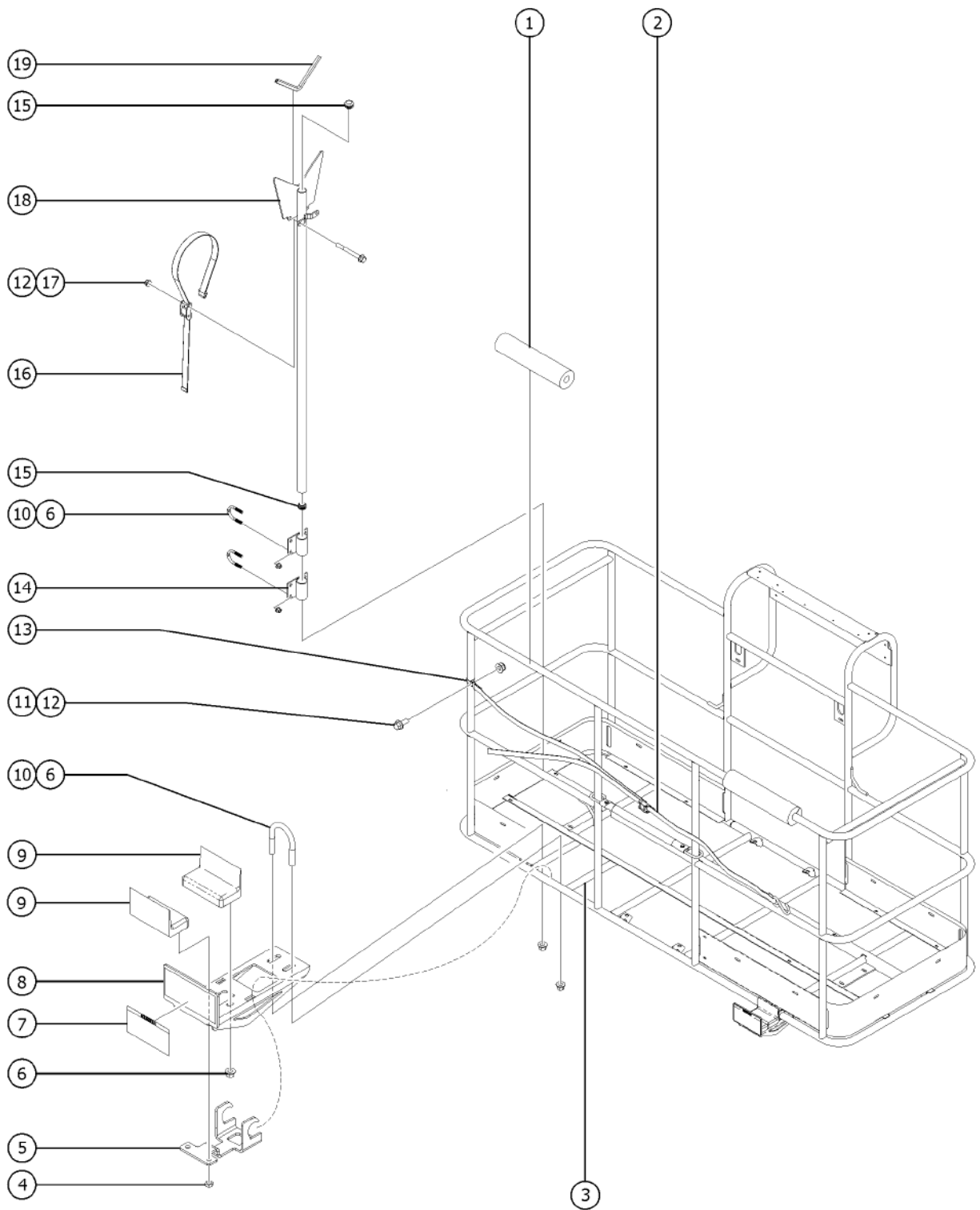


903.1 Half Mesh with Side Entry

Item	Part No.	Description	Qty.
A	1270974GT	OPTION, HALF MESH, 8' SIDE ENT (8 foot platform)	1
B	1270311GT	OPTION, HALF MESH, 6' SIDE ENT (6 foot platform)	1
1	1270994GT	PANEL, HALF MESH (8 foot platform)	1
1	1270314GT	PANEL, HALF MESH (6 foot platform)	1
2	1271019GT	PANEL, HALF MESH (8 foot platform)	1
3	1271061GT	PANEL, HALF MESH (8 foot platform)	2
3	1271061GT	PANEL, HALF MESH (6 foot platform)	1
4	1271018GT	PANEL, HALF MESH (8 foot platform)	1
4	1270313GT	PANEL, HALF MESH (6 foot platform)	1
5	824085GT	SCREW,HHF,5/16-18X.75,8,ZAG	12
6	1274167GT	NUT,NYLOCK FLG,5/16-18,F,ZAG (8 foot platform)	32
6	1274167GT	NUT,NYLOCK FLG,5/16-18,F,ZAG (6 foot platform)	31
7	56424GT	CLAMP,1.25X.5 RUBBER-CUSHION (8 foot platform)	20
7	56424GT	CLAMP,1.25X.5 RUBBER-CUSHION (6 foot platform)	19
8	825358GT	WASHER,FLAT,5/16,USS,ZAG (8 foot platform)	22
8	825358GT	WASHER,FLAT,5/16,USS,ZAG (6 foot platform)	19
9	1264101GT	SCREW,HHC,5/16-18X1,8,ZAG (8 foot platform)	20
9	1264101GT	SCREW,HHC,5/16-18X1,8,ZAG (6 foot platform)	19
10	1271040GT	PANEL, HALF MESH (8 foot platform)	1
10	1270316GT	PANEL, HALF MESH (6 foot platform)	1
11	1285700GT	WELDMENT,SWING GATE PANEL	1
11-	55753GT	BUMPER, PLASTIC, 1.25 O.D	
12	824207GT	RIVET,STL,STL,DOM,1/4X.375,Z	8
13	824059GT	SCREW,HHC,1/4-20X.75,8,ZAG	2
14	824113GT	WASHER,FLAT,1/4,USS,ZAG	2
15	1256679GT	NUT,SERRATED,1/4-20,8,ZAG	2



904.1 Panel Cradle and Pipe Cradle

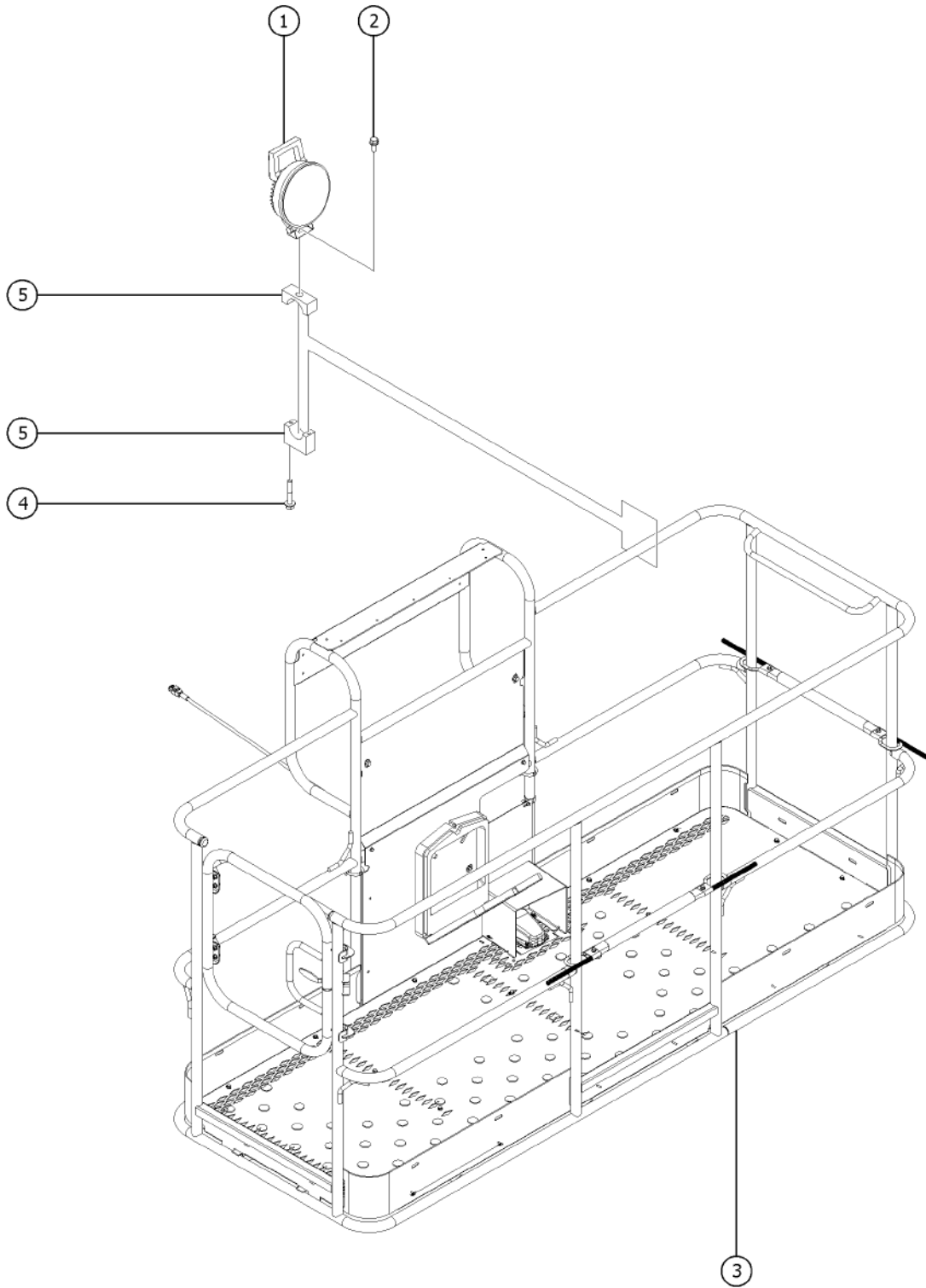


904.1 Panel Cradle and Pipe Cradle

Item	Part No.	Description	Qty.
B-	65630GT	INSTRUCTIONS-PIPE CRADLE,BOOMS	
C	72875GT	DECAL,WARNING,PIPE CRADLE,BOOM	2
1	88377-1400GT	FOAM PAD***	2
2	77664GT	ADJUSTABLE STRAP ASSY	1
3	73463-1175GT	TUBE,RD,ALUM 1.25 X .083	2
4	824038GT	NUT, TL JAM, 3/8-16, A, ZAG	4
5A	233992GT	KIT,PANEL CRADLE BRACKET,WORD (ANSI models) (includes hook, panel support bracket and installation instructions)	1
5B	228849GT	FORMING,SECONDARY SUPPORT	2
6	1274322GT	NUT,NYLOCK FLG,3/8-16,G,ZAG	
7	82410GT	DECAL,WARNING,PANEL CRADLE (order seperately)	2
8A	233992GT	KIT,PANEL CRADLE BRACKET,WORD (ANSI models) (includes hook, panel support bracket and installation instructions)	1
8B	228848GT	FORMING PANEL CRADLE	2
9	56934GT	PAD,REST,1"THICK,FLANGED	4
10	1251600GT	U-BOLT, FLATTENED, 1.5 X 3/8	10
11	1256855GT	SCREW,HHF,1/4-20X.625,8,ZAG	1
12	1277924GT	NUT,NYLOCK FLG,1/4-20,F,ZAG	
13	56424GT	CLAMP,1.25X.5 RUBBER-CUSHION	1
14	81368GT	WELDMENT,PIPE CRADLE MOUNT	4
15	55753GT	BUMPER, PLASTIC, 1.25 O.D	4
16	56570GT	STRAP, CONDUIT HOLDER 60"****	2
17	824083GT	SCREW,HHF,1/4-20X2.5,8,ZAG	4
18	56525GT	WELDMENT, PIPE CRADLE	2
19	19018-1100GT	TRIMLOCK,BLACK,5/32"	2



905.1 Platform Work Lights

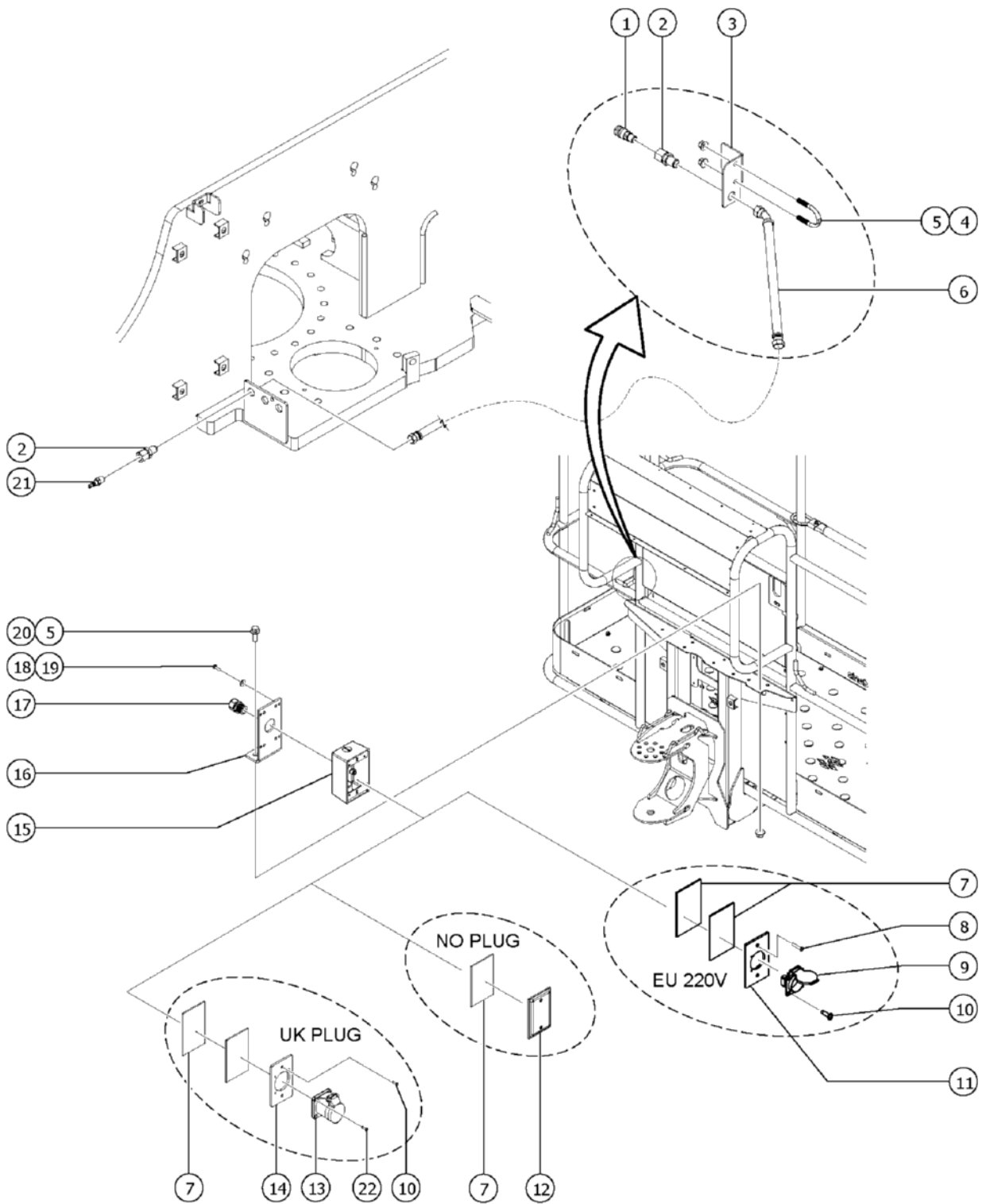


905.1 Platform Work Lights

<i>Item</i>	<i>Part No.</i>	<i>Description</i>	<i>Qty.</i>
1	1282993GT	ASSY, WORK LIGHT, 12V LED	2
1-	824149GT	NUT,M8-1.25,DIN934,10,ZAB	2
2	824085GT	SCREW,HHF,5/16-18X.75,8,ZAG	2
3		Ref.WELDMENT, PLATFORM	
		refer to 701.1	
4	824081GT	SCREW,HHF,1/4-20X1.5,8,ZAG	4
5	35956GT	BRACKET,WORK LIGHT MOUNT 5/16"	2



906.1 Air Line and Power to Platform

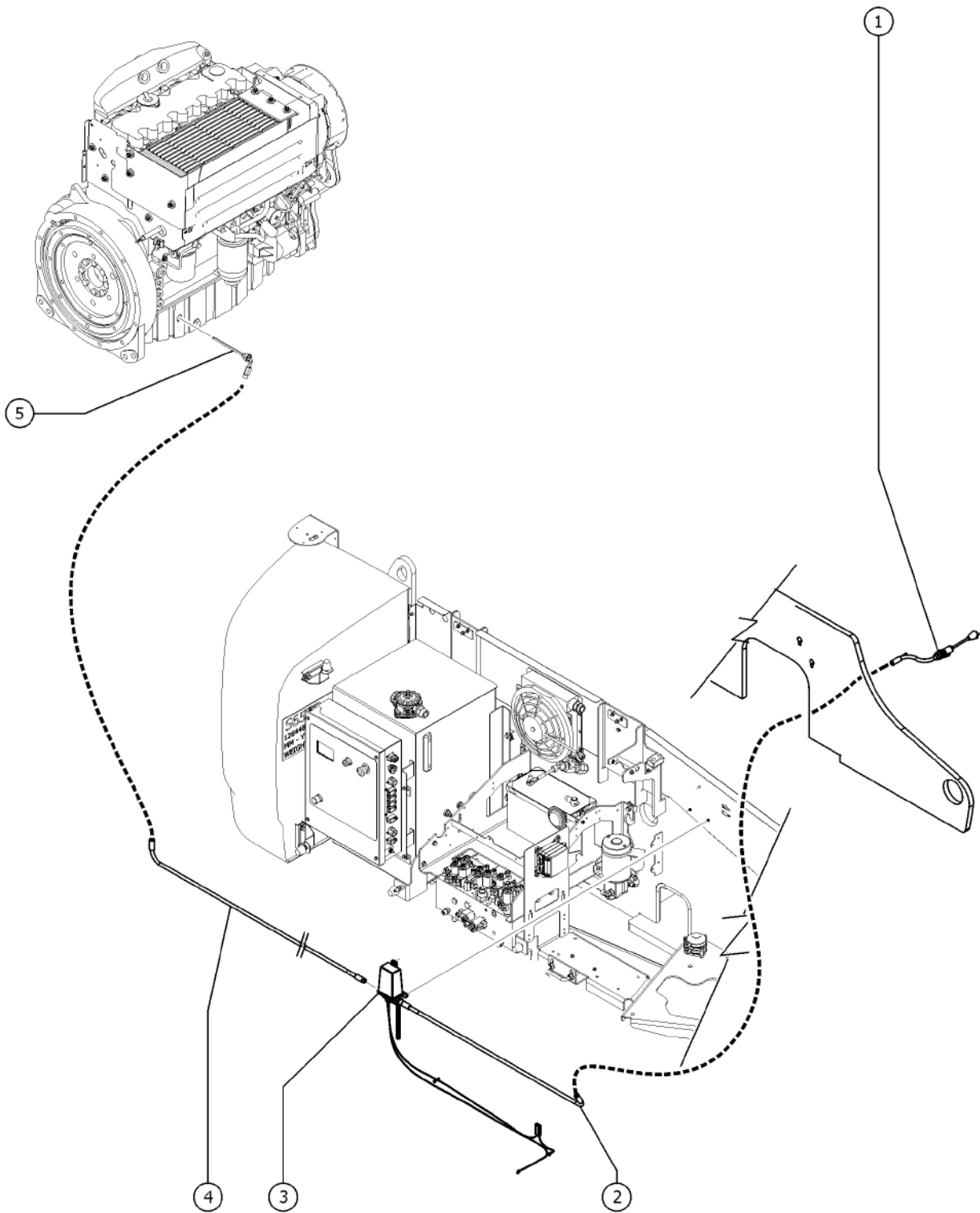


906.1 Air Line and Power to Platform

Item	Part No.	Description	Qty.
1	49215GT	MPT,CPLR,1/4"SER,3/8"X18	1
2	49212GT	FEMALE BULKHEAD CONNECTOR-8	2
3	1275087GT	FORMING, AIR TO PLAT	1
4	1251600GT	U-BOLT, FLATTENED, 1.5 X 3/8	1
5	1274322GT	NUT,NYLOCK FLG,3/8-16,G,ZAG	4
6	49177-93594GT	HOSE ASSEMBLY,1/2"*** S-65	1
6B	49177-90894GT	HOSE ASSEMBLY,1/2"*** S-60	
7	74052GT	GASKET,COVER,GFCI,WEATHERPROOF No Plug	1
7B	74052GT	GASKET,COVER,GFCI,WEATHERPROOF UK and EU Plug	2
8	57075GT	SCREW,PHIL,8-32X.50,SELF TAP	2
9	66353GT	RECEPTACLE, DIN, 220V 50A	1
10	1253489GT	SCREW,FHPM,6-32 X .75,ZAG	2
11	236966GT	PLATE,EURO POWER TO PLATFORM	1
12	10777GT	COVER, BLANK	1
13	T112560GT	RECEPTACLE,UK,110 VOLT	1
14	T112561GT	PLATE,UK POWER TO PLATFORM	1
15	75069GT	T-BOX 2.75 X 4.5 X 2.5	1
16	81096GT	BRACKET,POWER TO PLAT, DOM.	1
17	7057GT	CONN. SQZ,1/2NPT .39-.56 MED.	1
18	1257296GT	SCREW,PHPM-ST,8-32X.50,TYPE F,ZAG	4
19	1257390GT	WASHER,FLAT,#8,SAE,ZAG	4
20	824090GT	SCREW,HHF,3/8-16X1,8,ZAG	2
21	49214GT	MALE PIPE THD,1/4" SER,3/8"X18	1
22	1255788GT	SCREW,FHPM,8-32X.375,ZAG	4



907.1 Cold Start Package

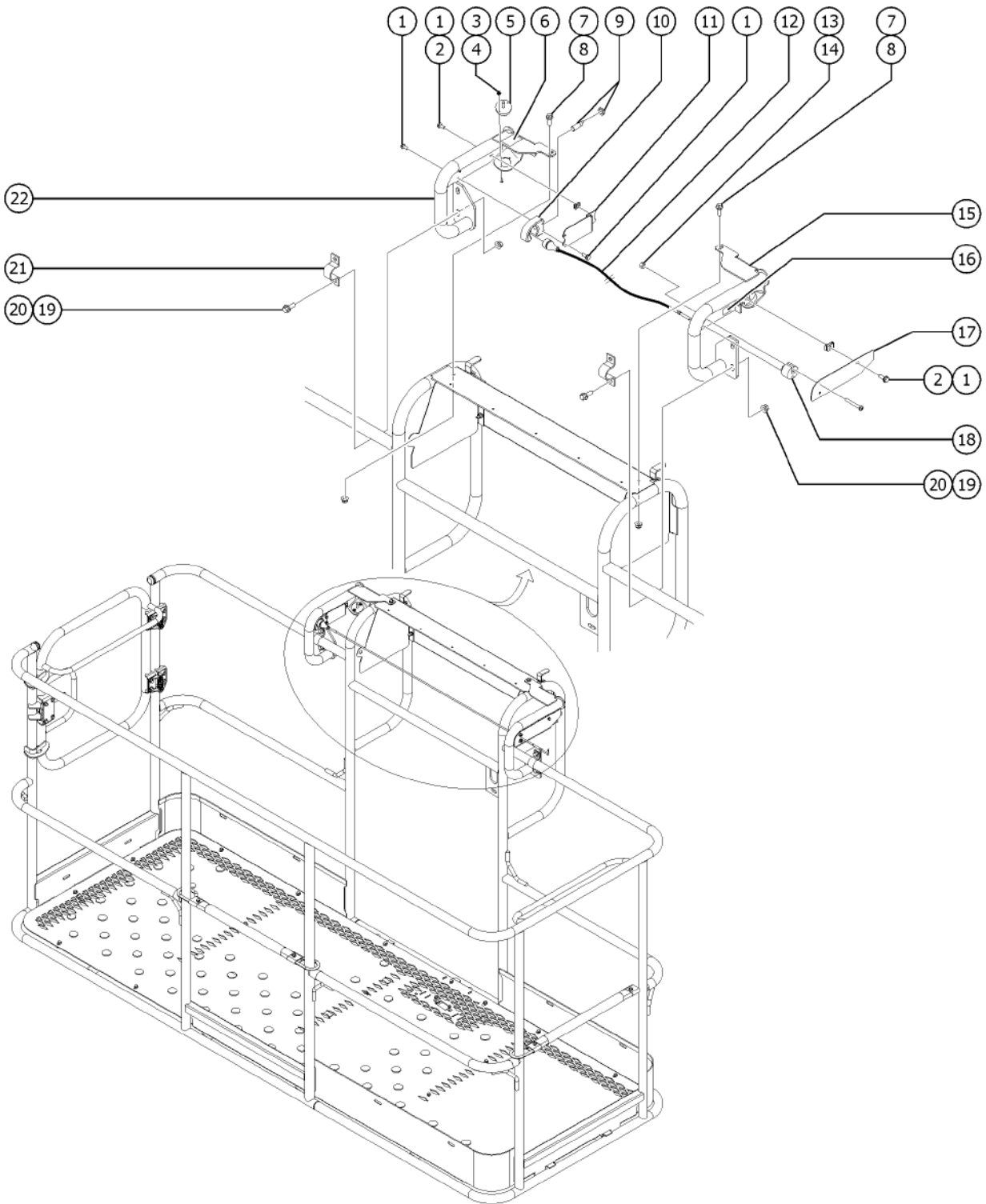


907.1 Cold Start Package

<i>Item</i>	<i>Part No.</i>	<i>Description</i>	<i>Qty.</i>
1	1258783GT	CABLE, CONNECTION, MAINS	1
2	1261879GT	CABLE, EXTENSION, 1210	1
3A	1294422GT	MULTI-CHARGER, BATTERY, 1210, FLEX	1
3B	20973GT	WIRE LOOM,3/8 POLY SLIT	50
4	1258789GT	CABLE, EXTENSION, 1210	1
5	1258786GT	ELEMENT, HEATER, OIL, DEUTZ	1



908.1 Lift Guard Contact Alarm

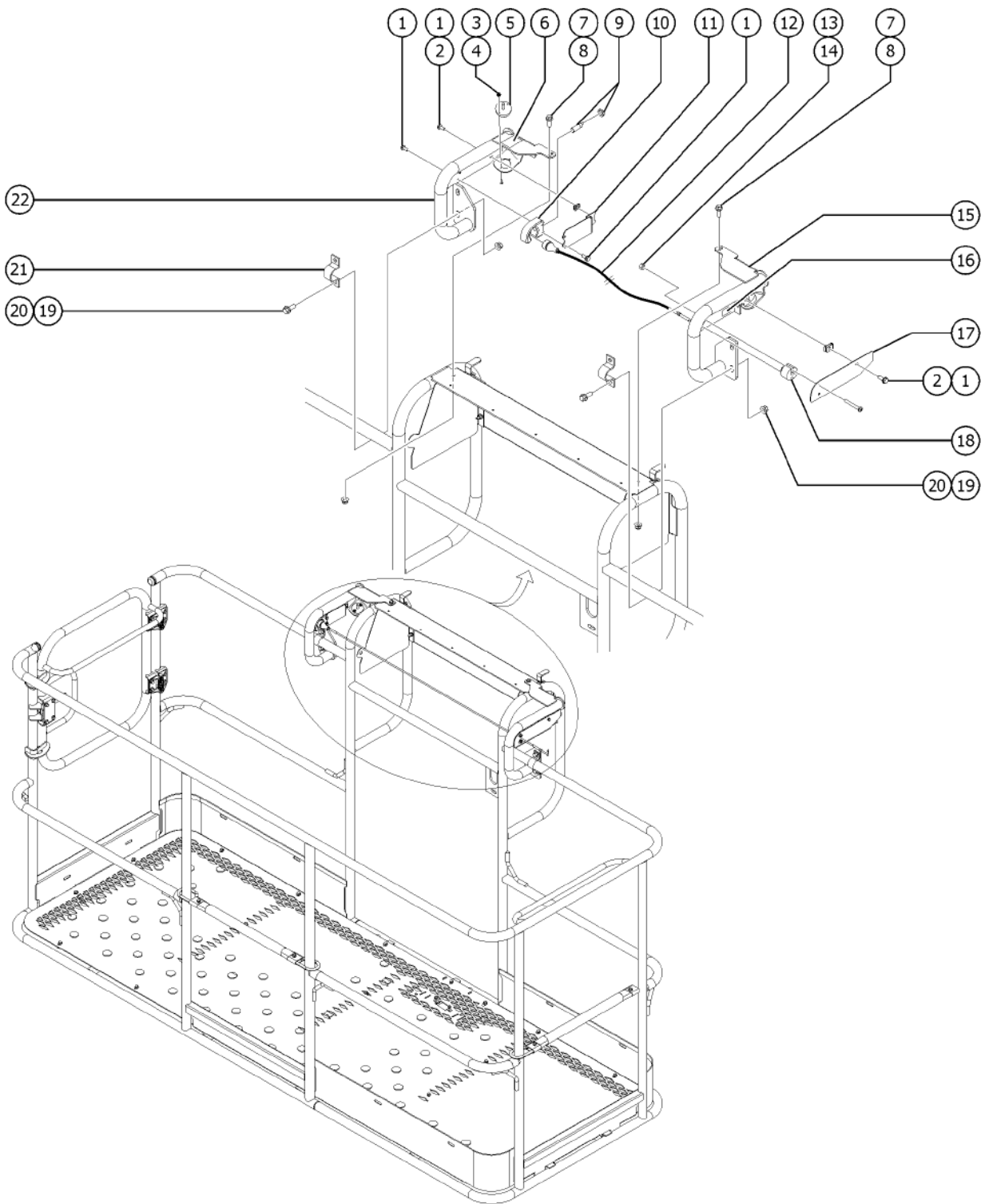


908.1 Lift Guard Contact Alarm

Item	Part No.	Description	Qty.
A		From January 2017, this option became a standard installation on all models unless the customer specifically request not to have it installed.	...
B	1278108GT	HARNES, CONTACT ALARM, S40,S60,S80	
C	19274GT	RELAY,SPDT,12V(AUTO)**	
D	1278121GT	MODULE PLUS+1 CONTACT ALARM	
D-	824083GT	SCREW,HHF,1/4-20X2.5,8,ZAG	
D-	1277924GT	NUT,NYLOCK FLG,1/4-20,F,ZAG	
1	1264934GT	SCREW, HHF, 10-24 X .5	7
2	73575GT	SPRING CLIP,10-24,ZINC	2
3	12344GT	NUT,NYLOCK,6-32	4
4	1256859GT	SCREW,PHPM,6-32X7/8,ZAG	4
5	1278111GT	ASSEMBLY, LIGHT, CONTACT ALARM	2
5B	1285850GT	ASSEMBLY,AMBER LIGHT,CONTACT ALARM	
6	1278542GT	DECAL, INSTRUCTION, CONTACT ALARM	1
7	824078GT	SCREW,HHF,1/4-20X.75,8,ZAG	2
8	1277924GT	NUT,NYLOCK FLG,1/4-20,F,ZAG	2
9	1278119GT	ASSEMBLY SENSOR PROX OPA2	1
10	1278433GT	ASSY SENSOR W/HOUSING (Includes holder item 1277877 and sensor part 1278119)	1
10-	1277877GT	HOLDER, SENSOR	
11	1277873GT	FORMING, SENSOR HOLDER	1
12	1278416GT	ASSEMBLY OPA CABLE LARGE	1
12-	1261184GT	NUT,1/4-20,8,ZAG Part of assembly 1278416	
12-	1278124GT	MAGNET, 1/4-20, 15 LB Part of assembly 1278416	
12-	1278368GT	GRIP, CABLE Part of assembly 1278416	
12-	1278458GT	CONTACT ALARM WIRE ASSY, LARGE Part of assembly 1278416	
13	1274168GT	NUT,NYLOCK,10-32,A,ZAG	2
14	824216GT	SCREW,PHPM,10-32X1.5,ZAG	2
15	1278138GT	WELDMENT, RIGHT CONTACT ALARM, LARGE	1
15-	824037GT	NUT,HH JAM,1/4-20,A,ZAG	



908.1 Lift Guard Contact Alarm

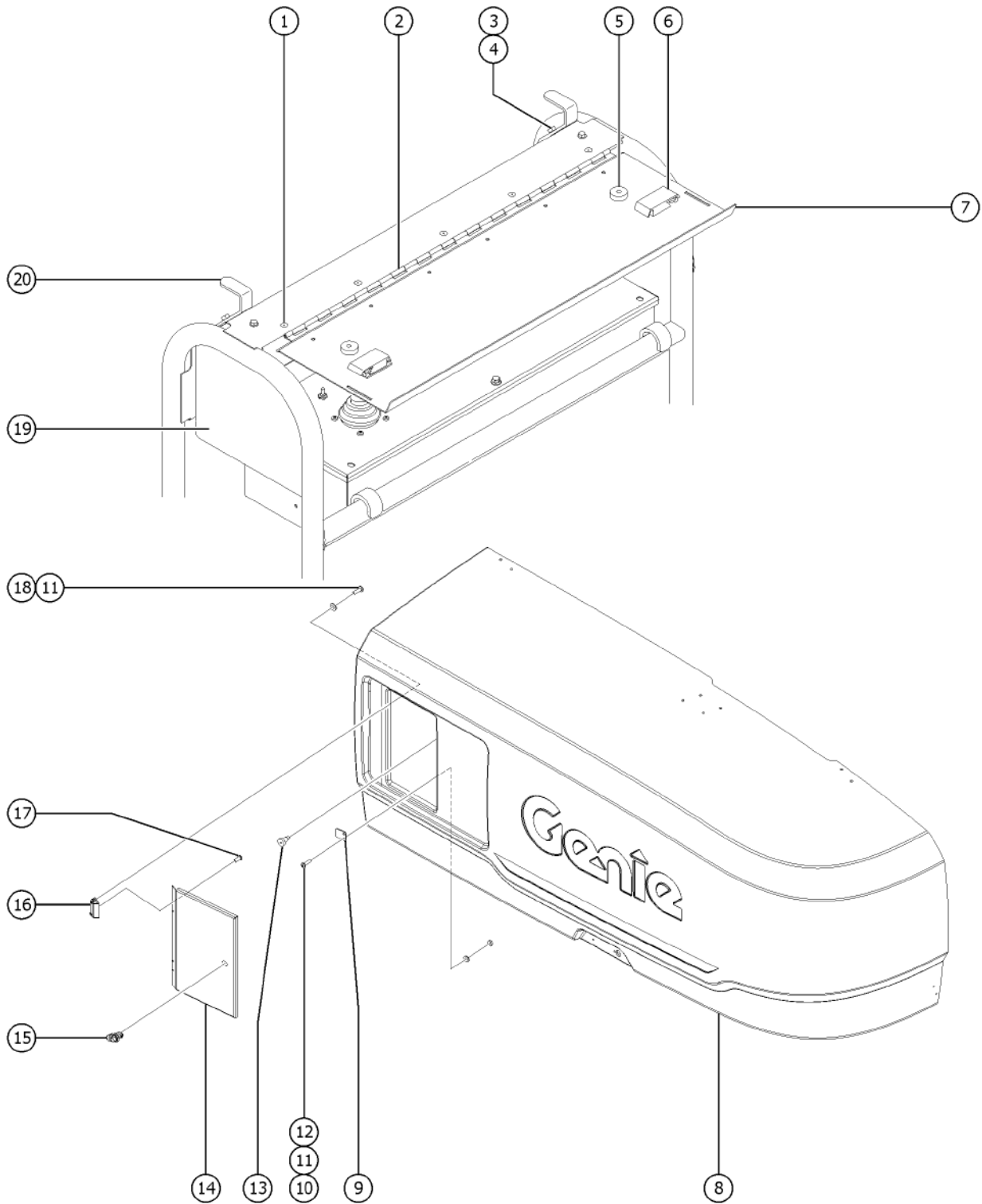


908.1 Lift Guard Contact Alarm

<i>Item</i>	<i>Part No.</i>	<i>Description</i>	<i>Qty.</i>
15-	1277924GT	NUT,NYLOCK FLG,1/4-20,F,ZAG	
16	1278982GT	DECAL, INSTRUCTION, ACTUATOR SWITCH SOCKET	1
17	1277875GT	PLATE, CABLE AND WIRE COVER	1
18	1277876GT	GUIDE, CABLE	1
19	1274322GT	NUT,NYLOCK FLG,3/8-16,G,ZAG	4
20	824090GT	SCREW,HHF,3/8-16X1,8,ZAG	4
21	1278363GT	CLAMP, 1.25 INCH TUBE	2
22	1278144GT	WELDMENT, LEFT CONTACT ALARM, LARGE	1



909.1 Base and Plat Covers

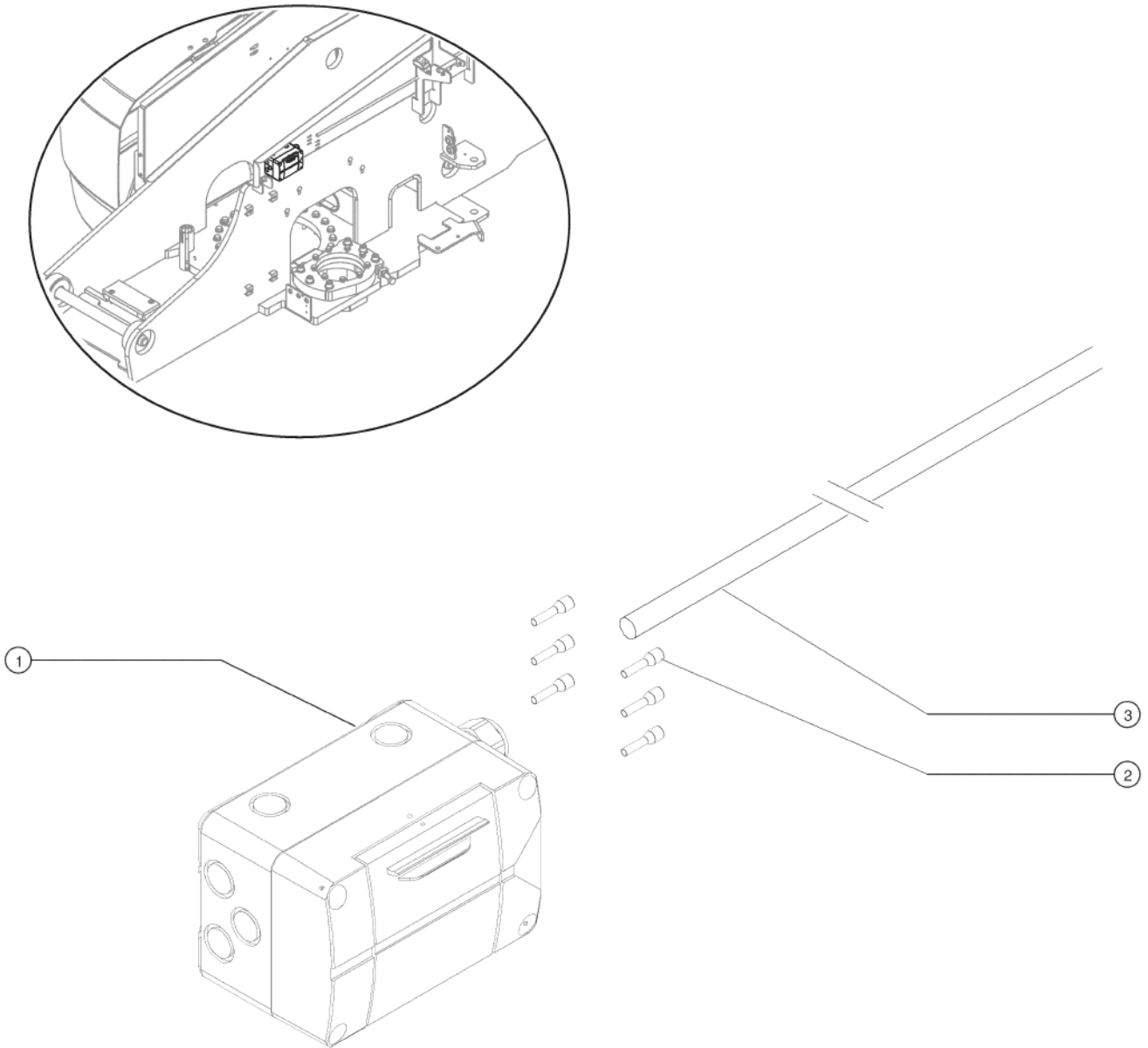


909.1 Base and Plat Covers

Item	Part No.	Description	Qty.
1	54486GT	RIVET,ALUM,ALUM,3/16BUTTONHEAD	11
2	111526GT	HINGE,PLAT CONTROL BOX COVER	1
3	824078GT	SCREW,HHF,1/4-20X.75,8,ZAG	8
4	1277924GT	NUT,NYLOCK FLG,1/4-20,F,ZAG	8
5	43392GT	BUMPER,BATTERY BOX & RAILS	2
6	30468GT	LATCH,SLIDE, FLUSH MOUNT STYLE	2
7	102785GT	CONTROL BOX COVER,LID	1
8		REF. COVER, SWING CHASSIS, TANK SIDE	1
		refer to 308.1	
9	1261001GT	STRIKER, LATCH	1
10	824215GT	SCREW,PHPM,10-32X.75,ZAG	2
11	1253185GT	WASHER,FLAT,#10,USS,ZAG	6
12	1256804GT	NUT,10-32,ZAG	2
13	34619GT	BUMPER,RUBBER***	2
14	1284272GT	FORMING, CONTROL BOX COVER, ALC 600	1
15	1259583GT	LATCH, PUSH BUTTON	1
16	1259584GT	HINGE, CONSTANT TORQUE	2
17	825349GT	SCREW,PHPM,10-32X.38,ZAG	4
18	1257227GT	SCREW,PHPM,10-32X.625,ZAG	4
19A	88607GT	COVER,CONTROL BOX LEFT SIDE	1
19B	88606GT	COVER,CONTROL BOX RIGHT SIDE	1
20	102786GT	FORMING,LATCH,CTRL BOX LID PTD	2



910.1 Power To Platform RCBO

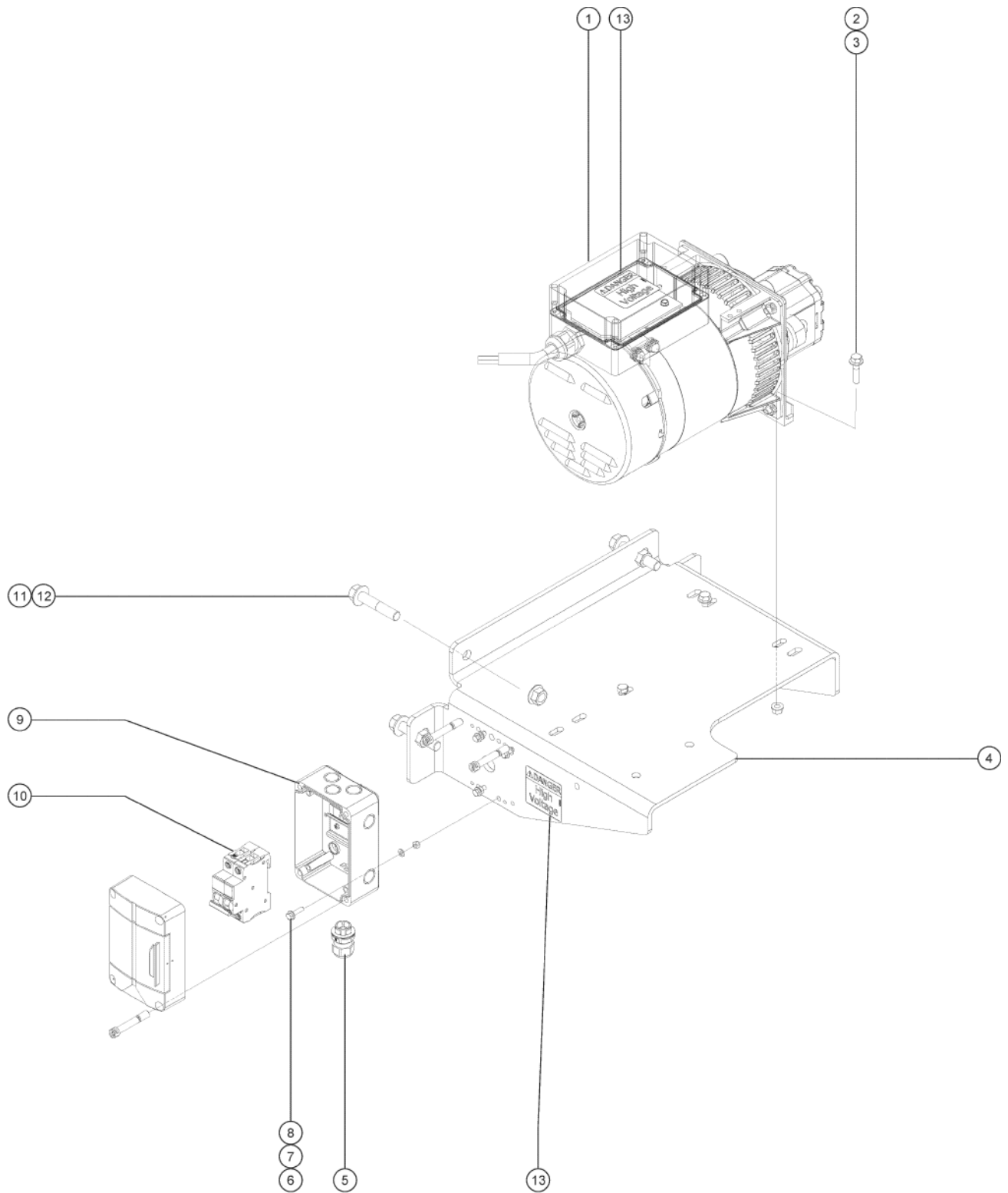


910.1 Power To Platform RCBO

<i>Item</i>	<i>Part No.</i>	<i>Description</i>	<i>Qty.</i>
1	1287634GT	ASSEMBLY, RCBO, 16A, 30MA, 50HZ, IP65	1
2	1261689GT	SLEEVE, CABLE-END, 12AWG, 4MM	8
3	30794GT	WIRE, 12/3 SJEOW, BK-WH-GR/YL	90



911.1 3K Hydraulic Generator Option

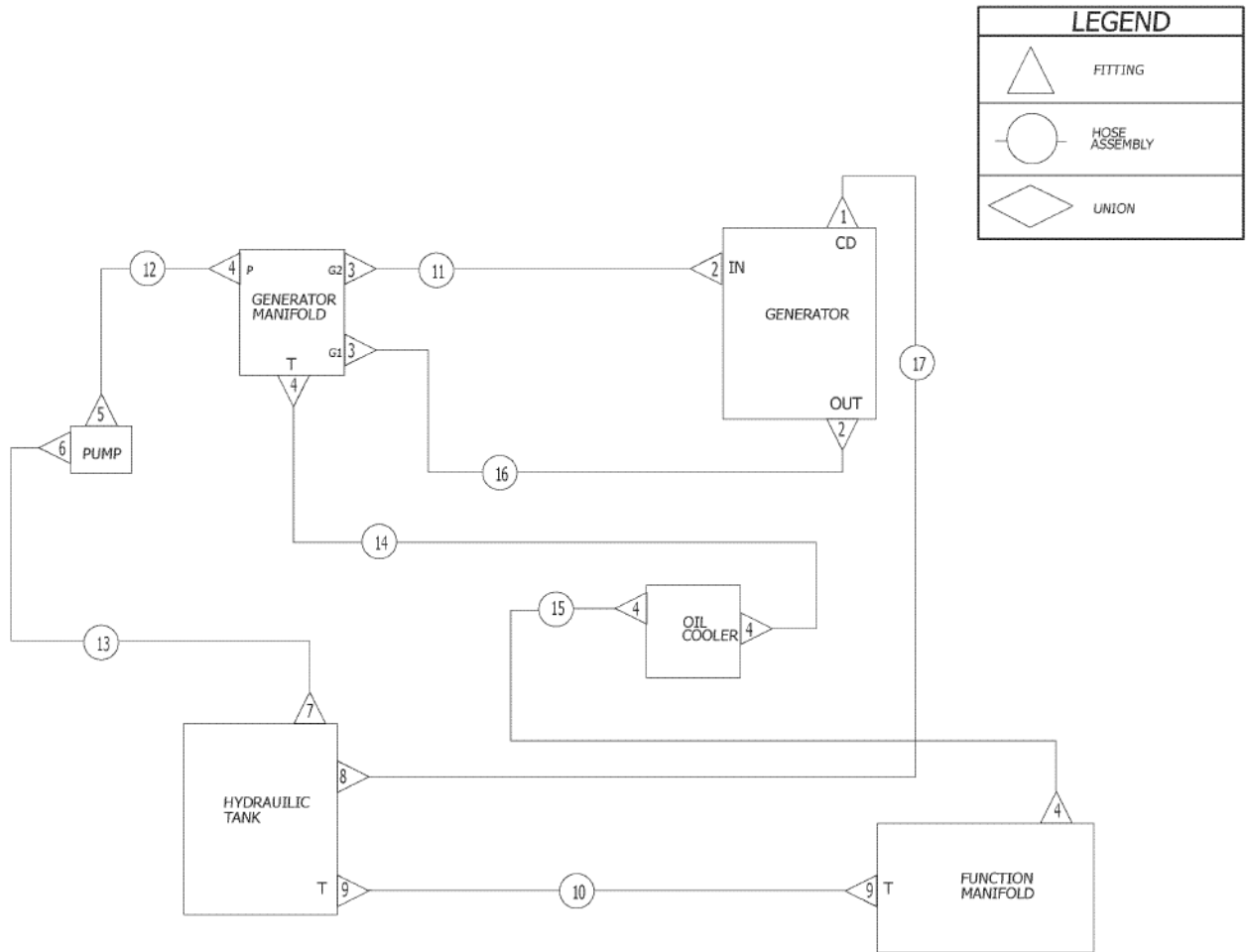


911.1 3K Hydraulic Generator Option

<i>Item</i>	<i>Part No.</i>	<i>Description</i>	<i>Qty.</i>
1	1279869GT	GEN, 3.0 kW, 50Hz, DUAL VOLTAGE	1
2	824087GT	SCREW,HHF,5/16-18X1.25,8,ZAG	2
3	1274167GT	NUT,NYLOCK FLG,5/16-18,F,ZAG	4
4	1283513GT	BRACKET, GENERATOR 13kW	1
5	1287081GT	CORD GRIP, CLICK 20, BLACK, 0.276-0.512	2
6	218458GT	SCREW,HHF,M5-0.8X20,DIN6921,10.9,ZAB	4
7	826215GT	WASHER,FLAT,M5,DIN125,ZAB	4
8	826214GT	NUT,TL,M5-0.8,DIN980,10,ZAB	4
9	1269086GT	ENCLOSURE, FUSE, MODULAR, 100x150x96, IP65	1
10	1261795GT	RCBO, 10A, 30MA, TYPE B, 240V, 50HZ	1
11	1255802GT	SCREW,HHF,1/2-13X2.5,8,ZAG	4
12	1261724GT	NUT,SERRATED,1/2-13,8,ZAG	4
13	1256425GT	DECAL, DANGER, ELECTROCUTION HAZARD, SYMBOL	2



912.1 3K Hydraulic Generator Option - Hoses and Fittings

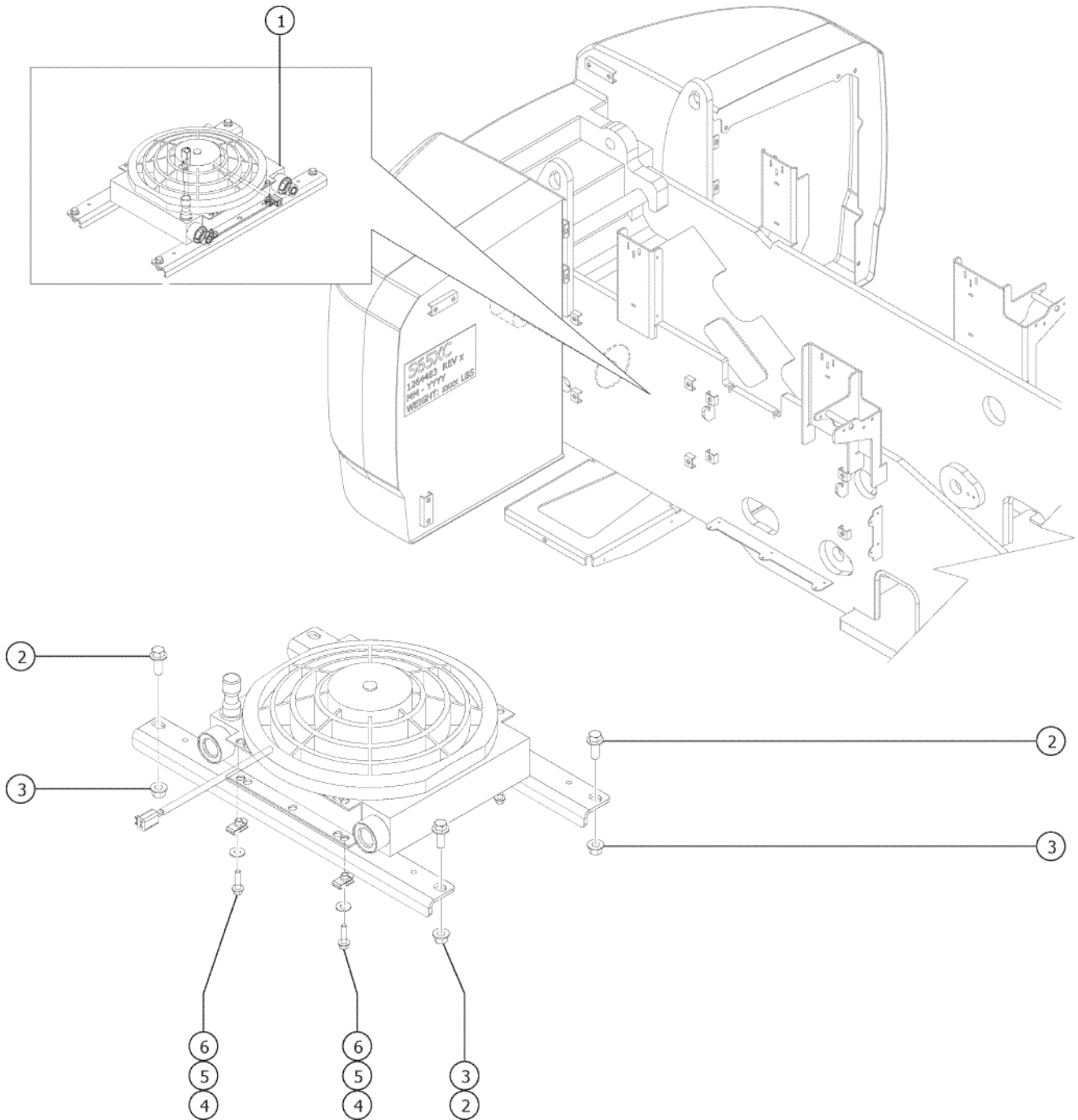


912.1 3K Hydraulic Generator Option - Hoses and Fittings

Item	Part No.	Description	Qty.
1	48915GT	ELBOW,90D,520220-6	1
2	48974GT	ELBOW,90D,520220-12-10	2
3	61610GT	CONN,LONG,520122-12***	2
4	48960GT	FITTING,CONN,520120-12	5
5	48959GT	FITTING,ELBOW,90D,520220-12	1
6	88936GT	CONN,520120-20-16	1
7	75654GT	CONN,520120-20	1
8	48929GT	FITTING,ELBOW,90D,520220-6-8**	1
9		(refer to figure 802.1)	
10		(refer to figure 802.1, position 10)	
11	61073-2697GT	HOSE ASSY,3/4,STR FEM,90 FEM	1
12	61073-3740GT	HOSE ASSY,3/4,STR FEM,90 FEM	1
13	1288891-7874GT	HOSE ASSY,1"	1
14	61074-9646GT	HOSE ASSY,1,STR FEM,45 FEM	1
15	61074-5710GT	HOSE ASSY,1,STR FEM,90 FEM	1
16	61073-3012GT	HOSE ASSY,3/4,STR FEM,90 FEM	1
17	49130-9843GT	HOSE ASSY,3/8,STR FEM,STR FEM	1



913.1 Oil Cooler Components

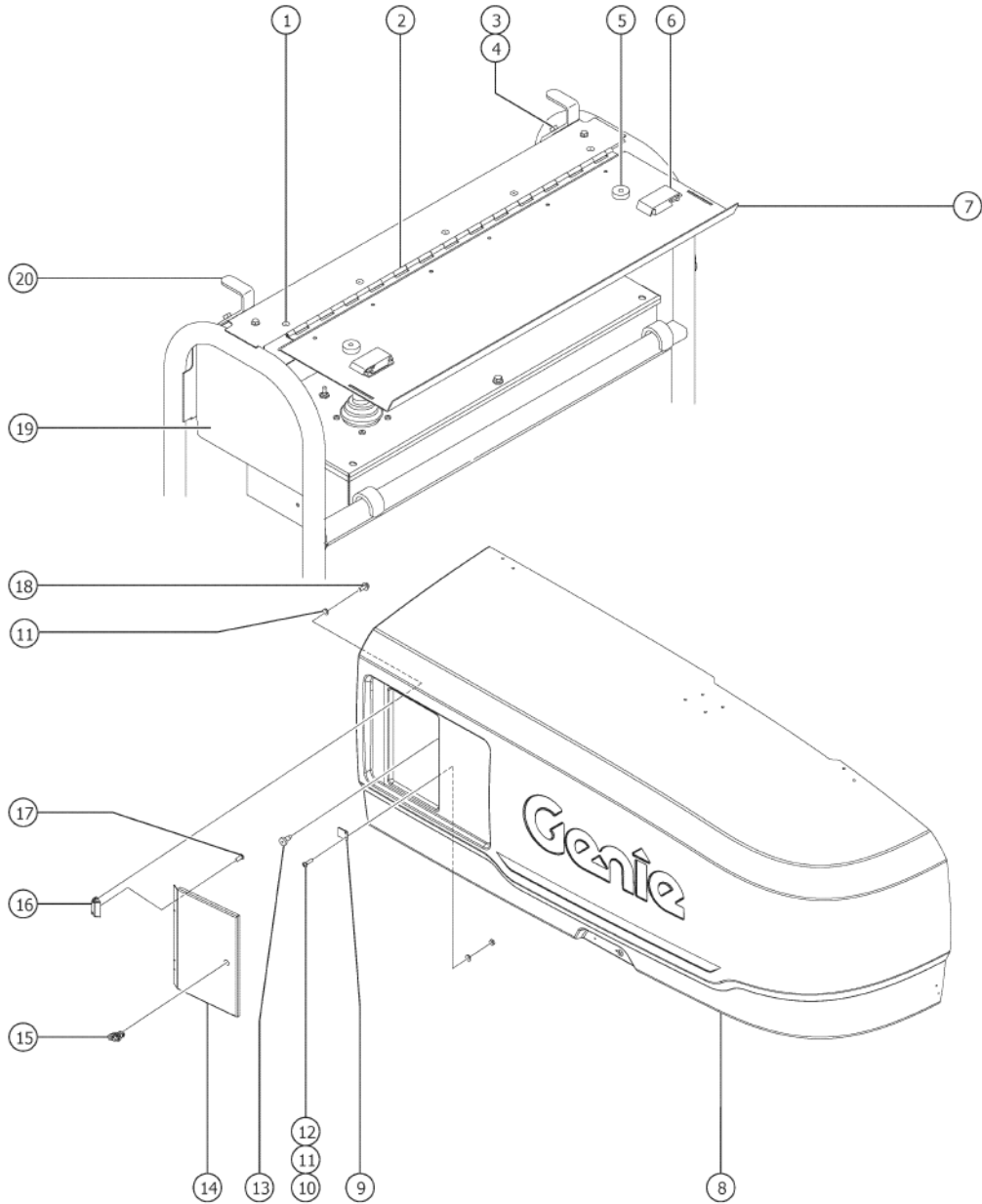


913.1 Oil Cooler Components

<i>Item</i>	<i>Part No.</i>	<i>Description</i>	<i>Qty.</i>
1	71259GT	OIL COOLER W/FAN, 12VDC	1
1-	75854GT	FAN - VENTED	
1-	75855GT	THERMOSTAT -OIL COOLER (71259)	
1-	48992GT	ELBOW,45D,520320-16-12	
1-	49519GT	CONN,520120-16-12	
2	824090GT	SCREW,HHF,3/8-16X1,8,ZAG	4
3	1274322GT	NUT,NYLOCK FLG,3/8-16,G,ZAG	4
4	56912GT	SPRING CLIP,1/4-20,.025-.15X.5	4
5	824113GT	WASHER,FLAT,1/4,USS,ZAG	4
6	824079GT	SCREW,HHF,1/4-20X1,8,ZAG	4



914.1 Hostile Environment Package - Ground and Platform Control Box Covers

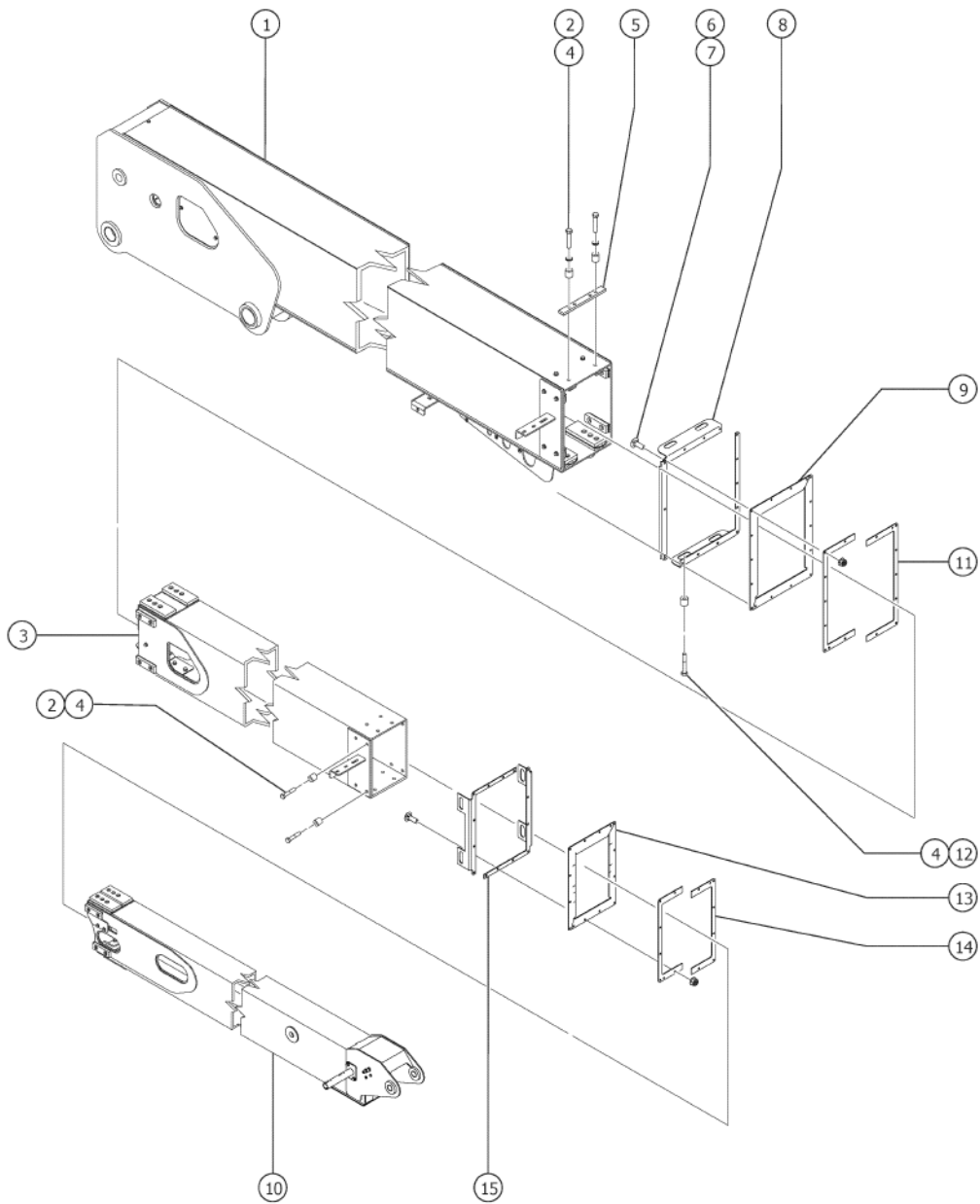


914.1 Hostile Environment Package - Ground and Platform Control Box Covers

Item	Part No.	Description	Qty.
1	54486GT	RIVET,ALUM,ALUM,3/16BUTTONHEAD	11
2	111526GT	HINGE,PLAT CONTROL BOX COVER	1
3	824078GT	SCREW,HHF,1/4-20X.75,8,ZAG	8
4	824027GT	NUT,TL FLG,1/4-20,G,ZAG	8
5	43392GT	BUMPER,BATTERY BOX & RAILS	2
6	30468GT	LATCH,SLIDE, FLUSH MOUNT STYLE	2
7	102785PGT	CONTROL BOX COVER,LID,PTD	1
8		REF. COVER, SWING CHASSIS, TS	1
		(refer to 308.1)	
9	1261001GT	STRIKER, LATCH	1
10	824215GT	SCREW,PHPM,10-32X.75,ZAG	2
11	1253185GT	WASHER,FLAT,#10,USS,ZAG	6
12	1256804GT	NUT,10-32,ZAG	2
13	34619GT	BUMPER,RUBBER***	2
14	1284272GT	FORMING, CONTROL BOX COVER, ALC 600	1
15	1259583GT	LATCH, PUSH BUTTON	1
16	1259584GT	HINGE, CONSTANT TORQUE	2
17	1257227GT	SCREW,PHPM,10-32X.625,ZAG	4
18	825349GT	SCREW,PHPM,10-32X.38,ZAG	4
19	88607PGT	COVER,CONTROL BOX LEFT SIDE***	1
19-	88606PGT	COVER,CONTROL BOX RIGHT SIDE**	1
20	102786PGT	FORMING,LATCH,CTRL BOX LID PTD	2



915.1 Hostile Environment Package - Booms

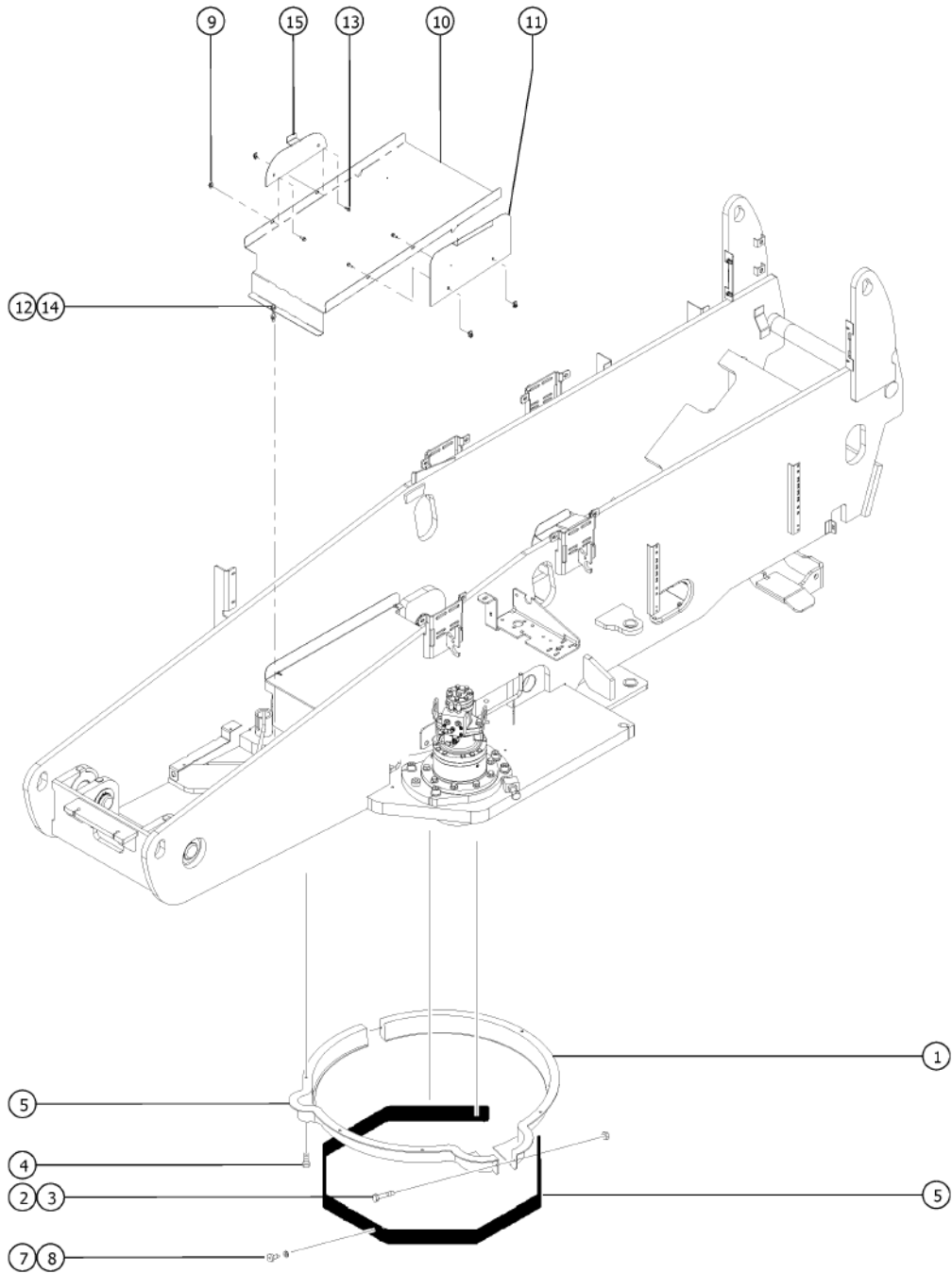


915.1 Hostile Environment Package - Booms

Item	Part No.	Description	Qty.
1		REF. BOOM TUBE 1 (refer to 603.1)	
2	1260940GT	SCREW,HHC,3/8-16X3,8,ZAG	4
3		REF.. BOOM TUBE 2 (refer to 603.1)	
4	101932GT	TUBE,RD,STL,DOM,..75X.38X.78	8
5	1287510GT	SPACER, BOOM WIPER TOP	2
6	824124GT	BOLT, CARRIAGE, 1/4-20 X .75, 5, ZAG	28
7	1277924GT	NUT,NYLOCK FLG,1/4-20,F,ZAG	28
8	1287509GT	FORMING, BRKT, WIPER 1 TO 2	2
9	119086GT	WIPER RUBBER, 1 TO 2	1
10		REF. BOOM TUBE 3 (refer to 606.1)	
11	119085GT	PLATE BACKING, WIPER 1 TO 2	2
12	1252978GT	SCREW,HHC,3/8-16X2.25,8,ZAG	4
13	119089GT	WIPER RUBBER, 2 TO 3	1
14	119088GT	PLATE BACKING, WIPER 2 TO 3	2
15	1287508GT	FORMING, BRKT, WIPER 2 TO 3	2



916.1 Hostile Environment Package - Turntable

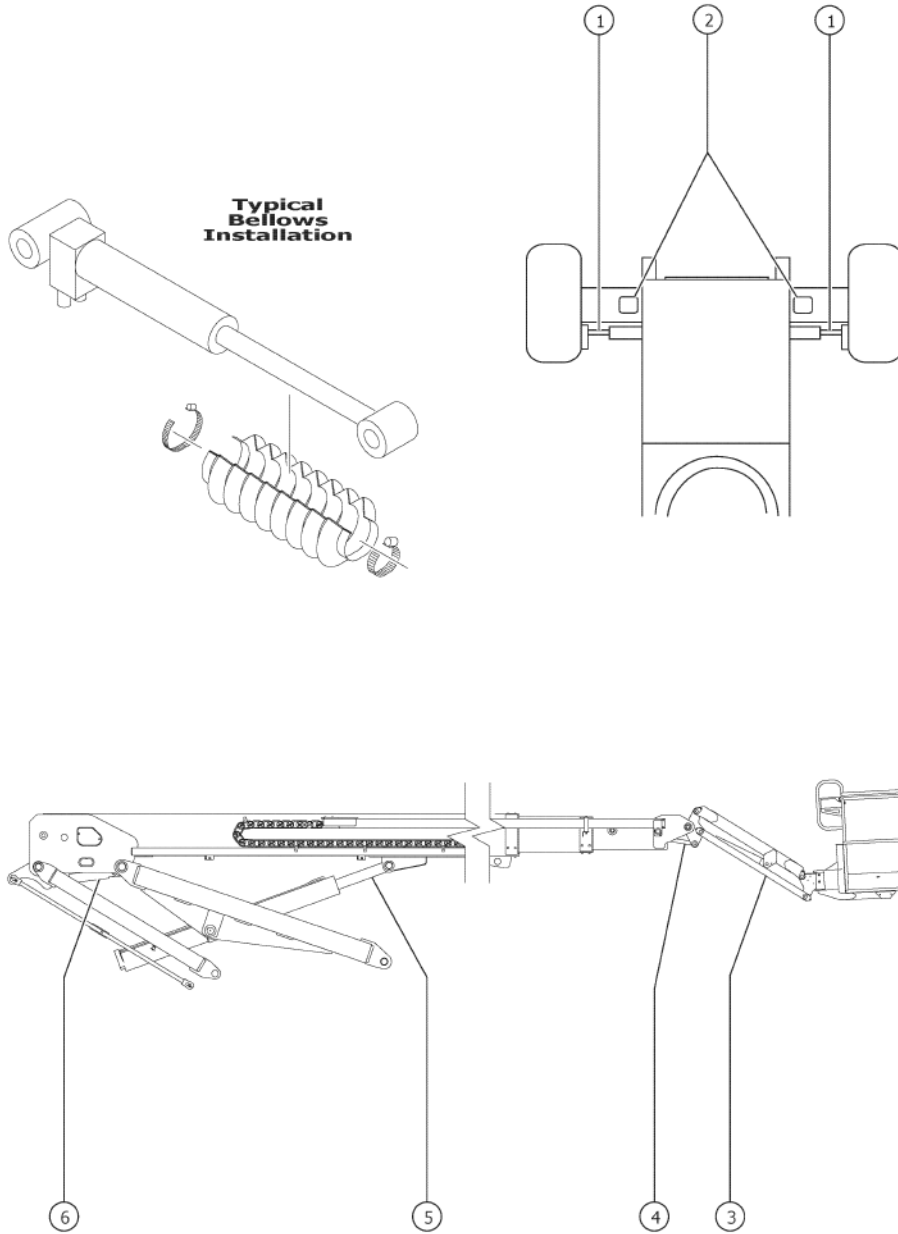


916.1 Hostile Environment Package - Turntable

Item	Part No.	Description	Qty.
1	70317GT	FORMING,WIPER GUARD LT	1
2	824090GT	SCREW,HHF,3/8-16X1,8,ZAG	3
3	1277924GT	NUT,NYLOCK FLG,1/4-20,F,ZAG	2
4	1256856GT	SCREW,HHF,3/8-16X2.5,8,ZAG	3
5	70318GT	FORMING,WIPER GUARD RT	1
6	70319GT	WIPER,RING GEAR GUARD	1
7	81167GT	RIVET,ALUM,P,.25X.625	14
8	82113GT	WASHER,FLAT,USS,1/4,ZAG	14
9	56912GT	SPRING CLIP,1/4-20,.025-.15X.5	4
10	77996GT	FORMING,TURNTABLE CENTER COVER	1
11	77998GT	FORMING,TT RH SIDE COVER	1
12	824029GT	NUT,TL FLG,3/8-16,G,ZAG	1
13	824078GT	SCREW,HHF,1/4-20X.75,8,ZAG	4
14	1256856GT	SCREW,HHF,3/8-16X2.5,8,ZAG	1
15	77997GT	FORMING,TT LH SIDE COVER	1
		To SN S65XCM-572	
15	1296971GT	FORMING,TT LH SIDE COVER	1
		From SN S65XCM-573	



917.1 Hostile Environment Package - Cylinder Bellows



917.1 Hostile Environment Package - Cylinder Bellows

Item	Part No.	Description	Qty.
1	63727GT	COVER, PROTECTIVE, OSCILLATE	2
1-	34955GT	CLAMP,HOSE,5.00	
1-	22672GT	CLAMP,HOSE,1.75	
2	34922GT	COVER,PROTECTIVE,STEERING	2
2-	34955GT	CLAMP,HOSE,5.00	
2-	22672GT	CLAMP,HOSE,1.75	
3	1279801GT	BELLOWS, JIB CYLINDER	1
3-	34955GT	CLAMP,HOSE,5.00	
3-	35434GT	CLAMP,HOSE,2.00***	
4	1291159GT	BELLOWS, PLATFORM LEVEL CYLINDER	1
4-	1280080GT	PLATE, BACKING BELLOWS, S-80/85 XC	1
4-	1251757GT	SCREW,PHPM,10-32X.50,ZAG	
4-	30971GT	CLAMP,HOSE,3.00"	
4-	23405GT	NUTSERT,10-32 STEEL CAD PLTD	
4-	1256312GT	WASHER,LOCK,#10,ZAG	
5	1287490GT	BELLOWS, CYLINDER LIFT	1
5-	1288402GT	CLAMP, HOSE, 8,00"	
5-	34955GT	CLAMP,HOSE,5.00	
6	1279800GT	BELLOWS, MASTER CYLINDER	1
6-	35434GT	CLAMP,HOSE,2.00***	
6-	34955GT	CLAMP,HOSE,5.00	



<u>Part no.</u>	<u>Page Number</u>	<u>Part no.</u>	<u>Page Number</u>	<u>Part no.</u>	<u>Page Number</u>
07.0501.0051GT	129	27205GT	19	34922GT	229
07.4501.0251GT	131	27206GT	19	34940GT	53
07.4501.0252GT	131	27207GT	19	34955GT	229
07.4501.0376GT	131	27581GT	11	35434GT	119, 135, 229
1268GT	11	27802GT	75, 81	35586GT	105
1484GT	11	27807GT	77, 83	35675GT	109, 141
5224GT	163	27901GT	53	35956GT	203
5365GT	97, 103	28159GT	15	38621GT	111, 139
6097GT	163	28174GT	25	39540GT	55, 179
6146GT	97	28235GT	25	40766GT	179
6178GT	97, 125, 143, 149, 151	28301GT	63, 67	42014GT	29, 33, 35, 145
6833GT	155, 179	28750GT	11, 73, 85	42079GT	169
7057GT	205	29557GT	113	42787GT	49, 187
7713GT	163	29559GT	105	43018GT	91
8149GT	49	29560GT	11, 95, 101	43392GT	175, 213, 223
8170GT	45	29868GT	45, 123, 157, 169, 195	43683GT	89
8910GT	45	30143GT	45	44174GT	91
9599-SGT	197	30144GT	45	44743GT	173
10777GT	205	30220GT	165	44981GT	21, 25
12344GT	209	30222GT	165	45074GT	27
13268GT	179	30348GT	135	45435GT	121
13635-10GT	159	30468GT	213, 223	45454GT	117, 155
18396GT	163	30489GT	121	45708GT	45
18666GT	57, 177	30794GT	215	48425GT	109
18720GT	145, 147	30810GT	95, 101	48647GT	79, 83
18722GT	147	30971GT	105, 121, 137, 229	48767GT	183
19018-1100GT	201	30997GT	57, 179	48875GT	149, 183
19273GT	123	31408GT	105	48878GT	49, 187
19274GT	209	31523GT	95, 101	48880GT	93, 183, 189
20973GT	207	31779GT	11	48887GT	47, 187
21130GT	97, 103	31983GT	123	48904GT	183, 187
21465GT	123, 135	32150GT	11	48905GT	183, 185, 189
22348GT	53	32151GT	11	48907GT	183
22571GT	195	32695GT	105	48908GT	189
22672GT	117, 135, 229	32698GT	13	48911GT	189
23405GT	229	33239GT	95, 101	48912GT	45, 185, 189, 193
24038GT	117, 137	33428GT	165	48915GT	183, 187, 189, 219
24514GT	173	33555GT	61, 65	48916GT	183, 185, 189, 193
25548GT	121	33994GT	11, 73, 85	48918GT	189
25817GT	27	33998GT	75, 81	48929GT	193, 219
27067GT	29, 33, 39, 41	34344GT	109, 139	48930GT	185, 189
27204GT	19	34619GT	213, 223	48932GT	109, 139, 187, 193

<u>Part no.</u>	<u>Page Number</u>	<u>Part no.</u>	<u>Page Number</u>	<u>Part no.</u>	<u>Page Number</u>
48933GT	183, 189, 193	49143-3429GT	185	56352GT	149
48936GT	109, 139, 187, 189	49143-3629GT	185	56424GT	173, 197, 199, 201
48937GT	183	49143-12329GT	183	56525GT	201
48941GT	109, 139, 187	49150-2756GT	185	56570GT	201
48943GT	47, 187, 189	49150-7283GT	185	56704GT	195
48946GT	187	49177-90894GT	205	56912GT	27, 33, 41, 47, 49, 61...
48948GT	189	49177-93594GT	205	56934GT	201
48959GT	45, 187, 219	49183-13492GT	183	57075GT	205
48960GT	185, 189, 219	49189-8638GT	47, 187	58415GT	107
48963GT	109, 139, 187	49212GT	205	58566GT	95, 101
48974GT	219	49214GT	205	58994GT	77, 79, 83
48975GT	187	49215GT	205	59371GT	45
48977GT	187	49219GT	183	59460GT	27
48984GT	47, 187	49379GT	195	60304GT	151, 157
48992GT	221	49408GT	195	60334GT	109, 139
48996GT	47, 187	49519GT	49, 187, 221	60757GT	57
48997GT	93, 183, 191	49612GT	11, 73, 85	60840GT	151, 157
48998GT	75, 81	49613GT	73, 85	60857GT	11
49117-2913GT	185	49816GT	97	60984GT	145
49117-6091GT	189	49817GT	97	61073-2697GT	219
49117-6291GT	189	49924GT	11, 95, 101, 113	61073-3012GT	219
49117-7480GT	185	51063GT	153	61073-3740GT	219
49117-8858GT	185	52352GT	95	61073-3930GT	185
49117-10091GT	189	52371GT	91	61074-5710GT	219
49117-10691GT	189	52475GT	19	61074-7254GT	185
49119-2878GT	183	52692GT	19	61074-9646GT	219
49119-4878GT	183	52715GT	77, 83	61189GT	67
49119-6890GT	185	52866GT	107, 121	61263GT	47, 187
49119-7283GT	185	52897GT	91	61610GT	219
49119-7480GT	185	52967GT	19	62127GT	93
49119-7578GT	189	53386GT	29, 35, 51	62337GT	93
49128-3291GT	193	53502GT	109, 139	62392GT	181
49128-6299GT	185	53952GT	105, 137	62420GT	11, 107
49128-12309GT	183	53980GT	193	62425GT	121
49130-2482GT	189	54124GT	53	62506GT	91
49130-5118GT	189	54324GT	53	62507GT	91
49130-5591GT	193	54428GT	95, 101, 117	63463GT	105, 137
49130-5782GT	185	54486GT	213, 223	63468GT	35
49130-5906GT	185	55067GT	175	63727GT	229
49130-9843GT	219	55753GT	175, 197, 199, 201	65278GT	19
49130-81417GT	183	56003GT	183	65630GT	201
49131-9603GT	189	56235GT	109, 139	65810GT	107

<u>Part no.</u>	<u>Page Number</u>	<u>Part no.</u>	<u>Page Number</u>	<u>Part no.</u>	<u>Page Number</u>
66353GT	205	75443GT	181	77997GT	227
66399GT	11	75444GT	181	77998GT	227
66811GT	55	75445GT	181	78736GT	113
66812GT	55, 177	75446GT	181	81096GT	205
66813GT	55, 177	75447GT	181	81154GT	143
66815GT	177	75448GT	181	81167GT	227
66816GT	55	75449GT	181	81175GT	165
66817GT	55, 177	75450GT	121	81340GT	169
66818GT	55	75451GT	121	81341GT	169
66821GT	55	75462GT	93	81342GT	169
67897GT	175	75654GT	47, 187, 219	81347GT	169
69775GT	95, 101, 117	75854GT	221	81368GT	201
70317GT	227	75855GT	221	81467GT	121
70318GT	227	76695GT	163	81468GT	121
70319GT	227	77051GT	155, 159	81488GT	179
70375GT	105	77303GT	163	81522GT	109, 139
70381GT	97, 103, 121, 135	77310-1575GT	183	81578GT	47
70385GT	95, 101	77310-1693GT	183	81599GT	147, 149
70452GT	97, 103, 105, 139	77610GT	29	81609GT	37
70453GT	95, 101	77616GT	151	81610GT	37
71259GT	49, 221	77618GT	151	81691GT	37
71768GT	153	77648GT	159	81724GT	111, 141
71911GT	119	77649GT	159	81812-13292GT	189
72086GT	15, 19, 21	77653GT	155	81834GT	59
72282GT	195	77654GT	155	81856GT	153
72290GT	29, 33	77656GT	151, 159	82113GT	227
72326GT	55	77657GT	155	82240GT	15
72875GT	201	77664GT	201	82410GT	201
73463-1175GT	201	77671GT	59	82481GT	15
73575GT	173, 209	77674GT	31, 33, 35, 39, 41	82487GT	15, 25
73717GT	57, 179	77688GT	151	83098GT	181
73730GT	57	77693GT	49	83141GT	89
73736GT	57	77713GT	151	87755GT	57, 179
73814GT	149	77778GT	61, 65	88280GT	165
74052GT	205	77790GT	29, 33, 35	88356-11103GT	149
74735GT	29	77791GT	29, 33, 35	88356-13103GT	59
74902GT	75, 77, 81, 83	77879GT	59	88356-13107GT	151
75064GT	145	77880GT	29	88356-32163GT	153
75069GT	205	77882GT	153	88377-1400GT	201
75185GT	195	77884GT	157	88567GT	159
75278-5029GT	189	77950GT	33	88568GT	159
75278-5129GT	189	77996GT	227	88569GT	151

<u>Part no.</u>	<u>Page Number</u>	<u>Part no.</u>	<u>Page Number</u>	<u>Part no.</u>	<u>Page Number</u>
88570GT	159	101006GT	107	108538GT	113
88606GT	213	101255GT	29	110149GT	97, 103
88606PGT	223	101293GT	49, 187	110196GT	83
88607GT	213	101490GT	47, 187	110197GT	75, 81
88607PGT	223	101491GT	47, 187	110221GT	27
88676GT	145	101494GT	47, 187	110650GT	153
88793GT	159	101626GT	137	111155GT	43
88795PGT	153	101726GT	53	111445GT	95, 101
88796GT	159	101932GT	225	111526GT	213, 223
88801GT	71	101964GT	65	111778GT	73, 75, 79, 81
88872GT	145	102045GT	125	114249GT	19
88884GT	29, 33	102131GT	39, 41	114251GT	15, 21
88917GT	11	102155GT	29, 33	114252GT	15, 23, 25
88919GT	145, 147	102157GT	39, 41	114473GT	25
88936GT	219	102158GT	29, 33, 39, 41	115048GT	93
88942-4331GT	185	102159GT	29, 33	119056GT	149
88942-8354GT	185	102162GT	39, 41	119060GT	57
88942-10827GT	185	102166GT	39, 41	119065GT	151
88949-3828GT	185	102167GT	39, 41	119085GT	225
89294GT	27	102497GT	95, 101	119086GT	225
89312GT	75, 81	102516GT	39, 41	119088GT	225
89733GT	73, 75, 79, 81	102528GT	75, 81	119089GT	225
89737GT	75, 81	102587GT	113	119115GT	75, 81
89770GT	75, 81	102785GT	213	119116GT	73, 79
89781GT	101	102785PGT	223	119117GT	105
89785GT	115, 129	102786GT	213	119219GT	135
89997GT	97	102786PGT	223	119619GT	27, 145, 149
93500GT	11	102940GT	73, 79	119644GT	57
94221GT	27	104759GT	91	119915GT	181
94374-2430GT	189	104804GT	175	120191GT	173
94374-6421GT	185	105214GT	167	120234GT	97, 103
94464-4986GT	189	106033GT	95, 101	120258GT	105
94465-3650GT	185	106034GT	95, 101	120259GT	105
94465-5566GT	193	106042GT	145	120315GT	95, 101
94466-2336GT	189	106079GT	75, 81	121065GT	171
94499GT	77, 83	106098GT	29, 33, 39, 41	121489GT	195
94599GT	75, 81	106117GT	29, 33	121615GT	97
94643GT	47, 187	106172GT	95, 101	121619GT	71
97128GT	151, 153	106516GT	27	121622GT	71
97232GT	153	106647GT	29	121668GT	39, 41
97469GT	93	106648GT	29	122019GT	195
97815GT	25	107578GT	31	122073GT	197

<u>Part no.</u>	<u>Page Number</u>	<u>Part no.</u>	<u>Page Number</u>	<u>Part no.</u>	<u>Page Number</u>
122120GT	73, 79	133254GT	23	162209GT	125
122641GT	77, 83	133260GT	19	162283GT	117
122645GT	73, 79	133263GT	19	162284GT	117
122647GT	75, 81	139000GT	39	214225GT	165
122649GT	73, 79	139001GT	39	214226GT	165
122657GT	75, 81	139002GT	39, 41	214228GT	125
122662GT	171	139140GT	39, 41	214229GT	143
122663GT	171	139288GT	159	214691GT	143
122668GT	171	139338GT	177	214795GT	51
128000GT	181	139384GT	159	215254GT	63, 65
128001GT	181	139385GT	159	215340GT	39, 41
128004GT	95, 101, 121, 135	139508GT	85	215526GT	21
128049GT	31, 33, 35	139512GT	85	215642GT	39, 41
128200GT	177	139515GT	85	218165GT	177
128203GT	57, 177	139527GT	85	218448GT	171
128204GT	177	139528GT	85	218449GT	55
128268GT	165	139598GT	181	218457GT	179
128322GT	175	139621GT	105	218458GT	217
128518GT	15, 25	139622GT	105	218715GT	123, 135
128829GT	97	139623GT	105	219437GT	117
128909GT	43	139709GT	105	219956GT	25
128910GT	43	139715GT	87	219958GT	25
128911GT	43	139716GT	85	226393GT	195
128912GT	43	139717GT	85	226542GT	165
128913GT	43	139718GT	85	226948GT	179
128914GT	43	139719GT	85, 87	227618GT	69, 173
128916GT	43	139726GT	87	227785GT	35
128917GT	43	139727GT	85	228796GT	169
128918GT	43	139731GT	71	228797GT	169
128919GT	43	139799GT	89	228848GT	201
128920GT	43	146180GT	49	228849GT	201
128921GT	43	146478GT	177	228969GT	171
128922GT	43	147257GT	173	229169GT	171
128923GT	43	147550GT	89	229567GT	177
128924GT	43	161087GT	103	229817GT	39, 41
128925GT	43	161533GT	75, 81	229818GT	39, 41
128927GT	43	161538GT	73, 77	229931GT	39, 41
128928GT	43	161607GT	59	231034GT	73, 79
128949GT	43	161938GT	123	231511GT	137
128955GT	43	162206GT	127	231530GT	89
133067GT	15, 21, 25	162207GT	125	231532GT	63, 65
133205GT	15	162208GT	127	231612GT	27, 33

<u>Part no.</u>	<u>Page Number</u>	<u>Part no.</u>	<u>Page Number</u>	<u>Part no.</u>	<u>Page Number</u>
233992GT	201	824079GT	45, 49, 59, 109, 127, 139...	825349GT	213, 223
236248GT	115	824080GT	51	825351GT	97, 103, 135
236251GT	115	824081GT	49, 165, 203	825352GT	195
236259GT	125	824082GT	149	825353GT	59, 159
236260GT	125	824083GT	49, 153, 169, 201, 209	825354GT	47
236966GT	205	824084GT	163, 171	825355GT	95, 101
237234GT	73, 79	824085GT	105, 199, 203	825358GT	153, 199
237238GT	95, 101, 117	824086GT	197	825693GT	129
237352GT	123	824087GT	157, 217	825708GT	113, 129
237830GT	35, 165	824089GT	59, 109, 141, 147, 153, 169	825796GT	27, 153, 159, 163
238135GT	61, 65	824090GT	45, 51, 97, 103, 105, 111	825939GT	113
822224GT	179	824091GT	111, 45, 109, 117, 125, 139...	826008GT	121, 139
822606-5000GT	135	824092GT	59, 163	826171GT	59
822692GT	195	824093GT	149	826214GT	217
822693GT	95, 101	824095GT	27	826215GT	217
822781GT	49	824096GT	169	826379GT	155, 159
823074GT	51	824110GT	27, 151	826791GT	155
823113GT	19	824113GT	27, 33, 41, 153, 157, 199...	826793GT	151, 157
823356GT	53	824115GT	109, 137	826794GT	165
823368GT	49	824116GT	165	826795GT	117
823420-700GT	143	824120GT	117, 141	826822GT	117
823420-11500GT	143	824121GT	137	1251496GT	123
823421-1400GT	143	824123GT	125	1251502GT	49
823421-2100GT	143	824124GT	225	1251503GT	49
823520GT	195	824127GT	27, 151	1251504GT	49
823751GT	121	824129GT	27, 151	1251505GT	49
824027GT	95, 127, 197, 223	824132GT	119	1251506GT	49
824028GT	121, 155, 197	824142GT	99, 103, 121	1251565GT	125, 153, 163, 165, 169
824029GT	97, 103, 117, 123, 125, 227	824149GT	203	1251600GT	173, 201, 205
824037GT	209	824207GT	199	1251757GT	53, 229
824038GT	201	824214GT	57, 179	1251899GT	97, 103
824041GT	37, 97, 103	824215GT	53, 125, 143, 213, 223	1251983GT	119, 123
824057GT	155	824216GT	59, 151, 209	1251994GT	139
824059GT	27, 33, 63, 65, 199	824220GT	117	1251997GT	97, 103
824062GT	153	824225GT	173	1252978GT	159, 225
824063GT	35, 41	824226GT	57	1253185GT	57, 117, 143, 149, 151, 179...
824067GT	27, 151, 157	824600GT	123, 135	1253208GT	137
824068GT	151, 157	824673GT	113, 143	1253264GT	65
824072GT	29, 33	824775GT	131	1253477GT	51, 57, 179
824075GT	165	825014GT	131	1253478GT	29, 37, 53, 61, 65
824077GT	65, 161, 173	825015GT	131	1253489GT	205
824078GT	45, 49, 61, 67, 97, 103...	825019GT	27, 111, 141, 163	1253498GT	29, 33, 35, 47, 89, 121...



<u>Part no.</u>	<u>Page Number</u>	<u>Part no.</u>	<u>Page Number</u>	<u>Part no.</u>	<u>Page Number</u>
1253795GT	195	1255788GT	205	1257223GT	59
1253796GT	195	1255802GT	33, 37, 217	1257227GT	179, 213, 223
1253815GT	145	1255805GT	65, 67, 105, 109, 117, 137	1257296GT	205
1253819GT	61	1255986GT	61	1257390GT	57, 205
1253825GT	47	1255987GT	65	1257410GT	55
1253830GT	61, 67	1256054GT	63, 65	1257419GT	37
1253831GT	61, 67	1256107GT	145	1257421GT	121
1254594GT	113	1256119GT	151	1257453GT	35
1254625GT	63, 67	1256126GT	109, 137	1257464GT	167
1254639GT	145	1256127GT	61, 67	1257628GT	61, 65
1254823GT	123	1256165GT	123	1257733GT	11
1254826GT	95, 101	1256168GT	59	1257837GT	97, 103, 135
1255385GT	27, 33	1256169GT	125	1257866GT	149
1255391GT	169	1256170GT	35, 59	1257867GT	169, 171
1255396GT	125, 143	1256177GT	149	1257961GT	125
1255399GT	125, 143	1256182GT	27, 33, 59	1258174GT	15, 21
1255400GT	125, 143	1256202GT	197	1258175GT	15
1255451GT	123	1256267GT	29, 33, 35, 145	1258176GT	15, 21
1255452GT	27, 147, 149	1256283GT	97, 103, 105, 123, 139	1258177GT	15
1255469GT	99, 103	1256312GT	229	1258395GT	169
1255581GT	15, 21	1256425GT	21, 25, 217	1258567GT	11
1255582GT	15	1256463GT	163	1258641GT	123
1255653GT	95, 101	1256464GT	153	1258722GT	63, 67
1255666GT	97, 103, 121	1256469GT	47	1258723GT	61, 65
1255699GT	35	1256482GT	125	1258724GT	61, 65
1255702GT	35, 37	1256679GT	61, 65, 163, 199	1258771GT	123
1255703GT	27, 33	1256693GT	61, 65	1258783GT	207
1255704GT	31, 35	1256767GT	61	1258786GT	207
1255705GT	27	1256771GT	65	1258789GT	207
1255706GT	27	1256776GT	105, 125	1258892GT	159
1255710GT	29	1256804GT	213, 223	1258949GT	15
1255711GT	33	1256837GT	59	1258952GT	179
1255714GT	41	1256842GT	59	1259102GT	143
1255720GT	59	1256846GT	59	1259106GT	167
1255722GT	59	1256855GT	47, 55, 61, 95, 101, 109...	1259338GT	51
1255753GT	177	1256856GT	61, 65, 227	1259339GT	51
1255756GT	163	1256859GT	209	1259441GT	123
1255758GT	169	1256863GT	59	1259583GT	213, 223
1255760GT	97, 103, 105, 139	1256864GT	145	1259584GT	213, 223
1255761GT	159	1257076GT	37, 95, 101	1259654GT	113
1255763GT	63, 65, 121	1257078GT	29, 33	1259660GT	115
1255782GT	159	1257080GT	145	1259855GT	45, 109, 139

<u>Part no.</u>	<u>Page Number</u>	<u>Part no.</u>	<u>Page Number</u>	<u>Part no.</u>	<u>Page Number</u>
1259899GT	113	1262841GT	117	1268651GT	57
1260112GT	45	1262842GT	117	1268663GT	173
1260113GT	45	1262866GT	115	1268676GT	175
1260116GT	75, 83	1262867GT	115	1268684GT	173
1260162GT	61	1262868GT	113	1268832GT	47
1260163GT	67	1262870GT	113	1269086GT	217
1260174GT	109, 139	1262871GT	113	1269497GT	177
1260357GT	113	1262872GT	113	1269498GT	177
1260940GT	225	1262873GT	115, 129	1269499GT	181
1261001GT	213, 223	1262874GT	113	1269641GT	173
1261184GT	209	1262875GT	113	1269642GT	163
1261236GT	125, 143	1262876GT	115	1269714GT	69
1261237GT	129	1262877GT	115	1269717GT	69
1261239GT	125	1262878GT	115	1269719GT	69
1261240GT	125	1262881GT	113	1269720GT	69
1261241GT	125	1262883GT	113	1269721GT	69
1261244GT	63	1262893GT	113, 129	1269724GT	69
1261245GT	65	1262894GT	113	1269729GT	69
1261266GT	63, 67	1262895GT	113	1269732GT	69
1261277GT	45, 65, 67, 109, 111, 137	1262896GT	113, 129	1269734GT	69
1261689GT	215	1262897GT	113, 129	1269735GT	69
1261724GT	45, 109, 139, 217	1262899GT	115	1269738GT	49
1261795GT	217	1263542GT	15, 21	1270141GT	103
1261835GT	65	1264101GT	199	1270151GT	59
1261836GT	61, 65	1264261GT	59	1270278GT	167
1261837GT	63, 67	1264483GT	45	1270311GT	199
1261879GT	207	1264680GT	59	1270313GT	199
1261920GT	125	1264934GT	209	1270314GT	199
1261921GT	117	1265862GT	179	1270316GT	199
1261925GT	123	1265999GT	61	1270337GT	167
1261926GT	123	1266507GT	197	1270346GT	29
1261928GT	123	1266576GT	163	1270347GT	27
1262210GT	63	1267235GT	95, 101	1270348GT	29
1262211GT	65	1267236GT	105	1270408GT	173
1262688GT	147	1267237GT	95, 101	1270422GT	173
1262828GT	121	1267238GT	97, 103	1270810GT	91
1262829GT	121	1267239GT	99, 103	1270946GT	89
1262831GT	117	1267747GT	175	1270969GT	17
1262832GT	125	1267807GT	109, 139	1270970GT	15
1262833GT	125	1268010GT	117	1270974GT	199
1262838GT	117	1268322GT	57	1270994GT	199
1262839GT	117	1268327GT	57	1271018GT	199

<u>Part no.</u>	<u>Page Number</u>	<u>Part no.</u>	<u>Page Number</u>	<u>Part no.</u>	<u>Page Number</u>
1271019GT	199	1275258GT	181	1276510GT	149
1271040GT	199	1275259GT	181	1276511GT	149
1271061GT	199	1275937GT	55	1276520GT	169
1271081GT	57	1275939GT	55	1276521GT	169
1271713GT	181	1276017GT	151, 157	1276658GT	197
1271770GT	53	1276018GT	151, 157	1276659GT	197
1271772GT	53	1276019GT	151, 157	1276664GT	197
1271773GT	53	1276021GT	151, 157	1276665GT	197
1272122GT	57, 179	1276386GT	145	1276750GT	85
1272123GT	57, 179	1276396GT	157	1276751GT	37
1272242GT	15	1276413GT	159	1276820GT	165
1272976GT	147	1276424GT	145	1276822GT	165
1273076GT	197	1276425GT	147	1277169GT	57
1273342GT	61	1276426GT	147	1277873GT	209
1273343GT	61	1276427GT	163	1277875GT	211
1273344GT	67	1276428GT	145	1277876GT	211
1273345GT	67	1276432GT	169	1277877GT	209
1273414GT	145	1276437GT	161	1277891GT	197
1273589GT	163	1276449GT	169	1277924GT	45, 49, 59, 61, 65, 101...
1273674GT	157	1276450GT	169	1277951GT	69
1273706GT	163	1276451GT	171	1277952GT	197
1273876GT	167, 173	1276453GT	153	1277966GT	197
1273918GT	121	1276454GT	149	1277974GT	113
1273919GT	119	1276455GT	149	1278108GT	209
1274155GT	179	1276456GT	145	1278111GT	209
1274164GT	57, 179	1276459GT	47	1278119GT	209
1274165GT	157, 163	1276464GT	149	1278121GT	209
1274167GT	45, 61, 65, 157, 173, 199...	1276468GT	153	1278124GT	209
1274168GT	57, 179, 209	1276471GT	173	1278138GT	209
1274172GT	59, 105, 139, 145	1276482GT	153	1278144GT	211
1274315GT	159	1276484GT	165	1278363GT	211
1274320GT	159	1276485GT	187	1278368GT	209
1274322GT	27, 37, 45, 53, 59, 61...	1276490GT	151	1278416GT	209
1274330GT	167	1276491GT	153	1278433GT	209
1274331GT	53	1276492GT	153	1278458GT	209
1274335GT	163	1276495GT	145	1278542GT	25, 209
1274448GT	69	1276503GT	147	1278567GT	25
1274511GT	163	1276504GT	145	1278612GT	179
1274870GT	73, 79	1276505GT	145	1278613GT	179
1275087GT	205	1276507GT	149	1278666GT	157
1275088GT	173	1276508GT	157	1278859GT	69
1275248GT	181	1276509GT	157	1278863GT	69

<u>Part no.</u>	<u>Page Number</u>	<u>Part no.</u>	<u>Page Number</u>	<u>Part no.</u>	<u>Page Number</u>
1278879GT	69	1282472GT	177	1285144GT	93
1278908GT	175	1282993GT	203	1285145GT	93
1278912GT	61, 65	1283004GT	37	1285146GT	93
1278982GT	25, 211	1283005GT	195	1285147GT	93
1279049GT	163	1283007GT	127, 137	1285700GT	199
1279050GT	147	1283012GT	57	1285850GT	209
1279429GT	163	1283013GT	63, 67	1286190GT	79
1279520GT	49	1283015GT	123	1286362GT	15, 21
1279521GT	49	1283022GT	37	1286479GT	55
1279522GT	49	1283024GT	47	1286480GT	177
1279568GT	109, 139, 187	1283145GT	109, 137	1286638GT	15
1279600GT	73	1283345GT	15, 21	1286640GT	57
1279800GT	229	1283511GT	29	1287081GT	217
1279801GT	229	1283512GT	37	1287240GT	39, 41, 43
1279851GT	179	1283513GT	217	1287241GT	39, 41, 43
1279869GT	217	1283516GT	171	1287242GT	43
1280080GT	229	1283533GT	33	1287486GT	129
1280124GT	163	1283537GT	37	1287490GT	229
1280390GT	59	1283538GT	153	1287506GT	29
1280401GT	49	1283545GT	45	1287507GT	193
1280589GT	57	1283547GT	45	1287508GT	225
1280837GT	169	1283555GT	71	1287509GT	225
1280838GT	169	1283556GT	97	1287510GT	225
1280839GT	169	1283576GT	187	1287515GT	19
1280840GT	171	1283744GT	23	1287590GT	19
1280841GT	149	1283776GT	11	1287591GT	23
1280862GT	109, 139	1283783GT	41	1287592GT	19
1280871GT	69	1283785GT	39	1287593GT	23
1280872GT	69	1283878GT	15, 25	1287594GT	19
1281169GT	15	1284023GT	89	1287629GT	69
1281175GT	25	1284093GT	159	1287630GT	69
1281188GT	15	1284096GT	19	1287631GT	69
1281250GT	91	1284097GT	19	1287634GT	215
1281789GT	93	1284098GT	25	1288347GT	69
1281808GT	47	1284099GT	25	1288372GT	37
1281934GT	173	1284100GT	23	1288373GT	37
1281936GT	145	1284272GT	213, 223	1288375GT	77
1281963GT	159	1284399GT	93	1288376GT	75, 77, 81, 83
1282012GT	173	1284982GT	15	1288377GT	75, 77, 79, 83
1282117GT	11, 47	1285141GT	93	1288378GT	77
1282175GT	89	1285142GT	93	1288379GT	75, 81
1282197GT	47	1285143GT	93	1288380GT	75, 81

<u>Part no.</u>	<u>Page Number</u>	<u>Part no.</u>	<u>Page Number</u>	<u>Part no.</u>	<u>Page Number</u>
1288381GT	73, 79	1294147GT	137	1297495GT	143
1288382GT	83	1294148GT	137	1297696GT	71
1288383GT	75, 81	1294422GT	207	1299206GT	129
1288386GT	165	1294541GT	69	1299663-11100GT	143
1288398GT	37	1294547GT	69	1300704GT	129
1288400GT	79	1294563GT	69	1300705GT	129
1288402GT	229	1294573GT	69	1300707GT	129
1288795GT	57	1294969GT	129	1300708GT	131
1288890-9948GT	193	1295334GT	97, 103, 105	1300709GT	129
1288890-10630GT	183	1296524GT	25	1300710GT	129
1288891-7874GT	219	1296573GT	11, 145	1300711GT	129
1288891-8268GT	185	1296802GT	79, 83	1300712GT	129
1288892-6102GT	183	1296803GT	81	1301055GT	51
1288893-71456GT	183	1296804GT	81	1301056GT	51
1289228GT	135	1296805GT	81, 83	1301075GT	21
1289229GT	135	1296807GT	141	1301138GT	141
1289231GT	135	1296817GT	163, 169	1301569GT	141
1289521GT	45	1296971GT	227	1301742GT	137
1289552GT	173	1297243GT	131	1302286GT	137
1289561GT	45	1297244GT	133	1302948GT	137
1290450GT	55	1297245GT	131	T112560GT	205
1290460GT	55	1297246GT	133	T112561GT	205
1290501GT	69	1297247GT	131	T112626GT	181
1291076GT	137	1297248GT	131	T112773GT	25
1291159GT	229	1297249GT	131		
1291410GT	71	1297250GT	131		
1291624GT	15	1297251GT	131		
1291703GT	135	1297252GT	131		
1292513GT	17	1297253GT	131		
1293433GT	143	1297254GT	131		
1293786GT	69	1297255GT	131		
1293902GT	139	1297256GT	131		
1293903GT	137	1297257GT	131		
1293907GT	137	1297258GT	131		
1293910GT	137	1297260GT	131		
1293911GT	141	1297261GT	131		
1293913GT	141	1297262GT	131		
1293915GT	143	1297263GT	131		
1293919GT	139	1297264GT	131		
1293934GT	129	1297361GT	137		
1294085GT	129	1297493GT	143		
1294091GT	129	1297494GT	143		

California Proposition 65

 **WARNING**

Operating, servicing and maintaining this equipment, passenger vehicle or off-highway motor vehicle can expose you to chemicals including engine exhaust, carbon monoxide, phthalates, and lead, which are known to the State of California to cause cancer and birth defects or other reproductive harm. These chemicals can be emitted from or contained in other various parts and systems, fluids and some component wear by-products. To minimize exposure, avoid breathing exhaust, do not idle the engine except as necessary, service your equipment and vehicle in a well-ventilated area and wear gloves or wash your hands frequently when servicing your equipment or vehicle and after operation. For more information go to www.P65Warnings.ca.gov/passenger-vehicle.

Breathing diesel engine exhaust exposes you to chemicals known to the State of California to cause cancer and birth defects or other reproductive harm.

- Always start and operate the engine in a well-ventilated area.
- If in an enclosed area, vent the exhaust to the outside.
- Do not modify or tamper with the exhaust system.
- Do not idle the engine except as necessary.

For more information go to www.P65warnings.ca.gov/diesel.

www.genielift.com

Distributed By:

Parts Manual
S-65 XC

from SN S60JH-101

Part No.
1285302GT

Rev C

Genie
A TEREX BRAND