

Yale[®]



2100 Series

Economy Exit Devices
Parts Manual

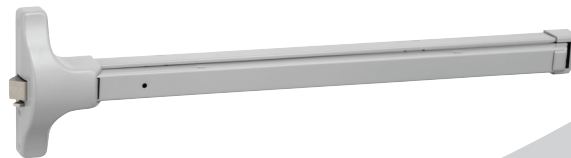


Table of Contents

Finish Chart	2
Installation Notes	3
How to Order Parts	3
Handing	3
Exit Devices	
2100/2100F Rim Exit Device	4
2100 Bar Assembly	5
2110/2110F Surface Vertical Rod Exit Device	6-7
Trim	
522F, 524F, 525F, 526F, 528F, 529F Trim.	8-9
523F, 527F Trim.	10-11
520F, 521F Trim.	12-13
533F, 535F Trim.	14-15
532F, 534F Trim.	16-17
530F, 531F Trim.	18-19
541F, 546F, 548F, 549F Trim.	20-21
542F, 544F Trim.	22-23
581F, 586F, 588F, 589F Trim.	24-25
213F, 214F, 217F Trim.	26
Levers and Knobs	27
Lever/Rose Assemblies	28-33
Cylinders	34
Strikes	35
Accessories	36
2116 Alarm Kit	37
Mullion Parts	38
Handing Instructions	39-40
Troubleshooting	41

Finish Chart


ANSI Code	Finish Description
612*	Satin bronze, clear coated
613*	Dark oxidized satin bronze, oil rubbed
626*	Satin chrome plated
630	Satin stainless steel
689	Aluminum painted
691	Light bronze painted
695	Dark bronze painted

*Trim finish option only.



Introduction

Installation Notes

1. Only fire-rated components can be used on fire-rated exit devices. Doing otherwise will void any type of product warranty, labeling and listing. Any component bearing the UL mark for fire rating cannot be supplied Ref. items with .
2. Refer to the templates and installation instructions for complete door preparation and installation requirements.
3. Machine screws are provided for steel reinforced doors, threaded-to-the-head AB Type screws are provided for wood door applications. In addition, sex nuts and bolts are provided for fire-rated devices and are optional for non-rated devices. It is recommended that sex nuts and bolts be used for all exit device applications. This will improve the performance and extend the life of the product.

How to Order Parts

1. In order to simplify the ordering procedure and maintain regulatory compliance, parts are only available as listed
2. To order parts, provide the appropriate quantity, part number, finish, hand (when required) and description as directed and illustrated below.

For example, use the following configuration to order:

- A) ten mullion stabilizer kits (page 38) to match 600 application (primed for painting)
- B) one surface vertical rod latch cover (page 6) in bright brass

	Quantity	Part Number	Finish	Hand	Description
A	10	81-9500-1417-FIN	600	---	Stabilizer Kit
B	1	60-7010-X040-FIN	605	---	Top Latch Cover

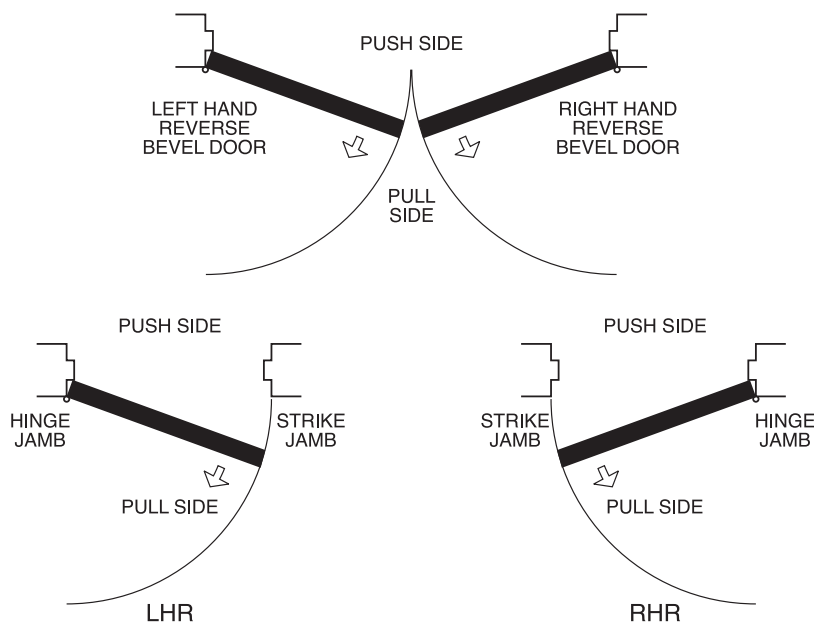
For assistance, contact your authorized Yale® distributor or sales agency, or visit our website at www.yalecommercial.com.

Handing

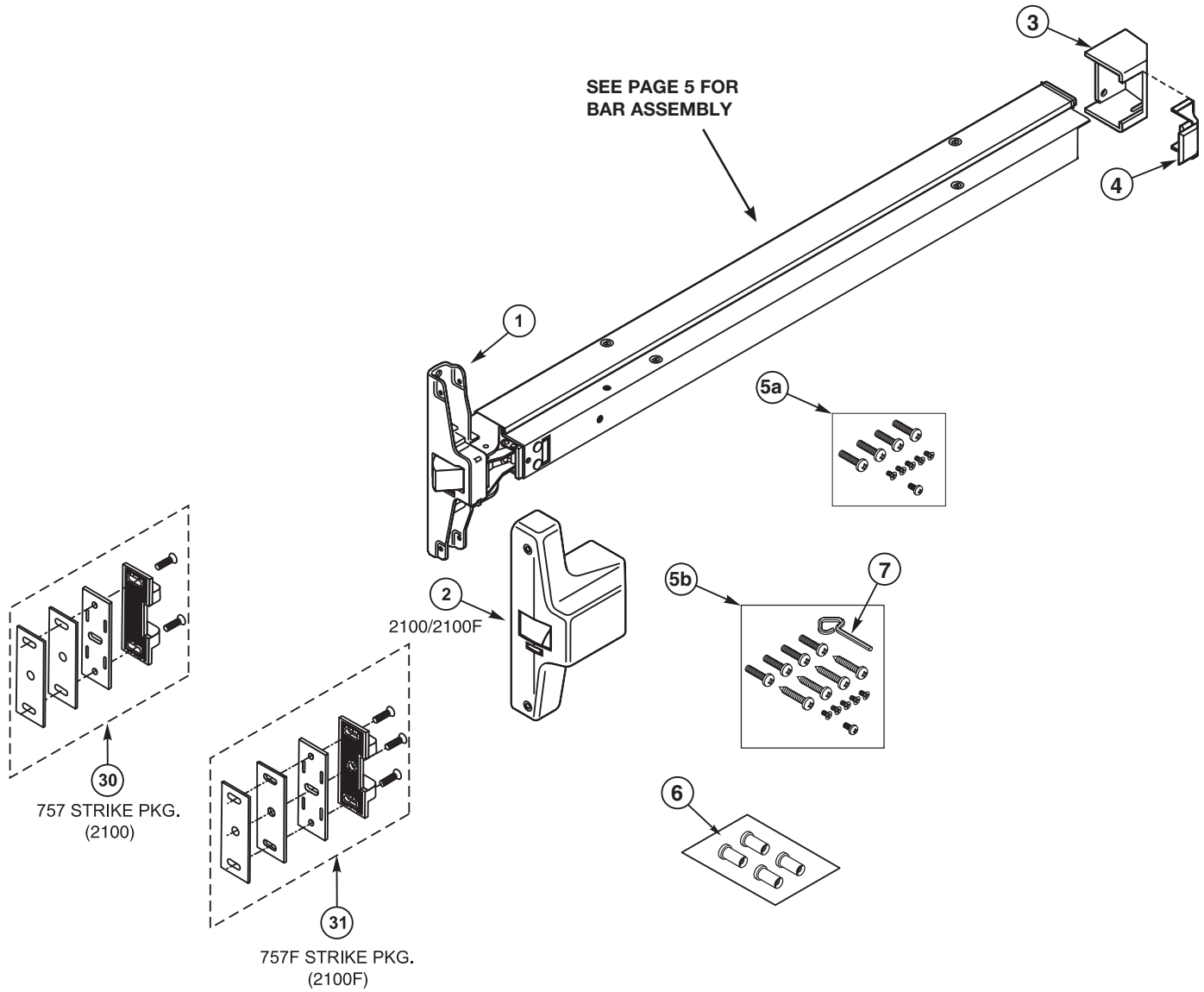
Left Hand Reverse: Hinges on left, opens outward. For handed devices, specify LHR.

Right Hand Reverse: Hinges on right, opens outward. For handed devices, specify RHR.

Note: Doors with Panic-Exit and Fire Exit hardware must open out. Therefore, hands must be reverse bevel.



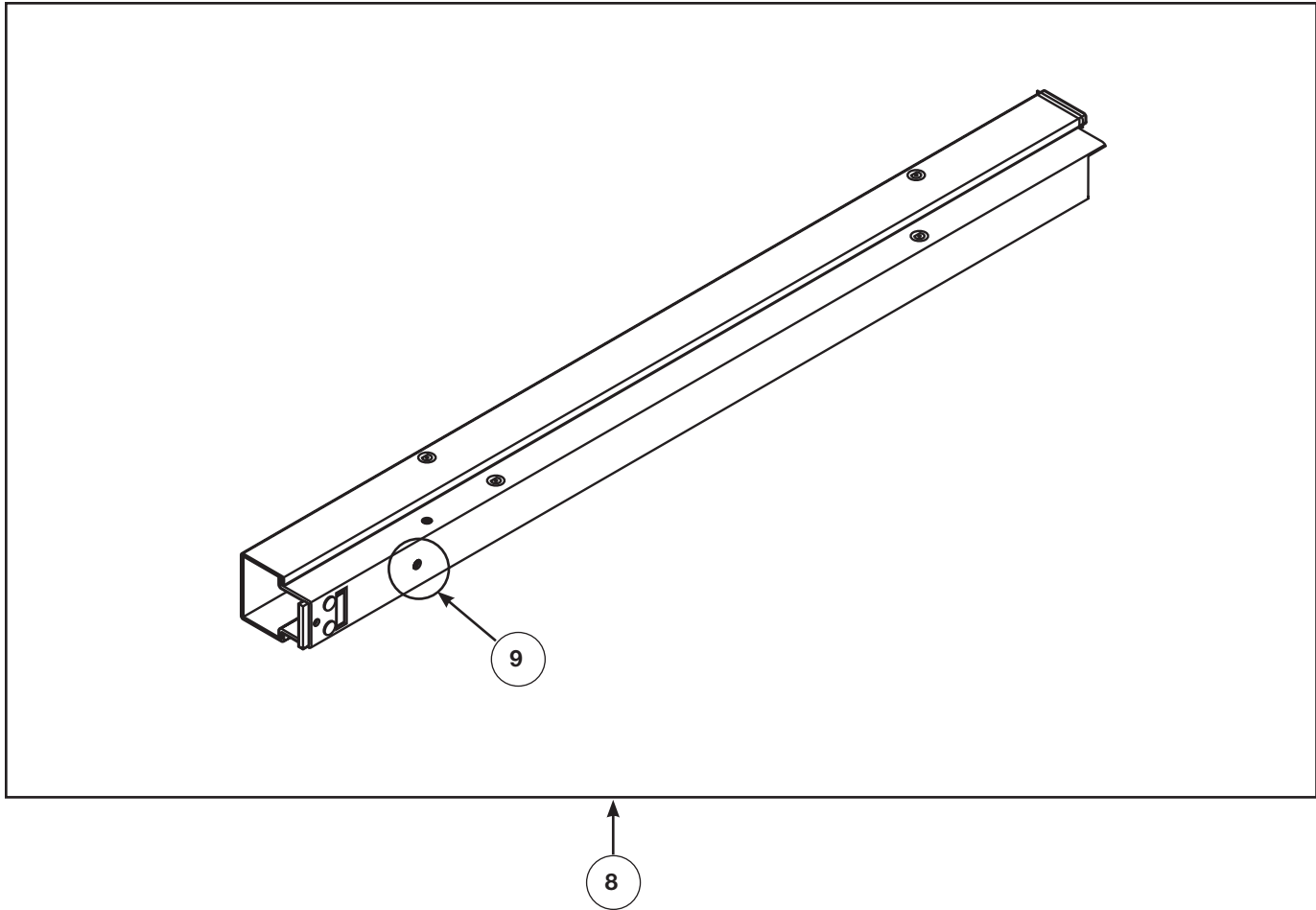
2100/2100F Rim Exit Device



ITEM	PART NO.	DESCRIPTION
1	60-2100-0010-048	Latch Assembly 2100
	60-2100-0011-048	2100F
2	60-2100-6003-FIN	Cover 2100
3	60-2000-6179-FIN	Bottom End Cap
4	60-2000-6178-FIN	Top End Cap

ITEM	PART NO.	DESCRIPTION
5a	81-9500-1376-059	Mtg. Screw Pack (2100F)
5b	81-9500-1395-059	Mtg. Screw Pack (2100)
6	03-0080-5047-FIN	Sex Nut Pack (4) (2 Packs) Fire Rated Only
7	60-7000-1131-036	Dogging Key
30	81-9500-1356-200	757 Strike Packet (2100)
31	81-9500-1373-200	757F Strike Packet (2100F)

2100 Bar Assembly



ITEM	PART NO.	DESCRIPTION
8	60-2100-0014	Dogging Bar Assembly, 36"
8	60-2100-0015	Dogging Bar Assembly, 42"
8	60-2100-0088	Dogging Bar Assembly, 48"
8	60-2100-0008	Fire Rated Bar Assembly, 36"
8	60-2100-0009	Fire Rated Bar Assembly, 42"
8	60-2100-0087	Fire Rated Bar Assembly, 48"

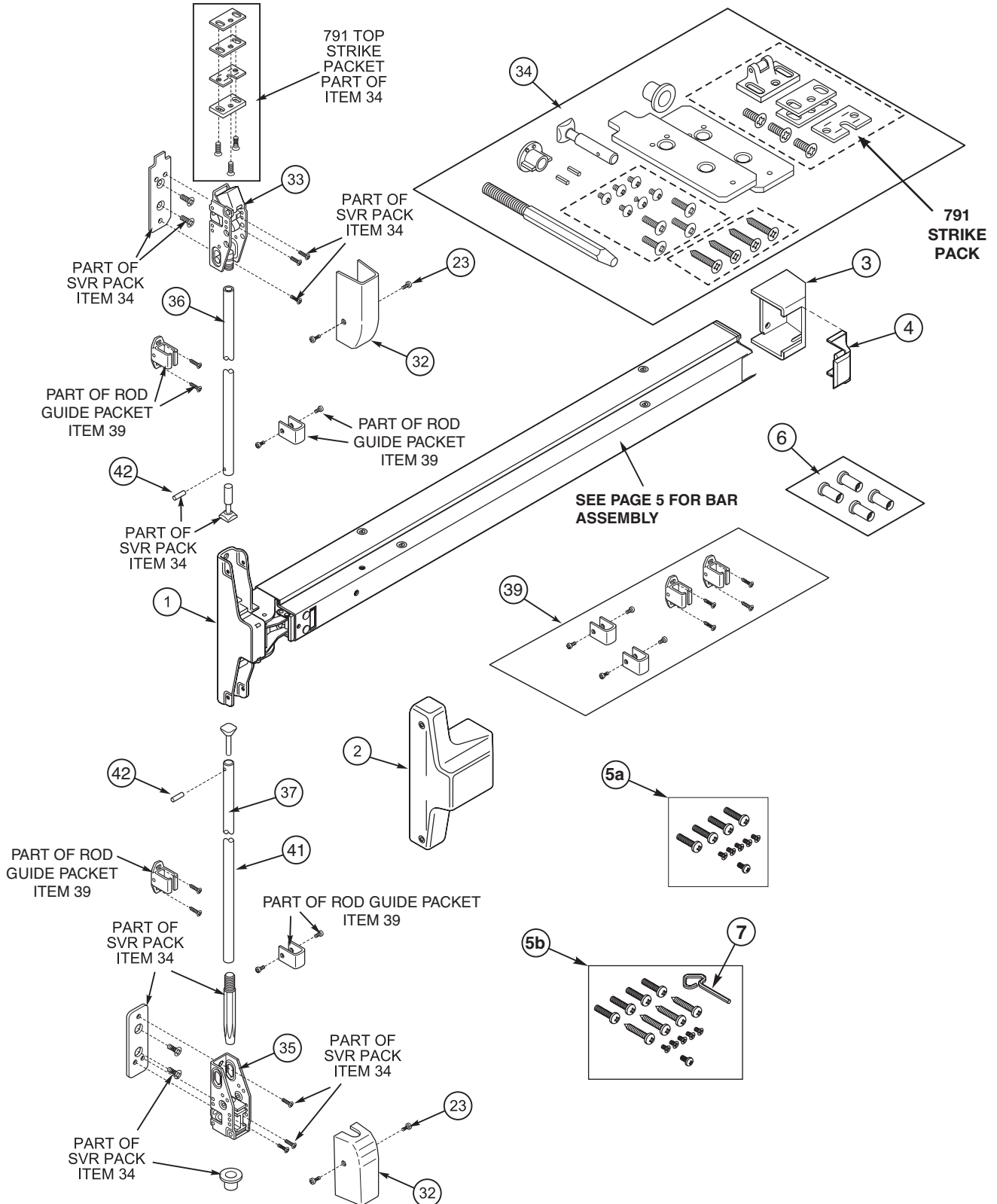
ITEM	PART NO.	DESCRIPTION
9	81-9500-1399-048	Dogging Kit (<i>Consists of the following</i>)
	60-2100-1001-999	Dogging Drive
	99-9999-7330-036	Wavy Washer
	60-2100-1007-048	Bushing
	81-3815-0412-036	Screw, Thread Forming Swage-Form/Trilobular or Equivalent Phillips Truss Head Machine 8-32 x 1/2"

2110/2110F Surface Vertical Rod

ITEM	PART NO.	DESCRIPTION
1	60-2110-0002-048	Latch Assembly 2110, 2110F (Must Specify Hand)
2	60-2110-6004-FIN	Cover 2110
3	60-2000-6179-FIN	Bottom End Cap
4	60-2000-6178-FIN	Top End Cap
5a	81-9500-1376-059	Mtg. Screw Pack (2110F)
5b	81-9500-1395-059	Mtg. Screw Pack (2110)
6	03-0080-5047-FIN	Sex Nut Pack (4) (2 packs) Fire Rated Only
7	60-7000-1131-036	Dogging Key
23	81-9500-1549-FIN	Screw Packet, Cover #8-32 x 5/16" UFPHMS (4)
32	60-7010-X040-FIN	Cover, Top & Bottom Latch
33	60-7010-0049-999 60-7010-0050-999	Top Latch 2110 2110F

ITEM	PART NO.	DESCRIPTION
34	81-9500-1512-000	SVR Pack <i>Consists of the following:</i>
	60-7110-1038-048	Top Mtg. Plate
	60-7010-1067-048	Top Rod Connector
	99-9999-4308-999	Spring Pin (2)
	60-1500-6150-999	Drill Jig
	60-7010-1046-059	Floor Bolt
	60-7010-1055-200	Strike
	81-9500-1546-000	Latch Mounting Screw Packet
	81-3111-0676-048	Latch Mounting Screw (4) (Wood Door Panic)
	81-9500-1454-200	791 Top Strike Packet
35	60-7010-0054-000	Bottom Bolt Case 2110
	60-7010-0053-000	2110F
36	60-2110-7006-FIN	Top Rod
37	60-7010-1025-059	Bottom Rod Connector
39	81-9500-1514-FIN	Rod Guide Packet
41	60-2110-7007-FIN	Bottom Rod
42	99-9999-4308-999	Spring Pin

2110/2110F Surface Vertical Rod



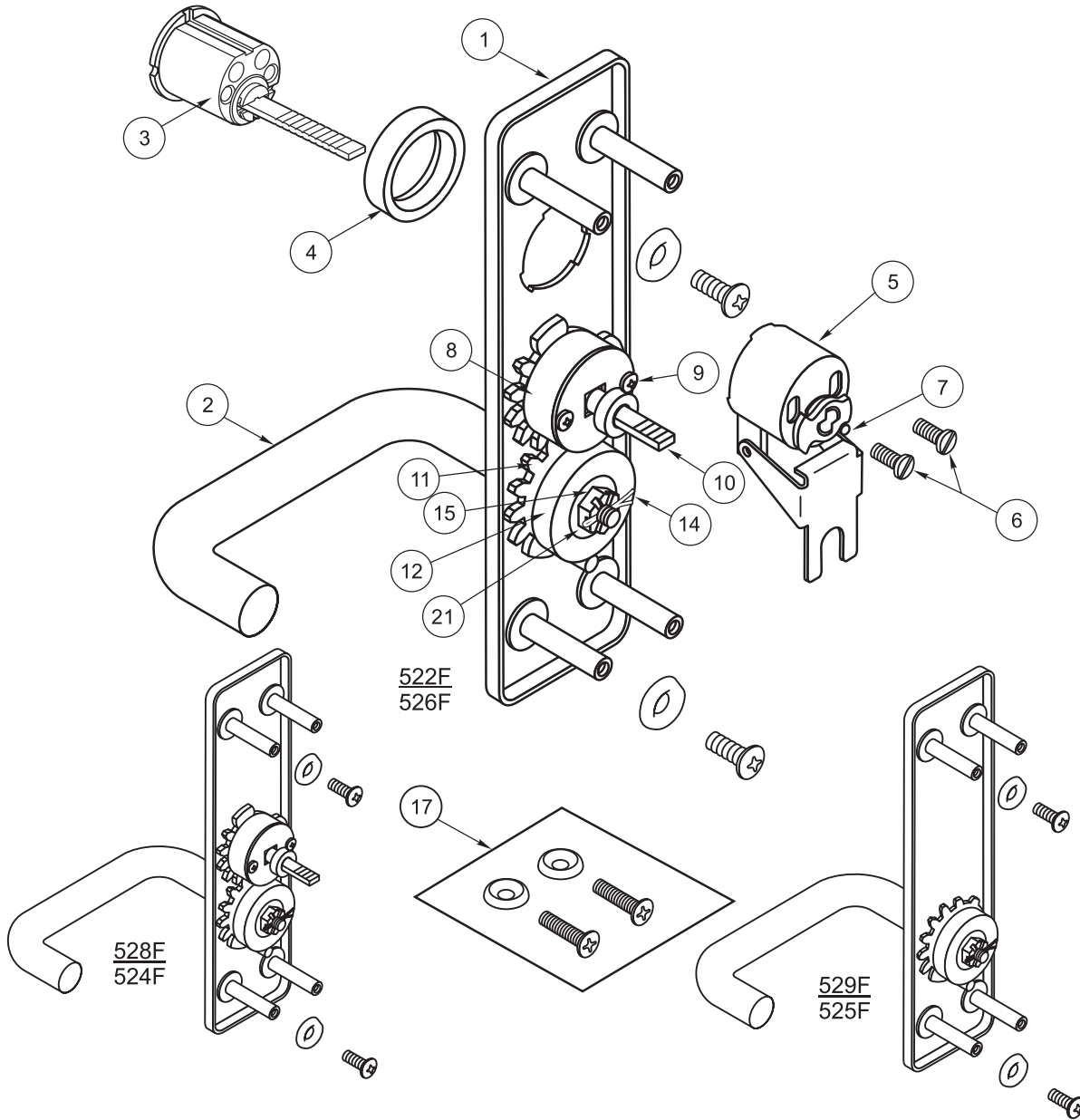
522F, 524F, 525F, 526F, 528F, 529F Trim

ITEM	PART NO.	DESCRIPTION
1	60-7000-0414-FIN	Escutcheon Assembly 522F, 526F
	60-7000-0415-FIN	524F, 525F, 528F, 529F
2	See Chart Page 27	Lever/Knob
3	See Chart Page 34	Cylinder, Rim
4	See Chart Page 34	Cylinder Collar
5	60-7000-0215-000	Housing & Cam Assy.
6	60-7000-1235-048	Screw, Cylinder Mounting (2)
7	81-0016-2200-999	Screw, NL Function
8	60-7000-0046-000	Driver Gear Assembly
9	81-4414-0308-036	Screw, Tailpiece Plate, #6 x 3/8", PHT-T-PH (2)
10	60-7000-0216-059	Tailpiece Assembly 1-3/4" Door Without Shim Kit
	60-7000-0217-059	2" - 2-1/4" Door or Std. Door with Shim Kit
11	60-7000-1328-048	1 Drive Lever Gear (2 on 525F)
12	60-7000-6217-082	Hub, Lever

ITEM	PART NO.	DESCRIPTION
14	99-9958-0047-999	Cotter Pin
15	99-9999-3516-999	Nut, Spindle
16	60-7000-9001-999	Thimble Insert, Nylon
17	81-9500-1476-FIN	Screw Packet, Mtg <i>Consists of the following:</i>
	81-0013-0670-FIN	Screw, 1/4-20 x 1 OPHMS (2)
	99-9999-7156-FIN	Washer, #14 Finish (2)
18	60-7000-1224-999 60-7000-1225-999 60-7000-1234-999	Spring, Grip Return (not shown)
		Levers, RHR (blue)
		Levers, LHR (red)
		Knob
19	60-7000-1306-999	Spring (not shown) Under Tailpiece
20	60-7000-1305-999	Hex Nut / Bushing for
21	60-7000-1236-059	Washer Under Slotted Hex Nut and Tailpiece
49	60-7000-X055-FIN	Thimble (not shown) Levers & Knobs



522F, 524F, 525F, 526F, 528F, 529F Trim



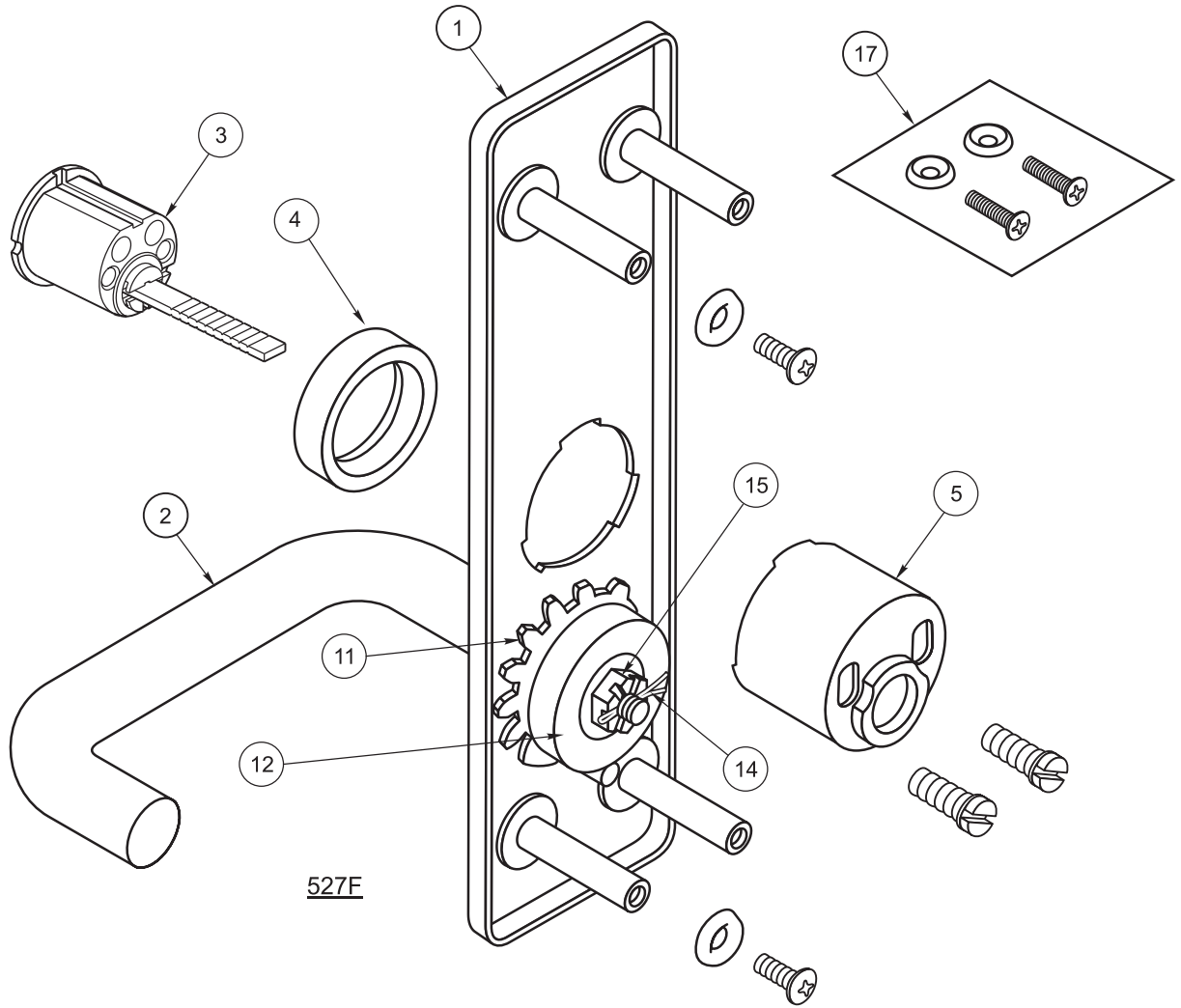
Dummy Rigid Lever	(Passage) Active Lever or Dummy Free Wheeling Lever	Cylinder Controls Lever	Access by Key and Lever	Dummy Rigid Knob	(Passage) Active Knob	Cylinder Controls Knob	Access by Key and Knob
F02	F02	F08	F09	F02	F14	F08	F09
529F	528F	526F	526F	525F	524F	522F	522F



523F, 527F Trim

ITEM	PART NO.	DESCRIPTION
1	60-7000-0526-FIN	Escutcheon Assembly
2	See Chart Page 27	Lever/Knob
3	See Chart Page 34	Cylinder, Rim
4	See Chart Page 34	Collar, Rim Cylinder
5	60-2000-6206-082	Housing, Cylinder
11	60-7000-1011-059	Gear, Drive
12	60-7000-6217-082	Hub, Lever
14	99-9958-0047-999	Cotter Pin
15	99-9999-3516-999	Nut, Spindle
17	81-9500-1476-FIN	Screw Packet, Mtg <i>Consists of the following:</i>
	81-0013-0670-FIN	Screw, 1/4-20 x 1 OPHMS (2)
	99-9999-7156-FIN	Washer, #14 Finish (2)

523F, 527F Trim



527F



**Nightlatch Access
by Key**

F03
527F



**Nightlatch Access
by Key**

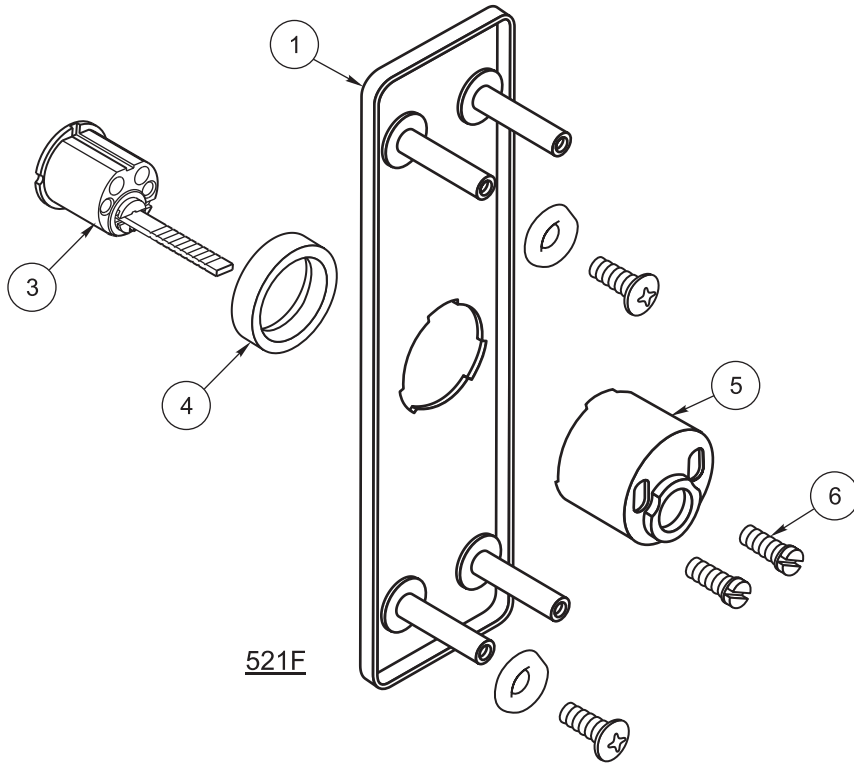
F03
523F



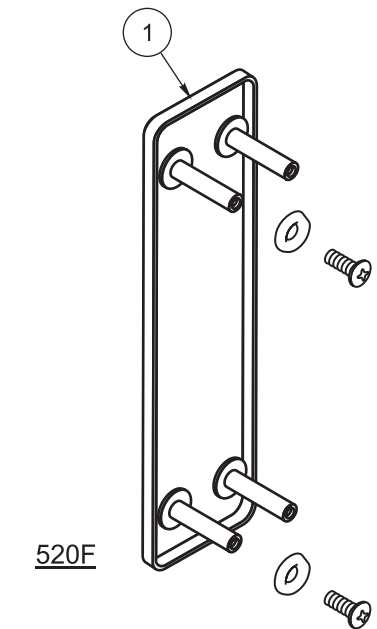
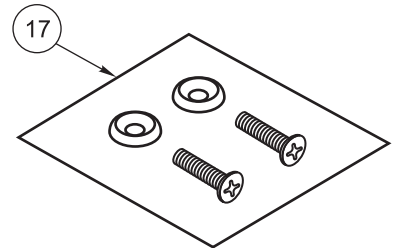
520F, 521F Trim

ITEM	PART NO.	DESCRIPTION
1	60-7000-0142-FIN	Escutcheon Assembly 520F
	60-7000-0146-FIN (Brass)	521F
	60-7000-0147-FIN (Bronze)	521F
	60-7000-0148-FIN (Stainless Steel)	521F
3	See Chart Page 34	Cylinder
4	See Chart Page 34	Collar, Mortise
5	60-2000-6206-082	Housing, Cylinder 521F
6	60-7000-1235-048	Screw, Cylinder 521F Mounting (2)
17	81-9500-1476-FIN	Screw Packet, Mtg. <i>Consists of the following:</i>
	81-0013-0670-FIN	Screw, 1/4-20 x 1 OPHMS (2)
	99-9999-7156-FIN	Washer, #14 Finish (2)

520F, 521F Trim



521F



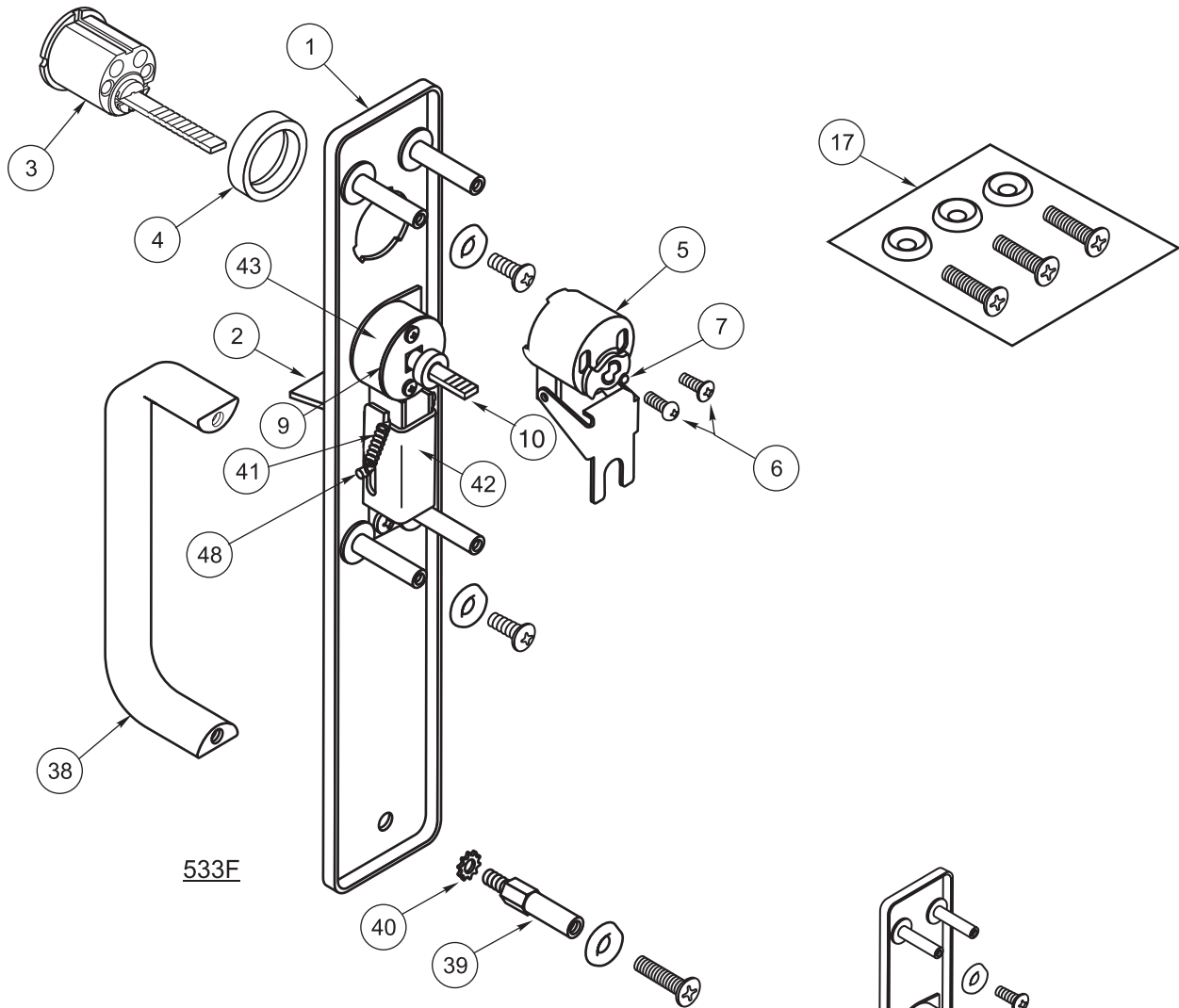
520F

(EO) Blank Plate	(NIL) Access by Key
F01	F03
520F	521F

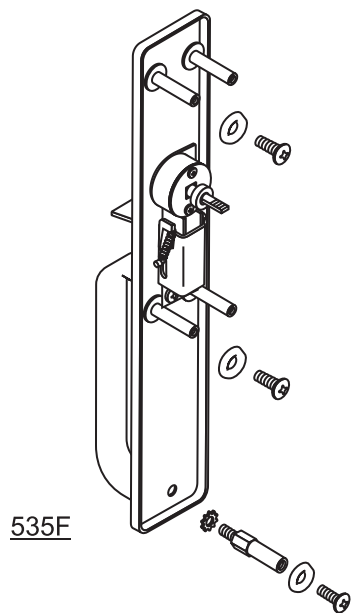
533F, 535F Trim

ITEM	PART NO.	DESCRIPTION
1	60-7000-0222-FIN (Brass)	Escutcheon Assembly 535F
	60-7000-0223-FIN (Bronze)	535F
	60-7000-0224-FIN (Stainless Steel)	535F
	60-7000-0413-FIN	533F
	2	60-7000-X192-FIN
3	See Chart Page 34	Cylinder, Rim
4	See Chart Page 34	Collar, Rim Cylinder
5	60-7000-0215-000	Housing & Cam Assembly
6	60-7000-1235-048	Screw, Cylinder Mounting (2)
7	81-0016-2200-999	Screw, NL Function
9	81-4414-0308-036	Screw, Tailpiece Plate, #6 x 3/8 PHT-T-PH (2)
10	60-7000-0212-059	Tailpiece Assembly
17	81-9500-1476-FIN	Screw Packet, Mtg. <i>Consists of the following:</i>
	81-0013-0670-FIN	Screw, 1/4-20 x 1 OPHMS (3)
	99-9999-7156-FIN	Washer, #14 Finish (3)
19	60-7000-1306-999	Spring (Not Shown) Under Tailpiece
20	60-7000-1305-059	Hex Nut/Bushing for Spring (Not Shown)
38	60-0010-2639-FIN	Pull, Straight
39	60-7000-1039-048	Screw Post
40	99-9999-7154-036	Lock Washer, Screw Post
41	99-9999-5697-999	Spring, Thumbpiece
42	60-7000-1190-059	Slider, Thumbpiece
43	60-7000-0214-000	Housing, Tailpiece Assy.
48	60-7000-1045-059	Pin, Thumbpiece

533F, 535F Trim



533F



535F

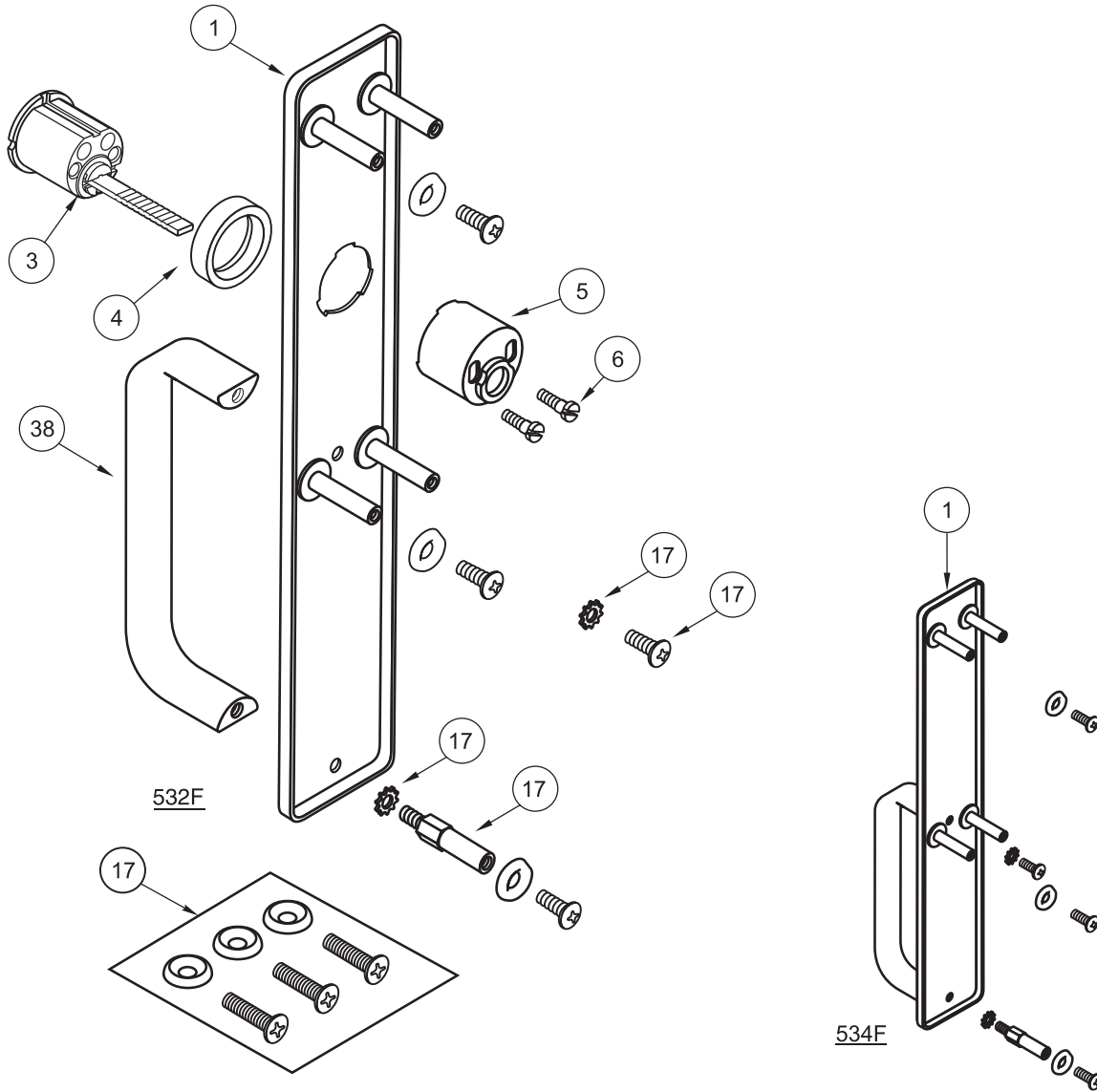
(Passage) Active T-Piece	Cylinder Controls T-Piece	Access by Key and T-Piece
F15	F05	F06
535F	533F	533F



532F, 534F Trim

ITEM	PART NO.	DESCRIPTION
1	60-7000-0047-FIN (Brass)	Escutcheon Assembly 532F
	60-7000-0048-FIN (Bronze)	532F
	60-7000-0049-FIN (Stainless Steel)	532F
	60-7000-0050-FIN (Brass)	534F
	60-7000-0051-FIN (Bronze)	534F
	60-7000-0052-FIN (Stainless Steel)	534F
	3	<i>See Chart Page 34</i>
4	<i>See Chart Page 34</i>	Collar, Cylinder
5	60-2000-6206-082	Housing, Cylinder
6	60-7000-1235-048	Screw, Cylinder Mtg. (2)
17	81-9500-1466-FIN	Screw Packet, Mtg. <i>Consists of the following:</i>
	60-70001039-048	Threaded Post (1)
	81-0010-0664-FIN	1/4-20 x5/8" (1) RHPMS
	81-0013-0670-FIN	1/4-20 x1" (3) OHPMS
	99-9999-7154-FIN	Lockwasher (2)
	99-9999-7156-FIN	Washer #14 Finish (3)
38	60-0010-2639-FIN	Pull, Straight

532F, 534F Trim



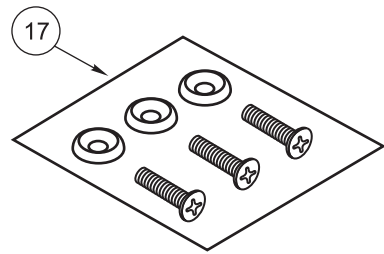
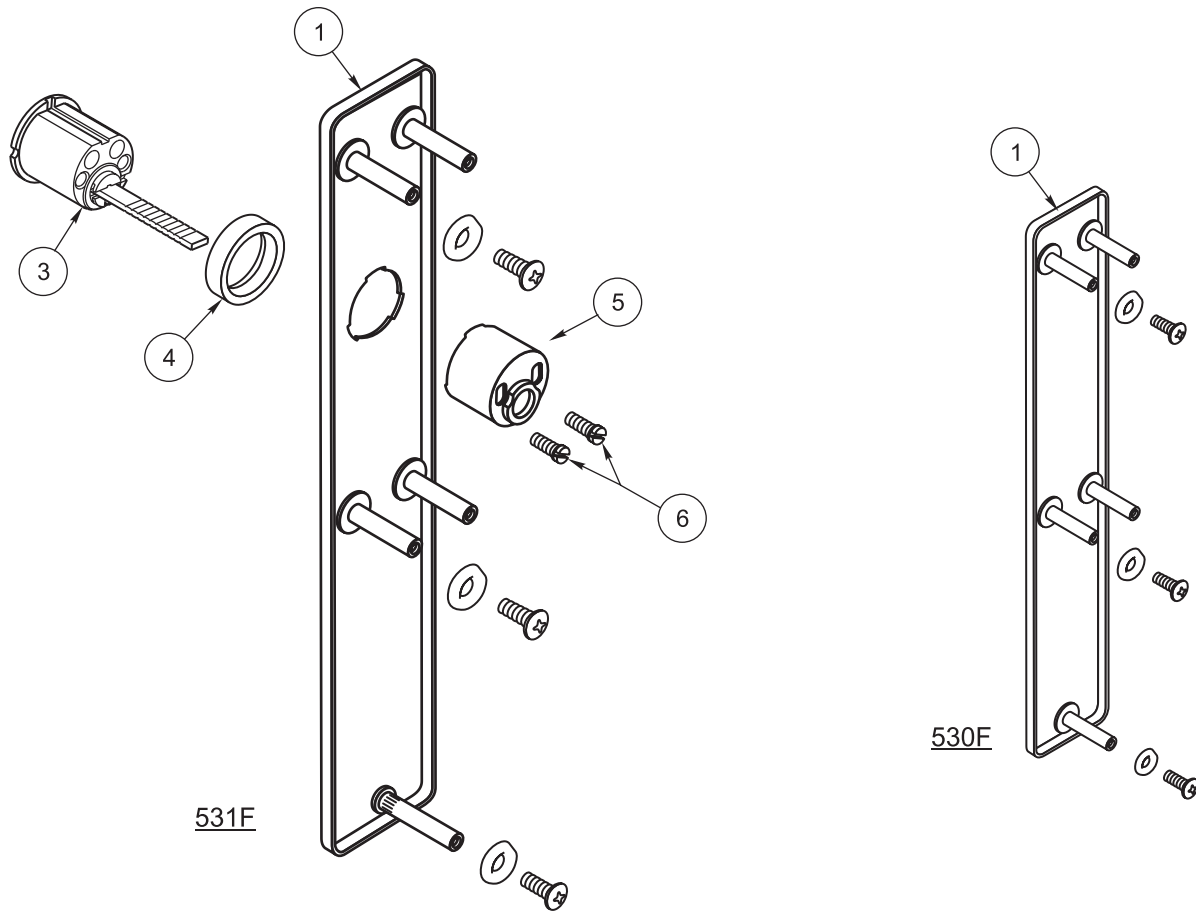
Dummy Full Plate	Nightlatch Cylinder by Pull
F02	F03
534F	532F





530F, 531F Trim

ITEM	PART NO.	DESCRIPTION
1	60-7000-0161-FIN (Brass)	Escutcheon Assembly 531F
	60-7000-0162-FIN (Bronze)	531F
	60-7003-0163-FIN (Stainless Steel)	531F
	60-7000-0143-FIN	530F
3	See Chart Page 34	Cylinder, Mortise or Rim
4	See Chart Page 34	Collar, Cylinder
5	60-2000-6206-082	Housing, Cylinder
6	60-7000-1235-048	Screw, Cylinder Mtg. (2)
17	81-9500-1405-FIN	Screw Packet, Mtg. <i>Consists of the following:</i>
	81-0013-0670-FIN	Screw, 1/4-20 x 1 OPHMS (3)
	99-9999-7156-FIN	Washer, #14 Finish (3)

530F, 531F Trim



	
Dummy Blank Plate	Nightlatch Access by Key
F01	F03
530F	531F



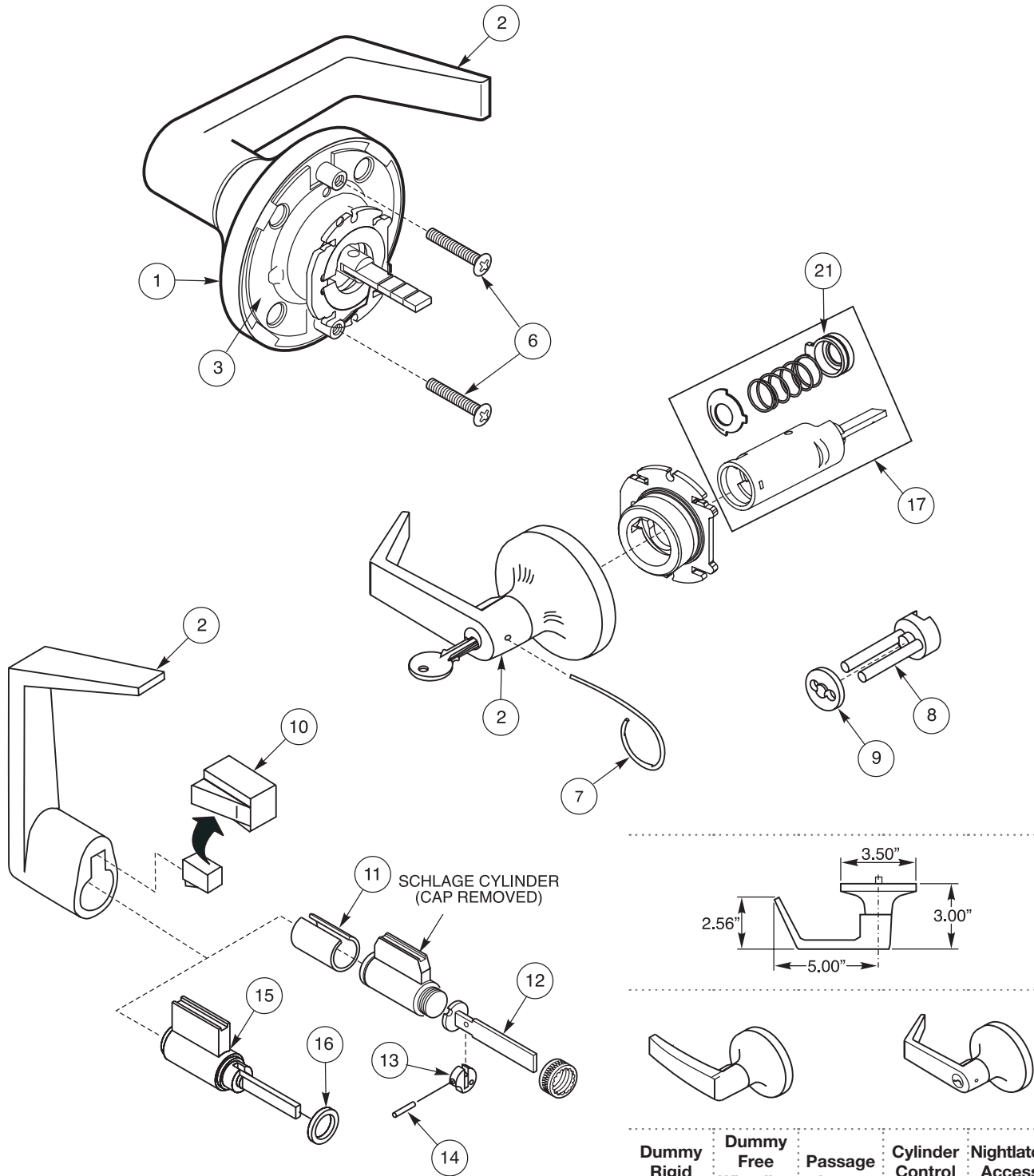
541F, 546F, 548F, 549F Trim

ITEM	PART NO.	DESCRIPTION
1	14-5401-2711-FIN	Rose Scalp
		Lever
2		Plain
	14-5401-6640-FIN	AU - Augusta
	14-5403-6650-FIN	MO - Monroe
	14-5403-6651-FIN	PB - Pacific Beach
		Cylinder
	14-5407-6038-FIN	AU - Augusta
	14-5407-6042-FIN	MO - Monroe
	14-5407-6062-FIN	PB - Pacific Beach
		Yale® I/C (6 Pin)
	14-5407-6021-FIN	AU - Augusta
	14-5407-6045-FIN	MO - Monroe
	14-5407-6065-FIN	PB - Pacific Beach
		Yale® I/C (7 Pin)
	14-5407-6022-FIN	AU - Augusta
	14-5407-6042-FIN	MO - Monroe
	14-5407-6066-FIN	PB - Pacific Beach
		Best®, Arrow®, Falcon® I/C (6 & 7 Pin)
14-5407-6056-FIN	AU - Augusta	
14-5407-6048-FIN	MO - Monroe	
14-5407-6068-FIN	PB - Pacific Beach	
	Corbin Russwin I/C (6)	
14-5407-6080-FIN	AU - Augusta	
	Medeco®, ASSA® I/C (6)	
14-5407-6028-FIN	AU - Augusta	
3	14-5407-0108-FIN	Rose Support Assembly

ITEM	PART NO.	DESCRIPTION
6	81-0015-0580-036	Screw, 10-32 x 2 PTHMS (2)
7	14-5407-1102-000	Tool, Lever Removal
8	14-5407-0060-000	Driver & Rod Assembly Yale®
	14-5407-0161-048	Best®, Arrow®, Falcon® I/C (Obsolete) Schlage®, Medeco®/ASSA®, etc from 5400LN Parts Manual
9	14-5407-2053-000	Spacer (Obsolete)
10	14-5407-9034-999	Pad, Retainer
11	14-5407-1101-048	Sleeve
12	14-5407-0460-048	Bar, Connecting (Schlage)
13	14-5407-1036-048	Cam, Cylinder
14	99-9999-3942-999	Pin, Roll
15	See Chart Page 34	Cylinder
16	14-5407-9201-048	Spacer, Cylinder
17	14-5407-0161	Spindle Assembly 546F
	14-5407-0166	541F
21	14-5401-1906-048	Pawl



541F, 546F, 548F, 549F Trim



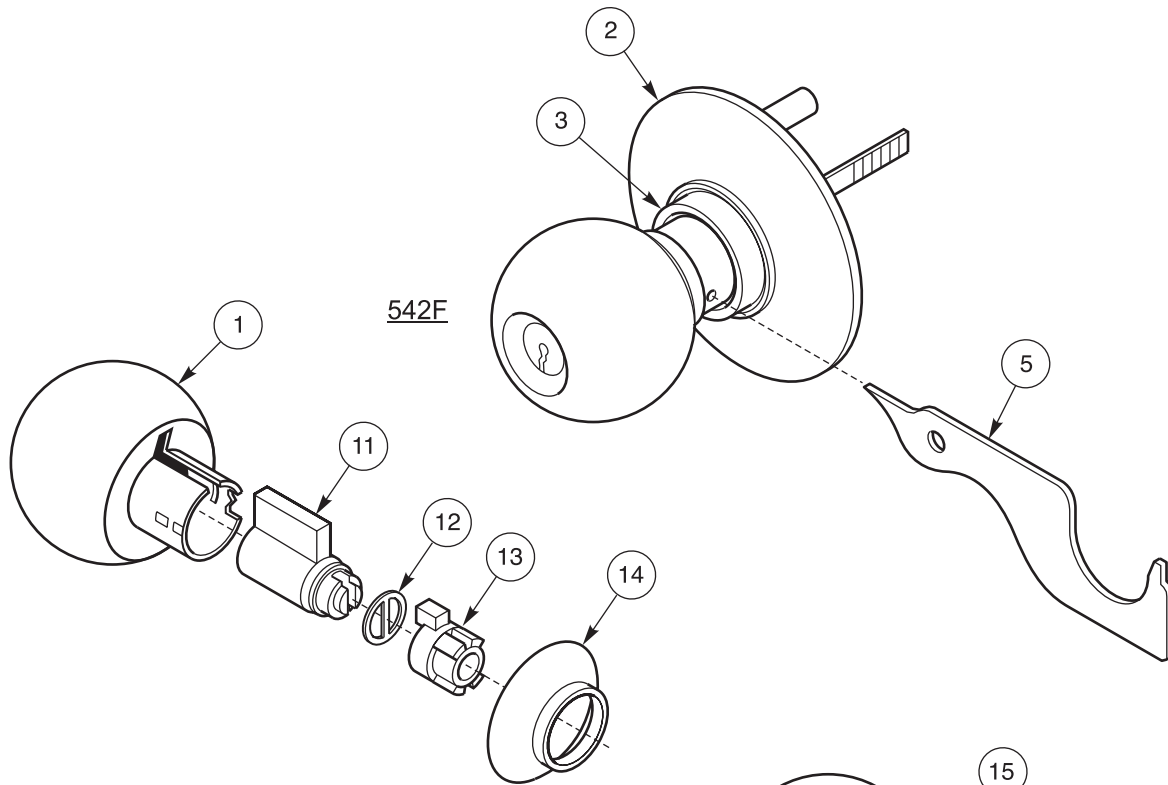
Dummy Rigid Lever	Dummy Free Wheeling Lever	Passage Lever	Cylinder Control Lever	Nightlatch Access by Key
F02	F02	F14	F08	F03
549F	548F	548F	546F	541F



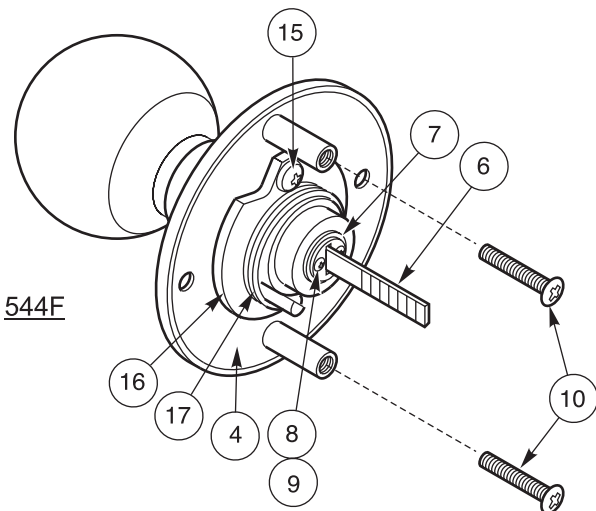
542F, 544F Trim

ITEM	PART NO.	DESCRIPTION
1	60-2000-X079-FIN 14-5301-X638-FIN	Knob, CA 542F 544F
2	14-5401-X077-FIN	Rose
3	14-5755-X004-FIN	Nut, Rose
4	60-2100-0022-080	Plate, Mounting
5	14-5400-0036-048	Tool, Knob Removal
6	34-1147-1003-048	Tailpiece
7	60-2000-1207-059	Retainer
8	81-0610-0154-036	Screw, Locking (2)
9	99-9999-7331-999	Washer, Lock (2)
10	81-0015-0576-036	Screw, Mounting (2)
11	See Chart Page 34	Cylinder
12	60-2000-1194-059	Shield
13	60-2000-6192-082	Insert
14	14-5301-X664-FIN	Cap, Trim
15	81-0014-0504-036	Screw, 10-24 x 1/4 PPHMS (2)
16	60-2000-0018-048	Spindle Assembly
17	60-2000-1092-999	Spring

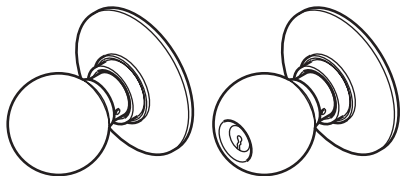
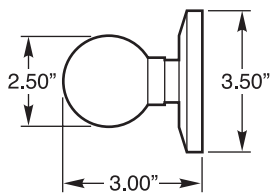
542F, 544F Trim



542F



544F



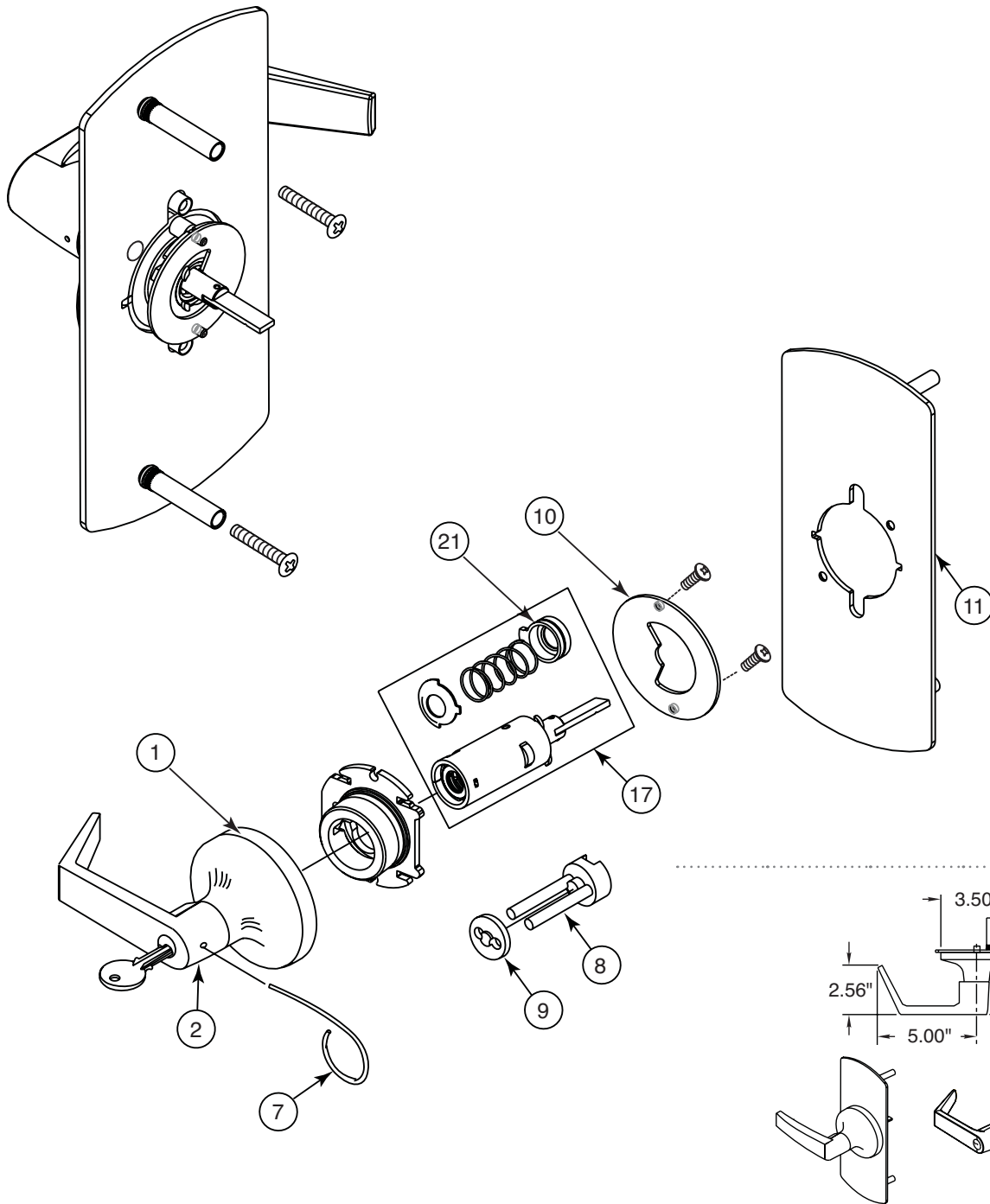
(DT) Free Wheeling Lever	Passage Knob	Cylinder Control Knob
F02	F14	F08
544F	544F	542F

581F, 586F, 588F, 589F Trim

ITEM	PART NO.	DESCRIPTION
1	14-5401-2711-FIN	Rose Scalp
		Lever
		Plain
	14-5401-6640-FIN	AU - Augusta
	14-5403-6650-FIN	MO - Monroe
	14-5403-6651-FIN	PB - Pacific Beach
		Cylinder
	14-5407-6038-FIN	AU - Augusta
	14-5407-6042-FIN	MO - Monroe
	14-5407-6062-FIN	PB - Pacific Beach
		Yale® I/C (6 Pin)
	14-5407-6021-FIN	AU - Augusta
	14-5407-6045-FIN	MO - Monroe
2	14-5407-6065-FIN	PB - Pacific Beach
		Yale® I/C (7 Pin)
	14-5407-6022-FIN	AU - Augusta
	14-5407-6042-FIN	MO - Monroe
	14-5407-6066-FIN	PB - Pacific Beach
		Best®, Arrow®, Falcon® I/C (6 & 7 Pin)
	14-5407-6056-FIN	AU - Augusta
	14-5407-6048-FIN	MO - Monroe
	14-5407-6068-FIN	PB - Pacific Beach
		Corbin Russwin I/C (6)
	14-5407-6080-FIN	AU - Augusta
		Medeco®, ASSA® I/C (6)
	14-5407-6028-FIN	AU - Augusta
3	14-5407-0108-FIN	Rose Support Assembly (See Page 21)
7	14-5407-1102-000	Tool, Lever Removal
		Driver & Rod Assembly
8	14-5407-0060-000	Yale®
	14-5407-0161-048	Best®, Arrow®, Falcon® I/C (Obsolete) Schlage, Medeco®/ASSA®, etc. from 5400LN Parts Manual
9	14-5407-2053-000	Spacer (Obsolete)
10	60-7000-1546-048	Retainer Plate
11	60-7000-0155-078	Escutcheon
		Spindle Assembly
17	14-5407-0161	586F
	14-5407-0166	581F
21	14-5401-1906-048	Pawl



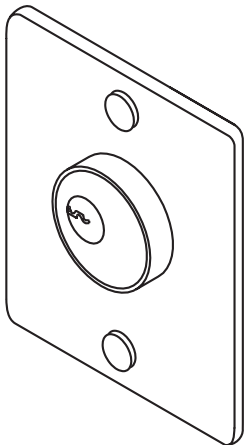
581F, 586F, 588F, 589F Trim



Dummy Rigid Lever	Dummy Free Wheeling Lever	Passage Lever	Cylinder Control Lever	Nightlatch Access by Key
F02	F02	F14	F08	F03
589F	588F	588F	586F	581F

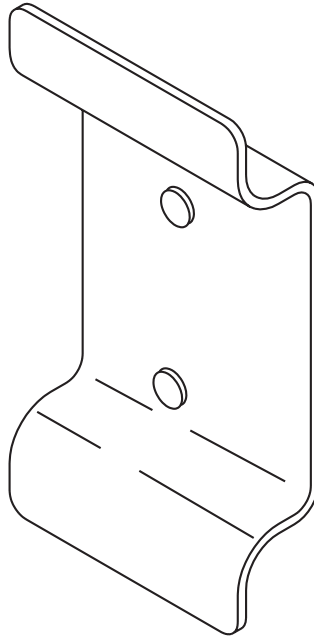


210 Series Trim



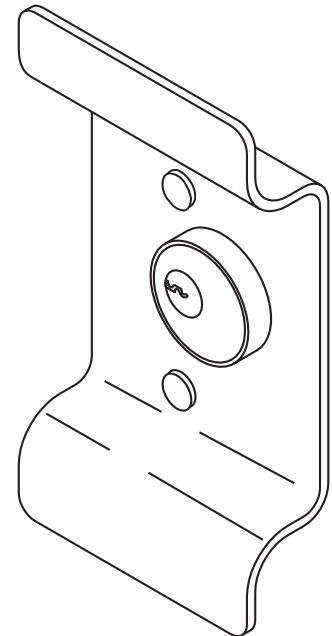
Nightlatch Access by Key
60-2100-0090-FIN

213F



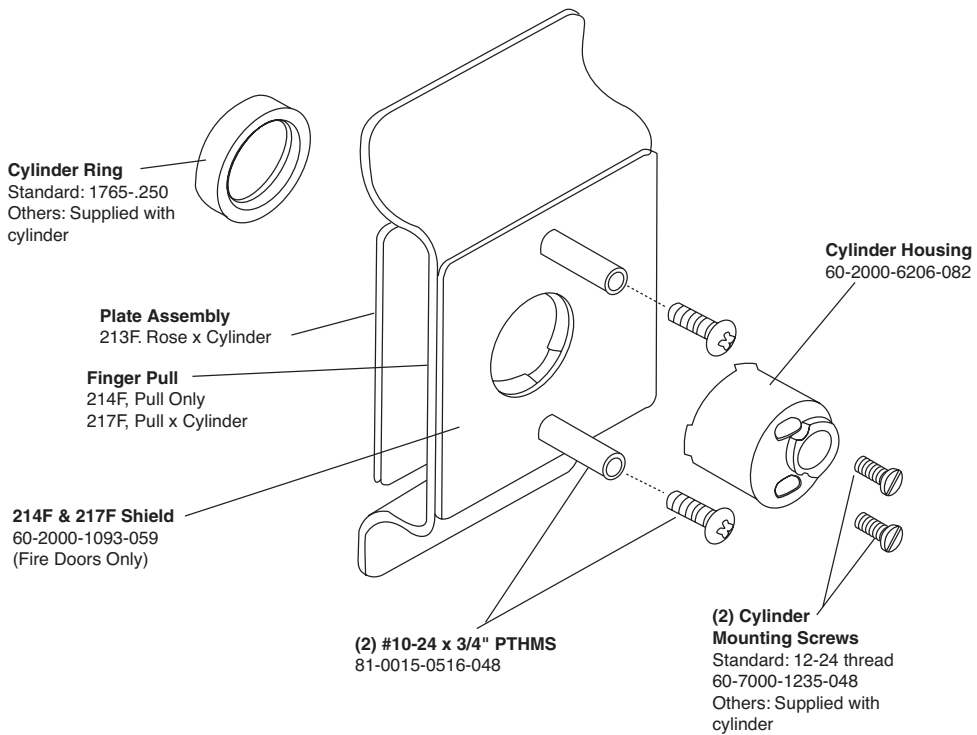
Dummy Trim Pull Plate
60-2100-0020-FIN

214F



Night Latch Cylinder by Pull
60-2100-0021-FIN

217F





Levers & Knobs

AR  Arcadia Projection: 3-1/16" (78mm) Lever assembly: RHR 60-7000-0097-FIN LHR 60-7000-0098-FIN	AU  Augusta Projection: 2-5/16" (59mm) Lever assembly: 60-7000-0095-FIN	CR  Carmel Projection: 2-7/8" (73mm) Lever assembly: 60-7000-0140-FIN	JN  Jefferson Projection: 2-3/8" (60mm) Lever assembly: 60-7000-0093-FIN
MO  Monroe Projection: 2-3/16" (71mm) Lever assembly: 60-7000-0239-FIN	PB  Pacific Beach Projection: 2-3/4" (70mm) Lever assembly: 60-7000-0240-FIN	PN  Pinehurst Projection: 2-7/8" (73mm) Lever assembly: 60-7000-0198-FIN	VI  Virginia Projection: 2-3/4" (70mm) Lever assembly: 60-7000-0236-FIN

Knob and Lever Handle Assemblies Include:

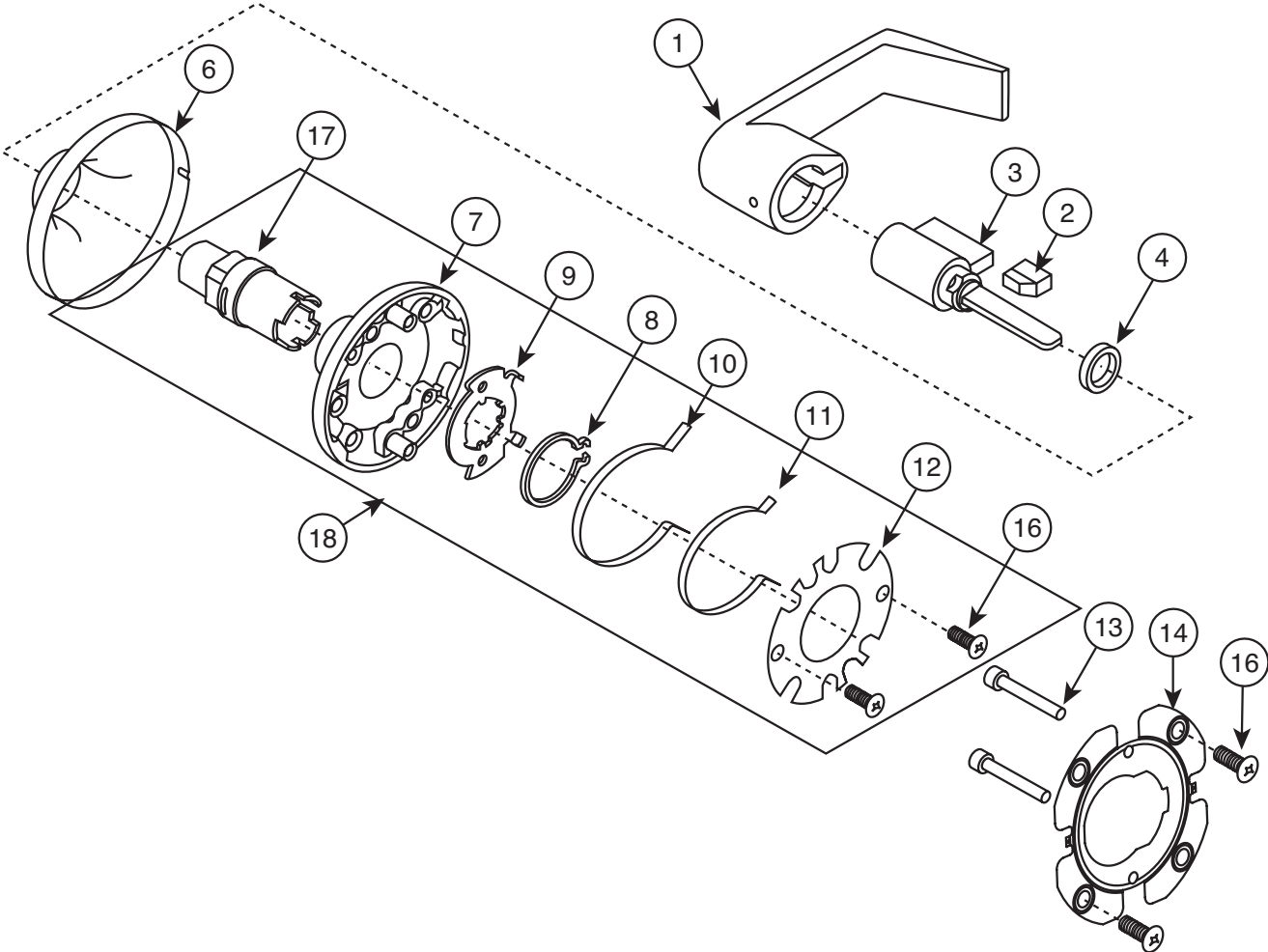
Spindle - P/N 60-7000-1243-059

Roll Pin - P/N 99-9999-3979-023

Outside Lever/Rose Assembly

ITEM	PART NO.	DESCRIPTION	QUANTITY
1	See Page 27	Outside Lever Handle	1
2	14-5407-9034-999	Retainer Spring Pad	1
3	1802-FIN-KEYWAY	Cylinder Assembly (Specify finish, see Page 2, and keyway)	1
4	14-5407-9201-999	Cylinder Spacer	1
6	14-5401-2711-FIN	Rose Scalp (Specify finish, see Page 2)	1
7	14-5401-6756-082	Outside Rose Support	1
8	14-5401-1619-000	Snap Ring	1
9	14-5401-1624-048	Stop Plate	1
10	14-5401-1641-999	Lever Spring - Outside	1
11	14-5401-1642-999	Lever Spring - Inside	1
12	14-5401-1757-048	Cover	1
13	14-5401-1410-048	Pin	2
14	14-5401-1623-048	Outside Rose Plate	1
16	81-3811-0406-048	Screw #8-32 x 5/16" PHFH Trilobe	4
17	14-5407-0100-048	Removable Handle Shank/Retainer Assembly	1
18	14-5407-0108-048	Outside Rose/Shank Assembly	1

Outside Lever/Rose Assembly

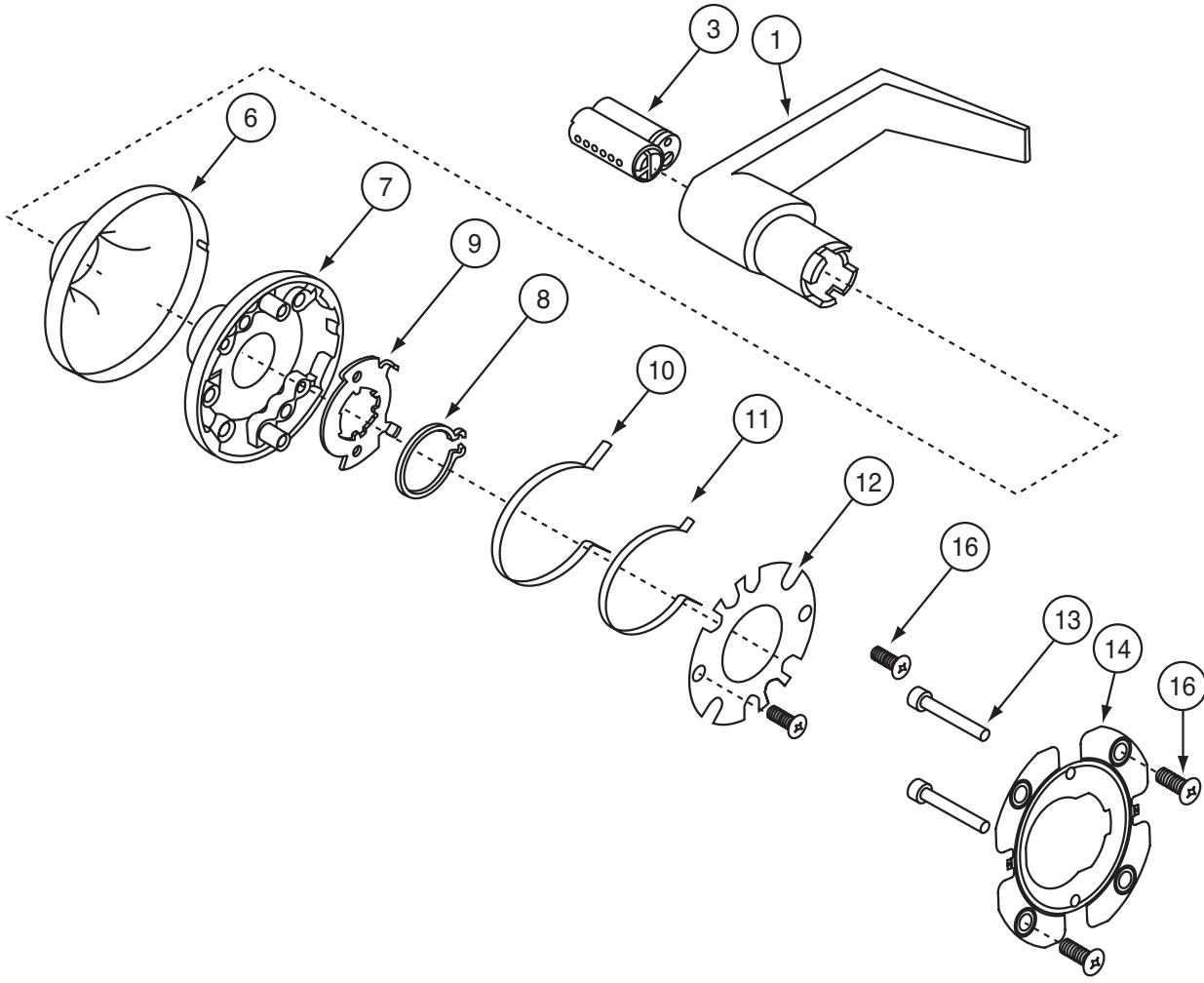




Outside Lever/Rose Assembly (Interchangeable Core)

ITEM	PART NO.	DESCRIPTION	QUANTITY
1	<i>See Page 27</i>	Outside Lever Handle	1
3	1210-FIN-KEYWAY	Cylinder Assembly (Specify finish, see Page 2, and keyway)	1
6	14-5401-2711-FIN	Rose Scalp (Specify finish, see Page 2)	1
7	14-5401-6756-082	Outside Rose Support	1
8	14-5401-1619-000	Snap Ring	1
9	14-5401-1624-048	Stop Plate	1
10	14-5401-1641-999	Lever Spring - Outside	1
11	14-5401-1642-999	Lever Spring - Inside	1
12	14-5401-1757-048	Cover	1
13	14-5401-1410-048	Pin	2
14	14-5401-1623-048	Outside Rose Plate	1
16	81-3711-0406-048	Screw #8-32 x 5/16" PHFH Trilobe	4

Outside Lever/Rose Assembly (Interchangeable Core)

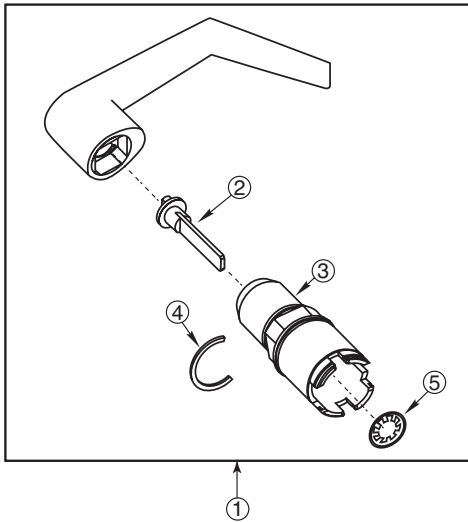


Interchangeable Core Lever Assemblies

Yale® 6-Pin

ITEM	PART NO.	DESCRIPTION
1	14-5407-0076-FIN*	AU Lever Assembly
	14-5407-0019-FIN*	MO Lever Assembly
	14-5407-0030-FIN*	PB Lever Assembly
2	—	Cam and Connecting Bar Assembly
3	—	Shank
4	—	Retainer Shank
5	—	Retaining Ring

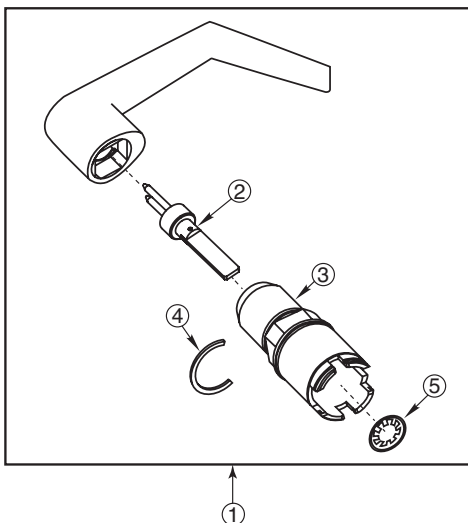
*Sold as an Assembly only.



Yale® 7-Pin

ITEM	PART NO.	DESCRIPTION
1	14-5407-0077-FIN*	AU Lever Assembly
	14-5407-0021-FIN*	MO Lever Assembly
	14-5407-0031-FIN*	PB Lever Assembly
2	—	Cam and Connecting Bar Assembly
3	—	Shank
4	—	Retainer Shank
5	—	Retaining Ring

*Sold as an Assembly only.

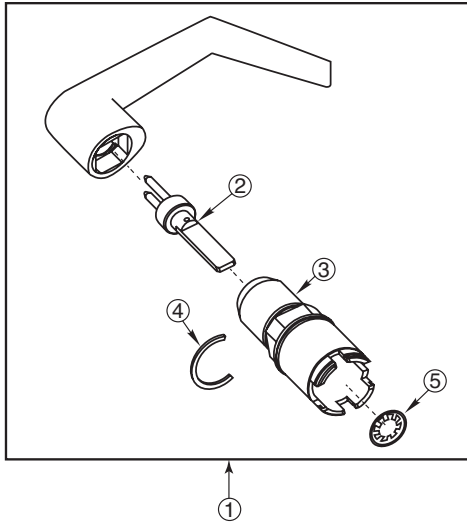


Corbin Russwin

ITEM	PART NO.	DESCRIPTION
1	14-5407-0141-FIN*	AU Lever Assembly
	14-5407-0906-FIN*	PB Lever Assembly
2	—	Cam and Connecting Bar Assembly
3	—	Shank
4	—	Retainer Shank
5	—	Retaining Ring

*Sold as an Assembly only.

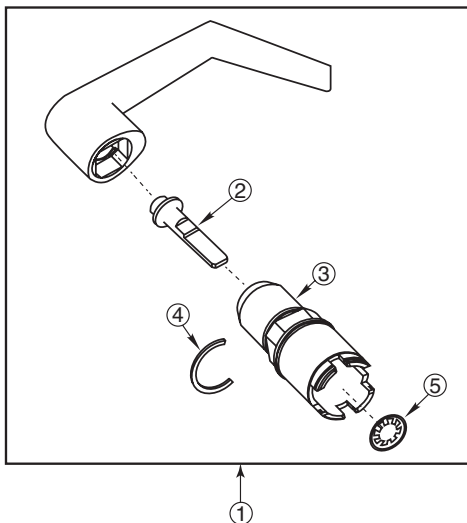
Interchangeable Core Lever Assemblies



Best®

ITEM	PART NO.	DESCRIPTION
1	14-5407-0040-FIN*	AU Lever Assembly
	14-5407-0041-FIN*	MO Lever Assembly
	14-5407-0042-FIN*	PB Lever Assembly
2	—	Cam and Connecting Bar Assembly
3	—	Shank
4	—	Retainer Shank
5	—	Retaining Ring

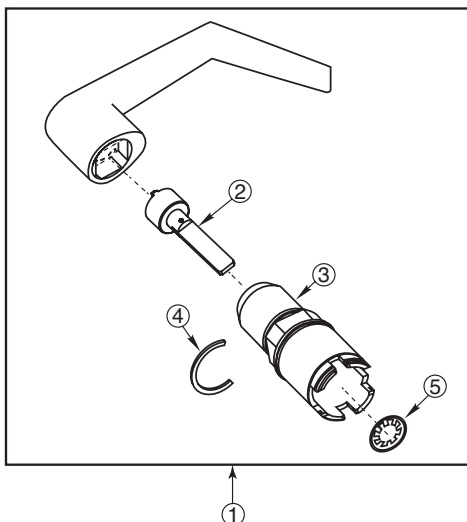
*Sold as an Assembly only.



Schlage®

ITEM	PART NO.	DESCRIPTION
1	14-5407-0904-FIN*	AU Lever Assembly
	14-5407-0905-FIN*	PB Lever Assembly
2	—	Connecting Bar
3	—	Shank
4	—	Retainer Shank
5	—	Retaining Ring

*Sold as an Assembly only.

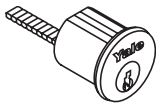


Medeco®, ASSA®

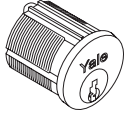
ITEM	PART NO.	DESCRIPTION
1	14-5407-0078-FIN*	AU Lever Assembly
2	—	Connecting Bar
3	—	Shank
4	—	Retainer Shank
5	—	Retaining Ring

*Sold as an Assembly only.

Cylinders

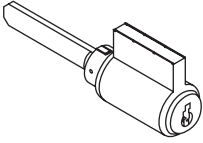
Rim Cylinder	Standard Escutcheon Trim 520F/530F Series Rim Cylinders		Application	Cylinder(s)	Description	Cylinder Collar	Mounting Screws
			2100/2100F Rim 2110/2110F SVR	1109 / 5109 6-pin	Standard / Security	1765-.250	60-7000-1235-048
				U5109 6-pin	High Security	----	60-7000-1235-048
				1109 / 5109 7-pin	Standard / Security	1765-.250	60-7000-1235-048
				U5109 7-pin	High Security	1766	60-7000-1235-048
				1709 6-pin	CMK Cylinder	1765-.656	34-2311-8738-048
				1709 7-pin	CMK Cylinder	1765-.656	34-2311-8738-048
				1193 / 5193 6-pin	Std. / Sec. I.C.	1765-.469	10-1193-1018-048
1193 / 5193 7-pin	Std. / Sec. I.C.	1765-.656		10-1191-1018-048			

Note: Mounting screw part numbers shown are the screws to mount the cylinder.

Mortise Cylinder	Keyed Removable Mullions KRM100/100F		Application	Cylinder(s)	Description	Cylinder Collar
			2100/2100F Rim	2153/5153*, 6 or 7-pin, 1-1/8" (29mm)	Standard / Security	----
				2196 / 5196 6-pin	Std. I.C. / Sec. I.C.	1765-.250
				2197 / 5197 7-pin	Std. I.C. / Sec. I.C.	1765-.250
Alarm Kit	2100/2100F Rim 2110/2110F SVR	2197, 7-pin 1-11/16" (42mm)	Std. I.C. 7-pin	1765 - .594		

As with exit device trim you must order a cylinder to go with a keyed removable mullion. The Yale® keyed removable mullion accepts a standard 6-pin 2153 mortise cylinder with cam #2160. Other cylinders are optional.

*U5153 6 and 7-pin cylinders cannot be used with a keyed removable mullion.

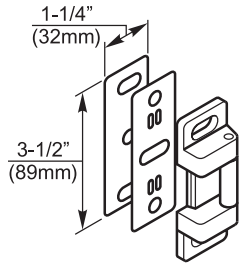
Knob or Leverset Trim 540F/580F Series Trim Keyed trim uses Yale® cylindrical lock cylinders.		Application	Cylinder(s)	Description
		2100/2100F Rim 2110/2110F SVR	1801	6-pin Knob Cyl. (Std.)
			1802	6-pin Lever Cyl. (Std.)
			1802A	7-pin Lever Cylinder
			1210	6-pin I.C. Lever Cylinder
			1220	7-pin I.C. Lever Cylinder
			5802	6-pin Security Lever Cyl.
			5802A	7-pin Security Lever Cyl.
			5210	6-pin I.C. Security Cyl.
			5220	7-pin I.C. Security Cyl.
			107S	Adaptor kit for Schlage® Cyl.
			"B" Trim Prefix	Trim with lever for Best®, Arrow® or Falcon® IC cylinder (specify 6 or 7-pin)
			"R" Trim Prefix	Trim with lever for Corbin Russwin IC cylinder

*AU & PB levers only.

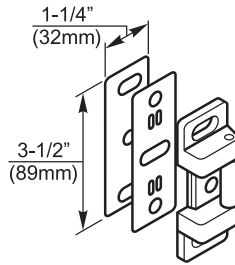
Yale®
KeyMark Refer to separate catalog section for availability.

Strikes

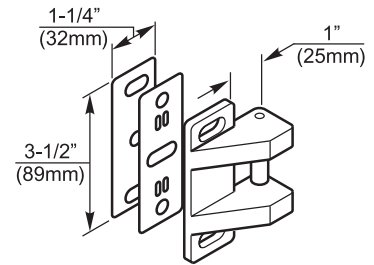
Rim Devices



757
Standard
on 2100

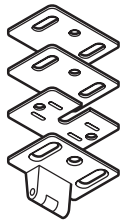


757F
Standard
on 2100F



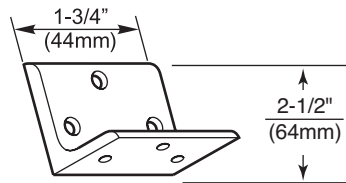
793
Optional strike for double door
applications without a mullion
on 2100

Vertical Rod Devices

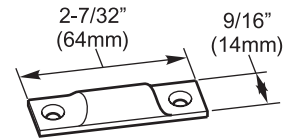


1-9/16" x 15/16"
(40mm x 24mm)

791
Standard
Top Strike
on 2110, 2110F



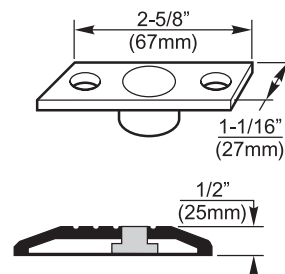
797
Bracket for SVR Top Strike
in Flush Transom Opening
on 2110F



702
Floor Strike for optional
bottom Pullman Latch



790
Standard Bottom Strike
on 2110, 2110F



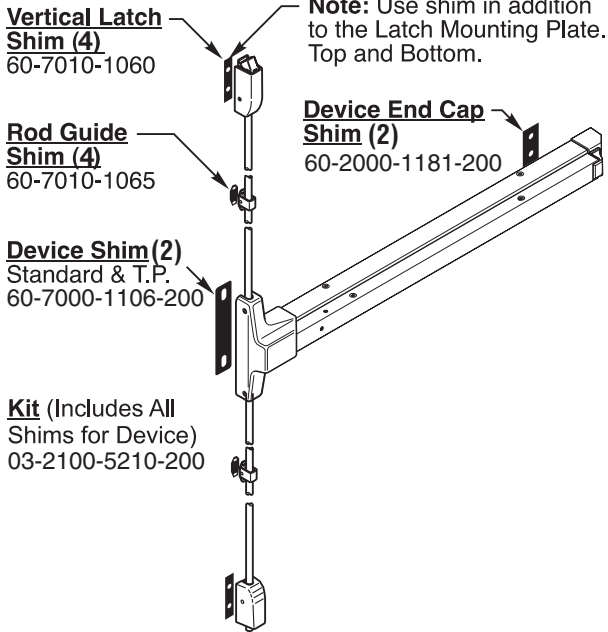
794
Optional Floor Strike for fire openings
using saddle threshold, or flush floor
mount. Must use for fire openings with
thresholds.



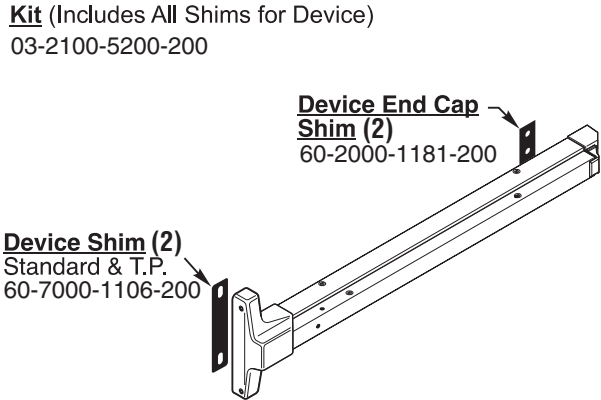
Accessories

Shim Kits

224 For 2110/2110F Surface Vertical Rod Exit Device

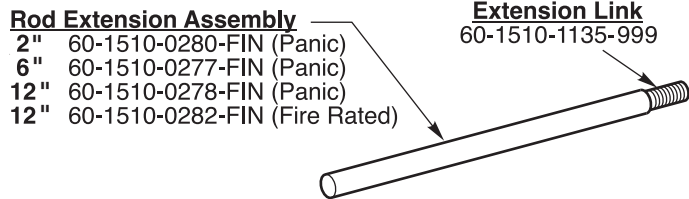


223 For 2110/2110F Rim Exit Device

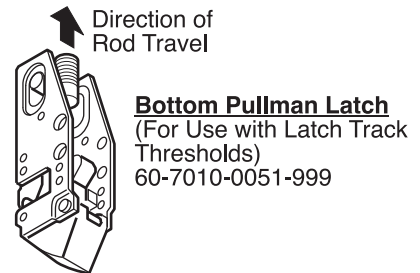


Surface Vertical Rod Extension Kits

Used to extend the height of standard length rods for 2100/2110F Series exit devices.

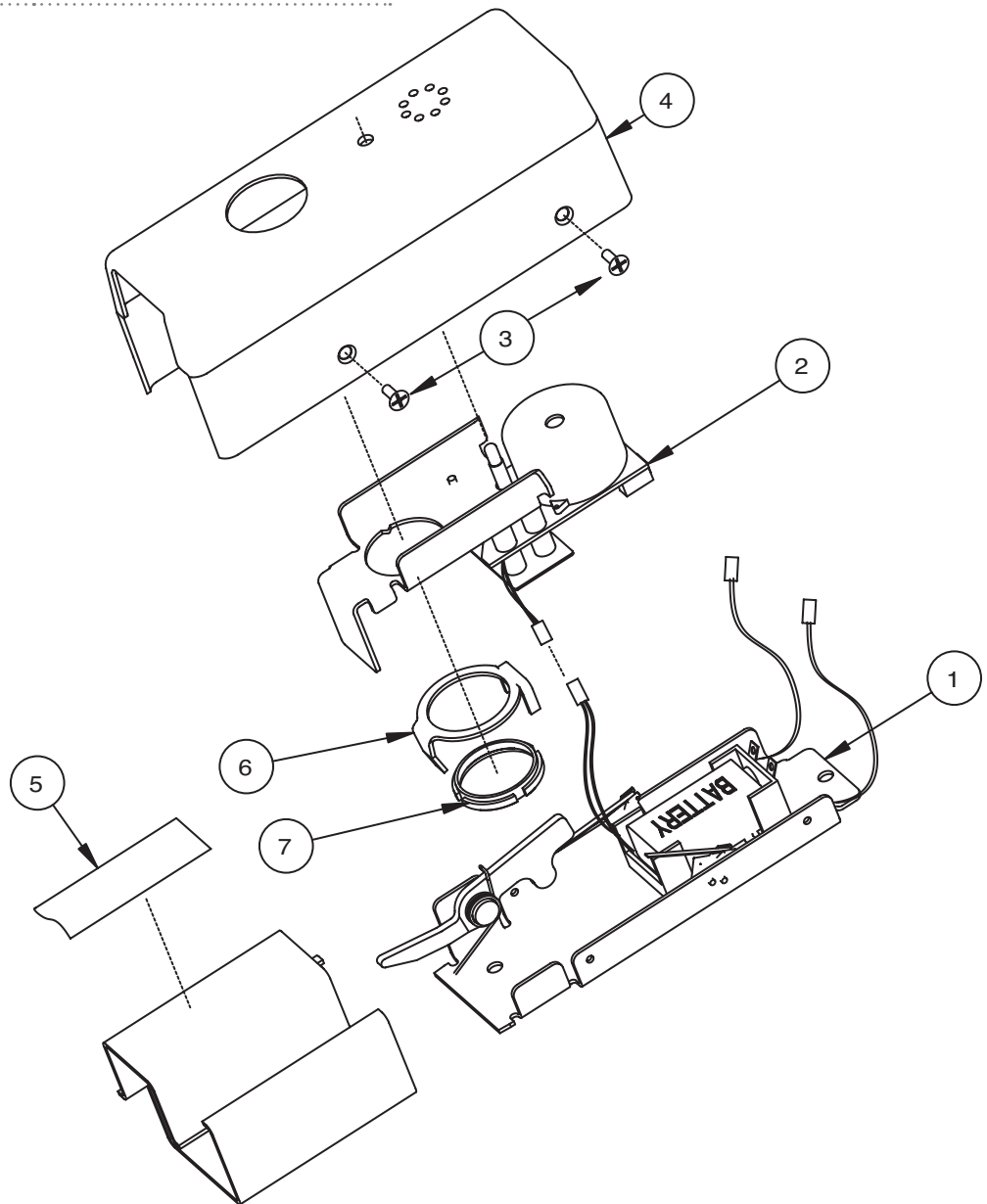


Optional Vertical Latches



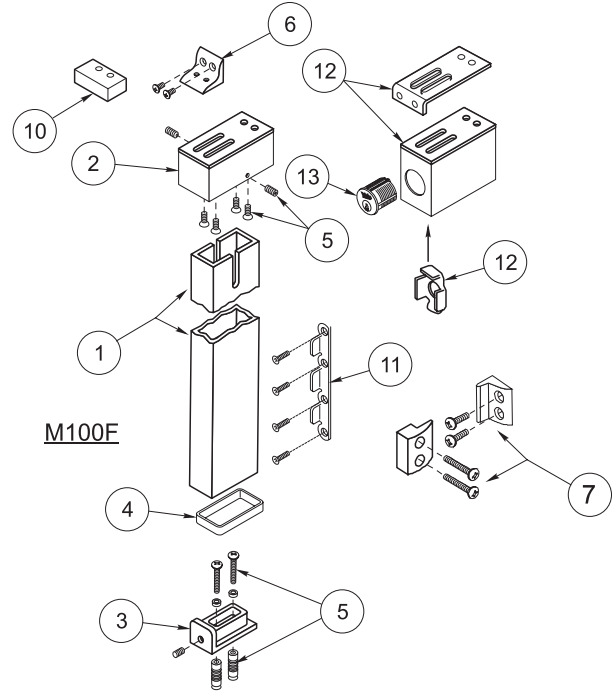
2116 Alarm Kit

ITEM	PART NO.	DESCRIPTION
1	60-2116-0005	Alarm Bracket Sub-Assembly
2	60-2116-0001	Alarm Housing Sub-Assembly
3	81-9500-1398	Screw Pack
4	60-2116-6001	Die Cast Cover
5	80-9401-0056	Alarm Label
6	60-7700-7214	Switch Activator
7	607700-2212	Cylinder Nut
—	80-9420-2116	Installation Instructions



Mullion Parts

ITEM	PART NO.	DESCRIPTION
1	60-1500-1267-114 60-1500-1265-114 60-1500-1266-114	Mullion 7' for M100(F) 8' for M100(F) 10' for M100(F)
2	60-1500-1283-078	Bracket, Upper Mounting
3	60-2000-1164-078	Bracket, Lower Mounting Panic/Fire Rated
4	60-2000-9158-999	Anchor Pad (Fire Rated)
5	81-9500-0351-000 81-0011-0616-059 81-6219-2708-059 81-6419-2714-059 60-7000-1324-048 99-9999-7161-059 99-9999-6037-999	Screw Packet contains: Screw #12-24 x 3/4" FHM-PH (4) Set Screw 5/16-18 x 3/8" (1) Set Screw, Half Dog 5/16-18 x 5/8" (2) Screw 1/4-20 x 3/4" RHM-PH (2) Lock Washer 1/4" (2) Masonry Anchor 1/4-20 (2)
6	81-9500-0371-078	Angle Bracket Packet contains: Angle Bracket (1) Screw #12-24 x 7/16" OHM-PH (2)
7	81-9500-1417-078	Stabilizer Kit (optional) contains: Bracket, Stabilizer (2) Stabilizer (2) Spacer, Stabilizer (4) Screw, #10-24 x 3/4" FHM-PH (4) Screw, #10-24 x 1" FHM-PH (4)
Not Shown	81-9500-1524-114	Parts Packet contains: Items 2, 3, 4, 5 and 11
Not Shown	81-9500-1523-FIN	Parts Packet contains: Items 7, 8 and 9
10	00-0000-3516-000	Spacer, Mullion
11	81-9500-1561-058 60-2000-1156-058 81-0011-0516-058	Door Bracket Packet contains: Bracket, Door (2) Screw, #10-24 x 3/4" FPHMS (8)
12	00-0000-3432-000 60-1500-0150-078 60-1500-0153-078 60-7000-1419-078 60-7000-1413-048 81-9500-1585-000	KRM150 Retro Fit Kit contains: Bracket, Top, Final Assembly Bracket Assembly, Mounting Shim, Mullion (2) Bracket, Cylinder Anti-Rotation KRM150 Screw Pack contains:
Not Shown	81-0011-0616-999 60-7000-1413-048 81-0014-0406-036 81-3711-0412-048	Mounting Screw, #12 x 24 x 3/4 FHPMS (4) Bracket Cylinder Anti-Rotation Bracket Mounting Screw 8-32 x 5/16" Cylinder Screw 8 x 32 x 1/2"
13	See Page 34	Cylinder, Mortise

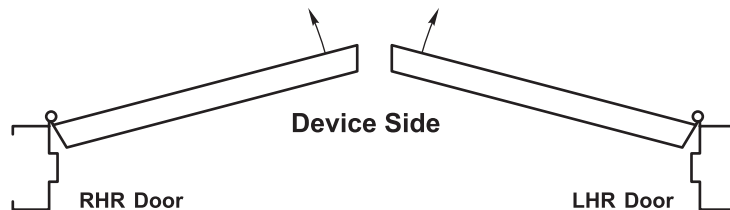


Handing Instructions

Rim Devices

2100/2100F Series

These devices are non-handed.

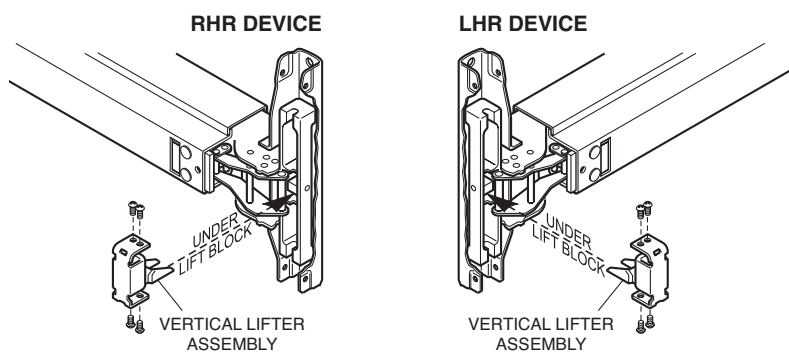


Surface Vertical Rod Devices

2110/2110F Series

Remove four screws and vertical lifter assembly. Turn device to opposite (180 degrees) orientation, insert lifter assembly and reinstall screws.

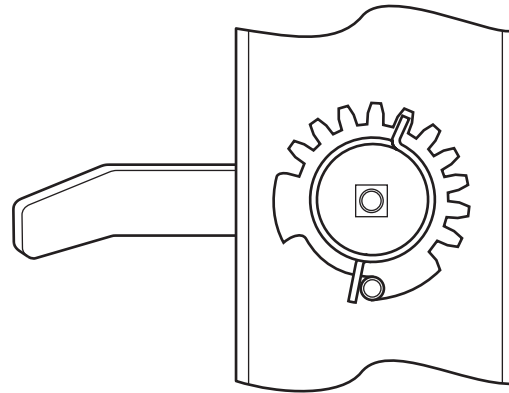
NOTE: Lifter must fit under lift block as shown.



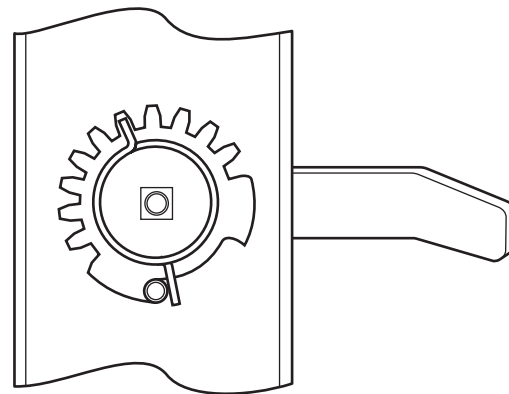
Handing Instructions

Lever Handle Trim

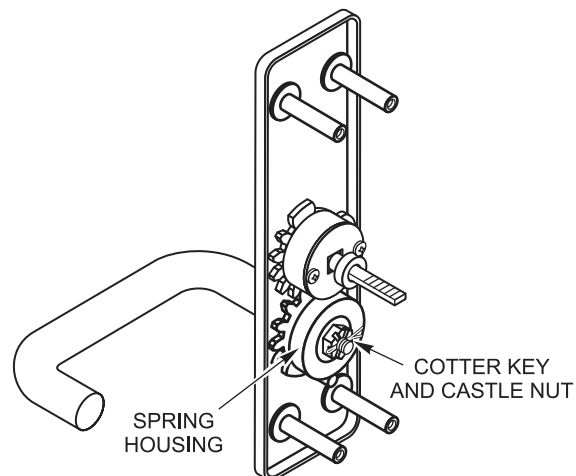
1. Remove cotter pin.
2. Remove castle nut.
3. Observe spring orientation:
 - LHR:** Red spring (part # 60-7000-1225-999) Short lead is at 1 o'clock and long lead is to lever side of stump at 6 o'clock.
 - RHR:** Blue spring (part # 60-7000-1224-999) Short lead is at 11 o'clock and long lead is to lever side of stump at 6 o'clock.
4. Remove round housing, spring and spacer.
5. Note orientation of "gap" which governs rotation in gear and remove gear.
6. Rotate lever 180°.
7. Flip gear over and reinstall, observing proper gap orientation for new direction of rotation:
 - LHR** 6 - 8 o'clock
 - RHR** 4 - 6 o'clock
8. Install spring of opposite hand (color). Place spring around spindle with long lead against gear and to lever side of post. Place housing (gap side toward lever) over spring and spindle until square in housing begins to slide down on spindle. While applying downward pressure on housing, wind short lead of spring toward lever until housing snaps into place.
9. Replace spacer in housing. Spring, housing and spacer should now be oriented as indicated in step 3 above.
 - Note:** Housing gap will always be to the lever side and spring will be slightly preloaded when properly installed.
10. Be sure lever thimble is seated properly in escutcheon. Reinstall nut snugly, but do not over tighten. Lever should rotate freely.
11. Replace cotter pin.



RIGHT-HAND REVERSE (BLUE SPRING)

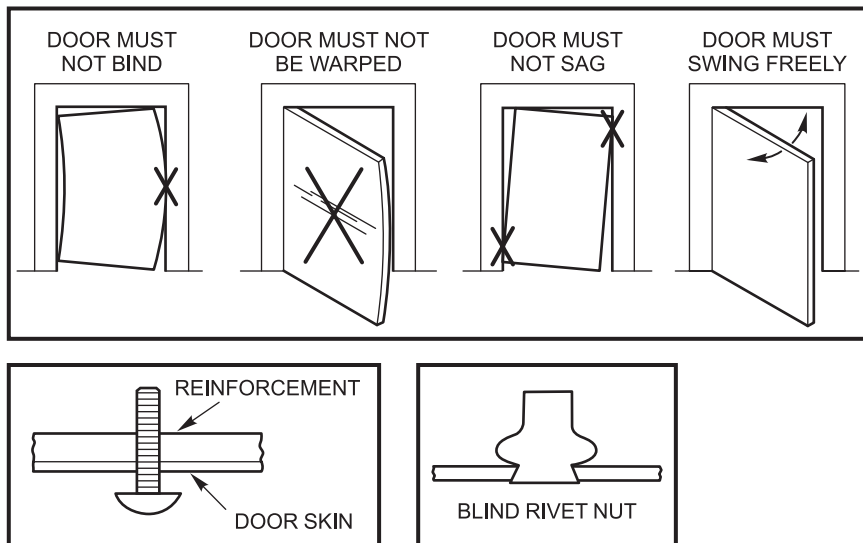


LEFT-HAND REVERSE (RED SPRING)



Troubleshooting Guide

1. Many problems with the operation of exit devices are caused by factors other than the device itself. Among the most common is a misalignment or an improper fit of the door within the frame.
2. Another common source of problems is improper installation. Even if all cutouts and screw holes are properly located, exit devices must be securely fastened to properly reinforced doors. Hollow doors and frames with a structural thickness (metal skin plus reinforcement, or solid hardwood) must have at least three full screw threads to be considered reinforced.
3. Most problems with dogging occur on vertical rod devices. When the dogging function is hard to engage or will not work at all, the rods may be incorrectly adjusted, allowing the mechanism to bottom out. Readjust rods per the device instructions or as outlined on the previous pages.





Notes



Notes

Contact Us

The world's favorite lock



U.S.A.

Yale Locks & Hardware

Address: 225 Episcopal Road
Berlin, CT 06037-4004
Tel: 1-800-438-1951
Fax: 1-800-338-0965
yalelocks.com

Canada:

ASSA ABLOY Door Security Solutions Canada

Address: 160 Four Valley Drive
Vaughan, Ontario L4K 4T9
Tel: 1-800-461-3007
Fax: 1-800-461-8989
assaabloydss.ca

International:

ASSA ABLOY Americas International

Tel: 1-905-821-7775
Fax: 1-905-821-1429
assaabloyai.com

Yale Commercial is a business associated with ASSA ABLOY Access and Egress Hardware Group, Inc., an ASSA ABLOY Group company. Copyright © 2004-2019, ASSA ABLOY Access and Egress Hardware Group, Inc. All rights reserved. Reproduction in whole or in part without the express written permission of ASSA ABLOY Access and Egress Hardware Group, Inc. is prohibited. Patent pending and/or patent www.assaabloydss.com/patents.

YALE, with its unique global reach and range of products, is the world's favorite lock.

ASSA ABLOY is the global leader in door opening solutions, dedicated to satisfying end-user needs for security, safety and convenience.

42110-1/19