

# xEnergy Basic

Wall-mounted and Floor-standing Switchboards  
for Low-voltage Sub-distribution up to 630 A



Product Catalog



*Powering Business Worldwide*



We make what matters work.\*

\* At Eaton, we believe that power is a fundamental part of just about everything people do. That's why we're dedicated to helping our customers find new ways to manage electrical, hydraulic and mechanical power more efficiently, safely and sustainably. To improve people's lives, the communities where we live and work, and the planet our future generations depend upon. Because this is what really matters. And we're here to make sure it works.

To learn more go to: [Eaton.com/whatmatters](https://www.eaton.com/whatmatters)

**EATON**

*Powering Business Worldwide*

We make what matters work.

wa\_vt01318, vt07115, vt10319



## Distribution Boards

### Distribution Boards

• **Chapter 0**

Table of Contents .....Page 1

• **Chapter 1**

Enclosures / switchgear cabinets for installation system Profi+ .....Page 2

1.1 Surface-mounted distribution board BP-O-..., IP30 (pre-assembled) .....Page 4

1.2 Surface-mounted distribution board BP-O-..., IP30 (flat-pack, grey) .....Page 8

1.3 Surface-mounted distribution board BP-O-..., IP30 (flat-pack, white) .....Page 12

1.4 Surface-mounted distribution board BPM-O-..., IP55 .....Page 34

1.5 Flush-mounted distribution board BP(A/M)-U-3S-..., IP30/IP43/IP54 .....Page 44

1.6 Floor-standing distribution board BP-F-..., IP30 .....Page 58

1.7 Distribution boards for special applications, BP-MN / BP-VF .....Page 70

1.8 Floor-standing distribution board BPM-F-..., IP55 .....Page 74

1.9 Shared compartments inside distribution boards BP(M)-O, BP(M)-F .....Page 86

• **Chapter 2**

Profi+ installation system - components for interior fitting .....Page 92

2.1 Front plates, blind and with 45mm cut-out for DIN-rail devices .....Page 94

2.2 Mounting kits for Moulded Case Circuit Breaker .....Page 102

2.3 Mounting kits for Fuse Switch Disconnectors .....Page 118

2.4 Mounting kits for BZM, Dumeco and QSA .....Page 126

2.5 Mounting kits for Earthing and Neutral conductors .....Page 127

2.6 Mounting plates for fixing of different components .....Page 130

2.7 Mounting kits for Energy Meters and various metering equipment .....Page 138

• **Chapter 3**

Profi+ installation system - general accessories .....Page 145

• **Chapter 4**

General accessories xEnergy Basic .....Page 166

• **Chapter 5**

Overall technical data xEnergy Basic .....Page 186

• **Chapter 6**

Verification of temperature rise by testing - selection of reference examples .....Page 191

wa\_vt01318, vt07115, vt10319



## Distribution Boards

### Distribution Boards

#### • Chapter 1

Enclosures / switchgear cabinets for installation system Profi+ .....	Page 2
1.1 Surface-mounted distribution board BP-O-..., IP30 (pre-assembled) .....	Page 4
1.2 Surface-mounted distribution board BP-O-..., IP30 (flat-pack, grey) .....	Page 8
1.3 Surface-mounted distribution board BP-O-..., IP30 (flat-pack, white) .....	Page 12
1.4 Surface-mounted distribution board BPM-O-..., IP55 .....	Page 34
1.5 Flush-mounted distribution board BP(A/M)-U-3S-..., IP30/IP43/IP54 .....	Page 44
1.6 Floor-standing distribution board BP-F-..., IP30 .....	Page 58
1.7 Distribution boards for special applications, BP-MN / BP-VF .....	Page 70
1.8 Floor-standing distribution board BPM-F-..., IP55 .....	Page 74
1.9 Shared compartments inside distribution boards BP(M)-O, BP(M)-F .....	Page 86

#### • Chapter 2

Profi+ installation system - components for interior fitting .....	Page 92
2.1 Front plates, blind and with 45mm cut-out for DIN-rail devices .....	Page 94
2.2 Mounting kits for Moulded Case Circuit Breaker .....	Page 102
2.3 Mounting kits for Fuse Switch Disconnectors .....	Page 118
2.4 Mounting kits for BZM, Dumeco and QSA .....	Page 126
2.5 Mounting kits for Earthing and Neutral conductors .....	Page 127
2.6 Mounting plates for universal fixing of different components .....	Page 130
2.7 Mounting kits for Energy Meters and various metering equipment .....	Page 138

#### • Chapter 3

Profi+ installation system - general accessories .....	Page 145
--	----------

#### • Chapter 4

General accessories xEnergy Basic .....	Page 166
---	----------

#### • Chapter 5

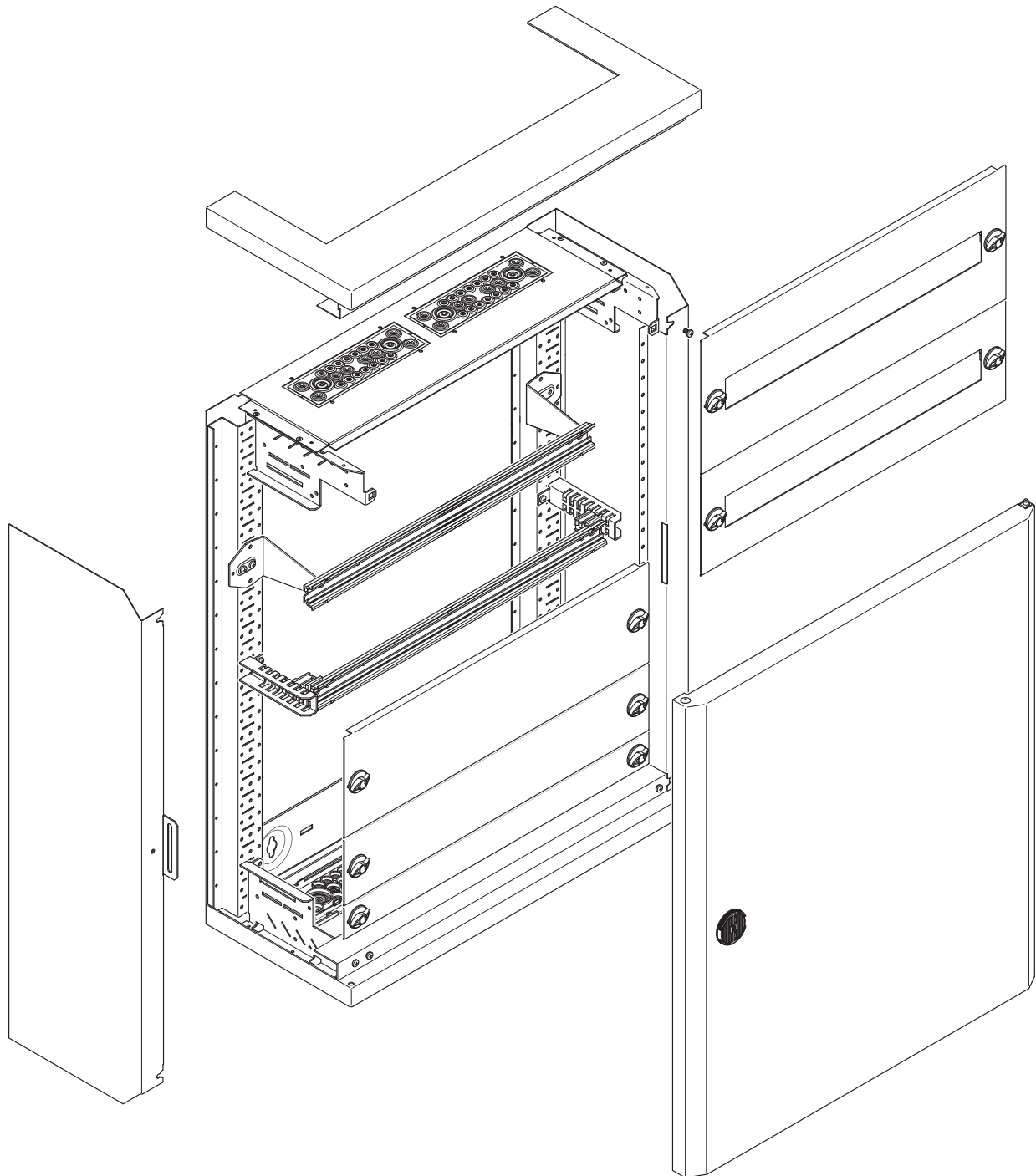
Overall technical data xEnergy Basic .....	Page 186
--	----------

#### • Chapter 6

Verification of temperature rise by testing - selection of reference examples .....	Page 191
---	----------

## System Overview

BP-0-..., IP30 (IP31), enclosure depth 262 mm



vi27717



wa\_vi07813



wa\_vi07813



vi27517



Width [mm]	Height [mm]	Height int. [mm]	Pre-assembled configuration / installation back frame / incl. 2K-flange on top / Door with rotary handle	Pre-assembled configuration / Prepared for MSW installation incl. 2K-flange on top / Door with rotary handle
			RAL 7035 grey Fully equipped with mounting insert	RAL 9016 white Fully equipped with mounting insert
			Article No. per unit unit = 1 pc.	Article No. per unit unit = 1 pc.

### BP-O-..., IP30 - fully assembled

400 (13MU/row)	460	350	<b>BP-O-400/4-C</b> 194518	<b>BP-O-400/4-C-W</b> 194522	<b>BP-O-400/4</b> 100959
	760	650	<b>BP-O-400/7-C</b> 194519	<b>BP-O-400/7-C-W</b> 194523	<b>BP-O-400/7</b> 100960
	1060	950	<b>BP-O-400/10-C</b> 194520	<b>BP-O-400/10-C-W</b> 194524	<b>BP-O-400/10</b> 100961
	1260	1150	<b>BP-O-400/12-C</b> 194521	<b>BP-O-400/12-C-W</b> 194515	<b>BP-O-400/12</b> 100962
	1560	1450	-	-	-
600 (24MU/row)	460	350	-	-	<b>BP-O-600/4</b> 100963
	760	650	<b>BP-O-600/7-C</b> 293307	<b>BP-O-600/7-C-W</b> 105534	<b>BP-O-600/7</b> 100964
	1060	950	<b>BP-O-600/10-C</b> 293308	<b>BP-O-600/10-C-W</b> 105535	<b>BP-O-600/10</b> 100965
	1260	1150	<b>BP-O-600/12-C</b> 293309	<b>BP-O-600/12-C-W</b> 105536	<b>BP-O-600/12</b> 100966
	1560	1450	<b>BP-O-600/15-C</b> 293310	<b>BP-O-600/15-C-W</b> 105537	<b>BP-O-600/15</b> 100967
800 (35MU/row)	460	350	-	-	-
	760	650	<b>BP-O-800/7-C</b> 293311	<b>BP-O-800/7-C-W</b> 105538	<b>BP-O-800/7</b> 100968
	1060	950	<b>BP-O-800/10-C</b> 293312	<b>BP-O-800/10-C-W</b> 105539	<b>BP-O-800/10</b> 100969
	1260	1150	<b>BP-O-800/12-C</b> 293313	<b>BP-O-800/12-C-W</b> 105540	<b>BP-O-800/12</b> 100970
	1560	1450	<b>BP-O-800/15-C</b> 293314	<b>BP-O-800/15-C-W</b> 105541	<b>BP-O-800/15</b> 100971
1000 (46MU/row)	1060	950	-	-	<b>BP-O-1000/10</b> 100972
	1260	1150	-	-	<b>BP-O-1000/12</b> 100973
	1560	1450	-	-	<b>BP-O-1000/15</b> 100974
1200 (57MU/row)	1260	1150	-	-	<b>BP-O-1200/12</b> 100975
	1560	1450	-	-	<b>BP-O-1200/15</b> 100976

Surface-mounted distribution board BP-O-..., IP30 (pre-assembled)

vt27517



vt27617



wa\_vt23813



wa\_vt23713



Pre-assembled configuration /  
Prepared for MSW installation  
incl. 2K-flange on top /  
Door with rotary handle

Pre-assembled configuration  
installation back frame /  
Prepared for F3A-flange on top /  
Door with clip-down handle

Welded construction installation back frame completely closed /  
Door with BPZ-LOCK/SH6METAL

RAL 7035 grey

RAL 7035 grey

RAL 7035 grey  
Empty fire-resistant (E60/EW60)

RAL 9016 white  
Empty fire-resistant (E60/EW60)

Empty

Empty

Article No.

Article No.

per unit

per unit

per unit

per unit

unit = 1 pc.

unit = 1 pc.

unit = 1 pc.

unit = 1 pc.

**BP-O-400/4-MSW**

**BP-O-400/4-P-F3A**

**BP-O-400/4-EW**

**BP-O-400/4-EW-W**

149116

187820

116614

116632

**BP-O-400/7-MSW**

**BP-O-400/7-P-F3A**

**BP-O-400/7-EW**

**BP-O-400/7-EW-W**

149117

187821

116615

116633

**BP-O-400/10-MSW**

**BP-O-400/10-P-F3A**

**BP-O-400/10-EW**

**BP-O-400/10-EW-W**

149118

187822

116616

116634

**BP-O-400/12-MSW**

**BP-O-400/12-P-F3A**

**BP-O-400/12-EW**

**BP-O-400/12-EW-W**

149119

187823

116617

116635

**BP-O-400/15-MSW**

**BP-O-400/15-P-F3A**

**BP-O-400/15-EW**

**BP-O-400/15-EW-W**

149150

187824

116618

116636

**BP-O-600/4-MSW**

**BP-O-600/4-P-F3A**

**BP-O-600/4-EW**

**BP-O-600/4-EW-W**

149151

187825

116619

116637

**BP-O-600/7-MSW**

**BP-O-600/7-P-F3A**

**BP-O-600/7-EW**

**BP-O-600/7-EW-W**

149152

187826

116620

116638

**BP-O-600/10-MSW**

**BP-O-600/10-P-F3A**

**BP-O-600/10-EW**

**BP-O-600/10-EW-W**

149153

187827

116621

116639

**BP-O-600/12-MSW**

**BP-O-600/12-P-F3A**

**BP-O-600/12-EW**

**BP-O-600/12-EW-W**

149154

187828

116622

116640

**BP-O-600/15-MSW**

**BP-O-600/15-P-F3A**

**BP-O-600/15-EW**

**BP-O-600/15-EW-W**

149155

187829

116623

116641

**BP-O-800/4-MSW**

**BP-O-800/4-P-F3A**

**BP-O-800/4-EW**

**BP-O-800/4-EW-W**

149156

187830

116624

116642

**BP-O-800/7-MSW**

**BP-O-800/7-P-F3A**

**BP-O-800/7-EW**

**BP-O-800/7-EW-W**

149157

187831

116625

116643

**BP-O-800/10-MSW**

**BP-O-800/10-P-F3A**

**BP-O-800/10-EW**

**BP-O-800/10-EW-W**

149158

187832

116626

116644

**BP-O-800/12-MSW**

**BP-O-800/12-P-F3A**

**BP-O-800/12-EW**

**BP-O-800/12-EW-W**

149159

187833

116627

116645

**BP-O-800/15-MSW**

**BP-O-800/15-P-F3A**

**BP-O-800/15-EW**

**BP-O-800/15-EW-W**

149160

187834

116628

116646

**BP-O-1000/10-MSW**

**BP-O-1000/10-P-F3A**

**BP-O-1000/10-EW**

**BP-O-1000/10-EW-W**

149161

187835

116629

116647

**BP-O-1000/12-MSW**

**BP-O-1000/12-P-F3A**

**BP-O-1000/12-EW**

**BP-O-1000/12-EW-W**

149162

187836

116630

116648

**BP-O-1000/15-MSW**

**BP-O-1000/15-P-F3A**

**BP-O-1000/15-EW**

**BP-O-1000/15-EW-W**

149163

187837

116631

116649

**BP-O-1200/12-MSW**

**BP-O-1200/12-P-F3A**

-

-

149164

187838

**BP-O-1200/15-MSW**

**BP-O-1200/15-P-F3A**

-

-

149165

187839

## Description

### BP-O-..., IP30 (IP31), enclosure depth 262 mm

- Delivery as flat-pack or pre-assembled cabinet possible
- Degree of protection IP30
- Impact resistance IK08
- Protection class I (protective earth)
- Cable entry / flange plate individually configurable
- The enclosure can be rotated by 180°
- Quick and easy change of the hinge direction, door opening angle ~160°
- Standard plastic cam lock
- Direct wall mounting possible
- Enclosure made from powder-coated sheet steel, RAL 7035 / RAL 9016
- Lateral add-on connection as well as top/bottom arrangement possible
- Variable interior installation either with „Mounting base frame“ or „Mounting side panel“ (MSW)
- Better accessibility during assembly due to multi-layered construction (Base frame - cable entry - interior fitting - installation components - wiring - enclosed covering - door)

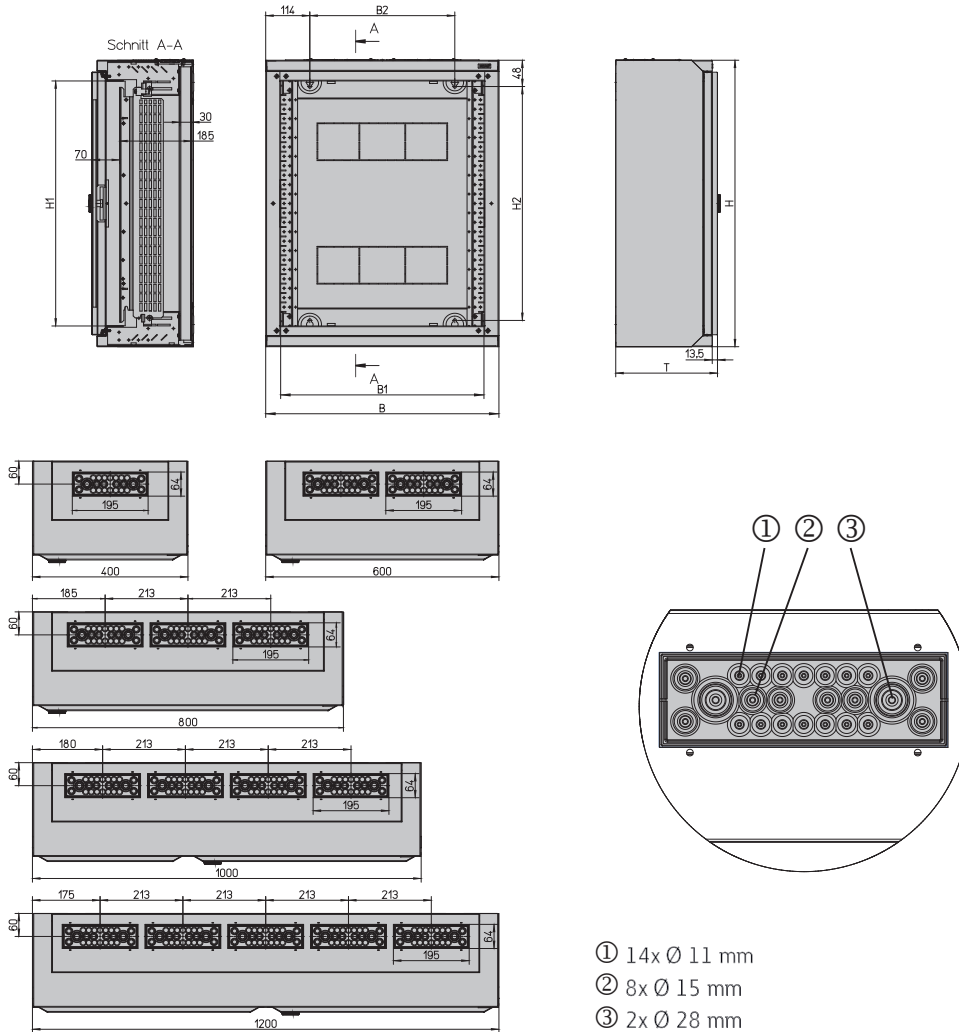
## Technical data

BP-O-...	
<b>Electrical</b>	
Type conforms to	IEC/EN 62208
Protection class	I (protective earth)
Degree of protection	IP30 (closed version with door/flansche) IP31 (special top panels BP-TBP1-...-IP31 required) IP2XC (open door, the installation level is properly protected with front covers)
Impact resistance	IK08
Rated operational voltage	415 VAC / 50Hz
Rated current	Max. 630 A (depending on the type of incoming circuit breaker or the busbar system being used)
Earthing concept for the enclosure	
Main earthing	By means of self-tapping screw M5 on base frame
Door earthing	By means of M6 welding bolts
The permissible temperature increases for switchgear assemblies with a rated current of up to 630 A can be evaluated in accordance with section 10.10.4.2 of IEC/EN 61439-1.	
For the maximum permissible heat dissipation for all devices inside the distribution board at an ambient temperature of 35° C and $\Delta T$ of 20 K / 35 K at an enclosure height of 75 %, please refer to the table on enclosure dimensions; (calculation method acc.to IEC/TR 60890).	
<b>Mechanical</b>	
Enclosure	Modular design by „flat-pack“ construction possible, complete cabinets pre-assembled at the factory
Material	Sheet steel 1 mm, phosphated and polyester powder coated (structured) with corrosion protection
Colour	Traffic white, RAL 9016 / Light grey RAL 7035
Door	Hinges on the inside, door opening angle ~160° (in case of lateral alignment ~100°) Doors with transparent window individually configurable, hinged either left or right Three-point locking mechanism based on double-wing design width 1000 / 1200 mm
Type	Flexible interior fitting with installation units Profi+ on base frame or „mounting side panel“ (MSW) Mounting base frame: multi-layer construction, installation directly in the enclosure, robust and structured Mounting side panel (MSW): removable mounting insert, external installation, fast and reliable
Locking mechanism	Standard cam lock (plastic), can be exchanged for a metal lock with standard locking mechanism/two-way key bit or doors with rotary lever
Cable entry	Complete cabinets equipped with two-component membrane flanges on one side, in case of flat-pack individually configurable, either Closed cable entry / flange plate, with two-component flanges equipped or prepared for F3A-flanges
Ambient condition	Indoor installation (wall mounting) Max. ambient temperature +40° C Min. ambient temperature -5° C
Halogen-free, RoHS	< 1%, yes
Accessories	A 100/200 mm base if used as a floor-standing cabinet, alternative lock options, add-on connection kit
Delivered as	Flat-pack components as well as complete cabinet prepared for „Mounting base frame“ or „MSW“ Complete cabinets of type BP-O-...-C are already equipped with a standard mounting insert



Dimensions (mm)

BP-O-..., IP30 (IP31), enclosure depth 262 mm



- ① 14x Ø 11 mm
- ② 8x Ø 15 mm
- ③ 2x Ø 28 mm

Type	Overall dimensions			Internal dimensions (front plate)		Wall mounting (Enclosure directly)		Pv [W] (ΔT 20K)	Pv [W] (ΔT 35K)
	Width B	Height H	Depth T	Width B1	Height H1	Width B2	Height H2		
BP-O-400/4	400	460	262	320	350	173	342	39	78
BP-O-400/7	400	760	262	320	650	173	642	54	108
BP-O-400/10	400	1060	262	320	950	173	942	69	138
BP-O-400/12	400	1260	262	320	1150	173	1142	57	115
BP-O-400/15	400	1560	262	320	1450	173	1442	66	132
BP-O-600/4	600	460	262	520	350	373	342	53	107
BP-O-600/7	600	760	262	520	650	373	642	70	141
BP-O-600/10	600	1060	262	520	950	373	942	70	140
BP-O-600/12	600	1260	262	520	1150	373	1142	80	161
BP-O-600/15	600	1560	262	520	1450	373	1442	108	216
BP-O-800/4	800	460	262	720	350	573	342	68	136
BP-O-800/7	800	760	262	720	650	573	642	75	151
BP-O-800/10	800	1060	262	720	950	573	942	95	191
BP-O-800/12	800	1260	262	720	1150	573	1142	120	240
BP-O-800/15	800	1560	262	720	1450	573	1442	139	278
BP-O-1000/10	1000	1060	262	920	950	773	942	134	268
BP-O-1000/12	1000	1260	262	920	1150	773	1142	149	298
BP-O-1000/15	1000	1560	262	920	1450	773	1442	183	366
BP-O-1200/12	1200	1260	262	1120	1150	973	1142	187	375
BP-O-1200/15	1200	1560	262	1120	1450	973	1442	213	427

# 1.2

## xEnergy Distribution Boards

Surface-mounted distribution board BP-O-..., IP30 (flat-pack, grey)

vt10808



vt11404



wa\_vt02213, vt16504



vt15118



vt15318



vt00705



vt00505



Width [mm]	Height [mm]	Height int. [mm]	Main frame	Top/bottom panels closed without cutout / 1 pair / Single element	Top/bottom panels with cutout for cable entry / Flange plate / 1 pair / Single element	Top panel IP31 (closed) incl. F3A-XP	Cable entry / Flange plate / Closed	Cable entry / Flange plate incl. 2K-flange
			Article No. per unit unit = 1 pc.	Article No. per unit unit = 1 pc.	Article No. per unit unit = 1 pc.	Article No. per unit unit = 1 pc.	Article No. per unit unit = 1 pc.	Article No. per unit unit = 1 pc.
<b>BP-O-..., IP30 (installation back frame) GREY</b>								
400 (13MU/row)	460	350	<b>BP-MF-400/4</b> 286653	<b>BP-TBP-400-BL</b> 286698	<b>BP-TBP-400-CE</b> 286699	<b>BP-TBP1-400-F3A-IP31</b> 194526	<b>BP-FLP-400-BL</b> 286704	<b>BP-FLP-400-2K</b> 286705
	760	650	<b>BP-MF-400/7</b> 286654	<b>BP-TBP1-400-BL</b> 144689	<b>BP-TBP1-400-CE</b> 144704			
	1060	950	<b>BP-MF-400/10</b> 286655					
	1260	1150	<b>BP-MF-400/12</b> 286656					
	1560	1450	<b>BP-MF-400/15</b> 286657					
600 (24MU/row)	460	350	<b>BP-MF-600/4</b> 286658	<b>BP-TBP-600-BL</b> 286700	<b>BP-TBP-600-CE</b> 286701	<b>BP-TBP1-600-F3A-IP31</b> 194527	<b>BP-FLP-600-BL</b> 286707	<b>BP-FLP-600-2K</b> 286708
	760	650	<b>BP-MF-600/7</b> 286659	<b>BP-TBP1-600-BL</b> 144700	<b>BP-TBP1-600-CE</b> 144705			
	1060	950	<b>BP-MF-600/10</b> 286660					
	1260	1150	<b>BP-MF-600/12</b> 286661					
	1560	1450	<b>BP-MF-600/15</b> 286662					
800 (35MU/row)	460	350	<b>BP-MF-800/4</b> 286663	<b>BP-TBP-800-BL</b> 286702	<b>BP-TBP-800-CE</b> 286703	<b>BP-TBP1-800-F3A-IP31</b> 194528	<b>BP-FLP-800-BL</b> 286710	<b>BP-FLP-800-2K</b> 286711
	760	650	<b>BP-MF-800/7</b> 286664	<b>BP-TBP1-800-BL</b> 144701	<b>BP-TBP1-800-CE</b> 144706			
	1060	950	<b>BP-MF-800/10</b> 286665					
	1260	1150	<b>BP-MF-800/12</b> 286666					
	1560	1450	<b>BP-MF-800/15</b> 286667					
1000 (46MU/row)	1060	950	<b>BP-MF-1000/10</b> 293521	<b>BP-TBP-1000-BL</b> 293550	<b>BP-TBP-1000-CE</b> 293552	<b>BP-TBP1-1000-F3A-IP31</b> 194529	<b>BP-FLP-1000-BL</b> 293558	<b>BP-FLP-1000-2K</b> 293560
	1260	1150	<b>BP-MF-1000/12</b> 293522	<b>BP-TBP1-1000-BL</b> 144702	<b>BP-TBP1-1000-CE</b> 144707			
	1560	1450	<b>BP-MF-1000/15</b> 293523					
1200 (57MU/row)	1260	1150	<b>BP-MF-1200/12</b> 293524	<b>BP-TBP-1200-BL</b> 293554	<b>BP-TBP-1200-CE</b> 293556	<b>BP-TBP1-1200-F3A-IP31</b> 194530	<b>BP-FLP-1200-BL</b> 293564	<b>BP-FLP-1200-2K</b> 293566
	1560	1450	<b>BP-MF-1200/15</b> 293525	<b>BP-TBP1-1200-BL</b> 144703	<b>BP-TBP1-1200-CE</b> 144708			

Surface-mounted distribution board BP-O-..., IP30 (flat-pack, grey)



Cable entry / Flange plate / Prepared for F3A-flange	Cable entry / Flange plate with shift- back flange	Side panels 1 pair	Sheet-metal door / Rotary handle	Sheet-metal door / Clip-down handle	Sheet-metal door (transparent) / Rotary handle	Plinth 100 mm / Side parts 1 pair / Front cover	Plinth 200 mm / Side parts 1 pair / Front cover
---	---	-----------------------	-------------------------------------	--	--	---	---

Article No. per unit unit = 1 pc.	Article No. per unit unit = 1 pc.	Article No. per unit unit = 1 pc.	Article No. per unit unit = 1 pc.	Article No. per unit unit = 1 pc.	Article No. per unit unit = 1 pc.	Article No. per unit unit = 1 pc.	Article No. per unit unit = 1 pc.
---	---	---	---	---	---	---	---

<b>BP-FLP-400-F3A</b> 286706	<b>BP-FLP-400-VS</b> 119355	<b>BP-SP-4</b> 286693	<b>BP-DS-400/4</b> 286713	<b>BP-DS-400/4-P</b> 119063	<b>BP-DT-400/4</b> 286728	<b>BPZ-SS-1/249</b> 119168 <b>BPZ-FS-400/1</b> 293493	<b>BPZ-SS-2/249</b> 119172 <b>BPZ-FS-400/2</b> 293495
		<b>BP-SP-7</b> 286694	<b>BP-DS-400/7</b> 286714	<b>BP-DS-400/7-P</b> 119064	<b>BP-DT-400/7</b> 286729		
		<b>BP-SP-10</b> 286695	<b>BP-DS-400/10</b> 286715	<b>BP-DS-400/10-P</b> 119065	<b>BP-DT-400/10</b> 286730		
		<b>BP-SP-12</b> 286696	<b>BP-DS-400/12</b> 286716	<b>BP-DS-400/12-P</b> 119066	<b>BP-DT-400/12</b> 286731		
		<b>BP-SP-15</b> 286697	<b>BP-DS-400/15</b> 286717	<b>BP-DS-400/15-P</b> 119067	<b>BP-DT-400/15</b> 286732		
<b>BP-FLP-600-F3A</b> 286709	<b>BP-FLP-600-VS</b> 119356	<b>BP-SP-4</b> 286693	<b>BP-DS-600/4</b> 286718	<b>BP-DS-600/4-P</b> 119068	<b>BP-DT-600/4</b> 286733	<b>BPZ-SS-1/249</b> 119168 <b>BPZ-FS-600/1</b> 293497	<b>BPZ-SS-2/249</b> 119172 <b>BPZ-FS-600/2</b> 293499
		<b>BP-SP-7</b> 286694	<b>BP-DS-600/7</b> 286719	<b>BP-DS-600/7-P</b> 119069	<b>BP-DT-600/7</b> 286734		
		<b>BP-SP-10</b> 286695	<b>BP-DS-600/10</b> 286720	<b>BP-DS-600/10-P</b> 119070	<b>BP-DT-600/10</b> 286735		
		<b>BP-SP-12</b> 286696	<b>BP-DS-600/12</b> 286721	<b>BP-DS-600/12-P</b> 119071	<b>BP-DT-600/12</b> 286736		
		<b>BP-SP-15</b> 286697	<b>BP-DS-600/15</b> 286722	<b>BP-DS-600/15-P</b> 119072	<b>BP-DT-600/15</b> 286737		
<b>BP-FLP-800-F3A</b> 286712	<b>BP-FLP-800-VS</b> 119357	<b>BP-SP-4</b> 286693	<b>BP-DS-800/4</b> 286723	<b>BP-DS-800/4-P</b> 119073	<b>BP-DT-800/4</b> 286738	<b>BPZ-SS-1/249</b> 119168 <b>BPZ-FS-800/1</b> 293501	<b>BPZ-SS-2/249</b> 119172 <b>BPZ-FS-800/2</b> 293503
		<b>BP-SP-7</b> 286694	<b>BP-DS-800/7</b> 286724	<b>BP-DS-800/7-P</b> 119074	<b>BP-DT-800/7</b> 286739		
		<b>BP-SP-10</b> 286695	<b>BP-DS-800/10</b> 286725	<b>BP-DS-800/10-P</b> 119075	<b>BP-DT-800/10</b> 286740		
		<b>BP-SP-12</b> 286696	<b>BP-DS-800/12</b> 286726	<b>BP-DS-800/12-P</b> 119076	<b>BP-DT-800/12</b> 286741		
		<b>BP-SP-15</b> 286697	<b>BP-DS-800/15</b> 286727	<b>BP-DS-800/15-P</b> 119077	<b>BP-DT-800/15</b> 286742		
<b>BP-FLP-1000-F3A</b> 293562	<b>BP-FLP-1000-VS</b> 119358	<b>BP-SP-10</b> 286695	<b>BP-DS-600/10 + BP-DS-400/10-L</b> 286720 + 293570	<b>BP-DS-600/10-P + BP-DS-400/10-L</b> 119070 + 293570	<b>BP-DT-600/10 + BP-DT-400/10-L</b> 286735 + 293580	<b>BPZ-SS-1/249</b> 119168 <b>BPZ-FS-1000/1</b> 293505	<b>BPZ-SS-2/249</b> 119172 <b>BPZ-FS-1000/2</b> 293507
		<b>BP-SP-12</b> 286696	<b>BP-DS-600/12 + BP-DS-400/12-L</b> 286721 + 293572	<b>BP-DS-600/12-P + BP-DS-400/12-L</b> 119071 + 293572	<b>BP-DT-600/12 + BP-DT-400/12-L</b> 286736 + 293582		
		<b>BP-SP-15</b> 286697	<b>BP-DS-600/15 + BP-DS-400/15-L</b> 286722 + 293574	<b>BP-DS-600/15-P + BP-DS-400/15-L</b> 119072 + 293574	<b>BP-DT-600/15 + BP-DT-400/15-L</b> 286737 + 293584		
<b>BP-FLP-1200-F3A</b> 293568	<b>BP-FLP-1200-VS</b> 119359	<b>BP-SP-12</b> 286696	<b>BP-DS-600/12 + BP-DS-600/12-L</b> 286721 + 293576	<b>BP-DS-600/12-P + BP-DS-600/12-L</b> 119071 + 293576	<b>BP-DT-600/12 + BP-DT-600/12-L</b> 286736 + 293586	<b>BPZ-SS-1/249</b> 119168 <b>BPZ-FS-1200/1</b> 293509	<b>BPZ-SS-2/249</b> 119172 <b>BPZ-FS-1200/2</b> 293511
		<b>BP-SP-15</b> 286697	<b>BP-DS-600/15 + BP-DS-600/15-L</b> 286722 + 293578	<b>BP-DS-600/15-P + BP-DS-600/15-L</b> 119072 + 293578	<b>BP-DT-600/15 + BP-DT-600/15-L</b> 286737 + 293588		

# 1.2

## xEnergy Distribution Boards

Surface-mounted distribution board BP-O-..., IP30 (flat-pack, grey)

vt10808



vt11404



wa\_vt02213, vt16504



vt15118



vt15318



vt00705



vt00505



Width [mm]	Height [mm]	Height int. [mm]	Main frame	Top/bottom panels closed without cutout / 1 pair / Single element	Top/bottom panels with cutout for cable entry / Flange plate / 1 pair / Single element	Top panel IP31 (closed) incl. F3A-XP	Cable entry / Flange plate / Closed	Cable entry / Flange plate incl. 2K-flange
			Article No. per unit unit = 1 pc.	Article No. per unit unit = 1 pc.	Article No. per unit unit = 1 pc.	Article No. per unit unit = 1 pc.	Article No. per unit unit = 1 pc.	Article No. per unit unit = 1 pc.
<b>BP-O-..., IP30 (installation MSW) GREY</b>								
400 (13MU/row)	460	350	<b>BP-MF-400/4</b> 286653	<b>BP-TBP-400-BL</b> 286698	<b>BP-TBP-400-CE</b> 286699	<b>BP-TBP1-400-F3A-IP31</b> 194526	<b>BP-FLP-400-BL</b> 286704	<b>BP-FLP-400-2K</b> 286705
	760	650	<b>BP-MF-400/7</b> 286654	<b>BP-TBP1-400-BL</b> 144689	<b>BP-TBP1-400-CE</b> 144704			
	1060	950	<b>BP-MF-400/10</b> 286655					
	1260	1150	<b>BP-MF-400/12</b> 286656					
	1560	1450	<b>BP-MF-400/15</b> 286657					
600 (24MU/row)	460	350	<b>BP-MF-600/4</b> 286658	<b>BP-TBP-600-BL</b> 286700	<b>BP-TBP-600-CE</b> 286701	<b>BP-TBP1-600-F3A-IP31</b> 194527	<b>BP-FLP-600-BL</b> 286707	<b>BP-FLP-600-2K</b> 286708
	760	650	<b>BP-MF-600/7</b> 286659	<b>BP-TBP1-600-BL</b> 144700	<b>BP-TBP1-600-CE</b> 144705			
	1060	950	<b>BP-MF-600/10</b> 286660					
	1260	1150	<b>BP-MF-600/12</b> 286661					
	1560	1450	<b>BP-MF-600/15</b> 286662					
800 (35MU/row)	460	350	<b>BP-MF-800/4</b> 286663	<b>BP-TBP-800-BL</b> 286702	<b>BP-TBP-800-CE</b> 286703	<b>BP-TBP1-800-F3A-IP31</b> 194528	<b>BP-FLP-800-BL</b> 286710	<b>BP-FLP-800-2K</b> 286711
	760	650	<b>BP-MF-800/7</b> 286664	<b>BP-TBP1-800-BL</b> 144701	<b>BP-TBP1-800-CE</b> 144706			
	1060	950	<b>BP-MF-800/10</b> 286665					
	1260	1150	<b>BP-MF-800/12</b> 286666					
	1560	1450	<b>BP-MF-800/15</b> 286667					
1000 (46MU/row)	1060	950	<b>BP-MF-1000/10</b> 293521	<b>BP-TBP-1000-BL</b> 293550	<b>BP-TBP-1000-CE</b> 293552	<b>BP-TBP1-1000-F3A-IP31</b> 194529	<b>BP-FLP-1000-BL</b> 293558	<b>BP-FLP-1000-2K</b> 293560
	1260	1150	<b>BP-MF-1000/12</b> 293522	<b>BP-TBP1-1000-BL</b> 144702	<b>BP-TBP1-1000-CE</b> 144707			
	1560	1450	<b>BP-MF-1000/15</b> 293523					
1200 (57MU/row)	1260	1150	<b>BP-MF-1200/12</b> 293524	<b>BP-TBP-1200-BL</b> 293554	<b>BP-TBP-1200-CE</b> 293556	<b>BP-TBP1-1200-F3A-IP31</b> 194530	<b>BP-FLP-1200-BL</b> 293564	<b>BP-FLP-1200-2K</b> 293566
	1560	1450	<b>BP-MF-1200/15</b> 293525	<b>BP-TBP1-1200-BL</b> 144703	<b>BP-TBP1-1200-CE</b> 144708			

Surface-mounted distribution board BP-O-..., IP30 (flat-pack, grey)



Cable entry / Flange plate / Prepared for F3A-flange	Cable entry / Flange plate with shift- back flange	Side panels 1 pair	Sheet-metal door / Rotary handle	Sheet-metal door / Clip-down handle	Sheet-metal door (transparent) / Rotary handle	Plinth 100 mm / Side parts 1 pair / Front cover	Plinth 200 mm / Side parts 1 pair / Front cover
---	---	-----------------------	-------------------------------------	--	--	---	---

Article No. per unit unit = 1 pc.	Article No. per unit unit = 1 pc.	Article No. per unit unit = 1 pc.	Article No. per unit unit = 1 pc.	Article No. per unit unit = 1 pc.	Article No. per unit unit = 1 pc.	Article No. per unit unit = 1 pc.	Article No. per unit unit = 1 pc.
---	---	---	---	---	---	---	---

<b>BP-FLP-400-F3A</b> 286706	<b>BP-FLP-400-VS</b> 119355	<b>BPZ-SP-MSW-4</b> 111339	<b>BP-DS-400/4</b> 286713	<b>BP-DS-400/4-P</b> 119063	<b>BP-DT-400/4</b> 286728	<b>BPZ-SS-1/249</b> 119168 <b>BPZ-FS-400/1</b> 293493	<b>BPZ-SS-2/249</b> 119172 <b>BPZ-FS-400/2</b> 293495
		<b>BPZ-SP-MSW-7</b> 111341	<b>BP-DS-400/7</b> 286714	<b>BP-DS-400/7-P</b> 119064	<b>BP-DT-400/7</b> 286729		
		<b>BPZ-SP-MSW-10</b> 111342	<b>BP-DS-400/10</b> 286715	<b>BP-DS-400/10-P</b> 119065	<b>BP-DT-400/10</b> 286730		
		<b>BPZ-SP-MSW-12</b> 111343	<b>BP-DS-400/12</b> 286716	<b>BP-DS-400/12-P</b> 119066	<b>BP-DT-400/12</b> 286731		
		<b>BPZ-SP-MSW-15</b> 111344	<b>BP-DS-400/15</b> 286717	<b>BP-DS-400/15-P</b> 119067	<b>BP-DT-400/15</b> 286732		
<b>BP-FLP-600-F3A</b> 286709	<b>BP-FLP-600-VS</b> 119356	<b>BPZ-SP-MSW-4</b> 111339	<b>BP-DS-600/4</b> 286718	<b>BP-DS-600/4-P</b> 119068	<b>BP-DT-600/4</b> 286733	<b>BPZ-SS-1/249</b> 119168 <b>BPZ-FS-600/1</b> 293497	<b>BPZ-SS-2/249</b> 119172 <b>BPZ-FS-600/2</b> 293499
		<b>BPZ-SP-MSW-7</b> 111341	<b>BP-DS-600/7</b> 286719	<b>BP-DS-600/7-P</b> 119069	<b>BP-DT-600/7</b> 286734		
		<b>BPZ-SP-MSW-10</b> 111342	<b>BP-DS-600/10</b> 286720	<b>BP-DS-600/10-P</b> 119070	<b>BP-DT-600/10</b> 286735		
		<b>BPZ-SP-MSW-12</b> 111343	<b>BP-DS-600/12</b> 286721	<b>BP-DS-600/12-P</b> 119071	<b>BP-DT-600/12</b> 286736		
		<b>BPZ-SP-MSW-15</b> 111344	<b>BP-DS-600/15</b> 286722	<b>BP-DS-600/15-P</b> 119072	<b>BP-DT-600/15</b> 286737		
<b>BP-FLP-800-F3A</b> 286712	<b>BP-FLP-800-VS</b> 119357	<b>BPZ-SP-MSW-4</b> 111339	<b>BP-DS-800/4</b> 286723	<b>BP-DS-800/4-P</b> 119073	<b>BP-DT-800/4</b> 286738	<b>BPZ-SS-1/249</b> 119168 <b>BPZ-FS-800/1</b> 293501	<b>BPZ-SS-2/249</b> 119172 <b>BPZ-FS-800/2</b> 293503
		<b>BPZ-SP-MSW-7</b> 111341	<b>BP-DS-800/7</b> 286724	<b>BP-DS-800/7-P</b> 119074	<b>BP-DT-800/7</b> 286739		
		<b>BPZ-SP-MSW-10</b> 111342	<b>BP-DS-800/10</b> 286725	<b>BP-DS-800/10-P</b> 119075	<b>BP-DT-800/10</b> 286740		
		<b>BPZ-SP-MSW-12</b> 111343	<b>BP-DS-800/12</b> 286726	<b>BP-DS-800/12-P</b> 119076	<b>BP-DT-800/12</b> 286741		
		<b>BPZ-SP-MSW-15</b> 111344	<b>BP-DS-800/15</b> 286727	<b>BP-DS-800/15-P</b> 119077	<b>BP-DT-800/15</b> 286742		
<b>BP-FLP-1000-F3A</b> 293562	<b>BP-FLP-1000-VS</b> 119358	<b>BPZ-SP-MSW-10</b> 111342	<b>BP-DS-600/10 + BP-DS-400/10-L</b> 286720 + 293570	<b>BP-DS-600/10-P + BP-DS-400/10-L</b> 119070 + 293570	<b>BP-DT-600/10 + BP-DT-400/10-L</b> 286735 + 293580	<b>BPZ-SS-1/249</b> 119168 <b>BPZ-FS-1000/1</b> 293505	<b>BPZ-SS-2/249</b> 119172 <b>BPZ-FS-1000/2</b> 293507
		<b>BPZ-SP-MSW-12</b> 111343	<b>BP-DS-600/12 + BP-DS-400/12-L</b> 286721 + 293572	<b>BP-DS-600/12-P + BP-DS-400/12-L</b> 119071 + 293572	<b>BP-DT-600/12 + BP-DT-400/12-L</b> 286736 + 293582		
		<b>BPZ-SP-MSW-15</b> 111344	<b>BP-DS-600/15 + BP-DS-400/15-L</b> 286722 + 293574	<b>BP-DS-600/15-P + BP-DS-400/15-L</b> 119072 + 293574	<b>BP-DT-600/15 + BP-DT-400/15-L</b> 286737 + 293584		
<b>BP-FLP-1200-F3A</b> 293568	<b>BP-FLP-1200-VS</b> 119359	<b>BPZ-SP-MSW-12</b> 111343	<b>BP-DS-600/12 + BP-DS-600/12-L</b> 286721 + 293576	<b>BP-DS-600/12-P + BP-DS-600/12-L</b> 119071 + 293576	<b>BP-DT-600/12 + BP-DT-600/12-L</b> 286736 + 293586	<b>BPZ-SS-1/249</b> 119168 <b>BPZ-FS-1200/1</b> 293509	<b>BPZ-SS-2/249</b> 119172 <b>BPZ-FS-1200/2</b> 293511
		<b>BPZ-SP-MSW-15</b> 111344	<b>BP-DS-600/15 + BP-DS-600/15-L</b> 286722 + 293578	<b>BP-DS-600/15-P + BP-DS-600/15-L</b> 119072 + 293578	<b>BP-DT-600/15 + BP-DT-600/15-L</b> 286737 + 293588		

# 1.3

## xEnergy Distribution Boards

Surface-mounted distribution board BP-O-..., IP30 (flat-pack, white)

xEnergy  
Basic  
Sheet 1/2

vt10808



vt11404



wa\_vt02213, vt16504



vt15118



vt15318



vt00705



vt00505



Width [mm]	Height [mm]	Height int. [mm]	Main frame	Top/bottom panels closed without cutout / 1 pair / Single element	Top/bottom panels with cutout for cable entry / Flange plate / 1 pair / Single element	Top panel IP31 (closed) incl. F3A-XP	Cable entry / Flange plate closed	Cable entry / Flange plate incl. 2K-flange
			Article No. per unit unit = 1 pc.	Article No. per unit unit = 1 pc.	Article No. per unit unit = 1 pc.	Article No. per unit unit = 1 pc.	Article No. per unit unit = 1 pc.	Article No. per unit unit = 1 pc.
<b>BP-O-..., IP30 (installation back frame) WHITE</b>								
400 (13MU/row)	460	350	<b>BP-MF-400/4</b> 286653	<b>BP-TBP-400-BL-W</b> 292420	<b>BP-TBP-400-CE-W</b> 292421	<b>BP-TBP1-400-F3A-IP31-W</b> 194531	<b>BP-FLP-400-BL-W</b> 292426	<b>BP-FLP-400-2K-W</b> 292427
	760	650	<b>BP-MF-400/7</b> 286654	<b>BP-TBP1-400-BL-W</b> 144709	<b>BP-TBP1-400-CE-W</b> 144714			
	1060	950	<b>BP-MF-400/10</b> 286655					
	1260	1150	<b>BP-MF-400/12</b> 286656					
	1560	1450	<b>BP-MF-400/15</b> 286657					
600 (24MU/row)	460	350	<b>BP-MF-600/4</b> 286658	<b>BP-TBP-600-BL-W</b> 292422	<b>BP-TBP-600-CE-W</b> 292423	<b>BP-TBP1-600-F3A-IP31-W</b> 194532	<b>BP-FLP-600-BL-W</b> 292429	<b>BP-FLP-600-2K-W</b> 292430
	760	650	<b>BP-MF-600/7</b> 286659	<b>BP-TBP1-600-BL-W</b> 144710	<b>BP-TBP1-600-CE-W</b> 144715			
	1060	950	<b>BP-MF-600/10</b> 286660					
	1260	1150	<b>BP-MF-600/12</b> 286661					
	1560	1450	<b>BP-MF-600/15</b> 286662					
800 (35MU/row)	460	350	<b>BP-MF-800/4</b> 286663	<b>BP-TBP-800-BL-W</b> 292424	<b>BP-TBP-800-CE-W</b> 292425	<b>BP-TBP1-800-F3A-IP31-W</b> 194533	<b>BP-FLP-800-BL-W</b> 292432	<b>BP-FLP-800-2K-W</b> 292433
	760	650	<b>BP-MF-800/7</b> 286664	<b>BP-TBP1-800-BL-W</b> 144711	<b>BP-TBP1-800-CE-W</b> 144716			
	1060	950	<b>BP-MF-800/10</b> 286665					
	1260	1150	<b>BP-MF-800/12</b> 286666					
	1560	1450	<b>BP-MF-800/15</b> 286667					
1000 (46MU/row)	1060	950	<b>BP-MF-1000/10</b> 293521	<b>BP-TBP-1000-BL-W</b> 293551	<b>BP-TBP-1000-CE-W</b> 293553	<b>BP-TBP1-1000-F3A-IP31-W</b> 194534	<b>BP-FLP-1000-BL-W</b> 293559	<b>BP-FLP-1000-2K-W</b> 293561
	1260	1150	<b>BP-MF-1000/12</b> 293522	<b>BP-TBP1-1000-BL-W</b> 144712	<b>BP-TBP1-1000-CE-W</b> 144717			
	1560	1450	<b>BP-MF-1000/15</b> 293523					
1200 (57MU/row)	1260	1150	<b>BP-MF-1200/12</b> 293524	<b>BP-TBP-1200-BL-W</b> 293555	<b>BP-TBP-1200-CE-W</b> 293557	<b>BP-TBP1-1200-F3A-IP31-W</b> 194535	<b>BP-FLP-1200-BL-W</b> 293565	<b>BP-FLP-1200-2K-W</b> 293567
	1560	1450	<b>BP-MF-1200/15</b> 293525	<b>BP-TBP1-1200-BL-W</b> 144713	<b>BP-TBP1-1200-CE-W</b> 144718			

Surface-mounted distribution board BP-O-..., IP30 (flat-pack, white)



Cable entry / Flange plate Prepared for F3A-flange	Cable entry / Flange plate / With shift- back flange	Side panels 1 pair	Sheet-metal door / Rotary handle	Sheet-metal door / Clip-down handle	Sheet-metal door (transparent) / Rotary handle	Plinth 100 mm / Side parts 1 pair / Front cover	Plinth 200 mm / Side parts 1 pair / Front cover
Article No. per unit unit = 1 pc.	Article No. per unit unit = 1 pc.	Article No. per unit unit = 1 pc.	Article No. per unit unit = 1 pc.	Article No. per unit unit = 1 pc.	Article No. per unit unit = 1 pc.	Article No. per unit unit = 1 pc.	Article No. per unit unit = 1 pc.

<b>BP-FLP-400-F3A-WBP-FLP-400-VS-W</b> 292428	131573	<b>BP-SP-4-W</b> 292415	<b>BP-DS-400/4-W</b> 292435	<b>BP-DS-400/4-P-W</b> 119078	<b>BP-DT-400/4-W</b> 292450	<b>BPZ-SS-1/249-W</b> 119174	<b>BPZ-SS-2/249-W</b> 119176
		<b>BP-SP-7-W</b> 292416	<b>BP-DS-400/7-W</b> 292436	<b>BP-DS-400/7-P-W</b> 119079	<b>BP-DT-400/7-W</b> 292451	<b>BPZ-FS-400/1-W</b> 293494	<b>BPZ-FS-400/2-W</b> 293496
		<b>BP-SP-10-W</b> 292417	<b>BP-DS-400/10-W</b> 292437	<b>BP-DS-400/10-P-WBP-DT-400/10-W</b> 119080	292452		
		<b>BP-SP-12-W</b> 292418	<b>BP-DS-400/12-W</b> 292438	<b>BP-DS-400/12-P-WBP-DT-400/12-W</b> 119081	292453		
		<b>BP-SP-15-W</b> 292419	<b>BP-DS-400/15-W</b> 292439	<b>BP-DS-400/15-P-WBP-DT-400/15-W</b> 119082	292454		
<b>BP-FLP-600-F3A-WBP-FLP-600-VS-W</b> 292431	131574	<b>BP-SP-4-W</b> 292415	<b>BP-DS-600/4-W</b> 292440	<b>BP-DS-600/4-P-W</b> 119083	<b>BP-DT-600/4-W</b> 292455	<b>BPZ-SS-1/249-W</b> 119174	<b>BPZ-SS-2/249-W</b> 119176
		<b>BP-SP-7-W</b> 292416	<b>BP-DS-600/7-W</b> 292441	<b>BP-DS-600/7-P-W</b> 119084	<b>BP-DT-600/7-W</b> 292456	<b>BPZ-FS-600/1-W</b> 293498	<b>BPZ-FS-600/2-W</b> 293500
		<b>BP-SP-10-W</b> 292417	<b>BP-DS-600/10-W</b> 292442	<b>BP-DS-600/10-P-WBP-DT-600/10-W</b> 119085	292457		
		<b>BP-SP-12-W</b> 292418	<b>BP-DS-600/12-W</b> 292443	<b>BP-DS-600/12-P-WBP-DT-600/12-W</b> 119086	292458		
		<b>BP-SP-15-W</b> 292419	<b>BP-DS-600/15-W</b> 292444	<b>BP-DS-600/15-P-WBP-DT-600/15-W</b> 119087	292459		
<b>BP-FLP-800-F3A-WBP-FLP-800-VS-W</b> 292434	131575	<b>BP-SP-4-W</b> 292415	<b>BP-DS-800/4-W</b> 292445	<b>BP-DS-800/4-P-W</b> 119088	<b>BP-DT-800/4-W</b> 292460	<b>BPZ-SS-1/249-W</b> 119174	<b>BPZ-SS-2/249-W</b> 119176
		<b>BP-SP-7-W</b> 292416	<b>BP-DS-800/7-W</b> 292446	<b>BP-DS-800/7-P-W</b> 119089	<b>BP-DT-800/7-W</b> 292461	<b>BPZ-FS-600/1-W</b> 293498	<b>BPZ-FS-800/2-W</b> 293504
		<b>BP-SP-10-W</b> 292417	<b>BP-DS-800/10-W</b> 292447	<b>BP-DS-800/10-P-WBP-DT-800/10-W</b> 119090	292462		
		<b>BP-SP-12-W</b> 292418	<b>BP-DS-800/12-W</b> 292448	<b>BP-DS-800/12-P-WBP-DT-800/12-W</b> 119091	292463		
		<b>BP-SP-15-W</b> 292419	<b>BP-DS-800/15-W</b> 292449	<b>BP-DS-800/15-P-WBP-DT-800/15-W</b> 119092	292464		
<b>BP-FLP-1000-F3A-W</b> 293563	<b>BP-FLP-1000-VS-W</b> 131576	<b>BP-SP-10-W</b> 292417	<b>BP-DS-600/10-W + BP-DS-400/10-L-W</b> 292442 + 293571	<b>BP-DS-600/10-P-W + BP-DS-400/10-L-W</b> 119085 + 293571	<b>BP-DT-600/10-W + BP-DT-400/10-L-W</b> 292457 + 293581	<b>BPZ-SS-1/249-W</b> 119174	<b>BPZ-SS-2/249-W</b> 119176
		<b>BP-SP-12-W</b> 292418	<b>BP-DS-600/12-W + BP-DS-400/12-L-W</b> 292443 + 293573	<b>BP-DS-600/12-P-W + BP-DS-400/12-L-W</b> 119086 + 293573	<b>BP-DT-600/12-W + BP-DT-400/12-L-W</b> 292458 + 293583	<b>BPZ-FS-1000/1-W</b> 293506	<b>BPZ-FS-1000/2-W</b> 293508
		<b>BP-SP-15-W</b> 292419	<b>BP-DS-600/15-W + BP-DS-400/15-L-W</b> 292444 + 293575	<b>BP-DS-600/15-P-W + BP-DS-400/15-L-W</b> 119087 + 293575	<b>BP-DT-600/15-W + BP-DT-400/15-L-W</b> 292459 + 293585		
<b>BP-FLP-1200-F3A-W</b> 293569	<b>BP-FLP-1200-VS-W</b> 131577	<b>BP-SP-12-W</b> 292418	<b>BP-DS-600/12-W + BP-DS-600/12-L-W</b> 292443 + 293577	<b>BP-DS-600/12-P-W + BP-DS-600/12-L-W</b> 119086 + 293577	<b>BP-DT-600/12-W + BP-DT-600/12-L-W</b> 292458 + 293587	<b>BPZ-SS-1/249-W</b> 119174	<b>BPZ-SS-2/249-W</b> 119176
		<b>BP-SP-15-W</b> 292419	<b>BP-DS-600/15-W + BP-DS-600/15-L-W</b> 292444 + 293579	<b>BP-DS-600/15-P-W + BP-DS-600/15-L-W</b> 119087 + 293579	<b>BP-DT-600/15-W + BP-DT-600/15-L-W</b> 292459 + 293589	<b>BPZ-FS-1200/1-W</b> 293510	<b>BPZ-FS-1200/2-W</b> 293512

# 1.3

## xEnergy Distribution Boards

Surface-mounted distribution board BP-O-..., IP30 (flat-pack, white)

xEnergy  
Basic  
Sheet 1/2

vt10808



vt11404



wa\_vt02213, vt16504



vt15118



vt15318



vt00705



vt00505



Width [mm]	Height [mm]	Height int. [mm]	Main frame	Top/bottom panels closed without cutout / 1 pair / Single element	Top/bottom panels with cutout for cable entry / Flange plate / 1 pair / Single element	Top panel IP31 (closed) incl. F3A-XP	Cable entry / Flange plate / Closed	Cable entry / Flange plate incl. 2K-flange
			Article No. per unit unit = 1 pc.	Article No. per unit unit = 1 pc.	Article No. per unit unit = 1 pc.	Article No. per unit unit = 1 pc.	Article No. per unit unit = 1 pc.	Article No. per unit unit = 1 pc.
<b>BP-O-..., IP30 (installation MSW) WHITE</b>								
400 (13MU/row)	460	350	<b>BP-MF-400/4</b> 286653	<b>BP-TBP-400-BL-W</b> 292420	<b>BP-TBP-400-CE-W</b> 292421	<b>BP-TBP1-400-F3A-IP31-W</b> 194531	<b>BP-FLP-400-BL-W</b> 292426	<b>BP-FLP-400-2K-W</b> 292427
	760	650	<b>BP-MF-400/7</b> 286654	<b>BP-TBP1-400-BL-W</b> 144709	<b>BP-TBP1-400-CE-W</b> 144714			
	1060	950	<b>BP-MF-400/10</b> 286655					
	1260	1150	<b>BP-MF-400/12</b> 286656					
	1560	1450	<b>BP-MF-400/15</b> 286657					
600 (24MU/row)	460	350	<b>BP-MF-600/4</b> 286658	<b>BP-TBP-600-BL-W</b> 292422	<b>BP-TBP-600-CE-W</b> 292423	<b>BP-TBP1-600-F3A-IP31-W</b> 194532	<b>BP-FLP-600-BL-W</b> 292429	<b>BP-FLP-600-2K-W</b> 292430
	760	650	<b>BP-MF-600/7</b> 286659	<b>BP-TBP1-600-BL-W</b> 144710	<b>BP-TBP1-600-CE-W</b> 144715			
	1060	950	<b>BP-MF-600/10</b> 286660					
	1260	1150	<b>BP-MF-600/12</b> 286661					
	1560	1450	<b>BP-MF-600/15</b> 286662					
800 (35MU/row)	460	350	<b>BP-MF-800/4</b> 286663	<b>BP-TBP-800-BL-W</b> 292424	<b>BP-TBP-800-CE-W</b> 292425	<b>BP-TBP1-800-F3A-IP31-W</b> 194533	<b>BP-FLP-800-BL-W</b> 292432	<b>BP-FLP-800-2K-W</b> 292433
	760	650	<b>BP-MF-800/7</b> 286664	<b>BP-TBP1-800-BL-W</b> 144711	<b>BP-TBP1-800-CE-W</b> 144716			
	1060	950	<b>BP-MF-800/10</b> 286665					
	1260	1150	<b>BP-MF-800/12</b> 286666					
	1560	1450	<b>BP-MF-800/15</b> 286667					
1000 (46MU/row)	1060	950	<b>BP-MF-1000/10</b> 293521	<b>BP-TBP-1000-BL-W</b> 293551	<b>BP-TBP-1000-CE-W</b> 293553	<b>BP-TBP1-1000-F3A-IP31-W</b> 194534	<b>BP-FLP-1000-BL-W</b> 293559	<b>BP-FLP-1000-2K-W</b> 293561
	1260	1150	<b>BP-MF-1000/12</b> 293522	<b>BP-TBP1-1000-BL-W</b> 144712	<b>BP-TBP1-1000-CE-W</b> 144717			
	1560	1450	<b>BP-MF-1000/15</b> 293523					
1200 (57MU/row)	1260	1150	<b>BP-MF-1200/12</b> 293524	<b>BP-TBP-1200-BL-W</b> 293555	<b>BP-TBP-1200-CE-W</b> 293557	<b>BP-TBP1-1200-F3A-IP31-W</b> 194535	<b>BP-FLP-1200-BL-W</b> 293565	<b>BP-FLP-1200-2K-W</b> 293567
	1560	1450	<b>BP-MF-1200/15</b> 293525	<b>BP-TBP1-1200-BL-W</b> 144713	<b>BP-TBP1-1200-CE-W</b> 144718			



Surface-mounted distribution board BP-O-..., IP30 (flat-pack, white)

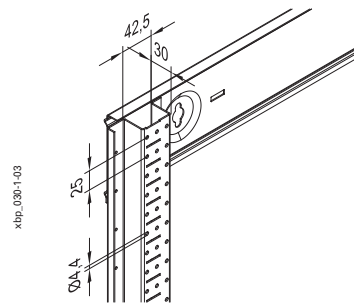
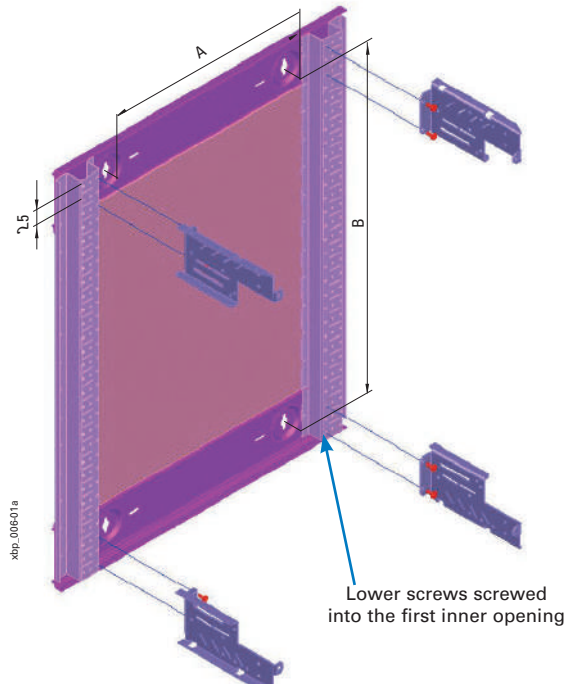


Cable entry / Flange plate Prepared for F3A-flange	Cable entry / Flange plate / With shift- back flange	Side panels 1 pair	Sheet-metal door / Rotary handle	Sheet-metal door / Clip-down handle	Sheet-metal door / (transparent) Rotary handle	Plinth 100 mm / Side parts 1 pair / Front cover	Plinth 200 mm / Side parts 1 pair / Front cover
Article No. per unit unit = 1 pc.	Article No. per unit unit = 1 pc.	Article No. per unit unit = 1 pc.	Article No. per unit unit = 1 pc.	Article No. per unit unit = 1 pc.	Article No. per unit unit = 1 pc.	Article No. per unit unit = 1 pc.	Article No. per unit unit = 1 pc.

<b>BP-FLP-400-F3A-W</b> 292428	<b>BP-FLP-400-VS-W</b> 131573	<b>BPZ-SP-MSW-4-W</b> 111345	<b>BP-DS-400/4-W</b> 292435	<b>BP-DS-400/4-P-W</b> 119078	<b>BP-DT-400/4-W</b> 292450	<b>BPZ-SS-1/249-W</b> 119174	<b>BPZ-SS-2/249-W</b> 119176
		<b>BPZ-SP-MSW-7-W</b> 111347	<b>BP-DS-400/7-W</b> 292436	<b>BP-DS-400/7-P-W</b> 119079	<b>BP-DT-400/7-W</b> 292451	<b>BPZ-FS-400/1-W</b> 293494	<b>BPZ-FS-400/2-W</b> 293496
		<b>BPZ-SP-MSW-10-W</b> 111348	<b>BP-DS-400/10-W</b> 292437	<b>BP-DS-400/10-P-W</b> 119080	<b>BP-DT-400/10-W</b> 292452		
		<b>BPZ-SP-MSW-12-W</b> 111349	<b>BP-DS-400/12-W</b> 292438	<b>BP-DS-400/12-P-W</b> 119081	<b>BP-DT-400/12-W</b> 292453		
		<b>BPZ-SP-MSW-15-W</b> 111350	<b>BP-DS-400/15-W</b> 292439	<b>BP-DS-400/15-P-W</b> 119082	<b>BP-DT-400/15-W</b> 292454		
<b>BP-FLP-600-F3A-W</b> 292431	<b>BP-FLP-600-VS-W</b> 131574	<b>BPZ-SP-MSW-4-W</b> 111345	<b>BP-DS-600/4-W</b> 292440	<b>BP-DS-600/4-P-W</b> 119083	<b>BP-DT-600/4-W</b> 292455	<b>BPZ-SS-1/249-W</b> 119174	<b>BPZ-SS-2/249-W</b> 119176
		<b>BPZ-SP-MSW-7-W</b> 111347	<b>BP-DS-600/7-W</b> 292441	<b>BP-DS-600/7-P-W</b> 119084	<b>BP-DT-600/7-W</b> 292456	<b>BPZ-FS-600/1-W</b> 293498	<b>BPZ-FS-600/2-W</b> 293500
		<b>BPZ-SP-MSW-10-W</b> 111348	<b>BP-DS-600/10-W</b> 292442	<b>BP-DS-600/10-P-W</b> 119085	<b>BP-DT-600/10-W</b> 292457		
		<b>BPZ-SP-MSW-12-W</b> 111349	<b>BP-DS-600/12-W</b> 292443	<b>BP-DS-600/12-P-W</b> 119086	<b>BP-DT-600/12-W</b> 292458		
		<b>BPZ-SP-MSW-15-W</b> 111350	<b>BP-DS-600/15-W</b> 292444	<b>BP-DS-600/15-P-W</b> 119087	<b>BP-DT-600/15-W</b> 292459		
<b>BP-FLP-800-F3A-W</b> 292434	<b>BP-FLP-800-VS-W</b> 131575	<b>BPZ-SP-MSW-4-W</b> 111345	<b>BP-DS-800/4-W</b> 292445	<b>BP-DS-800/4-P-W</b> 119088	<b>BP-DT-800/4-W</b> 292460	<b>BPZ-SS-1/249-W</b> 119174	<b>BPZ-SS-2/249-W</b> 119176
		<b>BPZ-SP-MSW-7-W</b> 111347	<b>BP-DS-800/7-W</b> 292446	<b>BP-DS-800/7-P-W</b> 119089	<b>BP-DT-800/7-W</b> 292461	<b>BPZ-FS-600/1-W</b> 293498	<b>BPZ-FS-800/2-W</b> 293504
		<b>BPZ-SP-MSW-10-W</b> 111348	<b>BP-DS-800/10-W</b> 292447	<b>BP-DS-800/10-P-W</b> 119090	<b>BP-DT-800/10-W</b> 292462		
		<b>BPZ-SP-MSW-12-W</b> 111349	<b>BP-DS-800/12-W</b> 292448	<b>BP-DS-800/12-P-W</b> 119091	<b>BP-DT-800/12-W</b> 292463		
		<b>BPZ-SP-MSW-15-W</b> 111350	<b>BP-DS-800/15-W</b> 292449	<b>BP-DS-800/15-P-W</b> 119092	<b>BP-DT-800/15-W</b> 292464		
<b>BP-FLP-1000-F3A-W</b> 293563	<b>BP-FLP-1000-VS-W</b> 131576	<b>BPZ-SP-MSW-10-W</b> 111348	<b>BP-DS-600/10-W + BP-DS-400/10-L-W</b> 292442 + 293571	<b>BP-DS-600/10-P-W + BP-DS-400/10-L-W</b> 119085 + 293571	<b>BP-DT-600/10-W + BP-DT-400/10-L-W</b> 292457 + 293581	<b>BPZ-SS-1/249-W</b> 119174	<b>BPZ-SS-2/249-W</b> 119176
		<b>BPZ-SP-MSW-12-W</b> 111349	<b>BP-DS-600/12-W + BP-DS-400/12-L-W</b> 292443 + 293573	<b>BP-DS-600/12-P-W + BP-DS-400/12-L-W</b> 119086 + 293573	<b>BP-DT-600/12-W + BP-DT-400/12-L-W</b> 292458 + 293583	<b>BPZ-FS-1000/1-W</b> 293506	<b>BPZ-FS-1000/2-W</b> 293508
		<b>BPZ-SP-MSW-15-W</b> 111350	<b>BP-DS-600/15-W + BP-DS-400/15-L-W</b> 292444 + 293575	<b>BP-DS-600/15-P-W + BP-DS-400/15-L-W</b> 119087 + 293575	<b>BP-DT-600/15-W + BP-DT-400/15-L-W</b> 292459 + 293585		
<b>BP-FLP-1200-F3A-W</b> 293569	<b>BP-FLP-1200-VS-W</b> 131577	<b>BPZ-SP-MSW-12-W</b> 111349	<b>BP-DS-600/12-W + BP-DS-600/12-L-W</b> 292443 + 293577	<b>BP-DS-600/12-P-W + BP-DS-600/12-L-W</b> 119086 + 293577	<b>BP-DT-600/12-W + BP-DT-600/12-L-W</b> 292458 + 293587	<b>BPZ-SS-1/249-W</b> 119174	<b>BPZ-SS-2/249-W</b> 119176
		<b>BPZ-SP-MSW-15-W</b> 111350	<b>BP-DS-600/15-W + BP-DS-600/15-L-W</b> 292444 + 293579	<b>BP-DS-600/15-P-W + BP-DS-600/15-L-W</b> 119087 + 293579	<b>BP-DT-600/15-W + BP-DT-600/15-L-W</b> 292459 + 293589	<b>BPZ-FS-1200/1-W</b> 293510	<b>BPZ-FS-1200/2-W</b> 293512

### Base frames, BP-MF

- Add-on design
- Symmetrical layout
- Consistent system perforation pattern (25 mm grid)
- Material: sheet steel, zinc-coated thickness 1 mm
- Delivered as: 1 base frame, 4 towers, fixing material



Width [mm]	A	Height [mm]	B
400	173	460	342,5
600	373	760	642,5
800	573	1060	942,5
1000	773	1260	1142,5
1200	973	1560	1442,5

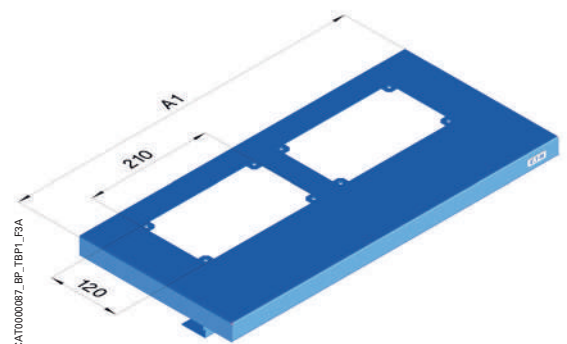
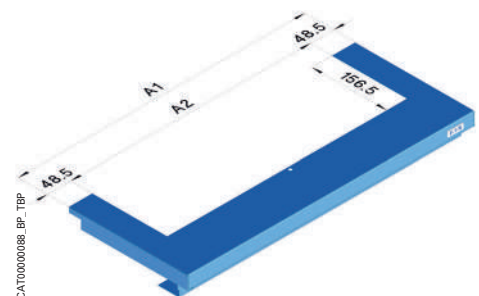
### Top / bottom panels, BP-TBP..., BP-TBP1-...-F3A-IP31

- The top/bottom panels are used as covers for the cabinet
- With or without cable entry cutout
- Available as pair or single packaging depending on used version for top/bottom
- For upgrading your wall-mounted enclosure to IP31, it's mandatory to order type BP-TBP1-...-F3A-IP31 as top panel (canopy)
- Material: sheet steel, powder-coated, RAL 7035 or RAL 9016 thickness 1 mm
- Delivered as: 1 top panel, 1 bottom panel, fixing material

### Dimensions (mm)

Type	Depth	Without cutout		With cutout	
		Outside width	Inside width	Outside width	Inside width
		A1	A2	A1	A2
BP-TBP-400	249	400	—	400	300
BP-TBP-600	249	600	—	600	500
BP-TBP-800	249	800	—	800	700
BP-TBP-1000	249	1000	—	1000	900
BP-TBP-1200	249	1200	—	1200	1100

Type	incl. F3A-XP flange
BP-TBP1-400-F3A-IP31	Yes (1 pc.)
BP-TBP1-600-F3A-IP31	Yes (2 pcs.)
BP-TBP1-800-F3A-IP31	Yes (3 pcs.)
BP-TBP1-1000-F3A-IP31	Yes (3 pcs.)
BP-TBP1-1200-F3A-IP31	Yes (4 pcs.)



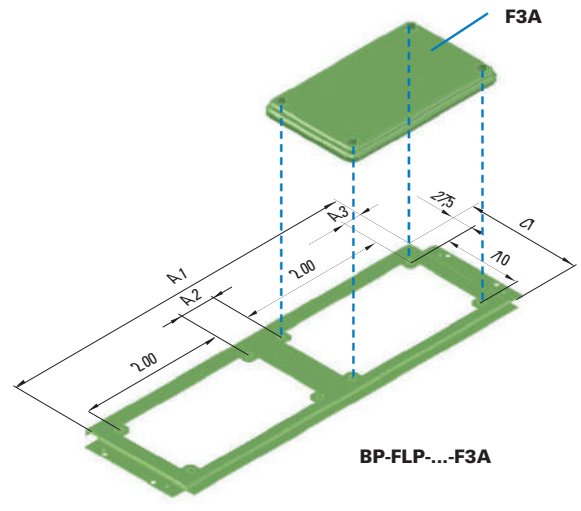
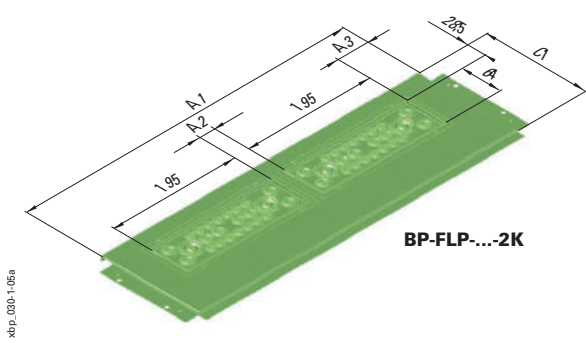
**Cable entry / flange plates, BP-FLP**







- Blind plate for closing the cable entry
- Cable entry plate with pass-through flange 2K (pre-fitted)
- Cable entry plate designed for F3A flange
- Mounting into BP-TBP-...-CE panels
- Can be used also for floor-standing board IP30
- Material: sheet steel, powder-coated, RAL 7035 thickness 1 mm
- Delivered as: 1 cable entry/flange plate, fixing material

**Dimensions (mm)**

Type	A1	A2	A3	C1	Number of flanges
BP-FLP-400-BL	300	–	–	155	-
BP-FLP-400-2K	300	–	51,95	155	1
BP-FLP-600-BL	500	–	–	155	-
BP-FLP-600-2K	500	18	45,45	155	2
BP-FLP-800-BL	700	–	–	155	-
BP-FLP-800-2K	700	18	38,95	155	3
BP-FLP-1000-BL	900	–	–	155	-
BP-FLP-1000-2K	900	18	31,45	155	4
BP-FLP-1200-BL	1100	–	–	155	-
BP-FLP-1200-2K	1100	18	25,95	155	5

Type	A1	A2	A3	C1	Number of openings for F3A flanges
BP-FLP-400-F3A	300	–	44,45	155	1
BP-FLP-600-F3A	500	40	19,45	155	2
BP-FLP-800-F3A	700	22	12,45	155	3
BP-FLP-1000-F3A	900	11,33	12,45	155	4
BP-FLP-1200-F3A	1100	6	12,45	5	



	Description	Type Designation	Article No.	Units per package
<b>F3A Flanges</b>				
• For IP55 applications (except F3A-KTD only IP54), used for all type of distribution boards				
	Blind flange	F3A-0	074182	1
	Blind flange sheet-steel	F3A-XP	113426	1
	4xM16, 6xM25/16, 8xM32/20	F3A-4	081301	1
	2xM20, 8xM25/16, 4xM32/20, 1xM50/32	F3A-8	091468	1
	2xM16, 12xM20, 2xM40/25, 2xM50/32	F3A-12	076555	1
	24xM16, 13xM20	F3A-34	078928	1
	2 Grommets for cables up to Ø 70mm	F3A-KTD	083674	1
	Cellular rubber insertion flange 40 cables Ø 10-13mm 4 cables Ø 17-21mm 2 cables Ø 27-30mm	F3A-D	010145	1
	Steel sheet with knockouts 9xM20, 2xM40/M32, 2xM50/M40	F3A-XP-M50/40	187862	1
	Steel sheet with knockouts 10xM16, 12xM20	F3A-XP-M20/16	187863	1

Description	Colour	Type Designation	Article No.	Units per package
-------------	--------	------------------	-------------	-------------------

### Adapter plate for external cable entry boxes

- Standard boxes type CI-KST32/34 of Ci-assortment (incl. accessories) can be used
- Especially to terminate bigger incoming cables outside of the cabinet to keep required space for modular units / devices internally
- For IP55 applications

vi04618



Flange with sealing		F3A-KST32/34	193692	1
---------------------	--	--------------	--------	---

### Sheet metal flange plate as a ventilation hood

- For IP30 applications

vi28210



Flange with ventilating		F3A-V	149194	1
-------------------------	--	-------	--------	---

### Pass-through Flange ZSD-2K/FLA

- Pass-through flange for diverse wire cross-section, for IP30 applications

wa\_v07113



14 cables Ø 11 mm 8 cables Ø 15 mm 2 cables Ø 28 mm		ZSD-2K/FLA	272166	1
---	--	------------	--------	---

### Blind flange instead of 2K flange

- Material: sheet steel, powder-coated, RAL7035 / RAL9016, thickness 1 mm

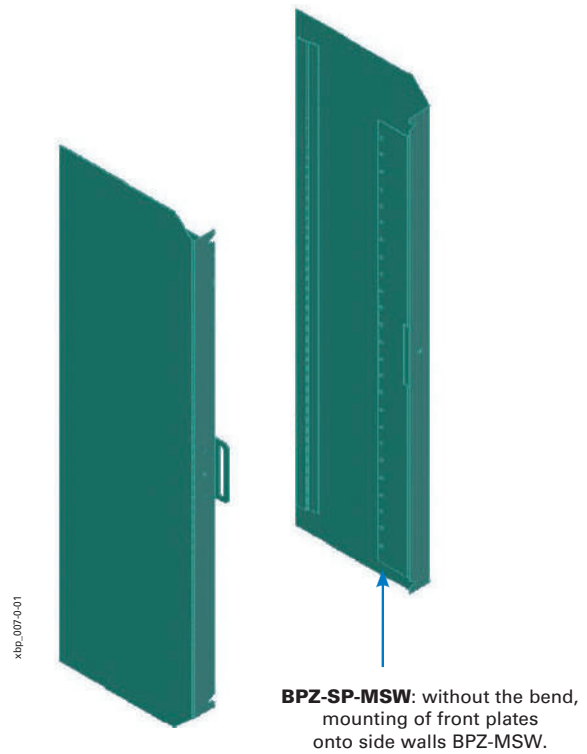
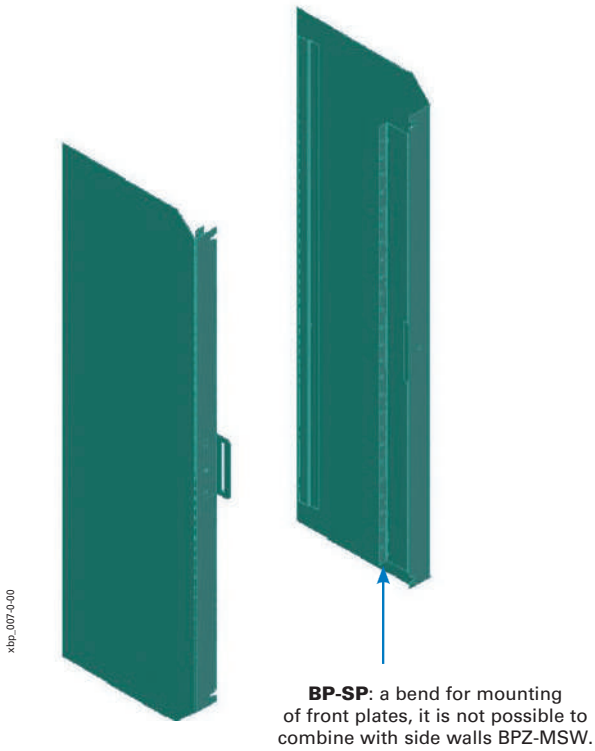
vi28717



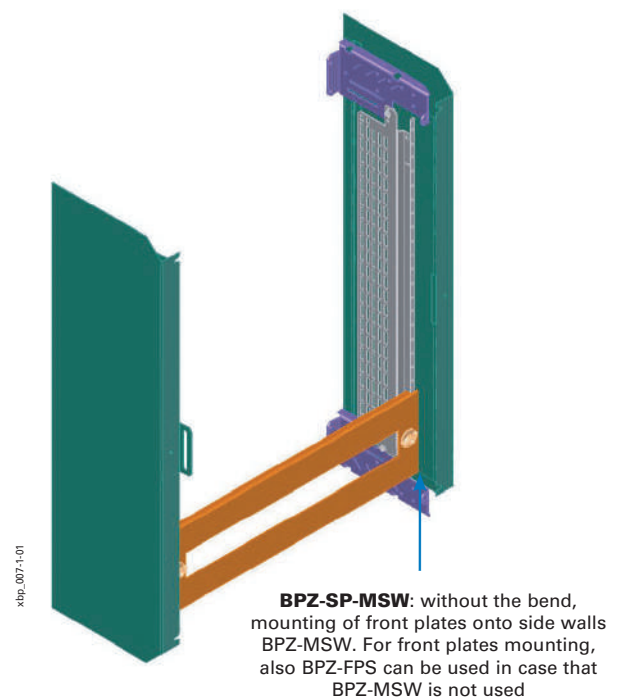
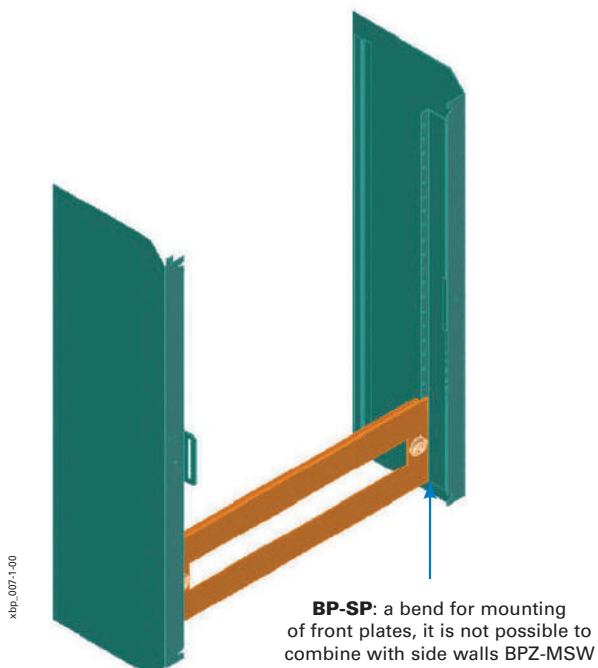
	RAL 7035	2K/BLIND	151178	1
	RAL 9016	2K/BLIND-W	151352	1

### Side panels BP-SP, BPZ-SP-MSW

- Side panels are used as part of cover for the cabinet
- 2 variants (for mounting with / without BPZ-MSW)
- Material: sheet steel, powder-coated, RAL 7035 or RAL 9016 thickness 1 mm
- Delivered as: 2 side panels

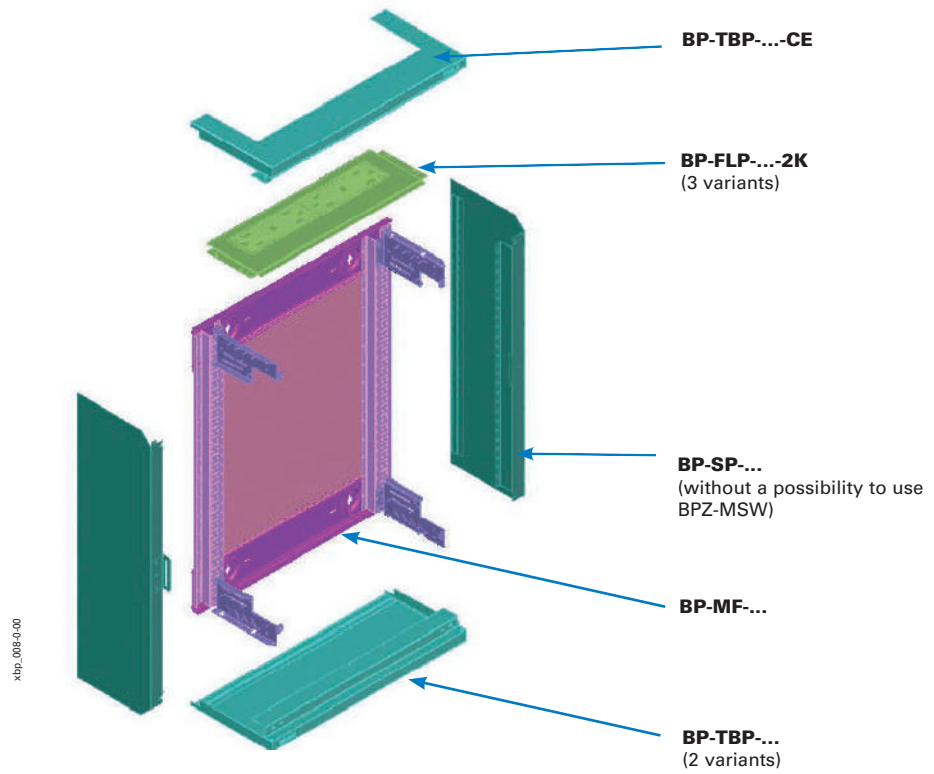


### Mounting of front plates BPZ-FP into side panels BP-SP



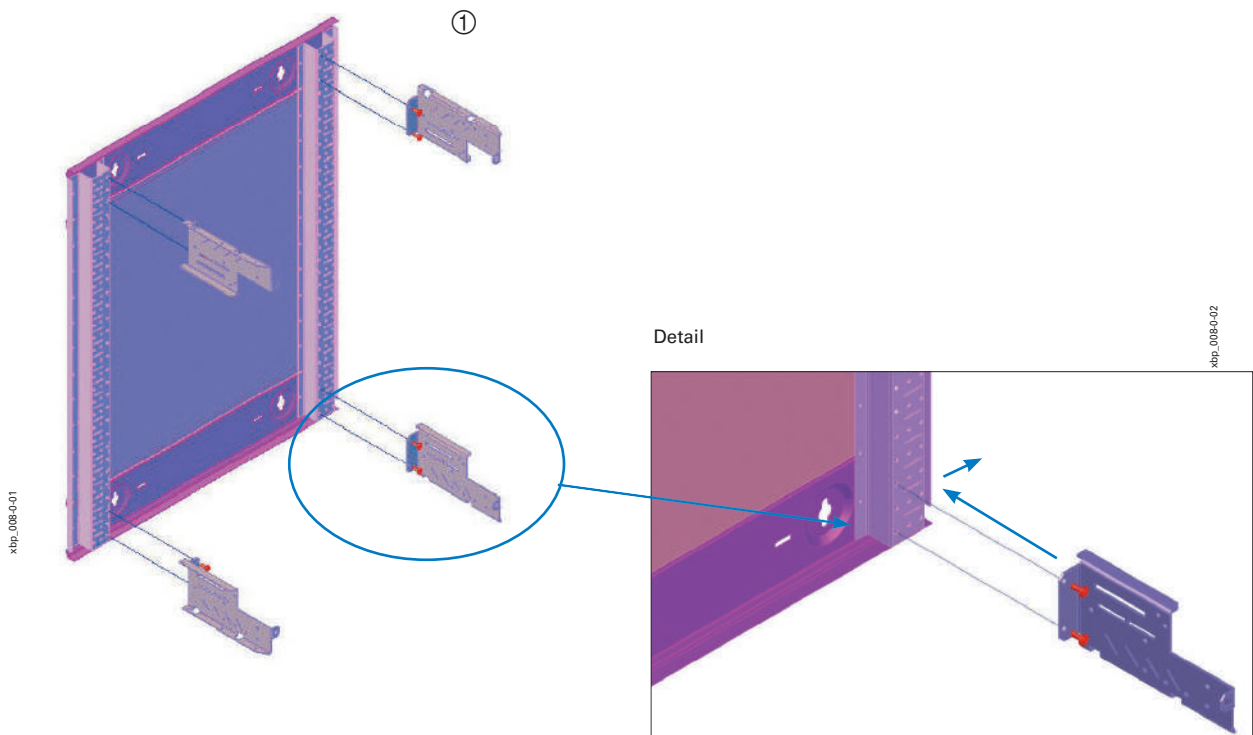
**Board without a possibility of installation of mounting frame BPZ-MSW**

- Without side wall BPZ-MSW



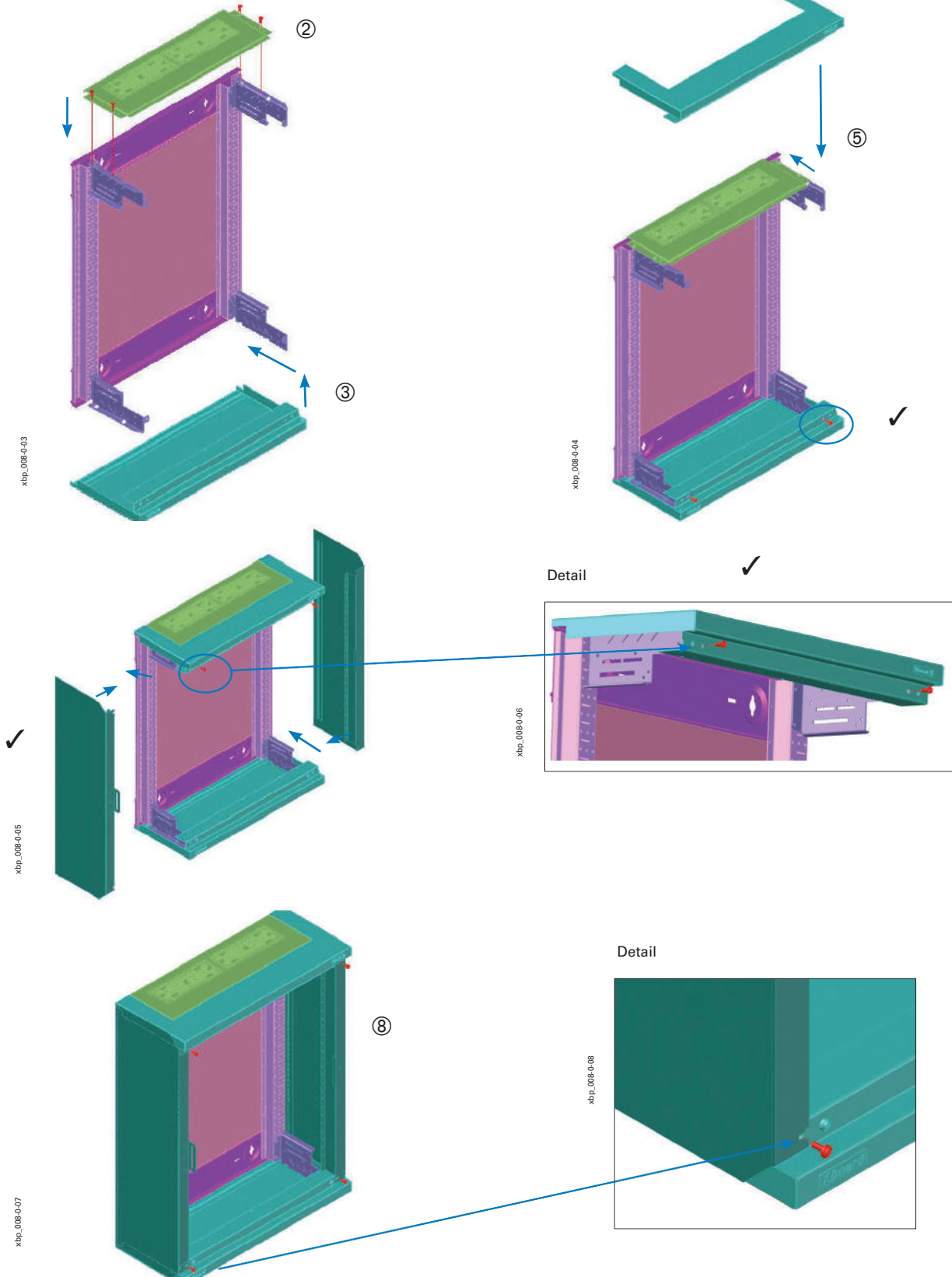
**Mounting process:**

- Mounting of towers BPZ-CTS-L onto base frame BP-MF. Towers BPZ-CTS-L are in a Delivered as of the frame BP-MF.



### Board without a possibility of installation of mounting frame BPZ-MSW

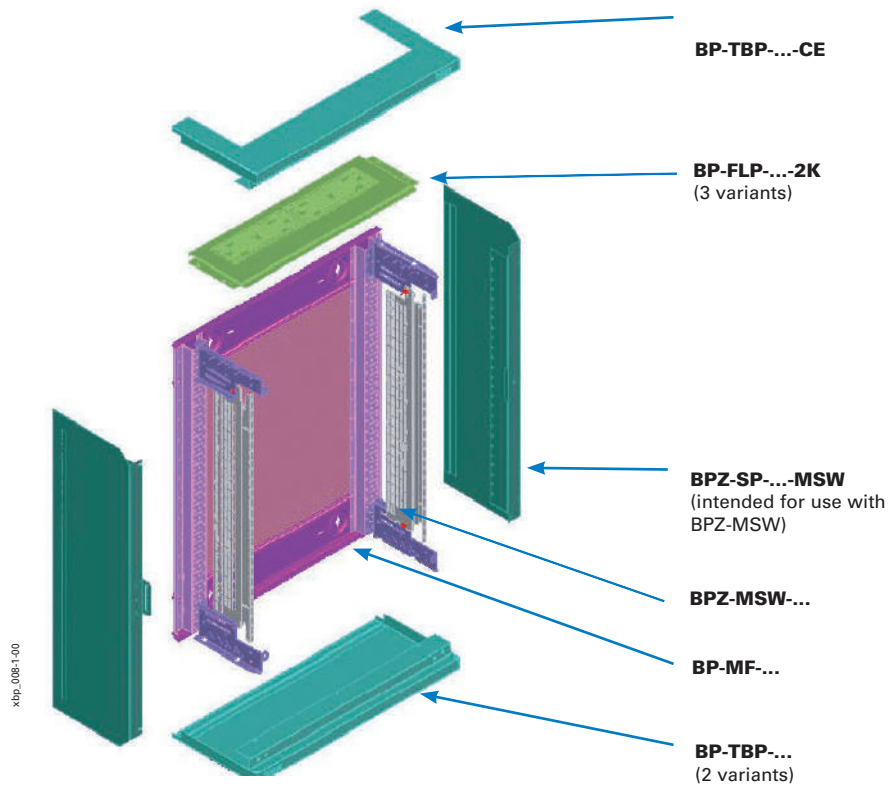
2. Assembly of cable entry plates BP-FLP onto towers BPZ-CTS-L
3. Assembly of top / bottom panel without cutout (if used)
4. Fixing of top / bottom panel without cutout into towers BPZ-CTS-L by means of screws
5. Addition of cable entry plate with top / bottom panel
6. Fixing of top / bottom panel with cutout into towers BPZ-CTS-L by means of screws
7. Assembly of side panels BP-SP
8. Fixing of side panels BP-SP





**Board for installation of mounting frame BPZ-MSW**

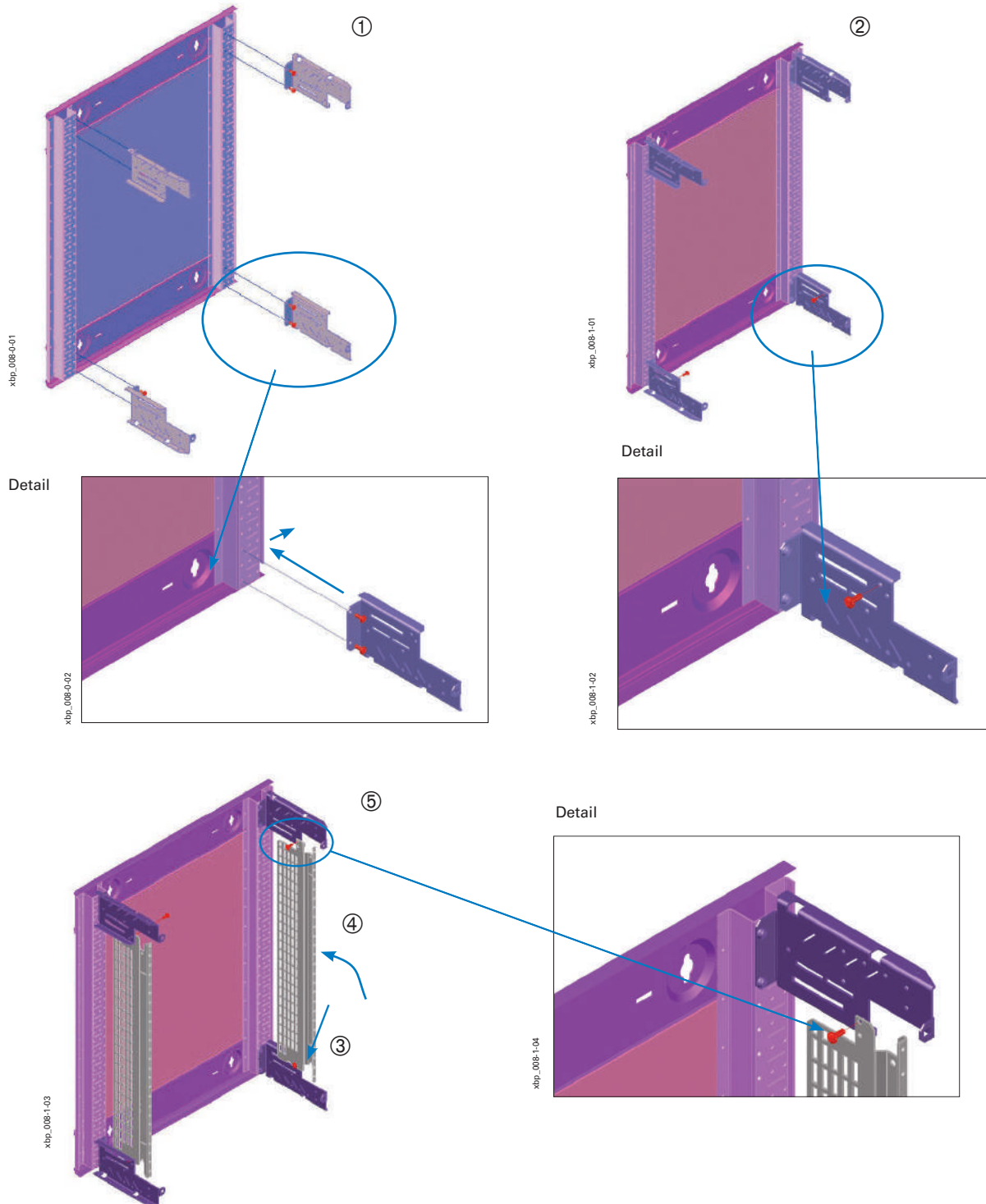
- Incl. side wall BPZ-MSW



### Board for installation of mounting frame BPZ-MSW

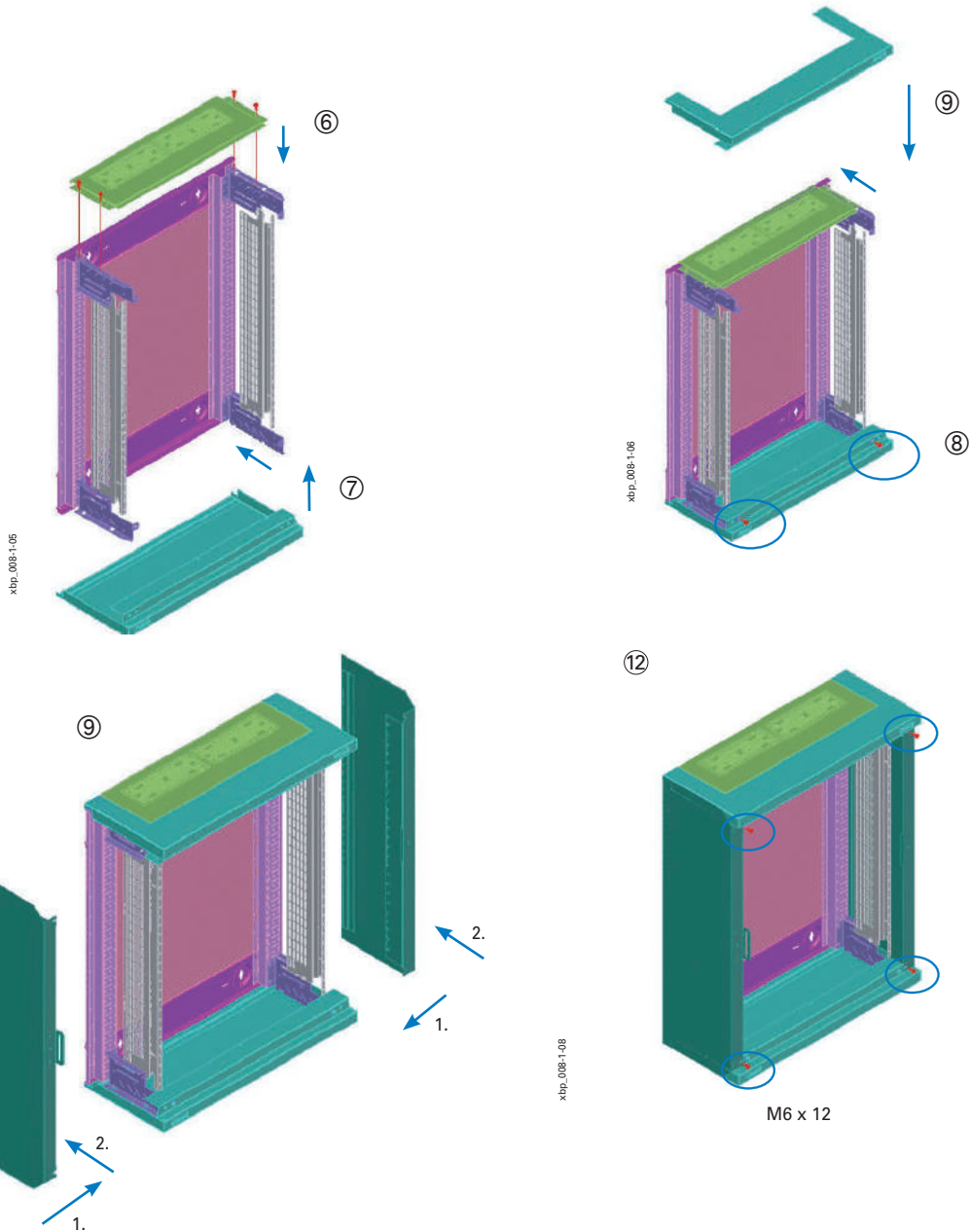
#### Mounting process

1. Mounting of towers BPZ-CTS-L onto base frame BP-MF. Towers BPZ-CTS-L are in a Delivered as of the frame BP-MF.
2. Pre-screwing of a screw which creates bottom hitch for frame BPZ-MSW.
3. Placing of the frame from side walls BPZ-MSW on bottom hitch
4. Tipping of the side walls BPZ-MSW to correct position
5. Fixing of the frame with top hitch screw



**Board for installation of mounting frame BPZ-MSW**

6. Assembly of cable entry plates BP-FLP onto towers BPZ-CTS-L
7. Assembly of top / bottom panel without cutout (if used)
8. Fixing of top / bottom panel without cutout into towers BPZ-CTS-L by means of screws
9. Addition of cable entry plate with top / bottom panel
10. Fixing of top / bottom panel with cutout into towers BPZ-CTS-L by means of screws
11. Assembly of side panels BPZ-SP-MSW
12. Fixing of side panels BPZ-SP-MSW

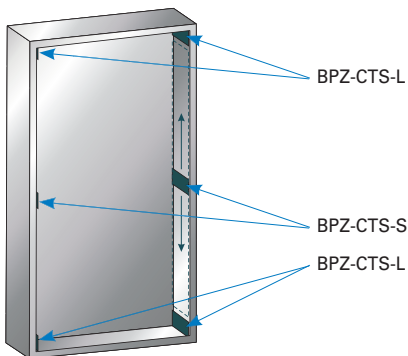


### Front Plate Support, BPZ-FPS

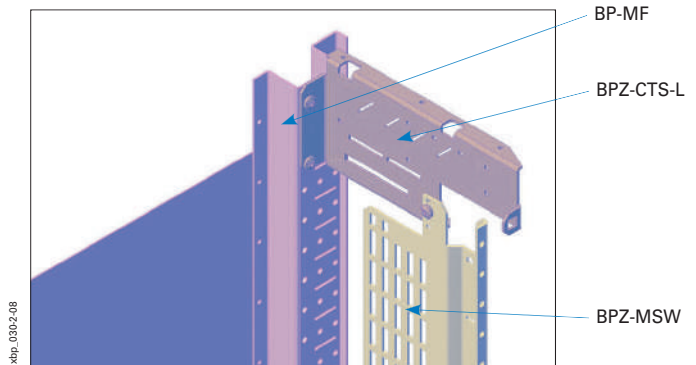
- For fixing the front plates
- Mounting of front plates without using BPZ-MSW
- Enables combination of an installation section with and without MSW in one board
- For mounting of floor standing distribution boards flexible assembly BP-F...F
- Material: 2 mm sheet steel, galvanized
- Scope of delivery: 1 Pair of front plate supports, fixing material

### Corner tower set, BPZ-CTS

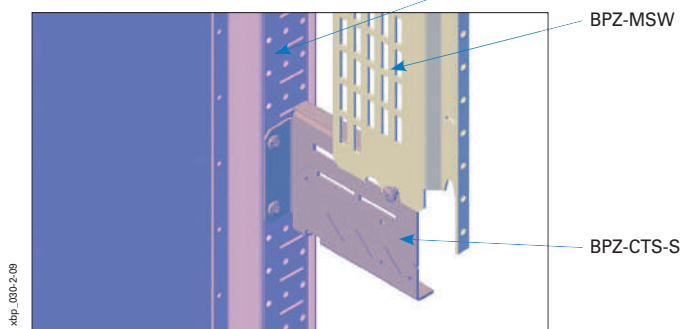
- Mounted directly on the system perforation pattern of the base frame BP-MF
- For fixing the terminal support bar BPZ-TSB
- For fixing the mounting side walls BPZ-MSW
- If towers BPZ-CTS-S are mounted for short side walls BPZ-MSW, it is necessary to pay attention to correct orientation of the towers. The square cutout in tower bend has to be on the other side to BPZ-MSW.
- Scope of delivery: 1 pair of towers (for left and right side), fixing material
- Mounting position:



Detail

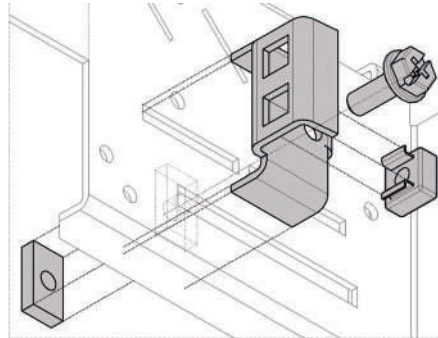
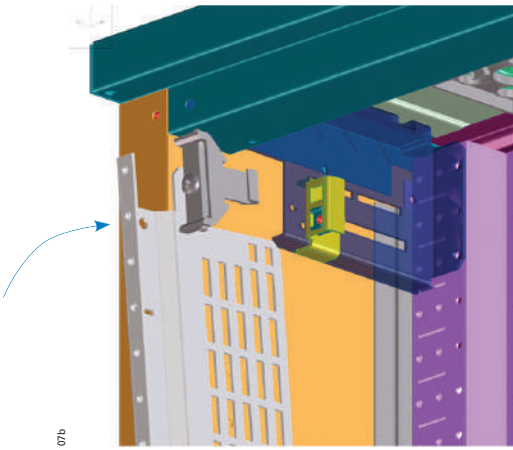
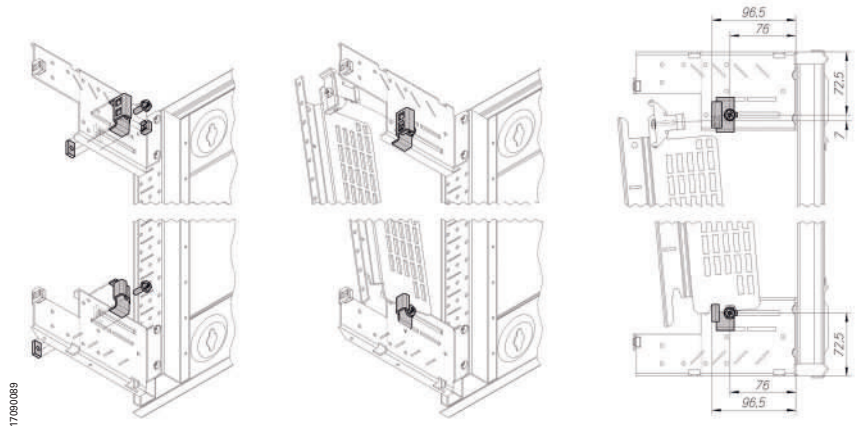


Detail



**Set, BPZ-SNAP-MSW-CTS**

- Designed for comfort inserting and fixing BPZ-MSW with use BPZ-SNAP to board
- Used for surface mounted boards BP-O, BPM-O and floor-standing boards BP-F, BPM-F
- Set contains top and bottom parts

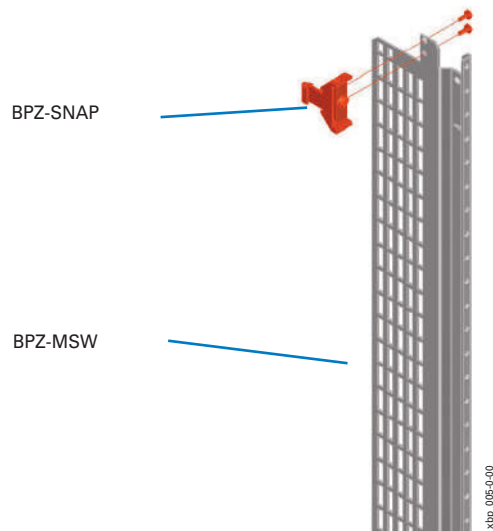


**Mounting side walls, BPZ-MSW**

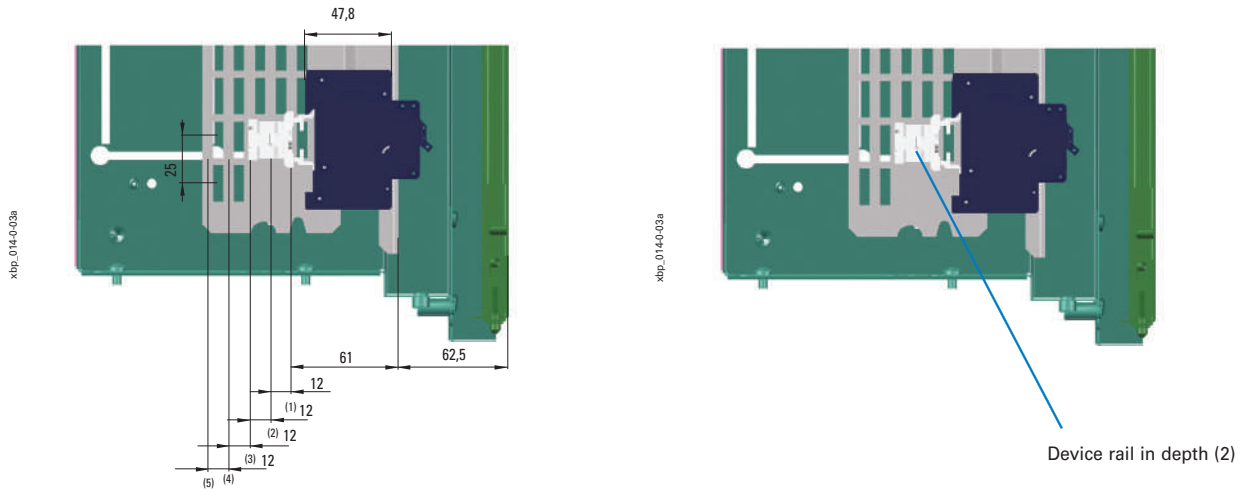
- Designed for comfort inserting and fixing BPZ-MSW with use BPZ-SNAP to board
- Mounting side walls for flush mounting boards
- Can be used also for surface mounting or floor standing boards for comfortable mounting of installation devices
- Enables mounting of inside equipment including electrical connection outside the board
- Material: Sheet steel, zinc-coated
- Scope of delivery: 2 mounting side walls

**Auxiliary pawl, BPZ-SNAP**

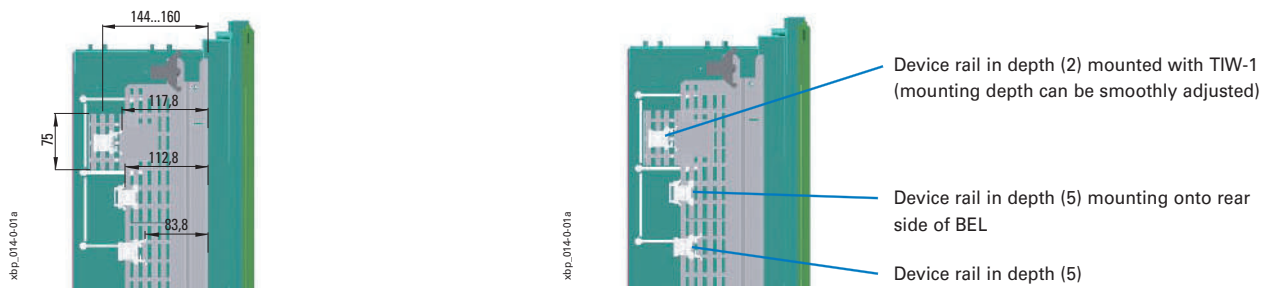
- Necessary for mounting of the BPZ-MSW frame into flush mounting boards
- Scope of delivery: 2 pawls



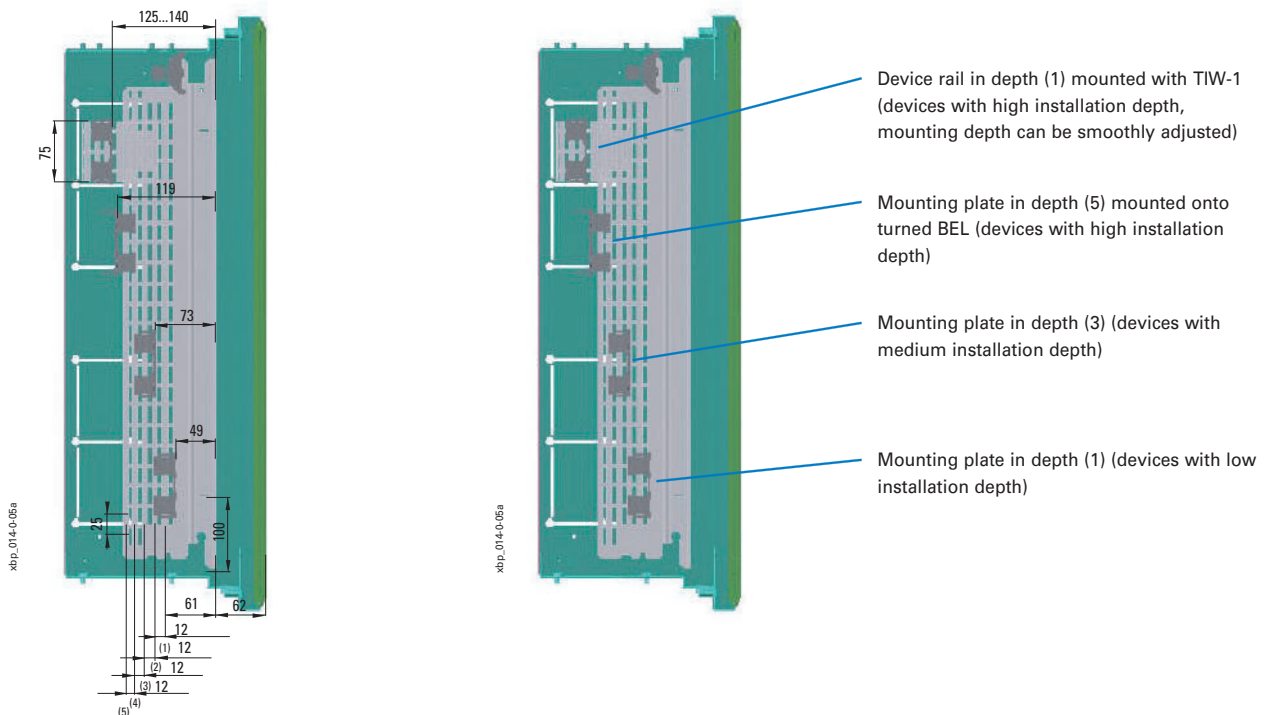
### Mounting of devices with a possibility of controlling



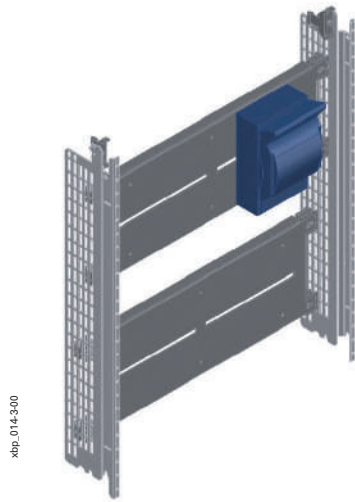
### Mounting of devices under frontplate (e.g. contactors without a possibility of manual controlling)



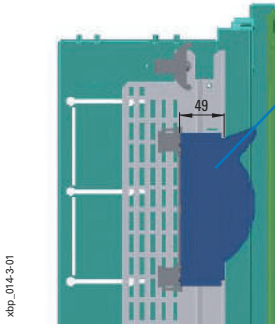
### Mounting of devices onto mounting plate



Mounting of fuse disconnectors LTS



xbp\_014-3-00



xbp\_014-3-01

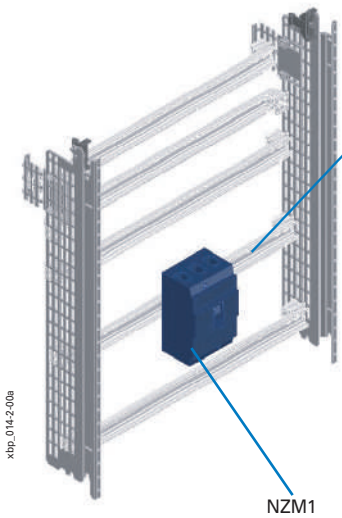
Fuse disconnector size 00:  
Mounting plate BPZ-MPL180-...  
in depth (1)  
(mounting depth 49 mm)

Fuse disconnector size 1:  
Mounting plate BPZ-MPL350-...  
in depth (3)  
(mounting depth 73 mm)

Fuse disconnector size 2:  
Mounting plate BPZ-MPL350-...  
in depth (4)  
(mounting depth 85 mm)

Mounting of moulded case circuit breakers NZM1

- Mounting sets BPZ-NZM...-MSW are recommended for mounting of single breakers NZM1 and NZM2 into flush mounting boards



xbp\_014-2-00a

NZM1

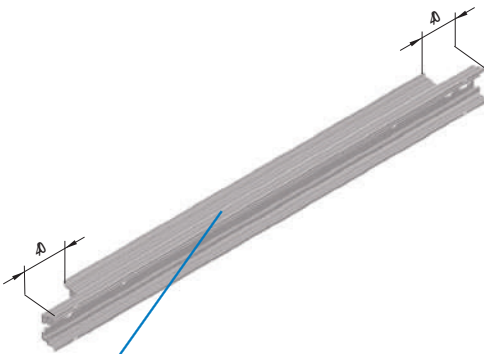
Mounting onto device rail in depth (4) (the breaker is fastened with adaptor NZM1-XC35).

It is necessary to pay attention to mechanical load of device rail – dangerous of twisting if more MCCBs is installed.

In this case it is recommended to use reinforcement by means of another device rail (mounted behind the first one, the rear second rail has to be shortened appropriately).

To cover, a front plate BPZ-FP-...-45 with 45 mm cutout can be used.

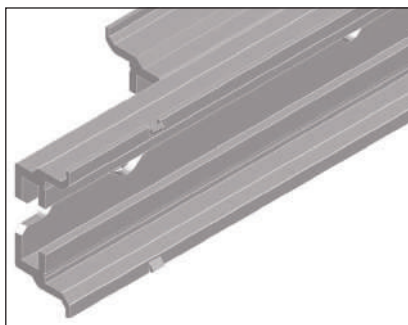
Reinforcement of the device rail



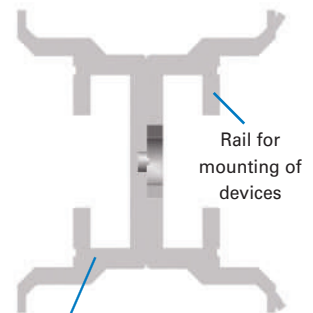
xbp\_033-0-07a

Reinforcement by means of connecting of two rails (back side to back side). The rear rail has to be shortened by about 40 mm at both sides. For connecting, the pre-drilled holes can be used.

Detail



xbp\_033-0-08



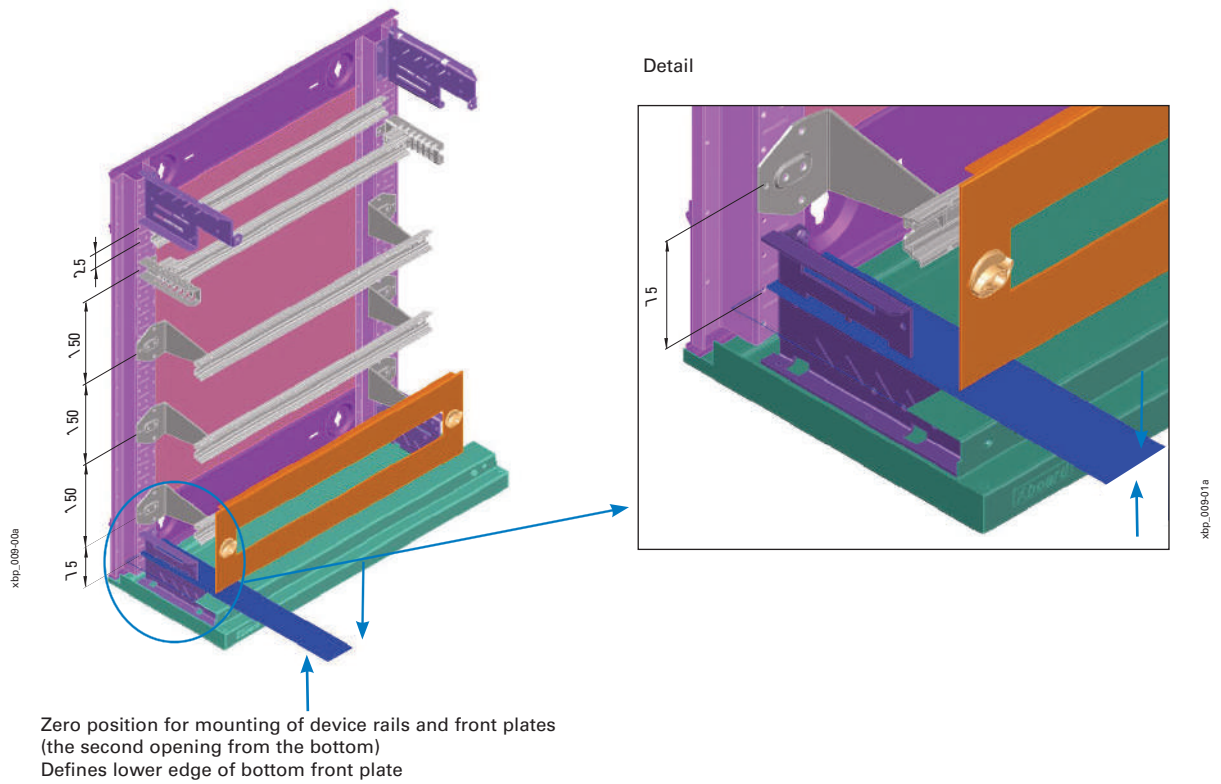
Rail for mounting of devices

Rear rail (reinforcement)

xbp\_033-0-09

### Zero position for mounting of front plates

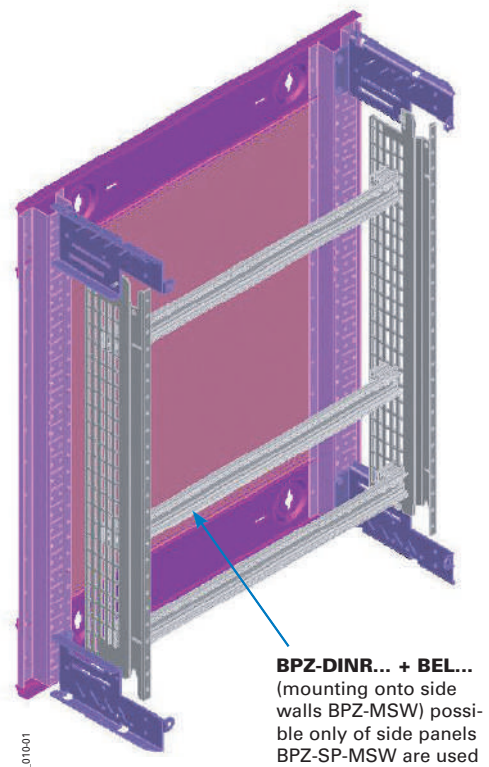
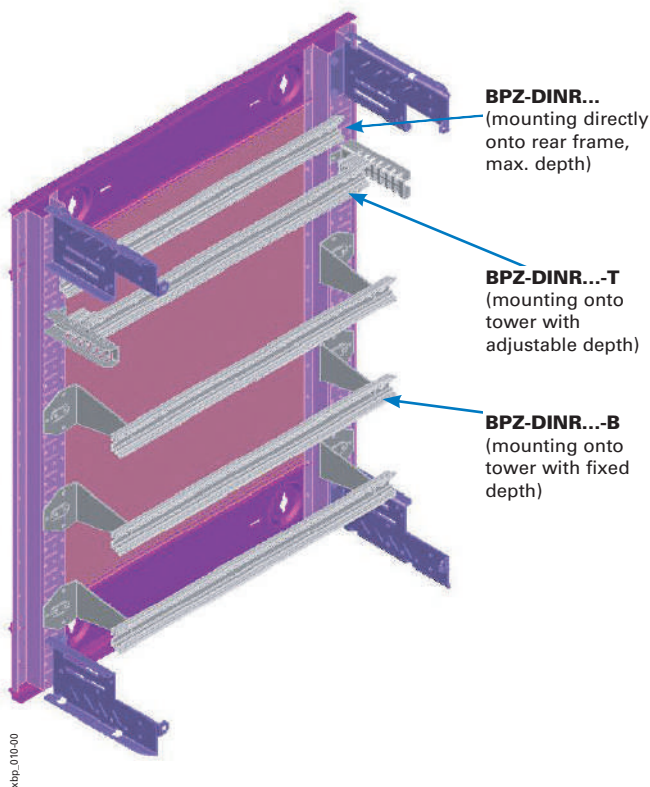
- Defines lower edge of the first bottom front plate - first step of assembly
- For standard front plate height 150 mm, the center of the first bottom device rail is located 75 mm above the zero position



### Mounting of device rails

I. Rear mounting onto base frame

II. Mounting onto side walls BPZ-MSW



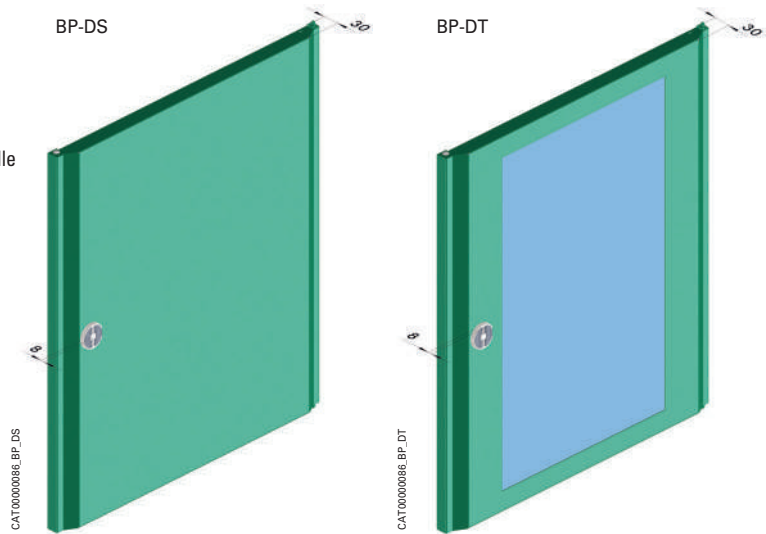


**Sheet steel doors, BP-DS**

- Front-mounted
- Quick mounting and removing of the door
- Right or left hinged
- Opening angle 167°
- 1-point lock through rotary lock, 3-point lock with clip down handle
- Material: sheet steel, powder-coated, RAL 7035 thickness 1 mm
- Delivered as: 1 door, set for earth connection

**Transparent doors (sheet steel), BP-DT**

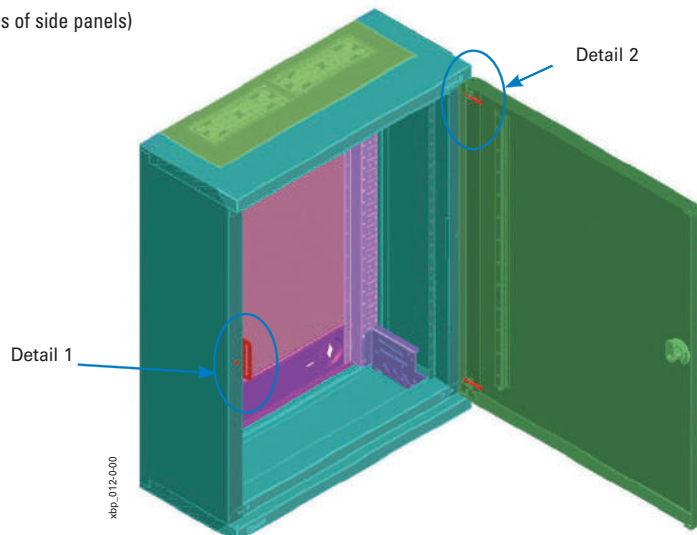
- Material: 2 mm of plexiglas



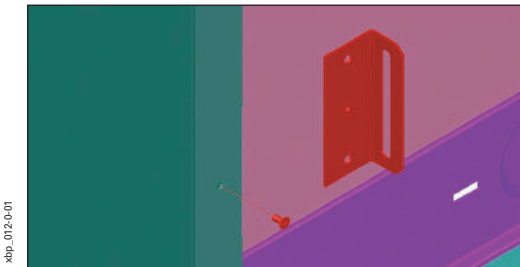
**Mounting of door BP-DS**

**Mounting process:**

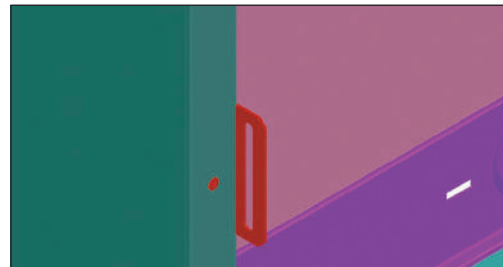
1. Mounting of lug for lock rod on the respective side (in Delivered as of side panels)
2. Inserting of door at the opening angle about 90°
3. Inserting of hinge pins
4. Fixing of the pins in plastic bracket



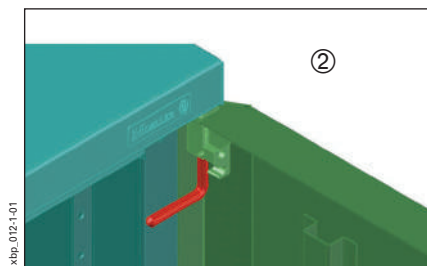
**Detail 1**



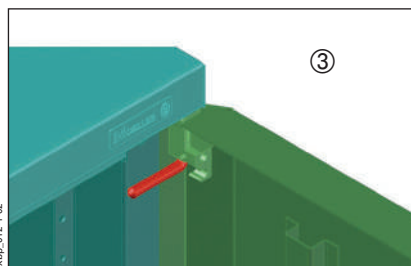
①



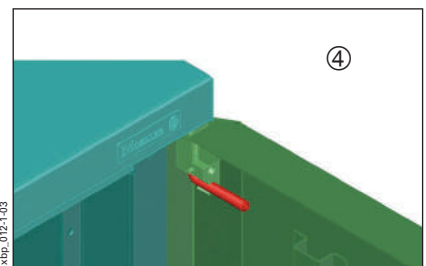
**Detail 2**



②



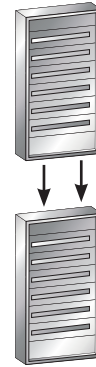
③



④

### Horizontal/middle add-on connection element, BP-MFL

- For mounting distribution boards one on top of the other
- For surface mounting boards IP30
- Possible to combine with BP-MSL for cross combination of boards
- Material: sheet steel, powder-coated, RAL 7035
- Delivered as: 1 horizontal/middle add-on connection element, 2 mounting elements, fixing material

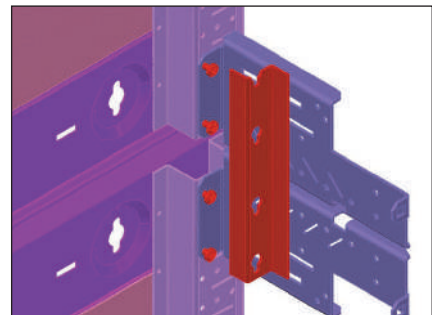


### Mounting process:

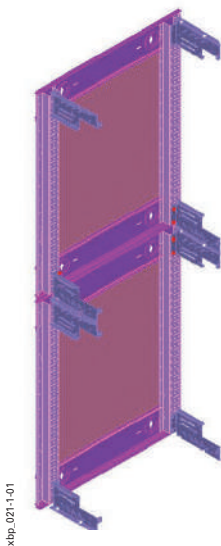
- For a pair of boards, only one set of top / bottom panels is used

1. Placing of base frames BP-MF to correct position
2. Remove of screws of towers BPZ-CTS-L at sides near to boards connection
3. Put of mounting elements on the loosened screws
4. Tightening of fixing screws
5. Assembly of connection element
6. Fixing of connection element
7. Mounting of top and bottom panels BP-TBP
8. Mounting of side walls BP-SP, BPZ-SP-MSW
9. Mounting of doors BP-DS

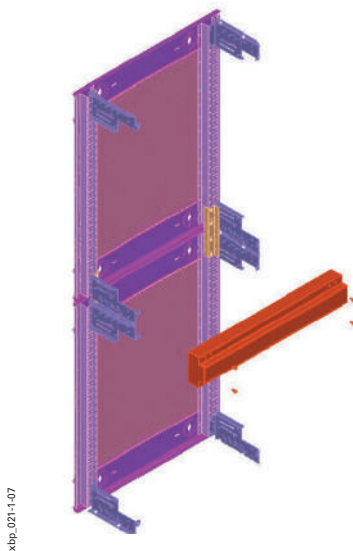
Detail



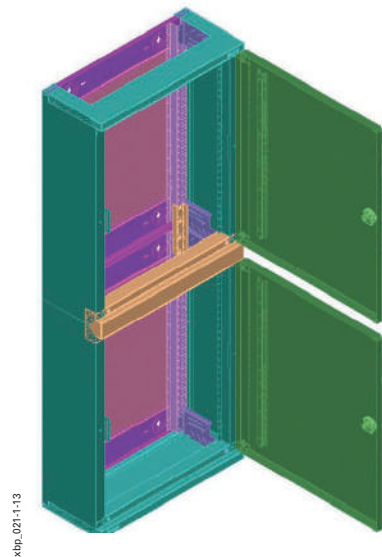
xbp\_021-1-04



xbp\_021-1-01



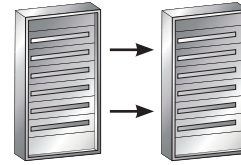
xbp\_021-1-07



xbp\_021-1-13

**Vertical/middle add-on connection element, BP-MSL**

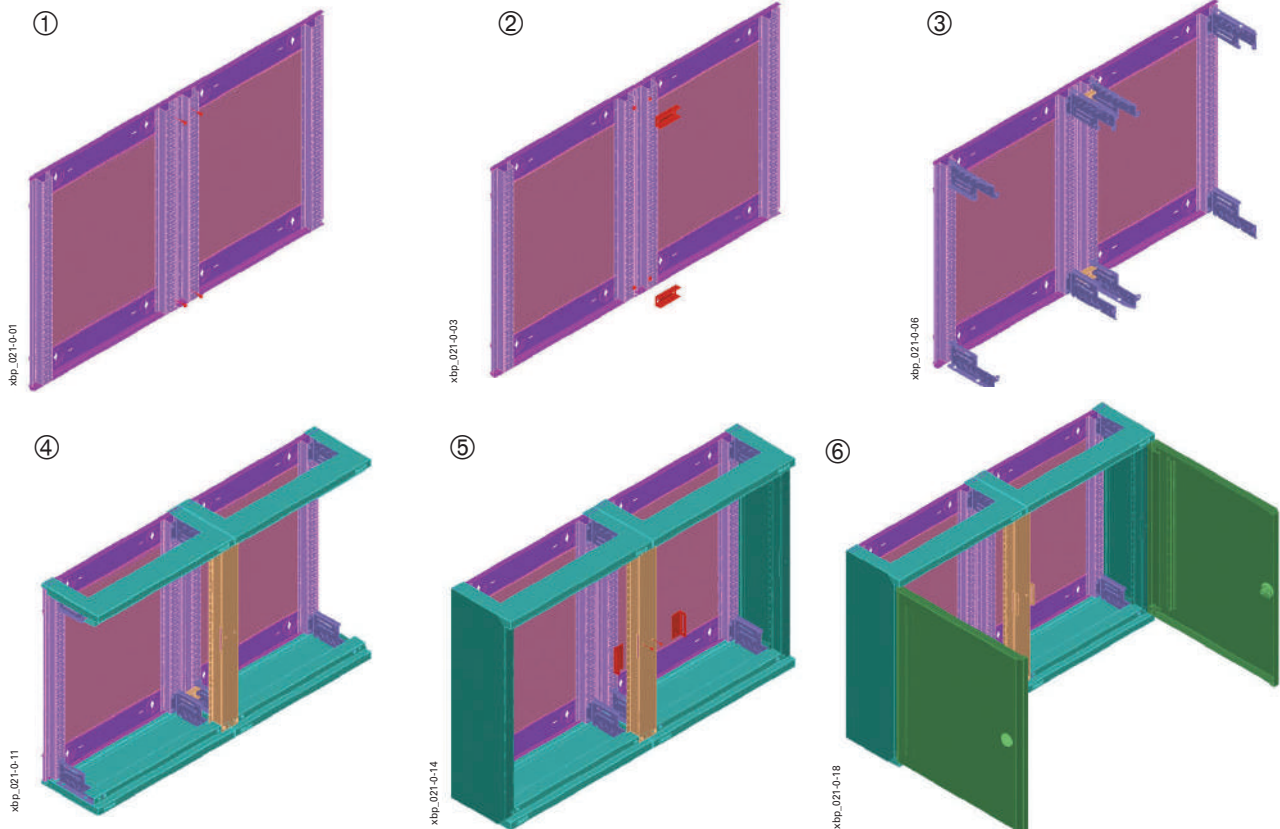
- For mounting distribution boards one next to the other (in parallel)
- Possible to combine with BP-MFL for cross combination of boards
- Material: sheet steel, powder-coated, RAL 7035
- Delivered as: 1 vertical/middle add-on connection element,  
2 mounting elements, fixing material



**Mounting process:**

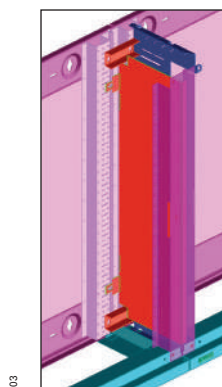
- The process is identical for both BP-MSL and BP-MSL-MSW
- For a pair of boards, only one set of side panels BP-SP, BPZ-SP-MSW is used

1. Placing of base frames BP-MF to correct position, pre-screwing of fixing screws
2. Put of mounting elements and fixing of screws
3. Mounting of towers BPZ-CTS-L onto base frame BP-MF. Towers BPZ-CTS-L are in a Delivered as of the frame BP-MF.
4. Mounting of top and bottom panels BP-TBP and pre-screwing of add-on connection element screws. Assembly of add-on element
5. Connected pair of boards. Mounting of lugs for locks rods
6. Mounting of doors  
To preserve maximum opening angle, both boards have to have opposite direction of door opening

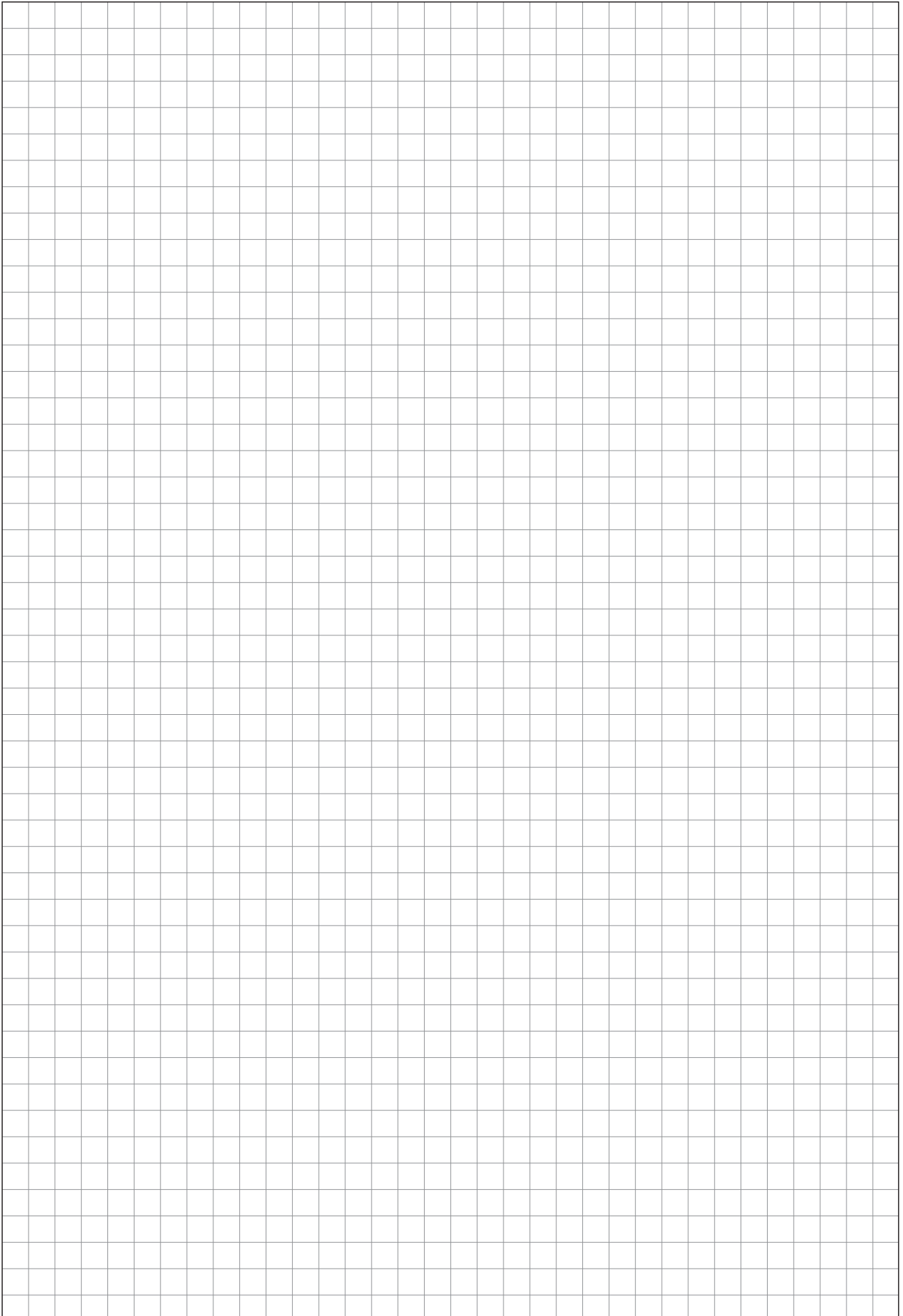


**Separation panel, BPZ-ASB**

- Internal vertical separation between two sections
- Fixing on the rear frame
- Painted, grey RAL 7035

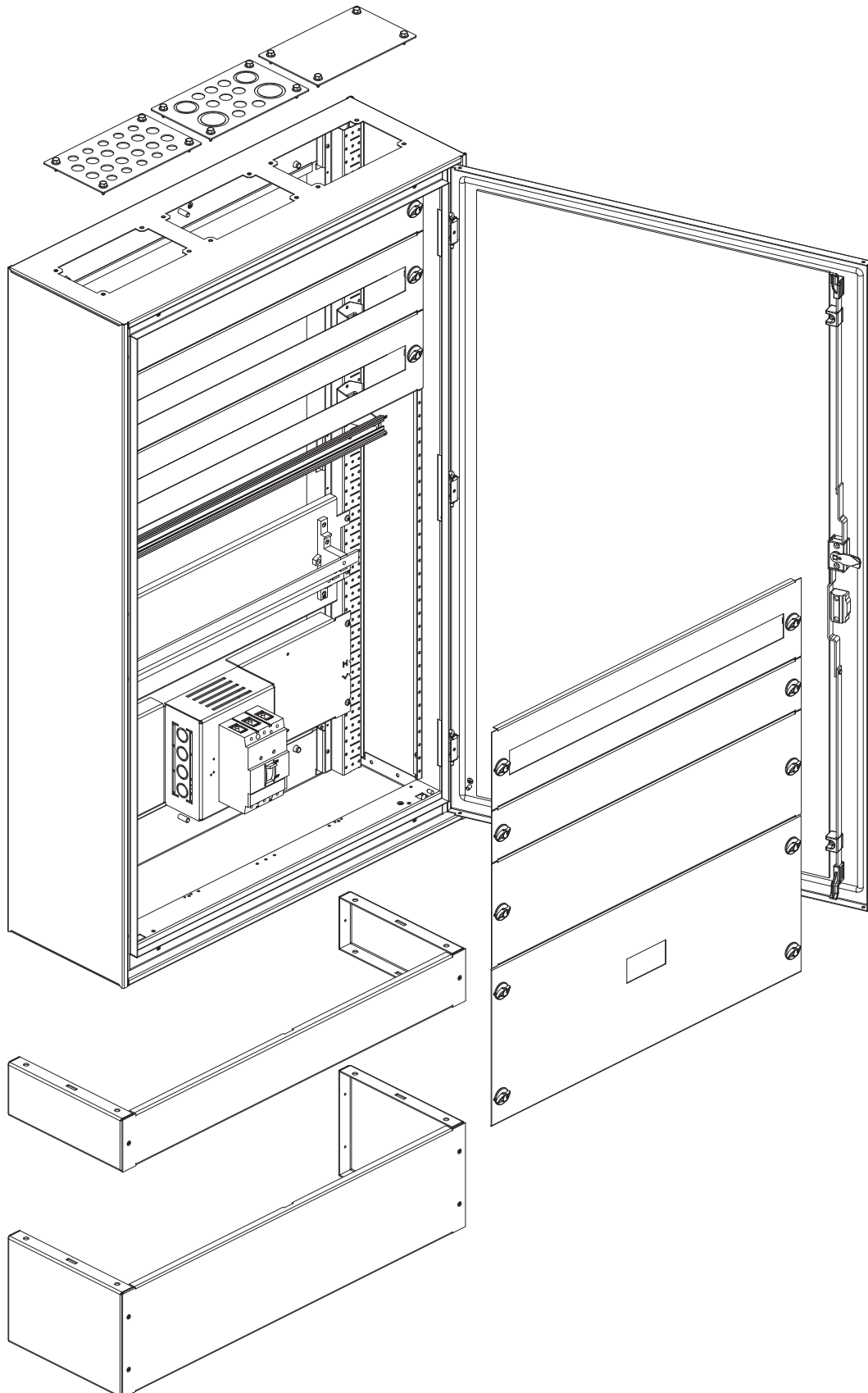


03



System Overview

BPM-O-..., IP55



wa\_vt08514



wa\_vt17413



wa\_vt17513



wa\_vt08514



vt104414



Width [mm]	Height [mm]	Height int. [mm]	Pre-assembled configuration / Individual installation / Prepared for F3A-flanges on top / Door with two-way key bit BPZ-LOCK/DBIT3	Pre-assembled configuration / Individual installation / Prepared for F3A-flanges on top / Door with clip-down handle BPZ-SH-L(-1P)	Pre-assembled configuration / Individual installation / Prepared for F3A-flanges on top / Without door
			RAL 7035 grey Empty	RAL 9016 white Empty	RAL 7035 grey Empty
			Article No. per unit unit = 1 pc.	Article No. per unit unit = 1 pc.	Article No. per unit unit = 1 pc.

### BPM-O-..., IP55 - fully assembled

400 (13MU/row)	460	350	<b>BPM-O-400/4</b> 110837	<b>BPM-O-400/4-W</b> 111057	<b>BPM-O-400/4-P</b> 116653	-
	760	650	<b>BPM-O-400/7</b> 110838	<b>BPM-O-400/7-W</b> 111058	<b>BPM-O-400/7-P</b> 116654	-
	1060	950	<b>BPM-O-400/10</b> 110839	<b>BPM-O-400/10-W</b> 111059	<b>BPM-O-400/10-P</b> 116655	-
	1260	1150	<b>BPM-O-400/12</b> 111020	<b>BPM-O-400/12-W</b> 111060	<b>BPM-O-400/12-P</b> 116656	-
	1560	1450	<b>BPM-O-400/15</b> 111021	<b>BPM-O-400/15-W</b> 111061	<b>BPM-O-400/15-P</b> 116657	-
600 (24MU/row)	460	350	<b>BPM-O-600/4</b> 111022	<b>BPM-O-600/4-W</b> 111062	<b>BPM-O-600/4-P</b> 116658	-
	760	650	<b>BPM-O-600/7</b> 111023	<b>BPM-O-600/7-W</b> 111063	<b>BPM-O-600/7-P</b> 116659	<b>BPM-O-600/7-F</b> 174358
	1060	950	<b>BPM-O-600/10</b> 111024	<b>BPM-O-600/10-W</b> 111064	<b>BPM-O-600/10-P</b> 116660	<b>BPM-O-600/10-F</b> 174359
	1260	1150	<b>BPM-O-600/12</b> 111025	<b>BPM-O-600/12-W</b> 111065	<b>BPM-O-600/12-P</b> 116661	<b>BPM-O-600/12-F</b> 174360
	1560	1450	<b>BPM-O-600/15</b> 111026	<b>BPM-O-600/15-W</b> 111066	<b>BPM-O-600/15-P</b> 116662	<b>BPM-O-600/15-F</b> 174361
800 (35MU/row)	460	350	<b>BPM-O-800/4</b> 111027	<b>BPM-O-800/4-W</b> 111067	<b>BPM-O-800/4-P</b> 116663	-
	760	650	<b>BPM-O-800/7</b> 111028	<b>BPM-O-800/7-W</b> 111068	<b>BPM-O-800/7-P</b> 116664	-
	1060	950	<b>BPM-O-800/10</b> 111029	<b>BPM-O-800/10-W</b> 111069	<b>BPM-O-800/10-P</b> 116665	<b>BPM-O-800/10-F</b> 174364
	1260	1150	<b>BPM-O-800/12</b> 111030	<b>BPM-O-800/12-W</b> 111070	<b>BPM-O-800/12-P</b> 116666	<b>BPM-O-800/12-F</b> 174365
	1560	1450	<b>BPM-O-800/15</b> 111031	<b>BPM-O-800/15-W</b> 111071	<b>BPM-O-800/15-P</b> 116667	<b>BPM-O-800/15-F</b> 174366
1000 (46MU/row)	1060	950	<b>BPM-O-1000/10</b> 111032	<b>BPM-O-1000/10-W</b> 111072	<b>BPM-O-1000/10-P</b> 116668	<b>BPM-O-1000/10-F</b> 193229
	1260	1150	<b>BPM-O-1000/12</b> 111033	<b>BPM-O-1000/12-W</b> 111073	<b>BPM-O-1000/12-P</b> 116669	<b>BPM-O-1000/12-F</b> 193230
	1560	1450	<b>BPM-O-1000/15</b> 111034	<b>BPM-O-1000/15-W</b> 111074	<b>BPM-O-1000/15-P</b> 116670	<b>BPM-O-1000/15-F</b> 174369
1200 (57MU/row)	1260	1150	<b>BPM-O-1200/12</b> 111035	<b>BPM-O-1200/12-W</b> 111075	<b>BPM-O-1200/12-P</b> 116671	<b>BPM-O-1200/12-F</b> 193231
	1560	1450	<b>BPM-O-1200/15</b> 111036	<b>BPM-O-1200/15-W</b> 111076	<b>BPM-O-1200/15-P</b> 116672	<b>BPM-O-1200/15-F</b> 193232



Sheet metal door / Clip-down handle	Sheet metal door (transparent) / Clip-down handle	Plinth 100 mm / Side parts 1 pair / Front cover		Installation back frame / Frontplate support	MSW installation / Corner tower set / 2 pcs. needed / Snap element set	MSW installation / Mounting side wall / (MSW) with SNAP- element BPZ-SNAP
RAL grey 7035	RAL grey 7035	RAL grey 7035	RAL white 9016			
Article No. per unit unit = 1 pc.	Article No. per unit unit = 1 pc.	Article No. per unit unit = 1 pc.	Article No. per unit unit = 1 pc.	Article No. per unit unit = 1 pc.	Article No. per unit unit = 1 pc.	Article No. per unit unit = 1 pc.

	<b>BPZ-DMT-400/4-P</b> 173575	<b>BPZ-SS-1/270</b> 119167	<b>BPZ-SS-1/270-W</b> 119173	<b>BPZ-FPS/350</b> 112343	<b>BPZ-CTS-S</b> 106445	<b>BPZ-MSW-4/SNAP</b> 112284
	<b>BPZ-DMT-400/7-P</b> 173576	<b>BPZ-FS-400/1</b> 293493	<b>BPZ-FS-400/1-W</b> 293494	<b>BPZ-FPS/650</b> 112344	<b>BPZ-SNAP-MSW-CTS</b> 131559	<b>BPZ-MSW-7/SNAP</b> 112285
	<b>BPZ-DMT-400/10-P</b> 173577			<b>BPZ-FPS/950</b> 112345		<b>BPZ-MSW-10/SNAP</b> 112286
	<b>BPZ-DMT-400/12-P</b> 173578			<b>BPZ-FPS/1150</b> 112346		<b>BPZ-MSW-12/SNAP</b> 112287
	<b>BPZ-DMT-400/15-P</b> 173579			<b>BPZ-FPS/1450</b> 112347		<b>BPZ-MSW-15/SNAP</b> 112288
	<b>BPZ-DMT-600/4-P</b> 173580	<b>BPZ-SS-1/270</b> 119167	<b>BPZ-SS-1/270-W</b> 119173	<b>BPZ-FPS/350</b> 112343	<b>BPZ-CTS-S</b> 106445	<b>BPZ-MSW-4/SNAP</b> 112284
<b>BPZ-DMS-600/7-P</b> 174372	<b>BPZ-DMT-600/7-P</b> 173581	<b>BPZ-FS-600/1</b> 293497	<b>BPZ-FS-600/1-W</b> 293498	<b>BPZ-FPS/650</b> 112344	<b>BPZ-SNAP-MSW-CTS</b> 131559	<b>BPZ-MSW-7/SNAP</b> 112285
<b>BPZ-DMS-600/10-P</b> 174373	<b>BPZ-DMT-600/10-P</b> 173582			<b>BPZ-FPS/950</b> 112345		<b>BPZ-MSW-10/SNAP</b> 112286
<b>BPZ-DMS-600/12-P</b> 174374	<b>BPZ-DMT-600/12-P</b> 173583			<b>BPZ-FPS/1150</b> 112346		<b>BPZ-MSW-12/SNAP</b> 112287
<b>BPZ-DMS-600/15-P</b> 174341	<b>BPZ-DMT-600/15-P</b> 173584			<b>BPZ-FPS/1450</b> 112347		<b>BPZ-MSW-15/SNAP</b> 112288
	<b>BPZ-DMT-800/4-P</b> 173587	<b>BPZ-SS-1/270</b> 119167	<b>BPZ-SS-1/270-W</b> 119173	<b>BPZ-FPS/350</b> 112343	<b>BPZ-CTS-S</b> 106445	<b>BPZ-MSW-4/SNAP</b> 112284
	<b>BPZ-DMT-800/7-P</b> 173588	<b>BPZ-FS-800/1</b> 293501	<b>BPZ-FS-800/1-W</b> 293502	<b>BPZ-FPS/650</b> 112344	<b>BPZ-SNAP-MSW-CTS</b> 131559	<b>BPZ-MSW-7/SNAP</b> 112285
<b>BPZ-DMS-800/10-P</b> 174344	<b>BPZ-DMT-800/10-P</b> 173589			<b>BPZ-FPS/950</b> 112345		<b>BPZ-MSW-10/SNAP</b> 112286
<b>BPZ-DMS-800/12-P</b> 174345	<b>BPZ-DMT-800/12-P</b> 173590			<b>BPZ-FPS/1150</b> 112346		<b>BPZ-MSW-12/SNAP</b> 112287
<b>BPZ-DMS-800/15-P</b> 174346	<b>BPZ-DMT-800/15-P</b> 173591			<b>BPZ-FPS/1450</b> 112347		<b>BPZ-MSW-15/SNAP</b> 112288
<b>BPZ-DMS-400/10-L+BPZ-DMS-600/10-R-P</b> 193233 + 193234	<b>BPZ-DMT-400/10-L+BPZ-DMT-600/10-R-P</b> 193241+193242	<b>BPZ-SS-1/270</b> 119167	<b>BPZ-SS-1/270-W</b> 119173	<b>BPZ-FPS/950</b> 112345	<b>BPZ-CTS-S</b> 106445	<b>BPZ-MSW-4/SNAP</b> 112284
<b>BPZ-DMS-400/12-L+BPZ-DMS-600/12-R-P</b> 193235 + 193237	<b>BPZ-DMT-400/12-L+BPZ-DMT-600/12-R-P</b> 193243+193245	<b>BPZ-FS-1000/1</b> 293505	<b>BPZ-FS-1000/1-W</b> 293506	<b>BPZ-FPS/1150</b> 112346	<b>BPZ-SNAP-MSW-CTS</b> 131559	<b>BPZ-MSW-7/SNAP</b> 112285
<b>BPZ-DMS-400/15-L+BPZ-DMS-600/15-R-P</b> 193238 + 193240	<b>BPZ-DMT-400/15-L+BPZ-DMT-600/15-R-P</b> 193246+193248			<b>BPZ-FPS/1450</b> 112347		<b>BPZ-MSW-10/SNAP</b> 112286
<b>BPZ-DMS-600/12-L+BPZ-DMS-600/12-R-P</b> 193236 + 193237	<b>BPZ-DMT-600/12-L+BPZ-DMT-600/12-R-P</b> 193244+193245	<b>BPZ-SS-1/270</b> 119167	<b>BPZ-SS-1/270-W</b> 119173	<b>BPZ-FPS/1150</b> 112346	<b>BPZ-CTS-S</b> 106445	<b>BPZ-MSW-12/SNAP</b> 112287
<b>BPZ-DMS-600/15-L+BPZ-DMS-600/15-R-P</b> 193239 + 193240	<b>BPZ-DMT-600/15-L+BPZ-DMT-600/15-R-P</b> 193247+193248	<b>BPZ-FS-1200/1</b> 293509	<b>BPZ-FS-1200/1-W</b> 293510	<b>BPZ-FPS/1450</b> 112347	<b>BPZ-SNAP-MSW-CTS</b> 131559	<b>BPZ-MSW-15/SNAP</b> 112288

# 1.4

## xEnergy Distribution Boards

Surface-mounted distribution board BPM-O-..., IP55

wa\_v108514



vi02918, wa\_v151413



vi02918, vi02718



vt104614



vt104714

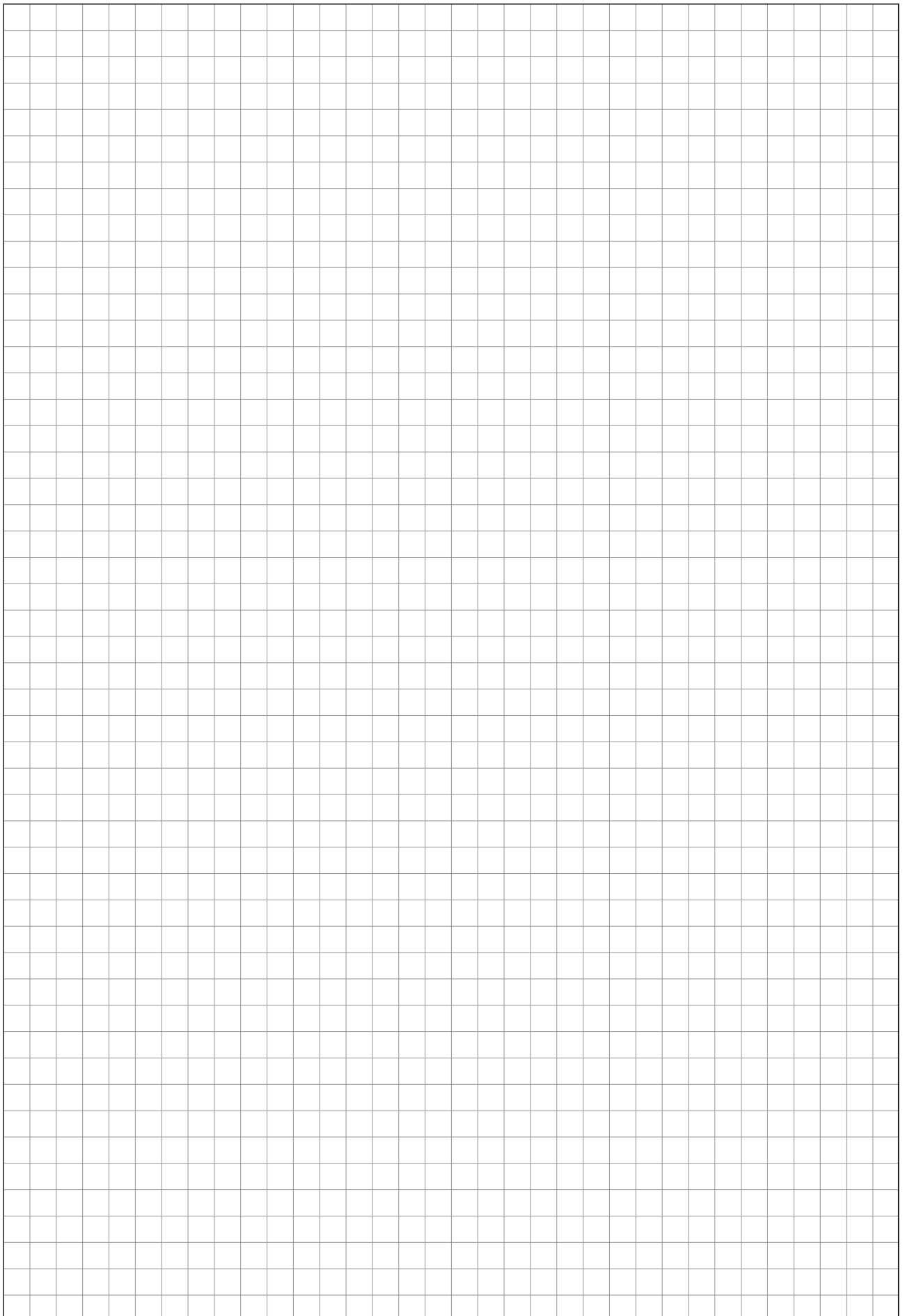


Width [mm]	Height [mm]	Height int. [mm]	Plinth 100 mm / Side parts 1 pair open-open for cable guiding between the sections / Front cover	Plinth 200 mm / Side parts 1 pair / Front cover		Internal cable duct as complete kit for shared composition incl. mounting pillars, compartment door and protective cover
			grey RAL 7035	grey RAL 7035	white RAL 9016	grey RAL 7035 Compartment width 200 mm Compartment width 400 mm
			Article No. per unit unit = 1 pc.	Article No. per unit unit = 1 pc.	Article No. per unit unit = 1 pc.	Article No. per unit unit = 1 pc.

### BPM-O-..., IP55 - fully assembled

400 (13MU/row)	460	350	<b>BPZ-SS-1/270/SET/00</b> 174352	<b>BPZ-SS-2/270</b> 119171	<b>BPZ-SS-2/270-W</b> 119175	-	-
	760	650	<b>BPZ-FS-400/1</b> 293493	<b>BPZ-FS-400/2</b> 293495	<b>BPZ-FS-400/2</b> 293495	-	-
	1060	950				-	-
	1260	1150				-	-
	1560	1450				-	-
600 (24MU/row)	460	350	<b>BPZ-SS-1/270/SET/00</b> 174352	<b>BPZ-SS-2/270</b> 119171	<b>BPZ-SS-2/270-W</b> 119175	-	-
	760	650	<b>BPZ-FS-600/1</b> 293497	<b>BPZ-FS-600/2</b> 293499	<b>BPZ-FS-600/2</b> 293499	-	-
	1060	950				-	-
	1260	1150				-	-
	1560	1450				-	-
800 (35MU/row)	460	350	<b>BPZ-SS-1/270/SET/00</b> 174352	<b>BPZ-SS-2/270</b> 119171	<b>BPZ-SS-2/270-W</b> 119175	-	-
	760	650	<b>BPZ-FS-800/1</b> 293501	<b>BPZ-FS-800/2</b> 293503	<b>BPZ-FS-800/2</b> 293503	-	-
	1060	950				-	-
	1260	1150				-	-
	1560	1450				<b>BPZ-ICD-200/15</b> 174353	-
1000 (46MU/row)	1060	950	<b>BPZ-SS-1/270/SET/00</b> 174352	<b>BPZ-SS-1/270</b> 119167	<b>BPZ-SS-2/270-W</b> 119175	-	-
	1260	1150	<b>BPZ-FS-1000/1</b> 293505	<b>BPZ-FS-1000/2</b> 293507	<b>BPZ-FS-1000/2</b> 293507	-	-
	1560	1450				-	<b>BPZ-ICD-400/15</b> 174356
1200 (57MU/row)	1260	1150	<b>BPZ-SS-1/270/SET/00</b> 174352	<b>BPZ-SS-1/270</b> 119167	<b>BPZ-SS-2/270-W</b> 119175	-	-
	1560	1450	<b>BPZ-FS-1200/1</b> 293509	<b>BPZ-FS-1200/2</b> 293511	<b>BPZ-FS-1200/2</b> 293511	-	-





## Description

### BPM-O..., IP55, enclosure depth 270 mm

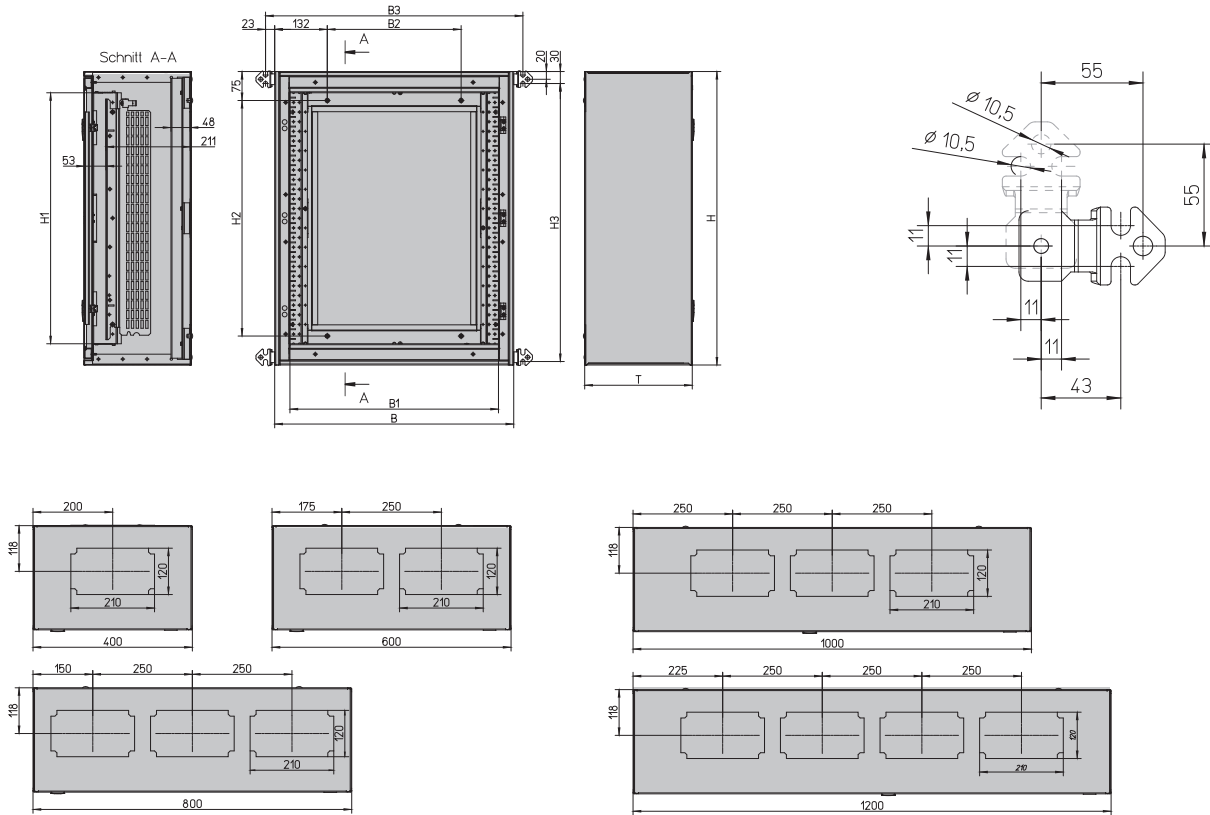
- Complete cabinets prepared for Profi+ installation system
- Degree of protection IP55
- Impact resistance IK10
- Protection class I (protective earth)
- Cable entry prepared for F3A flange
- The enclosure can be rotated by 180°
- Quick and easy change of the hinge direction, door opening angle 100°
- Two-way key bit or rotary lever
- Direct wall mounting possible, wall-fixing brackets optionally included in the accessories
- Enclosure made from powder-coated sheet steel, RAL 7035 / RAL 9016
- Variable interior installation either with "Mounting base frame" or "Mounting side panel" (MSW)

## Technical data

BPM-O...	
<b>Electrical</b>	
Type conforms to	IEC/EN 62208
Protection class	I (protective earth)
Degree of protection	IP55 (closed version with door/flansche) IP2XC (open door, the installation level is properly protected with EP covers)
Impact resistance	IK10
Rated operational voltage	415 VAC / 50Hz
Rated current	Max. 630 A (depending on the type of incoming circuit breaker or the busbar system being used)
Earthing concept for the enclosure	
Main earthing	By means of M8 welding bolts
Door earthing	By means of M6 welding bolts
The permissible temperature increases for switchgear assemblies with a rated current of up to 630 A can be evaluated in accordance with section 10.10.4.2 of IEC/EN 61439-1.	
For the maximum permissible heat dissipation for all devices inside the distribution board at an ambient temperature of 35° C and $\Delta T$ of 20 K / 35 K at an enclosure height of 75 %, please refer to the table on enclosure dimensions; (calculation method acc.to IEC/TR 60890).	
<b>Mechanical</b>	
Enclosure	Excellent stability thanks to the welded construction
Material	Sheet steel 1.25 mm, phosphated and polyester powder coated (structured) with corrosion protection
Colour	Traffic white, RAL 9016 / Light grey RAL 7035
Door	With encircling foamed sealing, hinges on the inside, door opening angle ~100° Doors with transparent window individually configurable, hinged either left or right Width 1000 / 1200 mm in double-wing design
Type	Flexible interior fitting with installation units Profi+ on base frame or „mounting side panel“ (MSW) Mounting base frame: multi-layer construction, installation directly in the enclosure, robust and structured Mounting side panel (MSW): removable mounting insert, external installation, fast and reliable
Locking mechanism	Standard locking with two-way key bit (metal) respectively rotary lever (optional lock cylinder as accessory) Three-point locking mechanism from height 1060 mm (one-point respectively two-point at height 460 / 760 mm)
Cable entry	Open, prepared for F3A flanges on one sides (top/bottom)
Ambient condition	Indoor installation (wall mounting) Max. ambient temperature +40° C Min. ambient temperature -5° C
Halogen-free, RoHS	< 1%, yes
Accessories	Wall-fixing brackets for wall mounting, a 100/200 mm base if used as a floor-standing cabinet, Lock cylinder as insert for rotary lever, several F3A flanges for cable entry
Delivered as	Complete cabinet prepared for „Mounting base frame“ or „MSW“ (depending on interior fitting all corresponding parts for „Mounting base frame“ respectively „MSW“ have to be ordered separately)

Dimensions (mm)

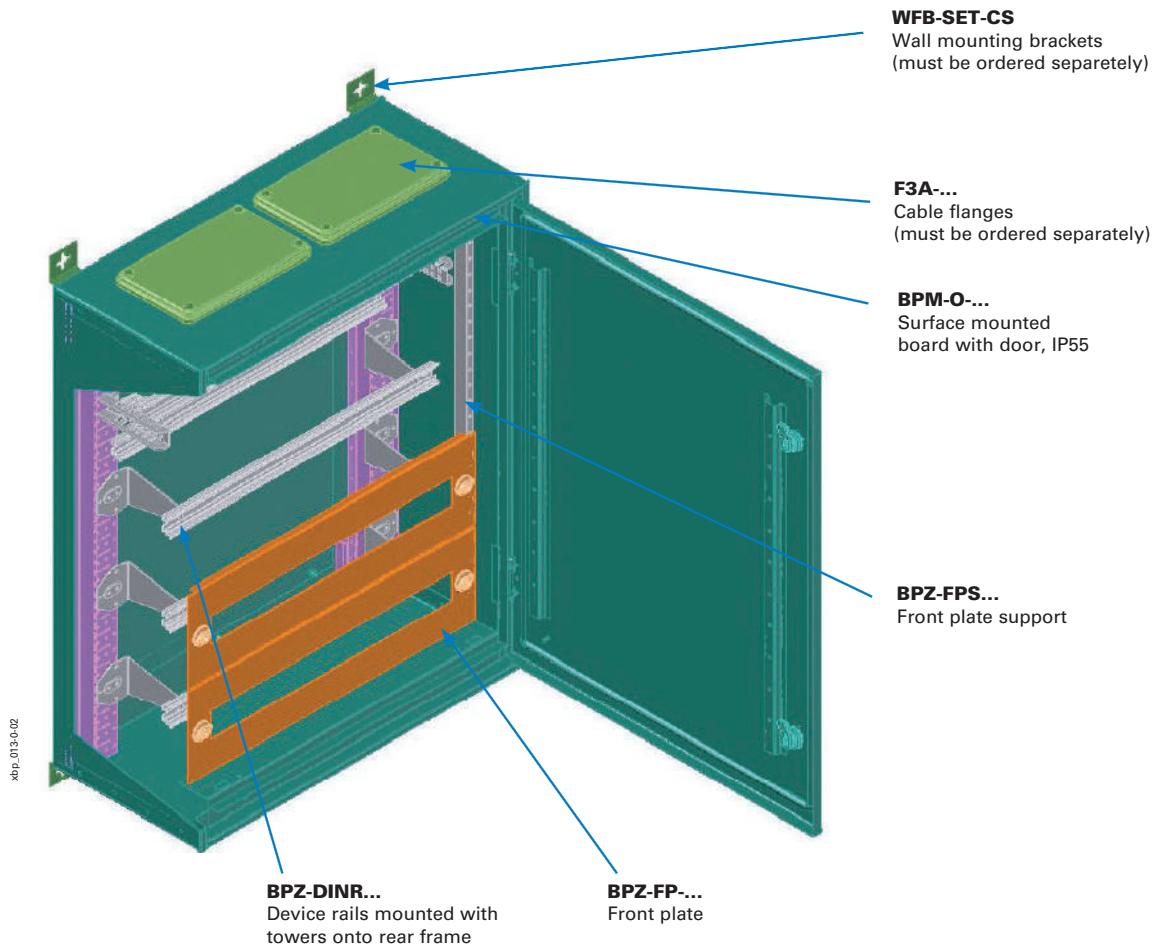
BPM-O-..., IP55, enclosure depth 270 mm



Type	Overall dimensions			Internal dimensions (front plate)		Wall mounting (Enclosure directly)		Wall mounting (via fixing bracket set)		Pv [W] ( $\Delta T$ 20K)	Pv [W] ( $\Delta T$ 35K)
	Width B	Height H	Depth T	Width B1	Height H1	Width B2	Height H2	B3	H3	[W]	[W]
BPM-O-400/4	400	460	270	320	350	136	310	446	420	40	79
BPM-O-400/7	400	760	270	320	650	136	610	446	720	54	109
BPM-O-400/10	400	1060	270	320	950	136	910	446	1020	54	109
BPM-O-400/12	400	1260	270	320	1150	136	1110	446	1220	58	117
BPM-O-400/15	400	1560	270	320	1450	136	1410	446	1520	67	135
BPM-O-600/4	600	460	270	520	350	336	310	646	420	54	108
BPM-O-600/7	600	760	270	520	650	336	610	646	720	71	143
BPM-O-600/10	600	1060	270	520	950	336	910	646	1020	71	143
BPM-O-600/12	600	1260	270	520	1150	336	1110	646	1220	82	165
BPM-O-600/15	600	1560	270	520	1450	336	1410	646	1520	109	219
BPM-O-800/4	800	460	270	720	350	536	310	846	420	68	137
BPM-O-800/7	800	760	270	720	650	536	610	846	720	76	153
BPM-O-800/10	800	1060	270	720	950	536	910	846	1020	98	196
BPM-O-800/12	800	1260	270	720	1150	536	1110	846	1220	122	244
BPM-O-800/15	800	1560	270	720	1450	536	1410	846	1520	141	283
BPM-O-1000/10	1000	1060	270	920	950	736	910	1046	1020	135	272
BPM-O-1000/12	1000	1260	270	920	1150	736	1110	1046	1220	151	304
BPM-O-1000/15	1000	1560	270	920	1450	736	1410	1046	1520	187	375
BPM-O-1200/12	1200	1260	270	1120	1150	936	1110	1246	1220	191	383
BPM-O-1200/15	1200	1560	270	1120	1450	936	1410	1246	1520	215	431

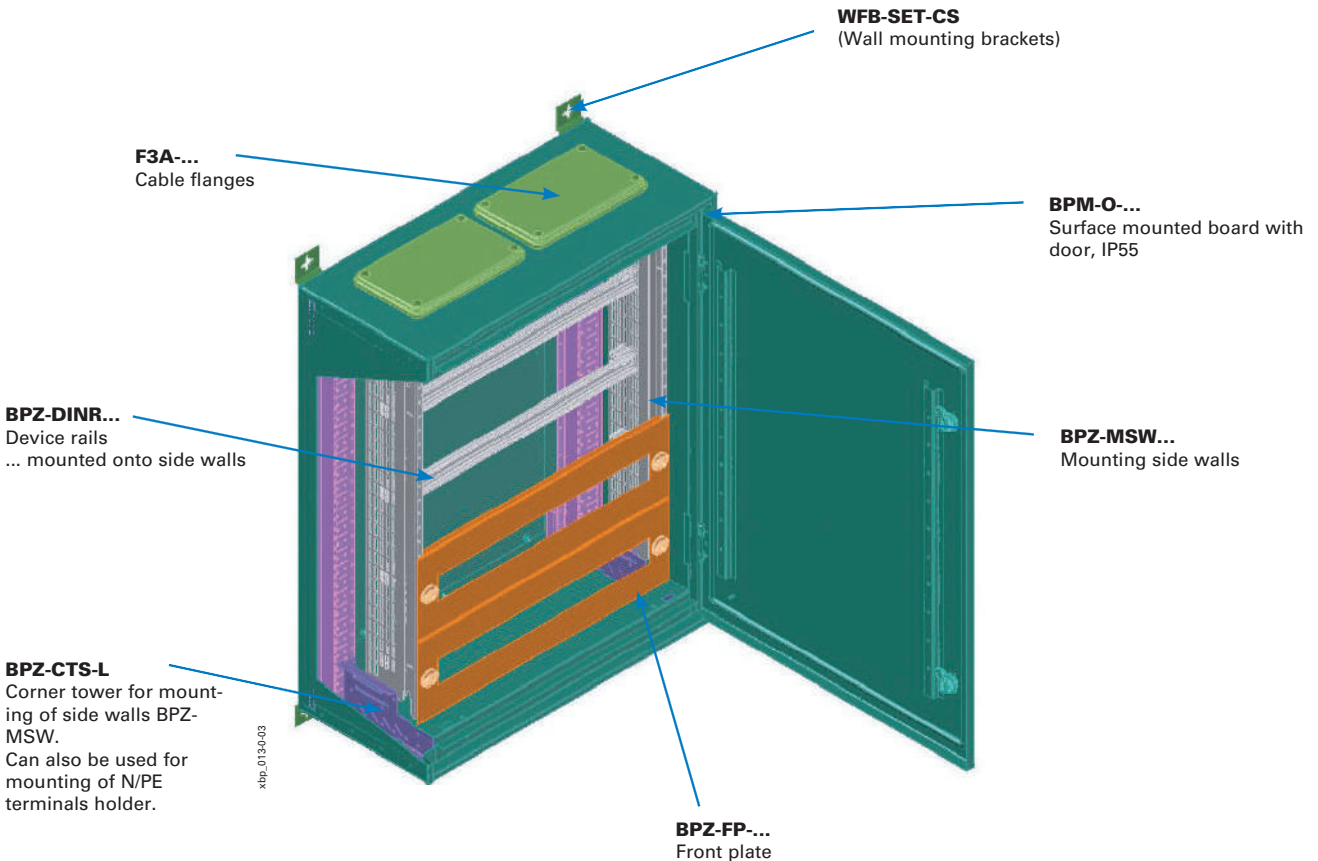
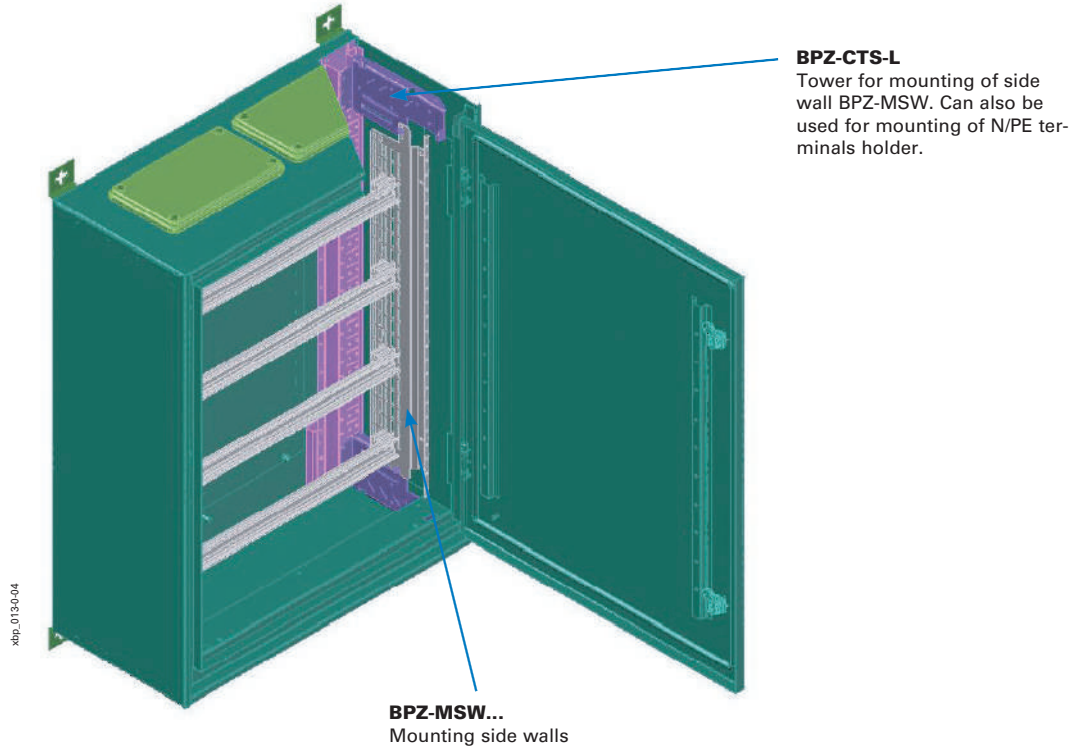
### Mounting of device rails onto rear frame (without mounting frame BPZ-MSW)

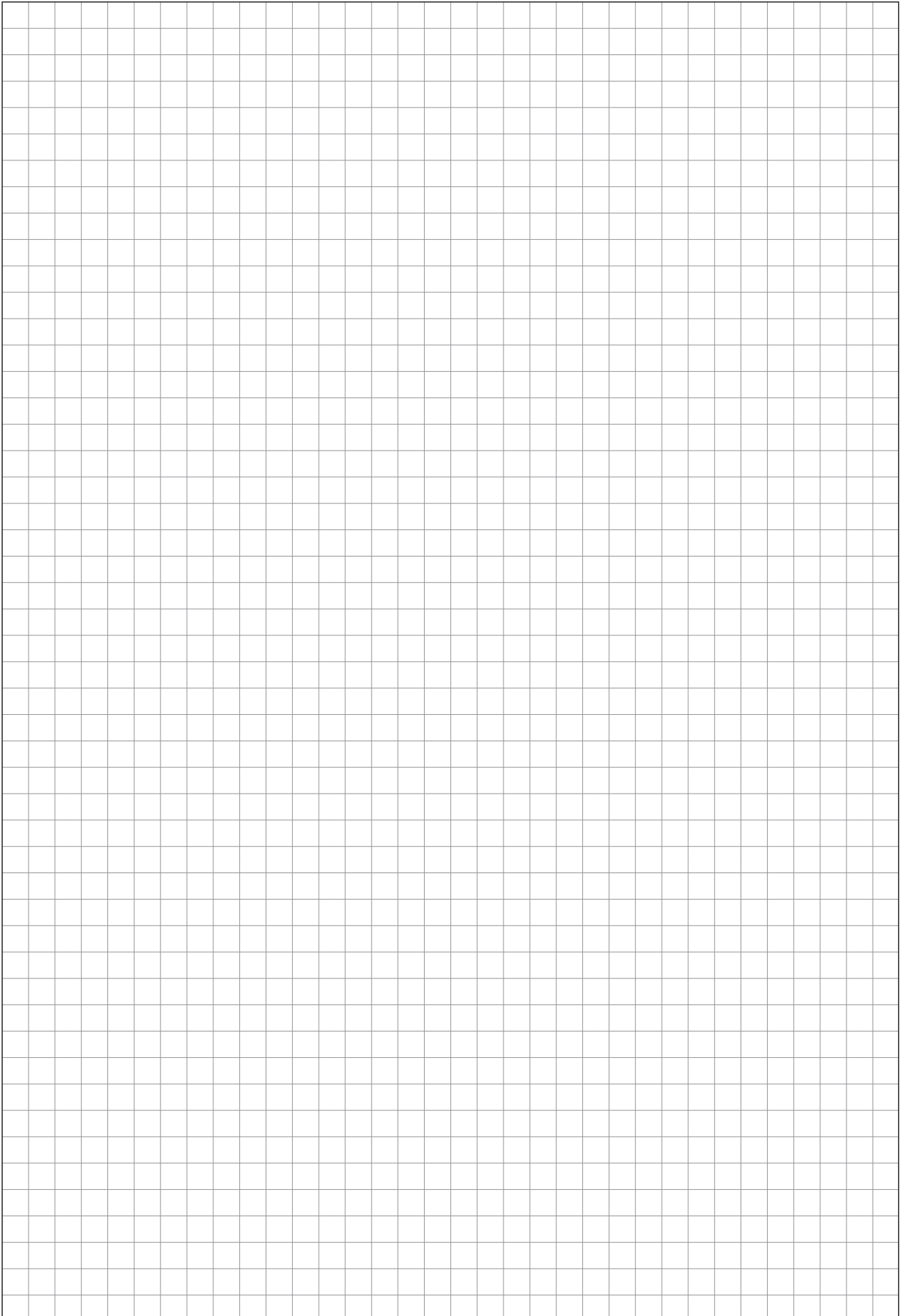
- Front plates are mounted onto supports BPZ-FPS (not in Delivered as of BPM-O board)
- Welded construction, side panels of the cover cannot be unmounted



**Mounting of device rails with mounting frame BPZ-MSW**

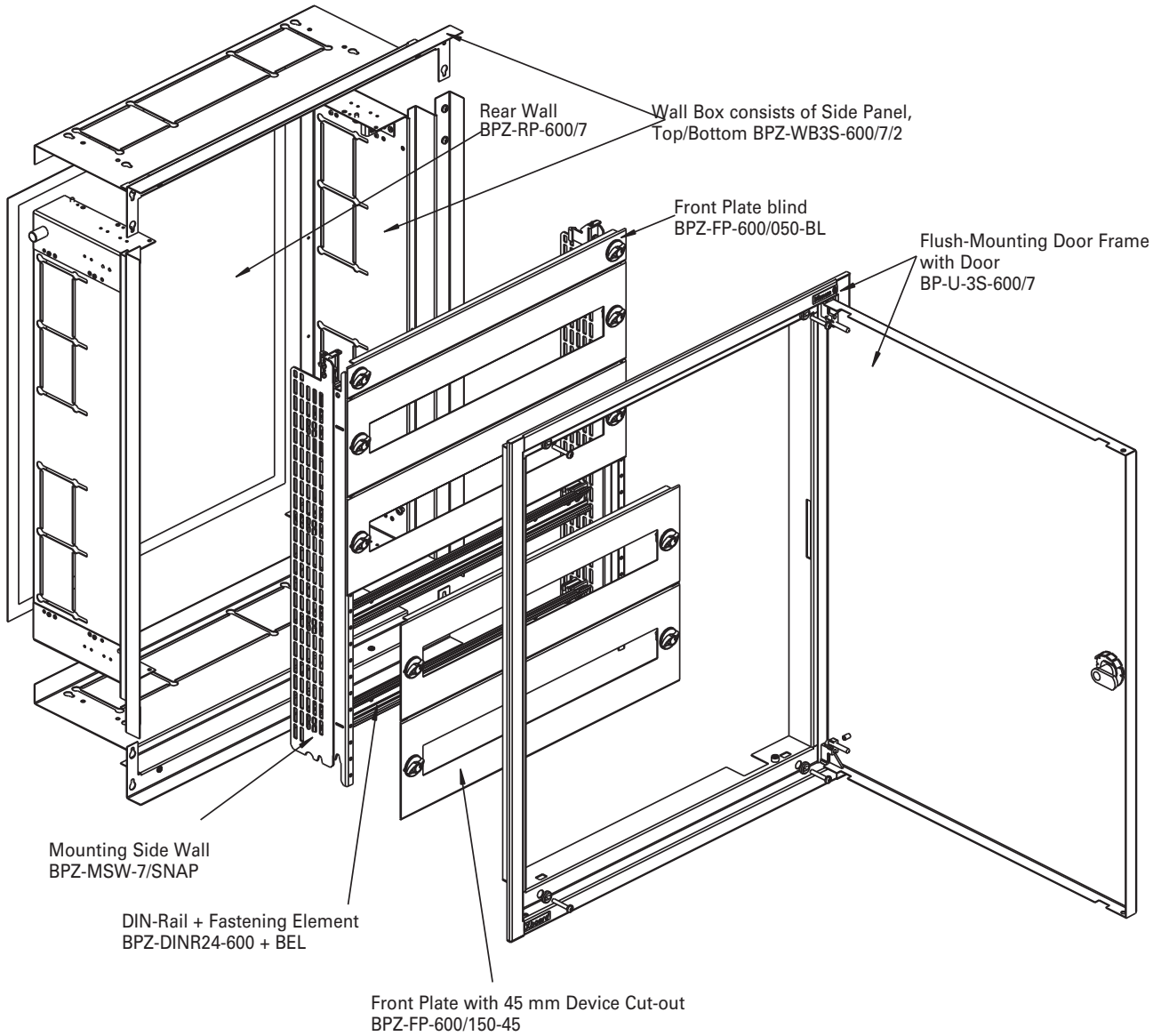
- Mounting onto corner towers BPZ-CTS-L (not in Delivered as of BPM-O board)
- The mounting process of side walls BPZ-MSW is identical with version IP30
- Front plates are mounted directly onto BPZ-MSW
- Welded construction, side panels of the cover cannot be unmounted





System Overview

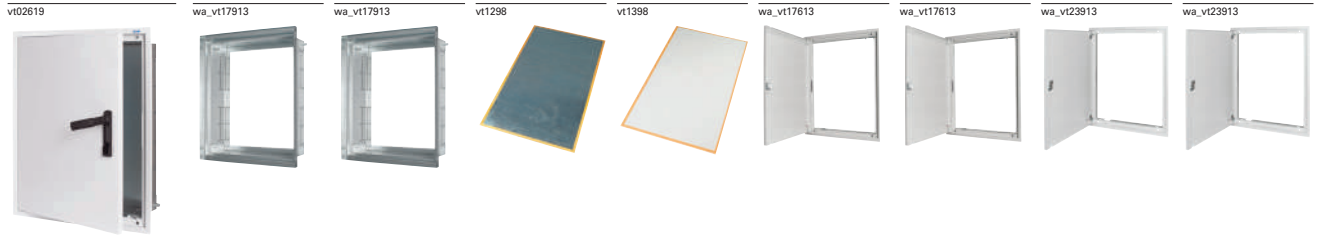
BP(A/M)-U-3S-..., IP30/IP43/IP54



# 1.5

## xEnergy Distribution Boards

Flush-mounted distribution board BP(A/M)-U-3S-..., IP30/IP43/IP54



Width [mm]	Height [mm]	Height int. [mm]	Wall box for 3-step / System dedicated for MSW installation / Depth 1 (180 mm)	Depth 2 (240 mm)	Rear panel for 3-step / System galvanized / Sheet-steel installation .	plastic	Flush-mounting door frame for 3-step design designed for indoor applications! / Degree of protection IP30				
			Galvanized sheet-steel				Door with rotary handle			Door with clip-down handle	
			Blank empty	Blank empty	blank	RAL 7035 grey	RAL 7035 grey	RAL 9016 white	RAL 7035 grey	RAL 9016 white	
			Article No. per unit unit = 1 pc.	Article No. per unit unit = 1 pc.	Article No. per unit unit = 1 pc.	Article No. per unit unit = 1 pc.	Article No. per unit unit = 1 pc.	Article No. per unit unit = 1 pc.	Article No. per unit unit = 1 pc.	Article No. per unit unit = 1 pc.	Article No. per unit unit = 1 pc.

### BP(A/M)-U-3S... - project delivery form

400 (13MU/row)	460	350	BPZ-WB3S-400/4/1 111097	BPZ-WB3S-400/4/2 111123	BPZ-RP-400/4 111285	BPZ-RPP-400/4 111311	BP-U-3S-400/4 111149	BP-U-3S-400/4-W 111183	BP-U-3S-400/4-P 119093	BP-U-3S-400/4-P-W 119111
	760	650	BPZ-WB3S-400/7/1 111098	BPZ-WB3S-400/7/2 111124	BPZ-RP-400/7 111286	BPZ-RPP-400/7 111312	BP-U-3S-400/7 111150	BP-U-3S-400/7-W 111184	BP-U-3S-400/7-P 119094	BP-U-3S-400/7-P-W 119112
	1060	950	BPZ-WB3S-400/10/1 111099	BPZ-WB3S-400/10/2 111125	BPZ-RP-400/10 111287	BPZ-RPP-400/10 111313	BP-U-3S-400/10 111151	BP-U-3S-400/10-W 111185	BP-U-3S-400/10-P 119095	BP-U-3S-400/10-P-W 119113
	1260	1150	BPZ-WB3S-400/12/1 111100	BPZ-WB3S-400/12/2 111126	BPZ-RP-400/12 111288	BPZ-RPP-400/12 111314	BP-U-3S-400/12 111152	BP-U-3S-400/12-W 111186	BP-U-3S-400/12-P 119096	BP-U-3S-400/12-P-W 119114
600 (24MU/row)	460	350	BPZ-WB3S-600/4/1 111101	BPZ-WB3S-600/4/2 111127	BPZ-RP-600/4 111289	BPZ-RPP-600/4 111315	BP-U-3S-600/4 111153	BP-U-3S-600/4-W 111187	BP-U-3S-600/4-P 119097	BP-U-3S-600/4-P-W 119115
	760	650	BPZ-WB3S-600/7/1 111102	BPZ-WB3S-600/7/2 111128	BPZ-RP-600/7 111290	BPZ-RPP-600/7 111316	BP-U-3S-600/7 111154	BP-U-3S-600/7-W 111188	BP-U-3S-600/7-P 119098	BP-U-3S-600/7-P-W 119116
	1060	950	BPZ-WB3S-600/10/1 111103	BPZ-WB3S-600/10/2 111129	BPZ-RP-600/10 111291	BPZ-RPP-600/10 111317	BP-U-3S-600/10 111155	BP-U-3S-600/10-W 111189	BP-U-3S-600/10-P 119099	BP-U-3S-600/10-P-W 119117
	1260	1150	BPZ-WB3S-600/12/1 111104	BPZ-WB3S-600/12/2 111130	BPZ-RP-600/12 111292	BPZ-RPP-600/12 111318	BP-U-3S-600/12 111156	BP-U-3S-600/12-W 111190	BP-U-3S-600/12-P 119100	BP-U-3S-600/12-P-W 119118
	1560	1450	BPZ-WB3S-600/15/1 111105	BPZ-WB3S-600/15/2 111131	BPZ-RP-600/15 111293	BPZ-RPP-600/15 111319	BP-U-3S-600/15 111157	BP-U-3S-600/15-W 111191	BP-U-3S-600/15-P 119101	BP-U-3S-600/15-P-W 119119
	1760	1650	BPZ-WB3S-600/17/1 111106	BPZ-WB3S-600/17/2 111132	BPZ-RP-600/17 111294	BPZ-RPP-600/17 111320	BP-U-3S-600/17 111158	BP-U-3S-600/17-W 111192	BP-U-3S-600/17-P 111160	BP-U-3S-600/17-P-W 111194
	2060	1950	BPZ-WB3S-600/20/1 111107	BPZ-WB3S-600/20/2 111133	BPZ-RP-600/20 111295	BPZ-RPP-600/20 111321	BP-U-3S-600/20 111159	BP-U-3S-600/20-W 111193	BP-U-3S-600/20-P 111161	BP-U-3S-600/20-P-W 111195
800 (35MU/row)	760	650	BPZ-WB3S-800/7/1 111108	BPZ-WB3S-800/7/2 111134	BPZ-RP-800/7 111296	BPZ-RPP-800/7 111322	BP-U-3S-800/7 111162	BP-U-3S-800/7-W 111196	BP-U-3S-800/7-P 119102	BP-U-3S-800/7-P-W 119120
	1060	950	BPZ-WB3S-800/10/1 111109	BPZ-WB3S-800/10/2 111135	BPZ-RP-800/10 111297	BPZ-RPP-800/10 111323	BP-U-3S-800/10 111163	BP-U-3S-800/10-W 111197	BP-U-3S-800/10-P 119103	BP-U-3S-800/10-P-W 119121
	1260	1150	BPZ-WB3S-800/12/1 111110	BPZ-WB3S-800/12/2 111136	BPZ-RP-800/12 111298	BPZ-RPP-800/12 111324	BP-U-3S-800/12 111164	BP-U-3S-800/12-W 111198	BP-U-3S-800/12-P 119104	BP-U-3S-800/12-P-W 119122
	1560	1450	BPZ-WB3S-800/15/1 111111	BPZ-WB3S-800/15/2 111137	BPZ-RP-800/15 111299	BPZ-RPP-800/15 111325	BP-U-3S-800/15 111165	BP-U-3S-800/15-W 111199	BP-U-3S-800/15-P 119105	BP-U-3S-800/15-P-W 119123
			BPZ-WB3S-800/17/1 111112	BPZ-WB3S-800/17/2 111138	BPZ-RP-800/17 111300	BPZ-RPP-800/17 111326	BP-U-3S-800/17 111166	BP-U-3S-800/17-W 111200	BP-U-3S-800/17-P 111168	BP-U-3S-800/17-P-W 111202
		BPZ-WB3S-800/20/1 111113	BPZ-WB3S-800/20/2 111139	BPZ-RP-800/20 111301	BPZ-RPP-800/20 111327	BP-U-3S-800/20 111167	BP-U-3S-800/20-W 111201	BP-U-3S-800/20-P 111169	BP-U-3S-800/20-P-W 111203	



Flush-mounted distribution board BP(A/M)-U-3S-..., IP30/IP43/IP54



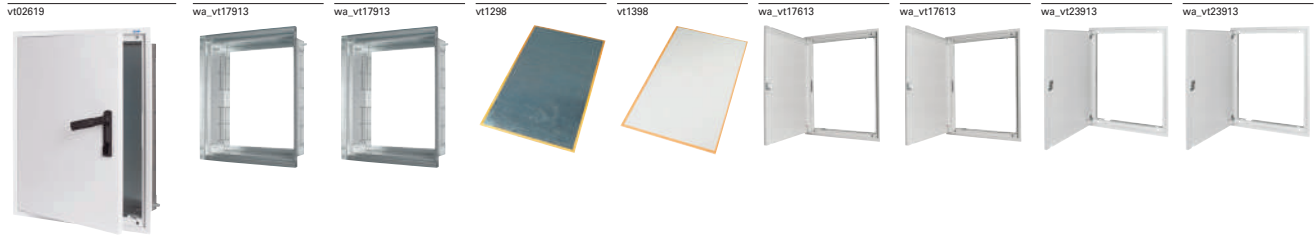
Flush-mounting door frame for 3-step design / Designed for indoor applications! / Degree of protection IP30 / Fire-resistant (E60/EW60)		Flush-mounting door frame for 3-step design / Designed for outdoor applications! / Degree of protection IP43		Flush-mounting door frame for 3-step design / Designed for industrial applications / Degree of protection IP54		MSW installation / Mounting side wall (MSW) with SNAP-element BPZ-SNAP	
Door with rotary handle RAL 7035 grey		Door with two-way key bit RAL 7035 grey		Door with two-way key bit RAL 9016 white		Door with clip-down handle RAL 7035 grey	
RAL 9016 white		RAL 9016 white		RAL 7035 grey		RAL 9016 white	
Article No. per unit unit = 1 pc.		Article No. per unit unit = 1 pc.		Article No. per unit unit = 1 pc.		Article No. per unit unit = 1 pc.	

<b>BP-U-3S-400/4-EW</b> 116570	<b>BP-U-3S-400/4-EW-W</b> 116592	<b>BPA-U-3S-400/4</b> 111217	<b>BPA-U-3S-400/4-P</b> 119129	<b>BPM-U-3S-400/4</b> 111251	<b>BPM-U-3S-400/4-W</b> 144237	<b>BPM-U-3S-400/4-P</b> 119147	<b>BPZ-MSW-4/SNAP</b> 112284
<b>BP-U-3S-400/7-EW</b> 116571	<b>BP-U-3S-400/7-EW-W</b> 116593	<b>BPA-U-3S-400/7</b> 111218	<b>BPA-U-3S-400/7-P</b> 119130	<b>BPM-U-3S-400/7</b> 111252	<b>BPM-U-3S-400/7-W</b> 144238	<b>BPM-U-3S-400/7-P</b> 119148	<b>BPZ-MSW-7/SNAP</b> 112285
<b>BP-U-3S-400/10-EW</b> 116572	<b>BP-U-3S-400/10-EW-W</b> 116594	<b>BPA-U-3S-400/10</b> 111219	<b>BPA-U-3S-400/10-P</b> 119131	<b>BPM-U-3S-400/10</b> 111253	<b>BPM-U-3S-400/10-W</b> 144239	<b>BPM-U-3S-400/10-P</b> 119149	<b>BPZ-MSW-10/SNAP</b> 112286
<b>BP-U-3S-400/12-EW</b> 116573	<b>BP-U-3S-400/12-EW-W</b> 116595	<b>BPA-U-3S-400/12</b> 111220	<b>BPA-U-3S-400/12-P</b> 119132	<b>BPM-U-3S-400/12</b> 111254	<b>BPM-U-3S-400/12-W</b> 144240	<b>BPM-U-3S-400/12-P</b> 119150	<b>BPZ-MSW-12/SNAP</b> 112287
<b>BP-U-3S-600/4-EW</b> 116574	<b>BP-U-3S-600/4-EW-W</b> 116596	<b>BPA-U-3S-600/4</b> 111221	<b>BPA-U-3S-600/4-P</b> 119133	<b>BPM-U-3S-600/4</b> 111255	<b>BPM-U-3S-600/4-W</b> 144241	<b>BPM-U-3S-600/4-P</b> 119151	<b>BPZ-MSW-4/SNAP</b> 112284
<b>BP-U-3S-600/7-EW</b> 116575	<b>BP-U-3S-600/7-EW-W</b> 116597	<b>BPA-U-3S-600/7</b> 111222	<b>BPA-U-3S-600/7-P</b> 119134	<b>BPM-U-3S-600/7</b> 111256	<b>BPM-U-3S-600/7-W</b> 144242	<b>BPM-U-3S-600/7-P</b> 119152	<b>BPZ-MSW-7/SNAP</b> 112285
<b>BP-U-3S-600/10-EW</b> 116576	<b>BP-U-3S-600/10-EW-W</b> 116598	<b>BPA-U-3S-600/10</b> 111223	<b>BPA-U-3S-600/10-P</b> 119135	<b>BPM-U-3S-600/10</b> 111257	<b>BPM-U-3S-600/10-W</b> 144243	<b>BPM-U-3S-600/10-P</b> 119153	<b>BPZ-MSW-10/SNAP</b> 112286
<b>BP-U-3S-600/12-EW</b> 116577	<b>BP-U-3S-600/12-EW-W</b> 116599	<b>BPA-U-3S-600/12</b> 111224	<b>BPA-U-3S-600/12-P</b> 119136	<b>BPM-U-3S-600/12</b> 111258	<b>BPM-U-3S-600/12-W</b> 144244	<b>BPM-U-3S-600/12-P</b> 119154	<b>BPZ-MSW-12/SNAP</b> 112287
<b>BP-U-3S-600/15-EW</b> 116578	<b>BP-U-3S-600/15-EW-W</b> 116600	<b>BPA-U-3S-600/15</b> 111225	<b>BPA-U-3S-600/15-P</b> 119137	<b>BPM-U-3S-600/15</b> 111259	<b>BPM-U-3S-600/15-W</b> 144245	<b>BPM-U-3S-600/15-P</b> 119155	<b>BPZ-MSW-15/SNAP</b> 112288
<b>BP-U-3S-600/17-EW</b> 116579	<b>BP-U-3S-600/17-EW-W</b> 116601	<b>BPA-U-3S-600/17</b> 111226	<b>BPA-U-3S-600/17-P</b> 111228	<b>BPM-U-3S-600/17</b> 111260	<b>BPM-U-3S-600/17-W</b> 144246	<b>BPM-U-3S-600/17-P</b> 111262	<b>BPZ-MSW-17/SNAP</b> 112289
<b>BP-U-3S-600/20-EW</b> 116580	<b>BP-U-3S-600/20-EW-W</b> 116602	<b>BPA-U-3S-600/20</b> 111227	<b>BPA-U-3S-600/20-P</b> 111229	<b>BPM-U-3S-600/20</b> 111261	<b>BPM-U-3S-600/20-W</b> 144247	<b>BPM-U-3S-600/20-P</b> 111263	<b>BPZ-MSW-20/SNAP</b> 112300
<b>BP-U-3S-800/7-EW</b> 116581	<b>BP-U-3S-800/7-EW-W</b> 116603	<b>BPA-U-3S-800/7</b> 111230	<b>BPA-U-3S-800/7-P</b> 119138	<b>BPM-U-3S-800/7</b> 111264	<b>BPM-U-3S-800/7-W</b> 144248	<b>BPM-U-3S-800/7-P</b> 119156	<b>BPZ-MSW-7/SNAP</b> 112285
<b>BP-U-3S-800/10-EW</b> 116582	<b>BP-U-3S-800/10-EW-W</b> 116604	<b>BPA-U-3S-800/10</b> 111231	<b>BPA-U-3S-800/10-P</b> 119139	<b>BPM-U-3S-800/10</b> 111265	<b>BPM-U-3S-800/10-W</b> 144249	<b>BPM-U-3S-800/10-P</b> 119157	<b>BPZ-MSW-10/SNAP</b> 112286
<b>BP-U-3S-800/12-EW</b> 116583	<b>BP-U-3S-800/12-EW-W</b> 116605	<b>BPA-U-3S-800/12</b> 111232	<b>BPA-U-3S-800/12-P</b> 119140	<b>BPM-U-3S-800/12</b> 111266	<b>BPM-U-3S-800/12-W</b> 144250	<b>BPM-U-3S-800/12-P</b> 119158	<b>BPZ-MSW-12/SNAP</b> 112287
<b>BP-U-3S-800/15-EW</b> 116584	<b>BP-U-3S-800/15-EW-W</b> 116606	<b>BPA-U-3S-800/15</b> 111233	<b>BPA-U-3S-800/15-P</b> 119141	<b>BPM-U-3S-800/15</b> 111267	<b>BPM-U-3S-800/15-W</b> 144251	<b>BPM-U-3S-800/15-P</b> 119159	<b>BPZ-MSW-15/SNAP</b> 112288
<b>BP-U-3S-800/17-EW</b> 116585	<b>BP-U-3S-800/17-EW-W</b> 116607	<b>BPA-U-3S-800/17</b> 111234	<b>BPA-U-3S-800/17-P</b> 111236	<b>BPM-U-3S-800/17</b> 111268	<b>BPM-U-3S-800/17-W</b> 144252	<b>BPM-U-3S-800/17-P</b> 111270	<b>BPZ-MSW-17/SNAP</b> 112289
<b>BP-U-3S-800/20-EW</b> 116586	<b>BP-U-3S-800/20-EW-W</b> 116608	<b>BPA-U-3S-800/20</b> 111235	<b>BPA-U-3S-800/20-P</b> 111237	<b>BPM-U-3S-800/20</b> 111269	<b>BPM-U-3S-800/20-W</b> 144253	<b>BPM-U-3S-800/20-P</b> 111271	<b>BPZ-MSW-20/SNAP</b> 112300

# 1.5

## xEnergy Distribution Boards

Flush-mounted distribution board BP(A/M)-U-3S-..., IP30/IP43/IP54



Width [mm]	Height [mm]	Height int. [mm]	Wall box for 3-step system dedicated for MSW installation depth 1 (180 mm)	Wall box for 3-step system dedicated for MSW installation depth 2 (240 mm)	Rear panel for 3-step system galvanized sheet-steel installation .	Rear panel for 3-step system plastic grey RAL 7035	Flush-mounting door frame for 3-step design designed for indoor applications! degree of protection IP30			
			galvanized sheet-steel blank empty	galvanized sheet-steel blank empty	blank		door with rotary handle RAL 7035 grey	door with rotary handle RAL 9016 white	door with clip-down handle RAL 7035 grey	door with clip-down handle RAL 9016 white
			Article No. per unit unit = 1 pc.	Article No. per unit unit = 1 pc.	Article No. per unit unit = 1 pc.	Article No. per unit unit = 1 pc.	Article No. per unit unit = 1 pc.	Article No. per unit unit = 1 pc.	Article No. per unit unit = 1 pc.	Article No. per unit unit = 1 pc.

### BP(A/M)-U-3S... - project delivery form

1000 (46MU/ row)	1060	950	<b>BPZ-WB3S-1000/10/1</b> 111114	<b>BPZ-WB3S-1000/10/2</b> 111140	<b>BPZ-RP-1000/10</b> 111302	<b>BPZ-RPP-1000/10</b> 111328	<b>BP-U-3S-1000/10</b> 111170	<b>BP-U-3S-1000/10-W</b> 111204	<b>BP-U-3S-1000/10-P</b> 119106	<b>BP-U-3S-1000/10-P-W</b> 119124
	1260	1150	<b>BPZ-WB3S-1000/12/1</b> 111115	<b>BPZ-WB3S-1000/12/2</b> 111141	<b>BPZ-RP-1000/12</b> 111303	<b>BPZ-RPP-1000/12</b> 111329	<b>BP-U-3S-1000/12</b> 111171	<b>BP-U-3S-1000/12-W</b> 111205	<b>BP-U-3S-1000/12-P</b> 119107	<b>BP-U-3S-1000/12-P-W</b> 119125
	1560	1450	<b>BPZ-WB3S-1000/15/1</b> 111116	<b>BPZ-WB3S-1000/15/2</b> 111142	<b>BPZ-RP-1000/15</b> 111304	<b>BPZ-RPP-1000/15</b> 111330	<b>BP-U-3S-1000/15</b> 111172	<b>BP-U-3S-1000/15-W</b> 111206	<b>BP-U-3S-1000/15-P</b> 119108	<b>BP-U-3S-1000/15-P-W</b> 119126
	1760	1650	<b>BPZ-WB3S-1000/17/1</b> 111117	<b>BPZ-WB3S-1000/17/2</b> 111143	<b>BPZ-RP-1000/17</b> 111305	<b>BPZ-RPP-1000/17</b> 111331	<b>BP-U-3S-1000/17</b> 111173	<b>BP-U-3S-1000/17-W</b> 111207	<b>BP-U-3S-1000/17-P</b> 111175	<b>BP-U-3S-1000/17-P-W</b> 111209
	2060	1950	<b>BPZ-WB3S-1000/20/1</b> 111118	<b>BPZ-WB3S-1000/20/2</b> 111144	<b>BPZ-RP-1000/20</b> 111306	<b>BPZ-RPP-1000/20</b> 111332	<b>BP-U-3S-1000/20</b> 111174	<b>BP-U-3S-1000/20-W</b> 111208	<b>BP-U-3S-1000/20-P</b> 111176	<b>BP-U-3S-1000/20-P-W</b> 111210
1200 (57MU/ row)	1260	1150	<b>BPZ-WB3S-1200/12/1</b> 111119	<b>BPZ-WB3S-1200/12/2</b> 111145	<b>BPZ-RP-1200/12</b> 111307	<b>BPZ-RPP-1200/12</b> 111333	<b>BP-U-3S-1200/12</b> 111177	<b>BP-U-3S-1200/12-W</b> 111211	<b>BP-U-3S-1200/12-P</b> 119109	<b>BP-U-3S-1200/12-P-W</b> 119127
	1560	1450	<b>BPZ-WB3S-1200/15/1</b> 111120	<b>BPZ-WB3S-1200/15/2</b> 111146	<b>BPZ-RP-1200/15</b> 111308	<b>BPZ-RPP-1200/15</b> 111334	<b>BP-U-3S-1200/15</b> 111178	<b>BP-U-3S-1200/15-W</b> 111212	<b>BP-U-3S-1200/15-P</b> 119110	<b>BP-U-3S-1200/15-P-W</b> 119128
			<b>BPZ-WB3S-1200/17/1</b> 111121	<b>BPZ-WB3S-1200/17/2</b> 111147	<b>BPZ-RP-1200/17</b> 111309	<b>BPZ-RPP-1200/17</b> 111335	<b>BP-U-3S-1200/17</b> 111179	<b>BP-U-3S-1200/17-W</b> 111213	<b>BP-U-3S-1200/17-P</b> 111181	<b>BP-U-3S-1200/17-P-W</b> 111215
			<b>BPZ-WB3S-1200/20/1</b> 111122	<b>BPZ-WB3S-1200/20/2</b> 111148	<b>BPZ-RP-1200/20</b> 111310	<b>BPZ-RPP-1200/20</b> 111336	<b>BP-U-3S-1200/20</b> 111180	<b>BP-U-3S-1200/20-W</b> 111214	<b>BP-U-3S-1200/20-P</b> 111182	<b>BP-U-3S-1200/20-P-W</b> 111216

Flush-mounted distribution board BP(A/M)-U-3S-..., IP30/IP43/IP54



Flush-mounting door frame for 3-step design designed for indoor applications! degree of protection IP30 fire-resistant (E60/EW60)		Flush-mounting door frame for 3-step design designed for outdoor applications! degree of protection IP43		Flush-mounting door frame for 3-step design designed for industrial applications degree of protection IP54			MSW installation Mounting side wall (MSW) with SNAP-element BPZ-SNAP
door with rotary handle RAL 7035 grey	door with rotary handle RAL 9016 white	door with two-way key bit RAL 7035 grey	door with clip-down handle RAL 9016 white	door with two-way key bit RAL 7035 grey	door with two-way key bit RAL 9016 white	door with clip-down handle RAL 7035 grey	galvanized sheet-steel blank empty
Article No. per unit unit = 1 pc.	Article No. per unit unit = 1 pc.	Article No. per unit unit = 1 pc.	Article No. per unit unit = 1 pc.	Article No. per unit unit = 1 pc.	Article No. per unit unit = 1 pc.	Article No. per unit unit = 1 pc.	Article No. per unit unit = 1 pc.

<b>BP-U-3S-1000/10-EW</b> 116587	<b>BP-U-3S-1000/10-EW-W</b> 116609	<b>BPA-U-3S-1000/10</b> 111238	<b>BPA-U-3S-1000/10-P</b> 119142	<b>BPM-U-3S-1000/10</b> 111272	<b>BPM-U-3S-1000/10-W</b> 144254	<b>BPM-U-3S-1000/10-P</b> 119160	<b>BPZ-MSW-10/SNAP</b> 112286
<b>BP-U-3S-1000/12-EW</b> 116588	<b>BP-U-3S-1000/12-EW-W</b> 116610	<b>BPA-U-3S-1000/12</b> 111239	<b>BPA-U-3S-1000/12-P</b> 119143	<b>BPM-U-3S-1000/12</b> 111273	<b>BPM-U-3S-1000/12-W</b> 144255	<b>BPM-U-3S-1000/12-P</b> 119161	<b>BPZ-MSW-12/SNAP</b> 112287
<b>BP-U-3S-1000/15-EW</b> 116589	<b>BP-U-3S-1000/15-EW-W</b> 116611	<b>BPA-U-3S-1000/15</b> 111240	<b>BPA-U-3S-1000/15-P</b> 119144	<b>BPM-U-3S-1000/15</b> 111274	<b>BPM-U-3S-1000/15-W</b> 144256	<b>BPM-U-3S-1000/15-P</b> 119162	<b>BPZ-MSW-15/SNAP</b> 112288
<b>BP-U-3S-1000/17-EW</b> 116590	<b>BP-U-3S-1000/17-EW-W</b> 116612	<b>BPA-U-3S-1000/17</b> 111241	<b>BPA-U-3S-1000/17-P</b> 111243	<b>BPM-U-3S-1000/17</b> 111275	<b>BPM-U-3S-1000/17-W</b> 144257	<b>BPM-U-3S-1000/17-P</b> 111277	<b>BPZ-MSW-17/SNAP</b> 112289
<b>BP-U-3S-1000/20-EW</b> 116591	<b>BP-U-3S-1000/20-EW-W</b> 116613	<b>BPA-U-3S-1000/20</b> 111242	<b>BPA-U-3S-1000/20-P</b> 111244	<b>BPM-U-3S-1000/20</b> 111276	<b>BPM-U-3S-1000/20-W</b> 144258	<b>BPM-U-3S-1000/20-P</b> 111278	<b>BPZ-MSW-20/SNAP</b> 112300
-	-	<b>BPA-U-3S-1200/12</b> 111245	<b>BPA-U-3S-1200/12-P</b> 119145	<b>BPM-U-3S-1200/12</b> 111279	<b>BPM-U-3S-1200/12-W</b> 144259	<b>BPM-U-3S-1200/12-P</b> 119163	<b>BPZ-MSW-12/SNAP</b> 112287
-	-	<b>BPA-U-3S-1200/15</b> 111246	<b>BPA-U-3S-1200/15-P</b> 119146	<b>BPM-U-3S-1200/15</b> 111280	<b>BPM-U-3S-1200/15-W</b> 144260	<b>BPM-U-3S-1200/15-P</b> 119164	<b>BPZ-MSW-15/SNAP</b> 112288
-	-	<b>BPA-U-3S-1200/17</b> 111247	<b>BPA-U-3S-1200/17-P</b> 111249	<b>BPM-U-3S-1200/17</b> 111281	<b>BPM-U-3S-1200/17-W</b> 144261	<b>BPM-U-3S-1200/17-P</b> 111283	<b>BPZ-MSW-17/SNAP</b> 112289
-	-	<b>BPA-U-3S-1200/20</b> 111248	<b>BPA-U-3S-1200/20-P</b> 111250	<b>BPM-U-3S-1200/20</b> 111282	<b>BPM-U-3S-1200/20-W</b> 144262	<b>BPM-U-3S-1200/20-P</b> 111284	<b>BPZ-MSW-20/SNAP</b> 112300

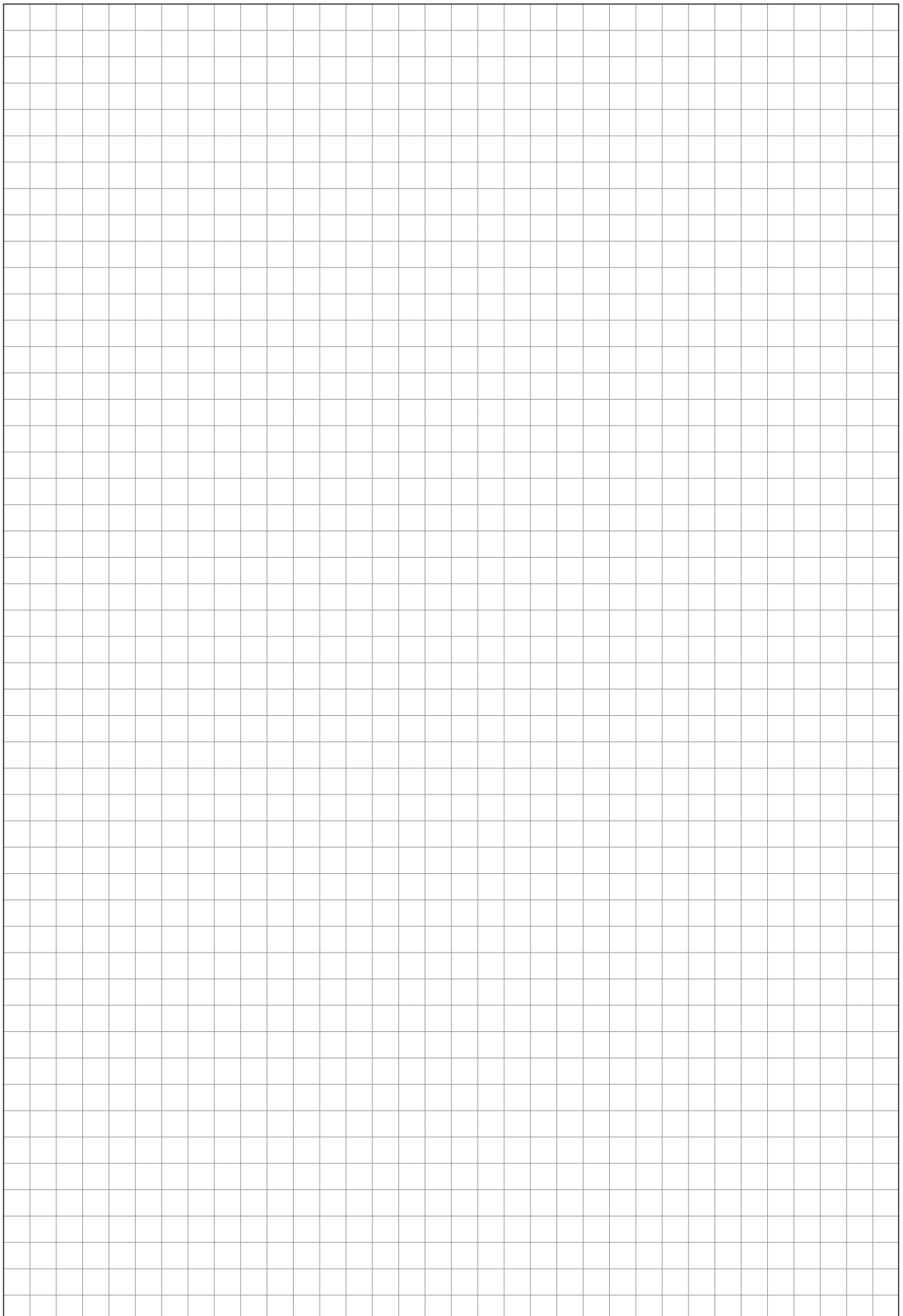
## Description

### BP-U-3S..., IP30 / IP43 / IP54, enclosure depth 180/240 mm

- Delivery as „flatpack“ for project delivery possible
- Degree of protection IP30 / IP43 / IP54
- Impact resistance IK08
- Protection class I (protective earth)
- Cable entry directly via the wall box (perforated on all sides)
- Quick and easy change of the hinge direction, door opening angle ~110°
- Wall box intended to be fixed directly in the stonework
- Max. built-in-depth either 180 mm or 240 mm depends on type
- Flush-mounted frame incl. door made of sheet steel powder-coated, RAL 7035 / RAL 9016
- Lateral add-on connection as well as top/bottom arrangement possible
- Variable interior installation with “Mounting side panel” (MSW)
- Surface adjustment up to 18 mm possible

## Technical data

	BP-U-3S...
<b>Electrical</b>	
Type conforms to	IEC/EN 62208
Protection class	I (protective earth)
Degree of protection	IP30 (closed version with door/flansche) *) IP43 (special door frame BPA-U-3S... required) *) IP54 (special door frame BPM-U-3S... required) IP2XC (door open, user access level has to be closed properly with front covers)
Impact resistance	IK08
Rated operational voltage	415 VAC / 50 Hz
Rated current	Max. 630 A (door open, user access level has to be closed properly with front covers)
Earthing concept for the enclosure	
Main earthing	By means of self-tapping screw M5 in the wall box
Door earthing	By means of M6 welding bolts
The permissible temperature increases for switchgear assemblies with a rated current of up to 630 A can be evaluated in accordance with section 10.10.4.2 of IEC/EN 61439-1.	
For the maximum permissible heat dissipation for all devices inside the distribution board at an ambient temperature of 35° C and $\Delta T$ of 20 K / 35 K at an enclosure height of 75 %, please refer to the table on enclosure dimensions; (calculation method acc.to IEC/TR 60890).	
<b>Mechanical</b>	
Enclosure	Modular design by „flat-pack“ construction possible (rear panel - wall box - mounting insert - flush-mounted frame - door)
Material	Flush-mounted frame and door (IP30): Sheet steel 1.25/1 mm, phosphated and polyester powder coated (structured) with corrosion protection IP43/IP54: sea-water resistant aluminum 1.5 mm, polyester powder coated (structured) Wall box and rear panel: sheet steel 1 mm, galvanized
Colour	Traffic white RAL 9016 , light grey RAL 7035
Door	Hinges on the inside, door opening angle ~110°; hinged either left or right, Width 1000 / 1200 mm in double-wing design, with encircling foamed sealing for IP43/IP54
Type	Flexible interior fitting with installation units Profi+ on „mounting side panel“ (MSW) Mounting side panel (MSW): removable mounting insert, external installation, fast and reliable
Locking mechanism	IP30: standard cam lock (plastic), optional metal lock with standard locking or two-way key bit IP43/IP54: standard locking with two-way key bit (metal) respectively rotary lever (optional lock cylinder as accessory) Three-point locking mechanism from height 1060 mm (one-point respectively two-point at height 460 / 760 mm)
Cable entry	Easy-to-cut perforations in the wall box
Ambient condition	BP-U-3S: Indoor installation (flush-mounted installation) BPA-U-3S: Outdoor installation (flush-mounting) to a outer wall / facade BPM-U-3S: Indoor installation (industrial environment) Max. ambient temperature +40° C Min. ambient temperature -5° C (indoor) Min. ambient temperature -25° C (outdoor)
Halogen-free, RoHS	< 1%, yes
Accessories	Alternative lock options, add-on connection kit
Delivered as	Flat-pack components prepared for interior fitting „MSW“



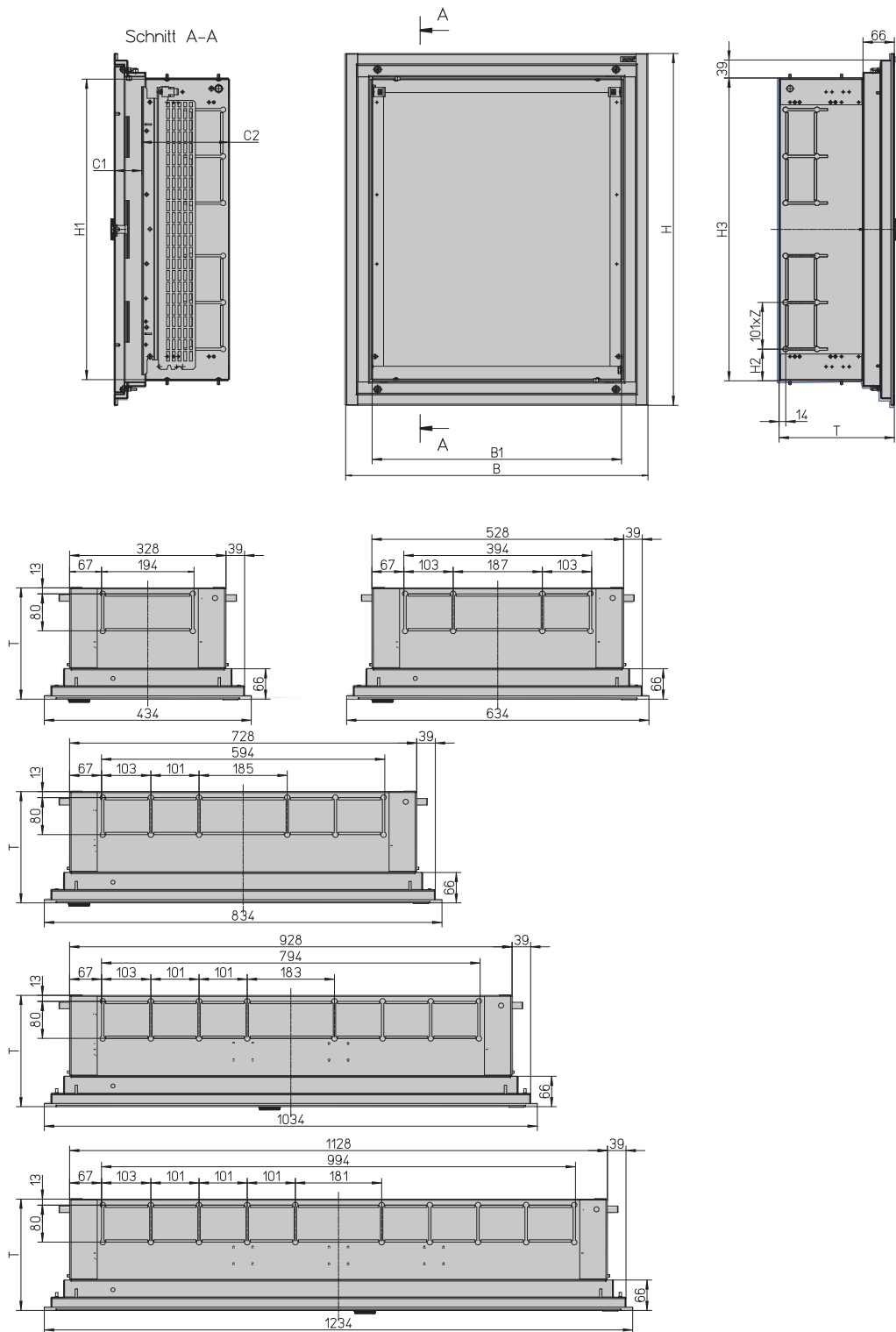
# 1.5

## xEnergy Distribution Boards

xEnergy  
Basic

Flush-mounted distribution board BP(A/M)-U-3S-..., IP30/IP43/IP54, Technical data

### Dimensions (mm)

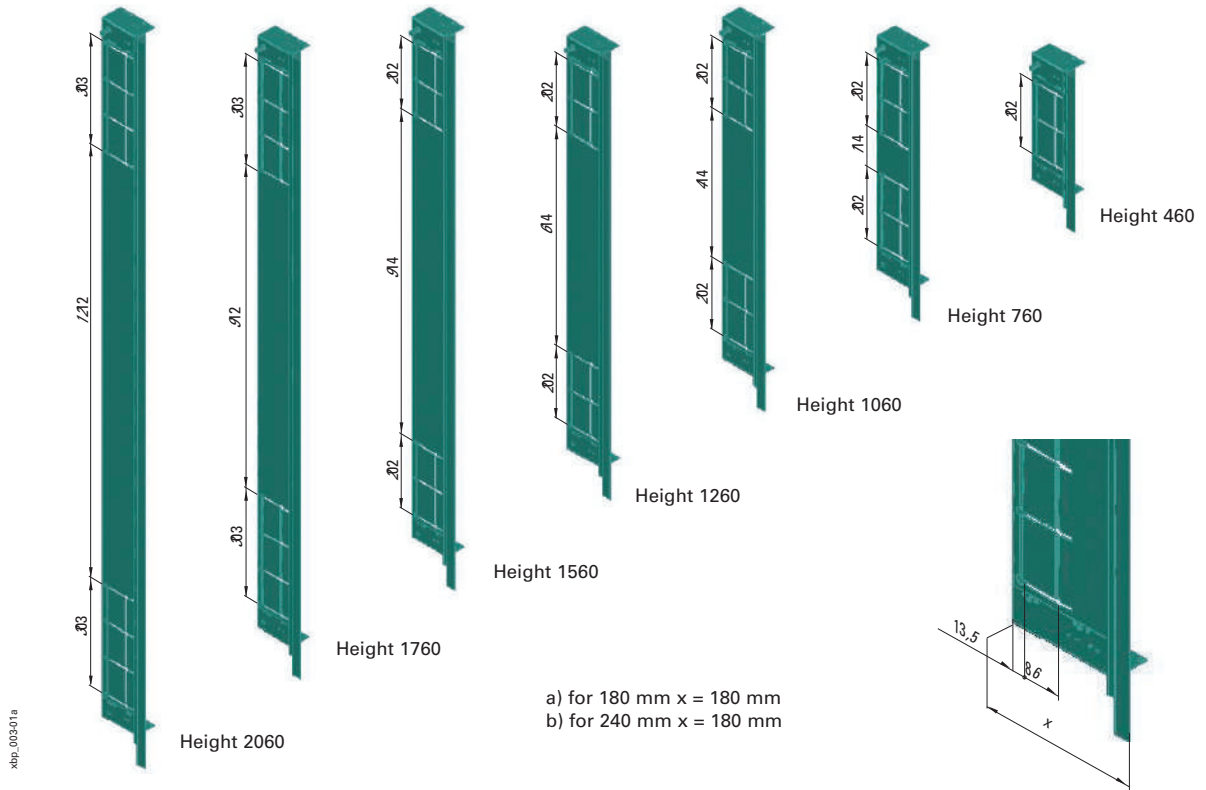


**Dimensions (mm)**

Type	Overall dimensions			Internal dimensions (front plate)							Pv [W] (ΔT 20K)	Pv [W] (ΔT 35K)
	Width	Height	Depth	Width		Height						
	B	H	T	B1	H1	C1	H2	C2	H3	Z		
BP-U-3S-400/4/1	434	460	180	320	350	56	66	123	355	2	22	44
BP-U-3S-400/7/1	434	760	180	320	650	56	74	123	655	2	32	64
BP-U-3S-400/10/1	434	1060	180	320	950	56	74	123	955	2	42	84
BP-U-3S-400/12/1	434	1260	180	320	1150	56	74	123	1155	2	48	97
BP-U-3S-600/4/1	634	460	180	520	350	56	68	123	355	2	33	65
BP-U-3S-600/7/1	634	760	180	520	650	56	76	123	655	2	46	92
BP-U-3S-600/10/1	634	1060	180	520	950	56	74	123	955	2	59	118
BP-U-3S-600/12/1	634	1260	180	520	1150	56	74	123	1155	2	68	137
BP-U-3S-600/15/1	634	1560	180	520	1450	56	74	123	1455	2	56	112
BP-U-3S-600/17/1	634	1760	180	520	1650	56	74	123	1655	3	60	121
BP-U-3S-600/20/1	634	2060	180	520	1950	56	74	123	1955	3	68	137
BP-U-3S-800/7/1	834	760	180	720	650	56	74	123	655	2	61	122
BP-U-3S-800/10/1	834	1060	180	720	950	56	74	123	955	2	60	121
BP-U-3S-800/12/1	834	1260	180	720	1150	56	74	123	1155	2	67	133
BP-U-3S-800/15/1	834	1560	180	720	1450	56	74	123	1455	2	81	162
BP-U-3S-800/17/1	834	1760	180	720	1650	56	74	123	1655	3	95	190
BP-U-3S-800/20/1	834	2060	180	720	1950	56	74	123	1955	3	111	222
BP-U-3S-1000/10/1	1034	1060	180	920	950	56	74	123	955	2	76	152
BP-U-3S-1000/12/1	1034	1260	180	920	1150	56	74	123	1155	2	90	180
BP-U-3S-1000/15/1	1034	1560	180	920	1450	56	74	123	1455	2	118	236
BP-U-3S-1000/17/1	1034	1760	180	920	1650	56	74	123	1655	3	129	259
BP-U-3S-1000/20/1	1034	2060	180	920	1950	56	74	123	1955	3	153	306
BP-U-3S-1200/12/1	1234	1260	180	1120	1150	56	74	123	1155	2	124	250
BP-U-3S-1200/15/1	1234	1560	180	1120	1450	56	74	123	1455	2	148	297
BP-U-3S-1200/17/1	1234	1760	180	1120	1650	56	74	123	1655	3	170	340
BP-U-3S-1200/20/1	1234	2060	180	1120	1950	56	74	123	1955	3	189	379
BP-U-3S-400/4/2	434	460	240	320	350	56/92	66	183/147	355	2	24	49
BP-U-3S-400/7/2	434	760	240	320	650	56/92	74	183/147	655	2	35	71
BP-U-3S-400/10/2	434	1060	240	320	950	56/92	74	183/147	955	2	46	92
BP-U-3S-400/12/2	434	1260	240	320	1150	56/92	74	183/147	1155	2	53	106
BP-U-3S-600/4/2	634	460	240	520	350	56/92	68	183/147	355	2	36	71
BP-U-3S-600/7/2	634	760	240	520	650	56/92	76	183/147	655	2	49	99
BP-U-3S-600/10/2	634	1060	240	520	950	56/92	74	183/147	955	2	63	127
BP-U-3S-600/12/2	634	1260	240	520	1150	56/92	74	183/147	1155	2	56	113
BP-U-3S-600/15/2	634	1560	240	520	1450	56/92	74	183/147	1455	2	64	128
BP-U-3S-600/17/2	634	1760	240	520	1650	56/92	74	183/147	1655	3	70	140
BP-U-3S-600/20/2	634	2060	240	520	1950	56/92	74	183/147	1955	3	83	166
BP-U-3S-800/7/2	834	760	240	720	650	56/92	74	183/147	655	2	65	130
BP-U-3S-800/10/2	834	1060	240	720	950	56/92	74	183/147	955	2	67	134
BP-U-3S-800/12/2	834	1260	240	720	1150	56/92	74	183/147	1155	2	74	149
BP-U-3S-800/15/2	834	1560	240	720	1450	56/92	74	183/147	1455	2	93	187
BP-U-3S-800/17/2	834	1760	240	720	1650	56/92	74	183/147	1655	3	112	224
BP-U-3S-800/20/2	834	2060	240	720	1950	56/92	74	183/147	1955	3	125	251
BP-U-3S-1000/10/2	1034	1060	240	920	950	56/92	74	183/147	955	2	86	173
BP-U-3S-1000/12/2	1034	1260	240	920	1150	56/92	74	183/147	1155	2	103	206
BP-U-3S-1000/15/2	1034	1560	240	920	1450	56/92	74	183/147	1455	2	131	262
BP-U-3S-1000/17/2	1034	1760	240	920	1650	56/92	74	183/147	1655	3	145	290
BP-U-3S-1000/20/2	1034	2060	240	920	1950	56/92	74	183/147	1955	3	175	350
BP-U-3S-1200/12/2	1234	1260	240	1120	1150	56/92	74	183/147	1155	2	139	278
BP-U-3S-1200/15/2	1234	1560	240	1120	1450	56/92	74	183/147	1455	2	165	331
BP-U-3S-1200/17/2	1234	1760	240	1120	1650	56/92	74	183/147	1655	3	192	385
BP-U-3S-1200/20/2	1234	2060	240	1120	1950	56/92	74	183/147	1955	3	204	410

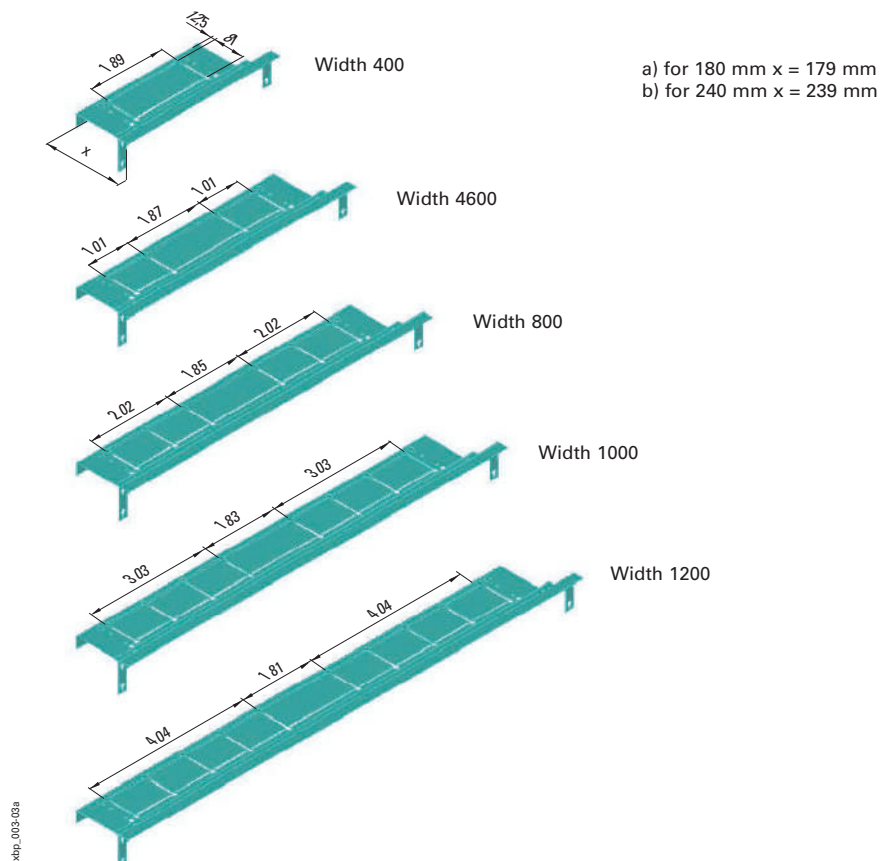
### Side panels of wall box BPZ-WB3S

Depth 180, 240



### Top and bottom panel of wall box BPZ-WB3S

Depth 180, 240



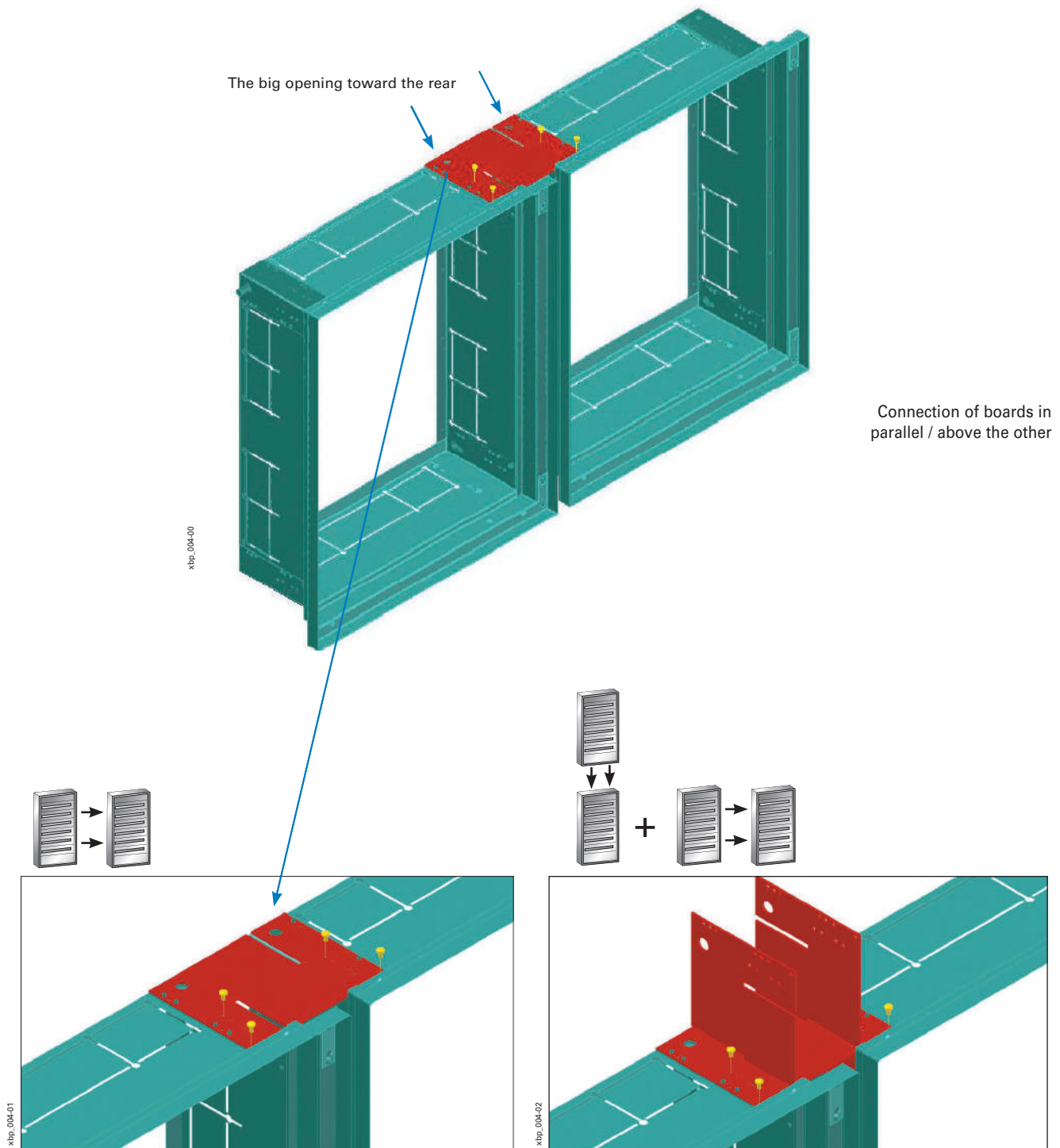


### Connecting of flush-mounting boards with BPZ-BR/WB3S

- Use of coupling flange BPZ-BR/WB3S
- The coupling flanges define respective space in between particular wall boxes
- Possible to connect boards in parallel, one above the other or into a cross (i.e. parallel and one above the other at the same time)

#### Mounting process:

1. Placing of wall boxes BPZ-WB3S in prallel / one above the other
2. Put of flange BPZ-BR/WB3S. The big opening has to be oriented toward the rear
3. Fixing of the flange by means of screws



Cross connection of 4 boards (2 x 2)

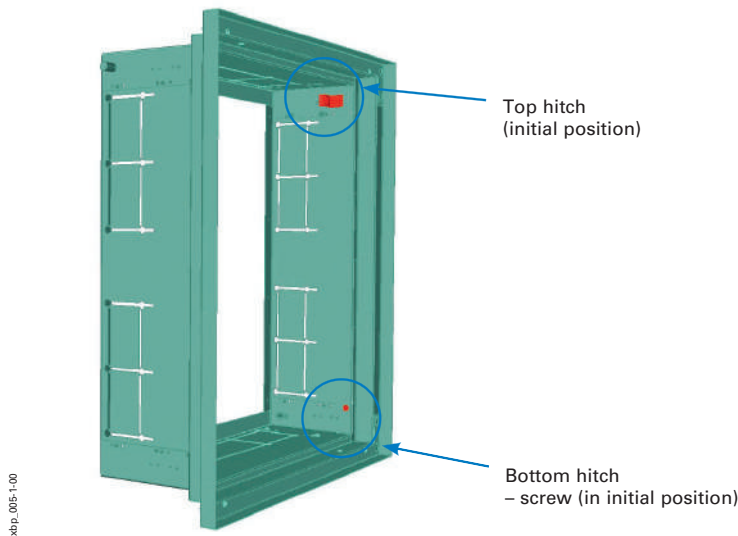
### Mounting of side walls BPZ-MSW into wall box BPZ-WB3S

#### Mounting process:

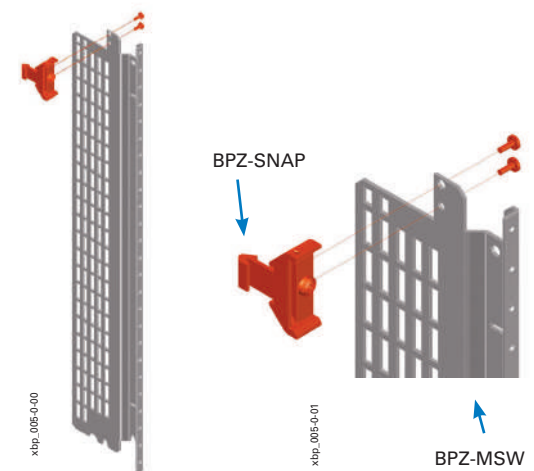
1. Placing of the side wall BPZ-MSW on bottom hitch
2. Tipping of the side wall to correct position. This position is indicated with click of the pawl BPZ-SNAP.
3. Tightening of the top hitch screw
4. Tightening of the bottom hitch screw

#### Notes:

- Usually, a complete frame (2 side walls, device rails, devices) is mounted
- For flush-mounting boards, the sidewalls BPZ-MSW have to be equipped with pawls BPZ-SNAP. These pawls do not substitute a function of the original screw. The frame has to be fixed with this screw!
- To demount the frame BPZ-MSW, a flat screwdriver is necessary to press away a pin of pawl BPZ-SNAP.

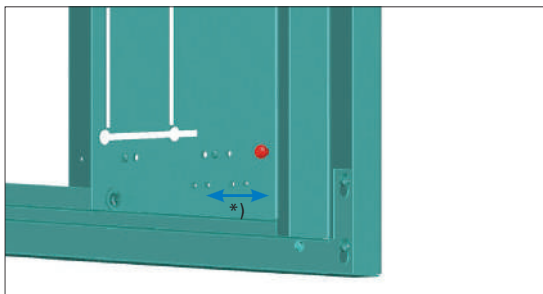


#### Mounting process for pawl BPZ-SNAP:

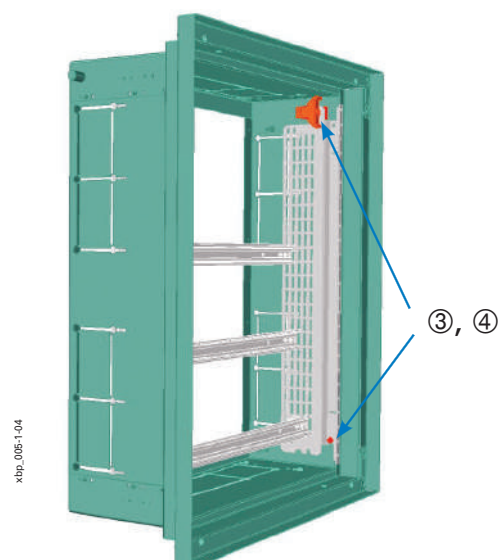
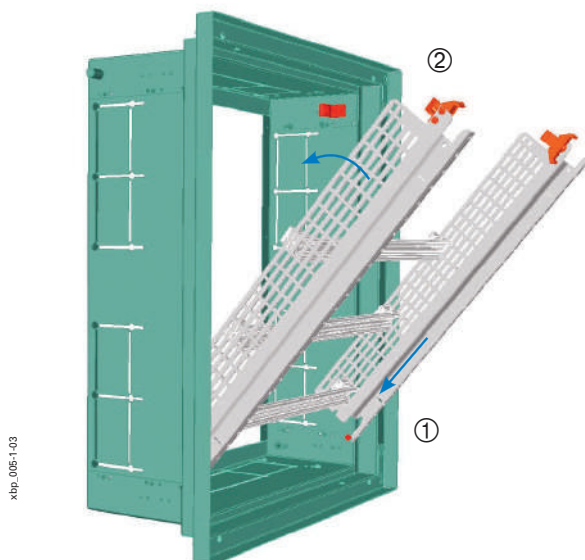
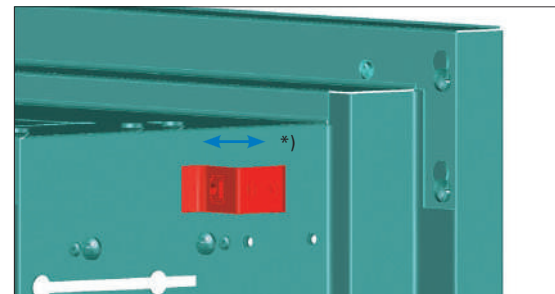


#### Detail of bottom hitch

\*) possibility of change of side wall depth

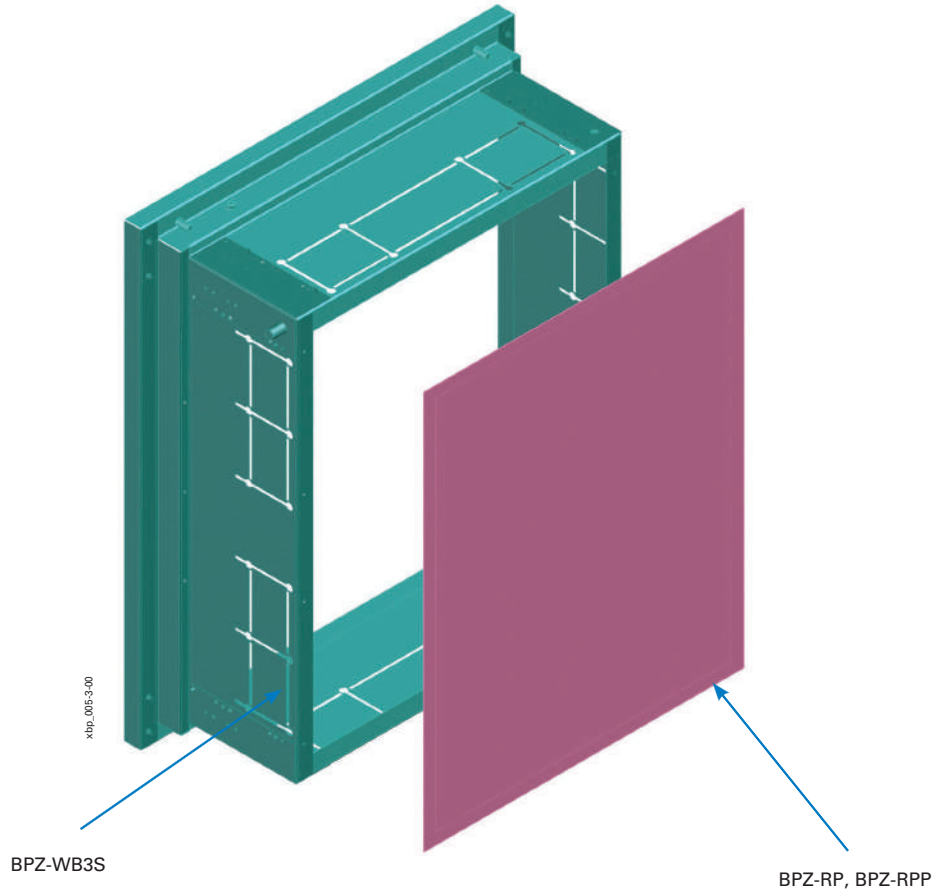


#### Detail of top hitch



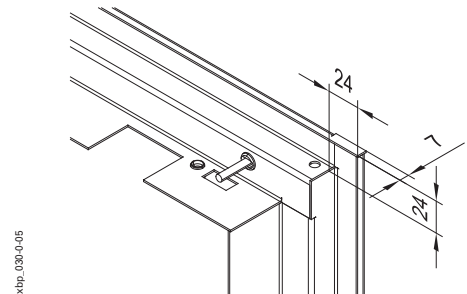
### Rear walls, BPZ-RP

- Rear wall for wall box BPZ-WB3S
- Material: sheet steel, zinc-coated, thickness 1 mm, plastic
- Mounting by means of self-sealing tape
- Delivered as: 1 rear panel
- Attention: sheet steel rear wall must be connected through screws into the earthing concept!



### 3-Step Flush-Mounting Door Frame, with Door, BP-U-3S-...

- IP30 ... BP-U-3S
- IP43 ... BPA-U-3S, with foamed sealing and rain bar for outdoor application
- IP54 ... BPM-U-3S, with foamed sealing for moisture-proof application
- Material: Sheet steel, powder-coated, RAL 7035 or RAL 9016  
Aluminium, powder-coated, RAL 7035
- Delivered as: Frame, door with hinges
- Attention: Inserting the Flush-Mounting Door Frame BPA-U-3S (IP43) or BPM-U-3S (IP54) in the Wall Box BPZ-WB3S, the facility builder has to ensure waterproofing against the wall covering substrate.



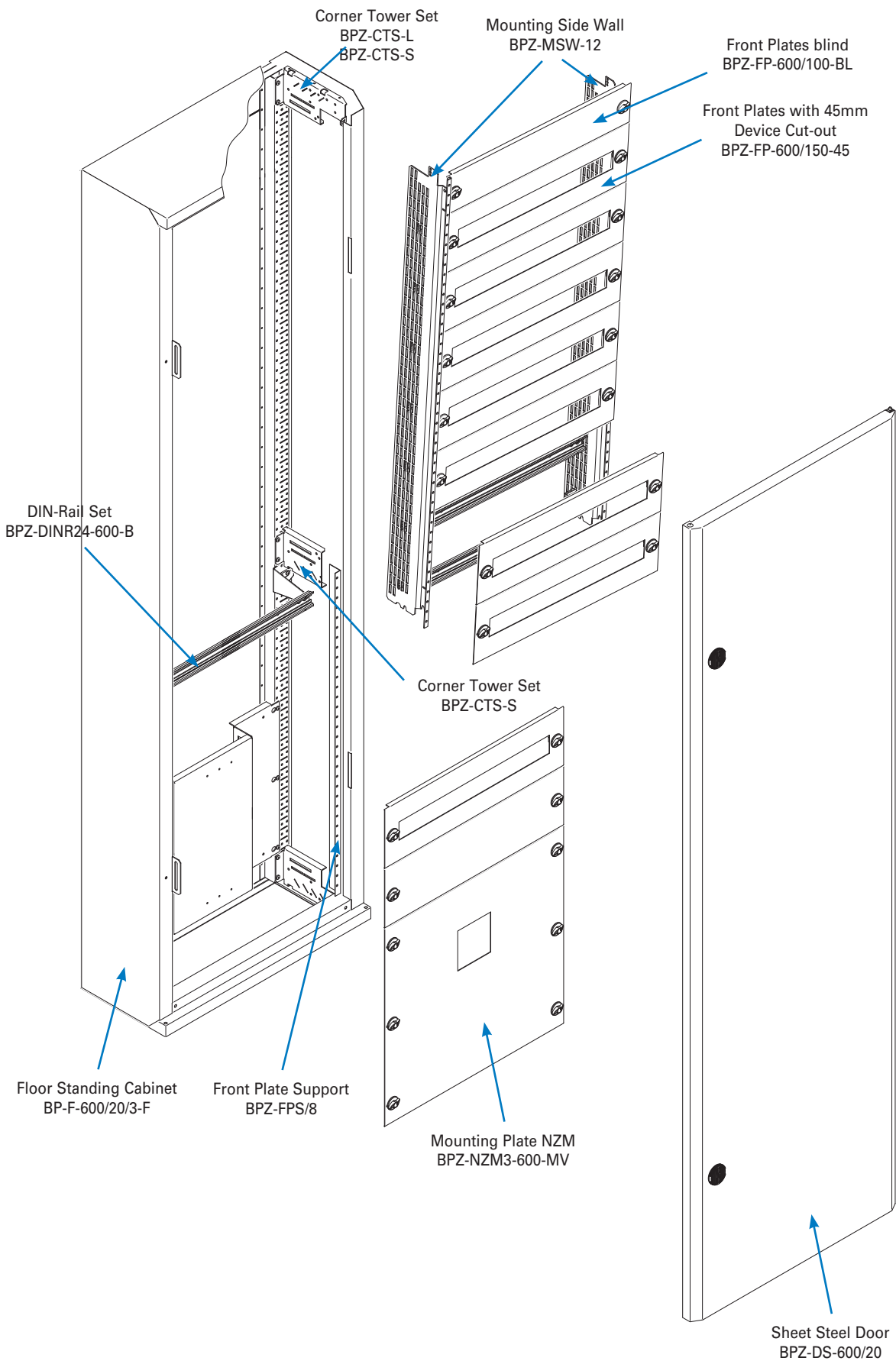
### Separation Frame Set, BPZ-USF

- Only for flush-mounting boards with a width of 1000 and 1200 mm
- Only with MSW application
- For separate a 1000 or 1200 mm board in a 600/400 or 600/600 section
- Material: Sheet steel, powder-coated grey (RAL 7035) and white (RAL 9016)
- Delivered as: 1 Separation Frame and fixing material

A large grid area for taking notes, consisting of a 20x30 grid of small squares.

System Overview

BP-F-..., IP30 (IP31), enclosure depth 250 / 300 / 400 mm



# 1.6

## xEnergy Distribution Boards

Floor-standing distribution board BP-F-..., IP30



Width [mm]	Height [mm]	Height int. [mm]	Pre-assembled configuration individual installation / Incl. 2K-flanges on top/bottom / Door with rotary handle / Standard depth of 300 mm	Pre-assembled configuration individual installation / incl. 2K-flanges on top/bottom / Door with clip-down handle BPZ-SH-L / Standard depth of 300 mm	Pre-assembled configuration individual installation / Prepared for F3A-flanges on top/bottom / Door with clip-down handle BPZ-SH-L / Standard depth of 300 mm	Pre-assembled configuration prepared for MSW installation, incl. 2K-flanges on top/bottom / Door with rotary handle / Reduced depth of 250 mm	Pre-assembled configuration prepared for MSW installation, incl. 2K-flanges on top/bottom / Door with clip-down handle / Extended depth of 400 mm
			RAL 7035 grey Empty	RAL 9016 white Empty	RAL 7035 grey Empty	RAL 7035 grey Empty	
			Article No. per unit unit = 1 pc.	Article No. per unit unit = 1 pc.	Article No. per unit unit = 1 pc.	Article No. per unit unit = 1 pc.	Article No. per unit unit = 1 pc.

### BP-F-..., IP30 - fully assembled

400 (13MU/row)	1760	1650	<b>BP-F-400/17/3</b> 102055	<b>BP-F-400/17/3-W</b> 102335	<b>BP-F-400/17/3-P</b> 102355	<b>BP-F-400/17/3-P-W</b> 102375	<b>BP-F-400/17/3-P-F3A</b> 187840	-	-
	2060	1950	<b>BP-F-400/20/3</b> 102056	<b>BP-F-400/20/3-W</b> 102336	<b>BP-F-400/20/3-P</b> 102356	<b>BP-F-400/20/3-P-W</b> 102376	<b>BP-F-400/20/3-P-F3A</b> 187841	<b>BP-F-400/20/2,5</b> 119187	<b>BP-F-400/20/4-P</b> 119192
600 (24MU/row)	1760	1650	<b>BP-F-600/17/3</b> 102057	<b>BP-F-600/17/3-W</b> 102337	<b>BP-F-600/17/3-P</b> 102357	<b>BP-F-600/17/3-P-W</b> 102377	<b>BP-F-600/17/3-P-F3A</b> 187842	-	-
	2060	1950	<b>BP-F-600/20/3</b> 102058	<b>BP-F-600/20/3-W</b> 102338	<b>BP-F-600/20/3-P</b> 102358	<b>BP-F-600/20/3-P-W</b> 102378	<b>BP-F-600/20/3-P-F3A</b> 187843	<b>BP-F-600/20/2,5</b> 119188	<b>BP-F-600/20/4-P</b> 119193
800 (35MU/row)	1760	1650	<b>BP-F-800/17/3</b> 102059	<b>BP-F-800/17/3-W</b> 102339	<b>BP-F-800/17/3-P</b> 102359	<b>BP-F-800/17/3-P-W</b> 102379	<b>BP-F-800/17/3-P-F3A</b> 187844	-	-
	2060	1950	<b>BP-F-800/20/3</b> 102320	<b>BP-F-800/20/3-W</b> 102340	<b>BP-F-800/20/3-P</b> 102360	<b>BP-F-800/20/3-P-W</b> 102380	<b>BP-F-800/20/3-P-F3A</b> 187845	<b>BP-F-800/20/2,5</b> 119189	<b>BP-F-800/20/4-P</b> 119194
1000 (46MU/row)	1760	1650	<b>BP-F-1000/17/3</b> 102321	<b>BP-F-1000/17/3-W</b> 102341	<b>BP-F-1000/17/3-P</b> 102361	<b>BP-F-1000/17/3-P-W</b> 102381	<b>BP-F-1000/17/3-P-F3A</b> 187846	-	-
	2060	1950	<b>BP-F-1000/20/3</b> 102322	<b>BP-F-1000/20/3-W</b> 102342	<b>BP-F-1000/20/3-P</b> 102362	<b>BP-F-1000/20/3-P-W</b> 102382	<b>BP-F-1000/20/3-P-F3A</b> 187847	<b>BP-F-1000/20/2,5</b> 119190	<b>BP-F-1000/20/4-P</b> 119195
1200 (57MU/row)	1760	1650	<b>BP-F-1200/17/3</b> 102323	<b>BP-F-1200/17/3-W</b> 102343	<b>BP-F-1200/17/3-P</b> 102363	<b>BP-F-1200/17/3-P-W</b> 102383	<b>BP-F-1200/17/3-P-F3A</b> 187848	-	-
	2060	1950	<b>BP-F-1200/20/3</b> 102324	<b>BP-F-1200/20/3-W</b> 102344	<b>BP-F-1200/20/3-P</b> 102364	<b>BP-F-1200/20/3-P-W</b> 102384	<b>BP-F-1200/20/3-P-F3A</b> 187849	<b>BP-F-1200/20/2,5</b> 119191	<b>BP-F-1200/20/4-P</b> 119196

vt06905, wa\_vt51413



wa\_vt23313, wa\_vt23413



vt10206



wa\_vt09513, vt01310



wa\_vt18013



Plinth 100 mm /  
Side parts 1 pair /  
Front cover /  
Standard depth of 300 mm  
RAL 7035 grey

RAL 9016 white

Cable arrangement /  
Plinth 100 mm /  
Cable strain-relief rail /  
Standard depth of 300 mm  
RAL 7035 grey

RAL 9016 white

Installation back frame /  
Frontplate support

MSW installation /  
Corner tower set /  
2 pairs needed /  
Snap element set (1x)

Mounting side wall (MSW)  
with SNAP-element /  
BPZ-SNAP

Article No.  
per unit  
unit = 1 pc.

Article No.  
per unit  
unit = 1 pc.

Article No.  
per unit  
unit = 1 pc.

Article No.  
per unit  
unit = 1 pc.

Article No.  
per unit  
unit = 1 pc.

Article No.  
per unit  
unit = 1 pc.

Article No.  
per unit  
unit = 1 pc.

**BPZ-SS-1/3**  
293513  
**BPZ-FS-400/1**  
293493

**BPZ-SS-1/3-W**  
293514  
**BPZ-FS-400/1-W**  
293494

**BPZ-KR41/300**  
116269  
**BPZ-KFS-400**  
116293

**BPZ-KR41/300-W**  
116277  
**BPZ-KFS-400**  
116293

**BPZ-FPS/17**  
106431  
**BPZ-FPS/20**  
106430

**BPZ-CTS-S**  
106445  
**BPZ-SNAP-MSW-CTS**  
131559

**BPZ-MSW-17/SNAP**  
112289  
**BPZ-MSW-20/SNAP**  
112300

**BPZ-SS-1/3**  
293513  
**BPZ-FS-600/1**  
293497

**BPZ-SS-1/3-W**  
293514  
**BPZ-FS-600/1-W**  
293498

**BPZ-KR61/300**  
116271  
**BPZ-KFS-600**  
116294

**BPZ-KR61/300-W**  
116279  
**BPZ-KFS-600**  
116294

**BPZ-FPS/17**  
106431  
**BPZ-FPS/20**  
106430

**BPZ-CTS-S**  
106445  
**BPZ-SNAP-MSW-CTS**  
131559

**BPZ-MSW-17/SNAP**  
112289  
**BPZ-MSW-20/SNAP**  
112300

**BPZ-SS-1/3**  
293513  
**BPZ-FS-800/1**  
293501

**BPZ-SS-1/3-W**  
293514  
**BPZ-FS-800/1-W**  
293502

**BPZ-KR81/300**  
187882  
**BPZ-KFS-800**  
187892

**BPZ-KR81/300-W**  
187886  
**BPZ-KFS-800**  
187892

**BPZ-FPS/17**  
106431  
**BPZ-FPS/20**  
106430

**BPZ-CTS-S**  
106445  
**BPZ-SNAP-MSW-CTS**  
131559

**BPZ-MSW-17/SNAP**  
112289  
**BPZ-MSW-20/SNAP**  
112300

**BPZ-SS-1/3**  
293513  
**BPZ-FS-1000/1**  
293505

**BPZ-SS-1/3-W**  
293514  
**BPZ-FS-1000/1-W**  
293506

**BPZ-KR101/300**  
187884  
**BPZ-KFS-1000**  
187893

**BPZ-KR101/300-W**  
187888  
**BPZ-KFS-1000**  
187893

**BPZ-FPS/17**  
106431  
**BPZ-FPS/20**  
106430

**BPZ-CTS-S**  
106445  
**BPZ-SNAP-MSW-CTS**  
131559

**BPZ-MSW-17/SNAP**  
112289  
**BPZ-MSW-20/SNAP**  
112300

**BPZ-SS-1/3**  
293513  
**BPZ-FS-1200/1**  
293509

**BPZ-SS-1/3-W**  
293514  
**BPZ-FS-1200/1-W**  
293510

**BPZ-KR121/300**  
116275  
**BPZ-KFS-1200**  
116296

**BPZ-KR121/300-W**  
116283  
**BPZ-KFS-1200**  
116296

**BPZ-FPS/17**  
106431  
**BPZ-FPS/20**  
106430

**BPZ-CTS-S**  
106445  
**BPZ-SNAP-MSW-CTS**  
131559

**BPZ-MSW-17/SNAP**  
112289  
**BPZ-MSW-20/SNAP**  
112300

# 1.6

## xEnergy Distribution Boards

Floor-standing distribution board BP-F-..., IP30



Width [mm]	Height [mm]	Height int. [mm]	Pre-assembled configuration Without flange plate / Without door / Standard depth of 300 mm	Pre-assembled configuration individual installation / Without flange plate / Without door / Standard depth of 300 mm	Pre-assembled configuration prepared for MSW installation / Without flange plate / Without door / Reduced depth of 250 mm	Pre-assembled configuration prepared for MSW installation / Without flange plate / Without door / Extended depth of 400 mm	Sheet metal door / Rotary handle	Sheet metal door / Rotary handle
			RAL 7035 grey Empty	RAL 9016 white	RAL 7035 grey Empty		RAL 7035 grey	RAL 9016 white
			Article No. per unit unit = 1 pc.	Article No. per unit unit = 1 pc.	Article No. per unit unit = 1 pc.	Article No. per unit unit = 1 pc.	Article No. per unit unit = 1 pc.	Article No. per unit unit = 1 pc.

### BP-F-..., IP30 - fully assembled

400 (13MU/row)	1760	1650	<b>BP-F-400/17/3-F</b> 102395	<b>BP-F-400/17/3-F-W</b> 102407	-	-	<b>BPZ-DS-400/17</b> 102419	<b>BPZ-DS-400/17-W</b> 102443
	2060	1950	<b>BP-F-400/20/3-F</b> 102396	<b>BP-F-400/20/3-F-W</b> 102408	<b>BP-F-400/20/2,5-F</b> 120754	<b>BP-F-400/20/4-F</b> 120759	<b>BPZ-DS-400/20</b> 102420	<b>BPZ-DS-400/20-W</b> 102444
600 (24MU/row)	1760	1650	<b>BP-F-600/17/3-F</b> 102397	<b>BP-F-600/17/3-F-W</b> 102409	-	-	<b>BPZ-DS-600/17</b> 102421	<b>BPZ-DS-600/17-W</b> 102445
	2060	1950	<b>BP-F-600/20/3-F</b> 102398	<b>BP-F-600/20/3-F-W</b> 102410	<b>BP-F-600/20/2,5-F</b> 120755	<b>BP-F-600/20/4-F</b> 120760	<b>BPZ-DS-600/20</b> 102422	<b>BPZ-DS-600/20-W</b> 102446
800 (35MU/row)	1760	1650	<b>BP-F-800/17/3-F</b> 102399	<b>BP-F-800/17/3-F-W</b> 102411	-	-	<b>BPZ-DS-800/17</b> 102423	<b>BPZ-DS-800/17-W</b> 102447
	2060	1950	<b>BP-F-800/20/3-F</b> 102400	<b>BP-F-800/20/3-F-W</b> 102412	<b>BP-F-800/20/2,5-F</b> 120756	<b>BP-F-800/20/4-F</b> 120761	<b>BPZ-DS-800/20</b> 102424	<b>BPZ-DS-800/20-W</b> 102448
1000 (46MU/row)	1760	1650	<b>BP-F-1000/17/3-F</b> 120691	<b>BP-F-1000/17/3-F-W</b> 120695	-	-	<b>BPZ-DS-400/17-L + BPZ-DS-600/17</b> 106374 + 102421	<b>BPZ-DS-400/17-L-W + BPZ-DS-600/17-W</b> 106378 + 102445
	2060	1950	<b>BP-F-1000/20/3-F</b> 120692	<b>BP-F-1000/20/3-F-W</b> 120696	<b>BP-F-1000/20/2,5-F</b> 120757	<b>BP-F-1000/20/4-F</b> 120762	<b>BPZ-DS-400/20-L + BPZ-DS-600/20</b> 106375 + 102422	<b>BPZ-DS-400/20-L-W + BPZ-DS-600/20-W</b> 106379 + 102446
1200 (57MU/row)	1760	1650	<b>BP-F-1200/17/3-F</b> 120693	<b>BP-F-1200/17/3-F-W</b> 120697	-	-	<b>BPZ-DS-600/17-L + BPZ-DS-600/17</b> 106376 + 102421	<b>BPZ-DS-600/17-L-W + BPZ-DS-600/17-W</b> 106420 + 102445
	2060	1950	<b>BP-F-1200/20/3-F</b> 120694	<b>BP-F-1200/20/3-F-W</b> 120698	<b>BP-F-1200/20/2,5-F</b> 120758	<b>BP-F-1200/20/4-F</b> 120763	<b>BPZ-DS-600/20-L + BPZ-DS-600/20</b> 106377 + 102422	<b>BPZ-DS-600/20-L-W + BPZ-DS-600/20-W</b> 106421 + 102446



vt00106



wa\_vt03913



vt00206



Sheet metal door  
(transparent)  
Rotary handle

Sheet metal door  
Clip-down handle

Sheet metal door  
(transparent)  
Clip-down handle

RAL 7035 grey

RAL 9016 white

RAL 7035 grey

RAL 9016 white

RAL 7035 grey

RAL 9016 white

Article No.  
per unit  
unit = 1 pc.

Article No.  
per unit  
unit = 1 pc.

Article No.  
per unit  
unit = 1 pc.

Article No.  
per unit  
unit = 1 pc.

Article No.  
per unit  
unit = 1 pc.

Article No.  
per unit  
unit = 1 pc.

<b>BPZ-DT-400/17</b> 102431	<b>BPZ-DT-400/17-W</b> 102455	<b>BPZ-DS-400/17-P</b> 102425	<b>BPZ-DS-400/17-P-W</b> 102449	<b>BPZ-DT-400/17-P</b> 102437	<b>BPZ-DT-400/17-P-W</b> 102461
<b>BPZ-DT-400/20</b> 102432	<b>BPZ-DT-400/20-W</b> 102456	<b>BPZ-DS-400/20-P</b> 102426	<b>BPZ-DS-400/20-P-W</b> 102450	<b>BPZ-DT-400/20-P</b> 102438	<b>BPZ-DT-400/20-P-W</b> 102462
<b>BPZ-DT-600/17</b> 102433	<b>BPZ-DT-600/17-W</b> 102457	<b>BPZ-DS-600/17-P</b> 102427	<b>BPZ-DS-600/17-P-W</b> 102451	<b>BPZ-DT-600/17-P</b> 102439	<b>BPZ-DT-600/17-P-W</b> 102463
<b>BPZ-DT-600/20</b> 102434	<b>BPZ-DT-600/20-W</b> 102458	<b>BPZ-DS-600/20-P</b> 102428	<b>BPZ-DS-600/20-P-W</b> 102452	<b>BPZ-DT-600/20-P</b> 102440	<b>BPZ-DT-600/20-P-W</b> 102464
<b>BPZ-DT-800/17</b> 102435	<b>BPZ-DT-800/17-W</b> 102459	<b>BPZ-DS-800/17-P</b> 102429	<b>BPZ-DS-800/17-P-W</b> 102453	<b>BPZ-DT-800/17-P</b> 102441	<b>BPZ-DT-800/17-P-W</b> 102465
<b>BPZ-DT-800/20</b> 102436	<b>BPZ-DT-800/20-W</b> 102460	<b>BPZ-DS-800/20-P</b> 102430	<b>BPZ-DS-800/20-P-W</b> 102454	<b>BPZ-DT-800/20-P</b> 102442	<b>BPZ-DT-800/20-P-W</b> 102466
<b>BPZ-DT-400/17-L + BPZ-DT-600/17</b> 106422 + 102433	<b>BPZ-DT-400/17-L-W + BPZ-DT-600/17-W</b> 106426 + 102457	<b>BPZ-DS-400/17-L + BPZ-DS-600/17-P</b> 106374 + 102427	<b>BPZ-DS-400/17-L-W + BPZ-DS-600/17-P-W</b> 106378 + 102451	<b>BPZ-DT-400/17-L + BPZ-DT-600/17-P</b> 106422 + 102439	<b>BPZ-DT-400/17-L-W + BPZ-DT-600/17-P-W</b> 106426 + 102463
<b>BPZ-DT-400/20-L + BPZ-DT-600/20</b> 106423 + 102434	<b>BPZ-DT-400/20-L-W + BPZ-DT-600/20-W</b> 106427 + 102458	<b>BPZ-DS-400/20-L + BPZ-DS-600/20-P</b> 106375 + 102428	<b>BPZ-DS-400/20-L-W + BPZ-DS-600/20-P-W</b> 106379 + 102452	<b>BPZ-DT-400/20-L + BPZ-DT-600/20-P</b> 106423 + 102440	<b>BPZ-DT-400/20-L-W + BPZ-DT-600/20-P-W</b> 106427 + 102464
<b>BPZ-DT-600/17-L + BPZ-DT-600/17</b> 106424 + 102433	<b>BPZ-DT-600/17-L-W + BPZ-DT-600/17-W</b> 106428 + 102457	<b>BPZ-DS-600/17-L + BPZ-DS-600/17-P</b> 106376 + 102427	<b>BPZ-DS-600/17-L-W + BPZ-DS-600/17-P-W</b> 106420 + 102451	<b>BPZ-DT-600/17-L + BPZ-DT-600/17-P</b> 106424 + 102439	<b>BPZ-DT-600/17-L-W + BPZ-DT-600/17-P-W</b> 106428 + 102463
<b>BPZ-DT-600/20-L + BPZ-DT-600/20</b> 106425 + 102434	<b>BPZ-DT-600/20-L-W + BPZ-DT-600/20-W</b> 106429 + 102458	<b>BPZ-DS-600/20-L + BPZ-DS-600/20-P</b> 106377 + 102428	<b>BPZ-DS-600/20-L-W + BPZ-DS-600/20-P-W</b> 106421 + 102452	<b>BPZ-DT-600/20-L + BPZ-DT-600/20-P</b> 106425 + 102440	<b>BPZ-DT-600/20-L-W + BPZ-DT-600/20-P-W</b> 106429 + 102464

# 1.6

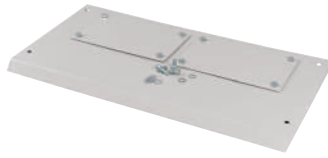
## xEnergy Distribution Boards

Floor-standing distribution board BP-F-..., IP30

wa\_vt03613



vt15218



vt06905, wa\_vt51413



vt02918, wa\_vt51413



Width [mm]	Height [mm]	Height int. [mm]	Add-on canopy for IP31 applications incl. F3A-XP		Plinth 100 mm Side parts 1 pair / Front cover Reduced depth of 250 mm    Extended depth of 400 mm		Plinth 100 mm Side parts 1 pair blind-open for cable guiding between the sections / Front cover	
			RAL 7035 grey	RAL 9016 white	RAL 7035 grey		RAL 7035 grey standard depth of 300mm	RAL 9016 white
			Article No. per unit unit = 1 pc.	Article No. per unit unit = 1 pc.	Article No. per unit unit = 1 pc.	Article No. per unit unit = 1 pc.	Article No. per unit unit = 1 pc.	Article No. per unit unit = 1 pc.

### BP-F-..., IP30 - fully assembled

400 (13MU/ row)	1760	1650	<b>BPZ-CNP-400-IP31</b> 194536	<b>BPZ-CNP-400-IP31-W</b> 194541	<b>BPZ-SS-1/250</b> 119166 <b>BPZ-FS-400/1</b> 293493	<b>BPZ-SS-1/400</b> 119165 <b>BPZ-FS-400/1</b> 293493	<b>BPZ-SS-1/300/SET/BO</b> 119181 <b>BPZ-FS-400/1</b> 293493	<b>BPZ-SS-1/300/SET/BO-W</b> 119185 <b>BPZ-FS-400/1-W</b> 293494
	2060	1950						
600 (24MU/ row)	1760	1650	<b>BPZ-CNP-600-IP31</b> 194537	<b>BPZ-CNP-600-IP31-W</b> 194542	<b>BPZ-SS-1/250</b> 119166 <b>BPZ-FS-600/1</b> 293497	<b>BPZ-SS-1/400</b> 119165 BPZ-FS-600/1 293497	<b>BPZ-SS-1/300/SET/BO</b> 119181 <b>BPZ-FS-600/1</b> 293497	<b>BPZ-SS-1/300/SET/BO-W</b> 119185 <b>BPZ-FS-600/1-W</b> 293498
	2060	1950						
800 (35MU/ row)	1760	1650	<b>BPZ-CNP-800-IP31</b> 194538	<b>BPZ-CNP-800-IP31-W</b> 194543	<b>BPZ-SS-1/250</b> 119166 <b>BPZ-FS-800/1</b> 293501	<b>BPZ-SS-1/400</b> 119165 <b>BPZ-FS-800/1</b> 293501	<b>BPZ-SS-1/300/SET/BO</b> 119181 <b>BPZ-FS-800/1</b> 293501	<b>BPZ-SS-1/300/SET/BO-W</b> 119185 <b>BPZ-FS-800/1-W</b> 293502
	2060	1950						
1000 (46MU/ row)	1760	1650	<b>BPZ-CNP-1000-IP31</b> 194539	<b>BPZ-CNP-1000-IP31-W</b> 194544	<b>BPZ-SS-1/250</b> 119166 <b>BPZ-FS-1000/1</b> 293505	<b>BPZ-SS-1/400</b> 119165 <b>BPZ-FS-1000/1</b> 293505	<b>BPZ-SS-1/300/SET/BO</b> 119181 <b>BPZ-FS-1000/1</b> 293505	<b>BPZ-SS-1/300/SET/BO-W</b> 119185 <b>BPZ-FS-1000/1-W</b> 293506
	2060	1950						
1200 (57MU/ row)	1760	1650	<b>BPZ-CNP-1200-IP31</b> 194540	<b>BPZ-CNP-1200-IP31-W</b> 194545	<b>BPZ-SS-1/250</b> 119166 <b>BPZ-FS-1200/1</b> 293509	<b>BPZ-SS-1/400</b> 119165 <b>BPZ-FS-1200/1</b> 293509	<b>BPZ-SS-1/300/SET/BO</b> 119181 <b>BPZ-FS-1200/1</b> 293509	<b>BPZ-SS-1/300/SET/BO-W</b> 119185 <b>BPZ-FS-1200/1-W</b> 293510
	2060	1950						

vi02918, wa\_vt51413



vi02918, wa\_vt51413



vi02818, vi02718



vi02818, vi02718



Plinth 100 mm Side parts 1 pair open-open for cable guiding between the sections / Front cover		Plinth 100 mm / for cable guiding between the sections / Front cover Side parts 1 pair blind-open		Plinth 200 mm Side parts 1 pair / Front cover		Plinth 200 mm Side parts 1 pair / Front cover	
RAL 7035 grey standard depth of 300 mm	RAL 9016 white	RAL 7035 grey extended depth of 400mm		RAL 7035 grey standard depth of 300 mm	RAL 9016 white	grey RAL 7035 reduced depth of 250 mm	grey RAL 7035 extended depth of 400 mm
Article No. per unit unit = 1 pc.	Article No. per unit unit = 1 pc.	Article No. per unit unit = 1 pc.	Article No. per unit unit = 1 pc.	Article No. per unit unit = 1 pc.	Article No. per unit unit = 1 pc.	Article No. per unit unit = 1 pc.	Article No. per unit unit = 1 pc.

<b>BPZ-SS-1/300/SET/00</b> 119182	<b>BPZ-SS-1/300/SET/00-W</b> 119186	<b>BPZ-SS-1/400/SET/BO</b> 119177	<b>BPZ-SS-1/400/SET/00</b> 119178	<b>BPZ-SS-2/3</b> 293517	<b>BPZ-SS-2/3-W</b> 293518	<b>BPZ-SS-2/250</b> 119170	<b>BPZ-SS-2/400</b> 119169
<b>BPZ-FS-400/1</b> 293493	<b>BPZ-FS-400/1-W</b> 293494	<b>BPZ-FS-400/1</b> 293493	<b>BPZ-FS-400/1</b> 293493	<b>BPZ-FS-400/2</b> 293495	<b>BPZ-FS-400/2-W</b> 293496	<b>BPZ-FS-400/2</b> 293495	<b>BPZ-FS-400/2</b> 293495
<b>BPZ-SS-1/300/SET/00</b> 119182	<b>BPZ-SS-1/300/SET/00-W</b> 119186	<b>BPZ-SS-1/400/SET/BO</b> 119177	<b>BPZ-SS-1/400/SET/00</b> 119178	<b>BPZ-SS-2/3</b> 293517	<b>BPZ-SS-2/3-W</b> 293518	<b>BPZ-SS-2/250</b> 119170	<b>BPZ-SS-2/400</b> 119169
<b>BPZ-FS-600/1</b> 293497	<b>BPZ-FS-600/1-W</b> 293498	<b>BPZ-FS-600/1</b> 293497	<b>BPZ-FS-600/1</b> 293497	<b>BPZ-FS-600/2</b> 293499	<b>BPZ-FS-600/2-W</b> 293500	<b>BPZ-FS-600/2</b> 293499	<b>BPZ-FS-600/2</b> 293499
<b>BPZ-SS-1/300/SET/00</b> 119182	<b>BPZ-SS-1/300/SET/00-W</b> 119186	<b>BPZ-SS-1/400/SET/BO</b> 119177	<b>BPZ-SS-1/400/SET/00</b> 119178	<b>BPZ-SS-2/3</b> 293517	<b>BPZ-SS-2/3-W</b> 293518	<b>BPZ-SS-2/250</b> 119170	<b>BPZ-SS-2/400</b> 119169
<b>BPZ-FS-800/1</b> 293501	<b>BPZ-FS-800/1-W</b> 293502	<b>BPZ-FS-800/1</b> 293501	<b>BPZ-FS-800/1</b> 293501	<b>BPZ-FS-800/2</b> 293503	<b>BPZ-FS-800/2-W</b> 293504	<b>BPZ-FS-800/2</b> 293503	<b>BPZ-FS-800/2</b> 293503
<b>BPZ-SS-1/300/SET/00</b> 119182	<b>BPZ-SS-1/300/SET/00-W</b> 119186	<b>BPZ-SS-1/400/SET/BO</b> 119177	<b>BPZ-SS-1/400/SET/00</b> 119178	<b>BPZ-SS-2/3</b> 293517	<b>BPZ-SS-2/3-W</b> 293518	<b>BPZ-SS-2/250</b> 119170	<b>BPZ-SS-2/400</b> 119169
<b>BPZ-FS-1000/1</b> 293505	<b>BPZ-FS-1000/1-W</b> 293506	<b>BPZ-FS-1000/1</b> 293505	<b>BPZ-FS-1000/1</b> 293505	<b>BPZ-FS-1000/2</b> 293507	<b>BPZ-FS-1000/2-W</b> 293508	<b>BPZ-FS-1000/2</b> 293507	<b>BPZ-FS-1000/2</b> 293507
<b>BPZ-SS-1/300/SET/00</b> 119182	<b>BPZ-SS-1/300/SET/00-W</b> 119186	<b>BPZ-SS-1/400/SET/BO</b> 119177	<b>BPZ-SS-1/400/SET/00</b> 119178	<b>BPZ-SS-2/3</b> 293517	<b>BPZ-SS-2/3-W</b> 293518	<b>BPZ-SS-2/250</b> 119170	<b>BPZ-SS-2/400</b> 119169
<b>BPZ-FS-1200/1</b> 293509	<b>BPZ-FS-1200/1-W</b> 293510	<b>BPZ-FS-1200/1</b> 293509	<b>BPZ-FS-1200/1</b> 293509	<b>BPZ-FS-1200/2</b> 293511	<b>BPZ-FS-1200/2-W</b> 293512	<b>BPZ-FS-1200/2</b> 293511	<b>BPZ-FS-1200/2</b> 293511

## Description

### BP-F-..., IP30 (IP31), enclosure depth 250 / 300 / 400 mm

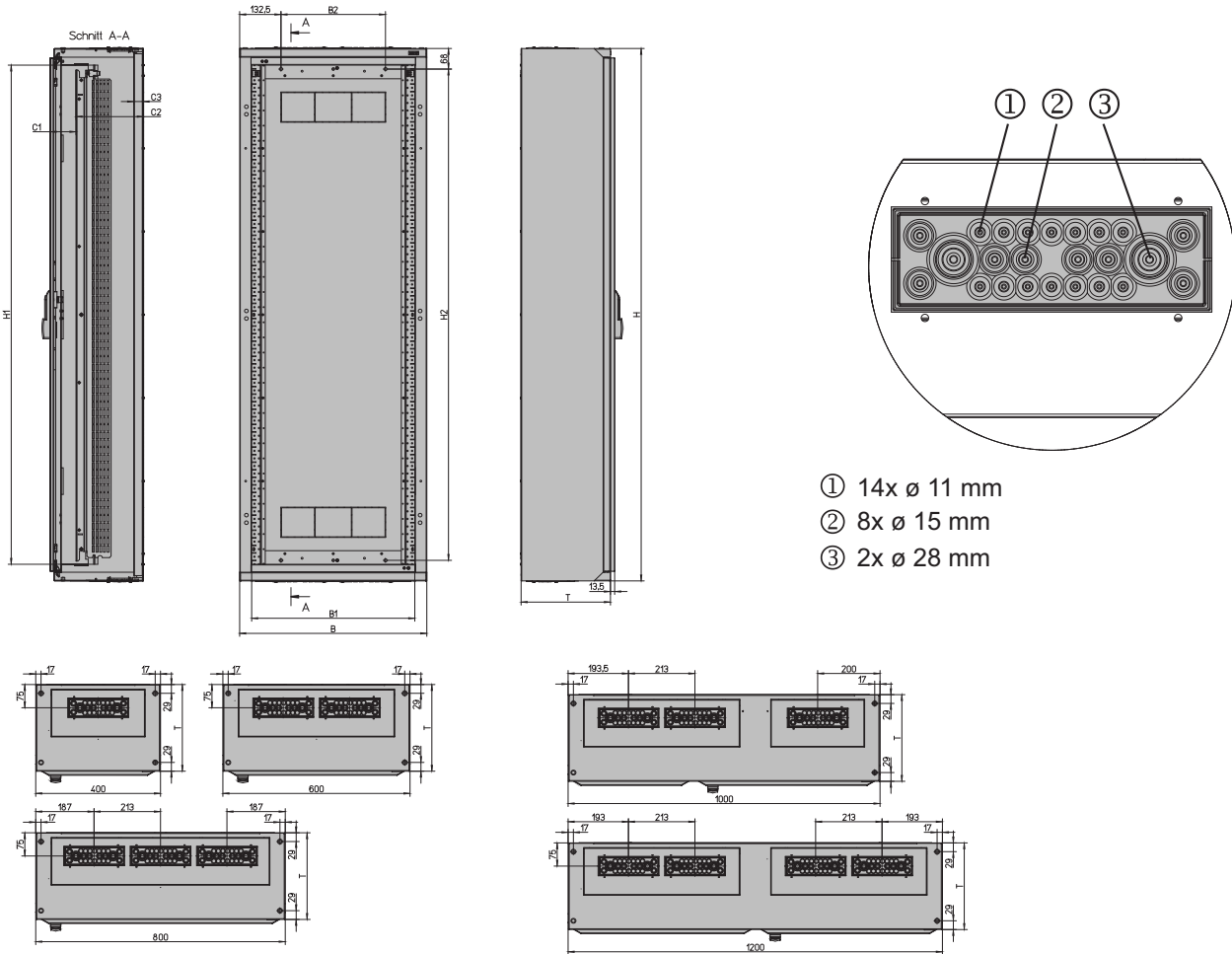
- Complete cabinets prepared for Profi+ installation system
- Degree of protection IP30
- Impact resistance IK08
- Protection class I (protective earth)
- Cable entry / flange plate individually configurable
- Quick and easy change of the hinge direction, door opening angle ~160°
- Standard plastic cam lock or Rotary lever closing mechanism
- Additional wall fixing to avoid tilting
- Enclosure made from powder-coated sheet steel, RAL 7035 / RAL 9016
- Variable interior installation either with "Mounting base frame" or "Mounting side panel" (MSW)

## Technical data

	BP-F-...
<b>Electrical</b>	
Type conforms to	IEC/EN 62208
Protection class	I (protective earth)
Degree of protection	IP30 (closed version with door/flansche) IP31 (special add-on canopy BPZ-CNP-...-IP31 required) IP2XC (door open, user access level has to be closed properly with front covers)
Impact resistance	IK08
Rated operational voltage	415 VAC / 50 Hz
Rated current	Max. 630 A (depending on the type of incoming circuit breaker or the busbar system being used)
Earthing concept for the enclosure	
Main earthing	By means of M8 welding bolts
Door earthing	By means of M6 welding bolts
The permissible temperature increases for switchgear assemblies with a rated current of up to 630 A can be evaluated in accordance with section 10.10.4.2 of IEC/EN 61439-1.	
For the maximum permissible heat dissipation for all devices inside the distribution board at an ambient temperature of 35° C and $\Delta T$ of 20 K / 35 K at an enclosure height of 75 %, please refer to the table on enclosure dimensions; (calculation method acc.to IEC/TR 60890).	
<b>Mechanical</b>	
Enclosure	Excellent stability thanks to the welded construction
Material	Sheet steel 1 mm, phosphated and polyester powder coated (structured) with corrosion protection
Colour	Traffic white, RAL 9016 / Light grey RAL 7035
Door	Hinges on the inside, door opening angle ~160° (in case of lateral alignment ~100°) Doors with transparent window individually configurable, hinged either left or right width 1000 / 1200 mm in double-wing design
Type	Flexible interior fitting with installation units Profi+ on base frame or „mounting side panel“ (MSW) Mounting base frame: multi-layer construction, installation directly in the enclosure, robust and structured Mounting side panel (MSW): removable mounting insert, external installation, fast and reliable
Locking mechanism	Two-point locking mechanism with standard cam lock (plastic), optional metal lock with standard locking or two-way key bit Three-point locking mechanism with rotary lever and rod drive (optional lock cylinder as accessory)
Cable entry	Complete cabinets equipped with two-component membrane flanges on both sides, single cabinets are individually configurable Closed cable entry / flange plate, with two-component flanges equipped or prepared for F3A-flanges
Ambient condition	Indoor installation (Assembly with/without plinth with additional fixing to a wall, „stand-alone“ not recommended) Max. ambient temperature +40° C Min. ambient temperature -5° C
Halogen-free, RoHS	< 1%, yes
Accessories	Several base versions with height 100 / 200mm, other locking mechanism for door closing Transparent doors, add-on canopy (IP31), wall fixing brackets
Delivered as	Complete cabinet prepared for „Mounting base frame“ or „MSW“ (depending on interior fitting all corresponding parts for „Mounting base frame“ respectively „MSW“ have to be ordered separately)

Dimensions (mm)

BP-F-..., IP30 (IP31), enclosure depth 250 / 300 / 400 mm

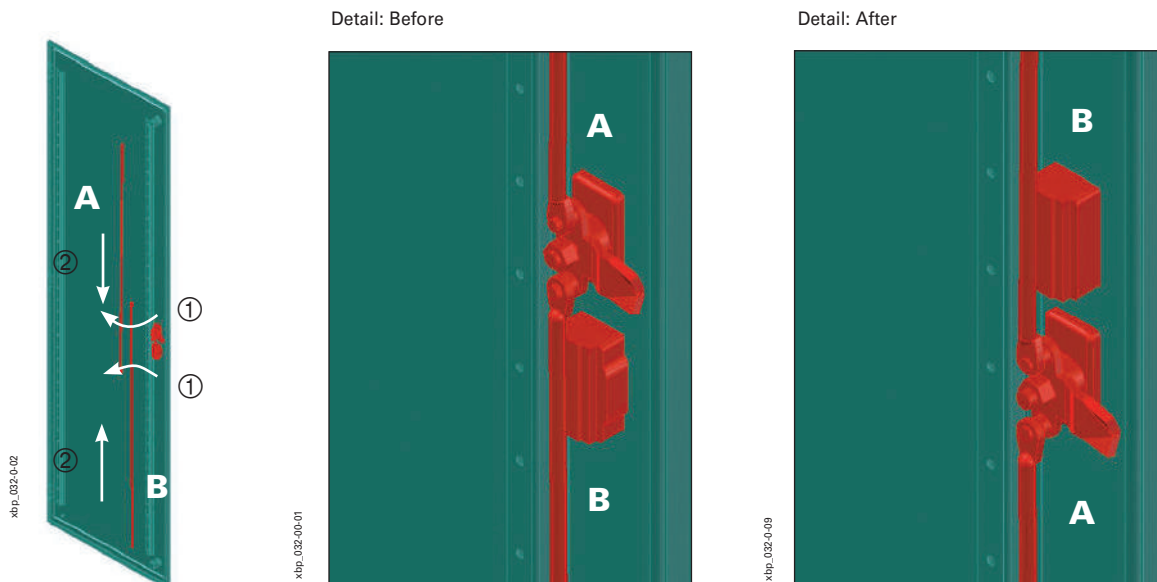


- ① 14x  $\varnothing$  11 mm
- ② 8x  $\varnothing$  15 mm
- ③ 2x  $\varnothing$  28 mm

Type	Overall dimensions			Internal dimensions (front plate)		Wall mounting (Enclosure directly)		BPZ-MSW		BPZ-FPS			Pv [W] ( $\Delta T$ 20K)	Pv [W] ( $\Delta T$ 35K)
	Width	Height	Depth	Width	Height	Width	Height	C1	C2	C1	C2	C3		
	B	H	T	B1	H1	B2	H2							
BP-F-400/17/3	400	1760	286.5	320	1650	135	1624	83	215	110	185	30	84	168
BP-F-400/17/3	400	2060	286.5	320	1950	135	1924	83	215	110	185	30	101	202
BP-F-600/17/3	600	1760	286.5	520	1650	335	1624	83	215	110	185	30	126	253
BP-F-600/17/3	600	2060	286.5	520	1950	335	1924	83	215	110	185	30	147	294
BP-F-800/17/3	800	1760	286.5	720	1650	535	1624	83	215	110	185	30	173	347
BP-F-800/17/3	800	2060	286.5	720	1950	535	1924	83	215	110	185	30	189	380
BP-F-1000/17/3	1000	1760	286.5	920	1650	735	1624	83	215	110	185	30	206	413
BP-F-1000/17/3	1000	2060	286.5	920	1950	735	1924	83	215	110	185	30	222	445
BP-F-1200/17/3	1200	1760	286.5	1120	1650	935	1624	83	215	110	185	30	237	474
BP-F-1200/17/3	1200	2060	286.5	1120	1950	935	1924	83	215	110	185	30	259	520
BP-F-400/20/2,5	400	2060	236.5	320	1950	135	1924	78	170	-	-	-	84	168
BP-F-600/20/2,5	600	2060	236.5	520	1950	335	1924	78	170	-	-	-	127	255
BP-F-800/20/2,5	800	2060	236.5	720	1950	535	1924	78	170	-	-	-	177	355
BP-F-1000/20/2,5	1000	2060	236.5	920	1950	735	1924	78	170	-	-	-	205	410
BP-F-1200/20/2,5	1200	2060	236.5	1120	1950	935	1924	78	170	-	-	-	240	481
BP-F-400/20/4	400	2060	386.5	320	1950	135	1924	98	300	-	-	30	128	258
BP-F-600/20/4	600	2060	386.5	520	1950	335	1924	98	300	-	-	30	183	367
BP-F-800/20/4	800	2060	386.5	720	1950	535	1924	98	300	-	-	30	217	435
BP-F-1000/20/4	1000	2060	386.5	920	1950	735	1924	98	300	-	-	30	257	515
BP-F-1200/20/4	1200	2060	386.5	1120	1950	935	1924	98	300	-	-	30	292	585

### Change of clip down handle for change of direction of opening of door

1. Demounting of rods – removing from lock mechanism
2. Demounting of rods – taking out from fastening lugs



### Sheet Steel Doors, BPZ-DS and Transparent Doors BPZ-DT

- Front-mounted
- Quick mounting and removing of the door
- Right or left hinged
- Opening angle ~160°
- 1-point lock through rotary lock, 3-point lock through clip-down handle
- Material: Sheet steel, powder-coated, RAL 7035 or RAL 9016  
BPZ-DT: Sheet steel framework incl. ESG 4 mm

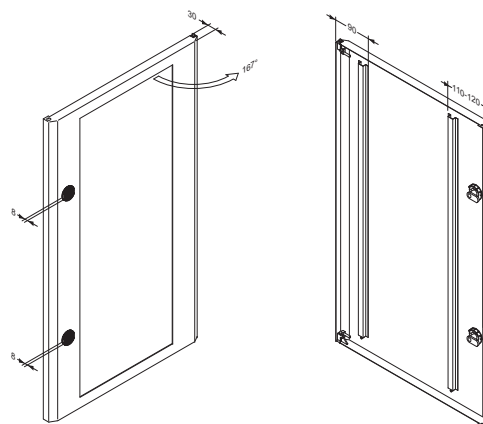
• Weight (kg) BPZ-DS:

Width (mm)	400	600	800	600+400	600+600
Height 1700	6,2	9	11,8	9+6,5	9+9,1
Height 2000	7,3	10,6	13,8	10,6+7,7	10,6+10,6

• Weight (kg) BPZ-DT:

Width (mm)	400	600	800	600+400	600+600
Height 1700	8,1	13,3	16	13,3+10,9	13,3+16,9
Height 2000	9,4	15,6	18,6	15,6+12,7	15,6+19,8

- Delivered as: 1 Door

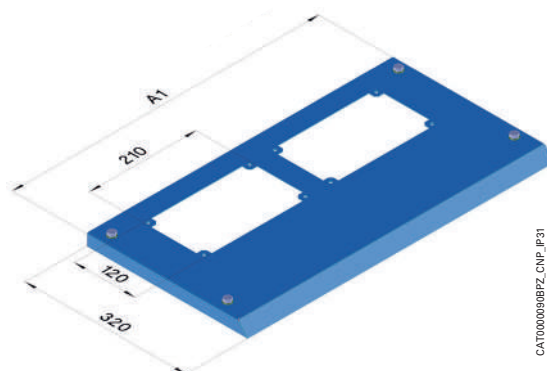


### Add-on canopy for IP31 applications, BPZ-CNP

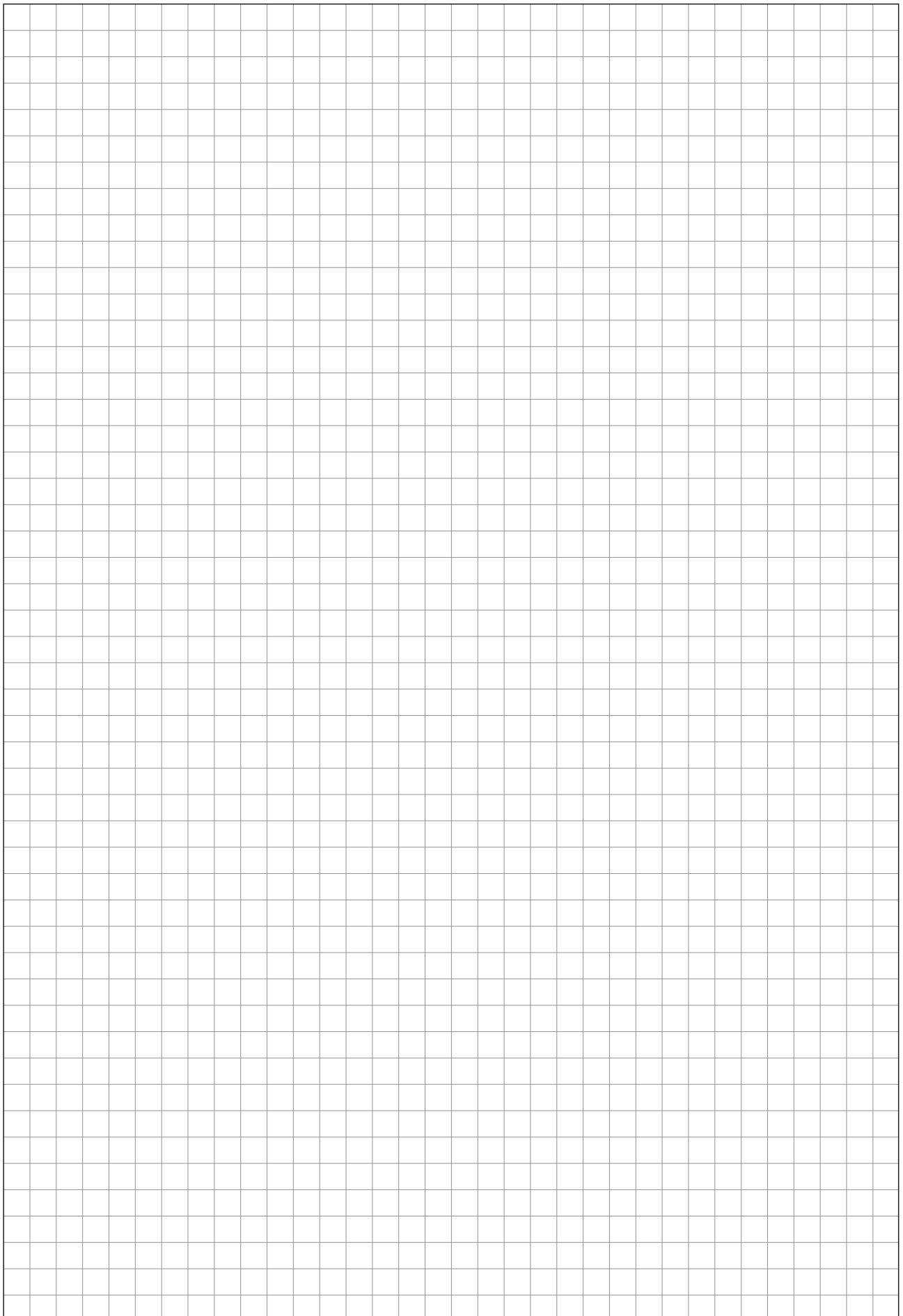
- Intended to be used for floor-standing distribution boards to upgrade from IP30 to IP31
- Possible for new installations as well as for retrofit in existing applications
- Material: Sheet steel, powder-coated, RAL 7035 or RAL 9016, thickness 1.25 mm
- Delivered as: 1 canopy, F3A-XP flanges, fixing material

### Dimensions (mm)

Type	Outside width	incl. F3A-XP flange
	A1	
BP-TBP1-400-F3A-IP31	405	Yes (1 pc.)
BP-TBP1-600-F3A-IP31	605	Yes (2 pcs.)
BP-TBP1-800-F3A-IP31	805	Yes (3 pcs.)
BP-TBP1-1000-F3A-IP31	1005	Yes (3 pcs.)
BP-TBP1-1200-F3A-IP31	1205	Yes (4 pcs.)



CA1000000BPZ\_CNP\_IP31



wa\_vt24013



vt06905, wa\_vt51413



Width [mm]	Height [mm]	Height int. [mm]	Open distribution board depth 175 mm welded construction / IP2XC wall-mounted / floor-standing shift-back flange on top / bottom closed / without door incl. MSW mounting insert BPZ-MES	Open distribution board depth 175 mm welded construction / IP2XC wall-mounted / floor-standing shift-back flange on top / bottom closed / without door	Plinth 100 mm [Plinth 200 mm] Side parts 1 pair / Front cover
			RAL 7035 grey	RAL 7035 grey Empty	RAL 7035 grey
			Article No. per unit unit = 1 pc.	Article No. per unit unit = 1 pc.	Article No. per unit unit = 1 pc.

### BPM-F-..., IP55 - fully assembled

400 (13MU/ row)	760	650	-	-	-
	1060	950	-	-	-
	1260	1150	-	-	-
600 (24MU/ row)	460	350	<b>BP-MN-MES-600/4-ST</b> 143130	<b>BP-MN-600/4/1,75</b> 119197	<b>BPZ-MN-SS/1/175</b> 119214
	760	650	<b>BP-MN-MES-600/7-ST</b> 143133	<b>BP-MN-600/7/1,75</b> 119198	<b>[BPZ-MN-SS/2/175]</b> [119215] <b>BPZ-MN-FS-600/1</b> 120685
	1060	950	<b>BP-MN-MES-600/10-ST</b> 143136	<b>BP-MN-600/10/1,75</b> 119199	<b>[BPZ-MN-FS-600/2]</b> [120686]
	1260	1150	<b>BP-MN-MES-600/12-ST</b> 143139	<b>BP-MN-600/12/1,75</b> 119200	
	1560	1450	<b>BP-MN-MES-600/15-ST</b> 143142	<b>BP-MN-600/15/1,75</b> 119201	
	1760	1650	-	<b>BP-MN-600/17/1,75</b> 119202	
	2060	1950	-	<b>BP-MN-600/20/1,75</b> 119203	
800 (35MU/ row)	1060	950	<b>BP-MN-MES-800/10-ST</b> 143145	<b>BP-MN-800/10/1,75</b> 119204	<b>BPZ-MN-SS/1/175</b> 119214
	1260	1150	<b>BP-MN-MES-800/12-ST</b> 143148	<b>BP-MN-800/12/1,75</b> 119205	<b>[BPZ-MN-SS/2/175]</b> [119215] <b>BPZ-MN-FS-800/1</b> 120687
	1560	1450	<b>BP-MN-MES-800/15-ST</b> 143151	<b>BP-MN-800/15/1,75</b> 119206	<b>[BPZ-MN-FS-800/2]</b> [120688]
	1760	1650	-	<b>BP-MN-800/17/1,75</b> 119207	
	2060	1950	-	<b>BP-MN-800/20/1,75</b> 119208	
	1760	1650	-	-	
	2060	1950	-	-	



wa\_vt10814, wa\_vt11114



wa\_vt24113



Outdoor distribution board welded construction /  
IP43/IK10 stand-alone application mounted on base A-KU  
[applicable polyester base]

MSW mounting insert especially designed for BP-MN / BP-VF  
incl. Front covers, DIN-rails (distance between rails mainly  
150 mm)

RAL 7035 grey  
Empty

Article No.  
per unit  
unit = 1 pc.

RAL 7035 grey  
Empty

Article No.  
per unit  
unit = 1 pc.

-	-	<b>BPZ-MES-400/7-ST</b> 119307
<b>BP-VF-400/10</b> 125830	<b>[A-KU3]</b> [274823]	<b>BPZ-MES-400/10-ST</b> 119308
<b>BP-VF-400/12</b> 125833	<b>[A-KU3]</b> [274823]	<b>BPZ-MES-400/12-ST</b> 119309
-	-	<b>BPZ-MES-600/4-ST</b> 119310
-	-	<b>BPZ-MES-600/7-ST</b> 119311
<b>BP-VF-600/10</b> 125831	<b>[A-KU3]</b> [274823]	<b>BPZ-MES-600/10-ST</b> 119312
<b>BP-VF-600/12</b> 125834	<b>[A-KU3]</b> [274823]	<b>BPZ-MES-600/12-ST</b> 119313
-	-	<b>BPZ-MES-600/15-ST</b> 119314
-	-	<b>BPZ-MES-600/17-ST</b> 119315
-	-	<b>BPZ-MES-600/20-ST</b> 119316
<b>BP-VF-800/10</b> 125832	<b>[A-KU3]</b> [274823]	<b>BPZ-MES-800/10-ST</b> 119317
<b>BP-VF-800/12</b> 125835	<b>[A-KU3]</b> [274823]	<b>BPZ-MES-800/12-ST</b> 119318
-	-	<b>BPZ-MES-800/15-ST</b> 119319
-	-	<b>BPZ-MES-800/17-ST</b> 119320
-	-	<b>BPZ-MES-800/20-ST</b> 119321
-	-	<b>BPZ-MES-1200/17-ST</b> 119329
-	-	<b>BPZ-MES-1200/20-ST</b> 119330

# 1.7

## xEnergy Distribution Boards

Distribution boards for special applications, BP-MN / BP-VF

wa\_vt24013



vt06905, wa\_vt51413



Width [mm]	Height [mm]	Height int. [mm]	Open distribution board depth 175 mm welded construction / IP2XC wall-mounted / floor-standing shift-back flange on top / bottom closed / without door incl. MSW mounting insert BPZ-MES	Open distribution board depth 175 mm welded construction / IP2XC wall-mounted / floor-standing shift-back flange on top / bottom closed / without door	Plinth 100 mm [Plinth 200 mm] Side parts 1 pair / Front cover
			RAL 7035 grey	RAL 7035 grey Empty	RAL 7035 grey
			Article No. per unit unit = 1 pc.	Article No. per unit unit = 1 pc.	Article No. per unit unit = 1 pc.

### BPM-F-..., IP55 - fully assembled

1000 (46MU/ row)	1060	950	<b>BP-MN-MES-1000/10-ST</b> 143154	<b>BP-MN-1000/10/1,75</b> 119209	<b>BPZ-MN-SS/1/175</b> 119214
	1260	1150	<b>BP-MN-MES-1000/12-ST</b> 143157	<b>BP-MN-1000/12/1,75</b> 119210	<b>[BPZ-MN-SS/2/175]</b> [119215]
	1560	1450	<b>BP-MN-MES-1000/15-ST</b> 143160	<b>BP-MN-1000/15/1,75</b> 119211	<b>BPZ-MN-FS-1000/1</b> 120689
	1760	1650	-	<b>BP-MN-1000/17/1,75</b> 119212	<b>[BPZ-MN-FS-1000/2]</b> [120690]
	2060	1950	-	<b>BP-MN-1000/20/1,75</b> 119213	
1200 (57MU/ row)	1260	1150	-	-	-
	1560	1450	-	-	-
	1760	1650	-	-	-
	2060	1950	-	-	-

wa\_vt10814, wa\_vt11114



wa\_vt24113



Outdoor distribution board welded construction /  
IP43/IK10 stand-alone application mounted on base A-KU  
(applicable polyester base)

MSW mounting insert especially designed for BP-MN / BP-VF  
incl. Front covers, DIN-rails (distance between rails mainly  
150 mm)

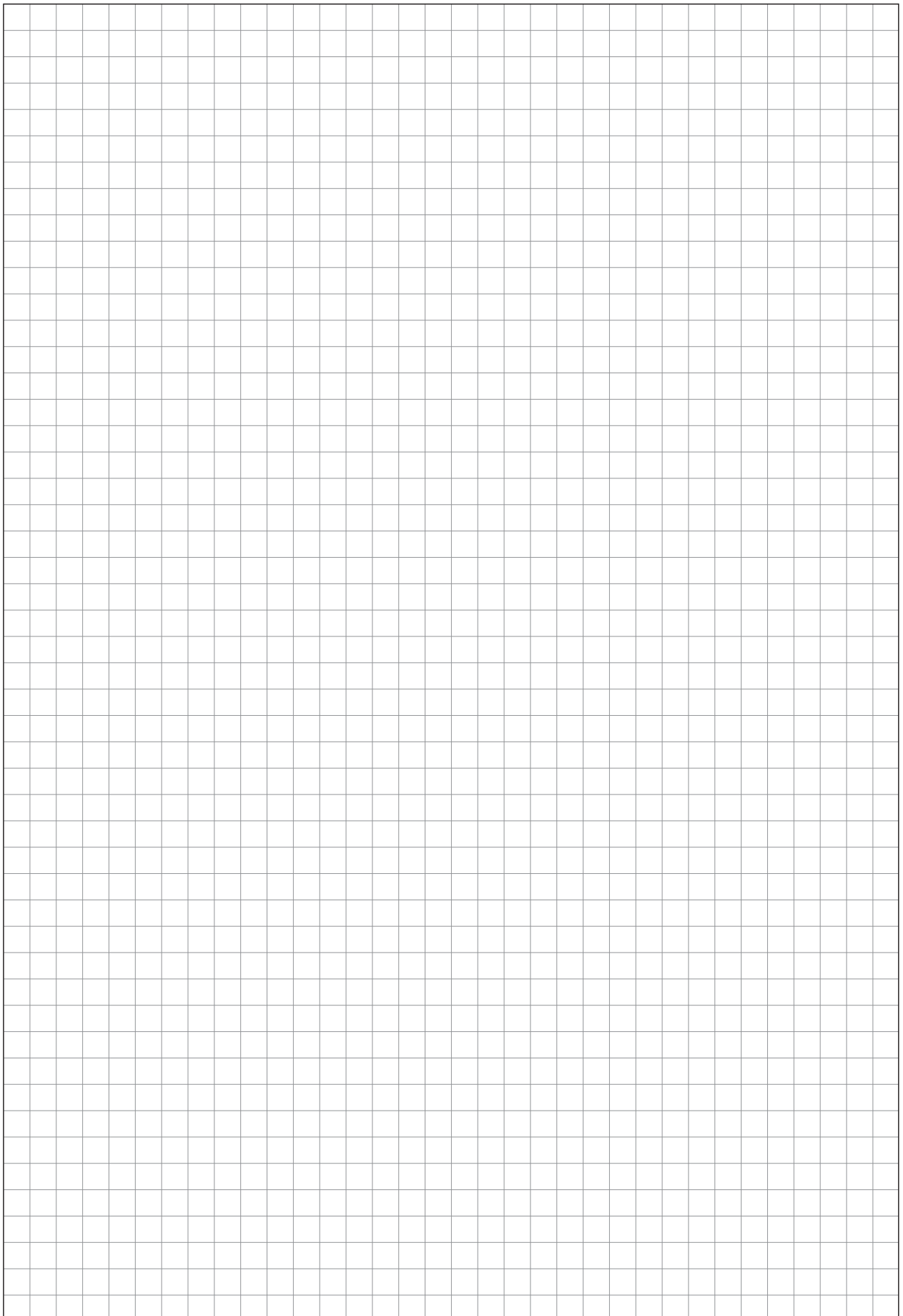
RAL 7035 grey  
Empty

Article No.  
per unit  
unit = 1 pc.

RAL 7035 grey  
Empty

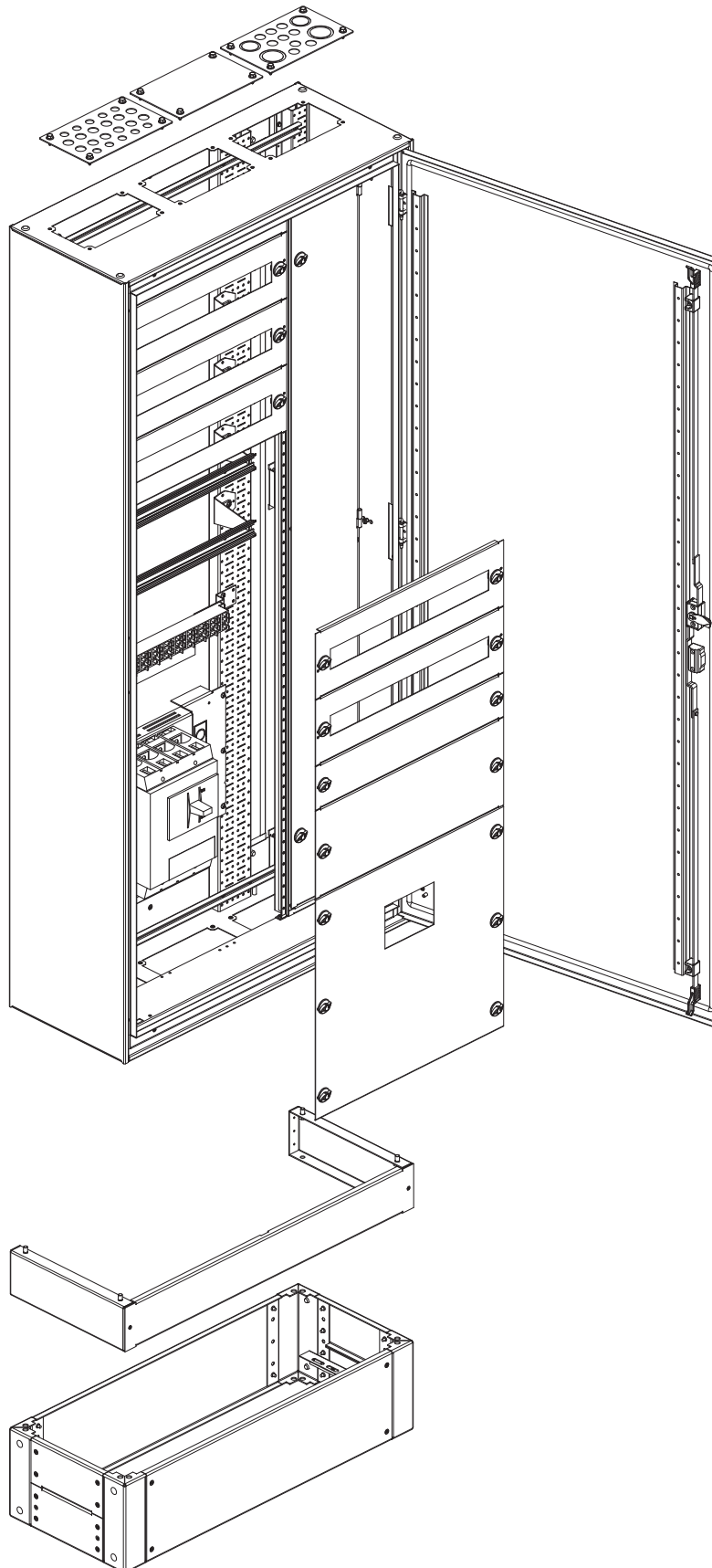
Article No.  
per unit  
unit = 1 pc.

	<b>BPZ-MES-1000/10-ST</b> 119322
	<b>BPZ-MES-1000/12-ST</b> 119323
	<b>BPZ-MES-1000/15-ST</b> 119324
	<b>BPZ-MES-1000/17-ST</b> 119325
	<b>BPZ-MES-1000/20-ST</b> 119326
	<b>BPZ-MES-1200/12-ST</b> 119327
	<b>BPZ-MES-1200/15-ST</b> 119328
	<b>BPZ-MES-1200/17-ST</b> 119329
	<b>BPZ-MES-1200/20-ST</b> 119330



## System Overview

BPM-F-..., IP55



# 1.8

## xEnergy Distribution Boards

Floor-standing distribution board BPM-F-..., IP55

vt39317\_r



wa\_vt17213



wa\_vt03613



vt40717



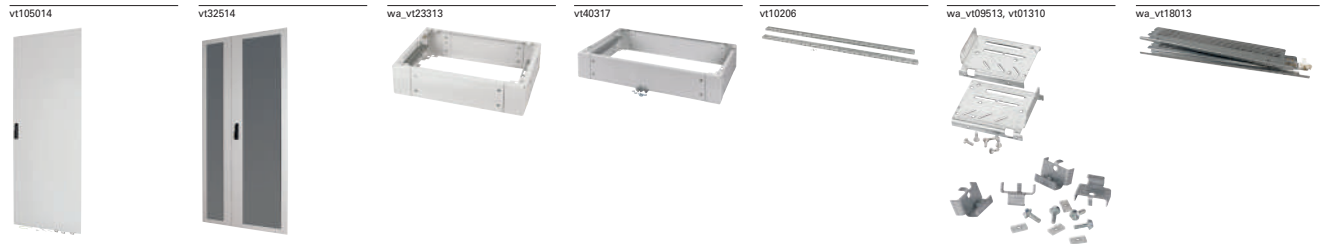
vt104514



Width [mm]	Height [mm]	Height int. [mm]	Pre-assembled configuration individual installation / Prepared for F3A-flanges on top/bottom / Door with two-way key bit BPZ-LOCK/DBIT3 / Standard depth of 320 mm	Pre-assembled configuration individual installation / Prepared for F3A-flanges on top/bottom 7 / Door with clip-down handle BPZ-SH-L 7 / Standard depth of 320 mm	Pre-assembled configuration individual installation / Prepared for F3A-flanges on top/bottom 7 / Door with clip-down handle BPZ-SH-L 7 / Standard depth of 320 mm	Pre-assembled configuration installation back frame / Prepared for F3A-flanges on top/bottom / Door with clip-down handle BPZ-SH-L / Extended depth of 400 mm / Dedicated as add-on connection cabinet	Pre-assembled configuration individual installation / Prepared for F3A-flanges on top/bottom / Without door / Standard depth of 320 mm
			RAL 7035 grey Empty	RAL 9016 white	RAL 7035 grey Empty	RAL 9016 white	RAL 7035 grey Empty
			Article No. per unit unit = 1 pc.	Article No. per unit unit = 1 pc.	Article No. per unit unit = 1 pc.	Article No. per unit unit = 1 pc.	Article No. per unit unit = 1 pc.

### BPM-F-..., IP55 - fully assembled

400 (13MU/ row)	1760	1650	<b>BPM-F-400/17</b> 111037	<b>BPM-F-400/17-W</b> 111077	<b>BPM-F-400/17-P</b> 111047	<b>BPM-F-400/17-P-W</b> 111087	<b>BPM-F-400/17/4-P</b> 193209	-
	2060	1950	<b>BPM-F-400/20</b> 111038	<b>BPM-F-400/20-W</b> 111078	<b>BPM-F-400/20-P</b> 111048	<b>BPM-F-400/20-P-W</b> 111088	<b>BPM-F-400/20/4-P</b> 193210	-
600 (24MU/ row)	1760	1650	<b>BPM-F-600/17</b> 111039	<b>BPM-F-600/17-W</b> 111079	<b>BPM-F-600/17-P</b> 111049	<b>BPM-F-600/17-P-W</b> 111089	<b>BPM-F-600/17/4-P</b> 193211	<b>BPM-F-600/17-F</b> 174362
	2060	1950	<b>BPM-F-600/20</b> 111040	<b>BPM-F-600/20-W</b> 111080	<b>BPM-F-600/20-P</b> 111050	<b>BPM-F-600/20-P-W</b> 111090	<b>BPM-F-600/20/4-P</b> 193212	<b>BPM-F-600/20-F</b> 174363
800 (35MU/ row)	1760	1650	<b>BPM-F-800/17</b> 111041	<b>BPM-F-800/17-W</b> 111081	<b>BPM-F-800/17-P</b> 111051	<b>BPM-F-800/17-P-W</b> 111091	<b>BPM-F-800/17/4-P</b> 193213	<b>BPM-F-800/17-F</b> 174367
	2060	1950	<b>BPM-F-800/20</b> 111042	<b>BPM-F-800/20-W</b> 111082	<b>BPM-F-800/20-P</b> 111052	<b>BPM-F-800/20-P-W</b> 111092	<b>BPM-F-800/20/4-P</b> 193214	<b>BPM-F-800/20-F</b> 174368
1000 (46MU/ row)	1760	1650	<b>BPM-F-1000/17</b> 111043	<b>BPM-F-1000/17-W</b> 111083	<b>BPM-F-1000/17-P</b> 111053	<b>BPM-F-1000/17-P-W</b> 111093	<b>BPM-F-1000/17/4-P</b> 193215	<b>BPM-F-1000/17-F</b> 174370
	2060	1950	<b>BPM-F-1000/20</b> 111044	<b>BPM-F-1000/20-W</b> 111084	<b>BPM-F-1000/20-P</b> 111054	<b>BPM-F-1000/20-P-W</b> 111094	<b>BPM-F-1000/20/4-P</b> 193216	<b>BPM-F-1000/20-F</b> 174371
1200 (57MU/ row)	1760	1650	<b>BPM-F-1200/17</b> 111045	<b>BPM-F-1200/17-W</b> 111085	<b>BPM-F-1200/17-P</b> 111055	<b>BPM-F-1200/17-P-W</b> 111095	<b>BPM-F-1200/17/4-P</b> 193217	<b>BPM-F-1200/17-F</b> 193249
	2060	1950	<b>BPM-F-1200/20</b> 111046	<b>BPM-F-1200/20-W</b> 111086	<b>BPM-F-1200/20-P</b> 111056	<b>BPM-F-1200/20-P-W</b> 111096	<b>BPM-F-1200/20/4-P</b> 193218	<b>BPM-F-1200/20-F</b> 193250



Sheet metal door / Clip-down handle	Sheet metal door (transparent) / Clip-down handle	Cable arrangement / Plinth 100 mm / Cable strain-relief rail / Standard depth of 320 mm	Extended depth of 400 mm	Installation back frame / Frontplate support	MSW installation / Corner tower set / 2 pairs needed / Snap element set (1x)	Mounting side wall (MSW) / With SNAP-element BPZ-SNAP
RAL 7035 grey	RAL 7035 grey	RAL 7035 grey				
Article No. per unit unit = 1 pc.	Article No. per unit unit = 1 pc.	Article No. per unit unit = 1 pc.	Article No. per unit unit = 1 pc.	Article No. per unit unit = 1 pc.	Article No. per unit unit = 1 pc.	Article No. per unit unit = 1 pc.

		<b>BPZ-KR41/320</b> 116285	<b>BPZ-KR41/400</b> 193219	<b>BPZ-FPS/17</b> 106431	<b>BPZ-CTS-S</b> 106445	<b>BPZ-MSW-17/SNAP</b> 112289
		<b>BPZ-KFS-400</b> 116293	<b>BPZ-KFS-400</b> 116293	<b>BPZ-FPS/20</b> 106430	<b>BPZ-SNAP-MSW-CTS</b> 131559	<b>BPZ-MSW-20/SNAP</b> 112300
<b>BPZ-DMS-600/17-P</b> 174342	<b>BPZ-DMT-600/17-P</b> 173585	<b>BPZ-KR61/320</b> 116287	<b>BPZ-KR61/400</b> 193220	<b>BPZ-FPS/17</b> 106431	<b>BPZ-CTS-S</b> 106445	<b>BPZ-MSW-17/SNAP</b> 112289
<b>BPZ-DMS-600/20-P</b> 174343	<b>BPZ-DMT-600/20-P</b> 173586	<b>BPZ-KFS-600</b> 116294	<b>BPZ-KFS-600</b> 116294	<b>BPZ-FPS/20</b> 106430	<b>BPZ-SNAP-MSW-CTS</b> 131559	<b>BPZ-MSW-20/SNAP</b> 112300
<b>BPZ-DMS-800/17-P</b> 174347	<b>BPZ-DMT-800/17-P</b> 173592	<b>BPZ-KR81/320</b> 187910	<b>BPZ-KR81/400</b> 193221	<b>BPZ-FPS/17</b> 106431	<b>BPZ-CTS-S</b> 106445	<b>BPZ-MSW-17/SNAP</b> 112289
<b>BPZ-DMS-800/20-P</b> 174348	<b>BPZ-DMT-800/20-P</b> 173593	<b>BPZ-KFS-800</b> 187892	<b>BPZ-KFS-800</b> 187892	<b>BPZ-FPS/20</b> 106430	<b>BPZ-SNAP-MSW-CTS</b> 131559	<b>BPZ-MSW-20/SNAP</b> 112300
<b>BPZ-DMS-400/17-L +</b> <b>BPZ-DMS-600/17-R-P</b> 193251 + 193253	<b>BPZ-DMT-400/17-L +</b> <b>BPZ-DMT-600/17-R-P</b> 193257 + 193259	<b>BPZ-KR101/320</b> 187890	<b>BPZ-KR101/400</b> 193222	<b>BPZ-FPS/17</b> 106431	<b>BPZ-CTS-S</b> 106445	<b>BPZ-MSW-17/SNAP</b> 112289
<b>BPZ-DMS-400/20-L +</b> <b>BPZ-DMS-600/20-R-P</b> 193254 + 193256	<b>BPZ-DMT-400/20-L +</b> <b>BPZ-DMT-600/20-R-P</b> 193260 + 193262	<b>BPZ-KFS-1000</b> 187893	<b>BPZ-KFS-1000</b> 187893	<b>BPZ-FPS/20</b> 106430	<b>BPZ-SNAP-MSW-CTS</b> 131559	<b>BPZ-MSW-20/SNAP</b> 112300
<b>BPZ-DMS-600/17-L +</b> <b>BPZ-DMS-600/17-R-P</b> 193252 + 193253	<b>BPZ-DMT-600/17-L +</b> <b>BPZ-DMT-600/17-R-P</b> 193258 + 193259	<b>BPZ-KR121/320</b> 116291	<b>BPZ-KR121/400</b> 193223	<b>BPZ-FPS/17</b> 106431	<b>BPZ-CTS-S</b> 106445	<b>BPZ-MSW-17/SNAP</b> 112289
<b>BPZ-DMS-600/20-L +</b> <b>BPZ-DMS-600/20-R-P</b> 193255 + 193256	<b>BPZ-DMT-600/20-L +</b> <b>BPZ-DMT-600/20-R-P</b> 193261 + 193262	<b>BPZ-KFS-1200</b> 116296	<b>BPZ-KFS-1200</b> 116296	<b>BPZ-FPS/20</b> 106430	<b>BPZ-SNAP-MSW-CTS</b> 131559	<b>BPZ-MSW-20/SNAP</b> 112300

# 1.8

## xEnergy Distribution Boards

Floor-standing distribution board BPM-F-..., IP55

vi39317\_r



vi06905, wa\_vt51413



vi02918, wa\_vt51413



vi02918, wa\_vt51413



Width [mm]	Height [mm]	Height int. [mm]	Plinth 100 mm Side parts 1 pair / Front cover	Plinth 100 mm Side parts 1 pair blind-open for cable guiding between the sections / Front cover	Plinth 100 mm Side parts 1 pair open-open for cable guiding between the sections / Front cover
			grey RAL 7035 standard depth of 320 mm	white RAL 9016	grey RAL 7035 standard depth of 320 mm
			Article No. per unit unit = 1 pc.	Article No. per unit unit = 1 pc.	Article No. per unit unit = 1 pc.

### BPM-F-..., IP55 - fully assembled

400 (13MU/ row)	1760	1650	<b>BPZ-SS-1/320</b> 112348	<b>BPZ-SS-1/320-W</b> 112350	<b>BPZ-SS-1/320/SET/BO</b> 119179	<b>BPZ-SS-1/320/SET/BO-W</b> 119183	<b>BPZ-SS-1/320/SET/OO</b> 119180	<b>BPZ-SS-1/320/SET/OO-W</b> 119184
		2060	1950	<b>BPZ-FS-400/1</b> 293493	<b>BPZ-FS-400/1-W</b> 293494	<b>BPZ-FS-400/1</b> 293493	<b>BPZ-FS-400/1-W</b> 293494	<b>BPZ-FS-400/1</b> 293493
600 (24MU/ row)	1760	1650	<b>BPZ-SS-1/320</b> 112348	<b>BPZ-SS-1/320-W</b> 112350	<b>BPZ-SS-1/320/SET/BO</b> 119179	<b>BPZ-SS-1/320/SET/BO-W</b> 119183	<b>BPZ-SS-1/320/SET/OO</b> 119180	<b>BPZ-SS-1/320/SET/OO-W</b> 119184
		2060	1950	<b>BPZ-FS-600/1</b> 293497	<b>BPZ-FS-600/1-W</b> 293498	<b>BPZ-FS-600/1</b> 293497	<b>BPZ-FS-600/1-W</b> 293498	<b>BPZ-FS-600/1</b> 293497
800 (35MU/ row)	1760	1650	<b>BPZ-SS-1/320</b> 112348	<b>BPZ-SS-1/320-W</b> 112350	<b>BPZ-SS-1/320/SET/BO</b> 119179	<b>BPZ-SS-1/320/SET/BO-W</b> 119183	<b>BPZ-SS-1/320/SET/OO</b> 119180	<b>BPZ-SS-1/320/SET/OO-W</b> 119184
		2060	1950	<b>BPZ-FS-800/1</b> 293501	<b>BPZ-FS-800/1-W</b> 293502	<b>BPZ-FS-800/1</b> 293501	<b>BPZ-FS-800/1-W</b> 293502	<b>BPZ-FS-800/1</b> 293501
1000 (46MU/ row)	1760	1650	<b>BPZ-SS-1/320</b> 112348	<b>BPZ-SS-1/320-W</b> 112350	<b>BPZ-SS-1/320/SET/BO</b> 119179	<b>BPZ-SS-1/320/SET/BO-W</b> 119183	<b>BPZ-SS-1/320/SET/OO</b> 119180	<b>BPZ-SS-1/320/SET/OO-W</b> 119184
		2060	1950	<b>BPZ-FS-1000/1</b> 293505	<b>BPZ-FS-1000/1-W</b> 293506	<b>BPZ-FS-1000/1</b> 293505	<b>BPZ-FS-1000/1-W</b> 293506	<b>BPZ-FS-1000/1</b> 293505
1200 (57MU/ row)	1760	1650	<b>BPZ-SS-1/320</b> 112348	<b>BPZ-SS-1/320-W</b> 112350	<b>BPZ-SS-1/320/SET/BO</b> 119179	<b>BPZ-SS-1/320/SET/BO-W</b> 119183	<b>BPZ-SS-1/320/SET/OO</b> 119180	<b>BPZ-SS-1/320/SET/OO-W</b> 119184
		2060	1950	<b>BPZ-FS-1200/1</b> 293509	<b>BPZ-FS-1200/1-W</b> 293510	<b>BPZ-FS-1200/1</b> 293509	<b>BPZ-FS-1200/1-W</b> 293510	<b>BPZ-FS-1200/1</b> 293509



v102818, v102718



v140217



v1104614



v1104714



Plinth 200 mm  
Side parts 1 pair /  
Front cover

Cable arrangement  
plinth 200 mm /  
cable strain-relief rail

Internal cable duct as complete kit for shared composition  
incl. mounting pillars, compartment door and protective cover

grey RAL 7035  
standard depth of 320 mm

white RAL 9016

grey RAL 7035  
standard depth of 320 mm

extended depth of 400 mm

grey RAL 7035  
compartment width 200 mm

compartment width 400 mm

Article No.  
per unit  
unit = 1 pc.

Article No.  
per unit  
unit = 1 pc.

Article No.  
per unit  
unit = 1 pc.

Article No.  
per unit  
unit = 1 pc.

Article No.  
per unit  
unit = 1 pc.

Article No.  
per unit  
unit = 1 pc.

**BPZ-SS-2/320**  
112349  
**BPZ-FS-400/2**  
293495

**BPZ-SS-2/320-W**  
112351  
**BPZ-FS-400/2-W**  
293496

**BPZ-KR42/320**  
116286  
**BPZ-KFS-400**  
116293

**BPZ-KR42/400**  
193224  
**BPZ-KFS-400**  
116293

-

**BPZ-SS-2/320**  
112349  
**BPZ-FS-600/2**  
293499

**BPZ-SS-2/320-W**  
112351  
**BPZ-FS-600/2-W**  
293500

**BPZ-KR62/320**  
116288  
**BPZ-KFS-600**  
116294

**BPZ-KR62/400**  
193225  
**BPZ-KFS-600**  
116294

-

**BPZ-SS-2/320**  
112349  
**BPZ-FS-800/2**  
293503

**BPZ-SS-2/320-W**  
112351  
**BPZ-FS-800/2-W**  
293504

**BPZ-KR82/320**  
187911  
**BPZ-KFS-800**  
187892

**BPZ-KR82/400**  
193226  
**BPZ-KFS-800**  
187892

**BPZ-ICD-200/17**  
174354

**BPZ-ICD-200/20**  
174355

**BPZ-SS-2/320**  
112349  
**BPZ-FS-1000/2**  
293507

**BPZ-SS-2/320-W**  
112351  
**BPZ-FS-1000/2-W**  
293508

**BPZ-KR102/320**  
187891  
**BPZ-KFS-1000**  
187893

**BPZ-KR102/400**  
193227  
**BPZ-KFS-1000**  
187893

**BPZ-ICD-400/17**  
174388

**BPZ-ICD-400/20**  
174389

**BPZ-SS-2/320**  
112349  
**BPZ-FS-1200/2**  
293511

**BPZ-SS-2/320-W**  
112351  
**BPZ-FS-1200/2-W**  
293512

**BPZ-KR122/320**  
116292  
**BPZ-KFS-1200**  
116296

**BPZ-KR122/400**  
193228  
**BPZ-KFS-1200**  
116296

-

## Description

### BPM-F-..., IP55, enclosure depth 320 / 400 mm

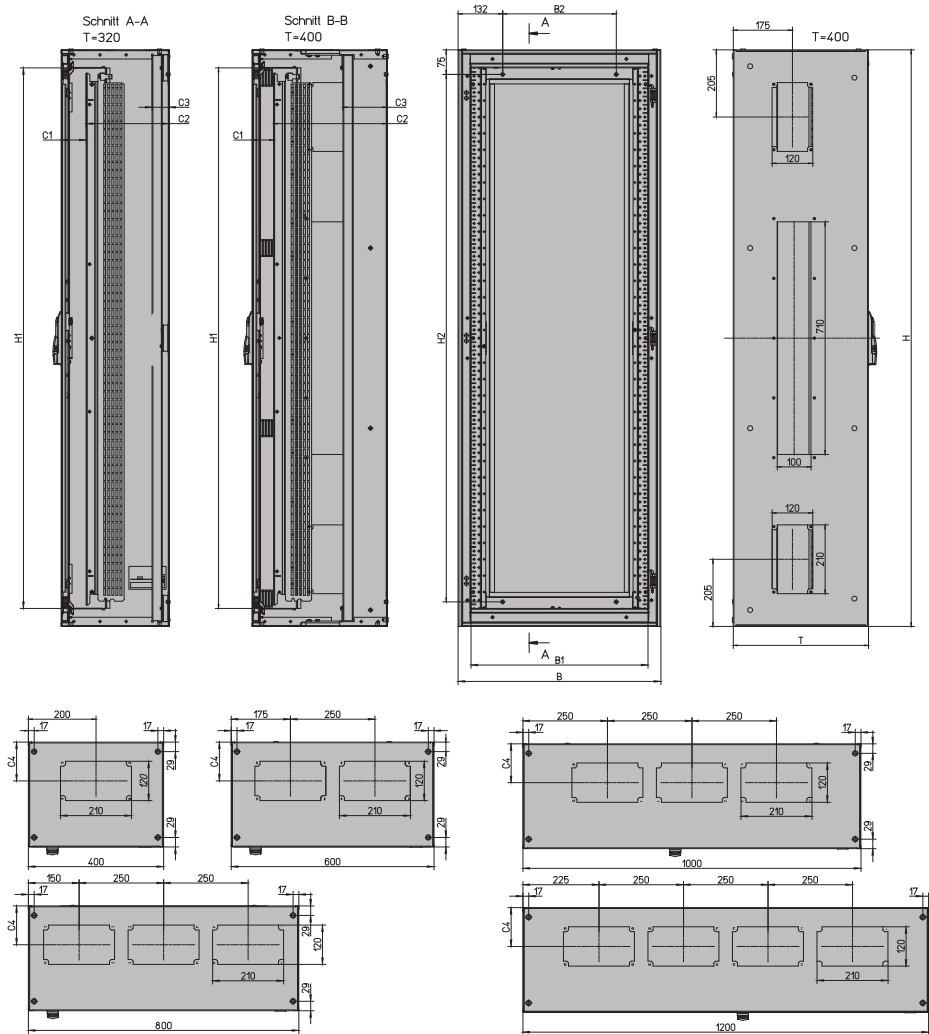
- Complete cabinets prepared for Profi+ installation system
- Degree of protection IP55
- Impact resistance IK10
- Protection class I (protective earth)
- Cable entry prepared for F3A flange
- Quick and easy change of the hinge direction, door opening angle ~100°
- Two-way key bit or rotary lever
- Additional wall fixing to avoid tilting
- Enclosure made from powder-coated sheet steel, RAL 7035 / RAL 9016
- Add-on connection at depth 400 mm provided
- Variable interior fitting either with "Mounting base frame" or "Mounting side panel" (MSW)

## Technical data

<b>BPM-F-...</b>	
<b>Electrical</b>	
Type conforms to	IEC/EN 62208
Protection class	I (protective earth)
Degree of protection	IP55 (closed version with door/flansche) IP2XC (door open, user access level has to be closed properly with front covers)
Impact resistance	IK10
Rated operational voltage	415 VAC / 50 Hz
Rated current	Max. 630 A (depending on the type of incoming circuit breaker or the busbar system being used)
Earthing concept for the enclosure	
Main earthing	By means of M8 welding bolts
Door earthing	By means of M6 welding bolts
The permissible temperature increases for switchgear assemblies with a rated current of up to 630 A can be evaluated in accordance with section 10.10.4.2 of IEC/EN 61439-1.	
For the maximum permissible heat dissipation for all devices inside the distribution board at an ambient temperature of 35° C and $\Delta T$ of 20 K / 35 K at an enclosure height of 75 %, please refer to the table on enclosure dimensions; (calculation method acc.to IEC/TR 60890).	
<b>Mechanical</b>	
Enclosure	Excellent stability thanks to the welded construction
Material	Sheet steel 1.25 mm, phosphated and polyester powder coated (structured) with corrosion protection
Colour	Traffic white, RAL 9016 / Light grey RAL 7035
Door	With encircling foamed sealing, hinges on the inside, door opening angle ~100° Doors with transparent window individually configurable, hinged either left or right width 1000 / 1200 mm in double-wing design
Type	Flexible interior fitting with installation units Profi+ on base frame or „mounting side panel“ (MSW) Mounting base frame: multi-layer construction, installation directly in the enclosure, robust and structured Mounting side panel (MSW): removable mounting insert, external installation, fast and reliable
Locking mechanism	Three-point standard locking with two-way key bit (metal) Three-point locking mechanism with rotary lever and rod drive (optional lock cylinder as accessory)
Cable entry	Open, prepared for F3A flanges on both sides (top+bottom) Lateral F3A cut-outs (top+bottom) for additional cable entry or cross-wiring at a depth of 400 mm
Busbar system	Prepared for incorporating a continuous busbar system over several sections with depth 400 mm Generous cut-outs left/right (closed with blind plates when delivered)
Ambient condition	Indoor installation (Assembly with/without plinth with additional fixing to a wall, „stand-alone“ not recommended) Max. ambient temperature +40° C Min. ambient temperature -5° C
Halogen-free, RoHS	< 1%, yes
Accessories	Several base versions or cable arrangement plinths with height 100 / 200mm, other locking mechanism for door closing, transparent doors, wall fixing brackets
Delivered as	Complete cabinet prepared for „Mounting base frame“ or „MSW“ (depending on interior fitting all corresponding parts for „Mounting base frame“ respectively „MSW“ have to be ordered separately)

Dimensions (mm)

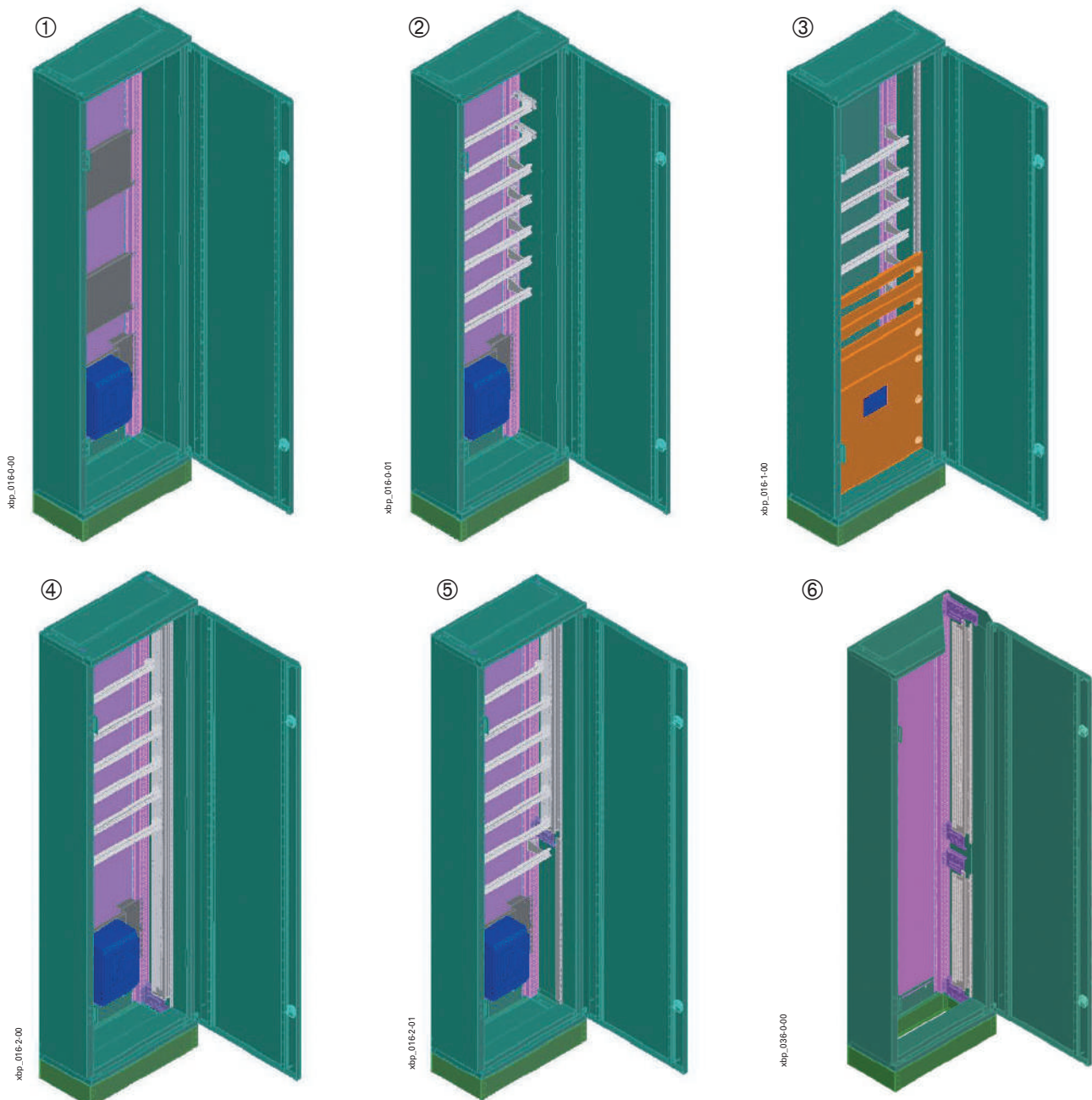
BPM-F-..., IP55, enclosure depth 320 / 400 mm



Type	Overall dimensions			Internal dimensions (front plate)		Wall mounting (Enclosure directly)		BPZ-MSW		BPZ-FPS				Pv [W] (ΔT 20K)	Pv [W] (ΔT 35K)
	Width B	Height H	Depth T	Width B1	Height H1	Width B2	Height H2	C1	C2	C1	C2	C3	C4		
BPM-F-400/17	400	1760	320	320	1650	136	1610	62-92	225-255	112	205	49	118	91	182
BPM-F-400/20	400	2060	320	320	1950	136	1910	62-92	225-255	112	205	49	118	106	213
BPM-F-600/17	600	1760	320	520	1650	336	1610	62-92	225-255	112	205	49	118	132	264
BPM-F-600/20	600	2060	320	520	1950	336	1910	62-92	225-255	112	205	49	118	155	311
BPM-F-800/17	800	1760	320	720	1650	536	1610	62-92	225-255	112	205	49	118	183	367
BPM-F-800/20	800	2060	320	720	1950	536	1910	62-92	225-255	112	205	49	118	195	391
BPM-F-1000/17	1000	1760	320	920	1650	736	1610	62-92	225-255	112	205	49	118	212	425
BPM-F-1000/20	1000	2060	320	920	1950	736	1910	62-92	225-255	112	205	49	118	229	459
BPM-F-1200/17	1200	1760	320	1120	1650	936	1610	62-92	225-255	112	205	49	118	244	489
BPM-F-1200/20	1200	2060	320	1120	1950	936	1910	62-92	225-255	112	205	49	118	269	539
BPM-F-400/17/4-P	400	1760	400	320	1650	136	1610	62-87	310-335	62-112	335-285	130-180	100	114	228
BPM-F-400/20/4-P	400	2060	400	320	1950	136	1910	62-87	310-335	62-112	335-285	130-180	100	128	258
BPM-F-600/17/4-P	600	1760	400	520	1650	336	1610	62-87	310-335	62-112	335-285	130-180	100	158	318
BPM-F-600/20/4-P	600	2060	400	520	1950	336	1910	62-87	310-335	62-112	335-285	130-180	100	183	367
BPM-F-800/17/4-P	800	1760	400	720	1650	536	1610	62-87	310-335	62-112	335-285	130-180	100	203	408
BPM-F-800/20/4-P	800	2060	400	720	1950	536	1910	62-87	310-335	62-112	335-285	130-180	100	217	435
BPM-F-1000/17/4-P	1000	1760	400	920	1650	736	1610	62-87	310-335	62-112	335-285	130-180	100	237	476
BPM-F-1000/20/4-P	1000	2060	400	920	1950	736	1910	62-87	310-335	62-112	335-285	130-180	100	257	515
BPM-F-1200/17/4-P	1200	1760	400	1120	1650	936	1610	62-87	310-335	62-112	335-285	130-180	100	276	554
BPM-F-1200/20/4-P	1200	2060	400	1120	1950	936	1910	62-87	310-335	62-112	335-285	130-180	100	292	585

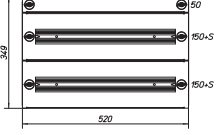
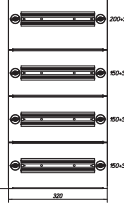
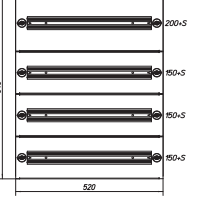
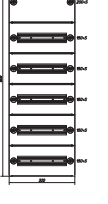
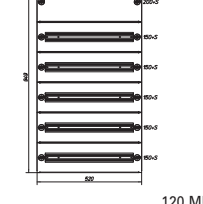
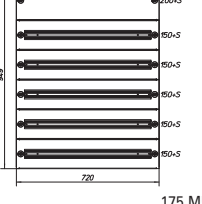
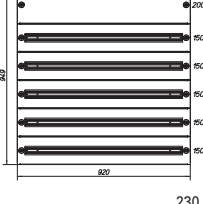

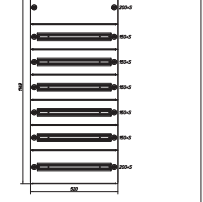
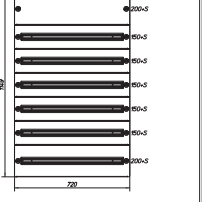
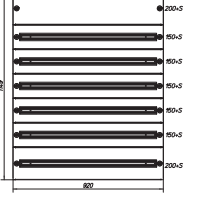
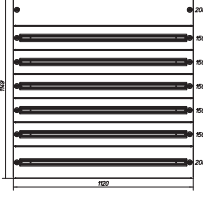
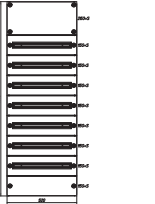
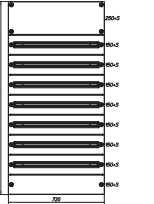
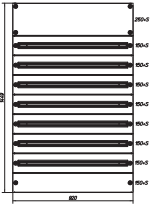
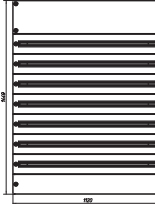
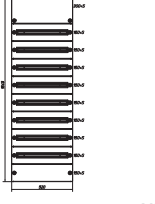
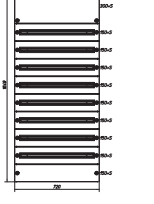
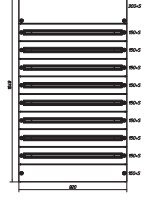
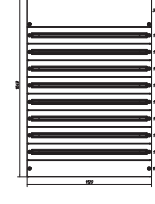
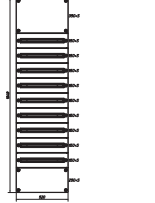
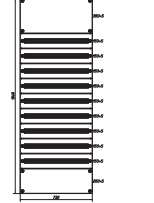
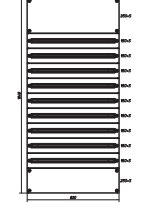
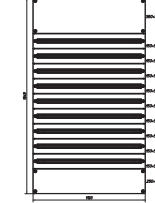
### Possible variants of inside configuration of BP(M)-F

- Installation of inside equipment is identical for both versions BP-F with IP30 and BPM-F with IP55
- 1. Installation of mounting plates BPZ-MPL and mounting sets (e.g. BPZ-NZM) directly onto rear frame. Frontplates can be equipped by means of supports BPZ-FPS.
- 2. Simultaneous installation of mounting plates BPZ-MPL or mounting sets (e.g. BPZ-NZM) and device rails directly onto rear frame. Device rails can be fitted either with towers BPZ-TF/2 (set with rail BPZ-DINR13-...-B) for standard depth or directly onto rear frame for maximum depth. The other depths between these two utmost ones can be reached with towers BPZ-TA/2 (set with rail BPZ-DINR13-...-T). For this tower, the device rail is fitted by means of fastening elements BEL.
- 3. Example of mounting of frontplates by means of support BPZ-FPS.
- 4. Application of mounting side walls BPZ-MSW. Device rails are mounted onto BPZ-MSW by means of fastening elements BEL. Mounting plates and device rails can be fitted directly onto rear frame, as well. Front plates are fastened onto side walls BPZ-MSW for whole board height. Installation of the mounting frame BPZ-MSW is the same as for surface mounting board, i.e. by means of corner towers BPZ-CTS-L. Corner towers BPZ-CTS-L are not in scope of delivery of the board itself.
- 5. Application of mounting side walls BPZ-MSW for partial height of the board. Suitable e.g. for combination of input power section and installation section in a single board. Short side walls BPZ-MSW are mounted by means of towers BPZ-CTS-L in the corners and towers BPZ-CTS-S in the middle of the board. The towers are not in a scope of delivery of the board. Frontplates are mounted onto BPZ-MSW in the installation section. If the frontplates are asked also for power section, support BPZ-FPS with appropriate length is used for their fixing.
- 6. Application of mounting side walls BPZ-MSW for more sections. Suitable e.g. for easier mounting of heavy equipment, for splitting up into heavy current and weak current section etc. It is necessary to pay attention to correct position of the tower BPZ-CTS-S (the cutout has to be located at the opposite side to BPZ-MSW).



**Mounting Inserts, BPZ-MES**

- Overview of all available inserts with front plates. Insert fits in Wall-mounting-, Flush-mounting- and Open distribution boards. With MSW application.

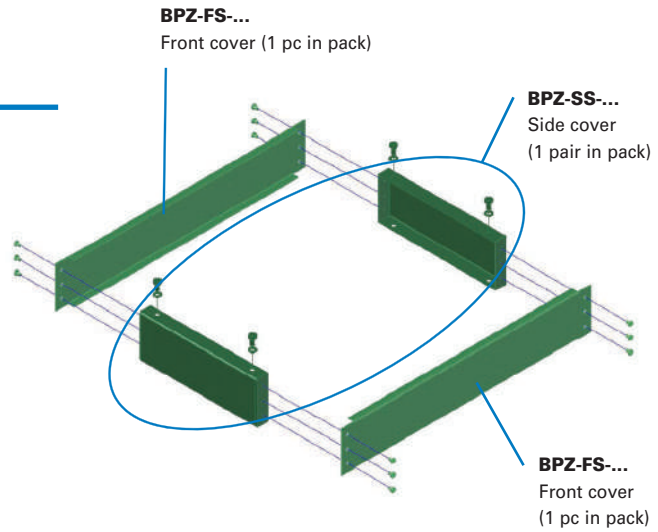
	 <p>BPZ-MES-600/4</p> <p>48 MU</p>			
 <p>BPZ-MES-400/7</p> <p>52 MU</p>	 <p>BPZ-MES-600/7</p> <p>96 MU</p>			
 <p>BPZ-MES-400/10</p> <p>65 MU</p>	 <p>BPZ-MES-600/10</p> <p>120 MU</p>	 <p>BPZ-MES-800/10</p> <p>175 MU</p>	 <p>BPZ-MES-1000/10</p> <p>230 MU</p>	
 <p>BPZ-MES-400/12</p> <p>78 MU</p>	 <p>BPZ-MES-600/12</p> <p>144 MU</p>	 <p>BPZ-MES-800/12</p> <p>210 MU</p>	 <p>BPZ-MES-1000/12</p> <p>276 MU</p>	 <p>BPZ-MES-1200/12</p> <p>342 MU</p>
	 <p>BPZ-MES-600/15</p> <p>168 MU</p>	 <p>BPZ-MES-800/15</p> <p>245 MU</p>	 <p>BPZ-MES-1000/15</p> <p>322 MU</p>	 <p>BPZ-MES-1200/15</p> <p>399 MU</p>
	 <p>BPZ-MES-600/17</p> <p>192 MU</p>	 <p>BPZ-MES-800/17</p> <p>280 MU</p>	 <p>BPZ-MES-1000/17</p> <p>368 MU</p>	 <p>BPZ-MES-1200/17</p> <p>456 MU</p>
	 <p>BPZ-MES-600/20</p> <p>216 MU</p>	 <p>BPZ-MES-800/20</p> <p>315 MU</p>	 <p>BPZ-MES-1000/20</p> <p>414 MU</p>	 <p>BPZ-MES-1200/20</p> <p>513 MU</p>

### Front cover for base, BPZ-FS-..

- Height: 100 mm or 200 mm
- Material: Sheet steel, powder-coated, RAL 7035 and RAL 9016
- Scope of delivery: 1 Front cover, fixing material

### Side cover for base, BPZ-SS-..

- Height: 100 mm or 200 mm
- Material: Sheet steel, powder-coated, RAL 7035 and RAL 9016
- Scope of delivery: 2 Side covers, fixing material

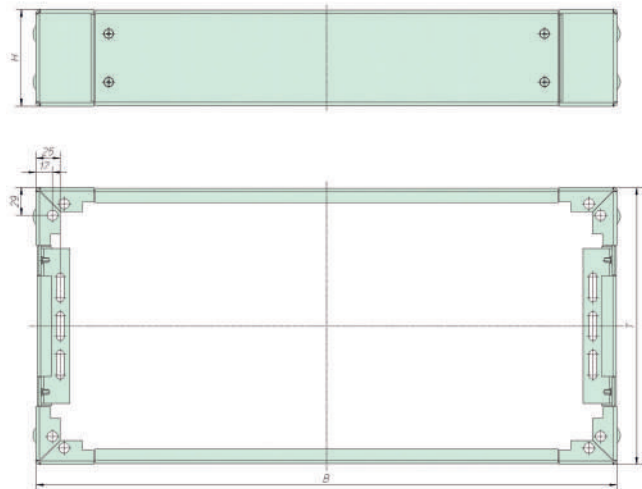


### Cable Interconnect Frame, BPZ-KR...

- Height: 75, 100 or 200 mm
- Material: Sheet steel, powder-coated, RAL 7035 or RAL 9016 (BPZ-KR.../300-W)
  - Scope of delivery: 1 Cable interconnect frame including fixing material without cable strain-relief rail

### Dimensions (mm)

Type	W	H	D
BPZ-KR3.5x/...	350	75/100/200	250/400
BPZ-KR4x/...	400	100/200	300/320/400
BPZ-KR6x/...	600	75/100/200	250/300/320/400
BPZ-KR8x/...	800	100/200	300/320/400
BPZ-KR8.5x/...	850	75/100/200	250/400
BPZ-KR10x/...	1000	100/200	300/320/400
BPZ-KR11x/...	1100	75/100/200	250/400
BPZ-KR12x/...	1200	100/200	300/320/400
BPZ-KR13x/...	1350	75/100/200	250/400

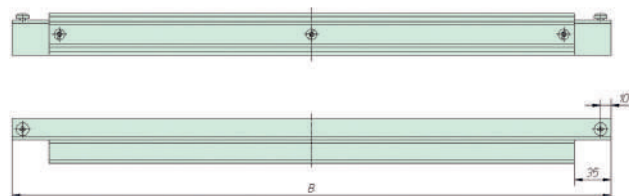


### Cable Strain-Relief Rail, BPZ-KFS, BPZ-KFS

- Material: Sheet steel, galvanized
- C-Profile 16 mm, for hammerfoot yoke clamps
- Scope of delivery: 1 Cable strain-relief rail incl. fixing material

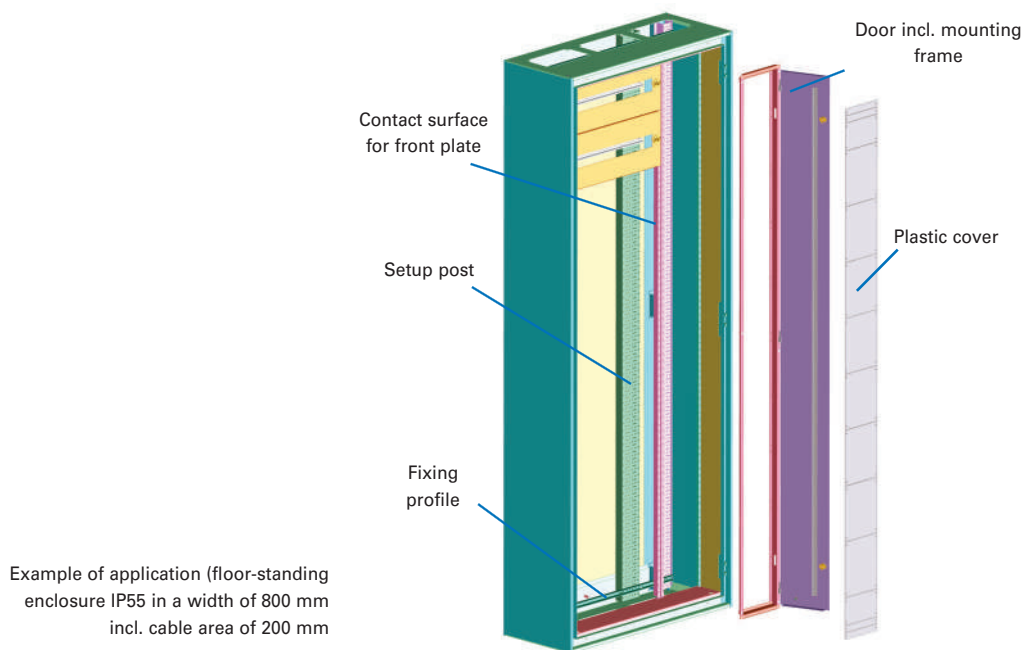
### Dimensions (mm)

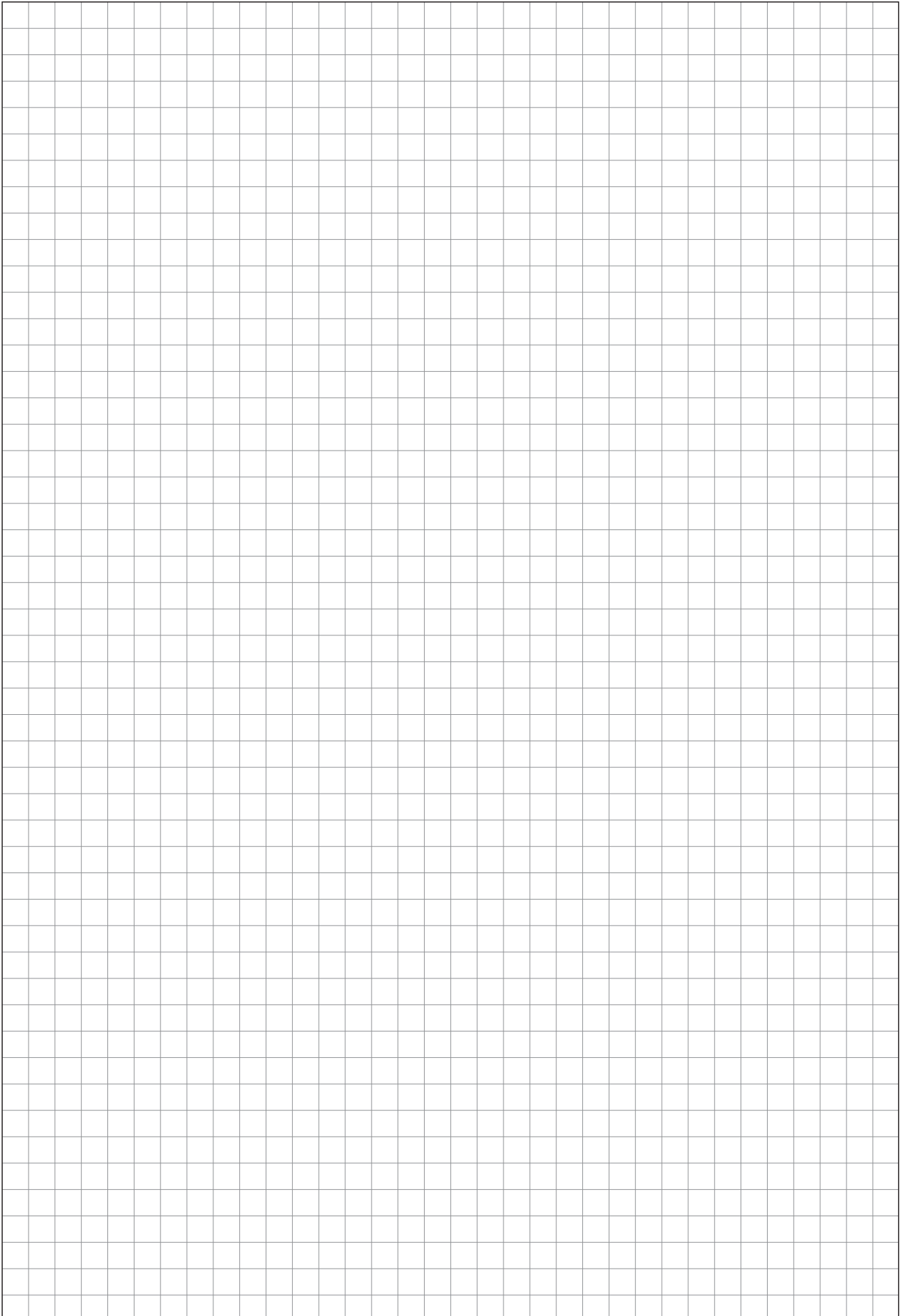
Type	B
BPZ-KFS400	370
BPZ-KFS600	570
BPZ-KFS800	770
BPZ-KFS1000	970
BPZ-KFS1200	1170



**Set for Internal Cable Area available as a Complete Kit, BPZ-ICD-..**

- Suitable for wall-mounted (height 15) and floor-standing enclosures, each of them can be realised in a width of 800 and 1000 mm
- The cable area can either be mounted on the left or on the right side of the enclosure
- The door is right-hinged and pivoting, removable when necessary
- The metal door makes contact with the enclosure
- The plastic cover serves as an additional protection when the door to the cable area is open
- Material
  - Fixing profiles: Sheet steel (2 mm), galvanized
  - Setup post: Sheet steel (1.5 mm), galvanized
  - Contact surface for front plate: Sheet steel (1.5 mm), galvanized
  - Door/frame: Sheet steel (1.5 mm), powder-coated, RAL 7035
  - Plastic cover: 2 mm PVC, transparent
- Scope of delivery: 2 Fixing profiles (for top and bottom), 1 setup post, 1 contact surface for front plate, 1 door incl. mounting frame, 1 plastic cover, mounting accessories







**System Overview**

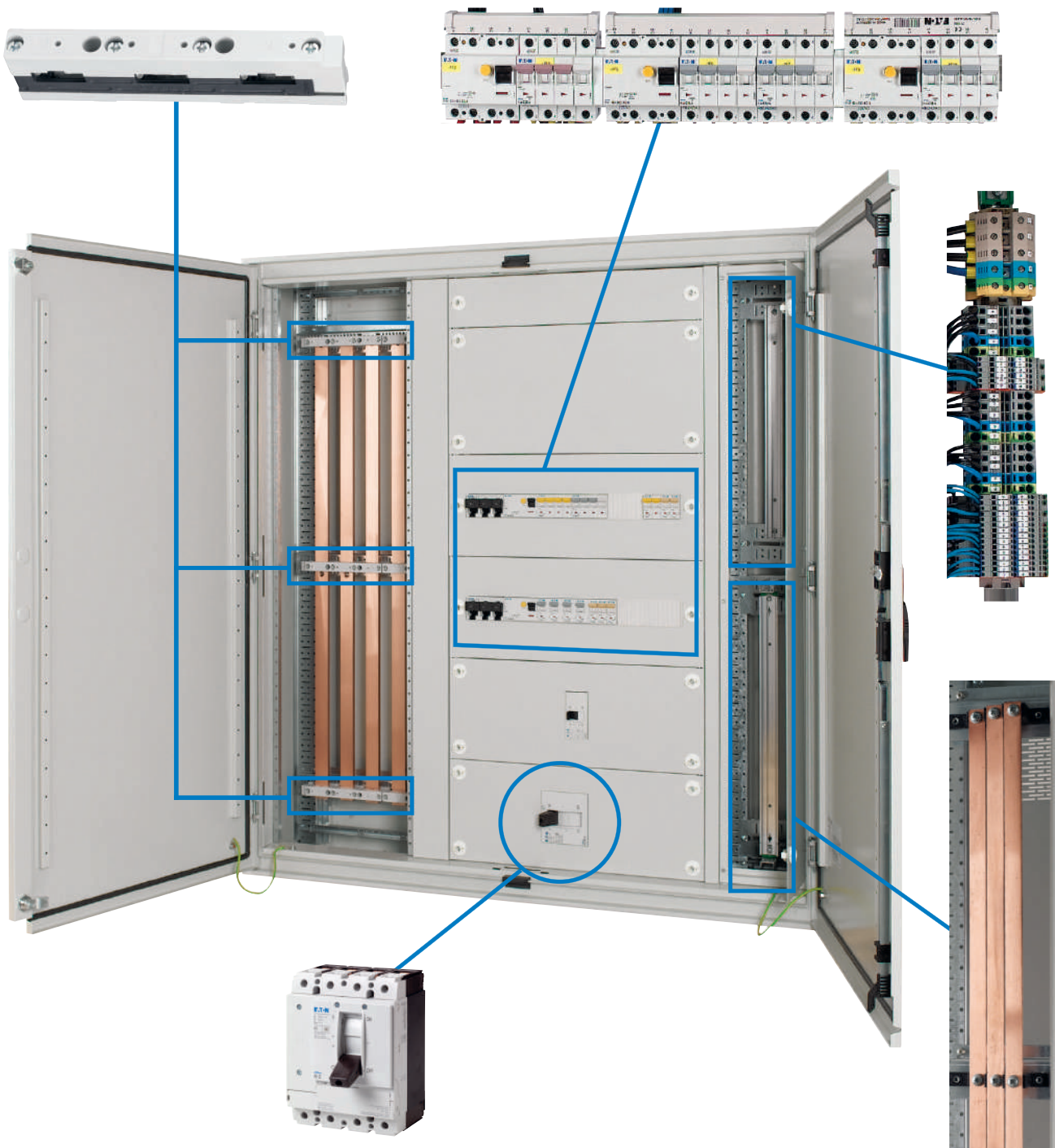
**Shared compartment inside xEnergy Basic**

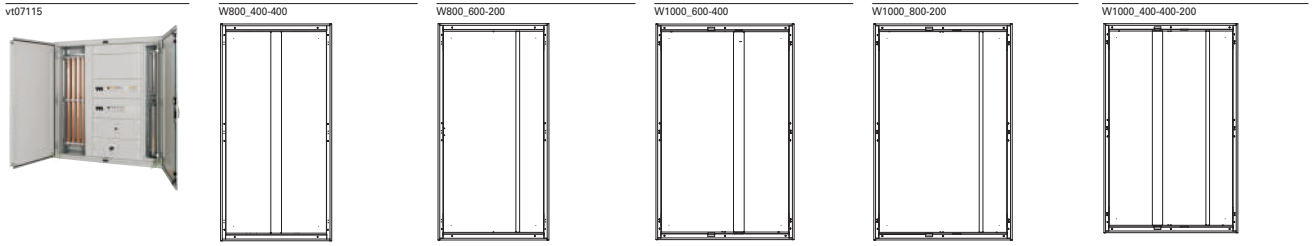
The construction of the xEnergy Basic enables a very flexible partition from 1 to max. 3 different sections inside one distribution board! Typically 200mm compartments are used for separate cable connection room and the 400 mm wide section can be used e.g. for vertical busbar system up to 630A. The arrangement and division of the interior is completely arbitrary and is mainly up to the installation behavior from the panel builder / installer.

Example for illustration:

xEnergy Basic type BPM-O-1200/12-P divided into

- 400 mm busbar compartment (with SASY 60i busbar system)
- 600 mm section for installing circuit breakers (MCBs, MCCBs)
- 200 mm cable room for placing outgoing terminals / auxiliary wiring





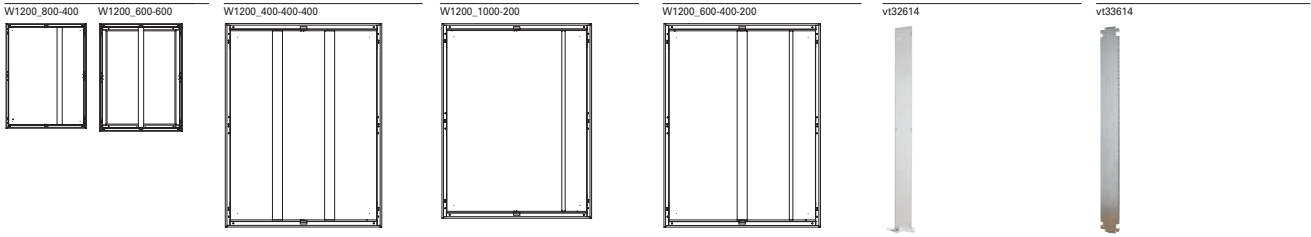
Height [mm]	Height int. [mm]	Compartment arrangement installation back frame consists of separation frame, front plate support and horizontal fixing profile (just needed for BP-O/BPM-O)				
		400/400 mm split-up	600/200 mm split-up*)	600/400 mm split-up*)	800/200 mm split-up*)	400/400/200 mm split-up*)
		RAL 7035 grey [RAL 9016 white]	RAL 7035 grey	RAL 7035 grey [RAL 9016 white]	RAL 7035 grey	RAL 7035 grey
		Article No. per unit unit = 1 pc.	Article No. per unit unit = 1 pc.	Article No. per unit unit = 1 pc.	Article No. per unit unit = 1 pc.	Article No. per unit unit = 1 pc.

### Basic surface-mounted and floor-standing cabinets (IP30 / IP55)

460	350	-	<b>BPZ-SFB-800 + BPZ-FPS/350</b> 173633 + 112343 <b>BPZ-SF-200/4</b> 173628	-	-	-
760	650	-	<b>BPZ-SFB-800 + BPZ-FPS/650</b> 173633 + 112344 <b>BPZ-SF-200/7</b> 173629	-	-	-
1060	950	<b>BPZ-SFB-800 + BPZ-FPS/950</b> 173633 + 112345 <b>BPZ-SF-10</b> 173625	<b>BPZ-SFB-800 + BPZ-FPS/950</b> 173633 + 112345 <b>BPZ-SF-200/10</b> 173630	<b>BPZ-SFB-1000 + BPZ-FPS/950</b> 173634 + 112345 <b>BPZ-SF-10</b> 173625	<b>BPZ-SFB-1000 + BPZ-FPS/950</b> 173634 + 112345 <b>BPZ-SF-200/10</b> 173630	<b>BPZ-SFB-1000 + BPZ-FPS/950 (2x)</b> 173634 + 112345 (2x) <b>BPZ-SF-10 + BPZ-SF-200/10</b> 173625 + 173630
1260	1150	<b>BPZ-SFB-800 + BPZ-FPS/1150</b> 173633 + 112346 <b>BPZ-SF-12</b> 173626	<b>BPZ-SFB-800 + BPZ-FPS/1150</b> 173633 + 112346 <b>BPZ-SF-200/12</b> 173631	<b>BPZ-SFB-1000 + BPZ-FPS/1150</b> 173634 + 112346 <b>BPZ-SF-12</b> 173626	<b>BPZ-SFB-1000 + BPZ-FPS/1150</b> 173634 + 112346 <b>BPZ-SF-200/12</b> 173631	<b>BPZ-SFB-1000 + BPZ-FPS/1150 (2x)</b> 173634 + 112346 (2x) <b>BPZ-SF-12 + BPZ-SF-200/12</b> 173626 + 173631
1560	1450	<b>BPZ-SFB-800 + BPZ-FPS/1450</b> 173633 + 112347 <b>BPZ-SF-15</b> 173627	<b>BPZ-SFB-800 + BPZ-FPS/1450</b> 173633 + 112347 <b>BPZ-SF-200/15</b> 173632	<b>BPZ-SFB-1000 + BPZ-FPS/1450</b> 173634 + 112347 <b>BPZ-SF-15</b> 173627	<b>BPZ-SFB-1000 + BPZ-FPS/1450</b> 173634 + 112347 <b>BPZ-SF-200/15</b> 173632	<b>BPZ-SFB-1000 + BPZ-FPS/1450 (2x)</b> 173634 + 112347 (2x) <b>BPZ-SF-15 + BPZ-SF-200/15</b> 173627 + 173632
1760	1650	<b>BPZ-SFB-800 + BPZ-FPS/17</b> 173633 + 106431 <b>BPZ-SF-17 [BPZ-SF-17-W]</b> 108374 [108376]	-	<b>BPZ-FPS/17</b> 106431 <b>BPZ-SF-17 [BPZ-SF-17-W]</b> 108374 [108376]	-	-
2060	1950	<b>BPZ-SFB-800 + BPZ-FPS/20</b> 173633 + 106430 <b>BPZ-SF-20 [BPZ-SF-20-W]</b> 108375 [108377]	-	<b>BPZ-FPS/20</b> 106430 <b>BPZ-SF-20 [BPZ-SF-20-W]</b> 108375 [108377]	-	-

\*) The line-up can be realized in reverse order as well.

Shared compartments inside distribution boards BP(M)-O, BP(M)-F



Compartment arrangement installation back frame consists of separation frame, front plate support and horizontal fixing profile (just needed for BP-O/BPM-O)      Compartment door 200mm / Dividing plate full height / Installation back frame / Installation back frame / Vertical partition

800/400 mm or 600/600 mm split-up*)	400/400/400 mm split-up	1000/200 mm split-up*)	600/400/200 mm split-up*)		
RAL 7035 grey [RAL 9016 white]	RAL 7035 grey [RAL 9016 white]	RAL 7035 grey	RAL 7035 grey	RAL 7035 grey	Individual plates for different compartment heights see next page!
Article No. per unit unit = 1 pc.	Article No. per unit unit = 1 pc.	Article No. per unit unit = 1 pc.	Article No. per unit unit = 1 pc.	Article No. per unit unit = 1 pc.	Article No. per unit unit = 1 pc.

				<b>BPZ-CD-200/4</b> 173644	<b>BPZ-SF-DP-4</b> 173636
				<b>BPZ-CD-200/7</b> 173645	<b>BPZ-SF-DP-7</b> 173637
				<b>BPZ-CD-200/10</b> 173646	<b>BPZ-SF-DP-10</b> 173638
<b>BPZ-SFB-1200 + BPZ-FPS/1150</b> 173635 + 112346	<b>BPZ-SFB-1200 + BPZ-FPS/1150 (2x)</b> 173635 + 112346 (2x)	<b>BPZ-SFB-1200 + BPZ-FPS/1150</b> 173635 + 112346	<b>BPZ-SFB-1200 + BPZ-FPS/1150 (2x)</b> 173635 + 112346 (2x)	<b>BPZ-CD-200/12</b> 173647	<b>BPZ-SF-DP-12</b> 173639
<b>BPZ-SF-12</b> 173626	<b>BPZ-SF-12 (2x)</b> 173626 (2x)	<b>BPZ-SF-200/12</b> 173631	<b>BPZ-SF-12 + BPZ-SF-200/12</b> 173626 + 173631		
<b>BPZ-SFB-1200 + BPZ-FPS/1450</b> 173635 + 112347	<b>BPZ-SFB-1200 + BPZ-FPS/1450 (2x)</b> 173635 + 112347 (2x)	<b>BPZ-SFB-1200 + BPZ-FPS/1450</b> 173635 + 112347	<b>BPZ-SFB-1200 + BPZ-FPS/1450 (2x)</b> 173635 + 112347 (2x)	<b>BPZ-CD-200/15</b> 173648	<b>BPZ-SF-DP-15</b> 173640
<b>BPZ-SF-15</b> 173627	<b>BPZ-SF-15 (2x)</b> 173627 (2x)	<b>BPZ-SF-200/15</b> 173632	<b>BPZ-SF-15 + BPZ-SF-200/15</b> 173627 + 173632		
<b>BPZ-FPS/17</b> 106431	<b>BPZ-FPS/17 (2x)</b> 106431 (2x)				<b>BPZ-SF-DP-17</b> 152617
<b>BPZ-SF-17 [BPZ-SF-17-W]</b> 108374 [108376]	<b>BPZ-SF-17 [BPZ-SF-17-W] (2x)</b> 108374 [108376] (2x)				
<b>BPZ-FPS/20</b> 106430	<b>BPZ-FPS/20 (2x)</b> 106430 (2x)				<b>BPZ-SF-DP-20</b> 152618
<b>BPZ-SF-20 [BPZ-SF-20-W]</b> 108375 [108377]	<b>BPZ-SF-20 [BPZ-SF-20-W] (2x)</b> 108375 [108377] (2x)				

### Vertical Division in a Surface-Mounted Installation DB as of 800 mm width, IP30 and IP55

- The interior layout can be divided into different sub-divisional widths by using vertical profiles
- Not suitable for a layout including a mounting side-panel (BPZ-MSW)
- In addition, there is also a possibility to use partitions between these individual compartments
- Vertical division in a wall-mounted distribution board is possible as of a width of 800 mm, in a floor-standing distribution board of a width of 1000 or 1200 mm only

### Fixing Profile for Divided Set-up in a Wall-mounted Distribution Board, BPZ-SFB

- This profile can directly be fixed at the frame and serves as an element for fixing the other setup posts at the rear
- When used in an IP30 enclosure, the bar must be shortened on both ends
- Material: Sheet steel (2 mm), galvanized
- Scope of delivery: 2 Fixing profiles (for top and bottom), fixing accessories

### Set for Divided Setup, BPZ-SF

- For setting up the divided sections required in the enclosure
- Set consisting of setup posts (rear-mounted) and cover frame (front-mounted)
- An overview of all layout types possible is provided on the next page
- Material
  - Setup posts: Sheet steel (1.5 mm), galvanized
  - Front cover: Sheet steel (1 mm), powder-coated, RAL 7035
- Scope of delivery: Depending on the type with either 1 or 2 setup posts, 1 cover frame, fixing accessories

### Sheet-Steel Door as a Front Cover for the 200 mm Compartment in a Divided Setup, BPZ-CD-200/..

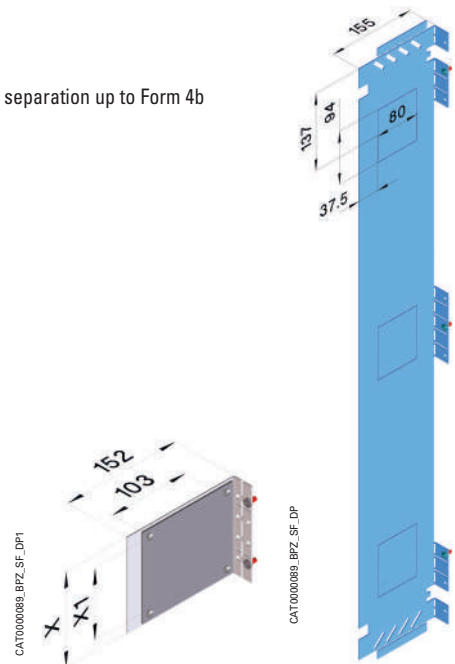
- To protect the 200 mm compartment from unauthorized access
- The door is right-hinged, pivoting and removable when necessary
- Metal door to make contact with the enclosure
- Material: Sheet steel (1.5 mm), powder-coated, RAL 7035
- Scope of delivery: 1 Door incl. mounting frame, fixing accessories

### Partition for Divided Setup, BPZ-SF-DP-..

- For vertical partition between 2 sub-sections within one enclosure
- Section-high partition plates for continuous shared compartments, incl. rectangular perforations
- Various partitions from 100 mm up to 800 mm for sealing off prepared compartments / mounting kits, incl. plastic inserts for better accessibility of cable entries etc.
- In combination with horizontal separation main frame BPZ-ASMF it's possible to achieve internal form of separation up to Form 4b
- Mounted on main frame in the back
- Material: Sheet steel (1.5 mm), galvanized
- Scope of delivery: 1 partition plate, mounting accessories

### Dimensions (mm)

Type	X	X1	Cutout
BPZ-SF-DP-100	93	63	63x103
BPZ-SF-DP-125	118	88	88x103
BPZ-SF-DP-150	143	113	113x103
BPZ-SF-DP-175	168	138	138x103
BPZ-SF-DP-200	193	163	163x103
BPZ-SF-DP-250	243	213	213x103
BPZ-SF-DP-300	293	263	263x103
BPZ-SF-DP-350	343	313	313x103
BPZ-SF-DP-400	393	363	363x103
BPZ-SF-DP-500	493	463	463x103
BPZ-SF-DP-600	593	563	563x103
BPZ-SF-DP-800	793	763	763x103

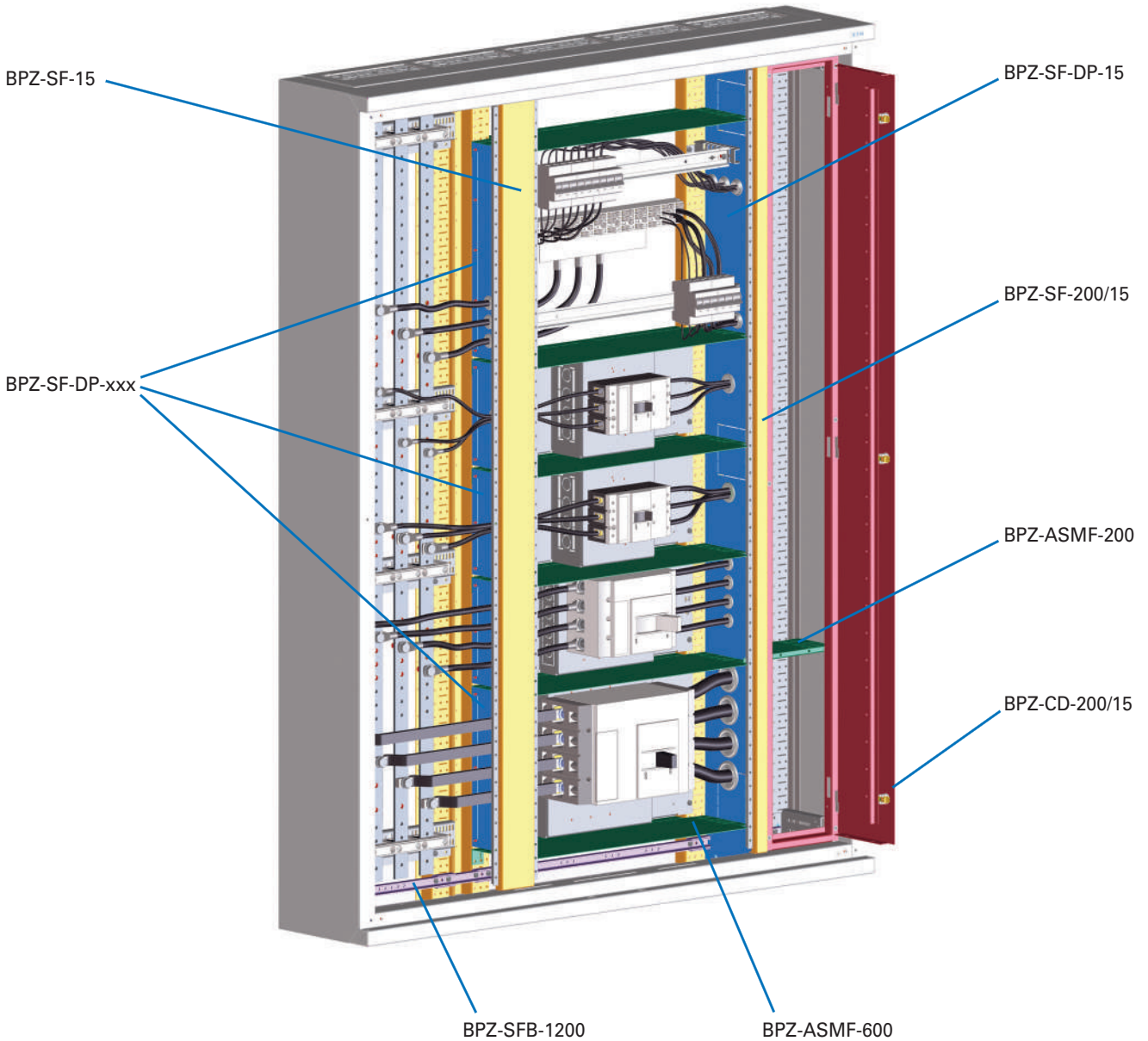


### Separation Main Frame, BPZ-ASMF

- Mounted on main frame
- For creating a horizontal section within the board
- Mounted horizontal with knock-outs
- Material: Sheet steel (1.25 mm), zinc-coated
- Scope of delivery: 1 Partition, hitch screw

**Possible Variants for Vertical Division in a Surface-Mounted Installation Distribution Board IP30 and IP55**

Type / Enclosure width [mm]	Compartment Width [mm]					Parts required depending on division of the enclosure		
	1000	800	600	400	200	Fixing profile	BPZ-SF	BPZ-SF-200
Wall-mounted enclosure 800 mm	-	-	-	2x	-	BPZ-SFB-800	1x	-
Wall-mounted enclosure 800 mm	-	-	1x	-	1x	BPZ-SFB-800	-	1x
Wall-mounted enclosure 1000 mm	-	-	-	2x	1x	BPZ-SFB-1000	1x	1x
Wall-mounted enclosure 1000 mm	-	-	1x	1x	-	BPZ-SFB-1000	1x	-
Wall-mounted enclosure 1000 mm	-	1x	-	-	1x	BPZ-SFB-1000	-	1x
Wall-mounted enclosure 1200 mm	-	-	-	3x	-	BPZ-SFB-1200	2x	-
Wall-mounted enclosure 1200 mm	-	-	1x	1x	1x	BPZ-SFB-1200	1x	1x
Wall-mounted enclosure 1200 mm	-	-	2x	-	-	BPZ-SFB-1200	1x	-
Wall-mounted enclosure 1200 mm	-	1x	-	1x	-	BPZ-SFB-1200	1x	-
Wall-mounted enclosure 1200 mm	1x	-	-	-	1x	BPZ-SFB-1200	-	1x
Floor-standing enclosure 1000 mm	-	-	1x	1x	-	-	1x	-
Floor-standing enclosure 1200 mm	-	-	-	3x	-	-	2x	-
Floor-standing enclosure 1200 mm	-	-	2x	-	-	-	1x	-
Floor-standing enclosure 1200 mm	-	1x	-	1x	-	-	1x	-



wa\_vt01318, vt07115, vt10319



## Distribution Boards

### Distribution Boards

#### • Chapter 1

Enclosures / switchgear cabinets for installation system Profi+ .....	Page 2
1.1 Surface-mounted distribution board BP-O-..., IP30 (pre-assembled) .....	Page 4
1.2 Surface-mounted distribution board BP-O-..., IP30 (flat-pack, grey) .....	Page 8
1.3 Surface-mounted distribution board BP-O-..., IP30 (flat-pack, white) .....	Page 12
1.4 Surface-mounted distribution board BPM-O-..., IP55 .....	Page 34
1.5 Flush-mounted distribution board BP(A/M)-U-3S-..., IP30/IP43/IP54 .....	Page 44
1.6 Floor-standing distribution board BP-F-..., IP30 .....	Page 58
1.7 Distribution boards for special applications, BP-MN / BP-VF .....	Page 70
1.8 Floor-standing distribution board BPM-F-..., IP55 .....	Page 74
1.9 Shared compartments inside distribution boards BP(M)-O, BP(M)-F .....	Page 86

#### • Chapter 2

Profi+ installation system - components for interior fitting .....	Page 92
2.1 Front plates, blind and with 45mm cut-out for DIN-rail devices .....	Page 94
2.2 Mounting kits for Moulded Case Circuit Breaker .....	Page 102
2.3 Mounting kits for Fuse Switch Disconnectors .....	Page 118
2.4 Mounting kits for BZM, Dumeco and QSA .....	Page 126
2.5 Mounting kits for Earthing and Neutral conductors .....	Page 127
2.6 Mounting plates for universal fixing of different components .....	Page 130
2.7 Mounting kits for Energy Meters and various metering equipment .....	Page 138

#### • Chapter 3

Profi+ installation system - general accessories .....	Page 145
--	----------

#### • Chapter 4

General accessories xEnergy Basic .....	Page 166
---	----------

#### • Chapter 5

Overall technical data xEnergy Basic .....	Page 186
--	----------

#### • Chapter 6

Verification of temperature rise by testing - selection of reference examples .....	Page 191
---	----------

## System Overview

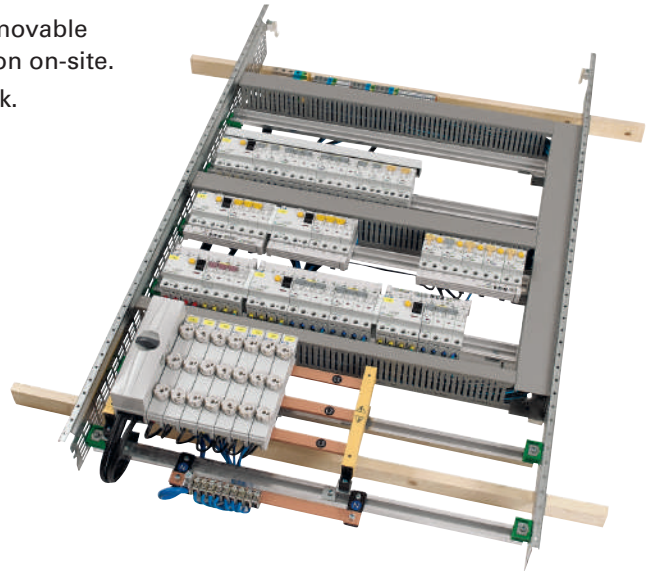
### Different ways of assembling the interior fitting

#### Option 1: using "MSW" for simple wiring in the workshop

Efficient pre-installation in the workshop thanks to our removable mounting insert (BPZ-MSW) guarantees smooth connection on-site. All connection points are fully accessible and easy to check.

##### Benefits:

- Fast and reliable
- Time-saving solution
- Easy access from 360° view
- No housing around the insert



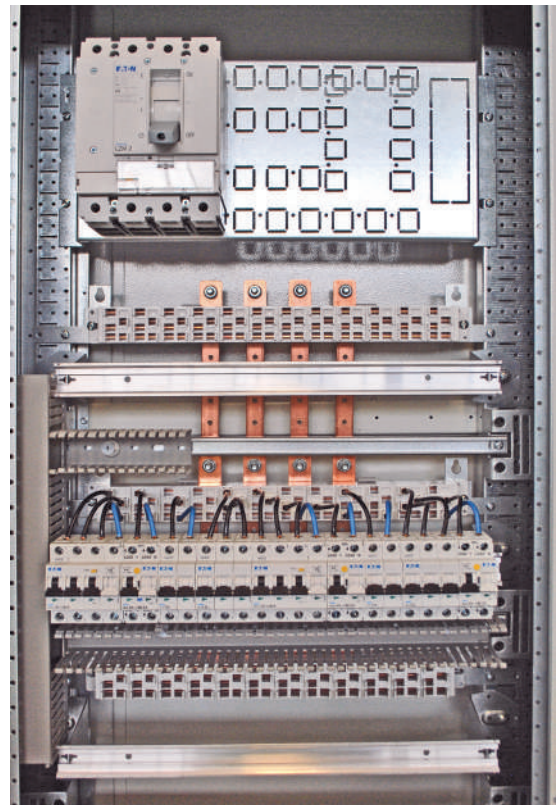
#### Option 2: using fixed installation material for direct mounting inside the enclosure

Well-considered cabling and connection work directly in the enclosure thanks to different components for a clear and structured "multilayer" assembling.

All interior parts are directly linked to the installation profiles on the back side of the enclosure.

##### Benefits:

- Robust design
- Multilayer assembling possible
- Internal connection to separate cable room / busbar compartment
- Mounting kits for multiple MCCB installation available



# 2.1

## xEnergy Distribution Boards

Front plates, blind and with 45 mm cut-out for DIN-rail devices

wa\_v101418



VT00305, VT02505



v114018



VT25306



Width [mm]	Height [mm]	Front plate (blind), Powder-coated steel-sheet / Self-earthing fasteners enable continuous conductivity of the protective earthing concept			Front plate (blind) / Powder-coated steel-sheet / Screwed variant by using self-tapping / Screws incl. sealing option (without plastic fastener)		Front plate (blind) / Powder-coated steel-sheet with plastic insert (PVC) / Self-earthing fasteners enable continuous conductivity of the protective earthing concept. / Sealable front plate possible by using sealing screw BPZ-S	
		Sealable front plate possible by using sealing screw BPZ-S incl. sealing screw BPZ-S						
		Material thickness 1.25 mm		Material thickness 1.25 mm	Material thickness 1.25 mm		Material thickness 1.25 mm/ 2mm (PVC)	
		RAL 7035 grey	RAL 9016 white	RAL 7035 grey	RAL 7035 grey Empty	RAL 9016 white	RAL 7035 grey	RAL 9016 white
		Article No.	Article No.	Article No.	Article No.	Article No.	Article No.	Article No.
		per unit	per unit	per unit	per unit	per unit	per unit	per unit
		unit = 1 pc.	unit = 1 pc.	unit = 1 pc.	unit = 1 pc.	unit = 1 pc.	unit = 1 pc.	unit = 1 pc.

### Front plates, blind and with 45mm cut-out for DIN-rail devices, BPZ-(VZ)FP(P)-...

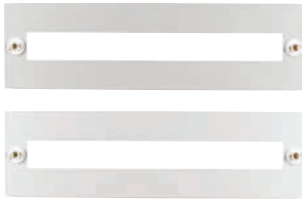
400 (13MU/row)	50	<b>BPZ-FP-400/050-BL</b> 286675	<b>BPZ-FP-400/050-BL-W</b> 292397	<b>BPZ-VZFP-400/050-BL</b> 152591	<b>BPZ-FP-S-400/050-BL</b> 193921	<b>BPZ-FP-S-400/050-BL-W</b> 193951	-	-
	100	<b>BPZ-FP-400/100-BL</b> 286676	<b>BPZ-FP-400/100-BL-W</b> 292398	<b>BPZ-VZFP-400/100-BL</b> 152592	<b>BPZ-FP-S-400/100-BL</b> 193922	<b>BPZ-FP-S-400/100-BL-W</b> 193952	-	-
	125	<b>BPZ-FP-400/125-BL</b> 151252	-	-	-	-	-	-
	150	<b>BPZ-FP-400/150-BL</b> 286677	<b>BPZ-FP-400/150-BL-W</b> 292399	-	<b>BPZ-FP-S-400/150-BL</b> 193923	<b>BPZ-FP-S-400/150-BL-W</b> 193953	<b>BPZ-FPP-400/150-BL</b> 120732	<b>BPZ-FPP-400/150-BL-W</b> 120737
	175	<b>BPZ-FP-400/175-BL</b> 151257	-	-	-	-	-	-
	200	<b>BPZ-FP-400/200-BL</b> 286679	<b>BPZ-FP-400/200-BL-W</b> 292401	-	<b>BPZ-FP-S-400/200-BL</b> 193924	<b>BPZ-FP-S-400/200-BL-W</b> 193954	-	-
	250	<b>BPZ-FP-400/250-BL</b> 108389	<b>BPZ-FP-400/250-BL-W</b> 108399	-	-	-	-	-
	300	<b>BPZ-FP-400/300-BL</b> 108390	<b>BPZ-FP-400/300-BL-W</b> 108400	<b>BPZ-VZFP-400/300-BL</b> 152593	<b>BPZ-FP-S-400/300-BL</b> 193925	<b>BPZ-FP-S-400/300-BL-W</b> 193955	<b>BPZ-FPP-400/300-BL</b> 108291	<b>BPZ-FPP-400/300-BL-W</b> 108296
	350	<b>BPZ-FP-400/350-BL</b> 119229	<b>BPZ-FP-400/350-BL-W</b> 119245	-	-	-	-	-
	400	<b>BPZ-FP-400/400-BL</b> 119230	<b>BPZ-FP-400/400-BL-W</b> 119246	-	-	-	-	-
600 (24MU/row)	500	<b>BPZ-FP-400/500-BL</b> 119231	<b>BPZ-FP-400/500-BL-W</b> 119247	-	-	-	-	-
	800	<b>BPZ-FP-400/800-BL</b> 119232	<b>BPZ-FP-400/800-BL-W</b> 119248	-	-	-	-	-
	50	<b>BPZ-FP-600/050-BL</b> 286681	<b>BPZ-FP-600/050-BL-W</b> 292403	<b>BPZ-VZFP-600/050-BL</b> 152594	<b>BPZ-FP-S-600/050-BL</b> 193926	<b>BPZ-FP-S-600/050-BL-W</b> 193956	-	-
	100	<b>BPZ-FP-600/100-BL</b> 286682	<b>BPZ-FP-600/100-BL-W</b> 292404	<b>BPZ-VZFP-600/100-BL</b> 152595	<b>BPZ-FP-S-600/100-BL</b> 193927	<b>BPZ-FP-S-600/100-BL-W</b> 193957	-	-
	125	<b>BPZ-FP-600/125-BL</b> 151253	-	-	-	-	-	-
	150	<b>BPZ-FP-600/150-BL</b> 286683	<b>BPZ-FP-600/150-BL-W</b> 292405	<b>BPZ-VZFP-600/150-BL</b> 152596	<b>BPZ-FP-S-600/150-BL</b> 193928	<b>BPZ-FP-S-600/150-BL-W</b> 193958	<b>BPZ-FPP-600/150-BL</b> 120733	<b>BPZ-FPP-600/150-BL-W</b> 120738
	175	<b>BPZ-FP-600/175-BL</b> 151258	-	-	-	-	-	-
	200	<b>BPZ-FP-600/200-BL</b> 286685	<b>BPZ-FP-600/200-BL-W</b> 292407	-	<b>BPZ-FP-S-600/200-BL</b> 193929	<b>BPZ-FP-S-600/200-BL-W</b> 193959	-	-
	250	<b>BPZ-FP-600/250-BL</b> 108391	<b>BPZ-FP-600/250-BL-W</b> 108401	<b>BPZ-VZFP-600/250-BL</b> 152597	-	-	-	-
	300	<b>BPZ-FP-600/300-BL</b> 108392	<b>BPZ-FP-600/300-BL-W</b> 108402	<b>BPZ-VZFP-600/300-BL</b> 152598	<b>BPZ-FP-S-600/300-BL</b> 193930	<b>BPZ-FP-S-600/300-BL-W</b> 193960	<b>BPZ-FPP-600/300-BL</b> 108292	<b>BPZ-FPP-600/300-BL-W</b> 108297
350	<b>BPZ-FP-600/350-BL</b> 119233	<b>BPZ-FP-600/350-BL-W</b> 119249	<b>BPZ-VZFP-600/350-BL</b> 152599	-	-	-	-	
400	<b>BPZ-FP-600/400-BL</b> 119234	<b>BPZ-FP-600/400-BL-W</b> 119250	<b>BPZ-VZFP-600/400-BL</b> 152600	-	-	-	-	
500	<b>BPZ-FP-600/500-BL</b> 119235	<b>BPZ-FP-600/500-BL-W</b> 119251	-	-	-	<b>BPZ-FPP-600/500-BL</b> 108293	<b>BPZ-FPP-600/500-BL-W</b> 108298	
800	<b>BPZ-FP-600/800-BL</b> 119236	<b>BPZ-FP-600/800-BL-W</b> 119252	-	-	-	-	-	

\*) intended for use with MSW installation



Front plates, blind and with 45 mm cut-out for DIN-rail devices

VT00405, VT02805



vt14118



VT25506



Front plate (45mm cut-out) / Powder-coated steel-sheet / Self-earthing fasteners enable continuous conductivity of the protective earthing concept		Front plate (45mm cut-out) / Powder-coated steel-sheet / Screwed variant by using self-tapping screws Incl. sealing option (without plastic fastener)			Front plate with prepared openings for command devices RMQ-Titan / Powder-coated steel-sheet / Self-earthing fasteners enable continuous conductivity of the protective earthing concept / Sealable front plate possible by using sealing screw BPZ-S	
Sealable front plate possible by using sealing screw BPZ-S		Incl. sealing screw BPZ-S				
Material thickness 1.25 mm		Material thickness 1.25mm			Material thickness 1.25mm	
RAL 7035 grey	RAL 9016 grey	RAL 7035 grey	RAL 7035 grey	RAL 9016 grey	RAL 7035 grey	RAL 9016 grey
Article No.	Article No.	Article No.	Article No.	Article No.	Article No.	Article No.
per unit	per unit	per unit	per unit	per unit	per unit	per unit
unit = 1 pc.	unit = 1 pc.	unit = 1 pc.	unit = 1 pc.	unit = 1 pc.	unit = 1 pc.	unit = 1 pc.

-	-	-	-	-	-	-
-	-	-	-	-	<b>BPZ-FP-400/100-RMQ</b>	<b>BPZ-FP-400/100-RMQ-W</b>
-	-	-	-	-	108370	108372
<b>BPZ-FP/MSW-400/125-45 *)</b>	-	<b>BPZ-VZFP-400/125-45</b>	-	-	-	-
120783	-	152572	-	-	-	-
<b>BPZ-FP-400/150-45</b>	<b>BPZ-FP-400/150-45-W</b>	<b>BPZ-VZFP-400/150-45</b>	<b>BPZ-FP-S-400/150-45</b>	<b>BPZ-FP-S-400/150-45-W</b>	-	-
286678	292400	152573	193946	193976	-	-
<b>BPZ-FP/MSW-400/175-45 *)</b>	-	<b>BPZ-VZFP-400/175-45</b>	-	-	-	-
120784	-	152574	-	-	-	-
<b>BPZ-FP-400/200-45</b>	<b>BPZ-FP-400/200-45-W</b>	-	-	-	-	-
286680	292402	-	-	-	-	-
-	-	-	-	-	-	-
-	-	-	-	-	-	-
-	-	-	-	-	-	-
-	-	-	-	-	-	-
-	-	-	-	-	-	-
-	-	-	-	-	-	-
-	-	-	-	-	-	-
-	-	-	-	-	-	-
-	-	-	-	-	-	-
-	-	-	-	-	-	-
-	-	-	-	-	<b>BPZ-FP-600/100-RMQ</b>	<b>BPZ-FP-600/100-RMQ-W</b>
-	-	-	-	-	108371	108373
<b>BPZ-FP/MSW-600/125-45 *)</b>	-	<b>BPZ-VZFP-600/125-45</b>	-	-	-	-
120785	-	152575	-	-	-	-
<b>BPZ-FP-600/150-45</b>	<b>BPZ-FP-600/150-45-W</b>	<b>BPZ-VZFP-600/150-45</b>	<b>BPZ-FP-S-600/150-45</b>	<b>BPZ-FP-S-600/150-45-W</b>	-	-
286684	292406	152576	193947	193977	-	-
<b>BPZ-FP/MSW-600/175-45 *)</b>	-	<b>BPZ-VZFP-600/175-45</b>	-	-	-	-
120786	-	152577	-	-	-	-
<b>BPZ-FP-600/200-45</b>	<b>BPZ-FP-600/200-45-W</b>	<b>BPZ-VZFP-600/200-45</b>	-	-	-	-
286686	292408	152578	-	-	-	-
-	-	-	-	-	-	-
-	-	-	-	-	-	-
-	-	-	-	-	-	-
-	-	-	-	-	-	-
-	-	-	-	-	-	-
-	-	-	-	-	-	-
-	-	-	-	-	-	-
-	-	-	-	-	-	-
-	-	-	-	-	-	-
-	-	-	-	-	-	-

# 2.1

## xEnergy Distribution Boards

Front plates, blind and with 45 mm cut-out for DIN-rail devices

wa\_vt01418



VT00305, VT02505



vt14018



VT25306



Width [mm]	Height [mm]	Front plate (blind), Powder-coated steel-sheet / Self-earthing fasteners enable continuous conductivity of the protective earthing concept		Front plate (blind) / Powder-coated steel-sheet / Screwed variant by using self-tapping / Screws incl. sealing option (without plastic fastener)		Front plate (blind) / Powder-coated steel-sheet with plastic insert (PVC) / Self-earthing fasteners enable continuous conductivity of the protective earthing concept. / Sealable front plate possible by using sealing screw BPZ-S	
		Sealable front plate possible by using sealing screw BPZ-S		incl. sealing screw BPZ-S			
		Material thickness 1.25 mm RAL 7035 grey	RAL 9016 white	Material thickness 1.25 mm RAL 7035 grey	Material thickness 1.25 mm RAL 7035 grey Empty	RAL 9016 white	Material thickness 1.25 mm / 2mm (PVC) RAL 7035 grey RAL 9016 white
		Article No. per unit unit = 1 pc.	Article No. per unit unit = 1 pc.	Article No. per unit unit = 1 pc.	Article No. per unit unit = 1 pc.	Article No. per unit unit = 1 pc.	Article No. per unit unit = 1 pc.

### Front plates, blind and with 45mm cut-out for DIN-rail devices, BPZ-(VZ)FP(P)-...

800 (35MU/ row)	50	<b>BPZ-FP-800/050-BL</b> 286687	<b>BPZ-FP-800/050-BL-W</b> 292409	<b>BPZ-VZFP-800/050-BL</b> 152601	<b>BPZ-FP-S-800/050-BL</b> 193931	<b>BPZ-FP-S-800/050-BL-W</b> 193961	-	-
	100	<b>BPZ-FP-800/100-BL</b> 286688	<b>BPZ-FP-800/100-BL-W</b> 292410	<b>BPZ-VZFP-800/100-BL</b> 152602	<b>BPZ-FP-S-800/100-BL</b> 193932	<b>BPZ-FP-S-800/100-BL-W</b> 193962	-	-
	125	<b>BPZ-FP-800/125-BL</b> 151254	-	-	-	-	-	-
	150	<b>BPZ-FP-800/150-BL</b> 286689	<b>BPZ-FP-800/150-BL-W</b> 292411	<b>BPZ-VZFP-800/150-BL</b> 152603	<b>BPZ-FP-S-800/150-BL</b> 193933	<b>BPZ-FP-S-800/150-BL-W</b> 193963	<b>BPZ-FPP-800/150-BL</b> 120734	<b>BPZ-FPP-800/150-BL-W</b> 120739
	175	<b>BPZ-FP-800/175-BL</b> 151259	-	-	-	-	-	-
	200	<b>BPZ-FP-800/200-BL</b> 286691	<b>BPZ-FP-800/200-BL-W</b> 292413	<b>BPZ-VZFP-800/200-BL</b> 152604	<b>BPZ-FP-S-800/200-BL</b> 193934	<b>BPZ-FP-S-800/200-BL-W</b> 193964	-	-
	250	<b>BPZ-FP-800/250-BL</b> 108393	<b>BPZ-FP-800/250-BL-W</b> 108403	<b>BPZ-VZFP-800/250-BL</b> 152605	-	-	-	-
	300	<b>BPZ-FP-800/300-BL</b> 108394	<b>BPZ-FP-800/300-BL-W</b> 108404	<b>BPZ-VZFP-800/300-BL</b> 152606	<b>BPZ-FP-S-800/300-BL</b> 193935	<b>BPZ-FP-S-800/300-BL-W</b> 193965	<b>BPZ-FPP-800/300-BL</b> 108294	<b>BPZ-FPP-800/300-BL-W</b> 108299
	350	<b>BPZ-FP-800/350-BL</b> 119237	<b>BPZ-FP-800/350-BL-W</b> 119253	<b>BPZ-VZFP-800/350-BL</b> 152607	-	-	-	-
	400	<b>BPZ-FP-800/400-BL</b> 119238	<b>BPZ-FP-800/400-BL-W</b> 119254	<b>BPZ-VZFP-800/400-BL</b> 152608	-	-	-	-
1000 (46MU/ row)	50	<b>BPZ-FP-1000/050-BL</b> 293526	<b>BPZ-FP-1000/050-BL-W</b> 293527	-	<b>BPZ-FP-S-1000/050-BL</b> 193936	<b>BPZ-FP-S-1000/050-BL-W</b> 193966	-	-
	100	<b>BPZ-FP-1000/100-BL</b> 293528	<b>BPZ-FP-1000/100-BL-W</b> 293529	<b>BPZ-VZFP-1000/100-BL</b> 152609	<b>BPZ-FP-S-1000/100-BL</b> 193937	<b>BPZ-FP-S-1000/100-BL-W</b> 193967	-	-
	125	<b>BPZ-FP-1000/125-BL</b> 151255	-	-	-	-	-	-
	150	<b>BPZ-FP-1000/150-BL</b> 293530	<b>BPZ-FP-1000/150-BL-W</b> 293531	-	<b>BPZ-FP-S-1000/150-BL</b> 193938	<b>BPZ-FP-S-1000/150-BL-W</b> 193968	<b>BPZ-FPP-1000/150-BL</b> 120735	<b>BPZ-FPP-1000/150-BL-W</b> 120740
	175	<b>BPZ-FP-1000/175-BL</b> 151730	-	-	-	-	-	-
	200	<b>BPZ-FP-1000/200-BL</b> 293534	<b>BPZ-FP-1000/200-BL-W</b> 293535	-	<b>BPZ-FP-S-1000/200-BL</b> 193939	<b>BPZ-FP-S-1000/200-BL-W</b> 193969	-	-
	250	<b>BPZ-FP-1000/250-BL</b> 108395	<b>BPZ-FP-1000/250-BL-W</b> 108405	<b>BPZ-VZFP-1000/250-BL</b> 152610	-	-	-	-
	300	<b>BPZ-FP-1000/300-BL</b> 108396	<b>BPZ-FP-1000/300-BL-W</b> 108406	<b>BPZ-VZFP-1000/300-BL</b> 152611	<b>BPZ-FP-S-1000/300-BL</b> 193940	<b>BPZ-FP-S-1000/300-BL-W</b> 193970	<b>BPZ-FPP-1000/300-BL</b> 134202	<b>BPZ-FPP-1000/300-BL-W</b> 134206
	350	<b>BPZ-FP-1000/350-BL</b> 119241	<b>BPZ-FP-1000/350-BL-W</b> 119257	<b>BPZ-VZFP-1000/350-BL</b> 152612	-	-	-	-
	400	<b>BPZ-FP-1000/400-BL</b> 119242	<b>BPZ-FP-1000/400-BL-W</b> 119258	-	-	-	-	-
500	<b>BPZ-FP-1000/500-BL</b> 119243	<b>BPZ-FP-1000/500-BL-W</b> 119259	-	-	-	<b>BPZ-FPP-1000/500-BL</b> 134203	<b>BPZ-FPP-1000/500-BL-W</b> 134207	
800	<b>BPZ-FP-1000/800-BL</b> 119244	<b>BPZ-FP-1000/800-BL-W</b> 119260	-	-	-	-	-	

\*) intended for use with MSW installation

Front plates, blind and with 45 mm cut-out for DIN-rail devices

VT00405, VT02805



vt14118



VT25506



Front plate (45mm cut-out) / Powder-coated steel-sheet / Self-earthing fasteners enable continuous conductivity of the protective earthing concept

Sealable front plate possible by using sealing screw BPZ-S Incl. sealing screw BPZ-S

Material thickness 1.25 mm  
RAL 7035 grey      RAL 9016 grey

Article No.  
per unit  
unit = 1 pc.

Material thickness 1.25mm  
RAL 7035 grey

Article No.  
per unit  
unit = 1 pc.

Front plate (45mm cut-out) / Powder-coated steel-sheet / Screwed variant by using self-tapping screws  
Incl. sealing option (without plastic fastener)

Material thickness 1.25mm  
RAL 7035 grey      RAL 9016 grey

Article No.  
per unit  
unit = 1 pc.      Article No.  
per unit  
unit = 1 pc.

Front plate with prepared openings for command devices RMQ-Titan / Powder-coated steel-sheet / Self-earthing fasteners enable continuous conductivity of the protective earthing concept / Sealable front plate possible by using sealing screw BPZ-S

Material thickness 1.25mm  
RAL 7035 grey      RAL 9016 grey

Article No.  
per unit  
unit = 1 pc.      Article No.  
per unit  
unit = 1 pc.

-	-	-	-	-	-	-
-	-	-	-	-	-	-
<b>BPZ-FP/MSW-800/125-45 *)</b> - 120787		<b>BPZ-VZFP-800/125-45 *)</b> - 152579		-	-	-
<b>BPZ-FP-800/150-45</b> 286690	<b>BPZ-FP-800/150-45-W</b> 292412	<b>BPZ-VZFP-800/150-45</b> 152580	<b>BPZ-FP-S-800/150-45</b> 193948	<b>BPZ-FP-S-800/150-45-W</b> - 193978	-	-
<b>BPZ-FP/MSW-800/175-45 *)</b> - 120788		<b>BPZ-VZFP-800/175-45 *)</b> - 152581		-	-	-
<b>BPZ-FP-800/200-45</b> 286692	<b>BPZ-FP-800/200-45-W</b> 292414	<b>BPZ-VZFP-800/200-45</b> 152582	-	-	-	-
-	-	-	-	-	-	-
-	-	-	-	-	-	-
-	-	-	-	-	-	-
-	-	-	-	-	-	-
-	-	-	-	-	-	-
-	-	-	-	-	-	-
-	-	-	-	-	-	-
-	-	-	-	-	-	-
-	-	-	-	-	-	-
-	-	-	-	-	-	-
-	-	-	-	-	-	-
<b>BPZ-FP/MSW-1000/125-45 *)</b> - 120789		<b>BPZ-VZFP-1000/125-45 *)</b> - 152583		-	-	-
<b>BPZ-FP-1000/150-45</b> 293532	<b>BPZ-FP-1000/150-45-W</b> 293533	<b>BPZ-VZFP-1000/150-45</b> 152584	<b>BPZ-FP-S-1000/150-45</b> 193949	<b>BPZ-FP-S-1000/150-45-W</b> - 193979	-	-
<b>BPZ-FP/MSW-1000/175-45 *)</b> - 120790		<b>BPZ-VZFP-1000/175-45 *)</b> - 152585		-	-	-
<b>BPZ-FP-1000/200-45</b> 293536	<b>BPZ-FP-1000/200-45-W</b> 293537	<b>BPZ-VZFP-1000/200-45</b> 152586	-	-	-	-
-	-	-	-	-	-	-
-	-	-	-	-	-	-
-	-	-	-	-	-	-
-	-	-	-	-	-	-
-	-	-	-	-	-	-
-	-	-	-	-	-	-
-	-	-	-	-	-	-
-	-	-	-	-	-	-
-	-	-	-	-	-	-
-	-	-	-	-	-	-
-	-	-	-	-	-	-

# 2.1

## xEnergy Distribution Boards

Front plates, blind and with 45 mm cut-out for DIN-rail devices

wa\_vt01418



VT00305, VT02505



vt14018



VT25306



Width [mm]	Height [mm]	Front plate (blind), Powder-coated steel-sheet / Self-earthing fasteners enable continuous conductivity of the protective earthing concept		Front plate (blind) / Powder-coated steel-sheet / Screwed variant by using self-tapping / Screws incl. sealing option		Front plate (blind) / Powder-coated steel-sheet with plastic insert (PVC) / Self-earthing fasteners enable continuous conductivity of the protective earthing concept / Sealable front plate possible by using sealing screw BPZ-S	
		Sealable front plate possible by using sealing screw BPZ-S		Incl. sealing screw BPZ-S		(without plastic fastener)	
		Material thickness 1.25 mm RAL 7035 grey		Material thickness 1.25 mm RAL 7035 grey		Material thickness 1.25 mm / 2mm (PVC) RAL 7035 grey	
		RAL 9016 white		RAL 9016 white		RAL 9016 white	
		Article No. per unit unit = 1 pc.	Article No. per unit unit = 1 pc.	Article No. per unit unit = 1 pc.	Article No. per unit unit = 1 pc.	Article No. per unit unit = 1 pc.	Article No. per unit unit = 1 pc.

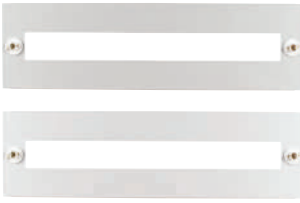
### Front plates, blind and with 45mm cut-out for DIN-rail devices, BPZ-(VZ)FP(P)-...

Width [mm]	Height [mm]	BPZ-FP-1200/050-BL	BPZ-FP-1200/050-BL-W	-	BPZ-FP-S-1200/050-BL	BPZ-FP-S-1200/050-BL-W	-	-
1200 (57MU/row)	50	293538	293539	-	193941	193971	-	-
	100	BPZ-FP-1200/100-BL 293540	BPZ-FP-1200/100-BL-W 293541	BPZ-VZFP-1200/100-BL 152613	BPZ-FP-S-1200/100-BL 193942	BPZ-FP-S-1200/100-BL-W 193972	-	-
	125	BPZ-FP-1200/125-BL 151256	-	-	-	-	-	-
	150	BPZ-FP-1200/150-BL 293542	BPZ-FP-1200/150-BL-W 293543	-	BPZ-FP-S-1200/150-BL 193943	BPZ-FP-S-1200/150-BL-W 193973	BPZ-FPP-1200/150-BL 120736	BPZ-FPP-1200/150-BL-W 120741
	175	BPZ-FP-1200/175-BL 151731	-	-	-	-	-	-
	200	BPZ-FP-1200/200-BL 293546	BPZ-FP-1200/200-BL-W 293547	-	BPZ-FP-S-1200/200-BL 193944	BPZ-FP-S-1200/200-BL-W 193974	-	-
	250	BPZ-FP-1200/250-BL 108397	BPZ-FP-1200/250-BL-W 108407	BPZ-VZFP-1200/250-BL 152614	-	-	-	-
	300	BPZ-FP-1200/300-BL 108398	BPZ-FP-1200/300-BL-W 108408	BPZ-VZFP-1200/300-BL 152615	BPZ-FP-S-1200/300-BL 193945	BPZ-FP-S-1200/300-BL-W 193975	BPZ-FPP-1200/300-BL 134204	BPZ-FPP-1200/300-BL-W 134208
	350	BPZ-FP-1200/350-BL 144884	-	BPZ-VZFP-1200/350-BL 152616	-	-	-	-
	400	BPZ-FP-1200/400-BL 144885	-	-	-	-	-	-
	500	BPZ-FP-1200/500-BL 152516	BPZ-FP-1200/500-BL-W 152518	-	-	-	BPZ-FPP-1200/500-BL 134205	BPZ-FPP-1200/500-BL-W 134209
	800	BPZ-FP-1200/800-BL 152517	BPZ-FP-1200/800-BL-W 152519	-	-	-	-	-

\*) intended for use with MSW installation

Front plates, blind and with 45 mm cut-out for DIN-rail devices

VT00405, VT02805



vt14118



VT25506



Front plate (45mm cut-out) / Powder-coated steel-sheet / Self-earthing fasteners enable continuous conductivity of the protective earthing concept

Sealable front plate possible by using sealing screw BPZ-S		incl. sealing screw BPZ-S		incl. sealing option (without plastic fastener)		Sealable front plate possible by using sealing screw BPZ-S	
Material thickness 1.25 mm RAL 7035 grey	RAL 9016 grey	Material thickness 1.25mm RAL 7035 grey	Material thickness 1.25mm RAL 7035 grey	Material thickness 1.25mm RAL 9016 grey	Material thickness 1.25mm RAL 7035 grey	Material thickness 1.25mm RAL 9016 grey	Article No. per unit unit = 1 pc.
Article No. per unit unit = 1 pc.	Article No. per unit unit = 1 pc.	Article No. per unit unit = 1 pc.	Article No. per unit unit = 1 pc.	Article No. per unit unit = 1 pc.	Article No. per unit unit = 1 pc.	Article No. per unit unit = 1 pc.	Article No. per unit unit = 1 pc.

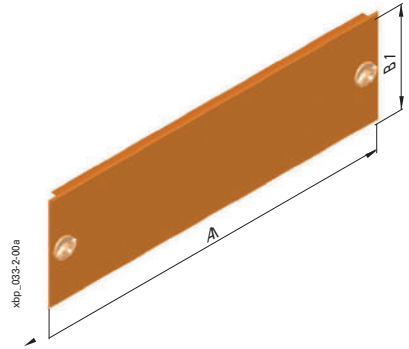
-	-	-	-	-	-	-	-
-	-	-	-	-	-	-	-
<b>BPZ-FP/MSW-1200/125-45 *)</b> - 120791		<b>BPZ-VZFP-1200/125-45 *)</b> - 152587					
<b>BPZ-FP-1200/150-45</b> 293544	<b>BPZ-FP-1200/150-45-W</b> 293545	<b>BPZ-VZFP-1200/150-45</b> 152588	<b>BPZ-FP-S-1200/150-45</b> 193950	<b>BPZ-FP-S-1200/150-45-W</b> - 193980			
<b>BPZ-FP/MSW-1200/175-45 *)</b> - 120792		<b>BPZ-VZFP-1200/175-45 *)</b> - 152589					
<b>BPZ-FP-1200/200-45</b> 293548	<b>BPZ-FP-1200/200-45-W</b> 293549	<b>BPZ-VZFP-1200/200-45</b> 152590					
-	-	-	-	-	-	-	-
-	-	-	-	-	-	-	-
-	-	-	-	-	-	-	-
-	-	-	-	-	-	-	-
-	-	-	-	-	-	-	-
-	-	-	-	-	-	-	-
-	-	-	-	-	-	-	-

### Front plates blind, BPZ-FP-...-BL

- To cover spare areas or to protect areas in use
- Material: sheet steel, powder-coated, RAL 7035 or RAL 9016
- Metal front plates with automatic connection to the enclosure
- Scope of delivery: 1 front plate

#### Dimensions (mm)

Type	Outside dimensions	
	Width	Height
	A1	B1
BPZ-FP-400/...-BL	320	50, 100, 150, 200, 250, 300
BPZ-FP-600/...-BL	520	50, 100, 150, 200, 250, 300
BPZ-FP-800/...-BL	720	50, 100, 150, 200, 250, 300
BPZ-FP-1000/...-BL	920	50, 100, 150, 200, 250, 300
BPZ-FP-1200/...-BL	1120	50, 100, 150, 200, 250, 300

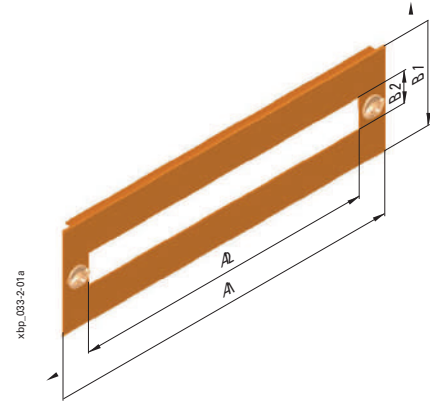


### Front plates with 45 mm device cutout, BPZ-FP-...-45

- To cover areas accommodating switchgear
- Material: sheet steel, powder-coated, RAL 7035 or RAL 9016
- Metal front plates with automatic connection to the enclosure
- Scope of delivery: 1 front plate

#### Dimensions (mm)

Type	Outside dimensions		Inside dimensions		
	Width	Height	Width	Height	TE
	A1	B1	A2	B2	
BPZ-FP-400/...-45	320	150, 200	238	46	13
BPZ-FP-600/...-45	520	150, 200	438	46	24
BPZ-FP-800/...-45	720	150, 200	638	46	35
BPZ-FP-1000/...-45	920	150, 200	838	46	46
BPZ-FP-1200/...-45	1120	150, 200	1038	46	57

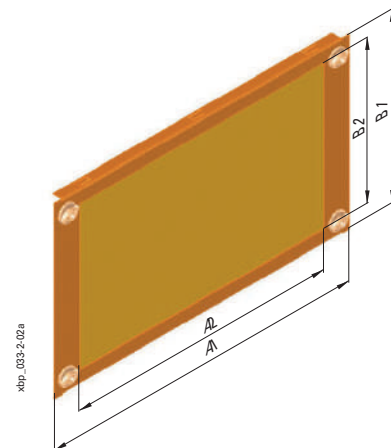


### Front plates sheet steel with plastic insert, BPZ-FPP-...-BL

- Material: sheet steel, powder-coated, RAL 7035 or RAL 9016
- Metal front plates with automatic connection to the enclosure
- Material of plastic insert: 2 mm PVC, similar to RAL 7035
- Scope of delivery: 1 front plate

#### Dimensions (mm)

Type	Outside dimensions		Inside dimensions	
	Width	Height	Width	Height
	A1	B1	A2	B2
BPZ-FPP-400/150-BL	320	150	230	90
BPZ-FPP-400/300-BL	320	300	230	254
BPZ-FPP-600/150-BL	520	150	430	90
BPZ-FPP-600/300-BL	520	300	430	254
BPZ-FPP-600/500-BL	520	500	430	454
BPZ-FPP-800/150-BL	720	150	630	90
BPZ-FPP-800/300-BL	720	300	630	254
BPZ-FPP-800/500-BL	720	500	630	454
BPZ-FPP-1000/150-BL	920	150	830	90
BPZ-FPP-1000/300-BL	920	300	830	254
BPZ-FPP-1000/500-BL	920	500	830	454
BPZ-FPP-1200/150-BL	1120	150	1030	90
BPZ-FPP-1200/300-BL	1120	300	1030	254
BPZ-FPP-1200/500-BL	1120	500	1030	454

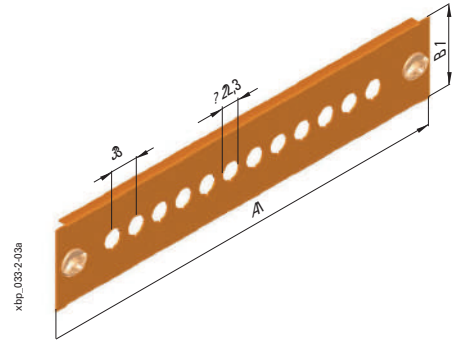


**Front plates for command devices RMQ-Titan, BPZ-FP-...-RMQ**

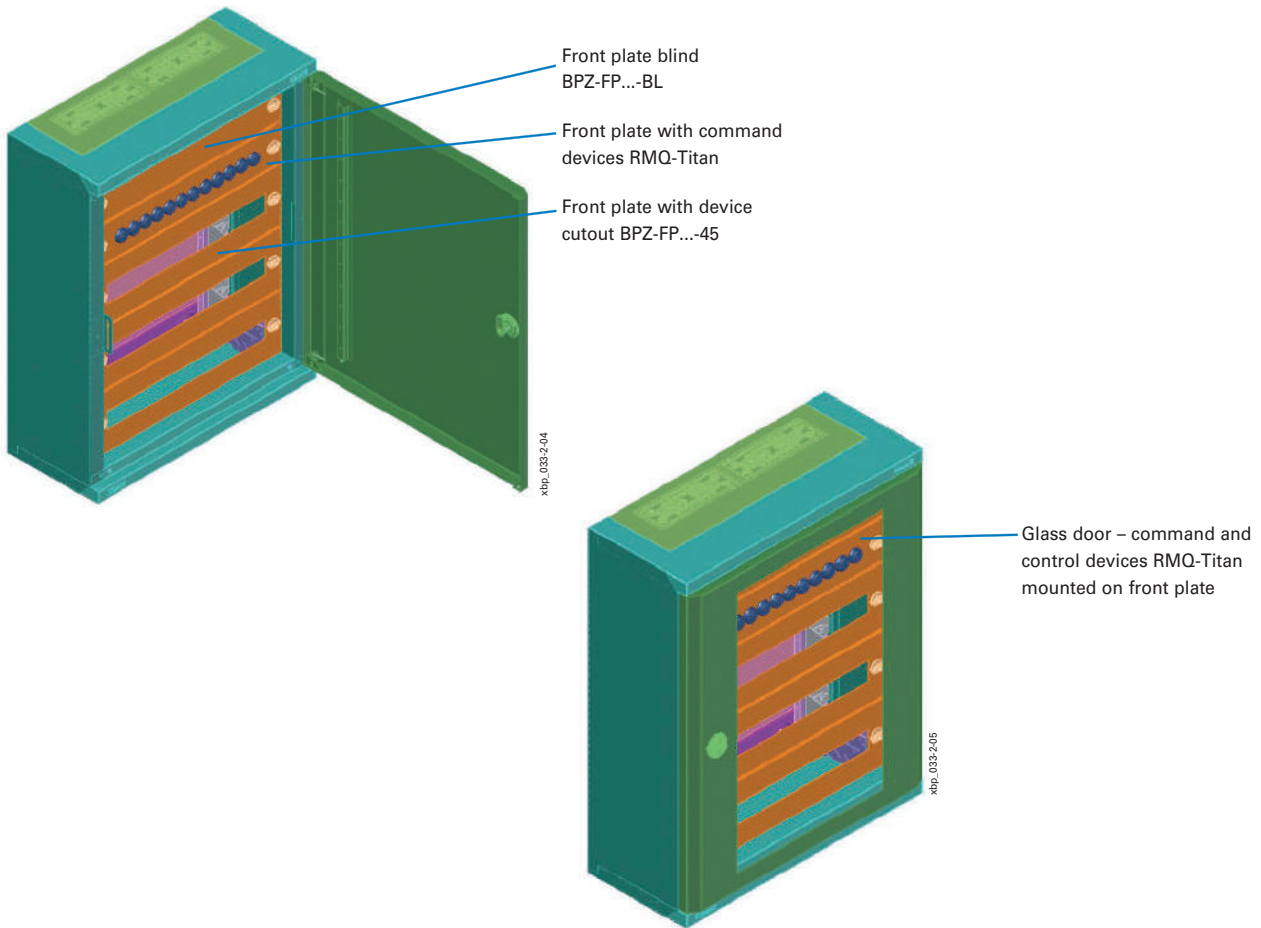
- Material: sheet steel, powder-coated, RAL 7035 or RAL 9016
- Metal front plates with automatic connection to the enclosure
- Scope of delivery: 1 front plate

**Dimensions (mm)**

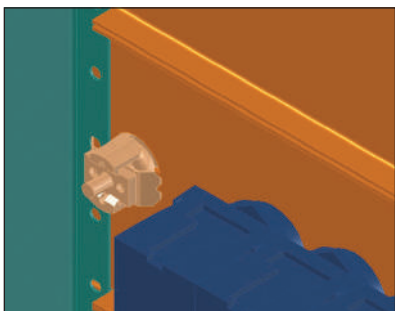
Type	Outside dimensions		Amount of supports for RMQ
	Width A1	Height B1	
BPZ-FP-400/100-RMQ	320	100	7
BPZ-FP-600/100-RMQ	520	100	12



**Examples of application of front plates**



**Detail**



Rear view of self-earthing seal.  
Conductive connection of the front plates  
with frame is type tested.



# 2.2

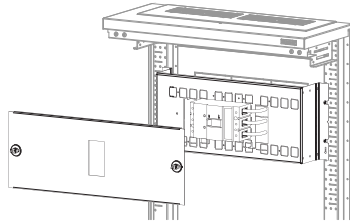
## xEnergy Distribution Boards

Mounting kits for Moulded Case Circuit Breaker

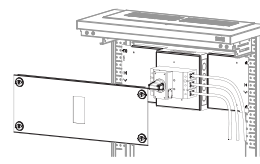
v111419 Symbolphoto



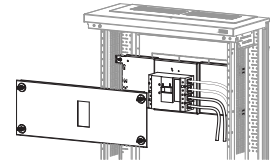
CAT0000059



CAT0000060



CAT0000061



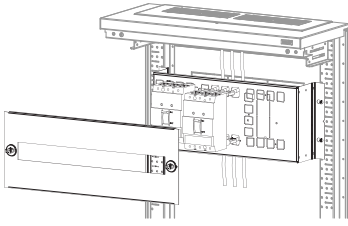
Width [mm]	Installation back frame			Mounting side wall (MSW)
	NZM1 single Toggle operation		Rotary door handle / direct rotary handle	NZM1 single Toggle operation
	Rear connection	Side connection		
	RAL 7035 grey	RAL 7035 grey [RAL 9016 white]	RAL 7035 grey [RAL 9016 white]	RAL 7035 grey [RAL 9016 white]
	Article No. per unit unit = 1 pc.	Article No. per unit unit = 1 pc.	Article No. per unit unit = 1 pc.	Article No. per unit unit = 1 pc.

### Mounting kits for Moulded Case Circuit Breaker, frame size 1, NZM1/LZM1 (horizontal configuration)

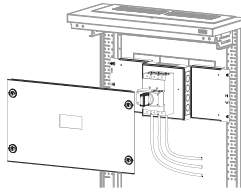
400	-	<b>BPZ-NZM1-400-MH</b> 173601 <b>[BPZ-NZM1-400-MH-W]</b> [190039]	-	-
600	<b>BPZ-MPL-NZM1X-600-MX</b> 174390 <b>BPZ-FP/S-NZM1-600-MH</b> 174408	<b>BPZ-NZM1-600-MH</b> 286760 <b>[BPZ-NZM1-600-MH-W]</b> [292476]	<b>BPZ-NZM1-600-MH-RH</b> 116686 <b>[BPZ-NZM1-600-MH-RH-W]</b> [105523]	<b>BPZ-NZM1/MSW-600-MH</b> 116935 <b>[BPZ-NZM1/MSW-600-MH-W]</b> 116939]
800	<b>BPZ-MPL-NZM1X-800-MX</b> 174399 <b>BPZ-FP/S-NZM1-800-MH</b> 174376	<b>BPZ-NZM1-800-MH</b> 293599 <b>[BPZ-NZM1-800-MH-W]</b> [293600]	<b>BPZ-NZM1-800-MH-RH</b> 116688 <b>[BPZ-NZM1-800-MH-RH-W]</b> [105525]	<b>BPZ-NZM1/MSW-800-MH</b> 116937 <b>[BPZ-NZM1/MSW-800-MH-W]</b> [116941]
1000	-	-	-	-
1200	-	-	-	-



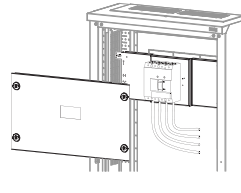
CAT0000062



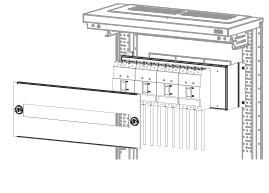
CAT0000063



CAT0000064



CAT0000065



Installation back frame NZM1 single (+XFI module) or NZM1 multiple	NZM1 single	Rotary door handle / direct rotary handle	Mounting side wall (MSW) NZM1 single	Installation back frame NZM1 multiple
Toggle operation		Toggle operation	Toggle operation	Toggle operation
Rear connection	Top/bottom connection	Top/bottom connection	Top/bottom connection	Top/bottom connection
RAL 7035 grey	RAL 7035 grey [RAL 9016 white]	RAL 7035 grey [RAL 9016 white]	RAL 7035 grey [RAL 9016 white]	RAL 7035 grey
Article No. per unit unit = 1 pc.	Article No. per unit unit = 1 pc.	Article No. per unit unit = 1 pc.	Article No. per unit unit = 1 pc.	Article No. per unit unit = 1 pc.

**Mounting kits for Moulded Case Circuit Breaker, frame size 1, NZM1/LZM1 (vertical configuration)**

	<b>BPZ-NZM1-400-MV</b> 286757 <b>[BPZ-NZM1-400-MV-W]</b> [292473]	<b>BPZ-NZM1-400-MV-RH</b> 116679 <b>[BPZ-NZM1-400-MV-RH-W]</b> [105217]	<b>BPZ-NZM1/MSW-400-MV</b> 116923 <b>[BPZ-NZM1/MSW-400-MV-W]</b> [116929]	<b>BPZ-MPL-NZM1X-400-MV</b> 120742 <b>BPZ-FP-NZM1X-2/2-400-MV</b> 195392 (up to 2xNZM1-3p / 2xNZM1-4p)
<b>BPZ-MPL-NZM1X-600-MX</b> 174390 <b>BPZ-FP/S-NZM1X-3/3-600-MV</b> 195393 (up to 3xNZM1-4p)	<b>BPZ-NZM1-600-MV</b> 286762 <b>[BPZ-NZM1-600-MV-W]</b> [292478]	<b>BPZ-NZM1-600-MV-RH</b> 116682 <b>[BPZ-NZM1-600-MV-RH-W]</b> [105219]	<b>BPZ-NZM1/MSW-600-MV</b> 116925 <b>[BPZ-NZM1/MSW-600-MV-W]</b> [116931]	<b>BPZ-MPL-NZM1X-600-MV</b> 120743 <b>BPZ-FP/S-NZM1X-3/3-600-MV</b> 195393 (up to 4xNZM1-3p / 3xNZM1-4p)
<b>BPZ-MPL-NZM1X-800-MX</b> 174399 <b>BPZ-FP/S-NZM1X-4/4-800-MV</b> 195394 (up to 4xNZM1-4p)	<b>BPZ-NZM1-800-MV</b> 293603 <b>[BPZ-NZM1-800-MV-W]</b> [293604]	<b>BPZ-NZM1-800-MV-RH</b> 116684 <b>[BPZ-NZM1-800-MV-RH-W]</b> [105521]	<b>BPZ-NZM1/MSW-800-MV</b> 116927 <b>[BPZ-NZM1/MSW-800-MV-W]</b> [116933]	<b>BPZ-MPL-NZM1X-800-MV</b> 120744 <b>BPZ-FP/S-NZM1X-4/4-800-MV</b> 195394 (up to 7xNZM1-3p / 5xNZM1-4p)
				<b>BPZ-MPL-NZM1X-1000-MV</b> 173619 <b>BPZ-FP/S-NZM1X-5/5-1000-MV</b> 195395 (up to 9xNZM1-3p / 6xNZM1-4p)
				<b>BPZ-MPL-NZM1X-1200-MV</b> 173620 <b>BPZ-FP/S-NZM1X-6/6-1200-MV</b> 195396 (up to 11xNZM1-3p / 8xNZM1-4p)

# 2.2

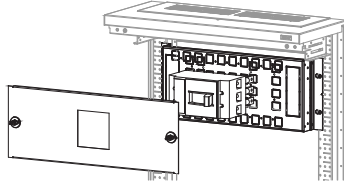
## xEnergy Distribution Boards

Mounting kits for Moulded Case Circuit Breaker

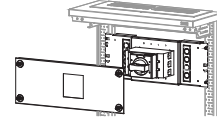
v111419 Symbolphoto



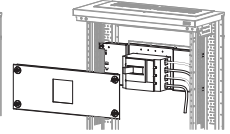
CAT0000066



CAT0000067



CAT0000068

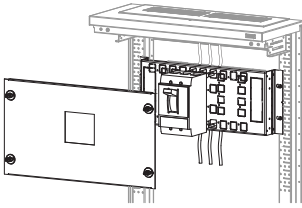


Width [mm]	Installation back frame		Rotary door handle / direct rotary handle		Mounting side wall (MSW)
	NZM2 + XFI module	NZM2 single	Side connection	Side connection	
	Toggle operation				NZM2 single
	Rear connection				Toggle operation
	RAL 7035 grey	RAL 7035 grey	RAL 7035 grey [RAL 9016 white]	RAL 7035 grey [RAL 9016 white]	Side connection
	Article No. per unit unit = 1 pc.	Article No. per unit unit = 1 pc.	Article No. per unit unit = 1 pc.	Article No. per unit unit = 1 pc.	Article No. per unit unit = 1 pc.

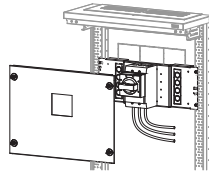
### Mounting kits for Moulded Case Circuit Breaker, frame size 2, NZM2/LZM2 (horizontal configuration)

400	-	-	<b>BPZ-NZM2-400-MH</b> 173602 <b>[BPZ-NZM2-400-MH-W]</b> [190040]	-	-
600	<b>BPZ-MPL-NZM2X-600-MX</b> 174391 <b>BPZ-FP/S-NZM2-XFI-600-MH</b> 174410	<b>BPZ-MPL-NZM2X-600-MX</b> 174391 <b>BPZ-FP/S-NZM2-600-MH</b> 174409	<b>BPZ-NZM2-600-MH</b> 286761 <b>[BPZ-NZM2-600-MH-W]</b> [292477]	<b>BPZ-NZM2-600-MH-RH</b> 116687 <b>[BPZ-NZM2-600-MH-RH-W]</b> [105524]	<b>BPZ-NZM2/MSW-600-MH</b> 116936 <b>[BPZ-NZM2/MSW-600-MH-W]</b> [116940]
800	<b>BPZ-MPL-NZM2X-800-MX</b> 174400 <b>BPZ-FP/S-NZM2-XFI-800-MH</b> 174378	<b>BPZ-MPL-NZM2X-800-MX</b> 174400 <b>BPZ-FP/S-NZM2-800-MH</b> 174377	<b>BPZ-NZM2-800-MH</b> 293601 <b>[BPZ-NZM2-800-MH-W]</b> [293602]	<b>BPZ-NZM2-800-MH-RH</b> 116689 <b>[BPZ-NZM2-800-MH-RH-W]</b> [105526]	<b>BPZ-NZM2/MSW-800-MH</b> 116938 <b>[BPZ-NZM2/MSW-800-MH-W]</b> [116942]
1000	-	-	-	-	-
1200	-	-	-	-	-

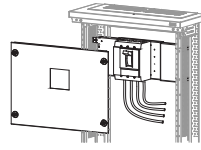
CAT0000069



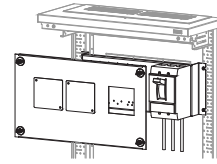
CAT0000070



CAT0000071



CAT0000072



Installation back frame NZM2 single [NZM2 single + XFI module]	NZM2 single	Rotary door handle /direct rotary handle	Mounting side wall (MSW) NZM2 single	Installation back frame NZM2 multiple	
Toggle operation			Toggle operation	Toggle operation	
Rear connection	Top/bottom connection	Top/bottom connection	Top/bottom connection	Top/bottom connection	Rear connection
RAL 7035 grey [RAL 9016 white]	RAL 7035 grey [RAL 9016 white]	RAL 7035 grey [RAL 9016 white]	RAL 7035 grey [RAL 9016 white]	RAL 7035 grey	RAL 7035 grey
Article No. per unit unit = 1 pc.	Article No. per unit unit = 1 pc.	Article No. per unit unit = 1 pc.	Article No. per unit unit = 1 pc.	Article No. per unit unit = 1 pc.	

**Mounting kits for Moulded Case Circuit Breaker, frame size 2, NZM2/LZM2 (vertical configuration)**

	<b>BPZ-NZM2-400-MV</b> 286758 [BPZ-NZM2-400-MV-W] [292474]	<b>BPZ-NZM2-400-MV-RH</b> 116680 [BPZ-NZM2-400-MV-RH-W] [105218]	<b>BPZ-NZM2/MSW-400-MV</b> 116924 [BPZ-NZM2/MSW-400-MV-W] [116930]	<b>BPZ-MPL-NZM2X-400-MV</b> - 120745 <b>BPZ-FP-NZM2X-2/0-400-MV</b> 173607 (up to 2xNZM2-3p)	
<b>BPZ-MPL-NZM2X-600-MX</b> 174391	<b>BPZ-NZM2-600-MV</b> 286763 [BPZ-NZM2-600-MV-W] [292479]	<b>BPZ-NZM2-600-MV-RH</b> 116683 [BPZ-NZM2-600-MV-RH-W] [105520]	<b>BPZ-NZM2/MSW-600-MV</b> 116926 [BPZ-NZM2/MSW-600-MV-W] [116932]	<b>BPZ-MPL-NZM2X-600-MV</b> 120746 <b>BPZ-FP-NZM2X-3/2-600-MV</b> 173608 (up to 3xNZM2-3p / 2xNZM2-4p)	<b>BPZ-MPL-NZM2X-600-MX</b> 174391 <b>BPZ-FP/S-NZM2X-2/2-600-MV</b> 174393 (up to 2xNZM2-4p)
<b>BPZ-MPL-NZM2X-800-MX</b> 174400	<b>BPZ-NZM2-800-MV</b> 293605 [BPZ-NZM2-800-MV-W] [293606]	<b>BPZ-NZM2-800-MV-RH</b> 116685 [BPZ-NZM2-800-MV-RH-W] [105522]	<b>BPZ-NZM2/MSW-800-MV</b> 116928 [BPZ-NZM2/MSW-800-MV-W] [116934]	<b>BPZ-MPL-NZM2X-800-MV</b> 120747 <b>BPZ-FP-NZM2X-4/4-800-MV</b> 173609 (up to 4xNZM2-3p / 4xNZM2-4p)	<b>BPZ-MPL-NZM2X-800-MX</b> 174400 <b>BPZ-FP/S-NZM2X-3/3-800-MV</b> 174402 (up to 3xNZM2-4p)
				<b>BPZ-MPL-NZM2X-1000-MV</b> - 173621 <b>BPZ-FP-NZM2X-4/4-1000-MV</b> 173610 (up to 4xNZM2-3p / 4xNZM2-4p)	
				<b>BPZ-MPL-NZM2X-1200-MV</b> - 173622 <b>BPZ-FP-NZM2X-4/4-1200-MV</b> 173611 (up to 4xNZM2-3p / 4xNZM2-4p)	

# 2.2

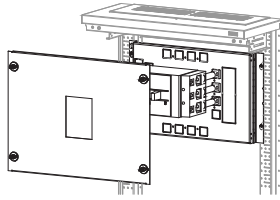
## xEnergy Distribution Boards

Mounting kits for Moulded Case Circuit Breaker

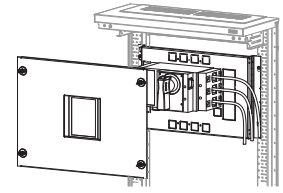
v111419 Symbolphoto



CAT0000073



CAT0000074

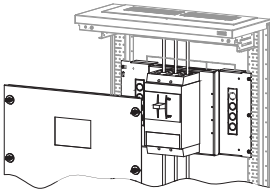


Width [mm]	Installation back frame			
	NZM3 single			
	Toggle operation			
	Rear connection	Side connection		Rotary door handle / direct rotary handle
	RAL 7035 grey	RAL 7035 grey	RAL 9016 white	Side connection
				RAL 7035 grey
	Article No. per unit unit = 1 pc.	Article No. per unit unit = 1 pc.	Article No. per unit unit = 1 pc.	Article No. per unit unit = 1 pc.

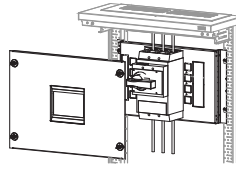
### Mounting kits for Moulded Case Circuit Breaker, frame size 3, NZM3/LZM3 (horizontal configuration)

400	-	-	-	-
600	<b>BPZ-MPL-NZM3-600-MX</b> 174395 <b>BPZ-FP/S-NZM3-600-MH</b> 174411	<b>BPZ-NZM3-600-MH</b> 120750	<b>BPZ-NZM3-600-MH-W</b> 120752	<b>BPZ-MPL-NZM3-600-MX</b> 174395 <b>BPZ-FP/S-NZM3-XDV-600-MH</b> 177331
800	<b>BPZ-MPL-NZM3-800-MX</b> 174404 <b>BPZ-FP/S-NZM3-800-MH</b> 174379	<b>BPZ-NZM3-800-MH</b> 120751	<b>BPZ-NZM3-800-MH-W</b> 120753	<b>BPZ-MPL-NZM3-800-MX</b> 174404 <b>BPZ-FP/S-NZM3-XDV-800-MH</b> 177333
1000	-	-	-	-
1200	-	-	-	-

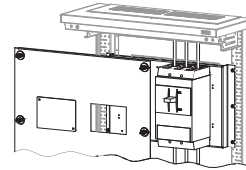
CAT0000075



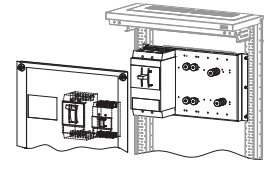
CAT0000076



CAT0000077



CAT0000078



Installation back frame				
NZM3 single			NZM3 multiple	Combination of different frame sizes
Toggle operation		Rotary door handle /direct rotary handle	Toggle operation	Toggle operation
Rear connection	Top/bottom connection	Top/bottom connection	Top/bottom connection	Top/bottom connection
RAL 7035 grey	RAL 7035 grey [RAL 9016 white]	RAL 7035 grey [RAL 9016 white]	RAL 7035 grey	RAL 7035 grey [RAL 9016 white]
Article No. per unit unit = 1 pc.	Article No. per unit unit = 1 pc.	Article No. per unit unit = 1 pc.	Article No. per unit unit = 1 pc.	Article No. per unit unit = 1 pc.

**Mounting kits for Moulded Case Circuit Breaker, frame size 3, NZM3/LZM3 (vertical configuration)**

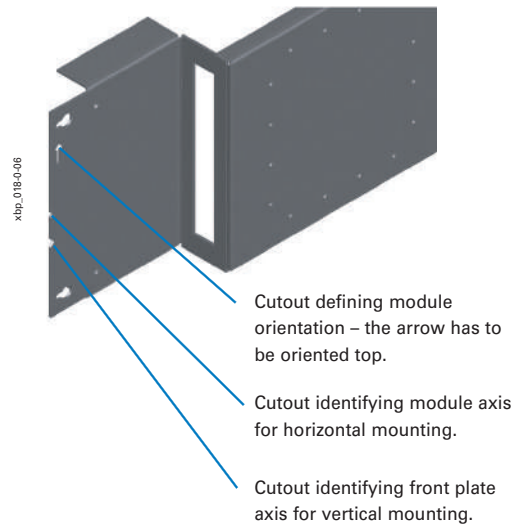
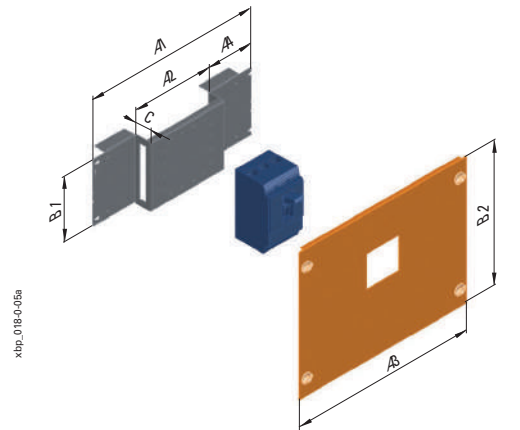
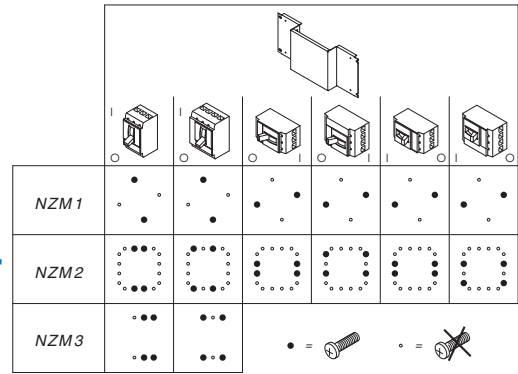
	<b>BPZ-NZM3-400-MV</b> 286759 <b>[BPZ-NZM3-400-MV-W]</b> [292475]	<b>BPZ-NZM3-400-MV-RH</b> 116681 <b>[BPZ-NZM3-400-MV-RH-W]</b> [105527]		
<b>BPZ-MPL-NZM3-600-MX</b> 174395	<b>BPZ-NZM3-600-MV</b> 286764	<b>BPZ-MPL-NZM3-600-MX</b> 174395	<b>BPZ-MPL-NZM3X-600-MV</b> 120748	<b>BPZ-MPL-NZM3X-600-MV</b> 120748
<b>BPZ-FP/S-NZM3-600-MV</b> 174396	<b>[BPZ-NZM3-600-MV-W]</b> [292480]	<b>BPZ-FP/S-NZM3-XDV-600-MV</b> 177327	<b>BPZ-FP-NZM3X-2/2-600-MV</b> 173612 (up to 2xNZM3-3p / 2xNZM3-4p)	<b>BPZ-FPP-600/500-BL</b> 108293 <b>[BPZ-FPP-600/500-BL-W]</b> [108298]
<b>BPZ-MPL-NZM3-800-MX</b> 174404	<b>BPZ-NZM3-800-MV</b> 293607	<b>BPZ-MPL-NZM3-800-MX</b> 174404	<b>BPZ-MPL-NZM3X-800-MV</b> 120749	<b>BPZ-MPL-NZM3X-800-MV</b> 120749
<b>BPZ-FP/S-NZM3-800-MV</b> 174405	<b>[BPZ-NZM3-800-MV-W]</b> [293608]	<b>BPZ-FP/S-NZM3-XDV-800-MV</b> 177329	<b>BPZ-FP-NZM3X-3/3-800-MV</b> 173613 (up to 3xNZM3-3p / 3xNZM3-4p)	<b>BPZ-FPP-800/500-BL</b> 108295 <b>[BPZ-FPP-800/500-BL-W]</b> [108330]
			<b>BPZ-MPL-NZM3X-1000-MV</b> 173623	<b>BPZ-MPL-NZM3X-1000-MV</b> 173623
			<b>BPZ-FP-NZM3X-3/3-1000-MV</b> 173614 (up to 3xNZM3-3p / 3xNZM3-4p)	<b>BPZ-FPP-1000/500-BL</b> 134203 <b>[BPZ-FPP-1000/500-BL-W]</b> [134207]
			<b>BPZ-MPL-NZM3X-1200-MV</b> 173624	<b>BPZ-MPL-NZM3X-1200-MV</b> 173624
			<b>BPZ-FP-NZM3X-3/3-1200-MV</b> 173615 (up to 3xNZM3-3p / 3xNZM3-4p)	<b>BPZ-FPP-1200/500-BL</b> 134205 <b>[BPZ-FPP-1200/500-BL-W]</b> [134209]

### Mounting sets BPZ-NZM for circuit breakers NZM

- Mounting sets BPZ-NZM... for mounting NZM1-3 circuit breakers (position of the breaker vertical or horizontal) for surface-mounted or floor-standing boards
- Material  
Front plate: sheet steel, powder-coated, RAL 7035 or RAL 9016  
Mounting plate: sheet steel (2 mm), zinc-coated
- Metal front plates with automatic connection to the enclosure
- Design ...-RH for breakers equipped with rotary door handle, suitable only for surface-mounted or floor-standing boards
- Scope of delivery: 1 mounting plate, 1 front plate, fixing material

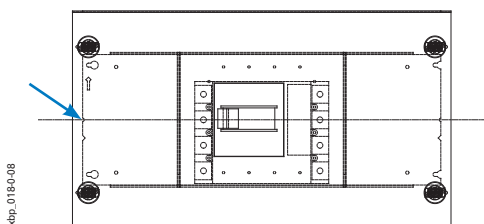
### Dimensions (mm)

Type	Front plate		Mounting plate				
	Outside dimensions		Outside dimensions				
	Width	Height	Width	Height	A2	A4	C
BPZ-NZM1-400-MV	320	299	292	179	174	61	89.5
BPZ-NZM2-400-MV	320	399	292	179	230	33	54.5
BPZ-NZM3-400-MV	320	499	292	279	244	26	37
BPZ-NZM1-600-MV	520	299	492	179	174	161	89.5
BPZ-NZM2-600-MV	520	399	492	179	230	133	54.5
BPZ-NZM3-600-MV	520	499	492	279	244	126	37
BPZ-NZM1-800-MV	720	299	692	179	174	261	89.5
BPZ-NZM2-800-MV	720	399	692	179	230	233	54.5
BPZ-NZM3-800-MV	720	499	692	279	244	226	37
BPZ-NZM1-400-MH	320	199	292	179	74	61	89.5
BPZ-NZM2-400-MH	320	199	292	179	230	33	54.5
BPZ-NZM1-600-MH	520	199	492	179	174	161	89.5
BPZ-NZM2-600-MH	520	199	492	179	230	133	54.5
BPZ-NZM1-800-MH	720	199	692	179	174	261	89.5
BPZ-NZM2-800-MH	720	199	692	179	230	233	54.5
BPZ-NZM1/MSW-400-MV	320	299	288	185	174	57	16.5
BPZ-NZM2/MSW-400-MV	320	399	288	185	226	31	-18.5
BPZ-NZM1/MSW-600-MV	520	299	488	185	174	157	16.5
BPZ-NZM2/MSW-600-MV	520	399	488	185	226	131	-18.5
BPZ-NZM1/MSW-800-MV	720	299	688	185	174	257	16.5
BPZ-NZM2/MSW-800-MV	720	399	688	185	226	231	-18.5
BPZ-NZM1/MSW-600-MH	520	199	488	185	174	157	16.5
BPZ-NZM2/MSW-600-MH	520	199	488	185	226	131	-18.5
BPZ-NZM1/MSW-800-MH	720	199	688	185	174	257	16.5
BPZ-NZM2/MSW-800-MH	720	199	688	185	226	231	-18.5
BPZ-NZM1-400-MV-RH	320	299	292	179	174	61	54.5
BPZ-NZM2-400-MV-RH	320	399	292	179	230	33	19.5
BPZ-NZM3-400-MV-RH	320	499	292	279	244	26	0
BPZ-NZM1-600-MV-RH	520	299	492	179	174	161	54.5
BPZ-NZM2-600-MV-RH	520	399	492	179	230	133	19.5
BPZ-NZM1-800-MV-RH	720	299	692	179	174	261	54.5
BPZ-NZM2-800-MV-RH	720	399	692	179	230	233	19.5
BPZ-NZM1-600-MH-RH	520	199	492	179	174	161	54.5
BPZ-NZM2-600-MH-RH	520	199	492	179	230	133	19.5
BPZ-NZM1-800-MH-RH	720	199	692	179	174	261	54.5
BPZ-NZM2-800-MH-RH	720	199	692	179	230	233	19.5



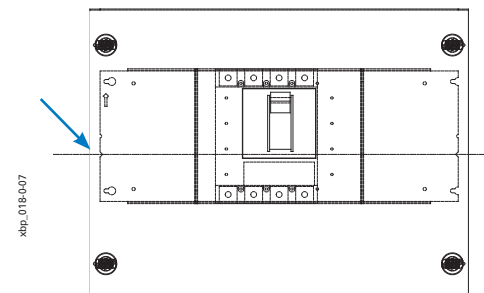
#### Round cutout:

- identifies axis of the device module
- Identifies front plate axis for horizontal mounting



#### Sharp cutout:

- identifies front plate axis for vertical mounting (position of the mounting plate is defined by the axis of the front plate)

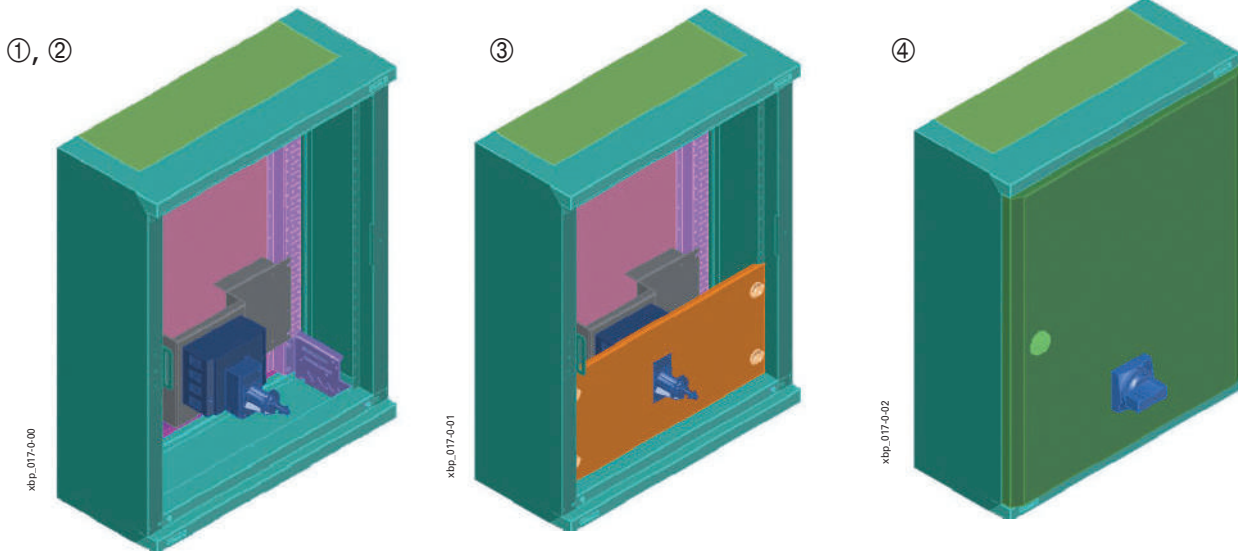


### Applications of mounting sets BPZ-NZM...-RH

- Example of utilisation in a surface-mounted board (can be used for floor-standing boards as well)

#### Mounting process

1. Fixing of a breaker onto mounting plate from the set
2. Installation of the mounting plate with the breaker into board
3. Fixing of the front plate
4. Mounting of the door coupling and rotary handle



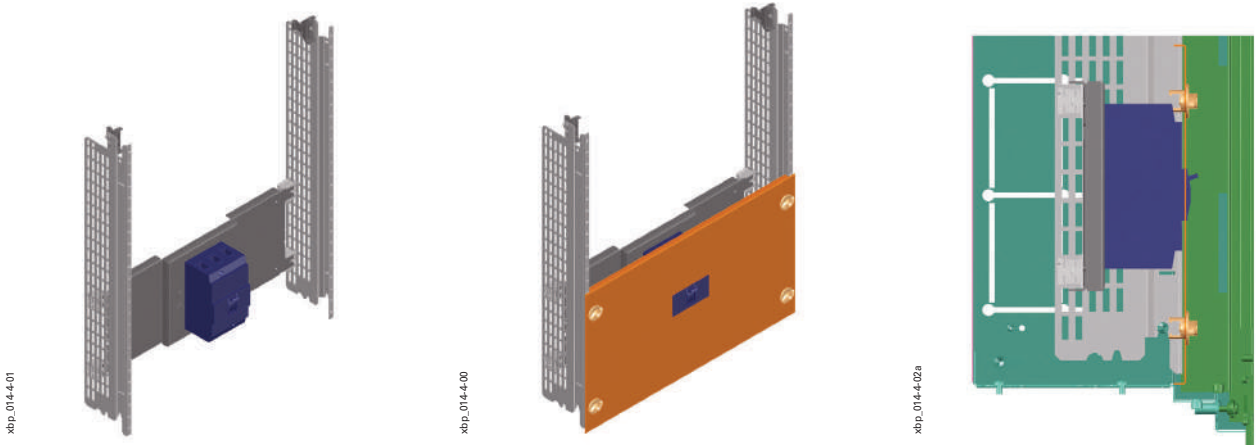
### Applications of mounting sets BPZ-NZM...-MSW

- For NZM breakers of type size 1 and 2
- Vertical or horizontal orientation of the breaker
- Mounting on to side walls BPZ-MSW by means of fastening elements BEL

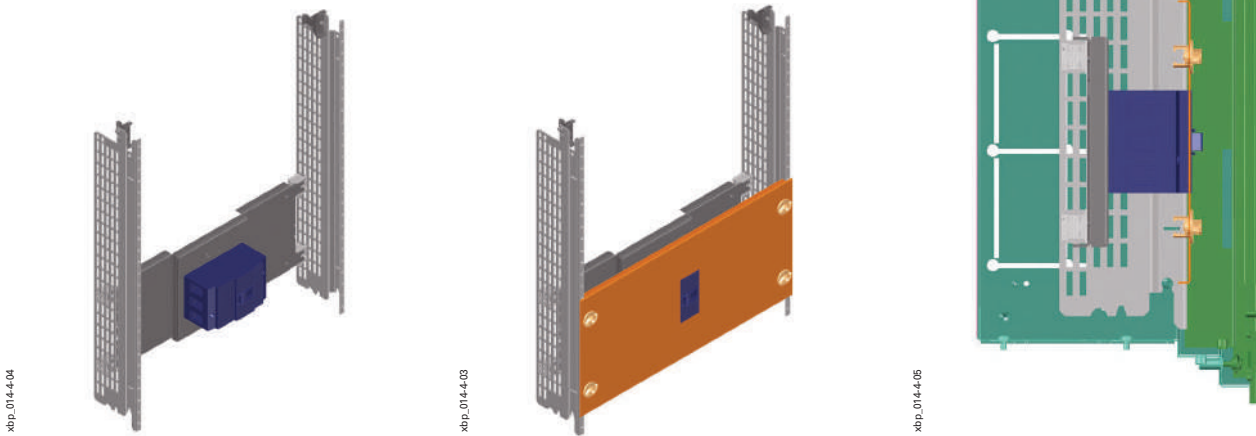
#### Mounting process:

1. Fixing of a breaker onto mounting plate from the set
2. Installation of the mounting plate with the breaker into board by means of fastening elements BEL
3. Fixing of the front plate

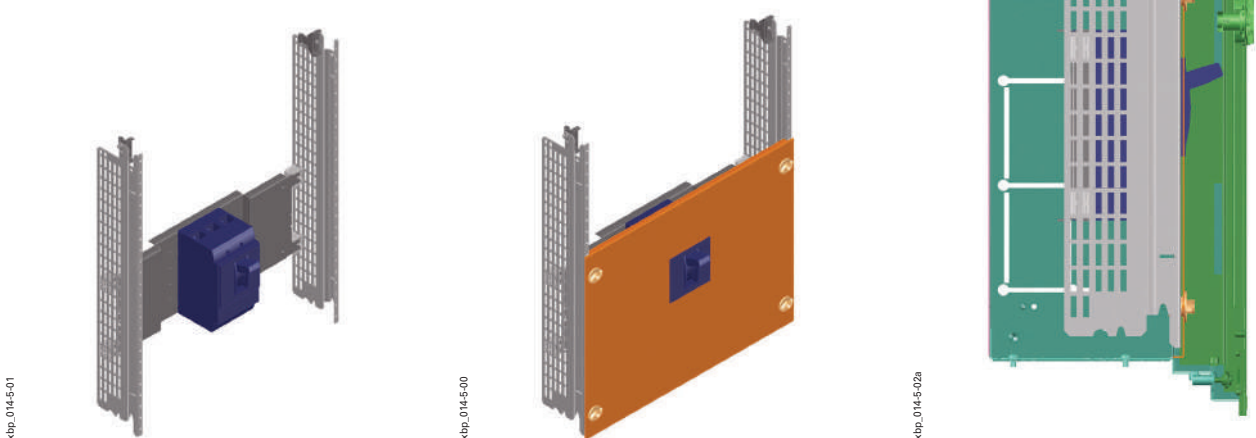
#### NZM1 breaker, horizontal orientation



#### NZM2 breaker, vertical orientation



#### NZM2 breaker, vertical orientation

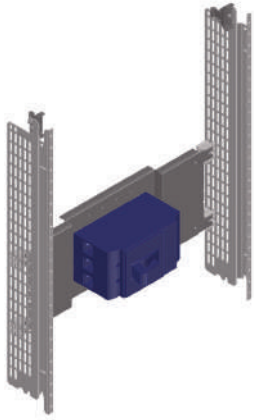




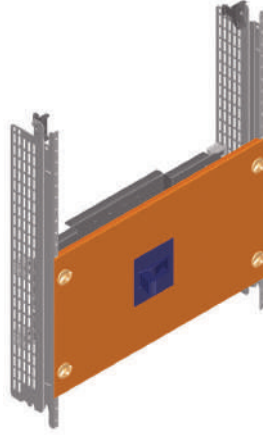
**Applications of mounting sets BPZ-NZM...-MSW**

NZM1 breaker, horizontal orientation

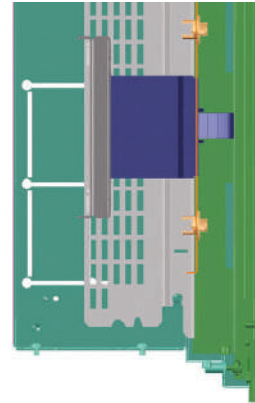
xbp\_014-5-04



xbp\_014-5-03



xbp\_014-5-05



### Mounting Plate for Several Devices such as NZM, BPZ-MPL-NZM...-...-MV

- For mounting one or several NZM devices in a vertical position
- Suitable for wall-mounted and floor-standing enclosures with Profi+ mounting frame
- Material: Sheet steel (2 mm), galvanized
- Scope of delivery: 1 Mounting plate, mounting accessories

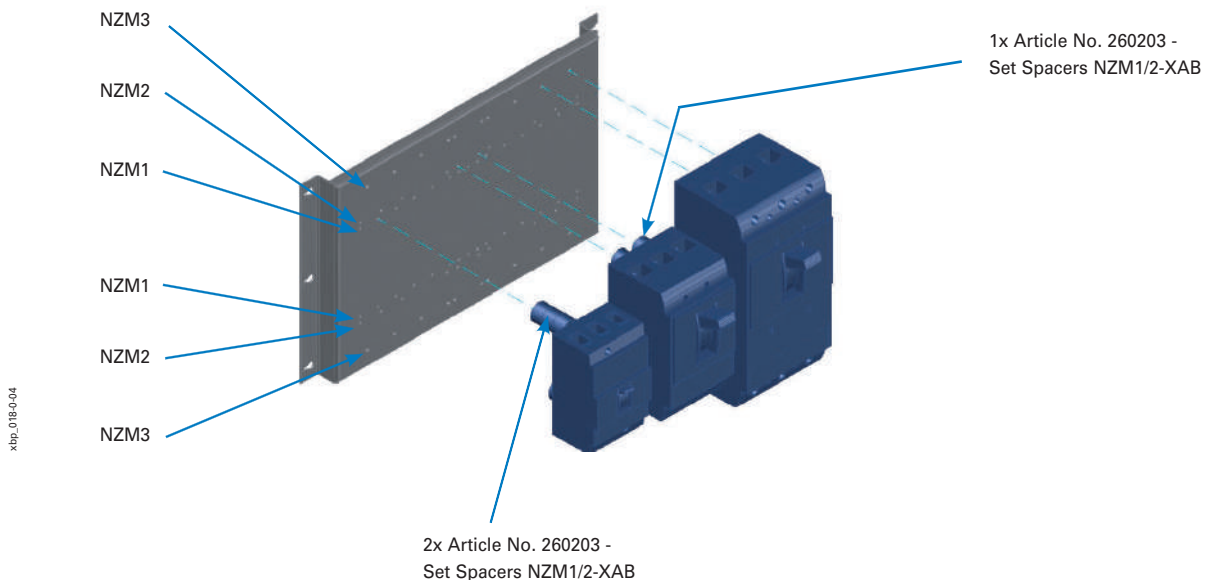
#### Dimensions (mm)

Type	Max. number of 3-/4-pole NZMs *)	A1	A2	B1
BPZ-MPL-NZM1X-400-MV	2x NZM1 / 2x NZM1	292	232	160
BPZ-MPL-NZM1X-600-MV	4x NZM1 / 3x NZM1	492	432	160
BPZ-MPL-NZM1X-800-MV	7x NZM1 / 5x NZM1	692	632	160
BPZ-MPL-NZM1X-1000-MV	9x NZM1 / 6x NZM1	892	832	160
BPZ-MPL-NZM1X-1200-MV	11x NZM1 / 8x NZM1	1092	1032	160
BPZ-MPL-NZM2X-400-MV	2x NZM2 / -	292	232	185
BPZ-MPL-NZM2X-600-MV	3x NZM2 / 2x NZM2	492	432	185
BPZ-MPL-NZM2X-800-MV	4x NZM2 / 4x NZM2	692	632	185
BPZ-MPL-NZM2X-1000-MV	4x NZM2 / 4x NZM2	892	832	185
BPZ-MPL-NZM2X-1200-MV	4x NZM2 / 4x NZM2	1092	1032	185
BPZ-MPL-NZM3X-600-MV	2x NZM3 / 2x NZM3	492	432	285
BPZ-MPL-NZM3X-800-MV	3x NZM3 / 3x NZM3	692	632	285
BPZ-MPL-NZM3X-1000-MV	3x NZM3 / 3x NZM3	892	832	285
BPZ-MPL-NZM3X-1200-MV	3x NZM3 / 3x NZM3	1092	1032	285

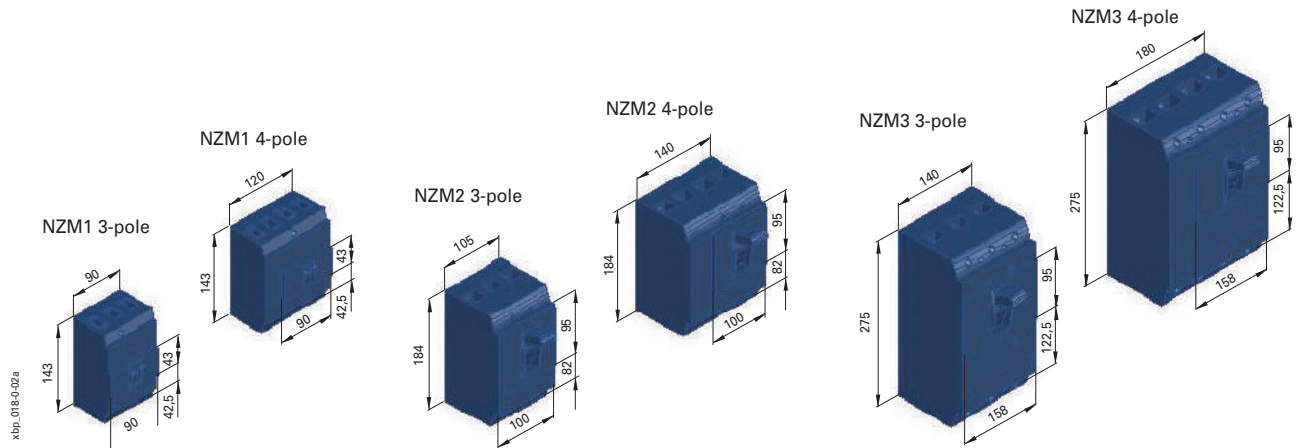
\*) Max. number depending on availability of suitable front plates

### Placing of the mounting holes for particular type sizes of the circuit breakers (BPZ-MPL-NZM3X-...)

- In case that circuit breakers of different type sizes are mounted onto a single mounting plate it is necessary to put spacers NZM1/2-XAB under the smaller size breaker. The matching front plate with plastic insert BPZ-FPP have to be prepared individual (no cuttings existing).



Basic dimensions of the circuit breakers NZM

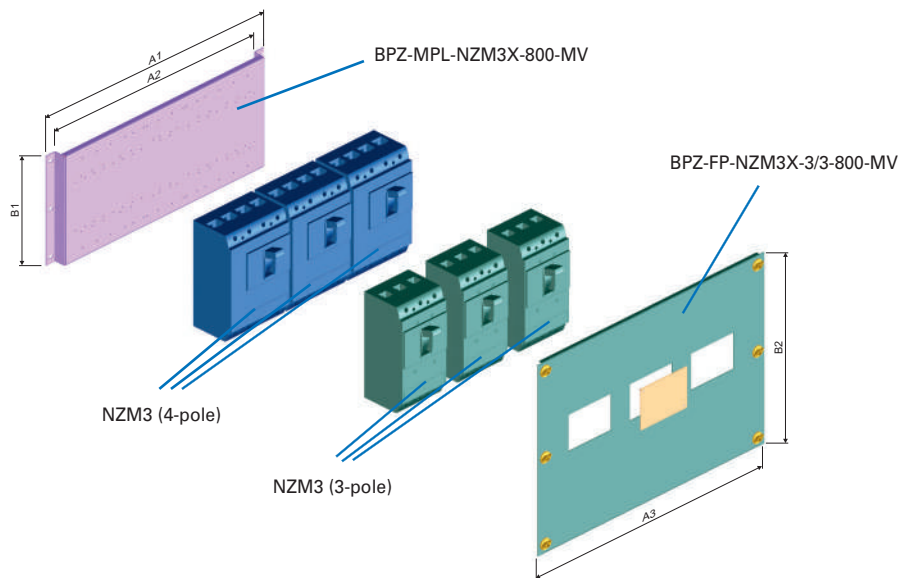


### Front Plate for Several Devices such as NZM, BPZ-FP

- To cover the areas occupied by circuit breakers
- Metal front plates making contact with the enclosure
- Material: Sheet steel, powder-coated, RAL 7035
- Scope of delivery: 1 Front plate incl. empty-space cover (with NZM2, NZM3 and NZM4)

### Dimensions (mm)

Type	Max. number of 3-/4-pole NZMs	A3	B2	Number of empty-space covers
BPZ-FP-NZM1X-2/2-400-MV	2x NZM1 / 2x NZM1	320	199	1x NZM1 Cover plate
BPZ-FP/S-NZM1X-3/3-600-MV	3x NZM1 / 3x NZM1	520	199	2x NZM1 Cover plates
BPZ-FP/S-NZM1X-4/4-800-MV	4x NZM1 / 4x NZM1	720	199	3x NZM1 Cover plates
BPZ-FP/S-NZM1X-5/5-1000-MV	5x NZM1 / 5x NZM1	920	199	4x NZM1 Cover plates
BPZ-FP/S-NZM1X-6/6-1200-MV	6x NZM1 / 6x NZM1	1120	199	5x NZM1 Cover plates
BPZ-FP-NZM2X-2/0-400-MV	2x NZM2 / -	320	299	1x NZM2 Cover plate
BPZ-FP-NZM2X-3/2-600-MV	3x NZM2 / 2x NZM2	520	299	2x NZM2 Cover plates
BPZ-FP-NZM2X-4/4-800-MV	4x NZM2 / 4x NZM2	720	299	3x NZM2 Cover plates
BPZ-FP-NZM2X-4/4-1000-MV	4x NZM2 / 4x NZM2	920	299	3x NZM2 Cover plates
BPZ-FP-NZM2X-4/4-1200-MV	4x NZM2 / 4x NZM2	1120	299	3x NZM2 Cover plates
BPZ-FP-NZM3X-2/2-600-MV	2x NZM3 / 2x NZM3	520	499	1x NZM3 Cover plate
BPZ-FP-NZM3X-3/3-800-MV	3x NZM3 / 3x NZM3	720	499	2x NZM3 Cover plates
BPZ-FP-NZM3X-3/3-1000-MV	3x NZM3 / 3x NZM3	920	499	2x NZM3 Cover plates
BPZ-FP-NZM3X-3/3-1200-MV	3x NZM3 / 3x NZM3	1120	499	2x NZM3 Cover plates



### Mounting Plate for NZM symmetrical, BPZ-MPL-NZM...-MX

- For mounting one NZM in horizontal position or several NZMs in vertical position
- Connecting the NZM circuit breakers can be done from the rear (cut-outs are prepared )
- Suitable for wall-mounted or floor-standing enclosures with Profi+ mounting frame
- Material: Sheet steel (2 mm), galvanized
- Scope of delivery: 1 Mounting plate, mounting accessories

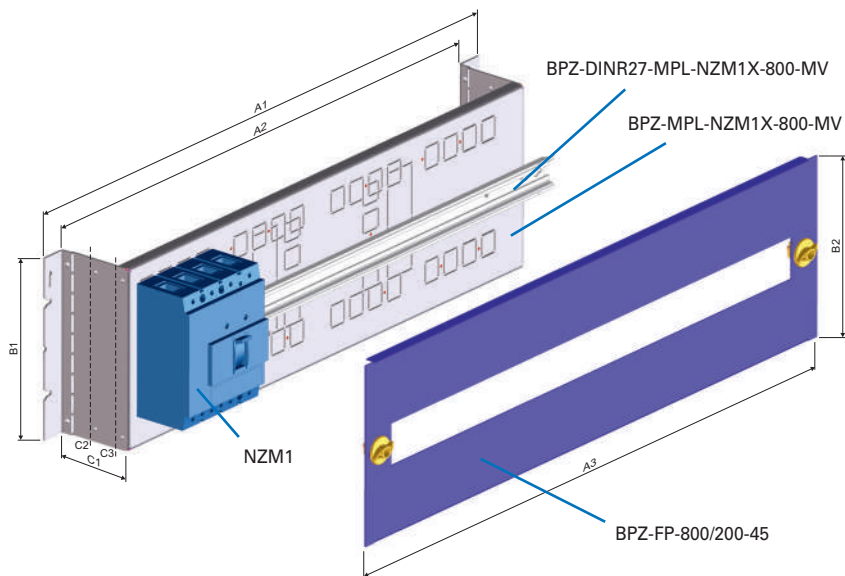
### Dimensions (mm)

Type	Max. number of 3-/4-pole NZMs	A1	A2	B1	C1
BPZ-MPL-NZM1X-600-MX	3x NZM1 / 3x NZM1	492	432	199	87
BPZ-MPL-NZM1X-800-MX	4x NZM1 / 4x NZM1	692	632	199	87
BPZ-MPL-NZM2X-600-MX	2x NZM2 / 2x NZM2	492	432	199	52
BPZ-MPL-NZM2X-800-MX	3x NZM2 / 3x NZM3	692	632	199	52
BPZ-MPL-NZM3-600-MX	1x NZM3 / 1x NZM3	492	432	299	34
BPZ-MPL-NZM3-800-MX	1x NZM3 / 1x NZM3	692	632	299	34

### DIN Rail for Mounting Plate NZM1 symmetrical, BPZ-DINR

- For mounting installation devices next to 1x NZM1 (vertical) on the same level
- For mounting plate 600 mm: 1x BPZ-DINR17-MPL-NZM1X-600-MV
- For mounting plate 800 mm: 1x BPZ-DINR27-MPL-NZM1X-800-MV
- Material: Aluminium
- Scope of delivery: 1 DIN rail, mounting accessories

### Example of application



**Fixing Set for max. Installation Depth of the NZM symmetrical Mounting Plate, BPZ-KIT-MPL-NZMX-XDV/XMV/XR-XVTL**

- For mounting an NZM circuit breaker with rotary handle (NZM.-XDV), with mechanical lock (NZM.-XMV) or remote operation (NZM.-XR...)
- Depending on the application, the fixing straps and/or the mounting plate need to be shortened accordingly
- Due to the installation depth, the set in combination with the mounting plate can only be used in xE Light distribution boards
- Material: Sheet steel (2 mm), galvanized
- Scope of delivery: 4 Fixing straps, mounting accessories

**Examples of application for the fixing set BPZ-KIT-MPL-NZMX-XDV/XMV/XR-XVTL**

Application	Type of mounting plate (Width = 800 mm)	Fixing set required?	Notes
NZM1 with standard toggle	BPZ-MPL-NZM1X-800-MX	NO	Mounting plate in standard depth (C1)
NZM1 with rotary handle on circuit breaker (XDV)	BPZ-MPL-NZM1X-800-MX	NO	Fix mounting plate in C2 position
NZM1 with mechanical lock (XMV)	BPZ-MPL-NZM1X-800-MX	NO	Fix mounting plate in C3 position
NZM2 with standard toggle	BPZ-MPL-NZM2X-800-MX	NO	Mounting plate in standard depth (C1)
NZM2 with rotary handle on circuit breaker (XDV)	BPZ-MPL-NZM2X-800-MX	NO	Fix mounting plate in C3 position
NZM2 with mechanical lock (XMV)	BPZ-MPL-NZM2X-800-MX	Yes	Setup acc. to assembly instructions
NZM2 with remote operation (XR)	BPZ-MPL-NZM2X-800-MX	Yes	Setup acc. to assembly instructions
NZM3 with standard toggle	BPZ-MPL-NZM3-800-MX	NO	Mounting plate in standard depth (C1)
NZM3 with rotary handle on circuit breaker (XDV)	BPZ-MPL-NZM3-800-MX	Yes	Setup acc. to assembly instructions
NZM3 with mechanical lock (XMV)	BPZ-MPL-NZM3-800-MX	Yes	Setup acc. to assembly instructions
NZM3 with remote operation (XR)	BPZ-MPL-NZM3-800-MX	Yes	Setup acc. to assembly instructions
NZM4 with standard toggle	BPZ-MPL-NZM4-800-MX-XVTL	NO	Mounting plate in standard depth (C1)
NZM4 with rotary handle on circuit breaker (XDV)	BPZ-MPL-NZM4-800-MX-XVTL	Yes	Setup acc. to assembly instructions
NZM4 with remote operation (XR)	BPZ-MPL-NZM4-800-MX-XVTL	NO	Order 2x XBBB085-1 + 2x XSFS06-1

**Front Plate NZM symmetrical, BPZ-FP/S**

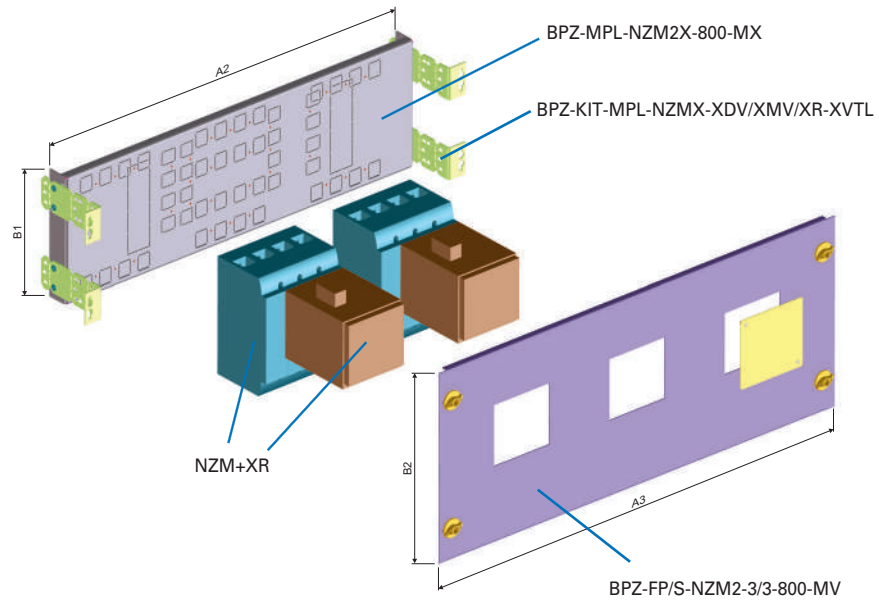
- To cover the areas occupied by circuit breakers
- Metal front plates making contact with the enclosure
- Material: Sheet steel, powder-coated, RAL 7035
- Scope of delivery: 1 Front plate (with empty-space cover where applicable)

**Dimensions (mm)**

Application	Max. number of 4-pole NZMs	A3	B2	Number of empty-space cover plates
BPZ-FP/S-NZM1X-3/3-600-MV	3x NZM1 (vertical)	520	199	2x NZM1 Cover plate
BPZ-FP/S-NZM1X-3/3-600-MV	1x NZM1+XFI (vertical)	520	199	2x NZM1 Cover plate
BPZ-FP/S-NZM1-600-MH	1x NZM1 (horizontal)	520	199	-
BPZ-FP/S-NZM1X-4/4-800-MV	4x NZM1 (vertical)	720	199	3x NZM1 Cover plate
BPZ-FP/S-NZM1X-4/4-800-MV	2x NZM1+XFI (vertical)	720	199	3x NZM1 Cover plate
BPZ-FP/S-NZM1-800-MH	1x NZM1 (horizontal)	720	199	-
BPZ-FP/S-NZM2-600-MV	1x NZM2 (vertical)	520	299	-
BPZ-FP/S-NZM2X-2/2-600-MV	2x NZM2 (vertical)	520	299	1x NZM2 Cover plate
BPZ-FP/S-NZM2-XFI-600-MV	1x NZM2+XFI (vertical)	520	399	-
BPZ-FP/S-NZM2-600-MH	1x NZM2 (horizontal)	520	199	-
BPZ-FP/S-NZM2-XFI-600-MH	1x NZM2+XFI (horizontal)	520	199	-
BPZ-FP/S-NZM2-800-MV	1x NZM2 (vertical)	720	299	-
BPZ-FP/S-NZM2X-3/3-800-MV	3x NZM2 (vertical)	720	299	2x NZM2 Cover plate
BPZ-FP/S-NZM2-XFI-800-MV	1x NZM2+XFI (vertical)	720	399	-
BPZ-FP/S-NZM2-800-MH	1x NZM2 (horizontal)	720	199	-
BPZ-FP/S-NZM2-XFI-800-MH	1x NZM2+XFI (horizontal)	720	199	-
BPZ-FP/S-NZM3-600-MV	1x NZM3 (vertical)	520	399	-
BPZ-FP/S-NZM3-XDV-600-MV	1x NZM3+XDV (vertical)	520	399	-
BPZ-FP/S-NZM3-600-MH	1x NZM3 (horizontal)	520	399	-
BPZ-FP/S-NZM3-XDV-600-MH	1x NZM3+XDV (horizontal)	520	399	-
BPZ-FP/S-NZM3-800-MV	1x NZM3 (vertical)	720	399	-
BPZ-FP/S-NZM3-XDV-800-MV	1x NZM3+XDV (vertical)	720	399	-
BPZ-FP/S-NZM3-800-MH	1x NZM3 (horizontal)	720	399	-
BPZ-FP/S-NZM3-XDV-800-MH	1x NZM3+XDV (horizontal)	720	399	-

Front plate NZM symmetrisch, BPZ-FP/S

Example of application



# 2.2

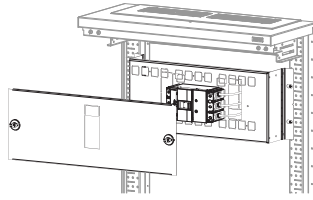
## xEnergy Distribution Boards

Mounting kits for Moulded Case Circuit Breaker

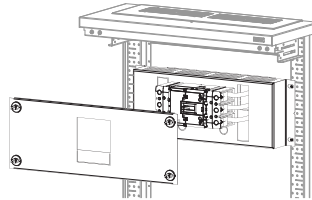
vt11619, vt11619



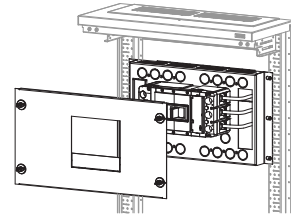
CAT0000102



CAT0000103



CAT0000104



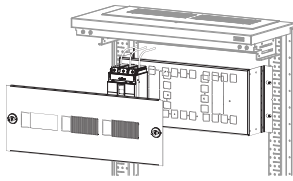
Width [mm]	Installation back frame PDE1 single Toggle operation Rear connection (except PDE1 width 400 mm) RAL 7035 grey	PDE2 single	PDE3 single
	Article No. per unit unit = 1 pc.	Article No. per unit unit = 1 pc.	Article No. per unit unit = 1 pc.

### Mounting kits for Moulded Case Circuit Breaker, Power Defense 3-/4-pole, frame size 1-3 (horizontal configuration)

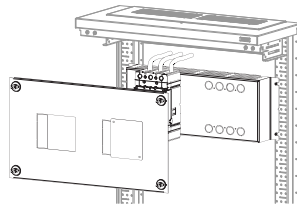
400	<b>BPZ-PD1-400-MH</b> 195794	<b>BPZ-PD2-400-MH</b> 195804	-
600	<b>BPZ-PD1-600-MH</b> 195795	<b>BPZ-PD2-600-MH</b> 195805	<b>BPZ-PD3-600-MH</b> 195810
800	<b>BPZ-PD1-800-MH</b> 195796	<b>BPZ-PD2-800-MH</b> 195806	<b>BPZ-PD3-800-MH</b> 195811
1000	-	-	-



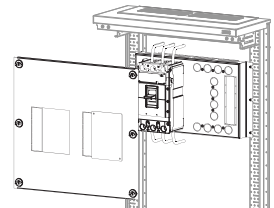
CAT0000105



CAT0000106



CAT0000107



Installation back frame  
PDE1 multiple  
Toggle operation  
Rear or top/bottom connection  
RAL 7035 grey

Mounting side wall (MSW)

Installation back frame  
PDE2 multiple (except width 400 mm)

Mounting side wall (MSW)

Installation back frame  
PDE3 multiple  
(except width 400 mm)

Article No.  
per unit  
unit = 1 pc.

Article No.  
per unit  
unit = 1 pc.

Article No.  
per unit  
unit = 1 pc.

Article No.  
per unit  
unit = 1 pc.

Article No.  
per unit  
unit = 1 pc.

**Mounting kits for Moulded Case Circuit Breaker, Power Defense 3-/4-pole, frame size 1-3 (vertical configuration)**

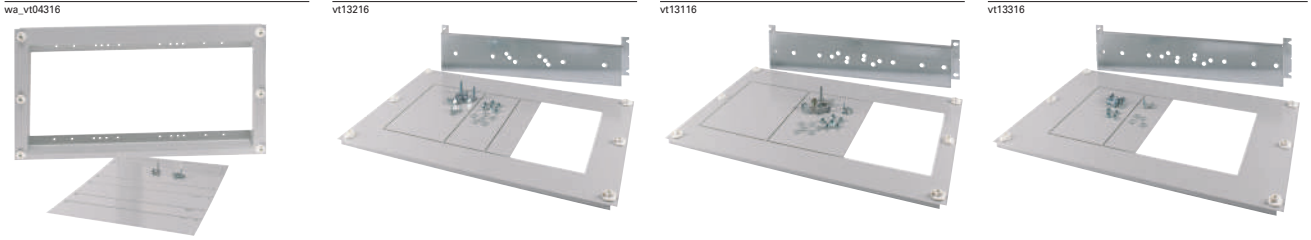
<b>BPZ-PD1X-2/2-400-MV</b> 195787 (up to 2x PDE1)	<b>BPZ-PD1X/MSW-2/2-400-MV</b> 195791 (up to 2x PDE1)	<b>BPZ-PD2-400-MV</b> 195797	<b>BPZ-PD2/MSW-400-MV</b> 195801	<b>BPZ-PD3-400-MV</b> 195807
<b>BPZ-PD1X-3/3-600-MV</b> 195788 (up to 3x PDE1)	<b>BPZ-PD1X/MSW-3/3-600-MV</b> 195792 (up to 3x PDE1)	<b>BPZ-PD2X-2/2-600-MV</b> 195798 (up to 2x PDE2)	<b>BPZ-PD2X/MSW-2/2-600-MV</b> 195802 (up to 2x PDE2)	<b>BPZ-PD3X-2/2-600-MV</b> 195808 (up to 2x PDE3)
<b>BPZ-PD1X-4/4-800-MV</b> 195789 (up to 4x PDE1)	<b>BPZ-PD1X/MSW-4/4-800-MV</b> 195793 (up to 4x PDE1)	<b>BPZ-PD2X-3/3-800-MV</b> 195799 (up to 3x PDE2)	<b>BPZ-PD2X/MSW-3/3-800-MV</b> 195803 (up to 3x PDE2)	<b>BPZ-PD3X-3/3-800-MV</b> 195809 (up to 3x PDE3)
<b>BPZ-PD1X-5/5-1000-MV</b> 195790 (up to 5x PDE1)	-	<b>BPZ-PD2X-4/4-1000-MV</b> 195800 (up to 4x PDE2)	-	-



Width [mm]	Installation back frame XNH00 or mounting fuse sockets multiple	Mounting side wall (MSW) XNH00 or mounting fuse sockets multiple			
	Panel mounting incl. prepared mounting plate RAL 7035 grey [RAL 9016 white]	3-pole busbar mounting (SASY60i) without busbar system RAL 7035 grey	3-pole busbar mounting (SASY60i) incl. 3-pole busbar system RAL 7035 grey	incl. 3P+N busbar system (4-pole)	incl. 3P+N/PE busbar system (5-pole)
	Article No. per unit unit = 1 pc.	Article No. per unit unit = 1 pc.	Article No. per unit unit = 1 pc.	Article No. per unit unit = 1 pc.	Article No. per unit unit = 1 pc.

#### Mounting kits for Fuse Switch Disconnectors, frame size 00, XNH00 and mounting fuse

400	<b>BPZ-XNH00X-2/1-400-MV</b> 184548 <b>[BPZ-XNH00X-2/1-400-MV-W]</b> [184559] (up to 2xXNH00-3p / 1xXNH00-4p)	<b>BPZ-BR/SASY/H-400</b> 108378 (up to 2xXNH00-3p)	<b>BPZ-BR/SASY/MSW/H-3/400</b> 120704 (up to 2xXNH00-3p)	<b>BPZ-BR/SASY/MSW/H-4/400</b> 120709 (up to 2xXNH00-3p)	<b>BPZ-BR/SASY/MSW/H-5/400</b> 120714 (up to 2xXNH00-3p)
600	<b>BPZ-XNH00X-4/1-600-MV</b> 184549 <b>[BPZ-XNH00X-4/1-600-MV-W]</b> [184560] (up to 4xXNH00-3p / 1xXNH00-4p)	<b>BPZ-BR/SASY/H-600</b> 108379 (up to 4xXNH00-3p)	<b>BPZ-BR/SASY/MSW/H-3/600</b> 120705 (up to 4xXNH00-3p)	<b>BPZ-BR/SASY/MSW/H-4/600</b> 120710 (up to 4xXNH00-3p)	<b>BPZ-BR/SASY/MSW/H-5/600</b> 120715 (up to 4xXNH00-3p)
800	<b>BPZ-XNH00X-6/1-800-MV</b> 184550 <b>BPZ-XNH00X-6/1-800-MV-W</b> 184561 (up to 6xXNH00-3p / 1xXNH00-4p)	<b>BPZ-BR/SASY/H-800</b> 108380 (up to 5xXNH00-3p)	<b>BPZ-BR/SASY/MSW/H-3/800</b> 120706 (up to 5xXNH00-3p)	<b>BPZ-BR/SASY/MSW/H-4/800</b> 120711 (up to 5xXNH00-3p)	<b>BPZ-BR/SASY/MSW/H-5/800</b> 120716 (up to 5xXNH00-3p)
1000	-	<b>BPZ-BR/SASY/H-1000</b> 108381 (up to 6xXNH00-3p)	<b>BPZ-BR/SASY/MSW/H-3/1000</b> 120707 (up to 6xXNH00-3p)	<b>BPZ-BR/SASY/MSW/H-4/1000</b> 120712 (up to 6xXNH00-3p)	<b>BPZ-BR/SASY/MSW/H-5/1000</b> 120717 (up to 6xXNH00-3p)
1200	-	<b>BPZ-BR/SASY/H-1200</b> 108382 (up to 8xXNH00-3p)	<b>BPZ-BR/SASY/MSW/H-3/1200</b> 120708 (up to 8xXNH00-3p)	<b>BPZ-BR/SASY/MSW/H-4/1200</b> 120713 (up to 8xXNH00-3p)	<b>BPZ-BR/SASY/MSW/H-5/1200</b> 120718 (up to 8xXNH00-3p)



Installation back frame XNH1/2/3 - individual assembly	Installation back frame		
3-pole busbar mounting (SASY60i) without busbar system RAL 7035 grey	XNH1 single or multiple Panel mounting incl. prepared mounting plate RAL 7035 grey [RAL 9016 white]	XNH2 single or multiple	XNH3 single or multiple
Article No. per unit unit = 1 pc.	Article No. per unit unit = 1 pc.	Article No. per unit unit = 1 pc.	Article No. per unit unit = 1 pc.

**Mounting kits for Fuse Switch Disconnectors, frame size 1/2/3, XNH1/2/3**

<b>BPZ-FP-XNH1/2/SASY-400-MV</b> 184522 (up to 1xXNH1 / 1xXNH2)	<b>BPZ-XNH1-1/0-400-MV</b> 184551 <b>[BPZ-XNH1-1/0-400-MV-W]</b> [184562] (up to 1xXNH1-3p)	<b>BPZ-XNH2-1/X-400-MV</b> 184554 <b>[BPZ-XNH2-1/X-400-MV-W]</b> [184565] (up to 1xXNH2-3p)	
<b>BPZ-FP-XNH1/2/3/SASY-600-MV</b> 184523 (up to 2xXNH1 / 2xXNH2 / 1xXNH3)	<b>BPZ-XNH1X-2/1-600-MV</b> 184552 <b>[BPZ-XNH1X-2/1-600-MV-W]</b> [184563] (up to 2xXNH1-3p / 1xXNH1-4p)	<b>BPZ-XNH2X-2/X-600-MV</b> 184555 <b>[BPZ-XNH2X-2/X-600-MV-W]</b> [184566] (up to 2xXNH2-3p)	<b>BPZ-XNH3-1/0-600-MV</b> 184557 <b>[BPZ-XNH3-1/0-600-MV-W]</b> [184520] (up to 1xXNH3-3p)
<b>BPZ-FP-XNH1/2/3/SASY-800-MV</b> 184524 (up to 3xXNH1 / 3xXNH2 / 2xXNH3)	<b>BPZ-XNH1X-3/1-800-MV</b> 184553 <b>[BPZ-XNH1X-3/1-800-MV-W]</b> [184564] (up to 3xXNH1-3p / 1xXNH1-4p)	<b>BPZ-XNH2X-3/X-800-MV</b> 184556 <b>[BPZ-XNH2X-3/X-800-MV-W]</b> [184519] (up to 3xXNH2-3p)	<b>BPZ-XNH3X-2/1-800-MV</b> 184558 <b>[BPZ-XNH3X-2/1-800-MV-W]</b> [184521] (up to 2xXNH3-3p / 1xXNH3-4p)

### Mounting Set for NH Fuse Disconnecter Switches XNH, BPZ-XNH

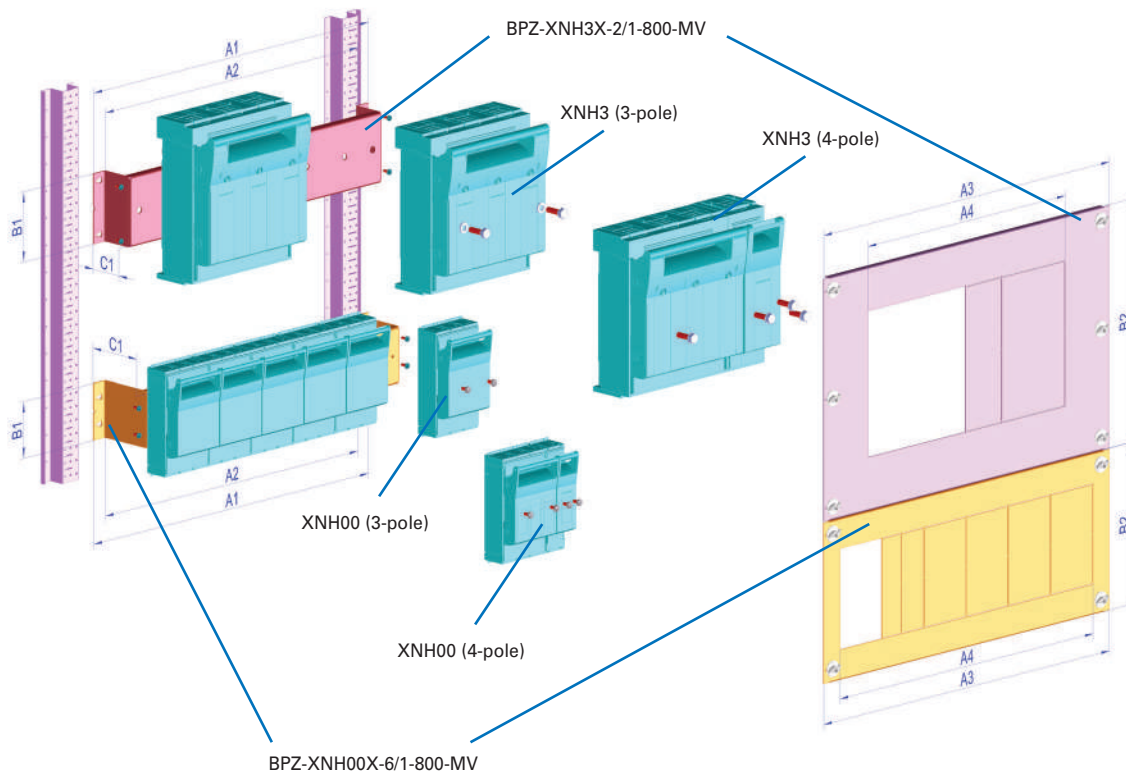
- Mounting set for fixing XNH fuse disconnecter switches on a mounting plate
- Sizes (rated operating current)  
XNH00 (160 A), XNH1 (250 A), XNH2 (400 A), XNH3 (630 A)
- Front panel is prepared for mounting a 3-pole device, additional perforations for multiple mounting are prepared and can be knocked out according to your requirements by means of a suitable tool
- Finger-safe finish is guaranteed even without using an additional empty-space cover
- Suitable for both wall-mounted and floor-standing cabinets with Profi+ mounting frame (no set-up on MSW mounting-side-panel possible)
- Material  
Mounting plate: Steel sheet (2 mm), galvanized  
Front panel: Steel sheet, powder-coated, RAL 7035 or RAL 9016
- Scope of delivery: 1 Mounting plate, 1 front panel, fixing material

### Dimensions (mm)

Type	Max. number of 3-/4-pole XNH	A1	A2	A3	A4	B1	B2	C1
BPZ-XNH00X-2/1-400-MV(-W)	2x XNH00 / 1x XNH00 *)	292	236	320	212	105	299	110
BPZ-XNH00X-4/1-600-MV(-W)	4x XNH00 / 1x XNH00 *)	492	436	520	425	105	299	110
BPZ-XNH00X-6/1-800-MV(-W)	6x XNH00 / 1x XNH00 *)	692	636	720	638	105	299	110
BPZ-XNH1-1/0-400-MV(-W)	1x XNH1 / —	292	236	320	180	130	449	85
BPZ-XNH1X-2/1-600-MV(-W)	2x XNH1 / 1x XNH1 *)	492	436	520	365	130	449	85
BPZ-XNH1X-3/1-800-MV(-W)	3x XNH1 / 1x XNH1 *)	692	636	720	550	130	449	85
BPZ-XNH2-1/X-400-MV(-W)	1x XNH2 / —	292	236	320	206	130	449	65
BPZ-XNH2X-2/X-600-MV(-W)	2x XNH2 / —	492	436	520	417	130	449	65
BPZ-XNH2X-3/X-800-MV(-W)	3x XNH2 / —	692	636	720	628	130	449	65
BPZ-XNH3-1/0-600-MV(-W)	1x XNH3 / —	492	436	520	246	130	449	65
BPZ-XNH3X-2/1-800-MV(-W)	2x XNH3 / 1x XNH3 *)	692	636	720	497	130	449	65

\*) Where necessary, it is possible to install several 4-pole devices, but the cut-out will then need to be adjusted accordingly.

### Example of application



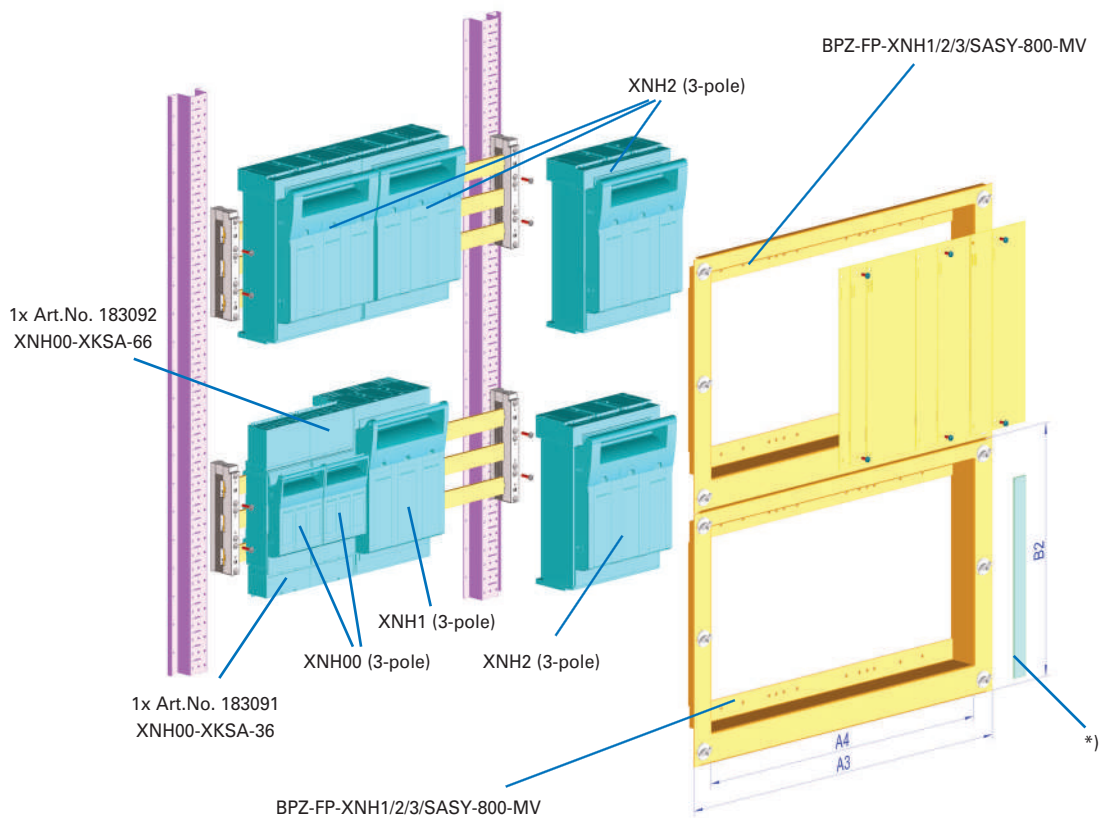
**Front Panel for NH Fuse Disconnecter Switches XNH when installed on a busbar of 60 mm (SASY 60i) at the base frame**

- When XNH devices are used for a 60 mm busbar system
- Sizes (rated operating current)  
XNH1 (250 A), XNH2 (400 A), XNH3 (630 A)  
XNH00 (160 A) – when using a cover for the connection area  
XNH00-XKSA-36 (at the bottom) or XNH00-XKSA-66 (at the top)
- The busbar system (SASY 60i) can directly be fixed at the base frame without using any mounting brackets
- If devices of the same size (except XNH00) are installed, the empty-space cover included in the delivery complies with all requirements. It only needs to be adjusted to the number available.
- The front panel adjusts itself to the required level of the devices. It is also possible to install devices of different sizes next to each other (in this case it is not possible to use the empty-space cover).
- Suitable for wall-mounted and floor-standing cabinets with a Profi+ mounting frame
- Material: Sheet steel, powder-coated, RAL 7035
- Scope of delivery: 1 Front panel, 1 empty-space cover

**Dimensions (mm)**

Type	Max. number of 3-pole XNH (same size)	Max. number of 3-pole XNH00 with cover for connection area	A3	A4	B2
BPZ-FP-XNH1/2/SASY-400-MV	1x XNH1 / 1x XNH2	2x XNH00	320	234	449
BPZ-FP-XNH1/2/3/SASY-600-MV	2x XNH1 / 2x XNH2 / 1x XNH3	4x XNH00	520	434	449
BPZ-FP-XNH1/2/3/SASY-800-MV	3x XNH1 / 3x XNH2 / 2x XNH3	5x XNH00	720	634	449

**Example of application**



\* ) Individual cover strip made of insulation material to be used when installing devices of different size (depending on the requirements - to be prepared by the customer)

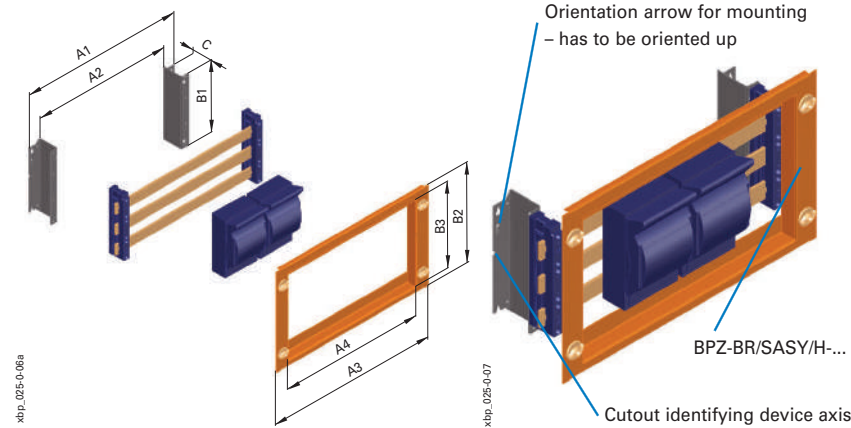
### Mounting sets for 3-pole IEC busbar support 630A SASY60i, BPZ-BR/SASY/H...

- Mounting sets for fixing the busbar supports BBS-3/FL
- Material  
Front plate: Sheet steel, powder-coated, RAL 7035  
Mounting angles: Sheet steel (2 mm), zinc-coated
- For surface mounted or floor-standing distribution boards
- Scope of delivery:  
Width 400 to 800 mm: 2 fixing angles, 1 front plate, fixing material  
Width 1000 to 1200 mm: 3 fixing angles, 2 profiles, 1 front plate, fixing material

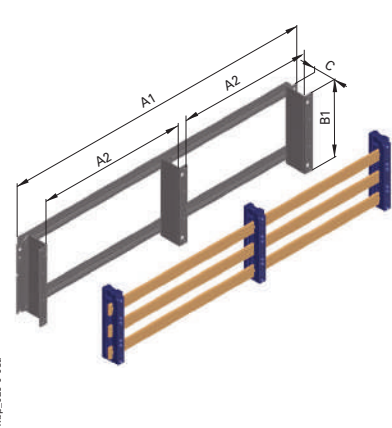
### Dimensions (mm)

Type	Mounting angles				Front plate				Max. number of 3-pole XNH00 without connection section cover
	Outside dimensions				Inside dimensions				
	Width		Height		Width		Height		
	A1	B1	A2	C	A3	B2	A4	B3	
BPZ-BR/SASY/H-400	296	215	222	63	320	300	234	194	2x XNH00
BPZ-BR/SASY/H-600	496	215	422	63	520	300	434	194	4x XNH00
BPZ-BR/SASY/H-800	696	215	622	63	720	300	634	194	5x XNH00
BPZ-BR/SASY/H-1000	896	215	398	63	920	300	834	194	6x XNH00
BPZ-BR/SASY/H-1200	1096	215	498	63	1120	300	1034	194	8x XNH00

#### VFor board widths 400, 600, 800 mm



#### For board widths 1000 and 1200 mm



### Mounting plates with pre-drilled holes for mounting busbar holders SASY 60i BPZ-MPLSASY

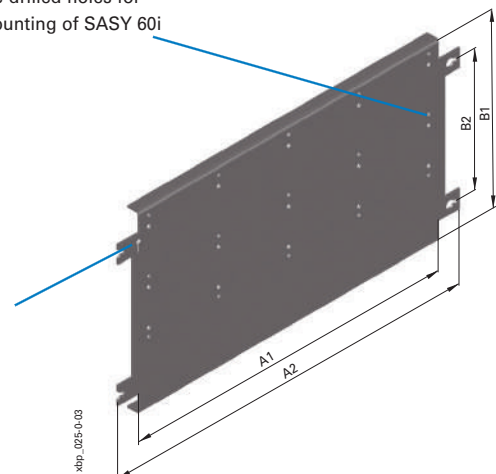
- For mounting of holders of SASY 60i system
- Material: Sheet steel (2 mm), zinc-coated
- Scope of delivery: 1 mounting plate, fixing material

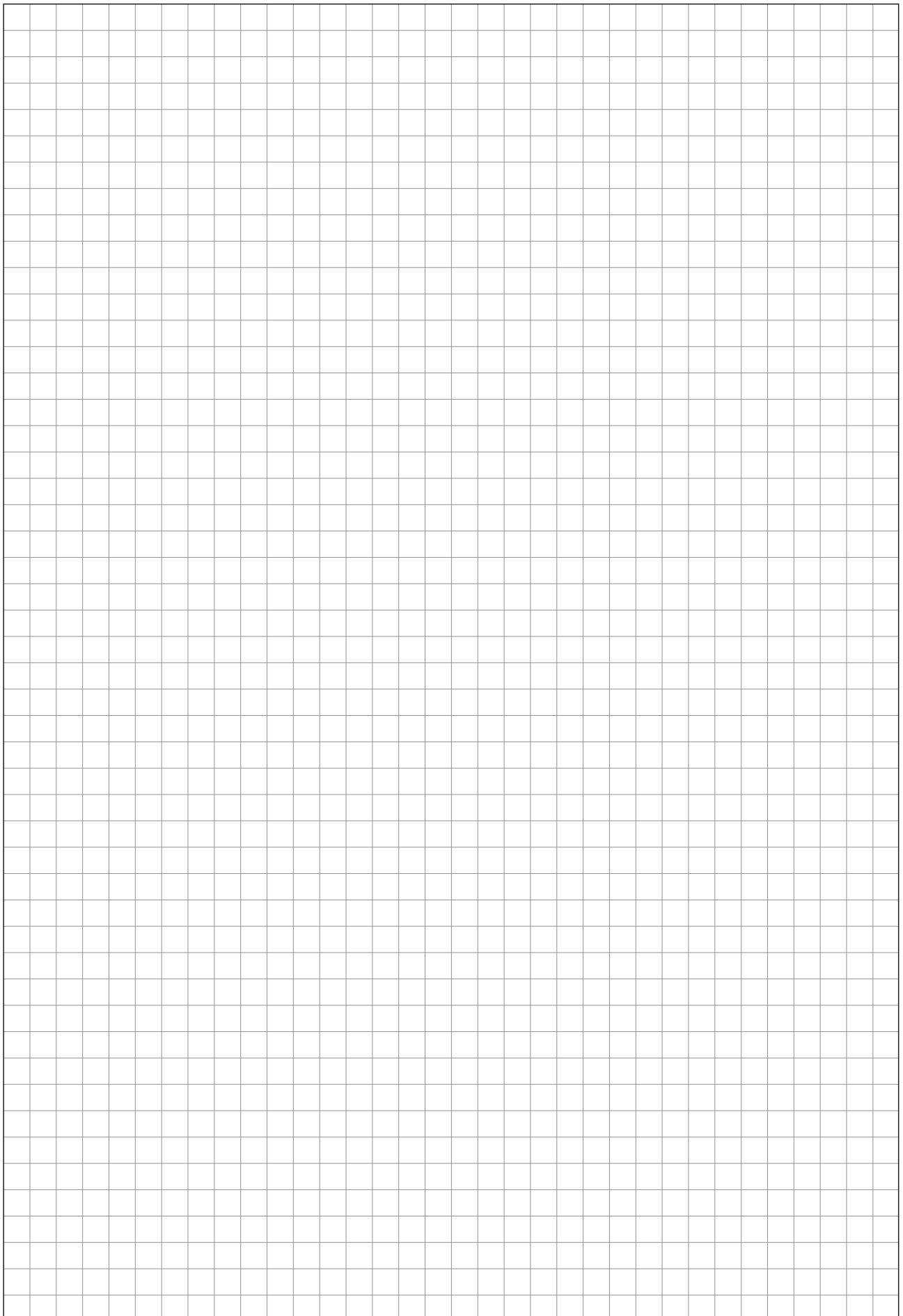
### Dimensions (mm)

Type	Width		Height		Number of BEL elements on the side
	A1	A2	B1	B2	
BPZ-MPLSASY-600	488	428	250	175	2
BPZ-MPLSASY-800	688	648	250	175	2
BPZ-MPLSASY-1000	888	846	250	175	2
BPZ-MPLSASY-1200	1088	1046	250	175	2

Pre-drilled holes for mounting of SASY 60i

Orientation arrow for mounting – has to be oriented up





# 2.4

## xEnergy Distribution Boards

Mounting kits for BZM, Dumeco and QSA

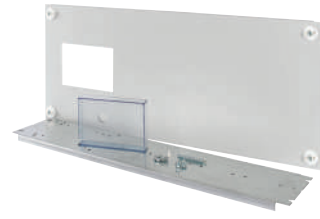
wa\_vt11314, wa\_vt11414



vt56715



vt56615



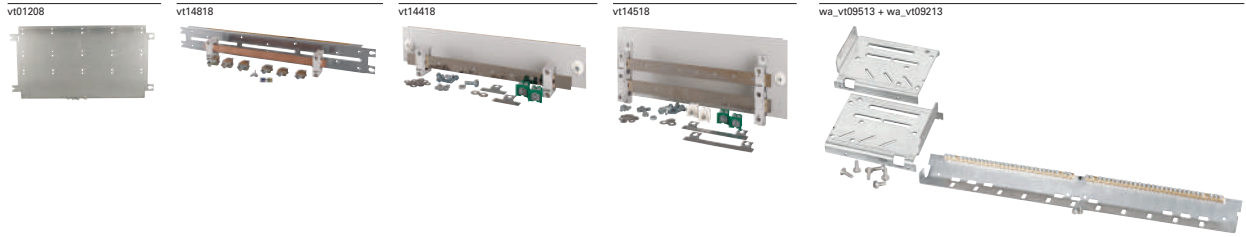
Width [mm]	Installation back frame BZM1/2 single or multiple (up to 400 A)	Installation back frame Dumeco 160 - 400 A single	Installation back frame QSA 100 - 160 A single
	Panel mounting incl. prepared mounting plate  RAL 7035 grey [RAL 9016 white]	Panel mounting incl. prepared mounting plate + option for BPZ-BBS-4/250 RAL 7035 grey [RAL 9016 white]	Panel mounting incl. prepared mounting plate + option for BPZ-BBS-4/250 RAL 7035 grey [RAL 9016 white]
	Article No. per unit unit = 1 pc.	Article No. per unit unit = 1 pc.	Article No. per unit unit = 1 pc.

### Mounting kits for BZM, Dumeco and QSA

400	<b>BPZ-BZM1/2-400-MV</b> 144222 <b>[BPZ-BZM1/2-400-MV-W]</b> [144227]	<b>BPZ-DMV160/400-400-RH</b> 182581 <b>[BPZ-DMV160/400-400-RH-W]</b> [182584]	<b>BPZ-QSA63/160-400-RH</b> 182587 <b>[BPZ-QSA63/160-400-RH-W]</b> [182590]
600	<b>BPZ-BZM1/2-600-MV</b> 144223 <b>[BPZ-BZM1/2-600-MV-W]</b> [144228]	<b>BPZ-DMV160/400-600-RH</b> 182582 <b>[BPZ-DMV160/400-600-RH-W]</b> [182585]	<b>BPZ-QSA63/160-600-RH</b> 182588 <b>[BPZ-QSA63/160-600-RH-W]</b> [182591]
800	<b>BPZ-BZM1/2-800-MV</b> 144224 <b>[BPZ-BZM1/2-800-MV-W]</b> [144229]	<b>BPZ-DMV160/400-800-RH</b> 182583 <b>[BPZ-DMV160/400-800-RH-W]</b> [182586]	<b>BPZ-QSA63/160-800-RH</b> 182589 <b>[BPZ-QSA63/160-800-RH-W]</b> [182592]
1000	<b>BPZ-BZM1/2-1000-MV</b> 144225 <b>[BPZ-BZM1/2-1000-MV-W]</b> [144230]	-	-
1200	<b>BPZ-BZM1/2-1200-MV</b> 144226 <b>[BPZ-BZM1/2-1200-MV-W]</b> [144231]	-	-



Mounting kits for Earthing and Neutral conductors



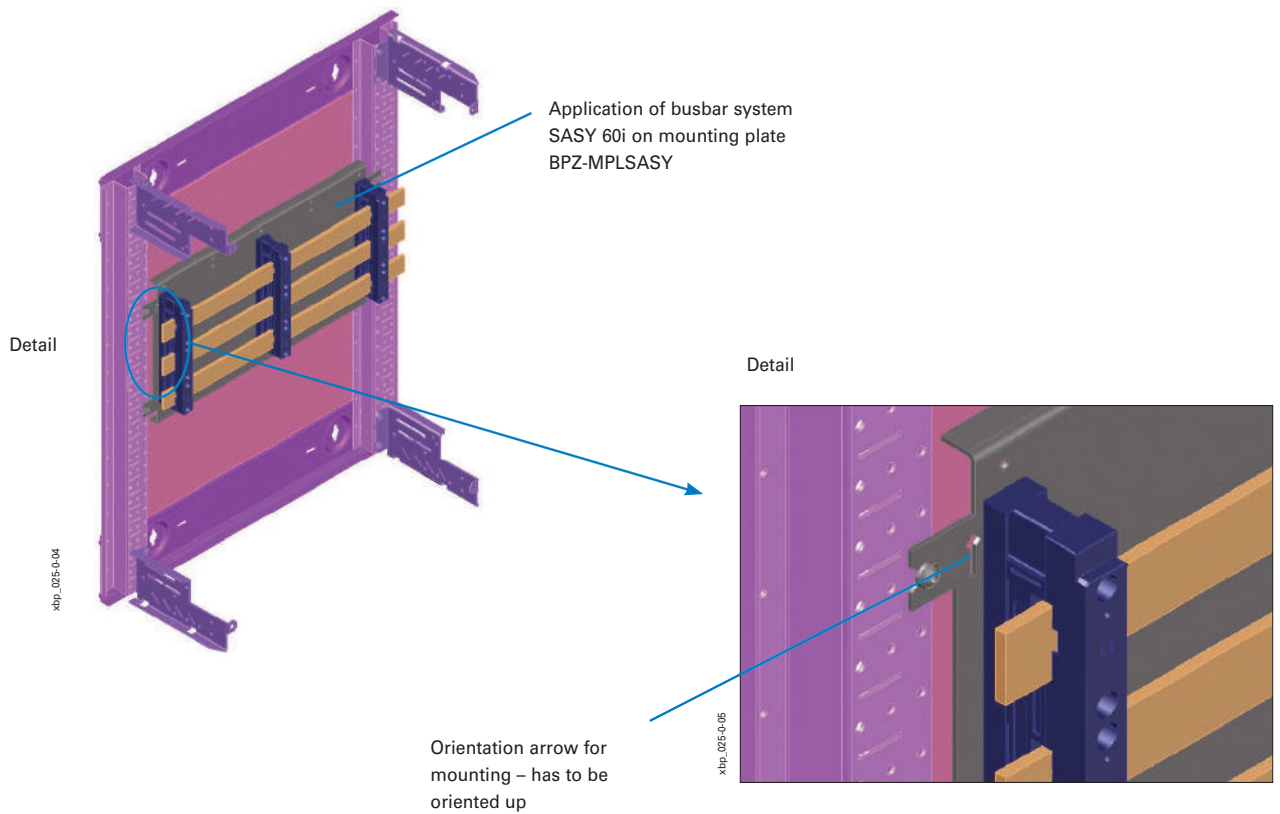
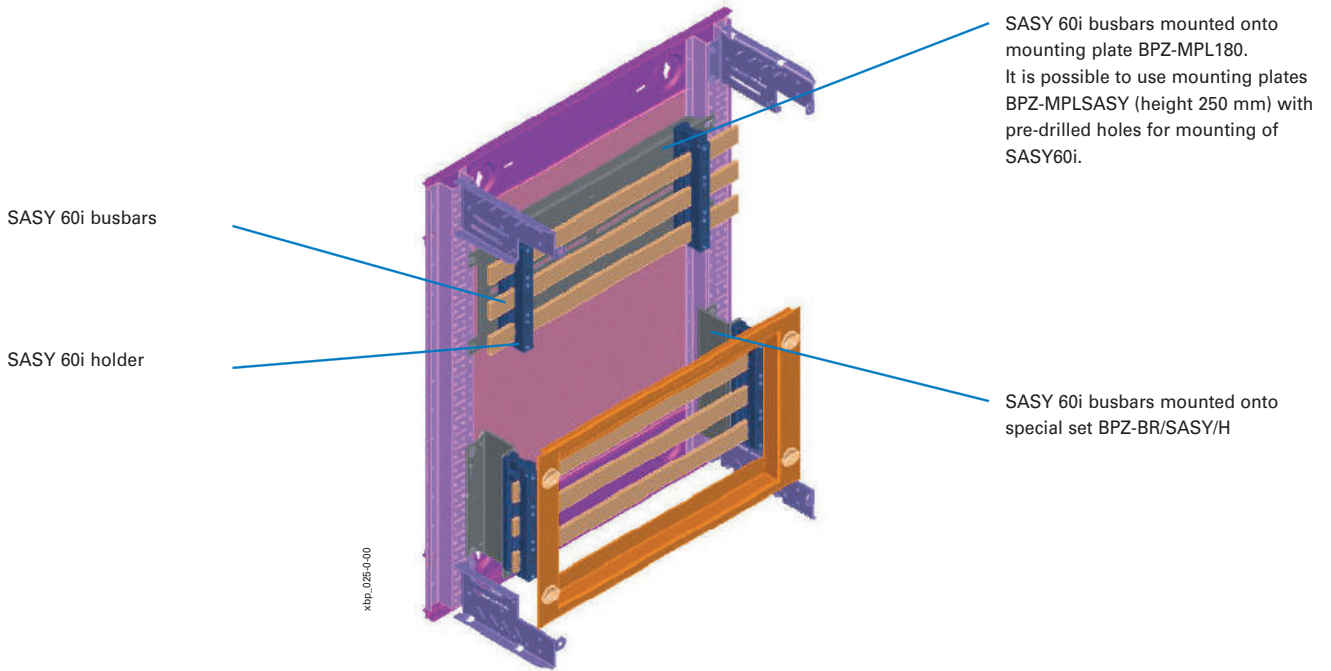
Width [mm]	Installation back frame Panel mounting	Installation back frame Panel mounting	Mounting side wall (MSW) Fixing brackets + support rails	Installation back frame	Corner tower set (short) / terminal support bar	
	3-/4-pole busbar mounting (SASY60i) without busbar system	1-pole busbar mounting (SASY60i) incl. 1-pole busbar system (20x5 mm) and universal conductor terminals AKU up to 70 mm <sup>2</sup> terminal cross-section	1-pole busbar mounting (SASY60i) incl. 1-pole busbar system (30x5 mm) RAL 7035 grey	2-pole busbar mounting (SASY60i) incl. 2-pole busbar system (30x5 mm)	No need to order BPZ-CTS-S for BP-O-... assemblies (flat-pack) Terminal support bar (empty)	equipped with screw-type terminals up to 35mm <sup>2</sup> terminal cross-section
	Article No. per unit unit = 1 pc.	Article No. per unit unit = 1 pc.	Article No. per unit unit = 1 pc.	Article No. per unit unit = 1 pc.		

Mounting kits for Earthing and Neutral conductors

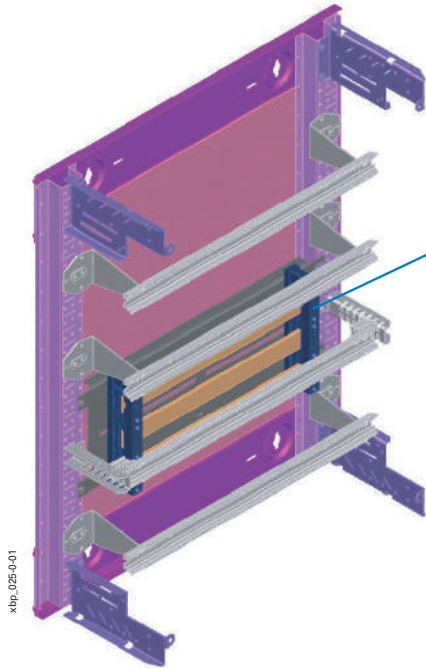
400	-	<b>BPZ-GND-400</b> 187867	<b>BPZ-BR/SASY/MSW/H-1/400</b> 152837	<b>BPZ-BR/SASY/MSW/H-2/400</b> 120699	<b>BPZ-CTS-S</b> 106445 <b>BPZ-TSB-400</b> 106447	<b>BPZ-CTS-S</b> 106445 <b>BPZ-TSB-400/1KL29</b> 187872
600	<b>BPZ-MPLSASY-600</b> 114830	<b>BPZ-GND-600</b> 187868	<b>BPZ-BR/SASY/MSW/H-1/600</b> 152838	<b>BPZ-BR/SASY/MSW/H-2/600</b> 120700	<b>BPZ-CTS-S</b> 106445 <b>BPZ-TSB-600</b> 106448	<b>BPZ-CTS-S</b> 106445 <b>BPZ-TSB-600/2KL29</b> 187873
800	<b>BPZ-MPLSASY-800</b> 114831	<b>BPZ-GND-800</b> 187869	<b>BPZ-BR/SASY/MSW/H-1/800</b> 152839	<b>BPZ-BR/SASY/MSW/H-2/800</b> 120701	<b>BPZ-CTS-S</b> 106445 <b>BPZ-TSB-800</b> 106449	<b>BPZ-CTS-S</b> 106445 <b>BPZ-TSB-800/2KL45</b> 187874
1000	<b>BPZ-MPLSASY-1000</b> 114832	<b>BPZ-GND-1000</b> 187870	<b>BPZ-BR/SASY/MSW/H-1/1000</b> 153020	<b>BPZ-BR/SASY/MSW/H-2/1000</b> 120702	<b>BPZ-CTS-S</b> 106445 <b>BPZ-TSB-1000</b> 106450	<b>BPZ-CTS-S</b> 106445 <b>BPZ-TSB-1000/2KL60</b> 187875
1200	<b>BPZ-MPLSASY-1200</b> 114833	<b>BPZ-GND-1200</b> 187871	<b>BPZ-BR/SASY/MSW/H-1/1200</b> 153021	<b>BPZ-BR/SASY/MSW/H-2/1200</b> 120703	<b>BPZ-CTS-S</b> 106445 <b>BPZ-TSB-1200</b> 106451	<b>BPZ-CTS-S</b> 106445 <b>BPZ-TSB-1200/3KL45</b> 187876

### Example of mounting of busbar system SASY 60i

- The busbars are fed via circuit breaker NZM
- The busbars serve as a connection point for particular devices



Example of mounting of busbar system SASY 60i

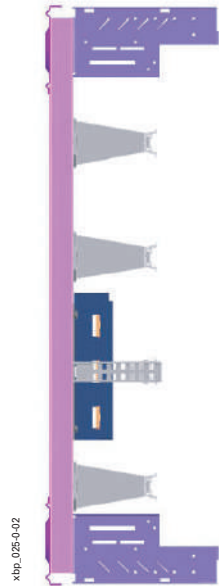


xhp\_025-0-01

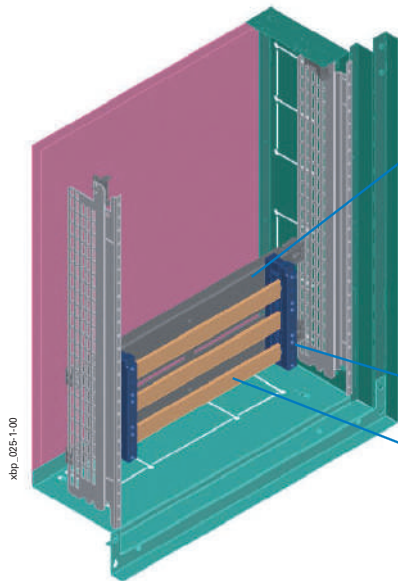
BPZ-MPL180...  
SASY 60i busbars mounted onto mounting plate.  
It is possible to use mounting plates BPZ-MPLSASY (height 250 mm) with pre-drilled holes for mounting of SASY60i.

The busbars can be placed under the device rails – save of space in the board.

For fastening of the device rail over the busbars the towers BPZ-TA have to be used (set BPZ-DINR...-T).



xhp\_025-0-02



xhp\_025-1-00

BPZ-MPL180... + BEL...  
SASY 60i busbars mounted onto mounting plate – can be used for branching of L/N/PE conductors.

It is possible to use mounting plates BPZ-MPLSASY (height 250 mm) with pre-drilled holes for mounting of SASY60i.

Recommended mounting depth (5) – suitable for branching of L/N/PE as well as for direct mounting of devices onto the busbars.

Front plate with plastic insert can be use to cover – cutouts are done according to actual device position.

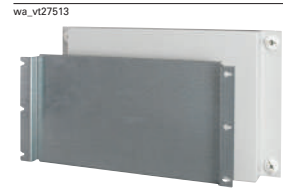
SASY 60i holder

SASY 60i busbars

# 2.6

## xEnergy Distribution Boards

Mounting plates for universal fixing of different components



Width [mm]	Height int. [mm]	Installation back frame / Mounting side wall (MSW) Mounting plate (punched) with cut-out in the center to fix devices by using cage nuts Galvanized sheet-metal 2 mm	Installation back frame / Mounting side wall (MSW) Mounting plate (blind) without any cut-out Galvanized sheet-metal 2 mm	Installation back frame / Mounting side wall (MSW) Mounting plate (section-high) without any cut-out Galvanized sheet-metal 2 mm	Installation back frame / Mounting side wall (MSW) Mounting plate (max. depth) without any cut-out incl. Front plate (max. depth) Galvanized sheet-metal 2 mm RAL 7035 grey [RAL 9016 white]
		Article No. per unit unit = 1 pc.	Article No. per unit unit = 1 pc.	Article No. per unit unit = 1 pc.	Article No. per unit unit = 1 pc.

### Mounting plates for universal fixing of different components, BPZ-MPL...

400	30	<b>BPZ-MPL30-400</b> 104316	-	-	-
	80	<b>BPZ-MPL80-400</b> 286765	-	-	-
	180	<b>BPZ-MPL180-400</b> 102472	-	-	-
	100	-	<b>BPZ-MPL100-400</b> 114799	-	-
	200	-	<b>BPZ-MPL200-400</b> 114805	-	-
	300	-	<b>BPZ-MPL300-400</b> 114811	-	<b>BPZ-KIT-MPL-400</b> 134210 <b>[BPZ-KIT-MPL-400-W]</b> [134215]
	400	-	<b>BPZ-MPL400-400</b> 114817	-	-
	500	-	<b>BPZ-MPL500-400</b> 114823	-	-
	350	-	-	<b>BPZ-MPL350-400</b> 108333	-
	650	-	-	<b>BPZ-MPL650-400</b> 108334	-
	950	-	-	<b>BPZ-MPL950-400</b> 108335	-
	1150	-	-	<b>BPZ-MPL1150-400</b> 108336	-
	1450	-	-	<b>BPZ-MPL1450-400</b> 108337	-
	1650	-	-	<b>BPZ-MPL1650-400</b> 108338	-
	1950	-	-	<b>BPZ-MPL1950-400</b> 108339	-

Mounting plates for universal fixing of different components



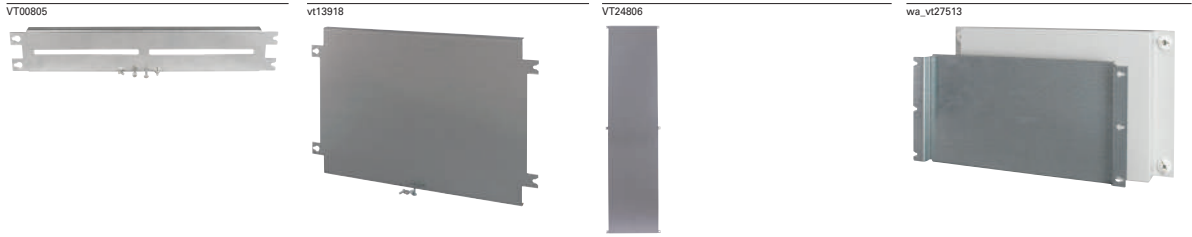
Width [mm]	Height int. [mm]	Installation back frame / Mounting side wall (MSW) Mounting plate (punched) with cut-out in the center to fix devices by using cage nuts Galvanized sheet-metal 2mm	Installation back frame / Mounting side wall (MSW) Mounting plate (blind) without any cut-out Galvanized sheet-metal 2mm	Installation back frame / Mounting side wall (MSW) Mounting plate (section-high) without any cut-out Galvanized sheet-metal 2mm	Installation back frame / Mounting side wall (MSW) Mounting plate (max. depth) without any cut-out incl. Front plate (max. depth) Galvanized sheet-metal 2mm RAL 7035 grey [RAL 9016 white]
		Article No. per unit unit = 1 pc.	Article No. per unit unit = 1 pc.	Article No. per unit unit = 1 pc.	Article No. per unit unit = 1 pc.

600	30	<b>BPZ-MPL30-600</b> 104317	-	-	-
	80	<b>BPZ-MPL80-600</b> 286766	-	-	-
	180	<b>BPZ-MPL180-600</b> 102473	-	-	-
	100	-	<b>BPZ-MPL100-600</b> 114801	-	-
	200	-	<b>BPZ-MPL200-600</b> 114807	-	-
	300	-	<b>BPZ-MPL300-600</b> 114813	-	<b>BPZ-KIT-MPL-600</b> 134211 <b>[BPZ-KIT-MPL-600-W]</b> [134216]
	400	-	<b>BPZ-MPL400-600</b> 114819	-	-
	500	-	<b>BPZ-MPL500-600</b> 114825	-	-
	350	-	-	<b>BPZ-MPL350-600</b> 108340	-
	650	-	-	<b>BPZ-MPL650-600</b> 108341	-
	950	-	-	<b>BPZ-MPL950-600</b> 108342	-
	1150	-	-	<b>BPZ-MPL1150-600</b> 108343	-
	1450	-	-	<b>BPZ-MPL1450-600</b> 108344	-
	1650	-	-	<b>BPZ-MPL1650-600</b> 108345	-
	1950	-	-	<b>BPZ-MPL1950-600</b> 108346	-

# 2.6

## xEnergy Distribution Boards

Mounting plates for universal fixing of different components

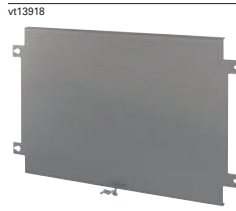


Width [mm]	Height int. [mm]	Installation back frame / Mounting side wall (MSW) Mounting plate (punched) with cut-out in the center to fix devices by using cage nuts Galvanized sheet-metal 2 mm	Installation back frame / Mounting side wall (MSW) Mounting plate (blind) without any cut-out Galvanized sheet-metal 2 mm	Installation back frame / Mounting side wall (MSW) Mounting plate (section-high) without any cut-out Galvanized sheet-metal 2 mm	Installation back frame / Mounting side wall (MSW) Mounting plate (max. depth) without any cut-out incl. Front plate (max. depth) Galvanized sheet-metal 2 mm RAL 7035 grey [RAL 9016 white]
		Article No. per unit unit = 1 pc.	Article No. per unit unit = 1 pc.	Article No. per unit unit = 1 pc.	Article No. per unit unit = 1 pc.

### Mounting plates for universal fixing of different components, BPZ-MPL...

800	30	<b>BPZ-MPL30-800</b> 104318	-	-	-
	80	<b>BPZ-MPL80-800</b> 286767	-	-	-
	180	<b>BPZ-MPL180-800</b> 102474	-	-	-
	100	-	<b>BPZ-MPL100-800</b> 114802	-	-
	200	-	<b>BPZ-MPL200-800</b> 114808	-	-
	300	-	<b>BPZ-MPL300-800</b> 114814	-	<b>BPZ-KIT-MPL-800</b> 134212 <b>[BPZ-KIT-MPL-800-W]</b> [134217]
	400	-	<b>BPZ-MPL400-800</b> 114820	-	-
	500	-	<b>BPZ-MPL500-800</b> 114826	-	-
	350	-	-	<b>BPZ-MPL350-800</b> 108347	-
	650	-	-	<b>BPZ-MPL650-800</b> 108348	-
	950	-	-	<b>BPZ-MPL950-800</b> 108349	-
	1150	-	-	<b>BPZ-MPL1150-800</b> 108350	-
	1450	-	-	<b>BPZ-MPL1450-800</b> 108351	-
	1650	-	-	<b>BPZ-MPL1650-800</b> 108352	-
	1950	-	-	<b>BPZ-MPL1950-800</b> 108353	-

Mounting plates for universal fixing of different components



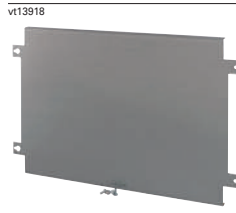
Width [mm]	Height int. [mm]	Installation back frame / Mounting side wall (MSW) Mounting plate (punched) with cut-out in the center to fix devices by using cage nuts Galvanized sheet-metal 2mm	Installation back frame / Mounting side wall (MSW) Mounting plate (blind) without any cut-out Galvanized sheet-metal 2mm	Installation back frame / Mounting side wall (MSW) Mounting plate (section-high) without any cut-out Galvanized sheet-metal 2mm	Installation back frame / Mounting side wall (MSW) Mounting plate (max. depth) without any cut-out incl. Front plate (max. depth) Galvanized sheet-metal 2mm RAL 7035 grey [RAL 9016 white]
		Article No. per unit unit = 1 pc.	Article No. per unit unit = 1 pc.	Article No. per unit unit = 1 pc.	Article No. per unit unit = 1 pc.

1000	30	<b>BPZ-MPL30-1000</b> 104319	-	-	-
	80	<b>BPZ-MPL80-1000</b> 293609	-	-	-
	180	<b>BPZ-MPL180-1000</b> 102475	-	-	-
	100	-	<b>BPZ-MPL100-1000</b> 114803	-	-
	200	-	<b>BPZ-MPL200-1000</b> 114809	-	-
	300	-	<b>BPZ-MPL300-1000</b> 114815	-	<b>BPZ-KIT-MPL-1000</b> 134213 <b>[BPZ-KIT-MPL-1000-W]</b> [134218]
	400	-	<b>BPZ-MPL400-1000</b> 114821	-	-
	500	-	<b>BPZ-MPL500-1000</b> 114827	-	-
	350	-	-	<b>BPZ-MPL350-1000</b> 153022	-
	650	-	-	<b>BPZ-MPL650-1000</b> 153024	-
	950	-	-	<b>BPZ-MPL950-1000</b> 153026	-
	1150	-	-	<b>BPZ-MPL1150-1000</b> 153028	-
	1450	-	-	<b>BPZ-MPL1450-1000</b> 153030	-
	1650	-	-	<b>BPZ-MPL1650-1000</b> 153032	-
	1950	-	-	<b>BPZ-MPL1950-1000</b> 153034	-

# 2.6

## xEnergy Distribution Boards

Mounting plates for universal fixing of different components



Width	Height	Installation back frame / int. Mounting side wall (MSW)	Installation back frame / Mounting side wall (MSW)	Installation back frame / Mounting side wall (MSW)	Installation back frame / Mounting side wall (MSW)
[mm]		Mounting plate (punched) with cut-out in the center to fix devices by using cage nuts Galvanized sheet-metal 2 mm	Mounting plate (blind) without any cut-out Galvanized sheet-metal 2 mm	Mounting plate (section-high) without any cut-out Galvanized sheet-metal 2 mm	Mounting plate (max. depth) without any cut-out incl. Front plate (max. depth) Galvanized sheet-metal 2 mm RAL 7035 grey [RAL 9016 white]
		Article No. per unit unit = 1 pc.	Article No. per unit unit = 1 pc.	Article No. per unit unit = 1 pc.	Article No. per unit unit = 1 pc.

### Mounting plates for universal fixing of different components, BPZ-MPL...

1200	30	<b>BPZ-MPL30-1200</b> 104330	-	-	-
	80	<b>BPZ-MPL80-1200</b> 293610	-	-	-
	180	<b>BPZ-MPL180-1200</b> 102476	-	-	-
	100	-	<b>BPZ-MPL100-1200</b> 114804	-	-
	200	-	<b>BPZ-MPL200-1200</b> 114810	-	-
	300	-	<b>BPZ-MPL300-1200</b> 114816	-	<b>BPZ-KIT-MPL-1200</b> 134214 <b>[BPZ-KIT-MPL-1200-W]</b> [134219]
	400	-	<b>BPZ-MPL400-1200</b> 114822	-	-
	500	-	<b>BPZ-MPL500-1200</b> 114828	-	-
	350	-	-	<b>BPZ-MPL350-1200</b> 153023	-
	650	-	-	<b>BPZ-MPL650-1200</b> 153025	-
	950	-	-	<b>BPZ-MPL950-1200</b> 153027	-
	1150	-	-	<b>BPZ-MPL1150-1200</b> 153029	-
	1450	-	-	<b>BPZ-MPL1450-1200</b> 153031	-
	1650	-	-	<b>BPZ-MPL1650-1200</b> 153033	-
	1950	-	-	<b>BPZ-MPL1950-1200</b> 153035	-



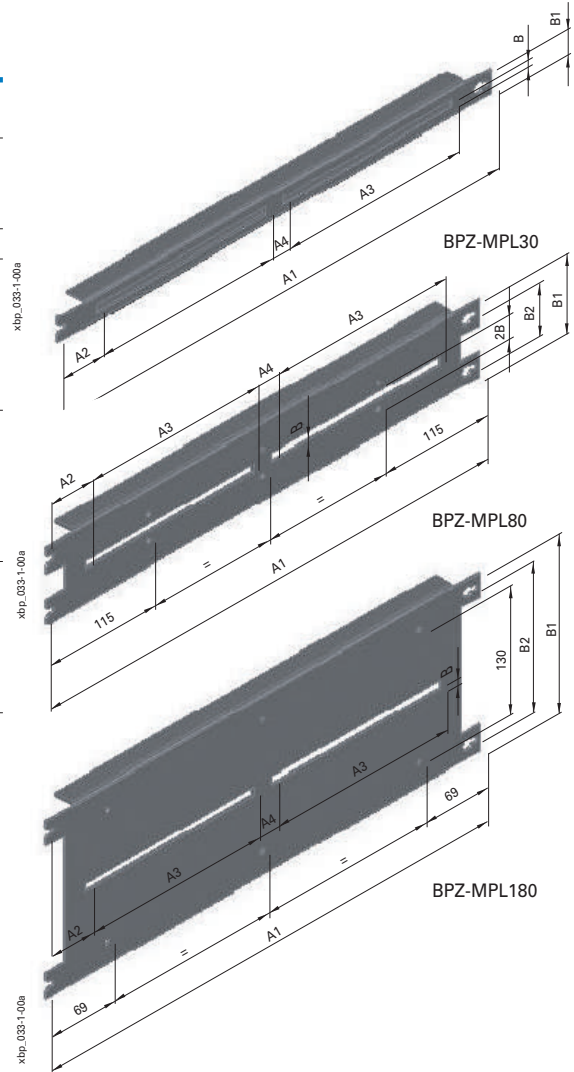
**Universal mounting plates BPZ-MPL**

- For mounting busbar supports and many other devices
- Material: Sheet steel (2 mm), zinc-coated
- Scope of delivery: 1 mounting plate, fixing material

**Dimensions (mm)**

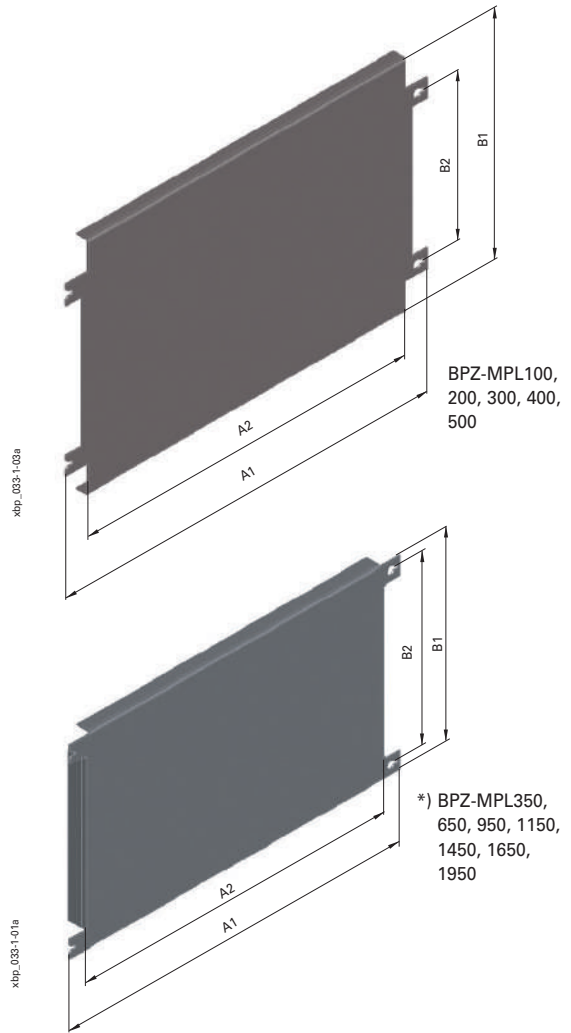
Type	Width				Height			Number of BEL elements on the side
	A1	A2	A3	A4	B1	B2	B	
BPZ-MPL30-400	288	49	190	20	30	0	8	2
BPZ-MPL30-600	488	44	190	20	30	0	8	2
BPZ-MPL30-800	688	46,5	185	20	30	0	8	2
BPZ-MPL30-1000	888	44	185	20	30	0	8	2
BPZ-MPL30-1200	1088	41,5	185	20	30	0	8	2
BPZ-MPL80-400	288	49	190	20	80	50	8	4
BPZ-MPL80-600	488	44	190	20	80	50	8	4
BPZ-MPL80-800	688	46,5	185	20	80	50	8	4
BPZ-MPL80-1000	888	44	185	20	80	50	8	4
BPZ-MPL80-1200	1088	41,5	185	20	80	50	8	4
BPZ-MPL180-400	288	49	190	20	180	150	8	4
BPZ-MPL180-600	488	44	190	20	180	150	8	4
BPZ-MPL180-800	688	46,5	185	20	180	150	8	4
BPZ-MPL180-1000	888	44	185	20	180	150	8	4
BPZ-MPL180-1200	1088	41,5	185	20	180	150	8	4

The cut-outs in the center of the mounting plate are used for fixing with cage nuts.



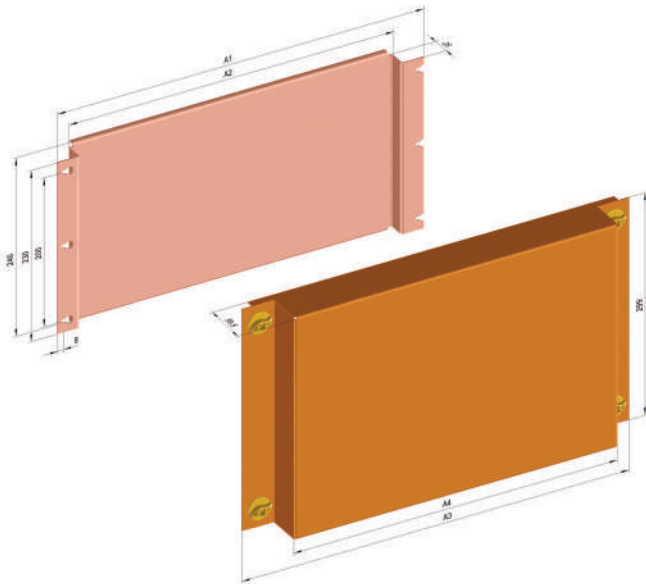
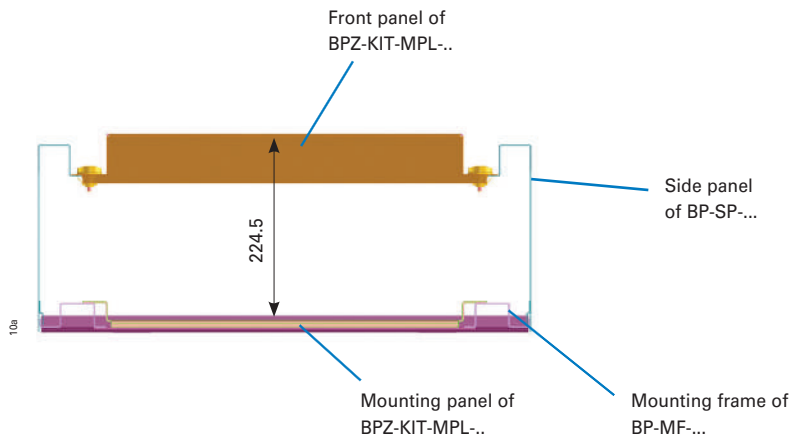
### Dimensions (mm)

Type	Width		Height		Number of BEL elements on the side
	A1	A2	B1	B2	
BPZ-MPL100-400	288	246	100	50	4
BPZ-MPL100-425	313	253	100	50	4
BPZ-MPL100-600	488	446	100	50	4
BPZ-MPL100-800	688	648	100	50	4
BPZ-MPL100-1000	888	846	100	50	4
BPZ-MPL100-1200	1088	1046	100	50	4
BPZ-MPL200-400	288	246	200	150	4
BPZ-MPL200-425	313	253	200	150	4
BPZ-MPL200-600	488	446	200	150	4
BPZ-MPL200-800	688	648	200	150	4
BPZ-MPL200-1000	888	846	200	150	4
BPZ-MPL200-1200	1088	1046	200	150	4
BPZ-MPL300-400	288	246	300	200	4
BPZ-MPL300-425	313	253	300	200	4
BPZ-MPL300-600	488	446	300	200	4
BPZ-MPL300-800	688	648	300	200	4
BPZ-MPL300-1000	888	846	300	200	4
BPZ-MPL300-1200	1088	1046	300	200	4
BPZ-MPL350-400	288	246	280	250	4
BPZ-MPL350-600	488	446	280	250	4
BPZ-MPL350-800	688	648	280	250	4
BPZ-MPL350-1000	888	846	280	250	4
BPZ-MPL350-1200	1088	1046	280	250	4
BPZ-MPL400-400	288	246	400	300	4
BPZ-MPL400-425	313	253	400	250	4
BPZ-MPL400-600	488	446	400	300	4
BPZ-MPL400-800	688	648	400	300	4
BPZ-MPL400-1000	888	846	400	300	4
BPZ-MPL400-1200	1088	1046	400	300	4
BPZ-MPL500-400	288	246	500	400	4
BPZ-MPL500-425	313	253	500	300	4
BPZ-MPL500-600	488	446	500	400	4
BPZ-MPL500-800	688	648	500	400	4
BPZ-MPL500-1000	888	846	500	400	4
BPZ-MPL500-1200	1088	1046	500	400	4
BPZ-MPL650-400	288	246	580	550	4
BPZ-MPL650-600	488	446	580	550	4
BPZ-MPL650-800	688	648	580	550	4
BPZ-MPL650-1000	888	846	580	550	4
BPZ-MPL650-1200	1088	1046	580	550	4
BPZ-MPL950-400	288	246	880	850	4
BPZ-MPL950-600	488	446	880	850	4
BPZ-MPL950-800	688	648	880	850	4
BPZ-MPL950-1000	888	846	880	850	4
BPZ-MPL950-1200	1088	1046	880	850	4
BPZ-MPL1150-400	288	246	1080	1050	4
BPZ-MPL1150-600	488	446	1080	1050	4
BPZ-MPL1150-800	688	648	1080	1050	4
BPZ-MPL1150-1000	888	846	1080	1050	4
BPZ-MPL1150-1200	1088	1046	1080	1050	4
BPZ-MPL1450-400	288	246	1380	1350	4
BPZ-MPL1450-600	488	446	1380	1350	4
BPZ-MPL1450-800	688	648	1380	1350	4
BPZ-MPL1450-1000	888	846	1380	1350	4
BPZ-MPL1450-1200	1088	1046	1380	1350	4
BPZ-MPL1650-400	288	246	1580	1550	6
BPZ-MPL1650-600	488	446	1580	1550	6
BPZ-MPL1650-800	688	648	1580	1550	6
BPZ-MPL1650-1000	888	846	1580	1550	6
BPZ-MPL1650-1200	1088	1046	1580	1550	6
BPZ-MPL1950-400	288	246	1880	1850	6
BPZ-MPL1950-600	488	446	1880	1850	6
BPZ-MPL1950-800	688	648	1880	1850	6
BPZ-MPL1950-1000	888	846	1880	1850	6
BPZ-MPL1950-1200	1088	1046	1880	1850	6



\* ) Mounting plates are used principally as section height in the respective enclosure height!

Mounting set for maximum depth of board BPZ-KIT-MPL-..



Type	A1	A2	A3	A4
BPZ-KIT-MPL-400	292	236	320	234.5
BPZ-KIT-MPL-600	492	436	520	434.5
BPZ-KIT-MPL-800	692	636	720	634.5
BPZ-KIT-MPL-1000	892	836	920	834.5
BPZ-KIT-MPL-1200	1092	1036	1120	1034.5
BPZ-MPL80-400	288	49	190	20
BPZ-MPL80-600	488	44	190	20
BPZ-MPL80-800	688	46.5	185	20
BPZ-MPL80-1000	888	44	185	20
BPZ-MPL80-1200	1088	41.5	185	20
BPZ-MPL180-400	288	49	190	20
BPZ-MPL180-600	488	44	190	20
BPZ-MPL180-800	688	46.5	185	20
BPZ-MPL180-1000	888	44	185	20
BPZ-MPL180-1200	1088	41.5	185	20

# 2.7

## xEnergy Distribution Boards

Mounting kits for Energy Meters and various metering equipment

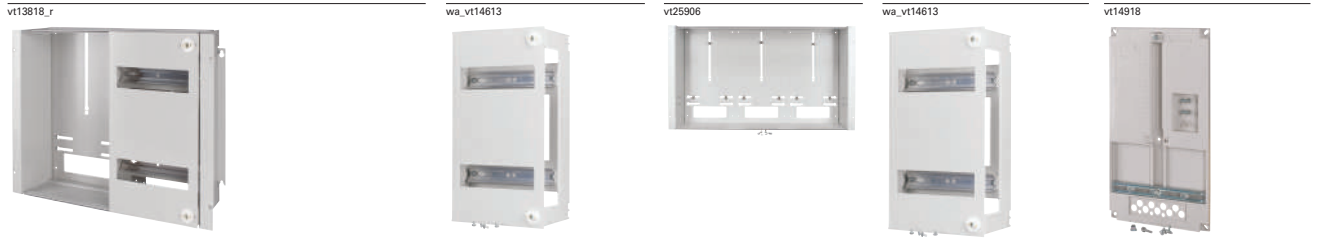


Width [mm]	Installation back frame / Meter trough (height = 450mm) incl. meter plate type ZBR single or multiple use of meters depending on the module width RAL 7035 grey	Mounting side wall (MSW) Meter trough (height = 400mm) incl. meter plate type ZBR single or multiple use of meters depending on the module width RAL 7035 grey	DIN-rail set for meter trough to replace 2 or 3 meter sections with standard MCB modules	Mounting side wall (MSW) Meter trough (height = 425mm) incl. meter plate type ZBR single or multiple use of meters depending on the module width RAL 7035 grey	DIN-rail set for meter trough to replace 2 meter sections with standard MCB modules
	Article No. per unit unit = 1 pc.	Article No. per unit unit = 1 pc.	Article No. per unit unit = 1 pc.	Article No. per unit unit = 1 pc.	Article No. per unit unit = 1 pc.

### Mounting kits for Energy Meters and various metering equipment

400	<b>BPZ-MT-400/450-1-A</b> 112298	<b>BPZ-MT-MSW-400/400-1-A</b> 120767		<b>BPZ-MT-MSW-400/425-1-A</b> 120768	
600	<b>BPZ-MT-600/450-2-A</b> 112299	<b>BPZ-MT-MSW-600/400-2-A</b> 120769		<b>BPZ-MT-MSW-600/425-2-A</b> 120770	
800	<b>BPZ-MT-800/450-3-A</b> 112340	<b>BPZ-MT-MSW-800/400-3-A</b> 120771		<b>BPZ-MT-MSW-800/425-3-A</b> 120772	
1000	<b>BPZ-MT-1000/450-4-A</b> 112341	<b>BPZ-MT-MSW-1000/400-4-A</b> 120773	<b>BPZ-DRS-MT-MSW-1000/400-2-A</b> 120777 (instead of 2x ZBR)	<b>BPZ-MT-MSW-1000/425-4-A</b> 120774	<b>BPZ-DRS-MT-MSW-1000/425-2-A</b> 120778 (instead of 2x ZBR)
1200	<b>BPZ-MT-1200/450-5-A</b> 112342	<b>BPZ-MT-MSW-1200/400-5-A</b> 120775	<b>BPZ-DRS-MT-MSW-1200/400-2-A</b> 120779 (instead of 2x ZBR) <b>BPZ-DRS-MT-MSW-1200/400-3-A</b> 120781 (instead of 3x ZBR)	<b>BPZ-MT-MSW-1200/425-5-A</b> 120776	<b>BPZ-DRS-MT-MSW-1200/425-2-A</b> 120780 (instead of 2x ZBR) <b>BPZ-DRS-MT-MSW-1200/425-3-A</b> 120782 (instead of 3x ZBR)

Mounting kits for Energy Meters and various metering equipment



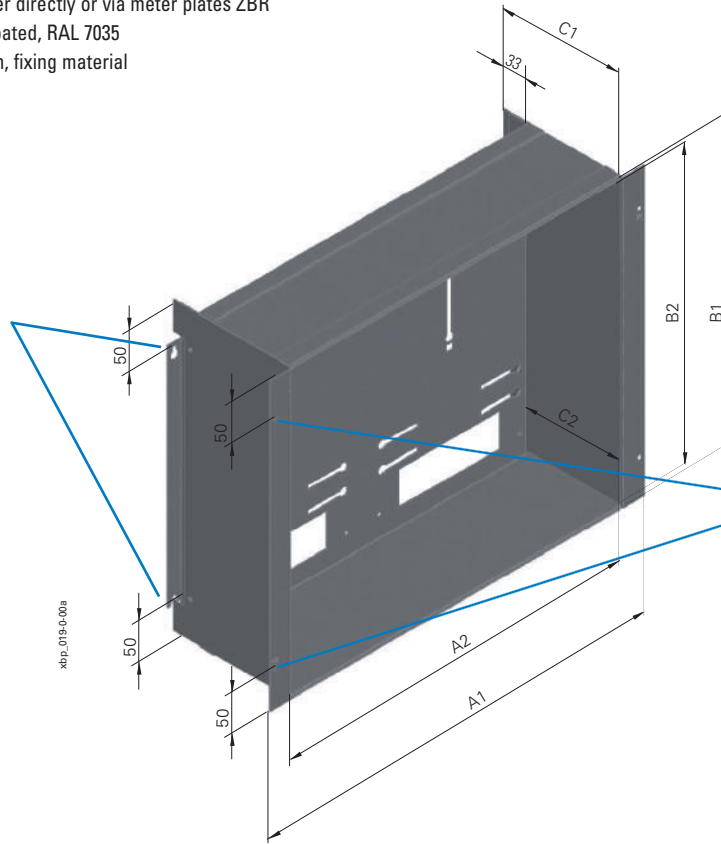
Installation back frame / Meter trough (height = 400mm) / without meter plate / prepared for mounting the energy / meter directly on the board RAL 7035 grey	Installation back frame / Meter trough (height = 400mm) / without meter plate / prepared for mounting the energy / meter directly on the board RAL 9016 white	DIN-rail set for meter trough to replace a meter section with standard MCB modules (installation either left/right) RAL 7035 grey [RAL 9016 white]	Installation back frame / Meter trough (height = 450mm) without meter plate prepared for mounting the energy meter directly on the board RAL 7035 grey	DIN-rail set for meter trough to replace a meter section with standard MCB modules (installation either left/right)	Meter plate (optional) as add-on to all kind of mounting kits 370x210 mm (HxB) one plate for single meter installation
Article No. per unit unit = 1 pc.	Article No. per unit unit = 1 pc.	Article No. per unit unit = 1 pc.	Article No. per unit unit = 1 pc.	Article No. per unit unit = 1 pc.	Article No. per unit unit = 1 pc.

<b>BPZ-MT-400/400-1</b> 108383	<b>BPZ-MT-400/400-1-W</b> 187877	<b>BPZ-DRS-MT/400-1</b> 108388	<b>BPZ-MT-400/450-1-A</b> 112298	<b>BPZ-DRS-MT/450-1</b> 116042	<b>ZBR</b> 279261
<b>BPZ-MT-600/400-2</b> 108384	<b>BPZ-MT-600/400-2-W</b> 187878	<b>[BPZ-DRS-MT/400-1-W]</b> [188238]	<b>BPZ-MT-600/450-2-A</b> 112299		
<b>BPZ-MT-800/400-3</b> 108385	<b>BPZ-MT-800/400-3-W</b> 187879		<b>BPZ-MT-800/450-3-A</b> 112340		
<b>BPZ-MT-1000/400-4</b> 108386	<b>BPZ-MT-1000/400-4-W</b> 187880		<b>BPZ-MT-1000/450-4-A</b> 112341		
<b>BPZ-MT-1200/400-5</b> 108387	<b>BPZ-MT-1200/400-5-W</b> 187881		<b>BPZ-MT-1200/450-5-A</b> 112342		

### Meter troughs, BPZ-MT-(MSW)-...

- Meter troughs for mounting meter directly or via meter plates ZBR
- Material: Sheet steel, powder-coated, RAL 7035
- Scope of delivery: 1 meter trough, fixing material

Openings for fixing onto rear frame in surface-mounted boards IP30 or for hanging in surface-mounted boards IP54 and floor-standing boards



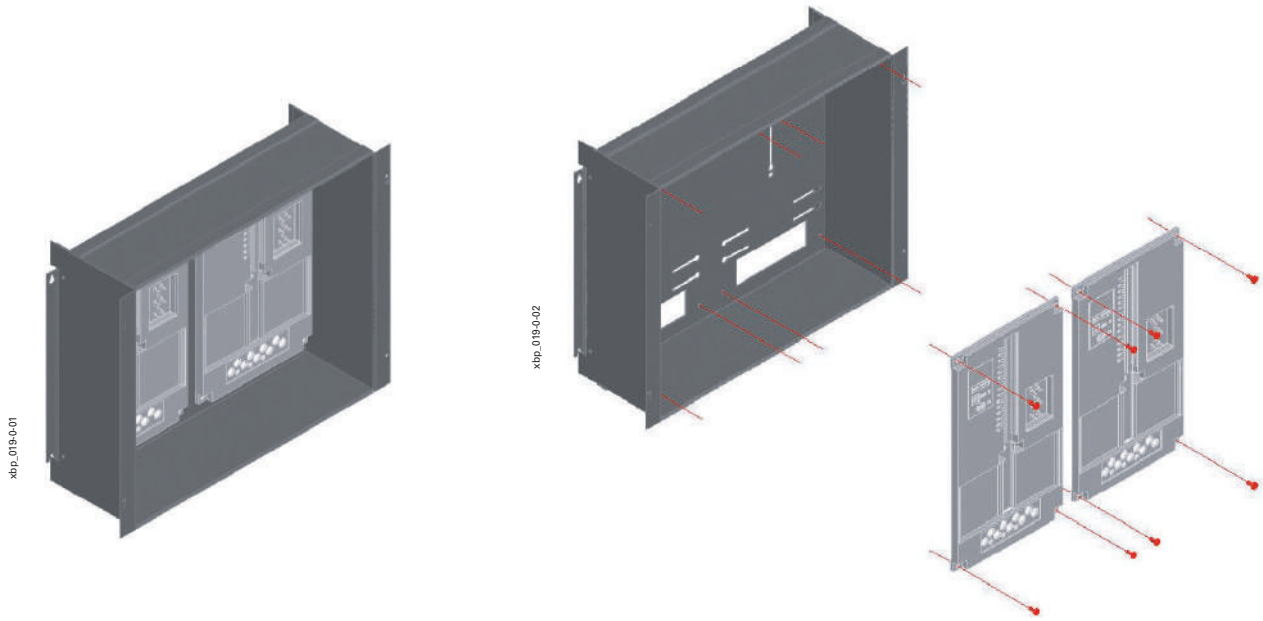
Openings for fixing onto side walls BPZ-MSW or support BPZ-FPS (if mounted without BPZ-MSW into surface-mounted boards IP54 or floor-standing boards for which there is not access for rear mounting due to welded construction of the board)

### Dimensions (mm)

Type	Outsider dimensions			A2	B2	C2
	Width A1	Height B1	Depth C1			
BPZ-MT-400/400-1(-W)	320	400	165	-	390	130
BPZ-MT-600/400-2(-W)	520	400	165	459	390	130
BPZ-MT-800/400-3(-W)	720	400	165	659	390	130
BPZ-MT-1000/400-4(-W)	920	400	165	859	390	130
BPZ-MT-1200/400-5(-W)	1120	400	165	1059	390	130
BPZ-MT-400/450-1	320	450	165	-	440	130
BPZ-MT-600/450-2	520	450	165	459	440	130
BPZ-MT-800/450-3	720	450	165	659	440	130
BPZ-MT-1000/450-4	920	450	165	859	440	130
BPZ-MT-1200/450-5	1120	450	165	1059	440	130

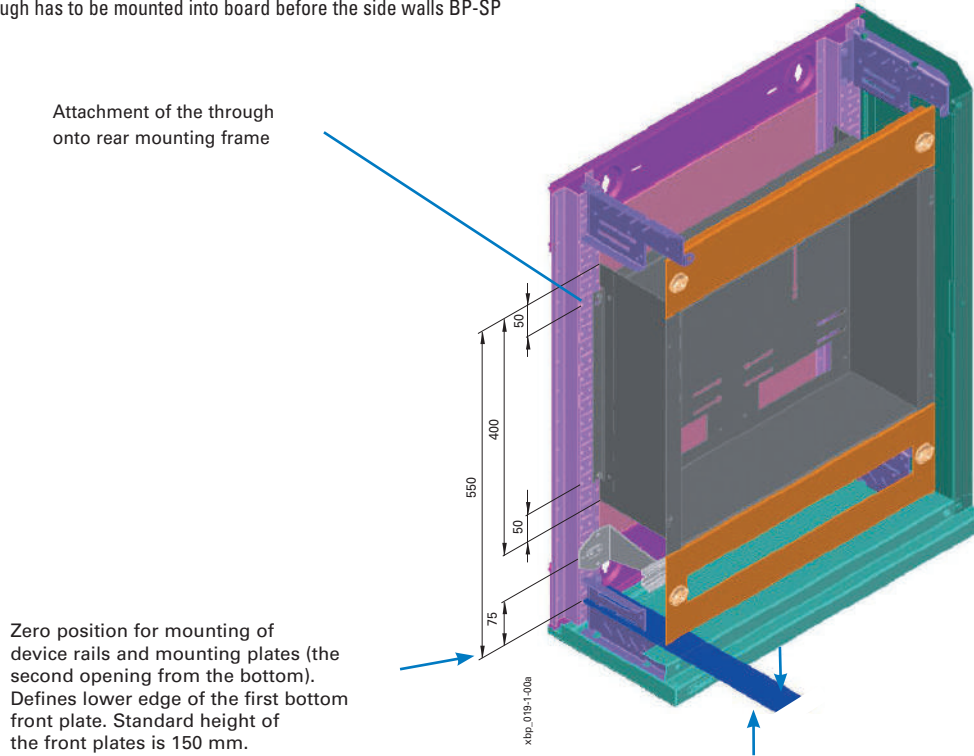
### Mounting of meter plates ZBR into troughs BPZ-MT

- Meter plates ZBR are fixed with screws in the corners (in scope of delivery of the plates)



### Application of meter through in a surface-mounted board IP30

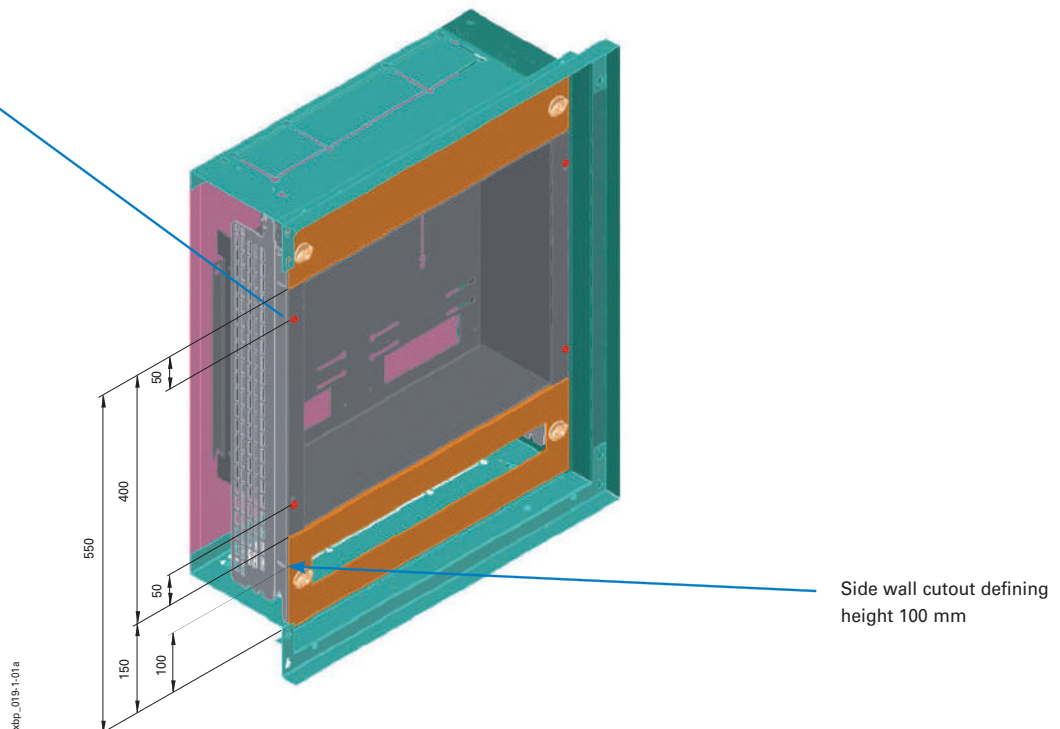
- Trough is mounted directly onto rear frame
- Sealing screws for securing of the trough can be screwed into support BPZ-FPS
- In case of use BPZ-MSW, the through is fixed via front part onto BPZ-MSW (see application in flush-mounted board)
- Meter through has to be mounted into board before the side walls BP-SP



### Application of meter through in flush-mounted board or surface-mounted board IP54/IP55

- The trough is mounted onto side walls BPZ-MSW or supports BPZ-FPS
- If sealing is asked, standard screws are replaced with sealing ones
- Meter throughs can be mounted into flush-mounted boards with wall box of depth of 240 mm only
- Assembling into surface-mounted boards IP55 or floor-standing boards is carried in similar way. It is not possible to use rear mounting due to fixed side walls. For these cases, the through can be hanged onto rear frame. The fixing itself is performed from the front by means of screws screwed into BPZ-MSW or BPZ-FPS.

Fixing of the through on side wall BPZ-MSW





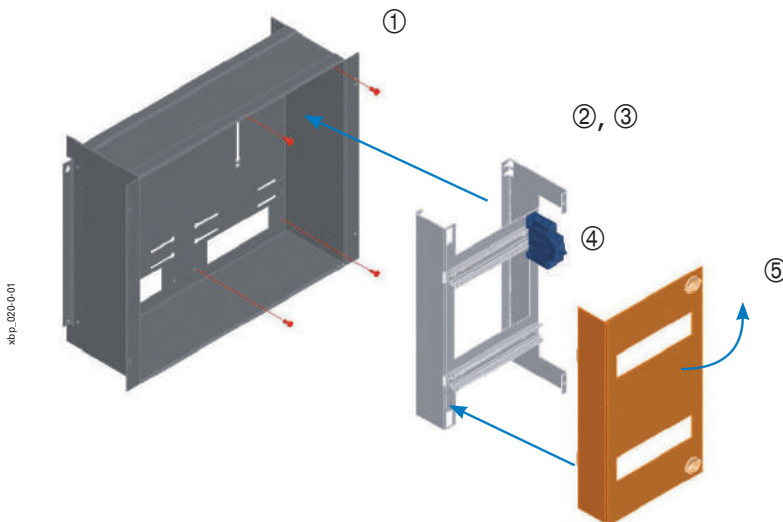
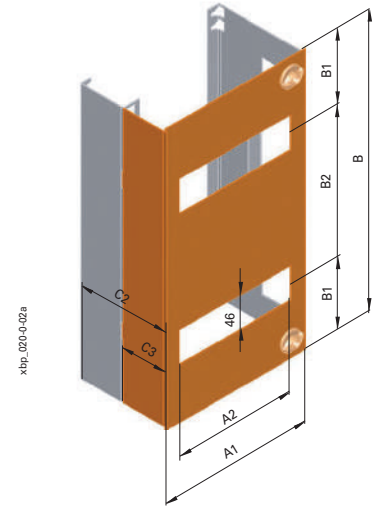
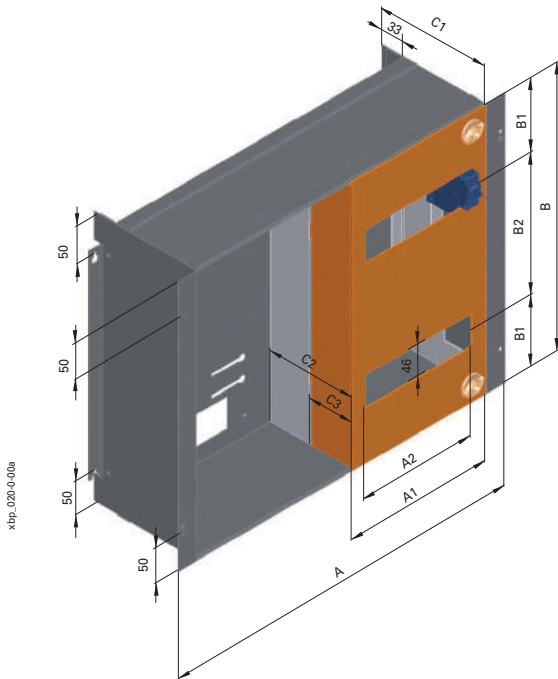
**Device rail sets, BPZ-DRS-MT**

- For using free metering places with device rails
- Mounting is possible into side positions in the through
- Material: Sheet steel, powder-coated, RAL 7035
- Scope of delivery: 1 device rail set, fixing material

**Dimensions (mm)**

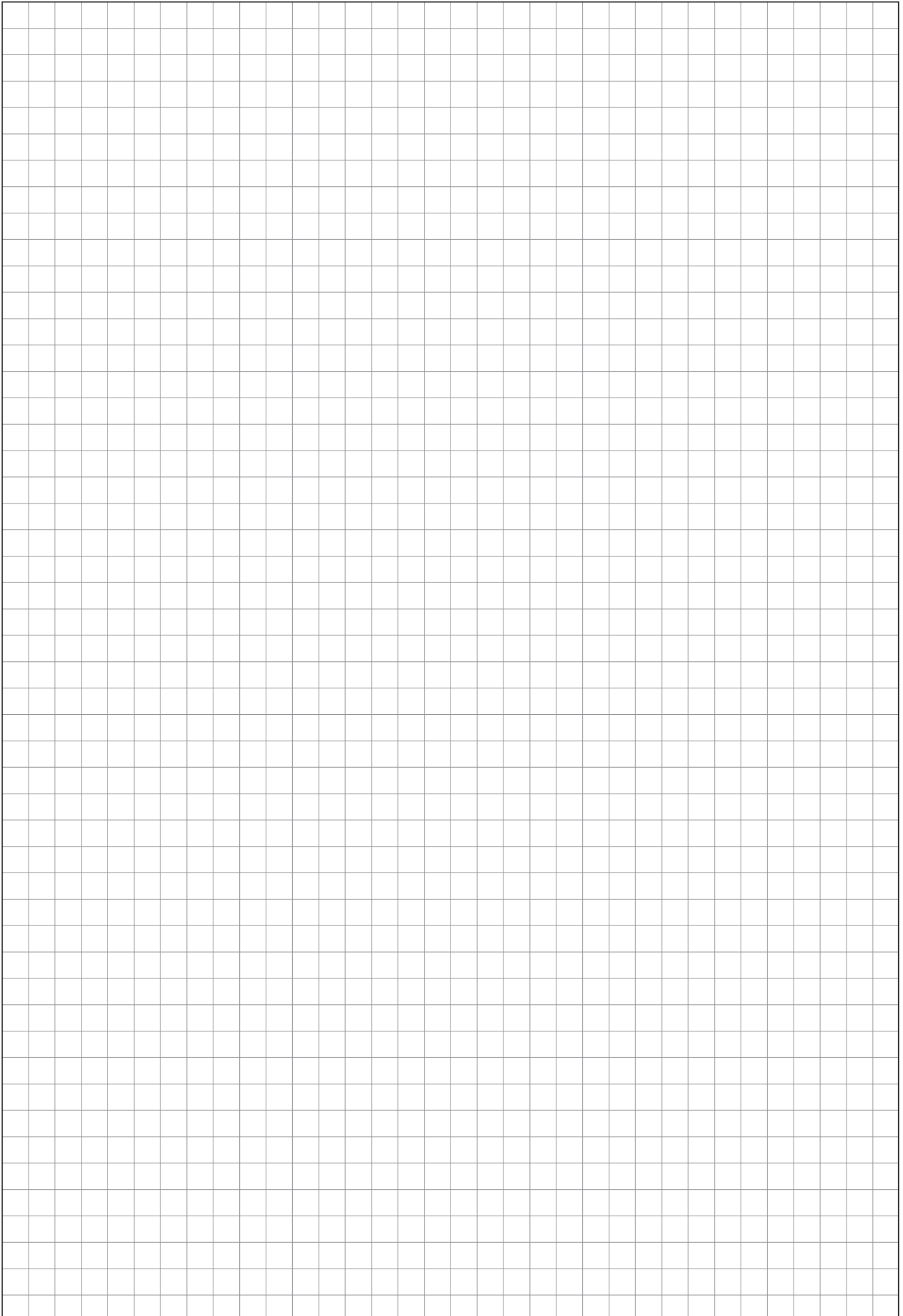
Type	Outside dimensions						
	Width	Height	Depth				
	A1	B	C2	A2	B1	B2	C3
PZ-DRS-MT/400-1(-W)	215	400	130	170	100	200	65
BPZ-DRS-MT/450-1	215	450	130	170	125	200	65

**Assembling into meter through**



**Mounting process:**

1. Pre-screwing of fixing screws into meter through. The screws must not be screwed tight.
2. Placing of the device rail set onto pre-screwed screws.
3. Tightening of the fixing screws.
4. Potential installation or connecting of inside equipment.
5. Mounting of a front panel



wa\_vt01318, vt07115, vt10319



**Distribution Boards**

**Distribution Boards**

• **Chapter 1**

Enclosures / switchgear cabinets for installation system Profi+ .....Page 2

1.1 Surface-mounted distribution board BP-O-..., IP30 (pre-assembled) .....Page 4

1.2 Surface-mounted distribution board BP-O-..., IP30 (flat-pack, grey) .....Page 8

1.3 Surface-mounted distribution board BP-O-..., IP30 (flat-pack, white) .....Page 12

1.4 Surface-mounted distribution board BPM-O-..., IP55 .....Page 34

1.5 Flush-mounted distribution board BP(A/M)-U-3S-..., IP30/IP43/IP54 .....Page 44

1.6 Floor-standing distribution board BP-F-..., IP30 .....Page 58

1.7 Distribution boards for special applications, BP-MN / BP-VF .....Page 70

1.8 Floor-standing distribution board BPM-F-..., IP55 .....Page 74

1.9 Shared compartments inside distribution boards BP(M)-O, BP(M)-F .....Page 86

• **Chapter 2**

Profi+ installation system - components for interior fitting .....Page 92

2.1 Front plates, blind and with 45mm cut-out for DIN-rail devices .....Page 94

2.2 Mounting kits for Moulded Case Circuit Breaker .....Page 102

2.3 Mounting kits for Fuse Switch Disconnectors .....Page 118

2.4 Mounting kits for BZM, Dumeco and QSA .....Page 126

2.5 Mounting kits for Earthing and Neutral conductors .....Page 127

2.6 Mounting plates for universal fixing of different components .....Page 130

2.7 Mounting kits for Energy Meters and various metering equipment .....Page 138

• **Chapter 3**

Profi+ installation system - general accessories .....Page 145

• **Chapter 4**

General accessories xEnergy Basic .....Page 166

• **Chapter 5**

Overall technical data xEnergy Basic .....Page 186

• **Chapter 6**

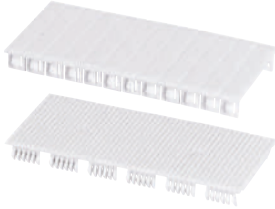
Verification of temperature rise by testing - selection of reference examples .....Page 191

Description	Type Designation	Article No.	Units per package
-------------	------------------	-------------	-------------------

#### Blanking Strip, BS-...-WH

- For all Eaton distribution boards

wa\_vt10414, wa\_vt10714



Blanking Strip, white, fine-ribbed, 12 MU	BS-12MF-WH	178975	10/100
Blanking Strip, grey, fine-ribbed, 12 MU	BS-12MF-GY	178980	10/100
Blanking Strip, white, fine-ribbed, 6 MU	BS-6MF-WH	178976	10/100
Blanking Strip, white, rough-ribbed, 12 MU	BS-12MB-WH	178977	10/100
Blanking Strip, grey, rough-ribbed, 12 MU	BS-12MB-GY	178979	10/100
Blanking Strip, white, rough-ribbed, 6 MU	BS-6MB-WH	178978	10/100

#### Blanking Strips

wa\_vt07213



Blanking Strip, white, 2x 10 MU incl. wedges	AP-45	275410	2
--	-------	--------	---

wa\_vt07313



Blanking Strip, grey, 1m long	NBP-1000	275413	1
Blanking Strip, white, 1m long	NBP-1000-W	101666	1

#### Front plate screw, BPZ-FPV

- Replacement part
- Plastic part incl. sealing screw and standard screw
- Delivery in component parts

#### Single packaged

VT01210



Closure with grounding connection	BPZ-FPV	120721	1
-----------------------------------	---------	--------	---

#### 200 pcs. loose parts in the box

Closure with grounding connection	BPZ-FPV-E	180441 *)	200
-----------------------------------	-----------	-----------	-----

\*) Article No. and price per piece

Width (mm) / Height (mm) / MU	Type Designation	Article No.	Units per package
-------------------------------	------------------	-------------	-------------------

#### Blanking Strip for SASY 60i, AM-195/54

- Plastic cover for SASY 60i cut outs, RAL 7035
- To clip on and click onto place
- Possibility to shorten

sg13506



54 / 195 / 3	AM-195/45	107963	1
--------------	-----------	--------	---

Width (mm)	Type Designation	Article No.	Units per package
------------	------------------	-------------	-------------------

**Sealing Angle, BPZ-PW...**

- Sealing angle for IP30 Surface-Mounting board
- Set includes 2 angles and 8 screws

vt01410



	BPZ-PW-ZVT	120764	1
--	------------	--------	---

**Sealing Set, BPZ-SS**

- For sealing of front plates
- Set consists of 4 pcs. of sealing strips, 4 pcs. of sealing screws M5 and 1 pc. of taptite screw M5

vt11408



	BPZ-SS	116652	1
--	--------	--------	---

**Sealing Screw to seal meter trough, BPZ-S**

- Sealing screw individually

wa\_vt10914



	BPZ-S	120765	1
--	-------	--------	---

**Cable Strain Relief C-Profile, BPZ-KAS**

- Mounting on the base frame

wa\_vt08913



400	BPZ-KAS-400	106440	1
600	BPZ-KAS-600	106441	1
800	BPZ-KAS-800	106442	1
1000	BPZ-KAS-1000	106443	1
1200	BPZ-KAS-1200	106444	1

Cable Ø (mm)	Type Designation	Article No.	Units per package
--------------	------------------	-------------	-------------------

**Cable Clamps, NWS-K/AC**

- Mounting onto BPZ-KAS


wa\_nt09013





12-16	NWS-K/AC16	255197	1
16-20	NWS-K/AC20	255198	1
20-24	NWS-K/AC24	255199	1
24-28	NWS-K/AC28	255200	1
36-40	NWS-K/AC40	255201	1
48-52	NWS-K/AC52	255202	1

Terminal Points / Description	Type Designation	Article No.	Units per package
-------------------------------	------------------	-------------	-------------------

### Terminal Supports, KT

 vi01705	horizontal	KT-3	275445	1
 vi01805	vertical	KT-5	275447	1


### Terminal Strips, KL

 vi28015	4	KL-4	219723	1
	7	KL-7	219724	1
	11	KL-11	219725	1
	15	KL-15	219726	1
	25	KL-25	219727	1
	29	KL-29	275449	1
	45	KL-45	275450	1
	60	KL-60	275451	1
	76	KL-76	102066	1
1 meter	KLM	275452	1	
 vi24715	Connection terminal for 35 mm <sup>2</sup>	KLA	275453	1

Width x Height x Depth (mm) / Version	Type Designation	Article No.	Units per package
---------------------------------------	------------------	-------------	-------------------

### Holder for Terminal Carrier, BPZ-KTH-KSK-F1(-F2)

- Holder for combination plug-in terminal KSK using terminal carrier
- For mounting on terminal support bar BPZ-TSB
- To be used in combination with terminal carrier empty KSK-KLV or equipped

 vi28117	244 x 26 x 33 / single-storied	BPZ-KTH-KSK-F1	190041	1
	244 x 40 x 55 / two-storied	BPZ-KTH-KSK-F2	190042	1

### Terminal Carrier empty, KSK-KLV

- For mounting of the combined plug-type terminal KSK

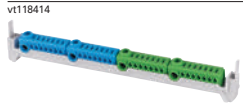



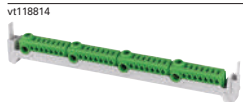
 vi119114	up to 4x KSK-N and/or 4x KSK-PE	KSK-KLV	178905	1/10
---	---------------------------------	---------	--------	------

Can be used for	Description	Type Designation	Article No.	Units per package
-----------------	-------------	------------------	-------------	-------------------



**Additional equipment/spare parts for terminal equipment**

- Combined plug-type terminal with plug-in terminal points for 0.5-4 mm<sup>2</sup> round conductors and screw-type terminal points for 2.5-25 mm<sup>2</sup> round conductors
- Terminal carriers KSK-KLV can be expanded by up to 4 individual N blocks for separate RCD protective circuits, or by additional PE blocks
- Terminal carriers are easy to snap on without any tools
- Finger proof IP2X

**Equipped combined plug-type terminal KSK**

	1x N potential 1x PE potential	N/PE comb. plug-type terminal 2x 2.5 - 25 mm <sup>2</sup> each and 14x 0.5 - 4 mm <sup>2</sup> each	KSK-2N/2PE-KLV	178898	1
	1x N potential	N comb. plug-type terminal 4x 2.5 - 25 mm <sup>2</sup> and 28x 0.5 - 4 mm <sup>2</sup>	KSK-4N-KLV	178899	1
	2x N potential	N/N comb. plug-type terminal 4x 2.5 - 25 mm <sup>2</sup> and 28x 0.5 - 4 mm <sup>2</sup>	KSK-3N/1N-KLV	178900	1
	2x N potential	N/N comb. plug-type terminal 4x 2.5 - 25 mm <sup>2</sup> and 28x 0.5-4 mm <sup>2</sup>	KSK-2N/2N-KLV	178901	1
	1x PE potential	PE comb. plug-type terminal 4x 2.5 - 25 mm <sup>2</sup> and 28x 0.5 - 4 mm <sup>2</sup>	KSK-4PE-KLV	178902	1

**Individual combined plug-type terminal KSK**

	1x N potential	N comb. plug-type terminal 1x 2.5 - 25 mm <sup>2</sup> 7x 0.5 - 4 mm <sup>2</sup>	KSK-N	178903	1/10
	1x PE potential	PE comb. plug-type terminal 1x 2.5 - 25 mm <sup>2</sup> 7x 0.5 - 4 mm <sup>2</sup>	KSK-PE	178904	1/10

### Set for front plate sealing, BPZ-SS

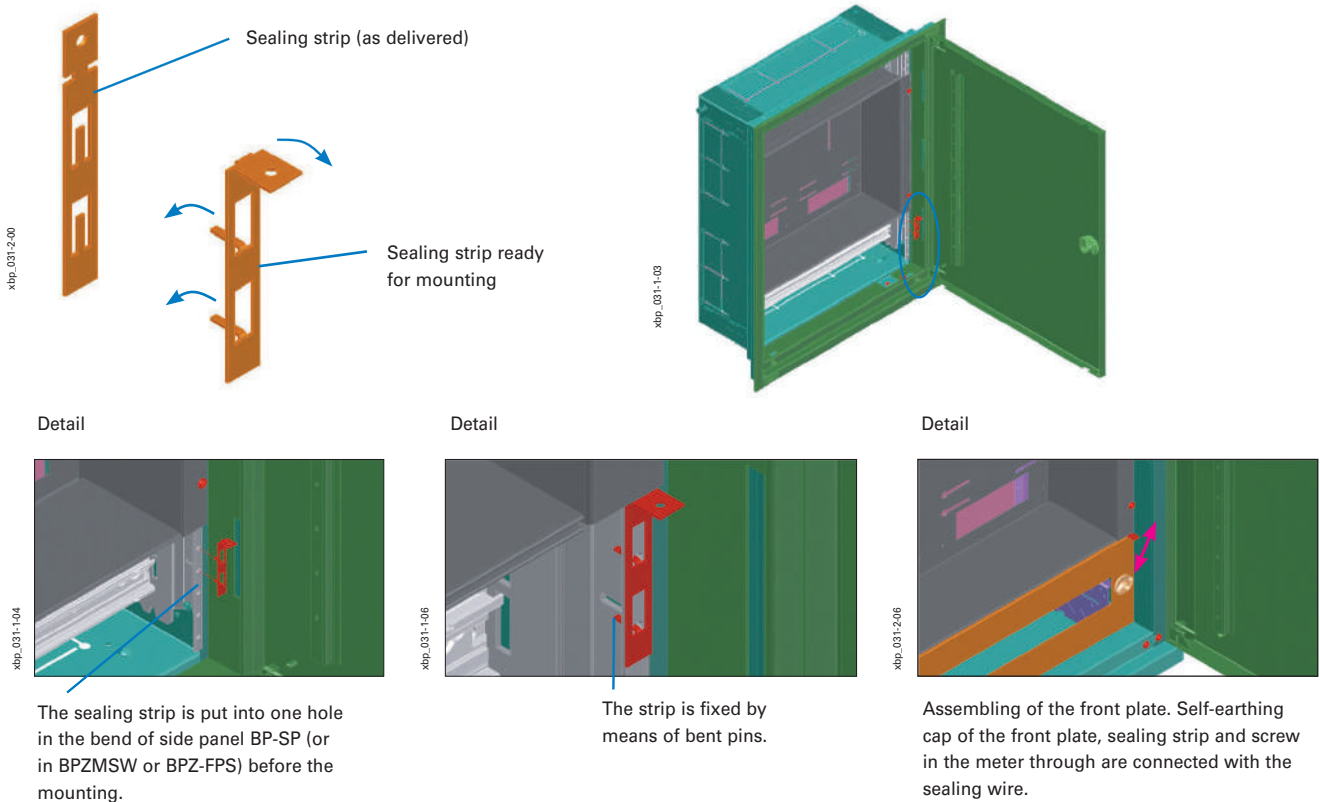
- Set for sealing of distribution boards
- Scope of delivery: 4 pcs of sealing strips, 4 pcs of sealing screws M5, 1 pc of tapping screw M5

#### Process of sealing of front plates

- Fixed point is given by properly mounted sealing strip
- Sealing screw M5

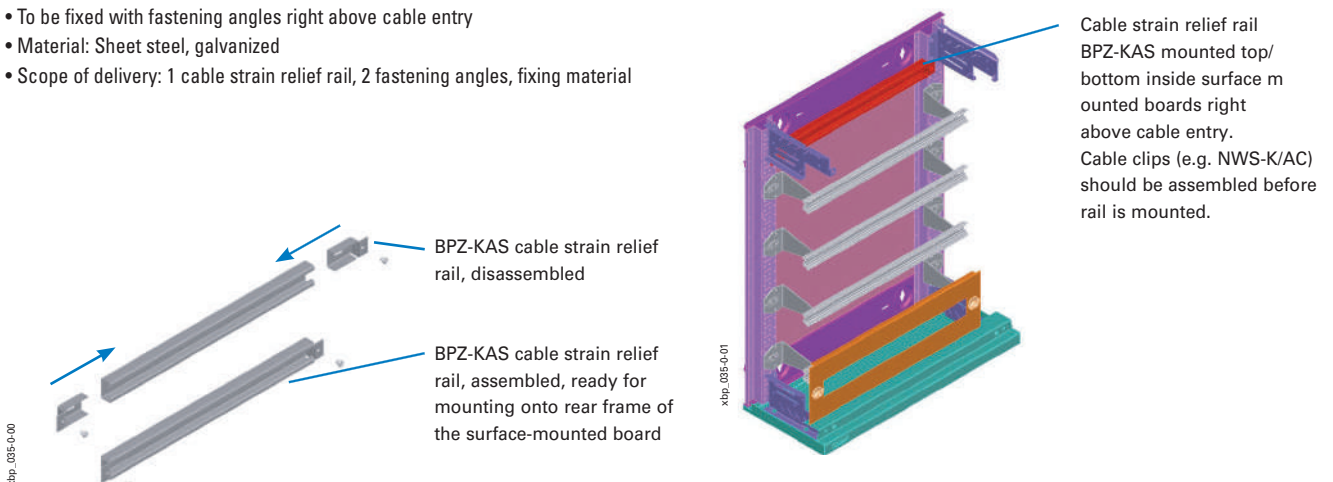
#### Process of sealing of meter through

- The through can be fixed from the front side into BPZ-FPS or BPZ-MSW by means of sealing screws M5 (included in the set). The tapping screw from the set is used to make thread.
- The sealing itself can be done with sealing strip of a neighbouring front plate or with pre-moulded lugs in the through.



### Cable strain relief rail C-profile, BPZ-KAS

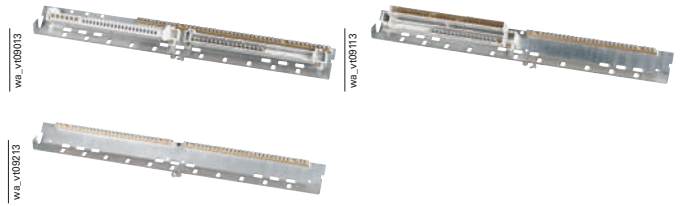
- The rail is used to provide strain relief to the cables right after cable entry
- Suitable for mounting cable clips
- Can be used in surface-mounted or floor-standing boards
- To be fixed with fastening angles right above cable entry
- Material: Sheet steel, galvanized
- Scope of delivery: 1 cable strain relief rail, 2 fastening angles, fixing material





### Terminal support bars, BPZ-TSB

- For mounting of terminals (KLV-)KL
- For surface mounted or floor-standing boards
- Mounted directly on the corner tower sets BPZ-CTS (the mounting is recommended before tightening of the fixing screws of the corner tower set)
- Possibility of direct mounting of PE terminal (conductive connection with board construction)
- N terminals are mounted by means of KT holders
- Material: sheet steel, galvanized
- Scope of delivery: 1 terminal support bar, fixing material

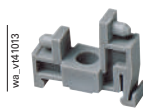


### Terminal supports, KT

- Scope of delivery: 1 terminal support

#### KT-3

- For terminal strips KL-7 up to KL-60 mounted onto flat or hollow rails (2 pcs. needed)



#### KT-5

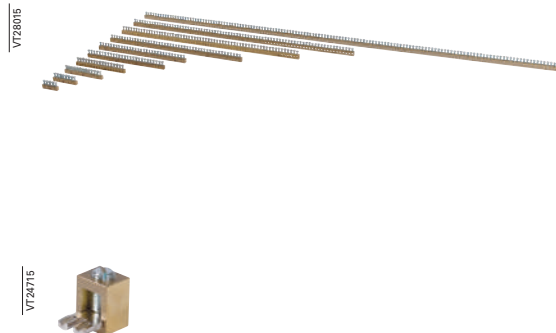
- For terminal strips up to KL-15, for vertical snap-on mounting onto device rails according to IEC/EN 60715



### Terminal strips, (KLV-)KL

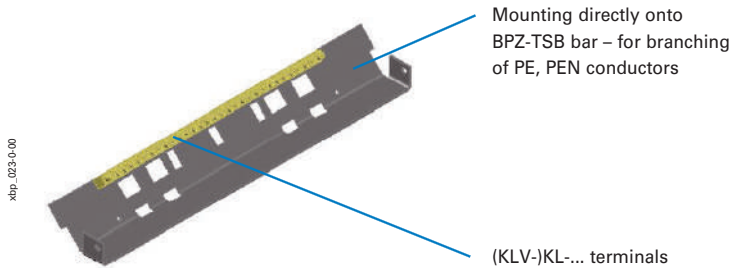
- Maximum current 63 A (125 A if strip is fed into its center via KLA)
- Scope of delivery: 1 terminal strip

Type	Length [mm]	Number of terminals
KL-4	36	3 x 16 mm <sup>2</sup> , 1 x 25 mm <sup>2</sup>
KL-7	57	7 x 16 mm <sup>2</sup> , 1 x 25 mm <sup>2</sup>
KL-11	92	11 x 16 mm <sup>2</sup> , 1 x 25 mm <sup>2</sup>
KL-15	120	15 x 16 mm <sup>2</sup> , 2 x 25 mm <sup>2</sup>
KL-25	190	25 x 16 mm <sup>2</sup> , 2 x 25 mm <sup>2</sup>
KL-29	218	29 x 16 mm <sup>2</sup> , 2 x 25 mm <sup>2</sup>
KL-45	330	45 x 16 mm <sup>2</sup> , 2 x 25 mm <sup>2</sup>
KL-60	442	60 x 16 mm <sup>2</sup> , 2 x 25 mm <sup>2</sup>
KL-76	554	76 x 16 mm <sup>2</sup> , 2 x 25 mm <sup>2</sup>
KLM	995	136 x 16 mm <sup>2</sup> , 2 x 25 mm <sup>2</sup>
KLA	Connection terminal for 35 mm <sup>2</sup> (instead of 2 terminal units 16 mm <sup>2</sup> )	

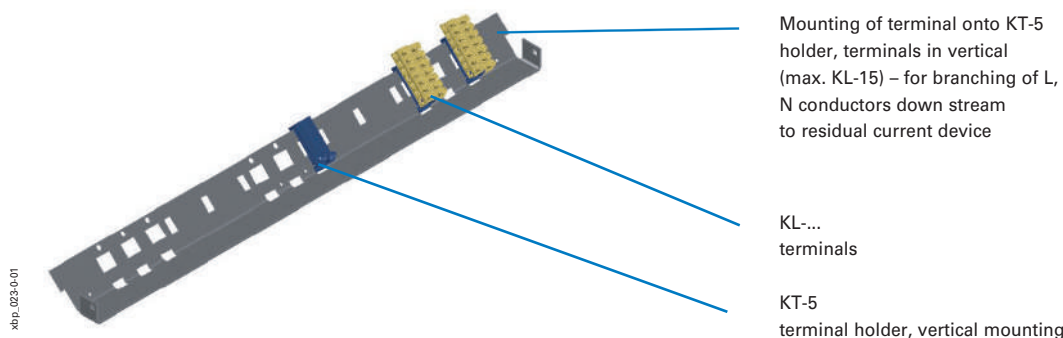


### Possible variants of equipping of support bars BPZ-TSB with terminals (KLV-)KL

#### For board width 400 mm

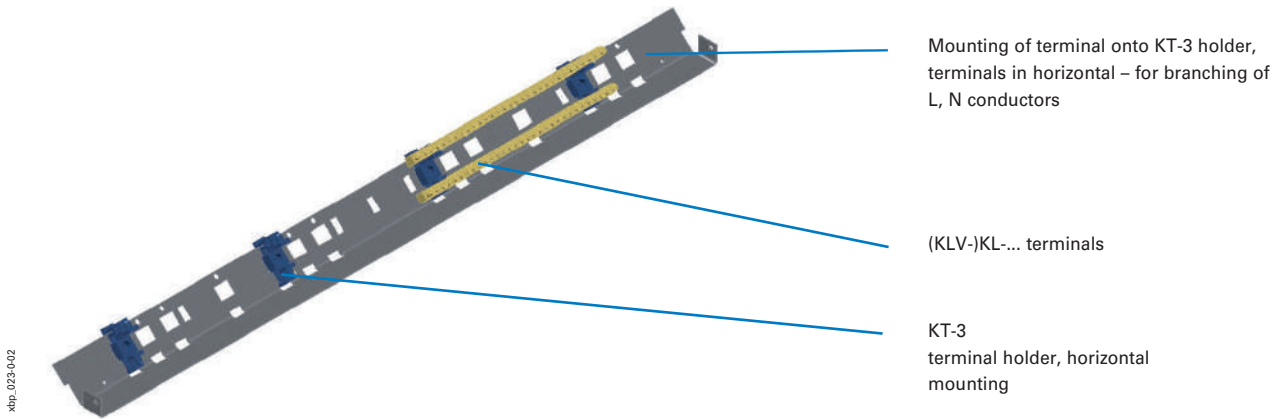


#### For board width 600 mm

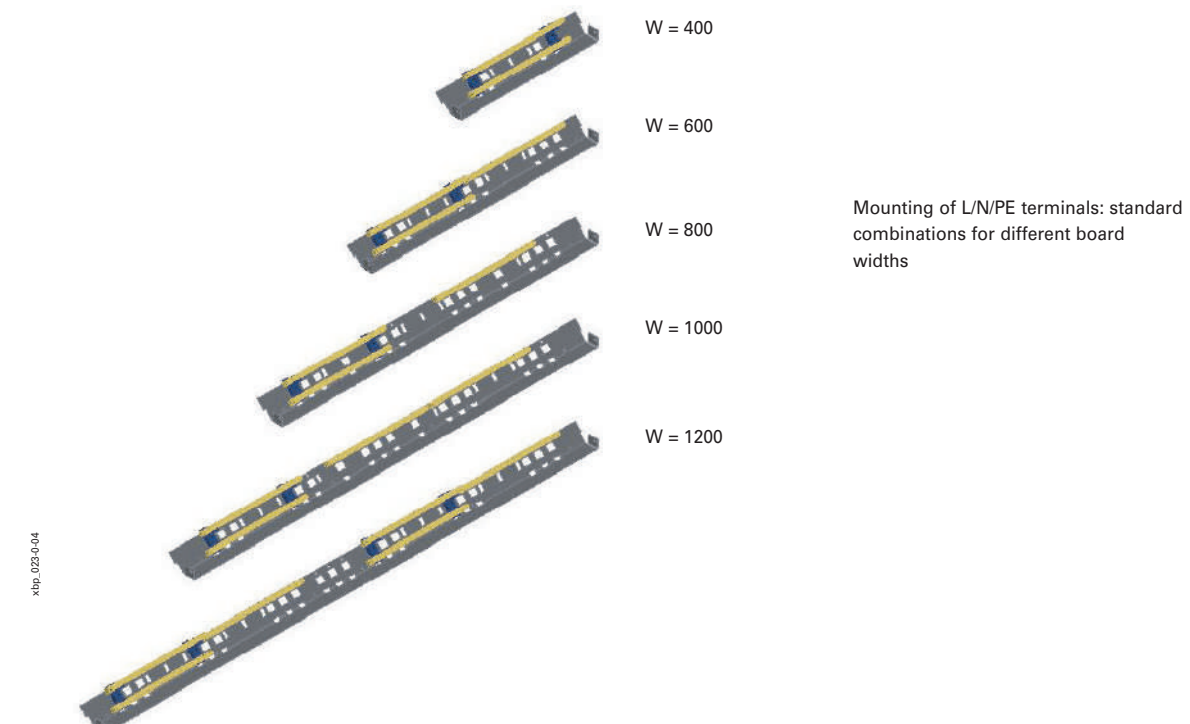
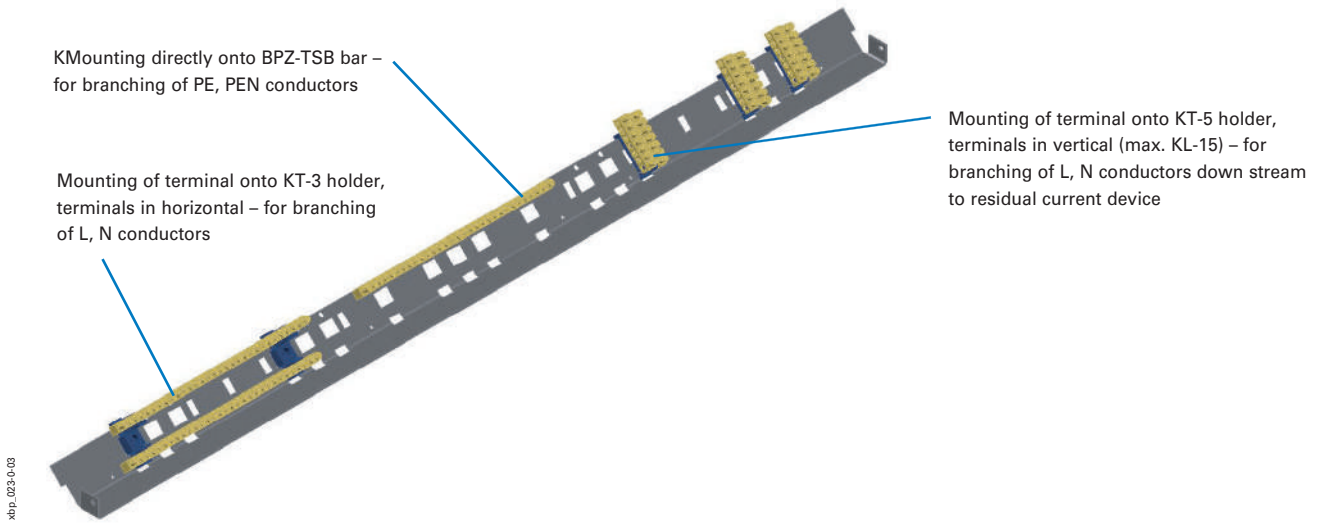


### Possible variants of equipping of support bars BPZ-TSB with terminals (KLV-)KL

For board width 800 mm

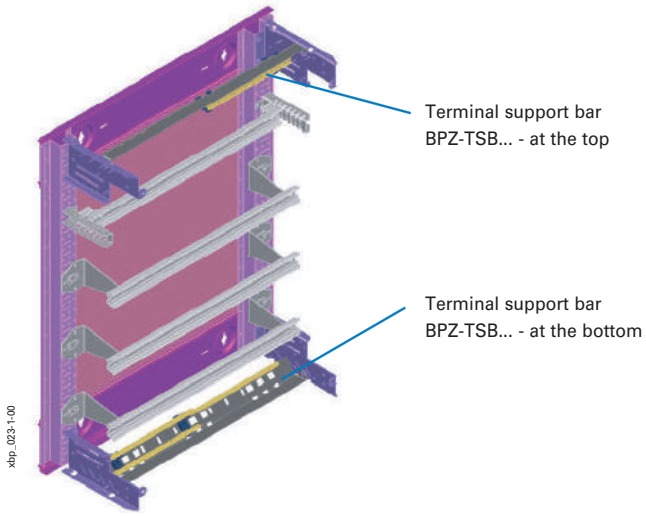


For board width 1000 mm

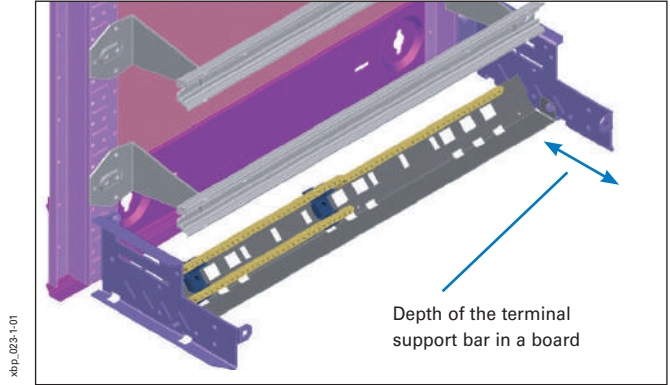


**Placing of BPZ-TSB bar inside a board**

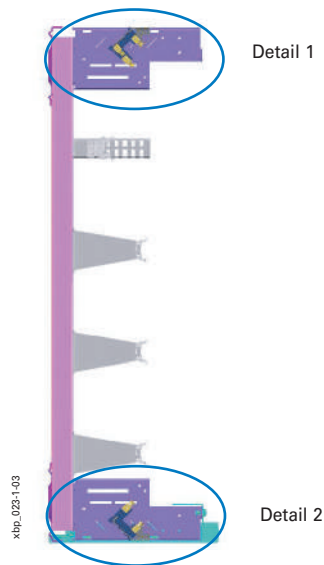
- Suitable only for surface mounted or floor-standing boards



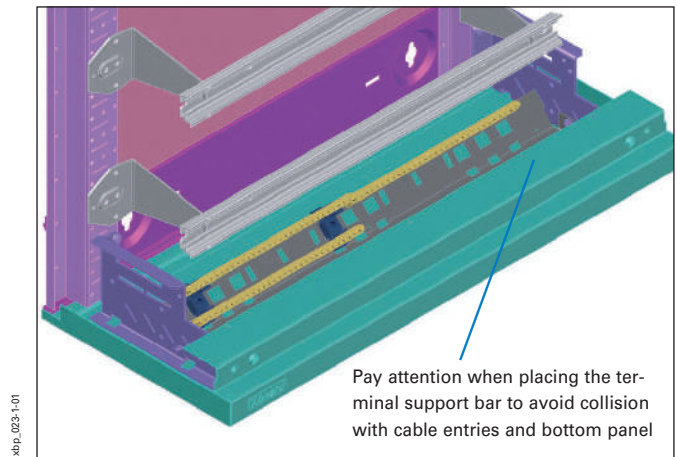
Detail



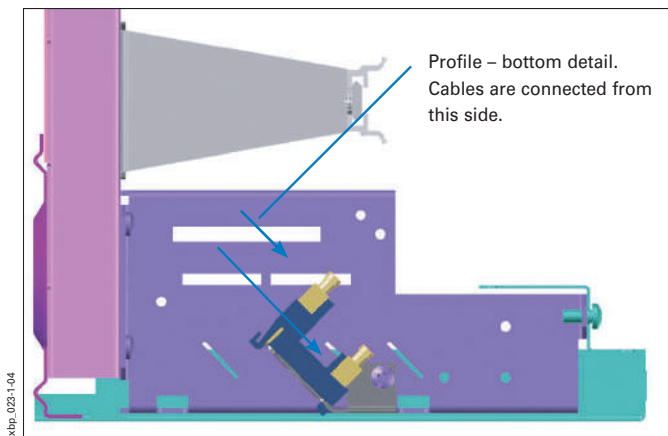
Profile



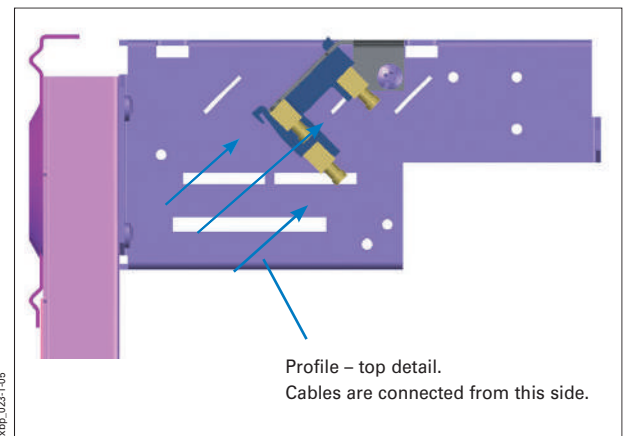
Detail



Detail 1 - Profile



Detail 2 - Profile



Height x Thickness x Length (mm) / Thread / Rated Current

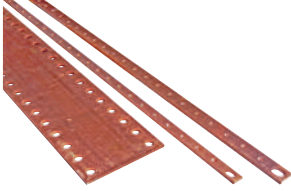
Type  
Designation

Article No.

Units per  
package

### Busbar with Thread, BPZ-BB/T

wa\_v01715



15 x 5 x 1000 / M6 / 218 A	BPZ-BB/T-15/5/1000	289861	4
20 x 5 x 1000 / M6 / 274 A	BPZ-BB/T-20/5/1000	289862	4
32 x 5 x 1000 / M6 / 400 A	BPZ-BB/T-32/5/1000	289863	4
15 x 5 x 2000 / M6 / 218 A	BPZ-BB/T-15/5/2000	289864	4
20 x 5 x 2000 / M6 / 274 A	BPZ-BB/T-20/5/2000	289865	4
30 x 5 x 2000 / M6 / 379 A	BPZ-BB/T-30/5/2000	179498	4
30 x 10 x 1000 / M8 / 573 A	BPZ-BB/T-30/10/1000	289867	4

Rated Current (A) / Rail Dimensions (mm)

Type  
Designation

Article No.

Units per  
package

### 4 pole Busbar Support, BPZ-BBS4

vi30614, vt30514



160-250 / 15x5 and 20x5	BPZ-BBS-4/250	289868	10
160-630 / 15x5 up to 30x10	BPZ-BBS-4/630	289869	2

Length x Width x Height (mm)

Type  
Designation

Article No.

Units per  
package

### Protective Cover for BPZ-BBS-4/250

- Material: PVC

vi05115



800 x 160 x 25	BPZ-PC/BBS250/800-160-25	177326	1
----------------	--------------------------	--------	---

Width (mm)

Type  
Designation

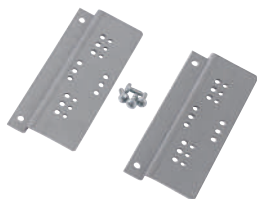
Article No.

Units per  
package

### Mounting elements for 4 pole Busbar Support 250 A

- Pair
- Horizontal mounting in the 200 mm compartment, vertical busbar

vi36414



200	BPZ-BR/BBS250/V-200	173652	1
-----	---------------------	--------	---

Width (mm)	Type Designation	Article No.	Units per package
------------	------------------	-------------	-------------------

**Mounting elements for 4 pole Busbar Support 250/630 A**

- Pair
- Horizontal mounting in the 400 mm compartment, vertical busbar
- Also for use as cable strain relief rail

vt05915



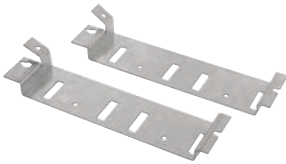
400	BPZ-BR/BBS630/V-400	177325	1
-----	---------------------	--------	---

Width (mm) / MU	Description	Type Designation	Article No.	Units per package
-----------------	-------------	------------------	-------------	-------------------

**Mounting elements for 4 pole Busbar Support 630 A, BPZ-BR/BBS630/V**

- Pair
- Horizontal mounting in the 400 mm compartment, vertical busbar

wa\_vt04913

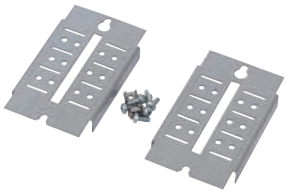


400	BPZ-BR/BBS630/V	104331	1
-----	-----------------	--------	---

**Mounting elements for DIN-Rail or DIN-Rail Set, BPZ-BR/DINR/V-200**

- Pair
- Horizontal mounting in the 200 mm compartment, vertical DIN-Rail
- Mounting the DIN-Rail directly or adjustable with towers

vt36314



200	BPZ-BR/DINR/V-200	173651	1
-----	-------------------	--------	---

**Aluminum Rail for vertical interior fittings, BPZ-MAH**

- Enable fixing of busbar support and other devices

vt15018



400	BPZ-MAH-400	154953	10
600	BPZ-MAH-600	154954	10
800	BPZ-MAH-800	154955	10
1000	BPZ-MAH-1000	154956	10
1200	BPZ-MAH-1200	154957	10

Width (mm) / MU	Description	Type Designation	Article No.	Units per package
-----------------	-------------	------------------	-------------	-------------------

### DIN-Rail Set, BPZ-DINR, Towers - adjustable

wa\_vt51613



400 / 13		BPZ-DINR13-400-T	286751	1/10
600 / 24		BPZ-DINR24-600-T	286753	1/10
800 / 35		BPZ-DINR35-800-T	286755	1/10
1000 / 46		BPZ-DINR46-1000-T	293590	1/10
1200 / 57		BPZ-DINR57-1200-T	293592	1/10

### DIN-Rail Set, BPZ-DINR, Towers - fixed

- Protruding DIN-Rail cutted on both sides
- For better mounting of vertical cable ducts

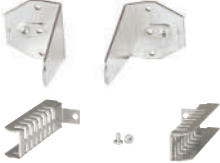
wa\_vt04014



400 / 13		BPZ-DINR13S-400-B	193981	1/10
600 / 24		BPZ-DINR24S-600-B	174384	1/10
800 / 35		BPZ-DINR35S-800-B	174385	1/10
1000 / 46		BPZ-DINR46S-1000-B	193982	1/10
1200 / 57		BPZ-DINR57S-1200-B	193983	1/10

### Towers, BPZ-T

wa\_vt08314, wa\_vt61413



	fixed	BPZ-TF/2	116651	1 pair
	adjustable	BPZ-TA/2	116650	1 pair

Width (mm) / MU	Description	Type Designation	Article No.	Units per package
-----------------	-------------	------------------	-------------	-------------------

### Fastening Elements, BEL

- BEL12: insulated, pre-mounted (grout screws)
- BEL01: for conductive connection, pre-mounted (grout screws)
- BEL12A: insulated, delivery in component parts

#### Pairs

wa\_nt19713



	white	BEL12	275199	1 pair
	green	BEL01	275200	1 pair
	white	BEL12A	275201	1 pair

### 200 pcs. loose parts in the box

wa\_nt19713



	white	BEL12-E	237837 *)	200 pcs.
	green	BEL01-E	237836 *)	200 pcs.

\*) Article No. and price per piece

Width (mm) / MU	Description	Type Designation	Article No.	Units per package
<b>C-Profil Rail for Cable Duct Angles, BPZ-CP</b>				
400		BPZ-CP-400	116918	10
600		BPZ-CP-600	116919	10
800		BPZ-CP-800	116920	10
1000		BPZ-CP-1000	116921	10
1200		BPZ-CP-1200	116922	10

vt11008



### Support Plate, STL / Adapter, SAA

- For mounting LTS-00 type HRC load breakers in series onto mounting support rails of different heights
- For mounting of PE/PEN busbars and nonstandard components onto fastening elements BEL

wa\_vt39713



	Support plate (set of 2 pieces)	STL-1	275427	1
	Support plate (set of 2 pieces)	STL-2	275428	1

wa\_vt42813



	Adapter (set of 4 pieces)	SAA	275429	1
--	---------------------------	-----	--------	---

### DIN-Rail, BPZ-DINR

wa\_vt51813



400 / 13		BPZ-DINR13-400	293594	10
600 / 24		BPZ-DINR24-600	293595	10
800 / 35		BPZ-DINR35-800	293596	10
1000 / 46		BPZ-DINR46-1000	293597	10
1200 / 57		BPZ-DINR57-1200	293598	10

Width (mm) / MU	Width (mm) / MU / for width of cable duct (mm)	Type Designation	Article No.	Units per package
-----------------	--	------------------	-------------	-------------------

### DIN-Rail, BPZ-TSK

- DIN-Rail cutted on one side
- Enable fixing of vertical cable ducts on one side

vt106214



600 / 23 / 40		BPZ-TSK-600/40	151166	10
600 / 22 / 60		BPZ-TSK-600/60	151167	10
600 / 21 / 80		BPZ-TSK-600/80	151168	10
800 / 34 / 40		BPZ-TSK-800/40	151169	10
800 / 33 / 60		BPZ-TSK-800/60	151170	10
800 / 32 / 80		BPZ-TSK-800/80	151171	10
1000 / 45 / 40		BPZ-TSK-1000/40	151172	10
1000 / 44 / 60		BPZ-TSK-1000/60	151173	10
1000 / 43 / 80		BPZ-TSK-1000/80	151174	10
1200 / 56 / 40		BPZ-TSK-1200/40	151175	10
1200 / 55 / 60		BPZ-TSK-1200/60	151176	10
1200 / 54 / 80		BPZ-TSK-1200/80	151177	10

Height (mm)	Type Designation	Article No.	Units per package
-------------	------------------	-------------	-------------------

#### Cable Duct Angles, KKW

- For MSW mounting
- Enable fixing of vertical cable ducts
- KKW-40 for 60 mm cable ducts
- KKW-DIN for 80 mm cable ducts
- DIN-Rail has to be shortened

wa\_vt39513

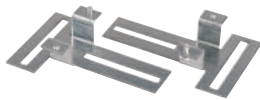


	KKW-40	275242	1
	KKW-DIN	275243	1

#### Fixing Material for Cable Duct, BPZ-CDB

- Mounting on main frame
- Enable fixing of vertical and horizontal cable ducts
- For boards of width 400, 600

wa\_vt07013



8	BPZ-CDB	102471	1
23	BPZ-CDB23	105216	1
58	BPZ-CDB58	109169	1

#### Fixing Material for Cable Duct C-Profile, BPZ-CDB../CP

- Mounting on main frame
- Enable fixing of vertical and horizontal cable ducts
- For boards of width 600, 800, 1000, 1200
- In combination with C-Profil Rail BPZ-CP...

vt11108



8	BPZ-CDB8/CP	116915	1
23	BPZ-CDB23/CP	116916	1
58	BPZ-CDB58/CP	116917	1

- For better mounting of vertical cable ducts
- In combination with DIN-Rail Set BPZ-DINR..S-...-B (DIN-Rail shortened)

vt106614, vt106514



8	BPZ-CDB08/CP	174386	1
49	BPZ-CDB49/CP	174387	1

BPZ-CDB08/CP



BPZ-CDB49/CP

Width (mm)	Description	Type Designation	Article No.	Units per package
------------	-------------	------------------	-------------	-------------------

#### Accessories for Cable Duct Fixing, BPZ-ZP

- For direct mounting of the cable duct at the C-profile rail (ZP2) or to the mounting elements BPZ-CDB... (ZP1)

wa\_vt04916, wa\_vt05016



	100 pcs. in bag	BPZ-ZP1	184980	1
	50 pcs. in bag	BPZ-ZP2	184981	1

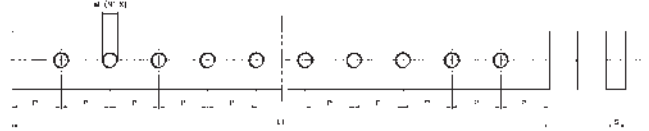


**Busbar with Thread, BPZ-BB/T**

- Scope of delivery: 4 Busbars (art. no. is created as 1 piece)

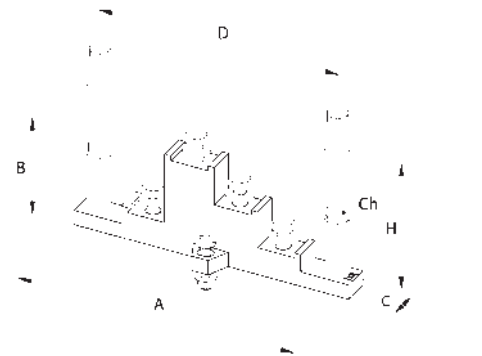
**Dimensions (mm)**

Type	L	S	P	L1	ØM	N°	Rated current (A) (Busbar temperature 65°C)
BPZ-BB/T-15/5/1000	15	5	25	1000	M6	39x	218
BPZ-BB/T-20/5/1000	20	5	25	1000	M6	39x	274
BPZ-BB/T-32/5/1000	32	5	25	1000	M6	39x	400
BPZ-BB/T-15/5/2000	15	5	25	2000	M6	79x	218
BPZ-BB/T-20/5/2000	20	5	25	2000	M6	79x	274
BPZ-BB/T-30/5/2000	30	5	25	2000	M6	79x	379
BPZ-BB/T-30/10/1000	30	10	25	1000	M8	39x	573



**4-pole Busbar Support, BPZ-BBS-4/250**

- Rated current 150-250 A
- Mounting position: vertical, horizontal
- For busbars featuring threads M6, 15 x 5 and 20 x 5 mm
- Material: PA66 reinforced with 30% glass fiber
- Flame resistance: self-extinguishing acc. to UL94/V-0
- Halogen free: Yes
- Compact construction
- Holes for fixing with M6 screws
- Easy to mount onto a mounting plate or special prepared brackets
- Additional fixing of protective cover BPZ-PC/BBS250/800-160-25
- Continuous operating temperature: +130°C
- Max. distance between the busbar supports in mm in case of one busbar per phase
- Scope of delivery: 1 busbar holder, 2 spacers, fixing material

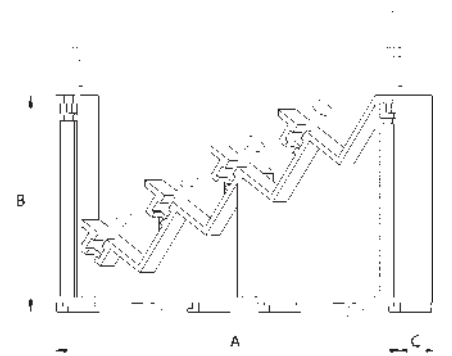


Bar cross section	lcc pk (kA)	11	14	24	32
	lcc rms (kA)	7	8	12	15
	In (A)	Distance (mm)			
15 x 5	150	561	455	258	150
20 x 5	250	647	526	266	150

A	B	C	D	H	Ch
mm	mm	mm	mm	mm	mm
150	54	16	130	70	10

**4-pole Busbar Support, BPZ-BBS-4/630**

- Rated current 150-630 A
- Mounting position: vertical, horizontal
- For busbars featuring threads M6, 15 x 5, 20 x 5, 32 x 5, 30 x 5 and 30 x 10 mm
- Material: PA66 reinforced with 35% glass fiber
- Flame resistance: self-extinguishing acc. to UL94/V-0
- Halogen free: Yes
- Compact construction
- Easy to mount onto a DIN-rail, onto a mounting plate or special prepared brackets
- Protective cover (not part of delivery) can be adjusted in height thanks to incl. plastic spacers
- Continuous operating temperature: +125°C
- Max. distance between the busbar supports in mm in case of one busbar per phase
- Scope of delivery: 1 busbar holder, fixing material



Bar cross section	lcc pk (kA)	11	14	24	32	48
	lcc rms (kA)	7	8	12	15	23
	In (A)	Distance (mm)				
15x5	150	682	554	314	250	100
20x5	250	788	640	363	261	100
32x5	400	980	980	410	261	100
20x10	500	980	980	410	261	100
30x10	630	980	980	410	261	100

A	B	C
mm	mm	mm
150	54	16

### Mounting elements for 4 pole Busbar Support 250 A, BPZ-BR/BBS250/V-200

- For horizontal mounting of the 4-pole Busbar Support BPZ-BBS-4/250 onto mounting pillars of a 200 mm wide compartment. Busbars are in vertical direction.
- Material: Sheet steel (2 mm), zinc-coated
- Scope of delivery: 2 Mounting elements, fixing material

### Mounting elements for 4-pole Busbar Support 630 A, BPZ-BR/BBS630/V

- For horizontal mounting of the 4-pole Busbar Support BPZ-BBS-4/630/V onto mounting pillars of a 400 mm wide enclosure (or a 400 mm wide compartment). Busbars are in vertical direction.
- Material: Sheet steel (2 mm), zinc-coated
- Scope of delivery: 2 Mounting elements, fixing material

### Mounting elements for DIN-Rail respectively DIN-Rail Kit, BPZ-BR/DINR/V-200

- For vertical mounting of the DIN-Rail onto mounting pillars of a 200 mm wide compartment
- Material: Sheet steel (1.5 mm), zinc-coated
- Scope of delivery: 2 Mounting elements, fixing material



### Device rail Set, BPZ-DINR

- For mounting of installation devices
- Number of modular units acc.to front plate cut-out, independent of type of fixing
- Fixed towers preferred for vertical routing via cable ducts

#### With adjustable mounting depth BPZ-DINR...T

- Scope of delivery: device rail, 2 adjustable towers, 2 BEL01 fastening elements, fixing material



#### With fixed mounting depth BPZ-DINR...B

- Scope of delivery: device rail, 2 fixed towers, fixing material
- Conductive connection is type tested

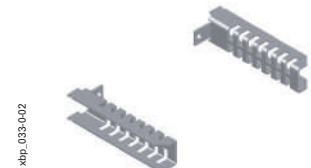


### Towers for device rail, BPZ-T-/2

- For mounting of device rails (without BPZ-MSW)

#### With adjustable depth BPZ-TA/2

- Enables adjustable mounting depth of the DIN-Rail in steps of 12 mm
- Scope of delivery: 2 adjustable towers, fixing material

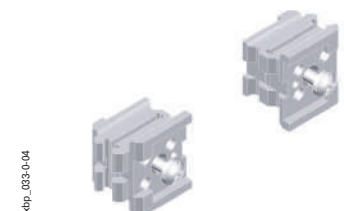


#### With fixed depth BPZ-TF/2

- Scope of delivery: 2 fixed towers, fixing material
- Conductive connection is type tested

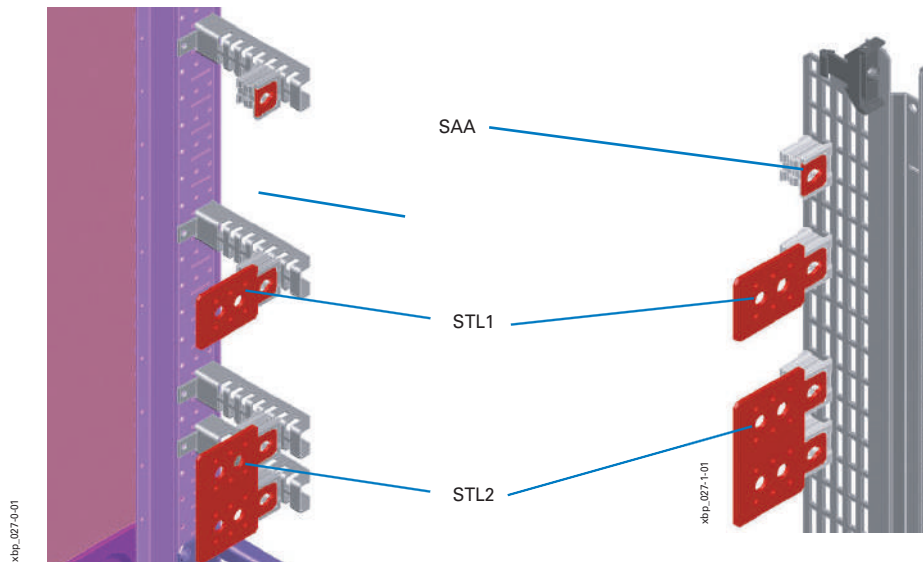
### Fastening elements, BEL

- For mounting device rails onto adjustable towers BPZ-TA or onto mounting side walls BPZ-MSW
- White BEL12 - ungrounded fastening element
- Green BEL01 - grounded fastening element
- Unmounted BEL12A - ungrounded and unmounted fastening element
- Scope of delivery: 2 fastening elements



## Adaptors, SAA, STL

- Adaptors SAA are intended to align the dip in BEL. With the adaptors, it is possible to mount panels and other equipment which is not designed for BEL onto these fastening elements.
- Holders STL can be used in the same way as SAA. These holders are enlarged by mounting extension.

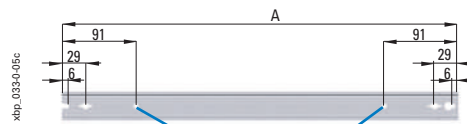
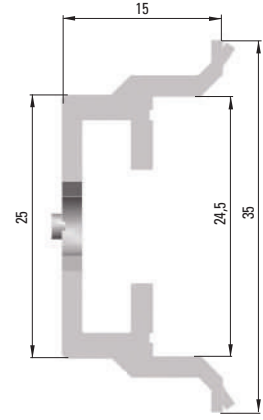


### Device rails, BPZ-DINR

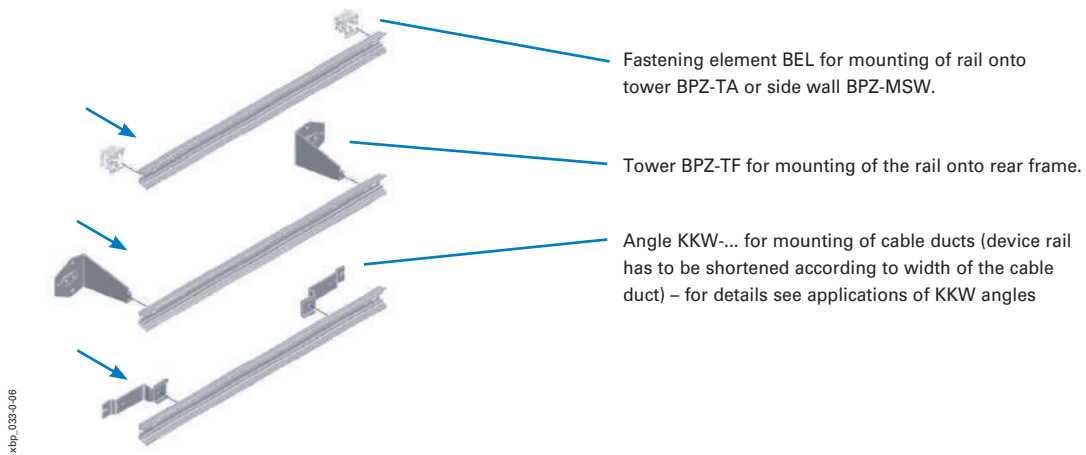
- For mounting of the Installation devices
- Material: Aluminium
- Scope of delivery: 1 device rail

### Dimensions (mm)

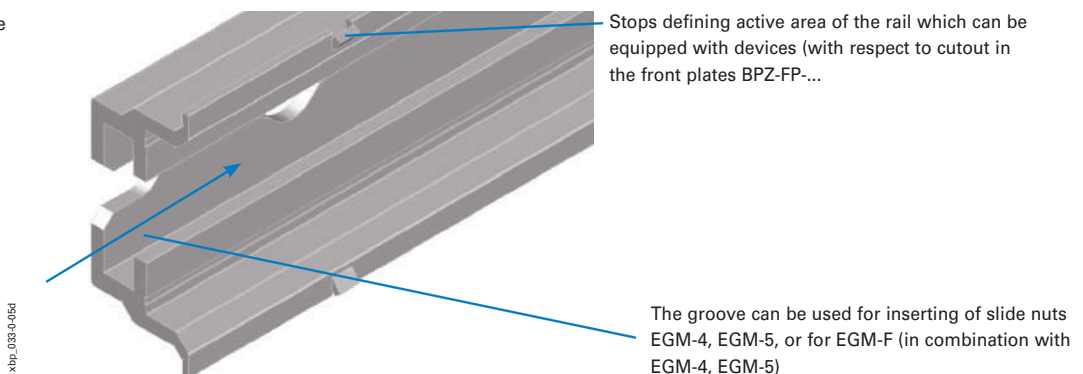
Type	Outside dimensions		
	Height	Width A	Depth
BPZ-DINR13-400	35	288	15
BPZ-DINR24-600	35	488	15
BPZ-DINR35-800	35	688	15
BPZ-DINR46-1000	35	888	15
BPZ-DINR57-1200	35	1088	15



Holes for mounting of cable duct angles KKW

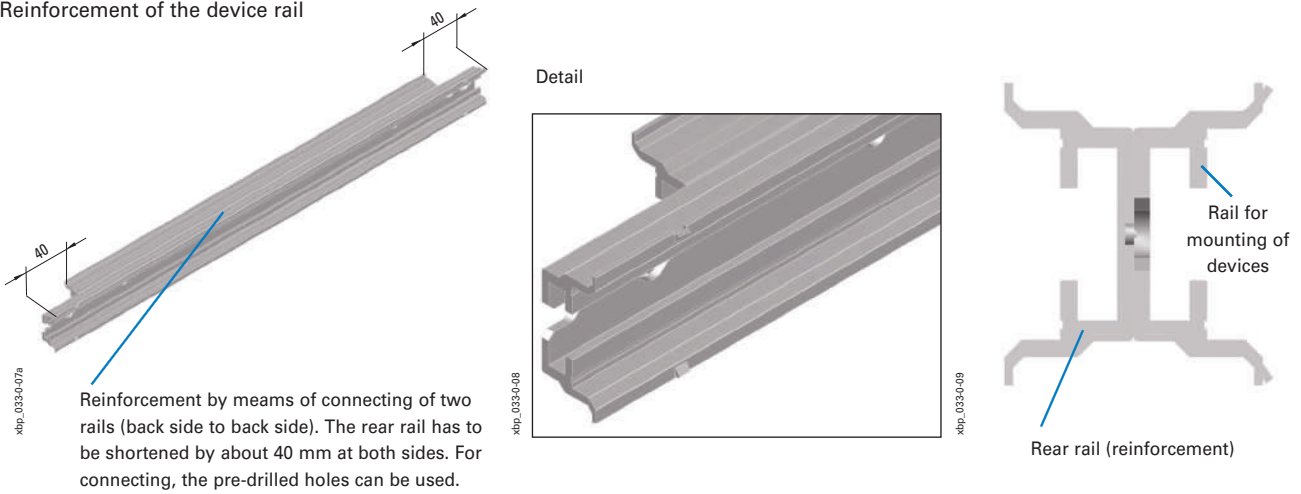


### Detail of device rail profile



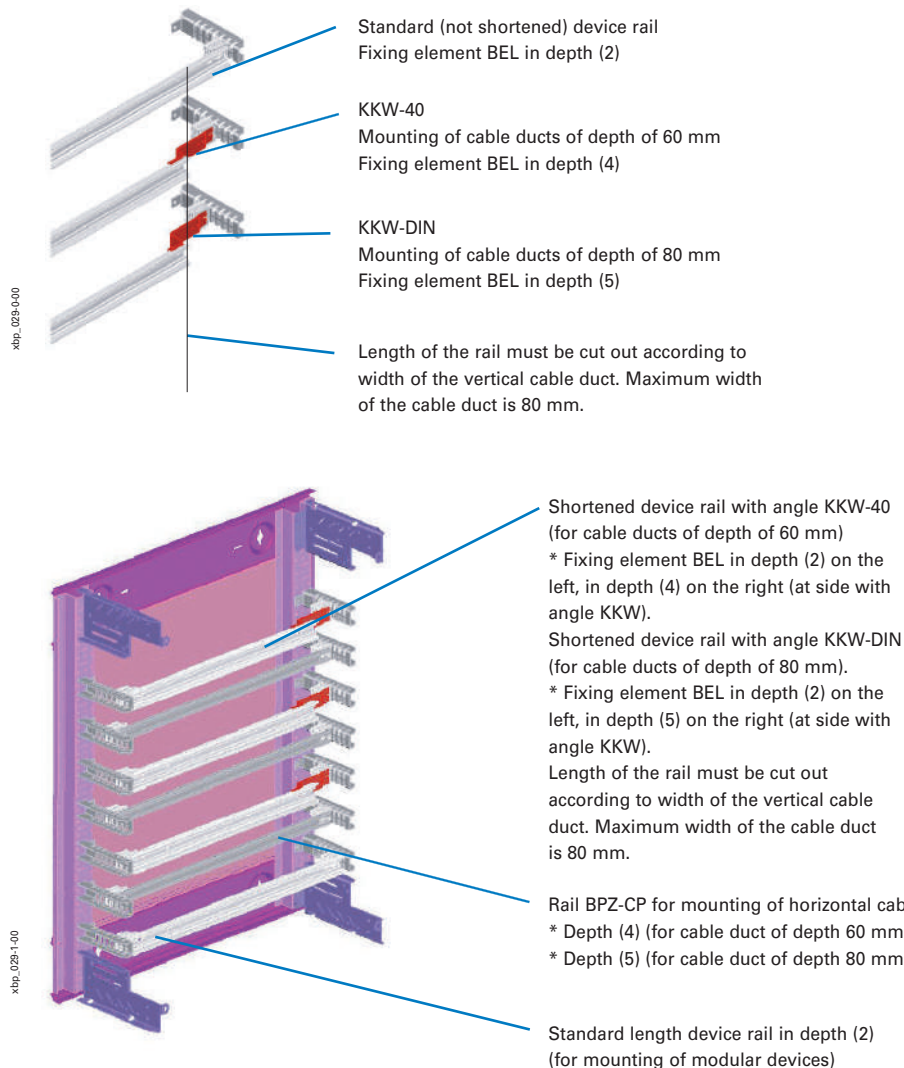
### Device rails, BPZ-DINR

Reinforcement of the device rail



### Cable duct angles, KKW

- For mounting cable ducts featuring a depth of 60 mm (KKW-40) or 80 mm (KKW-DIN)
- Material: Sheet steel, zinc-coated
- Scope of delivery: 1 cable duct angle

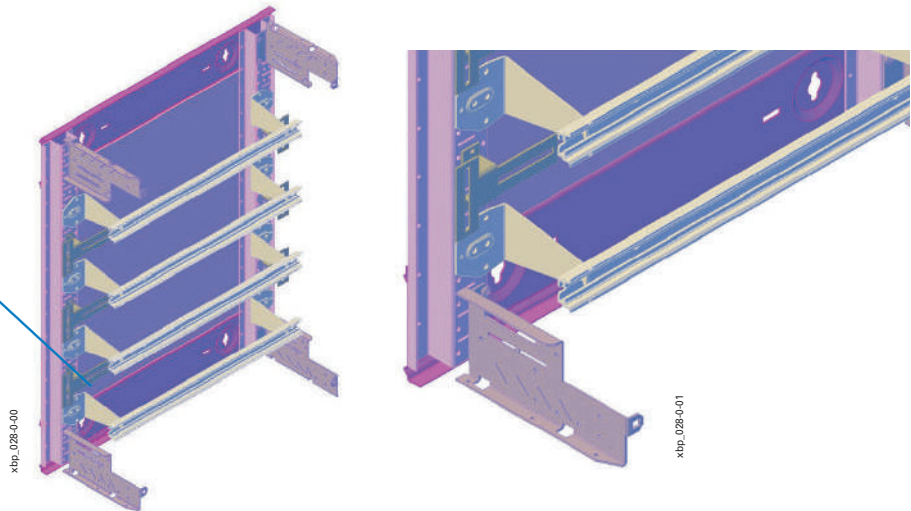


### Fixing elements for cable duct, BPZ-CDB

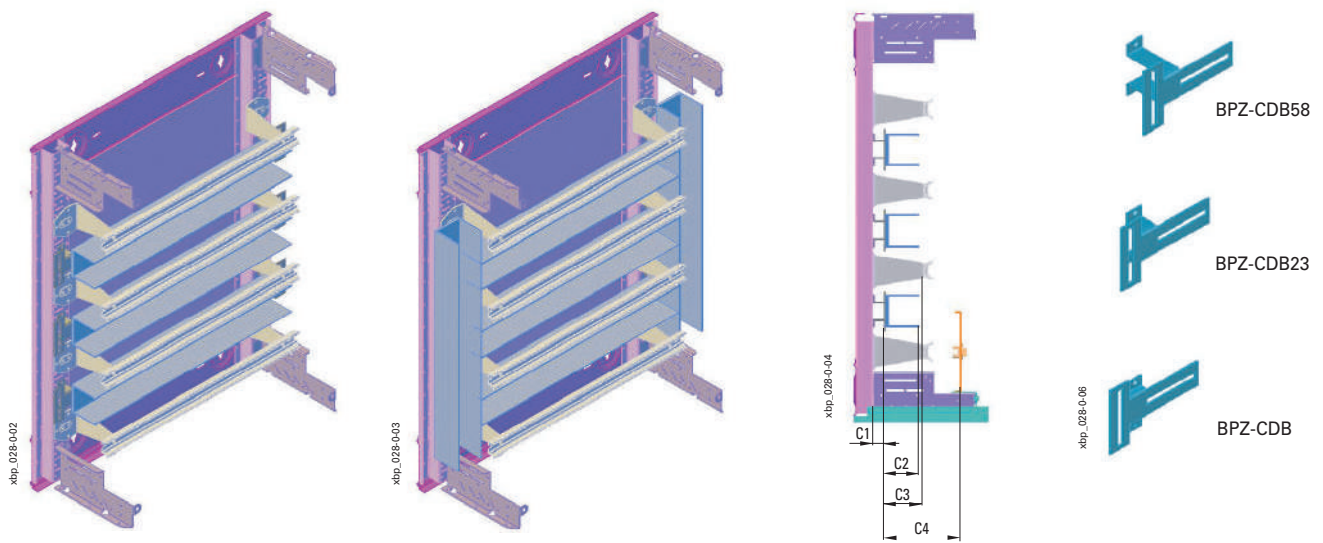
- For mounting cable ducts featuring a depth of 80 mm (BPZ-CDB), 60 mm (BPZ-CDB23) or 40 mm (BPZ-CDB58) for surface-mounted or floor-standing distribution boards
- For board width 400, 600 mm
- For larger widths fixing elements BPZ-CDB../CP are used
- Material: Sheet steel, zinc-coated
- Scope of delivery: 2 fixing elements, fixing material

#### Detail of mounting and applications

Cable duct fixing elements BPZ-CDB. Mounting onto rear frame (only for surface-mounted and floor-standing boards). A type is chosen according to height of the cable duct.



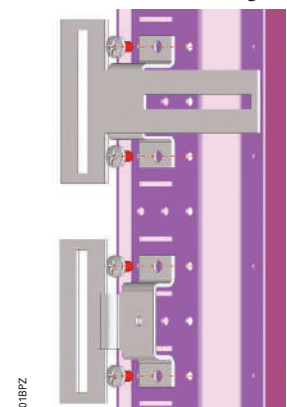
### Fixing elements BPZ-CDB equipped with cable ducts (for board of width of 400, 600 mm)



#### Dimensions (mm)

Type	Fixing element height	Recommended height of the cable duct	Maximum height of the vertical cable duct	Maximum height of the horizontal cable duct
	C1	C2	C3	C4
BPZ-CDB	8	80	85	150
BPZ-CDB23	23	60	70	135
BPZ-CDB58	58	40	40	100

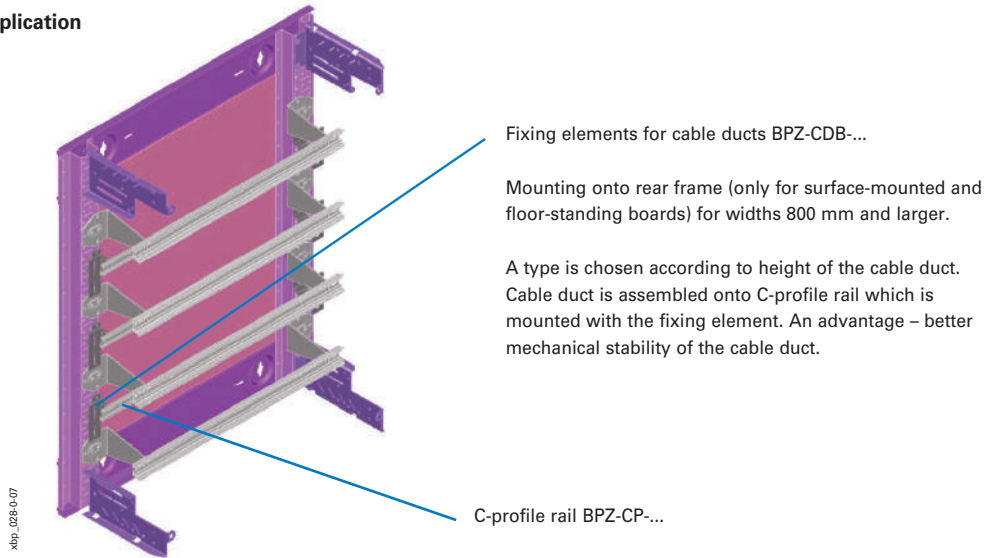
#### Detail of mounting



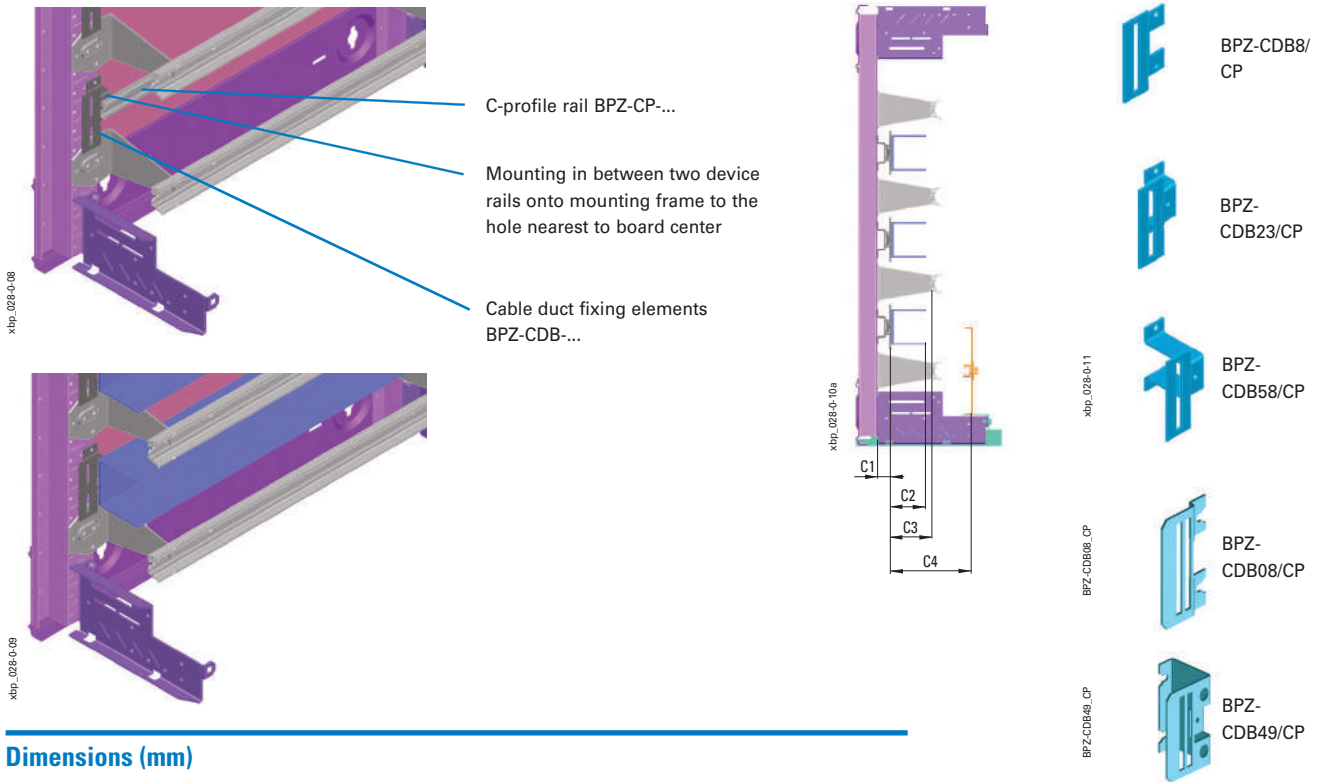
**Fixing elements for cable duct, BPZ-CDB../CP**

- For mounting cable ducts featuring a depth of 80 mm (BPZ-CDB8/CP respectively BPZ-CDB08/CP), 60 mm (BPZ-CDB23/CP) or 40 mm (BPZ-CDB49/CP respectively BPZ-CDB58/CP) for surface-mounted or floor-standing distribution boards
- For board with 600 to 1200 mm
- Fixing elements are supplemented with rails BPZ-CP
- Material: Sheet steel, zinc-coated
- Scope of delivery: 2 fixing elements, fixing material

**Detail of mounting and application**



**Fixing elements BPZ-CDB equipped with cable ducts (for board of width of 800 to 1200 mm)**



**Dimensions (mm)**

Type	Fixing element height	Recommended height of the cable duct	Maximum height of the vertical cable duct	Maximum height of the horizontal cable duct
BPZ-CDB8/CP	C1	C2	C3	C4
BPZ-CDB08/CP	7	80	85	150
BPZ-CDB23/CP	8	80	85	150
BPZ-CDB49/CP	24	60	70	135
BPZ-CDB58/CP	49	40	45	105
BPZ-CDB58/CP	54	40	40	100

wa\_vt01318, vt07115, vt10319



## Distribution Boards

### Distribution Boards

#### • Chapter 1

Enclosures / switchgear cabinets for installation system Profi+ .....	Page 2
1.1 Surface-mounted distribution board BP-O-..., IP30 (pre-assembled) .....	Page 4
1.2 Surface-mounted distribution board BP-O-..., IP30 (flat-pack, grey) .....	Page 8
1.3 Surface-mounted distribution board BP-O-..., IP30 (flat-pack, white) .....	Page 12
1.4 Surface-mounted distribution board BPM-O-..., IP55 .....	Page 34
1.5 Flush-mounted distribution board BP(A/M)-U-3S-..., IP30/IP43/IP54 .....	Page 44
1.6 Floor-standing distribution board BP-F-..., IP30 .....	Page 58
1.7 Distribution boards for special applications, BP-MN / BP-VF .....	Page 70
1.8 Floor-standing distribution board BPM-F-..., IP55 .....	Page 74
1.9 Shared compartments inside distribution boards BP(M)-O, BP(M)-F .....	Page 86

#### • Chapter 2

Profi+ installation system - components for interior fitting .....	Page 92
2.1 Front plates, blind and with 45mm cut-out for DIN-rail devices. ....	Page 94
2.2 Mounting kits for Moulded Case Circuit Breaker .....	Page 102
2.3 Mounting kits for Fuse Switch Disconnectors. ....	Page 118
2.4 Mounting kits for BZM, Dumeco and QSA .....	Page 126
2.5 Mounting kits for Earthing and Neutral conductors .....	Page 127
2.6 Mounting plates for universal fixing of different components .....	Page 130
2.7 Mounting kits for Energy Meters and various metering equipment .....	Page 138

#### • Chapter 3

Profi+ installation system - general accessories .....	Page 145
--	----------

#### • Chapter 4

General accessories xEnergy Basic .....	Page 166
---	----------

#### • Chapter 5

Overall technical data xEnergy Basic .....	Page 186
--	----------

#### • Chapter 6

Verification of temperature rise by testing - selection of reference examples .....	Page 191
---	----------



**System Overview**

**Power Distribution Blocks (distributor assembly terminal blocks)**

- Prepared for reliable and fast connections inside the switchboard
- Installation on modular rail or mounting plate
- Screw-terminal connections

**1-phase types**

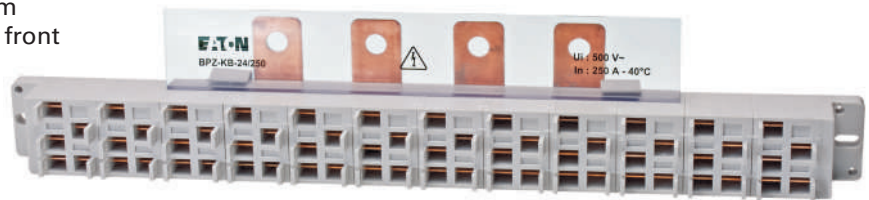


**3-/4-phase types**



**4-phase busbar system (easy to connect)**

- Connection to the vertical busbar from the back, outgoing distribution in the front
- Installation with special brackets or directly on mounting plate
- For 600 / 800 mm wide compartments
- Snap-in connections



**Modular busbar system SASY 60i**

- 1- up to 5-phase systems realizable
- Prepared mounting kits for horizontal installation
- Vertical integration in separate compartment possible



Outputs L1/L2/L3 / N / Width (mm)

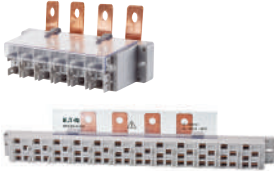
Type  
Designation

Article No.

Units per  
package**4 phase distribution busbar, BPZ-KB-12/250, BPZ-KB-24/250**

- Prepared for a quick and easy wiring by means of plug-in contacts
- 63 A max. rated current per outlet

wa\_vt04816, wa\_vt16514

6 / 12 / 233  
12 / 24 / 422BPZ-KB-12/250  
BPZ-KB-24/250184977 1  
289971 1**Fixing brackets for distribution busbar BPZ-KB-xx/250**

- Suitable for mounting in the 400 mm (BPZ-KB-12/250) and 600/800 mm (BPZ-KB-24/250) wide compartment inside Profi+ installation system (for EP separate brackets available)

vt28817



1 pair

BPZ-BR/KB24

102477 1

Colour / Length

Type  
Designation

Article No.

Units per  
package**Flexible Connector for 4 phase Busbar, BPZ-P**

vt18705

6 mm<sup>2</sup>

black / 120 mm

BPZ-P/L-6/120

102692 10

blue / 120 mm

BPZ-P/N-6/120

102693 10

black / 320 mm

BPZ-P/L-6/320

102696 10

blue / 320 mm

BPZ-P/N-6/320

102697 10

10 mm<sup>2</sup>

black / 120 mm

BPZ-P/L-10/120

102694 10

blue / 120 mm

BPZ-P/N-10/120

102695 10

black / 320 mm

BPZ-P/L-10/320

102698 10

blue / 320 mm

BPZ-P/N-10/320

102699 10

Cross section (mm<sup>2</sup>)Type  
Designation

Article No.

Units per  
package**Connector with Insulated Crimp, BPZ-P/C**

wa\_vt15114, wa\_vt15014, wa\_vt15214



1.5 - 2.5

BPZ-P/C-1.5/2.5

178396 1

4 - 6

BPZ-P/C-4/6

102700 1

6 - 10

BPZ-P/C-6/10

178397 1

Rated current (A) / Output Terminals

Type  
Designation

Article No.

Units per  
package

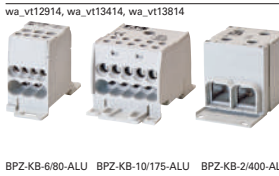
**1 pole Terminal Blocks, BPZ-KB**

- Mounting onto DIN-rail and mounting plate

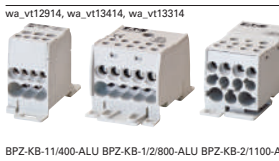


80 / 6	BPZ-KB-4/80	289969	1
125 / 6	BPZ-KB-6/125	102714	1
125 / 8	BPZ-KB-2/8/125	178398	1
160 / 6	BPZ-KB-6/160	289970	1
160 / 11	BPZ-KB-2/11/160	178399	1
175 / 10	BPZ-KB-10/175	102715	1
250 / 11	BPZ-KB-11/250	289967	1
400 / 2	BPZ-KB-2/400	178401	1
400 / 6	BPZ-KB-6/400	178400	1
400 / 11	BPZ-KB-11/400	102713	1

- Mounting onto DIN-rail and mounting plate, type aluminium



80 / 6	BPZ-KB-6/80-ALU	102702	1
125 / 6	BPZ-KB-6/125-ALU	102703	1
160 / 6	BPZ-KB-6/160-ALU	102704	1
175 / 1	BPZ-KB-1/175-ALU	102709	1
175 / 10	BPZ-KB-10/175-ALU	102707	1
250 / 11	BPZ-KB-11/250-ALU	102705	1
400 / 1	BPZ-KB-1/400-ALU	102710	1



400 / 2	BPZ-KB-2/400-ALU	178403	1
400 / 6	BPZ-KB-6/400-ALU	178402	1
400 / 11	BPZ-KB-11/400-ALU	102706	1
800 / 2	BPZ-KB-1/2/800-ALU	102712	1
800 / 2	BPZ-KB-2/2/800-ALU	102711	1
1100 / 2	BPZ-KB-2/1100-ALU	178404	1

Dimensions LxWxH (mm) / Suitable for

Type  
Designation

Article No.

Units per  
package

**Connection Latch for 1 pole Terminal Block, BPZ-CL**



7x65x25 / Art.-No. 289967	BPZ-CL-65/25	102720	10
9x70x30 / Art.-No. 102713	BPZ-CL-70/30	102721	10

**Connection Bar 27 mm for 1 pole Terminal Block, BPZ-CB**



16x44x14 / Art.-No. 102714	BPZ-CB-44/14	102722	10
----------------------------	--------------	--------	----

Rated current (A) / Inputs / Outputs	Type Designation	Article No.	Units per package
--------------------------------------	------------------	-------------	-------------------

### 3 pole Terminal Block, BPZ-KB/6/175

Mounting onto DIN-rail and mounting plate, type aluminium

wa\_vt13514



175 / 1 / 6	BPZ-KB-6/175	102717	1
-------------	--------------	--------	---

Mounting onto DIN-rail and mounting plate, type aluminium

175 / 1 / 6	BPZ-KB-6/175-ALU	102708	1
-------------	------------------	--------	---

### 4 pole Terminal Blocks, BPZ-KB

wa\_vt16114



125 / 1x(L1/L2/L3/N) / 7x(L1/L2/L3), 10xN	BPZ-KB-8/125	289968	1
---	--------------	--------	---

125	BPZ-KB-9/125	102718	1
-----	--------------	--------	---

125	BPZ-KB-13/125	102719	1
-----	---------------	--------	---

wa\_vt14314



160 / 1x(L1/L2/L3/N) / 11x(L1/L2/L3/N)	BPZ-KB-11/160	102716	1
--	---------------	--------	---

Max. Rated current (A) / Cross section (mm<sup>2</sup>) /  
Number of connection points

Type  
Designation

Article No.

Units per  
package

**Compact distribution blocks BPZ-KC-...-ALU**

Mounting onto DIN-rail

For copper as well as aluminium conductors

	82 / 16 / 1	BPZ-KC-1/16-ALU	195327	10
	82 / 16 / 1	BPZ-KC-1/16N-ALU	195328	10
	82 / 16 / 1	BPZ-KC-1/16PE-ALU	195329	10
	135 / 35 / 1	BPZ-KC-1/35-ALU	195330	10
	135 / 35 / 1	BPZ-KC-1/35N-ALU	195331	10
	135 / 35 / 1	BPZ-KC-1/35PE-ALU	195332	10
	270 / 35 / 2	BPZ-KC-2/35-ALU	195333	10
	270 / 35 / 2	BPZ-KC-2/35N-ALU	195334	10
	270 / 35 / 2	BPZ-KC-2/35PE-ALU	195335	10
	160 / 50 / 1	BPZ-KC-1/50-ALU	195336	10
	160 / 50 / 1	BPZ-KC-1/50N-ALU	195337	10
	160 / 50 / 1	BPZ-KC-1/50PE-ALU	195338	10
	320 / 50 / 2	BPZ-KC-2/50-ALU	195339	10
	320 / 50 / 2	BPZ-KC-2/50N-ALU	195340	10
	320 / 50 / 2	BPZ-KC-2/50PE-ALU	195342	10
	250 / 95 / 1	BPZ-KC-1/95-ALU	195343	10
	250 / 95 / 1	BPZ-KC-1/95N-ALU	195344	10
	250 / 95 / 1	BPZ-KC-1/95PE-ALU	195345	10
	500 / 95 / 2	BPZ-KC-2/95-ALU	195346	10
	500 / 95 / 2	BPZ-KC-2/95N-ALU	195347	10
	500 / 95 / 2	BPZ-KC-2/95PE-ALU	195348	10
	320 / 150 / 1	BPZ-KC-1/150-ALU	195349	10
	320 / 150 / 1	BPZ-KC-1/150N-ALU	195350	10
	320 / 150 / 1	BPZ-KC-1/150PE-ALU	195351	10
	640 / 150 / 2	BPZ-KC-2/150-ALU	195352	5
	640 / 150 / 2	BPZ-KC-2/150N-ALU	195353	5
	640 / 150 / 2	BPZ-KC-2/150PE-ALU	195354	5
	425 / 240 / 1	BPZ-KC-1/240-ALU	195355	3
	425 / 240 / 1	BPZ-KC-1/240N-ALU	195356	3
	425 / 240 / 1	BPZ-KC-1/240PE-ALU	195357	3
	850 / 240 / 2	BPZ-KC-2/240-ALU	195358	3
	850 / 240 / 2	BPZ-KC-2/240N-ALU	195359	3
	850 / 240 / 2	BPZ-KC-2/240PE-ALU	195360	3

Description	Type Designation	Article No.	Units per package
-------------	------------------	-------------	-------------------

### Wall mounting Bracket Set, for Floor Standing Board

- For IP30 and IP55 Floor Standing Board
- One set includes 2 wall-mounting angles plus mounting accessories

vt28610



	BPZ-WW	142474	1
--	--------	--------	---

Description	Type Designation	Article No.	Units per package
-------------	------------------	-------------	-------------------

### Wall mounting Bracket Set, for Moisture Proof-Surface Mounting Installation Board

- For IP55 Surface Mounting Boards
- For fixing the enclosures on the wall
- Vertical or horizontal mounting
- Zinc coated Steel Sheet 3 mm
- One set includes 4 wall-mounting angles plus mounting accessories

vt03010



	WFB-SET-CS	112639	1
--	------------	--------	---

### Lifting-Eye Bolt, BPZ-LE

vt1698



	BPZ-LE	286770	1
--	--------	--------	---

### Flask with Brush Applicator, BPZ-CPS, PAINT-RAL

vt09405



RAL 7035, 30ml	BPZ-CPS-7035	286771	1
RAL 9016, 30ml	PAINT-RAL9016	288948	1

Cross section (mm <sup>2</sup> ) / Lenght (mm)	Type Designation	Article No.	Units per package
--	------------------	-------------	-------------------

**Spray BPZ-SPRAY-7035**

vt12208



Spray RAL 7035, 400ml	BPZ-SPRAY-7035	116678	1
-----------------------	----------------	--------	---

**Door Grounding Set, BFZ-DES**

vt19305



6 / 300	BFZ-DES	101665	1
---------	---------	--------	---

**Fixing Material, EGM, KM-6**

wa\_vt38713



Fixing cage (set of 100 pieces)	EGM-F	275417	1
Slide nut M4 (set of 100 pieces)	EGM-4	275418	1
Slide nut M5 (set of 100 pieces)	EGM-5	275419	1

Description	Type Designation	Article No.	Units per package
-------------	------------------	-------------	-------------------

**Replacement Hinge, BPZ-MH**

- Replacement for all IP43-Enclosures (type BPA-...) and IP55-Enclosures (type BPM-...)
- 1 hinge bracket incl. hinge pin

vt15518



Replacement Hinge	BPZ-MH	166660	1
-------------------	--------	--------	---

Thread / Lenght (mm)	Type Designation	Article No.	Units per package
----------------------	------------------	-------------	-------------------

**Screws, BPZ-S-...**

- M5x12 (standard screw of the board)
- M4x8 (flange plate)

wa\_vt10103



M5 / 12	BPZ-S-M5x12	120719	20
M4 / 8	BPZ-S-M4x8	120720	20

Description	Type Designation	Article No.	Units per package
-------------	------------------	-------------	-------------------

### Locks, 61005

- Type SS-KS-61005: lock and key set 61005
- Number of locks required per door in the technic part!

wa\_vt36813



Lock and key set 61005	SS-KS-61005	275422	1
Metal key 61005	MS-61005	275423	1
Plastic key 61005	KS-61005	275424	1

### Replacement Clip-down Handle for standard half-cylinder length 40 mm

#### 1-point locking with tongue

vt12108



Clip-down handle Softline short	BPZ-SH	116690	1
Clip-down handle Softline long	BPZ-SH-L-1P	187864	1

#### 3-point locking with rod drive

Clip-down handle Softline long	BPZ-SH-L	131560	1
--------------------------------	----------	--------	---

### Clip-down Handle to retrofit for half-cylinder length 50 mm

vt15418



1-point locking with tongue	BPZ-SH-L-1P/OLU	187865	1
3-point locking with rod	BPZ-SH-L-3P/OLU	187866	1

### Locks, BPZ-LOCK

- Replacement part for all enclosures with rotary door lock or dual-bit lock
- Number of locks required per door in the technic part!

#### For IP30/IP55, Surface-Mounting and Floor-Standing Distribution Boards

vt12010



Dual-bit 3 mm inclusive 1 key	BPZ-LOCK/DBIT3	178405	1
Simultaneous lock cylinder inclusive 2 keys	BPZ-LOCK	102467	1

### Ease-of-use Rotary Handle

- Rotary handle suitable for standardized profi le half-cylinders
- With integrated indication of lock position
- Available as a retro-fitting or complete set
- Handle made of high-grade shock-proof zinc die-casting
- Compatible with all LC... universal locks
- For standardized door cut-outs sized 22.5 x 20.4 mm
- Colour dusty grey RAL 7037, powder-coated
- Profi le half-cylinder to be ordered separately

#### For IP30/IP55, Surface-Mounting and Floor-Standing Distribution Boards

vt12110



Retro-fitting set	PHZ-A-ADD-ON	133106	1
-------------------	--------------	--------	---



Description	Type Designation	Article No.	Units per package
-------------	------------------	-------------	-------------------

**Locks, BPZ-LOCK**

For IP30, Surface-Mounting and Floor-Standing Distribution Boards, lock SH

vt11808



Lock SH6	BPZ-LOCK/SH6METAL	116913	1
Key SH6	BPZ-KEY/SH6	116674	1

For IP30, Surface-Mounting and Floor-Standing Distribution Boards, lock DH

vt11908



Lock DH	BPZ-LOCK/DHMETAL	116914	1
Key DH	BPZ-KEY/DH	116676	1

**Profile Half-Cylinder for diverse Handles**

- For rotary and clip-down ease-of-use handles
- Lock-cylinder finish according to DIN 18252 and DIN EN 1303
- Profile half-cylinder 10/30 with pin closures made of nickel silver
- 8-fold adjustable lock bit, 5 pairs of pins
- Identical or different locking
- Number of locks required per door in the technic part!

vt33610



1 Key included, keyed alike	PHZ-E10/30-GS	138574	1
3 Keys included, keyed different	PHZ-E10/30-VS	138575	1

**Spare Key for Profile Half-Cylinder**

- For profile half-cylinder PHZ-E...-GS

vt12510



Identical locking	KEY-E10/30-GS	138576	4
-------------------	---------------	--------	---

No. of Photo / Version	Type Designation	Article No.	Units per package
------------------------	------------------	-------------	-------------------

**Lock inserts for mounting in Clip-down handles**

wa\_nt08913 , vt11608, vt11708



1 7 mm square lock insert	NWS-SHE/4K/7	255306	1
2 8 mm square lock insert	NWS-SHE/4K/8	255307	1
3 7 mm triangular lock insert	NWS-SHE/3K/7	255304	1
4 8 mm triangular lock insert	NWS-SHE/3K/8	255305	1
5 Two-way key bit, 3mm pin	NWS-SHE/DLB/DN3	255309	1
6 Two-way key bit, 5mm pin	NWS-SHE/DLB/DN5	255310	1
7 Daimler-Benz insert	NWS-SHE/DB	255308	1
8 Screw driver-type insert	NWS-SHE/SZ	255311	1
9 Lock SH6	BPZ-LOCK/SH6	116673	1
10 Lock DH	BPZ-LOCK/DH	116675	1
- Z-Lock incl. 2 keys	BPZ-LOCK/Z	120766	1
- Volkswagen E1 insert	BPZ-LOCK/VW-E1	122693	1

**Keys for Lock Inserts**


N8299



1 7mm square lock insert	NWS-SL/4K/7	255314	1
2 8mm square lock insert	NWS-SL/4K/8	255315	1
3 7mm triangular lock insert	NWS-SL/3K/7	255312	1
4 8mm triangular lock insert	NWS-SL/3K/8	255313	1
5 Two-way key bit, 3mm pin	NWS-SL/DLB/3	255317	1
6 Two-way key bit, 5mm pin	NWS-SL/DLB/5	255318	1
7 Daimler-Benz	NWS-SL/DB	255316	1
- Key SH6	BPZ-KEY/SH6	116674	1
- Key DH	BPZ-KEY/DH	116676	1


Module units (MU) Type Designation Article No. Units per package

### Inscription Strip LAB-BAR

 wa_vt14413	13	LAB-BAR_13TE	107884	10
	24	LAB-BAR_24TE	107901	10
	35	LAB-BAR_35TE	107903	10
	46	LAB-BAR_46TE	107906	10
	57	LAB-BAR_57TE	107909	10

Length (m) Type Designation Article No. Units per package


### Holder for Inscription Strip universal, LAB-BAR

 wa_vt14413	1	LAB-BAR_1000	107911	10
	3	LAB-BAR_3000	107912	10

Description Type Designation Article No. Units per package

### Accessories Inscription Strip LAB

Enclosure leaves for the inscription strips, LAB-TAPE\_A4

 wa_vt14413	empty	LAB-TAPE_A4_BLANK	107952	10
	imprint	LAB-TAPE_A4_PRINT	107953	10

### Circuit Diagram Bag, LAB-BAG\_A4

 wa_vt14513	Size A4	LAB-BAG_A4	107913	1
--	---------	------------	--------	---

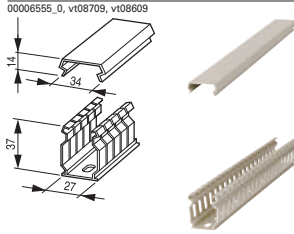
### XAB4 Circuit Diagram Box

 wa_vt108413	A4 panel format, self-adhesive	XAB4	283482	1
---	--------------------------------	------	--------	---

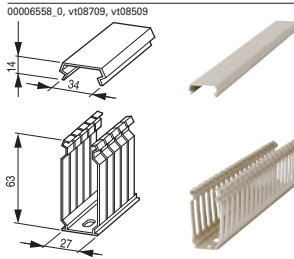
Supplied in length of (mm)	Cable carrying capacity		Type and cross-section		Type Designation	Article No.	Units per package
	Max. no. of cables (approximate)		H 0... V-K (mm <sup>2</sup> )	H 0... V-K (AWG)			

**Cable ducts**

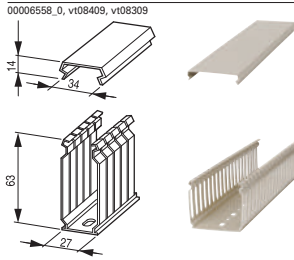
Screw fixing



1500	60	0,75	–	KL25/35	012531	60
	40	1,5	14			
	25	2,5	10			
	15	4	–			



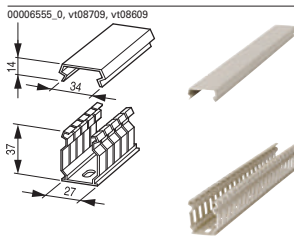
1500	100	0,75	–	KL25/60	017277	40
	70	1,5	14			
	45	2,5	10			
	30	4	–			
	25	6	–			



1500	260	0,75	–	KL60/60	029142	20
	180	1,5	14			
	120	2,5	10			
	80	4	–			
	65	6	–			

**Self-adhesive**

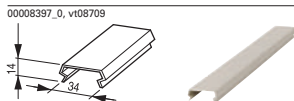
- Max. ambient temperature +55°C



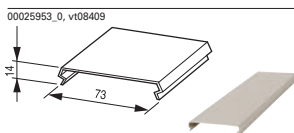
650	60	0,75	–	KL25/35K	014904	50
	40	1,5	2			
	25	2,5	10			

**Cable duct cover**

- Supplied as spares



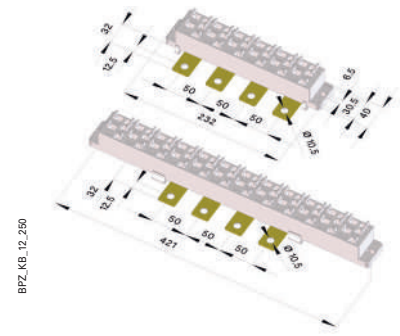
1500	–	–	–	KD25	019649	1
------	---	---	---	------	--------	---



1500	–	–	–	KD60	024395	1
------	---	---	---	------	--------	---

#### 4-Phase Busbar, BPZ-KB-12/250, BPZ-KB-24/250

- It is a 250 A busbar intended to supply a row of modular devices
- Max. current rating for every output is 63 A
- Outputs: 6 or 12 outputs per phase, neutral wiring 12 or 24
- Each connector automatically locks, which guarantees high security
- No risk of direct contact, according to IP20
- Dimensions:  
BPZ-KB-12/250 (BxHxT) 232x40x50 mm  
BPZ-KB-24/250 (BxHxT) 422x40x50 mm
- Scope of delivery: 1 pc. 4-Phase busbar



#### Mounting Elements for 4-Phase Busbar, BPZ-BR/KB24

- For mounting a 4-phase busbar onto an NZM-mounting plate or onto mounting pillars in back
- Material: Sheet steel, zinc-coated
- Scope of delivery: 2 Mounting elements, fixing material

#### Flexible Connector for 4-Phase Busbar, BPZ-P

- For connecting a 4-phase busbar
- In 6 mm<sup>2</sup> or 10 mm<sup>2</sup>
- Length: 120 or 320 mm
- Scope of delivery: 1 flexible connector

#### 1-pole terminal block, BPZ-KB

- For copper conductors
- Mounting onto device rail and/or mounting plate
- UL-listed
- Time-saving on wiring
- Saves 80 % on space used
- Modular construction allowing to build systems of 1 to 4 poles by using several blocks
- Scope of delivery: 1 1-pole terminal block

#### Technical data

Type	Rated current	Degree of protection	Inputs (mm <sup>2</sup> )	Torque (Nm)	Outputs (mm <sup>2</sup> )	Torque (Nm)	Connection	Dimensions L x B x H (mm)
BPZ-KB-4/80	80 A	IP20	3x 2.5-25 (solid wire) 3x 2.5-16 (fine wire)	1.5 1.5	4x 2.5-6	0.8	-	65.5 x 27 x 47
BPZ-KB-6/125	125 A	IP20	1x 10-35 1x 2.5-25 (solid wire) 1x 2.5-16 (fine wire)	3.5 2 2	6x 2.5-16	2	-	74 x 27 x 46
BPZ-KB-2/8/125	125 A	IP10	2x 10-35 (solid wire) 2x 2.5-25 (solid wire) 2x 6-25 (fine wire) 2x 1.5-16 (fine wire)	8 2 8 2	6x 1.5-16 (solid wire) 6x 1.5-10 (fine wire)	2	-	91 x 27 x 51
BPZ-KB-6/160	160 A	IP20	1x 10-70 (solid wire) 1x 10-50 (fine wire)	4	6x 2.5-25 (solid wire) 6x 2.5-16 (fine wire)	2	Lateral parallel connection possible with Cu 16 x 5 mm	92 x 35 x 50
BPZ-KB-2/11/160	160 A	IP10	2x 25-70 (solid wire) 3x 2.5-25 (solid wire) 2x 16-50 (fine wire) 3x 1.5-16 (fine wire)	9 2 9 2	8x 1.5-16 (solid wire) 8x 1.5-10 (fine wire)	2 2	-	91 x 36 x 51
BPZ-KB-10/175	175 A	IP20	1x 10-70 (solid wire) 1x 10-50 (fine wire)	4	10x 2.5-16 (solid wire) 10x 2.5-10 (fine wire)	2	-	71 x 45 x 43
BPZ-KB-11/250	250 A	IP10	1x 35-120 (solid wire) 3x 35-95 (fine wire)	19	2x 2.5-35 (solid wire) 2x 2.5-25 (fine wire) 5x 2.5-16 4x 2.5-10	3.5 3.5 2 2	-	95.4 x 44.5 x 49

**BPZ-KB-...-ALU**

- For copper as well as aluminium conductors
- Mounting onto device rail and/or mounting plate
- UL-listed
- Time-saving on wiring
- Saves 80 % on space used
- Modular construction allowing to build systems of 1 to 4 poles by using several blocks
- Scope of delivery: 1 1-pole terminal block

**Technical data**

Type	Rated current	Degree of protection	Inputs (mm <sup>2</sup> )	Torque (Nm)	Outputs (mm <sup>2</sup> )	Torque (Nm)	Connection	Dimensions L x B x H (mm)
BPZ-KB-2/400	400 A	IP10	1x 95-240 (solid wire) 1x 70-185 (fine wire)	26	2x 50-120 (solid wire) 2x 35-95 (fine wire)	19	-	103 x 44.4 x 50
BPZ-KB-6/400	400 A	IP10	1x 95-240 (solid wire) 1x 70-185 (fine wire)	26	6x 10-50 (solid wire) 6x 6-35 (fine wire)	3.5	-	103 x 44.4 x 50
BPZ-KB-11/400	400 A	IP10	1x 95-185 (solid wire) 1x 95-150 (fine wire)	26	2x 2.5-35 (solid wire) 2x 2.5-25 (fine wire) 5x 2.5-16 4x 2.5-10	3.5 3.5 2 2	-	95.4 x 44.5 x 49
BPZ-KB-6/80-ALU	80 A (Cu) 63 A (Al)	IP20	3x 2.5-25 (solid wire) 3x 2.5-16 (fine wire)	1.5	4x 2.5-6	0.8	-	65.5 x 27 x 47
BPZ-KB-6/125-ALU	125A (Cu) 100A (Al)	IP20	1x 10-35 1x 2.5-25 (solid wire) 1x 2.5-16 (fine wire)	3.5 2 2	6x 2.5-16	2	-	74 x 27 x 46
BPZ-KB-6/160-ALU	160A (Cu) 135A (Al)	IP20	1x 10-70 (solid wire) 1x 10-50 (fine wire)	4	6x 2.5-25 (solid wire) 6x 2.5-16 (fine wire)	2	Lateral parallel connection possible with Cu 16 x 5 mm	92 x 35 x 50
BPZ-KB-1/175-ALU	175A (Cu) 135A (Al)	IP20	1x 2.5-70 (solid wire) 1x 2.5-50 (fine wire)	4	1x 2.5-70 (solid wire) 1x 2.5-50 (fine wire)	4	-	72.5 x 25.4 x 49.4
BPZ-KB-10/175-ALU	175A (Cu) 135A (Al)	IP20	1x 10-70 (solid wire) 1x 10-50 (fine wire)	4	10x 2.5-16 (solid wire) 10x 2.5-10 (fine wire)	2	-	71 x 45 x 43
BPZ-KB-11/250-ALU	250A (Cu) 200A (Al)	IP10	1x 35-120 (solid wire) 1x 35-95 (fine wire)	19	2x 2.5-35 (solid wire) 2x 2.5-25 (fine wire) 5x 2.5-16 4x 2.5-10	3.5 3.5 2 2	-	95.4 x 44.5 x 49
BPZ-KB-1/400-ALU	400A (Cu) 300A (Al)	IP10	1x 35-240 (solid wire) 1x 16-185 (fine wire)	20	1x 35-240 (solid wire) 1x 16-185 (fine wire)	3.5 3.5 2 2	Lateral parallel connection possible with Cu 9 x 4 mm - max. 20 x 10 mm	145.5 x 39 x 80.5
BPZ-KB-2/400-ALU	400A (Cu) 350A (Al)	IP10	1x 95-240 (solid wire) 1x 70-185 (fine wire)	26	2x 50-120 (solid wire) 2x 35-95 (fine wire)	19	-	103 x 44.4 x 50
BPZ-KB-6/400-ALU	400A (Cu) 350A (Al)	IP10	1x 95-240 (solid wire) 1x 70-185 (fine wire)	26	6x 10-50 (solid wire) 6x 6-35 (fine wire)	3.5	-	103 x 44.4 x 50
BPZ-KB-11/400-ALU	400A (Cu) 300A (Al)	IP10	1x 95-185 (solid wire) 1x 95-150 (fine wire)	26	2x 2.5-35 (solid wire) 2x 2.5-25 (fine wire) 5x 2.5-16 4x 2.5-10	3.5 3.5 2 2	-	95.4 x 44.5 x 49
BPZ-KB-1/2/800-ALU	800A (Cu) 630A (Al)	IP10	1x 35-300 (solid wire) 1x 25-240 (fine wire) 9 x 4mm - 50 x 10 mm Cu	25	1x 35-300 (solid wire) 1x 25-240 (fine wire)	25	Lateral parallel connection possible with Cu 9 x 4 mm - max. 24 x 10 mm	145 x 72 x 80.5
BPZ-KB-2/2/800-ALU	800A (Cu) 630A (Al)	IP10	2x 35-300 (solid wire) 2x 25-240 (fine wire) 9 x 4 mm - 24 x 10 mm Cu	25	2x 35-300 (solid wire) 2x 25-240 (fine wire) 9 x 4 mm - 24 x 10 mm Cu	25	-	145 x 72 x 80.5
BPZ-KB-2/1100-ALU	110A (Cu) 900A (Al)	IP10	1x 95-500	80	2x 50-300 (solid wire) 1x 1.5-16 (solid wire) 2x 50-240 (solid wire) 1x 1.5-10 (fine wire)	50 3 50 3	-	202 x 90 x 107

### Connection latch for 1-pole terminal block BPZ-CL

- BPZ-CL-65/25 suitable for BPZ-KB-11/250
- BPZ-CL-70/35 suitable for BPZ-KB-11/400
- Dimensions (LxBxH)  
BPZ-CL-65/25: 7 x 65 x 25 mm  
BPZ-CL-70/35: 9 x 70 x 30 mm
- Scope of delivery: 1 connection latch

### Connection bar 27 mm for 1-pole terminal blocks BPZ-CB

- Suitable for BPZ-KB-6/125
- Dimensions (LxBxH): 16 x 44 x 14 mm
- Scope of delivery: 1 connection bar

### 3-pole Terminal Block BPZ-KB-6/175

- Mounting onto DIN-rail and mounting plate
- UL-listed
- Time-saving on wiring
- Saves 80% of space used
- Modular construction allowing to build systems of 1 to 4 poles by using several blocks
- Protection class: IP20
- Max. operating voltage 1000V AC, 1500V DC
- Scope of delivery: 1 3-pole terminal block

#### Technical data

	BPZ-KB-6/175	Torque (Nm)
Rated current	175 A	
Input (mm <sup>2</sup> )	1 x 16-70	6-10
Outputs (mm <sup>2</sup> )	6 x 2.5-16	3-4
Connection	–	
Dimensions L x B x H (mm)	80 x 71.5 x 42.5	

### 3-pole Terminal Block BPZ-KB-6/175-ALU

- Aluminium design
- Mounting onto DIN-rail and mounting plate
- UL-listed
- Time-saving on wiring
- Saves 80% of space used
- Modular construction allowing to build systems of 1 to 4 poles by using several blocks
- Protection class: IP20
- Max. operating voltage 1000V AC, 1500V DC
- Scope of delivery: 1 3-pole terminal block

#### Technical data

	BPZ-KB-6/175-ALU	Torque (Nm)
Rated current	175 A / 125 A	
Input (mm <sup>2</sup> )	1 x 16-70	6-10
Outputs (mm <sup>2</sup> )	6 x 2.5-16	3-4
Connection	–	
Dimensions L x B x H (mm)	80 x 71.5 x 42.5	

**4-pole Terminal Blocks, BPZ-KB**

- Mounting onto DIN-rail and mounting plate
- Max. operating voltage  
BPZ-KB-9/125: 690V AC/DC  
BPZ-KB-13/125: 690V AC/DC  
BPZ-KB-8/125: 1000C AC/1500V DC  
BPZ-KB-11/160: 1000C AC/1500V DC
- Scope of delivery: 1 4-pole terminal block

**Technical data**

	<b>BPZ-KB-8/125</b>	<b>Torque (Nm)</b>	<b>BPZ-KB-9/125</b>	<b>Torque (Nm)</b>	<b>BPZ-KB-13/125</b>	<b>Torque (Nm)</b>	<b>BPZ-KB-11/160</b>	<b>Torque (Nm)</b>
Rated current (Cu / Al)	125 A		125 A		125 A		160 A	
Input (mm <sup>2</sup> )	1 x 6-35	1.5	2 x 6-35	1.5	2 x 6-35	1.5	1 x 10-35	3.5-5
Outputs (mm <sup>2</sup> )	3-polig x (5 x 1.5-6 / 2 x 4-16)	0.8-1.5	7 x 2.5-10	1.5	9 x 1.5-10	1.5	3 x 6-35	3.5-5
Connection	1-polig x (4 x 1.5-10 / 6 x 4-16)	1.5			2 x 1.5-10	1.5	3 x 6-25	3.5-5
Dimensions L x B x H (mm)	74.5 x 98 x 49		102 x 89 x 48		103 x 126 x 48		87 x 162 x 50	

**Lifting-Eye Bolt, BPZ-LE**

- For transporting the distribution board by crane, high-lift truck, etc.
- To be mounted onto the top of the floor-standing distribution board
- Max. static tensile force: 1400 N each, total 3800 N
- Weight: approx. 0.2 kg
- Scope of delivery: 4 Lifting-eye bolts

**Flask with Brush Applicator, BPZ-CPS, PAINT-RAL**

- For sanding scratches in RAL 7035, 9010 or 9016
- Scope of delivery: 1 flask with brush applicator

### Compact distribution blocks BPZ-KC-...-ALU

- For copper as well as aluminium conductors
- Used as link between copper- and aluminum conductors
- Mounting onto device rail
- Degree of protection IP20 (finger-safe finish is guaranteed)
- Cross sections of connections 16 - 240 mm<sup>2</sup>
- Available as standard grey colour, with blue cover for Neutral and as PE-terminal in colour yellow/green (housing/cover)
- Scope of delivery: 1-pole distribution block acc.to MOQ (depending on frame size)

### Technical data

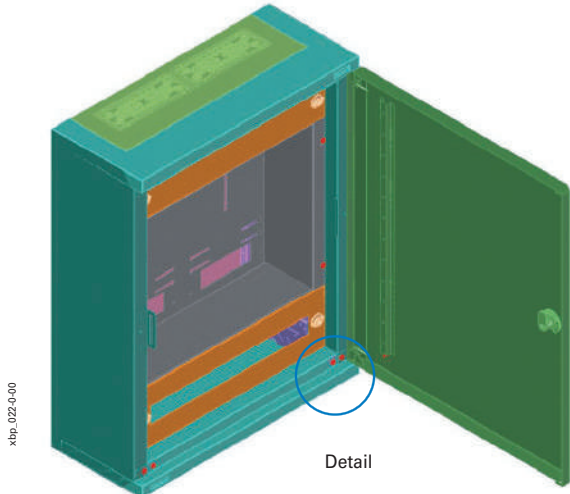
Type	Rated current Cu / Al	Number Inputs / Outputs	Cross section mm <sup>2</sup>		Rated voltage	Colour	Dimensions L x B x H [mm]	Minimum order quantity (MOQ) [pcs.]
			solid wire	fine wire with sleeve				
BPZ-KC-1/16-ALU	82 A / 75 A	1/1	1.5 - 16	1.5 - 10	1000 V AC/DC	Grey	45 x 14 x 40	10
BPZ-KC-1/16N-ALU	82 A / 75 A	1/1	1.5 - 16	1.5 - 10	1000 V AC/DC	Blue	45 x 14 x 40	10
BPZ-KC-1/16PE-ALU	82 A / 75 A	1/1	1.5 - 16	1.5 - 10	1000 V AC/DC	Yellow/Green	45 x 14 x 40	10
BPZ-KC-1/35-ALU	135 A / 120 A	1/1	2.5 - 35	2.5 - 25	1000 V AC/DC	Grey	46 x 16 x 40	10
BPZ-KC-1/35N-ALU	135 A / 120 A	1/1	2.5 - 35	2.5 - 25	1000 V AC/DC	Blue	46 x 16 x 40	10
BPZ-KC-1/35PE-ALU	135 A / 120 A	1/1	2.5 - 35	2.5 - 25	1000 V AC/DC	Yellow/Green	46 x 16 x 40	10
BPZ-KC-2/35-ALU	2x 135 A / 2x 120 A	2/2	2.5 - 35	2.5 - 25	1000 V AC/DC	Grey	46 x 27 x 40	10
BPZ-KC-2/35N-ALU	2x 135 A / 2x 120 A	2/2	2.5 - 35	2.5 - 25	1000 V AC/DC	Blue	46 x 27 x 40	10
BPZ-KC-2/35PE-ALU	2x 135 A / 2x 120 A	2/2	2.5 - 35	2.5 - 25	1000 V AC/DC	Yellow/Green	46 x 27 x 40	10
BPZ-KC-1/50-ALU	160 A / 145 A	1/1	2.5 - 50	2.5 - 35	1000 V AC/DC	Grey	49 x 18 x 43	10
BPZ-KC-1/50N-ALU	160 A / 145 A	1/1	2.5 - 50	2.5 - 35	1000 V AC/DC	Blue	49 x 18 x 43	10
BPZ-KC-1/50PE-ALU	160 A / 145 A	1/1	2.5 - 50	2.5 - 35	1000 V AC/DC	Yellow/Green	49 x 18 x 43	10
BPZ-KC-2/50-ALU	2x 160 A / 2x 145 A	2/2	2.5 - 50	2.5 - 35	1000 V AC/DC	Grey	49 x 30 x 43	10
BPZ-KC-2/50N-ALU	2x 160 A / 2x 145 A	2/2	2.5 - 50	2.5 - 35	1000 V AC/DC	Blue	49 x 30 x 43	10
BPZ-KC-2/50PE-ALU	2x 160 A / 2x 145 A	2/2	2.5 - 50	2.5 - 35	1000 V AC/DC	Yellow/Green	49 x 30 x 43	10
BPZ-KC-1/95-ALU	250 A / 220 A	1/1	6 - 95	6 - 70	1000 V AC/DC	Grey	84 x 24 x 51	10
BPZ-KC-1/95N-ALU	250 A / 220 A	1/1	6 - 95	6 - 70	1000 V AC/DC	Blue	84 x 24 x 51	10
BPZ-KC-1/95PE-ALU	250 A / 220 A	1/1	6 - 95	6 - 70	1000 V AC/DC	Yellow/Green	84 x 24 x 51	10
BPZ-KC-2/95-ALU	2x 250 A / 2x 220 A	2/2	6 - 95	6 - 70	1000 V AC/DC	Grey	84 x 41 x 51	10
BPZ-KC-2/95N-ALU	2x 250 A / 2x 220 A	2/2	6 - 95	6 - 70	1000 V AC/DC	Blue	84 x 41 x 51	10
BPZ-KC-2/95PE-ALU	2x 250 A / 2x 220 A	2/2	6 - 95	6 - 70	1000 V AC/DC	Yellow/Green	84 x 41 x 51	10
BPZ-KC-1/150-ALU	320 A / 290 A	1/1	25 - 150	25 - 120	1000 V AC/DC	Grey	84 x 30 x 54	10
BPZ-KC-1/150N-ALU	320 A / 290 A	1/1	25 - 150	25 - 120	1000 V AC/DC	Blue	84 x 30 x 54	10
BPZ-KC-1/150PE-ALU	320 A / 290 A	1/1	25 - 150	25 - 120	1000 V AC/DC	Yellow/Green	84 x 30 x 54	10
BPZ-KC-2/150-ALU	2x 320 A / 2x 290 A	2/2	25 - 150	25 - 120	1000 V AC/DC	Grey	84 x 50 x 54	5
BPZ-KC-2/150N-ALU	2x 320 A / 2x 290 A	2/2	25 - 150	25 - 120	1000 V AC/DC	Blue	84 x 50 x 54	5
BPZ-KC-2/150PE-ALU	2x 320 A / 2x 290 A	2/2	25 - 150	25 - 120	1000 V AC/DC	Yellow/Green	84 x 50 x 54	5
BPZ-KC-1/240-ALU	425 A / 380 A	1/1	35 - 240	35 - 185	1000 V AC/DC	Grey	106 x 36 x 65	3
BPZ-KC-1/240N-ALU	425 A / 380 A	1/1	35 - 240	35 - 185	1000 V AC/DC	Blue	106 x 36 x 65	3
BPZ-KC-1/240PE-ALU	425 A / 380 A	1/1	35 - 240	35 - 185	1000 V AC/DC	Yellow/Green	106 x 36 x 65	3
BPZ-KC-2/240-ALU	2x 425 A / 2x 380 A	2/2	35 - 240	35 - 185	1000 V AC/DC	Grey	106 x 59 x 65	3
BPZ-KC-2/240N-ALU	2x 425 A / 2x 380 A	2/2	35 - 240	35 - 185	1000 V AC/DC	Blue	106 x 59 x 65	3
BPZ-KC-2/240PE-ALU	2x 425 A / 2x 380 A	2/2	35 - 240	35 - 185	1000 V AC/DC	Yellow/Green	106 x 59 x 65	3



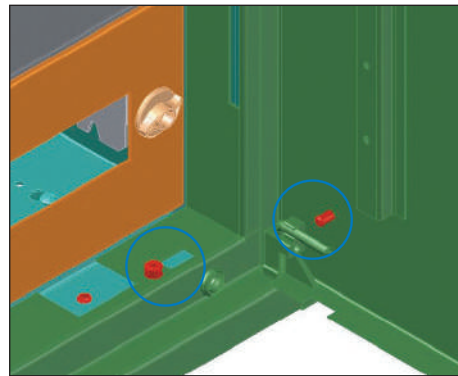
**Door grounding set, BFZ-DES**

- In scope of delivery of all Profi+ doors
- For grounding the door
- Length: 300 mm
- Cross section: 6 mm<sup>2</sup>
- Scope of delivery: 1 grounding wire with pre-fitted eyelets, fixing material

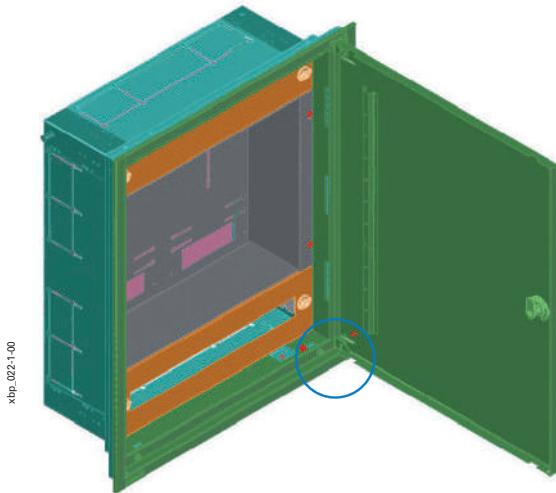
**Surface mounted boards BP-O**



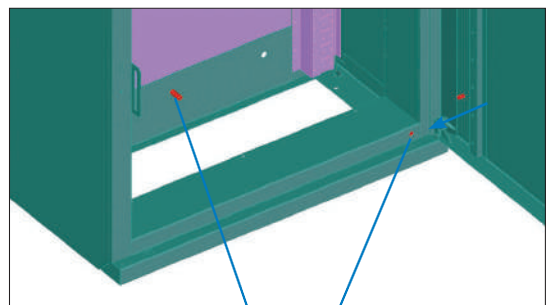
Detail



**Flush mounted boards BP-U**



Detail



**Floor-standing boards BP-F**



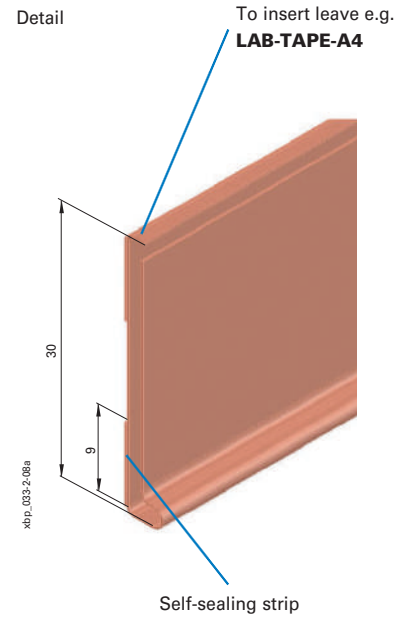
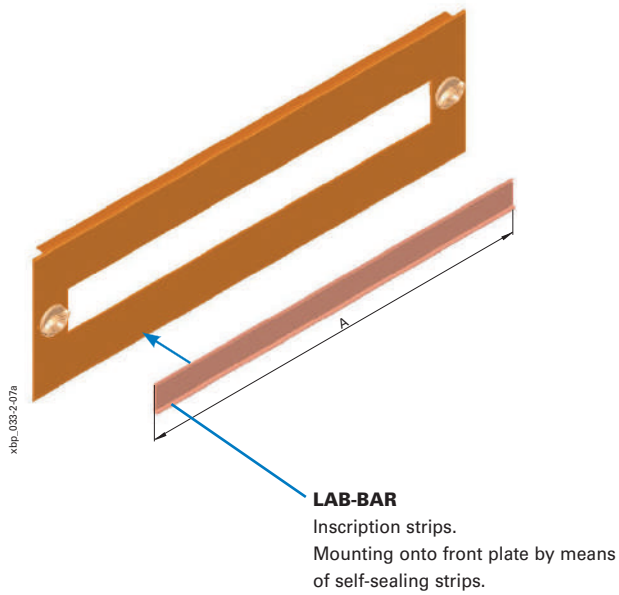
Connection of earthing set for door.  
Nut in the board frame and earthing  
screw on the door

Central earthing screw in rear side of  
a board

### Inscription strips, LAB-BAR

#### Dimensions [mm]

Type	Number of modules MU	Length A
LAB-BAR_13TE	13	228
LAB-BAR_24TE	24	420
LAB-BAR_46TE	46	805
LAB-BAR_57TE	57	998
LAB-BAR_1000	-	1000
LAB-BAR_3000	-	3000



### Enclosure leaves LAB-TAPE\_A4 for the inscription strips LAB-BAR

#### Technical data

Empty:  
1 sheet contains 8 strips of width 27 mm and length 297 mm.  
Perforated for easy-to-remove.

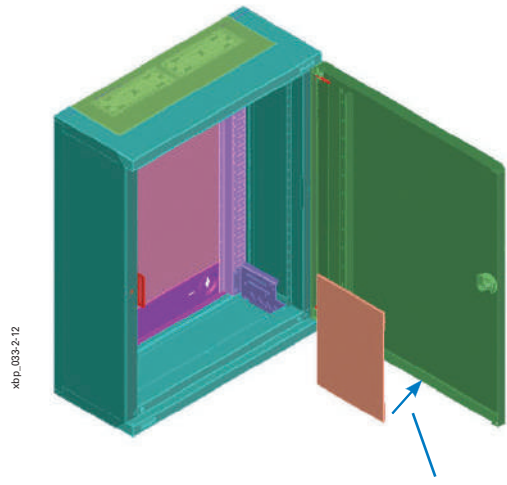
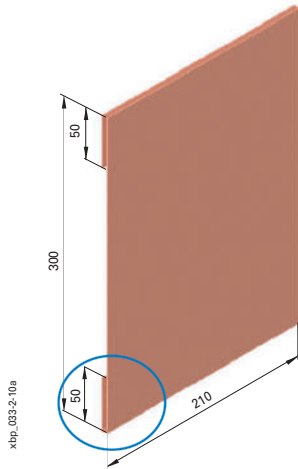
Imprinted:	
For device width	Numerical print
1,5 MU	1-30
2 MU	1-24
3 MU	1-5
4 MU	1-4

---

Circuit diagram bag, LAB-BAG\_A4

---

Dimensions [mm]



Circuit diagram bag LAB-BAG  
can be fitted onto a door via two  
self-sealing strips at the top and  
bottom

wa\_vt01318, vt07115, vt10319



## Distribution Boards

### Distribution Boards

#### • Chapter 1

Enclosures / switchgear cabinets for installation system Profi+ .....	Page 2
1.1 Surface-mounted distribution board BP-O-..., IP30 (pre-assembled) .....	Page 4
1.2 Surface-mounted distribution board BP-O-..., IP30 (flat-pack, grey) .....	Page 8
1.3 Surface-mounted distribution board BP-O-..., IP30 (flat-pack, white) .....	Page 12
1.4 Surface-mounted distribution board BPM-O-..., IP55 .....	Page 34
1.5 Flush-mounted distribution board BP(A/M)-U-3S-..., IP30/IP43/IP54 .....	Page 44
1.6 Floor-standing distribution board BP-F-..., IP30 .....	Page 58
1.7 Distribution boards for special applications, BP-MN / BP-VF .....	Page 70
1.8 Floor-standing distribution board BPM-F-..., IP55 .....	Page 74
1.9 Shared compartments inside distribution boards BP(M)-O, BP(M)-F .....	Page 86

#### • Chapter 2

Profi+ installation system - components for interior fitting .....	Page 92
2.1 Front plates, blind and with 45mm cut-out for DIN-rail devices. ....	Page 94
2.2 Mounting kits for Moulded Case Circuit Breaker .....	Page 102
2.3 Mounting kits for Fuse Switch Disconnectors. ....	Page 118
2.4 Mounting kits for BZM, Dumeco and QSA .....	Page 126
2.5 Mounting kits for Earthing and Neutral conductors .....	Page 127
2.6 Mounting plates for universal fixing of different components .....	Page 130
2.7 Mounting kits for Energy Meters and various metering equipment .....	Page 138

#### • Chapter 3

Profi+ installation system - general accessories .....	Page 145
--	----------

#### • Chapter 4

General accessories xEnergy Basic .....	Page 166
---	----------

#### • Chapter 5

Overall technical data xEnergy Basic .....	Page 186
--	----------

#### • Chapter 6

Verification of temperature rise by testing - selection of reference examples .....	Page 191
---	----------

System Overview

Eaton Online Katalog - find product details quickly and efficiently!

You can find comprehensive up-to-date product information at <http://ecat.eaton.com/catalog>

Online Catalogue

Lookup

You can search by keywords, product names, article numbers, technical data: The search understands everything and takes you straight to the product you're looking for.

Graphical navigation

Graphical representation of the fields of application and product groups.

Selection aids

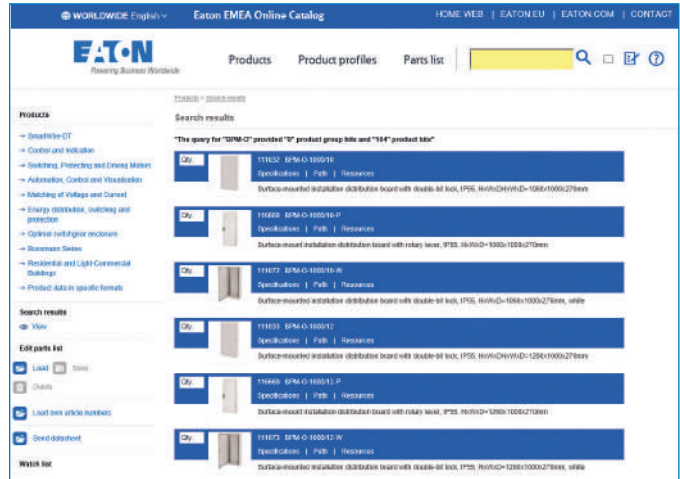
Tailored to the typical expert's approach, this search aid helps you quickly find the product you need.

Data sheets

For every article the catalog can generate a technical data sheet, which you can convert to a PDF file for printing or saving with a single click.

Parts lists

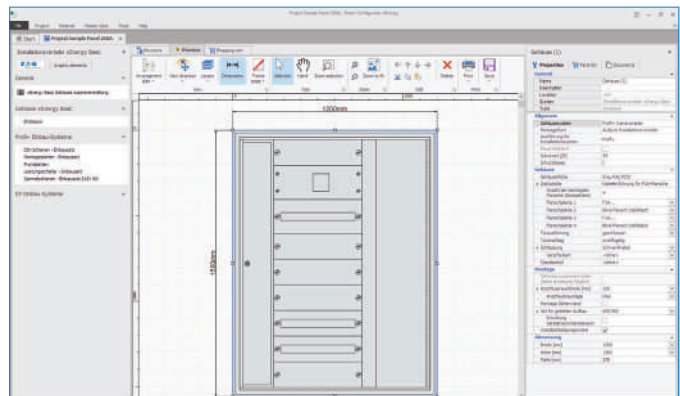
From your search results you can create a parts list that you can then send to your Eaton sales partner as a query.



Parts list, e.g. for queries to Eaton Sales.

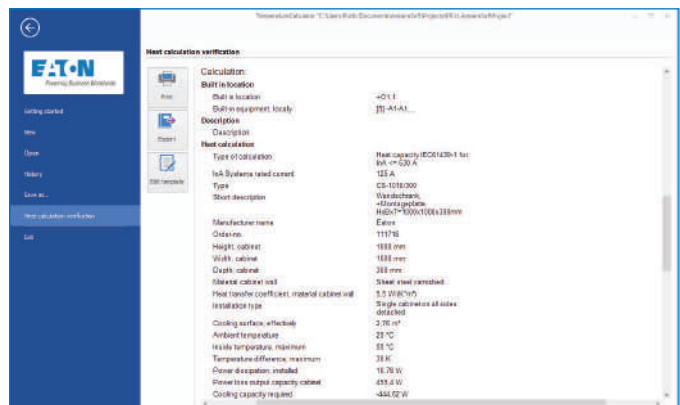
Eaton xEnergy Configurator - makes it easy to configure your product!

The Eaton configurator helps you by assembling the switchboard systems by keeping all standards. If you are interested, please contact your local Eaton representative.



Eaton Temperatur Calculator Tool - temperature rise verification by calculation!

Calculating the temperature rise within the switchgear and controlgear assembly: Calculate power loss of all circuits including the internal conductor on the basis of the rated current. Power loss of the switchgear and controlgear assembly is calculated by adding up the power losses of the circuit (total load current is limited to the rated current of the switchgear and controlgear assembly).



**Technical Data**

Standards	IEC/EN 61439-1/-2/-3, IEC 62208
Degree of protection	IP2XC (door opened, closed front cover level) IP31 (at least with canopy) IP43 (BPA-U-3S and BP-VF dedicated for outdoor use) IP54 (BPM-U-3S) IP55
Mechanical impact protection	IK08 (IP31/IP43/IP54) IK10 (BP-VF) IK10 (IP55)
Form of separation	up to Form 4b (in combination with Profi+ installation system)
Internal segregation	IP2XC
Rated insulation voltage [Ui]	440 VAC
Rated operational voltage [Ue]	415 VAC
Ambient air temperature	-5°C to +40°C
Place of installation	Indoor use severity A (except BPA-U-3S and BP-VF)
Rated impulse withstand voltage [Uimp]	4 kV
Overvoltage category	III
Pollution degree	3
Protection against electric shock	Protective earthing (protection class I)
Joule integral I <sup>2</sup> t for earthing connection	Type BPM-F / BPM-O
- Base frame M8 earthing bolt @ 1,25mm sheet metal	1,16x10 <sup>7</sup> A <sup>2</sup> s
- Door M6 earthing bolt @ 1,25mm sheet metal	4,68x10 <sup>6</sup> A <sup>2</sup> s
Seismic characteristics	IEC/EN 60068-3-3: ground acceleration level AG2 and AG5;
Rated current [Ie]	up to 630A depending on main incomer and used busbar-system
Rated frequency	50 Hz
Rated conditional short-circuit current [Icc]	up to 25/50 kA depending on incoming circuit-breaker and type of cabinet
Rated short-time withstand current [Icw]	depending on used busbar-system like SASY60i, SL630xx etc.
Net configuration	TN-C, TN-C-S, TN-S, TT, IT
Colour	RAL 7035 / RAL 9016
Material of enclosure	Standard sheet-metal (phosphatized and polyester powder-coated) Galvanized parts mainly for interior finish without powder-coating
Dimensions	height: 460 / 760 / 800 / 1060 / 1100 / 1260 / 1400 / 1560 / 1760 / 1910 / 2060 mm width: 350 / 400 / 600 / 800 / 850 / 1000 / 1100 / 1200 / 1350 mm depth: 180 / 240 / 250 / 270 / 300 / 320 / 400 mm

---

**Testing of a low-voltage switchgear assembly under seismic conditions**

- The tests carried out to qualify these switchboards are described in the international standard IEC 60068-3-3.
- On the one hand, it is about the functional integrity of the electrical system, as well as external stability during an earthquake.
- The prerequisite for this is that the distribution board is rigidly connected to the building construction. (K-factor 1.5).
- Wall enclosures are fixed at the designated points, floor-standing cabinets are also placed next to a wall and secured with mounting brackets on the top. A free-standing installation in the room is not covered hereby.
- There is no additional equipment required to achieve earthquake resistance.

**Test methods:**

Sine-sweep acc.to IEC 60068-2-6:2008

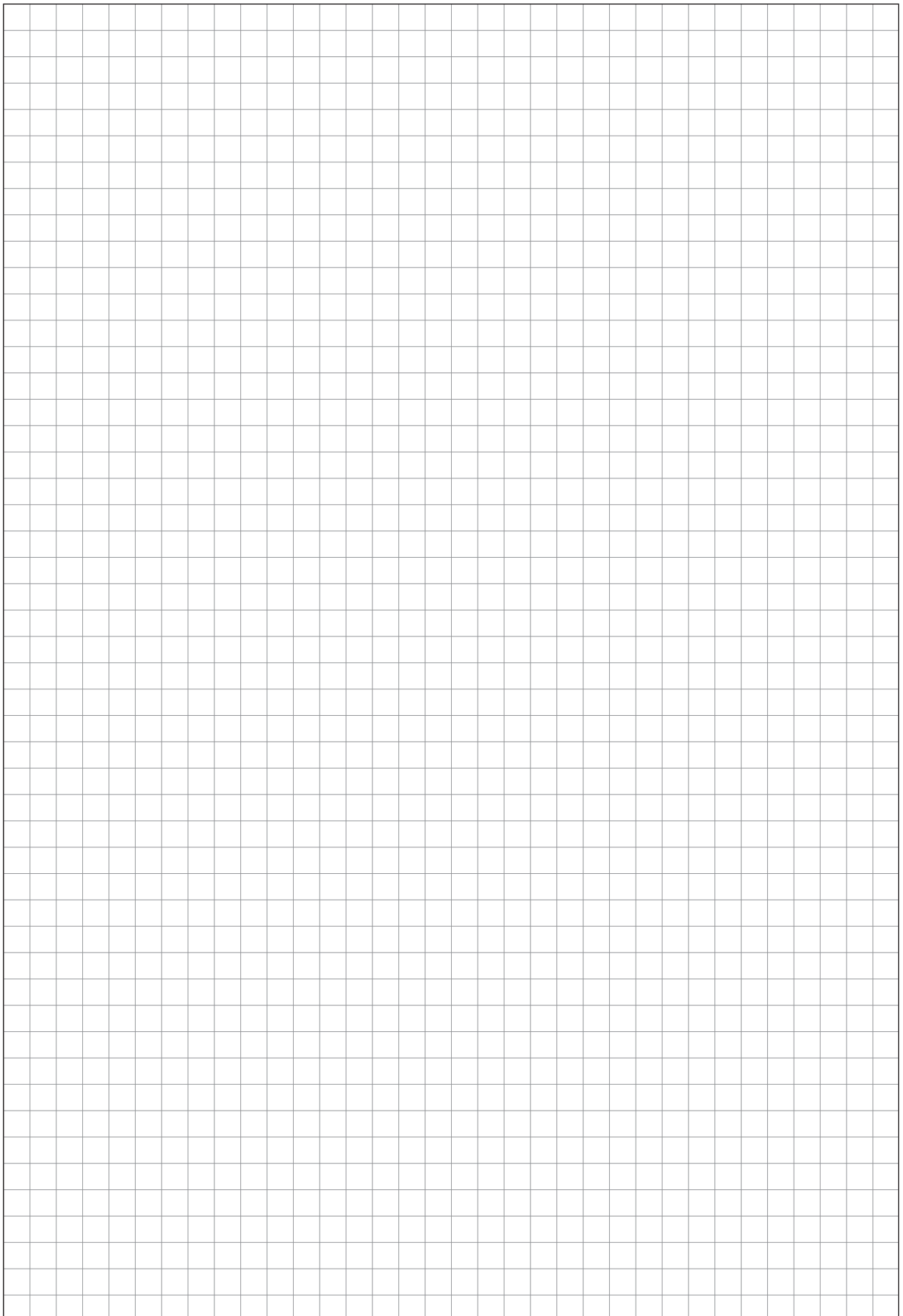
Time-history and sine-beat acc.to IEC 60068-2-57:2015

- Testing of the selected equipment under test, in the two horizontal and one vertical axis, was carried out to the appropriate "Required Response Spectrum" (RRS) shown as AG2 and AG5 curves of IEC 60068-3-3. As specified in IEC 60068-3-3, the AG5 spectrum, approximates to the Uniform Building Code (UBC) Zone 4.
- Testing was also carried out in general accordance with IEEE Std 344-2013, IEEE recommended practice for Seismic Qualification of Class 1E Equipment for Nuclear Power Generating Stations. Five "Operating Basis Earthquakes (OBE)" were carried out at AG2 level, followed by a single "Safe Shutdown Earthquake (SSE)" at level AG5.

**Classification earthquake protection for xEnergy Basic:**

IEC 60068-3-3: ground acceleration level AG2 and AG5; as an orientation, these values are comparable to

- Richter scale magnitude > 7.0
- Uniform Building Code (UBC) Zone 4
- MSK intensity (Medvedev-Sponheur-Karnik corresponds to modified Mercalli Intensity Scale) > IX
- IEEE Std 344-2013 Class 1E (Equipment for Nuclear Power Generating Stations)





wa\_vt01318, vt07115, vt10319



**Distribution Boards**

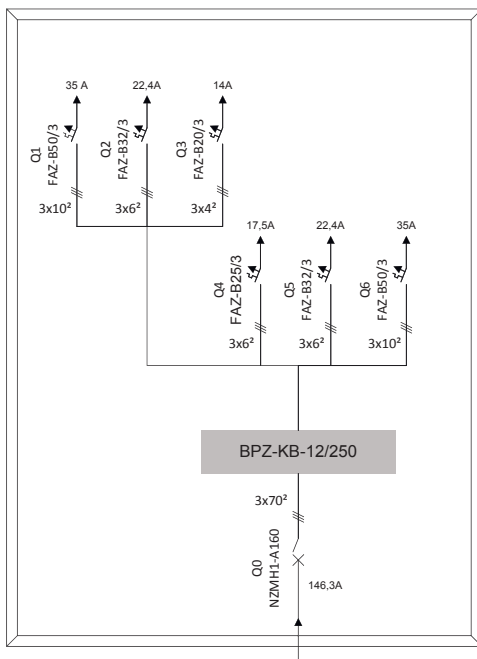
**Distribution Boards**

- **Chapter 1**
  - Enclosures / switchgear cabinets for installation system Profi+ .....Page 2
  - 1.1 Surface-mounted distribution board BP-O-..., IP30 (pre-assembled) .....Page 4
  - 1.2 Surface-mounted distribution board BP-O-..., IP30 (flat-pack, grey) .....Page 8
  - 1.3 Surface-mounted distribution board BP-O-..., IP30 (flat-pack, white) .....Page 12
  - 1.4 Surface-mounted distribution board BPM-O-..., IP55 .....Page 34
  - 1.5 Flush-mounted distribution board BP(A/M)-U-3S-..., IP30/IP43/IP54 .....Page 44
  - 1.6 Floor-standing distribution board BP-F-..., IP30 .....Page 58
  - 1.7 Distribution boards for special applications, BP-MN / BP-VF .....Page 70
  - 1.8 Floor-standing distribution board BPM-F-..., IP55 .....Page 74
  - 1.9 Shared compartments inside distribution boards BP(M)-O, BP(M)-F .....Page 86
- **Chapter 2**
  - Profi+ installation system - components for interior fitting .....Page 92
  - 2.1 Front plates, blind and with 45mm cut-out for DIN-rail devices .....Page 94
  - 2.2 Mounting kits for Moulded Case Circuit Breaker .....Page 102
  - 2.3 Mounting kits for Fuse Switch Disconnectors .....Page 118
  - 2.4 Mounting kits for BZM, Dumeco and QSA .....Page 126
  - 2.5 Mounting kits for Earthing and Neutral conductors .....Page 127
  - 2.6 Mounting plates for universal fixing of different components .....Page 130
  - 2.7 Mounting kits for Energy Meters and various metering equipment .....Page 138
- **Chapter 3**
  - Profi+ installation system - general accessories .....Page 145
- **Chapter 4**
  - General accessories xEnergy Basic .....Page 166
- **Chapter 5**
  - Overall technical data xEnergy Basic .....Page 186
- **Chapter 6**
  - Verification of temperature rise by testing - selection of reference examples .....Page 191

### Temperature rise verification of a switchgear assembly with a single compartment and a rated current not exceeding 630 A according to IEC / EN 61439-1

	Verification by testing acc.to IEC/EN 61439-1 (sub-clause 10.10.2)	Derivation of ratings for similar variants acc.to IEC/EN 61439-1 (sub-clause 10.10.3)
	Characteristics of the tested switchgear combination according to the manufacturer's instructions:	Requirements of switchgear assemblies, which are going to be verified in accordance with the tested assembly:
Rated operational voltage ( $U_e$ )	415 VAC	up to 415 VAC
Rated frequency ( $f_n$ )	50 Hz	50 Hz / 60 Hz
Rated insulation voltage ( $U_i$ )	440 VAC	440 VAC
Pollution degree	3	3
Overvoltage category	III	III
Rated impulse withstand voltage ( $U_{imp}$ )	4 kV	4 kV
Type of enclosure	BPM-O-400/7	BP(M)-O, BP(M)-F
Degree of protection (outside)	IP55	≤ IP55
(installation level)	IP2XC	IP2XC
Active ventilation	none	none
Type of assembly	Wall-mounted	Wall-mounted / stand-alone
Side-by-side arrangement	no	no
Dimensions of the enclosure (HxWxD)	760x400x270 mm	≥ 760x400x270 mm
Internal separation	none	none
Ambient temperature	35°C	35 °C
Max. permissible temperature inside the enclosure	70°C ( $\Delta T = 35$ K)	70 °C ( $\Delta T = 35$ K)
Main incomer (MCCB)	Typ NZMH1-A160	Series NZMx1-A... *)
Rated current ( $I_n$ )	160 A	up to 160 A
Type of outgoing (MCB/MCCB)	Series FAZ-Bxx/3	Series FAZ, FAZT, FAZ6, PLSM, PLS6, PLS4, CLS6, CLS4, PL6, PL7, PL9, PL10, EM, PXL, mMC
Number of outgoing circuits	6	≥ 6
Rated diversity factor (RDF)	acc.to IEC/EN 61439-2 table 101	acc.to IEC/EN 61439-2 table 101
Conductor cross-sections for rated currents	acc.to IEC/EN 61439-1 table 11	acc.to IEC/EN 61439-1 table 11
Temperature resistance cables (acc.to single-line diagram)	up to 105°C	up to 105°C
Temperature resistance flexibar (acc.to single-line diagram)	up to 125°C	up to 125°C
Calculated power loss ( $P_v$ ) incl. devices, wiring, busbars, etc.	~ 110 W ( $\pm 5\%$ )	≤ 110 W
Rated current of the assembly ( $I_n A$ )	146.3 A	≤ 146.3 A *)
Rated current of the assembly of %	~ 91.5 % of $I_n$	

#### Single-line diagram of the assembly with rated current ≤ 160 A:



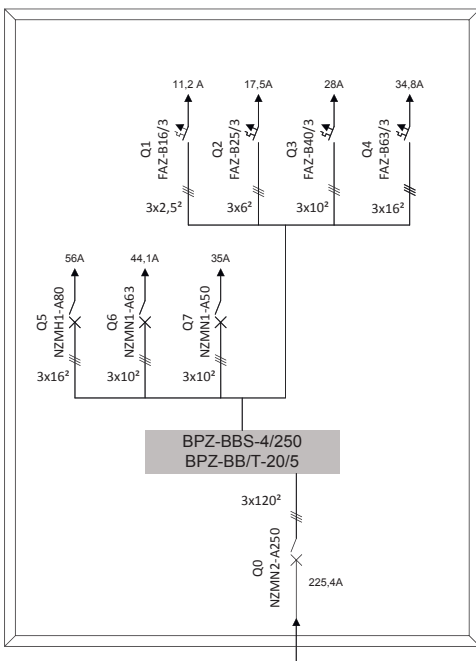
#### \*) Table of rated currents of the assembly with main incomer part of NZMx1-A... series:

MCCB-Typ	Rated current ( $I_n$ )	Rated current of the assembly ( $I_n A$ )	% of $I_n$
NZMx1-A...	20	20	100% (no derating necessary)
	25	25	
	32	32	
	40	40	
	50	50	
	63	63	
	80	80	
	100	100	
	125	122	97.60%
	160	146.3	91.50%

**Temperature rise verification of a switchgear assembly with a single compartment and a rated current not exceeding 630 A according to IEC / EN 61439-1**

	Verification by testing acc.to IEC/EN 61439-1 (sub-clause 10.10.2)	Derivation of ratings for similar variants acc.to IEC/EN 61439-1 (sub-clause 10.10.3)
	Characteristics of the tested switchgear combination according to the manufacturer's instructions:	Requirements of switchgear assemblies, which are going to be verified in accordance with the tested assembly:
Rated operational voltage (U <sub>e</sub> )	415 VAC	up to 415 VAC
Rated frequency (f <sub>n</sub> )	50 Hz	50 Hz / 60 Hz
Rated insulation voltage (U <sub>i</sub> )	440 VAC	440 VAC
Pollution degree	3	3
Overvoltage category	III	III
Rated impulse withstand voltage (U <sub>imp</sub> )	4 kV	4 kV
Type of enclosure	BPM-O-600/10	BP(M)-O, BP(M)-F
Degree of protection (outside)	IP55	≤ IP55
(installation level)	IP2XC	IP2XC
Active ventilation	none	none
Type of assembly	Wall-mounting	Wall-mounting / stand-alone
Side-by-side arrangement	no	no
Dimensions of the enclosure (HxWxD)	1060x600x270 mm	≥ 1060x600x270 mm
Internal separation	none	none
Ambient temperature	35 °C	35 °C
Max. permissible temperature inside the enclosure	70 °C (ΔT = 35 K)	70 °C (ΔT = 35 K)
Main incomer (MCCB)	Typ NZMN2-A250	Series NZMx2-A... / NZMx2-VE/AE... *)
Rated current (I <sub>n</sub> )	250 A	up to 250 A
Type of outgoing (MCB/MCCB)	Series FAZ-Bxx/3 Series NZMx1-A..	Series FAZ, FAZT, FAZ6, PLSM, PLS6, PLS4, CLS6, CLS4, PL6, PL7, PL9, PL10, EM, PXL, mMC, Series NZMx1-A..
Number of outgoing circuits	7	≥ 7
Rated diversity factor (RDF)	acc.to IEC/EN 61439-2 table 101	acc.to IEC/EN 61439-2 table 101
Conductor cross-sections for rated currents	acc.to IEC/EN 61439-1 table 11	acc.to IEC/EN 61439-1 table 11
Temperature resistance cables (acc.to single-line diagram)	up to 105°C	up to 105°C
Temperature resistance flexibar (acc.to single-line diagram)	up to 125°C	up to 125°C
Calculated power loss (P <sub>v</sub> ) incl. devices, wiring, busbars, etc.	~ 140 W (± 5%)	≤ 140 W
Rated current of the assembly (I <sub>nA</sub> )	225.4 A	≤ 225.4 A *)
Rated current of the assembly of %	~ 90.2 % of I <sub>N</sub>	

**Single-line diagram of the assembly with rated current ≤ 250 A:**



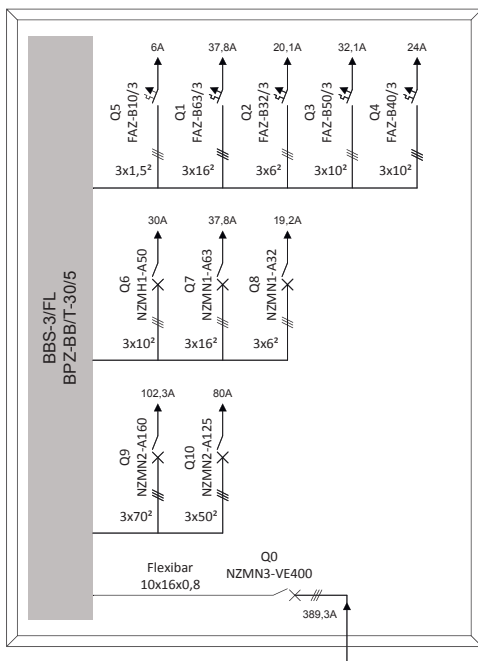
**\*) Table of rated currents of the assembly with main incomer part of NZMx2-A... / NZMx2-VE/AE... series:**

MCCB-Typ	Rated current (I <sub>n</sub> )	Rated current of the assembly (I <sub>nA</sub> )	% of I <sub>n</sub>
NZMx2-A...	125	125	100% (no derating necessary)
NZMx2-VE/AE...	160	160	
	200	187	93.50%
	250	225,4	90.20%

**Temperature rise verification of a switchgear assembly with a single compartment and a rated current not exceeding 630 A according to IEC / EN 61439-1**

	Verification by testing acc.to IEC/EN 61439-1 (sub-clause 10.10.2)	Derivation of ratings for similar variants acc.to IEC/EN 61439-1 (sub-clause 10.10.3)
	Characteristics of the tested switchgear combination according to the manufacturer's instructions:	Requirements of switchgear assemblies, which are going to be verified in accordance with the tested assembly:
Rated operational voltage (U <sub>e</sub> )	415 VAC	up to 415 VAC
Rated frequency (f <sub>n</sub> )	50 Hz	50 Hz / 60 Hz
Rated insulation voltage (U <sub>i</sub> )	440 VAC	440 VAC
Pollution degree	3	3
Overvoltage category	III	III
Rated impulse withstand voltage (U <sub>imp</sub> )	4 kV	4 kV
Type of enclosure	BPM-O-800/10	BP(M)-O, BP(M)-F
Degree of protection (outside)	IP55	≤ IP55
(installation level)	IP2XC	IP2XC
Active ventilation	none	none
Type of assembly	Wall-mounted	Wall-mounted / stand-alone
Side-by-side arrangement	no	no
Dimensions of the enclosure (HxWxD)	1060x800x270 mm	≥ 1060x800x270 mm
Internal separation	none	none
Ambient temperature	35 °C	35 °C
Max. permissible temperature inside the enclosure	70 °C (ΔT = 35 K)	70 °C (ΔT = 35 K)
Main incomer (MCCB)	Typ NZMN3-VE400	Series NZMx3-A... / NZMx3-VE/AE... *)
Rated current (I <sub>n</sub> )	400 A	up to 400 A
Type of outgoing (MCB/MCCB)	Series FAZ-Bxx/3 Series NZMx1-A..., NZMx2-A...	Series FAZ, FAZT, FAZ6, PLSM, PLS6, PLS4, CLS6, CLS4, PL6, PL7, PL9, PL10, EM, PXL, mMC, Series NZMx1-A..., NZMx2-A... / NZMx2-VE/AE...
Number of outgoing circuits	10	≥ 10
Rated diversity factor (RDF)	acc.to IEC/EN 61439-2 table 101	acc.to IEC/EN 61439-2 table 101
Conductor cross-sections for rated currents	acc.to IEC/EN 61439-1 table 11	acc.to IEC/EN 61439-1 table 11
Temperature resistance cables (acc.to single-line diagram)	up to 105°C	up to 105°C
Temperature resistance flexibar (acc.to single-line diagram)	up to 125°C	up to 125°C
Calculated power loss (P <sub>v</sub> ) incl. devices, wiring, busbars, etc.	~ 235 W (± 3%)	≤ 235 W
Rated current of the assembly (I <sub>nA</sub> )	389.3 A	≤ 389.3 A *)
Rated current of the assembly of %	~ 97.3 % of I <sub>n</sub>	

**Single-line diagram of the assembly with rated current ≤ 400 A:**



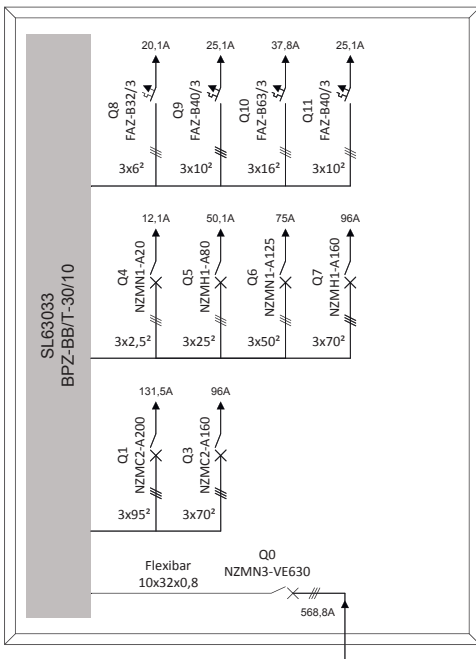
**\*) Table of rated currents of the assembly with main incomer part of NZMx3-A... / NZMx3-VE/AE... series:**

MCCB-Typ	Rated current (I <sub>n</sub> )	Rated current of the assembly (I <sub>nA</sub> )	% of I <sub>n</sub>
NZMx3-A	250	200	80%
	320	256	
	400	320	
NZMx3-VE/AE...	250	250	100% (no derating necessary)
	400	389.3	97.3%

**Temperature rise verification of a switchgear assembly with a single compartment and a rated current not exceeding 630 A according to IEC / EN 61439-1**

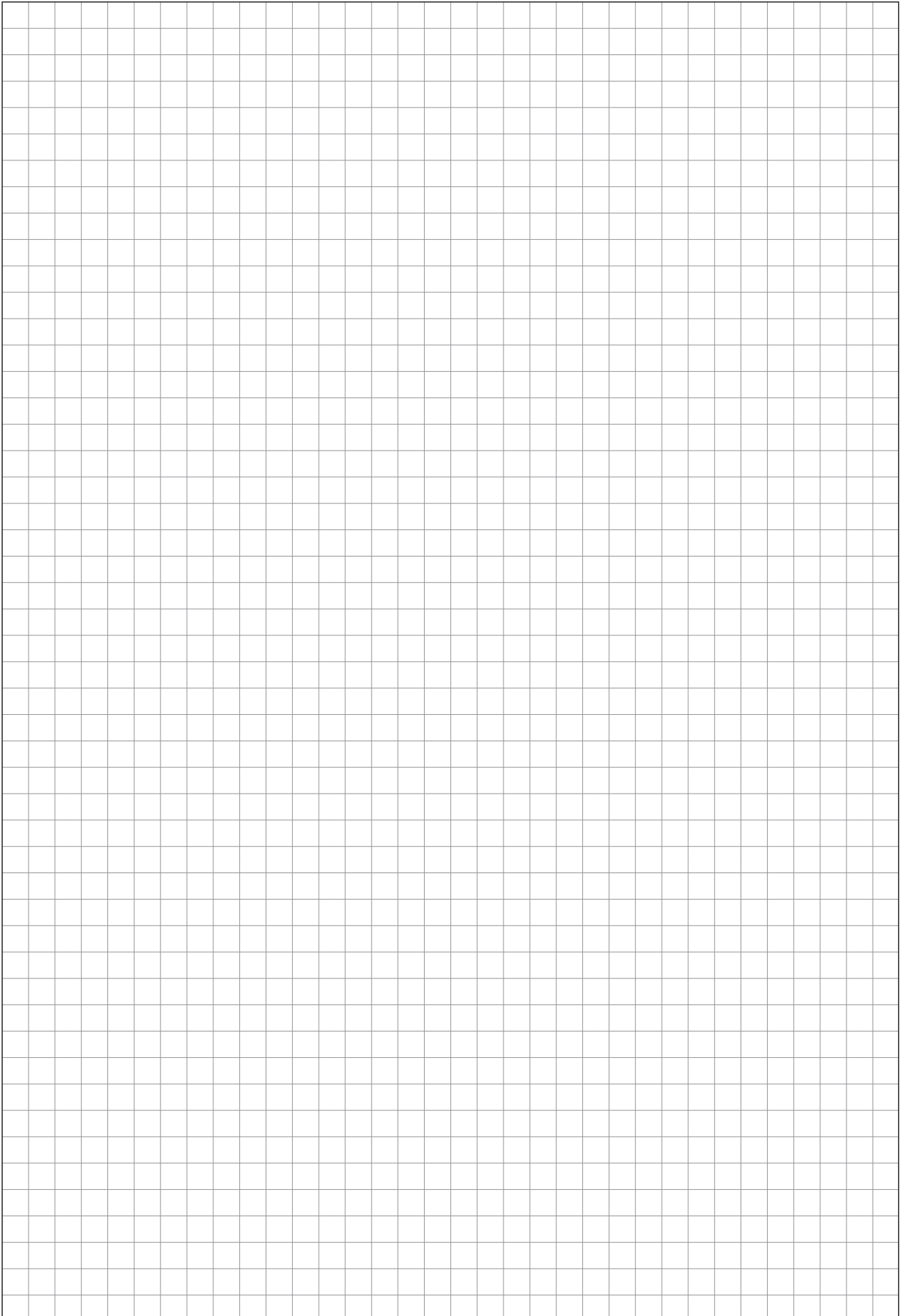
	Verification by testing acc.to IEC/EN 61439-1 (sub-clause 10.10.2)	Derivation of ratings for similar variants acc.to IEC/EN 61439-1 (sub-clause 10.10.3)
	Characteristics of the tested switchgear combination according to the manufacturer's instructions:	Requirements of switchgear assemblies, which are going to be verified in accordance with the tested assembly:
Rated operational voltage (U <sub>e</sub> )	415 VAC	up to 415 VAC
Rated frequency (f <sub>n</sub> )	50 Hz	50 Hz / 60 Hz
Rated insulation voltage (U <sub>i</sub> )	440 VAC	440 VAC
Pollution degree	3	3
Overvoltage category	III	III
Rated impulse withstand voltage (U <sub>imp</sub> )	4 kV	4 kV
Type of enclosure	BPM-O-800/12	BP(M)-O, BP(M)-F
Degree of protection (outside)	IP55	≤ IP55
(installation level)	IP2XC	IP2XC
Active ventilation	none	none
Type of assembly	Wall-mounted	Wall-mounted / stand-alone
Side-by-side arrangement	no	no
Dimensions of the enclosure (HxWxD)	1260x800x270 mm	≥ 1260x800x270 mm
Internal separation	none	none
Ambient temperature	35 °C	35 °C
Max. permissible temperature inside the enclosure	70 °C (ΔT = 35 K)	70 °C (ΔT = 35 K)
Main incomer (MCCB)	Typ NZMN3-VE630	Series NZMx3-A... / NZMx3-VE/AE... *)
Rated current (I <sub>n</sub> )	630 A	up to 630 A
Type of outgoing (MCB/MCCB)	Series FAZ-Bxx/3 Series NZMx1-A..., NZMC2-A...	Series FAZ, FAZT, FAZ6, PLSM, PLS6, PLS4 CLS6, CLS4, PL6, PL7, PL9, PL10, EM, PXL, mMC Series NZMx1-A..., NZMx2-A... / NZMx2-VE/AE...
Number of outgoing circuits	10	≥ 10
Rated diversity factor (RDF)	acc.to IEC/EN 61439-2 table 101	acc.to IEC/EN 61439-2 table 101
Conductor cross-sections for rated currents	acc.to IEC/EN 61439-1 table 11	acc.to IEC/EN 61439-1 table 11
Temperature resistance cables (acc.to single-line diagram)	up to 105°C	up to 105°C
Temperature resistance flexibar (acc.to single-line diagram)	up to 125°C	up to 125°C
Calculated power loss (P <sub>v</sub> ) incl. devices, wiring, busbars, etc.	~ 340 W (± 3%)	≤ 340 W
Rated current of the assembly (I <sub>nA</sub> )	568.8 A	≤ 568.8 A *)
Rated current of the assembly of %	~ 90.3 % of I <sub>n</sub>	

**Single-line diagram of the assembly with rated current ≤ 630 A:**



**\*) Table of rated currents of the assembly with main incomer part of NZMx3-A... / NZMx3-VE/ AE... series:**

MCCB-Typ	Rated current (I <sub>n</sub> )	Rated current of the assembly (I <sub>nA</sub> )	% of I <sub>n</sub>
NZMx3-A...	320	320	100% (no derating necessary)
	400	400	
	500	500	
NZMx3-VE/AE...	250	250	100% (no derating necessary)
	400	400	
	630	568.8	90.30%





Eaton is a power management company with 2018 sales of \$21.6 billion. We provide energy-efficient solutions that help our customers effectively manage electrical, hydraulic and mechanical power more efficiently, safely and sustainably. Eaton is dedicated to improving the quality of life and the environment through the use of power management technologies and services. Eaton has approximately 99,000 employees and sells products to customers in more than 175 countries.

For more information, visit [Eaton.com](http://Eaton.com).



Eaton Industries (Austria) GmbH  
Scheydgasse 42  
1210 Vienna  
Austria

Eaton  
EMEA Headquarters  
Route de la Longeraie 7  
1110 Morges, Switzerland  
[Eaton.eu](http://Eaton.eu)

© 2019 Eaton  
All Rights Reserved  
Printed in Austria  
Publication No. CA014010EN  
Article number 192601-MK  
August 2019  
Graphics: SRA, Schrems

Changes to the products, to the information contained in this document, and to prices are reserved; as are errors and omissions. Only order confirmations and technical documentation by Eaton is binding. Photos and pictures also do not warrant a specific layout or functionality. Their use in whatever form is subject to prior approval by Eaton. The same applies to trademarks (especially Eaton, Moeller, and Cutler-Hammer). The Terms and Conditions of Eaton apply, as referenced on Eaton Internet pages and Eaton order confirmations.

Eaton is a registered trademark.

All other trademarks are property of their respective owners.

Follow us on social media to get the latest product and support information.

