



**BRASS
MONKEY**

COMPACT PORTABLE PICNIC FRIDGE / FREEZERS WITH IN-BUILT BATTERY COMPARTMENT



Ergonomic Handle

Lets you take it anywhere, comfortably and easily



In-built Battery Compartment

Optional lithium battery enables standalone operation anywhere

Power via

12V Cigarette Socket



Solar Blanket



Mains Power



Battery Power



Removable Ice Brick

Gives you an extra boost of chill on the go

Bluetooth



USB Port

Lets you charge your devices on the go



**SOLAR
READY**



**BATTERY
COMPATIBLE**



**MOBILE APP
CONTROL**



**3 YEAR
WARRANTY**

SMALL WONDER

Discover how much can be packed into a fridge/freezer that measures just 393 x 236 x 443mm. The 8L version can accommodate 10 cans, while the 18L model can hold four bottles of bubbly standing upright, and both units include a USB port for charging your devices on the go. As if that wasn't enough, the optional lithium battery and solar-ready charging system let you keep it running on the beach or in the park, without connecting it to an external power supply.

WHY YOU NEED IT

- Instead of a wine cooler or small icebox, you can take a real compressor-type fridge/freezer to a party/picnic or al fresco dining.
- Ingenious design and low price point make these excellent gift ideas.

BEST FOR...

- Chilling champagne (GH2046/GH2048)
- Sophisticated picnics
- Families, couples, party goers, picnic lovers, gadget fans...

ADDITIONAL FEATURES

- Digital control panel
- Solar ready (get power directly from a solar panel)
- 3-stage low voltage battery protection
- 12/24V car cigarette power lead included
- 240VAC to 12VDC mains power adaptor GH1628 (sold separately)

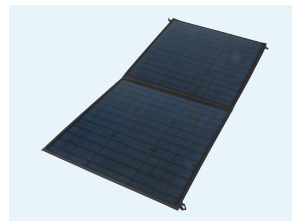
ACCESSORIES



POWER SUPPLIES & CABLES



**REMOVABLE
LITHIUM BATTERIES**



SOLAR PANEL

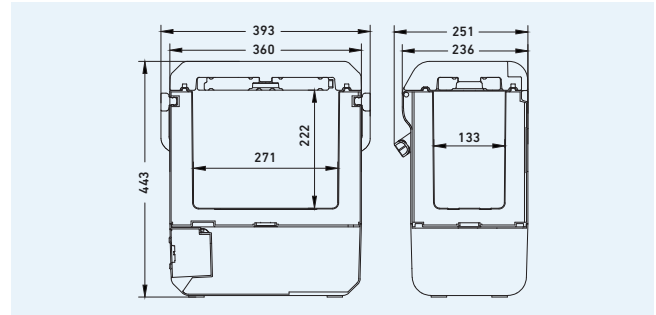




SPECIFICATIONS

| | |
|---------------------------|--|
| Volume (Litres) | 8 |
| Dimensions (L x W x H mm) | 393 x 236 x 443 |
| Weight (kg) | 7.8 |
| Power Source | 12-24V DC, 100-240V AC or optional battery |
| Cat. No | GH2026 |

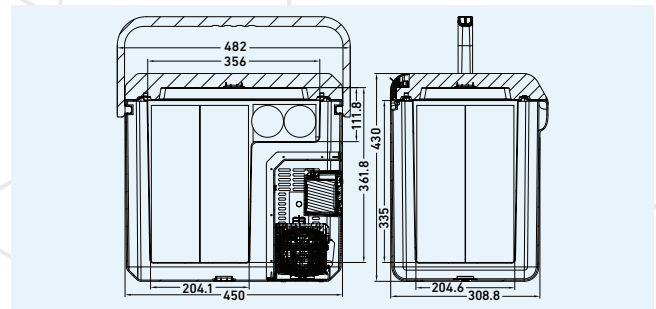
DIMENSIONS



SPECIFICATIONS

| | |
|---------------------------|--|
| Volume (Litres) | 18 |
| Dimensions (L x W x H mm) | 482 x 308 x 430 |
| Weight (kg) | 9.5 |
| Power Source | 12-24V DC, 100-240V AC or optional battery |
| Cat. No | GH2046 (Blue) / GH2048 (Aqua) |

DIMENSIONS



The recommendation and guidelines of this Brass Monkey Data Sheet are based on current information and have been produced in good faith for the general guidance of consumers. No warranty or assurance can be given that these recommendations will suit every possible situation or particular circumstance. Due to continuous development in order to improve its products, Brass Monkey products are subject to frequent modifications and changes without prior notice. Therefore, Brass Monkey cannot guarantee the correct and actual status of said information on its products. Brass Monkey accepts no responsibility for the performance in accordance with these recommendations or otherwise. Trademarks and copyrights are the property of their respective owners. © 2021. V1.