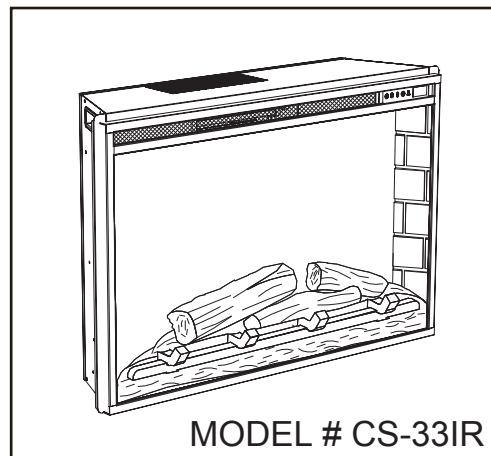
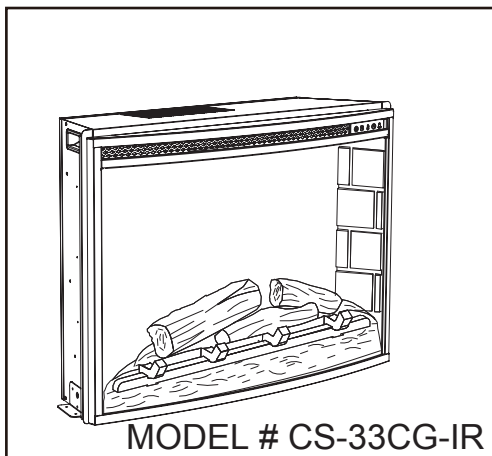
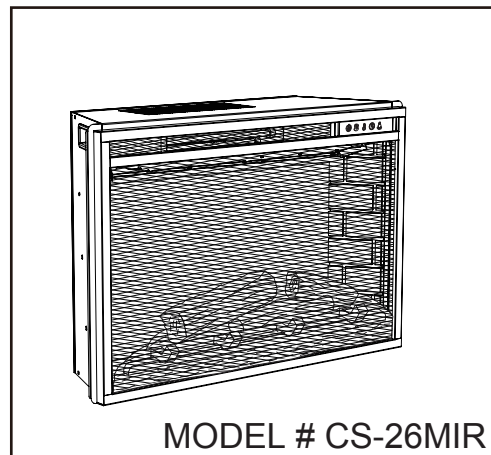
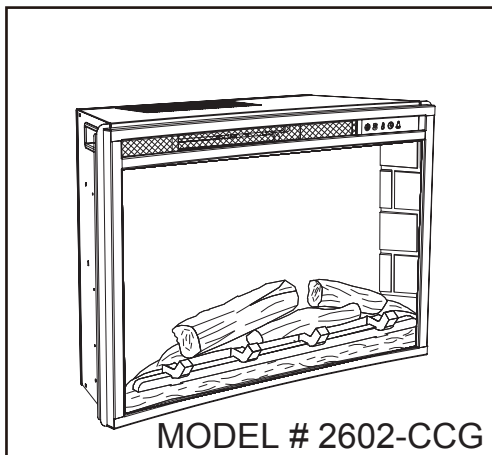


Electric Fireplace Insert

ASSEMBLY, CARE & USE INSTRUCTIONS



Questions, problems, missing parts?

Before returning to your retailer,
call our customer service department at
1-855-571-1044 8 a.m. - 8 p.m., EST, Monday - Friday.



SAFETY INFORMATION

Please read and understand this entire manual before attempting to assemble, operate or install the product.

This equipment has been tested and found to comply with the limits for Class B digital devices, pursuant to part 15 of the FCC rules. These limits are designed to provide reasonable protection against harmful interference in a residential installation. The equipment generates, uses and can radiate radio frequency energy and, if not installed and used in accordance with the instructions, may cause harmful interference to radio or television reception, which can be determined by turning the equipment off and on. The user is encouraged to try and correct the interference by one or more of the following measures:

- Reorient or relocate the receiving antenna
- Increase the separation between the equipment and the receiver
- Connect the equipment into an outlet on a circuit different from that to which the receiver is connected.
- Consult the dealer or an experienced radio/TV technician for help.

This device complies with Part 15 of the FCC rules. Operation is subject to the following two conditions:

1. This device may not cause harmful interference, and
2. This device must accept any interference received, including interference that may cause undesired operation.

Modifications not approved by the party responsible for compliance could void user's authority to operate the equipment.

This Class B digital apparatus complies with Canadian ICES-003.

IMPORTANT INSTRUCTIONS

When using electric appliances, basic precautions should always be followed to reduce the risk of fire, electric shock, and injury to persons, including the following:

WARNING

- Read all instructions before using this heater.
- To avoid injury from unexpected starting or electrical shock, **DO NOT** plug the power cord into a source of power during unpacking and assembly. The cord must remain unplugged whenever you are adjusting / assembling the item.
- If any part is missing or damaged, **DO NOT** attempt to use or plug in the power cord until the missing or damaged part is correctly replaced. To avoid electric shock, use only identical replacement parts, and when servicing use double-insulated tools.
- Whenever the item is left operating and unattended, extreme caution is necessary if children or invalids are nearby.
- Electrical outlet wiring must comply with local building codes and other applicable regulations to reduce the risk of fire, electric shock and injury to persons.
- Disconnect power before attempting any maintenance or cleaning to reduce the risk of fire, electrical shock or personal injury.
- This appliance is hot when in use. To avoid burns, **DO NOT** let bare skin touch hot surfaces. If provided, use handles when moving this heater. Keep combustible material, such as furniture, pillows, bedding, papers, clothes and curtains at least 3 feet from this appliance and keep them from the sides and rear.
- The appliance is not to be used by children or persons with reduced physical, sensory or mental capabilities, or lack of experience and knowledge, unless they have been given supervision or instruction.
- **DO NOT** run cord under carpeting. **DO NOT** cover cord with throw rugs, runners or similar coverings. **DO NOT** route cord under furniture or appliances. Arrange cord away from traffic areas and where it will not be tripped over.
- **DO NOT** insert or allow foreign objects to enter any ventilation or exhaust opening as this may cause an electric shock or fire, or damage the appliance.
- This appliance has hot and arcing or sparking parts inside. **DO NOT** use it in areas where gasoline, paint or flammable vapors or liquids are used or stored. This item should not be used as a drying rack for clothing. Christmas stockings or decorations should not be hung in the area of it.
- Use this appliance only as described in the manual. Any other use is **NOT** recommended by the manufacturer and may cause fire, electric shock or injury to persons.

CAUTION

- **Cold climate installation recommendation:** When installing this unit against a non-insulated exterior wall or chase, it is mandatory the outer walls be insulated to conform to applicable insulation codes.
- Make sure the power is turned off before proceeding with motor maintenance. Any electrical repairs or rewiring of this unit should be carried out by a licensed electrician in accordance with national and local codes.
- If repairing or replacing any electrical component or wiring, the original wire routing, color coding and securing locations must be followed.
- **DO NOT** use this item if any part of it has been under water. Immediately call a qualified service technician to inspect the item and replace any part of the electrical system.
- To prevent a possible fire, **DO NOT** block air intakes or exhaust in any manner. **DO NOT** use on soft surfaces, like a bed, where openings may become blocked.
- Turn the power off when servicing this appliance. First turn the main power switch to the “OFF” position. Then remove the electrical plug from the wall outlet.

! SAFETY INFORMATION (CONT'D)

- If possible, **ALWAYS** unplug this appliance when not in use.
- **DO NOT** use outdoors.
- This item is not intended for use in bathrooms, laundry areas and similar indoor locations. **NEVER** place heater where it may fall into a bathtub or other water container.
- To disconnect this appliance, turn controls to the off position, then remove plug from outlet.
- **ONLY** connect to properly grounded outlets.
- This appliance, when installed, must be electrically grounded in accordance with local codes, with the current CSA C22.1 Canadian Electrical Code or follow U.S.A. Installations, follow local codes and the National Electrical Code, ANSI/NFPA N0.70.
- There is a thermostat limiter inside the item. When the inner temperature overheats or abnormal heating occurs, the thermostat protective device would cut off power supply to prevent damage or risk of fire.
- The heaters **MUST NOT** be located immediately below a socket-outlet.
- Do not operate any heater with a damaged cord or plug or after the heater malfunctions, has been dropped or damaged in any manner. Discard heater, or return to authorized service facility for examination and/or repair.

Electrical Connection

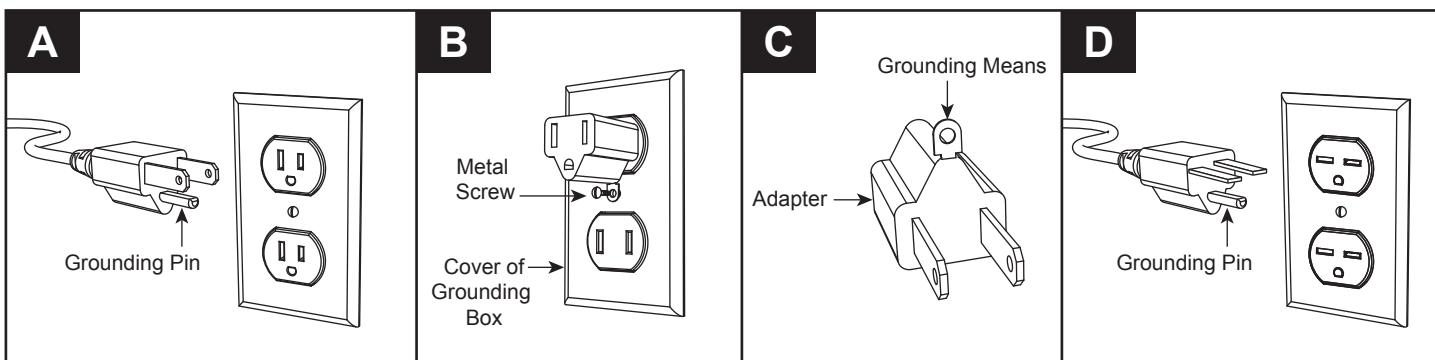
SPECIFICATIONS		
Voltage	Amps	Watts (max.)
120 VAC, 60 Hz	12.5 Amps	1500 Watts

- A 15-amp, 120-volt, 60 Hz circuit with a properly grounded outlet is required. Preferably, the item will be on a dedicated circuit as other appliances on the same circuit may cause the circuit breaker to trip or the fuse to blow when the heater is in operation. The unit comes standard with 6-ft. three-wire cord, exiting from the rear of the heater. **DO NOT** exceed the current rating of the current tap. **ALWAYS** plug heaters directly into a wall outlet/receptacle. **NEVER** use with an extension cord or relocatable power tap (outlet/power strip).

SAVE THESE INSTRUCTIONS

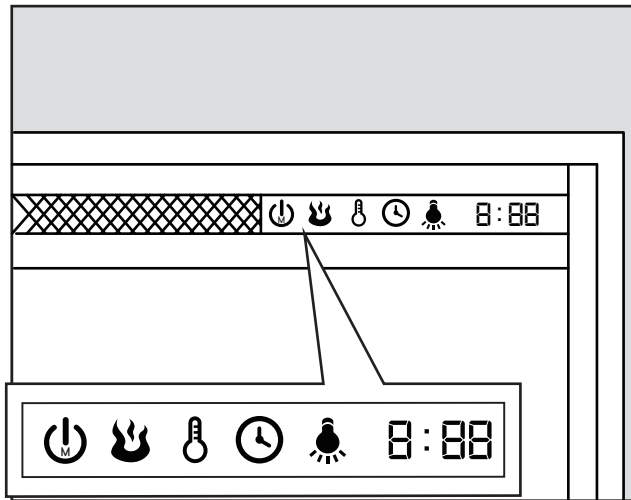
GROUNDING INSTRUCTIONS

- This heater is for use on 120 volts. The cord has a plug as shown below. See illustration for grounding instruction. An adapter as shown at C is available for connecting three-blade grounding type plugs to two-slot receptacles. The green grounding lug extending from the adapter must be connected to a permanent ground such as a properly grounded outlet box. The adapter should not be used if a three-slot grounded receptacle is available.

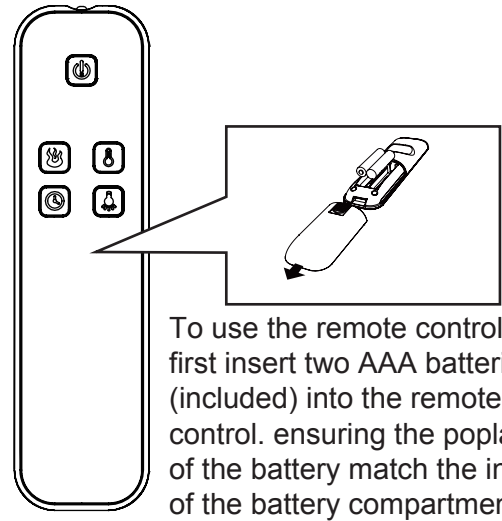


OPERATING INSTRUCTIONS

Control Panel



Remote Control



To use the remote control, first insert two AAA batteries (included) into the remote control, ensuring the polarities of the battery match the inside of the battery compartment.

Note: The control panel is a touch screen. It will appear black. Touch the control panel once to “wake up” the controls. This will cause the controls to light up. Whichever icon you touch will display its last setting when you do this. At this time you can press the corresponding icon to the function you would like to adjust. After 5 seconds the touch screen will fade to black.



Power Function

- Press the POWER ICON to turn the main power to the unit ON or OFF.
- When the unit is powered ON, the lights under the emberbed will glow to indicate the unit has power.
- If any functions are stored in memory then they will resume at the last setting.



Flame Brightness Function

- Press the FLAME BRIGHTNESS ICON to adjust the flame brightness.
- If the unit main power is OFF, you can press the FLAME BRIGHTNESS ICON to power ON the unit and flame brightness will resume at the last setting.
- Press the FLAME BRIGHTNESS ICON again to scroll up through the flame brightness settings: 1, 2, 3, 4, 5, OFF.



Temperature Function

- Press the TEMPERATURE ICON to adjust the heater’s thermostat setting.
- If the unit is powered OFF, you can press the TEMPERATURE ICON to power ON the unit. The emberbed will glow at the lowest brightness setting unless a different setting was saved in the memory.
- Press the TEMPERATURE ICON again to scroll up through the pre-set temperature settings:
 - Fahrenheit: 65, 70, 75, 80, 85, 90, HI, OFF.
 - Celsius: 18, 21, 24, 27, 29, 32, HI, OFF.
- Set the temperature to “HI” to have the heater run continually.
- Hold down the TEMPERATURE ICON for 5 seconds to toggle between Fahrenheit and Celsius. An “F” or “C” will display next to the temperature.
- Press and hold the TEMPERATURE ICON for 10 seconds to disengage the heater function. Press and hold the TEMPERATURE ICON for 10 seconds again to engage the heater function. (See HEATER OVERRIDE section below for more details).

OPERATING INSTRUCTIONS (CONT'D)



Timer Function

- Press the TIMER ICON to set the countdown for the unit's main power.
- If the unit is powered OFF, you can press the TIMER ICON to power ON the unit. The emberbed will glow at the lowest brightness setting unless a different setting was saved in the memory.
- Press the TIMER ICON again to scroll through the timer settings, which are: 30, 1h, 2h, 3h, 4h, 5h, 6h, 7h, 8h, 9h, OFF. (30 means 30 minutes)
- When the timer reaches zero, it will turn OFF the main power and will maintain all the settings in memory.



Downlight Function

- Press the DOWNLIGHT ICON to power the LED downlights ON or OFF
- If the unit is powered OFF, you can press the DOWNLIGHT ICON to power ON the unit. The emberbed will glow at the lowest brightness setting unless a different setting was saved in the memory.

HEATER OVERRIDE

The power to the heater can be disengaged to prevent the heater from being accidentally or unintentionally powered on. This feature is primarily added to help prevent children from powering on the heater when it is not desired.

- To engage the heater override function press and hold the HEATER ICON for 10 seconds. The symbol E3 will display and then go blank while beeping 3 times. The heater function is now locked. If the HEATER ICON is pressed again E3 will appear then fade. The Flame, Downlight and Timer functions will operate normally. Only the heater and blower are disengaged.
- To unlock the heater function, press and hold the HEATER ICON for 10 seconds. The symbol E3 will display and then go blank while beeping 3 times. The heater function is now engaged. By pressing the HEATER ICON again you will be able to adjust the heat temperature to your desired temperature.

MEMORY FUNCTION

This unit has a memory function that allows you to turn off the MAIN POWER and retains all the other function settings (excluding the TIMER function).

- When the unit's main power is OFF, press the POWER ICON once on the insert control panel or on the remote control to power the unit ON and "wakeup" the individual function at the last setting. Press the icon again to adjust it and press the main POWER ICON on the insert or on the remote control to turn the unit OFF and save the new setting into memory.
- When the unit is powered ON, the LED readout will show the saved temperature setting. If a temperature setting was not saved, it will show the flame brightness setting saved in memory. If neither one has a setting saved to memory, then only the emberbed will glow (as a power light indicator).
- To reset the memory, hold down the main POWER ICON for 5 seconds at any time. When this happens, the LED readout will blink with three zeros three times.
- Another way to reset the memory is to unplug the unit from the wall.

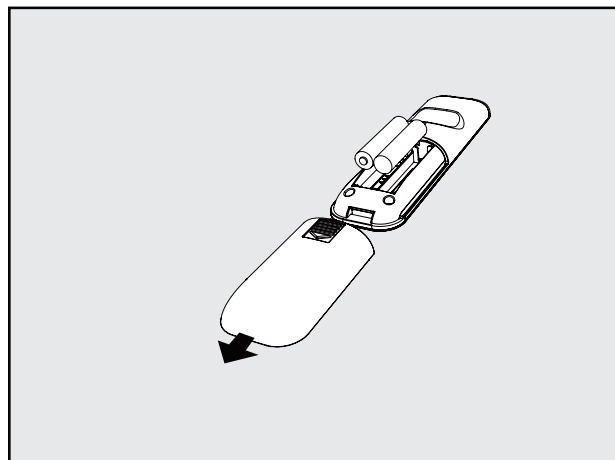
CARE AND MAINTENANCE

- Make sure the unit is turned OFF, unplugged and the heating elements of heater are cool whenever you are cleaning the heater or fireplace.
- Clean the metal trim using a water-dampened soft, clean cloth. **DO NOT** use brass polish or household cleaners as these products will damage the metal trim.
- The motors used on the fan and the flame generator assembly are pre-lubricated for extended bearing life and require no further lubrication. However, periodic cleaning/vacuuming of the fan/heater and air intake/output vents is recommended.
- When the heater is not in use, the power cord should be stored properly to avoid contact with hot or sharp objects.
- Any other servicing should be performed by an authorized service representative.

Replacing the Remote Control Batteries

When the remote control stops operating or its range seems reduced, it is time to replace the batteries. **Note:** The batteries should be removed if the product is to be left unused for a long time.

1. The battery compartment is located on the back of the remote control .
2. Remove battery cover from the back of remote control and remove the old batteries.
3. Insert 2pcs AAA batteries, ensuring the polarities of the battery match the inside of the battery compartment.
4. Re-insert the battery door.



Note: Do not mix old and new batteries.

Do not mix alkaline, standard (carbonzinc), or rechargeable (nicad, nimh, etc) batteries.

Non-rechargeable batteries are not to be recharged. Exhausted batteries are to be removed from the product.

Disposal of Used Battery

A battery may contain hazardous substances that could be endangering the environment and human health.

- This symbol marked on the battery and/or packaging indicates that used battery shall not be treated as municipal waste. Instead it shall be left at the appropriate collection point for recycling.
- By ensuring the used battery is disposed of correctly, you will help prevent potential negative consequences for the environment and human health. The recycling of materials will help to conserve natural resources.



For more information about collection and recycling of used batteries, please contact your local municipality, your waste disposal service or the point-of-sale where you purchased this battery.

TROUBLESHOOTING

PROBLEM	POSSIBLE CAUSE	CORRECTIVE ACTION
Error E1 displayed on control panel.	The overheat sensor has been engaged.	Unplug unit, wait 15-20 minutes, then the sensor will reset itself. Plug the unit back in and turn on the heater. If the problem persists, call customer service. Note: The other functions will work normally excluding the heater. Until the problem is solved, the error will only appear/sound when the heater button is pressed.
Error E2 displayed on control panel.	The thermostat sensor is broken or not working correctly.	Unplug unit, wait 15-20 minutes, then the sensor will reset itself. Plug the unit back in and turn on the heater. If the problem persists, call customer service. Note: The other functions will work normally excluding the heater. Until the problem is solved, the error will only appear/sound when the heater button is pressed.
Error E3 displayed on control panel.	Heater override function is engaged	To unlock the heater, simply press and hold the temperature button for 10 seconds (See page 6 Heater Override Section for more details).
No power; logs do not glow.	The unit does not have power.	Check that the power cord is securely plugged into a standard 120V outlet. Then check to make sure the unit is powered on.
No flame effect but logs are glowing.	The flame effect is powered off.	Push the flame brightness button until desired level is achieved.
Heater and blower do not power on but rest of functions are working.	Heater override function is engaged	To unlock the heater, simply press and hold the temperature button for 10 seconds (See page 6 Heater Override Section for more details).
Power cord gets warm to the touch.	Normal operation.	This is normal for a heater appliance as it requires more current to operate. Check the connections of the appliance cord and the outlet. Make sure the plug fits tightly into the outlet. During use, check the plug and outlet frequently to determine if it is HOT; if so, discontinue use of the appliance and consult with a qualified electrician to check or change the overheating outlet(s).
Remote control does not work.	Weak or failing batteries.	Replace with 2 AAA batteries. . (See page 7 for more information.)
Remote control signal is weak and only works sometimes.	Pressing the buttons too quickly.	Press the buttons slowly and steadily to ensure the transmitter recognizes the request.
	Using the remote control too far away or at an off angle.	Move closer to the insert; the remote control will only work within a distance of 20 feet and 45 degrees to either side from the front of the fireplace insert.
Fan motor continues to blow after unit is powered off.	Normal operation.	This is a standard feature; the blower runs for an additional 20 seconds to cool off heater tubes.

ONE-YEAR LIMITED WARRANTY

The manufacturer warrants that your new Electric fireplace is free from manufacturing and material defects for a period of one year from date of purchase, subject to the following conditions and limitations.

Install and operate this Electric fireplace in accordance with the installation and operating instructions furnished with the product at all times. Any unauthorized repair, alteration, willful abuse, accident, or misuse of the product shall nullify this warranty.

This warranty is non-transferable, and is made to the original owner, provided that the purchase was made through an authorized supplier of the product.

The warranty is limited to the repair or replacement of part(s) found to be defective in material or workmanship, provided that such part(s) have been subjected to normal conditions of use and service, after said defect is confirmed by the manufacturer's inspection.

The manufacturer may, at its discretion, fully discharge all obligations with respect to this warranty by refunding the wholesale price of the defective part(s).

Any installation, labor, construction, transportation, or other related costs/expenses arising from defective part(s), repair, replacement, or otherwise of same, will not be covered by this warranty, nor shall the manufacturer assume responsibility for same.

The owner/user assumes all other risks, if any, including the risk of any direct, indirect or consequential loss or damage arising out of the use, or inability to use the product, except as provided by law.

All other warranties-expressed or implied-with respect to the product, its components and accessories, or any obligations/liabilities on the part of the manufacturer are hereby expressly excluded.

The manufacturer neither assumes, nor authorizes any third party to assume on its behalf, any other liabilities with respect to the sale of the product.

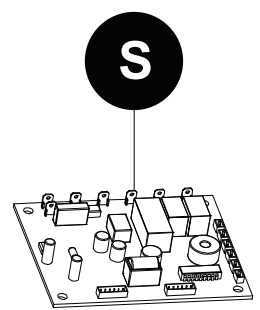
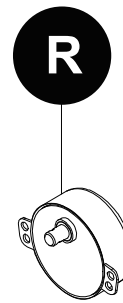
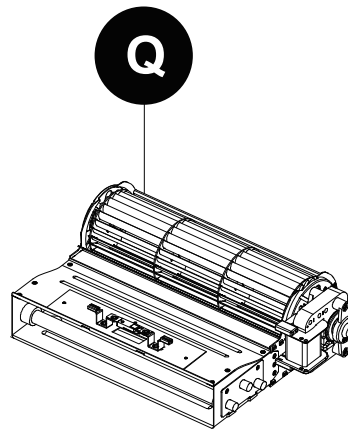
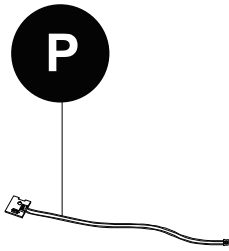
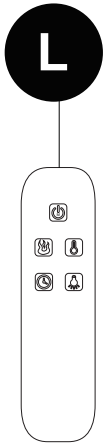
The warranties as outlined within this document do not apply to non accessories used in conjunction with the installation of this product.

This warranty is void if:

1. The fireplace is subjected to prolonged periods of dampness or condensation.
2. Any unauthorized alteration, willful abuse, accident, or misuse of the product.
3. You do not have the original receipt of purchase.

REPLACEMENT PARTS

For replacement parts, call our customer service department at 1-855-571-1044, 8 a.m. - 8 p.m., EST, Monday - Friday.



Model # 2602-CCG; CS-261R

PART	DESCRIPTION	PART #
L	Remote Control	PU16-262833-RC
P	Thermostat	PU16-232628-NTC
Q	Heater / Blower Assembly	PU16-23262833-HB
R	Spinner Motor	PU16-23262833-SM
S	PCB Board	PU16-262833-PCB

Model # CS-33CG-IR; CS-331R

PART	DESCRIPTION	PART #
L	Remote Control	PU16-262833-RC
P	Thermostat	PU16-33-NTC
Q	Heater / Blower Assembly	PU16-23262833-HB
R	Spinner Motor	PU16-23262833-SM
S	PCB Board	PU16-262833-PCB