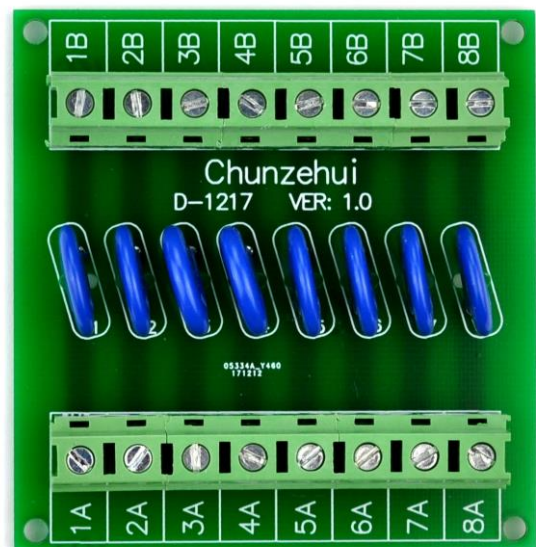
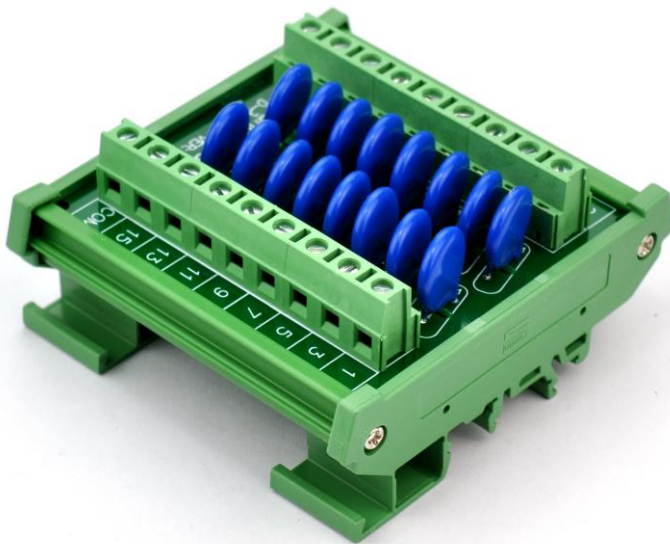


Chunzehui Electronics-Salon CZH-LABS

Model: D-1214 to 1219

Circuit Protection SIOV Metal Oxide Varistor
Interface Module



Features:

- Ease of connection with the use of standard screw connection terminal Blocks.
- Available with individual and common anode standard circuit configurations.
- Available with various varistor voltage ratings, TDK/EPCOS SIOV metal oxide varistors.
- Available with 3 / 8 / 16 channels.
- Available with Panel mount or DIN rail mount versions. DIN rail mount version can support width 35 / 32 / 15mm rails.

Terminal Block:

Pitch - 7.5mm / 0.295"

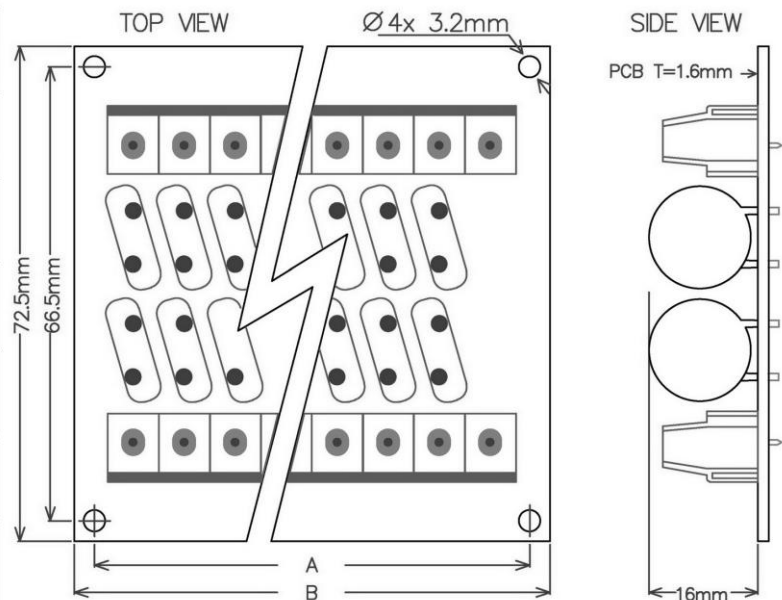
Wire size 26~12 AWG / 2.5mm²

Stripping length 7mm / 0.275"

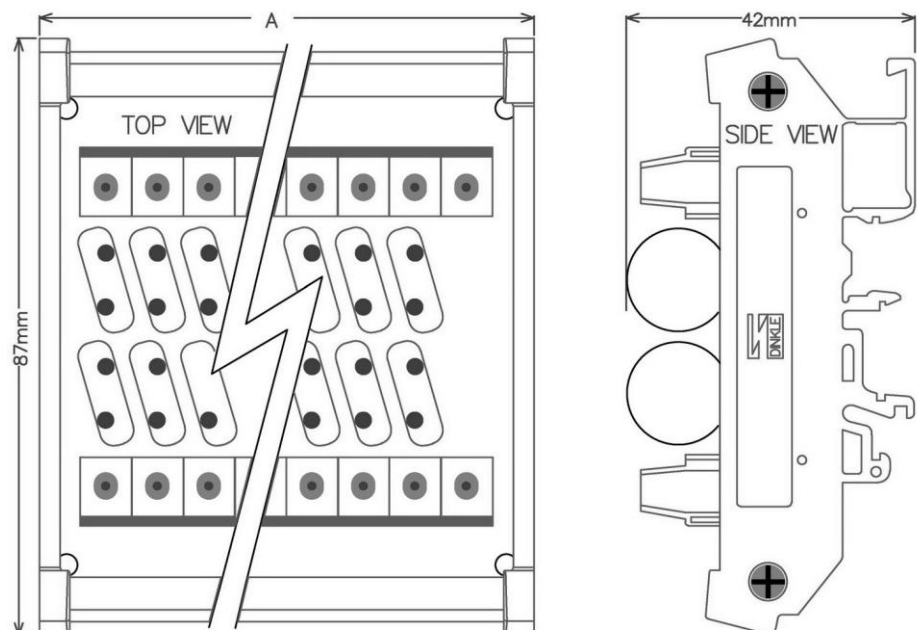
Metric M2.5 slotted screw.

Dimensions:

Series	A	B
D-1214	41.35mm	47.35mm
D-1215	41.35mm	47.35mm
D-1216	41.35mm	47.35mm
D-1217	64mm	70mm
D-1218	131.35mm	137.35mm
D-1219	74mm	80mm

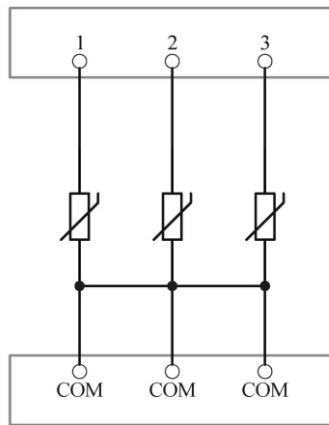


Series	A
D-1214	49.5mm
D-1215	49.5mm
D-1216	49.5mm
D-1217	72.5mm
D-1218	139.5mm
D-1219	82.5mm

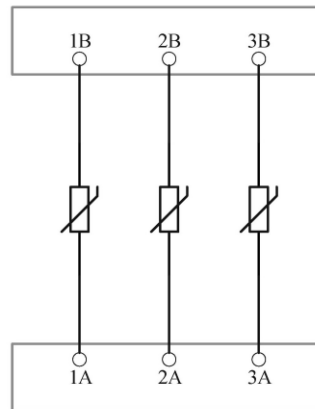


Schematic:

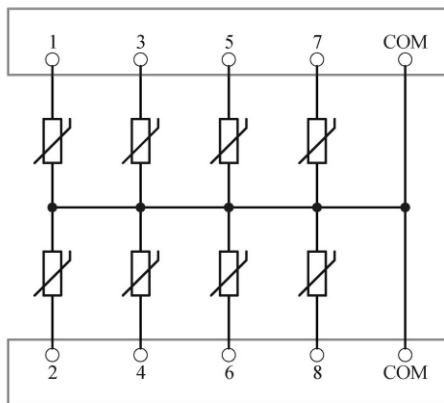
D-1214 Series



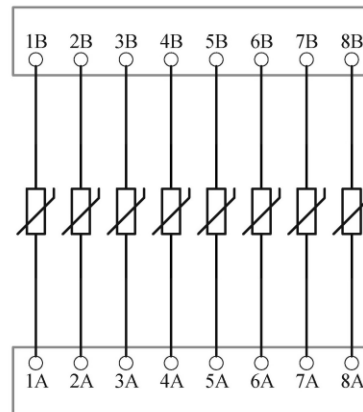
D-1215 Series



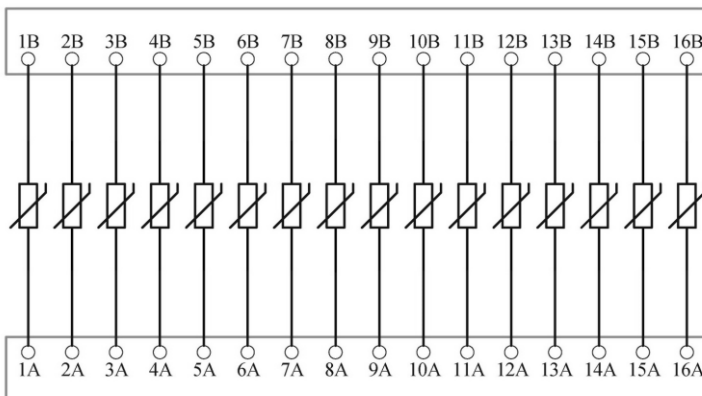
D-1216 Series



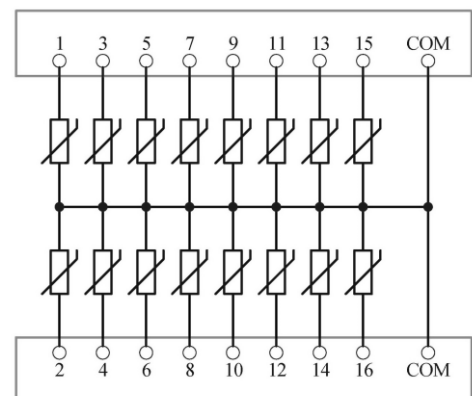
D-1217 Series



D-1218 Series



D-1219 Series



Panel Mount Type Version List

Model	Mount Type	Circuit Mode	Channel	Continuous		Breakdown Voltage @1mA	Clamping Voltage Current	Transient		Capacitance	Varistor Max. Power Rating	Varistor Diameter
				Max. Working Voltage				Peak Current	Max. Energy			
				RMS (AC)	DC	+/-10%	8/20 uS	2mS	pF @1kHz	Watt	mm	
MD-D1214/24V-1	Panel mount	Common	3	30V	38V	47V	93V/10A	1000A	9J	4950	0.1	14
MD-D1214/48V-1				60V	85V	100V	165V/50A	4500A	17J	1650	0.6	14
MD-D1214/110V-1				150V	200V	240V	395V/50A	4500A	40J	750	0.6	14
MD-D1214/240V-1				275V	350V	430V	710V/50A	4500A	71J	440	0.6	14
MD-D1215/24V-1	Panel mount	Individual	3	30V	38V	47V	93V/10A	1000A	9J	4950	0.1	14
MD-D1215/48V-1				60V	85V	100V	165V/50A	4500A	17J	1650	0.6	14
MD-D1215/110V-1				150V	200V	240V	395V/50A	4500A	40J	750	0.6	14
MD-D1215/240V-1				275V	350V	430V	710V/50A	4500A	71J	440	0.6	14
MD-D1216/24V-1	Panel mount	Common	8	30V	38V	47V	93V/10A	1000A	9J	4950	0.1	14
MD-D1216/48V-1				60V	85V	100V	165V/50A	4500A	17J	1650	0.6	14
MD-D1216/110V-1				150V	200V	240V	395V/50A	4500A	40J	750	0.6	14
MD-D1216/240V-1				275V	350V	430V	710V/50A	4500A	71J	440	0.6	14
MD-D1217/24V-1	Panel mount	Individual	8	30V	38V	47V	93V/10A	1000A	9J	4950	0.1	14
MD-D1217/48V-1				60V	85V	100V	165V/50A	4500A	17J	1650	0.6	14
MD-D1217/110V-1				150V	200V	240V	395V/50A	4500A	40J	750	0.6	14
MD-D1217/240V-1				275V	350V	430V	710V/50A	4500A	71J	440	0.6	14
MD-D1218/24V-1	Panel mount	Individual	16	30V	38V	47V	93V/10A	1000A	9J	4950	0.1	14
MD-D1218/48V-1				60V	85V	100V	165V/50A	4500A	17J	1650	0.6	14
MD-D1218/110V-1				150V	200V	240V	395V/50A	4500A	40J	750	0.6	14
MD-D1218/240V-1				275V	350V	430V	710V/50A	4500A	71J	440	0.6	14
MD-D1219/24V-1	Panel mount	Common	16	30V	38V	47V	93V/10A	1000A	9J	4950	0.1	14
MD-D1219/48V-1				60V	85V	100V	165V/50A	4500A	17J	1650	0.6	14
MD-D1219/110V-1				150V	200V	240V	395V/50A	4500A	40J	750	0.6	14
MD-D1219/240V-1				275V	350V	430V	710V/50A	4500A	71J	440	0.6	14

DIN Rail Mount Type Version List

Model	Mount Type	Circuit Mode	Channel	Continuous		Breakdown Voltage @1mA	Clamping Voltage Current	Transient		Capacitance	Varistor Max. Power Rating	Varistor Diameter
				Max. Working Voltage				Peak Current	Max. Energy			
				RMS (AC)	DC	+/-10%	8/20 uS	2mS	pF @1kHz	Watt	mm	
MD-D1214T/24V-1	DIN rail mount	Common	3	30V	38V	47V	93V/10A	1000A	9J	4950	0.1	14
MD-D1214T/48V-1				60V	85V	100V	165V/50A	4500A	17J	1650	0.6	14
MD-D1214T/110V-1				150V	200V	240V	395V/50A	4500A	40J	750	0.6	14
MD-D1214T/240V-1				275V	350V	430V	710V/50A	4500A	71J	440	0.6	14
MD-D1215T/24V-1	DIN rail mount	Individual	3	30V	38V	47V	93V/10A	1000A	9J	4950	0.1	14
MD-D1215T/48V-1				60V	85V	100V	165V/50A	4500A	17J	1650	0.6	14
MD-D1215T/110V-1				150V	200V	240V	395V/50A	4500A	40J	750	0.6	14
MD-D1215T/240V-1				275V	350V	430V	710V/50A	4500A	71J	440	0.6	14
MD-D1216T/24V-1	DIN rail mount	Common	8	30V	38V	47V	93V/10A	1000A	9J	4950	0.1	14
MD-D1216T/48V-1				60V	85V	100V	165V/50A	4500A	17J	1650	0.6	14
MD-D1216T/110V-1				150V	200V	240V	395V/50A	4500A	40J	750	0.6	14
MD-D1216T/240V-1				275V	350V	430V	710V/50A	4500A	71J	440	0.6	14
MD-D1217T/24V-1	DIN rail mount	Individual	8	30V	38V	47V	93V/10A	1000A	9J	4950	0.1	14
MD-D1217T/48V-1				60V	85V	100V	165V/50A	4500A	17J	1650	0.6	14
MD-D1217T/110V-1				150V	200V	240V	395V/50A	4500A	40J	750	0.6	14
MD-D1217T/240V-1				275V	350V	430V	710V/50A	4500A	71J	440	0.6	14
MD-D1218T/24V-1	DIN rail mount	Individual	16	30V	38V	47V	93V/10A	1000A	9J	4950	0.1	14
MD-D1218T/48V-1				60V	85V	100V	165V/50A	4500A	17J	1650	0.6	14
MD-D1218T/110V-1				150V	200V	240V	395V/50A	4500A	40J	750	0.6	14
MD-D1218T/240V-1				275V	350V	430V	710V/50A	4500A	71J	440	0.6	14
MD-D1219T/24V-1	DIN rail mount	Common	16	30V	38V	47V	93V/10A	1000A	9J	4950	0.1	14
MD-D1219T/48V-1				60V	85V	100V	165V/50A	4500A	17J	1650	0.6	14
MD-D1219T/110V-1				150V	200V	240V	395V/50A	4500A	40J	750	0.6	14
MD-D1219T/240V-1				275V	350V	430V	710V/50A	4500A	71J	440	0.6	14