



Video Intercom Nametag Module

Quick Start Guide



Scan to get detailed *User Manual*

Quick Start Guide

©2019 Hangzhou Hikvision Digital Technology Co., Ltd.

This quick start guide is intended for users of nametag module(DS-KD-KK). Nametag module is the component of the module door station. Use it along with the main unit.

It includes instructions on how to use the Product. The software embodied in the Product is governed by the user license agreement covering that Product.

About this Manual

This Manual is subject to domestic and international copyright protection. Hangzhou Hikvision Digital Technology Co., Ltd. (“Hikvision”) reserves all rights to this manual. This manual cannot be reproduced, changed, translated, or distributed, partially or wholly, by any means, without the prior written permission of Hikvision.

Trademarks

HIKVISION and other Hikvision marks are the property of Hikvision and are registered trademarks or the subject of applications for the same by Hikvision and/or its affiliates. Other trademarks mentioned in this manual are the properties of their respective owners. No right of license is given to use such trademarks without express permission.

Disclaimer

TO THE MAXIMUM EXTENT PERMITTED BY APPLICABLE LAW, HIKVISION MAKES NO WARRANTIES, EXPRESS OR IMPLIED, INCLUDING WITHOUT LIMITATION THE IMPLIED WARRANTIES OF MERCHANTABILITY AND FITNESS FOR A PARTICULAR PURPOSE, REGARDING THIS MANUAL. HIKVISION DOES NOT WARRANT, GUARANTEE, OR MAKE ANY REPRESENTATIONS REGARDING THE USE OF THE MANUAL, OR THE CORRECTNESS, ACCURACY, OR RELIABILITY OF INFORMATION CONTAINED HEREIN. YOUR USE OF THIS MANUAL AND ANY RELIANCE ON THIS MANUAL SHALL BE WHOLLY AT YOUR OWN RISK AND RESPONSIBILITY.

TO THE MAXIMUM EXTENT PERMITTED BY APPLICABLE LAW, IN NO EVENT WILL HIKVISION, ITS DIRECTORS, OFFICERS, EMPLOYEES, OR AGENTS BE LIABLE TO YOU FOR ANY SPECIAL, CONSEQUENTIAL, INCIDENTAL, OR INDIRECT DAMAGES, INCLUDING, AMONG OTHERS, DAMAGES FOR LOSS OF BUSINESS PROFITS, BUSINESS INTERRUPTION, SECURITY BREACHES, OR LOSS OF DATA OR DOCUMENTATION, IN CONNECTION WITH THE USE OF OR RELIANCE ON THIS MANUAL, EVEN IF HIKVISION HAS BEEN ADVISED OF THE POSSIBILITY OF SUCH DAMAGES.

SOME JURISDICTIONS DO NOT ALLOW THE EXCLUSION OR LIMITATION OF LIABILITY OR CERTAIN DAMAGES, SO SOME OR ALL OF THE ABOVE EXCLUSIONS OR LIMITATIONS MAY NOT APPLY TO YOU.

Support

Should you have any questions, please do not hesitate to contact your local dealer.

Regulatory Information

FCC Information

Please take attention that changes or modification not expressly approved by the party responsible for compliance could void the user's authority to operate the equipment.

FCC compliance: This equipment has been tested and found to comply with the limits for a Class B digital device, pursuant to part 15 of the FCC Rules. These limits are designed to provide reasonable protection against harmful interference in a residential installation. This equipment generates, uses and can radiate radio frequency energy and, if not installed and used in accordance with the instructions, may cause harmful interference to radio communications. However, there is no guarantee that interference will not occur in a particular installation. If this equipment does cause harmful interference to radio or television reception, which can be determined by turning the equipment off and on, the user is encouraged to try to correct the interference by one or more of the following measures:

- Reorient or relocate the receiving antenna.
- Increase the separation between the equipment and receiver.
- Connect the equipment into an outlet on a circuit different from that to which the receiver is connected.
- Consult the dealer or an experienced radio/TV technician for help.

FCC Conditions

This device complies with part 15 of the FCC Rules. Operation is subject to the following two conditions:

1. This device may not cause harmful interference.
2. This device must accept any interference received, including interference that may cause undesired operation.

EU Conformity Statement



This product and - if applicable - the supplied accessories too are marked with "CE" and comply therefore with the applicable harmonized European standards listed under the EMC Directive 2014/30/EU, LVD Directive 2014/35/EU, the RoHS Directive 2011/65/EU.



2012/19/EU (WEEE directive): Products marked with this symbol cannot be disposed of as unsorted municipal waste in the European Union. For proper recycling, return this product to your local supplier upon the purchase of equivalent new equipment, or dispose of it at designated collection points. For more information see:

www.recyclethis.info



2006/66/EC (battery directive): This product contains a battery that cannot be disposed of as unsorted municipal waste in the European Union. See the product documentation for specific battery information. The battery is marked with this symbol, which may include lettering to indicate cadmium (Cd), lead (Pb), or mercury (Hg). For proper recycling, return the battery to your supplier or to a designated collection point. For more information see:

www.recyclethis.info



Safety Instruction

These instructions are intended to ensure that user can use the product correctly to avoid danger or property loss.

The precaution measure is divided into **Warnings** and **Cautions**:

Warnings: Neglecting any of the warnings may cause serious injury or death.

Cautions: Neglecting any of the cautions may cause injury or equipment damage.

	
Warnings Follow these safeguards to prevent serious injury or death.	Cautions Follow these precautions to prevent potential injury or material damage.



Warnings

- The working temperature of the device is from -40° C to 60° C.
- All the electronic operation should be strictly compliance with the electrical safety regulations, fire prevention regulations and other related regulations in your local region.
- Please use the power adapter, which is provided by normal company. The power consumption cannot be less than the required value.
- Do not connect several devices to one power adapter as adapter overload may cause over-heat or fire hazard.
- Please make sure that the power has been disconnected before you wire, install or dismantle the device.
- When the product is installed on wall or ceiling, the device shall be firmly fixed.
- If smoke, odors or noise rise from the device, turn off the power at once and unplug the power cable, and then please contact the service center.
- If the product does not work properly, please contact your dealer or the nearest service center. Never attempt to disassemble the device yourself. (We shall not assume any responsibility for problems caused by unauthorized repair or maintenance.)
- The power supply must conform to LPS. The recommended adaptor models and manufacturers are shown as below. Use the attached adaptor, and do not change the adaptor randomly.

Model	Manufacturer	Standard
ADS-24S-12 1224GPCN	Shenzhen Honor Electronic Co., Ltd.	GB
KPL-060F-VI	Channel Well Technology Co., Ltd.	GB



Cautions

- Do not drop the device or subject it to physical shock, and do not expose it to high electromagnetism radiation. Avoid the equipment installation on vibrations surface or places subject to shock (ignorance can cause equipment damage).
- Do not place the device in extremely hot (refer to the specification of the device for the detailed operating temperature), cold, dusty or damp locations, and do not expose it to high electromagnetic radiation.
- Do not aim the device at the sun or extra bright places. A blooming or smear may occur otherwise (which is not a malfunction however), and affecting the endurance of sensor at the same time.
- Please use a soft and dry cloth when clean inside and outside surfaces of the device cover, do not use alkaline detergents.
- Please keep all wrappers after unpack them for future use. In case of any failure occurred, you need to return the device to the factory with the original wrapper. Transportation without the original wrapper may result in damage on the device and lead to additional costs.
- Improper use or replacement of the battery may result in hazard of explosion. Replace with the same or equivalent type only. Dispose of used batteries according to the instructions provided by the battery manufacturer.
- The warranty does not apply to the product defects and failures arisen as a result of improper mounting (in contradiction herewith).
- When the proper mounting instructions are not met, water might get in and destroy the electronics.

Table of Contents

1 Appearance	1
2 Terminal and Wiring	3
3 Installation	4
3.1 Configure Sub Module Address	4
3.2 Button Cover Installation	5
3.3 One-Module Installation	7
3.3.1 One-Module Surface Mounting	7
3.3.2 One-Module Flush Mounting	10
3.4 Two-Module Installation	14
3.4.1 Two-Module Surface Mounting	14
3.4.2 Two-Module Flush Mounting	19
3.5 Three-Module Installation	24
3.5.1 Three-Module Surface Mounting	24
3.5.2 Three-Module Flush Mounting	29
3.6 More-than-Three Module Installation	35
3.6.1 More-than-Three Module Surface Mounting	35
3.6.2 More-than-Three Module Flush Mounting	41
4 Remote Operation.....	50
4.1 Activate Main Unit	50
4.2 Edit Network Parameters	51
4.3 Add Device	52
4.4 Call Resident	53
4.4.1 Dial via Main Unit	53
4.4.2 Dial via Nametag Module	54

1 Appearance

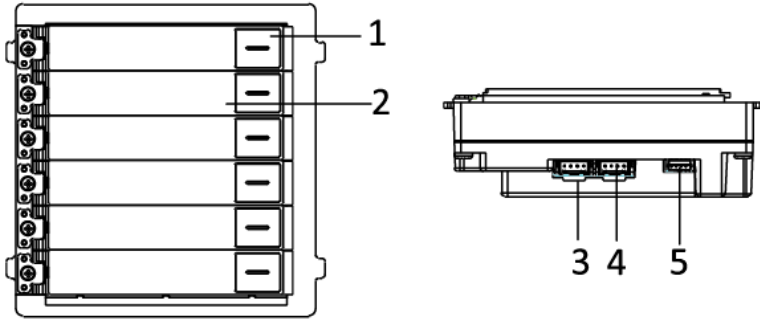


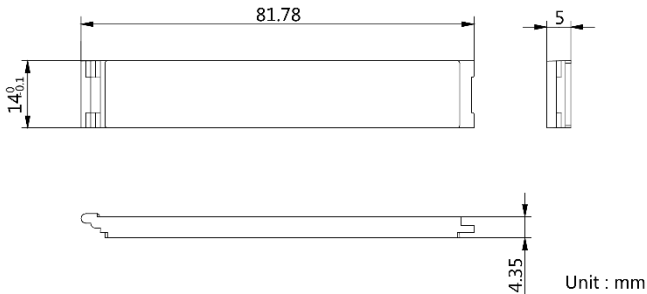
Figure 1-1 Nametag Module Appearance

Table 1-1 Appearance Description

No.	Description
1	Call Button
2	Nametag
3	Module-connecting Interface(output)
4	Module-connecting Interface(input)
5	Debug Port

 **NOTE**

- 4 button covers are included in the package. You can install the covers according to your needs. The size of the cover is shown as below.



- Nametag area (without button covers) supports insert customized name card.
The suggested card size is: 58 (L) x 11.7(W) mm.
- The module connecting interface is used to connect with main unit or other function module, such as nametag module, keypad module, card reader module, etc. All these modules (except main unit) are known as sub module.

2 Terminal and Wiring

The nametag module's interfaces and terminals as below:

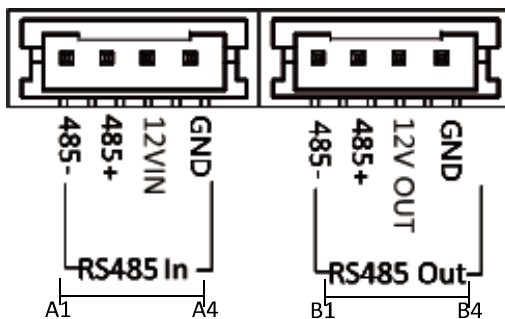


Figure 2-1 Terminals and Interfaces

Table 2-1 Descriptions of Terminals and Interfaces

No.	Interface	Description
A1	485-	Module-connecting Interface (Input)
A2	485+	
A3	12V IN	
A4	GND	
B1	485-	Module-connecting Interface (Output)
B2	485+	
B3	12V OUT	
B4	GND	

3 Installation

Before you start:

- Make sure the device in the package is in good condition and all the assembly parts are included.
- Sub module must work along with the main unit.
- Set the sub module address before start the installation steps.
- Make sure the place for surface mounting is flat.
- Make sure all the related equipment is power-off during the installation.
- Tools that you need to prepare for installation:
Drill ($\varnothing 6$), cross screwdriver (PH1*150 mm), and gradienter.
- Buy corresponding accessory package for installation. The accessory package model and its suitable installation method as below:

Package Model	Mounting Method	Note
DS-KD-ACW1	One-Module Surface Mounting	Install the device according to the instructions. Not all the lines in the accessory package will be used.
DS-KD-ACW2	Two-Module Surface Mounting	
DS-KD-ACW3	Three-Module Surface Mounting	
DS-KD-ACF1	One-Module Flush Mounting	
DS-KD-ACF2	Two-Module Flush Mounting	
DS-KD-ACF3	Three-Module Flush Mounting	

3.1 Configure Sub Module Address

You need to set the sub module address via DIP before installation.

Steps:

1. Remove the rubber cover on the sub module rear panel to expose the DIP switch.

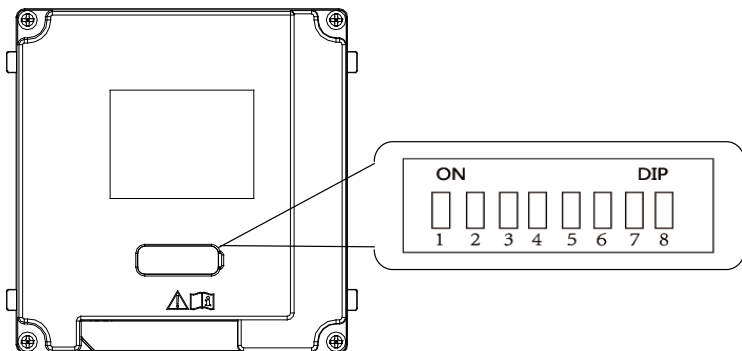


Figure 3-1 DIP Switch

- Set the sub module address according to the DIP rules, and install the rubber cover back.

 **NOTE**

- Digit 1, 2, 3, 4 are used to coding the sub module address; Digit 5, 6, 7 are reserved; Digit 8 is a resistance (120Ω) is you set it as on.
- Valid sub module address range is 1 to 8. The No. should be unique for sub modules that connected to the same main unit.

The sub module address and corresponding switch status as below.

Sub Module Address	Bit 1	Bit 2	Bit 3	Bit 4	Bit 5	Bit 6	Bit 7	Bit 8
Module 1	ON	OFF	OFF	OFF	OFF	OFF	OFF	OFF
Module 2	OFF	ON	OFF	OFF	OFF	OFF	OFF	OFF
Module 3	ON	ON	OFF	OFF	OFF	OFF	OFF	OFF
Module 4	OFF	OFF	ON	OFF	OFF	OFF	OFF	OFF
Module 5	ON	OFF	ON	OFF	OFF	OFF	OFF	OFF
Module 6	OFF	ON	ON	OFF	OFF	OFF	OFF	OFF
Module 7	ON	ON	ON	OFF	OFF	OFF	OFF	OFF
Module 8	OFF	OFF	OFF	ON	OFF	OFF	OFF	OFF

3.2 Button Cover Installation

Steps:

- Remove the screw and shim from the nametag module.

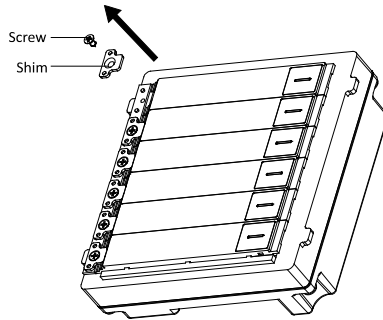


Figure 3-2 Remove the Screw and Shim

2. Remove the nametag.

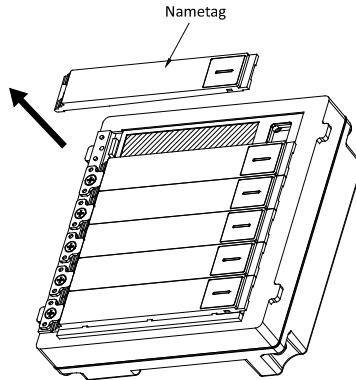


Figure 3-3 Remove the Nametag

3. Install the button cover on the module with shim and the screw.

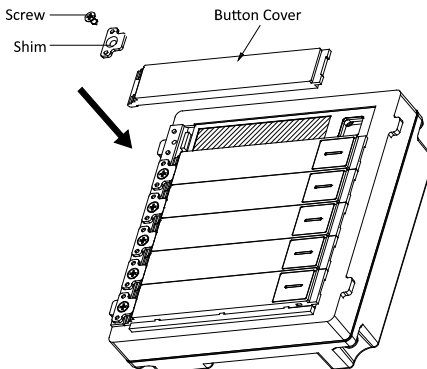


Figure 3-4 Install the button cover

3.3 One-Module Installation

3.3.1 One-Module Surface Mounting

Mounting Frame

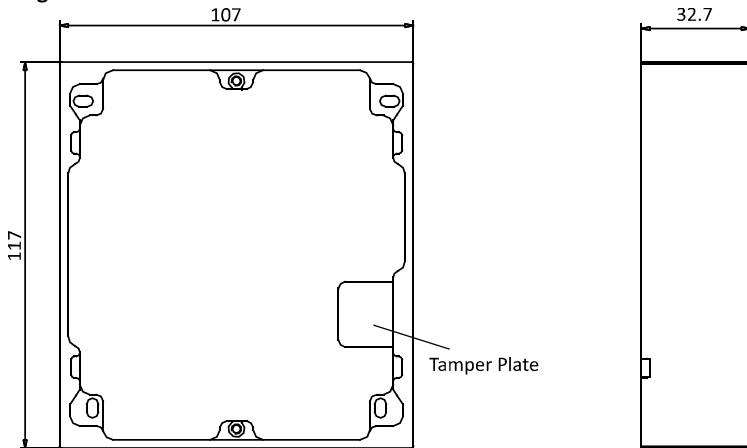


Figure 3-5 Front and Side View

NOTE

- The dimension of one module mounting frame is: 117(L) × 107(W) × 32.7(D) mm.
- The dimensions above are for reference only. The actual size can be slightly different from the theoretical dimension.

Steps:

1. Paste the installation Sticker 1 onto the wall. Make sure the sticker is placed leveled via measuring with the gradienter.
2. Chisel 4 holes with drill align to the screw holes on the sticker.
The suggested size of hole is 6 (diameter) × 25 (depth) mm.
The suggested length of cables left outside is 100 mm.

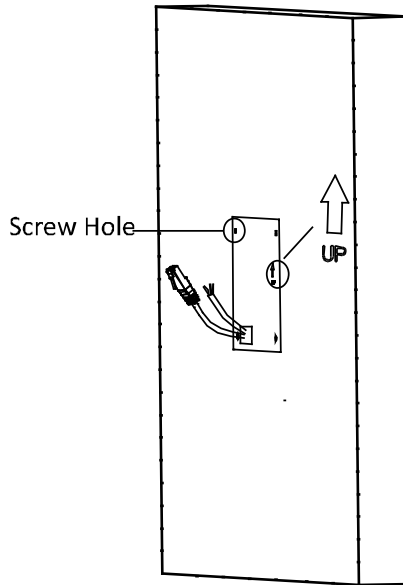


Figure 3-6 Chisel Screw Hole

3. Remove the sticker and insert the expansion sleeves into the screw holes.
4. Fix the mounting frame onto the wall with 4 expansion bolts.

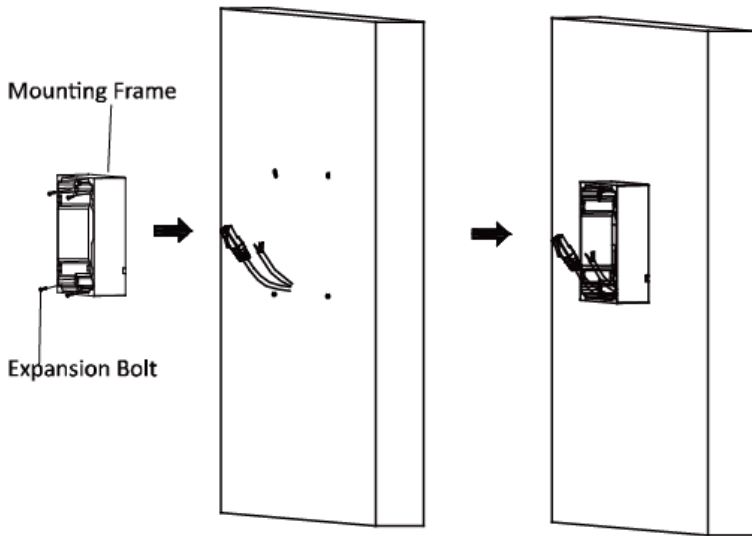
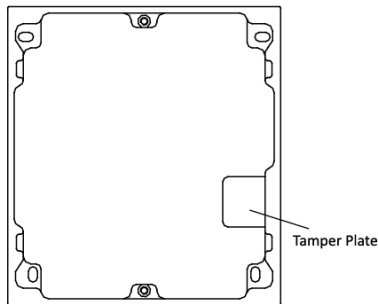


Figure 3-7 Fix the Mounting Frame



NOTE

- The mounting frame should be placed exactly as below for this step. The tamper plate should be at the low-right.



5. Connect the cables to the corresponding interfaces of the main unit and insert it into the frame.

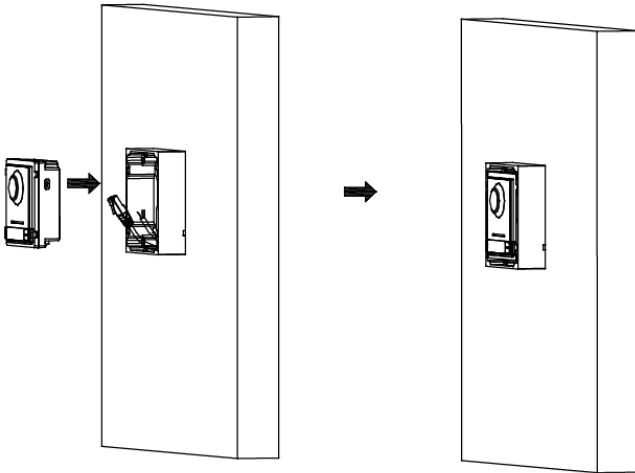


Figure 3-8 Insert the Main unit

6. Use the hexagon wrench in the package fix the cover onto the frame.

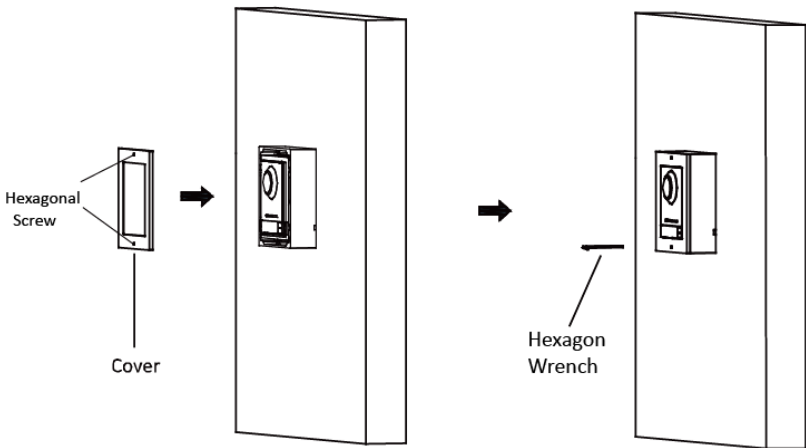


Figure 3-9 Fix the Cover

3.3.2 One-Module Flush Mounting Gang Box

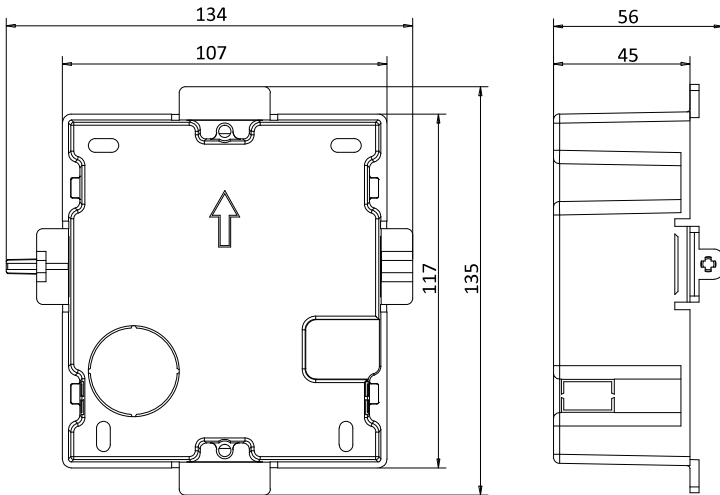


Figure 3-10 Front and Side View

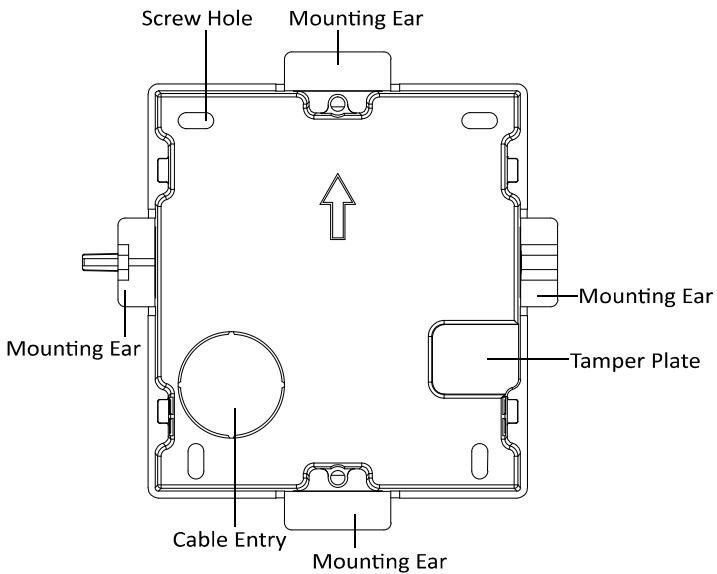


Figure 3-11 Appearance Description



- The dimension of one-module gang box is: 115(L)×134(W)×56(D) mm.
- The dimensions above are for reference only. The actual size can be slightly different from the theoretical dimension.

Steps:

1. Cave the installation hole, and pull the cable out.
The suggested dimension of installation hole is 118(L)×108(W)×45.5(D) mm.
The suggested length of cables left outside is 100 mm.

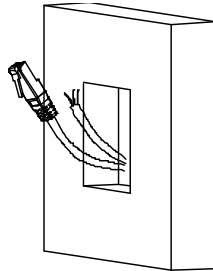


Figure 3-12 Cave the Installation Hole

2. Remove the plastic sheet in the cable entry.
3. Insert the gang box into the hole and pull out the cables through the cable entry.
Mark the screw holes' position with a marker, and take out the gang box.

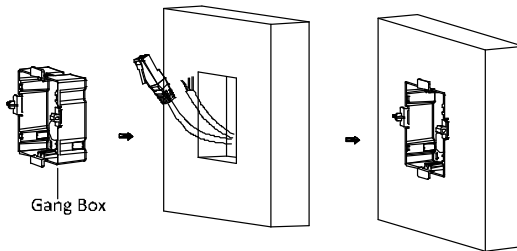


Figure 3-13 Mark the Screw Holes

4. Chisel 4 holes with drill align to marks on the wall, and insert the expansion sleeves into the screw holes.
The suggested size of hole is 6 (diameter) × 45 (depth) mm.
5. Fix the gang box with 4 expansion bolts.

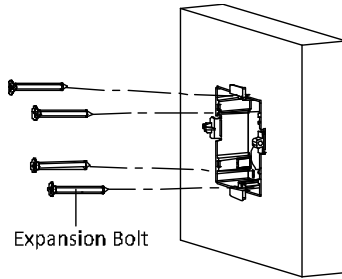


Figure 3-14 Fix the Gang Box

6. Fill and level up the gap between the gang box and wall with concrete. Remove the 4 mounting ears with tool after concrete is dry.

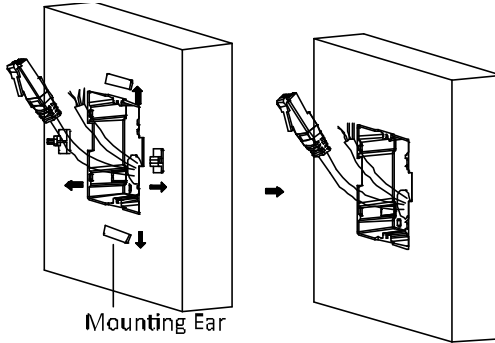


Figure 3-15 Remove the Mounting Ears

7. Insert the mounting frame together with the locating plates into the hole, and fix it with 4 expansion bolts.
8. Connect the cables to the corresponding interfaces of the main unit and insert it into the gang box.

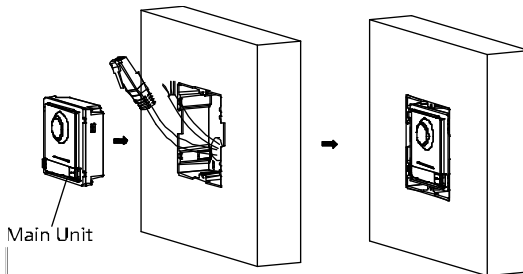


Figure 3-16 Insert the Main unit

9. Use the hexagon wrench in the package fix the cover.

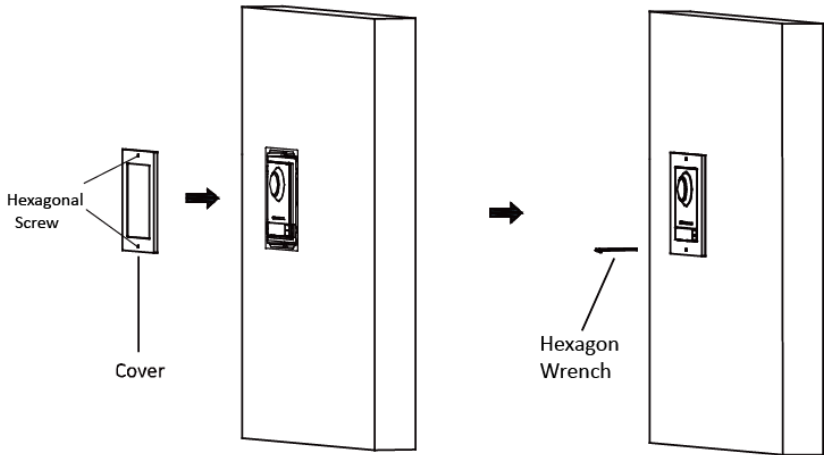


Figure 3-17 Fix the Cover

3.4 Two-Module Installation

3.4.1 Two-Module Surface Mounting Mounting Frame

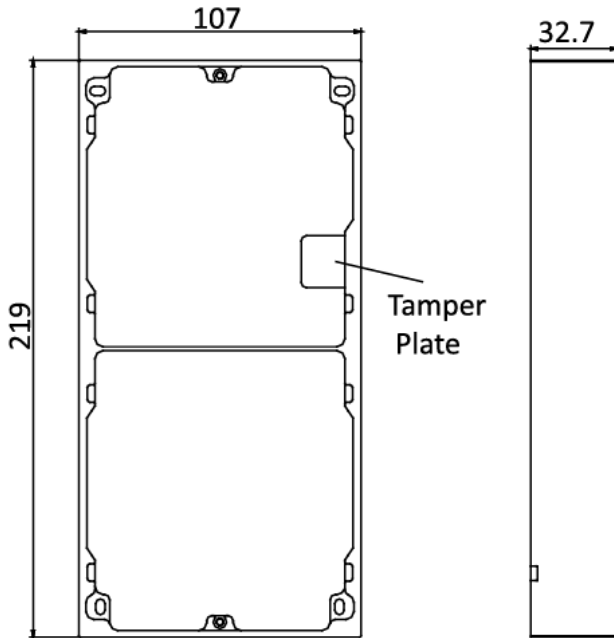


Figure 3-18 Front and Side View

 **NOTE**

- The dimension of two-module mounting frame is: 219(L)×107 (W)×32.7(D) mm.
- The dimensions above are for reference only. The actual size can be slightly different from the theoretical dimension.

Steps:

1. Paste the installation Sticker 1 onto the wall. Make sure the sticker is placed leveled via measuring with the gradienter.
2. Chisel 4 holes with drill align to the screw holes on the sticker.
The suggested size of hole is 6 (diameter) × 25 (depth) mm.
The suggested length of cables left outside is 270 mm.

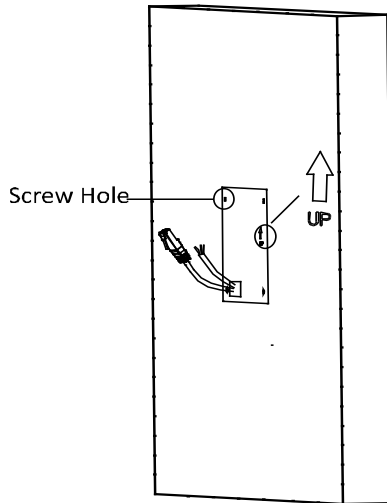


Figure 3-19 Chisel Screw Hole

3. Remove the sticker and insert the expansion sleeves into the screw holes.
4. Fix the mounting frame onto the wall with 4 expansion bolts.

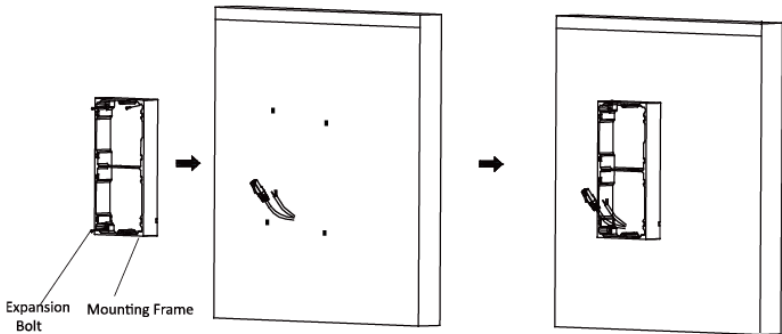
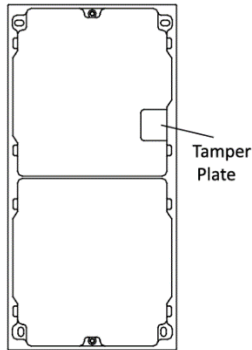


Figure 3-20 Fix the Mounting Frame

 **NOTE**

The mounting frame should be placed exactly as below for this step. The tamper plate should be at the low right of the first grid.



5. Thread the module-connecting line across the thread hole of the frame.
Pass the main unit connecting lines across the thread hole to the upper grid.

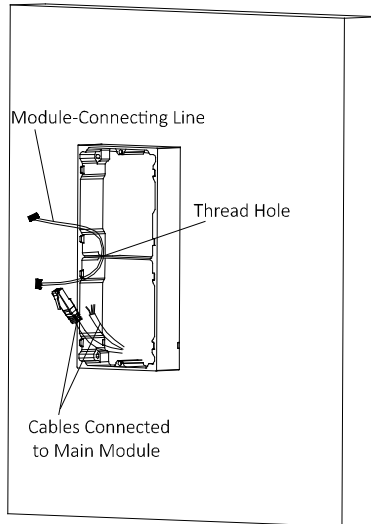


Figure 3-21 Placement of Lines

6. Connect the cables and module-connecting line to the corresponding interfaces of the main unit, then place the main unit into the upper grid.
Connect the other end of the module-connecting line to the input interface of the sub module.
Organize the line with cable tie in the package. The suggested line connection picture as below.

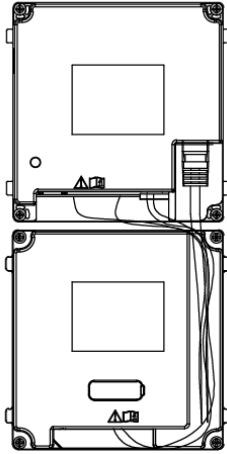


Figure 3-22 Line Connection Effect Picture

7. Insert the modules in to the frame after wiring. Main unit must be placed in the top grid.

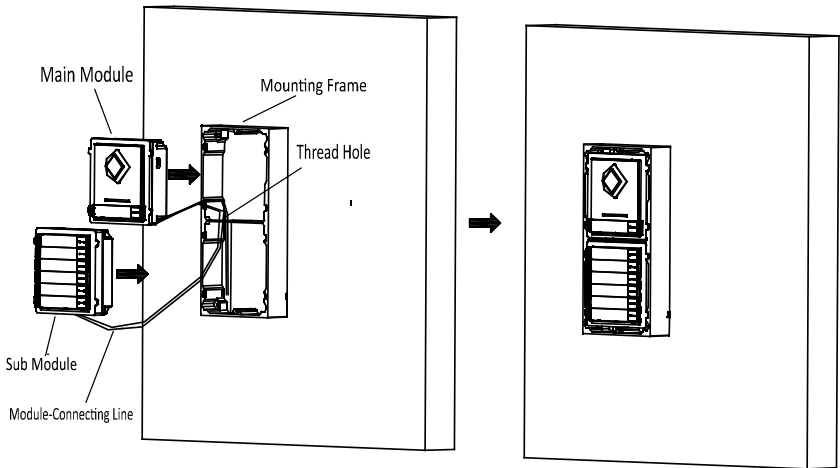


Figure 3-23 Insert the Modules

8. Use the hexagon wrench in the package fix the cover onto the frame.

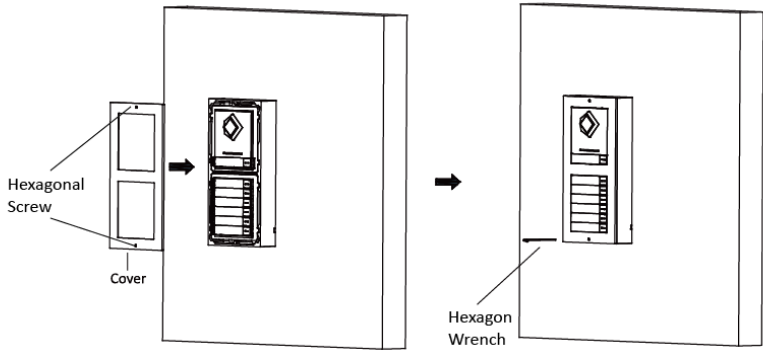


Figure 3-24 Fix the Cover

3.4.2 Two-Module Flush Mounting

Gang Box

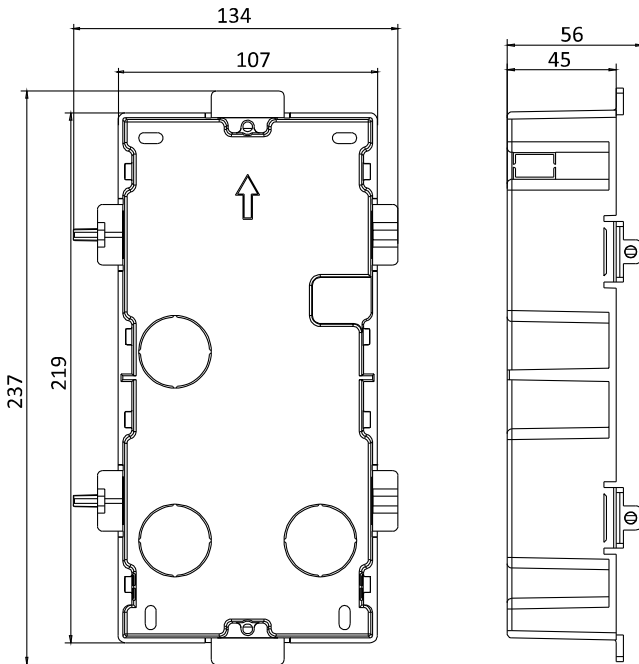


Figure 3-25 Front and Side View

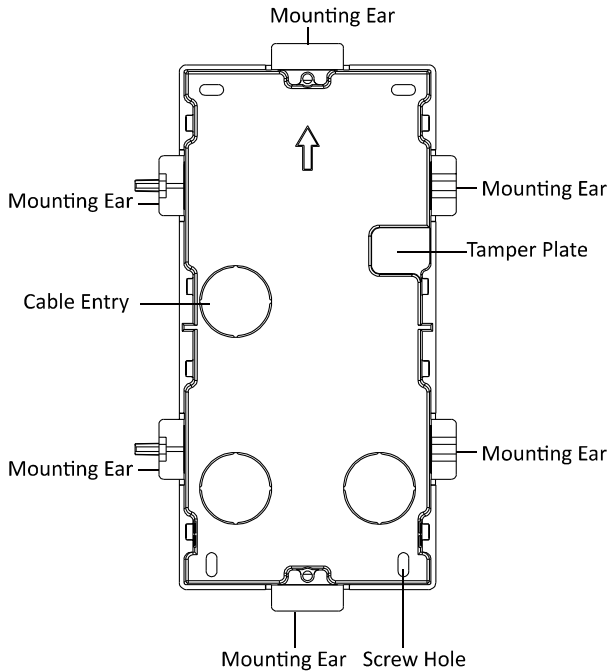


Figure 3-26 Appearance Description

 **NOTE**

- The dimension of one-module gang box is: 237(L)×134(W)×56(D) mm.
- The dimensions above are for reference only. The actual size can be slightly different from the theoretical dimension.

Steps:

1. Cave the installation hole, and pull the cable out.
The suggested dimension of installation hole is 220(L)×108(W)×45.5(D) mm.
The suggested length of cables left outside is 270 mm.

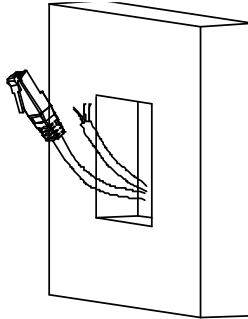


Figure 3-27 Cave the Installation Hole

2. Remove the plastic sheet of the cable entry which will be used.
3. Insert the gang box into the hole and pull out the cables through the cable entry.
Mark the screw holes' position with a marker, and take out the gang box.

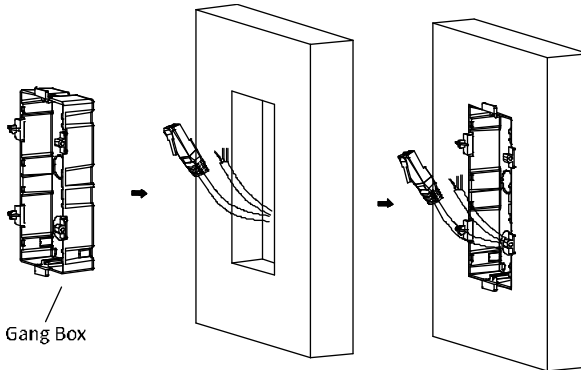


Figure 3-28 Mark the Screw Holes

4. Chisel 4 holes with drill align to marks on the wall, and insert the expansion sleeves into the screw holes.
The suggested size of hole is 6 (diameter) × 45 (depth) mm.
5. Fix the gang box with 4 expansion bolts.

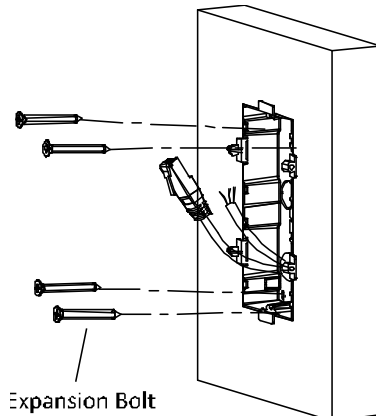


Figure 3-29 Fix the Gang Box

6. Fill and level up the gap between the gang box and wall with concrete. Remove the mounting ears with tool after concrete is dry.

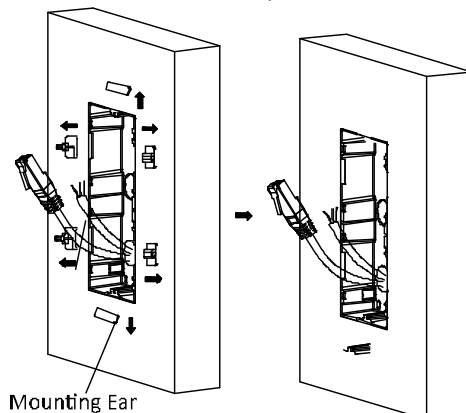


Figure 3-30 Remove the Mounting Ears

7. Connect wires and insert the modules:
 - a. Connect Cable 1 and one end of Cable 2 to the corresponding interfaces of the main unit, then place the main unit into the upper grid.
 - b. Connect the other end of Cable 2 to the input interface of the sub module. Insert it into the lower grid.

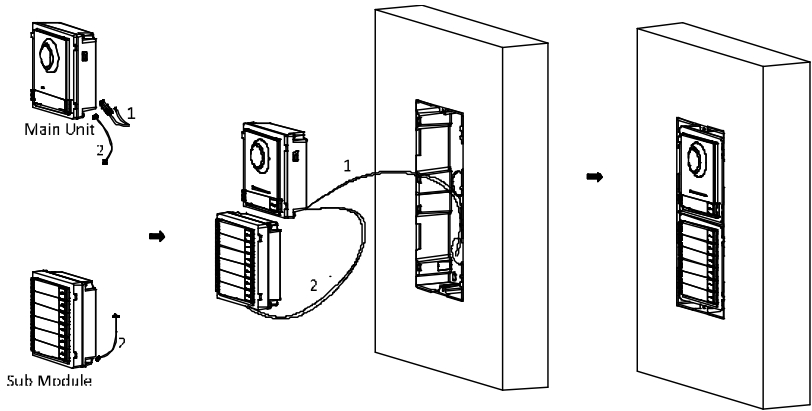


Figure 3-31 Connect Wires and Insert Modules

 **NOTE**

Cable 1 refers to the cables pulled out from the wall that connected to the main unit. Cable 2 refers to the module-connecting line in the accessory package.

8. Use the hexagon wrench in the package fix the cover.

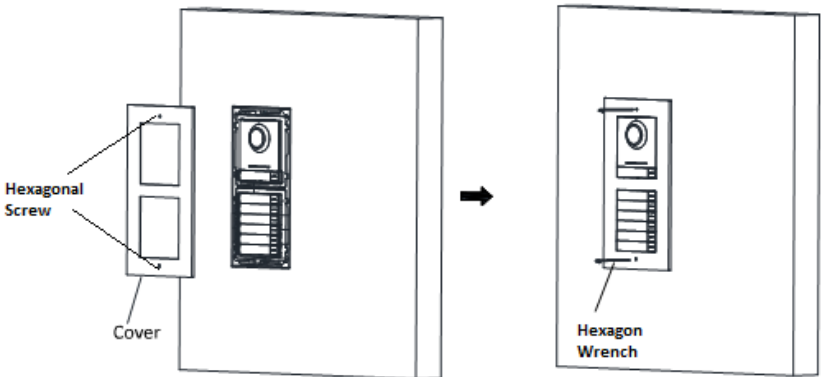


Figure 3-32 Fix the Cover

3.5 Three-Module Installation

3.5.1 Three-Module Surface Mounting

Installation Frame

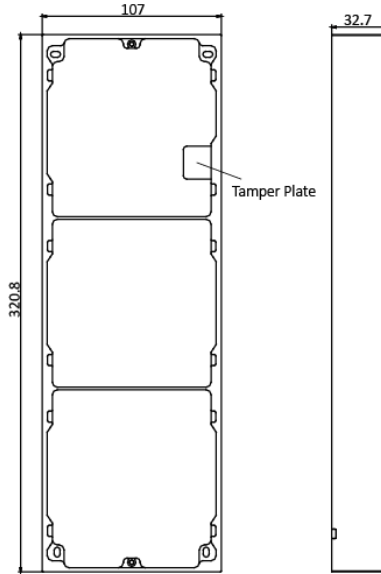


Figure 3-33 Front and Side View



NOTE

- The dimension of two-module mounting frame is: 320.8(L)×107 (W)×32.7(D) mm.
- The dimensions above are for reference only. The actual size can be slightly different from the theoretical dimension.

Steps:

1. Paste the installation Sticker 1 onto the wall. Make sure the sticker is placed leveled via measuring with the gradienter.
2. Chisel 4 holes with drill align to the screw holes on the sticker.
The suggested size of hole is 6 (diameter) × 25 (depth) mm.
The suggested length of cables left outside is 270 mm.

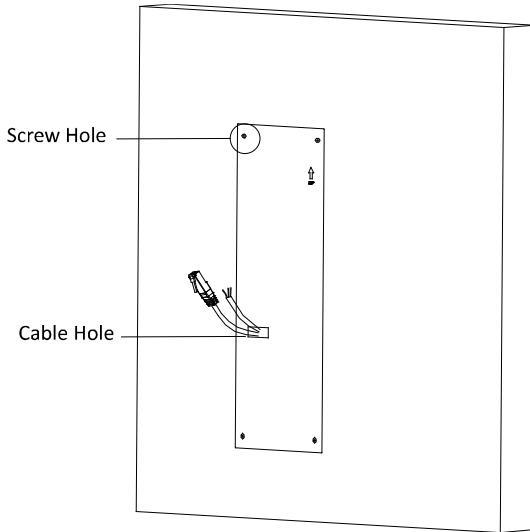


Figure 3-34 Chisel Screw Hole

3. Remove the sticker and insert the expansion sleeves into the screw holes.
4. Fix the mounting frame onto the wall with 4 expansion bolts.

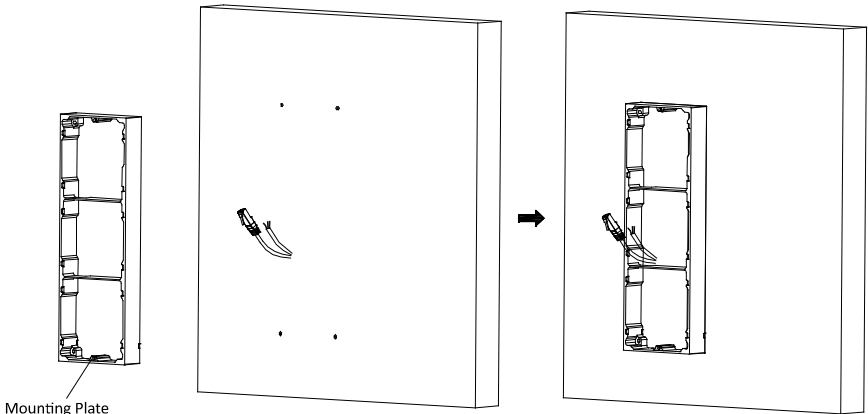
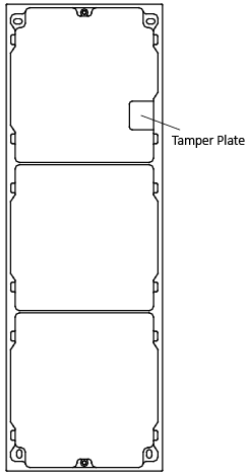


Figure 3-35 Fix the Mounting Frame

 **NOTE**

The mounting frame should be placed exactly as below for this step. The tamper plate should be at the low right of the first grid.



5. Thread the module-connecting lines across the thread holes of the frame.
Pass the main unit connecting lines across the thread hole to the top grid.

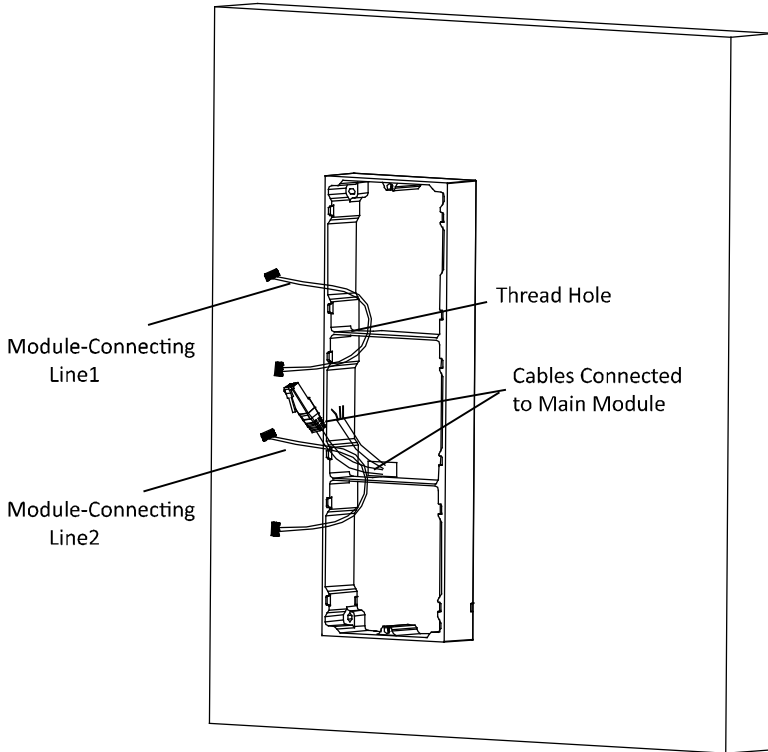


Figure 3-36 Placement of Lines

6. Connect the cables and module-connecting line 1 to the corresponding interfaces of the main unit, then place the main unit into the upper grid.
Connect the other end of the module-connecting line1 to the input interface of the sub module. Connect two sub modules via module-connecting line 2.
Organize the line with cable tie in the package. The suggested line connection picture as below.

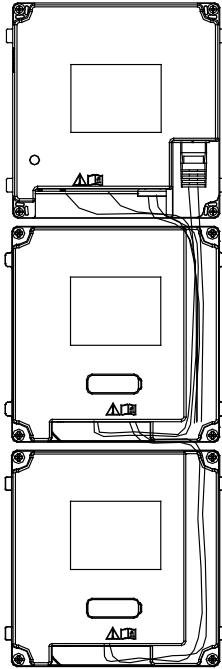


Figure 3-37 Line Connection Effect Picture

7. Insert the modules in to the frame after wiring. Main unit must be placed in the top grid.

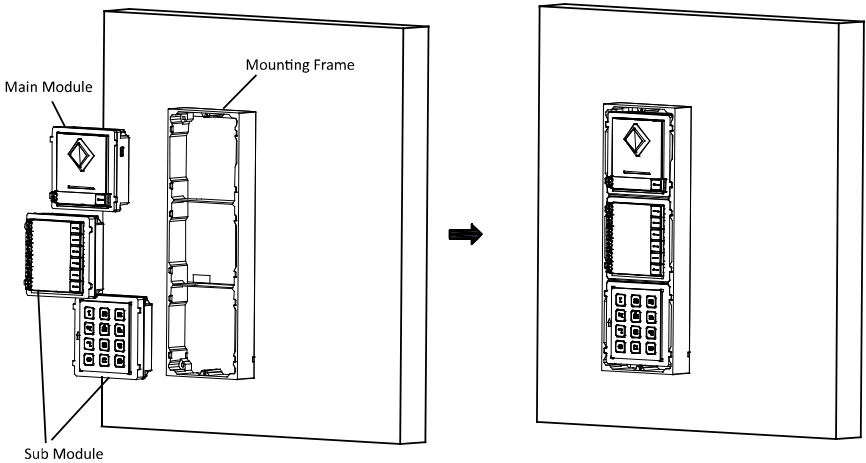


Figure 3-38 Insert the Modules

8. Use the hexagon wrench in the package fix the cover onto the frame.

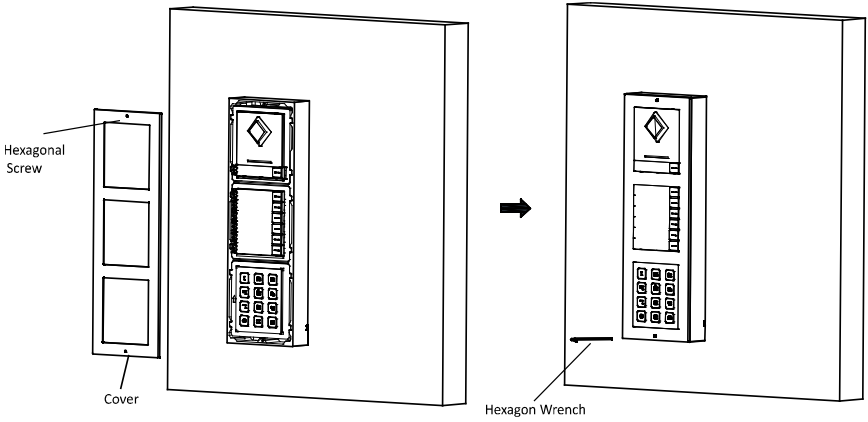


Figure 3-39 Fix the Cover

3.5.2 Three-Module Flush Mounting Gang Box

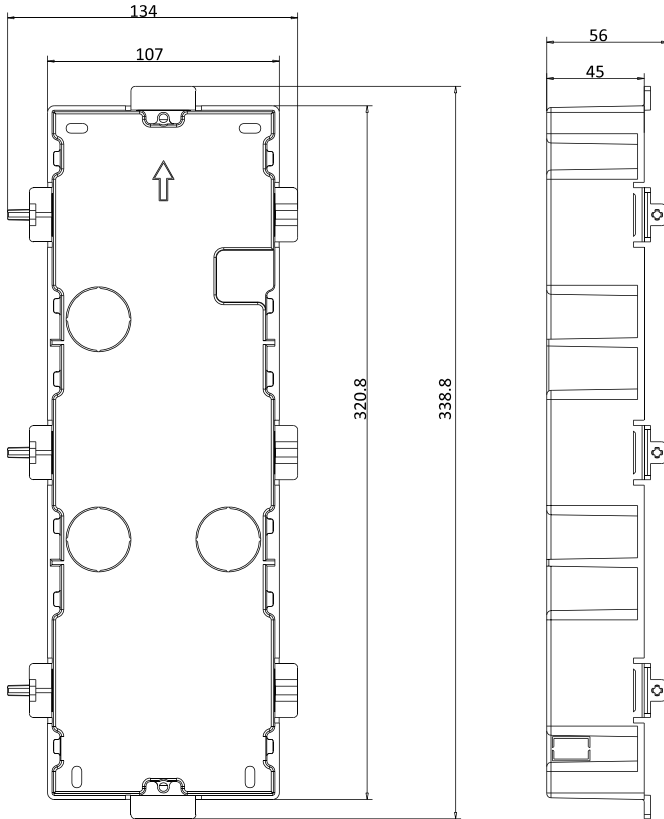


Figure 3-40 Front and Side View

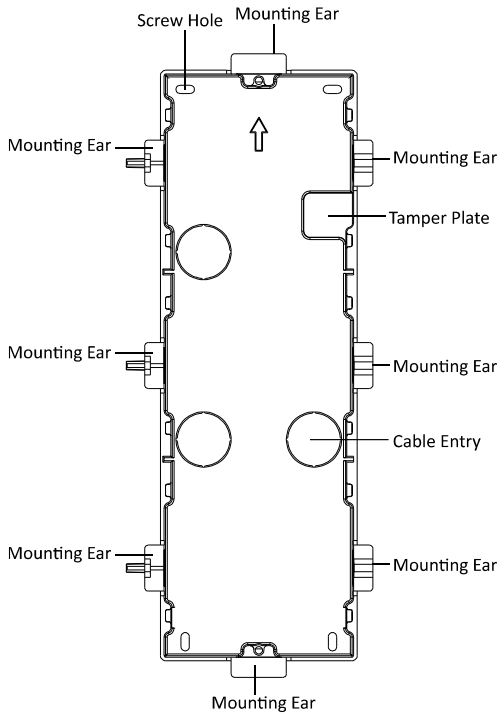


Figure 3-41 Appearance Description

 **NOTE**

- The dimension of one-module gang box is: 338.8(L)×134(W)×56(D) mm.
- The dimensions above are for reference only. The actual size can be slightly different from the theoretical dimension.

Steps:

1. Cave the installation hole, and pull the cable out.
The suggested dimension of installation hole is 321.8(L)×108(W)×45.5(D) mm.
The suggested length of cables left outside is 270 mm.

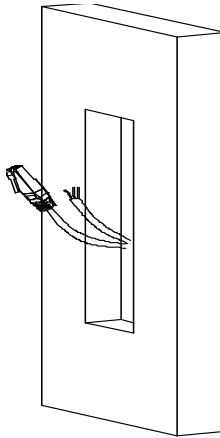


Figure 3-42 Cave the Installation Hole

2. Remove the plastic sheet of the cable entry which will be used.
3. Insert the gang box into the hole and pull out the cables through the cable entry. Mark the screw holes' position with a marker, and take out the gang box.

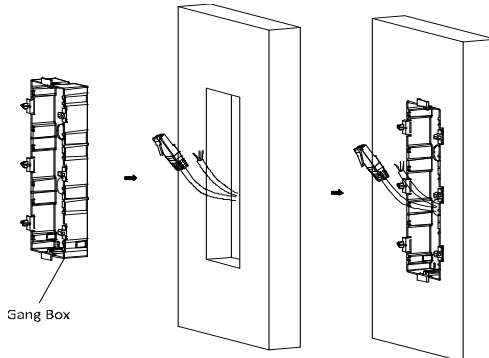


Figure 3-43 Mark the Screw Holes

4. Chisel 4 holes with drill align to marks on the wall, and insert the expansion sleeves into the screw holes.
The suggested size of hole is 6 (diameter) × 45 (depth) mm.
5. Fix the gang box with 4 expansion bolts.

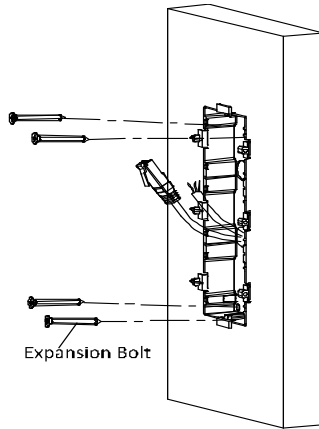


Figure 3-44 Fix the Gang Box

6. Fill and level up the gap between the gang box and wall with concrete. Remove the mounting ears with tool after concrete is dry.

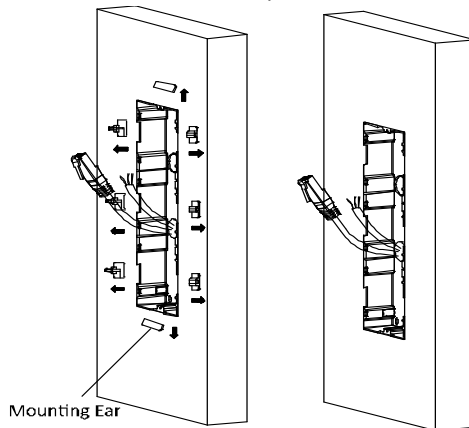


Figure 3-45 Remove the Mounting Ears

7. Connect wires and insert the modules:
 - a. Connect Cable 1 and one end of Cable 2 to the corresponding interfaces of the Main Unit, then place the Main Unit into the upper grid.
 - b. Connect the other end of Cable 2 to the input interface of Sub Module 1. Connect one end of Cable 3 to the output interface of Sub Module 1 and insert it into the middle grid.
 - c. Connect the other end of Cable 3 to the input interface of Sub Module 2. Insert it into the bottom grid.

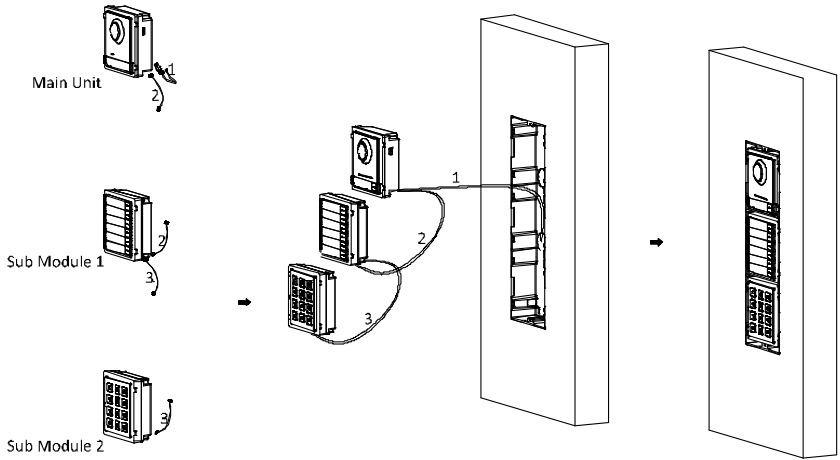


Figure 3-46 Connect Wires and Insert Modules

NOTE

Cable 1 refers to the cables pulled out from the wall that connected to the main unit. Cable 2 and Cable 3 refer to the module-connecting line in the accessory package.

8. Use the hexagon wrench in the package to fix the cover onto the gang box.

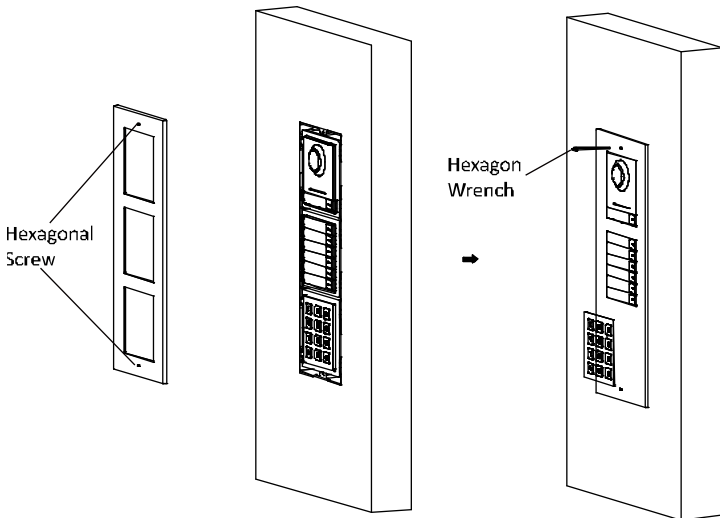


Figure 3-47 Fix the Cover

3.6 More-than-Three Module Installation

3.6.1 More-than-Three Module Surface Mounting

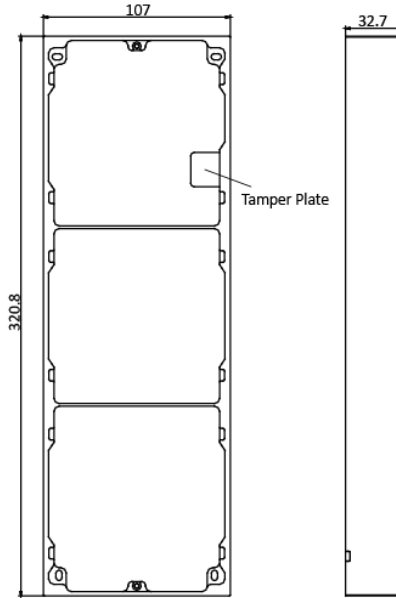


Figure 3-48 Front and Side View



NOTE

- It takes two three-module mounting frames. The dimension of three-module mounting frame is: 320.8(L) × 107 (W) × 32.7(D) mm.
- The dimensions above are for reference only. The actual size can be slightly different from the theoretical dimension.

Steps:

9. Paste two Sticker 1 onto the wall. Make sure the stickers are placed leveled via measuring with the gradienter.
10. Chisel 8 holes with drill align to the screw holes on the sticker.
The suggested size of hole is 6 (diameter) × 25 (depth) mm.
The suggested length of cables left outside is 270 mm.
11. Pull out the cable through the cable hole of the left sticker.

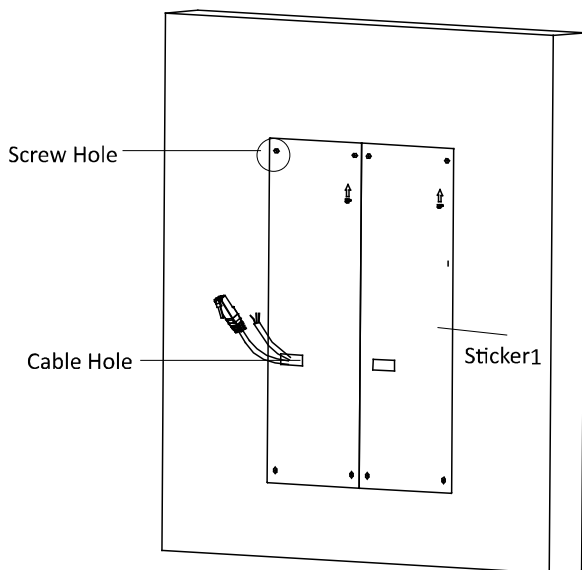


Figure 3-49 Chisel Screw Hole

12. Remove the stickers and insert the expansion sleeves into the screw holes.
13. Thread the module-connecting line (400 mm) and grounding line across the thread hole of both frames.

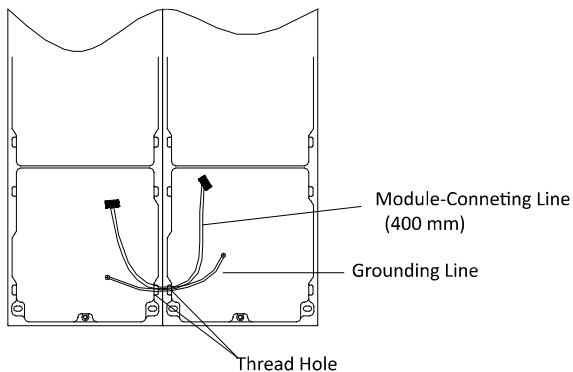
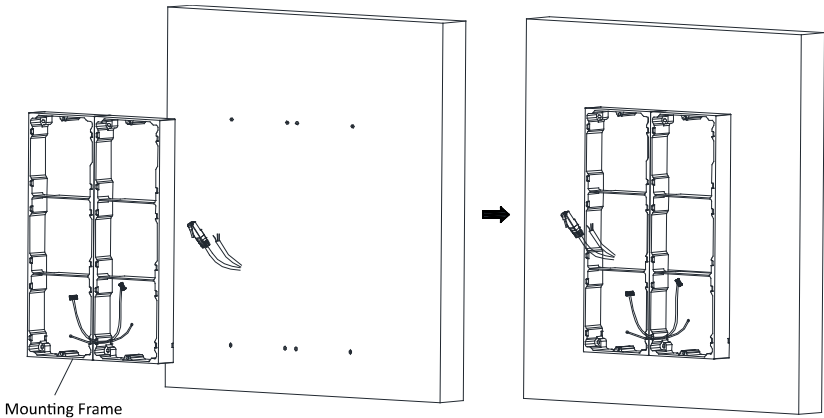


Figure 3-50 Place the Grounding Line and Module-Connecting Line

NOTE

- There are 6 module-connecting lines in the package: 190 mm *4 and 400 mm*2.
- Take the 400 mm one for this step.
- The green-yellow line in the package is for grounding.

14. Fix the mounting frame onto the wall with 8 expansion bolts.

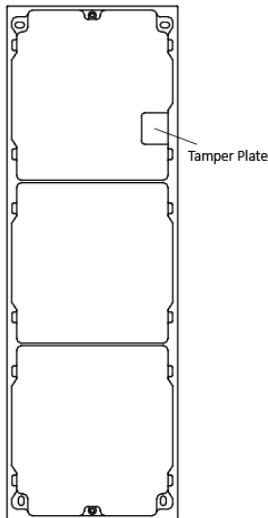


Mounting Frame

Figure 3-51 Fix the Mounting Frame

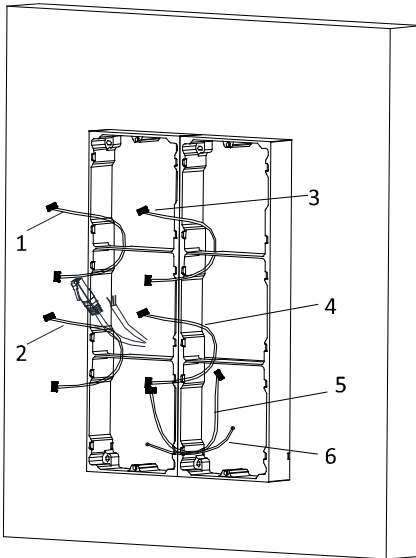
 **NOTE**

The mounting frame should be placed exactly as below for this step. The tamper plate should be at the low right of the first grid.



15. Pass the main unit connecting lines across the thread hole to the top grid of the left frame.

Thread the module-connecting line (190 mm) across the thread hole of the frame.
The lines should be placed as below:



1,2,3,4: module-connecting
line(190mm)
5: module-connecting
line(400mm)
6: grounding line(green-yellow)

Figure 3-52 Placement of Lines

16. Connect the cables and module-connecting line 1 to the corresponding interfaces of the main unit, then place the main unit into the upper grid.
Connect the other end of the module-connecting line1 to the input interface of the sub module. Connect all sub modules via module-connecting lines.
Organize the line with cable tie in the package. The suggested line connection picture as below.

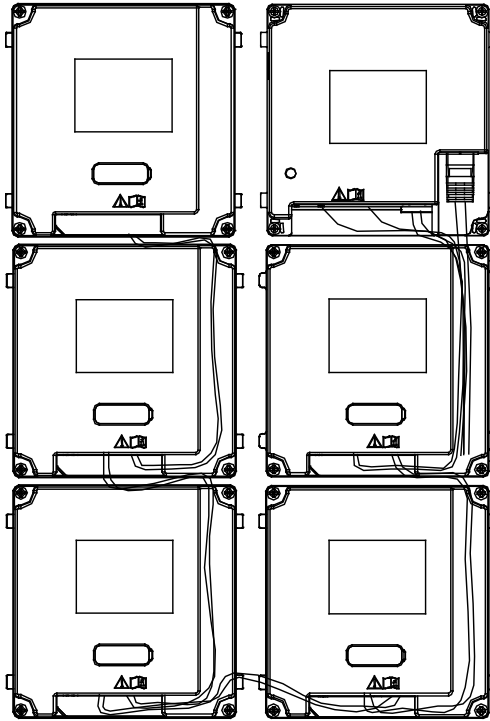


Figure 3-53 Line Connection Effect Picture

17. Insert the modules in to the frame after wiring. Main unit must be placed in the top grid on the left.

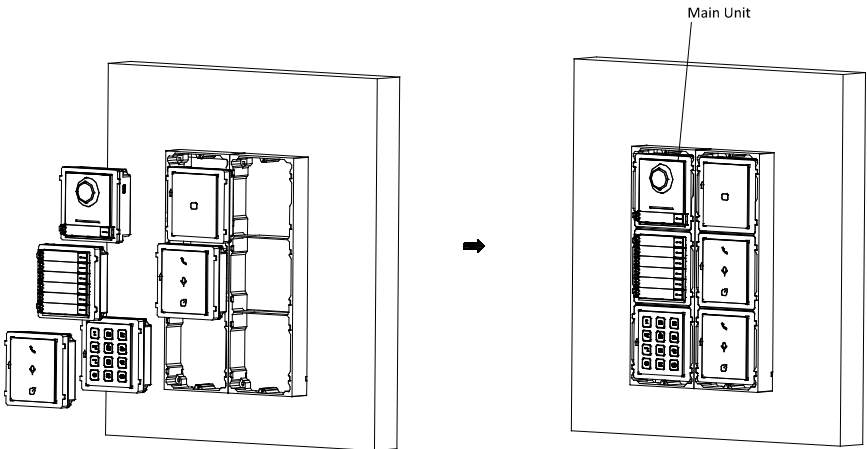


Figure 3-54 Insert the Modules

18. Pull the grounding line out and fixed its two end to the screw on the cover.

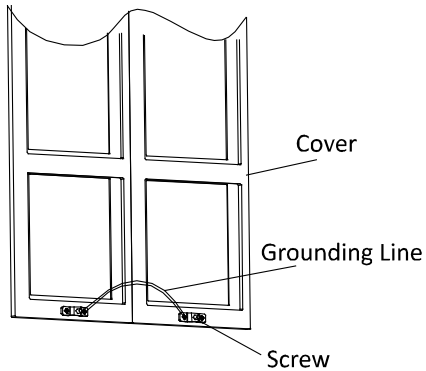


Figure 3-55 Connect the Grounding Line to the Cover

19. Use the hexagon wrench in the package fix the cover onto the frame.

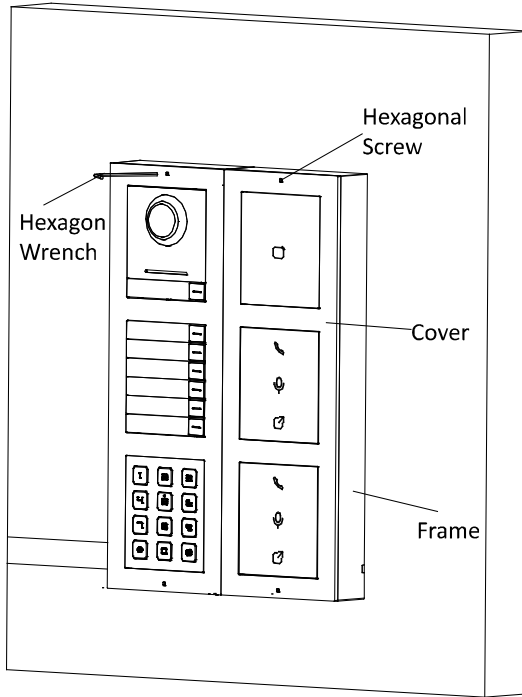


Figure 3-56 Fix the Cover

3.6.2 More-than-Three Module Flush Mounting Gang Box

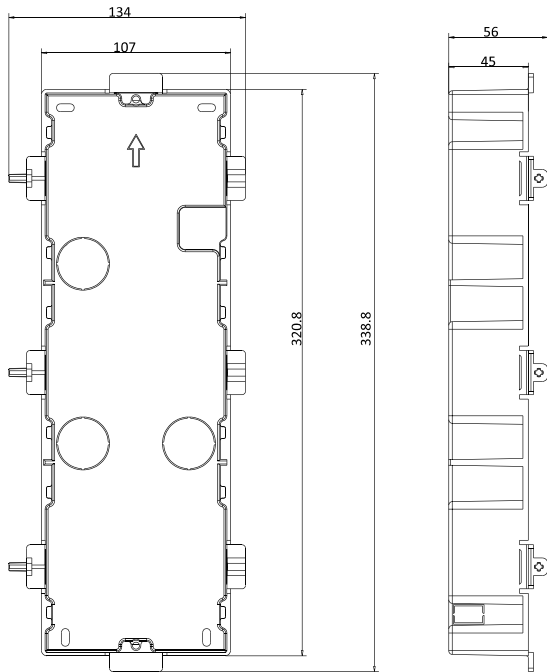


Figure 3-57 Front and Side View

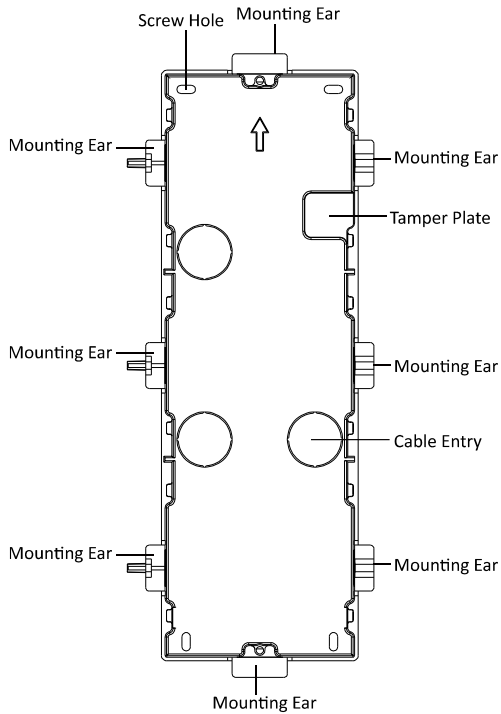


Figure 3-58 Appearance Description

 **NOTE**

- It takes two three-module gang boxes. The dimension of the gang box is: 338.8(L) × 134 (W) × 56(D) mm.
- The dimensions above are for reference only. The actual size can be slightly different from the theoretical dimension.

Steps:

1. Cave the installation hole, and pull the cable out.
The suggested dimension of installation hole is 321.8(L) × 315(W) × 45.5(D) mm.
The suggested length of cables left outside is 270 mm.

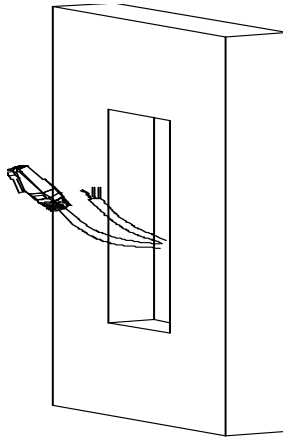


Figure 3-59 Cave the Installation Hole

2. Connect the two gang boxes as the below.

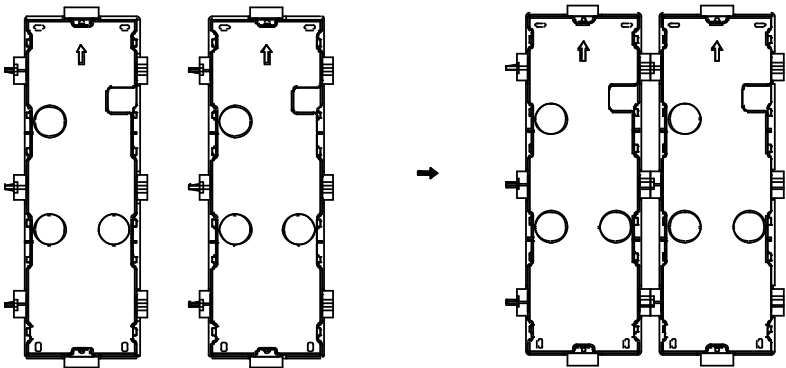


Figure 3-60 Cave the Installation Hole

3. Remove the plastic sheet of the cable entry which will be used.

4. Remove the plastic sheets on the side of the gang boxes (shown as 1 and 2) blow:

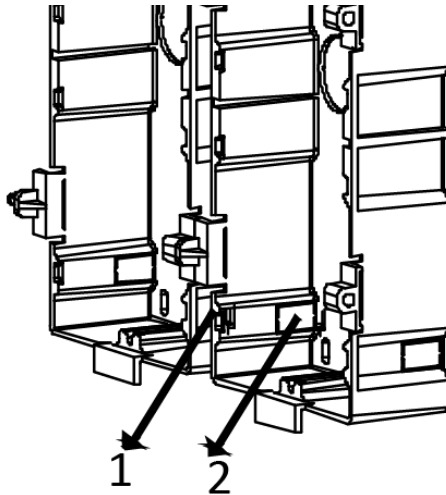


Figure 3-61 Remove the Plastic Sheets

5. Insert the gang boxes into the hole and pull out the cables through the cable entry. Mark the screw holes' position with a marker, and take out the gang boxes.

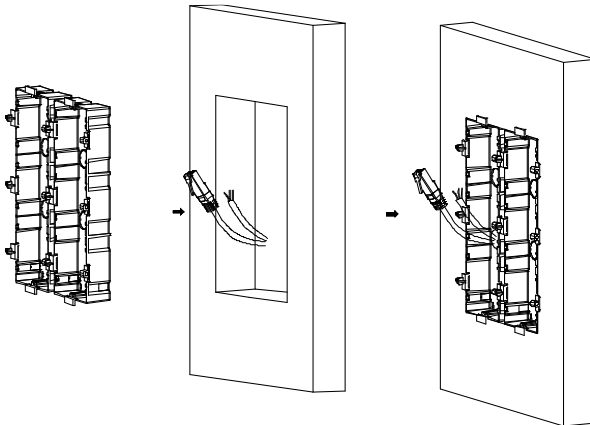


Figure 3-62 Mark the Screw Holes

6. Chisel 8 holes with drill align to marks on the wall, and insert the expansion sleeves into the screw holes.
The suggested size of hole is 6 (diameter) × 45 (depth) mm.
7. Fix the gang boxes with 8 expansion bolts.

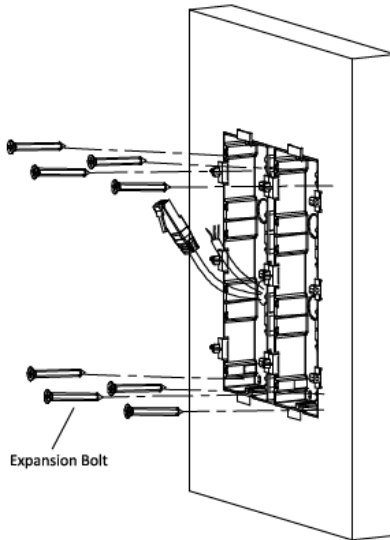


Figure 3-63 Fix the Gang Boxes

8. Fill and level up the gap between the gang box and wall with concrete. Remove the mounting ears with tool after concrete is dry.

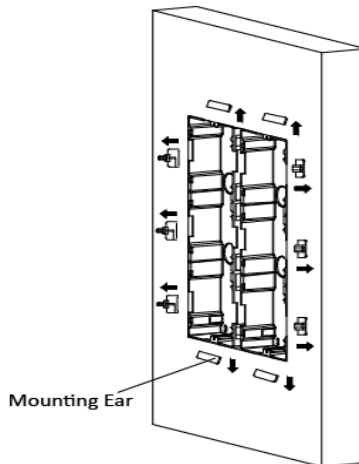


Figure 3-64 Remove the Mounting Ears

9. Pass the grounding line through the cable entries.

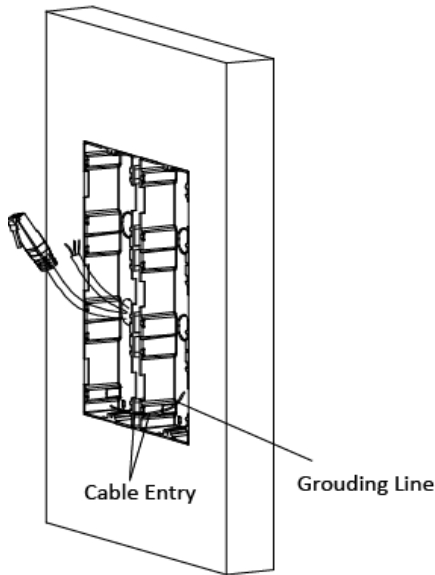


Figure 3-65 Place the Grounding Line

 **NOTE**

- The green-yellow line in the package is for grounding.
10. Connect wires and insert the modules.
- a. Connect Cable 1 and one end of Cable 2 to the corresponding interfaces of the Main Unit, then place the Main Unit into the upper grid of the left gang box.
 - b. Connect the other end of Cable 2 to the input interface of Sub Module 1. Connect one end of Cable 3 to the output interface of Sub Module 1 and insert it into the middle grid of the left gang box.
 - c. Finish the wiring and inserting according to the cable number and the position shown as below.

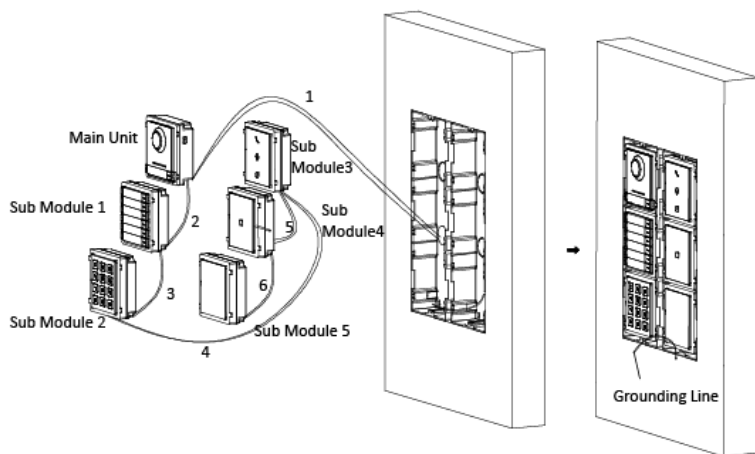


Figure 3-66 Install Mounting Frames

The cables connect to each module shown as below:

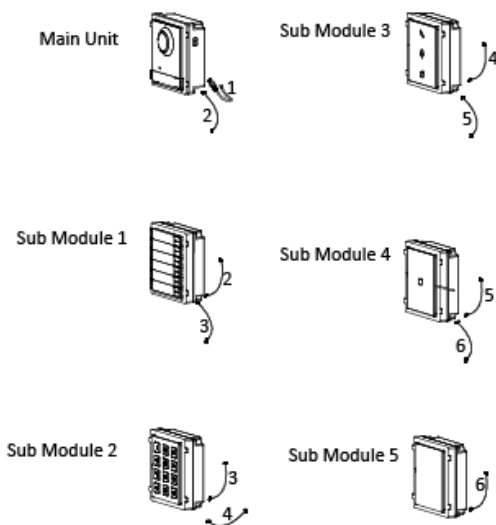


Figure 3-67 Install Mounting Frames

i NOTE

- Cable 2,3,5 and 6 are the module-connecting lines (190 mm) in the package.

- Cable 4 is the module-connecting line (400 mm) in the package.
 - Main unit must be put in the top grid.
11. Pull the grounding line out and fixed its two end to the screw on the cover.

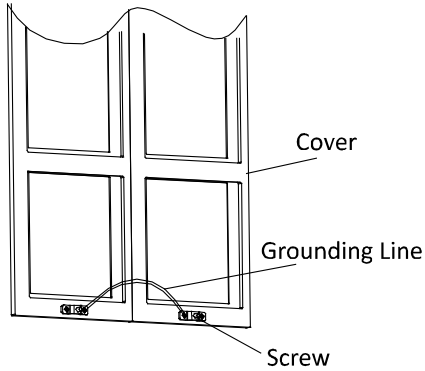


Figure 3-68 Connect the Grounding Line to the Cover

12. Use the hexagon wrench in the package fix the cover onto the gang box.

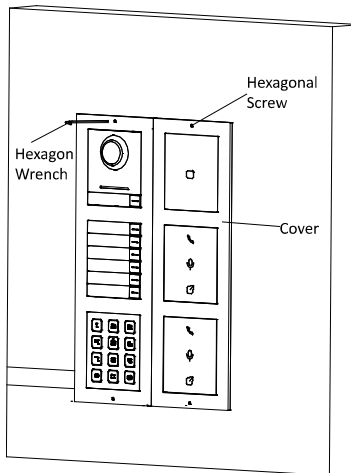


Figure 3-69 Fix the Cover

4 Remote Operation

4.1 Activate Main Unit

Nametag module cannot work alone. It need to use together with main unit.

You need to activate the main unit first.

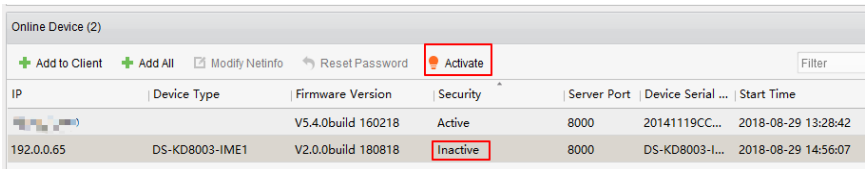
You can configure and operate the video intercom devices via iVMS-4200.

Default parameters of door station are as follows:

- Default IP Address: 192.0.0.65.
- Default Port No.: 8000.
- Default User Name: admin.

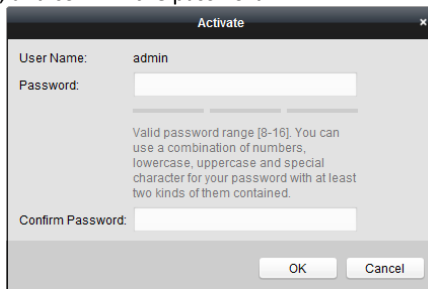
Steps:

1. Run iVMS-4200, enter **Device Management**, check the **Online Device** area.
2. Select an inactivated device and click the **Activate** button.



IP	Device Type	Firmware Version	Security	Server Port	Device Serial ...	Start Time
192.0.0.65	DS-KD8003-IME1	V2.0.0build 180818	Inactive	8000	DS-KD8003-I...	2018-08-29 14:56:07

3. Create a password, and confirm the password.



Activate x

User Name:

Password:

Valid password range [8-16]. You can use a combination of numbers, lowercase, uppercase and special character for your password with at least two kinds of them contained.

Confirm Password:

STRONG PASSWORD RECOMMENDED– We highly recommend you create a



strong password of your own choosing (Using a minimum of 8 characters, including at least three of the following categories: upper case letters, lower case letters, numbers, and special characters.) in order to increase the security of your product. And we recommend you reset your password regularly, especially in the high security system, resetting the password monthly or weekly can better protect your product.

4. Click the **OK** button to activate the device.



NOTE

- When the device is not activated, the basic operation and remote operation of device cannot be performed.
- You can hold the **Ctrl** or **Shift** key to select multiple devices in the online devices, and click the **Activate** button to activate devices in batch.

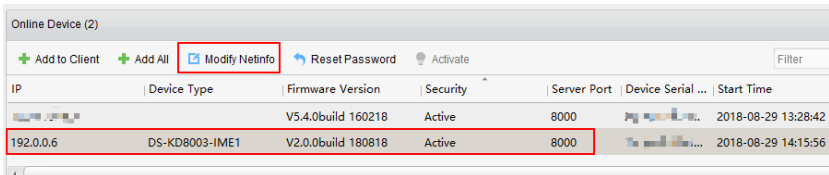
4.2 Edit Network Parameters

Purpose:

To operate and configure the device via LAN (Local Area Network), you need connect the device in the same subnet with your PC. You can edit network parameters via iVMS-4200 software.

Steps:

1. Select an online activated device and click the **Modify Netinfo** button.



2. Change the device IP address and gateway address to the same subnet with your computer.
3. Enter the password and click the **OK** button to activate the network parameters modification.

Modify Network Parameter

Device Information:

MAC Address: 18-68-cb-fb-11-6f Copy

Software Version: V2.0.0build 180818 Copy

Device Serial No.: DS-KD8003-IME10120180829AARRC22713343CVLU Copy

Network Information:

DHCP

Port: 8000

Save IPv4 Settings

IP Address: 10.6.113.120

Subnet Mask: 255.255.255.0

Gateway: 10.6.113.254

Save IPv6 Settings

Password:

OK Cancel

 **NOTE**

- The default port No. is 8000.
- The default IP address of the door station is 192.0.0.65.
- After editing the network parameters of device, you should add the devices to the device list again.

4.3 Add Device


To configure the device remotely, you need to add the device to iVMS-4200.

Steps:

1. Select the activated device and click **Add to Client**.

Online Device (2)

+ Add to Client + Add All Modify Netinfo Reset Password Activate

IP	Device Type	Firmware Version	Security	Server Port	Device Serial ...
		V5.4.0build 160218	Active	8000	20141119CC...
10.6.113.120	DS-KD8003-IME1	V2.0.0build 180818	Active	8000	DS-KD8003-I...

2. Enter corresponding information, and click **Add**.

Add ✕

Adding Mode:

IP/Domain
 IP Segment
 Hik-Connect D...
 EHome
 Serial Port
 IP Server
 HIDDNS
 Batch Import

Add Offline Device

Nickname:

Address:

Port:

User Name:

Password:

Export to Group

Set the device name as the group name and add all the channels connected to the device to the group.

Device is added to the client, check it in the Device for Management area.

4.4 Call Resident

You can call residents via the door station.

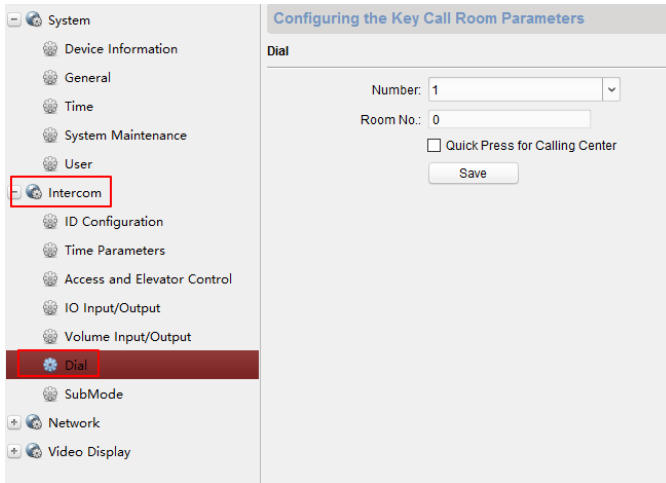
4.4.1 Dial via Main Unit

Steps:

1. Select device, click **Remote Configuration**.

Device for Management (1)					
 + Add + Create Cluster [i] Modify [x] Delete [gears] Remote Configuration [QR] QR Code [lightbulb] Activate [info] Device Status 					
Device Type	Nickname	Connectio...	Network Paramet...	Device Serial No.	Security
Door Station	Main Unit	TCP/IP	10.6.113.120:8000	DS-KD8003-IME10120180829AARRC22713343CV...	Weak

2. Click **Intercom** -> **Dial** to enter the dial settings interface.

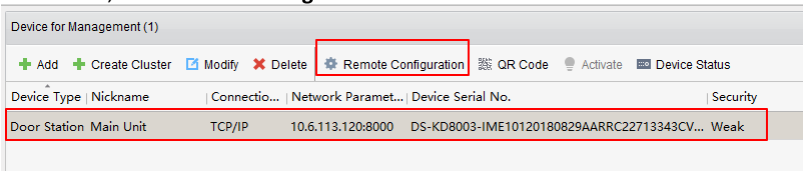


3. Enter the Room No. of the indoor station which the main unit connected to.
You can call corresponding resident by press the call button on the main unit.

4.4.2 Dial via Nametag Module

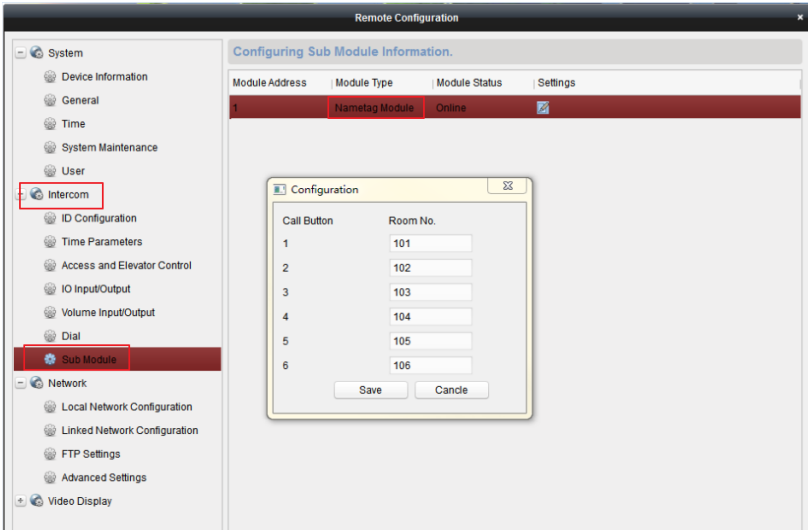
Steps:

1. Select device, click **Remote Configuration**.



2. Click **Intercom** -> **Sub Module** enter the sub module configuring interface.
3. Select Nametag Module pop up the configuration window.
4. Enter Room No. information for each call button, and click **Save**.

Video Intercom Nametag Module • Quick Start Guide



You can call corresponding residents by press the call buttons on the nametag module.

