

Parts Catalog



G14-Q Slicer

SLICING MACHINE

MODEL: G14-Q

07-11-14

IMPORTANT!

TO EXPEDITE SHIPMENT OF PARTS, ALWAYS SPECIFY MODEL, REV,
PART NUMBER, AND SERIAL NUMBER OF SLICER.

GLOBE FOOD EQUIPMENT COMPANY

2215 East River Road
Dayton, Ohio 45439

Parts Department

Toll Free 1-800-745-6238 • Fax (937) 290-0585

E-Mail: info@globefoodequip.com

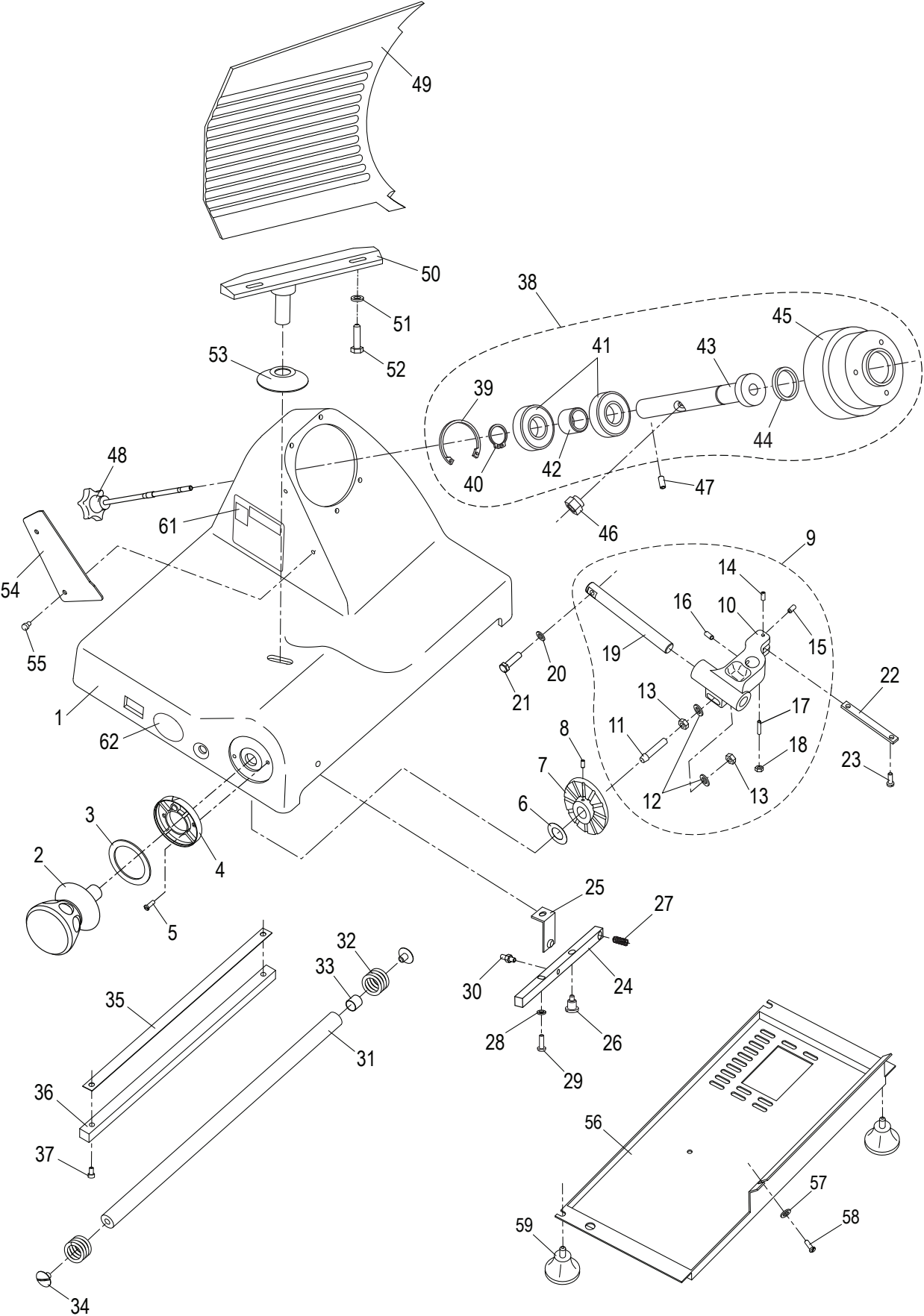
Website: www.globefoodequip.com

Not for resale

TABLE OF CONTENTS

	Page
Base Components	1 - 2
Chute Components	3
Knife & Sharpener Components	4
Electrical Components	5
Wiring Diagram	6

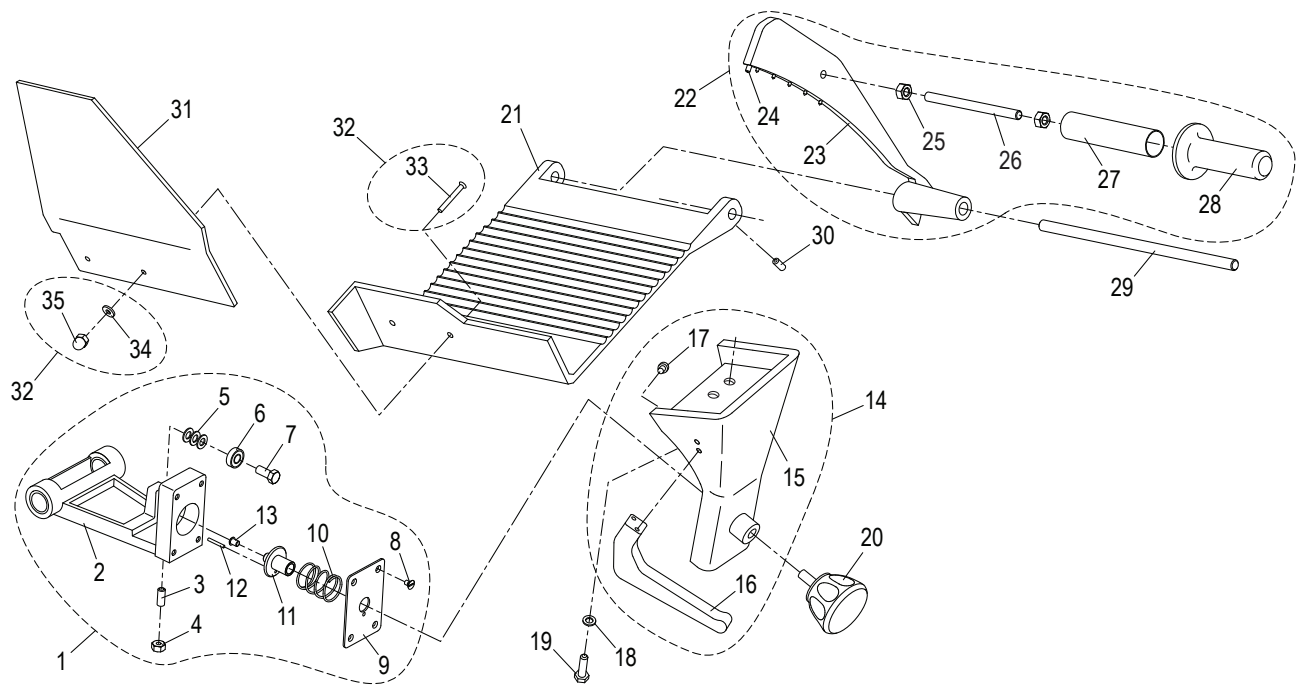
G14-Q BASE COMPONENTS



G14-Q BASE PARTS LIST

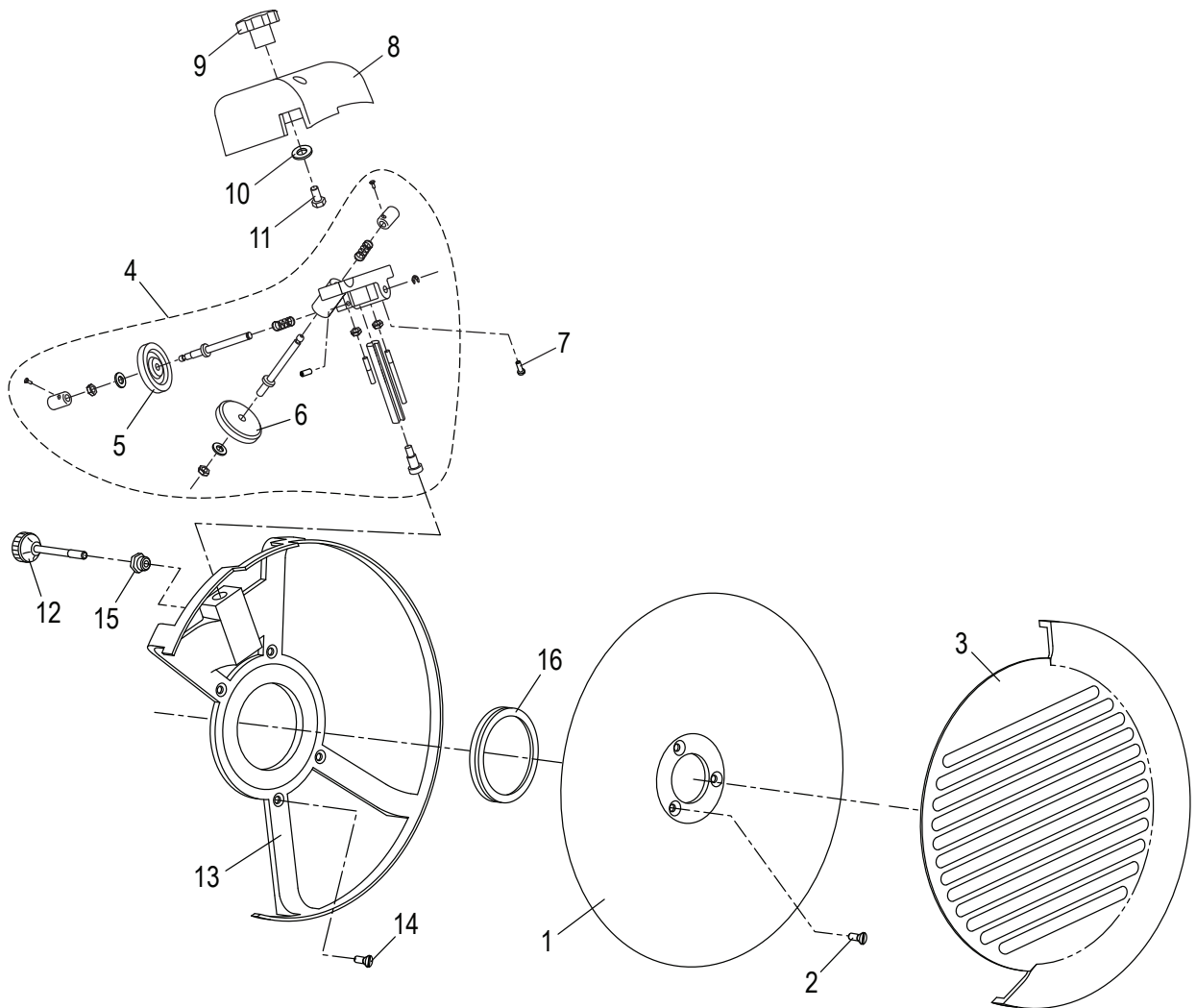
Item	Description	Qty	Part Number	Hardware
1	Slicer Base	1	-	
2	Table Adjustment Knob	1	M00234	
3	Ferrule Washer	1	M00300	
4	Table Adjustment Ferrule	1	M00301	
5	Adjustment Ferrule Screw	2	H00189	
6	Wave Washer	1	M003	
7	Table Adjustment Cam	1	M004	
8	Table Adjustment Cam Set Screw	2	H00181	
9	Table Slide Assembly (Item 10 -19)	1	M305	
10	Table Slide	-	-	
11	Stud, Cam Actuator	1	M013	
12	Flat Washer	2	H00191	
13	Hex Nut, Table Slide Bottom	2	H00192	
14	Set Screw, Table Slide Top	1	H00182	
15	Set Screw, Table Slide End	1	H00185	
16	Set Screw, Table Slide Side	2	H00186	
17	Set Screw, Table Slide Bottom	1	H00188	
18	Hex Nut , Table Slide Bottom	1	H00028	
19	Table Slide Rod	1	MR36	
20	Slide Rod Flat Washer	2	H00191	
21	Slide Rod Screw, Hex Head	2	H00116	
22	Table Slide Plate	1	M016	
23	Slide Plate Screw	2	H00061	
24	Release Lever	1	M00313	
25	Release Lever Bracket	1	M00296	
26	Release Screw	1	M00297	
27	Release Lever Spring	1	M00298	
28	Release Lever Washer	1	H00063	
29	Release Lever Screw	1	H00319	
30	Release Lever Stud	1	M00648	
31	Carriage Slide Rod	1	M00242	
32	Carriage Spring	2	M00243	
33	Carriage Slide Rod Spacer	1	M00302	
34	Slide Rod Screw	2	ME25	
35	Wear Strip, Slide Bar	1	ME31/1	
36	Slide Bar, Square	1	M00303	
37	Slide Bar Screw	2	H00056	
38	Knife Hub Assembly (Items 38-44)	1	M00246	
39	Retaining Ring, Internal	1	H00193	
40	Retaining Ring, External	1	H00195	
41	Bearing	2	M020	
42	Spacer, Knife Pulley	1	M00249	
43	Shaft, Knife Hub	1	M00248	
44	Oil Seal, Hub	1	MS12/7	
45	Pulley, Knife Hub	1	M00247	
46	Microswitch Mounting Bolt	1	MCR61	
47	Knife Shaft Set Screw	1	H00184	
48	Knife Cover Release Knob	1	M00250	
49	Table	1	M00304	
50	Table Support	1	MS2	
51	Table Support Washer	2	H00191	
52	Table Support Screw	2	H00196	
53	Hole Cover, Base	1	M00646	
54	Knife Wiper	1	MS22	
55	Thumb Screw, Knife Wiper	2	MCC23	
56	Bottom Cover	1	MS64	
57	Cover Washer	1	H00063	
58	Cover Mounting Screw	1	H00061	
59	Slicer Foot	4	M115	
60	Warning Label	1	M91022	
61	Warning Label, French (Not shown)	1	82-F	
62	Label, Globe Logo	1	M91021	

G14-Q CHUTE COMPONENTS



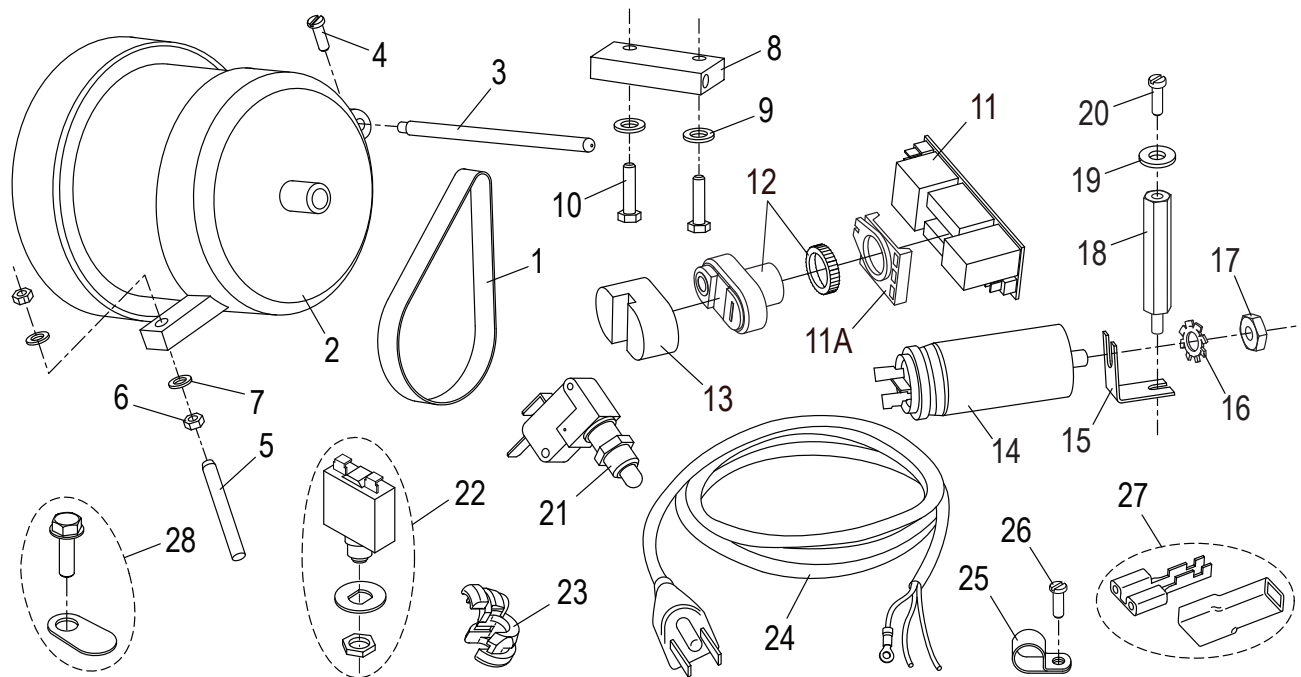
Item	Description	Qty	Part Number	Hardware
1	Chute Slide Assy (Item 2 - 13)	1	M00314	
2	Chute Slide	1	-	
3	Stud, Brass	1	MS30	
4	Hex Nut	1	H00192	
5	Flat Washer	3	H00191	
6	Bearing	1	M056	
7	Slide Bearing Screw	1	H00117	
8	Release Plate Screw	4	H00309	
9	Release Plate	1	M00175	
10	Release Spring	1	M00174	
11	Internal Release	1	M00173	
12	Release Pin	1	M00307	
13	Release Mechanism Cap	1	M00308	
14	Chute Support Assembly (Item 15 - 17)	1	M00176	
15	Chute Support	1	M00310	
16	Chute Support Handle	1	M067	
17	Screw, Chute Support Handle	2	H00156	
18	Chute Washer	2	H00191	
19	Chute Mounting Screw	2	H00117	
20	Chute Support Knob	1	M00312	
21	Chute	1	M00177	
22	End Weight Assembly (Item 23 - 28)	1	M00391	
23	End Weight	1	-	
24	End Weight Bumper	1	MC39	
25	End Weight Handle Nut	2	H00341	
26	End Weight Handle Stud	1	M00339	
27	End Weight Spacer	1	M00340	
28	End Weight Handle	1	MCC40/1	
29	End Weight Rod	1	MC37	
30	End Weight Rod Set Screw	1	H00199	
31	Hand Guard	1	M00168	
32	Hand Guard Hardware Kit	1	M00343	
33	Hand Guard Mounting Screw	2	M00170	
34	Hand Guard Washer	2	M00180	
35	Hand Guard Nut	2	M00171	

G14-Q KNIFE AND SHARPENER COMPONENTS



Item	Description	Qty	Part Number	Hardware
1	Knife	1	M00262	
2	Knife Mounting Screw	3	H00201	
3	Knife Cover	1	M00333	
4	Sharpener Frame Assembly	1	M00399	
5	Deburring Stone	1	MB18	
6	Sharpening Stone	1	MCC17	
7	Sharpener Cover Screw	2	H00187	
8	Sharpener Cover	1	M074	
9	Sharpener Cover Knob	1	M075	
10	Cover Knob Washer	1	M035	
11	Cover Knob Screw	1	H00197	
12	Sharpener Release Knob	1	M096	
13	Knife Rim Guard	1	MS14/1	
14	Rim Guard Mounting Screw	4	H00435	
15	Knife Rim Guard Insert	1	M045	
16	Knife Seal, V Ring - VA 90	1	MS77/5	

G14-Q ELECTRICAL COMPONENTS



Item	Description	Qty	Part Number	Hardware
1	Drive Belt	1	MS51	
2	Knife Motor	1	MS43/1	
3	Post, Motor Pivot	1	MB52/1	
4	Screw	1	H00189	
5	Threaded Rod	1	M033	
6	Hex Nut	2	M034	
7	Flat Washer	2	M035	
8	Motor Mounting Block	1	M00356	
9	Mounting Block Washer	2	H00063	
10	Mounting Block Screw	2	H00357	
11	Power Switch Electrical Card	1	M00351	
11A	Circuit Board Connector	1	M00400	
12	Power Switch with Nut	1	M00350	
13	Power Switch Cover	1	M00349	
14	Capacitor, 16 μ f	1	MB54/3	
15	Bracket, Capacitor Mounting	1	-	
16	Lock Washer	1	H00335	
17	Hex Nut	1	H00192	
18	Standoff, Cover Spacer	1	M00361	
19	Cover Washer	1	M035	
20	Cover Mounting Screw	1	H00061	
21	Hub Assembly Microswitch	1	M026	
22	Motor Reset Switch	1	MK7004	
23	Strain Relief	1	M111	
24	Power Cord & Plug	1	MB65/4F	
25	Cable Clamp	1	M037	
26	Cable Clamp Mounting Screw	1	H00061	
27	Terminal & Insulator Set	12	M00233	
28	Ground Screw/Marking Tab Set	1	M00334	

WIRING DIAGRAM - 115V, 50/60/Hz, 1 PH

