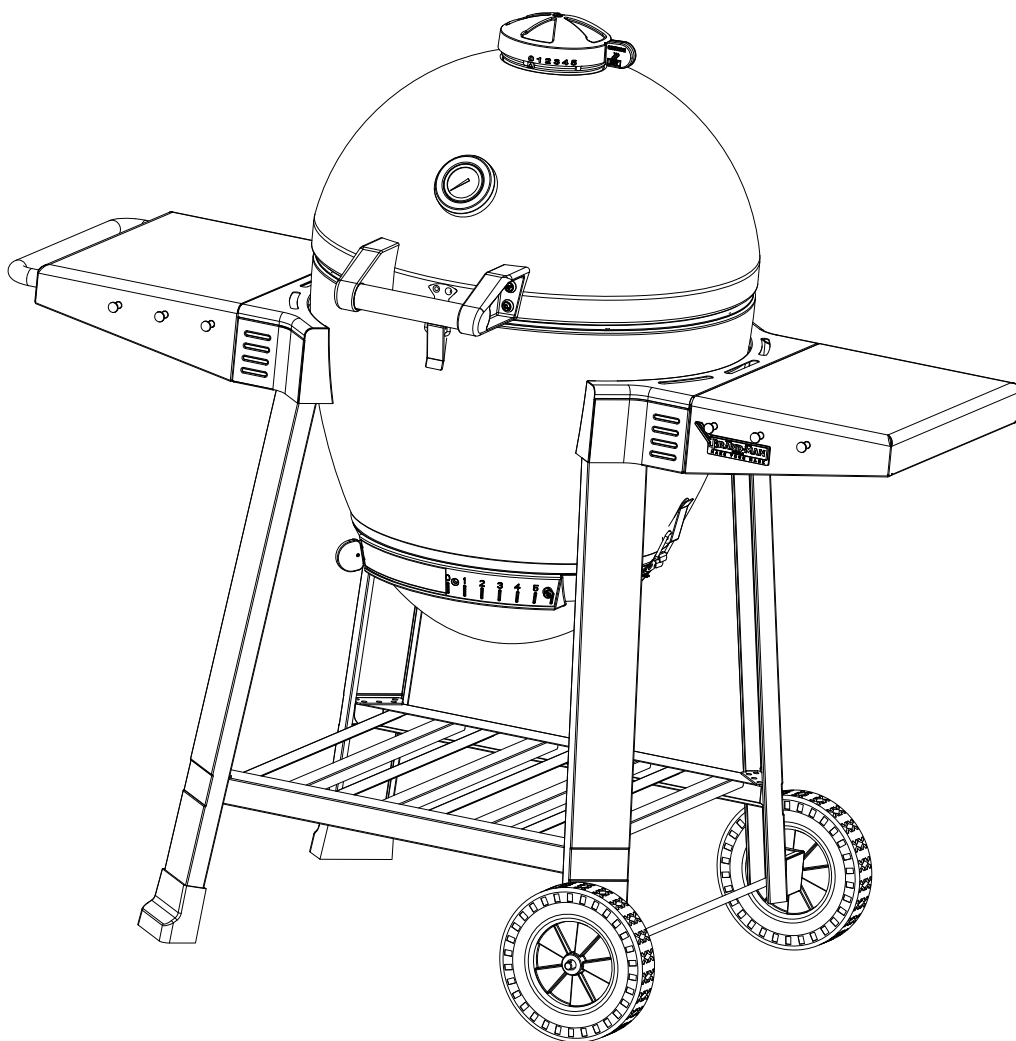


INSTRUCTION MANUAL

For safe use and enjoyment of your new barbeque



Model: BMRDOGRY

Tools required:
Phillips Head Screwdriver

IMPORTANT HEALTH & SAFETY INFORMATION

1. WARNING

FOR OUTDOOR USE ONLY! DO NOT USE INDOORS

- Please read these instructions carefully prior to assembly and use.
- Failure to follow these instructions could lead to serious injury and/or significant damage to property.
- Do not use the barbeque if there is any doubt over the correct assembly or lighting procedure.
- These instructions should be retained for future reference.
- The barbeque must have a minimum side, back and front clearance from any combustible material of at least 1000mm. Additionally there must be a clearance of at least 2000mm clear above the cooking surface of the barbeque.
- Flammable materials and liquids must be stored well away from the barbeque.
- Aerosols must not be used near the barbeque.
- The barbeque should not be moved when lit or hot.
- A lit barbeque should be attended at all times.
- Avoid dousing the barbeque with water.
- Ensure the barbeque charcoal is completely extinguished when the barbeque is not in use.
- Always allow the barbeque to completely cool down before covering.
- For safety reasons it is advisable to keep a fire extinguisher and fire blanket close to hand.
- Unsupervised children and the infirm should not be allowed close to the barbeque during pre-heat, cooking, burn off or cooling down of the unit.
- Please dispose of all packing materials and carefully and keep plastic bags out of the reach of children.

SETTING UP THE BARBEQUE

THIS APPLIANCE SHALL ONLY BE USED IN AN ABOVE GROUND OPEN AIR SITUATION WITH NATURAL VENTILATION, WITHOUT STAGNANT AREAS, WHERE PRODUCTS OF COMBUSTION ARE RAPIDLY DISPERSED BY WIND AND NATURAL CONVECTION

FOR OUTDOOR USE ONLY

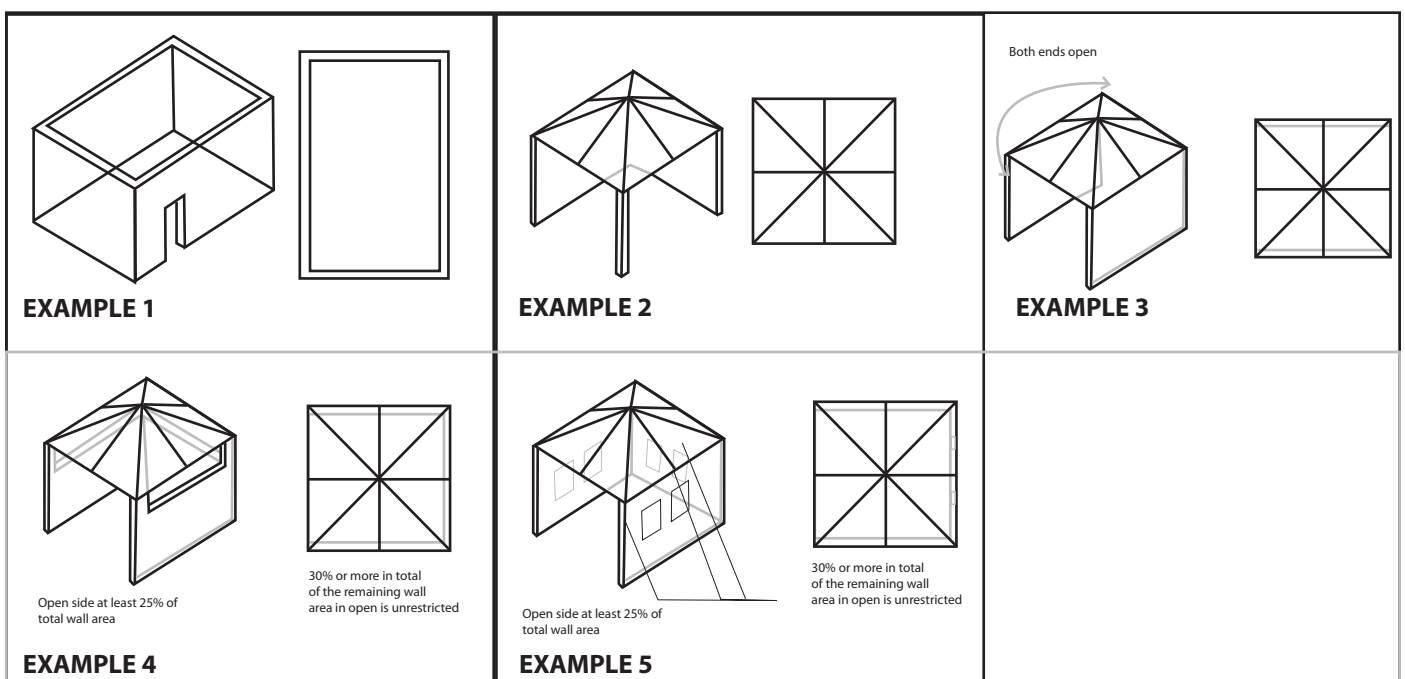
1. POSITIONING

- Please make sure that the barbeque is NOT positioned underneath any combustible material or surface.
- There MUST be a clearance of at least 1000mm from the sides, back and front of the barbeque to any combustible materials or surfaces. There must also be a clearance of at least 2000mm above the cooking surfaces to any combustible surface.
- Flammable materials of any description MUST be kept well away from the barbeque.
- The barbeque must be positioned to avoid walkways, gangways and general pedestrian access.
- The nature of a barbeque is such that many of the surfaces are hot to touch, the positioning of the barbeque should take into consideration the possibility of accidental hand or body contact.

Any enclosure in which the appliance is used shall comply with one of the following:

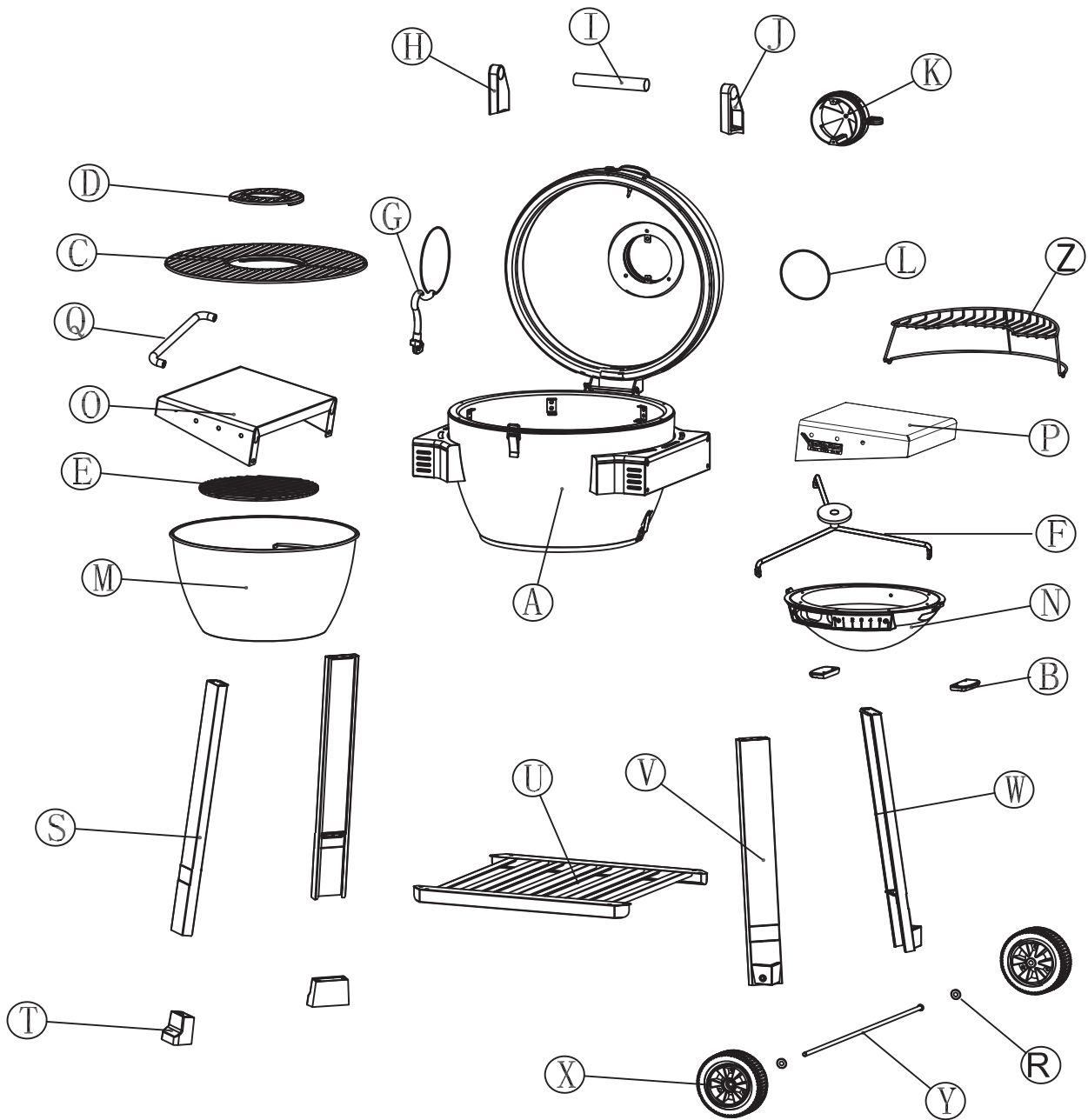
- An enclosure with walls on all sides, but at least one permanent opening at ground level and no overhead cover.
SEE EXAMPLE 1
- Within a partial enclosure that includes an overhead cover and no more than two walls.
SEE EXAMPLE 2 & 3
- Within a partial enclosure that includes an overhead cover and more than two walls, the following shall apply-
 - at least 25% of the total wall area is completely open; and
 - at least 30% of the remaining wall area is open and unrestricted
SEE EXAMPLE 4 & 5
- In the case of balconies, at least 20% of the total of the side, back and front wall areas shall be and remain open and unrestricted

BURNING CHARCOAL INSIDE CAN KILL. IT GIVES OFF CARBON MONOXIDE WHICH HAS NO ODOUR.



ASSEMBLY INSTRUCTIONS

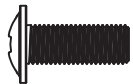
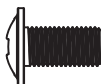

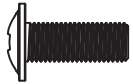

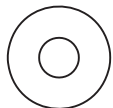

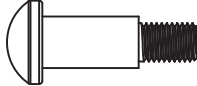


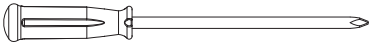
PARTS LIST



Part	Description	QTY	Part	Description	QTY	Part	Description	QTY
A	Body Assembly	1 pc	K	Damper	1 pc	U	Bottom Shelf	1 pc
B	Ashpan Handle	2 pcs	L	Damper O-ring Seal	1 pc	V	Right Leg - FRONT	1 pc
C	Cooking Grill outer	1 pc	M	Fire Bowl	1 pc	W	Right Leg - BACK	1 pc
D	Cooking Grill inner	1 pc	N	Ash Pan	1 pc	X	Wheel	2 pcs
E	Charcoal Grate	1 pc	O	Table - LEFT	1 pc	Y	Axle	1 pc
F	Ash Pan Support	1 pc	P	Table - RIGHT	1 pc	Z	Warming Rack	1pc
G	Grill Lifter	1 pc	Q	Table Handle	1 pc			
H	Handle Bracket - LEFT	1 pc	R	Space	2 pcs			
I	Hood Handle	1 pc	S	Left Leg - FRONT & BACK	2 pcs			
J	Handle Bracket-RIGHT	1 pc	T	Foot	2 pcs			

ASSEMBLY INSTRUCTIONS

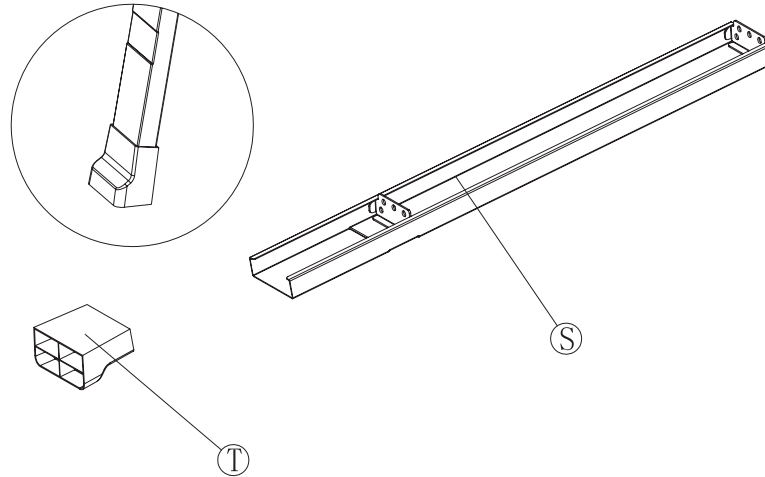
HARDWARE LIST

AA: 24 PCS	BB: 4 PCS	CC: 3 PCS
 Bolt (M6 x 16)	 Bolt (M6 x 12)	 Bolt (M4 x 12)
KK: 4 PCS	EE: 26 PCS	FF: 26 PCS
 Bolt (M5 x 16)	 Spring Washer(Φ 6.2)	 Flat Washer (Φ 16 x Φ 6.2 x 1.0)
GG: 2 PCS	HH: 6 PCS	II: 1 PC
 Fibre Washer	 Tool Hook Screw (M6)	 Split Pin
LL: 4 PCS		
 Bolt (M6 x 20)	 Screwdriver	

ASSEMBLY INSTRUCTIONS

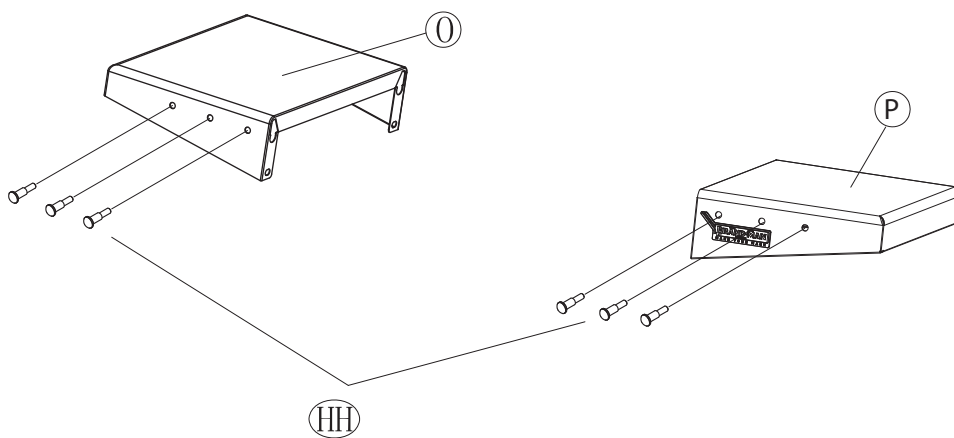
Step 1

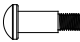
- a) Fit Foot (T) to both of the Left Legs (S) as shown in the diagram.



Step 2

- a) Attach three Tool Hook Screws (HH) onto the Table - LEFT (O) and Table - RIGHT (P) as shown.

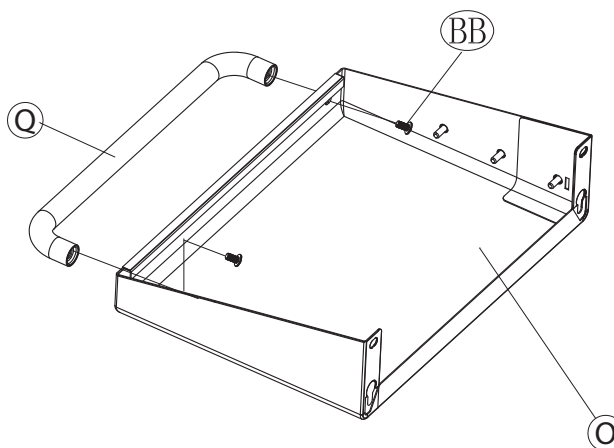


HH  X 6

ASSEMBLY INSTRUCTIONS

Step 3

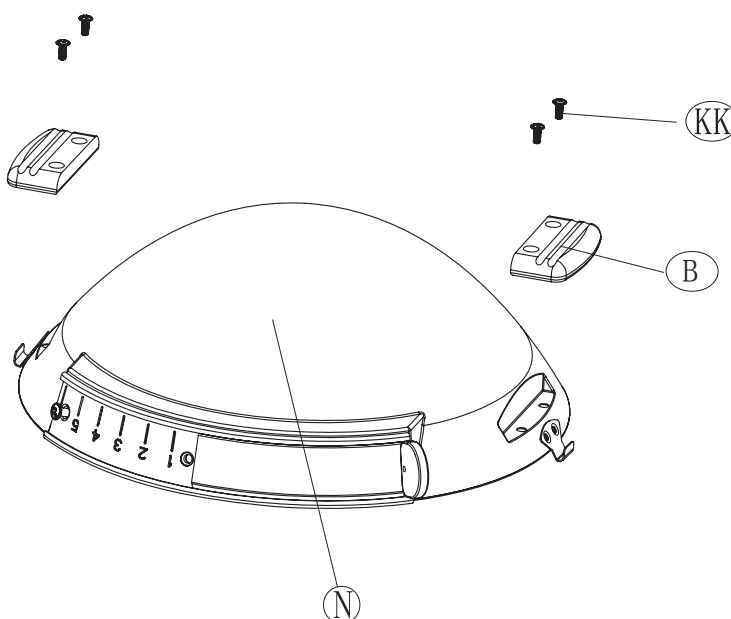
- a) Take the pre-assembled Table Handle (Q) and attach it onto Table - LEFT (O). Secure it with two bolts (BB) as shown below.



BB  x 2

Step 4

- a) Install one Ash Pan Handle (B) onto each side of the previously prepared Ashpan Assembly (N).
b) Secure each Ash Pan Handle (B) with two bolts (KK).

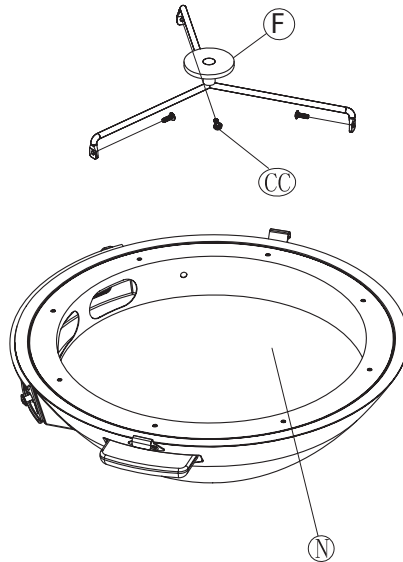


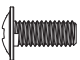
KK  x 4

ASSEMBLY INSTRUCTIONS

Step 5

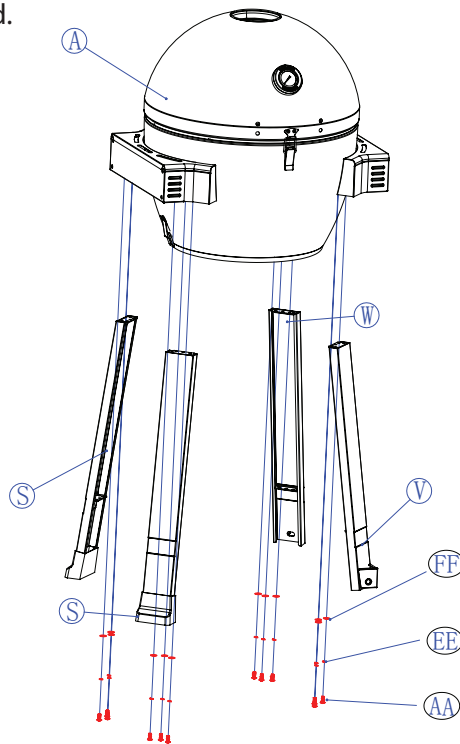
- a) Attach the Ashpan Support (F) onto the Ashpan Assembly (N) and secure it with three bolts (CC).



CC  x 3

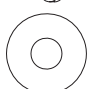
Step 6

- a) Start from the left side of the Body Assembly (A), attach two prepared Left Legs (S) from step 1 onto the left of the Body Assembly (A) each with two Flat Washers (FF), two Spring Washers (EE) and two bolts (AA).
b) Repeat the same procedure on the right side of the Body Assembly (A) with Right Leg - FRONT (V) and Right Leg - BACK (W).
c) Ensure all bolts are properly tightened.



AA  x 12

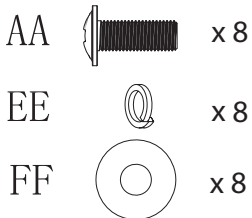
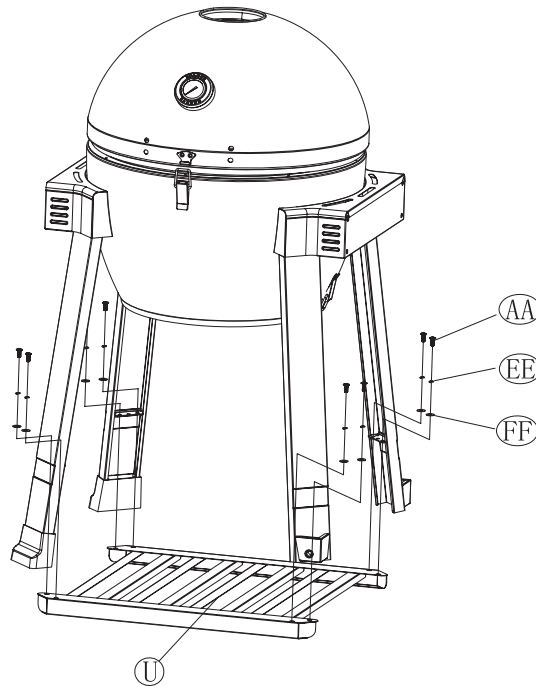
EE  x 12

FF  x 12

ASSEMBLY INSTRUCTIONS

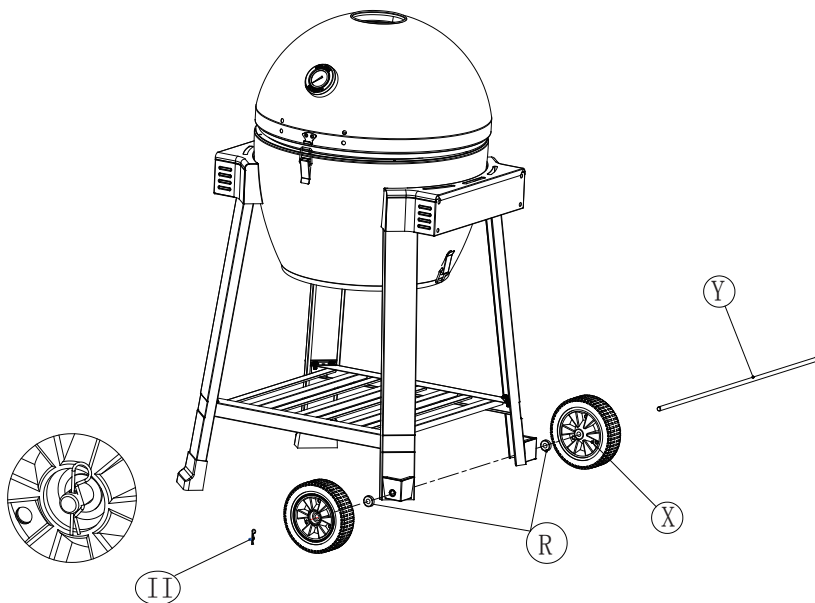
Step 7

- Stand the assembly upright as shown and attach the Bottom Shelf (U) onto the BBQ legs.
- Secure the Bottom Mesh (U) on each corner with two flat washers (FF), two spring washers (EE) and two bolts (AA).



Step 8

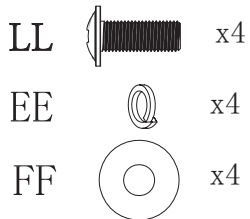
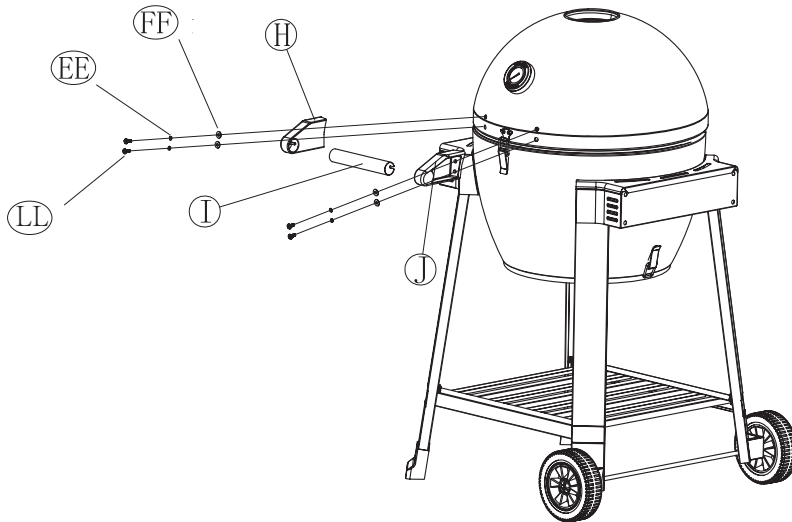
- Working on the left side of the leg, lift the BBQ slightly up to fit the Axle (Y) through the wheels (X) and Spacer (R), then through the BBQ legs as shown in the diagram below.
- After attaching both wheels and the axle to the BBQ legs, secure it with the Split pin (II) on the end of the axle as shown below.



ASSEMBLY INSTRUCTIONS

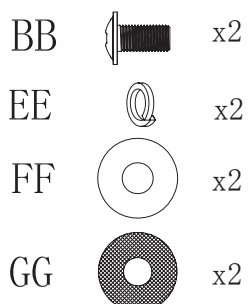
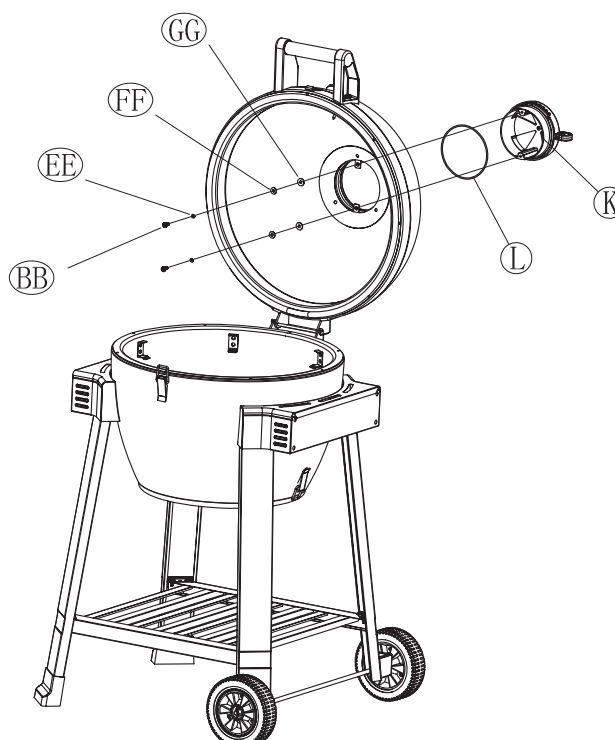
Step 9

- Align the Hood Handle (I) with Handle Bracket - LEFT (H) and Handle Bracket - RIGHT (J) as shown.
- Secure it to the four pre-drilled holes on the BBQ hood front with two flat washers (FF), two spring washers (EE) and two Bolts (AA) on each handle bracket.
- Ensure all screws are properly tightened.



Step 10

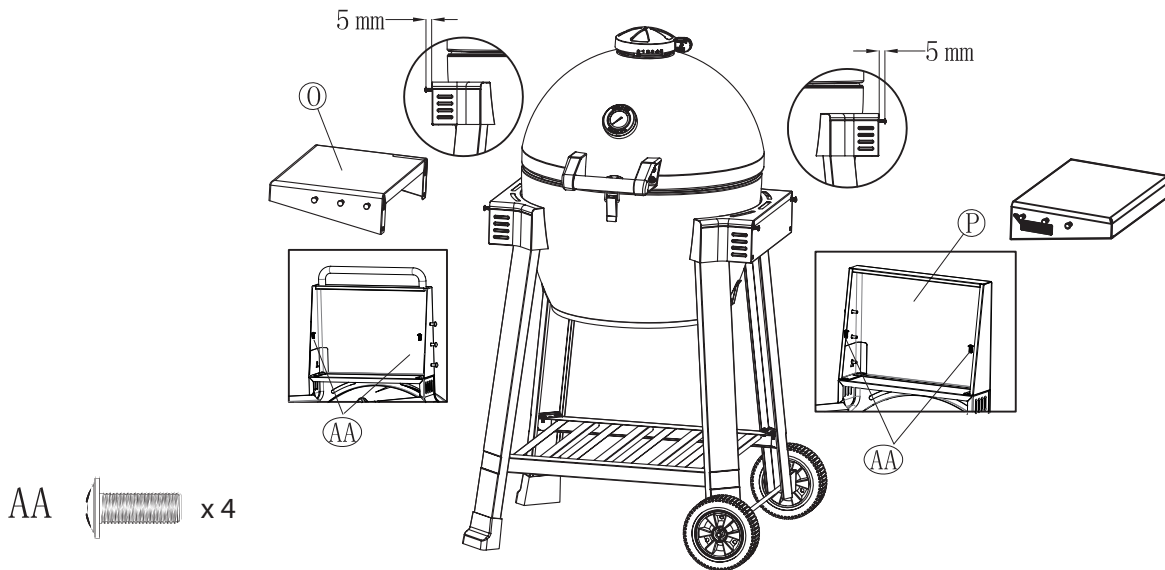
- Open the BBQ and attach the Damper (K) and Damper O-Ring Seal (L) on to the hood.
- Secure from inside with two Fibre Washers (GG), two Flat Washers (FF), two Spring Washers (EE) and two Bolts (BB).



ASSEMBLY INSTRUCTIONS

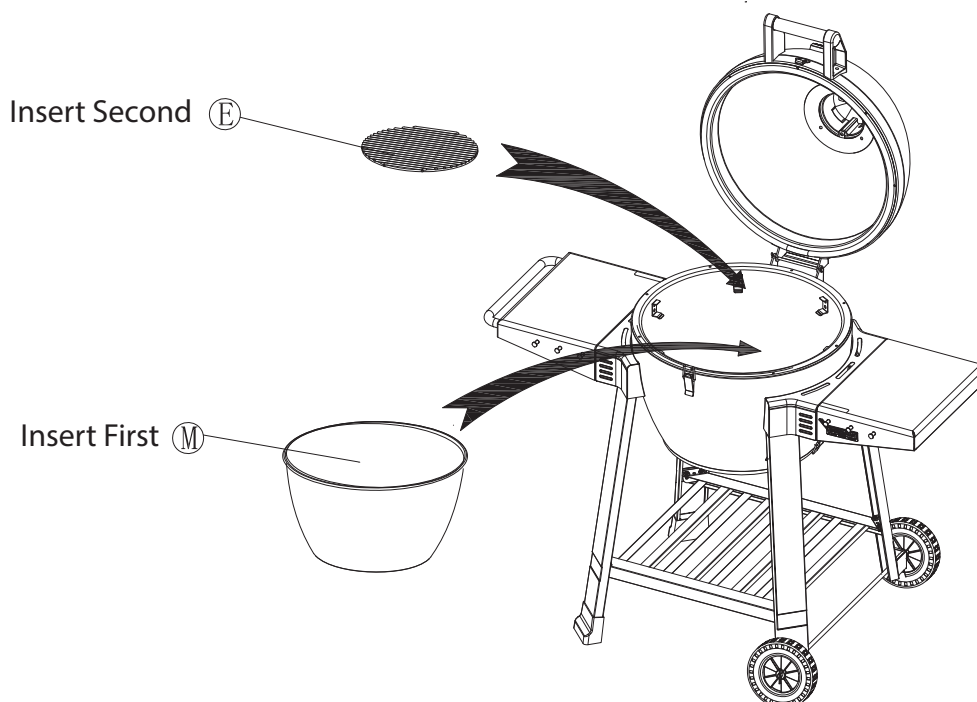
Step 11

- Loosen the two pre-installed bolts on the left side of the barbecue body, and allow 5 mm bolt length to extend. Align the holes on the Table - LEFT (O) with the extended bolts, then push down on the Table until it locates into place, tighten with screwdriver until secure.
- Align the other two holes on the left side of body assembly (A) with the two holes from under the Table Assembly - LEFT (O). Then insert one Bolt (AA) into each hole and tighten with screwdriver until secure.
- Repeat the procedure for the Table - RIGHT (P).
- Go back and tighten all bolts with a screwdriver.



Step 12

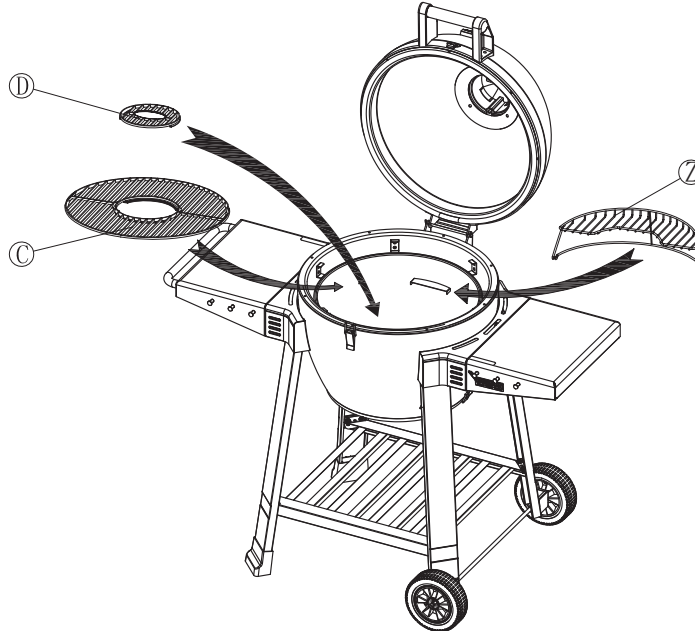
- With the BBQ hood open, insert the Fire Bowl (M), the Charcoal Grill (E) and Trivet (F) in the order as shown below.



ASSEMBLY INSTRUCTIONS

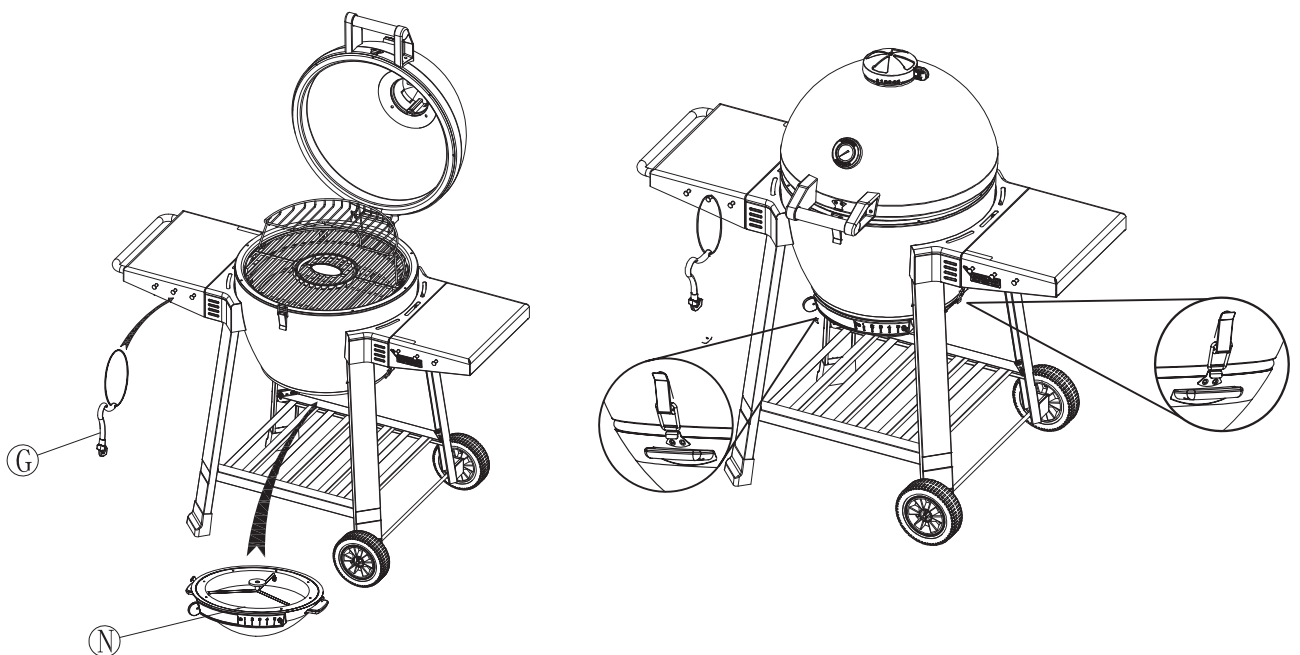
Step 13

- Place the Cooking Grill Outer (C) into the firebox.
- Place the Cooking Grill Inner (D) into the middle of the Cooking Grill Outer (C).
- Then place the Warming Rack (Z) onto the back of the firebox on top of the cooking grills.



Step 14

- Hang the grate lifter on the Table hook for convenience.
- Attach the Ashpan (N) onto the bottom part of the firebox and secure it with the two locking clips at the sides as shown below.



OPERATING YOUR BARBEQUE

Before Lighting

- Set the BBQ up on a hard non-combustible level surface. The base of the BBQ will get hot so be sure to keep away from areas that could catch fire.
- Be sure charcoal grate is in place in firebox (bottom bowl). Pile charcoal in a pyramid shape on charcoal grate. Ignite charcoal as instructed on charcoal packaging using firelighter or a chimney starter.
- When coals are ashed-over arrange coals evenly over grate with long handled tongs.

Food Cooking Information

- ALWAYS wash your hands before or after handling uncooked meat and before eating.
- NEVER place cooked meat on the same plate that raw meat was on.
- DO NOT use the same utensils to handle cooked and uncooked foods.
- Before cooking ensure barbeque grill surfaces and tools are clean and free of old food residue.

After Use Instructions

- Make sure all coals are fully extinguished and the BBQ is cool.
- Remove ashes.
- Wash BBQ with a mild detergent and rinse with water.
- Wipe dry with cloth or paper towel.
- Clean cooking grill and warming rack with a wire brush.
- Store in dry area.

DANGER!

DO NOT use charcoal briquettes for indoor cooking or heating. TOXIC carbon monoxide fumes can accumulate and cause asphyxiation and death!

DANGER!

This BBQ is not intended to be installed in or on recreational vehicles and / or boats.
Live hot embers can create a fire hazard.

COOKING INSTRUCTION

LIGHTING YOUR STEEL KAMADO

LIGHTING INSTRUCTIONS

1. Place about 1 to 2kg of charcoal into the fire bowl.
2. Place 1 or 2 Natural Fire Starter Cubes in the charcoal so 1/4 of cube is visible.
3. Open bottom vent fully and leave the hood open.
4. Light the Fire Starter Cubes. Charcoal will be ready in around 15-20 minutes.
5. Close the hood and adjust air flow until the desired temperature is reached. Opening the vents makes the charcoal burn hotter.
6. Pre-heat for 15 minutes prior to cooking. Do not cook before the fuel has a coating of ash.

A charcoal starter chimney is a helpful alternative for lighting.

CAUTIONS

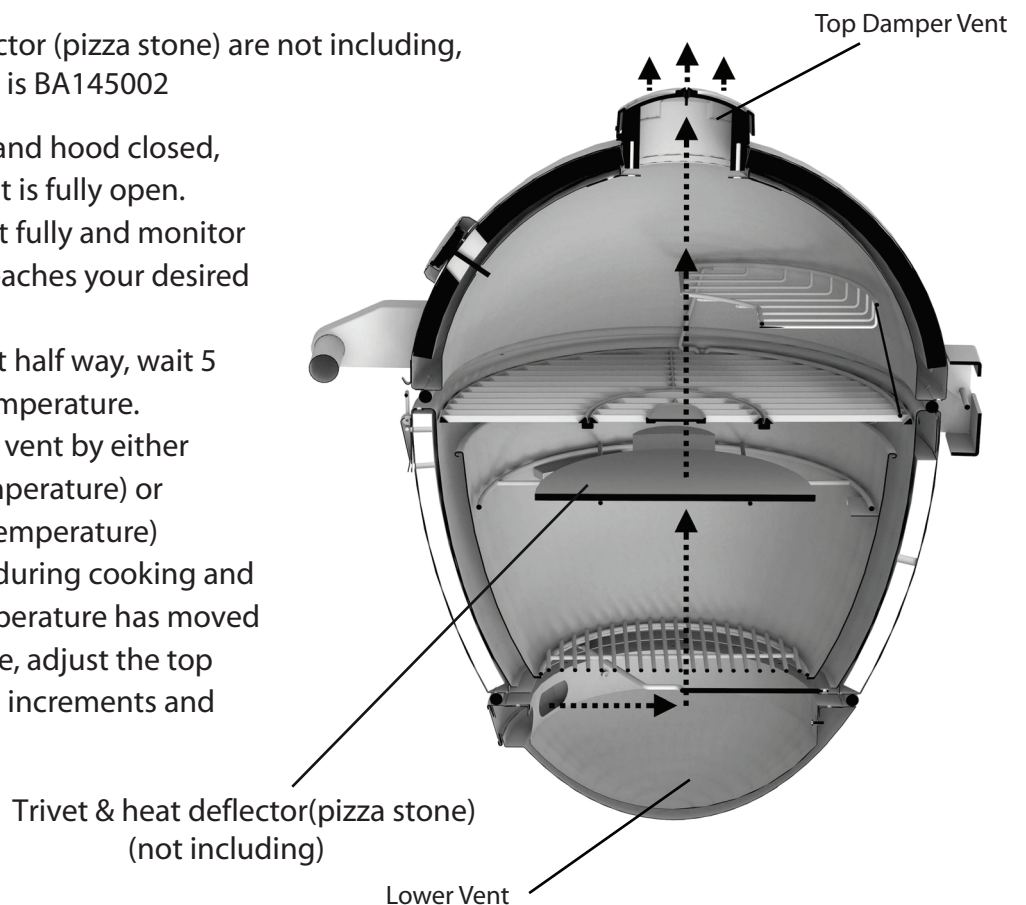
Do not use lighter fluid, gas or other combustible liquids to ignite the Charcoal. Liquid chemicals are a fire and explosion hazard and they will cause an undesirable taste to food.

Do not use "Instant Light" briquettes. This will cause the same undesirable taste.

CONTROLLING THE TEMPERATURE

NOTE: Trivet and heat deflector (pizza stone) are not including, sell in separat, item number is BA145002

1. With the Charcoal fully lit and hood closed, make sure the bottom vent is fully open.
2. Open the top damper vent fully and monitor the temperature until it reaches your desired temperature.
3. Close the top damper vent half way, wait 5 minutes and check the temperature.
4. Adjusting the top damper vent by either closing it more (lower temperature) or opening it more (higher temperature)
5. Monitor the temperature during cooking and if you notice that the temperature has moved outside your desired range, adjust the top damper vent in very small increments and wait 1-2minutes.



COOKING INSTRUCTION

SLOW COOK/SMOKE (125 ° C to 150 ° C)

All slow cooking needs a heat deflector for indirect heating.

Beef, Lamb or Pork	1 hour per kg
Chicken Wings	15 minutes per kg
Full Rack of Ribs	30 minutes per kg
Roasts	30 minutes per kg

ROAST/BAKE/GRILL (160 ° C to 250 ° C)

The times listed below are for cooking directly on the cooking grill, on a roast rack, in a drip pan (direct heating). It is recommended but not vital to use a heat deflector.

Chicken (pieces)	30 - 45 minutes
Chicken (whole)	60 - 80 minutes
Pork Tenderloin	20 - 30 minutes
Seafood	5 - 10 minutes
Turkey	2 - 4 hours

STEAK HOUSE SEAR (250 ° C to 350 ° C)

The times listed below are for a meat cooked to "medium". Adjust the time and temperature to fit your individual taste.

Hamburgers	8 - 10 minutes
Chops	6 - 8 minutes
Steak	6 - 8 minutes

BAKING

NOTE: Trivet and heat deflector (pizza stone) are not including, sell in separat, item number is BA145002

For baking, it is usually easier to achieve your desired temperature by keeping the lower vent fully open and only adjusting the top damper vent.

To bake successfully, you will need to use a heat deflector.

1. Before lighting, fit the trivet. Leave out the heat deflector and the cooking grill at this stage.
2. When the charcoal is fully lit, taking care to avoid burns, fit the heat deflector onto the trivet. Fit the cooking grill in place.
3. Close the hood and preheat for 10 minutes.
4. Make sure the bottom vent is fully open. Open the top damper vent and monitor the temperature until it reaches your desired temperature.
5. Close the top damper vent half way, wait 5 minutes and check the temperature.
6. Adjust the top damper vent by either closing it more (lower temperature) or opening it more (higher temperature).

Trivet & heat deflector(pizza stone)
(not including)



COOKING INSTRUCTION

BAKING (cont.)

7. Once the desired temperature is achieved, set your baking tray in place on the cooking grill. You can also bake on the warming rack. Close the hood and start baking.
8. Monitor the temperature during cooking and if you notice that the temperature has moved outside your desired range, adjust the top damper vent in very small increments, wait 1-2 minutes and re-adjust if necessary.

ROASTING

NOTE: Trivet and heat deflector (pizza stone) are not including, sell in separat, item number is BA145002

For roasting, it is usually easier to achieve your desired temperature by keeping the lower vent fully open and only adjusting the top damper vent.

Some people prefer to use a heat deflector when roasting.

A small pizza stone is great for this. You can roast successfully without a heat deflector by using a roast pan topped up with some water under a roast support rack.

1. Before lighting, fit the trivet. Leave out the heat deflector if you are using one and leave out the cooking grill at this stage.
2. When the charcoal is fully lit, taking care to avoid burns, if you are using a heat deflector, fit it onto the trivet. Fit the cooking grill in place.
3. Close the hood and preheat for 10 minutes.
4. Make sure the bottom vent is fully open. Open the top damper vent and monitor the temperature until it reaches your desired temperature.
5. Close the top damper vent half way, wait 5 minutes and check the temperature.
6. Adjust the top damper vent by either closing it more (lower temperature) or opening it more (higher temperature).
7. Once the desired temperature is achieved, set your roast (and drip pan and roast rack if your are using them instead of a heat deflector) in place on the cooking grill. You can also add extra roasting food onto the warming rack. Close the hood and start roasting.
8. Monitor the temperature during cooking and if you notice that the temperature has moved outside your desired range, adjust the top damper vent in very small increments, wait 1-2 minutes and re-adjust if necessary.
9. Use a meat probe thermometer to take the guesswork out of knowing when your roast is done.



COOKING INSTRUCTION

GRILLING

For direct grilling, it is usually easier to achieve your desired temperature by keeping the lower vent fully open and only adjusting the top damper vent.

1. Before lighting, Leave out the cooking grill at this stage.
2. When the charcoal is fully lit, taking care to avoid burns, fit the cooking grill in place.
3. Close the hood and preheat for 10 minutes.
4. Make sure the bottom vent is fully open. Open the top damper vent and monitor the temperature until it reaches your desired temperature.
5. Close the top damper vent half way, wait 5 minutes and check the temperature.
6. Adjust the top damper vent by either closing it more (lower temperature) or opening it more (higher temperature).
7. Once the desired temperature is achieved, set your food in place on the cooking grill. You can grill extra food on the warming rack. Close the hood and start grilling.
8. Monitor the temperature during cooking and if you notice that the temperature has moved outside your desired range, adjust the top damper vent in very small increments, wait 1-2 minutes and re-adjust if necessary.
9. Use a meat probe thermometer to take the guesswork out of knowing when your food is done.

SMOKING

NOTE: Trivet and heat deflector (pizza stone) are not including, sell in separat, item number is BA145002

For smoking, the best way to achieve the lower required temperatures is by almost closing the lower vent. Adjust the top damper vent to control the airflow.

1. Before lighting, fit the trivet. Leave out the heat deflector and the cooking grill at this stage.
2. Take care not to use too much charcoal.
3. When the charcoal is fully lit, taking care to avoid burns, fit the heat deflector onto the trivet. Set your optional smoker box with woodchips and drip pan (if you are using one) into place on top of the heat deflector. Fit the cooking grill in place.
4. Close the hood. Set the lower vent to 1 or 2 marks away from fully closed.
5. Close the top damper vent half way, wait 5 minutes and check the temperature.
6. Adjust the top damper vent by either closing it more (lower temperature) or opening it more (higher temperature).
7. Once the desired temperature is achieved, set your food in place on the cooking grill or on optional smoking racks. You can also smoke on the warming rack. Close the hood and start smoking.
8. Monitor the temperature during cooking and if you notice that the temperature has moved outside your desired range, adjust the top damper vent in very small increments, wait 1-2 minutes and re-adjust if necessary.

COOKING REFERENCE

INTERNAL MEAT TEMPERATURES

Beef

Meat Probe temperature:

Rare 140°F / 60°C Medium 150°F / 66°C Well Done 170°F / 77°C

Lamb

Meat Probe temperatures:

Rare 140°F / 60°C Medium 150°F / 65°C Well Done 165°F / 75°C

Veal

Meat Probe temperatures:

Rare not advised Medium 155°F / 70°C minimum safe temperature Well Done 165°F / 75°C

Pork

Meat Probe temperatures:

Rare not advised Medium 150°F / 65°C minimum safe temperature Well Done 160°F / 70°C

Poultry

Meat Probe temperatures:

Rare not advised Medium 170-175°F / 75-80°C minimum safe temperature Well Done not advised;

poultry tends to dry out over 175°F / 80°C

To obtain correct temperature use an instant-read meat thermometer in the thickest **part of the flesh**, careful not to touch any bone.

COOKING TIMES

POULTRY			
Cut of Meat	Weight or Thickness	BBQ Method	Approx Cook Time
Chicken (whole)	2 kg	Indirect	70-80 min
Chicken (halved or quartered)	2 kg total	Indirect	55-65 min
Chicken (breasts, boneless)	150 g ea	Direct	12-15 min
Chicken (breasts, boneless)	150 g ea	Indirect	23-25 min
Wings	120 g	Direct	23-30 min
Wings	120 g	Indirect	35 - 40 min
Cut Up Legs and Wings	2 kg	Direct	10 min
Cut Up Legs and Wings	2 kg	Indirect	40 min
Boneless Cubes (For Kebabs)	2.5 cm	Direct	12-15 min total
Turkey (Whole)	4.5 kg	Indirect	2-3 hours

BEEF			
Cut of Meat	Weight or Thickness	BBQ Method	Approx Cook Time
Roasts	2 kg	Indirect	50 min per kg (rare)
Steaks (T-bone, New York, Porterhouse, Round, Sirloin)	2.5 cm	Direct	5-6 min per side (rare)
Rump Steak	3.5 cm	Direct	5-7 min per side (med rare)
Minute Steaks	0.5 cm	Direct	1.5-2 min per side (rare)
Ground Beef Patties	2.5 cm	Direct	4-5 min per side (rare)
Ground Beef Patties	2.5 cm	Direct	5-6 min per side (med. Rare) Ground
Beef Patties	2.5 cm	Direct	6-7 min per side (well done)
Thermometer Temperature: Rare = 60°C, Medium = 66°C, Well = 77°C			

SEAFOOD			
Cut of Meat	Weight or Thickness	BBQ Method	Approx Cook Time
Whole Fish (with or Without head and tail)	2 kg	Indirect	30-35 min
Steaks & Fillets	2 cm	Direct	3-4 min per side
Prawns	Medium sized	Direct	1.5-2 min per side
Lobster Tails	300 g	Direct	9-13 min
Fish is done when flakes easily when prodded with a fork or knife in the thickest part. Frozen fillets should not be thawed before cooking. Cooking times will be approximately double that of fresh fish			

CARE & MAINTENANCE

BEFORE ANY CARE AND MAINTENANCE IS ATTEMPTED PLEASE ENSURE THAT THE BARBEQUE ARE NOT IN USE AND THAT ALL SURFACES HAVE BEEN GIVEN SUFFICIENT TIME TO COOL DOWN.

Please note the following when maintaining and caring for your barbeque:

- Cleaning your barbeque regularly will help to keep a pristine appearance.
- Throwing cold water over any hot surface of the barbeque is **NOT** recommended and is potentially dangerous.
- Avoid handling and touching hot parts of the barbeque.

CARE OF THE BARBEQUE BODY

- Regular care and maintenance of the barbeque body will significantly increase its life and long term appearance.
- Excess grease and fat can be removed using grease remover and warm water with a soft scraper (not metal edged).
- The barbeque body should be fully cleaned by using hot soapy water and a sponge to avoid corrosion starting on dirty surfaces.
- Leave a light film of oil such as cooking spray on the metal parts to assist in rust prevention.
- Regularly spray screws and fasteners with an appropriate lubricant or rust preventer.
- If external paint is scratched or chipped it must be immediately covered with paint or a rust preventer.
- Keep the barbeque covered when it not in use.

CUSTOMER SERVICE CENTRE:

PHONE: (949) 229-8927

Email: Brandmanservice@handhasia.com