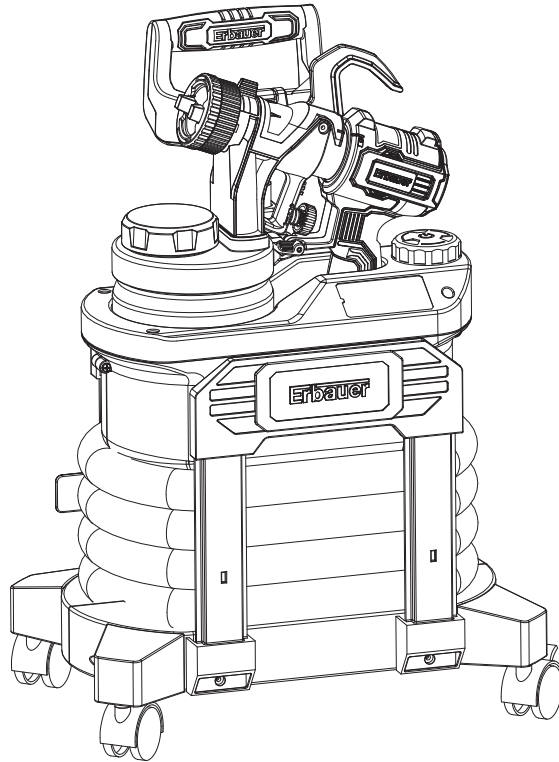




**Erbauer**



Original Instructions - MNL\_EPS800\_GB\_V1\_201020

# EPS800

EAN: 5059340043357

**ORIGINAL INSTRUCTIONS**








EN



V11020 BX220IM



EN

	Safety instructions	3
	Product description	14
	Assembly	23
	Use	26
	Care & maintenance	30
	Guarantee	37
	Declaration of conformity	38



Safety instructions

## GENERAL POWER TOOL SAFETY WARNINGS



**WARNING!** Read all safety warnings, instructions, illustrations and specifications provided with this power tool. Failure to follow all instructions listed below may result in electric shock, fire and/or serious injury.

**Save all warnings and instructions for future reference.** The term “power tool” in the warnings refers to your mains-operated (corded) power tool or battery-operated (cordless) power tool.

## WORK AREA SAFETY

- a) **Keep work area clean and well lit.** *Cluttered or dark areas invite accidents.*
- b) **Do not operate power tools in explosive atmospheres, such as in the presence of flammable liquids, gases or dust.** *Power tools create sparks which may ignite the dust or fumes.*
- c) **Keep children and bystanders away while operating a power tool.** *Distractions can cause you to lose control.*

## ELECTRICAL SAFETY

- a) **Power tool plugs must match the outlet. Never modify the plug in any way. Do not use any adapter plugs with earthed (grounded) power tools.** *Unmodified plugs and matching outlets will reduce risk of electric shock.*

- b) **Avoid body contact with earthed or grounded surfaces, such as pipes, radiators, ranges and refrigerators.** *There is an increased risk of electric shock if your body is earthed or grounded.*
- c) **Do not expose power tools to rain or wet conditions.** *Water entering a power tool will increase the risk of electric shock.*
- d) **Do not abuse the cord. Never use the cord for carrying, pulling or unplugging the power tool. Keep cord away from heat, oil, sharp edges or moving parts. Damaged or entangled cords increase the risk of electric shock.**
- e) **When operating a power tool outdoors, use an extension cord suitable for outdoor use.** *Use of a cord suitable for outdoor use reduces the risk of electric shock.*
- f) **If operating a power tool in a damp location is unavoidable, use a residual current device (RCD) protected supply.** *Use of an RCD reduces the risk of electric shock.*

## PERSONAL SAFETY

- a) **Stay alert, watch what you are doing and use common sense when operating a power tool. Do not use a power tool while you are tired or under the influence of drugs, alcohol or medication.** *A moment of inattention while operating power tools may result in serious personal injury.*
- b) **Use personal protective equipment. Always wear eye protection.** *Protective equipment such as dust mask, non-skid safety shoes, hard hat, or hearing protection used for appropriate conditions will reduce personal injuries.*
- c) **Prevent unintentional starting. Ensure the switch is in the off-position before connecting to power source and/or battery pack, picking up or carrying the tool.** *Carrying power tools with your finger on the switch or energising power tools that have the switch on invites accidents.*

- d) **Remove any adjusting key or wrench before turning the power tool on.** *A wrench or a key left attached to a rotating part of the power tool may result in personal injury.*
- e) **Do not overreach. Keep proper footing and balance at all times.** *This enables better control of the power tool in unexpected situations.*
- f) **Dress properly. Do not wear loose clothing or jewellery. Keep your hair, clothing and gloves away from moving parts.** *Loose clothes, jewellery or long hair can be caught in moving parts.*
- g) **If devices are provided for the connection of dust extraction and collection facilities, ensure these are connected and properly used.** *Use of dust collection can reduce dust-related hazards.*
- h) **Do not let familiarity gained from frequent use of tools allow you to become complacent and ignore tool safety principles.** *A careless action can cause severe injury within a fraction of a second.*

## **POWER TOOL USE AND CARE**

- a) **Do not force the power tool. Use the correct power tool for your application.** *The correct power tool will do the job better and safer at the rate for which it was designed.*
- b) **Do not use the power tool if the switch does not turn it on and off.** *Any power tool that cannot be controlled with the switch is dangerous and must be repaired.*
- c) **Disconnect the plug from the power source and/or remove the battery pack, if detachable, from the power tool before making any adjustments, changing accessories, or storing power tools.** *Such preventive safety measures reduce the risk of starting the power tool accidentally.*

- d) **Store idle power tools out of the reach of children and do not allow persons unfamiliar with the power tool or these instructions to operate the power tool.** *Power tools are dangerous in the hands of untrained users.*
- e) **Maintain power tools and accessories. Check for misalignment or binding of moving parts, breakage of parts and any other condition that may affect the power tool's operation. If damaged, have the power tool repaired before use.** *Many accidents are caused by poorly maintained power tools.*
- f) **Keep cutting tools sharp and clean.** *Properly maintained cutting tools with sharp cutting edges are less likely to bind and are easier to control.*
- g) **Use the power tool, accessories and tool bits etc. in accordance with these instructions, taking into account the working conditions and the work to be performed.** *Use of the power tool for operations different from those intended could result in a hazardous situation.*
- h) **Keep handles and grasping surfaces dry, clean and free from oil and grease.** *Slippery handles and grasping surfaces do not allow for safe handling and control of the tool in unexpected situations.*

## SERVICE

- a) **Have your power tools serviced by a qualified repair person using only identical replacement parts.** *This will ensure that safety of the power tool is maintained.*

## SPRAY GUN SAFETY WARNINGS

- a) **Do not use the product for spraying flammable materials.**
- b) **Be aware of any hazards presented by the material being sprayed.** Consult the markings on the container or the information supplied by the manufacturer of the material to be sprayed, including the request to wear personal protective equipment.



- c) **Do not spray any material where the hazard is not known.** Unknown materials can create hazardous conditions.
- d) **Use appropriate personal protective equipment, such as dust masks or respirators, safety goggles, protective gloves and ear protection when spraying or handling chemicals.** Wearing protective equipment for the appropriate conditions reduces the exposure to hazardous substances.
- e) **Do not clean the product with flammable solvents.**
- f) **Keep area clean, well lit and free of paint or solvent containers, rags, and other flammable materials.** Spontaneous combustion may occur. Fire extinguisher equipment shall be present and working at all times.
- g) **Provide good ventilation in the spraying area and for sufficient fresh air in the complete room.** Evaporating inflammable solvents create an explosive environment.
- h) **Do not spray and clean with materials that have a flash point of less than 55 °C.** Use materials based on water, non-volatile hydrocarbons or similar materials. Volatile evaporating solvents create an explosive environment.
- i) **Do not spray in the vicinity of ignition sources, such as static electricity sparks, open flames, pilot lights, hot objects, engines/motors, cigarettes and sparks from plugging in or unplugging power cords or operating switches.** Such spark sources can ignite the spraying vicinity/ environment.
- j) **Do not spray wallpaper stripper or boiling water.** Spray only warm water (max. 55 °C) without chemical additives.
- k) **Keep the plug of the mains cord and the trigger switch of the spray gun clear of paint and other fluids.** Never hold the cord by its connectors to support it. Failure to follow the instruction can lead to electric shock.
- l) **Do not allow children to play with the product.** Never work near children or animals.
- m) Never point the product toward open flames!

- n) Never manipulate the product and always use the safety and/or protective guards on the product to avoid risks.
- o) Risk of injury: Do not direct the product towards people or animals.
- p) Never smoke during the paint process.
- q) Always ensure sufficient circulation of fresh air.
- r) Never use paint containing lead.
- s) Before any work (such as transport, construction, conversion, cleaning or maintenance) and when the product is not being used, disconnect it from the power supply and empty the paint container!

**The following information applies to professional users only but is good practice for all users:**

## **VIBRATION**

The European Physical Agents (Vibration) Directive has been brought in to help reduce hand arm vibration syndrome injuries to power tool users. The directive requires power tool manufacturers and suppliers to provide indicative vibration test results to enable users to make informed decisions as to the period of time a power tool can be used safely on a daily basis and the choice of tool.

**SEE TECHNICAL SPECIFICATIONS IN THE INSTRUCTION MANUAL FOR THE VIBRATION LEVELS OF YOUR TOOL.**

The declared vibration emission value should be used as a minimum level and should be used with the current guidance on vibration.

Calculating the actual period of use can be difficult and the HSE website has further information.

The declared vibration total value has been measured in accordance with EN 60745-1 and EN 50580 and may be used for compare one tool with another.

The declared vibration total value may also be used in a preliminary assessment of exposure.





**WARNING!** The vibration emission during actual use of the power tool can differ from the declared total value depending on the ways in which the tool is used:

- How the materials are grinded, cut or drilled.
- If the tool is in good condition and well maintained.
- Use correct accessory for the tool and ensure it is sharp and in good condition.
- The tightness of the gripping handles.

**While working with this power tool, hand/arm vibrations occur. Adopt the correct working practices in order to reduce the exposure to vibration. This tool may cause hand-arm vibration syndrome if its use is not adequately managed.**



**WARNING!** Identify safety measures to protect the operator that are based on an estimation of exposure in the actual conditions of use (taking account of all parts of the operating cycle such as the times when the tool is switched off and when it is running idle in addition to the trigger time).

**Note:**

- The use of other tools will reduce the users' total working period on this tool.
- Helping to minimise your vibration exposure risk. ALWAYS use sharp chisels, drills and blades.
- Maintain this tool in accordance with these instructions and keep well lubricated (where appropriate).
- Avoid using tools in temperatures of 10°C or less. Plan your work schedule to spread any high vibration tool use across a number of days.

## HEALTH SURVEILLANCE

All employees should be part of an employer's health surveillance scheme to help identify any vibration related diseases at an early stage, prevent disease progression and help employees stay in work.

## VIBRATION AND NOISE REDUCTION

**To reduce the impact of noise and vibration emission, limit the time of operation, use low-vibration and low-noise operating modes as well as wear personal protective equipment.**

Take the following points into account to minimise the vibration and noise exposure risks:



- a) Only use the product as intended by its design and these instructions.
- b) Ensure that the product is in good condition and well maintained.
- c) Use correct attachments for the product and ensure they are in good condition.
- d) Keep tight grip on the handles/grip surface.
- e) Maintain this product in accordance with these instructions and keep it well lubricated (where appropriate).
- f) Plan your work schedule to spread any high vibration tool use across a longer period of time.
- g) Prolonged use of the product exposes the user to vibrations that can cause a range of conditions collectively known as hand-arm vibration syndrome (HAVS) e.g. fingers going white; as well as specific diseases such as carpal tunnel syndrome. To reduce this risk when using the product, always wear protective gloves and keep your hands warm.

## EMERGENCY

**Familiarise yourself with the use of this product by means of this instruction manual. Memorise the safety directions and follow them to the letter. This will help to prevent risks and hazards.**

- a) **Always be alert when using this product, so that you can recognise and handle risks early.** *Fast intervention can prevent serious injury and damage to property.*
- b) **Switch off and disconnect from the power supply if there are malfunctions.** *Have the product checked by a qualified professional and repaired, if necessary, before you operate it again.*



EN

## Measures to take in the event of contact with chemicals

Skin contact:	clean with plenty of water and soap, consult a doctor if necessary
Eye contact:	rinse with plenty of water, consult a doctor
Swallowing:	do not vomit, consult a doctor
Inhalation:	fresh air, consult a doctor if necessary

## RESIDUAL RISKS

**Even if you are operating this product in accordance with all the safety requirements, potential risks of injury and damage remain. The following dangers can arise in connection with the structure and design of this product:**

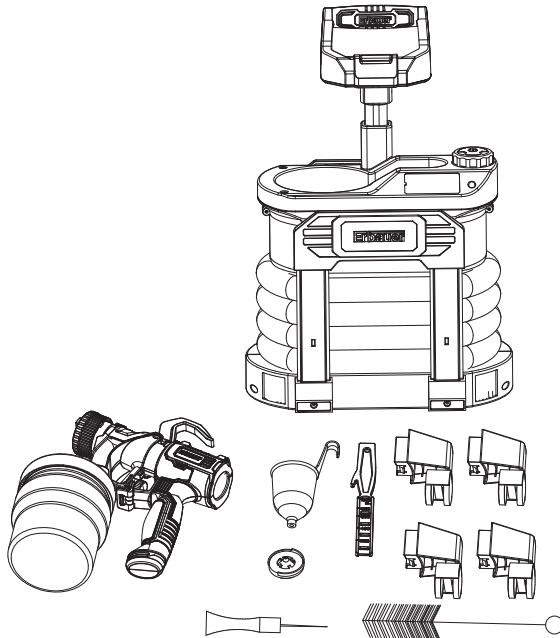
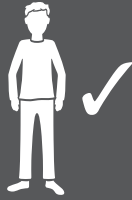
- a) Health defects resulting from vibration emission if the product is being used over long periods of time or not adequately managed and properly maintained.
- b) Injuries and damage to property due to broken attachments or the sudden impact of hidden objects during use.
- c) Danger of injury and property damage caused by flying objects.
- d) Risk of bursting.



**WARNING!** This product produces an electromagnetic field during operation! This field may under some circumstances interfere with active or passive medical implants! To reduce the risk of serious or fatal injury, we recommend persons with medical implants to consult their doctor and the medical implant manufacturer before operating this product!



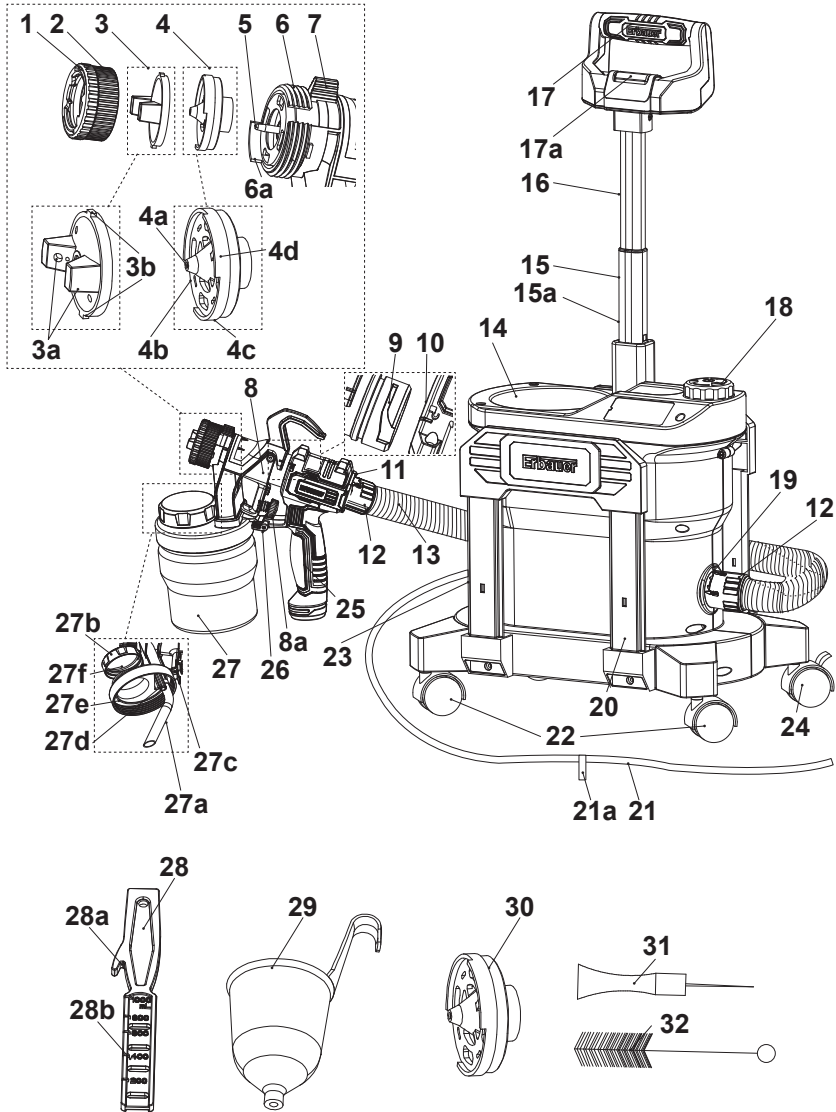
**WARNING!** Please read all safety warnings carefully and be sure that they are fully understood before handling the tool.





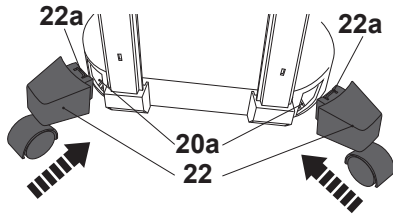
Product description

1

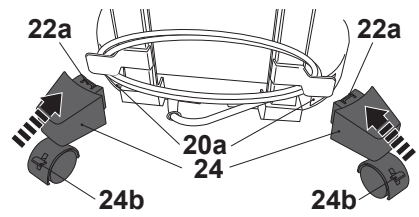




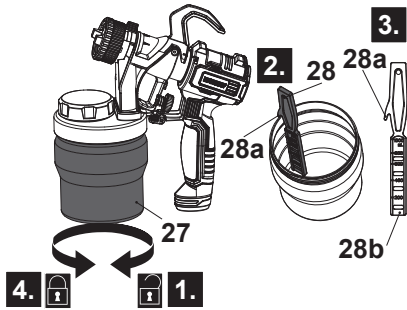
**A**



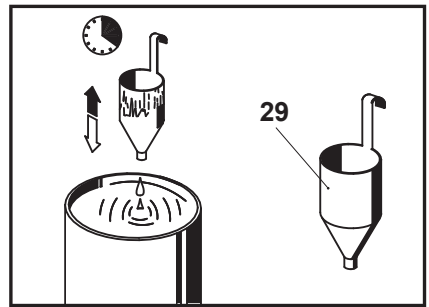
**B**



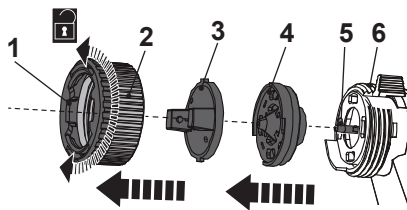
**C**



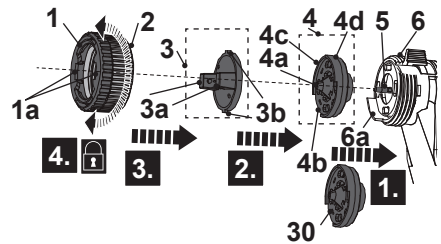
**D**



**E**



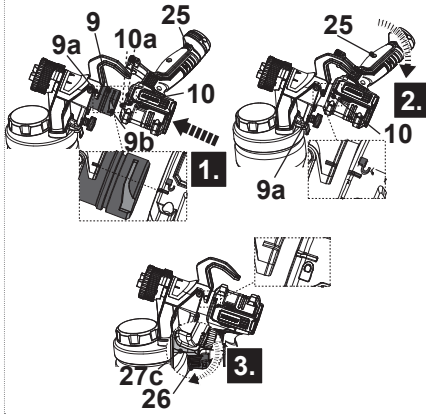
**F**



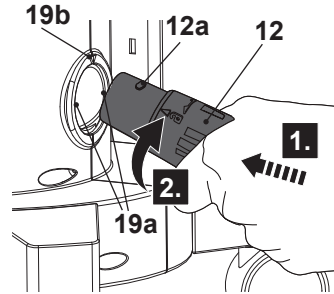


EN

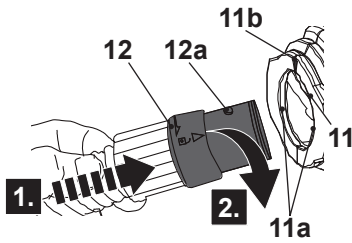
G



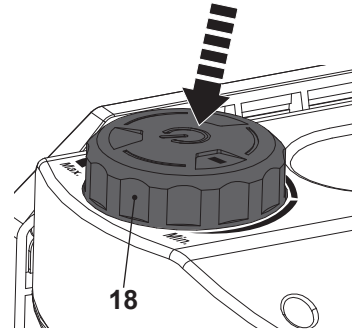
H



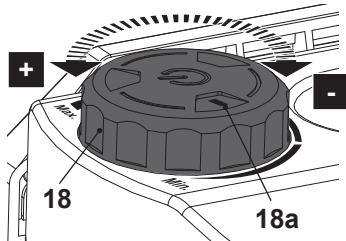
I



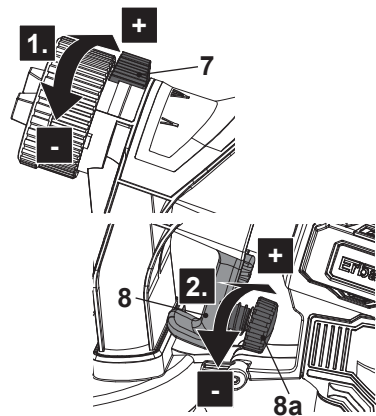
J



K



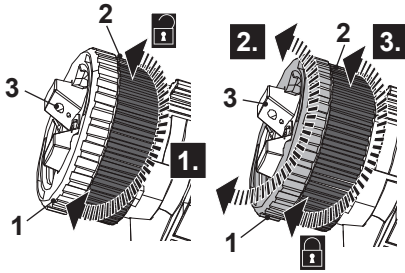
L



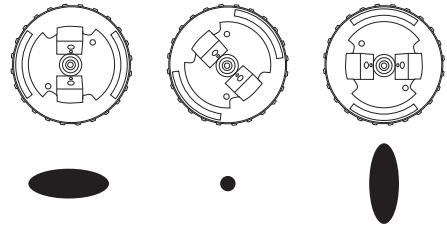




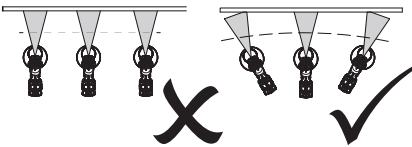
M



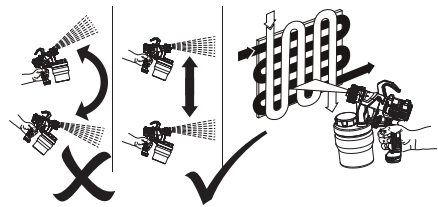
N



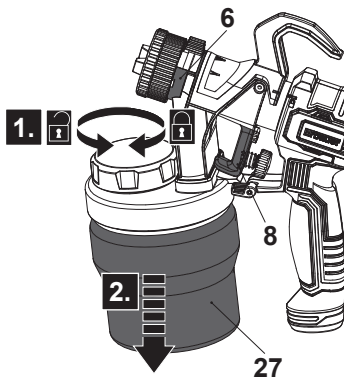
O



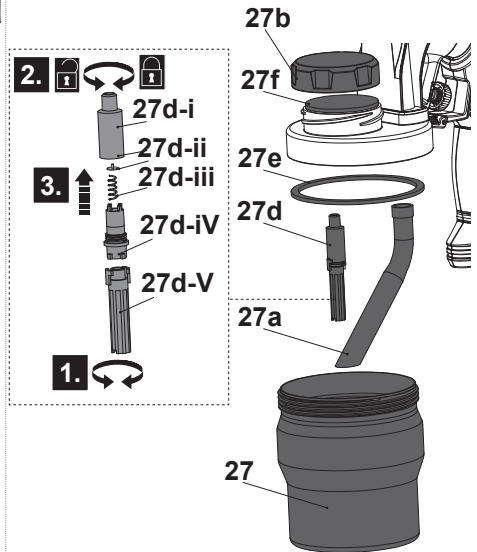
P



Q



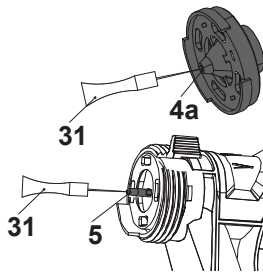
R



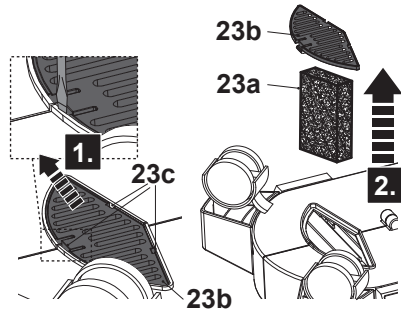


EN

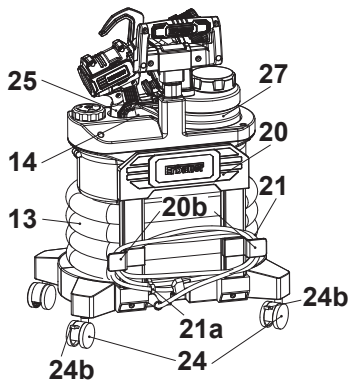
S



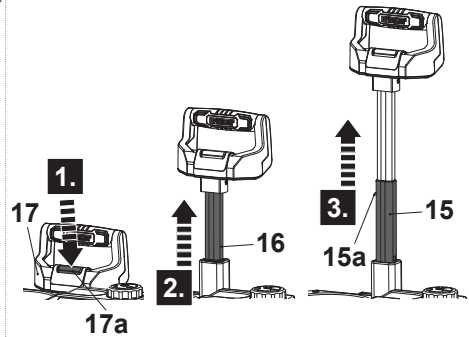
T



U



V



# Part index

The index below refers to Fig. 1 on page 4.

1. Air cap adjusting cover
  - a) Slot\* (x2)
2. Union nut
3. Air cap
  - a) Anchor (x2)
  - b) Spigot (x2)
4. Spray nozzle (Ø 2.5mm)
  - a) Nozzle hole
  - b) Notch
  - c) Lower step
  - d) Higher step
5. Nozzle needle
6. Spray head
  - a) Spigot
7. Air flow adjustment lever
8. Switch Trigger
  - a) Fluid adjusting knob
9. Container holder attachment point
  - a) Indication mark\*
  - b) Slot\* (x2)
10. Handle front attachment point
  - a) Pin\* (x2)
11. Air inlet attachment point
  - a) Slot\* (x2)
  - b) Indication arrow\*
12. Hose connector (x2)
  - a) Pin\* (x2)
13. Air hose
14. Compartment for spray gun
15. Lower extension
  - a) Locking pin
16. Upper extension
17. Transport handle
  - a) Lock button
18. Rotatable On/Off switch
  - a) Indication line\*
19. Air outlet attachment point
  - a) Slot\* (x2)
  - b) Indication arrow\*
20. Air hose bracket (x2)
  - a) Wheel compartment\* (x4)
  - b) Cord holder\* (x2)
21. Power cord with plug
  - a) Cord clip
22. Front wheel (x2)
  - a) Latch\* (x2)
23. Air vents
  - a) Air filter\*
  - b) Air filter cover\*
  - c) Latch\* (x3)
24. Rear wheel (x2)
  - a) Latch\* (x2)
  - b) brake\*
25. Handle
26. Lock catch
27. Paint container
  - a) Suction tube
  - b) Quick fill cap
  - c) Holder hook
  - d) Check valve
    - i) Top sleeve
    - ii) Rubber seal
    - iii) Spring
    - iv) Middle Sleeve
    - v) Valve extension
  - e) Seal ring
  - f) Seal pad
28. Paint dipstick
  - a) Hook
  - b) Paint level marking
29. Viscosity measuring cup
30. Spray nozzle (Ø 1.8 mm)
31. Cleaning needle (with protector)
32. Cleaning brush



**NOTE:** Parts marked with \* are not shown in this overview. Please refer to the respective section in the instruction manual.

## Symbols

On the product, the rating label and within these instructions you will find among others the following symbols and abbreviations. Familiarise yourself with them to reduce hazards like personal injuries and damage to property.

V ~	Volt, (alternating voltage)	mm	Millimetre
Hz	Hertz	kg	Kilogram
A	Ampere	ml	Millilitre
°C	Degree Celsius	ml/min	Millilitre per minute
W	Watt	dB(A)	Decibel (A-rated)
/min or min <sup>-1</sup>	Per minute	m/s <sup>2</sup>	Metres per seconds squared



Lock / to tighten or secure.



Unlock / to loosen.



Read the instruction manual.



Always wear eye protection.



Always wear ear protection.



Wear respiratory protection.



Wear protective gloves.



Wear protective, slip-resistant footwear.



Note / Remark.



Caution / Warning.

xxWyy Manufacturing date code; year of manufacturing (20xx) and week of manufacturing (Wyy)

DIN-sec The time (seconds) taken for the paint to run out of one full viscosity measuring cup



Switch the product off and disconnect it from the power supply before assembly, cleaning, adjustments, maintenance, storage and transportation.



This product is of protection class II. That means it is equipped with enhanced or double insulation



Do not expose the product to rain or wet conditions.



Open flames in the work area, around the product and in the vicinity of flammable materials are prohibited!



Do not smoke in the work area, around the product and in the vicinity of flammable materials!



Always ensure that other people and pets remain at a safe distance from the product when it is in operation. In general, children must not come near the area where the product is.




The product complies with the applicable European directives and an evaluation method of conformity for these directives was done.



WEEE symbol. Waste electrical products should not be disposed of with household waste. Please recycle where facilities exist. Check with your Local Authority or local store for recycling advice.

## Technical data

### General

<b>Rated voltage, frequency</b>	: 220-240 V~, 50 Hz
<b>Rated power input</b>	: 800 W
<b>Spraying pressure</b>	: 0.1-0.3 bar
<b>Delivery rate</b>	: 1100 ml/min
<b>Max. viscosity</b>	: 150 DIN-sec
<b>Diameter of nozzle</b>	: Ø 1.8mm / Ø 2.5mm
<b>Capacity of container</b>	: 1000 ml
<b>Protection class</b>	: II 
<b>Weight</b>	: approx. 5,0 kg
<b>Sound values</b>	
<b>Sound pressure level <math>L_{pA}</math></b>	: 91,3 dB(A)
<b>Uncertainty <math>K_{pA}</math></b>	: 3 dB(A)
<b>Sound power level <math>L_{WA}</math></b>	: 102 dB(A)
<b>Uncertainty <math>K_{WA}</math></b>	: 3 dB(A)
<b>Hand arm vibration values</b>	
<b>Hand arm vibration <math>a_h</math></b>	: 1,41 m/s <sup>2</sup>
<b>Uncertainty K</b>	: 1,5 m/s <sup>2</sup>

The noise emission values have been obtained according to the noise test code given in EN60745-1, EN 50580 and to the basic standards EN ISO 11201: 2010 and EN ISO 3744: 2010. The sound intensity level for the operator may exceed 80 dB(A) and ear protection measures are necessary.

The declared vibration emission has been measured in accordance with a standardized test method and may be used to compare one tool with another tool.

The declared vibration emission value may also be used in a preliminary assessment of exposure.

- the vibration emission during actual use of the power tool can differ from the declared total value depending on the ways in which the tool is used; and
- it's necessary to identify safety measures to protect the operator that are based on an estimation of exposure in the actual conditions of use (taking account of all parts of the operating cycle such as the times when the tool is switched off and when it is running idle in addition to the trigger time).



**WARNING!** Depending on the actual use of the product the vibration and noise emissions can differ from the declared total. Adopt proper measures to protect yourself against vibration exposures. Take the whole work process including times the product is running under no load or switched off into consideration.

Proper measures include among others regular maintenance and care of the product and accessories, keeping hands warm, periodical breaks and proper planning of work processes.

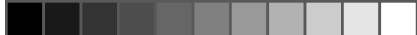
## Rating label explanation

EPS800 = Model number

E = Erbauer

PS = Paint Sprayer

800 = Rated input (W)



## Assembly

### 01 Unpacking

1. Unpack all parts and lay them on a flat, stable surface.
2. Remove all packing materials and shipping devices, if applicable.
3. Make sure the delivery contents are complete and free of any damage. If you find that parts are missing or show damage, do not use the product but contact your dealer. Using an incomplete or damaged product represents a hazard to people and property.
4. Ensure all the accessories and tools needed for assembly and operation are at your disposal, including suitable personal protective equipment.



**WARNING!** The product must be fully assembled before operation! Do not use a product that is only partly assembled or assembled with damaged parts!



Do not connect the product to power supply before it is completely assembled!



**WARNING!** The product and the packaging are not children's toys! Keep plastics bags, sheets and small parts away from children. There is a danger of choking and suffocation!



**NOTE:** Take care of small parts that are removed during assembly or when making adjustments. Keep them secure to avoid loss.



EN

## 02 Setting up

### Wheels

1. Attach the front wheels (22) to the front wheel compartments (20a) until an audible click is heard and ensure that the two front wheel latches (22a) are correctly engaged (Fig. A).
2. Attach the rear wheels (24) to the rear wheel compartments (20a) until an audible click is heard and ensure that the two rear wheel latches (24a) are correctly engaged (Fig. B).
3. Press down the brakes (24b) on the rear wheels (24) to prevent unintended movement.

### Spray nozzle

The spray nozzle is supplied pre-assembled with a 2.5mm nozzle. If a 1.8mm nozzle is required, follow the assembly steps below:



1. Loosen the union nut (2) and remove it together with the air cap adjusting cover (1), air cap (3) and spray nozzle (4) from the spray head (6) (Fig. E).
2. Align the spray nozzle notch (4b) with the spray head spigot (6a) and carefully attach the spray nozzle Ø2.5mm (4) or spray nozzle Ø1.8mm (30) onto the spray head (6). Ensure the nozzle needle (5) can be easily located in the central nozzle hole (4a) without damage (Fig. F, Step 1).
3. Align the air cap spigots (3b) with the spray nozzle lower step (4c) and push them together gently (Fig. F, Step 2).
4. Align the slots (1a) of air cap adjusting cover (1) with the air cap anchors (3a) (Fig. F, Step 3).
5. Refit the union nut (2) onto the spray head (6). Tighten the union nut (2) to secure the complete assembly (Fig. F, step 4).

### Handle

The handle (25) is supplied pre-assembled. The assembly steps is listed as below:



**NOTE:** Disassembly of the handle (25), please follow below steps in reverse order.

1. Attach the handle (25) to the paint container holder attachment point (9) by aligning the inside pins (10a) with the slots (9b). Ensure that the indication mark (9a) is in line with  on the handle attachment point (10) (Fig. G, step 1).
2. Turn the handle (25) in a clockwise direction from horizontal position to vertical position (Fig. G, step 2) until the indication mark (9a) is in line with  on the handle attachment point (10).
3. Turn lock catch (26) forwards and upwards until it clicks and secure it on the paint container holder hook (27c) (Fig. G, step 3).





4. The handle (25) is now assembled.

### Air hose

1. This product is supplied with an air hose (13). It is locked in position by two air hose brackets (20) for the safety of transportation. Remove the air hose (13) before assembly and operation.
2. Attach the hose connector (12) to the air outlet attachment point (19) and secure the pins (12a) into the slots (19a) by turning the hose connector (12) in a clockwise direction (Fig. H). Ensure that the indication arrow (19b) is in line with  $\frac{\Delta}{\text{a}}$  on the hose connector (12).
3. Attach the other hose connector (12) to the air inlet attachment point (11) and secure the pins (12a) into the slots (11a) by turning the hose connector (12) in a clockwise direction (Fig. I). Ensure that the indication arrow (11b) is in line with  $\frac{\Delta}{\text{a}}$  on the hose connector (12).

### Work area

1. Cover a wide area surrounding the spraying area thoroughly and keep the spraying surface clean, dry and free of grease.
2. Use a piece of cardboard as a shield to catch overspray at the edges of the work to protect the other surfaces.
3. Roughen smooth surfaces to improve paint adhesion and then remove the sanding dust before painting.

### Paint

1. Strain the spray material through filter or a paint strainer.
2. Thoroughly mix and thin the paint in accordance with the paint manufacturer's instructions. The correct viscosity of the paint will greatly influence the paint results. Mix the required total amount of paint to assure a consistent viscosity and measure the viscosity of paint by the viscosity measuring cup (27).
3. Unscrew and remove the paint container (27) from the spray gun (Fig. C, step 1).
4. Gradually pour the paint into the paint container (27).
5. Check the paint volume frequently while filling. Wipe the paint dipstick (28b) clean and insert it into the container opening with hook (28a) staying on the top rim of paint container (27) (Fig. C, step 2), and then remove the paint dipstick (28b) again. The paint level must be between the "200" and 1000" of the paint level markings (28b) (Fig. C, step 3).
6. Refit the paint container (27) to the spray gun and tighten it (Fig. C, step 4).

### Measure the viscosity of the paint

To determine the viscosity of the paint, first thoroughly stir the paint, then dip the viscosity measuring cup (29) into the paint and fully fill the cup. Raise the cup and measure the time taken for the paint to run out. This will give a DIN-sec. The maximum viscosity for this product is max DIN-150 (for 2.5mm nozzle) 150 seconds or DIN-70 (for 1.8mm nozzle) 70 seconds (Fig. D). If the time taken is too long, thin the paint using the appropriate medium (in accordance with paint manufacturer's instructions). Then try again until the correct DIN-sec is achieved.



EN

## 02 Connection to power supply

1. Make sure the rotatable On/Off switch (18) is not pressed down.
2. Connect the power cord plug (21) with a suitable socket.



**WARNING!** Check the voltage! The voltage must comply with the information on the rating label!

3. Your product is now ready to be used.



Use

## Intended use

This spray gun is ideal for a wide variety of uses. The intended uses include the mechanical spraying of liquid, such as paints containing solvents or water-based paints on components, surfaces, etc.

For safety reasons it is essential to read the entire instruction manual before first operation and to observe all the instructions therein.

This product must not be used for any purposes other than those described.

## Before you start

### 01 Protection





# Controls

## 01 Rotatable On/Off switch (Figs. J, K)

1. Press down the rotatable On/Off switch (18) to switch the product on and press again to switch the product off (Fig. J).
2. Turn rotatable On/Off switch (18) clockwise to increase the spray pressure and anti-clockwise to decrease the spray pressure as indicated by indication line (18a) (Fig. K).

## 02 Air flow / Fluid output adjustment (Fig. L)



### WARNING!

Always switch the product off and disconnect it from power supply before making any adjustments!



1. Turn the air flow adjustment lever (7) in a clockwise direction to increase the volume of the air flow and in an anticlockwise direction to decrease the volume of the air flow (Fig. L, step 1) (when viewed from the operator's position). This will have the effect of widening or narrowing the spray pattern.
2. Turn the fluid adjustment knob (8a) in a clockwise direction to increase the volume of the fluid output and in an anticlockwise direction to decrease the volume of the fluid output (Fig. L, step 2) (when viewed from the operator's position). This will have the effect of more or less paint being applied.

## 03 Spray angle adjustment (Figs. M, N)

Adjust the position of the air cap (3) to set up the orientation of the spray pattern.

1. Turn the union nut (2) in a clockwise direction to loosen it (Fig. M, step 1) until the air cap adjusting cover (1) can be turned smoothly (when viewed from the operator's position).
2. Turn the air cap adjusting cover (1) in clockwise or anticlockwise (Fig. M, step 2) to the desired position according to the intended operation (Fig. N).

Selecting the Spray Setting

- Horizontal fat jet (Fig. N, A)
  - Circular jet (Fig. N, B)
  - Vertical fat jet (Fig. N, C)
3. Hold the air cap (3) in position and tighten the union nut (2) to secure it afterwards (Fig. M, step 3).

# Operation

1. Check the product, its power cord and plug as well as accessories for damage before each use. Do not use the product if it is damaged or shows wear.
2. Double check that the accessories and attachments are properly fixed.
3. Always hold the product on its handles. Keep the handles dry to ensure safe support.
4. Ensure that the air vents are always unobstructed and clear. Clean them if necessary with a soft brush. Blocked air vents may lead to overheating and damage the product.
5. Switch the product off immediately if you are disturbed while working by other people entering the working area. Always let the product come to complete stop before putting it down.
6. Do not overwork yourself. Take regular breaks to ensure you can concentrate on the work and have full control over the product.

## 01 Spraying (Figs. O, P)



**NOTE:** Perform several spray tests to select the suitable spray pressure by regulating the rotatable On/Off switch (18), and the correct paint/air ratio by regulating the air cap (3), the air flow adjustment lever (7) and the fluid adjustment knob (8a). Start painting on the work surface after the tests show a satisfactory result.

Always keep the product in a horizontal position or aim the spray head at a slightly downward angle during painting. Paint cannot be applied correctly when the spray head is aimed in an upward direction.

1. Set up a piece of cardboard or other scrap material to use as a target and adjust for best spray pattern.



**WARNING!** Never aim or spray at yourself or anybody else. This may cause serious injury.



2. Make a few strokes on a cardboard test area to test the consistency of the material being applied. If material still appears too thick, add a small amount of thinner. Do not exceed paint manufacturer's thinning recommendations.
3. Keep the spray nozzle (4) about 10 to 30 cm from the work surface. Move the spray gun keeping perpendicular with spraying area (Fig. O).
4. Switch the product on by pressing down the rotatable On/Off switch (18).
5. Fully press the switch trigger (8) and then move it across the work area in a parallel direction. Stopping gun movement in mid-stroke will cause a build-up of paint and result in running. Do not fan the gun from side to side while painting. This will cause a build-up of paint in the centre of the stroke and an insufficient coating at each end (Fig. P).
6. Trigger the spray gun properly. Start the gun moving at the beginning of the stroke before squeezing the switch trigger (8) and release the switch trigger (8) before stopping the gun movement at the end of the stroke. This procedure will blend each stroke with the next without showing overlap or unevenness.
7. The amount of paint being applied can be varied by the speed of the stroke, the distance from the surface and the adjustment of the rotatable On/Off switch to vary the air pressure (18), the air flow adjustment lever (7) and the fluid adjustment knob (8a).
8. Overlap strokes just enough to obtain an even coat.
9. Do not let go of the trigger to disrupt the paint flow.



**NOTE:** Two thin coats of paint will yield better results and have less chance of runs than one heavy layer.

## After use

1. Release the switch trigger (8), Switch the product off, disconnect it from the power supply and let it cool down.
2. Check, clean and store the product as described below.



EN



Care & maintenance



**WARNING!** Always switch the product off, disconnect the product from the power supply and let the product cool down before performing inspection, maintenance and cleaning work!



## Clean

1. Clean the product with a dry cloth. Use a brush for areas that are hard to reach.
2. In particular clean the switches and air vents after every use with a cloth and brush.
3. Remove stubborn dust with high pressure air (max. 3 bar).

### 01 Paint sprayer (Figs. Q, R, S)



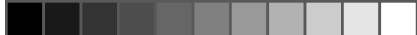
**WARNING!** Never use metal or other objects that could damage the holes in the air cap, spray nozzle and nozzle needle. Never immerse the product completely in solvent or other liquids.



**NOTE:** Do not use chemical, alkaline, abrasive or other aggressive detergents or disinfectants to clean this product as they might be harmful to its surfaces.

It is vital that thorough cleaning is carried out after each use to keep this product working efficiently. Failure to do so will stop the tool working correctly and may invalidate the warranty.

1. Clean the product immediately after each use as detailed below. Also, if the product clogs up during use, carry out the same cleaning procedure.
2. Release the switch trigger (8) and switch the product off.
3. Clean all the outer surfaces and the spray head after each use with a slightly damp cloth and a little soap. Use a cleaning brush (32) for hard to reach places.



4. Pour out all the remaining paint into another container to empty the paint container (27). Thoroughly clean the paint container (27) with suitable cleaning agent, which does not contain oil.
5. Gradually fill cleaning agent into the paint container (27), switch the product on and squeeze the switch trigger (8), spray it through the spray head (6) until the cleaning agent exits as a clear, transparent mist.
6. Release the switch trigger (8) and switch the product off, disconnect it from the power supply and remove the paint container (27) from the spray gun (Fig. Q).
7. Remove the check valve (27d) and the suction tube (27a) from the spray gun (Fig. R). When removing the check valve (27d), do not twist it. Pull it downwards, away from its seated position.

**NOTE:**

Disassembly and thorough cleaning of check valve (27d) is important. To disassemble and reassembly it, follow the below steps (Fig. R):

- Hold firmly of the middle sleeve (27d-iv), and turn the valve extension to disengage it from the middle sleeve (27d-iv).
- Hold firmly of the middle sleeve (27d-iv), and fully loosen the top sleeve (27d-i).
- Take off rubber seal (27d-ii) and spring (27d-iii) and keep them secure to avoid loss.
- Clean all the parts, then lubricate them adequately.
- Reassemble it in reverse order, and keep the tip of rubber seal (27d-ii) pointing upwards so that the tip sits in the hole of the top sleeve (27d-i).

8. Remove seal ring (27e) and seal pad (27f) if necessary.
9. Remove the union nut (2), air cap (3) and spray nozzle (4) from the spray head (6) as illustrated in Fig. E.
10. Carefully clean all the disassembled parts with cleaning agent. Use the cleaning needle (31) to remove any paint residue from the spray nozzle hole (4a) and nozzle needle (5) (Fig. S). Be very careful not to damage the nozzle needle and spray nozzle hole.
11. Let all the parts completely dry and reassemble the product. If the product will be stored for a longer time, add lubricant (type: xxxxx) to the nozzle needle and connect the product to the power supply, switch it on and operate it for a moment.
12. **Attention:**
  - Never use aggressive solvents for cleaning.
  - Never use hard materials like wire, wood, screwdriver etc. or abrasive agents for cleaning.
  - Never submerge the product in cleaning agent.
  - To store the product, attach the paint container (27) to the spray gun.

## 02 Air filter (Fig. T)

This product is supplied with an air filter (23a). Inspect the air filter (23a) regularly. Replace it with a new one if necessary.

1. The air filter cover (23b) is located at the bottom of appliance. Disengage the three latches (23c) and remove the air filter cover (23b) (Fig. T, step 1).
2. Remove the air filter (23a) (Fig. T, step 2) and tap it on a solid surface to remove dust. Use compressed air (max. 3 bar) to remove stubborn dust.
3. Clean the air vents (23) with a cloth and brush.
4. Refit the air filter (23a) and air filter cover (23b). Ensure the three latches (23c) snap back into position.

# Maintenance

Before and after each use, check the product and accessories (or attachments) for wear and damage. If required, exchange them for new ones as described in this instruction manual. Observe the technical requirements.

## 01 Power cord

If the power cord is damaged, it must be replaced by the manufacturer, its service agent in order to avoid a safety hazard.



**WARNING!** Do not use the product with a defective or a loose power cord!

## 02 UK PLUG (ONLY FOR UK MARKET)

If you need to replace the fitted plug, then follow the instructions below.

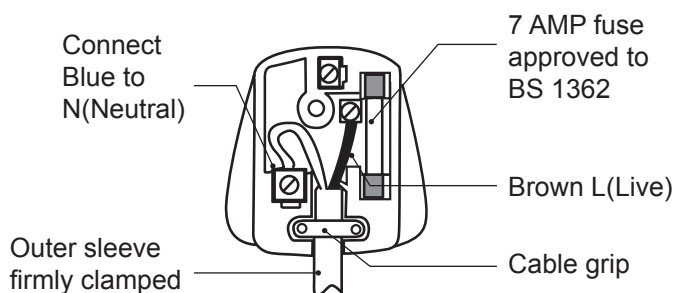
**IMPORTANT:** The wires in the mains lead are coloured in accordance with the following code:

Blue – Neutral

Brown – Live

As the colours of the wire in the mains lead of this product may not correspond with the coloured marking identifying the terminals in your plug, proceed as follows. The wire, which is coloured blue, must be connected to the terminal, which is marked with N or coloured black. The wire, which is coloured brown, must be connected to the terminal, which is marked L or coloured red.





**WARNING!** Never connect live or neutral wires to the earth terminal of the plug, which is marked with E.

Only fit an approved 7 Amp BS 1363 or BS 1363/A plug and the correctly rated fuse. If in doubt, consult a qualified electrician.



**NOTE:** If a moulded plug is fitted and has to be removed take great care in disposing of the plug and severed cable, it must be destroyed to prevent engaging into a socket.

## Repair

Check for any damage and wear. Repair damages in accordance with this instruction manual or take it to an authorised service centre before using the product again. This product does not contain any parts that can be repaired by the consumer. Contact an authorised service centre or a similarly qualified person to have it checked and repaired.

## Transportation

1. Switch the product off and disconnect it from the power supply
2. Wrap the power cord (21) onto the cord holders (20b) of the air hose bracket (20) and secure it with the cord clip (21a) (Fig. U).
3. Disconnect the air hose (13) from the air inlet attachment point (11) and the air outlet attachment point (19). Store the air hose (13) between two air hose brackets (20) (Fig. U).
4. Store the spray gun handle (25) and the paint container (27) in the storage compartment (14) (Fig. U).
5. Release the brakes (24b) on the two rear wheels (24). Always carry the product by its transport handle (17).
6. The product is supplied with a 2-step-extension handle. Press the lock button (17a) (Fig. V, step 1) and pull the upper extension (16) upwards to the end (Fig. V, step 2). Continue to pull out the lower extension (15) and ensure the locking pin (15a) is clicked into the place (e.g. locking hole) (Fig. V, step 3).
7. Protect the product from any heavy impact or strong vibrations which may occur during transportation.
8. Secure the product to prevent it from slipping or falling over, damage and injury.

## Storage

1. Switch the product off and disconnect it from the power supply.
2. Clean the product as described above.
3. Store the product and its accessories in a dark, dry, frost-free, well-ventilated place.
4. Always store the product in a place that is inaccessible to children. The ideal storage temperature is between 10°C and 30°C.
5. We recommend using the original package for storage or covering the product with a suitable cloth or enclosure to protect it against dust.




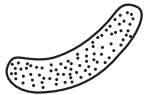
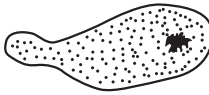

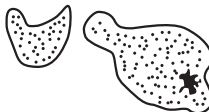
# Troubleshooting

Suspected malfunctions are often due to causes that the users can fix themselves. Therefore check the product using this section. In most cases the problem can be solved quickly.



**WARNING!** Only perform the steps described within these instructions! All further inspection, maintenance and repair work must be performed by an authorised service centre or a similarly qualified specialist if you cannot solve the problem yourself!

Problem	Possible cause	Solution
1. Product does not start	1.1 Not connected to power supply 1.2 Power cord or plug is defective 1.3 Other electrical defect to the product	1.1 Connect to power supply 1.2 Check by a specialist electrician 1.3 Check by a specialist electrician
2. Product does not reach full power	2.1 Extension cord not suitable for operation with this product 2.2 Power source (e. g. generator) has too low voltage 2.3 Air vents are blocked	2.1 Use a proper extension cord 2.2 Connect to another power source 2.3 Clean the air vents
3. Fluttering or spitting 	3.1 Not enough paint in the paint container 3.2 Suction tube not immersed in paint 3.3 Suction tube worn or opening plugged up 3.4 Spray head tipped upward 3.5 Spray nozzle loose, worn or damaged 3.6 Dry, worn or damaged nozzle needle	3.1 Add paint 3.2 Add paint 3.3 Clean or replace suction tube 3.4 Keep at horizontal position or slightly downward 3.5 Tighten or replace spray nozzle 3.6 Lubricate or replace nozzle needle

<p>4. Paint pattern curvy</p> 	<p>4.1 Spray nozzle loose or worn</p> <p>4.2 Spray nozzle / nozzle needle plugged up</p>	<p>4.1 Tighten spray nozzle or replace</p> <p>4.2 Clean or replace spray nozzle / needle</p>
<p>5. Irregular paint pattern</p> 	<p>5.1 Spray nozzle / needle plugged up</p> <p>5.2 Spray nozzle dirty or worn</p>	<p>5.1 Clean or replace spray nozzle / needle</p> <p>5.2 Clean or replace spray nozzle</p>
<p>6. Paint pattern centre narrow</p> 	<p>6.1 Not enough paint in paint container or viscosity too low</p> <p>6.2 Fluid output</p>	<p>6.1 Refill paint, mix viscosity according to manufacturer recommendation</p> <p>6.2 Adjust fluid output</p>
<p>7. Uneven paint pattern</p> 	<p>7.1 Viscosity too high</p> <p>7.2 Fluid output</p>	<p>7.1 Mix viscosity according to manufacturer recommendation</p> <p>7.2 Adjust fluid output</p>

## Recycling and disposal



Waste electrical products should not be disposed of with household waste. Please recycle where facilities exist. Check with your local authority or local store for recycling advice.



Old products are potentially recyclable and do not, therefore, belong in your household rubbish. You are requested to assist us and our contribution to saving resources and protecting the environment by handing in this product at an equipped collection centre (if there is one available).

Dispose of paint and thinning agent in closed containers at a suitably authorized disposal company. Take account of national and local disposal regulations.

The product comes in a package that protects it against damage during shipping. Keep the package until you are sure that all parts have been delivered and the product is function properly. Recycle the package afterwards.



## Guarantee

At **Erbauer** we take special care to select high quality materials and use manufacturing techniques that allow us to create ranges of products incorporating design and durability. We carry out stringent testing procedures on all our tools and are confident that they can provide regular, sustained daily use during the period covered. That's why we offer a 3 year guarantee against manufacturing defects on our **Erbauer** power tool products.

This power tool is guaranteed for 3 years from the date of purchase, if bought in store, delivered or bought online. You may only make a claim under this guarantee upon presentation of your sales receipt or purchase invoice. Please keep your proof of purchase in a safe place.

This guarantee covers product failures and malfunctions provided the **Erbauer** power tool was used for the purpose for which it is intended and subject to installation, cleaning, care and maintenance in accordance with standard practice and with the information contained above and in the user manual. This guarantee does not cover defects and damage caused by or resulting from:

- Normal wear and tear
- Overload, misuse or neglect
- Repairs attempted by anyone other than an authorised agent
- Cosmetic damage
- Damage caused by foreign objects, substances or accidents
- Accidental damage or modification
- Failure to follow manufacturer's guidelines
- Loss of use of the goods

This guarantee is limited to parts recognised as defective. It does not, in any case, cover ancillary costs (movement, labour) and direct and indirect damage.

If the **Erbauer** power tool is defective during the guarantee period, then we reserve the right, at our discretion, to replace the item with a product of equivalent quality and functionality or to provide a refund.

This guarantee only applies to the country of purchase or delivery and is not transferrable to any other countries. This guarantee is non-transferrable to any other person or product. Relevant local law will apply to this guarantee.

Guarantee related queries should be addressed to a store affiliated with the distributor from where you purchased the **Erbauer** power tool.

This guarantee is in addition to and does not affect your statutory rights relating to faulty goods as a consumer.



**(EN) EU DECLARATION OF CONFORMITY**  
**(FR) DÉCLARATION UE DE CONFORMITÉ**  
**(PL) DEKLARACJA ZGODNOŚCI UE**  
**(RO) DECLARAȚIA DE CONFORMITATE UE**  
**(ES) DECLARACIÓN UE DE CONFORMIDAD**  
**(PT) DECLARAÇÃO DE CONFORMIDADE UE**

Product/ Produit/ Produkt/Produsul/Producto/Produto

- 800W HVLP Paint Sprayer/800W HVLP Pistolet de pulverization/800W HVLP Pistolet natryskowy/800W HVLP Pulverizator pentru vopsire/ 800W HVLP Rociador de pintura/ 800W HVLP Pulverizador de tinta
- EPS800
- Serial number: from 000001 to 999999

Name and address of the manufacturer or his authorised representative:  
 Nom et adresse du fabricant ou de son mandataire:  
 Nazwa i adres producenta lub jego upoważnionego przedstawiciela:  
 Denumirea și adresa producătorului sau a reprezentantului său autorizat:  
 Nombre y dirección del fabricante o de su representante autorizado:  
 Nome e endereço do fabricante ou do respetivo mandatário:

Kingfisher International Products B.V.,  
 Rapenburgerstraat 175E,  
 1011 VM Amsterdam,  
 The Netherlands

This declaration of conformity is issued under the sole responsibility of the manufacturer.

La présente déclaration de conformité est établie sous la seule responsabilité du fabricant.

Niniejsza deklaracja zgodności wydana zostaje na wyłączną odpowiedzialność producenta.

Prezenta declarație de conformitate este emisă pe răspunderea exclusivă a producătorului.

La presente declaración de conformidad se expide bajo la exclusiva responsabilidad del fabricante.

A presente declaração de conformidade é emitida sob a exclusiva responsabilidade do fabricante.

Object of the declaration/Objet de la declaration/Przedmiot deklaracji/  
Obiectul declarației/Objeto de la declaración/Objeto da declaração

Product/Produit/Produkt/ Produsul/ Producto/ Produto	Model/Modèle/ Model/Modelul/ Modelo/ Modelo	EAN
800W HVLP Paint Sprayer/800W HVLP Pistolet de pulverization/ 800W HVLP Pistolet natryskowy/ 800W HVLP Pulverizator pentru vopsire/800W HVLP Rociador de pintura/ 800W HVLP Pulverizador de tinta	EPS800	5059340043357 5059340043364

The object of the declaration described above is in conformity with the relevant Union harmonisation legislation:

L'objet de la déclaration décrit ci-dessus est conforme à la législation d'harmonisation de l'Union applicable:

Wymieniony powyżej przedmiot niniejszej deklaracji jest zgodny z odnośnymi wymaganiami unijnego prawodawstwa harmonizacyjnego:

Obiectul declarației descris mai sus este în conformitate cu legislația relevantă de armonizare a Uniunii:

El objeto de la declaración descrita anteriormente es conforme con la legislación de armonización pertinente de la Unión:

O objeto da declaração acima descrito está em conformidade com a legislação de harmonização da União aplicável:

2006/42/EC as amended Machinery Directive  
2014/30/EU as amended Directive Electromagnetic compatibility  
2011/65/EU& (EU) 2015/863 as amended Directive Restriction of the  
use of certain hazardous substances in electrical and electronic equipment  
2006/42/CE en tant que directive modifiée sur les machines

2006/42/CE en tant que directive modifiée sur les machines  
 2014/30 / UE telle que modifiée Directive Compatibilité électromagnétique  
 Directive 2011/65 / UE & (EU) 2015/863 telle que modifiée Limitation de l'utilisation  
 de certaines substances dangereuses dans les équipements électriques et  
 électroniques  
 2006/42/WE w zmienionej dyrektywie maszynowej  
 2014/30 / UE ze zmianami Dyrektywa Kompatybilność elektromagnetyczna  
 2011/65 / UE & (EU) 2015/863 ze zmianami Dyrektywa Ograniczenie stosowania  
 niektórych niebezpiecznych substancji w sprzęcie elektrycznym i elektronicznym  
 2006/42/CE, astfel a fost modificată Directiva privind echipamentele  
 2014/30/UE, astfel a fost modificată Directiva privind compatibilitatea  
 electromagnetică  
 2011/65/UE, astfel a fost modificată Directiva privind limitarea utilizării anumitor  
 substanțe periculoase în echipamentele electrice și electronice  
 Directiva sobre maquinaria modificada 2006/42/CE  
 2014/30/UE modificada Directiva Compatibilidad electromagnética  
 2011/65/UE modificada Directiva Restricción del uso de determinadas sustancias  
 peligrosas en equipos eléctricos y electrónicos  
 2006/42/CE como diretiva de máquinas alteradas  
 2014/30/UE como alteração da compatibilidade eletromagnética  
 2011/65/UE & (EU) 2015/863 como restrição diretiva alterada da utilização de  
 certas substâncias perigosas em equipamentos elétricos e eletrônicos

References to the relevant harmonised standards used or references to the  
 other technical specifications in relation to which conformity is declared:  
 Références des normes harmonisées pertinentes appliquées, y compris la  
 date de celles-ci, ou des autres spécifications techniques, y compris la date  
 de celles-ci, par rapport auxquelles la conformité est déclarée:  
 Odwołania do odnośnych norm zharmonizowanych, które zastosowano,  
 wraz z datą normy, lub do innych specyfikacji technicznych, wraz z datą  
 specyfikacji, w odniesieniu do których deklarowana jest zgodność:  
 Trimiteri la standardele armonizate relevante folosite, inclusiv data s  
 tandardului, sau trimiteri la celelalte specificații tehnice, inclusiv data  
 specificațiilor, în legătură cu care se declară conformitatea:





Referencias a las normas armonizadas pertinentes utilizadas, incluidas las fechas de las normas, o referencias a las otras especificaciones técnicas, incluidas las fechas de las especificaciones, respecto a las cuales se declara la conformidad:

Referências às normas harmonizadas aplicáveis utilizadas, incluindo a data da norma, ou às outras especificações técnicas, incluindo a data da especificação, em relação às quais é declarada a conformidade:

EN 60745-1:2009+A11:2010

EN 50580:2012+A1:2013

EN 55014-1: 2017

EN 55014-2: 2015

EN IEC 61000-3-2:2019

EN 61000-3-3: 2013+A1:2019

Authorized Signatory and technical file holder/ Signataire et responsable de la documentation technique autorisé/ Podmiot uprawniony do wystawienia i adres przechowywania dokumentacji technicznej/ Semnatar autorizat și deținătorul dosarului ethnic/ Firmante autorizado y titular del expediente técnico/Signatário autorizado e detentor da ficha técnica:

Kingfisher International Products B.V.,  
Rapenburgerstraat 175E,  
1011 VM Amsterdam,  
The Netherlands

David Awe  
Group Quality & Sustainability Director

: 08/09/2020



# Erbauer

**Manufacturer, Fabricant, Producent,  
Producător, Fabricante:**

UK Manufacturer:  
Kingfisher International Products Limited  
3 Sheldon Square  
London  
W2 6PX  
United Kingdom

EU Manufacturer:  
Kingfisher International Products B.V.  
Rapenburgerstraat 175E  
1011 VM Amsterdam

---

**EN** [www.diy.com](http://www.diy.com)

[www.screwfix.com](http://www.screwfix.com)

To view instruction manuals online,  
visit [www.kingfisher.com/products](http://www.kingfisher.com/products)

---