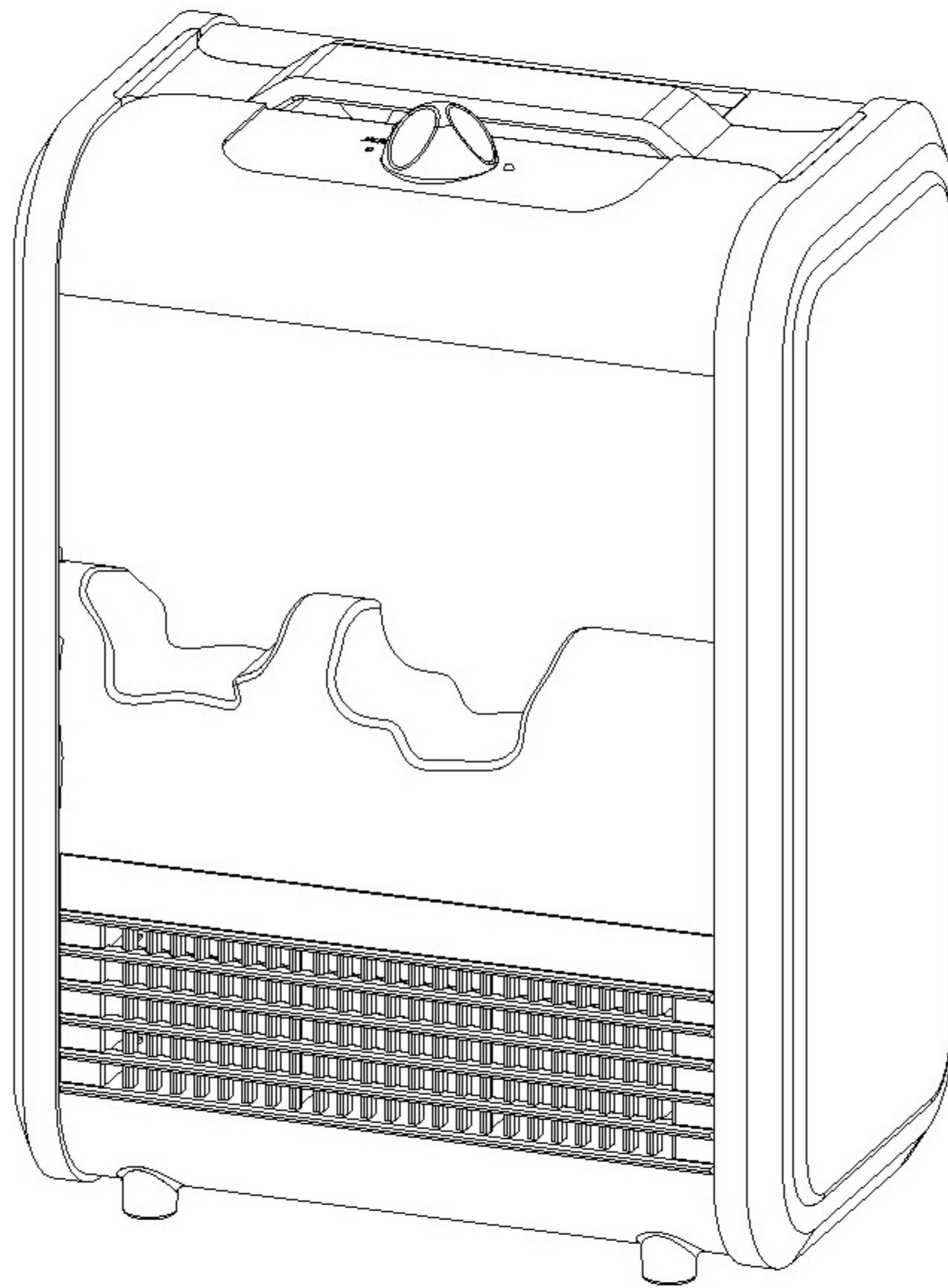


PROFUSION[®]

H • E • A • T

MINI CERAMIC FIREPLACE OWNER'S MANUAL Model No. TNP-2008I-E3



PLEASE SAVE THESE INSTRUCTIONS

WARNING: READ THIS OWNER'S MANUAL CAREFULLY BEFORE USE.

PET OWNERS WARNING:

The health of some small pets including birds are extremely sensitive to the fumes produced during the first-time use of many appliances. These fumes are not harmful to humans but we recommended that you do not use your heater around birds and small pets during its initial use until the manufacturing corrosion coatings burn off.

**Technical support: 1-866-206-0888
Service email: info@mecanair.net**

Features	2
Specifications	3
Know Your Mini Fireplace	3
Operation	4–5
Cleaning and Maintenance	6
Safety Features	6
Important Safeguards	7–8

1. Realistic LED 3-D Flame Effect
2. Three Settings:
 - High (1200 W—4095 BTUs)
 - Low (600 W)
 - 3-D Flame Only
3. Fan Forced Air Circulation
4. No Venting Required
5. Stay Cool Composite Body
6. Safety Tip-Over Cut-Off Switch
7. Safety Overheat Protection

Model	TNP-2008I-E3
Voltage / Amps	120 V AC / 10 A
Frequency	60 Hz
Power	High: 1200 watts—4095 BTUs, Low: 600 watts

This product is intended for indoor residential and office use only, not for industrial or other commercial applications. Use only with electrical wiring that is in good working order and that meets applicable codes and ordinances. If you have any questions about whether your wiring is adequate, consult a qualified electrician.

Use your heater only with a working smoke detector located in the vicinity of your heater.

While using your heater, you should follow the IMPORTANT INSTRUCTIONS listed below. As part of those instructions, we have used the word “WARNING” to indicate the level of hazard: WARNING indicates a hazard which, if not avoided, could result in injury or death.

KNOW YOUR CERAMIC FIREPLACE HEATER Before use of this product, familiarize yourself with all operating features and safety rules.

HEATER OPERATION

Always operate the heater in the upright position following all instructions and recommendations listed in this manual.

HEATER LOCATION

Place the heater in the area of the room that is coldest.

HEATER CONNECTION

Plug heater directly into 120 V AC, 60 Hz wall outlet. Be sure plug fits tightly in outlet. A loose connection may cause overheating and damage to the plug or heater. **NOTE:** To prevent overloading a circuit, do not plug the heater into a circuit that is servicing other electrical needs.



WARNING: SHOCK HAZARD Use your heater only in dry environments. This heater is not intended for use in a bathroom, laundry area, or similar locations, or near sinks, washing machines, swimming pools or other sources of water. Never locate heater where it may fall into a bathtub or other water container. Do not use heater outdoors. Do not use in damp environments such as flooded basements.



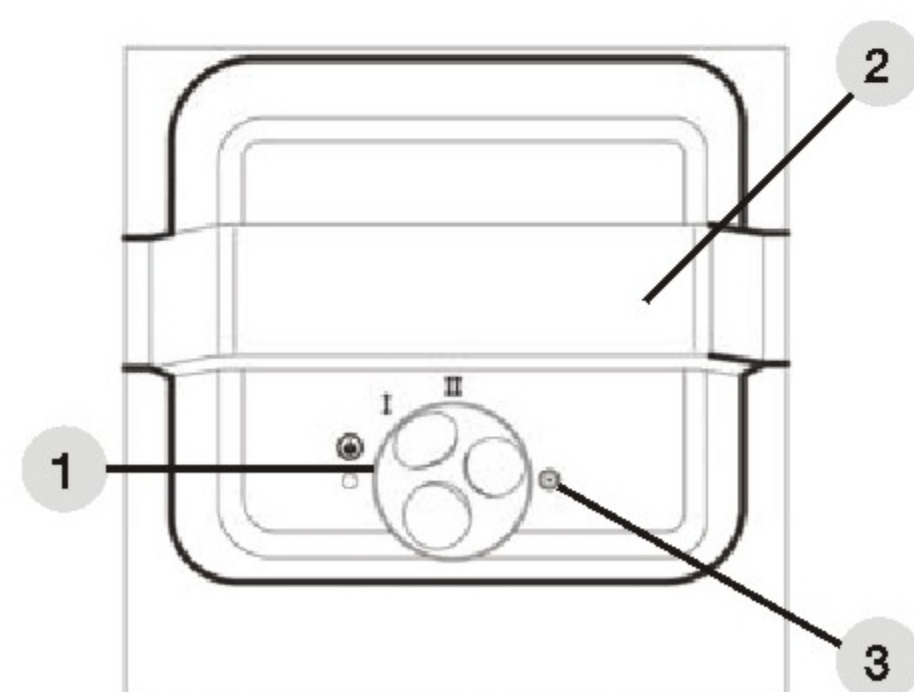
WARNING: FIRE HAZARD Heater has hot and arcing or sparking parts inside. Do not use near combustible materials or flammable gases or sources of heat. **DO NOT USE** in areas where gasoline, paint or flammable materials are used or stored. This heater is hot when in use. If provided, use handles when moving this heater. To avoid burns, do not let bare skin touch hot surfaces. Keep combustible materials such as furniture, pillows, bedding, papers, clothes and curtains at least 3 feet (0.9 m) from the front of the heater and keep them away from the sides and rear. To prevent a possible fire, do not block air intakes or exhaust in any manner. Do not use on soft surfaces, like a bed, where openings may become blocked. Do not place the heater near a bed because objects such as pillows or blankets can fall off the bed and be ignited by the heater. Do not insert or allow foreign objects to enter any ventilation or exhaust opening as this may cause an electric shock, fire, or damage the heater.

TURNING HEATER ON:

For LED Flame Effect Only: Rotate Power On/Off Flame Control switch to FLAME Setting. Indicator light will come on.

For Low Heat (600 watts): Rotate Power On/Off Flame Control switch to LOW position. Fan will operate at full speed, power to the ceramic element will be limited to 600 watts.

For High Heat (1200 watts): Rotate Power On/Off Flame Control switch to HIGH position. Fan will operate at full speed, 1200 watts of power is delivered to the ceramic elements.

**ROTARY POWER ON/OFF FLAME CONTROL**

This heater has two heat settings: HIGH and LOW. Use the higher setting (1200 W) to raise the room temperature quickly. When the desired temperature is reached use the LOW (600 W) setting. It is usually sufficient to maintain a comfortable temperature.

POWER INDICATOR

The Power Indicator Light located on the switch will illuminate when the Power On/Off Flame Control switch is turned on any setting.

1. Power ON/OFF Flame Control
2. Carry Handle
3. Power Indicator

OPERATE SIMULATED FLAME ONLY

Rotate the Power On/Off Flame Control switch to FLAME to have the flame effect without any heater functions.

TURNING OFF

Turn the Power On/Off Flame Control to OFF to discontinue use. Heater should be unplugged when not in use.



WARNING: HOT SURFACES Do not touch body of heater when in use. This heater is hot when in use. To avoid burns, do not let bare skin touch hot surfaces. If provided, use handles when moving this heater.

CLEANING

CAUTION - Before cleaning the heater be sure to disconnect power cord and allow the heater to cool completely. Clean the outside surface with a clean damp cloth. Do not use harsh chemical or abrasive cleaners. **DO NOT IMMERSE THE HEATER IN WATER.** Allow heater to dry completely before use. Use a vacuum or duster to keep heat and vent area clean and free of dust and dirt.

REPAIR

DO NOT OPERATE THE HEATER WITHOUT THE GRILL IN PLACE. DO NOT USE THE HEATER IF IT HAS MALFUNCTIONED OR BECOME DAMAGED IN ANY WAY.

STORAGE

Keep original carton for storage of the heater. Coil and tie the power cord to avoid damage during storage.

The power indicator light, located near the Power On/Off Flame Control switch, lights whenever the heater is turned on any setting to tell you that the heater is functioning properly. The heater is equipped with an automatic overheat protection device located inside the body of the heater. If the heater grill is obstructed, or if the heater gets too hot for any reason, the automatic overheat protection device will turn the heater off. To reset the heater, simply turn power off and unplug the heater for 20 minutes until it cools down and you may plug the heater in and restart the heater. Be sure that the heater is on a smooth level surface with no obstructions. The heater is also equipped with a safety tip-over switch that will turn power off to the heater if the heater tips over. To resume heater function simply stand heater upright. Be sure that the heater is on a smooth level surface where it will not be accidentally tipped over.

As with all electrical appliances, basic safety precautions should always be followed to reduce the risk of electric shock, fire, or injury to persons, including the following precautions:

1. Read all instructions before using this heater.
2. Use this heater only as described in this manual. Any other use not recommended by the manufacturer may cause electric shock, fire or damage to persons or property.
3. Do not operate the heater with a damaged power cord or after the heater malfunctions or damaged in any manner. Arrange cord such that it will not be tripped over. Keep the cord away from heated surfaces.
4. Do not use with cracked or broken glass.
5. Do not use heater unattended. Extreme caution is necessary when any heater is used by or near children, disabled persons or pets.
6. Do not place the heater on a small or uneven surface or any surface which might allow heater to tip or fall.
7. For proper operation, heater should be placed on a smooth, non-combustible surface. Do not place on rugs or carpet.
8. Always unplug heater when not in use.
9. Do not operate the heater with heater guards or any safety device removed.
10. Always plug heaters directly into a wall outlet/receptacle. Never use with an extension cord or relocatable power tap (outlet/power strip).
11. Do not run power cord under carpeting. Do not cover cord with throw rugs, runners or the like. Arrange cord away from traffic area where it will not be tripped over.



WARNING: ELECTRIC SHOCK HAZARD Do not use with damaged cord or plug. Use with adequate electrical system that is to code.

The supply cord has a polarized plug. As a safety feature this plug will fit in a polarized outlet only one way. To prevent electric shock, match wide blade of plug to wide slot, fully insert plug. If the plug does not fit, contact a qualified electrician. **DO NOT** attempt to defeat this safety feature.

Do not operate heater with a broken heating element or ceramic cone or any visual imperfections. For repairs covered under warranty, see warranty statement. For all other repairs contact Garrison's Customer Service by telephone or mail for information and assistance.

Do not use an extension cord because the extension cord may overheat and cause a risk of fire.

Do not operate heater with its ventilation obstructed.