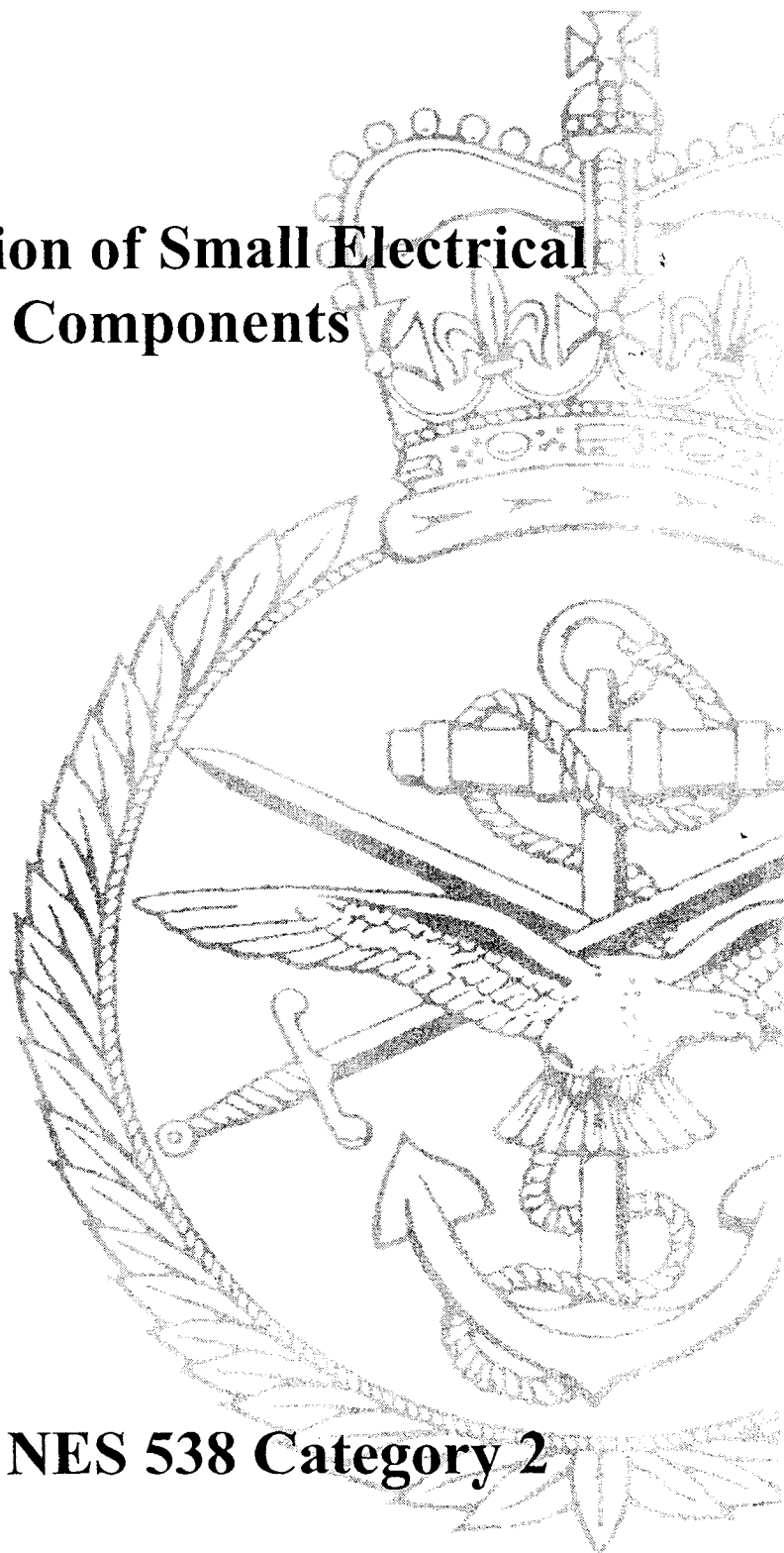




Ministry of Defence
Defence Standard 02-538 (NES 538)

Issue 1 Publication Date 1 April 2000

**Guide to the Selection of Small Electrical
Fittings & Components**



Incorporating NES 538 Category 2

Issue 4 Publication Date October 1992


NAVAL ENGINEERING STANDARD 538

ISSUE 4

GUIDE TO THE SELECTION OF

SMALL ELECTRICAL FITTINGS AND COMPONENTS

The issue and use of this Standard
is authorized on behalf of the
Controller of the Navy by:



Director General Marine Engineering

© CROWN COPYRIGHT 1992

Published by:

**Sea Systems Controllerate
Procurement Executive Ministry of Defence
Foxhill, Bath BA1 5AB**

CONDITIONS OF RELEASE

General

1. This Naval Engineering Standard (NES) has been prepared for the use of the Crown and of its contractors in the execution of contracts for the Crown and, subject to the Unfair Contract Terms Act 1977, the Crown will not be liable in anyway whatever where the Standard is used for any other purpose.
2. This document is Crown Copyright and the information therein may be subject to Crown or third party rights. It is not to be released, reproduced or published without written permission of the MOD.
3. The Crown reserves the right to amend or modify the contents of this NES without consulting or informing any holder.
4. This NES may call for the use of processes, substances and procedures that may be injurious to health if adequate precautions are not taken. It refers only to technical suitability and in no way absolves either the supplier or the user from statutory obligations relating to health and safety at any stage of manufacture or use.
5. Where attention is drawn to hazards, those quoted may not necessarily be exhaustive.

MOD Tender or Contract Process

6. This NES is the property of the Crown and unless otherwise authorized in writing by the MOD must be returned on completion of the contract, or submission of the tender, in connection with which it is issued.
7. When this NES is used in connection with a tender or contract, the user is to ensure that he is in possession of the appropriate version of each document, including related documents, relevant to each particular tender or contract.

CONTENTS

	<u>Page</u>
AUTHORIZATION	(i)
CONDITIONS OF RELEASE	(ii)
CONTENTS	(iii)
INTRODUCTION	(v)
<u>SECTION 1 SCOPE</u>	1
<u>SECTION 2 RELATED DOCUMENTS</u>	1
<u>SECTION 3 DEFINITIONS</u>	2
<u>SECTION 4 SWITCHES</u>	3
4a MANUALLY OPERATED	3
4a(1) ROTARY	3
4a(1)(a) COMMERCIAL MOD APPROVED	3
4a(1)(b) MOD DESIGN	17
4a(2) PUSH AND PULL	35
4a(3) ROCKER AND TOGGLE	49
4a(4) KEY TRANSMITTING	63
4b MECHANICALLY OPERATED	67
4b(1) LIMIT	67
4b(2) MICRO	81
<u>SECTION 5 PLUGS AND SOCKETS</u>	91
5a COMMERCIAL	91
5a(1) TO BRITISH STANDARDS	91
5a(1)(a) NON-WATERTIGHT	91
5a(1)(b) WATERTIGHT TYPE 128 (CURRENT)	111
5a(2) TO DEF STAN 59-4 (PARTS 3 & 6)	133
5b MOD DESIGN (INC AMENITY)	193

	<u>Page</u>
<u>SECTION 6 NOISE MAKERS</u>	219
6a BELL	219
6a(1) TREMBLER (INC TRANSFORMER)	219
6a(2) SINGLE STROKE	227
6b BUZZER	233
6c HOOTER	239
6d HUMMER	245
6e RATTLER	251
6f WARBLER	257
<u>SECTION 7 LIGHTS - INDICATING</u>	263
<u>SECTION 8 RESIDUAL CURRENT DEVICE (RCD)</u>	275
<u>SECTION 9 JUNCTION BOXES</u>	279
<u>SECTION 10 INDEX OF NATO STOCK NUMBER (NSN) TO PAGE NUMBER</u>	295
<u>SECTION 11 INDEX OF PATTERN NUMBER TO EQUIPMENT AND PAGE NUMBER</u>	300

INTRODUCTION

1. This Naval Engineering Standard (NES) is sponsored by the Procurement Executive, Ministry of Defence, Director General Submarines (DGSM), Section ME312. The Point of Contact for Weapon Systems and Equipment is DGSM, Section SM832.
2. It is to be applied as required by any Ministry of Defence contract for the selection of small electrical fittings and components and is applicable to:
 - a. Surface Ships and Submarines.
 - b. Ship Systems and Equipment and Weapon Systems and Equipment.
3. If it is found to be unsuitable for any particular requirement the Sponsor is to be informed in writing with a copy to Director General Surface Ships (DGSS), NA145 for Ship Systems and Equipment or DGSM, SM832 for Weapon Systems and Equipment.
4. Any user of this NES either within MOD or in industry may propose an amendment to it. Proposals for amendments that are not directly applicable to a particular contract are to be made to the Sponsor of the NES, and those directly applicable to a particular contract are to be dealt with using existing procedures or as specified in the contract.
5. No alteration is to be made to this NES except by the issue of an authorized amendment.
6. Unless otherwise stated reference in this NES to approval, approved, authorized or similar terms, means by the Ministry of Defence in writing.
7. Any significant amendments that may be made to this NES at a later date will be indicated by a vertical sideline. Deletions will be indicated by 000 appearing at the end of the line intervals.
8. When NES are incorporated into contracts users are responsible for their correct application and for complying with contract and any statutory requirements. Compliance with an NES does not of itself confer immunity from legal obligations.
9. This NES has been reissued because of deletion of obsolete equipment, new terminology for appropriation of equipment and rationalization of contents.

1. SCOPE

- 0101 This NES gives details of small electrical fittings and components in common use for electrical power distribution and allied systems in Surface Ships and Submarines. This list includes switches, plugs and sockets, noise makers, lights – indicating, residual current device (RCD) and junction boxes. The items listed are shown as 'current' and 'obsolescent' and selection for use is to be made in accordance with the definitions given in Section 3. The list is not comprehensive and may not include some fittings found in older ships.
- 0102 This NES applies to new design Surface Ships and Submarines, also alterations and additions or refitting of existing vessels.
- 0103 This NES applies to equipment sponsored by the Procurement Executive, Ministry of Defence and supplied by either the Ministry of Defence or the Contractor.

2. RELATED DOCUMENTS

0201 Reference is made to:

BS 9522 F0024	Multi-contact, Heavy Duty, Circular, Electrical Connectors, with Moulded Housings (Shells)
DEF STAN 59-4	Plugs and Sockets Electrical Part 3 – All Insulated Sealed Types (Cancelled, but included for obsolescent equipment) Part 6 – Plugs and Sockets for Power Connection
DEF STAN 61-12	Wires, Cords and Cables, Electrical – Metric Units Part 1 – Cables, Electrical (Insulated Flexible Cords and Flexible Cables)
NES 511	Requirements for Electrical Testing of Equipment
NES 514	Guide to Cable Entry, Termination and Junction Components for Equipment
NES 541	Guide to the Selection of Small Commercial Electrical Fittings and Components
NES 609	Guide to the Determination of Creepage and Clearance Distances for Electrotechnical Equipment
Spec DG Ships EED/V1/1535/R6	Cable Glands, Watertight, Integral and Attachable for Electrical Equipment

0202 Related documents may be obtained as follows:

- a. British Standards – British Standards Institution
Linford Wood, Milton Keynes
MK14 6LE
- b. Defence Standards – Directorate of Standardization & Safety Policy
Stan 1, Kentigern House,
65 Brown Street,
Glasgow, G2 8EX

- c. Naval Engineering Standards – MOD Library Services (Bath)
Foxhill, Bath BA1 5AB
- d. Other Documents – Tender or contract sponsor to advise.

MOD Library Services (Bath), Foxhill, Bath BA1 5AB can advise in cases of difficulty.

0203 All applications to Ministry Establishments for related documents are to quote the relevant Ministry of Defence Invitation to Tender or Contract number and date, together with the sponsoring Directorate and the Tender or Contract Sponsor.

3. DEFINITIONS

0301 For the purpose of this NES the following definitions apply.

CURRENT Items of electrical equipment which are applicable to new design and construction requirements.

OBSOLESCENT Items of electrical equipment which are NOT applicable to new design and construction requirements but will continue to be provisioned for fleet support.

NOTE

For new design and construction requirements use is only to be made of CURRENT items and/or the commercial alternatives listed in NES 541.

4. SWITCHES

4a. MANUALLY OPERATED

4a(1) ROTARY

4a(1)(a) SWITCHES, MANUALLY OPERATED, ROTARY, COMMERCIAL; MOD APPROVED.

SELECTION GUIDE AND CONTENTS

Note Before Making Any Switch Selection Refer to Page 5.

Maximum Voltage		Current A		Max Poles	Max Positions	Special Features	Manufacturer and Type	Page	Appropriation
dc	ac	dc	ac						
Notes regarding the selection and ratings allowed									
400	440	2.5	10	15	4		E.A.C. Type ARROW P2	6	CURRENT
400	440	3	10	12	4		Santon RP1 Panel and BC1 Base Mtg.		
400	440	7.5	7.5	20	4		No. 2 FRAME SIZE 10-25 Amp	7	CURRENT
440	440	0.5	25	48	12	Non-magnetic	F.K.I. Type A154Q	8	CURRENT
440	440	0.5	25	24	12	Non-magnetic	U.K.Sol. A30	9 & 10	CURRENT
440	440	1.5	50	24	12	Non-magnetic	U.K.Sol. C30	9 & 10	CURRENT
							U.K.Sol. C65	9 & 10	CURRENT
400	440	17	25	15	4		E.A.C. Type ARROW P4	11	CURRENT
440	440	12	15	15	4		F.K.I. Type A304Q	12	CURRENT
400	440	12.5	15	28	4		Santon RP3 Panel and BC3 Base Mtg.		
							No. 3 FRAME SIZE	13	CURRENT
400	440	14	45	18	4		F.K.I. Type A640Q	14	CURRENT
24	440	50	15	30	8		F.K.I. Type A304S	15	CURRENT
220	440	60	60	29	4		Santon C6H - -/SK239 'Modified'	16	CURRENT

**NOTES REGARDING THE SELECTION AND RATINGS ALLOCATED
TO MOD APPROVED ROTARY SWITCHES**

RATINGS

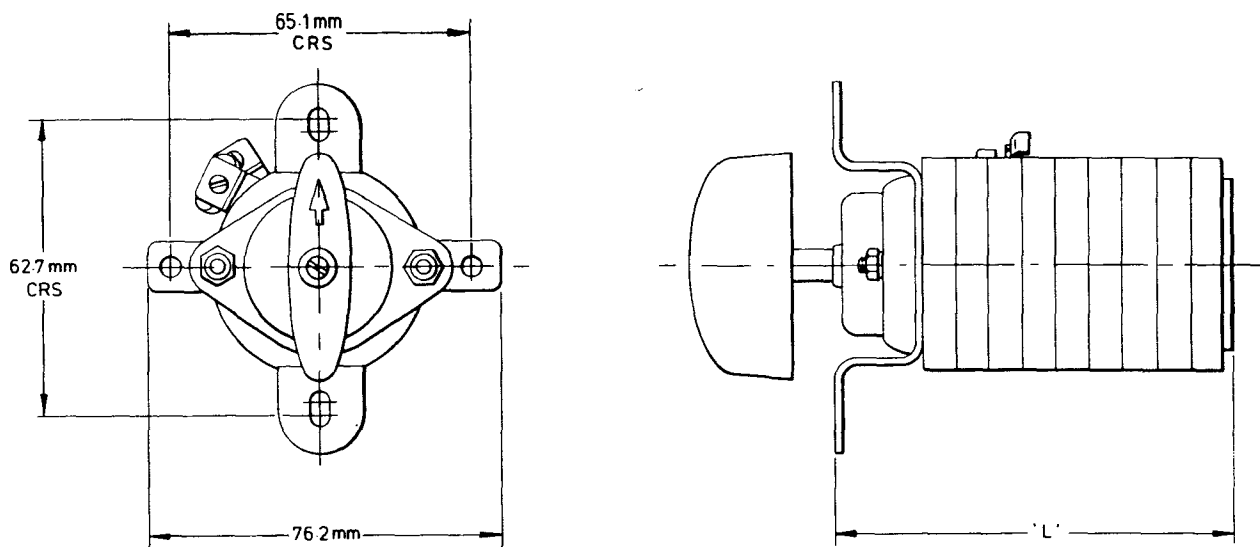
THE MAXIMUM RATINGS ALLOCATED TO EACH TYPE OF ROTARY SWITCH, UNLESS OTHERWISE STATED ARE BASED ON A RATING & ENDURANCE TEST OF 15,000 OPERATIONS (ONE OPERATION BEING ONE MAKE AND BREAK). SWITCHES USED AT THESE RATINGS AND IN CIRCUITS HAVING THE CHARACTERISTICS STATED WILL STILL BE USABLE AFTER 15,000 OPERATIONS, BUT THE CONTACTS MAY BE APPROACHING THE END OF THEIR USEFUL LIFE. THE RATINGS MAY BE USED AS THE BASIS FOR SELECTING SWITCHES FOR FITTING WHERE SPACE LIMITATIONS REQUIRE THE SMALLEST POSSIBLE SWITCH, OR WHERE THE SERVICE MAKES IT CERTAIN THAT IT WILL BE MANY YEARS BEFORE 15,000 OPERATIONS AT THE RATED FIGURE WILL OCCUR, IN ALL OTHER CASES IT IS RECOMMENDED THAT RATINGS NOT EXCEEDING 0.75 OF THE LISTED VALUES BE USED IN SELECTING SWITCHES.

SHOCK

PROVIDED THAT THE ROTARY SWITCHES ARE CORRECTLY MOUNTED THEY WILL BE MECHANICALLY SHOCKPROOF, WITH MOST SWITCHES DISTURBANCE OF THE MADE ELECTRICAL CONTACTS WILL OCCUR DURING THE PERIOD OF SHOCK, MOUNTING DETAILS AND THE TIME OF CONTACT DISTURBANCE DURING SHOCK ARE GIVEN ON THE APPROPRIATE PAGE FOR EACH PARTICULAR SWITCH.

VOLTAGE

WHILST ALL ROTARY SWITCHES LISTED MEET THE REQUIREMENTS OF THE STANDARD WITHSTAND VOLTAGE AND INSULATION RESISTANCE TESTS OF NES 511 UNDER LABORATORY CONDITIONS, MOST OF THEM DO NOT HAVE THE CLEARANCE IN AIR AND CREEPAGE PATH DISTANCES SPECIFIED IN NES 609. THEREFORE IT IS ESSENTIAL TO ENSURE THAT THE SWITCHES ARE MOUNTED IN A POSITION FREE OF OR PROTECTED FROM THE INGRESS OF GREASE, DIRT AND MOISTURE, PARTICULARLY WHEN THEY ARE USED AT HIGHER VOLTAGES.



ROTARY PACKET SWITCH E.A.C. TYPE ARROW P2 (CURRENT)

DESCRIPTION - Rotary switch, 2 or 4 position, quick make and break.
For operating voltages and currents see table below.

FIXING - Front - 2 x M4 Bolts, Rear - 2 x M4 Bolts

WEIGHT - Varies with dimension L (see table)

TERMINALS - 3 BA saddle clamps

REPLACEMENT SPARES - Complete switch

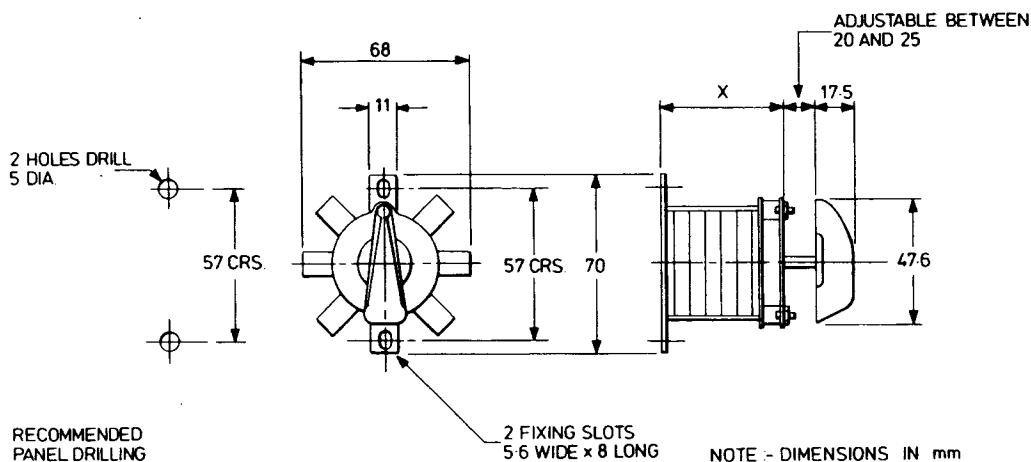
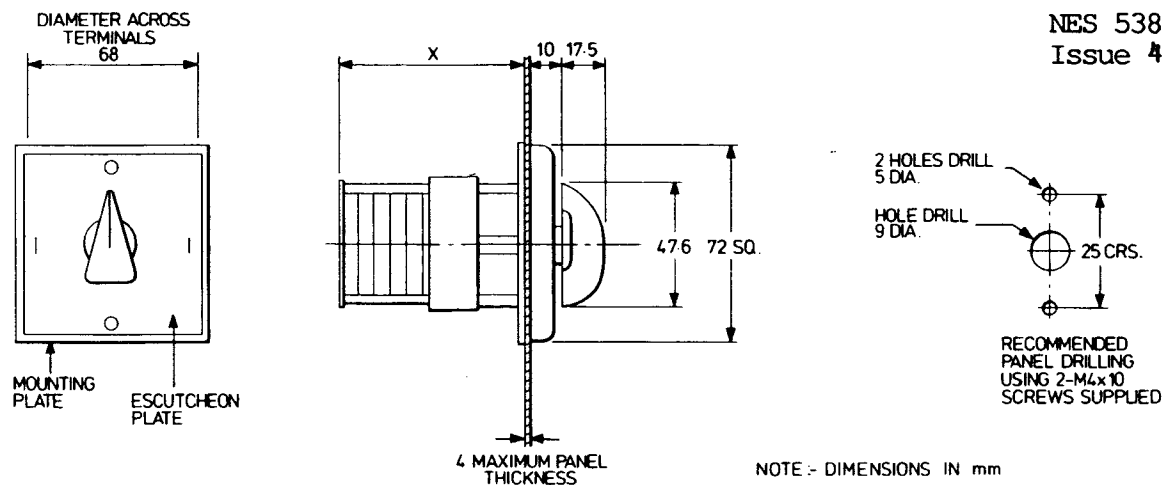
MAGNETIC CLASSIFICATION - Category C

- Notes**
1. The handle shaft length is suitable for panel thicknesses to 8.7mm.
 2. Shock requirements will be met on all lengths L (up to 15 cells) when the switch is mounted by the front support only.
 3. No contact disturbance occurs during shock or vibration.

MAXIMUM RATINGS IN AMPS (See Page5)

CIRCUIT	ON/OFF SWITCH	SUPPLY SELECTOR
24V dc Non-Inductive	13	10
24V dc Inductive - Time Constant 0.1 Sec	8	5
220V dc Non-Inductive	10	5
220V dc Inductive - Time Constant 0.01 Sec	7	3
220V dc Inductive - Time Constant 0.04 Sec	3	1.5
400V dc Non-Inductive	2.5	1.5
115V ac 60Hz Power Factor 0.8 Lagging	13	7
440V ac 60Hz Power Factor 0.8 Lagging	10	4

No of SECTIONS	'L' mm	WEIGHT	No of SECTIONS	'L' mm	WEIGHT
3	41.3		10	85.7	
4	47.6		11	92.1	
5	54		12	98.4	
6	60.3		13	104.8	
7	66.7		14	111.1	
8	73		15	117.5	
9	79.4				



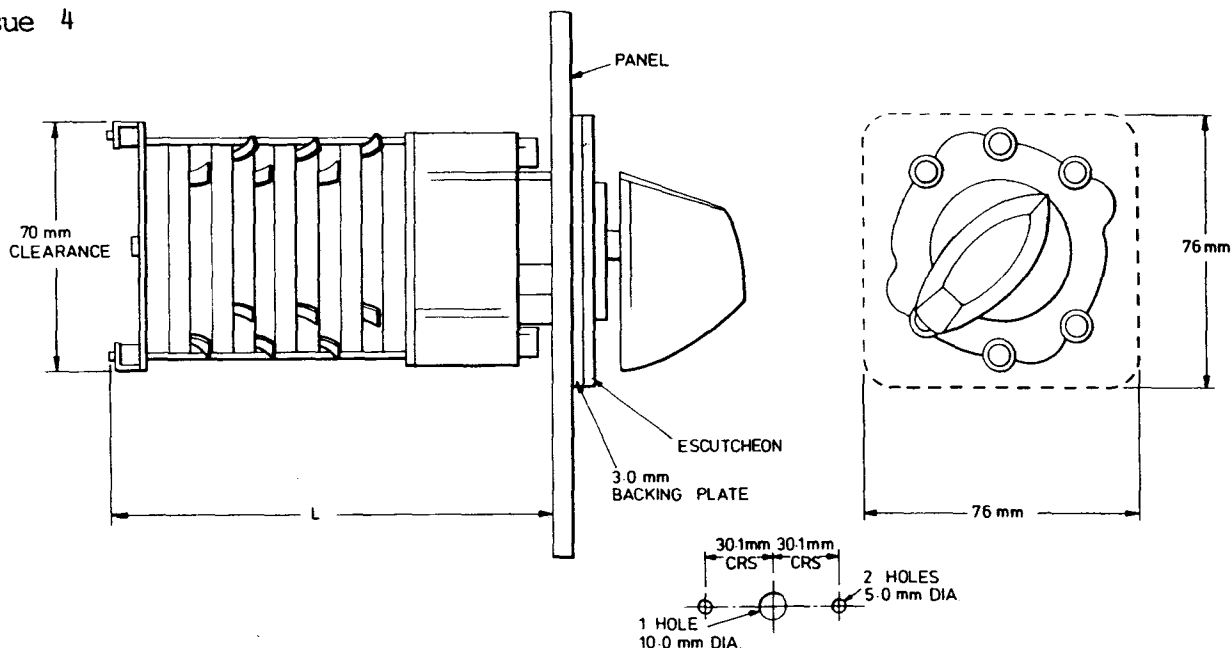
**ROTARY PACKET SWITCH SANTON TYPES RP1/Panel and BC1/Base Mtg (CURRENT)
No. 2 FRAME SIZE 10-25A AC/DC**

DESCRIPTION - Four position rotary switch with quick make and break action
 FIXING - Type RP1, Type BC1 - 2 x M5 Bolts
 WEIGHT - Varies with dimension X (Refer to current Santon catalogue for details)
 TERMINALS - Saddle clamps 4 BA
 REPLACEMENT SPARE - Complete switch
 MAGNETIC CLASSIFICATION - Category C

- Notes
1. Maximum panel thickness with standard handle shaft is 4mm. Other shaft lengths can be provided.
 2. During shock, maximum time of contact disturbance is 1.5ms. Malfunction of the open contacts does not occur.

MAXIMUM RATING IN AMPS (See Page 5)

VOLTS	TYPE OF CIRCUIT	ON/OFF SWITCH	SUPPLY SELECTOR
24V dc	Non-Inductive	17	10
24V dc	Inductive Time Constant 0.1 Sec	10	5
220V dc	Non-Inductive	10	5
220V dc	Inductive Time Constant 0.01 Sec	7	3
220V dc	Inductive Time Constant 0.02 Sec	5	2.5
220V dc	Inductive Time Constant 0.03 Sec	4	2
220V dc	Inductive Time Constant 0.04 Sec	3	1.5
400V dc	Non-Inductive	3	1.5
115V ac	Power Factor 0.8	15	7
440V ac	Power Factor 0.8	10	4
	As an Isolating Switch	15	15



ROTARY CAM SWITCH, F.K.I. TYPE A154Q (CURRENT)

DESCRIPTION - Rotary switch, four position, quick make and break. For operating voltages and currents see table below

FIXING - 2 x M5 Bolts

WEIGHT - Varies with dimension L (see table)

TERMINALS - 4 M4 Screws

REPLACEMENT SPARE - Handle NSN 5355-99-529-6700
NS Cat No 0569/529-6700

MAGNETIC CLASSIFICATION - Category C

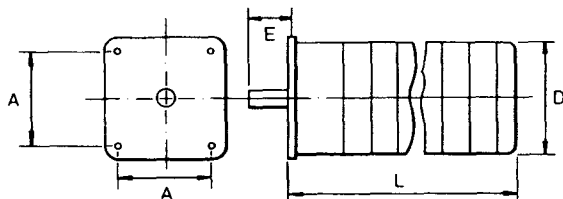
No of Sections	L mm	WEIGHT
1	86	
2	105	
3	124	
4	143	
5	162	
6	182	
7	225	
8	244	
9	264	
10	283	

- Notes
- 1 . Maximum panel thickness with standard handle shaft is 9.5mm. Other shaft lengths can be specially provided
 - 2 . Switches having more than 5 cells must be mounted on a common rigid support front and rear, otherwise shock tolerance is not maintained
 - 3 . Maximum time of contact disturbance of the made contacts under shock = 7.5ms. Malfunction of the open contacts does not occur

MAXIMUM RATINGS IN AMPS (See Page 5)

VOLTS	TYPE OF CIRCUIT	AMPS
24V dc	Non-Inductive	15
24V dc	Inductive Time Constant 0.1 Sec	12.5
220V dc	Non-Inductive	15
220V dc	Inductive Time Constant 0.01 Sec	12.5
220V dc	Inductive Time Constant 0.02 Sec	9.0
220V dc	Inductive Time Constant 0.03 Sec	5.0
220V dc	Inductive Time Constant 0.04 Sec	2.5
400V dc	Non-Inductive	7.5
115V 60H z	Power Factor 0.8	12.5
440V 60H z	Power Factor 0.8	7.5
	As an Isolating Switch	15

UK SOLENOID (BLUE LINE) STYLE A & C ROTARY SWITCHES (CURRENT)



SWITCH TYPE	DIMENSION in mm				
	D	E	A	L* MIN	L* MAX
A30	122 dia	32	104	85	294
C30	56 dia	18	48	41	181
C65	84 dia	22	68	56	293

L* is dependent on the Contact Development required

MAXIMUM RATING (See page 49.)		APPLICABLE TO ON/OFF AND SUPPLY SELECTOR SWITCHES		
SWITCH TYPE		A30	C30	C65 [†]
VOLTS	TYPE OF CIRCUIT	RATINGS (AMPS)		
115	60Hz 0.8PF Lagging	28	25	55
440	60Hz 0.8PF Lagging	25	25	50
24	dc Non-inductive	25	25	55
220	dc Non-inductive	2.5	2.5	3.5
440	dc Non-inductive	0.5	0.5	1.5

Notes

- (1) These switches are non-magnetic and may be fitted in equipment for M.C.M. Vessels without magnetic modification or compensation. (Certificate of Magnetic Measurement No 3078)
- (2) The switches are of the slow make and break type and shall normally be used in ac circuits only. The dc ratings are included as a guide should it be necessary to select non-magnetic switches for use in non-inductive dc circuits. They should not be used in inductive dc circuits
- (3) In order to meet shock requirements all switches regardless of the number of mouldings must be supported at both front and rear ends. Both supports must be attached to a common rigid structure.
- (4) Maximum time of contact disturbance during shock of the "made" contacts is as follows:-

SWITCH TYPE	CONTACT DISTURBANCE MILLISECONDS MAX
A30	12
C30	20
C65	12

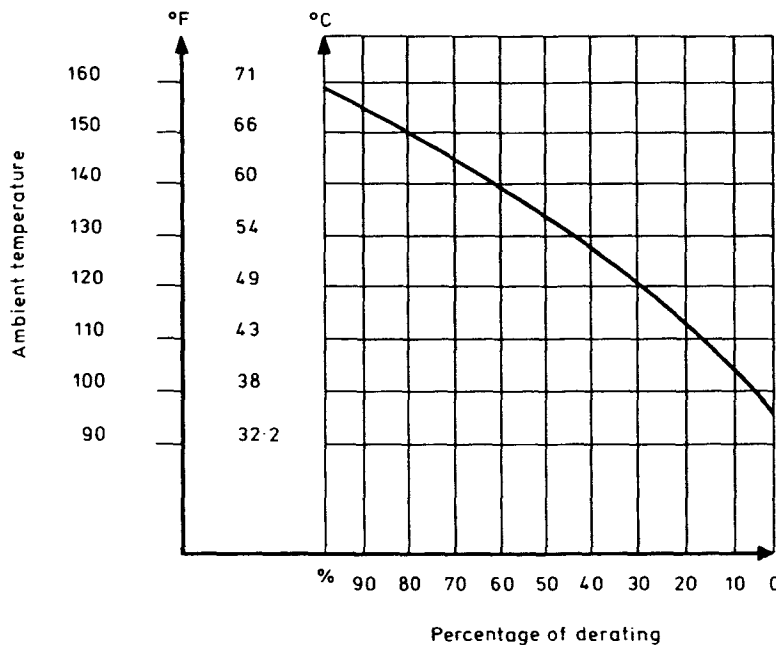
Malfunction of the open contacts does not occur

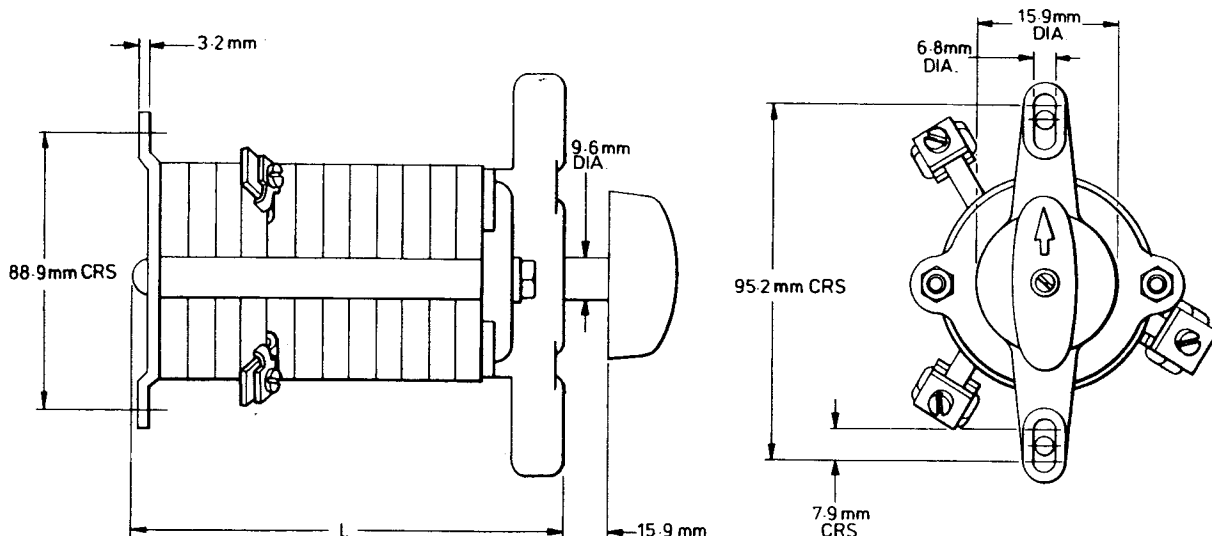
- (5) To prevent damage to the switches by through fault currents they must be protected by fuses of the lowest practical rating compatible with the duty which the switch has to perform. The maximum cut-off current of the fuses used in relation to the prospective short-circuit current, must not exceed the values stated below:-

CIRCUIT CHARACTERISTIC	MAX PERMISSIBLE FUSE PARAMETER	
	CUT-OFF CURRENT IN kA *	
	USING SWITCH:-	
PROSPECTIVE SHORT CIRCUIT CURRENT IN kA rms	TYPE A30/C30	TYPE C65
2.5	3.2	5.7
4.0	3.3	6.0
6.3	3.4	6.4
10	3.7	7.0
16	4.0	7.8
25	4.4	8.8
40	5.1	10.1

*Max current reached when fuse melts in less than a quarter cycle

- (6) a. Blue line switches when used in ambient temperatures exceeding 35°C(95°F) and are required to carry their full load current for a period exceeding 20 mins, have to be derated. The percentage of derating which is required under such conditions is obtained from the chart below:-
- b. The maximum ambient temperature Blue line switches may be used in continuously is 71°C(160°F)





ROTARY PACKET SWITCH B.A.C. TYPE ARROW P4 (CURRENT)

DESCRIPTION - Rotary switch 2, 3 or 4 position, quick make and break. For operating voltages and currents see table below

FIXING - Front 2 x M6 Bolts
Rear 2 x M6 Bolts

WEIGHT - Varies with dimension 'L'
(see table)

TERMINALS - 0.25-28 UNF saddle clamps

REPLACEMENT SPARE - Complete switch

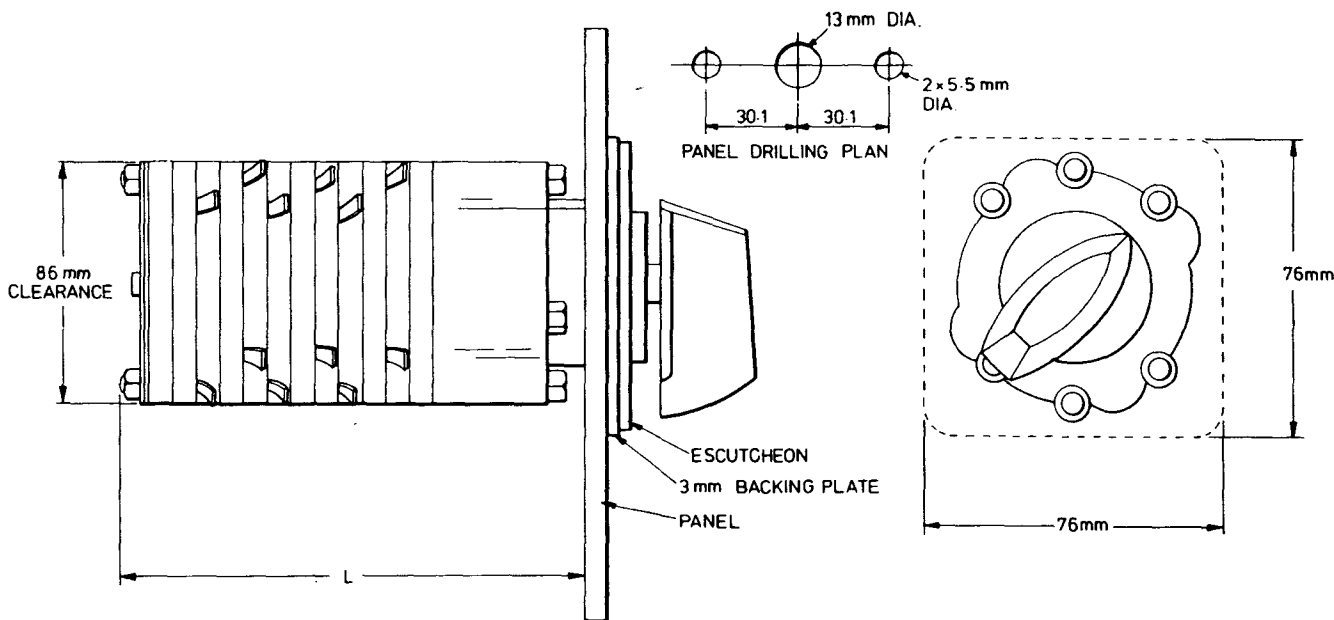
MAGNETIC CLASSIFICATION - Category C

No of SECTIONS	'L' (mm)	WEIGHT
3	61.9	
4	71.4	
5	81.0	
6	90.5	
7	100.0	
8	109.5	
9	119.1	
10	128.6	
11	138.1	
12	147.6	
13	157.2	
14	166.7	
15	176.2	

- Notes
1. The handle shaft length is suitable for panel thicknesses to 15.9mm.
 2. Shock tolerance is maintained on all lengths 'L' (up to 15 cells) when the switch is mounted by the front support only.
 3. No contact disturbance occurs during shock or vibration

MAXIMUM RATING IN AMPS (See Page 5.)

VOLTS	TYPE OF CIRCUIT	ON/OFF SWITCH	SUPPLY SELECTOR
24V dc	Non-Inductive	32	16
24V dc	Inductive Time Constant 0.1 Sec	25	10
220V dc	Non-Inductive	25	15
220V dc	Inductive Time Constant 0.01 Sec	15	8
220V dc	Inductive Time Constant 0.04 Sec	5	3
400V dc	Non-Inductive	17	8
115V ac60Hz	Power Factor 0.8 Lagging	32	25
440V ac60Hz	Power Factor 0.8 Lagging	25	15



ROTARY PACKET SWITCH, F.K.I. TYPE A304Q (CURRENT)

DESCRIPTION - Rotary switch, 4 position, quick make and break. For operating voltages and currents see table below.

FIXING - 2 x M5 screws

WEIGHT - Varies with dimension 'L' (see table)

TERMINALS - 2 M5 saddle clamps

REPLACEMENT SPARE - Handle NSN 5355-99-529-6700
NS Cat No 0569/529-6700

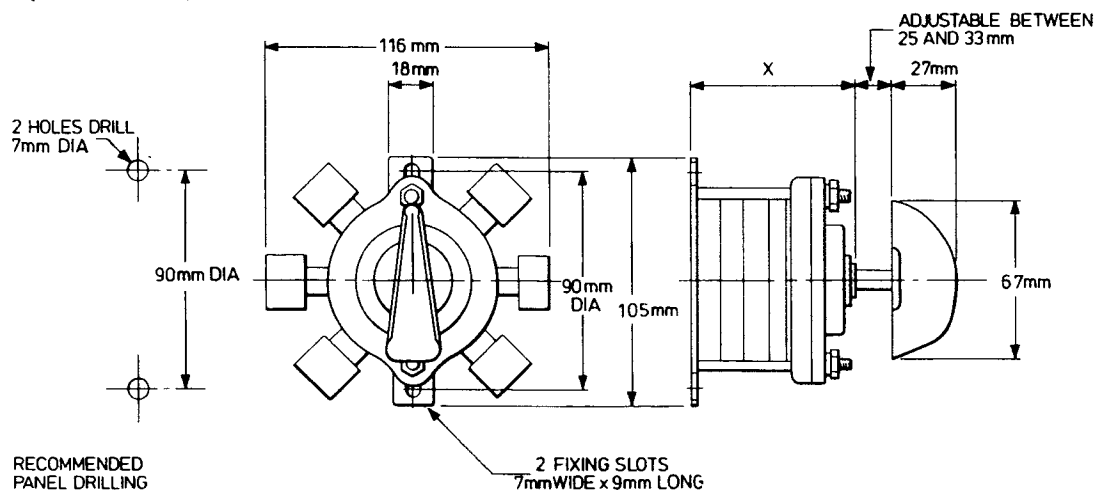
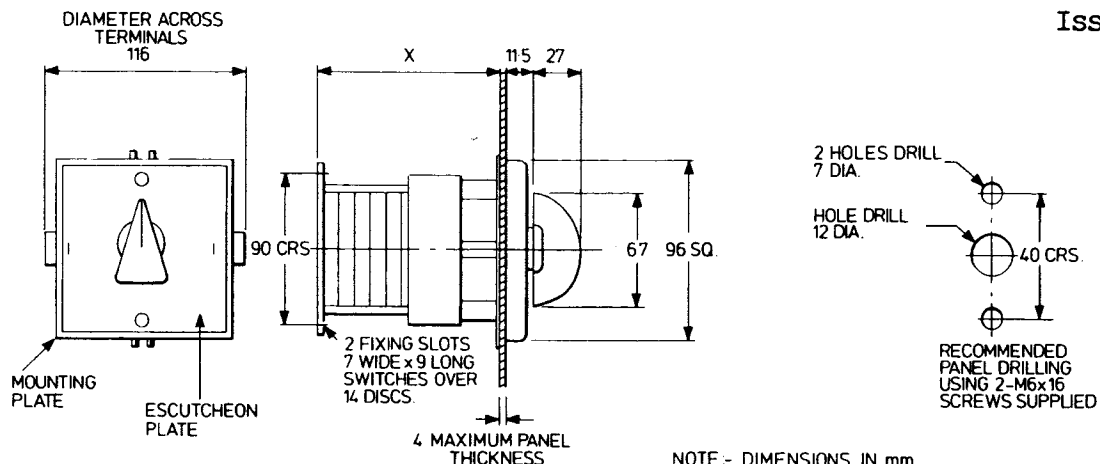
MAGNETIC CLASSIFICATION - Category C

No of Cells	'L' mm	WEIGHT
1	89	
2	111	
3	133	
4	156	
5	178	
6	200	
7	232	
8	254	
9	276	
10	298	
11	323	
12	344	

- Notes
1. - Maximum panel thickness with standard handle shaft is 9.5mm. Other shaft lengths can be specially provided.
 2. Switches having more than 5 cells must be mounted on a common rigid support front and rear, otherwise shock tolerance is not maintained.
 3. Maximum time of contact disturbance under shock of made contacts = 3ms. Malfunction of the open contacts does not occur.

MAXIMUM RATINGS IN AMPS (See Page 5)

VOLTS	TYPE OF CIRCUIT	AMPS
24V dc	Non-Inductive	35
24V dc	Inductive Time Constant 0.1 Sec	25
220V dc	Non-Inductive	30
220V dc	Inductive Time Constant 0.01 Sec	20
220V dc	Inductive Time Constant 0.02 Sec	12.5
220V dc	Inductive Time Constant 0.03 Sec	8.0
220V dc	Inductive Time Constant 0.04 Sec	3.5
440V dc	Non-Inductive	12.0
115V 60Hz	Power Factor 0.8 Lagging	25
440V 60Hz	Power Factor 0.8 Lagging	15
	As an Isolating Switch	35



**ROTARY PACKET SWITCH SANTON TYPES RP3/Panel and BC3/Base Mtg (CURRENT)
No. 3 FRAME SIZE**

DESCRIPTION - Rotary switch, 4 position, quick make and break

FIXING - Type BC3 2 x M6 Bolts
Type RP3 2 x M6 Bolts with additional 2 x M6 Bolts on base over 14 discs.

WEIGHT - Varies with dimension 'X' Refer to Santon catalogue for details.

TERMINALS - Saddle clamps

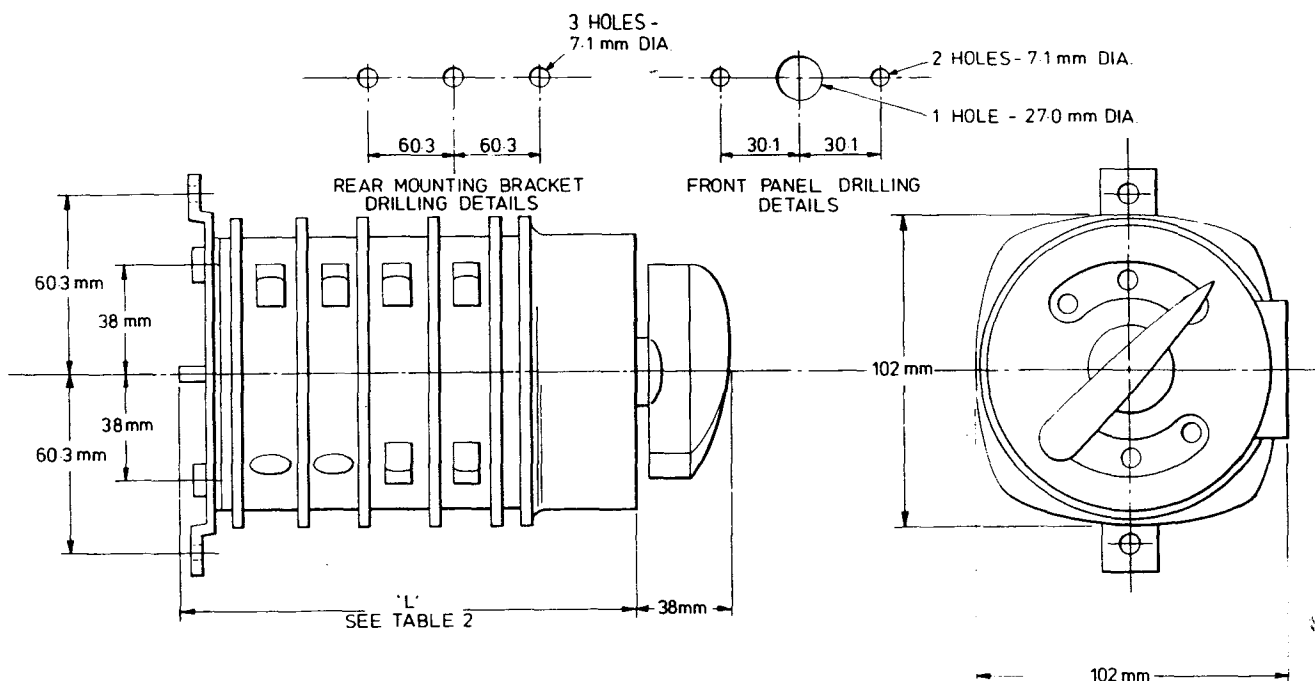
REPLACEMENT SPARE - Complete switch

MAGNETIC CLASSIFICATION - Category C

- Notes**
1. Maximum panel thickness with standard handle shaft is 4mm, other shaft lengths can be specially provided.
 2. No contact disturbance occurs during shock.

MAXIMUM RATINGS IN AMPS (See Page 5)

VOLTS	TYPE OF CIRCUIT	AMPS
24V dc	Non-Inductive	40
24V dc	Inductive Time Constant 0.1 Sec	10
220V dc	Non-Inductive	30
220V dc	Inductive Time Constant 0.01 Sec	10
220V dc	Inductive Time Constant 0.04 Sec	3
400V dc	Non-Inductive	12.5
440V 60Hz	Power Factor 0.8	15
115V 60Hz	Power Factor 0.8	35



ROTARY CAM SWITCH, F.K.I. TYPE A604Q (CURRENT)

MAXIMUM RATINGS IN AMPS (See Page 5)

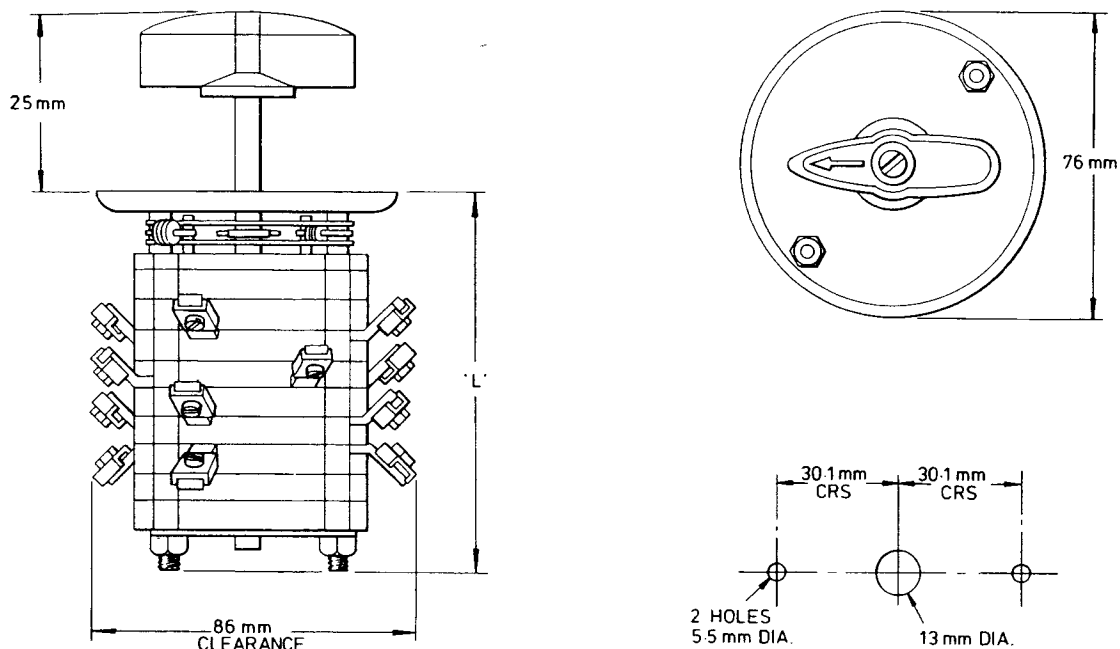
VOLTS	TYPE OF CIRCUIT	AMPS
24V dc	Non- Inductive	55
24V dc	Inductive Time Constant 0.1 sec	30
220V dc	Non-Inductive	40
220V dc	Inductive Time Constant 0.01 sec	30
220V dc	Inductive Time Constant 0.02 sec	20
220V dc	Inductive Time Constant 0.03 sec	15
220V dc	Inductive Time Constant 0.04 sec	12.5
400V dc	Non-Inductive	15
115V 60Hz	Power Factor 0.8	55
440V 60Hz	Power Factor 0.8	45
	As an Isolating Switch	55

MAGNETIC CLASSIFICATION - Category C

Notes:

1. This switch has four positions and a quick make and break mechanism.
2. Maximum panel thickness with standard handle shaft is 9.5mm. Other shaft lengths can be specially provided.
3. Maximum time of contact disturbance during shock of the "made" contacts is 42.2 millisecc. Maloperation of the open contacts does not occur.
4. In order to meet shock requirements switches having more than three cells must be supported at the rear as well as the front. Both supports must be attached to a common rigid structure.

No of cells	'L' mm	WEIGHT
1	113	
2	156	
3	197	
4	254	
5	298	
6	342	
7	386	
8	429	
9	473	
10	517	
11	560	
12	602	



ROTARY CAM SWITCH, F.K.I. TYPE A304S (CURRENT)

DESCRIPTION - Rotary switch, with slow make and break mechanism, suitable for ac and low voltage dc circuits only. For operating voltages and currents see table.

FIXING - 2 x M5 Screws
WEIGHT - Varies with dimension 'L' see table

TERMINALS - 2 BA saddle clamps
REPLACEMENT SPARE - Handle NSN 5355-99-529-6700
 NS Cat No 0569/529-6700

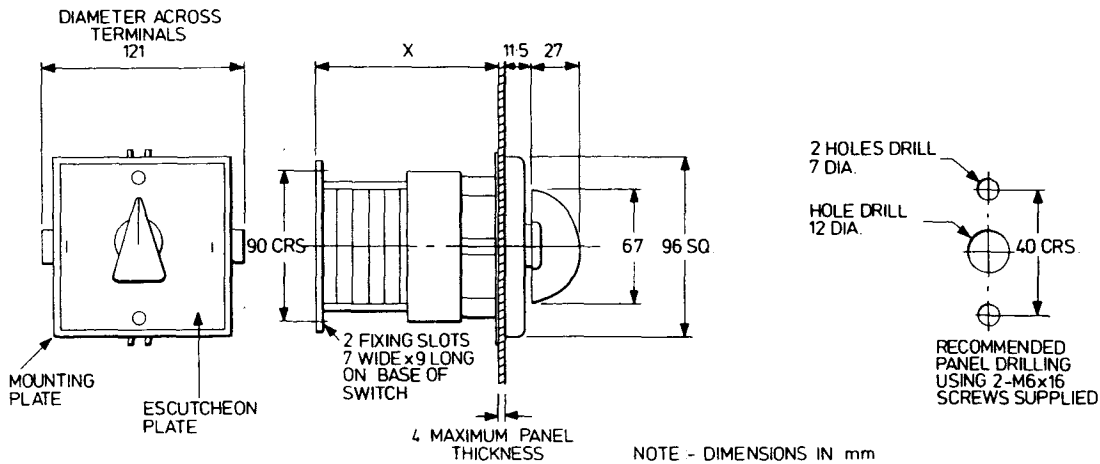
MAGNETIC CLASSIFICATION - Category C

- Notes**
1. Maximum panel thickness with standard handle shaft is 9.5mm. Other shaft lengths can be specially provided.
 2. Switches having more than 3 cells must be mounted on a common rigid support front and rear, otherwise shock tolerance is not maintained.
 3. Contact arrangements are shown in the diagrams opposite. From 2 to 8 switching positions are provided, but where 4 or less positions are required, the quick make and break version should be used.
 4. Maximum time of contact disturbance of the made contacts under shock = 3ms. Malfunction of the open contacts does not occur.

No of CELLS	'L' mm	WEIGHT
1	73	
2	95	
3	117	
4	140	
5	162	
6	184	
7		
8		
9		
10		
11		
12		
13		
14		
15		
16		
17		
18		
19		
20		

VOLTS	TYPE OF CIRCUIT	AMPS
24Vdc	Non-Inductive	50
60Vac	0.82pf	50
60Vac	0.3pf	20
440Vac	1.0pf	15

MAX RATINGS IN AMPS (See Page 5)



ROTARY PACKET SWITCH, SANTON TYPE C6H --/SK239 'MODIFIED' (CURRENT)

DESCRIPTION - Rotary switch 2, 3 or 4 position, 1 to 6 pole quick make or break;

NOTE: To meet MOD requirements, extra locating pips are required on the fixed contacts of this switch. In order to ensure that this feature is incorporated the suffix code SK239 should be added to the basic rotary switch reference number as shown above.

FIXING - 2 x M6 Bolts

WEIGHT - Varies with Dimension X (Refer to current Santon catalogue for details).

TERMINALS - 7mm dia hole (see Note 2)

REPLACEMENT SPARE - Complete switch

MAGNETIC CLASSIFICATION - Category C

- Notes
1. The length of handle shaft is suitable for panel thicknesses up to 4mm max.
 2. All switches are supplied less terminal clamps, nuts, washers and screws. These items supplied to special order only.
 3. Switches having more than 4 poles must be mounted on a common rigid support front and rear.
 4. No contact disturbance occurs during shock or vibration

MAXIMUM RATINGS IN AMPS (See Page 5)

	CIRCUITS	ON/OFF SWITCH
115V ac 60Hz	Power Factor 0.8 Lagging	60
440V ac 60Hz	Power Factor 0.8 Lagging	60
220V dc	Non-Inductive	60

4.a(1)(b) SWITCHES MANUALLY OPERATED, ROTARY, MOD DESIGN

SELECTION GUIDE AND CONTENTS

Type	No of Poles	Maximum				Enclosure	Cable Facility	Special Features	NSN 5930-99 NS Cat No 0567/	Page	Appropriation
		Voltage		Current A							
		dc	ac	dc	ac						
On/Off	1	220	-	3	-	WT 0.4bar	2x1c 7.5D		435-6223	21	OBSOLESCE
		220	115	6	6	WT 0.1bar	3x1c 7.9D	Fixed handle Loose key	428-3170	24	OBSOLESCE
		220	115	6	6	WT 0.1bar	3x1c 7.9D		429-8649	24	OBSOLESCE
		220	115	6	14	WT 0.1bar	1x2c 16D		428-3112	25	OBSOLESCE
	2	220	115	6	14	WT 0.4bar	6x1c 7D	Fixed handle Loose key	428-3171	29	OBSOLESCE
		220	115	6	14	WT 0.4bar	6x1c 7D		428-3172	31	OBSOLESCE
		220	115	6	14	NWT	4xconduit (25mm)		429-8945	33	OBSOLESCE
		220	115	14	14	WT 0.4bar	2x2c 15D	With Security Cover for Photocopier Supplies	428-3173	29	OBSOLESCE
		220	115	10	20	WT 0.1bar	4x1c 7.9D		460-4620	25	OBSOLESCE
		220	115	18	26	WT 0.4bar	4x1c 10D		428-3123	32	OBSOLESCE
		220	115	18	30	WT 0.4bar	1x2c 25D		429-8935	26	OBSOLESCE
			440	-	-	10	WT 0.4bar		2x2c 15D	435-6184	27
		240	-	-	10	NWT			790-6719	28	CURRENT
	3	-	440	-	10	WT 0.4bar	2x3c 17D	Locking facility	428-3144	30	OBSOLESCE
		-	440	-	25	WT 0.4bar	2x3c 22D		435-6185	30	OBSOLESCE
		-	115)	-	15)	WT 0.4bar	2x3c 10D				
-		440)	-	10)			523-3498		23	CURRENT	
4	220	115	6	6	WT 0.4bar	6x8D 8x1c 2x10D		428-3136	27	OBSOLESCE	

(continued)

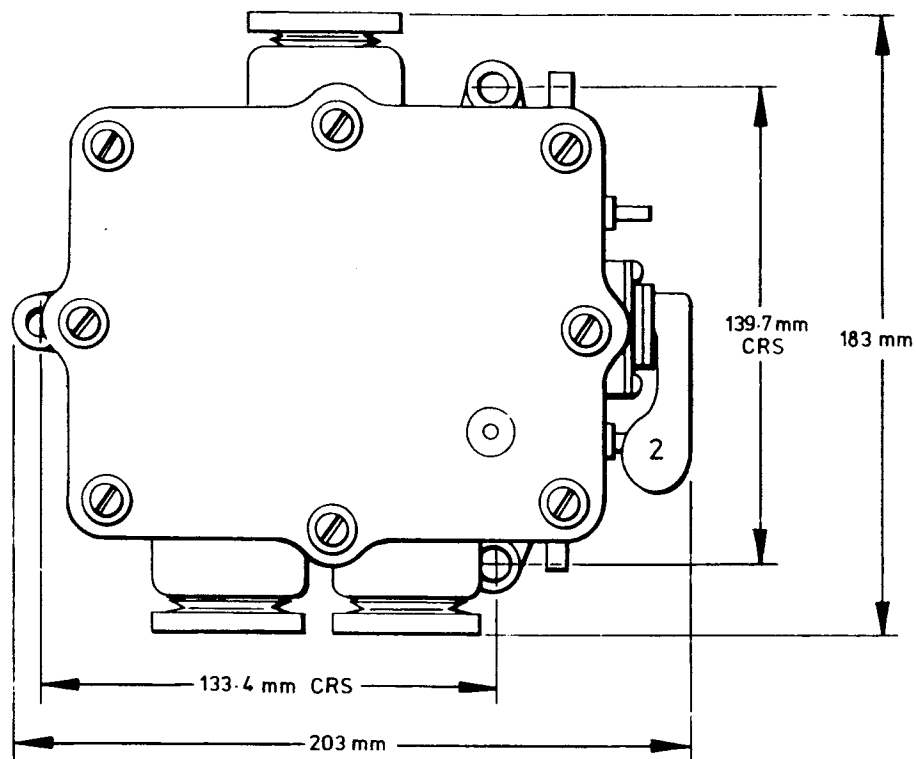
NOTE

Refer to NES 541 for commercial alternatives

Type	No of Poles	Maximum				Enclosure	Cable Facility	Special Features	NSN 5930-99 NS Cat No 0567/	Page	Appropriation
		Voltage		Current A							
		dc	ac	dc	ac						
Change over (No Off)	2	220	115	6	14	WT 0.4bar WT 0.4bar WT 0.4bar	6x1c 10D 3x2c 25D 6x1c 10D		428-3174 428-3124 435-6120	31 19 26	OBSOLESCE OBSOLESCE OBSOLESCE
		220	115	18	30						
		220	115	18	30						
	3	-	440	-	10	WT 0.4bar WT 0.4bar	3x3c 17D 3x3c 22D		428-3145 428-3146	20 20	OBSOLESCE OBSOLESCE
		-	440	-	25						
	5	250	250 440 115	10	10) 4) 7)	WT 0.4bar	1x10c 16D	Locking facility	523-3497	23	CURRENT
Emerg'y Change Over	3	-	440	-	30	Drip proof	2x3c 22D or conduit		428-3158	22	OBSOLESCE

NOTE

Refer to NES 541 for commercial alternatives



SWITCH (OBSOLESCE)

NSN 5930-99-428-3124, NS Cat No 0567/428-3124, Formerly - AP 11773
DESCRIPTION - 220V dc 18 amp, 115V ac 30 amp (non-inductive), Double pole,
change-over, no OFF, fixed handle. Aluminium alloy enclosure,
for bulkhead mounting.

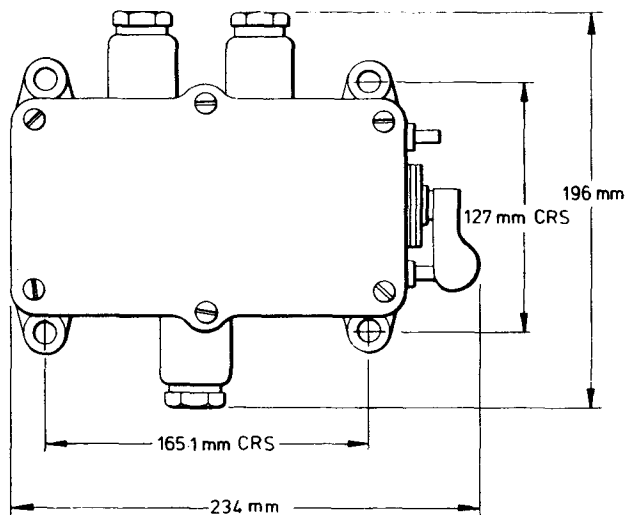
GA DRAWING - DEE 56213
PROJECTION - 79mm
FIXING - 3 x M8 Bolts
WEIGHT - 0.9kg
WATERTIGHT - 0.4bar
GLANDS - 3 x No 4 to SEE 125
TERMINALS - 0 BA Screws
CABLES - 3 x 2 core max dia 25mm
INSTALLATION NOTES - Mount vertically as shown
REPLACEMENT SPARES - Operating spring NS Cat No 0567/1175
Contact Block NS Cat No 0567/1176
MAGNETIC CLASSIFICATION - None

NES 538
Issue 4

SWITCH (OBSOLESCE)

NSN 5930-99-428-3145, NS Cat No 0567/428-3145, Formerly - AP 18010
DESCRIPTION - Triple pole, change-over, no OFF position, 440V ac, 10 amp.
Fixed handle, aluminium alloy enclosure for bulkhead mounting.

GA DRAWING - DEE 18536
PROJECTION - 79mm
FIXING - 4 x M8 Bolts
WEIGHT - 1.4kg
WATERTIGHT - 0.4bar
GLANDS - 3 x No 1 to DEE 18002



TERMINALS - 4 BA saddle clamps
CABLES - 3 x 3 core max dia 17mm

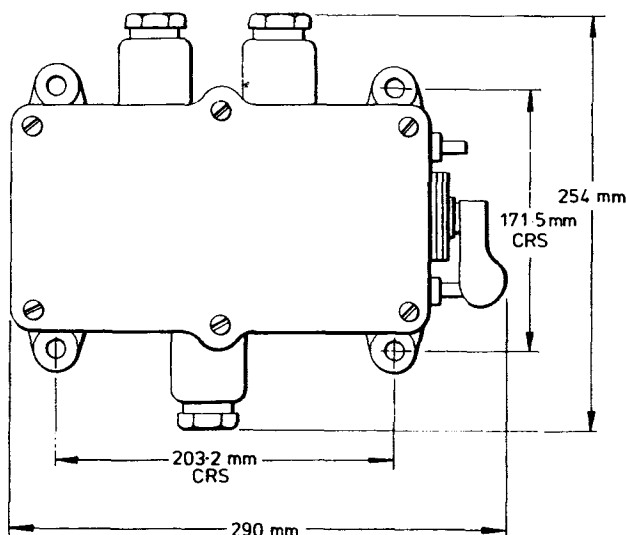
REPLACEMENT SPARES - Operating Spring NS Cat No 0567/1175

MAGNETIC CLASSIFICATION - None

SWITCH (OBSOLESCE)

NSN 5930-99-428-3146, NS Cat No 0567/428-3146, Formerly - AP 18013
DESCRIPTION - Triple pole, change-over, no OFF position, 440V ac, 25 amp.
Fixed handle, aluminium alloy enclosure for bulkhead mounting.

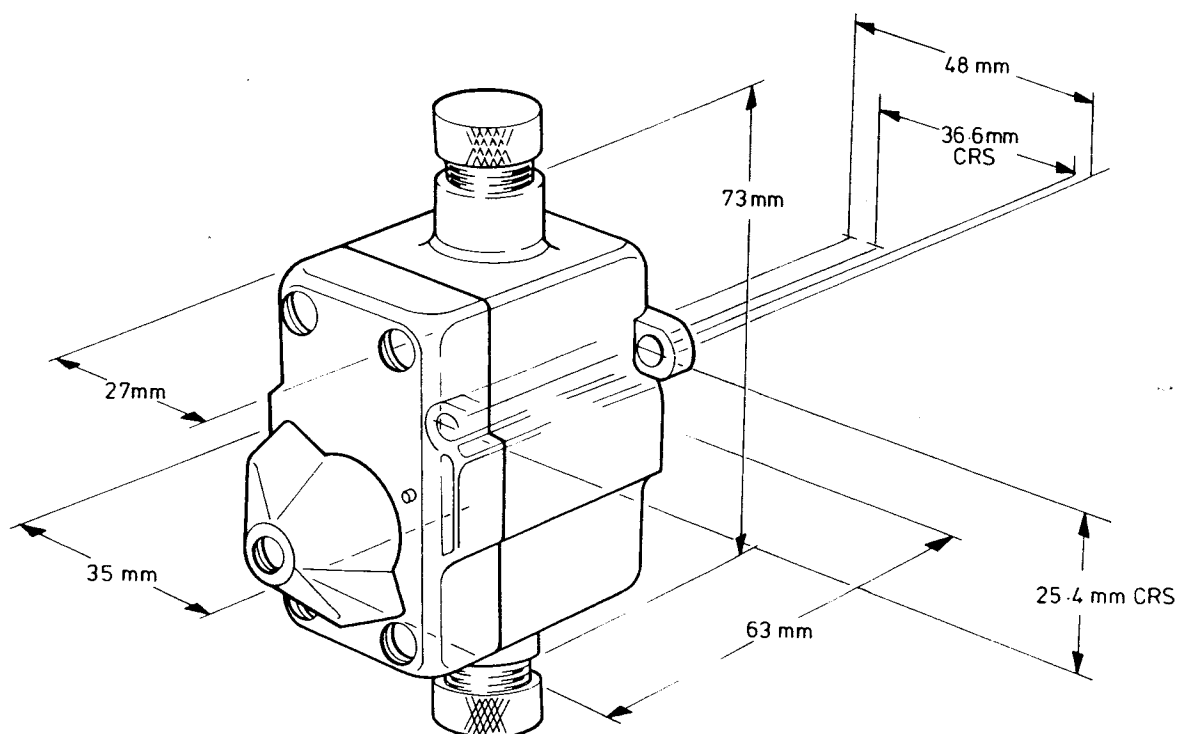
GA DRAWING - DEE 18537
PROJECTION - 92mm
FIXING - 4 x M8 Bolts
WEIGHT - 4.3kg
WATERTIGHT - 0.4bar
GLANDS - 3 x no 2 to DEE 18002



TERMINALS - 2 BA screws
CABLES - 3 x 3 core max dia 22mm

REPLACEMENT SPARES - None

MAGNETIC CLASSIFICATION - None



SWITCH (OBSCULESCENT)

NSN 5930-99-435-6223, NS Cat No 0567/435-6223, Formerly - AP 47551

DESCRIPTION - Rotary switch, single pole, ON/OFF, 220V dc, 3 amp.

Aluminium alloy enclosure, for use on motor boats on circuits of 12 or 6 volts and where the loading does not exceed 3 amp.

GA DRAWING - SEE 1413

PROJECTION - 63mm

FIXING - 2 x M4 Bolts

WEIGHT - 0.3kg

WATERTIGHT - 0.4bar

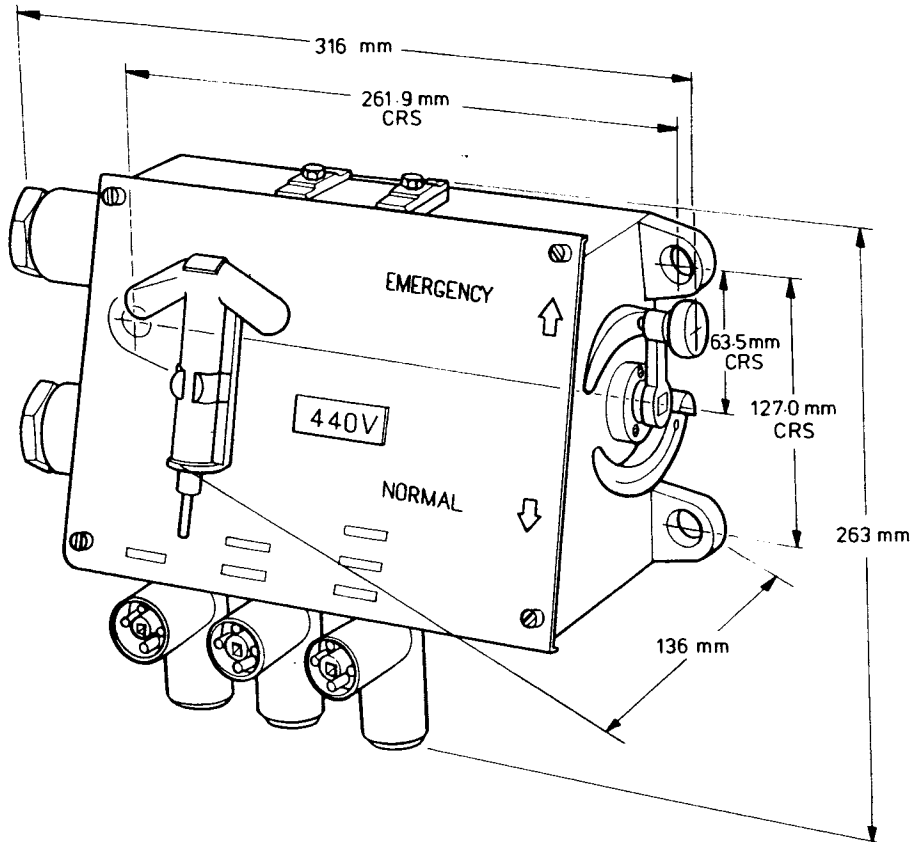
GLANDS - 2 x size No 1 to SEE 125 (6.3mm BS pipe thread)

TERMINALS - Screws

CABLES - 2 x single core max dia 7.55mm

REPLACEMENT SPARES - Switch interior 0568/419-7487

MAGNETIC CLASSIFICATION - Category C



SWITCH, EMERGENCY - CHANGEOVER (OBSOLESCE)

NSN 5930-99-428-3158, NS Cat No 0567/428-3158, Formerly - AP 18085

DESCRIPTION - Triple pole, change-over, no OFF position, isolating switch.
440V ac, 30 amp maximum as an isolating switch. Aluminium alloy enclosure for bulkhead mounting.

GA DRAWING - DEE 61854 (Manufacturing drawings of Switch, Series DEE 61854 to DEE 61873 inc). Emergency Sockets to drawing DEE 24079.

PROJECTION - 136mm

FIXING - 3 x M8 Bolts

WEIGHT - 6.1kg

WATERTIGHT - Drip proof

GLANDS - 2 x DEE 18002 No 2 and conduit outlet

TERMINALS - DEE 5353 No 1 soldering sockets and clamps

CABLES - 2 x 3 core via two DEE 18002 glands max dia 22mm or
3 separate cables via conduit fitted to top of case

REPLACEMENT SPARES - Emergency Key NS Cat No 0559/445-8498

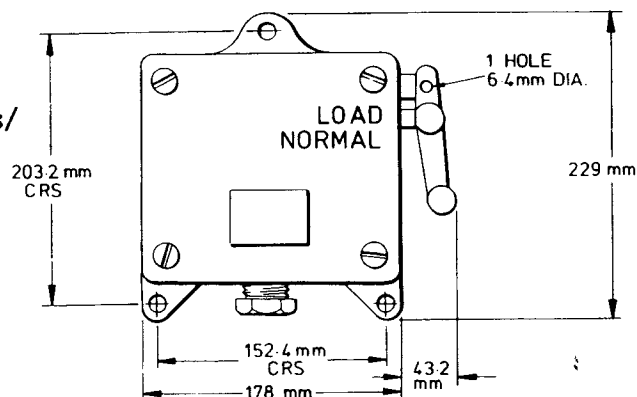
MAGNETIC CLASSIFICATION - None

SWITCH (CURRENT)

NSN 5930-99-523-3497, NS Cat No 0567/523-3497

DESCRIPTION - 5-pole changeover switch, no OFF 250V, 10 amp ac/dc (non-inductive) off load. Supply selector 440V, 4 amp ac, 115V 7 amp ac. Lockable handle, aluminium alloy enclosure.

GA DRAWING - 007 506 812
 PROJECTION - 114mm
 FIXING - 3 x M8 Bolts
 WEIGHT -
 WATERTIGHT - 0.4bar
 GLANDS - 1 x No 3 to Spec DG Ships/
 EED/V1/1535



TERMINALS - 12 way - max conductor size 7/.029in (2.5 sq mm)
 CABLES - 1 x multicore maximum dia 16mm
 REPLACEMENT SPARES - Switch unit NS Cat No 0567/429-8763

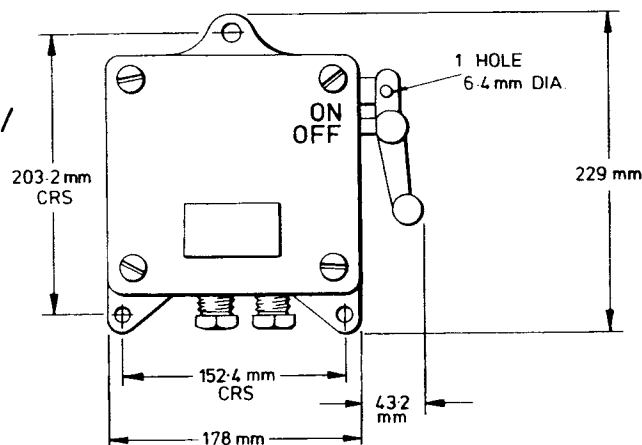
MAGNETIC CLASSIFICATION - None

SWITCH (CURRENT)

NSN 5930-99-523-3498, NS Cat NO 0567/523-3498

DESCRIPTION - 3-pole, ON/OFF 440V, 10 amp ac, 115V, 15amp ac (non-inductive). Lockable handle, Aluminium alloy enclosure.

GA DRAWING - 007 506 824
 PROJECTION - 114mm
 FIXING - 3 x M8 Bolts
 WEIGHT -
 WATERTIGHT - 0.4bar
 GLANDS - 2 x No 2 to Spec DG Ships/
 EED/V1/1535



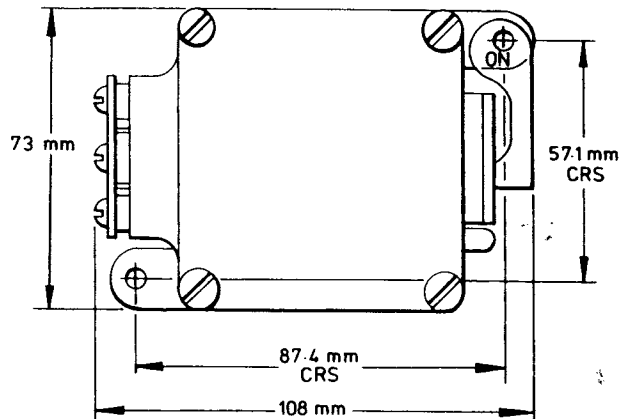
TERMINALS - 12 way - max conductor size 2.5 sq mm
 CABLES - 2 x 3 core maximum dia 10mm
 REPLACEMENT SPARES - Switch unit NS Cat No 0567/205647

MAGNETIC CLASSIFICATION - None

SWITCH (OBSCOLESCENT)

NSN 5930-99-428-3170, Ns Cat No 0567/428-3170, Formerly - AP 40811
DESCRIPTION - Single pole ON/OFF, 220V dc / 115V ac, 6 amp. Fixed handle,
aluminium alloy enclosure for bulkhead mounting.

- GA DRAWING - DEE B58813
- PROJECTION - 57mm
- FIXING - 2 x M6 Bolts
- WEIGHT - 0.7kg
- WATERTIGHT - 0.1bar
- GLANDS - 1 x 3 hole gland size Z
to DGS/EED/V1 1535 Type 4

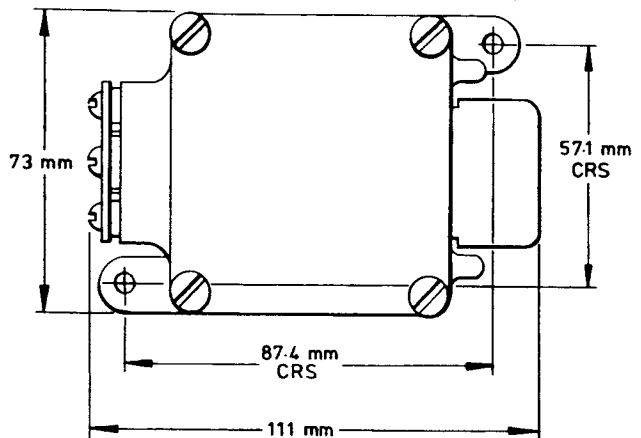


- TERMINALS - 4 BA Connection headed screws.
- CABLES - 3 single core, max dia 7.9mm
- REPLACEMENT SPARES - Drum Assembly NS Cat No 0567/4200, Fixed Contact NS Cat No 0567/4116, Operating Spring NS Cat No 0567/42011
- MAGNETIC CLASSIFICATION - Category A

SWITCH (OBSCOLESCENT)

NSN 5930-99-429-8649. NS Cat No 0567/429-8649, Formerly - AP 40831
DESCRIPTION - Single pole ON/OFF 220V dc / 115V ac, 6 amp. Loose key
(square) aluminium alloy enclosure for bulkhead mounting.

- GA DRAWING - DEE B58812
- PROJECTION - 57mm
- FIXING - 2 x M6 Bolts
- WEIGHT - 0.7kg
- WATERTIGHT - 0.1bar
- GLANDS - 1 x 3 hole gland size Z
to DGS/EED/V1/1535 Type 4

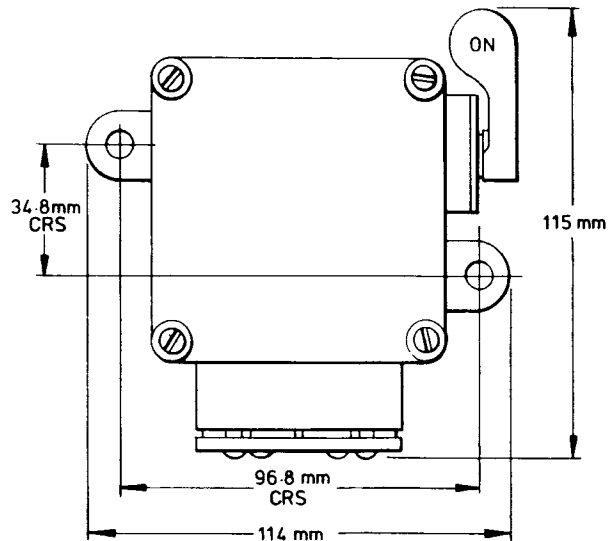


- TERMINALS - 4 BA Connection headed screws.
- CABLES - 3 single core, max dia 7.9mm
- REPLACEMENT SPARES - Drum Assembly NS Cat No 0567/4200, Fixed Contact NS Cat No 0567/4116, Operating Spring NS Cat No 0567/42011, Loose Key NS Cat No 0567/4213
- MAGNETIC CLASSIFICATION - None

SWITCH (OBSELESCENT)

NSN 5930-99-460-4620, Ns Cat No 0567/460-4620, Formerly - AP 4221
DESCRIPTION - Double pole ON/OFF, 220V dc, 10 amp, 115V ac, 20 amp
(non-inductive). Fixed handle, aluminium alloy enclosure
for bulkhead mounting.

GA DRAWING - DEV 1366
PROJECTION - 62mm
FIXING - 2 x M6 Bolts
WEIGHT - 0.5kg
WATERTIGHT - 0.1bar
GLANDS - 2 x 2 hole, size X to
DEE 5100.



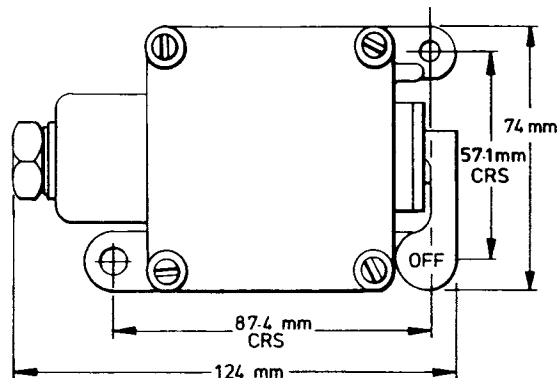
TERMINALS - 3 BA Connection heads.
CABLES - 4 single core, max dia 7.9mm
REPLACEMENT SPARES - Spring AP4465

MAGNETIC CLASSIFICATION - None

SWITCH (OBSELESCENT)

NSN 5930-99-428-3112, NS Cat No 0567/428-3112, Formerly - AP 4087
DESCRIPTION - Single pole ON/OFF 220V dc, 6 amp, 115V ac, 14 amp
(non-inductive). Fixed handle, aluminium alloy enclosure for
bulkhead mounting.

GA DRAWING - DEE 57365
PROJECTION - 57mm
FIXING - 2 x M6 Bolts
WEIGHT - 0.5kg
WATERTIGHT - 0.1bar
GLANDS - 2 x 2 hole, size X to
DEE 5100.



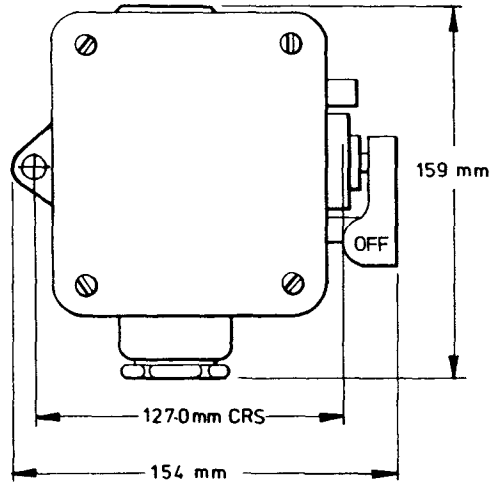
TERMINALS - 3 BA Connection heads
CABLES - 4 single core, max dia 7.9mm
REPLACEMENT SPARES - Fixed Contact - NS Cat No 0567/4116
Operating Spring - NS Cat No 0567/42011
Drum Assembly - NS Cat No 0567/4200

MAGNETIC CLASSIFICATION - None

SWITCH (OBSOLESCENT)

NSN 5930-99-429-8935, Ns Cat No 0567/429-8935, Formerly - AP 1174
DESCRIPTION - Double pole ON/OFF, 220V dc, 18 amp, 115V ac, 30 amp
(non-inductive). Fixed handle, aluminium alloy enclosure
for bulkhead mounting.

GA DRAWING - DEE 54995
PROJECTION - 75mm
FIXING - 2 x M8 Bolts
WEIGHT - 1.0kg
WATERTIGHT - 0.4bar
GLANDS - 1 x No 4 to SEE 125

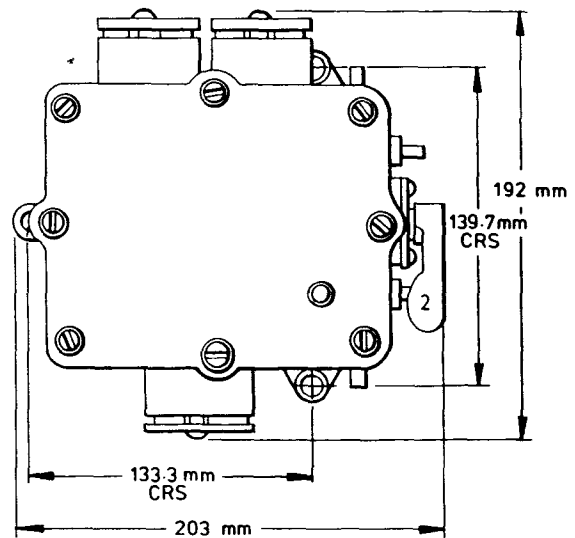


TERMINALS - 0 BA Saddle clamps
CABLES - 1 twih core, max dia 25mm
REPLACEMENT SPARES - Operating Spring NS Cat No 0567/1175
Contact Block NS Cat No 0567/1176
MAGNETIC CLASSIFICATION - None

SWITCH (OBSOLESCENT)

NSN 5930-99-435-6120, NS Cat No 0567/435-6120, Formerly - AP 11772
DESCRIPTION - Double pole, change-over, no OFF position, 220V dc, 18 amp,
115V ac, 30 amp (non-inductive). Fixed handle, aluminium alloy
enclosure for bulkhead mounting.

GA DRAWING - DEE 56213
PROJECTION - 79mm
FIXING - 3 x M8 Bolts
WEIGHT - 1.1kg
WATERTIGHT - 0.4bar
GLANDS - 3 x 2 hole, Type 4 Size Z
to DGS/EED/V1/1535



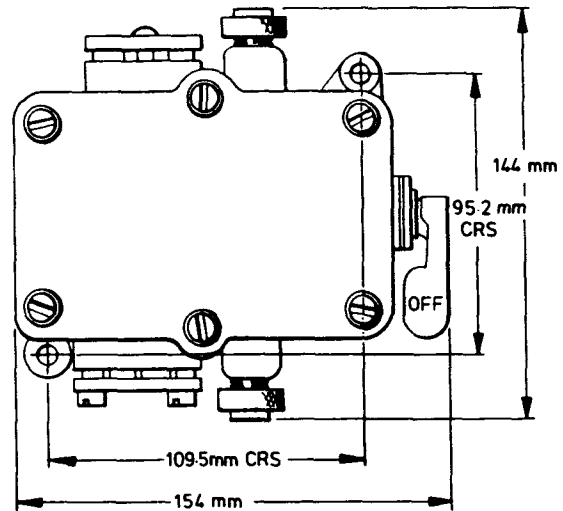
TERMINALS -
CABLES - 6 single core, max dia 10mm
REPLACEMENT SPARES - Operating Spring NS Cat No 0567/1175
Contact Block NS Cat No 0567/1176

MAGNETIC CLASSIFICATION - None

SWITCH (OBSCOLESCENT)

NSN 5930-99-428-3136, Ns Cat No 0567/428-3136, Formerly - AP 17940
DESCRIPTION - Four pole ON/OFF, 220V dc / 115V ac, 6 amp. Fixed handle,
aluminium alloy enclosure for bulkhead mounting.

GA DRAWING - DEE 12691
PROJECTION - 74mm
FIXING - 2 x M6 Bolts
WEIGHT - 0.9kg
WATERTIGHT - 0.4bar
GLANDS - 1 x 4 hole, 1 x 2 hole,
Type 4 Size Z to
DGS/EED/V1/1535 and
2 x No 2 to SEE 125

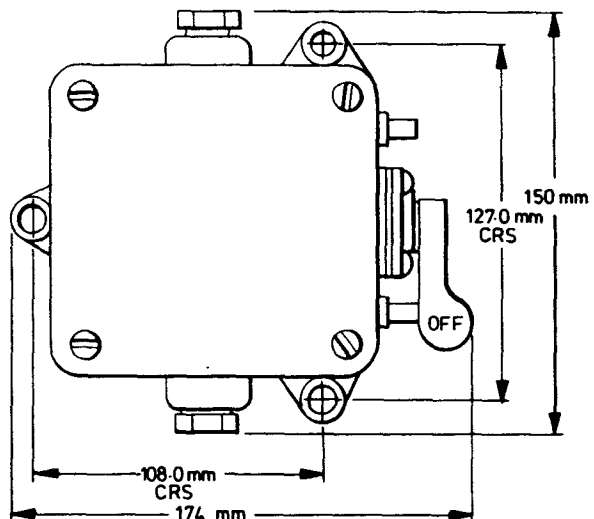


TERMINALS - 4 BA saddle clamps
CABLES - 6 single core, max dia 8mm
2 single core, max dia 10mm
REPLACEMENT SPARES - Fixed Contact NS Cat No 0567/41162
Operating Spring NS Cat No 0567/17958
MAGNETIC CLASSIFICATION - Category A

SWITCH (OBSCOLESCENT)

NSN 5930-99-435-6184, NS Cat No 0567/435-6184, Formerly - AP 18011
DESCRIPTION - Double pole, ON/OFF, 440V ac, 10 amp, fixed handle,
aluminium alloy enclosure for bulkhead mounting.

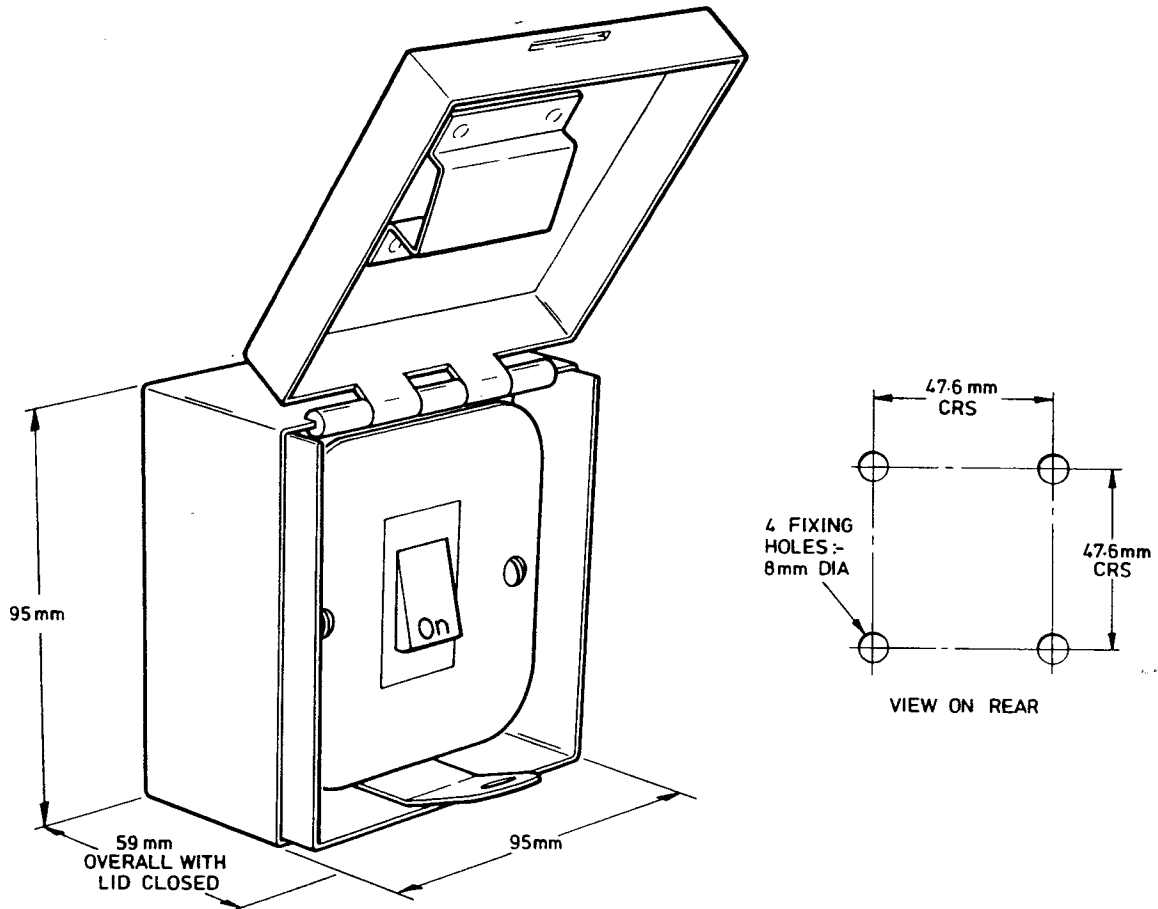
GA DRAWING - DEE 18533
PROJECTION - 79mm
FIXING - 3 x M8 Bolts
WEIGHT - 1.0kg
WATERTIGHT - 0.4bar
GLANDS - 2 x No 3 to SEE 125



TERMINALS - 4 BA saddle clamps
CABLES - 2 twin core, max dia 15mm

REPLACEMENT SPARES - Operating Spring NS Cat No 0567/1175
Contact Block NS Cat No 0567/1176

MAGNETIC CLASSIFICATION -



SWITCH (CURRENT)

NSN 5930-99-790-6719. NS Cat No 0567/790-6719

DESCRIPTION - Switch 20 amp, 240V ac, Double pole with Security Cover, for bulkhead mounting. For Photocopier Supplies.

GA DRAWING - PSA DOE 11730/106 applies but with MK Switch 942 ALM replaced by MK Switch 5212 ALM.

- PROJECTION -
- FIXING -
- WEIGHT -
- WATERTIGHT -
- GLANDS -
- TERMINALS -
- CABLES -

INSTALLATION NOTES - Mount switch and enclosure so that lid wedge matches the switch rocker in the OFF position.

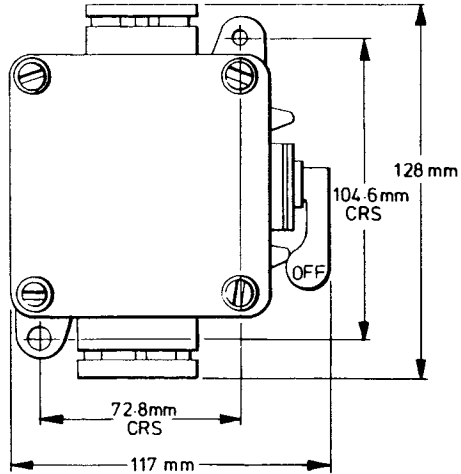
MAGNETIC CLASSIFICATION - None

Note: Suitable Padlock is Chubb 'Ava' 2"
NS Cat No 0265/956-6486 or Similar

SWITCH (OBSOLESCEMENT)

NSN 5930-99-428-3171, NS Cat No 0567/428-3171, Formerly - AP 40892
DESCRIPTION - Double pole, ON/OFF. 220V dc, 6 amp, 115V ac, 14 amp (non-inductive). Fixed handle, aluminium alloy enclosure for bulkhead mounting.

GA DRAWING - DEE 12088
PROJECTION - 62mm
FIXING - 2 x M6 Bolts
WEIGHT - 0.7kg
WATERTIGHT - 0.4bar
GLANDS - 1 x 4 hole, & 1 x 2 hole,
Type 4 Size Z to
DGS/EED/V1/1535



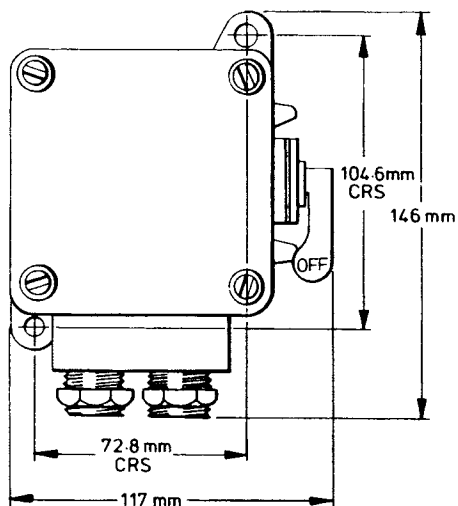
TERMINALS - 4 BA saddle clamps
CABLES - 6 single core, max dia 7mm
REPLACEMENT SPARES - Fixed Contact NS Cat No 0567/41162
Drum Assembly NS Cat No 0567/42062
Operating Spring NS Cat No 0264/428-3138
Insulated Base NS Cat No 0567/435-6222
Crank NS Cat No 0567/435-6176

MAGNETIC CLASSIFICATION - Category A

SWITCH (OBSOLESCEMENT)

NSN 5930-99-428-3173, NS Cat No 0567/428-3173, Formerly - AP 40972
(MCMV Equivalent 0579/537-5962)
DESCRIPTION - Double pole, ON/OFF, 220V dc, 6A, 115V ac, 14 amp (non-inductive).
Fixed handle, aluminium alloy enclosure for bulkhead mounting.

GA DRAWING - DEE 12088
PROJECTION - 62mm
FIXING - 2 x M6 Bolts
WEIGHT - 0.7kg
WATERTIGHT - 0.4bar
GLANDS - 2 x No 3, Type 1 to
DGS/EED/V1/1535



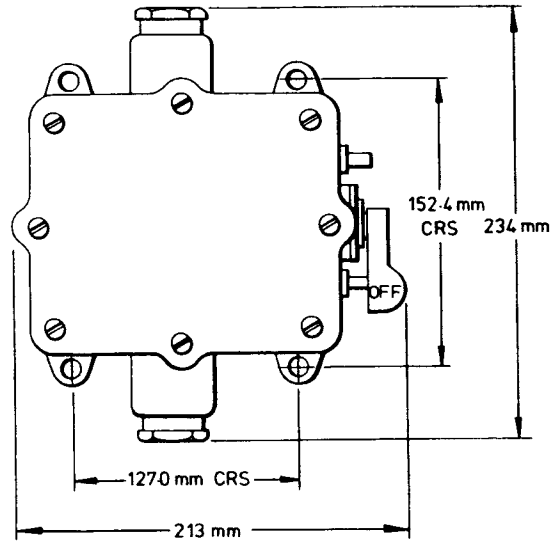
TERMINALS - 4 BA saddle clamps
CABLES - 2 twin core, max dia 15mm
REPLACEMENT SPARES - Fixed Contact NS Cat No 0567/41162
Drum Assembly NS Cat No 0567/42062
Operating Spring NS Cat No 0264/428-3138
Insulated Base NS Cat No 0567/435-6222
Crank NS Cat No 0567/435-6176

MAGNETIC CLASSIFICATION - Category C

SWITCH (OBSELESCENT)

NSN 5930-99-435-6185, NS Cat No 0567/435-6185, Formerly - AP 18012
DESCRIPTION - 440V ac 25 amp, Triple pole, ON/OFF, fixed handle. Aluminium alloy enclosure, for bulkhead mounting.

- GA DRAWING - DEE 18534
- PROJECTION - 91mm
- FIXING - 4 X M8 Bolts
- WEIGHT - 1.1kg
- WATERTIGHT - 0.4bar
- GLANDS - 2 x No 2 to DEE 18002



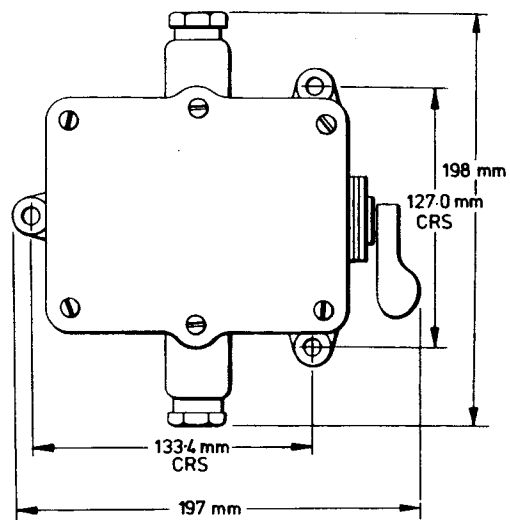
- TERMINALS - 2 BA Screws
- CABLES - 2 x 3 core max dia 22mm
- INSTALLATION NOTES - Mount vertically as shown
- REPLACEMENT SPARES - None

MAGNETIC CLASSIFICATION - None

SWITCH (OBSELESCENT)

NSN 5930-99-428-3144, NS Cat No 0567/428-3144, Formerly - AP 18009
DESCRIPTION - Triple pole, ON/Off, 440V ac, 10 amp. Fixed handle, aluminium alloy enclosure for bulkhead mounting.

- GA DRAWING - DEE 18535
- PROJECTION - 79mm
- FIXING - 3 x M8 Bolts
- WEIGHT - 1 kg
- WATERTIGHT - 0.4bar
- GLANDS - 2 x No 1 to DEE 18002



- TERMINALS - 4 BA saddle clamps
- CABLES - 2 x 3 core max dia 17mm

REPLACEMENT SPARES - Operating Spring NS Cat No 0567/1175

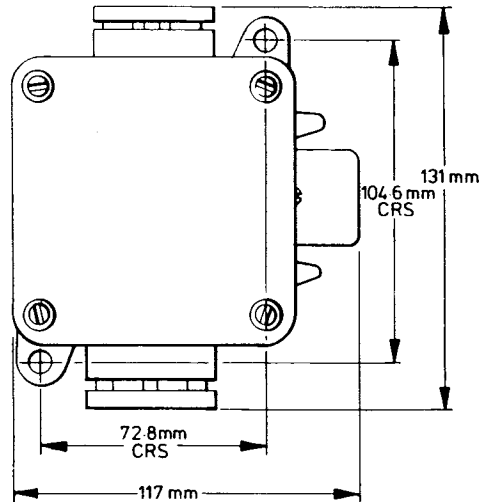
MAGNETIC CLASSIFICATION - None

SWITCH (OBSCULESCENT)

NSN 5930-99-428-3172, Ns Cat No 0567/428-3172, Formerly - AP 40912 (MCMV equivalent NS Cat No 0579/537-5963)

DESCRIPTION - Double pole, ON/OFF, for operation with loose handle, 220V dc, 6 amp, 115V ac, 14 amp (non-inductive). Aluminium alloy enclosure for bulkhead mounting.

- GA DRAWING - DEE 12088
- PROJECTION - 62mm
- FIXING - 2 x M6 Bolts
- WEIGHT - 0.7kg
- WATERTIGHT - 0.4bar
- GLANDS - 1 x 4 hole, & 1 x 2 hole, Type 4 Size Z to DGS/EED/V1/1535



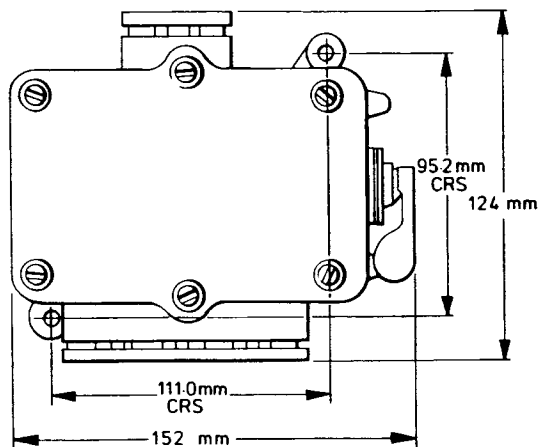
- TERMINALS - 4 BA Screws
- CABLES - 6 single core, max dia 7mm
- REPLACEMENT SPARES - Insulated base NS Cat No 0567/435-6222, Fixed Contact NS Cat No 0567/41162, Drum Assembly NS Cat No 0567/42062, Operating Spring NS Cat No 0264/428-3138, Crank NS Cat No 0567/435-6176, Handle loose NS Cat No 0567/4213
- MAGNETIC CLASSIFICATION - Category A

SWITCH (OBSCULESCENT)

NSN 5930-99-428-3174, NS Cat No 0567/428-3174, Formerly - AP 41012

DESCRIPTION - Double pole, changeover, no OFF, fixed handle, 220V dc, 6 amp, 115V ac, 14 amp (non-inductive). Aluminium alloy enclosure for bulkhead mounting.

- GA DRAWING - DEE 12086
- PROJECTION - 74mm
- FIXING - 2 x M6 Bolts
- WEIGHT - 0.8kg
- WATERTIGHT - 0.4bar
- GLANDS - 1 x 4 hole and 1 x 2 hole Type 4 Size Z to DGS/EED/V1/1535



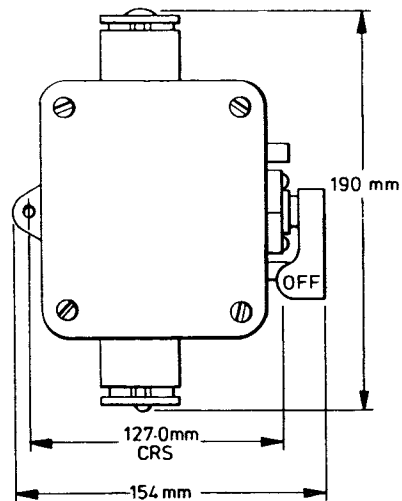
- TERMINALS - 4 BA Screws
- CABLES - 6 single core, max dia 7mm
- REPLACEMENT SPARES - Fixed Contact NS Cat No 0567/41162, Drum Assembly NS Cat No 0567/17959, Operating Spring NS Cat No 0567/17958

MAGNETIC CLASSIFICATION - Category A

SWITCH (OBSOLESCENT)

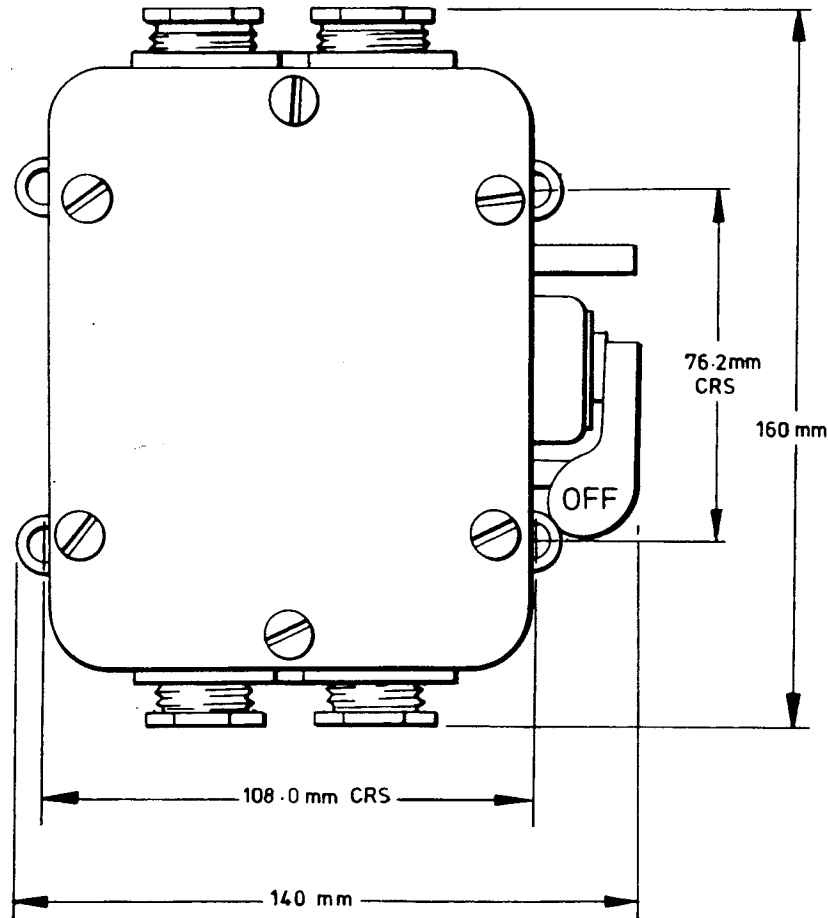
NSN 5930-99-428-3123, NS Cat No 0567/428-3123, Formerly - AP 11731
DESCRIPTION - Double pole, ON/OFF, fixed handle, 220V dc, 18 amp,
115V ac, 26 amp (non-inductive). Aluminium alloy enclosure
for bulkhead mounting.

GA DRAWING - DEE 54995
PROJECTION - 75mm
FIXING - 2 x M8 Bolts
WEIGHT - 0.7kg
WATERTIGHT - 0.4bar
GLANDS - 2 x 2 hole glands, Type 4
Size Z to
DGS/EED/V1/1535



TERMINALS - 0 BA Screws
CABLES - 4 single core, max dia 10mm
REPLACEMENT SPARES - Operating Spring NS Cat No 0567/1175
Contact Block NS Cat No 0567/1176

MAGNETIC CLASSIFICATION - None



SWITCH (OBSOLESCE)

NSN 5930-99-429-8945, NS Cat No 0567/429-8945 Formerly - AP 41002
DESCRIPTION - Double pole, ON/OFF, 220V dc, 6 amp, 115V ac, 14 amp, (non-inductive). Fixed handle, aluminium alloy enclosure, flanged machined cover joint for bulkhead mounting, totally enclosed.

GA DRAWING - DEE 59200
PROJECTION - 62mm
FIXING - 4 x M6 Bolts
WEIGHT - 0.9kg
WATERTIGHT - Non-watertight
GLANDS - 4 x 25mm conduit entries
TERMINALS - 4 x 4 BA saddle clamps
CABLES

REPLACEMENT SPARES - Fixed contact NS Cat No 0567/41162
Operating spring NS Cat No 0264/428-3138
Drum assembly NS Cat No 0567/42062

MAGNETIC CLASSIFICATION - None

4a(2) SWITCHES MANUALLY OPERATED, PUSH AND PULL

SELECTION GUIDE AND CONTENTS

Type	No of Poles	Maximum				Enclosure	Cable Facility	Special Features	NSN 5930-99 NS Cat No 0567/	Page	Appropriation
		Voltage		Current A							
		dc	ac	dc	ac						
Push/ Hand	1	24	24	5	5	NWT	-		460-4624	41	OBSOLESCE
	1	-	250	-	5	NWT	Knockouts	For desk mounting Commercial type	429-8891	38	CURRENT
	1		240		10	NWT		Can be push-to-break or push-to-make	Temp Stores GX0000916	43	CURRENT
	1	24	24	10	10	0.1bar	2x1c 8.7D		428-3162	40	OBSOLESCE
	1	24	24	5	5	0.1bar	1x2c 10D	Make	435-6213	41	OBSOLESCE
	1	24	24	5	5	0.1bar	2x1c	Make	428-3161	42	OBSOLESCE
	2	-	250	-	5	0.1bar	2x2c 10D	Shrouded-make	435-6214	42	OBSOLESCE
	2	24	24	10	10	0.1bar	1x1c 25D	Shrouded-make	428-3209	39	OBSOLESCE
	2	24	24	10	10	0.1bar	1x1c 25D	Shrouded 1-NO			
	1	24		10		0.1bar	2x1c 16D	Shrouded-make	428-3210	39	OBSOLESCE
	1	24		10		0.1bar	1x2c 16D	Shrouded-make	428-3121	44	OBSOLESCE
	1	24		10		0.1bar	1x2c 16D	Shrouded-make	435-6080	45	OBSOLESCE
	1	24		10		0.1bar	1x2c 16D	Unshrouded-	435-6081	45	OBSOLESCE
/Foot	1	24		10		0.1bar	1x2c 16D	Make	428-3120	46	OBSOLESCE
	2	24		10		0.1bar	1x2c 16D 1x2c 25D	For firing pushes-make	435-6226	47	OBSOLESCE
	2	24		10		0.1bar	1x2c 16D 1x2c 25D	For prolonged operating periods-make	435-6227	47	OBSOLESCE

(continued)

NOTE

Refer to NES 541 for Commercial Alternatives

Type	No of Poles	Maximum				Enclosure	Cable Facility	Special Features	NSN 5930-99 NS Cat No 0567/	Page	Appropriation
		Voltage		Current A							
		dc	ac	dc	ac						
Push/ Hand	2	220	440	10	10	0.4bar	2x1c 7.5D 1x2c 16D	Unshrouded- make	743-7194	37	OBSOLESCE
/Foot	2	220	440	10	10	0.4bar	2x2c 16D	Break	435-6195	37	OBSOLESCE
Pull/ Hand	2		250		15	NWT		Pull to make Pull to break	117-3211	48	CURRENT

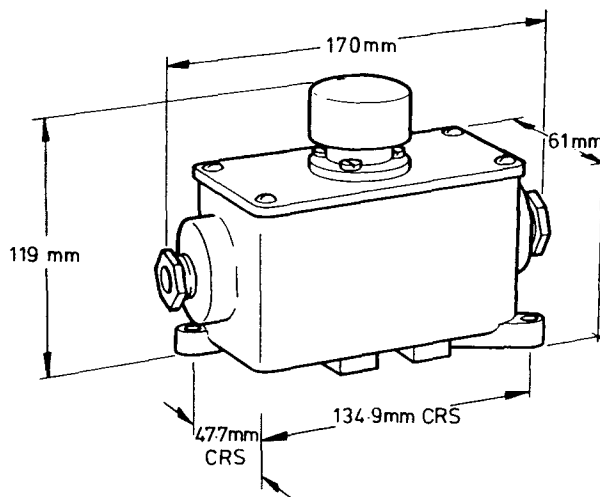
NOTE

Refer to NES 541 for Commercial Alternatives

PUSH SWITCH (OBSCOLESCENT)

NSN 5930-99-435-6195, NS Cat No 0567/435-6195, Formerly - AP 18072
DESCRIPTION - Push switch, double pole, push to break.
220V dc, 10 amp (non-inductive). 440V ac, 10 amp

GA DRAWING - DEE D24906
PROJECTION - None
FIXING - 2 x M6 Bolts
WEIGHT - 0.9kg
WATERTIGHT - 0.4bar
GLANDS - 2 x No 3 to SEE 125



TERMINALS - 4 x 4 BA saddle clamps
CABLES - 2 x twin core max dia 16mm

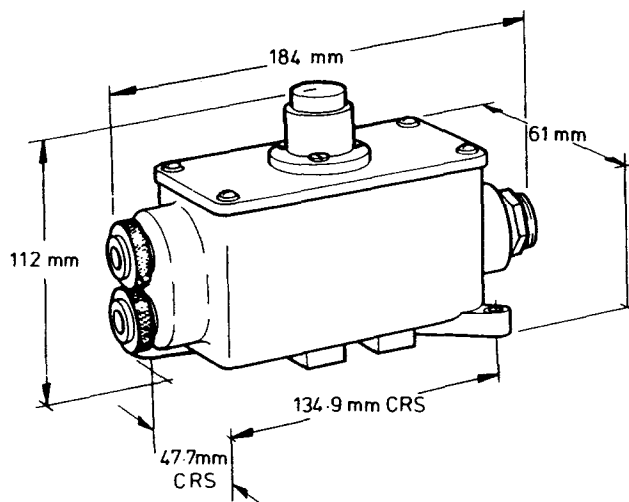
REPLACEMENT SPARES - None

MAGNETIC CLASSIFICATION - None

PUSH SWITCH (OBSCOLESCENT)

NSN 5930-99-743-7194, NS Cat No 0567/743-7194, Formerly - AP 19142
DESCRIPTION - Push switch double pole, push to make.
220V dc, 10 amp (non-inductive). 440V ac, 10 amp

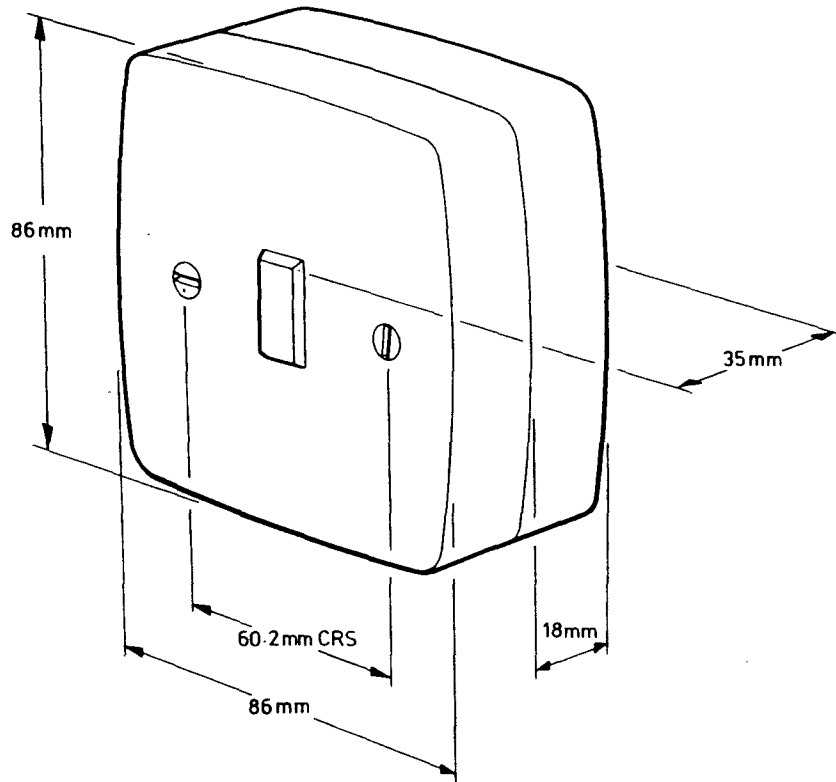
GA DRAWING - DEE C50802
PROJECTION - 113mm
FIXING - 2 x M6 Bolts
WEIGHT - 0.9kg
WATERTIGHT - 0.4bar
GLANDS - 2 No 1 and 1 No 3 to
SEE 125



TERMINALS - 4 x 4 BA Saddles
CABLES - 2 x single core max dia 7.5mm and 1 x twin core max dia 16mm

REPLACEMENT SPARES - None

MAGNETIC CLASSIFICATION - None



PUSH SWITCH (CURRENT)

NSN 5930-99-429-8891, NS Cat No 0567/429-8891, Formerly - AP 206554

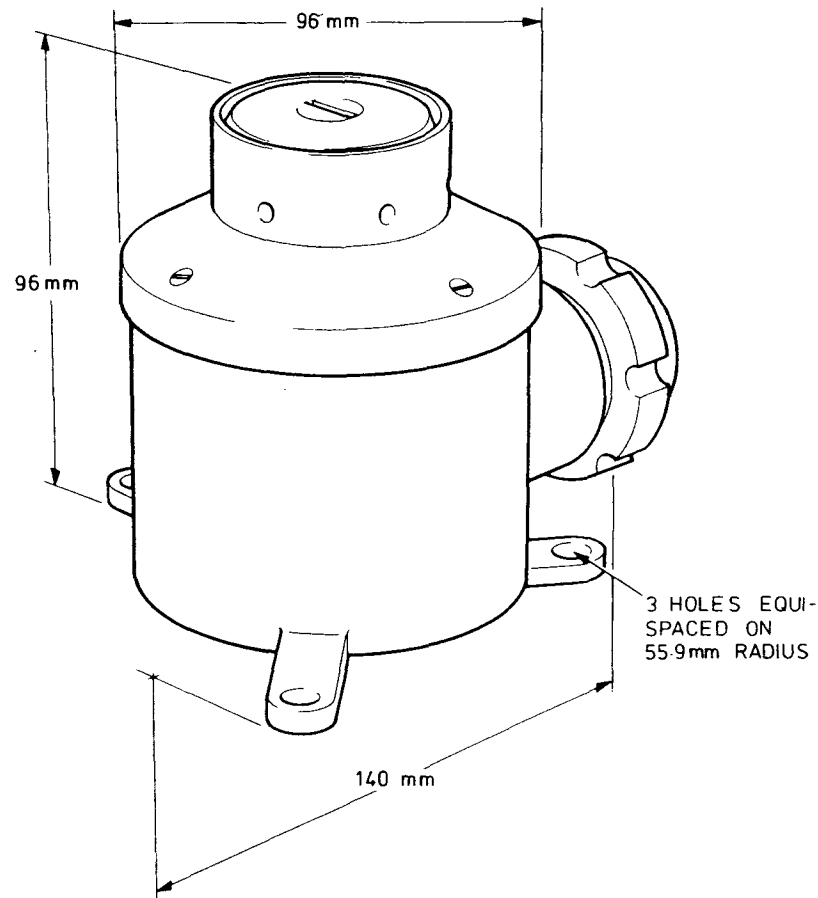
DESCRIPTION - Single pole push switch, 5 amp., 250V ac biased OFF.

Associated part number NSN 5930-99-429-8892, NS Cat No 0567/429-8892, formerly AP 206555.

- GA DRAWING -
- PROJECTION - 35mm with part number
- FIXING - 2 x M4 Screws
- WEIGHT -
- WATERTIGHT - Non-watertight
- GLANDS - None
- TERMINALS - Will accept 2.5mm² conductors
- CABLES -

REPLACEMENT SPARES - None

MAGNETIC CLASSIFICATION - None



PUSH SWITCH - SHROUDED TYPE (OBSOLESCE)

DESCRIPTION - Double-pole, 24V 10 amp DC (non-inductive) non-ferrous case, bulkhead mounting.
GA DRAWING - Devonport SEE 1162/E
FIXING - 3 x M6 Bolts
WEIGHT - 2kg
WATERTIGHT - 0.1bar
GLANDS - 1 x No 4 size to specification DG Ships/EED/1535
TERMINALS - 1BA Screws
CABLES - Max dia 25mm

ALTERNATIVE PATTERNS

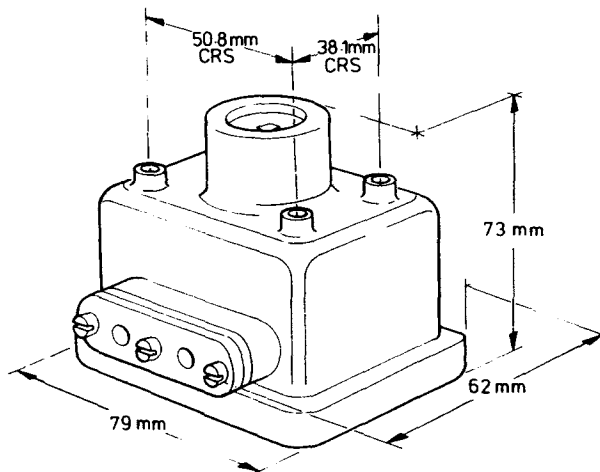
1. Shrouded Knob. Both poles "normally open"
NSN 5930-99-428-3209, NS Cat No 0567/428-3209, Formerly - AP 70001
2. Shrouded Knob. One pole "normally open". One pole "normally closed"
NSN 5930-99-428-3210, NS Cat No 0567/428-3210, Formerly - AP 70005

MAGNETIC CLASSIFICATION - Category A (Type 0567/428-3209 only)

PUSH SWITCH (OBSCOLESCENT)

NSN 5930-99-428-3162, NS Cat No 0567/428-3162, Formerly - AP 19143
DESCRIPTION - Push switch, single pole, push to make for engine starting,
10 amp, 24V ac/dc.

GA DRAWING - DEE 24220 (3 sheets)
PROJECTION - 73mm
FIXING - 4 x M4
WEIGHT - 0.7kg
WATERTIGHT - 0.1bar



TERMINALS - 2 x 2 BA saddle clamps

CABLES - 2 x single core max dia 8.7mm

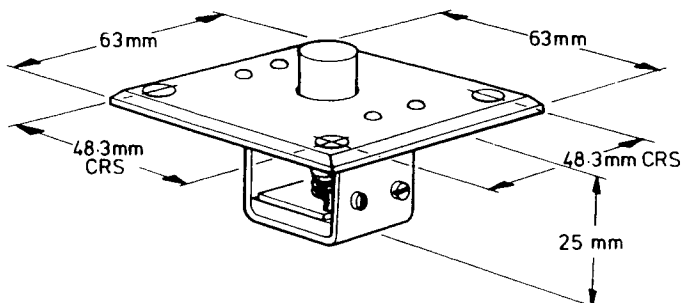
REPLACEMENT SPARES - None

MAGNETIC CLASSIFICATION - None

PUSH SWITCH (OBSOLESCE)

NSN 5930-99-460-4624, NS Cat No 0567/460-4624. Formerly - AP 19130
DESCRIPTION - Single pole push switch for desk mounting. Push to make.
5 amp, 24V ac/dc

GA DRAWING - DEE 9765
PROJECTION - 25mm
FIXING - 4 x M4 Bolts
WEIGHT -
WATERTIGHT - Non-watertight



TERMINALS -
CABLES -
MOUNTING DETAILS - Hole 57.1mm required for flush mounting

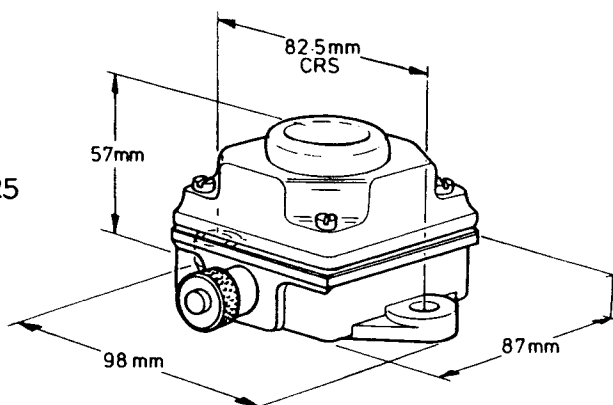
REPLACEMENT SPARES -

MAGNETIC CLASSIFICATION - None

PUSH SWITCH (OBSOLESCE)

NSN 5930-99-435-6213. NS Cat No 0567/435-6213, Formerly - AP 19129
DESCRIPTION - Push switch, single pole, push to make 5 amp, 24V ac/dc

GA DRAWING - DEE 9767
PROJECTION - 57mm
FIXING - 2 x M6 Bolts
WEIGHT - 0.9kg
WATERTIGHT - 0.1bar
GLANDS - One No 2 to SEE 125



TERMINALS - 6 BA saddle clamps

CABLES - 1 twin max dia 10mm

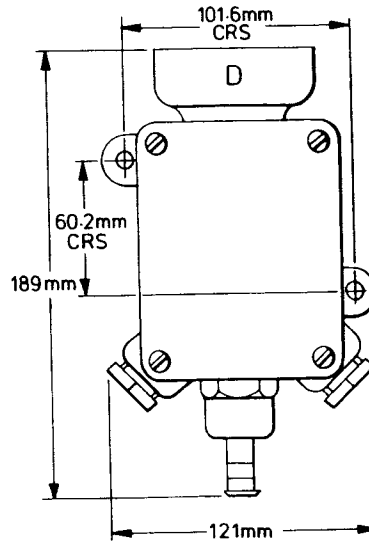
REPLACEMENT SPARES -

MAGNETIC CLASSIFICATION - None

PUSH SWITCH (OBSOLESCE)

NSN 5930-99-435-6214, NS Cat No 0567/435-6214. Formerly - AP 19133
DESCRIPTION - Push Switch, double pole, push to make, 5 amp 250V ac.
Operating button is surrounded by circular shield 'D'.

- GA DRAWING - DEE C59235
- PROJECTION - 73mm
- FIXING - 2 x M10 Bolts
- WEIGHT - 1.6kg
- WATERTIGHT - 0.1bar
- GLANDS - 2 x No 3 to SEE 125



- TERMINALS - 4 x 2 BA saddle clamps
- CABLES - 2 x twin cores max dia 10mm

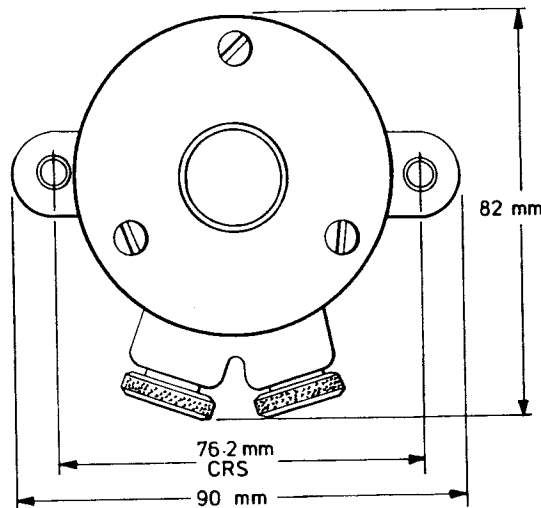
REPLACEMENT SPARES -

MAGNETIC CLASSIFICATION - None

PUSH SWITCH (OBSOLESCE)

NSN 5930-99-428-3161, NS Cat No 0567/428-3161, Formerly - AP 19140
DESCRIPTION - Push switch, single pole, push to make 5 amp, 24V ac/dc

- GA DRAWING - DEE B23269
- PROJECTION - 44mm
- FIXING - 2 x M4 Bolts
- WEIGHT -
- WATERTIGHT - 0.1bar
- GLANDS -



TERMINALS - Clamp screws

CABLES -

REPLACEMENT SPARES -

MAGNETIC CLASSIFICATION - None

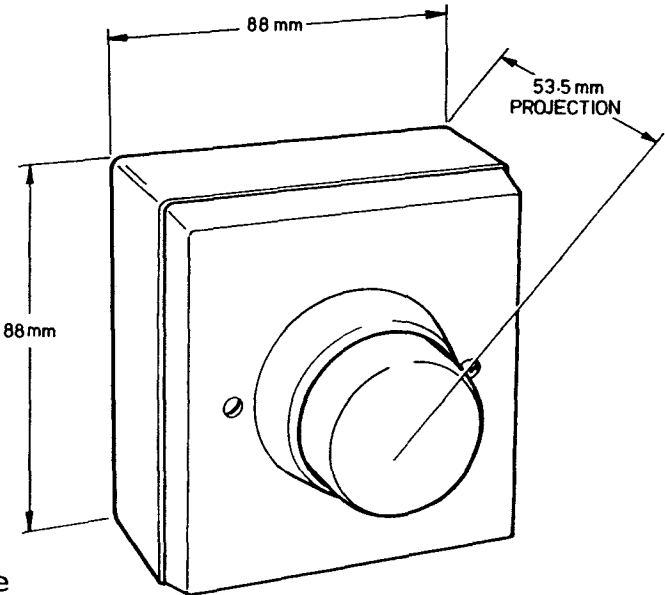
PUSH SWITCH (CURRENT)

Temporary Stores No GX0000916

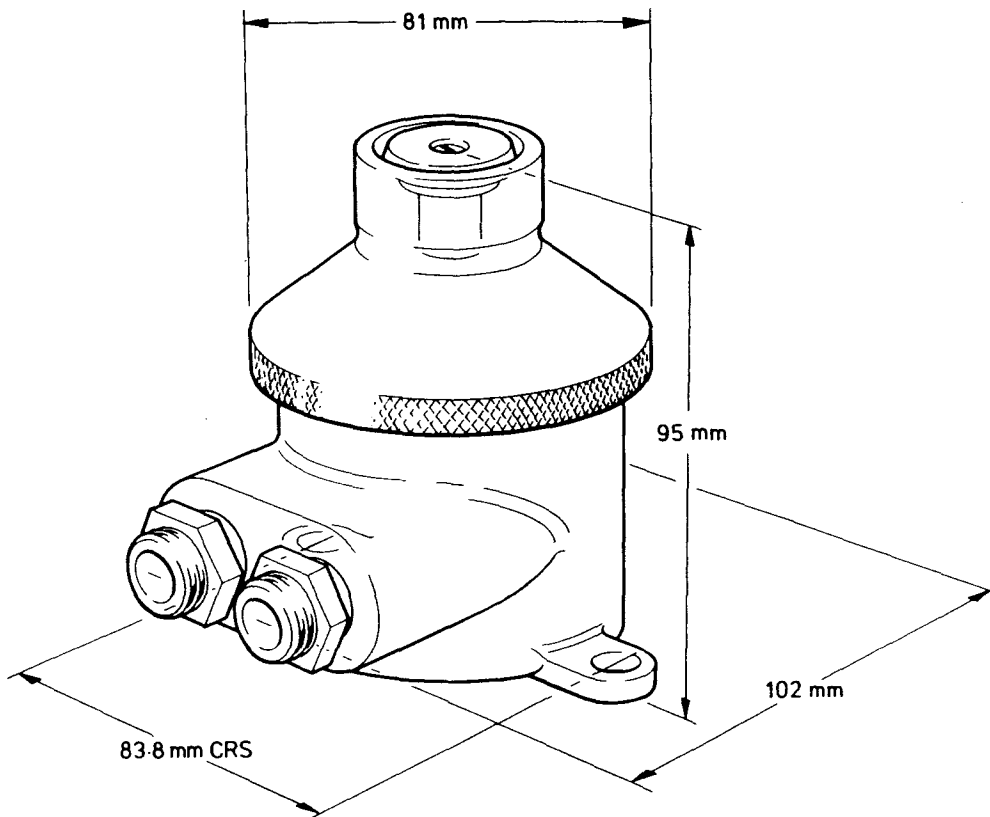
DESCRIPTION - Push switch, single pole change over (can be connected as push-to-break or push-to-make), pneumatic time delay. Range of delay adjustment on site between 1 second and 10 minutes. Supplied set at 1.5 minutes nominal. Switching capacity 10A, 240V ac.

GA DRAWING - Proprietary product ELKAY Ltd. Columbus Type 290B.

- PROJECTION - 53.5mm
- FIXING - 2 x M4 Screws
- WEIGHT -
- WATERTIGHT - Non-watertight
- GLANDS -



- TERMINALS -
- CABLES -
- REPLACEMENT SPARES -
- MAGNETIC CLASSIFICATION - None



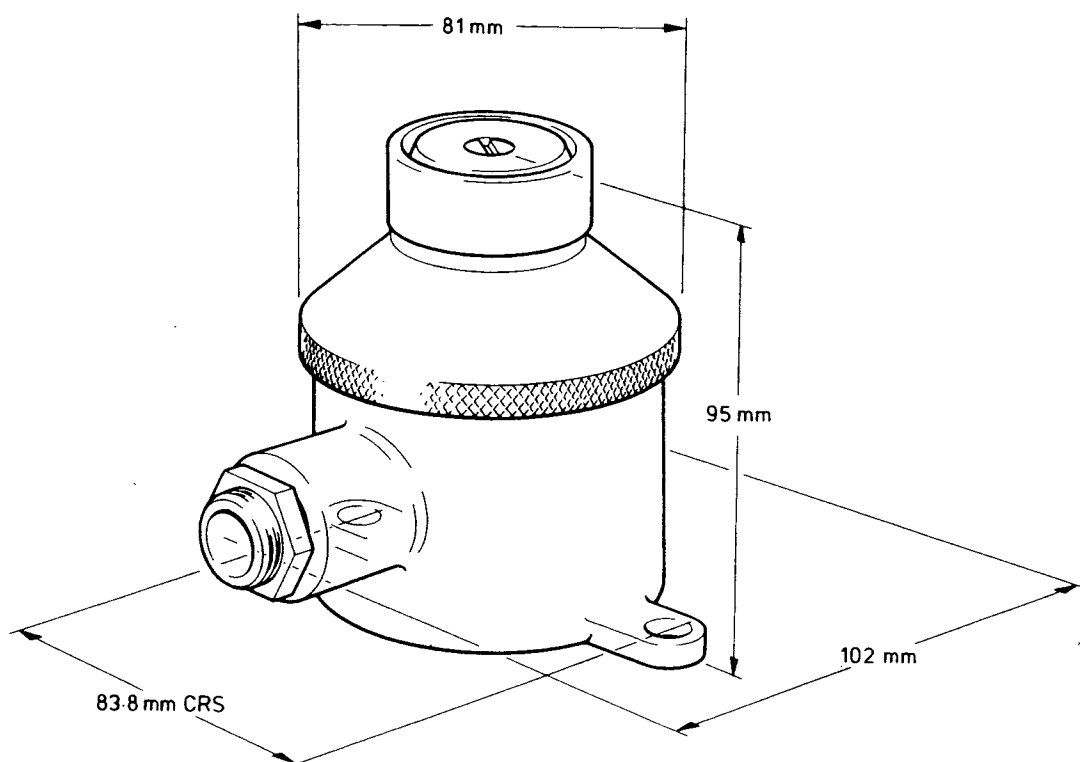
PUSH SWITCH (OBSOLESCE)

NSN 5930-99-428-3121, NS Cat No 0567/428-3121, Formerly - AP 7081
DESCRIPTION - Single pole, normally off, 24V, 10 amp dc (non-inductive)
non-ferrous bulkhead mounting (shrouded knob).

- GA DRAWING - Devonport SEE 1337F
- PROJECTION - 95mm
- FIXING - 2 x M6 Bolts
- WEIGHT - 1.6kg
- WATERTIGHT - 0.1bar
- GLANDS - 2 x No 3 to specification DG Ships/EED/1535
- TERMINALS - 0 BA Screws
- CABLES - Max dia 16mm

REPLACEMENT SPARES -

MAGNETIC CLASSIFICATION - None



PUSH SWITCH (Shrouded Type Illustrated) (OBSOLESCEMENT)

NSN 5930-99-435-6080 & 6081, NS Cat No 0567/435-6080 & 6081,
Formerly - AP 7070 & AP 7071

DESCRIPTION - Single pole, normally off, 24V, 10 amp dc (non-inductive)
non-ferrous case, bulkhead mounting.

GA DRAWING - Devonport SEE 1337F

PROJECTION - 95mm

FIXING - 2 x M6 Bolts

WEIGHT - 1.4kg

WATERTIGHT - 0.1bar

GLANDS - 1 x No 3 to specification DG Ships/EED/1535

TERMINALS - 0 BA Screws

CABLES - Max dia 16mm

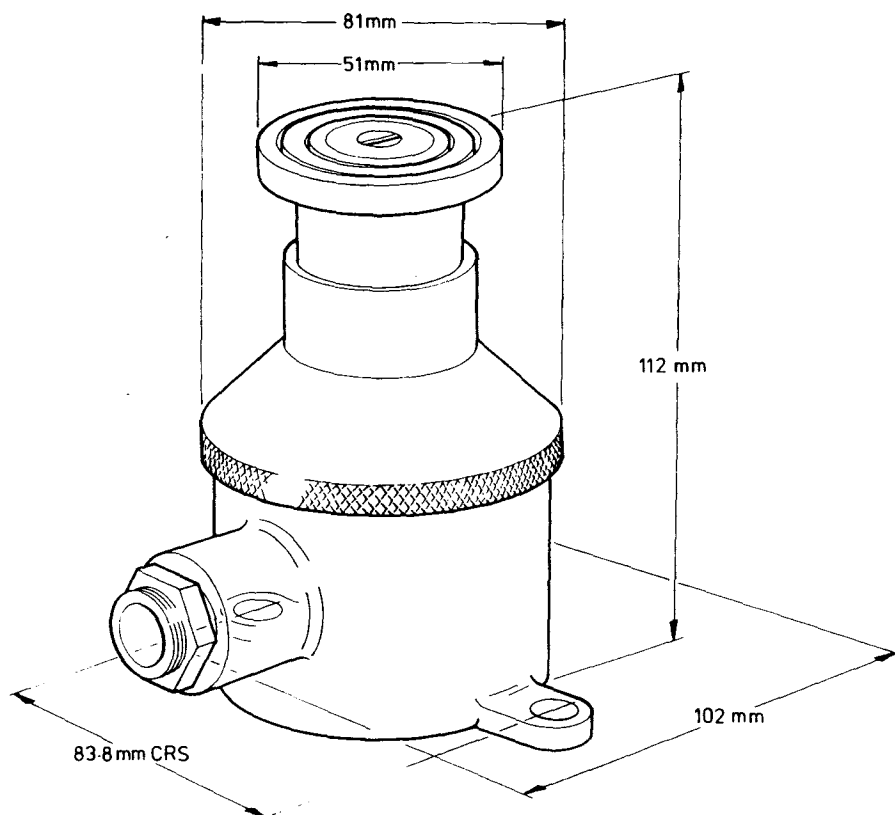
REPLACEMENT SPARES -

MAGNETIC CLASSIFICATION - None

ALTERNATIVE PATTERNS

435-6080 with shrouded knob

435-6081 with unshrouded knob



FOOT PUSH SWITCH (OBSOLESCENT)

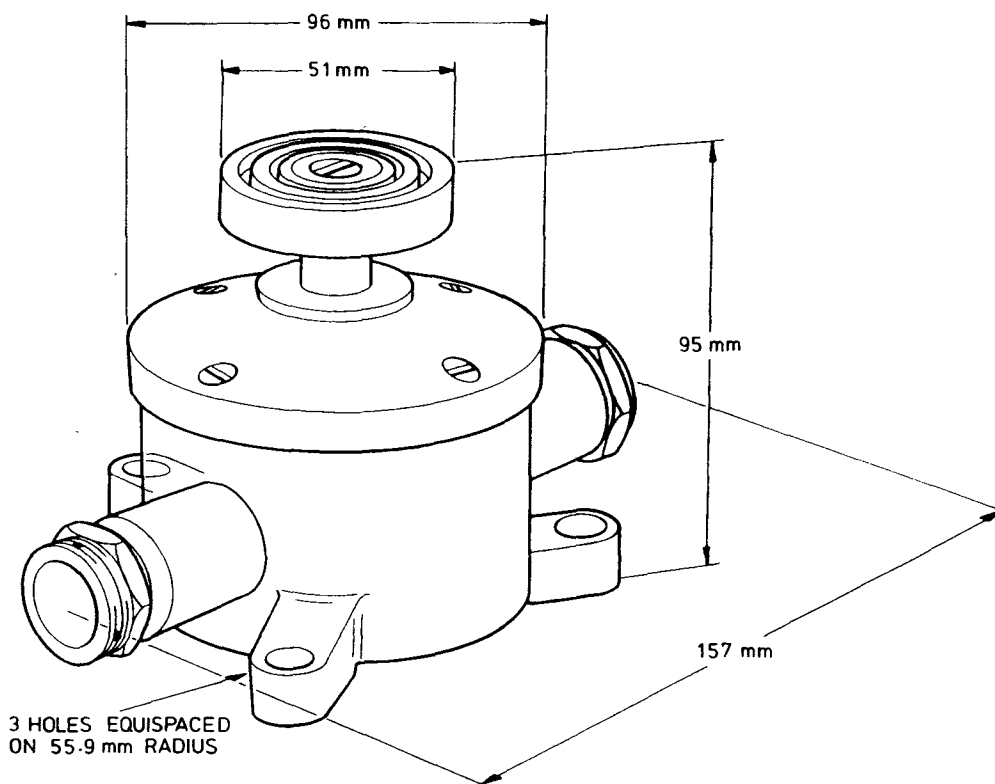
NSN 5930-99-428-3120, NS Cat No 0567/428-3120, Formerly - AP 7075
DESCRIPTION - Single pole, normally off, 24V, 10 amp dc (non-inductive)
non-ferrous case, deck mounting

- GA DRAWING - Devonport SEE 1337F
- PROJECTION - 112mm
- FIXING - 2 x M6 Bolts
- WEIGHT - 1.4kg
- WATERTIGHT - 0.1bar
- GLANDS - 1 x No 3 to specification DG Ships/EED/1535
- TERMINALS - 0 BA Screws
- CABLES - Max dia 16mm

REPLACEMENT SPARES -

MAGNETIC CLASSIFICATION - None

ALTERNATIVE PATTERN - AP 7076



FOOT PUSH SWITCH (OBSOLESCENT)

DESCRIPTION - Double pole, normally off, 24V, 10 amp dc (non-inductive)
non-ferrous case, deck mounting

GA DRAWING - Devonport SEE 1162/E

PROJECTION - 95mm

FIXING - 3 x M6 Bolts

WEIGHT - 2.5kg

WATERTIGHT - 0.1bar

GLANDS - 1 x No 3 and 1 x No 4 size to specification DG Ships/EED/1535

TERMINALS - 1 BA Screws

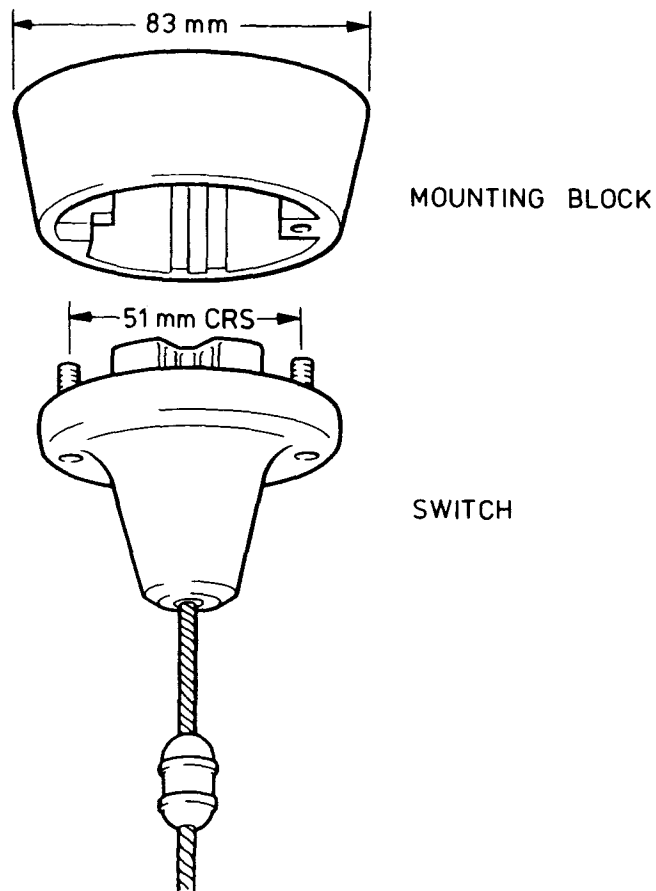
CABLES - Max dia 16mm and 25mm

REPLACEMENT SPARES -

MAGNETIC CLASSIFICATION - None

ALTERNATIVE PATTERNS

1. With Operating Pressure for Firing Pushes (24 - 29lbf)
NSN 5930-99-435-6226, NS Cat No 0567/435-6226, Formerly - AP 70004
2. With Operating Pressure for long operating periods (5 - 6lbf)
NSN 5930-99-435-6227, NS Cat No 0567/435-6227, Formerly - AP 70006



MK CEILING SWITCH (CURRENT)

SWITCH LIST NO 3151 WH1
NSN 5930-99-117-3211, NS Cat No 0567/117-3211
MOUNTING BLOCK LIST NO 2051 WH1
NSN 5975-99-620-1577, NS Cat No 0559/620-1577

DESCRIPTION - Switch, white plastic, one way, double pole, 16 amp ac.
Minimum cord length 1.5m.

REPLACEMENT SPARES - Ceiling Switch Cord with acorn and bottom ferrules -
MK Reference 8329 SS.
Top Ferrule (male) - MK Reference 7977 PL
Bottom Ferrule (female) - MK Reference 7978 PL
Nylon cord 128m NSN 4020-99-531-9229,
NS Cat No 0350/531-9229

Refer to BR4603 for relevant conduit fittings.

4.a(3). SWITCHES, MANUALLY OPERATED, ROCKER AND TOGGLE

SELECTION GUIDE AND CONTENTS

Type	No of Poles	Maximum				Remarks	NSN 5930-99 NS Cat No 0567/	Page	Appropriation
		Voltage		Current A					
		dc	ac	dc	ac				
Proprietary non-watertight boxes and accessories for use in accommodation areas, offices, messes, radio and electronic workshops.							51 & 52	CURRENT	
On/Off- 2 way	1	-	250	-	5	Control of cabin lighting etc, Architrave fitting, single	529-9651	53	CURRENT
On/Off- 2 way	1	-	250	-	5	Control of cabin lighting etc, Architrave fitting, double	529-9652	53	CURRENT
On/Off- 2 way	1	-	250	-	20	For general lighting circuits	117-2030	54	CURRENT
On/Off	2	-	250	-	20	Control of bathroom and washplace lighting	117-2031	54	CURRENT
On/Off	2	-	250	-	20	Control of Officer-controlled lighting	541-6024	55	CURRENT
On/Off- 2 way	1	-	250	-	20	Control of Officer-controlled lighting	620-1607	55	CURRENT
On/Off	2		440 220		25 30	Panel mounting	529-4231	56	OBSOLESCE

continued

Type	No of Poles	Max		Remarks.	NSN 5930-99 NS CAT NO 0567/	Page	Appropriation
		Vac	A				
1g. 1 way	2	250	6	Plateswitch	540-0007	57	CURRENT
1.g 1 way	1	250	6	Plateswitch	119-3663	57	CURRENT
2g. 2 way	1	250	6	Plateswitch	117-5647	57	CURRENT
3g. 2 way	1	250	6	Plateswitch	117-5945	57	CURRENT
1g. 2 way	1	250	6	Dimmer Switch	746-7154	58	CURRENT
1g. 1 way	2	250	6	Seal Switch	561-4450	59	CURRENT
1g. 1 way	2	250	20	Plateswitch	534-6996	60	CURRENT
2g. 1 way	2	250	45	Ckr control unit	736-7167	61	CURRENT
1g. 2 way	1	250	5	Watertight switch	660-2555	62	CURRENT

MK LTD GRIDSWITCH BOXES & ACCESSORIES (CURRENT)

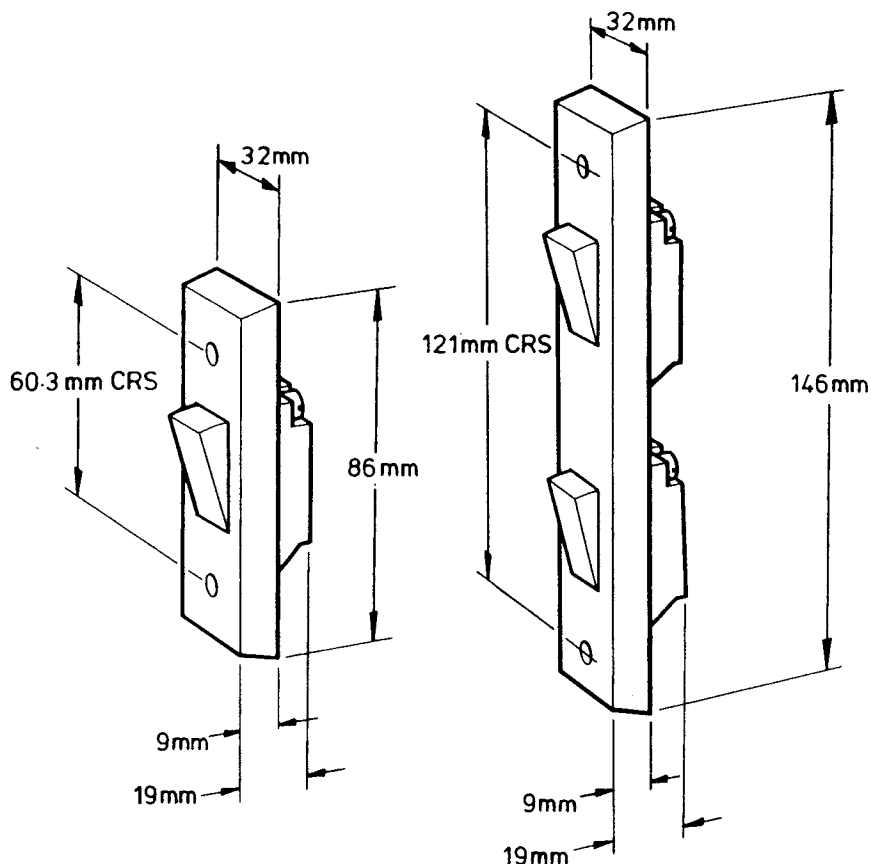
Note Gridswitch components of different manufacture are NOT interchangeable.

ITEM No	MK LTD List No	DESCRIPTION	APPLICATION	NSN NS Cat No
1	4880 WHI	Blank inset.	To fill in gaps in face plates	5930-99-117-0448 0567/117-0448
2	3701 ZIC	Grid plate. 1 Gang	For use with boxes Items 17 & 20	5930-99-428-3262 0567/428-3262
3	3702 ZIC	Grid plate. 2 gang	For use with boxes Items 17 & 20	5930-99-428-3263 0567/428-3263
4	3734 ZIC	Grid plate. 3 or 4 Gang	For use with boxes Items 18, 19 & 21	5975-99-117-0447 0559/117-0447
5	3461 MCO	Plate metal surface 1 gang. 76mm x 76mm	For use with grid switches	5975-99-117-0441 0559/117-0441
6	3462 MCO	Plate metal surface 2 gang. 76mm x 76mm	SEE PAGES 54 & 55	5975-99-117-0442 0559/117-0442
7	3463 MCO	Plate metal surface 3 gang. 76mm x 137mm		5975-99-117-0443 0559/117-0443
8	3464 MCO	Plate metal surface 4 gang. 76mm x 137mm		5975-99-117-0444 0559/117-0444
9	3465 MCO	Plate metal surface 6 gang. 137mm x 137mm		5975-99-117-0445 0559/117-0445
10	3468 MCO	Plate metal surface 8 gang. 137mm x 137mm		5975-99-117-0446 0559/117-0446
11	3631 WHI	Plate insulated flush 1 gang. 86mm x 86mm		5975-99-117-8100 0559/117-8100
12	3632 WHI	Plate insulated flush 2 gang. 86mm x 86mm	For use with grid switches	5975-99-117-0436 0559/117-0436
13	3633 WHI	Plate insulated flush 3 gang. 86mm x 146mm	SEE PAGES 54 & 55	5975-99-117-0437 0559/117-0437

continued

Boxes & Accessories continued

ITEM No	MK LTD List No	DESCRIPTION	APPLICATION	NSN NS Cat No
14	3634 WHI	Plate insulated flush 4 gang. 86mm x 146mm	For use with grid switches SEE PAGES 54 & 55	5975-99-117-0438 0559/117-0438
15	3636 WHI	Plate insulated flush 6 gang. 146mm x 146mm		5975-99-117-0439 0559/117-0439
16	3638 WHI	Plate insulated flush 8 gang. 146mm x 146mm		5975-99-117-0440 0559/117-0440
17	891 ALM	Box steel 1 or 2 gang. 73mm x 73mm x 41mm	To surface mount item 5 & 6 or flush mount item 11 or 12	0567/205613
18	892 ALM	Box steel 3 or 4 gang. 73mm x 133mm x 41mm	To surface mount item 7 & 8 or flush mount item 13 or 14	0567/205614
19	893 ALM	Box steel 6 or 8 gang. 133mm x 133mm x 41mm	To surface mount item 9 or 10 or flush mount item 15 or 16	0567/205615
20	2140 WHI	Box moulded 1 or 2 gang 86mm x 86mm x 35mm	To surface mount item 11 or 12	5999-99-117-2033 0559/117-2033
21	2142 WHI	Box moulded 3 or 4 gang 146mm x 86mm x 35mm	To surface mount item 13 or 14	5820-99-643-1924 0559/643-1924
22	3709	Earthing terminal	For Steel Box or Grid Mounting	5940-99-117-3197 0559/117-3197



MK ARCHITRAVE SWITCHES (CURRENT)

1 gang - NSN 5930-99-529-9651
NS Cat No 0567/529-9651

2 gang - NSN 5930-99-529-9652
NS Cat No 0567/529-9652

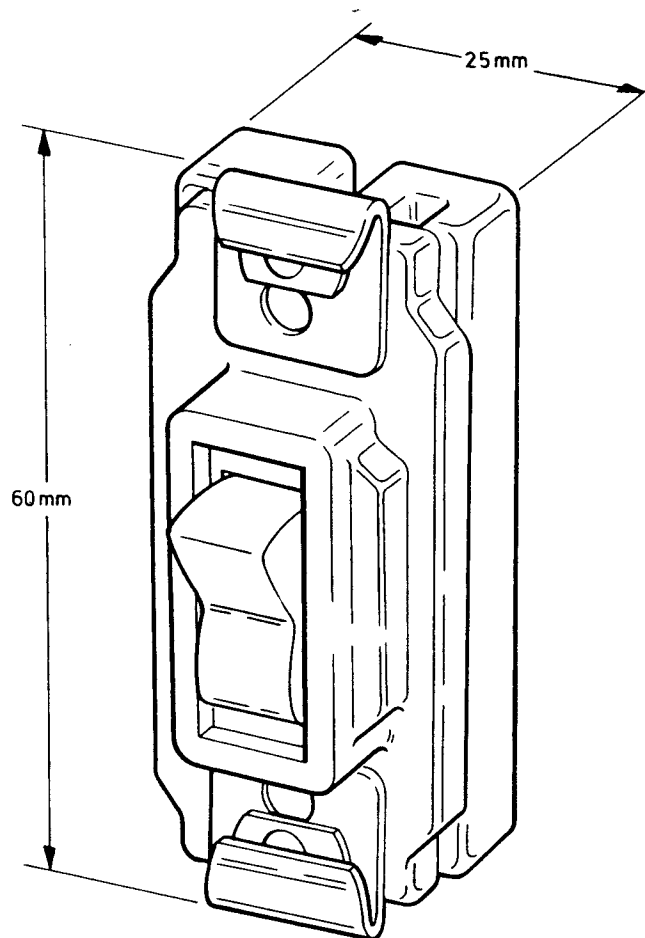
DESCRIPTION - 1 gang and 2 gang, vertical SP switches, two-way in white plastic. For use with marinite panels in modular constructed compartments and for controlling main lighting, bank, desk, and mirror lights in cabins. 5 amp 250V ac only.

TERMINALS - Screw type. Max conductor diam 3.5mm

FIXING - 2 in No M3.5 Screws

MANUFACTURER'S REF - MK Ltd 1 gang List No 4841 WHI
2 gang List No 4842 WHI

MAGNETIC CLASSIFICATION - None



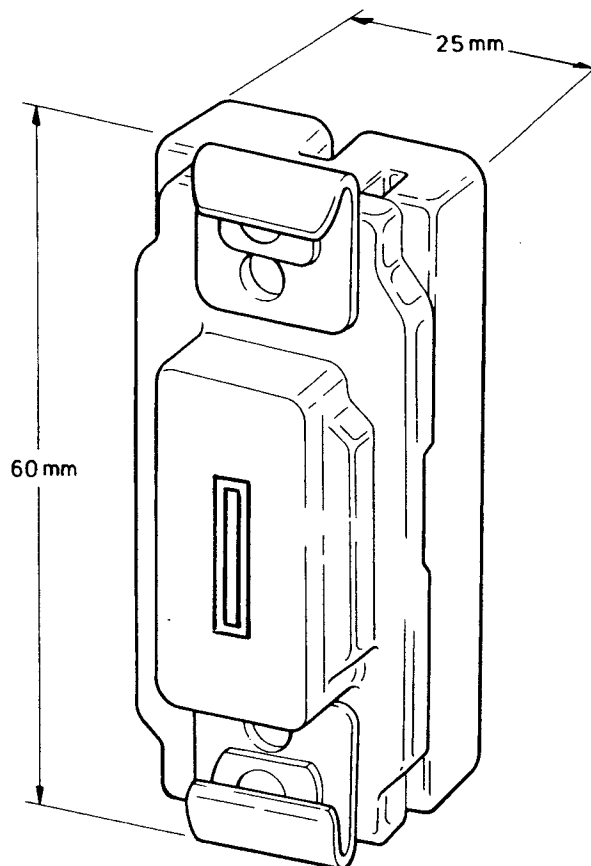
MK GRIDSWITCHES (CURRENT)

LIST No 4892 WHI - Two way. Single pole.
NSN 5930-99-117-2030
NS Cat No 0567/117-2030

LIST No 4896 WHI - One way. Double pole.
NSN 5930-99-117-2031
NS Cat No 0567/117 2031

DESCRIPTION - 20 amp 250V ac switch ivory plastic.
(although not intended for use on dc - can
be used on 24V dc at 6 amp).

For Boxes and accessories etc - see pages 51 & 52



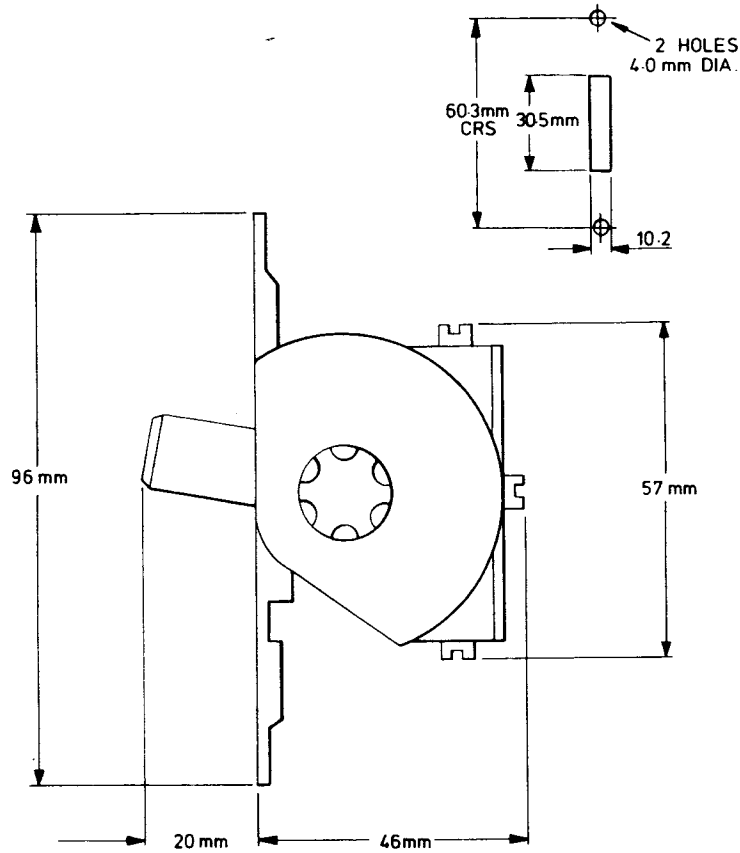
MK GRIDSWITCHES (CURRENT)

LIST No 4917 WHI - One way. Double pole with key.
NSN 5930-99-541-6024
NS Cat No 0567/541-6024

LIST No 4898 WHI - Two way. Single pole with key.
NSN 5930-99-620-1607
NS Cat No 0567/620-1607

DESCRIPTION - 20 amp 250V ac Key switch.
Ivory plastic.

For Boxes and accessories etc - see pages 51 & 52



ARROW SWITCH (OBSOLESCENT)

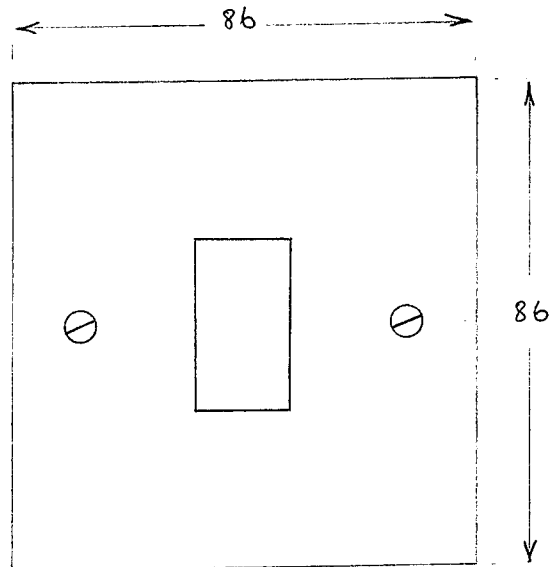
NSN 5930-99-529-4231, NS Cat No 0567/529-4231

DESCRIPTION - Heavy duty, panel mounting switch. On-off double-pole for heating panels etc. 440V ac 25amp, 220V ac 30 amp.

- GA DRAWING -
- PROJECTION -
- FIXING - 2 x 6.32 ASME bolts
- WEIGHT -
- WATERTIGHT - Non-watertight
- GLANDS -
- TERMINALS - Screws
- CABLES -
- REPLACEMENT SPARES -

MAGNETIC CLASSIFICATION -

MANUFACTURER'S REFERENCE - Arrow Cat No 106 MS



MK PLATE SWITCHES (CURRENT)

1 gang 1 way DP - NSN 5930-99-540-0007
NS CAT NO 0567/540-0007

1 gang 1 way SP - NSN 5930-99-119-3663
NS CAT NO 0567/119-3663

2 gang 2 way SP - NSN 5930-99-117-5647
NS CAT NO 0567/117-5647

3 gang 2 way SP - NSN 5930-99-117-5945
NS CAT NO 0567/117-5945

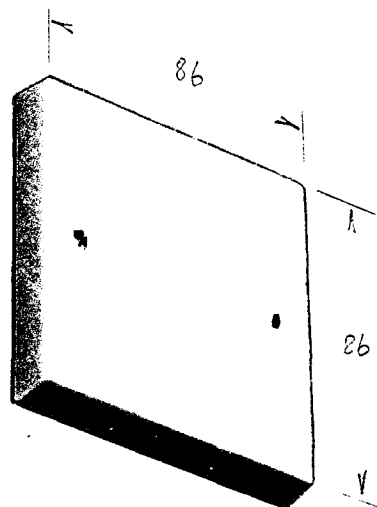
DESCRIPTION - 6 Amp 250V ac. Suitable for use with
fluorescent or inductive loads.

TERMINALS - Screw type. Maximum conductor diameter 3.5 mm

FIXING - 2 in No M3.5 Screws.

MANUFACTURER'S REFERENCE - 1 gang 1 way DP List No 4876 WH1
1 gang 1 way SP List No 4870 WH1
2 gang 2 way SP List No 4872 WH1
3 gang 2 way SP List No 4873 WH1

NES 538
Issue 4



MK DIMMER SWITCH (CURRENT)

NSN 5930-99-746-7154

NS CAT NO 0567/746-7154

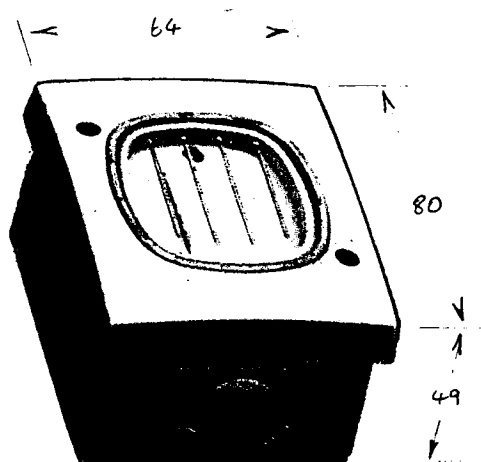
DESCRIPTION - 6 Amp 250Vac 1 gang 2 way S.P switch with dimmer.
Lamp Load 400 Watts MAX, 60 Watts MIN at 240Vac.

NOTE - NOT suitable for fluorescent lamps

TERMINALS - Screw type. Max conductor dia 3.5mm

FIXING - 2 in No M3.5 screws.

MANUFACTURERS REF - 1501



MK SEAL SWITCH (CURRENT)

NSN 5930-99-561-4450

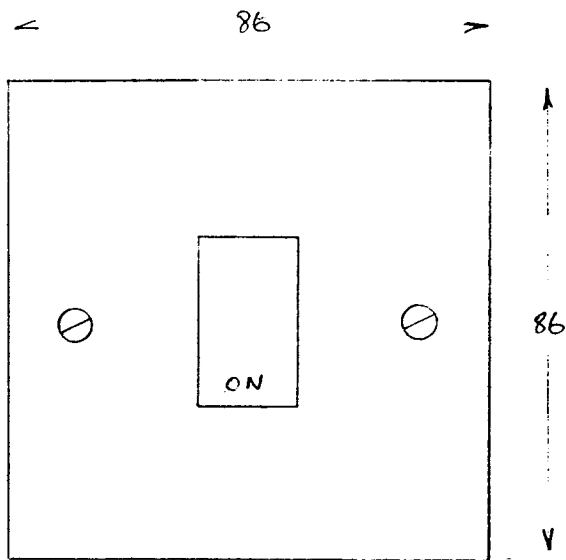
NS CAT NO 0567/561-4450

DESCRIPTION - 6Amp 250Vac surface switch with neon pilot lamp.
1 gang 1 way D.P

INGRESS PROTECTION - IP54

TERMINALS - Screw type. Max conductor dia 3.5mm

MANUFACTURER'S REF - List No 4406



MK PLATESWITCH (CURRENT)

NSN 5930-99-534-6996

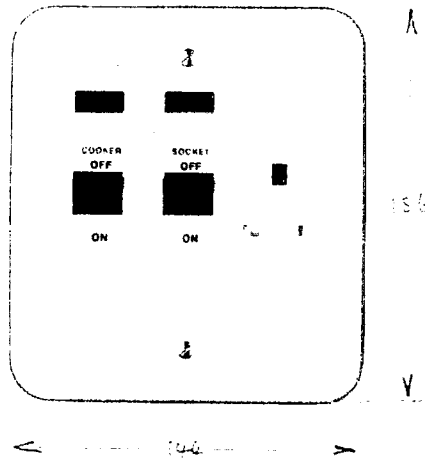
NS CAT NO 0567/534-6996

DESCRIPTION - Flush 20 Amp 250Vac DP

MANUFACTURERS REF - 5403 WH1

TERMINALS -

FIXING - 2 in No M3.5 Screws



MK COOKER CONTROL UNIT (CURRENT)

NSN 5930-99-736-7167

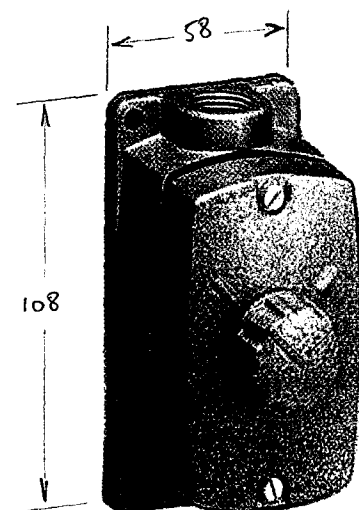
NS CAT NO 0567/736-7167

DESCRIPTION - 45 Amp 250Vac D.P main switch and 13 Amp switchsocket-outlet with pilot lamps. Surface mounting complete with mounting box. Metal.

TERMINALS - Screw type

MANUFACTURER'S REF - 5001 WH1

NES 538
Issue 4



MEM WATERTIGHT SWITCH (CURRENT)

NSN 5930-99-660-2555

NS CAT NO 0567/660-2555

DESCRIPTION - 5 Amp 250Vac 1 gang 2 way watertight metalclad switch,
surface mounting.

INGRESS PROTECTION - IP65

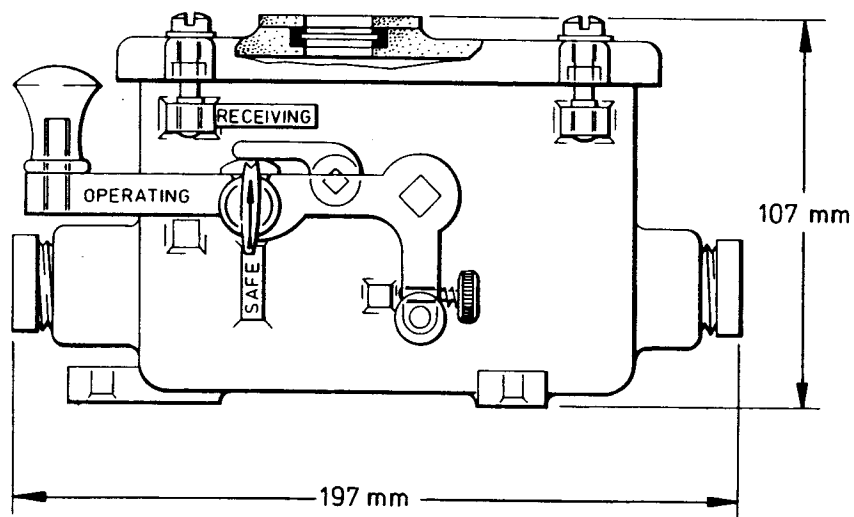
CABLE ENTRY - 20mm conduit thread

TERMINALS - Screw type

MANUFACTURER'S REF - 0200

4a(4) SWITCHES , MANUALLY OPERATED, KEY - TRANSMITTING

Enclosure	Voltage	Remarks	NSN	Page	Appropriation
0.1 BAR	115/230	For Masthead Flashers Etc	5830-99-462-4157	65	CURRENT
0.1 BAR		For Daylight Signalling Lantern	6230-99-462-9697	66	OBSOLESCE



KEY SWITCH (CURRENT)

NSN 5830-99-462-4157, NS Cat No 0558/462-4157, Formerly AP 9881

DESCRIPTION - Signalling Key switch and Indicator unit

GA DRAWING - DEE D60228

WIDTH - 155mm overall

FIXING - 3 x M6

WEIGHT

WATERTIGHT - 0.1bar

GLANDS - 2 of size No 3 to SEE 325

CABLES - 2 multicore max dia 16mm

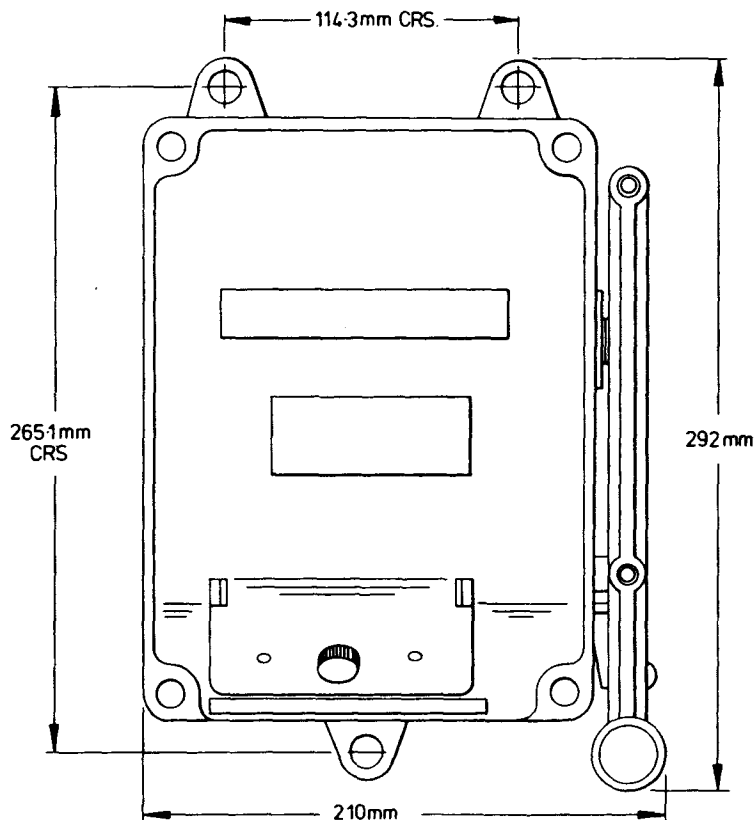
TERMINALS - 2 BA screws

REPLACEMENT SPARES:

Lamp 115V NSN 6240-99-996-2222

230V NSN 6240-99-996-2223

Capacitor NS Cat No 0631/618-4515



SIGNALLING KEY SWITCH & INDICATOR UNIT (OBSCOLESCENT)

NSN 6230-99-462-9697, NS Cat No 0558/462-9697, Formerly AP 197870

DESCRIPTION - Signalling Key switch and Indicator unit for use with Daylight Signalling Lantern

GA DRAWING - DEE D69233

WIDTH - 132mm

FIXING - 3 holes, 10mm dia on 265mm and 114.3mm centres

WEIGHT - 5.4kg

WATERTIGHT - 0.1bar

GLANDS - 2 size No 4 to SEE 325

TERMINALS - 16-4 BA saddle clamps

CABLES - 25mm dia max

MAGNETIC CLASSIFICATION - None

4b MECHANICALLY OPERATED

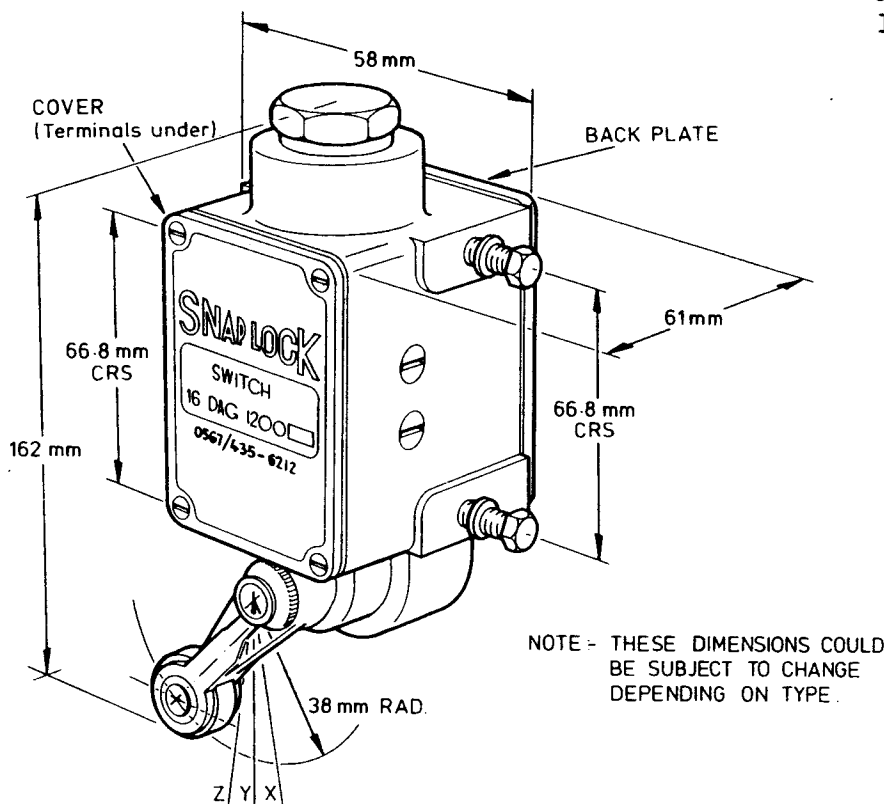
4b(1) SWITCHES, MECHANICALLY OPERATED, LIMIT

SELECTION GUIDE AND CONTENTS

Type	No of Poles	Maximum				Enclosure	Cable Facility	Special Features	Remarks	NSN 5930-99 NS Cat No 0567/	Page	Appropriation
		Voltage		Current A								
		dc	ac	dc	ac							
SPCO	1	220	440	2	5	WT 0.4bar	1x4c 16D	Lever Operated	Snaplock limit switch	435-6212	69	CURRENT
SPNC	1	220	115	4	4	WT 0.4bar	4x1c 9.5D	Plunger operated	Door switch L.H.	429-8939	70	OBSOLESCE
SPNC	1	220	115	4	4	WT 0.4bar	4x1c 9.5D	Plunger operated	Door switch R.H.	435-6182	70	OBSOLESCE
SPNO	1	220	115	3	3	WT 0.4bar	2x1c 7D	Plunger operated	Door switch L.H.	428-3255	71 & 72	OBSOLESCE
SPNO	1	220	115	3	3	WT 0.4bar	2x1c 7D	Plunger operated	Door switch R.H.	428-3254	71 & 72	OBSOLESCE
SPCO	1	220	115	5	5	WT 0.4bar	2x1c 10D	Plunger operated	Limit switch	428-3156	75	OBSOLESCE
SPDTCO	1	24	440	25	16	IP20	2x2c 16D	Plunger operated	Miniswitch Type A	435-6244	73	CURRENT
SPDTCO	1	24	440	25	16	IP65		Plunger operated	Miniswitch Type E	0857/425-0455	76	CURRENT
SPCO	1	50	115	3	15	IP65	1x3c 15D	Plunger operated	Microswitch		74	CURRENT
SPDTCO	1	24	440	25	35	IP65	2xM20	Lever operated	Miniswitch Type B1/12	523-9787	77	CURRENT
SPDTCO	1	24	440	25	35	IP67(1.8m)	PRE-WIRED	Plunger operated	Miniswitch Type H	531-2057	78	CURRENT
DPDTCO	2	24	440	25	35	IP67(1.8m)	PRE-WIRED	Plunger operated	Miniswitch Type DH	788-6114	79	CURRENT

NOTE

Refer to NES 541 for commercial alternatives



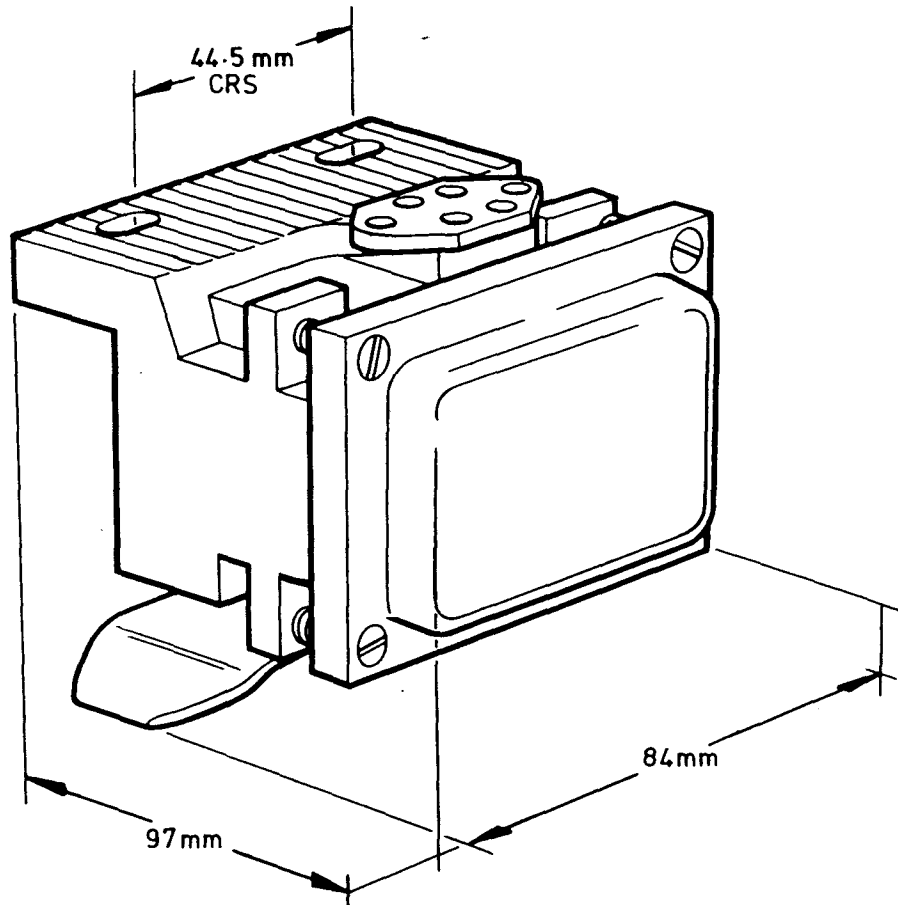
LIMIT SWITCH (CURRENT)

NSN 5930-99-435-6212, NS Cat No 0567/435-6212, Formerly AP 18161
DESCRIPTION - Limit switch, SIGMA Ltd. 'Snaplock', lever operated,
220V dc, 2 amp, 440V ac, 5 amp, Single Pole
Change Over Silver contacts, self-wiping.
Aluminium alloy enclosure.

GA DRAWING - DEE D24217
PROJECTION - 61mm
FIXING - 4 x M6 Bolts
WEIGHT - 0.9kg
WATERTIGHT - IP66
GLANDS - 1 x size 3 to SEE 125
TERMINALS - 4 x 2 BA x 9.5mm Connection Headed Screws
CABLES - max diam 16mm
REPLACEMENT SPARES - None
MAGNETIC CLASSIFICATION - Category C

INSTALLATION NOTES - One fixing bracket if sufficiently rigid or e.g. two
L-shaped brackets. Spring washers are required.

REMARKS - The return spring in the back of the switch may be transferred
to bias the operating lever, either clockwise or counter-
clockwise or may be removed entirely to provide non-automatic
resetting.
The standard lever provided is 38mm centres. Torque required to
operate, 1.6Nm with return spring and 0.6Nm without return
spring.
Travel to trip switch (X) 10.5° and to reset 10.5°
Over travel (Y) 6°
Safety travel (Z) 22.5° either way
The arm has 48 serrations (7.5° adjustment)
A high temperature, oil-proof version of the above Switch is
available under NSN 5930-99-533-2126 (Class Gp 0567),
SDN 007 003 531, for use in main propulsion gearboxes.



DOOR SWITCH (OBSOLESCE)

L.HAND - NSN 5930-99-429-8939, NS Cat No 0567/429-8939, Formerly AP 17972

R.HAND - NSN 5930-99-435-6182, NS Cat No 0567/435-6182, Formerly AP 17973

DESCRIPTION - Single Pole, Normally Closed. 220Vdc, 115Vac, 4 Amp

NOTE - Left hand - When looking at switch cover with glands uppermost, plunger enters from the left. (See drawing)

GA DRAWING - DEE 10796, DEE 50041

PROJECTION - 109mm

FIXING - 2 x M8 Bolts

WEIGHT - 1.6kg

WATERTIGHT - 0.4bar

GLANDS - 1 x 4 hole, type 4, size Z
to DGS/EED/V1/1535

TERMINALS -

CABLES - 4 single core, max dia 9.5mm

REPLACEMENT SPARES - Switch Interior NS Cat No 0567/519-8908

PLUNGERS - NS Cat No 0567/428-3108, (ex AP1185), For use with Steel Doors
(Standard striker)

0567/460-5334, (exAP17902) For use with Hinged and Sliding Wooden
Doors (Standard striker)

NS Cat No 0567/460-5335, (exAP17911) For use with Hinged and Sliding
Wooden Doors (Long striker)

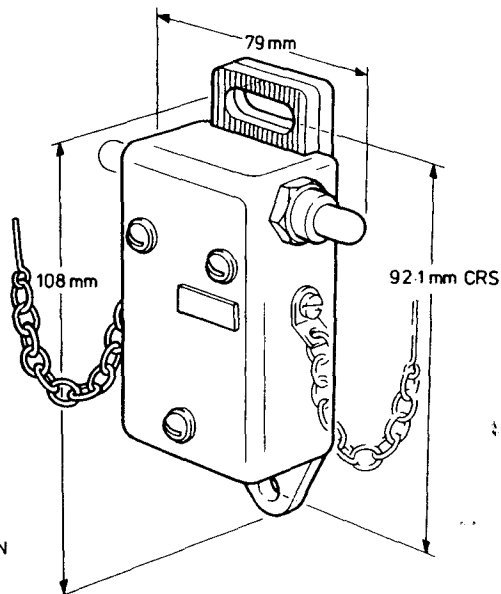
To Drawing Dev SEE 1255B

MAGNETIC CLASSIFICATION - None

DOOR SWITCH (OBSOLESCENT)

R.HAND - NSN 5930-99-428-3254, NS Cat No 0567/428-3254, Formerly AP 200233
 L.HAND - NSN 5930-99-428-3255, NS Cat No 0567/428-3255, Formerly AP 200234
 DESCRIPTION - Door switch (right and left hand), 220V dc/115V ac, 3 amp,
 Single Pole, Normally Open.
 Aluminium alloy enclosure.

- GA DRAWING - DEE D65414
- PROJECTION - 38mm
- FIXING - 2 x M6 Bolts
- WEIGHT - 0.23kg
- WATERTIGHT - (Switch portion only)
0.4bar.
- GLANDS - Size 00 to Drg No DEE 5100
- TERMINALS - 6 BA Pinch Screw
- CABLES - 2 x Single Core,
7mm dia max



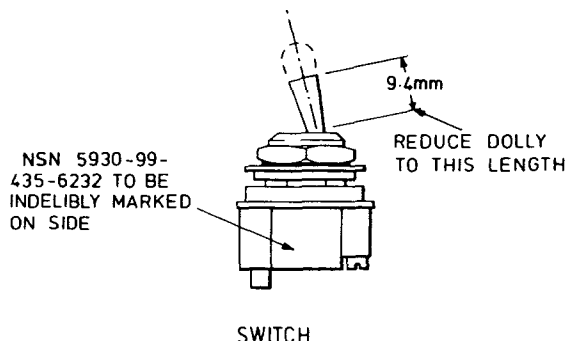
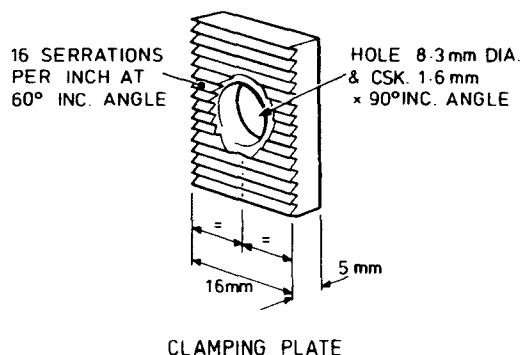
INSTALLATION NOTES - Page 72 shows typical methods of mounting on hinged and sliding doors. Woodwork should be protected from bruising by the plunger by fitting a small striking plate e.g. 25mm x 25mm x 3mm brass.

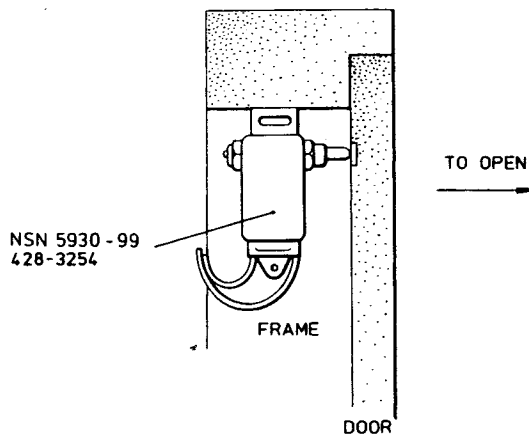
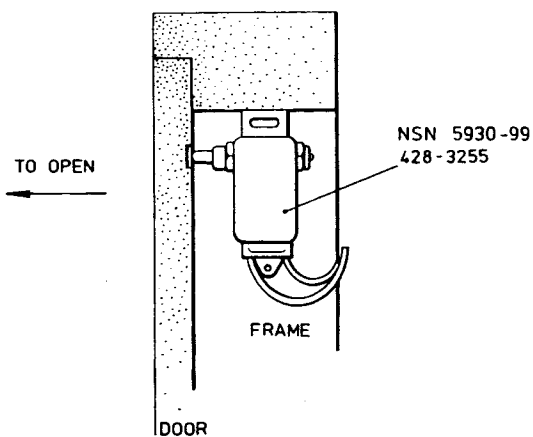
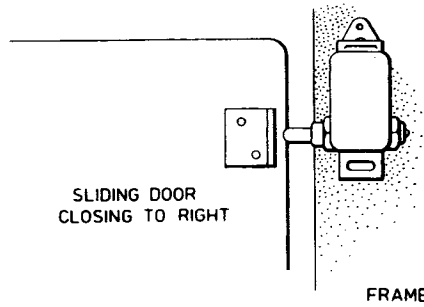
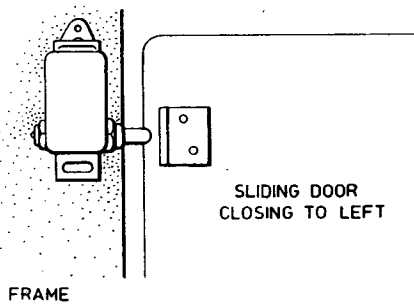
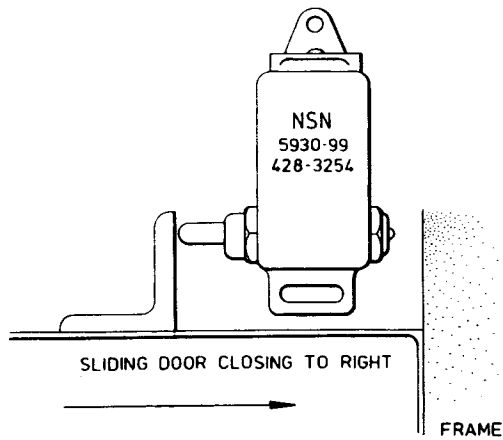
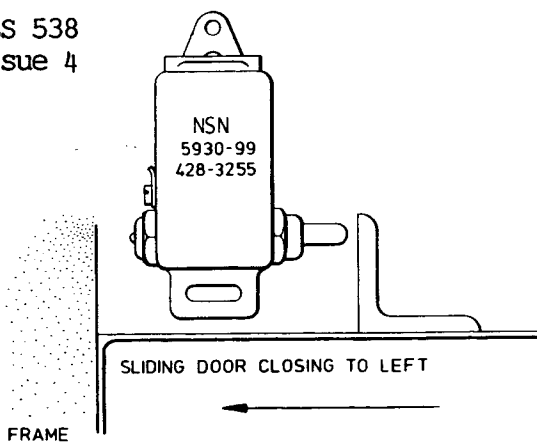
REPLACEMENT SPARES - Switch NS Cat No 0567/435-6232

REMARKS - The two switches are manufactured from common components which may be assembled as either left hand or right hand versions. The covers are not interchangeable.
 Only the switch and terminal portion are watertight.
 Travel to operate 4.8mm Force 36/35 N.
 Overtravel 6.3mm Force 44/53N
 Compensation for wear or subsequent distortion is provided by means of the slotted top fixing foot and clamp plant +6.3mm adjustment in 1.6mm steps is provided. A chained pin is provided for locking 'ON'.

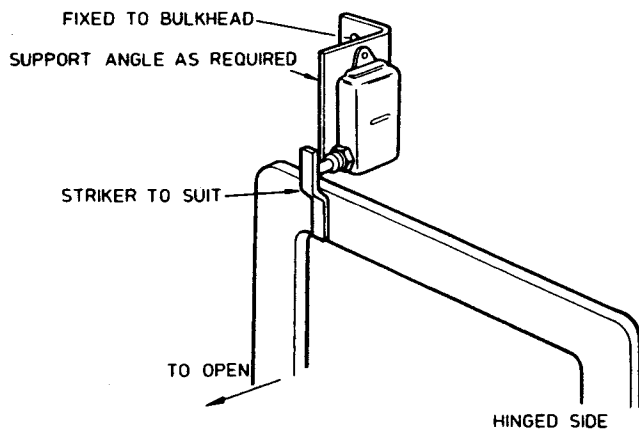
COMPONENTS - Clamping plate NS Cat No 0567/460-5354
 Switch, I.S. sealed type 250V ac/dc 3 amp
 S.P. OFF/ON, as I.S.No Z510551 but with shortened dolly NS Cat No 0567/435-6232

Gland washer, rubber NS Cat No 0413/900-4526
 For general arrangement See DEE D65414

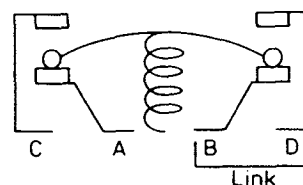
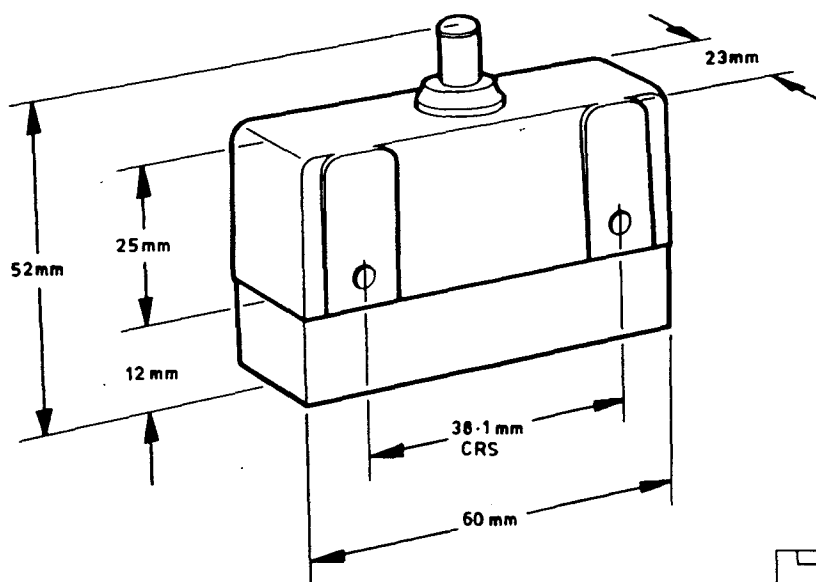




Fitted on hinged door frame away from the hinges and operated by a striking plate, e.g. 25.4mm x 25.4mm x 3mm fixed to wooden door



Fitted on bulkhead above a hinged door



WIRING DIAGRAM

CRAIG & DERRICOTT TYPE 'A' MINISWITCH (CURRENT)

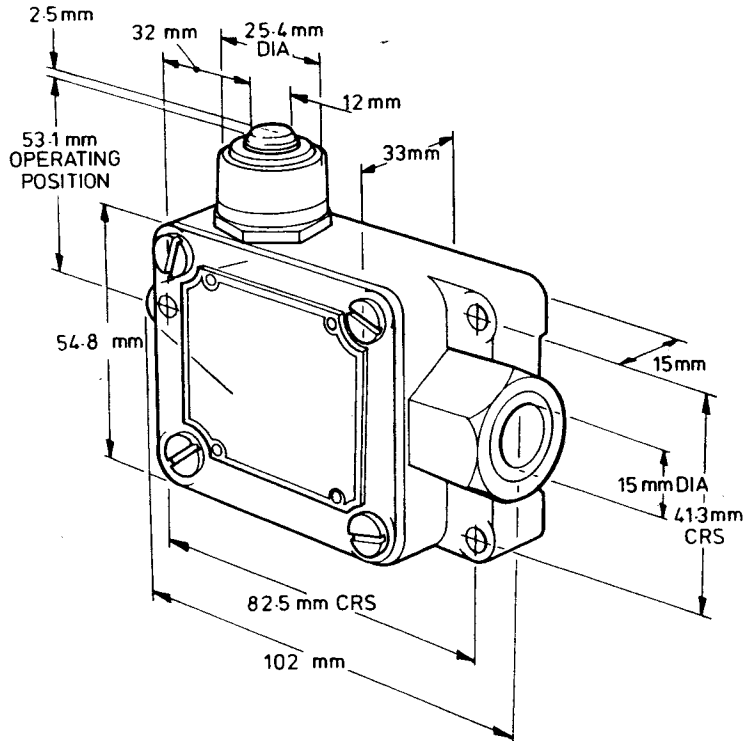
NSN 5930-99-435-6244, NS Cat No 0567/435-6244, Formerly AP 205678

MAXIMUM RATINGS		
VOLTS	TYPE OF CIRCUIT	AMPS
24V dc	Non-inductive	25
24V dc	Inductive, time constant 0.005 secs	20
24V dc	Inductive, time constant 0.01 secs	15
115V ac	0.8 pf	35
230V ac	0.8 pf	25
440V ac	0.8 pf	16

Notes

- (1) This switch has Single Pole Double Throw Change Over contacts (See wiring diagram) and an Ingress Protection rating of IP20.
- (2) Maximum time of contact disturbance under shock is 15 milli-secs.
- (3) Two 4mm Clearance fixing holes are provided at the fixing centres shown
- (4) The above recommended ratings are based on a life test of 100,000 operations. An operation is one make and one break. If this number of operations is expected to be exceeded in service then it is recommended that the current ratings allocated to the switch should be reduced to 0.75 of the values tabulated.

SWITCH	TYPE 'A'
Pre travel	2.49mm
Operating Load	0.7kg
Overtravel	3.96mm
Movement Differential	1.60mm
Overload (Full Overtravel)	2.1kg



HONEYWELL REF NO BAF3-2RN-RHC MICROSWITCH (CURRENT)

NSN

NS Cat No

Notes

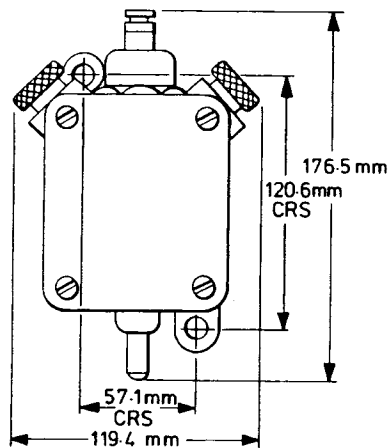
1. Single Pole Change Over contacts
2. Operating Force: 11.1N
Release Force : 2.2N
Pretravel: 2.38mm
Overtravel: 5.56mm
Differential Travel 0.19mm
3. Mechanically shockproof, maximum time of disturbance of the 'made' contacts under shock is 16 milli-secs. The 'open' contacts do not close under shock.
4. Ingress Protection rating of IP65

MAXIMUM RATINGS BASED ON A LIFE TEST OF 100,000		
VOLTAGE	CIRCUIT	RATING IN AMPS
24V dc	NI	20
	T.C. of 0.025 sec	15
	T.C. of 0.06 sec	12
50V dc	NI	3
	T.C. of 0.025 sec	1.5
	T.C. of 0.025 sec	1
115V ac 60Hz	Unity pf	8
	0.7 pf	7
115V ac 400Hz	0.7 pf	15

LIMIT SWITCH (OBSOLESCENT)

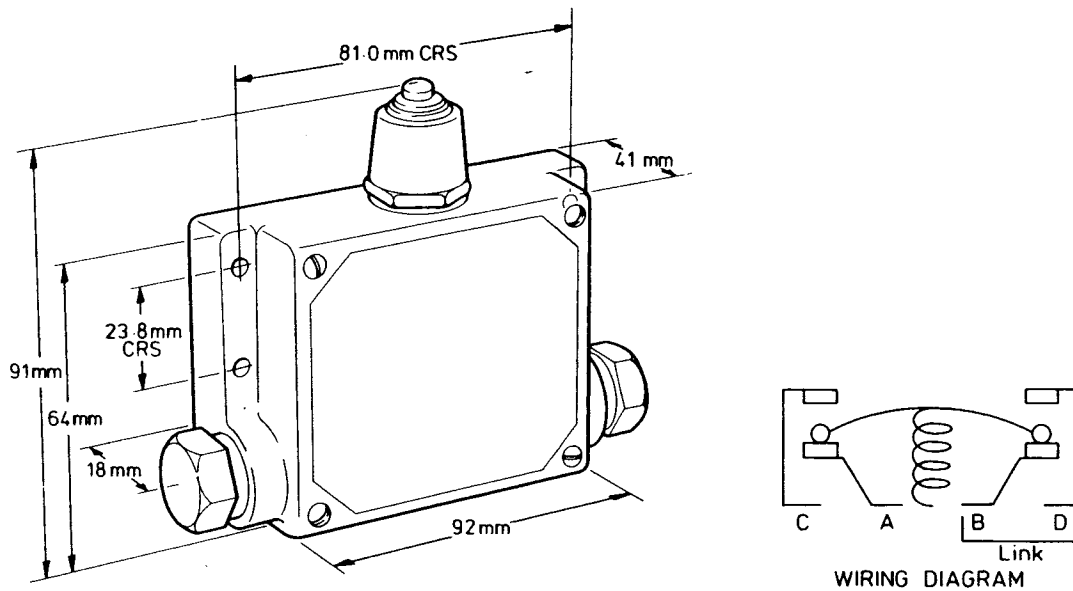
NSN 5930-99-428-3156, NS Cat No 0567/428-3156, Formerly - AP 18066
DESCRIPTION - Plunger operated switch, 220V dc, /115V ac, 5 amps, Single Pole.
Change Over aluminium alloy enclosure for bulkhead mounting.

GA DRAWING - DEE 59214
PROJECTION - 76mm
FIXING - 2 x M10 Bolts
WEIGHT -
WATERTIGHT - 0.4bar
GLANDS - 2 No 2 type 1a to
DGS/EED/VI/1535/R5



TERMINALS - 2 x 3 BA Connection
Headed screws
CABLES - 2 in No single cores max dia 10mm
REPLACEMENT SPARES - None

MAGNETIC CLASSIFICATION - Category A



CRAIG & DERRICOTT TYPE 'E' MINISWITCH (CURRENT)

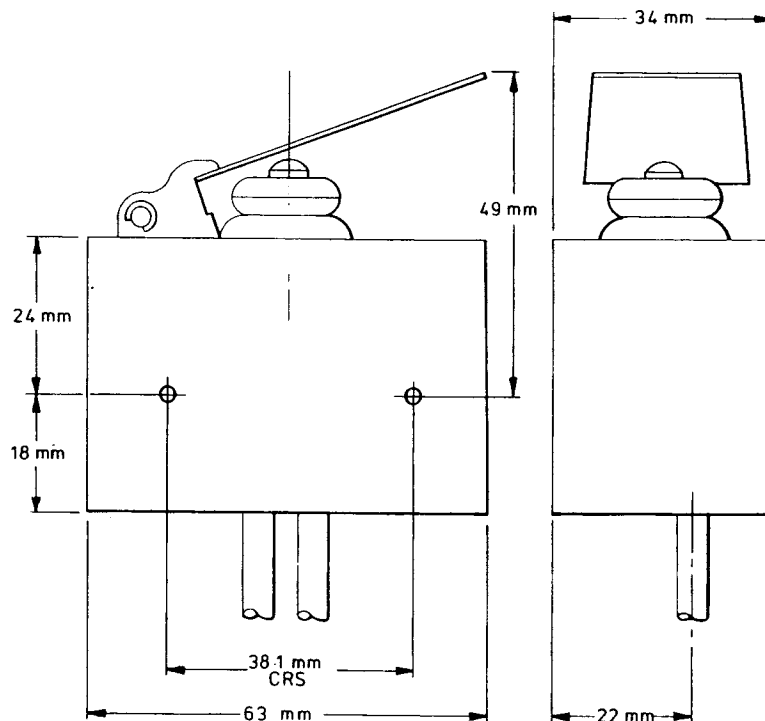
NSN 5930-99-425-0455, NS Cat No 0857/425-0455

MAXIMUM RATINGS		
VOLTS	TYPE OF CIRCUIT	AMPS
24V dc	Non-inductive	25
24V dc	Inductive, time constant 0.005 secs	20
24V dc	Inductive, time constant 0.01 secs	15
115V ac	0.8 pf	35
230V ac	0.8 pf	25
440V ac	0.8 pf	16

Notes

- (1) This switch has Single Pole Double Throw Change Over contacts.
(See wiring diagram)
- (2) Maximum time of contact disturbance under shock is 15 milli-secs.
- (3) Four 5mm Clearance fixing holes are provided at the fixing centres shown
- (4) The above recommended ratings are based on a life test of 100,000 operations. An operation is one make and one break. If this number of operations is expected to be exceeded in service then it is recommended that the current ratings allocated to the switch should be reduced to 0.75 of the values tabulated.
- (5) Type 'E' has an aluminium alloy enclosure and is IP65 rated
It is fitted with 2 in number No M20 conduit entries.

SWITCH	TYPE 'E'
Pre travel	3.17mm
Operating Load	1.4kg
Overtravel	3.17mm
Movement Differential	1.60mm
Overload (Full Overtravel)	4.1kg



CRAIG & DERRICOTT LTD TYPE B1/12 MINISWITCH SPECIAL ENCAPSULATED (CURRENT)

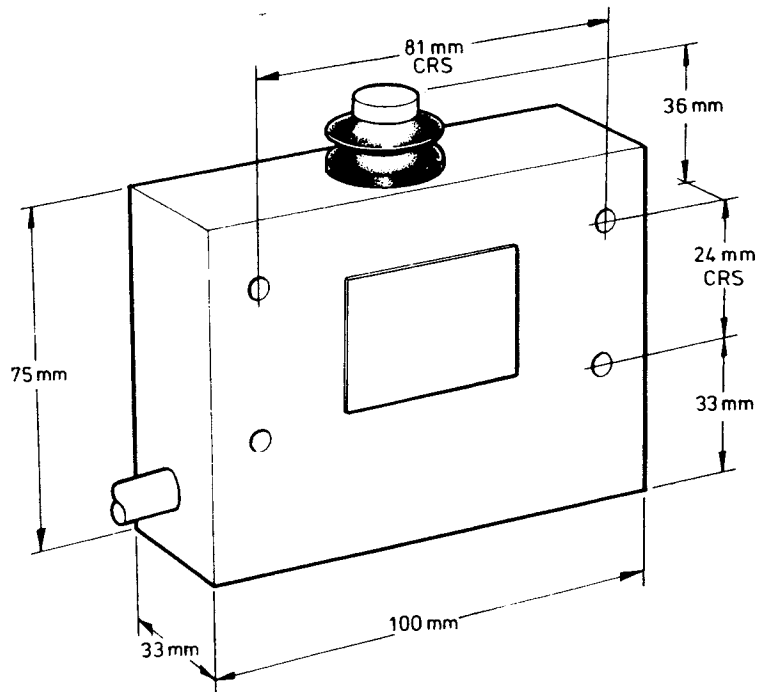
NSN 5930-99-523-9787, NS Cat No 0567/523-9787

MAXIMUM RATINGS		
VOLTS	TYPE OF CIRCUIT	AMPS
24V dc	Non-inductive	25
24V dc	Inductive, time constant 0.005 secs	20
24V dc	Inductive, time constant 0.01 secs	15
115V ac	0.8 pf	35
230V ac	0.8 pf	25
440V ac	0.8 pf	16

DESCRIPTION - Encapsulated Standard 'A' miniswitch (except for lever, bellows, cup and guide nut) with single-pole changeover contacts. Fitted with two leads 1.5m long using glass braided, silicone rubber cable NSN 6145-99-521-7006. Used on 'Jackson' boilers.

FIXING - 2 x M3
 WATERTIGHT - NWT Anti-condensation
 G A DRAWING - Craig & Derricott WMND 266

For further details see Page 73.



CRAIG & DERRICOTT LTD TYPE 'H' ENCAPSULATED MINISWITCH (CURRENT)

NSN 5930-99-531-2057, NS Cat No 0567/531-2057

DESCRIPTION - Encapsulated miniswitch with single-pole changeover contacts.
Fitted with 2.7m of four-core Limited Fire Hazard Cable,
NSN 6145-99-743-0477, (0561).
To replace C & D Type G 0567/522-5789 and 0567/522-5790
Order modified fixing bolts as required.

GA DRAWING - Craig & Derricott XMND278

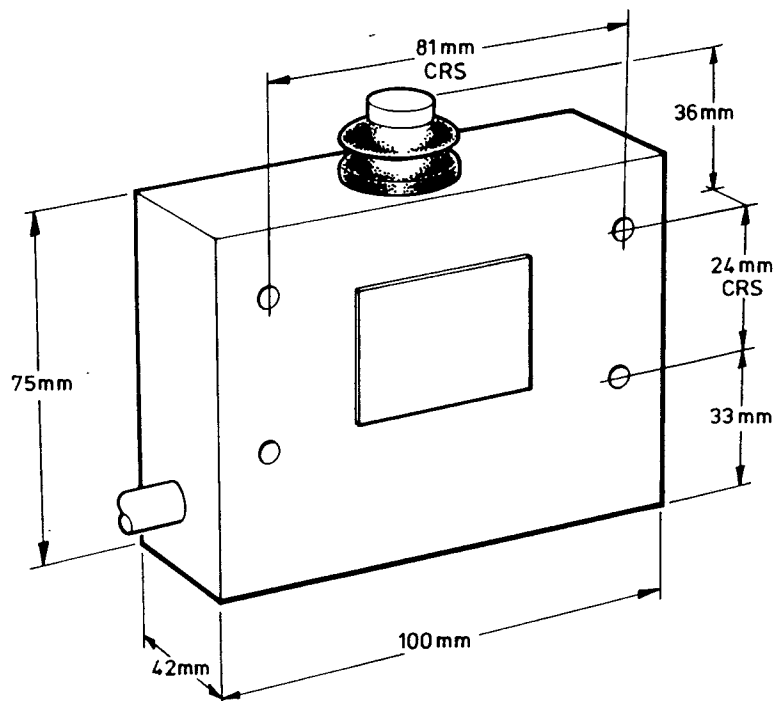
FIXING - 4 x M4

WEIGHT - 0.63kg c/w cable

WATERTIGHT - Max depth of submersion 1.8m

MAXIMUM RATINGS		
VOLTS	TYPE OF CIRCUIT	AMPS
24V dc	Non-inductive	25
24V dc	Inductive Time Constant 0.005 secs	20
24V dc	Inductive Time Constant 0.01 secs	15
115V ac	0.8 pf	35
230V ac	0.8 pf	25
440V ac	0.8 pf	16

Note This switch is very costly and is not to be used in new design equipment before consulting DGSM ME312.



CRAIG & DERRICOTT LTD TYPE 'DH' ENCAPSULATED MINISWITCH (CURRENT)

NSN 5930-99-788-6114, NS Cat No 0567/788-6114

DESCRIPTION - Encapsulated miniswitch with double-pole changeover contacts.
Fitted with 3m of seven-core Limited Fire Hazard Cable,
NSN 6145-99-743-0478, (0561).

Note NATO Name is "Cable Assembly, Switch Electric.

- GA DRAWING - Craig & Derricott
 FIXING - 4 x M4
 WEIGHT - 0.93kg c/w cable
 WATERTIGHT - Max depth of submersion 1.8m

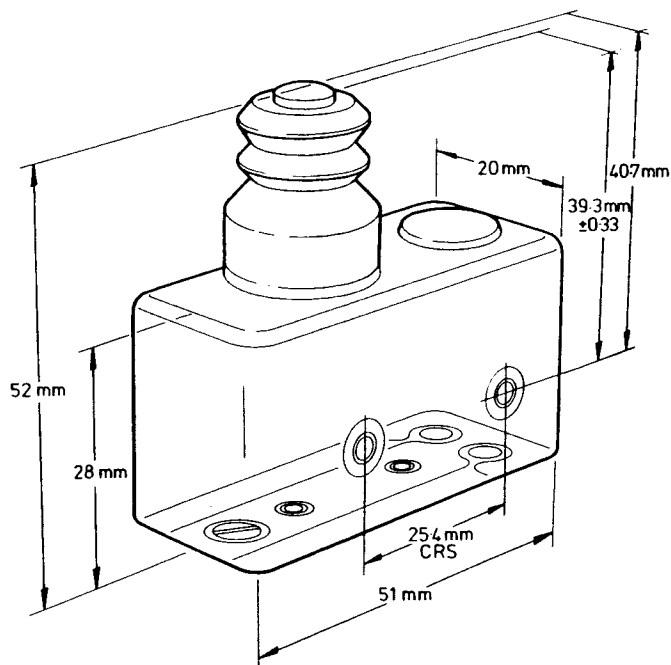
MAXIMUM RATINGS		
VOLTS	TYPE OF CIRCUIT	AMPS
24V dc	Non-inductive	25
24V dc	Inductive Time Constant 0.005 secs	20
24V dc	Inductive Time Constant 0.01 secs	15
115V ac	0.8 pf	35
230V ac	0.8 pf	25
440V ac	0.8 pf	16

Note This switch is very costly and is not to be used in new design equipment before consulting DGSM ME312.

4b(2) SWITCHES, MECHANICALLY OPERATED, MICRO

SELECTION GUIDE AND CONTENTS

Type	No Of Poles	Maximum				N.S.N	Page	Appropriation
		Voltage		Current				
		dc	ac	dc	ac			
SPCO	1	50	440	20	15	5930-99-428-3282	83	CURRENT
SPCO	1	50	115	15	15	5930-99-435-6203	84	CURRENT
SPCO	1	50	115	6	5	5930-99-999-3537	85	CURRENT
SPCO	1	220	440	25	15	5930-99-580-2156	86	CURRENT
SPCO	1	50	115	20	15	5930-99-207-6509	87	CURRENT
SPCO	1	220	440	15	15	5930-99-972-9596	88	CURRENT
DPCO	2	220	440	15	15	5930-99-932-1053	89	CURRENT
SPCO	1	220	440	20	20	5930-99-526-3658	90	CURRENT



BURGESS MICRO SWITCH REF No 05751 (CURRENT)

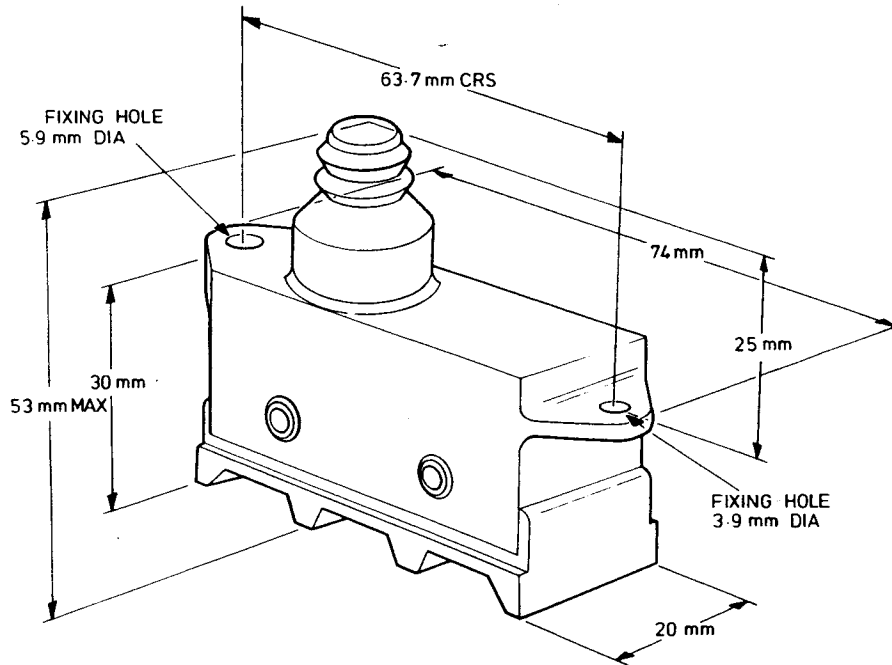
NSN 5930-99-428-3282, NS Cat No 0567/428-3282, Formerly AP 205636

Notes

- (1) Single pole change over contacts.
- (2) Aluminium alloy case
- (3) Operating Force - 11.1N
Release Force - 4.4N
Movement Differential - 0.127mm
Overtravel safe limit - 4.57mm
Force exerted for full overtravel - 53.4N
- (4) Mechanically shockproof. Maximum time of 'made' contact disturbance under shock is 48 milli-secs. The 'open' contacts make for 0.5 milli-secs under shock

MAXIMUM RATINGS BASED ON A LIFE TEST OF 100,000 OPERATIONS		
VOLTAGE	CIRCUIT	RATING IN AMPS
24V dc	NI	20
	T.C. of 0.025 sec	7
	T.C. of 0.06 sec	3
50V dc	NI	15
	T.C. of 0.025 sec	3
	T.C. of 0.06 sec	2
115V ac 60Hz	Unity pf	8
	0.7 pf	7
115Vac 400Hz	0.7 pf	15
440V 60Hz*	Unity pf	3
	0.7 pf	2.5

*FOR SPECIFICALLY APPROVED APPLICATIONS ONLY



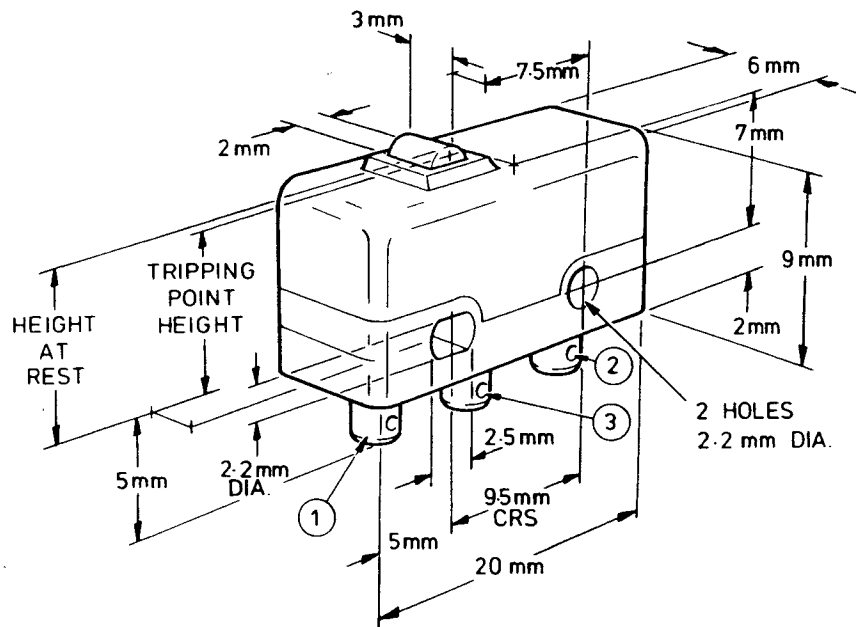
BURGESS MICRO SWITCH REF No 4CR/411 (CURRENT)

NSN 5930-99-435-6203, NS Cat No 0567/435-6203, Formerly AP 18092

Notes

- (1) Single pole change over contacts.
- (2) Aluminium alloy case
- (3) Operating Force - 5.6N
Release Force - 1.1N
Pretravel: - 1.0mm
Movement Differential - 0.05mm
Overtravel: - 4.57mm
Contact Gap: - 0.61mm maximum
0.51mm minimum
- (4) Mechanically shockproof. Maximum time of 'made' contact disturbance under shock is 64 milli-secs. The 'open' contacts make for 0.5 milli-secs under shock

MAXIMUM RATINGS BASED ON A LIFE TEST OF 100,000 OPERATIONS		
VOLTAGE	CIRCUIT	RATING IN AMPS
24V dc	NI	15
	T.C. of 0.01 sec	2
50V dc	T.C. of 0.06 sec	0.75
	NI	1
115V ac 60Hz	T.C. of 0.25 sec	0.75
	T.C. of 0.6 sec	0.5
115Vac 400Hz	Unity pf	8
	0.7 pf	7
	0.7 pf	15



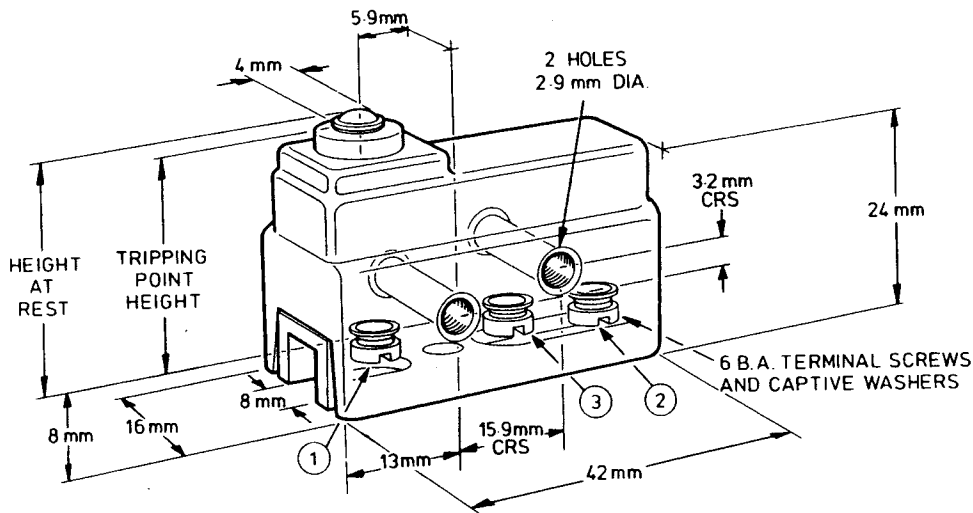
BURGESS MICRO SWITCH REF No V4T1 (CURRENT)

NSN 5930-99-999-3537, NS Cat No 0567/999-3537

Notes

- (1) Single pole change over contacts.
- (2) Operating Force - 1.4N
 Release Force - 0.28N
 Height at rest - 9.1mm
 Tripping point height - 8.4mm
 Movement Differential - 0.13mm
 Overtravel - 0.38mm
- (3) Mechanically shockproof. Maximum time of 'made' contact disturbance under shock is 4 milli-secs. The 'open' contacts do not touch under shock

MAXIMUM RATINGS BASED ON A LIFE TEST OF 100,000 OPERATIONS		
VOLTAGE	CIRCUIT	RATING IN AMPS
24V dc	NI	6
	T.C. of 0.025 sec	0.5
50V dc	T.C. of 0.06 sec	0.3
	NI	1
115V ac 60Hz	T.C. of 0.025 sec	0.3
	T.C. of 0.06 sec	0.25
115V ac 400Hz	Unity pf	3
	0.7 pf	2.5
	0.7 pf	5



BURGESS MICRO SWITCH REF No V9 (CURRENT)

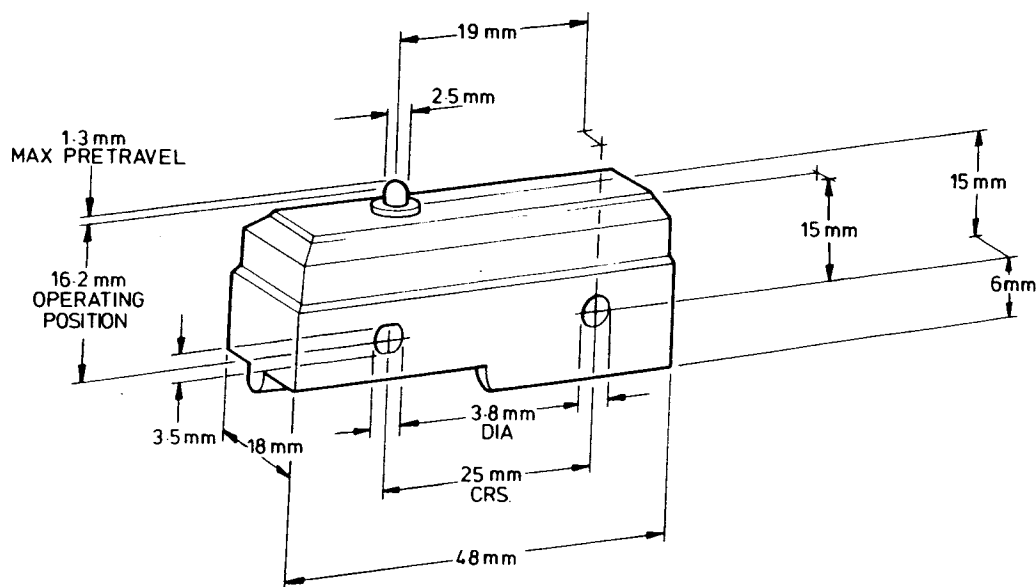
NSN 5930-99-580-2156, NS Cat No 0567/580-2156

Notes

- (1) Single pole change over contacts.
- (2) Operating Force - 6.7N
Release Force - 1.1N
Height at rest - 21.8mm
Tripping point height - 20.9mm
Movement Differential - 0.40mm
- (3) Mechanically shockproof. Maximum time of disturbance of the 'made' contact under shock is 21 milli-secs. The 'open' contacts do not close under shock.

MAXIMUM RATINGS BASED ON A LIFE TEST OF 100,000 OPERATIONS		
VOLTAGE	CIRCUIT	RATING IN AMPS
24V dc	NI	25
	T.C. of 0.025 sec	7
	T.C. of 0.06 sec	3
50V dc	NI	20
	T.C. of 0.025 sec	3
	T.C. of 0.06 sec	2
220V dc	NI	0.25
115V ac 60Hz	Unity pf	8
	0.7 pf	7
115V ac 400Hz	0.7 pf	15
440V ac 60Hz*	Unity pf	4.5
	0.7 pf	4

*FOR SPECIFICALLY APPROVED APPLICATIONS ONLY



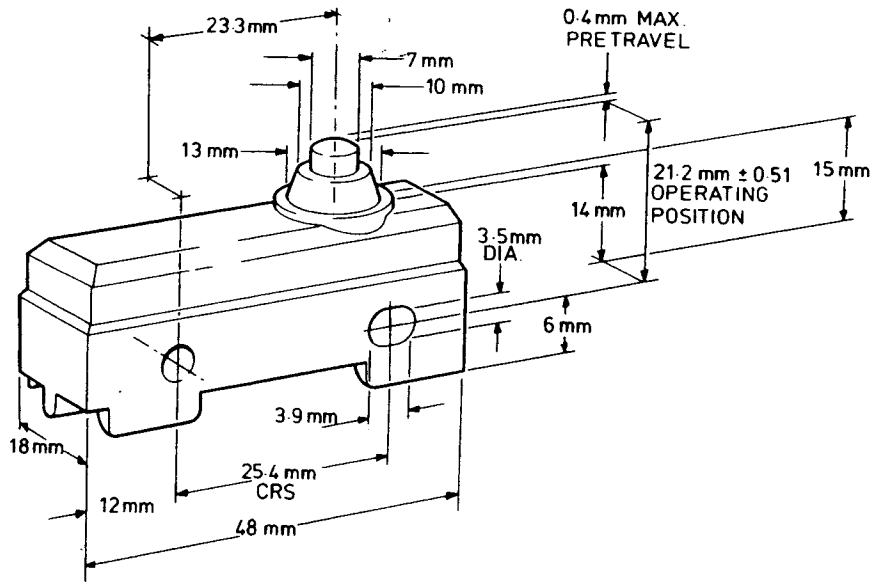
HONEYWELL MICRO SWITCH REF No BA-2R (CURRENT)

NSN 5930-99-207-6509 NS Cat No

Notes

- (1) Single pole change over contacts.
- (2) Operating Force - 3.9N to 6.1N
 Release Force - 2.8N
 Overtravel - 0.25mm
 Differential Travel - 0.05mm to 0.19mm
 Weight - 29g
- (3) Mechanically shockproof. Maximum time of disturbance of the 'made' contact under shock is 27 milli-secs. The 'open' contacts closed for 0.5 milli-secs under shock.

MAXIMUM RATINGS BASED ON A LIFE TEST OF 100,000 OPERATIONS		
VOLTAGE	CIRCUIT	RATING IN AMPS
24V dc	NI	20
	T.C.of. 0.025 sec	12
	T.C. of 0.06 sec	8
50V dc	NI	2
	T.C. of 0.025 sec	1
	T.C. of 0.06 sec	0.5
115V ac 60Hz	Unity pf	10
	0.7 pf	7
115V ac 400Hz	0.7 pf	15



HONEYWELL MICRO SWITCH REF No BZ-2RD (CURRENT)

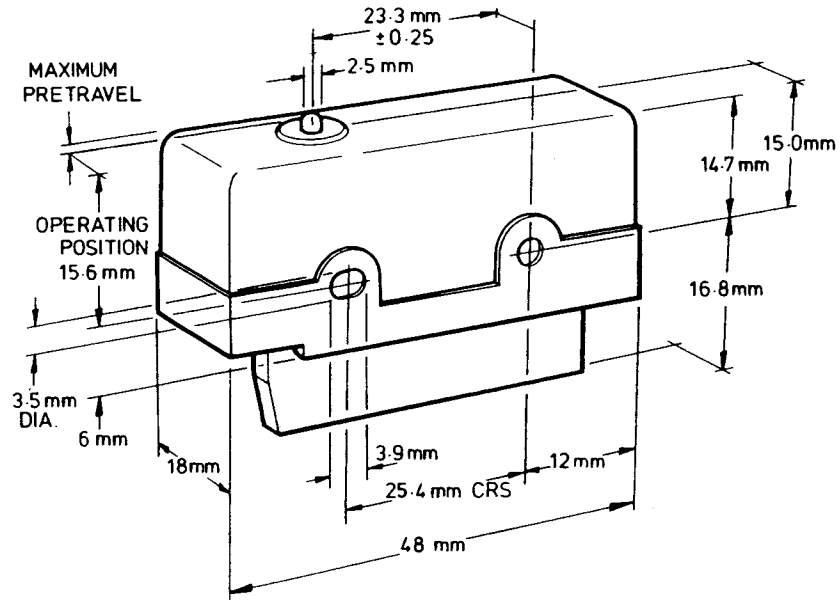
NSN 5930-99-972-9596, NS Cat No

Notes

- (1) Single pole change over contacts.
- (2) Operating Force - 9 to 13oz (2.5N to 3.6N)
 Release Force - 4oz min (1.1N)
 Overtravel - 0.0625in min (1.59mm)
 Differential Travel - 0.0004 to 0.002in (0.010mm to 0.05mm)
 Pretravel - 0.0625in max (1.59mm)
 Weight - 0.076lb (34g)
- (3) Mechanically shockproof. Maximum time of disturbance of the 'made' contacts under shock is 105 milli-secs. The 'open' contacts make for 0.5 milli-secs under shock.

MAXIMUM RATINGS BASED ON A LIFE TEST OF 100,000 OPERATIONS		
VOLTAGE	CIRCUIT	RATING IN AMPS
24V dc	NI	15
	T.C. of 0.025 sec	7
	T.C. of 0.06 sec	5
50V dc	NI	2
	T.C. of 0.025 sec	1.5
220V dc	T.C. of 0.06 sec	1
	NI	0.25
115V ac 60Hz	Unity pf	10
	0.7 pf	10
115V ac 400Hz	0.7 pf	15
440V ac 60Hz*	Unity pf	7.5
	0.7 pf	5

*FOR SPECIFICALLY APPROVED APPLICATIONS ONLY



HONEYWELL MICROSWITCH REF No DT-2R-A7 (CURRENT)

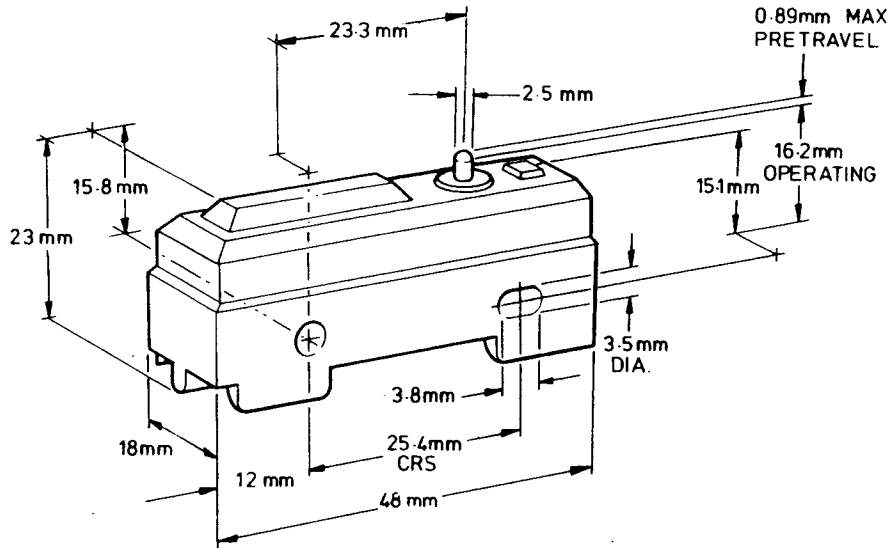
NSN 5930-99-932-1053, NS Cat No

Notes

- (1) Double pole change over contacts.
- (2) Operating Force - 12 to 20oz (3.3N to 5.6N)
 Release Force - 2oz min (0.56N)
 Overtravel - 0.005in min (0.13mm)
 Differential Travel - 0.035 to 0.055in (0.89mm to 1.40mm)
 Pretravel - 0.070in max (1.78mm)
 Weight - 0.070lb (32g)
- (3) Mechanically shockproof. Maximum time of disturbance of the 'made' contacts under shock is 63 milli-secs. The 'open' contacts do not close under shock.

MAXIMUM RATINGS BASED ON A LIFE TEST OF 100,000 OPERATIONS		
VOLTAGE	CIRCUIT	RATING IN AMPS
24V dc	NI	15
	T.C. of 0.025 sec	15
	T.C. of 0.06 sec	15
50V dc	NI	3
	T.C. of 0.025 sec T.C. of 0.06 sec	2.5 2
220V dc	NI	1.5
115V ac 60Hz	Unity pf	10
	0.7 pf	10
115V ac 400Hz	0.7 pf	15
440V ac 60Hz*	Unity pf	6
	0.7 pf	4.5

*FOR SPECIFICALLY APPROVED APPLICATIONS ONLY



HONEYWELL MICROSWITCH REF No MI-4R (CURRENT)

NSN 5930-99-526-3658 NS Cat No CL/GP K400

Notes

- (1) Single pole change over contacts.
- (2) Operating Force - 3.3N to 5.0N
 Release Force - 1.4N
 Overtravel - 0.13mm
 Differential Travel - 0.18mm max.
 Pretravel - 0.89mm
 Weight - 27g
- (3) Mechanically shockproof. Maximum time of disturbance of the 'made' contacts under shock is 112 milli-secs. The 'open' contacts touch for 0.5 milli-secs under shock.

MAXIMUM RATINGS BASED ON A LIFE TEST OF 100,000 OPERATIONS		
VOLTAGE	CIRCUIT	RATING IN AMPS
24V dc	NI	20
	T.C. of 0.025 sec	17.5
	T.C. of 0.06 sec	14
50V dc	NI	20
	T.C. of 0.025 sec	12.5
	T.C. of 0.06 sec	10
220V dc	NI	2
115V ac 60Hz	Unity pf	17.5
	0.7 pf	15
115V ac 400Hz	0.7 pf	20
440V ac 60Hz*	Unity pf	7.5
	0.7 pf	5

*FOR SPECIFICALLY APPROVED APPLICATIONS ONLY

5. PLUGS AND SOCKETS
 5a. COMMERCIAL
 5a(1) TO BRITISH STANDARDS
 5a(1)(a) PLUGS AND SOCKETS, COMMERCIAL, TO BRITISH STANDARDS, NON WATERTIGHT

SELECTION GUIDE AND CONTENTS

Item	AC Rating		Pins	Special Features	Application	NSN NS Cat No	Page	Appropriation
	Voltage	Current A						
Plug	250	2	3		115Vac General service	5935-99-620-2354	94	CURRENT
Plug	250	15	3	Rubber	115Vac General service	5935-99-932-4536	93	CURRENT
Plug	250	5	3	Rubber	115Vac General service	5935-99-427-7409	93	CURRENT
Plug	250	5	3		115Vac General service	5935-99-527-3417	94	CURRENT
Plug	250	15	3		115Vac General service	5935-99-119-5147	94	CURRENT
Plug	250	13	3		230Vac General service	5935-99-634-8697	95	CURRENT
Socket	250	2	3	Flush mounting	230Vac Supply to television sets	5935-99-628-9926	96	CURRENT
Socket	250	5	3	Flush mounting	115Vac General service	5935-99-530-4452	96	CURRENT
Socket	250	15	3	Flush mounting	115Vac General service	5935-99-527-7317	96	CURRENT
Socket	250	5	3	Flush mounting round	115Vac General service	5935-99-527-3415	97	CURRENT
Socket	200-250	5	2	Semi-flush mounting	Supply to shavers	5935-99-117-2032	98	OBSOLESCE
Socket	200-250	2	2	Flush mounting	Supply to shavers	5935-99-761-0258	98	OBSOLESCE
Plug	-	-	1	Coaxial	Television aerial feeder. Free	5935-99-100-2848	100	CURRENT
Socket	-	-	1	Coaxial	Television aerial feeder. Fixed	5820-99-523-2544	100	CURRENT
Plug & Skt. Assy.	250	2	3	Surface mounting	For use with desk lights etc.	5935-99-427-7397	101	CURRENT
Socket	115	20VA	2	Flush mounting	230/115Vac shaver supply unit	5950-99-541-6938	99	CURRENT
Socket	250	13	3	1 Gang insulated flush	230Vac General service	5999-99-638-7473	107	CURRENT
Socket	250	13	3	2 Gang insulated flush	230Vac General service	5820-99-634-1133	107	CURRENT
Socket	250	13	3	1 Gang mini logic surface	230Vac General service	5999-99-933-1468	109	CURRENT
Socket	250	13	3	1 Gang metalclad surface	230Vac General service	5999-99-100-7160	108	CURRENT
Socket	250	13	3	2 Gang metalclad surface	230Vac General service	5805-99-618-9240	108	CURRENT
Socket	250	13	3	2G metalclad UASW surface	230Vac General service	5935-99-620-1641	109	CURRENT
Steel boxes	-	-	-		For flush or surface mounting sockets	5975-99-117-1008 5975-99-117-1009 5975-99-117-1007	102 102 102	CURRENT CURRENT CURRENT

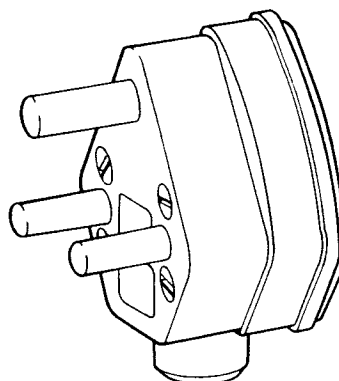
(Continued)

Item	AC Rating		Pins	Special Features	Application	NSN NS Cat No	Page	Appropriation
	Voltage	Current A						
2 amp.SW.Skt.Assy.	250	2	3	Flush or surface mounting	Combined TV. power & aerial skt.		104	CURRENT
5 amp.SW.Skt.Assy.	250	5	2	Flush or surface mounting	Combined shaver socket & switch		106	OBSOLESCE
5 amp.SW.Skt.Assy.	250	5	3	Flush or surface mounting	Combined power socket & switch		105	CURRENT
15amp.SW.Skt.Assy.	250	15	3	Flush or surface mounting	Combined power socket & switch		105	CURRENT
15amp.SW.Skt.Assy.	250	15	3	Surface mounting	Combined power socket & switch	5999-99-527-8837	103	CURRENT

PLUG (CURRENT)

NSN 5935-99-427-7409, NS Cat No 0568/427-7409, Formerly AP 207624
DESCRIPTION - 5 amp, 3 pin rubber plug to B.S.546

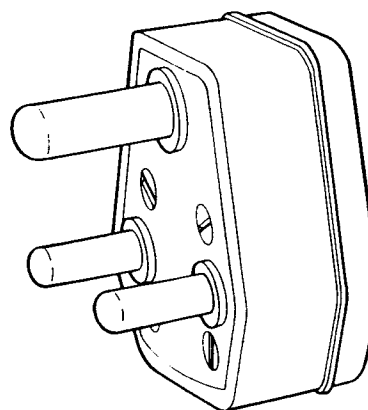
FIRM	LIST No
G.E.C. WANDSWORTH HAFFENDEN LTD RICHBOROUGH PERMA RUBBER CO LTD DURAPLUG	S 2884 3001 R.S P.53 PT.5 P53B



PLUG (CURRENT)

NSN 5935-99-932-4536, NS Cat No 0568/932-4536, Formerly AP 207625
DESCRIPTION - 15 amp, 3 pin rubber plug to B.S.546

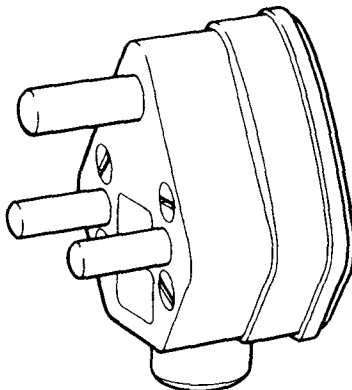
FIRM	LIST No
WALSALL G.E.C. WANDSWORTH HAFFENDIN LTD RICHBOROUGH PERMA RUBBER CO LTD DURAPLUG	P.C.900R S.2856 3031 R.S. P.153 PT.15 P153B



PLUG (CURRENT)

NSN 5935-99-527-3417, NS Cat No 0568/527-3417, Formerly AP 200227
DESCRIPTION - 5 amp, 3 pin White phenolic plug to B.S.546
MAGNETIC CLASSIFICATION - None
NOTE Magnetically acceptable for MCMV

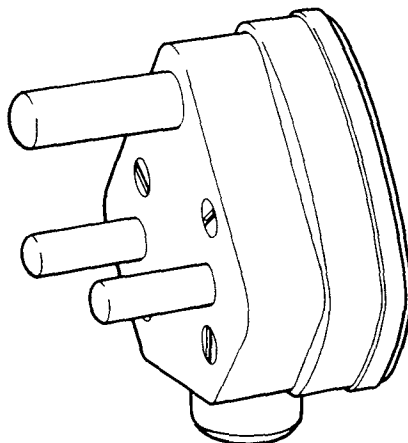
FIRM	CAT No
G.E.C.	S 2884
M.K.	505 WH1
WANDSWORTH	3001
CRABTREE	7113
BRITMAC	5P/2



PLUG (CURRENT)

NSN 5935-99-119-5147, NS Cat No 0568/119-5147, Formerly AP 207651
DESCRIPTION - 15 amp, 3 pin White phenolic plug to B.S.546
MAGNETIC CLASSIFICATION - None

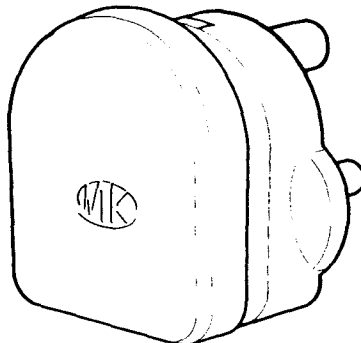
FIRM	CAT No
M.K.	515 WH1
BRITMAC	15P/2
CRABTREE	7213
G.E.C.	S 2886

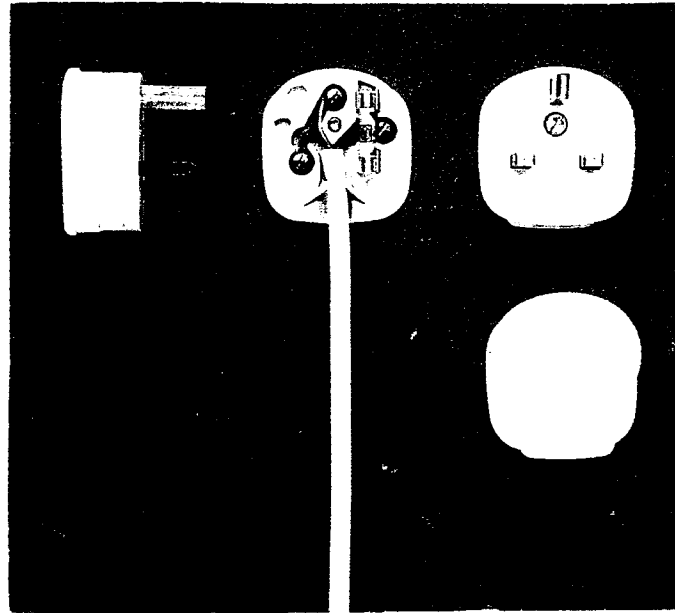


PLUG (CURRENT)

NSN 5935-99-620-2354, NS Cat No 0568/620-2354
DESCRIPTION - 2 amp 3 pin phenolic plug to B.S.546
MAGNETIC CLASSIFICATION - None

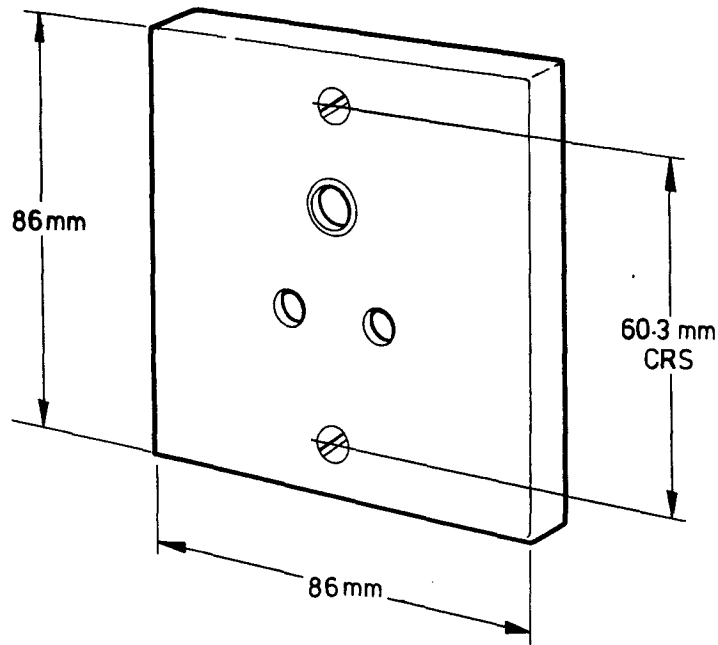
FIRM	CAT No
MK	502 WH1
CRABTREE	7010
WANDSWORTH	190





MK PLUG (CURRENT)

List No 646WH1 - NSN 5935-99-634-8697 NS CAT NO 0568/634-8697
DESCRIPTION - 13 Amp plug fitted with 13A fuse.



MK SOCKET (CURRENT)

TYPE 770 WH1 - NSN 5935-99-628-9926, 0568/628-9926
DESCRIPTION - 2 amp, 3 pin round, 230V ac, unshuttered. B.S.546
PROJECTION - Flush Fitting
FIXING - 2 x M3.5 screws

TYPE 771 WH1 - NSN 5935-99-530-4452, NS Cat No 0568/530-4452
DESCRIPTION - 5 amp, 3 pin round, 230V ac, shuttered. B.S.546
PROJECTION - Flush fitting
FIXING - 2 x M3.5 screws

TYPE 772 WH1 - NSN 5935-99-527-7317, 0568/527-7317
DESCRIPTION - 15 amp, 3 pin round, 230V ac, shuttered. B.S.546.
115V ac B.S.546
PROJECTION - Flush fitting
FIXING - 2 x M3.5 screws

For suitable Plugs see Pages 93. & 94.
For suitable Boxes see Page 102.

MK SOCKET (CURRENT)

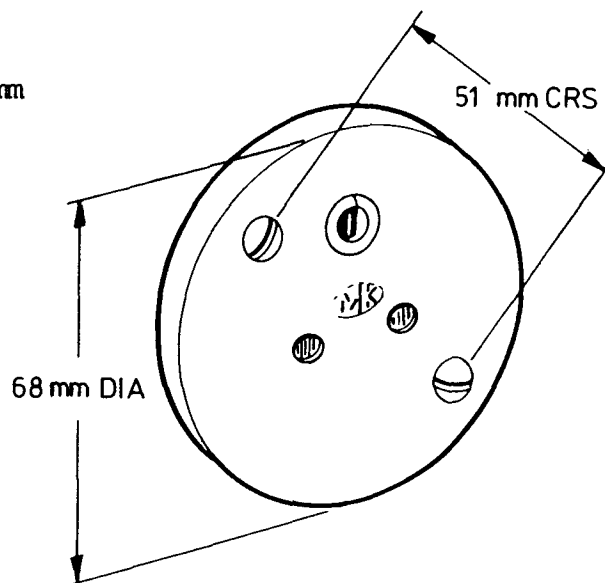
NSN 5935-99-527-3415, NS Cat No 0568/527-3415, Formerly AP 207731
DESCRIPTION - 5 amp, 3 round pin, 250V, shuttered, flush mounted B.S.546
MK Type 315 WH1

PROJECTION - Flush fitting

FIXING - 2 x M4

TERMINALS - Max conductor size 3mm

MAGNETIC CLASSIFICATION - None



LOBLITE SHAVER SOCKET (OBSOLESCE)

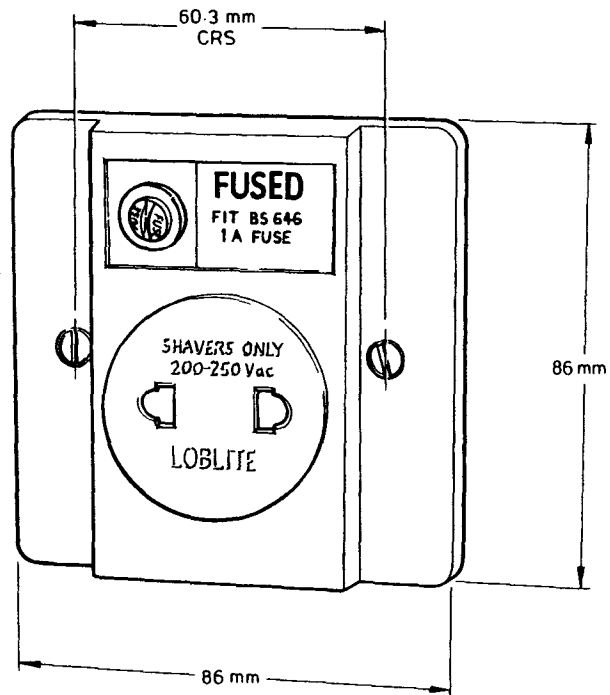
NSN 5935-99-117-2032, NS Cat No 0568/117-2032

DESCRIPTION - 200-250V ac, 5 amp, 2 pin shuttered, Semi-flush fitting.
Fused. Loblite Type 455NF

PROJECTION - 14mm

FIXING - 2 x M3.5 screws

MAGNETIC CLASSIFICATION - None



- Notes
1. Not suitable for bathrooms and washrooms
 2. For suitable Boxes see Page 102
 3. Use fuse NS Cat No 0559/432-7373

SHAVER SOCKET OUTLET (OBSOLESCE)

NSN 5935-99-761-0258, NS Cat No 0568/761-0258

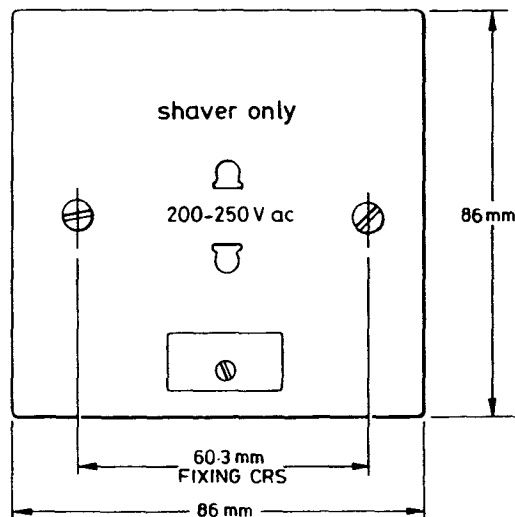
DESCRIPTION - 200-250V ac, 2 amp, 2 pin shuttered, flush fitting.
Fused. MK Type 700 WHI

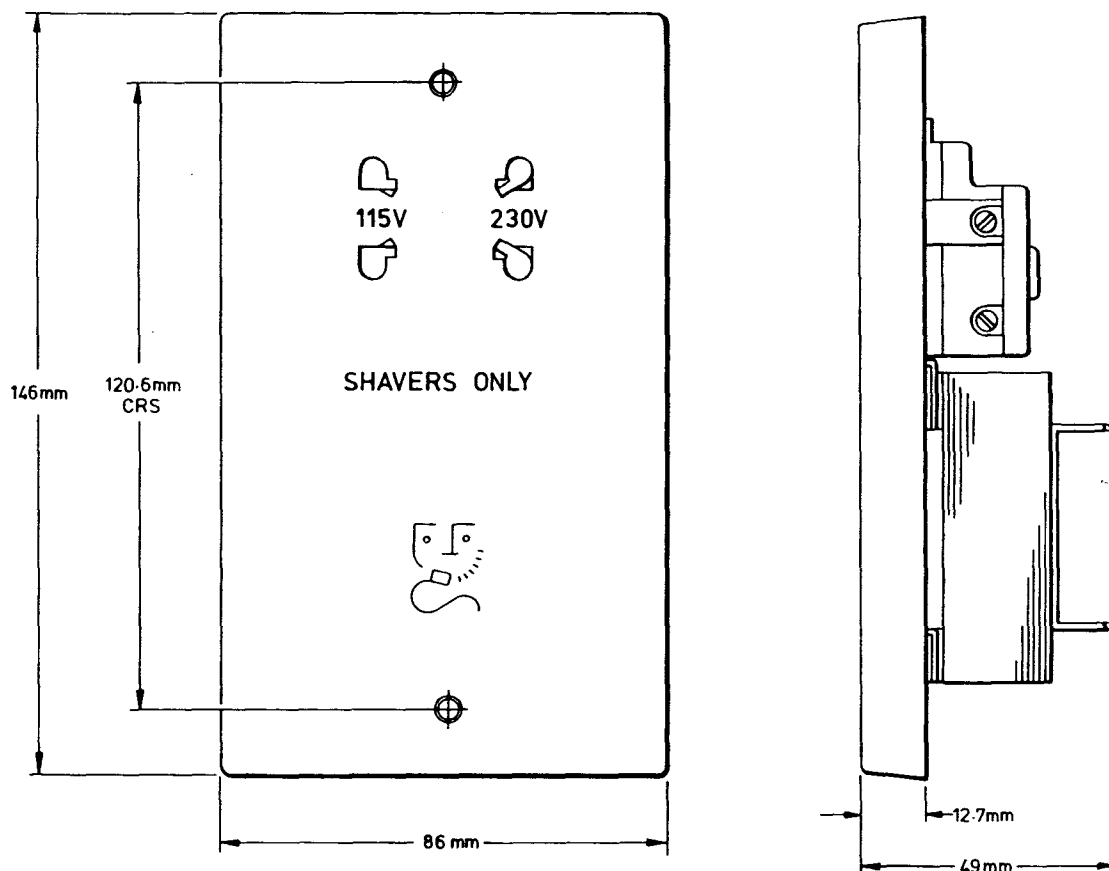
PROJECTION -

FIXING - 2 x M3.5 screws

MAGNETIC CLASSIFICATION - None

- Notes
1. Not suitable for bathrooms and washrooms
 2. Minimum depth for flush fitting 19mm.
 3. Use fuse
NS Cat No 0559/432-7373





SHAVER SUPPLY UNIT (CURRENT)

NSN 5950-99-541-6938, NS Cat No 0627/541-6938

DESCRIPTION - 115V ac 60Hz input, 230V/115V ac 20VA output shaver supply unit

GA DRAWING - MK Type 706 WHI

PROJECTION - 12.7mm

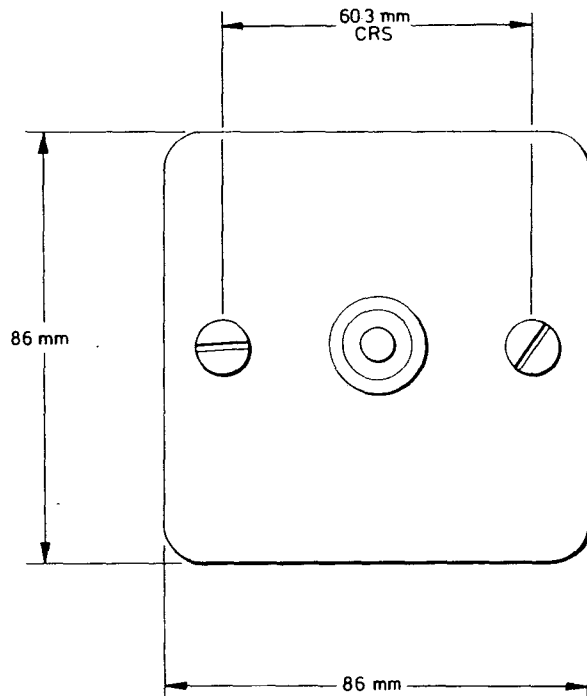
FIXING - 2 x M3.5

WEIGHT - 680g

TERMINALS - 2 x 2.5mm²

REPLACEMENT SPARES- Nil

Note MK Electric Ltd supply this item for overseas, it is not included in the Home Market catalogue.



COAXIAL SOCKET (CURRENT)

NSN 5820-99-523-2544, NS Cat No 0625/523-2544

DESCRIPTION - Single outlet television aerial coaxial socket. Ivory

PROJECTION - Flush fitting

FIXING - 2 x M3.5 screws

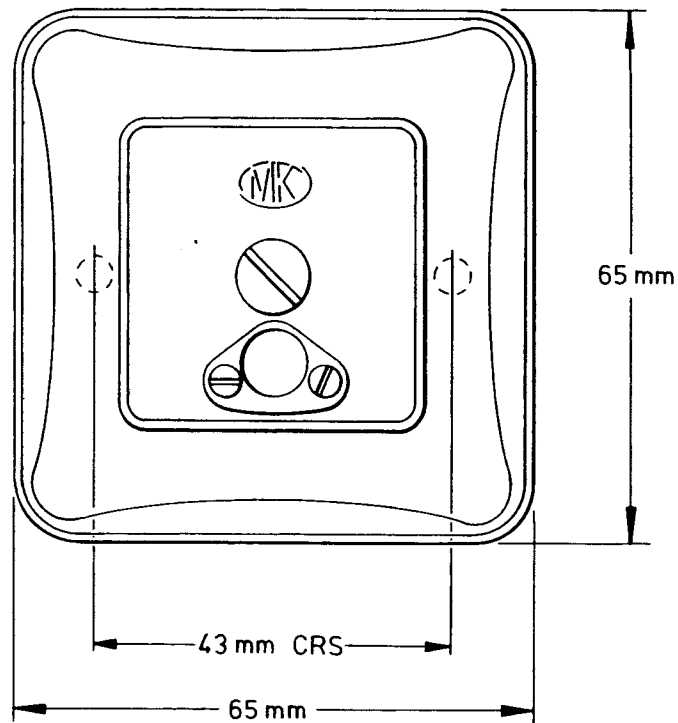
COAXIAL PLUG (CURRENT)

NSN 5935-99-100-2848, NS Cat No 0568/100-2848

DESCRIPTION - Television aerial coaxial free plug

For suitable mounting box - see Page 102.

For components for a combined television power supply socket and aerial socket - see Page 104.



PLUG & SOCKET (CURRENT)

NSN 5935-99-427-7397, NS Cat No 0568/427-7397, Formerly - AP 200230

DESCRIPTION - 2 amp, 3 pin, plug and socket for surface mounting.

Messrs. M K Electric Ltd's Cat No 997 WH1 (fuse replaced by a solid link) for use with desk lights etc.

PROJECTION - 32mm

FIXING - 2 x M3.5 screws

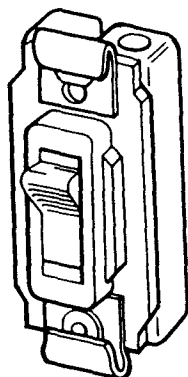
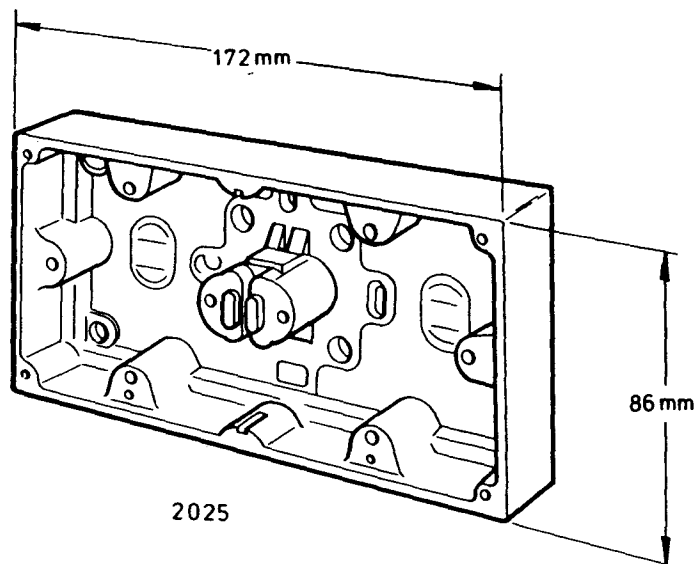
TERMINALS - For conductors up to 3/0.67mm max

MAGNETIC CLASSIFICATION - None

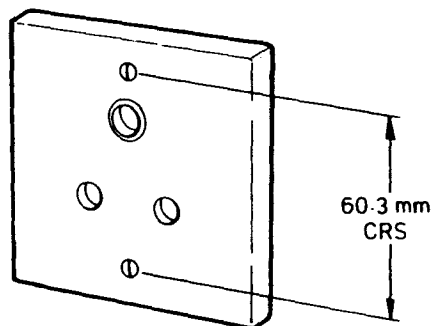
STEEL BOXES FOR FLUSH OR SURFACE MOUNTING SOCKETS ETC. (CURRENT)

For use in accommodation areas, offices, stores, messes,
and radio and electronic workshops.

MANUFACTURERS' REFERENCE	DESCRIPTION	APPLICATION	NSN NS Cat No
MK 887 Z1C	Box steel Dual 75 x 161 x 37mm	For Flush mounting sockets Pages 96 & 98	5975-99-117-1008 0559/117-1008
MK 866 Z1C	Box steel 1 Gang 75 x 75 x 37mm	For Flush mounting TV skt Page 100	5975-99-117-1009 0559/117-1009
MK 2003 ALM	Box steel 86 x 86 x 41mm	For surface mounting sockets Pages 96, 98 & 100	5975-99-117-1007 0559/117-1007



4896 WH1



772

SWITCH SOCKET ASSEMBLY (CURRENT)

COMPLETE ASSEMBLY - NSN 5999-99-527-8837, NS Cat No 0559/527-8837

Supersedes 0559/456-1473, Formerly AP 200341

DESCRIPTION - 15 amp, 3 pin, 250V ac, shuttered, double pole switch,
for surface mounting, comprising the MK Gridswitch
components listed below.

PROJECTION - 53mm approx

REPLACEMENT SPARES:

1. Moulded Box MK 2025 WH1 NSN 5999-99-527-8836 NS CAT NO. 0559/527-8836
2. Socket MK 772 WH1. NSN 5935-99-527-7317 NS CAT NO. 0568/527-7317
3. Switch MK 4896 WH1. NSN 5930-99-117-2031 NS CAT NO 0567/117-2031
4. Grid MK 3701 Z1C. NSN 5930-99-428-3262 NS CAT NO 0567/428-3262
5. Plate MK 3631 WH1. NSN 5875-99-117-8100 NS CAT NO 0559/117-8100

Components required for one complete television power supply and aerial socket assy. for use in accommodation areas, messes and radio and electronic workshops.

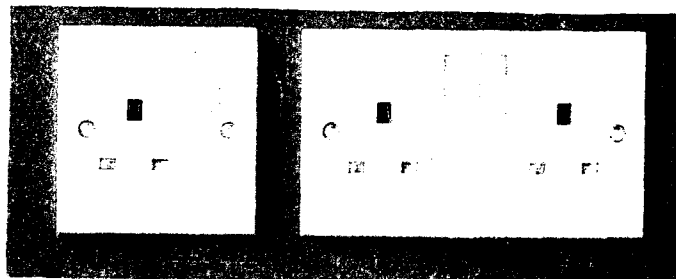
PART	NSN	PAGE	REMARKS
Power Socket	5935-99-628-9926	96.	2A 3Pin Round
Switch	5930-99-117-2031	54.	20A D.P
Plate	5975-99-117-8100	51.	Insulated Flush
Grid Plate	5930-99-428-3262	51.	1 Gang
Power Plug	5935-99-620-2354	94.	2A 3 Pin Round
Aerial Socket	5820-99-523-2544	100.	Coaxial
Earth Terminal	5940-99-117-3197	52.	Steel box or grid mtg.
Switch Box	5975-99-117-1007	102.	Two required box steel surface
OR	5975-99-117-1008	102.	Box steel dual flush
OR	5999-99-117-2033	52.	Two required box moulded, surface
Aerial Skt box	5975-99-117-1007	102.	Box steel surface
OR	5975-99-117-1009	102.	Box steel flush
OR	5999-99-117-2033	52.	Box moulded surface

Components required for a complete 5 amp or 15 amp 250V ac switch socket assy, for use in accommodation areas, offices, stores, messes and radio and electronic workshops

PART	NSN	PAGE	REMARKS
Socket OR	5935-99-530-4452	96.	5 amp
	5935-99-527-7317	96.	15 amp
Switch	5930-99-117-2031	54.	20 Amp DP
Plate	5975-99-117-8100	51.	Insulated Flush
Grid Plate	5930-99-428-3262	51.	1 Gang
Earth Terminal	5940-99-117-3197	52.	Steel box or grid mtg
Switch Box OR	5975-99-117-1008	102.	Steel, dual, flush
	5975-99-117-1007	102.	Two required box steel, surface
OR	5999-99-117-2033	52.	Two required box moulded, surface
Plug	5935-99-527-3417	94.	5 amp
OR	5935-99-119-5147	94.	15 amp

Components required for one complete 250V ac
shaver switch socket assy.

PART	NSN	PAGE	REMARKS
Socket	5935-99-117-2032	98 .	Shaver (OBSOLESCECENT)
Switch	5930-99-117-2031	54 .	20 Amp D.P
Plate	5975-99-117-8100	51 .	Insulated flush
Grid Plate	5930-99-428-3262	51 .	1 Gang
Plug	5935-99-527-3411		CL/Grp 0625
Earth Terminal	5940-99-117-3197	52 .	Steel box or grid mtg
Box	5975-99-117-1007	102 .	Two required box steel surface
OR	5975-99-117-1008	102 .	Box steel dual flush
OR	5999-99-117-2033	52 .	Two required box moulded surface



MK SOCKET (CURRENT)

LIST No 2757WH1 - NSN 5999-99-638-7473 NS CAT NO 0567/638-7473

DESCRIPTION - 13A Switchsocket outlet 1 gang flush, SP

DIMENSIONS - 86 x 86mm

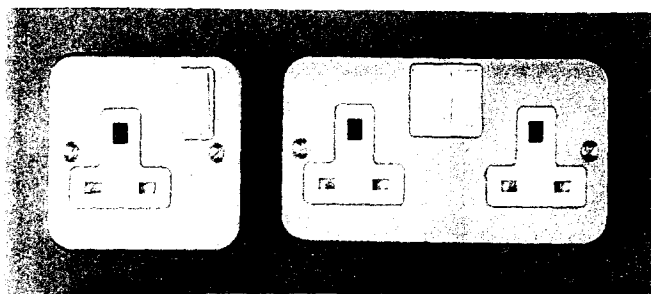
FIXING - 2 x M3.5

LIST No 2747WH1 - NSN 5820-99-634-1133 NS CAT NO 0567/634-1133

DESCRIPTION - 13A Switchsocket outlet 2 gang flush, SP

DIMENSIONS - 86 x 146mm

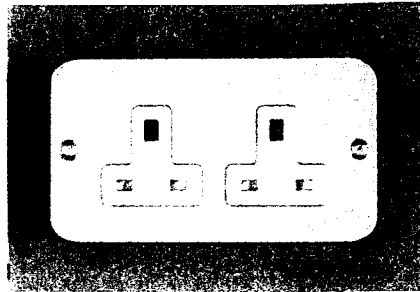
FIXING - 2x M3.5



MK SOCKET (CURRENT)

LIST No 2977 ALM - NSN 5999-99-100-7160 NS CAT No 0559/100-7160
DESCRIPTION - 13A Switchsocket outlet metalclad 1 gang surface SP
DIMENSIONS - 81 x 81 x 47mm
FIXING -

LIST No 2946 ALM - NSN 5805-99-618-9240 NS CAT No 0559/618-9240
DESCRIPTION - 13A Switchsocket outlet metalclad 2 gang surface SP
DIMENSIONS - 76 x 136 x 48mm
FIXING -

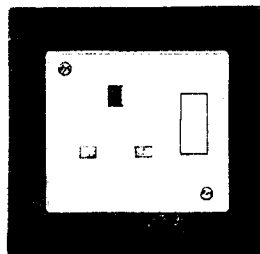


MK SOCKET (CURRENT)

LIST No 850ALM - NSN 5935-99-620-1641 NS CAT NO 0568/620-1641

DESCRIPTION - 13A Socket outlet metalclad 2 gang surface

DIMENSIONS - 76 x 136 x 45mm



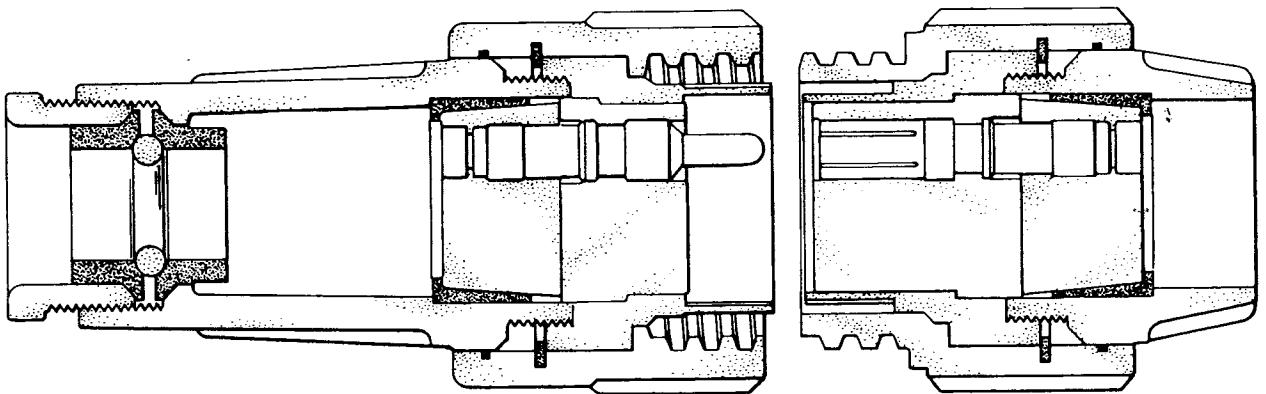
MK SOCKET (CURRENT)

LIST No 2959WH1 - NSN 5999-99-933-1468 NS CAT NO 0559/933-1468

DESCRIPTION - 13A Switchsocket outlet 1 gang surface SP

DIMENSIONS - 74 x 64 x 46mm

- Notes
- (1) A series of Type 128 Connectors has been introduced for Naval use. The full series of these Connectors is detailed in Specification BS 9522 F0024 but the shell material for shipboard use in the Royal Navy must be of Limited Fire Hazard (LFH) material.
 - (2) This section lists the introduced Connectors with brief details of each type. To ensure that only LFH types are used in HM Ships, any new requirement is to be referred IN THE FIRST INSTANCE to DGSM ME312. Also to ensure that only connectors in LFH material are obtained, all purchases until further notice are to be made from ICORE International Ltd, Leigh Road, Slough, Berks SL1 4BB.
 - (3) Ingress Protection rating IP68



SERIES SPD.T.128.

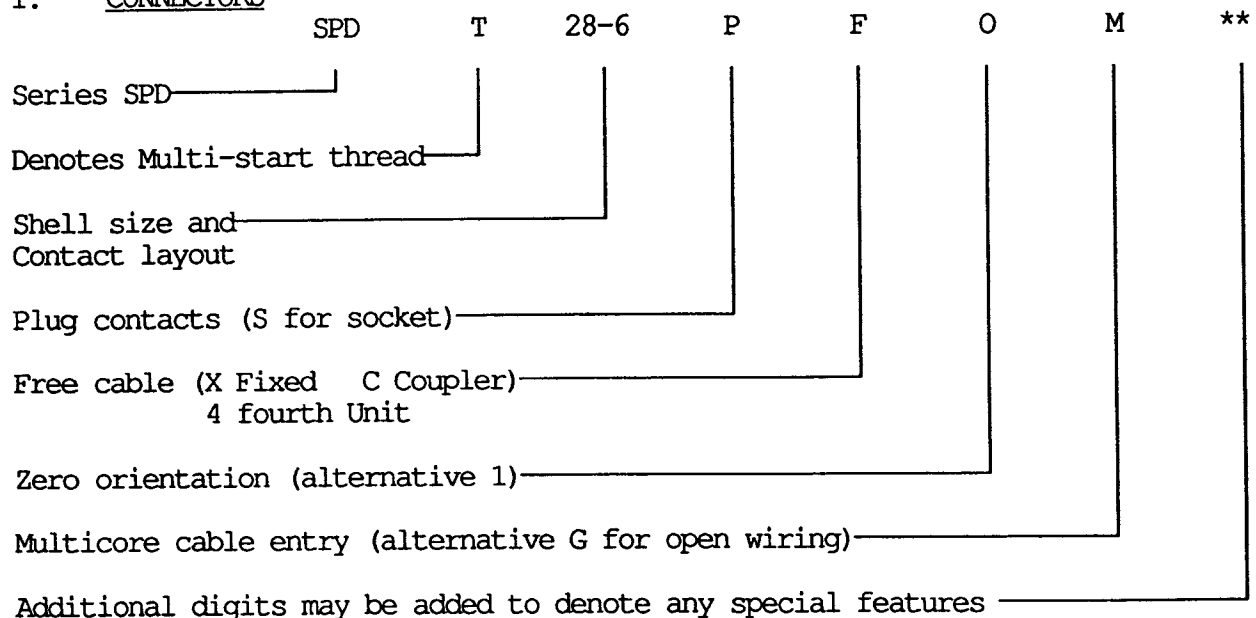
CODIFICATION FOR SERIES SPD.T. ELECTRICAL CONNECTORS

- SPD All part numbers are pre-fixed with these three digits to denote the Series/Range, SPD.
- T Denotes Multi-start thread.
- 22-2 In the case of any connector assembly, the first three digits are followed by the contact arrangement or planform required. The first two digits of this code denote the shell size, i.e. 22 = Shell Size 22. Note the second digit, or pair of digits, denote the lay-out selected which, as can be seen by reference to the tables or lay-out sheets, DO NOT denote the number of contacts in the lay-out.
- S Socket - an assembly with socket (female) contacts.
or
P Plug - an assembly with plug (male) contacts.
- X Fixed, panel mounted connector/assembly/receptacle - always male threaded.
or
F Free, i.e. cable connector assembly - always female threaded with coupling nut.

- C Coupler, i.e. an in-line cable connector - always male threaded for coupling the length of free cable, and always with socket contacts.
- or
4 Fourth unit, i.e. fixed panel mounted connector/assembly - always pin and female threaded.
- 0 Orientation - all connectors are supplied in zero orientation - denoted by '0'. Alternative orientations are available denoted by '1'.
- 1 Orientation to obviate cross connection of similar circuits is achieved by an alternate inner shell with a totally different arrangement of key-ways.
Note The insert and contacts are not rotated to an alternate position as is the more common practice in many other connector ranges.
- M or G This group of code digits provides the selected termination at the rear of the connector assembly.
- M Multicore Cable Entry - this fitting ensures and fulfils two purposes -
(i) it compresses and seals the individual conductors (by a grommet) and
(ii) seals the multicore cable within the range specified in the tables.
- G Grommet Seal - a fitting design for open-wiring, i.e. sealing individual conductor cables.
Note An M or G fitting must be supplied with a free, or coupler connector. A fixed panel mounting can be supplied with or without rear fittings, e.g., an SXOG assembly would be a socket, fixed, '0' orientation connector but with the additional provision to seal the individual conductor buckets and cables at the rear - ideal when making an installation within open trunking. In all cases, the panel unit is a sealed assembly.

CODIFICATION EXAMPLES

1. CONNECTORS



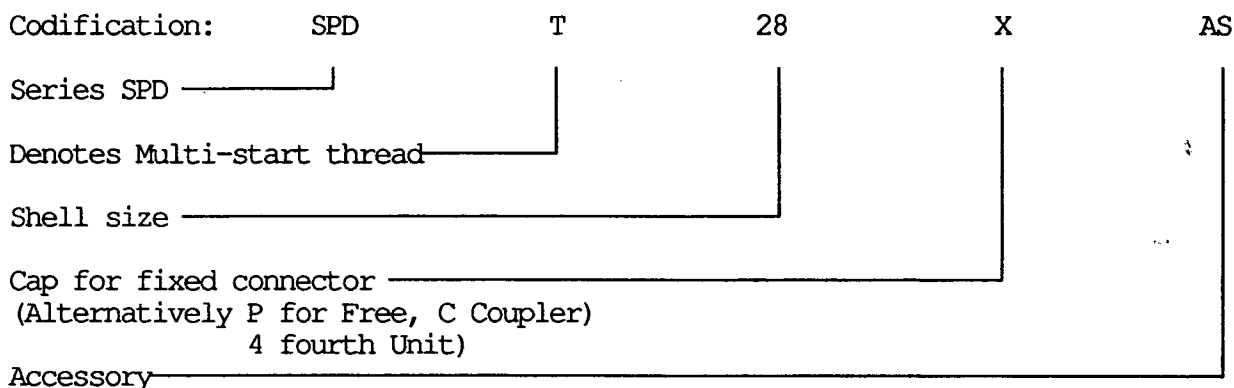
SPD T 22-14 SXOG (See Page 115 for plan form)

This codification would provide an SPD connector, shell size 22, 19 socket contacts in a fixed panel mounted shell, zero orientation with individual conductor sealing for 'open wiring'.

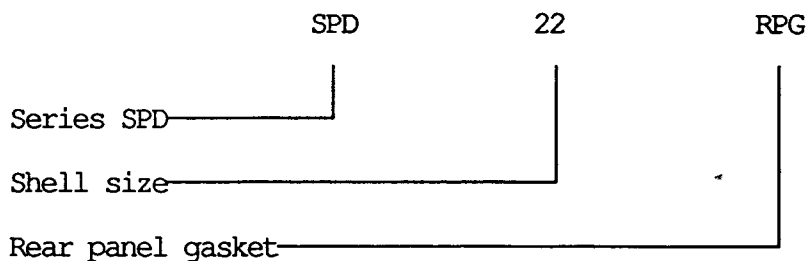
SPD T 18-21 SCOM (See Page 115 for plan form)

Provides - an SPD connector, shell size 18, 3 socket contacts in an in-line coupler shell, zero orientation with multicore cable entry and sealing.

2. PROTECTIVE CAPS can be provided for all connector assemblies.



3. PANEL MOUNTING GASKETS

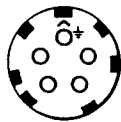


CONTACT ARRANGEMENTS AND IDENTIFICATIONS

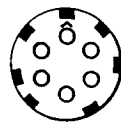
Note The following illustrations Page 114 show the mating face of connectors, electrical, male contacts. Connectors, electrical, female contacts are mirror images.



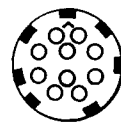
18-21



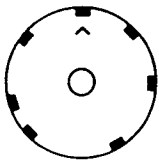
18-D5



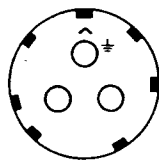
18-12



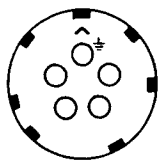
18-1



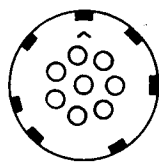
22-1



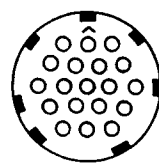
22-2



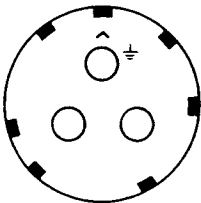
22-D5



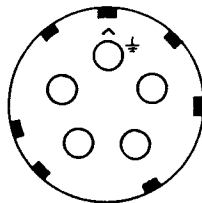
22-23



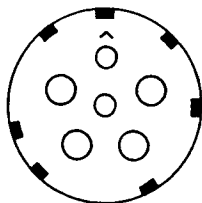
22-14



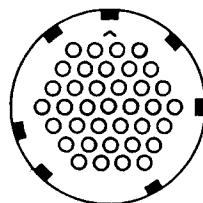
28-6



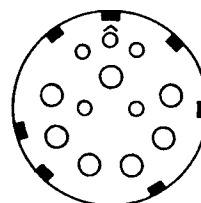
28-D5



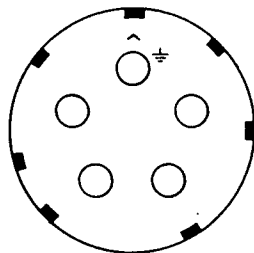
28-D42



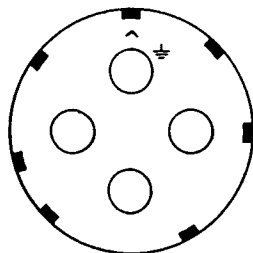
28-21



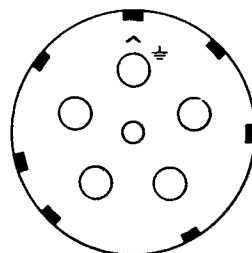
28-D75



36-D5



36-5



36-D51

Note Symbol ^ denotes datum key

CONTACT ARRANGEMENTS AND IDENTIFICATIONS

THE RANGE

The range is based on four shell sizes -18, 22, 28 and 36 - with the outside diameters of the coupling nuts at 52.0mm., 58.0mm., 70.0mm. and 80mm respectively.

Five sizes of contacts are specified in a range of lay-outs, as tabulated.

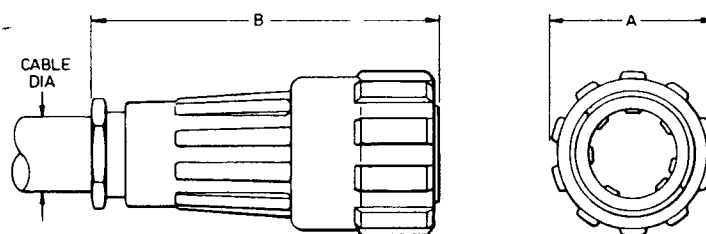
S H E L L S I Z E	CABLE DIA RANGE	P L A N F O R M	QUANTITY OF EACH CONTACT SIZE AND CURRENT RATING IN AMPS AT 25° C AMBIENT										V O L T A G E
			Size 16 Contact Bucket dia 1.85mm		Size 12 Contact Bucket dia 2.95mm		Size 8 Contact Bucket dia 5.5mm		Size 4 Contact Bucket dia 8.3mm		Size 0 Contact Bucket dia 11.0mm		
			No Off	Amps	No Off	Amps	No Off	Amps	No Off	Amps	No Off	Amps	
18	8 TO	21			3	25							750
		D5			5	16							750
	14	12	6	10									750
		1	10	6									500
22	10 TO	1								1	200		28
		2					3	50					750
		D5			5	30							750
		23			8	20							750
	17.5	14	19	5									500
28	18 TO	6							3	100			750
		D5					5	50					750
	27	D42	2	10			4	50					750
		21	37	4.5									500
		D75	5	8	7	26							500
36	26 TO	D5							5	100			750
		5									4	140	750
	33	D51			1	10				5	90		750

- Notes
- (1) Contact solder bucket stated are inside diameter of socket or pin contacts.
 - (2) Voltage shown is DC or AC peak at sea level.
 - (3) Cable diameter range shows the minimum and maximum diameters of multicore cable for each shell size.

DATA SHEETS - TYPE 128 CONNECTORS

STYLES	DESCRIPTION	Page
PF0M and PF1M	Connector, free, male contacts, female thread, multicore back end.	117
SF0M and SF1M	Connector, free, female contacts, female thread, multicore back end.	118
P40M and P41M	Connector, electrical, fixed, male contacts, square flange mounting, female thread, multicore back end.	119
PX0M	Connector, electrical, fixed plug, male contacts, male thread, square flange mounting, multicore back end.	120
SX0M	Connector fixed, female contacts, male thread, square flange mounting, multicore back end.	121
SC0M and SC1M	Connector, free cable inline coupler, female contacts male thread, multicore back end.	122
PX0	Connector, fixed, male contacts, male thread, square flange mounting, open wiring, without grommet protection.	123
SX0 and SX1	Connector, fixed, female contacts, square flange mounting, male thread, open wiring, without grommet protection.	124
PX0G and PX1G	Connector fixed, male contacts, square flange mounting, male thread, open wiring, with grommet protection.	125
SX0G and SX1G	Connector, fixed, female contacts, square flange mounting, male thread, open wiring, with grommet protection.	126
P40	Connector, fixed, male contacts, female thread, square flange mounting, open wiring, without grommet protection.	127
P40G	Connector, fixed, male contacts, female thread, square flange mounting, open wiring, with grommet protection.	128
4AS	Cap, male thread, cord anchor fixing, for fixed connector with female thread	129
CAS	Cap, female thread, circlip fixing, for free connector with male thread	129
PAS	Cap, male thread, circlip fixing, for free connector with female thread	130
XAS	Cap, female thread, cord anchor fixing, for fixed connector with male thread	130
GASKETS	Panel mounting gaskets	131

	A	B	o/d of Cable
18	48.0	122.0	8 to 14
22	58.0	133.0	10 to 17.5
28	70.0	148.0	18 to 27
36	85.0	155.0	26 to 33

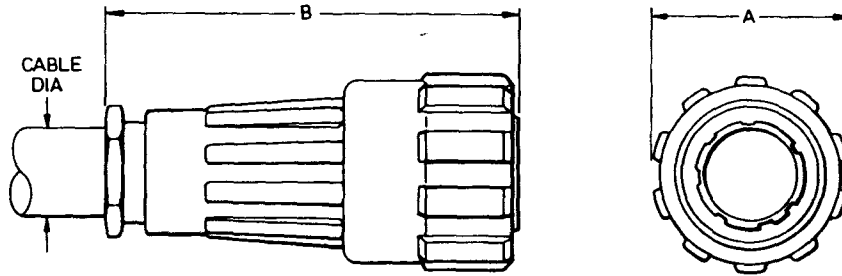


STYLES PF0M, and PF1M

DESCRIPTION - Connector, free, male contacts, female thread, multicore back end

Plug or Socket	Manuft'rs Coding SPD.T.	B.S. Coding	No of Poles	Volts		Amps	NSN 5935-99- NS Cat No 0568/	Remarks
				ac	dc			
Plug	18-1 PF0M	FC 2781	10	500	500	6	038-5513	
	18-D5 PF0M	FC 2781	5	750	750	16	038-5511	
	18-12 PF0M	FC 2781	6	750	750	10	038-5509	
	18-21 PF0M	FC 2781	3	750	750	25	038-5507	
	22-1 PF0M	FC 2781	1	28	28	200	735-9833	Single Pole
	22-2 PF0M	FC 2871	3	750	750	50	038-5515	
	22-D5 PF0M	FC 2871	5	750	750	30	038-5517	
	22-14 PF0M	FC 2871	19	500	500	5	038-5521	
	28-D5 PF0M	FC 2871	5	750	750	50	038-5525	
	28-6 PF0M	FC 2781	3	750	750	100	038-5523	
	28-21 PF0M	FC 2781	37	500	500	4.5	038-5527	
	28-D42 PF0M	FC 2781	2 4	750	750	10 50	038-5529	
	36-5 PF0M	FC 2781	4	750	750	140	038-5533	
	36-D5 PF0M	FC 2781	5	750	750	100	038-5531	
	18-21 PF1M	FC 2781	3	750	750	25	735-9839	
22-1 PF1M	FC 2781	1	28	28	200	735-9836	Single Pole	

Note For earth connection see Contact Arrangements and Identifications Page 114.



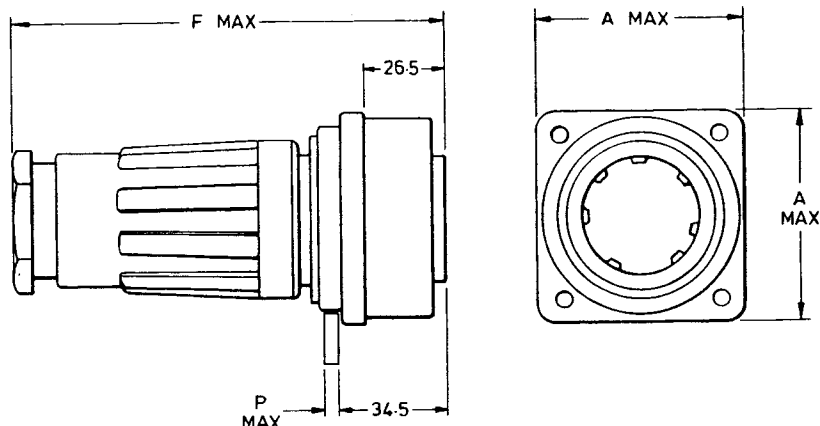
	A	B	o/d of Cable
18	48.0	122.0	8 to 14
22	58.0	133.0	10 to 17.5
28	70.0	148.0	18 to 27
36	85.0	155.0	26 to 33

STYLES SF0M, and SF1M

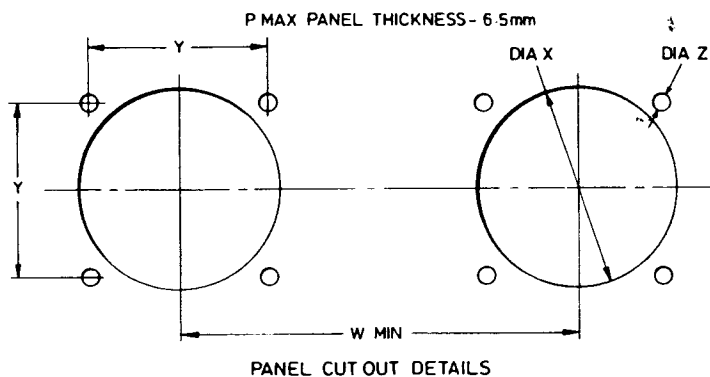
DESCRIPTION - Connector, free, female contacts, female thread, multicore back end

Plug or Socket	Manuft'rs Coding SPD.T.	B.S. Coding	No of Poles	Volts		Amps	NSN 5935-99- NS Cat No 0568/	Remarks
				ac	dc			
Socket	18-1 SF0M	FC 2782	10	500	500	6	038-5514	
	18-D5 SF0M	FC 2782	5	750	750	16	038-5512	
	18-21 SF0M	FC 2782	3	750	750	25	038-5508	
	22-2 SF0M	FC 2782	3	750	750	50	038-5516	
	22-D5 SF0M	FC 2872	5	750	750	30	038-5518	
	22-14 SF0M	FC 2872	19	500	500	5	038-5522	
	28-21 SF0M	FC 2782	37	500	500	4.5	038-5528	
	36-D5 SF0M	FC 2782	5	750	750	100	038-5532	
18-21 SF1M	FC 2782	3	750	750	50	735-9809		

Note For earth connection see Contact Arrangements and Identifications Page 114.



	A	W	X	Y	Z	F
18	52	100	43	38	5	122
22	60	110	51	44	5	133
28	70	120	62	54	5	148
36	88	130	73	66.5	6	155

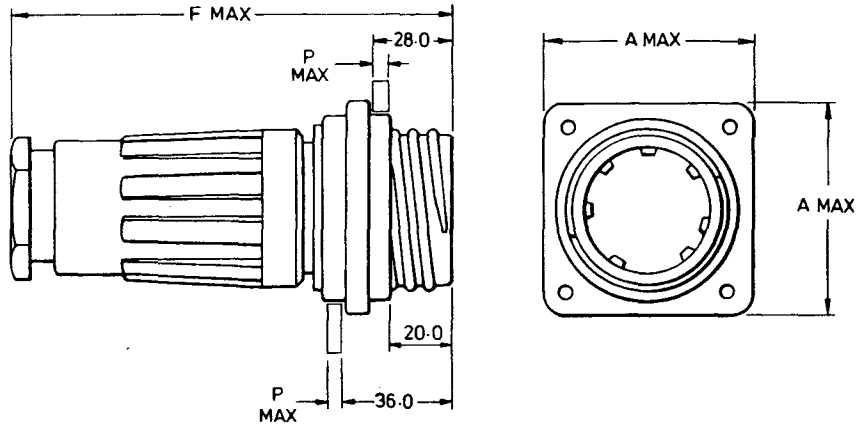


STYLES P40M and P41M

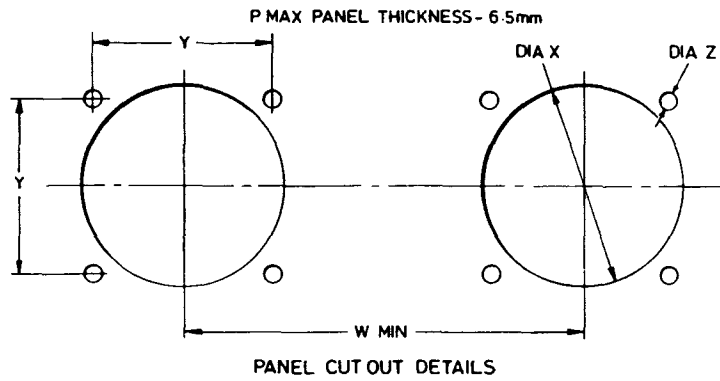
DESCRIPTION - Connector, electrical, fixed, male contacts, square flange mounting female thread, multicore back end

Plug or Socket	Manuft'rs Coding SPD.T.	B.S. Coding	No of Poles	Volts		Amps	NSN 5935-99- NS Cat No 0568/	Remarks
				ac	dc			
Plug	18-21 P40M	FC 2793	3	750	750	25	735-4550	
	22-2 P40M	FC 2793	3	750	750	50	735-9808	
	28-6 P40M	FC 2793	3	750	750	100	735-9402	
	28-D5 P40M	FC 2793	5	750	750	50	735-4548	
	28-6 P41M	FC 2793	3	750	750	100	735-9398	

Note For earth connection see Contact Arrangements and Identifications Page 114.



	A	W	X	Y	Z	F
18	52	100	43	38	5	122
22	60	110	51	44	5	133
28	70	120	62	54	5	148
36	88	130	73	66.5	6	155

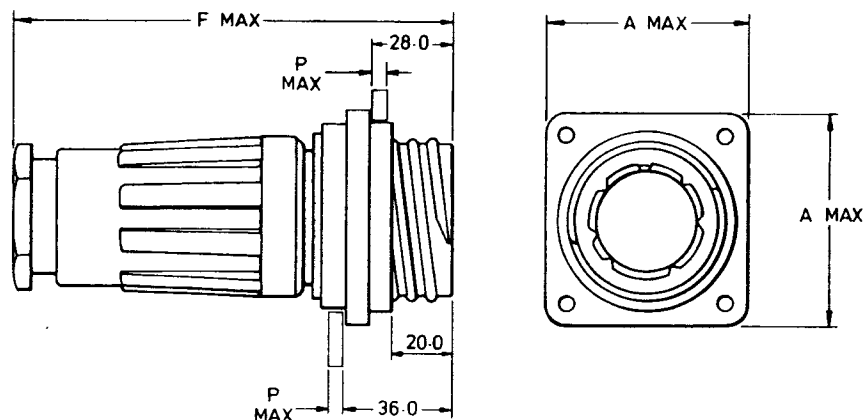


STYLE PX0M

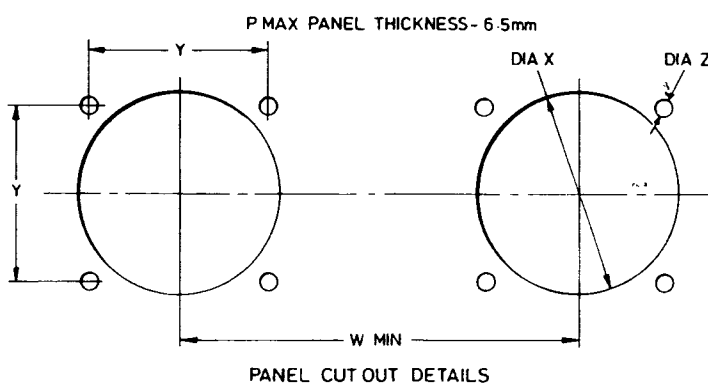
DESCRIPTION - Connector, electrical, fixed plug, male contacts, male thread, square flange mounting, multicore back end

Plug or Socket	Manuft'rs Coding SPD.T.	B.S. Coding	No of Poles	Volts		Amps	NSN 5935-99- NS Cat No 0568/	Remarks
				ac	dc			
Plug	18-1 PX0M	FC 2789	10	500	500	6	038-5595	
	18-D5 PX0M	FC 2789	5	750	750	16	038-5593	
	18-21 PX0M	FC 2789	3	750	750	25	038-5589	
	22-14 PX0M	FC 2789	19	500	500	5	038-5603	
	28-21 PX0M	FC 2789	37	500	500	4.5	038-5609	
	36-D5 PX0M	FC 2789	5	750	750	100	038-5613	

Note For earth connection see Contact Arrangements and Identifications Page 114.



	A	W	X	Y	Z	F
18	52	100	43	38	5	122
22	60	110	51	44	5	133
28	70	120	62	54	5	148
36	88	130	73	66.5	6	155



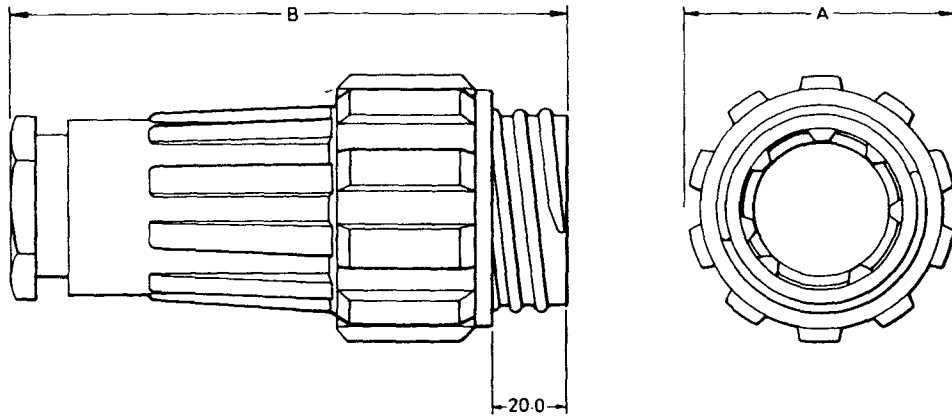
STYLE SX0M

DESCRIPTION - Connector fixed, female contacts, male thread, square flange mounting, multicore back end

Plug or Socket	Manuft'rs Coding SPD.T.	B.S. Coding	No of Poles	Volts		Amps	NSN 5935-99- NS Cat No 0568/	Remarks
				ac	dc			
Socket	18-1 SX0M	FC 2790	10	500	500	10	038-5596	
	18-D5 SX0M	FC 2790	5	750	750	16	038-5594	
	18-21 SX0M	FC 2790	3	750	750	25	038-5590	
	22-2 SX0M	FC 2790	3	750	750	50	038-5598	
	22-14 SX0M	FC 2790	19	500	500	5	038-5604	
	28-6 SX0M	FC 2790	3	750	750	100	038-5606	
	28-21 SX0M	FC 2790	37	500	500	4.5	038-5610	
	36-D5 SX0M	FC 2790	5	750	750	100	038-5614	

Note For earth connection see Contact Arrangements and Identifications Page 114.

	A	B
18	48	124
22	58	135
28	70	150
36	85	157

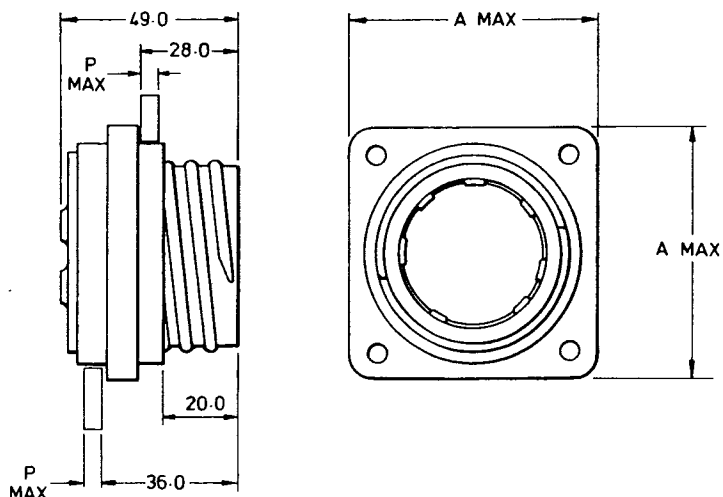


STYLES SC0M and SC1M

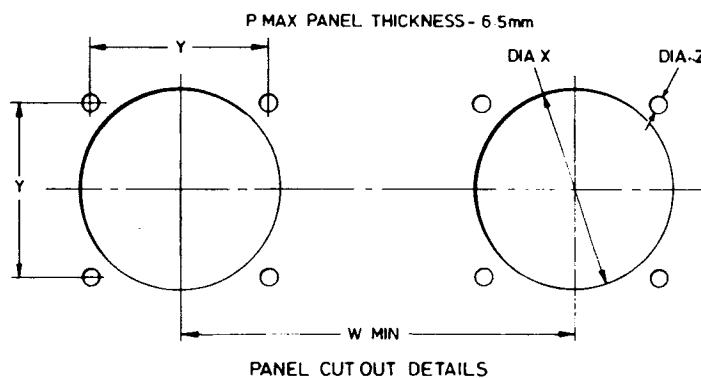
DESCRIPTION - Connector, free cable inline coupler, female contacts, male thread, multicore back end

Plug or Socket	Manuft'rs Coding SPD.T.	B.S. Coding	No of Poles	Volts		Amps	NSN 5935-99- NS Cat No 0568/	Remarks
				ac	dc			
Socket	18-1 SC0M	FC 2794	10	500	500	6	038-5620	
	18-D5 SC0M	FC 2794	5	750	750	16	038-5619	
	18-12 SC0M	FC 2794	6	750	750	10	038-5618	
	18-21 SC0M	FC 2794	3	750	750	25	038-5617	
	22-1 SC0M	FC 2794	1	28	28	200	735-9834	Single Pole
	22-2 SC0M	FC 2794	3	750	750	50	038-5621	
	22-D5 SC0M	FC 2794	5	750	750	30	038-5622	
	22-14 SC0M	FC 2794	19	500	500	5	038-5624	
	28-D5 SC0M	FC 2794	5	750	750	50	038-5626	
	28-6 SC0M	FC 2794	3	750	750	100	038-5625	
	28-21 SC0M	FC 2794	37	500	500	4.5	038-5627	
	28-D42 SC0M	FC 2794	2 4	750	750	10 50	038-5628	
	36-5 SC0M	FC 2794	4	750	750	140	038-6116	
	36-D5 SC0M	FC 2794	5	750	750	100	038-6117	
	22-1 SC1M	FC 2794	1	28	28	200	735-9837	Single Pole
28-6 SC1M	FC 2794	3	750	750	100	735-9397		

Note For earth connection see Contact Arrangements and Identifications Page 114.



	A	W	X	Y	Z
18	52	100	43	38	5
22	60	110	51	44	5
28	70	120	62	54	5
36	88	130	73	66.5	6

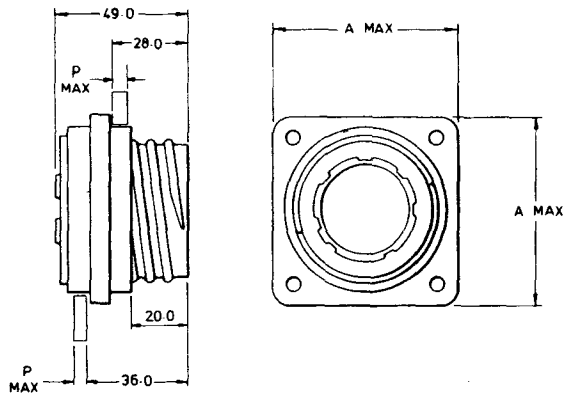


STYLE PX0

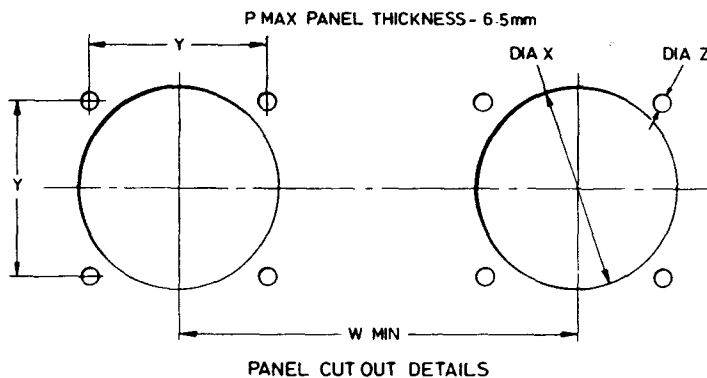
DESCRIPTION - Connector, fixed, male contacts, male thread, square flange mounting, open wiring, without grommet protection

Plug or Socket	Manuft'rs Coding SPD.T.	B.S. Coding	No of Poles	Volts		Amps	NSN 5935-99- NS Cat No 0568/	Remarks
				ac	dc			
Plug	18-1 PX0	FC 2785	10	500	500	6	038-5547	
	22-D5 PX0	FC 2785	5	750	750	30	038-5551	
	22-2 PX0	FC 2785	3	750	750	50	038-5549	
	22-14 PX0	FC 2785	19	500	500	5	038-5555	
	28-21 PX0	FC 2785	37	500	500	4.5	038-5561	

Note For earth connection see Contact Arrangements and Identifications Page 114.



	A	W	X	Y	Z
18	52	100	43	38	5
22	60	110	51	44	5
28	70	120	62	54	5
36	88	130	73	66.5	6

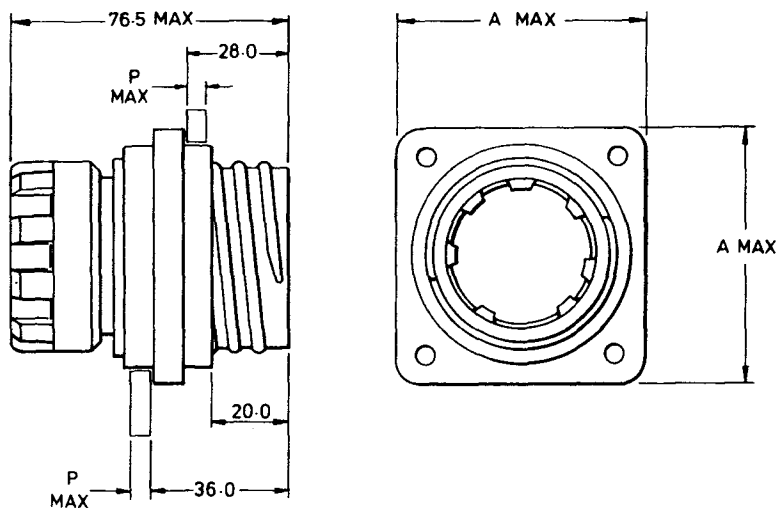


STYLES SX0 and SX1

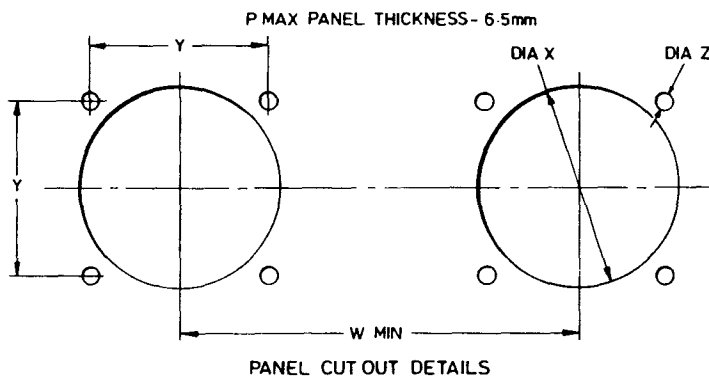
DESCRIPTION - Connector fixed, female contacts, square flange mounting, male thread, open wiring, without grommet protection

Plug or Socket	Manuft'rs Coding SPD.T.	B.S. Coding	No of Poles	Volts		Amps	NSN 5935-99- NS Cat No 0568/	Remarks
				ac	dc			
Socket	18-1 SX0	FC 2786	10	500	500	6	038-5548	
	18-D5 SX0	FC 2786	5	750	750	16	038-5546	
	18-12 SX0	FC 2786	6	750	750	10	038-5544	
	18-21 SX0	FC 2786	3	750	750	25	038-5542	
	22-2 SX0	FC 2786	3	750	750	50	038-5550	
	22-14 SX0	FC 2786	19	500	500	5	038-5556	
	28-6 SX0	FC 2786	3	750	750	100	038-5558	
	28-21 SX0	FC 2786	37	500	500	4.5	038-5562	
	36-5 SX0	FC 2786	4	750	750	140	038-5568	
	36-D5 SX0	FC 2786	5	750	750	100	038-5566	
	18-21 SX1	FC 2786	3	750	750	25	735-9840	

Note For earth connection see Contact Arrangements and Identifications Page 114.



	A	W	X	Y	Z
18	52	100	43	38	5
22	60	110	51	44	5
28	70	120	62	54	5
36	88	130	73	66.5	6

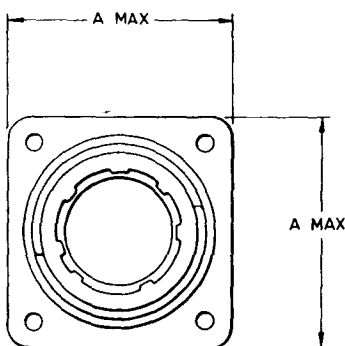
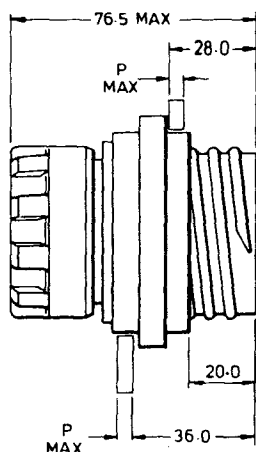


STYLES PX0G and PX1G

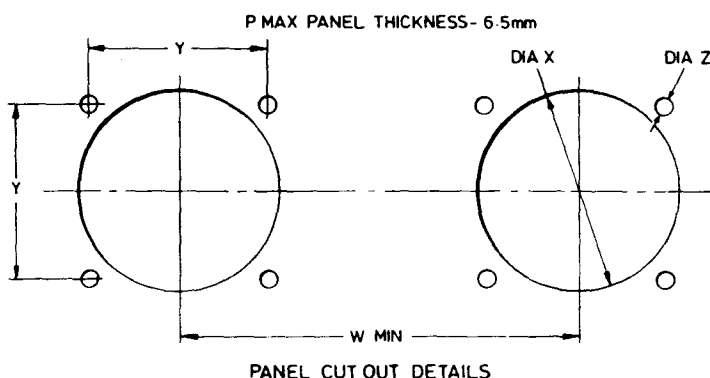
DESCRIPTION - Connector fixed, male contacts, square flange mounting, male thread, open wiring, with grommet protection

Plug or Socket	Manuft'rs Coding SPD.T.	B.S. Coding	No of Poles	Volts		Amps	NSN 5935-99- NS Cat No 0568/	Remarks
				ac	dc			
Plug	18-21 PX0G	FC 2787	3	750	750	25	038-5569	
	18-21 PX1G	FC 2787	3	750	750	25	735-9810	

Note For earth connection see Contact Arrangements and Identifications Page 114.



	A	W	X	Y	Z
18	52	100	43	38	5
22	60	110	51	44	5
28	70	120	62	54	5
36	88	130	73	66.5	6

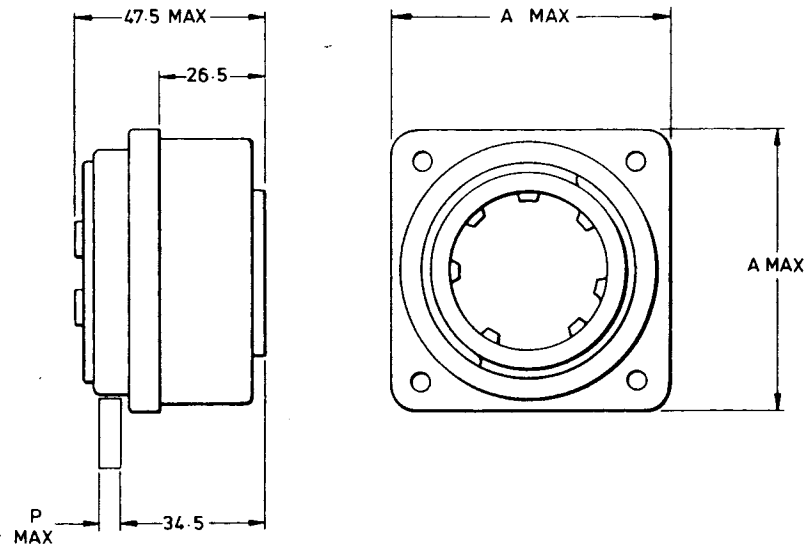


STYLES SX0G and SX1G

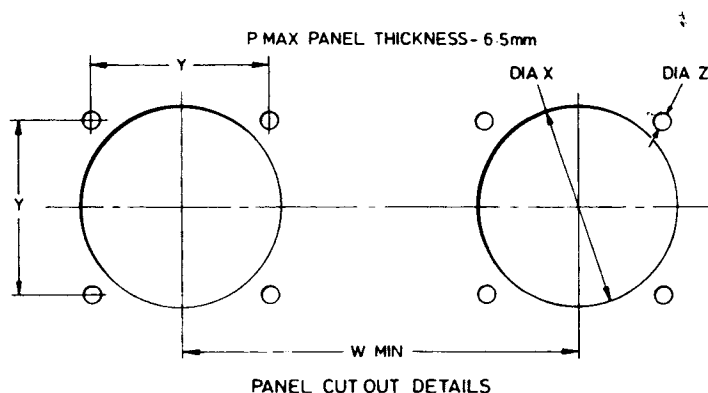
DESCRIPTION - Connector fixed, female contacts, square flange mounting, male thread, open wiring, with grommet protection

Plug or Socket	Manuft'rs Coding SPD.T.	B.S. Coding	No of Poles	Volts		Amps	NSN 5935-99- NS Cat No 0568/	Remarks
				ac	dc			
Socket	18-21 SX0G	FC 2788	3	750	750	25	038-5570	
	22-1 SX0G	FC 2788	1	28	28	200	735-9835	Single Pole
	22-2 SX0G	FC 2788	3	750	750	50	038-5578	
	22-D5 SX0G	FC 2788	5	750	750	30	038-5580	
	28-D5 SX0G	FC 2788	5	750	750	50	038-5586	
	28-D42 SX0G	FC 2788	2 4	750 750	750 750	10 50	038-5588	
	36-5 SX0G	FC 2788	4	750	750	140	735-9825	
	36-D5 SX0G	FC 2788	5	750	750	100	735-9826	
	18-21 SX1G	FC 2788	3	750	750	25	735-9854	
22-1 SX1G	FC 2788	1	28	28	200	735-9838	Single Pole	

Note For earth connection see Contact Arrangements and Identifications Page 114.



	A	W	X	Y	Z	F
18	52	100	43	38	5	122
22	60	110	51	44	5	133
28	70	120	62	54	5	148
36	88	130	73	66.5	6	155

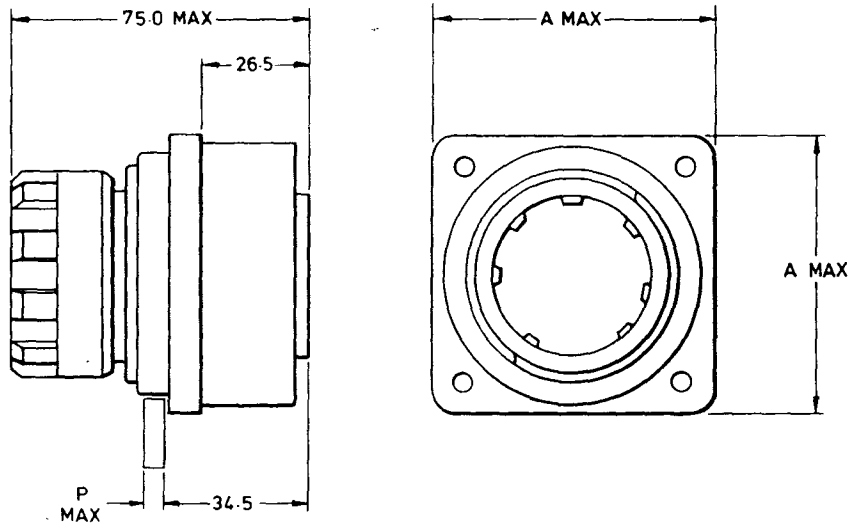


STYLE P40

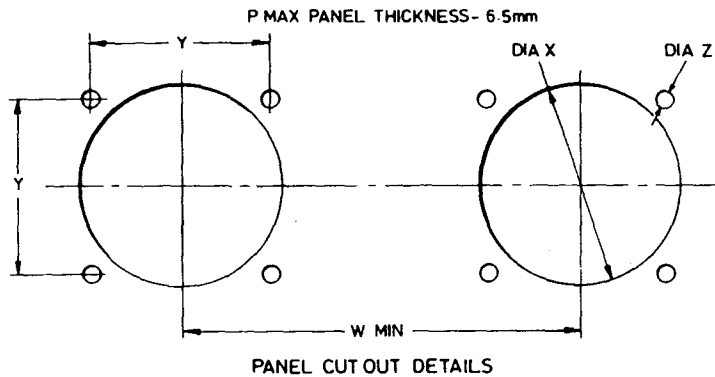
DESCRIPTION - Connector, fixed, male contacts, female thread, square flange mounting, open wiring, without grommet protection

Plug or Socket	Manuft'rs Coding SPD.T.	B.S. Coding	No of Poles	Volts		Amps	NSN 5935-99- NS Cat No 0568/	Remarks
				ac	dc			
Plug	18-1 P40	FC 2791	10	500	500	6	735-9829	
	18-D5 P40	FC 2791	5	750	750	16	735-9827	
	18-12 P40	FC 2791	6	750	750	10	735-9828	

Note For earth connection see Contact Arrangements and Identifications Page 114.



	A	W	X	Y	Z	F
18	52	100	43	38	5	122
22	60	110	51	44	5	133
28	70	120	62	54	5	148
36	88	130	73	66.5	6	155



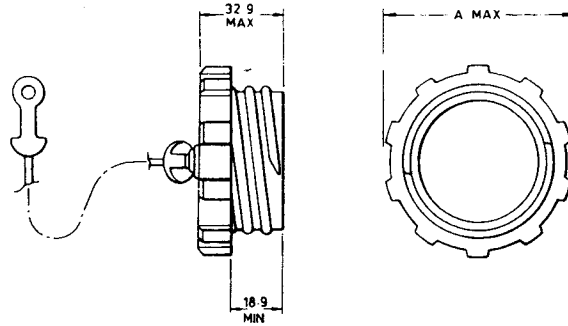
STYLE P40G

DESCRIPTION - Connector, fixed, male contacts, female thread, square flange mounting, open wiring, with grommet protection

Plug or Socket	Manuft'rs Coding SPD.T.	B.S. Coding	No of Poles	Volts		Amps	NSN 5935-99- NS Cat No 0568/	Remarks
				ac	dc			
Plug	28-D42 P40G	FC 2792	2	750	750	10	735-9824	
			4	750	750	50		
	36-5 P40G	FC 2792	4	750	750	140	735-9831	
	36-D5 P40G	FC 2792	5	750	750	100	735-9830	

Note For earth connection see Contact Arrangements and Identifications Page 114.

	A
18	48.4
22	57.4
28	67.7
36	85.4

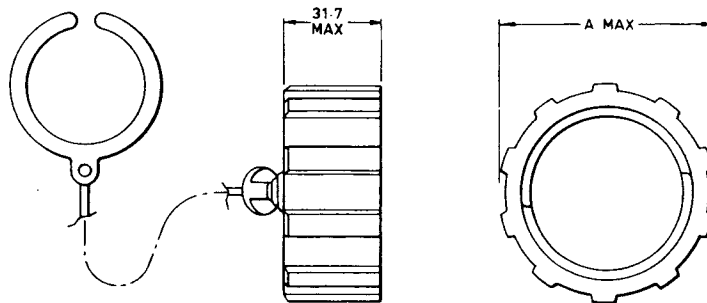


STYLE 4AS

DESCRIPTION - Cap, male thread, cord anchor fixing, for fixed connector with female thread

Manuft'rs Coding SPD.T.	B.S. Coding	NSN 5935-99- NS Cat No 0568/	Remarks
18-4AS	FA 2796-18	735-4551) For use) with) fixed plug)
22-4AS	FA 2796-22	735-9823	
28-4AS	FA 2796-28	0647/735-4549	
36-4AS	FA 2796-36	735-9832	

	A
18	48.4
22	57.4
28	67.7
36	85.4

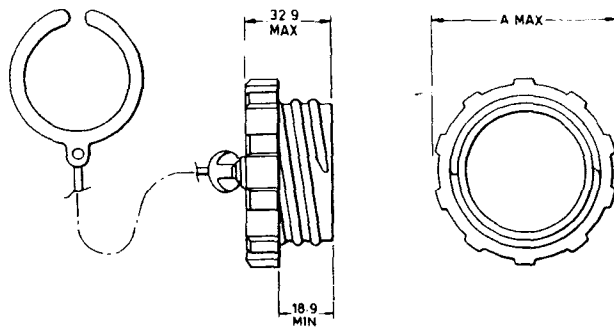


STYLE CAS

DESCRIPTION - Cap, female thread, circlip fixing, for free connector with male thread

Manuft'rs Coding SPD.T.	B.S. Coding	NSN 5935-99- NS Cat No 0568/	Remarks
18-CAS	FA 2797-18	038-5633) For use) with) in-line) coupler) connector)
22-CAS	FA 2797-22	038-5634	
28-CAS	FA 2797-28	038-5635	
36-CAS	FA 2797-36	038-5636	

	A
18	48.4
22	57.4
28	67.7
36	85.4

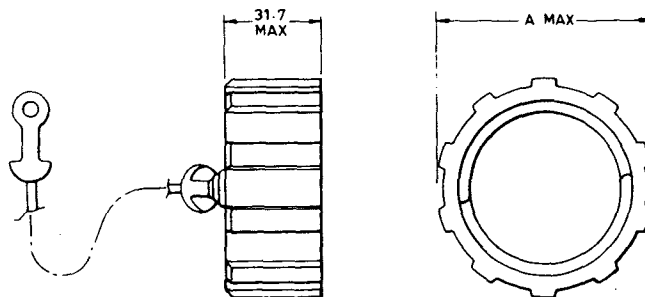


STYLE PAS

DESCRIPTION - Cap, male thread, circlip fixing, for free connector with female thread

Manuft'rs Coding SPD.T.	B.S. Coding	NSN 5935-99- NS Cat No 0568/	Remarks
18-PAS	A 2795-18	038-5629) For use) with free) cable connector
22-PAS	A 2795-22	038-5630	
28-PAS	A 2795-28	038-5631	
36-PAS	A 2795-36	038-5632	

	A
18	48.4
22	57.4
28	67.7
36	85.4



STYLE XAS

DESCRIPTION - Cap, female thread, cord anchor fixing, for fixed connector with male thread

Manuft'rs Coding SPD.T.	B.S. Coding	NSN 5935-99- NS Cat No 0568/	Remarks
18-XAS	FA 2798-18	038-5637) For use) with) panel) mounted) connector
22-XAS	FA 2798-22	038-5638	
28-XAS	FA 2798-28	038-5639	
36-XAS	FA 2798-36	038-5640	

GASKETS

Manuft'rs Coding SPD.T.	B.S. Coding	NSN 5935-99- NS Cat No 0568/	Remarks
18-RPG	A 2802-18	038-5645)
22-RPG	A 2802-22	038-5646) Panel
28-RPG	A 2802-28	038-5647) mounting
36-RPG	A 2802-36	038-5648) gaskets

5a(2) PLUGS AND SOCKETS, COMMERCIAL,
TO DEF STAN 59-4 (PARTS 3 & 6)

SELECTION GUIDE AND CONTENTS

Item	Volts	Amps	Pins	Poles	Special Features	NSN 5935-99 NS Cat No 0568/	Page	Appropriation
Free plug Fixed socket	50 50	3 3	4 4	4 4	In-line gland	193-6694 427-7436	175 175	OBSOLESCE OBSOLESCE
Free plug Fixed socket Fixed plug Free socket Fixed socket	250 250 250 250 250	5 5 5 5 5	4 4 4 4 4	3+E 3+E 3+E 3+E 3+E	In-line gland & clamp With cap With cap In-line gland & clamp Angle flange with cap	427-7287 427-7286 427-7285 427-7288 758-2398	139 139 140 140 179	CURRENT CURRENT CURRENT CURRENT CURRENT
Free plug Fixed socket Fixed socket Fixed socket	250 250 250 250	5 5 5 5	5 5 5 5	4+E 4+E 4+E 4+E	In-line gland Straight Angled With cap	193-6635 193-6662 193-6661 661-3291	141 141 141 190	CURRENT CURRENT CURRENT CURRENT
Fixed plug Free socket	250 250	5 5	2 2	2 2	Non-reversible Non-reversible	110-5058 193-6658	142 143	OBSOLESCE OBSOLESCE
Free plug Fixed socket Fixed socket	250 250 250	5 5 5	2 2 2	2 2 2	In-line gland Straight. With cap Angled	427-7280 427-7336 427-7283	143 143 142	OBSOLESCE OBSOLESCE OBSOLESCE

(continued)

Item	Volts	Amps	Pins	Poles	Special Features	NSN 5935-99 NS Cat No 0568/	Page	Appropriation
Free plug	250	5	2	2	Angled gland & clamp	427-7456	144	OBSOLESCE
Free plug Fixed socket	250 250	5 5	3 3	3 3	In-line gland Angled cable entries	427-7364 427-7550	176 176	OBSOLESCE OBSOLESCE
Free plug Fixed plug Free socket Free socket Fixed socket Fixed socket	250 250 250 250 250 250	5 5 5 5 5 5	3 3 3 3 3 3	2+E 2+E 2+E 2+E 2+E 2+E	In-line gland With cap In-line gland In-line gland & clamp With cap With cap	427-7337 427-7289 193-6684 427-7284 110-5044 110-5042	145 146 147 147 145 148	CURRENT CURRENT CURRENT CURRENT CURRENT CURRENT
Free plug Fixed socket	500 500	5 5	5 5	4+E 4+E	In-line gland With cap	427-7437 427-7438	149 149	CURRENT CURRENT
Fixed socket	250	5	6	5+E	With hinged cap	193-6663	150	CURRENT
Free plug Fixed socket	250 250	5 5	7 7	6+E 6+E	With in-line gland With cap	193-6636 427-7366	151 151	CURRENT CURRENT
Free plug Fixed socket	250 250	5 5	8 8	7+E 7+E	In-line gland With cap	520-2197 520-2198	152 152	CURRENT CURRENT
Free plug Fixed socket	500 500	5 5	3 3	2+E 2+E	In-line gland	193-6633 193-6659	153 153	CURRENT CURRENT

(Continued)

Item	Volts	Amps	Pins	Poles	Special Features	NSN 5935-99 NS Cat No 0568/	Page	Appropriation
Free plug Free socket Fixed socket	250 250 250	15 15 15	3 3 3	3 3 3	In-line gland & cap In-line gland & cap With cap	110-5040 193-6667 193-6668	177 177 177	OBSOLESCE OBSOLESCE OBSOLESCE
Free plug Free socket Fixed socket Fixed plug Free socket Fixed Plug Fixed socket	250 250 250 250 250 250 250	15 15 15 15 15 15 15	3 3 3 3 3 3 3	2+E 2+E 2+E 2+E 2+E 2+E 2+E	In-line gland and cap In-line gland With cap With cap In-line gland Angled flange With cap	427-7312 427-7291 427-7313 803-1851 947-1700 758-2396 948-2277	154 154 154 155 155 188 189	CURRENT CURRENT CURRENT CURRENT CURRENT CURRENT CURRENT
Free plug Fixed socket	250 250	15 15	5 5	5 5	In-line gland With cap	193-6638 193-6669	178 178	OBSOLESCE OBSOLESCE
Free plug Fixed socket	250 250	25 25	1 1	1 1	In-line gland With cap	427-7451 427-7452	156 156	CURRENT CURRENT
Fixed socket	250	25	2	2	Angled cable entries	427-7282	157	OBSOLESCE
Free plug Free plug Fixed plug Free socket Fixed socket Fixed socket	250 250 250 250 250 250	25 25 25 25 25 25	3 3 3 3 3 3	2+E 2+E 2+E 2+E 2+E 2+E	In-line gland & clamp In-line special gland With cap In-line gland & clamp With cap Angled cable entries	427-7349 193-6643 427-7414 427-7350 193-6673 427-7354	158 158 159 159 160 160	CURRENT CURRENT CURRENT CURRENT CURRENT CURRENT

Item	Volts	Amps	Pins	Poles	Special Features	NSN 5935-99 NS Cat No 0568/	Page	Appropriation
Fixed plug	250	25	4	3+E	With cap	427-7415	161	CURRENT
Fixed plug	250	25	4	3+E	Angled with cap	193-6639	161	CURRENT
Free socket	250	25	4	3+E	In-line gland & clamp	427-7352	162	CURRENT
Socket box	230	50	3	3	For ceremonial lighting	427-7455	163	CURRENT
Free plug	250	50	3	2+E	In-line gland & clamp	427-7277	164	CURRENT
Free plug	250	50	3	2+E	In-line gland & grip	427-7341	164	CURRENT
Fixed plug	250	50	3	2+E	With cap	427-7342	166	CURRENT
Fixed socket	250	50	3	2+E	With cap	427-7278	166	CURRENT
Free socket	250	50	3	2+E	In-line gland & grip	427-7340	165	CURRENT
Fixed plug	110	60	3	2+E	With cap	193-6645	167	CURRENT
Free socket	110	60	3	2+E	In-line gland & grip	193-6676	167	CURRENT
Free plug	110	60	4	2+1+E	In-line gland & grip	427-7347	168	CURRENT
Free socket	110	60	4	2+1+E	In-line gland & grip	427-7344	168	CURRENT
Free plug	110	60	4	2+1+E	In-line gland & grip	193-6648	169	CURRENT
Fixed socket	110	60	4	2+1+E	With cap	427-7346	169	CURRENT
Fixed plug	110	60	4	2+1+E	Angled with cap	193-6649	170	CURRENT
Free socket	110	60	4	2+1+E	In-line gland & grip	427-7343	170	CURRENT
Free plug	500	60	3	2+E	In-line gland & clamp	427-7274	171	CURRENT
Fixed socket	500	60	3	2+E	With cap	193-6680	171	CURRENT
Socket tee	500	60	2	2+E		427-7434	172	CURRENT
Free plug	250	100	3	2+E	In-line gland & clamp	427-7275	173	CURRENT
Fixed socket	250	100	3	2+E	With cap	427-7276	173	CURRENT
Socket box	250	100	3	2+E	For ceremonial lighting	-	174	CURRENT

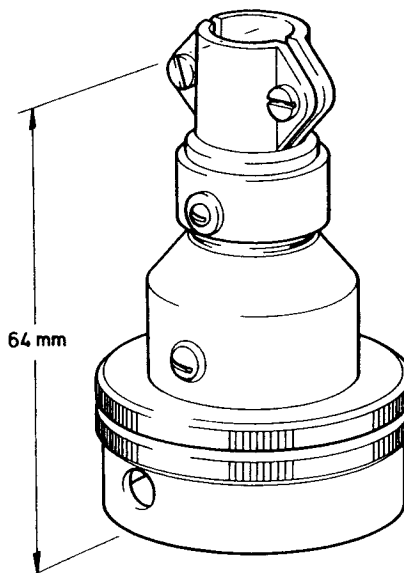
(continued)

Item	Volts	Amps	Pins	Poles	Special Features		NSN 5935-99 NS Cat No 0568/	Page	Appropriation
Free plug Fixed socket	500 500	60 60	4 4	3+E 3+E	In-line gland With cap		195-3235 198-7210	185 186	CURRENT CURRENT
Fixed socket Free plug	500 500	15 15	5 5	4+E 4+E	With cap In-line gland		717-1974 915-2349	186 187	CURRENT CURRENT
Free plug Fixed socket	250 250	5 5	6 6	5+E 5+E	In-line gland With cap		758-2395 758-2397	187 191	CURRENT CURRENT
* Free plug Fixed socket	250 250	5 5	3 3	2+E 2+E	In-line gland Angle flange with cap		807-0590 912-9150	185 179	CURRENT CURRENT
Free plug Fixed socket	500 500	5 5	6 6	5+E 5+E	In-line gland With cap		758-2399 758-2400	180 180	CURRENT CURRENT
Fixed plug Free socket	500 500	5 5	6 6	5+E 5+E	- In-line gland		758-2401 758-2402	181 181	CURRENT CURRENT
Free plug Fixed socket	250 250	25 25	4 4	3+E 3+E	In-line gland With cap		758-2406 758-2403	184 182	CURRENT CURRENT
Free plug Fixed socket	500 500	60 60	5 5	4+E 4+E	In-line gland With cap		943-4048 199-5071	182 183	CURRENT CURRENT
Free plug Fixed socket	500 500	15 15	6 6	5+E 5+E	In-line gland With cap		758-2404 758-2405	183 184	CURRENT CURRENT

PLUG (CURRENT)

NSN 5935-99-427-7287, NS Cat No 0568/427-7287, Formerly - AP 7402
DESCRIPTION - 5 amp, 250V ac/dc, 3 pole + earth plug.

PROJECTION - 64mm
FIXING -
WEIGHT -
WATERTIGHT - Weathertight
GLANDS - 9.6mm dia bore
TERMINALS - 3.45mm dia
MAGNETIC CLASSIFICATION - None

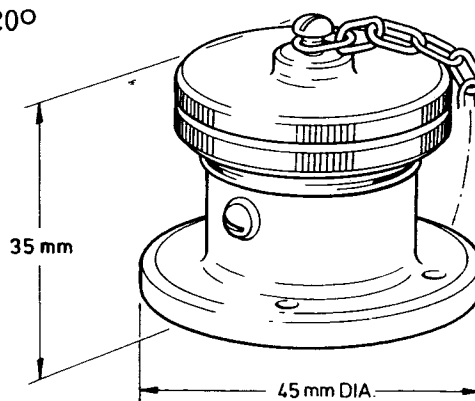


MANUFACTURERS' REF - Niphan N600B LPA X4S/A36/AD

SOCKET (CURRENT)

NSN 5935-99-427-7286, NS Cat No 0568/427-7286, Formerly - AP 7389
DESCRIPTION - 5 amp, 250V ac/dc, 3 pole + earth socket.

PROJECTION - 35mm
FIXING - 3 x 3.96mm dia holes 120°
 apart on 36.5mm PCD
WEIGHT -
WATERTIGHT - Weathertight
TERMINALS - 3.45mm dia
MAGNETIC CLASSIFICATION - None

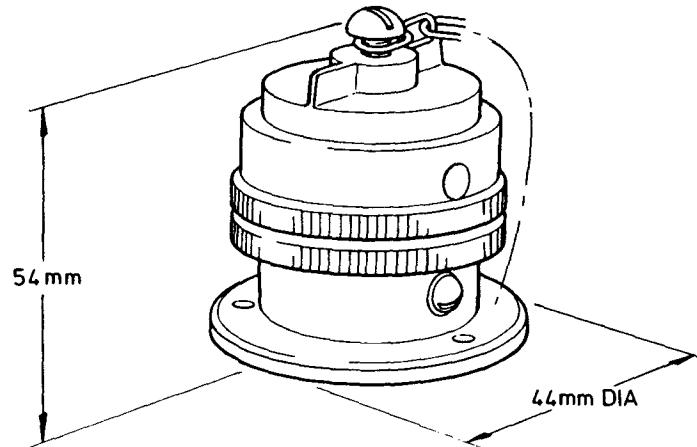


MANUFACTURERS' REF - Niphan N662B LPA X4A

PLUG (CURRENT)

NSN 5935-99-427-7285, NS Cat No 0568/427-7285, Formerly - AP 7388
DESCRIPTION - 5 amp, 250V ac/dc, 3 pole + earth plug.

PROJECTION - 54mm
FIXING - 3 x 3.96mm dia holes 120°
apart on 36.8mm PCD
WEIGHT -
WATERTIGHT - Weathertight
TERMINALS - 3.45mm dia
MAGNETIC CLASSIFICATION - None

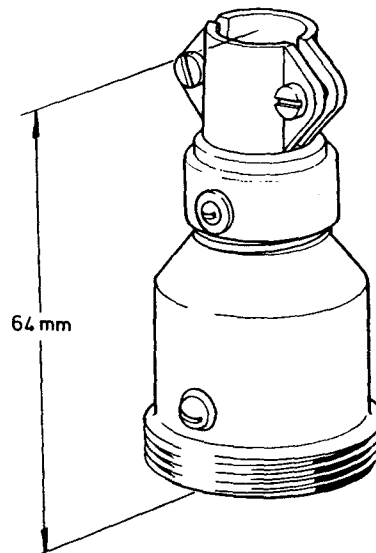


MANUFACTURERS' REF - Niphan N677B LPA X4R/AD

SOCKET (CURRENT)

NSN 5935-99-427-7288, NS Cat No 0568/427-7288, Formerly - AP 7472
DESCRIPTION - 5 amp, 250V ac/dc, 3 pole + earth socket.

PROJECTION - 62mm
FIXING -
WEIGHT -
WATERTIGHT - Weathertight
GLANDS - 9.6mm dia bore
TERMINALS - 3.45mm dia
MAGNETIC CLASSIFICATION - None

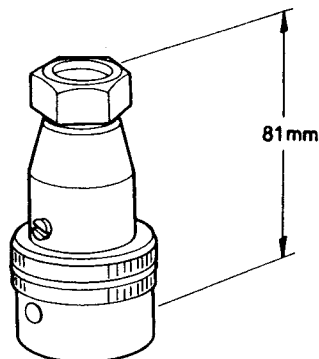


MANUFACTURERS' REF - Niphan N650B LPA X4J/A36

PLUG (CURRENT)

NSN 5935-99-193-6635, NS Cat No 0568/193-6635, Formerly - AP 18665
DESCRIPTION - 5 amp, 250V ac/dc, 4 pole + earth plug.

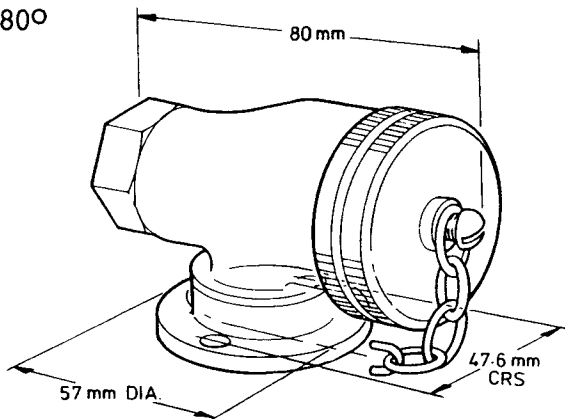
WATERTIGHT - Weathertight
GLANDS - 11.1 mm dia bore
TERMINALS - 3.45mm dia
MAGNETIC CLASSIFICATION - None
MANUFACTURERS' REF - Niphan N527/5
LPA X5S/AD



SOCKET (CURRENT)

NSN 5935-99-193-6661, NS Cat No 0568/193-6661, Formerly - AP 18666
DESCRIPTION - 5 amp, 250V ac/dc, 4 pole + earth socket.

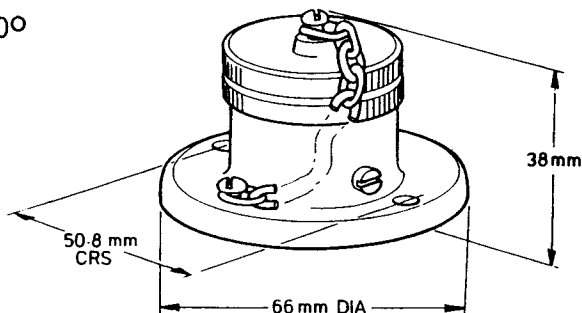
WATERTIGHT - Weathertight
FIXING - 2 x 4.8mm dia holes 180°
apart on 47.6mm PCD
GLANDS - Undrilled
TERMINALS - 3.45mm dia
MAGNETIC CLASSIFICATION - None
MANUFACTURERS' REF - Niphan N573/5G
LPA X5H/AD



SOCKET (CURRENT)

NSN 5935-99-193-6662, NS Cat No 0568/193-6662, Formerly - AP 18668
DESCRIPTION - 5 amp, 250V ac/dc, 4 pole + earth socket.

PROJECTION - 38mm
FIXING - 2 x 4.8mm dia holes 180°
apart on 50.8mm PCD
WEIGHT -
WATERTIGHT - Weathertight
TERMINALS - 3.45mm dia
MAGNETIC CLASSIFICATION - None
MANUFACTURERS' REF - Niphan N569/5
LPA X5B

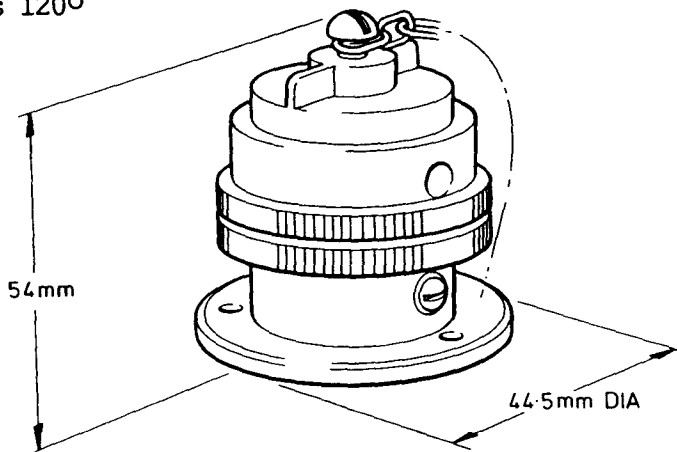


NES 538
Issue 4

PLUG (OBSOLESCE)

NSN 5935-99-110-5058, NS Cat No 0568/110-5058, Formerly - AP 801984
DESCRIPTION - 5 amp, 250V, 2 pole plug. (Non-reversible).

- PROJECTION - 54mm
- FIXING - 3 x 3.96mm dia holes 120°
apart on 36.5mm PCD
- WATERTIGHT - Weathertight
- GLANDS -
- TERMINALS - 3.45mm dia
- MAGNETIC CLASSIFICATION - None

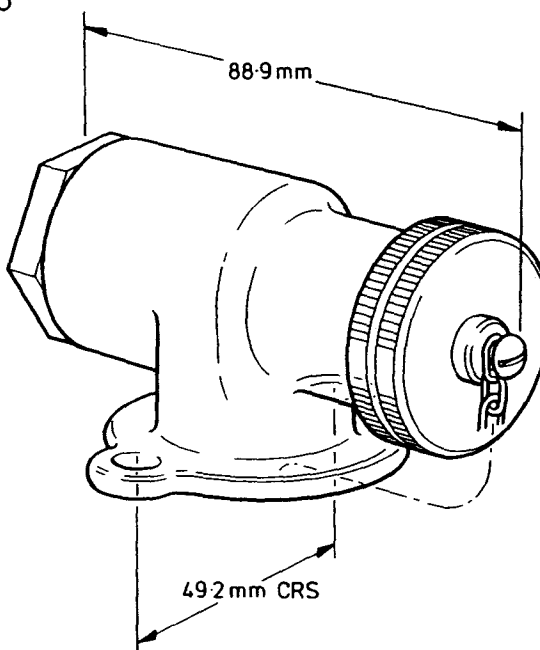


MANUFACTURERS' REF - Niphan N677 (ODD) LPA 12R/ODD/AD

SOCKET (OBSOLESCE)

NSN 5935-99-427-7283, NS Cat No 0568/427-7283, Formerly - AP 5212
DESCRIPTION - 5 amp, 250V 2 pole socket.

- FIXING - 2 x 4.8mm dia holes 180°
apart on 49.2mm PCD
- WEIGHT -
- WATERTIGHT - Weathertight
- GLANDS - 17.5mm dia bore
- TERMINALS - 3.45mm dia
- MAGNETIC CLASSIFICATION - None

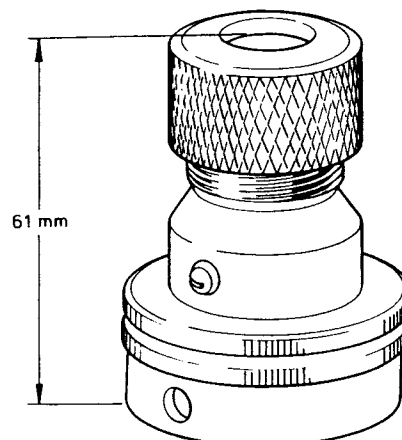


MANUFACTURERS' REF - Niphan N5212 LPA 12H/AD

PLUG (OBSOLESCE)

NSN 5935-99-427-7280, NS Cat No 0568/427-7280, Formerly - AP 5208
DESCRIPTION - 5 amp, 250V, 2 pole plug.

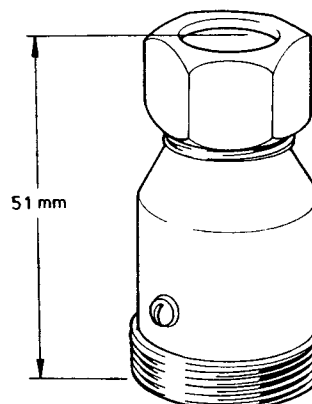
WATERTIGHT - Weathertight
GLANDS - 7.9mm dia bore
TERMINALS - 3.45mm dia
MAGNETIC CLASSIFICATION - None
MANUFACTURERS' REF - Niphan N 5208
LPA 12S/AD



SOCKET (OBSOLESCE)

NSN 5935-99-193-6658, NS Cat No 0568/193-6658, Formerly - AP 801985
DESCRIPTION - 5 amp, 250V, 2 pole socket.

WATERTIGHT - Weathertight
GLANDS - 12.7mm dia bore
TERMINALS - 3.45mm dia
MAGNETIC CLASSIFICATION - None
MANUFACTURERS' REF - Niphan N650 (ODD)
LPA 12J/ODD/AD

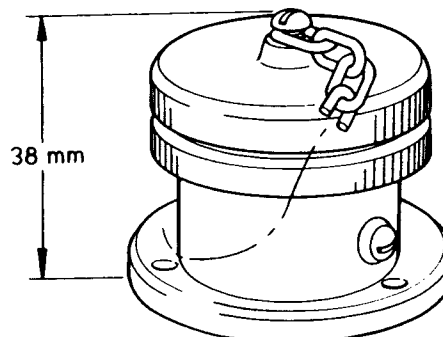


SOCKET (OBSOLESCE)

NSN 5935-99-427-7336, NS Cat No 0568/427-7336, Formerly - AP 18660
DESCRIPTION - 5 amp, 250V, 2 pole socket.

FIXING - 3 x 3.96mm dia holes 120°
apart on 36.5mm PCD

WATERTIGHT - Weathertight
TERMINALS - 3.45mm dia
MAGNETIC CLASSIFICATION - None
MANUFACTURERS' REF - Niphan N662
LPA 12A

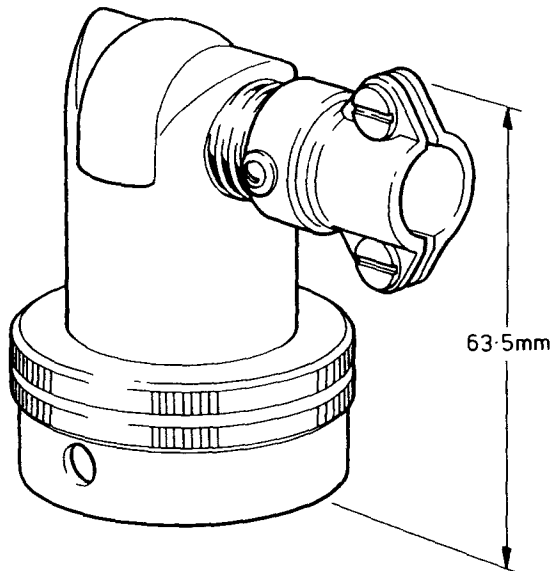


NES 538
Issue 4

PLUG (OBSOLESCE)

NSN 5935-99-427-7456, NS Cat No 0568/427-7456, Formerly - AP 207761
DESCRIPTION - 5 amp, 250V, 2 pole plug (Non-reversible).

PROJECTION - 63mm
FIXING -
WEIGHT -
WATERTIGHT - Weathertight
TERMINALS - 4.37mm dia
MAGNETIC CLASSIFICATION - None



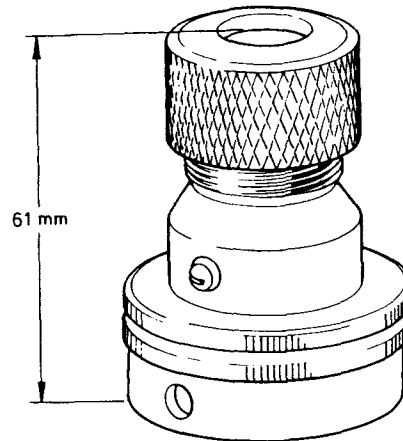
MANUFACTURERS' REF - Niphan WN 629 LPA 12V/ODD

PLUG (CURRENT)

NSN 5935-99-427-7337, NS Cat No 0568/427-7337, Formerly - AP 18661 and
0568/193-6632

DESCRIPTION - 5 amp, 250V, 2 pole + earth plug.

WATERTIGHT - Weathertight
GLANDS - 7.9mm dia bore
TERMINALS - 3.45mm dia

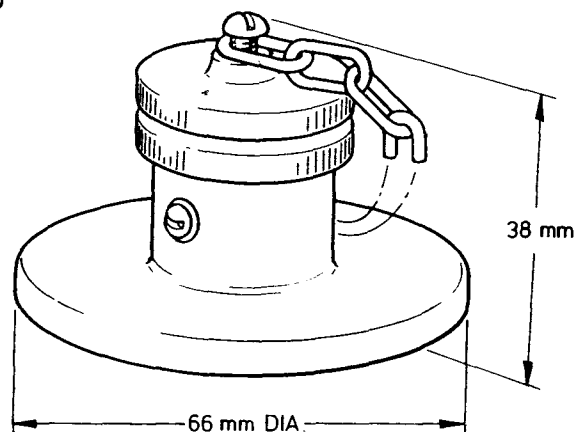


MANUFACTURERS' REF - Niphan N 5208A LPA 13S/AD

SOCKET (CURRENT)

NSN 5935-99-110-5044, NS Cat No 0568/110-5044, Formerly - AP 18667
DESCRIPTION - 5 amp, 250V 2 pole + earth socket.

FIXING - 2 x 4.8mm dia holes 180°
apart on 50.8mm PCD
WATERTIGHT - Weathertight
TERMINALS - 3.45mm dia

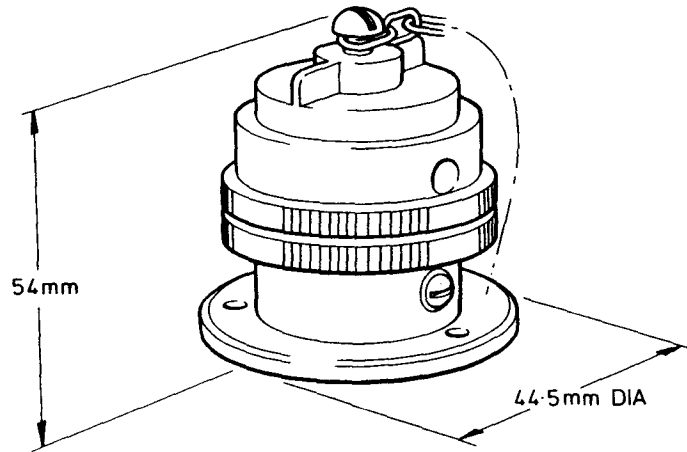


MANUFACTURERS' REF - Niphan N 649A LPA 13B

PLUG (CURRENT)

NSN 5935-99-427-7289, NS Cat No 0568/427-7289, Formerly - AP 7689
DESCRIPTION - 5 amp, 250V, 2 pole + earth.

- PROJECTION - 54mm
- FIXING - 3 x 3.96mm dia holes 120°
apart on 36.5mm PCD
- WATERTIGHT - Weathertight
- TERMINALS - 3.45mm dia
- MAGNETIC CLASSIFICATION - None

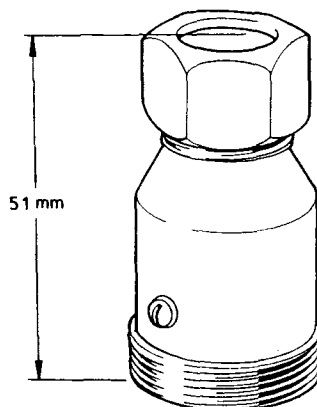


MANUFACTURERS' REF - Niphan N677A LPA 13 R/AD

SOCKET (CURRENT)

NSN 5935-99-193-6684, NS Cat No 0568/193-6684, Formerly - AP 13108
DESCRIPTION - 5 amp, 250V, 2 pole + earth socket.

WATERTIGHT - Weathertight
GLANDS - 11.2mm dia bore
TERMINALS - 3.45mm dia
MAGNETIC CLASSIFICATION - None

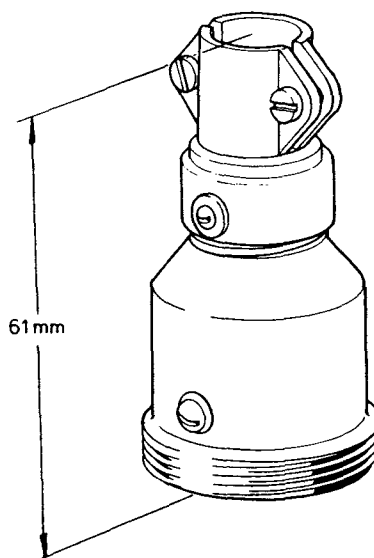


MANUFACTURERS' REF - Niphan N650A 9932-12

SOCKET (CURRENT)

NSN 5935-99-427-7284, NS Cat No 0568/427-7284, Formerly - AP 7355
DESCRIPTION - 5 amp, 250V 2 pole + earth socket.

PROJECTION - 62mm
WATERTIGHT - Weathertight
GLANDS - 10.2mm dia bore
TERMINALS - 3.45mm dia
MAGNETIC CLASSIFICATION - None



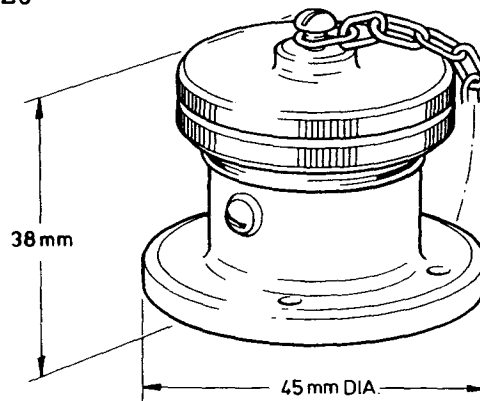
MANUFACTURERS' REF - Niphan N650A 9518 LPA 13J/A36

NES 538
Issue 4

SOCKET (CURRENT)

NSN 5935-99-110-5042, NS Cat No 0568/110-5042, Formerly - AP 7690
DESCRIPTION - 5 amp, 250V, 2 pole + earth socket.

- WATERTIGHT - Weathertight
- FIXING - 3 x 3.96mm dia holes 120°
apart on 36.5 PCD
- TERMINALS - 3.45mm dia

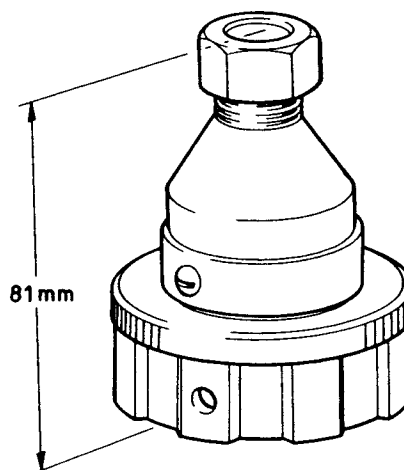


MANUFACTURERS REF - Niphan N662 A LPA 13A

PLUG (CURRENT)

NSN 5935-99-427-7437, NS Cat No 0568/427-7437, Formerly - AP 207662
DESCRIPTION - 5 amp, 500V, 4 pole + earth plug.

WATERTIGHT - Weathertight
GLANDS - 9.5mm dia bore
TERMINALS - 3.45mm dia
MAGNETIC CLASSIFICATION - None

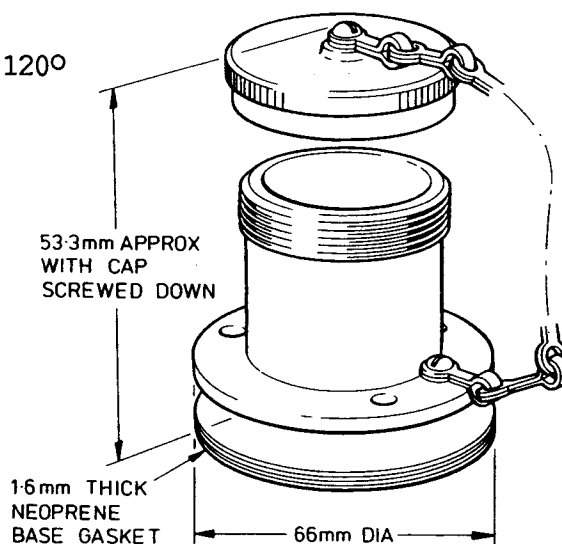


MANUFACTURERS' REF - Niphan N400/5 LPA 66S/AD

SOCKET (CURRENT)

NSN 5935-99-427-7438, NS Cat No 0568/427-7438, Formerly - AP 207663
DESCRIPTION - 5 amp, 500V, 4 pole + earth flanged socket.

PROJECTION - 55mm approx.
WATERTIGHT - Weathertight
FIXING - 3 x 5.2mm dia holes 120°
 apart on 54.0mm PCD
TERMINALS - 3.45mm dia
MAGNETIC CLASSIFICATION - None

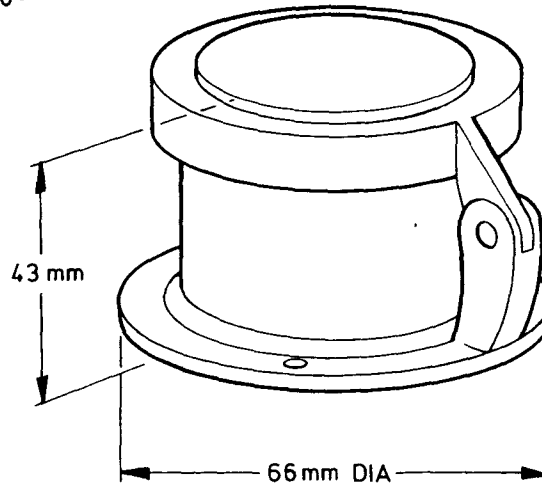


MANUFACTURERS' REF - Niphan N462/5 LPA 65A

SOCKET (CURRENT)

NSN 5935-99-193-6663, NS Cat No 0568/193-6663, Formerly - AP 53544
DESCRIPTION - 5 amp, 250V, 5 pole + earth socket.

- PROJECTION - 43mm
- FIXING - 3 x 4.8mm dia holes 120°
apart on 54.0mm PCD
- WATERTIGHT - Weathertight
- TERMINALS - 3.45mm dia

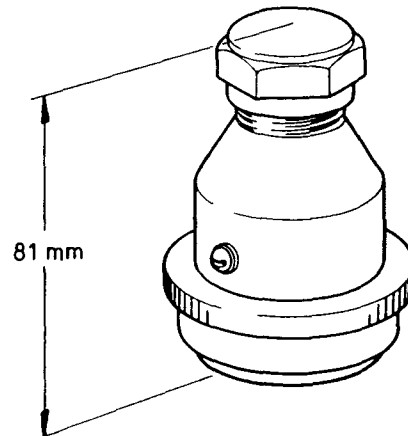


MANUFACTURERS' REF - Niphan N449/6 LPA 15495

PLUG (CURRENT)

NSN 5935-99-193-6636, NS Cat No 0568/193-6636, Formerly - AP 53455
DESCRIPTION - 5 amp, 250V, 6 pole + earth plug.

WATERTIGHT - Weathertight
GLANDS - 15.9mm dia bore
TERMINALS - 3.45mm dia
MAGNETIC CLASSIFICATION - None

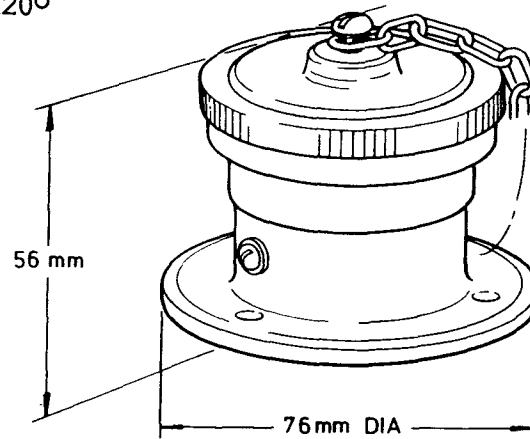


MANUFACTURERS' REF - Niphan N670/P/7 LPA 17P

SOCKET (CURRENT)

NSN 5935-99-427-7366, NS Cat No 0568/427-7366, Formerly - AP 53459
DESCRIPTION - 5 amp, 250V, 6 pole + earth socket.

WATERTIGHT - Weathertight
FIXING - 3 x 4.8mm dia holes 120°
 apart on 66.7mm PCD
TERMINALS - 3.45mm dia
MAGNETIC CLASSIFICATION - None

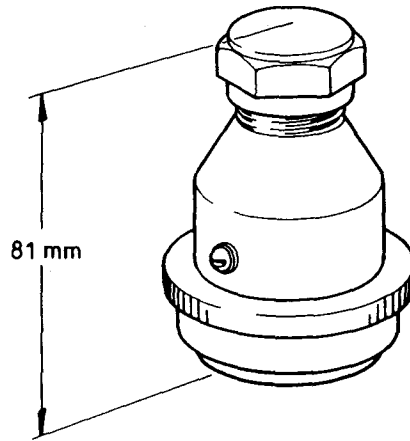


MANUFACTURERS' REF - Niphan N676/F/7 LPA 17A

PLUG (CURRENT)

NSN 5935-99-520-2197, NS Cat No 0568/520-2197, Formerly - AP 53454
DESCRIPTION - 5 amp, 250V, 7 pole + earth plug.

PROJECTION - 81mm
WATERTIGHT - Weathertight
GLANDS - 15.9mm dia bore
TERMINALS - 3.45mm dia
MAGNETIC CLASSIFICATION - None

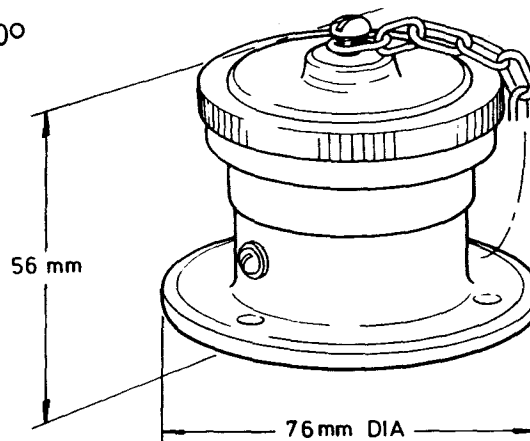


MANUFACTURERS' REF - Niphan N03/5 (INS) LPA 85A (INS)

SOCKET (CURRENT)

NSN 5935-99-520-2198, NS Cat No 0568/520-2198, Formerly - AP 53458
DESCRIPTION - 5 amp, 250V, 7 pole + earth socket.

PROJECTION - 56mm
WATERTIGHT - Weathertight
FIXING - 3 x 4.8mm dia holes 120°
 apart on 66.7mm PCD
TERMINALS - 3.45mm dia
MAGNETIC CLASSIFICATION - None

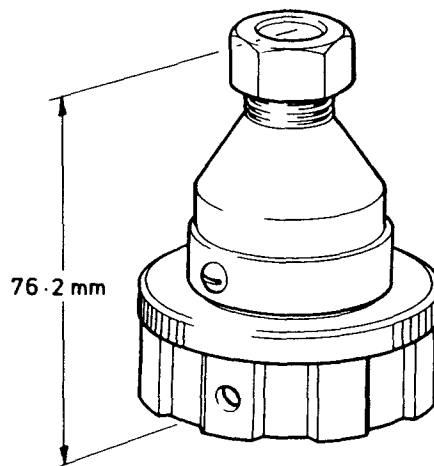


MANUFACTURERS' REF - Niphan N676/F/8 LPA 18A

PLUG (CURRENT)

NSN 5935-99-193-6633, NS Cat No 0568/193-6633, Formerly - AP 56004
DESCRIPTION - 5 amp, 500V, 2 pole + earth plug.

PROJECTION - 76mm
WATERTIGHT - Weathertight
GLANDS - 9.5mm dia bore
TERMINALS - 4.37mm dia
MAGNETIC CLASSIFICATION - None

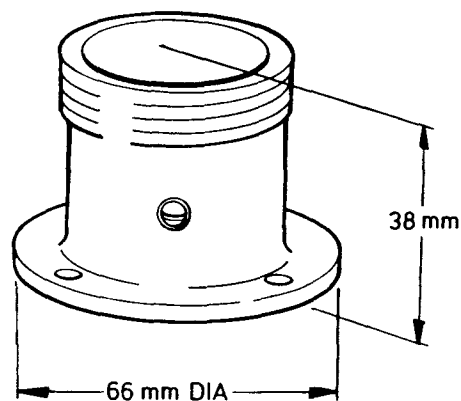


MANUFACTURERS' REF - Niphan N400A LPA 63S/AD

SOCKET (CURRENT)

NSN 5935-99-193-6659, NS Cat No 0568/193-6659, Formerly - AP 56005
DESCRIPTION - 5 amp, 500V, 2 pole + earth socket.

PROJECTION - 38mm
WATERTIGHT - Weathertight
FIXING - 3 x 4.8mm dia holes 120°
 apart on 54.0mm PCD
TERMINALS - 4.37mm dia
MAGNETIC CLASSIFICATION - None

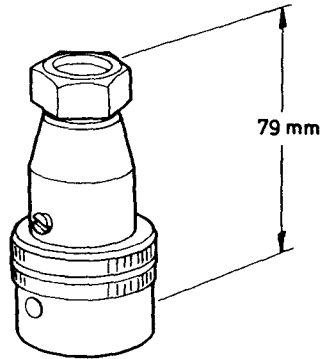


MANUFACTURERS' REF - Niphan N462A LPA 63A/WC

PLUG (CURRENT)

NSN 5935-99-427-7312, NS Cat No 0568/427-7312, Formerly - AP 17917
DESCRIPTION - 15 amp, 250V, 2 pole, + earth plug.

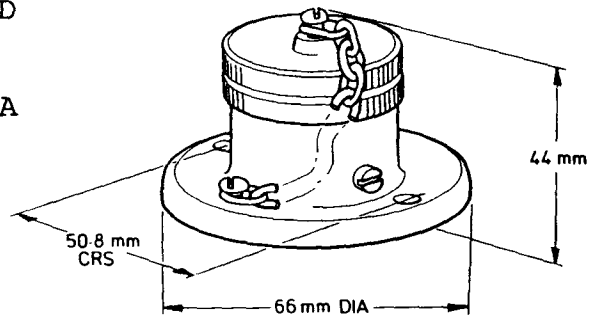
WATERTIGHT - Weathertight
GLANDS - 12.7mm dia bore
TERMINALS - 4.37mm dia
MAGNETIC CLASSIFICATION - None
MANUFACTURERS' REF - Niphan N527/A
LPA 23S/AD



SOCKET (CURRENT)

NSN 5935-99-427-7313, NS Cat No 0568/427-7313, Formerly - AP 17918
DESCRIPTION - 15 amp, 250V, 2 pole + earth socket.

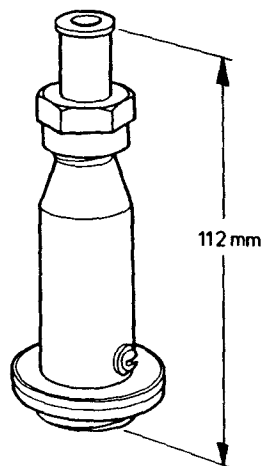
WATERTIGHT - Weathertight
FIXING - 2 x 4.8mm dia holes 180°
apart on 50.8mm PCD
TERMINALS - 4.37mm dia
MAGNETIC CLASSIFICATION - None
MANUFACTURERS' REF - Niphan N569A
LPA 23B



SOCKET (CURRENT)

NSN 5935-99-427-7291, NS Cat No 0568/427-7291, Formerly - AP 7691
DESCRIPTION - 15 amp, 250V, 2 pole + earth socket.

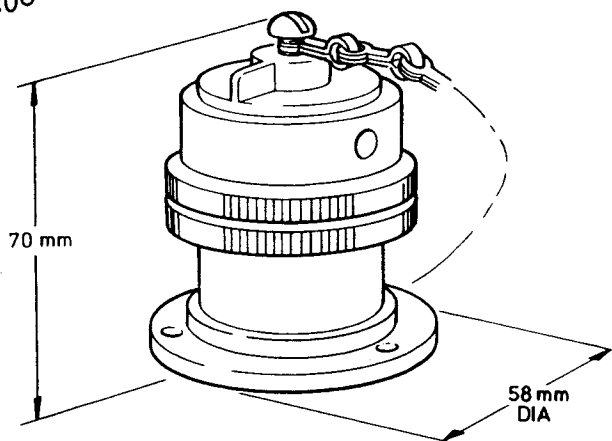
WATERTIGHT - Weathertight
GLANDS - 11.1mm dia bore
TERMINALS - 4.37mm dia
MAGNETIC CLASSIFICATION - None
MANUFACTURERS' REF - Niphan N543A
LPA 15496



PLUG (CURRENT)

NSN 5935-99-803-1851, NS Cat No 0568/803-1851, Formerly - AP 207702
DESCRIPTION - 15 amp, 250V, 2 pole + earth flanged plug.

PROJECTION - 70mm
FIXING - 3 x 5.2mm dia holes 120°
 apart on 47.6mm PCD
WATERTIGHT - Weathertight
GLANDS -
TERMINALS - 4.77mm dia
MAGNETIC CLASSIFICATION - None

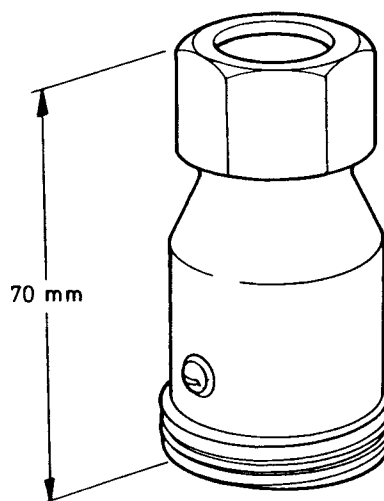


MANUFACTURERS' REF - Niphan N575A LPA 23R/T

SOCKET (CURRENT)

NSN 5935-99-947-1700, NS Cat No 0568/947-1700, Formerly - AP 207704
DESCRIPTION - 15 amp, 250V, 2 pole + earth portable socket.

PROJECTION - 70mm
FIXING -
WEIGHT -
WATERTIGHT - Weathertight
TERMINALS - 4.37mm dia
MAGNETIC CLASSIFICATION - None

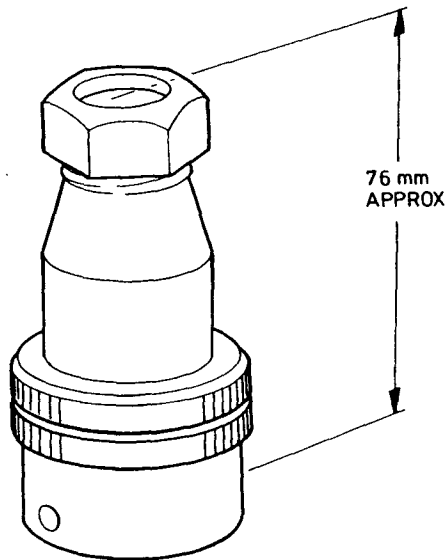


MANUFACTURERS' REF - Niphan N540A LPA 23J

PLUG (OBSOLESCE)

NSN 5935-99-427-7451, NS Cat No 0568/427-7451, Formerly - AP 207689
DESCRIPTION - 25 amp, 250V, single pole portable guard ring plug.

- PROJECTION - 76mm approx.
- FIXING -
- WATERTIGHT - Weathertight
- GLANDS -
- TERMINALS - 4.77mm dia
- MAGNETIC CLASSIFICATION - None

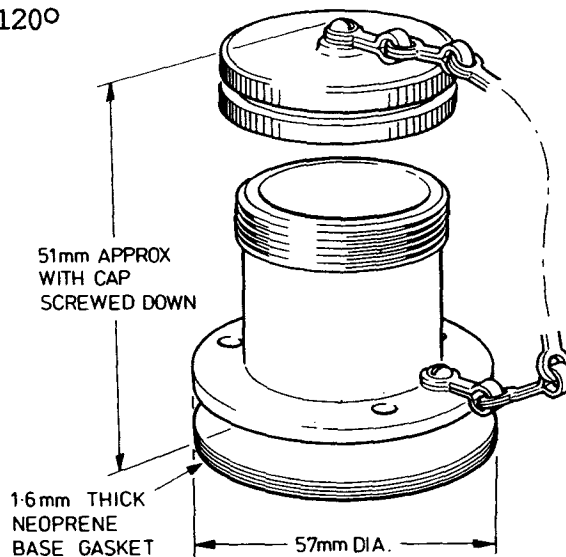


MANUFACTURERS' REF - Niphan N527 SP LPA 31S/T

SOCKET (OBSOLESCE)

NSN 5935-99-427-7452, NS Cat No 0568/427-7452, Formerly - AP 207690
DESCRIPTION - 25 amp, 250V, single pole flanged socket.

- FIXING - 3 x 5.2mm dia holes 120° apart on 47.6mm PCD
- WATERTIGHT - Weathertight
- TERMINALS - 4.77mm dia
- MAGNETIC CLASSIFICATION - None

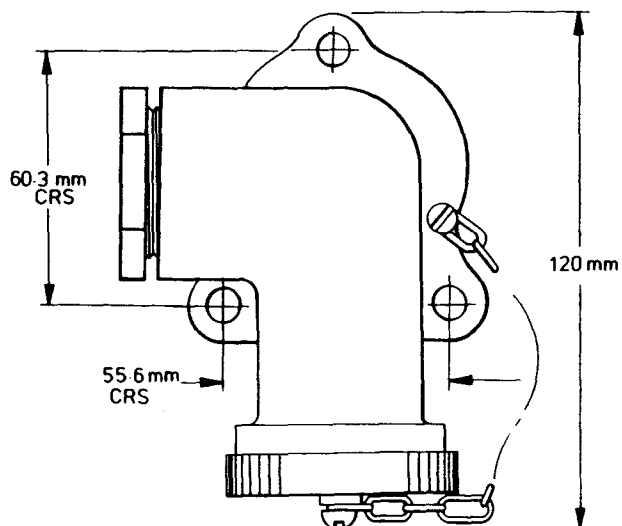


MANUFACTURERS' REF - Niphan N549SP LPA 31A

SOCKET (OBSOLESCE)

NSN 5935-99-427-7282, NS Cat No 0568/427-7282, Formerly - AP 5210
DESCRIPTION - 25 amp, 250V, 2 pole socket.

- PROJECTION -
- FIXING - 3 x 8.7mm dia holes
- WEIGHT -
- WATERTIGHT - Weathertight
- GLANDS - 11.1mm dia for 2 single cables
- TERMINALS - 4.77mm dia
- MAGNETIC CLASSIFICATION - None

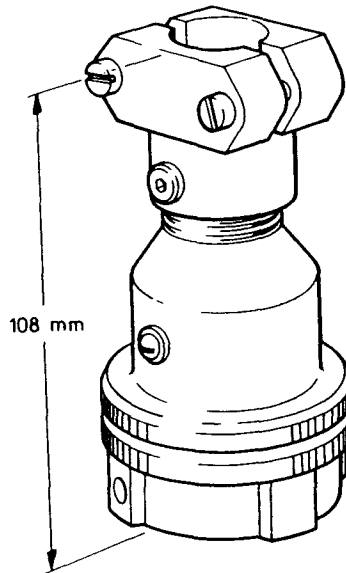


MANUFACTURERS' REF - Niphan N5210 LPA 32G/RA

PLUG (CURRENT)

NSN 5935-99-427-7349, NS Cat No 0568/427-7349, Formerly - AP 18681
DESCRIPTION - 25 amp, 250V, 2 pole + earth plug

PROJECTION - 108mm
FIXING -
WATERTIGHT - Weathertight
GLANDS - 15.9mm dia bore
TERMINALS - 4.77mm dia
MAGNETIC CLASSIFICATION - None

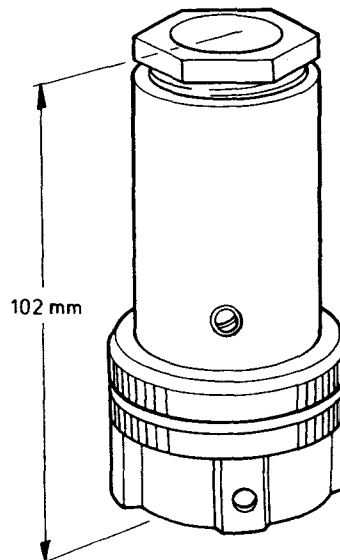


MANUFACTURERS' REF - Niphan N885A 9716

PLUG (CURRENT)

NSN 5935-99-193-6643, NS Cat No 0568/193-6643, Formerly - AP 52091
DESCRIPTION - 25 amp, 250V, 2 pole + earth plug.

PROJECTION - 102mm
WATERTIGHT - Weathertight
TERMINALS - 4.77mm dia
MAGNETIC CLASSIFICATION - None

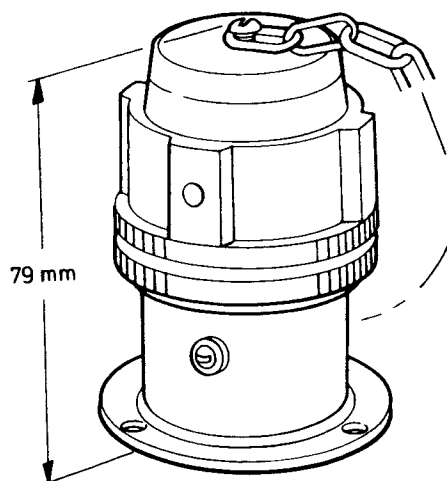


MANUFACTURERS' REF - Niphan N5209A LPA 15486

PLUG (CURRENT)

NSN 5935-99-427-7414, NS Cat No 0568/427-7414, Formerly - AP 207630
DESCRIPTION - 25 amp, 250V, 2 pole + earth plug.

PROJECTION - 79mm
FIXING - 3 x 4.8mm dia holes 120°
 apart on 54.0mm PCD
WATERTIGHT - Weathertight
GLANDS -
TERMINALS - 4.77mm dia
MAGNETIC CLASSIFICATION - None

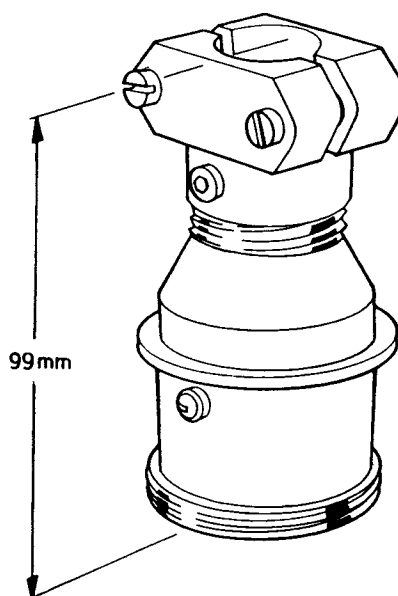


MANUFACTURERS' REF - Niphan SN887A LPA 33R/AD

SOCKET (CURRENT)

NSN 5935-99-427-7350, NS Cat No 0568/427-7350, Formerly - AP 18682
DESCRIPTION - 25 amp, 250V, 2 pole + earth socket.

PROJECTION - 99mm
FIXING - 3 x 8.7mm dia holes
WEIGHT -
WATERTIGHT - Weathertight
GLANDS - 15.9mm dia bore
TERMINALS - 4.77mm dia
MAGNETIC CLASSIFICATION - None



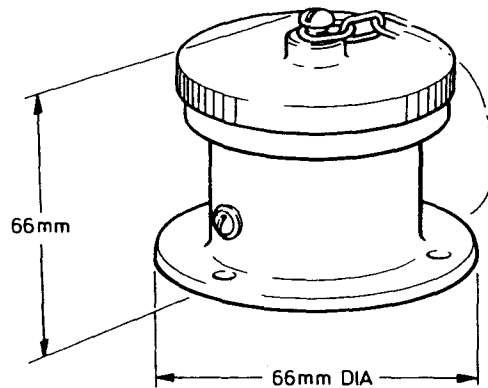
MANUFACTURERS' REF - Niphan SN802A LPA 33J/A36

NES 538
Issue 4

SOCKET (CURRENT)

NSN 5935-99-193-6673, NS Cat No 0568/193-6673, Formerly - AP 18680
DESCRIPTION - 25 amp, 250V, 2 pole + earth socket.

PROJECTION - 66mm
FIXING - 3 x 4.8mm dia holes 120°
 - apart on 54.0mm PCD
WATERTIGHT - Weathertight
GLANDS -
TERMINALS - 4.77mm dia
MAGNETIC CLASSIFICATION - None

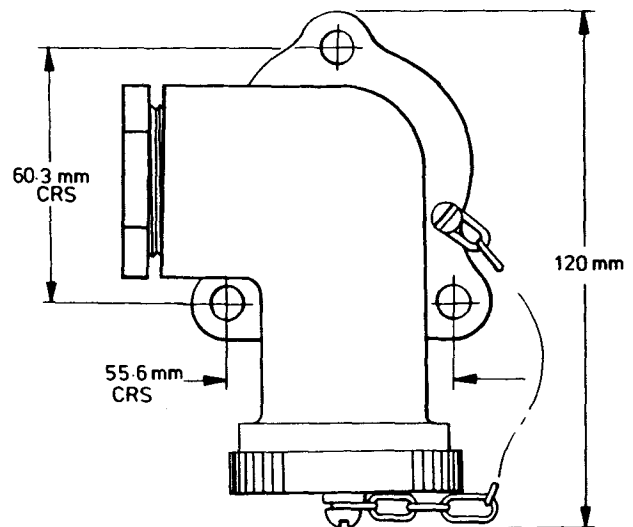


MANUFACTURERS' REF - Niphan N801A 9801

SOCKET (CURRENT)

NSN 5935-99-427-7354, NS Cat No 0568/427-7354, Formerly - AP 18689
DESCRIPTION - 25 amp, 250V, 2 pole + earth socket.

PROJECTION -
FIXING - 3 x 8.7mm dia holes
WATERTIGHT - Weathertight
GLANDS - 2 hole washer
 - 11.1mm dia.
TERMINALS - 4.77mm dia
MAGNETIC CLASSIFICATION - None

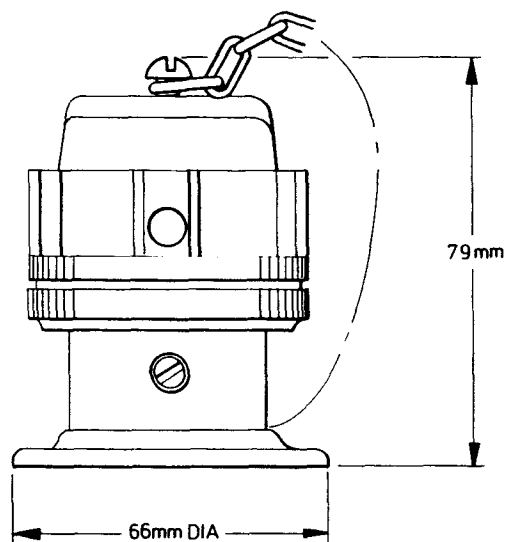


MANUFACTURERS' REF - Niphan N5210A LPA 33G/RA

PLUG (CURRENT)

NSN 5935-99-427-7415, NS Cat No 0568/427-7415, Formerly - AP 207631
DESCRIPTION - 25 amp, 250V, 3 pole + earth plug.

PROJECTION - 79mm
FIXING - 3 x 4.8mm dia holes 120°
 apart on 54.0mm PCD
WATERTIGHT - Weathertight
GLANDS -
TERMINALS - 4.77mm dia
MAGNETIC CLASSIFICATION - None

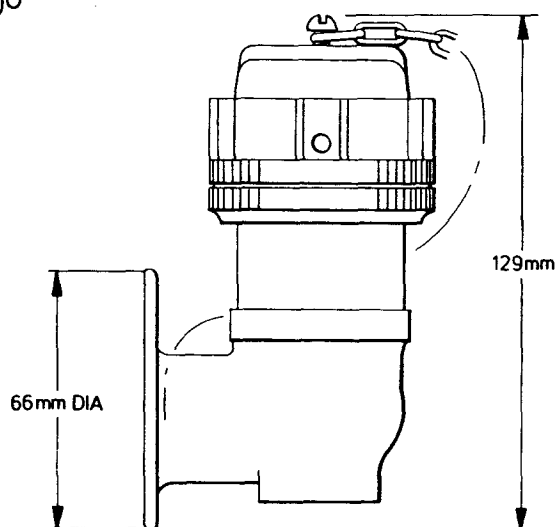


MANUFACTURERS' REF - Niphan N887B LPA 34R/AD

PLUG (CURRENT)

NSN 5935-99-193-6639, NS Cat No 0568/193-6639, Formerly - AP 18683
DESCRIPTION - 25 amp, 250V, 3 pole + earth plug.

PROJECTION -
FIXING - 2 x 4.8mm dia holes 180°
 apart on 54.0mm PCD
WATERTIGHT - Weathertight
GLANDS -
TERMINALS - 4.77mm dia
MAGNETIC CLASSIFICATION - None

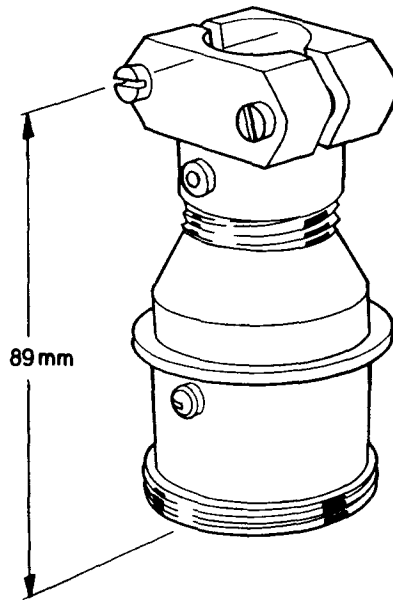


MANUFACTURERS' REF - Niphan SN859B LPA 34G/AD

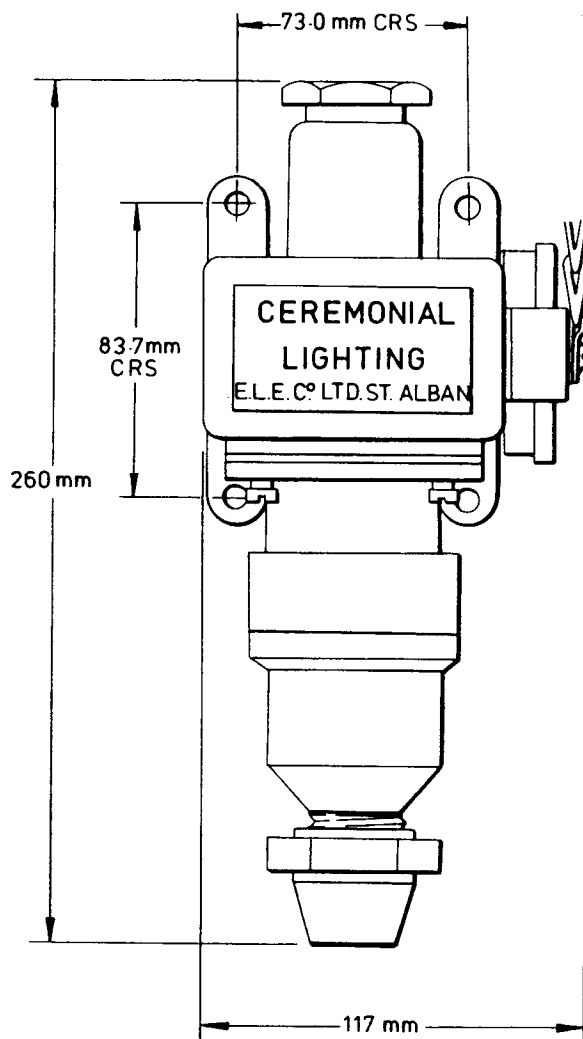
SOCKET (CURRENT)

NSN 5935-99-427-7352, NS Cat No 0568/427-7352, Formerly - AP 18684
DESCRIPTION - 25 amp, 250V, 3 pole + earth socket.

PROJECTION -
FIXING -
WATERTIGHT - Weathertight
GLANDS - 15.9mm dia bore
TERMINALS - 4.77mm dia
MAGNETIC CLASSIFICATION - None



MANUFACTURERS' REF - Niphan SN802B LPA 34J/A36



CEREMONIAL LIGHTING SOCKET BOX 50 AMP (CURRENT)

NSN 5935-99-427-7455, NS Cat No 0568/427-7455, Formerly AP 207699

DESCRIPTION - 50 amp, 230V, 3 pole (no earth) socket box.

GA DRAWING - E.L.E. Co Ltd Drg No 2206 B

PROJECTION - 99mm

FIXING - 4 x M6

WEIGHT - 2.8kg complete

WATERTIGHT - Weathertight

GLANDS - 1 x size 2 gland to Drg No DEE 18001 drilled 15.9mm dia max.

TERMINALS -

REPLACEMENT SPARES -

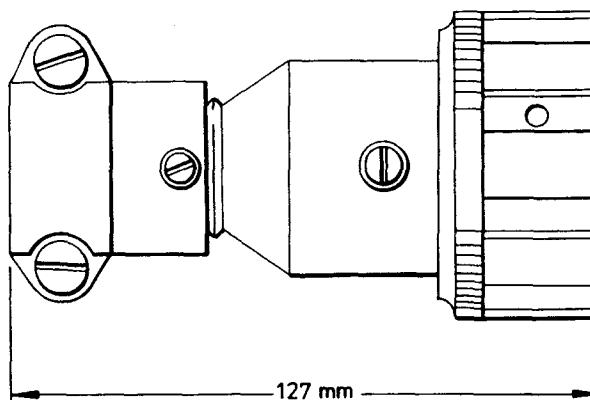
(a) Socket NS Cat No 0568/427-7278

(b) Plug NS Cat No 0568/427-7277

PLUG (CURRENT)

NSN 5935-99-427-7277, NS Cat No 0568/427-7277, Formerly - AP 2676
DESCRIPTION - 50 amp, 250V, 2 pole + earth plug.

PROJECTION -
FIXING -
WATERTIGHT - Weathertight
GLANDS - 12.9mm dia bore
TERMINALS - 7.14mm dia
MAGNETIC CLASSIFICATION - None

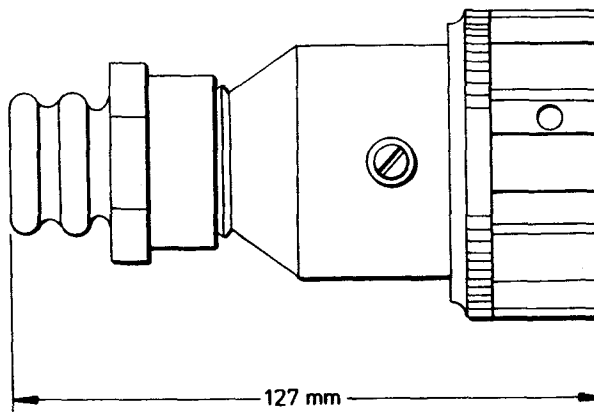


MANUFACTURERS' REF - Niphan N385A/9521-19

PLUG (CURRENT)

NSN 5935-99-427-7341, NS Cat No 0568/427-7341, Formerly - AP 18672
DESCRIPTION - 50 amp, 250V, 2 pole + earth plug.

PROJECTION -
FIXING -
WATERTIGHT - Weathertight
GLANDS - 21.6mm dia bore
TERMINALS - 7.14mm dia
MAGNETIC CLASSIFICATION - None

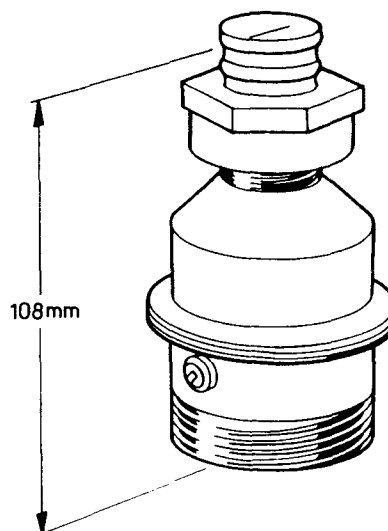


MANUFACTURERS' REF - Niphan NW11 LPA 15487

SOCKET (CURRENT)

NSN 5935-99-427-7340, NS Cat No 0568/427-7340, Formerly AP 18671
DESCRIPTION - 50 amp, 250V, 2 pole + earth socket.

GLANDS - 21.6mm dia bore
WATERTIGHT - Weathertight
TERMINALS - 7.14mm dia

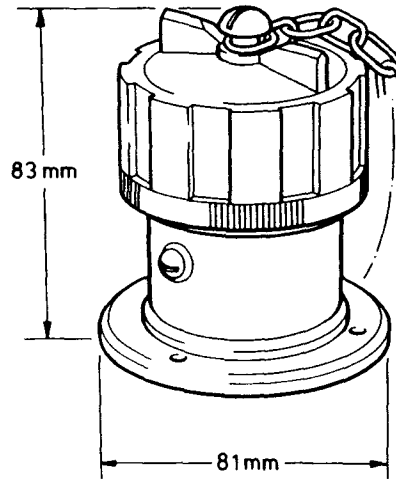


MANUFACTURERS' REF - Niphan NW4 LPA 15498

PLUG (CURRENT)

NSN 5935-99-427-7342, 0568/427-7342, AP 18673
DESCRIPTION - 50 amp, 250V, 2 pole + earth plug.

PROJECTION - 82.5mm
FIXING - 3 x 4.8mm dia holes 120°
 apart on 66.7mm PCD
WATERTIGHT - Weathertight
TERMINALS - 7.14mm dia

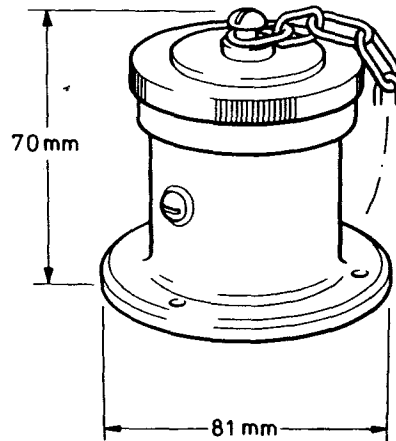


MANUFACTURERS' REF - Niphan NW7 LPA 15489

SOCKET (CURRENT)

NSN 5935-99-427-7278, NS Cat No 0568/427-7278, Formerly AP 2677
DESCRIPTION - 50 amp, 250V, 2 pole + earth socket.

PROJECTION - 70mm
FIXING - 3 x 4.8mm dia holes 120°
 apart on 66.7mm PCD
WATERTIGHT - Weathertight
TERMINALS - 7.14mm dia

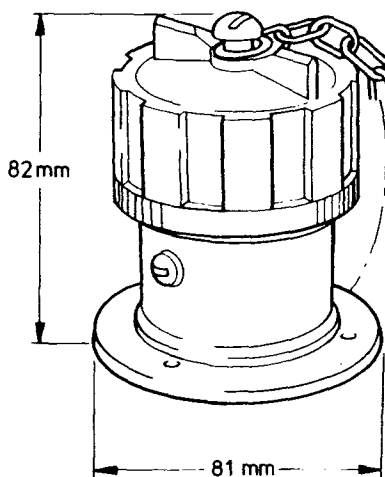


MANUFACTURERS' REF - Niphan N346A LPA 43A

PLUG (CURRENT)

NSN 5935-99-193-6645, NS Cat No 0568/193-6645, Formerly - AP 18670
DESCRIPTION - 60 amp, 110V, 2 pole + earth plug.

PROJECTION - 82mm
FIXING - 3 x 4.8mm dia holes 120°
 - apart on 66.7mm PCD
WATERTIGHT - Weathertight
GLANDS -
TERMINALS - 7.14mm dia
MAGNETIC CLASSIFICATION - None

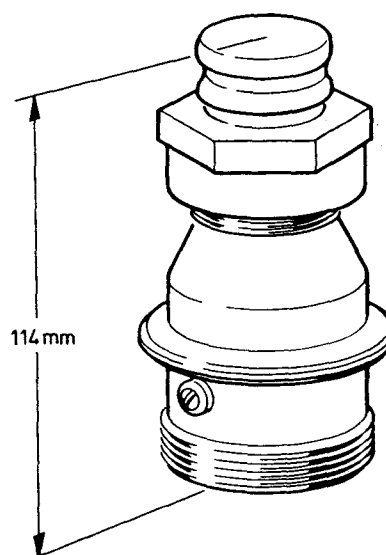


MANUFACTURERS' REF - Niphan NW6 LPA 15488

SOCKET (CURRENT)

NSN 5935-99-193-6676, NS Cat No 0568/193-6676, Formerly - AP 18669
DESCRIPTION - 60 amp, 110V, 2 pole + earth socket.

PROJECTION - 114mm
FIXING -
WATERTIGHT - Weathertight
GLANDS - 27.2mm dia bore
TERMINALS - 7.14mm dia
MAGNETIC CLASSIFICATION - None



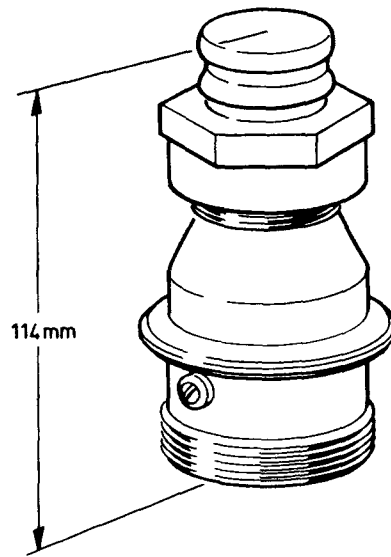
MANUFACTURERS' REF - Niphan NW5 LPA 15499

SOCKET (CURRENT)

NSN 5935-99-427-7344, NS Cat No 0568/427-7344, Formerly - AP 18675
DESCRIPTION - 60 amp, 110V, 2 pole + 1 aux pole + earth

PROJECTION - 127mm
FIXING -

WATERTIGHT - Weathertight
GLANDS - 27.9mm dia bore
TERMINALS - 7.14mm dia and 3.45mm dia
for aux.
MAGNETIC CLASSIFICATION - None



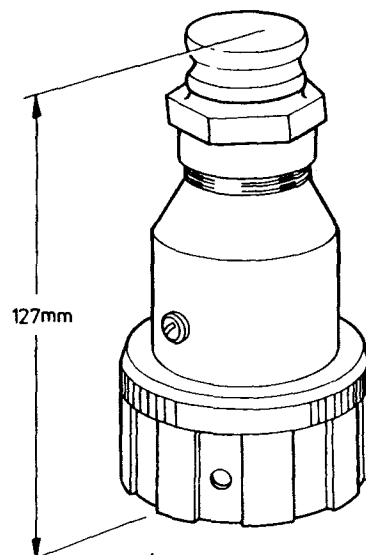
MANUFACTURERS' REF - Niphan NW10 LPA 15501

PLUG (CURRENT)

NSN 5935-99-427-7347, NS Cat No 0568/427-7347, Formerly - AP 18678
DESCRIPTION - 60 amp, 110V, 2 pole + 1 aux pole + earth

PROJECTION - 127mm
FIXING -

WATERTIGHT - Weathertight
GLANDS - 21.6mm dia bore
TERMINALS - 7.14mm dia and 3.45mm dia
for aux.
MAGNETIC CLASSIFICATION - None



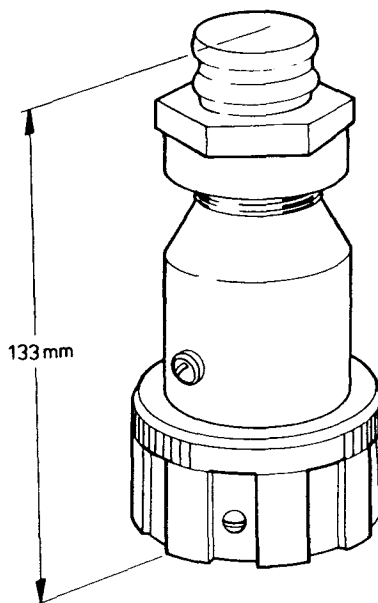
MANUFACTURERS' REF - Niphan NW1 LPA 15490

PLUG (CURRENT)

NSN 5935-99-193-6648, NS Cat No 0568/193-6648, Formerly - AP 18679
DESCRIPTION - 60 amp, 110V, 2 pole + 1 aux pole + earth.

PROJECTION - 133mm
FIXING -

WATERTIGHT - Weathertight
GLANDS - 27.9mm dia bore
TERMINALS - 7.14mm dia and 3.45mm dia
for aux.
MAGNETIC CLASSIFICATION - None

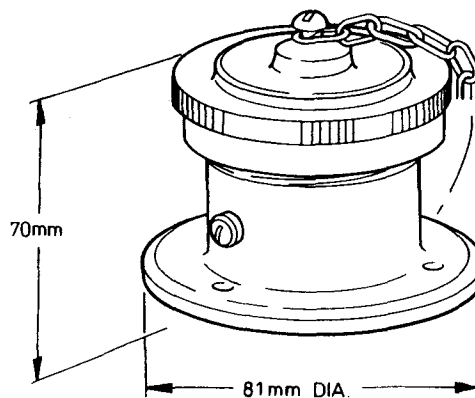


MANUFACTURERS' REF - Niphan NW2 LPA 15491

SOCKET (CURRENT)

NSN 5935-99-427-7346, NS Cat No 0568/427-7346, Formerly - AP 18677
DESCRIPTION - 60 amp, 110V, 2 pole + 1 aux pole + earth.

PROJECTION - 70mm
FIXING - 3 x 4.8mm dia holes
on 66.7mm PCD
WATERTIGHT - Weathertight
GLANDS -
TERMINALS - 7.14mm dia and 3.45mm dia
for aux.
MAGNETIC CLASSIFICATION - None

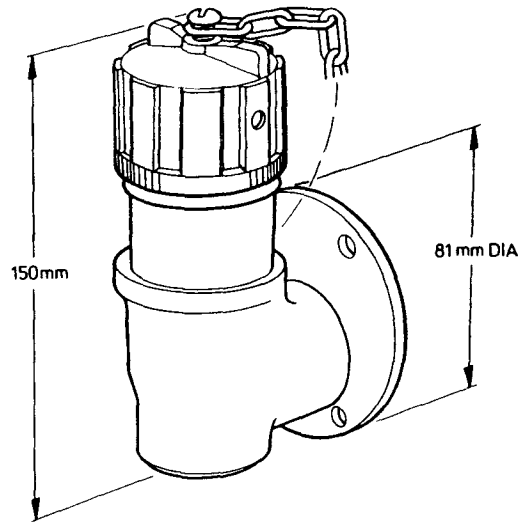


MANUFACTURERS' REF - Niphan NW3 LPA 15502

PLUG (CURRENT)

NSN 5935-99-193-6649, NS Cat No 0568/193-6649, Formerly - AP 18676
DESCRIPTION - 60 amp, 110V, 2 pole + 1 aux pole + earth.

- PROJECTION -
- FIXING - 4 x 4.8mm dia holes on
66.7mm PCD
- WATERTIGHT - Weathertight
- GLANDS -
- TERMINALS - 7.14mm dia and 3.45mm dia
for aux.
- MAGNETIC CLASSIFICATION - None

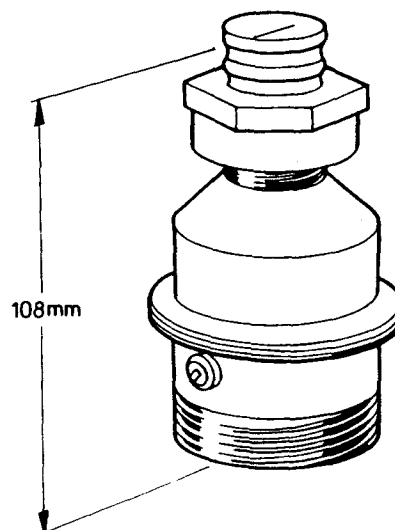


MANUFACTURERS' REF - Niphan NW9 LPA 15492

SOCKET (CURRENT)

NSN 5935-99-427-7343, NS Cat No 0568/427-7343, Formerly - AP 18674
DESCRIPTION - 60 amp, 110V, 2 pole + 1 aux pole + earth.

- PROJECTION - 108mm
- FIXING -
- WATERTIGHT - Weathertight
- GLANDS - 21.6mm dia bore
- TERMINALS - 7.14mm dia and 3.45mm dia
for aux.
- MAGNETIC CLASSIFICATION - None



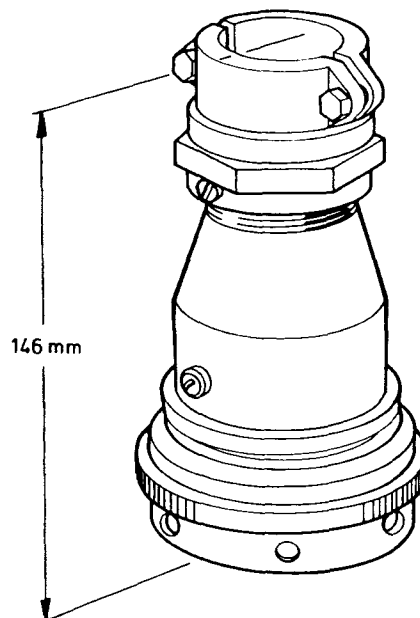
MANUFACTURERS' REF - Niphan NW8 LPA 15500

PLUG (CURRENT)

NSN 5935-99-427-7274, NS Cat No 0568/427-7274, Formerly - AP 2706
DESCRIPTION - 60 amp, 500V, 2 pole + earth.

PROJECTION - 146mm
FIXING -

WATERTIGHT - Weathertight
GLANDS - 22.2mm dia bore
TERMINALS - 7.14mm dia
MAGNETIC CLASSIFICATION - None

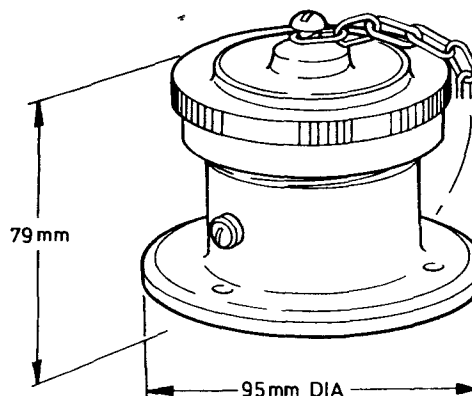


MANUFACTURERS' REF - Niphan N02A LPA 93S/AD

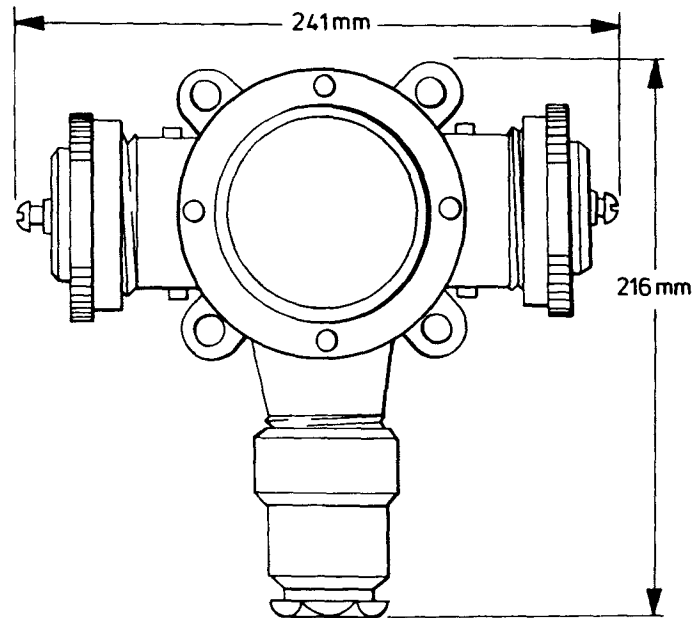
SOCKET (CURRENT)

NSN 5935-99-193-6680, NS Cat No 0568/193-6680, Formerly - AP 1708
DESCRIPTION - 60 amp, 500V, 2 pole + earth.

PROJECTION - 79mm
FIXING - 3 x 6.3mm dia holes 120°
 apart on 82.5mm PCD
WATERTIGHT - Weathertight
GLANDS -
TERMINALS - 7.14mm dia
MAGNETIC CLASSIFICATION - None



MANUFACTURERS' REF - Niphan N03A LPA 93A



SOCKET TEE (CURRENT)

NSN 5935-99-427-7434, NS Cat No 0568/427-7434, Formerly - AP 207657
DESCRIPTION - 60 amp, 500V, 2 pole + earth.

- GA DRAWING -
- FIXING - 4 x 9.5mm dia holes on
130.2mm PCD
- WATERTIGHT - Weathertight
- GLANDS - DEE 18002
- CABLES - AP 30134
- MAGNETIC CLASSIFICATION - None

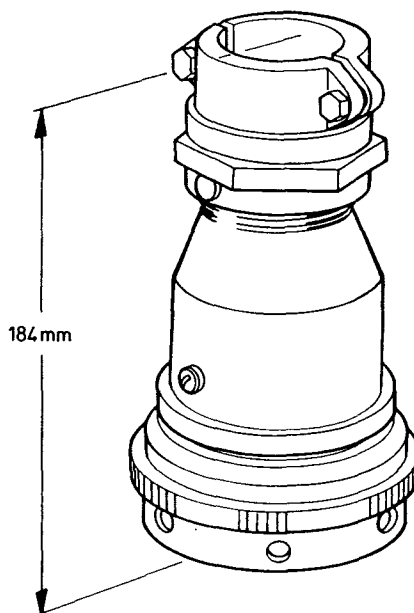
MANUFACTURERS' REF: Niphan SN034A LPA 15503

PLUG (CURRENT)

NSN 5935-99-427-7275, NS Cat No 0568/427-7275, Formerly - AP 2707
DESCRIPTION - 100 amp, 250V, 2 pole + earth plug.

PROJECTION - 184mm
FIXING -

WATERTIGHT - Weathertight
GLANDS - 22.2mm dia bore
TERMINALS - 11.91mm dia
MAGNETIC CLASSIFICATION - None

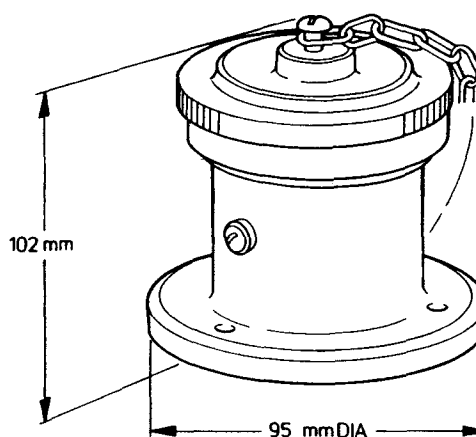


MANUFACTURERS' REF - Niphan N718A LPA 53S/AD

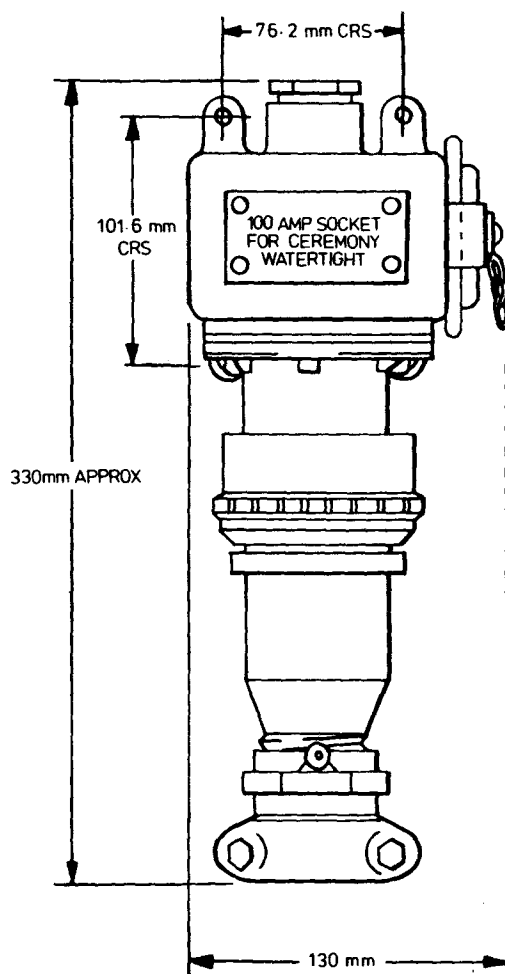
SOCKET (CURRENT)

NSN 5935-99-427-7276, NS Cat No 0568/427-7276, Formerly - AP 2709
DESCRIPTION - 100 amp, 250V, 2 pole + earth socket.

PROJECTION - 102mm
FIXING - 3 x 6.3mm dia holes 120°
 apart on 82.5mm PCD
WATERTIGHT - Weathertight
GLANDS -
TERMINALS - 11.91mm dia
MAGNETIC CLASSIFICATION - None



MANUFACTURERS' REF - Niphan N728A LPA 53A



CEREMONIAL LIGHTING SOCKET BOX 100 AMP (CURRENT)

NSN

DESCRIPTION - 100 amp, 250V, 2 pole + earth socket box.

GA DRAWING - DEE C40902

PROJECTION - 124mm

FIXING - 4 x M8

WEIGHT - 2.7kg

WATERTIGHT -

GLANDS - 1 x size 4 saddle gland Type 1B, bored 20.3mm dia max.
Type 2B available

REPLACEMENT SPARES -

- (a) Flange socket and cover NS Cat No 0568/427-7276
- (b) Plug NS Cat No 0568/427-7275

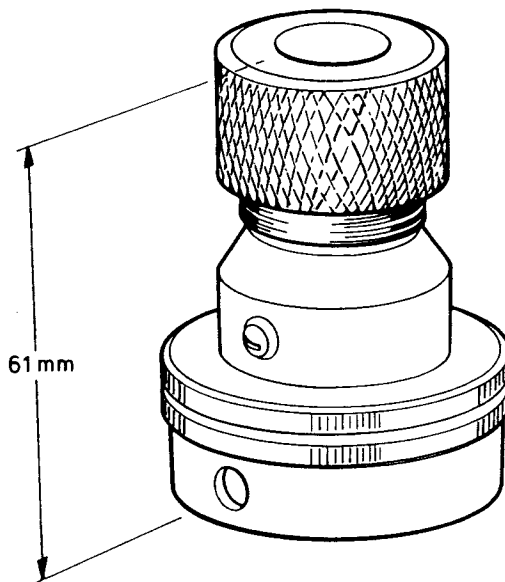
MAGNETIC CLASSIFICATION - None

PLUG (OBSOLESCE)

NSN 5935-99-193-6694, NS Cat No 0568/193-6694, Formerly - AP 207658
DESCRIPTION - 5 amp, 50V dc, 35V ac only, 4 pole (ins) plug.

PROJECTION - 61mm
FIXING -

WATERTIGHT - Weathertight
GLANDS - 7.9mm dia bore
TERMINALS - 3.45mm dia
MAGNETIC CLASSIFICATION - None



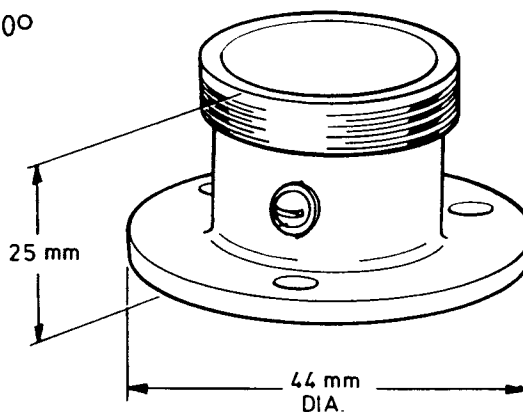
MANUFACTURERS' REF - Niphan N520B B(IBM) LPA X 4S/INS/AD

SOCKET (OBSOLESCE)

NSN 5935-99-427-7436, NS Cat No 0568/427-7436, Formerly - AP 207659
DESCRIPTION - 3 amp, 50V dc, 35V ac only, 4 pole(ins) socket.

PROJECTION - 25.4mm
FIXING - 3 x 3.96mm dia holes 120°
 apart on 36.5mm PCD

WATERTIGHT - Weathertight
GLANDS -
TERMINALS - 3.45mm dia
MAGNETIC CLASSIFICATION - None

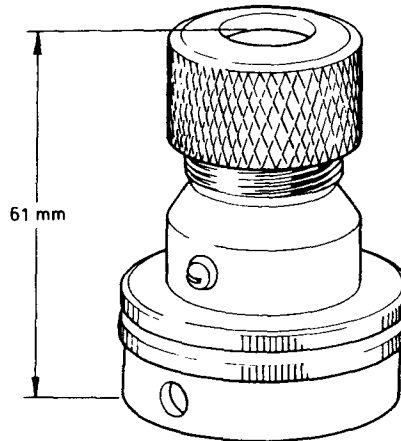


MANUFACTURERS' REF - Niphan N662 B(INS) LPA X 4A/WC

PLUG (OBSOLESCE)

NSN 5935-99-427-7364, NS Cat No 0568/427-7364, Formerly - AP 52081
DESCRIPTION - 5 amp, 50V dc, 35V ac only, 3 pole(ins) plug.

GA DRAWING -
FIXING -
WATERTIGHT - Weathertight
GLANDS - 7.9 dia bore
TERMINALS - 3.45mm dia
MAGNETIC CLASSIFICATION - None

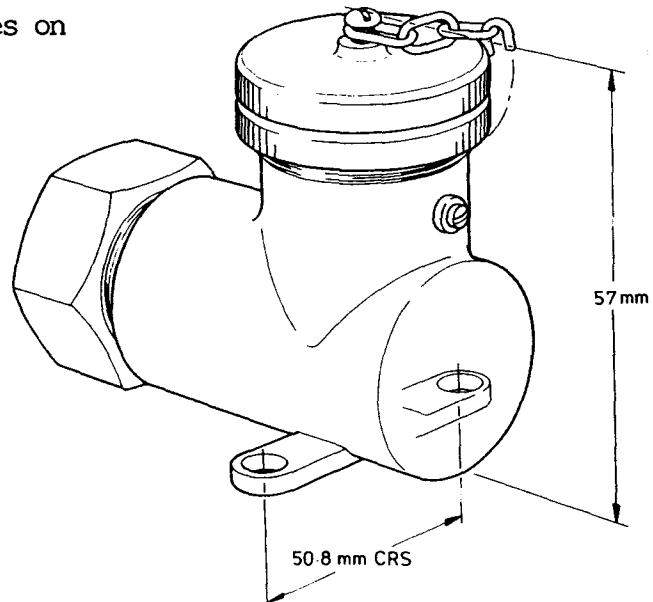


MANUFACTURERS' REF: Niphan N5208A (INS) LPA 13S/INS/AD

SOCKET (OBSOLESCE)

NSN 5935-99-427-7550, NS Cat No 0568/427-7550, Formerly - AP 407119
DESCRIPTION - 5 amp, 50V dc, 35V ac only, 3 pole(ins) socket.

PROJECTION - 57mm
FIXING - 2 x 4.8mm dia holes on
50.8mm PCD
WATERTIGHT - Weathertight
GLANDS - 12.7mm dia
TERMINALS - 3.45mm dia
MAGNETIC CLASSIFICATION - None

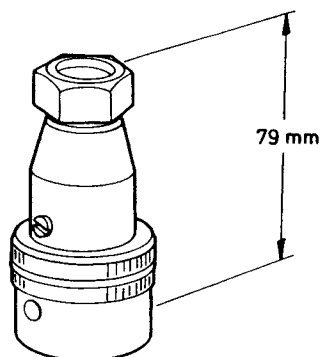


MANUFACTURERS' REF - Niphan N663 A/G LPA 15504

PLUG (OBSOLESCE)

NSN 5935-99-110-5040, NS Cat No 0568/110-5040, Formerly - AP 21587
DESCRIPTION - 15 amp, 50V dc, 35V ac only, 3 pole(ins) plug.

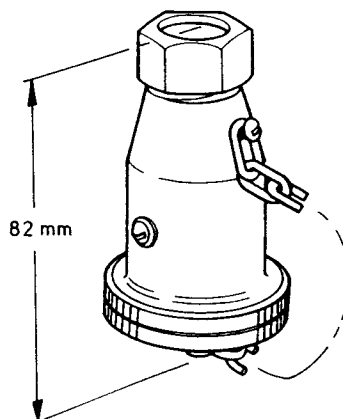
WATERTIGHT - Weathertight
GLANDS - 12.7mm dia bore
TERMINALS - 4.37mm dia
MAGNETIC CLASSIFICATION - None
MANUFACTURERS' REF - Niphan N527/A
LPA 23S/INS/AD



SOCKET (OBSOLESCE)

NSN 5935-99-193-6667, NS Cat No 0568/193-6667, Formerly - AP 21588
DESCRIPTION - 15 amp, 50V dc, 35V ac only, 3 pole(ins) socket.

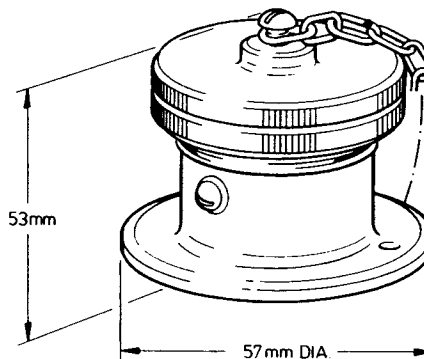
WATERTIGHT - Weathertight
GLANDS - 12.7 dia bore
TERMINALS - 4.37mm dia
MAGNETIC CLASSIFICATION - None
MANUFACTURERS' REF - Niphan N540A(INS)
LPA 15497



SOCKET (OBSOLESCE)

NSN 5935-99-193-6668, NS Cat No 0568/193-6668, Formerly - AP 21592
DESCRIPTION - 15 amp, 50V dc, 35V ac only, 3 pole(ins) socket.

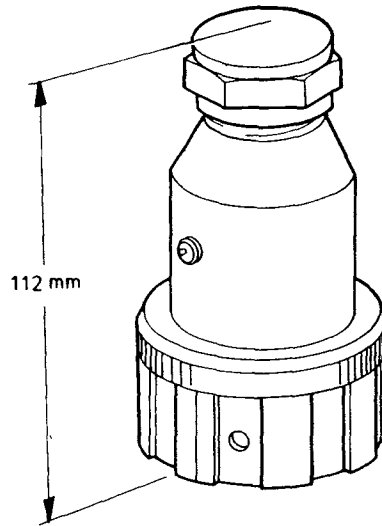
WATERTIGHT - Weathertight
FIXING - 3 x 4.8mm dia holes 120°
 apart on 47.6mm PCD
TERMINALS - 4.37mm dia
MAGNETIC CLASSIFICATION - None
MANUFACTURERS' REF - Niphan N549A(INS)
LPA 23A/INS



PLUG (OBSOLESCEMENT)

NSN 5935-99-193-6638, NS Cat No 0568/193-6638, Formerly - AP 21641
DESCRIPTION - 15 amp, 50V dc, 35V ac only 5 pole(ins) plug.

- PROJECTION - 112mm
- FIXING -
- WATERTIGHT - Weathertight
- GLANDS - 13.0mm dia bore
- TERMINALS - 1 x 6.3mm dia and
4 x 4.37mm dia
- MAGNETIC CLASSIFICATION - None

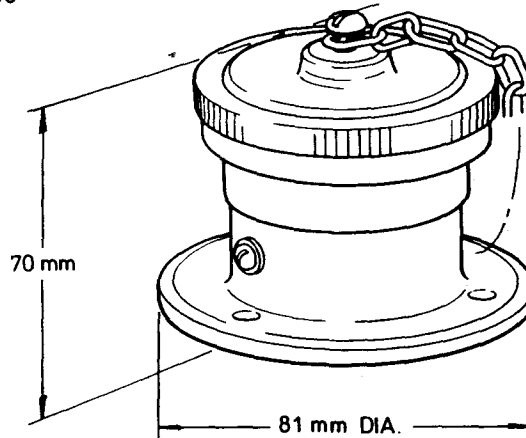


MANUFACTURERS' REF - Niphan N385/05(INS) LPA 75S/INS/AD

SOCKET (OBSOLESCEMENT)

NSN 5935-99-193-6669, NS Cat No 0568/193-6669, Formerly - AP 21642
DESCRIPTION - 15 amp, 50V dc, 35V ac only, 5 pole(ins) socket.

- FIXING - 3 x 4.8mm dia holes 120°
apart on 66.7mm PCD
- WATERTIGHT - Weathertight
- GLANDS -
- TERMINALS - 1 x 6.3mm dia and
4 x 4.37mm dia
- MAGNETIC CLASSIFICATION - None

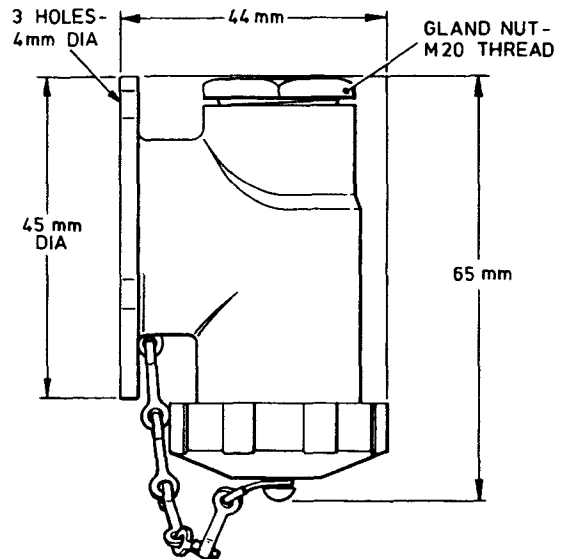


MANUFACTURERS' REF - Niphan N346/05(INS) LPA 75A/INS

SOCKET (CURRENT)

NSN 5935-99-912-9150, NS Cat No 0568/912-9150
DESCRIPTION - 5 amp, 250V ac/dc, 2 pole + earth socket.

PROJECTION - 45mm
FIXING - 3 x 4.0mm dia holes 120°
apart on .37mm PCD
WATERTIGHT - Weathertight
GLANDS - M20



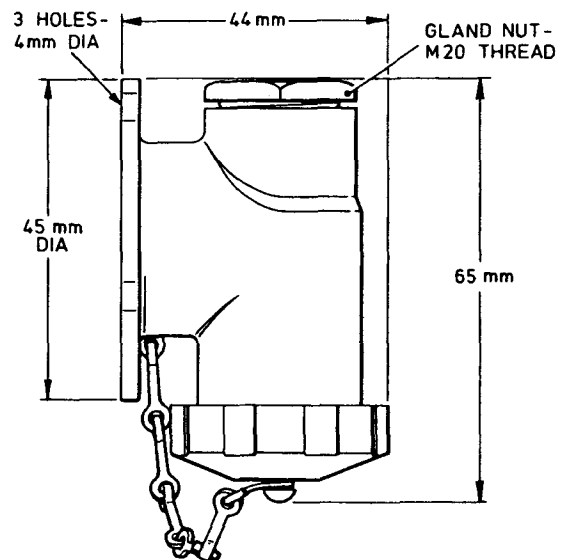
TERMINALS -
CABLES -

MAGNETIC CLASSIFICATION - None
MANUFACTURERS' REF - Niphan N666A

SOCKET (CURRENT)

NSN 5935-99-758-2398, NS Cat No 0568/758-2398
DESCRIPTION - 5 amp, 250V ac/dc, 3 pole + earth socket.

PROJECTION - 45mm
FIXING - 3 x 4.0mm dia holes 120°
apart on 37mm PCD
WATERTIGHT - Weathertight
GLANDS - M20



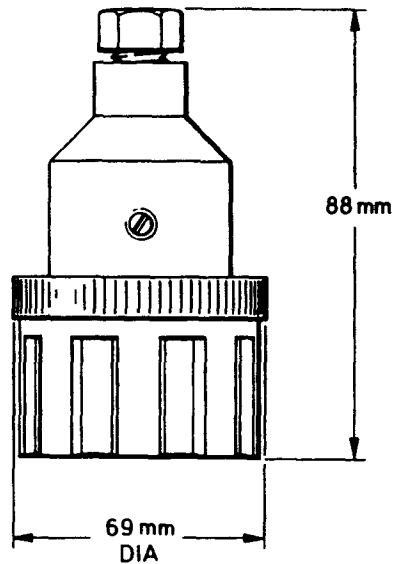
TERMINALS -
CABLES -

MAGNETIC CLASSIFICATION - None
MANUFACTURERS' REF - Niphan N666B

PLUG (CURRENT)

NSN 5935-99-758-2399, NS Cat No 0568/758-2399
DESCRIPTION - 5 amp, 500V ac/dc, 5 pole + earth plug.

PROJECTION - 88mm
FIXING - Free connector
WATERTIGHT - Weathertight
GLANDS -



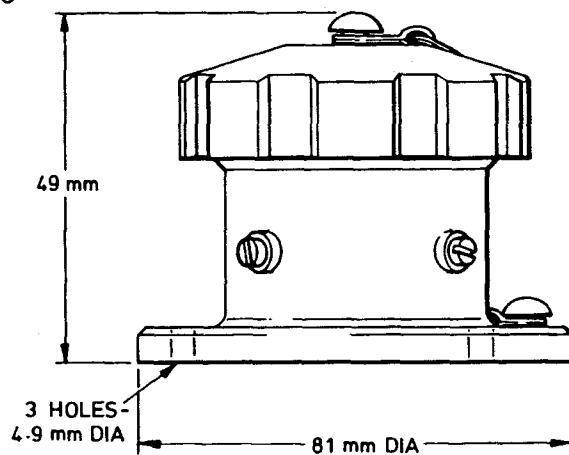
TERMINALS -
CABLES - Max dia 12.7mm

MAGNETIC CLASSIFICATION - None
MANUFACTURERS' REF - Niphan N670/P/06

SOCKET (CURRENT)

NSN 5935-99-758-2400, NS Cat No 0568/758-2400
DESCRIPTION - 5 amp, 500V ac/dc, 5 pole + earth socket.

PROJECTION - 49mm
FIXING - 3 x 4.9mm dia holes 120°
apart on 67mm PCD
WATERTIGHT - Weathertight
GLANDS - None



TERMINALS -
CABLES -

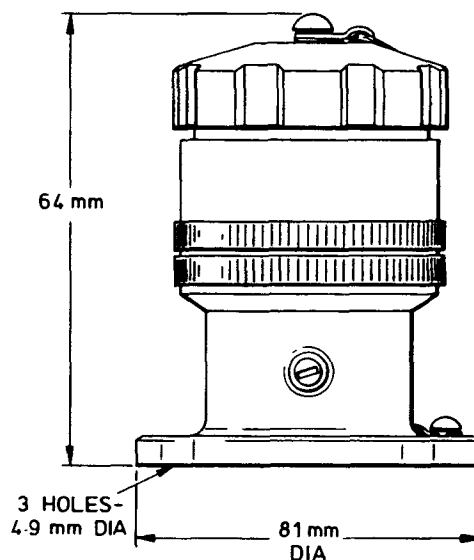
MAGNETIC CLASSIFICATION - None
MANUFACTURERS' REF - Niphan N676F06

PLUG (CURRENT)

NSN 5935-99-758-2401, NS Cat No 0568/758-2401

DESCRIPTION - 5 amp, 500V ac/dc, 5 pole + earth plug.

PROJECTION - 64mm
FIXING - 3 x 4.9mm dia holes 120°
 apart on 67mm PCD
WATERTIGHT - Weathertight
GLANDS - None



TERMINALS -
CABLES -

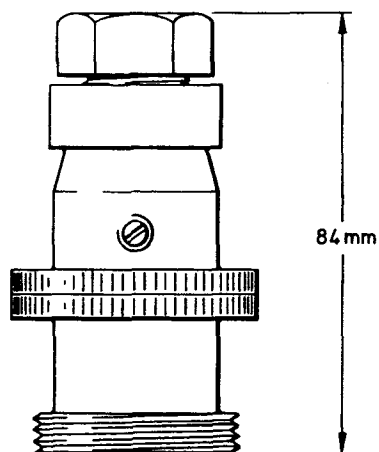
MAGNETIC CLASSIFICATION - None
MANUFACTURERS' REF - Niphan N677F06

SOCKET (CURRENT)

NSN 5935-99-758-2402, NS Cat No 0568/758-2402

DESCRIPTION - 5 amp, 500V ac/dc, 5 pole + earth socket.

PROJECTION - 84mm
FIXING - Free connector
WATERTIGHT - Weathertight
GLANDS -



TERMINALS -
CABLES - Max dia 12.7mm

MAGNETIC CLASSIFICATION - None
MANUFACTURERS' REF - Niphan N679S06

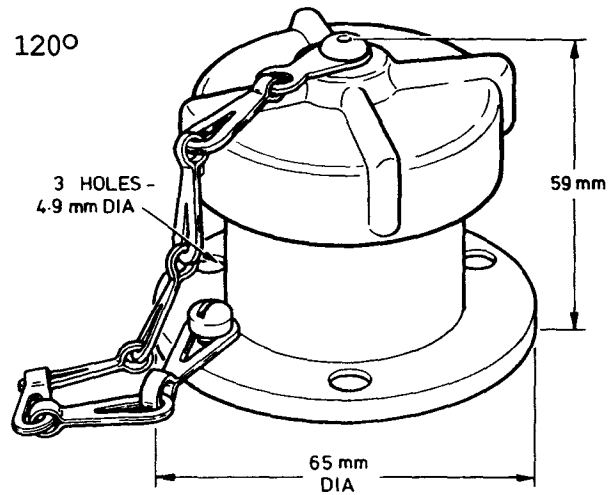
NES 538
Issue 4

SOCKET (CURRENT)

NSN 5935-99-758-2403, NS Cat No 0568/758-2403

DESCRIPTION - 5 amp, 250V ac/dc, 3 pole + earth socket.

PROJECTION - 59mm
FIXING - 3 x 4.9mm dia holes 120°
apart on 54mm PCD
WATERTIGHT - Weathertight
GLANDS -



TERMINALS -
CABLES -

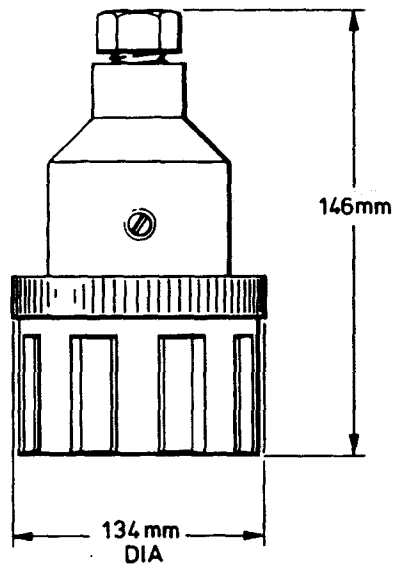
MAGNETIC CLASSIFICATION - None
MANUFACTURERS' REF - Niphan N801B, LPA 74A

PLUG (CURRENT)

NSN 5935-99-943-4048, NS Cat No 0568/943-4048

DESCRIPTION - 60 amp, 500V ac/dc, 4 pole + earth plug.

PROJECTION - 146mm
FIXING - Free connector
WATERTIGHT - Weathertight
GLANDS -



TERMINALS -
CABLES - Max dia 41.2mm

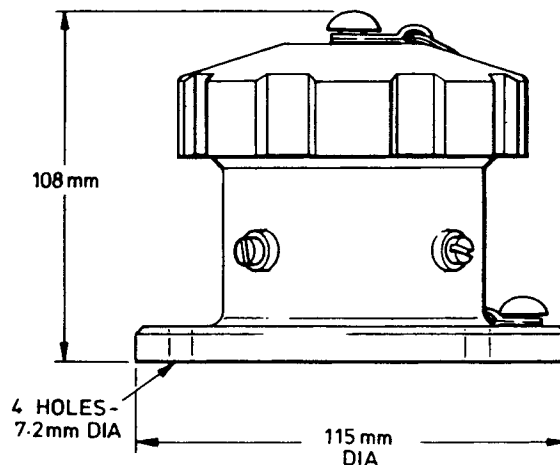
MAGNETIC CLASSIFICATION - None
MANUFACTURERS' REF - Niphan N840/05

SOCKET (CURRENT)

NSN 5935-99-199-5071, NS Cat No 0568/199-5071

DESCRIPTION - 60 amp, 500V ac/dc, 4 pole and earth socket.

PROJECTION - 108mm
FIXING - 4 x 7.2mm dia holes 90°
apart on 97mm PCD
WATERTIGHT - Weathertight
GLANDS -



TERMINALS -
CABLES -

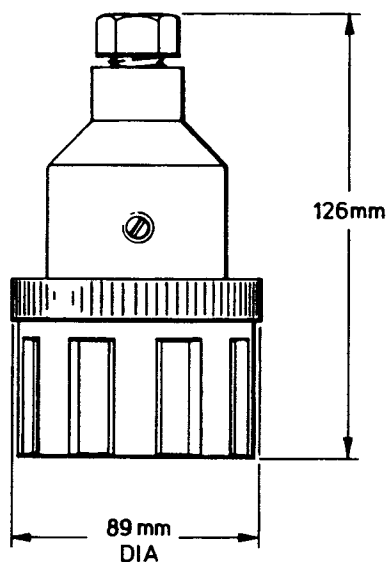
MAGNETIC CLASSIFICATION - None
MANUFACTURERS' REF - Niphan N841/05

PLUG (CURRENT)

NSN 5935-99-758-2404, NS Cat No 0568/758-2404

DESCRIPTION - 15 amp, 500V ac/dc, 5 pole and earth plug.

PROJECTION - 126mm
FIXING - Free connector
WATERTIGHT - Weathertight
GLANDS -



TERMINALS -
CABLES - Max dia 25.4mm

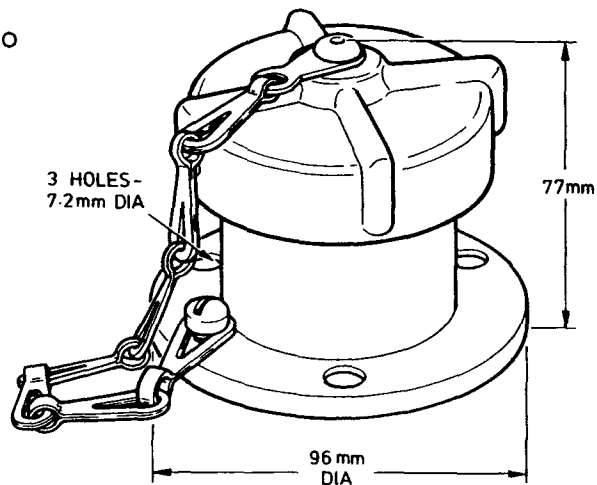
MAGNETIC CLASSIFICATION - None
MANUFACTURERS' REF - Niphan N860/06, LPA 76P

SOCKET (CURRENT)

NSN 5935-99-758-2405, NS Cat No 0568/758-2405

DESCRIPTION - 15 amp, 500V ac/dc, 5 pole and earth socket.

PROJECTION - 77mm
FIXING - 3 x 7.2mm dia holes 120°
 apart on 83mm PCD
WATERTIGHT - Weathertight
GLANDS -



TERMINALS -
CABLES -

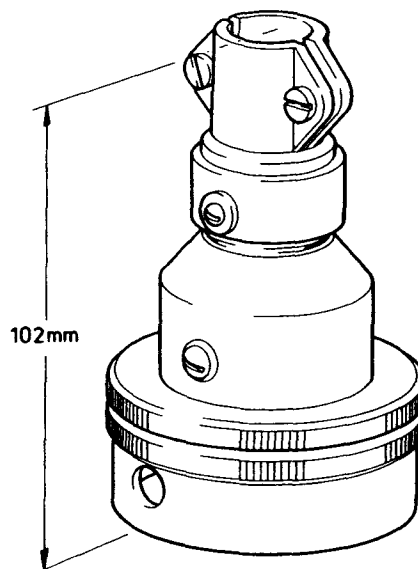
MAGNETIC CLASSIFICATION - None
MANUFACTURERS' REF - Niphan N861/06, LPA 76A

PLUG (CURRENT)

NSN 5935-99-758-2406, NS Cat No 0568/758-2406

DESCRIPTION - 25 amp, 250V ac/dc, 3 pole and earth plug

PROJECTION - 102mm
FIXING - Free connector
WATERTIGHT - Weathertight
GLANDS -



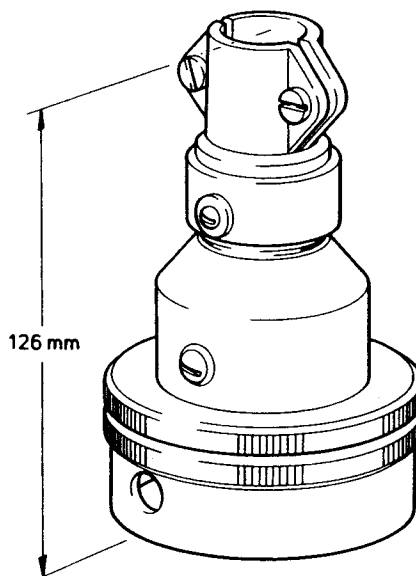
TERMINALS -
CABLES - Max dia 15.9mm

MAGNETIC CLASSIFICATION - None
MANUFACTURERS' REF - Niphan N885B, LPA 74S

PLUG (CURRENT)

NSN 5935-99-195-3235, NS Cat No 0568/195-3235
DESCRIPTION - 60 amp, 500V ac/dc, 3 pole and earth plug.

PROJECTION - 126mm
FIXING - Free connector
WATERTIGHT - Weathertight
GLANDS - Type B



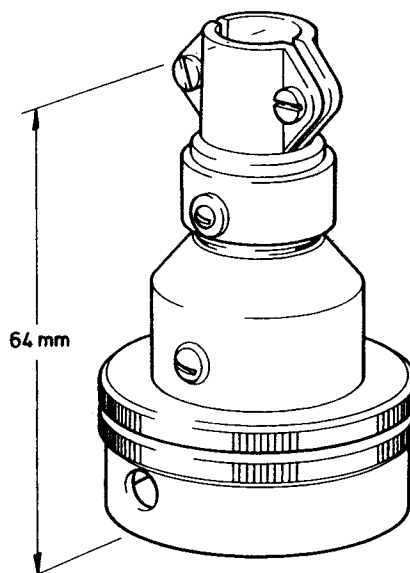
TERMINALS -
CABLES - Max dia 31.75mm

MAGNETIC CLASSIFICATION - None
MANUFACTURERS' REF - Niphan N02B, LPA 94S

PLUG (CURRENT)

NSN 5935-99-807-0590, NS Cat No 0568/807-0590
DESCRIPTION - 5 amp, 250V ac/dc, 2 pole and earth plug

PROJECTION - 64mm
FIXING - Free connector
WATERTIGHT - Weathertight
GLANDS - Type A



TERMINALS -
CABLES - Max dia 9.52mm

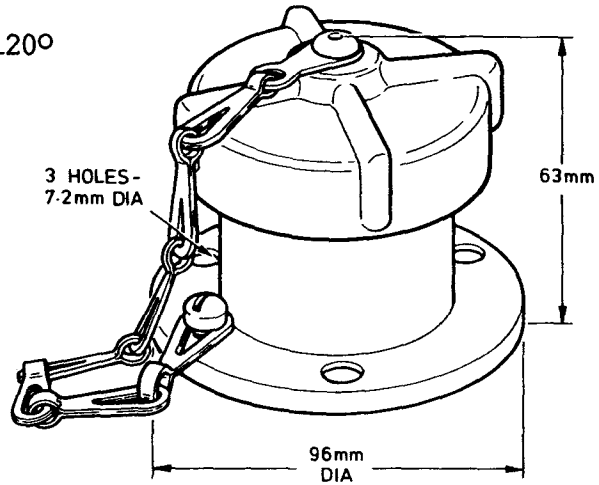
MAGNETIC CLASSIFICATION - None
MANUFACTURERS' REF - Niphan N600A, LPA 13S

SOCKET (CURRENT)

NSN 5935-99-198-7210, NS Cat No 0568/198-7210

DESCRIPTION - 60 amp, 500V ac/dc, 3 pole and earth socket.

- PROJECTION - 63mm
- FIXING - 3 x 7.2mm dia holes 120°
apart on 83mm PCD
- WATERTIGHT - Weathertight
- GLANDS -



- TERMINALS -
- CABLES -

MAGNETIC CLASSIFICATION - None

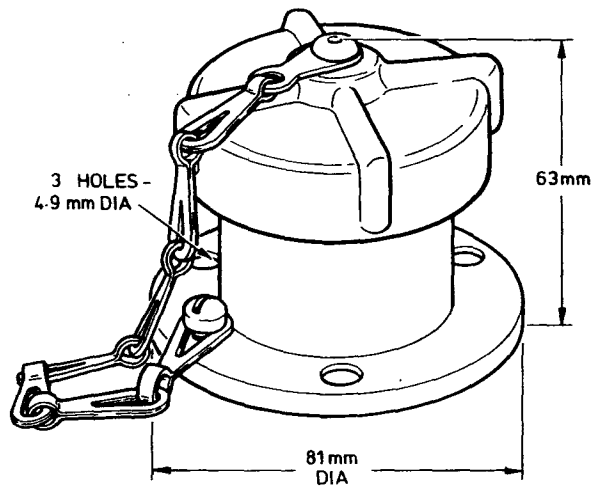
MANUFACTURERS' REF - Niphan N03B, LPA 94A

SOCKET (CURRENT)

NSN 5935-99-717-1974, NS Cat No 0568/717-1974

DESCRIPTION - 15 amp, 500V ac/dc, 4 pole and earth socket

- PROJECTION - 63mm
- FIXING - 3 x 4.9mm dia holes
on 67mm PCD
- WATERTIGHT - Weathertight
- GLANDS -



- TERMINALS -
- CABLES -

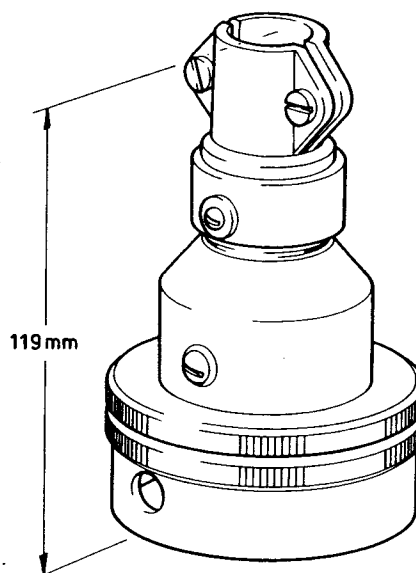
MAGNETIC CLASSIFICATION - None

MANUFACTURERS' REF - Niphan N346/05, LPA 75A

PLUG (CURRENT)

NSN 5935-99-915-2349, NS Cat No 0568/915-2349
DESCRIPTION - 15 amp, 500V ac/dc, 4 pole and earth plug.

PROJECTION - 119mm
FIXING - Free connector
WATERTIGHT - Weathertight
GLANDS - Type A



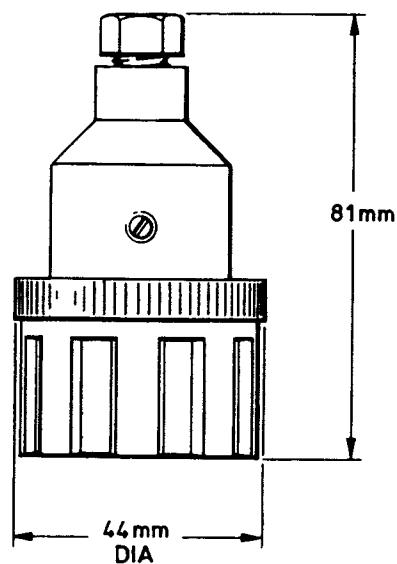
TERMINALS -
CABLES - Max dia 19.05mm

MAGNETIC CLASSIFICATION - None
MANUFACTURERS' REF - Niphan N385/05, LPA 75S

PLUG (CURRENT)

NSN 5935-99-758-2395, NS Cat No 0568/758-2395
DESCRIPTION - 5 amp, 250V ac/dc, 5 pole and earth plug.

PROJECTION - 81mm
FIXING - Free connector
WATERTIGHT - Weathertight
GLANDS -



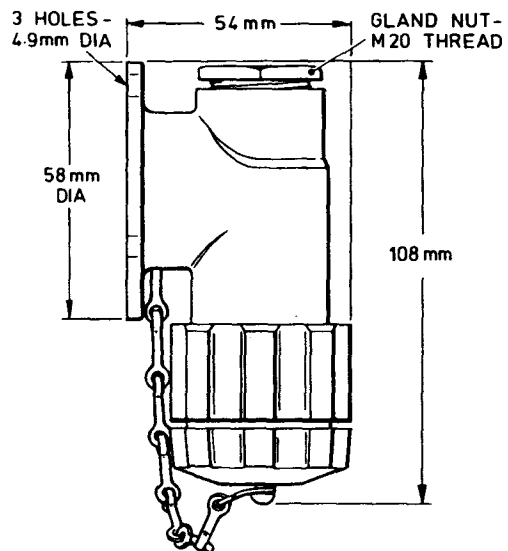
TERMINALS -
CABLES - Max dia 12.7mm

MAGNETIC CLASSIFICATION - None
MANUFACTURERS' REF - Niphan N527/06

PLUG (CURRENT)

NSN 5935-99-758-2396, NS Cat No 0568/758-2396
DESCRIPTION - 15 amp, 250V ac/dc, 2 pole and earth plug.

PROJECTION - 54mm
FIXING - 3 x 4.9mm dia holes 120°
 - apart on 48mm PCD
WATERTIGHT - Weathertight
GLANDS - M20



TERMINALS -
CABLES - Max dia 12.7mm

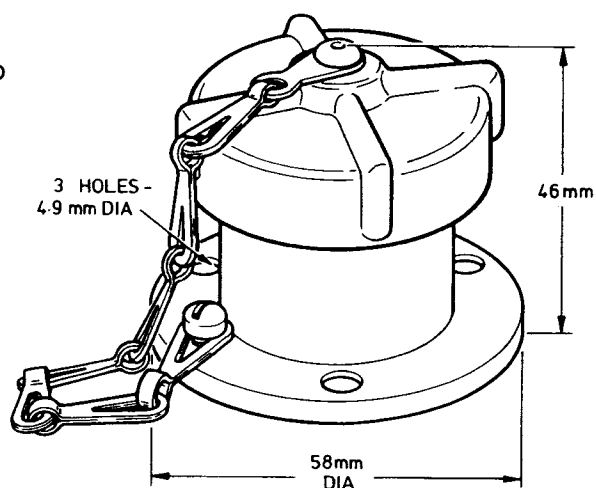
MAGNETIC CLASSIFICATION - None
MANUFACTURERS' REF - Niphan N537/A

SOCKET (CURRENT)

NSN 5935-99-948-2277, NS Cat No 0568/948-2277

DESCRIPTION - 15 amp, 250V ac/dc, 2 pole and earth socket.

- PROJECTION - 46mm
- FIXING - 3 x 4.9mm dia holes 120°
apart on 48mm PCD
- WATERTIGHT - Weathertight
- GLANDS -



- TERMINALS -
- CABLES -

MAGNETIC CLASSIFICATION - None

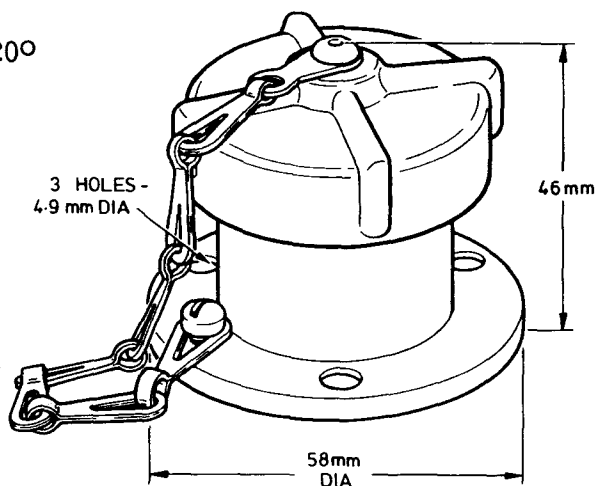
MANUFACTURERS' REF - Niphan N549A, LPA 23A

SOCKET (CURRENT)

NSN 5935-99-661-3291, NS Cat No 0568/661-3291

DESCRIPTION - 5 amp, 250V ac/dc, 4 pole and earth socket

PROJECTION - 46mm
FIXING - 3 x 4.9mm dia holes 120°
 - apart on 48mm PCD
WATERTIGHT - Weathertight
GLANDS -



TERMINALS -
CABLES -

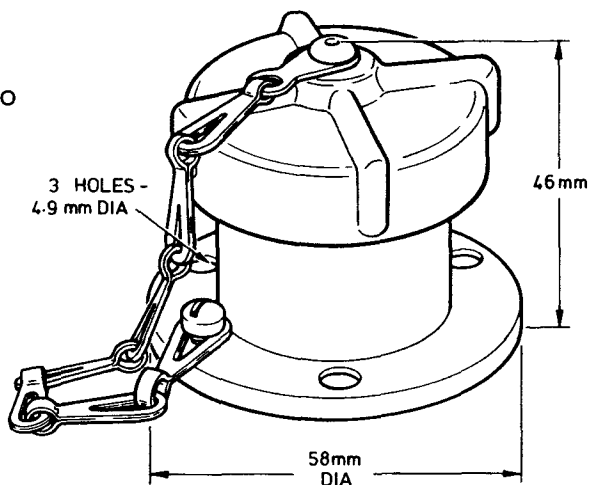
MAGNETIC CLASSIFICATION - None
MANUFACTURERS' REF - Niphan N549/5, LPA X5A

SOCKET (CURRENT)

NSN 5935-99-758-2397, NS Cat No 0568/758-2397

DESCRIPTION - 5 amp, 250V ac/dc, 5 pole and earth socket.

PROJECTION - 46mm
FIXING - 3 x 4.9mm dia holes 120°
 - apart on 48mm PCD
WATERTIGHT - Weathertight
GLANDS -



TERMINALS -
CABLES -

MAGNETIC CLASSIFICATION - None
MANUFACTURERS' REF - Niphan N549/6, LPA X6A

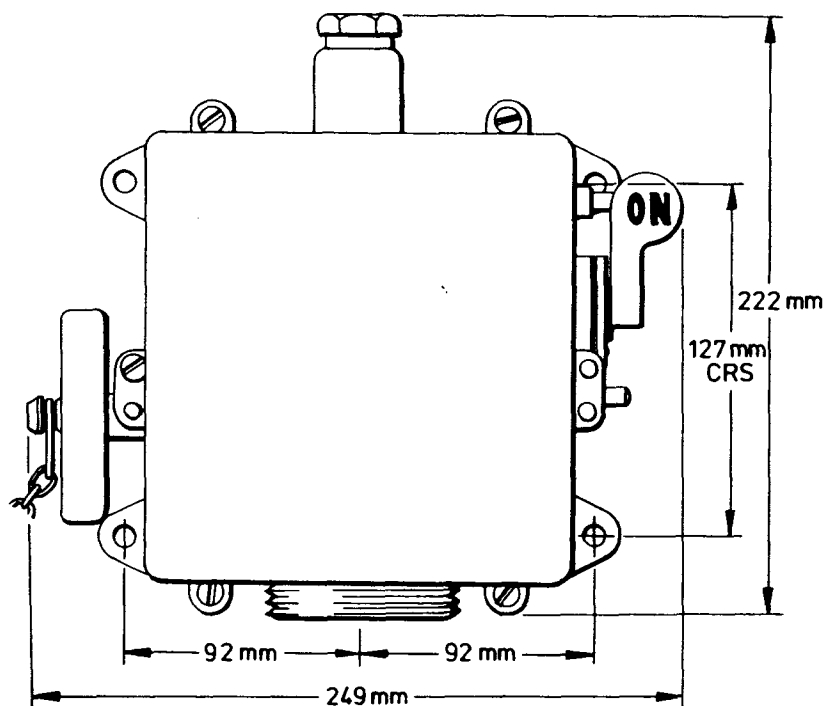
5b PLUGS AND SOCKETS, MOD DESIGN, (INC AMENITY)

SELECTION GUIDE AND CONTENTS

Type	No of Pole	Maximum				Enclosure	Cable Facility	Special Features	Remarks	NSN	Page	Appropriation
		Voltage		Current A								
		dc	ac	dc	ac							
SW. Skt	3+E	-	440	-	15	WT 0.4bar	1xmulti 17D	Interlocked) 3 phase	5999-99-456-1436	195	OBSOLESCE
Plug.Free	3+E	-	440	-	15	WT 0.4bar	1x4c 15D)	5935-99-419-7500	196	OBSOLESCE
Plug) associated			
Fixed	3+E	-	440	-	15	WT 0.4bar	1x4c 17D	Bulkhead mounting)	5935-99-419-7501	197	OBSOLESCE
Skt. Free	3+E	-	440	-	15	WT 0.4bar	1x4c 15D) fittings.	5935-99-419-7502	197	OBSOLESCE
Skt.)			
Fixed	3+E	-	440	-	15	WT 0.4bar	1x4c 15D	Bulkhead mounting)	5935-99-419-7499	196	OBSOLESCE
Adaptor	2	220	-	1	-	Weatherproof	-) For use on masts	5935-99-427-7296	207	OBSOLESCE
Plug	2	220	-	1	-	Weatherproof	1x2c 14D) and yards for	5935-99-427-7292	207	OBSOLESCE
Skt	2	220	-	1	-	Weatherproof	1x2c 14D) navigation lights	5935-99-427-7295	208	OBSOLESCE
Skt	3	220	-	1	-	Weatherproof	1x2c 16D)For use on 3-wire	5935-99-427-7301	209	OBSOLESCE
Plug	3	220	-	1	-	Weatherproof	1x2c 14D)navigation light	5935-99-427-7302	210	OBSOLESCE
)circuits			
SW.Skt	2+E		115		5	WT 0.4bar	2x2c 16D			5999-99-520-3350	200	OBSOLESCE
SW.Skt	2+E		115		5	WT 0.4bar	2x2c 16D		MCMV only	5999-99-533-5710	200	OBSOLESCE
SW.Skt	2+E		115		5	WT 0.4bar	2x2c 16D	Rear cable entry		5999-99-533-4678	199	CURRENT
SW.Skt	2+E		115		15	WT 0.4bar	2x2c 16D	Rear cable entry		5999-99-533-4679	199	CURRENT
SW.Skt	2+E		115		5	WT 0.4bar	2x2c 16D	Bottom cable entry		5999-99-533-4676	198	CURRENT
SW.Skt	2+E		115		15	WT 0.4Bar	2x2c 16D	Bottom cable entry		5999-99-533-4677	198	CURRENT
SW.Skt	2+E		115		15	NWT		Side cable entry		5999-99-520-3353	205	OBSOLESCE
SW.Skt	2+E		115		5	NWT		Side cable entry		5999-99-520-3352	205	OBSOLESCE
SW.Skt	2+E		115	15	15	WT 0.4bar	2x3c 16D			5999-99-520-3351	200	OBSOLESCE
SW.Skt	2+E		115	15	15	WT 0.4bar	2x3c 16D		MCMV only	5999-99-533-5711	200	OBSOLESCE
SW.Skt	3		440	-	32			Earth and Interlocking facilities		5930-99-783-0384	201/202	CURRENT
SW.Skt	3		440	-	32			Earth + pilot and Interlocking facilities		5930-99-783-0385	203/204	CURRENT

(continued)

Type	No of Poles	Maximum				Enclosure	Cable Facility	Special Features	Remarks	NSN	Page	Appropriation
		Voltage		Current A								
		dc	ac	dc	ac							
Plug	2+E		115		15	WT 0.4bar	1x3c 12.7D			5935-99-520-3349	206	CURRENT
Plug	2+E		115		5	WT 0.4bar	1x3c 12.7D			5935-99-520-3348	206	CURRENT
SW. Skt	2+E	220	230	5	5	WT 0.4bar	4x1c 7D			AP 18077 series	211 & 212	OBSOLESCE
SW. Skt	2+E	220	230	15	15	WT 0.4bar	2x2c 10D			AP 200201 series	213 & 214	OBSOLESCE
Plug	2+E	220	230	5	5	WT 0.4bar	1x3c 9D			AP 18078 series	211 & 212	OBSOLESCE
Plug	2+E	220	230	15	15	WT 0.4bar	1x3c 12D			AP 200202 series	213 & 214	OBSOLESCE
		Voltage		Power								
Amenity	2	115/230		100 VA		Drip-Proof		For Electric Shavers only	5935-99-427-7422	215	OBSOLESCE	
Amenity		115/230		100/300VA		Drip-Proof	Non-Magnetic	Combined Shaver/Amenity	5999-99-533-0706	216	OBSOLESCE	
Amenity	2	115/230		300 VA		Drip-Proof		For TV Receivers	5935-99-529-3667	217	OBSOLESCE	
Amenity		115/230		100/300VA		Drip-Proof		Combined Shaver/Amenity	5935-99-537-2758	218	OBSOLESCE	



INTERLOCKED SWITCH SOCKET (OBSOLESCE)

NSN 5999-99-456-1436, NS Cat No 0559/456-1436, Formerly - AP 18035
DESCRIPTION - 15 amp, 3 phase, 3 pin and earth, 440V ac, interlocked
switch socket.

Note Matching plug is NS Cat No 0568/419-7500 shown on Page 196.

- GA DRAWING - DEE 62545
- PROJECTION - 123.6mm
- FIXING - 4 x M8
- WEIGHT - 5.4kg
- WATERTIGHT - 0.4bar
- GLANDS - Size 1 to Drg DEE 18002
- TERMINALS - 4 BA Saddle Clamps
- CABLES - 1 x multicore max dia 17mm
- REPLACEMENT SPARES - Cap with chain NSN 5935-99-531-5094
NS Cat No 0568/531-5094

MAGNETIC CLASSIFICATION - Category C

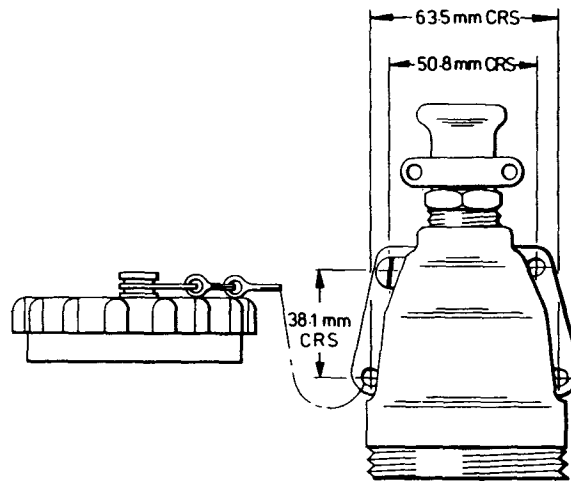
FIXED SOCKET (OBSOLESCE)

NSN 5935-99-419-7499, NS Cat No 0568/419-7499, Formerly - AP 18014

DESCRIPTION - 15 amp, 3 phase (3 pin and earth) 440V ac, fixed socket complete with cap.

Matching plug is NS Cat No 0568/419-7500

GA DRAWING - DEE D 19582
PROJECTION - 88.9mm
FIXING - 4 x M6
WEIGHT - 1.13kg
WATERTIGHT - 0.4bar
GLANDS - Special



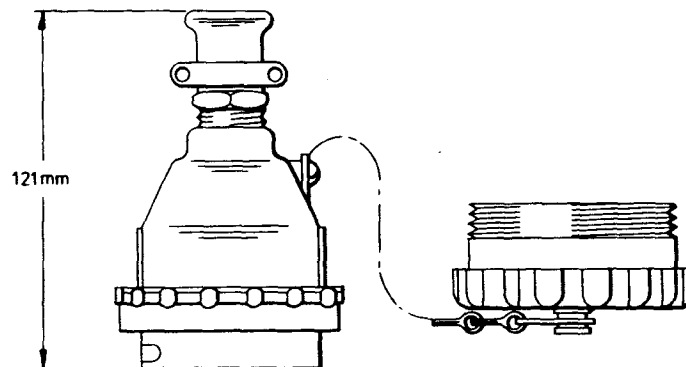
TERMINALS - Max conductor dia 4.8mm
CABLES - Max dia 15mm
REPLACEMENT SPARES - Cap with chain NSN 5935-99-531-5094,
NS Cat No 0568/531-5094
MAGNETIC CLASSIFICATION - Category A

FREE PLUG (OBSOLESCE)

NSN 5935-99-419-7500, NS Cat No 0568/419-7500, Formerly - AP 18015

DESCRIPTION - 15 amp, 3 phase (3 pin and earth) 440V ac, free plug and cap.

GA DRAWING - DEE D 19582
PROJECTION - 82.55mm
FIXING -
WEIGHT - 1.13kg
WATERTIGHT - 0.4bar
GLANDS - Special

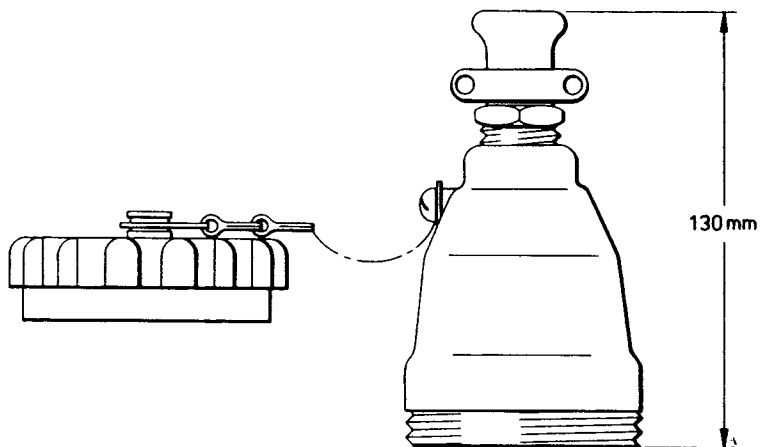


TERMINALS - Max conductor dia 4.8mm
CABLES - Max dia 15mm
REPLACEMENT SPARES - Cap with chain NSN 5935-99-531-5095
NS Cat No 0568/531-5095
MAGNETIC CLASSIFICATION - Category A

FREE SOCKET (OBSOLESCE)

NSN 5935-99-419-7502, NS Cat No 0568/419-7502, Formerly - AP 18017
DESCRIPTION - 15 amp, 3 phase (3 pin and earth), 440V ac, free socket and cap. For use with Fixed plug NS Cat No 0568/419-7501 and Free plug NS Cat No 0568/419-7500.

GA DRAWING - DEE D 19582
PROJECTION - 38mm dia
FIXING -
WEIGHT - 1.13kg
WATERTIGHT - 0.4bar
GLANDS - Special



TERMINALS - Max conductor dia 4.8mm
CABLES - Max dia 15mm

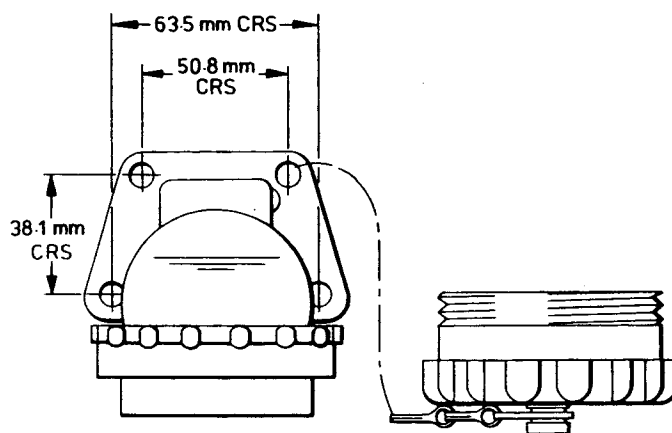
REPLACEMENT SPARES - Cap with chain NSN 5935-99-531-5094,
NS Cat No 0568/531-5094

MAGNETIC CLASSIFICATION - None

FIXED PLUG (OBSOLESCE)

NSN 5935-99-419-7501, NS Cat No 0568/419-7501, Formerly - AP 18016
DESCRIPTION - 15 amp, 3 phase (3 pin and earth), 440V ac, fixed plug and cap. For use with Free socket NS Cat No 0568/419-7502

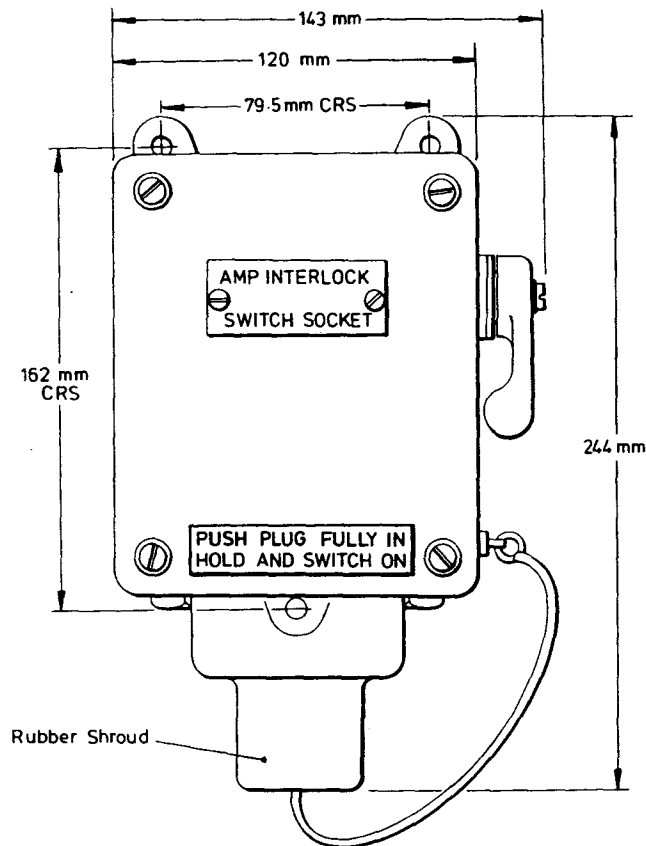
GA DRAWING - DEE D 19582
PROJECTION - 82.5mm
FIXING -
WEIGHT - 1.13kg
WATERTIGHT - 0.4bar
GLANDS - None bulkhead entry



TERMINALS - Max conductor dia 4.8mm
CABLES - Max dia 17mm

REPLACEMENT SPARES - Cap with chain NSN 5935-99-531-5095
NS Cat No 0568/531-5095

MAGNETIC CLASSIFICATION - None



INTERLOCKED SWITCH SOCKET (CURRENT)

5 AMP - NSN 5999-99-533-4676, NS Cat No 0559/533-4676

15 AMP - NSN 5999-99-533-4677, NS Cat No 0559/533-4677

DESCRIPTION - 5/15 amp, 115V ac, 3 pin (1 earthed) switch socket with looping facilities and bottom cable entries. The switch is interlocked with the plug to prevent the plug being inserted or withdrawn when the switch is in the "ON" position or the switch being "ON" when the plug is not inserted.

GA DRAWINGS - 5 Amp Service Drg No 007 512 816/09
15 Amp Service Drg No 007 512 816/10

PROJECTION - 117mm

FIXING - 3 x M8

WEIGHT - 2.6kg

WATERTIGHT - 0.4bar

GLANDS - 2 x No 3 to specification DG Ships EED/V1/1535

TERMINALS - M6 saddle clamps

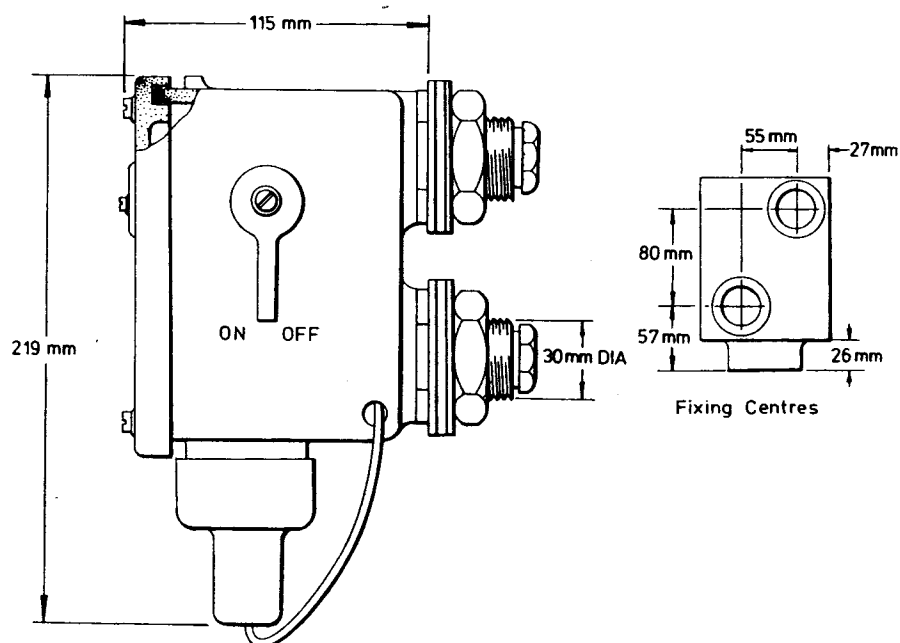
CABLES - Max dia 16mm

REPLACEMENT SPARES - Switch DP 20A, 250V, NSN 5930-99-940-3333,
NS Cat No 0567/940-3333

Shroud NSN 5935-99-533-4680, NS Cat No 0568/533-4680

MAGNETIC CLASSIFICATION - Category C

Note For details of plug - see Page 206



INTERLOCKED SWITCH SOCKET (CURRENT)

5 AMP - NSN 5999-99-533-4678, NS Cat No 0559/533-4678

15 AMP - NSN 5999-99-533-4679, NS Cat No 0559/533-4679

DESCRIPTION - 5/15 amp, 115V ac, 3 pin (1 earthed) switched socket with looping facilities and rear cable entries. The switch is interlocked with the plug to prevent the plug being inserted or withdrawn when the switch is in the "ON" position or the switch being "ON" when the plug is not inserted.

GA DRAWINGS - 5 amp Service Drg No 007 512 816/11

- 15 amp Service Drg No 007 512 816/12

WIDTH - 142mm overall

FIXING - 2 x 30mm dia gland adaptors

WEIGHT - 3.3kg

WATERTIGHT - 0.4bar

GLANDS - 2 x no 3 to specification DG Ships EED/V1/1535

TERMINALS - M6 saddle clamps

CABLES - Max dia 16mm

REPLACEMENT SPARES - Switch DP 20A, 250V, NSN 5930-99-940-3333

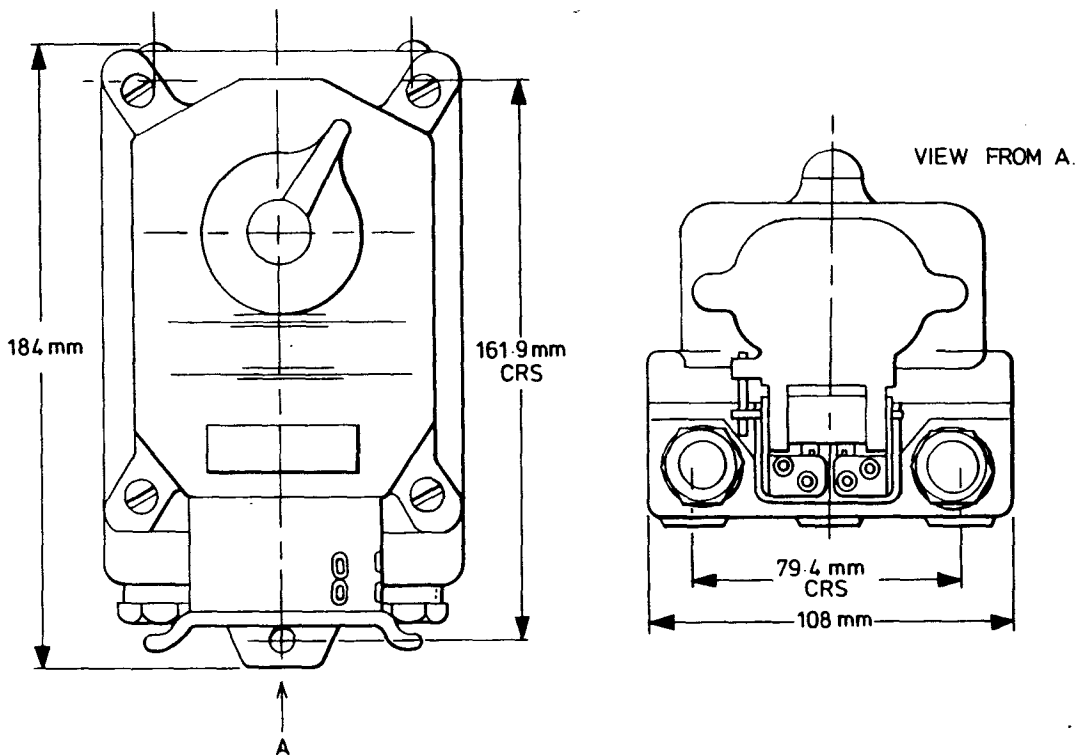
NS Cat No 0567/940-3333

Shroud NSN 5935-99-533-4680, NS Cat No 0568/533-4680

MAGNETIC CLASSIFICATION - Category C

Notes 1. For details of plug - see Page 206

2. A separate earth wire is to be connected internally ie taken through a gland for connection to a stud immediately inside superstructure.



INTERLOCKED SWITCH SOCKET (OBSOLESCE)

- 5 amp for General Fitting NSN 5999-99-520-3350, NS Cat No 0568/520-3350
- 15 amp for General Fitting NSN 5999-99-520-3351, NS Cat No 0568/520-3351
- 5 amp for MCMV Only NSN 5999-99-533-5710, NS Cat No 0579/533-5710
- 15 amp for MCMV Only NSN 5999-99-533-5711, NS Cat No 0579/533-5711

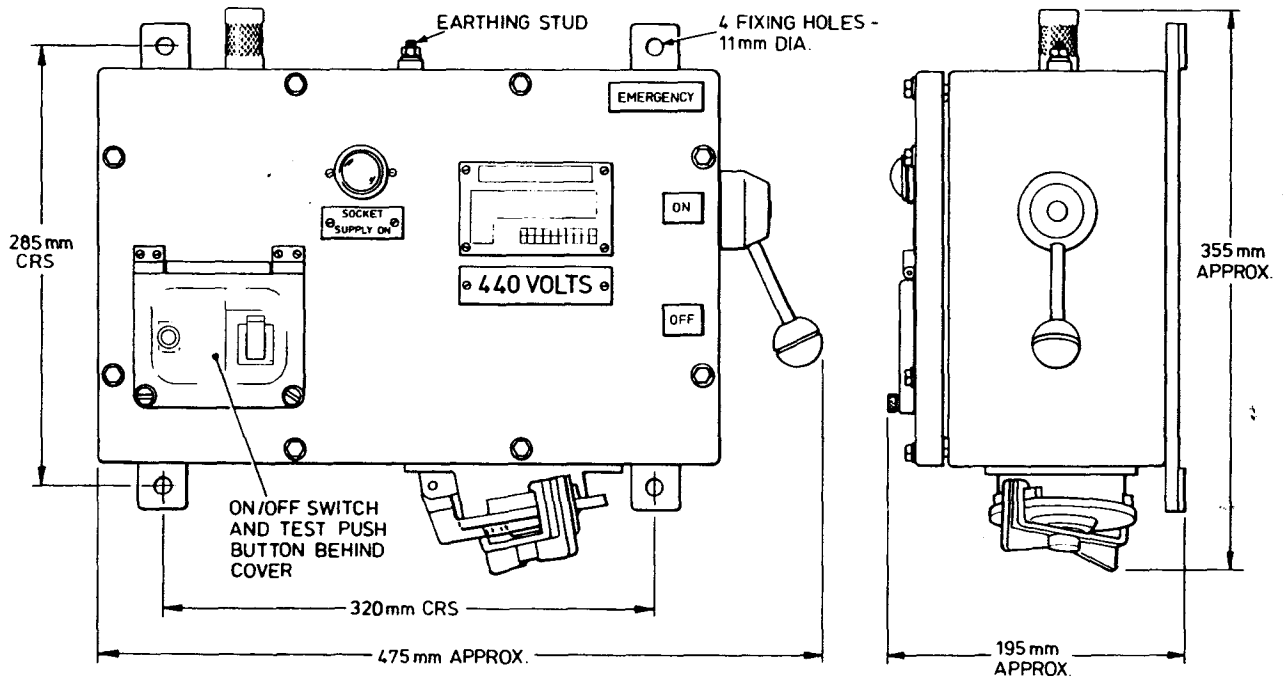
DESCRIPTION - 5/15 amp 115V ac, 3 pin (1 earthed) interlocked switch sockets, with looping facilities and bottom cable entries. The switch is interlocked with the plug to prevent the plug being inserted or withdrawn when the switch is in the "ON" position or the switch being "ON" when the plug is not inserted.

- GA DRAWINGS - Service Drg No 007 505 283 for NS Cat No 0568/520-3350
 Service Drg No 007 505 284 for NS Cat No 0568/520-3351
 Service Drg No 007 017 019 for NS Cat No 0579/533-5710
 Service Drg No 007 017 020 for NS Cat No 0579/533-5711

- WIDTH - 102mm approx
- PROJECTION - 113mm
- FIXING - 3 x M6
- WEIGHT - 1.9kg
- WATERTIGHT - 0.4bar
- GLANDS - 2 x No 3 to specification DG Ships EED/V1/1535
- TERMINALS - M6 saddle clamps
- CABLES - Max dia 16mm
- MAGNETIC CLASSIFICATION - Category C

Notes 1. For details of plug - see Page 206

2. These sockets may be used on supplies other than 115V ac up to a maximum of 230V ac/dc, if conspicuously tallied.



INTERLOCKED SWITCH SOCKET WITH ELCB (CURRENT)
(For Damage Control Portable Apparatus)

AVAILABILITY - Consult DGSM ME312 before specifying this item

NSN 5930-99-783-0384, NS Cat No 0567/783-0384

DESCRIPTION - 32 amp, 3phase, 3 pin and earth, 440V ac interlocked switch socket with ELCB.

Associated Plug is NIPHAN WAN 4324/6

NSN 5935-99-300-3885 NS Cat No 0568/300-3885

GA DRAWING - SDN 007 527 292

PROJECTION - 195mm approx.

FIXING - 4 x M10

WEIGHT - 13.5 kg

WATERTIGHT - 0.1 Bar

GLANDS - M20

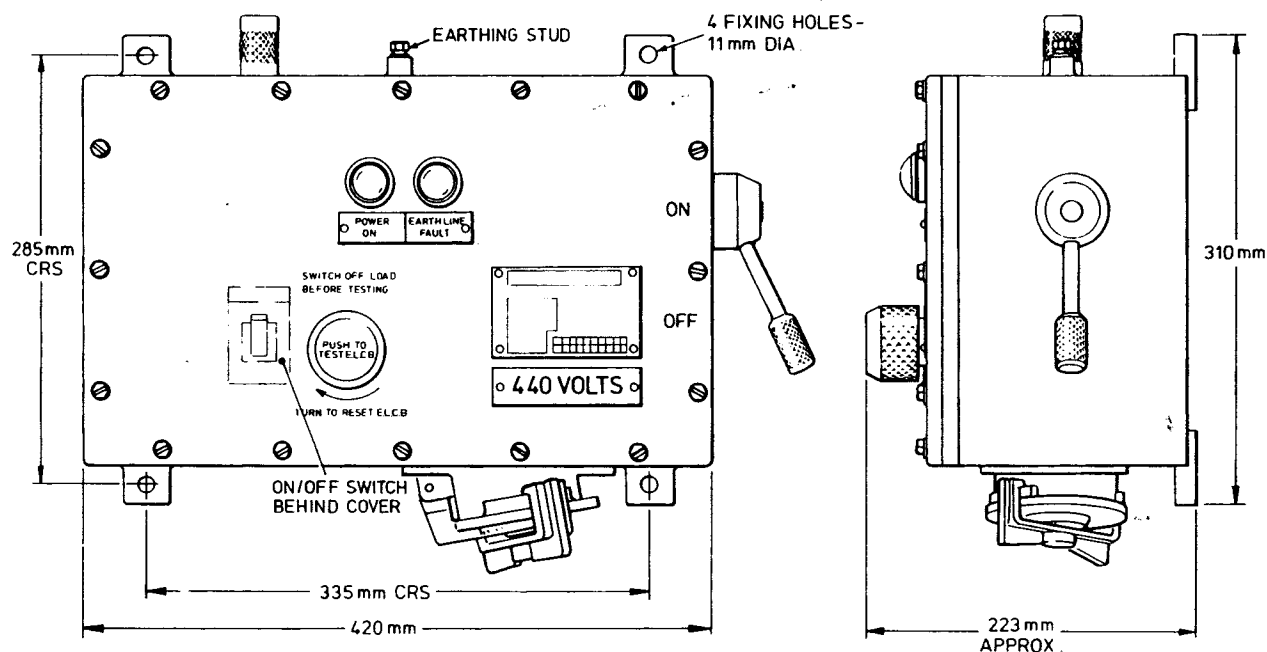
TERMINALS -

CABLES - The flexible cable fitted to the BS 4343 plug used with this socket is to conform to the requirements of DEF-STAN 61-12 Part 1.

MAGNETIC CLASSIFICATION -

REPLACEMENT SPARES FOR NSN 5930-99-783-0384

Terminal Board (SAK 10)	NSN 5940-99-622-3355 NS CAT NO 0559/622-3355
Terminal Board (SAK 4)	NSN 5940-99-195-6101 NS CAT NO 0559/195-6101
Terminal Board (SAK 53)	NSN 5940-99-618-0828 NS CAT NO 0559/618-0828
Socket (WAN 4326/6)	NSN 5920-99-793-7360 NS CAT NO K360/793-7360
ELCB (RCD)	NSN 5925-99-549-1608 NS CAT NO 0564/549-1608
Switch Rotary	NSN 5930-99-756-7504 NS CAT NO K756/756-7504
Modification Kit for RCD (Mark II)	NSN 5925-99-872-8817 NS CAT NO 0564/872-8817
Cap Fuse	NSN EC-027-3890 NS CAT NO L990/EC-027-3890
Lamp Fitting (Transformer Type)	NSN 6210-99-412-8340 NS CAT NO 0581/412-8340



INTERLOCKED SWITCH SOCKET WITH ELCB AND EARTH LINE MONITOR (CURRENT)

AVAILABILITY - Consult DGSM ME312 before specifying this item

NSN 5930-99-783-0385, NS Cat No 0567/783-0385

DESCRIPTION - 32 amp, 3 phase, 3 pin + Earth + pilot, 440V ac interlocked switch socket with ELCB and earth line monitor.

Associated plug is NIPHAN WAN 5324/6

NSN 5935-99-194-6078 NS Cat No 0568/194-6078.

GA DRAWING - SDN 007 527 293

PROJECTION - 223mm approx.

FIXING - 4 x M10

WEIGHT -

WATERTIGHT - 0.4 Bar

GLANDS - M20

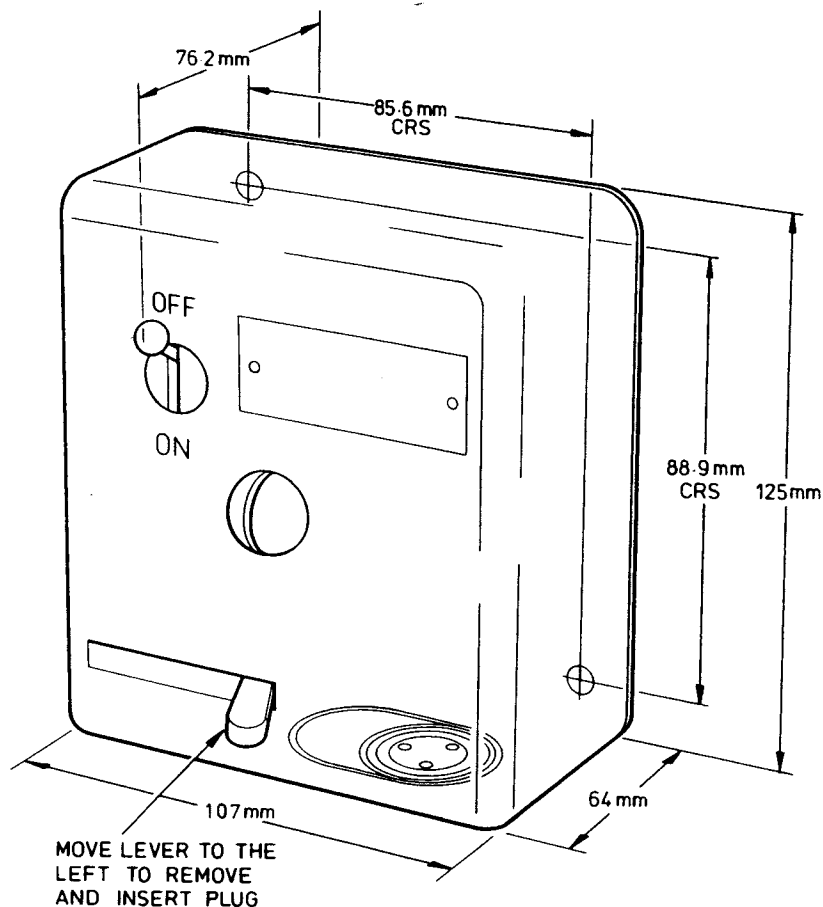
TERMINALS -

CABLES - The flexible cable fitted to the BS 4343 plug used with this socket is to conform to the requirements of DEF-STAN 61-12 Part 1.

MAGNETIC CLASSIFICATION -

REPLACEMENT SPARES FOR NSN 5930-99-783-0385

Terminal Board (SAK 10)	NSN 5940-99-622-3355 NS CAT NO 0559/622-3355
Terminal Board (SAK 4)	NSN 5940-99-195-6101 NS CAT NO 0559/622-3355
Terminal Board (SAK 53)	NSN 5940-99-618-0828 NS CAT NO 0559/618-0828
Socket (WAN 5326/6)	NSN 5935-99-395-9111 NS CAT NO K /395-9111
PEC (MK 996)	NSN 5998-99-111-2841 NS CAT NO K236/111-2841
Transformer	NSN 5950-99-119-2377 NS CAT NO K236/119-2377
Resistor (3R3 10W)	NSN 5905-99-794-2373 NS CAT NO K254/794-2373
Resistor (6.8K)	NSN 5905-99-983-0105 NS CAT NO L132/983-0105
Cap Fuse	NSN EC-027-3890 NS CAT NO L990/EC-027-3890
ELCB (RCD)	NSN 5925-99-549-1608 NS CAT NO 0564/549-1608
Modification Kit for RCD (Mark II)	NSN 5925-99-872-8817 NS CAT NO 0564/872-8817
Switch Rotary	NSN 5930-99-862-2721 NS CAT NO K756/862-2721
Lamp Fitting (Transformer Type)	NSN 6210-99-412-8340 NS CAT NO 0581/412-8340
Lamp Fitting (Resistor Type)	NSN 6250-99-923-9908 NS CAT NO 0585/923-9908



SWITCH SOCKET (OBSOLESCENT)

5 amp NSN 5999-99-520-3352, NS Cat No 0568/520-3352

15 amp NSN 5999-99-520-3353, NS Cat No 0568/520-3353

DESCRIPTION - 5/15 amp, 115V ac, 3 pin (1 earthed). Drip proof. The plug is retained in position by a spring-loaded lever. Side cable entry. Polyester moulded (white) cover. Aluminium alloy base.

GA DRAWING - Service Drg No 006 000 228

FIXING - 2 x M6

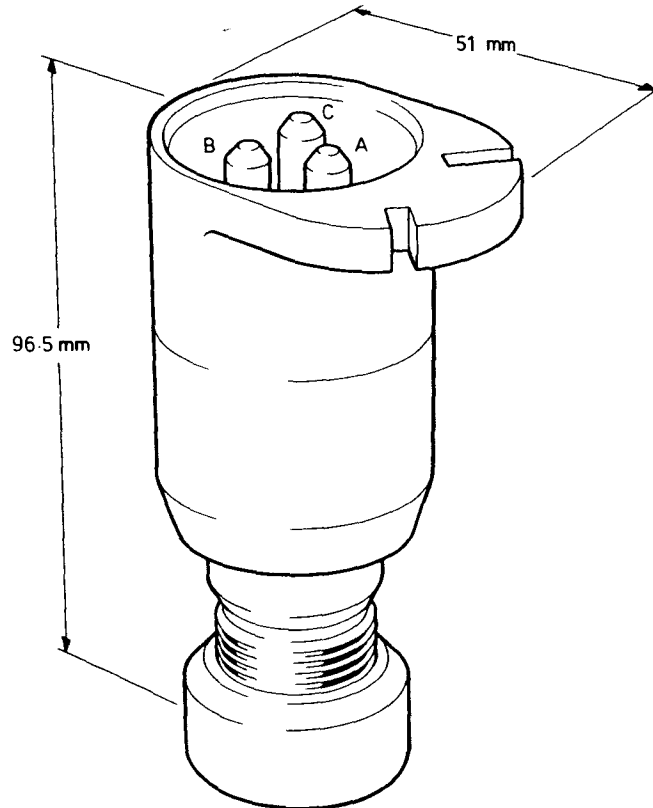
WEIGHT

TERMINALS - 4 BA Clamp

REPLACEMENT SPARES - Switch On-Off NSN 5930-99-940-3333
NS Cat No 0567/940-3333

MAGNETIC CLASSIFICATION - None

Note For associated plug see Page 206



PLUG (CURRENT)

5 amp NSN 5935-99-520-3348, NS Cat No 0568/520-3348
15 amp NSN 5935-99-520-3349, NS Cat No 0568/520-3349
DESCRIPTION - 5/15 amp, 115V ac, 3 pin (1 earthed) plug.

GA DRAWING - 5 amp 007 505 340
- 15 amp 007 505 341/03

WATERTIGHT - 0.4bar using cable within the limits quoted.
Smaller dia cables are to be made up, using heat-shrink sleeves.

GLAND - Special

TERMINALS - Crimped joints for 32/0.2mm and 24/0.2mm
Soldered joint for 16/0.2mm

CABLE - Max dia 12.7mm, Min dia 10mm

REPLACEMENT SPARES - Plug Pins

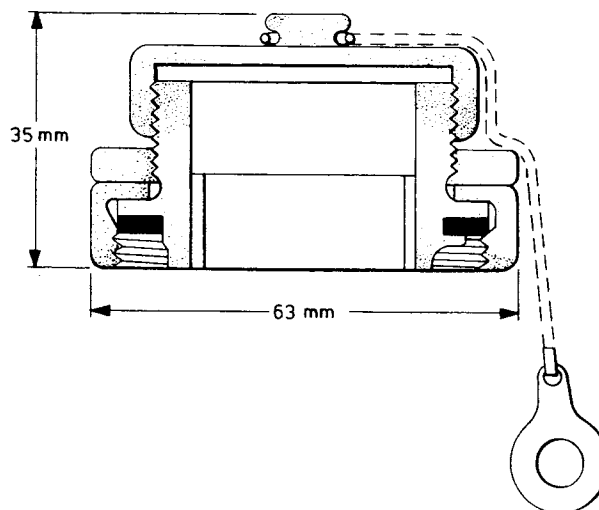
Manufacturer's Ref (Plessey) 508/2/09362/002
NSN 5935-99-947-7915

CABLE CONNECTION TOOLS - Size 12 Plug Pin Ejection Tool
Manufacturer's Ref (Plessey) 558/1/0062
NSN 5120-99-954-3011
Size 12 Plug Pin Insertion Tool
Manufacturer's Ref (Plessey) 558/1/00583
NSN 5120-99-954-3010

ADAPTOR (OBSOLESCE)

NSN 5935-99-427-7296, NS Cat No 0568/427-7296, Formerly - AP 8181
DESCRIPTION - Adaptor for use with Plug NS Cat No 0568/427-7292 and Socket
NS Cat No 0568/427-7295

GA DRAWING - Devonport SEE 1091
PROJECTION -
FIXING -
WEIGHT - 0.40kg
WATERTIGHT -
GLANDS -

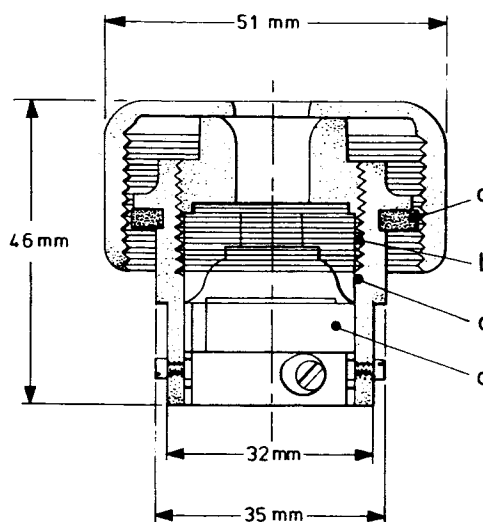


REPLACEMENT SPARES - Brass cover NS Cat No 0568/18003
Leather washer AP 18005
Brass chain AP 3271
MAGNETIC CLASSIFICATION - None

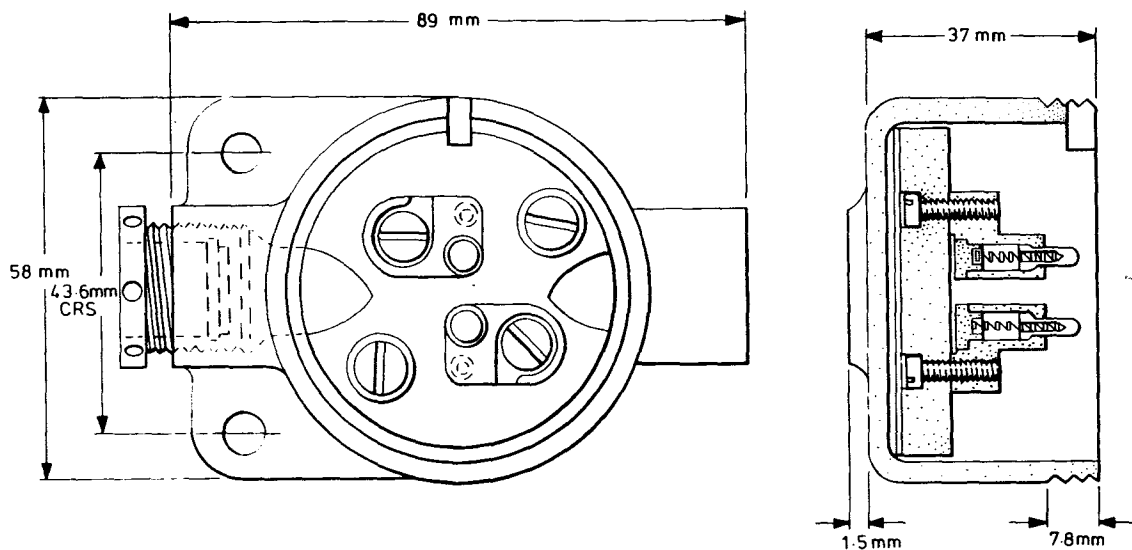
PLUG (OBSOLESCE)

NSN 5935-99-427-7292, NS Cat No 0568/427-7292, Formerly - AP 8058
DESCRIPTION - Plug 220 volt 1 amp for use with Adaptor NS Cat No 0568/427-7296
and Socket NS Cat No 0568/427-7295

GA DRAWING - Devonport SEE 1090
PROJECTION - 46mm
FIXING -
WEIGHT - 0.45kg
WATERTIGHT -
GLANDS -



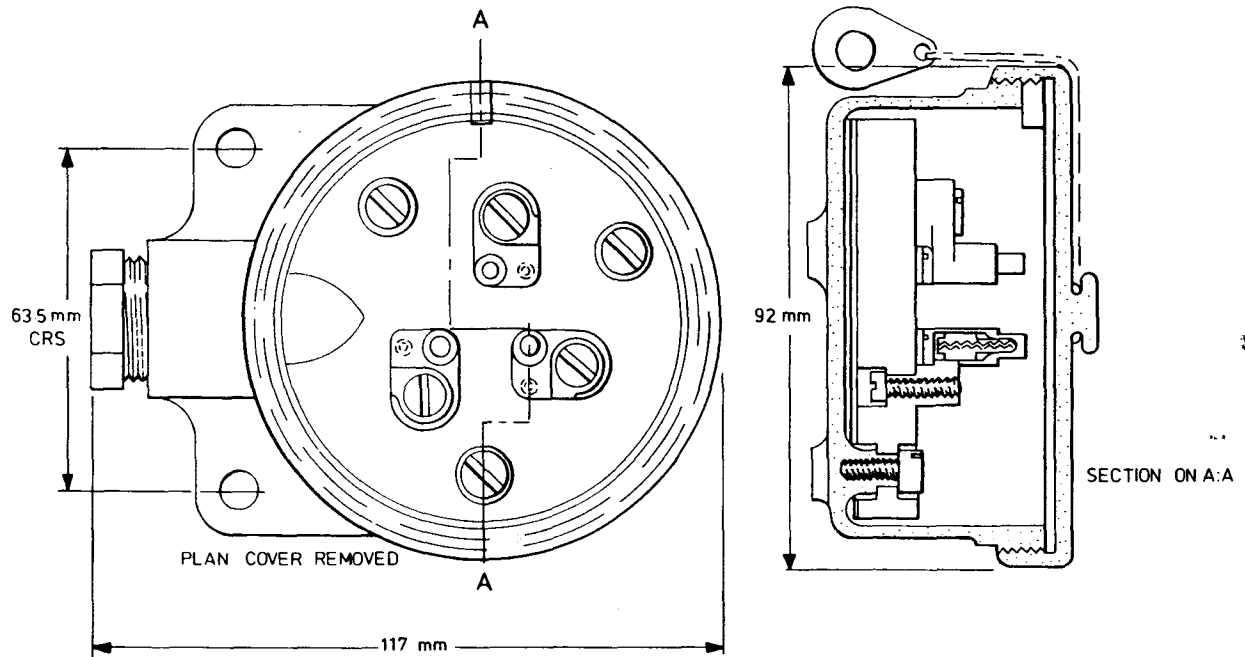
TERMINALS -
CABLES - Max dia 14mm
REPLACEMENT SPARES - a) Washer AP 8059
b) Washer AP 8022
c) Insulator Cap AP 8015
d) Insulator AP 8016
MAGNETIC CLASSIFICATION - None



SOCKET (OBSOLESCENT)

NSN 5935-99-427-7295, NS Cat No 0568/427-7295, Formerly - AP 8180
DESCRIPTION - Socket, 1 amp 220 volt for use with Adaptor NS Cat No 0568/427-7296 and Plug NS Cat No 0568/427-7292

- GA DRAWING - Devonport SEE 1091
- PROJECTION - 37mm
- FIXING - 2 x M6
- WEIGHT - 0.51kg
- WATERTIGHT - Weatherproof
- GLANDS -
- TERMINALS - 2 BA
- CABLES - Max outside dia 14mm
- REPLACEMENT SPARES - Interior NSN 5820-99-427-7323 NS Cat No 0568/427-7323
- MAGNETIC CLASSIFICATION - None
- APPLICATION - Socket NS Cat No 0568/427-7295 is intended for use with Plug NS Cat No 0568/427-7292 on masts and yards for navigation lights circuits.



SOCKET (OBSCOLESCENT)

NSN 5935-99-427-7301, NS Cat No 0568/427-7301, Formerly - AP 8680

DESCRIPTION - Socket, 1 amp 220 volt, for use with Plug NS Cat No 0568/427-7302

GA DRAWING - Devonport SEE 1222

PROJECTION - 51mm

FIXING - 2 x M6

WEIGHT - 1.13kg

WATERTIGHT - Weatherproof

GLANDS - 1 x size 3 to SEE 125

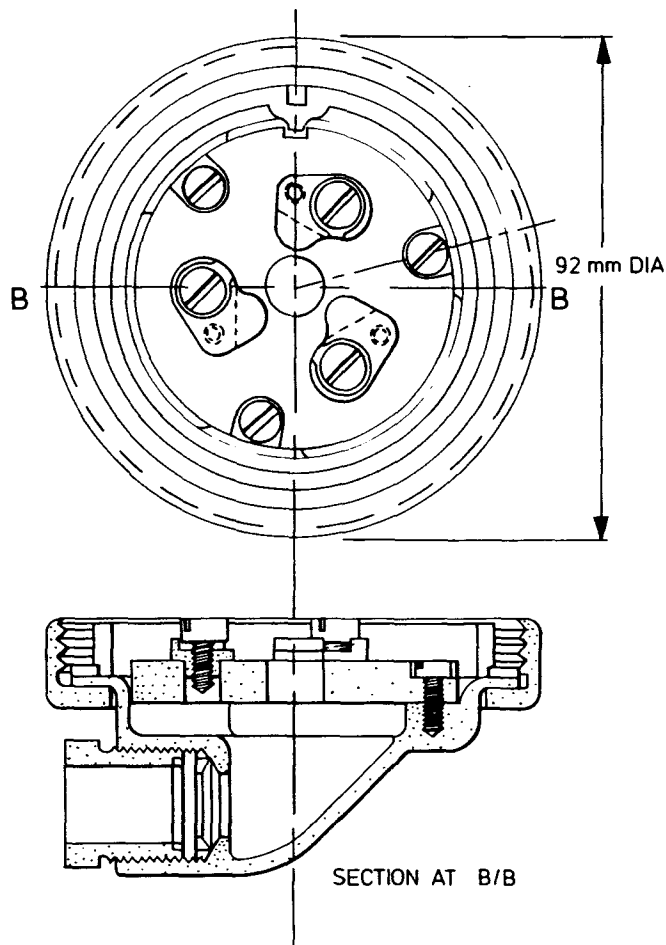
TERMINALS - 2 BA

CABLES - Max outside dia 16mm

REPLACEMENT SPARES - Spring contact AP8683, Chain AP3271

MAGNETIC CLASSIFICATION - None

APPLICATION - Socket NS Cat No 0568/427-7301 is intended for use in 3 wire navigation lights circuits.



PLUG (OBSOLESCE)

NSN 5935-99-427-7302, NS Cat No 0568/427-7302, Formerly - AP 8681
DESCRIPTION - Plug, 1 amp, 220 volt, 3 pin for use with socket
NS Cat No 0568/427-7301

GA DRAWING - Devonport SEE 1223
PROJECTION -
FIXING -
WEIGHT - 0.7kg
WATERTIGHT -
GLANDS - Special, 0.5" BSP thread
TERMINALS -
CABLES - Max outside dia 14mm
REPLACEMENT SPARES - Insulator, AP8682
MAGNETIC CLASSIFICATION - None
APPLICATION - For use with three wire navigation light circuits.

AP 18077 SERIES SWITCH SOCKETS (5amp) (OBSOLESCE)

DESCRIPTION - Switch-socket various voltages, (See Page 212) up to 230V AC/ 220V DC, 5 amp, DP. inter-locking switch. Al alloy case. Glands for 2 twin or 4 single cables, with provision for looping. WT 0.4bar, with plug or blank plug fitted, 3 contacts including 1 earth.

WEIGHT - 0.7kg
PROJECTION - 81mm
COMPONENTS:

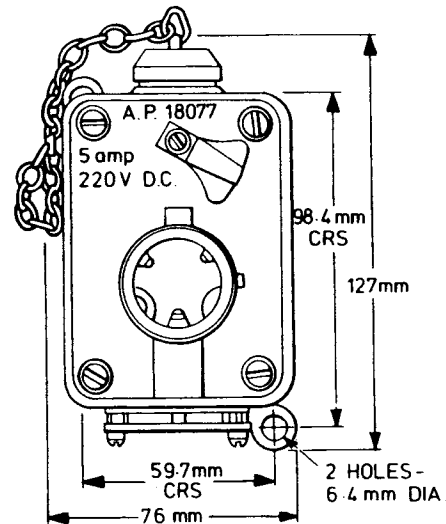
- NS Cat No 0413/10497 Toroidal sealing ring
- NS Cat No 0568/924-3669 Blank plug complete with chain, fixing rings & 'O' ring seal.
- NS Cat No 0567/435-6211 Socket moulding & contact assembly.
- NS Cat No 0559/460-5342 Gasket, rubber for cover.
- NS Cat No 0567/914-3338 Switch, toggle, QM-QB 250V, 6A, DP.
- NS Cat No 0413/923-7730 Toroidal sealing ring for shaft.

INSTALLATION NOTES -

1. Care is to be taken when fitting the cover to avoid trapping the flexible leads between the socket assembly and base, and to ensure that the earth connection from the cover to the base is secure.
2. Smear plug and blank plug O-rings with silicon grease (suitable is Cat No 0474/942-4829)

REMARKS -

1. The blank plug is to be inserted when the switch socket is not in use.
2. This series of switched sockets and plugs are all generally similar in design with common components for maintenance.
3. Non-interchangeability between the various patterns is achieved by varying the disposition of the lugs on the plugs and corresponding slots in the switched sockets.
4. The switch and socket assembly is mounted on the cover and connected to a fixed terminal block and the case with three flexible leads, one of which is for earth. This allows removal of the cover and switch socket assembly for maintenance.
5. These items have been miniaturized and space for ship's wiring cut down to the minimum. There is to be no slack wiring between the glands and terminal blocks.



For General Arrangement see drawings as follows:-

AP	Class	NSN	DEE Drawing
18077	0568	5935-99-444-4907	D 58713
18078	0568	5935-99-427-7331	B 58750
18079	0568	5935-99-444-4908	D 58764
18080	0568	5935-99-427-7332	B 58771
18081	0568	5935-99-444-4909	D 60188
18082	0568	5935-99-427-7333	B 60194
18150	0568	5935-99-444-4910	D 60204
18151	0568	5935-99-444-4911	D 60208
18152	0568	5935-99-444-4912	D 60212
18153	0568	5935-99-427-7334	B 60216
18154	0568	5935-99-444-4913	D 60196
18155	0568	5935-99-419-7505	B 60201
18156	0568	5935-99-444-4914	D 60224
18162	0568	5935-99-444-4915	D 60218
18163	0568	5935-99-427-7335	B 60222
207661	0568	5935-99-447-7265	B 61900
207694	0568	5935-99-776-8794	B 85851
207695	0568	5935-99-461-1828	D 85847
221425	0568	5935-99-444-8278	D 61896

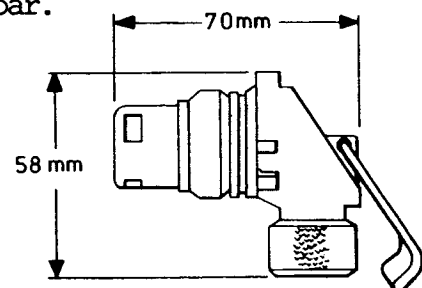
AP 18078 SERIES PLUGS (OBSOLESCE)

DESCRIPTION - Plug, voltages various (See Page 212) up to 230V AC/220V DC 5 amp, 3 contacts including 1 earth. Gland for 1-3 core cable up to 10mm WT to 0.4bar.

WEIGHT - 106g
COMPONENTS:

- NS Cat No 0413/10497 'O' ring external, also for blank plug.
- NS Cat No 0413/923-9255 'O' ring internal.
- NS Cat No 0568/428-3159 Plug moulding assy.
- NS Cat No 0568/429-8943 Packing bush for gland.
- NS Cat No 0568/923-5036 Handle.

INSTALLATION NOTES - As above.



A.P. 18077 SERIES SWITCH SOCKETS ALLOCATIONS & SERVICES						OBSOLESCENT		
A.P. No. OF SWITCH SOCKET	18077	18156	18079		18154		18081	18150
A.P. No. OF PLUG	18078		18080		18155		18082	
LUG DISPOSITION								
ALLOCATION	220V DC General Service	220V DC Gun Mtgs	24V DC General Service		200V AC 400 Cycles		220V DC Submarine Battery Comps & Magaz ^{rs}	
GLANDS	4 x Single Core	2 x Two Core	2 x Two Core		4 x Single Core		4 x Single Core	2 x Two Core
A.P. No. OF SWITCH SOCKET	221425		18162		207695			
A.P. No. OF PLUG	207661		18163		207694			
LUG DISPOSITION								
ALLOCATION	50V DC		115V AC 400 cycles		115V AC			
GLANDS	2 x Two Core 0.235 in OD.		2 x Two Core		2 x Two Core			
A.P. No. OF SWITCH SOCKET			18151	18152				
A.P. No. OF PLUG			18153					
LUG DISPOSITION								
ALLOCATION			115V AC 60 Cycle Class "B" Circuits					
GLANDS			4 x Single Core	2 x Two Core				

LUG DISPOSITIONS ARE AS VIEWED ON THE FACE OF THE SWITCH SOCKET

EXTRACTED FROM D.E.E. B 60197

AP 200201 SERIES SWITCH SOCKETS (10-15amps) (OBSOLESCENT)

DESCRIPTION - Switch-Socket various voltages,
(See Page 214) 15 amps but 10 amps
only on 220V DC/230V AC DP switch
interlocks with plug. Al alloy case, 2
in No SEE 125 No 2 glands, WT 0.4bar
with plug or blank plug fitted, 3
contacts on plug includes one earth.

WEIGHT - 0.9kg

PROJECTION - 86mm

COMPONENTS:

NS Cat No 0567/522-7252 DP Switch 10/15 Amps.

NS Cat No 0568/427/7392 Socket moulding assy.

NS Cat No 0413/923-7730 'O' ring seal for
shaft (OS1)

NS Cat No 0413/923-9260 Gasket for cover.

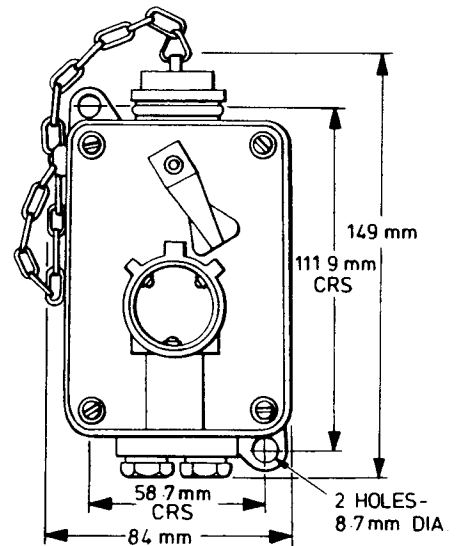
NS Cat No 0568/924-3670 Blank plug complete
with chain, fixing rings & 'O' ring seal.

INSTALLATION NOTES -

- Care is to be taken when fitting the cover to avoid trapping the flexible leads between the socket assembly and base, and to ensure that the earth connection from the cover to the base is secure.
- Smear plug and blank plug O-rings with silicon grease (suitable is NS Cat No 0474/942-4829)

REMARKS -

- The blank plug is to be inserted when the switch socket is not in use.
- This series of switched sockets and plugs are all generally similar in design with common components for maintenance.
- Non-interchangeability between the various patterns is achieved by varying the disposition of the lugs on the plugs and corresponding slots in the switched sockets.
- The switch and socket assembly is mounted on the cover and connected to a fixed terminal block and the case with three flexible leads, one of which is for earth. This allows removal of the cover and switch socket assembly for maintenance.
- These items have been miniaturized and space for ship's wiring cut down to the minimum. There is to be no slack wiring between the glands and terminal blocks.



For General Arrangement see drawings as follows:-			
AP	Class	NSN	DEE Drawing
200201	0568	5935-99-444-5316	D 61353
200202	0568	5935-99-427-7389	B 61357
200203	0568	5935-99-445-8504	D 61359
200204	0568	5935-99-419-7550	B 61363
200205	0568	5935-99-445-8505	D 61305
200206	0568	5935-99-427-7390	B 61334
200207	0568	5935-99-445-8506	D 61347
200208	0568	5935-99-427-7391	B 61351
200211	0568	5935-99-444-5317	D 61365
200212	0568	5935-99-427-7393	B 61371

AP 200202 SERIES PLUGS (10-15amps) (OBSOLESCENT)

DESCRIPTION - Plug, voltages various (See Page 214)

15 amp but 10 amps only on 220V dc
or 230V ac. 3 contacts include one
earth. Al alloy case. WT to 0.4bar
when assembled.

COMPONENTS:

NS Cat No 0568/447-7263 Plug moulding Assy.

NS Cat No 0413/923-9375 Rubber packing brush

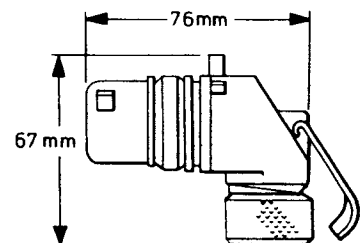
NS Cat No 0413/924-4269 'O' ring internal

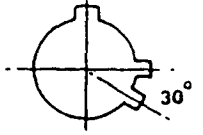
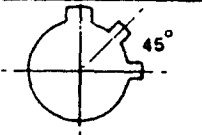
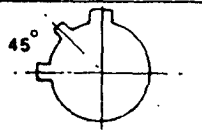
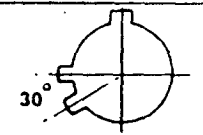
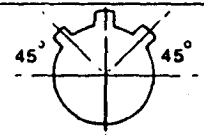
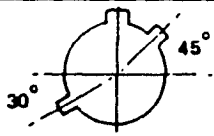
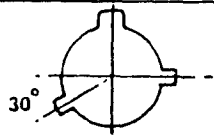
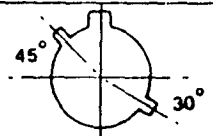
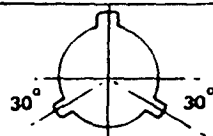
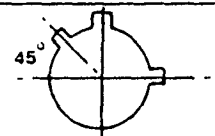
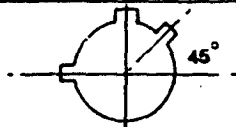
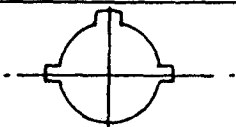
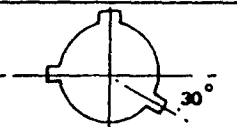
NS Cat No 0413/10499 'O' ring external (Also for blank plug)

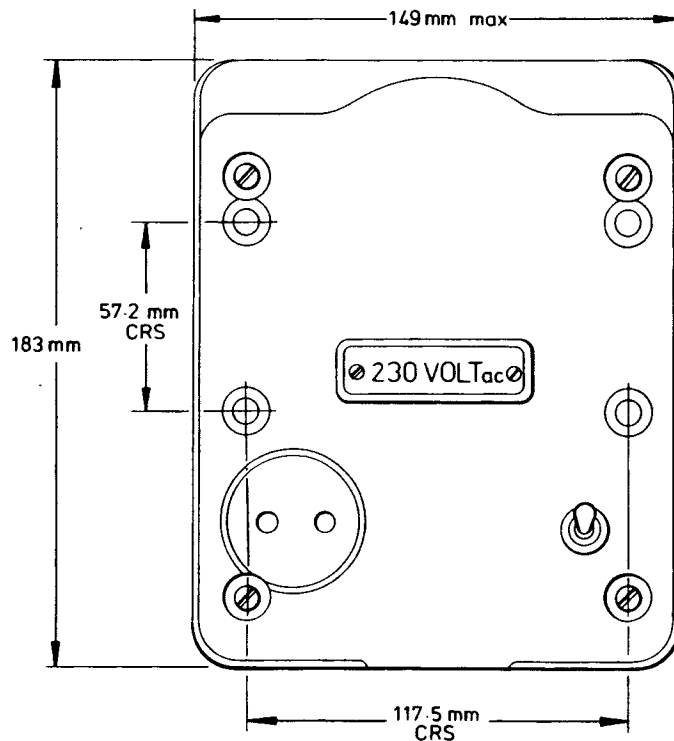
NS Cat No 0563/923-5036 Handle

INSTALLATION NOTES - Smear internal 'O' ring with a little silicone grease NS
Cat No 0474/942-4829.

REMARKS - Earthing is by means of a screw through casting that engages in earth
contact. 3 core cables up to about 13mm dia. can be accommodated.



A.P. 200201 SERIES SWITCH SOCKETS ALLOCATIONS & SERVICES					OBSCOLESCENT
A.P. No. OF SWITCH SOCKET	200201	200203			200205
A.P. No. OF PLUG	200202	200204			200206
LUG DISPOSITION					
ALLOCATION	220 V D.C. 10 amp Max	24V 15 amp DC General Service			115V AC 60 cycle 15 amp Class 'A' circuits.
GLANDS	2 IN No. S.E.E. 125 No. 2 (UNIFIED THREADS) FOR 2 SINGLE CORE CABLES				
A.P. No. OF SWITCH SOCKET				200211	
A.P. No. OF PLUG				200212	
LUG DISPOSITION					
ALLOCATION				230V AC 10 Amp. Not to be used without Ref: to MOD(N)	
GLANDS	2 IN No. S.E.E. 125 No. 2 (UNIFIED THREADS) FOR 2 SINGLE CORE CABLES				
A.P. No. OF SWITCH SOCKET		200207			
A.P. No. OF PLUG		200208			
LUG DISPOSITION					
ALLOCATION		115V AC 60 cycle 15 amp Class 'B' Circuits			
GLANDS	2 IN No. S.E.E. 125 No. 2 (UNIFIED THREADS) FOR 2 SINGLE CORE CABLES				
LUG DISPOSITION ARE AS VIEWED ON THE FACE OF THE SWITCH SOCKET					EXTRACTED FROM D.E.E. B 60203



AMENITY SOCKET (OBSOLESCEMENT)

NSN 5935-99-427-7422, NS Cat No 0568/427-7422, Formerly AP 207638

DESCRIPTION - 115V ac 60Hz input, 230V ac 100VA output, amenity socket

GA DRAWING - DEE 74797

WATERTIGHT - Drip proof

PROJECTION - 88mm

FIXING - 4 x M6

CABLE CLAMPS- Will accommodate either 5 of 3mm dia cables, or 4 of 5mm dia plus 1 of 3mm dia cables.

TERMINALS - 4 BA Saddle Clamps

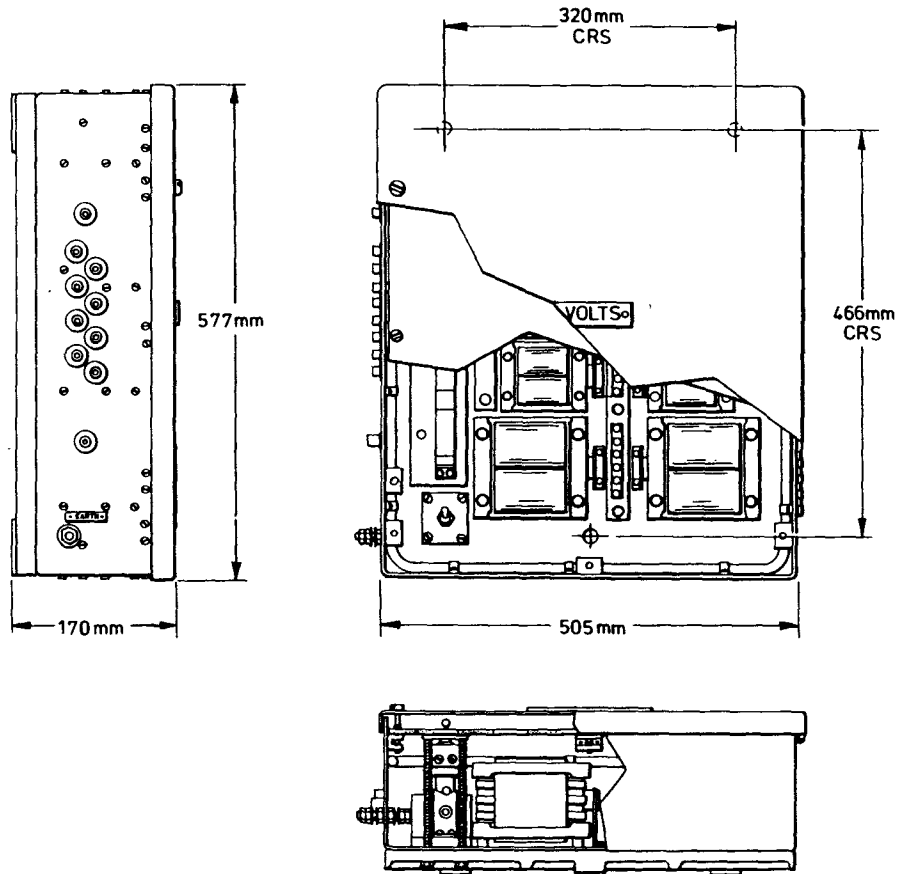
REPLACEMENT SPARES:

(1) Transformer 0627/414-4376, Formerly AP 185010

(2) Overload Trip NS Cat No 0634/433-2690, Formerly 207281

(3) Socket NS Cat No 0568/767-1630, Formerly NS Cat No 0568/427-7424 and AP 207640

(4) Switch NS Cat No 0567/428-3293, Formerly AP 205700



COMBINED SHAVER/AMENITY SOCKET SUPPLY UNIT (OBSCOLESCENT)

NSN 5999-99-533-0706, NS Cat No 0579/533-0706

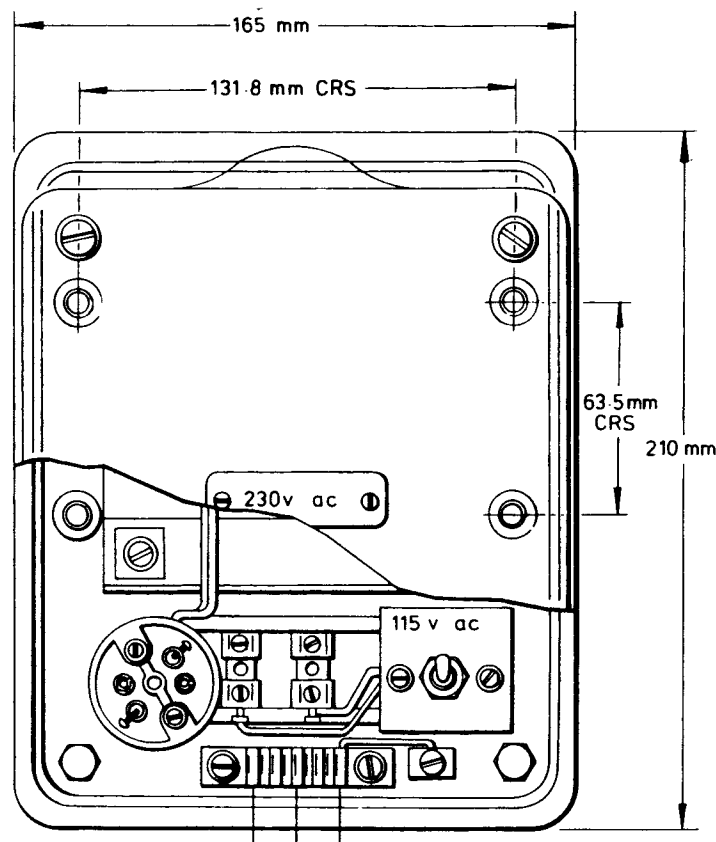
DESCRIPTION - 115V ac 60Hz input, 4 x 230V 100VA and 4 x 230V 300VA output
Shaver Amenity Socket. NON MAGNETIC.

- GA DRAWING - SDN 007 017 014
- PROJECTION - 170mm
- FIXING - 3 x M12 bulkhead mounted.
- WEIGHT - 35kg
- TERMINALS - Terminal Block Klippon Manufacture NSN 5940-99-108-4780
- WATERTIGHT - Drip proof

REPLACEMENT SPARES:

- 300VA Transformer 5950-99-533-1198, NS Cat No 0627/533-1198
- 100VA Transformer Gresham Lion 50816
- Switch Transformer 5930-99-940-3333, NS Cat No 0567/940-3333
- 300VA Cutout NS Cat No 0567/780-3108
- 100VA Cutout NS Cat No 0634/433-2690

Note Demagnetising coils wound with Mancalloy
cable 0561/525-2035



AMENITY SOCKET (OBSOLESCE)

NSN 5935-99-529-3667, NS Cat No 0568/529-3667

DESCRIPTION - 115V ac 60Hz input, 230V ac 300VA output, amenity socket

GA DRAWING - Gresham C47450A

WATERTIGHT - Dripproof

PROJECTION - 114mm

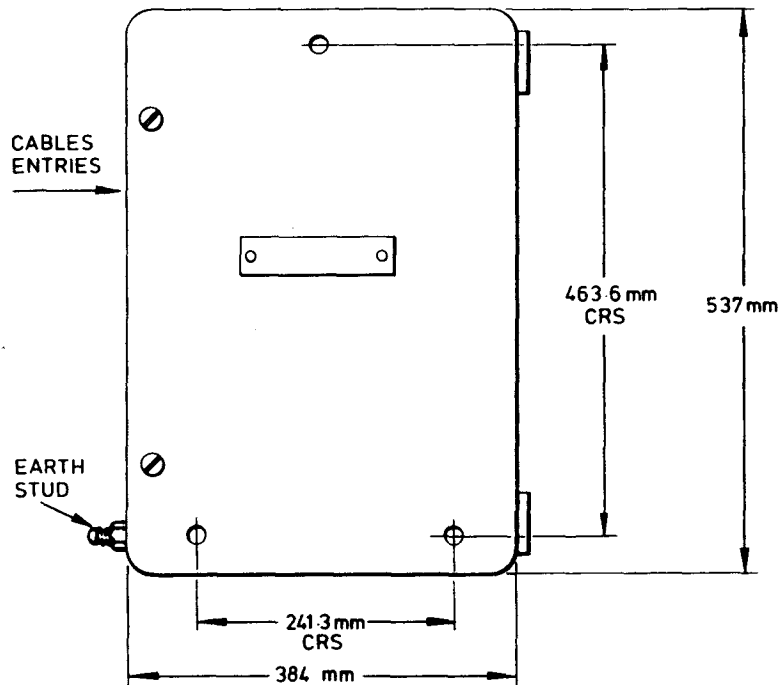
FIXING - 4 x M6

CABLE CLAMPS- Will accommodate either 5 of 3mm dia cables, or 4 of 5mm dia plus 1 of 3mm dia cables.

TERMINALS - 2 BA Saddle Clamps

REPLACEMENT SPARES:

- (1) Transformer Gresham Type 47450
- (2) Overload Trip S.E.I. MEF 36HV, NSN 5930-99-780-3108,
NS Cat No 0567/780-3108
- (3) Socket NS Cat No 0568/767-1630, Formerly NS Cat No 0568/427-7424
and AP 207640
- (4) Switch NS Cat No 0567/428-3293, Formerly AP 205700



COMBINED SHAVER/AMENITY SOCKET SUPPLY UNIT (OBSOLESCE)

NSN 5935-99-537-2758, Ns Cat No 0568/537-2758

DESCRIPTION - Bulkhead mounted supply unit housing 6 in No isolated 230V 100VA supplies, and 2 in No 230V 300VA supplies.
Dual input 115V 60Hz with two DP main supply switches.
Each output fitted with auto-reset overload cutout.

GA DRAWING - SDN 007 014 022
PROJECTION - 152mm
FIXING - 3 x M12
WEIGHT - 29.5kg
WATERTIGHT - Dripproof
GLANDS - 9 in No grommets
TERMINALS - 28 way terminal unit to DEE 19159
REPLACEMENT SPARES:

- (1) 100VA Transformer NS Cat No 0627/414-4376, Formerly AP 185010
- (2) 100VA Cut-out NS Cat No 0634/433-2690
- (3) 300VA Transformer Gresham Type No 47450
- (4) 300VA Cut-out S.E.I. MEF 36HV
- (5) Switch NSN 5930-99-543-7555 (Manufacturers' Code K021)

Note Left side and Right side Transformers are fed separately, but can be looped together if required.

- 6. NOISE MAKERS
- 6a BELL
- 6a(1) NOISE MAKERS, BELL TREMBLER (INC TRANSFORMER)

SELECTION GUIDE AND CONTENTS

Voltage dc ac		Enclosure	Audible Range(m)	Cable Facility	Special Features	NSN 6350-99 NS Cat No 0559/	Page	Appropriation
-								
24	24	WT 0.4bar) 80) 90) 110	2x2c 16D	Alternative domes	526-5194	222	CURRENT
24	-	WT 0.4bar	100	2x2c 16D		444-5049	223	CURRENT
24	-	WT 0.1bar	100 120	1x2c 16D	Alternative domes	444-5373	224	CURRENT
24	24	NWT	-	Hole in base and cut out inside		942-7547	225	CURRENT

BELL TRANSFORMERS

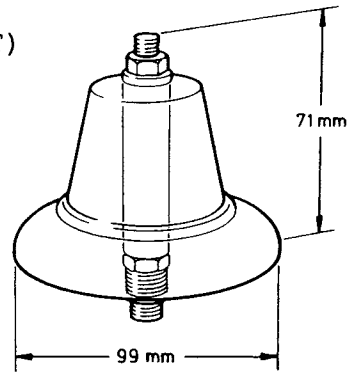
Voltage	Max. Load A	Enclosure	Cable Facility	NSN 5950-99 NS CAT NO 0662/	Page	Appropriation
115/24	0.62	WT 0.4bar	2xc 17D	548-0415	226	CURRENT

DOMES

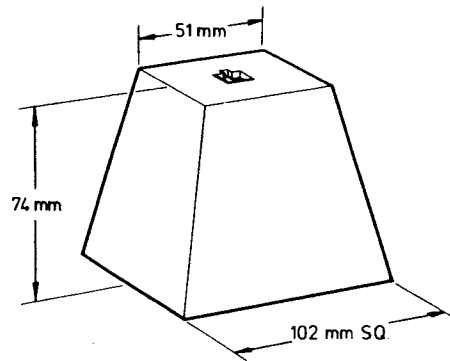
Alternative Domes	NSN 6350-99 NS Cat No 0559/	Page	
For Bell 0559/526-5194) - 80m range) - 90m range) - 110m range) - 110m range	456-1440	221	CURRENT
	4	2 21	CURRENT
	5	2 21	CURRENT
	444-4679	2 21	CURRENT
For Bell 0559/444-5373) - 100m range) - 120m range	445-8508	224	CURRENT
	445-8509	224	CURRENT

DOMES (CURRENT)

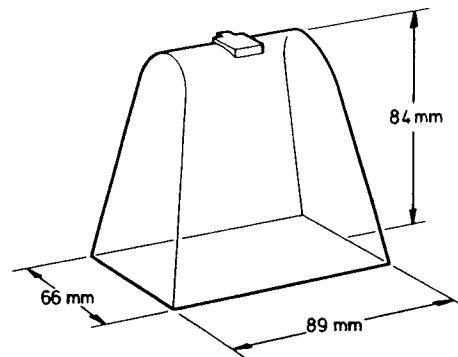
NSN 6350-99-444-4679
NS Cat No 0559/444-4679
FORMERLY AP 19
DESCRIPTION - Bell Dome
GA DRAWING - Devonport Schedule
 Drg No EE 457H
WEIGHT - 0.45kg



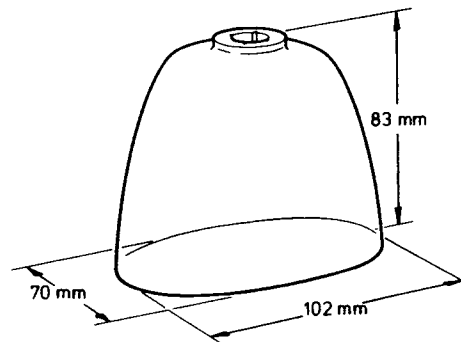
NSN
NS Cat No 0559/5
FORMERLY AP 5
DESCRIPTION - Bell Dome
GA DRAWING - Devonport Schedule
 Drg No EE 457H
WEIGHT - 0.8kg

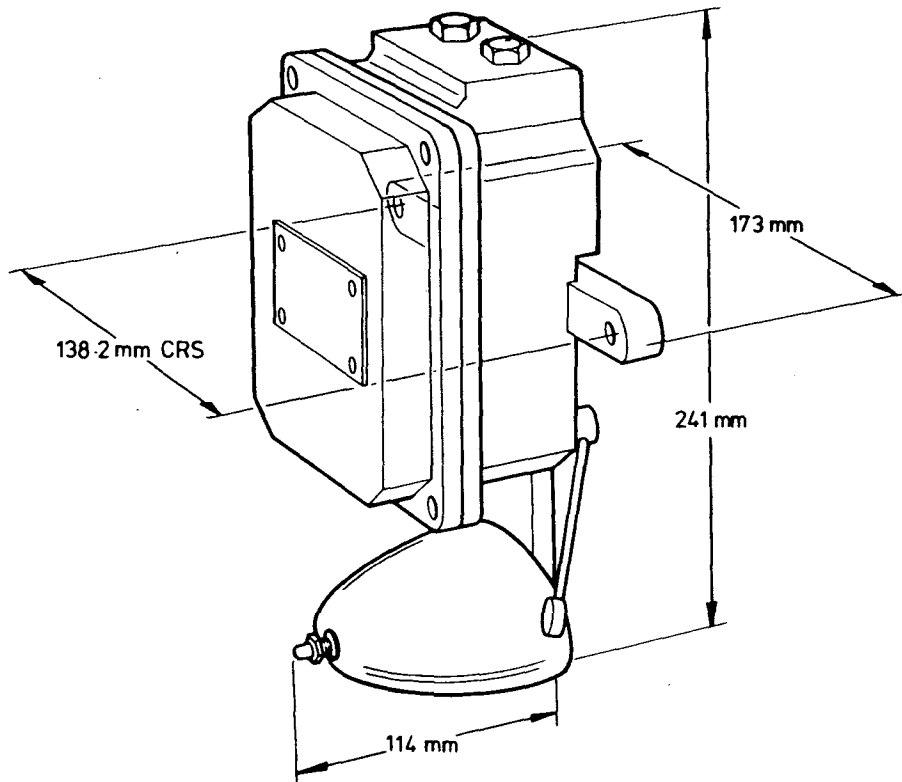


NSN
NS Cat No 0559/4
FORMERLY AP 4
DESCRIPTION - Bell Dome
GA DRAWING - Devonport Schedule
 Drg No EE 457H
WEIGHT - 0.6kg



NSN 6350-99-456-1440
NS Cat No 0559/456-1440
FORMERLY AP 19149
DESCRIPTION - Bell Dome
GA DRAWING - Drg No DEE B 62834
WEIGHT - 0.34kg



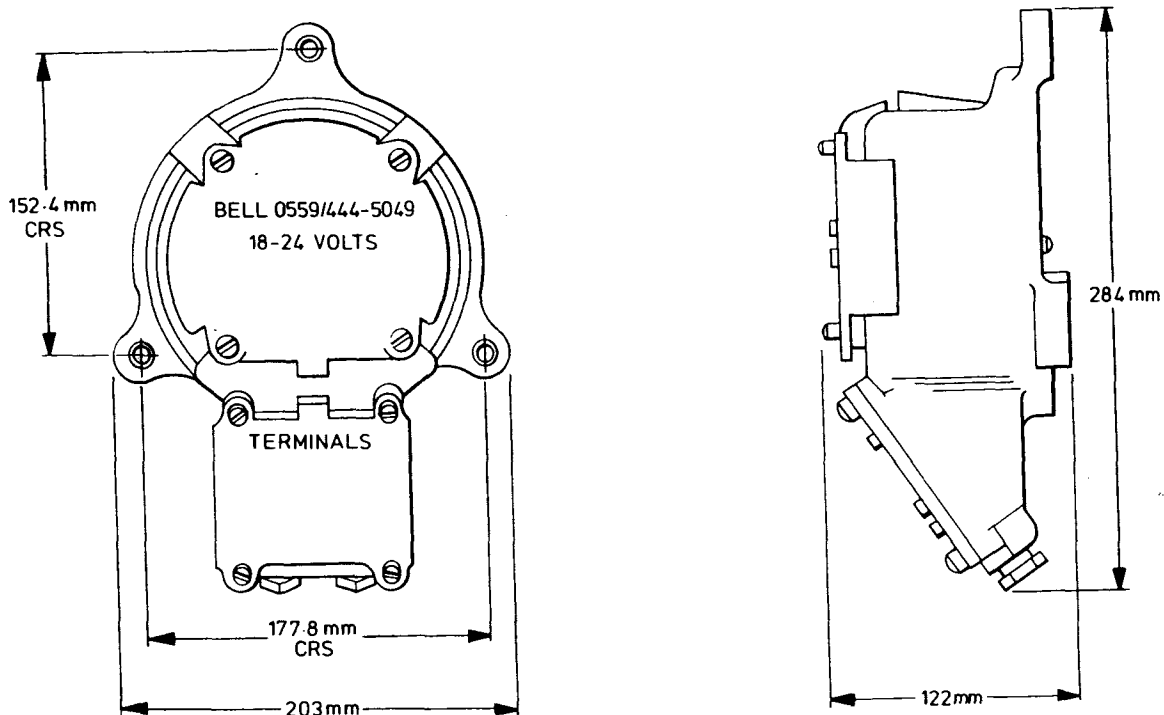


BELL (CURRENT)

NSN 6350-99-526-5194, NS Cat No 0559/526-5194, Formerly AP 19148
DESCRIPTION - Trembler Bell, 24V ac (0.34 amp), dc (0.3 amp) with looping facilities but without dome. Aluminium alloy enclosure.

- GA DRAWING - SDN 007 511 234
- PROJECTION - 114mm max
- FIXING - M6
- WEIGHT - 2.3kg
- WATERTIGHT - 0.4bar
- GLANDS - 2 x size No 3 to specification DG Ships/EED/1535
- TERMINALS - 4BA to DEE 13934
- CABLES - 2 x 2 core max dia 16mm
- ALTERNATIVE DOMES - Audible Range AP 19149 80m)
- Audible Range AP 4 90m) See Page
- Audible Range AP 5 110m) 221
- Audible Range AP 19 110m)

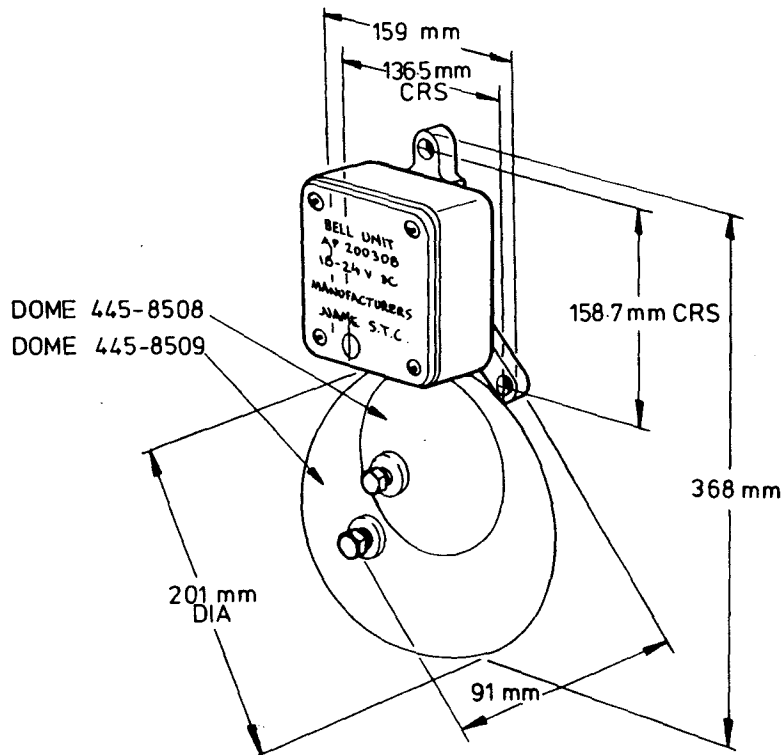
REPLACEMENT SPARES -
MAGNETIC CLASSIFICATION - Category C



BELL (CURRENT)

NSN 6350-99-444-5049, NS Cat No 0559/444-5049, Formerly - AP 32271
DESCRIPTION - Trembler bell 24V dc, 0.13 amp, with looping facilities.
Aluminium enclosure, fitted with dome AP 1933

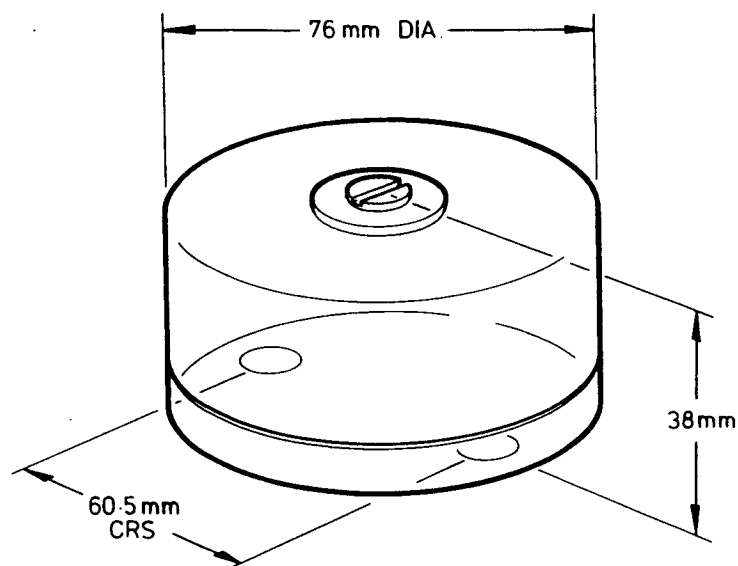
GA DRAWING - SDN 007 509 227-268
PROJECTION - 122mm
FIXING - 3 x M8
WEIGHT - 3.6kg
WATERTIGHT - 0.4bar
GLANDS - 2 x size No 3 to specification DG Ships/EED/1535
TERMINALS - 4 BA saddle clamps
AUDIBLE RANGE - 100m (90dB's)
MAGNETIC CLASSIFICATION - None



BELL (CURRENT)

NSN 6350-99-444-5373, NS Cat No 0559/444-5373, Formerly - AP 200308
DESCRIPTION - Trembler bell 24V dc, 0.16 amp, 18V dc, 0.13amp. Loud ring.
Aluminium alloy enclosure.

- GA DRAWING - Drg No DEE 73251
- PROJECTION - 91mm
- FIXING - 3 x M6
- WEIGHT - 2.9kg with dome 445-8508
3.4kg with dome 445-8509
- WATERTIGHT - 0.1bar
- GLANDS - 1 x size No 3 to specification DG Ships/EED/1535
- TERMINALS - 4 BA saddle clamps
- CABLES - 1 x 2 core max dia 16mm
- AUDIBLE RANGE - With dome 445-8508 - 100m
With dome 445-8509 - 120m
- ALTERNATIVE DOMES - High note (AP 200309) - NS Cat No 0559/445-8508
Low note (AP 200310) - NS Cat No 0559/445-8509
- MAGNETIC CLASSIFICATION - None



BELL (CURRENT)

NSN 6350-99-942-7547, NS Cat No 0559/942-7547

DESCRIPTION - Trembler bell underdome, 24V ac (0.12amp), dc (0.14 amp)
with plastic case

GA DRAWING - Gent Model 396

PROJECTION - 38mm

FIXING - 2 holes

WEIGHT - 0.23kg

WATERTIGHT - Non-watertight

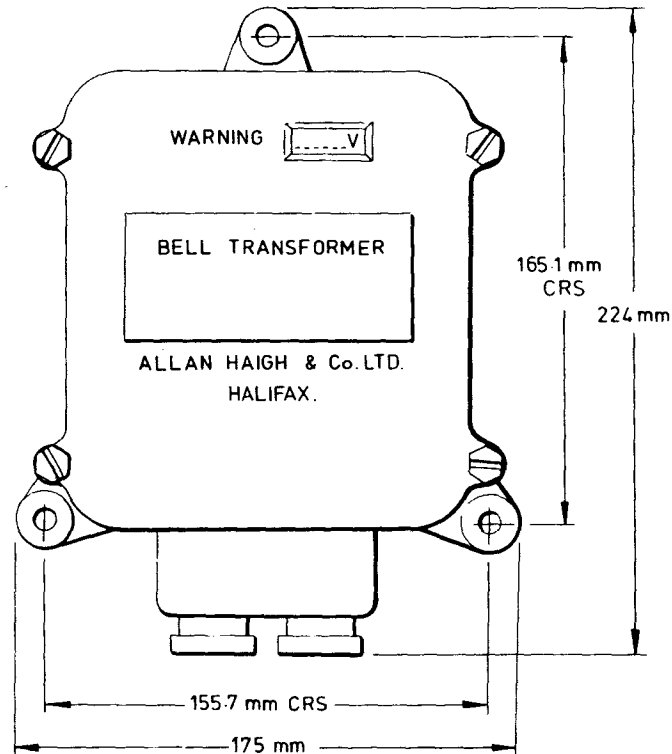
GLANDS - Wiring entries, through hole 7.9mm x 4.0mm in base and
through cut-out for side entry

TERMINALS - Housed under dome

AUDIBLE RANGE

REPLACEMENT SPARES

MAGNETIC CLASSIFICATION - Category C



TRANSFORMER (CURRENT)

NSN 5950-99-548-0415 NS Cat No 0662/548-0415

DESCRIPTION - Bell Transformer 115V/24V, 0.62 amp output. Aluminium Alloy Enclosure Type E, incorporating G54A Transformer.

GA DRAWING - Allan Haigh & Co Ltd Halifax - A612823A-145

PROJECTION - 86mm

FIXING - 3 x M6

WEIGHT -

WATERTIGHT - 0.4bar

GLANDS - 2 x size 1 to Drg DEE 18002

TERMINALS - 2 BA Connection headed screws

CABLES - 2 x 2 core max dia 17mm

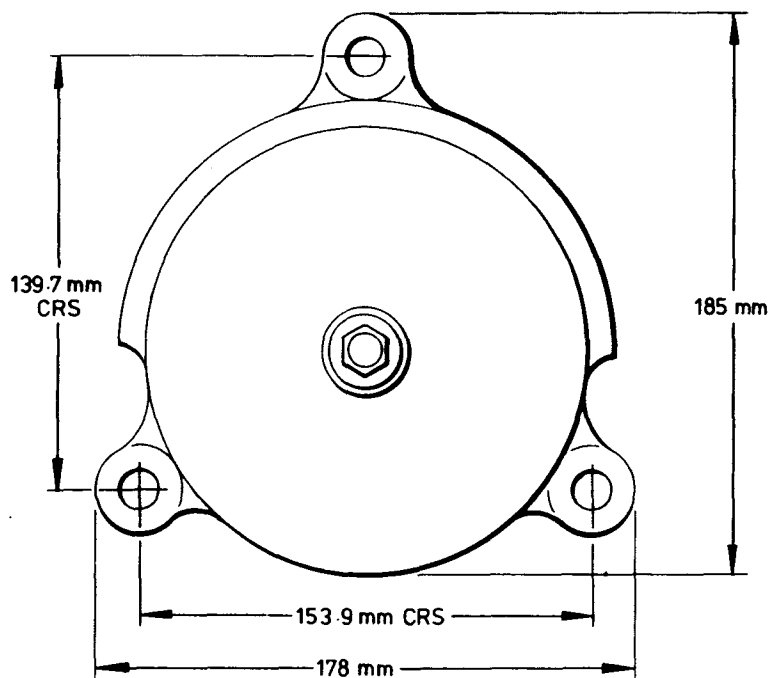
REPLACEMENT SPARES -

MAGNETIC CLASSIFICATION - Category C

6a(2) NOISE MAKERS, BELL, SINGLE STROKE

SELECTION GUIDE AND CONTENTS

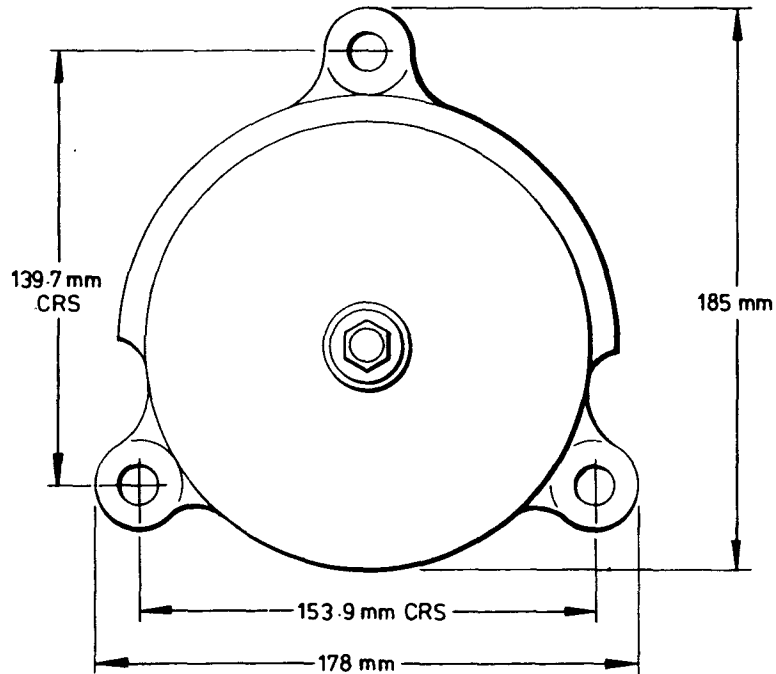
Maximum Voltage				Audible Range (m)	Enclosure	Cable Facility	Special Features	NSN 6350-99 NS Cat No 0559/	Page	Appropriation
dc	ac	dc	ac							
24	-	0.54	-	90	WT 0.1bar	1x2c 16D	Alternative domes	19145	229	OBSOLESCE
-	115	-	0.12	90	WT 0.1bar	1x2c 16D	Alternative domes	924-9390	230	OBSOLESCE
24	-	3.5	-	180	WT 0.1bar	2x2c 25D		200307	232	OBSOLESCE
-	115	-	0.75	180	WT 0.1bar	2x2c 25D		924-9389	231	OBSOLESCE



BELL (OBSOLESCEMENT)

Bell Unit less dome

AP 19145 NS Cat No 0559/19145
DESCRIPTION - Bell, single stroke (gong), 24Vdc, 0.54 amp
GA DRAWING - DEE C55338
PROJECTION - High note: 102mm
Low note: 135mm
FIXING - 3 x M10
WEIGHT - 4.3kg
WATERTIGHT - 0.1bar
GLANDS - 1 x size No 3 to specification DGS/EED/V1/1535
CABLES - Twin core max dia 16mm
TERMINALS - 2 BA screws
AUDIBLE RANGE - 90m
REPLACEMENT SPARES - Domes see below
ALTERNATIVE DOMES - High note: 0559/445-8508
Low note : 0559/924-9391
Adaptor for Low note Dome: Drg No DEE 97153
MAGNETIC CLASSIFICATION - None



BELL (OBSOLESCEMENT)

Bell Unit less dome

NSN 6350-99-924-9390, NS Cat No 0559/924-9390

DESCRIPTION - Bell, single stroke, 115V ac, 0.12 amp

GA DRAWING - DEE 97142

PROJECTION - High note: 102mm
Low note: 135mm

FIXING - 3 x M10

WEIGHT - 4.3kg

WATERTIGHT - 0.1bar

GLANDS - 1 x size No 3 to specification DGS/EED/V1/1535

CABLES - Twin core max dia 16mm

TERMINALS - 2 BA screws

AUDIBLE RANGE - 90m

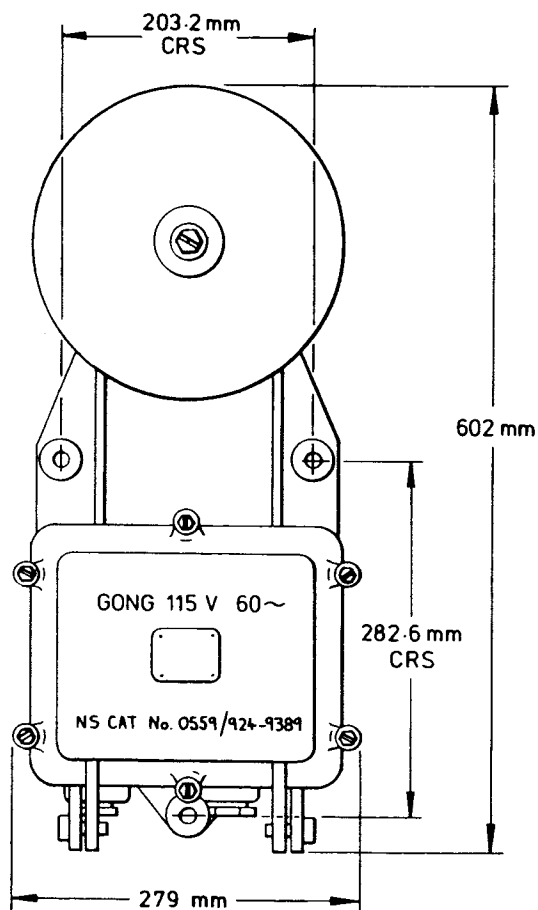
REPLACEMENT SPARES - Domes see below

ALTERNATIVE DOMES - High note: NS Cat No 0559/445-8508

Low note : NS Cat No 0559/924-9391

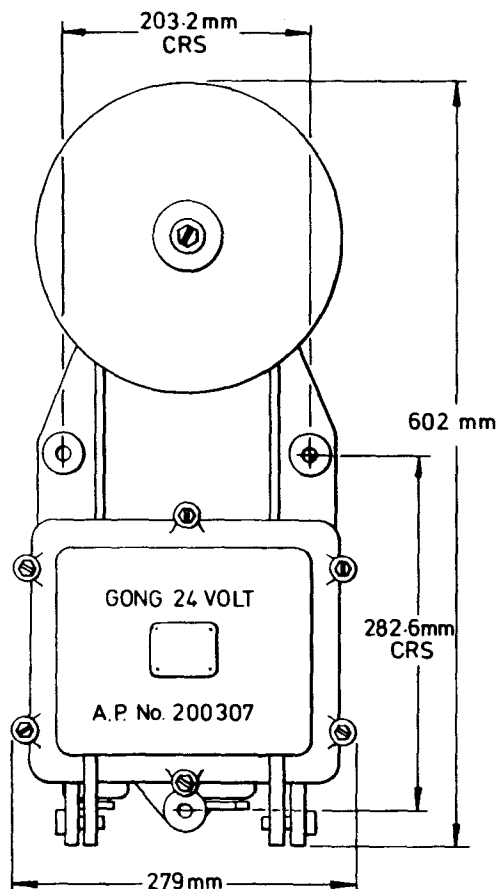
Adaptor for Low note Dome: Drg No DEE 97153

MAGNETIC CLASSIFICATION - None



BELL (OBSOLESCEMENT)

- NSN 6350-99-924-9389, NS Cat No 0559/924-9389
- DESCRIPTION - Bell, single stroke large, 115V ac, 0.75 amp.
- GA DRAWING - DEE 97315
- PROJECTION - 196mm
- FIXING - 3 x M12
- WEIGHT - 17kg
- WATERTIGHT - 0.1bar
- GLANDS - 2 x size No 4 to specification DGS/EED/V1/1535
- CABLES - Twin core max dia 25mm
- TERMINALS - 2 BA terminal screws
- AUDIBLE RANGE - 180m
- REPLACEMENT SPARES - Dome, NS Cat No 0559/200343
- MAGNETIC CLASSIFICATION - None



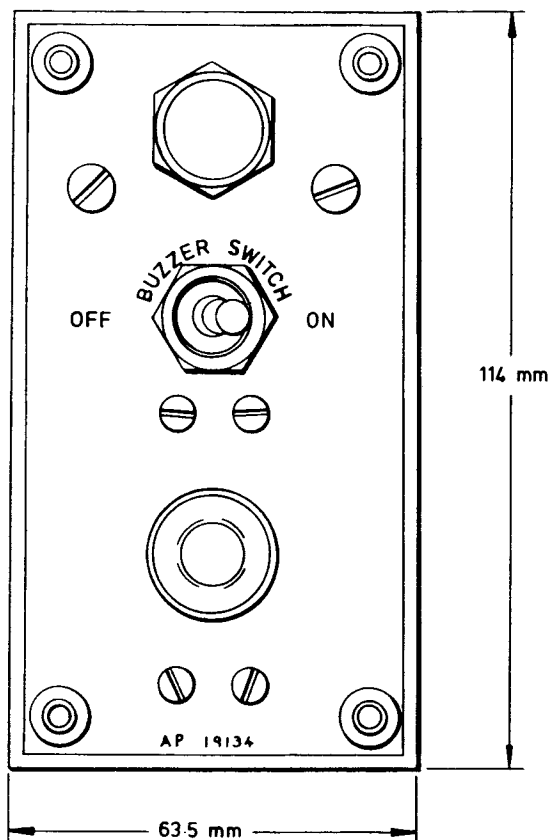
BELL (OBSOLESCE)

- NSN NS Cat No 0559/200307, Formerly - AP 200307
- DESCRIPTION - Bell, single stroke large, 24V dc, 3.0 amp.
 - GA DRAWING - DEE 64031
 - PROJECTION - 196mm
 - FIXING - 3 holes 13.5mm dia on 203.2mm and 282.6mm centres, 3 x M12
 - WEIGHT - 17kg
 - WATERTIGHT - 0.1bar
 - GLANDS - 2 x size No 4 to specification DGS/EED/V1/1535
 - CABLES - Twin core max dia 25mm
 - TERMINALS - 2 BA terminal screws
 - AUDIBLE RANGE - 180m
 - REPLACEMENT SPARES - Dome, NS Cat No 0559/200343
 - MAGNETIC CLASSIFICATION - None

6b NOISE MAKERS, BUZZER

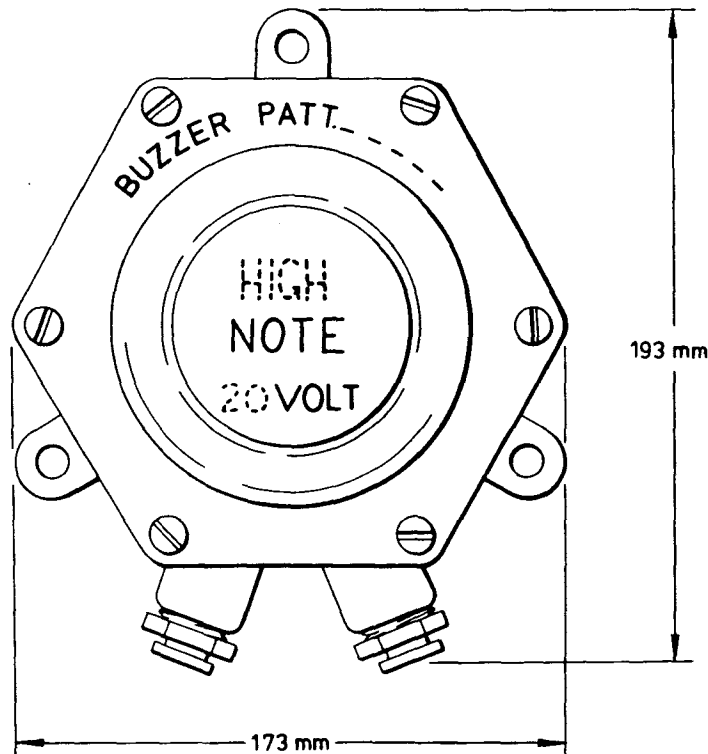
SELECTION GUIDE AND CONTENTS

Maximum		Audible Range (m)	Enclosure	Cable Facility	Special Features	NSN 6350-99 NS Cat No 0559/	Page	Appropriation
Voltage dc	Current A dc							
24	0.6	local	Drip proof	-	With lamp and push, panel mtg.	412-8268	235	CURRENT
20	0.8	100	WT 0.1bar	2x2c 16D	High note	784-0793	236	CURRENT
20	1.6	100	WT 0.1bar	2x2c 16D	Low note	531-3420	236	CURRENT
24	0.8	300	NWT	-	NS CAT NO 0268/	535-2012	237	CURRENT
24	1.6	300	Weather Proof	-	NS CAT NO K484/	545-6922	238	CURRENT



BUZZER (CURRENT)

NSN 6350-99-412-8268, NS Cat No 0581/412-8268, Formerly AP 19134
DESCRIPTION - Buzzer, 24V dc, 0.6 amp, complete with lamp and push
for panel mounting
GA DRAWING - Drg No DEE 17084
PROJECTION - 82.5mm
FIXING - 4 x 3/16in Whit
WEIGHT -
WATERTIGHT - NWT
GLANDS - None
TERMINALS - 4 BA screws and saddle clamps
CABLES -
AUDIBLE RANGE - Local
REPLACEMENT SPARES - Lamp NS Cat No 0584/995-9215
MAGNETIC CLASSIFICATION - None



BUZZER (CURRENT)

20V Note - High NSN 6350-99-784-0793, NS CAT No 0559/784-0793, Formerly AP19114
20V Note - Low NSN 6350-99-531-3420, NS Cat No 0559/531-3420, Formerly AP19115

DESCRIPTION - Buzzer, 20V dc, High note 0.8 Amp, Low note 1.6 Amp
(see above) Aluminium alloy enclosure.

GA DRAWING - Drg No DEE 62837

PROJECTION - 108mm

FIXING - 3 x M8, 120° apart on 163.8mm PCD

WEIGHT - 2kg

WATERTIGHT - 0.1bar

GLANDS - 2 x size No 3 to specification DGS/EED/V1/1535

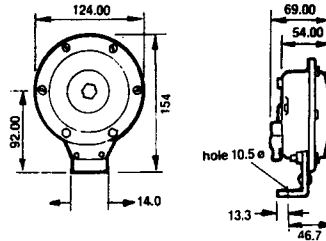
TERMINALS - 2-2 BA terminal screws

CABLES - 2 x twin core max dia 16mm

AUDIBLE RANGE - 100m (92dB's)

REPLACEMENT SPARES -

MAGNETIC CLASSIFICATION - Category C



BUZZER (CURRENT)

NSN 6350-99-535-2012 NS Cat No 0268/535-2012

DESCRIPTION - FL3K INDUSTRIAL, 24Vdc, 0.8Amp

GA DRAWING - KLAXON REF NO 1014302

WEIGHT - 1.15kg

WATERTIGHT - NWT, Ingress Protection IP 50

AUDIBILITY - 105 dB at 2m

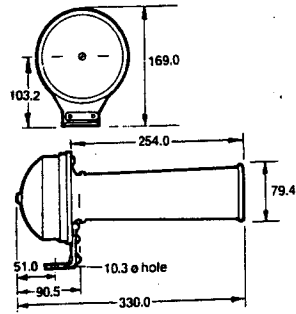
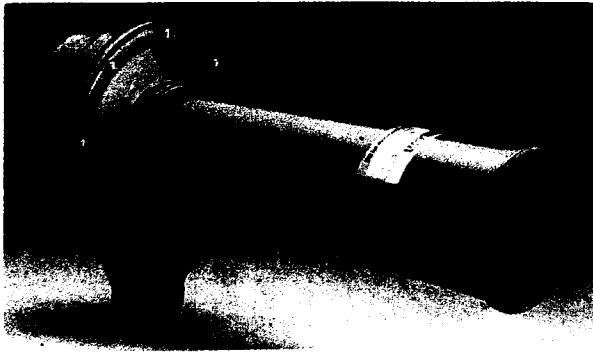
AUDIBLE RANGE - 300m

FREQUENCY - 400 Hz \pm 20Hz (High note)

RATING - 10 Mins

OPERATING TEMP: - 10°C to +40°C

NES 538
Issue 4



BUZZER (CURRENT)

NSN 6350-99-545-6922 NS CAT NO K484/545-6922

DESCRIPTION - HF8 MARINE, 24vdc, 1.6 amp

GA DRAWING - KLAXON REF NO 1401

WEIGHT - 1.8kg

WATERTIGHT - Weatherproof, Ingress Protection IP 54

AUDIBILITY - 105 dB AT 2m

AUDIBLE RANGE - 300m

FREQUENCY - 350Hz (low note)

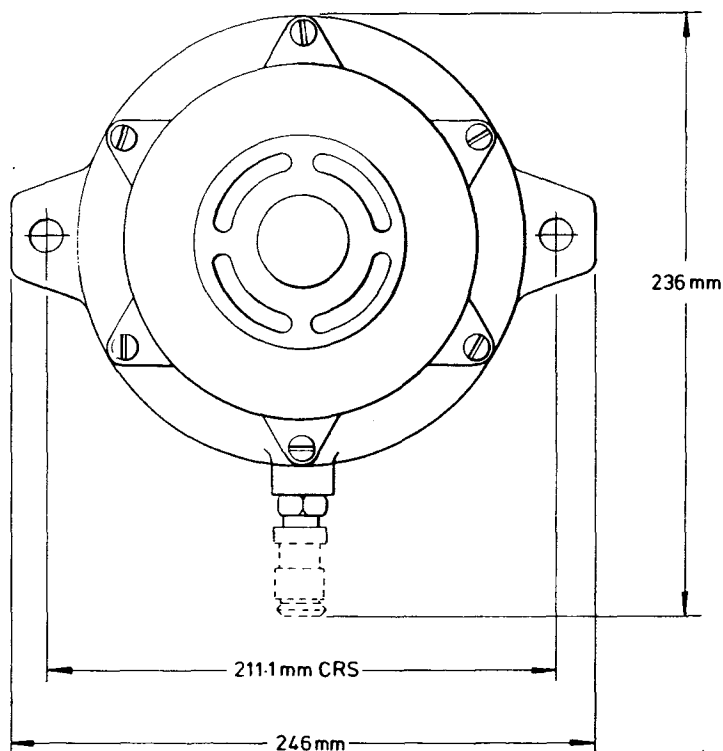
RATING - 10 Mins

OPERATING TEMP: -10°C to +40°C

6c NOISE MAKERS, HOOPER

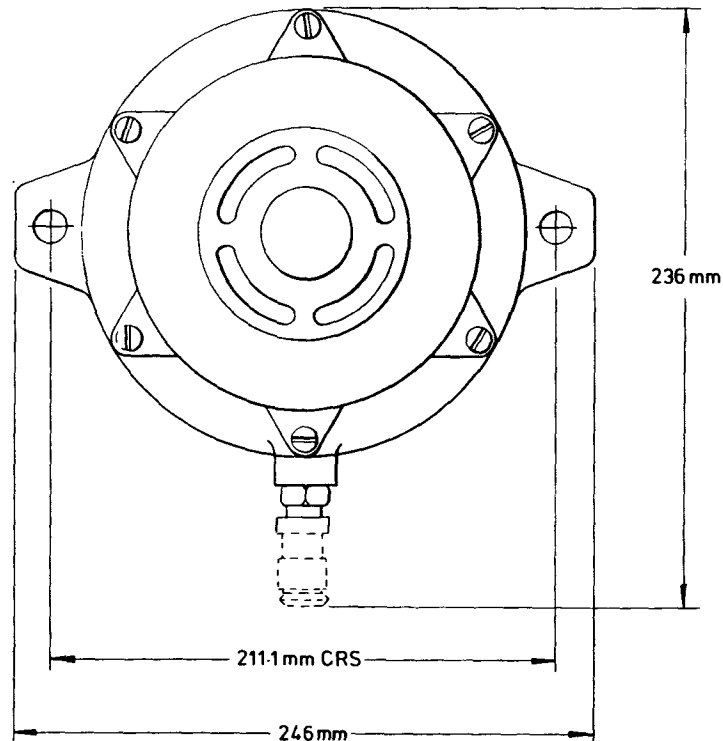
SELECTION GUIDE AND CONTENTS

Maximum Voltage		Current A		Audible Range (m)	Enclosure	Cable Facility	Remarks	NSN 6350-99 NS Cat No 0559/	Page	Appropriation
dc	ac	dc	ac							
220	-	0.35	-	400	Weatherproof	1x2c 15D	Non-navigational use	444-4949	241	OBSOLESCENT
24	-	2.6	-	530	Weatherproof	1x2c 15D	Non-navigational use	520-1293	242	CURRENT
220	-	0.6	-	1600	Weatherproof	1x2c 15D	Navigational	444-5402	243	OBSOLESCENT
24	-	5.0	-	1500	Weatherproof		Navigational	K484/2040-99 202-3174	244	CURRENT



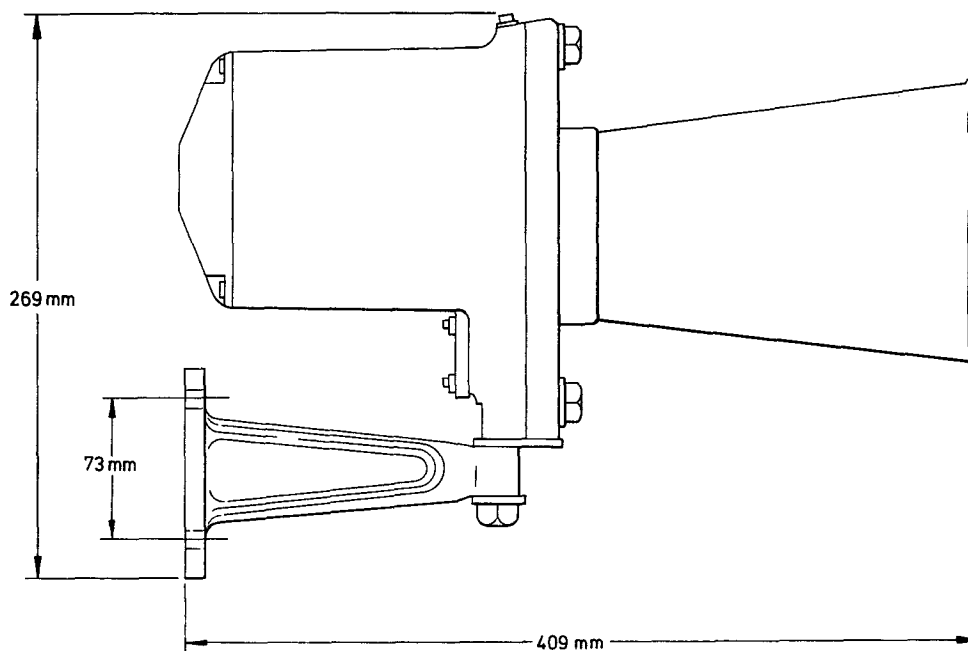
HOOTER (OBSOLESCEENT)

NSN 6350-99-444-4949, NS Cat No 0559/444-4949, Formerly - AP 19146
DESCRIPTION - Horn, 220V dc, 0.38 amp. Aluminium alloy enclosure
GA DRAWING - Klaxon 11750 HEK Admiralty
PROJECTION - 147mm
FIXING - 2 x M12
WEIGHT - 4.4kg
WATERTIGHT - Weatherproof IP54
GLANDS - 1 size No 3 to specification DGS/EED/V1/1535
CABLES - Twin core max dia 15mm
TERMINALS - 3 BA screws
AUDIBLE RANGE - 0.4km
MAGNETIC CLASSIFICATION - None



HOOTER (CURRENT)

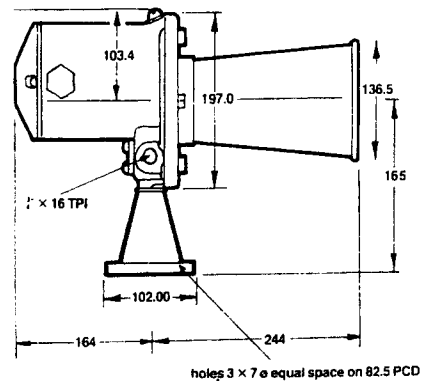
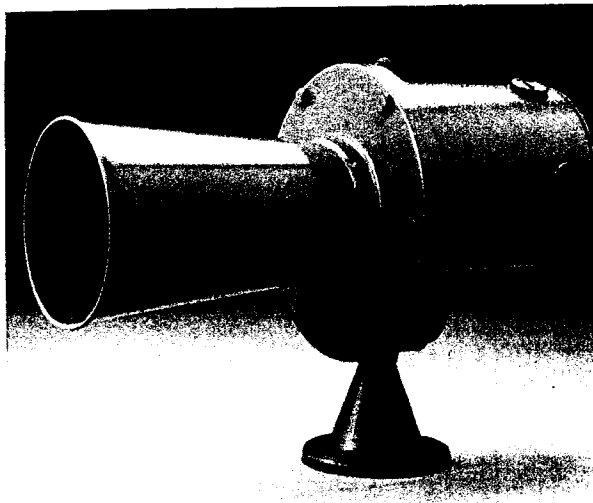
- NSN 6350-99-520-1293, NS Cat No 0559/520-1293
- DESCRIPTION - Horn, 24V dc, 2.6 amp Aluminium alloy enclosure
- GA DRAWING - Klaxon HEK 1141
- PROJECTION - 147mm
- FIXING - 2 x M12
- WEIGHT - 4.4kg
- WATERTIGHT - Weatherproof IP54
- GLANDS - 5/8in BSP 14TPI (Female)
- CABLES - Twin core max dia 15mm
- TERMINALS - 3 BA screws
- AUDIBLE RANGE - 0.53km
- MAGNETIC CLASSIFICATION - None



HOOTER (OBSOLESCE)

NSN 6350-99-444-5402, NS Cat No 0559/444-5402, Formerly AP 200365
DESCRIPTION - Horn, 220V dc, 0.6 amp. Cast iron body.
GA DRAWING - DEE D38210
PROJECTION - 409mm
FIXING - 2 x M6
WEIGHT - 10.4kg
WATERTIGHT - Weatherproof IP54
GLANDS - 1 x approx size No 3 to specification DGS/EED/V1/1535
CABLES - Twin core max dia 15mm
TERMINALS - 3 BA screws
AUDIBLE RANGE - 1.6km
MAGNETIC CLASSIFICATION - Category C

MANUFACTURERS REF HIK Industrial Ref No 1204
MANUFACTURERS DRAWING CODE 11482



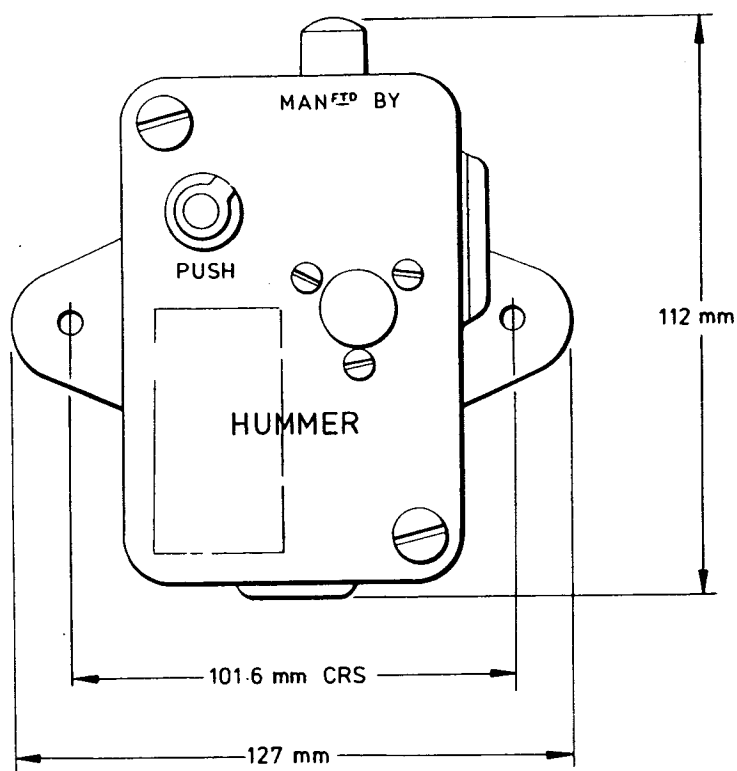
HOOTER (CURRENT)

NSN 2040-99-202-3174 NA Cat No K484/202-3174
DESCRIPTION - HIK Marine 24V dc, 5 amp
GA DRAWING - Klaxon Ref No. 1221
WEIGHT - 10.9kg
WATERTIGHT - Weatherproof Ingress Protection IP54
AUDIBILITY - 117dB at 2m.
AUDIBLE RANGE - 1500m
FREQUENCY - 330 Hz
RATING - 15 Secs
OPERATING TEMP: - 20°C to + 40°C

6 d NOISE MAKERS, HUMMER

SELECTION GUIDE AND CONTENTS

Maximum		Audible Range (m)	Enclosure	Cable Facility	Special Features	NSN 6350-99 NS Cat No 0559/	Page	Appropriation
Voltage ac	Current A ac							
115	0.2	100	Drip proof	1x2c 16D	Without Push	444-5398	249	OBSOLESCE
115	0.2	100	Drip proof	1x4c 16D	With Push	200347	248	OBSOLESCE
115	0.2	100	Drip proof	1x4c 16D	With Push Low magnetic Signature	780-4458 NS Cat No 0579/	247	OBSOLESCE

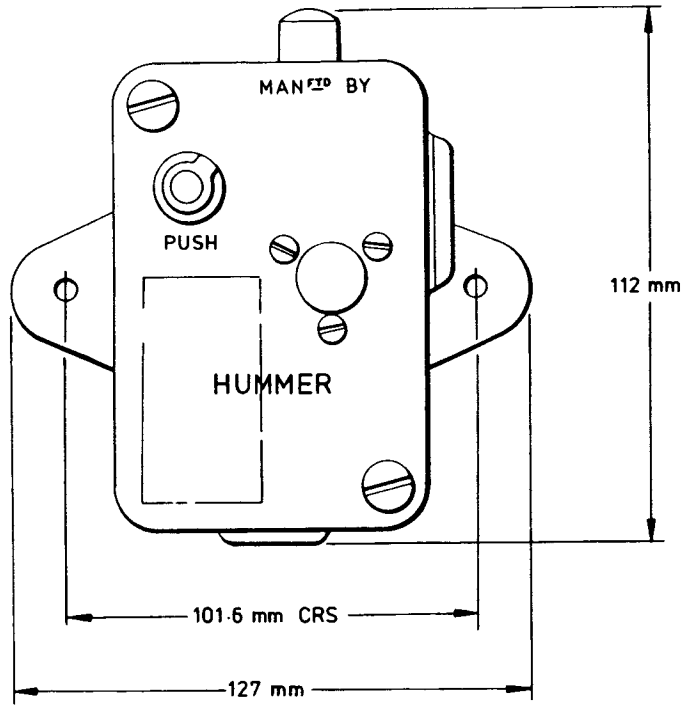


HUMMER (OBSOLESCEMENT)

NSN 6350-99-780-4458, NS Cat No 0579/780-4458

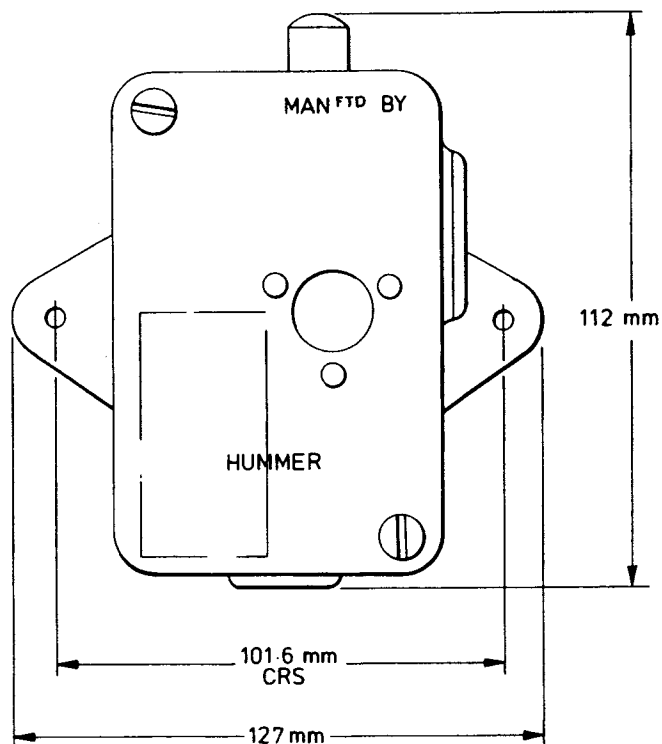
DESCRIPTION - Hummer, 115V ac, 60Hz, 0.2 amp, complete with push.
Aluminium alloy enclosure. Low Magnetic Signature.

GA DRAWING - SDN 007 518 046
PROJECTION - 76mm
FIXING - 2 x M6
WEIGHT - 0.8kg
WATERTIGHT - NWT
GLANDS - Blind grommet
TERMINALS - 4 BA screws
CABLES - Multicore max dia 16mm
AUDIBLE RANGE - 100m
MAGNETIC CLASSIFICATION - Category C



HUMMER (OBSOLESCE)

- AP 200347 NS Cat No 0559/200347,
DESCRIPTION - Hummer, 115V ac, 0.2 amp, complete with push. Aluminium alloy enclosure.
GA DRAWING - DEE 66383
PROJECTION - 76mm
FIXING - 2 x M6
WEIGHT - 0.8kg
WATERTIGHT - NWT
GLANDS - Blind grommet
TERMINALS - 4 BA screws
CABLES - Multicore max dia 16mm
AUDIBLE RANGE - 100m
REPLACEMENT SPARES -
MAGNETIC CLASSIFICATION - Category C



HUMMER (OBSOLESCE)

NSN 6350-99-444-5398, NS Cat No 0559/444-5398, Formerly - AP 200348

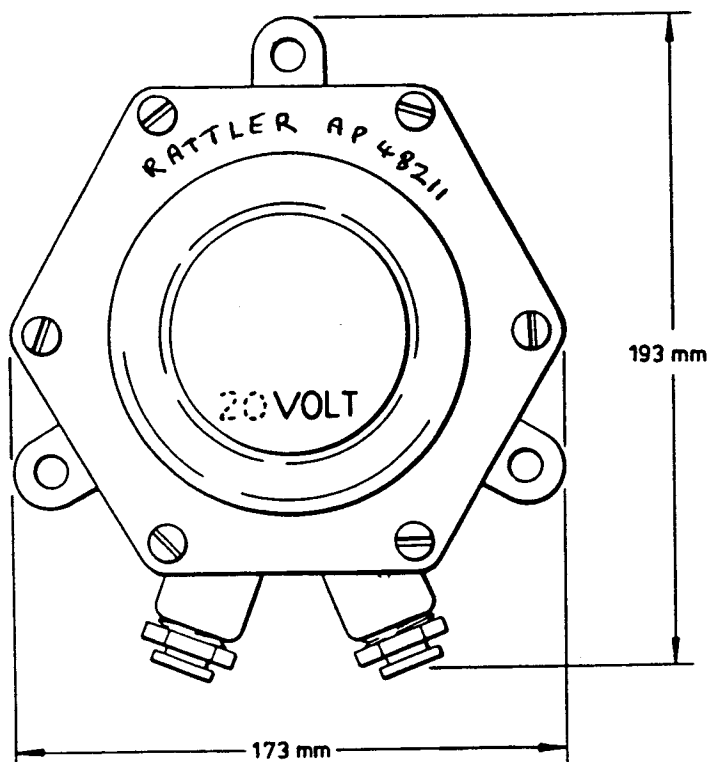
DESCRIPTION - Hummer, 115V ac, 60Hz, 0.2 amp without push.
Aluminium alloy enclosure.

- GA DRAWING - DEE 66383
- PROJECTION - 76mm
- FIXING - 2 x M6
- WEIGHT - 0.8kg
- WATERTIGHT - NWT
- GLANDS - Blind grommet
- TERMINALS - 4 BA screws
- CABLES - Twin core max dia 16mm
- AUDIBLE RANGE - 100m
- MAGNETIC CLASSIFICATION - Category C

6e NOISE MAKERS, RATTLER

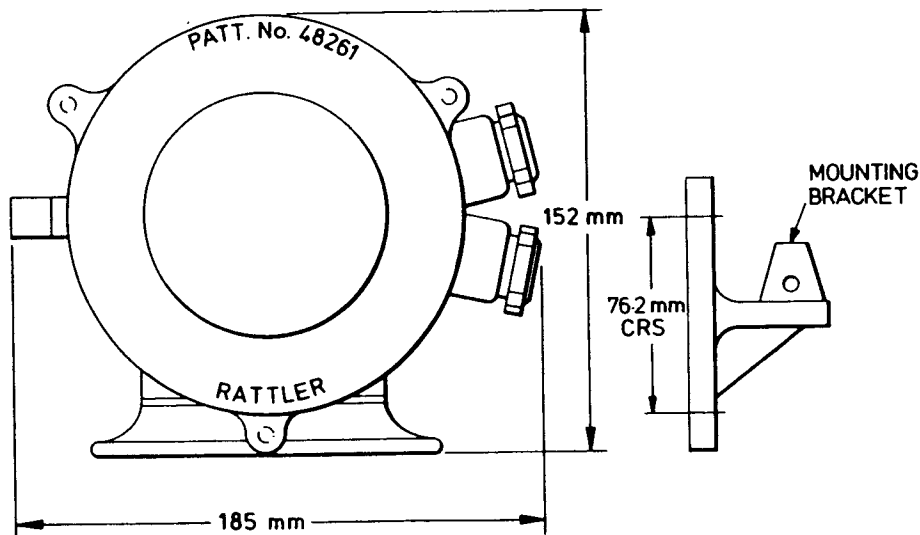
SELECTION GUIDE AND CONTENTS

Maximum Voltage Current A				Audible Range (m)	Enclosure	Cable Facility	Special Features	NSN NS Cat No ()	Page	Appropriation
dc	ac	dc	ac							
20	-	0.45	-	69	0.1bar	2x2c 16D	Acoustic horn Looping facility	6350-99-531-1230 (0559)	254	OBSOLESCE
20	-	0.45	-	69	0.1bar	2x2c 16D		#8211(0559)	253	CURRENT
-	115	-	0.2		IP 65	1 x M20		6320-99-525-5275(0556)	255	CURRENT



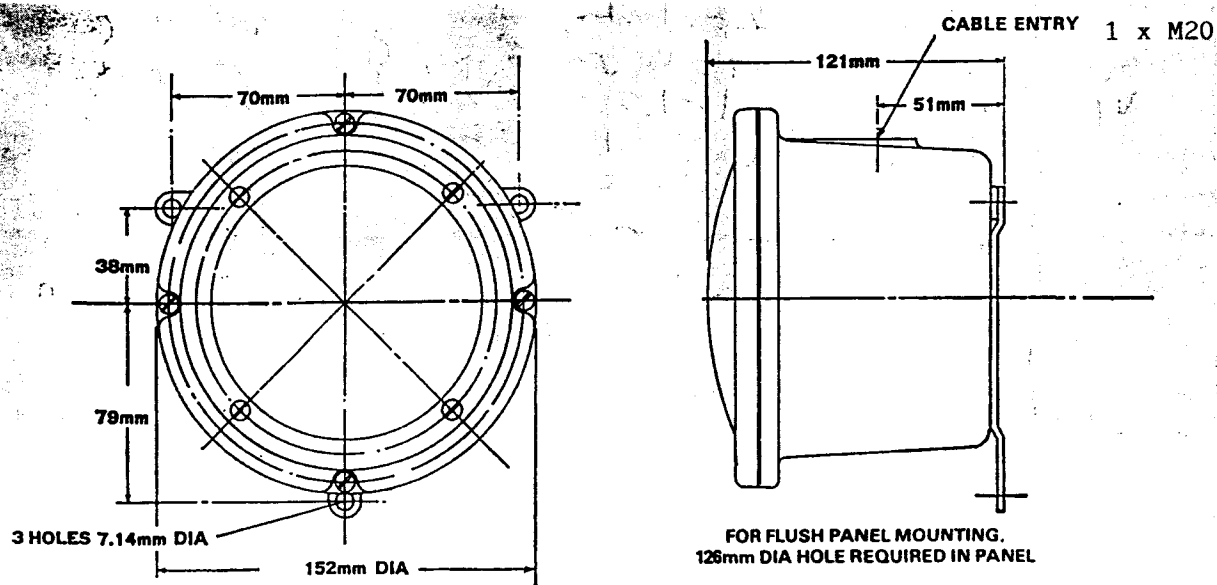
RATTLER (CURRENT)

AP48211 NS Cat No 0559/48211
DESCRIPTION - Rattler, 20V dc, 0.45 amp, with looping facilities.
Aluminium alloy enclosure
GA DRAWING - SDN 007 522 001
PROJECTION - 108mm
FIXING - 3 x M8
WEIGHT - 3.5kg
WATERTIGHT - 0.1bar
GLANDS - 2 x size No 3 to SEE 125
CABLES - 2 x twin core max dia 16mm
TERMINALS - 4 BA terminal screws
AUDIBLE RANGE - 69m
REPLACEMENT SPARES -
MAGNETIC CLASSIFICATION - None



RATTLER (OBSOLESCE)

- NSN 6350-99-531-1230 NS Cat No 0559/531-1230, Formerly AP 48261
- DESCRIPTION - Rattler, 20V dc, 0.45 amp, with looping facilities and horn.
Elect. bronze enclosure.
- GA DRAWING - Devonport Schedule Drg No SEE 1032
- PROJECTION - 178mm
- FIXING - Bracket mounted 2 x M10
- WEIGHT - 3.3kg
- WATERTIGHT - 0.1bar
- GLANDS - 2 x size No 3 to specification DGS/EED/V1/1535
- CABLES - 2 x twin core max dia 16mm
- TERMINALS - 4 BA terminal screws
- AUDIBLE RANGE - 69m
- MAGNETIC CLASSIFICATION - None



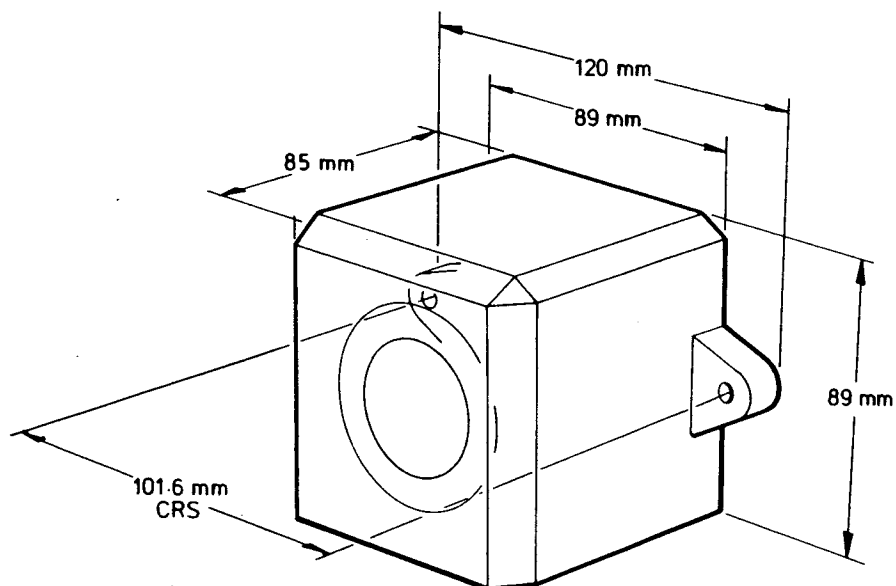
RATTLER (CURRENT)

NSN 6320-99-525-5275 NS CAT No 0556/525-5275
DESCRIPTION - Shimalert Vibrating Type, 115V dc, 0.2 amp.
GA DRAWING - S A Equipment Cat No SAH33.
WEIGHT - 1.6 kg.
WATERTIGHT - Weatherproof, Ingress Protection IP65
AUDIBILITY - 106 dB at 1.0m.
AUDIBLE RANGE -
FREQUENCY - 60 Hz
RATING - Continuous

6 f NOISE MAKERS, WARBLER

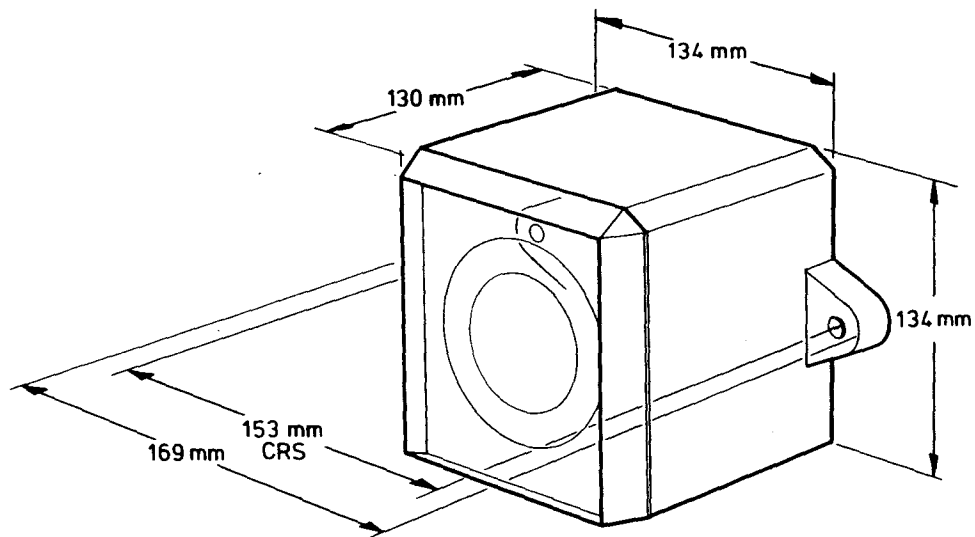
SELECTION GUIDE AND CONTENTS

Maximum Voltage Current A				Audible Range (m)	Enclosure	Cable Facility	Special Features	NSN 6320-99 NS Cat No 0558/	Page	Appropriation
dc	ac	dc	ac							
24	-	0.11	-	45	Weatherproof	20mm conduit	Plastic case	539-2431	259	CURRENT
-	115	-	0.04	45	Weatherproof	20mm conduit	Plastic case	539-2432	259	CURRENT
24	-	0.28	-	230	Weatherproof	20mm conduit	Plastic case	K124/542-8539	260	CURRENT
-	115	-	0.06	230	Weatherproof	20mm conduit	Plastic case		260	CURRENT
24	-	0.48	-	600	Weatherproof	20mm conduit	Alum. Al.case	539-2433	261	CURRENT
-	115	-	0.11	600	Weatherproof	20mm conduit	Alum. Al.case		261	CURRENT
24	-	0.48	-	600	Weatherproof	20mm conduit	9 sec DELAY	543-4417	261	CURRENT
-	115	-	0.11	600	Weatherproof	20mm conduit	9 sec DELAY	543-4416	261	CURRENT



WARBLER (CURRENT)

24V NSN 6320-99-539-2431, NS Cat No 0558/539-2431 (Y03/NM)
115V NSN 6320-99-539-2432, NS Cat No 0558/539-2432 (Y03/NM)
DESCRIPTION - Two-tone, solid state electronic warbler
Adjustable pitches. Plastic case. Bulkhead mounting.
Alternative supplies:-
24V dc 0.1amp
115V ac 0.04 amp (40-1100Hz)
GA DRAWING - Clifford and Snell. Type Y03/ABS Drg No EX 1433
PROJECTION - 85mm
FIXING - 2 x M6
WEIGHT - 0.51kg
WATERTIGHT - Weatherproof
GLANDS - 20.6mm conduit entry
TERMINALS - Screwed terminal block
CABLES -
AUDIBLE RANGE - 45m (86dB's)
REPLACEMENT SPARES -
MAGNETIC CLASSIFICATION - Category A



WARBLER (CURRENT)

24V NSN 6320-99-542-8539 NS CAT NO K124/542-8539
115V

DESCRIPTION - Two-tone solid state electronic warbler for alarms and warnings. Adjustable pitches. Plastic case.

Bulkhead mounting.

Alternative supplies:-

24V dc 0.28 amp
115V ac 0.06 amp (40 - 1100Hz)

GA DRAWING - Clifford and Snell Type Y05/ABS Drg No EX 1434

PROJECTION - 130mm

FIXING - 2 x M8

WEIGHT - 1.2kg

WATERTIGHT - Weatherproof

GLANDS - 20.6mm conduit entry

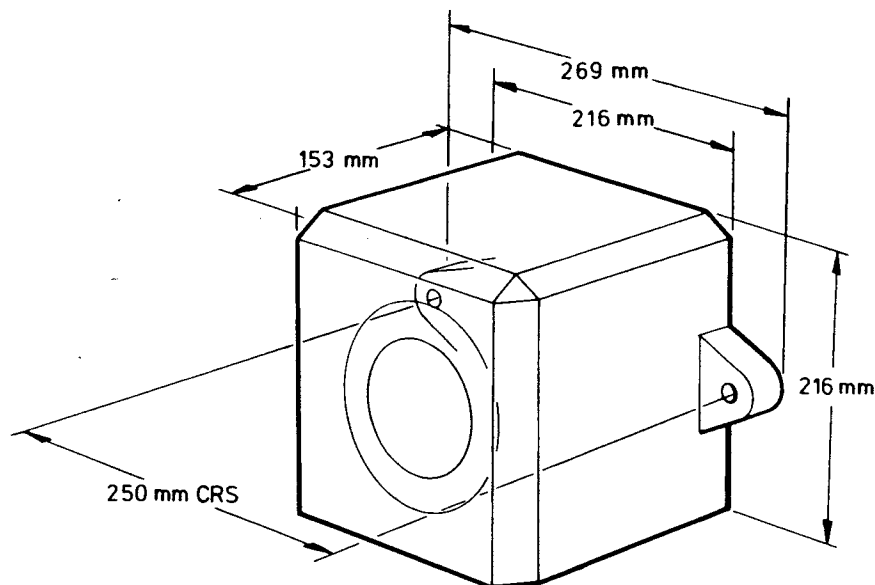
TERMINALS - Screwed terminal block

CABLES -

AUDIBLE RANGE - 230m (104dB's)

REPLACEMENT SPARES -

MAGNETIC CLASSIFICATION - None



WARBLER (CURRENT)

24V - NSN 6320-99-539-2433, NS Cat No 0558/539-2433 (Y08/NM)
115V

DESCRIPTION - Two-tone solid state electronic warbler.
Adjustable pitches. Al Alloy.
Bulkhead mounting.
Alternative supplies:-
24V dc 0.48 amp
115V ac 0.11 amp (40 - 1100Hz)

GA DRAWING - Clifford and Snell Type Y08/ABS Drg No EX 1435

PROJECTION - 153mm

FIXING - 2 x M10

WEIGHT - 3.2kg

WATERTIGHT - Weatherproof

GLANDS - 1/2 in clear (20.6mm) conduit entry

TERMINALS - Screwed terminal block

CABLES -

AUDIBLE RANGE - 600m

REPLACEMENT SPARES -

MAGNETIC CLASSIFICATION - Category B (Category A - Y08/NM)

NOTE

Also available with 9 sec delay for use on fire warning systems

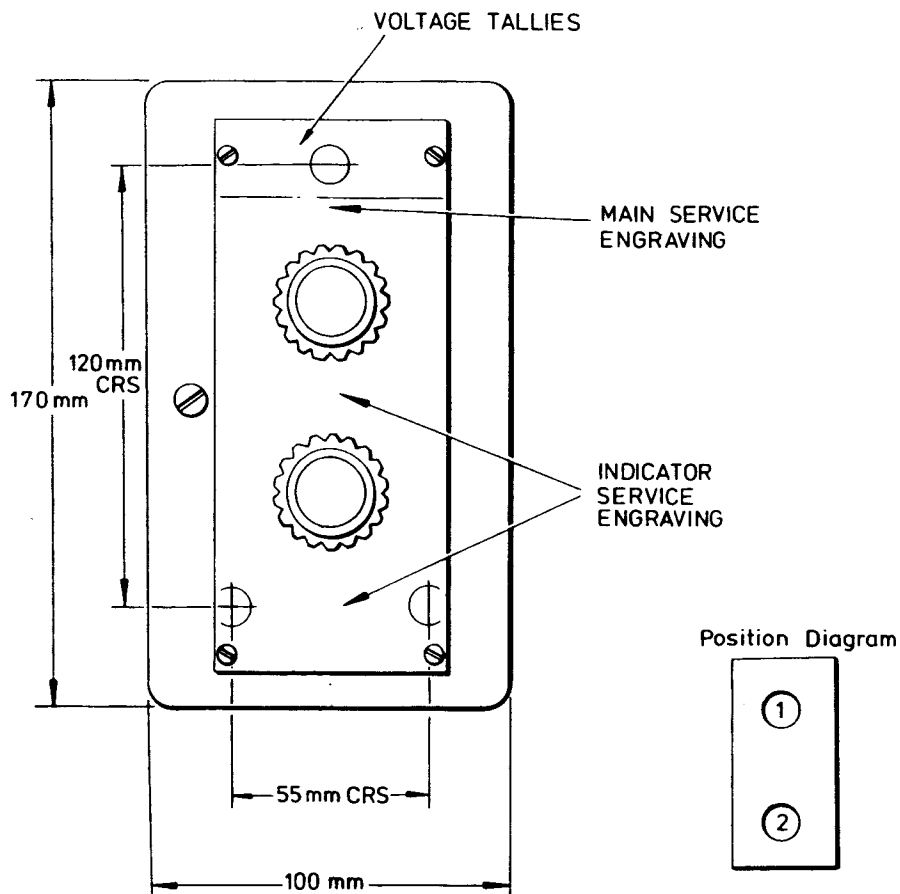
24Vdc NSN 6320-99-543-4417 NS CAT NO 0588/543-4417

115Vac NSN 6320-99-543-4416 NS CAT NO 0588/543-4416

23. LIGHTS - INDICATING

SELECTION GUIDE AND CONTENTS

Lamp Ways	Enclosure	Cable Facility		NSN 6210-99 NS Cat No 0581/	Page	Appropriation
2	Drip proof	2 grommets		529-3511	265	CURRENT
4	Drip proof	4 grommets		529-3512	266	CURRENT
6	Drip proof	6 grommets		529-3513	267	CURRENT
8	Drip proof	8 grommets		529-3514	268	CURRENT
			Lamp Fittings-resistor type	} For above boxes	269	CURRENT
			Lamp Fittings-transformer type		270	CURRENT
			Fitting Data		271	
			Statement of Requirements		272	
			Bullseyes		273	CURRENT
1	WT 0.1bar	2x1c 7D	With series pushbutton	923-5803	274	OBSOLESCE



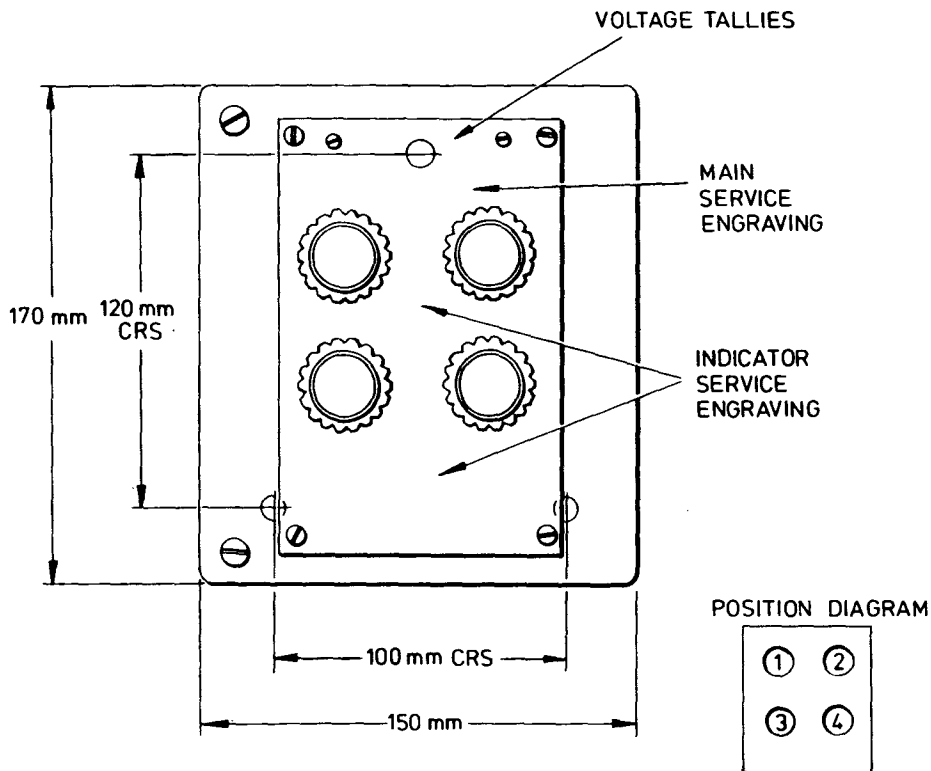
LIGHT INDICATOR BOX (CURRENT)

NSN 6210-99-529-3511, NS Cat No 0581/529-3511

DESCRIPTION - 1 or 2 way, 24V-440V, sheet aluminium alloy enclosure for bulkhead mounting, excluding lamps, lamp fittings and bullseyes. Integral bullseye securing rings.

- GA DRAWING - Service Drg No 007 507 356
- PROJECTION - 120mm
- FIXING - 3 x M8
- WATERTIGHT - Dripproof
- WEIGHT - 1.5kg (enclosure only)
- GLANDS - Bottom entry - 2 blank grommets unless otherwise specified
- TERMINALS - 4 BA
- CABLES - Up to a max dia of 13.8mm
- REPLACEMENT SPARES - See Page 269.
- MAGNETIC CLASSIFICATION - Category C

Note For 1-way Indicating Lamp Box 1 Bullseye to be "Blanked Off"



LIGHT INDICATOR BOX (CURRENT)

NSN 6210-99-529-3512, NS Cat No 0581/529-3512

DESCRIPTION - 3 or 4 way, 24V-440V, sheet aluminium alloy enclosure, for bulkhead mounting, excluding lamps, lamp fittings and bullseyes. Integral bullseye securing rings.

GA DRAWING - Service Drg No 007 507 365

PROJECTION - 120mm

FIXING - 3 x M8

WATERTIGHT - Drip-proof

WEIGHT - 2kg (enclosure only)

GLANDS - Bottom entry - 4 blank grommets unless otherwise specified

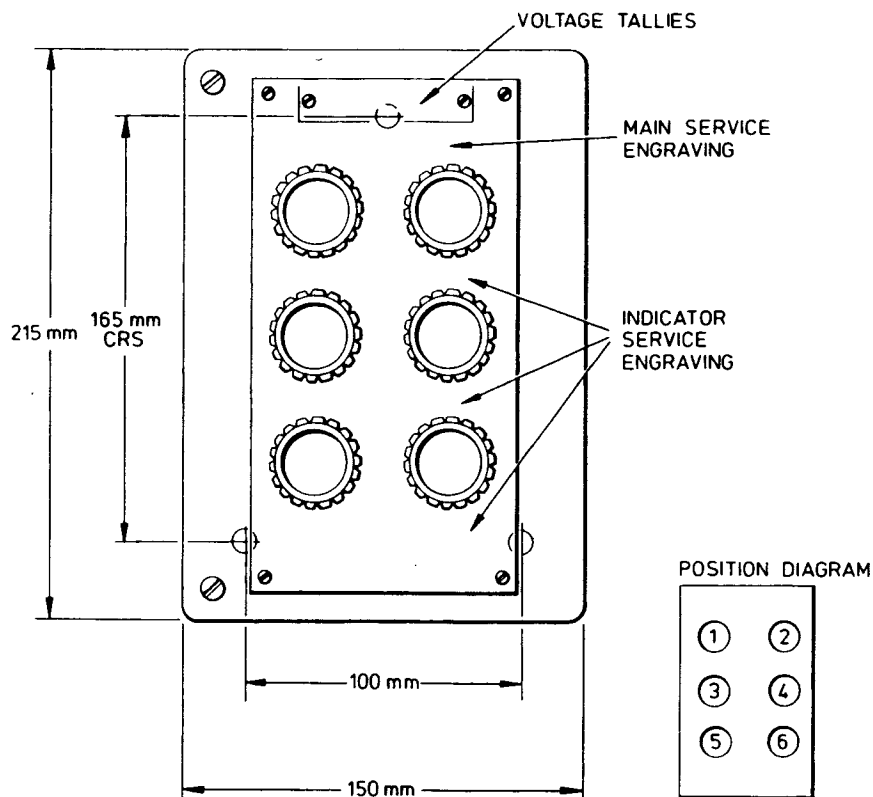
TERMINALS - 4 BA

CABLES - Up to a max dia of 13.8mm

REPLACEMENT SPARES - See Page 269.

MAGNETIC CLASSIFICATION - Category C

Note For 3-way Indicating Lamp Box 1 Bullseye to be "Blanked Off"



LIGHT INDICATOR BOX (CURRENT)

NSN 6210-99-529-3513, NS Cat No 0581/529-3513

DESCRIPTION - 5 or 6 way, 24V-440V, sheet aluminium alloy enclosure for bulkhead mounting, excluding lamps, lamp fittings and bullseyes. Integral bullseye securing rings.

GA DRAWING - Service Drg No 007 507 374

PROJECTION - 120mm

FIXING - 3 x M8

WATERPROOF - Dripproof

WEIGHT - 2.5kg (enclosure only)

GLANDS - Bottom entry - 6 blank grommets unless otherwise specified

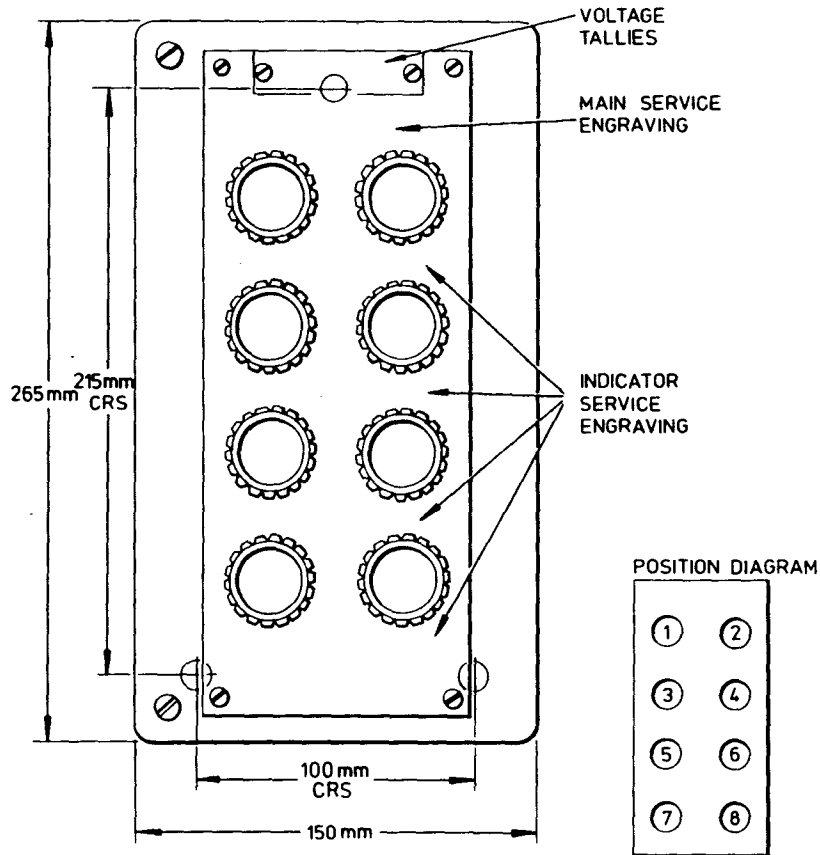
TERMINALS - 4 BA

CABLES - Up to a max dia of 13.8mm

REPLACEMENT SPARES - See Page 269.

MAGNETIC CLASSIFICATION - Category C

Note For 5-way Indicating Lamp Box 1 Bullseye to be "Blanked Off"



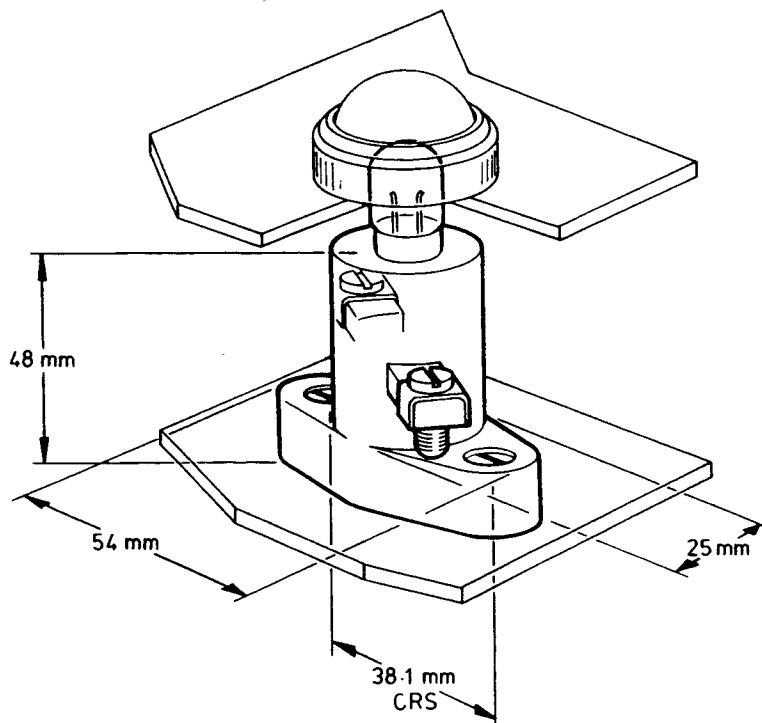
LIGHT INDICATOR BOX (CURRENT)

NSN 6210-99-529-3514, NS Cat No 0581/529-3514

DESCRIPTION - 7 or 8 way, 24V-440V, sheet aluminium alloy enclosure for bulkhead mounting, excluding lamps, lamp fittings and bullseyes. Integral bullseye securing rings.

- GA DRAWING - Service Drg No 007 507 383 (Wm White drg No 4816)
- PROJECTION - 120mm
- FIXING - 3 x M8
- WEIGHT - 3kg (enclosure only)
- GLANDS - Bottom entry - 8 blank grommets unless otherwise specified
- TERMINALS - 4 BA
- CABLES - Up to a max dia of 13.8mm
- REPLACEMENT SPARES - See Page 269.
- MAGNETIC CLASSIFICATION - Category C

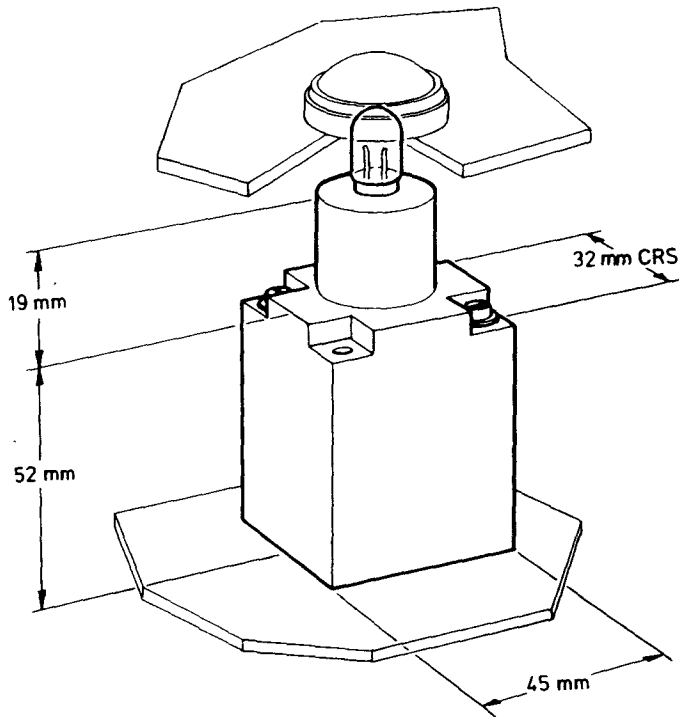
Note For 7-way Indicating Lamp Box 1 Bullseye to be "Blanked Off"



LAMP FITTING (CURRENT)

- (a) Green - NSN 6250-99-923-9908, NS Cat No 0585/923-9908
 - (b) Black - NSN 6250-99-923-9907, NS Cat No 0585/923-9907
 - (c) Yellow - NSN 6250-99-923-9906, NS Cat No 0585/923-9906
- DESCRIPTION - Resistor lamp fittings for use with multiway Lamp Indicating Boxes shown on Pages 265. to 268. incl.
Three types (moulded in distinctive colours) cover the following supplies:-
- (a) Green 24V ac/dc using a 28V 2.5 Watt filament lamp
 - (b) Black 115V ac 400Hz using a neon lamp
 - (c) Yellow 190/320V dc using a neon lamp
- GA DRAWING - DEE B 23224
PROJECTION - 66.5mm
FIXING - 2 x M4
WEIGHT - 60g
TERMINALS - 2 x 4 BA saddle clamps
REPLACEMENT SPARES - 28 volt 2.5 Watt Lamp NS Cat No 0584/995-1286
Neon Lamp NS Cat No 0584/996-2110

Note The NSN of the lamps used are to be engraved on the tally of the associated lamp box.



LAMP FITTING (CURRENT)

- (a) Black - NSN 6210-99-412-8338, NS Cat No 0581/412-8338
- (b) Yellow - NSN 6210-99-412-8339, NS Cat No 0581/412-8339
- (c) Red - NSN 6210-99-412-8340, NS Cat No 0581/412-8340

DESCRIPTION - Transformer lamp fittings for use with multiway Lamp Indicating Boxes shown on Pages 265. to 268, incl.

Three types (moulded in distinctive colours) cover the following supplies:-

- | | | |
|------------|---------------|----------------------------|
| (a) Black | 115V 60Hz |) Using a 28 volt 2.5 Watt |
| (b) Yellow | 230/260V 60Hz |) filament |
| (c) Red | 440V 60Hz |) indicator lamp |

GA DRAWING - SD No 006 050 165

PROJECTION - 86mm

FIXING - 2 x M4

WEIGHT - 310g

TERMINALS - 2 x 4 BA saddle clamps

REPLACEMENT SPARES - Lamp 28 volt NS Cat No 0584/995-1286

MAGNETIC CLASSIFICATION - Category A

- Note
1. - The NSN of the lamp used is to be engraved on the tally of the associated lamp box.
 2. - The Volt Amp input required by the above fittings with or without lamp is 115V 10-14VA, 230V & 440V 12-17VA.

FITTING DATA

Description	Volts At 60Hz	Colour	NS Cat No	Lamp (Filament) NS Cat No
Lamp Fitting:- Transformer Type To DEE 37299	115	Black	0581/412-8338	0584/995-1286
	230/260	Yellow	0581/412-8339	0584/995-1286
	440	Red	0581/412-8340	0584/995-1286
Lamp Unit securing Screws (2 per unit) (M5 x 50mm long)			0266/135-0710	

Note

Input Volt-Amps required by the above Lamp fittings (with or without lamp) is as follows: 115V - 10-14VA, 250V and 440V - 12-17VA.

Description	Volts dc	Colour	NS Cat No	Lamp (Neon) NS Cat No
Lamp Fitting:- Resistor Type To DEE 23224	190-320	Yellow	0585/923-9906	0584/996-2110
	95-155	Black	0585/923-9907	0584/996-2110
	28	Green	0585/923-9908	Lamp (Filament) 0584/995-1286
Lamp Unit securing Screws (2 per unit) (M4 x 12mm long)			0266/135-0696	
Mounting Pillar (2 per unit)				

BULLSEYES - NON WT (DRG.DEE A84974)

Colour of Glass	Used in Fittings
Clear Red	NS Cat No 0581/412-8363
Clear Green	NS Cat No 0581/412-8364
Clear Amber	NS Cat No 0581/412-8365
Clear Uncoloured	NS Cat No 0581/412-8246

Note

A clear Bullseye, with a white blanking card inside the lens, is to be fitted in any unused Lamp Box way.

GROMMETS

Size	NS Cat No	Overall Diameter of Cable	
		Min (mm)	Max (mm)
1	0413/580-1443	2.8	4.1
2	0413/580-1444	4.2	6.3
3	0413/580-1445	6.7	7.9
4	0413/580-1446	8.2	10.7
5	0413/580-1447	10.7	13.7
6	0413/580-1448	13.8	15.2
	0413/580-1449	"Blind" Grommet	

STATEMENT OF REQUIREMENTS

NES 538
Issue 4

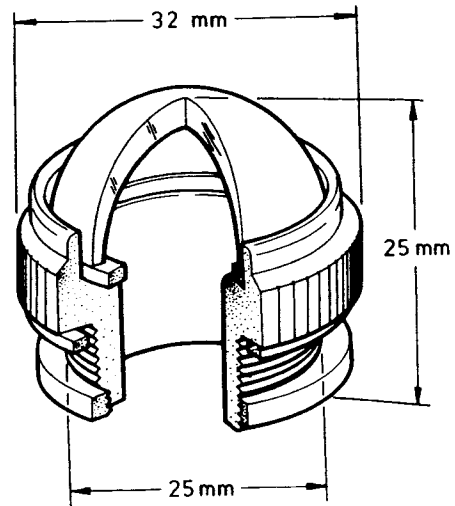
INDICATING LAMP BOX ASSEMBLY - STATEMENT OF REQUIREMENTS No.....										
Item	NATO Stock No	Requirements	Amplifying Data		Instructions					
Indicating Lamp Box: 2 Way	6210-99-529-3511	X	X	X	X	X	X	Drawing SDN 007 507 356 & set	Tick No of ways reqd.	
	6210-99-529-3512	X	X	X	X	X	X			
	6210-99-529-3513	X	X	X	X	X	X			
	6210-99-529-3514	X	X	X	X	X	X			
			Position							
			1	2	3	4	5	6	7	8
Lamp Fitting, Transformer Type:		X	X	X	X	X	X	X	X	SD No 006050165
440V 60Hz	6210-99-412-8340	X	X	X	X	X	X	Each requires: 2 in No Screws 5305-99-135-0710 2 in No Lock Washers 5310-99-135-9292	Lamp, Filaments 6240-99- 995-1286	Tick Lamp Fitting required for each position
230/260V 60Hz	6210-99-412-8339	X	X	X	X	X	X			
115V 60Hz	6210-99-412-8338	X	X	X	X	X	X			
Lamp Fitting, Resistor Type:		X	X	X	X	X	X	X	X	Drawing DEE 23224
24V ac/dc	6250-99-923-9908	X	X	X	X	X	X	Each requires: 2 in No Pillars 6210-99-529-3515, 4 in No Screws 5305-99- 135-0696 & 4 in No Lock Washers 5310- 99-633-4723	Lamp. Neon: 6240-99- 996-2110	Tick Lamp Fitting required for each position
190/320V dc	6250-99-923-9906	X	X	X	X	X	X			
95/155V dc 115V 400Hz	6250-99-923-9907	X	X	X	X	X	X			
Bullseye, Non-Watertight		X	X	X	X	X	X	X	X	Drawing DEE A 84980
Clear Red	6210-99-412-8363	X	X	X	X	X	X	Positions without Lamp Fitting to be fitted with Uncoloured Bullseye 6210-99-412-8246 fitted with internal white opaque disc.	Tick Bullseye required for each position in which a Lamp Fitting is required.	
Clear Green	6210-99-412-8364	X	X	X	X	X	X			
Clear Amber	6210-99-412-8365	X	X	X	X	X	X			
Clear Uncoloured	6210-99-412-8246	X	X	X	X	X	X			
Grommet, For Cable Diam:		X	X	X	X	X	X	X	X	
2.8 - 4.1mm	5325-99-580-1443	X	X	X	X	X	X	Drawing DEE A 60550	Tick Grommets required for each position. Number of Grommets MUST EQUAL number of ways in Lamp Box	
4.2 - 6.6mm	5325-99-580-1444	X	X	X	X	X	X			
6.7 - 8.1mm	5325-99-580-1445	X	X	X	X	X	X			
8.2 - 10.7mm	5325-99-580-1446	X	X	X	X	X	X			
10.8 - 13.7mm	5325-99-580-1447	X	X	X	X	X	X			
13.8 - 15.2mm	5325-99-580-1448	X	X	X	X	X	X			
Grommet, Blank	5325-99-580-1449	X	X	X	X	X	X	Drawing DEE A 60549		

272.

BULLSEYE (CURRENT)

DESCRIPTION - Watertight bullseye (lens glass)
 GA DRAWING - DEE A 84974
 PROJECTION - 16mm
 FIXING - 25.4mm conduit thread
 WEIGHT - 57g
 WATERTIGHT - 1.0bar

Colour of Lens	NS Cat No
Clear Uncoloured	0581/412-8369
Clear Red	0581/520-6509
Clear Green	0581/520-6510
Clear Amber	0581/520-6511

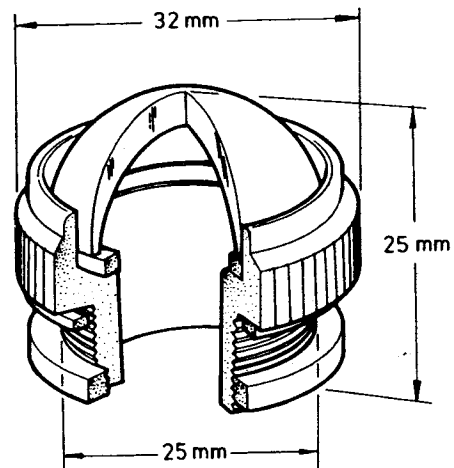


REPLACEMENT SPARES - Washer NS Cat No 0581/202880
 Securing ring NS Cat No 0581/202879
 MAGNETIC CLASSIFICATION - None

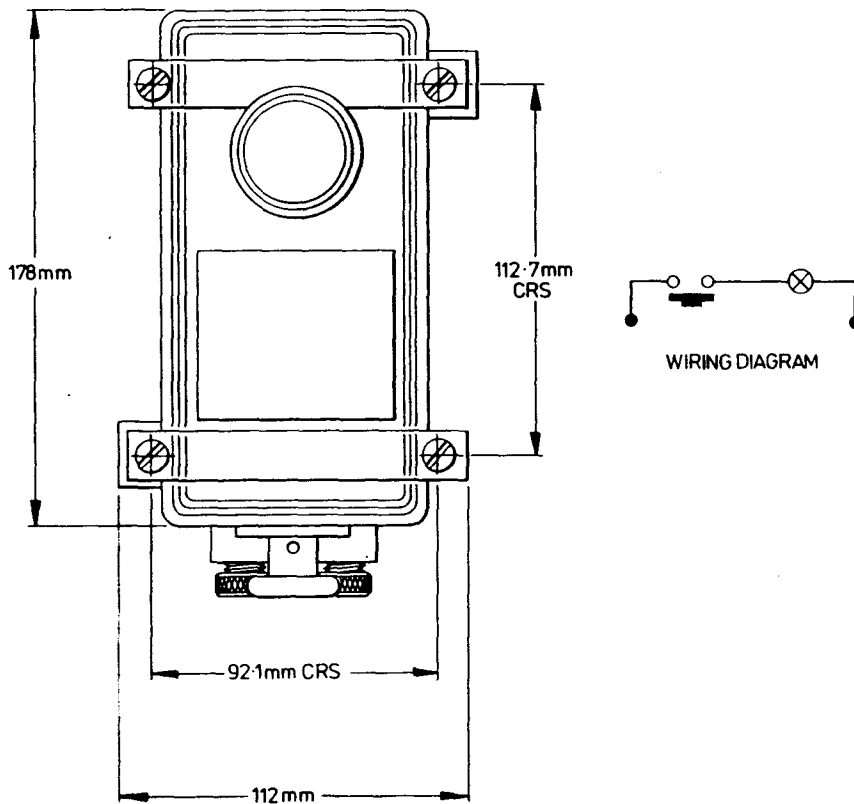
BULLSEYE (CURRENT)

DESCRIPTION - Non-watertight bullseye (lens glass)
 GA DRAWING - DEE A 84980
 PROJECTION - 16mm
 FIXING - 25.4mm conduit thread
 WEIGHT - 50g
 WATERTIGHT - Non-watertight

Colour of Lens	NS Cat No
Clear Red	0581/412-8363
Clear Green	0581/412-8364
Clear Amber	0581/412-8365
Clear Uncoloured	0581/412-8246



REPLACEMENT SPARES - Washer NS Cat No 0581/202880
 Securing ring NS Cat No 0581/202879
 MAGNETIC CLASSIFICATION - None



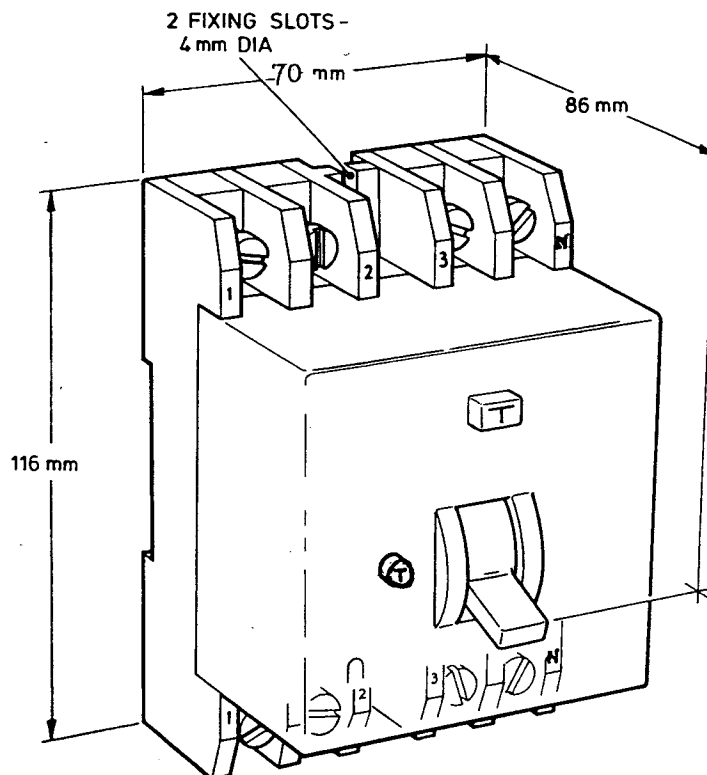
LIGHT INDICATION BOX & PUSH (OBSCOLESCENT)

NSN 6210-99-923-5803, NS Cat No 0581/923-5803, Formerly - AP 17122
DESCRIPTION - 220V, 12 Watt lamp and series push, for bulkhead mounting.

- GA DRAWING - DEE 59094
- PROJECTION - 121mm
- FIXING - 2 x M8
- WATERTIGHT - 0.1bar
- WEIGHT -
- GLANDS - 2 x size 1 to SEE 125
- TERMINALS - 4 BA connection heads
- CABLES - 2 single core, max dia 7.5mm
- REPLACEMENT SPARES - Lampholder NS Cat No 0585/412-8520
Lamp NS Cat No 0584/996-4209
- MAGNETIC CLASSIFICATION - Category C

8. RESIDUAL CURRENT DEVICE (RCD)

Item	Enclosure	Max Current	Max Volts	NSN 5925-99-NS CAT No.0564/	Page	Appropriation
RCD	NWT	40	440	549-1608	277	CURRENT
IN LINE ELCB	0.1 bar	40	440	783-4324	278	CURRENT



RESIDUAL CURRENT DEVICE - RCD (CURRENT)

NSN 5925-99-549-1608, NS Cat No 0564/549-1608

DESCRIPTION - 40 amp, 440V, 3 phase (3 of 4 wire) Trip Rating 30mA.

40 amp, 240V, 1 phase, Double Wound, Trip Rating 15mA.

PROJECTION - 86mm

FIXING - Slots on vertical centre line suitable for M4 screws 100mm apart.

WATERTIGHT - N.W.T.

TERMINALS - Capacity 16 sq mm

MAGNETIC CLASSIFICATION - None

SPECIAL NOTE Modified commercial unit NOT SHOCKPROOF. For Shipboard use must be resiliently mounted in an enclosure.

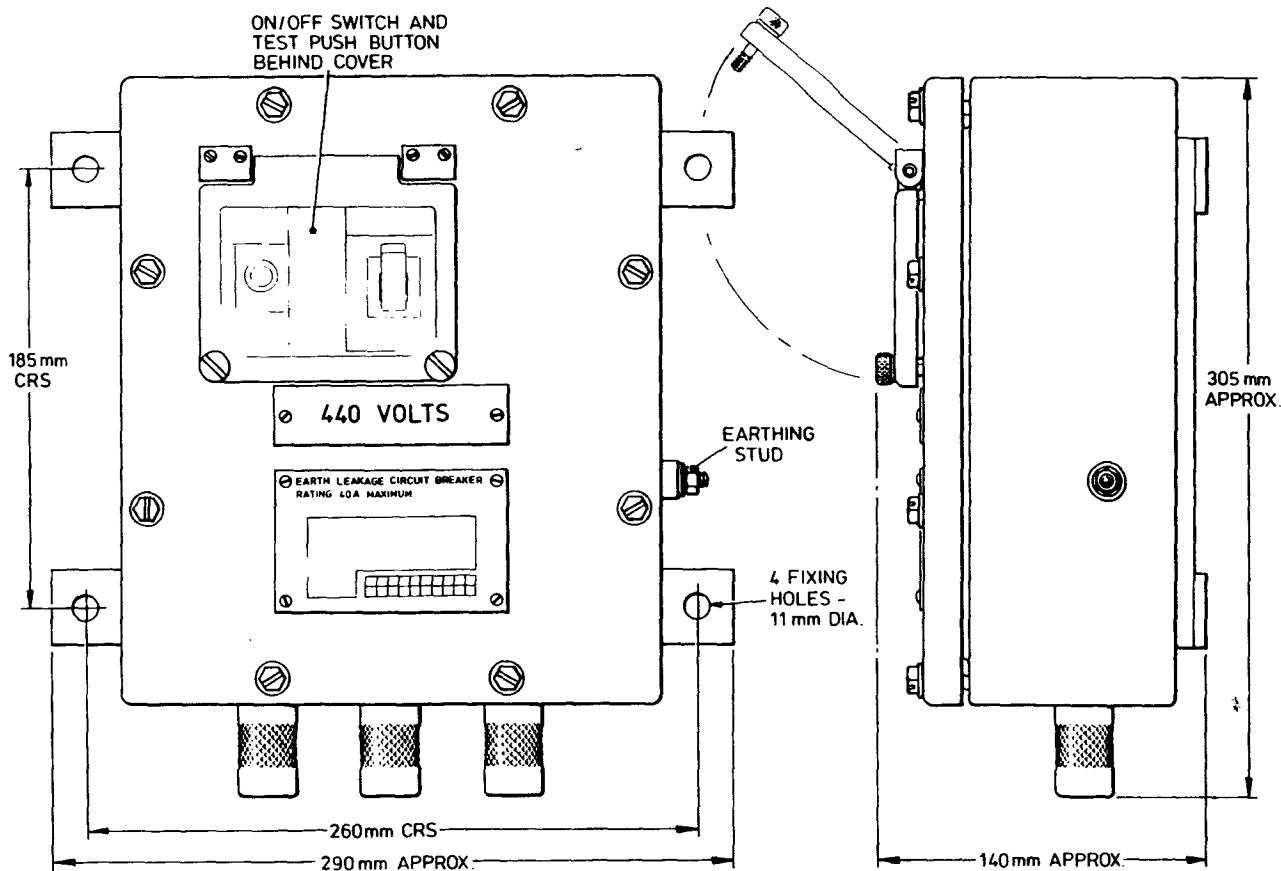
MANUFACTURERS' REF - WES 40/4 With NATO Label.

Notes 1. This RCD is trip free, ie contacts will open if device is closed onto a circuit with an earth fault present.

2. The RCD is fitted with an internal test resistor suitable for use on 440V also 240V when double wound.

3. When used on 240V 1 phase connect as follows to 'DOUBLE WIND'

- Line in the top terminal 3
- Link bottom terminal 3 to top terminal 2.
- Line out to bottom terminal 2.
- Neutral in to top terminal N.
- Link bottom terminal N to top terminal 1.
- Neutral out to bottom terminal 1.



IN LINE EARTH LEAKAGE CIRCUIT BREAKER UNIT(CURRENT)

AVAILABILITY - Consult DGSM ME312 before specifying this item

NSN 5925-99-783-4324, NS Cat No 0564/783-4324

DESCRIPTION - In Line Earth Leakage Circuit Breaker unit. Can be connected
as 440V, 3ph 40 amp 30mA trip.
or 240V, 1ph 40 amp 15mA trip
240V, 1ph 40 amp 30mA trip
115V, 1ph 40 amp 15mA trip
115V, 1ph 40 amp 30mA trip

GA DRAWING - SDN 007 527 291

PROJECTION - 140mm

WATERTIGHT - 0.1bar

WEIGHT -

GLANDS - 3 x M20

TERMINALS -

MAGNETIC CLASSIFICATION -

REPLACEMENT SPARES - ELCB NSN 5925-99-549-1608, NS Cat No 0564/549-1608

Modification kit for RCD (Mark II) NSN 5925-99-872-8817

NS CAT No. 0564/872-8817

Note For 15mA sensitivity ELCB is to be connected as a "Double Wound Unit"
(See Note 3 on Page 277).

9. JUNCTION BOXES

SELECTION GUIDE AND CONTENTS

Type	Maximum				Enclosure	Cable Facility	Remarks	NSN	Page	Appropriation
	Voltage		Current A							
	dc	ac	dc	ac						
Looping	220	115	5	5	NWT	Clamps	2 pole, 3 way and earth	5940-99-444-5399	283	OBSOLESCE
-in	220	115	5	5	NWT	Clamps	2 pole, 3 way and earth	5935-99-427-7401	282	OBSOLESCE
	220	115	31	31	WT 0.1bar	(2x3c 25D) (2x1c 7D)	2 pole, 3 way and earth	5975-99-445-8514	285	OBSOLESCE
boxes	-	230	-	31	WT 0.1bar	6x1c 10D	2 pole, 3 way	5935-99-427-7394	281	OBSOLESCE
Looping-in base	-	230	-	31	WT 0.1bar	8x1c 10D	4 pole, 2 way or 2 pole, 4 way	5935-99-427-7395	281	OBSOLESCE
Cord grip	220	115	10	10	NWT	4x1c 8D		5940-99-923-5728	282	OBSOLESCE
Base cover	220	115	2	2	NWT	8D		6210-99-923-5760	286	OBSOLESCE
Outlet cap	-	-	-	-	WT 0.1bar	-) For use with looping-in	5940-99-923-5426	287	OBSOLESCE
Fixing plate	220	115	2	2	-	2x1c 8D) base as required	5975-99-923-5427	286	OBSOLESCE
Looping-in box	-	-	-	-	-	-)	5999-99-923-5423	287	OBSOLESCE
	-	115	-	7	NWT	(4x1c 7.8D (8x1c 5.8D		6350-99-523-1561	284	OBSOLESCE
Cable changing box	220	115	50	50	Drip-proof	2x7D,2x16D,1x25D	2 pole, 3 way and earth	5975-99-445-8277	285	OBSOLESCE
Joint box	24	-	30	-	WT 0.1bar	2x10D 1x16D	2 pole, 3 way and earth	5975-99-444-4720	288	OBSOLESCE
Joint box	24	-	30	-	WT 0.1bar	4x16D	4 pole, 4 way	5975-99-444-4783	289	OBSOLESCE
Joint box	24	-	30	-	WT 0.1bar	2x10D,1x16D,1x25D	5 pole, 2 way	5975-99-531-4492	289	OBSOLESCE
Joint box	24	-	30	-	WT 0.1bar	4x10D 2x16D	2 pole, 6 way and earth	5975-99-460-3723	290	OBSOLESCE
Joint box	220	115	30	30	WT 0.4bar	6x16D 2x25D	8 pole, 4 way	5940-99-445-8507	291	CURRENT
Terminal box		440		30	Drip proof		1-5 way terminal assembly	5940-99-523-5785	292	OBSOLESCE
Terminal box		440		30	Drip proof		2-5 way terminal assemblies	5940-99-523-5786	292	OBSOLESCE
Terminal box		440		47	Drip proof		3-5 way terminal assemblies	5940-99-523-5787	292	OBSOLESCE
Junction box					Watertight		20 pole, 60 way taper pin	5940-99-522-5013	293	CURRENT
Junction box		115		20	Drip proof	4 x 13.7D	2 pole, 4 way	5940-99-531-5649	294	OBSOLESCE

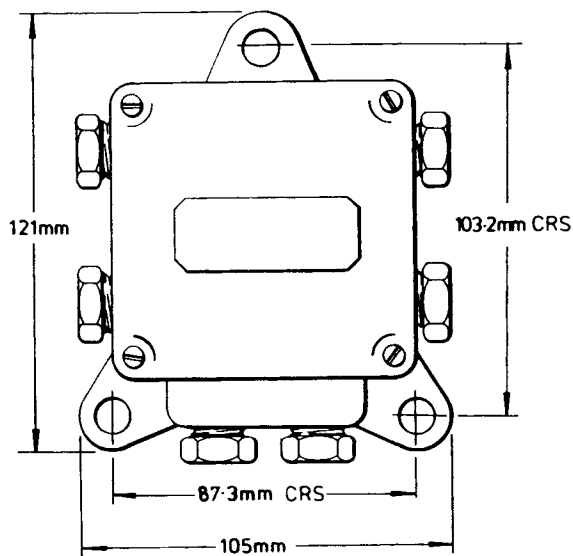
NOTE

Refer to NES 541 for commercial alternatives

JUNCTION BOX (OBSOLESCE)

NSN 5935-99-427-7394. NS Cat No 0568/427-7394, Formerly AP 200223
DESCRIPTION - Looping-in box, aluminium alloy enclosure. 31/15 amp.
Rated up to 230V ac, for bulkhead mounting.

GA DRAWING - DEE 68040
PROJECTION - 46.0mm
FIXING - 3 x M6
WEIGHT -
WATERTIGHT - 0.1bar
GLANDS - 6 x size No 2 to SEE 125



TERMINALS - 4 of OBA and 2 of 2BA
saddle clamps

CABLES - 6 x 10mm max dia

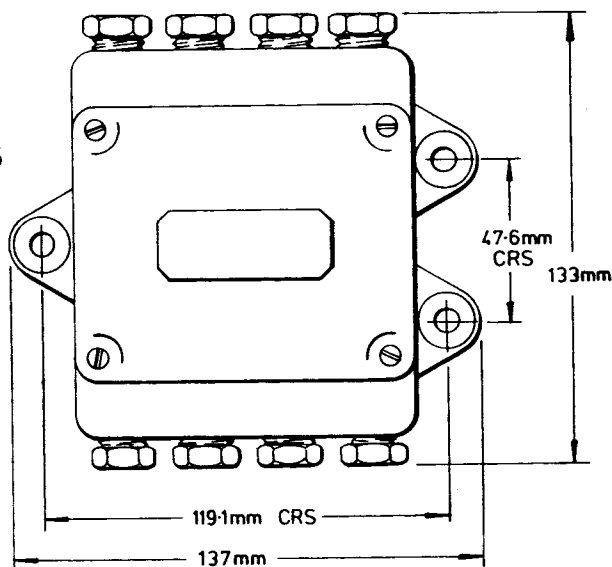
REPLACEMENT SPARES -

MAGNETIC CLASSIFICATION - None

JUNCTION BOX (OBSOLESCE)

NSN 5935-99-427-7395, NS Cat No 0568/427-7395. Formerly AP 200224
DESCRIPTION - Looping box, aluminium alloy enclosure. 31/31 amp.
Rated up to 230V ac, for bulkhead mounting.

GA DRAWING - DEE 68048
PROJECTION - 57mm
FIXING - 3 x M6
WEIGHT -
WATERTIGHT - 0.1bar
GLANDS - 8 x size No 2 to SEE 125



TERMINALS - 8 of OBA saddle clamps
CABLES - 8 x 10mm max dia

REPLACEMENT SPARES -

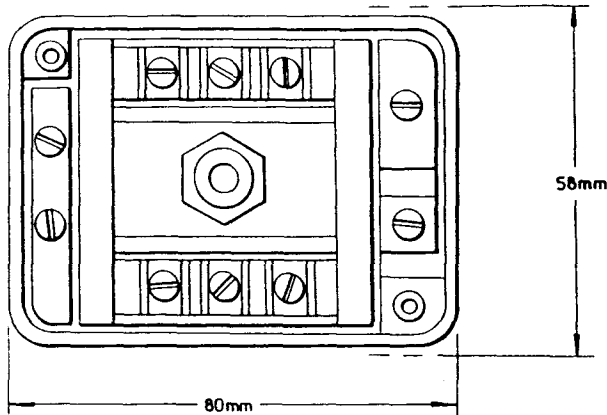
MAGNETIC CLASSIFICATION - None

JUNCTION BOX (OBSOLESCE)

NSN 5935-99-427-7401, NS Cat No 0568/427-7401, Formerly AP 207605

DESCRIPTION - Looping-in box aluminium alloy enclosure for bulkhead mounting.
5 amp, rated up to 115V ac or 220V dc for 1 flexible 3 core cable.

- GA DRAWING - DEE 68021
- PROJECTION - 25.4mm overall
- FIXING - 1 x M6
- WEIGHT -
- WATERTIGHT - Non-watertight
- GLANDS - Cable clamp



- TERMINALS - 4 BA saddle clamps
- CABLES - 4 single-core and 2 multi-core

REPLACEMENT SPARES -

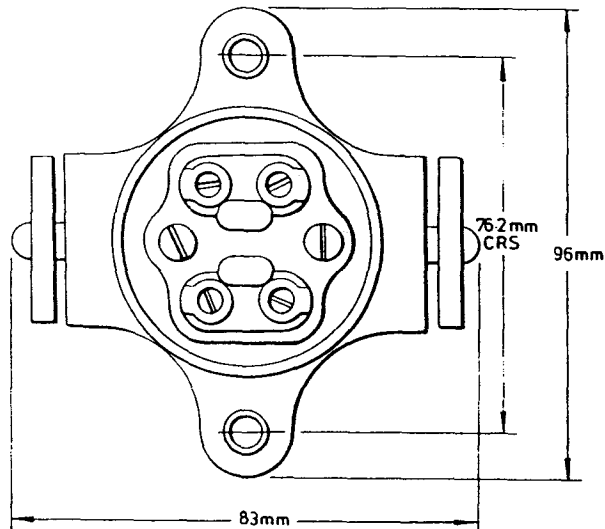
MAGNETIC CLASSIFICATION - Category A

JUNCTION BOX (OBSOLESCE)

NSN 5940-99-923-5728, NS Cat No 0581/923-5728, Formerly AP 4483

DESCRIPTION - Looping-in base, aluminium alloy enclosure for deckhead or bulkhead mounting. Rated up to 10 amp, 115V ac or 220V dc, for lighting fittings

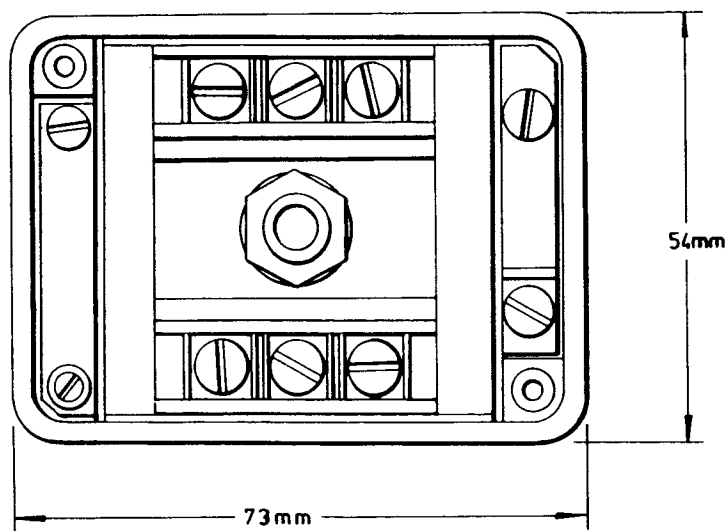
- GA DRAWING - SDN 007 017 007
- PROJECTION - 25.4mm (without cover)
- FIXING - 2 x M6
- WEIGHT - 0.2kg
- WATERTIGHT - Non-watertight
- GLANDS - 2 x 2 hole



- TERMINALS - 4 x M4
- CABLES - 4 single-core 7.9mm max dia

REPLACEMENT SPARES -

MAGNETIC CLASSIFICATION - Category A

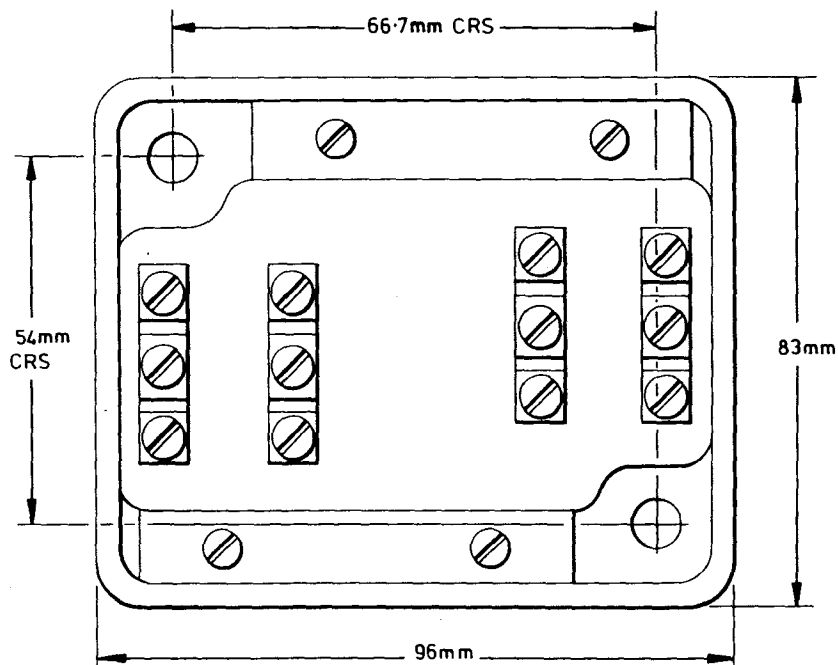


JUNCTION BOX (OBSOLESCE)

NSN 5940-99-444-5399, NS Cat No 0559/444-5399, Formerly AP 200355
DESCRIPTION - Looping-in box, aluminium alloy enclosure. Rated up to 5 amp
115V ac or 220V dc.

GA DRAWING - DEE 72659-62
PROJECTION - 25.4mm
FIXING - 1 x M6
WEIGHT -
WATERTIGHT - Non-watertight
GLANDS - 6 cable clamps
TERMINALS - 2 x 3 way 4BA terminal
blocks
CABLES - 6 x single core 6.5mm dia
REPLACEMENT SPARES -

MAGNETIC CLASSIFICATION - Category A



JUNCTION BOX (OBSOLESCE)

NSN 6350-99-523-1561, NS Cat No 0559/523-1561

DESCRIPTION - Looping-in box, plastic. Rated up to 7 amp
115V ac, for duplicate power supplies to three tube fluorescent
fittings.

GA DRAWING - SDN 007 508 020

PROJECTION - 31mm overall

FIXING - 2 x M6

WEIGHT -

WATERTIGHT - Non-watertight

GLANDS - 2 x 6 hole cable clamps

TERMINALS - 12 x 6 BA saddle clamps

CABLES - 4 single core 7.8mm max dia.

8 single core 5.8mm max dia.

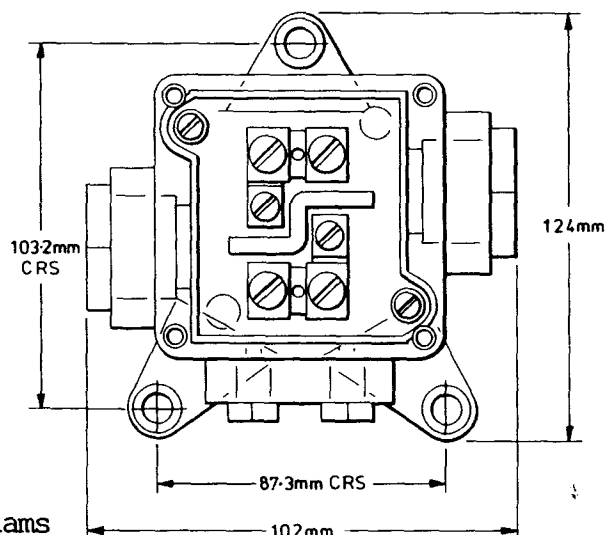
REPLACEMENT SPARES -

MAGNETIC CLASSIFICATION -

JUNCTION BOX (OBSOLESCE)

NSN 5975-99-445-8514, NS Cat No 0559/445-8514, Formerly AP 200366
DESCRIPTION - Looping-in box, aluminium alloy enclosure 15/31 amp Rated up to 115V ac or 220V dc

GA DRAWING - DEE 73834
PROJECTION - 54mm
FIXING - 3 x M6
WEIGHT -
WATERTIGHT - 0.1bar
GLANDS - 2 x size No 1 and
2 x size No 4 to SEE 125



TERMINALS - 4 x 0 BA and 2 x 2 BA
CABLES - 2 x 7.5mm, 2 x 25mm max diams

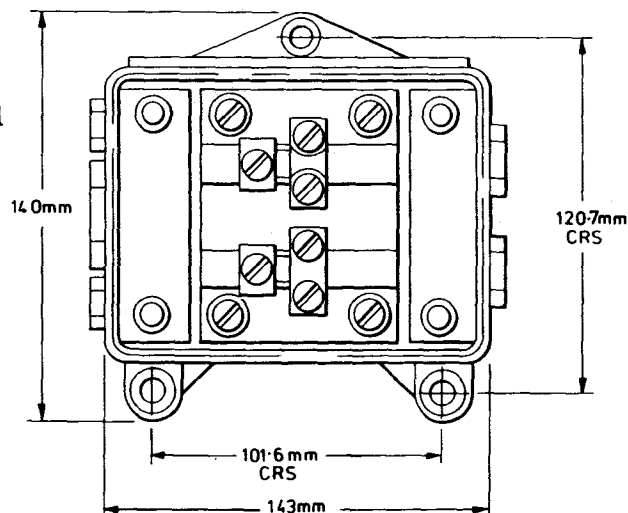
REPLACEMENT SPARES -

MAGNETIC CLASSIFICATION - None

JUNCTION BOX (OBSOLESCE)

NSN 5975-99-445-8277, NS Cat No 0559/445-8277, Formerly AP 221424
DESCRIPTION - Cable changing box. Rated up to 115V ac or 220V dc 50 amp
Aluminium alloy enclosure.

GA DRAWING - DEE 40128
Metric version available
see William White & Co Ltd
DG No 5415
PROJECTION - 79mm
FIXING - 3 x M6
WEIGHT -
WATERTIGHT - Drip proof
GLANDS - 2 x size No 1,
2 x size No 3 and
1 x size No 4 to DG ships
specification 1535



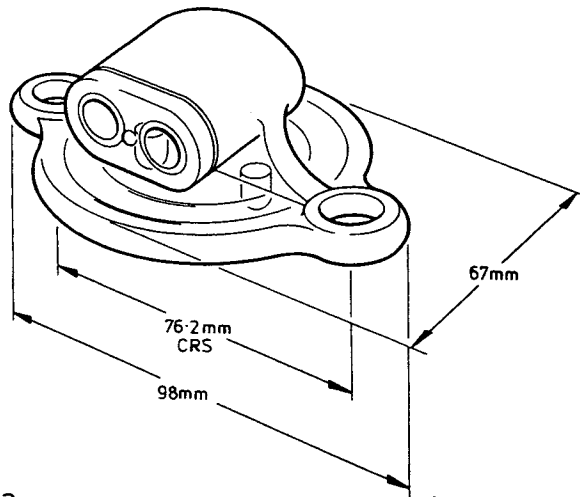
TERMINALS - 2 x 0 BA saddle clamps and
2 x size No 1 connection clamps to DEE 5353
CABLES - 2 x 7.5mm, 2 x 16mm, 1 x 25mm max diams
REPLACEMENT SPARES -

MAGNETIC CLASSIFICATION - None

THIRD OUTLET CAP (OBSOLESCE)

NSN 5975-99-923-5427, NS Cat No 0581/923-5427, Formerly AP 4493
DESCRIPTION - Third outlet cap for Looping-in base NS Cat No 0581/923-5728
115V ac/ 220V dc, 2 amps max. Aluminium alloy.

- GA DRAWING - SEE 714 (Chatham)
- PROJECTION - 38mm
- FIXING - 2 x M8
- WEIGHT - 113g
- WATERTIGHT - NWT
- GLANDS - 2 x size No 00 to DEE 5100



- TERMINALS -
- CABLES - 2 x single core 7.9mm max dia

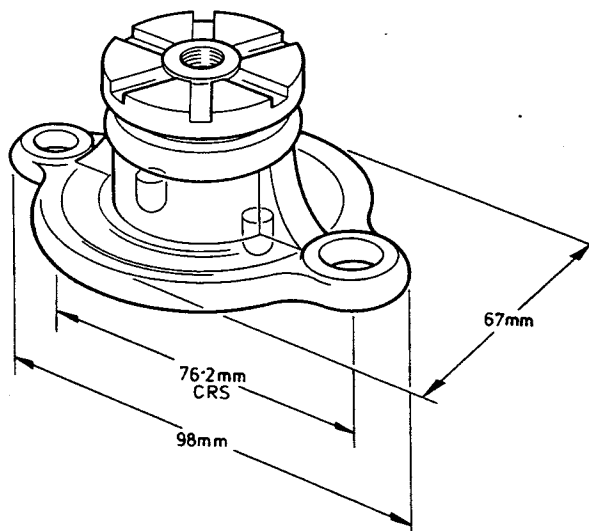
REPLACEMENT SPARES -

MAGNETIC CLASSIFICATION - None

CORD GRIP FITTING (OBSOLESCE)

NSN 6210-99-923-5760, NS Cat No 0581/923-5760, Formerly AP 17174
DESCRIPTION - Cord grip fitting for Looping-in base NS Cat No 0581/923-5728
Rated up to 2 amp at 115V ac or 220V dc. Aluminium alloy.

- GA DRAWING - SEE 615 (Chatham)
- PROJECTION - 50mm
- FIXING - 2 x M8
- WEIGHT - 113g
- WATERTIGHT - Non-watertight
- GLANDS - To suit specified cable



- TERMINALS -
- CABLES - 8mm in dia max (flexible)

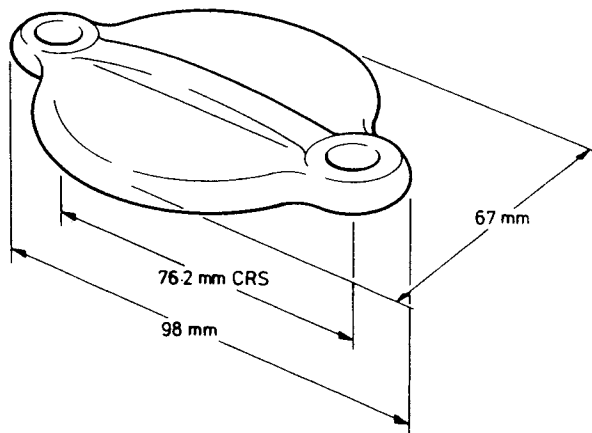
REPLACEMENT SPARES -

MAGNETIC CLASSIFICATION - None

COVER (OBSCLESCENT)

NSN 5940-99-923-5426, NS Cat No 0581/923-5426, Formerly AP 4487
DESCRIPTION - Plain cover. Cast or sheet aluminium alloy.

GA DRAWING - SEE 714 (Chatham)
PROJECTION - 12mm
FIXING - 2 x M6
WEIGHT -
WATERTIGHT - NWT
GLANDS -



TERMINALS -
CABLES -

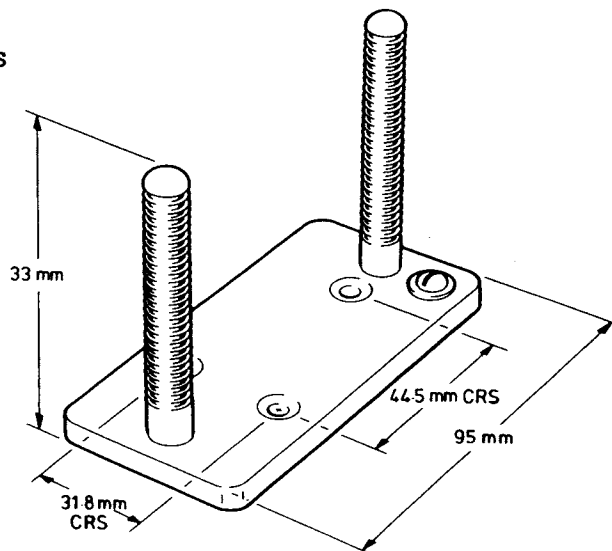
REPLACEMENT SPARES - Rubber Washer NS Cat No 0413/923-9321

MAGNETIC CLASSIFICATION - None

FIXING PLATE (OBSCLESCENT)

NSN 5999-99-923-5423, NS Cat No 0581/923-5423, Formerly AP 4379
DESCRIPTION - Fixing plate bearing 8mm studs on 76.2mm centres for securing Looping-in base NS Cat No 0581/923-5728 in wooden craft or similar structures where normal fixing studs or bolts cannot be fitted

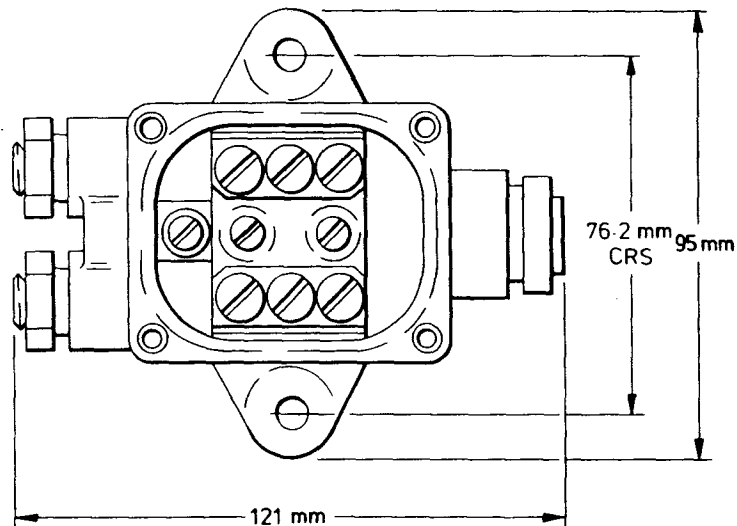
GA DRAWING - SEE 12 (Chatham)
PROJECTION - 49.2mm
FIXING - 3 x No 8 Wood screws
WEIGHT - 170g
WATERTIGHT - NWT
GLANDS -



TERMINALS - 1 x earthing screw
CABLES -

REPLACEMENT SPARES -

MAGNETIC CLASSIFICATION - Category C



JUNCTION BOX (OBSOLESCE)

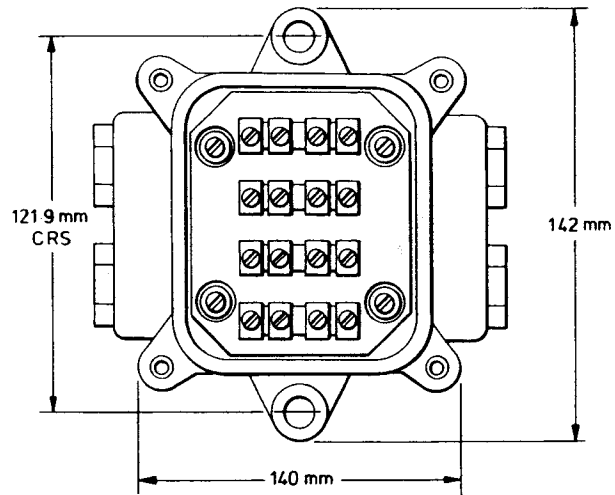
NSN 5975-99-444-4720, Ns Cat No 0559/444-4720, Formerly AP 3730
DESCRIPTION - Joint box, Rated at 24V dc 30 amp. Naval Brass enclosure.

- GA DRAWING - DEE B 74043
- PROJECTION - 47-6mm
- FIXING - 2 x M6
- WEIGHT - 900 grams
- WATERTIGHT - 0.1bar
- GLANDS - 2 x size No 2 and 1 x size No 3 to DG Ships specification 1535
- TERMINALS - 2 x 2 BA 3 way terminal blocks and 1 x 2 BA earth terminal
- CABLES - 2 x 10mm, 1 x 16mm max diams
- REPLACEMENT SPARES -
- MAGNETIC CLASSIFICATION - None

JUNCTION BOX (OBSCOLESCENT)

NSN 5975-99-444-4783, NS Cat No 0559/444-4783, Formerly AP 12404
DESCRIPTION - Joint box, 4 pole, 4 way. Rated at 24V dc 30 amp.
Aluminium alloy enclosure.

GA DRAWING - DEE 17606
PROJECTION - 76mm
FIXING - 2 x M6
WEIGHT - 1.6kg
WATERTIGHT - 0.1bar
GLANDS - 4 x size No 3



TERMINALS - 2 BA saddle clamps
CABLES - 4 multicore 16mm max dia

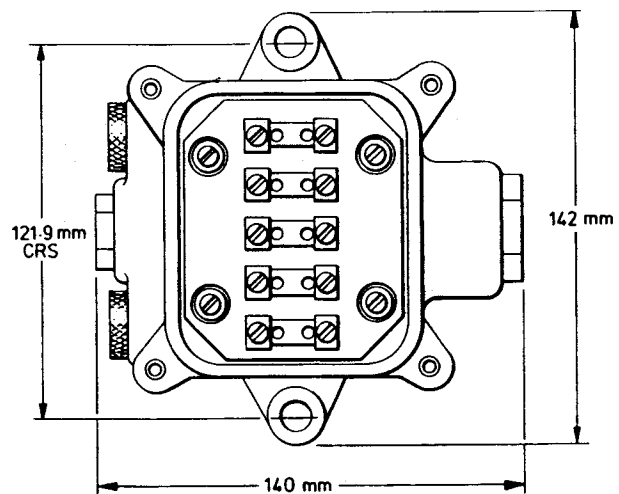
REPLACEMENT SPARES -

MAGNETIC CLASSIFICATION - None

JUNCTION BOX (OBSCOLESCENT)

NSN 5975-99-531-4492, NS Cat No 0559/531-4492, Formerly AP 12484
DESCRIPTION - Joint box, 5 pole, 2 way. Rated at 24V dc 30 amp.
Aluminium alloy enclosure.

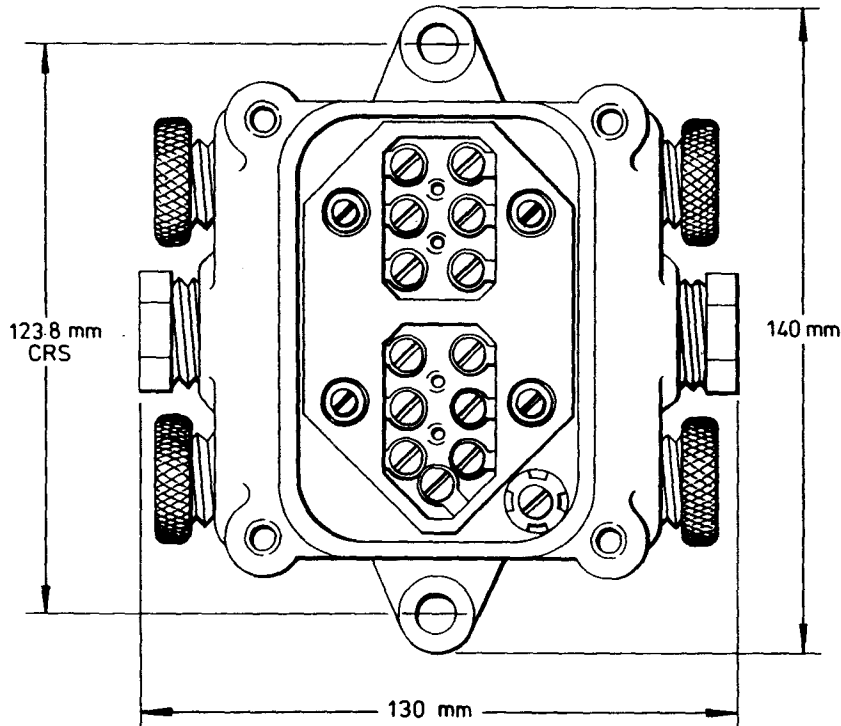
GA DRAWING - DEE 17607
PROJECTION - 76mm
FIXING - 2 x M6
WEIGHT - 1.6kg
WATERTIGHT - 0.1bar
GLANDS - 2 x size No 2
 1 x size No 3 and
 1 x size No 4



TERMINALS - 2 BA saddle clamps
CABLES - 2 x 10mm, 1 x 16mm, 1 x 25mm max dia

REPLACEMENT SPARES -

MAGNETIC CLASSIFICATION - None

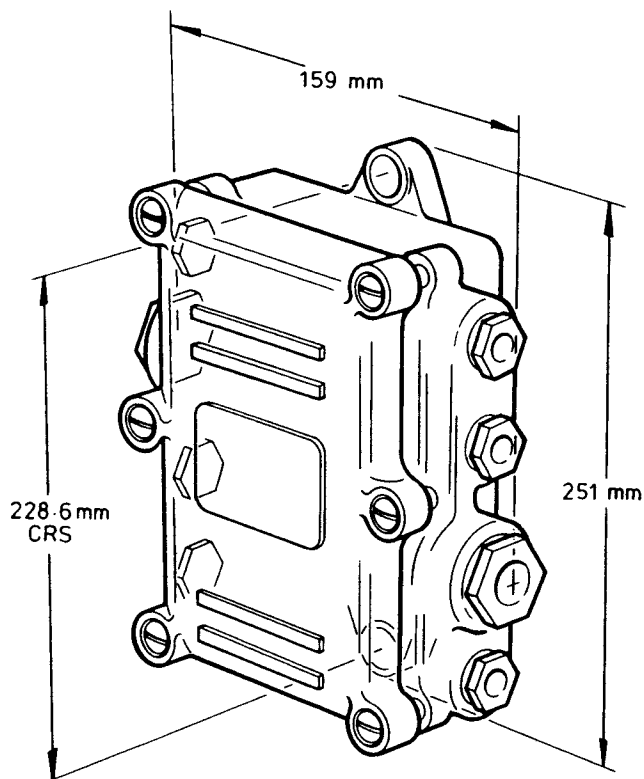


JUNCTION BOX (OBSCOLESCENT)

NSN 5975-99-460-3723, NS Cat No 0559/460-3723, Formerly AP 12483

DESCRIPTION - Joint box, 2 pole, 6 way with provision for earthing one pole. Rated at 24V dc 30 amp. Aluminium alloy enclosure.

- GA DRAWING - DEE 17091
- PROJECTION - 55.8mm
- FIXING - 2 x M6
- WEIGHT - 1.1kg
- WATERTIGHT - 0.1bar
- GLANDS - 4 x size No 2 and 2 x size No 3
- TERMINALS - 2 BA terminal screws including earth.
- CABLES - 4 x 10mm max dia and 2 x 16mm max dia
- REPLACEMENT SPARES -
- MAGNETIC CLASSIFICATION - None



JUNCTION BOX (CURRENT)

NSN 5940-99-445-8507, NS Cat No 0559/445-8507, Formerly AP 200254
DESCRIPTION - Joint box, 8 pole, 4 way. Rated up to 115V ac or
220V dc 30 amp. Aluminium alloy enclosure.

GA DRAWING - DEE C65405

PROJECTION - 81mm

FIXING - 2 x M8

WATERTIGHT - 0.4bar

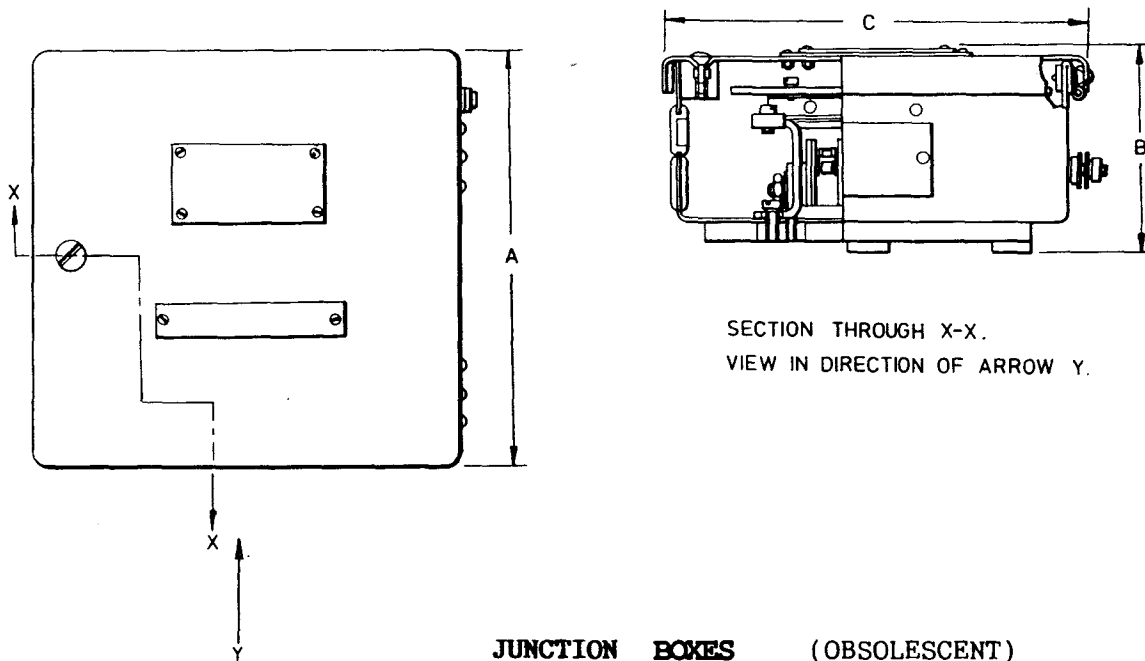
GLANDS - 6 x size No 3 and 2 x size No 4 to SEE 325

TERMINALS - 4 x 2 BA saddle clamps per pole

CABLES - Multicore 1 x 16mm, 1 x 25mm max diams

REPLACEMENT SPARES -

MAGNETIC CLASSIFICATION - None



JUNCTION BOXES (OBSOLESCENT)

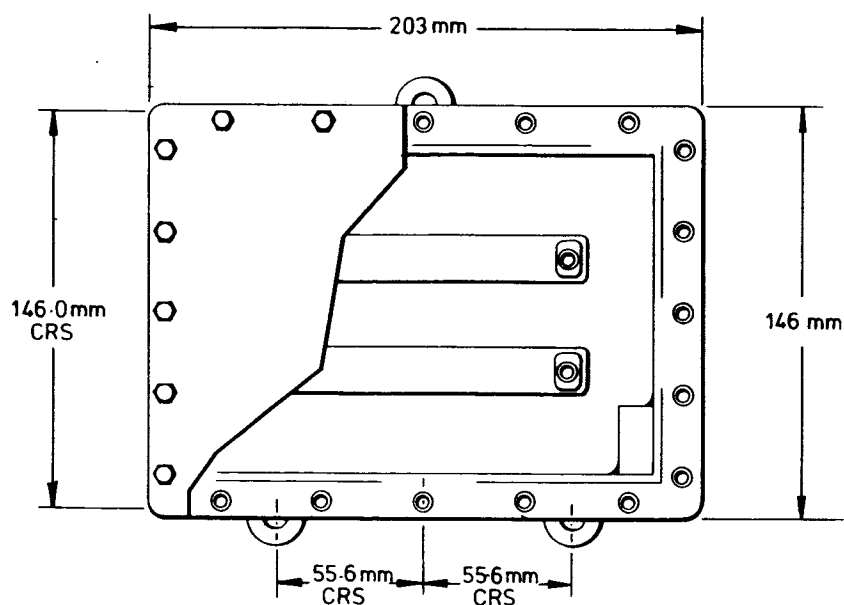
NSN NS Cat No	OVERALL DIMENSIONS mm			No OFF GROMMETS (SOLID)	TERMINAL UNITS IN ACCORDANCE WITH DEE D 23481
	A	B	C		
5940-99-523-5785 0559/523-5785	117.5	95.3	212.7	5	1-5 way 20A terminals Or 1-5 way 30A terminals
5940-99-523-5786 0559/523-5786	193.6	95.3	212.7	10	2-5 way 20A terminals Or 2-5 way 30A terminals Or 1-5 way 20A & 1-5 way 30A terminals
5940-99-523-5787 0559/523-5787	235.0	95.3	289.0	18	3-5 or 6 way terminal strips using 20A, 30A, or 47A terminals or any integrated assembly of terminals

DESCRIPTION - Terminal boxes for voltages up to and including 440V ac.
Includes tallies for 24V, 115V, 230V and 440V for fitting to outside cover but not including terminals which must be ordered separately. Aluminium alloy enclosure.

GA DRAWINGS - NS Cat No 0559/523-5785 - DEE 97071 WEIGHT - 1.1kg
0559/523-5786 - DEE 97092 - 1.9kg
0559/523-5787 - DEE 97101 - 3.4kg

PROJECTION - See table
FIXING - 3 x M10
WATERTIGHT - Drip proof
GLANDS - Grommets only
CABLES - 15.2mm max dia
TERMINALS - See table

REPLACEMENT SPARES -
MAGNETIC CLASSIFICATION - None



JUNCTION BOX (CURRENT)

NSN 5940-99-522-5013, NS Cat No 0559/522-5013

DESCRIPTION - General purpose screened junction box. Fabricated in mild steel.

GA DRAWING - SDN 007 502 890

PROJECTION - 90.5mm

FIXING - 3 x M6

WEIGHT -

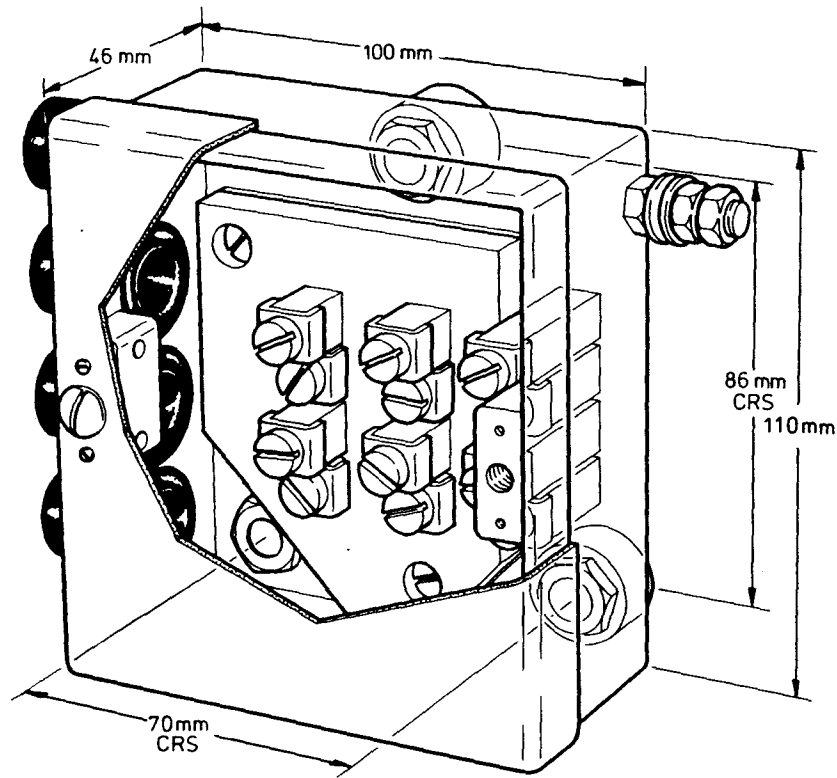
WATERTIGHT - Watertight

GLANDS - Ferrule type (metric range) as required (NES 512)

TERMINALS - 2 taper pin terminal blocks 20 pole, 60 way,
NSN 5940-99-971-6886

REPLACEMENT SPARES - Taper pin terminal block NSN 5940-99-971-6886

MAGNETIC CLASSIFICATION - Category C



JUNCTION BOX (OBSOLESCENT)

NSN 5940-99-531-5649, NS Cat No 0559/531-5649

DESCRIPTION - Junction box, 4 way, 2 pole and earth, Max rating 115V ac, 20 amp. Stove painted aluminium alloy enclosure with two screw cover for Bulkhead mounted.

GA DRAWING - SDN 007 017 009, Bluntray Drg No 1823

PROJECTION - 65mm

FIXING - 3 x M8

WEIGHT - 0.55 kg

WATERTIGHT - Drip proof

GLANDS - 4 x size 5 grommets

TERMINALS - 8 x 2 BA saddle clamp
4 x 2 BA saddle clamp (earth)
1 x external earth stud M6

CABLES - 4 x 13.7mm max dia

MAGNETIC CLASSIFICATION - Category A

10. INDEX OF NSN TO EQUIPMENT AND PAGE NUMBER

NSN	CL/GP	PAGE No	NSN	CL/GP	PAGE No
<u>Switches</u>					
5930-99-117-2030	0567	54.	5930-99-435-6203	0567	84.
5930-99-117-2031	0567	54.	5930-99-435-6212	0567	69.
5930-99-117-3211	0567	48.	5930-99-435-6213	0567	41.
5930-99-117-5647	0567	57.	5930-99-435-6214	0567	42.
5930-99-117-5945	0567	57.	5930-99-435-6223	0567	21.
5930-99-119-3663	0567	57.	5930-99-435-6226	0567	47.
5930-99-207-6509	0567	87.	5930-99-435-6227	0567	47.
5930-99-425-0455	0857	76.	5930-99-435-6244	0567	73.
5930-99-428-3112	0567	25.	5930-99-460-4620	0567	25.
5930-99-428-3120	0567	46.	5930-99-460-4624	0567	41.
5930-99-428-3121	0567	44.	5930-99-523-3497	0567	23.
5930-99-428-3123	0567	32.	5930-99-523-3498	0567	23.
5930-99-428-3124	0567	19.	5930-99-523-9787	0567	77.
5930-99-428-3136	0567	27.	5930-99-526-3658	K400	90.
5930-99-428-3144	0567	30.	5930-99-529-4231	0567	56.
5930-99-428-3145	0567	20.	5930-99-529-9651	0567	53.
5930-99-428-3146	0567	20.	5930-99-529-9652	0567	53.
5930-99-428-3156	0567	75.	5930-99-531-2057	0567	78.
5930-99-428-3158	0567	22.	5930-99-534-6996	0567	60.
5930-99-428-3161	0567	42.	5930-99-540-0007	0567	57.
5930-99-428-3162	0567	40.	5930-99-541-6024	0567	55.
5930-99-428-3170	0567	24.	5930-99-561-4450	0567	59.
5930-99-428-3171	0567	29.	5930-99-580-2156	0567	86.
5930-99-428-3172	0567	31.	5930-99-620-1607	0567	55.
5930-99-428-3173	0567	29.	5930-99-660-2555	0567	62.
5930-99-428-3174	0567	31.	5930-99-736-7167	0567	61.
5930-99-428-3209	0567	39.	5930-99-743-7194	0567	37.
5930-99-428-3210	0567	39.	5930-99-746-7154	0567	58.
5930-99-428-3254	0567	71.	5930-99-788-6114	0567	79.
5930-99-428-3255	0567	71.	5930-99-790-6719	0567	28.
5930-99-428-3282	0567	83.	5930-99-932-1053	0567	89.
5930-99-429-8649	0567	24.	5930-99-972-9596	0567	88.
5930-99-429-8891	0567	38.	5930-99-999-3537	0567	85.
5930-99-429-8935	0567	26.	Temp Stores No		
5930-99-429-8939	0567	70.	GX0000916		43.
5930-99-429-8945	0567	33.			
5930-99-435-6080	0567	45.	Gridswitch boxes		51.
5930-99-435-6081	0567	45.	& accessories		& 52.
5930-99-435-6120	0567	26.			
5930-99-435-6182	0567	70.	Rotary switches		6. to
5930-99-435-6184	0567	27.	(proprietary)		16.
5930-99-435-6185	0567	30.			
5930-99-435-6195	0567	37.			

NSN	CL/GP	PAGE No	NSN	CL/GP	PAGE No
<u>Plugs and Sockets</u>					
5805-99-618-9240	0559	108.	5935-99-427-7278	0568	166.
5820-99-523-2544	0625	100.	5935-99-427-7280	0568	143.
5820-99-634-1133	0567	107.	5935-99-427-7282	0568	157.
5930-99-783-0384	0567	201./202.	5935-99-427-7283	0568	142.
5930-99-783-0385	0567	203./204.	5935-99-427-7284	0568	147.
5935-99-100-2848	0568	100.	5935-99-427-7285	0568	140.
5935-99-110-5040	0568	177.	5935-99-427-7286	0568	139.
5935-99-110-5042	0568	148.	5935-99-427-7287	0568	139.
5935-99-110-5044	0568	145.	5935-99-427-7288	0568	140.
5935-99-110-5058	0568	142.	5935-99-427-7289	0568	146.
5935-99-117-2032	0568	98.	5935-99-427-7291	0568	154.
5935-99-119-5147	0568	94.	5935-99-427-7292	0568	207.
5935-99-193-6633	0568	153.	5935-99-427-7295	0568	208.
5935-99-193-6635	0568	141.	5935-99-427-7296	0568	207.
5935-99-193-6636	0568	151.	5935-99-427-7301	0568	209.
5935-99-193-6638	0568	178.	5935-99-427-7302	0568	210.
5935-99-193-6639	0568	161.	5935-99-427-7312	0568	154.
5935-99-193-6643	0568	158.	5935-99-427-7313	0568	154.
5935-99-193-6645	0568	167.	5935-99-427-7336	0568	143.
5935-99-193-6648	0568	169.	5935-99-427-7337	0568	145.
5935-99-193-6649	0568	170.	5935-99-427-7340	0568	165.
5935-99-193-6658	0568	143.	5935-99-427-7341	0568	164.
5935-99-193-6659	0568	153.	5935-99-427-7342	0568	166.
5935-99-193-6661	0568	141.	5935-99-427-7343	0568	170.
5935-99-193-6662	0568	141.	5935-99-427-7344	0568	168.
5935-99-193-6663	0568	150.	5935-99-427-7346	0568	169.
5935-99-193-6667	0568	177.	5935-99-427-7347	0568	168.
5935-99-193-6668	0568	177.	5935-99-427-7349	0568	158.
5935-99-193-6669	0568	178.	5935-99-427-7350	0568	159.
5935-99-193-6673	0568	160.	5935-99-427-7352	0568	162.
5935-99-193-6676	0568	167.	5935-99-427-7354	0568	160.
5935-99-193-6680	0568	171.	5935-99-427-7364	0568	176.
5935-99-193-6684	0568	147.	5935-99-427-7366	0568	151.
5935-99-193-6694	0568	175.	5935-99-427-7397	0568	101.
5935-99-195-3235	0568	185.	5935-99-427-7409	0568	93.
5935-99-198-7210	0568	186.	5935-99-427-7414	0568	159.
5935-99-199-5071	0568	183.	5935-99-427-7415	0568	161.
5935-99-419-7499	0568	196.	5935-99-427-7434	0568	172.
5935-99-419-7500	0568	196.	5935-99-427-7436	0568	175.
5935-99-419-7501	0568	197.	5935-99-427-7437	0568	149.
5935-99-419-7502	0568	197.	5935-99-427-7438	0568	149.
5935-99-427-7274	0568	171.	5935-99-427-7451	0568	156.
5935-99-427-7275	0568	173.	5935-99-427-7452	0568	156.
5935-99-427-7276	0568	173.	5935-99-427-7455	0568	163.
5935-99-427-7277	0568	164.	5935-99-427-7456	0568	144.

NSN	CL/GP	PAGE No	NSN	CL/GP	PAGE No
5935-99-427-7550	0568	176.	5999-99-533-4679	0559	199.
5935-99-520-2197	0568	152.	5999-99-533-5710	0579	200.
5935-99-520-2198	0568	152.	5999-99-533-5711	0579	200.
5935-99-520-3348	0568	206.	5999-99-638-7473	0567	107.
5935-99-520-3349	0568	206.	5999-99-933-1468	0559	109.
5935-99-527-3415	0568	97.			
5935-99-527-3417	0568	94.			
5935-99-527-7317	0568	96.	Ceremonial light-		
5935-99-530-4452	0568	96.	ing socket box		174.
5935-99-620-1641	0568	109.	100A		
5935-99-620-2354	0568	94.			
5935-99-628-9926	0568	96.	Steel boxes for		
5935-99-634-8697	0568	95.	flush mounting		102.
5935-99-661-3291	0568	190.	sockets		
5935-99-717-1974	0568	186.			
5935-99-758-2395	0568	187.	Television power		
5935-99-758-2396	0568	188.	supply components		104.
5935-99-758-2397	0568	191.			
5935-99-758-2398	0568	179.	Switch socket		
5935-99-758-2399	0568	180.	components		105.
5935-99-758-2400	0568	180.			
5935-99-758-2401	0568	181.	Shaver socket		
5935-99-758-2402	0568	181.	components		106.
5935-99-758-2403	0568	182.			
5935-99-758-2404	0568	183.			
5935-99-758-2405	0568	184.			
5935-99-758-2406	0568	184.			
5935-99-761-0258	0568	98.			
5935-99-803-1851	0568	155.			
5935-99-807-0590	0568	185.			
5935-99-912-9150	0568	179.			
5935-99-915-2349	0568	187.			
5935-99-932-4536	0568	93.			
5935-99-943-4048	0568	182.			
5935-99-947-1700	0568	155.			
5935-99-948-2277	0568	189.			
5999-99-100-7160	0559	108.			
5999-99-456-1436	0559	195.			
5999-99-520-3350	0568	200.			
5999-99-520-3351	0568	200.			
5999-99-520-3352	0568	205.			
5999-99-520-3353	0568	205.			
5999-99-527-8837	0559	103.			
5999-99-533-4676	0559	198.			
5999-99-533-4677	0559	198.			
5999-99-533-4678	0559	199.			

STYLES	PAGE No	NSN	CL/GP	PAGE No
<u>Type 128 Connectors</u>		<u>Noise Makers</u>		
PFOM and PF1M	117.	2040-99-202-3174	K484	244.
		6320-99-525-5275	0556	255.
SFOM and SF1M	118.	6320-99-539-2431	0558	259.
		6320-99-539-2432	0558	259.
P4OM and P41M	119.	6320-99-539-2433	0558	261.
		6320-99-542-8539	K124	260.
PXOM	120.	6320-99-543-4416	0558	261.
		6320-99-543-4417	0558	261.
SXOM	121.	6350-99-412-8268	0581	235.
		6350-99-444-4679	0559	221.
SCOM and SC1M	122.	6350-99-444-4949	0559	241.
		6350-99-444-5049	0559	223.
PXO	123.	6350-99-444-5373	0559	224.
		6350-99-444-5398	0559	249.
SX0 and SX1	124.	6350-99-444-5402	0559	243.
		6350-99-445-8508	0559	224.
PXOG and PX1G	125.	6350-99-445-8509	0559	224.
		6350-99-456-1440	0559	221.
SXOG and SX1G	126.	6350-99-520-1293	0559	242.
		6350-99-526-5194	0559	222.
P40	127.	6350-99-531-1230	0559	254.
		6350-99-531-3420	0559	236.
P40G	128.	6350-99-535-2012	0268	237.
		6350-99-545-6922	K484	238.
<u>Caps</u>		6350-99-780-4458	0579	247.
		6350-99-784-0793	0559	236.
4AS	129.	6350-99-924-9389	0559	231.
		6350-99-924-9390	0559	230.
CAS	129.	6350-99-942-7547	0559	225.
PAS	130.	Bell Transformer		226.
		5950-99-548-0415	0662	
XAS	130.			
		Warbler		260./261.
Gaskets	131.			
		Earth Leakage Circuit Breaker <u>(ELCB)</u>		
		5925-99-549-1608	0564	277.
		5925-99-783-4324	0564	278.

NSN	CL/GP	PAGE No	NSN	CL/GP	PAGE No
<u>Lamp Boxes</u>			<u>Looping-in Boxes and Joint Boxes</u>		
6210-99-412-8338	0581	270.	5935-99-427-7394	0568	281.
6210-99-412-8339	0581	270.	5935-99-427-7395	0568	281.
6210-99-412-8340	0581	270.	5935-99-427-7401	0568	282.
6210-99-529-3511	0581	265.	5940-99-444-5399	0559	283.
6210-99-529-3512	0581	266.	5940-99-445-8507	0559	291.
6210-99-529-3513	0581	267.	5940-99-923-5426	0581	287.
6210-99-529-3514	0581	268.	5940-99-923-5728	0581	282.
6210-99-923-5803	0581	274.	5975-99-444-4720	0559	288.
6250-99-923-9906	0585	269.	5975-99-444-4783	0559	289.
6250-99-923-9907	0585	269.	5975-99-445-8277	0559	285.
6250-99-923-9908	0585	269.	5975-99-445-8514	0559	285.
			5975-99-460-3723	0559	290.
Indicating lamp		271.	5975-99-531-4492	0559	289.
boxes - Fitting		272.	5975-99-923-5427	0581	286.
data, Statement		&	5999-99-923-5423	0581	287.
of Requirements		273.	6210-99-923-5760	0581	286.
and Bullseyes			6350-99-523-1561	0559	284.
<u>Miscellaneous</u>			<u>Junction Boxes & Terminal Boxes</u>		
5830-99-462-4157	0558	65.	5940-99-522-5013	0559	293.
5935-99-427-7422	0568	215.	5940-99-531-5649	0559	294.
5935-99-529-3667	0568	217.	5940-99-523-5785	0559	292.
5935-99-537-2758	0568	218.	5940-99-523-5786	0559	292.
5999-99-533-0706	0579	216.	5940-99-523-5787	0559	292.
6230-99-462-9697	0558	66.			
Mounting Block					
5975-99-620-1577	0559	48.			
Shaver Supply Unit					
5950-99-541-6938	0627	99.			

11. INDEX OF PATTERN NUMBER TO EQUIPMENT AND PAGE NUMBER

Patt No	CL/GP	PAGE No
<u>Plugs and Sockets</u>		
18077 series switch sockets		211. & 212.
200201 series switch sockets		213. & 214.
<u>Noise Makers</u>		
4	0559	221.
5	0559	221.
19145	0559	229.
48211	0559	253.
200307	0559	232.
200347	0559	248.

Inside Rear Cover

© Crown Copyright 2000
Copying Only as Agreed with DStan

Defence Standards are Published by and Obtainable from:

Defence Procurement Agency
An Executive Agency of The Ministry of Defence
Directorate of Standardization
Kentigern House
65 Brown Street
GLASGOW G2 8EX

DStan Helpdesk

Tel 0141 224 2531/2
Fax 0141 224 2503
Internet e-mail enquiries@dstan.mod.uk

File Reference

The DStan file reference relating to work on this standard is D/DStan/069/02/538.

Contract Requirements

When Defence Standards are incorporated into contracts users are responsible for their correct application and for complying with contractual and statutory requirements. Compliance with a Defence Standard does not in itself confer immunity from legal obligations.

Revision of Defence Standards

Defence Standards are revised as necessary by up issue or amendment. It is important that users of Defence Standards should ascertain that they are in possession of the latest issue or amendment. Information on all Defence Standards is contained in Def Stan 00-00 Standards for Defence Part 3 , Index of Standards for Defence Procurement Section 4 'Index of Defence Standards and Defence Specifications' published annually and supplemented regularly by Standards in Defence News (SID News). Any person who, when making use of a Defence Standard encounters an inaccuracy or ambiguity is requested to notify the Directorate of Standardization (DStan) without delay in order that the matter may be investigated and appropriate action taken.