

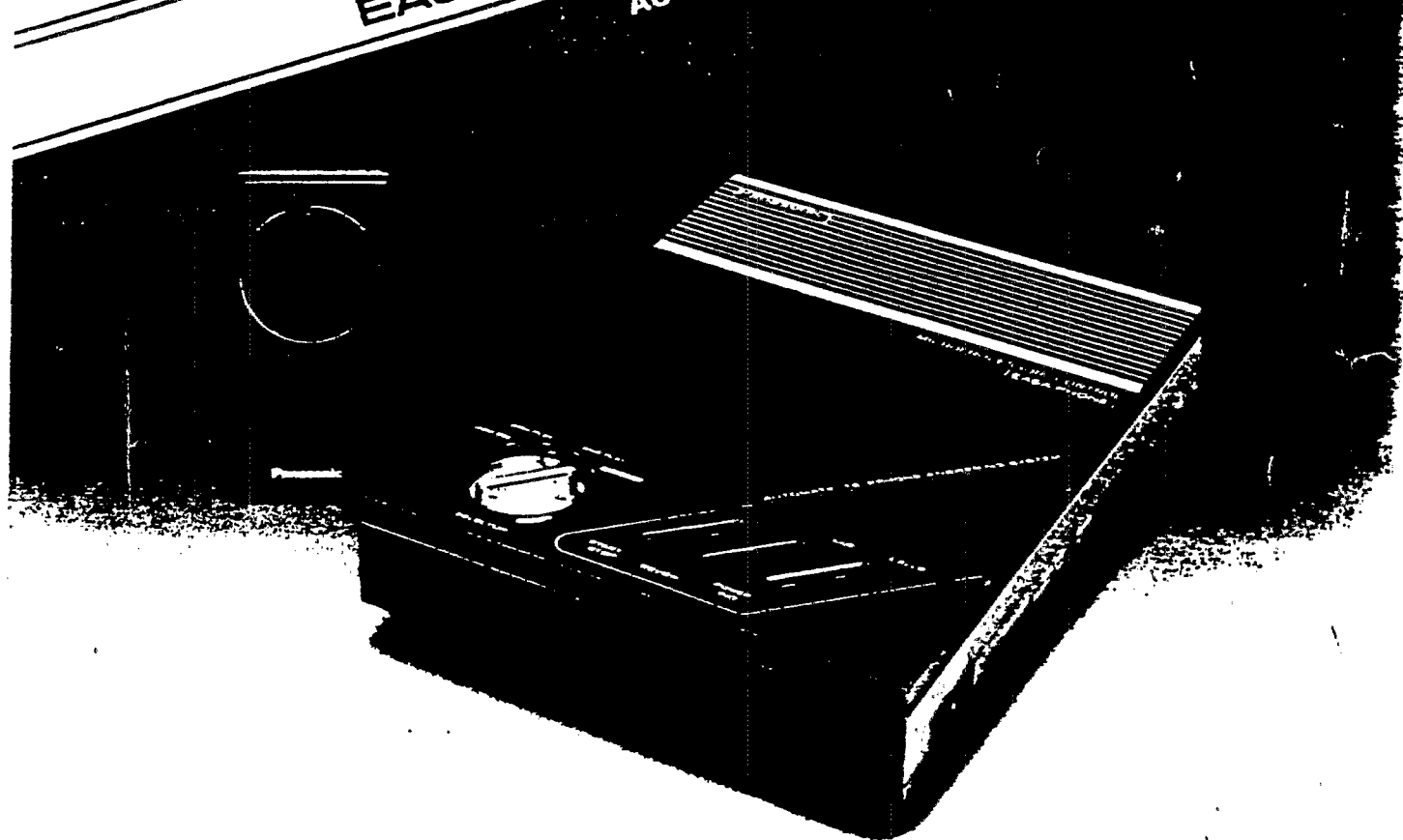
OPERATING INSTRUCTIONS

EASA-PHONE®

MODEL NO.

KX-T1415

AUTOMATIC TELEPHONE ANSWERING SYSTEM
WITH PICKUP REMOTE CONTROLLER



Panasonic.

Before operating this unit, please read these instructions completely.

Thank you for purchasing the Panasonic Model KX-T1415,
Telephone Answering System.

PRECAUTIONS

For your safety and to prevent damage to the unit.

- Do not connect this unit to any electrical outlet, other than that supplying specified voltage.
- Avoid cuts or nicks in the AC power cord as they may result in a fire or electric shock hazard. Also, excessive bending or pulling of the cord should be avoided.
- Do not unplug the AC power cord by pulling on the cord as this may result in premature failure or a shock hazard. Unplug the AC power cord by grasping the plug, not the cord.

**WARNING: TO PREVENT FIRE OR SHOCK HAZARD,
DO NOT EXPOSE THIS PRODUCT TO
RAIN OR ANY TYPE OF MOISTURE.**

The serial number of the unit may be found on the label on the bottom of the unit. For your convenience, note this number below, and retain this book, along with your proof of purchase, to serve as a permanent record of your purchase in the event of a theft, or for future reference.

MODEL NO. KX-T1415

NAME OF DEALER _____

SERIAL NO. _____

DATE OF PURCHASE _____

TABLE OF CONTENTS

| | |
|-----------------------------------|---|
| Features | 3 |
| Accessories | 3 |
| Location of Controls | 4 |
| Mini Operating Instructions | 7 |

PREPARATION

| | |
|--|---|
| • Call the Telephone Company | 6 |
| • Connection | 6 |
| • Battery Installation for Remote Controller | 9 |

OPERATION

| | |
|--|----|
| • Recording the Outgoing Message | 10 |
| • Answering and Recording Incoming Calls | 12 |
| • Playback of the Incoming Messages | 13 |
| • Pickup Remote Controller | 14 |
| • Fast Erasure of Recordings | 16 |

HELPFUL HINTS

| | |
|--------------------------------------|----|
| • Tones Produced by the Unit | 16 |
| • Maintenance | 17 |
| • Location of the Unit | 17 |
| • The Cassette Tapes | 18 |
| • Others | 19 |
| • Samples of Outgoing Messages | 20 |
| • Troubleshooting Guides | 21 |
| • Product Service | 22 |

CONNECTION

| | |
|---|----|
| • More about Connections | 23 |
| • Instructions for Telephone Installers | 26 |


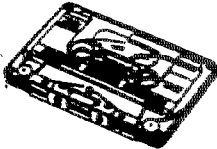


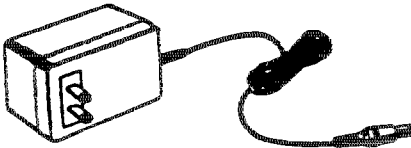
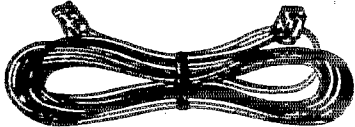
| | |
|--|------------|
| Telephone Company and FCC Requirements and Responsibilities | 29 |
| Customer Order Form | 31 |
| Warranty | back cover |

• This equipment has been tested and found to comply with the limits for a Class B computing device in accordance with the specifications set forth in Subpart J of Part 15 of the FCC Rules. If this equipment does cause interference to radio or television reception which can be determined by turning the equipment on and off, use the equipment in another location and/or utilize an electrical outlet different from that used by the receiver.

FEATURES

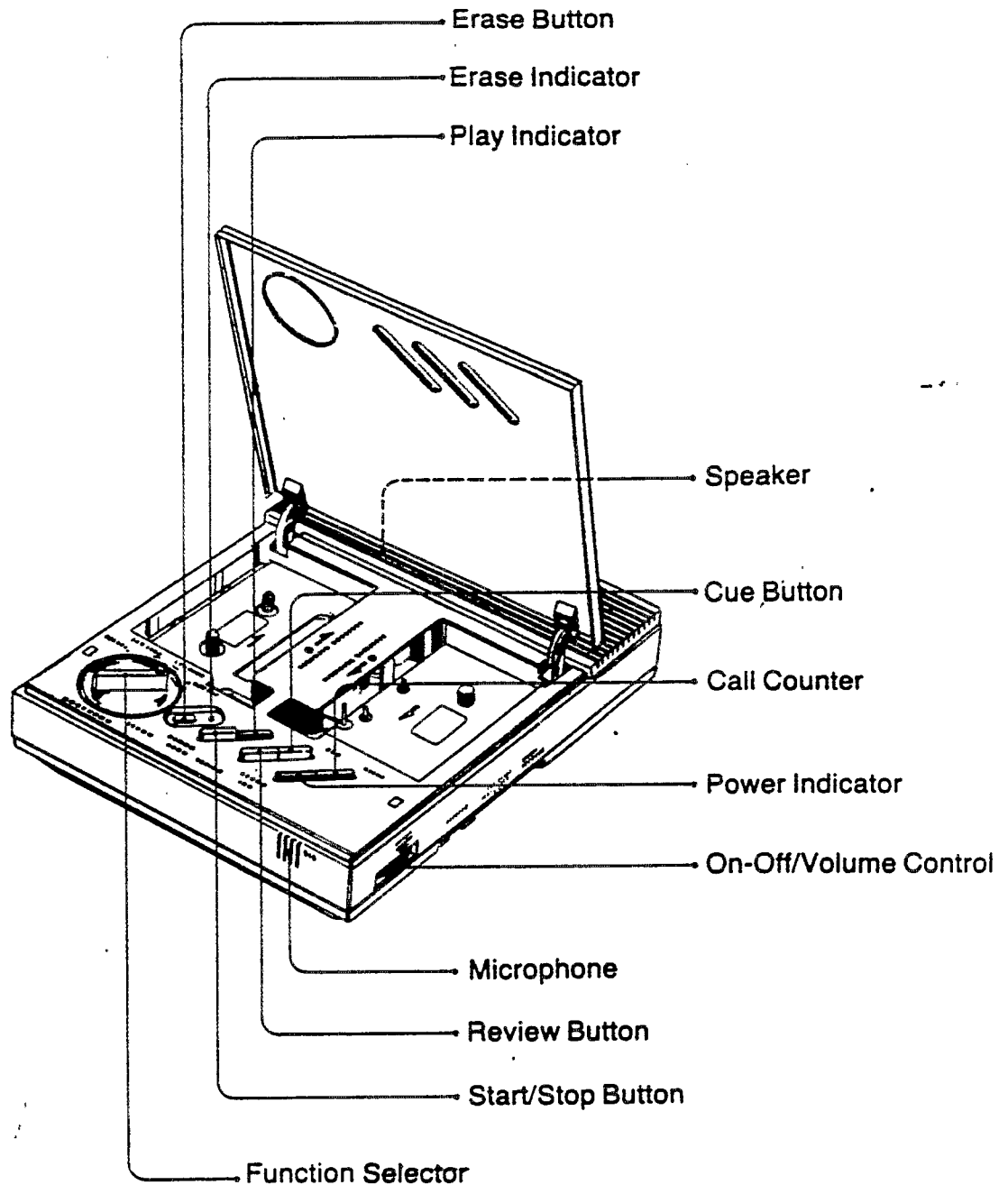
| Feature | Function |
|---|--|
| Outgoing Message (OGM) | When the telephone rings, the unit will play the pre-recorded Outgoing Message for the telephone caller. The recording time of the Outgoing Message is variable; it can be set to any length, up to 30 seconds. |
| Incoming Message (ICM) recording | The pre-recorded Outgoing Message is automatically played for the telephone caller, and then the caller's Incoming Message is recorded. |
| Monitoring a telephone call | While the Incoming Message is being recorded, you can listen to the telephone call. This makes it possible to screen incoming calls and to decide whether you want to answer the telephone call personally by picking up the telephone receiver. |
| Playing back recorded messages, and recording a marker message, remotely | By using the Pickup Remote Controller: <ul style="list-style-type: none"> • The recorded incoming messages can be played back from any telephone. • A marker message can be recorded after all the recorded messages have played back. |
| Fast erase | The tape can be quickly erased by using the Erase Button, and the Cue or Review Button. |

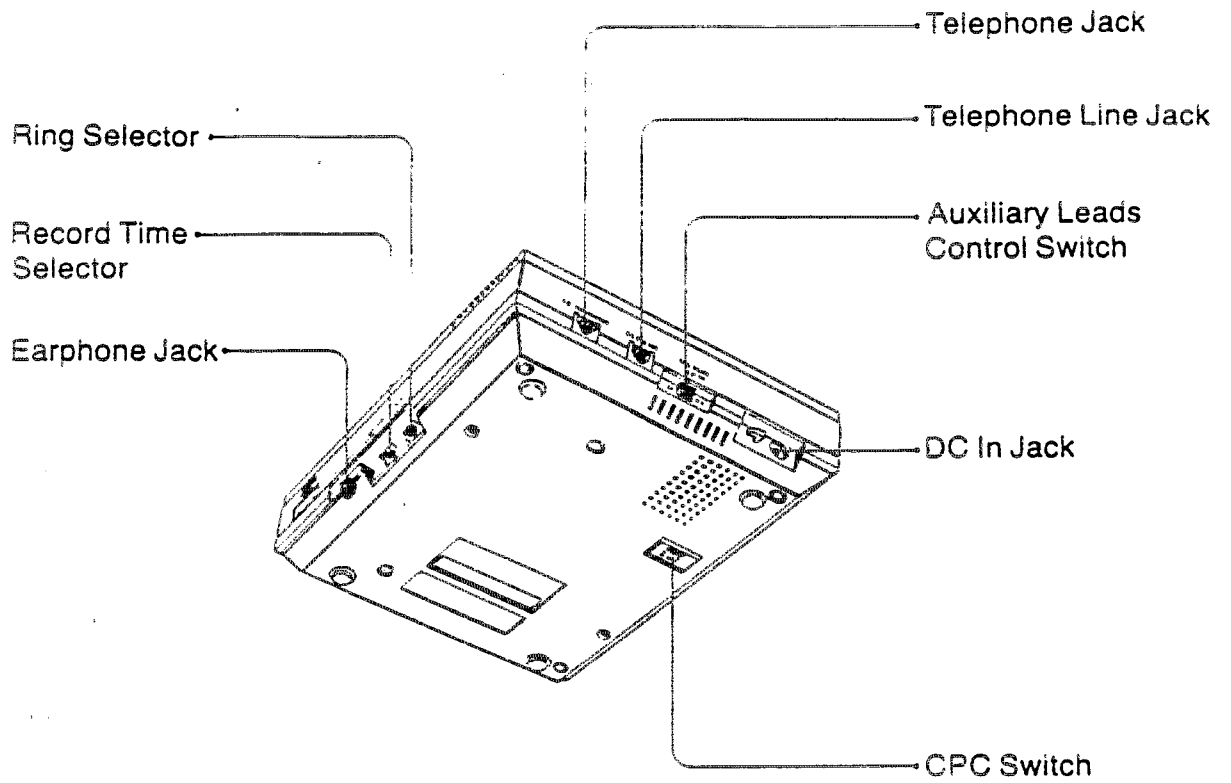
ACCESSORIES

| | | | |
|--|--|--|---|
|  <p>Pickup Remote Controller (KX-A51)</p> |  <p>Outgoing Message Tape (KX-C030)</p> |  <p>Incoming Message Tape (C-60)</p> |  <p>"AAA" size batteries</p> |
|  <p>AC Adaptor (KX-A07)</p> | |  <p>Telephone Cord</p> | |

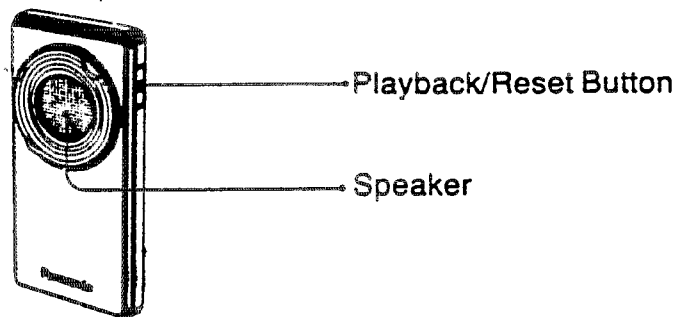
LOCATION OF CONTROLS

Automatic Telephone Answering System





Pickup Remote Controller



PREPARATION

CALL THE TELEPHONE COMPANY

- 1 Before connecting your EASA-PHONE, inform the telephone company, notifying them of the FCC Registration Number and Ringer Equivalence. This information can be found on the label located on the bottom of the unit. If your telephone system is already equipped with a suitable jack, you should be able to plug in the EASA-PHONE without incurring any telephone company charges. Otherwise the telephone company will install a suitable jack at your request which usually entails a one-time installation charge.
- 2 Give notice to the telephone company upon final disconnection of this equipment.
- 3 Present FCC Regulations prohibit connecting this unit to a party line, or to a coin-operated telephone.
- 4 See Page 29 for "Telephone Company and FCC Requirements and Responsibilities".

CONNECTION

TO A SINGLE-LINE TELEPHONE SYSTEM AND POWER SUPPLY*

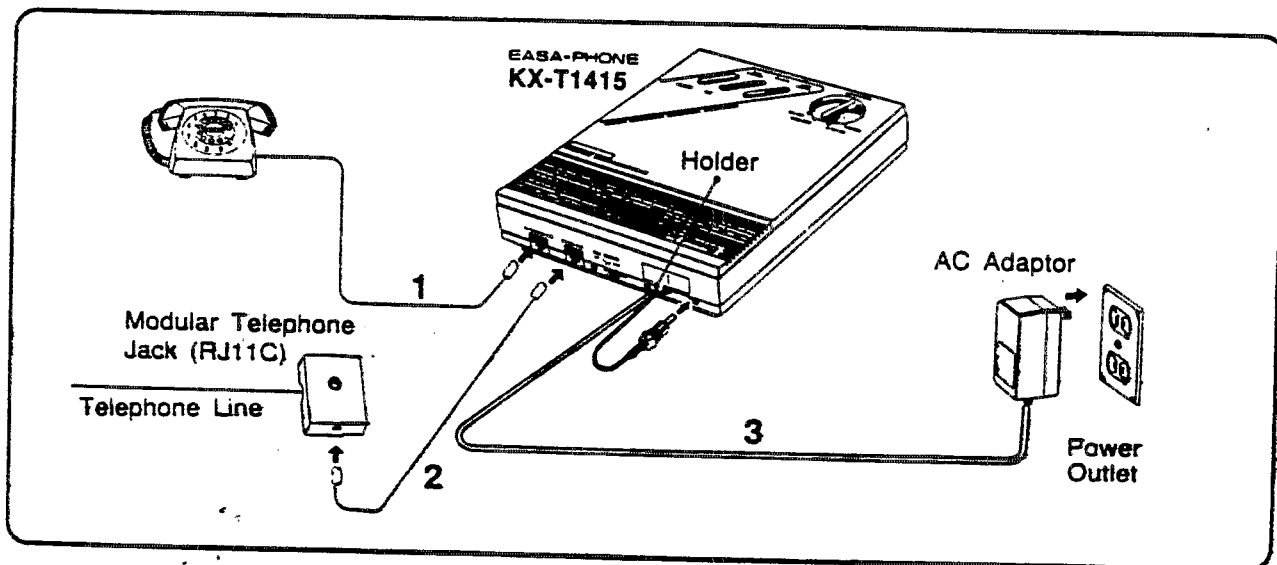
If your present telephone connection is made through a modular jack:

- 1 Plug the telephone into the telephone jack on the back of the unit.
- 2 Plug one end of the telephone cord into the telephone line jack on the back of the unit and the other end into the modular telephone line jack.

3. Plug the AC Adaptor plug into the DC IN Jack on the EASA-PHONE and AC Adaptor into a power outlet (AC 120 V, 60 Hz).

Note: Secure the AC Adaptor cord to the holder, as shown, to prevent the AC Adaptor miniplug from disconnecting.

*Other connections can be found on page 23.

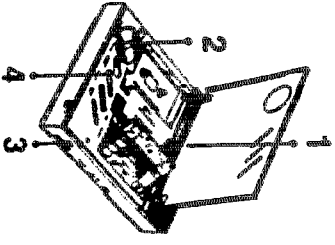


RECORDING OGM

OGM: To inform the calling party that you cannot answer, but want to record the caller's message.

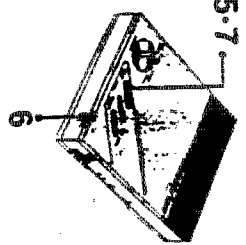
PREPARATION

- 1 Insert the OGM tape.
- 2 Set the Function Selector to "OGM REC".
- 3 Turn the power on.
- 4 Press the Start Button.
 ● Wait until the tape stops.



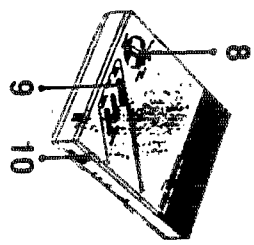
RECORDING

- 5 Press the Start Button.
- 6 Speak into the microphone to record your OGM.
- 7 Press the Stop Button.
 ● Wait until the tape stops.



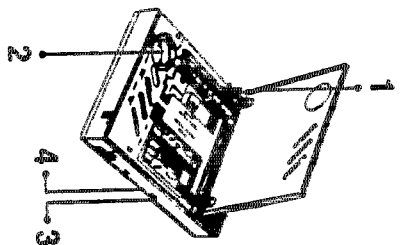
CONFIRMATION

- 8 Set the Function Selector to "OGM PLAY".
- 9 Press the Start Button.
- 10 Adjust the Volume Control for the desired sound level.
 ● Wait until the tape stops.



AUTOMATICALLY RECORDING INCOMING TELEPHONE CALLS

- 1 Insert the ICM tape.
- 2 Set the Function Selector to a position other than "ANS SET", then to "ANS SET".
- 3 Set the Ring Selector to "2" or "4".
- 4 Set the Record Time Selector to "1 MINUTE" or "VOX".

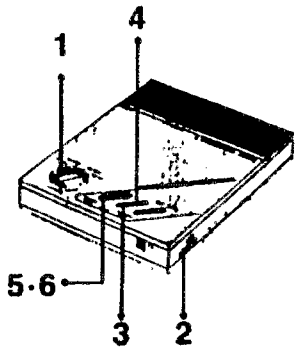


● When the telephone rings, the unit will play the OGM, then record the calling party's message.

For your convenience detach this portion

Panasonic. EASA-PHONE® KX-T1415 AUTOMATIC TELEPHONE ANSWERING SYSTEM

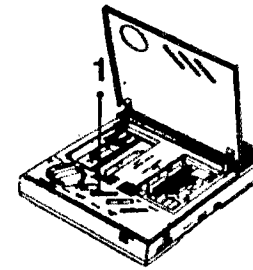
PLAYBACK OF THE ICM TAPE



- 1 Set the Function Selector to "ANS PLAY". Wait until the tape rewinds and plays back.
- 2 Adjust the Volume Control.
- 3 To audibly rewind the tape, press the Review Button.
- 4 To audibly fast forward the tape, press the Cue Button.
- 5 Press the Stop Button to stop the tape.
- 6 To play back the tape again, press the Start Button.

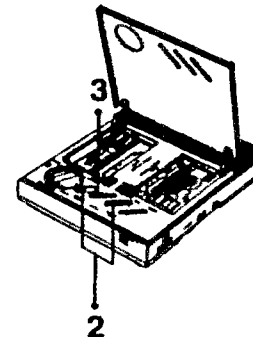
FAST ERASURE OF RECORDINGS

PREPARATION



- After the playback of ICM tape, you may erase the tape.
- 1 Press the Stop Button upon completion of the playback.

FAST ERASURE



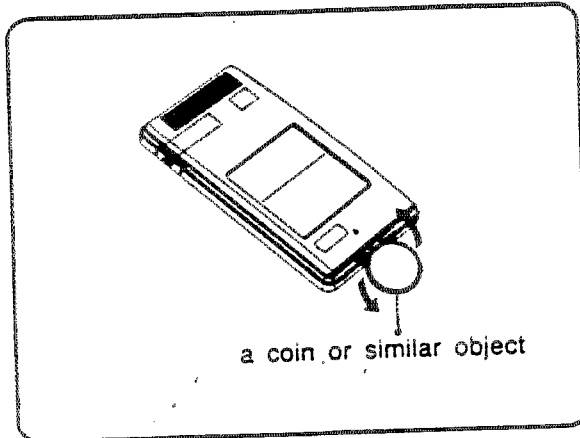
- 2 Press the Erase Button, then, while keeping it pressed, press the Review Button, until the Erase Indicator lights.
 - 3 Press the Stop Button when erasure is completed.
- The Cue Button can be also used to erase the tape in the same way as the Review Button.

PREPARATION (cont.)

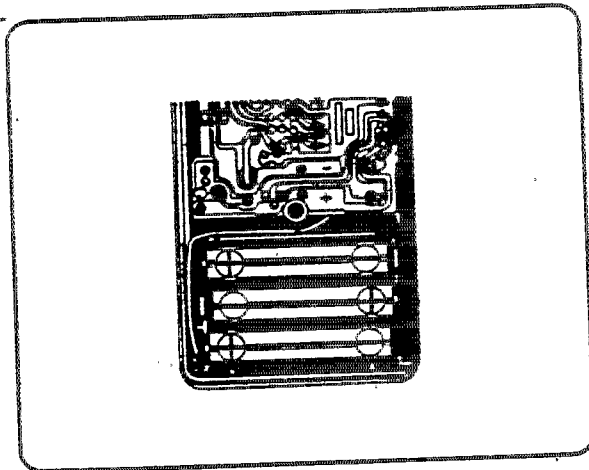
BATTERY INSTALLATION FOR REMOTE CONTROLLER

Battery Installation

- 1 Open the Battery Compartment Cover by inserting an object, such as a coin into the slot and twisting it to pry the cover off.



- 2 Insert three "AAA" size batteries (UM-4) observing the correct polarity (plus and minus).



- 3 Replace the Battery Compartment Cover.

PRECAUTIONS

Keep the following precautions in mind, to prevent possible damage to the set due to battery leakage.

- When the batteries become weak, replace all of them, not just one or two.



- Use batteries of the same type; do not mix different types of batteries (e.g. carbon-zinc with alkaline or nickel cadmium).



- Do not charge, short-circuit, disassemble, heat or dispose of the batteries in fire.



- Remove dead batteries from the set immediately.

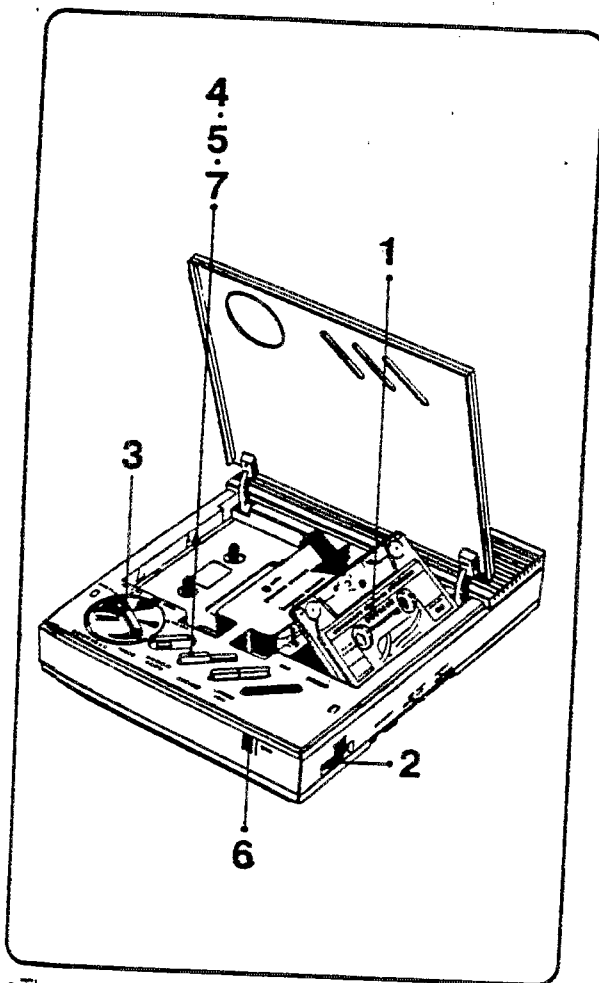


Notes:

- If the Pickup Remote Controller is not be used for a long time, remove all the batteries to prevent possible damage due to battery leakage.
- The battery life is about one year average usage. Replace all three batteries when necessary for proper operation.
- When the sound from the Pickup Remote Controller becomes weak or stops completely, replace the batteries.
- "AAA" size batteries are available in many supermarkets, camera shops, electrical appliance stores.

OPERATION

RECORDING THE OUTGOING MESSAGE (OGM)



•The purpose of the Outgoing Message is to inform the calling party that you cannot answer, but want to record the caller's message.

PREPARATION

- 1 Insert the Outgoing Message tape.

Note:

The Outgoing and Incoming Message tapes will be recorded upon even if the record prevention tabs have been removed, so be careful not to erase the recorded message(s) you want to keep.

- 2 Turn the Volume Control to switch the power on.
- 3 Set the Function Selector to "OGM REC".
- 4 Press the Start Button to reset the tape.
 - Once you reset the tape, there is no need to reset again.
 - Wait until the tape stops.

RECORDING

- 5 Press the Start Button.
- 6 Speak clearly and loudly, with your mouth about 12" away from the microphone, to record your message of up to 30 seconds.
- 7 Press the Stop Button when you finish speaking. Wait until the tape stops.

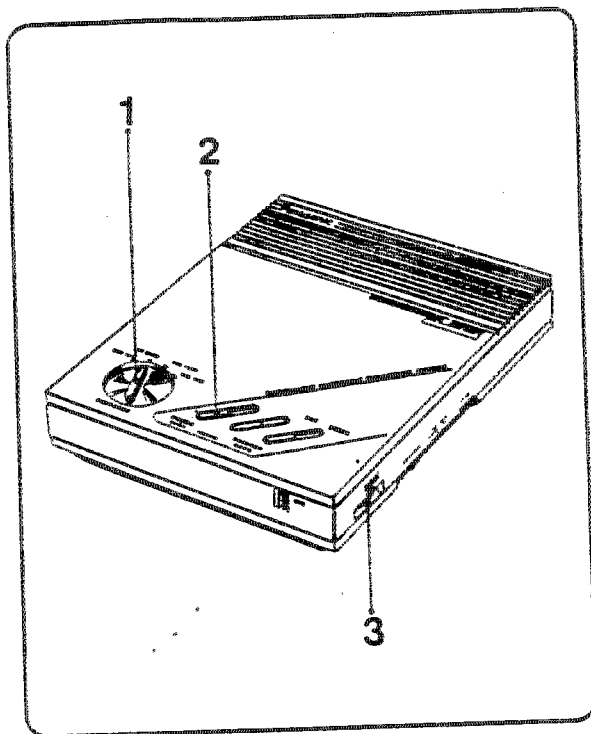
Notes:

- Do not disconnect the AC adaptor while operating, otherwise you cannot remove the tape. In this case, connect the AC adaptor. Now you can remove the tape.
- While recording an outgoing message, do not operate the remote controller, and do not pause speaking for more than 2 seconds, otherwise the unit will not operate properly.

OPERATION (cont.)

RECORDING THE OUTGOING MESSAGE (cont.)

OPERATION

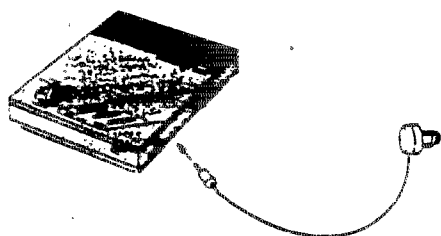


CONFIRMATION

- 1 Set the Function Selector to "OGM PLAY".
- 2 Press the Start Button.
- 3 Adjust the sound level with the Volume Control.

EARPHONE

For privacy, plug an earphone into the Earphone Jack.



•Wait until the tape stops.

SAMPLE OGM

•RECORD TIME SELECTOR: 1 MINUTE

Hello, this is (the Panasonic Company). We are not able to answer your call at this time. If you leave your name, phone number and the purpose of your call, we will return your call as soon as possible. Speak clearly after you hear the beep. You have 1 minute to leave your message.

If the beep sounds 6 times, your message will not be recorded any more, so please call back tomorrow.

•RECORD TIME SELECTOR: VOX

Hello, this is (the Panasonic Company). We are not able to answer your call at this time. If you leave your name, phone number and the purpose of your call, we will return your call as soon as possible. Speak clearly after you hear the beep.

If the beep sounds 6 times, your message will not be recorded any more, so please call back tomorrow.

Note:

When the ICM tape is full, the unit cannot record any more messages. To inform the caller that a message cannot be recorded, the beep will sound 6 times.

Therefore, you may wish to record the sentences printed in boldface, in the "SAMPLE OGM" section, in order to not inform the caller.

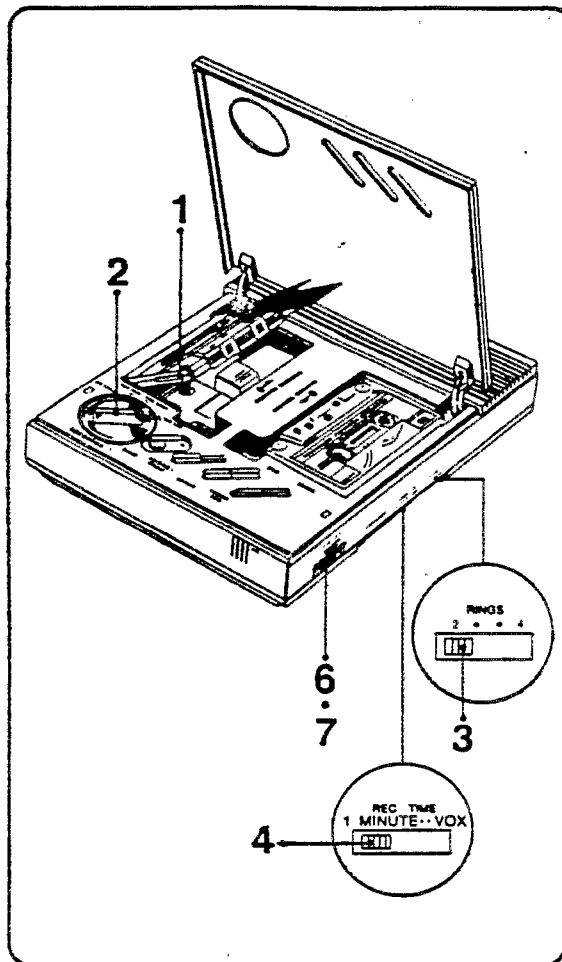
•IF YOU WANT TO ANNOUNCE BUT DO NOT WANT TO RECORD.

Hello, this is (the Panasonic Company). We are not able to answer your call at this time. Please call us again tomorrow, at 9 a.m. Thank you for calling.

Note:

More samples of outgoing messages can be found on page 20.

ANSWERING AND RECORDING INCOMING TELEPHONE CALLS



PREPARATION

In order to properly answer incoming calls, an outgoing message should be recorded. Please follow the procedures in "RECORDING THE OUTGOING MESSAGE", on page 10, before continuing with the following steps.

- 1 Insert the Incoming Message tape.
- 2 Set the Function Selector to a position other than "ANS SET", then to "ANS SET" (otherwise the unit will not automatically reset).
 - The call counter will light.

- 3 Set the Ring Selector to "2" or "4". The unit will answer the telephone on the second ring or the fourth ring, accordingly.

- 4 Set the Record Time Selector to "1 MINUTE" or "VOX".

1 MINUTE:

The unit will record for as long as the caller speaks, up to 1 minute.

VOX:

The unit will record for as long as the caller speaks, or until the ICM tape reaches its end.

- Make sure the call counter lights.

OPERATION

- 5 When the telephone rings, the unit will play the OGM then record the calling party's message.

MONITORING INCOMING CALLS

- 6 Adjust the sound level using the Volume Control.

TO TALK TO THE CALLING PARTY

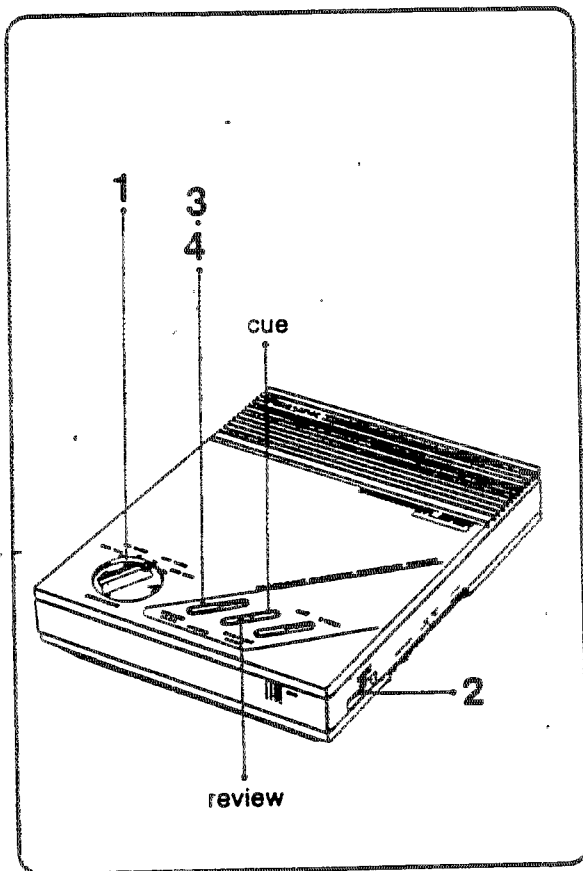
- 7 Lower the volume level, to prevent a howling noise, and pick up the handset.
 - The telephone conversation will be recorded for 1 minute or until hang up. To stop the recording, press the Stop Button.
- 8 Hang up the telephone at the conclusion of your conversation. (The unit will automatically be ready to answer and record the next phone call.)

OPERATION (cont.)

PLAYBACK OF THE INCOMING MESSAGES

When incoming telephone calls have been recorded, the Call Counter continuously flashes; once for each telephone call received, up to 15 times (i.e., if 5 messages are recorded, the Call Counter will flash continuously in groups of 5). However, the unit can record more than 15 telephone messages.

It can continue to record until the ICM tape reaches the end. In case of a power interruption, the Call Counter will not light, even after power is restored.



- 1 Set the Function Selector to "ANS PLAY".
• Wait until the ICM tape rewinds and begins to play back.
- 2 Adjust the sound level using the Volume Control.
- 3 Press the Stop Button to stop the tape.
- 4 To play back the tape again, press the Start Button.

Review Button

To rewind the ICM tape audibly, press the Review Button.

Cue Button

To advance the ICM tape audibly and rapidly, press the Cue Button.

TO SAVE PREVIOUSLY RECORDED MESSAGES

Press the Stop Button after the last message you want to save, and hold it in while setting the Function Selector to "ANS SET".

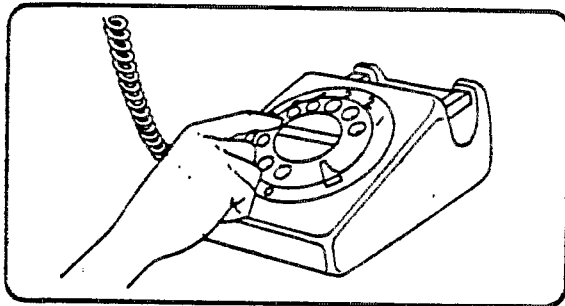
• The Call Counter will light, and flash in accordance with the number of newly received messages.

PICKUP REMOTE CONTROLLER

The Pickup Remote Controller produces a chirping sound when activated. When the answering machine responds to the Controller it produces a beep. Press the button on the Controller continuously, until the beep is heard through the telephone line from the answering machine.

PLAYBACK MESSAGES

- 1 Dial the telephone number of the telephone to which the answering machine is connected.



- 2 While the outgoing messages is playing, place the speaker of the remote controller against the telephone mouthpiece and press the Playback Button until the beep is heard.
 - If the outgoing message plays to the end and not stop prematurely, the machine will start to record as if an incoming call was received.
Do not operate the remote controller at this time.
In this case, just hang up and call again.
 - After 8 seconds, the machine will begin to rewind the ICM tape, and then play back the recorded messages.
 - After all the recorded messages have played back a series of 3 beeps will sound.

- If you hang up the telephone after you have heard the messages, the future incoming messages will be recorded after previously recorded messages.

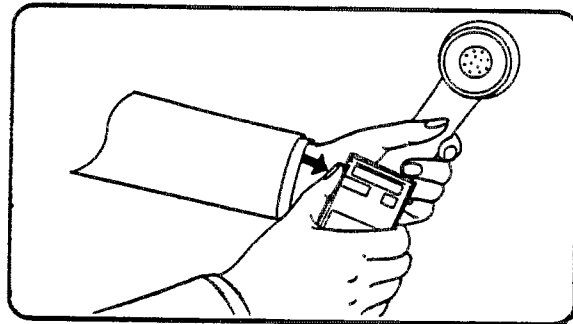


REPEAT ALL MESSAGES

- 1 Press the Reset Button within 8 seconds after all the recorded messages have played back, or while playing back the messages.
 - The machine will rewind the tape and one beep will sound.
- 2 Press the Playback Button within 15 seconds after the beep.
 - The messages will be played back.

Note:

- If you do not press the Playback Button within 15 seconds after the beep, the machine will shut off.



OPERATION (cont.)

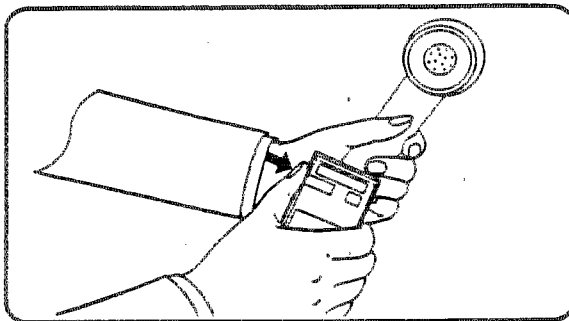
PICKUP REMOTE CONTROLLER (cont.)

OPERATION

START NEW ICM SEQUENCE

To record future incoming messages from the beginning of the tape.

- 1 Press the **Reset Button** within 8 seconds after all the recorded messages have played back, or while playing back the messages.
 - The machine will rewind the tape and one beep will sound.

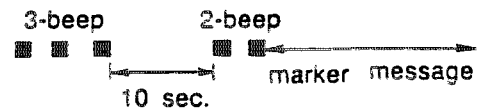


- 2 Hang up the telephone.

TO RECORD A MARKER MESSAGE ON THE ICM TAPE

After all the recorded messages have been played back, a series of 3 beeps will sound. 10 seconds later, 2 beeps will sound. You can then record your own personal message.

- The message will appear as another incoming message, even if you did not make a special call.
- If the beep sounds 6 times instead of 3 times after all the recorded messages have been played back, you cannot record the message because the ICM tape has reached its end.



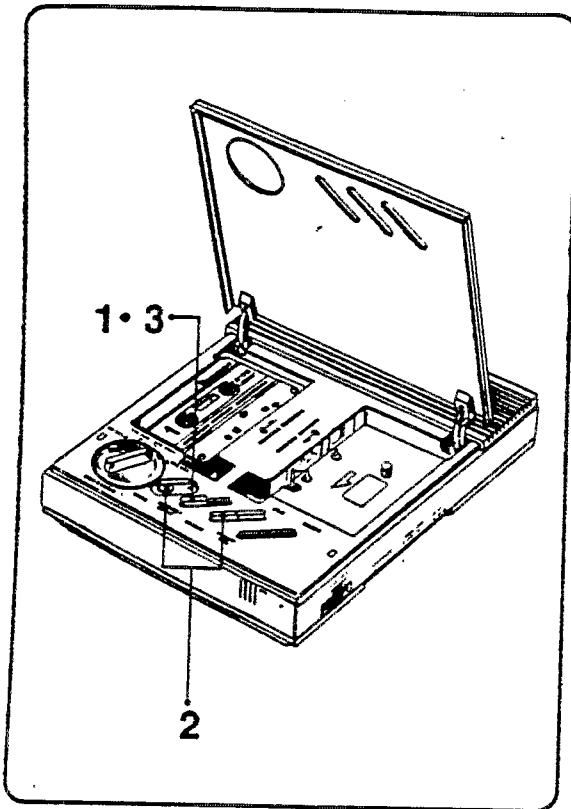
Notes:

- Do not operate the remote controller while recording a marker message.
- If you press the **Reset Button** by mistake, press the **Playback Button** within 15 seconds after the one beep which sounds when the tape has rewound to the beginning, to establish the playback mode.

HELPFUL HINTS

FAST ERASURE OF RECORDINGS

TONES PRODUCED BY THE UNIT



After the playback of ICM tape you may erase the tape.

- 1 Press the Stop Button upon completion of the playback.
- 2 Press the Erase Button, then, while keeping it pressed, press the Review Button, until the Erase Indicator lights.
- 3 Press the Stop Button when erasure is completed.

•The Cue Button can be also used to erase the tape in the same way as the Review Button.

Note:

The cassette can be erased at high speed even if the record-prevention (knock-out) tabs have been removed.

| -tone type (number of times) | WHEN THE TONES OCCUR |
|--|--|
| — once | <ul style="list-style-type: none"> •When the unit responds to the chirping sound from the remote controller. •After the ICM tape has been rewound to the beginning by the Reset Button on the remote controller. •When the unit begins to record an incoming message on the ICM tape. |
| — — — 3 times | After the unit has played back all the recorded messages by remote control. |
| - - - - - 10 sec. 3 times twice | When the unit is ready to record a marker message on the ICM tape. |
| ■ ■ ■ ■ ■ ■ 6 times | When the ICM tape has reached the end. |
| ■ ■ ■ ■ ■ ■ 6 times quickly | When the OGM tape is broken or not inserted, or the outgoing message is improperly recorded on the OGM tape. |

HELPFUL HINTS (cont.)

MAINTENANCE

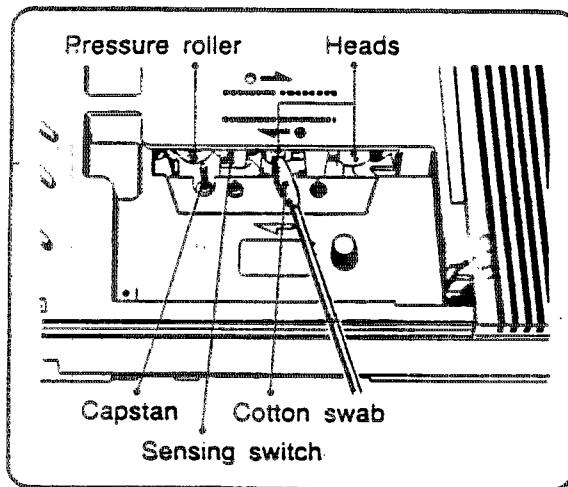
Because the head and capstan assemblies are in contact with the tape, dirt and residue from the tape can easily adhere to these parts, causing distortion.

These parts should therefore be cleaned periodically in the manner described below:

- 1 Remove the cassettes from the unit.
- 2 Clean the head surfaces, sensing switch, pressure rollers and capstans with a cotton swab.
If these surfaces are extremely dirty, dampen the cotton swab with alcohol.

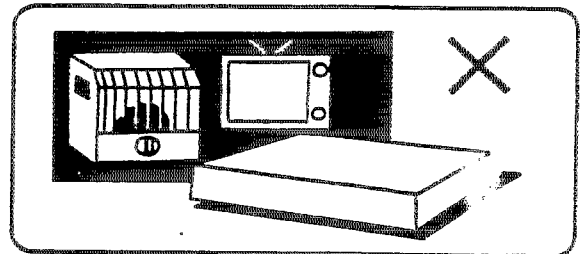
Notes:

- Do not bring magnetic or metal objects, such as a screwdriver, near the head assemblies, as such objects could magnetize the heads.
- Do not oil any part of the unit.

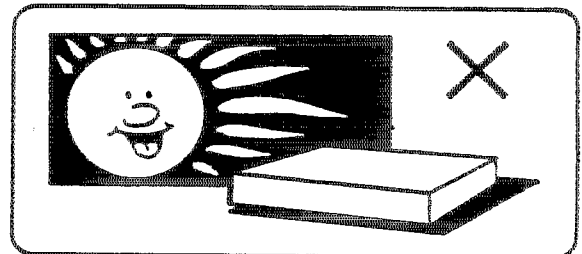


LOCATION OF THE UNIT

- Keep the unit away from heating appliances and electrical noise generating devices such as fluorescent lamps, motors and televisions, as these noise sources can interfere with the performance of the EASA-PHONE.

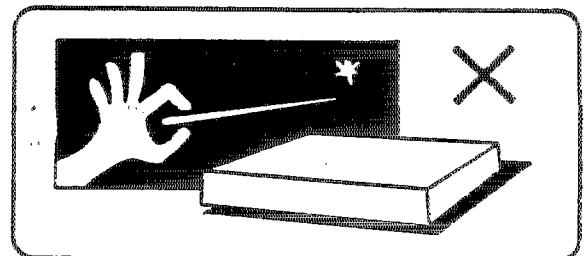


- This unit and the cassette tapes should be kept free from dust, moisture, high temperature and vibration, and should not be exposed to direct sunlight.



- Do not cover the vents on the bottom of the cabinet.

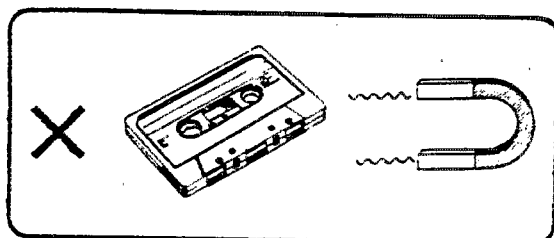
- Never attempt to insert wires, pins, etc. into the vents or other holes of this unit.



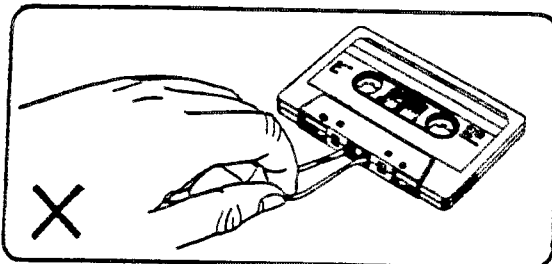
HELPFUL HINTS

THE CASSETTE TAPES

- Never place a cassette tape near any magnetic source, such as a magnet or a TV set, because this will affect tape quality.



- Never pull the tape out from the cassette housing because this may cause the tape to break and may result in a malfunction.

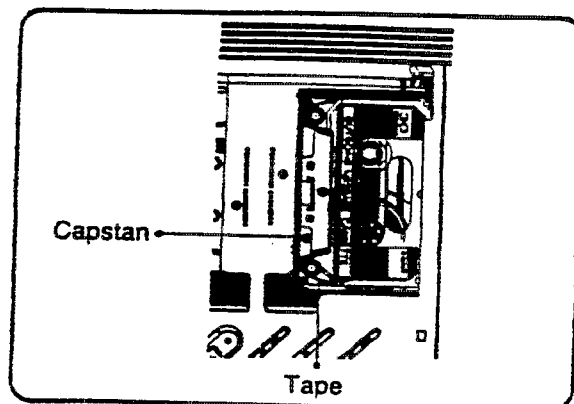


- Recordings can be made on a cassette, even when the record prevention (knock-out) tabs have been removed. Therefore, there is no need to check the cassettes beforehand.

Endless Cassette Tape (KX-C030) for Outgoing Messages

- Any slack in the tape cannot be corrected by using a pencil to manually turn the reels. If the tape protrudes from the cassette housing, gently push it back in with your finger tip.
- A sensing foil (silver) is attached to the endless tape. If the sensing foil contacts the sensing pole but the tape does not automatically stop, the sensing foil is probably worn or cracked. A new Panasonic endless cassette tape, KX-C030 (30 sec.), KX-C020 (20 sec) or KX-C010 (10 sec.) should be used at this time. For optimum sound quality and performance, replace the endless cassette tape every six months.

The endless cassette tape must be inserted as shown;

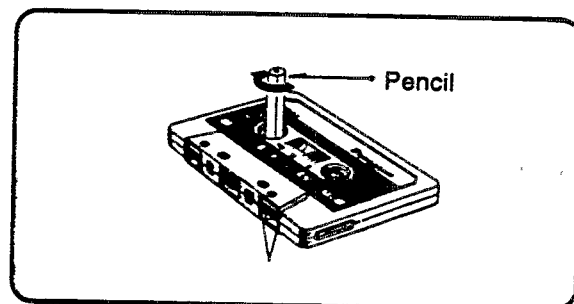


Cassette Tape (C-60) for Incoming Messages

- Should the Incoming Message cassette tape break or become worn, use the following or similar high quality "NORMAL" tape. Metal or chrome tape cannot be used.
 1. Panasonic cassette tape (C-30, C-60, C-90)
 2. TDK cassette tape (C-30, C-60, C-90)
 3. MAXELL cassette tape (C-30, C-60, C-90)
- Do not use C-120 tape.

For optimum sound quality and performance, replace the ICM cassette tape every six months.

- Any slack in the tape can be tightened by rotating the tape reel with a pencil, as shown.



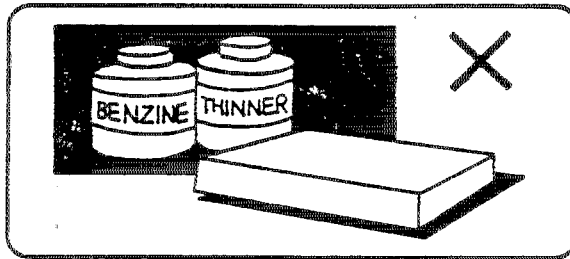
HELPFUL HINTS (cont.)

OTHERS

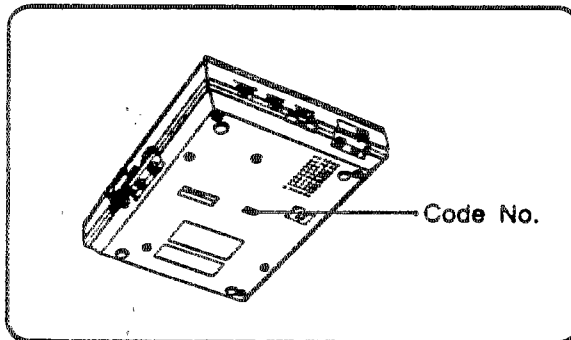
• If there is any trouble such as a malfunction or improper operation, disconnect the modular telephone plug from the telephone line jack. When the telephone is connected to the Telephone Jack on the rear of the EASA-PHONE, disconnect the telephone from the EASA-PHONE and plug the telephone directly into the telephone line jack. If the telephone operates properly when the unit is disconnected, do not reconnect the unit to the telephone line until the trouble has been repaired by an authorized Panasonic Factory Servicer. If the telephone does not operate properly when the unit is disconnected, chances are that the trouble is in the telephone system, and not in the unit.

• Do not use benzine, thinner, or the like, or any abrasive powder to clean the cabinet. Wipe it with a soft cloth.

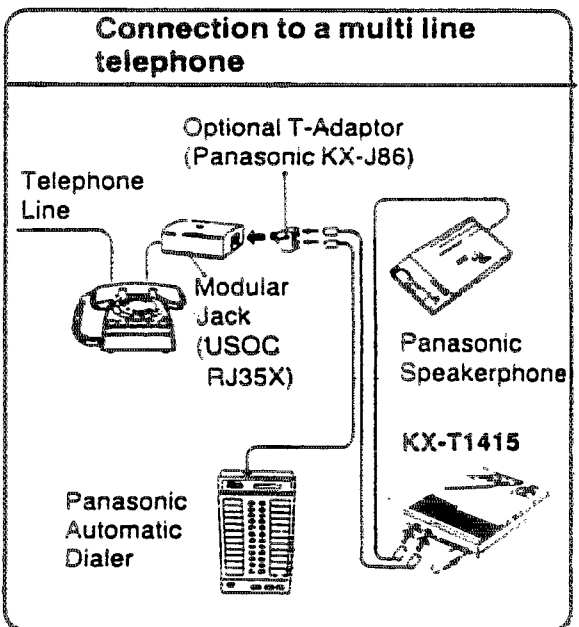
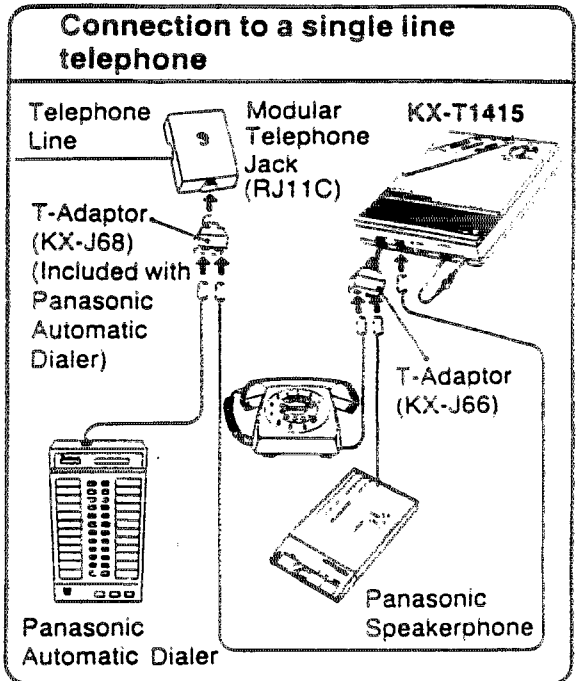
HELPFUL HINTS



• Additional Panasonic Remote Controllers (Model KX-A51A) can be purchased. Be sure to set the controller's code number to the number indicated on the bottom of your machine.



• This unit can be used in combination with the Panasonic Automatic Dialer and Speakerphone when connected as shown.



SAMPLE OF OUTGOING MESSAGES

Service Business

Thank you for calling the ABC Company. Our service men are all out on calls at the moment, but your call is being taken by our **EASA-PHONE** 24-hour message center. Please leave your name and telephone number at the sound of the tone, and we will call you shortly. **If the beep sounds 6 times, your message will not be recorded, so please call back tomorrow.**

Real Estate Agency

This is the ABC Real Estate Agency. Your call is being answered by our **EASA-PHONE** message center during our brief absence from the office. Please leave your name and telephone number at the sound of the tone, and we will return your call as soon as possible. Thank you for calling. **If the beep sounds 6 times, your message will not be recorded, so please call back tomorrow.**

Doctor

This is Doctor ABC's office. The doctor is on vacation until August tenth. In this absence, his calls are being handled by Doctor Smith who can be reached at 123-4567. That number again is 123-4567. Thank you for calling.

Insurance Agent

Hello, this is your ABC Insurance Agent, Tom Smith. My office is closed until 9:00 tomorrow morning. If this is an emergency call, you may reach me at my home number: 123-4567. If this is not an emergency, please leave your name and telephone number, and I will call you in the morning. **If the beep sounds 6 times, your message will not be recorded, so please call back tomorrow.**

Manufacturer's Representative

ABC Electronics. This is Tom Smith speaking. I am away from my office at the moment. Your call is important to me, and is being received by my **EASA-PHONE** message center. Please leave your name and number after the beep, and I will get back to you very soon. **If the beep sounds 6 times, your messages will not be recorded, so please call back tomorrow.**

Retail Store

Hello, Smith's Hardware. We're glad you called, but we're now closed for the night. If you'll leave your name, phone number and a message, we'll call you back in the morning. Thanks again for calling. Please start speaking when you hear the beep. **If the beep sounds 6 times, your message will not be recorded, so please call back tomorrow.**

Home

Hello, this is the Smith residence. We can't come to the phone right now, but would like to return your call. Please leave your name, number and any message, after you hear the beep. Thanks for calling. Now here is the beep. **If the beep sounds 6 times, your message will not be recorded, so please call back tomorrow.**

TROUBLESHOOTING GUIDE

QUESTIONS AND ANSWERS

1

Q:
I cannot remove the cassette from the unit. Why?

A:
Connect the AC adaptor and switch the power on. Now the tape can be removed.

2

Q:
The unit has been set to operate as an answering machine, but no incoming message is recorded. Why?

A:

- The OGM tape is not inserted.
- The OGM tape is broken (cut, worn out or twisted). Replace the tape with new one.
- The OGM is recorded improperly. Re-record the OGM.

3

Q:
When I am recording an Outgoing Message, the tape cannot be stopped immediately even if I press the Stop Button. Is something wrong?

A:
This is completely normal. The unit is designed so that the Stop Button does not function after the OGM tape starts to move. The OGM tape stops only when the tape comes full circle and sensing foil on the tape touches the sensing switch.

4

Q:
What should I do to record the beep on the Outgoing Message tape at the end of the recording?

A:
Just press the Stop Button at the end of the Outgoing Message recording. The beep is recorded automatically.

5

Q:
What should I do when I want to speak to a caller while the unit is already in the process of answering the call?

A:
Simply pick up the telephone handset (and press the Stop Button), and talk to the caller. To terminate the call, just hang up the telephone.

6

Q:
When the Outgoing Message or the Incoming Message tape is played back, the sound level is low, even if the On-Off/Volume control is turned up fully. What should I do?

A:
Clean the heads.

7

Q:
The unit does not function. However, the beep sounds 6 times and the Call Counter flashes on and off. What should I do?

A:
Replace the OGM and/or ICM tape with a new one, and switch the power off, and on again.

8

Q:

I have played back all of the recorded telephone messages. What should I do to record the next phone call after the last previously recorded message?

A:

- Refer to "To save previously recorded messages", on page 13.
- Refer to "PLAYBACK MESSAGES" on page 14, last item of No. 2.

11

Q:

The unit has been set to operate as an answering machine, but all the incoming messages are recorded only beginning of the messages.

A:

Ask Panasonic Servicenter to set the CPC Switch.

9

Q:

The unit will not function when I press any buttons. What should I do?

A:

Turn the On-Off/Volume Control to switch the power off, and then on again. This will reset the unit.

12

Q:

The remote controller produces a chirping sound, but the unit does not respond.

A:

- Make sure you are pressing the Playback Button while the outgoing message is still playing.
- Insure that the code number (i.e. A0001) on the back of the remote controller is the same as the number on the answering machine.
- Replace all three batteries in the remote controller.

10

Q:

Does the On-Off/Volume Control affect the volume of the Outgoing Message over the telephone line to the caller?

A:

No, the On-Off/Volume Control only affects the volume through the monitor speaker; the volume of the Outgoing Message through the telephone line is fixed and cannot be adjusted by the user.

PRODUCT SERVICE

Should your Panasonic product require service, refer to an authorized Panasonic servicenter listed in the enclosed directory, or consult your authorized Panasonic dealer for detailed instructions.

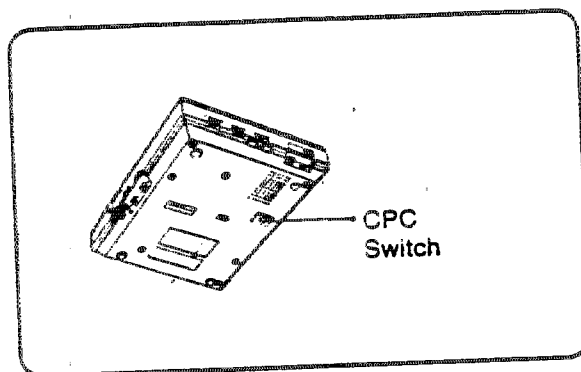
CONNECTION

MORE ABOUT CONNECTIONS

CPC SWITCH

This switch should be set according to a "CPC" pulse length (calling party control).

- Position A:** The unit responds to a pulse length of more than 8 m sec.
- Position B:** The unit responds to a pulse length of more than 600 m sec., but disregards less than 350 m sec.



A. CONNECTION TO SINGLE-LINE TELEPHONE SYSTEM

1. HARD WIRED TELEPHONE CONNECTION

If your present telephone connection is hard wired, that is, it does not utilize a modular, or 4-prong telephone jack, request the telephone company to make a USOC RJ11C connection, and plug-in the EASA-PHONE to the jack, as shown:

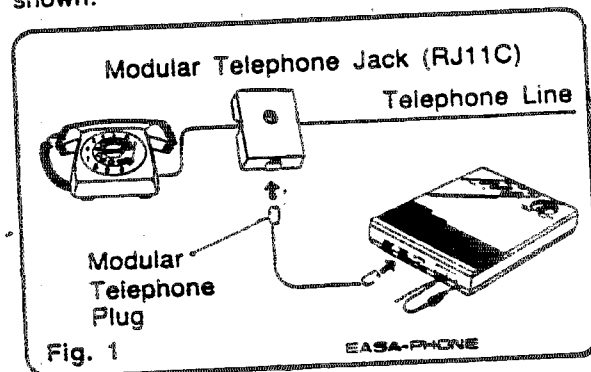


Fig. 1

2. 4-PRONG TELEPHONE CONNECTION

If your present telephone connection is made using a 4-prong jack, you may exercise one of the following options:

- Option A:** Request the telephone company to make a USOC RJ11C connection, creating a combination 4-Prong Jack and Modular Telephone Jack arrangement, as shown:

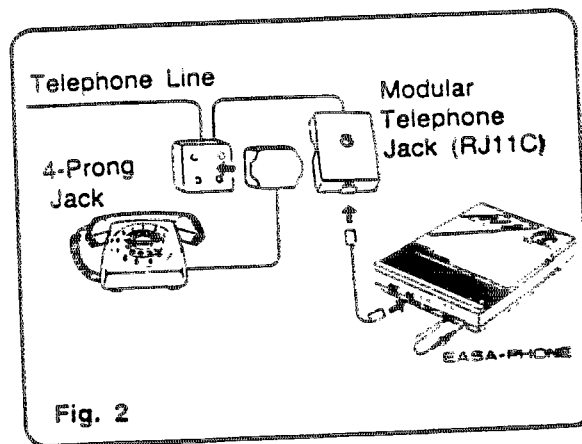


Fig. 2

- Option B:** You may purchase the optional Panasonic modular adaptor, SE-283M, and a double 4-prong jack, locally. These should be connected as shown:

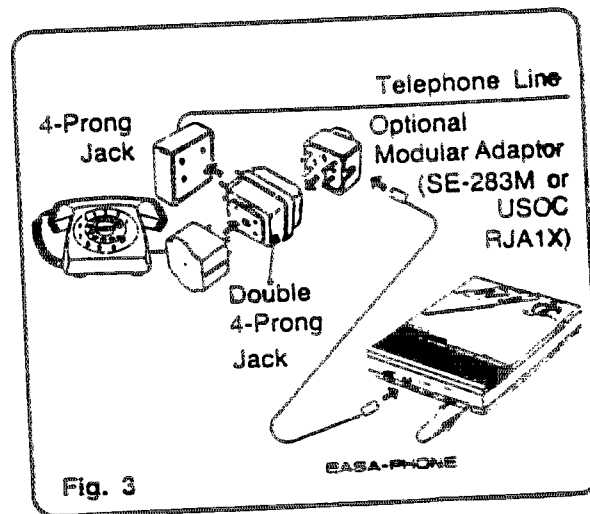


Fig. 3

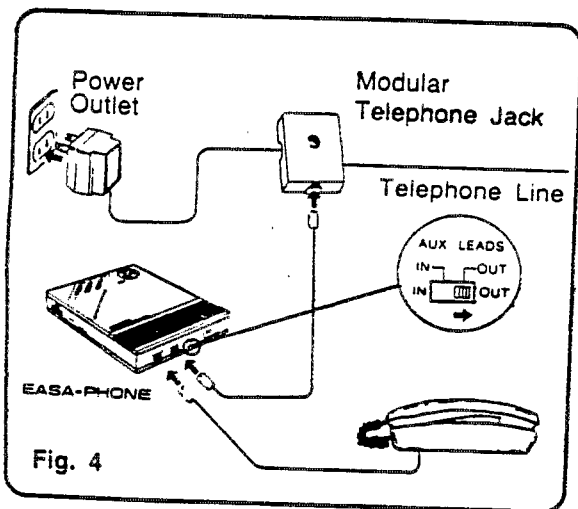
B. CONNECTION TO A SINGLE-LINE TELEPHONE IN A MULTI-LINE SYSTEM

For a single-line telephone in a multi-line system, such as one equipped with a switchboard, request the telephone company to make a USOC, RJ13C connection.

Connect as shown in Fig. 1, or Fig. 2. The Auxiliary Leads Control Switch, located on the back of the EASA-PHONE, should be switched to the "IN" position.

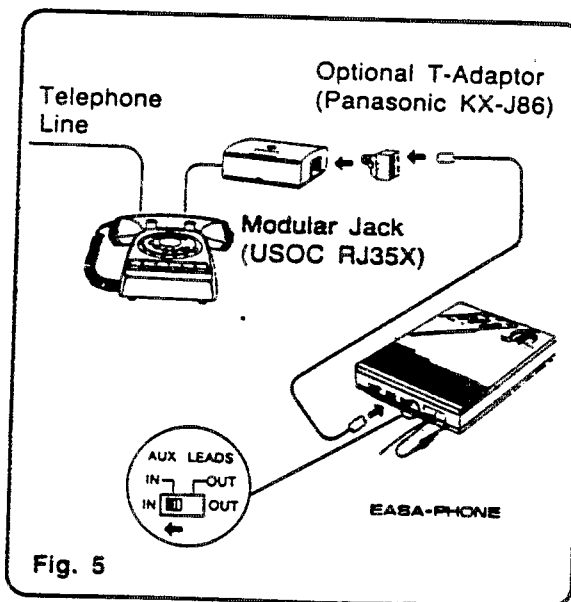
Caution:

If your telephone jack has an AC adaptor as shown below, set the Auxiliary Leads Control Switch to the "OUT" position.



C. CONNECTION TO A MULTI-LINE KEY TELEPHONE IN A MULTI-LINE TELEPHONE SYSTEM

Request the company that services your system to make a USOC RJ35X connection, then connect the EASA-PHONE to this jack using the optional Panasonic T-adaptor, KX-J86, as shown. This T-adaptor has a narrow and a wide opening; the EASA-PHONE must be plugged into the narrow opening. The Auxiliary Leads Control Switch, located on the back of the EASA-PHONE, should be in the IN position. The RJ35X connection allows access to all lines of a multi-line key telephone. You must depress the line selector button on the telephone corresponding to the particular telephone line you want the answering machine to answer.



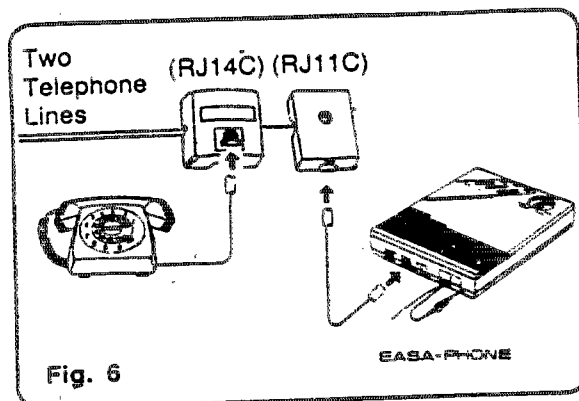
CONNECTION

CONNECTION (cont.)

MORE ABOUT CONNECTIONS

D. CONNECTION TO A TWO LINE NON-KEY TELEPHONE

Request the telephone company to make a USOC RJ11C connection to one of the two lines being serviced by the telephone. Two separate jacks will be required to gain access to both telephone lines. Connect as shown:



According to FCC Rules and Regulations, telephone subscribers may request their local telephone company to provide standard jacks in such a manner as to allow for easy and immediate disconnection of the terminal equipment (this unit). Standard jacks must be so arranged that, if the plug connected to the jack is withdrawn, no interference to the operation of other equipment, which remains connected to the telephone system at the customer's premises, shall occur by reason of such withdrawal. See page 26. "Instructions for Telephone Installers".

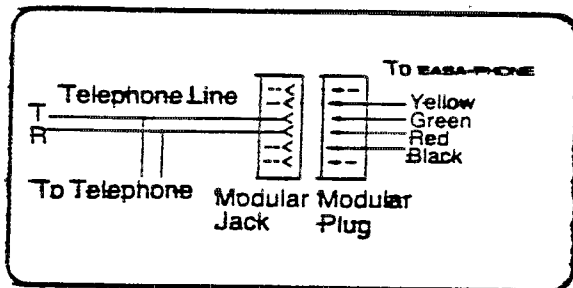
JACK CONFIGURATIONS

| USOC No. | Mini Jack | Electrical Connection | Typical Usage |
|----------------|-----------|---|--|
| RJ11C RJ11W | 6 Pin | Single line, bridged tip and ring only Conductors 1, 2, 5 and 6 are reserved for telephone company use. | Single line, nonkey telephones and ancillary devices. RJ11W is for portable, wall-mounted equipment; RJ11C is for all others. Most often used in home installations. |
| RJ13C RJ13W | 6 Pin | Single line bridged tip, ring, A and A1 leads behind the line circuit of a key system. Conductors 1 and 6 are reserved for telephone company use. | Single line, non-key telephones and ancillary devices connected to a key system. RJ13W is for portable, wall-mounted equipment; RJ13C is for all others. Usually used in business installations. |
| RJ35X | 8 Pin | Series connected tip and ring, bridged A and A1 leads, behind the pickup keys in a key telephone. | Ancillary devices connected in series with a key telephone set. Usually used in business installations. |

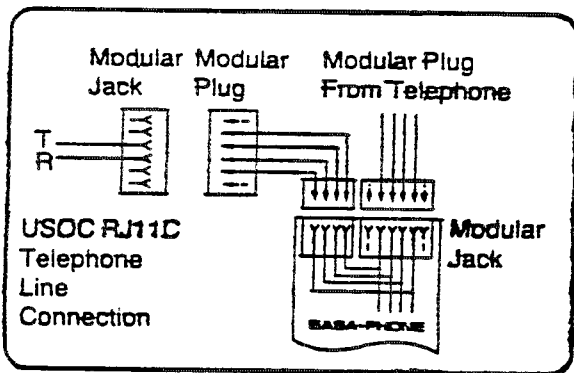
INSTRUCTIONS FOR TELEPHONE INSTALLERS

I. Single Line Telephone System

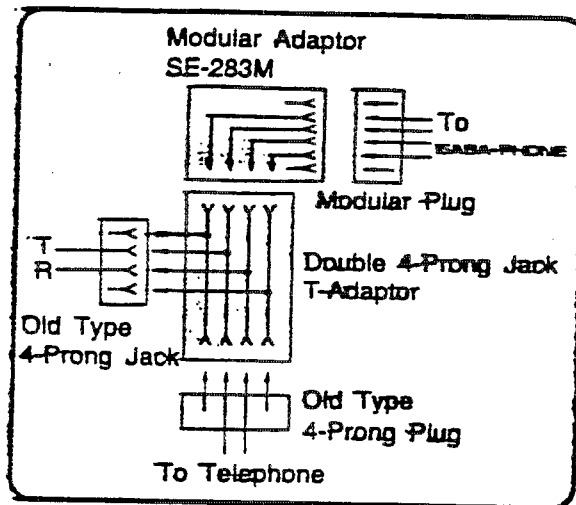
1. If the telephone is wired directly to the telephone line (hard wired), install a modular jack wired in an RJ11C configuration. Plug the unit into the jack.



2. If the telephone is connected to the telephone line using modular connectors*, plug the EASA-PHONE into the telephone line, and the telephone into the back of the EASA-PHONE.

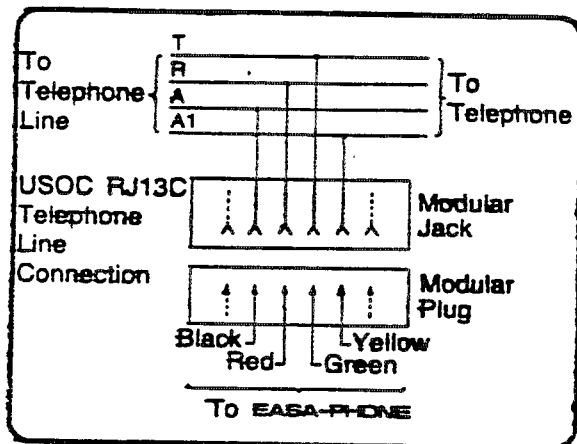


3. If the telephone is connected to the telephone line using 4-prong connectors,* either modularize the connectors and make the connections as described in example 2 of this section or use a double 4-prong jack and a 4-prong/modular adaptor and make the connections as follows.



*If the telephone is already equipped with a plug-in arrangement, no further installation work is required of the telephone company, and installation charges can be avoided.

II. Single Line Connection to a Multi-Line Key Telephone System



Note:

A and A1 leads are usually used to enable lights, hold and other auxiliary circuits. To have A-lead control in the EASA-PHONE, be sure the Auxiliary Leads Control Switch is set to the "IN" position.

"CONNECTION"

CONNECTION (cont.)

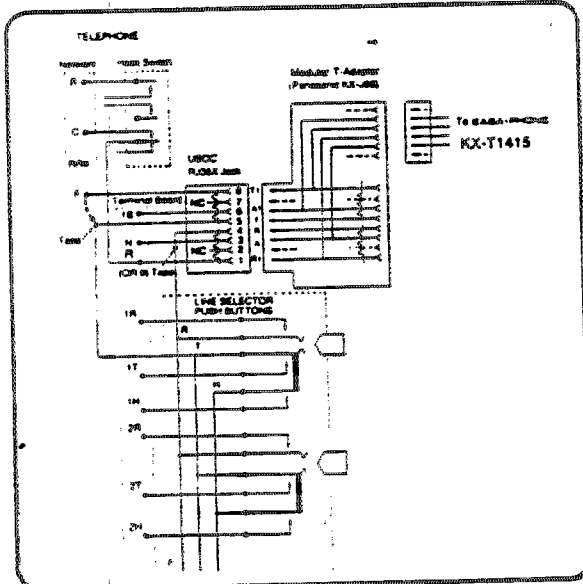
INSTRUCTIONS FOR TELEPHONE INSTALLERS

III. Mutli-Line Connection to a Multi-Line Key Telephone System*

Note:
These connections are typical, but the actual connections may vary in different telephones.

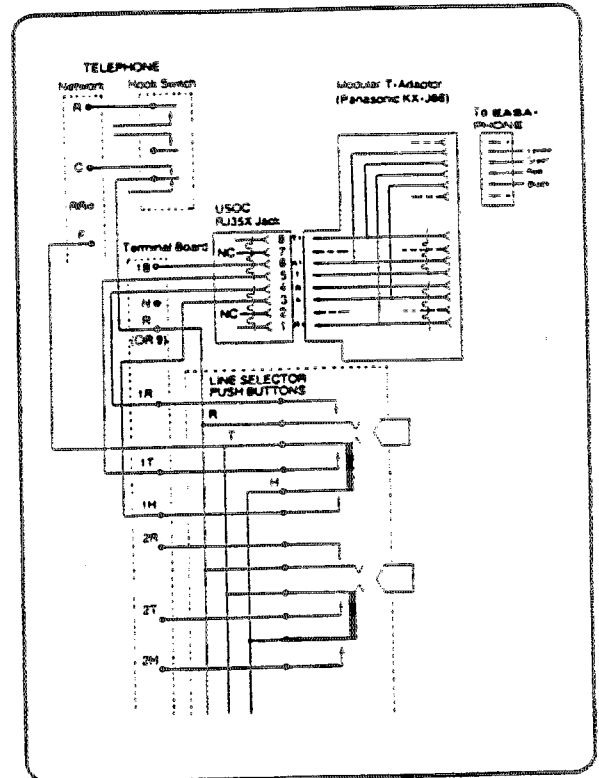
A. Operation on All Lines of a Multi-Line Key Telephone Using an 8-position Series Jack

1. Remove the line selector push buttons' R lead from the terminal board's terminal R, and connect it to RJ35X lead 4. Tape the connection. (In some telephones, terminal R, on the terminal board may be identified as terminal 9.)
2. Connect RJ35X lead 1 to terminal R (or 9), on the terminal board.
3. Remove the line selector push button's T lead on the network's F terminal, and connect it to RJ35X lead 5. Tape the connection.
4. Connect RJ35X lead 8 to terminal F, on the network.
5. Connect the RJ35X lead 6 to terminal 1B on the terminal board.
6. Connect RJ35X lead 3 to terminal N on the terminal board.
(Leads 3 and 6 are A, A1 control to allow hold, lights and other auxiliary circuits to function.)



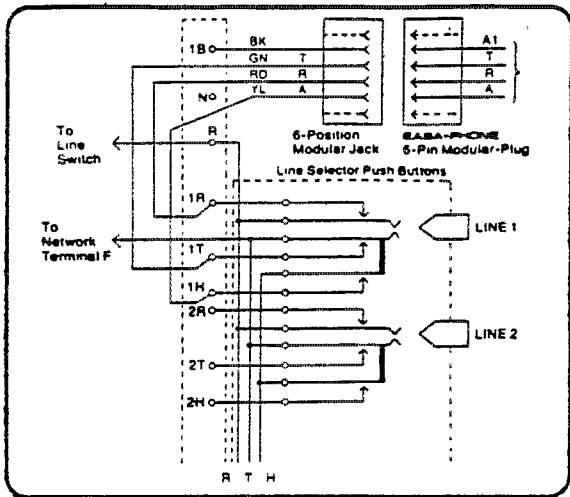
B. Operation on Only One Line of a Multi-Line Key Telephone Using an 8-position Series Jack

Make bridged connections to the T, R and A terminals for the desired line, as well as the common A1 terminal.



C. Operation on Only One Line of a Multi-Line Key Telephone Using a Standard 6-Position Jack

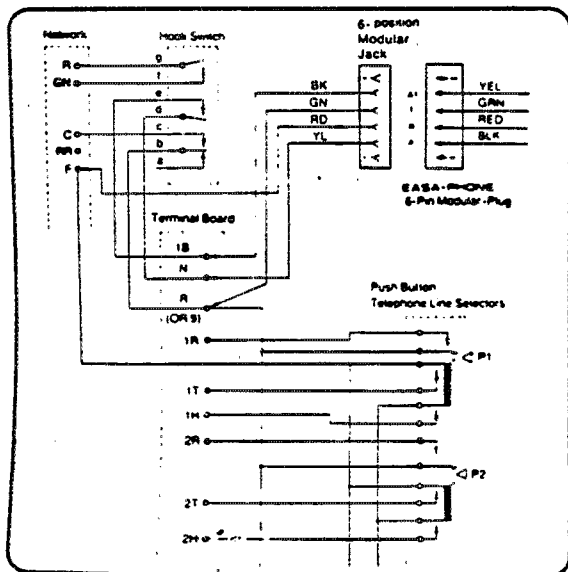
Connect a 6-position modular telephone jack, (usually using only 4 conductors and 4 wires) wired in a USOC RJ13C type configuration. Make bridged connections to the T, R, and A terminals for the desired line, as well as the common A1 terminal.



The EASA-PHONE is shown connected to the telephone line controlled by the first push button. To connect to a different line, such as to the second push button, connect the yellow, red, and green wires to 2H, 2R, and 2T, respectively.

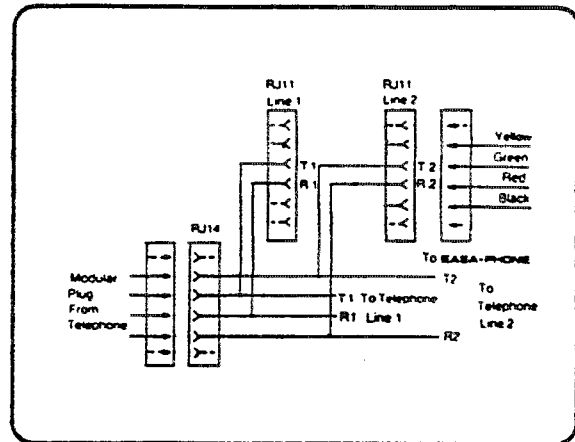
D. Operation on All Lines of a Multi-Line Telephone Using a Standard 6-Position Jack

1. In private telephone systems, a 6-position modular telephone jack, (usually using only 4-conductors and 4-wires) can be wired to the common network terminals (T, R, A and A1) to obtain multi-line operation, on all lines, instead of the USOC RJ35X connection, described previously.



IV. Connection to a Two Line Non-Key Telephone

Make a separate RJ11C connection for each telephone line to be used.



Note:

If EASA-PHONE operation is desired on only the primary line (or line one) of the telephone system, plug the EASA-PHONE into the telephone line jack and the telephone into the back of the EASA-PHONE. With this arrangement, be sure the Auxiliary Leads Control Switch set to the "OUT" position. This arrangement is only useable if the telephone uses a four wire connection.

CONNECTION (cont.)

TELEPHONE COMPANY AND FCC REQUIREMENTS AND RESPONSIBILITIES

In compliance with the requirements of Parts 68 of the FCC Rules and Regulations for the connection of terminal equipment (The EASAPHONE is classified as terminal equipment.) to the telephone network, and for your convenience, the following information is presented:

1. NOTIFICATION TO THE TELEPHONE COMPANY

Customers connecting terminal equipment to the telephone network shall, before such connection is made, give notice to the telephone company of the particular line(s) to which such connection is to be made and shall provide to the telephone company the make, model number, F.C.C. registration number (see label on bottom of unit.) and ringer equivalence number of the registered terminal equipment, and the type of jack needed if not already installed. The customer shall give notice to the telephone company upon final disconnection of such equipment from the particular line(s).

Make: Panasonic
Model: KX-T1415
FCC Registration Number and Ringer Equivalence: See label on bottom of unit.

Type of Jack Needed: Modular jack. (see connection instructions on page 6 and 23 for the type of jack required.)

2. DIRECT CONNECTION TO A PARTY-LINE OR COIN-OPERATED TELEPHONE LINE IS PROHIBITED

3. INCIDENCE OF HARM TO THE TELEPHONE LINES

Should terminal equipment cause harm to the telephone network, the telephone company shall, where practical, notify the customer that temporary discontinuance of service may be required. However, where prior notice is not practical, the telephone company may temporarily discontinue service forthwith, if such action is reasonable in the circumstances. In case of such unnotified temporary discontinuance of service, the telephone company shall:

- (a) Promptly notify the customer of such temporary discontinuance of service.
- (b) Afford the customer the opportunity to correct the situation which gave rise to the temporary discontinuance.
- (c) Inform the customer of the right to bring a complaint to the Commission pursuant to the procedures set out in Subpart E of Part 68 of the FCC Rules and Regulations.

4. COMPATIBILITY OF THE TELEPHONE NETWORK AND THE TERMINAL EQUIPMENT

(a) Availability of telephone interface information.

Technical information concerning interface parameters and specifications not specified in FCC Rules, including the number of ringers which may be connected to a particular telephone line, which is needed to permit terminal equipment to operate in a manner compatible with telephone company communications facilities, shall be provided by the telephone company upon customer's request.

(b) Changes in Telephone Company Communications Facilities, Equipment, Operations and Procedures.

The telephone company may make changes in its communications facilities, equipment, operations or procedures, where such action is reasonably required in the operation of its business and is not inconsistent with Part 68 of the FCC Rules and Regulations. If such changes can be reasonably expected to render any customer terminal equipment incompatible with telephone company communications facilities, or require modification or alteration of such terminal equipment, or otherwise materially affect its use or performance, the customer shall be given adequate notice in writing, to allow the customer an opportunity to maintain uninterrupted service.

5. RESPONSIBILITY OF THE GRANTEE (MANUFACTURER) OF THE REGISTERED EQUIPMENT

The grantee or its agent shall provide, to the user of the registered equipment, the following:

1. Instructions concerning installation, operation and repair procedures, where applicable.
2. Instructions that registered terminal equipment may not be used with party lines or coin operated lines.
3. Instructions indicating that when trouble is experienced the customer shall disconnect the registered equipment from the telephone line to determine if the registered equipment is malfunctioning. If the registered equipment is malfunctioning, the use of such equipment shall be discontinued until the problem has been corrected.
4. Instructions that the user must give notice to the telephone company in accordance with the requirements of Section 68.106 of Part 68 of the FCC Rules and Regulations.
5. Instructions specifying the Universal Service Order Code (USOC) means of connection of the equipment, other than RJ11, which may be required to be ordered from the telephone company if not already installed.

CONNECTION

CUSTOMER ORDER FORM

- Optional parts are available at your nearest Panasonic dealer or you may order directly from MESCO using this order form.
- Please fill out this form, enclosing a check or money order (do not send cash), for the amount indicated including sales tax where applicable, and mail to:



Panasonic Consumer Parts Division
P.O. Box 1562 Secaucus, N.J. 07094

SHIP TO: (NAME) _____

(STREET) _____ (CITY) _____

(STATE) _____ (ZIP) _____

CUT ON DOTTED LINE

| Picture | Part No. | Description | Price | Qty | Amount |
|---|----------|--------------------------|---------|-----|--------|
|  | KX-C010 | OGM tape | \$5.95 | | |
| | KX-C020 | | | | |
| | KX-C030 | | | | |
|  | KX-A51A | Pickup remote controller | \$29.95 | | |
| Applicable State Tax | | | | | |
| Shipping and Handling Charge | | | | | \$2.00 |
| Total (I enclose check or money order in full.) | | | | | |

• Prices quoted are subject to change without notice.