

SWISHER

MANUFACTURING QUALITY LAWN CARE EQUIPMENT SINCE 1945

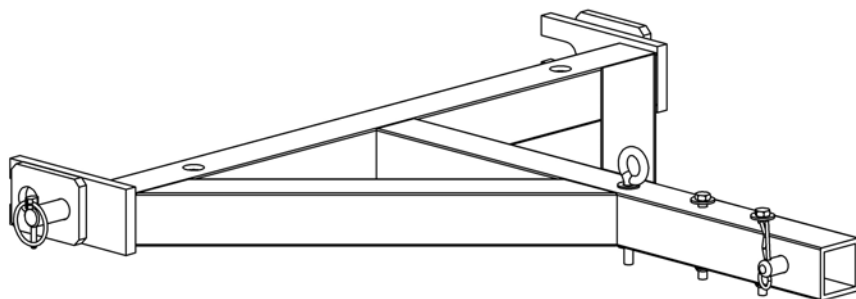
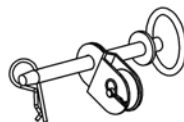
Owner's Manual

SUV – 3 Point Hitch Assembly

***Model No.
14007***



***IMPORTANT
Read and follow all
Safety Precautions
and Instructions
Before Operating this
Equipment.***



SUV – 3 Point Hitch Assembly

**1602 CORPORATE DRIVE PO BOX 67 WARRENSBURG, MISSOURI 64093
PH 660.747.8183 FAX 660.747.8650
www.swisherinc.com**



The manufacturer's warranty to the original consumer purchaser is: This product is free from defects in materials and workmanship for a period of one (1) year from the date of purchase by the original consumer purchaser. We will repair or replace, at our discretion, parts found to be defective due to materials or workmanship. This warranty is subject to the following limitations and exclusions:

- 1) Commercial Use The warranty period for any product used for commercial or rental is limited to ninety (90) days from the date of original purchase.

- 2) Limitations This warranty applies only to products which have been properly assembled, adjusted, and operated in accordance with the instructions contained within this manual. This warranty does not apply to any product of Swisher Mower Co., Inc., that has been subject to alteration, misuse, abuse, improper assembly or installation, or shipping damage.

- 3) Exclusions Excluded from this warranty are normal wear, normal adjustments, and normal maintenance.

In the event you have a claim under this warranty, you must return the product to an authorized service dealer. All transportation charges, damage, or loss incurred during transportation of parts submitted for replacement or repair under this warranty shall be borne by the purchaser. Should you have any questions concerning this warranty, please contact us toll-free at 1-800-222-8183. The model number, serial number, date of purchase, and the name of the authorized Swisher dealer from whom you purchased the product will be needed before any warranty claim can be processed.

THIS WARRANTY DOES NOT APPLY TO ANY INCIDENTAL OR CONSEQUENTIAL DAMAGES AND ANY IMPLIED WARRANTIES ARE LIMITED TO THE SAME TIME PERIODS STATED HEREIN FOR ALL EXPRESSED WARRANTIES.

Some states do not allow the limitation of consequential damages or limitations on how long an implied warranty may last, so the above limitations or exclusions may not apply to you. This warranty gives you specific legal rights and you may have other rights, which vary from state-to-state. This is a limited warranty as defined by the Magnuson-Moss Act of 1975.

14007 SUV – 3 Point Hitch Assembly

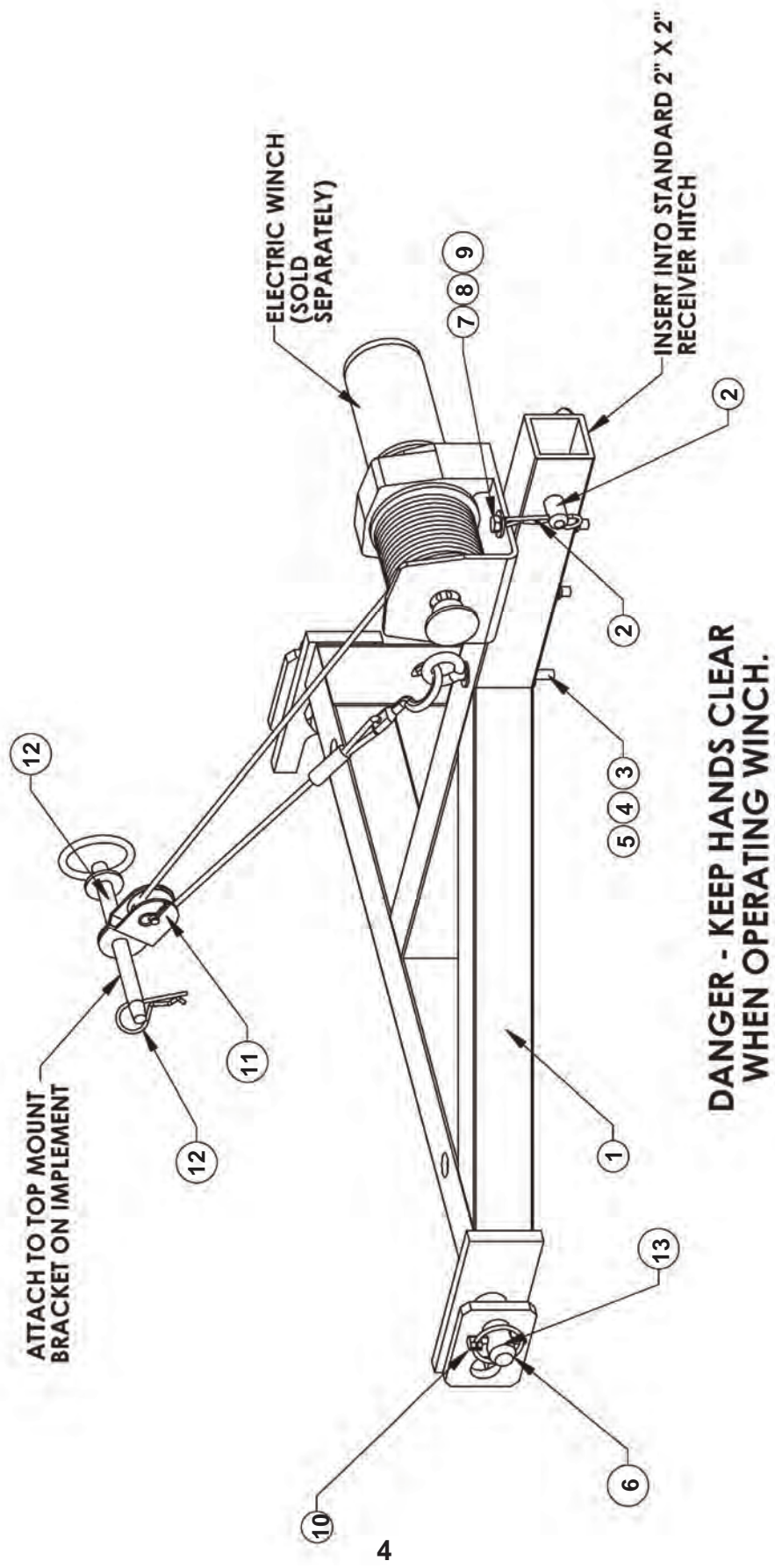
Assembly Instructions:

1. Insert main frame of the 3 Point SUV Hitch Assembly (Item 1) into a standard 2" X 2" receiver hitch, and secure with the 5/8" bent pin and hairclip (Items 2&3).
2. Attach electric winch to the main frame using the mounting hardware provided. (Items 8,9 & 10) This product is only designed to be used with any 2 bolt pattern 3.1" electric winch.
3. Remove hairpin from the top link pulley (Item 12) in order to separate the pulley axle, pulley, and pulley bracket.
4. Wrap the winch cable around the pulley and re-assemble the pulley, axle and bracket using the hairpin to secure the assembly.
5. Attach the top link pulley assembly to the top mount bracket on the implement to be used.
6. Insert the bolt on Lower Link pins (Item 15) through the holes in the main frame and secure with the nuts provided.
7. Mount the implement to the hitch assembly and secure using the catch plates (Item 7) and lynch pins (Item 11).
8. Connect the cable hook from the winch to the eyebolt on the main frame.
9. Be sure to keep hands clear when operating the winch. Use the winch to adjust the operating height of the implement.



Operating Instructions:

1. Be sure to keep hands clear when operating the winch.
2. Only use the winch to adjust the operating height of the implement.
3. Only drive with the implement in the forward direction. Do not scrape or plow with the implement in the reverse direction as it was not designed or intended for this use. Vehicle damage and product damage can result.
4. Do not scrape or plow with the winch holding the force of the implement. Damage to the winch can result.
5. Do not exceed any implement weight of 500 lbs, the recommended vehicle manufacturer tongue, or the tongue weight rating of the hitch.



Parts List SUV – 3 Point Hitch Assembly

ITEM NO.	QTY.	PART NO.	DESCRIPTION
1	1	13713TK	Three Point Hitch Weldment
2	1	NB702	5/8" x 3" Bent Pin with Hair Pin
3	1	NB635	3/8-16 X 3" Turned Eye Bolt
4	2	NB272	3/8 SAE Washer
5	1	NB207	3/8-16 Nyloc Jam Nut, ZY
6	2	13719TK	Catch Plate, Three Point Hitch
7	2	NB181	5/16-18 Nyloc Nut
8	2	NB563	Bolt - 5/16-18 X 3", GR2, ZY
9	4	NB556	5/16 USS Flat Washer
10	2	NB506	3/16 Click Pin
11	1	14013	Top Link Pulley Assembly
12	1	NB648	Hitch Pin w/Hair Pin 1/2" x 3 1/2"
13	2	14245	Category 1 Lower Link Pin, .875" Dia.

SWISHER

MANUFACTURING QUALITY LAWN CARE EQUIPMENT SINCE 1945

Owner's Manual

***SUV – 3 Point Hitch
Assembly***

***Model No.
14007***



***IMPORTANT
Read and follow all
Safety Precautions
and Instructions
Before Operating this
Equipment.***

***WHEN ORDERING PARTS, PLEASE HAVE THE
FOLLOWING INFORMATION AVAILABLE:***

- * PRODUCT - _____***
- * SERIAL NUMBER - _____***
- * MODEL NUMBER - _____***
- TYPE - _____***
- * PART NUMBER WITH PAINT CODE***
- * PART DESCRIPTION***

***TELEPHONE - 1-800-222-8183
FAX - 1-660-747-8650***

***SWISHER MOWER & MACHINE CO. INC.
1602 CORPORATE DRIVE
P.O. BOX 67
WARRENSBURG, MO 64093***

For Parts Information Please Visit :

www.swisherinc.com

Or Call:

1-800-222-8183

***1602 CORPORATE DRIVE PO BOX 67 WARRENSBURG, MISSOURI 64093
PH 660. 747. 8183 FAX 660. 747. 8650
www.swisherinc.com***