

*Bell'O*  
simply...beautiful®

FEATURING

*ClassicFlame*   
DECORATIVE ELECTRIC FIREPLACES

**MODELS/ MODELOS:  
36II100GRG, 47II100GRG**

Español P.29

Français P.56



[www.tsicustomerservice.com](http://www.tsicustomerservice.com)



1-866-661-1218

**TWIN-STAR**  
INTERNATIONAL  
HOME FURNISHINGS

Twin-Star International, Inc; Delray Beach, FL 33445

Made in China • Printed in China • Fabricado en China • Impreso en China • Fabriqué en Chine • Imprimé en Chine

# Table of Contents

Important Instructions .....	3	Installation Options .....	8
Warranty .....	4	Wall Hanging .....	9
Getting Started .....	5	Pedestal Base .....	12
Pre-Assembly .....	6	Built In Construction .....	14
Hardware Included .....	6	Assembly with mantel.....	18
Product Specifications.....	6	Fuel Bed Setup Instructions .....	21
Tools Required .....	6	Operation.....	23
Package Contents .....	7	FCC/IC Information.....	26
		Care & Cleaning .....	26
		Troubleshooting.....	27
		Replacement Parts .....	28

# IMPORTANT INSTRUCTIONS

When using electrical appliances, basic precautions should always be followed to reduce the risk of fire, electrical shock, and injury to persons including the following:

1. Read all instructions before using this appliance.
2. This appliance is hot when in use. To avoid burns, do not let bare skin touch hot surfaces. If provided, use handles when moving this appliance. Keep combustible materials, such as furniture, pillows, bedding, papers, clothes and curtains at least 3 feet (0.9 m) from the front of this appliance and keep away from the sides and the rear. **WARNING:** In order to avoid overheating, do not cover the heater. The clearance may be inadequate when installed in a Recreational Vehicle with the slide-out closed.
3. **CAUTION:** Never leave the heater operating unattended. Extreme caution is necessary if unsupervised children or invalids are nearby.
4. The appliance is not to be used by children or persons with reduced physical, sensory or mental capabilities, or lack of experience and knowledge, unless they have been given supervision or instruction.
5. Always unplug this appliance when not in use.
6. Do not operate any heater with a damaged cord or plug or after the appliance malfunctions, or if it has been dropped or damaged in any manner.
7. If the supply cord is damaged, it must be replaced by the manufacturer, its service agent or similarly qualified persons in order to avoid a hazard.
8. Do not use outdoors.
9. This heater is not intended for use in bathrooms, laundry areas and similar indoor locations. Never locate this appliance where it may fall into a bathtub or other water container.
10. Do not run cord under carpeting. Do not cover cord with throw rugs, runners or the like. Arrange cord away from traffic areas and where it will not be tripped over.
11. To disconnect this appliance, turn controls to the off position, then remove plug from outlet.
12. Connect to properly grounded outlets only. This heater is for use on 120 volts. The cord has a plug as shown at A in Fig.1 Do not use a 2 prong adapters. Never use with an extension cord or relocatable power tap (outlet/power strip).

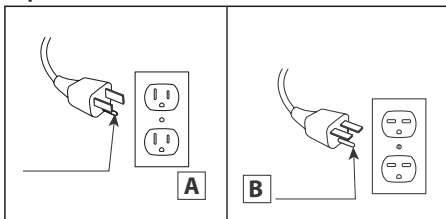
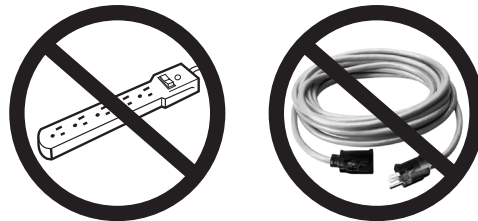


Fig.1



13. This appliance, when installed, must be electrically grounded in accordance with local codes or, in the absence of local codes, with the current CSA C22.1 Canadian Electrical Code or for U.S.A. installations, follow local codes and the National Electrical Code, ANSI/NFPA NO.70.
14. Do not insert or allow foreign objects to enter any ventilation or exhaust opening as this may cause an electric shock or fire, or damage the appliance.
15. To prevent a possible fire, do not block air intakes or exhaust in any manner. Do not use on soft surfaces, like a bed, where opening may become blocked.
16. This appliance has hot and arcing or sparking parts inside. Do not use it in areas where gasoline, paint or flammable liquids are used or stored. This fireplace should not be used as a drying rack for clothing. Christmas stockings or decorations should not be hung in the area of it.
17. Use this appliance only as described in the manual. Any other use not recommended by the manufacturer may cause fire, electric shock or injury to persons.

## SAVE THESE INSTRUCTIONS

# 1-Year Limited Warranty

---

The manufacturer warrants that your new Electric Fireplace is free from manufacturing and material defects for a period of one year from date of purchase, subject to the following conditions and limitations.

1. Install and operate this appliance in accordance with the installation and operating instructions furnished with the product at all times. Any unauthorized repair, alteration, willful abuse, accident, or misuse of the product shall nullify this warranty.
2. This warranty is non-transferable, and is made to the original owner, provided that the purchase was made through an authorized supplier of the product.
3. The warranty is limited to the repair or replacement of part(s) found to be defective in material or workmanship, provided that such part(s) have been subjected to normal conditions of use and service, after said defect is confirmed by the manufacturer's inspection.
4. The manufacturer may, at its discretion, fully discharge all obligations with respect to this warranty by refunding the wholesale price of the defective part(s).
5. Any installation, labor, construction, transportation, or other related costs/expenses arising from defective part(s), repair, replacement, or otherwise of same, will not be covered by this warranty, nor shall the manufacturer assume responsibility for same.
6. The owner/user assumes all other risks, if any, including the risk of any direct, indirect or consequential loss or damage arising out of the use, or inability to use the product, except as provided by law.
7. All other warranties – expressed or implied – with respect to the product, its components and accessories, or any obligations/liabilities on the part of the manufacturer are hereby expressly excluded.
8. The manufacturer neither assumes, nor authorizes any third party to assume on its behalf, any other liabilities with respect to the sale of the product.
9. The warranties as outlined within this document do not apply to non accessories used in conjunction with the installation of this product.
10. This warranty gives you specific legal rights, and you may also have other rights which vary from state to state.

This warranty is void if:

- a. The fireplace is subjected to prolonged periods of dampness or condensation.
- b. Any unauthorized alteration, willful abuse, accident, or misuse of the product.
- c. You do not have the original receipt of purchase.

## Customer Service

---

[www.tsicustomerservice.com](http://www.tsicustomerservice.com)  
For Customer Service Call 1-866-661-1218

Questions? Our experts are standing by assist you at our Toll-Free help line, we can help you with assembly, and, if necessary replace damaged/missing parts. Assistance is available 7 days a week/24 hours a day/365 days per year.

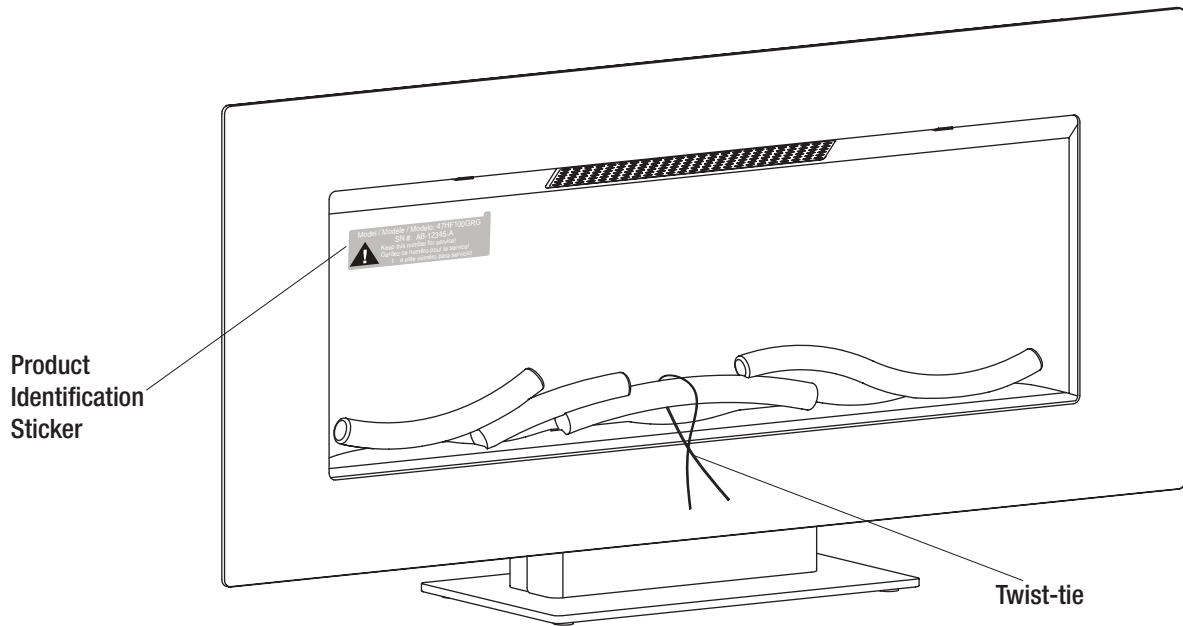
### IMPORTANT:

Before contacting Customer Service please have this information available:

- Serial Number
- Model Number
- Sales Receipt or Proof of Purchase

# Getting Started

1. Remove the product identification sticker from the front of the fireplace and the twist-tie from the logset.



2. Attach the Product Identification Sticker to this Manual below for future reference. This information is used for product registration and also is necessary for customer service.

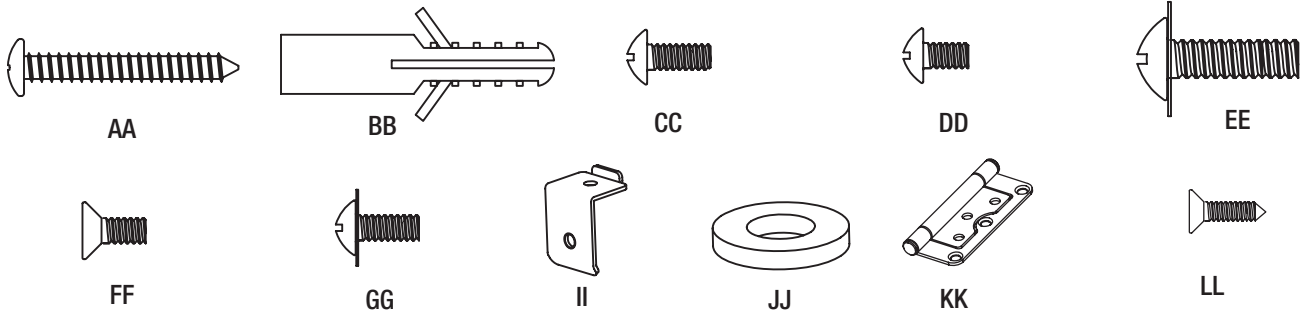
Attach Product Identification Sticker Here



3. Go to [www.tsicustomerservice.com](http://www.tsicustomerservice.com) for product warranty registration. If you are unable to complete registration save your proof of purchase for warranty purposes.

# Pre-Assembly

## HARDWARE INCLUDED



Part	Description	Part Number	Quantity
AA	Anchor Screw	3647HF-AA	6
BB	Wall Anchor	3647HF-BB	6
CC	Screw 4mm x 8mm (2 Pre-Attached)	3647HF-CC	4
DD	Screw 4mm x 6mm (3 Pre-Attached)	3647HF-DD	8
EE	Screw	3647HF-EE	7
FF	Flat Head Screw	3647HF-FF	2
GG	Screw (Pre-Attached)	3647HF-GG	2
II	Small Base Bracket	3647HF-II	1
JJ	Washer	3647HF-JJ	4
KK	Mounting Hinge	3647HF-KK	4
LL	Screw	3647HF-LL	8

 **NOTE:** Hardware not shown to actual size.

## PRODUCT SPECIFICATIONS

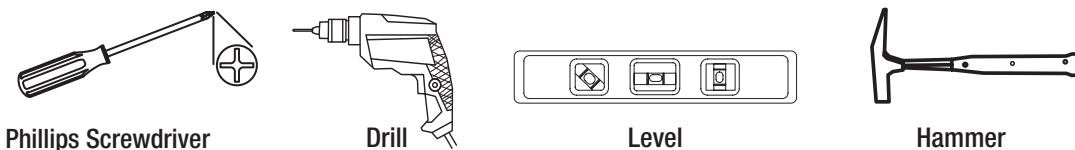
<b>Voltage</b>	120 VAC, 60 Hz
<b>Amps</b>	12.5 Amps
<b>Watts</b>	1500 Watts

## PLANNING ASSEMBLY

Before beginning assembly of product, make sure all parts are present. Compare parts with Hardware Included and Package Contents lists. If any part is missing or damaged, do not attempt to assemble, install or operate the product. Contact customer service for replacement parts.

Estimated Assembly Time: 60 Minutes

**Tools Required for Assembly (not included): Phillips screwdriver, Drill, Hammer, Level**



Phillips Screwdriver

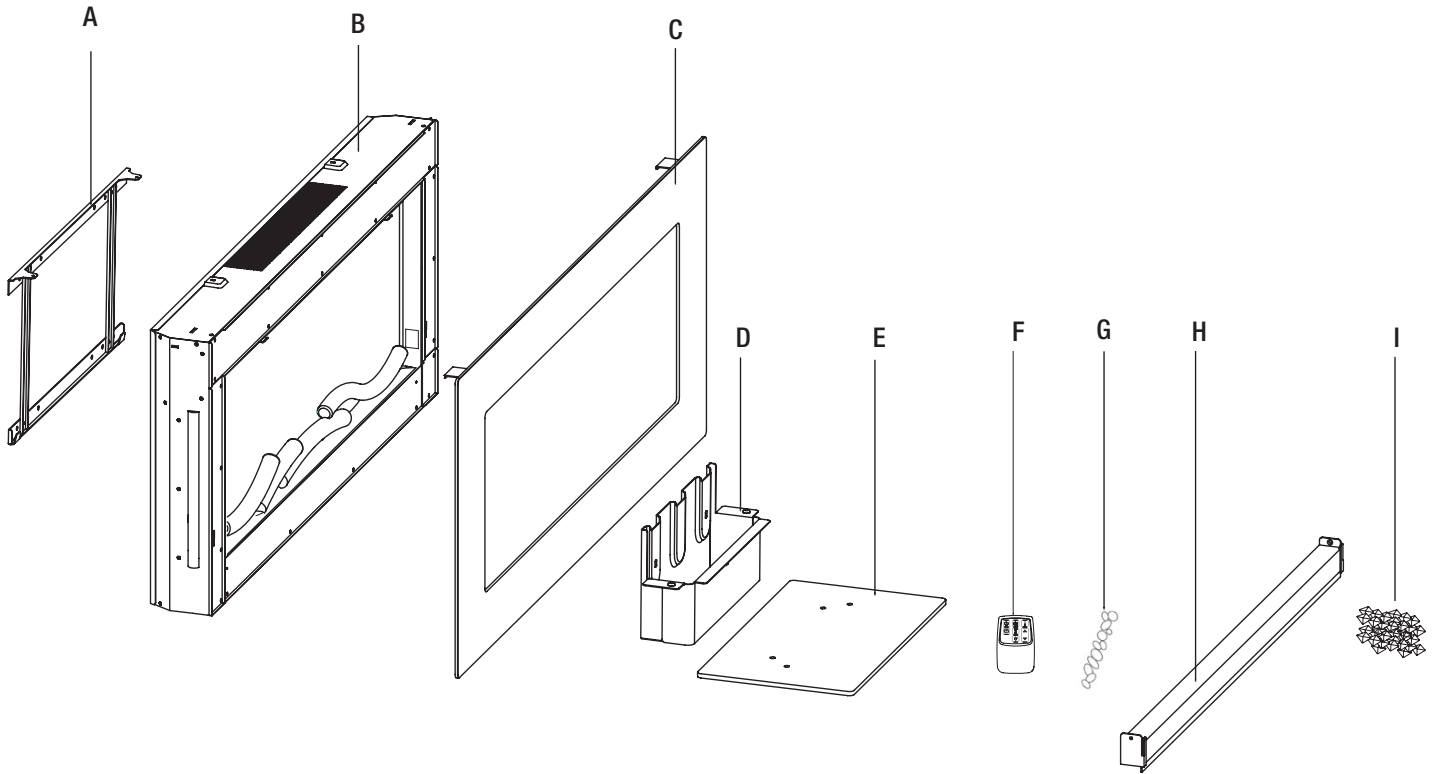
Drill

Level

Hammer

# Pre-Assembly (continued)

## PACKAGE CONTENTS



Part	Description	Quantity
A	Mounting Bracket (Pre-Attached)	1
B	Fireplace	1
C	Front Frame	1
D	Base Bracket	1
E	Base	1
F	Remote Control	1
G	Decorative Rocks	Varies
H	Transparent Tray Assembly	1
I	Crystals	Varies

# Installation Options

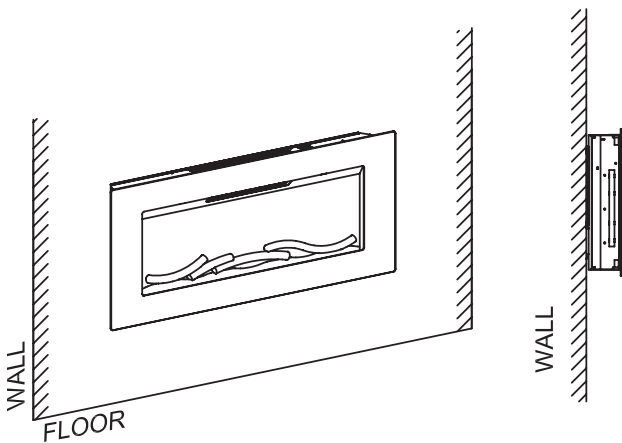
The fireplace can be installed with 4 options:

1. Wall hanging with provided mounting bracket.
2. Free standing with provided pedestal base.
3. Built in construction.
4. Assembly with mantel.

Follow installation instructions below based on installation preference.

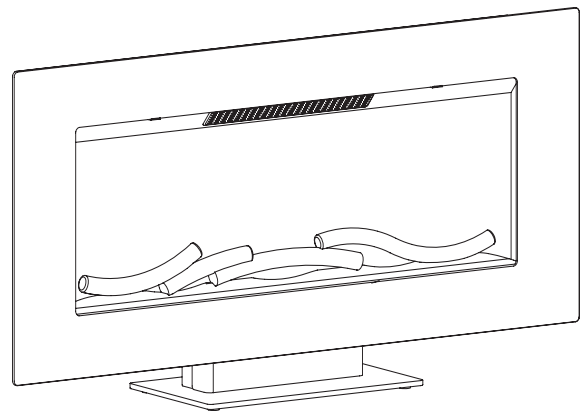
## Option 1

Wall Hanging....page 9



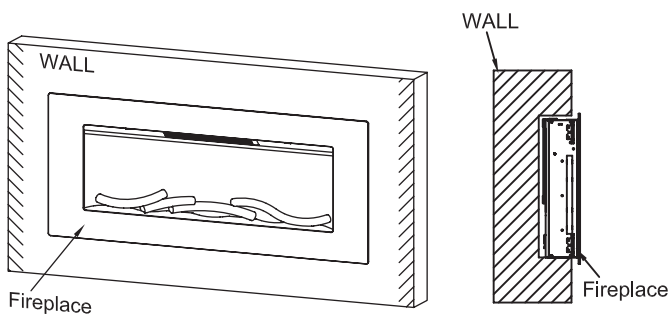
## Option 2

Pedestal Base....page 12



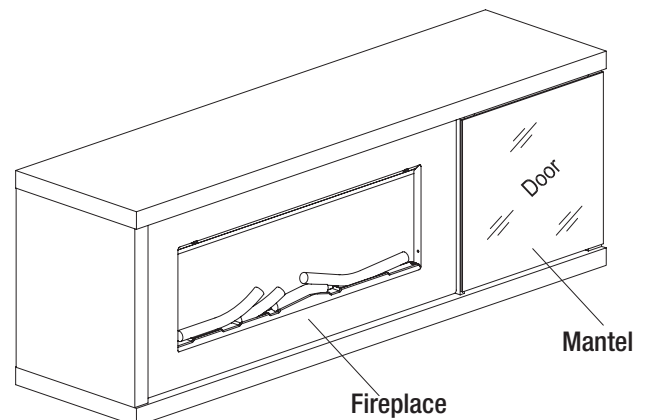
## Option 3

Built in construction....page 14



## Option 4

Assembly with mantel....page 18

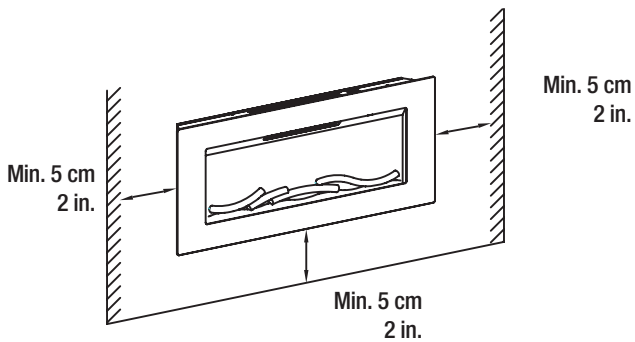




# Installation - Wall Hanging

## WALL HANGING TO THE WALL WITH PROVIDED MOUNTING BRACKET

Your new electric fireplace may be installed virtually anywhere in your home. However, when choosing a location be sure to follow the general instructions included. For best results install out of direct sunlight. Power supply service must be either completed or placed within the electric fireplace prior to finishing to avoid reconstruction.



**WARNING:** Keep drapery and other furnishings at least 3 ft / 1 m from the front and sides of the electric fireplace.

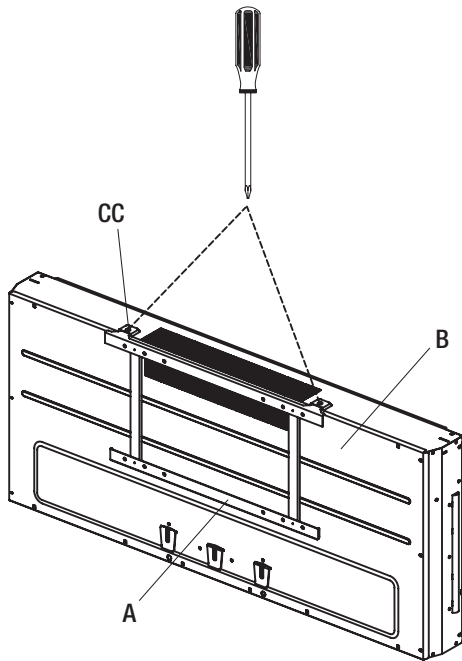
Clearance to combustibles

<b>Sides</b>	2 in. / 5 cm
<b>Floor</b>	2 in. / 5 cm
<b>Top</b>	2 in. / 5 cm
<b>Back</b>	0 in. / 0 cm

# Installation - Wall Hanging

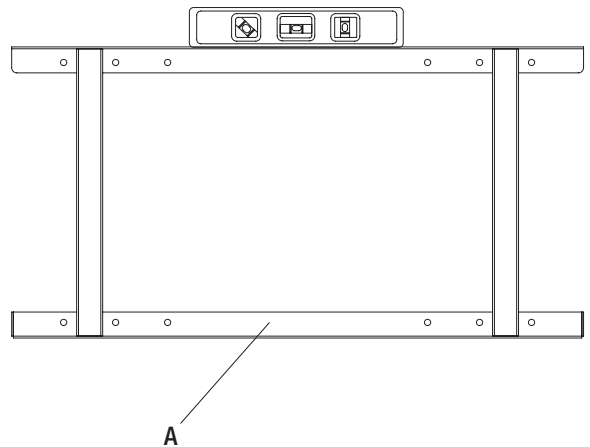
## 1 Removing the Mounting Bracket

- Remove the Mounting Bracket (A) from the back of the Fireplace (B) by removing the two pre-attached Screws (CC) at the top back of the unit.



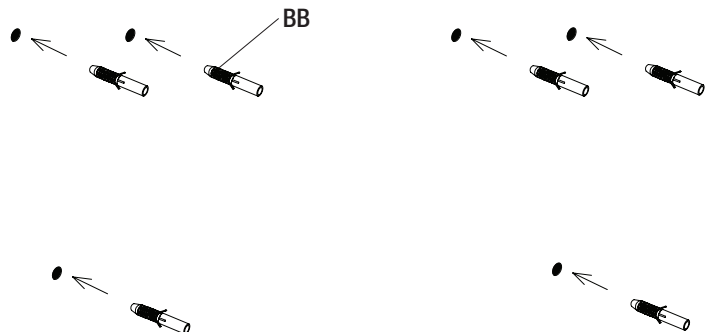
## 2 Choosing a Wall Location

- Choose a wall location to attach the Mounting Bracket (A). Position the Mounting Bracket (A) in the desired location.
- Use a level to align the bracket and mark the four holes with a pencil.



## 3 Drilling the Holes

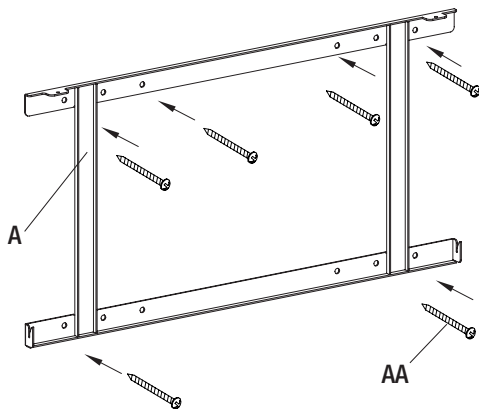
- Drill six 7/25 in. (7 mm) holes in the wall.
- Insert the Wall Anchors (BB) into the holes using a hammer.



# Installation - Wall Hanging (continued)

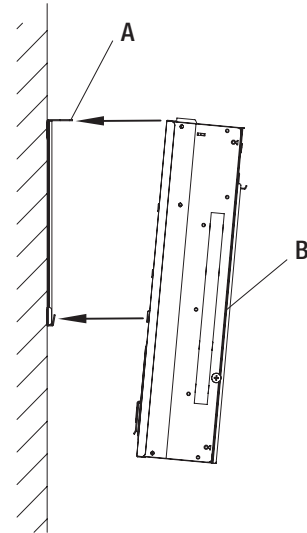
## 4 Attaching the Mounting Bracket

- Attach the Mounting Bracket (A) to the wall by fastening the six Anchor Screws (AA) into the wall anchors.



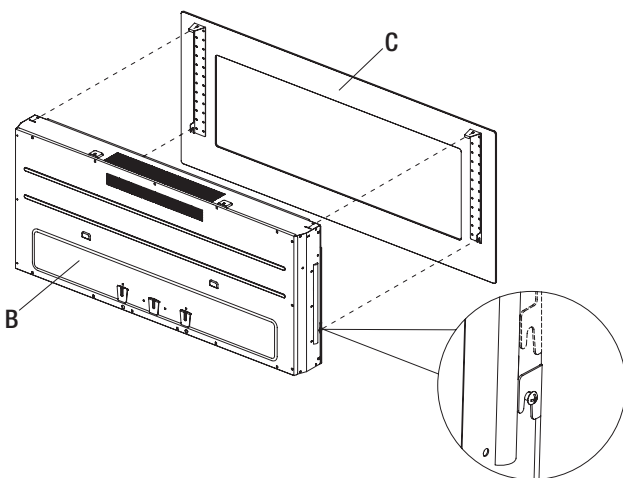
## 5 Hanging the Fireplace

- Hang the Fireplace (B) on the hooks at the bottom of the Mounting Bracket (A) and push the Fireplace (B) into the Mounting Bracket (A).
- Re-fasten the two screws removed in Step 1.



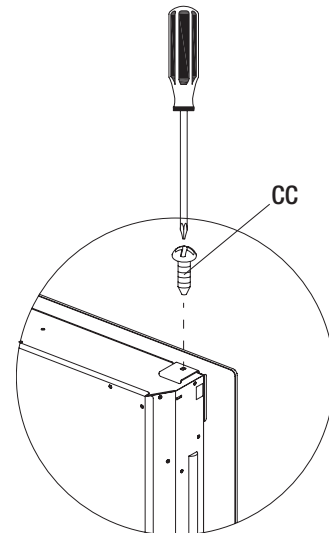
## 6 Hanging the Front Frame

- Hang the Front Frame (C) on the Fireplace (B) and gently push on the lower part of the frame until it snaps into place.



## 7 Securing the Front Frame

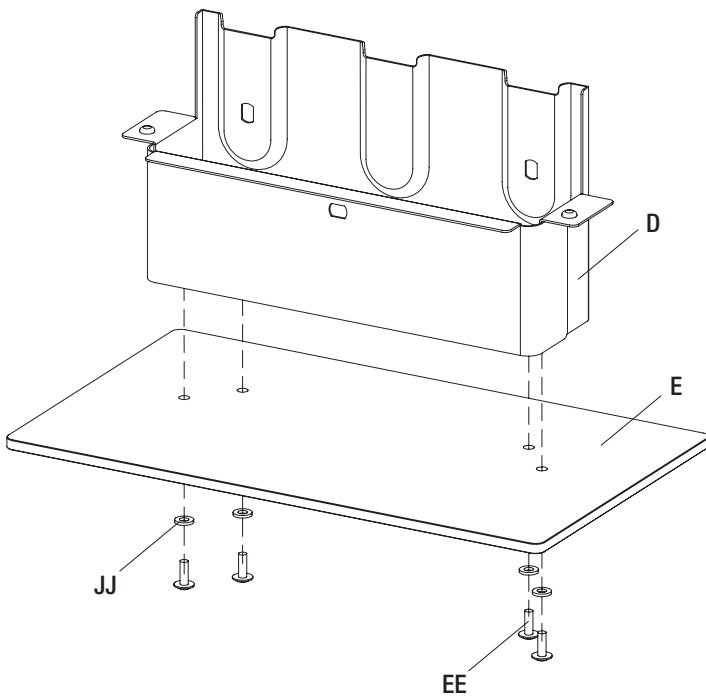
- Secure the top frame hooks with the two retaining Screws (CC).
- Continue to the fuel bed setup instructions (Page 21).



# Installation - Pedestal Base

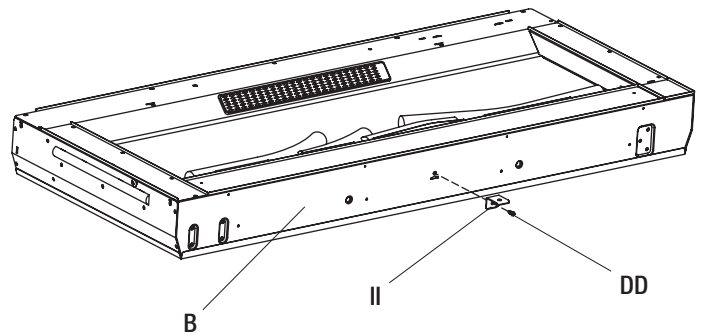
## 1 Fastening the Base Bracket

- Use four Screws (EE) and four Washers (JJ) to fasten the Base Bracket (D) to the Base (E).



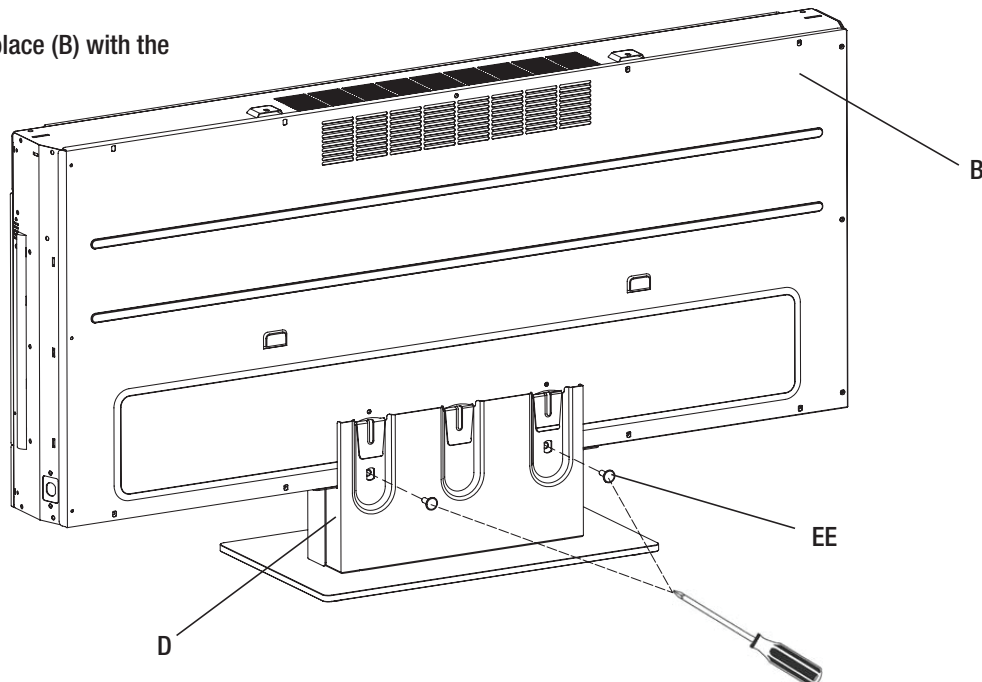
## 2 Attaching the Small Base Bracket

- Use one Screw (DD) to fasten the Small Base Bracket (II) to the Fireplace (B).



## 3 Attaching the Base Bracket

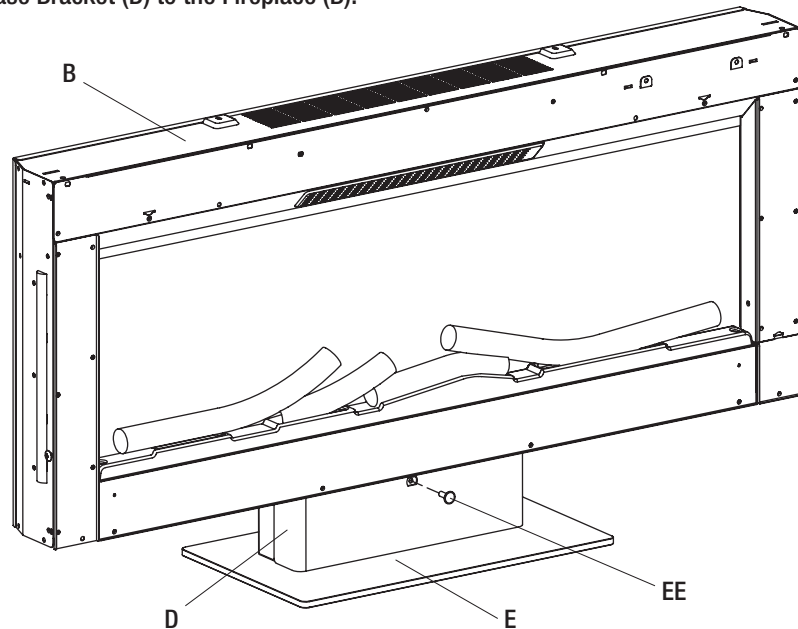
- Fasten the Base Bracket (D) to the Fireplace (B) with the provided Screws (EE).



## Installation - Pedestal Base

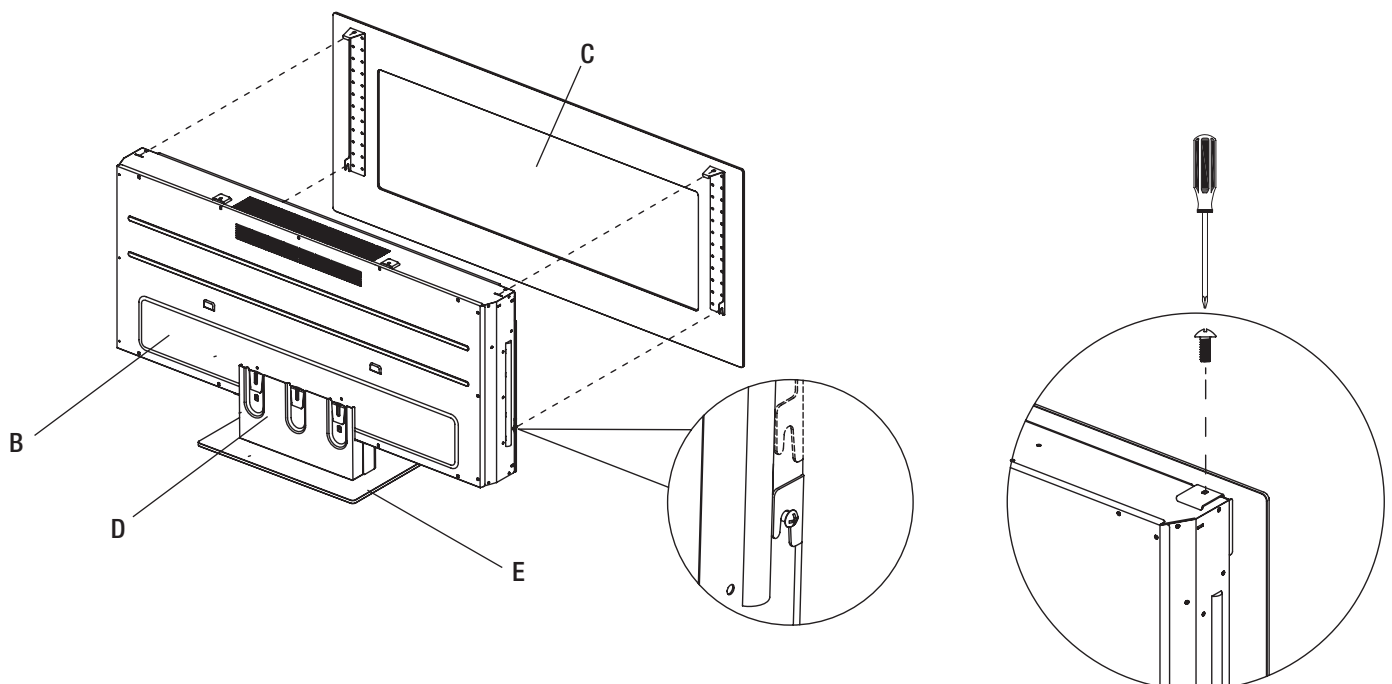
### 4 Fastening the Base Bracket

- Use one Screw (EE) to fasten the Base Bracket (D) to the Fireplace (B).



### 5 Secure the Top Frame

- Mount the Front Frame (C) to the Fireplace (B) by hooking the clips into position.
- Tighten the two Screws (CC).
- Continue to the fuel bed setup instructions (Page 21).



# Installation - Built In Construction

## BUILT IN TO A WALL INSTRUCTIONS

This fireplace is a zero clearance design. No combustibles can be placed on the top surface of the fireplace. Combustibles may be installed to the edge of the unit. Insulation and vapor barrier should be placed a minimum of 2 in. from the unit. Build the framing according to the specifications shown in the below table & figure 1.

Model	A	B	C	D	E	F	G	H	I	J	K	L
36II100GRG	32.8"	18.6"	3.9"	36"	19.7"	4.5"	31.8"	18"	3.5"	37.2"	26.3"	26.3"
47II100GRG	43.3"	18.6"	3.9"	46.2"	19.7"	4.5"	42.3"	18"	3.5"	47.5"	33.6"	33.6"

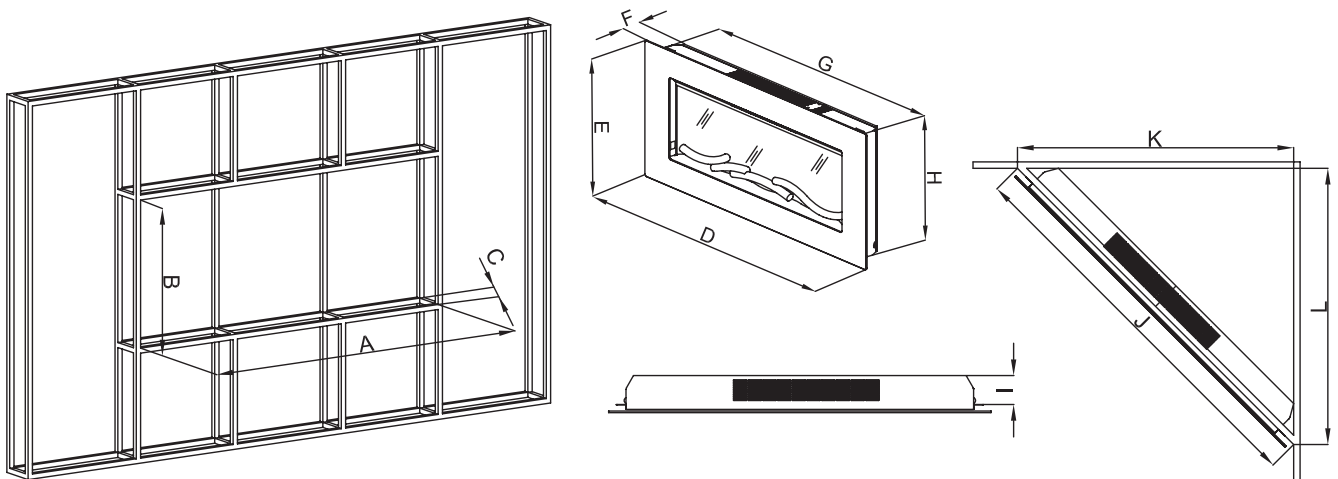


Fig. 1

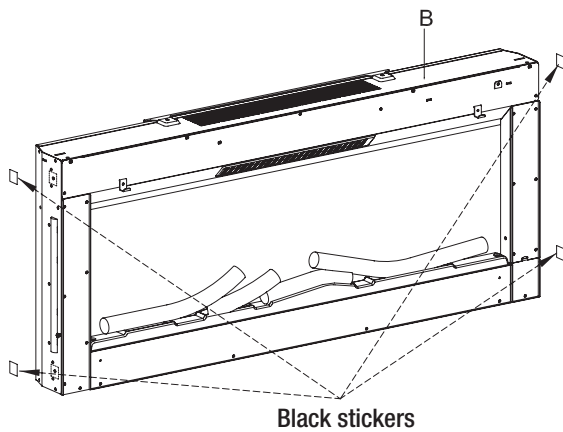
## WIRING REQUIREMENTS

Use appropriate wire to meet local and national electrical codes for rated power consumption. All wire gauges should be 12 gauge solid wires with a dedicated 15 amp breaker for 120 volts.

# Installation - Built In Construction (continued)

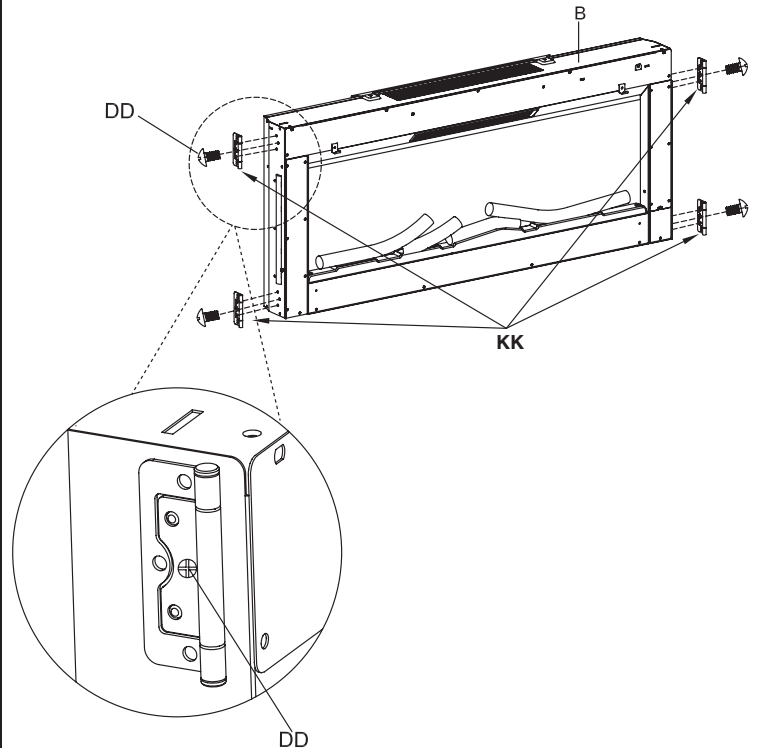
## 1 Removing the Stickers

- Remove the black stickers.



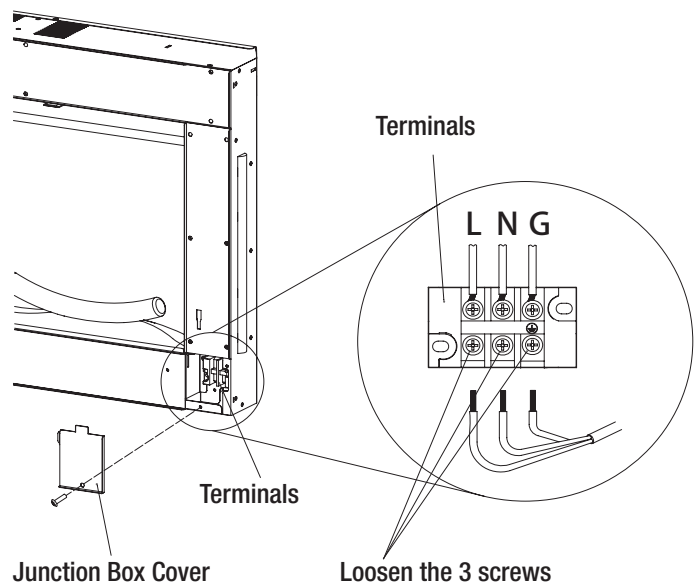
## 2 Fastening the Hinges

- Fasten the mounting hinges (KK) with Screws (DD).



## 3 Steps 3 to 6 describe optional installation for removing the power cord and changing to hard wired

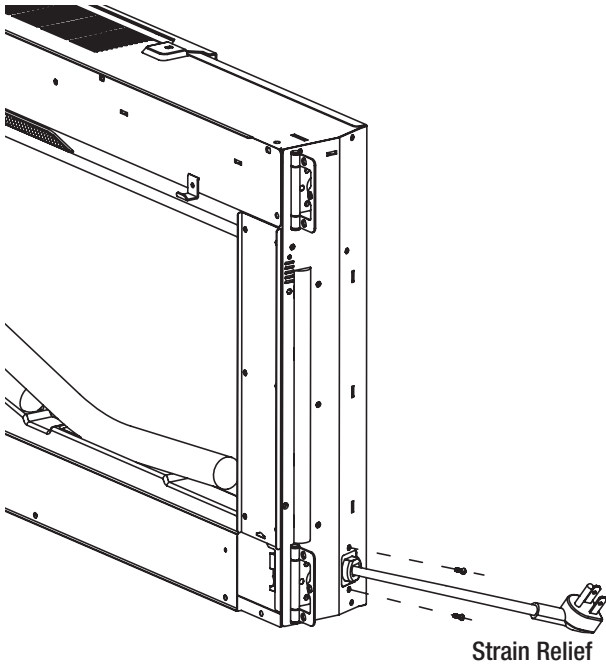
- Remove the pre-attached Screw (DD) holding the junction box cover.
- Loosen the three screws holding the wires and remove the Negative, Live and Ground wires.



## Installation - Built In Construction (continued)

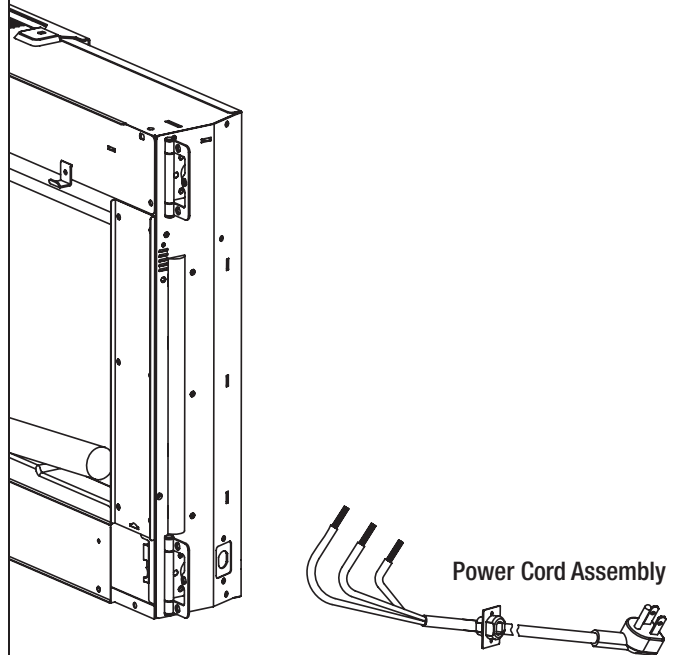
### 4 Loosening the Strain Relief Bracket

- Remove the two pre-attached Screws (DD) holding the power cord strain relief bracket.



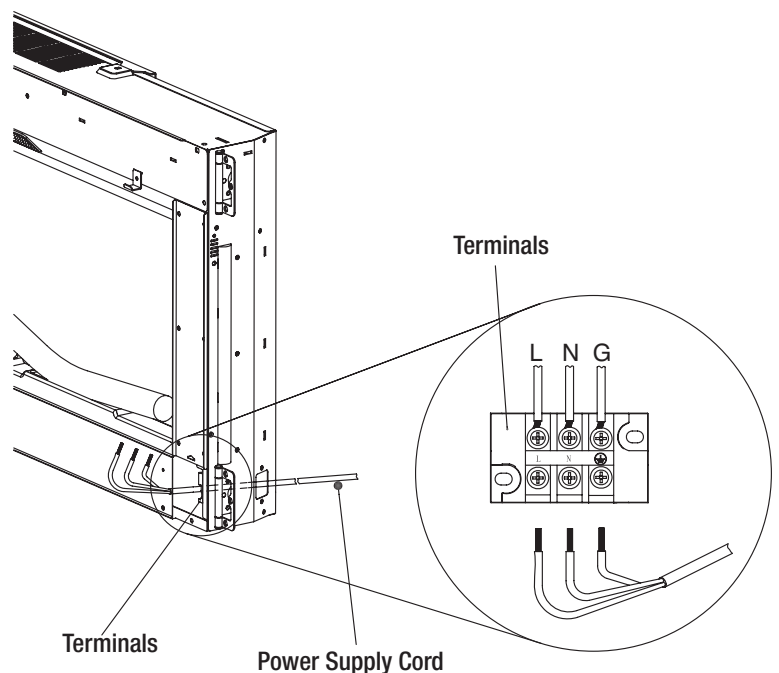
### 5 Fastening the Brackets

- Remove the power cord and strain relief assembly.



### 6 Connecting the Power Supply Wire

- Connect the power supply wire.

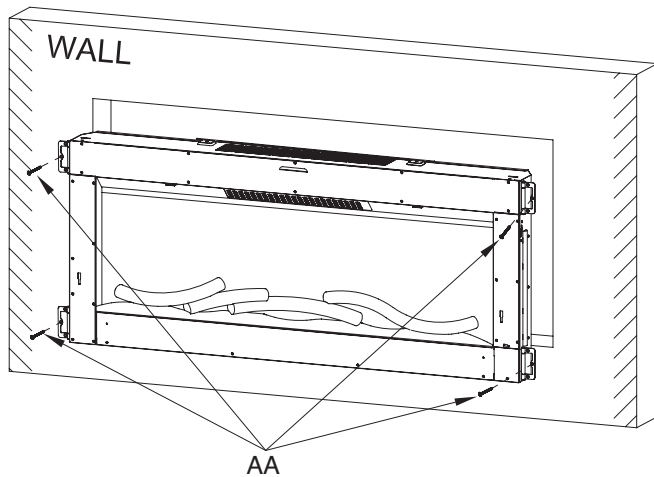




## Installation - Built In Construction (continued)

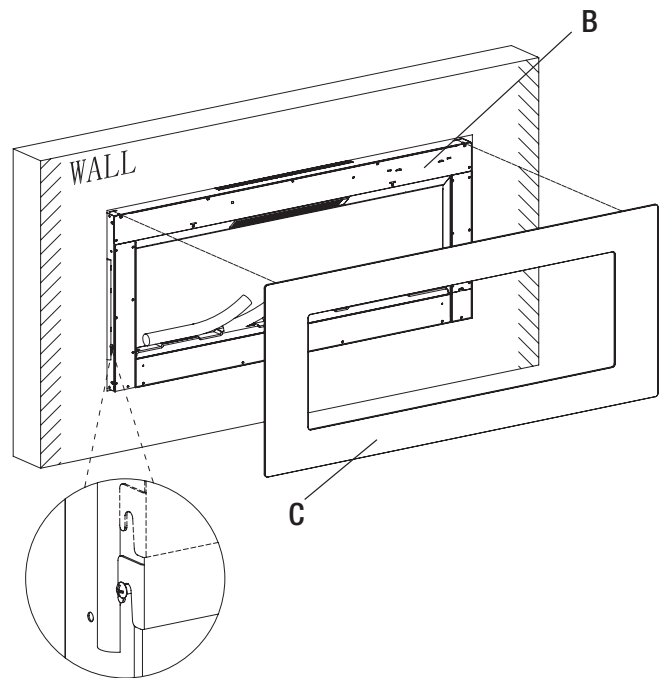
### 7 Installing the Fireplace

- Secure the fireplace to the wall using Anchor Screws (AA).



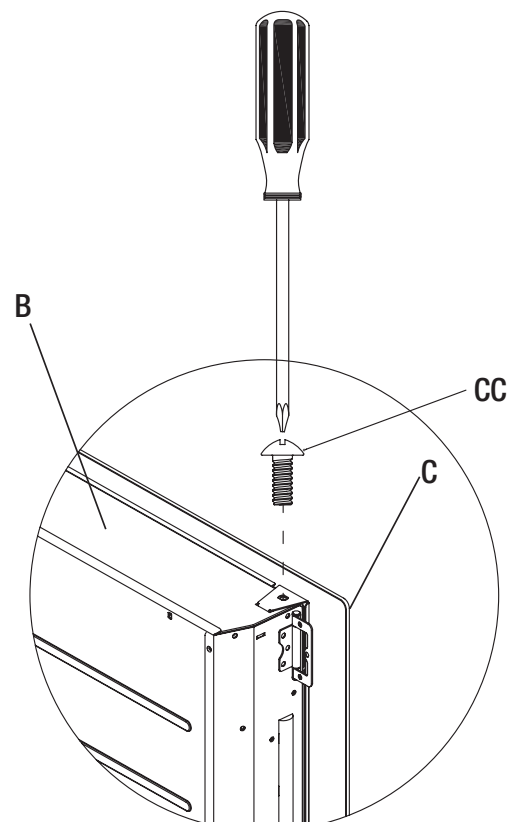
### 8 Hanging the Front Frame

- Hang the Front Frame (C) on the Fireplace (B) and gently push on the lower part of the frame until it snaps into place.



### 9 Securing the Top Frame Hooks

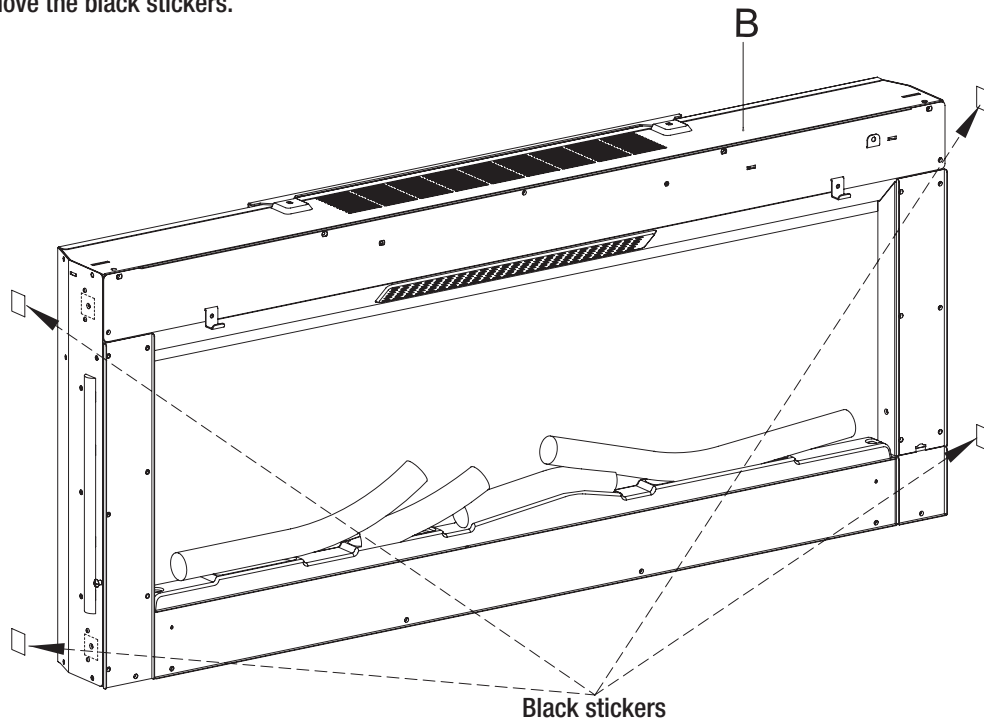
- Secure the top frame hooks with the two retaining Screws (CC).



# Installation - Assembly with mantel

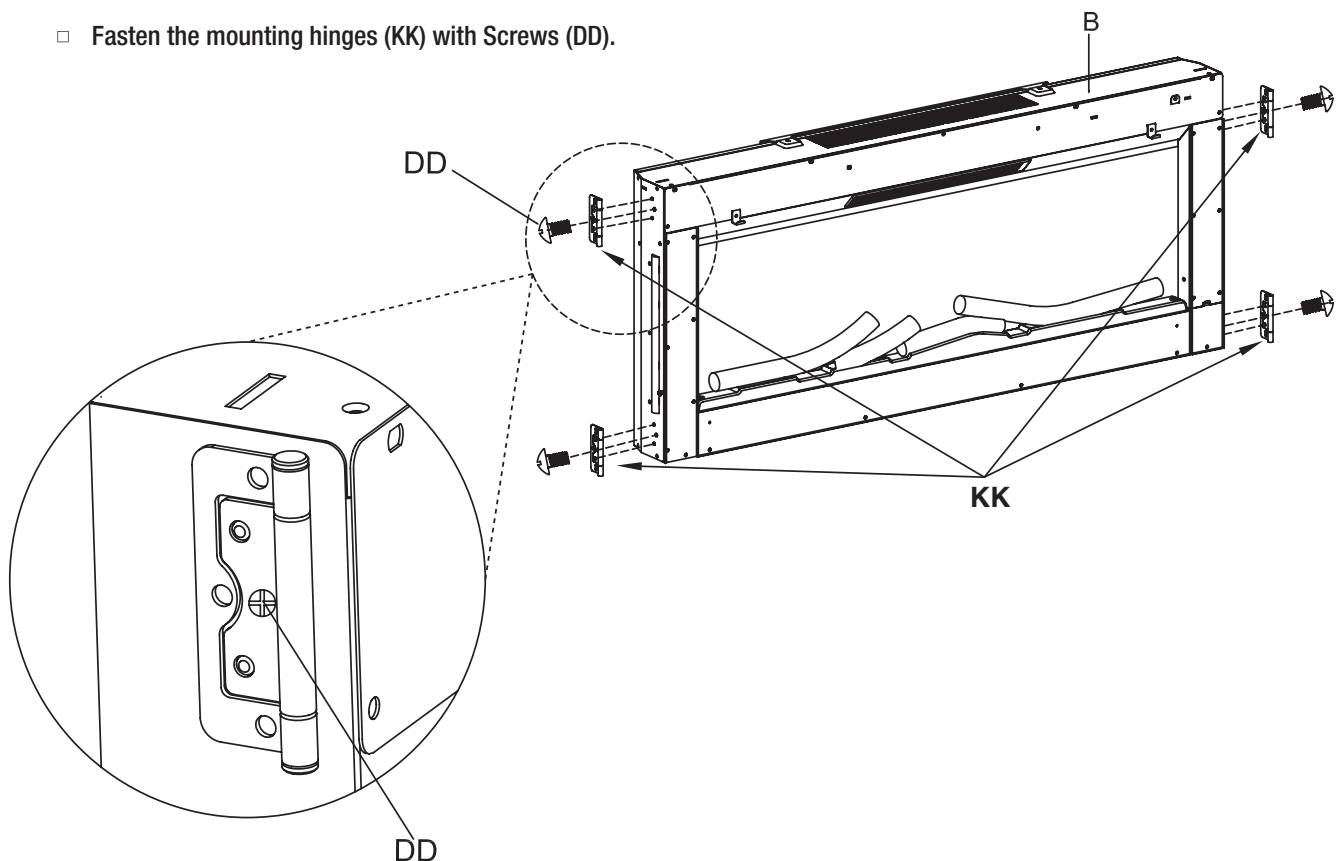
## 1 Removing the Stickers

- Remove the black stickers.



## 2 Fastening the Mounting Hinges

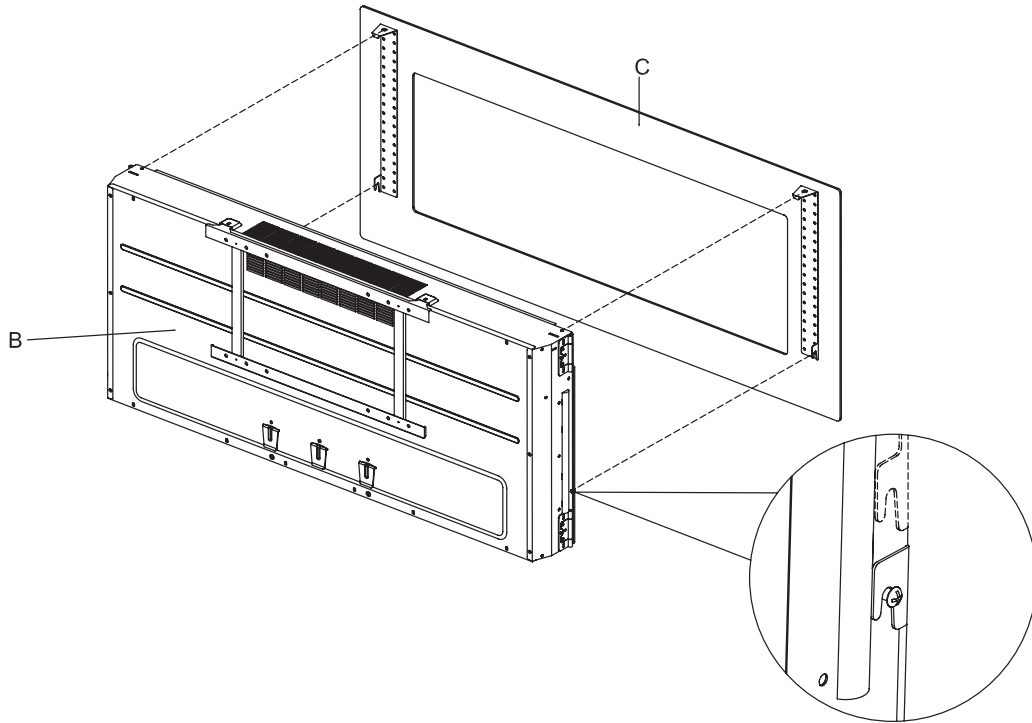
- Fasten the mounting hinges (KK) with Screws (DD).



# Installation - Assembly with mantel (continued)

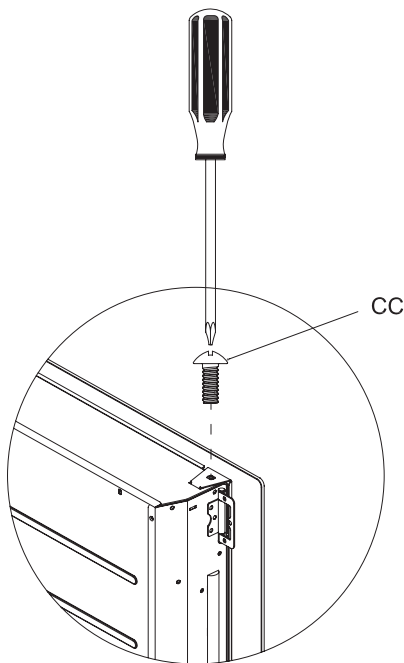
## 3 Hanging the Front Frame

- Hang the Front Frame (C) on the Fireplace (B) and gently push on the lower part of the frame until it snaps into place.



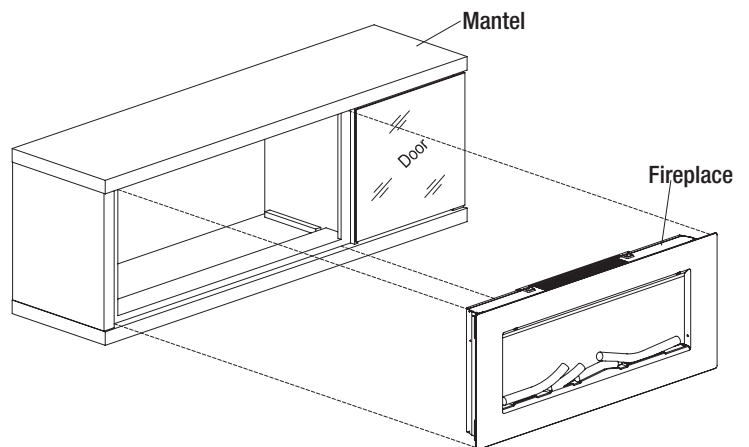
## 4 Securing the Top Frame Hooks

- Secure the top frame hooks with the two retaining Screws (CC).



## 5 Insert fireplace to mantel

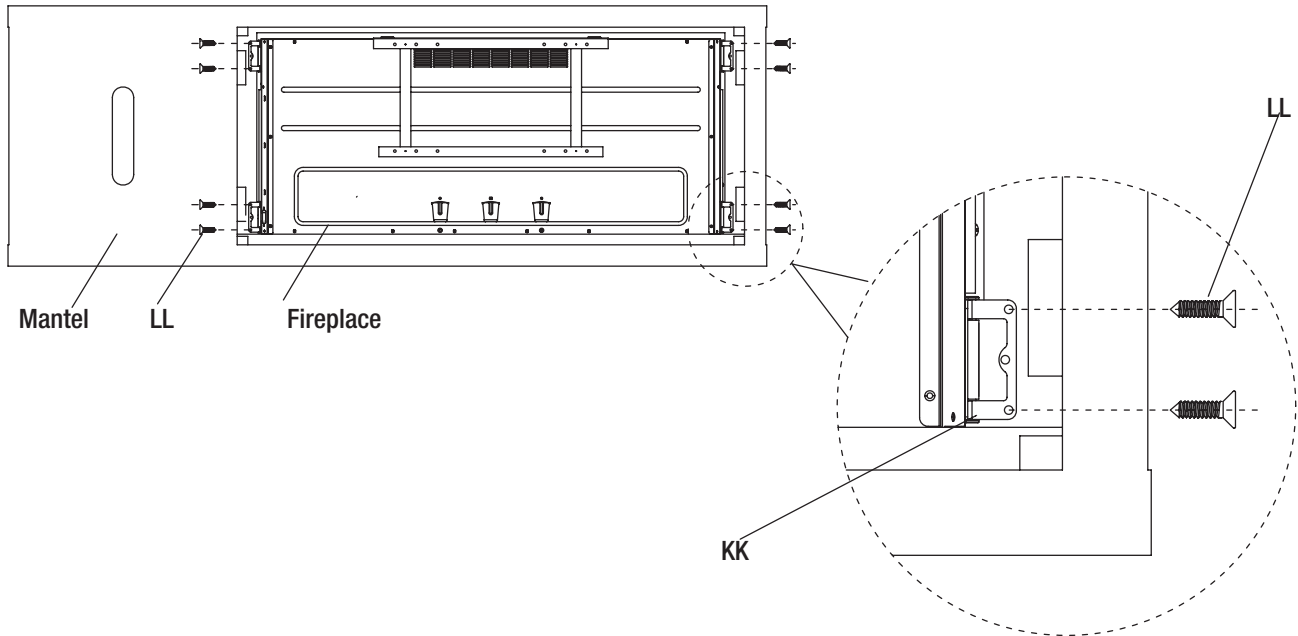
- With the mounting hinges closed against the fireplace carefully insert the fireplace into the front opening of the mantel.



# Installation - Assembly with mantel (continued)

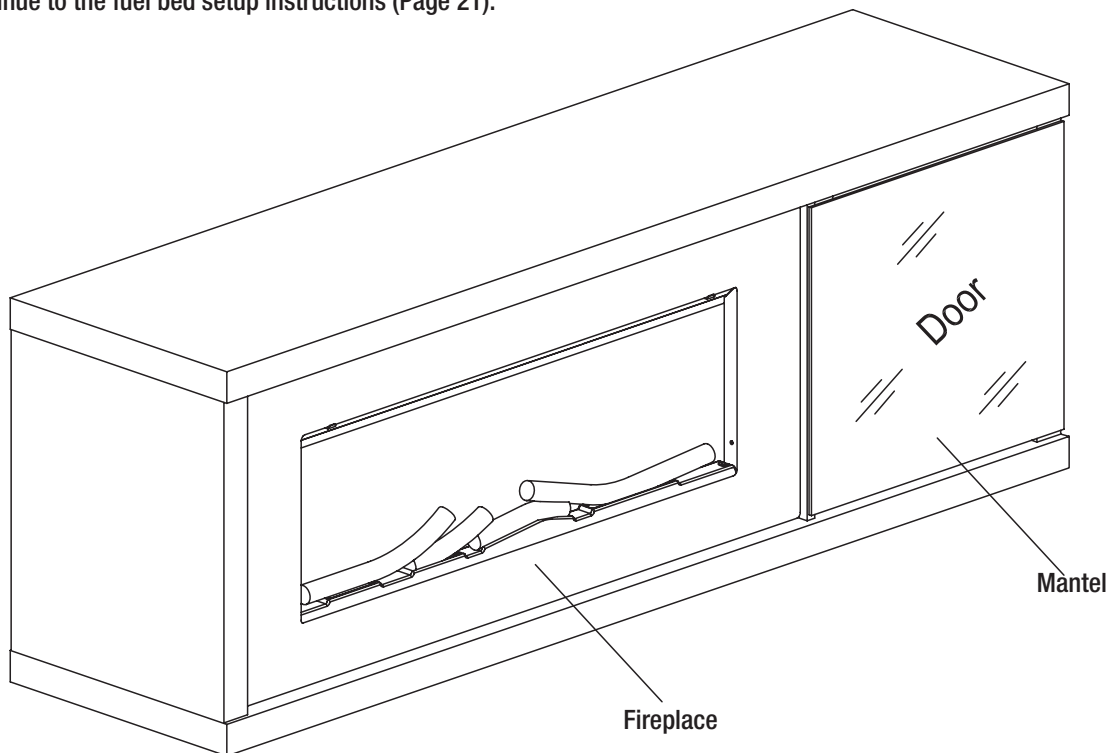
## 6 Assembly with mantel

- From the back of the mantel fold out the mounting hinges (KK) then use screws (LL) to fasten the hinges to the inside of the mantel.



## 7 Locate mantel with fireplace

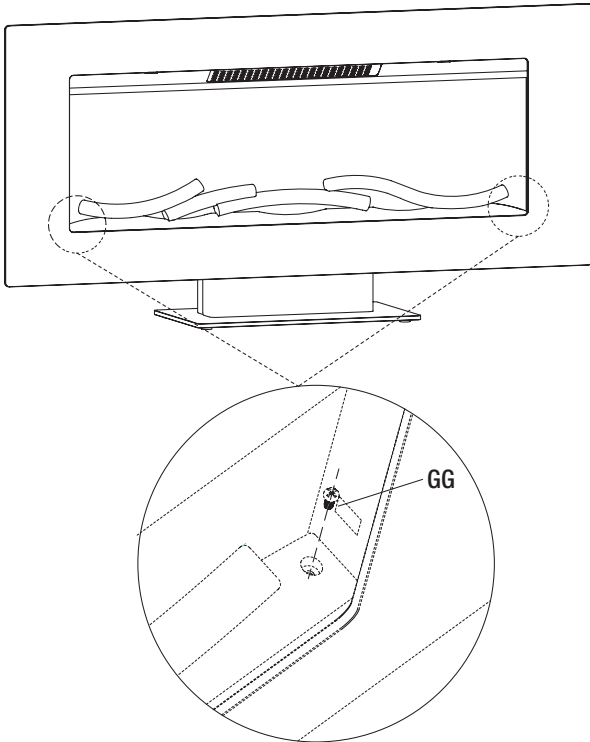
- Carefully move the completed fireplace to your preferred location.
- Continue to the fuel bed setup instructions (Page 21).



# Fuel Bed Setup Instructions

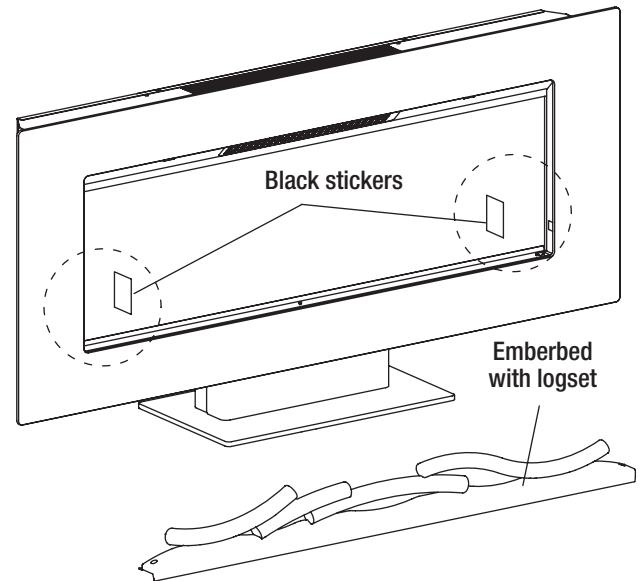
## 1 Removing the Logset

- The fireplace has the option of either using the pre-installed logset or the included transparent tray assembly. To change the logset to the tray unscrew the two screws (GG) securing the emberbed.



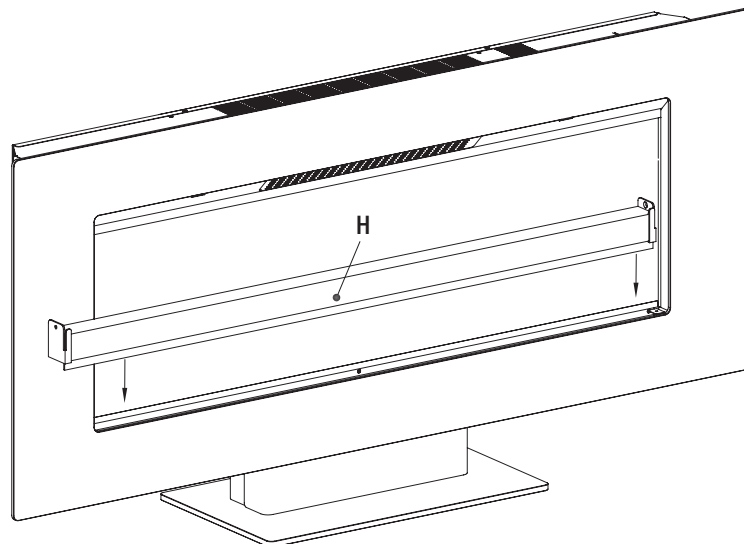
## 2 Removing Logset and the Black Stickers

- Remove the logset and the black stickers on both sides.



## 3 Placing the Transparent Tray

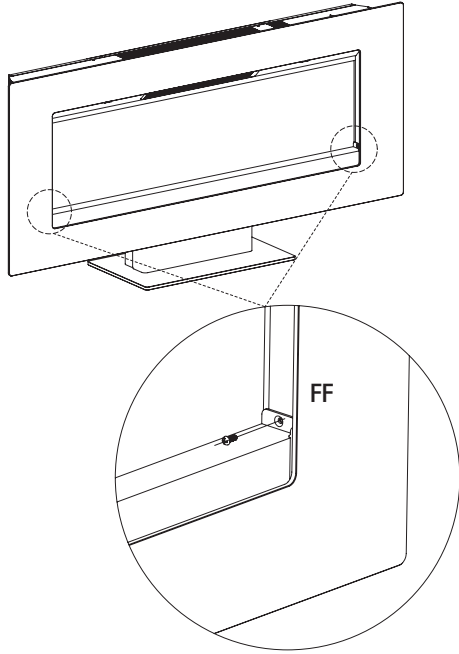
- Place the Transparent Tray (H) inside the Fireplace (B).



## Fuel Bed Setup Instructions (continued)

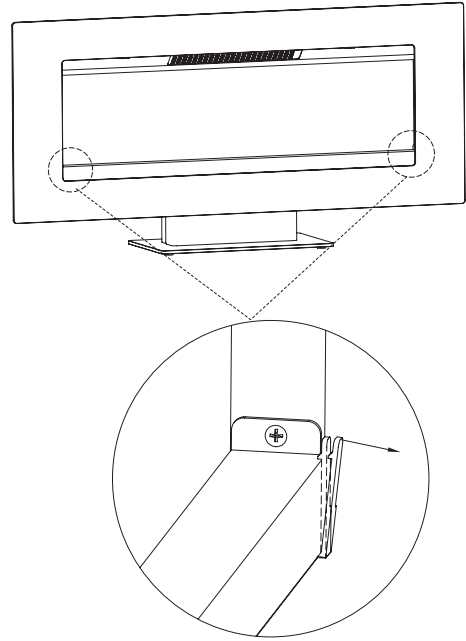
### 4 Tightening the Screws

- Tighten the Screws (FF) on both sides.



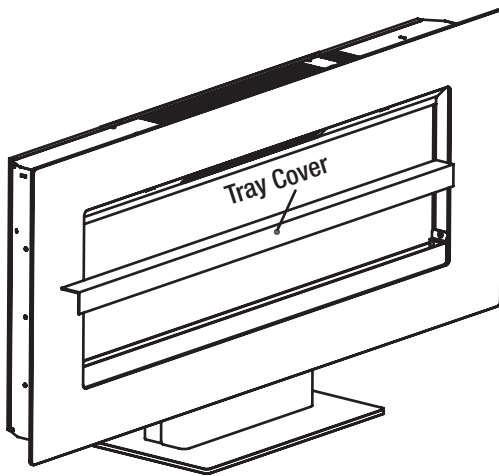
### 5 Removing the Tray Cover

- Carefully pull the tray tabs to remove the tray cover.



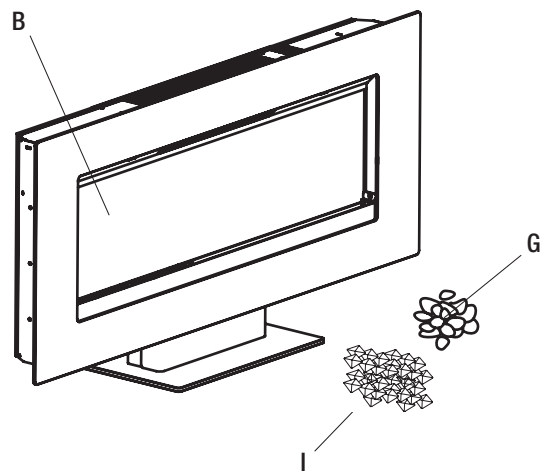
### 6 Removing the Tray Cover

- Remove the tray cover.

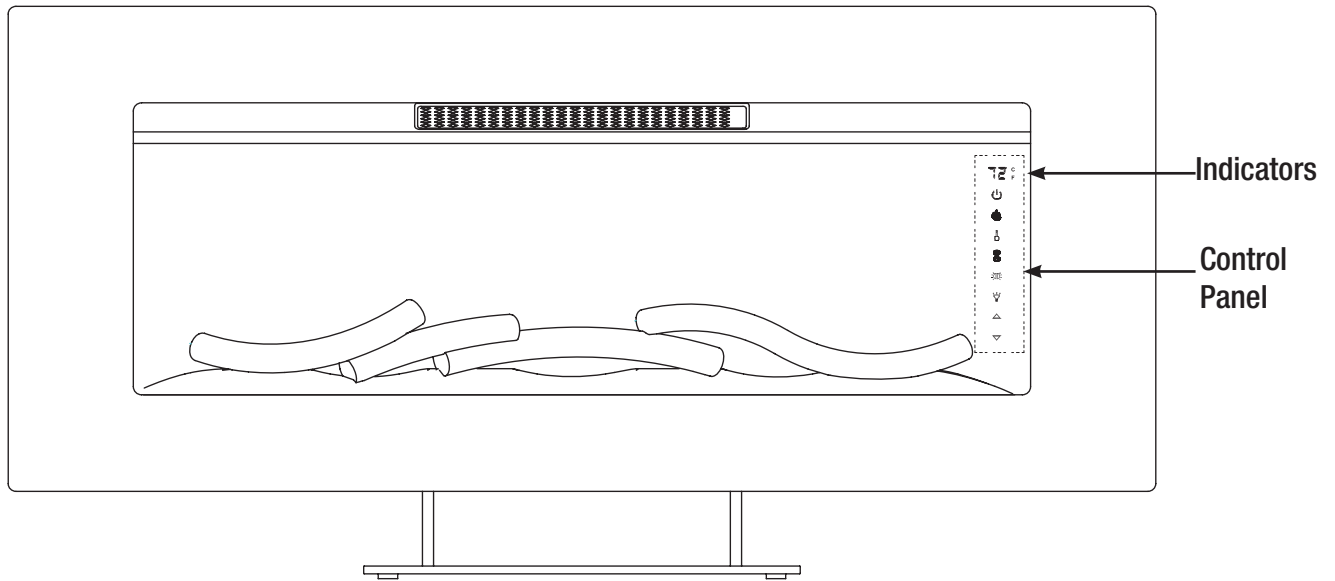


### 7 Placing crystals or Rocks

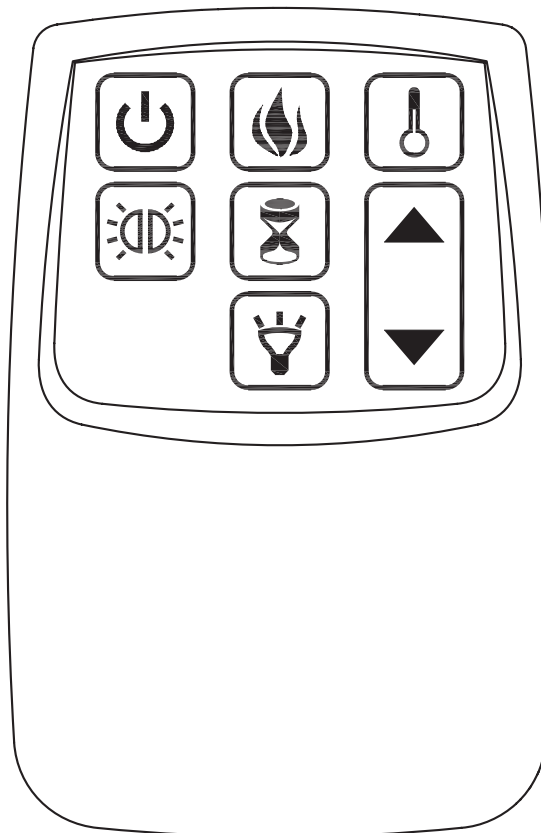
- Place the crystals (I) or the Rocks (G) as desired. Follow steps 5 and 6 in reverse to re-install the tray cover.



# Operation



The fireplace can be operated by either the remote control or the control panel.



## Operation (continued)

### - Powering the Fireplace

- Push the Power button to supply power to all functions of the fireplace and put the insert in a standby mode.
- Push the Power button again to turn off all functions.



**NOTE:** All previous settings are held in memory, so the next time you power up the fireplace, the unit will turn on with the same settings.



**NOTE:** Holding the Power button on the control panel for 10 seconds will disable the heater function.

### - Adjusting the Spectrafire Flame

- There are six brightness levels that can be selected.

Settings 6 - 4 decrease in Spectrafire brightness.

Settings 3 - 1 decrease in Amber only flame brightness.

### - Adjusting the Heater

- To set the thermostat use the heater button on the touch control panel to select the desired temperature. The heater button on the remote will turn the heater on/off to the thermostat setting selected by the control panel.
- The thermostat setting range is 62°F - 82°F or 17°C - 27°C or always ON.
- The thermostat is adjustable by 2°F or 1°C increments by pressing the up or down buttons.



**NOTE:** To change between °F and °C press and hold the Heater button on the control panel for 3 seconds.

### - Adjusting the Sidelights

- Pressing the sidelights button will change the sidelight between the five settings: amber, blue, blue/amber, auto-cycling and OFF.

### - Adjusting the Uplights

- Pressing the uplights button will change the uplight between the five settings: white, blue, white/blue, auto-cycling and OFF.



### - Setting the Timer

- Press the Timer button to cycle through the ten timer settings (30 minutes, 1 Hour, 2H, 3H, 4H, 5H, 6H, 7H, 8H and 9H) and the OFF setting.



## Operation (continued)

### Replacing the Remote Control Battery

- When the remote control stops operating or its range seems reduced, it is time to replace the battery with new ones.
  - On the back end of the remote, press and slide the battery door open and remove the old batteries.
  - Insert two AAA batteries, checking that the + and - sides of the battery match inside the battery compartment.
  - Replace the battery compartment door.



**NOTE:** Do not mix old and new batteries. Do not mix alkaline, standard (carbonzinc), or rechargeable (nicad, nimh, etc) batteries.



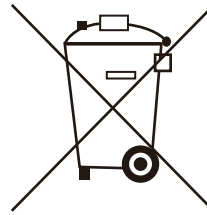
**NOTE:** Please operate the remote control at a slow measured pace. Press the remote control buttons with an even motion and gentle pressure. Repeatedly pressing buttons in rapid succession may cause the transmitter to malfunction.



**NOTE:** Batteries should be removed if the product is to be left unused for a long time.

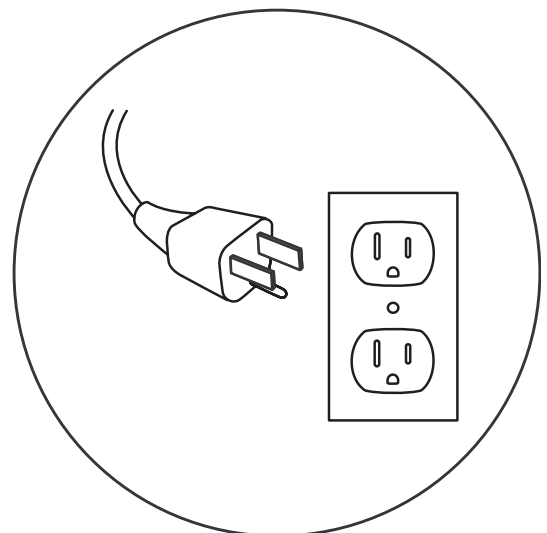
### Disposing of Used Batteries

- The battery may contain hazardous substances that could endanger the environment and human health.
- This symbol marked on the battery and/or packaging indicates that used battery shall not be treated as municipal waste. Instead it should be left at the appropriate collection point for recycling.
- By correctly disposing used batteries, you prevent potential negative consequences for the environment and human health. Recycling used materials also conserves natural resources.
- For more information about collecting and recycling used batteries, please contact your local municipality, your waste disposal service or the point of sale where you purchased this product.



### Using the Power Cord Correctly

- This heater is for use on 120 volts. The cord has a plug as shown in the figure.
- Connect to properly grounded outlets only.
- Do not use a 2 prong adapter. Never use with an extension cord or relocatable power tap (outlet/power strip).



## FCC/IC Information

This equipment has been tested and found to comply with the limits for Class B digital device, pursuant to part 15 of the FCC Rules. These limits are designed to provide reasonable protection against harmful interference in a residential installation. This equipment generates, uses, and can radiate radio frequency energy and, if not installed and used in accordance with the instructions, may cause harmful interference to radio or television reception, which can be determined by turning the equipment off and on. The user is encouraged to try to correct the interference by one or more of the following measures:

- Reorient or relocate the receiving antenna.
- Increase the separation between the equipment and the receiver.
- Connect the equipment into an outlet on a circuit different from that to which the receiver is connected.
- Consult the dealer or an experienced radio/TV technician for help.

This device complies with Part 15 of the FCC Rules. Operation is subject to the following two conditions:

(1) This device may not cause harmful interference, and

(2) this device must accept any interference received, including interference that may cause undesired operation.

Modifications not approved by the party responsible for compliance could void user's authority to operate the equipment.

This Class B digital apparatus complies with Canadian ICES-003.

## Care and Cleaning

- Clean the metal trim using a soft cloth, slightly dampened with a citrus oil-based product and buff with a soft, clean cloth. DO NOT use brass polish or household cleaners as these products will damage the metal trim.
- Purchase citrus oil-based products at a hardware store.



**WARNING:** Make sure the power is turned off before proceeding with repairs. Any electrical repairs or rewiring of this unit should be carried out by a licensed electrician in accordance with national and local codes. If repairing or replacing any electrical component or wiring, the original wire routing, color coding and securing locations must be followed. During any service of this appliance, the power to the unit must be turned off. First turn the main power switch to the OFF position. Then remove the electrical plug from the wall outlet.



**WARNING:** Keep electrical cords, drapery, furniture and other combustibles at least 3 ft (0.9 m) from the front of the heater and away from the sides.



**WARNING:** Electrical outlet wiring must comply with local building codes and other applicable regulations to reduce the risk of fire, electrical shock and injury to persons.



**WARNING:** Do not use this fireplace if any part of it has been under water. Immediately call a qualified service technician to inspect the fireplace and replace any part of the electrical system.



**WARNING:** Disconnect power before attempting any maintenance or cleaning to reduce the risk of fire, electrical shock or personal injury.

# Troubleshooting

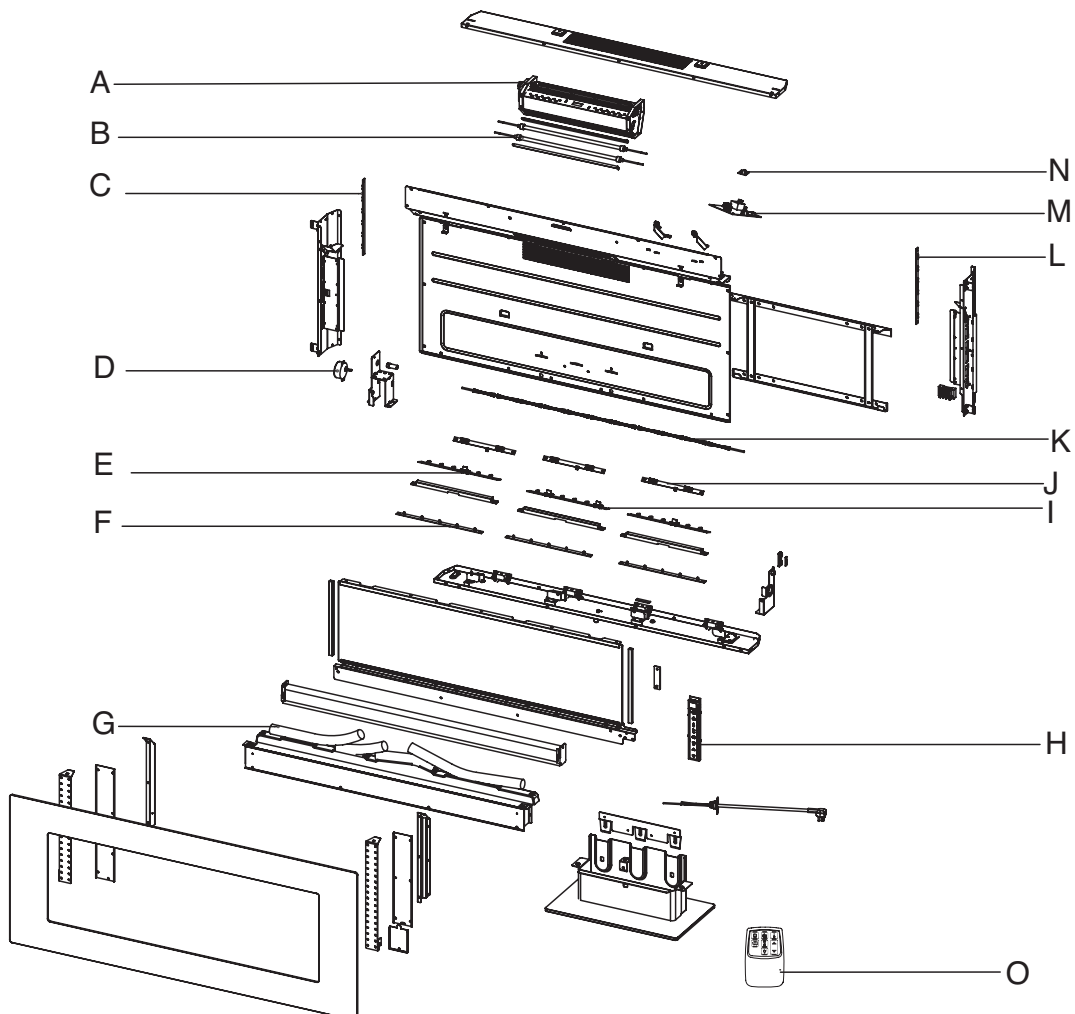
PROBLEM	POSSIBLE CAUSE	CORRECTIVE ACTION
Display shows “ E 1 ”.	The thermostat sensor is broken or disconnected.	Unplug the fireplace, remove the back panel of the fireplace and check that the thermostat is plugged into the main circuit board. If this does not solve the problem contact customer service for a replacement thermostat sensor.
Display shows “ E 2 ”.	The thermostat sensor is broken.	Contact customer service for a replacement thermostat sensor.
Display shows “ E 3 ”.	Manual Reset overheat protection has triggered.	Inspect the heater and check that the air inlets and outlets are not blocked as this may cause overheating. Unplug the heater for 30 minutes and allow it to cool down. Replug and operate, monitor the heater for signs of overheating, if the problem persists discontinue use of the heater and contact customer service.
Display shows “ E r ”.	Power cord overheating protection has activated.	Check your heater cord and plug connections. Faulty wall outlet connections or loose plugs can cause the outlet or plug to overheat. Be sure the plug fits tight in the outlet. Heaters draw more current than small appliances, overheating of the outlet may occur even if it has not occurred with the use of other appliances. During use check frequently to determine if your plug outlet or faceplate is HOT! If so, discontinue use of the heater and have a qualified electrician check and/or replace the faulty outlet(s).
The heater does not blow warm air.	The heater is in a cool down cycle.	Normal operation, will continue to run for several minutes before shutting down. Times will vary based on temperatures. During this time cool air will blow.
There is no power.	There is no power to the unit.	Check that unit is plugged into a standard 120V outlet. Press the power button several times and make sure the power is set to the “ON” position.
The heater does not blow any air.	Thermostat setting is preventing heater from turning on.	Adjust the temperature settings to ensure that the thermostat is set higher than the current room temperature.
The heater does not work, but Power and Heater settings are “ON” and thermostat is set.	Manual reset overheat protection triggered.	Turn the POWER to “OFF” and unplug the unit from the wall outlet for 5 minutes. After 5 minutes plug the unit back into wall outlet, and operate as normal. If the problem persists contact customer service.
Flame effect works but heater function does not, and the flame effect flashes when the heater button is pressed.	The heater is disabled.	With the power on press and hold the POWER button on the control panel for 10 seconds. Once re-enabled the flame effect will flash multiple times.
The remote control is not working.	There are no batteries or the signal is poor.	Change the remote batteries. Operate remote transmitter at a slow measured pace. Press the remote control buttons with an even motion and gentle pressure. Repeatedly pressing buttons in rapid succession may cause the transmitter to malfunction.
The noise when the heater is on is louder than normal.	a. The air intakes are dirty or obstructed.	a. Check the air intakes for obstructions or high dust build up.
	b. The blower/heater assembly is defective.	b. Contact Customer Service for a new Heater/Blower Assembly.
Abnormal noise when the heater is not on and the flame effect is on.	The spinner motor is defective.	Contact Customer Service for a new Spinner Motor.

# Replacement Parts

Part	Description	36II Qty.	47II Qty.
A	Blower Assembly	1	1
B	Heater Elements	2	2
C	Left Sidelight PCBA	1	1
D	Flame Generator Drive Motor	1	1
E	Left/Right Flame PCBA	2	2
F	Emberbed Circuit Board	2	3
G	Emberbed with log	1	1
H	Control Panel - 8 Buttons	1	1
I	Middle Flame PCBA	N/A	1
J	Blue Flame PCBA	2	3
K	Flame Generator/ Spinner	1	1
L	Right Sidelight PCBA	1	1
M	Main Circuit Board	1	1
N	Thermostat Sensor	1	1
O	Remote Control - 8 Buttons	1	1



**NOTE:** The scale and size of parts may be different depending on your exact model.



# Índice

Instrucciones importante.....	30	Base de pedestal .....	39
Garantía .....	31	Empotrado .....	41
Para empezar .....	32	Montaje del marco de la chimenea .....	45
Preensamblaje.....	33	Configuración - cama de combustible.....	48
Tornillería incluida.....	33	Funcionamiento .....	50
Especificaciones del producto.....	33	Información de FCC/IC .....	53
Herramientas necesarias.....	33	Cuidado y limpieza .....	53
Contenido del paquete.....	34	Solución de problemas .....	54
Opciones de instalación.....	35	Repuestos.....	55
Guiñar en pared .....	36		

# INSTRUCCIONES IMPORTANTE

Cuando utilice electrodomésticos, siempre tome medidas de precaución básicas para evitar incendios, descargas eléctricas y lesiones personales. Entre ellas:

1. Lea todas las instrucciones antes de usar este electrodoméstico.
2. Este calentador se calienta cuando está en uso. Para evitar quemaduras, no permita que la piel sin protección entre en contacto con superficies calientes. Si están incluidas, utilice las manijas para mover este aparato. Mantenga los materiales inflamables, como muebles, almohadas, ropa de cama, papeles, prendas de vestir y cortinas, a un mínimo de 3 pies (0.9 m) de distancia de la parte frontal del calentador y manténgalos alejados de los laterales y la parte posterior.  
ADVERTENCIA: Para evitar el sobrecalentamiento, no cubra el calentador. La holgura puede ser insuficiente cuando se instala en un vehículo recreativo con el cerrado deslizante.
3. PRECAUCIÓN: Nunca deje el calentador operando de forma desatendida. Extremo cuidado es necesario si hay niños o personas discapacitadas sin supervisión cerca.
4. Este electrodoméstico no debe ser usado por personas o niños con capacidades físicas, sensoriales o mentales reducidas o sin experiencia ni conocimientos, a menos que una persona responsable de su seguridad les brinde supervisión o capacitación respecto al uso del electrodoméstico.
5. Siempre desenchufe este electrodoméstico cuando no lo use.
6. No opere ningún calentador con un cable o enchufe dañados, después de fallas del mismo, de que se haya dejado caer o dañado de cualquier forma.
7. Si el cable de alimentación está dañado, el fabricante, su empresa de servicio o alguien de calificación similar deben reemplazarlo para evitar peligros.
8. No lo use en exteriores.
9. Este calentador no se debe usar en el baño, lavadero y en espacios húmedos similares interiores. Nunca coloque este calentador donde se pueda caer dentro de una bañera u otro contenedor de agua.
10. No coloque el cable debajo de una alfombra. No cubra el cable con alfombras, tapetes o similares. Coloque el cable lejos de zonas de tránsito en donde nadie se pueda tropezar y caer.
11. Para desconectar este electrodoméstico, gire los controles a la posición de apagado y luego retire el enchufe del tomacorriente.
12. Conectar solamente a una toma de corriente con conexión a tierra adecuada. Este calentador debe utilizarse con 120 voltios. El cable incluye un enchufe tal como se muestra en la figura A en la Fig.1. No utilice un adaptador de 2 clavijas. Nunca use un cable de extensión o tomas de alimentación reubicable (enchufes/ regletas).

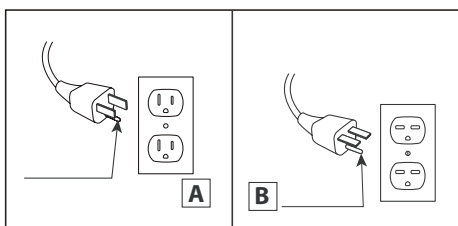
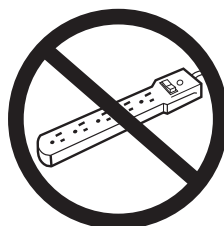


Fig.1



13. Cuando está instalado, este artefacto debe presentar una conexión eléctrica a tierra según los códigos locales, según los Códigos de Electricidad de Canadá CSA C22.1 o, para instalaciones en EE.UU., siga los códigos locales y el código nacional de electricidad, ANSI/ NFPA No. 70.
14. No introduzca objetos extraños ni permita que entren en las aberturas de ventilación o escape, ya que pueden provocar descargas eléctricas, incendios o daños en el electrodoméstico.
15. Para evitar incendios, no bloquee las entradas ni salidas de aire de ninguna manera. No use sobre superficies blandas, como una cama, donde las aberturas se puedan bloquear.
16. Este electrodoméstico tiene en su interior piezas calientes y piezas que forman arcos eléctricos o que echan chispas. No lo use en áreas donde se use o almacene gasolina, pintura o líquidos inflamables. Esta chimenea no se debe usar como una rejilla para secar ropa. No cuelgue medias navideñas u otras decoraciones sobre o cerca de este producto.
17. Utilice este electrodoméstico sólo como se describe en este manual. Cualquier otro uso no recomendado por el fabricante puede causar incendios, descargas eléctricas o lesiones personales.

## GUARDE ESTAS INSTRUCCIONES

# Garantía Limitada de 1 Año

---

El fabricante garantiza que su nueva estufa eléctrica no presentará defectos de fabricación ni materiales durante un período de un año a partir de la fecha de compra, siempre y cuando se cumplan las siguientes condiciones y limitaciones.

1. Esta estufa eléctrica se debe instalar y operar en todo momento de acuerdo con las instrucciones de instalación y operación proporcionadas con el producto. Cualquier reparación no autorizada, alteración, abuso deliberado, accidente o uso inadecuado del producto anulará esta garantía.
2. Esta garantía no es transferible y sólo está disponible para el propietario original, siempre y cuando la compra se haya realizado a través de un proveedor autorizado del producto.
3. Esta garantía se limita a la reparación o reemplazo de piezas que se consideren defectuosas en material o mano de obra, siempre y cuando dicha pieza haya estado sometida a condiciones normales de uso y servicio, después de que una inspección por parte del fabricante confirme dicho defecto.
4. El fabricante podrá, bajo su criterio, eximirse de toda obligación respecto de esta garantía reembolsando el precio al por mayor de la pieza defectuosa.
5. Esta garantía no cubre ningún costo de instalación, mano de obra, fabricación, transporte o de otro tipo que surja de la pieza defectuosa, su reparación, reemplazo u otra situación, y el fabricante no asume ninguna responsabilidad por las mismas.
6. El dueño/usuario asume todos los riesgos, si los hay, incluidos los riesgos de daños o pérdidas directos, indirectos o resultantes que surjan del uso del producto, o de la incapacidad para usarlo, salvo que la ley estipule lo contrario.
7. Mediante el presente, se excluye expresamente cualquier otra garantía, expresa o implícita, respecto del producto, sus componentes y accesorios, o cualquier otra obligación o responsabilidad de parte del fabricante.
8. El fabricante no asume ni autoriza a ningún tercero a asumir en su nombre ninguna otra responsabilidad respecto de la venta de este producto.
9. Las garantías descritas en este documento no se aplican a accesorios que no sean del fabricante y que se usen junto con la instalación de este producto.
10. Esta garantía le otorga derechos legales específicos, pero también puede tener otros derechos que varían según el estado.

Esta garantía es nula si:

- a. La chimenea está sometida a períodos prolongados de humedad o condensación.
- b. Se produce cualquier alteración no autorizada, abuso deliberado, accidente o uso inadecuado del producto.
- c. Usted no tiene el recibo original de compra.

## Servicio al Cliente

---

[www.tsicustomerservice.com](http://www.tsicustomerservice.com)

Para el servicio de atención al cliente llame 1-866-661-1218

¿Preguntas? Nuestros expertos están a su disposición a través de nuestra línea de ayuda gratuita, para brindarle asistencia con el ensamblaje, y, si es necesario, para reemplazar las partes dañadas/perdidas. La asistencia está disponible los 7 días de la semana, las 24 horas del día, los 365 días del año.

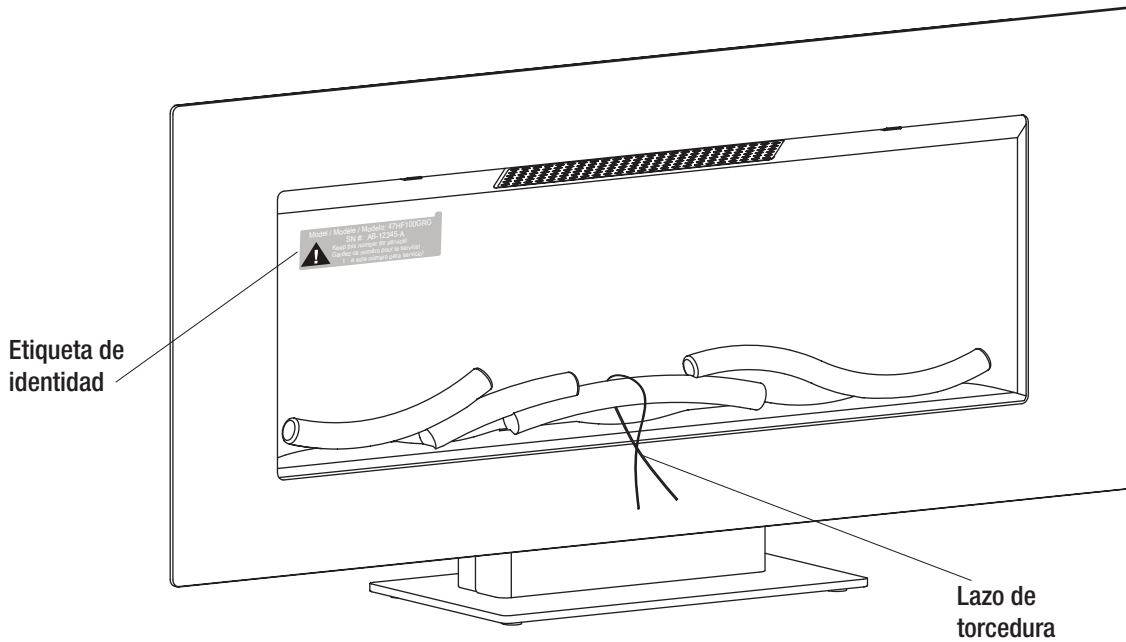
**IMPORTANTE:**

Antes de comunicarse con atención al cliente, tenga disponible la siguiente información:

- Número de serie
- Número de modelo
- Recibo de compra o prueba de compra

# Para empezar

1. Remover la etiqueta de identidad del frente de la chimenea y también remover el lazo de torcedura del juego de troncos.



2. Pegar la etiqueta de identidad en este manual como futura referencia. La información es necesaria para registrar el producto, y también para servicio al consumidor.

Pegar la etiqueta de identificación aquí

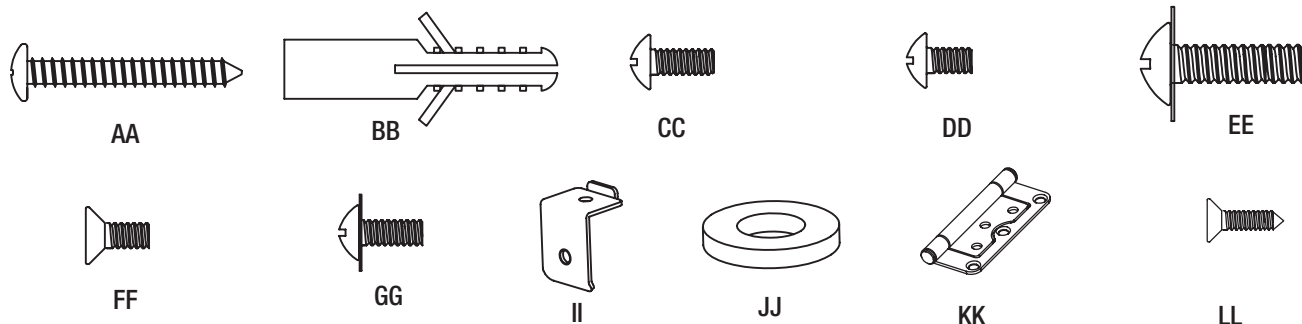


3. Visitar [www.tsicustomerservice.com](http://www.tsicustomerservice.com) para el registro de la garantía del producto. Si usted no puede completar el registro guarde el comprobante de compra para hacer válida la garantía.



# Preensamblaje

## TORNILLERÍA INCLUIDA



Pieza	Descripción	Número de pieza	Cantidad
AA	Tornillo de anclaje	3647HF-AA	6
BB	Taco fisher de pared	3647HF-BB	6
CC	Tornillo de 4 mm x 8 mm (2 preinstalados)	3647HF-CC	4
DD	Tornillo de 4 mm x 6 mm (3 preinstalados)	3647HF-DD	8
EE	Tornillo	3647HF-EE	7
FF	Tornillo de cabeza plana	3647HF-FF	2
GG	Tornillo (preinstalado)	3647HF-GG	2
II	Soporte pequeño de base	3647HF-II	1
JJ	Arandela	3647HF-JJ	4
KK	Bisagra de montaje	3647HF-KK	4
LL	Tornillo	3647HF-LL	8



**NOTA:** La tornillería no se muestra en su tamaño real.

## ESPECIFICACIONES DEL PRODUCTO

Voltaje	120 VAC, 60 Hz
Amperios	12.5 amperios
Vatios	1500 vatios

## CÓMO PLANIFICAR EL ENSAMBLAJE

Antes de empezar a ensamblar el producto, asegúrese de tener a mano todas las piezas. Compare las piezas con las listas de la tornillería incluida y del contenido del paquete. Si falta cualquier pieza o alguna está dañada, no intente ensamblar, instalar ni hacer funcionar el producto. Comuníquese con el servicio de atención al cliente para solicitar las piezas de repuesto.

Tiempo estimado de montaje: 60 minutos

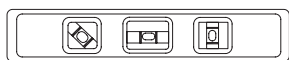
## HERRAMIENTAS NECESARIAS (no incluido): Destornillador Phillips, Taladro, Nivel, Martillo



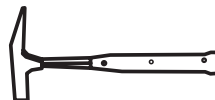
Destornillador Phillips



Taladro



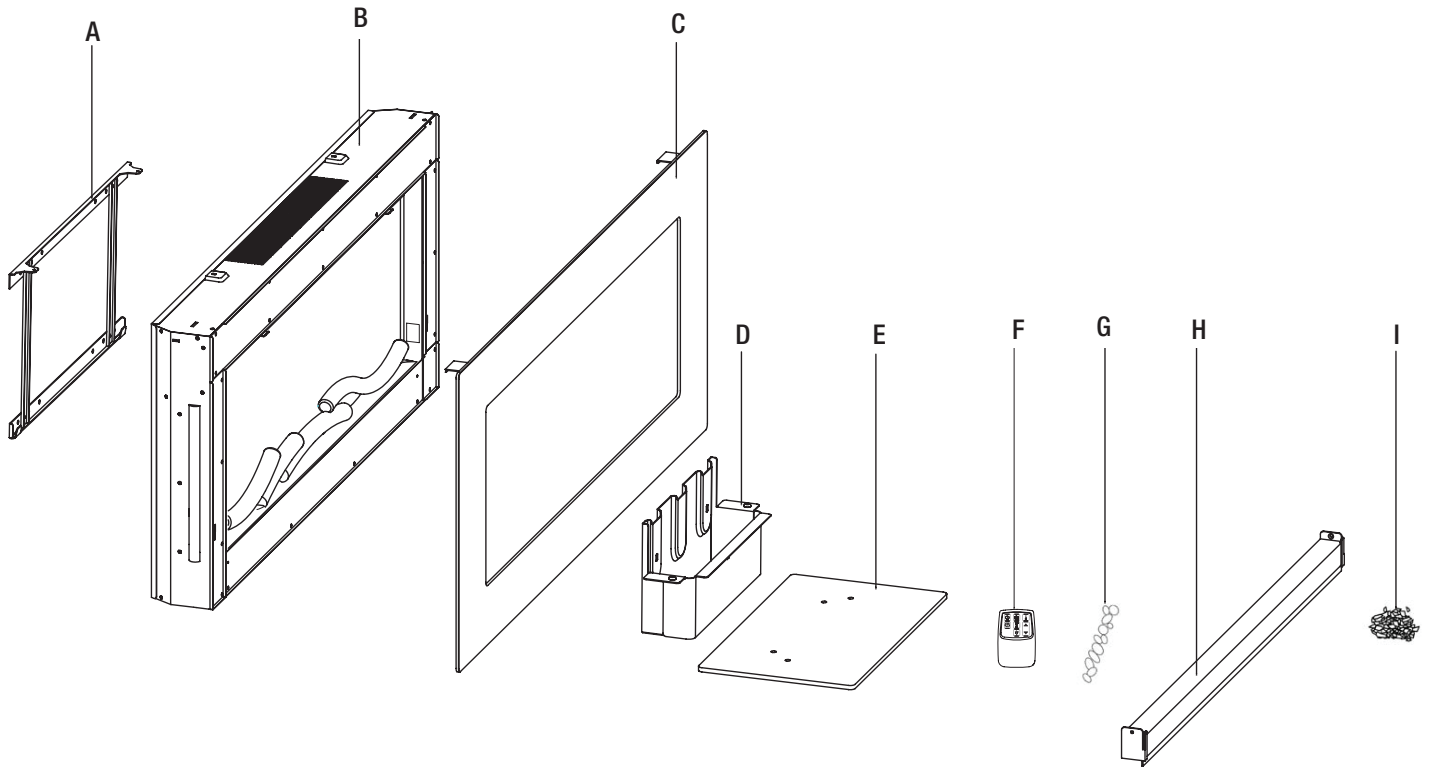
Nivel



Martillo

# Ensamblaje previo (continuación)

## CONTENIDO DEL PAQUETE



Pieza	Descripción	Cantidad
A	Soporte de montaje (preinstalado)	1
B	Chimenea	1
C	Marco frontal	1
D	Soporte de base	1
E	Base	1
F	Control remoto	1
G	Piedras decorativas	Varies
H	Conjunto de bandeja transparente	1
I	Cristales	Varies

## Opciones de instalación

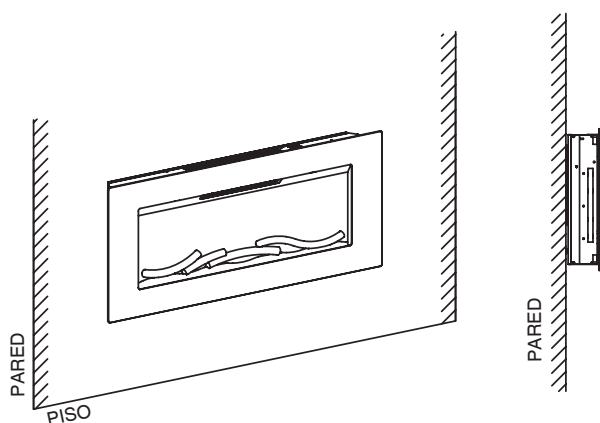
La chimenea se puede instalar con 4 opciones:

1. Colgada en la pared con soporte de montaje incluido.
2. Pie libre con base pedestal proporcionado.
3. Construcción incorporada.
4. Montaje del marco de la chimenea.

Siga las instrucciones de instalación a continuación según la preferencia de instalación.

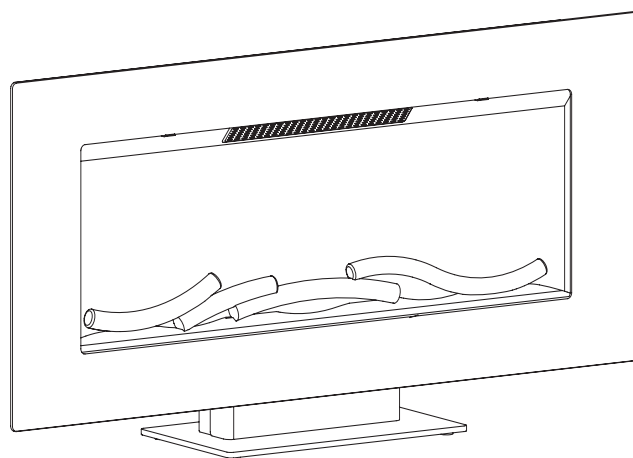
### Opción 1

Colgar en la pared....página 36



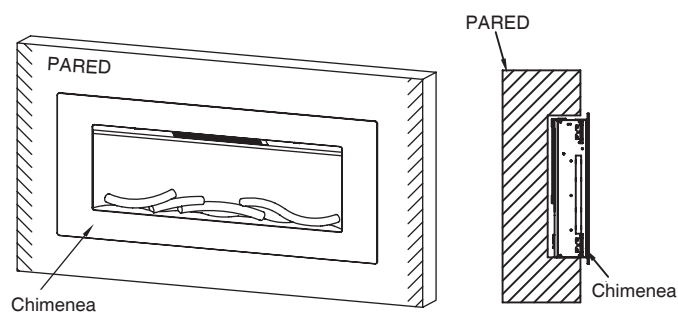
### Opción 2

Base de pedestal....página 39



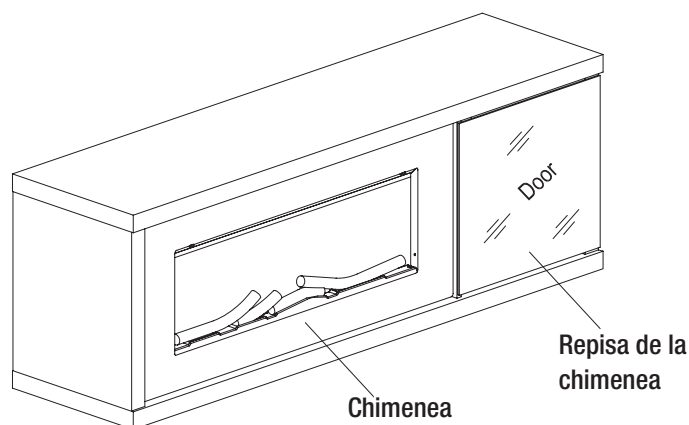
### Opción 3

Construcción incorporada....página 41



### Opción 4

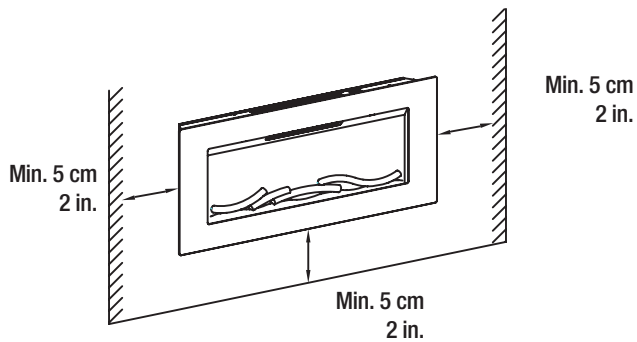
Montaje del marco de la chimenea ...página 45



# Instalación: Colgar en la pared

## COLGAR EN LA PARED CON SOPORTE DE MONTAJE INCLUIDO

Su nueva chimenea eléctrica se puede instalar prácticamente en cualquier parte de su casa. Sin embargo, cuando elija un lugar, asegúrese de seguir las instrucciones generales incluidas. Para obtener mejores resultados, instale lejos de la exposición de la luz solar. El servicio de fuente de energía debe estar instalado en la chimenea eléctrica antes de la finalización para evitar tener que reconstruir.



**ADVERTENCIA:** Mantenga cortinas y otros muebles al menos a 3 ft/1 m de la parte delantera y laterales de la chimenea eléctrica.

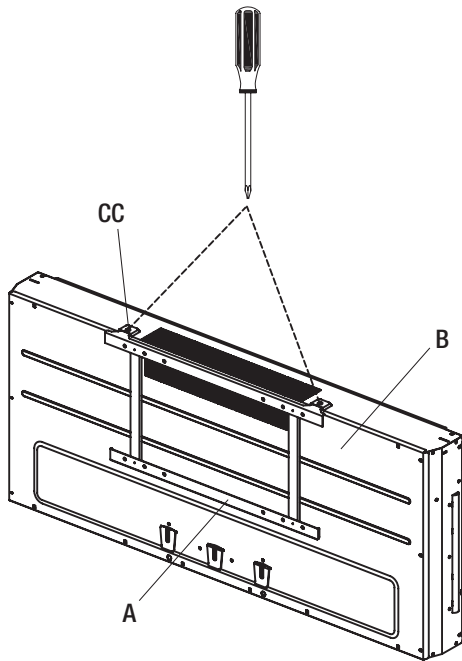
Espacio de separación de combustibles

<b>Laterales</b>	2 in. / 5 cm
<b>Piso</b>	2 in. / 5 cm
<b>Parte superior</b>	2 in. / 5 cm
<b>Parte trasera</b>	0 in. / 0 cm

# Instalación: Colgar en la pared

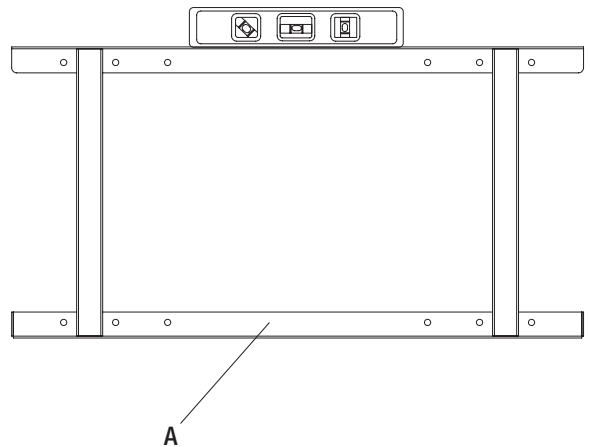
## 1 Retiro del soporte de montaje

- Retire el soporte de montaje (A) de la parte trasera de la chimenea (B) quitando los dos tornillos preinstalados (CC) en la parte superior trasera de la unidad.



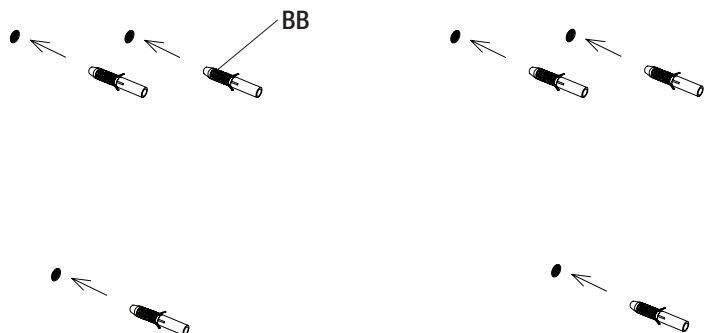
## 2 Elección de ubicación en la pared

- Elija una ubicación en la pared para fijar el soporte de montaje (A). Coloque el soporte de montaje (A) en la ubicación deseada.
- Use un nivel para alinear el soporte y marque cuatro agujeros con un lápiz.



## 3 Perforación de agujeros

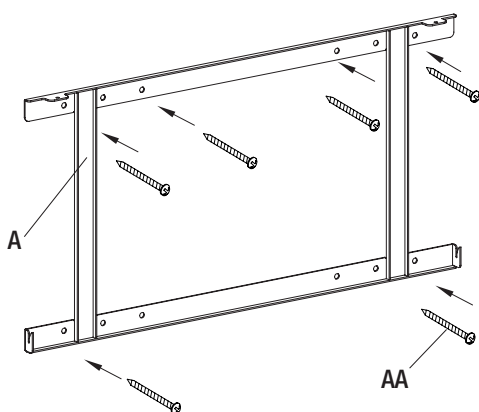
- Perfore seis agujeros de 7/25 in (7 mm) en la pared.
- Inserte los tacos fisher de pared (BB) en los agujeros con un martillo.



## Instalación: Colgar en la pared (continuación)

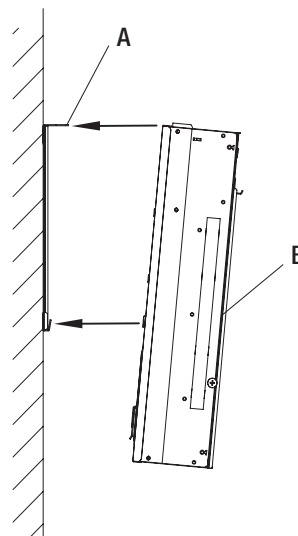
### 4 Fijación del soporte de montaje

- Fije el soporte de montaje (A) a la pared sujetando los seis tornillos de anclaje (AA) en los tacos de pared.



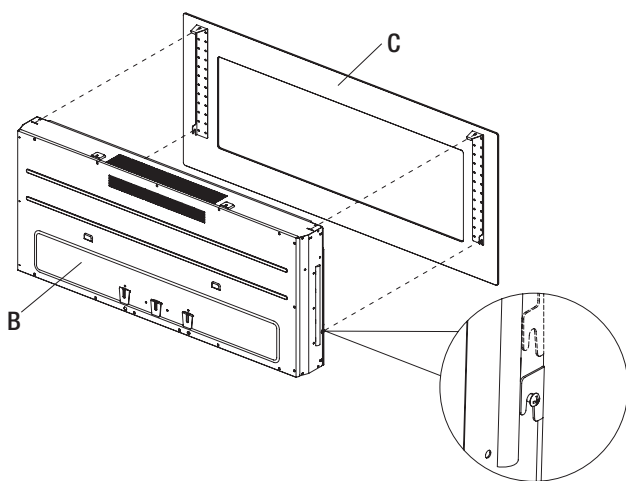
### 5 Colgar la chimenea

- Fije la chimenea (B) en los ganchos en la parte inferior del soporte de montaje (A) y coloque la chimenea (B) en el soporte de montaje (A).
- Vuelva a fijar los dos tornillos retirados en el paso 1.



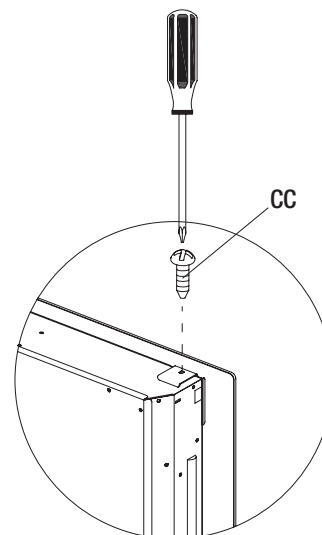
### 6 Colgar el marco frontal

- Fije el marco frontal (C) en la chimenea (B) y empuje suavemente en la parte inferior del marco hasta que se fije en su lugar.



### 7 Sujeción del marco frontal

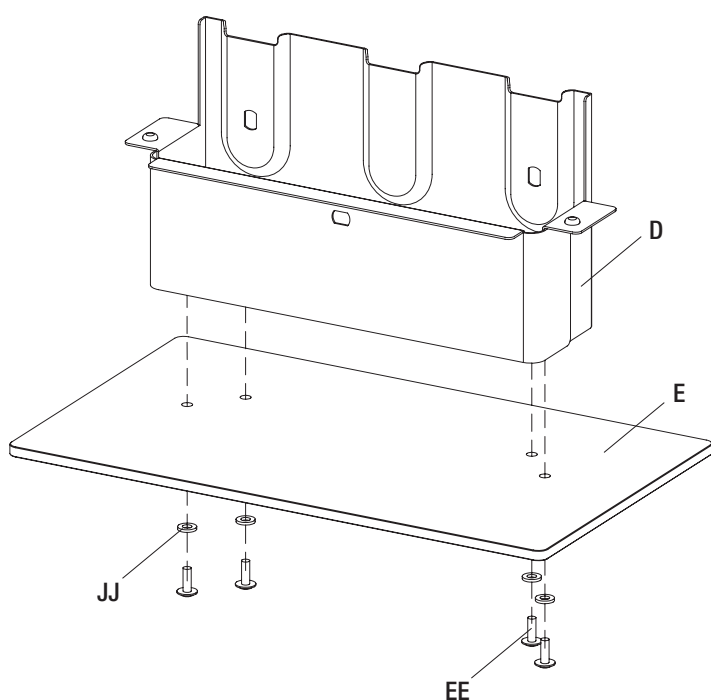
- Sujete los ganchos del marco superior con los dos tornillos de retención (CC).
- Continúe con las instrucciones de instalación de la base de combustible (Página 48).



# Instalación: Base de pedestal

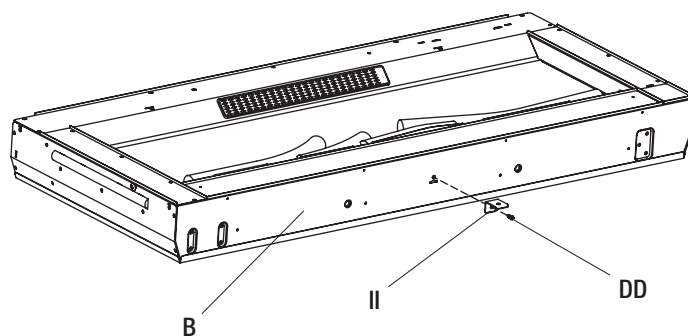
## 1 Sujeción del soporte de base

- Use cuatro tornillos (EE) y cuatro arandelas (JJ) para sujetar el soporte de base (D) a la base (E).



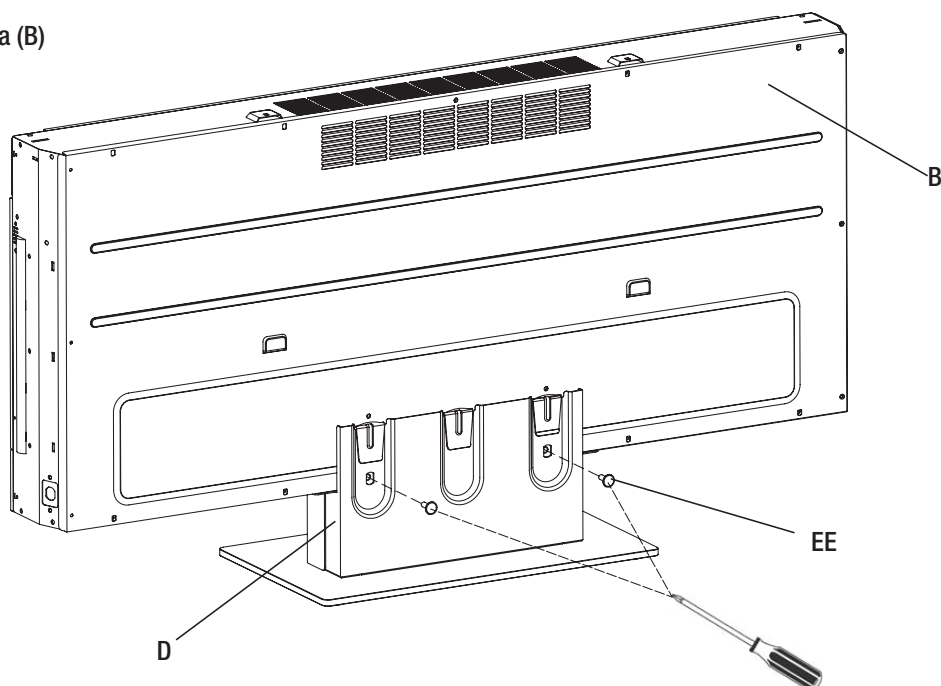
## 2 Fijación del soporte pequeño de base

- Use un tornillo (DD) para sujetar el soporte pequeño de base (II) a la chimenea (B).



## 3 Fijación del soporte de base

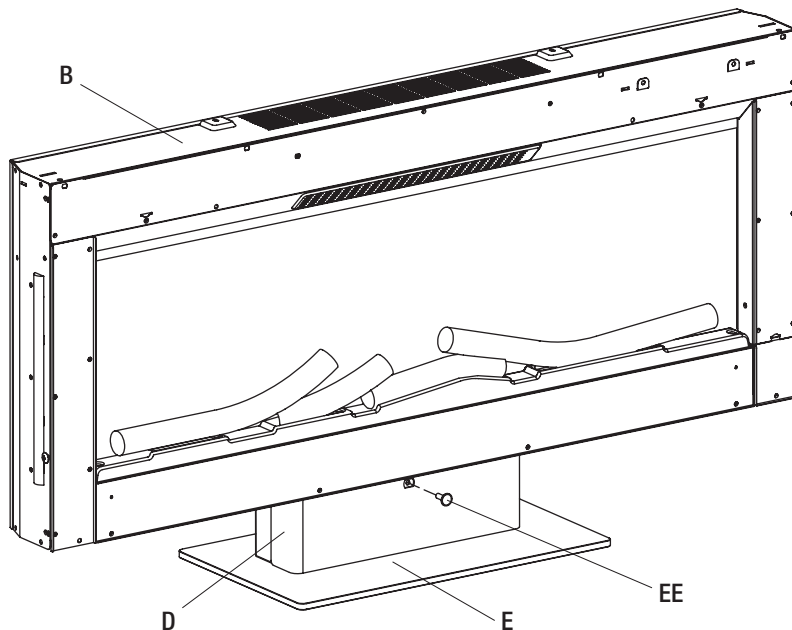
- Sujete el soporte de base (D) a la chimenea (B) con los tornillos suministrados (EE).



## Instalación: Base de pedestal

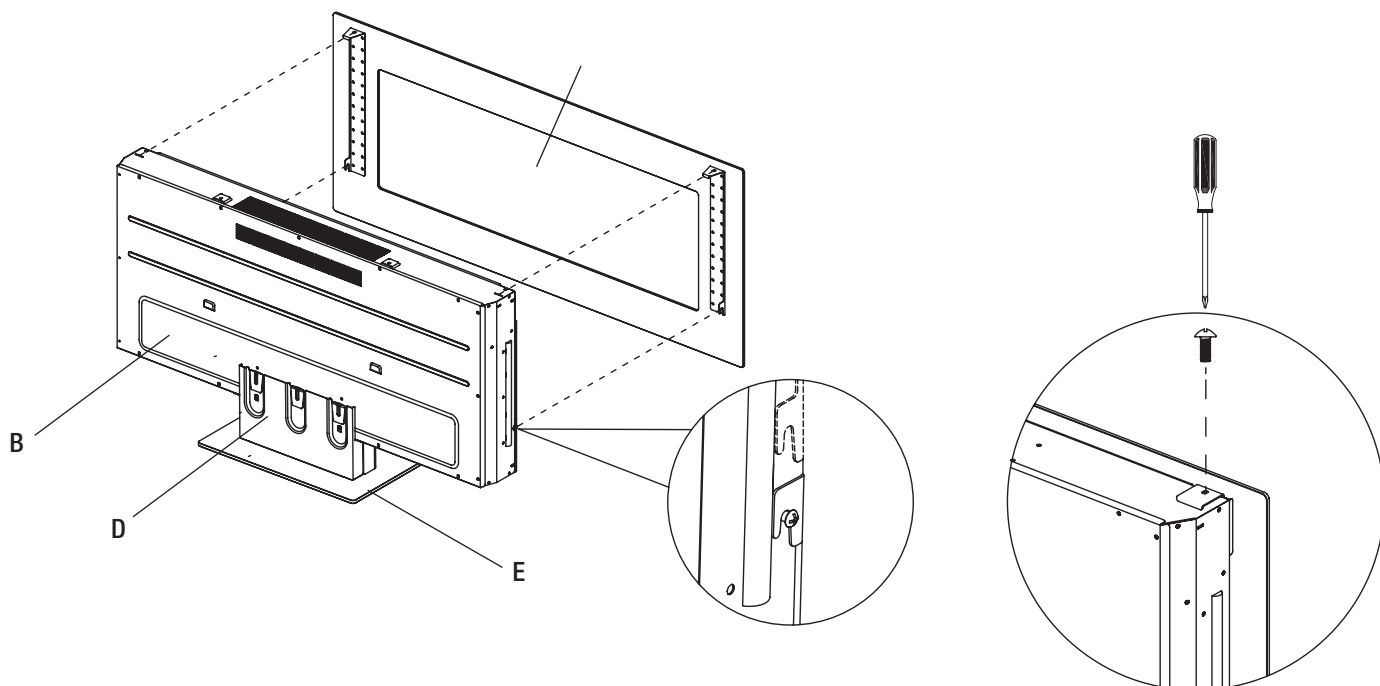
### 4 Sujeción del soporte de base

- Use un tornillo (EE) para sujetar el soporte de base (D) a la chimenea (B).



### 5 Sujeción del marco superior

- Instale el marco frontal (C) en la chimenea (B) enganchando los sujetadores en su lugar.
- Ajuste los dos tornillos (CC).
- Continúe con las instrucciones de instalación de la base de combustible (Página 48).





# Instalación: Construcción incorporada

## INSTRUCCIONES PARA INCORPORAR A UNA PARED

El diseño de esta chimenea no requiere espacio de separación. No se puede colocar ningún combustible en la superficie superior de la chimenea. El combustible se puede colocar por el borde de la unidad. El aislamiento y la barrera de vapor se deben colocar a un mínimo de 2 in de la unidad. Monte el marco según las especificaciones que se muestran a continuación en la tabla y figura 1.

Modelo	A	B	C	D	E	F	G	H	I	J	K	L
36II100GRG	32.8"	18.6"	3.9"	36"	19.7"	4.5"	31.8"	18"	3.5"	37.2"	26.3"	26.3"
47II100GRG	43.3"	18.6"	3.9"	46.2"	19.7"	4.5"	42.3"	18"	3.5"	47.5"	33.6"	33.6"

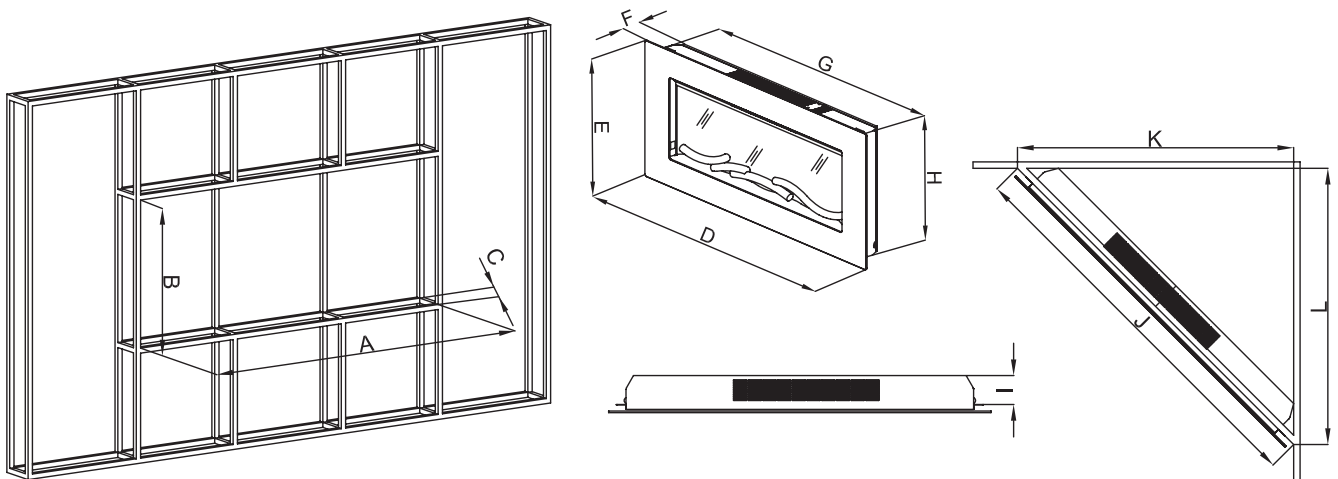


Fig. 1

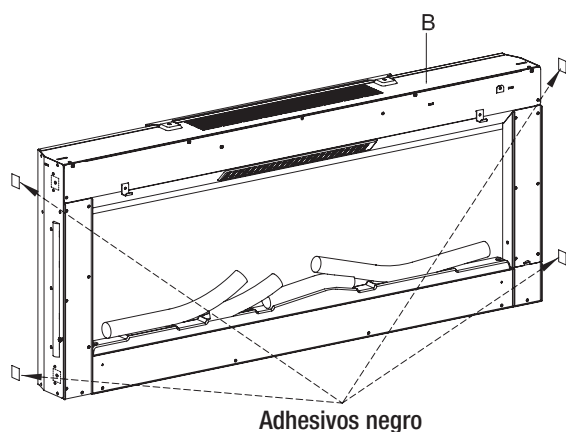
## REQUISITOS DEL CABLEADO

Use un cable adecuado que cumpla con los códigos eléctricos locales y nacionales para el consumo de energía nominal. Todos los calibres de cable deben ser cables sólidos de calibre 12 con un disyuntor dedicado de 15 A para 120 V.

# Instalación: Construcción incorporada (continuación)

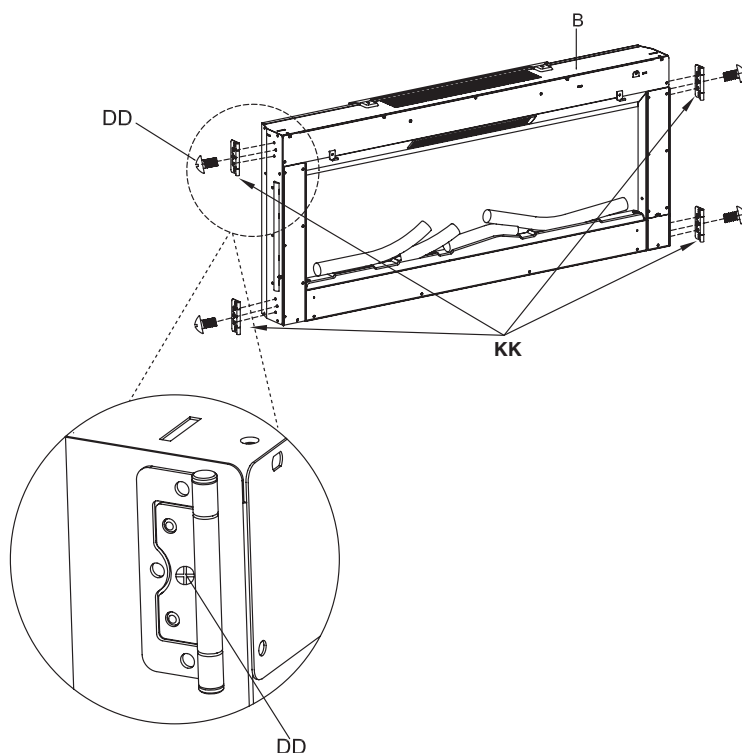
## 1 Retiro de adhesivos

- Retire los adhesivos negros.



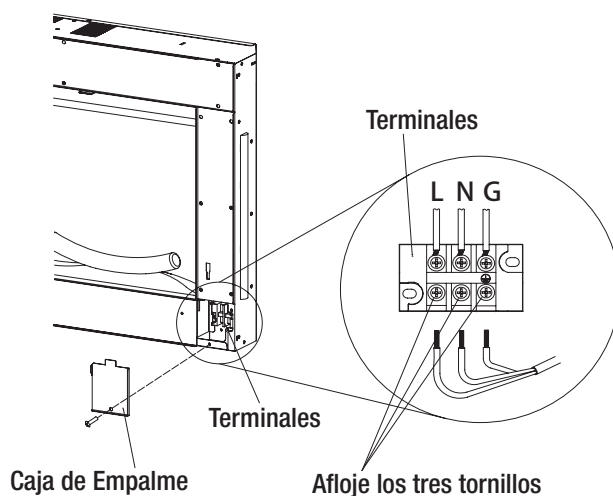
## 2 Sujeción de soportes

- Sujete los soportes de pared (KK) con tornillos (DD).



## 3 Los pasos 3 a 6 describen la instalación opcional para retirar el cable de alimentación y realizar una conexión directa.

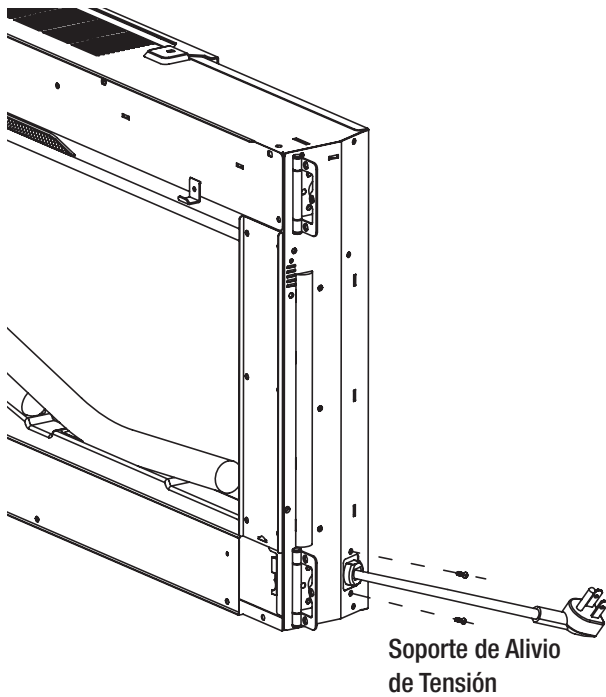
- Retire el tornillo preinstalado (DD) sujetando la cubierta de la caja de empalme.
- Afloje los tres tornillos sujetando los cables y retire los cables negativo, con corriente y de conexión a tierra.



# Instalación: Construcción incorporada (continuación)

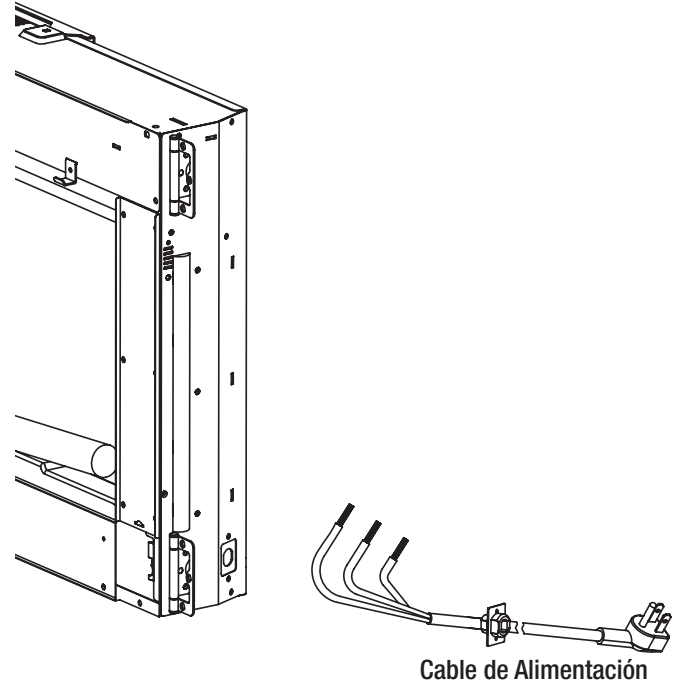
## 4 Aflojar el soporte de alivio de tensión

- Retire los dos tornillos preinstalados (DD) sujetando el soporte de alivio de tensión del cable de alimentación.



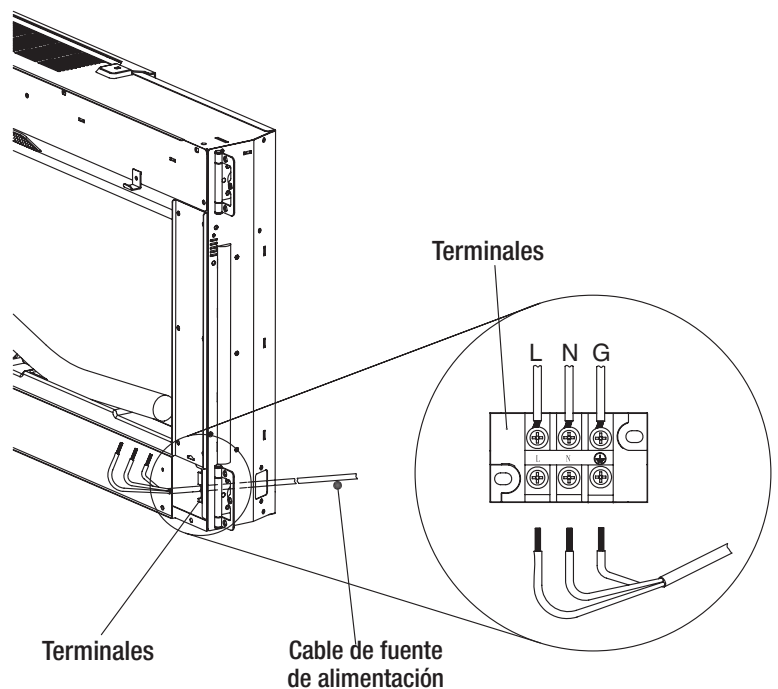
## 5 Sujeción de soportes

- Retire el cable de alimentación y el conjunto de alivio de tensión.



## 6 Conexión del cable de fuente de alimentación

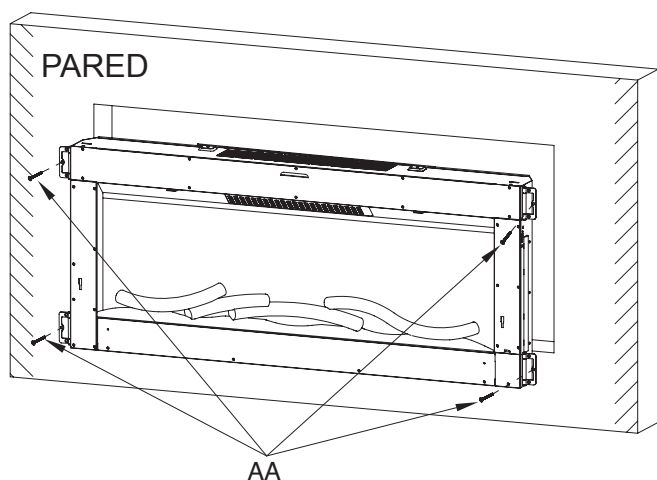
- Conecte el cable de fuente de alimentación.



## Instalación: Construcción incorporada (continuación)

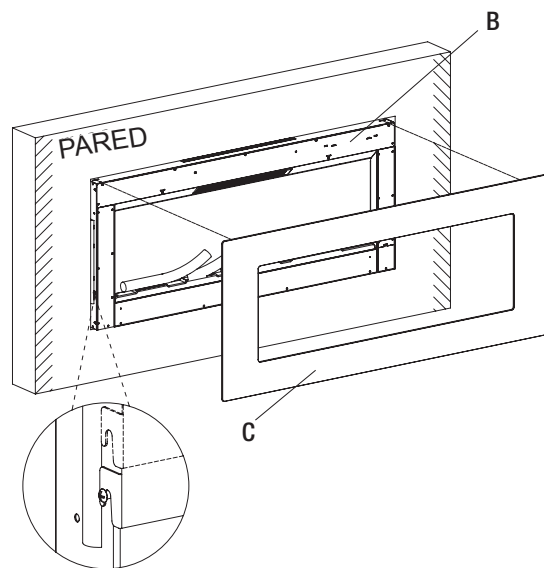
### 7 Instalación de la chimenea

- Sujete la chimenea a la pared con los tornillos de anclaje (AA).



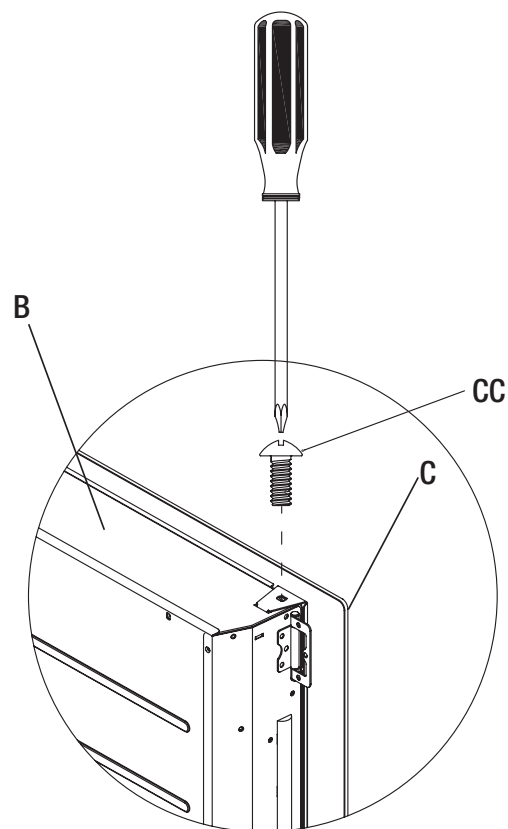
### 8 Colgar el marco frontal

- Fije el marco frontal (C) en la chimenea (B) y empuje suavemente en la parte inferior del marco hasta que se fije en su lugar.



### 9 Sujeción de ganchos del marco frontal

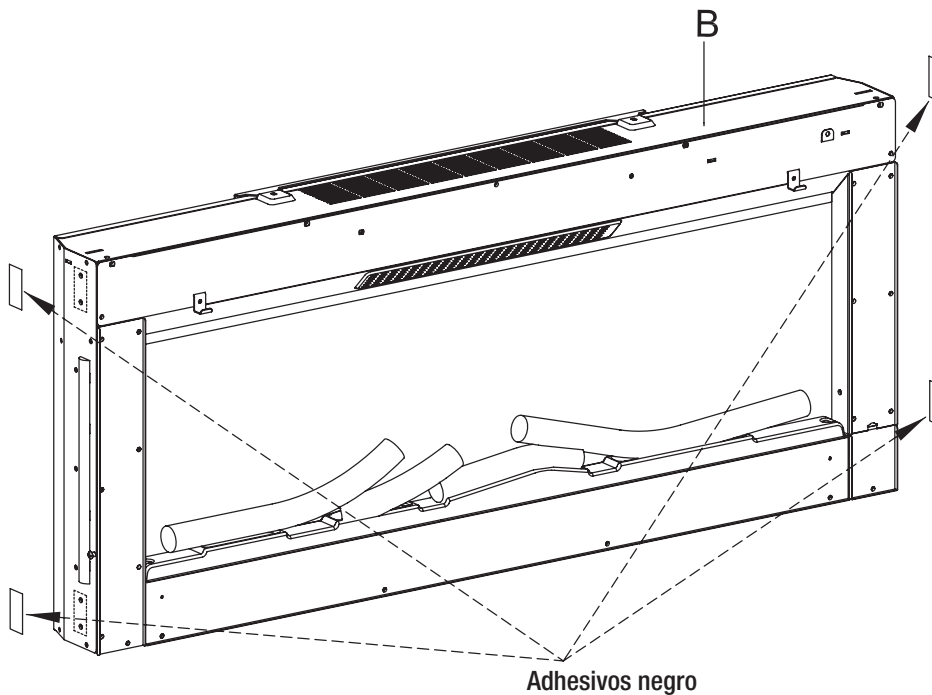
- Sujete los ganchos del marco superior con los dos tornillos de retención (CC).



# Instalación - Montaje del marco de la chimenea

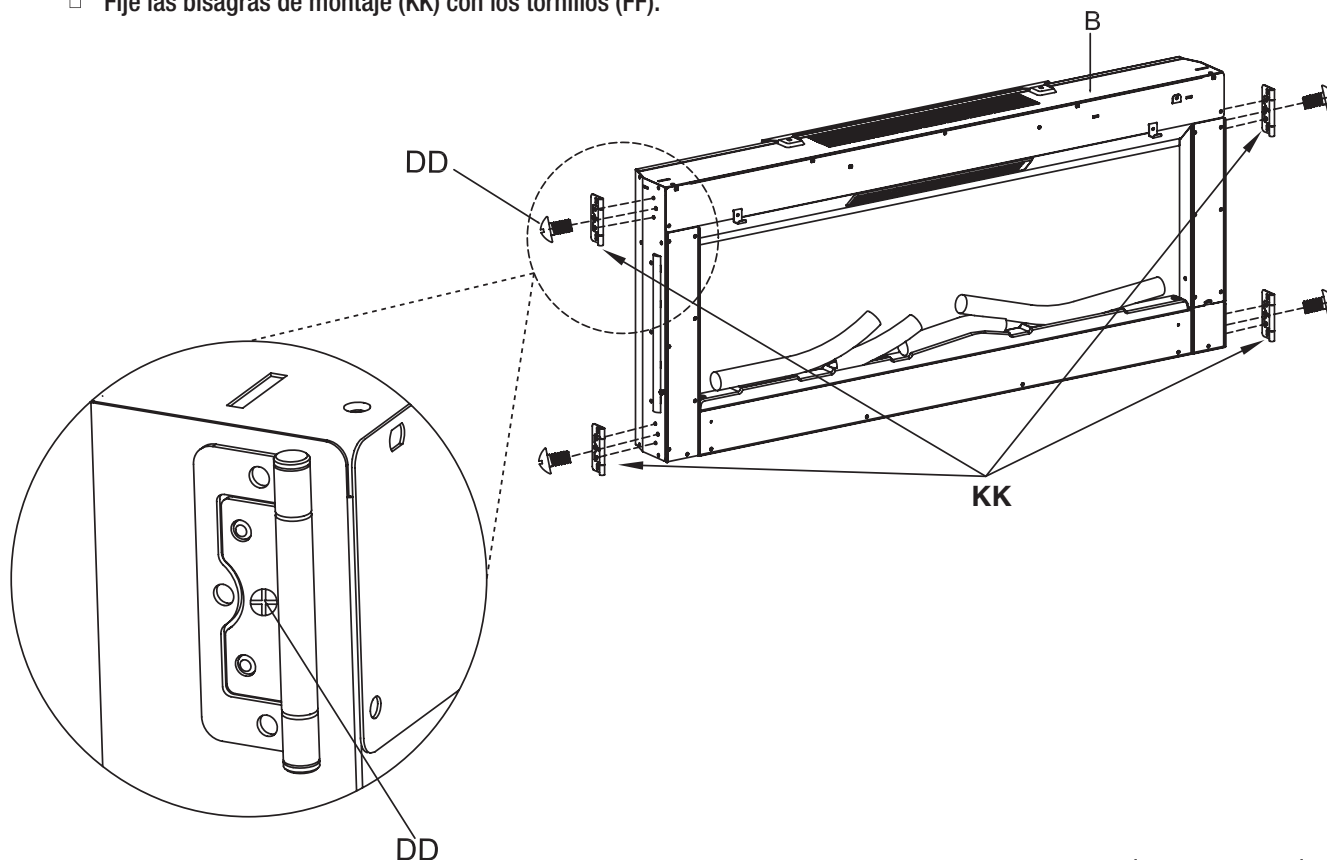
## 1 Retirar las etiquetas de pegatina

- Retire las pegatinas de color negro.



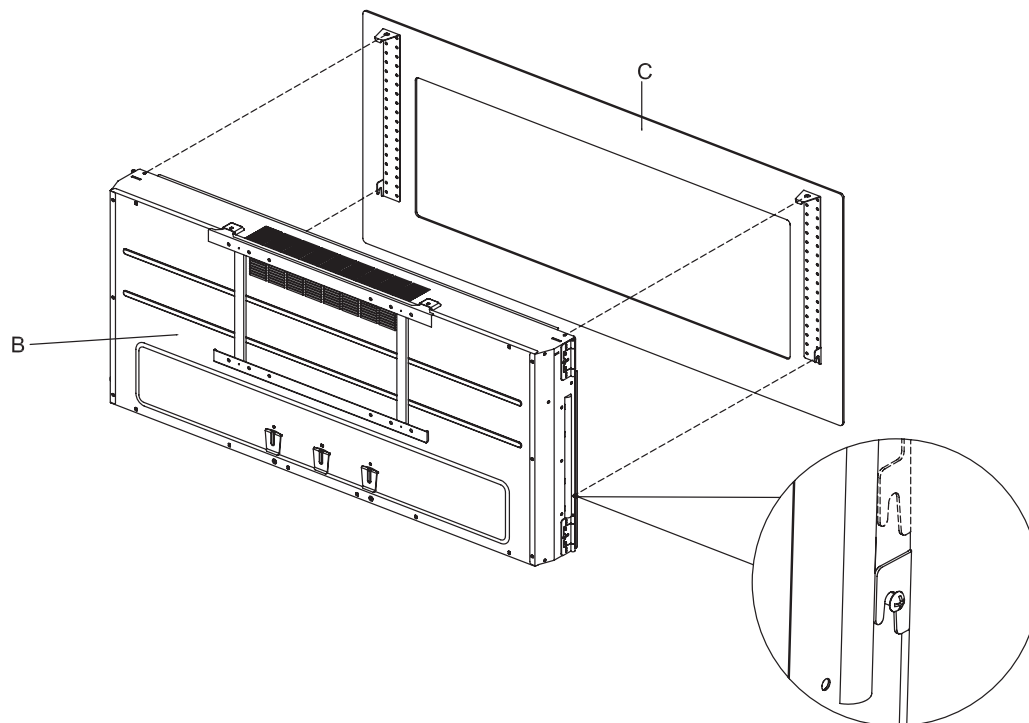
## 2 Fijar las bisagras de montaje

- Fije las bisagras de montaje (KK) con los tornillos (FF).



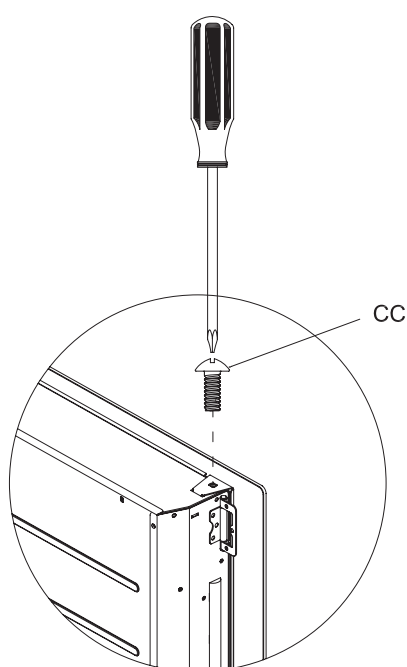
## 3 Colgar el marco frontal

- Cuelgue el marco frontal (C) en la chimenea (B) y empuje suavemente hacia la parte inferior del bastidor hasta que encaje apropiadamente en su lugar.



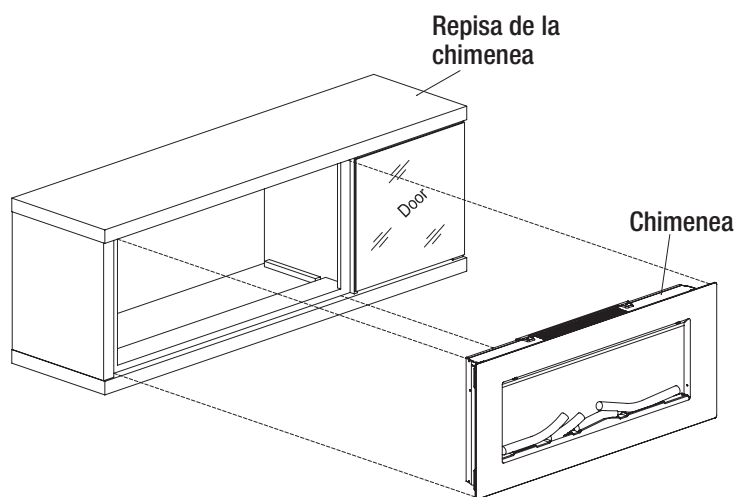
## 4 Asegurar los ganchos del marco superior

- Fije los ganchos del marco superior con los dos tornillos de retención (CC).



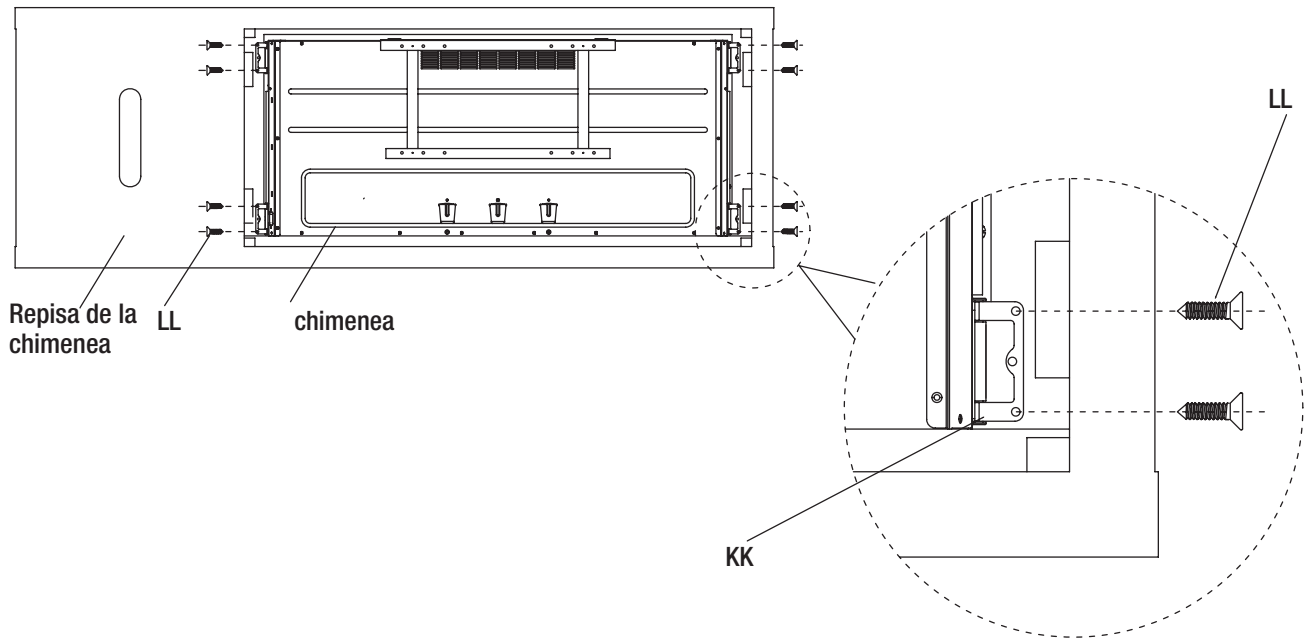
## 5 Insertar la chimenea en el marco de la chimenea

- Use las bisagras de montaje cerradas contra la chimenea poniendo con cuidado e insertando la chimenea en la abertura frontal del marco de la chimenea.



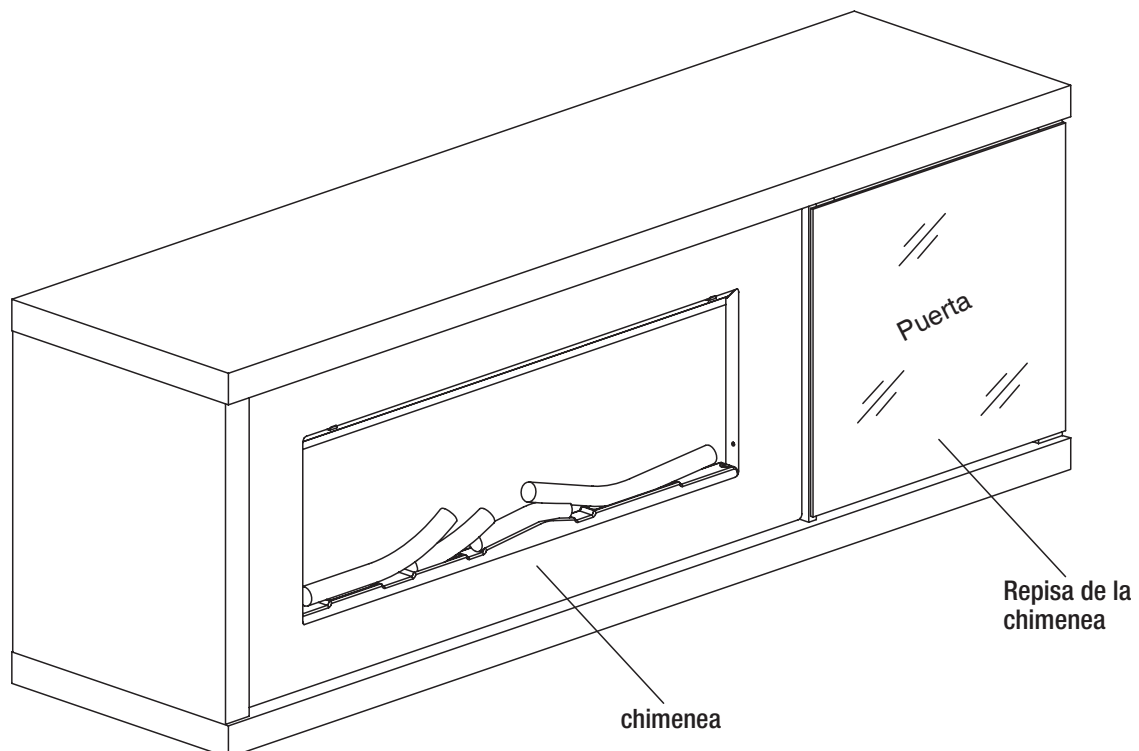
## 6 Montaje del marco de la chimenea

- Ponga las bisagras de montaje (KK) desde la parte posterior del marco de la chimenea plegable a continuación, utilice los tornillos (LL) para fijar las bisagras en el interior de la chimenea.



## 7 Situar el marco de la chimenea con chimenea

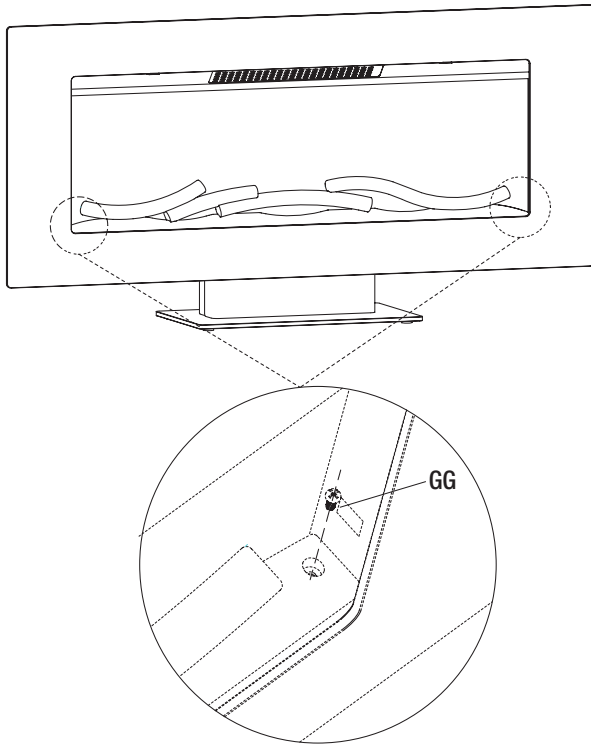
- Mueva cuidadosamente la chimenea completa ubicándola en la ubicación de su preferencia.
- Continúe con las instrucciones de instalación de la base de combustible (Página 48).



# Instrucciones de instalación de la base de combustible

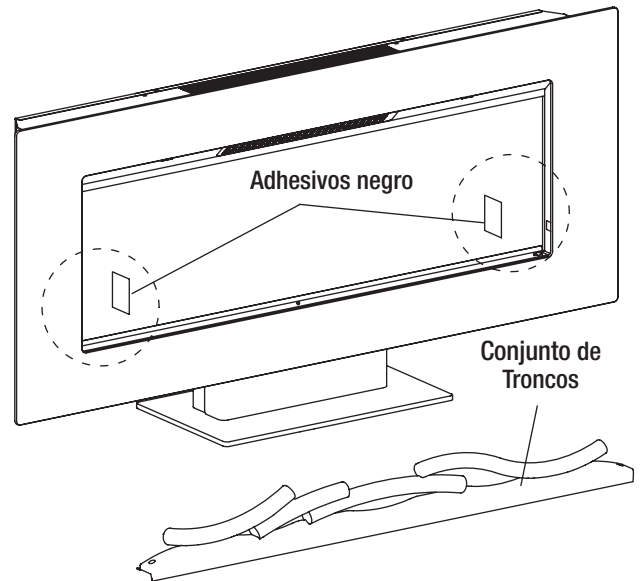
## 1 Retiro del conjunto de troncos

- La chimenea tiene la opción de usar el juego de troncos pre-instalado o el montaje de la bandeja transparente que viene incluido. Para cambiar el juego de troncos en la bandeja destornillar los dos tornillos (GG) que fijan la brasa.



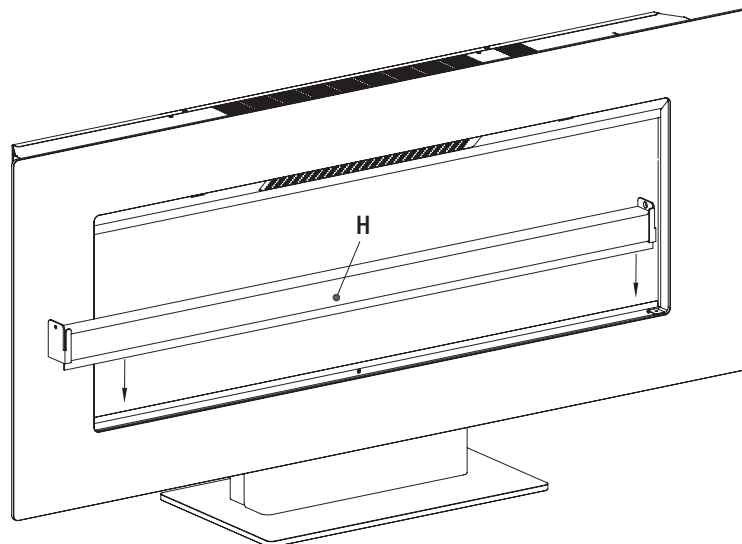
## 2 Retiro del conjunto de troncos y los adhesivos negros

- Retire el conjunto de troncos y los adhesivos negros de ambos lados.



## 3 Colocación de la bandeja transparente

- Coloque la bandeja transparente (H) dentro de la chimenea (B).

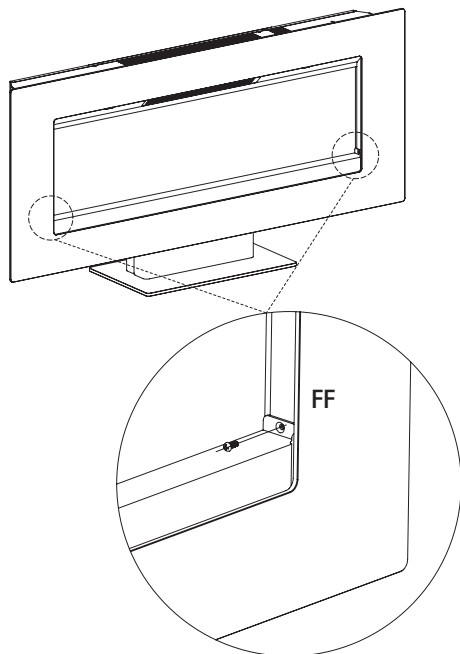




# Instrucciones de instalación de la base de combustible

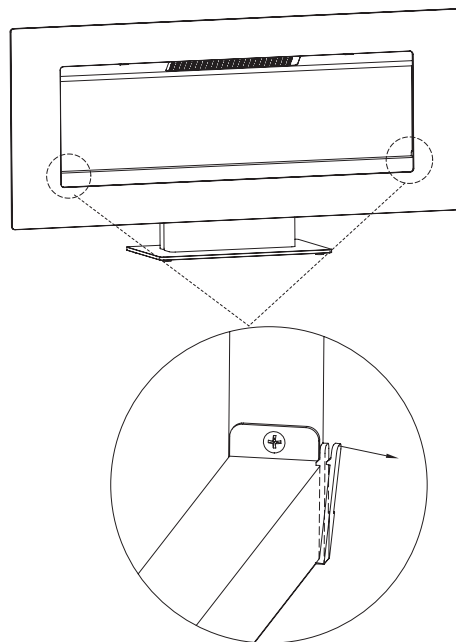
## 4 Ajuste de tornillos

- Ajuste los tornillos (FF) en ambos lados.



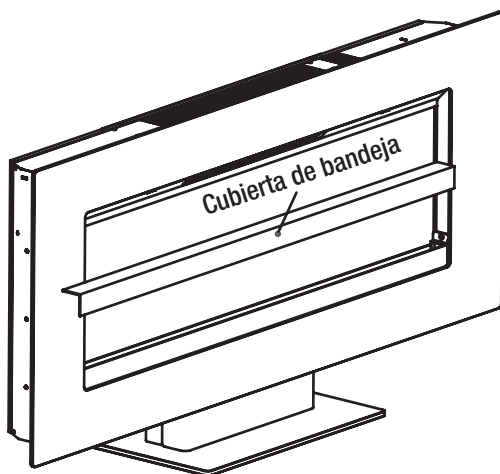
## 5 Retiro de la cubierta de bandeja

- Tire cuidadosamente de las lengüetas de la bandeja para retirar la cubierta.



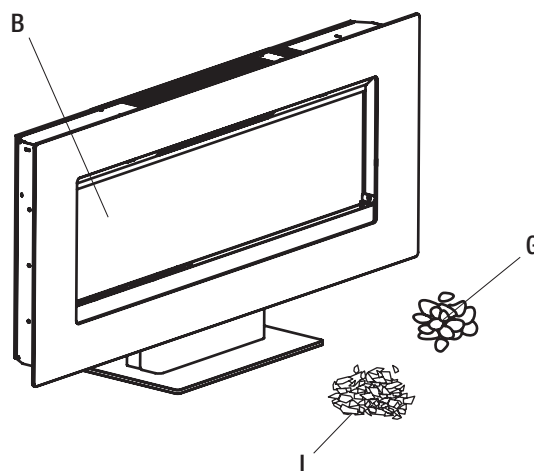
## 6 Retiro de la cubierta de bandeja

- Retire la cubierta de bandeja.

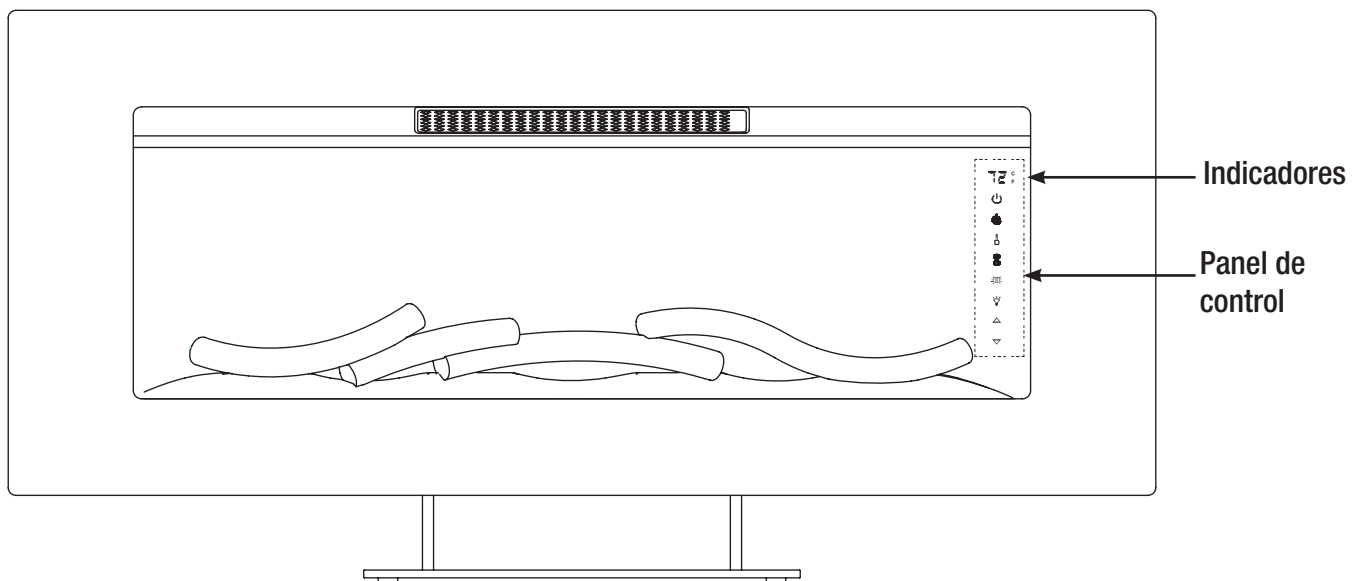


## 7 Colocación de cristales o piedras

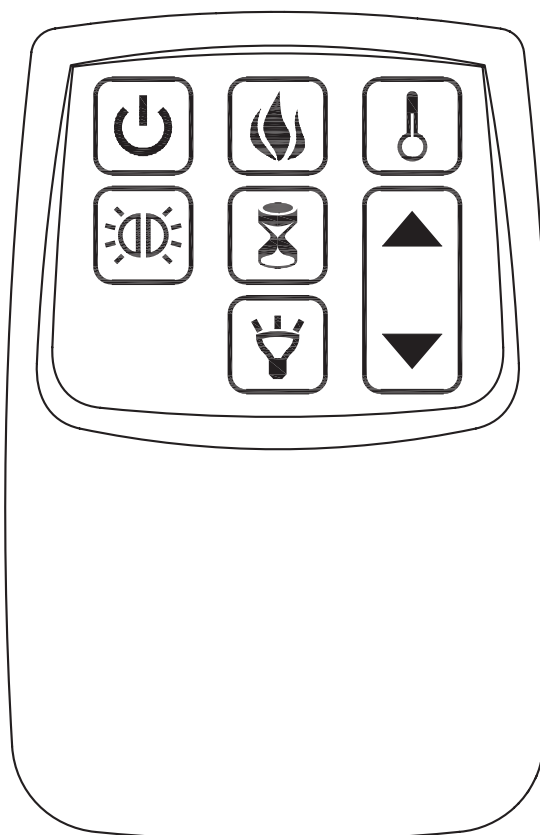
- Coloque el cristales (I) o las piedras (G) de acuerdo con su preferencia.  
Siga los pasos 5 y 6 en orden inverso para volver a instalar la cubierta de la bandeja.



## Funcionamiento



La chimenea se puede encender usando el control remoto o el panel de control.



## Funcionamiento (Continuación)

### - Encendido de la chimenea

- Presione el botón Power (Encendido) para activar todas las funciones de la chimenea y coloque la inserción en modo de espera.
- Presione el botón Power nuevamente para desactivar todas las funciones.



**NOTA:** Todas las configuraciones previas se guardan en la memoria, para que la próxima vez que encienda la chimenea, la unidad active las mismas configuraciones.



**NOTA:** Mantener presionado el botón Power en el panel de control durante 10 segundos desactivará la función del calefactor.



### - Ajuste de llamas Spectrafire

- Existen seis niveles de brillo que se pueden seleccionar.

Las configuraciones 6 a 4 disminuyen el brillo de Spectrafire.

Las configuraciones 3 a 1 disminuyen solo el brillo de la llama color ámbar.



### - Ajuste del calefactor

- Para configurar el termostato, use el botón de calefactor en el panel de control táctil para seleccionar la temperatura deseada. El botón de calefactor en el control remoto encenderá o apagará el calefactor según la configuración del termostato seleccionada en el panel de control.
- El rango de configuración del termostato es de 62 °F a 82 °F, o de 17 °C a 27 °C, o siempre ON (Encendido).
- El termostato se puede ajustar en incrementos de 2 °F o 1 °C presionando los botones Arriba o Abajo.



**NOTA:** Para cambiar de °F a °C, mantenga presionado el botón de calefactor en el panel de control durante 3 segundos.



### - Ajuste de las luces laterales

- Presionar el botón de luces laterales cambiará la luz lateral en cinco configuraciones: ámbar, azul, azul/ámbar, ciclo automático y APAGADO.



### - Ajuste de las luces superiores

- Presionar el botón de luces superiores cambiará la luz superior en cinco configuraciones: blanco, azul, blanco/azul, ciclo automático y APAGADO.



### - Configuración del temporizador

- Presione el botón Timer (Temporizador) para cambiar las diez configuraciones del temporizador (30 minutos, 1, 2, 3, 4, 5, 6, 7, 8 y 9 horas) y APAGADO.

## Funcionamiento (Continuación)

### Sustitución de la batería del control remoto

- Cuando el control remoto no funciona o su gama de funcionamiento parece disminuir, es tiempo de sustituir la batería por una nueva.
  - En la parte trasera del control remoto, presione y deslice para abrir la tapa de la batería y retire las baterías viejas.
  - Inserte dos baterías AAA y verifique que los lados + y - de las baterías coincidan dentro del compartimiento de la batería.
  - Vuelva a colocar la tapa de compartimiento de la batería.



**NOTA:** No mezcle baterías viejas y nuevas. No mezcle baterías alcalinas, estándar (de carbono-zinc) o recargables (níquel-cadmio, níquel-hidruro metálico, etc.).



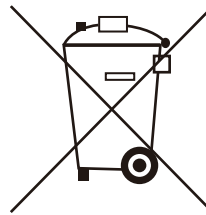
**NOTA:** Utilice el control remoto a una velocidad moderada. Presione los botones del control remoto suavemente. Presionar varias veces los botones rápidamente puede causar que el transmisor funcione de manera incorrecta.



**NOTA:** Las baterías se deben retirar si el producto no se va a utilizar durante un largo período de tiempo.

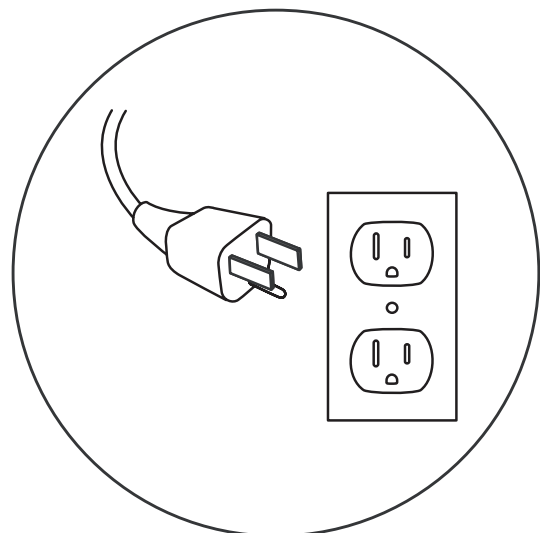
### Desecho de baterías usadas

- La batería puede contener sustancias peligrosas que podrían poner en peligro el medio ambiente y la salud humana.
- Este símbolo rotulado en la batería o envase indica que la batería usada no se debe tratar como desecho municipal. En cambio, se debe dejar en el lugar de recolección adecuado para su reciclaje.
- Al desechar correctamente las baterías usadas, evita potenciales consecuencias negativas en el medio ambiente y la salud humana. El reciclaje de materiales usados también conserva los recursos naturales.
- Para obtener más información sobre la recolección y reciclaje de baterías usadas, comuníquese con la municipalidad local, el servicio de eliminación de desechos o el punto de venta donde compró este producto.



### Uso correcto del cable de alimentación

- Este calefactor debe usarse en 120 voltios. El cable cuenta con un enchufe como el que se muestra en la figura.
- Conecte solo a salidas con una conexión a tierra adecuada.
- No use un adaptador de 2 clavijas. Nunca use con un cable de extensión o tomacorriente móvil (salida/ toma múltiple).



## Información de FCC/IC

Este equipo ha sido probado y se ha determinado que cumple con los límites de dispositivos digitales Clase B, según la parte 15 del Reglamento de la FCC. Estos límites están diseñados para proporcionar una protección razonable contra la interferencia dañina en una instalación residencial. Este equipo genera, utiliza y puede irradiar energía de radiofrecuencia y, si no se instala ni se usa según las instrucciones, puede causar interferencia dañina con la recepción de radio o televisión, lo que puede determinarse encendiendo y apagando el equipo. El usuario debe intentar corregir la interferencia siguiendo una o más de estas medidas:

- Volver a orientar o ubicar la antena de recepción.
- Aumentar la separación entre el equipo y el receptor.
- Conectar el equipo a un tomacorriente en un circuito distinto al que está conectado el receptor.
- Consulte al distribuidor o un técnico de radio/televisión experimentado para obtener ayuda.

Este dispositivo cumple con la Parte 15 del Reglamento de la FCC. El funcionamiento está sujeto a las dos condiciones siguientes:

- (1) este dispositivo puede no causar interferencia dañina, y
  - (2) este dispositivo debe aceptar cualquier interferencia recibida, incluida la interferencia que puede causar un funcionamiento no deseado.
- Las modificaciones no aprobadas por la parte responsable del cumplimiento podrían invalidar la autoridad del usuario para hacer funcionar el equipo.

Este artefacto digital Clase B cumple con la norma canadiense ICES-003.

## Cuidado y limpieza

- Limpie el ornamento metálico con un paño suave, ligeramente humedecido con un producto a base de aceite de cítricos. Pule con un paño suave y limpio. NO USE piladores de metal o limpiadores caseros ya que estos productos dañarían el ornamento de metal.
- Compre productos a base de aceite de cítricos en la ferretería.



**ADVERTENCIA:** Asegúrese de que la alimentación esté apagada antes de realizar las reparaciones. Cualquier reparación eléctrica o de cableado de esta unidad debe ser realizada por un electricista autorizado según los códigos nacionales y locales. Si repara o reemplaza algún componente o cableado eléctrico, debe seguir la ruta del cableado original, la codificación de colores y los lugares de fijación. Durante cualquier servicio de este artefacto, la alimentación de la unidad debe estar apagada. Primero coloque el interruptor principal en la posición de APAGADO. Luego retire el enchufe eléctrico del tomacorriente de pared.



**ADVERTENCIA:** Mantenga cables eléctricos, paños, muebles y otros combustibles a 3 pies (0.9m) de distancia del frente del calentador y sus lados.



**ADVERTENCIA:** El cableado del tomacorriente eléctrico debe cumplir con los códigos de construcciones local y otros reglamentos aplicables para reducir el riesgo de incendios, choques eléctricos y lesiones a personas.



**ADVERTENCIA:** No utilice esta chimenea si cualquiera de sus piezas está mojada. Llame de inmediato a un técnico de servicio calificado para inspeccionar la chimenea y reemplazar cualquier pieza del sistema eléctrico.



**ADVERTENCIA:** Desconecte la alimentación antes de intentar cualquier mantenimiento o limpieza para reducir el riesgo de incendios, choques eléctricos o lesiones personales.

# Solución de problemas

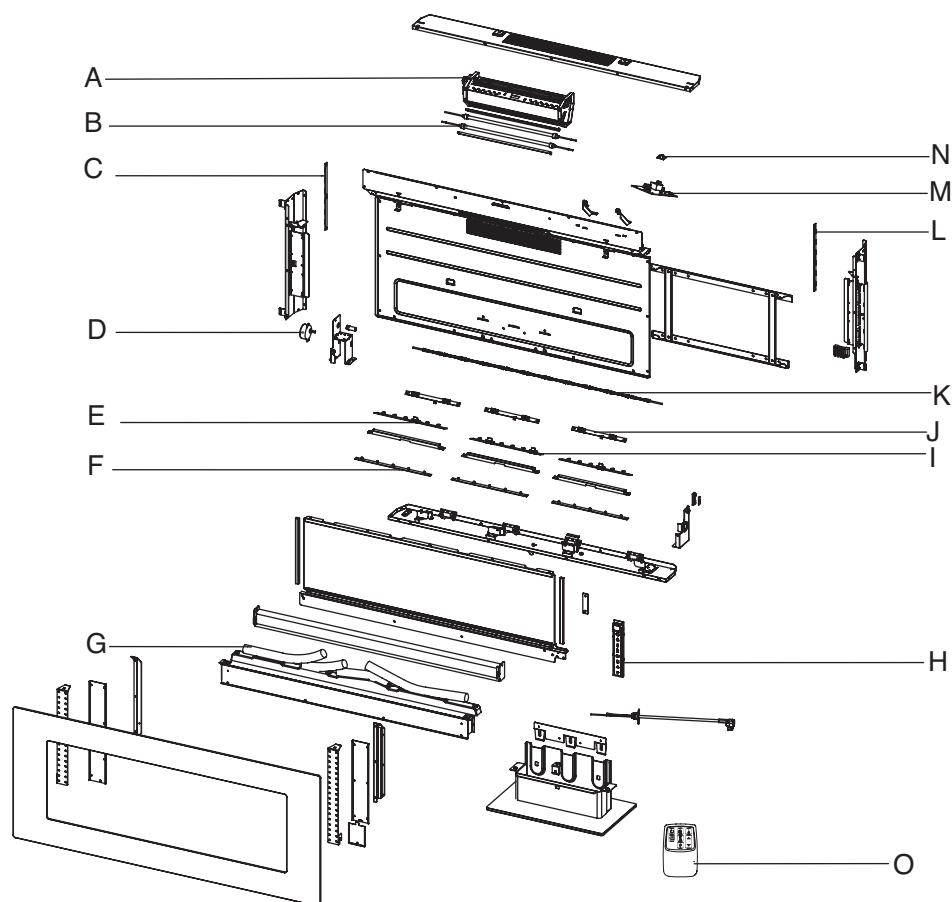
PROBLEMA	CAUSA POSIBLE	ACCIÓN CORRECTIVA
La pantalla muestra "E1".	El sensor del termostato está roto o desconectado.	Desenchufe la chimenea, retire el panel trasero de la chimenea y verifique que el termostato esté enchufado en la placa de circuito principal. Si esto no soluciona el problema, comuníquese con servicio al cliente para solicitar el repuesto del sensor del termostato.
La pantalla muestra "E2".	El sensor del termostato está roto.	Comuníquese con servicio al cliente para solicitar el repuesto del sensor del termostato.
La pantalla muestra "E3".	La protección contra recalentamiento de ajuste manual está activada.	Inspeccione el calefactor y verifique que las entradas y salidas de aire no estén bloqueadas puesto que este puede recalentarse. Desenchufe el calefactor por 30 minutos y deje que se enfríe. Vuelva a enchufar y encienda, controle el calefactor en busca de signos de recalentamiento. Si el problema persiste, interrumpa el uso del calefactor y comuníquese con servicio al cliente.
La pantalla muestra "ER".	Poder sobrecalentamiento cable protección se ha activado.	Verifique el cable del calefactor y las conexiones de enchufe. Las conexiones del tomacorriente de pared defectuosas o enchufes flojos pueden provocar que el tomacorriente o enchufe se recalienten. Asegúrese de que el enchufe se adapte firmemente al tomacorriente. Los calefactores consumen más corriente que los aparatos pequeños, el recalentamiento del tomacorriente se puede producir incluso si no se produce con el uso de otros aparatos. Durante el uso, verifique frecuentemente para determinar si el tomacorriente del enchufe o la cubierta frontal está CALIENTE. Si es así, interrumpa el uso del calefactor y llame a un electricista especializado para que revise o sustituya el tomacorriente defectuoso.
El calefactor no expulsa aire caliente.	El calefactor está en ciclo de enfriamiento.	El funcionamiento normal continuará por unos minutos hasta que se apague. El tiempo variará según las temperaturas. Durante este tiempo, expulsará aire frío.
No hay alimentación.	No hay alimentación en la unidad.	Verifique que la unidad esté enchufada a un tomacorriente estándar de 120 V. Presione el botón Power varias veces y asegúrese de que esté en la posición "ON" (Encendido).
El calefactor no expulsa aire de cualquier tipo.	La configuración del termostato evita que el calefactor se encienda.	Ajuste la configuración de temperatura para asegurarse de que el termostato esté más alto que la temperatura ambiente actual.
El calefactor no funciona, pero las configuraciones de Encendido y Calefactor están ENCENDIDAS y el termostato está configurado.	Protección contra recalentamiento de ajuste manual activada.	Apague y desenchufe la unidad del tomacorriente de la pared por 5 minutos. Luego de 5 minutos, enchufe la unidad nuevamente en la pared y encienda normalmente. Si el problema persiste, comuníquese con servicio al cliente.
El efecto de la llama funciona, pero la función del calefactor no, y el efecto de la llama parpadea al presionar el botón de Calefactor.	El calefactor está desactivado.	Con el encendido conectado, mantenga presionado el botón POWER en el panel de control durante 10 segundos. Una vez que se vuelve a encender, el efecto de la llama parpadeará varias veces.
El control remoto no funciona.	No hay baterías o la señal es débil.	Cambie las baterías del control remoto.  Use el transmisor del control remoto de forma moderada. Presione los botones del control remoto suavemente y con una presión pareja. Presionar varias veces los botones rápidamente puede causar que el transmisor funcione de manera incorrecta.
Con el calefactor encendido, el ruido es más fuerte de lo normal.	a. Las entradas de aire están sucias u obstruidas.	a. Verifique las entradas de aire en busca de obstrucciones o alto nivel de acumulación de polvo.
	b. El conjunto de soplador/ calefactor está averiado.	b. Comuníquese con servicio al cliente para conseguir un nuevo conjunto de calefactor/soplador.
Ruido anormal con el calefactor apagado y efecto de la llama encendido.	El motor giratorio está averiado.	Comuníquese con servicio al cliente para conseguir un nuevo motor giratorio.

# Repuestos

Pieza	Descripción	Cantidad 36II	Cantidad 47II
A	Conjunto de soplador	1	1
B	Elementos del calentador	2	2
C	PCBA (Conjunto de placa de circuito impreso) de luz lateral izquierda	1	1
D	Motor de accionamiento del generador de llamas	1	1
E	PCBA de llama izquierdo/derecho	2	2
F	Placa de circuito para base con incrustado de troncos	2	3
G	Base con incrustado de troncos	1	1
H	Panel de control: 8 botones	1	1
I	PCBA de llama mediana	N/A	1
J	PCBA de llama azul	2	3
K	Generador/dirección de llama	1	1
L	PCBA de luz lateral derecha	1	1
M	Placa de circuito principal	1	1
N	Sensor del termostato	1	1
O	Control remoto: 8 botones	1	1



**NOTA:** La escala y el tamaño de las piezas pueden ser distintos según el modelo exacto.



# Table des matières

Instructions Importantes .....	3	Options d'installation .....	8
Garantie.....	4	Montage mural.....	9
Préparation.....	5	Piédestal.....	12
Pré-assemblage. ....	6	Construction intégrée .....	14
Quincaillerie fournie.....	6	Assemblage avec manteau .....	18
Caractéristiques du produit.....	6	Instructions de réglage de la couche de combustible...	21
Outils requis.....	6	Utilisation .....	23
Contenu de l'emballage.....	7	Informations relatives aux normes FCC/IC.....	26
		Entretien et nettoyage .....	26
		Dépannage.....	27
		Pièces de rechange.....	28



# INSTRUCTIONS IMPORTANTES

Pour réduire le risque d'incendie, de décharge électrique et de blessure lors de l'utilisation d'appareils électriques, veiller à toujours respecter les précautions de sécurité de base suivantes :

1. Lire toutes les instructions avant d'utiliser cet appareil.
2. Cet appareil est chaud pendant son utilisation. Pour éviter les brûlures, ne touchez pas les surfaces chaudes sans protection. Si l'appareil est muni de poignées, utilisez-les pour le déplacer. Assurez-vous que les matières combustibles telles que les meubles, les oreillers, la literie, le papier, les vêtements et les rideaux se trouvent à au moins 3 pieds (0,9 m) de l'avant de cet appareil et les garder loin des côtés et de l'arrière. **AVERTISSEMENT** : Afin d'éviter toute surchauffe, ne couvrez pas l'appareil de chauffage. Le jeu peut être suffisant lorsqu'il est installé dans un véhicule récréatif avec le slide-out fermé.
3. **ATTENTION** : Ne laissez jamais l'appareil de chauffage sans surveillance lorsqu'il est allumé. Une prudence extrême est requise si des enfants sans surveillance ou des personnes handicapées se trouvent à proximité.
4. L'appareil ne doit pas être utilisé par des enfants, par toute personne aux capacités physiques, sensorielles ou mentales réduites ni par quiconque ne possédant pas l'expérience et les connaissances adéquates, à moins qu'ils ne soient supervisés ou formés.
5. Débranchez toujours l'appareil lorsqu'il n'est pas utilisé.
6. Ne faites pas fonctionner l'appareil de chauffage si l'un des câbles ou l'une des prises sont endommagés ou après un dysfonctionnement de l'appareil, ou encore si l'appareil est tombé ou a été endommagé de quelque manière que ce soit.
7. Si le cordon d'alimentation est endommagé, il doit être remplacé par le fabricant, par un de ses agents d'entretien ou par une personne qualifiée, afin d'éviter tout danger.
8. N'utilisez pas cet appareil à l'extérieur.
9. Cet appareil de chauffage n'est pas destiné à une utilisation dans les salles de bains, salles de lavage et emplacements intérieurs similaires. Ne placez jamais cet appareil où il pourrait tomber dans un bain ou d'un autre contenant d'eau.
10. Ne faites pas passer le câble sous un tapis. Ne couvrez pas le câble d'un tapis, d'un chemin de passage ou de tout autre article similaire. Placez le cordon loin des zones de trafic où personne ne trébuchera dessus.
11. Pour débrancher cet appareil, tournez le bouton de commande sur la position d'arrêt, puis retirez la fiche de la prise.
12. Branchez cet appareil seulement à une prise de courant mise à la terre correctement. Cet appareil de chauffage est conçu pour être utilisé sur un circuit de 120 volts. Le câble est muni d'une fiche, comme illustré dans l'encadré A de la fig. 1. N'utilisez pas d'adaptateur à 2 broches. Ne jamais utiliser avec une rallonge électrique ou une source d'alimentation mobile (prise, bloc multiprise).

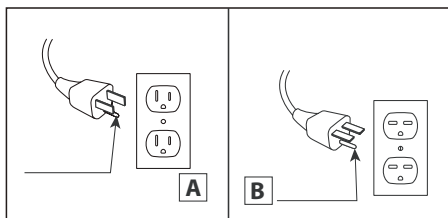
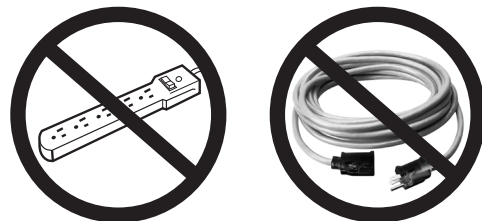


Fig.1



113. Lors de l'installation, cet appareil doit être mis à la terre conformément aux codes locaux en vigueur ou, en l'absence de tels codes, à la plus récente version du Code canadien de l'électricité CSA C22.2. Pour les installations aux États-Unis, respectez les codes locaux et le Code national de l'électricité, ANSI/NFPA NO.70.
14. Ne laissez pas de corps étranger entrer dans les prises d'air de ventilation et dans les bouches d'extraction d'air, comme cela risque de causer une décharge électrique, un incendie ou des dommages à l'appareil.
15. Pour prévenir le risque d'incendie, évitez de boucher les entrées et les sorties d'air de quelconques façons. Ne placez pas l'appareil sur une surface souple, comme un lit, qui risquerait de boucher les ouvertures.
16. Cet appareil contient des pièces chaudes qui produisent des étincelles et des décharges électrostatiques. Ne l'utilisez pas dans des endroits qui utilisent ou entreposent de l'essence, de la peinture ou des liquides inflammables. N'étendez pas de vêtement sur l'appareil de chauffage pour les faire sécher. Les décorations et les chaussettes de Noël ne devraient pas être suspendues près de l'appareil.
17. Utilisez cet appareil uniquement comme décrit dans le manuel. Toute autre utilisation non recommandée par le fabricant pourrait causer un incendie, une décharge électrique ou des blessures.

## CONSERVEZ CES INSTRUCTIONS

# GARANTIE LIMITÉE DE 1 AN

---

Le fabricant garantit que ce produit est exempt de défauts de matériau et de fabrication durant une période d'un an à compter de la date d'achat, sous réserve des conditions et restrictions suivantes :

1. Ce foyer électrique doit être installé et utilisé conformément aux instructions d'installation et de fonctionnement qui accompagnent le produit en tout temps. Toute réparation ou modification non autorisées, utilisation abusive, accident ou mauvaise utilisation du produit annulera la présente garantie.
2. Cette garantie est non transférable et est adressée à l'acheteur d'origine à condition que l'achat ait été effectué auprès d'un revendeur autorisé.
3. La garantie est limitée à la réparation ou au remplacement de pièces qui présentent des défauts de matériaux ou de fabrication, à condition que ces pièces aient fait l'objet d'une utilisation et d'un entretien normaux, et après que lesdits défauts soient confirmés par le biais d'une inspection effectuée par le fabricant.
4. Le fabricant peut, à sa discrétion, se libérer de toute obligation relative à la présente garantie en remboursant le prix de gros de toute pièce défectueuse.
5. Les coûts et dépenses d'installation, de main-d'œuvre, de fabrication, de transport ou autre, résultant de pièces défectueuses, de leur réparation, remplacement ou autre, ne sont pas couverts par la présente garantie, et le fabricant n'en assume pas la responsabilité.
6. Le propriétaire ou l'utilisateur assume tous les autres risques, le cas échéant, notamment le risque de pertes ou de dommages découlant de l'utilisation ou de l'incapacité à utiliser le produit, sauf tel que prescrit par la loi.
7. Toutes les autres garanties, expresses ou tacites, concernant le produit, ses composants et accessoires, ainsi que toute autre obligation ou responsabilité du fabricant sont par la présente expressément exclues.
8. Le fabricant n'assume ni n'autorise un tiers à assumer en son nom, toute autre responsabilité concernant la vente du produit.
9. Les garanties énoncées dans ce document ne s'appliquent pas aux accessoires autres que ceux utilisés lors de l'installation de ce produit.
10. Cette garantie vous confère des droits particuliers et vous pourriez aussi avoir d'autres droits qui peuvent varier d'une province à une autre.

Cette garantie est nulle :

- a. Si le foyer est exposé à l'humidité ou à la condensation pendant des périodes prolongées.
- b. En cas de modification non autorisée, d'une utilisation abusive, d'un accident ou d'une mauvaise utilisation du produit.
- c. Si vous n'avez pas le reçu d'achat original.

## Service à la clientèle

---

[www.tsicustomerservice.com](http://www.tsicustomerservice.com)

Pour le Service à la clientèle, appelez le 1 866-661-1218

Des questions? Nos experts sont prêts à vous aider lorsque vous appelez notre numéro sans frais. Nous pouvons vous aider lors de l'assemblage et, au besoin, remplacer toute pièce endommagée ou manquante. Toute assistance est disponible 24 heures sur 24, 7 jours sur 7, 365 jours par année.

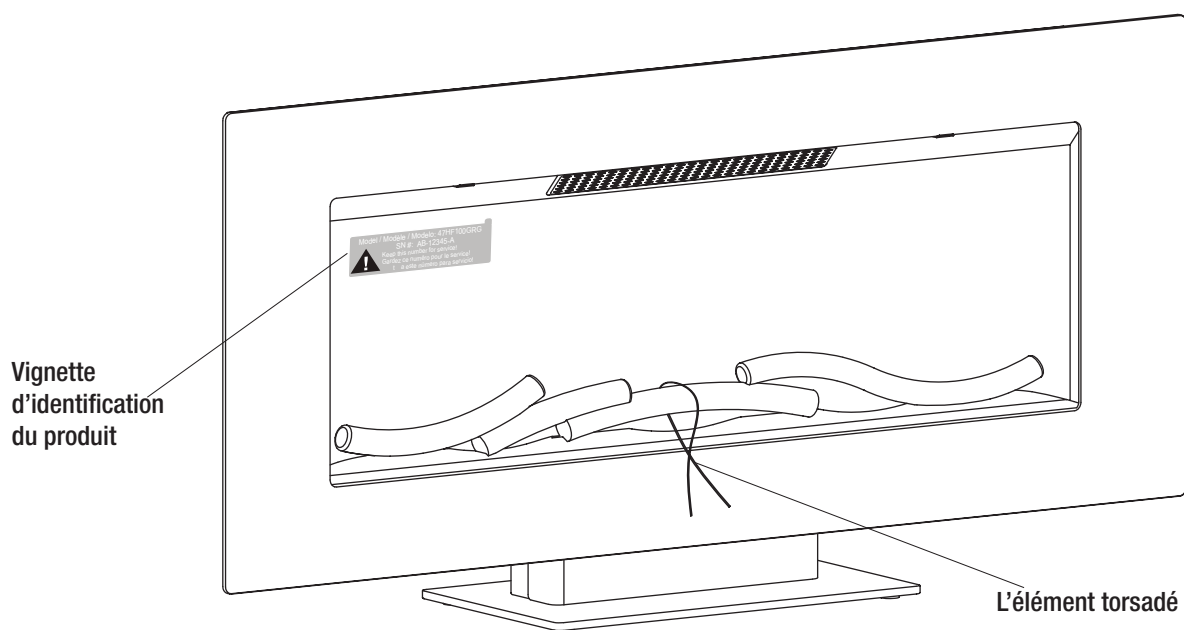
**IMPORTANT :**

Avant de communiquer avec le service à la clientèle, assurez-vous d'avoir les renseignements suivants :

- Numéro de série
- Numéro de modèle :
- Preuve d'achat ou reçu

# PRÉPARATION

1. Retirez la vignette d'identification du produit de l'avant de la cheminée et l'élément torsadé de l'ensemble de bûches.



2. Collez l'autocollant d'identification du produit au bas de ce guide pour référence future. Ces informations sont utilisées pour l'enregistrement du produit et sont également nécessaires lorsque vous contactez le service à la clientèle.

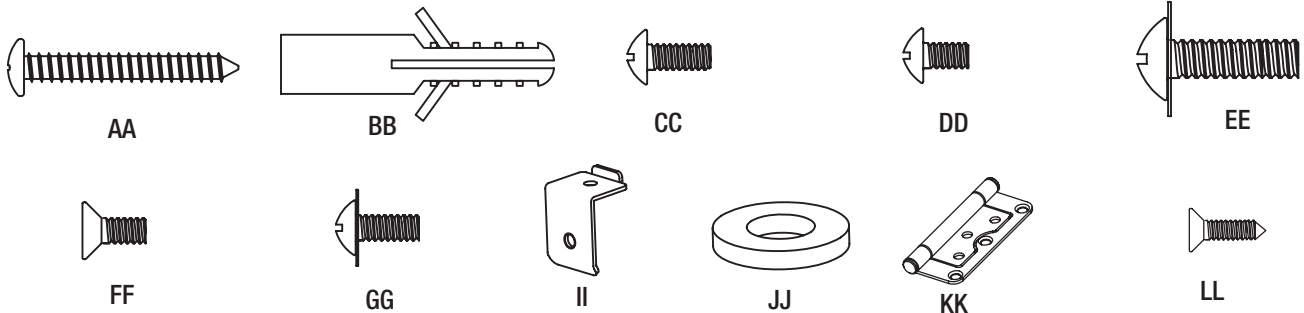
Collez l'autocollant d'identification du produit ici



3. Rendez-vous à [www.tsicustomerservice.com](http://www.tsicustomerservice.com) pour enregistrer la garantie du produit. Si vous n'êtes pas en mesure d'effectuer l'enregistrement, conservez votre preuve d'achat aux fins de garantie.

# Préassemblage

## QUINCAILLERIE FOURNIE



Pièce	Description	Référence	Quantité
AA	Vis d'ancrage	3647HF-AA	6
BB	Ancrage au mur	3647HF-BB	6
CC	Vis 4mm x 8mm (2 déjà attachées)	3647HF-CC	4
DD	Vis 4mm x 6mm (3 déjà attachées)	3647HF-DD	8
EE	Vis	3647HF-EE	7
FF	Vis à tête plate	3647HF-FF	2
GG	Vis (déjà attachées)	3647HF-GG	2
II	Petit support de base	3647HF-II	1
JJ	Rondelle	3647HF-JJ	4
KK	Charnières de fixation	3647HF-KK	4
LL	Vis	3647HF-LL	8



**REMARQUE :** La quincaillerie n'est pas illustrée dans ses dimensions réelles.

## CARACTÉRISTIQUES DU PRODUIT

Tension	120 c.a., 60 Hz
Ampères	12.5 Amps
Watts	1500 Watts

## PRÉPARATION DE L'ASSEMBLAGE

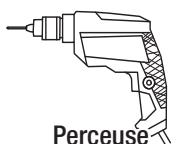
Avant de procéder à l'assemblage du produit, assurez-vous que toutes les pièces sont présentes. Comparez les pièces avec les listes de contenu de l'emballage et du matériel inclus. S'il y a des pièces manquantes ou endommagées, ne tentez pas d'assembler, d'installer ou d'utiliser le produit. Communiquez avec le service à la clientèle pour les pièces de rechange.

Temps approximatif de l'assemblage : 60 minutes

**Outils requis pour l'assemblage (non inclus) : Tournevis cruciforme, perceuse, marteau, niveau**



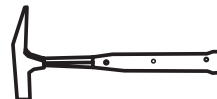
Tournevis cruciforme



Perceuse



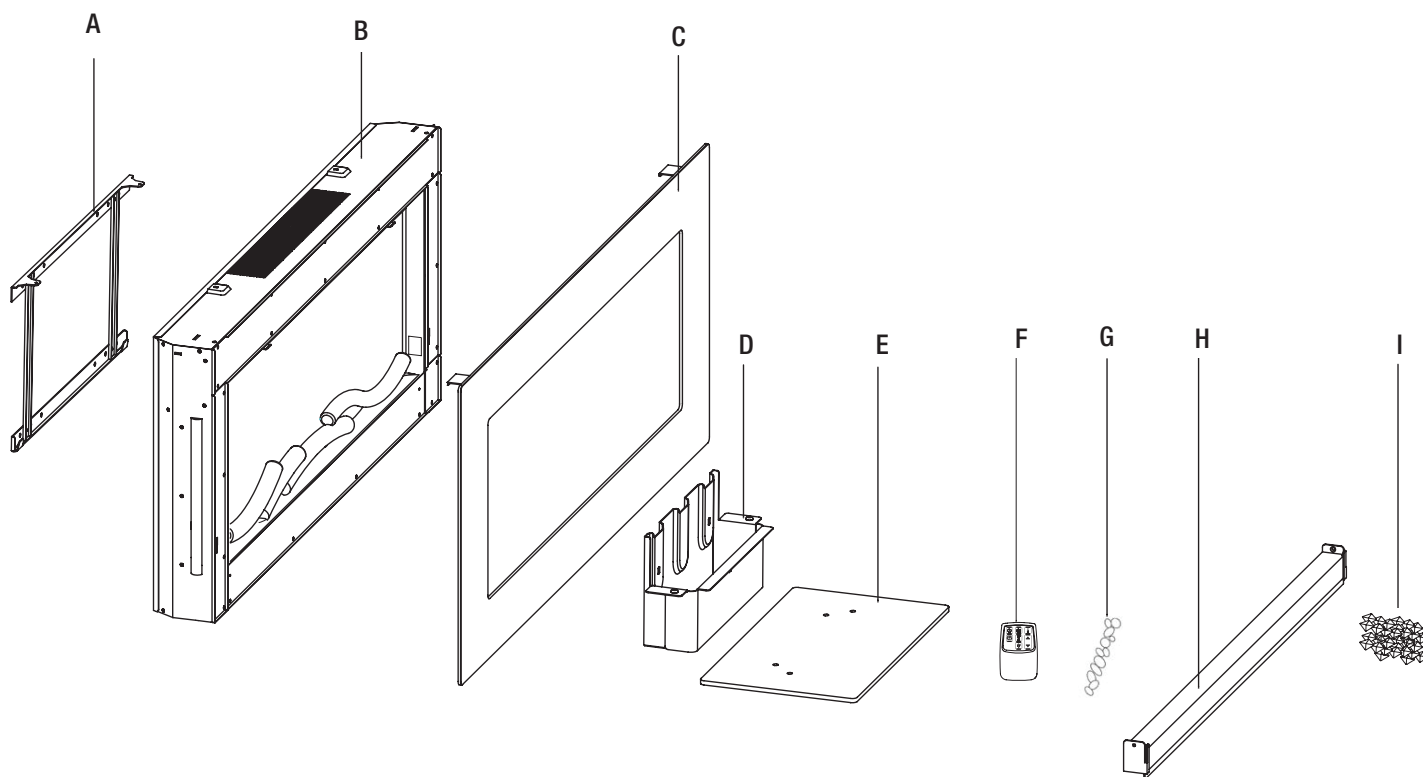
Niveau



Marteau

# Préassemblage (suite)

## CONTENU DE L'EMBALLAGE



Pièce	Description	Quantité
A	Support de montage (préassemblé)	1
B	Foyer	1
C	Cadre avant	1
D	Support de la base	1
E	Base	1
F	Télécommande	1
G	Pierres décoratives	Varié
H	Assemblage du bac Transparent	1
I	Cristaux	Varié

## Options d'installation

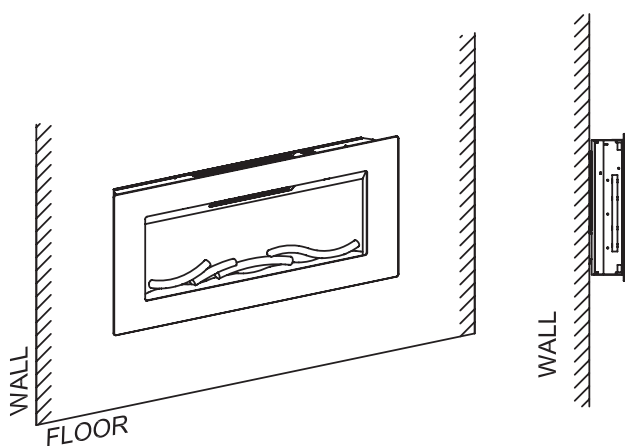
Le foyer peut être installé de quatre manières:

1. Montage mural grâce au support de montage fourni.
2. Autoportant, installé sur le piédestal.
3. Construction intégrée
4. Assemblage avec manteau

Suivez les instructions d'installation selon la méthode que vous choisissez.

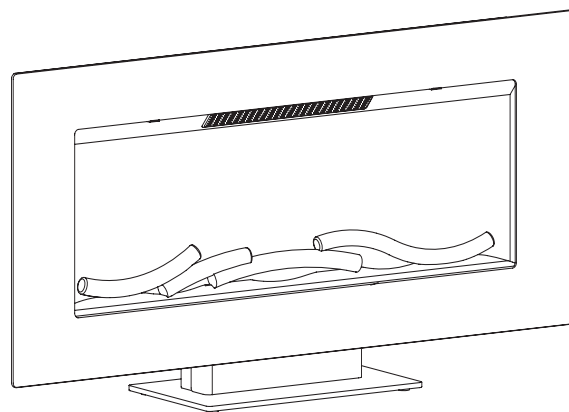
### Option 1

Montage mural.... page 63



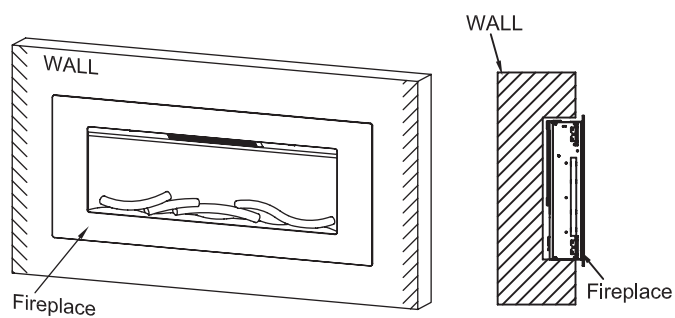
### Option 2

Piédestal.... page 66



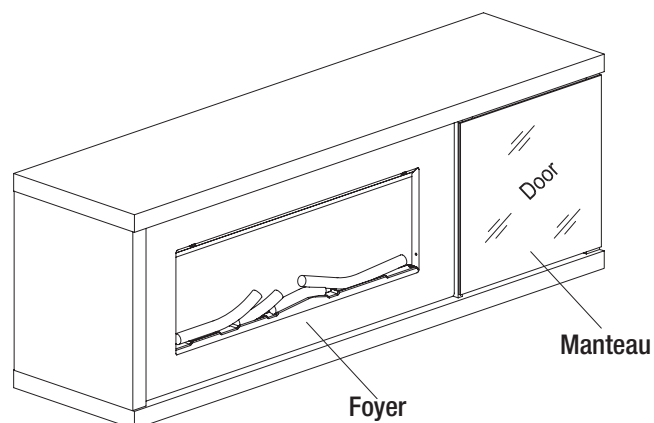
### Option 3

Construction intégrée....page 68



### Option 4

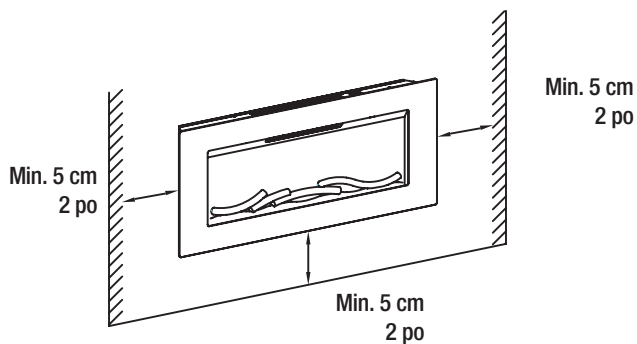
Assemblage avec manteau....page 72



# Installation – Montage mural

## FIXATION MURALE AU MUR AVEC SUPPORT DE MONTAGE FOURNI

Votre nouveau foyer électrique peut pratiquement être installé n'importe où dans votre maison. Cependant, lorsque vous décidez de son emplacement, assurez-vous de suivre les lignes directrices générales. Pour de meilleurs résultats, installez le foyer hors d'atteinte des rayons du soleil. Pour éviter d'avoir à refaire l'installation, l'installation de la source d'alimentation électrique doit être complétée ou installée au sein même du foyer électrique avant de terminer.



**AVERTISSEMENT :** Garder tout rideau et autre meuble à au moins 3 pi/1 m du devant et des côtés du foyer électrique.

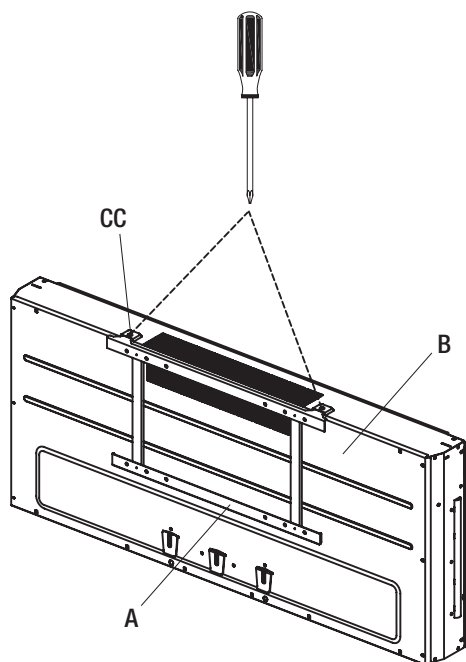
Distance minimale à toute matière combustible

<b>Côtés</b>	2 po / 5 cm
<b>Plancher</b>	2 po / 5 cm
<b>Haut</b>	2 po / 5 cm
<b>Arrière</b>	0 po / 0 cm

# Installation – Montage mural

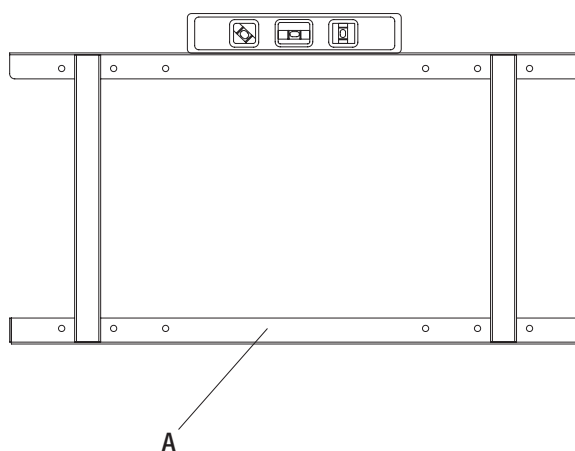
## 1 Retirer le support de montage

- Retirez le support de montage (A) de l'arrière du foyer (B) en retirant les deux vis préfixées (CC) au haut de l'arrière de l'appareil.



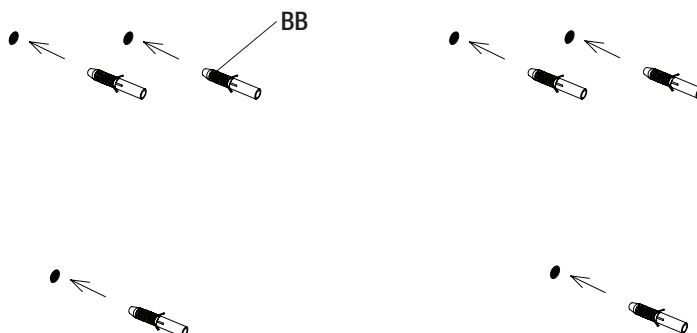
## 2 Choisissez un emplacement sur le mur

- Choisissez l'emplacement où fixer le support de montage (A) au mur. Placez le support de montage (A) à l'endroit désiré.
- À l'aide d'un niveau, alignez le support et marquez l'emplacement des quatre trous avec un crayon.



## 3 Percer les trous

- Percez six trous de 7/25 po (7 mm) dans le mur.
- Insérez les ancrages au mur (BB) dans les trous à l'aide d'un marteau.

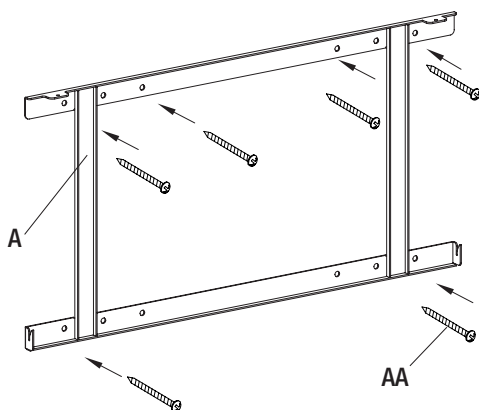




## Installation – Montage mural (suite)

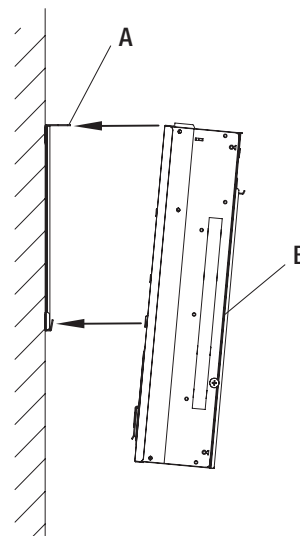
### 4 Fixer le support de montage

- Fixez le support de montage (A) au mur en insérant les six vis d'ancrage (AA) dans les ancrages au mur.



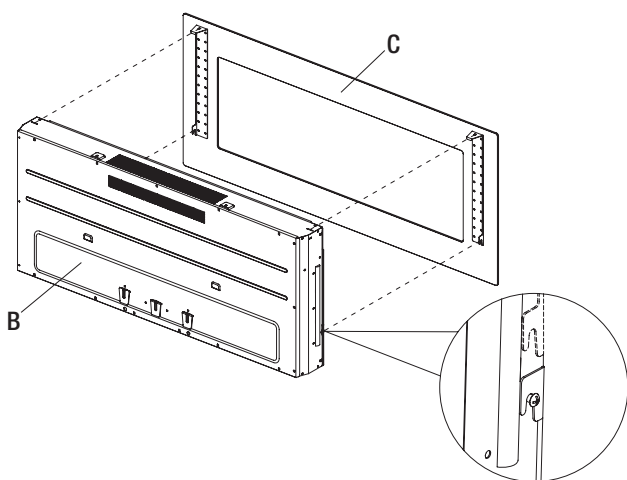
### 5 Fixez le séparateur de la sortie d'air inférieure

- Accrochez la cheminée (B) sur les crochets au bas du support de montage (A) et enfoncez la cheminée (B) dans le support de montage (A).
- Re-vissez les deux vis retirées à l'étape 1.



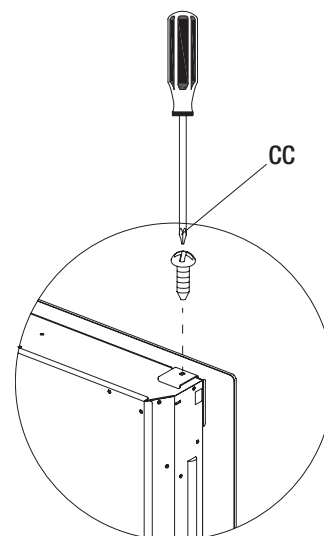
### 6 Accrocher le cadre avant

- Accrochez le cadre avant (C) sur la cheminée (B) et appuyez doucement sur la partie inférieure du cadre jusqu'à ce qu'elle s'enclenche en place.



### 7 Fixer le cadre avant

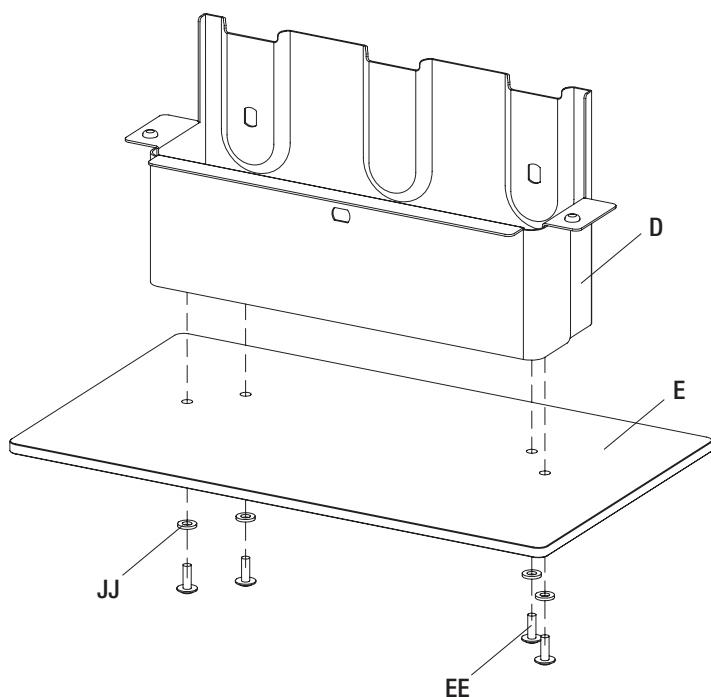
- Fixez les crochets du cadre supérieur avec les deux vis de fixation (CC).
- Continuez vers les instructions de configuration pour le lit de combustible (Page 75).



# Installation – Piédestal

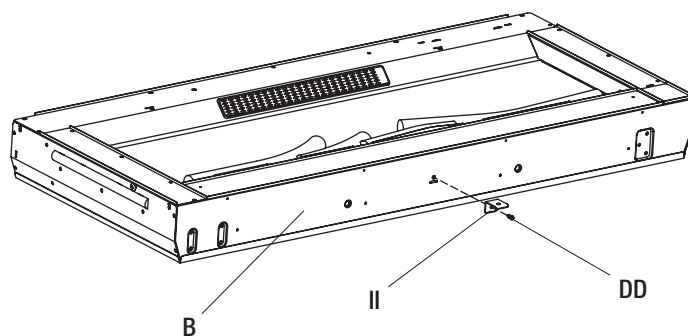
## 1 Fixer le support de la base

- Utilisez quatre vis (EE) et quatre rondelles (JJ) pour fixer le support de base (D) à la Base (E).



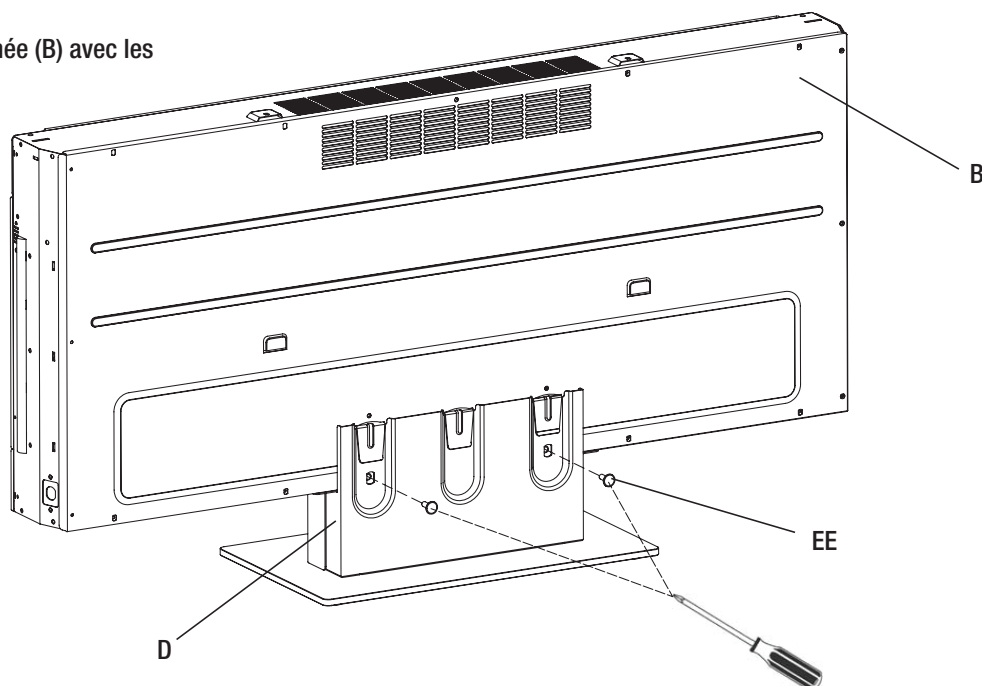
## 2 Fixer le petit support de la base

- Utilisez une vis (DD) pour fixer le petit support de base (II) à la cheminée (B).



## 3 Fixation du support de base

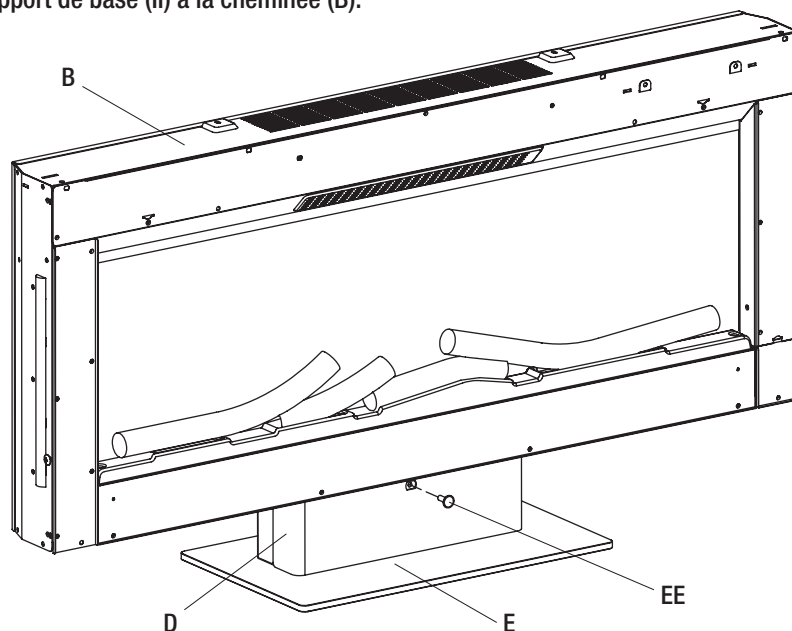
- Fixez le support de base (D) à la cheminée (B) avec les vis fournies (EE).



## Installation – Piédestal

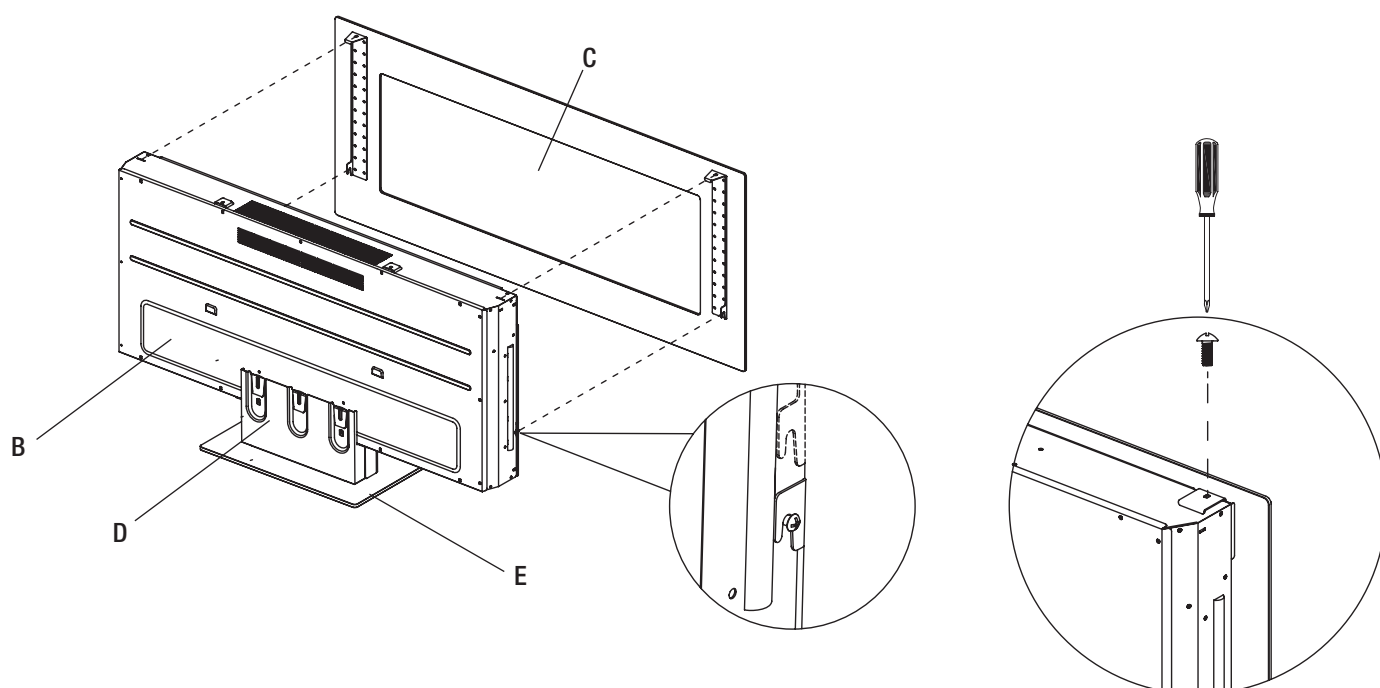
### 4 Fixation du support de base

- Utilisez une vis (EE) pour fixer le support de base (II) à la cheminée (B).



### 5 Fixer le cadre avant

- Montez le cadre avant (C) sur la cheminée (B) en accrochant les clips en position.
- Serrez les deux vis (CC).
- Continuez vers les instructions de configuration pour le lit de combustible (Page 75).



# Installation - Construction intégrée

## INTEGRE A UNE INSTRUCTION MURALE

Cette cheminée est une conception zéro-dégagement. Aucun combustible ne peut être placé sur la surface supérieure de la cheminée. Les combustibles peuvent être installés sur le bord de l'unité. La barrière d'isolement et de vapeur doit être placée au moins à 2 in. de l'unité.

Construisez le cadre selon les spécifications indiquées dans le tableau & figure 1 ci-dessous.

Modèle	A	B	C	D	E	F	G	H	I	J	K	L
36II100GRG	32.8"	18.6"	3.9"	36"	19.7"	4.5"	31.8"	18"	3.5"	37.2"	26.3"	26.3"
47II100GRG	43.3"	18.6"	3.9"	46.2"	19.7"	4.5"	42.3"	18"	3.5"	47.5"	33.6"	33.6"

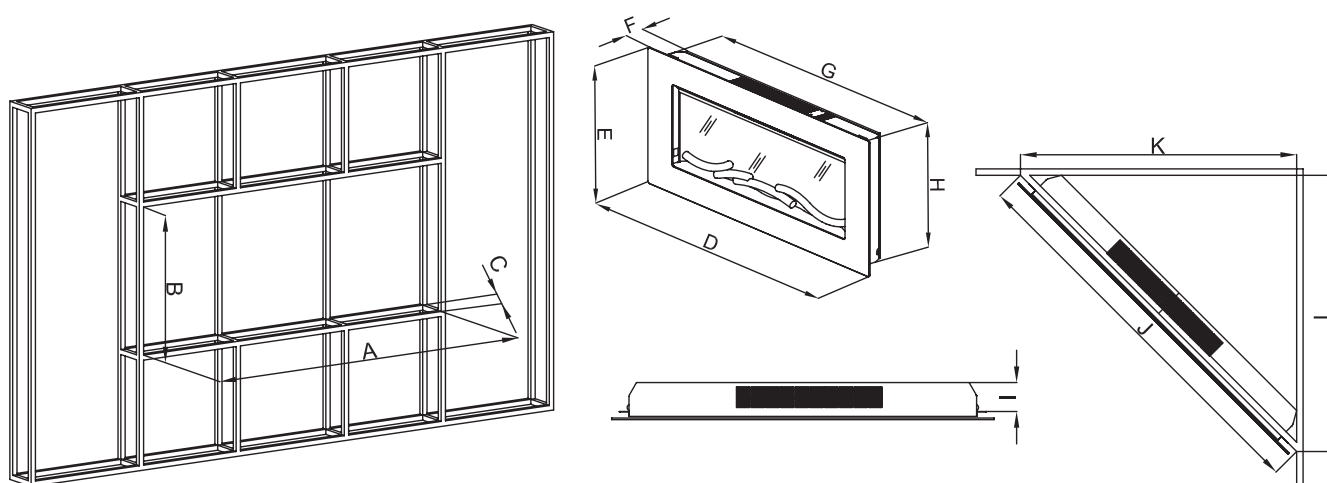


Fig. 1

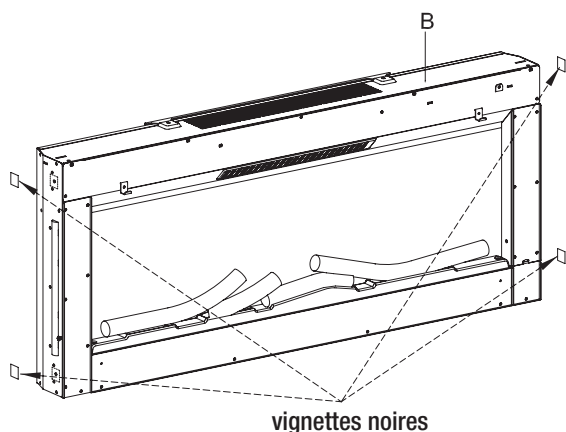
## EXIGENCES DU CÂBLAGE

Utilisez le câble approprié afin de satisfaire aux codes électriques locaux et nationaux de consommation nominale. Tous les calibres de câbles doivent être de solides câbles de calibre 12, avec un disjoncteur de 15 amp dédié de 120 volts.

# Installation - Construction intégrée (suite)

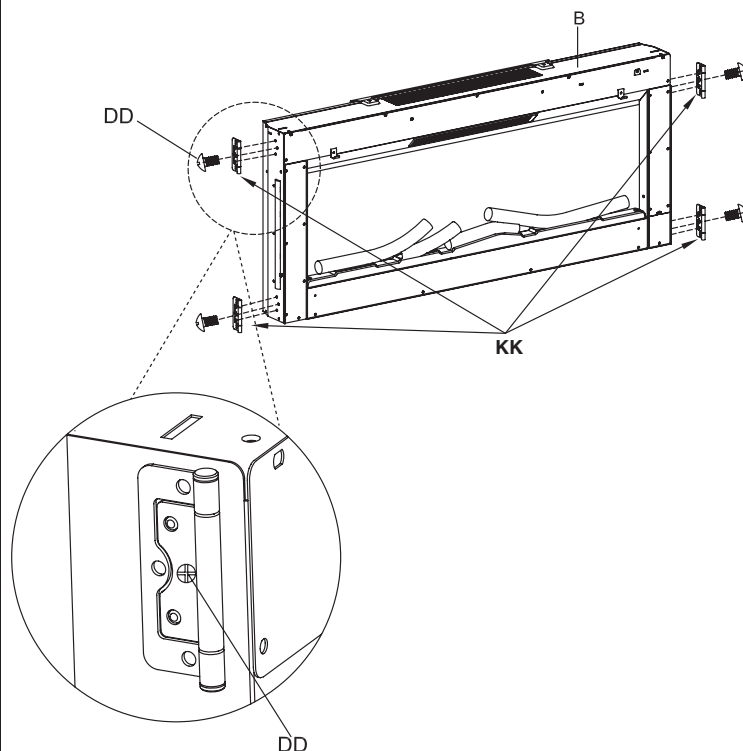
## 1 Enlever les vignettes

- Enlevez les vignettes noires.



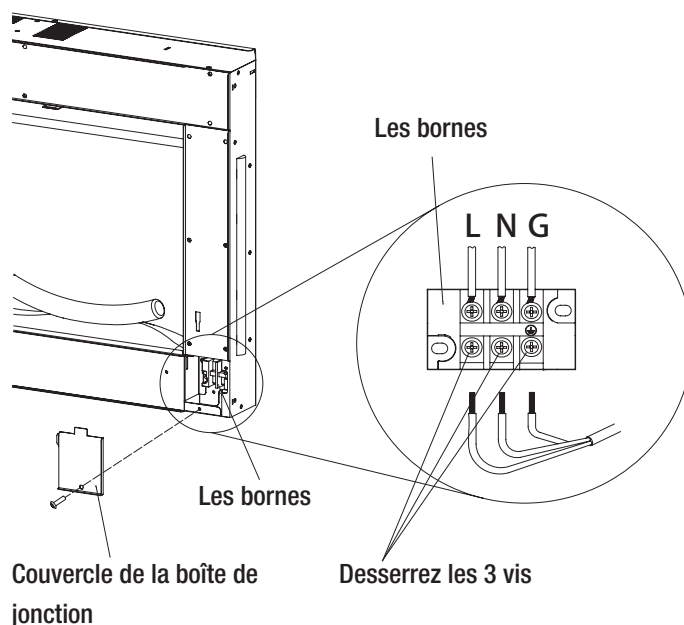
## 2 Fixation des charnières

- Fixez les charnières de montage (KK) avec les vis (DD).



## 3 Les étapes 3 à 6 décrivent l'installation optionnelle pour retirer le cordon d'alimentation et passer à un système câblé

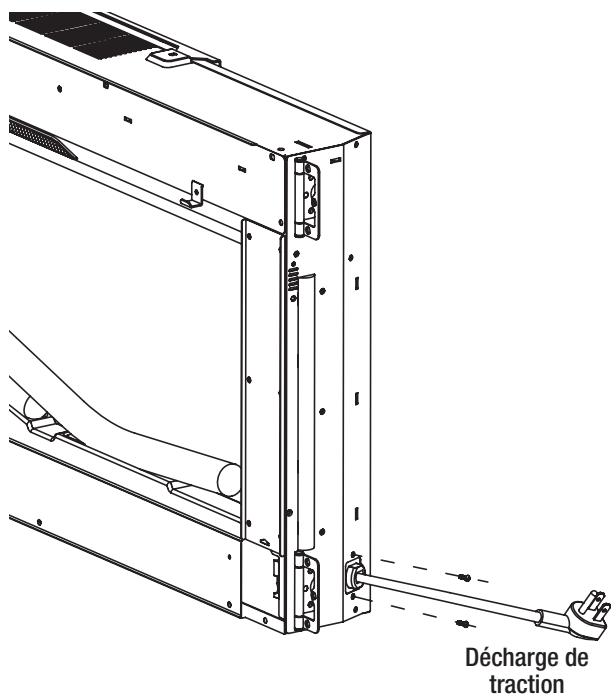
- Retirez la vis déjà attachée (DD) qui soutien le couvercle de la boîte de jonction.
- Desserrez les trois vis qui maintiennent les câbles et retirez les câbles négatifs, sous tension et de terre.



## Installation - Construction intégrée (suite)

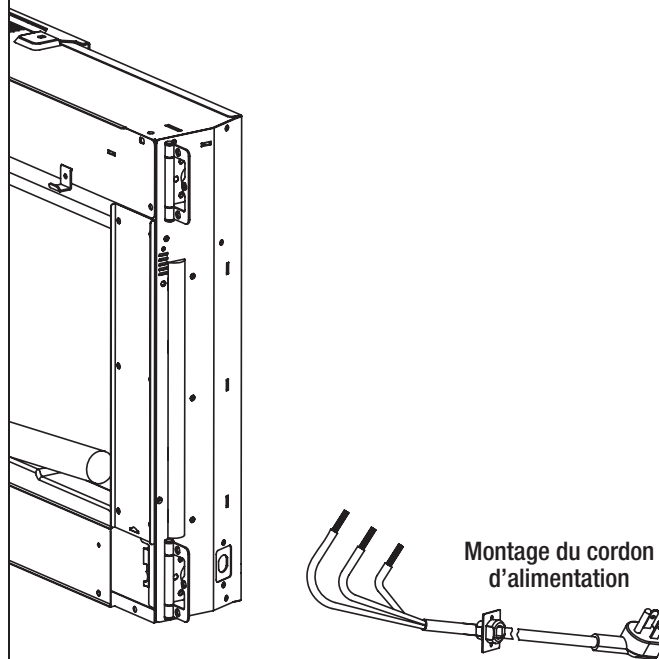
### 4 Desserrer le support de la décharge de traction

- Enlevez les deux vis déjà attachées (DD) qui soutiennent le cordon d'alimentation du support de la décharge de traction.



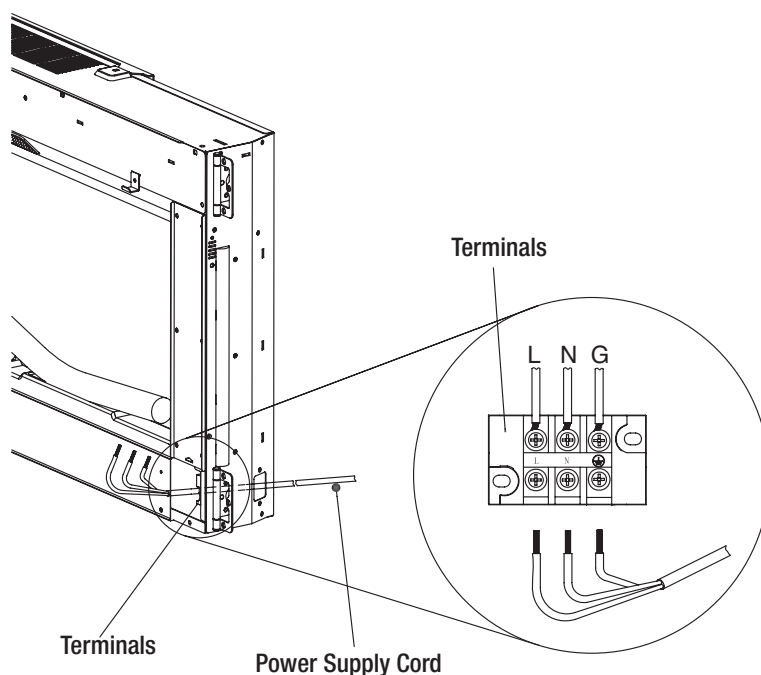
### 5 Fixation des supports

- Retirez le cordon d'alimentation et le montage de la décharge de traction.



### 6 Connexion du fil d'alimentation

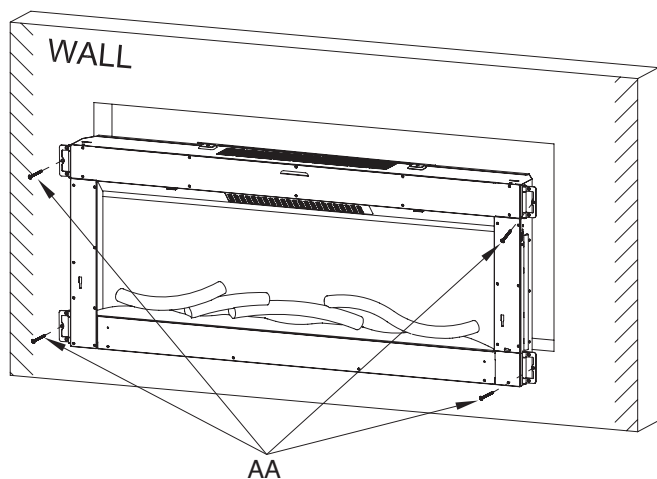
- Connectez le fil d'alimentation



## Installation - Construction intégrée (suite)

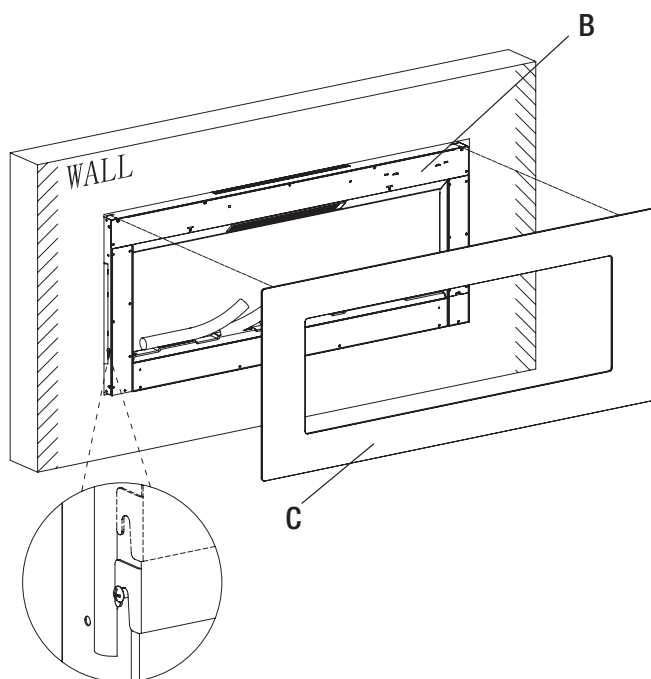
### 7 Installation de la cheminée

- Fixez la cheminée au mur en utilisant des vis d'ancrage (AA).



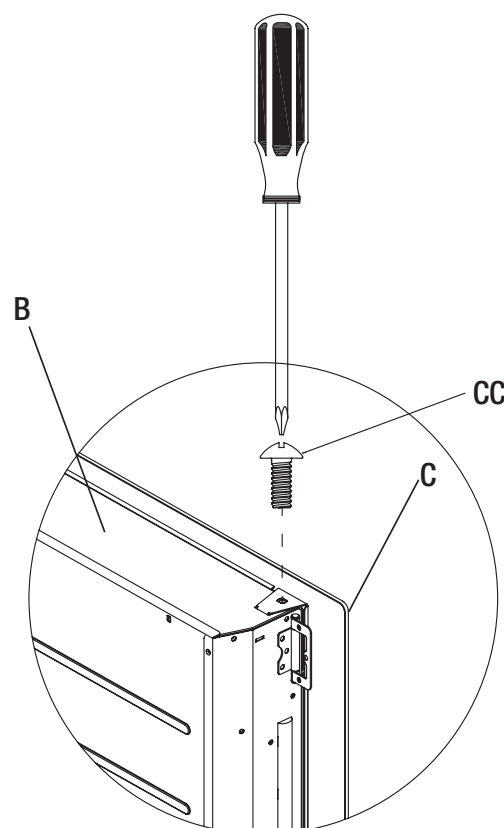
### 8 Accrocher le cadre avant

- Accrochez le cadre avant (C) sur la cheminée (B) et appuyez doucement sur la partie inférieure du cadre jusqu'à ce qu'elle s'enclenche en place.



### 9 Fixation des crochets du cadre supérieur

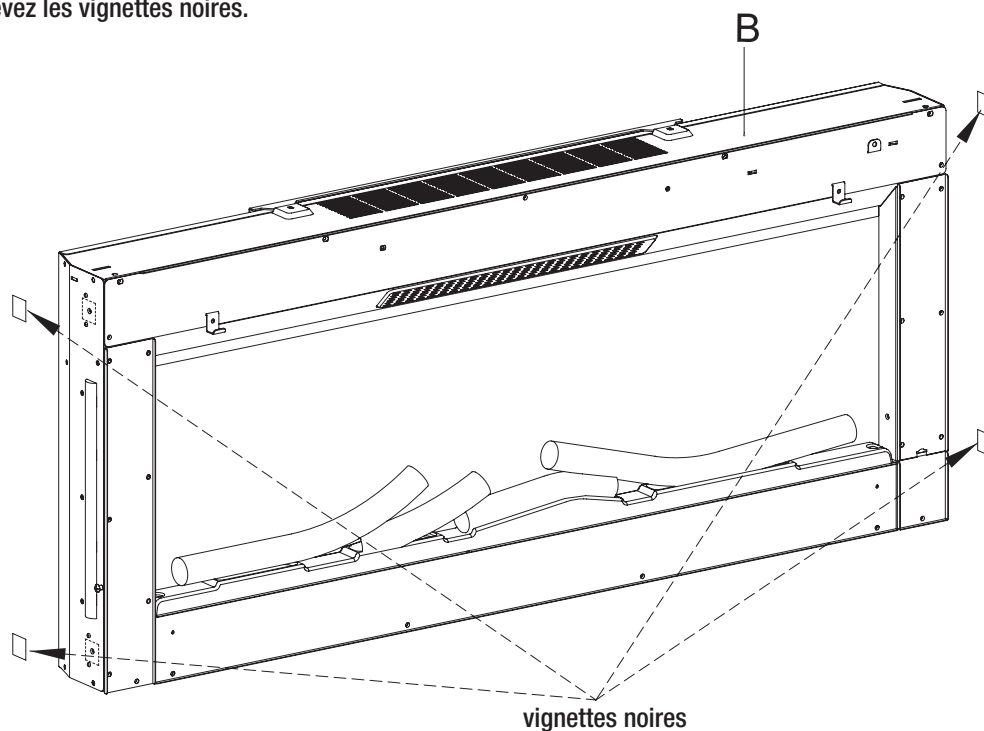
- Fixez les crochets du cadre supérieur avec les deux vis de fixation (CC).



# Installation - Assemblage avec manteau

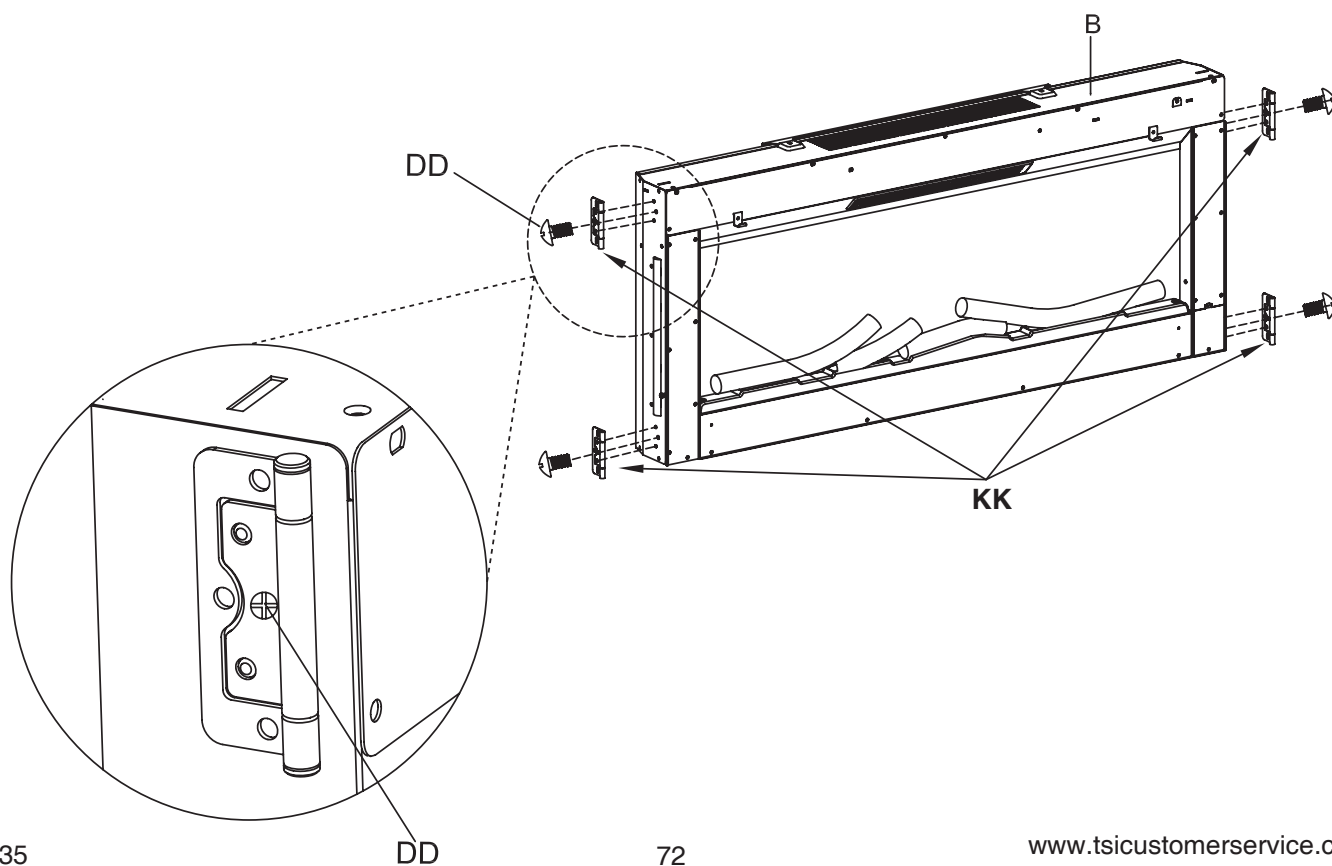
## 1 Enlever les vignettes

- Enlevez les vignettes noires.



## 2 Fixation des charnières de montage

- Fixez les charnières de montage (KK) avec les vis (DD).

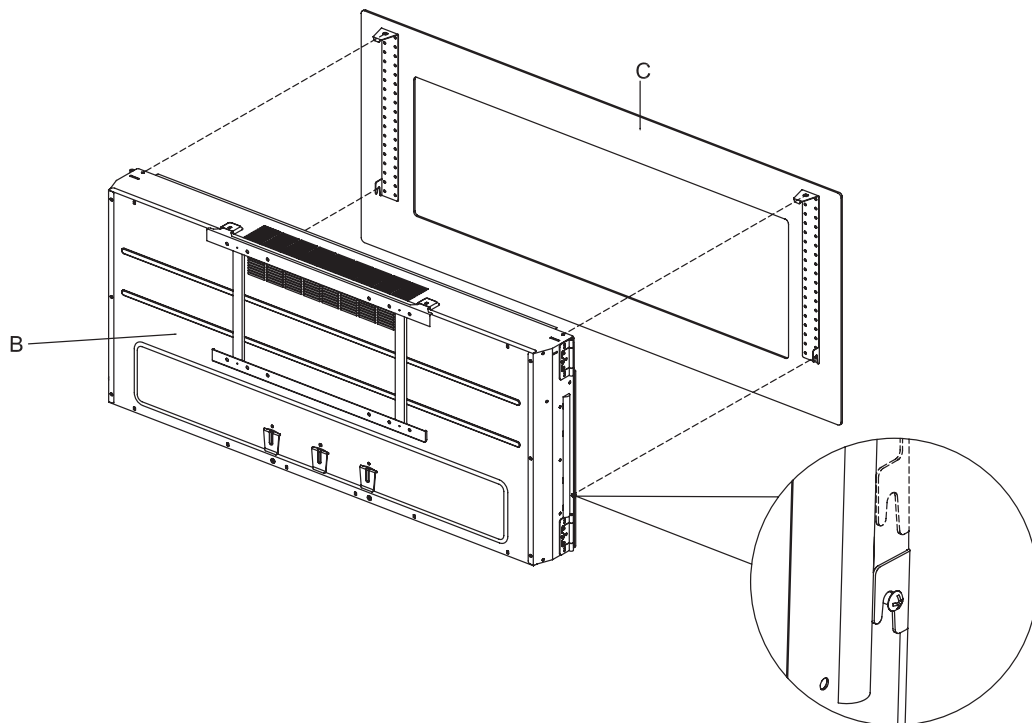




# Installation - Assemblage avec manteau (suite)

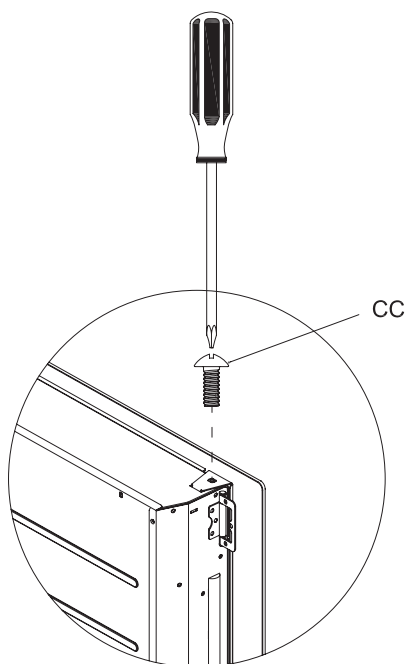
## 3 Accrocher le cadre avant

- Accrochez le cadre avant (C) sur la cheminée (B) et appuyez doucement sur la partie inférieure du cadre jusqu'à ce qu'elle s'enclenche en place.



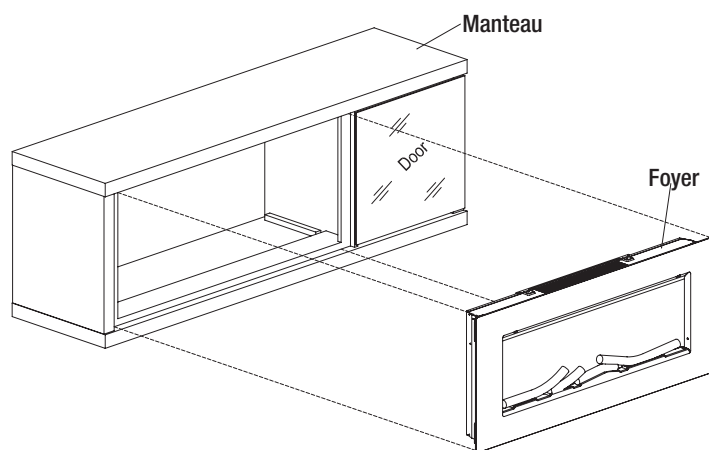
## 4 Fixation des crochets du cadre supérieur

- Fixez les crochets du cadre supérieur avec les deux vis de fixation (CC).



## 5 Insérer la cheminée dans le manteau

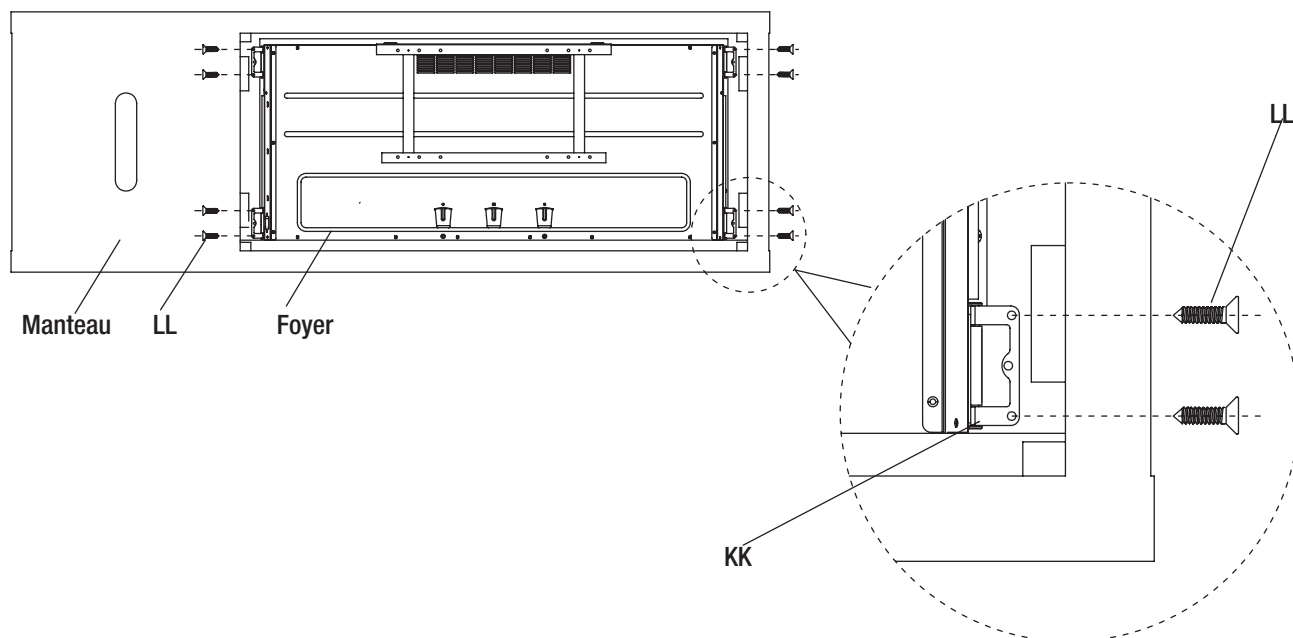
- Avec les charnières de montage fermées contre la cheminée, insérez avec précaution la cheminée dans l'ouverture avant du manteau.



## Installation - Assemblage avec le manteau (suite)

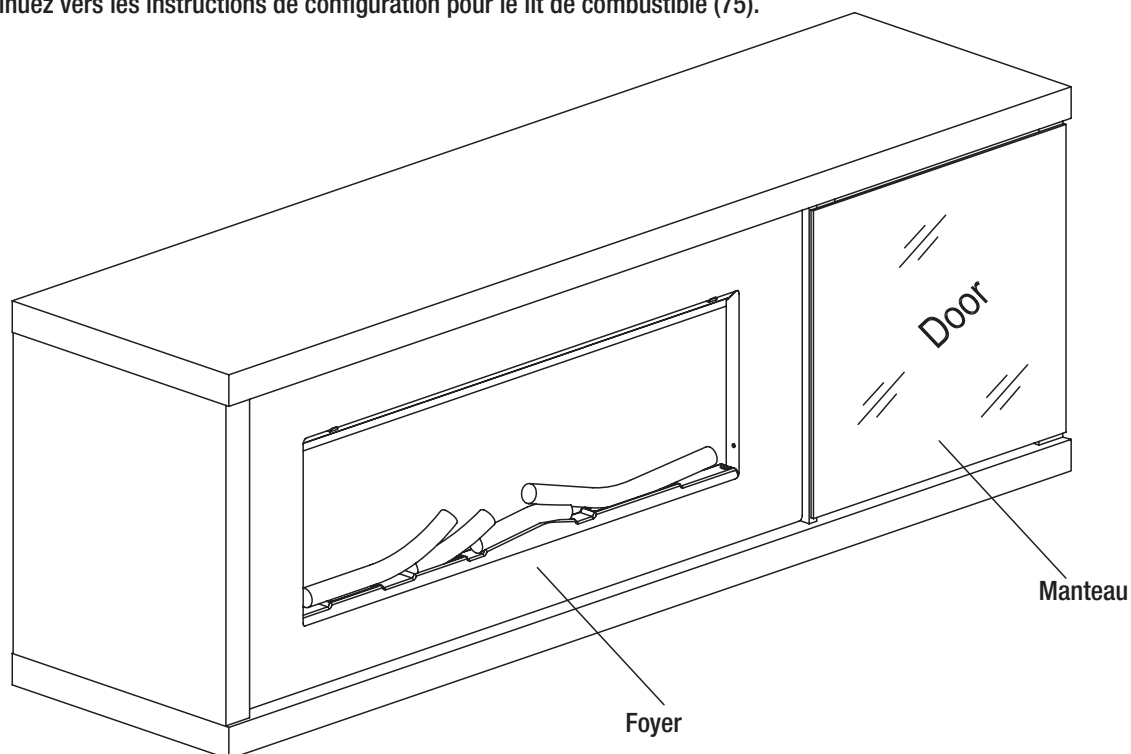
### 6 Assemblage avec le manteau

- À partir de l'arrière du manteau, déployez les charnières de montage (KK) puis utilisez les vis (LL) pour fixer les charnières à la partie interne du manteau.



### 7 Déplacer le manteau avec la cheminée

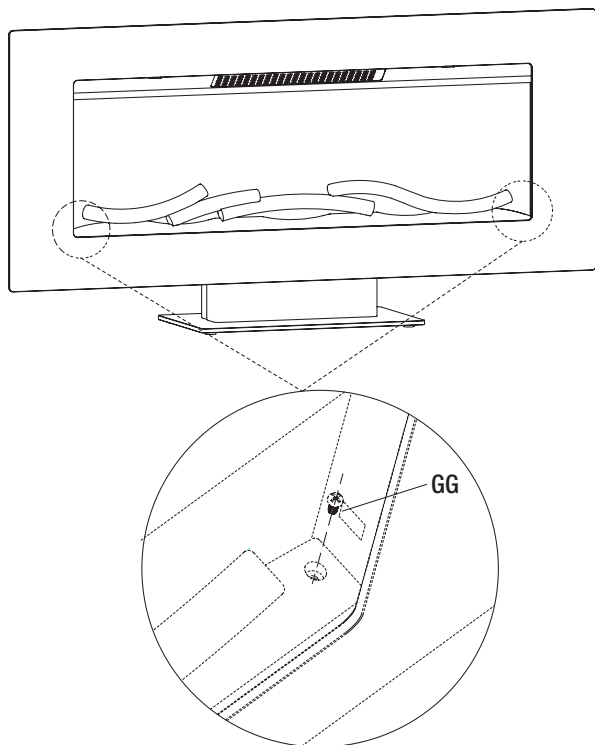
- Déplacez avec précaution la cheminée terminée à l'endroit de votre choix.
- Continuez vers les instructions de configuration pour le lit de combustible (75).



# Instructions de configuration pour le lit de combustible

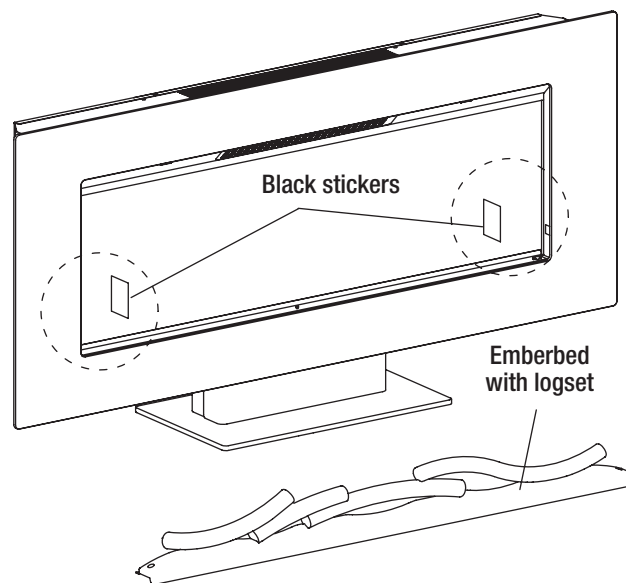
## 1 Enlever l'ensemble de bûches

- La cheminée a l'option d'utiliser soit l'ensemble de bûches pré-installé ou l'assemblage du bac transparent inclus. Pour changer l'ensemble de bûches en bac, dévisser les deux vis (GG) fixant le lit de braises.



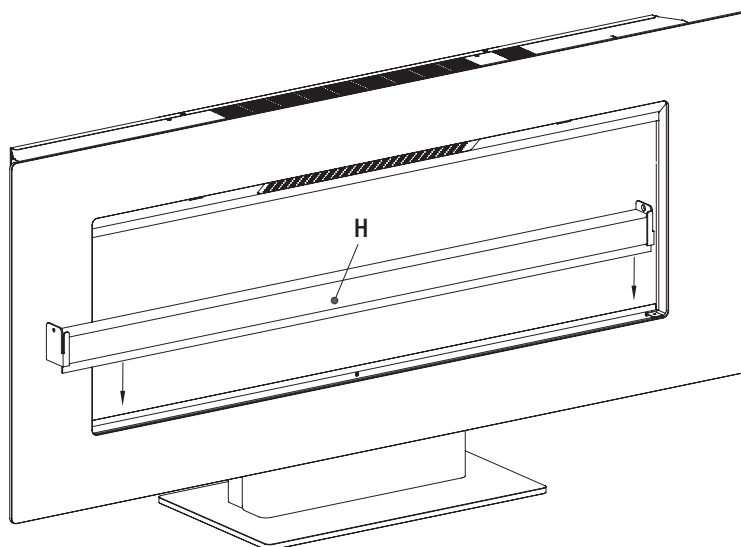
## 2 Enlever l'ensemble de bûches et les vignettes noires

- Enlevez l'ensemble de bûches et les vignettes noires des deux côtés.



## 3 Placer le bac transparent

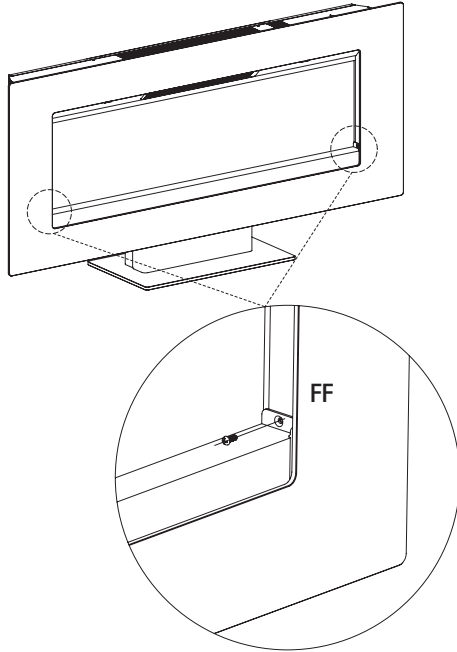
- Placez le bac transparent (H) à l'intérieur de la cheminée (B).



## Fuel Bed Setup Instructions (continued)

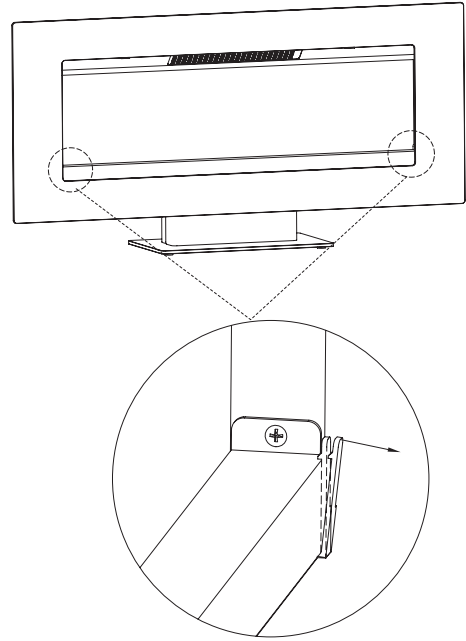
### 4 Serrage des vis

- Serrez les vis (FF) des deux côtés.



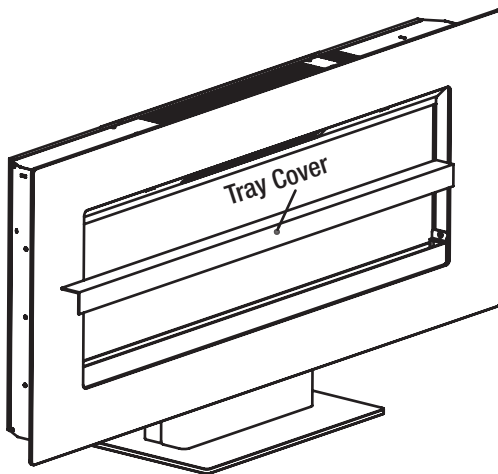
### 5 Retirer le couvercle du bac

- Tirez avec précaution sur les languettes du bac afin de retirer le couvercle du bac.



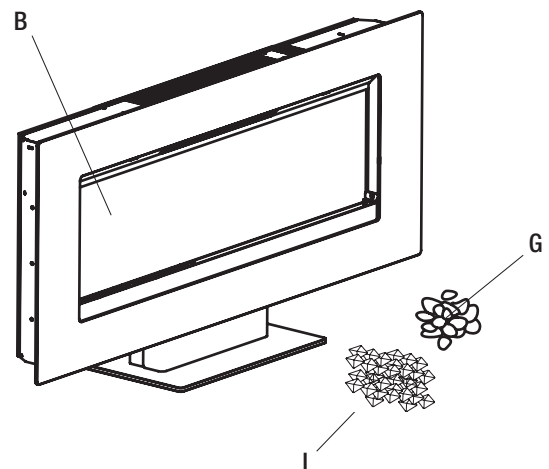
### 6 Retirer le couvercle du bac

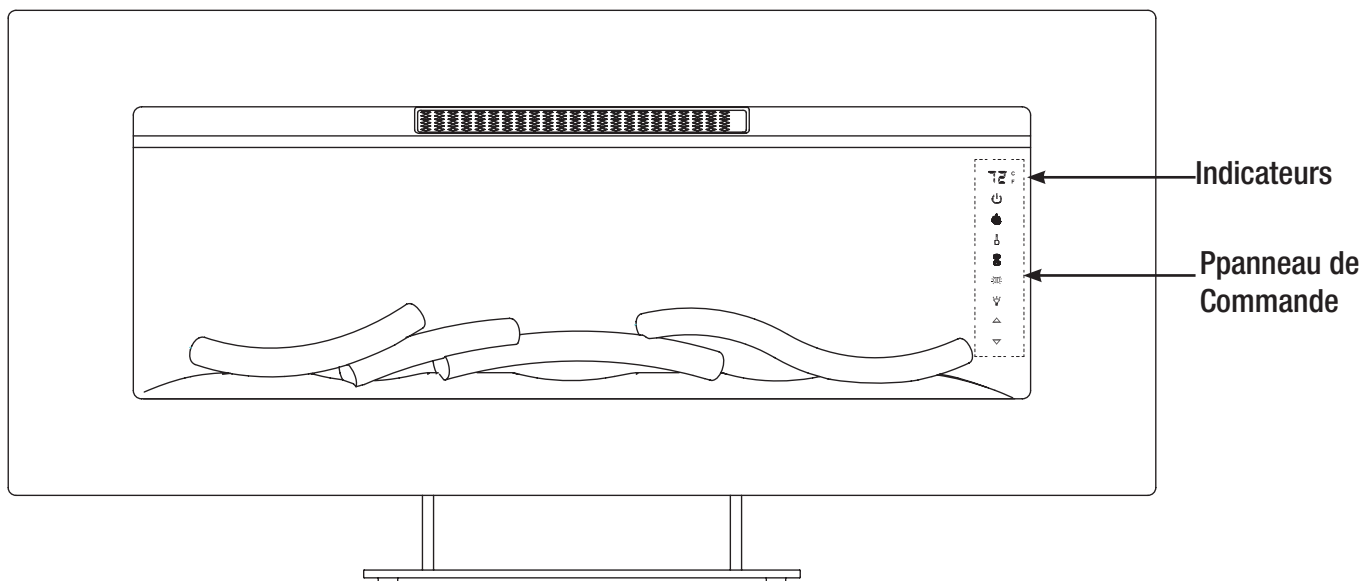
- Retirez le couvercle du bac



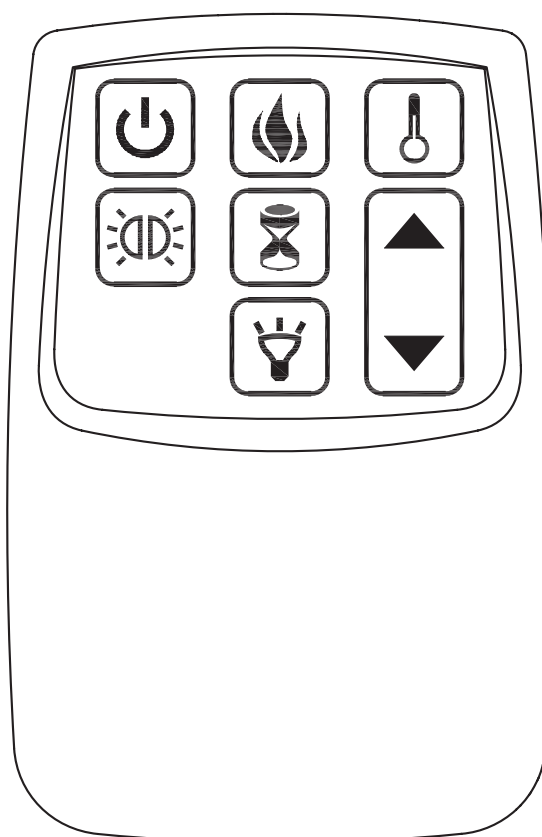
### 7 Placer la fibre de Cristaux ou les roches

- Placez la fibre de Cristaux (I) ou les roches (G) selon votre choix.  
Suivez les étapes 5 et 6 dans l'ordre inverse pour réinstaller le couvercle du bac.





Le foyer peut être contrôlé avec la télécommande ou depuis le panneau de commande.



## Fonctionnement (suite)

### - Faire marcher la cheminée

- Appuyez sur le bouton d'alimentation pour l'alimentation de toutes les fonctions de la cheminée et placez l'insert en mode de veille.
- Appuyez encore sur le bouton d'alimentation pour désactiver toutes les fonctions.



**REMARQUE:** Tous les paramètres précédents sont conservés dans la mémoire; alors, la prochaine fois que vous allumez la cheminée, l'unité s'allumera avec les mêmes paramètres.



**REMARQUE:** Maintenir le bouton d'alimentation située sur le panneau de commande pendant 10 secondes désactivera la fonction de chauffage.

### - Réglage de la flamme Spectrafire

- Vous pouvez choisir entre six niveaux de luminosité.

Paramètres 6 - 4 diminution de la luminosité Spectrafire.

Paramètres 3 - 1 diminution de la luminosité de la flamme orange uniquement.

### - Réglage du radiateur

- Pour régler le thermostat, utilisez le bouton de chauffage sur le panneau de commande tactile afin de sélectionner la température souhaitée. Le bouton de chauffage sur la télécommande éteindra/allumera le radiateur, selon le réglage du thermostat sélectionné par le panneau de commande.
- Le réglage du thermostat est compris entre 62°F - 82°F ou 17°C - 27°C ou toujours sur ON.
- Le thermostat est réglable par échelons de 2° F ou 1°C, en appuyant sur les boutons haut ou bas.



**NOTE:** Pour passer de l'affichage en degrés °F à degrés °C, pressez et maintenez pendant 3 secondes le bouton de chauffage (HEATER) sur le panneau de commande.

### - Réglage des feux latéraux

- Appuyer sur le bouton des feux latéraux variera le feu latéral entre les cinq paramètres : orange, bleu, bleu/orange, cycle automatique et OFF.

### - Réglage des feux dirigés vers le haut

- Appuyer sur le bouton des feux dirigés vers le haut changera le des feu dirigé vers le haut entre les cinq paramètres : blanc, bleu, blanc/bleu, cycle automatique et OFF.

### - Réglage de la minuterie

- Appuyez sur le bouton de minuterie pour faire défiler les dix réglages de la minuterie (30 minutes, 1 heure, 2H, 3H, 4H, 5H, 6H, 7H, 8H et 9H) et le paramètre OFF.

## Utilisation (suite)

### Remplacement de la pile de la télécommande

- Lorsque la télécommande ne fonctionne plus ou que sa portée diminue, remplacez la pile.
  - Appuyez sur le couvercle du compartiment des piles, à l'arrière de la télécommande, et faites-le glisser pour l'ouvrir. Retirez ensuite les piles usagées.
  - Insérez deux piles AAA en faisant correspondre les signes + et - sur les piles avec ceux gravés à l'intérieur du compartiment de piles
  - Remplacez le couvercle du compartiment des piles.



**REMARQUE:** N'utilisez pas simultanément des piles usagées et neuves. N'utilisez pas non plus des piles alcalines, ordinaires (carbone-zinc) ou rechargeables (nickel-cadmium, nickel-hydrure métallique) ensemble.



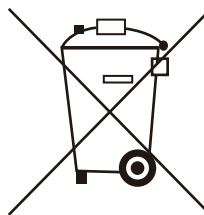
**REMARQUE :** Veuillez utiliser la télécommande lentement. Appuyez légèrement et doucement sur les boutons de la télécommande. Appuyer rapidement et de manière répétée sur les boutons de la télécommande pourrait entraîner un dysfonctionnement de l'émetteur.



**REMARQUE :** Retirez les piles si vous ne prévoyez pas d'utiliser le produit durant une période prolongée.

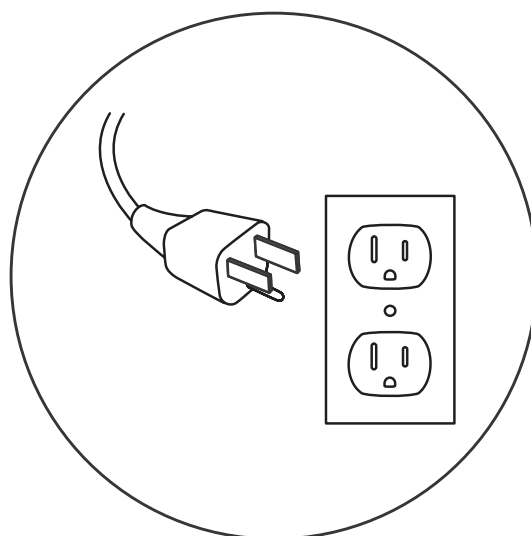
### Mise au rebut des piles

- Les piles peuvent contenir des matières dangereuses qui pourraient mettre en danger l'environnement et la santé.
- Ce symbole, qui se trouve sur les piles ou leur emballage, indique qu'elles ne doivent pas être traitées comme des déchets urbains. Les piles doivent être amenées au point de collecte approprié pour leur recyclage.
- L'élimination appropriée des piles usagées permet d'éviter de possibles conséquences négatives sur l'environnement et la santé. Le recyclage des matériaux permet de préserver les ressources naturelles.
- Pour en savoir plus sur la collecte et le recyclage des piles usagées, veuillez communiquer avec la mairie, le service d'élimination des déchets de votre région ou le point de vente dans lequel vous avez acheté ce produit.



### Utiliser le cordon d'alimentation correctement

- Ce radiateur est conçu pour une utilisation sur 120 volts. Le cordon d'alimentation comporte une fiche comme illustré dans la figure.
- Connectez uniquement à des prises correctement mises à la terre.
- N'utilisez pas d'adaptateur à 2 broches. N'utilisez jamais de rallonge ou de câble électrique transférable (sortie/ multiprises).



## Information relative aux normes FCC/IC

REMARQUE : Cet équipement a été testé et déclaré conforme aux limites imposées aux appareils numériques de classe B, en vertu de l'alinéa 15 du règlement de la FCC (Commission fédérale des communications des États-Unis).

Ces limites sont destinées à assurer une protection raisonnable contre les interférences nuisibles dans un environnement résidentiel. Cet équipement émet, utilise et peut émettre de l'énergie radiofréquence et, s'il n'est pas installé et utilisé conformément aux instructions, il risque de provoquer des interférences nuisibles aux communications radio. Par contre, nous ne pouvons pas garantir qu'aucune interférence n'aura lieu pour une installation particulière.

Si cet équipement cause des interférences nuisibles à la réception des signaux de radio ou de télévision, ce qui peut être déterminé en allumant et en éteignant l'équipement, l'utilisateur devra tenter d'éliminer ces interférences à l'aide d'une ou de plusieurs des mesures suivantes :

Reorient or relocate the receiving antenna.

Increase the separation between the equipment and the receiver.

Connect the equipment into an outlet on a circuit different from that to which the receiver is connected.

Consult the dealer or an experienced radio/TV technician for help.

Cet appareil est conforme à l'alinéa 15 du règlement de la FCC. Son utilisation est soumise aux deux conditions suivantes :

(1) Cet appareil ne doit provoquer aucune interférence nuisible, et

(2) Cet appareil doit accepter toute interférence reçue, y compris les interférences pouvant entraîner un fonctionnement indésirable.

Cet appareil numérique de classe B est conforme à la norme canadienne sur le matériel brouilleur NMB-003.

## Entretien et nettoyage

- Nettoyez la bordure métallique avec un linge doux légèrement trempé d'un produit à base d'essence d'agrumes, et polissez avec un linge doux et propre. N'utilisez PAS de polissage pour cuivre ou de produits de nettoyage domestique. De tels produits endommageraient la bordure métallique.
- Les produits à base d'essence d'agrumes peuvent être achetés dans toute quincaillerie.



**AVERTISSEMENT** : Assurez-vous que l'alimentation est coupée avant de commencer les réparations. Les réparations électriques et le remplacement du câblage électrique de cette unité devront être effectués par un électricien agréé, conformément aux codes nationaux et locaux. En cas de réparation ou de remplacement d'un composant ou du câblage électrique, respectez l'acheminement des câbles, les codes de couleur et les emplacements de fixation d'origine. L'unité doit être débranchée pendant son entretien ou sa réparation. Placez d'abord le commutateur d'alimentation principal en position OFF (Arrêt). Retirez ensuite la fiche électrique de la prise murale.



**AVERTISSEMENT** : Gardez les câbles électriques, rideaux, meubles et autres matériaux combustibles à une distance d'au moins 0,9 m (3 pi) de l'avant du foyer, et loin des côtés.



**AVERTISSEMENT** : Le raccordement des prises de courant doit être conforme aux codes du bâtiment locaux et à toutes autres réglementations en vigueur, afin de réduire les risques d'incendie, de décharge électrique et de blessures.



**AVERTISSEMENT** : N'utilisez pas ce foyer si une de ses parties a été immergée dans l'eau. Communiquez immédiatement avec un technicien qualifié pour qu'il effectue une inspection du foyer et remplace les pièces du circuit électrique.



**AVERTISSEMENT** : Débranchez l'alimentation électrique avant l'entretien ou le nettoyage afin de réduire les risques d'incendie, de décharge électrique ou de blessures.



# Dépannage

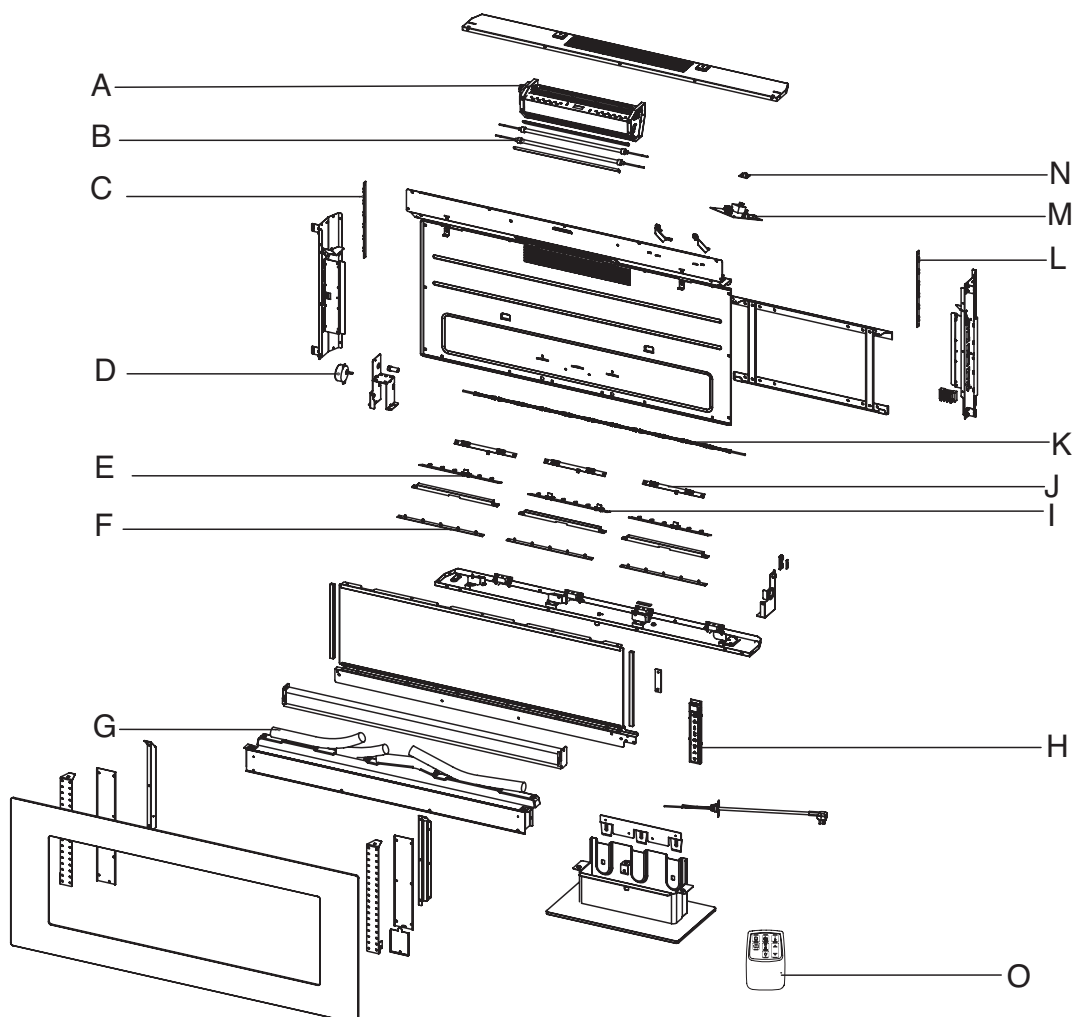
PROBLÈME	CAUSE POSSIBLE	MESURE CORRECTIVE
L'affichage montre "E 1".	Le capteur du thermostat est cassé ou débranché.	Débranchez le foyer, retirez le panneau de fond du foyer et vérifiez que le thermostat est branché à la carte de circuits imprimés principale. Si cela ne résout pas le problème, communiquez avec le service à la clientèle pour demander un capteur de thermostat de rechange.
L'affichage montre "E 2".	Le capteur du thermostat est cassé.	Communiquez avec le service à la clientèle pour demander un capteur de thermostat de rechange.
L'affichage montre "E 3".	La protection contre la surchauffe de réinitialisation manuelle s'est déclenchée.	Inspectez l'appareil de chauffage et vérifiez que les entrées et les sorties d'air ne sont pas obstruées, car cela pourrait causer une surchauffe. Débranchez l'appareil de chauffage pendant 30 minutes et laissez-le refroidir. Rebranchez-le et faites-le fonctionner en vous assurant qu'il ne présente aucun signe de surchauffe. Si le problème persiste, ne l'utilisez pas et communiquez avec le service à la clientèle.
L'affichage indique "E r".	Le cordon de protection contre la surchauffe a été activé.	Vérifiez les connexions du cordon et de sa fiche. Des connexions de prises défectueuses ou des fiches trop libres peuvent entraîner une surchauffe de la fiche ou de la prise. Vérifiez que la fiche s'insère bien dans la prise. Les chauffages consomment plus d'intensité que les petits appareils électriques ; Il peut se produire une surchauffe même si cela n'arrive pas avec d'autres appareils. Au cours de l'utilisation, vérifiez fréquemment la prise pour voir si elle est CHAUDE ! Si c'est le cas, cessez d'utiliser le chauffage et faites vérifier ou/et remplacer la prise défectueuse par un électricien qualifié.
L'appareil de chauffage ne souffle pas d'air chaud.	L'appareil de chauffage est en cycle de refroidissement.	Fonctionnement normal, continuera de fonctionner pendant une période de fois avant de s'arrêter. Les temps varieront basé sur les températures. Pendant ce temps de l'air froid sera soufflé.
Il n'y a pas d'alimentation électrique.	L'unité n'est pas alimentée.	Vérifiez que l'unité est branchée à une prise de courant standard de 120 volts. Appuyez plusieurs fois sur le bouton d'alimentation et assurez-vous qu'il est en position de marche.
L'appareil de chauffage ne souffle pas d'air.	Le réglage du thermostat empêche l'appareil de chauffage de se mettre en marche.	Réglez la température afin de vous assurer que le thermostat est réglé à une température supérieure à la température ambiante.
L'appareil de chauffage ne fonctionne pas, même lorsque le foyer et l'appareil de chauffage sont sous tension et le thermostat est réglé.	La réinitialisation manuelle de protection contre la surchauffe s'est déclenchée.	Placez le bouton d'alimentation en position OFF (Arrêt) et débranchez l'unité de la prise murale pendant 5 minutes. Au bout de 5 minutes, rebranchez l'unité à la prise murale et faites-la fonctionner normalement. Si le problème persiste, communiquez avec le service à la clientèle.
L'effet de flamme fonctionne, mais la fonction de chauffage ne marche pas, et l'effet de flamme clignote lorsque vous appuyez sur le bouton de chauffage.	Le dispositif de chauffage est désactivé.	Alors que l'appareil est sous tension, appuyez et maintenez le bouton d'alimentation du panneau de commande enfoncé pendant 10 secondes. Une fois réinitialisé, l'effet de flamme clignote plusieurs fois.
La télécommande ne fonctionne pas.	Les piles sont épuisées ou le signal est faible.	Changez les piles de la télécommande.  Utilisez la télécommande lentement. Appuyez légèrement et de façon uniforme sur les boutons de la télécommande. Appuyer rapidement et de manière répétée sur les boutons de la télécommande pourrait entraîner un dysfonctionnement de l'émetteur.
Lorsque l'appareil de chauffage est en marche, il fait plus de bruit que d'habitude.	a. Les entrées d'air sont sales ou obstruées. b. Le générateur d'air chaud est défectueux.	a. Vérifiez que les entrées d'air ne sont pas obstruées ou très poussiéreuses. b. Communiquez avec le service à la clientèle pour recevoir un nouveau générateur d'air chaud.
Un bruit anormal se fait entendre lorsque l'appareil de chauffage est éteint et que l'effet de flamme est en marche.	Le moteur du rotor est défectueux.	b. Communiquez avec le service à la clientèle pour recevoir un nouveau moteur de rotor.

# Pièces de rechange

Pièce	Description	36II Qté.	47II Qté.
A	Montage du ventilateur	1	1
B	Éléments du radiateur	2	2
C	Feu latéral gauche PCBA	1	1
D	Moteur d'entraînement générateur de flamme	1	1
E	Flamme gauche/droite PCBA	2	2
F	Circuit imprimé du lit de braises	2	3
G	Lit de braises avec bûche	1	1
H	Panneau de commande - 8 boutons	1	1
I	Flamme du milieu PCBA	N/A	1
J	Flamme bleue PCBA	2	3
K	Générateur/ rouleau de flamme	1	1
L	Feu latéral droit PCBA	1	1
M	Circuit imprimé principal	1	1
N	Capteur du thermostat	1	1
O	Télécommande - 8 boutons	1	1



**REMARQUE:** L'échelle et la taille des pièces peuvent être différents en fonction de votre modèle exact.



**Bellio**<sup>®</sup>  
simply...beautiful<sup>®</sup>

FEATURING

**ClassicFlame**<sup>®</sup>   
**DECORATIVE ELECTRIC FIREPLACES**

[www.tsicustomerservice.com](http://www.tsicustomerservice.com)