



A TEREX BRAND

Parts Manual

Serial Number Range

Super Hoist

from SN 4193-93 to 4101-8906

from SN GH02-8907 to GH16-59748

from SN GH16G-59749 to GH16G-61099

from SN GHG-61100 to GHG-64198

from SN GHP-64199

*Part No. 82298
Rev: E13
October 2019*

Technical Publications

Genie has endeavored to deliver the highest degree of accuracy possible. However, continuous improvement of our products is a Genie policy. Therefore, product specifications are subject to change without notice.

Readers are encouraged to notify Genie of errors and send in suggestions for improvement. All communications will be carefully considered for future printings of this and all other manuals.

Contact Us:

Internet: www.genielift.com
e-mail: awp.techpub@terex.com

Find a Manual for this Model

Go to <http://www.genielift.com>

Use the links to locate Operator's, Parts, Maintenance, and Service and Repair Manuals.

Copyright © 2011 by Terex Corporation
82298 Rev E April 2016
Fourth Edition, Fifth Printing

Genie is a registered trademark of Terex South Dakota, Inc. in the USA and many other countries. "Super Hoist" is a trademark of Terex South Dakota, Inc.

 Printed on recycled paper

To August 31, 2016

Genie
A TEREX BRAND

Manufacturer: Terex South Dakota
500 Oakwood Road
Watertown, SD 57201
USA

European Representative: Genie UK LTD
The Maltings
Watrf Road, Grantham, Lin
NG31 6BH United Kingdom

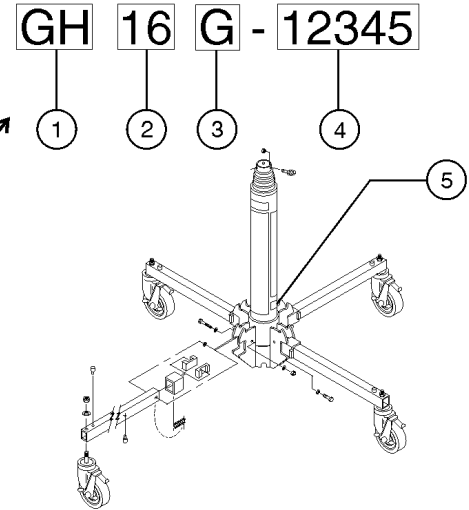
Model: GH16G-12345

Serial number: GH16G-12345

Manufacture date: 1/2/16 **Model year:** 2016

Electrical schematic number:

Country of manufacture:



- 1 Model
- 2 Model year
- 3 Facility code

- 4 Sequence number
- 5 Serial label

From September 1, 2016

Genie
A TEREX BRAND

Manufacturer: Terex South Dakota
500 Oakwood Road
Watertown, SD 57201
USA

European Representative: Genie UK LTD
The Maltings
Watrf Road, Grantham, Lin
NG31 6BH United Kingdom

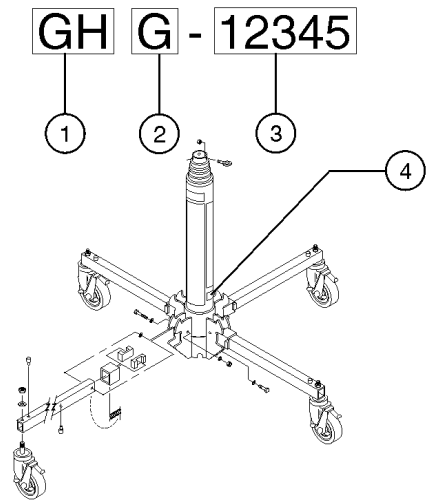
Model: GHG-12345

Serial number: GHG-12345

Year of Manufacture: 2016

Electrical schematic number:

Country of manufacture:



- 1 Model
- 2 Facility code
- 3 Sequence number

- 4 Serial label

How to Order Parts

Please be prepared with the following information when ordering replacement parts for your Terex or Genie product.

- Machine model number
- Machine serial number
- Part number
- Part description and quantity
- Purchase order number
- "Ship to" address
- Desired method of shipment
- Name and telephone number of the authorized distributor in your area

Use the Service Parts Fax Order Form on the next page and fax your order to our Parts Department.

If you don't know the name of your authorized distributor, or if your area is not currently serviced by an authorized distributor, please call Terex or Genie Industries.

Machine Information

Model

Serial Number

Date of Purchase

Authorized Genie Distributor

Phone Number

North America

Telephone (425)881-1800

Toll Free (800)536-1800 in US and Canada

Fax (425)556-8659

Toll Free fax (888)274-6192

Email AWP.PartsSalesPO@terex.com

<http://genielift.com/en>

EMEAR (Europe, Middle East, Africa and Russia)

Telephone (31)(165)519 313

Fax (31)(165)511 148

<http://genielift.co.uk>

Asia Pacific (Genie Singapore)

Telephone +65 6692 7777

Fax +65 6261 8893

<http://genielift.com.sg/>

Australia

Telephone (61)(7)3456 4444

Fax (61)(7)3456 4466

<http://genielift.com.au>

South America

Telephone (55)(11)4082 5600

Fax (55)(11)4082 5630

Recommended Parts

Description	Part No.
Genie Blue Paint, 1 Gallon	32150
Genie Blue Paint, 12 Ounce Aerosol.....	1484
Genie Gray Paint, 1 Gallon.....	32151
Genie Gray Paint, 12 Ounce Aerosol	1268

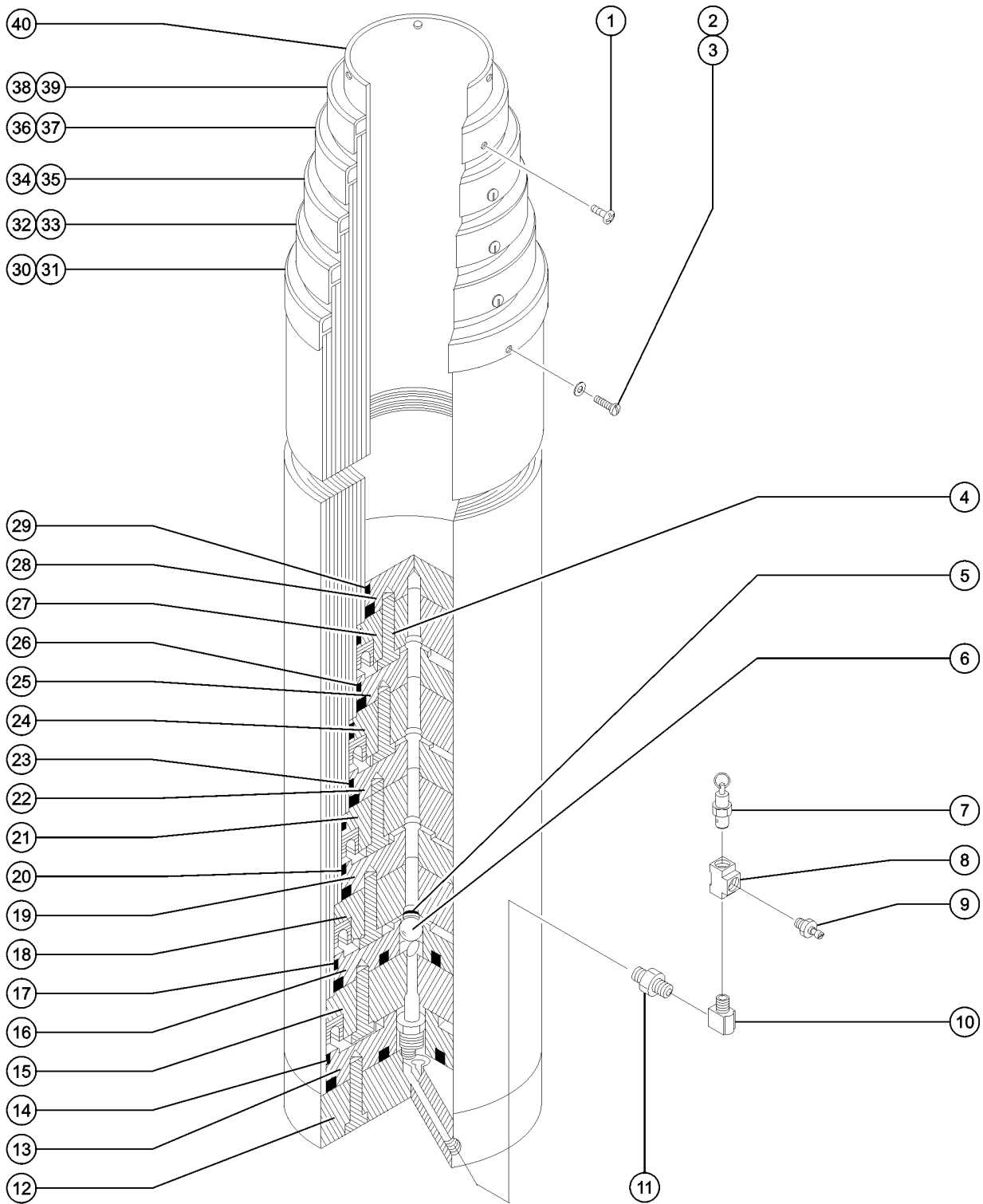
Manuals

Genie Industries offers the following support documents for these models:

Title	Part No.
EMI Safety Manual	27581
Manual of Responsibilities ANSI A92.5	31587

Description	Page
100 Base Component	8
101.1 Base Tube Assembly	8
102.1 Platform Assembly	12
103.1 Control Handle Assembly	18
Part Number Index	20

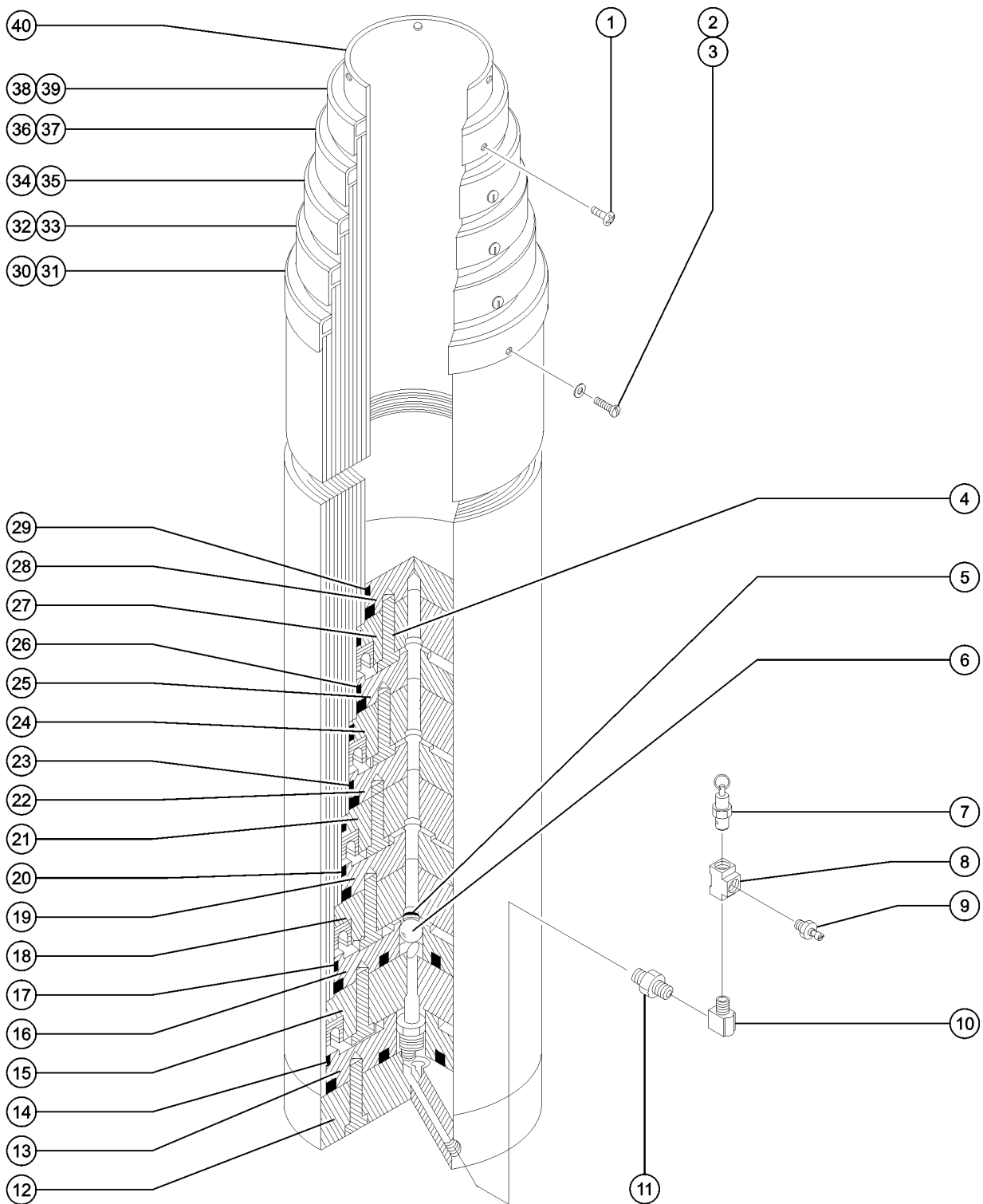
101.1 Base Tube Assembly



Item	Part No.	Description	Qty.
A-	32228GT	CYLINDER ASSY,3.8M,HOIST III (3.8 m models) (includes items 1through 6 and 12 through 40)	
B-	32229GT	CYLINDER ASSY,5.6M,HOIST III (5.6 m models) (includes items 1through 6 and 12 through 40)	
C-	23159GT	SEAL KIT COMPLETE-HOIST (includes Felt Dust Wiper Kit)	
D-	32240GT	FELT DUST WIPER KIT	
1	22542GT	M4 X 5 PHILLIPS (CHEESEHEAD) (all models)	
2	22731GT	M5 X 6 SHCS SS,MACHINED HEAD** (all models)	
3	6607GT	WASHER,LOCK,#10 PLTD	
4	22545GT	SCREW,SHC,M6 X 30MM,GR8.8,LP**	15
4A	22544GT	SCREW,SHC,M6 X 25MM,GR8*** (base position only)	4
5	22546GT	RETAINER RING,PUSH-ON,.50,6PRG	1
6	2049GT	7/16 / 11.11 MM BALL	1
7	22584GT	VALVE,PRES.RELIEF,1/8NPT 90PSI	1
8	33284GT	TEE,INLET	1
9	2205GT	QUICK DISCONNECT PLUG/#185	1
10	22585GT	ELBOW,130239-2-2	1
11	32322GT	NIPPLE,HEX,130137-2	1
12	23155GT	BASE PISTON ASSY,HOIST II	1
12-	14689GT	BALL-STEEL BEARING,.25 DIA.	
12-	23041GT	WASHER,STAR,EXTERNAL,.312	
12-	23178GT	PROBE ASSY,HOIST II	
13	22765GT	PISTON-UPPER,BASE	1
14	22551GT	PISTON RETAINER RING,#1	
15	22760GT	PISTON-LOWER,#2	1
16	22766GT	PISTON-UPPER,#2	1
17	22552GT	PISTON RETAINER RING,#2	1
18	22761GT	PISTON-LOWER,#3	1
19	22767GT	PISTON-UPPER,#3	1
20	22553GT	PISTON RETAINER RING,#3	1



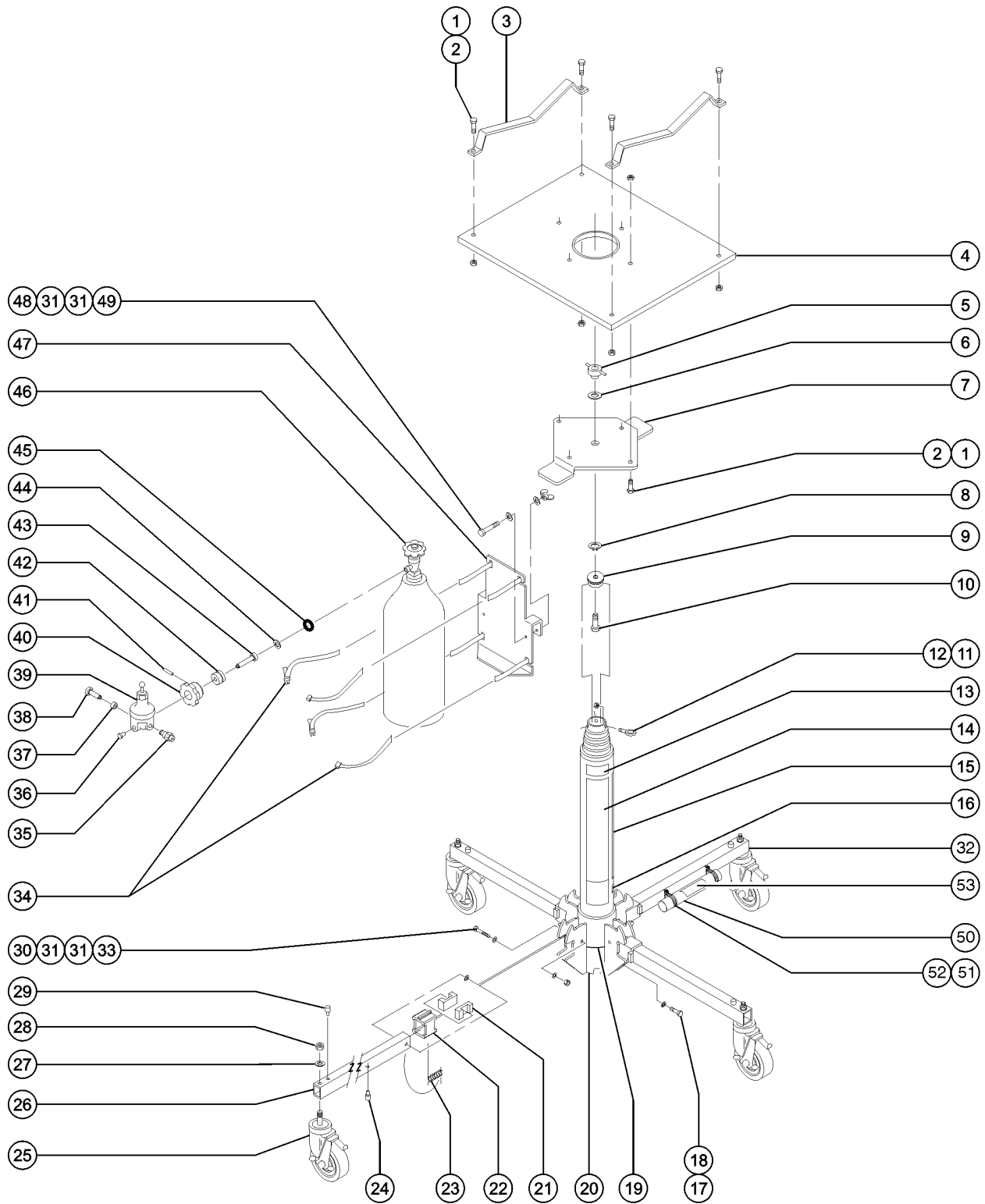
101.1 Base Tube Assembly



Item	Part No.	Description	Qty.
21	22762GT	PISTON-LOWER,#4	1
22	22768GT	PISTON-UPPER,#4	1
23	22554GT	PISTON RETAINER RING,#4	1
24	22763GT	PISTON-LOWER,#5	1
25	22769GT	PISTON-UPPER,#5	1
26	22555GT	PISTON RETAINER RING,#5	1
27	22764GT	PISTON-LOWER,#6	1
28	22781GT	PISTON-UPPER,#6	1
29	22556GT	PISTON RETAINER RING,#6	1
30	22566GT	FELT RETAINER RING,#1	1
31	32231GT	TUBE ASSY,BASE,3.8M,HOIST III (3.8 m models)	1
31A	32233GT	TUBE ASSY,BASE,5.6M,HOIST III (5.6 m models)	1
32	22567GT	FELT RETAINER RING,#2	1
33	23145GT	TUBE ASSY,2ND STAGE,H-II 3.8 (3.8 m models)	1
33A	23150GT	TUBE ASSY,2ND STAGE,H-II 5.6M (5.6 m models)	1
34	22568GT	FELT RETAINER RING,#3	1
35	23146GT	TUBE ASSY,3RD STAGE,H-II 3.8M (3.8 m models)	1
35A	23151GT	TUBE ASSY,3RD STAGE,H-II 5.6M (5.6 m models)	1
36	22569GT	FELT RETAINER RING,#4	1
37	23147GT	TUBE ASSY,4TH STAGE,H-II 3.8M (3.8 m models)	1
37A	23152GT	TUBE ASSY,4TH STAGE,H-II 5.6M (5.6 m models)	1
38	22570GT	FELT RETAINER RING,#5	1
39	23148GT	TUBE ASSY,5TH STAGE,H-II 3.8M (3.8 m models)	1
39A	23153GT	TUBE ASSY,5TH STAGE,H-II 5.6M (5.6 m models)	1
40	22565GT	TUBE,#6, HOIST II 3.8 (3.8 m models)	1
40A	22757GT	TUBE,#6, HOIST II 5.6 (5.6 m models)	1



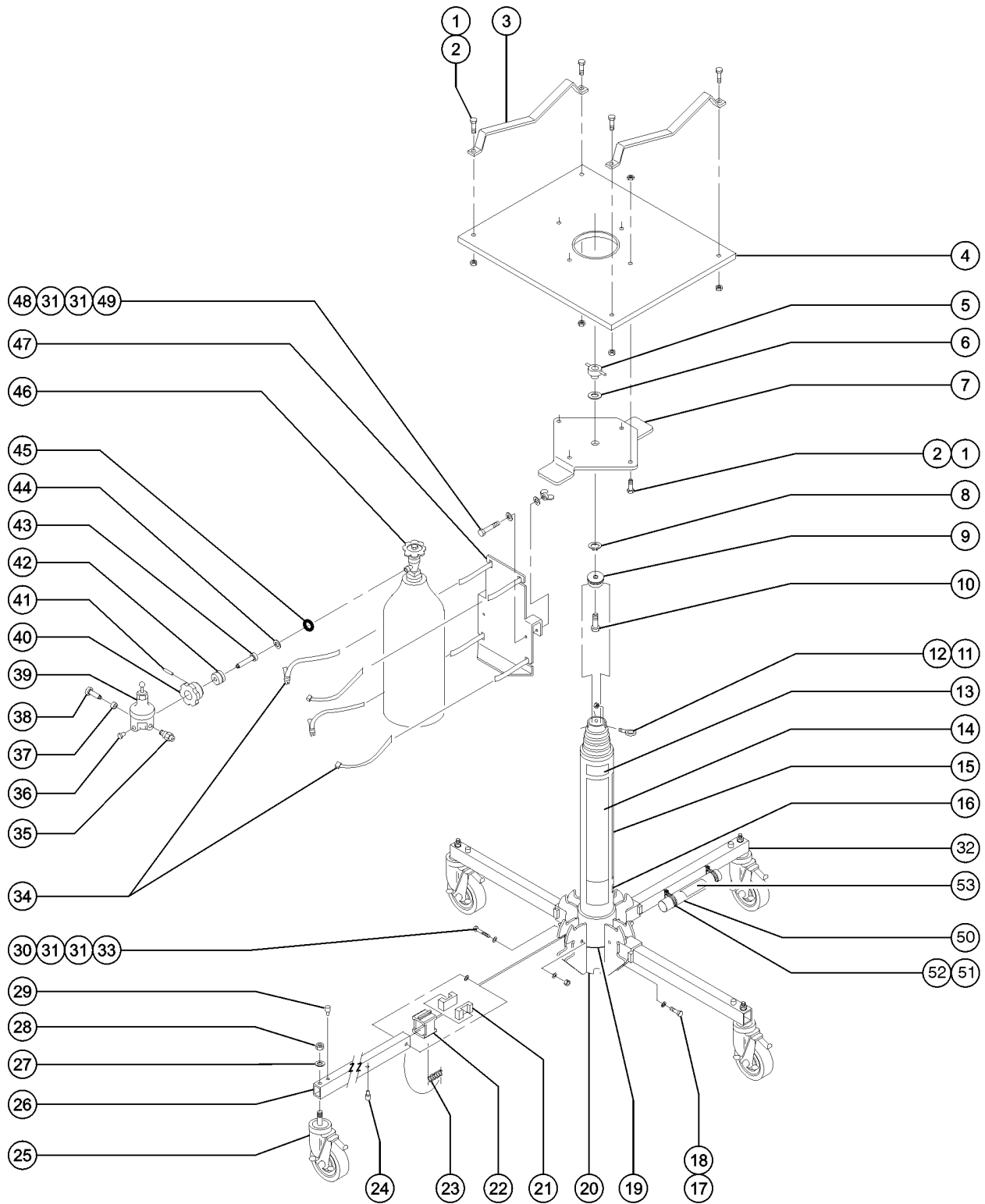
102.1 Platform Assembly



Item	Part No.	Description	Qty.
A-	23051GT	ACCESSORY,HOIST II PLAT.CRADLE includes items 1, 2 and 3	
1	22578GT	SCREW,HHC,M6 X 20MM,GR8.8	4
2	22577GT	NUT,T,M6	4
3	80598GT	PIPE CRADLE, GRAY HOIST to GH03-11068	2
4A	23170GT	PLAT. ASSY,HOIST II includes items 1, 2 and 5-8	1
4B	23171GT	PLYWOOD,W/NYLON INSERT,HOISTII	
5	23172GT	PLATFORM MT.KIT,HOIST II includes items 6 and 8	1
6	6563GT	WASHER,SHIM,.75 X 1.125 X.030	1
7	22574-SGT	SUPPORT PLATE-HOIST III , GRAY	1
8	10262GT	SNAP RING,EXTERNAL,.75 DIA.	1
9	22557GT	PLUG-PLATFORM MOUNTING	1
10	22558GT	SCREW,HHC,M14 X 40MM,GR 8.8	1
11	22588GT	EYEBOLT,M8 X 30M	
12	22571GT	NUT,HEX,M8 X 1.25	
13	38149GT	DECAL,LABEL,PATENTS	1
14	32305GT	DECAL,SAFETY,HOIST SUPER	1
15	52980GT	DECAL,COSMTC,GENIE SUPER HOIST	1
16	33951GT	DECAL,CE MARK	1
17	23057GT	SCREW,HHC,M8 X 20MM	3
18	6886GT	WASHER,LOCK,.313	
19	32238GT	BASE CASTING,UPPER,HOIST III	1
20	32239GT	BASE CASTING,LOWER,HOIST III	1
21	31980GT	SLIDER,WEAR PAD	8
22	32234GT	LEG LOCK ASSY,HOIST III includes items 21 and 23	4
23	31955GT	SPRING,SLIDER	4
24	19352GT	RIVET-DRIVE-BARREL HEAD-NYLON	4
25	57749GT	CASTER,POST,SW,5X1.25,M12X1.75	4
26	1257478GT	LEG ASSEMBLY,HOIST III includes items 21-29; replaced 32235	3



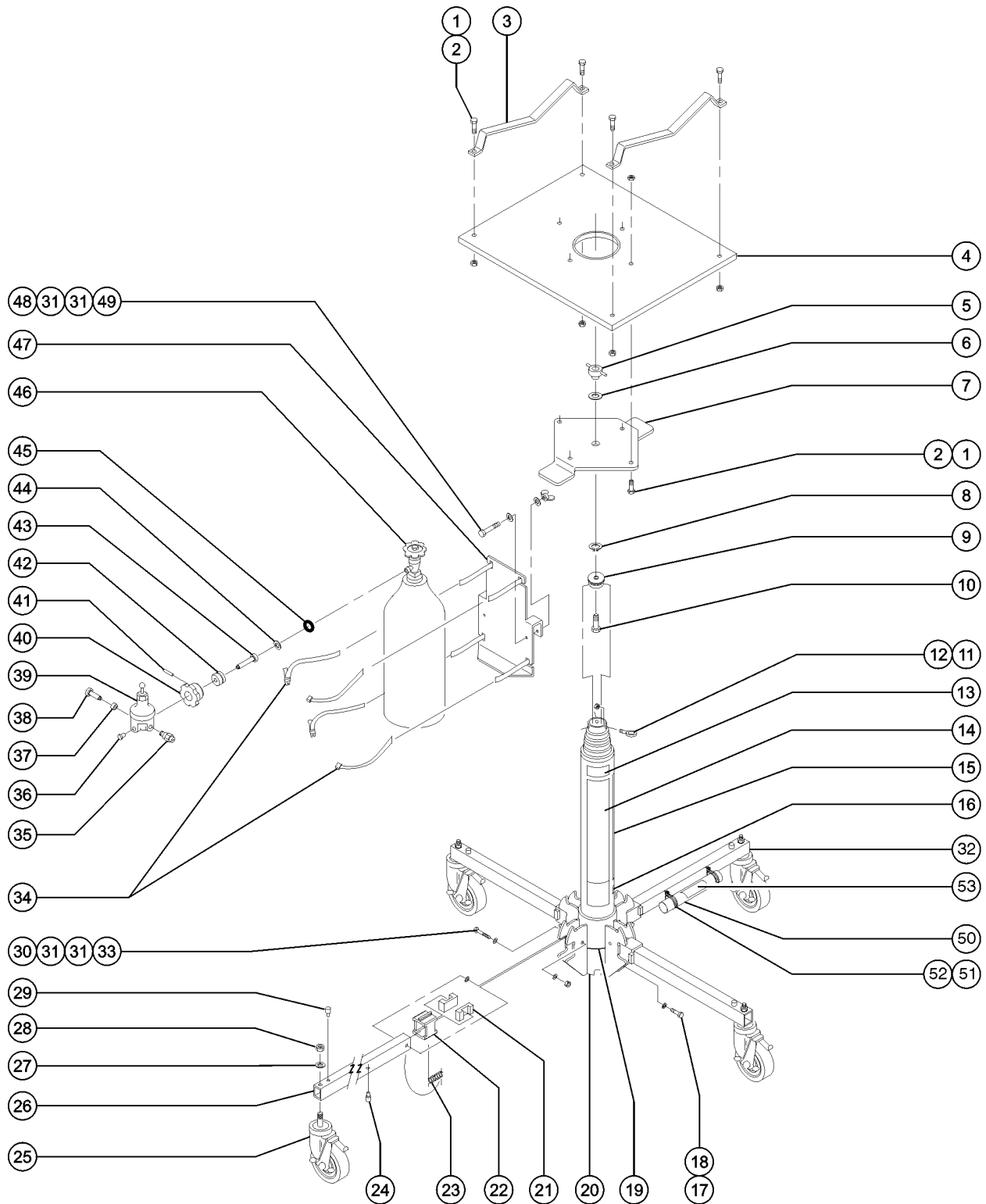
102.1 Platform Assembly



Item	Part No.	Description	Qty.
26-	1254830GT	LEG,HOIST III replaced 31952-S	
27	6033GT	WASHER,LOCK,0.5"	4
28	23270GT	NUT,HEX,M12,LP,PLATED	4
29	29849GT	BUMPER,RUBBER,1"TALL X 3/8DIA	4
30	32309GT	SCREW,HHC,M8 X 60MM X 1.25	4
31	6638GT	WASHER,FLAT,USS,1/4"Y	12
32	1259571GT	LEG ASSEMBLY,HOIST III, MANUAL includes items 21-25, 27-29, and 50-52	1
32-	1259449GT	LEG, HOIST III , MANUAL TUBE pre-drilled for instruction tube	1
33	25368GT	NUT,NYLOCK,M8X1.25	
34	35052GT	STRAP ASSY,CO2 TANK HOLD DOWN	2
35	2328GT	VALVE,PRESSURE RELEASE, 1/4"	1
36	2327GT	PLUG,HEX HEAD,1/4 MPT BRASS	1
37	2326GT	BUSHING,130140-4-2	1
38	2322GT	QUICK DISCONNECT SOCKET W/VALV	1
39A	2167GT	REGULATOR ASSY-METRIC,125 PSI includes items 35-38, 40 and 42-45	1
39B	2320GT	REGULATOR ASSY-DOMESTIC HOIST1 includes items 35-38, 40 and 42-45	
39C	2451GT	DIAPHRAM-PWR REG (POST 1983)	
40	2325GT	HAND WRENCH CASTING	1
41	2095GT	SCREW,SET,HS 10-32 X.25	
42	2324GT	NUT,CO2 CONNECTOR,DOMESTIC Domestic	1
42B	2329GT	NUT CO2 CONNECTOR,EUROPE/JAPAN European	
42C	1291763GT	NUT, CO2 CONNECTOR, DIN-477-06 DIN-477	
42C	1291765GT	KIT, GAS INLET, DIN-477 CE models (complete kit, includes items 40, 41, 42C, 43B, 45B and wrench)	
42C	23552GT	WRENCH,SOCKET,HEX,3/32"	
43	2323GT	CONN.,INLET STEM,B.** Domestic	1
43B	1291762GT	NIPPLE, INLET, DIN-477-06 European, DIN-477	
44	2371GT	O-RING RETAINER RING	1
45	2370GT	O-RING,.375 X .125 Domestic	1

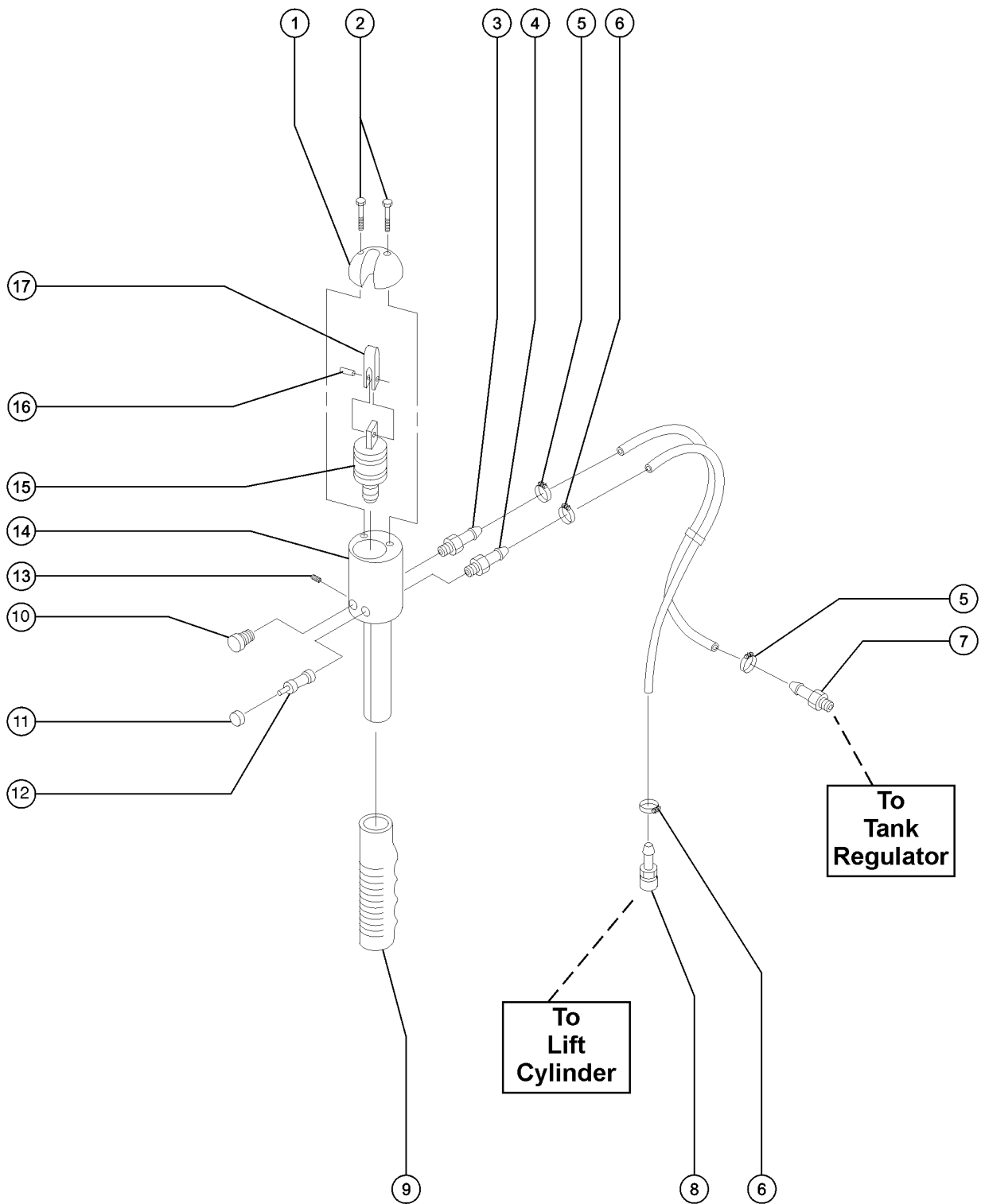


102.1 Platform Assembly



Item	Part No.	Description	Qty.
45B	1291764GT	WASHER, DIN-477-06, NYLON European, DIN-477	
46	2373-SGT	CO2 TANK W/CARTON,20LB EMPTY 1	1
46-	33738GT	HANDLE GUARD,CO2 TANK-LUXFER	
46-	33739GT	HANDLE GUARD,CO2TANK-CATALINA	
47	28054-SGT	BRACKET,AIR BOTTLE,PAINTED 1	1
48	6637GT	SCREW,HHC,1/4-20 X 1.75	
49	8170GT	NUT,WING,1/4-20	
50	6600GT	INSTRUCT.TUBE W/CAPS-1.75 X 12 1	1
50-	31822GT	CAP,INSTRUCTION TUBE (RED) 2	2
51	6653GT	CLAMP,1.88,#30 X 1/4,RUB CUSH 2	2
52	1253915GT	SCREW,6-LOVE,PHM8-32 X 3/4" 2	2
53	31072GT	DECAL,LABEL,OPER.MAN.STORAGE 1	1

103.1 Control Handle Assembly



Item	Part No.	Description	Qty.
A-	32237GT	HOSE/HAND CNTRL ASSY,HOIST III (includes items 1 through 17)	
B-	23177GT	HOSE ASSY,W/FITTINGS,HOIST II (includes items 3 through 8)	
C-	32236GT	CONTROL HANDLE ASSY,HOIST III* (does not include items 7 and 8)	
1	32291GT	COVER,CONTROL HANDLE 1	
2	32328GT	SCREW,SHC,10-32 X .5 1	
3	23257GT	HOSE END,MALE.188HS X.125MPT 1	
4	22737GT	HOSE END,MALE .25 X .125 MPT 1	
5A	31982GT	CLAMP,HOSE,1 EAR, 15/32 2 (to SN 53458)	
5B	226793GT	CLAMP,HOSE,1 EAR,12.8RER (from SN 53459)	
6	31983GT	CLAMP,HOSE,1 EAR, 9/16 2	
7	2346GT	QUICK DISCON.PLUG 3/16 HS #189 1	
8	23025GT	SOCKET,QUICK DISCONN.,MACHINED 1	
9	235184GT	GRIP,HANDLE 1	
10	2336GT	DOWN BUTTON ASSEMBLY 1	
11	22594GT	ACTUATOR BUTTON,2-WAY VALVE 1	
12	22593GT	VALVE BODY-2 WAY PNEUMATIC 1	
13	2095GT	SCREW,SET,HS 10-32 X.25 1	
14	32290GT	CONTROL HANDLE 1	
15	32241GT	VALVE,EXHAUST 1	
16	32242GT	PIN,ROLL,.094 X .375 1	
17	32300GT	LEVER,DUMP VALVE 1	



A TORON BRAND

<u>Part no.</u>	<u>Page Number</u>	<u>Part no.</u>	<u>Page Number</u>	<u>Part no.</u>	<u>Page Number</u>
2049GT	9	22558GT	13	23155GT	9
2095GT	15, 19	22565GT	11	23159GT	9
2167GT	15	22566GT	11	23170GT	13
2205GT	9	22567GT	11	23171GT	13
2320GT	15	22568GT	11	23172GT	13
2322GT	15	22569GT	11	23177GT	19
2323GT	15	22570GT	11	23178GT	9
2324GT	15	22571GT	13	23257GT	19
2325GT	15	22574-SGT	13	23270GT	15
2326GT	15	22577GT	13	23552GT	15
2327GT	15	22578GT	13	25368GT	15
2328GT	15	22584GT	9	28054-SGT	17
2329GT	15	22585GT	9	29849GT	15
2336GT	19	22588GT	13	31072GT	17
2346GT	19	22593GT	19	31822GT	17
2370GT	15	22594GT	19	31955GT	13
2371GT	15	22731GT	9	31980GT	13
2373-SGT	17	22737GT	19	31982GT	19
2451GT	15	22757GT	11	31983GT	19
6033GT	15	22760GT	9	32228GT	9
6563GT	13	22761GT	9	32229GT	9
6600GT	17	22762GT	11	32231GT	11
6607GT	9	22763GT	11	32233GT	11
6637GT	17	22764GT	11	32234GT	13
6638GT	15	22765GT	9	32236GT	19
6653GT	17	22766GT	9	32237GT	19
6886GT	13	22767GT	9	32238GT	13
8170GT	17	22768GT	11	32239GT	13
10262GT	13	22769GT	11	32240GT	9
14689GT	9	22781GT	11	32241GT	19
19352GT	13	23025GT	19	32242GT	19
22542GT	9	23041GT	9	32290GT	19
22544GT	9	23051GT	13	32291GT	19
22545GT	9	23057GT	13	32300GT	19
22546GT	9	23145GT	11	32305GT	13
22551GT	9	23146GT	11	32309GT	15
22552GT	9	23147GT	11	32322GT	9
22553GT	9	23148GT	11	32328GT	19
22554GT	11	23150GT	11	33284GT	9
22555GT	11	23151GT	11	33738GT	17
22556GT	11	23152GT	11	33739GT	17
22557GT	13	23153GT	11	33951GT	13

<u>Part no.</u>	<u>Page Number</u>	<u>Part no.</u>	<u>Page Number</u>	<u>Part no.</u>	<u>Page Number</u>
35052GT	15				
38149GT	13				
52980GT	13				
57749GT	13				
80598GT	13				
226793GT	19				
235184GT	19				
1253915GT	17				
1254830GT	15				
1257478GT	13				
1259449GT	15				
1259571GT	15				
1291762GT	15				
1291763GT	15				
1291764GT	17				
1291765GT	15				

California Proposition 65



Operating, servicing and maintaining this equipment, passenger vehicle or off-highway motor vehicle can expose you to chemicals including engine exhaust, carbon monoxide, phthalates, and lead, which are known to the State of California to cause cancer and birth defects or other reproductive harm. These chemicals can be emitted from or contained in other various parts and systems, fluids and some component wear by-products. To minimize exposure, avoid breathing exhaust, do not idle the engine except as necessary, service your equipment and vehicle in a well-ventilated area and wear gloves or wash your hands frequently when servicing your equipment or vehicle and after operation. For more information go to www.P65Warnings.ca.gov/passenger-vehicle.

Breathing diesel engine exhaust exposes you to chemicals known to the State of California to cause cancer and birth defects or other reproductive harm.

- Always start and operate the engine in a well-ventilated area.
- If in an enclosed area, vent the exhaust to the outside.
- Do not modify or tamper with the exhaust system.
- Do not idle the engine except as necessary.

For more information go to www.P65warnings.ca.gov/diesel.

www.genielift.com

Distributed By: