

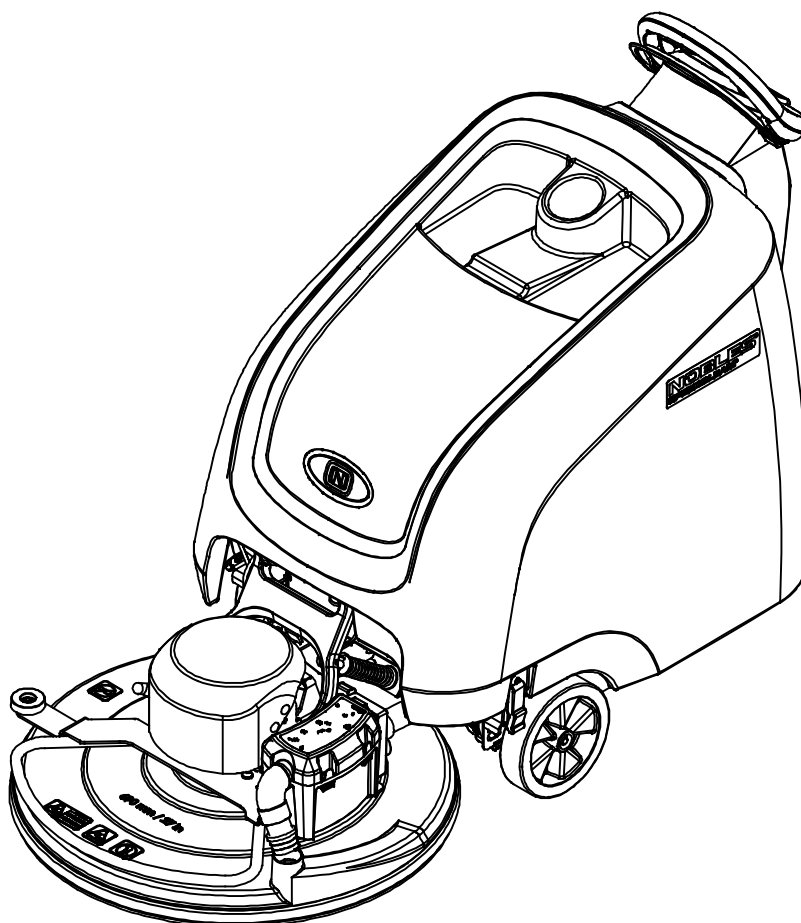
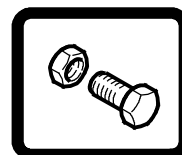


Tennant True® Parts  
IRIS® a Tennant Technology

# SPEEDGLEAM® 7

WALK-BEHIND BATTERY BURNISHER

## PARTS MANUAL

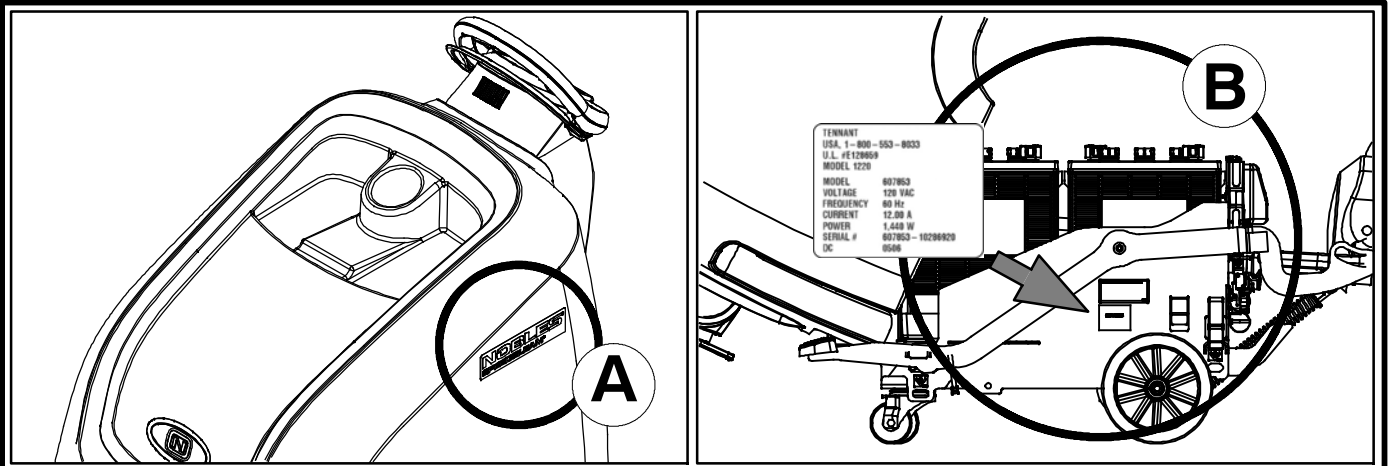


For the latest Parts manuals and other  
language Operator manuals, visit:

[www.nobles.com/manual](http://www.nobles.com/manual)

9011619  
Rev. 06 (06-2018)





Ref	Part No.	Serial Number	Description	Qty.
1	82681	(000000- )	Bracket Wldt, Lpg Mount	1
▽ 2	63810	(000000- )	Latch Assy, Lpg Tank Mtg, W/Nut	4
▲ 3	51839	(000000- )	Nut Adjustable, Lpg Tank Mtg	2
4	49263	(000000- )	Tie, Cable	3
(D)	82556	(000000- 001039)	Bracket, Vaporizer	1
	54930	(000000- )	Vaporizer, LPG	1

**HOW TO ORDER PARTS - See diagram above**

Only use TENNANT Company supplied or equivalent parts. Parts and supplies may be ordered online, by phone, by fax or by mail.

Follow the steps below to ensure prompt delivery.

1. (A) Identify the machine model.
2. (B) Identify the machine serial number from the data label.
3. (C) Ensure the proper serial number is used from the parts list.
4. Identify the part number and quantity.  
Do not order by page or reference numbers.
5. Provide your name, company name, customer ID number, billing and shipping address, phone number and purchase order number.
6. Provide detail shipping instructions.

- (D) ▽ - identifies an assembly  
▲ - identifies parts included in assembly

**Please fill out at time of installation for future reference.**

Model No. - \_\_\_\_\_

Serial No. - \_\_\_\_\_

Machine Options - \_\_\_\_\_

Sales Rep. - \_\_\_\_\_

Sales Rep. phone no. - \_\_\_\_\_

Customer ID Number - \_\_\_\_\_

Installation Date - \_\_\_\_\_

**Tennant Company**

PO Box 1452  
Minneapolis, MN 55440  
Phone: (800) 553-8033

www.nobles.com

Specifications and parts are subject to change without notice.

Copyright © 2014-2018 TENNANT Company, Printed in U.S.A.

**STANDARD PARTS**

GENERAL RECOMMENDED MAINTENANCE ITEMS .....	4	PARKING BRAKE GROUP .....	44
COVER GROUP .....	6	IRIS® TELEMETRY KIT .....	46
FRAME GROUP, DRIVE .....	8	LABEL GROUP .....	48
HEAD GROUP, 610 MM (24 IN) .....	10	DOCUMENT GROUP .....	49
HEAD GROUP, 690 MM (27 IN) .....	12	ELECTRICAL DIAGRAM, DRIVE MODEL .....	50
HEAD LIFT GROUP .....	14	WIRE HARNESS, TELEMETRY OPTION .....	55
DOWN PRESSURE GROUP, AUTOMATED ....	16	WIRE HARNESS, MAIN, DRIVE MODEL .....	56
DOWN PRESSURE GROUP, MECHANICAL ...	18	WIRE HARNESS, MAIN, DRIVE MODEL - CONT'D .....	57
DUST CONTROL GROUP, ACTIVE .....	20	WIRE HARNESS, CONSOLE, DRIVE MODEL ..	58
DUST CONTROL GROUP, PASSIVE .....	22	WIRE HARNESS, BAIL SWITCH .....	59
ELECTRICAL COMPONENTS GROUP .....	24	WIRE HARNESS, KEY SWITCH .....	60
CONSOLE GROUP, BASE, DRIVE, OFF BOARD CHARGER .....	26	WIRE HARNESS, BATTERY/CHARGER CABLE .....	61
CONSOLE GROUP, BASE, DRIVE, ON BOARD CHARGER .....	28		
CONSOLE GROUP, POWER, DRIVE, OFF BOARD CHARGER .....	30		
CONSOLE GROUP, POWER, DRIVE, ON BOARD CHARGER .....	32		
BATTERY GROUP, 330AH C20 WET LEAD ACID .....	34		
BATTERY GROUP, 360AH C20 WET LEAD ACID .....	36		
BATTERY GROUP, 240AH C20 WET LEAD ACID .....	38		
BATTERY GROUP, 312AH C20 AGM SEALED .	40		
HYDROLINK® BATTERY WATERING SYSTEM KIT .....	42		

# RECOMMENDED MAINTENANCE ITEMS

## GENERAL RECOMMENDED MAINTENANCE ITEMS

Part No.	Serial Number	Description	Qty.	
1207285	(00000000-	) Latch, Draw, Rbr, W/ Keeper, Yellow	2	
1205533	(00000000-	) Damper	1	
1203776	(00000000-	) Cover, Pedal	1	
71579	(00000000-	) Strap, Static, W/Grommet, .19 1.1w 25.0l	1	
9012767	(00000000-	) Caster Kit, Afmkt, W/ Hdwr	2	
1223583	(10818256-	) Wheel, Scrbr, 213mm, W/ Taper	2	
1218753	(10771448- 10818255	) Wheel, Scrbr, 213mm, W/ Taper (Replaced by 1223583 - Order Qty 2)	2	
1020688	(00000000- 10771447	) Wheel, Scrbr, 213mm, W/ Taper (Replaced by 1223583 - Order Qty 2)	2	
▽	1202920	(00000000-	) Transaxle, 24vdc [458f- 2100 Asi]	1
▲	1021167	(00000000-	) Key, Woodruff, 5mm	2
▲	612880	(00000000-	) Joint, Transaxle, Replmt	2
▲▽	1212352	(00000000-	) Motor, Transaxle, 24vdc, UI	1
▲▲	1212351	(00000000-	) Brush, Kit, Carbon, Transaxle, UI (1 Pkg = 4 Brushes)	1
▽	1205478	(00000000-	) Motor, Ele, 24- 72vdc, 3900rpm, 8.83hp	1
▲	1212017	(00000000-	) Brush Assy, Carbon, Afmkt	1
▲	00928	(00000000-	) Key, Sq, 0.25 X 0.25, 1.00l	1
	9012768	(00000000-	) Wheel Kit, Bmpr, Afmkt, W/ Hdwr	1
▽	1208141	(00000000-	) Driver Assy, Pad, 24d	1
▲	32506	(00000000-	) Device, Centering, Rh Pad Retainer	1
▲	1205787	(00000000-	) Collar, Locking, Pad Driver, 6.1"	1
	1204254	(00000000-	) Pad, Burnish, 24.0d, Hairblend 1pk=1pad (Qty 1 Pad)	1
	1200750	(00000000-	) Skirt Assy, Shrd, 24.0d	1
▽	1213332	(00000000-	) Driver Assy, Pad, 27d	1
▲	32506	(00000000-	) Device, Centering, Rh Pad Retainer	1
▲	1205787	(00000000-	) Collar, Locking, Pad Driver, 6.1"	1
	1204255	(00000000-	) Pad, Burnish, 27.0d, Hairblend 1pk=1pad (Qty 1 Pad)	1
	1200686	(00000000-	) Skirt Assy, Shrd, 27.0d	1
▽	9012779	(00000000-	) Arm, Lift, Head, Afmkt, W/Bearings	1
▲	9012780	(00000000-	) Bearing Kit, 12mmb 16mmd 12mmw, Qty=4	1
	1203378	(00000000-	) Pin, Spring, .50d 1.00b	1
	1205700	(00000000-	) Actuator, 36vdc, 60mm Strk, 2sw, 350n	1
	1205304	(00000000-	) Spring, Cmpr, 1.378od .177wir 3.95l	1
	1203333	(00000000-	) Spring, Cmpr, 1.314od .145wir 10.85l	1
	607275	(00000000-	) Hose, Vacuum, 1.50id X 040.0l, 2cuff,E90	1
	9012781	(00000000-	) Fan Kit, Vacuum, Afmkt, W/ Gasket	1
	1203349	(00000000-	) Gasket, Vac Motor	1
	1203162	(00000000-	) Filter, Hepa (Active Dust Control)	1
	1204900	(00000000-	) Hose, Assy, 1.50 Id	1
	1210869	(00000000-	) Bag, Dust, Paper[1 Pick=1 Pkg] (Standard) (1 Pkg = 10 Bags)	1
	1208744	(00000000-	) Bag, Dust, Cloth (Optional for Passive Dust Control Only)	1
	1205971	(00000000-	) Gasket, Cover, Circuitboard	1
▽	9012782	(00000000-	) Circuitboard Kit, Bridge, Afmkt, W/Strap	1
▲	1205845	(00000000-	) Circuitboard, Silpad [1/2 Bridge, Lower]	1
	9012783	(00000000-	) Circuitboard Kit, Base, Afmkt, W/ Strap (For Models w/ mechanical pad pressure and passive dust control)	1
	9012796	(00000000-	) Circuitboard Kit, Option, Afmkt, W/Strap (For Models w/ automated pad pressure and/or active dust control)	1

▽ ASSEMBLY

▲ INCLUDED IN ASSEMBLY

# RECOMMENDED MAINTENANCE ITEMS

## GENERAL RECOMMENDED MAINTENANCE ITEMS

Part No.	Serial Number	Description	Qty.
1210283	(00000000-	) Box, Wire [Ferrite, Emi Filter] (No Longer Available - Replaced by Cable 1072935 or 1072372 Includes Ferrite)	2
1207893	(00000000-	) Switch, Push, Snap Action, 25a [No]	1
1064184	(00000000-	) Circuitbreaker, 02.5a, Resetable	1
1064188	(00000000-	) Circuitbreaker, 15.0a, Resetable	1
383725	(00000000-	) Circuitbreaker, 30.0a, Resetable	1
9012826*	(00000000-	) Controller, Drive, Afmkt, W/ Usb Cable (Drive Model)	1
1205323	(00000000-	) Switch, 0.1a, Spdt [Micro, Straight]	1
∇ 9012785*	(00000000-	) Bezel Kit, Mechanical, Propel, Afmkt	1
∇ 9012786*	(00000000-	) Bezel Kit, Actuator, Propel, Afmkt	1
▲ 1205618	(00000000-	) Cap, Usb	1
9012787	(00000000-	) Circuitboard Kit, Console, W/ Usb Cable	1
1205323	(00000000-	) Switch, 0.1a, Spdt [Micro, Straight]	1
1205781	(00000000-	) Spring, Return, Bail	1
∇ 1072939	(00000000-	) Cable, Assy [B7/B5, Ground]	1
▲ 605387	(00000000-	) Connector, Anderson, 050a, Red [W/O Con]	1
1215716	(00000000-	) Switch, 0.1a, Spdt[Micro, Gold Contacts]	1
∇ 1011402	(00000000-	) Switch, Key	1
▲ 1017696	(00000000-	) Key Set, Replmt [F/Keyswitch 1011402]	1
1064038	(00000000-	) Gauge, Hourmeter, 05- 277 Volt, Ac / Dc	1
1011735	(00000000-	) Switch, Safety, Shutoff	1
1206586	(00000000-	) Dial, Range, Speed	1
1204930	(00000000-	) Potentiometer [100k, 1 Turn, B5/B7]	1
1209730	(00000000-	) Cap, Toggle, Direction	1
1209673	(00000000-	) Switch Assy, Toggle, Direction	1
1205496	(00000000-	) Hook, Cord	2
∇ 1208644	(00000000-	) Charger, 36vdc, 25a 85- 265vac [Offboard] (180- 250 AH Wet Lead Acid Batteries)	1
∇ 9012740	(00000000-	) Charger, 36vdc 25a [P/N 1208644, #31] (200- 350 AH AGM Batteries)	1
∇ 9012739	(00000000-	) Charger, 36vdc 25a [P/N 1208644, #03] (260- 360 AH Wet Lead Acid Batteries)	1
▲ 130155	(00000000-	) Connector, Battery, 6ga 50a, Gray[2cont]	1
∇ 1202585	(00000000-	) Charger, 36vdc, 25a 85- 265vac [On- Board]	1
▲ 130155	(00000000-	) Connector, Battery, 6ga 50a, Gray[2cont]	1
1073882	(00000000-	) Cord, Power, 16/3, 15a, 15ft Blk [Us]	1

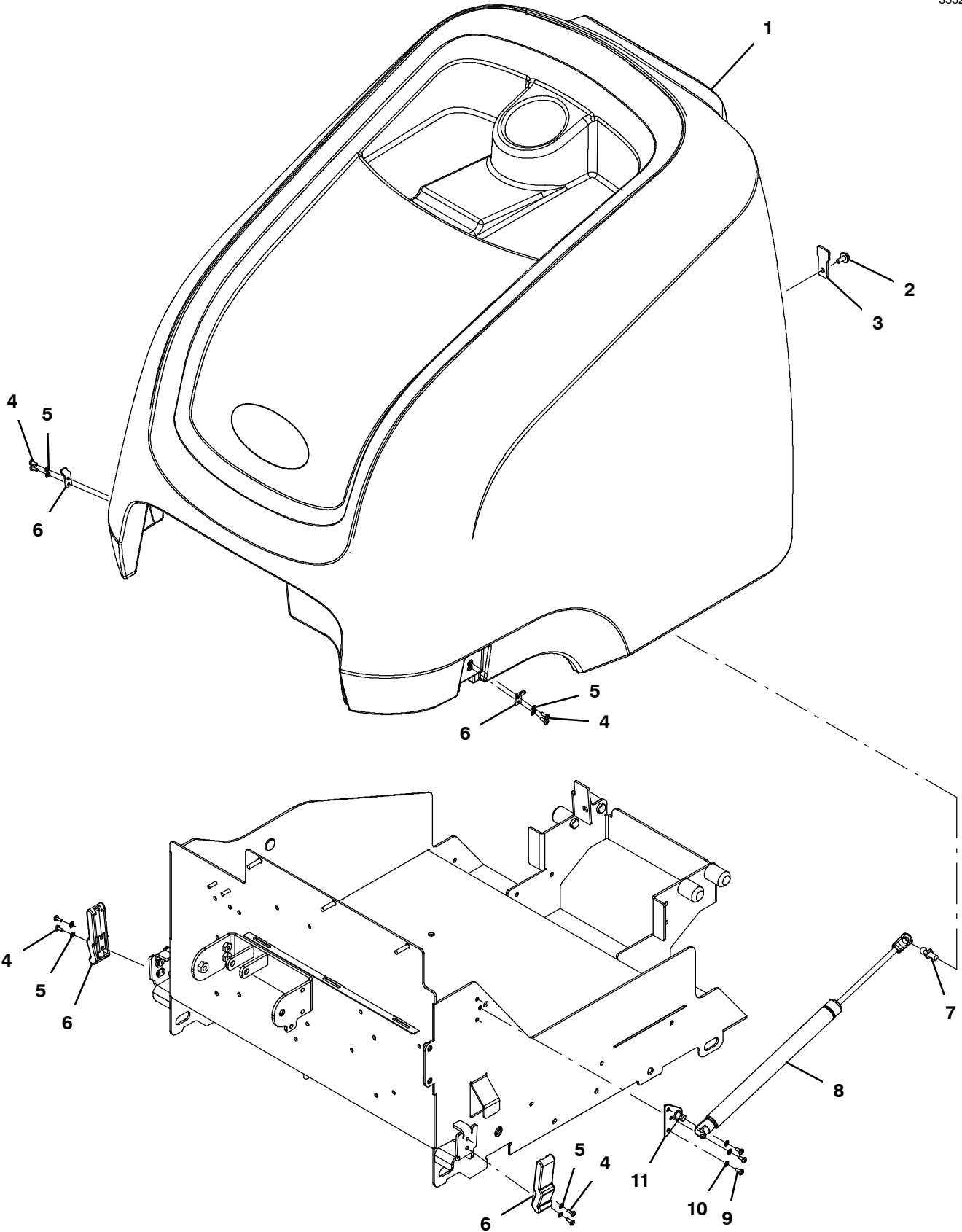
\* Requires Tennant *True* service or an authorized Tennant service provider.

∇ ASSEMBLY

▲ INCLUDED IN ASSEMBLY

COVER GROUP

355235

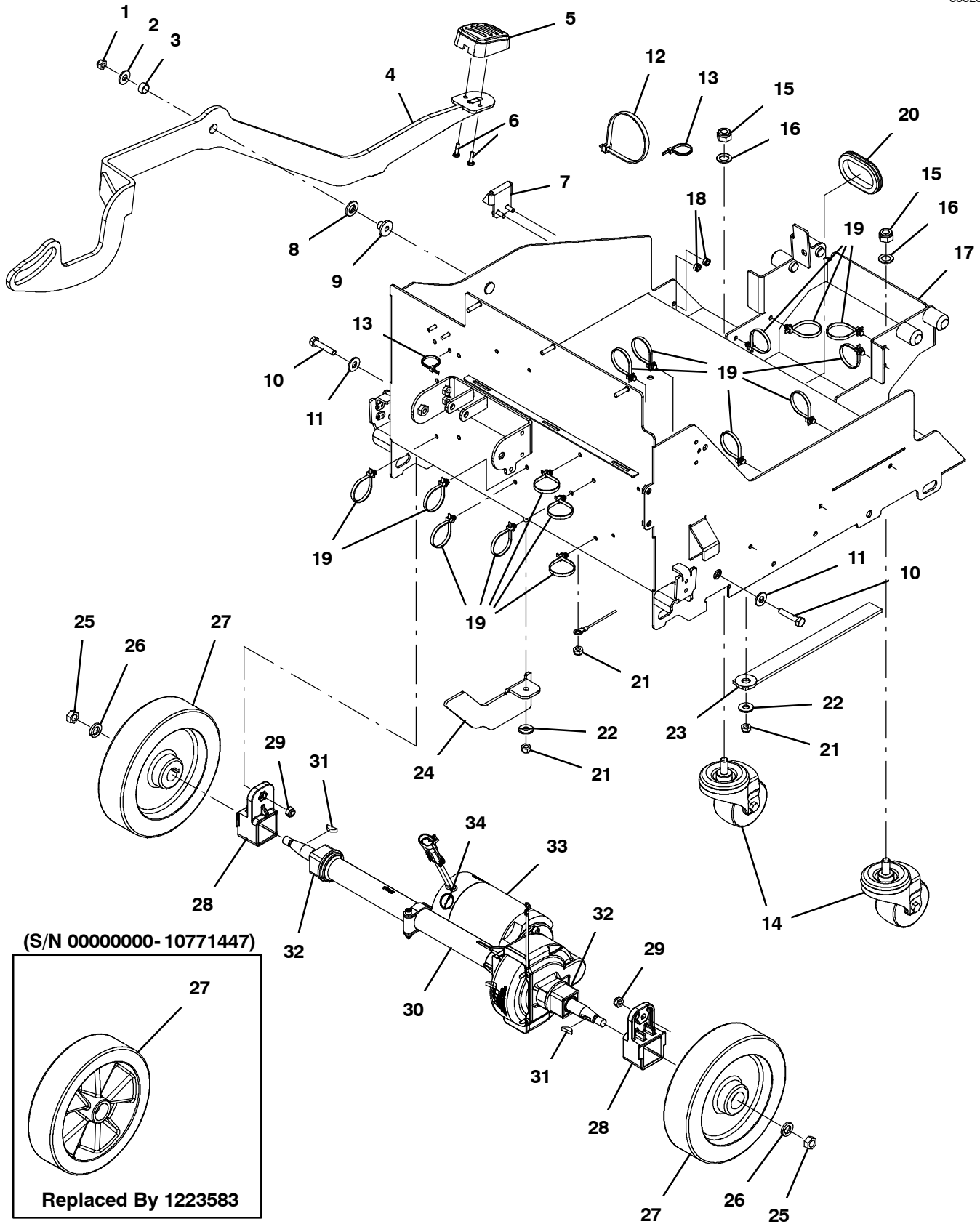


## COVER GROUP

Ref.	Part No.	Serial Number	Description	Qty.
1	9014013	(00000000-	) Cover, Afmkt [Sg7] (Does Not Include Labels - Order Separately See Label Group)	1
2	1034731	(00000000-	) Screw, Hex, M6 X 1.00 X 16, Ss, Sems	1
3	1204697	(00000000-	) Bracket, Pivot, Body	1
4	49697	(00000000-	) Screw, Pan, Phl, M4 X 0.70 X 10, Ss	4
5	02938	(00000000-	) Washer, Lock, Int, 08, Ss	4
6	1207285	(00000000-	) Latch, Draw, Rbr, W/ Keeper, Yellow	2
7	1205551	(00000000-	) Stud, Ball, 10mm Ball, M8x1.25 Stud	1
8	1205533	(00000000-	) Damper	1
9	49697	(00000000-	) Screw, Pan, Phl, M4 X 0.70 X 10, Ss	3
10	02938	(00000000-	) Washer, Lock, Int, 08, Ss	3
11	1205549	(00000000-	) Bracket, Stud, Ball, .389 Dia	1

FRAME GROUP, DRIVE

355238





## FRAME GROUP, DRIVE

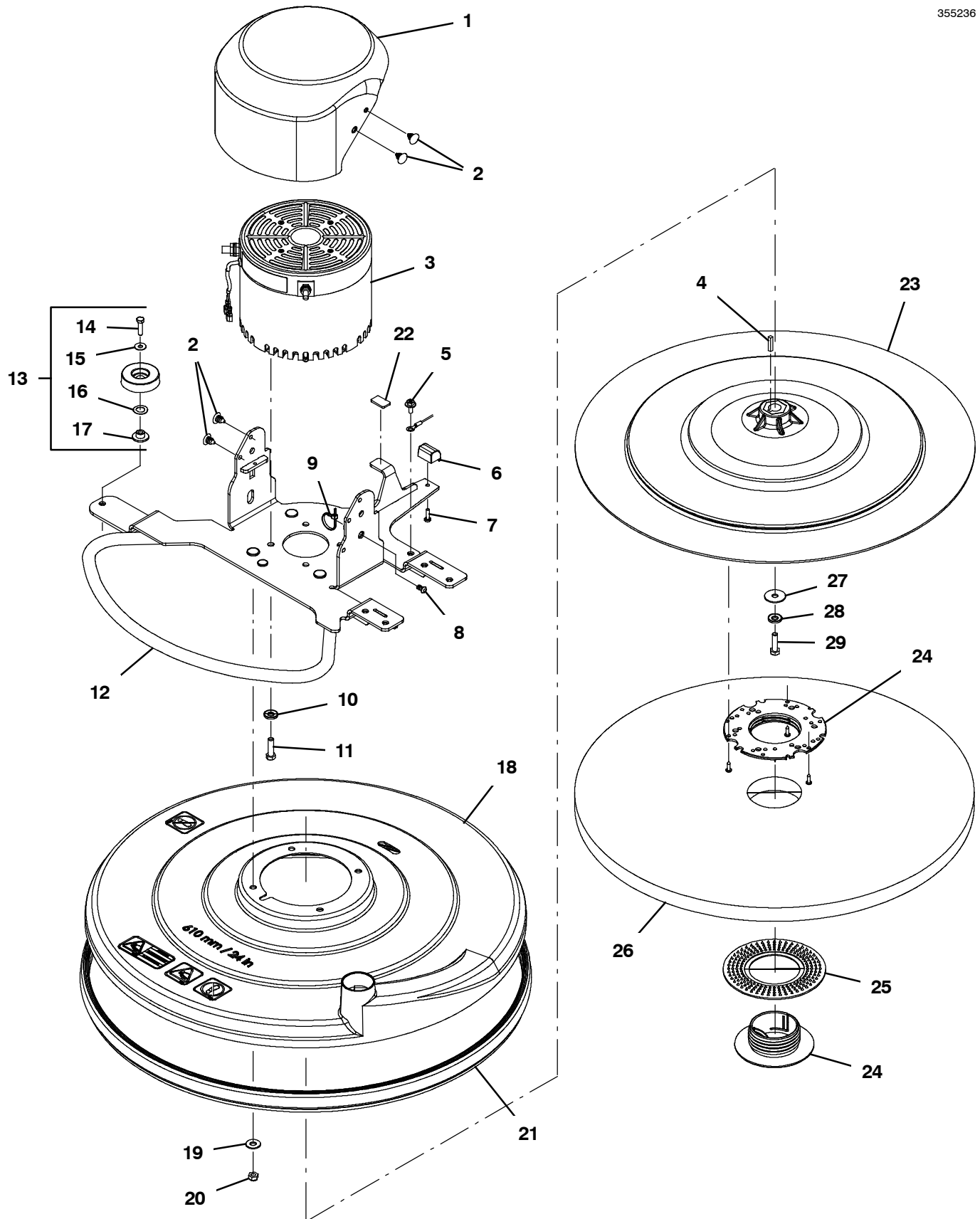
Ref.	Part No.	Serial Number	Description	Qty.	
1	08713	(00000000-	) Nut, Hex, Lock, M8 X 1.25, NI, Ss	1	
2	01685	(00000000-	) Washer, Flat, 0.38b 0.88d .08, Ss	1	
3	1205534	(00000000-	) Bearing, .50idx.31lg Journal	1	
4	1203257	(00000000-	) Pedal Wldt, Lift, Head	1	
5	1203776	(00000000-	) Cover, Pedal	1	
6	1043573	(00000000-	) Screw, #10- 14 X 0.675, Spl[Shcs,Selftap]	2	
7	1013946	(00000000-	) Bracket, Locking, Pedal, Foot	1	
8	1013936	(00000000-	) Washer, Flat, 0.51b 0.94d .10, Nyl	1	
9	1203351	(00000000-	) Bushing, FIng, 8.3mmb 12.6mmd 10.7mml	1	
10	74440	(00000000-	) Screw, Hex, M8 X 1.25 X 40, NI, Ss	2	
11	01685	(00000000-	) Washer, Flat, 0.38b 0.88d .08, Ss	2	
12	44961	(00000000-	) Tie, Cable, Nyl, 14.5l .30w 4.0 Max D	1	
13	130773	(00000000-	) Tie, Cable, Nyl, 11.0l, .14w, 3.0 Max. D	2	
▽	14	9012767	(00000000-	) Caster Kit, Afmkt, W/ Hdwr	2
▲	15	09741	(00000000-	) Nut, Hex, Lock, M12 X 1.75, NI, Ss	2
▲	16	140058	(00000000-	) Washer, Flat, 0.54b 0.88d .06, Ss [Wand]	2
17	1204444	(00000000-	) Frame Wldt, Main [B7]	1	
18	08712	(00000000-	) Nut, Hex, Lock, M6 X 1.00, NI, Ss	2	
19	1210807	(00000000-	) Wire, Tie [W/.25" Fir Tree Clip]	19	
20	10632- 19	(00000000-	) Grommet, Rbr, 2.13id, F/2.5h, .12 Matl	1	
21	08713	(00000000-	) Nut, Hex, Lock, M8 X 1.25, NI, Ss	3	
22	01685	(00000000-	) Washer, Flat, 0.38b 0.88d .08, Ss	2	
23	71579	(00000000-	) Strap, Static, W/Grommet, .19 1.1w 25.0l	1	
24	1205732	(00000000-	) Bracket, Follower, Head	1	
25	09741	(00000000-	) Nut, Hex, Lock, M12 X 1.75, NI, Ss	2	
26	140058	(00000000-	) Washer, Flat, 0.54b 0.88d .06, Ss [Wand]	2	
27	1223583	(10818256-	) Wheel, Scrbr, 213mm, W/ Taper	2	
27	1218753	(10771448- 10818255	) Wheel, Scrbr, 213mm, W/ Taper (Replaced by 1223583 - Order Qty 2)	2	
27	1020688	(00000000- 10771447	) Wheel, Scrbr, 213mm, W/ Taper (Replaced by 1223583 - Order Qty 2)	2	
28	1028292	(00000000-	) Adapter, Mtg, Axle, Alm [T3]	2	
29	08713	(00000000-	) Nut, Hex, Lock, M8 X 1.25, NI, Ss	2	
▽	30	1202920	(00000000-	) Transaxle, 24vdc [458f- 2100 Asi]	1
▲	31	1021167	(00000000-	) Key, Woodruff, 5mm	2
▲	32	612880	(00000000-	) Joint, Transaxle, Replmt	2
▲▽	33	1212352	(00000000-	) Motor, Transaxle, 24vdc, UI	1
▲▲	34	1212351	(00000000-	) Brush, Kit, Carbon, Transaxle, UI (1 Pkg = 4 Brushes)	1

▽ ASSEMBLY

▲ INCLUDED IN ASSEMBLY

HEAD GROUP, 610 MM (24 IN)

355236



## HEAD GROUP, 610 MM (24 IN)

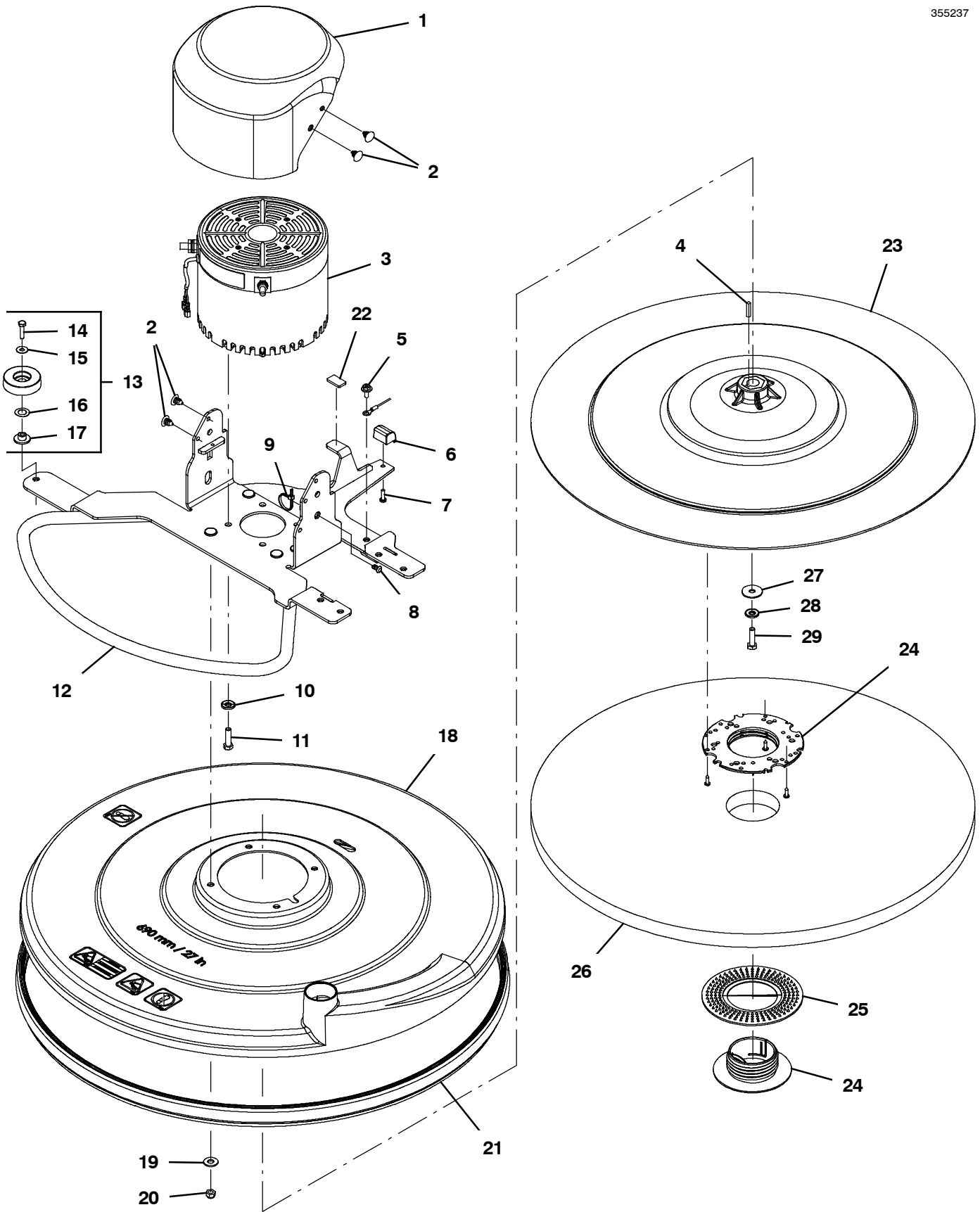
Ref.	Part No.	Serial Number	Description	Qty.	
1	1205768	(00000000-	) Cover, Motor, Spg	1	
2	140262	(00000000-	) Clip, Snap- In	4	
▽	3	1205478	(00000000-	) Motor, Ele, 24- 72vdc, 3900rpm, 8.83hp	1
▲	1212017	(00000000-	) Brush Assy, Carbon, Afmkt	1	
▲	4	00928	(00000000-	) Key, Sq, 0.25 X 0.25, 1.00l	1
5	1034731	(00000000-	) Screw, Hex, M6 X 1.00 X 16, Ss, Sems	1	
6	1205755	(00000000-	) Roller, Guide	1	
7	1043573	(00000000-	) Screw, #10- 14 X 0.675, Spl[Shcs,Selftap]	1	
8	1071085	(00000000-	) Clip, Tie, 0.25d, Plstc	1	
9	130773	(00000000-	) Tie, Cable, Nyl, 11.0l, .14w, 3.0 Max. D	1	
10	41186	(00000000-	) Washer, Flat, Belleville, .31	4	
11	1016399	(00000000-	) Screw, Hex, M8 X 1.25 X 30, NI, Ss	4	
12	1216453	(10729501-	) Motor Wldt, Mount, 60cm	1	
12	1205095	(00000000- 10729500	) Motor Wldt, Mount, 60cm	1	
▽	13	9012768	(00000000-	) Wheel Kit, Bmpr, Afmkt, W/ Hdwr	1
▲	14	1016005	(00000000-	) Screw, Hex, M6 X 1.00 X 25, NI, FI, Ss	1
▲	15	01684	(00000000-	) Washer, Flat, 0.27b 0.69d .05, Ss	1
▲	16	1210221	(00000000-	) Washer, Wave, .515b, .875d, .013, Ss	1
▲	17	1210186	(00000000-	) Bushing, Flng, 6.3mmb 12.6mmd 7.7mml	1
18	9012773	(00000000-	) Shroud, Dust, Afmkt, 61cm, [Na]	1	
19	01685	(00000000-	) Washer, Flat, 0.38b 0.88d .08, Ss	4	
20	08713	(00000000-	) Nut, Hex, Lock, M8 X 1.25, NI, Ss	4	
21	1200750	(00000000-	) Skirt Assy, Shrd, 24.0d	1	
22	1032763	(00000000-	) Gasket, Stand, Support	1	
▽	23	1208141	(00000000-	) Driver Assy, Pad, 24d	1
▲	24	32506	(00000000-	) Device, Centering, Rh Pad Retainer	1
▲	25	1205787	(00000000-	) Collar, Locking, Pad Driver, 6.1"	1
26	1204254	(00000000-	) Pad, Burnish, 24.0d, Hairblend 1pk=1pad (Qty 1 Pad)	1	
27	41186	(00000000-	) Washer, Flat, Belleville, .31	1	
28	25732	(00000000-	) Washer, Flat, 0.36b 1.25d .09, PI	1	
29	1016399	(00000000-	) Screw, Hex, M8 X 1.25 X 30, NI, Ss	1	

▽ ASSEMBLY

▲ INCLUDED IN ASSEMBLY

HEAD GROUP, 690 MM (27 IN)

355237



## HEAD GROUP, 690 MM (27 IN)

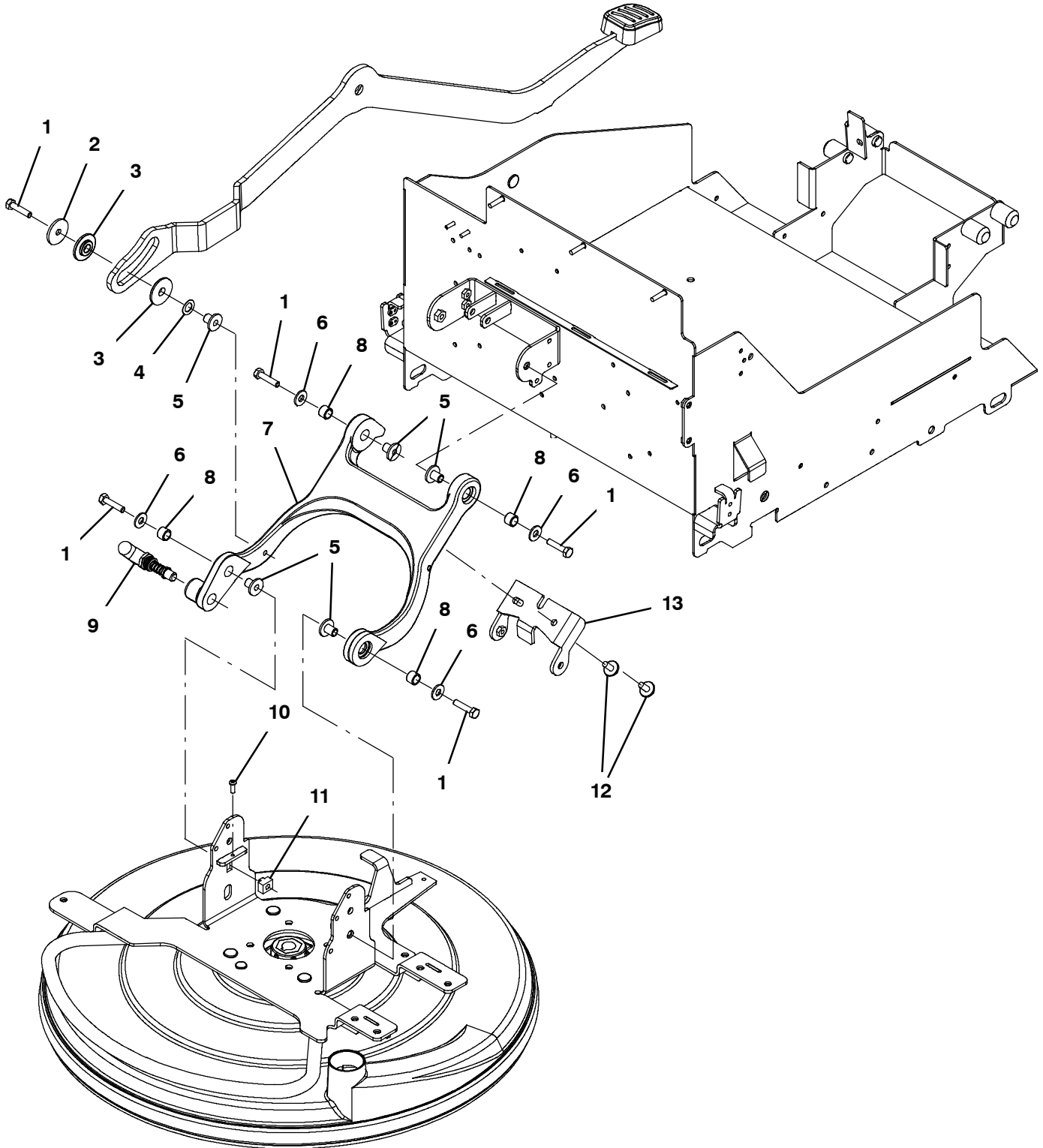
Ref.	Part No.	Serial Number	Description	Qty.	
1	1205768	(00000000-	) Cover, Motor, Spg	1	
2	140262	(00000000-	) Clip, Snap- In	4	
▽	3	1205478	(00000000-	) Motor, Ele, 24- 72vdc, 3900rpm, 8.83hp	1
▲	1212017	(00000000-	) Brush Assy, Carbon, Afmkt	1	
▲	4	00928	(00000000-	) Key, Sq, 0.25 X 0.25, 1.00l	1
5	1034731	(00000000-	) Screw, Hex, M6 X 1.00 X 16, Ss, Sems	1	
6	1205755	(00000000-	) Roller, Guide	1	
7	1043573	(00000000-	) Screw, #10- 14 X 0.675, Spl[Shcs,Selftap]	1	
8	1071085	(00000000-	) Clip, Tie, 0.25d, Plstc	1	
9	130773	(00000000-	) Tie, Cable, Nyl, 11.0l, .14w, 3.0 Max. D	1	
10	41186	(00000000-	) Washer, Flat, Belleville, .31	4	
11	1016399	(00000000-	) Screw, Hex, M8 X 1.25 X 30, NI, Ss	4	
12	1215727	(10729501-	) Motor Wldt, Mount, 68cm	1	
12	1204707	(00000000- 10729500	) Motor Wldt, Mount, 68cm	1	
▽	13	9012768	(00000000-	) Wheel Kit, Bmpr, Afmkt, W/ Hdwr	1
▲	14	1016005	(00000000-	) Screw, Hex, M6 X 1.00 X 25, NI, FI, Ss	1
▲	15	01684	(00000000-	) Washer, Flat, 0.27b 0.69d .05, Ss	1
▲	16	1210221	(00000000-	) Washer, Wave, .515b, .875d, .013, Ss	1
▲	17	1210186	(00000000-	) Bushing, Flng, 6.3mmb 12.6mmd 7.7mml	1
18	9012776	(00000000-	) Shroud, Dust, Afmkt, 69cm, [Na]	1	
19	01685	(00000000-	) Washer, Flat, 0.38b 0.88d .08, Ss	4	
20	08713	(00000000-	) Nut, Hex, Lock, M8 X 1.25, NI, Ss	4	
21	1200686	(00000000-	) Skirt Assy, Shrd, 27.0d	1	
22	1032763	(00000000-	) Gasket, Stand, Support	1	
▽	23	1213332	(00000000-	) Driver Assy, Pad, 27d	1
▲	24	32506	(00000000-	) Device, Centering, Rh Pad Retainer	1
▲	25	1205787	(00000000-	) Collar, Locking, Pad Driver, 6.1"	1
26	1204255	(00000000-	) Pad, Burnish, 27.0d, Hairblend 1pk=1pad (Qty 1 Pad)	1	
27	41186	(00000000-	) Washer, Flat, Belleville, .31	1	
28	25732	(00000000-	) Washer, Flat, 0.36b 1.25d .09, PI	1	
29	1016399	(00000000-	) Screw, Hex, M8 X 1.25 X 30, NI, Ss	1	

▽ ASSEMBLY

▲ INCLUDED IN ASSEMBLY

HEAD LIFT GROUP

355239



## HEAD LIFT GROUP

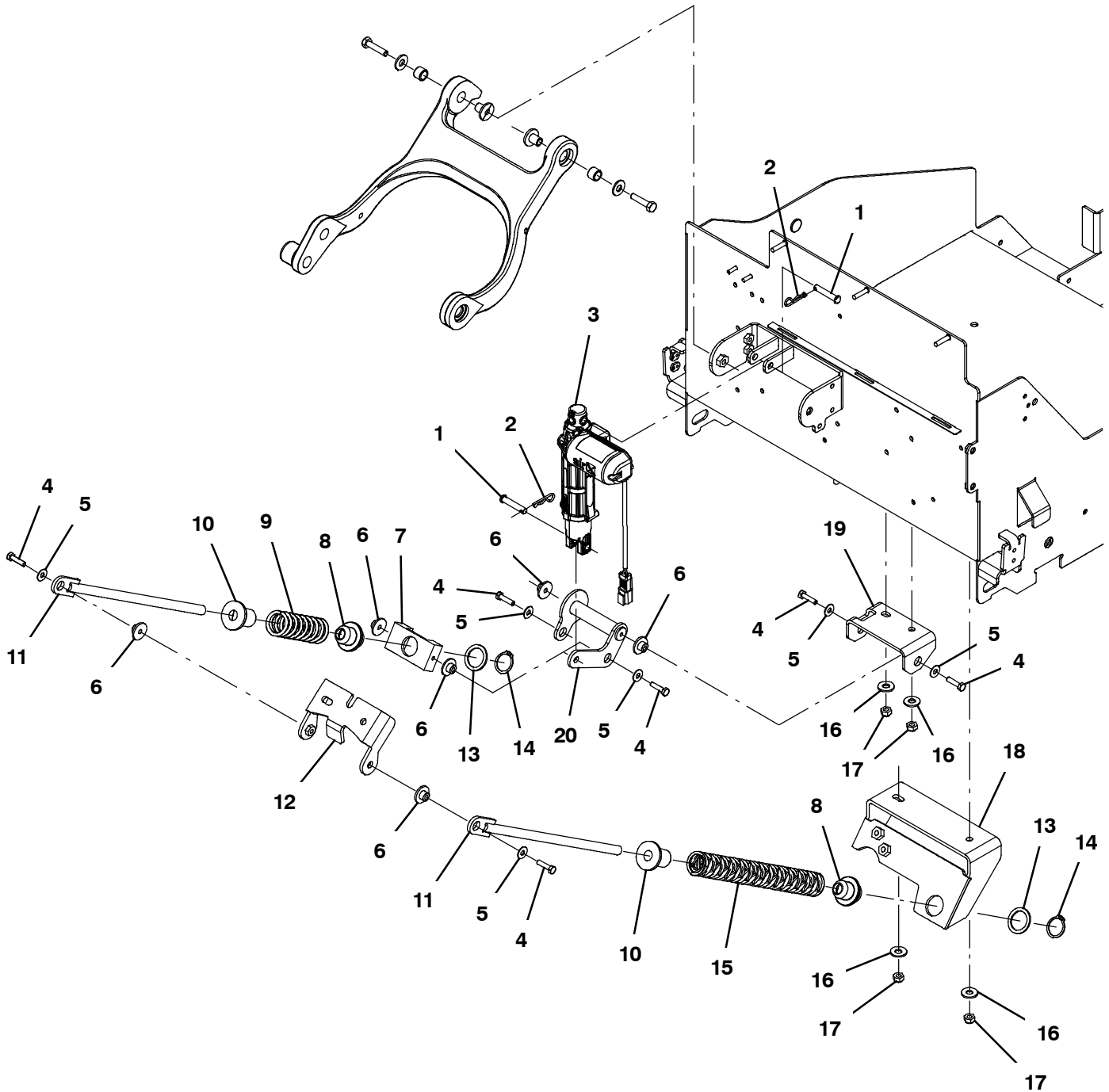
Ref.	Part No.	Serial Number	Description	Qty.	
1	59658	(00000000-	) Screw, Hex, M8 X 1.25 X 35, NI, Ss	4	
2	379829	(00000000-	) Washer, Flat, 0.34b 1.50d .12, Stl, Pl	1	
3	1205779	(00000000-	) Roller, Flng, 12mmb 39.94mmd 6.5mml	2	
4	1210221	(00000000-	) Washer, Wave, .515b, .875d, .013, Ss	1	
5	1205562	(00000000-	) Bushing, Flng, 8.3mmb 11.7mmd 15mml	5	
6	01685	(00000000-	) Washer, Flat, 0.38b 0.88d .08, Ss	4	
▽	7	9012779	(00000000-	) Arm, Lift, Head, Afmkt, W/Bearings	1
▲	8	9012780	(00000000-	) Bearing Kit, 12mmb 16mmd 12mmw, Qty=4	1
9	1203378	(00000000-	) Pin, Spring, .50d 1.00b	1	
10	1205799	(00000000-	) Screw, Btn, Torx, M5 X 0.8 X 16, 8.8, NI	1	
11	1221434	(00000000-	) Nut, T, M8 X 1.25, Pm Ss [B5/B7, T300]	1	
12	1020341	(00000000-	) Screw, Hex, M8 X 1.25 X 20, Ss, Sems	2	
13	1204894	(00000000-	) Guide Wldt, Rod	1	

▽ ASSEMBLY

▲ INCLUDED IN ASSEMBLY

DOWN PRESSURE GROUP, AUTOMATED

355240



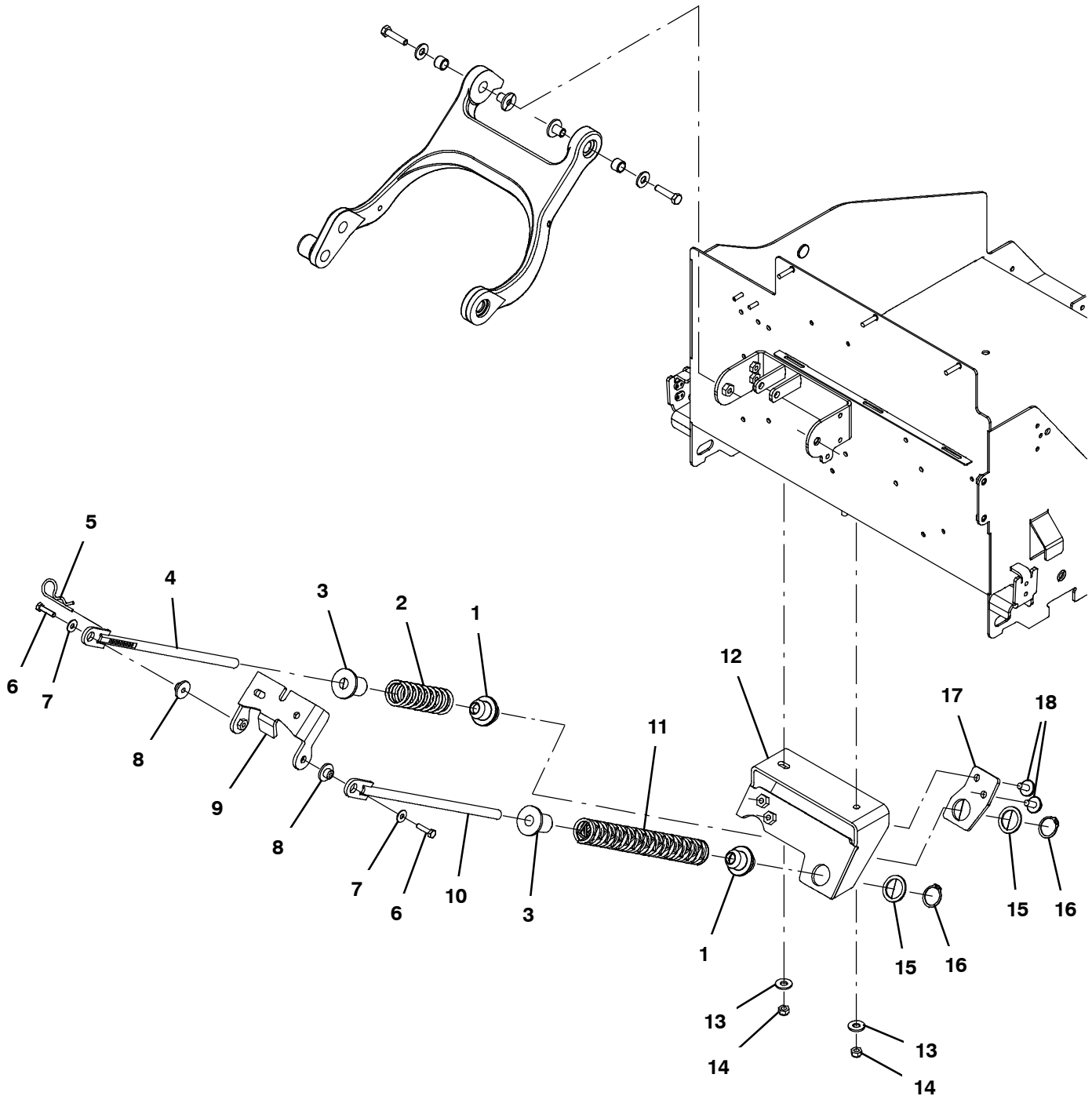


## DOWN PRESSURE GROUP, AUTOMATED

Ref.	Part No.	Serial Number	Description	Qty.
1	397249	(00000000-	) Pin, Clevis, 0.31d X 1.62l	2
2	44906	(00000000-	) Pin, Cotter, Hair, 0.38d .093 Wir	2
3	1205700	(00000000-	) Actuator, 36vdc, 60mm Strk, 2sw, 350n	1
4	1016005	(00000000-	) Screw, Hex, M6 X 1.00 X 25, NI, FI, Ss	6
5	01684	(00000000-	) Washer, Flat, 0.27b 0.69d .05, Ss	6
6	1210186	(00000000-	) Bushing, Flng, 6.3mmb 12.6mmd 7.7mml	6
7	1220923	(00000000-	) Block, Guide, Rod, Pm, PI [B5, B7 Auto]	1
8	1205548	(00000000-	) Bushing, Guide, Rod	2
9	1205304	(00000000-	) Spring, Cmpr, 1.38od .170wir 4.3l[Yellow] (610mm / 24" Model)	1
9	1210789	(00000000-	) Spring, Cmpr, 1.424od .192wir 4.40l[Blue] (690mm / 27" Model)	1
10	1205557	(00000000-	) Bushing, Spring	2
11	1203314	(00000000-	) Rod Wldt, Guide	2
12	1204894	(00000000-	) Guide Wldt, Rod	1
13	1205832	(00000000-	) Washer, Flat, 1.06b 1.42d .09thk, Nyl	2
14	1205567	(00000000-	) Ring, Retaining, Ext, 26mmd	2
15	1205882	(00000000-	) Spring, Cmpr, 1.35od .156wir 11l[Purple] (610mm / 24" Model)	1
15	1210788	(00000000-	) Spring, Cmpr, 1.364od .162wir 11.0l[Grn] (690mm / 27" Model)	1
16	01685	(00000000-	) Washer, Flat, 0.38b 0.88d .08, Ss	4
17	08713	(00000000-	) Nut, Hex, Lock, M8 X 1.25, NI, Ss	4
18	1204575	(00000000-	) Bracket Wldt, Rod	1
19	1205738	(00000000-	) Bracket, Bellcrank	1
20	1203198	(00000000-	) Bracket Wldt, Bellcrank	1

DOWN PRESSURE GROUP, MECHANICAL

355241

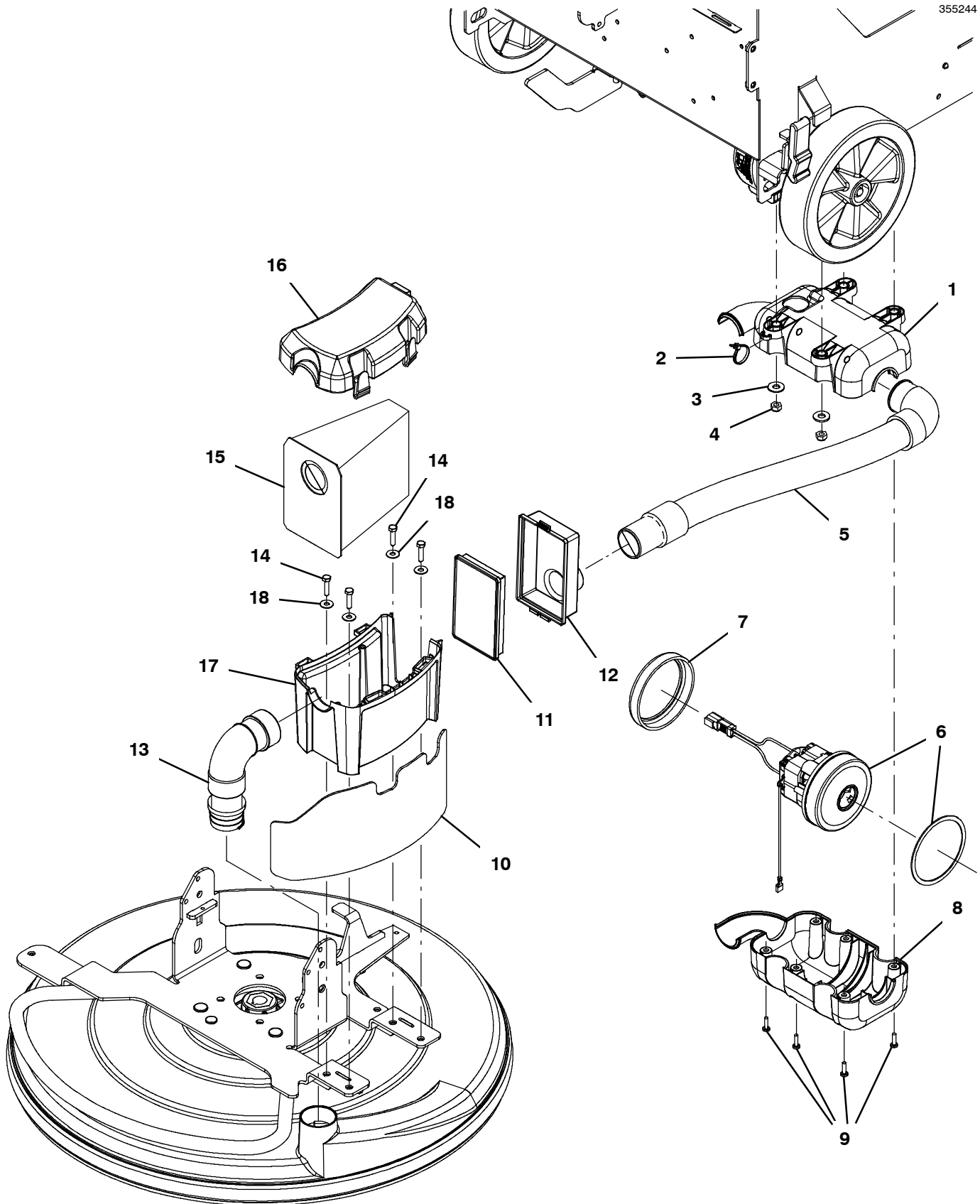


## DOWN PRESSURE GROUP, MECHANICAL

Ref.	Part No.	Serial Number	Description	Qty.
1	1205548	(00000000-	) Bushing, Guide, Rod	2
2	1210790	(00000000-	) Spring, Cmpr, 1.38od .170wir 5.4l[Ornge]	1
3	1205557	(00000000-	) Bushing, Spring	2
4	1207690	(00000000-	) Rod Wldt, Guide, Adj	1
5	02942	(00000000-	) Pin, Hair, Cotter, 0.62d .120 Wir	1
6	1016005	(00000000-	) Screw, Hex, M6 X 1.00 X 25, NI, Fl, Ss	2
7	01684	(00000000-	) Washer, Flat, 0.27b 0.69d .05, Ss	2
8	1210186	(00000000-	) Bushing, Flng, 6.3mmb 12.6mmd 7.7mml	2
9	1204894	(00000000-	) Guide Wldt, Rod	1
10	1203314	(00000000-	) Rod Wldt, Guide	1
11	1205882	(00000000-	) Spring, Cmpr, 1.35od .156wir 11l[Purple] (610mm / 24" Model)	1
11	1210788	(00000000-	) Spring, Cmpr, 1.364od .162wir 11.0l[Grn] (690mm / 27" Model)	1
12	1204575	(00000000-	) Bracket Wldt, Rod	1
13	01685	(00000000-	) Washer, Flat, 0.38b 0.88d .08, Ss	2
14	08713	(00000000-	) Nut, Hex, Lock, M8 X 1.25, NI, Ss	2
15	1205832	(00000000-	) Washer, Flat, 1.06b 1.42d .09thk, Nyl	2
16	1205567	(00000000-	) Ring, Retaining, Ext, 26mmd	2
17	1208110	(00000000-	) Plate, Spring	1
18	1020341	(00000000-	) Screw, Hex, M8 X 1.25 X 20, Ss, Sems	2

DUST CONTROL GROUP, ACTIVE

355244

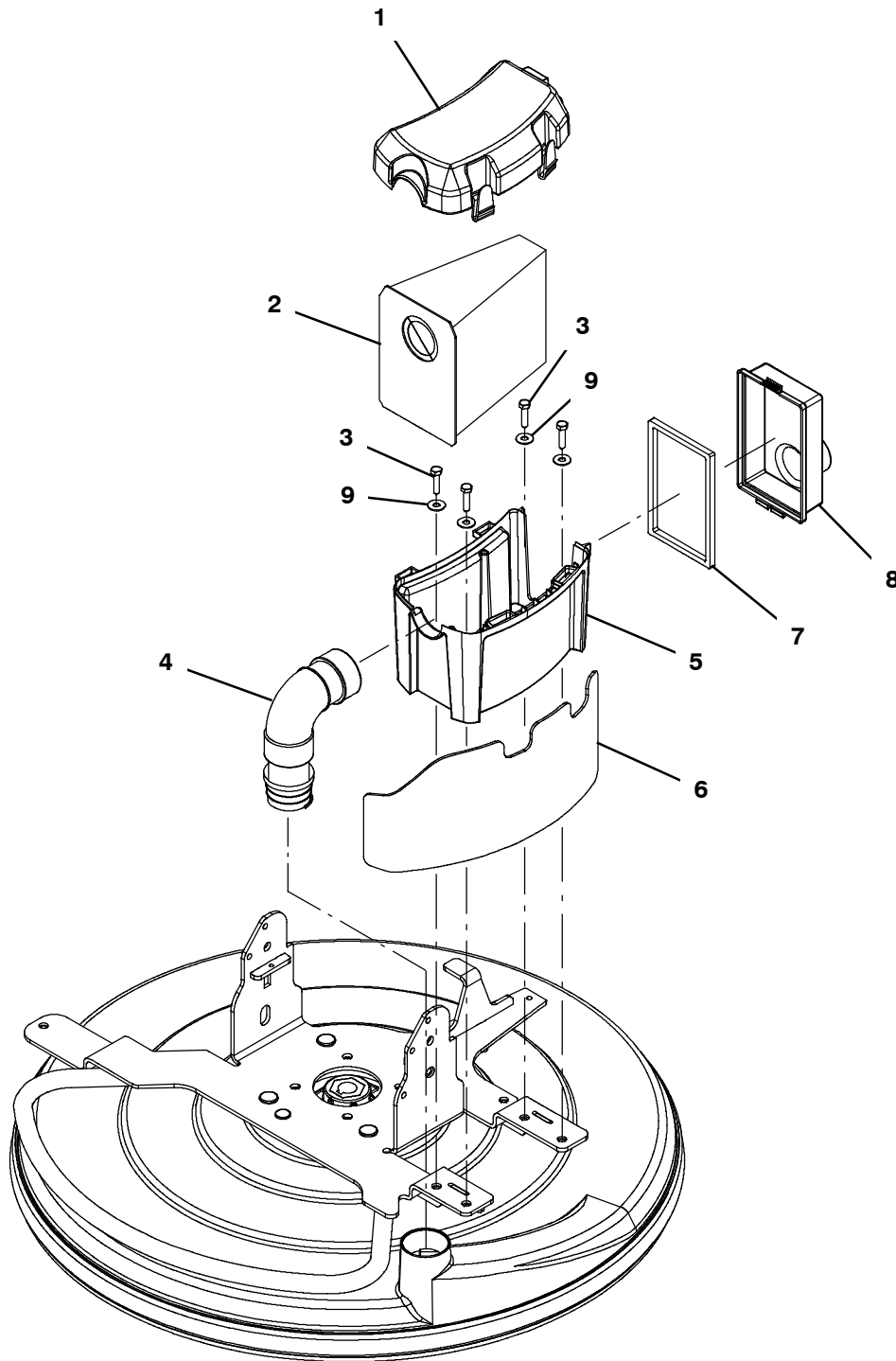


## DUST CONTROL GROUP, ACTIVE

Ref.	Part No.	Serial Number	Description	Qty.
1	1203164	(00000000-	) Housing, Vacuum Motor, Left	1
2	130773	(00000000-	) Tie, Cable, Nyl, 11.0l, .14w, 3.0 Max. D	1
3	01685	(00000000-	) Washer, Flat, 0.38b 0.88d .08, Ss	4
4	08713	(00000000-	) Nut, Hex, Lock, M8 X 1.25, NI, Ss	4
5	607275	(00000000-	) Hose, Vacuum, 1.50id X 040.0l, 2cuff,E90	1
6	9012781	(00000000-	) Fan Kit, Vacuum, Afmkt, W/ Gasket	1
7	1203349	(00000000-	) Gasket, Vac Motor	1
8	1203165	(00000000-	) Housing, Vacuum Motor, Right	1
9	1043573	(00000000-	) Screw, #10- 14 X 0.675, Spl[Shcs,Selftap]	6
10	1215720	(10729501-	) Guard, Wldt, Dust Box	1
10	1211826	(00000000- 10729500	) Guard, Wldt, Dust Box	1
11	1203162	(00000000-	) Filter, Hepa	1
12	1206013	(00000000-	) Housing, Filter, Hepa, Spg	1
13	1204900	(00000000-	) Hose, Assy, 1.50 Id	1
14	1016005	(00000000-	) Screw, Hex, M6 X 1.00 X 25, NI, FI, Ss	4
15	1210869	(00000000-	) Bag, Dust, Paper[1 Pick=1 Pkg] (1 Pkg=10 Bags) (Standard)	1
16	1206015	(00000000-	) Cover, Dust Control, Spg	1
17	1206014	(00000000-	) Base, Dust Control, Spg	1
18	01684	(00000000-	) Washer, Flat, 0.27b 0.69d .05, Ss	4

DUST CONTROL GROUP, PASSIVE

355230

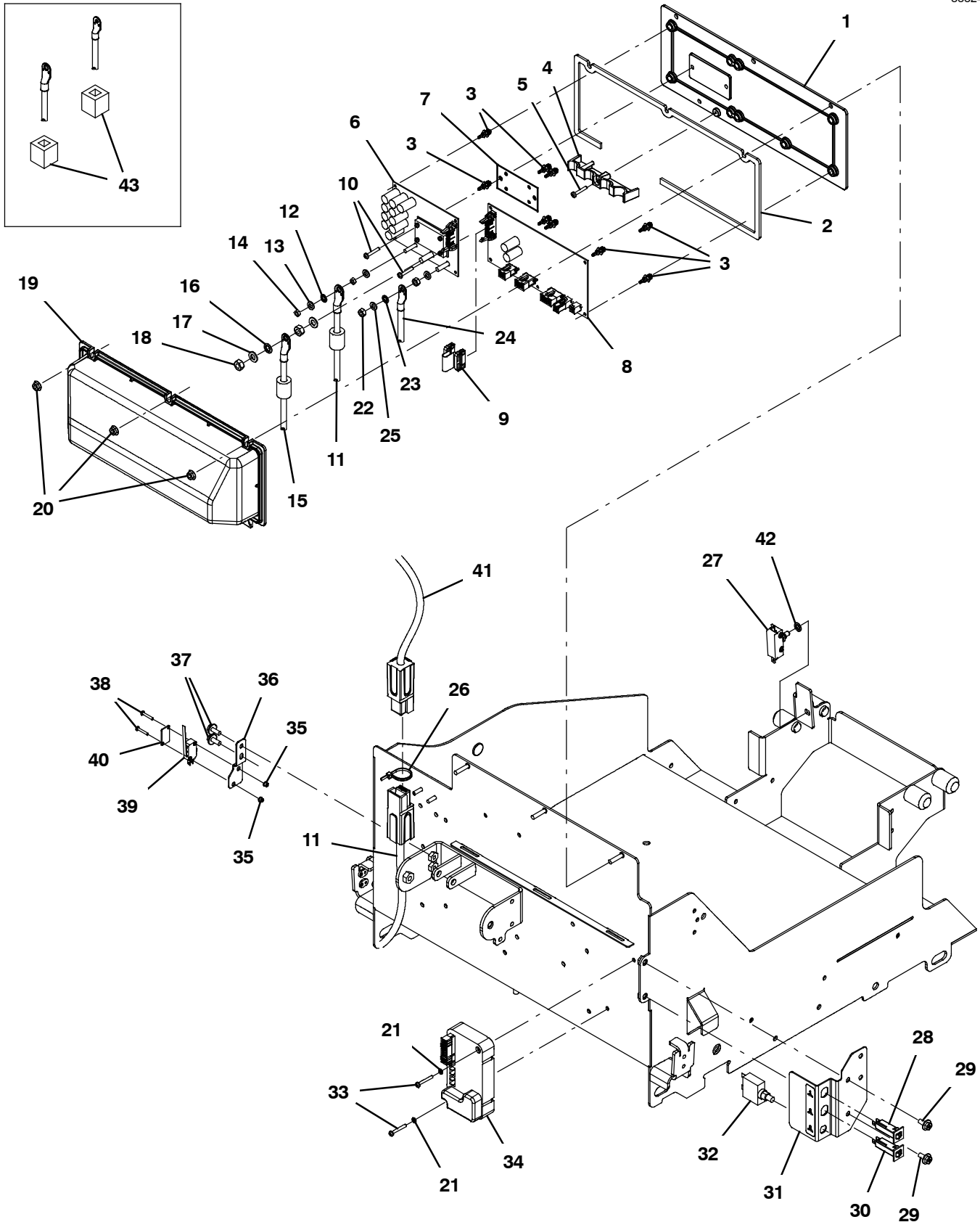


## DUST CONTROL GROUP, PASSIVE

Ref.	Part No.	Serial Number	Description	Qty.
1	1206015	(00000000-	) Cover, Dust Control, Spg	1
2	1210869	(00000000-	) Bag, Dust, Paper[1 Pick=1 Pkg] (1 Pkg=10 Bags) (Standard)	1
2	1208744	(00000000-	) Bag, Dust, Cloth (Optional for Passive Dust Control Only)	1
3	1016005	(00000000-	) Screw, Hex, M6 X 1.00 X 25, NI, FI, Ss	4
4	1204900	(00000000-	) Hose, Assy, 1.50 Id	1
5	1206014	(00000000-	) Base, Dust Control, Spg	1
6	1215720	(10729501-	) Guard, Wldt, Dust Box	1
6	1211826	(00000000- 10729500	) Guard, Wldt, Dust Box	1
7	1212532	(00000000-	) Gasket, Cover, Box, Dust	1
8	1206013	(00000000-	) Housing, Filter, Hepa, Spg	1
9	01684	(00000000-	) Washer, Flat, 0.27b 0.69d .05, Ss	4

ELECTRICAL COMPONENTS GROUP

355242





## ELECTRICAL COMPONENTS GROUP

Ref.	Part No.	Serial Number	Description	Qty.	
1	1207928	(00000000-	) Panel, Mounting, Cast	1	
2	1205971	(00000000-	) Gasket, Cover, Circuitboard	1	
3	1209448	(00000000-	) Standoff, Circuitboard, .25	9	
4	1203975	(00000000-	) Spacer, Terminal	1	
5	04403	(00000000-	) Screw, Pan, Phl, M4 X 0.70 X 25, NI, Ss	1	
▽	6	9012782	(00000000-	) Circuitboard Kit, Bridge, Afmkt, W/Strap	1
▲	7	1205845	(00000000-	) Circuitboard, Silpad [1/2 Bridge, Lower]	1
8	9012783	(00000000-	) Circuitboard Kit, Base, Afmkt, W/ Strap (For Models w/ mechanical pad pressure and passive dust control)	1	
8	9012796	(00000000-	) Circuitboard Kit, Option, Afmkt, W/Strap (For Models w/ automated pad pressure and/or active dust control)	1	
9	1206669	(00000000-	) Cable, Assy [Ribbon, 20 Pos., 2.0]	1	
10	04403	(00000000-	) Screw, Pan, Phl, M4 X 0.70 X 25, NI, Ss	2	
11	1072936	(00000000-	) Cable, Assy, Fuse [B7, 100a] (Includes Ferrite)	1	
12	07515	(00000000-	) Washer, Lock, Int, 0.25, Ss	1	
13	1061918	(00000000-	) Washer, Flat, 0.25b 0.47d .06, Brs	1	
14	1202864	(00000000-	) Nut, Hex, Std, M5 X 0.80, Brs	1	
15	1072372	(00000000-	) Cable, 04ga 36.4l Blue [M8 Ring/M8 Ring] (Includes Ferrite)	1	
16	43952	(00000000-	) Washer, Lock, Int, 0.31, Ss	1	
17	1209373	(00000000-	) Washer, Flat, M8.4b X 16d X 1.6, Brs	1	
18	41361	(00000000-	) Nut, Hex, Std, M8 X 1.25, Brs	1	
19	1207594	(00000000-	) Cover, Board, Cntrl	1	
20	07790	(00000000-	) Nut, Hex, Flng, M6 X 1.00	3	
21	02938	(00000000-	) Washer, Lock, Int, 08, Ss	2	
22	1061910	(00000000-	) Nut, Hex, Std, M6 X 1.00, Brs	1	
23	07515	(00000000-	) Washer, Lock, Int, 0.25, Ss	1	
24	1072939	(00000000-	) Cable, Assy [B7/B5, Ground]	1	
25	1061918	(00000000-	) Washer, Flat, 0.25b 0.47d .06, Brs	1	
26	130773	(00000000-	) Tie, Cable, Nyl, 11.0l, .14w, 3.0 Max. D	1	
27	1207893	(00000000-	) Switch, Push, Snap Action, 25a [No]	1	
28	1064184	(00000000-	) Circuitbreaker, 02.5a, Resetable	1	
29	1034731	(00000000-	) Screw, Hex, M6 X 1.00 X 16, Ss, Sems	2	
30	1064188	(00000000-	) Circuitbreaker, 15.0a, Resetable	1	
31	1208453	(00000000-	) Bracket, Circuit Breaker	1	
32	383725	(00000000-	) Circuitbreaker, 30.0a, Resetable	1	
33	33931	(00000000-	) Screw, Pan, Phl, M4 X 0.70 X 30, Ss	2	
34	9012826*	(00000000-	) Controller, Drive, Afmkt, W/ Usb Cable (Drive Model)	1	
35	1016603	(00000000-	) Nut, Clinch, M3 X 0.5, NI	2	
36	1207555	(00000000-	) Bracket, Thread, Switch, M3 Nut [B5, B7]	1	
37	1034731	(00000000-	) Screw, Hex, M6 X 1.00 X 16, Ss, Sems	2	
38	06922	(00000000-	) Screw, Pan, Phl, M3 X 0.50 X 20, 4.8	2	
39	1205323	(00000000-	) Switch, 0.1a, Spdt [Micro, Straight]	1	
40	601359	(00000000-	) Plate, Backing, Switch	1	
41	1072365	(00000000-	) Cable, 02ga 21.6l Red [M8 Ring / And.]	1	
42	32988	(00000000-	) Washer, Lock, Int, 0.38	1	
43	1210283	(00000000-	) Box, Wire [Ferrite, Emi Filter] (No Longer Available - Replaced by Cable 1072935 or 1072372 Includes Ferrite)	2	

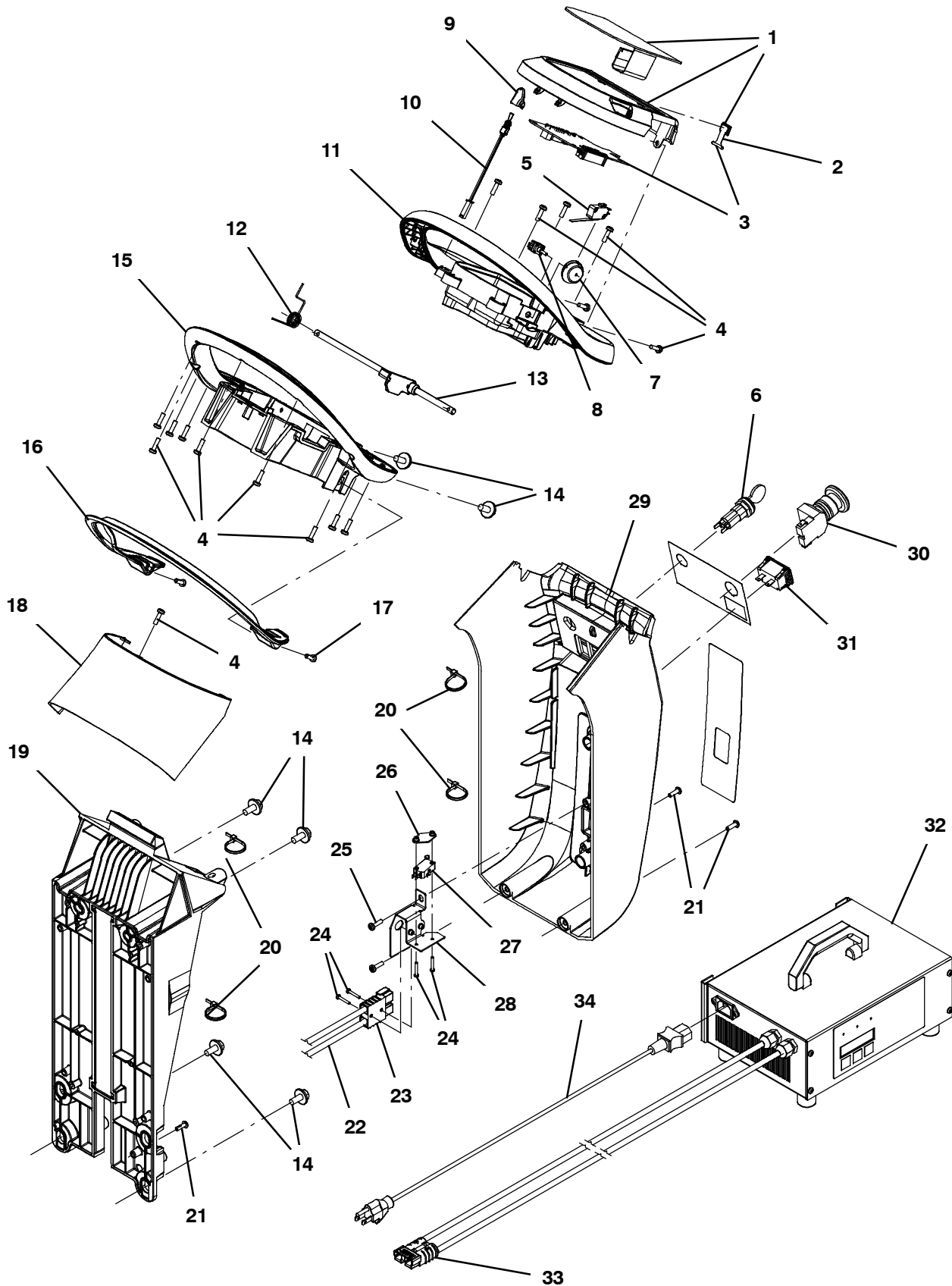
\* Requires Tennant *True* service or an authorized Tennant service provider.

▽ ASSEMBLY

▲ INCLUDED IN ASSEMBLY

CONSOLE GROUP, BASE, DRIVE, OFF BOARD CHARGER

355249



## CONSOLE GROUP, BASE, DRIVE, OFF BOARD CHARGER

Ref.	Part No.	Serial Number	Description	Qty.
▽	1	9012785*	(00000000- ) Bezel Kit, Mechanical, Propel, Afmkt	1
▲	2	1205618	(00000000- ) Cap, Usb	1
	3	9012787	(00000000- ) Circuitboard Kit, Console, W/ Usb Cable	1
	4	1043573	(00000000- ) Screw, #10- 14 X 0.675, Spl[Shcs,Selftap]	16
	5	1205323	(00000000- ) Switch, 0.1a, Spdt [Micro, Straight]	1
▽	6	1011402	(00000000- ) Switch, Key	1
▲		1017696	(00000000- ) Key Set, Replmt [F/ Keyswitch 1011402]	1
	7	1234365	(00000000- ) Dial, Range, Speed	1
	8	1204930	(00000000- ) Potentiometer [100k, 1 Turn, B5/B7]	1
	9	1209730	(00000000- ) Cap, Toggle, Direction	1
	10	1209673	(00000000- ) Switch Assy, Toggle, Direction	1
	11	1203787	(00000000- ) Housing, Handle, Cntrl, Top	1
	12	1205781	(00000000- ) Spring, Return, Bail	1
	13	1205143	(00000000- ) Shaft Asm, Bail, Handle	1
	14	1020341	(00000000- ) Screw, Hex, M8 X 1.25 X 20, Ss, Sems	6
	15	1222608	(00000000- ) Housing, Handle, Cntrl, Bottom, Slotted	1
	16	1205778	(00000000- ) Handle, Bail [Machined]	1
	17	1205799	(00000000- ) Screw, Btn, Torx, M5 X 0.8 X 16, 8.8, NI	2
	18	1207004	(00000000- ) Cover, Handle, Cntrl	1
	19	1216531	(00000000- ) Frame, Column, Cntrl [Revised Machined]	1
	20	130773	(00000000- ) Tie, Cable, Nyl, 11.0l, .14w, 3.0 Max. D	4
	21	1205799	(00000000- ) Screw, Btn, Torx, M5 X 0.8 X 16, 8.8, NI	3
▽	22	1072939	(00000000- ) Cable, Assy [B7/B5, Ground]	1
▲	23	130155	(00000000- ) Connector, Battery, 6ga 50a, Gray[2cont]	1
	24	06922	(00000000- ) Screw, Pan, Phl, M3 X 0.50 X 20, 4.8	4
	25	1043573	(00000000- ) Screw, #10- 14 X 0.675, Spl[Shcs,Selftap]	2
	26	1013705	(00000000- ) Plate, Thread, Switch, M3 Nut, 96hr PI	1
	27	1215716	(00000000- ) Switch, 0.1a, Spdt[Micro, Gold Contacts]	1
	28	1208599	(00000000- ) Bracket Assy, Plug, Charger	1
	29	9012789	(00000000- ) Cover, Console, Afmkt, W/ Label [Na]	1
	30	1011735	(00000000- ) Switch, Safety, Shutoff	1
	31	1064038	(00000000- ) Gauge, Hourmeter, 05- 277 Volt, Ac / Dc	1
▽	32	1208644	(00000000- ) Charger, 36vdc, 25a 85- 265vac [Offboard] (180- 250 AH Wet Lead Acid Batteries)	1
▽	32	9012740	(00000000- ) Charger, 36vdc 25a [P/N 1208644, #31] (200- 350 AH AGM Batteries)	1
▽	32	9012739	(00000000- ) Charger, 36vdc 25a [P/N 1208644, #03] (260- 360 AH Wet Lead Acid Batteries)	1
▲	33	130155	(00000000- ) Connector, Battery, 6ga 50a, Gray[2cont]	1
	34	1073882	(00000000- ) Cord, Power, 16/3, 15a, 15ft Blk [Us]	1

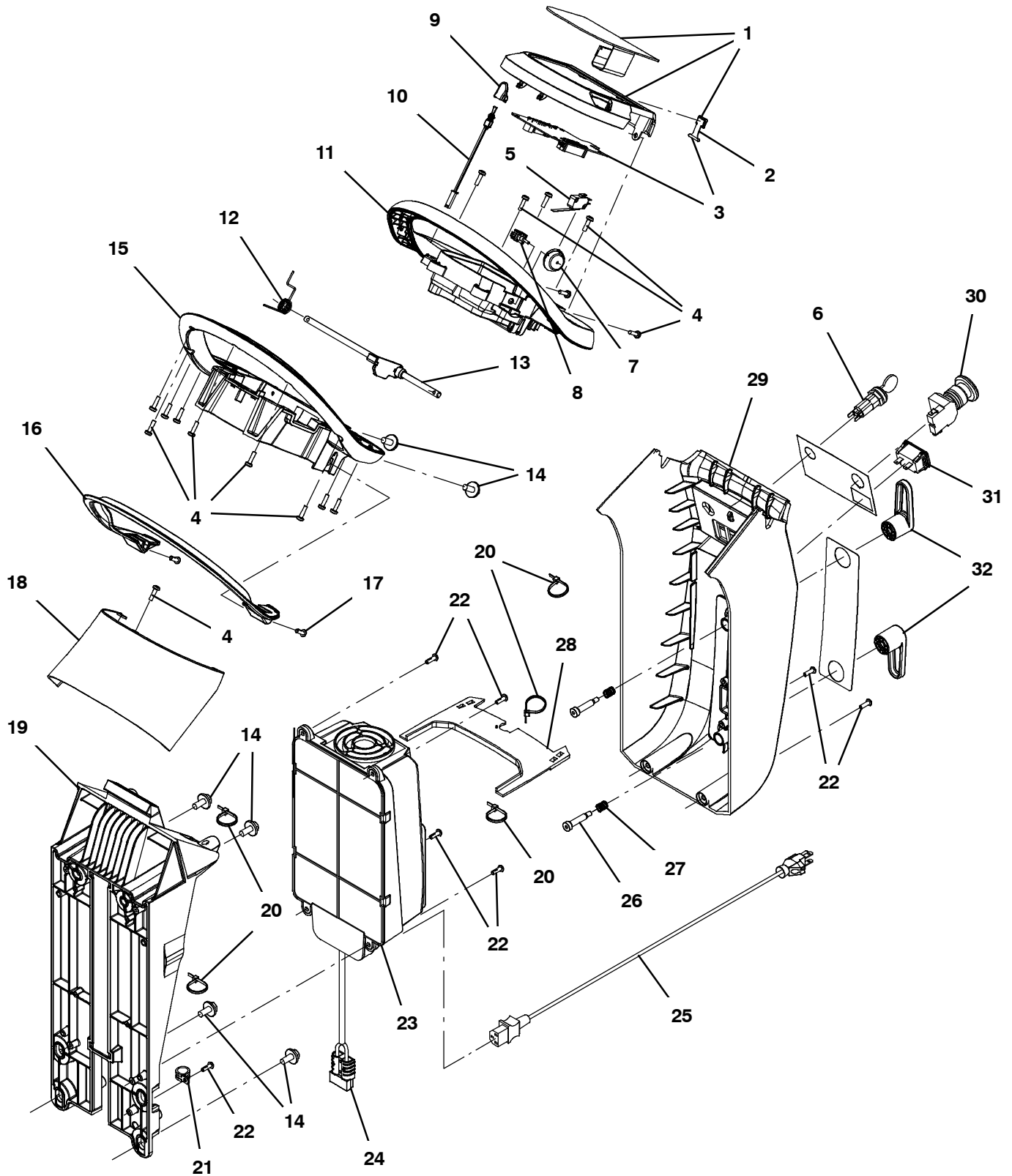
\* Requires Tennant *True* service or an authorized Tennant service provider.

▽ ASSEMBLY

▲ INCLUDED IN ASSEMBLY

CONSOLE GROUP, BASE, DRIVE, ON BOARD CHARGER

355250



## CONSOLE GROUP, BASE, DRIVE, ON BOARD CHARGER

Ref.	Part No.	Serial Number	Description	Qty.
▽	1	9012785*	(00000000- ) Bezel Kit, Mechanical, Propel, Afmkt	1
▲	2	1205618	(00000000- ) Cap, Usb	1
	3	9012787	(00000000- ) Circuitboard Kit, Console, W/ Usb Cable	1
	4	1043573	(00000000- ) Screw, #10- 14 X 0.675, Spl[Shcs,Selftap]	16
	5	1205323	(00000000- ) Switch, 0.1a, Spdt [Micro, Straight]	1
▽	6	1011402	(00000000- ) Switch, Key	1
▲		1017696	(00000000- ) Key Set, Replmt [F/ Keyswitch 1011402]	1
	7	1234365	(00000000- ) Dial, Range, Speed	1
	8	1204930	(00000000- ) Potentiometer [100k, 1 Turn, B5/B7]	1
	9	1209730	(00000000- ) Cap, Toggle, Direction	1
	10	1209673	(00000000- ) Switch Assy, Toggle, Direction	1
	11	1203787	(00000000- ) Housing, Handle, Cntrl, Top	1
	12	1205781	(00000000- ) Spring, Return, Bail	1
	13	1205143	(00000000- ) Shaft Asm, Bail, Handle	1
	14	1020341	(00000000- ) Screw, Hex, M8 X 1.25 X 20, Ss, Sems	6
	15	1222608	(00000000- ) Housing, Handle, Cntrl, Bottom, Slotted	1
	16	1205778	(00000000- ) Handle, Bail [Machined]	1
	17	1205799	(00000000- ) Screw, Btn, Torx, M5 X 0.8 X 16, 8.8, NI	2
	18	1207004	(00000000- ) Cover, Handle, Cntrl	1
	19	1216531	(00000000- ) Frame, Column, Cntrl [Revised Machined]	1
	20	130773	(00000000- ) Tie, Cable, Nyl, 11.0l, .14w, 3.0 Max. D	4
	21	378969	(00000000- ) Clamp, Cable, Stl, 0.56d X 0.38w, 1hole	1
	22	1205799	(00000000- ) Screw, Btn, Torx, M5 X 0.8 X 16, 8.8, NI	5
▽	23	1202585	(00000000- ) Charger, 36vdc, 25a 85- 265vac [On- Board]	1
▲	24	130155	(00000000- ) Connector, Battery, 6ga 50a, Gray[2cont]	1
	25	1073882	(00000000- ) Cord, Power, 16/3, 15a, 15ft Blk [Us]	1
	26	1024965	(00000000- ) Bolt, Shld, 08mmd X 030mm, M06 X 1.0	2
	27	611311	(00000000- ) Spring, Cmpr, 0.40od .05wir 00.5l, Pl,Mw	2
	28	1207290	(00000000- ) Cover, Charger	1
	29	9012789	(00000000- ) Cover, Console, Afmkt, W/ Label [Na]	1
	30	1011735	(00000000- ) Switch, Safety, Shutoff	1
	31	1064038	(00000000- ) Gauge, Hourmeter, 05- 277 Volt, Ac / Dc	1
	32	1205496	(00000000- ) Hook, Cord	2

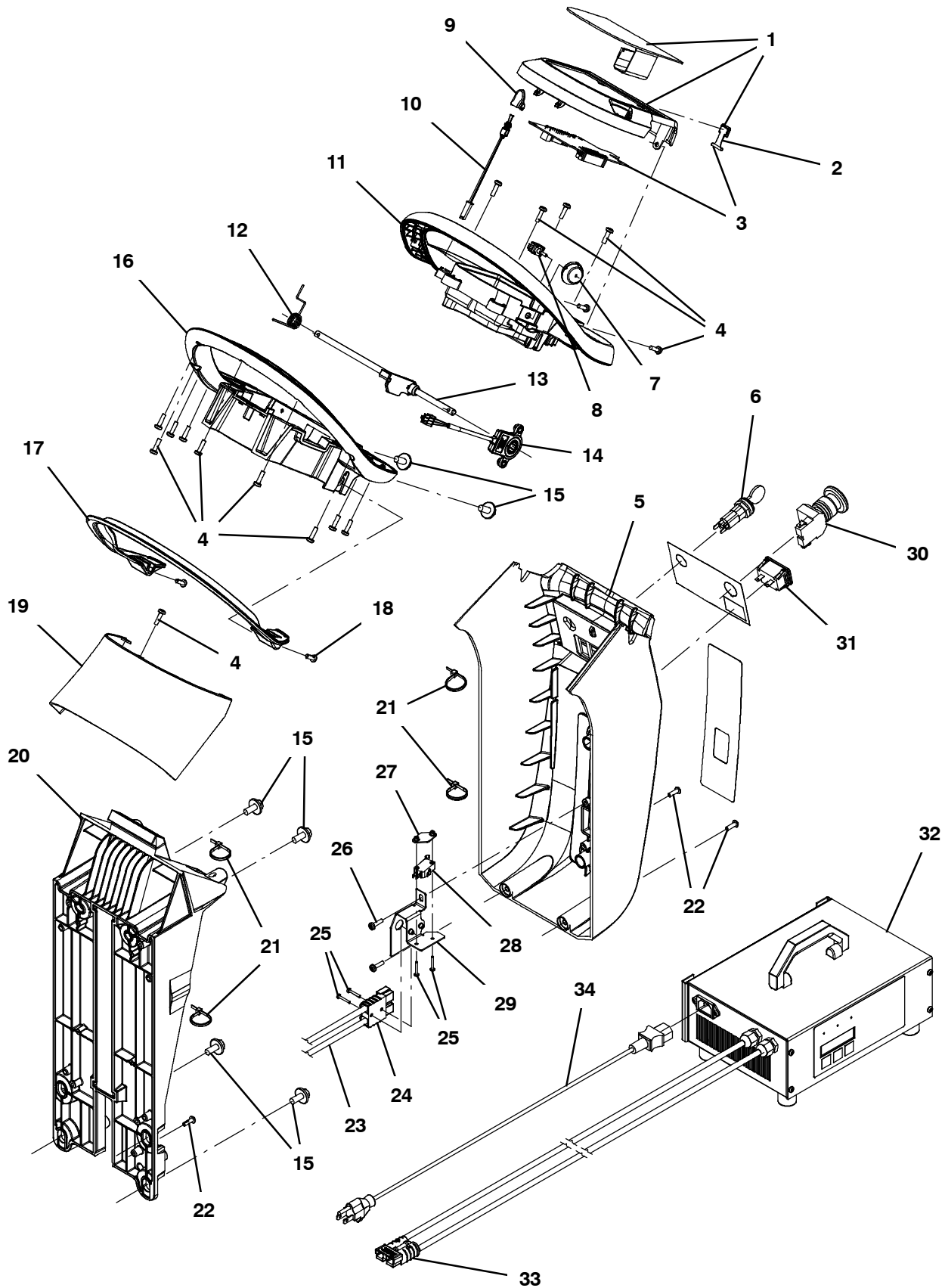
\* Requires Tennant *True* service or an authorized Tennant service provider.

▽ ASSEMBLY

▲ INCLUDED IN ASSEMBLY

CONSOLE GROUP, POWER, DRIVE, OFF BOARD CHARGER

355253



## CONSOLE GROUP, POWER, DRIVE, OFF BOARD CHARGER

Ref.	Part No.	Serial Number	Description	Qty.
▽	1	9012786*	(00000000- ) Bezel Kit, Actuator, Propel, Afmkt	1
▲	2	1205618	(00000000- ) Cap, Usb	1
	3	9012787	(00000000- ) Circuitboard Kit, Console, W/ Usb Cable	1
	4	1043573	(00000000- ) Screw, #10- 14 X 0.675, Spl[Shcs,Selftap]	16
	5	9012789	(00000000- ) Cover, Console, Afmkt, W/ Label [Na]	1
▽	6	1011402	(00000000- ) Switch, Key	1
▲		1017696	(00000000- ) Key Set, Replmt [F/ Keyswitch 1011402]	1
	7	1234365	(00000000- ) Dial, Range, Speed	1
	8	1204930	(00000000- ) Potentiometer [100k, 1 Turn, B5/B7]	1
	9	1209730	(00000000- ) Cap, Toggle, Direction	1
	10	1209673	(00000000- ) Switch Assy, Toggle, Direction	1
	11	1203787	(00000000- ) Housing, Handle, Cntrl, Top	1
	12	1205781	(00000000- ) Spring, Return, Bail	1
	13	1205143	(00000000- ) Shaft Asm, Bail, Handle	1
	14	1205127	(00000000- ) Sensor, Rotary [B5/B7, Bail Sensor]	1
	15	1020341	(00000000- ) Screw, Hex, M8 X 1.25 X 20, Ss, Sems	6
	16	1222608	(00000000- ) Housing, Handle, Cntrl, Bottom, Slotted	1
	17	1205778	(00000000- ) Handle, Bail [Machined]	1
	18	1205799	(00000000- ) Screw, Btn, Torx, M5 X 0.8 X 16, 8.8, NI	2
	19	1207004	(00000000- ) Cover, Handle, Cntrl	1
	20	1216531	(00000000- ) Frame, Column, Cntrl [Revised Machined]	1
	21	130773	(00000000- ) Tie, Cable, Nyl, 11.0l, .14w, 3.0 Max. D	4
	22	1205799	(00000000- ) Screw, Btn, Torx, M5 X 0.8 X 16, 8.8, NI	3
▽	23	1072939	(00000000- ) Cable, Assy [B7/B5, Ground]	1
▲	24	130155	(00000000- ) Connector, Battery, 6ga 50a, Gray[2cont]	1
	25	06922	(00000000- ) Screw, Pan, Phl, M3 X 0.50 X 20, 4.8	4
	26	1043573	(00000000- ) Screw, #10- 14 X 0.675, Spl[Shcs,Selftap]	2
	27	1013705	(00000000- ) Plate, Thread, Switch, M3 Nut, 96hr PI	1
	28	1215716	(00000000- ) Switch, 0.1a, Spdt[Micro, Gold Contacts]	1
	29	1208599	(00000000- ) Bracket Assy, Plug, Charger	1
	30	1011735	(00000000- ) Switch, Safety, Shutoff	1
	31	1064038	(00000000- ) Gauge, Hourmeter, 05- 277 Volt, Ac / Dc	1
▽	32	1208644	(00000000- ) Charger, 36vdc, 25a 85- 265vac [Offboard] (180- 250 AH Wet Lead Acid Batteries)	1
▽	32	9012740	(00000000- ) Charger, 36vdc 25a [P/N 1208644, #31] (200- 350 AH AGM Batteries)	1
▽	32	9012739	(00000000- ) Charger, 36vdc 25a [P/N 1208644, #03] (260- 360 AH Wet Lead Acid Batteries)	1
▲	33	130155	(00000000- ) Connector, Battery, 6ga 50a, Gray[2cont]	1
	34	1073882	(00000000- ) Cord, Power, 16/3, 15a, 15ft Blk [Us]	1

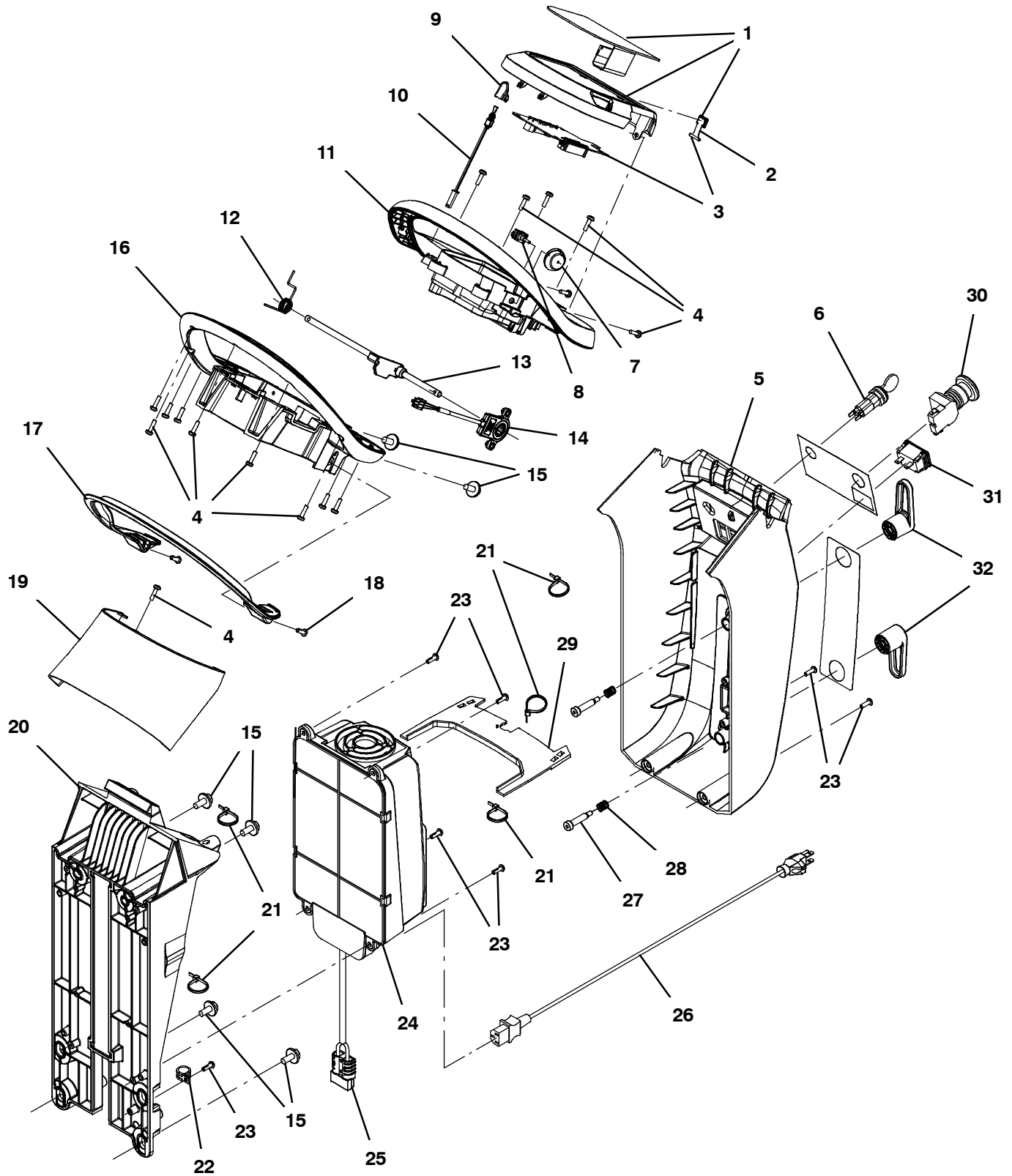
\* Requires Tennant *True* service or an authorized Tennant service provider.

▽ ASSEMBLY

▲ INCLUDED IN ASSEMBLY

CONSOLE GROUP, POWER, DRIVE, ON BOARD CHARGER

355254





## CONSOLE GROUP, POWER, DRIVE, ON BOARD CHARGER

Ref.	Part No.	Serial Number	Description	Qty.
▽	1	9012786*	(00000000- ) Bezel Kit, Actuator, Propel, Afmkt	1
▲	2	1205618	(00000000- ) Cap, Usb	1
	3	9012787	(00000000- ) Circuitboard Kit, Console, W/ Usb Cable	1
	4	1043573	(00000000- ) Screw, #10- 14 X 0.675, Spl[Shcs,Selftap]	16
	5	9012789	(00000000- ) Cover, Console, Afmkt, W/ Label [Na]	1
▽	6	1011402	(00000000- ) Switch, Key	1
▲		1017696	(00000000- ) Key Set, Replmt [F/ Keyswitch 1011402]	1
	7	1234365	(00000000- ) Dial, Range, Speed	1
	8	1204930	(00000000- ) Potentiometer [100k, 1 Turn, B5/B7]	1
	9	1209730	(00000000- ) Cap, Toggle, Direction	1
	10	1209673	(00000000- ) Switch Assy, Toggle, Direction	1
	11	1203787	(00000000- ) Housing, Handle, Cntrl, Top	1
	12	1205781	(00000000- ) Spring, Return, Bail	1
	13	1205143	(00000000- ) Shaft Asm, Bail, Handle	1
	14	1205127	(00000000- ) Sensor, Rotary [B5/B7, Bail Sensor]	1
	15	1020341	(00000000- ) Screw, Hex, M8 X 1.25 X 20, Ss, Sems	6
	16	1222608	(00000000- ) Housing, Handle, Cntrl, Bottom, Slotted	1
	17	1205778	(00000000- ) Handle, Bail [Machined]	1
	18	1205799	(00000000- ) Screw, Btn, Torx, M5 X 0.8 X 16, 8.8, NI	2
	19	1207004	(00000000- ) Cover, Handle, Cntrl	1
	20	1216531	(00000000- ) Frame, Column, Cntrl [Revised Machined]	1
	21	130773	(00000000- ) Tie, Cable, Nyl, 11.0l, .14w, 3.0 Max. D	4
	22	378969	(00000000- ) Clamp, Cable, Stl, 0.56d X 0.38w, 1hole	1
	23	1205799	(00000000- ) Screw, Btn, Torx, M5 X 0.8 X 16, 8.8, NI	5
▽	24	1202585	(00000000- ) Charger, 36vdc, 25a 85- 265vac [On- Board]	1
▲	25	130155	(00000000- ) Connector, Battery, 6ga 50a, Gray[2cont]	1
	26	1073882	(00000000- ) Cord, Power, 16/3, 15a, 15ft Blk [Us]	1
	27	1024965	(00000000- ) Bolt, Shld, 08mmd X 030mm, M06 X 1.0	2
	28	611311	(00000000- ) Spring, Cmpr, 0.40od .05wir 00.5l, Pl,Mw	2
	29	1207290	(00000000- ) Cover, Charger	1
	30	1011735	(00000000- ) Switch, Safety, Shutoff	1
	31	1064038	(00000000- ) Gauge, Hourmeter, 05- 277 Volt, Ac / Dc	1
	32	1205496	(00000000- ) Hook, Cord	2

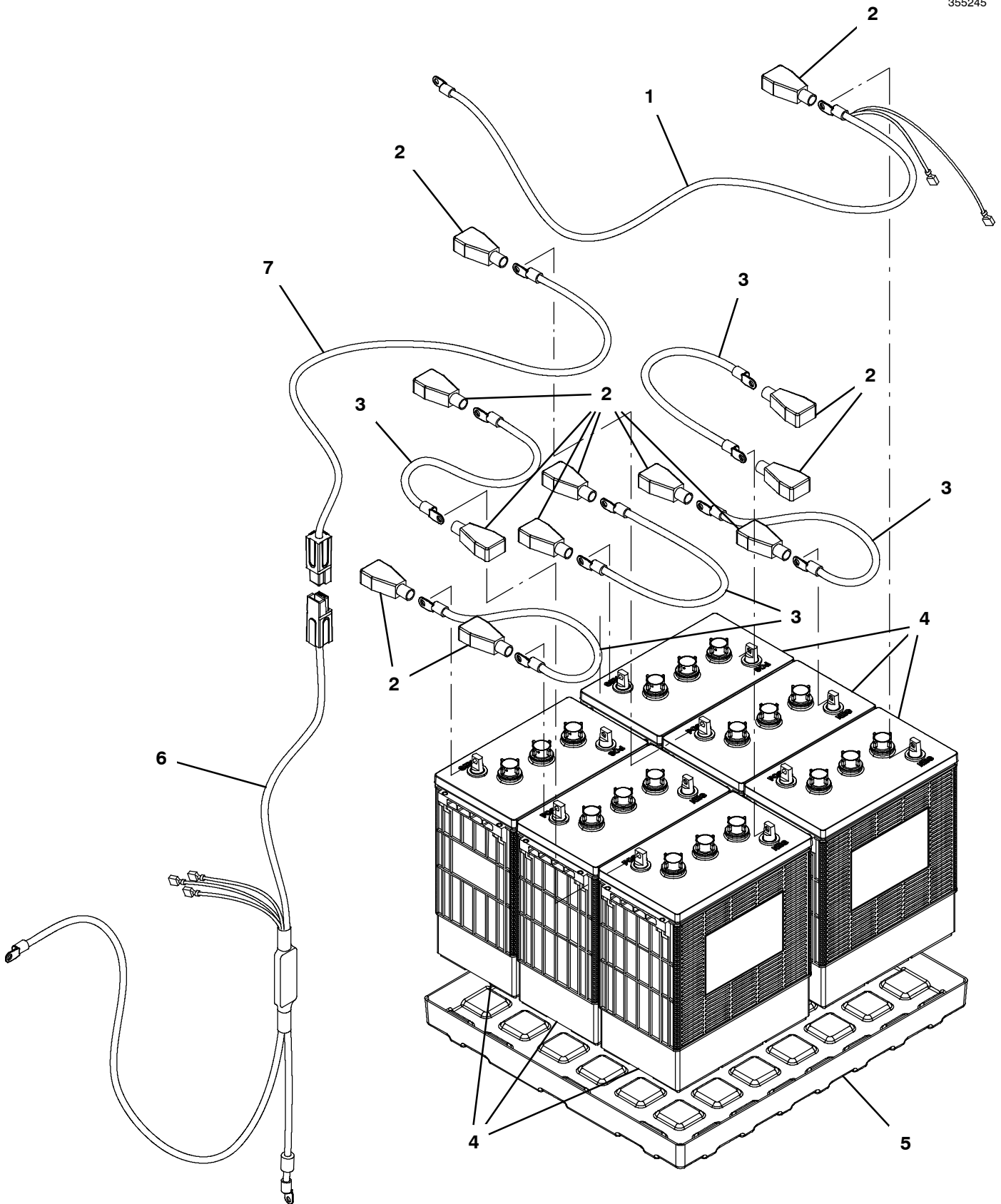
\* Requires Tennant *True* service or an authorized Tennant service provider.

▽ ASSEMBLY

▲ INCLUDED IN ASSEMBLY

BATTERY GROUP, 330AH C20 WET LEAD ACID

355245

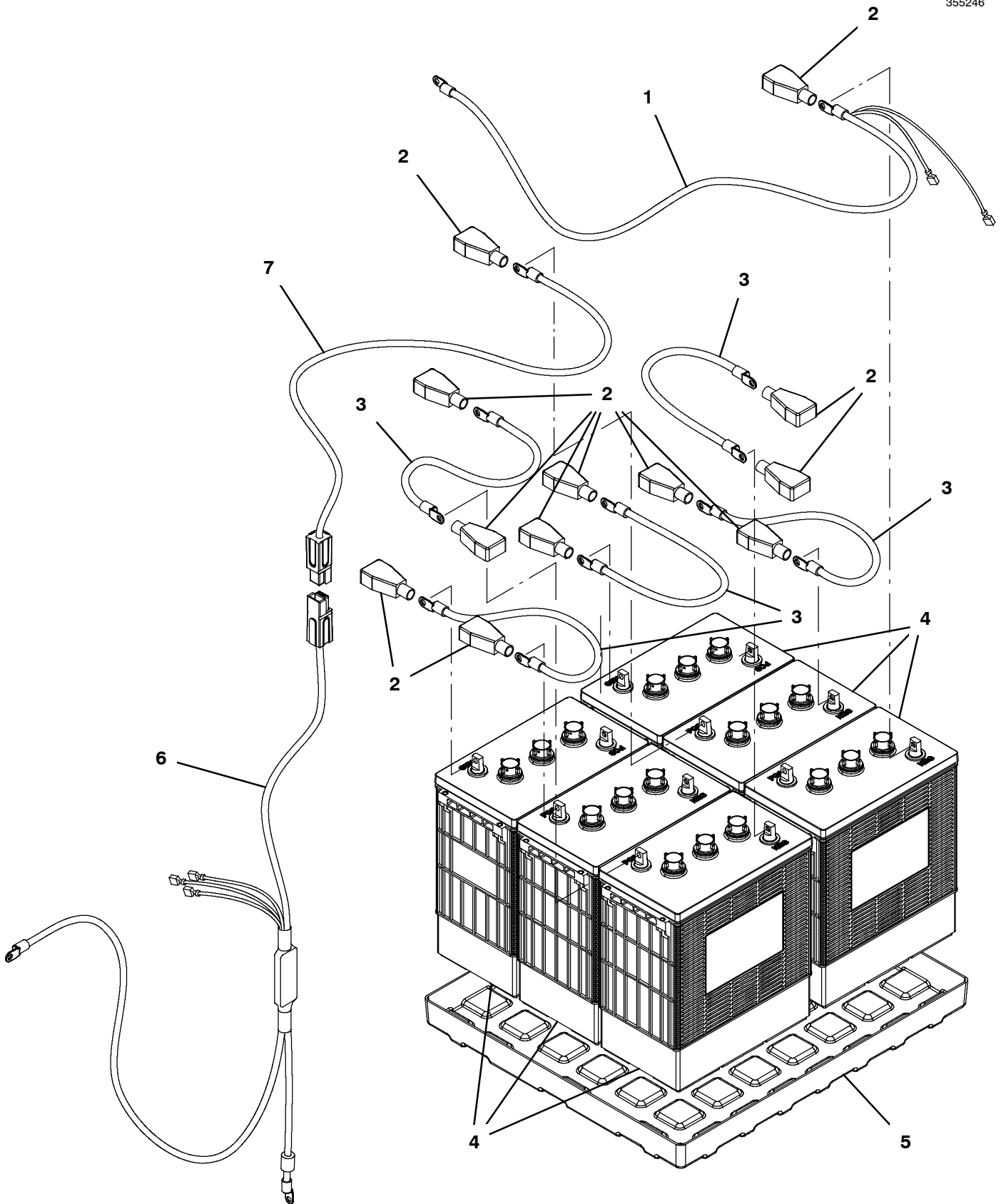


**BATTERY GROUP, 330AH C20 WET LEAD ACID**

<b>Ref.</b>	<b>Part No.</b>	<b>Serial Number</b>	<b>Description</b>	<b>Qty.</b>
1	1072939	(00000000-	) Cable, Assy [B7/B5, Ground]	1
2	1205540	(00000000-	) Boot, Terminal, Battery, 1/0- 2/0ga, Blk	12
3	1072368	(00000000-	) Cable, 02ga 13.3l Red [M8 Ring/M8 Ring]	5
4	1205632	(00000000-	) Battery, Wet, 6vdc 330ah C/20, W/Ca	6
5	1203978	(00000000-	) Tray, Battery [B7]	1
6	1072936	(00000000-	) Cable, Assy, Fuse [B7, 100a]	1
7	1072365	(00000000-	) Cable, 02ga 21.6l Red [M8 Ring / And.] (Includes Ferrite)	1

BATTERY GROUP, 360AH C20 WET LEAD ACID

355246

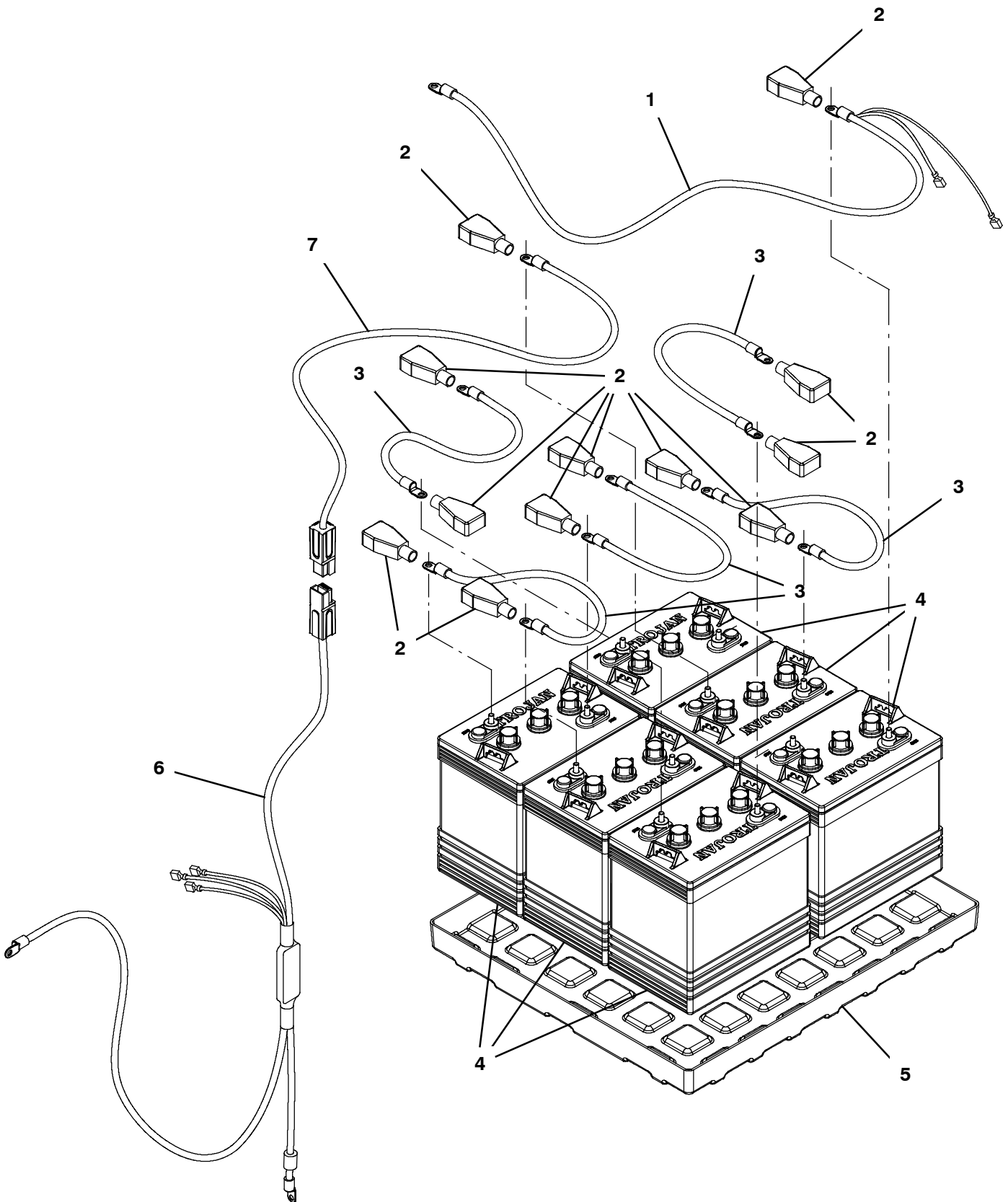


**BATTERY GROUP, 360AH C20 WET LEAD ACID**

<b>Ref.</b>	<b>Part No.</b>	<b>Serial Number</b>	<b>Description</b>	<b>Qty.</b>
1	1072939	(00000000-	) Cable, Assy [B7/B5, Ground]	1
2	1205540	(00000000-	) Boot, Terminal, Battery, 1/0- 2/0ga, Blk	12
3	1072368	(00000000-	) Cable, 02ga 13.3l Red [M8 Ring/M8 Ring]	5
4	1070587	(00000000-	) Battery, Wet, 06vdc 0360ah, W/ Carton	6
5	1203978	(00000000-	) Tray, Battery [B7]	1
6	1072936	(00000000-	) Cable, Assy, Fuse [B7, 100a]	1
7	1072365	(00000000-	) Cable, 02ga 21.6l Red [M8 Ring / And.] (Includes Ferrite)	1

BATTERY GROUP, 240AH C20 WET LEAD ACID

355247

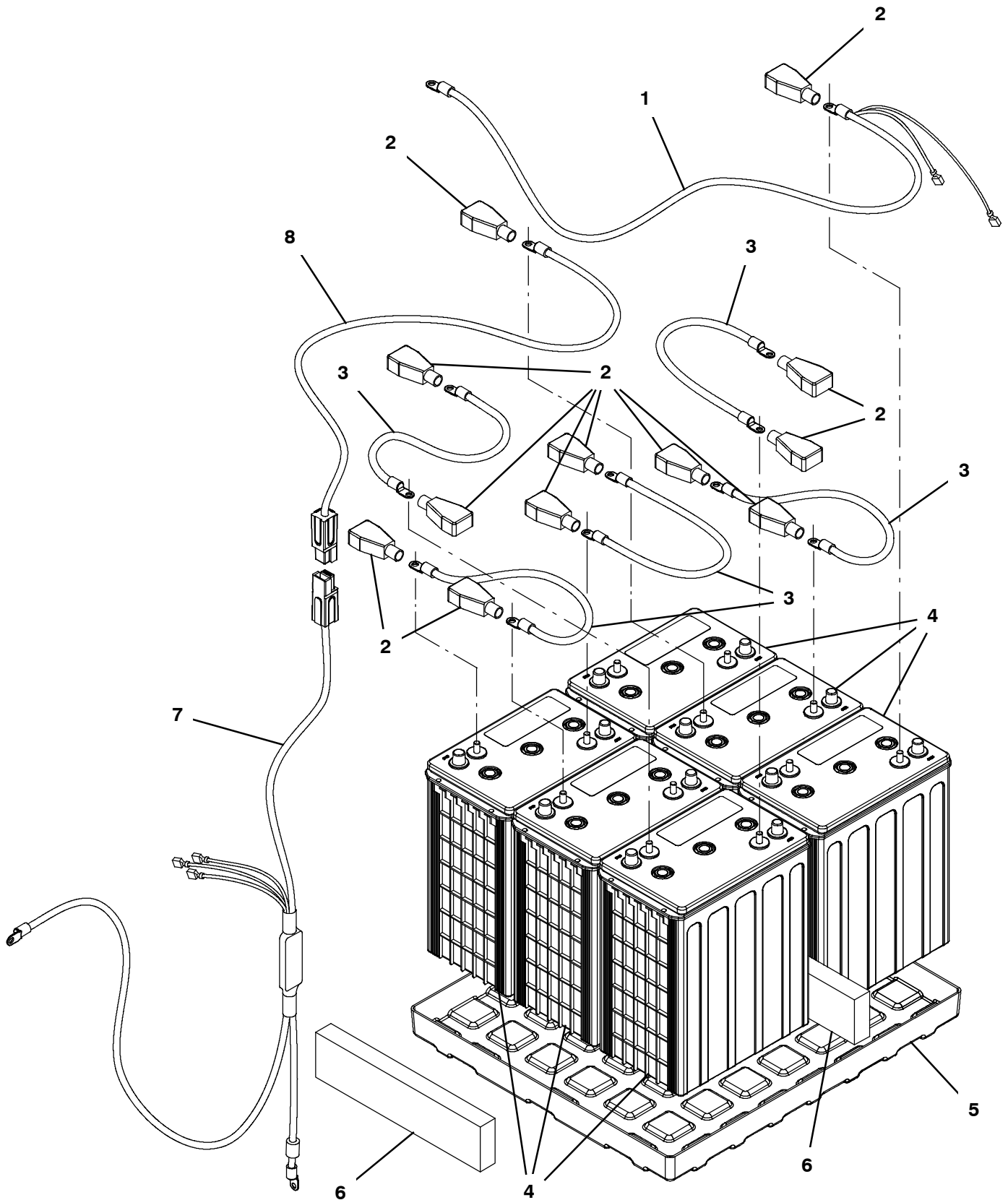


**BATTERY GROUP, 240AH C20 WET LEAD ACID**

<b>Ref.</b>	<b>Part No.</b>	<b>Serial Number</b>	<b>Description</b>	<b>Qty.</b>
1	1072939	(00000000-	) Cable, Assy [B7/B5, Ground]	1
2	1205540	(00000000-	) Boot, Terminal, Battery, 1/0- 2/0ga, Blk	12
3	1072368	(00000000-	) Cable, 02ga 13.3l Red [M8 Ring/M8 Ring]	5
4	222280	(00000000-	) Battery, Wet, 06vdc 0240ah	6
5	1203978	(00000000-	) Tray, Battery [B7]	1
6	1072936	(00000000-	) Cable, Assy, Fuse [B7, 100a]	1
7	1072365	(00000000-	) Cable, 02ga 21.6l Red [M8 Ring / And.] (Includes Ferrite)	1

BATTERY GROUP, 312AH C20 AGM SEALED

355248



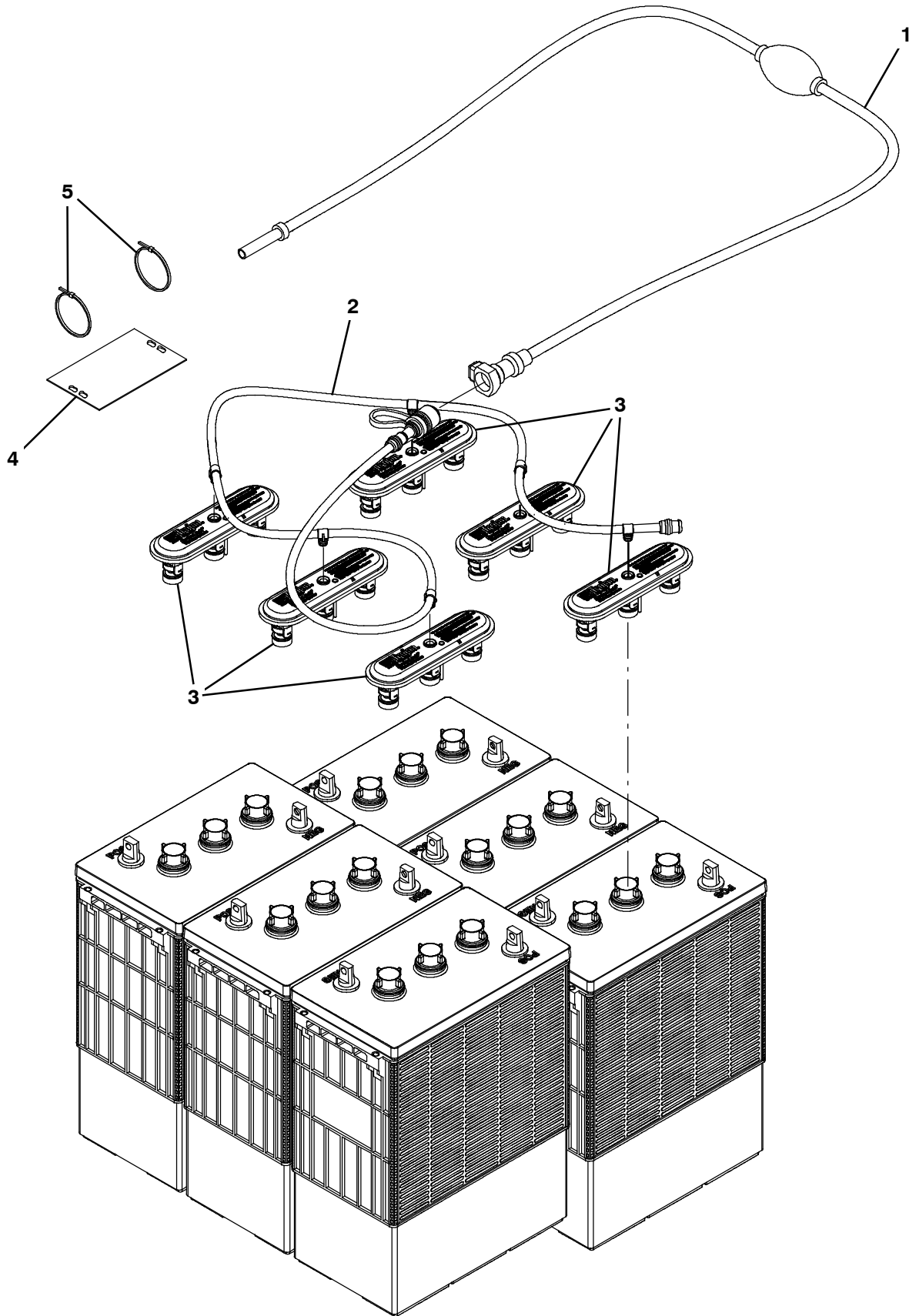


## BATTERY GROUP, 312AH C20 AGM SEALED

Ref.	Part No.	Serial Number	Description	Qty.
1	1072939	(00000000-	) Cable, Assy [B7/B5, Ground]	1
2	1205540	(00000000-	) Boot, Terminal, Battery, 1/0- 2/0ga, Blk	12
3	1072368	(00000000-	) Cable, 02ga 13.3l Red [M8 Ring/M8 Ring]	5
4	1031914	(00000000-	) Battery, 06vdc, Ev305a- A, Agm	6
5	1203978	(00000000-	) Tray, Battery [B7]	1
6	630375	(00000000-	) Spacer, Battery, Foam, 1.25 X 3.3 X 13.7	2
7	1072936	(00000000-	) Cable, Assy, Fuse [B7, 100a]	1
8	1072365	(00000000-	) Cable, 02ga 21.6l Red [M8 Ring / And.] (Includes Ferrite)	1
1	1072939	(00000000-	) Cable, Assy [B7/B5, Ground]	1
2	1205540	(00000000-	) Boot, Terminal, Battery, 1/0- 2/0ga, Blk	12
3	1072368	(00000000-	) Cable, 02ga 13.3l Red [M8 Ring/M8 Ring]	5
4	1031914	(00000000-	) Battery, 06vdc, Ev305a- A, Agm (271AH Europe)	6
5	1203978	(00000000-	) Tray, Battery [B7]	1
6	630375	(00000000-	) Spacer, Battery, Foam, 1.25 X 3.3 X 13.7	2
7	1072936	(00000000-	) Cable, Assy, Fuse [B7, 100a]	1
8	1072365	(00000000-	) Cable, 02ga 21.6l Red [M8 Ring / And.] (Includes Ferrite)	1

HYDROLINK<sup>®</sup> BATTERY WATERING SYSTEM KIT

355205



---

**HYDROLINK® BATTERY WATERING SYSTEM KIT**

	<b>Ref.</b>	<b>Part No.</b>	<b>Serial Number</b>	<b>Description</b>	<b>Qty.</b>
▽		9010301*	(00000000-	) Pump Kit, Fill, Battery,36vdc,Ci[Trojan]	1
▲	1	1058939	(00000000-	) Pump Kit, Fill, Battery	1
▲	2	1201997	(00000000-	) Tube, Water, Battery, 36vdc [Trojan]	1
▲	3	1204142	(00000000-	) Cap, Fill, Battery [Trojan]	6
▲	4	1071084	(00000000-	) Label, Tag, Battery [Hydrolink Watering]	1
▲	5	130773	(00000000-	) Tie, Cable, Nyl, 11.0l, .14w, 3.0 Max. D	2

▽ ASSEMBLY

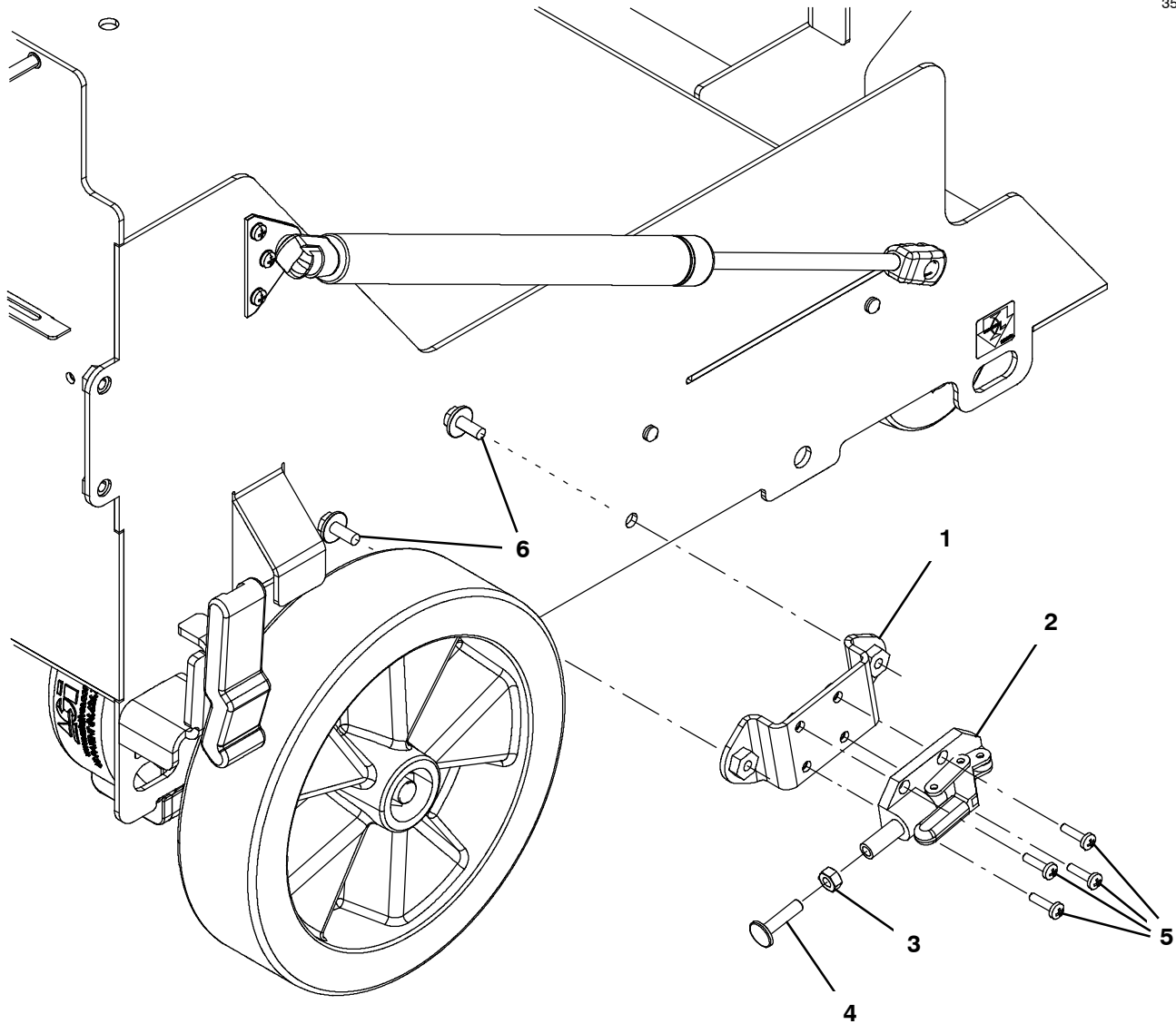
▲ INCLUDED IN ASSEMBLY

\*THIS KIT IS INTENDED FOR USE WITH TROJAN® LEAD ACID BATTERIES ONLY.

HYDROLINK® IS A REGISTERED TRADEMARK OF TROJAN® BATTERY COMPANY.

PARKING BRAKE GROUP

355228



Ref.	Part No.	Serial Number	Description	Qty.
▽	9012792	(00000000-	) Brake Kit, Parking, Afmkt, W/ Hdwr	1
▲ 1	1206560	(00000000-	) Brake, Wldt	1
▲ 2	1013718	(00000000-	) Clamp, Brake, Parking [T3]	1
▲ 3	07785	(00000000-	) Nut, Hex, Std, M6 X 1.00, Ss	1
▲ 4	1017416	(00000000-	) Screw, Weld, M6 X 1.00 X 25, Thru, Ss	1
▲ 5	24265	(00000000-	) Screw, Pan, Phl, M4 X 0.70 X 16, Ss	4
▲ 6	1034731	(00000000-	) Screw, Hex, M6 X 1.00 X 16, Ss, Sems	2

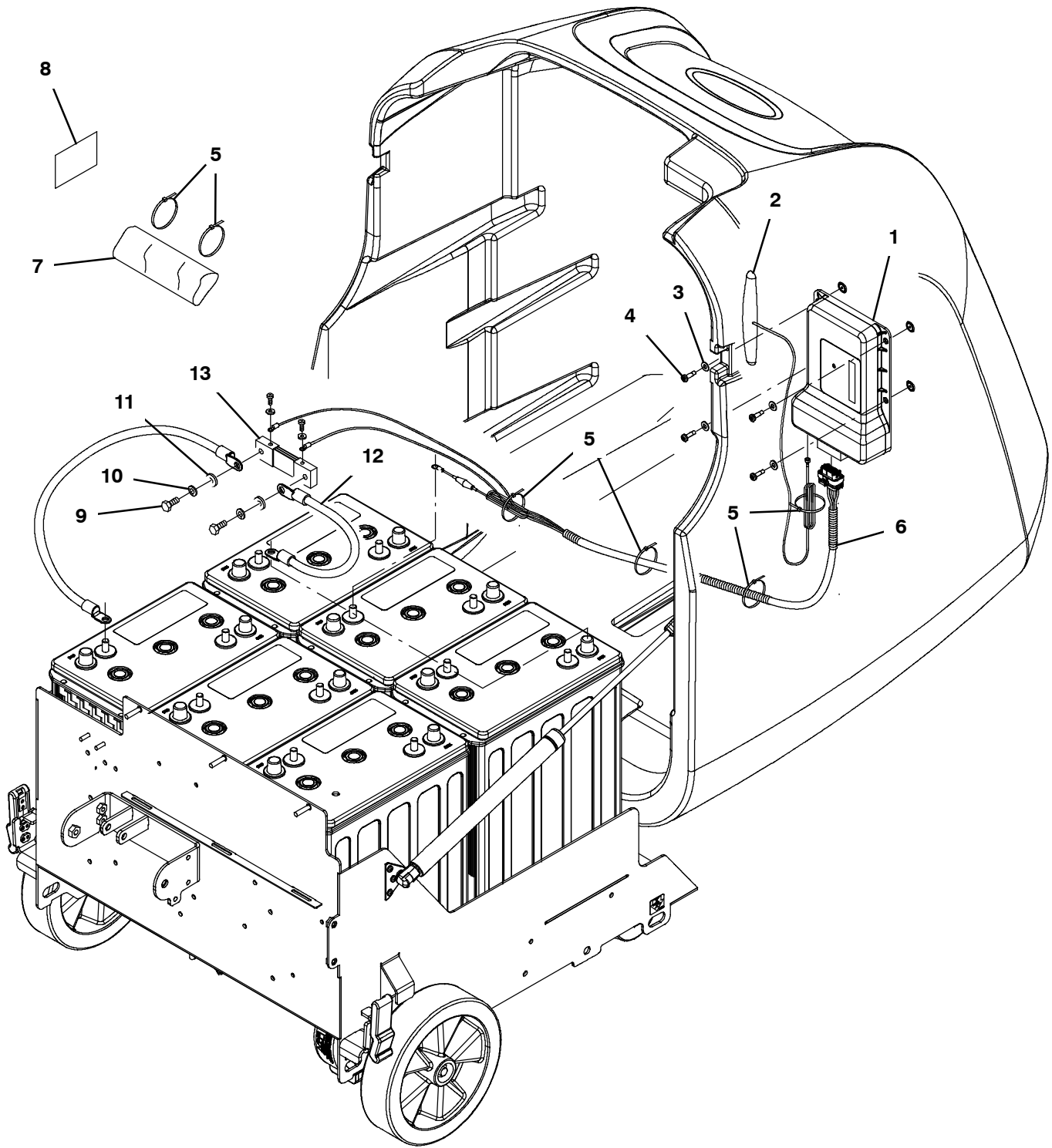
▽ ASSEMBLY

▲ INCLUDED IN ASSEMBLY



IRIS® TELEMETRY KIT

355706



## IRIS® TELEMETRY KIT

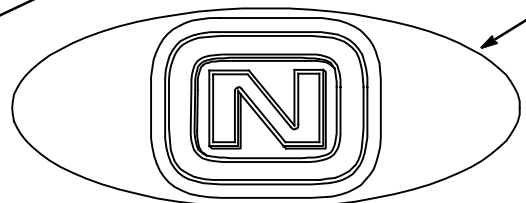
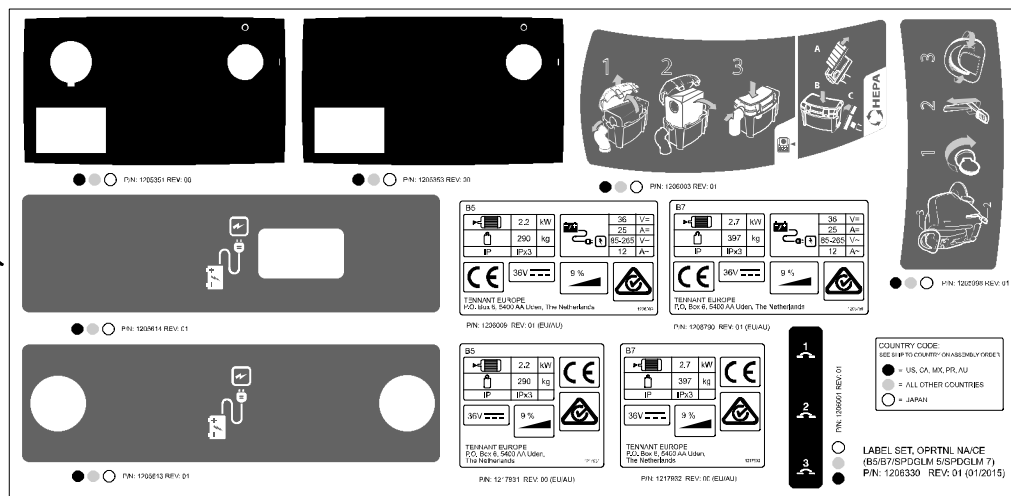
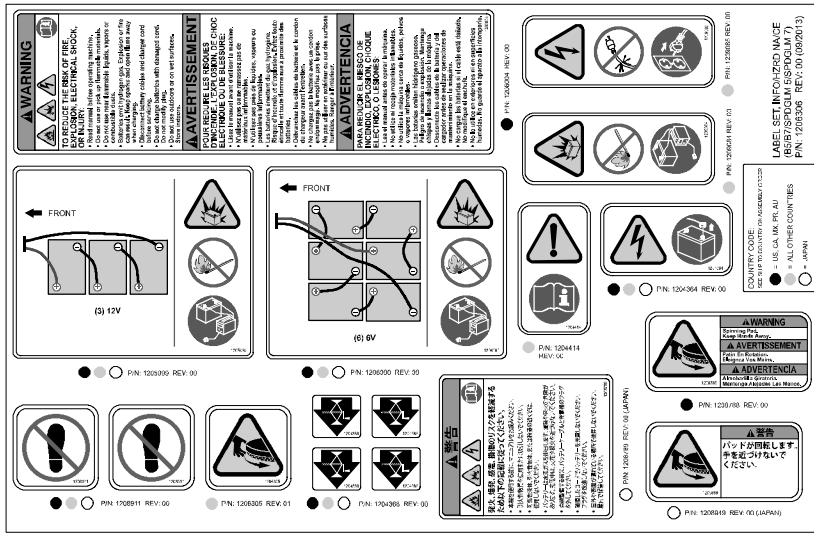
	Ref.	Part No.	Serial Number	Description	Qty.
▽		9015256*	(00000000-	) Telemetry Kit, Ci [B7/Sg7 B5/Sg5 Usa]	1
▽		9015257*	(00000000-	) Telemetry Kit, Ci [B7/Sg7 B5/Sg5 Intl]	1
▲	1	9010085*	(00000000-	) Control Box Assy Kit, Replmt, Telem[Usa]	1
▲	1	9010086*	(00000000-	) Control Box Assy Kit, Rplmt, Telem[Intl]	1
▲	2	1070659	(00000000-	) Antenna, Telem, 70 In [Gprs]	1
▲	3	01683	(00000000-	) Washer, Flat, 10, Ss	4
▲	4	1043573	(00000000-	) Screw, #10- 14 X 0.675, Spl[Shcs,Selftap]	4
▲	5	49266	(00000000-	) Tie, Cable, Nyl, 07.3l .19w 1.8 Max D	5
▲▽	6	1070495	(00000000-	) Harness, Ele [Telemetry, 6200e]	1
▲▲		9009990	(00000000-	) Vr, Fuse, 002a, 250vdc, Cartridge	1
▲	7	1217818	(00000000-	) Sleeve, Heatshrink, 1.50id, 07.0l	1
▲	8	1069580	(00000000-	) Label, Mach, Telem [Usa, Intl]	1
▲	9	15675	(00000000-	) Screw, Hex, M8 X 1.25 X 16, Ss	2
▲	10	43952	(00000000-	) Washer, Lock, Int, 0.31, Ss	2
▲	11	01685	(00000000-	) Washer, Flat, 0.38b 0.88d .08, Ss	2
▲	12	63740	(00000000-	) Cable, 06ga 09.0l Blk .31ring /.31ring	1
▲	13	1217304	(00000000-	) Shunt [Empro, 250amp/50mv, Metric]	1

\* Requires Tennant *True* service or an authorized Tennant service provider.

▽ ASSEMBLY

▲ INCLUDED IN ASSEMBLY

LABEL GROUP



Ref.	Part No.	Serial Number	Description	Qty.
1	1206306	(00000000-	) Label, Set, Info/Hzrd [Na/Ce]	1
2	1206330	(00000000-	) Label, Set, Operational	1
3	1035550	(00000000-	) Label, Model [Nobles Speedgleam]	2
4	1206159	(00000000-	) Label, Logo, 05.5l [Nobles]	1



## DOCUMENT GROUP

Ref.	Part No.	Serial Number	Description	Qty.
1	9011619	(00000000-	) Manual, Parts [Sg7]	1
2	9011478	(00000000-	) Manual, Service [B5/7, Sg5/7]	1
3	9011615	(00000000-	) Manual, Oprtr, En [Sg5/ Sg7]	1
3	9011617	(00000000-	) Manual, Oprtr, Es [Sg5/ Sg7]	1
3	9011618	(00000000-	) Manual, Oprtr, Fr [Sg5/ Sg7]	1
4	9011616	(00000000-	) Instr, Wall Chart [Sg5/Sg7]	1
5	1206167	(00000000-	) Guide, Onboard Use And Care	1

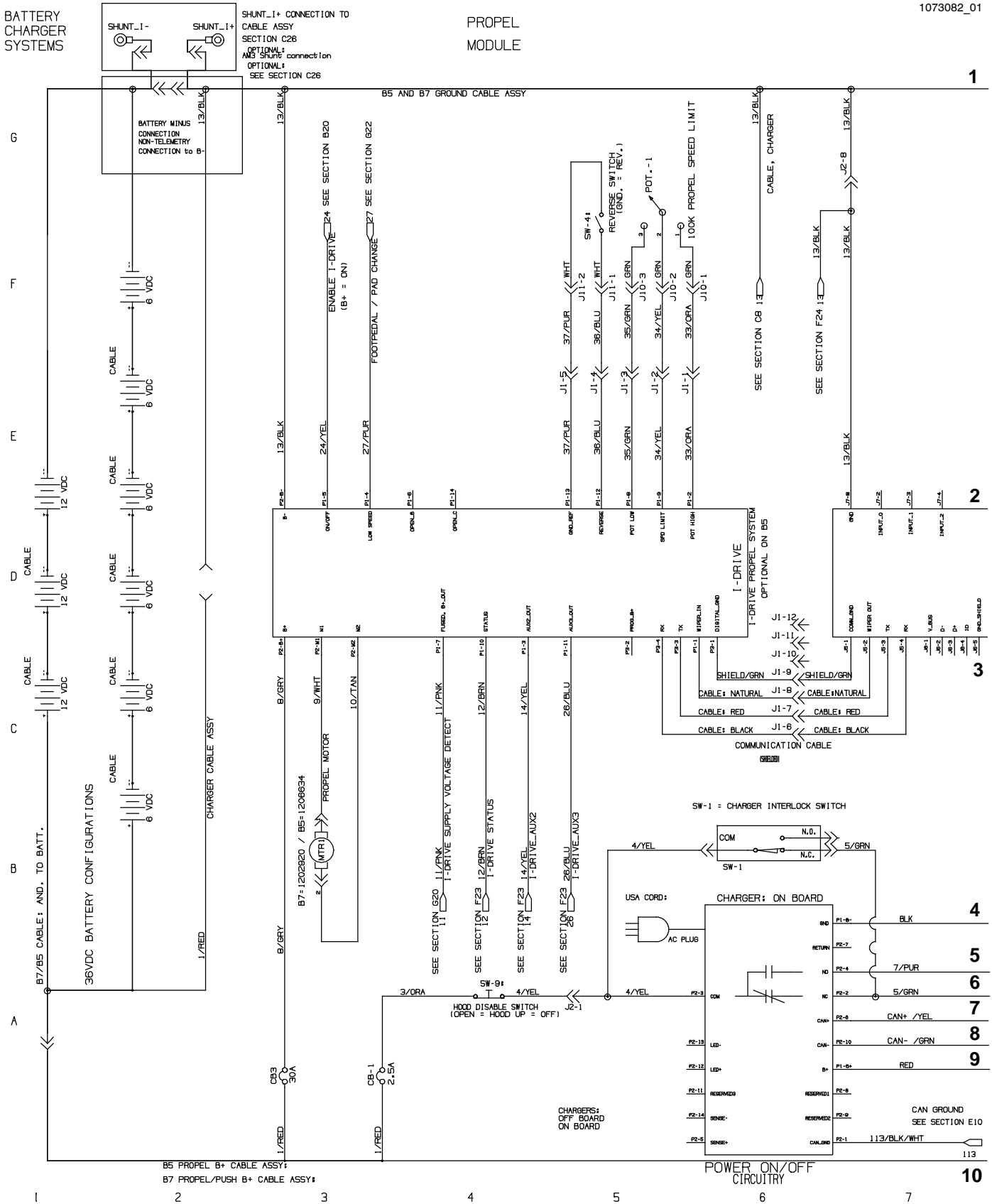


To view, print, order, download the latest Parts manual, other language Operator manuals, and Use and Care Guides (wall charts), visit:

[www.nobles.com/manual](http://www.nobles.com/manual)

## ELECTRICAL DIAGRAM, DRIVE MODEL (Page 1 of 5)

1073082\_01



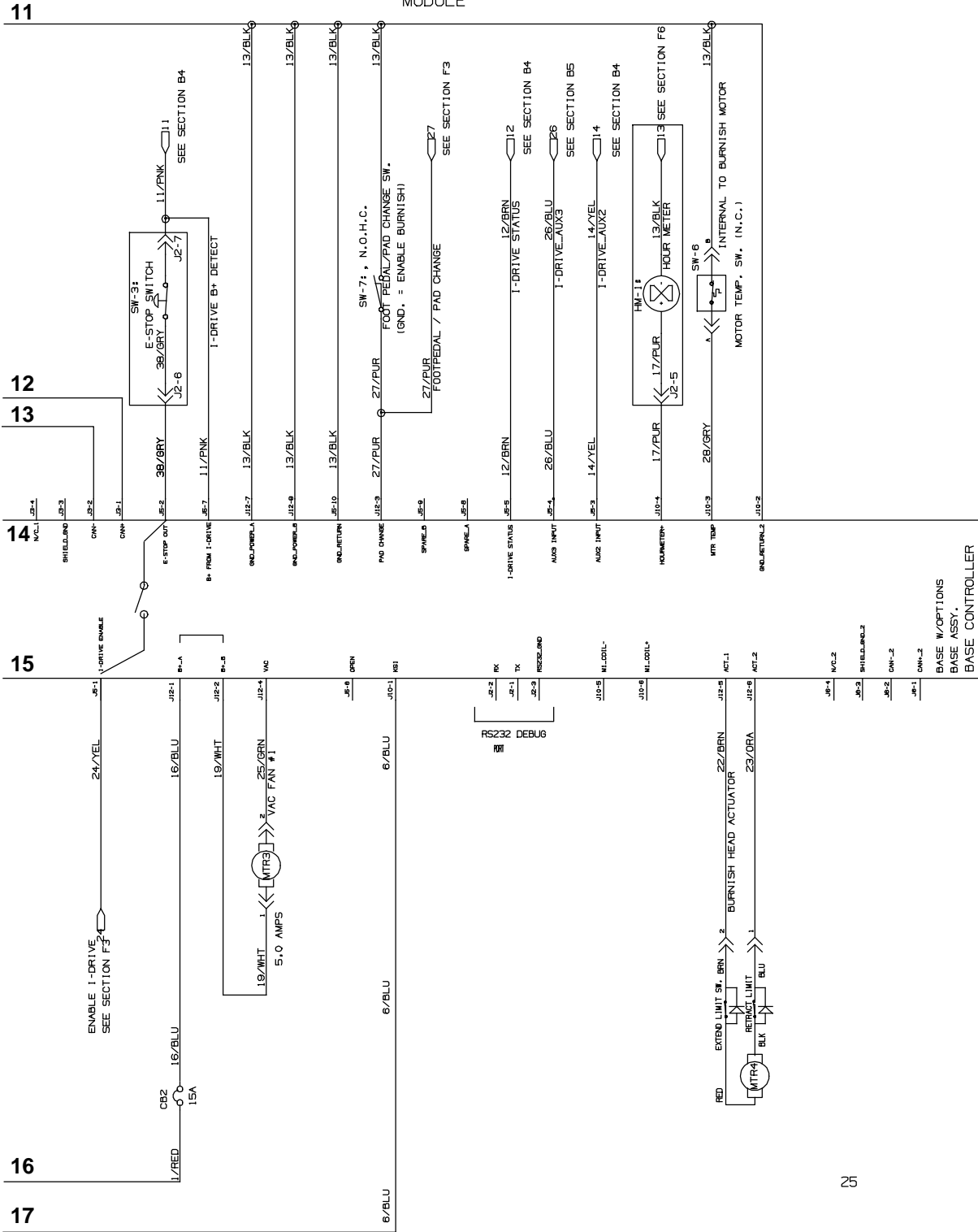




ELECTRICAL DIAGRAM, DRIVE MODEL (Page 4 of 5)

1073082\_01

BASE BURNISHER  
MODULE



25

20

21

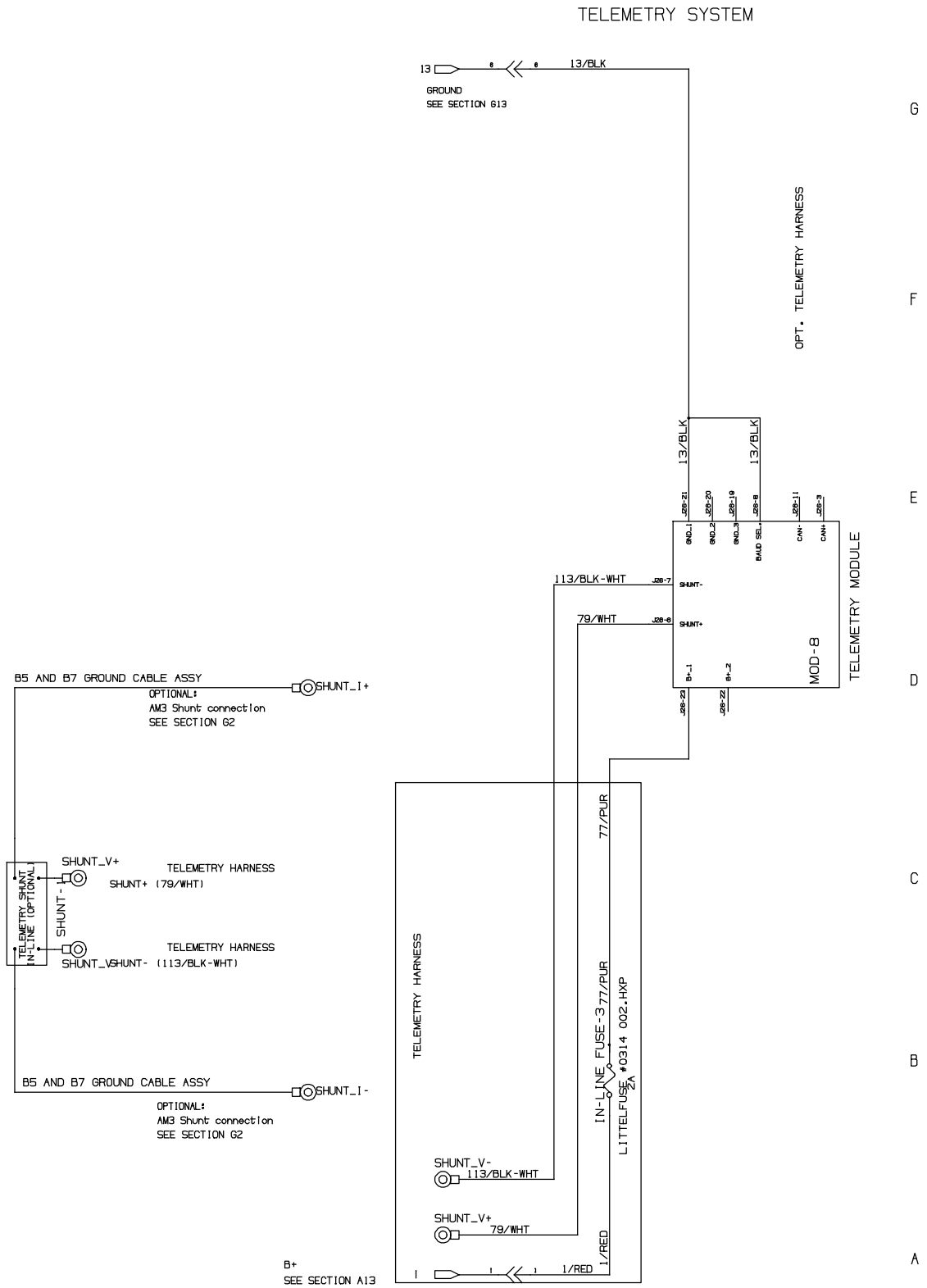
22

23

24

ELECTRICAL DIAGRAM, DRIVE MODEL (Page 5 of 5)

1073082\_01



26

27

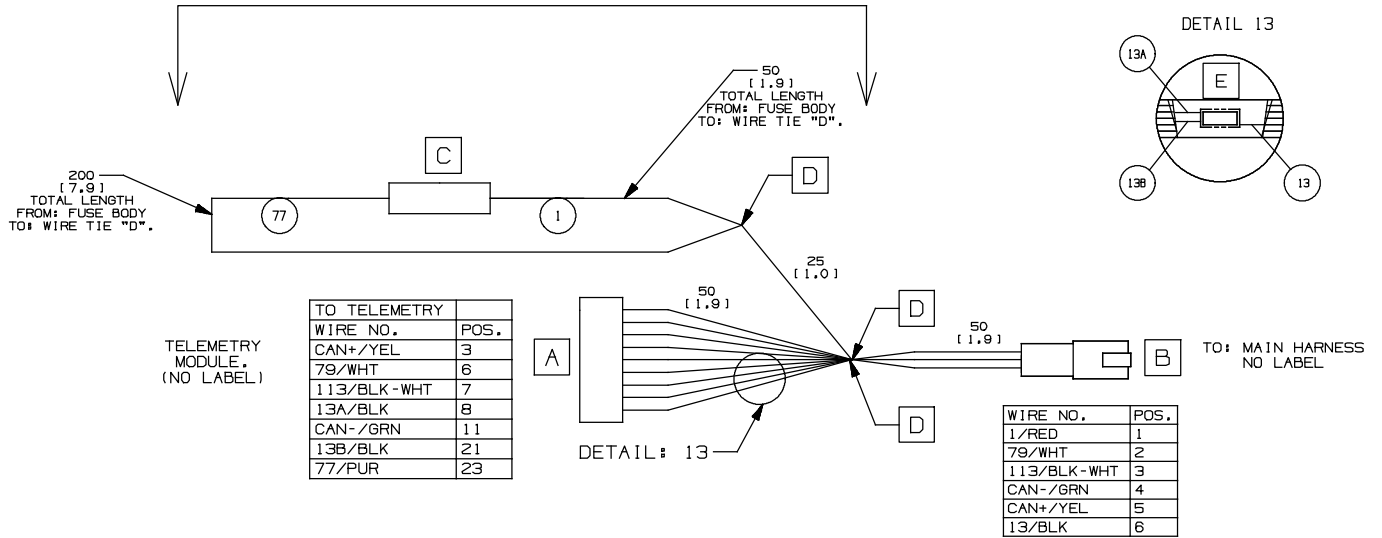
28

29

WIRE HARNESS, TELEMETRY OPTION

1075352\_00

THIS SECTION OF HARNESS (FUSE "C" AND WIRES 77/PUR AND 1/RED) IS TO BE BUNDLED AND WIRE TIED TO THE SECTION OF HARNESS ROUTING FROM CONNECTOR "A" TO CONNECTOR "B".



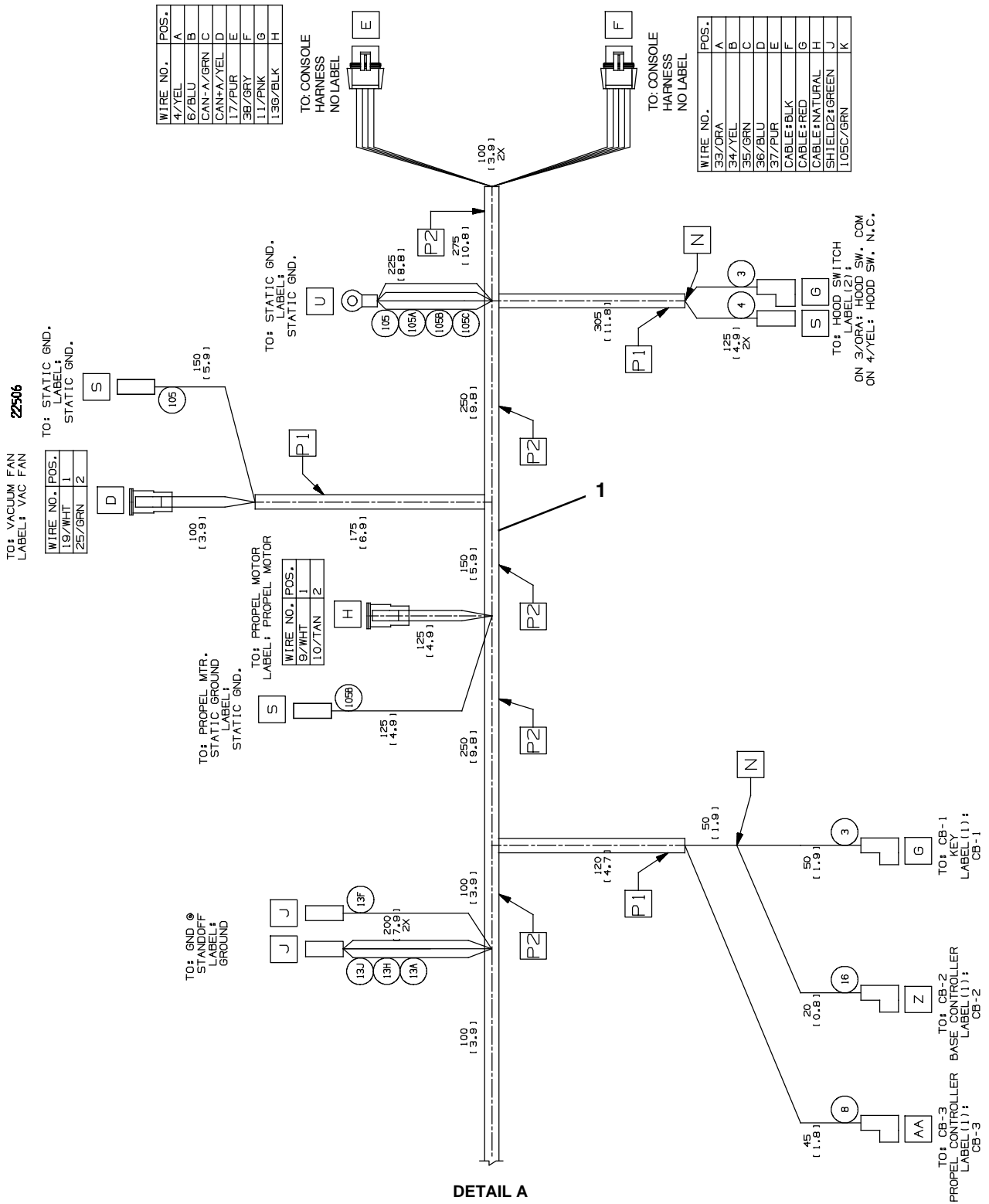
WIRE NO	GA	SPEC
1/RED	20	SEE NOTE #12
13/BLK	20	SEE NOTE #12
13A/BLK	20	SEE NOTE #12
13B/BLK	20	SEE NOTE #12
77/PUR	20	SEE NOTE #12
79/WHT	20	SEE NOTE #12
113/BLK-WHT	20	SEE NOTE #12
CAN-/GRN	20	SEE NOTE #12
CAN+/YEL	20	SEE NOTE #12

ITEM	DESCRIPTION
A	CONNECTOR(1), AMPSEAL, FEMALE, 23F, 770680-1. TERMINAL(23), FEMALE, AMPSEAL, 770854-1. UNUSED POSITIONS ARE SEALED INTERNALLY, AND DO NOT REQUIRE SEAL PLUG #770678-1.
B	CONNECTOR, BODY(1), DEUTSCH, DTM, 6M, #DTM04-6P. LOCK(1), #WM6P. TERMINALS, 6, MALE, 16-20GA, #1060-20-0122-PS.
C	BULGIN, IN-LINE FUSEHOLDER, #FX0185. LOADED WITH 2.0AMP FUSE: BUSSMANN #ABC-2-R, OR LITTELFUSE #0314 002.HXP.
D	WIRE TIE, PANDUIT, PLT1M-M OR EQUIVALENT.
E	CLIP SPLICE. SEE NOTE #6.

Ref.	Part No.	Serial Number	Description	Qty.
1	1075352	(00000000-	) Harness, Ele [Telem, T500e]	1

WIRE HARNESS, MAIN, DRIVE MODEL

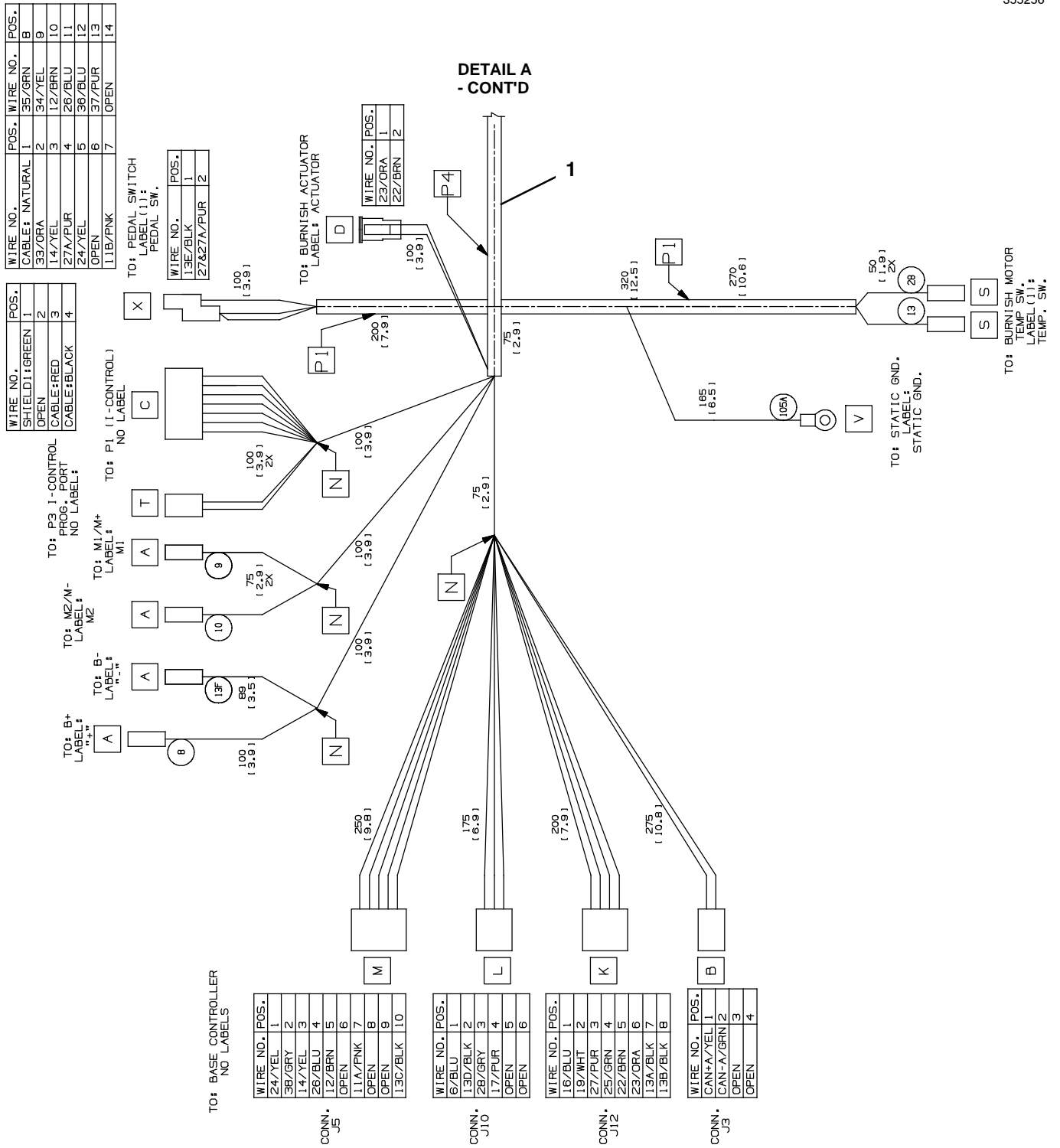
355256





WIRE HARNESS, MAIN, DRIVE MODEL - CONT'D

355256

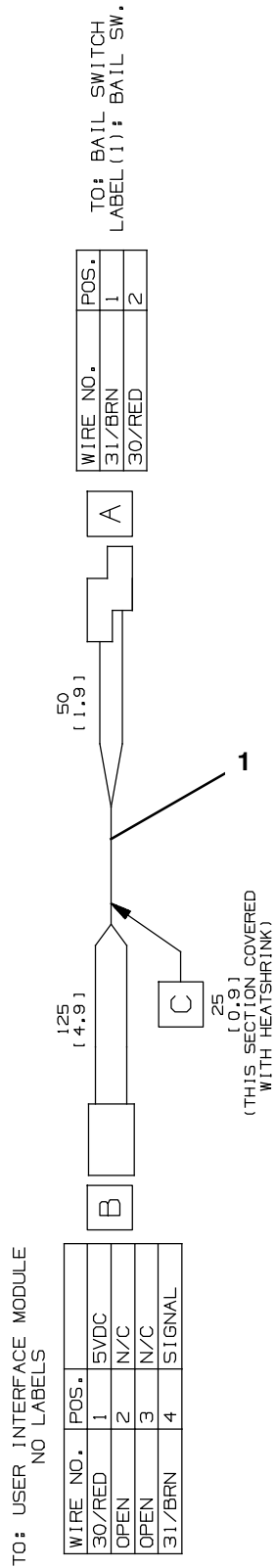


Ref.	Part No.	Serial Number	Description	Qty.
1	1072287	(0000000-	) Harness, Main, Ele [Volga, B5, Propel]	1



WIRE HARNESS, BAIL SWITCH

355261

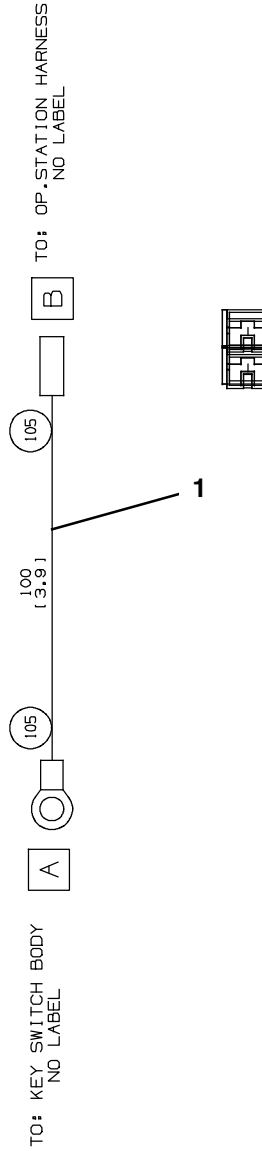


Ref.	Part No.	Serial Number	Description	Qty.
1	1072524	(00000000-	) Harness, Ele [Bail Switch]	1

WIRE HARNESS, KEY SWITCH

355262

COMPONENT ALPHA	COMPONENT DESCRIPTIONS
A	TERMINAL, RING, .750", INSULATED, 14-16GA, TYCO #322724.
B	TERMINAL, SNAP PLUG, .156", MALE, 14-16GA, INSULATED, MOLEX #19034-0009.

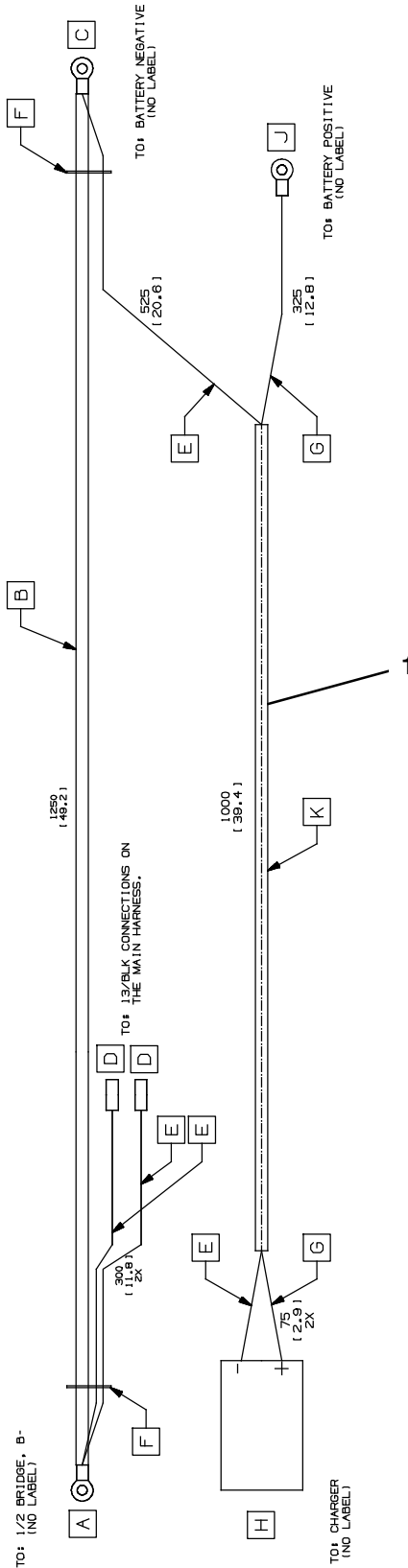


WIRE NO.	COLOR	GAU GE	TYPE
105	GRN	16	UL - GXL

Ref.	Part No.	Serial Number	Description	Qty.
1	1073037	(00000000-	) Harness, Ele [Key Sw.,Static Gnd]	1

WIRE HARNESS, BATTERY/CHARGER CABLE

355400



Ref.	Part No.	Serial Number	Description	Qty.
▽	1	1072939	(00000000- ) Cable, Assy [B7/B5, Ground]	1
▲		130155	(00000000- ) Connector, Battery, 6ga 50a, Gray[2cont]	1