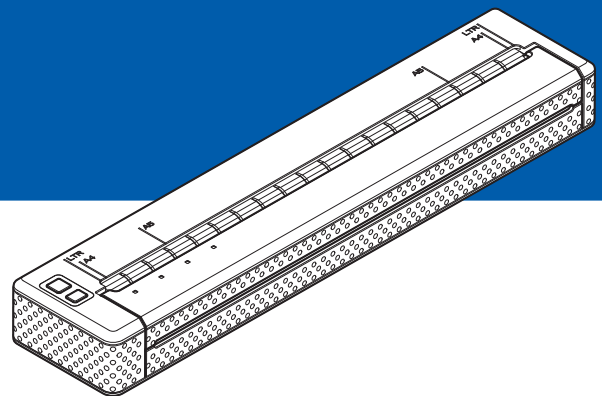


brother

PocketJet

USER'S GUIDE



PJ-622/PJ-623/ PJ-662/PJ-663 Mobile Printer

- Before using this printer, be sure to read this Users Guide.
- We suggest that you keep this manual in a handy place for future reference.

Introduction

Thank you for purchase of the Brother mobile printer PocketJet PJ-622/PJ-623/PJ-662/PJ-663. The PJ-622/PJ-623/PJ-662/PJ-663 (hereafter referred to as “the printer”) is a mobile thermal printer. Be sure to read User’s Guide, Safety and Legal Guide, Quick Setup Guide and P-touch® Editor Software User’s Guide (PJ-623/663 only) before using the printer. We suggest that you keep this document in a handy place for future reference.

Symbols Used in This Document

The following symbols are used throughout this document.



This symbol indicates information or directions that should be followed. Ignoring them may result in damage, or failed operations.



This symbol indicates notes that provide information or directions that can help you better understand and use the product more efficiently.

About This Document

This document (PDF) is included on the CD-ROM.



Note


If using Adobe® Reader® to view this document on a computer, the cursor changes to  when the cursor is placed on a link. Click the link to open the corresponding page. For information about using Adobe® Reader®, see the help file included with Adobe® Reader®.

Table of Contents

1 Setting Up the Printer 1

General Description	1
Connecting the Printer to External Power.....	1
Connecting to an AC Power Outlet (Optional).....	1
Connecting to a DC Power Outlet (Optional).....	2
Using the Rechargeable Ni-MH Battery (Optional).....	2
Installing the Rechargeable Ni-MH Battery	2
Charging the Rechargeable Ni-MH Battery	3
Tips on Using the Rechargeable Ni-MH Battery.....	4
Explaining Battery Terms	5
Using the Rechargeable Li-ion Battery (Optional)	6
Installing the Rechargeable Li-ion Battery.....	6
Charging the Rechargeable Li-ion Battery	7
Tips on Using the Rechargeable Li-ion Battery	8
Rechargeable Battery Overview	9
Installing and Uninstalling the Driver	10
Install the Printer Driver	10
Uninstall the Printer Driver.....	11
Connecting the Computer and Printer	12
USB Connection	12
Bluetooth Connection (PJ-662/663 Only).....	13
Switching Between IrDA and Bluetooth (PJ-662/663 Only).....	15

2 Using the Printer 17

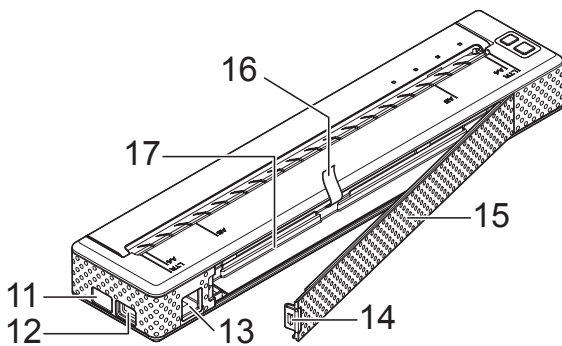
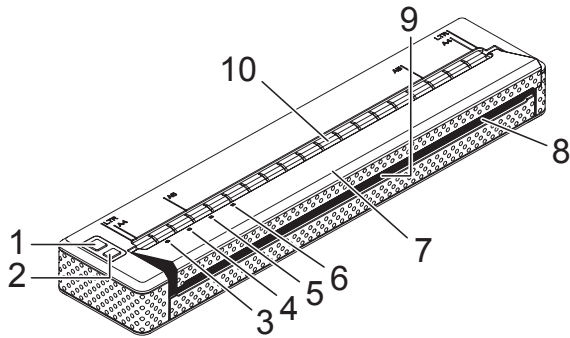
Operation Panel.....	17
Power Button and Feed Button Functions.....	17
Indicators	18
Printing Solutions.....	19
Printing	19
Making Prints Lighter or Darker	20
Setting Printer Driver Options	21
Paper Type	21
Density.....	21
2-ply Mode.....	21
Form Feed Mode	21
Feed Margin for No Feed option.....	21
Roll Paper Pause (Windows® Only)	22
Dash Line Print.....	22
Automatically Switch Command Mode (Windows® Only)	22
Setting Paper Size	22
For Windows® Users	22
For Mac OS® Users.....	23
Selecting Paper Type	23
Cut Sheet Paper	23
Non-Perforated Roll Paper	23
Perforated Roll Paper	24

	Tips on Using Paper	24
	Use Genuine Brother Thermal Paper	24
	Usage and Handling Instructions	24
	Clearing a Paper Jam	25
	Cutting Roll Paper	25
3	PJ-600 Series Utility	26
	Overview	26
	Installing PJ-600 Series Utility	26
	For Windows® Users	26
	For Mac OS® Users	26
	Uninstalling PJ-600 Series Utility	27
	For Windows® Users	27
	For Mac OS® Users	27
	Using PJ-600 Series Utility	27
	Before Using PJ-600 Series Utility	27
	Starting PJ-600 Series Utility	27
	How to Use PJ-600 Series Utility	28
	Parameters	29
4	Other Function	39
	JPEG Printing	39
5	Maintaining the Printer	40
	Cleaning the Platen Roller	40
	Cleaning the Printer's Exterior	41
6	Reference	42
	Indicators	42
	Indicator Warnings	44
	Printing a Printer Report	46
7	Troubleshooting	47
	Overview	47
	Paper Problems	48
	Printed Image Problems	48
	Pages Don't Print	49
	Pages Are Partially Printed	50
8	Technical Information	51
	Product Specifications (PJ-622/623)	51
	Product Specifications (PJ-662/663)	53
A	Character Sets	55

1

Setting Up the Printer

General Description



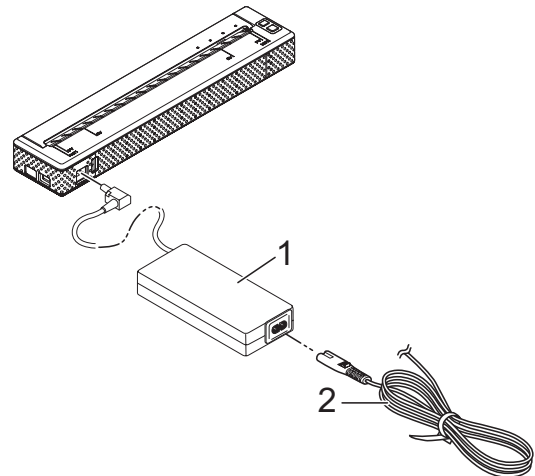
- 1 (Power) button
- 2 (Feed) button
- 3 **POWER** indicator
- 4 **DATA** indicator
- 5 **STATUS** indicator
- 6 (Bluetooth) indicator (PJ-662/663 only)
- 7 **Release cover**
- 8 **Paper outlet slot**
- 9 **Tear bar**
- 10 **Paper input slot**
- 11 **IrDA port**
- 12 **USB port**
- 13 **AC/DC connector**
- 14 **Battery cover latch**
- 15 **Battery cover**
- 16 **Battery removal ribbon**
- 17 **Battery compartment**

Connecting the Printer to External Power

Connecting to an AC Power Outlet (Optional)

Connect the printer to a nearby AC power outlet to power the printer or charge the rechargeable battery using AC power.

- 1 Connect the AC adapter to the printer.
- 2 Connect the AC power cord to the AC adapter.
- 3 Connect the AC power cord to a nearby AC power outlet (100 - 240 VAC, 50 - 60 Hz).



- 1 **AC adapter**
- 2 **AC power cord**



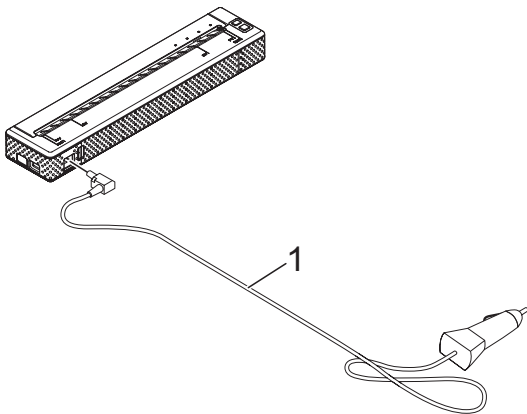
Note

The AC adapter and AC power cord are optional accessories. When purchasing, purchase the adapter and power cord appropriate for the region where the printer will be used.

Connecting to a DC Power Outlet (Optional)

Connect the printer to your vehicle's 12 V DC power outlet (cigarette lighter, etc.) to power the printer or charge the rechargeable battery using the vehicle's DC power.

- 1 Connect the DC cable to the vehicle's 12 V DC power outlet.
- 2 Connect the DC cable to the printer.
- 3 Turn on the vehicle's power, and then turn on the printer.



1 DC cable

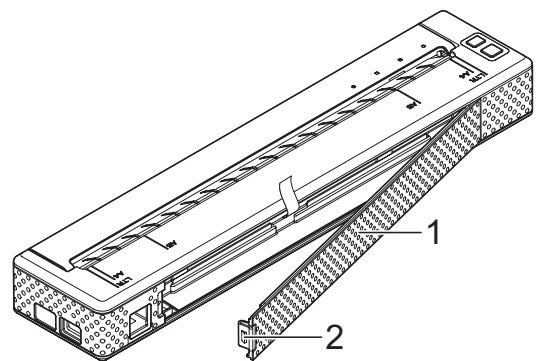
Note

- The DC cable is an optional accessory.
- The voltage supplied by a vehicle fluctuates. The printing speed may differ depending on the supplied voltage.

Using the Rechargeable Ni-MH Battery (Optional)

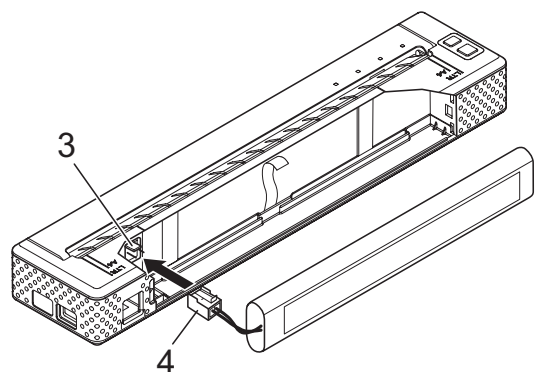
Installing the Rechargeable Ni-MH Battery

- 1 Open the battery cover by pressing the cover latch.



- 1 Battery cover
- 2 Cover latch

- 2 Swing the cover open and remove it.
- 3 Gently insert the battery connector into the terminal on the inside of the battery compartment.



- 3 Terminal
- 4 Battery connector

- 4 Grasp the battery removal ribbon, which is attached to the inside of the battery compartment. Make sure that enough ribbon is exposed after the rechargeable Ni-MH battery installed so that you can pull the ribbon to remove the battery.
- 5 While holding onto the ribbon, tilt the rechargeable Ni-MH battery and insert it into the battery compartment. After the rechargeable Ni-MH battery passes the outer edges of the compartment, press it securely into position.



Note

- Make sure that the side of the rechargeable Ni-MH battery marked “Ni-MH” faces away from the battery compartment, otherwise the battery cover will not close properly.
- The rechargeable Ni-MH battery contains a heat sensor that stops the flow of electricity if the battery overheats.

- 6 Attach the battery cover to the end of the battery compartment opposite the AC/DC connector. Close and latch the cover. If necessary, gently push the cover latch towards the AC/DC connector until it latches.



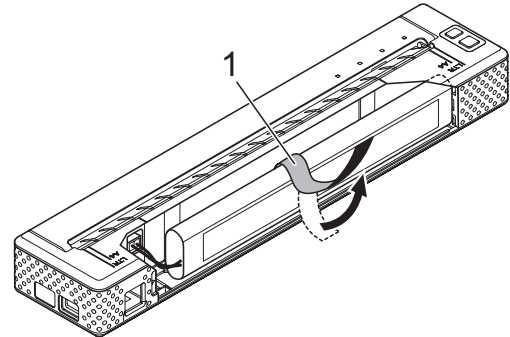
Note

- Be careful that you do not pinch the battery connector cord.
- The voltage supplied by the rechargeable Ni-MH battery fluctuates. The printing speed may also fluctuate depending on the voltage.

Removing the Rechargeable Ni-MH Battery

- 1 Open the battery cover by pressing the cover latch.
- 2 Swing the cover open and remove it.

- 3 Gently pull the battery removal ribbon until the rechargeable Ni-MH battery starts to tilt out of its compartment.



1 Battery removal ribbon



Note

If the battery removal ribbon is caught behind the rechargeable Ni-MH battery, insert a thin metal object such as a flat-blade screwdriver between the battery and the case at the end away from the AC/DC connector and tilt it out of its compartment.

- 4 Remove the rechargeable Ni-MH battery from the compartment.
- 5 Gently pull the rechargeable Ni-MH battery connector and remove it from the terminal inside the printer.


Charging the Rechargeable Ni-MH Battery

Perform the following procedure to charge the rechargeable Ni-MH battery.




Note


- Charge the rechargeable Ni-MH battery immediately after purchase using the following procedure.
- Up to 120 minutes is needed to fully charge a rechargeable Ni-MH battery. About 70 pages can be printed when using a new, fully-charged rechargeable Ni-MH battery.

- 1 Install the rechargeable Ni-MH battery in the printer.
- 2 Use the AC adapter and AC power cord to connect the printer to an AC power outlet, or use the DC cable to connect the printer to a DC power outlet.
- 3 Make sure that the printer is turned off.
- 4 Press and hold the  (Power) button for a few seconds until the POWER indicator begins to blink in green and orange.

Note

- While the POWER indicator is blinking in green and orange, the battery is being refreshed (see *Explaining Battery Terms* on page 5).
 - The rechargeable Ni-MH battery may be charged without being refreshed, depending on the setting in PJ-600 Series Utility (see *Refresh Ni-MH Battery* on page 32).
 - If there is still a considerable amount of charge in the rechargeable Ni-MH battery, it may not be refreshed.
 - While the rechargeable Ni-MH battery is being refreshed, press and hold the  (Power) button to stop refreshing the battery and begin charging it.
-
- 5 After the rechargeable Ni-MH battery has been refreshed, charging begins automatically.
The POWER indicator blinks in green until charging is complete.
When charging is complete, the POWER indicator turns off.

Stopping Rechargeable Ni-MH Battery Charging

To stop rechargeable Ni-MH battery from charging, press the  (Power) button quickly two times.

Tips on Using the Rechargeable Ni-MH Battery

- Charge the rechargeable Ni-MH battery immediately after purchase. Do not use it before it is charged.
- The rechargeable Ni-MH battery loses its charge gradually over time, even if it is not used. Therefore, we recommend charging the rechargeable Ni-MH battery before using it.
- While the printer is connected to an AC or DC power outlet, a small amount of current is used to charge the rechargeable Ni-MH battery. This is called “trickle charging”. Trickle charging compensates for the battery’s tendency to gradually discharge. For this reason, we recommend connecting the printer to an AC or DC power outlet even if a rechargeable Ni-MH battery is installed.
- The rechargeable Ni-MH battery charging can take place in 41°F-104°F (5°C-40°C) environments.
- Darker prints discharge the rechargeable Ni-MH battery faster than lighter prints. Adjust the print density setting in the printer driver’s dialog box (see *Setting Printer Driver Options* on page 21) or in PJ-600 Series Utility (see *Print Density* on page 34).
- If you are experiencing problems with the rechargeable Ni-MH battery, try refreshing the battery before deciding to replace it.

If the Printer Will Not be Used For a Long Period of Time

- If the printer will not be used for a long period of time, remove the rechargeable Ni-MH battery from the printer and store it in a cool place away from direct sunlight.
- A rechargeable Ni-MH battery that is not used for a long period of time may become over-discharged or inactive. For this reason, we recommend refreshing and charging the rechargeable Ni-MH battery every 3 to 6 months.


- For other precautions, refer to the instruction manual included with the rechargeable Ni-MH battery.

Explaining Battery Terms

■ Discharge

Discharge occurs when the rechargeable Ni-MH battery's power is depleted. The battery discharges slowly over time, even when the battery is not in use. When the battery has been fully-discharged, it cannot be used until it is recharged.

■ Refresh

Refresh occurs when the printer fully discharges the rechargeable Ni-MH battery so that the battery can be recharged to its full capacity. To refresh the battery, press and hold the  (Power) button for a few seconds until the POWER indicator begins to blink in green and orange (see *Refresh Ni-MH Battery* on page 32 for more options).

■ Over-discharge

Over-discharge occurs when the rechargeable Ni-MH battery's power has been depleted to the point that even when charged, it will not retain as much power as before. To avoid over-discharging the battery, charge it periodically.

■ Inactivity

Inactivity is the condition when the rechargeable Ni-MH battery has been unused for too long, and it cannot retain as much power as before. The battery can be restored to its earlier capacity by refreshing it one or two times. If more than one year has passed since the battery was last use, it will not return to its earlier capacity.

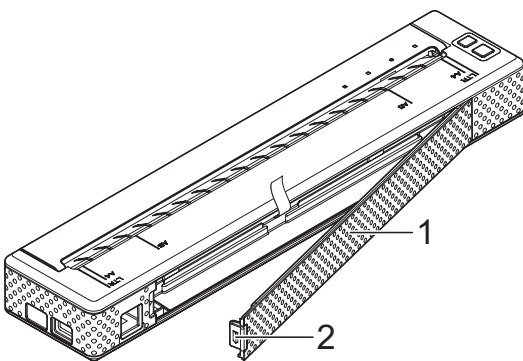
■ Trickle charge

Trickle charge is the small amount of power used to charge the rechargeable Ni-MH battery whenever the printer is connected to AC or DC power. The battery slowly discharges (loses power) over time, even when not in use. Trickle charging offsets this discharge, so that the battery remains charged.

Using the Rechargeable Li-ion Battery (Optional)

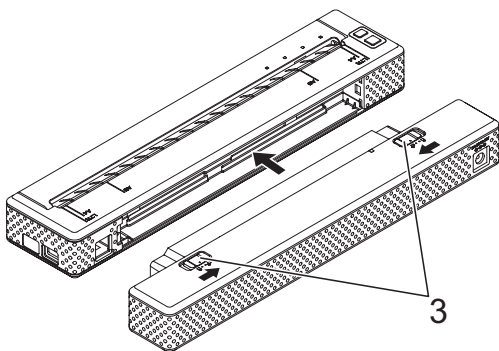
Installing the Rechargeable Li-ion Battery

- 1 Open the battery cover by pressing the cover latch.



- 1 Battery cover
- 2 Cover latch

- 2 Swing the cover open and remove it.
- 3 Move the slide switches on the rechargeable Li-ion battery inward, and then insert the battery into the battery compartment.



- 3 Slide switches

Note

When installing the rechargeable Li-ion battery, insert the battery removal ribbon into the battery compartment, and then install the battery. The battery removal ribbon is not needed when removing the rechargeable Li-ion battery.

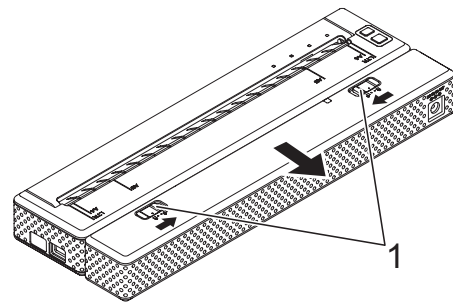
- 4 Move the slide switches outward to lock the battery in place.

Note

The voltage supplied by the rechargeable Li-ion battery fluctuates. The printing speed may also fluctuate depending on the voltage.

Removing the Rechargeable Li-ion Battery

Move the slide switches on the rechargeable Li-ion battery inward, and then remove the battery from the printer.



- 1 Slide switches

Charging the Rechargeable Li-ion Battery

The rechargeable Li-ion battery can be charged while it is inserted in the printer and also while it is removed from the printer.

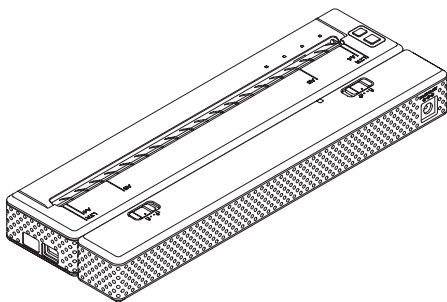
Perform the following procedure to charge the rechargeable Li-ion battery.

Note

- Charge the rechargeable Li-ion battery immediately after purchase using the following procedure.
- Up to 180 minutes is needed to fully charge a rechargeable Li-ion battery. About 300 pages can be printed when using a new, fully-charged rechargeable Li-ion battery.

Charging While Installed in the Printer

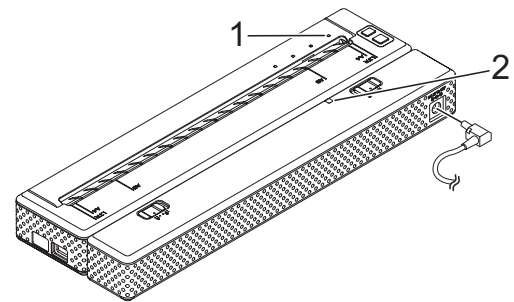
- 1 Make sure that the printer is turned off.
- 2 Make sure that the rechargeable Li-ion battery is installed in the printer.



- 3 Use the AC adapter and AC power cord to connect the rechargeable Li-ion battery to an AC power outlet, or use the DC cable to connect the battery to a DC power outlet.

The battery indicator lights in orange.

When the rechargeable Li-ion battery is fully charged, the battery indicator turns off.



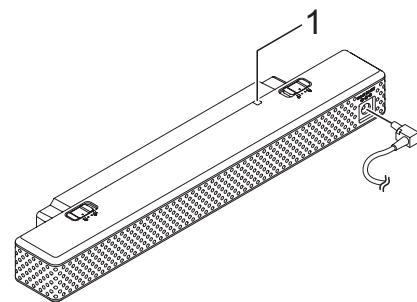
- 1 POWER indicator
- 2 Battery indicator

Charging While Removed From the Printer

Use the AC adapter and AC power cord to connect the rechargeable Li-ion battery to an AC power outlet, or use the DC cable to connect the battery to a DC power outlet.

The battery indicator lights in orange.

When the rechargeable Li-ion battery is fully charged, the battery indicator turns off.



- 1 Battery indicator

Stopping Rechargeable Li-ion Battery Charging

To stop rechargeable Li-ion battery charging, disconnect the AC power cord or DC cable from the battery's AC/DC connector.

Tips on Using the Rechargeable Li-ion Battery

- Charge the rechargeable Li-ion battery immediately after purchase. Do not use it before it is charged.
- Darker prints discharge the rechargeable Li-ion battery faster than lighter prints. Adjust the print density setting in the printer driver's dialog box (see *Setting Printer Driver Options* on page 21) or in PJ-600 Series Utility (see *Print Density* on page 34).
- Unlike the rechargeable Ni-MH battery, battery refreshing and trickle charging are not necessary when using the rechargeable Li-ion battery
- The rechargeable Li-ion battery charging can take place in 32°F-104°F (0°C-40°C) environments. Charge the rechargeable Li-ion battery in an environment in this temperature range. If the surrounding temperature is out of this range, the rechargeable Li-ion battery will not be charged, and the battery indicator will remain lit.
- If the printer is used when both the rechargeable Li-ion battery is installed and the AC adapter or DC cable is connected, the auto power off function will turn off the printer after the specified amount of time (see *Auto Power Off(AC/DC/Li-ion)* on page 32) passes, after which the rechargeable Li-ion battery will be charged. When 180 minutes (max.) have passed since the printer was turned on, the battery indicator turns off and charging stops.
- If the printer is used when both the rechargeable Li-ion battery is installed and the AC adapter or DC cable is connected, the battery indicator may turn off and charging may stop even if the rechargeable Li-ion battery has not been fully charged.
- When charging the rechargeable Li-ion battery while the DC cable is connected, the amount of voltage required to fully charge the rechargeable Li-ion battery may not be supplied by the DC power outlet. When 180 minutes (max.) have passed since charging started, the battery indicator turns off and charging stops even if the rechargeable Li-ion battery has not been fully charged.

Rechargeable Li-ion Battery Characteristics

Understanding the properties of the rechargeable Li-ion battery will allow you to optimize its usage.

- Using or storing the rechargeable Li-ion battery in a location exposed to high or low temperatures may accelerate its deterioration. In particular, using a rechargeable Li-ion battery with a high charge (charged 90% or more) in a location exposed to high temperatures will considerably accelerate battery deterioration.
- Using the printer while the rechargeable Li-ion battery is installed and charging may accelerate the battery's deterioration. If using the printer when the rechargeable Li-ion battery is installed, disconnect the AC adapter or DC cable.
- Try to fully discharge the rechargeable Li-ion battery before charging it.
- If the printer will not be used for a long period of time, remove the rechargeable Li-ion battery from the printer when its charge is 50% or less, and then store the battery in a cool place away from direct sunlight.
- If the rechargeable Li-ion battery will not be used for a long period of time, we recommend charging it every 6 months.
- For other precautions, refer to the instruction manual included with the rechargeable Li-ion battery.

Rechargeable Battery Overview

The characteristics of the two types of rechargeable batteries that can be used with the printer are described in the following table.

	Ni-MH battery	Li-ion battery
Battery mounting	Internal	External
Print while charging	Yes	Yes
Trickle charge battery	Yes	No
Battery charger location	Inside Printer	Inside Battery
Approximate charge time	120 min	180 min
Approximate number of pages/charge	70 pages	300 pages
Refresh battery feature	Yes	No
Charge without the printer	No	Yes

Installing and Uninstalling the Driver

Install the Printer Driver



Note

- Please do not connect the printer to your computer via the USB cable until you have installed the printer driver. If you accidentally do so, cancel the “New Hardware Wizard”, disconnect the printer, and install the driver as described below.
- To use the Bluetooth interface (PJ-662/663 only), install a Bluetooth driver on the computer before installing the printer driver and PJ-600 Series Utility.

For Windows® Users

- 1 Insert the CD-ROM into your computer's CD-ROM drive.



- 2 Click **[PC (Windows) software]**, and then click **[Standard Installation]** or the specific item you want to install.

If you click **[Standard Installation]**, the following items are installed depending on the model.

For PJ-622/662:

Printer driver and PJ-600 Series Utility

For PJ-623/663:

Printer driver, PJ-600 Series Utility and

P-touch® Editor

- 3 Select the model.
- 4 Follow the on-screen instructions to install the software.
- 5 Click **[Finish]** to close the installation screen.

For Mac OS® Users

- 1 Insert the CD-ROM into your computer's CD-ROM drive.
- 2 Open the **[Mac OS X]** folder and then double-click **[Brother PJ-XXX Driver.pkg]** to start the driver installer.
- 3 Follow the on-screen instructions to install the software.
- 4 For PJ-622/623:
After the installation is completed, click **[Close]**.
For PJ-662/663:
When the installation is completed, click **[Restart]**. The computer restarts.
- 5 Turn on the printer.
- 6 Mac OS® X 10.4.11:
Double-click the drive where Mac OS® X is installed, and double-click **[Applications] - [Utilities] - [Printer Setup Utility]**. The **[Printer List]** window displayed.
Mac OS® X 10.5.x - 10.6:
Click in order of Apple menu - **[System Preferences...]**, and click **[Print & Fax]**.
- 7 Click the **[Add] / [+]** button to add your machine.
- 8 Choose **[PJ-XXX] / [Brother PJ-XXX]** and then click **[Add]**. The printer is now ready to print.

Uninstall the Printer Driver

For Windows® Users

■ Windows® XP

- 1 Turn off the printer.
- 2 [start] - [Control Panel] - [Printers and Other Hardware] - [Printers and Faxes].
- 3 Choose [Brother PJ-XXX], and click [File] - [Delete] or right click on the icon and then click [Delete].
- 4 Go to [File] - [Server Properties]. The [Print Server Properties] window displayed.
- 5 Click the [Drivers] tab and choose [Brother PJ-XXX]. Then, click [Remove].
- 6 Close the [Print Server Properties] window. The printer driver has been uninstalled.

■ Windows Vista®

- 1 Turn off the printer.
- 2 Start button - [Control Panel] - [Hardware and Sound] - [Printers].
- 3 [Brother PJ-XXX], and click [Delete this printer] or right click on the icon, and then click [Delete].
- 4 In the [Printers] window, right click and select [Run as administrator] - [Server Properties...].
If the authorization confirmation dialog displayed, click [Continue].
If the [User Account Control] dialog displayed, enter the password and click [OK]. The [Print Server Properties] window displayed.

- 5 Click the [Drivers] tab and choose [Brother PJ-XXX]. Then, click [Remove...].
- 6 Choose [Remove driver and driver package] and click [OK]. Follow the on-screen instructions.
- 7 Close the [Print Server Properties] window. The printer driver has been uninstalled.

■ Windows® 7

- 1 Turn off the printer.
- 2 Start button - [Devices and Printers].
- 3 Choose [Brother PJ-XXX], and click [Remove device] or right click on the icon, and then click [Remove device].
If a User Account Control message displayed, type in the password, and then click [Yes].
- 4 Choose [Fax] or [Microsoft XPS Document Writer] in the [Devices and Printers] window, and then click [Print server properties], which appeared in the menu bar.
- 5 Click the [Drivers] tab, and then click [Change Driver Settings]. If a User Account Control message displayed, type in the password, and then click [Yes]. Choose [Brother PJ-XXX], and then click [Remove...].
- 6 Choose [Remove driver and driver package], and then click [OK]. Follow the on-screen instructions.
- 7 Close the [Print Server Properties] window. The printer driver has been uninstalled.

For Mac OS® Users

- 1 Turn off the printer.
- 2 Mac OS® X 10.4.11:
Double-click the drive where Mac OS® X is installed, and double-click **[Applications] - [Utilities] - [Printer Setup Utility]**. The **[Printer List]** window displayed.
Mac OS® X 10.5.x - 10.6:
Click in order of Apple menu - **[System Preferences...]**, and click **[Print & Fax]**.
- 3 Mac OS® X 10.4.11:
Choose **[PJ-XXX]**, and click **[Delete]**.
Mac OS® X 10.5.x - 10.6:
Choose **[Brother PJ-XXX]**, and click **[-]**.
- 4 Close the **[Printer List]** (10.4.11) / **[Print & Fax]** (10.5.x - 10.6) window.
The printer driver has been uninstalled.

Connecting the Computer and Printer

The printer can be connected to your computer via USB cable and Bluetooth (PJ-662/663 only).



Install the printer driver before connecting the printer to the computer.

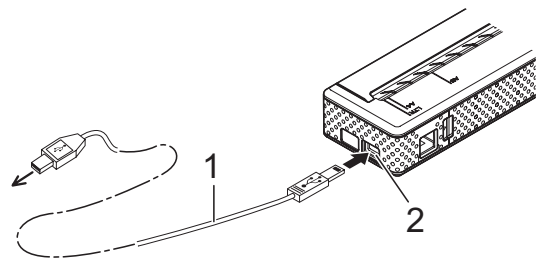


Note

When connecting via Bluetooth, the connection settings are saved even after the printer is turned off.

USB Connection

- 1 Make sure that the printer is turned off before connecting the USB cable.
- 2 Connect the printer end of the USB cable to the USB port on the side of the printer.



- 1 USB cable
- 2 USB port

- 3 Connect the other end of the USB cable to the USB port on the computer.

Bluetooth Connection (PJ-662/663 Only)

Note

Follow the recommendations of the manufacturer of your Bluetooth-equipped computer or Bluetooth adapter and install any necessary hardware and software.

For Windows® Users

- 1 Use your Bluetooth device management software to discover the printer and configure the printer connection.

Note

If the software prompts you to enter a Bluetooth passkey (PIN code), enter the passkey assigned to the printer. The printer's passkey is the last four digits of its serial number by default.

- 2 Write down the name of the port used for the connection.
- 3 Open the printer screen so that the printer's port settings can be changed.
Windows® XP:
[start] - [Control Panel] - [Printers and Other Hardware] - [Printers and Faxes].
Windows Vista®:
Start button - [Control Panel] - [Hardware and Sound] - [Printers].
Windows® 7:
Start button - [Devices and Printers].
- 4 Windows® XP / Windows Vista® :
Right-click the printer icon, and then click [Properties].
Windows® 7:
Right-click the printer icon, and then click [Printer Properties].
- 5 Click the [Ports] tab.

- 6 Select the port name confirmed in step 2 ("COM" plus a number).
- 7 Click [OK] to close the properties dialog box.
- 8 Close the printers window to finish.

Note

Refer to your Bluetooth device management software's documentation for details on connection settings, confirming the port name, etc.

For Mac OS® Users

■ Bluetooth Setup

- 1 Mac OS® X 10.4.11:
Select [Set up Bluetooth Device...] from the ⌘ (Bluetooth) menu in the menu bar. The [Bluetooth Setup Assistant] window displayed. Go to step 2.
Mac OS® X 10.5.x:
Select [Browse Device...] from the ⌘ (Bluetooth) menu in the menu bar. The [Browse Files] window displayed. Go to step 8.
Mac OS® X 10.6:
Select [Set up Bluetooth Device...] from the ⌘ (Bluetooth) menu in the menu bar. The [Bluetooth Setup Assistant] window displayed. Go to step 9.
- 2 Mac OS® X 10.4.11:
Click [Continue] in the [Introduction] screen.
- 3 Mac OS® X 10.4.11:
Select [Any device] in the [Select Device Type] screen, and click [Continue].

- 4 Mac OS® X 10.4.11:
Select [**Passkey Options...**] in the [**Bluetooth Device Set Up**] screen, select [**Use a specific passkey**], and then click [**OK**].

 **Note**

The printer's passkey (PIN code) is the last four digits of the printer's serial number by default.

- 5 Mac OS® X 10.4.11:
Select the desired printer from the list in the [**Bluetooth Device Set Up**] screen and click [**Continue**].

- 6 Mac OS® X 10.4.11:
Click [**Continue**] in the [**Bluetooth Device Set Up**] screen, enter the passkey (PIN code) next to [**Passkey**], and then click [**Continue**].

- 7 Mac OS® X 10.4.11:
Click [**Continue**] to display the [**Conclusion**] screen, and then click [**Quit**].

 **Note**

If [**There were no supported services found on your device.**] is displayed, click [**Continue**].

- 8 Mac OS® X 10.5.x:
Select the desired printer and select the [**Remember this device**] checkbox.

 **Note**

The printer's passkey (PIN code) is the last four digits of the printer's serial number by default.

- 9 Mac OS® X 10.6:
Select the appropriate printer from the list and then click [**Continue**].

- 10 Mac OS® X 10.6:
Click [**Passcode Options...**].

- 11 Mac OS® X 10.6:
Select [**Use a specific passcode**] enter to the printer's Bluetooth passkey (PIN code), click [**OK**], and then click [**Continue**].

 **Note**

The printer's passkey (PIN code) is the last four digits of the printer's serial number by default.

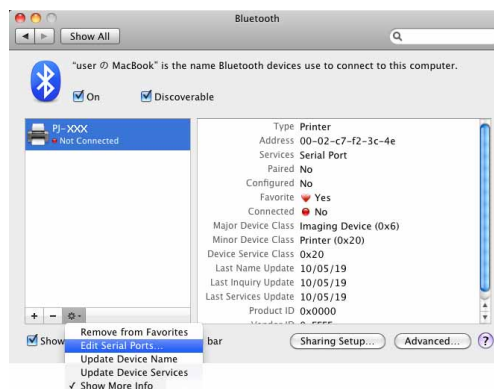


- 12 Mac OS® X 10.6:
When the [**Conclusion**] screen is displayed, click [**Quit**].

■ Serial Port Setup

- 1 Open [**System Preferences...**] and click [**Bluetooth**].

- 2 Mac OS® X 10.4.11:
Click [**Edit Serial Ports...**].
Mac OS® X 10.5.x-10.6:
Select [**Edit Serial Ports...**] from the menu.



- 3 Select **[RS-232]** in the **[Port type]** (10.4.11) / **[Protocol]** (10.5.x-10.6) pull-down menu, select **[SPP Printing]** in the **[Device service]** (10.4.11) / **[Service]** (10.5.x-10.6) pull-down menu, and then click **[Apply]**.



■ Add Bluetooth Printer

- 1 Start the Bluetooth Printer Setup program. Double-click **[Macintosh HD]** - **[Library]** - **[Printers]** - **[Brother]** - **[PocketJet Utilities]** - **[Bluetooth Printer Setup.app]**.
- 2 Select the port name specified in step 3 of *Serial Port Setup* on page 14 as the **[Printer Name]**, select the printer driver in the **[Print Using]** pull-down menu and click **[Add]**.
 Mac OS® X 10.4.11:
 Double-click the drive where Mac OS® X is installed, and double-click **[Applications]** - **[Utilities]** - **[Printer Setup Utility]**. The **[Printer List]** window displayed. The Bluetooth printer will be added.
 Mac OS® X 10.5.x - 10.6:
 The Bluetooth printer will be added in the **[Print & Fax]** of **[System Preferences...]**.

Note

A PIN may be required to pair the printer and the computer or Bluetooth adapter. The default PIN is the last four characters of the printer's serial number. Use PJ-600 Series Utility to change the PIN if necessary. For more information see *Bluetooth Settings (PJ-662/663 only)* on page 37.

Switching Between IrDA and Bluetooth (PJ-662/663 Only)

When switching the connection method between IrDA and Bluetooth connection, change the printer settings that correspond to the connection method. There are two methods for changing the settings.

Changing the Setting From the Computer

Using PJ-600 Series Utility, select the desired connection method for **[Wireless I/O]**. For details, see *Wireless I/O (PJ-662/663 only)* on page 35.

Changing the Setting From the Printer

- 1 Use PJ-600 Series Utility to set **[Wireless Switching Mode]** to **[Enable]** (see *Wireless Switching Mode (PJ-662/663 only)* on page 35).
- 2 With the printer off, while holding down the **⏏** (Feed) button, press and hold the **⏻** (Power) button for at least three seconds, and then check if the Bluetooth indicator lights (Bluetooth connection established) or is off (no Bluetooth connection).



Note

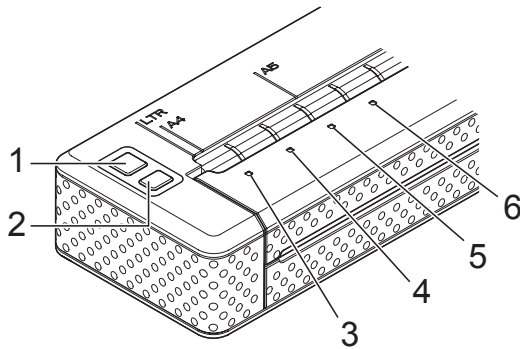
- IrDA connection is intended for connecting to portable terminals.




Chapter 1

- To connect to a portable terminal using a IrDA or Bluetooth connection, refer to the documentation included with the portable terminal.
-







Operation Panel

The operation panel consists of the  (Power) button,  (Feed) button and the indicators.



- 1  (Power) button
- 2  (Feed) button
- 3 **POWER** indicator
- 4 **DATA** indicator
- 5 **STATUS** indicator
- 6  (Bluetooth) indicator (PJ-662/663 only)

Power Button and Feed Button Functions

 (Power) button function	Operation
Turn the printer on	While the printer is turned off, press and hold the  (Power) button for about one second until the POWER indicator turns on.
Turn the printer off	Press the  (Power) button quickly two times. (If the Auto-Off feature is enabled in PJ-600 Series Utility, the printer will turn itself off automatically after the selected period of inactivity.)
Charge the rechargeable Ni-MH battery	While the printer is turned off, press and hold the  (Power) button for two or more seconds until the POWER indicator begins to blink in green and orange. The POWER indicator continues to blink until charging is complete. For details on charging the rechargeable Ni-MH battery, see <i>Charging the Rechargeable Ni-MH Battery</i> on page 3. The rechargeable Ni-MH battery may be charged without being refreshed, depending on the setting specified for [Refresh Ni-MH Battery] in PJ-600 Series Utility (see <i>Refresh Ni-MH Battery</i> on page 32).
Skip rechargeable Ni-MH battery refresh, begin charging	While the rechargeable Ni-MH battery is being refreshed, press and hold the  (Power) button to stop refreshing the battery and begin charging it.
Turn the printer off while charging the rechargeable Ni-MH battery	Press the  (Power) button quickly two times.



Note

Rechargeable Li-ion battery is not controlled by these functions.

↑ (Feed) button function	Operation
Eject the paper manually (manual form feed)	<p>Make sure that the printer is turned on and that there is paper loaded, and then press the ↑ (Feed) button. Paper is slowly ejected as long as the button is held down.</p> <p>If you continue to hold down the ↑ (Feed) button after about 1/2 inch (12.7 mm) of paper has been ejected, about one page length of paper is ejected at high speed. The amount of paper ejected is determined by the [Form Feed Mode] setting (see <i>Form Feed Mode</i> on page 21 or 34).</p> <p>In order to assure that printing is complete before permitting a form feed, manual form feeds cannot be performed for five seconds after the printer has received any data.</p>
Set the printer to service mode	<p>Make sure that the printer is turned on and that there is no paper loaded, and then press and hold the ↑ (Feed) button for two or more seconds until the DATA indicator turns red. Service mode is used for printing the printer settings report (see <i>Printing a Printer Report</i> on page 46).</p>

Indicators



The indicators light and flash to indicate the printer's status. Each indicator may light or blink in green, red, orange, or blue. For details, see *Indicators* on page 42.


Printing Solutions

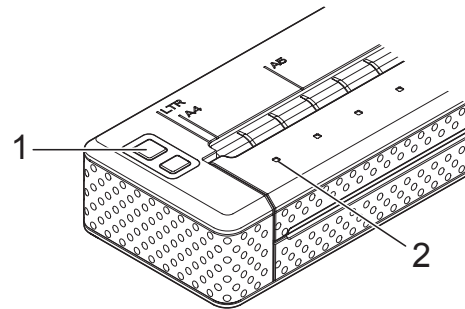
Your printer can be used with several versions of the Windows® and Mac OS® operating systems.

In most situations, the printer requires driver software to communicate with your computer. These drivers can be installed using the setup CD-ROM, and the latest versions can be downloaded from the Brother Solutions Center website (<http://solutions.brother.com/>). We recommend that you visit the website to make sure that you have the latest version of the drivers.

Printing

For typical printing, use the following procedure.

- 1 Open the document to be printed.
- 2 Make sure that the printer is properly powered. Use a charged battery, or connect the printer to an AC or DC power outlet.
- 3 Turn the printer on by pressing the  (Power) button. The POWER indicator lights.



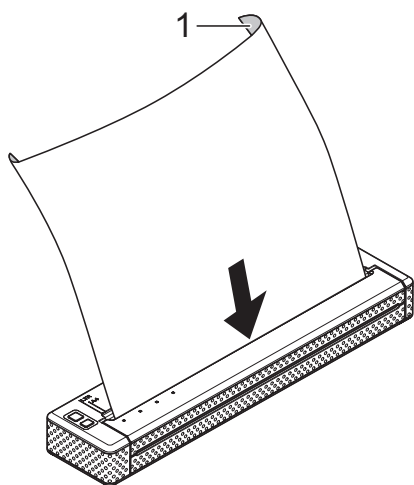
- 1  (Power) button
- 2 POWER indicator

- 4 Connect the printer to a computer, using either USB, IrDA, or Bluetooth (PJ-662/663 only).
- 5 Load the paper. Use both hands to hold the paper straight, and then gently insert the paper into the printer's input slot until the roller pulls it into the starting position. Use genuine Brother paper.



Note


- Make sure that the bottom edge of the paper is parallel to the roller.
- Only one side of the paper can be printed on. Check the paper, and load it so that the smooth, coated side faces down (see *Tips on Using Paper* on page 24).



1 Print surface


- 6 If necessary, change the print settings using either the printer driver (see *Setting Printer Driver Options* on page 21) or PJ-600 Series Utility (see *PJ-600 Series Utility* on page 26).
- 7 Click [**Print**] in the computer program's menu.

The DATA indicator blinks in green to indicate that the printer is receiving data, and the document is printed.

- 8 Turn the printer off by pressing the  (Power) button quickly two times. The POWER indicator turns off.



Note

- If paper is loaded and the DATA indicator remains green without blinking, the printer has not received enough data to print an entire page. Press and hold the  (Feed) button to print and eject the page.

- If you load paper before you start the print job, you will have time to adjust the paper. If the paper is skewed after the printer pulls it into the starting position, open the release cover completely, remove the paper, and then close the cover and load the paper again (see *Clearing a Paper Jam* on page 25.)
- To print a JPEG image without using the printer driver, see *JPEG Printing* on page 39.

Making Prints Lighter or Darker

You can make prints lighter or darker by adjusting the print density setting in the printer driver's dialog box (see *Setting Printer Driver Options* on page 21) or PJ-600 Series Utility (see *Print Density* on page 34).

When using the battery, changing the print density setting may result in slight changes in printing speed and the number of pages that can be printed on a single charge.

Setting Printer Driver Options

When printing from a computer program, various printing options can be selected using the printer driver.

Paper Type

Available settings: **[Cut Sheet]**, **[Roll]**, **[Perforated Roll]**, **[Perforated Roll Retract]**

Default setting: **[Cut Sheet]**

Set this option to match the type of paper that is loaded.

For Mac OS® users, see *Selecting Paper Type* on page 23.

Density

Available settings: **[0]** - **[10]**, Printer Default

Default setting: Printer Default

This option determines print density, which affects the darkness of the printed document. A lower value produces lighter print; a higher value produces darker print.

[Printer Default] is the value set when the machine leaves the factory (Default setting), or a value set by the PJ-600 series utility.

Darker print uses more battery power, but may be easier to read if the font or other document content is made up of narrow lines. If battery conservation is important, select a lower value.

2-ply Mode

Available settings: **[Disable]**, **[Enable]**

Default setting: **[Disable]**

This option is used when 2-ply paper is loaded. When **[Enable]** is selected, the printer produces prints that are darker (and print slower) than when **[Density]** is set to 10.

Form Feed Mode

Available settings: **[No Feed]**, **[Fixed Page]**, **[End of Page]**, **[End of Page Retract]**

Default setting: **[Fixed Page]**

This option determines how paper is ejected; it determines how the printer responds to form feed command.

- **No Feed** - Paper is not fed at the end of a job. Because additional paper is not ejected when at the end of the document, this setting is useful when using non-perforated roll paper.
- **Fixed Page** - Paper is fed at the end of a job to suit the vertical length of the selected page size (i.e., letter, legal, A4, or user-defined size). Select this setting when using cut sheet paper.
- **End of Page** - Paper is fed until the printer detects that no paper remains in the input slot, or until 14" (355.6 mm) of paper has been fed. Select this setting when using perforated paper.
- **End of Page Retract** - Paper is fed until the paper sensor detects a pre-printed end-of-page mark on the paper or the end of the sheet. When this setting is selected, set **[Paper Type]** to **[Perforated Roll Retract]**.

Feed Margin for No Feed option

Available settings: **[None]**, **[1/2 inch (12.7 mm)]**, **[1 inch (25.4 mm)]**, **[1-1/2 inches (38.1 mm)]**, **[2 inches (50.8 mm)]**

Default setting: **[1 inch (25.4 mm)]**

This option is used when **[Form Feed Mode]** is set to **[No Feed]**. Paper is ejected after the last page of the document according to the setting.

**Note**

This option only affects the last page of a document. The bottom margin specified by the computer program has no effect, and the top margin determines the total top and bottom margin between pages of a multi-page document.

Roll Paper Pause (Windows® Only)

Available settings: **[Disable]**, **[Enable]**

Default setting: **[Disable]**

This option is used to display a confirmation message for each page when printing on roll paper.

Dash Line Print

Available settings: **[Disable]**, **[Enable]**

Default setting: **[Disable]**

This option is used to print perforation lines between pages, useful when printing on roll paper. When **[Enable]** is selected, set **[Form Feed Mode]** to **[Fixed Page]**. Note that perforation lines are printed on the paper; they are not punched in the paper.

Automatically Switch Command Mode (Windows® Only)

Available settings: **[Disable]**, **[Enable]**

Default setting: **[Enable]**

Select whether or not the mode switching command is automatically sent when the commands are switched while using the printer.

Setting Paper Size

To use a pre-defined paper size (letter, legal, A4, etc.), select the desired paper size in the page setup dialog.

If the desired paper size has not been defined, use the following procedure to add and configure the desired paper size.

For Windows® Users

■ Windows® XP

- 1 If the desired paper size has not been defined, open **[Control Panel]** - **[Printers and Other Hardware]** - **[Printers and Faxes]**.
- 2 Make sure no items are selected, and then right-click in the **[Printers and Faxes]** window and select **[Server Properties]**. The **[Server Properties]** window is displayed.
- 3 Click the **[Forms]** tab, configure the desired paper size, etc., and then add the paper size.

■ Windows Vista®

- 1 Open **[Control Panel]** - **[Hardware and Sound]** - **[Printers]**.
- 2 Make sure no items are selected, and then right-click in the **[Printers]** window and select **[Run as administrator]** - **[Server Properties...]**. If the authorization confirmation dialog displayed, click **[Continue]**. If the **[User Account Control]** dialog displayed, enter the password and click **[OK]**.
- 3 Click the **[Forms]** tab, configure the desired paper size, etc., and then add the paper size.

■ Windows® 7

- 1 Start button - [**Devices and Printers**].
- 2 Select [**Brother PJ-XXX**], and then click [**Print server properties**].
- 3 Click the [**Forms**] tab, and then click [**Change Form Settings**]. If the [**User Account Control**] dialog displayed, enter the password and click [**Yes**].
- 4 Configure the desired paper size, etc., and add the paper size.

For Mac OS® Users

- 1 If the desired paper size has not been defined, open the [**Page Setup**] dialog and select [**Paper size**] - [**Manage Custom Sizes...**]. The custom paper size window is displayed.
- 2 Configure the desired paper size, etc., and add the paper size.

Selecting Paper Type

Paper type can be set to [**Cut Sheet**], [**Roll**], [**Perforated Roll**] or [**Perforated Roll Retract**].

Cut Sheet Paper

When using cut sheet paper, configure the printer driver as described below.

- 1 Select the appropriate paper size (Letter, A4, or Legal).
- 2 Windows® only, set [**Paper Type**] to [**Cut Sheet**].
- 3 Set [**Form Feed Mode**] to [**Fixed Page**].

Non-Perforated Roll Paper

When using non-perforated roll paper, configure the printer driver as described below, depending on the desired length of each page.

Variable-Length Pages (Saves Paper)

In this case, the paper size that is selected determines the maximum number of lines per page.

- 1 Select the appropriate paper size.
Windows® :Letter, A4, or Legal
Mac OS® :US Letter (Roll), A4 (Roll), or US Legal (Roll)
- 2 Windows® only, set [**Paper Type**] to [**Roll**].
- 3 Set [**Form Feed Mode**] to [**No Feed**].
- 4 Set [**Feed Margin for No Feed option**] to the desired setting. Paper is ejected after the last page of the document according to the setting.

Infinite Length Pages (Such as Geological Recordings or Polygraph Charts)

- 1 Set the paper size to [Infinite].
- 2 Windows[®] only, set [Paper Type] to [Roll].
- 3 Set [Form Feed Mode] to [No Feed].
- 4 Set [Feed Margin for No Feed option] to the desired setting. Paper is ejected after the last page of the document according to the setting.
- 5 Confirm that the top and bottom margins specified within the computer program are set to zero (0).

Perforated Roll Paper

When using perforated roll paper, configure the printer driver as described below.

- 1 Select the appropriate paper size.
Windows[®] :Letter, A4, or Legal
Mac OS[®] :US Letter (Perforated Roll) or US Letter (Perforated Roll Retract) and so on.
- 2 Windows[®] only, set [Paper Type] to [Perforated Roll] or [Perforated Roll Retract].
- 3 Set [Form Feed Mode] to [End of Page] or [End of Page Retract].
When [Perforated Roll] is selected, paper is not fed between pages, and the printable area for any paper size (including custom sizes) is reduced.
When [Perforated Roll Retract] is selected, paper is fed between pages, and the printable area is the same as when using cut sheet paper.

Tips on Using Paper

Use Genuine Brother Thermal Paper


Thermal paper eliminates the use of toner, ribbons or ink. Brother guarantees optimum compatibility with your printer when you use genuine Brother thermal paper, which has been specifically designed and tested for optimal compatibility with the PocketJet printer family.

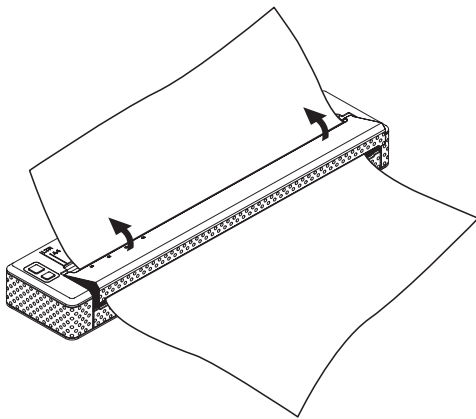
Usage and Handling Instructions

- When loading paper, make sure that the smooth, coated side faces the back of the printer.
- To avoid wrinkling and tearing, keep paper in its box or bag until ready to use.
- Do not fold, crease, or wrinkle paper prior to loading it.
- When storing paper, avoid high temperatures and humidity.
- Avoid prolonged exposure to intense ultraviolet light.
- Avoid contact with Diazo (blueprint), carbon-less, or cast-coated papers.
- Avoid contact with vinyl or acetate materials, such as many notebook or report covers.
- Avoid contact with organic solvents, oils, and ammonia.
- When using a colored marker, be sure to use one with a water-based ink. If you use a solvent-based marker, it may darken the paper.

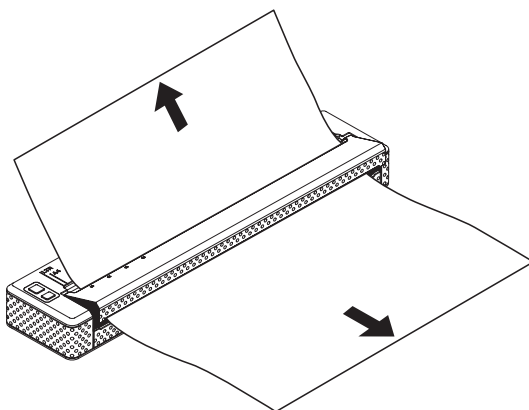
Clearing a Paper Jam

If paper becomes jammed, remove the paper according to the following procedure.

- 1 Press and hold the  (Feed) button. The drive motor will start and move slowly for a few seconds, then move faster as long as you hold the button down. This can be repeated as many times as necessary. If this does not eject the jammed paper, continue to the next step.
- 2 Gently open the release cover completely.



- 3 Gently pull the paper out of the printer in either direction.



- 4 Close the release cover.
- 5 Insert a new sheet of paper and print again.

Cutting Roll Paper

Roll paper can be cut using the printer's tear bar. Pull one edge of the ejected paper up and toward the other edge diagonally.



The tear bar is sharp. To avoid injury, do not touch the tear bar.

3

PJ-600 Series Utility

Overview

PJ-600 Series Utility is computer program that allows you to change the printer's default settings.

Normally when using a computer program to print a document, print settings are specified in the printer driver's dialog box and then the data is sent to the printer (for details on the printer driver settings, see *Setting Printer Driver Options* on page 21). PJ-600 Series Utility can be used to adjust settings that are more advanced than the printer driver's settings.

Most users will not need to change these settings; generally they are relevant only when printing simple text data from a computer that does not have this printer's driver installed.



Use PJ-600 Series Utility to configure the printer only when the printer is idle. The printer may malfunction if you attempt to configure it while it is handling a job.

Installing PJ-600 Series Utility

For Windows® Users

- 1 Insert the CD-ROM into your computer's CD-ROM drive.
- 2 Click **[PC (Windows) software]** and then click **[PJ-600 Series Utility]**.



Note

You can install PJ-600 Series Utility and other software at the same time by clicking **[PC (Windows) software]** - **[Standard Installation]** (see *Installing and Uninstalling the Driver* on page 10).

For Mac OS® Users

PJ-600 Series Utility is automatically installed when the printer driver is installed (see *Installing and Uninstalling the Driver* on page 10).

[Macintosh HD] - **[Library]** - **[Printers]** - **[Brother]** - **[PocketJet Utilities]** - **[Brother PJ-600 Series Utility.app]**

Uninstalling PJ-600 Series Utility

For Windows® Users

- 1 Windows® XP:
[start] - [Control Panel] - [Add or Remove Programs]. The [Add or Remove Programs] window displayed.
Windows Vista® / Windows® 7:
Start button - [Control Panel] - [Programs] - [Programs and Features]. The [Uninstall or change a program] window displayed.
- 2 Windows® XP:
Choose [Brother PJ-600 Series Utility], and click [Remove].
Windows Vista® / Windows® 7:
Choose [Brother PJ-600 Series Utility], and click [Uninstall].
- 3 Click [Yes]. When the [User Account Control] dialog box displayed, click [Allow]. If a password is requested, type in the password, and then click [Yes]. The uninstall operation starts.
- 4 Close the [Add or Remove Programs] (Windows® XP) / [Programs and Features] (Windows Vista® / Windows® 7) window. PJ-600 Series Utility has been uninstalled.

For Mac OS® Users

To uninstall PJ-600 Series Utility, open the folder specified below and throw the application Brother PJ-600 Series Utility.app in the trash.

[Macintosh HD] - [Library] - [Printers] - [Brother] - [PocketJet Utilities] - [Brother PJ-600 Series Utility.app].

Using PJ-600 Series Utility

Before Using PJ-600 Series Utility

- Connect the printer to an AC or DC power outlet, or make sure that the battery is fully-charged.
- Make sure that the printer driver has been installed and is functional.
- Connect the printer to a computer via USB or Bluetooth (PJ-662/663 only). (When using PJ-600 Series Utility on a Macintosh, the printer can be configured only when it is connected by USB.)

Starting PJ-600 Series Utility



Note

While the Windows® and Macintosh versions of PJ-600 Series Utility provide the same features, the appearance of the two versions differs. The Windows® version of PJ-600 Series Utility is shown in the screenshots in this section.

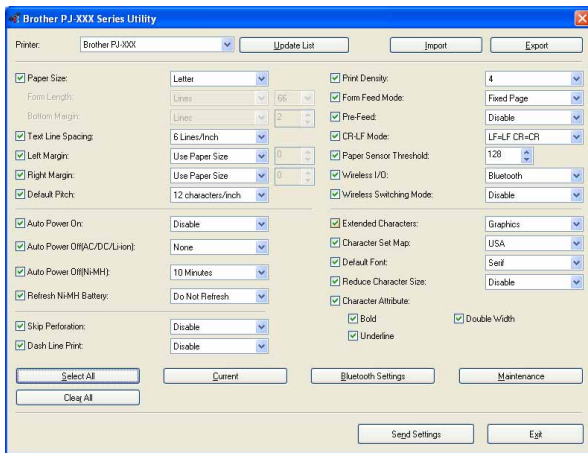
For Windows® Users

To start PJ-600 Series Utility, click the start button - [All Programs] - [Brother PocketJet] - [Brother PJ-600 Series Utility].

For Mac OS® Users

To start PJ-600 Series Utility, double-click [Macintosh HD] - [Library] - [Printers] - [Brother] - [PocketJet Utilities] - [Brother PJ-600 Series Utility.app].

The main window (shown below) opens, and the printer's default settings are displayed.



Settings that are specified using the printer driver are used during printing and are saved until the printer is turned off.

When the printer is turned on again, the settings specified using PJ-600 Series Utility are used as the default settings.

Settings shown here vary by country and may have been specially configured for some customers.

How to Use PJ-600 Series Utility

- 1 In the main window of the PJ-600 Series Utility, select the check boxes of the parameters with settings that can be changed.
- 2 Select the desired settings from the pull-down menus or enter the desired values.
- 3 Click [**Send Settings**] to save the settings in the printer.



Note

Some parameters can be adjusted using both the printer driver's dialog box and PJ-600 Series Utility. For the following parameters, the setting specified in the printer driver's dialog box has priority.

[Paper Size]
 [Density] ([Print Density])
 [Form Feed Mode]
 [Dash Line Print]

Parameters

Note

- Most users will not need to change these settings; generally they are relevant only when printing simple text data from a computer that does not have this printer's driver installed.
- The parameters which are common to all operating systems include Auto Power On, Auto Power Off and Pre-feed.

Changing Parameter Settings



1 Printer

Displays a list of the compatible printers that are connected to the computer. When using PJ-600 Series Utility to change printer settings, the settings of the printer selected in this list will be changed.

2 Update List (Windows® only)

Refreshes the printer list. If a printer is connected to the computer or is turned on while PJ-600 Series Utility is running, click this button to refresh the list and select the desired printer.

3 Import

Loads a configuration file created with PJ-600 Series Utility that was saved previously using the export feature.

Note

To send a previously saved configuration file to the printer, use the import feature to load the file, then click [**Send Settings**].

4 Export

Saves the current settings as a configuration file.

Note

PJ-662/663 only: The PIN code and Bluetooth address are not exported.

Defining Paper Size

1 Paper Size: Letter

2 Form Length: Lines 66

3 Bottom Margin: Lines 2

4 Text Line Spacing: 6 Lines/Inch

5 Left Margin: Use Paper Size 0

6 Right Margin: Use Paper Size 0

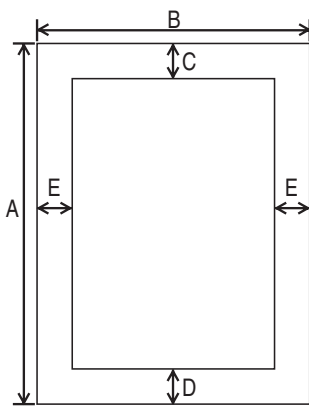
7 Default Pitch: 12 characters/inch

1 Paper Size

Available settings: [Letter], [A4], [Legal], [Custom]

Default setting: [Letter]

This parameter determines the default paper size. For standard paper sizes, this parameter also determines the default margins and the length for each printed page, as shown below.



(All measurements are in inches (mm))

Paper Size	A	B	C	D	E
Letter	11 (279)	8-1/2 (216)	0.10 (2.5)	0.23 (5.8)	0.17 (4.3)
A4	11.69 (297)	8.27 (210)	0.10 (2.5)	0.59 (15)	0.13 (3.3)
Legal	14 (356)	8-1/2 (216)	0.10 (2.5)	0.23 (5.8)	0.17 (4.3)

When [Custom] is selected, the following parameters determine the page specifications.

- [Form Length]
- [Bottom Margin]
- [Left Margin]
- [Right Margin]

Note

If this parameter is changed in the printer driver's dialog box, that setting has priority.

2 Form Length

Available settings: [Lines] (6 - 127*), [Inches] (1.00 - 21.16**)

*When [Text Line Spacing] is set to [6 Lines/Inch]: 6-127; when set to [8 Lines/Inch (0.125")] or [8 Lines/Inch (0.12")] : 8-127

**When [Text Line Spacing] is set to [6 Lines/Inch]: 1.00-21.16; when set to [8 Lines/Inch (0.125")] or [8 Lines/Inch (0.12")] : 1.00-15.87

Default setting: [Lines] (6)

The setting specified for this parameter takes effect only when [Paper Size] is set to [Custom].

Form length is determined by specifying the number of lines per page, or the length in inches of each page.

- **Lines** - Form length (i.e. the height of the page) is determined by the number of text lines per page (specified here), and the height of each line (specified for [Text Line Spacing]).

- **Inches** - Form length is specified in inches.

If you switch between [Lines] and [Inches], PJ-600 Series Utility automatically recalculates the setting.

3 Bottom Margin

Available settings: When [Text Line Spacing] is set to [6 Lines/Inch]: 3-126; when set to [8 Lines/Inch (0.125")] or [8 Lines/Inch (0.12")] : 4-126

Default setting: [Lines] (3)

The setting specified for this parameter takes effect only when [Paper Size] is set to [Custom].

The height of the bottom margin is expressed in lines of text. For example, if **[Bottom Margin]** is set to 6 lines, and if **[Text Line Spacing]** is set to 6 lines per inch, the actual height of the bottom margin is 1 inch (25.4 mm).

Note that the minimum height of the bottom margin must be at least 0.5 inches (12.7 mm). For example, if **[Text Line Spacing]** is set to 6 lines per inch, **[Bottom Margin]** must be set to at least 3 lines.

The maximum setting is the number of lines determined by the **[Form Length]** setting – 1.

4 Text Line Spacing

Available settings: **[6 Lines/Inch]**, **[8 Lines/Inch (0.125")]**, **[8 Lines/Inch (0.12")]**

Default setting: **[6 Lines/Inch]**

This parameter determines the height of each line of text. When **[Extended Characters]** is set to **[Graphics]** in order to print graphic characters, we recommend selecting **[8 Lines/Inch (0.12")]** because graphic characters are 0.12 inches (3.1 mm) tall.

5 Left Margin

Available settings: **[Use Paper Size]**, **[Columns]** (number of columns can be specified)

Default setting: **[Use Paper Size]**

- **Use Paper Size** - The default margins determined by the paper size setting are used, providing for 8 inches (203.2 mm) of available print width.
- **Columns** - The left margin equals the number of columns (specified here) multiplied by the width of the number of columns specified. The width of each column is determined by the **[Default Pitch]** setting. For example, if **[Left Margin]** is set to 12, and **[Default Pitch]** is set to **[12 characters/inch]**, the actual width of the left margin is 1 inch (25.4 mm). Note that if **[Default Pitch]** is set to **[Proportional]**, 10 characters/inch is used for this calculation.

The maximum width of the left margin is 4.5 inches (114.3 mm).

6 Right Margin

Available settings: **[Use Paper Size]**, **[Columns]** (number of columns can be specified)

Default setting: **[Use Paper Size]**

- **Use Paper Size** - The default margins determined by the paper size setting are used, providing for 8 inches (203.2 mm) of available print width.

- **Columns** - The right margin equals the number of columns (specified here) multiplied by the width of the number of columns specified. The width of each column is determined by the **[Default Pitch]** setting. For example, if **[Right Margin]** is set to 12, and **[Default Pitch]** is set to **[12 characters/inch]**, the actual width of the right margin is 1 inch (25.4 mm). Note that if **[Default Pitch]** is set to **[Proportional]**, 10 characters/inch is used for this calculation.

The maximum width of the right margin is a setting that results in 0.2 inches (5.08 mm) of printable page width (the space between the left and right margins).

7 Default Pitch

Available settings: **[10 characters/inch]**, **[12 characters/inch]**, **[15 characters/inch]**, **[Proportional]**

Default setting: **[12 characters/inch]**

This parameter determines character width. When 10, 12, or 15 characters/inch is selected, each character is the same width. For example, the letters "w" and "i" will be the same width. When **[Proportional]** is selected, character width varies by character. For example, the letter "w" will be wider than the letter "i". Note that the setting selected here affects the width of the left and right margins.

Defining Power and Roll Paper Options

1	<input checked="" type="checkbox"/> Auto Power On:	Disable
2	<input checked="" type="checkbox"/> Auto Power Off(AC/DC/Li-ion):	None
3	<input checked="" type="checkbox"/> Auto Power Off(Ni-MH):	10 Minutes
4	<input checked="" type="checkbox"/> Refresh Ni-MH Battery:	Do Not Refresh
5	<input checked="" type="checkbox"/> Skip Perforation:	Disable
6	<input checked="" type="checkbox"/> Dash Line Print:	Disable

1 Auto Power On

Available settings: **[Disable]**, **[Enable]**, **[Enable (No Main Button)]**

Default setting: **[Disable]**

This parameter determines how the printer responds when it is connected to an AC or DC power outlet.

- **Disable** - The printer enters sleep mode, using minimal power. To turn on the printer, press the ⏻ (Power) button.
- **Enable** - The printer turns on automatically. This is useful in situations where the ⏻ (Power) button is difficult to access.
- **Enable (No Main Button)** - The printer turns on automatically. The ⏻ (Power) button cannot be used to turn off the printer. This is useful in situations where the button could be accidentally pressed. To turn off the printer, disconnect the printer from the AC or DC power outlet.

2 Auto Power Off(AC/DC/Li-ion)

Available settings: **[None]**, **[10 Minutes]**, **[20 Minutes]**, **[30 Minutes]**, **[40 Minutes]**, **[50 Minutes]**, **[60 Minutes]**

Default setting: **[None]**

This parameter determines how much time passes before the printer turns off automatically to conserve power when it is being powered by AC power, DC power, or a rechargeable Li-ion battery. If no data is received for the specified amount of time, the printer turns off.

3 Auto Power Off(Ni-MH)

Available settings: **[None]**, **[10 Minutes]**, **[20 Minutes]**, **[30 Minutes]**, **[40 Minutes]**, **[50 Minutes]**, **[60 Minutes]**

Default setting: **[10 Minutes]**

This parameter determines how much time passes before the printer turns off automatically to conserve power when it is being powered by the rechargeable Ni-MH battery. If no data is received for the specified amount of time, the printer turns off.

If the printer is connected to an AC or DC power outlet while a rechargeable Ni-MH battery is installed, the setting selected for **[Auto Power Off(AC/DC/Li-ion)]** has priority over this parameter.

4 Refresh Ni-MH Battery

Available settings: **[Do Not Refresh]**, **[Each Time]**, **[Every 5 Times]**, **[Every 10 Times]**

Default setting: **[Do Not Refresh]**

This parameter determines how frequently the Ni-MH battery is refreshed. For example, if **[Every 5 Times]** is selected, the rechargeable Ni-MH battery is refreshed one time for every five times the battery is charged.

For details on the refresh and charge operations for the rechargeable Ni-MH battery, see *Charging the Rechargeable Ni-MH Battery* on page 3.

5 Skip Perforation

Available settings: **[Disable]**, **[Enable]**

Default setting: **[Disable]**

This parameter is used to leave a one-inch (25.4 mm) margin at the top and bottom of the paper. This is useful when printing on perforated roll paper so that the printer does not print on the perforation.

6 Dash Line Print

Available settings: **[Disable]**, **[Enable]**

Default setting: **[Disable]**

This parameter is used to print dash lines between pages, useful when printing on roll paper. When **[Enable]** is selected, set **[Form Feed Mode]** to **[Fixed Page]**. Note that dash lines are printed on the paper; they are not punched in the paper.

**Note**

If this parameter is changed in the printer driver's dialog box, that setting has priority.

Defining Print Density and Other Options

1	<input checked="" type="checkbox"/> Print Density:	4
2	<input checked="" type="checkbox"/> Form Feed Mode:	Fixed Page
3	<input checked="" type="checkbox"/> Pre-Feed:	Disable
4	<input checked="" type="checkbox"/> CR-LF Mode:	LF=LF CR=CR
5	<input checked="" type="checkbox"/> Paper Sensor Threshold:	128
6	<input checked="" type="checkbox"/> Wireless I/O:	Bluetooth
7	<input checked="" type="checkbox"/> Wireless Switching Mode:	Disable

1 Print Density

Available settings: [0] - [10]

Default setting: [6] (PJ-623/663), [4] (PJ-622/662)

This parameter determines print density, which affects the darkness of the printed document. A lower value produces lighter print; a higher value produces darker print.

Darker print uses more battery power, but may be easier to read if the font or other document content is made up of narrow lines. If battery conservation is important, select a lower value.



Note

If this parameter is changed in the printer driver's dialog box, that setting has priority.

2 Form Feed Mode

Available settings: [No Feed], [Fixed Page], [End of Page], [End of Page Retract]

Default setting: [Fixed Page]

This parameter determines how paper is ejected; it determines how the printer responds to form feed commands received from any source.

- **No Feed** - Paper is not fed at the end of a job. Because additional paper is not ejected when at the end of the document, this setting is useful when using non-perforated roll paper.
- **Fixed Page** - Paper is fed at the end of a job to suit the vertical length of the selected page size (i.e., letter, legal, A4, or user-defined size). Select this setting when using cut sheet paper.
- **End of Page** - Paper is fed until the printer detects that no paper remains in the input slot, or until 14" (355.6 mm) of paper has been fed. Select this setting when using perforated paper.

- **End of Page Retract** - Paper is fed until the paper sensor detects a pre-printed end-of-page mark on the paper or the end of the sheet. When this setting is selected, set [Paper Type] to [Perforated Roll Retract].



Note

If this parameter is changed in the printer driver's dialog box, that setting has priority.

3 Pre-Feed

Available settings: [Disable], [Enable]

Default setting: [Disable]

If [Enable] is selected, the printer ejects a short length of paper when the printer turns on. When using perforated roll paper or roll paper that is pre-printed, we recommend setting this parameter to [Disable].

4 CR-LF Mode

Available settings: [LF=LF CR=CR], [LF=CR+LF CR=CR+LF]

Default setting: [LF=LF CR=CR]

This parameter determines how the printer responds when LF and CR commands (ASCII characters 10 and 13) are received. By default, the print head advances to the next line for an LF (line feed) command, and the print head returns to the left margin for a CR (carriage return).

When the device sends data to the printer, it may send both an LF and a CR command at the end of a line in order to move the print head to the left margin (via the CR command) of the next line (via the LF command). However, some devices send only one command, and in these cases, the printer must respond as if both commands were sent. If your device sends only LF or CR commands at the ends of lines, select [**LF=CR+LF CR=CR+LF**].

5 Paper Sensor Threshold

Available settings: Setting a number (0 - 255)

Default setting: [**128**]

This parameter determines the threshold of the paper detection sensor.

6 Wireless I/O (PJ-662/663 only)

Available settings: [**Bluetooth**], [**IrDA**]

Default setting: [**Bluetooth**]

This parameter determines whether a Bluetooth connection or an IrDA connection can be used.

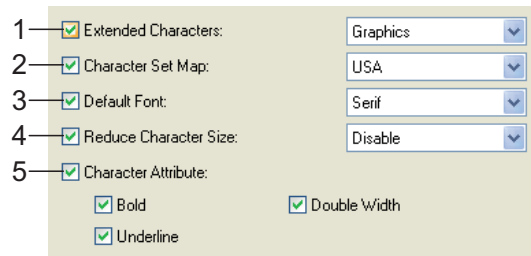
7 Wireless Switching Mode (PJ-662/663 only)

Available settings: [**Disable**], [**Enable**]

Default setting: [**Disable**]

This parameter determines whether the buttons on the printer can be used to switch between Bluetooth connection and IrDA connection modes (see *Switching Between IrDA and Bluetooth (PJ-662/663 Only)* on page 15).

Defining Internal Font Settings



1 Extended Characters

Available settings: [**Italic**], [**Graphics**]

Default setting: [**Graphics**]

This parameter determines which characters are used when printing ASCII characters 128 to 255. When [**Italic**] is selected, italic versions of ASCII characters 32 to 127 are used. When [**Graphics**] is selected, the characters shown in the table on page 55 are used.

Default Pitch	Reduced Size
10 characters/inch	16.67 characters/inch
12 characters/inch	20 characters/inch
Proportional	Half the character width
15 characters/inch	Does not change

2 Character Set Map

Available settings: [**USA**], [**France**], [**Germany**], [**United Kingdom**], [**Denmark I**], [**Sweden**], [**Italy**], [**Spain I**], [**Japan**], [**Norway**], [**Denmark II**], [**Spain II**], [**Latin America**], [**Korea**], [**Legal**]

Default setting: [**USA**]

This parameter determines which character set is used, allowing you to print special characters appropriate for the language selected. See the table on page 56 for details.

5 Character Attribute

Available settings: [**Bold**], [**Double Width**], [**Underline**]

This parameter determines the attributes used for printed text.

3 Default Font

Available settings: [**Serif**], [**Sans Serif**]

Default setting: [**Serif**]

This parameter determines which built-in font is used. A serif font (similar to Courier) and a Sans Serif font (similar to Letter Gothic) are built-in.

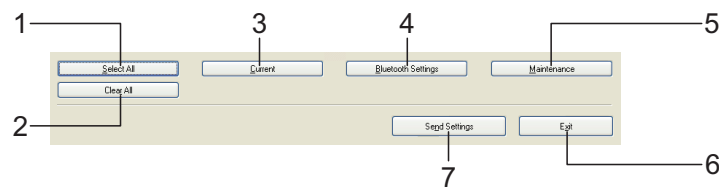
4 Reduce Character Size

Available settings: [**Disable**], [**Enable**]

Default setting: [**Disable**]

This parameter determines whether text is printed at a reduced size. The actual size of the text depends on the setting selected for [**Default Pitch**], as shown below.

PJ-600 Series Utility Menu



1 Select All

Click **[Select All]** to select all of the check boxes in PJ-600 Series Utility.

2 Clear All

Click **[Clear All]** to clear all of the check boxes in PJ-600 Series Utility.

3 Current

Click **[Current]** to retrieve the current settings from the printer selected in the **[Printer]** pull-down menu.

4 Bluetooth Settings (PJ-662/663 only)

Click **[Bluetooth Settings]** to open the Bluetooth settings dialog box, which allows you to name the printer, change the printer's Bluetooth PIN code (passkey), etc.



■ PIN code

Allows you to select whether a Bluetooth PIN code (passkey) is required, change the printer's Bluetooth PIN code, and select whether Bluetooth communication is encrypted.

If **[Enable]** is selected in the **[PIN code]** pull-down menu, the PIN code specified here must also be stored on the computer in order to communicate with the printer when using Bluetooth. You can change the PIN code if necessary.

If the **[Encryption]** checkbox is selected, data sent using PJ-600 Series Utility between the computer and printer will be encrypted when using Bluetooth.

■ Device Name

Allows you to specify a name (up to 30 characters) for the printer. Useful when there are multiple Bluetooth printers present.

■ Visible to Other Devices

Allows you to specify whether the printer can be "discovered" by other Bluetooth devices.

■ Bluetooth Address

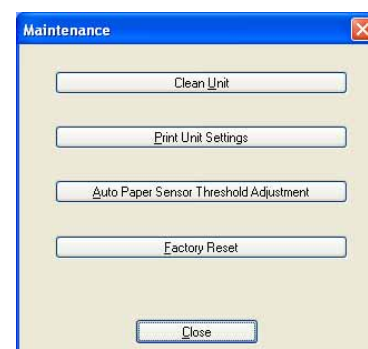
Displays the current Bluetooth address.

Note

The PIN code and the device name must use alphanumeric characters (A-Z, a-z, 0-9) only. The device name can contain a space character; the PIN code cannot.

5 Maintenance

Click **[Maintenance]** to open the maintenance dialog box.



■ Clean Unit

See *Cleaning the Platen Roller* on page 40.

■ Print Unit Settings

Click [**Print Unit Settings**] to print a report containing firmware version, image quality, and configuration information, as shown below.

```

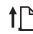
Brother PJ-XXX Firmware Version 1.00

-----
Current Settings
-----
PROGRAM VERSION      : PJ-Main V1.00
BOOT VERSION         : PJ-Boot V1.00
FONT1 VERSION        : PJ-Font-E V1.00
FONT2 VERSION        : PJ-Font-P V1.00
EEPROM VERSION       : V1.00
AUTO POWER ON        : Disabled
PAGE LENGTH          : 66
1" FEED SKIP         : Disabled
BOTTOM MARGIN LINES : 2
PAGE SIZE            : Letter
LINE FEED PITCH      : 1/6
FONT                 : Serif
PTCH SELECT          : 100%
CONDENSED MODE PRINT : Disabled
FONT ATTRIBUTES      : Disabled
CHARACTER TABLE     : Extended Graphics
INTERNATIONAL CHAR SET : USA
AUTO LINE FEED       : Disabled
DENSITY LEVEL        : 4
PAPER EJECT MODE     : Fixed Page Mode
BATTERY REFRESH INTERVAL : Never Discharges Before Charging
SERIAL No.            : 000101928
DASH LINE BETWEEN PAGES : Disabled
PRE-FEED ON POWER UP : Enabled
AUTO POWER OFF(A/C/D/I-10N) : Disabled
AUTO POWER OFF(N1-M5) : 15 Minutes
WIRELESS I/O         : B7/000
WIRELESS SWITCHING MODE : Disabled
SD ADDRESS            : 001337A:52:86:44
SUBSYSTEM LOCAL NAME : PJ-021928
PAGE COUNTER         : 00
ROM FREE              : 3898240 byte

Courier10 ABCDEFGHIJKLMNOPQRSTUVWXYZabcdefghijklmnopqrstuvwxyz0123456789
Courier12 ABCDEFGHIJKLMNOPQRSTUVWXYZabcdefghijklmnopqrstuvwxyz0123456789
Courier14 ABCDEFGHIJKLMNOPQRSTUVWXYZabcdefghijklmnopqrstuvwxyz0123456789
CourierProp ABCDEFGHIJKLMNOPQRSTUVWXYZabcdefghijklmnopqrstuvwxyz0123456789
Sans Serif10 ABCDEFGHIJKLMNOPQRSTUVWXYZabcdefghijklmnopqrstuvwxyz0123456789

-----
END_OF_PAGE

```

You can also print this report using the  (Feed) button (see *Printing a Printer Report* on page 46).

■ Auto Paper Sensor Threshold Adjustment

Click [**Auto Paper Sensor Threshold Adjustment**] and follow the on-screen instructions to adjust the paper detection sensor automatically.

■ Factory Reset

Click [**Factory Reset**] to reset PJ-600 Series Utility to its default settings and send them to the printer.

6 Exit

Click [**Exit**] to exit PJ-600 Series Utility.

7 Send Settings

Click [**Send Settings**] to save the settings displayed with a checkmark in PJ-600 Series Utility to a configuration file on the computer and then send the settings to the printer. These settings become the default settings when the printer is turned on.

JPEG Printing

When using an IrDA connection or a Bluetooth connection (PJ-662/663 only), image data (JPEG) can be printed without using the printer driver.



Note

- The IrOBEX protocol is used for printing via an IrDA connection.
 - The Bluetooth Basic Imaging Profile (BIP) is used for printing via a Bluetooth connection.
 - This printer will convert a color JPEG image to a 'Black & White' image using a dithering process.
 - When sending a JPEG image that is already 'Black & White' this dithering process may make your printed image fuzzy.
 - To improve the image quality, try to turn off any preprocessing of the JPEG image.
-
- Only JPEG images can be printed. (Limited to files with the .jpg extension.)
 - The maximum file size is 5 MB.
 - The maximum resolutions are as follows.
300 dpi: Height × Width = 3300 × 2400 dots
200 dpi: Height × Width = 2200 × 1600 dots
If these limits are exceeded, the data received by the printer will be discarded and not printed.
 - Print is at 1 pixel = 1 dot.
 - This printer performs binary processing (simple binary) to print the image.
 - Printing begins in the upper-left corner of the paper.
- The image is printed with the height-to-width proportion of the received data.

5

Maintaining the Printer

Cleaning the Platen Roller

Dirt and debris on the platen roller can cause the roller to feed paper into the printer at an angle and degrade the quality of the printed image.

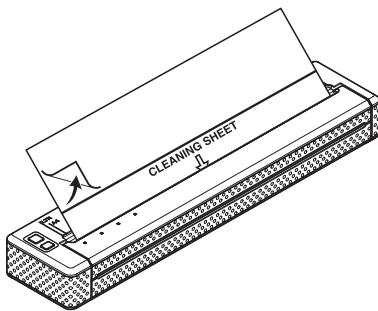
- 1 Make sure that the printer is turned on and that no paper is loaded.



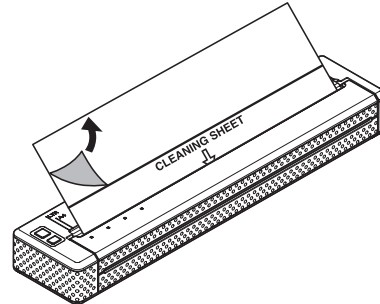
Note

If paper is loaded when you attempt to clean the platen roller, a form feed will be executed and the paper will be ejected.

- 2 Insert the cleaning sheet into the paper input slot. The text "CLEANING SHEET" should be upright and face the front of the printer, as shown. The roller will pull the cleaning sheet into the starting position.




- 3 Remove the backing paper on the upper half of the cleaning sheet, as shown.



Note

Do not remove the backing paper from the lower half of the cleaning sheet.

- 4 Press the  (Feed) button for more than two seconds. The printer will feed and eject the cleaning sheet.



Note

- Do not attempt to clean the platen roller with any material other than the cleaning sheet.
- The cleaning sheet is for cleaning the platen roller only. Do not use it to clean any other part of the printer.
- Contact Brother or your reseller for a replacement cleaning sheet.

Cleaning the Printer's Exterior

Clean the exterior of the printer by wiping it with a dry cloth.



Note









- Do not wet the cloth or allow water to enter the printer.
 - Do not use benzene, alcohol, paint thinner, or cleaners that are abrasive, alkaline, or acidic. Such cleaners may damage the printer's case.
-
















6













































Reference

Indicators

The indicators light and flash to indicate the printer's status. The following symbols are used in this section to explain the meaning of the different indicator colors and patterns.

-  or  or  Indicator is lit in the color shown
-  or  or  Indicator is blinking in the color shown
-  or  Indicator is blinking in alternating colors as shown
- Indicator is lit or blinking in any color or pattern
- Indicator is off


POWER	DATA	STATUS	Bluetooth ¹	Description
	<input checked="" type="checkbox"/>	<input checked="" type="checkbox"/>	<input type="checkbox"/>	AC adapter/DC cable/Rechargeable Li-ion battery in use
	<input checked="" type="checkbox"/>	<input type="checkbox"/>	<input type="checkbox"/>	Rechargeable Ni-MH battery in use
	<input checked="" type="checkbox"/>	<input checked="" type="checkbox"/>	<input type="checkbox"/>	Rechargeable battery in use, battery charge is full
	<input type="checkbox"/>	 (Once every 4 seconds)	<input type="checkbox"/>	Rechargeable battery in use, battery charge is half-full
	<input type="checkbox"/>	 (Twice every 4 seconds)	<input type="checkbox"/>	Rechargeable battery in use, battery charge is low
	<input type="checkbox"/>	 (Once every second)	<input type="checkbox"/>	Rechargeable battery needs to be charged
	<input checked="" type="checkbox"/>	<input checked="" type="checkbox"/>	<input type="checkbox"/>	Rechargeable Ni-MH battery is discharging
	<input checked="" type="checkbox"/>	<input checked="" type="checkbox"/>	<input type="checkbox"/>	Rechargeable Ni-MH battery is charging
		<input type="checkbox"/>	<input type="checkbox"/>	Printing or receiving data
		<input type="checkbox"/>	<input type="checkbox"/>	Buffer contains unprinted data

POWER	DATA	STATUS	Bluetooth ¹	Description
				Receiving flash upgrade
				Printer Receiving upgrade
				Printer is in service mode (for printing a printer report)
				System error (call for service)
				No rechargeable Ni-MH battery found when charging
				Time-out when charging the rechargeable Ni-MH battery
				Head or motor is cooling down
				Data reception error
				Buffer full or format error
				Printer is in boot mode
				Ready for Bluetooth communication

¹ PJ-662/663 only

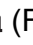
Indicator Warnings

Problem	Solution
The POWER indicator does not light	<p>The printer is receiving no power.</p> <p>If you are using AC or DC power, make sure that the AC adapter or DC cable is properly connected (see <i>Connecting the Printer to External Power</i> on page 1) and make sure that the AC or DC power outlet is turned on.</p> <p>If you are using DC power, check the fuse.</p>
No rechargeable Ni-MH battery found when charging	<p>The printer did not detect a rechargeable Ni-MH battery when you tried to charge the battery.</p> <p>Make sure that the rechargeable Ni-MH battery is installed properly and that there are no broken wires at the battery or connector. For more information, see <i>Installing the Rechargeable Ni-MH Battery</i> on page 2.</p> <p>If the rechargeable Ni-MH battery is connected properly, the battery may have overheated while charging. Allow the rechargeable Ni-MH battery to cool before charging it again. If this is a reoccurring problem, replace the rechargeable Ni-MH battery.</p>
Time-out when charging the rechargeable Ni-MH battery	<p>Too much time is needed to charge the rechargeable Ni-MH battery (normally the battery should be fully-charged within 120 minutes).</p> <p>Replace the rechargeable Ni-MH battery.</p>

Problem	Solution
Head or motor is cooling down	<p>The thermal head or motor is too hot.</p> <p>Head: If the thermal head becomes even hotter, the thermal head may produce imaging on the paper in areas not intended to be printed. This condition is normal when printing documents with a great deal of “black” content.</p> <p>The printer will stop and resume printing after the print head has cooled down.</p> <p>To avoid or delay the onset of this condition, print using a lighter density setting, reduce the amount of black space being printed (for example, remove background shading and colors in graphs and presentation documents), and make sure that the printer has adequate ventilation and is not located in an enclosed space.</p> <p>Motor: Do not use the printer continuously. If the printer is used continuously, the motor will become too hot. In this case, the printer will stop and resume printing after the motor has cooled down.</p> <p> Note</p> <hr/> <p>This condition may occur more often when the printer is used at high altitude (more than 10,000 feet) due to a lower air density available to cool the printer.</p> <hr/>
Data reception error	<p>Data is not being received properly, most likely because of a poor IrDA connection.</p> <p>Reposition the printer and/or IrDA port on the computer and try again.</p>
Printer is in boot mode	<p>The AC adapter was unplugged while the firmware was being updated, and the printer started up in boot mode the next time it was started.</p> <p>Contact your reseller or Brother Customer Service for assistance.</p>

Printing a Printer Report

This feature is used to print a letter-size printer settings report without connecting the printer to a computer. The report contains firmware version, image quality, and configuration information.

- 1 Make sure that the printer is turned on and that no paper is loaded.
- 2 Press and hold the  (Feed) button for two or more seconds until the DATA indicator turns red.
- 3 Insert a piece of genuine Brother thermal paper into the printer's paper input slot. The report will print automatically, and then the printer will return to an idle state.



Note

This operation can also be performed using PJ-600 Series Utility (see *Print Unit Settings* on page 38).

Overview

If you have any problems with the printer, first check to make sure that you have performed the following tasks correctly.

- Install the battery or connect the printer to an AC or DC power outlet (see *Connecting the Printer to External Power* on page 1).
- Install and select the proper printer driver (see *Installing and Uninstalling the Driver* on page 10).
- Connect the printer to the computer (see *Connecting the Computer and Printer* on page 12).

If you still have problems, read the troubleshooting tips in this chapter for help.

Paper Problems


Problem	Solution
The paper is jammed in the printer	See <i>Clearing a Paper Jam</i> on page 25.
The paper moves through the printer, but nothing appears on the paper	Make sure that you are using genuine Brother thermal paper and that the paper is loaded properly, with the smooth, coated side (the print side) facing down (see <i>Printing</i> on page 19). Check the print density setting (see <i>Setting Printer Driver Options</i> on page 21).
The paper does not feed even though the motor is running	Make sure that the release cover is completely closed. Make sure that you are using genuine Brother thermal paper. Heavy paper may not pass through the printer. If you still have problems, the printer may be damaged. Contact your reseller or Brother Customer Service for assistance.

Printed Image Problems


Problem	Solution
The printed image is out of alignment	Make sure that you are using genuine Brother thermal paper and that the paper is loaded properly (see <i>Printing</i> on page 19). Check if whether the platen roller is dirty. If it is dirty, clean it (see <i>Cleaning the Platen Roller</i> on page 40).
Print quality is poor, and the printed image is too light or too dark	Adjust the density setting using the printer driver (see <i>Making Prints Lighter or Darker</i> on page 20). Make sure that you are using genuine Brother thermal paper.
The image is compressed and stretched in many places	Make sure that the release cover was not left open during printing. If it is open, close it completely. Check if the paper is slipping in the printer. If it is slipping, make sure that the platen roller is clean (see <i>Cleaning the Platen Roller</i> on page 40). Make sure that you are using genuine Brother thermal paper. Before loading paper, make sure that it is not wrinkled.
The top margin is incorrect	Make sure that the correct margins have been set in PJ-600 Series Utility and the computer program. Adjust the top and bottom margins as needed. Make sure that you are not forcefully inserting the paper into the paper input slot. Always insert paper gently.

Problem	Solution
The image for one page requires more or fewer sheets than you expected	<p>Make sure that the computer program, the printer, and the printer driver have been set to match the paper size of the paper that is loaded in the printer. If the computer program or printer driver has been set to print legal-size paper and you insert letter-size paper, the image will require two sheets. Adjust settings in the computer program or the printer driver's dialog box as needed or reduce the size of the print image to fit on a letter-size page.</p> <p>The DATA indicator remains lit in green if data is still in the printer after the page has completed printing.</p>
The side margins are incorrect	<p>Make sure that the correct margins have been set in PJ-600 Series Utility and the computer program. Adjust the left margin as needed.</p> <p>Make sure that the computer program, the printer, and the printer driver have been set to match the paper size of the paper that is loaded in the printer. If the computer program or printer driver has been set to a different width of paper, the image will not print in the proper horizontal position. Adjust the settings as needed.</p>
The printed page does not contain the proper characters	<p>Make sure that you have defined the proper character set (font) in the computer program. Change the character set if necessary.</p> <p>Try changing the font used in the document.</p>
The printed page contains random dots	<p>Check the printer driver to make sure that it is set correctly.</p> <p>Make sure that the USB cable is connected firmly and correctly. Try using another USB cable.</p>

Pages Don't Print

Problem	Solution
The DATA indicator remains lit in green but the printer does not print	<p>The printer has not printed all the data received.</p> <p>If no paper is loaded, insert a new sheet of paper. If paper is loaded, remove the paper and insert it again. The printer should start printing.</p> <p>If the printer does not start printing, turn the printer off, turn it on again, and then print the document again.</p> <p>The problem may occur when sending simple ASCII text data to the printer. If a line of text is missing a CR/LF or form feed at the end of the line, the printer may be waiting for more data. Try printing another page, or pressing the  (Feed) button to manually form feed.</p>
The computer program should be sending data to the printer, but the DATA indicator does light in green	<p>Make sure that the USB cable is connected firmly and correctly. Try using another USB cable.</p>

Pages Are Partially Printed

Problem	Solution
The DATA indicator turns off while a page remains in the printer	<p>The computer program may not have sent a full page of data. Try printing the document again.</p> <p>The computer program may have sent the wrong page size information, or the paper loaded is the wrong size. Check settings in the computer program and the print driver for the proper page size. Make sure that the page size specified in the computer program matches the paper that is loaded.</p> <p>Make sure that the [Form Feed Mode] setting of the printer driver is not set to [No Feed].</p> <p>Try pressing the  (Feed) button to manually form feed.</p>
The printer ejects a partially printed page, and the DATA indicator remains lit or blinking in green	Make sure that the computer program's paper size setting is correct.

Product Specifications (PJ-622/623)

Model Name	PJ-622	PJ-623
Dimensions	10.04 (W) x 2.17 (D) x 1.18 (H) in. / 255 (W) x 55 (D) x 30 (H) mm	
Weight	Approximately 1.036 lb. / 470g (excluding battery, paper)	
Printing		
Method	Direct thermal printing	
Print Speed	Average: 9.4 sec./page (under our standard environment ¹)	
Resolution	203 x 200 dpi	300 x 300 dpi
Printable Area (Cut Sheet)	Configure with printer driver (min. 3.73" x 1.67" / 94.7 mm x 42.2 mm - max. 8.16" x 99.67" / 207.2 mm x 2531.4 mm)	Configure with printer driver (min. 3.73" x 1.67" / 94.8 mm x 42.3 mm - max. 8.21" x 99.67" / 208.6 mm x 2531.5 mm)
Paper Size	A4 (8.27" x 11.69" / 210 x 297 mm), Letter (8.5" x 11" / 216 x 279 mm), Legal (8.5" x 14" / 216 x 356 mm)	
Power (optional)		
Battery	Rechargeable Ni-MH battery: 14.4 V Rechargeable Li-ion battery: 11.1 V	
Adapter	AC adapter (15 V)	
Car adapter	Cigarette car adapter or Wired type (12 V (DC))	
Battery Yield (printing duty 5% with density 5 and using fully-charged new battery)	Rechargeable Ni-MH battery: Approximately 70 sheets Rechargeable Li-ion battery: Approximately 300 sheets	
Interface		
USB	USB Ver.2.0 (Full Speed) (mini-B, Peripheral)	
IrDA	Ver.1.2 (IrCOMM and IrOBEX)	
Bluetooth	No	
Software		
Printer font size	10 cpi, 12 cpi, 15 cpi and proportional sizes	10 cpi, 12 cpi, 15 cpi and proportional sizes (based on P-touch [®] Template when using P-touch [®] Template)
Printer font face	Serif and Sans Serif	Serif and Sans Serif (based on P-touch [®] Template when using P-touch [®] Template)
Barcode generation	No	Yes (When using P-touch [®] Template)

Model Name	PJ-622	PJ-623
Operating environment	Windows® XP/Windows Vista®/Windows® 7 (USB) Mac OS® X 10.4.11 - 10.6 (USB)	
ENVIRONMENTAL		
Operation temperature	32 - 104 °F/0 - 40 °C	
Operation humidity	30 - 80 % (No condensation)	
Storage temperature	5 - 122 °F/-15 - 50 °C	
Storage humidity	30 - 85 % (No condensation)	

¹ These figures vary by environment. "Our standard environment" is as follows: JEITA J1 pattern on A4 size paper and continuous printing. USB interface and AC adapter power. Temperature: 77 °F/25 °C

Product Specifications (PJ-662/663)

Model Name	PJ-662	PJ-663
Dimensions	10.04 (W) x 2.17 (D) x 1.18 (H) in. / 255 (W) x 55 (D) x 30 (H) mm	
Weight	Approximately 1.043 lb. / 473g (excluding battery, paper)	
Printing		
Method	Direct thermal printing	
Print Speed	Average: 9.4 sec./page (under our standard environment ¹)	
Resolution	203 x 200 dpi	300 x 300 dpi
Printable Area (Cut Sheet)	Configure with printer driver (min.3.73" x 1.67" / 94.7 mm x 42.2 mm - max.8.16" x 99.67" / 207.2 mm x 2531.4 mm)	Configure with printer driver (min.3.73" x 1.67" / 94.8 mm x 42.3 mm - max.8.21" x 99.67" / 208.6 mm x 2531.5 mm)
Paper Size	A4 (8.27" x 11.69" / 210 x 297 mm), Letter (8.5" x 11" / 216 x 279 mm), Legal (8.5" x 14" / 216 x 356 mm)	
Power (optional)		
Battery	Rechargeable Ni-MH battery:14.4 V Rechargeable Li-ion battery:11.1 V	
Adapter	AC adapter (15 V)	
Car adapter	Cigarette car adapter or Wired type (12 V (DC))	
Battery Yield (printing duty 5% with density 5 and using fully charged new battery)	Rechargeable Ni-MH battery: Approximately 70 sheets Rechargeable Li-ion battery: Approximately 300 sheets	
Interface		
USB	USB Ver.2.0 (Full Speed) (mini-B, Peripheral)	
IrDA	Ver.1.2 (IrCOMM and IrOBEX)	
Bluetooth	Ver. 2.0 +EDR Serial Port Profile, Basic Imaging Profile and Object Push Profile supported	
Software		
Printer font size	10 cpi, 12 cpi, 15 cpi and proportional sizes	10 cpi, 12 cpi, 15 cpi and proportional sizes (based on P-touch [®] Template when using P-touch [®] Template)
Printer font face	Serif and Sans Serif	Serif and Sans Serif (based on P-touch [®] Template when using P-touch [®] Template)
Barcode generation	No	Yes (When using P-touch [®] Template)
Operating environment	Windows [®] XP/Windows Vista [®] /Windows [®] 7 (USB, Bluetooth) Mac OS [®] X 10.4.11 - 10.6 (USB, Bluetooth)	

Model Name	PJ-662	PJ-663
ENVIRONMENTAL		
Operation temperature	32 - 104 °F/0 - 40 °C	
Operation humidity	30 - 80 % (No condensation)	
Storage temperature	5 - 122 °F/-15 - 50 °C	
Storage humidity	30 - 85 % (No condensation)	

¹ These figures vary by environment. "Our standard environment" is as follows: JEITA J1 pattern on A4 size paper and continuous printing. USB interface and AC adapter power. Temperature: 77 °F/25 °C

A

Character Sets

Extended Graphics Character Table

MSB>	0	1	2	3	4	5	6	7	8	9	A	B	C	D	E	F
LSB 0				0	@	P	`	p	Ç	É	á	☐	L	⌌	α	≡
1			!	1	A	Q	a	q	ü	æ	í	☐	⊥	⌒	β	±
2			“	2	B	R	b	r	é	Æ	ó	☐	⊤	⊥	Γ	≤
3			#	3	C	S	c	s	â	ô	ú		⊥	⌌	π	≥
4			\$	4	D	T	d	t	ä	ö	ñ	⊥	—	⌌	Σ	
5			%	5	E	U	e	u	à	ò	Ñ	⊥	⊥	F	σ	∫
6			&	6	F	V	f	v	â	û	a	⊥	⊥	π	μ	÷
7			'	7	G	W	g	w	ç	ù	o	⊥	⊥	⊥	γ	≈
8			(8	H	X	h	x	ê	ÿ	¿	⊥	⌌	⊥	Φ	°
9)	9	I	Y	i	y	ë	Ö	⌒	⊥	⊥	∫	Θ	•
A			*	:	J	Z	j	z	è	Ü	⌒	⊥	⌌	Γ	Ω	•
B			+	;	K	[k	{	ï	ç	½	⊥	⊥	■	δ	√
C			,	<	L	\	l	!	î	£	¼	⊥	⊥	■	∞	ⁿ
D			-	=	M]	m	}	ì	¥	ì	⊥	=	■	∅	²
E			.	>	N	^	n	~	Ä	Pts	«	⊥	⊥	■	€	▪
F			/	?	O	_	o		Å	f	»	⊥	⌌	■	∩	

International Character Set Table

	23	24	40	5B	5C	5D	5E	60	7B	7C	7D	7E
USA	#	\$	@	[\]	^	'	{		}	~
France	#	\$	à	°	Ç	§	^	'	é	ù	è	Ø
Germany	#	\$	§	Ä	Ö	Ü	^	'	ä	ö	ü	ß
United Kingdom	£	\$	@	[\]	^	'	{		}	~
Denmark I	#	\$	@	Æ	Ø	Å	^	'	æ	ø	å	~
Sweden	#	¤	É	Ä	Ö	Å	Ü	é	ä	ö	å	ü
Italy	#	\$	@	°	\	é	^	ù	à	ò	è	ì
Spain I	Pts	\$	@	ı	Ñ	ı	^	'	Ø	ñ	}	~
Japan	#	\$	@	[¥]	^	'	{		}	~
Norway	#	¤	É	Æ	Ø	Å	Ü	é	æ	ø	å	ü
Denmark II	#	\$	É	Æ	Ø	Å	Ü	é	æ	ø	å	ü
Spain II	#	\$	á	ı	Ñ	ı	é	'	ı	ñ	ó	ú
Latin America	#	\$	á	ı	Ñ	ı	é	ü	ı	ñ	ó	ú
Korea	#	\$	@	[₩]	^	'	{		}	~
Legal	#	\$	§	°	'	"	¶	'	©	®	†	™

brother