



TABLES & CHAIRS

MODEL N° 60064

***OWNER'S MANUAL***

**COPY**

**IMPORTANT: RETAIN INSTRUCTIONS FOR FUTURE REFERENCE. READ CAREFULLY!  
FOR DOMESTIC USE ONLY!**

Keep this Identification Number in case you must contact our Customer Service Department.

## REGISTER YOUR LIFETIME PRODUCT TODAY!

There are benefits to registering your Lifetime product. With our new online product registration form, it's fast and easy! Register with us at [www.lifetime.com](http://www.lifetime.com) and enjoy these great benefits:

- Receive exclusive money-saving offers from BuyLifetime.com, our online store, as well as NEW product notifications and special closeout promotions!
- In the unlikely event of a product recall or safety modification, we will notify you.
- Registering your product guarantees you warranty service. If you do not register your product, your warranty rights will not be diminished. But you will need to provide a sales receipt to verify your product purchase date before warranty service will be provided.

### LIFETIME'S PROMISE TO YOU:

*Maintaining your privacy is our long-standing policy at Lifetime. And you can rest assured that Lifetime will not sell or provide your personal data to other third parties, or allow them to use your personal data for their own purposes.*

We invite you to read our privacy policy at [www.lifetime.com](http://www.lifetime.com)

**REGISTER today!**

**\*\*U.S. and Canada customers ONLY\*\***

IF ASSISTANCE IS NEEDED,

**DO NOT CONTACT THE STORE!**

**CALL OUR CUSTOMER SERVICE DEPARTMENT at 1 (800) 225-3865**

HOURS: 7:00 a.m. to 5:00 p.m. Monday through Friday (Mountain Standard Time)

\*\*Call, or visit our Web site for Saturday hours\*\*

\*\*For customers outside the U.S. or Canada, please contact the store for assistance.\*\*

## SAFETY INSTRUCTIONS

**FAILURE TO FOLLOW THESE WARNINGS MAY RESULT IN SERIOUS INJURY OR PROPERTY DAMAGE AND WILL VOID WARRANTY.**

To ensure safety, do not attempt to assemble this product without following the instructions carefully. Check entire box and inside all packing material for parts and/or additional instruction material. Before beginning assembly, read the instructions and identify parts using the hardware identifier and parts list in this document. Proper and complete assembly, use, and supervision are essential to reduce the risk of accident or injury. A high probability of serious injury exists if this system is not installed, maintained, and/or operated properly.

- \* Follow any and all warnings and cautions carefully.
- \* Assemble on level ground.
- \* Check all screws for tightness before and during the usage season.

*Most injuries are caused by misuse and/or not following instructions. Use caution when using this system.*

STOP!

## ***BEFORE BEGINNING ASSEMBLY***

STOP!



Keep the hardware bags and their contents separate. If any parts are missing, call our Customer Service Department.



## ***TOOLS REQUIRED FOR THIS ASSEMBLY***

4 mm Allen Wrench



(1)

Safety Glasses



(1 pair for each person)

## ASSEMBLY GUIDE

*Refer to the following areas throughout the instructions to assist in the assembly process:*

This area is located at the top, left-hand corner of the page and indicates which tools and hardware are needed to complete the assembly steps on a page.



TOOLS AND HARDWARE REQUIRED FOR THIS PAGE



This area is located at the top, right-hand corner of the page and shows an image of the product with shaded parts indicating which section is being assembled.



This area is usually located in the bottom, left-hand corner of a step and indicates that special attention is needed to perform a particular part of a step.



Note:

These areas are usually located in the bottom, right-hand corner of a step and indicate that damage to the product or serious injury may occur if the caution or warning is not heeded.

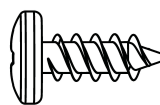


**CAUTION**



**WARNING**

Throughout the Parts & Hardware List, Part & Hardware Identifiers, and instructions are three-letter IDs. These IDs are below the images of the parts and hardware to help you locate and identify the parts and hardware during assembly. These IDs are not necessarily on the parts themselves.



ADZ (x10)  
1/4" x 5/8" Pan-Head Screw

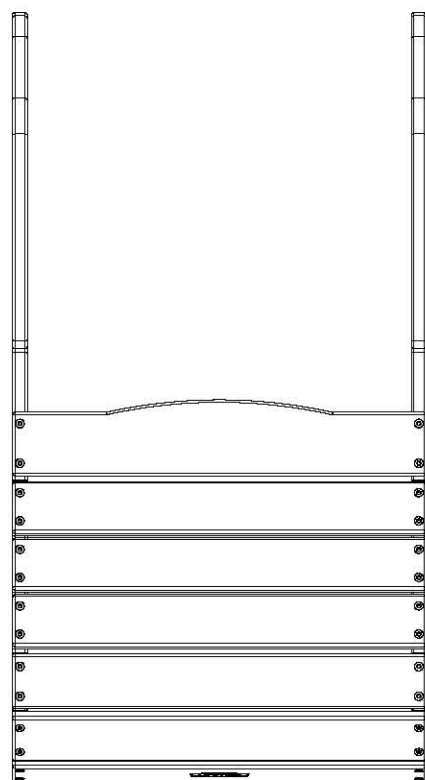
## PARTS LIST

ID	Item Description	Qty	✓	ID	Item Description	Qty	✓
CWD	Seat Assembly	1	<input type="checkbox"/>	<b>CWS</b>	<b>Adirondack Chair Hardware Bag</b>		
CWE	Back Rest Assembly	1	<input type="checkbox"/>	CWB	6 mm x 28 mm Stainless Steel Screw	44	<input type="checkbox"/>
CWF	Left Front Leg	1	<input type="checkbox"/>	CWC	6 mm x 38 mm Stainless Steel Screw	4	<input type="checkbox"/>
CWG	Right Front Leg	1	<input type="checkbox"/>	CWT	4 mm Allen Wrench	1	<input type="checkbox"/>
CWH	Left Armrest	1	<input type="checkbox"/>				
CWI	Right Armrest	1	<input type="checkbox"/>				
CWJ	Left Back Rest Support	1	<input type="checkbox"/>				
CWK	Right Back Rest Support	1	<input type="checkbox"/>				
CWP	Left Outer Back Rest Slat	1	<input type="checkbox"/>				
CWQ	Right Outer Back Rest Slat	1	<input type="checkbox"/>				
CXX	Cross Brace	1	<input type="checkbox"/>				

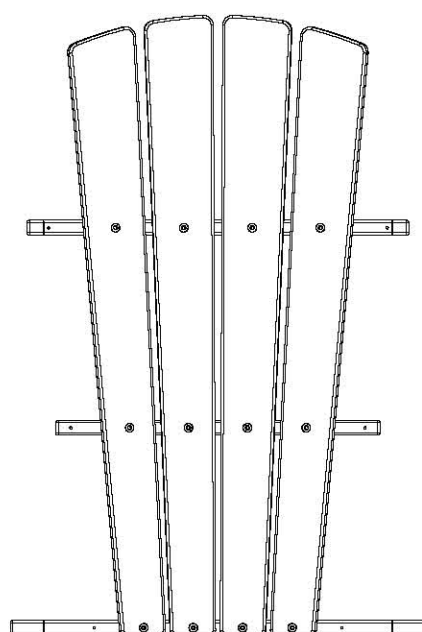
## PARTS IDENTIFIER

### PART ILLUSTRATIONS

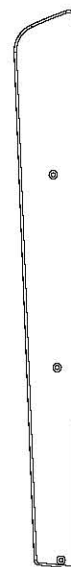
Parts are shown at 10% scale



**CWD (x1)**  
Seat Assembly



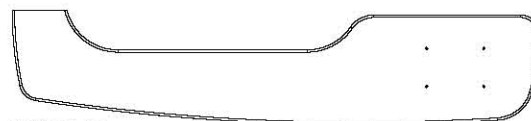
**CWE (x1)**  
Back Rest Assembly



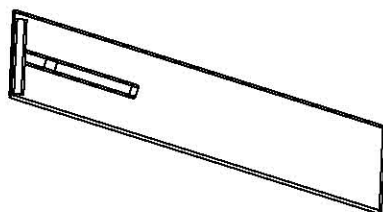
**CWQ (x1)**  
Right Outer Back Rest Slat



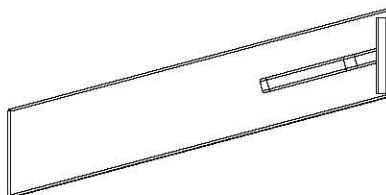
**CWP (x1)**  
Left Outer Back Rest Slat



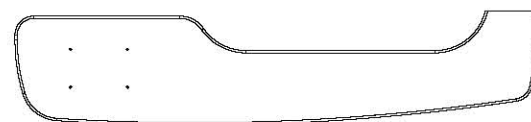
**CWH (x1)**  
Left Armrest



**CWF (x1)**  
Left Front Leg



**CWG (x1)**  
Right Front Leg

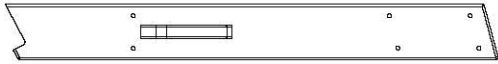


**CWI (x1)**  
Right Armrest

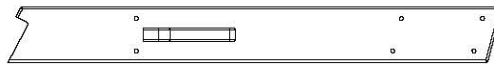
## PARTS IDENTIFIER

### PART ILLUSTRATIONS (CONT.)

Parts are shown at 10% scale



**CWK** (x1)  
Right Back Rest Support



**CWJ** (x1)  
Left Back Rest Support

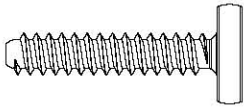


**CXX** (x1)  
Cross Brace

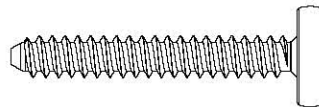
## HARDWARE IDENTIFIER

### ADIRONDACK CHAIR HARDWARE BAG [CWS]

Hardware shown at actual size



**CWB** (x44)  
6 mm x 28 mm Stainless Steel Screw



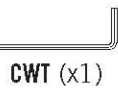
**CWC** (x4)  
6 mm x 38 mm Stainless Steel Screw

**CWT** (x1)  
4 mm Allen Wrench

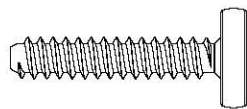




## TOOLS AND HARDWARE REQUIRED FOR THIS PAGE



CWT (x1)



CWB (x6)

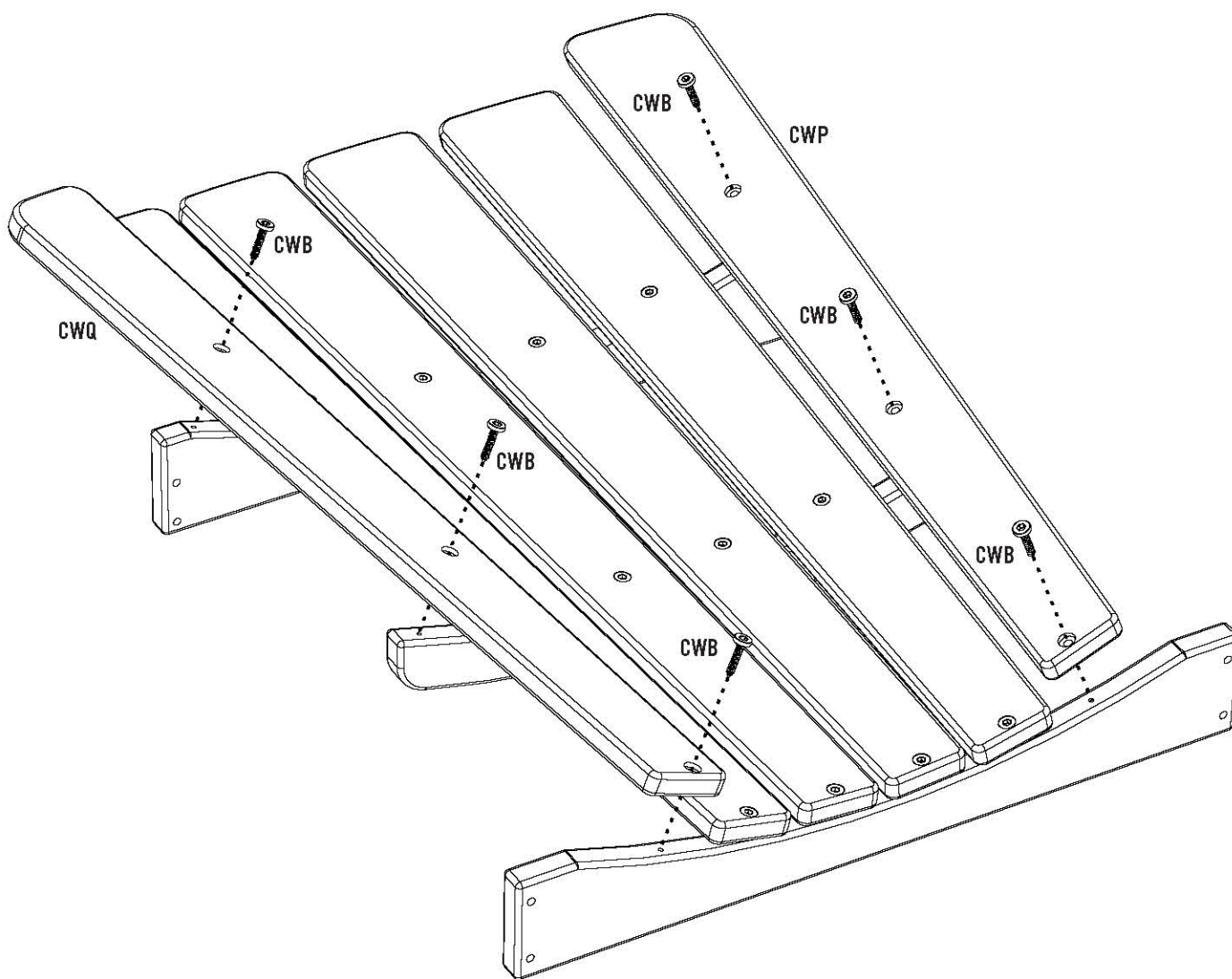
SEC 1



SEC

1.1

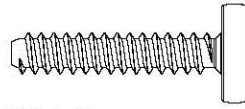
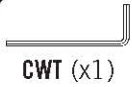
Connect the two **Left & Right Outer Back Rest Slats (CWP & CWQ)** to the **Back Rest Assembly (CWE)** using six (6) 6 mm x 28 mm Stainless Steel Screws (CWB). Do not overtighten.



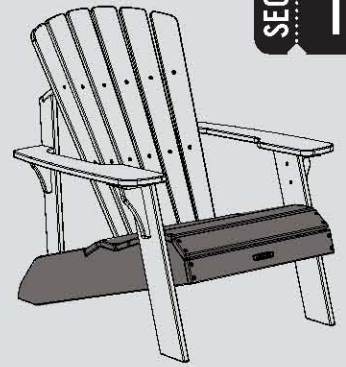


## TOOLS AND HARDWARE REQUIRED FOR THIS PAGE

SEC 1



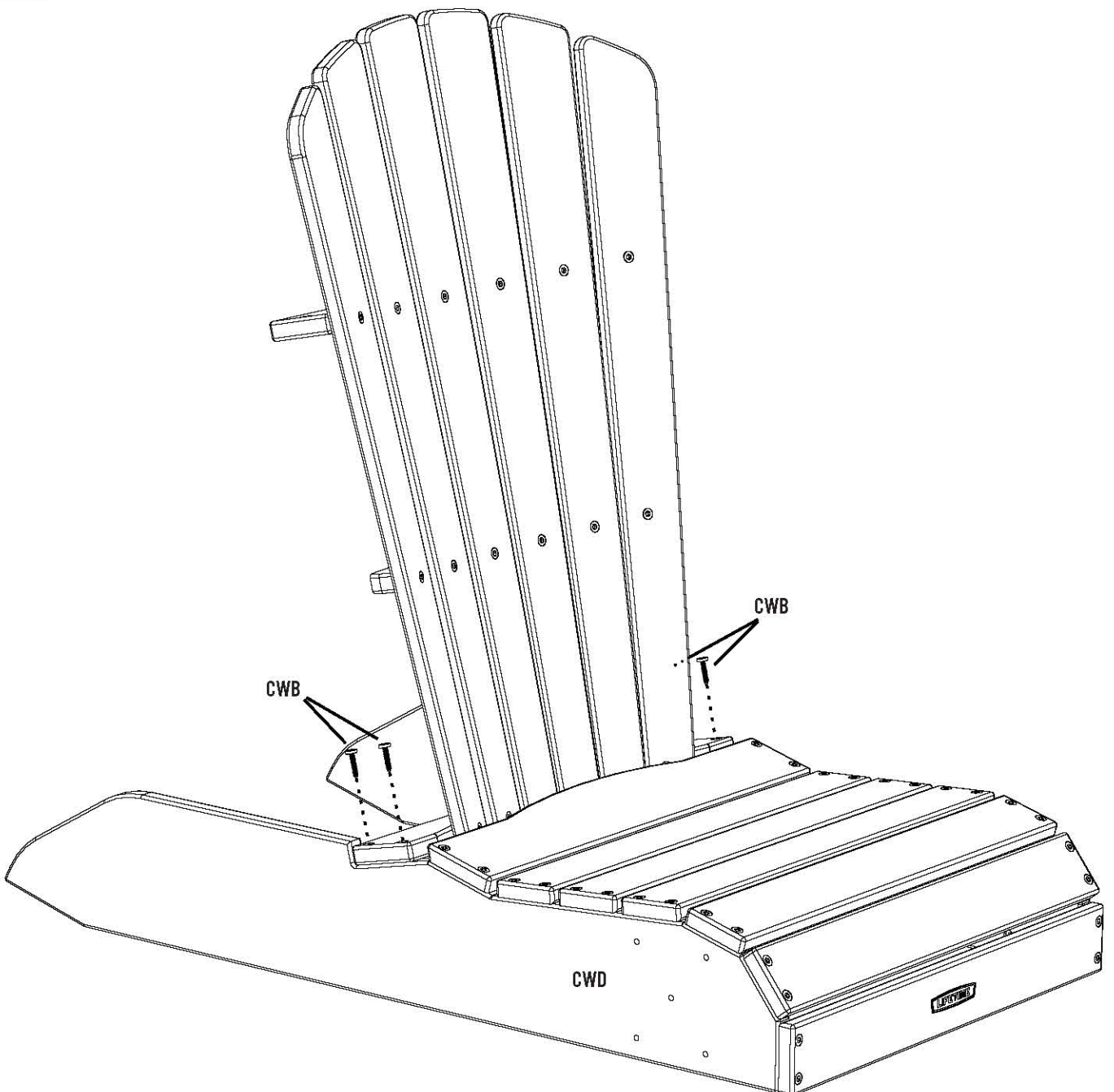
CWB (x4)



SEC

1.2

Secure the Back Rest Assembly on the **Seat Assembly (CWD)** using four (4) 6 mm x 28 mm Stainless Steel Screws (**CWB**). Do not overtighten.

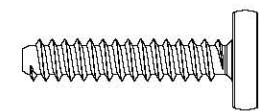




## TOOLS AND HARDWARE REQUIRED FOR THIS PAGE

SEC 1

CWT (x1)



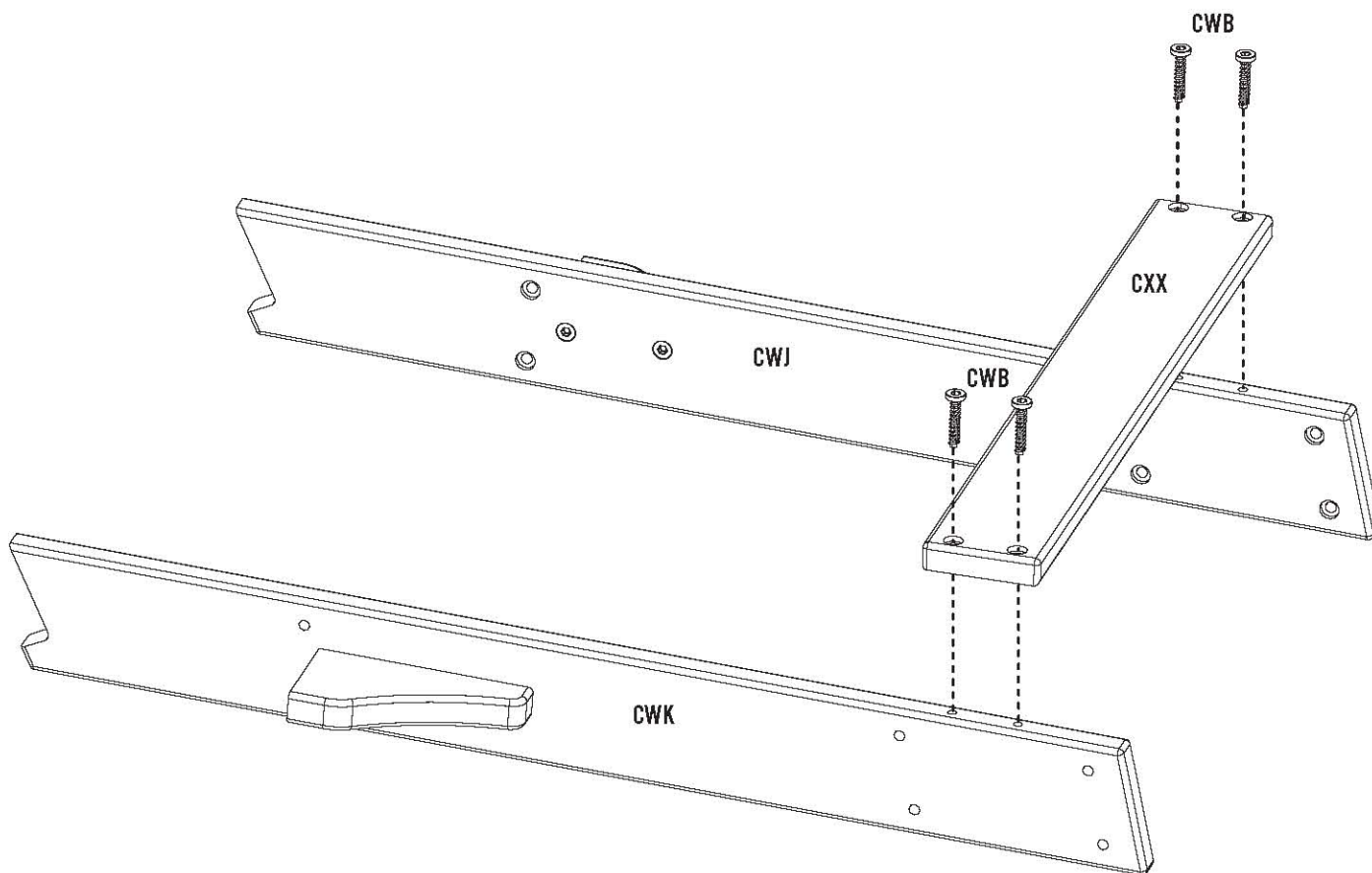
CWB (x4)



SEC

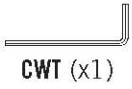
1.3

Connect the **Cross Brace (CXX)** to the **Right & Left Back Rest Supports (CWK & CWJ)** using four (4) **6 mm x 28 mm Stainless Steel Screws (CWB)** as shown. **Do not overtighten.**

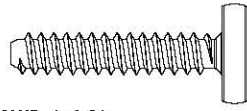




## TOOLS AND HARDWARE REQUIRED FOR THIS PAGE



CWT (x1)



CWB (x12)

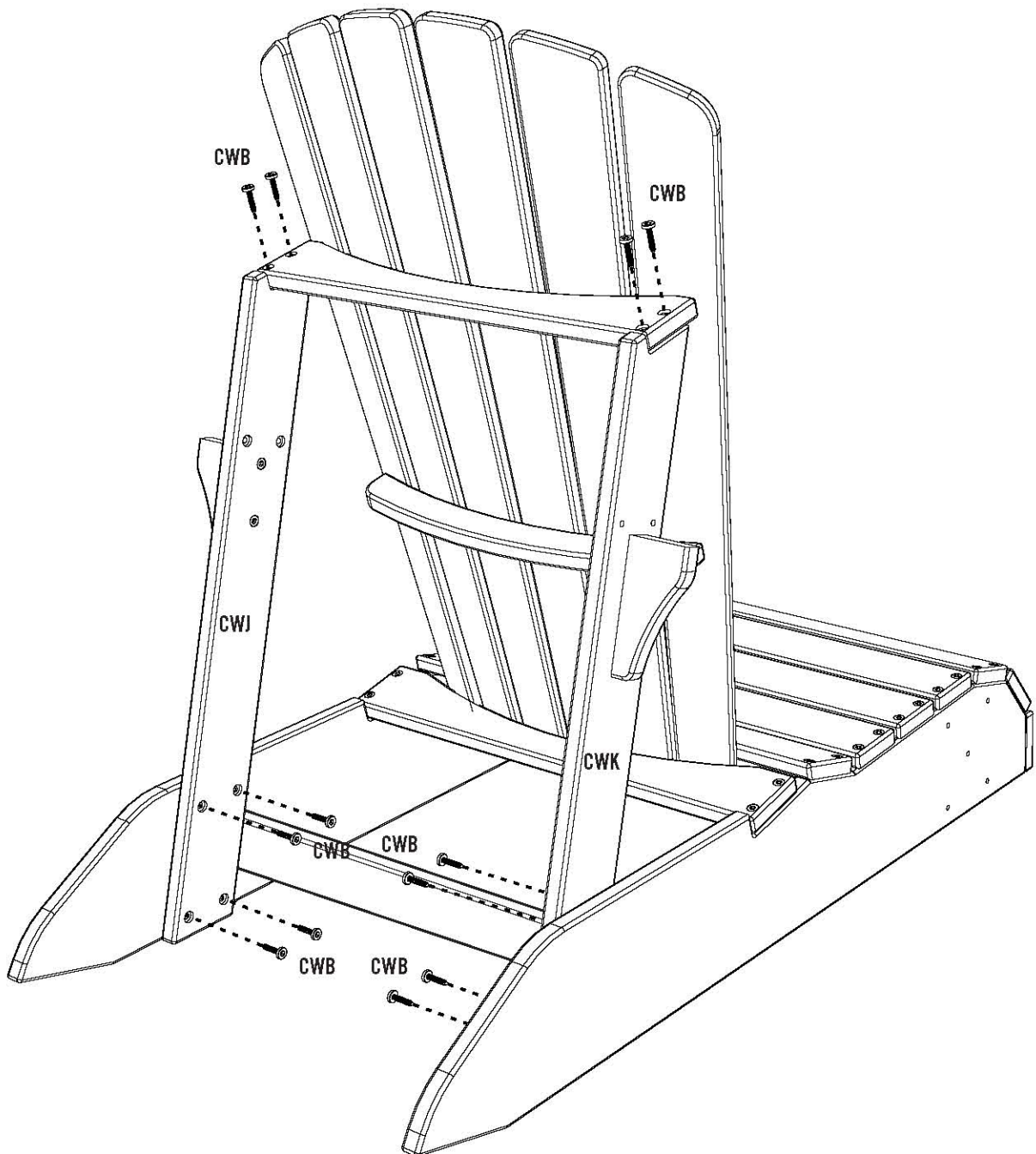
SEC 1



SEC

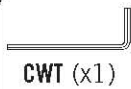
1.4

Secure the **Left & Right Back Rest Supports (CWJ & CWK)** to the Back Rest Assembly and Seat Assembly using twelve (12) 6 mm x 28 mm Stainless Steel Screws (CWB). Do not overtighten.

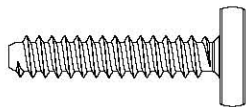




## TOOLS AND HARDWARE REQUIRED FOR THIS PAGE

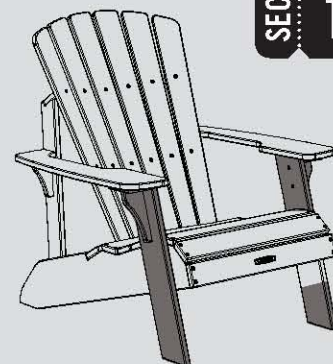


CWT (x1)



CWB (x10)

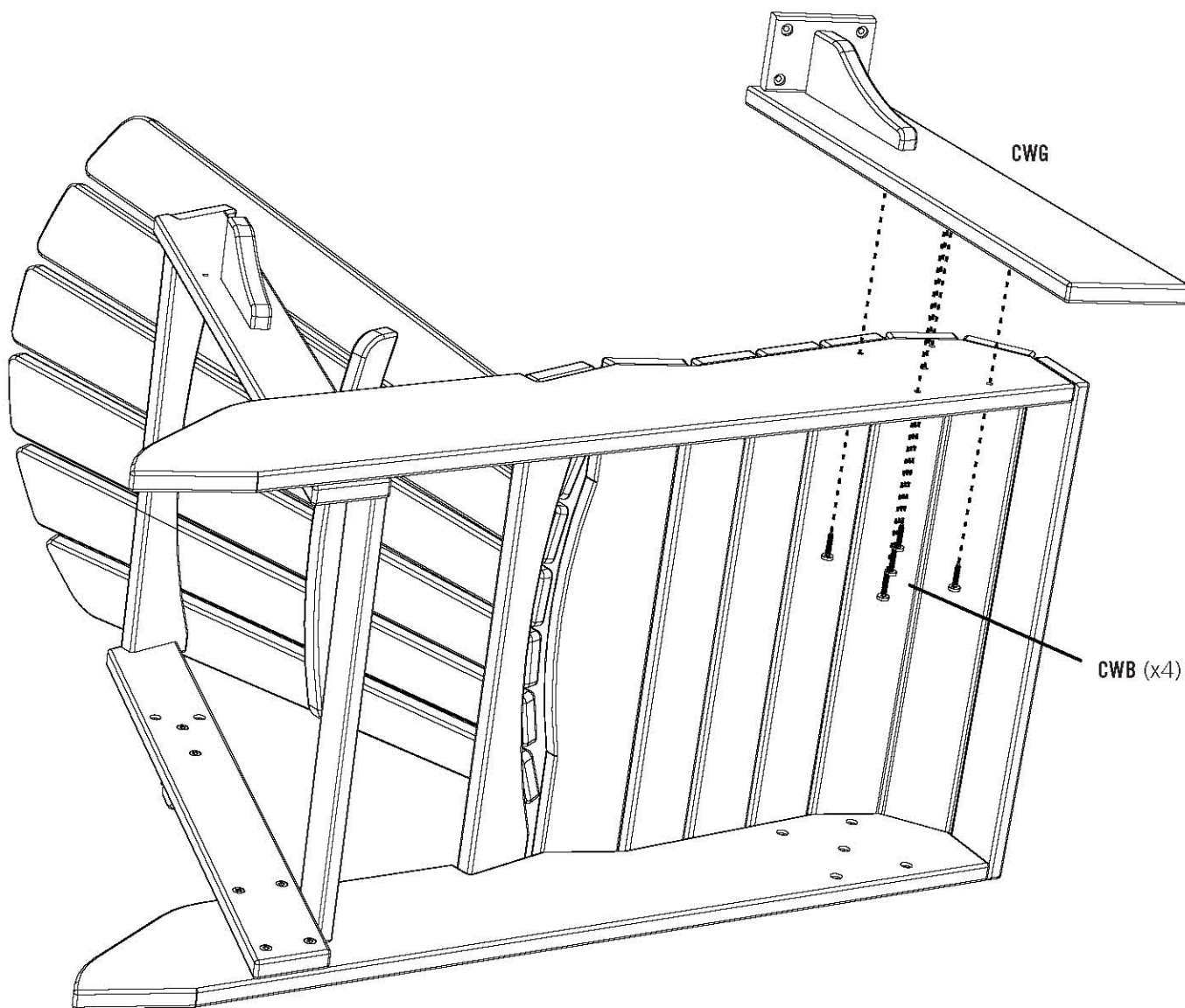
SEC 1



SEC

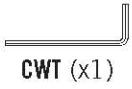
1.5

Gently lay the Chair on its left side, and secure the **Right Front Leg (CWG)** to the Seat Assembly using five (5) **6 mm x 28 mm Stainless Steel Screws (CWB)**. Do not overtighten.

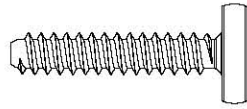




## TOOLS AND HARDWARE REQUIRED FOR THIS PAGE



CWT (x1)



CWB (x8)

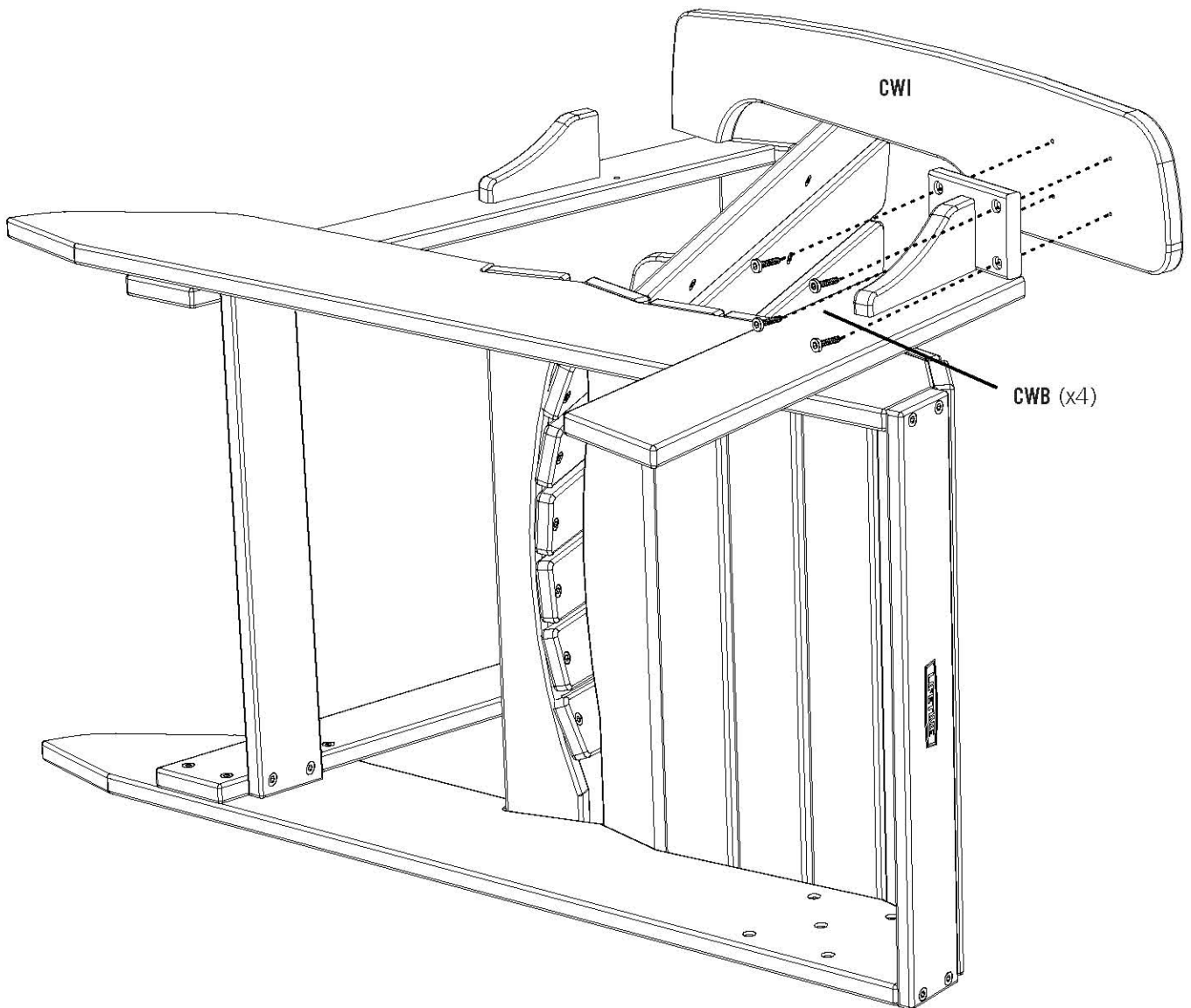
SEC 1



SEC

1.6

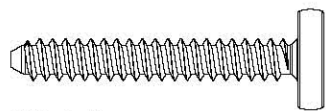
Secure the **Right Armrest (CWI)** to the Right Front Leg using four (4) 6 mm x 28 mm Stainless Steel Screws (CWB). Do not overtighten. Repeat steps 1.5 - 1.6 for the Left Front Leg (CWF) and Left Armrest (CWH).





## TOOLS AND HARDWARE REQUIRED FOR THIS PAGE

CWT (x1)



CWC (x4)

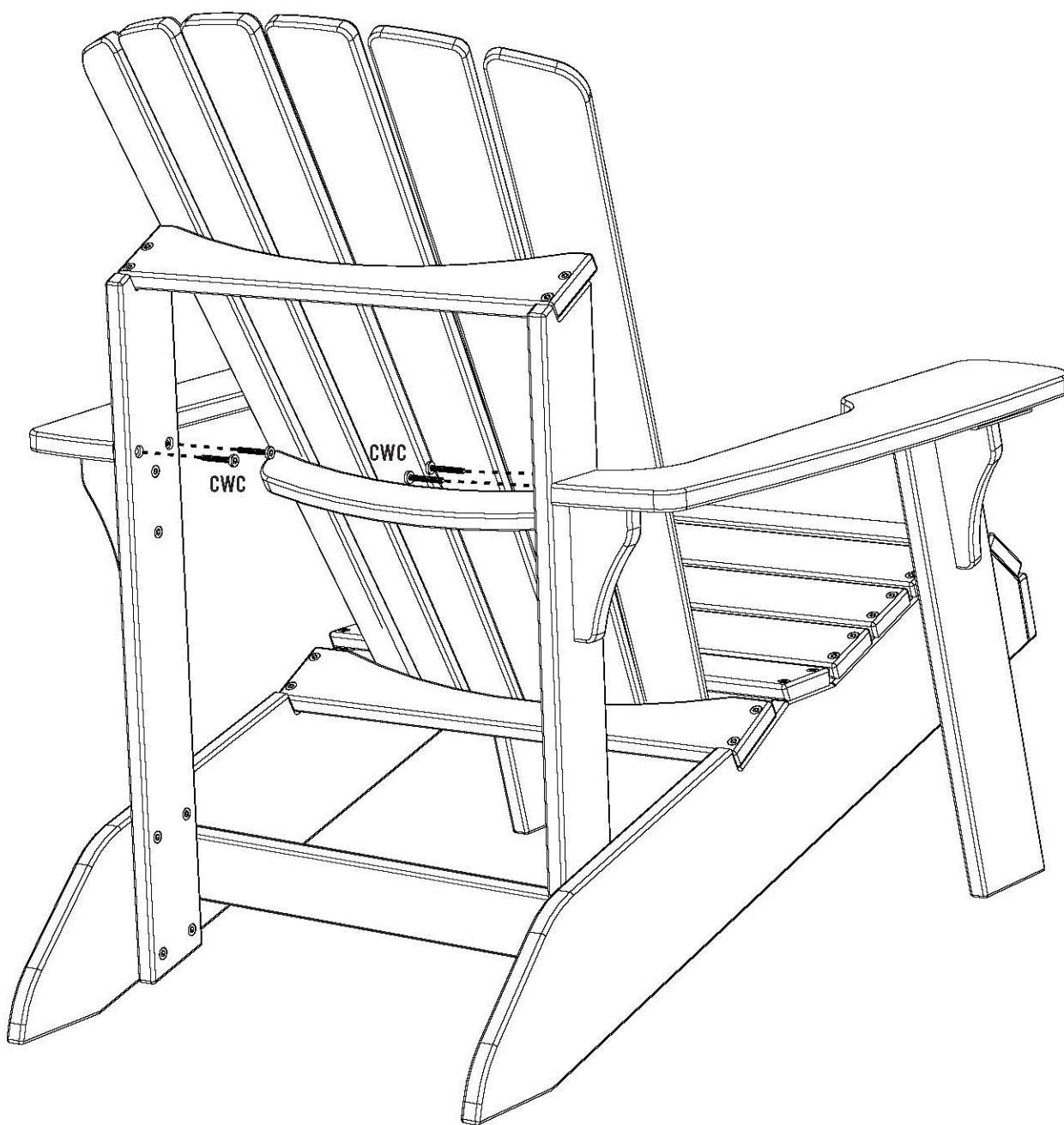
SEC 1



SEC

1.7

Set the Chair upright, and secure the Arm Assemblies to the Back Rest Supports using four (4) **6 mm x 38 mm Stainless Steel Screws (CWC)**. Do not overtighten.



## ***CLEANING & CARE***

Congratulations on your Lifetime® product purchase. By following the instructions below, your new Lifetime product should provide you with years of service and enjoyment.

### **Cleaning and Care**

The polyethylene panels are stain- and solvent-resistant. Most stains can be removed, using a mild soap and a soft-bristled brush. Abrasive cleaning materials may scratch the plastic and are not recommended. Repair scratches or rust spots on the metal by sanding the affected area lightly; using a rust preventative spray primer; and finally, spraying with a high-gloss spray enamel paint. Avoid placing a direct heat source on or near surfaces unless using a heat barrier.

## **LIFETIME® 2-YEAR LIMITED FACTORY WARRANTY**

**LIFETIME® PRODUCTS, INC. RESERVES THE RIGHT TO MAKE SUBSTITUTIONS TO WARRANTY CLAIMS IF PARTS ARE UNAVAILABLE OR OBSOLETE.**

1. Lifetime® Picnic Tables are warranted to the original purchaser to be free from defects in material or workmanship for a period of two years from the date of original retail purchase. The word “defects” is defined as imperfections that impair the use of the product. Defects resulting from misuse, abuse or customer negligence will void this warranty. This warranty does not cover defects due to alteration of accident. This warranty does not cover damage caused by vandalism, rusting, “acts of nature” or any other event beyond the control of the manufacturer.
2. This warranty is nontransferable and is expressly limited to the repair or replacement of defective product. If the product is defective within the terms of this warranty, Lifetime® Products, Inc. will repair or replace defective parts at no cost to the purchaser. Shipping charges are not covered and are the responsibility of the purchaser.
3. This warranty does not cover scratching, scuffing or other cosmetic damage that may result from normal use of the product. In addition, defects resulting from intentional damage, customer negligence or unreasonable use will void this warranty.
4. Liability for incidental or consequential damages is excluded to the extent permitted by law. While every attempt is made to embody the highest degree of safety in all products, freedom from injury cannot be guaranteed. The user assumes all risk of injury resulting from the use of this product. All merchandise is sold on this condition, and no representative of the company may waive or change this policy.
5. This warranty is in lieu of all other warranties expressed or implied, including warranties of merchantability or fitness for use to the extent permitted by Federal and state law. Neither Lifetime® Products, Inc. nor any representative assumes any other liability in connection with this product. This warranty gives you specific legal rights, and you may also have other rights which vary from state to state.

### **PLEASE INCLUDE YOUR DATED SALES RECEIPT AND PHOTOGRAPHS OF DAMAGED PARTS.**

REPORT PRODUCT DEFECTS IN WRITING TO:

Lifetime Products, Inc., PO Box 160010 Clearfield, UT 84016-0010  
or call 1-800-225-3865 M-F 7 a.m. to 5 p.m. MST.

### **REGISTER YOUR PRODUCT FOR QUICKER CUSTOMER SERVICE.**

Visit [www.lifetime.com](http://www.lifetime.com) or call 1-800-225-3865 to register your product today

### **FOR INTERNATIONAL WARRANTY CLAIMS:**

All warranty claims must be accompanied by a sales receipt. Report all warranty claims in writing to your regional sales support representative. Please include your dated sales receipt and photographs of damaged parts.

To Identify the representative for your region — Please visit: [www.lifetime.com/international](http://www.lifetime.com/international)



Lifetime® Products, Inc.

ENHANCE YOUR LIFETIME® PURCHASE BY ADDING ACCESSORIES OR OTHER GREAT PRODUCTS

---

To purchase accessories or other Lifetime Products, visit us at:

***[www.lifetime.com](http://www.lifetime.com)***

***Or call: 1-800-424-3865***

---

