

Full Motion Gas Spring TV Wall Mount - 23" to 55"

Installation Instructions



Caution

- Prior to installation of this product, the installation instructions should be read and completely understood. The installation instructions must be read to prevent personal injury and property damage. Keep these installation instructions in an easily accessible location for future reference.
- The maximum load capacity is 66 lbs (30 kg). Use with products exceeding the maximum load capacity may cause serious injury. See apparatus instructions.
- Recommended mounting surfaces: wood stud and solid-flat concrete/brick. If the mount is to be installed on any surface other than wood studs or solid concrete/brick, use suitable hardware (not included but commercially available).
- Do not install on a structure that is prone to vibration, movement or chance of impact. Failure to do so could result in damage to the display and/or damage to the mounting surface.
- Do not install near heater, fireplace, air conditioning, in direct sunlight or any other heat producing source. Failure to do so may result in damage to the display and could increase the risk of fire.
- The wall structure must be capable of supporting at least five (5) times the maximum load capacity as indicated. If not, the wall must be reinforced.
- Proper installation procedure by yourself or a qualified service technician, as outlined in the installation instructions, must be adhered to. Failure to do so could result in serious personal injury.
- When mounting to a wall that contains wood studs, confirm the dead center of the wood stud prior to installation, it is recommended that the wood studs be a minimum of 16" apart (if applicable).
- It is recommended that two people perform the installation. Personal injury and/or property damage can result from dropping or mishandling the display.

Unpacking

- Carefully remove the contents and lay them out on cardboard or other protective surface
- Check package contents against the parts list to ensure that all components were received and undamaged. Do not use damaged or defective parts
- Carefully read all instructions before attempting the installation

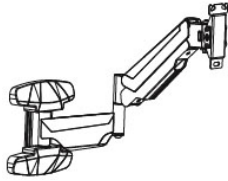
Safety Information

- Use proper safety equipment during installation
- If you don't understand the installation instructions, please consult an installation specialist
- This stand contains small parts which can act as a choking hazard if swallowed
- Do not use this product for any purpose or in any configuration not explicitly specified in these instructions

Tools Required

- Phillips screwdriver
- Electronic stud finder
- Bubble level
- Electric drill
- 3/16" drill bit (wood stud installation)
- 3/8" masonry drill bit, hammer (concrete/brick installation)

Parts List



A - (1x) Extension Arm



B - (1x) VESA Plate



C - (2x) VESA Plate Extender



D - (2x) VESA Plate Extender



E - (8x) Screw



F - (1x) 4mm Allen Key



G - (1x) 6mm Allen Key



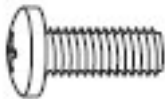
H - (1x) Wench



M-A - (4x) M5x14 Bolt



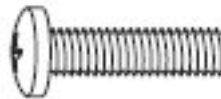
M-B - (4x) M6x14 Bolt



M-C - (4x) M8x20 Bolt



M-D - (4x) M6x30 Bolt



M-E - (4x) M8x30 Bolt



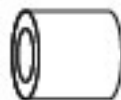
M-F - (4x) D5 Washer



M-G - (4x) D8 Washer



M-H - (8x) Spacer



M-I - (4x) Wide Spacer



W-A - (5x) Screw



W-B - (5x) Concrete Anchor



W-C - (4x) Washer

Installation

Step 1 - Remove the Decorative Covers from the Wall Plate

1. Place both hands on the decorative cover, gently squeeze to remove it from the wall plate, see **Figure 1**.
2. Remove the 2nd decorative cover using the same method.

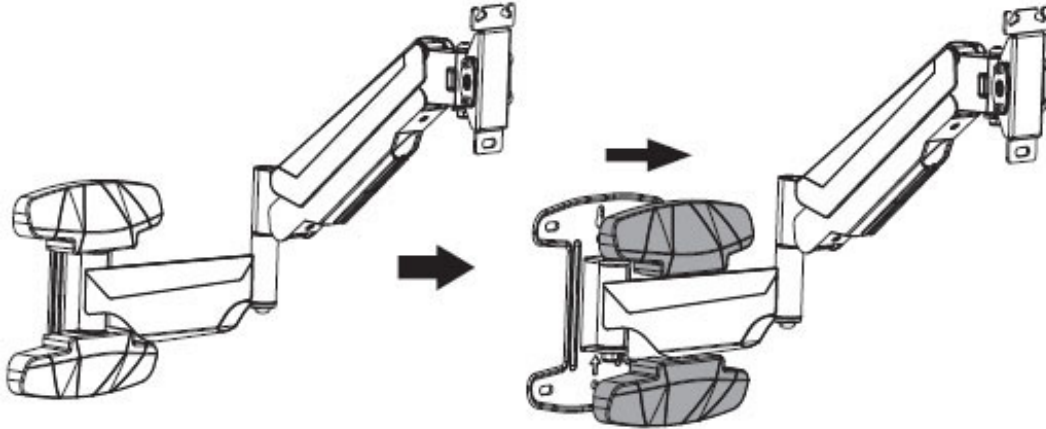


Figure 1

Step 2 - Wall Plate Installation

2A) Wood Stud Installation

1. Use a high quality electronic stud finder (commercially available) to locate dead center of a wood stud and mark the location with a pencil, see **Figure 2A-1**.
2. Hold the wall plate to the wall, line up the top mounting hole to dead center of the wood stud, and mark the location to be used for mounting the wall plate to the wall, see **Figure 2A-2**.
3. Take down the wall plate and drill a 2.2" deep hole, using a 3/16" drill bit, at the position you've marked. Insert **Screw (W-A)** into the drilled hole and with a Phillips screwdriver turn it clockwise to tighten, leave a gap of 6mm from fully tight, see **Figure 2A-3**.

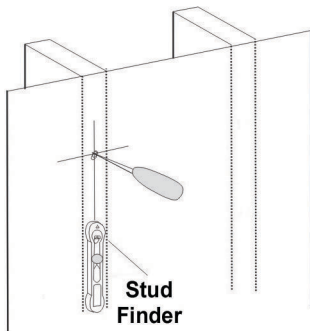


Figure 2A-1

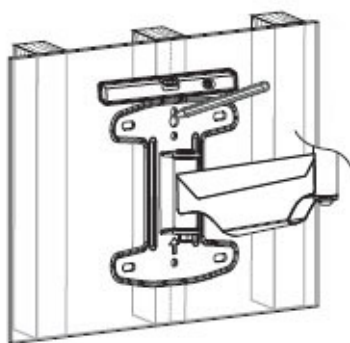


Figure 2A-2

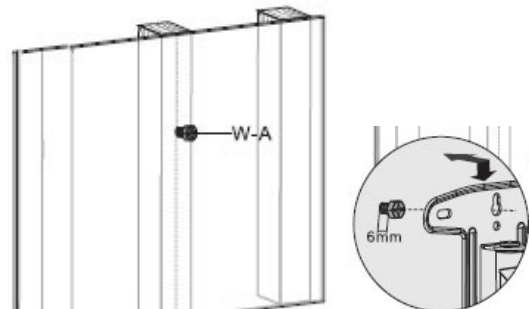


Figure 2A-3

4. Place the wall plate to the wall, insert the top mounting hole onto the mounted screw, see **Figure 2A-4**.
5. Line up center mounting holes to dead center of the wood stud, use a bubble level to verify that the wall plate is level, then mark the 2 locations, see **Figure 2A-5**.
6. Take down the wall plate and drill a 2.4" deep hole, using a 3/16" drill bit, at the locations you've marked.
7. Place the wall plate to the wall again, line up the mounting holes, use a bubble level to verify that the wall plate is level.
8. For each location insert **Screw (W-A)** and **Washer (W-C)** into the wall, see **Figure 2A-6**.
9. Tighten each screw with a Phillips screwdriver by turning clockwise until fully tight.

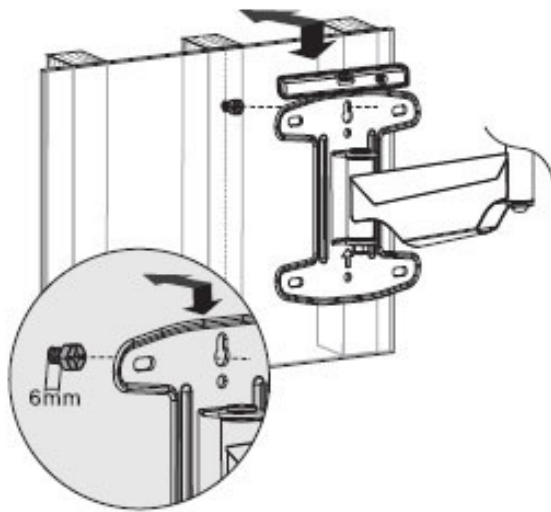


Figure 2A-4

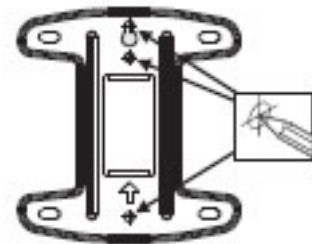


Figure 2A-5

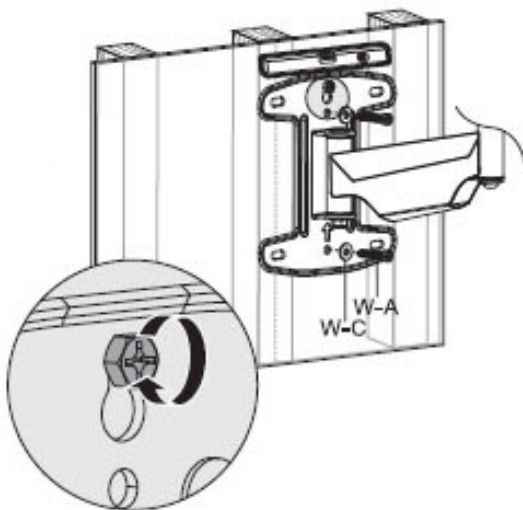


Figure 2A-6

2B) Concrete / Brick Installation

Note: The concrete anchors must be used for concrete and brick installation.

1. Place the wall plate onto the wall in the desired mounting location, check the bubble level to ensure it is level, see **Figure 2B-1**.
2. Mark 5 holes to be used for securing the wall plate, and place the wall plate aside, see **Figure 2B-2**. **Note:** Locate the holes directly into the concrete or brick, never into the mortar between the blocks.

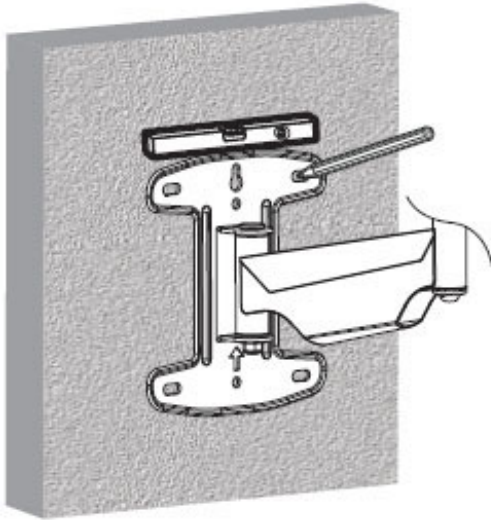


Figure 2B-1

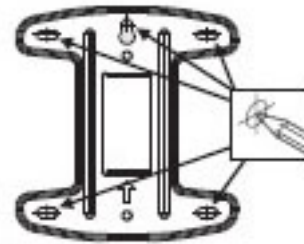


Figure 2B-2

3. Drill a 2.4" deep hole, using a 3/8" masonry drill bit, at the positions you've marked.
4. Insert a **Concrete Anchor (W-B)** into each hole, see **Figure 2B-3**.
5. If necessary, a hammer can be used to lightly tap each concrete anchor into place so that they are flush with the wall.
6. Once all of the concrete anchors are in place, insert **Screw (W-A)** into the top center concrete anchor, and with a Phillips screwdriver turn it clockwise to tighten, leave a gap of 6mm from fully tight, see **Figure 2B-4**.

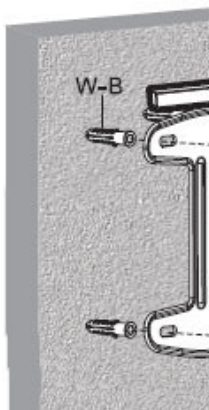


Figure 2B-3

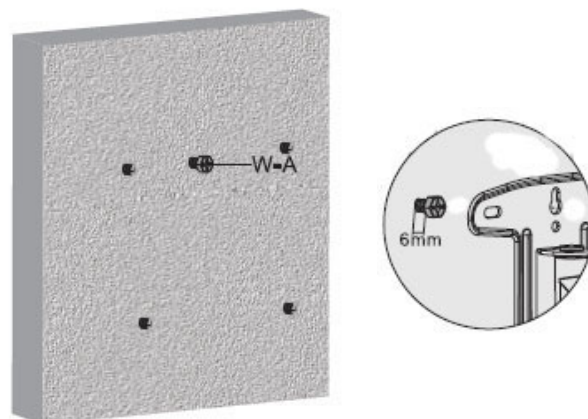


Figure 2B-4

7. Place the wall plate to the wall, insert the top center mounting hole onto the mounted screw, see **Figure 2B-5**.
8. Line up the mounting holes with the concrete anchors. Check with a bubble level to verify that the wall plate is level.
9. Insert **Screw (W-A)** and **Washer (W-C)** into each concrete anchor. Tighten all screws with a Phillips screwdriver by turning clockwise until fully tight, see **Figure 2B-6**.

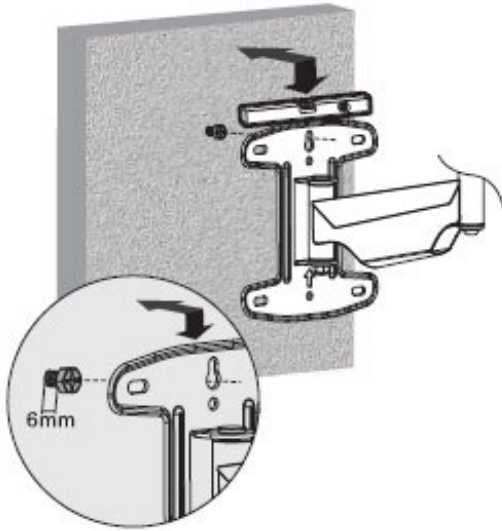


Figure 2B-5

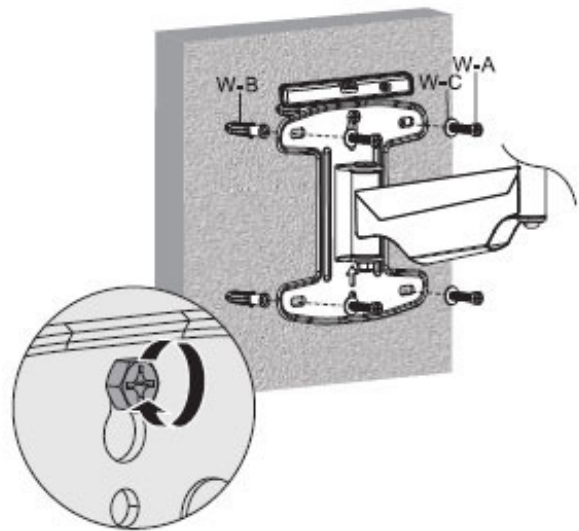


Figure 2B-6

Step 3 - Reinstall the Decorative Covers

1. Align the decorative cover to the wall plate and carefully press until it snaps into place, see **Figure 3**.

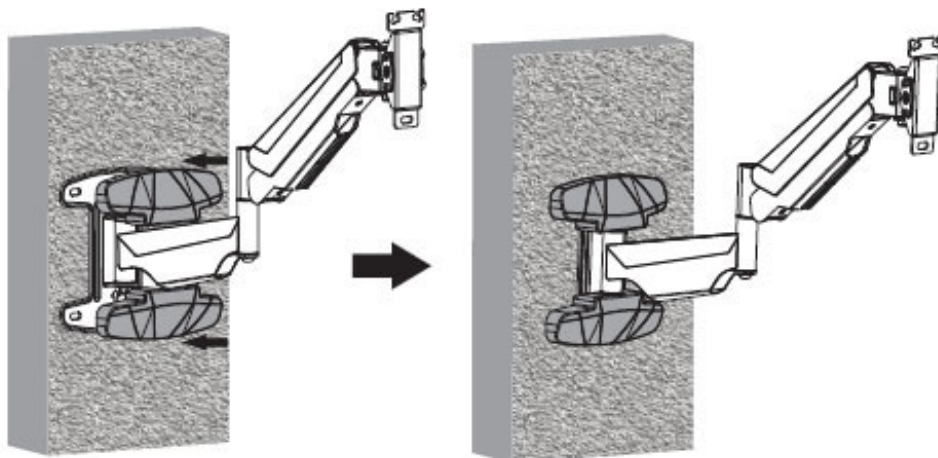
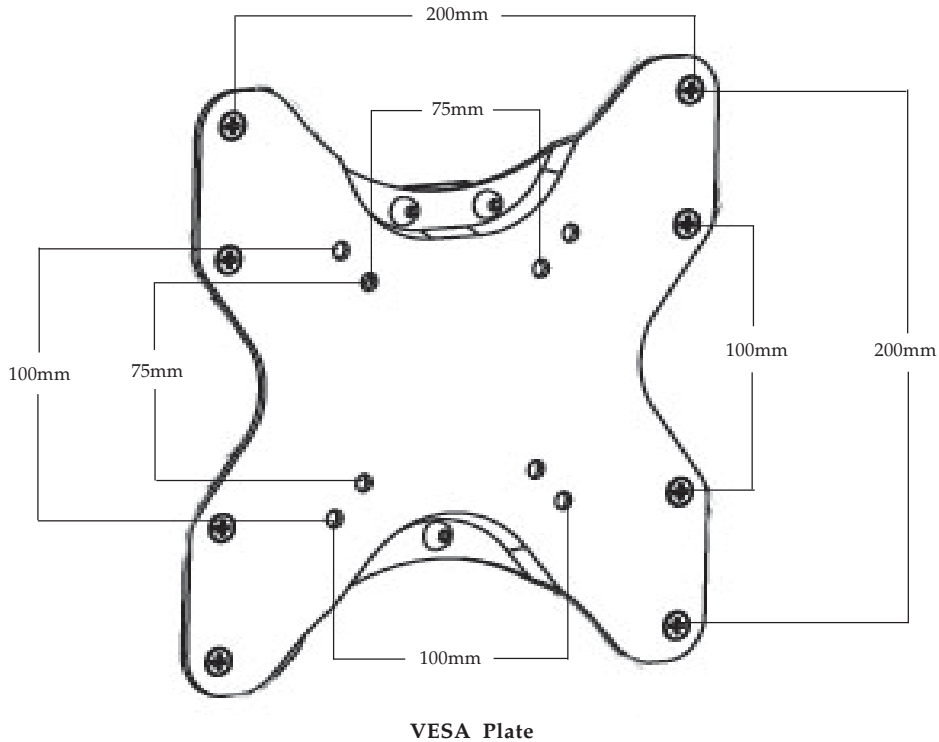


Figure 3

Step 4 - Select the VESA Plate Mounting Pattern to Match your TV

The VESA Plate fits VESA mounting pattern 75x75, 100x100, 200x100 and 200x200. For a TV with different mounting pattern, add the VESA Plate Extender as shown below.

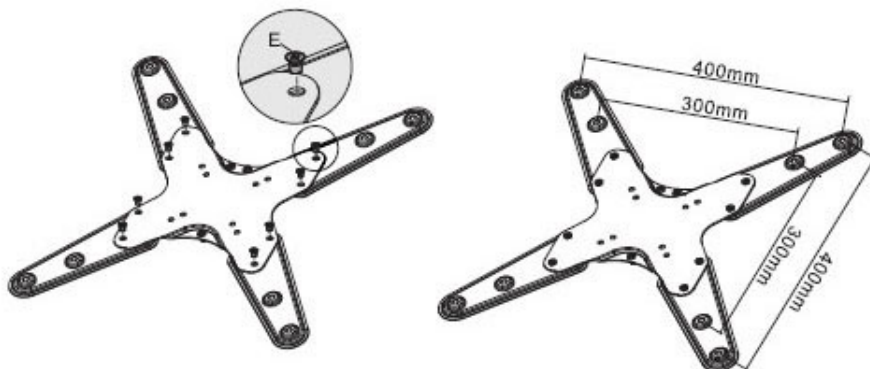
VESA Mounting Pattern: 75x75mm / 100x100mm / 200x100mm / 200x200mm



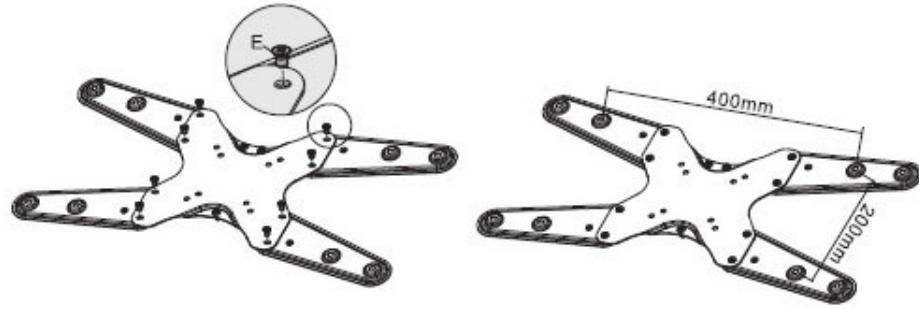
Follow the Below Steps to Install the VESA Plate Extender onto the VESA Plate for the VESA Mounting Patterns as Shown

1. Determine the VESA mounting pattern of your TV.
2. Install the VESA Plate Extender to the VESA Plate in the position shown.
3. Use Bolt (E) and tighten with a Phillips screwdriver to secure the extender to the VESA Plate.

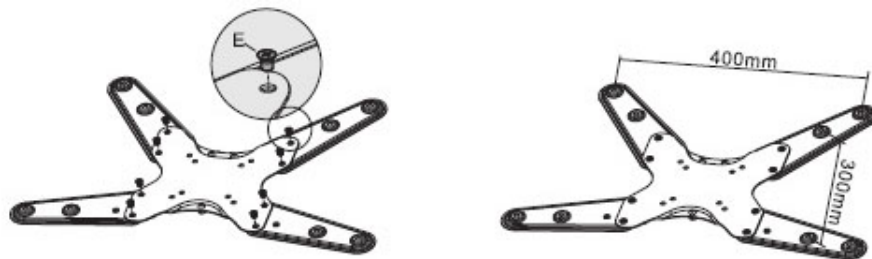
VESA Mounting Pattern: 300x300 / 400x400



VESA Mounting Pattern: 400x200



VESA Mounting Pattern: 400x300



Step 5 - Install the VESA Plate to the TV

Mounting the VESA Plate to a TV with a Flat Back

1. Place your TV screen side down on a soft flat surface, and locate the threaded mounting holes that are located on the back of the TV.
2. Determine the depth of the mounting holes by inserting a straw or toothpick. Select the **Bolt (M-A, M-B, M-C)** with the correct depth and diameter of the mounting holes of your TV.
3. Thread the bolts into the TV using the correct **Washer (M-F, M-G)**, then tighten them with a Phillips screwdriver by turning clockwise until fully tight, see **Figure 4 & 4B**.
4. Remove the mounting nut from the VESA plate by turning it counterclockwise, set it aside for later use, see **Figure 4A**.

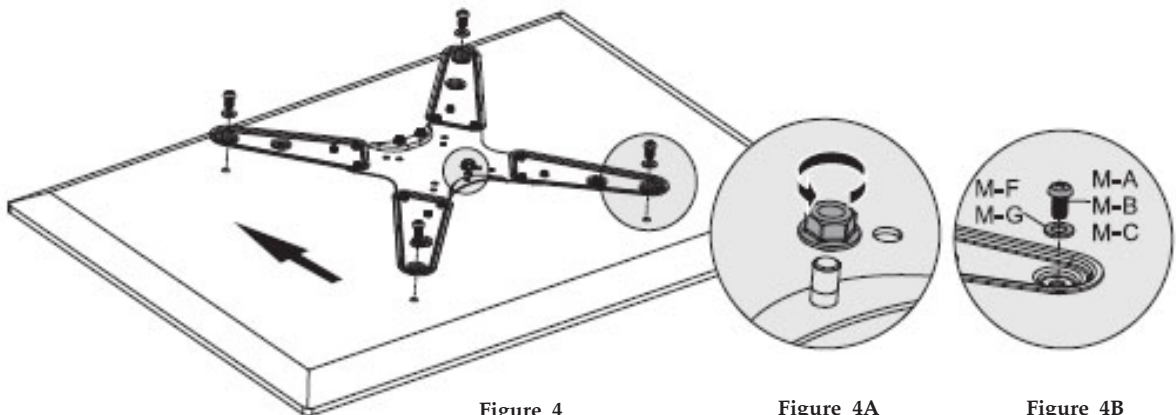


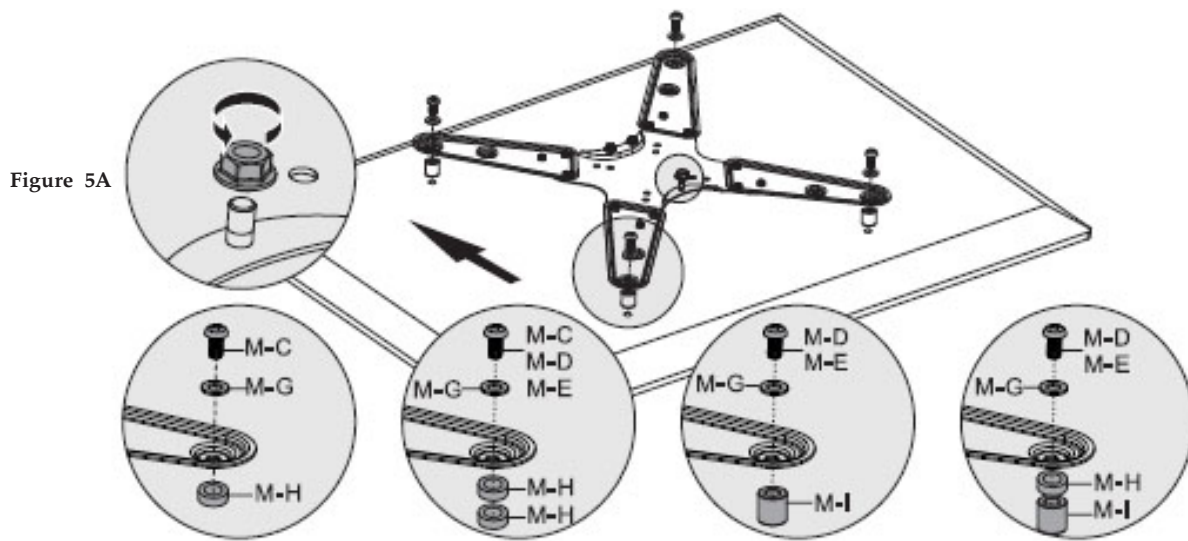
Figure 4

Figure 4A

Figure 4B

Mounting the VESA Plate to a TV with a Curved Back

1. Place your TV screen side down on a soft flat surface, and locate the threaded mounting holes that are located on the back of the TV.
2. Determine the depth of the mounting holes by inserting a straw or toothpick. Select the **Bolt (M-C, M-D, M-E)** with the correct depth and diameter of the mounting holes of your TV.
3. Thread the bolts into the TV using the correct **Washer (M-G)** and **Spacer (M-H, M-I)**, then tighten them with a Phillips screwdriver by turning clockwise until fully tight, see **Figure 5**.
4. Remove the mounting nut from the VESA plate by turning it counterclockwise, set it aside for later use, see **Figure 5A**.



Step 5 - Attaching the TV to the Extension Arm

Warning: Some TVs may require two people to lift and position it onto the extension arm. SIIG, Inc. is NOT RESPONSIBLE for any damage or injury caused by incorrect installation, assembly or use.

1. Hang the TV with VESA plate assembly onto the top of the extension arm bracket, then let the bottom of the VESA plate rotate to the bottom of the bracket, see **Figure 6**. **Note:** if needed, loosen the 2 mounting nuts slightly for easier installation.
2. Replace the mounting nut removed earlier, and tighten all mounting nuts with **Wrench (H)** by turning them clockwise until fully tight, see **Figure 7**.

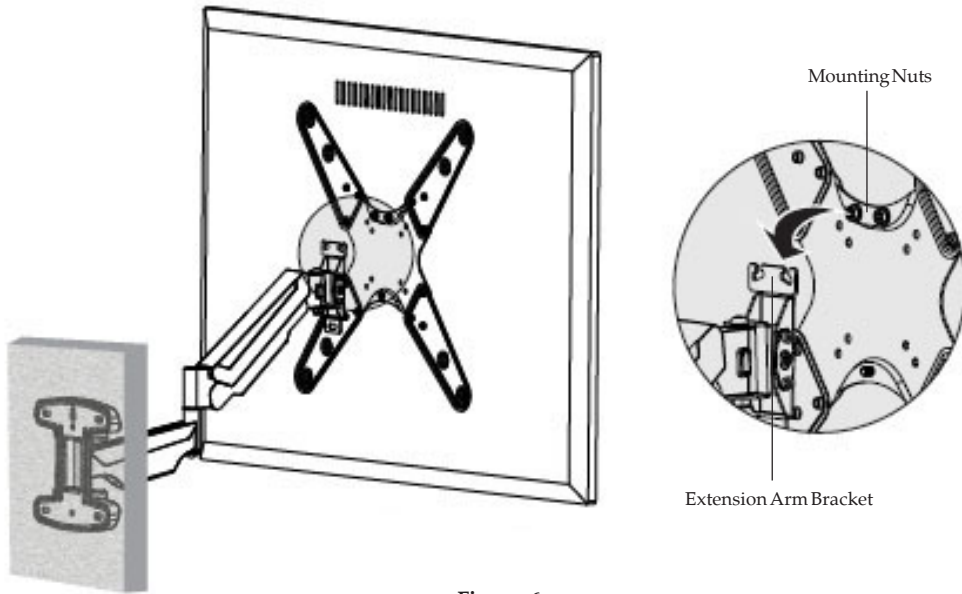


Figure 6

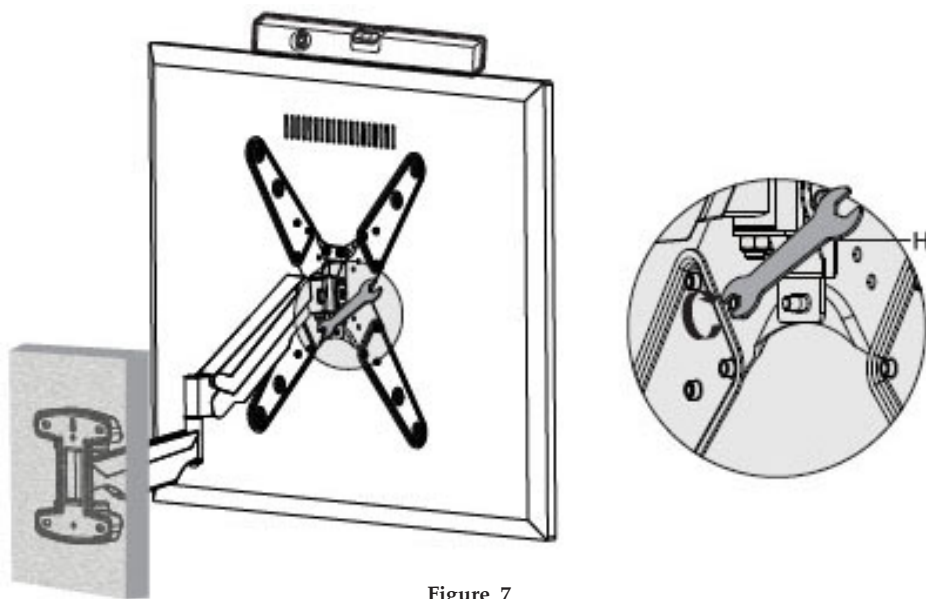


Figure 7

Step 6 - Gas Spring Adjustment

1. Adjust the tension of the Gas Spring using **4mm Allen Key (G)**, see **Figure 8**.
2. Turn it clockwise to decrease the tension for lighter monitors, or turn it counterclockwise to increase the tension for heavier monitors.

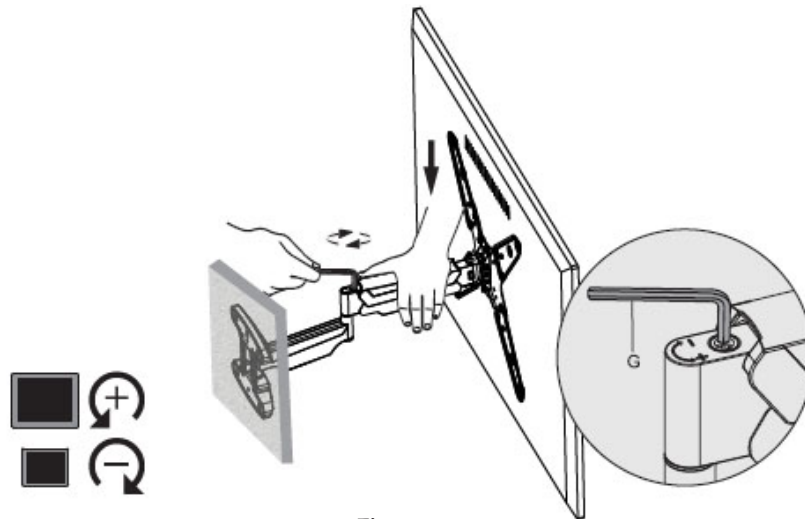


Figure 8

Step 7 - Final Installation

1. Route the cables from your TV through the cable management system, see **Figure 9**.
2. Adjust the tilt angle with **Allen Key (F)**, see **Figure 9A**.
3. Adjust the level of the TV using **Wrench (H)** to loosen the mounting nuts, see **Figure 9B**.
4. Place the monitor into the optimal viewing angle, see **Figure 10**.

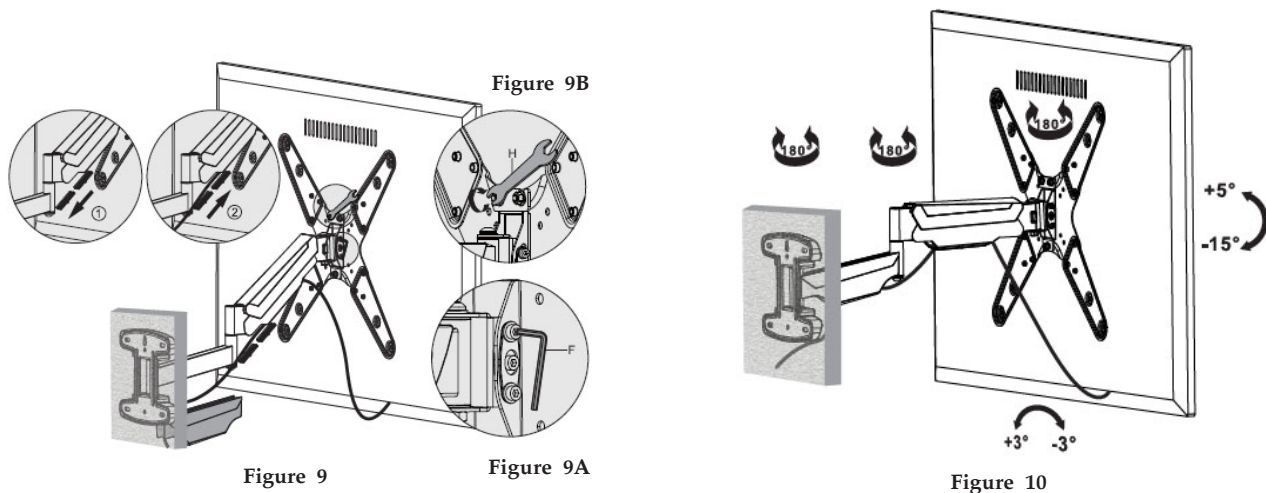


Figure 9

Figure 9A

Figure 10

Maintenance

Check the mounting hardware every two months for tightness.

Blank Page

Blank Page

Blank Page

Technical Support and Warranty

QUESTIONS? SIIG's **Online Support** has answers! Simply visit our web site at www.siig.com and click **Support**. Our online support database is updated daily with new drivers and solutions. Answers to your questions could be just a few clicks away. You can also submit questions online and a technical support analyst will promptly respond.

SIIG offers a 3-year manufacturer warranty with this product. This warranty covers the original purchaser and guarantees the product to be free of any defects in materials or workmanship for three (3) years from the date of purchase of the product. This warranty is not transferable and is available only to the original purchaser of the product.

SIIG will, at our discretion, repair or replace (with an identical product or product having similar features and functionality) the product if defective in materials or workmanship. This warranty gives you specific legal rights, and you may also have other rights which vary from state to state. Please see our web site for more warranty details.

If you encounter any problems with this product, please follow the procedures below.

- A) If it is within the store's return policy period, please return the product to the store where you purchased it.
- B) If your purchase has passed the store's return policy period, please follow these steps to have the product repaired or replaced.

Step 1: Submit your RMA request. Go to www.siig.com, click **Support**, then **Request A Product Replacement** to submit a request to [SIIG RMA](#) or fax a request to 510-657-5962. Your RMA request will be processed, if the product is determined to be defective, an RMA number will be issued.

Step 2: After obtaining an RMA number, ship the product.

- Properly pack the product for shipping. All software, cable(s) and any other accessories that came with the original package must be included
- Include a copy of your original sales receipt inside the package with the date of purchase and place of purchase circled and clearly visible
- Clearly write your RMA number on the top of the returned package. SIIG will refuse to accept any shipping package, and will not be responsible for a product returned without an RMA number posted on the outside of the shipping carton
- You are responsible for the cost of shipping to SIIG. Ship the product to the following address:
SIIG, Inc.
6078 Stewart Avenue
Fremont, CA 94538-3152, USA
RMA #: _____
- SIIG will ship the repaired or replaced product via Ground in the U.S. and International Economy outside of the U.S. at no cost to the customer

About SIIG, Inc.

Founded in 1985, SIIG, Inc. is a leading manufacturer of IT connectivity solutions (including Serial ATA and Ultra ATA Controllers, FireWire, USB, and legacy I/O adapters) that bridge the connection between Desktop/Notebook systems and external peripherals. SIIG continues to grow by adding A/V and Digital Signage connectivity solutions to our extensive portfolio. All centered around the distribution and switching of A/V signals over CAT5/6, these products include matrix switches, distribution amplifiers, extenders, converters, splitters, cabling, and more.

SIIG is the premier one-stop source of upgrades and is committed to providing high quality products while keeping economical and competitive prices. High-quality control standards are evident by one of the lowest defective return rates in the industry. Our products offer comprehensive user manuals, user-friendly features and are backed by an extensive manufacturer warranty.

SIIG products can be found in many computer retail stores, mail order catalogs, and e-commerce sites in the Americas, as well as through major distributors, system integrators, and VARs.

PRODUCT NAME

Full Motion Gas Spring TV Wall Mount - 23" to 55"

Full Motion Gas Spring TV Wall Mount - 23" to 55" is a trademark of SIIG, Inc. SIIG and the SIIG logo are registered trademarks of SIIG, Inc. All other names used in this publication are for identification only and may be trademarks of their respective owners.